

# MOPAR

## PASSENGER CAR PARTS CATALOG

"R" SERIES

1961

PLYMOUTH

VALIANT

DE SOTO

CHRYSLER

IMPERIAL



MOPAR

OCTOBER 1960

CHRYSLER MOTORS CORPORATION

MOPAR PARTS AND ACCESSORIES

DETROIT 31, MICHIGAN

[MyMopar.com](http://MyMopar.com)

Pages	
INF-1	General Information
PK-1	Parts Packages
1-1	Group 1 Accessories
2-1	Group 2 Front Suspension
3-1	Group 3 Axle - Rear
4-1	Group 4 Brake - Parking
5-1	Group 5 Brake - Service
6-1	Group 6 Clutch
7-1	Group 7 Cooling
8-1	Group 8 Electrical
9-1	Group 9 Engine
10-1	Group 10 Engine Oiling
11-1	Group 11 Exhaust
12-1	Group 12 Fenders and Sheet Metal
13-1	Group 13 Frame
14-1	Group 14 Fuel
15-1	Group 15 Hood
16-1	Group 16 Prop. Shaft & Univ. Jt.
17-1	Group 17 Springs
18-1	Group 18 Standard Parts
19-1	Group 19 Steering
21-1	Group 21 Transmission
22-1	Group 22 Wheels
23-1	Group 23 Body
24-1	Group 24 Air Conditioning
AL-1	Alphabetical Index
NU-1	Numerical Index
X-1	Vendor Cross Reference

**INDEX TO INFORMATION PAGES**

	Page No.
Abbreviations . . . . .	INF-10
Engine Identification . . . . .	INF-13
Engine Numbers . . . . .	INF-13
Interfiling Revision Pages . . . . .	INF- 9
Locating Parts . . . . .	INF-10
Model Designation . . . . .	INF- 4
Model Specifications . . . . . Plymouth Valiant DeSoto Chrysler Imperial	INF- 6
Ordering Information . . . . .	INF-15
Part Type Code System . . . . .	INF-12
Revision Service to Parts List . . . . .	INF- 9
Serial Number Designation . . . . .	INF- 5
Specifying Information . . . . .	INF-10
Standard Parts . . . . .	INF-10
Symbols Used In Parts List . . . . .	INF- 9
Vehicle Serial Numbers . . . . .	INF-12

1961 PASSENGER CAR MODEL DESIGNATION

The following information will acquaint you with the model code system being used with the 1961 series vehicles.

The year is identified by the letter "R" for 1961.

Each car make is identified by the letters P for Plymouth, V - Valiant, S - DeSoto, C - Chrysler, and Y for the Imperial.

The various chassis for each make are identified by the numbers 1, 2 and 3. In the Plymouth No. 1 represents a 6 cylinder chassis and No. 2 an 8 cylinder chassis. On DeSoto, Chrysler, and Imperial, the numbers 1, 2, and 3 indicate one of the various 8 cylinder chassis built.

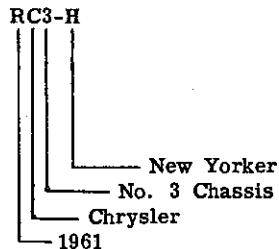
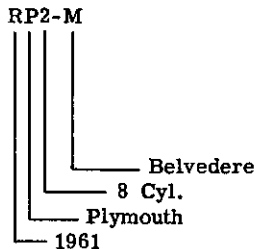
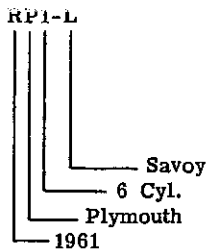
The last letter in the model code indicates the price class in which the particular model falls, as shown below.

L - Low price class (Savoy, Valiant V100, DeSoto, Windsor, Imperial Custom)

M - Medium price class (Belvedere, Saratoga, Imperial Crown)

H - High price class (Fury, Valiant V200, New Yorker, Imperial LeBaron)

Example:



A glance at the model designation will enable you to identify a model by year, make of car, number of cylinders and price class.

**1961 PASSENGER CAR SERIAL NUMBER DESIGNATION**

The new serial number coding system will be uniform for all car assembly plants. The code breakdown is as follows:

The serial number will consist of a ten (10) digit numeric sequence number.

The 1st digit is the numeric identification for car line used in the uniform body codes.

2. Plymouth 6 Cyl.
3. Plymouth 8 Cyl.
6. DeSoto
8. Chrysler
9. Imperial

The 2nd digit is the model series identification.

1. Savoy, Valiant V100, DeSoto, Windsor, Imperial Custom
2. Belvedere, Saratoga, Imperial Crown
3. Fury, Valiant V200, New Yorker, Imperial LeBaron
4. 300G
5. Station Wagon, Savoy, Valiant V100, Windsor
6. Station Wagon, Belvedere
7. Station Wagon, Fury, New Yorker
8. Taxi
9. Police
0. Fleet

The third digit (1 - indicates 1961 models)

The fourth digit will be a numeric designation for producing plant.

1. Plymouth Plant - Detroit
3. Jefferson Plant - Detroit
4. Imperial Plant - Detroit
5. Los Angeles Plant - Calif.
6. Newark Plant - Del.
7. St. Louis Plant - Valley Park, Mo.

The last six digits will consist of a six digit sequence number. The sequence numbers will begin with 100001 except Valiant (Detroit Built) which will begin with 300001. Each model series for each car line will begin with sequence number 100001 or 300001.



# 1961 PLYMOUTH

## Model Specifications

1961 MODEL		1960 CODE	NO. CYL.	CAR SERIAL NO. FIRST	
RP1-L	SAVOY	PP1-L	6	DETROIT ST. LOUIS NEWARK LOS ANGELES	2111-100001 2117-100001 2118-100001 2115-100001
RP1-L	SAVOY SUBURBAN	PP1-L	6	DETROIT ST. LOUIS NEWARK LOS ANGELES	2511-100001 2517-100001 2516-100001 2515-100001
RP1-M	BELVEDERE	PP1-M	6	DETROIT ST. LOUIS NEWARK LOS ANGELES	2211-100001 2217-100001 2216-100001 2215-100001
RP1-M	BELVEDERE SUBURBAN	PP1-M	6	DETROIT ST. LOUIS NEWARK LOS ANGELES	2611-100001 2617-100001 2616-100001 2615-100001
RP1-H	FURY	PP1-H	6	DETROIT ST. LOUIS NEWARK LOS ANGELES	2311-100001 2317-100001 2316-100001 2315-100001
RP2-L	SAVOY	PP2-L	8	DETROIT ST. LOUIS NEWARK LOS ANGELES	3111-100001 3117-100001 3116-100001 3115-100001
RP2-L	SAVOY SUBURBAN	PP2-L	8	DETROIT ST. LOUIS NEWARK LOS ANGELES	3511-100001 3517-100001 3516-100001 3515-100001
RP2-M	BELVEDERE	PP2-M	8	DETROIT ST. LOUIS NEWARK LOS ANGELES	3211-100001 3217-100001 3216-100001 3215-100001
RP2-M	BELVEDERE SUBURBAN	PP2-M	8	DETROIT ST. LOUIS NEWARK LOS ANGELES	3611-100001 3617-100001 3616-100001 3615-100001
RP2-H	FURY	PP2-H	8	DETROIT ST. LOUIS NEWARK LOS ANGELES	3311-100001 3317-100001 3316-100001 3315-100001
RP2-H	FURY SUBURBAN	PP2-H	8	DETROIT ST. LOUIS NEWARK LOS ANGELES	3711-100001 3717-100001 3716-100001 3715-100001

# 1961 VALIANT

## Model Specifications

	1961 MODEL	1960 CODE	NO. CYL.	CAR SERIAL NO. FIRST	
RV1-L	VALIANT V100	QX1-L	6	DETROIT ST. LOUIS NEWARK LOS ANGELES	1112-300001 1117-100001 1116-100001 1115-100001
RV1-L	VALIANT SUBURBAN V100	QX1-L	6	DETROIT ST. LOUIS NEWARK LOS ANGELES	1512-300001 1517-100001 1516-100001 1515-100001
RV1-H	VALIANT V200	QX1-H	6	DETROIT ST. LOUIS NEWARK LOS ANGELES	1312-300001 1317-100001 1316-100001 1315-100001
RV1-H	VALIANT SUBURBAN V200	QX1-H	6	DETROIT ST. LOUIS NEWARK LOS ANGELES	1712-300001 1717-100001 1716-100001 1715-100001

# 1961 DESOTO

## Model Specifications

	1961 MODEL	1960 CODE	NO. CYL.	CAR SERIAL NO. FIRST	
RS1-L	DESOTO	PS1	8	DETROIT	6113-100001

# 1961 CHRYSLER

## Model Specifications

	1961 MODEL	1960 CODE	NO. CYL.	CAR SERIAL NO. FIRST	
RC1-L	NEWPORT	PC1	8	DETROIT	8113-100001
RC1-L	NEWPORT SUBURBAN	PC1	8	DETROIT	8513-100001
RC2-M	WINDSOR	PC2	8	DETROIT	8213-100001
RC3-H	NEW YORKER	PC3	8	DETROIT	8313-100001
RC3-H	NEW YORKER-SUBURBAN	PC3	8	DETROIT	8713-100001
RC4-P	300		8	DETROIT	8413-100001

# 1961 IMPERIAL

## Model Specifications

	1961 MODEL	1960 CODE	NO. CYL.	CAR SERIAL NO. FIRST	
RY1-L	IMPERIAL CUSTOM	PY1-L	8	DETROIT	9114-100001
RY1-M	IMPERIAL CROWN	PY1-M	8	DETROIT	9214-100001
RY1-H	IMPERIAL LE BARON	PY1-H	8	DETROIT	9314-100001

## **SYMBOLS USED IN THIS PARTS CATALOG**

The following symbols are used in the Parts Catalog and revisions thereto:

- \* - An asterisk preceding a part number indicates a change or addition.
- B - A double box preceding a part number indicates parts which have been added and not previously published.
- ★ - A star symbol in the "Per Car" column means "use as required."
- ( ) - The numerals within parenthesis in the model column refer to notes at the bottom of the page. These notes have been used wherever necessary to further explain model application, serial number breaks, etc. Such notes are numbered and cross referenced to the item to which they apply.

## **PARTS CATALOG REVISION SERVICE**

### GENERAL

Subscribers to the MoPar Passenger Car Parts Catalog Revision Service will be provided with revision pages incorporating latest information. Proper interfiling of the revision pages will insure the subscriber a complete and up-to-date Parts Book.

Accompanying each mailing of a set of revision pages is a covering letter which outlines the contents of the particular revision: Group Name, Group Number, and Page Numbers being eliminated, replaced, or added to each revised group. It is advised that the letter be read carefully to avoid elimination of pages which are still current.

## **INTERFILING REVISION PAGES**

The importance of prompt interfiling of revision pages upon receipt cannot be stressed too greatly.

The following method for interfiling revised and new pages has been found to be efficient and time saving and is recommended for your use:

1. Insert the revised pages loosely in their proper location in the catalog.
2. Pull the locking trigger and lift the transfer bar with all pages down to the first loose revision sheet which has been inserted in its proper location.
3. Compare the revised (loose) page with the superseded page, noting changes and date.

NOTE: If you use the revised pages as part of your parts record-keeping system, note the changes in the revised (loose) page and post accordingly.

4. Remove superseded page.
5. Place revised page on post of transfer bar.
6. Replace transfer bar with all pages in place on bottom post.
7. Re-lock cover and your catalog is current and accurate.

**SPECIFYING INFORMATION**

The following information is included in this Parts Catalog:

1. Part Type Code
2. Part Name
3. Part Number
4. Model Application
5. Quantity used per vehicle
6. Effective points of changes by vehicle serial number, engine number and body number.
7. Description and dimensions necessary for proper identification of parts.

8. Parts not previously listed in the Parts Catalog are designated by a double box (E) symbol preceding the part number.
9. Under the column No. Cyl. where no. of cylinders are not shown indicates part is for 6 and 8 cylinder. In the model column 3 conditions appear:
  - A. Part Number
  - B. Dashes
  - C. Blank
 Part number applies only where it appears in the column of the model.

**HOW TO LOCATE PARTS**

The Parts Catalog is divided into Groups. A tab index is provided to separate the Groups. To locate a part by name, see Alphabetical Index. To locate a part by number, see Numerical Index.

In cases where only the location of the part on the vehicle is known, refer to Tab Index to locate the Group in which the part is located. Then refer to the illustrations which appear at the beginning of that Group for identification of the part by name and Part Type Code. Parts are listed in Part Type Code sequence within the Group and reference to the proper code will determine the part number.

**STANDARD PARTS**

Standard Parts such as bolts, nuts, etc., are listed under the major parts which they attach and are not coded. Standard Parts listed as Major Parts, such as fuses, bulbs, and bearings in the 100,000 part number series are assigned a Part Type Code and coded within the group in which they are listed.

A comprehensive listing of the most commonly used Standard Parts available in carton quantities will be found under Group 18.

**ABBREVIATIONS**

Abbreviations as used throughout this list are interpreted as follows:

abs. . . . .	absorber	carb. . . . .	carburetor
accel. . . . .	accelerator	C. I. . . . .	cast iron
acc. . . . .	accessory	ctr. . . . .	center
adj. . . . .	adjusting-or-able-ment	C/L . . . . .	Center Line
alum. . . . .	aluminum	chamf. . . . .	chamfered
amp. . . . .	ampere	chr. . . . .	chromium
approx. . . . .	approximate-or-ly	c/breaker . . . . .	circuit breaker
arm. . . . .	armature	c/nut . . . . .	clinch nut
assy. . . . .	assembly	comb. . . . .	combination
as req. . . . .	as required	compt. . . . .	compartment
att. . . . .	attaching	comp. . . . .	complete or component
AL . . . . .	AutoLite	con. . . . .	connecting-tion-or
auto. . . . .	automatic	cont. . . . .	continued
aux. . . . .	auxiliary	cop. . . . .	copper
bal. . . . .	balance	ck. . . . .	countersunk
brg. . . . .	bearing	cu. . . . .	cubic
B. E. . . . .	black enamel	cust. . . . .	custom
brkt. . . . .	bracket	cyl. . . . .	cylinder
br. . . . .	brass	defl. . . . .	deflector
bz. . . . .	bronze	Det. . . . .	Detroit
blt. . . . .	built	diag. . . . .	diagonal
bush. . . . .	bushing	dia. . . . .	diameter
ca. . . . .	cadmium	diaph. . . . .	diaphragm
Cal. . . . .	California	diff. . . . .	differential
canc. . . . .	cancelled	dir. . . . .	directional
cp. . . . .	candlepower	dist. . . . .	distributor or distributing

## ABBREVIATIONS - CONT'D

div.	division	O. D.	outside diameter
dom.	domestic	O/S	oversize
d/r shaft	double rocker shaft	pkg.	package
elec.	electric	pkd.	parkerized
elim.	eliminator	park.	parking
eng.	engine	p/lamp	parking lamp
equip.	equipment	part.	partial or partition
etc.	et cetera	P. or Pass.	passenger
Evans.	Evansville	Penna.	Pennsylvania
exh.	exhaust	pl.	pillar
Exp.	Export	pln.	plain
ext.	extension	p/washer	plainwasher
F.	Fahrenheit	pltd.	plated
fast.	fastening, fastener	pt.	point
fil. hd.	fillister head	pos.	positive
fin.	finish	lbs.	pounds
fl. hd.	flat head	prop.	propeller
ft.	foot or feet	qtr.	quarter
freq.	frequency	rad.	radiator
frt.	front	rr.	rear
gen.	generator	rec.	receiver
gov.	governor	refl.	reflector
Gm.	Gyromatic Transmission	reg.	regulator
h/brake	hand brake	reinf.	reinforcement
hd.	head	rem.	remote
h/lamp	headlamp	repl.	replacement
hdls.	headless	req.	required
h/lining	headlining	ret.	retainer
htr.	heater	R. P. M.	revolutions per minute
hex.	hexagon	rt.	right
hsg.	housing	RHD.	Right Hand Drive
hydr.	hydraulic	R. H. thd.	Right Hand Thread
ign.	ignition	rd.	round
in.	inch	S. L.	San Leandro
incl.	inclusive or includes	sec.	section
ind.	indicator	s-fin.	semi-finished
I. D.	inside diameter	ser.	serial or service
inst.	instrument or instruction	s.p.	shakeproof
ins.	insulating-tion-or	sig.	signal
inter.	intermittently-mediate	s/r shaft	single rocker shaft
j/block	junction block	speedo.	speedometer
kilo.	kilometer	spec. equip.	special equipment
lea.	leather	sq.	square
lt.	left	std.	standard
LHD.	Left Hand Drive	S.	steel
L. H. thd.	Left Hand Thread	strg.	steering
lgh.	length	stght.	straight
lic.	license	supt.	support
l/washer	lockwasher	synch.	synchronizer
L. A.	Los Angeles	T/Lamp	tail lamp
L. C.	low compression	T/Plate	tapping plate
lwr.	lower	T/Bolt	tee-bolt
M. I.	malleable iron	term.	terminal
manif.	manifold	T.	teeth
man.	manual	thd.	thread
m/cyl.	master cylinder	thk.	thick
med.	medium	Tor. Cv.	Torque Converter
M. P. H.	miles per hour	trans.	transmission
mldg.	moulding	tub.	tubular
mtg.	mounting	U/Drive	underdrive
neg.	negative	U/S	undersize
ni.	nickel	univ.	universal
No. or #	number	U. J.	universal joint
oper.	operating	vac.	vacuum
opp.	opposite	vent.	ventilator-ing
opt.	optional	vert.	vertical
oz.	ounce	v.	volt

**ABBREVIATIONS - CONT'D**

vol. cont. . . . .	volume control	w/lift . . . . .	window lift
w/strip . . . . .	weatherstrip	w/shield . . . . .	windshield
whl. . . . .	wheel	w/ . . . . .	with
W.B. . . . .	wheelbase	w/o . . . . .	without
w/house . . . . .	wheelhouse		

**PASSENGER CAR MODELS AND BODY STYLES**

2 D. Cl. Sed. . . . .	2 Door Club Sedan	Est. Wgn. . . . .	Estate Wagon
3 Cp. . . . .	3 Passenger Coupe	Imp. . . . .	Imperial
4 D. . . . .	4 Door Sedan	Limo. . . . .	Limousine
7 Sed. . . . .	7 Passenger Sedan	Ply. . . . .	Plymouth
8 Sed. . . . .	8 Passenger Sedan	Sed. . . . .	Sedan
De. . . . .	De Soto	Sp. . . . .	Special
Cp. . . . .	Coupe	Sp. Cl. Cp. . . . .	Special Club Coupe
Cv. Cp. . . . .	Convertible Coupe	Sp. 4 D. Sed. . . . .	Special 4 Door Sedan
Cl. Cp. . . . .	Club Coupe	Sta. Wgn. . . . .	Station Wagon
Chry. . . . .	Chrysler	Sub. . . . .	Suburban
Cust. . . . .	Custom		

**PART TYPE CODE SYSTEM**

To simplify the listing and locating of individual parts, a system of Part Type Codes is used in this Parts Catalog.

To illustrate, a Type of Part will be indicated as:

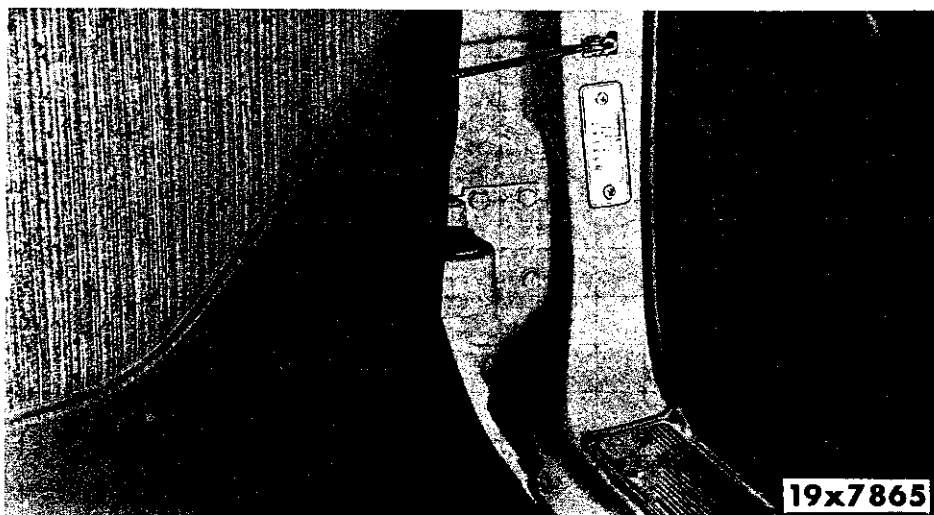
2-03-3      KNUCKLE, w/BUSHING

This code is broken down as follows:

- 2-            Indicates the Major Group: "Group 2 -- Front Suspension"
- 03         Indicates the Sub Group: "03 -- Steering Knuckle"
- 3           Indicates the Code for the specific name of the part: "Knuckle, w/Bushing"

Part Type Code 2-03-3 will always appear as "KNUCKLE, w/BUSHING."

**VEHICLE SERIAL NUMBER PLATE**



The Vehicle Serial Number Plate is located on the left front door hinge pillar.

If you are not certain of the correct part number when ordering parts for a specific vehicle, always specify the Vehicle Serial Number.

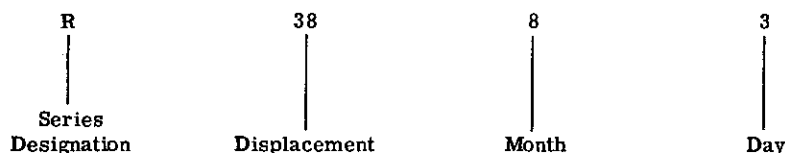
**ENGINE IDENTIFICATION**

A method of Engine Serial Numbering is now in effect.

The 1st letter designates the Series

The two numbers following the letter will be Displacement

The last numerals designate Month and Date built



The example above is an engine No. as it would appear on Engine built August 3.

Listed below are Engine Numbers as they will appear assuming the production date is August 3.

	Type of Engine	
6 Cyl. Pass. Car	"G" (170 cu. in.)	- R-17-8-3
6 Cyl. Pass. Car R	"G" (225 cu. in.)	- R-22-8-3
8 Cyl. Pass. Car	"B" (361 cu. in.)	- R-36-8-3
8 Cyl. Pass. Car	"B" (383 cu. in.)	- R-38-8-3
8 Cyl. Pass. Car R	"B" (383 cu. in.)	- RR-38-8-3
8 Cyl. Pass. Car R	"B" (413 cu. in.)	- R-41-8-3
8 Cyl. Pass. Car	(318 cu. in.)	Not Affected.

**ENGINE NUMBER****LOCATING ENGINE NUMBER**

A boss is provided on all cylinder blocks upon which the Engine Number is stamped. For 6-cylinder engines, this is located on the left side of the block at the front and below the cylinder head. For 8-cylinder engines, it will be found on the top of the cylinder block behind the water pump, except on the Plymouth RP2, where it is located on the front of the block beneath the left-hand (driver's side) cylinder head.

**IMPORTANT**

MoPar Engines are supplied with blank engine number bosses only. Dealers are governed by state law on the application of engine numbers. In states where license fees are based on displacement or taxable horsepower, it will be necessary to change Vehicle Registration if the new MoPar Engine differs from the one which it replaces.

**ILLUSTRATIONS**

Illustrations are located at the beginning of each group. Parts are identified on the illustration by Noun Name and Part Type Code. The Part Type Code designation will serve as an index to locate the listing of the Group.



## PAGE NUMBERING

Two-part page numbers are used throughout this catalog. The first part of the page designation indicates the major group or section. The second part indicates the actual page number in the group. For example:

1-1 indicates Group 1, Accessories, Page 1

2-1 indicates Group 2, Front Suspension, Page 1

In the maintenance of the Loose Leaf Parts Catalog Revision Service, it may become necessary to add information beyond the capacity of the page. In this event, an "A" page will be used. For example: If it becomes necessary, because of change, to add several part numbers to page 2-1 and space does not permit the addition, you will be given Page 2-1A. Page 2-1A should be filed immediately following page 2-1.

## PARTS PACKAGES

Service Parts Packages, containing all parts needed for a specific service operation, are listed in their respective groups with related parts. The listing will show adaptability and model application. Often it becomes necessary to know just what parts are contained in a Service Package. To determine this, refer to the Service Package Section. This section contains a secondary listing of all Service Packages in this Parts Catalog together with a list of every component part of each package. Service Packages in this section are listed numerically by Part Type Code.

## ALPHABETICAL INDEX

Reference to any part by sub-group name is provided in the Alphabetical Index. This index indicates the Part Type Code, by means of which the listing can be quickly located.

## NUMERICAL INDEX

Reference to any part by part number is provided in the Numerical Index. This index indicates the Part Type Code.

## ORDERING INFORMATION

**NOTE:** For Information On "How To Order MoPar Parts" See General Information Section In MoPar Parts Price List.



CODE	PART NAME AND PART NUMBER	CODE	PART NAME AND PART NUMBER
------	---------------------------	------	---------------------------

## PARTS PACKAGES

1-01-1 GUARD PACKAGE, FRONT  
 BUMPER TIE BAR . . . Part No. 2240 382  
 Consists of:  
 2 - 180 147 Bolt  
 2 - 120 383 Lockwasher  
 2 - 271 501 Nut  
 2 - 120 395 Plainwasher  
 1 - ---- Tie Bar  
 BUMPER TIE BAR . . . Part No.\*2196 449  
 Consists of:  
 2 - ---- Bolt  
 2 - 2074 235 Guard  
 2 - 120 382 Washer, Lock  
 2 - 120 394 Washer

1-06-1 FLASHER PACKAGE,  
 EMERGENCY . . . . . Part No. 2256 968  
 Consists of:  
 1 - 2097 161 Bracket, Switch  
 1 - ---- Flasher  
 1 - ---- Screw  
 1 - 220 480 Screw  
 1 - ---- Washer and Nut

FLASHER PACKAGE  
 EMERGENCY . . . . . Part No.\*2097 278  
 Consists of:  
 1 - ---- Bracket, Mounting  
 1 - ---- Nut  
 1 - 133 781 Screw  
 1 - ---- Screw  
 1 - ---- Wiring

LAMP PACKAGE, HAND  
 BRAKE SIGNAL . . . . . Part No. 2076 719  
 Consists of:  
 1 - ---- Bracket, Lamp Switch  
 1 - 142 453 Bulb, Lamp  
 1 - ---- Lamp, Indicator  
 1 - ---- Nut, Lamp Mounting  
 1 - 9414 586 Screw, Bracket Mounting  
 1 - ---- Socket and Cables  
 1 - 1972 426 Switch

LAMP PACKAGE, HAND  
 BRAKE SIGNAL . . . . . Part No.\*2096 797  
 Consists of:  
 1 - ---- Bracket  
 1 - 127 934 Bulb  
 1 - 2096 529 Lamp  
 1 - ---- Socket and Cable  
 1 - 1971 931 Switch

1-10-1 LAMP PACKAGE,  
 BACK-UP . . . . . Part No. 2076 724  
 Consists of:  
 2 - 142 454 Bulb  
 1 - 2188 664 Lamp, Right  
 1 - 2188 665 Lamp, Left  
 2 - ---- Screw, Switch Mounting  
 4 - 9414 111 Screw, Lamp Mounting  
 2 - 2198 388 Socket  
 1 - ---- Switch

LAMP PACKAGE,  
 BACK-UP . . . . . Part No. 2257 286  
 Consists of:  
 2 - 151 576 Bulb  
 1 - 1302 807 Gasket, Switch  
 1 - 2094 338 Lamp, Right

(Pkg. Cont'd)

(Cont'd)

1 - 2094 339 Lamp, Left  
 4 - 134 530 Nut  
 2 - 6006 464 Washer, Cup  
 1 - ---- Wiring, Switch  
 1 - ---- Wiring, Lamp  
 1 - 1343 998 Switch

LAMP PACKAGE,  
 BACK-UP . . . . . Part No. 2257 287  
 Consists of:  
 1 - 1676 629 Activator, Switch  
 2 - 151 576 Bulb  
 1 - 2094 338 Lamp, Right  
 1 - 2094 339 Lamp, Left  
 4 - 134 530 Nut  
 2 - ---- Rivet  
 1 - 1972 052 Switch  
 2 - 6006 464 Washer, Cup  
 1 - ---- Wiring, Lamp  
 1 - ---- Wiring, Switch

LAMP PACKAGE,  
 BACK-UP . . . . . Part No. 2257 288  
 Consists of:  
 2 - 151 576 Bulb  
 1 - 1302 807 Gasket  
 2 - ---- Socket and Cable  
 1 - 1343 998 Switch  
 1 - ---- Wiring, Lamp  
 1 - ---- Wiring, Switch

LAMP PACKAGE,  
 BACK-UP . . . . . Part No. 2257 289  
 Consists of:  
 1 - 1676 629 Activator, Switch  
 2 - 151 576 Bulb  
 2 - ---- Rivet  
 2 - ---- Socket and Cable  
 1 - 1972 052 Switch  
 1 - ---- Wiring, Lamp  
 1 - ---- Wiring, Switch

LAMP PACKAGE,  
 BACK-UP . . . . . Part No. 2257 586  
 Consists of:  
 2 - 142 454 Bulb  
 1 - 1302 807 Gasket, Switch  
 1 - 2188 664 Lamp, Right  
 1 - 2188 665 Lamp, Left  
 4 - 9414 111 Screw  
 2 - 2198 388 Socket, Lamp  
 1 - 1343 998 Switch  
 1 - ---- Wiring, Lamp  
 1 - ---- Wiring, Switch

LAMP PACKAGE,  
 BACK-UP . . . . . Part No. 2257 701  
 Consists of:  
 2 - 142 454 Bulb  
 1 - 1302 807 Gasket, Switch  
 1 - 2188 664 Lamp, Right  
 1 - 2188 665 Lamp, Left  
 4 - 9414 111 Screw  
 2 - 2198 388 Socket, Lamp  
 1 - 1343 998 Switch  
 1 - ---- Wiring, Switch

★ Indicates use as required.

☐ Indicates parts not listed in any previous parts book.

\* Indicates change or addition.

Page PK-1

Printed in U.S.A.

Prices and specifications subject to change without notice.

March 1, 1962 Supersedes Oct. 3, 1960.

CODE	PART NAME AND PART NUMBER	CODE	PART NAME AND PART NUMBER
(Cont'd)	LAMP PACKAGE BACK-UP . . . . . Part No. 2290 106 Consists of: 2 - 151 576 Bulb 1 - 1302 807 Gasket 1 - ---- Switch 1 - ---- Wiring	(Cont'd)	2 - 142 453 Bulb 2 - 161 895 Screw 1 - ---- Socket, w/Wires 2 - ---- Speed Nut 2 - 1972 329 Switch
1-10-1	LAMP PACKAGE, BACK-UP . . . . . Part No. *2076 723 Consists of: 1 - ---- Bracket, w/Switch 2 - 142 454 Bulb 1 - 2188 664 Lamp, Rt. 1 - 2188 665 Lamp, Lt. 4 - ---- Screw 2 - 172 335 Screw, Mounting 1 - 2198 388 Socket 1 - ---- Wiring	1-19-1	LAMP PACKAGE, GLOVE COMPARTMENT . . . . . Part No. 2096 926 Consists of: 1 - 131 282 Bulb 1 - ---- Socket and Switch
1-12-1	CIGAR LIGHTER PACKAGE . . . . . Part No. *2076 538 Consists of: 1 - ---- Cable, Feed 1 - ---- Knob, w/Element 1 - 2096 599 Shell, w/Clamp	1-21-1	CLOCK PACKAGE, INSTRUMENT PANEL. . . Part No. 2257 404 Consists of: 1 - 152 240 Bulb 1 - ---- Clock 1 - ---- Wiring, Clock Feed
1-13-1	LAMP PACKAGE, UNDERHOOD . . . . . Part No. 1972 690 Consists of: 1 - ---- Bracket 1 - 151 578 Bulb 1 - ---- Lamp 2 - ---- Screw LAMP PACKAGE, UNDERHOOD . . . . . Part No. 2076 445 Consists of: 1 - 151 578 Bulb 1 - ---- Bracket, Switch 3 - 444 267 Screw 1 - ---- Socket and Bracket 1 - 1972 426 Switch LAMP PACKAGE, UNDERHOOD . . . . . Part No. 2258 799 Consists of: 1 - 151 578 Bulb 1 - ---- Grommet 1 - ---- Lamp 1 - ---- Switch and Bracket 1 - ---- Terminal	1-30-1	LAMP PACKAGE, TRUNK COMPARTMENT . . . . . Part No. 2076 451 Consists of: 1 - 151 578 Bulb 1 - ---- Lamp 2 - 444 267 Screw, Mounting 1 - ---- Switch
1-14-4	LAMP PACKAGE, MAP . . . Part No. 2257 726 Consists of: 1 - 1887 789 Bezel 1 - 151 578 Bulb 1 - 1887 955 Housing and Lens 1 - 2257 478 Knob, Switch 1 - ---- Socket and Cables 2 - ---- Screw 1 - 2257 691 Switch	1-44-1	BRAKE SELF ADJUSTING PACKAGE . . . . . Part No. *2275 430 Consists of: 4 - ---- Cable 4 - ---- Guide, Cable 2 - ---- Lever 2 - ---- Lever 2 - ---- Nut 2 - ---- Nut 2 - ---- Screw, Adjusting 2 - ---- Screw, Adjusting 4 - ---- Socket 4 - ---- Spring, Lever Return
1-14-40	COURTESY LIGHT PACKAGE . . . . . Part No. *2258 507 Consists of: 2 - ---- Bracket 2 - 142 453 Bulb 2 - 161 895 Screw 1 - ---- Socket, w/Wires 2 - ---- Speed Nut COURTESY LIGHT PACKAGE . . . . . Part No. *2096 386 Consists of: 2 - ---- Bracket	1-48-1	HEATER PACKAGE . . . . . Part No. 2219 291 Consists of: 1 - ---- Bracket 1 - 127 934 Bulb 1 - ---- Cable, Switch Feed 1 - ---- Cable and Housing 6 - 870 469 Clamp, Hose 1 - ---- Clip 1 - 6015 143 Clip 1 - ---- Clip 1 - ---- Clip 1 - ---- Clip, Hose Mounting 1 - ---- Clip, Hose Mounting 1 - ---- Clip, Hose Mounting 1 - ---- Controls, Instrument Panel 1 - ---- Deflector, Fresh Air 1 - ---- Duct, Distribution 1 - ---- Hose 1 - 2197 011 Hose 1 - ---- Hose, Valve to Heater 1 - ---- Hose and Connector 1 - ---- Housing and Core 1 - 1971 061 Nipple, Inlet 1 - 1971 061 Nipple, Return 1 - 1971 841 Nozzle, Defroster, Right 1 - 1971 842 Nozzle, Defroster, Left 4 - ---- Nut, w/Washer, Nozzle 1 - 1622 064 Plug 14 - 274 888 Screw, Housing 3 - 9416 053 Screw, Duct Mounting 2 - ---- Screw, Valve 2 - ---- Screw, Bracket

(Pkg. Cont'd)

(Pkg. Cont'd)

★ Indicates use as required.

⊠ Indicates parts not listed in any previous parts book.  
March 1, 1962 Supersedes May 31, 1961.

CODE	PART NAME AND PART NUMBER	CODE	PART NAME AND PART NUMBER
(Cont'd)		(Cont'd)	
	1 - ---- --- Screw, Bracket		1 - 2076 389 Seal, Duct to Dash
	1 - ---- --- Seal, Duct Inlet		3 - ---- --- Spacer, Duct Mounting
	1 - ---- --- Socket and Cable, Controls		1 - ---- --- Tube, Defroster Duct
	1 - ---- --- Spacer, Duct Mounting		1 - 2076 532 Tube, Defroster Duct
	1 - ---- --- Tube, Defroster, Right		1 - 2074 934 Valve, Vacuum Check
	1 - 2096 989 Tube, Defroster, Left		1 - ---- --- Wiring, Switch to Motor
	1 - ---- --- Valve, Control		
	2 - ---- --- Washer, Valve Mounting		
	HEATER PACKAGE . . . Part No. 2219 294	1-48-137	DEFROSTER PACKAGE, REAR WINDOW . . . . . Part No. 2076 552
	Consists of:		Consists of:
	1 - 1829 748 Cable and Housing		1 - 1819 014 Bezel, Inlet
	6 - 870 469 Clamp, Hose		1 - ---- --- Blower
	1 - ---- --- Clip, Tube Retainer		1 - ---- --- Duct and Seal
	1 - 6015 143 Clip, Cable Mounting		1 - ---- --- Grille and Gasket
	1 - ---- --- Clip, Hose Mounting		1 - 1971 091 Grille, Inlet
	1 - ---- --- Clip, Bracket		3 - ---- --- Lockwasher
	1 - ---- --- Clip, Cable Retainer		7 - ---- --- Nut, w/Washer
	1 - ---- --- Clip, Vacuum Hose		1 - 1887 582 Plate
	1 - 2097 095 Controls, Instrument Panel		1 - ---- --- Screw, Duct Mounting
	1 - 2197 768 Deflector, Fresh Air		3 - ---- --- Screw, Plate to Blower
	1 - ---- --- Duct, Distribution		1 - 1972 596 Switch
	1 - 106 653 Fuse, Wiring		1 - ---- --- Wiring, Front
	1 - ---- --- Hose		1 - ---- --- Wiring, Rear
	1 - ---- --- Hose	1-48-299	DEFROSTER SWITCH PACKAGE, REAR
	1 - ---- --- Hose		WINDOW . . . . . Part No.*2197 442
	1 - 2257 197 Hose and Connector		Consists of:
	1 - ---- --- Housing and Core		1 - 2097 388 Bezel
	1 - 1971 061 Nipple, Inlet		1 - 1887 591 Knob
	1 - 1971 061 Nipple, Return		1 - 1887 603 Nut
	1 - 1971 836 Nozzle, Defroster		1 - 1972 772 Switch
	1 - 1971 693 Nozzle, Defroster	1-50-1	SWITCH PACKAGE, ELECTRIC WINDOW
	4 - ---- --- Nut, w/Washer, Nozzle		LIFT SAFETY . . . . . Part No. 2197 405
	1 - 1622 064 Plug		Consists of:
	14 - 274 888 Screw, Housing Mounting		3 - 1264 933 Sleeve
	3 - 9416 053 Screw, Duct Mounting		1 - 2197 404 Switch
	2 - ---- --- Screw, Valve Mounting		4 - 903 895 Terminal
	1 - ---- --- Screw, Fresh Air Deflector		1 - ---- --- Terminal
	2 - ---- --- Screw, Vacuum Hose		2 - ---- --- Terminal
	1 - 1887 757 Seal, Duct Inlet		1 - 1786 009 Wire, 48" Long
	1 - ---- --- Spacer, Duct Mounting		1 - 1345 871 Connector
	1 - ---- --- Tube, Defroster, Right	1-76-1	MIRROR PACKAGE, OUTSIDE REAR VIEW, REMOTE CONTROL . . . Part No. 2275 014
	1 - 2096 989 Tube, Defroster, Left		Consists of:
	1 - ---- --- Valve, Control		1 - 2161 931 Anti-Squeak
	2 - ---- --- Washer, Valve Mounting		1 - 2161 932 Anti-Squeak
	HEATER PACKAGE . . . Part No. 2219 852		1 - ---- --- Bracket
	Consists of:		1 - ---- --- Mirror, w/Remote Control
	1 - ---- --- Cable		1 - 2080 541 Nut
	1 - ---- --- Cable and Housing		2 - ---- --- Screw, Tapping
	1 - ---- --- Clamp, Valve Cover		2 - 9411 860 Screw
	4 - 870 469 Clamp, Hose		MIRROR PACKAGE, OUTSIDE REAR VIEW . . Part No. 2275 015
	1 - 6015 143 Clip, Cable Mounting		Consists of:
	1 - 1858 955 Connector, Vacuum Control		1 - ---- --- Anti-Squeak
	1 - 2209 029 Controls, Instrument Panel		1 - ---- --- Anti-Squeak
	1 - 2209 323 Control Tubes and Connector		1 - ---- --- Mirror
	1 - ---- --- Duct Distribution		2 - 274 791 Screw
	1 - 2209 038 Face Plate, Push Button		MIRROR PACKAGE, OUTSIDE REAR VIEW . . Part No. 2275 020
	1 - 2076 322 Gasket, Housing to Dash		Consists of:
	1 - 2076 217 Gasket, Face Plate		1 - 2161 931 Anti-Squeak
	1 - ---- --- Hose, to Pump		1 - 2161 932 Anti-Squeak
	1 - ---- --- Hose, to Valve		1 - ---- --- Mirror
	1 - ---- --- Housing and Core		2 - 274 791 Screws
	1 - 2209 042 Knob, Temperature Control		
	1 - 1971 061 Nipple, Hose Inlet		
	3 - ---- --- Screw, Control Mounting		
	3 - ---- --- Screw, Duct Mounting		
	10 - 274 888 Screw, Housing Mounting		
	(Pkg. Cont'd)		

★ Indicates use as required.

☐ Indicates parts not listed in any previous parts book.

\* Indicates change or addition.

Printed in U.S.A.

Prices and specifications subject to change without notice.

March 1, 1962 Supersedes May 31, 1961.

CODE	PART NAME AND PART NUMBER	CODE	PART NAME AND PART NUMBER
1-76-3	MIRROR PACKAGE, INSIDE REAR VIEW. . . . . Part No. 2161 079 Consists of: 1 - ---- --- Feed Cable 1 - ---- --- Mirror-Matic 1 - ---- --- Terminal	(Cont'd)	1 - 1971 239 Collar 1 - 1971 238 Gasket 1 - ---- --- Nut, Cap 1 - 1658 328 Nut, Hex 1 - ---- --- Screw
1-82-2	WASHER PACKAGE, WINDSHIELD . . . . . Part No. 2257 692 Consists of: 1 - ---- --- Bracket, Reservoir 1 - 1838 001 Cap 1 - 1880 222 Check Valve 1 - 1838 000 Clip, Valve Mounting 2 - ---- --- Clip, Nozzle 1 - ---- --- Hose, Tee to Nozzle 1 - ---- --- Hose, Tee to Nozzle 1 - ---- --- Hose, Check Valve to Tee 1 - ---- --- Hose, Check Valve to Pump 1 - ---- --- Hose, Check Valve to Reservoir 1 - 138 557 L/Washer 1 - ---- --- Nut, Pump Mounting 1 - 2198 211 Nozzle 1 - 1887 148 Pump 1 - 1972 368 Reservoir 2 - 444 267 Screw, Reservoir Mounting 1 - 444 267 Screw, Check Valve 1 - 1571 028 Strainer 1 - 1523 160 Tee	ANTENNA PACKAGE, RADIO . . . . . Part No. 2198 229 Consists of: 1 - 2198 127 Adapter, Upper, Right 1 - 2198 292 Adapter, Upper, Left 1 - 2198 128 Adapter, Lower, Right 1 - 2198 293 Adapter, Lower, Left 1 - ---- --- Body and Mast, Right 1 - ---- --- Body and Mast, Left 1 - ---- --- Clip, Antenna Lead 1 - 2198 134 Collar, Grounding 2 - 2198 133 Gasket, Upper Adapter 2 - ---- --- Gasket, Dome Nut 2 - ---- --- Nut, Cap 2 - 1658 328 Nut, Hex 1 - 1779 072 Y-Connector and Lead-In Wire	
1-87-2	RADIO SPEAKER PACKAGE, REAR SHELF . . . . . Part No. 2198 514 Consists of: 1 - ---- --- Bezel 1 - ---- --- Grille 4 - 120 614 Nut, Speaker Mounting 1 - ---- --- Speaker and Cover 1 - ---- --- Wiring, Speaker	ANTENNA PACKAGE, RADIO . . . . . Part No. 2198 530 Consists of: 1 - 2198 519 Adapter, Mounting, Upper 1 - 2198 521 Adapter, Mounting, Lower 1 - ---- --- Body, Mast and Shield 1 - 2198 134 Collar, Grounding 1 - 2097 550 Extension, Lead-In 1 - 2198 523 Gasket, Upper Adapter 1 - ---- --- Gasket, Dome Nut 1 - ---- --- Nut, Cap 1 - 1658 328 Nut, Hex	
1-88-1	RADIO SPEAKER PACKAGE, REAR SHELF . . . . . Part No. 2198 515 Consists of: 1 - ---- --- Bezel 1 - ---- --- Cable 1 - ---- --- Cable 1 - ---- --- Grille 1 - 1971 644 Knob 1 - ---- --- Plate, Name 1 - ---- --- Nut, Switch 4 - ---- --- Nut, Speaker 1 - ---- --- Speaker and Cover	ANTENNA, PACKAGE, RADIO FRONT . . . . . Part No. *2076 578 Consists of: 1 - 2076 250 Adapter, Mounting 1 - ---- --- Body, w/Lead 1 - 2096 052 Cap, Nut Mounting 1 - 2076 249 Collar, Adapter 1 - 2076 251 Gasket, Adapter	
1-88-1	ANTENNA PACKAGE, RADIO . . . . . Part No. 2197 180 Consists of: 1 - 2197 181 Adapter, Upper 1 - 2197 182 Adapter, Lower 1 - 1886 713 Antenna 1 - 2197 870 Collar 1 - 2197 448 Gasket 1 - ---- --- Nut, Cap 1 - 1658 328 Nut, Hex	ANTENNA PACKAGE, RADIO . . . . . Part No. 2198 532 Consists of: 1 - 2198 520 Adapter, Upper 1 - 2198 522 Adapter, Lower 1 - ---- --- Body, Mast and Shield 1 - 2198 134 Collar, Grounding 1 - 2097 550 Extension, Lead-In 1 - ---- --- Gasket, Dome Nut 1 - 2198 524 Gasket, Upper Adapter 1 - ---- --- Nut, Cap 1 - 1658 328 Nut, Hex	
	ANTENNA PACKAGE, RADIO . . . . . Part No. 2197 641 Consists of: 1 - 1971 242 Adapter, Upper 1 - 1971 241 Adapter, Lower 1 - 1886 713 Body and Mast 1 - ---- --- Cover	ANTENNA PACKAGE, RADIO . . . . . Part No. 2198 737 Consists of: 1 - 1838 162 Body and Mast, Rear Right 1 - 1838 163 Body and Mast, Rear Left 4 - ---- --- Clip 4 - ---- --- Cup, Washer 2 - 1841 057 Gasket 4 - ---- --- Nut and Washer 1 - 1779 072 Y-Connector and Lead-In Wire	

(Pkg. Cont'd)

★ Indicates use as required.

⊞ Indicates parts not listed in any previous parts book.  
March 1, 1962 Supersedes May 31, 1961.

CODE	PART NAME AND PART NUMBER	CODE	PART NAME AND PART NUMBER
1-135-1	DOOR EDGE PROTECTOR PACKAGE . . . . . Part No.*1964 380 Consists of: 14 - - - - - Clip, Moulding 1 - - - - - Strip, Frt. Door, Rt. 1 - - - - - Strip, Frt. Door, Lt. 1 - - - - - Strip, Rr. Door, Rt. 1 - - - - - Strip, Rr. Door, Lt.	(Cont'd)	1 - - - - - Clamp, Tie Rod End 1 - - - - - End, Tie Rod Inner 1 - - - - - Nipple, Lubricant 1 - - - - - Nut, Tie Rod End 1 - - - - - Nut, Tie Rod End Clamp 1 - 108 636 Pin, Tie Rod End Nut Cotter
	DOOR EDGE PROTECTOR PACKAGE . . . . . Part No.*1964 515 Consists of: 8 - - - - - Clip, Moulding 1 - - - - - Strip, Rt. 1 - - - - - Strip, Lt.		END PACKAGE, TIE ROD OUTER . . . . . Part No. 2084 352 Consists of: 1 - - - - - Bolt, Tie Rod End Clamp 1 - - - - - Clamp, Tie Rod End 1 - - - - - End, Tie Rod Outer 1 - - - - - Nipple, Lubricant 1 - - - - - Nut, Tie Rod End 1 - - - - - Nut, Tie Rod End Clamp 1 - 108 636 Pin, Tie Rod End Nut Cotter 1 - 1735 470 Seal, Tie Rod End Dust 1 - - - - - Spacer, Tie Rod End Ball
	DOOR EDGE PROTECTOR PACKAGE . . . . . Part No.*2094 921 Consists of: 14 - - - - - Clip, Moulding 1 - - - - - Strip, Frt. Door, Rt. 1 - - - - - Strip, Frt. Door, Lt. 1 - - - - - Strip 1 - - - - - Strip		END PACKAGE, TIE ROD INNER . . . . . Part No. 1881 821 Consists of: 1 - - - - - Bolt, Tie Rod End Clamp 1 - - - - - Clamp, Tie Rod End 1 - - - - - End, Tie Rod Inner 1 - - - - - Nipple, Lubricant 1 - - - - - Nut, Tie Rod End 1 - - - - - Nut, Tie Rod End Clamp 1 - 108 636 Pin, Tie Rod End Nut Cotter 1 - 1673 045 Seal, Tie Rod End Dust
	DOOR EDGE PROTECTOR PACKAGE . . . . . Part No.*2094 926 Consists of: 8 - - - - - Clip, Moulding 1 - - - - - Strip, Rt. 1 - - - - - Strip, Lt.		END PACKAGE, TIE ROD INNER . . . . . Part No. 1881 820 Consists of: 1 - - - - - Bolt, Tie Rod End Clamp 1 - - - - - Clamp, Tie Rod End 1 - - - - - End, Tie Rod Inner 1 - - - - - Nipple, Lubricant 1 - - - - - Nut, Tie Rod End 1 - - - - - Nut, Tie Rod End Clamp 1 - 108 636 Pin, Tie Rod End Nut Cotter 1 - 1673 045 Seal, Tie Rod End Dust
	DOOR EDGE PROTECTOR PACKAGE . . . . . Part No.*1964 379 Consists of: 8 - - - - - Clip, Moulding 1 - - - - - Strip, Rt. 1 - - - - - Strip, Lt.		END PACKAGE, TIE ROD OUTER . . . . . Part No. 2084 353 Consists of: 1 - - - - - Bolt, Tie Rod End Clamp 1 - - - - - Clamp, Tie Rod End 1 - - - - - End, Tie Rod Outer 1 - - - - - Nipple, Lubricant 1 - - - - - Nut, Tie Rod End 1 - - - - - Nut, Tie Rod End Clamp 1 - 108 636 Pin, Tie Rod End Nut Cotter 1 - 1673 045 Seal, Tie Rod End Dust 1 - - - - - Spacer, Tie Rod End Ball
	DOOR EDGE PROTECTOR PACKAGE . . . . . Part No.*1964 528 Consists of: 14 - - - - - Clip, Moulding 1 - - - - - Strip, Frt. Door, Rt. 1 - - - - - Strip, Frt. Door, Lt. 1 - - - - - Strip, Rr. Door, Rt. 1 - - - - - Strip, Rr. Door, Lt.		2-08-57 BALL JOINT PACKAGE, FRONT SUSPENSION . UPPER . . . . . Part No. 2084 837 Consists of: 1 - - - - - Ball Joint 1 - 273 705 Nut, Ball Joint Stud 1 - 108 636 Pin, Ball Joint Stud Nut Cotter 1 - 2071 255 Seal, Ball Joint
2-07-1	END PACKAGE, TIE ROD INNER . . . . . Part No. 2240 381 Consists of: 1 - - - - - Bolt, Tie Rod End Clamp 1 - - - - - Clamp, Tie Rod End 1 - - - - - End, Tie Rod Inner 1 - - - - - Nut, Tie Rod End Lock 1 - 128 014 Nut, Tie Rod 1 - - - - - Oiler, Tie Rod End 1 - 108 636 Pin, Tie Rod Nut Cotter 1 - 1735 470 Seal, Tie Rod End		BALL JOINT PACKAGE, FRONT SUSPENSION . UPPER . . . . . Part No. 2196 056 Consists of: 1 - - - - - Ball Joint 1 - 128 025 Nut, Ball Joint Stud 1 - - - - - Pin, Ball Joint Stud Nut Cotter 1 - 1825 487 Seal, Ball Joint 1 - 1672 960 Washer, Ball Joint Stud Nut
	END PACKAGE, TIE ROD OUTER . . . . . Part No. 2240 380 Consists of: 1 - - - - - Bolt, Tie Rod End Clamp 1 - - - - - Clamp, Tie Rod End 1 - - - - - End, Tie Rod Outer 1 - - - - - Nut, Tie Rod End Lock 1 - 128 014 Nut, Tie Rod 1 - - - - - Oiler, Tie Rod End 1 - 108 636 Pin, Tie Rod Nut Cotter 1 - 1735 470 Seal, Tie Rod End		
	END PACKAGE, TIE ROD INNER . . . . . Part No. 1818 999 Consists of: 1 - - - - - Bolt, Tie Rod End Clamp		

★ Indicates use as required.

☐ Indicates parts not listed in any previous parts book.

\* Indicates change or addition.



CODE	PART NAME AND PART NUMBER	CODE	PART NAME AND PART NUMBER
	BALL JOINT PACKAGE, FRONT SUSPENSION UPPER . . . . . Part No. 2084 252 Consists of: 1 - ---- --- Ball Joint 1 - 128 027 Nut, Ball Joint Stud 1 - ---- --- Pin, Ball Joint Stud Nut Cotter 1 - ---- --- Retainer, Ball Joint Outer Seal 1 - 1731 264 Seal, Ball Joint Inner 1 - 1734 266 Seal, Ball Joint Outer 1 - 1672 960 Washer, Ball Joint Stud Nut		
2-08-59	CAM and BUSHING PACKAGE, FRONT SUSPENSION UPPER CONTROL ARM . . . . . Part No. 2084 920 Consists of: 2 - 2071 204 Bushing, Arm 2 - ---- --- Cam, Arm, Slotted 2 - ---- --- Cam, Arm 2 - 1825 449 Nut, Arm Bolt 2 - 120 384 Washer, Arm Cam Lock	(Cont'd)	1 - 1825 432 Nut, Control Arm Strut Bushing 2 - 1734 341 Retainer, Control Arm Strut Bushing
	BRACKET, CAM and BUSHING PACKAGE, FRONT SUSPENSION UPPER CONTROL ARM SUPPORT . . . . . Part No. 1881 652 Consists of: 2 - ---- --- Bracket, Cam 2 - 1825 317 Bushing, Arm 2 - ---- --- Cam, Bracket Slotted 2 - 1825 449 Nut, Bracket Cam 2 - ---- --- Washer, Bracket Cam Lock		BUSHING and RETAINER PACKAGE, FRONT SUSPENSION LOWER CONTROL ARM, STRUT . . . . . Part No. *2084 918 Consists of: 1 - 2071 167 Bushing, Front Suspension Strut 1 - 124 634 Nut, Front Suspension Strut Bushing Retainer 2 - 2071 211 Retainer, Front Suspension Strut Bushing
2-10-55	BALL JOINT PACKAGE, FRONT SUSPENSION LOWER . . . . . Part No. 2084 838 Consists of: 1 - ---- --- Ball Joint 1 - 128 178 Nut, Ball Joint Stud 1 - 119 209 Pin, Ball Joint Stud Nut Cotter 1 - 2071 246 Seal, Ball Joint	2-10-61	SHAFT and BUSHING PACKAGE, FRONT SUSPENSION LOWER CONTROL ARM . . . . . Part No. 2084 919 Consists of: 1 - 2071 206 Bushing, Shaft 1 - 128 178 Nut, Bushing 1 - 128 027 Nut, Shaft 1 - 119 209 Pin, Bushing Nut Cotter 1 - 119 209 Pin, Shaft Nut Cotter 1 - ---- --- Shaft, Arm 1 - 2071 205 Washer, Bushing Nut 1 - 2071 245 Washer, Shaft Nut
	BALL JOINT PACKAGE, FRONT SUSPENSION LOWER . . . . . Part No. 2196 059 Consists of: 1 - ---- --- Ball Joint 1 - ---- --- Pin, Ball Joint Stud Nut Cotter 1 - 128 027 Nut, Ball Joint Stud 1 - 1825 488 Seal, Ball Joint 1 - 1672 960 Washer, Ball Joint Stud Nut Cotter		SHAFT and BUSHING PACKAGE, FRONT SUSPENSION LOWER CONTROL ARM . . . . . Part No. 1881 650 Consists of: 1 - 1636 017 Bushing, Shaft 1 - ---- --- Nut, Bushing 1 - ---- --- Nut, Shaft 1 - ---- --- Pin, Arm 1 - 119 209 Pin, Bushing 1 - ---- --- Shaft, Arm 1 - ---- --- Washer, Bushing 1 - ---- --- Washer, Shaft Nut
	BALL JOINT PACKAGE, FRONT SUSPENSION LOWER . . . . . Part No. 2084 253 Consists of: 1 - ---- --- Ball Joint 1 - ---- --- Nut, Ball Joint Stud 1 - 119 209 Pin, Ball Joint Stud Nut 1 - 1825 303 Seal, Ball Joint Cotter 1 - 1672 961 Washer, Ball Joint Stud Nut		SHAFT and BUSHING PACKAGE, FRONT SUSPENSION LOWER CONTROL ARM . . . . . Part No. 1881 647 Consists of: 1 - 1636 010 Bushing, Shaft 1 - ---- --- Nut, Bushing 1 - 128 213 Nut, Shaft 1 - 137 214 Pin, Arm 1 - 119 209 Pin, Bushing Nut Cotter 1 - ---- --- Shaft, Arm 1 - ---- --- Washer, Bushing 1 - ---- --- Washer, Shaft Nut
2-10-57	BUSHING and RETAINER PACKAGE, FRONT SUSPENSION LOWER CONTROL ARM STRUT . . . . . Part No. 2084 045 Consists of: 1 - 1734 321 Bushing, Control Arm Strut (Pkg. Cont'd)	2-14-1	BOLT and SWIVEL PACKAGE, TORSION BAR or SPRING REAR END ANCHOR . . . . . Part No. 2196 773 Consists of: 1 - ---- --- Bolt, Torsion Bar Anchor 1 - ---- --- Swivel, Torsion Bar Anchor
			BOLT and SWIVEL PACKAGE, TORSION BAR or SPRING REAR END ANCHOR ADJUSTING . . Part No. 2196 774 Consists of: 1 - ---- --- Bolt, Torsion Bar Anchor 1 - ---- --- Swivel, Torsion Bar Anchor

★ Indicates use as required.  
 ☐ Indicates parts not listed in any previous parts book.  
 March 1, 1962 Supersedes May 31, 1961.

CODE	PART NAME AND PART NUMBER	CODE	PART NAME AND PART NUMBER
2-14-8	ANCHOR PACKAGE, FRONT SUSPENSION TORSION BAR or SPRING REAR END RIGHT . . . Part No. 2196 750 Consists of: 1 - ---- --- Anchor, End 1 - ---- --- Bolt, End Anchor Adjusting 1 - 1639 171 Lock, End Anchor 1 - 1857 580 Plug, End Anchor 1 - 1613 388 Seal, End Anchor 1 - 1857 549 Seat, End Anchor Adjusting 1 - ---- --- Swivel, End Anchor Adjusting	(Cont'd)	1 - 1825 582 Plug, End Anchor 1 - 1613 388 Seal, End Anchor 1 - 1857 549 Seat, End Anchor Adjusting 1 - ---- --- Swivel, End Anchor Adjusting
	ANCHOR PACKAGE, FRONT SUSPENSION TORSION BAR or SPRING REAR END LEFT . . . . Part No. 2196 751 Consists of: 1 - ---- --- Anchor, End 1 - ---- --- Bolt, End Anchor Adjusting 1 - 1639 171 Lock, End Anchor 1 - 1857 580 Plug, End Anchor 1 - 1613 388 Seal, End Anchor 1 - 1857 549 Seat, End Anchor Adjusting 1 - ---- --- Swivel, End Anchor Adjusting	3-09-3	REPAIR KIT, REAR AXLE DIFFERENTIAL . . . . Part No. 2070 845 Consists of: 2 - ---- --- Disc 2 - ---- --- Disc 2 - ---- --- Plate 2 - ---- --- Plate 2 - ---- --- Plate
	ANCHOR PACKAGE, FRONT SUSPENSION TORSION BAR or SPRING REAR END RIGHT . . . Part No. 2196 752 Consists of: 1 - ---- --- Anchor, End 1 - ---- --- Bolt, End Anchor Adjusting 1 - 1639 171 Lock, End Anchor 1 - 1825 582 Plug, End Anchor 1 - 1613 388 Seal, End Anchor 1 - 1857 549 Seat, End Anchor Adjusting 1 - ---- --- Swivel, End Anchor Adjusting	4-03-5	LINING PACKAGE, PARKING BRAKE . . . . Part No. 1843 179 Consists of: 10 - ---- --- Lining 78 - ---- --- Rivets 30 - ---- --- Rivets
	ANCHOR PACKAGE, FRONT SUSPENSION TORSION BAR or SPRING REAR END LEFT . . . . . Part No. 2196 753 Consists of: 1 - ---- --- Anchor, End 1 - ---- --- Bolt, End Anchor Adjusting 1 - 1639 171 Lock, End Anchor 1 - 1825 582 Plug, End Anchor 1 - 1613 388 Seal, End Anchor 1 - 1857 549 Seat, End Anchor Adjusting 1 - ---- --- Swivel, End Anchor Adjusting	4-03-6	SHOE AND LINING PACKAGE, PARKING BRAKE . . . . Part No. 2084 230 Consists of: 2 - ---- --- Shoe and Lining
	ANCHOR PACKAGE, FRONT SUSPENSION TORSION BAR or SPRING REAR END RIGHT . . . . . Part No. 2196 754 Consists of: 1 - ---- --- Anchor, End 1 - ---- --- Bolt, End Anchor Adjusting 1 - 1639 171 Lock, End Anchor 1 - 1825 582 Plug, End Anchor 1 - 1613 388 Seal, End Anchor 1 - 1857 549 Seat, End Anchor Adjusting 1 - ---- --- Swivel, End Anchor Adjusting	5-03-1	LINING PACKAGE, WHEEL BRAKE SHOE . . . . . Part No. 1879 398 Consists of: 4 - ---- --- Lining 4 - ---- --- Lining LINING PACKAGE, WHEEL BRAKE SHOE . . . . . Part No. 1879 401 Consists of: 8 - ---- --- Lining LINING PACKAGE, WHEEL BRAKE SHOE . . . . . Part No. 1879 404 Consists of: 4 - ---- --- Lining 4 - ---- --- Lining LINING PACKAGE, WHEEL BRAKE SHOE . . . . . Part No. 2196 077 Consists of: 2 - ---- --- Lining 2 - ---- --- Lining 2 - ---- --- Lining 2 - ---- --- Lining 80 - ---- --- Rivets LINING PACKAGE, WHEEL BRAKE SHOE . . . . . Part No. 2196 092 Consists of: 8 - ---- --- Lining LINING PACKAGE, WHEEL BRAKE SHOE . . . . . Part No. 2240 387 Consists of: 8 - ---- --- Lining
	ANCHOR PACKAGE, FRONT SUSPENSION TORSION BAR or SPRING REAR LEFT . . . . . Part No. 2196 755 Consists of: 1 - ---- --- Anchor, End 1 - ---- --- Bolt, End Anchor Adjusting 1 - 1639 171 Lock, End Anchor	5-03-9	DAMPENER PACKAGE, WHEEL BRAKE . . . . . Part No. 2084 257 Consists of: 1 - 600 071 Spring 1 - 600 072 Retainer 1 - 600 073 Retainer 1 - ---- --- Rod
	ANCHOR PACKAGE, FRONT SUSPENSION TORSION BAR or SPRING REAR END LEFT . . . . . Part No. 2196 755 Consists of: 1 - ---- --- Anchor, End 1 - ---- --- Bolt, End Anchor Adjusting 1 - 1639 171 Lock, End Anchor	5-39-1	SERVICE PACKAGE, MASTER CYLINDER . . Part No. 1879 303 Consists of: 1 - 1828 388 Boot 1 - 958 659 Cup, Secondary 1 - 857 443 Washer, Piston Cup 1 - 1318 446 Valve 1 - 1617 379 Seal, Valve 1 - ---- --- Cup, Piston

(Pkg. Cont'd)

★ Indicates use as required.

☐ Indicates parts not listed in any previous parts book.

\* Indicates change or addition.

CODE	PART NAME AND PART NUMBER	CODE	PART NAME AND PART NUMBER
	SERVICE PACKAGE, MASTER CYLINDER . . Part No. 1881 985 Consists of: 1 - 857 443 Washer, Piston Cup 1 - 958 659 Cup, Secondary 1 - 1316 628 Boot 1 - 1318 446 Valve 1 - 1617 379 Seal, Valve 1 - 1828 659 Piston 1 - ---- Cup, Piston		SERVICE PACKAGE, REAR WHEEL CYLINDER . . . Part No. 2084 789 Consists of: 2 - 2072 636 Cup, Piston 2 - 2072 679 Boot
	SERVICE PACKAGE, MASTER CYLINDER . . Part No. 1881 987 Consists of: 1 - 857 443 Washer, Piston Cup 1 - 958 659 Cup, Secondary 1 - 1318 446 Valve 1 - 1617 379 Seal, Valve 1 - 1828 388 Boot 1 - ---- Piston 1 - ---- Cup, Piston	5-63-3	PISTON PACKAGE, FRONT WHEEL CYLINDER . . . Part No. 2084 255 Consists of: 2 - 1312 830 Piston 2 - 1614 894 Spring 2 - 1674 080 Cup 2 - 1674 081 Expander 2 - 1943 690 Boot
	SERVICE PACKAGE, MASTER CYLINDER . . Part No. 2196 904 Consists of: 1 - ---- Washer 1 - ---- Cup 1 - 1318 446 Valve 1 - 1617 379 Seal 1 - 1828 388 Boot 1 - ---- Piston 1 - ---- Cup		PISTON PACKAGE, REAR WHEEL CYLINDER . . . Part No. *1818 834 Consists of: 2 - 1136 872 Boot 2 - 1312 830 Piston 1 - 1633 106 Spring 2 - 1674 080 Cup 2 - 1674 081 Expander 2 - 1614 894 Spring
	SERVICE PACKAGE, MASTER CYLINDER . . Part No. 2196 905 Consists of: 1 - ---- Washer 1 - ---- Cup 1 - 1318 446 Valve 1 - 1617 379 Seal 1 - 1828 388 Boot 1 - ---- Cup		PISTON PACKAGE, FRONT WHEEL CYLINDER . . . Part No. 2084 790 Consists of: 2 - 1669 337 Cup 1 - 1799 634 Spring 2 - 2072 625 Boot 2 - 2072 655 Piston
	SERVICE PACKAGE, MASTER CYLINDER . . Part No. 2196 906 Consists of: 1 - ---- Washer 1 - ---- Cup 1 - 1318 446 Valve 1 - 1617 379 Seal 1 - ---- Piston 1 - ---- Cup		PISTON PACKAGE, REAR WHEEL CYLINDER . . . Part No. 2084 791 Consists of: 2 - 2072 636 Cup 1 - 2072 637 Spring 2 - 2072 656 Piston 2 - 2072 679 Boot
5-39-4	COVER PACKAGE, MASTER CYLINDER . . Part No. 1752 470 Consists of: 1 - 1731 225 Cover 1 - 1731 227 Screw 1 - 2122 276 Gasket	5-100-1	REPAIR PACKAGE, POWER BRAKE . . . . Part No. 1675 001 Consists of: 1 - 1674 949 Seal, Air Valve 1 - 1674 949 Seal, Vacuum Valve 1 - 1674 952 Valve, Vacuum 1 - 1674 957 "O" Ring 1 - 1674 972 Seal 1 - 1674 974 "O" Ring 1 - 1674 989 "O" Ring 1 - 1674 991 "O" Ring
5-63-1	SERVICE PACKAGE, REAR WHEEL CYLINDER . . . Part No. 1818 639 Consists of: 2 - 1136 872 Boot 2 - 1674 080 Cup, Piston		REPAIR PACKAGE, POWER BRAKE . . . . Part No. 1940 788 Consists of: 1 - 1940 790 Bearing 1 - 1675 112 Diaphragm 1 - 1675 123 Diaphragm 1 - 1675 137 Gasket 1 - 1675 124 Hose 1 - 1673 620 Retainer 2 - 1675 104 Ring 1 - 1940 787 Seal 1 - 1675 128 Seal 1 - 1739 853 Seal 1 - 1675 118 Seat 1 - 1675 099 Washer
	SERVICE PACKAGE, FRONT WHEEL CYLINDER . . . Part No. 2084 254 Consists of: 2 - 1674 080 Cup, Piston 2 - 1943 690 Boot		REPAIR PACKAGE, POWER BRAKE . . . . Part No. 2075 001 Consists of: 1 - ---- Diaphragm 1 - ---- Disc 1 - ---- Filter
	SERVICE PACKAGE, FRONT WHEEL CYLINDER . . . Part No. 2084 788 Consists of: 2 - 1669 337 Cup, Piston 2 - 2072 625 Boot		

(Pkg. Cont'd)

★ Indicates use as required.

☐ Indicates parts not listed in any previous parts book.  
March 1, 1962 Supersedes May 31, 1961.

CODE	PART NAME AND PART NUMBER	CODE	PART NAME AND PART NUMBER
(Cont'd)	1 - ---- Guard		PACKING PACKAGE, POWER
	1 - ---- Poppet		BRAKE PISTON . . . . . Part No. 2075 000
	1 - ---- Seal		Consists of:
	REPAIR PACKAGE,		1 - ---- Packing
	POWER BRAKE . . . . . Part No. 2084 916		1 - ---- Expander
	Consists of:		1 - ---- Felt
	1 - ---- Piston	5-100-157	1 - ---- Tube
	1 - ---- Diaphragm and Plate		PLATE PACKAGE, POWER
	1 - ---- "O" Ring		BRAKE DIAPHRAGM and
	1 - ---- "O" Ring		PISTON . . . . . Part No. 2240 625
	1 - ---- "O" Ring		Consists of:
	2 - ---- Block, Vee		1 - ---- Plate, Diaphragm
	2 - ---- Block, Vee	5-100-166	1 - ---- Plate, Piston
	1 - ---- Ring		RETAINER PACKAGE,
	1 - ---- Cup		POWER BRAKE PLUNGER and
	1 - ---- Diaphragm		PUSH ROD . . . . . Part No. *2421 084
	1 - ---- Seal		Consists of:
	1 - ---- Spring		1 - 2401 166 Retainer, Push Rod
	1 - ---- Spring	5-105-1	1 - ---- Plunger
	1 - ---- Spring		VALVE and WASHER PACKAGE,
	1 - ---- Nut		POWER BRAKE CHECK, Part No. *2421 083
	1 - ---- Washer		Consist of:
	REPAIR PACKAGE,		1 - ---- Valve, Check
	POWER BRAKE . . . . . Part No. 2084 917	6-01-1	1 - 2401 857 Washer, to Front Housing
	Consists of:		CLUTCH PACKAGE . . . Part No. 2084 413
	1 - ---- "O" Ring		Consists of:
	1 - ---- "O" Ring		1 - 2073 606 Cover, w/Pressure Plate
	1 - ---- "O" Ring		1 - 2073 676 Disc, Driving
	2 - ---- Block, Vee		CLUTCH PACKAGE . . . Part No. 2240 304
	2 - ---- Block, Vee		Consists of:
	1 - ---- Cap		1 - 2200 031 Cover, w/Pressure Plate
	1 - ---- Diaphragm	6-17-3	1 - 2200 068 Disc, Driving
	1 - ---- Seal		LEVER PACKAGE, CLUTCH
	1 - ---- Gasket		RELEASE . . . . . Part No. 2084 250
	1 - ---- Nut		Consists of:
	1 - ---- Washer		1 - ---- Eye Bolt, w/Nut
	REPAIR PACKAGE,		1 - ---- Lever Release
	POWER BRAKE . . . . . Part No. *2421 082		1 - ---- Pin, Lever
	Consists of:		1 - ---- Spring, Lever
	1 - ---- Diaphragm		1 - ---- Strut, Lever
	1 - 2401 163 Seal, Valve Body		LEVER PACKAGE, CLUTCH
	1 - 2401 163 Seal, Adaptor		RELEASE . . . . . Part No. 1879 652
	1 - 2401 166 Retainer, Push Rod		Consists of:
	1 - ---- Ring, Plunger Cushion		1 - ---- Eye Bolt, w/Nut
	1 - ---- Seal, Plunger		1 - ---- Lever, Release
	1 - ---- Seal, Adaptor		1 - ---- Pin, Lever
	1 - 2401 172 Seal, Plunger		1 - ---- Spring, Lever
	1 - ---- Valve		1 - ---- Strut, Lever
	1 - ---- Seal, Valve		LEVER PACKAGE, CLUTCH
	1 - ---- Ring, Plunger Retainer		RELEASE . . . . . Part No. 1879 655
	1 - ---- Bellows, Front Housing to Valve Body		Consists of:
	1 - 2401 855 Filter		1 - ---- Lever, Clutch Release
	1 - 2401 858 Ring, Lever Retaining		1 - ---- Nut
5-100-3	SEAL PACKAGE, POWER		1 - ---- Pin
	BRAKE CYLINDER . . . Part No. 1940 787		1 - ---- Spring
	Consists of:		1 - ---- Screw
	1 - 1940 790 Bearing		1 - ---- Washer
	1 - ---- Seal	7-14-10	CLAMP PACKAGE,
5-100-152	PACKING PACKAGE, POWER		RADIATOR HOSE . . . . . Part No. 1450 499
	BRAKE PISTON . . . . . Part No. 1820 003		Consists of:
	Consists of:		50 - ---- Clamps, Small
	1 - 1739 834 Packing		CLAMP PACKAGE,
	1 - 1739 835 Ring		RADIATOR HOSE . . . . . Part No. 1450 500
	1 - 1679 013 Wick		Consists of:
			50 - ---- Clamps, Large

★ Indicates use as required.  
 □ Indicates parts not listed in any previous parts book.  
 \* Indicates change or addition.

# 1961 PASSENGER CAR PARTS CATALOG

CODE	PART NAME AND PART NUMBER	CODE	PART NAME AND PART NUMBER
7-42-1	<p>PUMP PACKAGE,                      WATER . . . . . Part No. 1752 422                      Consists of:                      1 - 1676 031 Gasket                      1 - ---- --- Pump</p> <p>PUMP PACKAGE,                      WATER . . . . . Part No. 1879 526                      Consists of:                      1 - 1737 705 Gasket                      1 - ---- --- Pump</p> <p>PUMP PACKAGE,                      WATER . . . . . Part No. 1879 536                      Consists of:                      1 - 1737 705 Gasket                      1 - ---- --- Pump</p> <p>PUMP PACKAGE,                      WATER . . . . . Part No. 2196 035                      Consists of:                      1 - 1947 521 Gasket                      1 - ---- --- Pump</p>	7-42-4	<p>REPAIR PACKAGE,                      WATER PUMP . . . . . Part No. 1752 435                      Consists of:                      1 - 1618 645 Gasket                      1 - 1635 783 Impeller                      1 - 1674 679 Washer                      1 - 1676 031 Gasket                      1 - ---- --- Seal                      1 - ---- --- Shaft                      1 - ---- --- Thrower</p>

★ Indicates use as required.  
 ☐ Indicates parts not listed in any previous parts book.  
 March 1, 1962.

Printed in U.S.A.  
 Prices and specifications subject to change without notice.  
 \* Indicates change or addition.



CODE	PART NAME AND PART NUMBER	CODE	PART NAME AND PART NUMBER
	REPAIR PACKAGE, WATER PUMP . . . . . Part No. 1752 622 Consists of: 1 - 1671 894 Gasket 1 - 1673 782 Gasket 1 - 1674 679 Washer 1 - 1737 705 Gasket 1 - 1859 151 Impeller 1 - ---- Seal 1 - ---- Shaft 1 - ---- Thrower	(Cont'd)	1 - ---- Bearing, Shaft, Upper 1 - ---- Collar 1 - 9414 181 Pin, Collar 1 - 1195 770 Washer, Upper Thrust Outer 1 - 1195 769 Washer, Upper Thrust Inner 1 - ---- Washer, Lower Thrust
	REPAIR PACKAGE, WATER PUMP . . . . . Part No. 1843 447 Consists of: 1 - 1637 724 Impeller 1 - 1671 191 Gasket 1 - 1671 894 Gasket 1 - 1673 782 Gasket 1 - 1674 679 Washer 1 - 1737 705 Gasket 1 - ---- Seal 1 - ---- Shaft 1 - ---- Thrower		BEARING PACKAGE, DRIVE SHAFT . . . . . Part No. 2084 867 Consists of: 2 - ---- Bearing, Bronze 1 - ---- Collar 1 - ---- Pin, Collar 2 - ---- Washer, Thrust
7-46-1	SEAL PACKAGE, WATER PUMP . . . . . Part No. 1243 631 Consists of: 1 - 600 811 Lock Ring 1 - 1123 841 Washer 1 - 1674 679 Washer 1 - ---- Seal		BEARING and THRUST WASHER PACKAGE, DRIVE SHAFT . . . . . Part No. 2240 746 Consists of: 1 - ---- Bearing, Shaft, Upper 1 - ---- Bearing, Shaft, Lower 1 - ---- Gear 1 - 9414 181 Pin, Gear 1 - 1195 769 Washer, Upper Thrust, Inner 1 - 1195 770 Washer, Upper Thrust, Outer 1 - ---- Washer, Lower Thrust
8-27-18	GEAR PACKAGE, FOLLOWER . . . . . Part No. 2084 870 Consists of: 1 - ---- Cover, Housing 1 - ---- Gear 1 - ---- Shaft, Drive 1 - ---- Washer, Thrust	8-27-137	COLLAR and PIN PACKAGE, DRIVE SHAFT . . . . . Part No. 2084 448 Consists of: 1 - ---- Collar 1 - 9414 181 Pin
8-27-77	SPRING and HINGE PACKAGE, DISTRIBUTOR CAP . . . . . Part No. 1879 606 Consists of: 1 - ---- Spring, w/Hinge, Locating Clamp 1 - ---- Spring, w/Hinge, Clamp	8-27-190	CONDENSER and BRACKET PACKAGE . . . . . Part No. 1818 757 Consists of: 1 - ---- Bracket 1 - ---- Condenser
8-27-85	CONTACT and SPRING PACKAGE, DISTRIBUTOR CAP . . . . . Part No. 2084 655 Consists of: 1 - ---- Contact 1 - ---- Spring	8-27-208	BREAKER and GROUND LEAD PACKAGE, DISTRIBUTOR . . . . . Part No. 1881 768 Consists of: 1 - ---- Lead, Breaker Arm 1 - ---- Lead, Ground
8-27-133	BEARING PACKAGE, DISTRIBUTOR DRIVE SHAFT . . . . . Part No. 1879 596 Consists of: 1 - ---- Bearing 1 - ---- Bearing 1 - ---- Collar 1 - ---- Pin, Collar 1 - ---- Washer, Thrust, Lower 1 - ---- Washer, Upper Thrust, Inner 1 - ---- Washer, Upper Thrust, Outer	8-27-218	STUD and MOUNTING PACKAGE, DISTRIBUTOR TERMINAL . . . . . Part No. 1881 751 Consists of: 1 - ---- Nut 1 - ---- Stud 1 - ---- Stud, Insulation 1 - ---- Stud, Insulation Bushing 1 - ---- Stud, Insulation Washer 1 - ---- Washer, Lock 1 - ---- Washer, Plain
	BEARING and THRUST WASHER PACKAGE, DRIVE SHAFT . . . . . Part No. 1881 947 Consists of: 1 - ---- Bearing, Shaft, Lower (Pkg. Cont'd)	8-27-278	GOVERNOR WEIGHT PACKAGE, DISTRIBUTOR . . . . . Part No. 1881 746 Consists of: 2 - ---- Weight GOVERNOR WEIGHT PACKAGE, DISTRIBUTOR . . . . . Part No. 1881 945 Consists of: 2 - ---- Weight GOVERNOR WEIGHT PACKAGE, DISTRIBUTOR . . . . . Part No. 1881 955 Consists of: 2 - ---- Weight

★ Indicates use as required.

☐ Indicates parts not listed in any previous parts book.  
May 31, 1961 Supersedes Oct. 3, 1960.

Page PK-10

Prices and specifications subject to change without notice.  
\* Indicates change or addition.

Printed in U.S.A.



CODE	PART NAME AND PART NUMBER	CODE	PART NAME AND PART NUMBER
8-27-279	GOVERNOR WEIGHT SPRING SET PACKAGE . . . . . Part No. 1818 571 Consists of: 1 - ---- --- Spring, Short 1 - ---- --- Spring, Long		VACUUM CHAMBER PACKAGE, DISTRIBUTOR. . . . . Part No. 2084 652 Consists of: 1 - ---- --- Chamber, Vacuum 1 - ---- --- Ring, Lock
	GOVERNOR WEIGHT SPRING SET PACKAGE . . . . . Part No. 1881 946 Consists of: 1 - ---- --- Spring, Short 1 - ---- --- Spring, Long		VACUUM CHAMBER PACKAGE, DISTRIBUTOR . . . . . Part No. 2084 857 Consists of: 1 - ---- --- Chamber, Vacuum 1 - ---- --- Washer, Nylon 1 - ---- --- Washer, Plain
	GOVERNOR WEIGHT SPRING SET PACKAGE . . . . . Part No. 1881 956 Consists of: 1 - ---- --- Spring, Short 1 - ---- --- Spring, Long		VACUUM CHAMBER PACKAGE, DISTRIBUTOR . . . . . Part No. 2084 868 Consists of: 1 - ---- --- Chamber, Vacuum 1 - ---- --- Ring, Lock 1 - ---- --- Washer, Plain
	GOVERNOR WEIGHT SPRING SET PACKAGE . . . . . Part No. 2084 866 Consists of: 1 - ---- --- Spring, Short 1 - ---- --- Spring, Long		VACUUM CHAMBER PACKAGE, DISTRIBUTOR . . . . . Part No. 2084 893 Consists of: 1 - ---- --- Chamber, Vacuum 1 - ---- --- Ring, Lock
	GOVERNOR WEIGHT SPRING SET PACKAGE . . . . . Part No. 2084 891 Consists of: 1 - ---- --- Spring, Short 1 - ---- --- Spring, Long		VACUUM CHAMBER PACKAGE, DISTRIBUTOR . . . . . Part No. 2240 715 Consists of: 1 - ---- --- Chamber, Vacuum 1 - ---- --- Ring, Lock
	GOVERNOR WEIGHT SPRING SET PACKAGE . . . . . Part No. 2084 892 Consists of: 1 - ---- --- Spring, Short 1 - ---- --- Spring, Long		VACUUM CHAMBER PACKAGE, DISTRIBUTOR . . . . . Part No. 2275 226 Consists of: 1 - ---- --- Chamber, Vacuum 1 - ---- --- Washer, Nylon 1 - ---- --- Washer, Plain
	GOVERNOR WEIGHT SPRING SET PACKAGE . . . . . Part No. 2240 747 Consists of: 1 - ---- --- Spring, Short 1 - ---- --- Spring, Long	8-27-315	PLUG and GASKET PACKAGE, DISTRIBUTOR VACUUM CHAMBER . . Part No. 1879 597 Consists of: 1 - ---- --- Gasket 1 - ---- --- Plug
	GOVERNOR WEIGHT SPRING SET PACKAGE . . . . . Part No. 2275 227 Consists of: 1 - ---- --- Spring, Short 1 - ---- --- Spring, Long	8-27-316	SPRING and WASHER PACKAGE, DISTRIBUTOR VACUUM CHAMBER . . Part No. 1881 766 Consists of: 1 - ---- --- Spring 2 - ---- --- Washer, .032 3 - ---- --- Washer, .010 2 - ---- --- Washer, .065
	FELT and SNAP RING PACKAGE, DISTRIBUTOR CAM SLEEVE . . . . . Part No. 1879 607 Consists of: 1 - ---- --- Disc, Felt 1 - ---- --- Ring, Snap		SPRING and WASHER PACKAGE, DISTRIBUTOR VACUUM CHAMBER . . Part No. 2275 225 Consists of: 1 - ---- --- Spring 2 - ---- --- Washer, .010 3 - ---- --- Washer, .032 2 - ---- --- Washer, .065
8-27-308	VACUUM CHAMBER PACKAGE, DISTRIBUTOR . . . . . Part No. 1881 944 Consists of: 1 - ---- --- Chamber, Vacuum 1 - ---- --- Ring, Lock	8-27-352	GEAR and PIN PACKAGE, DISTRIBUTOR DRIVE. . Part No. 2084 653 Consists of: 1 - ---- --- Gear 1 - ---- --- Pin
	VACUUM CHAMBER PACKAGE, DISTRIBUTOR. . . . . Part No. 1881 948 Consists of: 1 - ---- --- Chamber, Vacuum 1 - ---- --- Ring, Lock		

★ Indicates use as required.

☐ Indicates parts not listed in any previous parts book.

\* Indicates change or addition.



CODE	PART NAME AND PART NUMBER	CODE	PART NAME AND PART NUMBER
	GEAR and PIN PACKAGE, DISTRIBUTOR DRIVE. . . Part No. 2084 869 Consists of: 1 - ---- --- Gear 1 - ---- --- Pin		CABLE SET, MOPAR IGNITION, RESISTOR TYPE . . . . . Part No.*2084 219 Consists of: ★ - ---- --- Cable 9 - 2095 766 Nipple, Distributor Terminal 1 - 2095 768 Nipple, Coil Tower Terminal 10 - 1717 314 Terminal, Distributor
8-29-17	BRUSHES, WASHER AND TERMINAL PACKAGE . . . . . Part No. 2084 673 Consists of: 2 - ---- --- Brush, Assembly 1 - ---- --- Terminal, Field 1 - ---- --- Washer, Insulator		CABLE SET, MOPAR IGNITION, RESISTOR TYPE . . . . . Part No.*2084 368 Consists of: ★ - ---- --- Cable 9 - 2095 766 Nipple, Distributor Terminal 1 - 2095 768 Nipple, Coil Tower Terminal 10 - 1717 314 Terminal, Distributor
8-29-129	CAPACITOR and BOLT PACKAGE . . . . . Part No. 2084 675 Consists of: 1 - ---- --- Capicitor and Bolt 2 - ---- --- Insulator 1 - ---- --- Washer		CABLE and TERMINAL PACKAGE, RESISTOR IGNITION . . . . . Part No. 2084 456 Consists of: 1 - ---- --- Cable, 37 1/2" Long 1 - 2095 766 Nipple 1 - 1717 314 Terminal
8-29-135	RECTIFIER, HEAT SINK PACKAGE . . . . . Part No. 2084 674 Consists of: 1 - ---- --- Sink, Heat 1 - ---- --- Spacer, Heat Sink		CABLE and TERMINAL PACKAGE, RESISTOR IGNITION . . . . . Part No. 2084 458 Consists of: 1 - ---- --- Cable 1 - 2095 766 Nipple 1 - 1717 314 Terminal
8-35-111	CYLINDER PACKAGE, IGNITION and DOOR LOCK . . . . . Part No. 2161 192 Consists of: 1 - ---- --- Cylinder, Front Door, Right 1 - ---- --- Cylinder, Front Door, Left 1 - ---- --- Cylinder, Ignition Lock 1 - ---- --- Key CYLINDER PACKAGE, IGNITION and DOOR LOCK . . . . . Part No. 2161 503 Consists of: 1 - ---- --- Cylinder, Right 1 - ---- --- Cylinder, Left 1 - ---- --- Cylinder, Ignition Lock 1 - ---- --- Key		CABLE SET, MOPAR IGNITION, RESISTOR TYPE . . . . . Part No.*2084 606 Consists of: ★ - ---- --- Cable 5 - 2095 766 Nipple, Distributor Terminal 1 - 2095 768 Nipple, Coil Tower Terminal 8 - 1717 314 Terminal
8-35-115	CYLINDER and KEY PACKAGE, IGNITION LOCK . . . . . Part No. 2086 047 Consists of: 1 - ---- --- Cylinder 1 - ---- --- Key		CABLE SET, MOPAR IGNITION, RESISTOR TYPE . . . . . Part No.*2196 052 Consists of: ★ - ---- --- Cable 7 - 2095 766 Nipple, Distributor Terminal 1 - 2095 768 Nipple, Coil Tower Terminal 8 - 1717 314 Terminal, Distributor
8-36-1	CABLE and TERMINAL PACKAGE, RESISTOR IGNITION . . . . . Part No. 2084 064 Consists of: 1 - ---- --- Cable 1 - 2095 766 Nipple 1 - 1717 314 Terminal CABLE and TERMINAL PACKAGE, RESISTOR IGNITION . . . . . Part No. 2084 065 Consists of: 1 - ---- --- Cable 1 - 2095 766 Nipple 1 - 1717 314 Terminal CABLE SET, MOPAR IGNITION, RESISTOR TYPE . . . . . Part No.*2084 217 Consists of: ★ - ---- --- Cable 9 - 2095 766 Nipple, Distributor Terminal 1 - 2095 768 Nipple, Coil Tower Terminal 10 - 1717 314 Terminal, Distributor	8-36-49	CABLE PACKAGE, COIL SECONDARY, 15" CABLE . . . . . Part No.*2084 427 Consists of: 1 - ---- --- Cable, 15" Long 1 - 2095 766 Nipple 1 - 2095 768 Nipple 2 - 1717 314 Terminal CABLE PACKAGE, COIL SECONDARY, EXCEPT 15" CABLE Part No. B2084 428 Consists of: 1 - ---- --- Cable 1 - 2095 766 Nipple 1 - 2095 768 Nipple 2 - 1717 314 Terminal

★ Indicates use as required.

⊞ Indicates parts not listed in any previous parts book.  
May 31, 1961 Supersedes Oct. 3, 1960.

CODE	PART NAME AND PART NUMBER	CODE	PART NAME AND PART NUMBER
8-50-103	ARM PACKAGE, TURN SIGNAL SWITCH OPERATING . . . . . Part No. 2084 304 Consists of: 1 - ---- --- Arm 1 - 1972 207 Pivot 1 - ---- --- Spring		WASHER PACKAGE, COMMUTATOR END THRUST . . . . . Part No. 2240 529 Consists of: 2 - ---- --- Washer, .020 2 - ---- --- Washer, .080 2 - ---- --- Washer, 1/32 2 - 1383 663 Washer, 1/16 2 - 672 641 Washer, 3/64
	ARM PACKAGE, TURN SIGNAL SWITCH OPERATING . . . . . Part No. 2084 863 Consists of: 1 - ---- --- Arm 1 - 1972 207 Pivot 1 - ---- --- Spring	8-52-214	FIELD SERIES and SHUNT COIL PACKAGE . . . . . Part No. 2084 088 Consists of: 1 - ---- --- Coil, Field Series 1 - ---- --- Coil, Field Shunt
	ARM PACKAGE, TURN SIGNAL SWITCH OPERATING . . . . . Part No. 2240 250 Consists of: 1 - ---- --- Arm 1 - 1972 207 Pivot 1 - ---- --- Spring	8-52-275	STUD PACKAGE, STARTER TERMINAL . . . . . Part No. 2084 667 Consists of: 1 - ---- --- Bushing, Insulating 1 - ---- --- Lockwasher 1 - ---- --- Nut 1 - ---- --- Stud, Terminal 1 - ---- --- Washer, Inner Insulating 1 - ---- --- Washer, Outer Insulating 1 - ---- --- Washer, Plain
8-50-334	LENS and GASKET PACKAGE, PARK and TURN SIGNAL LAMP, RIGHT . . . . . Part No. 2240 742 Consists of: 1 - 2188 864 Gasket 1 - ---- --- Lens	8-52-341	COVER and GASKET PACKAGE, SOLENOID . . . . . Part No. 2084 091 Consists of: 1 - ---- --- Contact, Solenoid 1 - ---- --- Gasket, Cover 1 - ---- --- Spring, Return
	LENS and GASKET PACKAGE, PARK and TURN SIGNAL LAMP, LEFT . . . . . Part No. 2240 743 Consists of: 1 - 2188 864 Gasket 1 - ---- --- Lens	8-52-344	COVER and GASKET PACKAGE, SOLENOID . . . . . Part No. 2084 090 Consists of: 1 - ---- --- Cover 1 - ---- --- Gasket, Cover
8-52-49	FORK and PIN PACKAGE, SHIFTING . . . . . Part No. 2084 093 Consists of: 1 - ---- --- Fork, Shifting 1 - ---- --- Pin, Roll	8-52-354	STUD PACKAGE, SOLENOID TERMINAL RELAY . . . . . Part No. 2084 094 Consists of: 1 - ---- --- Insulator, Relay Stud 1 - 120 622 Nut, Hex 1 - ---- --- Stud 1 - ---- --- Washer, Lock 1 - ---- --- Washer, Relay Stud Spacing
8-52-82	STOP and LOCK RING PACKAGE, STARTER PINION . . . . . Part No. 1881 727 Consists of: 1 - 1752 375 Ring 1 - 1752 376 Stop	8-53-265	RHEOSTAT REPLACEMENT PACKAGE, HEADLAMP SWITCH . . Part No. B2275 238 Consists of: 1 - ---- --- Rheostat 1 - ---- --- Spring
8-52-135	BRUSH PACKAGE . . . . . Part No. 2240 749 Consists of: 2 - ---- --- Brush		RHEOSTAT REPLACEMENT PACKAGE, HEADLAMP SWITCH . Part No. B2275 231 Consists of: 1 - ---- --- Rheostat 1 - ---- --- Spring
8-52-140	SPRING PACKAGE, BRUSH . . . . . Part No. 2084 095 Consists of: 4 - 636 841 Spring, Brush		RHEOSTAT REPLACEMENT PACKAGE, HEADLAMP SWITCH . Part No. B2275 234 Consists of: 1 - ---- --- Driver 1 - ---- --- Rheostat 1 - ---- --- Spring
	SPRING PACKAGE, STARTER BRUSH . . . . . Part No. 2084 666 Consists of: 4 - ---- --- Spring	8-55-1	LAMP PACKAGE, STOP and TURN SIGNAL, RIGHT . . . . . Part No. 2240 261 Consists of: 1 - ---- --- Housing, Socket and Gaskets (Pkg. Cont'd)
8-52-180	WASHER PACKAGE, COMMUTATOR END THRUST . . . . . Part No. 1879 613 Consists of: 3 - ---- --- Washer 2 - 1383 663 Washer 2 - 672 641 Washer 2 - ---- --- Washer		

★ Indicates use as required.

□ Indicates parts not listed in any previous parts book.

\* Indicates change or addition.

Printed in U.S.A.

Prices and specifications subject to change without notice.  
May 31, 1961 Supersedes Oct. 3, 1960.

CODE	PART NAME AND PART NUMBER	CODE	PART NAME AND PART NUMBER
(Cont'd)	1 - 2093 550 Lens, Eyelet and Wick 2 - ---- --- Screw and Washer, Lamp to Quarter Panel 2 - 9414 814 Screw, Lens to Housing LAMP PACKAGE, STOP and TURN SIGNAL, LEFT . . . . . Part No. 2240 262 Consists of: 1 - ---- --- Housing, Socket and Gaskets 1 - 2093 551 Lens, Eyelet and Wick 2 - ---- --- Screw and Washer, Lamp to Quarter Panel 2 - 9414 814 Screw, Lens to Housing LAMP PACKAGE, QUARTER PANEL TAIL, STOP and TURN SIGNAL, RIGHT . . . . . Part No. 2240 738 Consists of: 1 - ---- --- Button, Reflector 1 - 2094 682 Housing 1 - 2094 674 Lamp 1 - ---- --- Nut and Washer, Button 4 - ---- --- Nut and Washer 3 - ---- --- Screw 4 - ---- --- Washer, Sealing LAMP PACKAGE, QUARTER PANEL TAIL, STOP and TURN SIGNAL, LEFT . . . . . Part No. 2240 739 Consists of: 1 - ---- --- Button, Reflector 1 - 2094 683 Housing 1 - 2094 675 Lamp 1 - ---- --- Nut and Washer, Button 4 - ---- --- Nut and Washer 3 - ---- --- Screw 4 - ---- --- Washer, Sealing	LAMP and GASKET PACKAGE, BACK-UP, LEFT . . . . . Part No. 2084 053 Consists of: 1 - 1961 256 Gasket 1 - ---- --- Lamp 2 - 1961 349 Screw 2 - 1961 352 Washer 8-56-8 LENS and GASKET PACKAGE, BACK-UP LAMP . . . . . Part No. 2240 741 Consists of: 1 - 2094 343 Gasket 1 - ---- --- Lens 8-56-27 SPRING, INSULATOR and CONTACT PACKAGE, BACK-UP LAMP SOCKET . . . . . Part No. 2257 100 Consists of: 1 - ---- --- Contact 1 - ---- --- Insulator 1 - ---- --- Spring 8-56-36 BEZEL and GASKET PACKAGE, REAR BUMPER BACK-UP LAMP, RIGHT . . . . . Part No. B2240 731 Consists of: 1 - ---- --- Bezel 1 - 1961 448 Gasket BEZEL and GASKET PACKAGE, REAR BUMPER BACK-UP LAMP, LEFT . . . . . Part No. B2240 732 Consists of: 1 - ---- --- Bezel 1 1961 448 Gasket 8-57-54 LENS and GASKET PACKAGE, LICENSE LAMP . . . . . Part No. 1679 566 Consists of: 1 - ---- --- Gasket 1 - ---- --- Lens 8-57-89 SPRING, INSULATOR and CONTACT PACKAGE, LICENSE LAMP SOCKET . . . . . Part No. 2257 100 Consists of: 1 - ---- --- Contact 1 - ---- --- Insulator 1 - ---- --- Spring 9-01-5 GASKET SET ENGINE . . . . . Part No. 2196 045 Consists of: 1 - 1945 561 Gasket, Air Cleaner Cover 1 - 1947 797 Gasket, Air Cleaner to Carburetor 1 - 637 191 Gasket, Carburetor Flange 1 - 1947 554 Gasket, Chain Case Cover 1 - 1947 578 Gasket, Cylinder Head 1 - 2121 244 Gasket, Cylinder Head Cover 1 - 1947 671 Gasket, Cylinder Water Outlet Elbow 1 - 2073 792 Gasket, Exhaust Pipe Flange 1 - 1400 185 Gasket, Fuel Pump Flange 1 - ---- --- Gasket, Intake and Exhaust Manifold 1 - ---- --- Gasket, Oil Pan, Front 1 - ---- --- Gasket, Oil Pan, Left 1 - ---- --- Gasket, Oil Pan, Rear 1 - ---- --- Gasket, Oil Pan, Right (Pkg. Cont'd)	
8-55-63	CONTACT, INSULATOR and SPRING PACKAGE, TAIL, STOP and TURN SIGNAL LAMP SOCKET . . . . . Part No. 2198 860 Consists of: 1 - ---- --- Contact 1 - ---- --- Insulator 1 - ---- --- Spring CONTACT, INSULATOR and SPRING PACKAGE, TAIL LAMP . . . . . Part No. 2257 100 Consists of: 1 - ---- --- Contact 1 - ---- --- Insulator 1 - ---- --- Spring		
8-55-194	LENS and GASKET PACKAGE, QUARTER PANEL TAIL, STOP and TURN SIGNAL. . . . . Part No. 2240 740 Consists of: 1 - 2094 368 Gasket 1 - ---- --- Lens		
8-56-3	LAMP and GASKET PACKAGE, BACK-UP, RIGHT . . . . . Part No. 2084 052 Consists of: 1 - 1961 256 Gasket 1 - ---- --- Lamp 2 - 1961 349 Screw 2 - 1961 352 Washer		

★ Indicates use as required.

E Indicates parts not listed in any previous parts book.  
 May 31, 1961 Supersedes Oct. 3, 1960.

CODE	PART NAME AND PART NUMBER	CODE	PART NAME AND PART NUMBER
(Cont'd)			
	1 - 618 622 Gasket, Oil Pressure Relief Valve Cap		GASKET SET, ENGINE . . Part No. 1879 702 Consists of:
	1 - 2121 404 Gasket, Oil Pump Body		1 - 1737 763 Gasket, Chain Case Cover
	1 - 1947 521 Gasket, Water Pump Body		2 - 1851 579 Gasket, Cylinder Head
	1 - 1947 523 Gasket, Water Pump Body Intermediate Plate		2 - 1821 440 Gasket, Cylinder Head Cover
	GASKET SET, ENGINE, w/ALUMINUM ENGINE . . . . . Part No.*2240 628		1 - 50 082 Gasket, Cylinder Water Outlet Elbow
	Consists of:		2 - 1821 640 Gasket, Exhaust Pipe Flange
	1 - 1947 797 Gasket, Air Cleaner to Carburetor		2 - 1855 029 Gasket, Exhaust Pipe Flange
	1 - 1947 554 Gasket, Chain Case Cover		1 - 1400 185 Gasket, Fuel Pump Flange
	1 - 2128 279 Gasket, Cylinder Head		1 - 1326 836 Gasket, Ignition Distributor
	1 - 2121 244 Gasket, Cylinder Head Cover		1 - 1851 664 Gasket, Intake Manifold
	1 - 1947 671 Gasket, Cylinder Water Outlet Elbow		1 - 1737 770 Gasket, Oil Pan
	1 - 2073 792 Gasket, Exhaust Pipe Flange		1 - 618 622 Gasket, Oil Pressure Relief Valve Cap
	1 - 1400 185 Gasket, Fuel Pump Flange		1 - 1737 705 Gasket, Water Pump Body
	1 - 1947 762 Gasket, Intake and Exhaust Manifold	9-10-2	2 - 1737 761 Gasket, Water Pump to Cylinder Block
	1 - 2288 264 Gasket, Intake to Exhaust Manifold		OIL SEAL PACKAGE, CRANKSHAFT BEARING NO. 5 Cap . . . . . Part No. 1326 091
	1 - ---- Gasket, Oil Pan, Front		Consists of:
	1 - ---- Gasket, Oil Pan, Left		1 - ---- Oil Seal, Left
	1 - ---- Gasket, Oil Pan, Rear		1 - ---- Oil Seal, Right
	1 - ---- Gasket, Oil Pan, Right	9-11-1	OIL SEAL PACKAGE, CRANKSHAFT REAR BEARING . . . . . Part No. 1326 093
	1 - 618 622 Gasket, Oil Pressure Relief Valve Cap		Consists of:
	1 - 2121 404 Gasket, Oil Pump Body		2 - ---- Oil Seal, Bearing
	1 - 1947 521 Gasket, Water Pump Body		1 - ---- Oil Seal, Bearing Cap, Right
	1 - 1947 523 Gasket, Water Pump Body Intermediate Plate		1 - ---- Oil Seal, Bearing Cap, Left
	GASKET SET, ENGINE . . Part No. 2196 087		OIL SEAL PACKAGE, CRANKSHAFT REAR BEARING . . . . . Part No. 2084 411
	Consists of:		Consists of:
	1 - 2129 012 Gasket, Chain Case Cover		1 - ---- Gasket, Cap, Right
	2 - 2129 655 Gasket, Cylinder Head		1 - ---- Gasket, Cap, Left
	2 - 2128 407 Gasket, Cylinder Head Cover		2 - ---- Oil Seal
	1 - 50 826 Gasket, Cylinder Water Outlet		OIL SEAL PACKAGE, CRANKSHAFT REAR BEARING . . . . . Part No. 1818 781
	2 - 1636 570 Gasket, Exhaust Pipe Flange		Consists of:
	1 - 1400 185 Gasket, Fuel Pump Flange		2 - ---- Oil Seal, Crankshaft Rear Bearing
	1 - 1326 836 Gasket, Ignition Distributor		2 - ---- Oil Seal, Crankshaft Rear Bearing Retainer
	2 - ---- Gasket, Intake Manifold	9-39-1	GASKET PACKAGE, VALVE GRIND . . . . . Part No. 2196 046
	1 - ---- Gasket, Intake Manifold-Front		Consists of:
	1 - ---- Gasket, Intake Manifold-Rear		1 - 1947 578 Gasket, Cylinder Head
	2 - ---- Gasket, Oil Pan		1 - 2121 244 Gasket, Cylinder Head Cover
	2 - ---- Gasket, Oil Pan-End		1 - 2073 792 Gasket, Exhaust Pipe Flange
	1 - 2129 013 Gasket, Water Pump Body		GASKET PACKAGE, VALVE GRIND . . . . . Part No. 2196 086
	GASKET SET, ENGINE . . Part No. 1879 701		Consists of:
	Consists of:		2 - 2129 655 Gasket, Cylinder Head
	1 - 1737 763 Gasket, Chain Case Cover		2 - 2128 407 Gasket, Cylinder Head Cover
	2 - 1851 579 Gasket, Cylinder Head		2 - ---- Gasket, Exhaust Pipe Flange
	2 - 1821 440 Gasket, Cylinder Head Cover		2 - ---- Gasket, Intake Manifold
	1 - 50 082 Gasket, Cylinder Water Outlet Elbow		1 - ---- Gasket, Intake Manifold Front
	2 - 1855 029 Gasket, Exhaust Pipe Flange		1 - ---- Gasket, Intake Manifold Rear
	2 - 1821 640 Gasket, Exhaust Pipe Flange		GASKET PACKAGE, VALVE GRIND . . . . . Part No. 1879 703
	1 - 1400 185 Gasket, Fuel Pump Flange		Consists of:
	1 - 1326 836 Gasket, Ignition Distributor		2 - 1851 579 Gasket, Cylinder Head
	1 - 1737 709 Gasket, Intake Manifold		2 - 1821 440 Gasket, Cylinder Head Cover
	1 - 1737 770 Gasket, Oil Pan		(Pkg. Cont'd)
	1 - 618 622 Gasket, Oil Pressure Relief Valve Cap		
	1 - 1737 705 Gasket, Water Pump Body		
	2 - 1737 761 Gasket, Water Pump to Cylinder Block		

★ Indicates use as required.

☐ Indicates parts not listed in any previous parts book.

\* Indicates change or addition.

CODE	PART NAME AND PART NUMBER	CODE	PART NAME AND PART NUMBER
(Cont'd)	2 - 1821 640 Gasket, Exhaust Pipe Flange 2 - 1855 029 Gasket, Exhaust Pipe Flange 1 - 1737 709 Gasket, Intake Manifold 2 - 1737 761 Gasket, Water Pump to Cyl. Block GASKET PACKAGE, VALVE GRIND . . . . . Part No. 1879 704 Consists of: 2 - 1851 579 Gasket, Cylinder Head 2 - 1821 440 Gasket, Cylinder Head Cover 2 - 1821 640 Gasket, Exhaust Pipe Flange 2 - 1855 029 Gasket, Exhaust Pipe Flange 2 - 1851 664 Gasket, Intake Manifold 2 - 1737 761 Gasket, Water Pump to Cylinder Block	(Cont'd)	1 - 1670 515 Shield, Thermostat 1 - 1558 897 Spring, Valve 1 - 683 057 Stop 1 - 2128 933 Thermostat HEAT CONTROL PACKAGE, MANIFOLD . Part No. 2084 795 Consists of: 1 - 1736 012 Bolt, Shield Clamp 2 - ---- --- Bushing 1 - 1409 594 Lock, Shield 1 - 120 614 Nut, Shield Clamp Bolt 1 - ---- --- Plate 2 - 148 148 Retainer, Shaft 1 - ---- --- Shaft 1 - 1944 616 Shield, Thermostat 1 - 1558 897 Spring, Valve 1 - 683 057 Stop 1 - 2128 933 Thermostat
9-50-1	GASKET SET, MANIFOLD . . . . . Part No. 2084 416 Consists of: 1 - ---- --- Gasket, Intake and Exhaust Manifold 1 - ---- --- Gasket, Intake to Exhaust Manifold GASKET SET, MANIFOLD . . . . . Part No. 2084 347 Consists of: 2 - ---- --- Gasket, Intake Manifold 1 - ---- --- Gasket, Intake Manifold, Front 1 - ---- --- Gasket, Intake Manifold, Rear	10-07-2	GASKET and SEAL PACKAGE, OIL PUMP . . . . . Part No. 2084 355 Consists of: 3 - ---- --- Gasket 1 - ---- --- Seal
9-58-1	HEAT CONTROL PACKAGE, MANIFOLD . Part No. 2084 797 Consists of: 1 - 1736 012 Bolt, Valve Clamp 2 - ---- --- Bushing 1 - 2121 430 Counterweight 1 - 1409 594 Lock, Counterweight 1 - 120 614 Nut, Valve Clamp 1 - ---- --- Plate 2 - 148 148 Retainer, Shaft 1 - ---- --- Shaft 1 - 1558 897 Spring, Valve 1 - 2121 455 Stop 1 - 2121 554 Thermostat HEAT CONTROL PACKAGE, MANIFOLD . Part No. 2084 794 Consists of: 1 - 1736 012 Bolt, Shield Clamp 2 - ---- --- Bushing 1 - 1409 594 Lock, Shield 1 - 120 614 Nut, Shield Clamp Bolt 1 - ---- --- Plate 2 - 148 148 Retainer, Shaft 1 - ---- --- Shaft 1 - 1670 515 Shield, Thermostat 1 - 1558 897 Spring, Valve 1 - 683 057 Stop 1 - 960 003 Thermostat HEAT CONTROL PACKAGE, MANIFOLD . Part No. 2196 074 Consists of: 1 - 1736 012 Bolt, Shield Clamp 2 - ---- --- Bushing 1 - 1409 594 Lock, Shield 1 - 120 614 Nut, Shield Clamp Bolt 1 - ---- --- Plate 2 - 148 148 Retainer, Shaft 1 - ---- --- Shaft	10-07-3	SHAFT and ROTOR PACKAGE, OIL PUMP DRIVE . . . . . Part No. 2084 415 Consists of: 1 - ---- --- Rotor, Outer 1 - ---- --- Shaft, Drive SHAFT and ROTOR PACKAGE, OIL PUMP DRIVE . . . . . Part No. 2084 354 Consists of: 1 - ---- --- Rotor, Outer 1 - ---- --- Shaft, Drive, Assembly
		10-24-1	GASKET PACKAGE, OIL PAN . . . . . Part No. 1879 520 Consists of: 2 - ---- --- Gasket, Oil Pan Side 2 - ---- --- Gasket, Oil Pan End GASKET PACKAGE, OIL PAN . . . . . Part No. 2240 647 Consists of: 1 - ---- --- Gasket, Oil Pan Right 1 - ---- --- Gasket, Oil Pan Left 1 - ---- --- Gasket, Oil Pan Front 1 - ---- --- Gasket, Oil Pan Rear
		10-26-8	CARTRIDGE, OIL FILTER . . . . . Part No. 2129 023 Consists of: 1 - ---- --- Cartridge, Oil Filter 5 - ---- --- Gasket
		11-08-1	CLAMP PACKAGE, EXHAUST PIPE . . . . . Part No. 1603 364 Consists of: 2 - 120 376 Nut 1 - ---- --- Saddle 1 - ---- --- U-Bolt 2 - 120 214 Washer, Lock CLAMP PACKAGE, EXHAUST PIPE . . . . . Part No. 1843 009 Consists of: 2 - 120 376 Nut 1 - ---- --- Saddle 1 - ---- --- U-Bolt 2 - 120 214 Washer, Lock

(Pkg. Cont'd)

★ Indicates use as required.  
 ☐ Indicates parts not listed in any previous parts book.  
 March 1, 1962 Supersedes May 31, 1961.



CODE	PART NAME AND PART NUMBER	CODE	PART NAME AND PART NUMBER
	CLAMP PACKAGE, EXHAUST	(Cont'd)	
	PIPE . . . . . Part No. 1843 008	1 - ----	Gasket, Pump Jet Housing
	Consists of:	2 - ----	Gasket, Primary Venturi Cluster
	1 - 181 614 Bolt	2 - ----	Gasket, Secondary Venturi Cluster
	1 - ---- Clamp	2 - ----	Jet, Primary Metering
	1 - 120 368 Nut	2 - ----	Needle, w/Seat, Float
	1 - 120 214 Washer	1 - ----	Plunger, w/Rod, Pump
11-09-1	CLAMP PACKAGE, TAIL	2 - ----	Rod, Step-Up
	PIPE . . . . . Part No. 2240 312	2 - ----	Spring, Vacuum Piston
	Consists of:		REPAIR PACKAGE,
	1 - 181 614 Bolt		CARBURETOR . . . . . Part No. 2084 725
	1 - ---- Clamp		Consists of:
	1 - 120 368 Nut	1 - ----	Ball, Pump Discharge Check Valve, 1/8" Dia.
	1 - 120 214 Washer, Lock	1 - ----	Ball, Pump Inlet Check Valve, 3/16" Dia.
13-72-4	BAR and BASE PACKAGE,	1 - ----	Cotter Pin, Choke Piston Link
	BUMPER JACK RACK . Part No. 2275 450	1 - ----	Gasket, Air Horn
	Consists of:	1 - ----	Gasket, Main Body
	1 - ---- Bar, Rack	1 - ----	Gasket, Power By-Pass Jet
	1 - ---- Base	1 - ----	Gasket, Venturi Cluster
14-30-4	REPAIR PACKAGE,	2 - ----	Jet, Main Metering
	CARBURETOR . . . . . Part No. 2084 164	1 - ----	Jet, Power By-Pass
	Consists of:	3 - ----	Plug, Drive, 1/8" Dia.
	1 - ---- Gasket, Air Cleaner	2 - ----	Plug, Drive, 3/16" Dia.
	1 - ---- Gasket, Body	1 - ----	Plunger, w/Rod, Pump
	1 - ---- Gasket, Body Flange	1 - ----	Valve, Idle Needle
	1 - ---- Gasket, Flange	1 - ----	Valve, w/Seat, Float
	1 - ---- Gasket, Step-Up Piston		REPAIR PACKAGE,
	1 - ---- Gasket, Venturi Cover		CARBURETOR . . . . . Part No. 2196 216
	1 - ---- Gasket, Venturi Housing		Consists of:
	2 - ---- Jet, Main Metering	1 - ----	Gasket, Flange
	1 - ---- Needle, w/Seat, Float	1 - ----	Gasket, Body
	1 - ---- Plunger, w/Rod, Pump	1 - ----	Gasket, Body Flange
	1 - ---- Spring, Step-Up Piston	1 - ----	Gasket, Step-Up Piston
	REPAIR PACKAGE,	1 - ----	Jet, Main Metering
	CARBURETOR . . . . . Part No. 2084 188	1 - ----	Needle, w/Seat, Float
	Consists of:	1 - ----	Plug, High Speed Passage
	1 - ---- Gasket, Air Cleaner	1 - ----	Plunger, w/Rod, Pump
	1 - ---- Gasket, Body	1 - ----	Spring, Step-Up Piston
	1 - ---- Gasket, Body Flange	1 - ----	Tube, w/Plug, Idle Orifice
	1 - ---- Gasket, Flange	1 - ----	Tube, Main Vent
	1 - ---- Gasket, Step-Up Piston		REPAIR PACKAGE,
	1 - ---- Gasket, Venturi Cover		CARBURETOR . . . . . Part No. 2196 217
	1 - ---- Gasket, Venturi Housing		Consists of:
	2 - ---- Jet, Main Metering	1 - ----	Gasket, Body
	1 - ---- Needle, w/Seat, Float	1 - ----	Gasket, Body Flange
	1 - ---- Plunger, w/Rod, Pump	1 - ----	Gasket, Flange
	1 - ---- Spring, Step-Up Piston	1 - ----	Gasket, Step-Up Piston
	REPAIR PACKAGE,	1 - ----	Jet, Main Metering
	CARBURETOR . . . . . Part No. 2084 196	1 - ----	Needle, w/Seat, Float
	Consists of:	1 - ----	Plug, High Speed Passage
	1 - ---- Gasket, Air Cleaner	1 - ----	Plunger, w/Rod, Pump
	1 - ---- Gasket, Air Horn	1 - ----	Spring, Step-Up Piston
	1 - ---- Gasket, Flange	1 - ----	Tube, w/Plug, Idle Orifice
	1 - ---- Gasket, Pump Jet Housing	1 - ----	Tube, Main Vent
	2 - ---- Gasket, Primary Venturi Cluster		REPAIR PACKAGE,
	2 - ---- Gasket, Secondary Venturi Cluster		CARBURETOR . . . . . Part No. 2196 219
	2 - ---- Jet, Primary Metering		Consists of:
	2 - ---- Needle, w/Seat, Float	1 - ----	Gasket, Body
	1 - ---- Plunger, w/Rod, Pump	1 - ----	Gasket, Body Flange
	2 - ---- Rod, Step-Up	1 - ----	Gasket, Flange
	2 - ---- Spring, Vacuum Piston	1 - ----	Gasket, Step-Up Piston
	REPAIR PACKAGE,	1 - ----	Jet, Main Metering
	CARBURETOR . . . . . Part No. 2084 198	1 - ----	Needle, w/Seat, Float
	Consists of:	1 - ----	Plug, High Speed Passage
	1 - ---- Gasket, Air Cleaner	1 - ----	Plunger, w/Rod, Pump
	1 - ---- Gasket, Flange		

★ Indicates use as required.  
 ☐ Indicates parts not listed in any previous parts book.  
 \* Indicates change or addition.  
 Printed in U.S.A.  
 Prices and specifications subject to change without notice.  
 March 1, 1962 Supersedes May 31, 1961.  
 Page PK-17  
 MyMopar.com

CODE	PART NAME AND PART NUMBER	CODE	PART NAME AND PART NUMBER
(Cont'd)	1 - ---- Spring, Step-Up Piston 1 - ---- Tube, w/Plug, Idle Orifice 1 - ---- Tube, Main Vent REPAIR PACKAGE, CARBURETOR . . . . . Part No. 2196 246 Consists of: 1 - ---- Gasket, Body 1 - ---- Gasket, Body Flange 1 - ---- Gasket, Flange 1 - ---- Gasket, Step-Up Piston 1 - ---- Jet, Main Metering 1 - ---- Needle, w/Seat, Float 1 - ---- Plug, High Speed Passage 1 - ---- Plunger, w/Rod, Pump 1 - ---- Spring, Step-Up Piston 1 - ---- Tube, w/Plug, Idle Orifice 1 - ---- Tube, Main Vent REPAIR PACKAGE, CARBURETOR . . . . . Part No. 2240 468 Consists of: 1 - ---- Gasket, Body 1 - ---- Gasket, Body Flange 1 - ---- Gasket, Flange 1 - ---- Gasket, Step-Up Piston 1 - ---- Jet, Main Metering 1 - ---- Needle, w/Seat, Float 1 - ---- Plunger, w/Rod, Pump 1 - ---- Plug, High Speed Passage 1 - ---- Spring, Step-Up Piston 1 - ---- Tube, w/Plug, Idle Orifice 1 - ---- Tube, Main Vent REPAIR PACKAGE, CARBURETOR . . . . . Part No. 2240 469 Consists of: 1 - ---- Gasket, Body 1 - ---- Gasket, Body Flange 1 - ---- Gasket, Flange 1 - ---- Gasket, Step-Up Piston 1 - ---- Jet, Main Metering 1 - ---- Needle, w/Seat, Float 1 - ---- Plunger, w/Rod, Pump 1 - ---- Plug, High Speed Passage 1 - ---- Spring, Step-Up Piston 1 - ---- Tube, w/Plug, Idle Orifice 1 - ---- Tube, Main Vent REPAIR PACKAGE, CARBURETOR . . . . . Part No. 2240 471 Consists of: 1 - ---- Gasket, Body 1 - ---- Gasket, Body Flange 1 - ---- Gasket, Flange 1 - ---- Gasket, Step-Up Piston 1 - ---- Jet, Main Metering 1 - ---- Needle, w/Seat, Float 1 - ---- Plunger, w/Rod, Pump 1 - ---- Plug, High Speed Passage 1 - ---- Spring, Step-Up Piston 1 - ---- Tube, w/Plug, Idle Orifice 1 - ---- Tube, Main Vent 14-30-7 GASKET PACKAGE, CARBURETOR . . . . . Part No. 1631 368 Consists of: 1 - ---- Gasket, Air Horn 1 - ---- Gasket, Float Needle Valve 1 - ---- Gasket, Main Body 2 - ---- Gasket, Metering Jet Plug 1 - ---- Gasket, Power By-Pass Jet (Pkg. Cont'd)	(Cont'd)	1 - ---- Gasket, Main Discharge Nozzle 1 - ---- Gasket, Pump Discharge Nozzle Screw GASKET PACKAGE, CARBURETOR . . . . . Part No. 1826 511 Consists of: 1 - ---- Gasket, Body 1 - ---- Gasket, Body Flange 1 - ---- Gasket, Flange 2 - ---- Gasket, Main Metering Jet 1 - ---- Gasket, Float Needle Seat 1 - ---- Gasket, Step-Up Piston 1 - ---- Gasket, Venturi Cover 1 - ---- Gasket, Venturi Housing GASKET PACKAGE, CARBURETOR . . . . . Part No. 2084 192 Consists of: 1 - ---- Gasket, Air Cleaner 1 - ---- Gasket, Body 1 - ---- Gasket, Body Flange 1 - ---- Gasket, Flange 1 - ---- Gasket, Step-Up Piston 1 - ---- Gasket, Venturi Cover 1 - ---- Gasket, Venturi Housing GASKET PACKAGE, CARBURETOR . . . . . Part No. 2084 200 Consists of: 1 - ---- Gasket, Air Cleaner 1 - ---- Gasket, Air Horn 1 - ---- Gasket, Flange 2 - ---- Gasket, Primary Venturi Cluster 2 - ---- Gasket, Secondary Venturi Cluster 1 - ---- Gasket, Pump Jet Housing GASKET PACKAGE, CARBURETOR . . . . . Part No. 2084 728 Consists of: 1 - ---- Gasket, Air Horn 1 - ---- Gasket, Float Needle Seat 1 - ---- Gasket, Power By-Pass Jet 1 - ---- Gasket, Main Body 1 - ---- Gasket, Venturi Cluster GASKET PACKAGE, CARBURETOR . . . . . Part No. 2196 209 Consists of: 1 - ---- Gasket, Air Cleaner 1 - ---- Gasket, Air Horn 1 - ---- Gasket, Flange 1 - ---- Gasket, Pump Jet Housing 2 - ---- Gasket, Primary Venturi Cluster 2 - ---- Gasket, Secondary Venturi Cluster GASKET PACKAGE, CARBURETOR . . . . . Part No. 2196 221 Consists of: 1 - ---- Gasket, Body 1 - ---- Gasket, Body Flange 1 - ---- Gasket, Flange 1 - ---- Gasket, Float Needle Seat 1 - ---- Gasket, Step-Up Piston 1 - ---- Gasket, Step-Up Jet 15-06-3 NAME PLATE PACKAGE, HOOD . . . . . Part No. 2275 125 Consists of: 1 - ---- Name Plate 5 - 445 150 Nut

★ Indicates use as required.  
 □ Indicates parts not listed in any previous parts book.  
 March 1, 1962 Supersedes May 31, 1961.

CODE	PART NAME AND PART NUMBER	CODE	PART NAME AND PART NUMBER
15-25-2	MOULDING PACKAGE, HOOD TOP . . . . . Part No. 2240 933 Consists of: 1 - ---- Moulding 7 - 9415 250 Nut		SHACKLE and BUSHING PACKAGE, REAR SPRING . . . . . Part No. 2084 236 Consists of: 4 - ---- Bushing, Shackle 1 - ---- Insert, Shackle Bushing 2 - ---- Nut, Bolt 1 - ---- Plate, Shackle, Outer 1 - ---- Shackle
16-03-1	JOINT PACKAGE UNIVERSAL, FRONT . . Part No. 1603 398 Consists of: 2 - 1550 466 Ball and Roller 2 - ---- Button, Centering 1 - 870 539 Clamp, Large 1 - 870 540 Clamp, Small 1 - ---- Cover, Dust 1 - 602 820 Cover, Grease 1 - 1616 185 Gasket 1 - ---- Pin, Centering 1 - 1639 973 Spring 2 - 605 004 Washer, Thrust		SHACKLE and BUSHING PACKAGE, REAR SPRING . . . . . Part No. 2196 009 Consists of: 4 - ---- Bushing 1 - ---- Insert, Bushing 2 - 120 369 Nut 1 - ---- Plate 1 - ---- Shackle, w/Bolt
	JOINT PACKAGE, UNIVERSAL, FRONT . . Part No. 1752 680 Consists of: 2 - 1739 927 Ball and Roller 2 - ---- Button, Centering 1 - 870 540 Clamp, Small 1 - 1532 943 Clamp, Large 1 - ---- Cover, Dust 1 - 1635 092 Cover, Grease 1 - 1635 098 Gasket 1 - 1739 923 Pin, Centering 1 - 605 004 Washer, Thrust		SHACKLE and BUSHING PACKAGE, REAR SPRING . . . . . Part No. 2196 010 Consists of: 4 - ---- Bushing 1 - ---- Plate 1 - ---- Shackle, w/Bolt
	JOINT PACKAGE, UNIVERSAL, REAR . . . Part No. 1752 624 Consists of: 1 - ---- Cross, Assy. 4 - 858 006 Retainer, Roller and Bushing 4 - 1739 913 Roller and Bushing	17-23-3	ABSORBER and BUSHING PACKAGE, REAR SHOCK . . . . . Part No. 2240 317 Consists of: 1 - ---- Absorber 2 - 1319 902 Bushing
16-07-4	DUST COVER PACKAGE, UNIVERSAL JOINT . . . Part No. 1603 397 Consists of: 1 - 870 539 Clamp 1 - 870 540 Clamp 1 - ---- Cover, Dust		ABSORBER and BUSHING PACKAGE, REAR SHOCK . . . . . Part No. 2240 358 Consists of: 1 - ---- Absorber 2 - 1319 902 Bushing
	DUST COVER PACKAGE, UNIVERSAL JOINT . . . Part No. 1450 448 Consists of: 1 - 1637 317 Clamp, Large 1 - 1637 316 Clamp, Small 1 - ---- Cover, Dust		ABSORBER and BUSHING PACKAGE, REAR SHOCK . . . . . Part No. 2240 359 Consists of: 1 - ---- Absorber 2 - 1319 902 Bushing
17-11-1	BUSHING PACKAGE, REAR SPRING . . . . . Part No. 2196 011 Consists of: 4 - ---- Bushing		ABSORBER and BUSHING PACKAGE, REAR SHOCK . . . . . Part No. 2240 360 Consists of: 1 - ---- Absorber 2 - 1319 902 Bushing
17-16-1	SHACKLE AND BUSHING PACKAGE, REAR SPRING . . . . . Part No. 1450 087 Consists of: 4 - ---- Bushing 2 - ---- Nut 2 - ---- Shackle		ABSORBER and BUSHING PACKAGE, REAR SHOCK . . . . . Part No. 2240 361 Consists of: 1 - ---- Absorber 2 - 1319 902 Bushing
	SHACKLE and BUSHING PACKAGE, REAR SPRING . . . . . Part No. 1450 961 Consists of: 4 - ---- Bushing 2 - ---- Nut 2 - ---- Shackle		ABSORBER and BUSHING PACKAGE, FRONT SHOCK . . . . . Part No. 2240 316 Consists of: 1 - ---- Absorber 1 - 1635 588 Bushing, Lower Mounting 1 - 1614 385 Bushing, Upper Mounting

★ Indicates use as required. Printed in U.S.A.  
 ☒ Indicates parts not listed in any previous parts book. Prices and specifications subject to change without notice.  
 \* Indicates change or addition. March 1, 1962 Supersedes May 31, 1961.



CODE	PART NAME AND PART NUMBER	CODE	PART NAME AND PART NUMBER
	<p>ABSORBER and BUSHING PACKAGE, FRONT</p> <p>SHOCK . . . . . Part No. 2240 353</p> <p>Consists of:</p> <p>1 - ---- --- Absorber</p> <p>1 - 1635 588 Bushing, Lower Mounting</p> <p>1 - 1614 385 Bushing, Upper Mounting</p> <p>ABSORBER and BUSHING PACKAGE, FRONT</p> <p>SHOCK . . . . . Part No. 2240 355</p> <p>Consists of:</p> <p>1 - ---- --- Absorber</p> <p>1 - 1635 588 Bushing, Lower Mounting</p> <p>1 - 1614 385 Bushing, Upper Mounting</p> <p>ABSORBER and BUSHING PACKAGE, FRONT</p> <p>SHOCK . . . . . Part No. 2240 356</p> <p>Consists of:</p> <p>1 - ---- --- Absorber</p> <p>1 - 1635 588 Bushing, Lower Mounting</p> <p>1 - 1614 385 Bushing, Upper Mounting</p> <p>ABSORBER and BUSHING PACKAGE, FRONT</p> <p>SHOCK . . . . . Part No. 2240 362</p> <p>Consists of:</p> <p>1 - ---- --- Absorber</p> <p>1 - 1635 588 Bushing, Lower Mounting</p> <p>1 - 1614 385 Bushing, Upper Mounting</p> <p>ABSORBER and BUSHING PACKAGE, FRONT</p> <p>SHOCK . . . . . Part No. 2240 364</p> <p>Consists of:</p> <p>1 - ---- --- Absorber</p> <p>1 - 1635 588 Bushing, Lower Mounting</p> <p>1 - 1614 385 Bushing, Upper Mounting</p>	(Cont'd)	<p>1 - 1730 985 Seal, Shaft Oil</p> <p>1 - 2200 730 Seal, Worm Shaft Oil</p> <p>10 - 1123 313 Shim, Housing Cover</p> <p>19-01-4 "O" RING and SEAL PACKAGE, POWER</p> <p>STEERING GEAR . . . . Part No. 2084 839</p> <p>Consists of:</p> <p>1 - ---- --- Gasket, Valve Housing Plug</p> <p>1 - 1733 602 "O" Ring, Column Support</p> <p>2 - 1733 562 "O" Ring, Cylinder Head</p> <p>1 - 1486 205 "O" Ring, Cylinder Head Ferrule</p> <p>1 - 1316 849 "O" Ring, Housing</p> <p>2 - 1556 385 "O" Ring, Housing Port</p> <p>1 - 1536 268 "O" Ring, Pressure Control Valve Body</p> <p>1 - 1822 149 "O" Ring, Reaction, Upper</p> <p>1 - 1733 615 "O" Ring, Shaft Cover</p> <p>1 - 1733 612 "O" Ring, Valve Housing</p> <p>1 - 1822 151 Seal, Reaction, Lower</p> <p>1 - 1822 203 Seal, Shaft Adjusting Screw</p> <p>1 - 1730 985 Seal, Shaft Oil</p> <p>1 - 1822 324 Seal, Worm Sleeve</p> <p>"O" RING and SEAL PACKAGE, POWER</p> <p>STEERING GEAR . . . . Part No. 2084 840</p> <p>Consists of:</p> <p>1 - ---- --- Gasket, Valve Housing Plug</p> <p>1 - 1733 602 "O" Ring, Column Support</p> <p>2 - 1733 562 "O" Ring, Cylinder Head</p> <p>1 - 1486 205 "O" Ring, Cylinder Head Ferrule</p> <p>1 - 1823 150 "O" Ring, Housing</p> <p>2 - 1556 385 "O" Ring, Housing Port</p> <p>1 - 1536 268 "O" Ring, Pressure Control Valve</p> <p>1 - 1823 091 "O" Ring, Reaction, Lower</p> <p>1 - 1733 615 "O" Ring, Shaft Cover</p> <p>1 - 1733 612 "O" Ring, Valve Housing</p> <p>1 - 1733 593 Seal, Reaction, Upper</p> <p>1 - 1822 203 Seal, Shaft Adjusting Screw</p> <p>1 - 1730 985 Seal, Shaft Oil</p> <p>1 - 1822 324 Seal, Worm Shaft Inner</p> <p>"O" RING and SEAL PACKAGE, POWER</p> <p>STEERING GEAR . . . . Part No. 2196 032</p> <p>Consists of:</p> <p>1 - ---- --- Gasket, Valve Housing Plug</p> <p>1 - 1733 602 "O" Ring, Column Support</p> <p>2 - 1733 562 "O" Ring, Cylinder Head</p> <p>1 - 1486 205 "O" Ring, Cylinder Head Ferrule</p> <p>1 - 1316 849 "O" Ring, Housing</p> <p>2 - 1556 385 "O" Ring, Housing Port</p> <p>1 - 1536 268 "O" Ring, Pressure Control Valve Body</p> <p>1 - 1822 149 "O" Ring, Reaction, Upper</p> <p>1 - 1733 615 "O" Ring, Shaft Cover</p> <p>1 - 1733 612 "O" Ring, Valve Housing</p> <p>1 - 1822 151 Seal, Reaction, Lower</p> <p>1 - 1822 203 Seal, Shaft Adjusting Screw</p> <p>1 - 2072 039 Seal, Shaft Oil</p> <p>1 - 1822 324 Seal, Worm Sleeve</p>
19-01-3	<p>OVERHAUL PACKAGE, STEERING GEAR . . . . Part No. 2196 033</p> <p>Consists of:</p> <p>2 - 2072 038 Bearing, Shaft</p> <p>2 - 2072 060 Bearing, Worm Thrust</p> <p>2 - 2207 835 Bushing, Jacket to Shaft Seal</p> <p>2 - 2072 062 Cup, Worm Thrust Bearing</p> <p>1 - 2072 048 Gasket, Shaft Cover</p> <p>1 - 2073 675 Seal, Column Jacket to Shaft</p> <p>1 - 2072 056 Seal, Shaft</p> <p>1 - 2072 055 Seal, Worm Shaft</p> <p>1 - 2072 051 Shim, Shaft Adjusting Screw</p> <p>1 - 2072 052 Shim, Shaft Adjusting Screw</p> <p>1 - 2072 053 Shim, Shaft Adjusting Screw</p> <p>1 - 2072 054 Shim, Shaft Adjusting Screw</p> <p>OVERHAUL PACKAGE, STEERING GEAR . . . . Part No. 2196 995</p> <p>Consists of:</p> <p>1 - 2123 169 Bearing, Shaft Housing, Lower</p> <p>1 - 2123 170 Bearing, Shaft Housing, Upper</p> <p>2 - 2201 624 Bushing, Column Jacket Seal</p> <p>2 - 640 086 Cage and Roller, Worm Thrust Bearing</p> <p>1 - 637 539 Cup, Worm Lower Thrust Bearing</p> <p>1 - 376 751 Cup, Worm Upper Thrust Bearing</p> <p>1 - 1738 206 Gasket, Shaft Cover</p> <p>1 - 2201 234 Seal, Column Jacket Oil</p> <p>(Pkg. Cont'd)</p>		

★ Indicates use as required.  
 ☐ Indicates parts not listed in any previous parts book.  
 May 31, 1961 Supersedes Oct. 3, 1960.

CODE	PART NAME AND PART NUMBER	CODE	PART NAME AND PART NUMBER
19-02-4	HOUSING PACKAGE, STEERING GEAR . . . Part No. *2240 602 Consists of: 1 - ---- --- Housing 1 - 1823 150 "O" Ring 1 - 1823 151 Spring	19-54-55	SEAL PACKAGE, POWER STEERING PUMP . . . Part No. B2279 997 Consists of: 1 - 1732 946 Oil Seal, Oil Reservoir 1 - 1738 662 Seal, Oil Reservoir Mounting 1 - 1734 913 Seal, Pump Shaft
	HOUSING PACKAGE, STEERING GEAR . . . . . Part No. *2240 615 Consists of: 1 - ---- --- Housing 1 - 1823 150 "O" Ring 1 - 1823 151 Spring		SEAL PACKAGE, POWER STEERING PUMP . . . . . Part No. B2279 998 Consists of: 1 - 2120 018 Oil Seal, Oil Reservoir 1 - 2120 019 Seal, Oil Reservoir Mounting 1 - 2120 527 Seal, Pump Shaft
19-15-39	SPRING PACKAGE, POWER STEERING GEAR BALL GUIDE . . . . . Part No. 2084 215 Consists of: 2 - ---- --- Plug 2 - ---- --- Spring	19-54-128	PLUG and SNAP RING PACKAGE, POWER STEERING FLOW CONTROL VALVE . . . Part No. 1879 353 Consists of: 1 - ---- --- Plug 1 - ---- --- Ring
19-19-1	SEAL PACKAGE, POWER STEERING CROSS SHAFT COVER . . . . . Part No. B2279 986 Consists of: 1 - 1733 615 "O" Ring 1 - 1822 203 Seal, Shaft Adjusting Screw	19-57-1	SEAL PACKAGE, POWER STEERING GEAR VALVE . . . . . Part No. B2279 985 Consists of: 1 - 1733 724 Gasket, Plug Valve Housing 1 - 1316 849 "O" Ring, Housing 1 - 1823 150 "O" Ring, Housing 1 - 1556 385 "O" Ring, Housing Port 1 - 1536 268 "O" Ring, Pressure Control Valve Body 1 - 1733 612 "O" Ring, Valve Housing
19-27-2	ARM PACKAGE, STEERING LINKAGE GEAR ARM. . Part No. 2084 613 Consists of: 1 - ---- --- Arm 1 - ---- --- Nut 1 - 108 636 Pin 1 - 1670 299 Seal	19-57-2	PISTON and SPRING PACKAGE, POWER STEERING GEAR PRESSURE CONTROL VALVE . . . . . Part No. 1879 509 Consists of: 1 - ---- --- Piston 1 - 1822 442 Spring
19-27-31	IDLER ARM PACKAGE, STEERING LINKAGE . . Part No. 2084 614 Consists of: 1 - ---- --- Arm 1 - 2072 490 Bolt, Arm 1 - 1734 327 Bushing, Arm 1 - ---- --- Nut, Arm Bolt 1 - 128 014 Nut, Arm End 1 - ---- --- Oiler, Arm End 1 - 108 636 Pin, Arm End Nut Cotter 1 - 2072 455 Seal, Arm End	21-01-3	GASKET and SEAL PACKAGE POWERFLITE TRANSMISSION, PARTIAL . . . . . Part No. 2084 616 Consists of: 1 - 1408 254 Gasket, Extension 1 - 1408 255 Gasket, Output Shaft Support 1 - 1408 282 Gasket, Oil Pan 1 - 1408 245 Seal, Frt. Oil Pump Housing 1 - 1738 265 Seal, Reaction Shaft 1 - 1486 536 Seal, Reaction Shaft 1 - 1738 264 Seal, Frt. Pump Drive Sleeve 1 - 1738 263 Seal, Hub
19-48-7	SMALL PARTS PACKAGE, GEARSHIFT CONTROL (W/STD. TRANS.) . . . Part No. 2240 631 Consists of: 2 - 1676 200 Bushing, Transmission Gearshift Operating Lever Grommet 2 - 1137 669 Clip, Rod Cotter 2 - 148 148 Clip, Rod Swivel 2 - 1941 699 Grommet, Transmission Gearshift Operating Lever 4 - 631 217 Washer, Rod, Plain 2 - 632 258 Washer, Rod Swivel, Plain 2 - 6012 072 Washer, Rod Swivel Spring		GASKET and SEAL PACKAGE, COMPLETE POWERFLITE TRANSMISSION . . . . . Part No. 2084 617 Consists of: 1 - 1408 254 Gasket, Extension 1 - 1408 255 Gasket, Output Shaft Support 1 - 1408 282 Gasket, Oil Pan 1 - 1672 066 Gasket, Valve Body 1 - 1117 819 Gasket, Regulator Valve Spring Retainer 1 - 1408 375 Gasket, Torque Converter Valve Spring Retainer 1 - 1316 864 "O" Ring, Control Cable 1 - 1736 376 Ring, Output Shaft Seal (Pkg. Cont'd)
19-54-2	PUMP PACKAGE, POWER STEERING GEAR . . . . . Part No. 2196 082 Consists of: 1 - ---- --- Pump 1 - 2120 019 Seal, Oil Reservoir Mounting 1 - 2120 018 Seal, Oil Reservoir Oil		
	PUMP PACKAGE, POWER STEERING . . . . . Part No. *2240 620 Consists of: 1 - ---- --- Pump 1 - 1738 662 Seal, Oil Reservoir Mounting 1 - 1732 946 Seal, Oil Reservoir Oil		

★ Indicates use as required.

□ Indicates parts not listed in any previous parts book.

\* Indicates change or addition.

Printed in U.S.A.

Prices and specifications subject to change without notice.  
May 31, 1961 Supersedes Oct. 3, 1960.

CODE	PART NAME AND PART NUMBER	CODE	PART NAME AND PART NUMBER
(Cont'd)	<p>1 - 1738 262 Ring, Direct Clutch Piston Retainer Seal</p> <p>1 - 1537 149 Ring, Reaction Shaft Seal</p> <p>1 - 1672 358 Ring, Throttle Cam Shaft Sleeve Seal</p> <p>1 - 1408 245 Seal, Frt. Oil Pump Housing</p> <p>1 - 1486 536 Seal, Reaction Shaft</p> <p>1 - 1738 265 Seal, Reaction Shaft</p> <p>1 - 1738 263 Seal, Hub</p> <p>1 - 1738 261 Seal, Direct Clutch Piston Ring</p> <p>1 - 1671 763 Seal, Output Shaft Rr. Bearing</p> <p>2 - 1401 256 Seal, Oil Strainer Tube</p> <p>1 - 863 987 Seal, Oil Pan Drain Plug</p> <p>1 - 1738 264 Seal, Frt. Oil Pump Sleeve</p> <p><b>GASKET SET, AUTO. 3 SPEED TRANSMISSION . . . . . Part No. 1879 507</b> Consists of:</p> <p>1 - 1853 888 Gasket, Shaft Support</p> <p>1 - 1853 891 Gasket, Extension</p> <p>1 - 1636 448 Gasket, Oil Pan</p> <p>1 - 1636 303 Gasket, Valve Body</p> <p>1 - 1824 553 Ring, Shaft Seal</p> <p>1 - 1408 245 Seal, Oil Pump Housing</p> <p><b>SEAL and GASKET PACKAGE, STANDARD TRANSMISSION . . . . . Part No. 2196 069</b> Consists of:</p> <p>1 - 1949 346 Gasket, Case Cover</p> <p>2 - 865 180 Gasket, Bearing Retainer</p> <p>1 - 865 181 Gasket, Bearing Retainer</p> <p>1 - 1949 361 Gasket, Extension</p> <p>1 - 1949 933 Seal, Pinion Retainer</p> <p>1 - 1854 449 Seal, Main Shaft Oil</p> <p><b>SEAL and GASKET PACKAGE, STANDARD TRANSMISSION . . . . . Part No. 2240 320</b> Consists of:</p> <p>1 - 2124 466 Gasket, Case Cover</p> <p>1 - 2124 519 Gasket, Extension</p> <p>1 - 2124 499 Gasket, Bearing Retainer</p> <p>1 - 1949 933 Seal, Drive Pinion</p> <p>1 - 2205 080 Seal, Main Shaft</p> <p>1 - 2124 461 Seal, Main Shaft</p> <p><b>SEAL and GASKET PACKAGE, AUTO TRANSMISSION . Part No.*2275 422</b> Consists of:</p> <p>1 - 1942 390 Gasket, Reaction Shaft Support</p> <p>1 - 2205 299 Gasket, Oil Pan, After</p> <p>1 - 1942 165 Gasket, Parking Lock Cover, Up-To</p> <p>1 - ---- --- Gasket, Parking Lock Cover, After</p> <p>1 - 2205 322 Gasket, Extension</p> <p>1 - 863 987 Gasket, Drain Plug</p> <p>1 - 1942 516 Gasket, Oil Pan, Up-To</p> <p>2 - 1942 109 Ring, Governor Support Seal</p> <p>2 - 1941 831 Ring, Input Shaft Seal</p> <p>2 - 1942 389 Ring, Reaction Shaft Support Seal</p> <p>1 - 6022 859 Ring, Output Shaft</p> <p>1 - 1942 396 Seal, Front Clutch Piston, Inner</p> <p style="text-align: right;">(Pkg. Cont'd)</p>	(Cont'd)	<p>1 - 1942 397 Seal, Front Clutch Piston, Outer</p> <p>1 - 1942 384 Seal, Front Oil Pump Housing, Up-To</p> <p>1 - 2204 709 Seal, Front Oil Pump Housing, After</p> <p>1 - 1942 412 Seal, Rear Clutch Piston, Inner, Up-To</p> <p>1 - 2125 187 Seal, Rear Clutch Piston, Inner, After</p> <p>1 - 1942 397 Seal, Rear Clutch Piston, Outer</p> <p>1 - 2124 705 Seal, Impeller Hub</p> <p>1 - 1942 401 Seal, Output Shaft</p> <p>1 - 2205 300 Seal, Throttle Lever Shaft</p> <p>1 - 1942 454 Washer Output Shaft Thrust .052"</p> <p>1 - 1942 455 Washer, Output Shaft Thrust .068"</p> <p>1 - 1942 456 Washer, Output Shaft Thrust .083"</p> <p><b>SEAL and GASKET PACKAGE, STANDARD TRANSMISSION . . . . . Part No. 2196 062</b> Consists of:</p> <p>1 - 1949 346 Gasket, Case Cover</p> <p>3 - 672 709 Gasket, Bearing Retainer</p> <p>1 - 1949 361 Gasket, Extension</p> <p>1 - 1949 343 Seal, Drive Pinion Oil</p> <p>1 - 1942 401 Seal, Main Shaft</p> <p><b>GASKET and SEAL PACKAGE, TRANSMISSION COMPLETE OVERHAUL, AUTO. 3 SPEED . . . . . Part No. 2240 192</b> Consists of:</p> <p>1 - 1117 819 Gasket, Spring Retainer</p> <p>1 - 1408 375 Gasket, Spring Retainer</p> <p>1 - 1636 303 Gasket, Regulator Valve Body</p> <p>1 - 1636 448 Gasket, Oil Pan</p> <p>1 - 1672 074 Gasket, Cable Adapter Housing</p> <p>1 - 1853 891 Gasket, Extension</p> <p>1 - 1853 888 Gasket, Output Shaft Support</p> <p>1 - 1638 667 Plate, Carrier Thrust</p> <p>2 - 1314 249 Ring, Kickdown Piston Seal</p> <p>1 - 1322 363 Ring, Kickdown Piston Seal</p> <p>1 - 1323 593 Ring, Input Shaft Oil Seal</p> <p>1 - 1329 638 Ring, Reverse Servo Piston</p> <p>2 - 1636 324 Ring, Shaft Seal</p> <p>2 - 1636 469 Ring, Sun Gear Rear Clutch Seal</p> <p>2 - 1636 470 Ring, Governor Support Seal</p> <p>4 - 1672 287 Ring, Intermediate Shaft Seal</p> <p>1 - 1736 224 Ring, Kickdown Piston Seal</p> <p>1 - 1736 233 Ring, Accumulator Piston</p> <p>1 - 1736 376 Ring, Output Shaft Seal</p> <p>1 - 1854 304 Ring, Front Oil Pump Drive Sleeve Seal</p> <p>1 - 1824 549 Ring, Front Clutch Piston Seal</p> <p>1 - 1824 550 Ring, Rear Clutch Piston Seal</p> <p style="text-align: right;">(Pkg. Cont'd)</p>

★ Indicates use as required.  
 ☐ Indicates parts not listed in any previous parts book.  
 March 1, 1962 Supersedes May 31, 1961.

Printed in U.S.A.  
 Prices and specifications subject to change without notice.  
 \* Indicates change or addition.

CODE	PART NAME AND PART NUMBER	CODE	PART NAME AND PART NUMBER
(Cont'd)		(Cont'd)	
	1 - 1824 551 Ring, Front Clutch Piston Seal		1 - 1636 376 Washer, Carrier Thrust
	1 - 1824 552 Ring, Rear Clutch Piston Seal		1 - 1638 669 Washer, Input Shaft Thrust
	1 - 1824 553 Ring, Reaction Shaft Seal		1 - 1638 670 Washer, Input Shaft Thrust
	1 - 1941 831 Ring, Input Shaft Oil Seal		1 - 1638 671 Washer, Input Shaft Thrust
	2 - 1401 256 Seal, Oil Strainer Tube		1 - 1823 872 Washer, Input Shaft Thrust
	1 - 1408 245 Seal, Front Oil Pump Housing		<b>GASKET, PLATE and DISC PACKAGE, TRANSMISSION COMPLETE OVERHAUL, POWER-FLITE . . . . . Part No. 2240 194</b>
	1 - 1738 263 Seal, Impeller Hub Oil		Consists of:
	1 - 1738 264 Seal, Front Oil Pump Drive Sleeve		7 - 1633 843 Disc, Clutch Driving
	1 - 1824 075 Seal, Output Shaft Oil		1 - 1117 819 Gasket, Valve Spring Retainer
	2 - 1636 290 Washer, Front Clutch and Sun Gear Thrust		1 - 1672 066 Gasket, Regulator Valve Body
	1 - 1636 314 Washer, Sun Gear Thrust		1 - 1408 254 Gasket, Extension
	1 - 1636 376 Washer, Carrier Thrust		1 - 1408 255 Gasket, Output Shaft
	1 - 1638 669 Washer, Input Shaft Thrust		1 - 1408 282 Gasket, Oil Pan
	1 - 1638 670 Washer, Input Shaft Thrust		1 - 1408 375 Gasket, Valve Spring Retainer
	1 - 1638 671 Washer, Input Shaft Thrust		7 - 1408 232 Plate, Direct Clutch
	1 - 1823 872 Washer, Input Shaft Thrust		1 - 1316 864 "O" Ring, Control Cable
	<b>GASKET and SEAL PACKAGE, TRANSMISSION COMPLETE OVERHAUL, AUTO. 3</b>		1 - 1329 638 Ring, Reverse Servo Piston
	<b>SPEED. . . . . Part No.*2298 927</b>		1 - 1736 376 Ring, Output Shaft Seal
	Consists of:		1 - 1738 262 Ring, Piston Retainer Seal
	1 - 1117 819 Gasket, Spring Retainer		2 - 1537 149 Ring, Reaction Shaft Seal
	1 - 1408 375 Gasket, Spring Retainer		1 - 1672 358 Ring, Shaft Sleeve Seal
	1 - 1636 303 Gasket, Regulator Valve Body		1 - 1738 264 Ring, Drive Sleeve
	1 - 1636 448 Gasket, Oil Pan		1 - 863 987 Seal, Drain Plug
	1 - 1672 074 Gasket, Cable Adapter Housing		2 - 1401 256 Seal, Oil Strainer Tube
	1 - 1853 891 Gasket, Extension		1 - 1408 245 Seal, Front Oil Pump Housing
	1 - 1853 888 Gasket, Output Shaft Support		1 - 1486 536 Seal, Reaction Shaft
	1 - 1638 667 Plate, Carrier Thrust		1 - 1671 763 Seal, Output Shaft Bearing Oil
	2 - 1314 249 Ring, Kickdown Piston Seal		1 - 1738 261 Seal, Direct Clutch Piston Ring
	1 - 1322 363 Ring, Kickdown Piston Seal		1 - 1738 263 Seal, Impeller Hub
	1 - 1323 593 Ring, Input Shaft Oil Seal		1 - 1738 265 Seal, Reaction Shaft
	1 - 1329 638 Ring, Reverse Servo Piston		1 - 1638 462 Washer, Carrier Front Thrust
	2 - 1636 324 Ring, Shaft Seal		<b>21-113-24 SWITCH PACKAGE, TRANSMISSION NEUTRAL STARTER . . Part No. 1704 283</b>
	2 - 1636 469 Ring, Sun Gear Rear Clutch Seal		Consists of:
	2 - 1636 470 Ring, Governor Support Seal		1 - 1316 849 "O" Ring, Mounting
	4 - 1672 287 Ring, Intermediate Shaft Seal		1 - ---- Switch, Neutral Starter
	1 - 1736 224 Ring, Kickdown Piston Seal		1 - 1704 482 Washer, Mounting
	1 - 1736 233 Ring, Accumulator Piston		<b>21-117-1 FILTER PACKAGE, TRANSMISSION OIL . . Part No.*2298 944</b>
	1 - 1736 376 Ring, Output Shaft Seal		Consists of:
	1 - 1854 304 Ring, Front Oil Pump Drive Sleeve Seal		1 - 2400 126 Bracket, Filter
	1 - 1824 549 Ring, Front Clutch Piston Seal		1 - 2268 908 Clamp, Filter
	1 - 1824 550 Ring, Rear Clutch Piston Seal		1 - 2400 124 Filter, Oil
	1 - 1824 551 Ring, Front Clutch Piston Seal		1 - 137 398 Nut, Tube, Inlet
	1 - 1824 552 Ring, Rear Clutch Piston Seal		1 - 1941 667 Nut, Tube, Outlet
	1 - 1941 831 Ring, Input Shaft Oil Seal		<b>FILTER PACKAGE, TRANSMISSION OIL . . Part No.*2298 945</b>
	1 - 1824 553 Ring, Reaction Shaft Seal		Consists of:
	2 - 1401 256 Seal, Oil Strainer Tube		1 - 2400 078 Bracket, Filter
	1 - 1408 245 Seal, Front Oil Pump Housing		1 - 2268 908 Clamp, Filter
	1 - 2400 084 Seal, Impeller Hub Oil		1 - 2400 124 Filter, Oil
	1 - 1738 264 Seal, Front Oil Pump Drive Sleeve		1 - 137 398 Nut, Tube, Inlet
	1 - 1824 075 Seal, Output Shaft Oil		1 - 1941 667 Nut, Tube, Outlet
	2 - 1636 290 Washer, Front Clutch and Sun Gear Thrust		
	1 - 1636 314 Washer, Sun Gear Thrust		
	(Pkg. Cont'd)		

★ Indicates use as required.

□ Indicates parts not listed in any previous parts book.

\* Indicates change or addition.

Page PK-23

Printed in U.S.A.

Prices and specifications subject to change without notice.  
March 1, 1962 Supersedes May 31, 1961.

CODE	PART NAME AND PART NUMBER	CODE	PART NAME AND PART NUMBER
21-118-1	GASKET SET, AUTO. 3 SPEED TRANSMISSION FRONT OIL PUMP . . . . . Part No. 1843 230 Consists of: 1 - 1636 303 Gasket, Regulator Valve Body 1 - 1117 819 Gasket, Regulator Valve Spring Retainer 1 - 1408 375 Gasket, Torque Converter Control Valve Spring Retainer 1 - 1738 263 Oil Seal, Impeller Hub 1 - 1824 553 Ring, Reaction Shaft Seal 1 - 1854 304 Ring, Drive Seal 1 - 1408 245 Seal, Frt. Oil Pump Housing 1 - 1738 264 Seal, Frt. Oil Pump Drive Sleeve GASKET SET, AUTO. 3 SPEED TRANSMISSION EXTENSION and REAR OIL PUMP . . Part No. 2240 332 Consists of: 1 - 1853 888 Gasket, Output Shaft Support 1 - 1853 891 Gasket, Extension 1 - 1636 470 Ring, Governor Support Seal 1 - 1824 075 Seal, Output Shaft Oil GASKET SET, AUTO. 3 SPEED TRANSMISSION FRONT OIL PUMP . . . . . Part No. *2298 926 Consists of: 1 - 1636 303 Gasket, Regulator Valve Body 1 - 1117 819 Gasket, Regulator Valve Spring Retainer 1 - 1408 375 Gasket, Torque Converter Control Valve Spring Retainer 1 - 2400 084 Oil Seal, Impeller Hub 1 - 1824 553 Ring, Reaction Shaft Seal 1 - 1854 304 Ring, Drive Seal 1 - 1408 245 Seal, Frt. Oil Pump Housing 1 - 1738 264 Seal, Frt. Oil Pump Drive Sleeve	21-133-3	GASKET and SEAL PACKAGE, AUTO. 3 SPEED TRANSMISSION FRONT and REAR CLUTCH and INPUT SHAFT . . . . . Part No. 1843 229 Consists of: 1 - 1636 448 Gasket, Oil Pan 1 - 1672 074 Gasket, Cable Adapter 1 - 1824 551 Ring, Frt. Clutch Piston Seal, Inner 1 - 1824 549 Ring, Frt. Clutch Piston Seal, Outer 1 - 1323 593 Ring, Input Shaft, Large 1 - 1941 831 Ring, Input Shaft, Small 1 - 1824 550 Ring, Rear Clutch Piston Seal, Outer 1 - 1824 552 Ring, Rear Clutch Piston Seal, Inner 1 - 1314 249 Ring, Output Shaft Seal, Large 1 - 1736 376 Ring, Output Shaft Seal, Small 1 - 1636 324 Ring, Intermediate Shaft Seal, Small 4 - 1672 287 Ring, Intermediate Shaft Seal, Large 2 - 1636 469 Ring, Rear Clutch Seal 2 - 1401 256 Seal, Oil Strainer Tube
		21-133-37	PLATE and DISC PACKAGE, POWERFLITE TRANSMISSION DIRECT CLUTCH DRIVING . . . . . Part No. 1643 259 Consists of: 7 - ---- Disc 7 - ---- Plate
		21-136-228	CAM and RETAINER PACKAGE, OVERRUNNING CLUTCH . . . . . Part No. 2279 000 Consists of: 1 ---- Cam, Overrunning 1 - ---- Retainer, Spring 5 - ---- Screw 5 - 1823 543 Washer
21-118-6	ROTOR PACKAGE, AUTO. 3 SPEED TRANSMISSION FRONT OIL PUMP . . . . . Part No. 2240 302 Consists of: 1 - ---- Rotor, Front Oil Pump, Inner 1 - ---- Rotor, Front Oil Pump, Outer ROTOR PACKAGE, REAR OIL PUMP, AUTO. TRANS- MISSION . . . . . Part No. 2196 795 Consists of: 1 - 1672 296 Rotor, Outer 1 - ---- Rotor, Inner	21-138-2	REPAIR PACKAGE, POWERFLITE TRANSMISSION GOVERNOR . . . . . Part No. 1653 463 Consists of: 1 - ---- Body, Governor 1 - 1329 702 Ring, Weight 1 - 1559 495 Ring, Weight 1 - 1736 468 Screw, Locating 1 - 1556 082 Shaft, Valve 2 - 1638 461 Snap Ring, Shaft 1 - 1559 498 Spring, Weight 1 - 1315 155 Valve, Governor 1 - 1559 494 Weight, Governor, Outer 1 - 1559 496 Weight, Governor, Intermediate 1 - 1559 497 Weight, Governor, Inner
21-131-1	BODY PACKAGE, POWERFLITE TRANSMISSION REGULATOR VALVE . . . . . Part No. 1643 243 Consists of: 1 - ---- Body, Regulator Valve 1 - 1630 812 Spring, Torque Converter Control Valve 1 - 2124 247 Valve, Torque Converter Control		REPAIR PACKAGE, AUTO. 3 SPEED TRANSMISSION GOVERNOR . . . . . Part No. 2084 602 Consists of: 1 - ---- Body, Governor 1 - 1736 468 Screw, Locating 1 - 1556 082 Shaft, Valve

(Pkg. Cont'd)

★ Indicates use as required.

⊠ Indicates parts not listed in any previous parts book.  
March 1, 1962 Supersedes May 31, 1961.



CODE	PART NAME AND PART NUMBER	CODE	PART NAME AND PART NUMBER
(Cont'd)	1 - 1949 858 Spring, Weight 1 - 1636 464 Snap Ring, Inner Weight 1 - 1636 465 Snap Ring, Outer Weight 2 - 1638 461 Snap Ring, Valve Shaft 1 - 1736 424 Valve, Governor 1 - 1636 461 Weight, Governor, Outer 1 - 1636 462 Weight, Governor, Inner <b>REPAIR PACKAGE,            AUTO. 3 SPEED TRANSMISSION            GOVERNOR . . . . . Part No. 2084 603</b> Consists of: 1 - ---- --- Body, Governor 1 - 1736 468 Screw, Locating 1 - 1556 082 Shaft, Valve 1 - 1636 464 Snap Ring, Inner Weight 1 - 1636 465 Snap Ring, Outer Weight 2 - 1638 461 Snap Ring, Valve Shaft 1 - 1949 859 Spring, Weight 1 - 1736 424 Valve, Governor 1 - 1636 461 Weight, Governor, Outer 1 - 1636 462 Weight, Governor, Inner <b>REPAIR PACKAGE, AUTO. TRANS-            MISSION GOVERNOR . . Part No. 2196 998</b> Consists of: 1 - ---- --- Body, Governor 2 - 2125 024 Lock, Body Bolt 4 - 180 019 Bolt, Body 2 - 1942 109 Ring, Support Seal or Piston 1 - 1636 464 Snap Ring, Weight, Inner 1 - 1636 465 Snap Ring, Weight, Outer 2 - 1638 461 Snap Ring, Valve Shaft 1 - 1942 471 Snap Ring, Body 1 - 2124 662 Spring, Governor 1 - 1556 082 Shaft, Valve 1 - 2124 663 Valve, Governor 1 - 1636 461 Weight, Governor, Outer 1 - 1636 462 Weight, Governor, Inner <b>REPAIR PACKAGE, AUTO.            3 SPEED TRANSMISSION            GOVERNOR . . . . . Part No. 1843 403</b> Consists of: 1 - ---- --- Body, Governor 1 - 1736 468 Screw, Locating 1 - 1556 082 Shaft, Valve 1 - 2124 252 Spring, Weight 1 - 1636 464 Snap Ring, Inner Weight 1 - 1636 465 Snap Ring, Outer Weight 2 - 1638 461 Snap Ring, Valve Shaft 1 - 1736 424 Valve, Governor 1 - 1823 726 Weight, Governor Outer 1 - 1636 462 Weight, Governor Inner 23-14-53 <b>HANDLE PACKAGE, FRONT            DOOR VENT WING . . . Part No. 1954 110</b> Consists of: 1 - ---- --- Handle, Right 1 - ---- --- Key 1 - ---- --- Pin 1 - 6000 110 Washer 1 - ---- --- Spring <b>HANDLE PACKAGE, FRONT            DOOR VENT WING . . . Part No. 1954 111</b> Consists of: 1 - ---- --- Handle, Left 1 - ---- --- Key (Pkg. Cont'd)	(Cont'd)	1 - 6000 116 Pin 1 - 6000 110 Washer 1 - ---- --- Spring <b>DOOR VENT WING . . . Part No. 2167 916</b> Consists of: 1 - ---- --- Handle, Right 1 - 6000 116 Pin 1 - 6000 110 Washer <b>HANDLE PACKAGE, FRONT            DOOR VENT WING . . . Part No. 2167 917</b> Consists of: 1 - ---- --- Handle, Left 1 - 6000 116 Pin 1 - 6000 110 Washer <b>DOOR VENT WING . . . Part No. 2259 214</b> Consists of: 1 - ---- --- Handle, Right 1 - 6000 110 Washer 1 - 6000 116 Pin <b>HANDLE PACKAGE, FRONT            DOOR VENT WING . . . Part No. 2259 215</b> Consists of: 1 - ---- --- Handle, Left 1 - 6000 110 Washer 1 - 6000 116 Pin 23-17-2 <b>CYLINDER and KEYS            PACKAGE, DOOR and            IGNITION LOCK . . . . Part No. 2080 227</b> Consists of: 1 - ---- --- Cylinder, Ignition 1 - ---- --- Cylinder, Door, Right 1 - ---- --- Cylinder, Door, Left 2 - ---- --- Keys <b>CYLINDER and KEYS            PACKAGE, DOOR and            IGNITION LOCK . . . . Part No. 2161 192</b> Consists of: 1 - ---- --- Cylinder, Ignition 1 - ---- --- Cylinder, Door, Right 1 - ---- --- Cylinder, Door, Left 2 - ---- --- Keys <b>CYLINDER and KEYS            PACKAGE, DOOR and            IGNITION LOCK . . . . Part No. 2161 503</b> Consists of: 1 - ---- --- Cylinder, Ignition 1 - ---- --- Cylinder, Door, Right 1 - ---- --- Cylinder, Door, Left 2 - ---- --- Keys 23-17-5 <b>CYLINDER and KEYS PACKAGE,            DECK LID LOCK . . . . Part No. 2086 049</b> Consists of: 1 - ---- --- Cylinder 2 - ---- --- Keys <b>CYLINDER and KEYS PACKAGE,            DECK LID LOCK . . . . Part No. 2161 424</b> Consists of: 1 - ---- --- Cylinder 2 - ---- --- Keys <b>CYLINDER and KEYS PACKAGE,            DECK LID LOCK . . . . Part No. 2161 865</b> Consists of: 1 - ---- --- Cylinder 2 - ---- --- Keys

★ Indicates use as required.

☒ Indicates parts not listed in any previous parts book.

\* Indicates change or addition.

CODE	PART NAME AND PART NUMBER	CODE	PART NAME AND PART NUMBER
23-17-24	CYLINDER and KEYS PACKAGE, DOOR LOCK . . . . . Part No. 2086 048 Consists of: 1 - ---- --- Cylinder, Right 1 - ---- --- Cylinder, Left 2 - ---- --- Keys CYLINDER and KEYS PACKAGE, DOOR LOCK . . . . . Part No. 2161 356 Consists of: 1 - ---- --- Cylinder, Right 1 - ---- --- Cylinder, Left 2 - ---- --- Keys	24-25-93	VALVE PLATE PACKAGE . . . . . Part No. 2275 204 Consists of: 1 - 1990 584 Gasket, Cylinder Head 1 - 1990 598 Gasket, Valve Plate 1 - 1994 395 Plate, Valve VALVE PLATE PACKAGE . . . . . Part No. 2275 205 Consists of: 1 - 1990 584 Gasket, Cylinder Head 1 - 1990 598 Gasket, Valve Plate 1 - 1994 396 Plate, Valve
23-17-49	CYLINDER and KEYS PACKAGE, TAILGATE LOCK . . . . Part No. 2161 423 Consists of: 1 - ---- --- Cylinder 2 - ---- --- Keys CYLINDER and KEYS PACKAGE, TAILGATE LOCK . . . . Part No. 2161 599 Consists of: 1 - ---- --- Cylinder 2 - ---- --- Keys	24-25-154	CRANKSHAFT PACKAGE . . . . . Part No. 2275 206 Consists of: 1 - ---- --- Crankshaft 1 - 1990 584 Gasket, Cylinder Head 1 - 1377 825 Gasket, Oil Sump 2 - 1990 598 Gasket, Valve Plate 1 - 1377 831 Seal, Bearing Housing 1 - ---- --- Seal, Crankshaft Gas 1 - ---- --- Washer, Thrust
23-17-72	CYLINDER and KEYS PACKAGE, TIREWELL COVER LOCK . . . . . Part No. 2161 615 Consists of: 1 - ---- --- Cylinder 2 - ---- --- Keys	24-25-162	BEARING HOUSING PACKAGE . . . . . Part No. 2196 315 Consists of: 1 - ---- --- Housing 1 - ---- --- 1877 831 Seal
23-18-120	TERMINAL and INSULATOR PACKAGE, ELECTRIC DOOR LOCK SOLENOID . . . . Part No. 1843 226 Consists of: 10 - ---- --- Insulators 10 - ---- --- Terminals, Male 10 - ---- --- Terminals, Female	24-25-246	OIL PUMP PACKAGE . . Part No. 2196 306 Consists of: 1 - ---- --- Cover, Oil Pump 1 - 1747 988 Seal, Cover 1 - ---- --- Rotor, Outer 1 - ---- --- Rotor, Inner 1 - ---- --- Shaft
24-24-23	BLOWER SWITCH ADAPTER PACKAGE . . . . . Part No. 2196 336 Consists of: 1 - ---- --- Spring, Control Arm 2 - ---- --- Bushing, Control Arm	24-26-20	RECEIVER DRIER PACKAGE . . . . . Part No. 1880 658 Consists of: 1 - ---- --- Gasket 1 - ---- --- Receiver Drier
24-25-2	PISTON RING PACKAGE . . . . . Part No. 2275 207 Consists of: 1 - 1990 584 Gasket, Cylinder Head 1 - 1377 825 Gasket, Oil Sump 1 - 1990 598 Gasket, Valve Plate	24-28-36	TUBING SEALING WASHER PACKAGE . . . . . Part No. 2196 341 Consists of: 6 - ---- --- Seal, 5/8" O. D. 2 - ---- --- Seal, 1/2" O. D. 1 - ---- --- Seal, 3/8" O. D.
24-25-3	PISTON and CONNECTING ROD PACKAGE . . . . . Part No. 2275 203 Consists of: 1 - ---- --- Ball, Oil Pressure 1 - 1990 584 Gasket, Cylinder Head 1 - 1990 598 Gasket, Valve Plate 1 - 1377 825 Gasket, Oil Sump 1 - ---- --- Piston, w/Connecting Rod 1 - ---- --- Spring, Oil Pressure	24-28-322	INDICATOR PACKAGE . . Part No. 1880 657 Consists of: 1 - ---- --- Gasket, Receiver Drier 1 - ---- --- Indicator
24-25-70	SEAL PACKAGE, CRANKSHAFT GAS . . . Part No. 1426 501 Consists of: 1 - ---- --- Seal, Crankshaft Gas 1 - 1377 831 Seal, Bearing Housing	24-28-379	DEFROSTER DOOR PACKAGE . . . . . Part No. 2084 295 Consists of: 1 - ---- --- Clip, Outlet Rod Lever 1 - ---- --- Clip, Outlet Rod 1 - ---- --- Door, w/Seal 1 - ---- --- Lever, Door 1 - ---- --- Nut, Shaft 1 - ---- --- Rod, Door 1 - ---- --- Shaft, w/Lever 1 - ---- --- Spacer, Shaft

## NOTES

★ Indicates use as required.

⊞ Indicates parts not listed in any previous parts book.  
March 1, 1962 Supersedes May 31, 1961.

Printed in U.S.A.

Prices and specifications subject to change without notice.  
\* Indicates change or addition.

CODE	PART NAME AND DESCRIPTION	PER CAR	VALIANT	PLYMOUTH	DESOTO	CHRYSLER	IMPERIAL
<b>1-01-0 BUMPER OR GRILLE GUARD</b>							
1-01-1	TIE BAR PACKAGE, Front Bumper . . . . .	1	2196 449				
	GUARD PACKAGE, Rear Bumper . . . . .	1	----	2240 382			
<b>1-02-0 DECK LID TIRE COVER</b>							
1-02-1	COVER PACKAGE . . . . .	1	----	2084 786			
<b>1-04-0 AUTOMATIC HEADLAMP DIMMER</b>							
1-04-4	SCANNER, Automatic Headlamp Dimmer, Factory Installed . .	1	----	----	----	----	2096 894
1-04-12	AMPLIFIER . . . . .	1	----	----	----	----	2257 182
<b>1-06-0 WARNING LIGHT</b>							
1-06-1	EMERGENCY FLASHING PACKAGE . . . . .	1	2256 968	2256 969	2256 969	2097 278	2256 968
1-06-2	FLASHER, Emergency . . . . .	1	2196 300	2196 300	2196 300	2196 300	2196 300
<b>1-07-0 LOAD LEVELLER</b>							
1-07-1	LOAD LEVELLER, Shock Absorber . . . . .	1	----	2206 633	2206 633	2206 633	
<b>1-08-0 TAILGATE WINDOW SCREEN</b>							
1-08-1	SCREEN . . . . .	1	----	2196 144	----	2196 144	
<b>1-09-0 HAND BRAKE SIGNAL LAMP</b>							
1-09-1	SIGNAL LAMP PACKAGE . . .	1	2076 719	1972 490	2096 797		
<b>1-10-0 BACK-UP LAMP</b>							
1-10-1	LAMP PACKAGE, w/Std. Trans., except Sub. . . . .	1	2257 586	2257 286			
	Sub. . . . .	1	2257 701	2257 288			
	w/Auto. Trans., except Sub. . .	1	2076 723	2257 287			
	Sub. . . . .	1	2076 724	2257 289			
	w/Std. Trans., RC1, RC2 . . .	1	----	----	----	2290 106	
	w/Auto. Trans., RC1, RC2 . .	1	----	----	----	2290 107	
<b>1-12-0 CIGAR LIGHTER</b>							
	NOTE: For Components see part type code 8-20-01						
1-12-1	CIGAR LIGHTER PACKAGE . .	1	2076 538	2256 423			
<b>1-13-0 UNDERHOOD LIGHT</b>							
1-13-1	LIGHT PACKAGE, Underhood w/Hydraulic Brake . . . . .	1	2076 445	1972 690	1972 690	1972 690	
	w/Mechanical Brake . . . . .	1	----	2258 799	2258 799	2258 799	
1-13-9	SOCKET and BRACKET . . . . .	1	2096 857	2096 857	2096 857	2096 857	
1-13-10	SWITCH . . . . .	1	1972 426	1972 426	1972 426	1972 426	
<b>1-14-0 MAP AND COURTESY LIGHT</b>							
1-14-4	MAP LIGHT PACKAGE . . . . .	1	----	----	2257 726		
1-14-6	WIRING, Dome Lamp Rear Door, RC1 . . . . .	1	E2290 097	E2290 097	E2290 097	E2290 097	
1-14-40	COURTESY LIGHT PACKAGE . .	1	2258 507	2096 386			

\* Indicates use as required.

Numerals in parentheses ( ) refer to notes.

Printed in U.S.A.

B Indicates parts not listed in any previous parts book.

Prices and specifications subject to change without notice.

\* Indicates change or addition.



# 1961 PASSENGER CAR PARTS CATALOG

CODE	PART NAME AND DESCRIPTION	PER CAR	VALIANT	PLYMOUTH	DESOTO	CHRYSLER	IMPERIAL
<b>1-19-0 GLOVE COMPARTMENT LIGHT</b>							
1-19-1	LIGHT PACKAGE . . . . .	1	2096 926	1972 480	2096 926	1972 480	
<b>1-21-0 CLOCK</b>							
1-21-1	CLOCK PACKAGE . . . . .	1	---- ---	2257 404	2257 406	2257 582	2197 287
1-21-8	NUT, Reset Cable . . . . .	1	---- ---	---- ---	6008 060		
1-21-22	SOCKET, Clock Lamp . . . . .	1	---- ---	2097 003			
1-21-25	BEZEL, Clock Reset Cable . . . . .	1	---- ---	---- ---	1972 532		
1-21-32	HOLDER, Clock Fuse . . . . .	1	---- ---	---- ---	1971 032		
<b>1-30-0 TRUNK COMPARTMENT LIGHT</b>							
1-30-1	LIGHT PACKAGE . . . . .	1	2076 451	1972 689	1972 689	1972 689	
<b>1-39-0 FUEL TANK LOCKING CAP</b>							
1-39-2	CAP, except Sub. . . . .	1	2073 990	1948 754	1948 754	1948 754	
	Sub. . . . .	1	2073 990	2123 643	---- ---	2123 643	
<b>1-42-0 POWER BRAKE</b>							
1-42-1	BRAKE PACKAGE, w/o Ram Manifold . . . . .	1	2075 007	2084 809	2084 809	2084 809	2084 809
<b>1-44-0 BRAKE SELF ADJUSTING PACKAGE</b>							
1-44-1	PACKAGE, Brake Self Adjusting	1	E2275 430				
<b>1-45-0 FENDER SKIRT</b>							
1-45-1	SKIRT PACKAGE, except Sub., Stainless Steel . . . . .	1	---- ---	2196 895			
	Prime, except Sub. . . . .	1	---- ---	2275 974			

**1-48-0 HOT WATER HEATER AND COMPONENT PARTS**

NOTE: Quantity is (1) per Car unless otherwise indicated.

MODEL 715, 719 Fresh Air Heater  
MODEL 718 Recirculating Heater

PART TYPE CODE	PART NAME	MODEL 715	MODEL 719	RE-CIRCULATING
1-48-1	HEATER PACKAGE, w/CONTROLS, RP1, RP2 . . . . .	2219 291	---- ---	2277 423
	RS1 . . . . .	2219 292	---- ---	2277 423
	RC1, RC2, RC3, RC4 . . . . .	2219 294	---- ---	---- ---
	RV1 . . . . .	---- ---	2219 852	2076 666
1-48-4	HEATER CONTROLS, RP1, RP2, less Bezel and Lens . . . . .	2097 910	---- ---	---- ---
	RP1, RP2, Complete . . . . .	2097 909	---- ---	---- ---
	Fresh Air, RP1, RP2 . . . . .	2097 908	---- ---	---- ---
	RC1, RC2, RC3, RC4 . . . . .	2097 094	---- ---	---- ---
	RC1, RC2, RC3, RC4, less Bezel . . . . .	2097 096	---- ---	---- ---
	RC1, RC2, RC3, RC4, Complete . . . . .	2097 095	---- ---	---- ---
	RY1 . . . . .	2197 827	---- ---	---- ---
	RV1 . . . . .	---- ---	2209 190	---- ---
1-48-6	FACE PLATE, Push Button Control, RV1 . . . . .	---- ---	2076 264	---- ---
1-48-7	TUBES and CONNECTOR, Heater Control . . . . .	2257 197	2209 323	---- ---
	Fresh Air Door . . . . .	2096 768	---- ---	---- ---
1-48-8	TUBE, Heater Control Vacuum Feed . . . . .	1971 676	1971 676	---- ---
1-48-10	SOCKET, Heater Control Lamp, RP1, RP2 . . . . .	2097 003	---- ---	---- ---

★ Indicates use as required. Numerals in parentheses ( ) refer to notes. Printed in U.S.A.  
 Ⓜ Indicates parts not listed in any previous parts book. Prices and specifications subject to change without notice.  
 March 1, 1962 Supersedes May 31, 1961. Page 1-4 \* Indicates change or addition.

## 1-48-0 HOT WATER HEATER AND COMPONENT PARTS - Cont'd

NOTE: Quantity is (1) per Car unless otherwise indicated.

MODEL 715, 719 Fresh Air Heater

MODEL 718 Recirculating Heater

PART TYPE CODE	PART NAME	MODEL 715	MODEL 719	RE-CIRCULATING
1-48-12	BUTTON, Heater, Control Push, RP1, RP2 . . . . .	Off Lo-Fan Hi-Fan Def. Air	2097 923 2097 924 2097 925 2097 926 2097 927	----- ----- ----- ----- -----
	RS1 . . . . .	Off Lo-Fan Hi-Fan Def. Air	2197 468 2197 469 2197 470 2197 471 2197 472	----- ----- ----- ----- -----
	RC1, RC2, RC3, RC4 . . . . .	Off Lo-Fan Hi-Fan Def. Air	1887 667 1887 668 1887 669 1887 670 1887 671	----- ----- ----- ----- -----
	RY1 . . . . .	Off Lo-Fan Hi-Fan Def. Air	2197 846 2197 847 2197 848 2197 849 2197 850	----- ----- ----- ----- -----
	RV1 . . . . .	Off Def. Hi-Fan Lo-Fan	----- ----- 2209 208 2209 209	2209 206 2209 207 ----- -----
1-48-13	BRACKET, w/CABLE, Heater Control Lamp Socket, RS1 . . . . .		2197 463	-----
1-48-15	KIT, Heater Control Vacuum Tube Repair . . . . .		2275 215	2275 215
1-48-24	PLUG, Heater Temperature Control Valve Tube . . . . .		1622 064	-----
1-48-26	PAD, Push Button Controls, RS1, RD1, RD3, RD4 . . . . .		2161 606	-----
1-48-46	WHEEL, Heater Blower Motor . . . . .		1689 692	2076 117
	FAN, RP1, RP2, RS1 . . . . .		-----	2197 907
	RV1 . . . . .		-----	2219 887
1-48-47	NUT, Heater Blower Wheel Mounting . . . . .		6022 150	-----
1-48-70	BEZEL, Heater Control, RP1, RP2, w/Title LENS . . . . .		2097 929	-----
	RC1, RC2, RC3, RC4 . . . . .		2084 054	-----
	RY1, w/Turn Signal LENS . . . . .		2197 663	-----
	RV1 . . . . .		-----	2076 264
	Fresh Air Door, RP1, RP2, w/Title LENS . . . . .		2097 928	-----
	RC1, RC2, RC3, RC4 . . . . .		2084 055	-----
	RY1 . . . . .		2197 664	-----
1-48-76	ARM and MOUNTING PLATE, Heater Temperature Control, RS1 . . . . .		2197 461	-----
	RC1, RC2, RC3, RC4 . . . . .		2097 097	-----
1-48-88	CORE, Heater . . . . .		1885 826	2076 400
	RP1, RP2, RS1 . . . . .		-----	2197 908
	RV1 . . . . .		-----	2219 888
1-48-125	HOUSING, Heater Engine Side . . . . .		2097 746	2219 392
1-48-126	GASKET, Heater Housing to Dash . . . . .		1880 472	2076 322
1-48-129	SPACER, Heater Mounting . . . . .		-----	684 748
1-48-138	NOZZLE PACKAGE, Defroster, RP1, RP2 . . . . .		-----	2197 899
1-48-144	NOZZLE, Defroster Tube, Right . . . . .		-----	2076 129
	Left . . . . .		-----	2076 130
	RP1-2, Right . . . . .		1971 841	-----
	Left . . . . .		1971 842	-----
	Except RP1, RP2 (2 req'd) . . . . .		1932 807	-----
1-48-151	TUBE, Heater Defroster, Right . . . . .		-----	1689 313
	Left . . . . .		-----	2076 532
	(2 req'd.) . . . . .		2096 989	-----

★ Indicates use as required.

Numerals in parentheses ( ) refer to notes.

Printed in U.S.A.

□ Indicates parts not listed in any previous parts book.

Prices and specifications subject to change without notice.

\* Indicates change or addition.

Page 1-5

March 1, 1962 Supersedes May 31, 1961.

## 1-48-O HOT WATER HEATER AND COMPONENT PARTS - Cont'd

NOTE: Quantity is (1) per Car unless otherwise indicated.

MODEL 715, 719 Fresh Air Heater  
MODEL 718 Recirculating Heater

PART TYPE CODE	PART NAME	MODEL 715	MODEL 719	RE-CIRCULATING
1-48-158	GRILLE, Rear Shelf Panel, Inlet . . . . .	1971 091	1971 091	----
	Outlet . . . . .	1971 043	1971 043	----
1-48-159	BEZEL, Rear Shelf Panel Inlet Grille . . . . .	1819 014	1819 014	----
1-48-160	SPRING, Rear Window Defroster Fuse Retaining, RS1 . . . . .	1841 698	----	----
1-48-162	DUCT and SEAL, Rear Shelf Defroster except Sub. . . . .	2076 633	----	----
	RY1 . . . . .	2219 071	----	----
1-48-164	WIRING, Rear Window Defroster, Front . . . . .	2197 667	----	----
	WIRING, Rear Window Defroster, Rear . . . . .	----	2076 423	----
1-48-165	CLIP, Rear Window Defroster Terminal and Fuse . . . . .	2197 136	----	----
1-48-179	CLIP, Heater Temperature Control Cable Mounting . . . . .	6015 143	----	----
1-48-191	KNOB, Rear Window Defroster Switch, RP1 . . . . .	1887 591	----	----
	RS1 . . . . .	2257 478	----	----
	RY1 . . . . .	1887 935	----	----
1-48-192	BEZEL, Rear Window Defroster Switch, RD1, RD3, RD4, RS1, RS3 . . . . .	2197 499	----	----
	RY1 . . . . .	2197 389	----	----
	RV1 . . . . .	----	2076 377	----
1-48-194	ADAPTER, Dummy Knob, RC1, RC2, RC3, RC4 . . . . .	1972 469	----	----
		2198 805	----	----
1-48-225	WHEEL, Rear Shelf Panel Defroster Blower . . . . .	1239 241	1239 241	----
1-48-226	WASHER, Rear Shelf Panel Defroster Blower Wheel . . . . .	6006 065	6006 065	----
	Heater Distribution Duct Shut-Off Vacuum . . . . .	1880 439	----	----
1-48-236	ADAPTER, Defroster Air Outlet, RY1 . . . . .	2219 066	----	----
1-48-254	RETAINER, Damper . . . . .	----	2076 405	----
1-48-256	LINK, Vacuum Actuator to Heater Distribution Duct Damper . . . . .	----	2073 329	----
1-48-258	ACTUATOR, Heater Distribution Duct Damper Vacuum . . . . .	----	2076 339	----
	Heater Distributor Duct Shut-Off Vacuum . . . . .	1880 439	----	----
	Heater Distribution Duct Defroster Vacuum . . . . .	1841 223	----	----
	Fresh Air Door Vacuum . . . . .	1879 843	----	----
1-48-264	HOUSING, Rear Shelf Panel Defroster Blower . . . . .	1819 470	1819 470	----
1-48-267	CLIP, Fresh Air Door Vacuum Actuator Shaft to Lever . . . . .	6008 145	----	----
	Retainer . . . . .	2096 772	2096 772	----
1-48-268	MOTOR, Rear Window Defroster Blower . . . . .	2096 772	2096 772	----
1-48-293	REDUCER, Defroster Hose, RP1, RP2 (2 req'd) . . . . .	----	----	2197 903
1-48-299	SWITCH PACKAGE, Rear Window Defroster, RP1, RP2 . . . . .	2197 442	----	----
1-48-300	SWITCH, Rear Window Defroster, RS1 . . . . .	2096 376	----	----
	RC1, RC2, RC3, RC4 . . . . .	1972 774	----	----
	RY1 . . . . .	2197 410	----	----
	RV1 . . . . .	----	1972 596	----
1-48-309	NUT, Rear Window Defroster Switch Mounting, RP1, RP2 . . . . .	1887 603	----	----
	RS1 . . . . .	1972 548	----	----
	RV1 . . . . .	----	1339 711	----
1-48-313	PLATE, Rear Window Defroster Switch Name . . . . .	2197 509	----	----
1-48-360	ROD, Fresh Air Door Actuating, Right . . . . .	----	2081 974	----
	Left . . . . .	----	2081 975	----
1-48-361	SPRING, Fresh Air Door Actuating Rod (2 req'd.) . . . . .	----	2082 228	----
1-48-362	SEAL, Fresh Air Door, Right . . . . .	----	2082 766	----
	Left . . . . .	----	2082 767	----
	Cowl Plenum Chamber . . . . .	----	2259 074	----
1-48-363	SUPPORT, Fresh Air Door, w/BUMPER (2 req'd.) . . . . .	----	2082 231	----
1-48-365	DOOR, Fresh Air (2 req'd.) . . . . .	----	2195 951	----
	DOOR and LINKAGE . . . . .	1830 632	----	----
	DOOR and FRAME, RY1 . . . . .	1830 633	----	----
1-48-366	GASKET, Fresh Air Door . . . . .	1839 197	----	----
1-48-370	PIN, Fresh Air Door, Hinge . . . . .	----	2082 861	----
	Actuator Rod . . . . .	----	9414 300	----
	Housing Hinge . . . . .	----	6022 809	----
1-48-374	CONTROL, Fresh Air Door . . . . .	----	E2259 011	----
1-48-379	DEFLECTOR, Fresh Air, Right . . . . .	----	----	2219 676
	Left . . . . .	----	----	2219 677

\* Indicates use as required.

Numerals in parentheses ( ) refer to notes.

Printed in U.S.A.

E Indicates parts not listed in any previous parts book.

Prices and specifications subject to change without notice.

March 1, 1962 Supersedes May 31, 1961.

Page 1-6

\* Indicates change or addition.

**1-48-O HOT WATER HEATER AND COMPONENT PARTS - Cont'd**

NOTE: Quantity is (1) per Car unless otherwise indicated.

MODEL 715, 719 Fresh Air Heater  
MODEL 718 Recirculating Heater

PART TYPE CODE	PART NAME	MODEL 715	MODEL 719	RE-CIRCULATING
1-48-381	PLATE and Push BUTTON, Fresh Air Door Control Mounting RC1, RC2, RC3	2097 094	----	----
1-48-383	HOUSING, Cowl Plenum Chamber Fresh Air Opening	----	2259 112	----
1-48-389	BOLT, Fresh Air Door Linkage Mounting	1839 345	----	----
1-48-391	BRACKET, Fresh Air Door Actuator Mounting, RY1	1960 716	----	----
1-48-392	DEFLECTOR, Fresh Air Insert Panel and Water	----	2081 963	----
1-48-397	CLIP, Cowl Plenum Chamber Fresh Air Door Actuating Rod Handle	----	2082 810	----
1-48-398	BRACKET, Cowl Plenum Chamber Fresh Air Door Actuating Rod Pivot	----	2081 976	----
1-48-399	COVER, Front Panel Heater Opening	----	2082 294	----
1-48-400	WASHER, Cowl Plenum Chamber Fresh Air Door Actuating Rod	----	6017 030	----
1-48-401	HANDLE, Cowl Plenum Chamber Fresh Air Door Actuating Rod (2 req'd.)	----	2082 808	----
1-48-555	HOSE, Heater 50' Roll (as req'd.)	1315 466	1315 466	1315 466
	Valve to Heater, Preformed	1595 160	----	----
	Valve to Engine, RP1, RP2	2096 932	----	----
	Heater to Pump	2197 011	----	----
1-48-572	NIPPLE, Heater Hose, Inlet	1971 061	1971 061	1971 061
	Return	1971 061	1971 061	1971 061
	w/High Performance, Return	1779 257	----	----
1-48-599	MOTOR, Heater Blower	2084 862	2084 848	----
	RP1, RP2, RS1	----	----	2197 906
	RV1	----	----	2219 886
1-48-608	GASKET, Heater Motor Mounting	----	2076 088	----
	Blower Motor Mounting Plate to Duct	----	----	2076 352
1-48-611	PLATE, Blower Motor Mounting	----	2076 354	----
1-48-683	BRACKET, Blower Mounting	1880 211	----	----
1-48-684	GROMMET, Blower Motor Mounting Bracket to Back Plate	1879 827	----	----
1-48-688	SPACER, Heater Motor Mounting Bracket to Back Plate	1605 271	----	----
1-48-707	DUCT, Distribution	2197 798	2076 140	----
1-48-770	SWITCH, Heater Control	2096 083	2096 083	2197 904
1-48-779	NUT, Heater Control Switch Mounting	----	6006 036	----
	RV1	----	----	1439 758
1-48-788	SLEEVE, Temperature Control Arm, RS1, RY1	2097 942	----	----
1-48-801	KNOB, Heater Switch	----	----	1770 531
1-48-839	CLAMP, Cowl Plenum Chamber Fresh Air Door Housing to Bowden Cable	----	2259 329	----
1-48-854	VALVE, Heater Temperature Control, except RY1	2084 461	----	----
	RY1	2084 460	----	----
	RV1	----	2219 280	----
	VALVE, Heater Shut-Off	----	----	2219 891
1-48-867	PLATE and GASKET, Control Valve	----	2076 327	----
1-48-886	BRACKET, w/HOOK and CABLE, Heater Control Lamp Socket, RC1, RC2, RC3, RC4	2197 001	----	----
1-48-940	ARM, w/BRACKET, Heater Temperature Control	2097 911	2076 268	----
1-48-941	CABLE, w/HOUSING, Heater Temperature Control	1819 748	2209 295	----
1-48-942	KNOB, Heater Temperature Control, RP1, RP2, RS1	2197 622	----	----
	RY1	2197 836	----	----
	RV1	----	2209 257	----
	RC1, RC2, RC3	1887 426	----	----

CODE	PART NAME AND DESCRIPTION	PER CAR	VALIANT	PLYMOUTH	DESOTO	CHRYSLER	IMPERIAL
<b>1-49-O RECORD PLAYER, HI-FI</b>							
1-49-1	RECORD PLAYER PACKAGE	1	----	2096 594	2096 594	----	----
1-49-10	MOUNTING BRACKET	1	----	2097 301	2097 302	----	----

\* Indicates use as required.

Numerals in parentheses ( ) refer to notes.

Printed in U.S.A.

□ Indicates parts not listed in any previous parts book.

Prices and specifications subject to change without notice.

\* Indicates change or addition.

CODE	PART NAME AND DESCRIPTION	PER CAR	VALIANT	PLYMOUTH	DESOTO	CHRYSLER	IMPERIAL
<b>1-50-0 WINDOW SAFETY SWITCH</b>							
1-50-1	ELECTRIC WINDOW LIFT PACKAGE . . . . .	1	----	2197 405	2197 405	2197 405	2197 405
<b>1-67-0 SAFETY BELT</b>							
1-67-1	SAFETY BELT PACKAGE, Single Front . . . . .	1	1902 277	1902 277	1902 277	1902 277	1902 277
	Single Rear . . . . .	1	2161 368	2161 368	2161 368	2161 368	2161 368
	Double Front . . . . .	1	----	----	----	1902 291	1902 291
<b>1-74-0 LUGGAGE RACK</b>							
1-74-1	LUGGAGE RACK PACKAGE, Sub. . . . .	1	2240 573	2196 250	----	2196 250	
<b>1-76-0 MIRROR</b>							
1-76-1	MIRROR, Outside Rear View, Left, except RC3 . . . . .	1	2275 345	2275 020	2275 020	2275 020	2275 020
	Right, except RC3 . . . . .	1	2275 345	2275 015	2275 015	2275 015	2275 015
	Universal Outside Rear View, Rectangular . . . . .	★	2275 967	2275 967	2275 967	2275 967	2275 967
	Remote Control . . . . .	1	----	2275 014	2275 014	2275 014	2161 426
1-76-2	MIRROR, Vanity . . . . .	1	1839 845	1839 845	1839 845	1839 845	1839 845
1-76-3	MIRROR PACKAGE, Inside Rear View . . . . .	1	2081 558				
	Prismatic . . . . .	1	2082 954	2080 970	2080 970	2080 970	2080 970
	Mirror-Matic . . . . .	1	----	2161 079	2161 079	2161 079	2161 079
<b>1-82-0 WINDSHIELD WASHER</b>							
1-82-2	WINDSHIELD WASHER PACKAGE . . . . .	1	2209 342	2257 692	2257 692	2257 692	
1-82-4	CONTAINER, Fluid, used w/Foot Pump . . . . .	1	2076 216	1972 368	1972 368	1972 368	
	w/Electric Motor . . . . .	1	----	----	----	2193 443	2196 448
1-82-6	NOZZLE . . . . .	2	2076 210	2198 211	2198 211	2198 211	1887 321
	w/BASE . . . . .	1	----	----	----	----	1887 319
	w/Louvered Type Air Intake . .	2	2209 339				
1-82-8	TEE . . . . .	1	1523 160	1523 160	1523 160	1523 160	
1-82-9	CLIP, Nozzle Mounting . . . . .	2	2198 210	2198 210	2198 210	2198 210	
1-82-14	SWITCH, Coordinator, Single Speed . . . . .	1	----	2097 183	2097 183		
	Variable Speed . . . . .	1	----	2097 184	2097 184		
	Variable Speed . . . . .	1	----	----	----	2198 323	2198 323
1-82-15	SCREW, Switch Mounting . . . . .	2	----	1819 251	1819 251		
1-82-19	HOSE, Check Valve to Tee . . . .	1	1887 480				
	Tee to Nozzle . . . . .	1	2096 623				
1-82-22	CAP, Fluid Container . . . . .	1	1604 053				
	w/o Hole in Top . . . . .	1	----	----	2198 454	2198 454	2198 454
	w/Ram Manifold . . . . .	1	----	2198 036			
1-82-25	PUMP, Foot Control . . . . .	1	2076 175	1887 148	1887 148		
	Push Button Type . . . . .	1	----	----	----	2258 119	2258 119
1-82-28	GROMMET, Check Valve to Foot Pump . . . . .	1	1971 739				
1-82-30	STRAINER . . . . .	1	1571 028	1571 028	1571 028		
1-82-33	HOSE, Check Valve to Strainer . .	1	1887 477				
1-82-38	VALVE, Check . . . . .	1	1880 222	1880 222	1880 222		
	VALVE and BRACKET, Check . . . .	1	2290 088	2290 088	2290 088		
1-82-41	ACTUATOR, Switch . . . . .	1	----	----	----	2198 323	2198 323
1-82-43	BUTTON, Actuator, w/CLIP . . . .	1	----	----	----	1972 512	1972 512
1-82-44	HOSE, Windshield Washer, 13/32" O.D. . . . .	1	1887 477	1887 477	1887 477		
	9/32" O.D. . . . .	1	2197 650				
	3/16" O.D. . . . .	1	----	2096 623	2096 623	2096 623	2096 623
1-82-48	CONNECTOR, Vacuum Control, Two-Way . . . . .	1	----	2121 942	2121 942	2121 942	
1-82-49	NUT, Switch Mounting . . . . .	1	2257 280				

★ Indicates use as required. Numerals in parentheses ( ) refer to notes. Printed in U.S.A.  
 † Indicates parts not listed in any previous parts book. Prices and specifications subject to change without notice.  
 March 1, 1962 Supersedes May 31, 1961. \* Indicates change or addition.

CODE	PART NAME AND DESCRIPTION	PER CAR	VALIANT	PLYMOUTH	DESOTO	CHRYSLER	IMPERIAL
<b>1-87-0 RADIO</b>							
1-87-2	SPEAKER PACKAGE, w/FADER w/o Fader . . . . .	1 1	---- ----	---- ----	E2198 515 E2198 514	E2198 515 E2198 514	
1-87-7	BRACKET, Radio Mounting . . .	1	E2076 718	E2257 295			
1-87-8	ADAPTOR, Speaker Mounting . .	1	----	----	----	E1971 057	
1-87-21	GRILLE, Rear Shelf Speaker . .	1	1971 091	1971 091	1971 091	1971 091	
1-87-22	BEZEL, Rear Shelf Speaker Grille . . . . .	1	1819 014	1819 014	1819 014	1819 014	
1-87-70	CAPACITOR, Generator Voltage Regulator Arm Terminal . . . Generator . . . . .	1 1	---- ----	1689 592 1887 542	---- 1887 542	1689 592 1887 542	1887 542
1-87-180	KNOB, Rear Shelf Speaker . . .	1	E1971 644	E1971 644			
1-87-289	SWITCH, Rear Shelf Speaker . .	1	*1819 889	*1819 889			
1-87-335	STUD, Speaker Mounting . . . . SCREW, Rear Shelf Radio Speaker Mounting . . . . .	4 4	---- ----	---- ----	2097 570		E2097 434
1-87-404	WIRING, Rear Shelf Speaker . . .	1	----	*1769 430	*1769 430	*1769 430	
1-87-464	HOLDER and FUSE . . . . .	1	1841 698	1841 698	1841 698		
<b>1-88-0 RADIO ANTENNA</b>							
1-88-1	ANTENNA PACKAGE, Front . . .	1	2076 578				
	60", w/100 Series Radio, Front Right . . . . .	1	----	2197 642	2197 642		
	60", w/300 Series Radio, Front Right . . . . .	1	----	2197 641	2197 641		
	60", Dual Rear . . . . .	1	----	2198 737			
	40", Dual Rear . . . . .	1	----		2198 229	2198 229	
	Motor Driven, Rear . . . . .	1	----		E2197 604	E2197 604	
	60", RC1, RC2, Front Right . .	1	----			2197 641	
	60", RC3, RC4, Front Right . .	1	----			2197 180	
1-88-6	ADAPTER, Upper . . . . .	1	E2076 250				
	60", w/100 Series Radio, Front Mounting, Plastic, Upper . . . . .	1	----	2096 632	2096 632		
	Chrome, Upper . . . . .	1	----	2096 053	2096 053		
	60", w/300 Series Radio, Front Mounting, Upper . . . .	1	----	1971 242	1971 242		
	Lower . . . . .	1	----	1971 241	1971 241		
	40", Dual, Rear Mounting, Upper Right . . . . .	1	----		2198 127	2198 127	
	Upper Left . . . . .	1	----		2198 292	2198 292	
	Lower Right . . . . .	1	----		2198 128	2198 128	
	Lower Left . . . . .	1	----		2198 293	2198 293	
	60", Single, Right Rear Mounting, Upper . . . . .	1	----		2198 127	2198 127	
	Lower . . . . .	1	----		2198 128	2198 128	
	60", w/300 Series Radio, Front Mounting, C1, C2, Upper . . . . .	1	----			1971 242	
	Lower . . . . .	1	----			1971 241	
	60", w/300 Series Radio, Front Mounting, C3, C4, Upper . . . . .	1	----				2197 446
	Lower . . . . .	1	----				2197 447
	Motor Driven, Rear Mounting, Upper . . . . .	1	----				1972 062
	Lower . . . . .	1	----				1972 061
	Motor Driven, Front Mounting, Upper . . . . .	1	----				
	Lower . . . . .	1	----				2197 446 2197 447
1-88-7	PIN and CONNECTOR, Power Antenna . . . . .	1	----		E2258 899	E2258 899	E2258 899
1-88-30	BUSHING, Mast Insulating . . .	1	----	*1886 704	*1886 704	*1886 704	
1-88-67	LEAD, Plug-In . . . . .	1	----		E2258 771	E2258 771	E2258 771
1-88-107	GASKET, Upper Mounting . . .	1	E2076 251				

★ Indicates use as required. Numerals in parentheses ( ) refer to notes. Printed in U.S.A.  
 E Indicates parts not listed in any previous parts book. Prices and specifications subject to change without notice.  
 \* Indicates change or addition. May 31, 1961 Supersedes Jan. 6, 1961.



# 1961 PASSENGER CAR PARTS CATALOG

ACCESSORIES

CODE	PART NAME AND DESCRIPTION	CYL	PER CAR	VALIANT	PLYMOUTH	DESOTO	CHRYSLER	IMPERIAL
<b>1-88-0 RADIO ANTENNA - Cont'd</b>								
1-88-116	KNOB, Antenna Switch . . . . .		1	----	----	----	----	*1887 935
1-88-117	MOTOR, Radio Antenna . . . . .		1	----	----	2097 310	2097 310	2097 310
1-88-120	NUT, Cap, 9/16-24" . . . . .		★	2096 041	2096 041	2096 041	2096 041	
	1/2-24" . . . . .		★	----	2096 052	2096 052		
	3/4-32" . . . . .		★	----	----	1972 066	1972 066	1972 066
1-88-122	CLIP, Motor Driven Antenna Circuit Breaker . . . . .		1	----	----	----	6015 159	
1-88-123	NUT, Upper Adapter Mounting .		★	----	1658 328	1658 328	1658 328	1658 328
1-88-159	BODY and MAST, 60", w/300 Series Radio, Dual, Rear Right . . . . .		1	----	1838 162			
	Dual, Rear Left . . . . .		1	----	1838 163			
	Motor Driven . . . . .		1	----	----	----	2097 633	2097 633
1-88-205	SWITCH, Power Antenna . . . . .		1	----	----	----	B2198 879	B2197 147
1-88-206	NUT, Switch Mounting . . . . .		1	----	----	----	----	*1439 758
<b>1-108-0 SPOTLIGHT</b>								
1-108-1	SPOTLIGHT PACKAGE, RC1, RC2 . . . . .		1	*2198 354	*2198 354	*2198 354	*2198 354	*2198 354
1-108-2	BRACKET and GASKET PACKAGE, Outside Mounting, Right, RC1, RC2 . . . . .		1	*1704 802	*1818 918	*1818 918	*1818 918	
	Left, RC1, RC2 . . . . .		1	*1704 803	*1818 917	*1818 917	*1818 917	*2198 727
1-108-5	RING, Spotlight, RC1, RC2 . . .		1	*1641 512	*1641 512	*1641 512	*1641 512	*1641 512
1-108-17	BULB, RC1, RC2 . . . . .		1	*1661 046	*1661 046	*1661 046	*1661 046	*1661 046
1-108-28	SWITCH . . . . .		1	1641 511	1641 511	1641 511	1641 511	1641 511
1-108-49	FUSE HOLDER . . . . .		1	*1239 344	*1239 344	*1239 344	*1239 344	*1239 344
<b>1-135-0 DOOR EDGE PROTECTOR</b>								
1-135-1	DOOR EDGE PROTECTOR PACKAGE, Cl.Sed., Sp.Cl. Cp., Cv. Cp., 2D.Sub. . . . .		1	2240 574	1964 379	1964 515	1964 515	2094 926
	4 D., Sp. 4 D. . . . .		1	----	1964 380	1964 518	1964 518	2094 921
	4 D.Sub. . . . .		1	----	1964 528	----	1964 518	
	4 D. . . . .		1	B2196 642				

## NOTES

★ Indicates use as required.

Numerals in parentheses ( ) refer to notes.

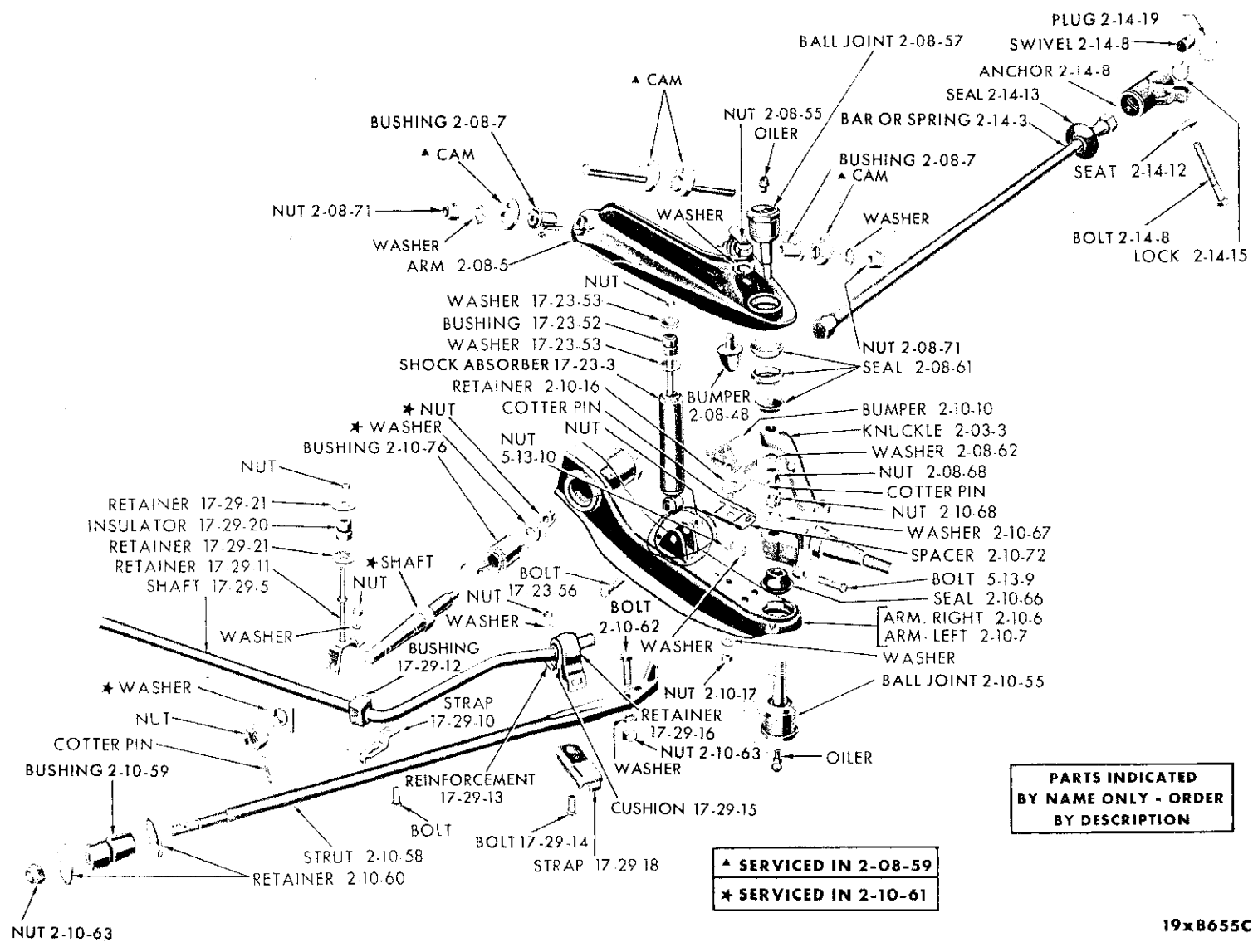
Printed in U.S.A.

ⓑ Indicates parts not listed in any previous parts book.  
May 31, 1961 Supersedes Jan. 6, 1961.

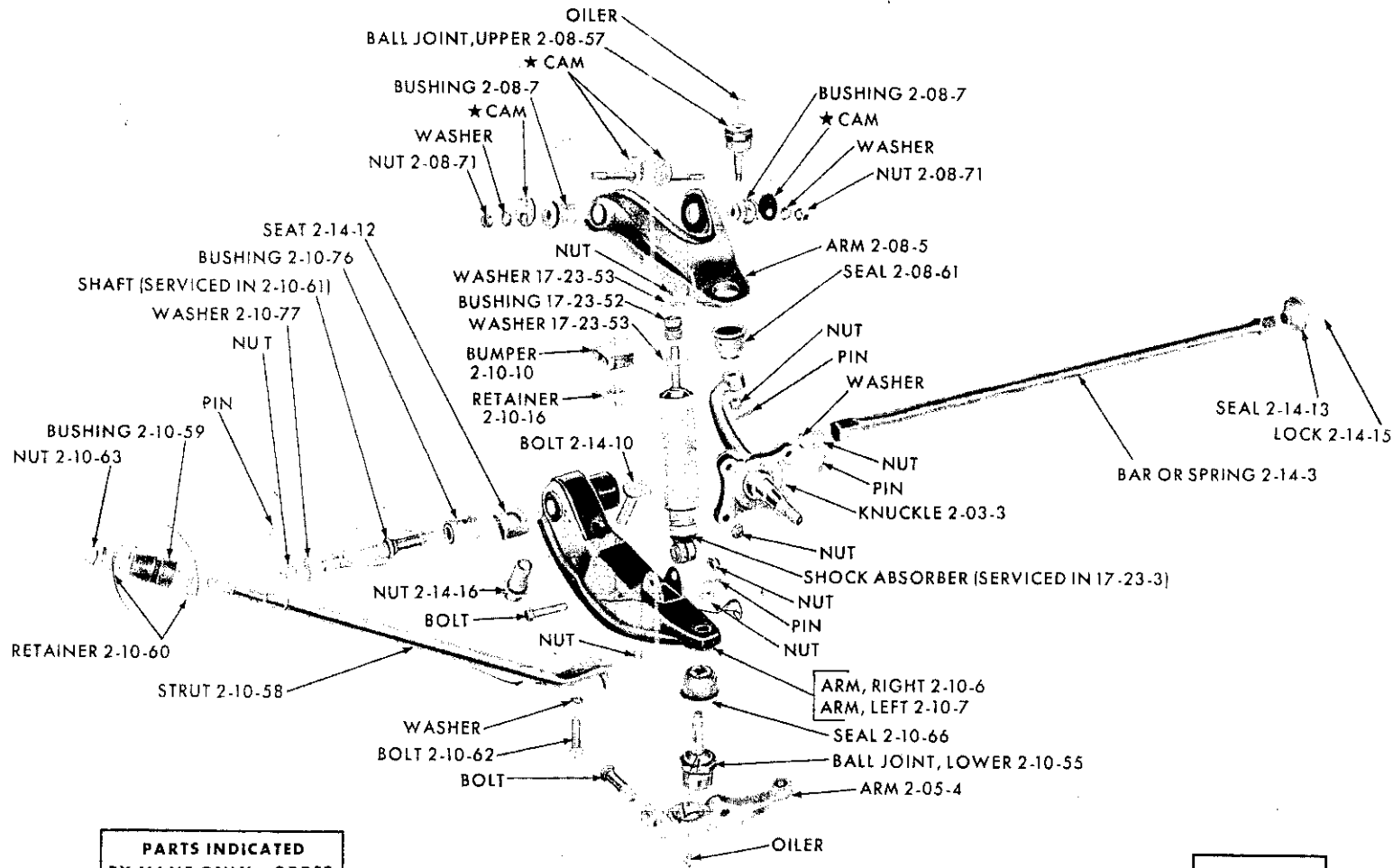
Prices and specifications subject to change without notice.

\* Indicates change or addition.

GROUP 2 - FRONT SUSPENSION





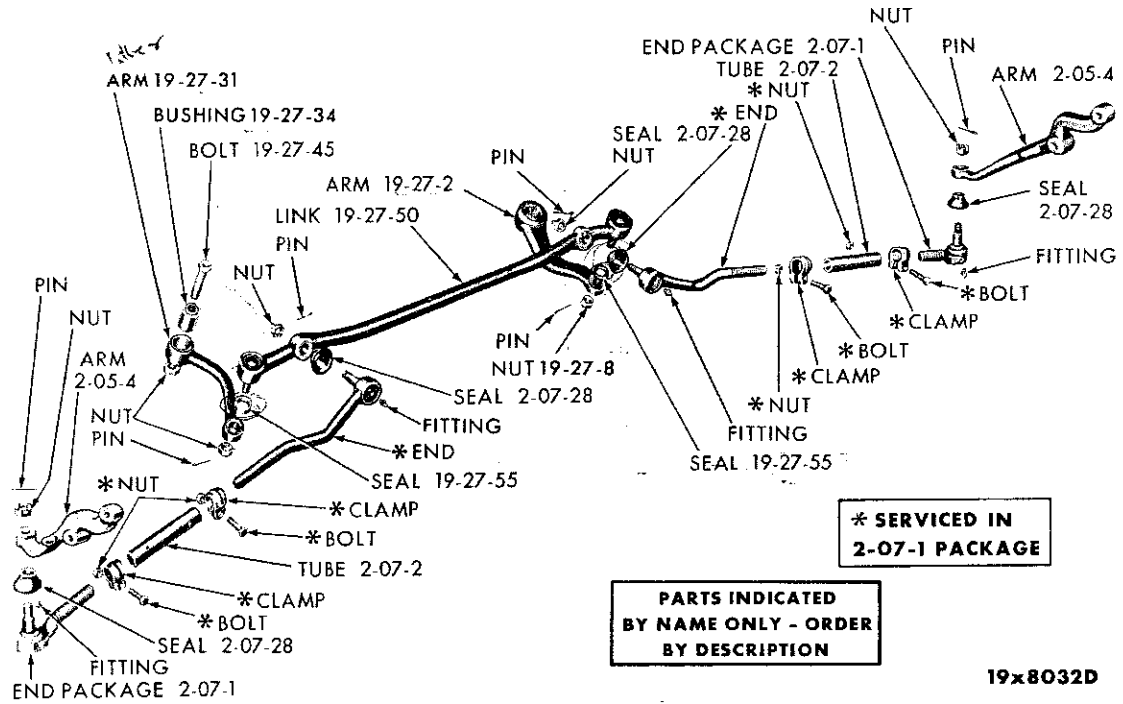


**PARTS INDICATED  
BY NAME ONLY - ORDER  
BY DESCRIPTION**

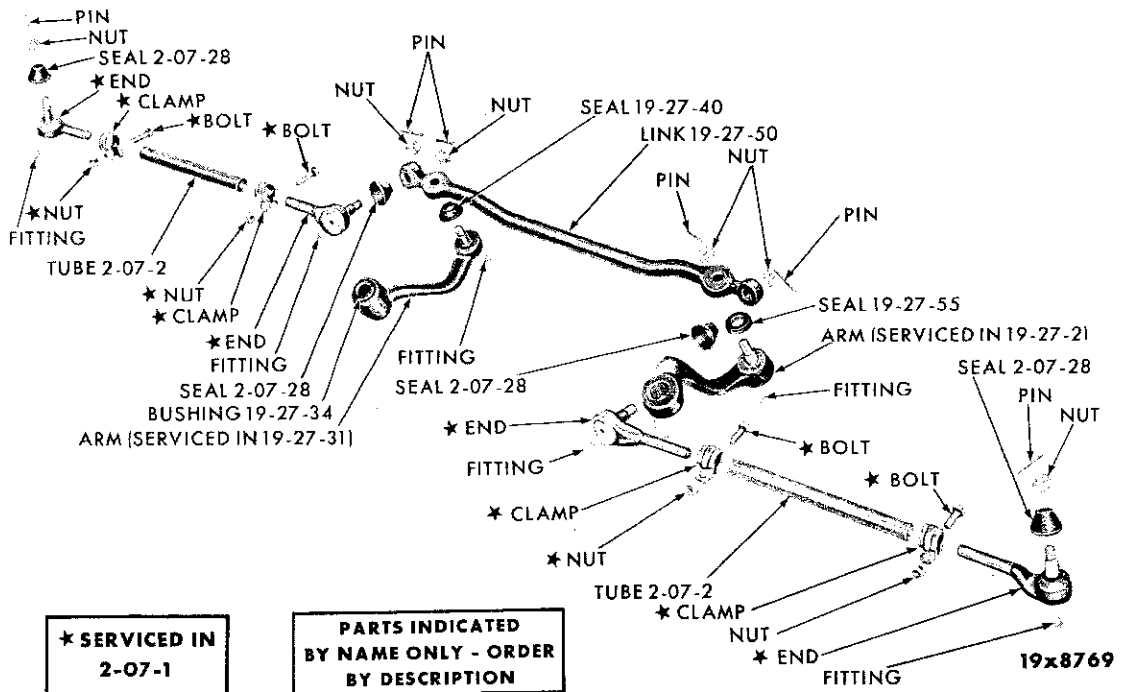
**\* SERVICED  
IN 2-08-59**

19x8768A

FRONT SUSPENSION - VALLIANT RV1



TIE RODS - EXCEPT VALIANT RV1



TIE RODS - VALIANT RV1



CODE	PART NAME AND DESCRIPTION	C Y L.	PER CAR	VALIANT	PLYMOUTH	DESOTO	CHRYSLER	IMPERIAL
<b>2-03-0 STEERING KNUCKLE</b>								
2-03-3	KNUCKLE, Right. . . . .	6	1	2071 268				
	Left. . . . .	6	1	2071 269				
	RC1, RC2 . . . . .		2	----	1671 362	1671 362	1671 362	
	RC3, RC4 . . . . .	8	2	----	----	----	1670 320	
	RY1. . . . .	8	2	----	----	----	----	1671 363
<b>2-05-0 STEERING LINKAGE KNUCKLE ARM</b>								
2-05-4	ARM, Right. . . . .	6	1	2071 270				
	Left. . . . .	6	1	2071 271				
	Right, RC1, RC2. . . . .		1	----	1825 672	1825 672	1825 672	
	Left, RC1, RC2 . . . . .		1	----	1825 673	1825 673	1825 673	
	Right, RC3, RC4. . . . .	8	1	----	----	----	1825 674	
	Left, RC3, RC4 . . . . .	8	1	----	----	----	1825 675	
	Right, RY1. . . . .	8	1	----	----	----	----	1825 676
	Left, RY1. . . . .	8	1	----	----	----	----	1825 677
<b>2-07-0 STEERING KNUCKLE TIE ROD</b>								
2-07-1	END PACKAGE, Inner, L.H.-							
	Thd. . . . .	6	2	*2240 381				
	Outer, R.H.-Thd. . . . .	6	2	*2240 380				
	Inner, RC1, RC2. . . . .		2	----	1818 999	1818 999	1818 999	
	Outer, RC1, RC2. . . . .		2	----	2084 352	2084 352	2084 352	
	Right, Inner, RC3, RC4 . . . . .	8	1	----	----	----	1881 821	1881 821
	Left, Inner, RC3, RC4 . . . . .	8	1	----	----	----	1881 820	1881 820
	Outer, RC3, RC4. . . . .	8	2	----	----	----	2084 353	2084 353
2-07-2	TUBE. . . . .	6	2	2072 441				
	TUBE, w/CLAMP, BOLT and							
	NUT . . . . .		2	----	1634 619	1634 619	1634 619	1634 619
2-07-28	SEAL, End Dust, RC1, RC2. . . . .		4	1735 470	1735 470	1735 470	1735 470	
	RC3, RC4 . . . . .	8	4	----	----	----	1673 045	1673 045
<b>2-08-0 FRONT WHEEL UPPER CONTROL ARM</b>								
2-08-5	ARM, Right. . . . .	6	1	2071 232				
	Left. . . . .	6	1	2071 233				
	Right, RC1, RC2. . . . .		1	----	1825 306	1825 306	1825 306	
	Left, RC1, RC2 . . . . .		1	----	1825 307	1825 307	1825 307	
	Right, RC3, RC4. . . . .	8	1	----	----	----	1825 664	1825 664
	Left, RC3, RC4 . . . . .	8	1	----	----	----	1825 665	1825 665
2-08-7	BUSHING, Upper Control Arm . . . . .	6	4	2071 204				
			4	----	1825 317	1825 317	1825 317	1825 317
2-08-48	BUMPER, Frame . . . . .		2	1825 314	1825 314	1825 314	1825 314	1825 314
2-08-55	NUT, Bumper Bolt . . . . .		2	6012 031	6012 031	6012 031	6012 031	6012 031
2-08-57	BALL JOINT PACKAGE, UPPER							
	RC1, RC2 . . . . .	6	2	*2084 837	2196 058	2196 058	2196 058	
	RC3, RC4 . . . . .	8	2	----	----	----	2084 252	2084 252
2-08-59	CAM and BUSHING PACKAGE,							
	Support Bracket . . . . .	6	2	2084 920	1881 652	1881 652	1881 652	1881 652
			2	----	----	----	----	----
2-08-61	SEAL, Ball Joint. . . . .	6	2	2071 255	1825 487	1825 487	1825 487	
	RC1, RC2 . . . . .		2	----	----	----	1731 264	1731 264
	Inner, RC3, RC4. . . . .	8	2	----	----	----	1734 266	1734 266
	Outer, RC3, RC4 . . . . .	8	2	----	----	----	----	----
2-08-62	WASHER, Ball Joint Stud Nut . . . . .		2	----	1672 960	1672 960	1672 960	1672 960
2-08-63	BRACKET, Control Arm							
	Mounting, Right . . . . .	6	1	2081 840				
	Left. . . . .	6	1	2081 841				
2-08-71	NUT, Control Arm Bolt . . . . .		4	1825 449	1825 449	1825 449	1825 449	1825 449
2-08-75	RETAINER, Ball Joint Outer							
	Seal, RC1, RC2 . . . . .		2	----	*1825 487	*1825 487	*1825 487	
	RC3, RC4 . . . . .	8	2	----	----	----	1734 267	1734 267

★ Indicates use as required. Numerals in parentheses ( ) refer to notes. Printed in U.S.A.  
 □ Indicates parts not listed in any previous parts book. Prices and specifications subject to change without notice.  
 \* Indicates change or addition. Jan. 6, 1961 Supersedes Oct. 3, 1960.

# 1961 PASSENGER CAR PARTS CATALOG

FRONT SUSPENSION

CODE	PART NAME AND DESCRIPTION	CYL.	PER CAR	VALIANT	PLYMOUTH	DESOTO	CHRYSLER	IMPERIAL
<b>2-10-0 FRONT WHEEL LOWER CONTROL ARM</b>								
2-10-6	ARM, Right . . . . .	6	1	2071 358				
	Right, RC1, RC2 . . . . .		1	----	1825 138	1825 138	1825 138	
	Right, RC3, RC4 . . . . .	8	1	----	----	----	1824 974	1824 974
2-10-7	ARM, Left . . . . .	6	1	2071 359				
	Left, RC1, RC2 . . . . .		1	----	1825 139	1825 139	1825 139	
	Left, RC3, RC4 . . . . .	8	1	----	----	----	1824 975	1824 975
2-10-10	BUMPER . . . . .	6	2	2071 230				
	Std., except Sub. . . . .		2	----	1825 135	1825 135	1825 135	1825 135
	Std., Sub. . . . .		2	----	1825 180	----	1825 180	
	Heavy Duty, except Sub. . . . .		2	----	1825 180	1825 180	1825 180	1825 180
2-10-16	RETAINER, Bumper . . . . .	6	2	1825 136				
	Std., except Sub. . . . .		2	----	1825 136	1825 136	1825 136	1825 136
	Std., Sub. . . . .		2	----	1825 137	----	1825 137	
	Heavy Duty . . . . .		2	----	1825 137	1825 137	1825 137	1825 137
2-10-17	NUT, Bumper Retainer . . . . .		2	6012 031	6012 031	6012 031	6012 031	6012 031
2-10-55	BALL JOINT PACKAGE, Lower RC1, RC2 . . . . .	6	2	2084 838				
	RC3, RC4 . . . . .	8	2	----	2196 059	2196 059	2196 059	
				----	----	----	2084 253	2084 253
2-10-57	BUSHING and RETAINER PACKAGE	6	2	*2084 918				
			2	----	*2084 045	*2084 045	*2084 045	*2084 045
2-10-58	STRUT, Right . . . . .	6	1	2071 350				
	Left . . . . .	6	1	2071 351				
	Right, RC1, RC2 . . . . .		1	----	1731 402	1731 402	1731 402	
	Left, RC1, RC2 . . . . .		1	----	1731 403	1731 403	1731 403	
	Right, Heavy Duty, RC1, RC2 . . . . .		1	----	1671 418	1671 418	1671 418	
	Left, Heavy Duty, RC1, RC2 . . . . .		1	----	1671 419	1671 419	1671 419	
	Right, RC3, RC4 . . . . .	8	1	----	----	----	1672 962	1672 962
	Left, RC3, RC4 . . . . .	8	1	----	----	----	1672 963	1672 963
2-10-59	BUSHING, Lower Control Arm Strut . . . . .		2	2071 167	1734 321	1734 321	1734 321	1734 321
2-10-60	RETAINER, Strut Bushing . . . . .	6	4	2071 211				
			4	----	1734 341	1734 341	1734 341	1734 341
2-10-61	SHAFT and BUSHING PACKAGE RC1, RC2 . . . . .	6	2	2084 919				
	RC3, RC4 . . . . .	8	2	----	1881 650	1881 650	1881 650	
				----	----	----	1881 647	1881 647
2-10-62	BOLT, Strut . . . . .	6	4	2071 254				
			4	----	1825 350	1825 350	1825 350	1825 350
2-10-63	NUT, Strut Bushing Retainer . . . . .		2	124 634				
	NUT, Strut Bolt, Rear . . . . .		4	----	1825 449	1825 449	1825 449	1825 449
	NUT, Strut Bushing, Front . . . . .		2	----	1825 432	1825 432	1825 432	1825 432
2-10-66	SEAL, Ball Joint . . . . .	6	2	2071 246				
	RC1, RC2 . . . . .		2	----	1825 488	1825 488	1825 488	
	RC3, RC4 . . . . .	8	2	----	----	----	1825 303	1825 303
2-10-67	WASHER, Ball Joint Stud Nut, RC1, RC2 . . . . .		2	----	1672 960	1672 960	1672 960	
	RC3, RC4 . . . . .	8	2	----	----	----	1672 961	1672 961
2-10-68	NUT, Ball Joint Stud, RC1, RC2 RC3, RC4 . . . . .		2	----	128 027	128 027	128 027	
			2	----	----	----	1671 405	1671 405
2-10-72	SPACER, Bumper, Std., Sub. . . . .		2	----	1734 347	----	1734 347	
	Heavy Duty, except Sub. . . . .	8	2	----	1734 347	1734 347	1734 347	1734 347
2-10-74	WASHER, Shaft . . . . .	6	2	2071 245				
2-10-76	BUSHING, Shaft . . . . .	6	2	2071 206				
	RC1, RC2 . . . . .		2	----	1636 017	1636 017	1636 017	
	RC3, RC4 . . . . .	8	2	----	----	----	1636 010	1636 010
2-10-77	WASHER, Shaft Bushing . . . . .	6	2	2071 205				
<b>2-14-0 FRONT SUSPENSION TORSION PARTS</b>								
2-14-1	BOLT and SWIVEL PACKAGE, Bar or Spring, Rear End Anchor Adjusting . . . . .		2	----	2196 773	2196 773	2196 773	
		8	2	----	----	----	----	2196 774

★ Indicates use as required.

Numerals in parentheses ( ) refer to notes.

Printed in U.S.A.

⊠ Indicates parts not listed in any previous parts book.

Prices and specifications subject to change without notice.

March 1, 1962 Supersedes May 31, 1961.

Page 2-6

\* Indicates change or addition.

CODE	PART NAME AND DESCRIPTION	CYL.	PER CAR	VALIANT	PLYMOUTH	DESOTO	CHRYSLER	IMPERIAL
------	---------------------------	------	---------	---------	----------	--------	----------	----------

**2-14-0 FRONT SUSPENSION TORSION PARTS - Cont'd**

NOTE: The anchor end of Torsion Bars or Springs are stamped with the last 3 digits of the part number. If the stamped number is 624, the Torsion Bar or Spring, will be applicable to the right side of the car, since the last digit on the part number is an even number. Left side application is indicated by an odd digit.

2-14-3	BAR or SPRING, Right, Std. . . . .	6	1	2071 624				
	Left, Std. . . . .	6	1	2071 625				
	Right, Heavy Duty . . . . .	6	1	2071 628				
	Left, Heavy Duty . . . . .	6	1	2071 629				
	Right, Std., w/o Sway Eliminator, Sub., w/2 Seats . . . . .		1	----	*1825 610			
	Left, Std., w/o Sway Eliminator, Sub., w/2 Seats . . . . .		1	----	*1825 611			
	Right, Heavy Duty, Sub. . . . .	6	1	----	1825 608			
	Left, Heavy Duty, Sub. . . . .	6	1	----	1825 609			
	Right, Std., w/o Sway Eliminator, except Sub. . . . .	6	1	----	*1825 604			
	Left, Std., w/o Sway Eliminator, except Sub. . . . .	6	1	----	*1825 605			
	Right, Extreme Duty, except Sub. Left, Extreme Duty, except Sub.		1	----	1825 608			
	Right, w/Sway Eliminator, Sub., w/3 Seats . . . . .		1	----	*1825 604			
	Left, w/Sway Eliminator, Sub., w/3 Seats . . . . .		1	----	*1825 605			
	Right, Heavy Duty, Taxi . . . . .	6	1	----	1825 606			
	Left, Heavy Duty, Taxi . . . . .	6	1	----	1825 607			
	Right, Heavy Duty, Police Cars. Left, Heavy Duty, Police Cars .	6	1	----	1825 606			
	Right, Heavy Duty, Police Cars .	6	1	----	1825 607			
	Right, Heavy Duty, w/Sway Eliminator, Sub., w/3 Seats .	6	1	----	1825 606			
	Left, Heavy Duty, w/Sway Eliminator, Sub., w/3 Seats .	6	1	----	1825 607			
	Right, Std., w/o Sway Eliminator, RC1, RC2 . . . . .	8	1	----	*1825 610	*1825 610	*1825 610	
	Left, Std., w/o Sway Eliminator, RC1, RC2 . . . . .	8	1	----	*1825 611	*1825 611	*1825 611	
	Right, Std., w/Sway Eliminator, RC1, RC2 . . . . .	8	1	----	*1825 604	*1825 604	*1825 604	
	Left, Std., w/Sway Eliminator, RC1, RC2 . . . . .	8	1	----	*1825 605	*1825 605	*1825 605	
	Right, Heavy Duty, w/Sway Eliminator . . . . .	8	1	----	1825 606			
	Left, Heavy Duty, w/Sway Eliminator . . . . .	8	1	----	1825 607			
	Right, Heavy Duty, Police Cars. Left, Heavy Duty, Police Cars .	8	1	----	1825 608			
	Right, Heavy Duty . . . . .	8	1	----	1825 609			
	Left, Heavy Duty . . . . .	8	1	----	1825 608			
	Right, Heavy Duty, Taxi . . . . .	8	1	----	1825 608			
	Left, Heavy Duty, Taxi . . . . .	8	1	----	1825 609			
	Right, Heavy Duty, RC2 . . . . .	8	1	----	1825 608	1825 608	1825 608	
	Left, Heavy Duty, RC2 . . . . .	8	1	----	1825 609	1825 609	1825 609	
	Right, Heavy Duty, w/Sway Eliminator, RC1, RC3 . . . . .	8	1	----	1825 606	1825 606	1825 606	
	Left, Heavy Duty, w/Sway Eliminator, RC1, RC3 . . . . .	8	1	----	1825 607	1825 607	1825 607	
	Right, Std., w/Sway Eliminator, RC3, RC4 . . . . .	8	1	----	1825 702			
	Left, Std., w/Sway Eliminator, RC3, RC4 . . . . .	8	1	----	1825 703			
	Right, Heavy Duty, w/Sway Eliminator, RC3, RC4 . . . . .	8	1	----	1825 706			
	Left, Heavy Duty, w/Sway Eliminator, RC3, RC4 . . . . .	8	1	----	1825 707			

★ Indicates use as required.

□ Indicates parts not listed in any previous parts book.

\* Indicates change or addition.

Numerals in parentheses ( ) refer to notes.

Printed in U.S.A.

Prices and specifications subject to change without notice.

Jan. 6, 1961 Supersedes Oct. 3, 1960.

# 1961 PASSENGER CAR PARTS CATALOG

FRONT SUSPENSION

CODE	PART NAME AND DESCRIPTION	CYL.	PER CAR	VALIANT	PLYMOUTH	DESOTO	CHRYSLER	IMPERIAL
<b>2-14-0 FRONT SUSPENSION TORSION PARTS - Cont'd</b>								
2-14-3	BAR or SPRING - Cont'd. Right, Std., w/Sway Eliminator, w/SEAL . . . . .	8	1	-----	-----	-----	-----	2275 508
	Left, Std., w/Sway Eliminator, w/SEAL . . . . .	8	1	-----	-----	-----	-----	2275 509
	Right, Heavy Duty, w/Sway Eliminator, w/SEAL . . . . .	8	1	-----	-----	-----	-----	2275 510
	Left, Heavy Duty, w/Sway Eliminator, w/SEAL . . . . .	8	1	-----	-----	-----	-----	2275 511
2-14-8	ANCHOR PACKAGE, Torsion Bar or Spring, Rear End, Right Left . . . . .		1	-----	2196 750	2196 750	2196 750	
	Right, except Cv. Cp. . . . .	8	1	-----	2196 751	2196 751	2196 751	
	Left, except Cv. Cp. . . . .	8	1	-----	-----	-----	-----	2196 754
	Right, Cv. Cp. . . . .	8	1	-----	-----	-----	-----	2196 755
	Left, Cv. Cp. . . . .	8	1	-----	-----	-----	-----	2196 752
	Left, Cv. Cp. . . . .	8	1	-----	-----	-----	-----	2196 753
2-14-10	BOLT, Spring Front End Adjusting . . . . .	6	2	2071 247				
2-14-12	SEAT, Spring Front End, Adjusting Bolt Nut . . . . .	6	2	2071 242				
	SEAT, Bar or Spring, Rear End Anchor Adjusting Bolt . . . . .	2		-----	1857 549	1857 549	1857 549	1857 549
2-14-13	SEAL, Bar or Spring, Rear End Anchor . . . . .	6	2	2071 173				
			2	-----	1613 388	1613 388	1613 388	1613 388
2-14-15	LOCK, Spring Rear End Anchor. Adjusting Bolt . . . . .	6	2	1671 446				
			2	-----	1639 171	1639 171	1639 171	*1639 171
2-14-16	NUT, Spring Front End Adjusting Bolt . . . . .	6	2	2071 241				
2-14-19	PLUG, Spring Front Anchor. . . . .	6	2	2071 355				
			2	-----	1857 580	1857 580	1857 580	
		8	2	-----	-----	-----	-----	1825 582
2-14-25	RETAINER, Bar or Spring, Rear End Anchor, Adjusting Bolt . . . . .	8	2	-----	-----	-----	-----	1857 576

## NOTES

★ Indicates use as required.  
 E Indicates parts not listed in any previous parts book.  
 May 31, 1961 Supersedes Jan. 6, 1961.

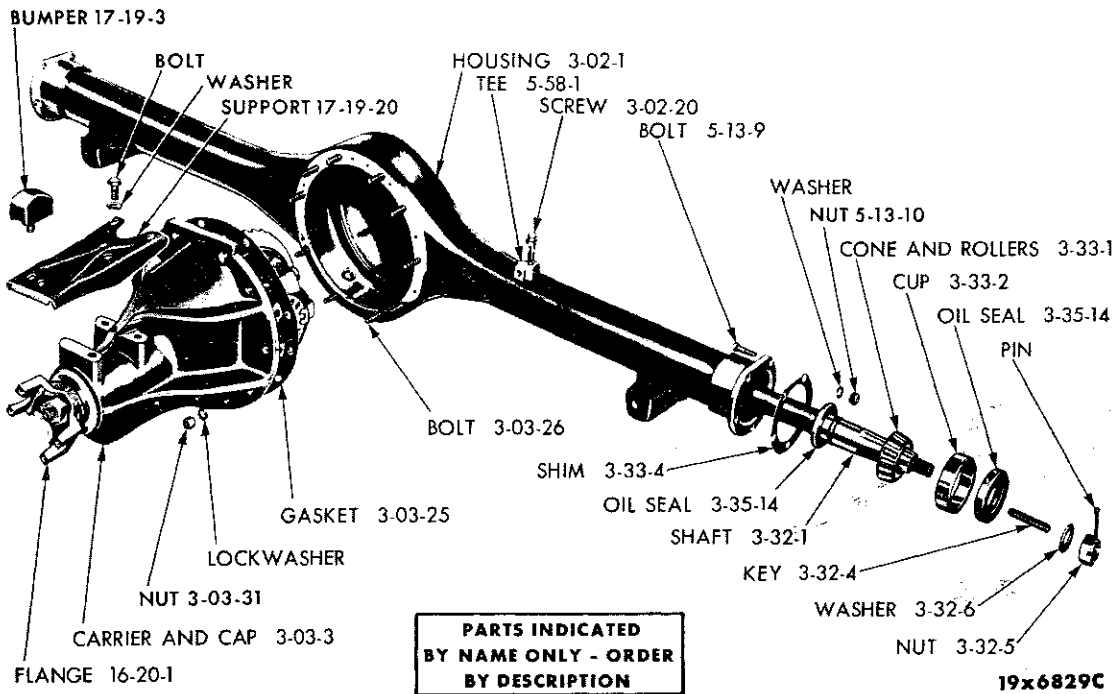
Numerals in parentheses ( ) refer to notes.

Printed in U.S.A.

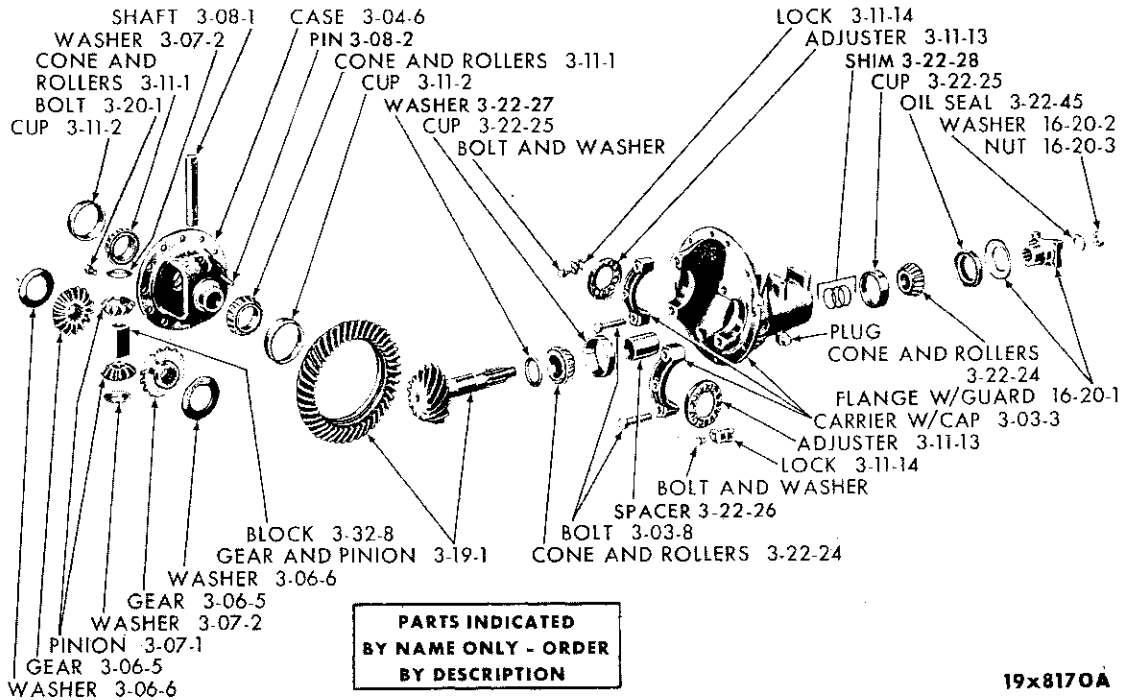
Prices and specifications subject to change without notice.

\* Indicates change or addition.

GROUP 3 - AXLE - REAR

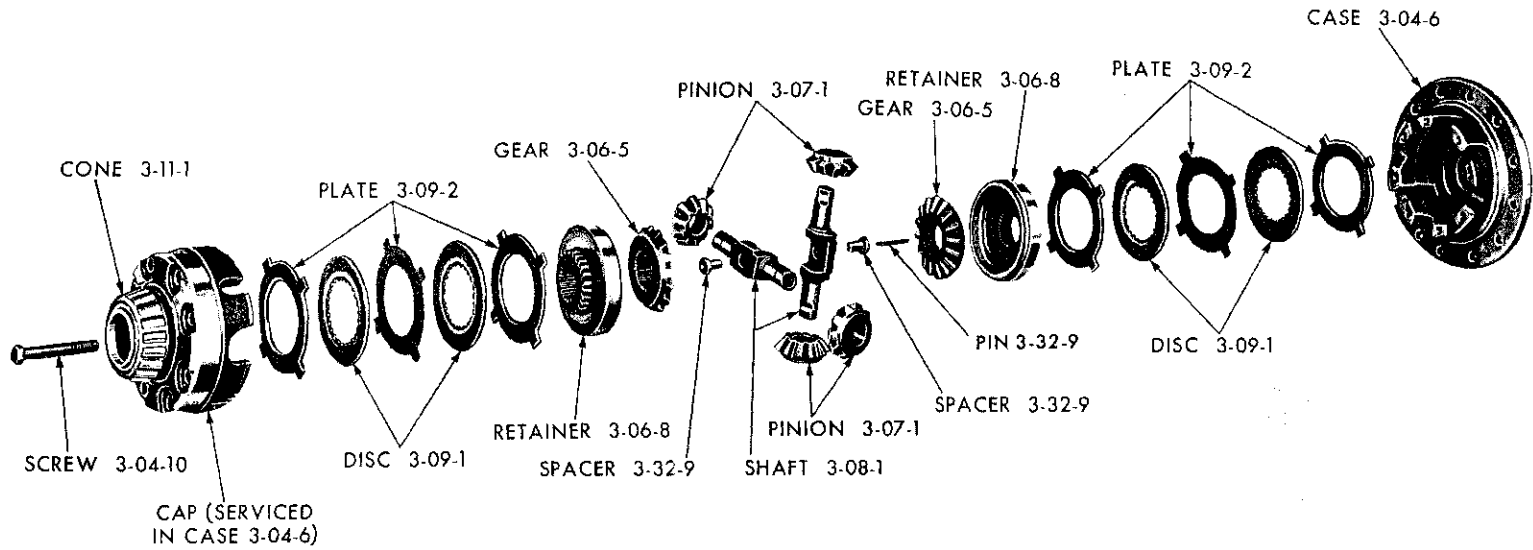


REAR AXLE HOUSING AND SHAFT - EXCEPT VALIANT RV1



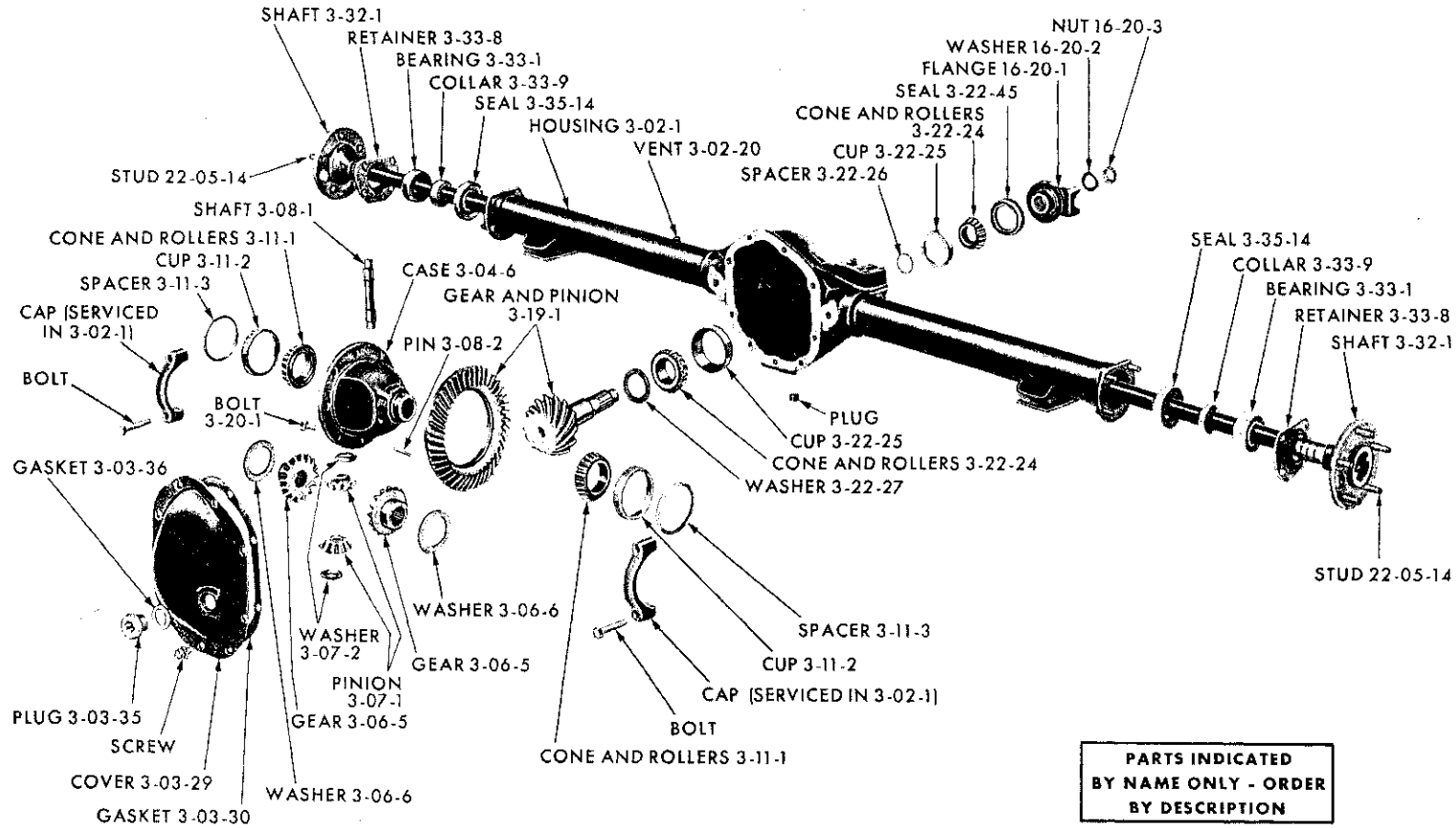
REAR AXLE DIFFERENTIAL AND CARRIER - EXCEPT VALIANT RV1





19x8320B

"NO-SPIN" REAR AXLE DIFFERENTIAL - EXCEPT VALIANT RV1



19x8727B

REAR AXLE DIFFERENTIAL AND CARRIER - VALIANT RV1

MyMopar.com



CODE	PART NAME AND DESCRIPTION	CYL.	PER CAR	VALIANT	PLYMOUTH	DESOTO	CHRYSLER	IMPERIAL
------	---------------------------	------	---------	---------	----------	--------	----------	----------

**3-01-0 REAR AXLE CONTROL STRUT**

Two types of Differentials are being used in production on 8 cylinder cars.

NOTE 1: Use with 1 3/8" diameter pinion shaft. The carrier has part number 1820 657 embossed on it 2" below the yoke.

NOTE 2: Use with 1 3/4" diameter pinion shaft. The carrier has part number 1634 985 embossed on it 2" below the yoke.

3-01-25	STRUT	8	2	----	----	----	----	1730 160
3-01-28	BUSHING	8	4	----	----	----	----	1635 600
3-01-30	SPACER	8	*	----	----	----	----	1731 769
3-01-33	HANGER	8	2	----	----	----	----	1731 738
3-01-34	BOLT, Hanger	8	8	----	----	----	----	1731 789
3-01-35	NUT, Bolt	8	8	----	----	----	----	1736 993

**3-02-0 REAR AXLE HOUSING**

3-02-1	HOUSING	6	1	2070 012				
	w/8 1/4" dia. Gear	6	1	----	2070 269			
	w/8 3/4" dia. Gear	8	1	----	*2070 270	*2070 270	*2070 270	2070 231
3-02-9	SPACER, Housing to Carrier	8	1	----	----	----	----	1940 447
	Bolt Nut	8	1	----	----	----	----	
3-02-20	SCREW, Vent	8	1	2070 369				1139 204
	UP TO, Screw in Type	1	1	----	925 525	925 525	925 525	
	AFTER, Plug in Type	1	1	----	2070 514	2070 514	2070 514	

**3-03-0 REAR AXLE DIFFERENTIAL AND CARRIER**

3-03-1	DIFFERENTIAL, w/CARRIER, and TUBES, 3.23 to 1 ratio	6	1	2070 619				
	3.55 to 1 ratio	6	1	2070 620				
	3.91 to 1 ratio	6	1	2070 621				
	3.31 to 1 ratio, w/8 1/4" dia. Gear	6	1	----	2070 262			
	3.54 to 1 ratio, w/8 1/4" dia. Gear	6	1	----	⊕2070 629			
	3.73 to 1 ratio, w/8 3/4" dia. Gear	6	1	----	1828 516			
	3.9 to 1 ratio, w/8 1/4" dia. Gear	6	1	----	2070 643			
	2.93 to 1 ratio, w/8 3/4" dia. Gear	1	1	----	1829 338	1829 338	2070 579	2070 579
	3.31 to 1 ratio, w/8 3/4" dia. Gear	1	1	----	1850 732	1850 732	1850 732	
	3.58 to 1 ratio, w/8 3/4" dia. Gear, RC3	1	1	----	2070 333	2070 333	2070 333	
	3.91 to 1 ratio, w/8 3/4" dia. Gear	8	1	----	1828 517			
	3.23 to 1 ratio, w/8 3/4" dia. Gear	8	1	----	2070 335	2070 335	2070 335	2070 335
	2.93 to 1 ratio, w/Sure-Grip, w/8 3/4" dia. Gear	8	1	----	1829 496	1829 496	2070 583	2070 583
	3.23 to 1 ratio, w/Sure-Grip, w/8 3/4" dia. Gear	8	1	----	----	2070 342	2070 342	
	4.1 to 1 ratio, w/Sure-Grip, Police Cars, w/8 3/4" dia. Gear	8	1	----	1829 502			
3-03-2	DIFFERENTIAL ASSEMBLY, Partial, w/Sure-Grip	8	1	----	⊕2070 824	⊕2070 824	⊕2070 824	⊕2070 824
3-03-3	CARRIER, w/CUPS, w/8 1/4" dia. Gear	6	1	----	1828 447			
	w/8 3/4" dia. Gear, 1 3/8" dia. Stem, RC1	1	1	----	1820 698(1)	1820 698(1)	1820 698(1)	
	w/8 3/4" dia. Gear, 1 3/4" dia. Stem, RC1	8	1	----	1634 984(2)	1634 984(2)	1634 984(2)	
	w/8 3/4" dia. Gear, RC2, RC3, RC4	8	1	----	----	----	1634 984	1634 984
	w/Sure-Grip	8	1	----	----	1634 984(2)		
3-03-8	SCREW, Cap	4	4	----	314 948	314 948	314 948	314 948

NOTES 1 and 2: See notes at beginning of Group 3.

\* Indicates use as required.

Numerals in parentheses ( ) refer to notes.

Printed in U.S.A.

⊕ Indicates parts not listed in any previous parts book.

Prices and specifications subject to change without notice.

\* Indicates change or addition.

CODE	PART NAME AND DESCRIPTION	C Y L.	PER CAR	VALIANT	PLYMOUTH	DESOTO	CHRYSLER	IMPERIAL
<b>3-03-O REAR AXLE DIFFERENTIAL AND CARRIER - Cont'd</b>								
3-03-25	GASKET, Carrier, w/8 1/4" dia. Gear . . . . .	6	1	----	1318 011			
	w/8 3/4" dia. Gear . . . . .		1	----	1673 367	1673 367	1673 367	1673 367
3-03-26	BOLT, Housing to Carrier . . .		★	----	1135 197	1135 197	1135 197	1135 197
3-03-29	COVER . . . . .	6	1	2070 119				
3-03-30	GASKET, Cover . . . . .	6	1	2070 120				
3-03-31	NUT, Housing to Carrier Bolt .		★	----	1485 066	1485 066	1485 066	1485 066
		8	1	----	----	----	----	1940 596
3-03-35	PLUG, Cover Filler . . . . .	6	1	*2129 351				
3-03-36	GASKET, Plug . . . . .	6	1	2070 122				
<b>3-04-O DIFFERENTIAL CASE</b>								
3-04-6	CASE, w/3.55 and 3.91 ratio, w/5/16" dia. holes, UP TO . .	6	1	2070 022				
	w/3.55 and 3.91 ratio, w/3/8" dia. holes, AFTER . . . . .	6	1	E2070 537				
	w/3.23 ratio . . . . .	6	1	E2070 537				
	w/8 1/4" dia. Gear, (also specify 1 of 1633 937 and 663 480) . . .	6	1	----	1616 505			
	w/8 3/4" dia. Gear . . . . .		1	----	1850 370	1850 370	1850 370	1850 370
	w/Sure-Grip . . . . .	8	1	----	1945 749	1945 749	1945 749	1945 749
3-04-10	SCREW, Case Cap, w/Sure-Grip	8	8	----	1945 751	1945 751	1945 751	1945 751
<b>3-06-O DIFFERENTIAL SIDE GEAR</b>								
3-06-5	GEAR . . . . .	6	2	2070 023				
	w/8 1/4" dia. Gear . . . . .	6	2	----	2070 242			
	w/8 3/4" dia. Gear . . . . .		2	----	2070 148	2070 148	2070 148	2070 148
	w/Sure-Grip . . . . .	8	2	----	1829 448	1829 448	1829 448	1829 448
3-06-6	WASHER, Thrust . . . . .	6	2	2070 024				
	w/8 1/4" dia. Gear . . . . .	6	2	----	632 587			
	w/8 3/4" dia. Gear . . . . .		2	----	1633 960	1633 960	1633 960	1633 960
3-06-8	RETAINER, w/Sure-Grip . . . .	8	1	----	1829 447	1829 447	1829 447	1829 447
<b>3-07-O DIFFERENTIAL PINION</b>								
3-07-1	PINION . . . . .	6	2	2070 025				
	w/8 1/4" dia. Gear . . . . .	6	2	----	1326 219			
	w/8 3/4" dia. Gear . . . . .		2	----	1633 959	1633 959	1633 959	1633 959
	w/Sure-Grip . . . . .	8	4	----	*1829 449	*1829 449	*1829 449	*1829 449
3-07-2	WASHER . . . . .	6	2	2070 026				
	w/8 1/4" dia. Gear . . . . .	6	2	----	663 479			
	w/8 3/4" dia. Gear . . . . .		2	----	1633 961	1633 961	1633 961	1633 961
<b>3-08-O DIFFERENTIAL PINION SHAFT</b>								
3-08-1	SHAFT . . . . .	6	1	2070 027				
	w/8 1/4" dia. Gear, 21/64" hole, UP TO . . . . .	6	1	----	1142 006			
	w/8 1/4" dia. Gear, 17/64" dia. hole, AFTER . . . . .	6	1	----	663 480			
	w/8 3/4" dia. Gear . . . . .		1	----	1633 928	1633 928	1633 928	1633 928
	w/Sure-Grip . . . . .	8	2	----	1829 446	1829 446	1829 446	1829 446
3-08-2	PIN, Lock . . . . .	6	1	152 229				
	w/8 1/4" dia. Gear, 2 1/4" lgh., 5/16" dia., UP TO . . . . .	6	1	----	141 232			
	w/8 1/4" dia. Gear, 1 3/4" lgh., 1/4" dia., Split Pin, AFTER . .	6	1	----	1633 937			
	w/8 3/4" dia. Gear . . . . .		1	----	1633 937	1633 937	1633 937	1633 937

★ Indicates use as required.

Numerals in parentheses ( ) refer to notes.

Printed in U.S.A.

Ⓜ Indicates parts not listed in any previous parts book.

Prices and specifications subject to change without notice.

March 1, 1962 Supersedes Jan. 6, 1961.

Page 3-6

\* Indicates change or addition.

CODE	PART NAME AND DESCRIPTION	CYL.	PER CAR	VALIANT	PLYMOUTH	DESOTO	CHRYSLER	IMPERIAL
<b>3-09-0 DIFFERENTIAL CLUTCH PARTS</b>								
3-09-1	DISC, Clutch, w/Sure-Grip . . . . .	8	★	----	*1829 451	*1829 451	*1829 451	*1829 451
3-09-2	PLATE, Clutch, w/Sure-Grip, .059" thk. . . . .	8	2	----	1850 804	1850 804	1850 804	1850 804
	w/Sure-Grip, .094" thk. . . . .	8	4	----	1829 450	1829 450	1829 450	1829 450
3-09-3	REPAIR KIT, Differential Sure-Grip . . . . .	8	1	----	2070 845	2070 845	2070 845	2070 845
<b>3-11-0 DIFFERENTIAL BEARINGS</b>								
3-11-1	CONE, w/ROLLERS . . . . .	6	2	1937 771				
	w/8 1/4" dia. Gear . . . . .	6	2	----	698 404			
	w/8 3/4" dia. Gear . . . . .	6	2	----	1790 523	1790 523	1790 523	1790 523
3-11-2	CUP . . . . .	6	2	1937 770				
		6	2	----	698 403	698 403	698 403	698 403
3-11-3	SPACER, Adjusting, .2500" thk. .2520" thk. . . . .	6	2	2070 848				
	.2540" thk. . . . .	6	2	2070 849				
	.2560" thk. . . . .	6	2	2070 082				
	.2580" thk. . . . .	6	2	2070 441				
	.2600" thk. . . . .	6	2	2070 442				
	.2620" thk. . . . .	6	2	2070 084				
	.2640" thk. . . . .	6	2	2070 443				
	.2660" thk. . . . .	6	2	2070 444				
	.2680" thk. . . . .	6	2	2070 086				
	.2700" thk. . . . .	6	2	2070 445				
	.2720" thk. . . . .	6	2	2070 446				
	.2740" thk. . . . .	6	2	2070 088				
	.2760" thk. . . . .	6	2	2070 447				
	.2780" thk. . . . .	6	2	2070 448				
	.2800" thk. . . . .	6	2	2070 090				
	.2820" thk. . . . .	6	2	2070 449				
	.2840" thk. . . . .	6	2	2070 450				
	.2860" thk. . . . .	6	2	2070 092				
	.2880" thk. . . . .	6	2	2070 696				
	.2900" thk. . . . .	6	2	2070 697				
	.2920" thk. . . . .	6	2	2070 698				
	.2940" thk. . . . .	6	2	2070 850				
		6	2	2070 851				
3-11-13	ADJUSTER . . . . .	6	2	----	601 864	601 864	601 864	601 864
3-11-14	LOCK, Adjuster . . . . .	6	2	----	308 247	308 247	308 247	308 247
<b>3-19-0 DRIVE GEAR AND PINION SET</b>								
3-19-1	GEAR and PINION SET, 3.23 to 1 ratio . . . . .	6	1	2070 563				
	3.55 to 1 ratio, w/5/16" dia. holes, UP TO . . . . .	6	1	2070 139				
	3.55 to 1 ratio, w/3/8" dia. holes, AFTER . . . . .	6	1	2070 564				
	3.91 to 1 ratio, w/5/16" dia. holes, UP TO . . . . .	6	1	2070 140				
	3.91 to 1 ratio, w/3/8" dia. holes, AFTER . . . . .	6	1	2070 565				
	3.31 to 1 ratio, 8 1/4" dia. Gear .	6	1	----	1634 973			
	3.54 to 1 ratio, 8 1/4" dia. Gear .	6	1	----	1124 304			
	3.9 to 1 ratio, 8 1/4" dia. Gear .	6	1	----	1141 541			
	3.73 to 1 ratio, 8 3/4" dia. Gear, 1 3/8" dia. Stem . . . . .	6	1	----	*1673 380			
	4.1 to 1 ratio, w/8 3/4" dia. Gear and 1 3/4" dia. Stem, Police Cars . . . . .	8	1	----	1673 390			
	2.93 to 1 ratio, 8 3/4" dia. Gear, 1 3/8" dia. Stem, RC1 . . . . .	1	1	----	2070 569(1)	2070 569(1)	2070 569	
	3.23 to 1 ratio, 8 3/4" dia. Gear, 1 3/8" dia. Stem, RC1 . . . . .	1	1	----	*2070 816(1)	*2070 816(1)	*2070 816(1)	

NOTES 1 and 2: See notes at beginning of Group 3.

★ Indicates use as required.

Numerals in parentheses ( ) refer to notes.

Printed in U.S.A.

☐ Indicates parts not listed in any previous parts book.

Prices and specifications subject to change without notice.

\* Indicates change or addition.

CODE	PART NAME AND DESCRIPTION	CYL.	PER CAR	VALIANT	PLYMOUTH	DESOTO	CHRYSLER	IMPERIAL
<b>3-19-0 DRIVE GEAR AND PINION SET - Cont'd</b>								
3-19-1	GEAR and PINION SET - Cont'd							
	3.55 to 1 ratio, 8 3/4" dia. Gear, 1 3/8" dia. Stem, RC1 . . . . .		1	----	*2070 915(1)	*2070 915(1)	*2070 915(1)	
	3.91 to 1 ratio, 8 3/4" dia. Gear, 1 3/8" dia. Stem. . . . .		1	----	2070 300(1)			
	4.56 to 1 ratio, 8 3/4" dia. Gear, 1 3/8" dia. Stem, Export . . . . .		1	----	1738 761(1)			
	2.93 to 1 ratio, 8 3/4" dia. Gear, 1 3/4" dia. Stem, Heavy Duty, RC1 . . . . .	8	1	----	-----	2070 570(2)	2070 570(2)	
	3.23 to 1 ratio, 8 3/4" dia. Gear, 1 3/4" dia. Stem, Heavy Duty, RC1 . . . . .	8	1	----	*2070 817(2)	*2070 817(2)	*2070 817(2)	
	2.93 to 1 ratio, 8 3/4" dia. Gear, 1 3/4" dia. Stem, RC2, RC3, RC4 . . . . .	8	1	----	-----	-----	2070 570	2070 570
	3.23 to 1 ratio, 8 3/4" dia. Gear, 1 3/4" dia. Stem, RC2, RC3, RC4 . . . . .	8	1	----	-----	-----	*2070 817	*2070 817
	2.93 to 1 ratio, 8 3/4" dia. Gear, 1 3/4" dia. Stem, w/Sure-Grip, RC1 . . . . .	8	1	----	-----	*2070 570	2070 570	
	3.23 to 1 ratio, 8 3/4" dia. Gear, 1 3/4" dia. Stem, w/Sure-Grip. . . . .	8	1	----	-----	*2070 817		
<b>3-20-0 DRIVE GEAR BOLT</b>								
3-20-1	BOLT, w/3.55 and 3.91 ratio, 5/16" dia, UP TO . . . . .	6	8	2070 042				
	w/3.55 and 3.91 ratio, 3/8" dia., AFTER . . . . .	6	8	1675 485				
	w/3.23 ratio . . . . .	6	8	1675 485				
	w/8 1/4" dia. Gear . . . . .	6	10	-----	663 481			
	w/8 3/4" dia. Gear . . . . .	6	12	-----	1675 485	1675 485	1675 485	1675 485
	w/Sure-Grip . . . . .	8	12	-----	1945 768	1945 768	1945 768	1945 768
3-20-2	LOCK, Nut . . . . .	6	5	-----	663 482			
<b>3-22-0 DRIVE PINION BEARINGS</b>								
3-22-24	CONE, Front Bearing , w/ROLLERS . . . . .	6	1	2070 316				
	Front, w/1 3/8" dia. Stem, RC1 Rear . . . . .	6	1	-----	1820 552(1)	1820 552(1)	1820 552(1)	
	Rear, w/1 3/8" dia. Stem, RC1 Front, w/1 3/4" dia. Stem, RC1 Rear, w/1 3/4" dia. Stem, RC1	6	1	2070 318				
	Front, w/1 3/4" dia. Stem, RC2, RC3, RC4 . . . . .	8	1	-----	1401 809(1)	1401 809(1)	1401 809(1)	
	Rear, w/1 3/4" dia. Stem, RC2, RC3, RC4 . . . . .	8	1	-----	1401 808(2)	1401 808(2)	1401 808(2)	
	Front, w/Sure-Grip, w/1 3/4" dia. Stem, RC1 . . . . .	8	1	-----	1404 472(2)	1404 472(2)	1404 472(2)	
	Rear, w/Sure-Grip, w/1 3/4" dia. Stem, RC1 . . . . .	8	1	-----	-----	-----	1401 808	1401 808
	Front, w/1 3/4" dia. Stem, RC2, RC3, RC4 . . . . .	8	1	-----	-----	-----	1404 472	1404 472
	Front, w/Sure-Grip, w/1 3/4" dia. Stem, RC1 . . . . .	8	1	-----	1401 808(2)	1401 808(2)	1401 808(2)	
	Rear, w/Sure-Grip, w/1 3/4" dia. Stem, RC1 . . . . .	8	1	-----	1404 472(2)	1404 472(2)	1404 472(2)	
3-22-25	CUP, Front Bearing . . . . .	6	1	2070 317				
	Front, w/1 3/8" dia. Stem, RC1. Rear . . . . .	6	1	-----	1820 551(1)	1820 551(1)	1820 551(1)	
	Rear, w/1 3/8" dia. Stem, RC1 . Front, w/1 3/4" dia. Stem, RC1. Rear, w/1 3/4" dia. Stem, RC1 .	6	1	2070 319				
	Front, w/1 3/4" dia. Stem, RC2, RC3, RC4 . . . . .	8	1	-----	1401 810(1)	1401 810(1)	1401 810(1)	
	Rear, w/1 3/4" dia. Stem, RC2, RC3, RC4 . . . . .	8	1	-----	1401 810(2)	1401 810(2)	1401 810(2)	
	Front, w/1 3/4" dia. Stem, RC2, RC3, RC4 . . . . .	8	1	-----	1327 847(2)	1327 847(2)	1327 847(2)	
	Rear, w/1 3/4" dia. Stem, RC2, RC3, RC4 . . . . .	8	1	-----	-----	-----	1401 810	1401 810
	Front, w/1 3/4" dia. Stem, RC2, RC3, RC4 . . . . .	8	1	-----	-----	-----	1327 847	1327 847

NOTES 1 and 2: See notes at beginning of Group 3.

★ Indicates use as required.

Numerals in parentheses ( ) refer to notes.

Printed in U.S.A.

☐ Indicates parts not listed in any previous parts book.

Prices and specifications subject to change without notice.

March 1 1962 Supersedes May 31, 1961.

Page 3-8

\* Indicates change or addition.

CODE	PART NAME AND DESCRIPTION	CYL.	PER CAR	VALIANT	PLYMOUTH	DESOTO	CHRYSLER	IMPERIAL
<b>3-22-0 DRIVE PINION BEARINGS - Cont'd</b>								
3-22-25	CUP - Cont'd							
	Front, w/Sure-Grip, w/1 3/4" dia. Stem, RC1 . . . . .	8	1	----	1401 810(2)	1401 810(2)	1401 810(2)	
	Rear, w/Sure-Grip, w/1 3/4" dia. Stem, RC1 . . . . .	8	1	----	1327 847(2)	1327 847(2)	1327 847(2)	
3-22-26	SPACER, Front Bearing							
	Adjusting, .074" thk. . . . .	6	★	2070 094				
	.075" thk. . . . .	6	★	2070 454				
	.076" thk. . . . .	6	★	2070 095				
	.077" thk. . . . .	6	★	2070 455				
	.078" thk. . . . .	6	★	2070 096				
	.079" thk. . . . .	6	★	2070 456				
	.080" thk. . . . .	6	★	2070 097				
	.081" thk. . . . .	6	★	2070 457				
	.082" thk. . . . .	6	★	2070 098				
	.083" thk. . . . .	6	★	2070 458				
	.084" thk. . . . .	6	★	2070 099				
	.085" thk. . . . .	6	★	2070 459				
	.086" thk. . . . .	6	★	2070 100				
	.087" thk. . . . .	6	★	2070 460				
	.088" thk. . . . .	6	★	2070 101				
	.089" thk. . . . .	6	★	2070 461				
	.090" thk. . . . .	6	★	2070 102				
	.091" thk. . . . .	6	★	2070 462				
	.092" thk. . . . .	6	★	2070 103				
	.093" thk. . . . .	6	★	2070 463				
	.094" thk. . . . .	6	★	2070 104				
	.095" thk. . . . .	6	★	2070 464				
	.096" thk. . . . .	6	★	2070 105				
	.097" thk. . . . .	6	★	2070 465				
	.098" thk. . . . .	6	★	2070 106				
	.099" thk. . . . .	6	★	2070 466				
	.100" thk. . . . .	6	★	2070 107				
	.101" thk. . . . .	6	★	2070 467				
	.102" thk. . . . .	6	★	2070 108				
	.103" thk. . . . .	6	★	2070 468				
	.104" thk. . . . .	6	★	2070 109				
	.105" thk. . . . .	6	★	2070 469				
	.106" thk. . . . .	6	★	2070 110				
	SPACER, Rear Bearing, RC1 . . . . .	1		----	1738 826(1)	1738 826(1)	1738 826(1)	
3-22-27	WASHER, Rear Bearing,							
	.084" thk., RC1 . . . . .		★	1738 794	1738 794(1)	1738 794(1)	1738 794(1)	
	.086" thk., RC1 . . . . .		★	1738 795	1738 795(1)	1738 795(1)	1738 795(1)	
	.088" thk., RC1 . . . . .		★	1738 796	1738 796(1)	1738 796(1)	1738 796(1)	
	.090" thk., RC1 . . . . .		★	1738 797	1738 797(1)	1738 797(1)	1738 797(1)	
	.092" thk., RC1 . . . . .		★	1738 798	1738 798(1)	1738 798(1)	1738 798(1)	
	.094" thk., RC1 . . . . .		★	1738 799	1738 799(1)	1738 799(1)	1738 799(1)	
	.096" thk., RC1 . . . . .		★	1738 800	1738 800(1)	1738 800(1)	1738 800(1)	
	.098" thk., RC1 . . . . .		★	1738 801	1738 801(1)	1738 801(1)	1738 801(1)	
	.100" thk., RC1 . . . . .		★	1738 802	1738 802(1)	1738 802(1)	1738 802(1)	
	.084" thk., w/Sure-Grip, RC1 . . . . .	8	★	----	----	1738 812(2)	1738 812(2)	
	.086" thk., w/Sure-Grip, RC1 . . . . .	8	★	----	----	1738 813(2)	1738 813(2)	
	.088" thk., w/Sure-Grip, RC1 . . . . .	8	★	----	----	1738 814(2)	1738 814(2)	
	.090" thk., w/Sure-Grip, RC1 . . . . .	8	★	----	----	1738 815(2)	1738 815(2)	
	.092" thk., w/Sure-Grip, RC1 . . . . .	8	★	----	----	1738 816(2)	1738 816(2)	
	.094" thk., w/Sure-Grip, RC1 . . . . .	8	★	----	----	1738 817(2)	1738 817(2)	
	.096" thk., w/Sure-Grip, RC1 . . . . .	8	★	----	----	1738 818(2)	1738 818(2)	
	.098" thk., w/Sure-Grip, RC1 . . . . .	8	★	----	----	1738 819(2)	1738 819(2)	
	.100" thk., w/Sure-Grip, RC1 . . . . .	8	★	----	----	1738 820(2)	1738 820(2)	
	.084" thk., RC1 . . . . .	8	★	----	1738 812(2)	1738 812(2)	1738 812(2)	
	.086" thk., RC1 . . . . .	8	★	----	1738 813(2)	1738 813(2)	1738 813(2)	
	.088" thk., RC1 . . . . .	8	★	----	1738 814(2)	1738 814(2)	1738 814(2)	
	.090" thk., RC1 . . . . .	8	★	----	1738 815(2)	1738 815(2)	1738 815(2)	
	.092" thk., RC1 . . . . .	8	★	----	1738 816(2)	1738 816(2)	1738 816(2)	
	.094" thk., RC1 . . . . .	8	★	----	1738 817(2)	1738 817(2)	1738 817(2)	

NOTES 1 and 2: See notes at beginning of Group 3.

★ Indicates use as required.

□ Indicates parts not listed in any previous parts book.

\* Indicates change or addition.

Numerals in parentheses ( ) refer to notes.

Printed in U.S.A.

Prices and specifications subject to change without notice.

March 1, 1962 Supersedes May 31, 1961.



CODE	PART NAME AND DESCRIPTION	CYL.	PER CAR	VALIANT	PLYMOUTH	DESOTO	CHRYSLER	IMPERIAL
<b>3-22-O DRIVE PINION BEARINGS - Cont'd</b>								
3-22-27	WASHER - Cont'd							
	.096" thk., RC1	8	★	----	1738 818(2)	1738 818(2)	1738 818(2)	
	.098" thk., RC1	8	★	----	1738 819(2)	1738 819(2)	1738 819(2)	
	.100" thk., RC1	8	★	----	1738 820(2)	1738 820(2)	1738 820(2)	
	.084" thk., RC2, RC3, RC4	8	★	----	----	----	1738 812	1738 812
	.086" thk., RC2, RC3, RC4	8	★	----	----	----	1738 813	1738 813
	.088" thk., RC2, RC3, RC4	8	★	----	----	----	1738 814	1738 814
	.090" thk., RC2, RC3, RC4	8	★	----	----	----	1738 815	1738 815
	.092" thk., RC2, RC3, RC4	8	★	----	----	----	1738 816	1738 816
	.094" thk., RC2, RC3, RC4	8	★	----	----	----	1738 817	1738 817
	.096" thk., RC2, RC3, RC4	8	★	----	----	----	1738 818	1738 818
	.098" thk., RC2, RC3, RC4	8	★	----	----	----	1738 819	1738 819
	.100" thk., RC2, RC3, RC4	8	★	----	----	----	1738 820	1738 820
3-22-28	SHIM, Front Bearing Adjusting,							
	.014" thk., RC1		★	----	*1820 703(1)	*1820 703(1)	*1820 703(1)	
	.016" thk., RC1		★	----	1820 704(1)	1820 704(1)	1820 704(1)	
	.018" thk., RC1		★	----	1820 705(1)	1820 705(1)	1820 705(1)	
	.022" thk., RC1		★	----	*1828 725(1)	*1828 725(1)	*1828 725(1)	
	.024" thk., RC1		★	----	1829 440(1)	1829 440(1)	1829 440(1)	
	.026" thk., RC1		★	----	1829 441(1)	1829 441(1)	1829 441(1)	
	.014" thk., w/Sure-Grip, RC1	8	★	----	----	1738 805(2)	1738 805(2)	
	.016" thk., w/Sure-Grip, RC1	8	★	----	----	1738 806(2)	1738 806(2)	
	.018" thk., w/Sure-Grip, RC1	8	★	----	----	1738 807(2)	1738 807(2)	
	.022" thk., w/Sure-Grip, RC1	8	★	----	----	1829 442(2)	1829 442(2)	
	.024" thk., w/Sure-Grip, RC1	8	★	----	----	1829 443(2)	1829 443(2)	
	.026" thk., w/Sure-Grip, RC1	8	★	----	----	1829 444(2)	1829 444(2)	
	.014" thk., RC1	8	★	----	1738 805(2)	1738 805(2)	1738 805(2)	
	.016" thk., RC1	8	★	----	1738 806(2)	1738 806(2)	1738 806(2)	
	.018" thk., RC1	8	★	----	1738 807(2)	1738 807(2)	1738 807(2)	
	.022" thk., RC1	8	★	----	1829 442(2)	1829 442(2)	1829 442(2)	
	.024" thk., RC1	8	★	----	1829 443(2)	1829 443(2)	1829 443(2)	
	.026" thk., RC1	8	★	----	1829 444(2)	1829 444(2)	1829 444(2)	
	.014" thk., RC2, RC3, RC4	8	★	----	----	----	1738 805	1738 805
	.016" thk., RC2, RC3, RC4	8	★	----	----	----	1738 806	1738 806
	.018" thk., RC2, RC3, RC4	8	★	----	----	----	1738 807	1738 807
	.022" thk., RC2, RC3, RC4	8	★	----	----	----	1829 442	1829 442
	.024" thk., RC2, RC3, RC4	8	★	----	----	----	1829 443	1829 443
	.026" thk., RC2, RC3, RC4	8	★	----	----	----	1829 444	1829 444
3-22-45	OIL SEAL, Front Bearing, RC1		1	2070 113	1738 831(1)	1738 831(1)	1738 831(1)	
	w/Sure-Grip, RC1	8	1	----	1828 719(2)	1828 719(2)	1828 719(2)	
	RC2, RC3, RC4	8	1	----	----	----	1828 719	1828 719
<b>3-32-O DRIVE SHAFT</b>								
3-32-1	SHAFT, w/BEARING, COLLAR and STUDS, Rt.	6	1	2070 142				
	Lt.	6	1	2070 143				
	31 5/8" lgh., also specify 1 of 1673373 Oil Seal		2	----	1675 448			
	31 5/8" lgh.	8	2	----	----	1675 448	1675 448	
	32 31/64" lgh.	8	2	----	----	----	----	1675 449
	w/Sure-Grip, 31 1/2" lgh.	8	2	----	1829 266	1829 266	1829 266	
	w/Sure-Grip, 32 3/8" lgh.	8	2	----	----	----	----	1829 267
3-32-4	KEY		2	----	1118 149	1118 149	1118 149	1118 149
3-32-5	NUT		2	----	53 553	53 553	53 553	53 553
3-32-6	WASHER		2	----	50 652	50 652	50 652	50 652
3-32-8	BLOCK, Thrust, w/8 1/4" dia. Gear	6	1	----	2070 243			
	w/8 3/4" dia. Gear		1	----	1940 604	1940 604	1940 604	1940 604
3-32-9	SPACER, Thrust Block, w/Sure-Grip	8	2	----	1829 445	1829 445	1829 445	1829 445
	PIN, w/Sure-Grip	8	1	----	273 703	273 703	273 703	273 703

NOTES 1 and 2: See notes at beginning of Group 3.

★ Indicates use as required.

Numerals in parentheses ( ) refer to notes.

Printed in U.S.A.

Ⓑ Indicates parts not listed in any previous parts book.

Prices and specifications subject to change without notice.

March 1, 1962 Supersedes Jan. 6, 1961.

Page 3-10

\* Indicates change or addition.

CODE	PART NAME AND DESCRIPTION	CYCL	PER CAR	VALIANT	PLYMOUTH	DESOTO	CHRYSLER	IMPERIAL
<b>3-33-O DRIVE SHAFT BEARINGS</b>								
3-33-1	CONE, w/ROLLERS . . . . . CONE, w/CUP and COLLAR, Complete . . . . .	6	2	2070 155	698 400	698 400	698 400	1673 375
		8	2	E2421 069	---	---	---	
3-33-2	CUP . . . . .	8	2	---	698 399	698 399	698 399	1188 715
			2	---	---	---	---	1137 203
3-33-4	SHDM, .005" thk. . . . . .012" thk. . . . . .030" thk. . . . .		★	---	1137 203	1137 203	1137 203	1137 203
			★	---	681 320	681 320	681 320	681 320
			★	---	681 322	681 322	681 322	681 322
3-33-8	RETAINER, Bearing . . . . .	6	2	2070 153				
3-33-9	COLLAR, Bearing . . . . .	6	2	2070 156				
<b>3-35-O DRIVE SHAFT OIL SEAL</b>								
3-35-14	OIL SEAL, Bearing . . . . . 1 3/8" I.D., Inner . . . . . 1 1/2" I.D., Inner . . . . . w/Sure-Grip, 1 1/2" I.D., Inner Outer . . . . . Outer . . . . .	6	2	2070 130	1139 896		2070 788	
		8	2	---	---	1673 373	1673 373	1673 373
		8	2	---	1673 373			1673 373
			2	---	2201 889	2201 889	2201 889	
			2	---	---	---	---	2207 484

**NOTES**

---



---



---



---



---



---



---



---



---



---



---



---



---



---



---



---



---



---



---



---



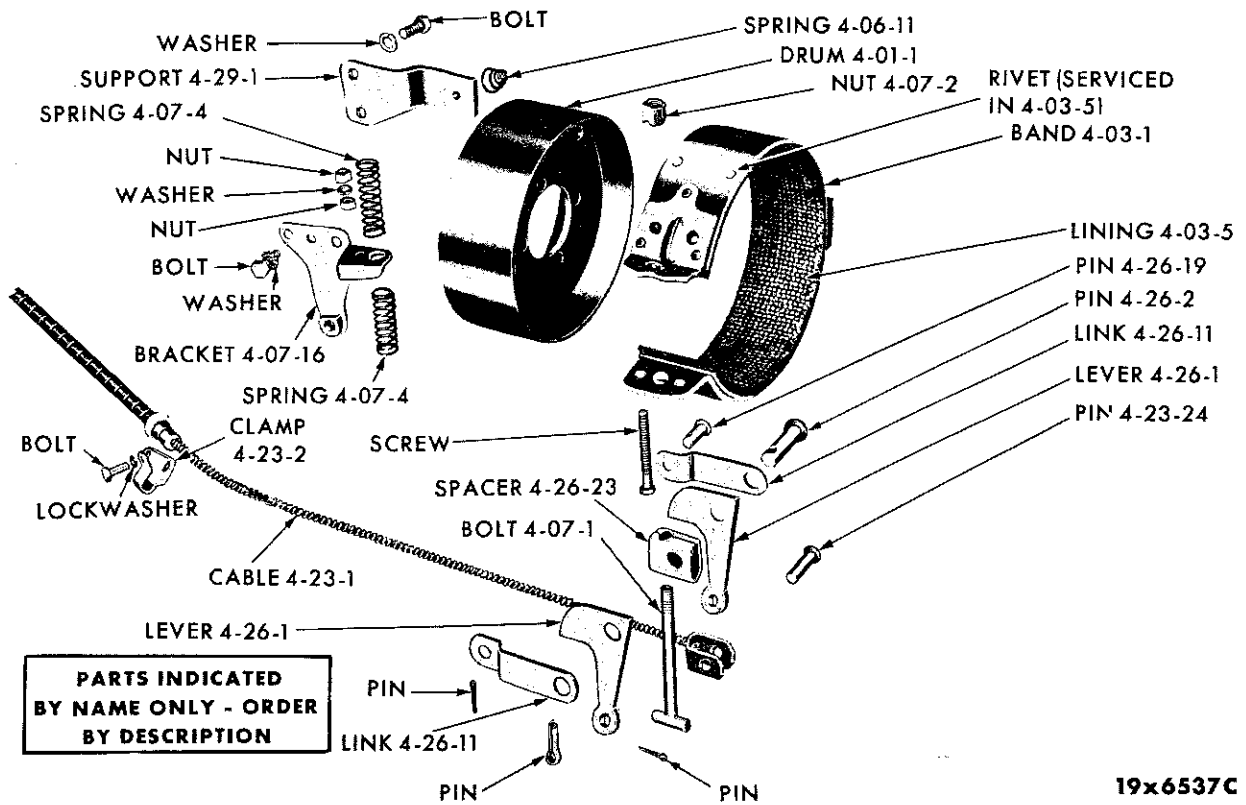
---



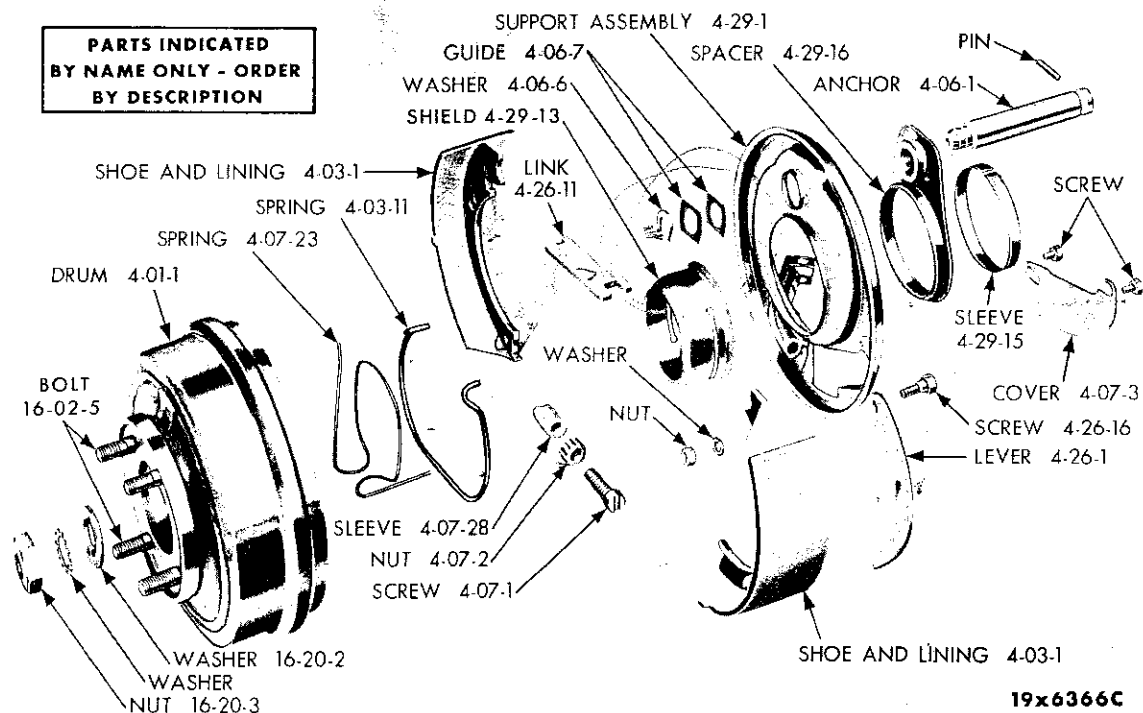
---

★ Indicates use as required. Numerals in parentheses ( ) refer to notes. Printed in U.S.A.  
 ☐ Indicates parts not listed in any previous parts book. Prices and specifications subject to change without notice.  
 \* Indicates change or addition. Page 3-11 March 1, 1962 Supersedes Jan. 6, 1961.

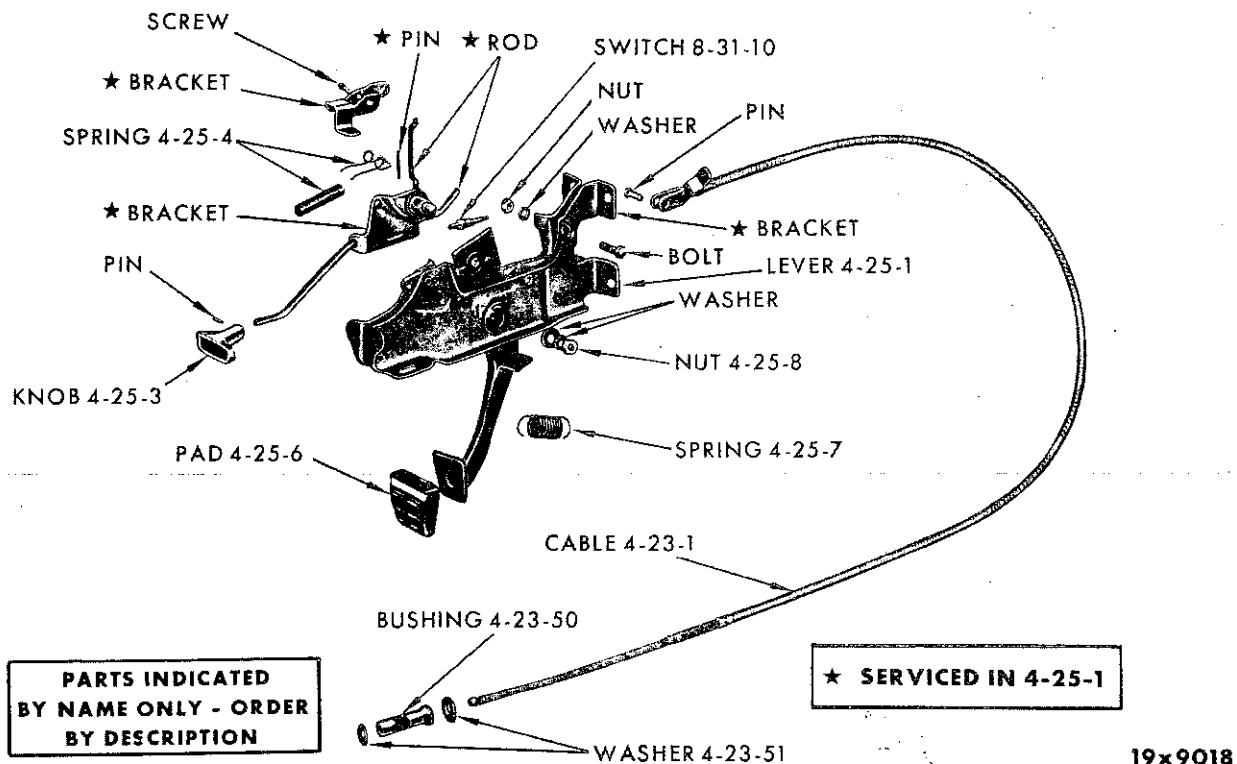




PARKING BRAKE - EXTERNAL TYPE



PARKING BRAKE - INTERNAL TYPE



PARTS INDICATED BY NAME ONLY - ORDER BY DESCRIPTION

\* SERVICED IN 4-25-1

19x9018

PARKING BRAKE CONTROLS - IMPERIAL RY1

NOTES

---

---

---

---

---

---

---

---

---

---

---

---

---

---

---

---

---

---

---

---

---

---

---

---

---

CODE	PART NAME AND DESCRIPTION	CYL	PER CAR	VALIANT	PLYMOUTH	DESOTO	CHRYSLER	IMPERIAL
<b>4-25-O PARKING BRAKE LEVER - Cont'd</b>								
4-25-8	NUT, Pedal Pivot Lock . . . . .	8	1	-----	-----	-----	-----	1737 569
4-25-11	RETAINER, Release Rod to Arm	6	1	1946 451				
4-25-14	ROD, Release . . . . .	6	1	2071 129				
4-25-17	NUT, Pedal Pivot . . . . .	6	1	1927 232				
4-25-21	SCREW, Mounting, w/Cone WASHER . . . . .	6	4	6022 337				
<b>4-26-O PARKING BRAKE OPERATING LEVER</b>								
4-26-1	LEVER, w/PIN, Right . . . . .	6	1	2072 804				
	Left . . . . .	6	1	2072 805				
	w/Std. Trans., RC1 . . . . .		2	-----	1737 585	1737 585	1737 585	
	w/PowerFlite and Auto. Trans.		1	-----	1315 879	1315 879	1315 879	1315 879
4-26-2	PIN, Clevis, w/Std. Trans., RC1		1	-----	852 454	852 454	852 454	
4-26-11	LINK, w/Std. Trans., RC1 . . . .		2	-----	697 814	697 814	697 814	
	w/PowerFlite and Auto. Trans.		1	-----	1406 677	1406 677	1406 677	1406 677
4-26-16	SCREW, w/PowerFlite and Auto. Trans. . . . .		1	-----	1317 150	1317 150	1317 150	1317 150
4-26-17	STRUT . . . . .	6	2	2072 689				
4-26-18	SPRING, Strut . . . . .	6	2	2072 646				
4-26-19	PIN, w/Std. Trans., RC1 . . . . .		1	-----	652 970	652 970	652 970	
4-26-23	SPACER, w/Std. Trans., RC1 . .		1	-----	1314 013	1314 013	1314 013	
4-26-26	WASHER, Pin . . . . .	6	2	2072 643				
4-26-27	LOCK, Pin Washer . . . . .	6	2	2072 644				
4-26-28	NUT, Operating Lever Screw w/Auto. Trans. . . . .		1	-----	2208 008	2208 008	2208 008	2208 008
<b>4-29-O PARKING BRAKE SUPPORT</b>								
4-29-1	SUPPORT, w/Std. Trans., RC1 w/PowerFlite and Auto. Trans.		1	-----	1636 259	1636 259	1636 259	
			1	-----	1946 445	1946 445	1946 445	
		8	1	-----	-----	-----	-----	1738 221
4-29-13	SHIELD, Grease, w/PowerFlite and Auto. Trans. . . . .		1	-----	1488 901	1488 901	1488 901	1488 901
4-29-15	SLEEVE, Spacer, w/PowerFlite and Auto. Trans. . . . .		1	-----	1488 890	1488 890	1488 890	1488 890
4-29-16	SPACER, w/PowerFlite and Auto. Trans. . . . .		1	-----	1488 889	1488 889	1488 889	1488 889

**NOTES**

---



---



---



---



---



---



---



---



---



---



---



---



---



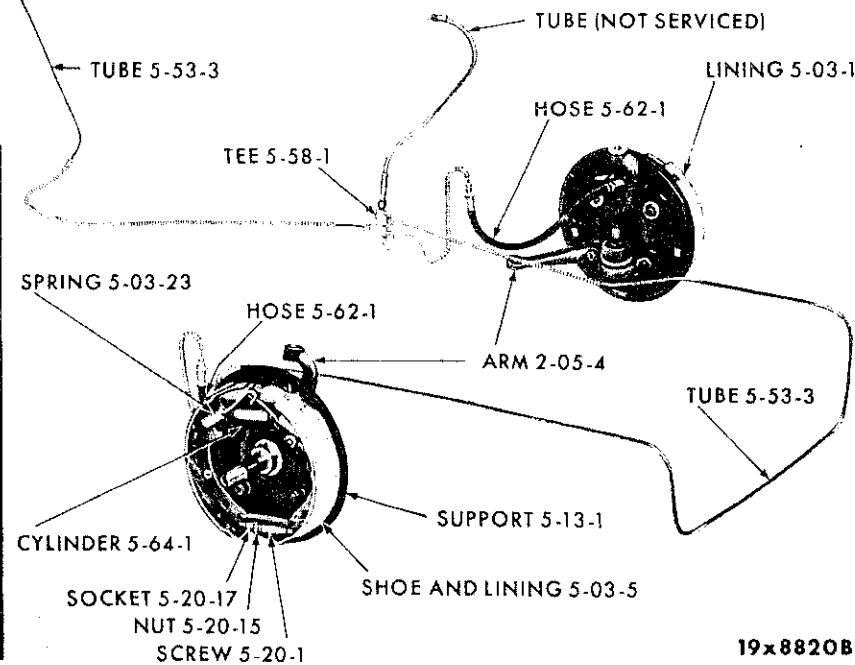
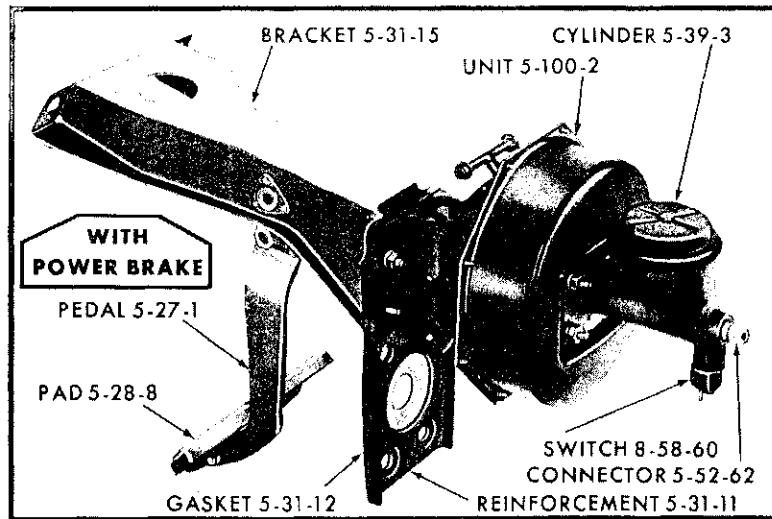
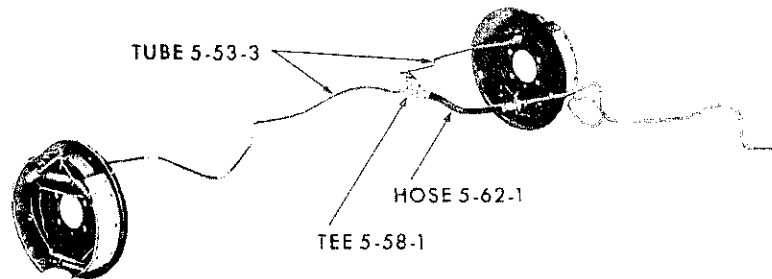
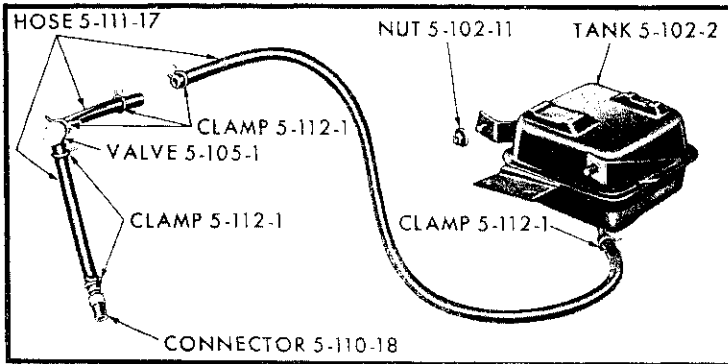
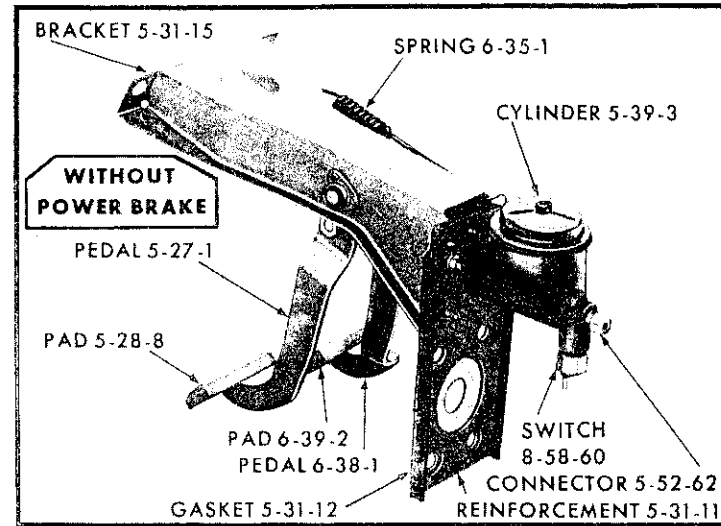
---

★ Indicates use as required. Numerals in parentheses ( ) refer to notes. Printed in U.S.A.  
 ☐ Indicates parts not listed in any previous parts book. Prices and specifications subject to change without notice.  
 \* Indicates change or addition. Page 4-5 March 1, 1962 Supersedes Oct. 3, 1960.



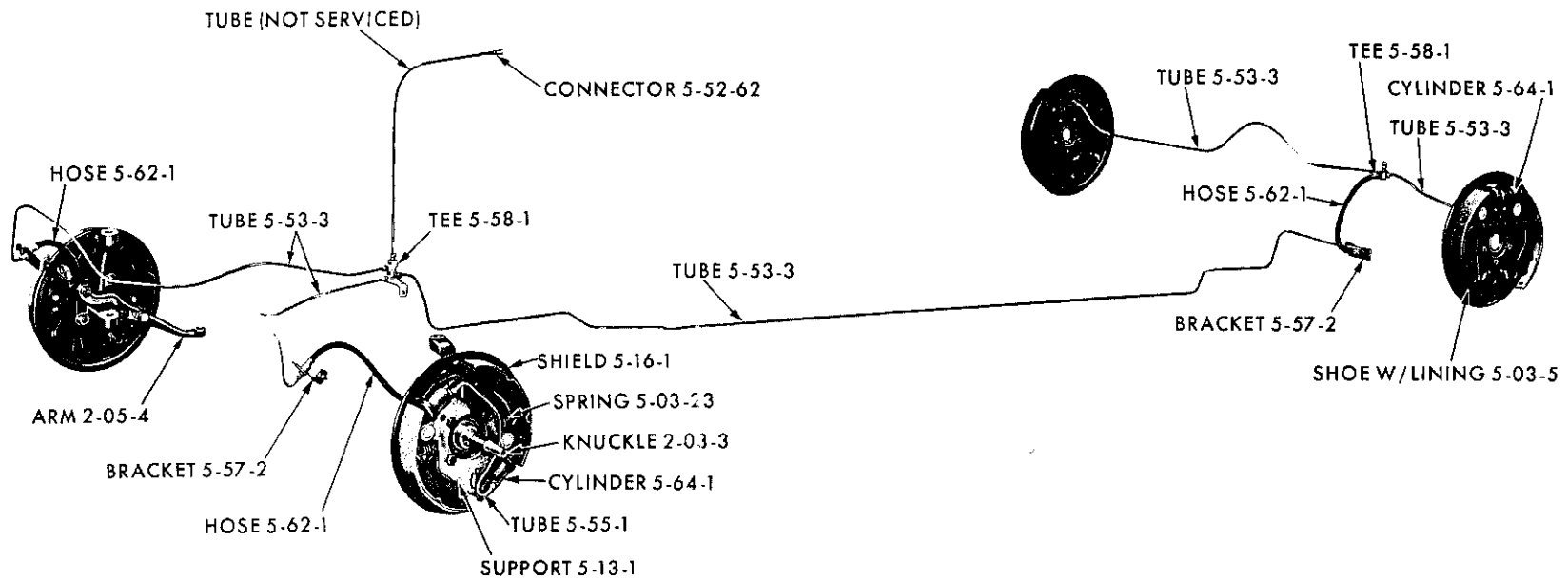
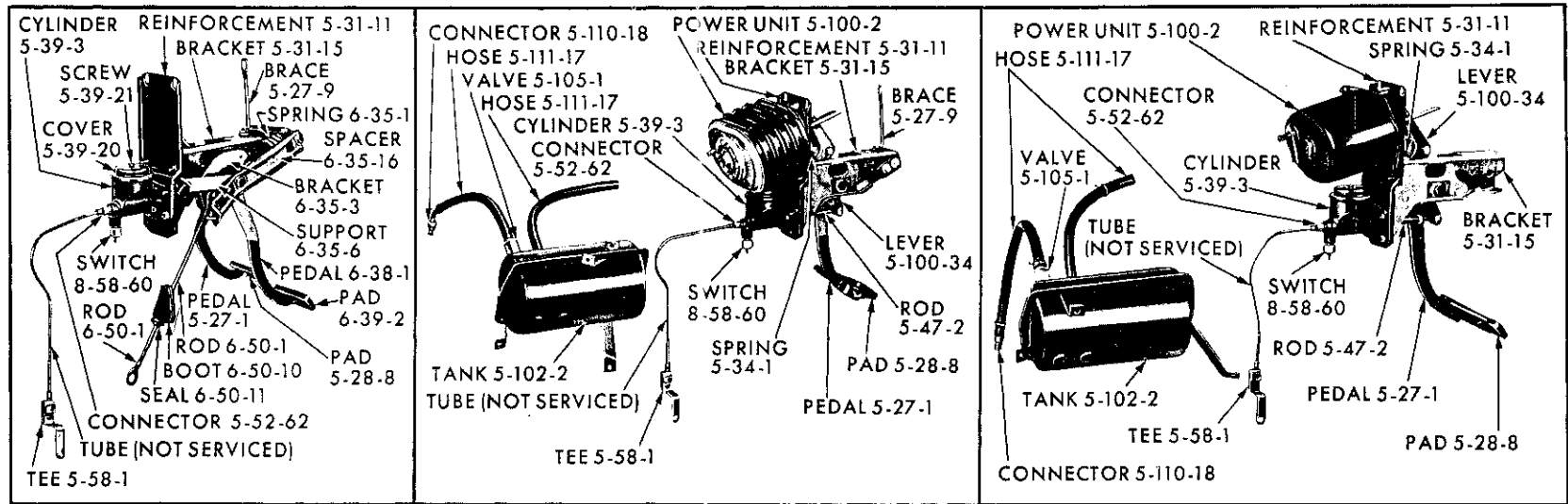


GROUP 5 - BRAKE-SERVICE



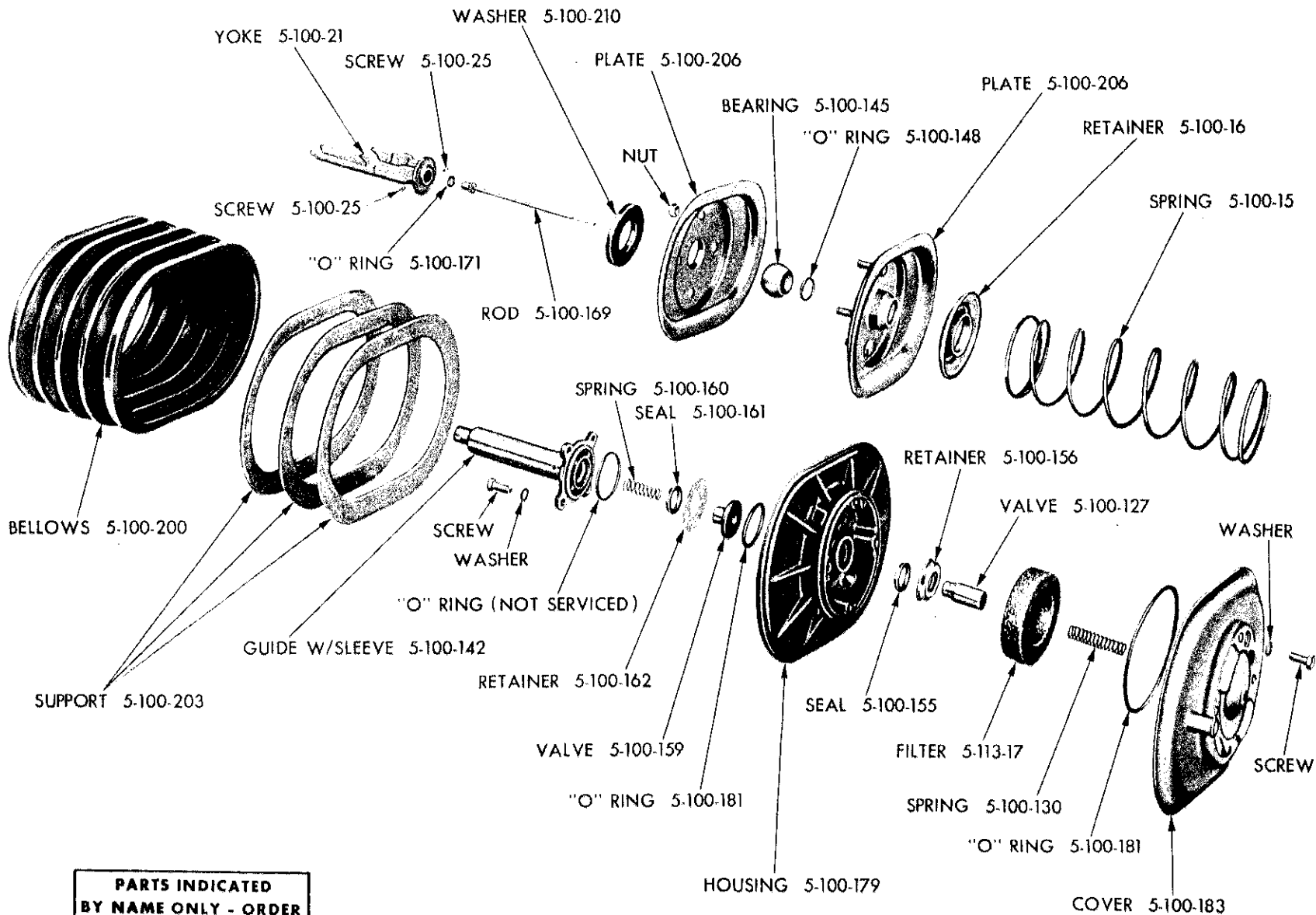
19x8820B

HYDRAULIC BRAKE SYSTEM - VALIANT RV1



19x8500C

HYDRAULIC BRAKE SYSTEM - EXCEPT VALIANT RV1

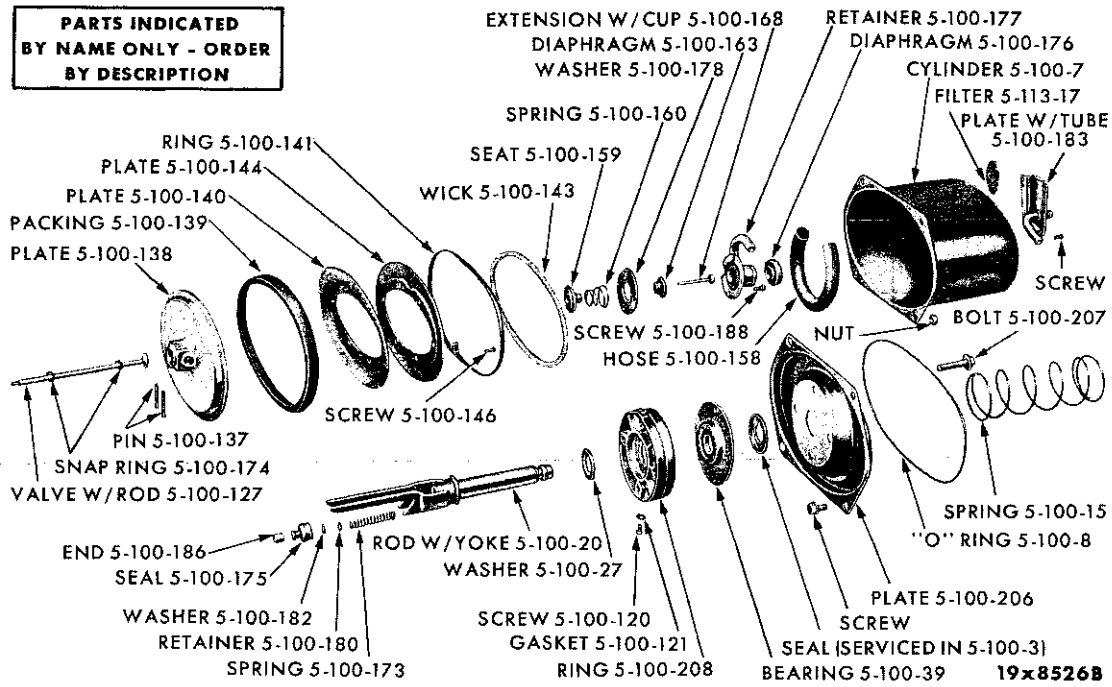


**PARTS INDICATED  
 BY NAME ONLY - ORDER  
 BY DESCRIPTION**

19x6981A

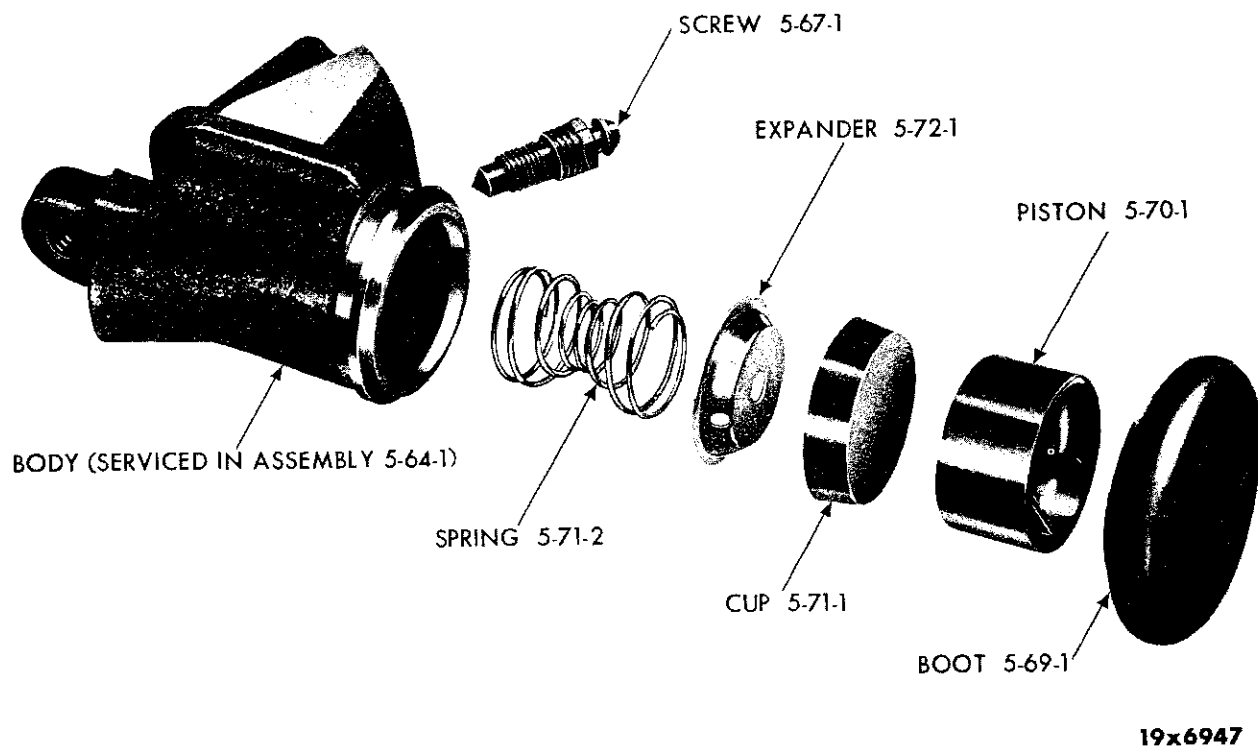
POWER BRAKE POWER UNIT (BELLOWS TYPE) - EXCEPT VALIANT RV1

PARTS INDICATED  
BY NAME ONLY - ORDER  
BY DESCRIPTION

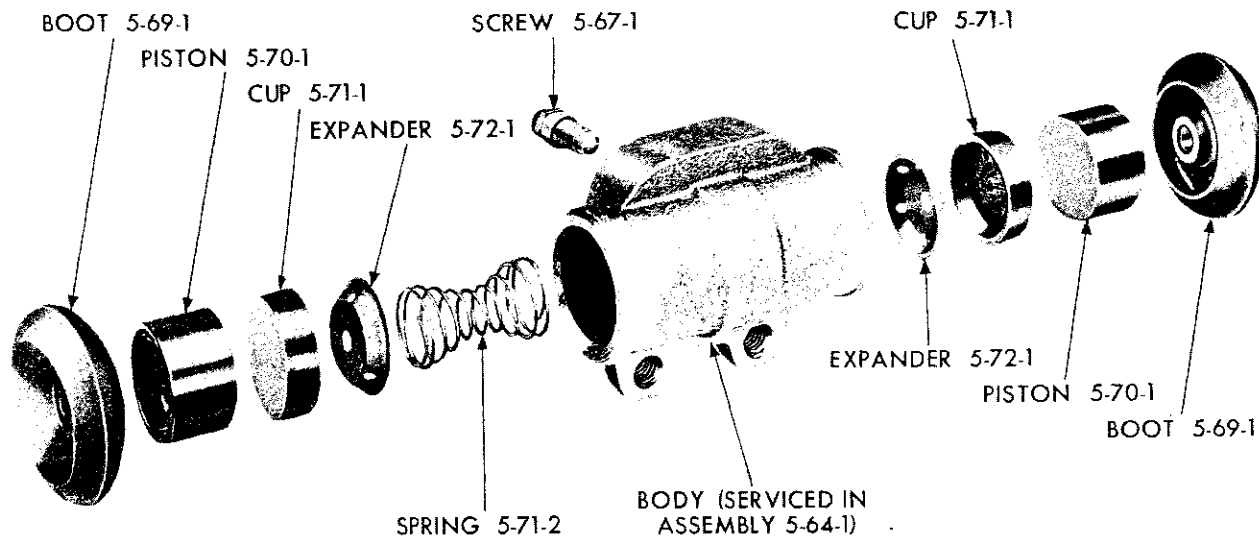


POWER BRAKE POWER UNIT (CYLINDER TYPE) - EXCEPT VALIANT RV1

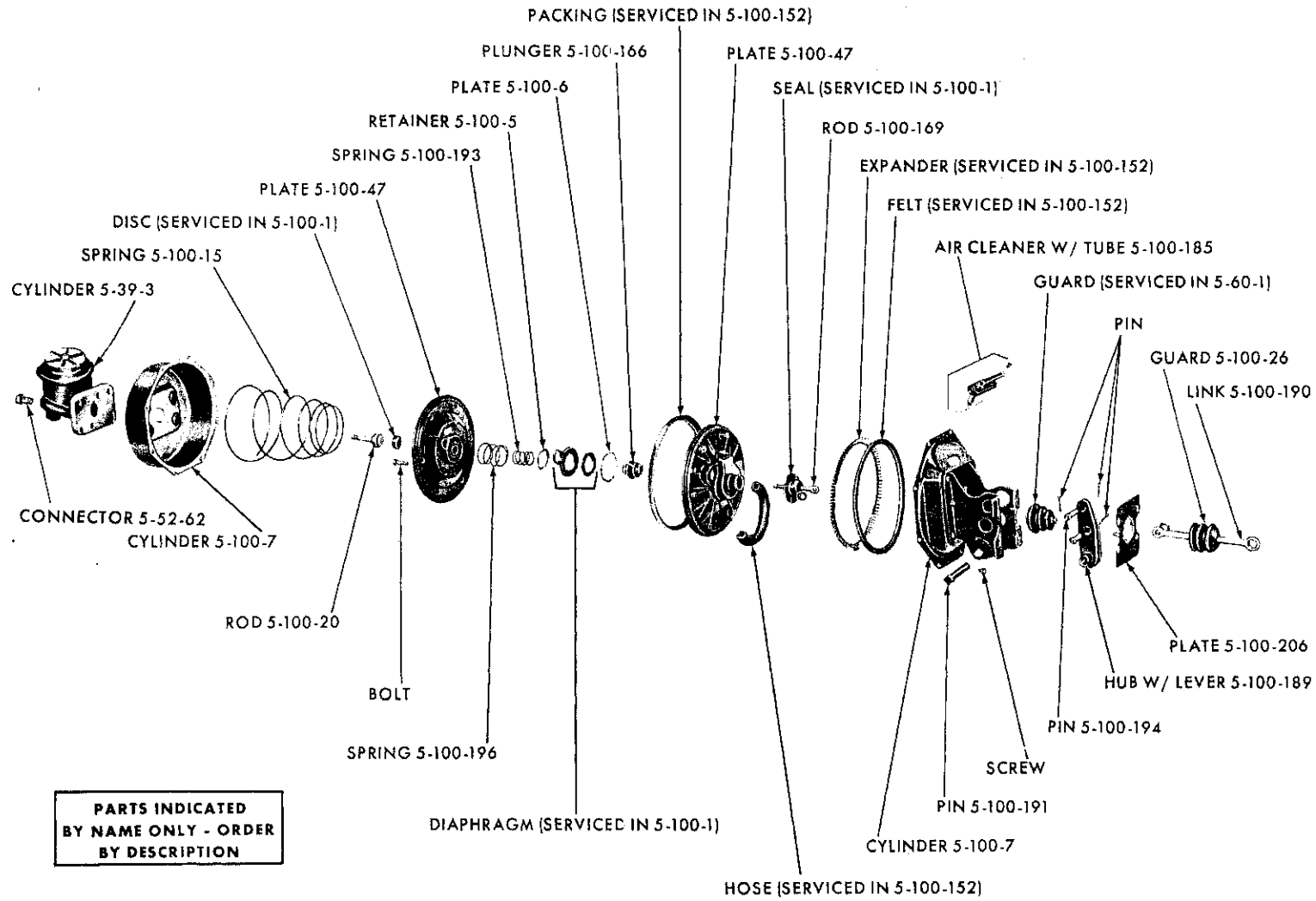
NOTES



FRONT WHEEL BRAKE CYLINDER - EXCEPT VALIANT RV1



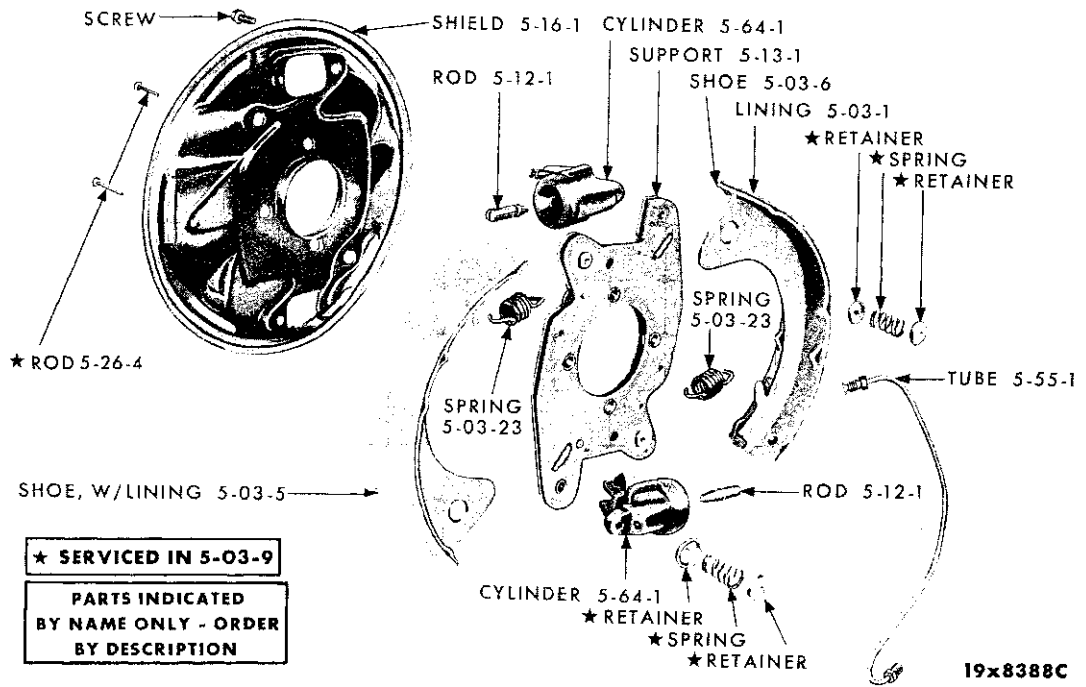
REAR WHEEL BRAKE CYLINDER - EXCEPT VALIANT RV1



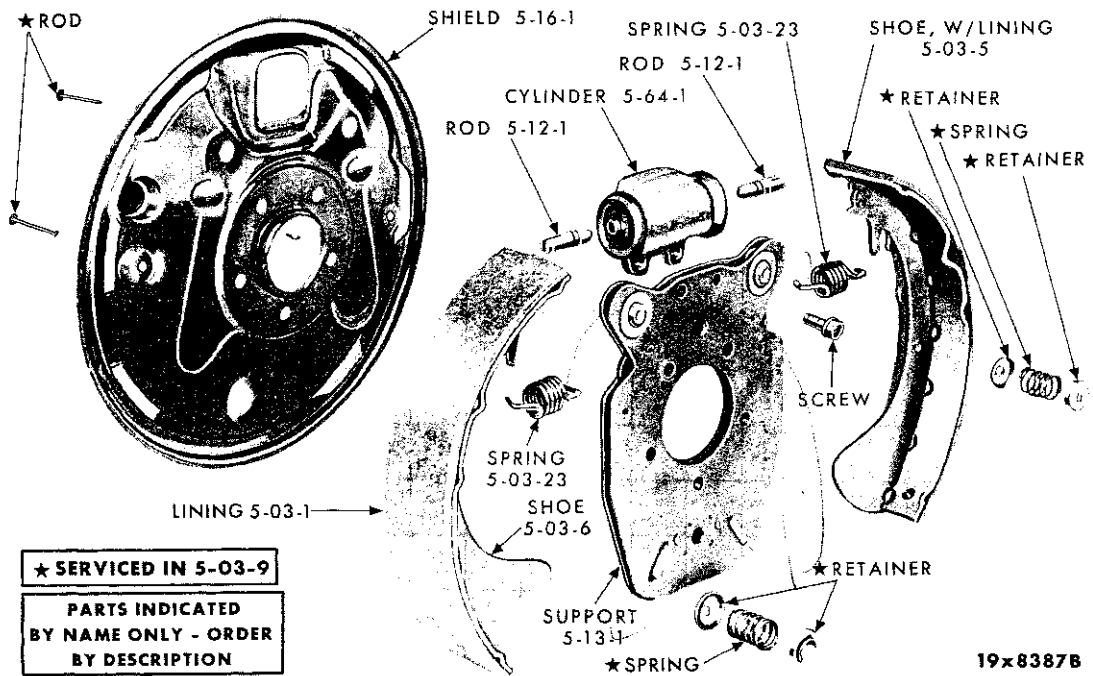
**PARTS INDICATED  
BY NAME ONLY - ORDER  
BY DESCRIPTION**

19x8754A

POWER BRAKE - VALIANT RV1

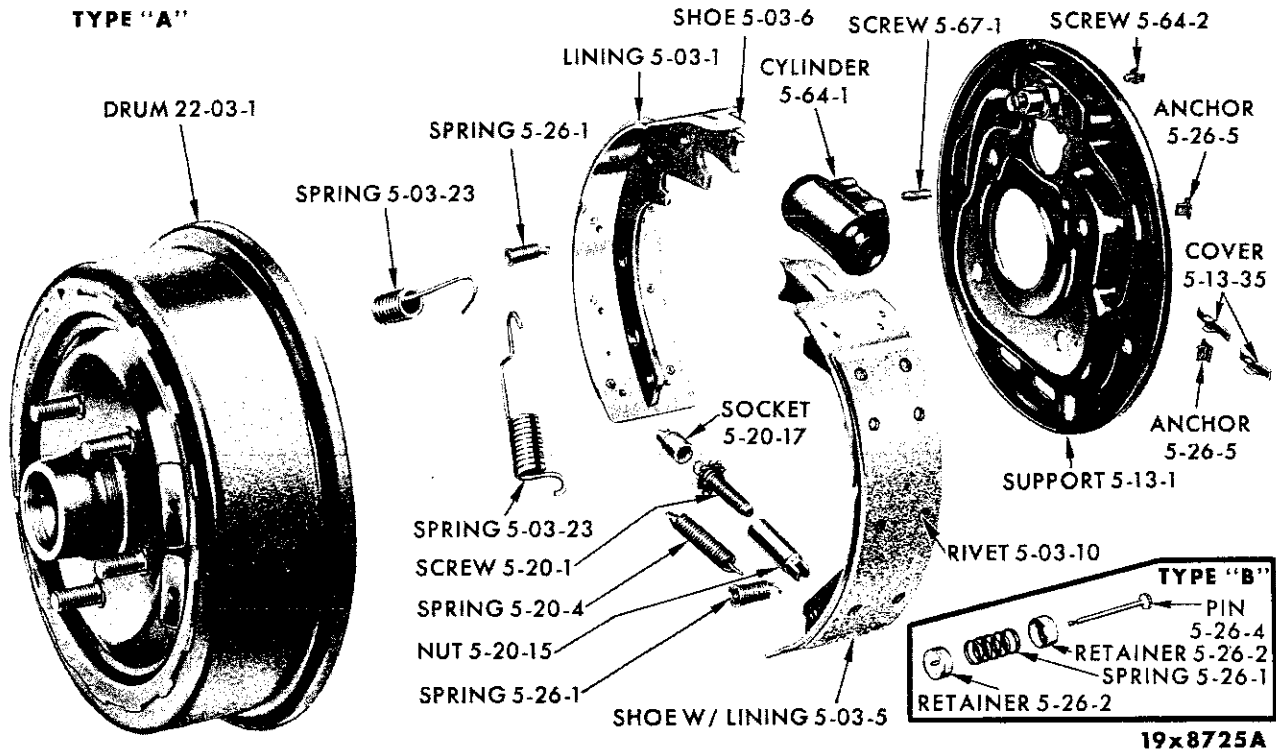


FRONT WHEEL BRAKE - EXCEPT VALIANT RV1

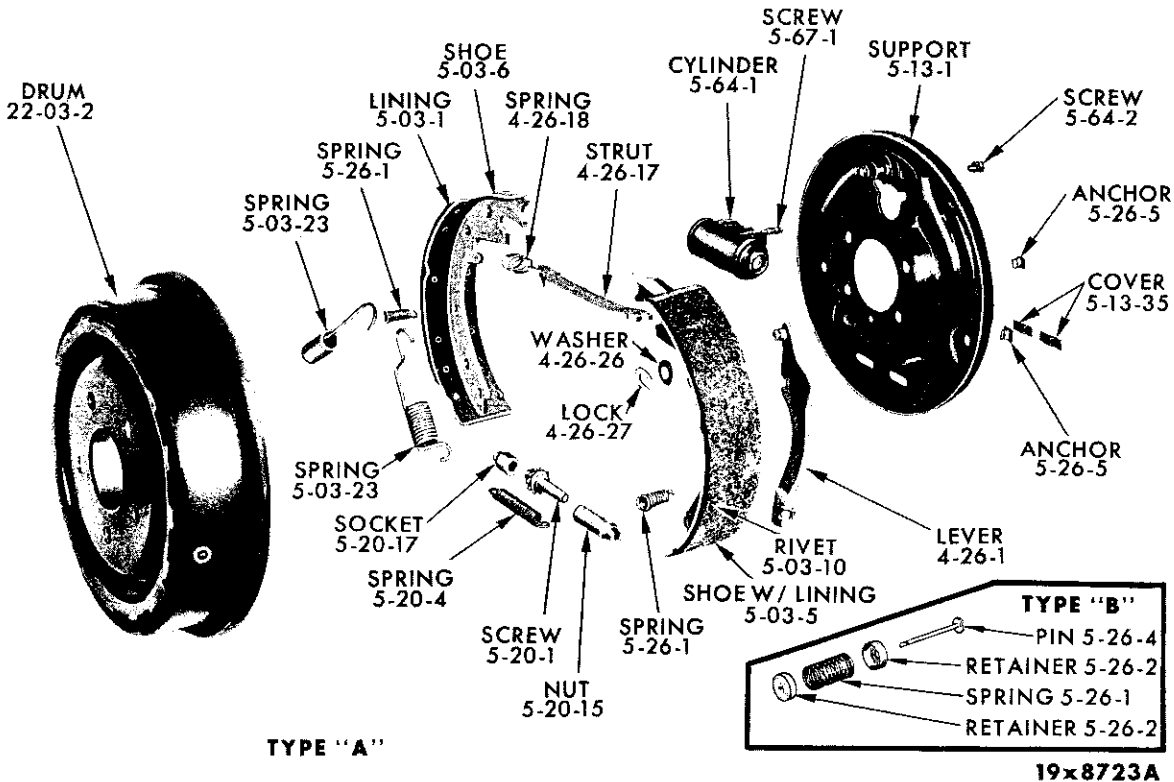


REAR WHEEL BRAKE - EXCEPT VALIANT RV1



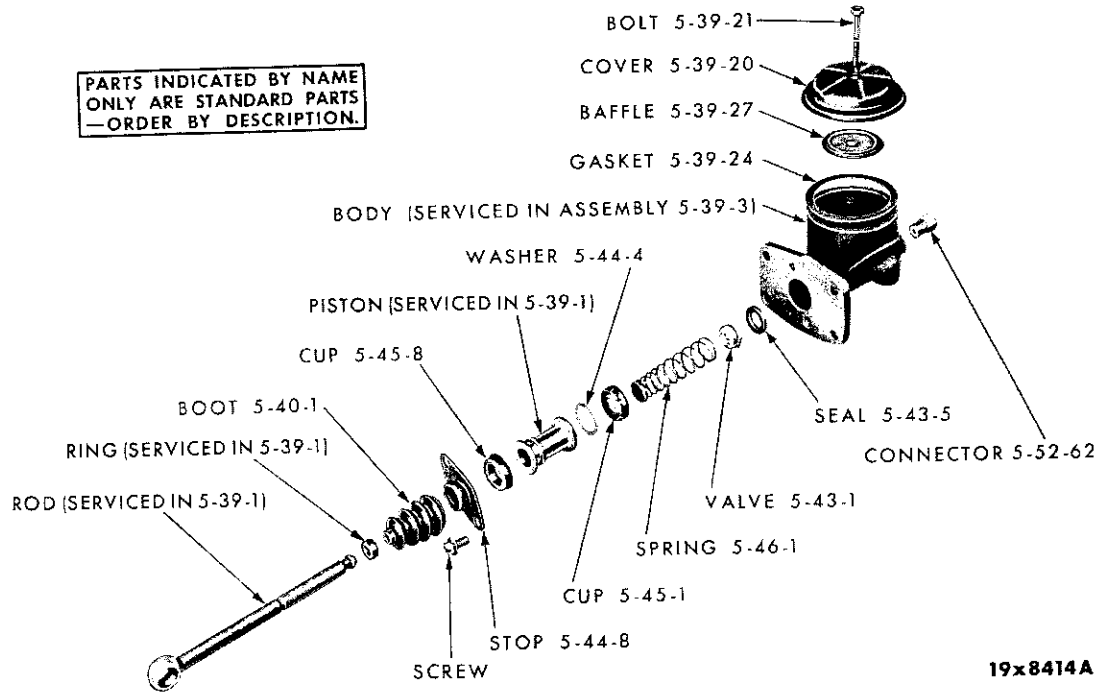


FRONT WHEEL BRAKE - VALIANT RV1

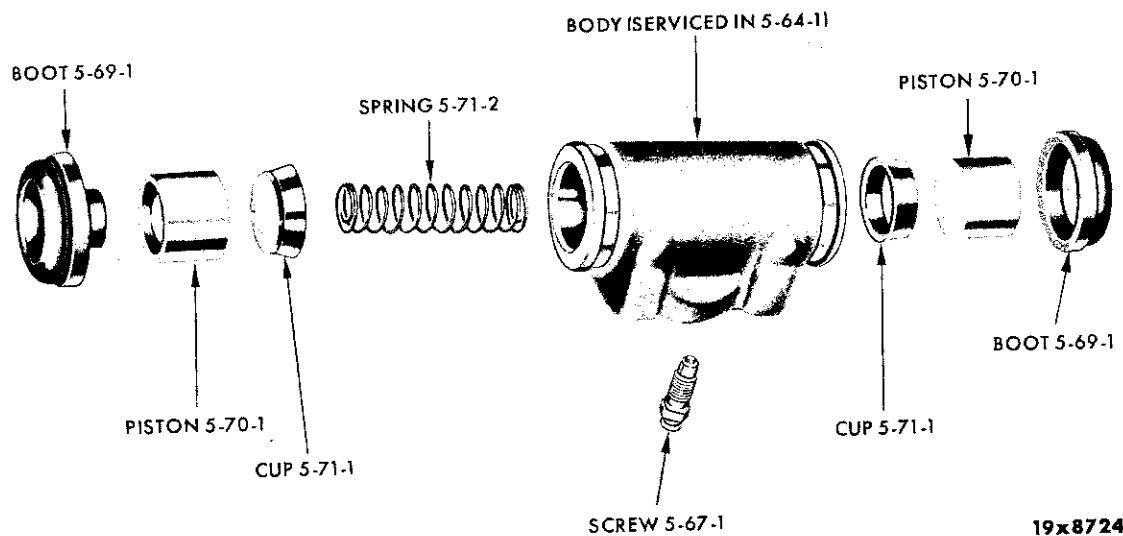


REAR WHEEL BRAKE - VALIANT RV1

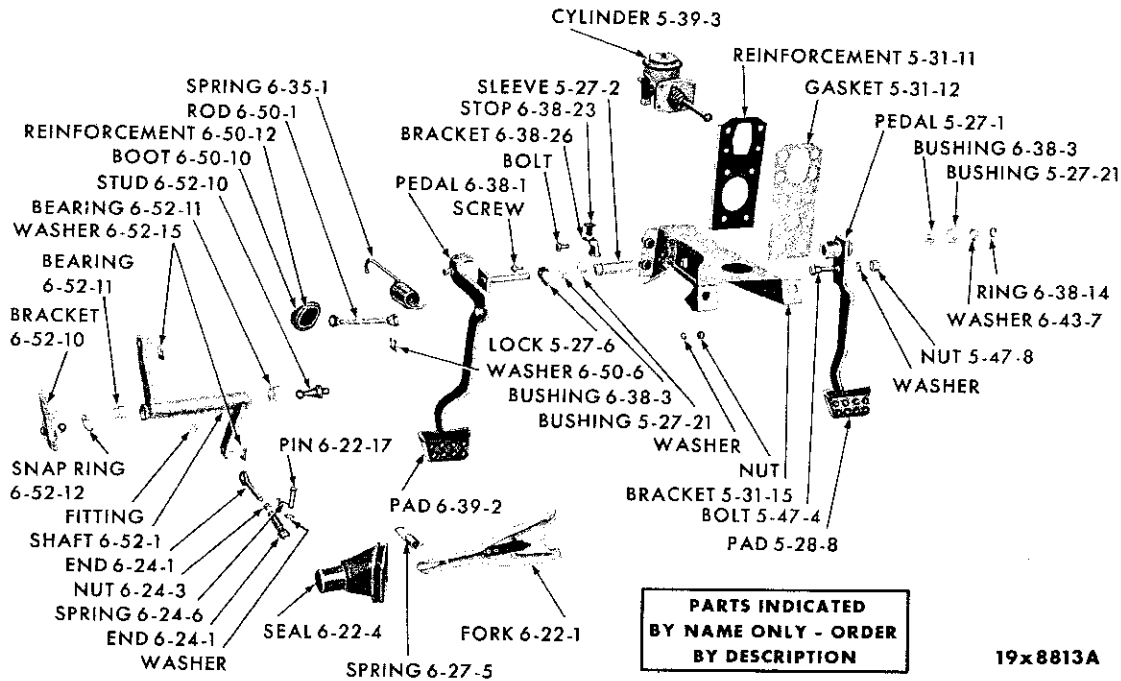
PARTS INDICATED BY NAME ONLY ARE STANDARD PARTS - ORDER BY DESCRIPTION.



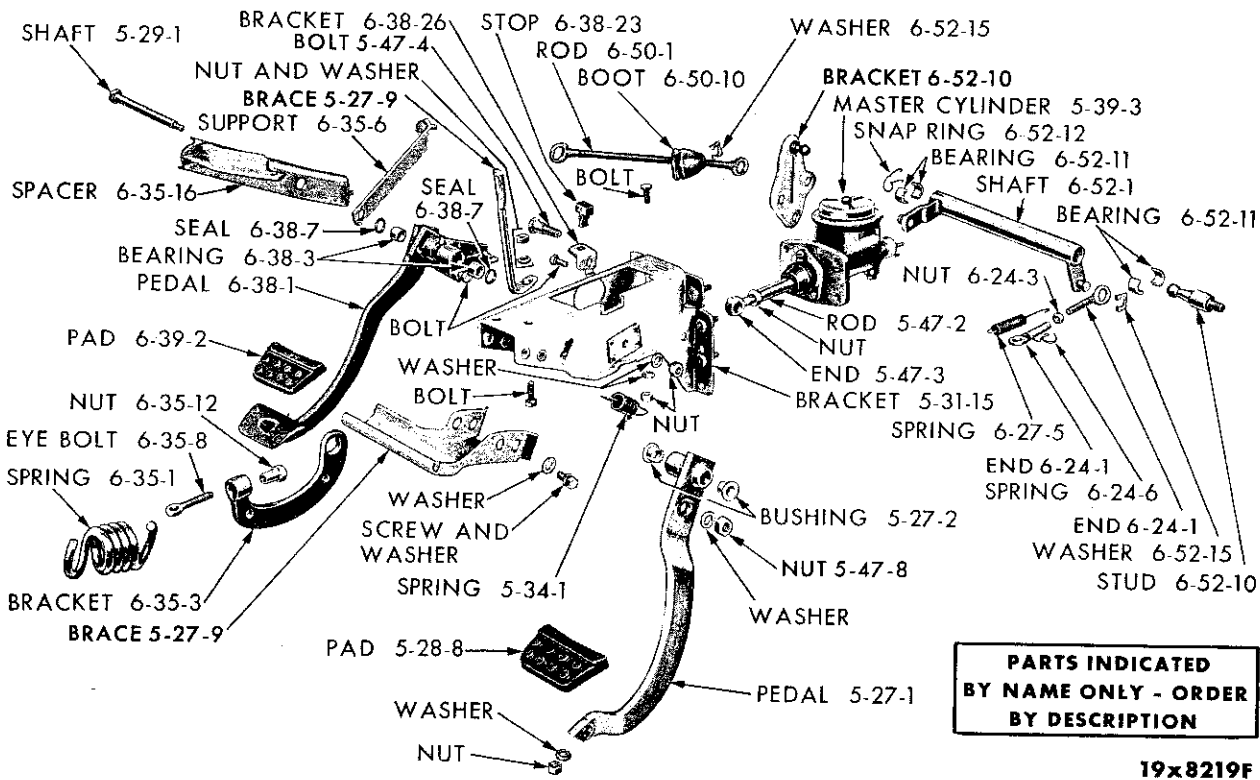
MASTER CYLINDER



WHEEL CYLINDER - VALIANT RV1



BRAKE AND CLUTCH PEDAL LINKAGE - VALIANT RV1



BRAKE AND CLUTCH PEDAL LINKAGE - EXCEPT VALIANT RV1

CODE	PART NAME AND DESCRIPTION	CYL.	PER CAR	VALIANT	PLYMOUTH	DESOTO	CHRYSLER	IMPERIAL
<b>5-01-0 BRAKE FLUID</b>								
5-01-2	BRAKE FLUID, 8 oz. Can . . .		★	1879 268	1879 268	1879 268	1879 268	1879 268
	1 Pint Can . . . . .		★	1879 269	1879 269	1879 269	1879 269	1879 269
	1 Quart Can . . . . .		★	1879 270	1879 270	1879 270	1879 270	1879 270
	1 Gallon Can . . . . .		★	1879 271	1879 271	1879 271	1879 271	1879 271
	5 Gallon Can . . . . .		★	1879 272	1879 272	1879 272	1879 272	1879 272
	30 Gallon Drum . . . . .		★	1879 273	1879 273	1879 273	1879 273	1879 273
<b>5-03-0 WHEEL BRAKE SHOE AND LINING</b>								
5-03-1	LINING PACKAGE . . . . .	6	1	2196 077				
	11" x 2" Brakes, RP1, RP2, except Sub. . . . .		1	----	2240 387			
	Sub. . . . .		1	----	1879 398			
	Taxi . . . . .		1	----	E2298 517			
	11" x 2 1/2" Brakes, RS1, RC1 except Sub., RC2 . . . . .		1	----	----	1879 401	1879 401	
	12" x 2 1/2" Brakes . . . . .		1	----	2196 092	2196 092	2196 092	1879 404
	12" x 2 1/2" Brakes, Police Cars . . . . .		1	----	1879 690	----	1879 690	
5-03-5	SHOE, w/LINING, Front Wheel, Front Shoe . . . . .	6	2	2072 660				
	Front Wheel, Rear Shoe . . . . .	6	2	2072 661				
	Rear Wheel, Front Shoe . . . . .	6	2	2072 666				
	Rear Wheel, Rear Shoe . . . . .	6	2	2072 667				
	Front Wheel, 11" x 2" Brakes, except Sub. . . . .		4	----	2207 504			
	Front Wheel, 11" x 2 1/2" Brakes, RP1, RP2, Sub., RC1 except Sub., RC2 . . . . .		4	----	1948 139	1948 139	1948 139	
	Rear Wheel, 11" x 2" Brakes . . . . .		4	----	1943 814			
	Rear Wheel, 11" x 2 1/2" Brakes, RC1 except Sub., RC2 . . . . .		4	----	----	1948 139	1948 139	
	Front and Rear Wheels, Taxi . . . . .		8	----	E2265 795			
	Front and Rear Wheels, 12" x 2 1/2" Brakes . . . . .		8	----	2200 122	2200 122	2200 122	
	Front and Rear Wheels, 12" x 2 1/2" Brakes, Front Shoe . . . . .		8	4	----	----	----	1857 063
	Front and Rear Wheels, 12" x 2 1/2" Brakes, Rear Shoe . . . . .		8	4	----	----	----	2200 122
	12" x 2 1/2" Brakes, Police Cars . . . . .		8	----	2200 118	----	2200 118	
5-03-6	SHOE, Front Wheel . . . . .	6	4	2072 664				
	Rear Wheel . . . . .	6	4	2072 670				
	Front Wheel, 11" x 2" Brakes, except Sub. . . . .		4	----	1943 805			
	11" x 2 1/2" Brakes, RP1, RP2, Sub., RC1 except Sub., RC2 . . . . .		4	----	1943 806	1943 806	1943 806	
	Rear Wheel, 11" x 2" Brakes . . . . .		4	----	1943 805			
	11" x 2 1/2" Brakes, RC1 except Sub., RC2 . . . . .		8	4	----	1943 806	1943 806	
	Front and Rear Wheels, 12" x 2 1/2" Brakes . . . . .		8	----	1943 674	1943 674	1943 674	1943 674
5-03-9	DAMPENER PACKAGE . . . . .		8	----	2084 257	2084 257	2084 257	2084 257
5-03-10	RIVET, Lining . . . . .	6	80	1664 537				
5-03-23	SPRING, Shoe Return . . . . .	6	8	2072 719				
	11" Brakes, RC1 except Sub., RC2		8	----	*2266 881	*2266 881	*2266 881	
	12" Brakes . . . . .		8	----	*2267 066	*2267 066	*2267 066	*2267 066
<b>5-12-0 WHEEL CYLINDER PISTON PUSH ROD</b>								
5-12-1	ROD . . . . .		8	----	1329 890	1329 890	1329 890	1329 890
<b>5-13-0 WHEEL BRAKE SUPPORT</b>								
5-13-1	SUPPORT, Front . . . . .	6	2	2072 609				
	Rear, Right . . . . .	6	1	2072 628				
	Rear, Left . . . . .	6	1	2072 629				

★ Indicates use as required.

Numerals in parentheses ( ) refer to notes.

Printed in U.S.A.

☐ Indicates parts not listed in any previous parts book.

Prices and specifications subject to change without notice.

\* Indicates change or addition.

CODE	PART NAME AND DESCRIPTION	CYL.	PER CAR	VALIANT	PLYMOUTH	DESOTO	CHRYSLER	IMPERIAL
<b>5-13-O WHEEL BRAKE SUPPORT - Cont'd</b>								
5-13-1	SUPPORT - Cont'd. Front, Right, 11" Brakes, RC1 except Sub., RC2 . . . . .		1	----	1943 838	1943 838	1943 838	
	Front, Left, 11" Brakes, RC1 except Sub., RC2 . . . . .		1	----	1943 839	1943 839	1943 839	
	Rear, 11" Brakes, RC1 except Sub., RC2 . . . . .		2	----	1943 813	1943 813	1943 813	
	Front, Right, 12" Brakes . . . . .		1	----	1943 796	1943 796	1943 796	1943 798
	Front, Left, 12" Brakes . . . . .		1	----	1943 797	1943 797	1943 797	1943 799
	Rear, 12" Brakes . . . . .		2	----	1943 832	1943 832	1943 832	1943 832
5-13-7	GASKET, Brake Support Plate, Rear . . . . .	6	4	2070 370				
5-13-9	BOLT, Support, Mounting, Front, Upper . . . . .	6	4	2072 682				
	Front, Lower . . . . .	6	4	2072 681				
	Rear . . . . .	6	8	2070 041				
	Front, 7/16" - 20 x 1 3/4" . . . . .		4	----	1615 460	1615 460	1615 460	1615 460
	Front, 7/16" - 20 x 2 3/4" . . . . .		2	----	1850 938	1850 938	1850 938	1850 938
	Front, 7/16" - 20 x 3 1/8" . . . . .		2	----	1943 691	1943 691	1943 691	1943 691
	Rear, 3/8" - 24 x 1 1/4" . . . . .		10	----	1484 652	1484 652	1484 652	1484 652
5-13-10	NUT, Support Mounting Bolt. Front, Upper . . . . .	6	4	601 014				
	Front, Lower . . . . .	6	4	1825 351				
	Rear . . . . .	6	8	1927 232				
	Front . . . . .		4	----	273 705	273 705	273 705	273 705
	Front . . . . .		4	----	601 014	601 014	601 014	601 014
	Rear . . . . .		10	----	120 369	120 369	120 369	120 369
5-13-22	SEAL, to Strg. Knuckle . . . . .	6	2	2072 684				
5-13-35	COVER, Adjusting Screw Hole . . . . .	6	8	1664 564				
<b>5-16-O WHEEL BRAKE DUST SHIELD</b>								
5-16-1	SHIELD, Front, Right, 11" x 2" Brakes, except Sub. . . . .		1	----	1857 058			
	Left, 11" x 2" Brakes, except Sub. . . . .		1	----	1857 059			
	Right, 11" x 2 1/2" Brakes, RP1, RP2, Sub., RC1 except Sub., RC2 . . . . .		1	----	1857 056	1857 056	1857 056	
	Left, 11" x 2 1/2" Brakes, RP1, RP2, Sub., RC1 except Sub., RC2 . . . . .		1	----	1857 057	1857 057	1857 057	
	Right, 12" x 2 1/2" Brakes, w/o Trough . . . . .		1	----	1943 666	1943 666	1943 666	1943 686
	Right, 12" x 2 1/2" Brakes, w/TROUGH . . . . .		1	----	2265 236	2265 236	2265 236	2265 238
	Left, 12" x 2 1/2" Brakes, w/o Trough . . . . .		1	----	1943 667	1943 667	1943 667	1943 687
	Left, 12" x 2 1/2" Brakes, w/TROUGH . . . . .		1	----	2265 237	2265 237	2265 237	2265 239
	Rear, 11" x 2" Brakes, except Sub. 11" x 2 1/2" Brakes, RC1 except Sub., RC2 . . . . .	8	2	----	1857 062	1857 061	1857 061	
	12" x 2 1/2" Brakes . . . . .		2	----	1851 044	1857 044	1857 044	1857 044
<b>5-20-O WHEEL BRAKE ADJUSTER</b>								
5-20-1	SCREW . . . . .	6	4	2072 651				
5-20-4	SPRING, Lock . . . . .	6	4	1799 518				
5-20-15	NUT, Pivot. . . . .	6	4	2072 730				
5-20-17	SOCKET . . . . .	6	4	2072 652				
<b>5-22-O WHEEL BRAKE ADJUSTING CAM DUST SHIELD SEAL</b>								
5-22-8	SEAL . . . . .		8	----	1633 111	1633 111	1633 111	1633 111

\* Indicates use as required.

Numerals in parentheses ( ) refer to notes.

Printed in U.S.A.

⊠ Indicates parts not listed in any previous parts book.  
May 31, 1961 Supersedes Jan. 6, 1961.

Prices and specifications subject to change without notice.

\* Indicates change or addition.

CODE	PART NAME AND DESCRIPTION	CY L	PER CAR	VALIANT	PLYMOUTH	DESOTO	CHRYSLER	IMPERIAL
<b>5-26-O BRAKE SHOE GUIDE</b>								
5-26-1	SPRING, Hold-Down, Type "A"	6	8	2207 520				
	Type "B" . . . . .	6	8	2260 804				
5-26-2	RETAINER, Spring, Upper, Type "B" . . . . .	6	8	600 072				
	Lower, Type "B" . . . . .	6	8	600 073				
5-26-4	PIN, Hold-Down Spring, Type "B" . . . . .	6	8	2265 097				
5-26-5	ANCHOR, Hold-Down Spring, Type "A" . . . . .	6	8	2072 675				
<b>5-27-O BRAKE PEDAL AND BUSHING</b>								
5-27-1	PEDAL, w/Std. Trans. . . . .	6	1	2074 970				
	w/Auto. Trans. . . . .	6	1	2074 971				
	w/o Power Brakes . . . . .		1	----	1940 173	1940 173	1940 173	
	w/Power Brakes . . . . .		1	----	1940 166	1940 166	1940 166	1738 271
5-27-2	SLEEVE . . . . .	6	1	2073 634				
	BUSHING . . . . .		2	----	1637 779	1637 779	1637 779	1637 779
5-27-6	LOCK, Sleeve . . . . .	6	1	2072 816				
	w/Heavy Duty Std. Trans. . . . .	6	1	2207 701				
5-27-7	SCREW, Sleeve Lock . . . . .	6	1	6006 120				
5-27-9	BRACE, Instrument Panel to Pedal Bracket . . . . .		1	----	1901 774	1901 788		
	Windshield Frame to Pedal Bracket . . . . .		1	----	1901 801	1901 801	1901 801	
5-27-10	PIN, Power Brake Pedal to Arm . . . . .		1	----	1637 773	1637 773	1637 773	1637 773
5-27-12	NUT, Sleeve Lock Screw . . . . .	6	1	2208 008				
5-27-15	WASHER, Power Brake Pedal Trigger Spring . . . . .		1	----	6000 165	6000 165	6000 165	6000 165
5-27-21	BUSHING, Hub . . . . .	6	2	2072 822				
5-27-22	ARM, Power Brake Pedal Trigger . . . . .		1	----	1675 214	1675 214	1675 214	1675 214
5-27-35	PIVOT, Power Brake Pedal Trigger . . . . .		1	----	1635 344	1635 344	1635 344	1635 344
<b>5-28-O BRAKE PEDAL PAD</b>								
5-28-8	PAD, w/Std. Trans., RC1 . . . . .		1	1616 898	2201 197	2201 197	2201 197	
	w/Auto. Trans. . . . .		1	2207 747	1820 005	1820 005	1820 005	1946 357
<b>5-29-O BRAKE PEDAL SHAFT</b>								
5-29-1	SHAFT, w/Std. Trans. . . . .		1	----	1730 009	1730 009	1730 009	
	w/Auto. Trans. . . . .		1	----	1637 782	1637 782	1637 782	1637 782
<b>5-31-O BRAKE PEDAL BRACKET</b>								
5-31-11	REINFORCEMENT . . . . .	6	1	2072 826				
	w/o Power Brakes . . . . .		1	----	1940 195	1940 195	1940 195	1940 195
	w/Power Brakes . . . . .		1	----	1940 194	1940 194	1940 194	1675 223
5-31-12	GASKET, Reinforcement . . . . .	6	1	2072 825				
		8	1	----	----	----	----	2200 058
5-31-13	NUT, Reinforcement . . . . .		2	----	2076 232	2076 232	2076 232	
5-31-15	BRACKET, w/Hydraulic Switch w/Mechanical Switch . . . . .	6	1	*2073 637				
	w/o Power Brakes . . . . .	6	1	B2260 684				
	w/Power Brakes . . . . .		1	----	B2200 345	B2200 345	B2200 345	
5-31-18	STRUT, Support, Right . . . . .	6	1	2074 966	B2200 344	B2200 344	B2200 344	B2200 344
	Left . . . . .	6	1	2073 615				
	STRUT ASSEMBLY, Support, Right . . . . .	6	1	2207 709				
	Left . . . . .	6	1	2207 710				

★ Indicates use as required.

Numerals in parentheses ( ) refer to notes.

Printed in U.S.A.

☐ Indicates parts not listed in any previous parts book.

Prices and specifications subject to change without notice.

\* Indicates change or addition.

May 31, 1961 Supersedes Jan. 6, 1961.

CODE	PART NAME AND DESCRIPTION	C Y L.	PER CAR	VALIANT	PLYMOUTH	DESOTO	CHRYSLER	IMPERIAL
<b>5-34-O BRAKE PEDAL RETURN SPRING</b>								
5-34-1	SPRING, w/Power Brakes . . .		1	----	1730 077	1730 077	1730 077	1730 077
	w/o Power Brakes . . . . .		1	2260 710	2260 710	2260 710	2260 710	----
5-34-6	SEAT, Spring, w/o Power Brakes		1	2260 709	2260 709	2260 709	2260 709	
<b>5-39-O MASTER CYLINDER</b>								
5-39-1	REPAIR PACKAGE, w/o Power Brakes, w/o Piston . . . . .	6	1	2196 905				
	w/o Power Brakes, w/PISTON .	6	1	2196 904				
	w/Power Brakes, w/PISTON . .	6	1	2196 906				
	w/o Power Brakes, w/o Piston		1	----	1879 303	1879 303	1879 303	
	w/o Power Brakes, w/PISTON .		1	----	*2240 245	*2240 245	*2240 245	
	w/Power Brakes, w/PISTON . .		1	----	*2275 518	*2275 518	*2275 518	*2275 518
5-39-3	CYLINDER, Master, w/o Power Brakes, w/Hydraulic Switch . . . . .		1	2074 963	1829 400	1829 400	1829 400	
	w/o Power Brakes, w/Mechanical Switch . . . . .		1	*2275 368	*2275 370	*2275 370	*2275 370	
	w/Power Brakes . . . . .		1	2275 369	*2275 371	*2275 371	*2275 371	*2275 371
5-39-4	COVER PACKAGE . . . . .		1	1752 470	1752 470	1752 470	1752 470	1752 470
5-39-18	GASKET, w/o Power Brakes . .	6	1	1559 753				
	w/Power Brakes . . . . .	6	1	2074 965				
			1	----	1559 753	1559 753	1559 753	1559 753
5-39-20	COVER . . . . .		1	1731 225	1731 225	1731 225	1731 225	1731 225
5-39-21	SCREW, Cover . . . . .		1	1731 227	1731 227	1731 227	1731 227	1731 227
	w/Power Brakes, w/Mechanical Switch . . . . .		1	E2275 369	E2275 371	E2275 371	E2275 371	E2275 371
5-39-24	GASKET, Cover . . . . .		1	2122 276	2122 276	2122 276	2122 276	2122 276
5-39-27	BAFFLE, Cover . . . . .		1	1731 226	1731 226	1731 226	1731 226	1731 226
<b>5-40-O MASTER CYLINDER BOOT</b>								
5-40-1	BOOT, w/o Power Brakes . . .		1	1828 388	1828 388	1828 388	1828 388	
	w/Power Brakes . . . . .		1	----	1316 628	1316 628	1316 628	1316 628
5-40-3	COLLAR, w/Power Brakes . . .		1	----	1316 627	1316 627	1316 627	1316 627
<b>5-43-O MASTER CYLINDER VALVE</b>								
5-43-1	VALVE . . . . .		1	1318 446	1318 446	1318 446	1318 446	1318 446
5-43-5	SEAL . . . . .		1	1617 379	1617 379	1617 379	1617 379	1617 379
<b>5-44-O MASTER CYLINDER PISTON</b>								
5-44-3	PISTON . . . . .		1	----	1828 659	1828 659	1828 659	1828 659
5-44-8	STOP . . . . .	6	1	1828 389				
	w/o Power Brakes . . . . .		1	----	1828 389	1828 389	1828 389	
	w/Power Brakes . . . . .		1	----	1556 664	1556 664	1556 664	1556 664
<b>5-45-O MASTER CYLINDER PISTON CUP</b>								
5-45-8	CUP, Secondary . . . . .		1	----	958 659	958 659	958 659	958 659
<b>5-46-O MASTER CYLINDER PISTON RETURN SPRING</b>								
5-46-1	SPRING . . . . .		1	1738 268	1738 268	1738 268	1738 268	1738 268
<b>5-47-O MASTER CYLINDER PISTON PUSH ROD</b>								
5-47-2	ROD, w/Power Brakes . . . . .		1	----	1731 202	1731 202	1731 202	1731 202
5-47-3	END, w/Power Brakes . . . . .		1	----	1675 218	1675 218	1675 218	1675 218
5-47-4	BOLT, End . . . . .	6	1	2201 181				
	w/o Power Brakes . . . . .		1	----	2201 181	2201 181	2201 181	
	PIN, w/Power Brakes . . . . .		1	----	1637 784	1637 784	1637 784	1637 784

★ Indicates use as required. Numerals in parentheses ( ) refer to notes. Printed in U.S.A.  
 ☐ Indicates parts not listed in any previous parts book. Prices and specifications subject to change without notice.  
 March 1, 1962 Supersedes May 31, 1961. Page 5-10 \* Indicates change or addition.



CODE	PART NAME AND DESCRIPTION	CYL	PER CAR	VALIANT	PLYMOUTH	DESOTO	CHRYSLER	IMPERIAL
<b>5-100-0 POWER BRAKE POWER UNIT - Cont'd</b>								
5-100-2	POWER UNIT . . . . .	6	1	2074 930				
	Bellows Type . . . . .		1	----	1675 213	1675 213	1675 213	1675 213
	Cylinder Type . . . . .		1	----	1735 620	1735 620	1735 620	1735 620
	Cylinder Type, w/Ram Manifold	8	1	----	2123 040	2123 040	2123 040	
5-100-3	CYLINDER SEAL PACKAGE, for 1735 620 and 2123 040							
	Power Unit . . . . .		1	----	1940 787	1940 787	1940 787	1940 787
5-100-34	LEVER, Brake Pedal . . . . .		1	----	1738 272	1738 272	1738 272	1738 272
5-100-35	BUSHING, Lever Pin . . . . .		2	----	1637 793	1637 793	1637 793	1637 793
5-100-105	REINFORCEMENT, Bellows . . . . .	8	1	----	-----	-----	-----	1750 593
5-100-110	CAM, Pedal Adjusting . . . . .		1	----	1737 157	1737 157	1737 157	1737 157
5-100-111	COLLAR, Adjusting Cam . . . . .		1	----	1674 302	1674 302	1674 302	1674 302
5-100-113	WASHER, Adjusting Cam, Plain		1	----	1685 757	1685 757	1685 757	1685 757
	WASHER, Adjusting Cam, Lock		1	----	1737 158	1737 158	1737 158	1737 158
5-100-152	PISTON PACKING PACKAGE, for 2074 930 Power Unit . . . . .	6	1	2075 000				
	For 1735 620 and 2123 040							
	Power Unit . . . . .		1	----	1820 003	1820 003	1820 003	1820 003
5-100-157	PACKAGE, Diaphragm Plate and Piston Plate, for 2074 930							
	Power Unit . . . . .	6	1	2240 625				

**COMPONENT PARTS FOR POWER BRAKE POWER UNITS**

CODE	PART NAME	PER CAR	POWER UNIT		
			2074 930	1675 213	1735 620 and 2123 040
5-100-5	RETAINER, Diaphragm . . . . .	1	2074 977		
5-100-6	PLATE, Diaphragm . . . . .	1	2074 978		
5-100-7	SHELL, Front . . . . .	1	2074 990		
	SHELL, Rear . . . . .	1	2074 991		
	SHELL . . . . .	1	----	----	1739 852
5-100-8	SEAL, Shell . . . . .	1	----	----	1739 853
5-100-15	SPRING, Return . . . . .	1	2074 999	----	1739 839
5-100-20	ROD, Push . . . . .	1	2074 998	----	1739 842
5-100-21	YOKE . . . . .	1	----	1820 011	
5-100-25	SCREW, Set . . . . .	2	----	1675 003	
5-100-26	GUARD, Push Rod . . . . .	1	2074 987		
5-100-27	WASHER, Push Rod Stop Cushion . . . . .	1	----	----	1675 099
5-100-39	BEARING, Push Rod . . . . .	1	----	----	1940 790
5-100-47	PLATE, Piston, Front . . . . .	1	2074 984		
	Rear . . . . .	1	2074 982		
5-100-120	SCREW, Inspection Hole . . . . .	1	----	1673 634	
5-100-121	GASKET, Inspection Hole Screw . . . . .	1	----	1674 993	1675 137
5-100-127	VALVE, Air . . . . .	1	----	1674 944	1739 847
5-100-130	SPRING, Air Valve . . . . .	1	----	1676 486	
5-100-137	PIN, Piston Plate Spiral . . . . .	2	----	----	1675 009
5-100-138	PLATE, Piston . . . . .	1	----	----	1739 832
5-100-139	PACKING, Piston . . . . .	1	----	----	1739 834
5-100-140	PLATE, Piston Packing . . . . .	1	----	----	1739 836
5-100-141	RING, Piston Packing . . . . .	1	----	----	1739 835
5-100-142	GUIDE, w/SLEEVE . . . . .	1	----	1820 009	
5-100-144	PLATE, Packing Wick . . . . .	1	----	----	1739 838
5-100-145	BEARING, Guide Sleeve . . . . .	1	----	1674 970	
5-100-146	SCREW, Piston Packing Plate . . . . .	6	----	----	1675 143
5-100-148	SEAL, Bearing to Guide Sleeve . . . . .	1	----	1674 972	
	"O" RING, Bearing to Mounting Plate . . . . .	1	----	1674 974	
5-100-155	SEAL, Air Valve . . . . .	1	----	1674 949	
5-100-156	RETAINER, Air Valve Seal . . . . .	1	----	1674 950	
5-100-158	HOSE, Vacuum . . . . .	1	----	----	1675 124
5-100-159	VALVE, Vacuum . . . . .	1	----	1674 952	

★ Indicates use as required. Numerals in parentheses ( ) refer to notes. Printed in U.S.A.  
 ☐ Indicates parts not listed in any previous parts book. Prices and specifications subject to change without notice.  
 \* Indicates change or addition. Page 5-13 March 1, 1962 Supersedes May 31, 1961.

## 5-100-O POWER BRAKE POWER UNIT - Cont'd

## COMPONENT PARTS FOR POWER BRAKE POWER UNITS - Cont'd

CODE	PART NAME	PER CAR	POWER UNIT		
			2074 930	1675 213	1735 620 and 2123 040
5-100-159	SEAT, Poppet Valve . . . . .	1	----	----	1675 118
5-100-160	SPRING, Vacuum Valve . . . . .	1	----	1674 955	1675 122
5-100-161	SEAL, Vacuum Valve . . . . .	1	----	1674 949	
5-100-162	RETAINER, Vacuum Valve Seal . . . . .	1	----	1674 954	
5-100-163	DIAPHRAGM, Poppet Valve Seat . . . . .	1	----	----	1675 123
5-100-166	PLUNGER, Vacuum Valve . . . . .	1	2074 981	----	
5-100-168	EXTENSION, Valve Stem, w/CUP . . . . .	1	----	----	1675 109
5-100-169	ROD, Valve . . . . .	1	2074 997	1820 012	
5-100-171	"O" RING, Valve Rod Bumper . . . . .	1	----	1674 989	
5-100-173	SPRING, Valve Stem . . . . .	1	----	----	1676 487
5-100-174	RING, Valve Stem Snap . . . . .	2	----	----	1675 104
5-100-175	SEAL, Valve Stem . . . . .	1	----	----	1675 128
5-100-176	DIAPHRAGM, Valve Applying . . . . .	1	----	----	1675 112
5-100-177	RETAINER, Diaphragm . . . . .	1	----	----	1675 113
5-100-178	WASHER, Diaphragm Retainer . . . . .	1	----	----	1675 117
5-100-179	HOUSING, Valve . . . . .	1	----	1674 942	
5-100-180	RETAINER, Valve Stem Spring . . . . .	1	----	----	1673 620
5-100-181	"O" RING, Valve Housing to Guide . . . . .	1	----	1674 957	
	"O" RING, Valve Housing to Cover . . . . .	1	----	1674 991	
5-100-182	WASHER, Valve Stem . . . . .	1	----	----	1820 025
5-100-183	PLATE, Air Cleaner, for 1735 620 Unit . . . . .	1	----	----	1820 002
	PLATE, Air Cleaner, for 2123 040 Unit . . . . .	1	----	----	2123 517
	COVER, Valve Housing . . . . .	1	----	1820 013	
5-100-185	CLEANER, Air, w/TUBE . . . . .	1	2074 992	----	
5-100-186	END, Valve Stem . . . . .	1	----	----	1739 849
5-100-188	SCREW, Diaphragm Retainer . . . . .	4	----	----	1675 143
5-100-189	HUB, w/LEVERS . . . . .	1	2074 985	----	
5-100-190	LINK, Pedal . . . . .	1	2074 989	----	
5-100-191	PIN, Lever Pivot . . . . .	1	2074 986	----	
5-100-192	WASHER, Bowed . . . . .	2	2075 005	----	
5-100-193	SPRING, Valve Return . . . . .	1	2074 980	----	
5-100-194	PIN, Clevis . . . . .	2	2075 006	----	
5-100-196	SPRING, Poppet Return . . . . .	1	2074 979	----	
5-100-200	BELLOWS . . . . .	1	----	1820 007	
5-100-201	SPRING, Bellows Return . . . . .	1	----	1820 010	
5-100-202	RETAINER, Bellows Return Spring . . . . .	1	----	1674 965	
5-100-203	PLATE, Bellows Spacer . . . . .	3	----	1820 008	
5-100-206	PLATE, Mounting, Inner . . . . .	1	----	1674 966	
	PLATE, Mounting, Outer . . . . .	1	2074 988	1674 968	
	PLATE, End . . . . .	1	----	----	1739 851
5-100-207	BOLT, End Plate . . . . .	4	----	----	1675 146
	BOLT, Mounting Ring . . . . .	4	----	----	1735 640
5-100-208	RING, Mounting . . . . .	1	----	----	1675 132
5-100-210	WASHER, Stop and Seal . . . . .	1	----	1674 975	

★ Indicates use as required.

Numerals in parentheses ( ) refer to notes.

Printed in U.S.A.

⊠ Indicates parts not listed in any previous parts book.  
May 31, 1961 Supersedes Jan. 6, 1961.Prices and specifications subject to change without notice.  
\* Indicates change or addition.

CODE	PART NAME AND DESCRIPTION	CYL	PER CAR	VALIANT	PLYMOUTH	DESOTO	CHRYSLER	IMPERIAL
<b>5-102-O POWER BRAKE VACUUM TANK</b>								
5-102-2	TANK . . . . .	6	1	2071 043				
	For Field Installed Power Brakes			1 2201 905				
	RC1, RC2 . . . . .			1 ----	1948 815	1948 815	1948 815	
	RC3, RC4, RY1 . . . . .	8	1	1 ----	----	----	2201 942	2201 944
5-102-11	NUT, Vacuum Tank Mounting . .		★	2076 232	2076 232	2076 232	2076 232	2076 232
<b>5-105-O POWER BRAKE VACUUM CHECK VALVE</b>								
5-105-1	VALVE . . . . .	6	1	2074 934				
				1 ----	1944 089	1944 089	1944 089	1944 089
<b>5-110-O POWER BRAKE TUBE CONNECTOR</b>								
5-110-18	CONNECTOR, w/Heater . . . . .	6	1	1944 092				
	w/o Heater . . . . .	6	1	1944 154				
	CONNECTOR, 2 Way . . . . .			1 ----	1944 092	1944 092	1944 092	1944 092
	3 Way . . . . .			1 ----	1948 838	1948 838	1948 838	1948 838
<b>5-111-O POWER BRAKE VACUUM HOSE</b>								
5-111-17	HOSE (11/32" I.D. - 100 foot roll - sold by the inch) . . . . .		★	1064 541	1064 541	1064 541	1064 541	1064 541
	(1/2" I.D. - 100 foot roll - sold by the inch) . . . . .		★	----	1671 650	1671 650	1671 650	1671 650
	(3/4" I.D. - 100 foot roll - sold by the inch) . . . . .		★	----	572 507	572 507	572 507	572 507
<b>5-112-O POWER BRAKE HOSE CLAMP</b>								
5-112-1	CLAMP, Check Valve Hose . . . . .		★	----	272 848	272 848	272 848	272 848
	Manifold Hose . . . . .		★	448 797	448 797	448 797	448 797	448 797
	CLIP, RC1, RC2 . . . . .		1	----	⊠2123 125	⊠2123 125	⊠2123 125	
<b>5-113-O POWER BRAKE AIR CLEANER</b>								
5-113-17	FILTER, for 1675 213 Power Unit . . . . .		1	----	1674 963	1674 963	1674 963	1674 963
	For 1735 620 and 2123 040 Power Unit . . . . .		1	----	1675 142	1675 142	1675 142	1675 142

## NOTES

★ Indicates use as required.

Numerals in parentheses ( ) refer to notes.

Printed in U.S.A.

⊠ Indicates parts not listed in any previous parts book.

Prices and specifications subject to change without notice.

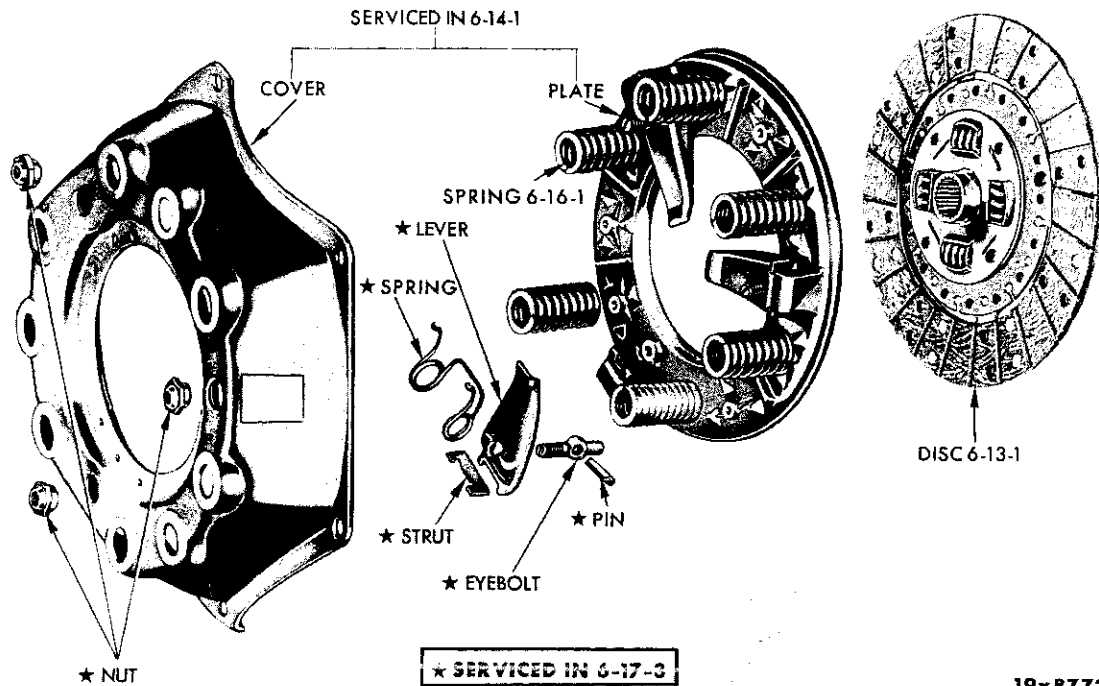
\* Indicates change or addition.

Page 5-15

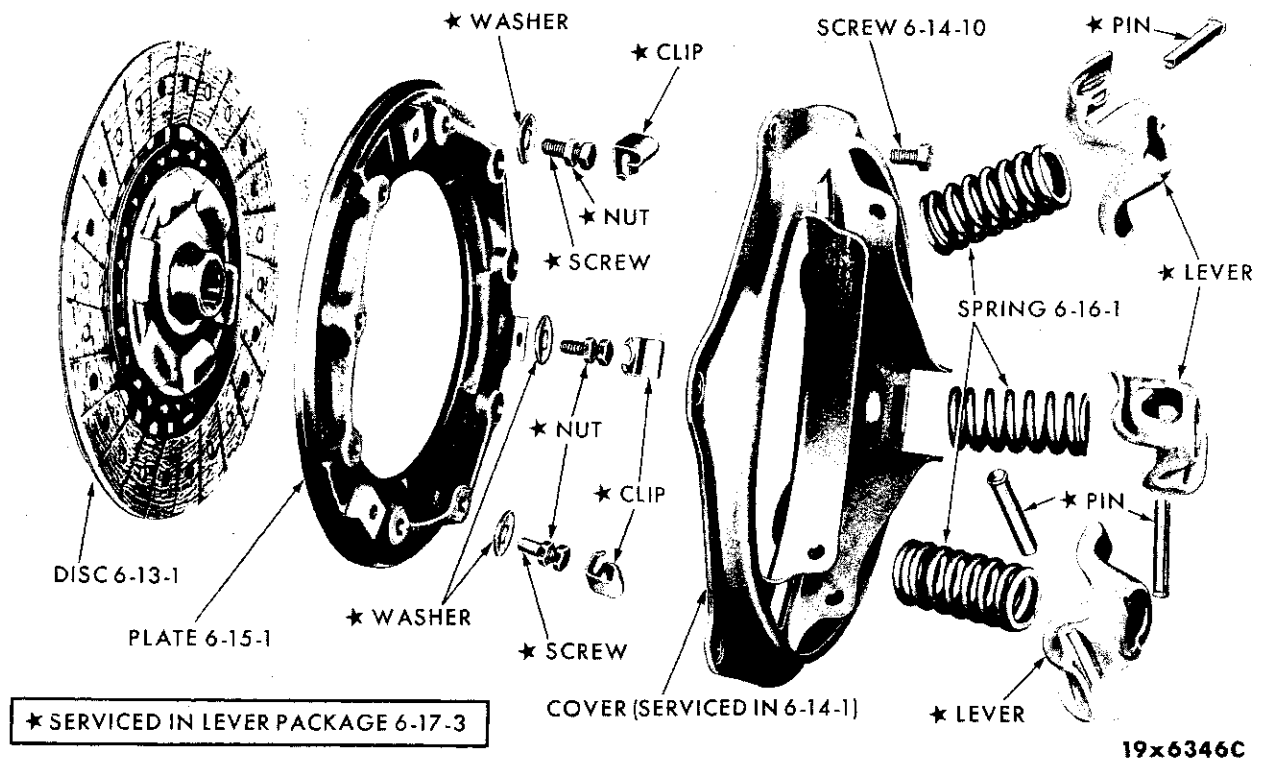
March 1, 1962 Supersedes May 31, 1961.



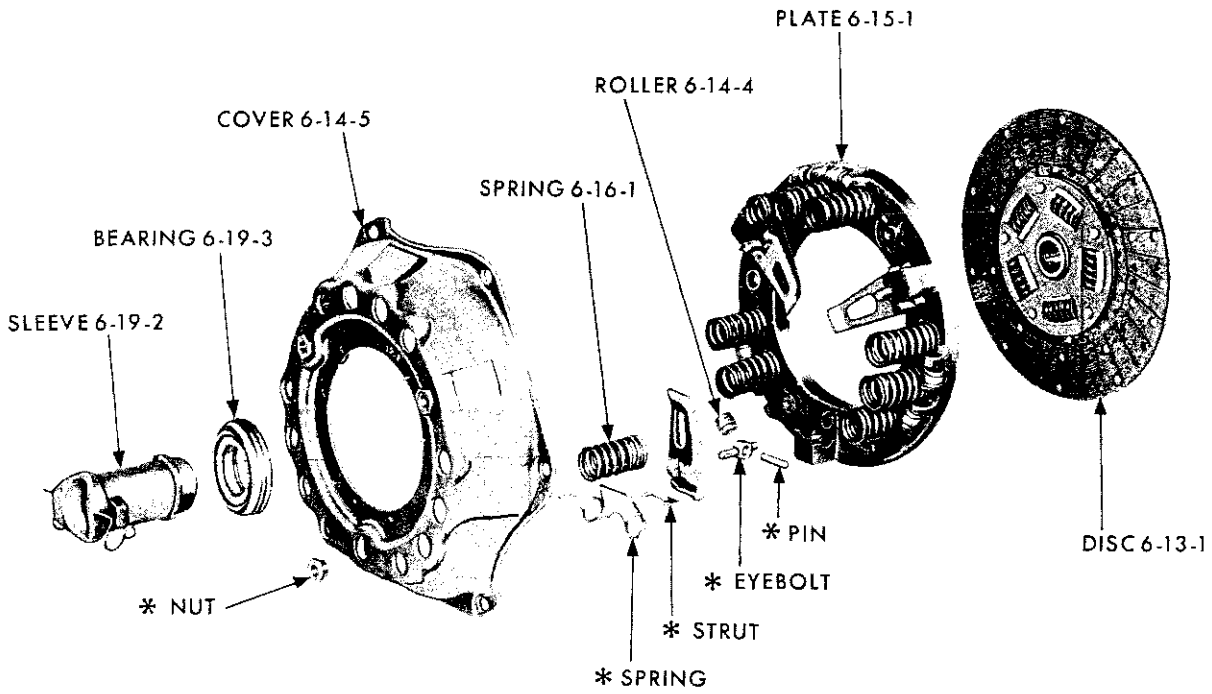
GROUP 6 - CLUTCH



CLUTCH - VALIANT RV1



CLUTCH (TYPE 1) - EXCEPT VALIANT RV1



\* SERVICED IN LEVER PACKAGE 6-17-3

19x8633

CLUTCH (TYPE 2) - EXCEPT VALIANT RV1

NOTES

---

---

---

---

---

---

---

---

---

---

---

---

---

---

---

---

---

---

---

---

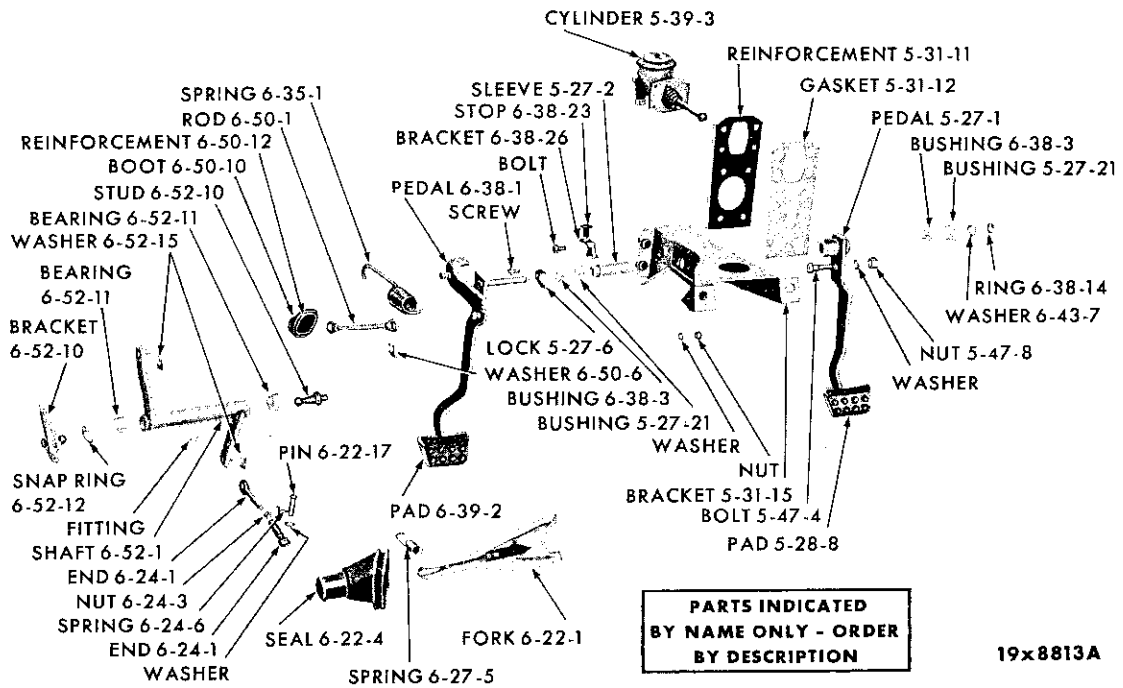
---

---

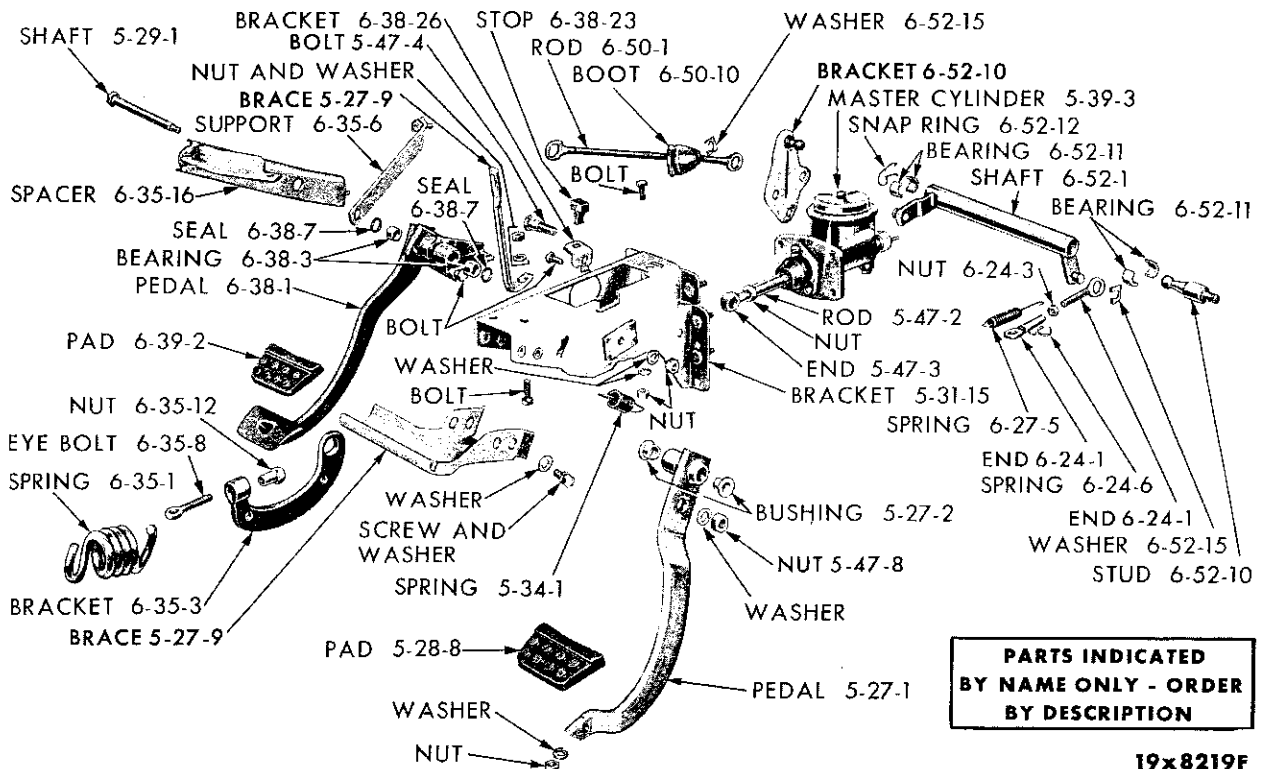
---

---

---



CLUTCH AND BRAKE PEDAL LINKAGE - VALIANT RV1



CLUTCH AND BRAKE PEDAL LINKAGE - EXCEPT VALIANT RV1



CODE	PART NAME AND DESCRIPTION	CYL. L.	PER CAR	VALIANT	PLYMOUTH	DESOTO	CHRYSLER	IMPERIAL
------	---------------------------	------------	------------	---------	----------	--------	----------	----------

NOTES

---

---

---

---

---

---

---

---

---

---

---

---

---

---

---

---

---

---

---

---

---

---

---

---

---

---

---

---

---

---

★ Indicates use as required.  
 ☐ Indicates parts not listed in any previous parts book.  
 January 6, 1961.

Numerals in parentheses ( ) refer to notes.  
 Printed in U.S.A.  
 Prices and specifications subject to change without notice.

CODE	PART NAME AND DESCRIPTION	CYL.	PER CAR	VALIANT	PLYMOUTH	DESOTO	CHRYSLER	IMPERIAL
NOTE 1: Used with clutch having 9 pressure plate springs.								
NOTE 2: Used with clutch having 3 pressure plate springs.								
NOTE 3: Used with clutch having 6 pressure plate springs.								
NOTE 4: Used with clutch having 12 pressure plate springs.								
<b>6-01-0 CLUTCH</b>								
6-01-1	CLUTCH PACKAGE, 9 1/8" Clutch 9 1/4" Clutch, Note 1 . . . . .	6 6	1 1	2084 413 ---- --	2240 304			
<b>6-09-0 CLUTCH HOUSING</b>								
6-09-1	HOUSING, w/9 1/8", 9 1/4" and 10" Clutch . . . . .	6	1	2121 861				
	w/9 1/4" and 10" Clutch . . . . .	6	1	---- --	2121 880			
	w/318 cu. in. Eng. . . . .	8	1	---- --	2128 348			
	w/10", 10 1/2" and 11" Clutch . . . . .	8	1	---- --	2128 351	*2128 351	2128 351	
6-09-11	STRUT, to Cylinder Block, w/9 1/8", 9 1/4" Clutch . . . . .	6	1	2129 887	2129 887			
<b>6-10-0 CLUTCH HOUSING PAN</b>								
6-10-2	PAN, w/9 1/8", 9 1/4" and 10" Clutch . . . . .	6	1	2129 885	2129 885			
	w/318 cu. in. Eng. . . . .	8	1	---- --	2129 889			
	w/10 1/2" and 11" Clutch . . . . .	8	1	---- --	1739 616	1739 616	1739 616	
6-10-10	SEAL, Housing Pan, w/9 1/8", 9 1/4" and 10" Clutch . . . . .	6	1	2129 886	2129 886			
6-10-31	SCREW, includes Washer 5/16" x 13/16" . . . . .	6	5	1947 953	1947 953			
<b>6-13-0 CLUTCH DISC</b>								
6-13-1	DISC, w/10" Clutch, Note 1 . . . . .	6	1	*2200 069				
	w/9 1/8" Clutch, Note 3 . . . . .	6	1	2073 676				
	w/9 1/4" Clutch, Note 1 . . . . .	6	1	2200 068	2200 068			
	w/9 1/4" Clutch, Note 2 . . . . .	6	1	---- --	E2298 905			
	w/10" Clutch, Note 1 . . . . .	6	1	---- --	2200 069			
	w/10 1/2" Clutch, w/Eng. Stamped 61 and 83, Note 1 . . . . .	8	1	---- --	---- --	2200 055	2200 055	
	w/10" Clutch, Note 1 . . . . .	8	1	---- --	2200 051			
	w/10 1/2" Clutch, w/Eng. Stamped 18 and 13 . . . . .	8	1	---- --	2200 064			
	w/11" Clutch, Note 4 . . . . .	8	1	---- --	2200 053	2200 053	2200 053	
6-13-4	FACING, w/9 1/8" Clutch, Note 3 w/9 1/4" Clutch, Note 1 . . . . .	6 6	2 2	2073 684 859 882	859 882			
	w/9 1/4" Clutch, Note 2 . . . . .	6	2	*1820 454	1820 454			
	w/10" Clutch, Front, Note 1 . . . . .	6	1	*2201 218	*2201 218			
	w/10" Clutch, Rear, Note 1 . . . . .	6	1	*2201 217	*2201 217			
	w/10" Clutch, Note 1 . . . . .	8	2	---- --	1554 593			
	w/10 1/2" Clutch, Note 1 . . . . .	8	2	---- --	1739 092	1739 092	1739 092	
	w/11" Clutch, Note 4 . . . . .	8	2	---- --	1311 949	---- --	1311 949	
6-13-8	RIVET, Facing . . . . .		*	660 146	660 146	660 146	660 146	
6-13-19	ADJUSTER . . . . .		1	---- --	1946 360	1946 360	1946 360	
<b>6-14-0 CLUTCH COVER AND PRESSURE PLATE</b>								
6-14-1	COVER, w/PLATE, 9 1/8" Clutch, Note 3 . . . . .	6	1	2073 606				
	w/10" Clutch, Note 1 . . . . .	6	1	2201 212				
	w/9 1/4" Clutch, Note 1 . . . . .	6	1	2201 223	2201 223			
	w/9 1/4" Clutch, Note 3 . . . . .	6	1	---- --	1730 055			

★ Indicates use as required.

Numerals in parentheses ( ) refer to notes.

Printed in U.S.A.

□ Indicates parts not listed in any previous parts book.

Prices and specifications subject to change without notice.

\* Indicates change or addition.

Page 6-3

March 1, 1962 Supersedes May 31, 1961.

CODE	PART NAME AND DESCRIPTION	CY L.	PER CAR	VALIANT	PLYMOUTH	DESOTO	CHRYSLER	IMPERIAL
<b>6-14-0 CLUTCH COVER AND PRESSURE PLATE - Cont'd</b>								
6-14-1	COVER, w/PLATE - Cont'd							
	w/10" Clutch, Note 1 . . . . .	6	1	----	2200 032			
	w/10" Clutch, Note 1 . . . . .	8	1	----	2122 254			
	w/10 1/2" Clutch, Note 1 . . . . .	8	1	----	2122 255	2122 255	2122 255	
	w/11" Clutch, Note 4 . . . . .	8	1	----	2200 023	2200 023	2200 023	
6-14-4	ROLLER, Centrifugal, w/10", 10 1/2" and 11" Clutch . . . . .	8	6	----	2122 262	2122 262	2122 262	
6-14-10	SCREW, to Flywheel, 5/16" x 7/8"	6	6	307 555	307 555			
	5/16 x 7/8" . . . . .	6	6	2200 050	2200 050			
	3/8 x 1" . . . . .	8	6	314 926	314 926	314 926	314 926	
<b>6-15-0 CLUTCH PRESSURE PLATE</b>								
6-15-1	PLATE, 9 1/4" Clutch, w/9 Springs	6	1	855 519				
<b>6-16-0 CLUTCH PRESSURE SPRING</b>								
6-16-1	SPRING, 9 1/8" Clutch, 7 1/4 Red Coils . . . . .	6	3	1067 037				
	w/9 1/8" Clutch, 7 Black Coils	6	3	1321 044				
	w/10" Clutch, 7 3/4 Lavender Coils . . . . .	6	6	855 521				
	w/10" Clutch, 7 3/4 Tan Coils. .	6	3	866 591				
	w/9 1/4" Clutch, 8 1/4 Blue Coils	6	3	----	1483 287			
	w/9 1/4" Clutch, 7 3/4 Orange Coils	6	9	864 397	864 397			
	w/10" Clutch, 7 1/4 Red Coils .	6	9	----	1067 037			
	w/10 1/2" Clutch, 7 1/4 Red Coils	8	6	----	1067 037			
	w/10 1/2" Clutch, 6 3/4 White Coils	8	3	----	1406 504			
	w/11" Clutch, 7 3/4 Orange Coils	8	6	----	864 397		864 397	
	w/11" Clutch, 7 1/4 Red Coils .	8	6	1067 037	1067 037	1067 037	1067 037	
<b>6-17-0 CLUTCH RELEASE LEVER</b>								
6-17-3	PACKAGE, Lever, w/9 1/8" and 9 1/4" Clutch, Note 1 . .	6	3	1879 652	*2240 634			
	w/10", 10 1/2" and 11" Clutch. .	6	3	2084 250	2084 250	2084 250	2084 250	
<b>6-19-0 CLUTCH RELEASE BEARING</b>								
6-19-2	BEARING, w/SLEEVE . . . . .	6	1	2072 852	2200 027			
		8	1	2200 301	2200 301		*2200 301	
6-19-3	BEARING . . . . .	6	1	658 998	658 998		658 998	
<b>6-20-0 CLUTCH RELEASE BEARING RETURN SPRING</b>								
6-20-14	SPRING . . . . .	6	1	2073 687	2073 687			
		8	1	----	671 915		671 915	
<b>6-22-0 CLUTCH RELEASE FORK</b>								
6-22-1	FORK, w/SPRING . . . . .	6	1	2072 902	2072 902			
		8	1	----	1618 848	1618 848	1618 848	
6-22-4	SEAL, Release Fork . . . . .	6	1	----	2075 009	----	2075 009	
6-22-15	PIVOT . . . . .	6	1	2072 900	2072 900			
		8	1	----	633 238	633 238	----	633 238
6-22-17	PIN, Release Fork. . . . .	6	1	1324 090	1324 090	1324 090	1324 090	
6-22-19	SPRING . . . . .	6	1	2072 901	2072 901			
		8	1	----	2200 349	----	2200 349	
<b>6-24-0 CLUTCH RELEASE ROD</b>								
6-24-1	END, Front . . . . .	6	1	2072 849	2200 029			
	Front . . . . .	8	1	----	2200 029	2200 029	2200 029	
	Rear . . . . .	6	1	2200 028	2200 028	2200 028	2200 028	
	Rear . . . . .	6	1	1675 246				

★ Indicates use as required.

Numerals in parentheses ( ) refer to notes.

Printed in U.S.A.

☐ Indicates parts not listed in any previous parts book.  
March 1, 1962 Supersedes May 31, 1961.

Prices and specifications subject to change without notice.

\* Indicates change or addition.

CODE	PART NAME AND DESCRIPTION	CYL.	PER CAR	VALIANT	PLYMOUTH	DESOTO	CHRYSLER	IMPERIAL
<b>6-24-0 CLUTCH RELEASE ROD - Cont'd</b>								
6-24-3	NUT, Adjusting . . . . .		1	1407 347	1407 347	1407 347	1407 347	
6-24-6	SPRING, Rear . . . . .		1	1634 508	1634 508	1634 508	1634 508	
<b>6-27-0 CLUTCH RELEASE FORK RETURN SPRING</b>								
6-27-5	SPRING, 18 Coils, 6 1/8" Lgh. . . . .	6	1	2072 855	2200 302			
	33 Coils, 6 5/16" Lgh. . . . .	8	1	-----	1820 211	1820 211	1820 211	
	33 Coils, 5 1/8" Lgh. . . . .	8	1	-----	1671 567			
<b>6-35-0 CLUTCH RELEASE CENTER SPRING</b>								
6-35-1	SPRING, RP1, RV1, RW1, w/170 cu. in. Eng. . . . .	6	1	*2072 894	*1820 217	*1820 217	*1820 217	
	RV1, w/225 cu. in. Eng. . . . .	6	1	*2207 738				
	RC1, w/Power Brake, UP TO Serial No. 8113-165879 . . . . .	8	1	-----	-----	-----	*1820 217	
	RC1, w/Power Brake, AFTER Serial No. 8113-165879 . . . . .	8	1	-----	-----	-----	E2260 714	
6-35-3	BRACKET . . . . .		1	-----	1730 015	1730 015	1730 015	
6-35-6	SUPPORT . . . . .		1	1946 353	1946 353	1946 353	1946 353	
6-35-8	EYE, Release Spring . . . . .	8	1	-----	-----	-----	*2200 338	
6-35-13	REINFORCEMENT . . . . .		1	-----	1731 214	1731 214	1731 214	
6-35-16	SPACER . . . . .		1	-----	2123 036	2123 036	2123 036	
6-35-17	WASHER . . . . .		1	-----	669 896	669 896	669 896	
6-35-18	BUMPER, Spring Adjuster . . . . .		1	-----	6010 155	6010 155	6010 155	
6-35-19	SPRING, Release Adjusting . . . . .	8	1	-----	-----	-----	*1946 360	
<b>6-38-0 CLUTCH PEDAL</b>								
6-38-1	PEDAL, Std. . . . .		1	*2207 752	*2073 636	*2073 636	*2073 636	
	Heavy Duty . . . . .		1	2207 757				
	w/6 in. Clutch Arm . . . . .	8	1	-----	E2200 335	E2200 335	E2200 335	
	w/5 1/2 in. Clutch Arm . . . . .	8	1	-----	E2260 717	E2260 717	E2260 717	
6-38-3	BUSHING . . . . .	6	1	1637 779	1637 779			
	BEARING . . . . .	8	1	*1946 377	1946 377	-----	1946 377	
6-38-4	WASHER, Shaft Lock Ring . . . . .	6	1	2073 632				
6-38-7	SEAL, Pedal Bearing . . . . .		1	1730 019	1730 019	1730 019	1730 019	
6-38-14	RING, Bearing Lock, Heavy Duty and Taxi . . . . .	6	1	2072 831				
6-38-23	STOP, Pedal . . . . .		1	1940 147	1940 147	1940 147	1940 147	
6-38-26	BRACKET, Pedal Stop . . . . .		1	2072 896	1730 007	1730 007	1730 007	
<b>6-39-0 CLUTCH PEDAL PAD</b>								
6-39-2	PAD . . . . .		1	1616 898	2201 195	-----	2201 195	
<b>6-43-0 CLUTCH PEDAL SHAFT</b>								
6-43-7	WASHER, Plain . . . . .	6	1	2073 632				
6-43-13	SEAL, Bearing, Heavy Duty and Taxi . . . . .	6	1	1730 019				
<b>6-50-0 CLUTCH PEDAL ROD</b>								
6-50-1	ROD, w/Power Brake, w/Heavy Duty Trans. . . . .		1	2073 642	1940 175	1940 175	1940 175	
6-50-6	WASHER, Rod Spring, w/Heavy Duty and w/Power Brake . . . . .		1	1614 579	1614 579	1614 579	1614 579	
6-50-10	BOOT . . . . .	6	1	2072 837	1731 232			
	w/PowerFlite Trans. . . . .	8	1	-----	2080 536			
6-50-11	SEAL . . . . .	6	1	-----	1731 234			
6-50-12	REINFORCEMENT . . . . .	6	1	2072 838	1731 233			

★ Indicates use as required.

Numerals in parentheses ( ) refer to notes.

Printed in U.S.A.

E Indicates parts not listed in any previous parts book.

Prices and specifications subject to change without notice.

\* Indicates change or addition.

Page 6-5

March 1, 1962 Supersedes May 31, 1961.

# 1961 PASSENGER CAR PARTS CATALOG

CODE	PART NAME AND DESCRIPTION	CY L.	PER CAR	VALIANT	PLYMOUTH	DESOTO	CHRYSLER	IMPERIAL
<b>6-52-0 CLUTCH TORQUE SHAFT</b>								
6-52-1	SHAFT . . . . .	6	1	2073 663	1946 393			
	w/Eng. Stamped 318, RP2 . . .	8	1	----	1940 182			
	w/Eng. Stamped 36 . . . . .	8	1	----	1940 184	1940 184	1940 184	
6-52-10	BRACKET, w/STUD . . . . .	6	1	2073 643				
	STUD, RS1, RC1 . . . . .	6	1	2072 857	1829 383	1829 383	1829 383	
6-52-11	BEARING, Pivot . . . . .		1	635 884	635 884	635 884	635 884	
6-52-12	SNAP RING . . . . .		1	1140 557	1140 557	1140 557	1140 557	
6-52-15	BRACKET, Torque Shaft Frame	6	1	----	1675 242			
	STUD . . . . .	6	1	----	1829 377			

**NOTES**

---

---

---

---

---

---

---

---

---

---

---

---

---

---

---

---

---

---

---

---

---

---

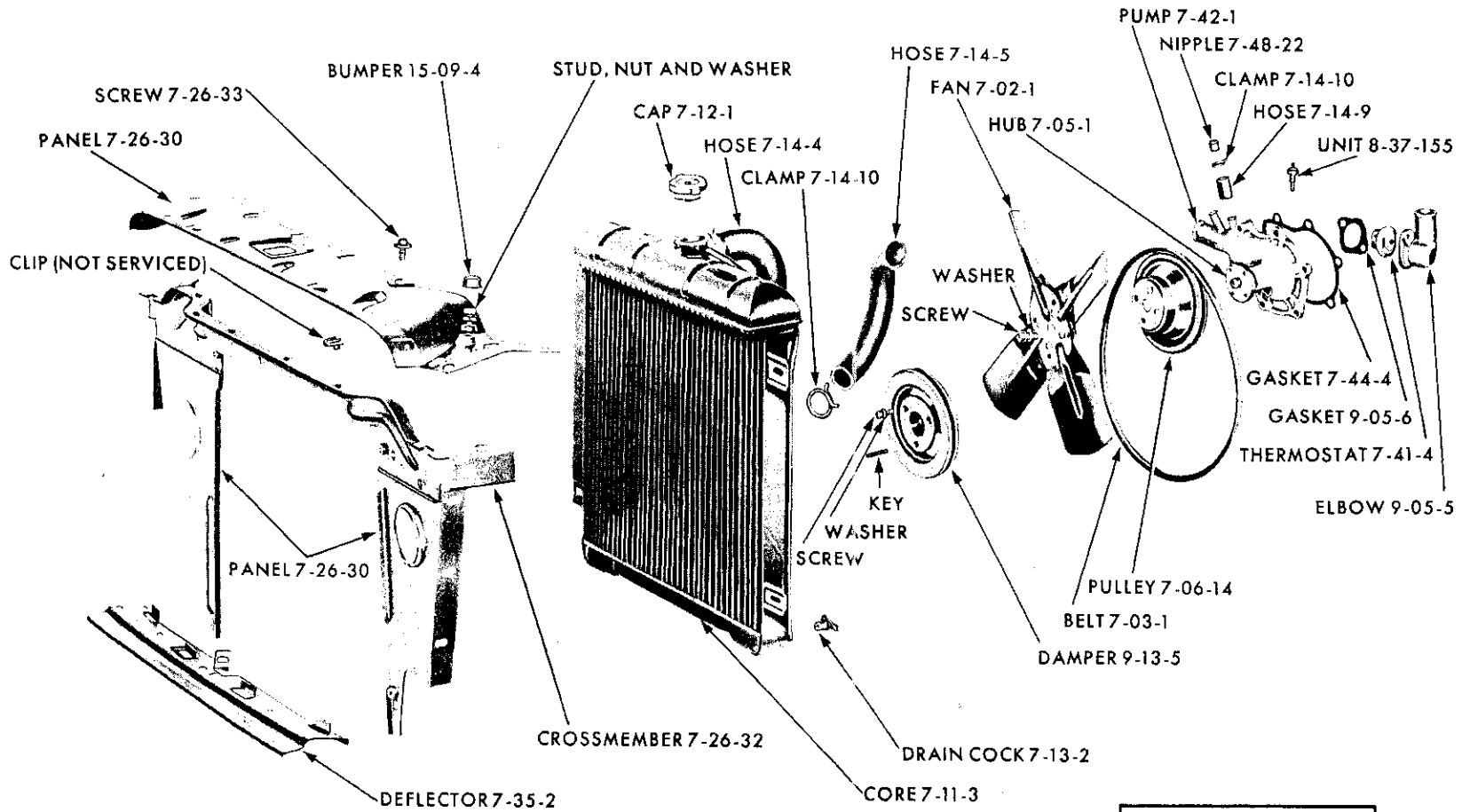
---

---

---

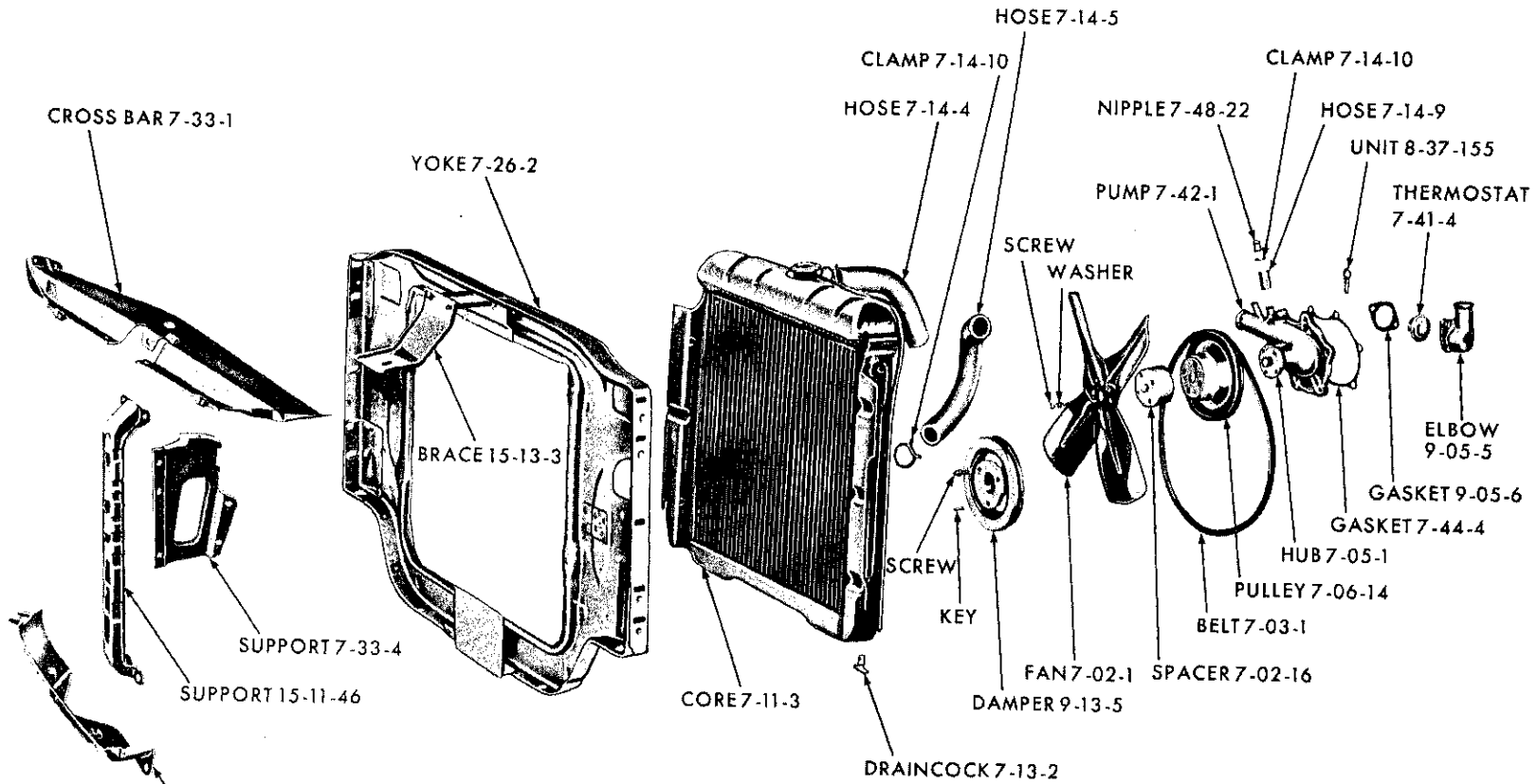
★ Indicates use as required. Numerals in parentheses ( ) refer to notes. Printed in U.S.A.  
 ☐ Indicates parts not listed in any previous parts book. Prices and specifications subject to change without notice.  
 March 1, 1962 Supersedes Oct. 3, 1960. Page 6-6 \* Indicates change or addition.

GROUP 7 - COOLING



PARTS INDICATED  
BY NAME ONLY - ORDER  
BY DESCRIPTION

19x8844B

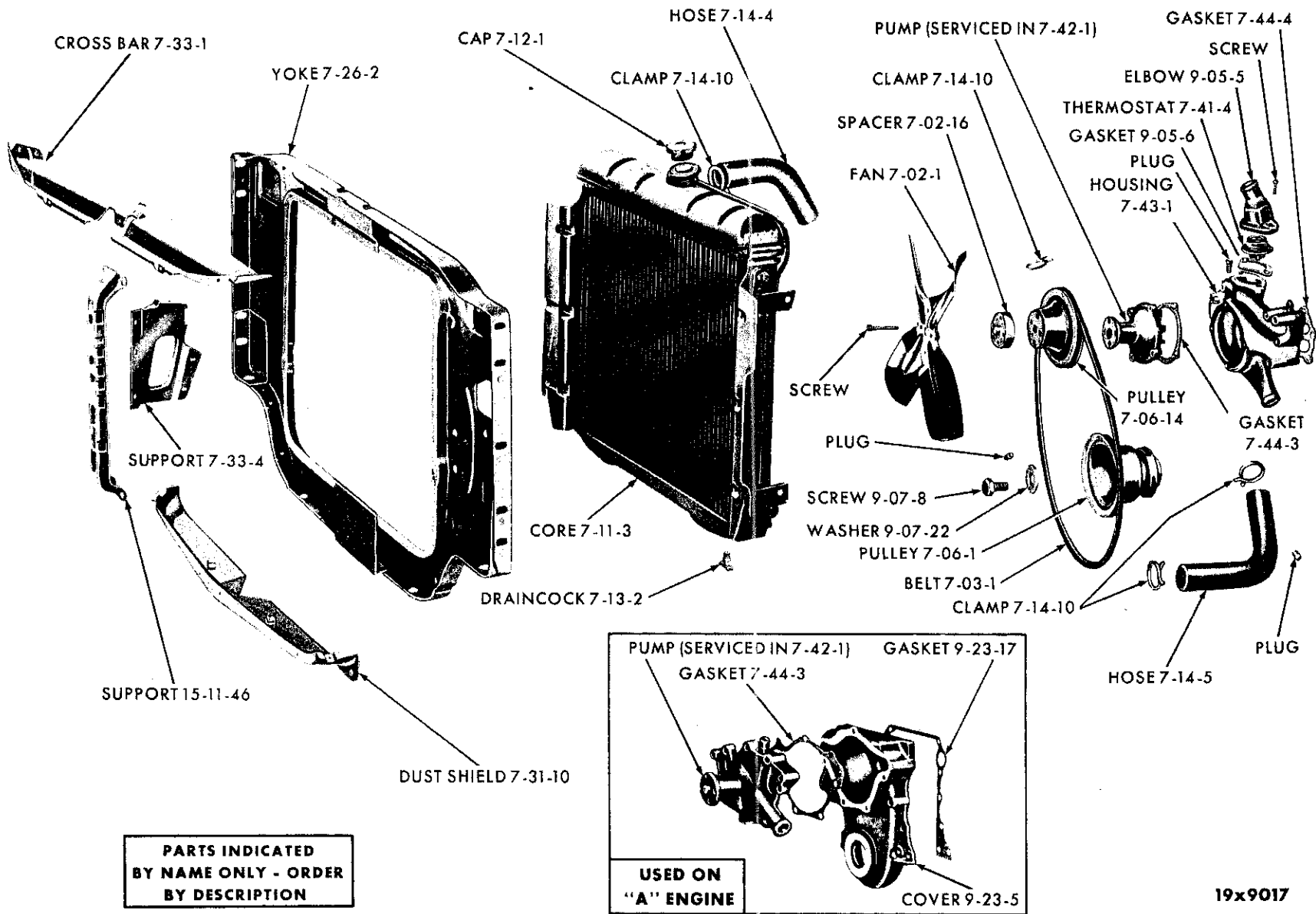


**PARTS INDICATED  
BY NAME ONLY - ORDER  
BY DESCRIPTION**

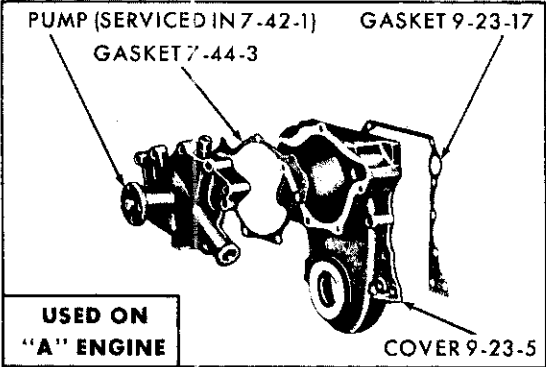
19x9016

COOLING SYSTEM - PLYMOUTH RP1



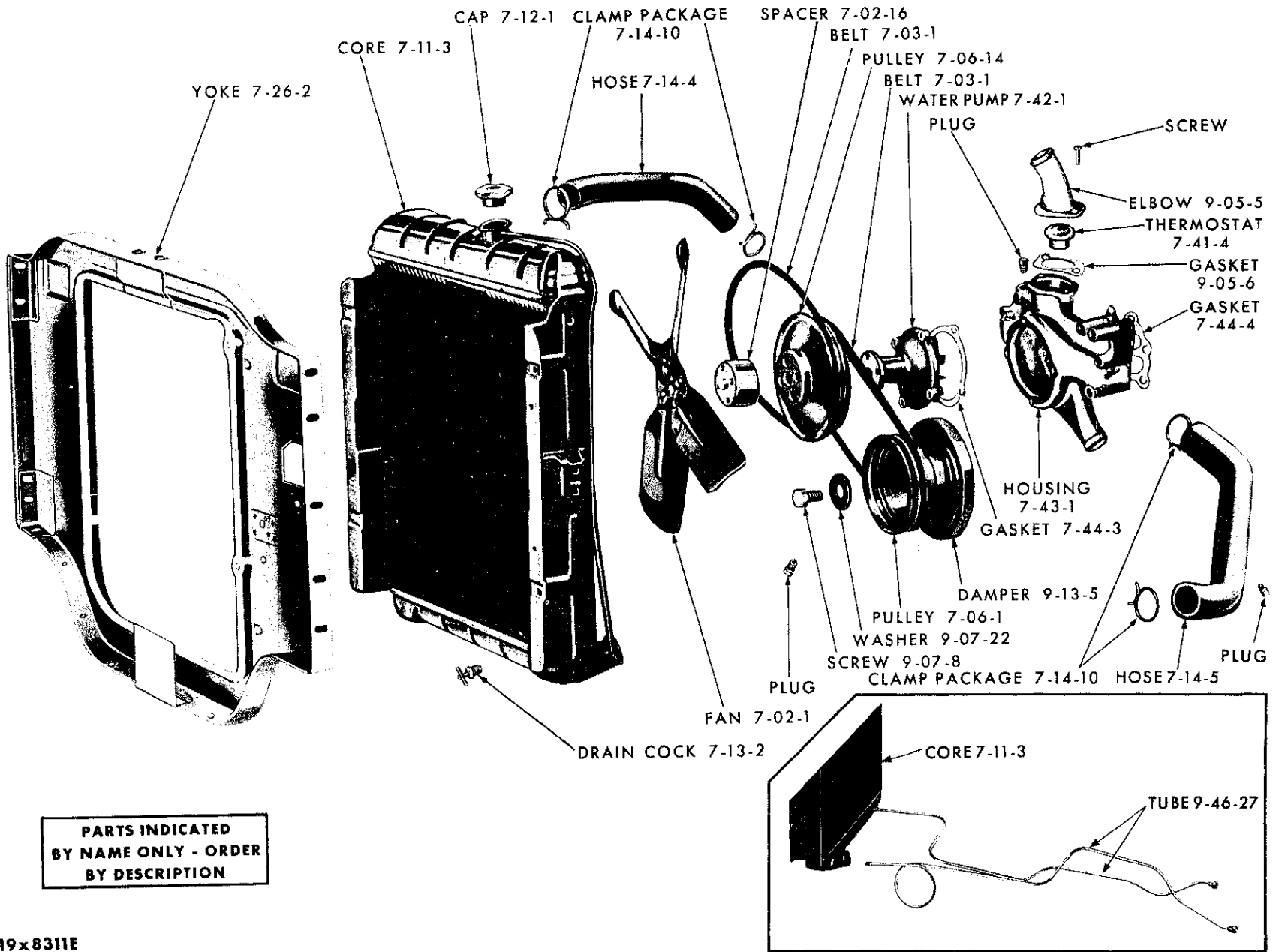


PARTS INDICATED BY NAME ONLY - ORDER BY DESCRIPTION



19x9017

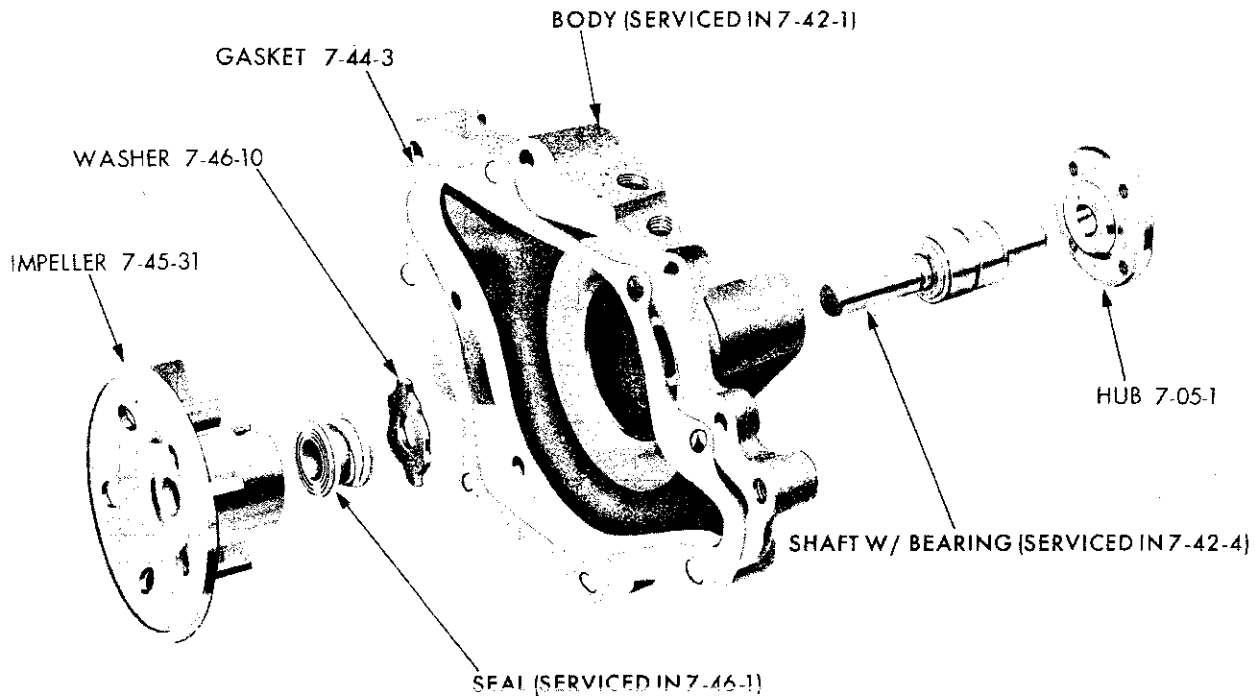
COOLING SYSTEM - PLYMOUTH RP2



**PARTS INDICATED  
BY NAME ONLY - ORDER  
BY DESCRIPTION**

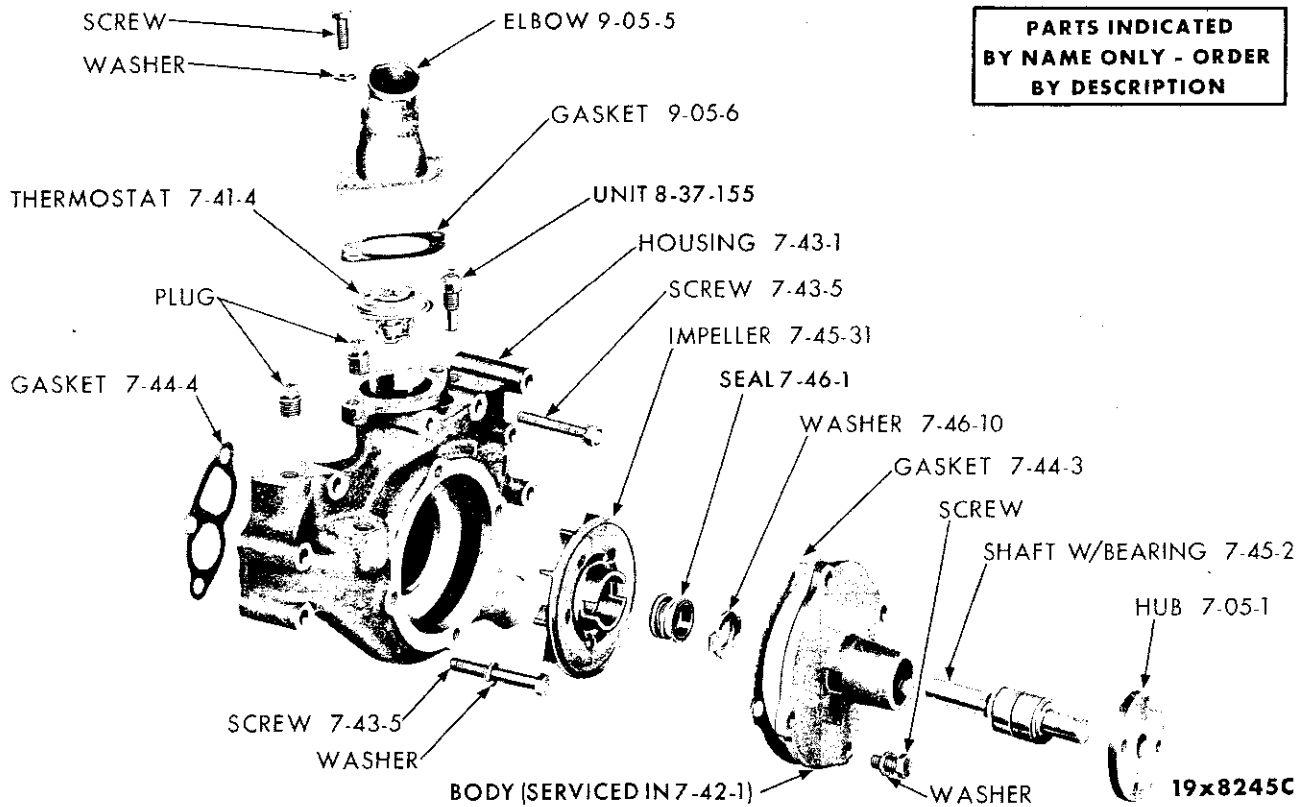
19x8311E

COOLING SYSTEM - DESOTO RS1, CHRYSLER RC1-2-3-4 AND IMPERIAL RY1



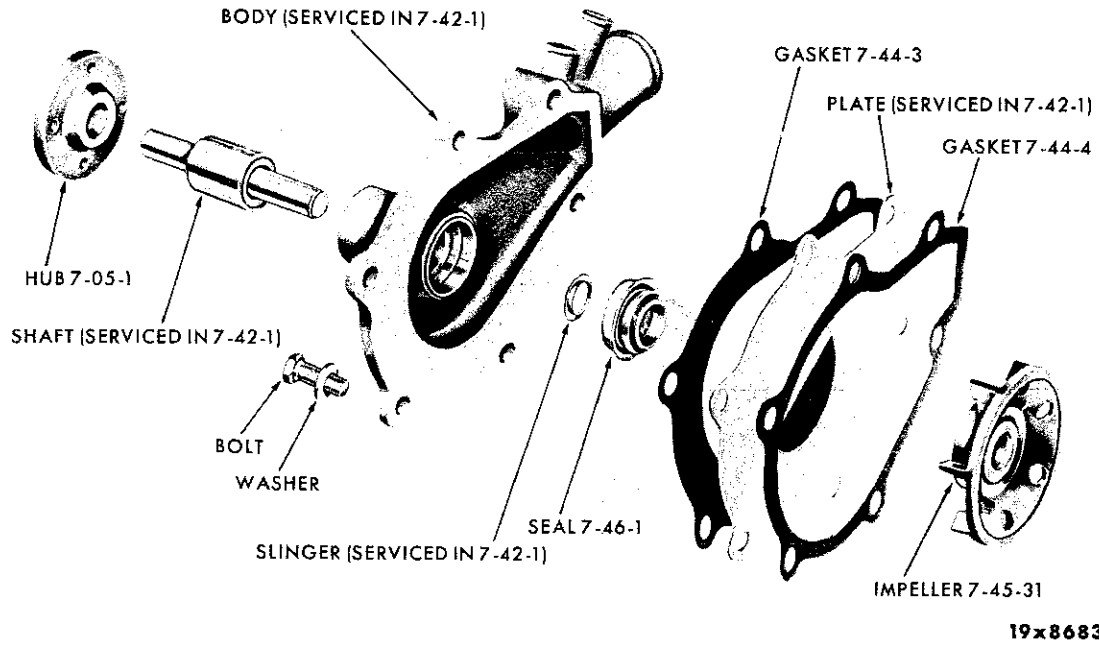
19x6902D

WATER PUMP - USED WITH "A" ENGINE

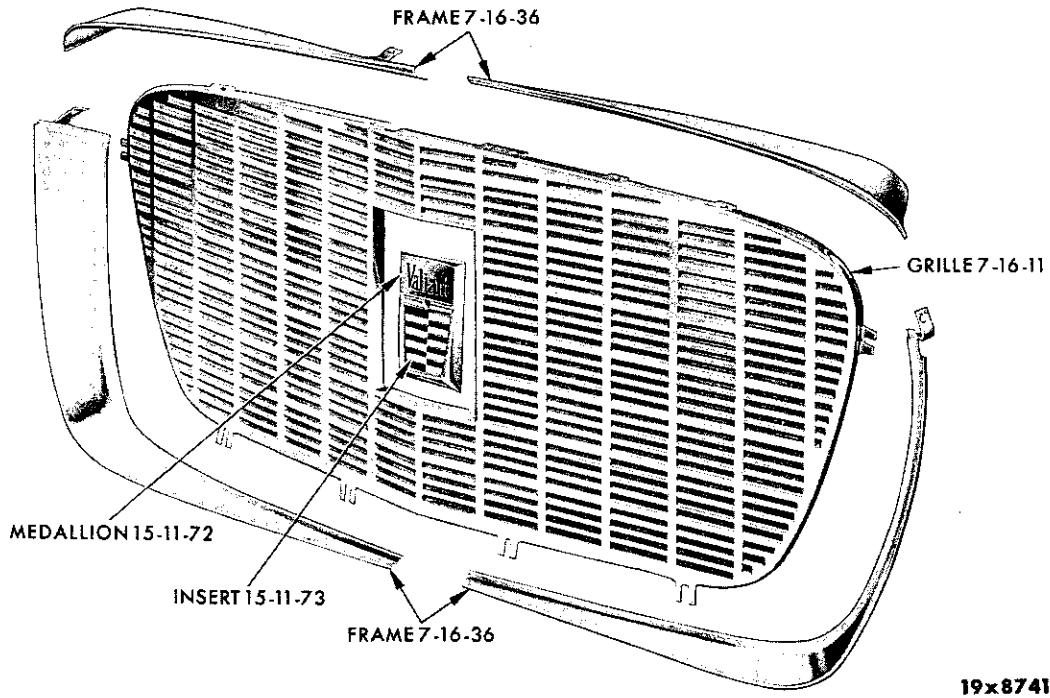


19x8245C

WATER PUMP - USED WITH "B" ENGINE



WATER PUMP - 6 CYLINDER

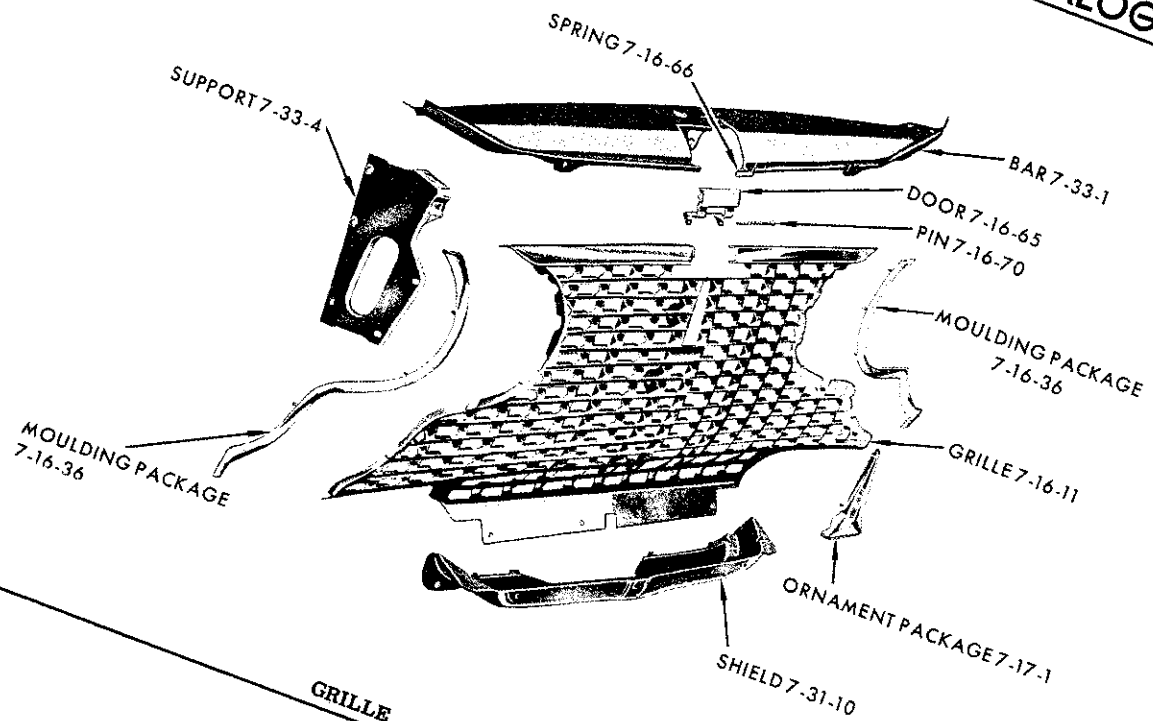


GRILLE - VALIANT RV1

COOLING

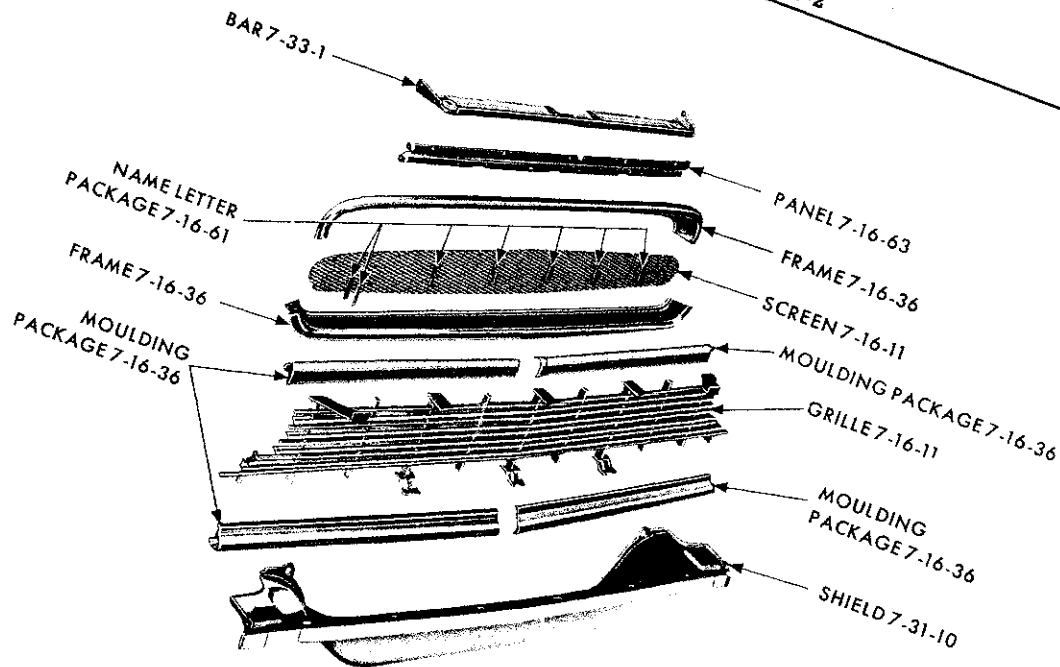
# 1961 PASSENGER CAR PARTS CATALOG

Page 7-3



GRILLE - PLYMOUTH RP1-2

19x8975

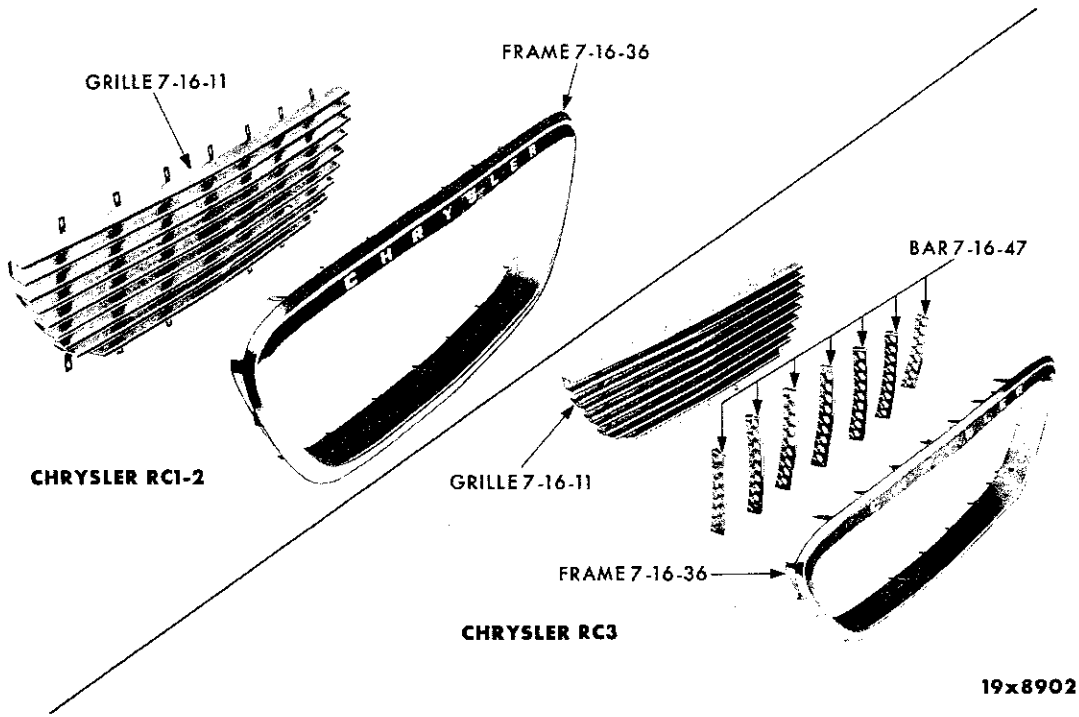


GRILLE - DESOTO RS1  
Page 7-3

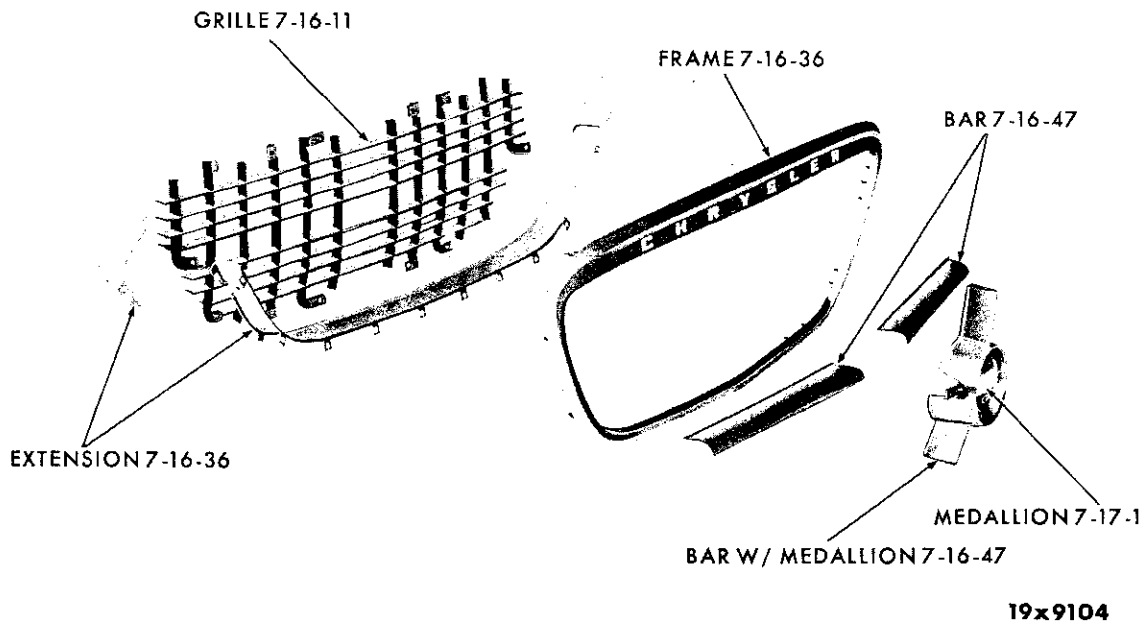
19x8962

Printed in U.S.A.

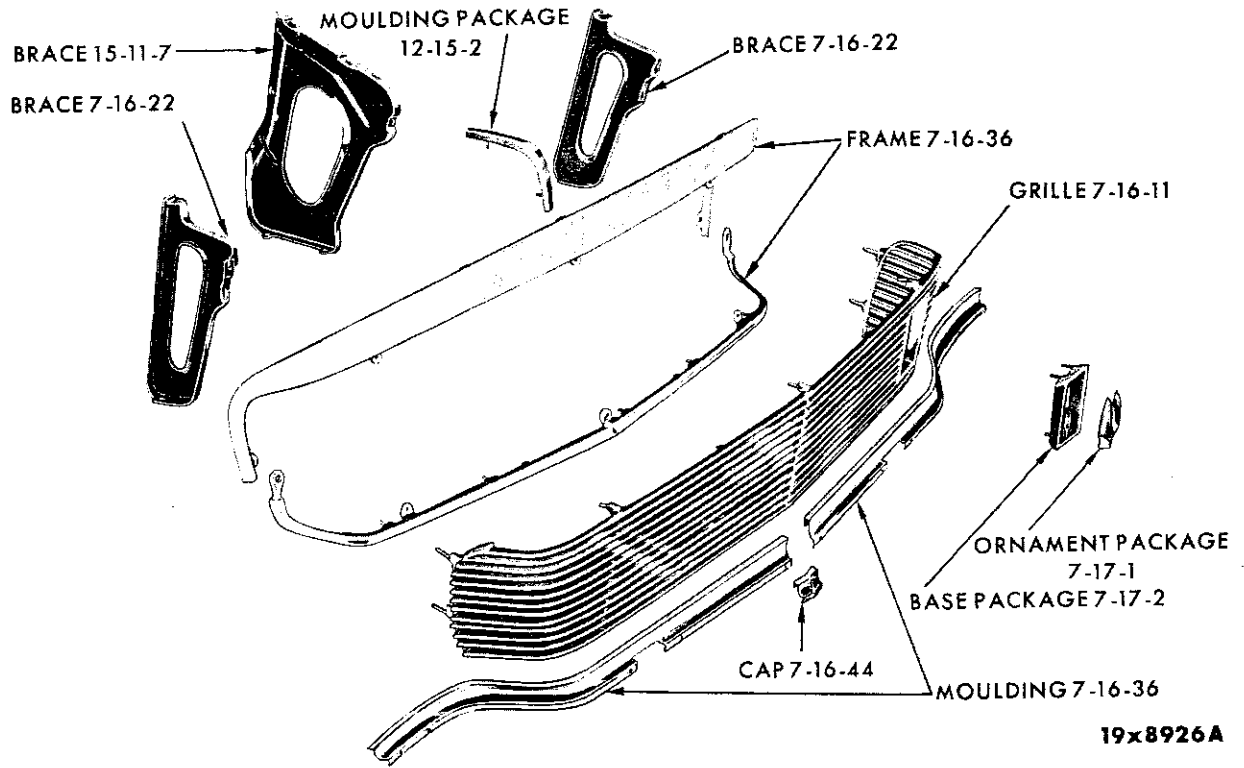
October 3, 1960.



GRILLE - CHRYSLER RC1-2-3



GRILLE - CHRYSLER RC4



GRILLE - IMPERIAL RY1

**NOTES**

---



---



---



---



---



---



---



---



---



---



---



---



---



---



---



---





CODE	PART NAME AND DESCRIPTION	C Y L.	PER CAR	VALIANT	PLYMOUTH	DESOTO	CHRYSLER	IMPERIAL
<b>7-02-0 FAN ASSEMBLY</b>								
7-02-1	FAN . . . . .	6	1	2121 971				
	w/o Air Conditoning . . . . .	6	1	----	1947 907			
	w/Air Conditioning . . . . .	6	1	----	1735 939			
	w/Air Conditioning . . . . .	8	1	----	2120 208			
	Heavy Duty, RP2, RC1 . . . . .	8	1	----	1735 941	----	1735 941	
	w/o Air Conditioning . . . . .	8	1	----	1735 939	1735 939	1735 939	1735 939
	w/Air Conditioning, RP2, High Performance, RC1, RC2 . . . . .	8	1	----	2121 013	2121 013	2121 013	
	RC3, RC4, RY1 . . . . .	8	1	----	----	----	2121 014	2121 014
	w/Model F Air Conditioning . . . . .	6	1	2206 356	1735 941			
		8	1	----	1985 513	1985 513	1985 513	1985 513
7-02-16	SPACER . . . . .	6	1	----	1730 155			
		8	1	----	2120 130			
	w/o Air Conditioning, RP2, High Performance, RC1, RC2 . . . . .	8	1	----	2120 510	2120 510	2120 510	
	RC3, RC4, RY1 . . . . .	8	1	----	----	----	1674 746	1674 746
	w/Model F Air Conditioning, RP2 High Performance . . . . .	8	1	----	1730 155	1730 155	1730 155	1730 155
<b>7-03-0 FAN AND RELATED DRIVE BELTS</b>								
7-03-1	BELT, Engine to Alternator to Fan, RP1, Taxi . . . . .	6	1	1673 649	1673 649			
	RP1, except Taxi, RW1 w/225 cu. in. Engine . . . . .	6	1	1674 677	1674 677			
	RC1, RC2 . . . . .	8	1	----	*1552 141	*1552 141	*1552 141	
	RC3, RC4, RY1 . . . . .	8	1	----	----	----	1551 077	1551 077
	w/Heavy Duty Alternator . . . . .	6	1	2129 913	2121 221			
	RC1, RC2 . . . . .	8	1	----	2129 357	2121 221	2121 221	
	w/Dual Belt Heavy Duty Alternator RP2, High Performance, RC1, RC2 . . . . .	8	1	----	2202 390			
	Engine to Steering Pump . . . . .	8	1	----	2121 250	2121 250	2121 250	
		6	1	*1821 684	1327 471			
		8	1	----	1854 895			
	RP2, High Performance . . . . .	8	1	----	2129 277	2129 277	2129 277	2129 277
	w/Air Conditioning Engine to Fan to Steering Pump . . . . .	6	1	2202 876	2202 876			
	Engine to Compressor . . . . .	6	1	2264 364	2264 364			
	Compressor to Alternator . . . . .	6	1	1551 005	1551 005			
	Engine to Fan . . . . .	8	1	*1821 684				
	RP2, High Performance . . . . .	8	1	----	1558 058	1558 058	1558 058	1558 058
	w/Model F Air Conditioning . . . . .	8	1	*1821 684				
	RP2 High Performance . . . . .	8	1	----	1327 471	1327 471	1327 471	1327 471
	Engine to Compressor to Jackshaft . . . . .	8	1	----	1944 881			
	Jackshaft to Alternator . . . . .	8	1	----	1946 922			
	w/Model F Air Conditioning . . . . .	8	1	1551 005	1946 921			
		8	1	----	1946 921			
	RP2 High Performance . . . . .	8	1	----	1946 926	1946 926	1946 926	1946 926
	Engine to Alternator to Compressor, RP2, High Performance, RC1, RC2 . . . . .	8	1	----	1947 132	1947 132	1947 132	
	RC3, RC4, RY1 . . . . .	8	1	----	----	----	2129 284	2129 284
	w/Model F Air Conditioning . . . . .	6	1	1735 088	1735 088			
	RC3, RY1 . . . . .	8	1	----	1947 132	----	1947 132	1947 132
	RP2 High Performance, RC1, RC2 . . . . .	8	1	----	1944 881	1944 881	1944 881	
<b>7-04-0 FAN BELT IDLER PULLEY</b>								
7-04-1	PULLEY . . . . .	8	1	----	2240 397	2240 397	2240 397	2240 397
7-04-5	BRACKET, RP2 . . . . .	8	1	----	2129 666			
	RP2, High Performance . . . . .	8	1	----	2129 667	2129 667	2129 667	2129 667
	w/Model F Air Conditioning . . . . .	8	1	----	1748 275			
7-04-10	SPACER, Bracket, RP2, High Performance . . . . .	8	1	----	1851 608	1851 608	1851 608	1851 608

★ Indicates use as required.

⊠ Indicates parts not listed in any previous parts book.

\* Indicates change or addition.

Numerals in parentheses ( ) refer to notes.

Printed in U.S.A.

Prices and specifications subject to change without notice.

March 1, 1962 Supersedes May 31, 1961.

# 1961 PASSENGER CAR PARTS CATALOG

COOLING

CODE	PART NAME AND DESCRIPTION	CYL.	PER CAR	VALIANT	PLYMOUTH	DESOTO	CHRYSLER	IMPERIAL
<b>7-05-0 FAN PULLEY HUB</b>								
7-05-1	HUB . . . . .		1	1634 288	1634 288	1634 288	1634 288	1634 288
<b>7-06-0 FAN DRIVE AND DRIVEN PULLEYS</b>								
7-06-1	PULLEY, Drive, w/Power Strg.	6	1	2202 794				
		6	1	----	2205 518			
	w/Dual Belt . . . . .	6	1	E2264 449	E2264 449			
	w/Std. Trans., w/o Power Strg.	8	1	----	1821 411			
	w/Power Strg. . . . .	8	1	----	1855 152			
	w/Auto. Trans., w/o Power Strg.	8	1	----	1859 671			
	w/Power Strg. . . . .	8	1	----	1859 680			
	w/Air Conditioning . . . . .	8	1	----	1859 580			
	w/Dual Belt and Alternator . . . . .	8	1	----	1852 606	1852 606		
	w/o Power Strg., RP2, High Performance, RC1, RC2 . . . . .	8	1	----	1821 449	1821 449	1821 449	
	w/Power Strg., RP2, High Performance . . . . .	8	1	----	1826 053	1826 053	1826 053	1826 053
	w/Air Conditioning, RP2, High Performance, RC1, RC2 . . . . .	8	1	----	1859 252	1859 252	1859 252	
	RC3, RC4, RY1 . . . . .	8	1	----	----	----	2128 545	2128 545
	w/Model F Air Conditioning . . . . .	6	1	2202 794	2202 794			
		8	1	----	1859 580			
	RP2 High Performance . . . . .	8	1	----	1859 252	1859 252	1859 252	1859 252
7-06-3	HUB, Fan Drive Pulley, w/Air Conditioning . . . . .	8	1	----	1733 805			
7-06-5	SPACER, Fan Drive Pulley, w/Dual Belt and Alternator . . . . .	8	1	----	1858 488	1858 488		
7-06-14	PULLEY, Fan Driven . . . . .	6	1	2202 666	2202 666			
	w/Dual Belt . . . . .	6	1	E2264 450	E2264 450			
		8	1	----	1852 582			
	w/o Air Conditioning, RP2, High Performance . . . . .	8	1	----	1821 452	1821 452	1821 452	1821 452
	w/Air Conditioning, RP2, High Performance . . . . .	8	1	----	2121 016	2121 016	2121 016	2121 016
	w/Dual Belt Alternator Drive . . . . .	8	1	----	1855 239	1855 239		
	w/Model F Air Conditioning, RP2 High Performance . . . . .	8	1	----	1981 854	1981 854	1981 854	1981 854
<b>7-07-0 FAN FLUID DRIVE UNIT</b>								
7-07-1	UNIT, Fan Fluid Drive w/Air Conditioning, RP2, High Performance, RC1, RC2 . . . . .	8	1	----	2121 724	2121 724	2121 724	
	RC3, RC4, RY1 . . . . .	8	1	----	----	----	2203 024	2203 024
<b>7-08-0 RADIATOR FAN SHROUD</b>								
7-08-2	SHROUD, w/Air Conditioning . . . . .	6	1	E2275 591				
	Upper, RC1, RC2 . . . . .	8	1	----	1902 720	1902 720	1902 720	
	RC3, RC4, RY1 . . . . .	8	1	----	----	----	1686 412	1686 412
	Lower, RC1, RC2 . . . . .	8	1	----	1903 600	1903 600	1903 600	
	RC3, RC4, RY1 . . . . .	8	1	----	----	----	1686 414	1686 414
7-08-7	BUMPER, Fan Shroud, RC3, RC4, RY1 . . . . .	8	4	----	----	----	1624 506	1624 506
7-08-13	BRACKET, Fan Shroud, Right, RC3, RC4, RY1 . . . . .	8	1	----	----	----	1686 451	1686 451
	Left, RC3, RC4, RY1 . . . . .	8	1	----	----	----	1686 453	1686 453
7-08-15	STUD, Fan Shroud, RC1, RC2 . . . . .	8	1	----	1641 903	1641 903	1641 903	
7-08-16	NUT, Fan Shroud Bracket, RC3, RC4, RY1 . . . . .	8	4	----	----	----	6010 006	6010 006
<b>7-11-0 RADIATOR CORE</b>								
7-11-3	CORE, Standard . . . . .	6	1	2195 555				
	High Altitude . . . . .	6	1	2195 552				
	RP1, Standard . . . . .	6	1	----	1904 789			
	High Altitude . . . . .	6	1	----	1904 790			
	RP2, Standard . . . . .	8	1	----	1904 801			

\* Indicates use as required.

Numerals in parentheses ( ) refer to notes.

Printed in U.S.A.

E Indicates parts not listed in any previous parts book.  
May 31, 1961 Supersedes Jan. 6, 1961.

Prices and specifications subject to change without notice.

\* Indicates change or addition.

CODE	PART NAME AND DESCRIPTION	C Y L.	PER CAR	VALIANT	PLYMOUTH	DESOTO	CHRYSLER	IMPERIAL
<b>7-11-0 RADIATOR CORE - Cont'd</b>								
7-11-3	CORE - Cont'd							
	High Altitude . . . . .	8	1	----	1904 795			
	w/Air Conditioning . . . . .	8	1	----	1904 795			
	RP2, High Performance, RC1, RC2, Standard . . . . .	8	1	----	1904 807	1904 807	1904 807	
	High Altitude . . . . .	8	1	----	1904 798	1904 798	1904 798	
	w/Air Conditioning . . . . .	8	1	----	1904 799	1904 799	1904 799	
	RC3, RC4, RY1, Standard . . . . .	8	1	----	-----	-----	1904 809	*2099 908
	w/Air Conditioning . . . . .	8	1	----	-----	-----	1904 811	1904 811
	High Altitude . . . . .	8	1	----	-----	-----	1904 810	1904 810
7-11-4	SCREW, to Yoke . . . . .		4	6022 332	6022 308	6022 308	6022 308	6022 308
<b>7-12-0 RADIATOR FILLER CAP</b>								
7-12-1	CAP . . . . .		1	1686 107	1686 107	1686 107	1686 107	1686 107
<b>7-13-0 RADIATOR DRAIN COCK</b>								
7-13-2	DRAIN COCK, RC1, RC2 . . . . .		1	1686 198	1686 198	1686 198	1686 198	
	RC3, RC4, RY1 . . . . .	8	1	----	-----	-----	103 647	103 647
<b>7-14-0 RADIATOR HOSE</b>								
7-14-4	HOSE, Inlet, Upper, RV1 . . . . .	6	1	*1881 812				
	RV1 w/Air Conditioning . . . . .	6	1	1881 806				
	RP1 except Taxi . . . . .	6	1	----	1881 804			
	RP1, Taxi . . . . .	6	1	----	1881 813			
		3	1	----	1881 805			
	RP2, High Performance, w/o Air Conditioning . . . . .	8	1	----	1881 804	1881 804	1881 804	1881 804
	w/Air Conditioning . . . . .	8	1	----	1881 806	1881 806	1881 806	1881 806
7-14-5	HOSE, Outlet, Lower, use with Retainer . . . . .	6	1	*2202 869				
	Use Without Retainer . . . . .	6	1	2264 403				
	w/225 cu. in. Engine . . . . .	6	1	⊠2214 615	2202 860			
		8	1	----	1881 805			
	RP2, High Performance, RC1, RC2 . . . . .	8	1	----	2196 934	2196 934	2196 934	
	RC3, RC4, RY1, w/o Air Conditioning . . . . .	8	1	----	-----	-----	1881 809	1881 809
	RC3, RC4, RY1, w/Air Conditioning . . . . .	8	1	----	-----	-----	1881 805	1881 805
7-14-9	HOSE, Water Pump By-Pass (50 foot roll) . . . . .	6	★	1315 466	1315 466			
		8	1	----	1730 366			
7-14-10	CLAMP PACKAGE, Radiator Hose, Small . . . . .		★	1450 499	1450 499	1450 499	1450 499	1450 499
	Large . . . . .		★	1450 500	1450 500	1450 500	1450 500	1450 500
7-14-14	RETAINER, Outlet Hose . . . . .	6	1	2264 262	2264 262			
7-14-31	HOSE, Radiator Overflow (25 foot roll, sold by the foot)		★	1904 950	1904 950	1904 950	1904 950	1904 950
<b>7-16-0 RADIATOR GRILLE</b>								
7-16-11	GRILLE . . . . .	6	1	2195 952				
			1	----	1904 225	1904 480		
	RC1, RC2, RC3 . . . . .	8	1	----	-----	-----	*1904 367	
	RC4 . . . . .	8	1	----	-----	-----	1904 378	
	GRILLE, Right . . . . .	8	1	----	-----	-----	-----	1904 124
	Left . . . . .	8	1	----	-----	-----	-----	1904 717
	SCREEN, Grille . . . . .	8	1	----	-----	1904 489	-----	

★ Indicates use as required.

Numerals in parentheses ( ) refer to notes.

Printed in U.S.A.

⊠ Indicates parts not listed in any previous parts book.

Prices and specifications subject to change without notice.

\* Indicates change or addition.

1961 PASSENGER CAR PARTS CATALOG

COOLING

CODE	PART NAME AND DESCRIPTION	CYL	PER CAR	VALIANT	PLYMOUTH	DESOTO	CHRYSLER	IMPERIAL
<b>7-16-0 RADIATOR GRILLE - Cont'd</b>								
7-16-12	SCREW, Center Panel to Fender Panel . . . . .	8	4	----	----	----	1903 976	
	To Radiator Grille, Center . . .	8	2	----	----	----	----	6022 206
7-16-21	WIRE, Radiator Grille Sound Deadener . . . . .	8	1	----	----	----	----	B1904 947
7-16-22	BRACE . . . . .	8	2	----	----	----	----	1904 131
7-16-36	FRAME, Grille, Upper, Right. .	6	1	2082 124				
	Upper, Left . . . . .	6	1	2082 125				
	Lower, Right, UP TO . . . . .	6	1	*2082 188(1)				
	Lower, Left, UP TO . . . . .	6	1	*2082 189(1)				
	Lower, Right, AFTER . . . . .	6	1	*2082 470(1)				
	Lower, Left, AFTER . . . . .	6	1	*2082 471(1)				
	Upper . . . . .	8	1	----	----	1904 490		
	Lower . . . . .	8	1	----	----	1904 491		
	RC1, RC2 . . . . .	8	1	----	----	----	1904 368	
	RC3 . . . . .	8	1	----	----	----	1904 616	
	RC4 . . . . .	8	1	----	----	----	1904 381	
	Upper . . . . .	8	1	----	----	----	----	1904 125
	Lower . . . . .	8	1	----	----	----	----	1904 126
	Extension, Grille Frame, Center Right . . . . .	8	1	----	----	----	1904 848	
	Left . . . . .	8	1	----	----	----	1904 852	
	MOULDING PACKAGE, Outer, Right . . . . .		1	----	2275 100			
	Outer, Left . . . . .		1	----	2275 101			
	Upper, Right . . . . .	8	1	----	----	2240 970		
	Upper, Left . . . . .	8	1	----	----	2240 971		
	Lower, Right . . . . .	8	1	----	----	2240 930		
	Lower, Left . . . . .	8	1	----	----	2240 931		
	Lower, Right . . . . .	8	1	----	----	----	----	2275 190
	Lower, Left . . . . .	8	1	----	----	----	----	2275 191
7-16-37	CLIP, Grille Moulding . . . . .	8	10	----	B6000 793 6000 866			
7-16-38	NUT, Grille Moulding . . . . .	8	★	----		*6010 098	----	*6022 162
7-16-41	BOLT, Radiator Grille Frame . .	6	★	6022 062				
7-16-44	CAP, Grille Frame, Upper . . . .	6	1	2082 183				
	Lower, UP To . . . . .	6	1	*2082 112(1)				
	Lower, AFTER . . . . .	6	1	*2082 472(1)				
	CAP, Grille Panel Lower Moulding . . . . .	8	1	----	----	----	----	2275 192
7-16-47	BAR, Vertical, No. 1, RC3 . . . .	8	1	----	----	----	1904 371	
	No. 2, Right, RC3 . . . . .	8	1	----	----	----	1904 372	
	No. 2, Left, RC3 . . . . .	8	1	----	----	----	1904 373	
	No. 3, Right, RC3 . . . . .	8	1	----	----	----	1904 374	
	No. 3, Left, RC3 . . . . .	8	1	----	----	----	1904 375	
	No. 4, Right, RC3 . . . . .	8	1	----	----	----	1904 376	
	No. 4, Left, RC3 . . . . .	8	1	----	----	----	1904 377	
	Center, w/MEDALLION, RC4 . . . .	8	1	----	----	----	1904 728	
	Center, w/o Medallion, RC4 . . .	8	1	----	----	----	B1904 379	
	BAR, Horizontal, Right, RC4 . . .	8	1	----	----	----	1904 648	
	Left, RC4 . . . . .	8	1	----	----	----	1904 649	
7-16-48	NUT, Grille Frame to Radiator Cross Bar . . . . .	8	7	----	----	----	6010 078	
	Grille Frame to Grille Panel . .	8	7	----	----	----	6010 098	
7-16-54	WASHER, Radiator Grille to Center Grille Bar, RC4 . . . . .	8	2	----	----	----	6006 480	
7-16-58	CLIP, Grille to Headlamp Base Plate . . . . .	8	2	----	----	6010 028		
7-16-61	LETTER, Name, w/BASE, "D" . . . .	8	1	----	----	2240 924		
	"E" . . . . .	8	1	----	----	2240 925		
	"S" . . . . .	8	1	----	----	2240 926		
	"O" . . . . .	8	1	----	----	2240 927		
	"T" . . . . .	8	1	----	----	2240 928		
	"O" . . . . .	8	1	----	----	2275 017		

NOTE 1: RV1, Serial No. 351900.

★ Indicates use as required. Numerals in parentheses ( ) refer to notes. Printed in U.S.A.  
 B Indicates parts not listed in any previous parts book. Prices and specifications subject to change without notice.  
 May 31, 1961 Supersedes Jan. 6, 1961. \* Indicates change or addition.

CODE	PART NAME AND DESCRIPTION	CYL	PER CAR	VALIANT	PLYMOUTH	DESOTO	CHRYSLER	IMPERIAL
<b>7-16-O RADIATOR GRILLE - Cont'd</b>								
7-16-62	NUT, Radiator Grille Name Letter . . . . .	8	12	----	----	6010 226		
7-16-63	PANEL, Center . . . . .	8	1	----	----	1904 506		
	Lower . . . . .	8	1	----	----		*1904 385	1904 139
7-16-65	DOOR, Hood Lock Access . . . . .		1	----	1904 864			
7-16-66	SPRING, Access Door . . . . .		1	----	1904 627			
7-16-70	PIN, Hood Lock Access Door . . . . .		1	----	1832 135			
7-16-73	NUT, Grille Attaching . . . . .	8	★	----	----	----	----	6022 162
<b>7-17-O RADIATOR GRILLE MEDALLION OR ORNAMENT</b>								
7-17-1	ORNAMENT PACKAGE . . . . .		1	----	2275 102			
	MEDALLION, RC4 . . . . .	8	1	----	----	----	1904 384	
	ORNAMENT PACKAGE . . . . .	8	1	----	----	----	----	2275 016
	NUT . . . . .		2	----	----	----	----	9415 250
7-17-2	ORNAMENT BASE PACKAGE, RY1-L, RY1-M. . . . .	8	1	----	----	----	----	2275 188
	RY1-H . . . . .	8	1	----	----	----	----	2275 189
	NUT . . . . .		3	----	----	----	----	9415 250
<b>7-26-O RADIATOR YOKE</b>								
7-26-2	YOKE, RC1, RC2 . . . . .		1	----	1904 291	1904 291	1904 291	
	RC3, RC4, RY1 . . . . .	8	1	----	----	----	1904 392	1904 392
7-26-5	STUD, Upper Crossmember to Fender Bracket . . . . .	6	2	1863 586				
	To Frame . . . . .		2	----	1863 760	1863 760	1863 760	1863 760
	To Shear Panel . . . . .	6	4	----	----	----	----	6022 854
	SCREW, to Fender Side Shield To Hood Lower Lock . . . . .	6	★	6022 562	6022 562	6022 562	6022 562	6022 562
7-26-8	WASHER . . . . .	8	8	----	----	----	----	6022 192
	To Frame . . . . .		2	6022 193	6022 193	6022 193	6022 193	6022 193
7-26-9	SEAL, to Radiator Core, w/Air Conditioning . . . . .	8	★	----	1242 974			
7-26-15	SHIELD, Radiator Air. . . . .	6	1	2082 039				
	Outer, Right . . . . .	6	1	2082 180				
	Outer, Left . . . . .	6	1	2082 181				
	w/Air Conditioning . . . . .	8	1	----	1903 941			
	RC3, RC4, RY1 . . . . .	8	1	----	----	----	1903 457	1903 457
7-26-17	CLIP, Air Shield. . . . .	8	★	----	6010 060	----	6010 060	6010 060
7-26-18	SHIM, to Frame . . . . .		★	----	1902 763	1902 763	1902 763	1902 763
7-26-29	NUT, Air Shield to Headlamp Housing Support . . . . .	6	4	6012 038				
7-26-30	PANEL, Radiator Yoke, Upper Side, Right . . . . .	6	1	2259 263				
	Side, Left . . . . .	6	1	2082 064				
	Side, Left . . . . .	6	1	2082 065				
7-26-32	CROSSMEMBER, Radiator Yoke, Side Panel Upper. . . . .	6	1	2259 265				
7-26-33	SCREW, Upper Panel . . . . .	6	★	2082 867				
7-26-34	SCREW, Radiator Air Shield . . . . .	6	3	2082 867				
7-26-37	BRACKET, Radiator Yoke Upper Crossmember, Right. . . . .	6	1	2259 266				
	Left . . . . .	6	1	2259 267				
	Crossmember to Fender Shield, Right . . . . .	6	1	1904 932				
	Left . . . . .	6	1	1904 933				
<b>7-31-O RADIATOR DUST SHIELD</b>								
7-31-2	SEAL, Dust Shield to Bumper . . . . .	8	1	----	----	1904 938	1904 938	
7-31-10	SHIELD, Dust . . . . .		1	----	1904 243			
	RC1, RC2 . . . . .	8	1	----	----	1904 463	1904 463	
	RC3, RC4 . . . . .	8	1	----	----	----	1904 397	
	RY1. . . . .	8	1	----	----	----	----	1904 148

★ Indicates use as required.

Numerals in parentheses ( ) refer to notes.

Printed in U.S.A.

☐ Indicates parts not listed in any previous parts book.

Prices and specifications subject to change without notice.

\* Indicates change or addition.

CODE	PART NAME AND DESCRIPTION	C Y L.	PER CAR	VALIANT	PLYMOUTH	DESOTO	CHRYSLER	IMPERIAL
<b>7-31-0 RADIATOR DUST SHIELD - Cont'd</b>								
7-31-14	NUT, Dust Shield . . . . .		2	----	6010 006			
7-31-15	SCREW, Dust Shield to Lock Support . . . . .		1	----	6022 802	6022 802	6022 802	
7-31-26	CLIP, Dust Shield Seal . . . . .		11	----		6000 070	6000 070	
7-31-45	SHIM, Radiator to Fender to Side Shield . . . . .		*	----	1903 036	1903 036	1903 036	1903 036
<b>7-33-0 RADIATOR CROSS BAR</b>								
7-33-1	BAR, Cross . . . . .		1	----	1904 234			
		8	1	----		1904 389	1904 389	
		8	1	----				1904 146
7-33-4	SUPPORT . . . . .		1	----	1904 609			
<b>7-35-0 RADIATOR STONE DEFLECTOR</b>								
7-35-2	DEFLECTOR, Right . . . . .	6	1	2082 036				
	Left . . . . .	6	1	2082 037				
	Center . . . . .	6	1	2082 038				
	Right . . . . .		1	----	1904 246			
	Left . . . . .		1	----	1904 247			
7-35-12	SCREW, to Radiator Grille . . .		2	----	6022 779			
	To Radiator Yoke, w/Air Cond.		2	----	6022 306			
<b>7-41-0 THERMOSTAT</b>								
7-41-4	THERMOSTAT, 160° Fahrenheit	6	1	2129 206	2129 206			
	180° Fahrenheit . . . . .	6	1	2129 205	2129 205			
	160° Fahrenheit . . . . .	8	1	----	1734 957	1734 957	1734 957	1734 957
	180° Fahrenheit . . . . .	8	1	----	1735 011	1735 011	1735 011	1735 011
<b>7-42-0 WATER PUMP</b>								
7-42-1	WATER PUMP PACKAGE. . . . .	6	1	2196 910	2196 910			
		8	1	----	1752 422			
	RP2, High Performance, w/o Air Conditioning . . . . .	8	1	----	1879 526	1879 526	1879 526	1879 526
	w/Air Conditioning . . . . .	8	1	----	1879 536	1879 536	1879 536	1879 536
7-42-4	REPAIR PACKAGE, Water Pump	6	1	*2298 907	*2298 907			
		8	1	----	*1752 435			
	RP2, High Performance, w/o Air Conditioning . . . . .	8	1	----	1843 447	1843 447	1843 447	1843 447
	w/Air Conditioning . . . . .	8	1	----	1752 622	1752 622	1752 622	1752 622
<b>7-43-0 WATER PUMP HOUSING</b>								
7-43-1	HOUSING, RP2, High Performance, w/o Air Conditioning . . . . .	8	1	----	1944 916	1944 916	1944 916	1944 916
	w/Air Conditioning . . . . .	8	1	----	2240 318	2240 318	2240 318	2240 318
7-43-5	SCREW, Water Pump Attaching .	6	4	579 719	579 719			
<b>7-44-0 WATER PUMP GASKET</b>								
7-44-3	GASKET, Body . . . . .	6	1	1947 521	1947 521			
		8	1	----	2129 013			
	RP2, High Performance . . . . .	8	1	----	1737 705	1737 705	1737 705	1737 705
7-44-4	GASKET, Intermediate Plate . .	6	1	1947 523	1947 523			
	RP2, High Performance, to Cylinder Block . . . . .	8	2	----	*1737 761	*1737 761	*1737 761	*1737 761

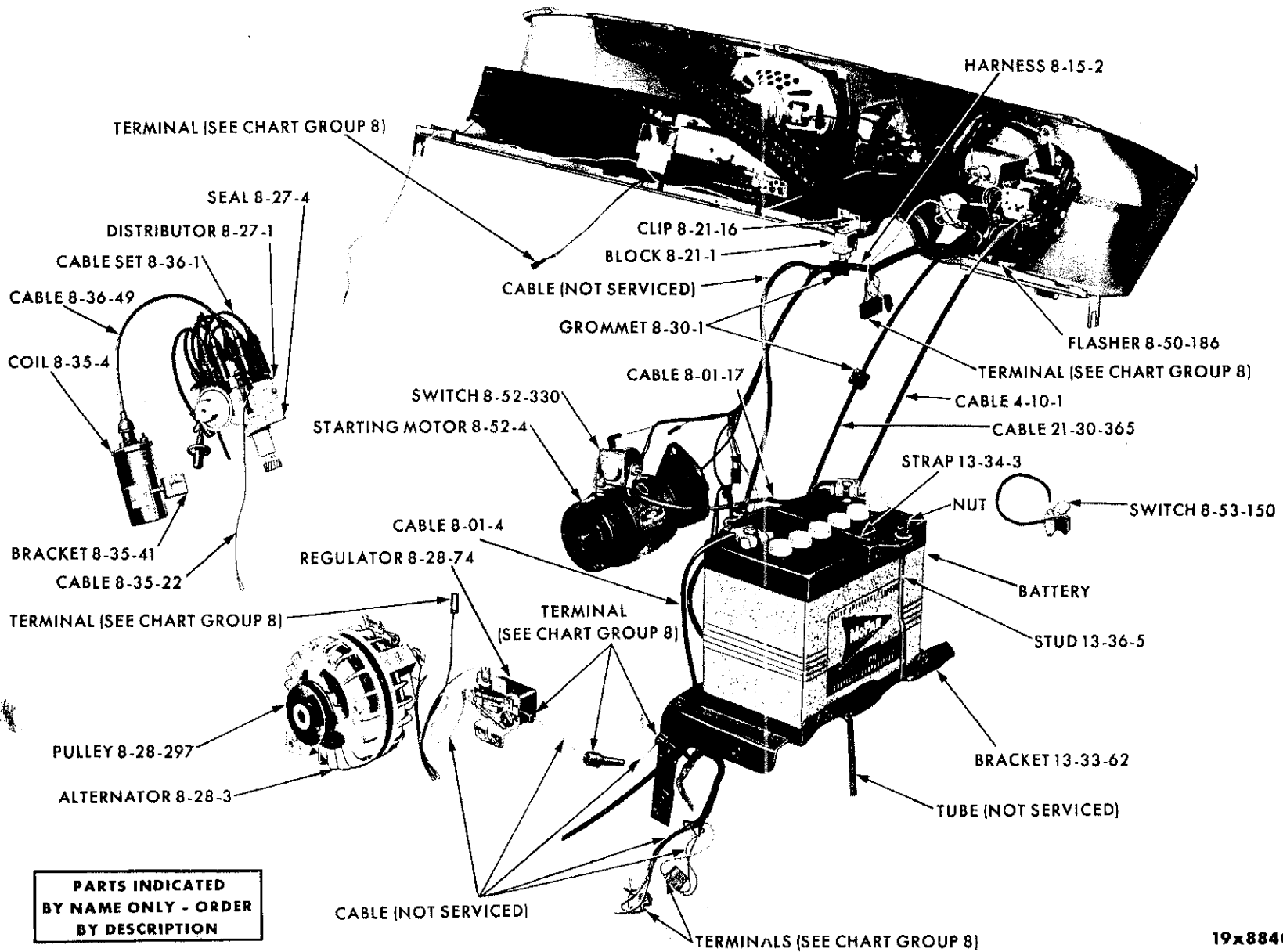
★ Indicates use as required. Numerals in parentheses ( ) refer to notes. Printed in U.S.A.  
 ☐ Indicates parts not listed in any previous parts book. Prices and specifications subject to change without notice.  
 March 1, 1962 Supersedes May 31, 1961. Page 7-10 \* Indicates change or addition.







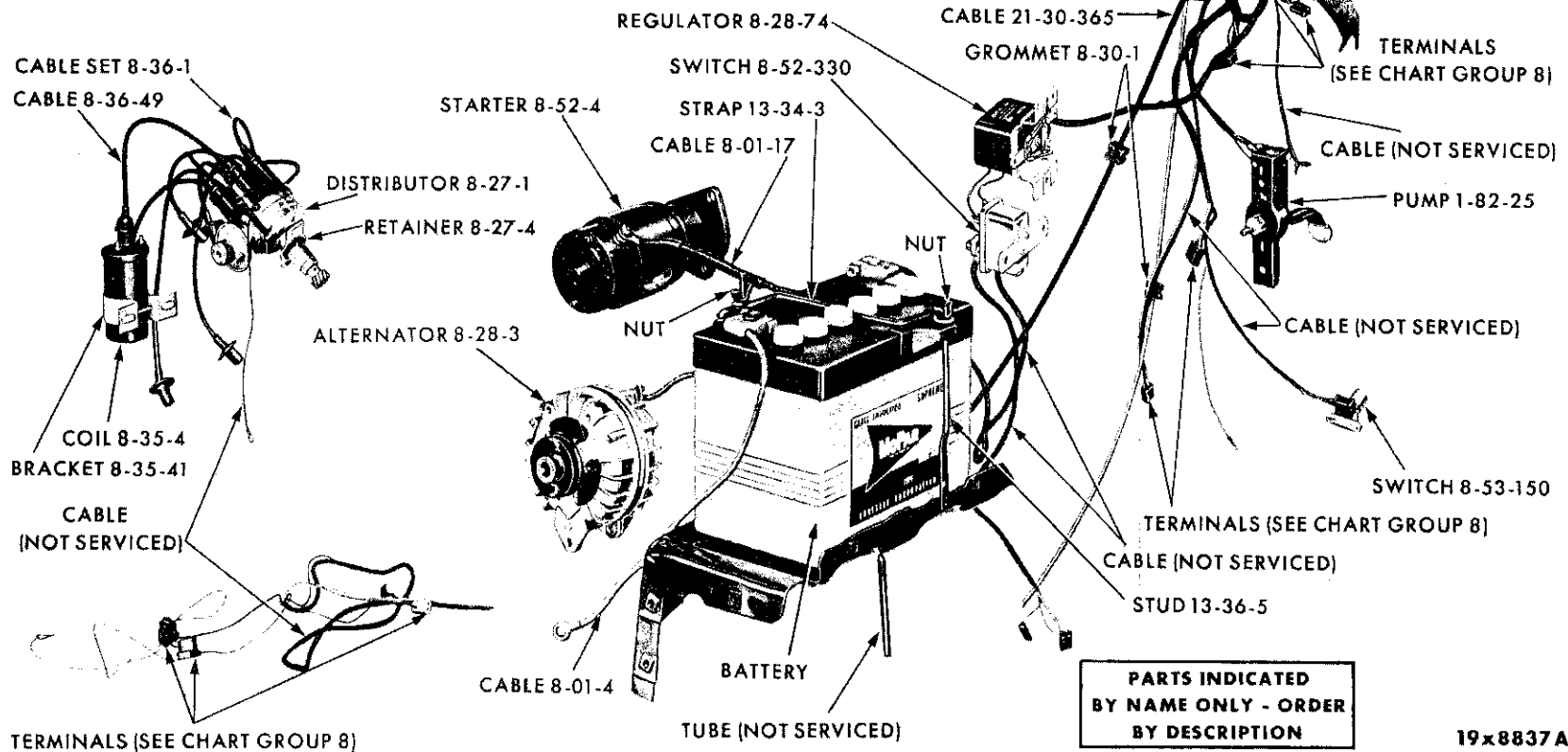
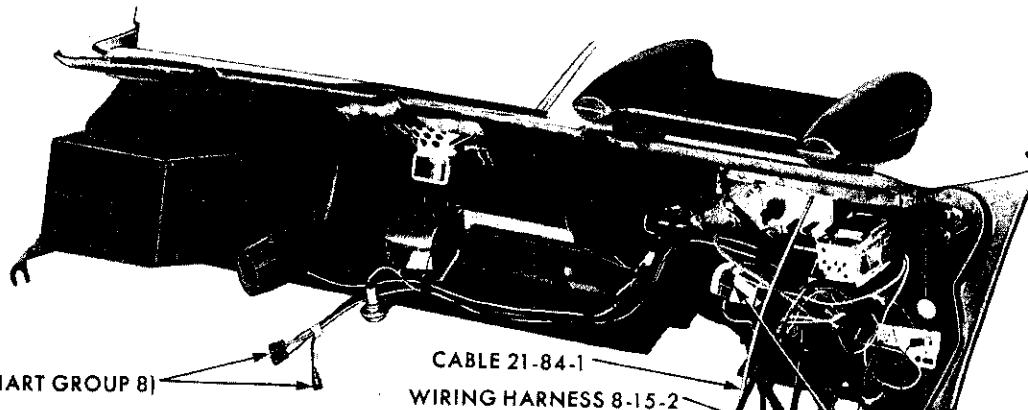
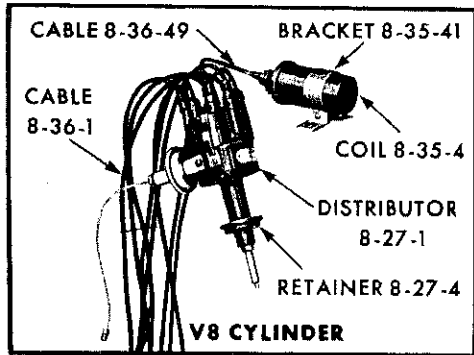
GROUP 8 - ELECTRICAL



**PARTS INDICATED  
BY NAME ONLY - ORDER  
BY DESCRIPTION**

19x8840

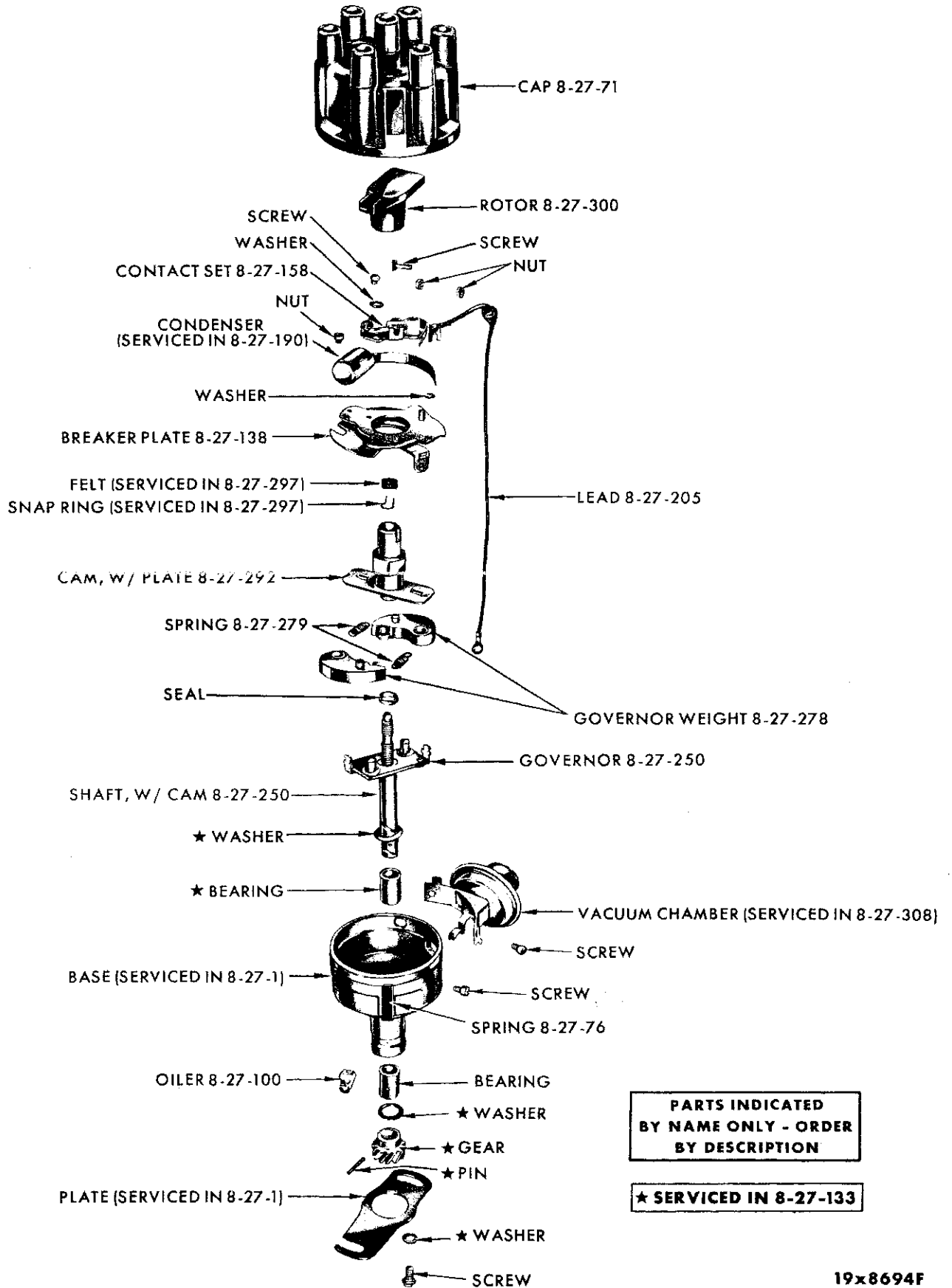
ELECTRICAL SYSTEM - VALIANT RV1



**PARTS INDICATED  
BY NAME ONLY - ORDER  
BY DESCRIPTION**

19x8837A

**ELECTRICAL SYSTEM - PLYMOUTH RP1-2**

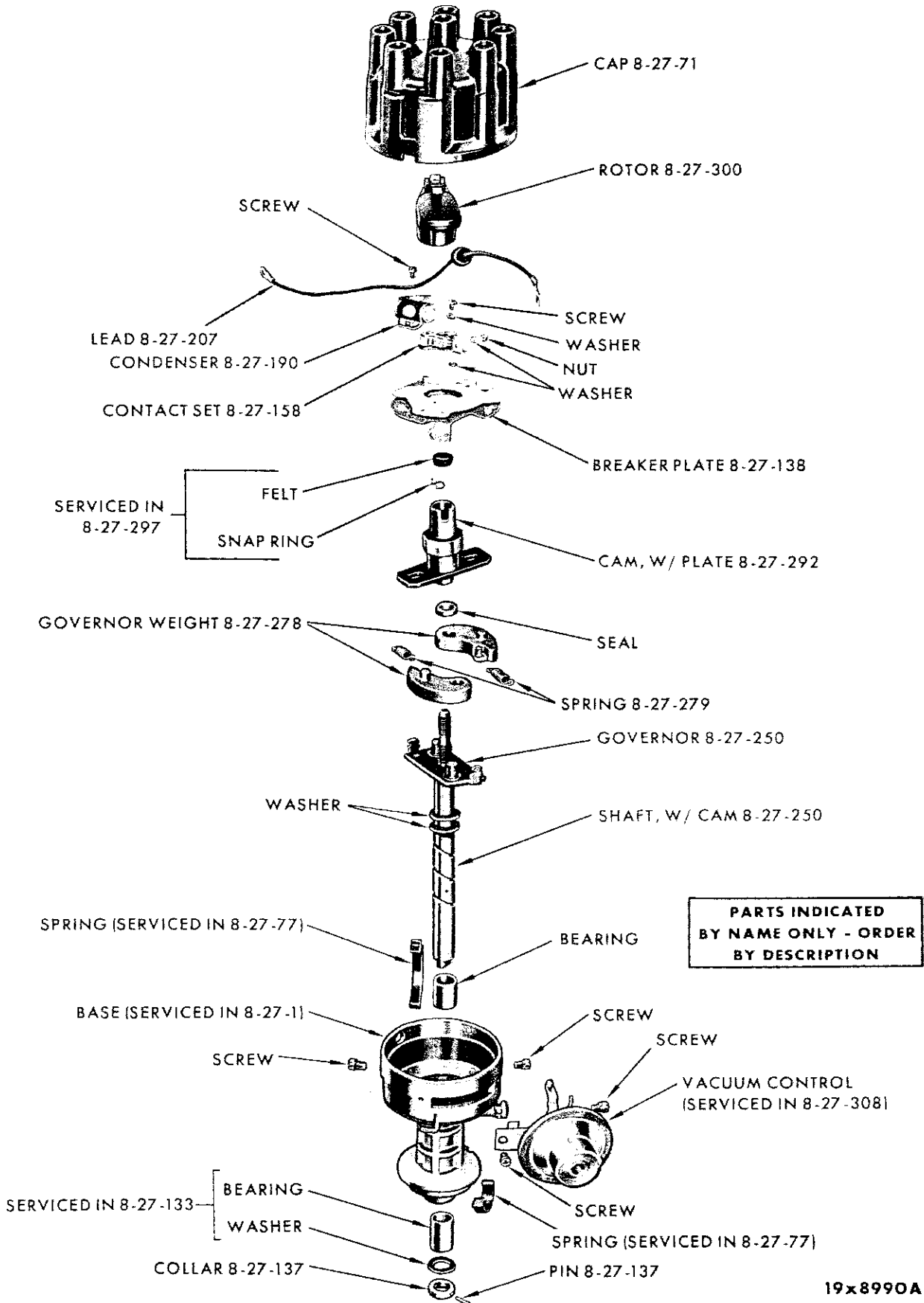


**PARTS INDICATED  
BY NAME ONLY - ORDER  
BY DESCRIPTION**

**★ SERVICED IN 8-27-133**

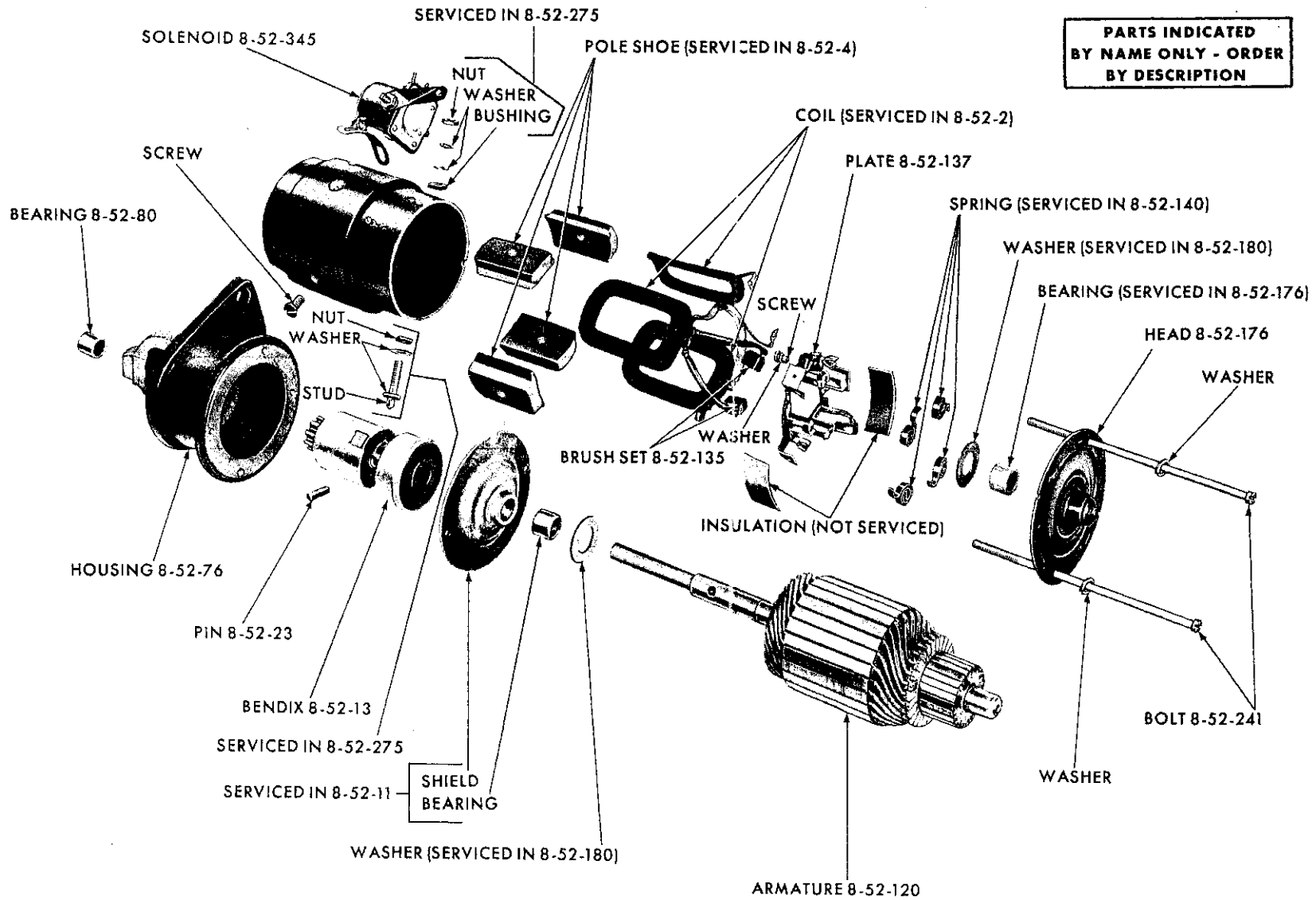
DISTRIBUTOR - 6 CYLINDER

19x8694F



DISTRIBUTOR - V8 CYLINDER

PARTS INDICATED  
BY NAME ONLY - ORDER  
BY DESCRIPTION

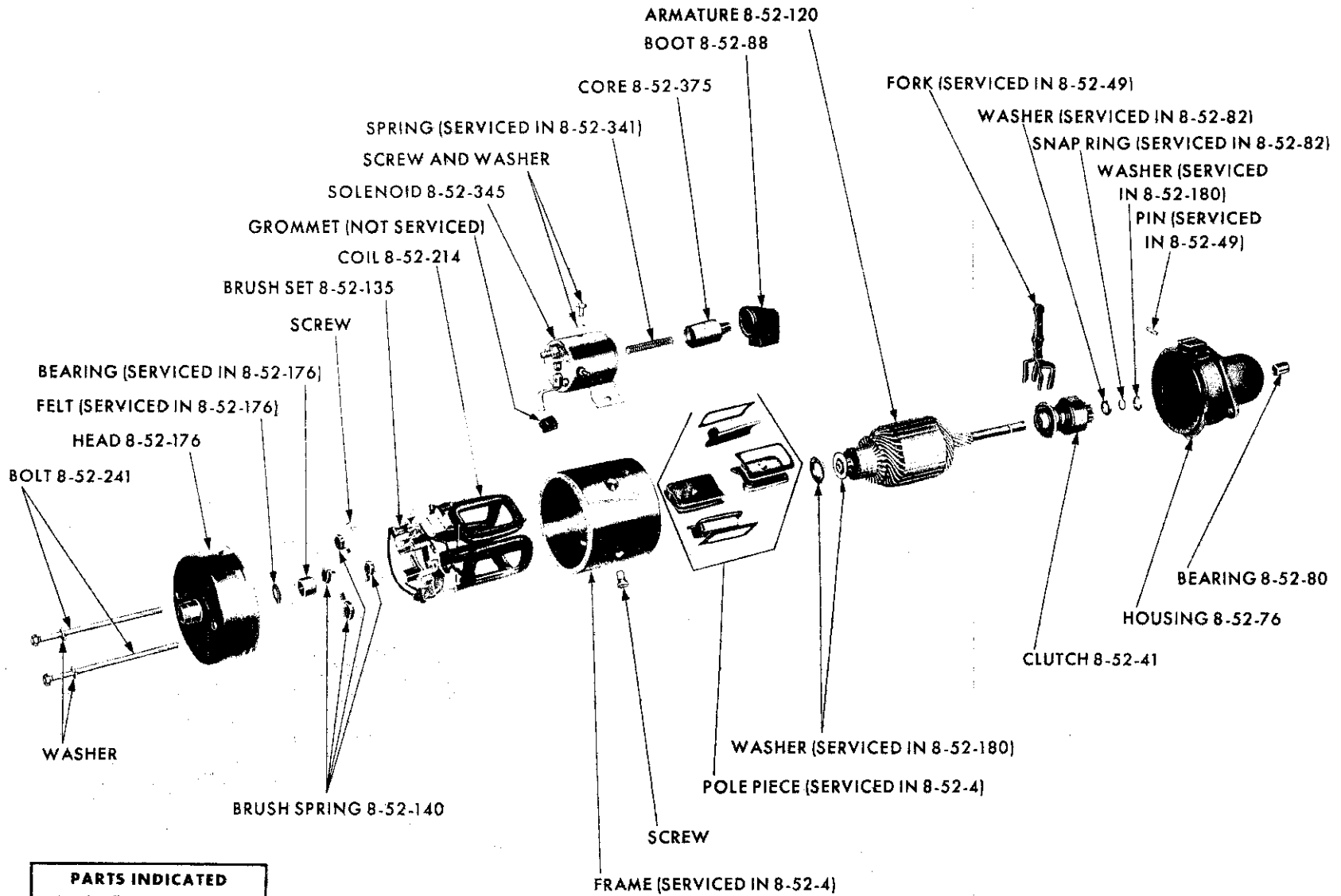


STARTER - 6 CYLINDER

MyMopar.com

19x8747B



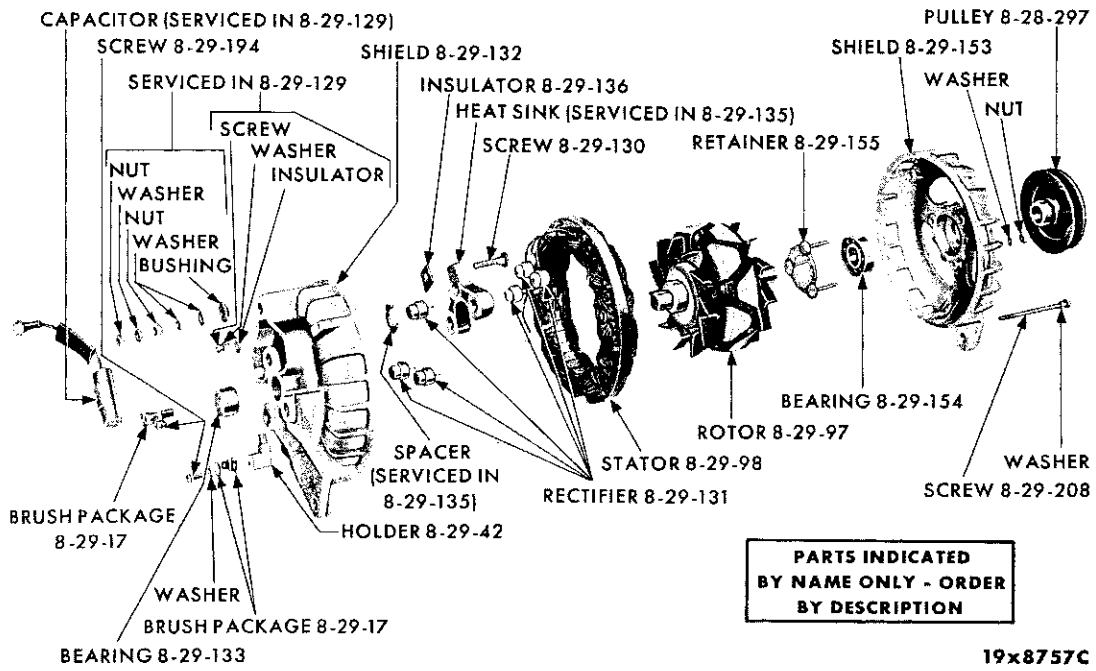


**PARTS INDICATED  
BY NAME ONLY - ORDER  
BY DESCRIPTION**

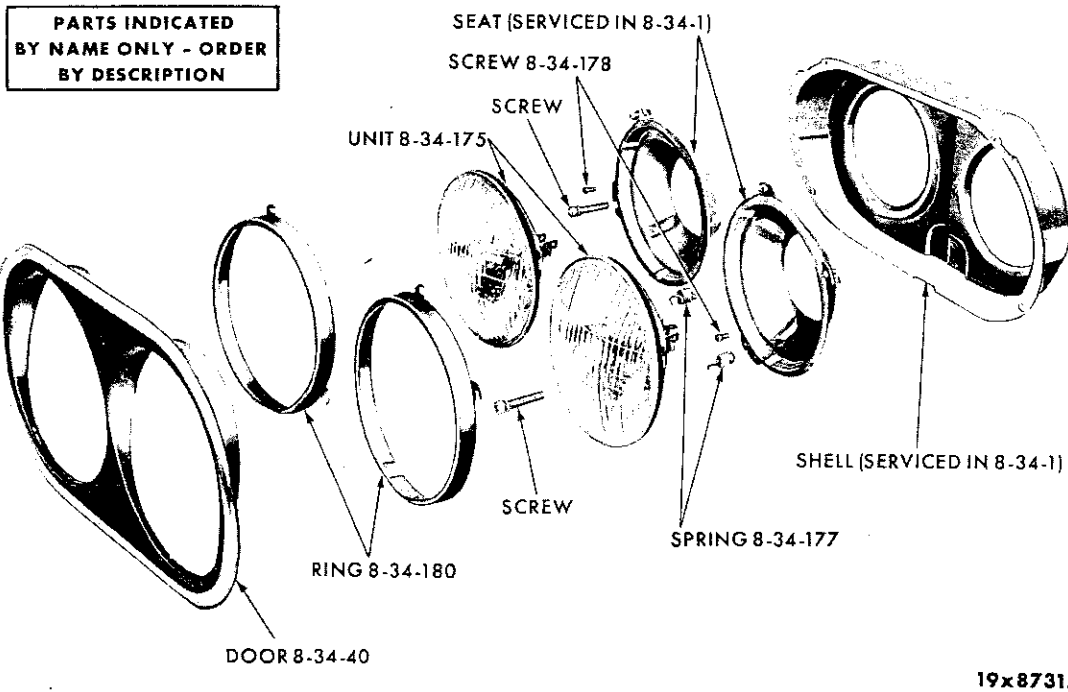
19x8726C

STARTER - V8 CYLINDER

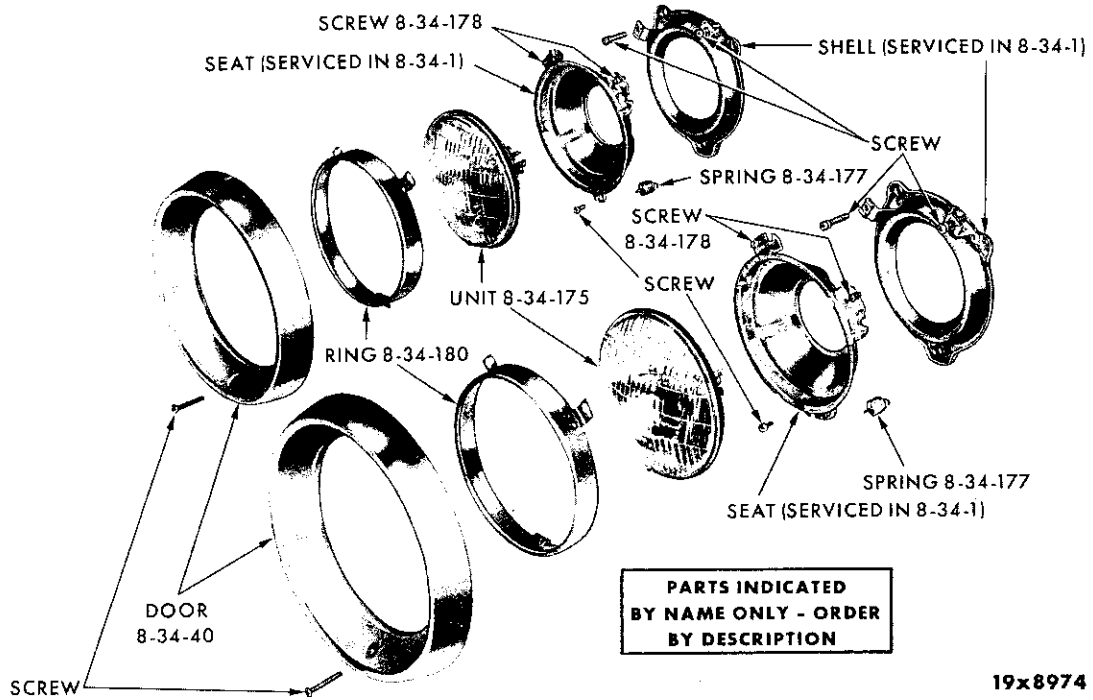




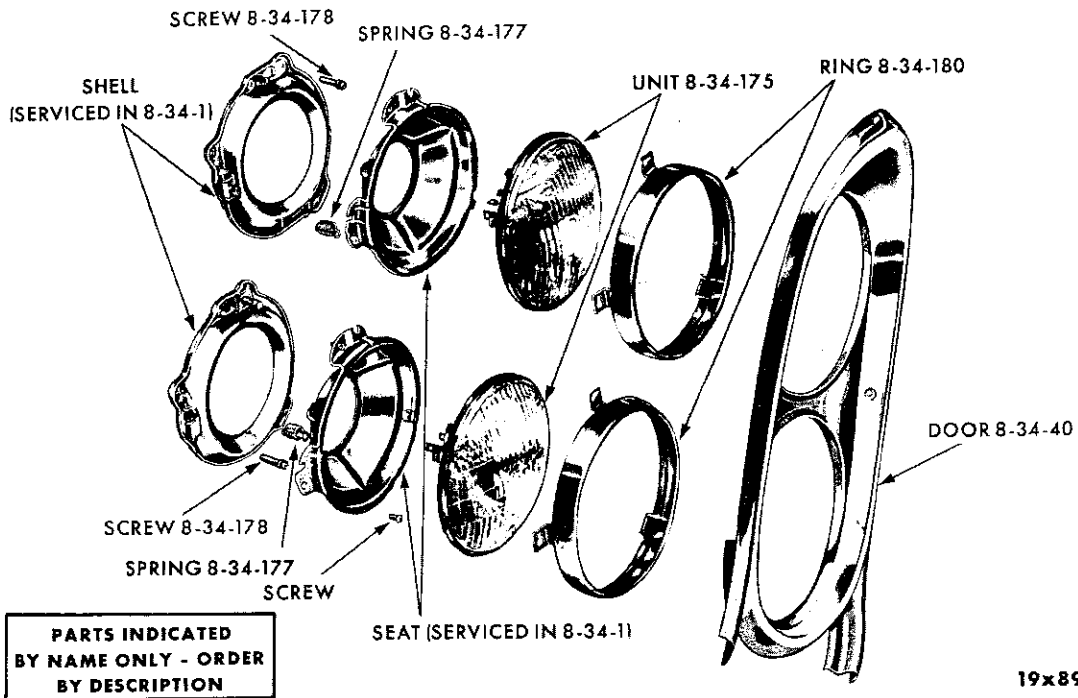
ALTERNATOR



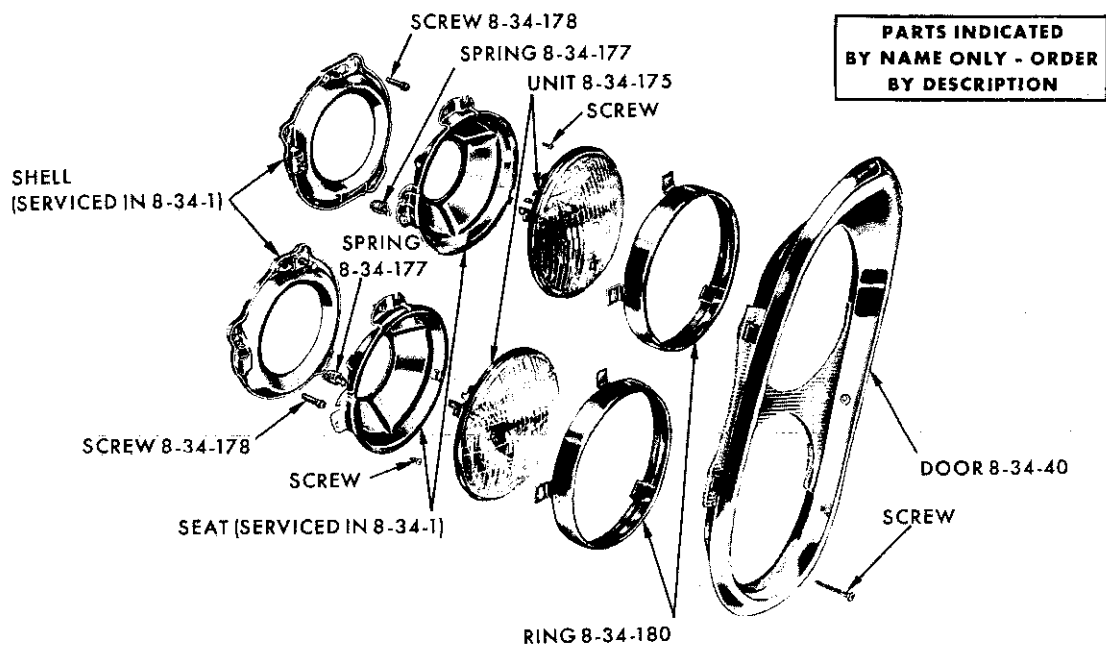
HEADLAMP - VALIANT RV1



HEADLAMP - PLYMOUTH RP1-2

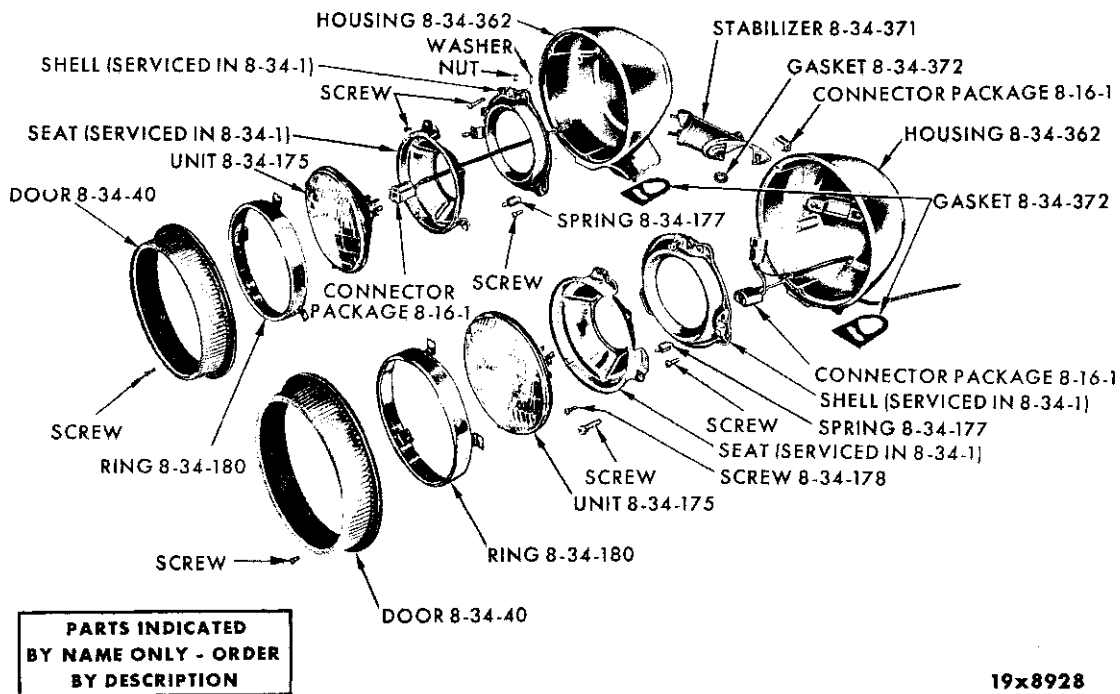


HEADLAMP - DESOTO RS1



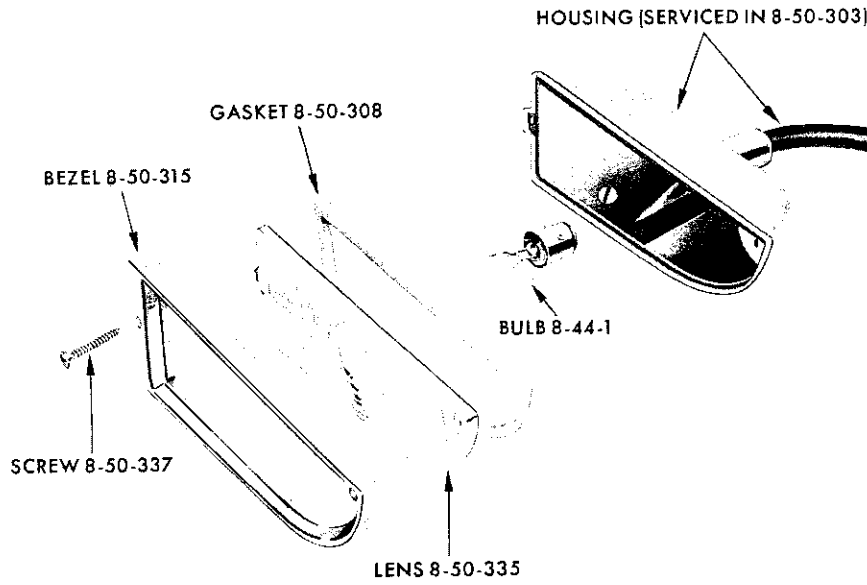
19x8901

HEADLAMP - CHRYSLER RC1-2-3-4



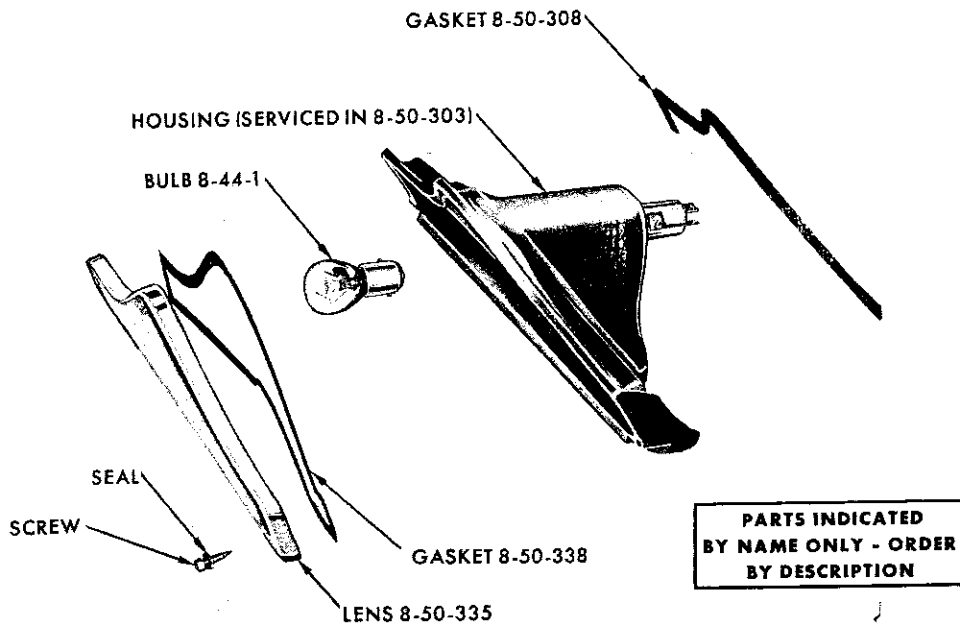
19x8928

HEADLAMP - IMPERIAL RY1



19x8739

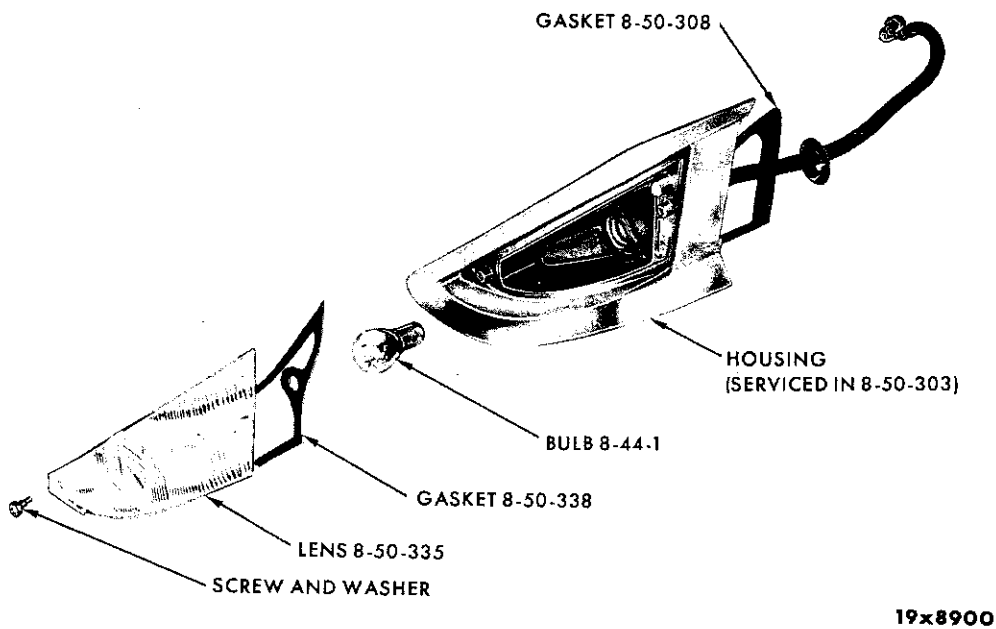
PARKING LAMP - VALIANT RV1



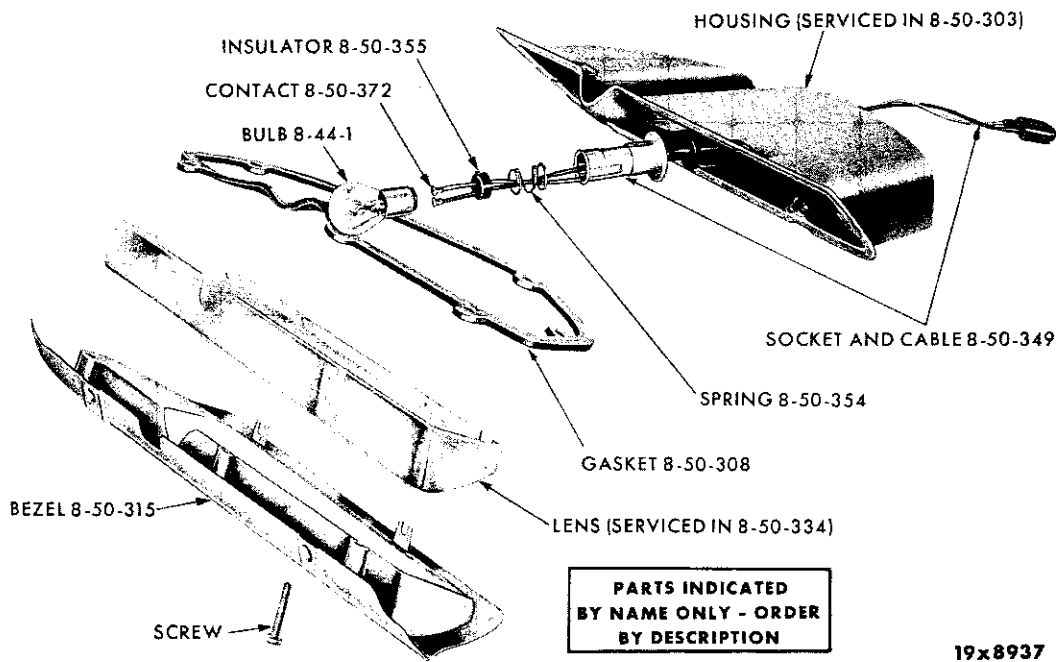
PARTS INDICATED  
BY NAME ONLY - ORDER  
BY DESCRIPTION

19x8956

PARKING LAMP - PLYMOUTH RP1-2

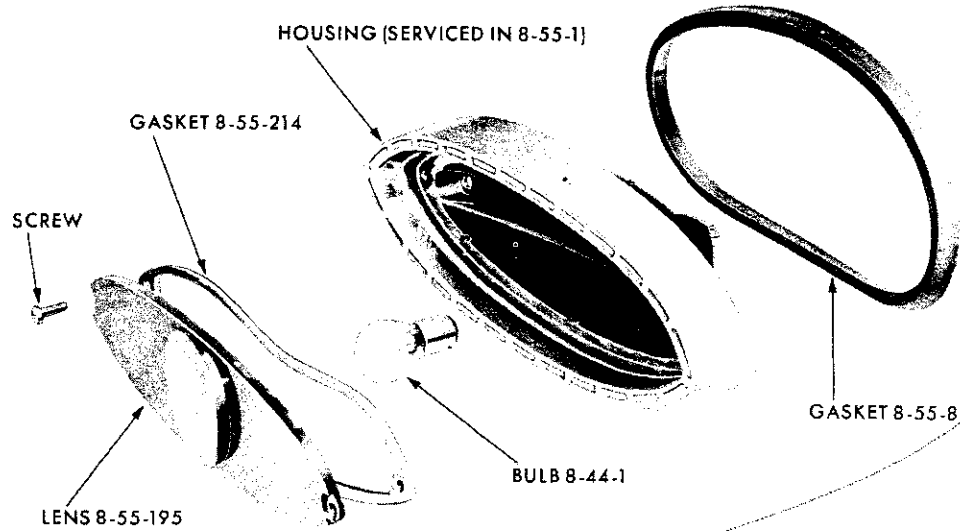


PARKING LAMP - DESOTO RS1 AND CHRYSLER RC1-2-3-4



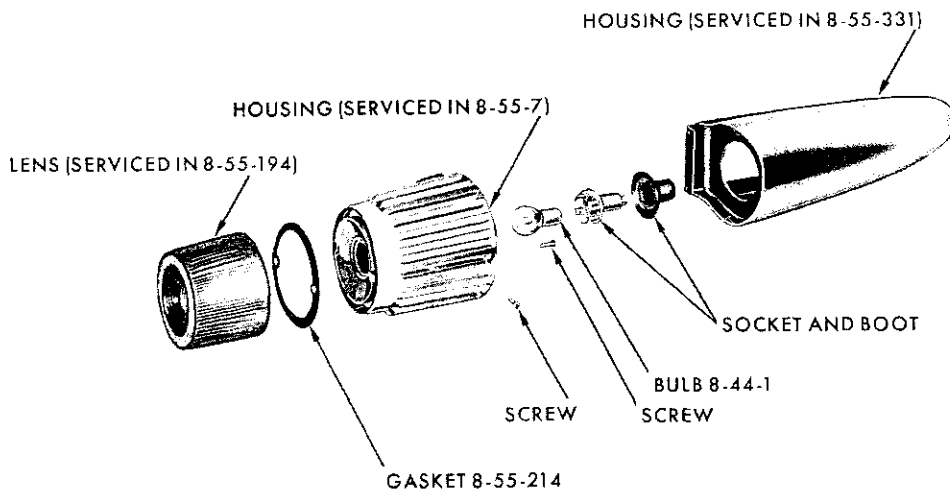
PARKING LAMP - IMPERIAL RY1





19x8730

TAIL AND STOP LAMP - VALIANT RV1

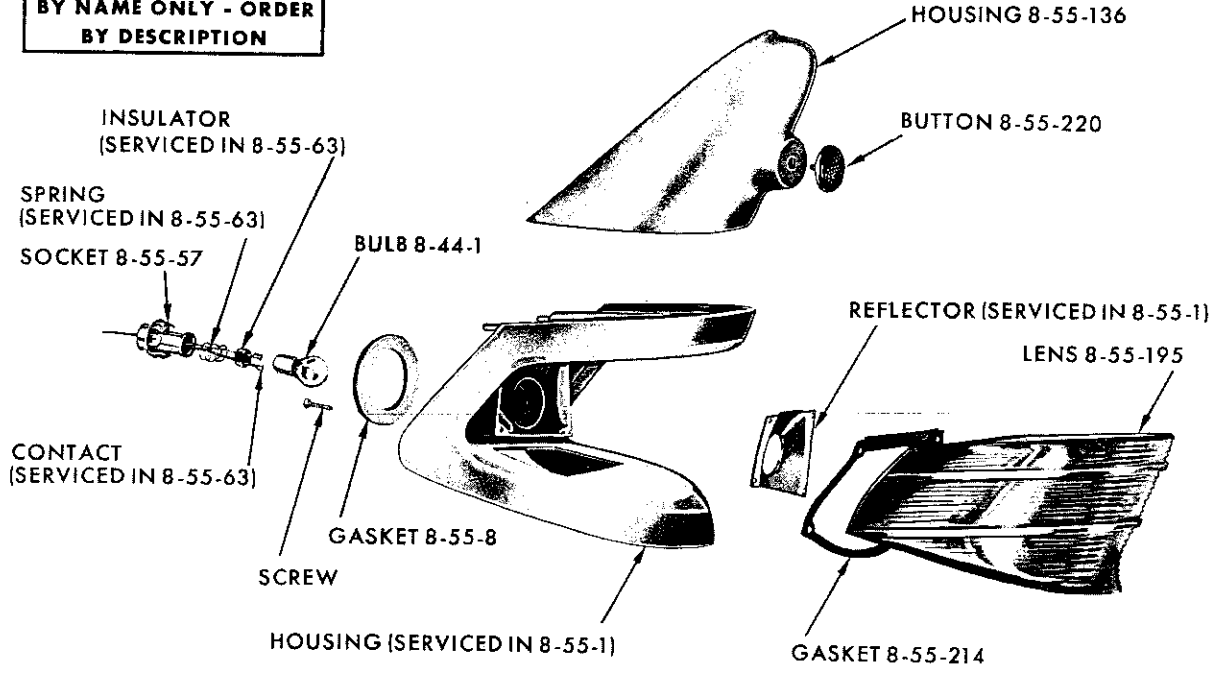


PARTS INDICATED  
BY NAME ONLY - ORDER  
BY DESCRIPTION

19x8944

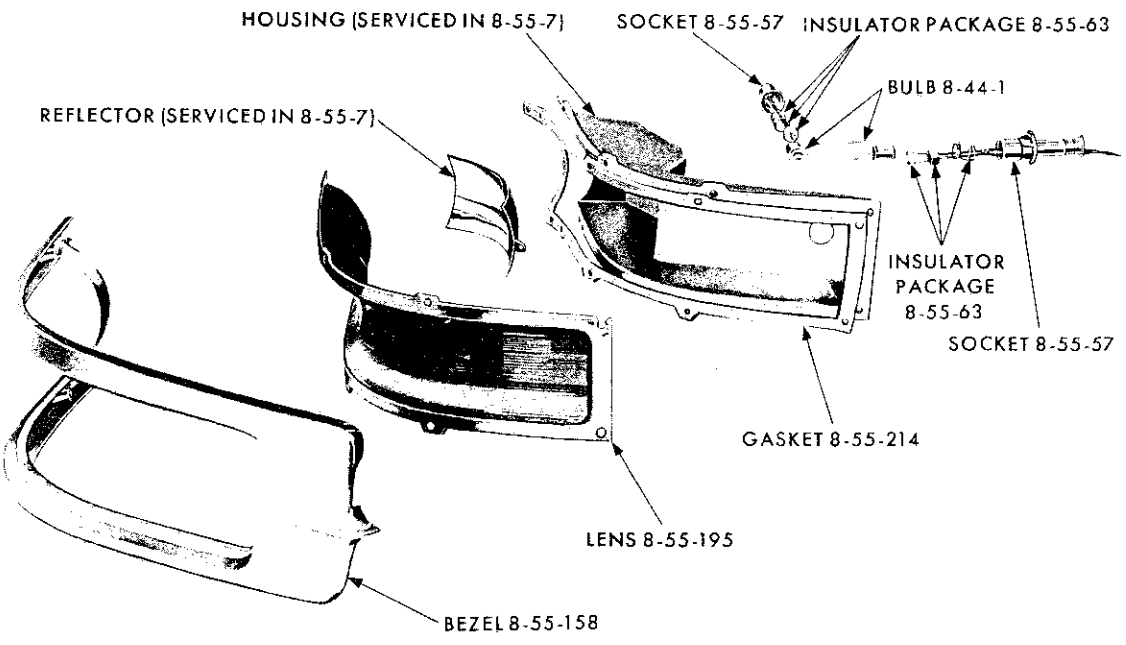
TAIL AND STOP LAMP - PLYMOUTH RP1-2

PARTS INDICATED  
BY NAME ONLY - ORDER  
BY DESCRIPTION



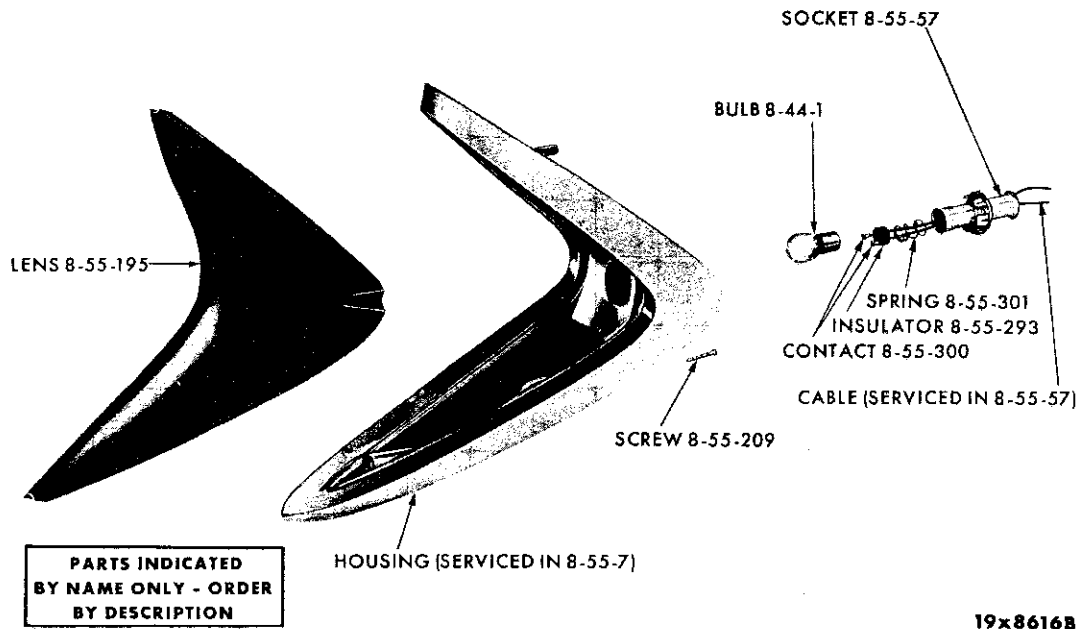
19x8947A

TAIL AND STOP LAMP - DESOTO RS1



19x8909A

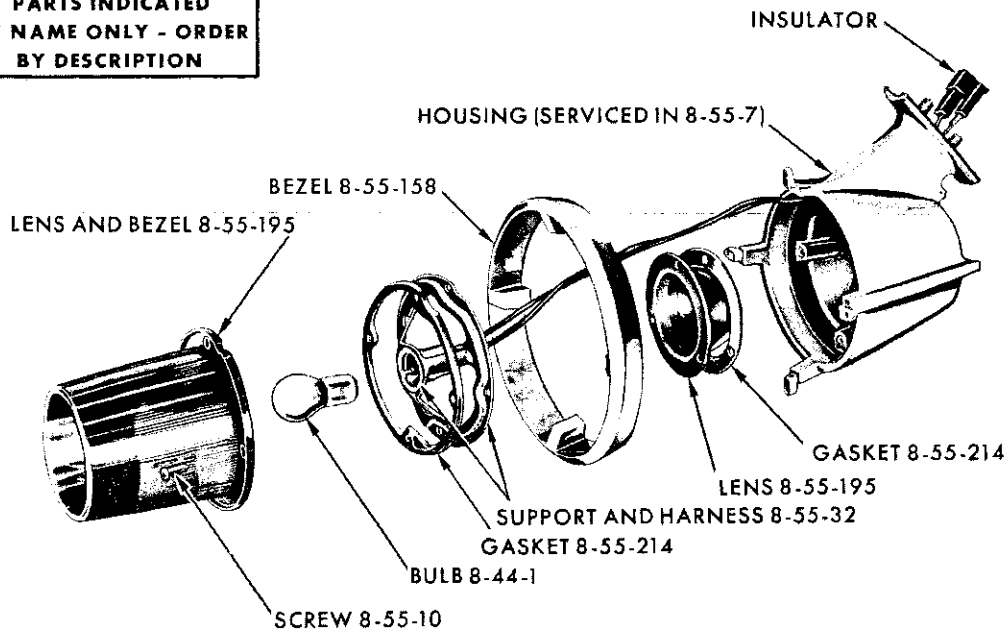
TAIL AND STOP LAMP (EXCEPT SUBURBAN) - CHRYSLER RC1-2-3-4



19x8616B

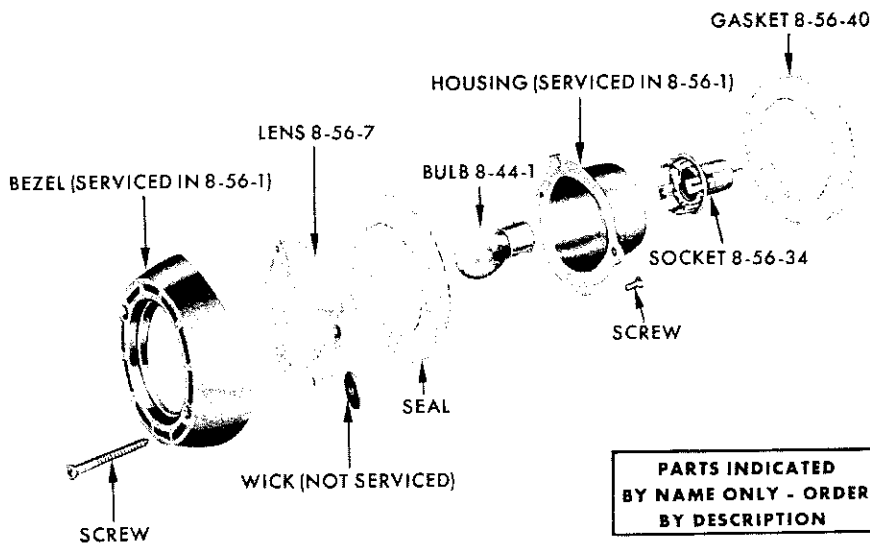
TAIL AND STOP LAMP (SUBURBAN) - CHRYSLER RC1-3

PARTS INDICATED BY NAME ONLY - ORDER BY DESCRIPTION



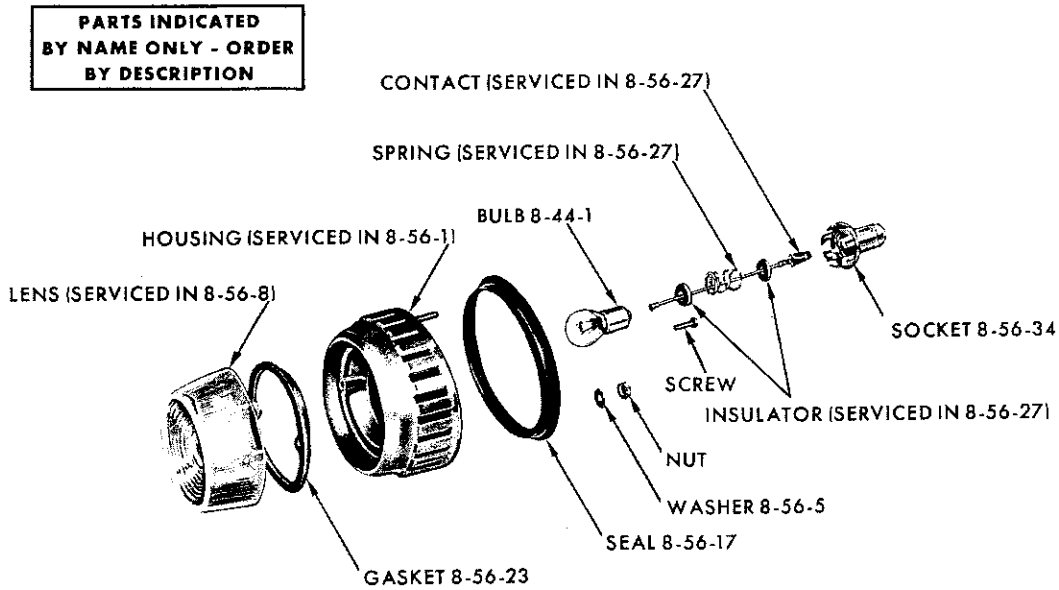
19x8929A

TAIL AND STOP LAMP - IMPERIAL RY1



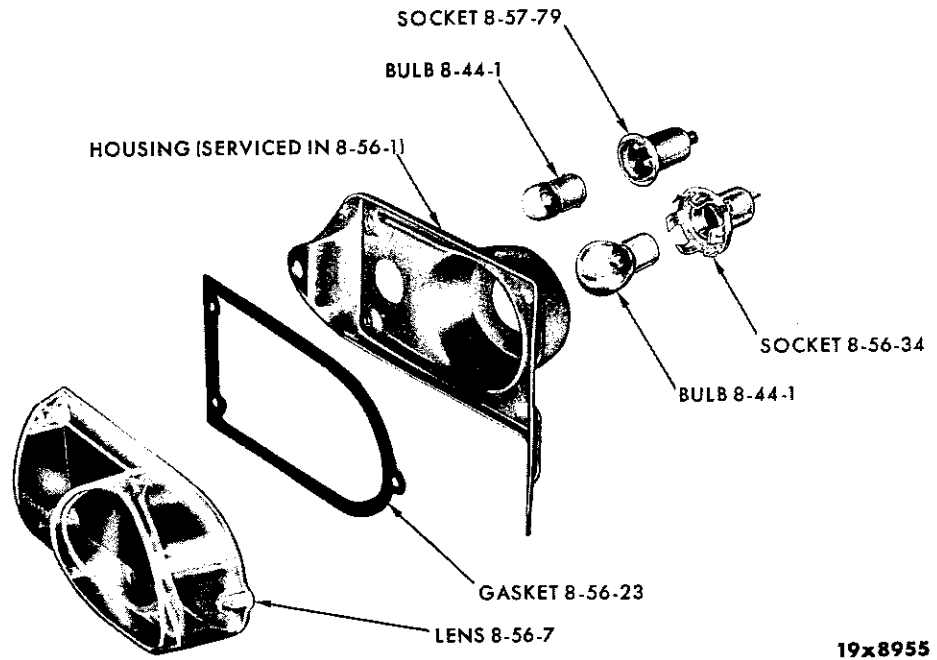
19x8737

BACK-UP LAMP - VALIANT RV1

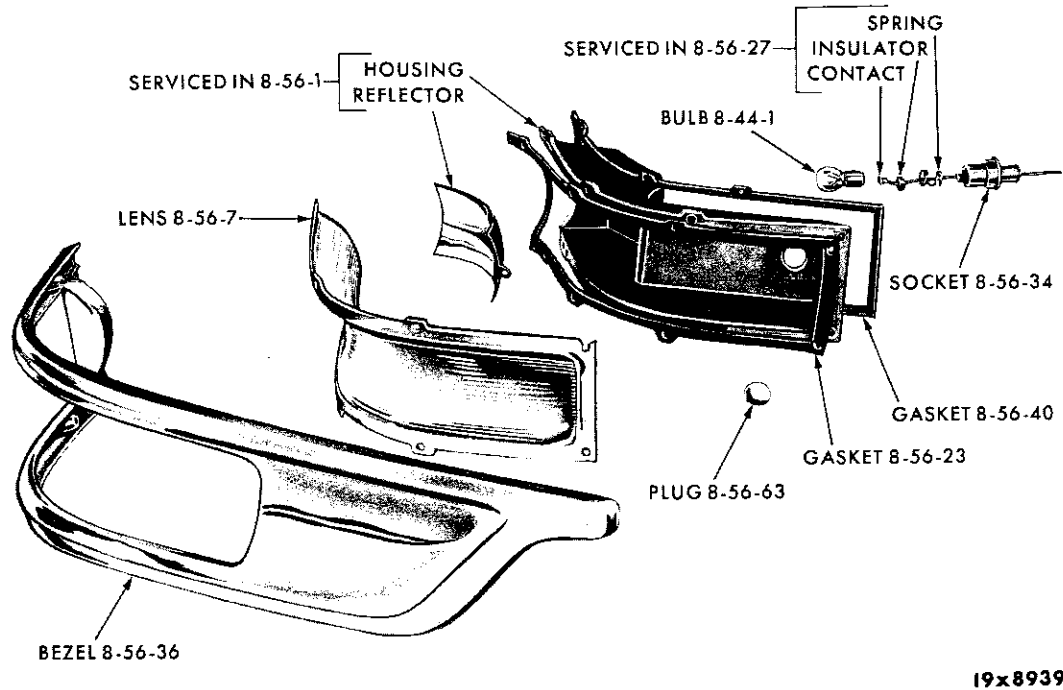


19x8958

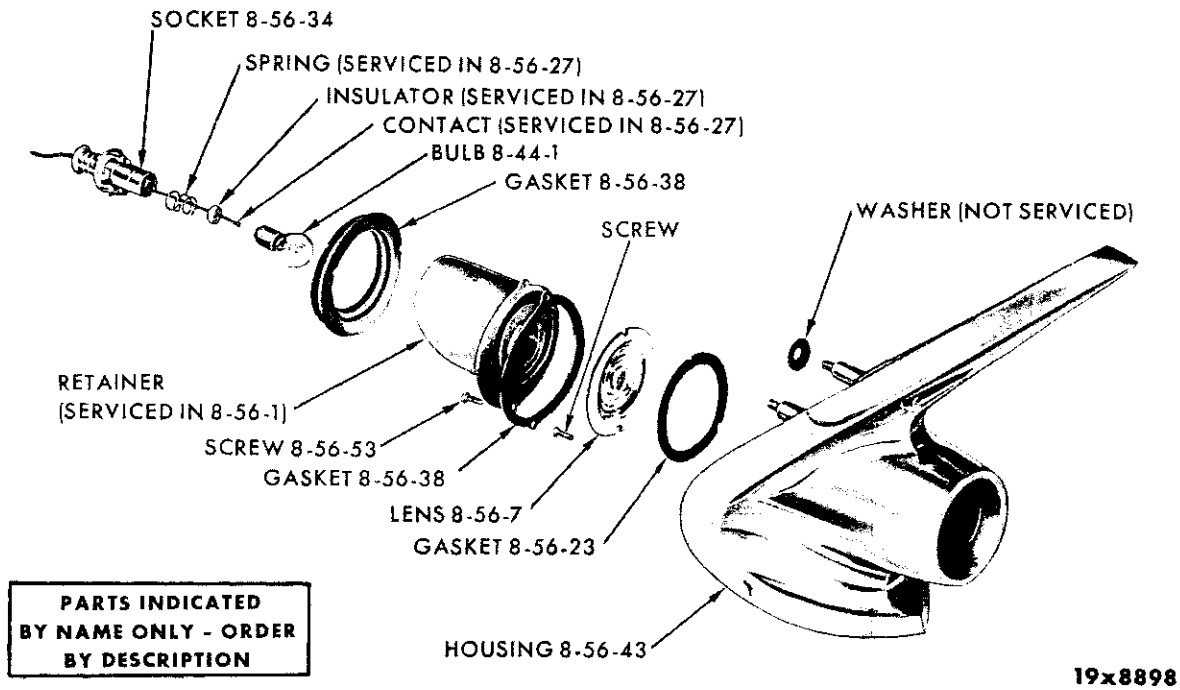
BACK-UP LAMP (EXCEPT SUBURBAN) - PLYMOUTH RP1-2



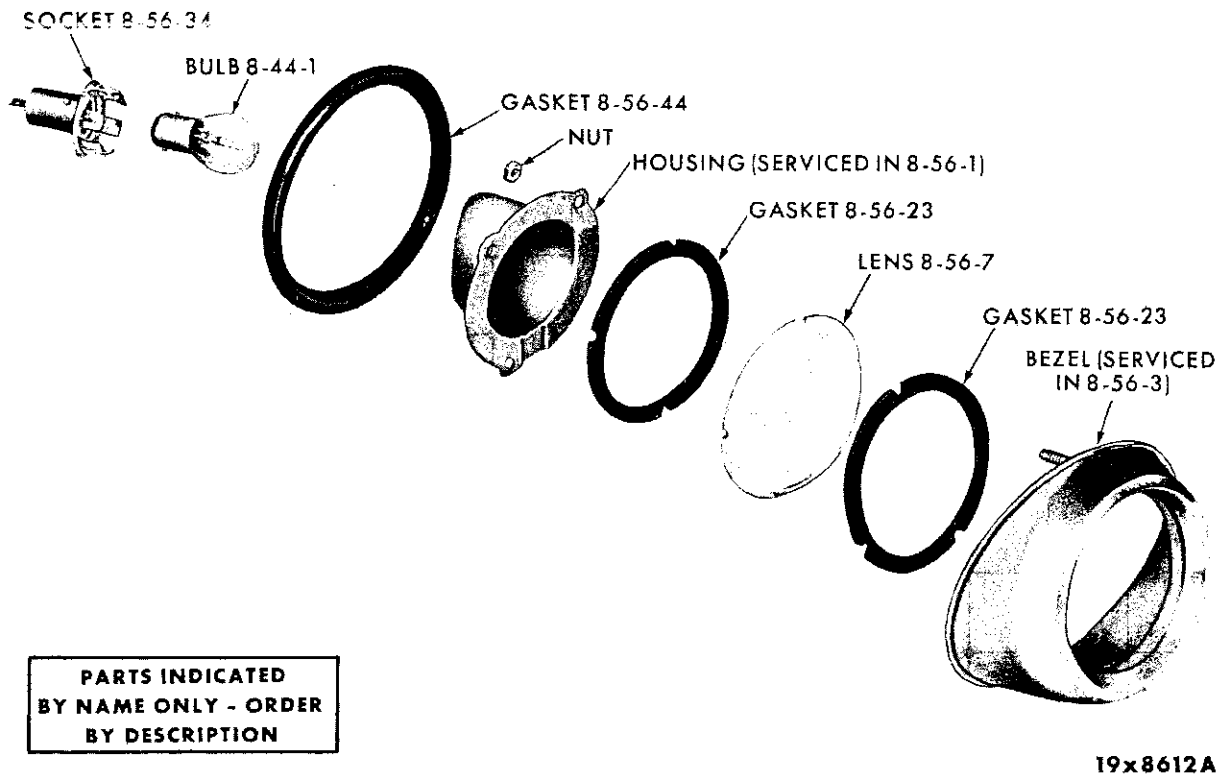
BACK-UP AND LICENSE LAMP (SUBURBAN) - PLYMOUTH RP1-2



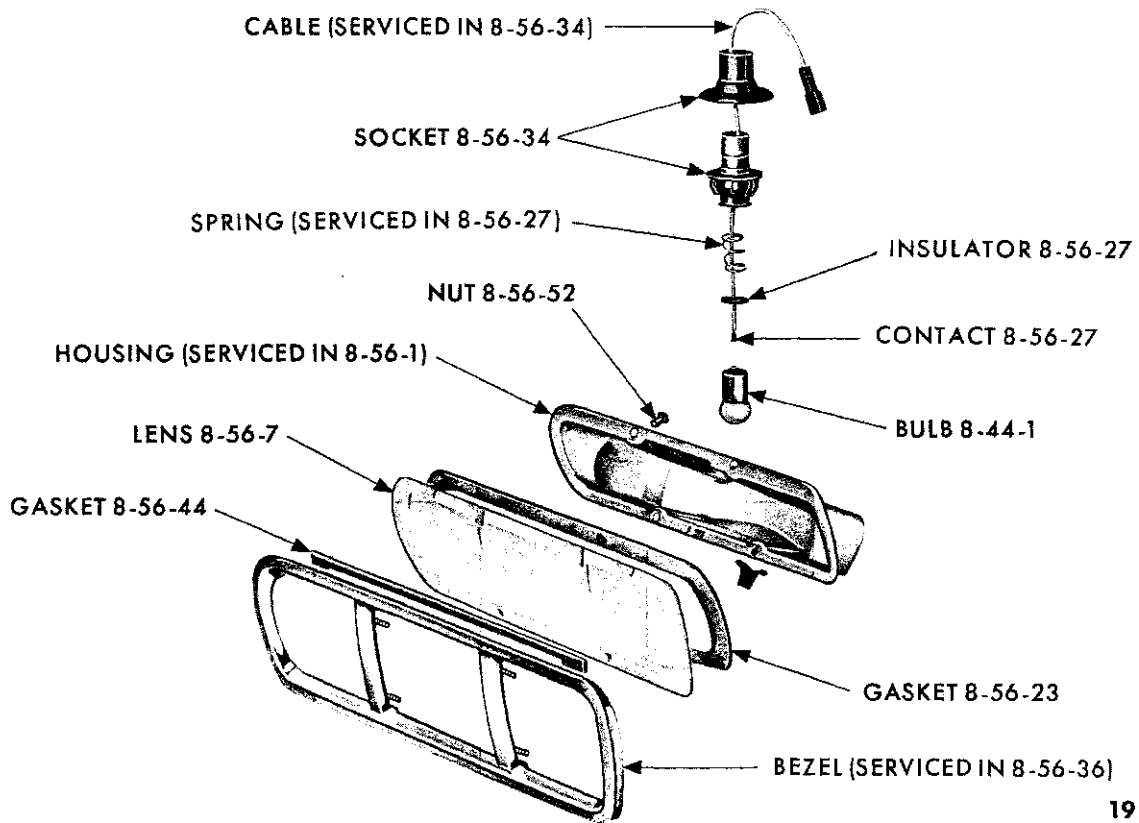
BACK-UP LAMP - DESOTO RS1



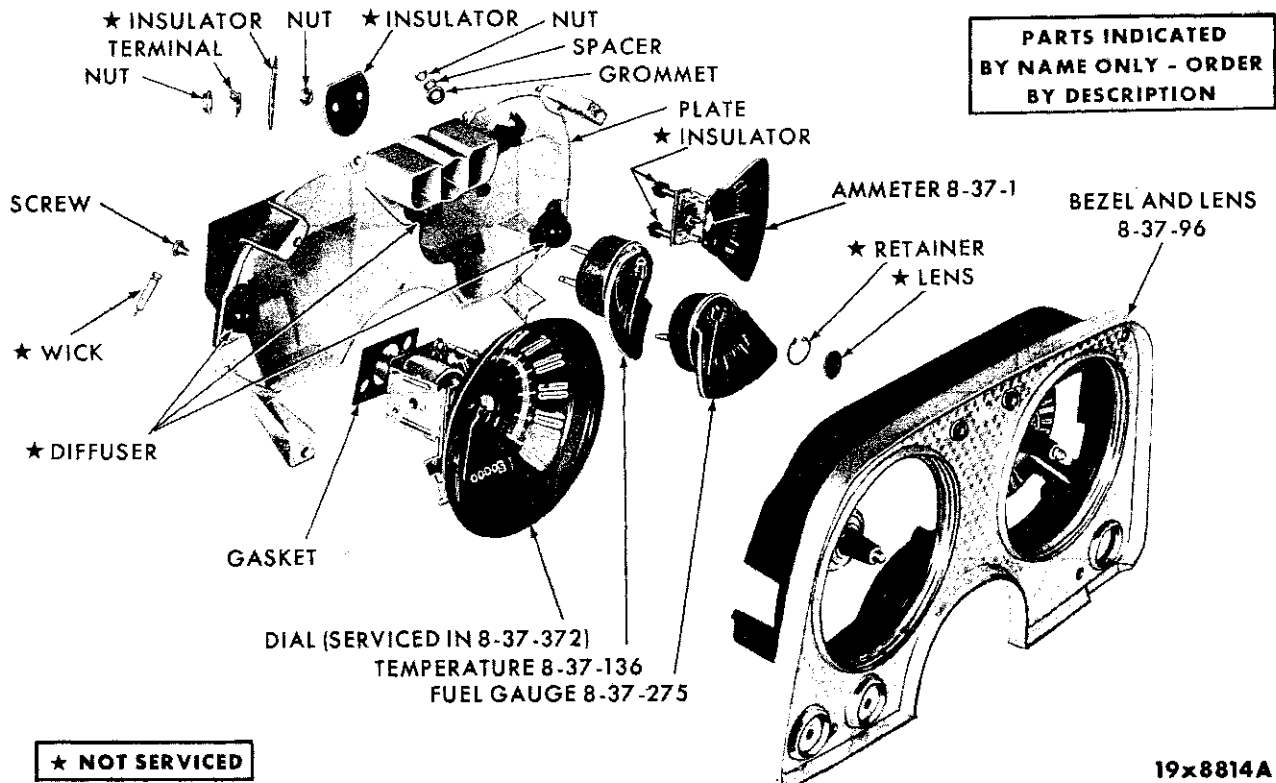
BACK-UP LAMP (EXCEPT SUBURBAN) - CHRYSLER RC1-2-3-4



BACK-UP LAMP (SUBURBAN) - CHRYSLER RC1-3



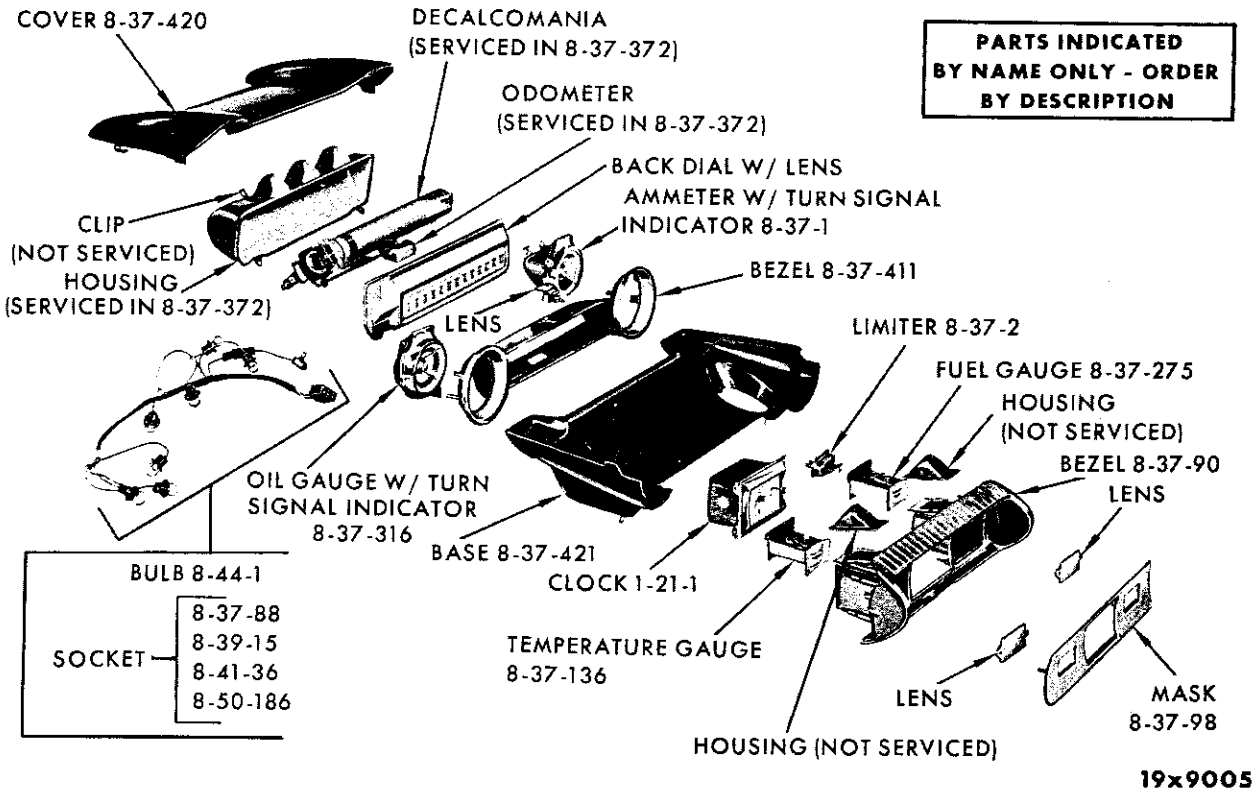
BACK-UP LAMP - IMPERIAL RY1



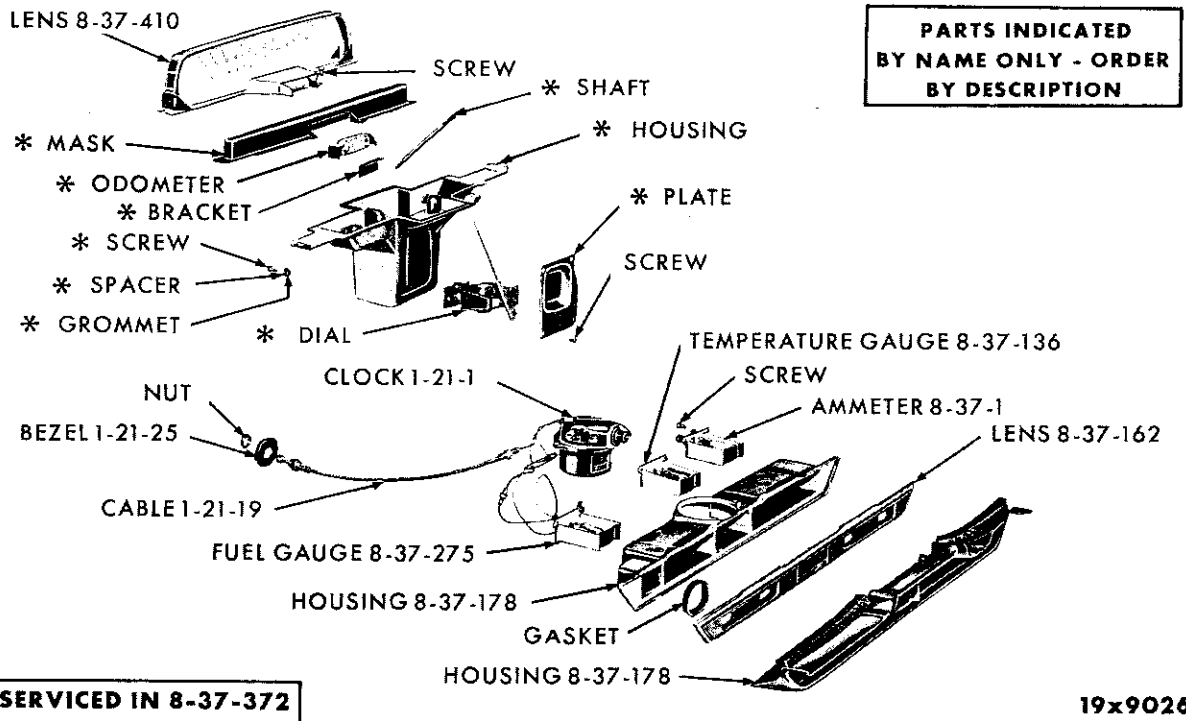
PARTS INDICATED BY NAME ONLY - ORDER BY DESCRIPTION

INSTRUMENT CLUSTER - VALIANT RV1

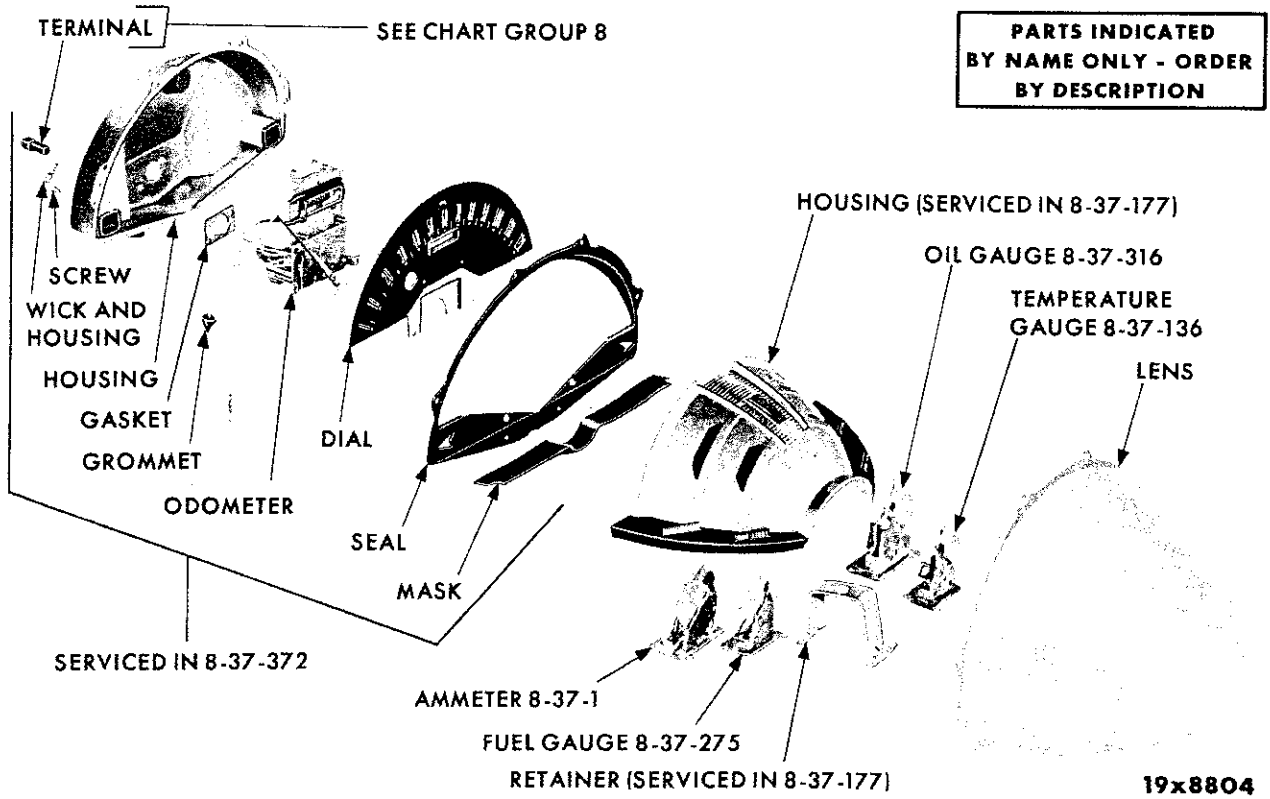




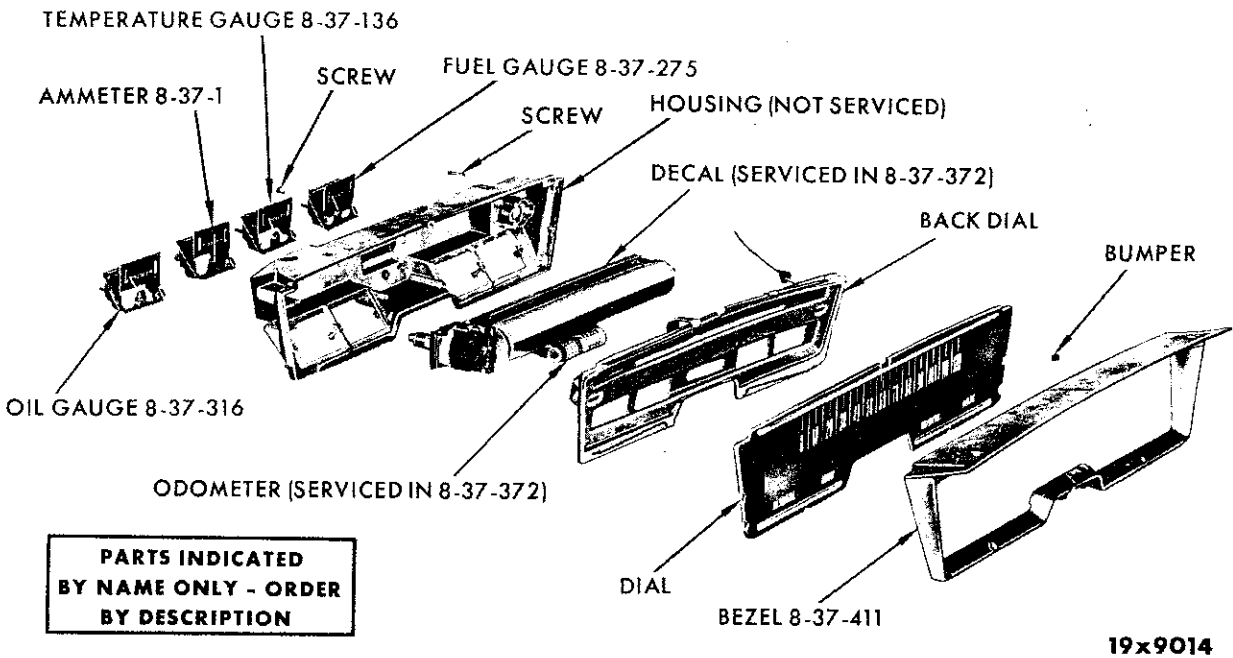
INSTRUMENT CLUSTER - PLYMOUTH RP1-2



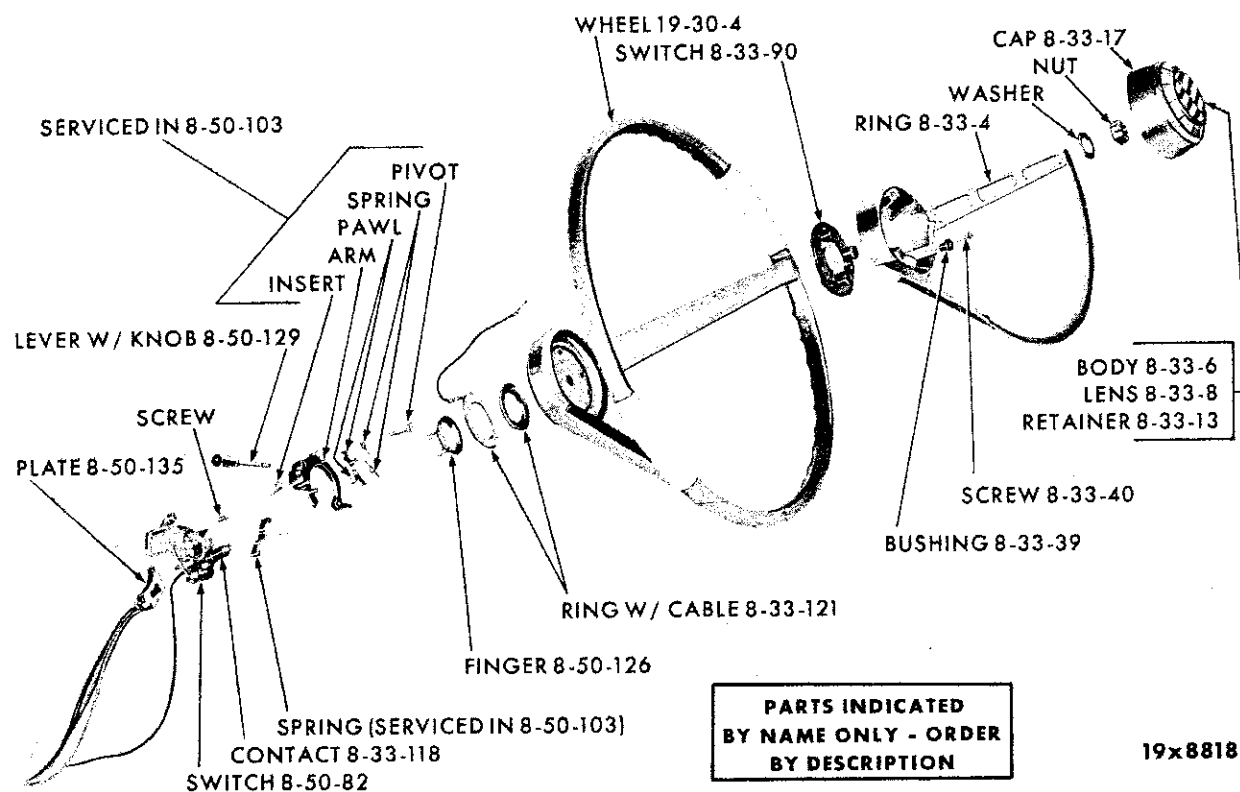
INSTRUMENT CLUSTER - DESOTO RS1



INSTRUMENT CLUSTER - CHRYSLER RC1-2-3-4

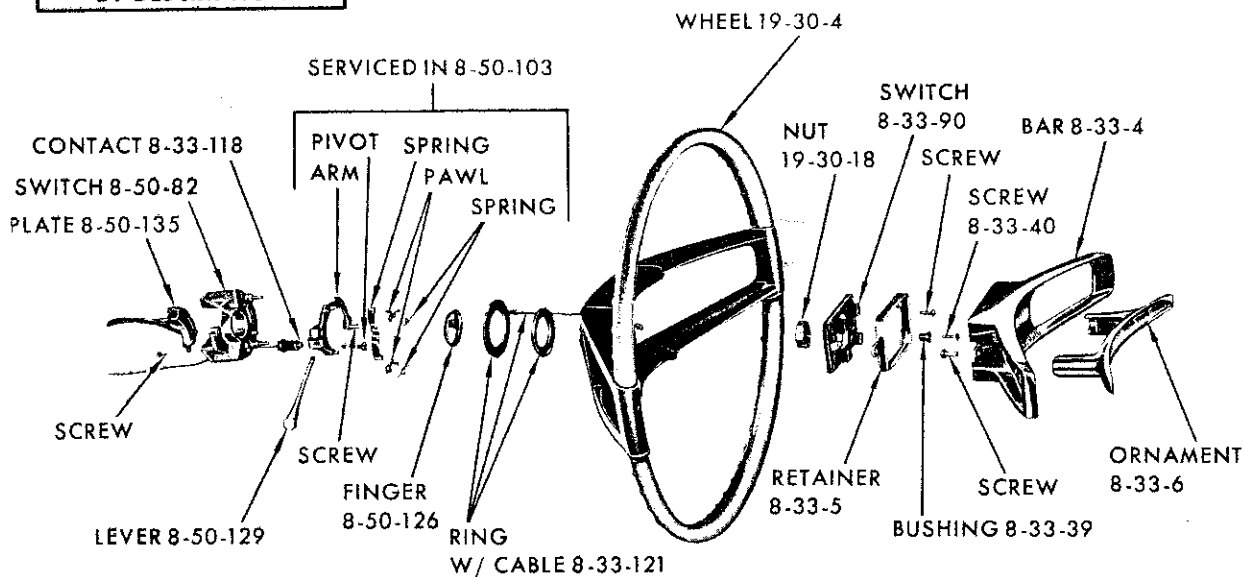


INSTRUMENT CLUSTER - IMPERIAL RY1

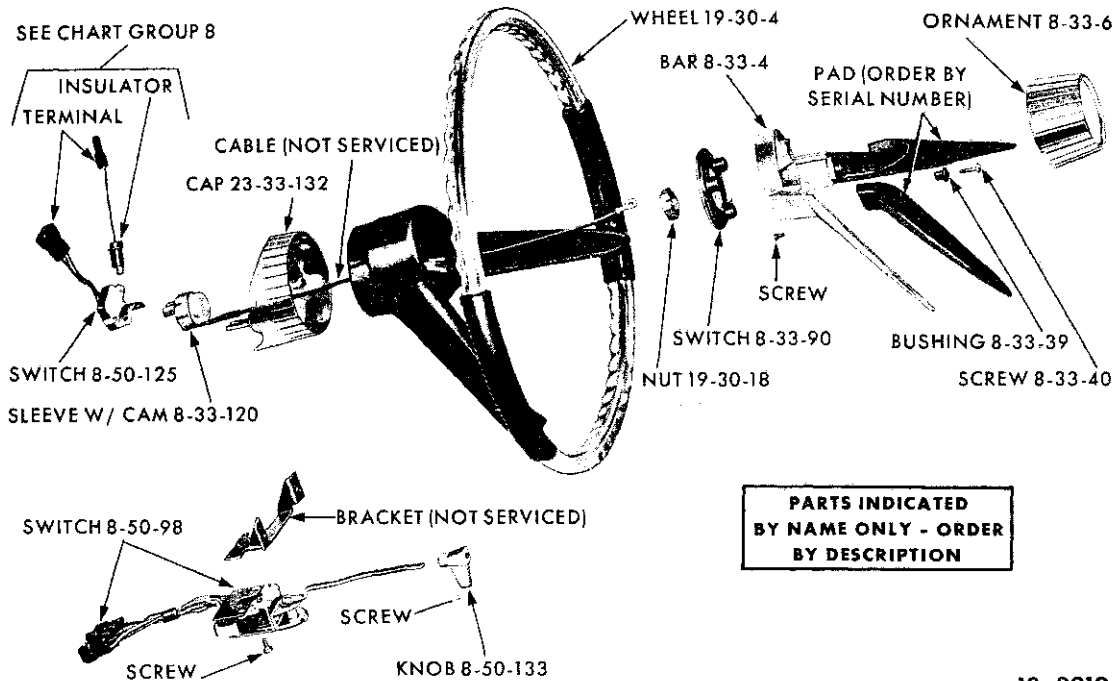


HORN AND DIRECTIONAL SIGNAL CONTROLS - VALIANT RV1

**PARTS INDICATED  
BY NAME ONLY - ORDER  
BY DESCRIPTION**



HORN AND DIRECTIONAL SIGNAL CONTROLS - PLYMOUTH RP1-2



HORN AND DIRECTIONAL SIGNAL CONTROLS - CHRYSLER RC1-2-3-4 AND IMPERIAL RY1

NOTES

---

---

---

---

---

---

---

---

---

---

---

---

---

---

---

---

---

---

---

---

---

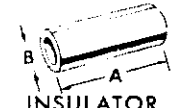

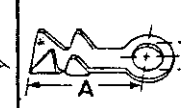



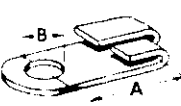
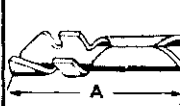




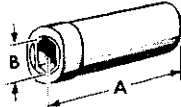
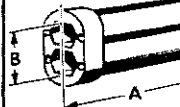
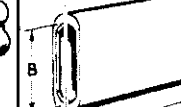
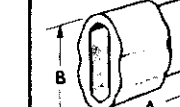
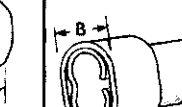




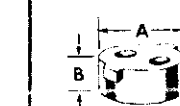


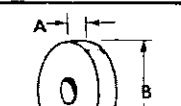



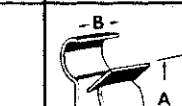
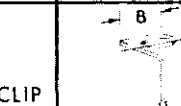

---

---

---

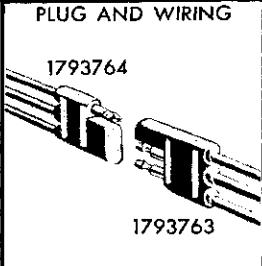
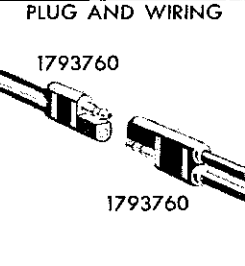
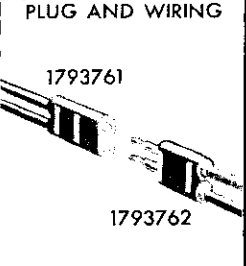
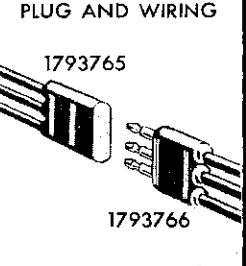
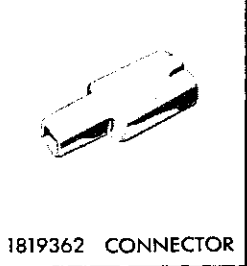
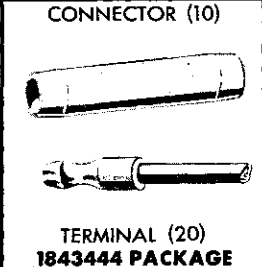
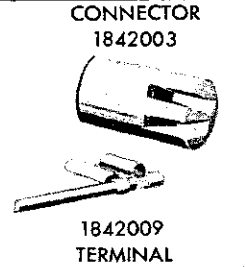
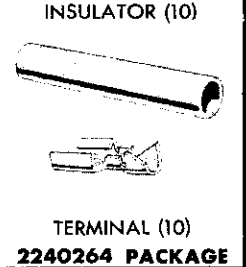


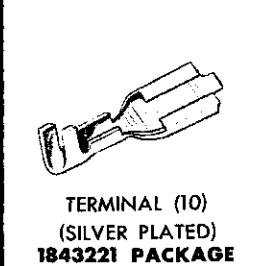
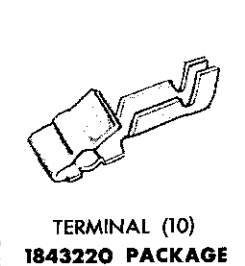
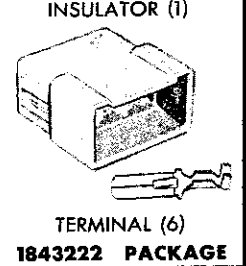
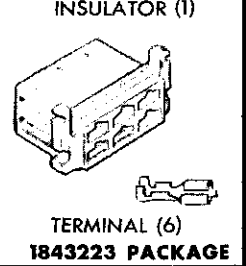
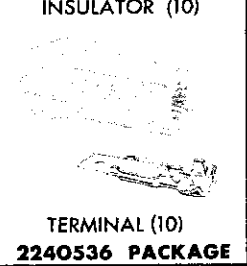
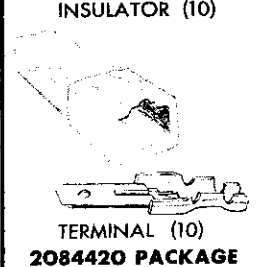
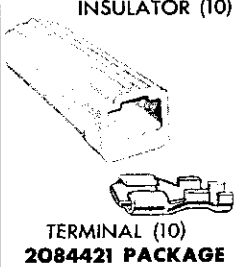
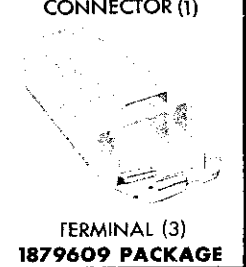
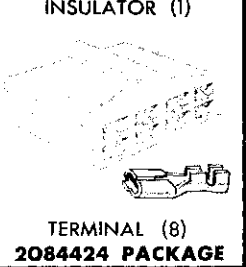
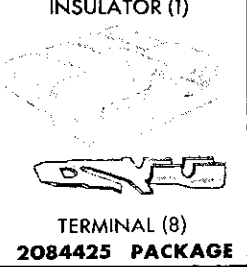
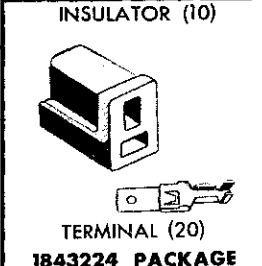
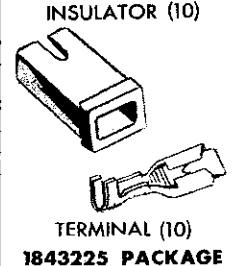
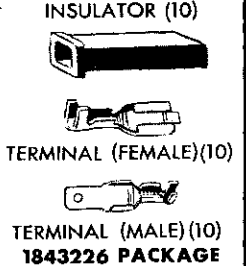
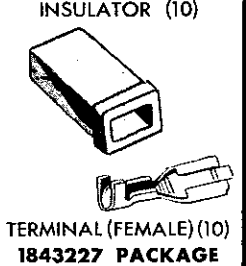
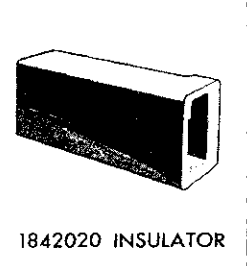
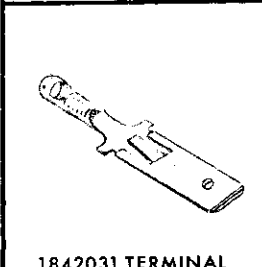
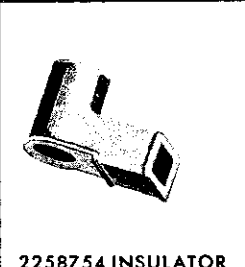
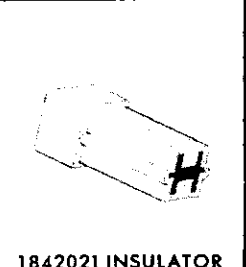
---

---

 <p><b>INSULATOR SLEEVES</b></p> <p><b>PART NO. A B</b></p> <p>930304 1 2/64 1188502 1 1/4 1264933 1 1/32</p>	 <p><b>TERMINAL</b></p> <p><b>PART NO. A B</b></p> <p>200001 13/16 5/32 200235 1 1/32 13/32 200230 1 1/8 5/32</p>	 <p><b>TERMINAL</b></p> <p><b>PART NO. A B</b></p> <p>200013 13/16 5/32</p>	 <p><b>TERMINAL</b></p> <p><b>PART NO. A B</b></p> <p>200052 13/16 13/64</p>	 <p><b>TERMINAL</b></p> <p><b>PART NO. A B</b></p> <p>200393 13/16 9/16 200286 9/16 5/32</p>	 <p><b>TERMINAL</b></p> <p><b>PART NO. A B</b></p> <p>1527254 27/64 13/64</p>
 <p><b>TERMINAL</b></p> <p><b>PART NO. A B</b></p> <p>200156 1 1/32 13/64</p>	 <p><b>TERMINAL</b></p> <p><b>PART NO. A B</b></p> <p>870821 3/4 1/64</p>	 <p><b>TERMINAL</b></p> <p><b>PART NO. A B</b></p> <p>665151 17/32 1/6</p>	 <p><b>TERMINAL</b></p> <p><b>PART NO. A B</b></p> <p>1383778 3/4 1/8</p>	 <p><b>TERMINAL</b></p> <p><b>PART NO. A B</b></p> <p>903895 3/8 5/8</p>	 <p><b>TERMINAL</b></p> <p><b>PART NO. A B</b></p> <p>1753534 3/4 1/4</p>
 <p><b>CONNECTOR (Single)</b></p> <p><b>PART NO. A B</b></p> <p>1310489 1 1/2 1/32</p>	 <p><b>CONNECTOR (Double)</b></p> <p><b>PART NO. A B</b></p> <p>1345869 1 1/2 35/64</p>	 <p><b>CONNECTOR (Bridge)</b></p> <p><b>PART NO. A B</b></p> <p>1345871 1 1/2 23/32</p>	 <p><b>CONNECTOR</b></p> <p><b>PART NO. A B</b></p> <p>1658840 1 1/2 29/32</p>	 <p><b>"Y" CONNECTOR</b></p> <p><b>PART NO. A B</b></p> <p>689867 1 3/4 3/8</p>	 <p><b>CONNECTOR (Triple)</b></p> <p><b>PART NO. A B</b></p> <p>1345870 1 1/2 1/32</p>
 <p><b>CONNECTOR</b></p> <p><b>PART NO. A B</b></p> <p>1370445 1 1/2 29/32</p>	 <p><b>CONNECTOR</b></p> <p><b>PART NO. A B</b></p> <p>1842003 23/32 23/32</p>	 <p><b>BUSHING</b></p> <p><b>PART NO. A B</b></p> <p>657583 3/32 1/6</p>	 <p><b>INSULATOR</b></p> <p><b>PART NO. A B</b></p> <p>858245 37/64 1/4 1345803 39/64 1/4</p>	 <p><b>INSULATOR</b></p> <p><b>PART NO. A B</b></p> <p>1770999 37/64 3/32</p>	 <p><b>CONTACT</b></p> <p><b>PART NO. A B</b></p> <p>657572 27/32 3/16</p>
 <p><b>WASHER</b></p> <p><b>PART NO. A B</b></p> <p>6006106 1/4 37/64</p>	 <p><b>SOCKET SPRING</b></p> <p><b>PART NO. A B</b></p> <p>44758 3/4 9/16 385532 11/16 3/16 11/16 1/16</p>	 <p><b>CLIP</b></p> <p><b>PART NO. A B</b></p> <p>1660449 23/32 1/2</p>	 <p><b>CLIP</b></p> <p><b>PART NO. A B</b></p> <p>1263079 27/32 3/8 1302783 1 1/16 21/32 581523 1 1/2 5/8</p>	 <p><b>CLIP</b></p> <p><b>PART NO. A B</b></p> <p>639853 1 1/2</p>	 <p><b>CLIP</b></p> <p><b>PART NO. A B</b></p> <p>1308484 1 5/8</p>
 <p><b>CLIP</b></p> <p><b>PART NO. A B</b></p> <p>1436940 3/8 1/2</p>					

19x8712B

CHART

<p>PLUG AND WIRING</p>  <p>1793764 1793763</p>	<p>PLUG AND WIRING</p>  <p>1793760 1793760</p>	<p>PLUG AND WIRING</p>  <p>1793761 1793762</p>	<p>PLUG AND WIRING</p>  <p>1793765 1793766</p>	 <p>1819362 CONNECTOR</p>
<p>CONNECTOR (10)</p>  <p>TERMINAL (20) <b>1843444 PACKAGE</b></p>	<p>CONNECTOR</p> <p>1842003</p>  <p>1842009 TERMINAL</p>	<p>INSULATOR (10)</p>  <p>TERMINAL (10) <b>2240264 PACKAGE</b></p>	 <p>1819468 TERMINAL</p>	 <p>1842030 TERMINAL</p>
 <p>TERMINAL (10) (SILVER PLATED) <b>1843221 PACKAGE</b></p>	 <p>TERMINAL (10) <b>1843220 PACKAGE</b></p>	<p>INSULATOR (1)</p>  <p>TERMINAL (6) <b>1843222 PACKAGE</b></p>	<p>INSULATOR (1)</p>  <p>TERMINAL (6) <b>1843223 PACKAGE</b></p>	<p>INSULATOR (10)</p>  <p>TERMINAL (10) <b>2240536 PACKAGE</b></p>
<p>INSULATOR (10)</p>  <p>TERMINAL (10) <b>2084420 PACKAGE</b></p>	<p>INSULATOR (10)</p>  <p>TERMINAL (10) <b>2084421 PACKAGE</b></p>	<p>CONNECTOR (1)</p>  <p>TERMINAL (3) <b>1879609 PACKAGE</b></p>	<p>INSULATOR (1)</p>  <p>TERMINAL (8) <b>2084424 PACKAGE</b></p>	<p>INSULATOR (1)</p>  <p>TERMINAL (8) <b>2084425 PACKAGE</b></p>
<p>INSULATOR (10)</p>  <p>TERMINAL (20) <b>1843224 PACKAGE</b></p>	<p>INSULATOR (10)</p>  <p>TERMINAL (10) <b>1843225 PACKAGE</b></p>	<p>INSULATOR (10)</p>  <p>TERMINAL (FEMALE)(10) TERMINAL (MALE)(10) <b>1843226 PACKAGE</b></p>	<p>INSULATOR (10)</p>  <p>TERMINAL (FEMALE)(10) <b>1843227 PACKAGE</b></p>	 <p>1842020 INSULATOR</p>
 <p>1842031 TERMINAL</p>	 <p>2258754 INSULATOR</p>	 <p>1842021 INSULATOR</p>		

NUMBERS IN PARENTHESIS INDICATE QUANTITY INCLUDED IN PACKAGE

19x9051A

CHART



CODE	PART NAME AND DESCRIPTION	CYL	PER CAR	VALIANT	PLYMOUTH	DESOTO	CHRYSLER	IMPERIAL
<b>8-01-0 BATTERY AND CABLE</b>								
8-01-4	CABLE, Battery Ground, 41" long . . . . .	6	1	1879 945	1879 945			
	23" long . . . . .	8	1	-----	1879 944	1879 944	1879 944	1879 944
8-01-9	CABLE, Jumper, 35" long, No. 4 Gauge . . . . .		★	2275 200	2275 200	2275 200	2275 200	2275 200
8-01-11	BOLT, Battery Ground Cable Clamp . . . . .		1	1622 535	1622 535	1622 535	1622 535	1622 535
8-01-12	NUT, Battery Ground Cable Clamp Bolt . . . . .		1	1622 536	1622 536	1622 536	1622 536	1622 536
8-01-17	CABLE, Battery to Starter Solenoid, 41" long . . . . .	6	1	1879 945				
	Battery to Starter Solenoid, 13" long . . . . .	6	1	-----	2084 071			
	Battery to Starter Relay, 23" long . . . . .	8	1	-----	1879 944	1879 944		
	Starter Relay to Starter, 29" long . . . . .	8	1	-----	1879 938	1879 938	1879 938	1879 938
	Battery to Starter Relay, RC1, RC2, 23" long . . . . .	8	1	-----	-----	-----	1879 944	
	Battery to Starter Relay, RC3, RC4, 13" long . . . . .	8	1	-----	-----	-----	2084 071	2084 071
8-01-20	BOLT, Battery to Starter Solenoid Cable Clamp . . . . .	6	1	1622 535				
	Battery to Starter Cable Clamp . . . . .		1	-----	1622 535	1622 535	1622 535	1622 535
8-01-21	NUT, Battery to Starter Solenoid Cable Clamp Bolt . . . . .	6	1	1622 536				
	Battery to Starter Cable Clamp Bolt . . . . .		1	-----	1622 536	1622 536	1622 536	1622 536
<b>8-05-0 DOME LAMP AND SWITCH</b>								
8-05-6	Housing, Dome Lamp . . . . .	6	1	2259 366				
	Except Cv. Cp. . . . .		1	-----	1963 603	1963 603	1963 603	1902 237
	w/SWITCH, Rear, Sub. . . . .		1	-----	2161 308	-----	2161 308	
	Cl. Sed. and 4D. . . . .		1	-----	1963 606			
	Sp. Cl. Cp., Sp. 4 D. and Sub. . . . .	8	2	-----	-----	1902 417	1902 417	
	4 D. and Sp. 4 D. . . . .	8	1	-----	-----	1963 606	1963 606	
	Sp. Cl. Cp. . . . .	8	1	-----	-----	2162 219	2162 219	
	Sub. . . . .	8	1	-----	-----	-----	2162 220	
8-05-7	SUPPORT, Roof Dome Lamp Housing, Sub. . . . .	6	1	2082 357				
8-05-8	LENS and BEZEL, Roof Dome Lamp, Sub., Rear . . . . .		1	-----	2161 307	-----	2161 307	
	BEZEL, except Cv. Cp. . . . .		1	-----	2166 743	2166 743	2166 743	
8-05-11	RETAINER, Dome Lamp Mounting Bracket Wire, except Cv. Cp. . . . .	8	2	-----	-----	-----	-----	6006 071
8-05-12	SOCKET, Dome Lamp . . . . .	6	1	1704 875				
	SOCKET and BRACKET, except Cv. Cp. . . . .		1	-----	2096 499	2096 499	2096 499	
			1	-----	-----	1704 875	1704 875	1704 875
8-05-14	SWITCH, Dome Light . . . . .		1	*2209 329	*2209 329	*2209 329	1972 669	
	Except Cv. Cp. . . . .		1	-----	-----	-----	-----	2096 180
8-05-16	KNOB and Set SCREW, Dome Lamp Switch . . . . .	8	1	-----	-----	2257 478	2197 075	
8-05-20	BEZEL, Dome Lamp Switch Mounting . . . . .	8	1	-----	-----	1887 789	-----	
	Roof Rail Dome Lamp Switch, except Cv. Cp. . . . .	8	1	-----	-----	-----	-----	2096 181
8-05-23	LENS, Roof Dome Lamp . . . . .	6	1	2082 579				
	Except Cv. Cp. . . . .		1	-----	2166 676	2166 676	2166 676	1902 298
	Sp. Cl. Cp., Sp. 4D. and Sub., w/o Switch . . . . .	8	2	-----	-----	2080 280	2080 280	

★ Indicates use as required.

Numerals in parentheses ( ) refer to notes.

Printed in U.S.A.

☐ Indicates parts not listed in any previous parts book.

Prices and specifications subject to change without notice.

\* Indicates change or addition.

Page 8-17

March 1, 1962 Supersedes May 31, 1961.



CODE	PART NAME AND DESCRIPTION	CY L.	PER CAR	VALIANT	PLYMOUTH	DESOTO	CHRYSLER	IMPERIAL
<b>8-05-0 DOME LAMP AND SWITCH - Cont'd</b>								
8-05-24	NUT, Dome Lamp Switch Mounting . . . . .	8	1	-----	-----	-----	1971 521	
8-05-28	BRACKET, Roof Dome Lamp Mounting, Sub., Rear . . . . .		1	-----	2086 597	-----	2086 597	
8-05-32	CORE, Roof Dome Lamp Socket, Rear, Sub. . . . .		1	-----	2161 316	-----	2161 316	
<b>8-11-0 QUARTER OR COURTESY LAMP</b>								
8-11-8	SOCKET, Quarter Arm Rest Courtesy Lamp, Cv. Cp. . . . .	8	2	-----	-----	-----	1963 479	
	Rear Pocket Panel Courtesy Lamp, Cv. Cp. . . . .	8	2	-----	-----	-----	-----	1963 479
8-11-12	LENS and RETAINER, Quarter Arm Rest Courtesy Lamp Bezel, Cv. Cp. . . . .	8	2	-----	-----	-----	1623 132	
	Rear Pocket Panel Courtesy Lamp Bezel, Cv. Cp. . . . .	8	2	-----	-----	-----	-----	1623 132
<b>8-12-0 AUTOMATIC LAMP DOOR SWITCH</b>								
8-12-1	LIGHT, Open Door Indicator, 4D.		1	2298 767	2298 767			
8-12-2	SWITCH, Front Door Automatic Lamp . . . . .		2	1971 931	1971 931	1971 931	1971 931	1972 329
	Rear Door . . . . .	6	2	1971 931				
	Rear, 4 D. Taxi . . . . .		2	-----	1972 329			
	Front, 4 D. Taxi . . . . .		2	-----	1971 931			
	Rear, 4 D. and Sp. 4 D., RC2, RC3 . . . . .	8	2	-----	-----	1972 329	1972 329	1972 329
	Rear, 4 D., Sp. 4 D. and Sub., RC1 . . . . .	8	2	-----	-----	-----	1972 329	
8-12-3	SOCKET, Open Door Indicator Lamp, 4 D. Taxi . . . . .		1	1314 619	1314 619			
<b>8-13-0 TRUNK LAMP</b>								
8-13-1	SWITCH, SOCKET and CABLE, Trunk Lamp . . . . .	8	1	-----	-----	-----	-----	1770 786
8-13-2	SWITCH, Trunk Lamp, except Sub. . . . .		1	-----	1972 426	1972 426	1972 426	
8-13-3	SOCKET and BRACKET, Trunk Lamp, except Sub. . . . .		1	-----	2096 857	2096 857	2096 857	
8-13-9	TERMINAL, Trunk Lamp Switch Cable, except Sub. . . . .		1	665 151	665 151	665 151	665 151	665 151
<b>8-15-0 CHASSIS AND BODY WIRING</b>								
8-15-2	WIRING, Chassis and Instrument Panel, used w/Mechanical Type Stop Switch, w/JUMPER CABLE Used w/Hydraulic Type Stop Switch . . . . .		1	*2299 333	*2299 331	-----	*2299 335	
	Used w/Mechanical Type Stop Switch . . . . .		1	-----	*2257 771	*2257 767	*2198 569	*2197 493
	Used w/Mechanical Type Stop Switch . . . . .		1	-----	*2257 824	-----	*2257 827	*2257 828
8-15-3	BRACKET and Circuit BREAKER, Fuse Block Mounting . . . . .	8	1	-----	-----	-----	-----	1971 328
	BLOCK and BRACKET, Fuse . . . . .	8	1	-----	-----	-----	2258 153	
8-15-4	WIRING, Body, Front, except Sub. Rear, except Sub., w/o Back-Up Lamp . . . . .		1	-----	2198 020	2198 020	2198 020	
	Rear, except sub., w/Back-Up Lamp . . . . .		1	-----	2258 035			
	Lamp . . . . .		1	-----	2258 036			

★ Indicates use as required. Numerals in parentheses ( ) refer to notes. Printed in U.S.A.  
 □ Indicates parts not listed in any previous parts book. Prices and specifications subject to change without notice.  
 March 1, 1962 Supersedes May 31, 1961. Page 8-18 \* Indicates change or addition.

CODE	PART NAME AND DESCRIPTION	CYL.	PER CAR	VALIANT	PLYMOUTH	DESOTO	CHRYSLER	IMPERIAL
<b>8-15-0 CHASSIS AND BODY WIRING - Cont'd</b>								
8-15-6	TERMINAL and Fuse CLIP, Fuse Block, Male . . . . .	8	4	----	----	----	2197 136	2197 136
8-15-7	CABLE, Chassis Harness to Alternator Regulator Jumper . FUSE WIRE, Alternator Voltage Regulator . . . . .		1	2076 632	2076 632	2076 632	2076 632	2076 632
8-15-32	CLIP, Headlamp Wiring to Headlamp Stabilizer . . . . . Electro Plant Circuit Breaker Mounting . . . . .	8	2	----	----	----	----	6015 271
8-15-52	WIRING, Rear Lamp, Sub. . . . .	8	1	----	----	----	----	6015 159
			1	----	2257 838	----	----	----

**8-16-0 CABLE AND CONNECTIONS**

NOTE: For a more practical and economical method of servicing, only the more complicated assemblies will be stocked for service. These will be found listed in their respective groups. On the more simple assemblies the required length and size of cable, necessary terminals, etc., should be specified. For visual chart of insulator and terminal packages see front of group.

8-16-1	CONNECTOR and TERMINAL PACKAGE, Headlamp Cable . . TERMINAL and INSULATOR PACKAGE, 8 Pole Male . . . . .		★	1879 609	1879 609	1879 609	1879 609	1879 609
	8 Pole Female . . . . .		★	2084 425	2084 425	2084 425	2084 425	2084 425
	6 Pole Disconnect Male . . . . .		★	1843 222	1843 222	1843 222	1843 222	1843 222
	Single Pole, Long . . . . .		★	1843 226	1843 226	1843 226	1843 226	1843 226
	Single Pole, Short . . . . .		★	1843 227	1843 227	1843 227	1843 227	1843 227
	Female, Miniature . . . . .		★	2084 421	2084 421	2084 421	2084 421	2084 421
	Female, Miniature . . . . .		★	2240 264	2240 264	2240 264	2240 264	2240 264
	Male, Miniature . . . . .		★	2240 536	2240 536	2240 536	2240 536	2240 536
	Female, Hair Pin Wiring . . . . .		★	1779 654	1779 654	1779 654	1779 654	1779 654
8-16-3	CABLE (sold by the 100 foot spool) No. 12 Red . . . . .		★	1752 491	1752 491	1752 491	1752 491	1752 491
	No. 8 Brown . . . . .		★	2275 220	2275 220	2275 220	2275 220	2275 220
	No. 14 Green . . . . .		★	*1752 490	*1752 490	*1752 490	*1752 490	*1752 490
	No. 16 Blue . . . . .		★	1752 489	1752 489	1752 489	1752 489	1752 489
	No. 18 Yellow . . . . .		★	1752 488	1752 488	1752 488	1752 488	1752 488
	HORN CABLE, No. 16 Black . . . . .		★	1064 754	1064 754	1064 754	1064 754	1064 754
8-16-4	TERMINAL, Female, Side Type . . . . .		★	1842 009	1842 009	1842 009	1842 009	1842 009
	TERMINAL, Male Blade Crimped, K-Type . . . . .		★	1753 534	1753 534	1753 534	1753 534	1753 534
	TERMINAL, Cable Connector . . . . .		★	870 821	870 821	870 821	870 821	870 821
8-16-5	SLEEVE, Wiring Terminal, Black . . . . .		★	1264 933	1264 933	1264 933	1264 933	1264 933
8-16-6	INSULATOR, Alternator Battery Terminal . . . . .		1	2258 754	2258 754	2258 754	2258 754	2258 754
8-16-8	CONNECTOR, 2 Way Polarized, Female . . . . .		★	1842 003	1842 003	1842 003	1842 003	1842 003
	Single Cable . . . . .		★	611 898	611 898	611 898	611 898	611 898
8-16-10	PLUG, Cable Connector, No. 12 Cable . . . . .		★	665 151	665 151	665 151	665 151	665 151

**8-19-0 INSTRUMENT PANEL WIRING**

8-19-25	WIRING, Speedometer Housing . . . . .		1	----	2257 773	----	----	----
8-19-39	TERMINAL, Temperature Gauge Feed . . . . .	6	1	1770 660	----	----	----	1770 660
	No. 1 Post . . . . .	8	1	----	----	----	----	1770 660
8-19-64	CABLE, Cigar Lighter Feed, RC1, RC2, RC3 . . . . .	8	1	----	----	----	2096 714	----
8-19-83	HOUSING and CABLE, Ash Receiver Lamp Socket . . . . .	8	1	----	----	1887 726	1887 726	1887 726

★ Indicates use as required.

☐ Indicates parts not listed in any previous parts book.

\* Indicates change or addition.

Numerals in parentheses ( ) refer to notes.

Printed in U.S.A.

Prices and specifications subject to change without notice.

Page 8-19

March 1, 1962 Supersedes May 31, 1961.

CODE	PART NAME AND DESCRIPTION	CYL	PER CAR	VALIANT	PLYMOUTH	DESOTO	CHRYSLER	IMPERIAL
<b>8-20-0 CIGAR LIGHTER</b>								
8-20-3	FUSE, Rear Seat Cigar Lighter, 10 amp., RC3 Sp. Cl. Cp. and Cv. Cp. . . . .	8	1	-----	-----	-----	117 142	
	Swivel Seat Base Rear Cigar Lighter Heat Limiter, RC3 . . .	8	1	-----	-----	-----	1887 222	
	Rear Console Cigar Lighter Heat Limiter, RC4 . . . . .	8	1	-----	-----	-----	1887 222	
8-20-8	KNOB, Instrument Panel Cigar Lighter, RC1, RC2, RC3 . . .		1	2076 474	1887 593	2257 480	2097 533	2097 533
	Front Seat Back Cigar Lighter, RC3 . . . . .	8	1	-----	-----	-----	2097 533	
	Console Cigar Lighter, RC4 . .	8	2	-----	-----	-----	2097 533	
	Rear Door Arm Rest Cigar Lighter . . . . .	8	1	-----	-----	-----	-----	2097 533
	Rear Quarter Panel Arm Rest Cigar Lighter, Sp. Cl. Cp. and Cv. Cp. . . . .	8	2	-----	-----	-----	-----	2097 533
	Rear Door Arm Rest Cigar Lighter, Sp. 4 D. . . . .	8	2	-----	-----	-----	-----	2097 533
8-20-9	ELEMENT, Instrument Cigar Lighter Heat, RC1, RC2, RC3 Console Cigar Lighter Heat, RC4 Swivel Seat Base Rear Cigar Lighter Heat, RC3 . . . . .		1	*1692 678	*1692 678	*1692 678	*1692 678	*1692 678
	Front Seat Back Cigar Lighter Heat, RC3 4D., Sp. 4D. and Sub.	8	1	-----	-----	-----	*1692 678	
	Rear Quarter Panel Arm Rest Cigar Lighter Heat, Sp. Cl. Cp. and Cv. Cp. . . . .	8	2	-----	-----	-----	-----	1692 678
	Rear Door Arm Rest Cigar Lighter Heat, 4D. and Sp. 4D. .	8	2	-----	-----	-----	-----	*1692 678
8-20-10	SHELL and CLAMP, Instrument Panel Cigar Lighter, Casco, RC1, RC2, RC3 . . . . .		1	*2096 599	*2096 599	*2096 599	*2096 599	*2096 599
	Swivel Seat Base Rear Cigar Lighter, RC3, Casco . . . . .	8	1	-----	-----	-----	2096 599	
	Front Seat Back Cigar Lighter, Casco . . . . .	8	1	-----	-----	-----	*2096 599	
	Rear Quarter Panel Arm Rest Cigar Lighter, Casco . . . . .	8	2	-----	-----	-----	-----	*2096 599
	Rear Door Arm Rest Cigar Lighter, Sp. 4 D., Casco. . . . .	8	2	-----	-----	-----	-----	2096 599
8-20-16	BEZEL, Instrument Panel Cigar Lighter . . . . .		1	-----	2097 394	1887 787	-----	
	Swivel Seat Cigar Lighter, RC3.	8	1	-----	-----	-----	2080 996	
8-20-19	SHIELD, Swivel Seat Back Lighter Cable Protector, RC3	8	1	-----	-----	-----	1901 592	
8-20-20	SOCKET and WIRE, Instrument Panel Cigar Lighter . . . . .		1	-----	1770 756	-----	-----	
<b>8-21-0 TERMINAL BLOCK</b>								
8-21-1	BLOCK, Instrument Panel Terminal . . . . .		1	2076 410	1885 637	1885 637	-----	
8-21-16	CLIP, Accessory Terminal Block to Lower Reinforce- ment. . . . .	6	1	6015 159	-----	-----	-----	

★ Indicates use as required.

Numerals in parentheses ( ) refer to notes.

Printed in U.S.A.

B Indicates parts not listed in any previous parts book.  
March 1, 1962 Supersedes May 31, 1961.

Prices and specifications subject to change without notice.

Page 8-20

\* Indicates change or addition.

CODE	PART NAME AND DESCRIPTION	C Y L.	PER CAR	VALIANT	PLYMOUTH	DESOTO	CHRYSLER	IMPERIAL
<b>8-27-0 IGNITION DISTRIBUTOR</b>								
NOTE: Use part No. stamped on Distributor for complete replacement and ordering Component Parts.								
8-27-1	DISTRIBUTOR ASSEMBLIES, RV1 w/170 cu.in. Eng., Chrysler Built . . . . .	6	1	1889 750	2095 270			
	RV1 w/225 cu.in. Eng., Chrysler Built . . . . .	6	1	2095 270				
	w/Auto. Trans., Chrysler Built. w/Std. Trans., Chrysler Built. .	8	1	-----	1838 505			
	Double Breaker, w/Ram Manifold, two 4 Barrel Carburetor . . . . .	8	1	-----	2095 647 ✓			
	Double Breaker, High Perform- ance, one 4 Barrel Carburetor.	8	1	-----	2095 065			
	One 4 Barrel Carburetor, Power Package, Chrysler Built . . . . .	8	1	-----	2095 680	2095 680		
	Double Breaker, one 4 Barrel Carburetor, Golden Commando	8	1	-----	1889 710			
	Single Breaker, one 2 Barrel Carburetor, RC1, RC2 . . . . .	8	1	-----	2095 680		2095 679	
	Single Breaker, Chrysler Built, RC2, RC3. . . . .	8	1	-----	-----	-----	2095 530(1)	2095 530
	Double Breaker, two 4 Barrel Carburetor, RC4 . . . . .	8	1	-----	-----	-----	1889 568	
8-27-320	TUBE, Carburetor to Governor Vacuum Control, 3/16" O.D. .		★	*1843 251	1843 251	1843 251	1843 251	*1843 251
NOTE 1: Used only on RC2 with D-1 code disc stamped RR38 on serial No. Pad.								

FOR MODEL APPLICATION SEE CODE 8-27-1

## DISTRIBUTOR ASSEMBLIES

CODE	REMARKS	1838 505	1889 568 IBS-4011	1889 710	1889 750	2095 065 IBS-4006E
<b>DISTRIBUTOR COMPONENT PARTS</b>						
8-27-4	GASKET, Ignition Distributor . . . . .	*2095 630	1326 836	*2095 630	-----	1326 836
	RETAINER, Oil to Cylinder Block, RV1 UP TO 17-9-14, RP1 UP TO 22-9-14	-----	-----	-----	2095 740	-----
	RETAINER, Oil to Cylinder Block, RV1 AFTER 17-9-14, RP1 AFTER 22-9-14	-----	-----	-----	2095 630	-----
8-27-18	GEAR PACKAGE, Follower . . . . .	-----	2084 870	-----	-----	-----
8-27-26	CLAMP . . . . .	1947 612	1947 613	-----	-----	1947 613
8-27-27	SCREW and WASHER, Clamp . . . . .	1675 958	-----	-----	-----	-----
8-27-71	CAP . . . . .	1838 514	2084 654	1838 514	1889 424	2084 654
8-27-76	SPRING, Cap Attaching . . . . .	1838 508	-----	1838 508	1838 508	-----
8-27-77	HINGE PACKAGE, Cap Clamp Spring . .	-----	1879 606	-----	-----	1879 606
8-27-85	CONTACT and SPRING PACKAGE, Cap Plunger . . . . .	-----	2084 655	-----	-----	2084 655
8-27-100	OILER, Base . . . . .	-----	1879 391	-----	-----	953 717
8-27-114	BEARING, Ball . . . . .	-----	623 207	-----	-----	-----
8-27-133	BEARING PACKAGE, Drive Shaft . . . . .	-----	2084 867	-----	-----	1879 596
	BEARING and THRUST WASHER PACKAGE, Drive Shaft . . . . .	2275 229	-----	2275 229	2275 228	-----
8-27-137	COLLAR and PIN PACKAGE, Drive Shaft . . . . .	2084 448	-----	2084 448	-----	-----
8-27-138	PLATE, Breaker . . . . .	*2095 922	1843 337	*2095 922	*2095 922	1843 337
8-27-158	CONTACT SET, Std. Type . . . . .	1838 643	2084 080	1838 643	1838 643	2084 080
	CONTACT SET, Ventilated Type . . . . .	2098 057	-----	2098 057	2098 057	-----
8-27-190	CONDENSER, Ventilated Type . . . . .	2098 058	-----	2098 058	2098 058	-----
	CONDENSER and BRACKET PACKAGE, Std. Type . . . . .	1818 757	1818 757	1818 757	1818 757	1818 757

★ Indicates use as required.

Numerals in parentheses ( ) refer to notes.

Printed in U.S.A.

☐ Indicates parts not listed in any previous parts book.

Prices and specifications subject to change without notice.

\* Indicates change or addition.

Page 8-21

March 1, 1962 Supersedes May 31, 1961.

**8-27-0 IGNITION DISTRIBUTOR - Cont'd**

FOR MODEL APPLICATION SEE CODE 8-27-1

DISTRIBUTOR ASSEMBLIES

CODE	REMARKS	1838 505	1889 568 IBS-4011	1889 710	1889 750	2095 065 IBS-4006E
<b>8-27-0 DISTRIBUTOR COMPONENT PARTS - Cont'd</b>						
8-27-205	LEAD, Primary . . . . .	----	1383 958	----	1889 788(1)	1383 958
	LEAD, Primary . . . . .	*2095 525(2)	----	*2095 525(2)	*2095 508(2)	----
8-27-207	CABLE, Primary Lead . . . . .	*1889 242(1)	----	*1889 242(1)	----	----
8-27-208	BREAKER and GROUND LEAD PACKAGE	----	1881 768	----	----	1881 768
8-27-218	TERMINAL and STUD PACKAGE . . . . .	----	1881 751	----	----	1881 751
8-27-250	SHAFT, Governor and Cam, Distributor	1889 683	----	1889 684	1889 752	----
8-27-278	WEIGHT PACKAGE, Governor . . . . .	1881 945	1881 746	1881 945	1881 945	1881 746
8-27-279	SPRING SET, Governor Weight . . . . .	1881 946	2084 866	*1881 949	2084 891	2084 866
8-27-292	CAM and STOP PLATE, Dist. . . . .	1889 320	----	1889 715	1889 443	----
8-27-297	FELT DISC and SNAP RING PACKAGE, Cam Sleeve . . . . .	1879 607	1879 607	1879 607	1879 607	1879 607
8-27-300	ROTOR . . . . .	1838 516	1658 535	1838 516	1838 516	1658 535
8-27-308	VACUUM CHAMBER PACKAGE . . . . .	1881 944	2084 868	1881 948	2084 652	2084 868
8-27-315	PLUG and GASKET PACKAGE, Vacuum Chamber . . . . .	----	1879 597	----	----	1879 597
8-27-316	SPRING and WASHER PACKAGE, Vacuum Chamber . . . . .	----	1881 766	----	----	1881 766
8-27-352	GEAR and PIN PACKAGE, Drive . . . . .	----	2084 869	----	2084 653	----

FOR MODEL APPLICATION SEE CODE 8-27-1

DISTRIBUTOR ASSEMBLIES

CODE	REMARKS	2095 270	2095 530	2095 647	2095 679 IBP-4005E	2095 680 IBS-4006
<b>DISTRIBUTOR COMPONENT PARTS</b>						
8-27-4	GASKET, Ignition Distributor . . . . .	----	*2095 630	1326 836	1326 836	1326 836
	RETAINER, Oil to Cylinder Block, RP1 UP TO 22-9-14 . . . . .	2095 740	----	----	----	----
	RETAINER, Oil to Cylinder Block, RP1 AFTER 22-9-14 . . . . .	2095 630	----	----	----	----
8-27-26	CLAMP . . . . .	----	1947 613	1947 612	----	----
8-27-27	SCREW and WASHER, Clamp . . . . .	----	----	1675 958	----	----
8-27-71	CAP . . . . .	1889 424	1838 514	1838 514	2084 654	2084 654
8-27-76	SPRING, Cap Attaching . . . . .	1838 508	1838 508	1838 508	----	----
8-27-77	HINGE PACKAGE, Cap Clamp Spring . . . . .	----	----	----	1879 606	1879 606
8-27-85	CONTACT and SPRING PACKAGE, Cap Plunger . . . . .	----	----	----	2084 655	2084 655
8-27-100	OILER, Base . . . . .	----	----	----	953 717	953 717
8-27-133	BEARING PACKAGE, Drive Shaft . . . . .	----	----	----	1879 596	1879 596
	BEARING and THRUST WASHER PACKAGE, Drive Shaft . . . . .	2275 228	*2275 229	*2275 229	----	----
8-27-137	COLLAR and PIN PACKAGE, Drive Shaft.	----	----	2084 448	----	----
8-27-138	PLATE, Breaker . . . . .	*2095 922	*2095 922	*2095 922	1843 368	1843 337
8-27-158	CONTACT SET, Std. Type . . . . .	----	1838 643	1838 643	2084 079	2084 080
	CONTACT SET, Ventilated Type . . . . .	2098 057	2098 057	2098 057	----	----
8-27-190	CONDENSER, Ventilated Type . . . . .	2098 058	2098 058	2098 058	----	----
	CONDENSER and BRACKET PACKAGE, Std. Type . . . . .	1818 757	1818 757	1818 757	1818 757	1818 757

NOTE 1: Used with Grommet 1/2" long.

NOTE 2: Used with Grommet 1" long.

\* Indicates use as required.

Ø Indicates parts not listed in any previous parts book.

March 1, 1962 Supersedes May 31, 1961.

Numerals in parentheses ( ) refer to notes.

Page 8-22

Printed in U.S.A.

Prices and specifications subject to change without notice.

\* Indicates change or addition.

8-27-0 IGNITION DISTRIBUTOR - Cont'd

FOR MODEL APPLICATION SEE CODE 8-27-1

DISTRIBUTOR ASSEMBLIES

CODE	REMARKS	2095 270	2095 530	2095 647	2095 679 IBP-4005E	2095 680 IBS-4006
<b>8-27-0 DISTRIBUTOR COMPONENT PARTS - Cont'd</b>						
8-27-205	LEAD, Primary . . . . .	*1889 788(1)	2095 525	2095 525	1818 730	1383 958
	LEAD, Primary . . . . .	2095 508(2)	-----	-----	-----	-----
8-27-208	BREAKER and GROUND LEAD PACKAGE	-----	-----	-----	-----	1881 768
8-27-218	TERMINAL and STUD PACKAGE . . . . .	-----	-----	-----	-----	1881 751
8-27-250	SHAFT, Governor and Cam, Distributor . . . . .	2095 273	2095 648	2095 742	-----	-----
8-27-278	WEIGHT PACKAGE, Governor . . . . .	1881 945	1881 955	1881 945	1881 746	1881 746
8-27-279	SPRING SET, Governor Weight . . . . .	2084 892	1881 956	2240 747	1818 571	2275 227
8-27-292	CAM and STOP PLATE, Distributor . . . . .	2095 274	1889 709	2095 741	-----	-----
8-27-297	FELT DISC and SNAP RING PACKAGE, Cam Sleeve . . . . .	1879 607	1879 607	1879 607	1879 607	1879 607
8-27-300	ROTOR . . . . .	1838 516	1838 516	1838 516	1658 535	1658 535
8-27-308	VACUUM CHAMBER PACKAGE . . . . .	2084 893	2240 745	1881 944	2275 226	2084 857
8-27-315	PLUG and GASKET PACKAGE, Vacuum Chamber . . . . .	-----	-----	-----	1879 597	1879 597
8-27-316	SPRING and WASHER PACKAGE, Vacuum Chamber . . . . .	-----	-----	-----	*1881 742	1881 766
8-27-352	GEAR and PIN PACKAGE, Drive . . . . .	2084 653	-----	-----	-----	-----

8-28-0 GENERATOR OR ALTERNATOR

NOTE: For Component Parts of Alternators see Part Type Code 8-29-0.

NOTE: Higher Ampere Leece - Neville Alternators and Alternator Regulators are used on some 1961 Vehicles. MoPar Parts Plants do not stock complete replacement assemblies or repair parts for Leece - Neville Units. When complete Alternator or Alternator Regulator Assemblies or repair parts are required, they should be ordered by description direct from

Leece - Neville  
1374 E. 51st. Street  
Cleveland 3, Ohio

Attaching Parts such as Brackets, Straps and Belts are available through your usual MoPar Parts source.

8-28-3	ALTERNATOR	Alternator w/Pulley	Amps	Pulley No.
	RV, RP1, RP2 w/318 cu.in. Eng., RS1, RC1, RC2, RC3, RC4, RY1	2095 060	35 S	2095 430
	RV, RP1, RP2 w/318 cu.in. Eng., RS1, RC1, RC2, RC3, RC4, RY1	*2095 100	40 S	2095 430
	RP2 except w/318 cu.in. Eng., RS1, RC1, RC2, RC3, RC4, RY1, w/Air Conditioning	2095 100	40 D	2095 059

NOTE: Letters "S" and "D" in Pulley margins represent Single Groove and Double Groove.

CODE	PART NAME AND DESCRIPTION	C Y L.	PER CAR	VALIANT	PLYMOUTH	DESOTO	CHRYSLER	IMPERIAL
8-28-15	STRAP, Alternator Adjusting . . Used w/Leece Neville Alternator . . . . .	6	1	2202 767	2202 767			
	w/318 cu.in. Eng., w/o Air Conditioning . . . . .	6	1	2129 915	2129 915			
		8	1	-----	2202 512			

NOTE 1: Used with Grommet 1/2" long.

NOTE 2: Used with Grommet 1" long.

\* Indicates use as required.

□ Indicates parts not listed in any previous parts book.

\* Indicates change or addition.

Numerals in parentheses ( ) refer to notes.

Printed in U.S.A.

Prices and specifications subject to change without notice.

March 1, 1962 Supersedes May 31, 1961.



CODE	PART NAME AND DESCRIPTION	C Y L.	PER CAR	VALIANT	PLYMOUTH	DESOTO	CHRYSLER	IMPERIAL
<b>8-28-0 GENERATOR OR ALTERNATOR - Cont'd</b>								
8-28-15	STRAP - Cont'd w/318 cu.in. Eng., w/o Air Conditioning, used w/Leece Neville Alternator . . . . .	8	1	----	1827 328			
	Except 318 cu.in. Eng., w/o Air Conditioning, used w/Leece Neville Alternator, RC1, RC2 . . . . .	8	1	----	2121 217	2121 217	2121 217	
	Except 318 cu.in. Eng., w/Air Conditioning, Field Installation w/318 cu. in. Eng., w/Air Conditioning, Field Installation w/318 cu.in. Eng., w/Air Conditioning . . . . .	8	1	----	1997 526	1997 526	1997 526	1997 526
		8	1	----	1997 532			
		8	1	----	2202 484			
8-28-19	SCREW, Alternator Adjusting Strap, 3/8" x 13/16" . . . . .		★	1945 404	1945 404	1945 404	1945 404	1945 404
	5/16" x 11/16" . . . . .		★	1407 234	1407 234	1407 234	1407 234	1407 234
	5/16" x 15/16" . . . . .		★	1343 212	1343 212	1343 212	1343 212	1343 212
8-28-36	BRACKET, Alternator and Ignition Coil Mounting . . . . .	6	1	2203 083	2203 083			
	Used w/Leece Neville Alternator Used w/Leece Neville Alternator, w/Dual Belt . . . . .	6	1	2203 233	2203 233			
	w/318 cu.in. Eng., w/o Air Conditioning . . . . .	6	1	2264 459	2264 459			
	Except 318 cu. in. Eng. w/o Air Conditioning . . . . .	8	1	----	2202 511			
	Except 318 cu. in. Eng., w/Air Conditioning . . . . .	8	1	----	2129 156	2129 156	2129 156	2129 156
	w/318 cu. in. Eng., w/o Air Conditioning, used w/Leece - Neville Alternator . . . . .	8	1	----	2129 154	2129 154	2129 154	2129 154
	w/Air Conditioning, except 318 cu. in. Eng. . . . .	8	1	----	2129 940			
	w/318 cu.in. Eng., w/Air Con- ditioning, Factory Installation.	8	1	----	1997 527	1997 527	1997 527	1997 527
		8	1	----	*2125 656			
8-28-38	SPACER, Alternator Mounting Bracket, except 318 cu. in. Eng., w/Air Conditioning, Field Installation . . . . .	8	1	----	1997 528	1997 528	1997 528	1997 528
8-28-51	SUPPORT, Alternator to Cylinder Block . . . . .	6	1	1997 549	1997 554			
8-28-74	REGULATOR, Alternator . . . . .		1	2095 700	2095 700	2095 700	2095 700	2095 700
8-28-282	PULLEY, Jackshaft, w/Air Conditioning, w/318 cu. in. Eng. w/Air Conditioning, except 318 cu. in. Eng. . . . .	8	1	----	1859 952			
		8	1	----	1944 844	1944 844	1944 844	1944 844
8-28-283	BRACKET, Jackshaft Pulley, w/Air Conditioning, w/318 cu. in. Eng. . . . .	8	1	----	2202 381			
	Jackshaft Pulley Bracket Spacer, w/Air Conditioning, w/318 cu. in. Eng. . . . .	8	1	----	1945 384			
	in. Eng. . . . .	8	1	----	1945 384			
	w/Air Conditioning, except 318 cu. in. Eng. . . . .	8	1	----	1944 845	1944 845	1944 845	1944 845
8-28-285	SPACER, Jackshaft Pulley Bracket, w/Air Conditioning, w/318 cu. in. Eng. . . . .	8	1	----	2202 380			
8-28-288	SLEEVE, Jackshaft Pulley, w/Air Conditioning, w/318 cu. in. Eng. . . . .	8	1	----	1859 589			
	w/Air Conditioning, except 318 cu. in. Eng. . . . .	8	1	----	1944 847	1944 847	1944 847	1944 847
8-28-289	SCREW, Water Body Jackshaft Pulley Bracket Spacer, w/Air Conditioning, w/318 cu. in. Eng.	8	1	----	1851 371			

★ Indicates use as required. Numerals in parentheses ( ) refer to notes. Printed in U.S.A.  
 □ Indicates parts not listed in any previous parts book. Prices and specifications subject to change without notice.  
 March 1, 1962 Supersedes May 31, 1961. Page 8-24 \* Indicates change or addition.

8-29-0 GENERATOR OR ALTERNATOR COMPONENT PARTS

FOR MODEL APPLICATION SEE CODE 8-28-3

ALTERNATOR ASSEMBLIES

		*2095 060	*2095 100
8-29-17	BRUSHES, WASHER and TERMINAL PACKAGE . . . . .	*2084 673	*2084 673
8-29-42	HOLDER, Brush . . . . .	*2095 038	*2095 038
8-29-97	ROTOR . . . . .	*2095 013	*2095 013
8-29-98	STATOR . . . . .	*2095 427	*2095 427
8-29-99	SLIP RING, w/Knurled Shaft . . . . .	*2098 278	*2098 278
	SLIP RING, w/Ground Shaft . . . . .	*2098 279	*2098 279
8-29-129	CAPACITOR and INSULATOR PACKAGE . . . . .	*2421 137	*2421 137
8-29-130	SCREW, Capacitor Ground . . . . .	*6022 381	*6022 381
8-29-131	RECTIFIER, Positive . . . . .	*2095 506	*2098 293
	RECTIFIER, Negative . . . . .	*2095 502	*2098 292
8-29-132	SHIELD, Rectifier End . . . . .	*2095 339	*2095 339
8-29-133	BEARING, Rectifier End Shield . . . . .	*2095 037	*2095 037
8-29-134	INSERT, Rectifier End Mounting . . . . .	*2095 052	*2095 052
8-29-135	HEAT SINK, Rectifier . . . . .	*2095 925	*2095 925
8-29-143	CEMENT, Lead Wire, 5 oz. Tube . . . . .	*2299 314	*2299 314
8-29-145	SPACER PACKAGE, Heat Sink . . . . .	*2421 138	*2421 138
8-29-153	SHIELD, Drive End . . . . .	*2095 945	*2095 945
8-29-154	BEARING, Drive End Shield Ball . . . . .	*2095 653	*2095 653
8-29-155	PLATE, Drive End Bearing Retainer . . . . .	*2095 012	*2095 012
8-29-194	SCREW, Field Terminal Mounting . . . . .	*6023 112	*6023 112
8-29-208	SCREW, Frame . . . . .	*2095 004	*2095 004

CODE	PART NAME AND DESCRIPTION	C Y L.	PER CAR	VALIANT	PLYMOUTH	DESOTO	CHRYSLER	IMPERIAL
<b>8-30-0 GROMMETS</b>								
8-30-1	GROMMET, Wiring Dash Slot, 1/2" thk. . . . .		1	2097 813	2097 813	2097 813	2097 813	2097 813
	Speedometer Cable, 3/8" thk. . . . .		1	2097 816	2097 816	2097 816	2097 816	2097 816
	Wiring Dash Slot, 3/4" thk. . . . .		1	2097 814	2097 814	2097 814	2097 814	2097 814
	Chassis and Instrument Panel Headlamp Wiring . . . . .	6	2	2097 303				
	Wiring in Left Belt Bar, Sub. . . . .		1	----	2198 506	----	2198 506	
	License Lamp Cable . . . . .	8	1	----	----	----	----	988 059
	Trunk Cable . . . . .	8	1	----	----	----	----	988 059
	Dash Slot 3/4" . . . . .		1	1971 740	1971 740	1971 740	1971 740	1971 740
<b>8-31-0 PARKING BRAKE SIGNAL LAMP</b>								
8-31-2	LAMP, Parking Brake Signal. . . . .		1	2298 767	----	2096 526		
8-31-3	FLASHER, Parking Brake Signal Lamp . . . . .	8	1	----	----	----	----	1971 896
8-31-10	SWITCH, Parking Brake Signal Lamp, RC1, RC2, RC3 . . . . .		1	1972 426	1971 931	1971 931	1971 931	2097 279
8-31-11	BRACKET, Parking Brake Signal Lamp Switch, RC1, RC2, RC3 . . . . .		1	----	2096 396	2096 396	2096 396	
8-31-16	SOCKET, Parking Brake Indicator Lamp . . . . .		1	1314 619	----	1658 830	1753 632	1753 632

★ Indicates use as required. Numerals in parentheses ( ) refer to notes. Printed in U.S.A.  
 ☐ Indicates parts not listed in any previous parts book. Prices and specifications subject to change without notice.  
 \* Indicates change or addition. March 1, 1962 Supersedes May 31, 1961.



# 1961 PASSENGER CAR PARTS CATALOG

ELECTRICAL

CODE	PART NAME AND DESCRIPTION	CYL.	PER CAR	VALIANT	PLYMOUTH	DESOTO	CHRYSLER	IMPERIAL
<b>8-32-0 HORN</b>								
8-32-2	HORN, w/BRACKET, Low Note, Sparton . . . . .	6	1	2076 487				
	w/BRACKET, High Note, Sparton	6	1	2076 486				
	Low Note, Auto-Lite . . . . .	6	1	2097 951	2197 124	2197 124	2197 124	2197 124
	High Note, Auto-Lite, Dual . . . . .	6	1	2097 950				
	High Note, Auto-Lite . . . . .	6	1	-----	2197 125	2197 125	2197 125	2197 125
	w/BRACKET, Sparton, Right . . . . .	6	1	-----	2197 999	2197 999		
	w/BRACKET, Sparton, Left . . . . .	6	1	-----	2198 000	2198 000		
	w/BRACKET, Sparton, Right, RC3, RC4 . . . . .	8	1	-----	-----	-----	2197 112	2197 112
	w/BRACKET, Sparton, Left, RC3, RC4 . . . . .	8	1	-----	-----	-----	2197 111	2197 111
	Trumpet Type . . . . .	8	1	-----	-----	-----	-----	2198 035
8-32-15	BRACKET, Horn Mounting, High Note . . . . .	6	1	2076 494				
	Low Note . . . . .	6	1	2076 495				
	Mounting, A. L. RC1, RC2 . . . . .	8	2	-----	2197 876	2197 876	2197 876	
	A. L. RC3, RC4 . . . . .	8	2	-----	-----	-----	2197 871	
	w/Trumpet Type Horn . . . . .	8	1	-----	-----	-----	-----	2197 874
8-32-18	SCREW and WASHER, Horn Mounting to Headlamp Housing Support . . . . .	6	2	6022 802				
	Horn Bracket to Horn Mounting	6	2	-----	2290 623	-----	2290 623	
	Horn and Bracket Mounting, to Yoke or Fender Shield, RC1, RC2 . . . . .	8	2	-----	6022 339	6022 339	6022 339	1704 061
	To Radiator C/Bar RC3, RC4	8	2	-----	-----	-----	6022 339	6022 802
	To Brace, used w/Trumpet Type Horn . . . . .	8	1	-----	-----	-----	-----	6022 802
<b>8-33-0 HORN CONTROLS</b>								
8-33-4	RING, Horn, Chrome . . . . .	6	1	2072 978				
	BAR, Horn, w/Plastic Wheel . . . . .	6	1	-----	2201 297			
	BAR, Horn, w/Rubber Wheel . . . . .	6	1	-----	2201 759			
	RING, Horn, w/ORNAMENT . . . . .	6	1	-----	2201 762			
	RING, Horn, Police Car . . . . .	6	1	-----	*1738 214			
	RING, Horn, w/Plastic Wheel, w/Auto. Trans. . . . .	8	1	-----	-----	2200 712		
	RING, Horn, w/Rubber Wheel, w/Auto. Trans. . . . .	8	1	-----	-----	2200 706		
	BAR, Horn, w/Std. Trans. . . . .	8	1	-----	-----	2201 759		
	BAR, w/Plastic Wheel . . . . .	8	1	-----	-----	-----	1945 919	
	RING, w/Rubber Wheel, RC1, RC2 . . . . .	8	1	-----	-----	-----	1945 920	
	RING, w/Plastic Flat Wheel . . . . .	8	1	-----	-----	-----	-----	2200 585
8-33-5	RETAINER, Steering Wheel Horn Bar, w/Rubber Wheel . . . . .	6	1	-----	2201 248			
	w/Plastic Wheel . . . . .	6	1	-----	2201 265			
	Police Car . . . . .	6	1	-----	*1673 967			
	Horn Bar, w/Rubber Wheel, w/Std. Trans. . . . .	8	1	-----	-----	2201 248		
	Horn Ring, w/Rubber Wheel, w/Auto. Trans. . . . .	8	1	-----	-----	2200 557		
8-33-6	ORNAMENT, Steering Wheel Horn Ring, w/Rubber Wheel . . . . .	6	1	-----	2201 767			
	Horn Bar, w/Plastic Wheel . . . . .	6	1	-----	2201 294			
	Horn Bar, w/Rubber Wheel, w/Std. Trans. . . . .	8	1	-----	-----	2201 767		
	Horn Ring, w/Auto. Trans., w/Rubber Wheel . . . . .	8	1	-----	-----	2201 735		
	RC1, RC2 . . . . .	8	1	-----	-----	-----	1945 924	
	RC3 . . . . .	8	1	-----	-----	-----	1945 923	
	RC4 . . . . .	8	1	-----	-----	-----	1945 922	
8-33-13	RETAINER, Steering Wheel Ornament . . . . .	6	1	2072 980				

\* Indicates use as required. Numerals in parentheses ( ) refer to notes. Printed in U.S.A.  
 □ Indicates parts not listed in any previous parts book. Prices and specifications subject to change without notice.  
 March 1, 1962 Supersedes May 31, 1961. Page 8-26 \* Indicates change or addition.

CODE	PART NAME AND DESCRIPTION	CYL.	PER CAR	VALIANT	PLYMOUTH	DESOTO	CHRYSLER	IMPERIAL
<b>8-33-0 HORN CONTROLS - Cont'd</b>								
8-33-17	CAP, Steering Wheel Horn, Complete . . . . .	6	1	2207 816				
	Chrome . . . . .	6	1	2072 985				
	COVER and ORNAMENT, Horn Ring, w/Plastic Wheel, w/Auto. Trans. . . . .	8	1	-----	-----	2200 715		
8-33-19	BASE, Steering Wheel Horn Ring Mounting . . . . .	8	1	-----	-----	-----	-----	1730 978
8-33-23	WASHER, Steering Wheel Horn Ring, w/Plastic Wheel, w/Auto. Trans. . . . .	8	2	-----	-----	6022 021		
8-33-39	BUSHING PACKAGE, Horn Ring Spacer. . . . .		1	2240 608	2240 608	2240 608	2240 608	2240 608
8-33-40	SCREW, Horn Blowing Ring Spacer Bushing . . . . .		★	1325 906	1325 906	1325 906	1325 906	1325 906
8-33-69	BASE, Steering Wheel Horn Button, One Tone Wheel. . . .	6	1	2072 995				
8-33-70	"O" RING, Steering Wheel Ornament Retainer . . . . .	6	★	2266 729				
8-33-90	SWITCH, Horn, w/Horn Ring . .	6	1	1972 391				
	w/Horn Button . . . . .	6	1	2076 543				
	w/Plastic Steering Wheel . . . .		1	-----	1971 940			
	w/Rubber Wheel . . . . .		1	-----	1972 391			
	w/Std. Trans. . . . .	8	1	-----		1972 391		
	w/Auto. Trans. . . . .	8	1	-----		1971 940	1972 391	1704 689
8-33-118	CONTACT, Turn Signal Switch Horn. . . . .		1	1604 921	1604 921	1604 921	1604 921	1604 921
8-33-120	SLEEVE, Horn Contact and Turn Signal Switch Actuating .	8	1	-----	-----	-----	*1887 765	
8-33-121	RING and Feed CABLE, Horn Contact, Cable 6" long. . . . .		1	*1972 208	*1972 208	*1972 208		
	Cable 4 1/2" long . . . . .		1	*2258 588	*2258 588	*2258 588		
		8	1	-----	-----	-----	-----	*2197 079
8-33-164	RELAY, Horn Mounting, w/3 Prong . . . . .		1	*2196 312	*2196 312	*2196 312	*2196 312	*2196 312
	w/4 Prong . . . . .		1	*2084 423	*2084 423	*2084 423	*2084 423	*2084 423
<b>8-34-0 HEADLAMP</b>								
8-34-1	HEADLAMP, Dual, Riteway Shift, Right . . . . .	6	1	2076 292				
	Left . . . . .	6	1	2076 293				
	High Beam . . . . .		2	-----	2097 319	2097 319	2097 319	2097 319
	High-Low Beam, Export, Leftway Shift . . . . .		2	-----	2097 317	-----	2097 317	2097 317
	High-Low Beam, Riteway Shift . . . . .		2	-----	2097 316	2097 316	2097 316	2097 316
8-34-5	NUT, w/WASHER, Headlamp Housing Attaching . . . . .	8	★	-----	-----	-----	-----	6022 162
8-34-6	SCREW, Headlamp Mounting Reinforcement to Fender Yoke Lower Windshield . . . .	8	4	-----	-----	-----	-----	6022 506
	SCREW, Headlamp Mounting Reinforcement to Fender Side Panel to Shear Panel Reinforcement . . . . .	8	4	-----	-----	-----	-----	6022 506
	SCREW, Headlamp Housing Stabilizer Reinforcement to Fender Side Panel to Shear Panel Reinforcement Attaching.	8	4	-----	-----	-----	-----	6022 506
8-34-40	DOOR, Headlamp, Right, Bright Finish . . . . .	6	1	2195 558	-----			
	Left, Bright Finish . . . . .	6	1	2195 559				
	Black Finish, Right . . . . .	6	1	2082 120				
	Left . . . . .	6	1	2082 121				
			4	-----	1904 272	-----	-----	1904 214

★ Indicates use as required.

Numerals in parentheses ( ) refer to notes.

Printed in U.S.A.

☐ Indicates parts not listed in any previous parts book.

Prices and specifications subject to change without notice.

\* Indicates change or addition.

Page 8-27

March 1, 1962 Supersedes May 31, 1961.

# 1961 PASSENGER CAR PARTS CATALOG

CODE	PART NAME AND DESCRIPTION	CYL.	PER CAR	VALIANT	PLYMOUTH	DESOTO	CHRYSLER	IMPERIAL
<b>8-34-0 HEADLAMP - Cont'd</b>								
8-34-40	DOOR - Cont'd							
	Right . . . . .	8	1	-----	-----	1904 528		
	Left . . . . .	8	1	-----	-----	1904 529		
	Right, w/INSERT . . . . .	8	1	-----	-----	-----	1904 660	
	Left . . . . .	8	1	-----	-----	-----	1904 661	
8-34-83	NUT, Headlamp Door Attaching.	8	8	-----	-----	6010 231	6010 231	
8-34-96	SCREW, Headlamp Door Attaching . . . . .	8		-----	6022 585	-----	-----	6010 061
		12		-----	-----	-----	-----	
8-34-175	UNIT, Headlamp, High-Low Beam, Leftway Shift, Export . . . . .		2	1841 775	1841 775	-----	1841 775	1841 775
	High Beam, 2 Headlamp Operating, Export . . . . .		2	1842 211	1842 211	-----	1842 211	1842 211
	High-Low Beam, Riteway Shift . . . . .		2	1753 436	1753 436	1753 436	1753 436	1753 436
	High Beam . . . . .		2	1753 435	1753 435	1753 435	1753 435	1753 435
8-34-177	SPRING, Headlamp Bulb Mounting Seat Adjusting . . . . .		4	2076 305	1972 972	1972 972	1972 972	1972 972
8-34-178	SCREW, Headlamp Bulb Mounting Seat Adjusting . . . . .		8	1658 660	2197 327	2197 327	2197 327	2197 327
8-34-180	RING, Headlamp Bulb Retaining.		4	2076 306	1779 406	1779 406	1779 406	1779 406
8-34-300	REINFORCEMENT, Headlamp Mounting, White, Right . . . . .	8	1	-----	-----	-----	-----	1904 286
	Left . . . . .	8	1	-----	-----	-----	-----	1904 287
8-34-362	HOUSING, SUPPORT, EXTENSION and T/PLATE, Headlamp, Right . . . . .	6	1	*1973 318				
	Left . . . . .	6	1	*1973 319				
	HOUSING, Headlamp, Outboard, Right . . . . .	8	1	-----	-----	-----	-----	1904 208
	Left . . . . .	8	1	-----	-----	-----	-----	1904 209
	Inboard, Right . . . . .	8	1	-----	-----	-----	-----	1904 212
	Left . . . . .	8	1	-----	-----	-----	-----	1904 213
8-34-371	STABILIZER, Headlamp Housing to Fender, Right . . . . .	9	1	-----	-----	-----	-----	1904 216
	Left . . . . .	8	1	-----	-----	-----	-----	1904 217
8-34-372	GASKET, Headlamp Housing Stabilizer . . . . .	8	2	-----	-----	-----	-----	1904 220
	Headlamp Housing Base . . . . .	8	4	-----	-----	-----	-----	1904 218
8-34-374	REINFORCEMENT, Headlamp Stabilizer, White, Right . . . . .	8	1	-----	-----	-----	-----	1904 282
	Left . . . . .	8	1	-----	-----	-----	-----	1904 283
<b>8-35-0 IGNITION COIL, SWITCH AND LOCK CYLINDER</b>								
8-35-4	COIL, Ignition . . . . .		1	2084 847	2084 847	2084 847	2084 847	2084 847
8-35-22	RESISTOR, Ignition Coil Primary . . . . .		1	2095 501	2095 501	2095 501	2095 501	2095 501
8-35-41	BRACKET, Ignition Coil Mounting, on Coil . . . . .	6	1	1688 207	1688 207			
	w/318 cu.in. Eng. . . . .	8	1	-----	2095 374			
	w/361 and 383 cu.in. Eng. . . . .	8	1	-----	1688 207			
		8	1	-----	-----	1688 207	1688 207	1688 207
8-35-44	SPACER, Ignition and Starter Switch Mounting . . . . .	8	1	-----	-----	E2198 869		
8-35-59	SWITCH, Starter and Ignition . . . . .		1	<del>2097 628</del>	<del>2097 628</del>	<del>2097 628</del>	<del>2097 628</del>	<del>2097 628</del>
8-35-85	BEZEL, Starter and Ignition Switch Mounting . . . . .		1	-----	2097 392	2198 872	2096 317	
	RING, Starter and Ignition Switch Retainer . . . . .	8	1	-----	-----	-----	-----	1971 873
8-35-95	RETAINER, Starter and Ignition Switch . . . . .		1	-----	1972 077			
8-35-111	CYLINDER PACKAGE, Ignition and Door Lock . . . . .		1	2161 192	2161 503	2161 503	2161 503	2161 503
	Taxi and Police Cars . . . . .		1	-----	2080 227			
8-35-115	CYLINDER and KEY, Ignition Lock . . . . .		1	2086 047	2086 047	2086 047	2086 047	2086 047

\* Indicates use as required.

Numerals in parentheses ( ) refer to notes.

Printed in U.S.A.

E Indicates parts not listed in any previous parts book.

Prices and specifications subject to change without notice.

March 1, 1962 Supersedes May 31, 1961.

Page 8-28

\* Indicates change or addition.

CODE	PART NAME AND DESCRIPTION	C Y L.	PER CAR	VALIANT	PLYMOUTH	DESOTO	CHRYSLER	IMPERIAL
<b>8-36-0 IGNITION</b>								
8-36-1	PACKAGE, Mopar Ignition Cable, Resistor Type, except No. 1 and 5 Cable . . . . .	6	4	2084 645				
	PACKAGE, Mopar Ignition Cable, Resistor Type, except No. 1 and 5 Cable, Taxi. . . . .	6	4	---- --	2084 645			
	PACKAGE, MoPar Ignition Cable, Resistor Type, except Taxi. . . . .	6	6	---- --	2084 645			
	SET, Resistor Type . . . . .	6	1	2084 606	2196 052			
	SET, Resistor Type, Taxi. . . . .	6	1	---- --	2084 606			
	PACKAGE, Resistor, Ignition Cable and Terminal, w/318 cu. in. Eng. . . . .	8	8	---- --	2084 064			
	SET, Mopar Ignition Cable, Resistor Type, w/318 cu. in. Eng. . . . .	8	1	---- --	2084 219			
	PACKAGE, Resistor Ignition Cable and Terminal, RP2 High Performance, RS1, w/Ram Manifold, RC4, No. 3 Cable . . . . .	8	1	---- --	2084 456	2084 456	2084 456	
	PACKAGE, Resistor Ignition Cable and Terminal, RP2 High Performance, RS1, w/Ram Manifold, RC4, except No. 3 Cable . . . . .	8	7	---- --	2084 458	2084 458	2084 458	
	SET, Mopar Ignition Cable, Resistor Type, RP2 High Performance, RS1, w/o Ram Manifold, RC1, RC2, RC3 . . . . .	8	1	---- --	2084 217	2084 217	2084 217	2084 217
	SET, Mopar Ignition Cable, Resistor Type, RP2, RS1, High Performance, w/Ram Manifold, RC4 . . . . .	8	1	---- --	2084 368	2084 368	2084 368	
	PACKAGE, Resistor Ignition Cable and Terminal, RP2 High Performance, RS1, w/o Ram Manifold, No. 2 Cable . . . . .	8	1	---- --	2084 065	2084 065	2084 065	2084 065
	PACKAGE, Resistor Ignition Cable and Terminal, RP2 High Performance, RS1, w/o Ram Manifold, except No. 2 Cable . . . . .	8	7	---- --	2084 064	2084 064	2084 064	2084 064
8-36-4	BRACKET, Spark Plug Wire . . . . .	8	2	---- --	1739 355			
8-36-14	SEPARATOR, Ignition Cables, w/High Performance . . . . .		1	1841 499	1841 499	1841 499	1841 499	1841 499
8-36-49	PACKAGE, Coil Secondary Cable, w/15" Cable . . . . .		1	2084 427	2084 427	2084 427	2084 427	2084 427
	Except 15" Cable . . . . .		1	2084 428	2084 428	2084 428	2084 428	2084 428
8-36-83	CABLE, Spark Plug, No. 1 . . . . .	6	1	1889 917				
	No. 5, w/170 cu. in. Eng. . . . .	6	1	1889 916				
	No. 5, w/225 cu. in. Eng. . . . .	6	1	2095 823				
	No. 1, Taxi . . . . .	6	1	---- --	1889 917			
	No. 5, Taxi . . . . .	6	1	---- --	1889 916			
8-36-95	TERMINAL, Spark Plug Cable Distributor End . . . . .	6	2	1717 314				
	Taxi. . . . .	6	2	---- --	1717 314			
8-36-96	NIPPLE, Coil Secondary Cable Terminal Distributor End . . . . .		★	2095 766	2095 766	2095 766	2095 766	2095 766
	Spark Plug Cable Terminal Distributor End . . . . .		★	2095 766	2095 766	2095 766	2095 766	2095 766
	Coil Secondary Coil End . . . . .		1	2095 768	2095 768	2095 768	2095 768	2095 768
8-36-114	PLUG, Spark, Low Compression Eng., AG52 . . . . .	6	6	2095 289	2095 289			
	Taxi, AG82 . . . . .	6	6	2095 622	2095 622			

★ Indicates use as required.

☐ Indicates parts not listed in any previous parts book.

\* Indicates change or addition.

Numerals in parentheses ( ) refer to notes.

Printed in U.S.A.

Prices and specifications subject to change without notice.

Page 8-29

March 1, 1962 Supersedes May 31, 1961.

CODE	PART NAME AND DESCRIPTION	C Y L.	PER CAR	VALIANT	PLYMOUTH	DESOTO	CHRYSLER	IMPERIAL
<b>8-36-0 IGNITION - Cont'd</b>								
8-36-114	PLUG - Cont'd							
	A42 .....	8	8	-----	1889 520	1889 520	-----	1889 520
	A52, Low Compression Eng., Export .....	8	8	-----	1889 522	1889 522	-----	1889 522
	A32, w/High Performance, w/Ram Manifold .....	8	8	-----	1889 521	1889 521		
	A42, RC1, RC2, RC3, RC4 Low Compression Eng., Export, w/Ram Manifold .....	8	8	-----	-----	-----	1889 520	
	A52, Low Compression Eng., Export, RC1, RC2, RC3 .....	8	8	-----	-----	-----	1889 522	
	A32, w/Ram Manifold, RC4 .....	8	8	-----	-----	-----	1889 521	
8-36-117	COVER, Spark Plug .....	6	6	1889 921	1889 921			
		8	8	-----	1889 517	1889 517	-----	1889 517
	RC1, RC2, RC3 .....	8	8	-----	-----	-----	1889 517	
8-36-124	SHIELD, Spark Plug Heat .....	8	2	-----	1821 394	1821 394	1821 394	1821 394
8-36-136	TUBE, Spark Plug .....	6	6	2121 245	2121 245			
8-36-137	SEAL, Spark Plug Tube .....	6	6	1947 708	1947 708			
<b>8-37-0 INSTRUMENT PANEL INSTRUMENTS</b>								
8-37-1	AMMETER .....		1	2209 205	-----	2257 652	2256 203	2197 223
	w/Turn Signal INDICATOR .....		1	-----	2257 659			
	60A .....		1	-----	2257 785			
8-37-2	LIMITER, Fuel and Tempera- ture Gauge Voltage .....		1	-----	2256 280			
8-37-3	INSULATOR, Fuel and Temper- ature Gauge Mounting to B/Plate .....	6	1	2076 448				
8-37-15	LAMP, Headlamp and Instrument Lamp Switch .....	8	1	-----	-----	-----	-----	2198 639
	Power Antenna Switch, w/o Auto Pilot .....	8	1	-----	-----	-----	-----	2198 640
	Auto Pilot Control .....	8	1	-----	-----	-----	-----	2257 272
	Ignition Switch .....	8	1	-----	-----	-----	-----	2198 641
	W/S Wiper Switch .....	8	1	-----	-----	-----	-----	2198 638
8-37-16	LENS and OVERLAY, Auto.							
	Pilot Title Lamp .....	8	1	-----	-----	-----	-----	2257 273
	LENS, Switch Title Lamp .....	8	1	-----	-----	-----	-----	2198 652
	LENS, Power Antenna Switch Title Lamp .....	8	1	-----	-----	-----	-----	2198 652
	LENS, Auto Pilot Control Title Lamp .....	8	1	-----	-----	-----	-----	2198 652
8-37-17	POWER SUPPLY, Electro Luminescent .....	8	1	-----	-----	-----	2196 314	2240 544
8-37-20	BEZEL, Dummy Title Power Antenna Switch Title Lamp Lens .....	8	1	-----	-----	-----	-----	2197 599
	Ignition Switch Title Lamp Lens Headlamp and Instrument Lamp Switch Title Lamp .....	8	1	-----	-----	-----	-----	2197 600
	Windshield Wiper Switch Title Lamp Retaining .....	8	1	-----	-----	-----	-----	2197 599
	Windshield Wiper Switch Title Lamp Lens .....	8	1	-----	-----	-----	-----	1887 784
	Auto Pilot Control Title Lamp Lens .....	8	1	-----	-----	-----	-----	2197 599
	RETAINER, Switch Title Lamp SOCKET, Switch Title Lamp .....	8	4	-----	-----	-----	-----	2197 600
8-37-21	SOCKET, Switch Title Lamp .....	8	1	-----	-----	2097 003	-----	2197 449
8-37-85	LENS, Low Oil Pressure End Lamp .....		1	-----	1971 587			
8-37-88	SOCKET, Low Oil Pressure Indicator Lamp .....		1	1753 632	1753 632	1753 632		
8-37-90	BEZEL and LENS, Speedometer and Instrument Cluster .....	6	1	2209 309				

★ Indicates use as required.

Numerals in parentheses ( ) refer to notes.

Printed in U.S.A.

E Indicates parts not listed in any previous parts book.

Prices and specifications subject to change without notice.

March 1, 1962 Supersedes May 31, 1961.

Page 8-30

\* Indicates change or addition.

CODE	PART NAME AND DESCRIPTION	CYL.	PER CAR	VALIANT	PLYMOUTH	DESOTO	CHRYSLER	IMPERIAL
<b>8-52-O STARTING MOTOR - Cont'd</b>								
8-52-4	STARTER MOTOR - Cont'd. Chrysler Built, except w/318 cu. in. Eng. . . . .	8	1	----	1889 200	1889 200	1889 200	1889 200
8-52-39	SEAL, Cylinder Block to Starter . . . . .	6	1	2128 412	2128 412			
		8	1	----	2128 285	2128 285	2128 285	2128 285
8-52-328	RELAY, Starter, w/Std. Trans. w/Auto. Trans. . . . .		1	----	*2095 609	*2095 609		
	w/Std. Trans., RC1 . . . . .	8	1	----	2095 608	2095 608	2095 608	2095 608
8-52-330	SWITCH, Starter Solenoid, w/Std. Trans. . . . .	6	1	2095 624	2095 607			
	w/Auto. Trans. . . . .	6	1	2095 625	2095 606			
8-52-345	SOLENOID, Starter . . . . .	8	1	----	1889 146	1889 146	1889 146	1889 146
8-52-357	CABLE, Starter Solenoid to Starter, 29" long. . . . .	6	1	----	1879 938			
8-52-368	CLIP, Starter Solenoid to Neutral Starter Switch Cable .	6	1	684 158				

FOR MODEL APPLICATION SEE CODE 8-52-4

CODE	REMARKS	STARTER ASSEMBLIES		
		1889 100	1889 200	2095 393
				MDT-7009S
<b>STARTING MOTOR COMPONENT PARTS</b>				
8-52-2	COIL PACKAGE, Field . . . . .	----	----	2084 660
8-52-5	STUD, Starter Mounting . . . . .	----	----	2121 163
8-52-11	BEARING, Intermediate . . . . .	----	----	1138 526
8-52-13	BENDIX DRIVE . . . . .	----	----	1889 938
8-52-23	PIN, Bendix Drive Spring . . . . .	----	----	2095 627
8-52-41	CLUTCH . . . . .	1889 129	1889 129	----
8-52-49	FORK and PIN PACKAGE, Shifting . . . . .	2084 093	2084 093	----
8-52-50	PIN, Shifting Fork Roll . . . . .	* 456 098	* 456 098	----
8-52-76	HOUSING, Pinion . . . . .	1889 066	1889 154	2196 324
8-52-80	BEARING, Pinion Housing . . . . .	*2095 410	*2095 410	2196 325
8-52-82	STOP, SNAP RING and STOP WASHER PACKAGE, Pinion . . . . .	1881 727	1881 727	----
8-52-88	BOOT, Shifting Fork . . . . .	1889 147	1889 147	----
8-52-120	ARMATURE . . . . .	1889 079	1889 079	2196 323
8-52-135	BRUSH PACKAGE . . . . .	2240 749	2240 749	----
	BRUSH SET . . . . .	----	----	2084 661
8-52-137	PLATE, Brush . . . . .	----	----	2084 665
8-52-140	SPRING PACKAGE, Brush . . . . .	2084 666	2084 666	2084 666
8-52-150	HOLDER, Brush . . . . .	1889 044	1889 044	----
8-52-176	HEAD, Commutator End . . . . .	1889 363	1889 363	2084 662
8-52-180	THRUST WASHER PACKAGE, Commutator End . . . . .	*2240 529	2240 529	1879 613
8-52-214	FIELD SERIES and SHUNT COIL PACKAGE . . . . .	2084 088	2084 088	----
8-52-241	BOLT, Thru . . . . .	1889 080	1889 080	2084 659
8-52-275	STUD PACKAGE, Terminal . . . . .	----	----	2084 667
8-52-341	CONTACT and COVER GASKET PACKAGE, Solenoid . . . . .	2084 091	2084 091	----
8-52-344	COVER and GASKET PACKAGE, Solenoid . . . . .	2084 090	2084 090	----
8-52-354	STUD PACKAGE, Solenoid Terminal Relay . . . . .	2084 094	2084 094	----
8-52-375	CORE, Solenoid Moving . . . . .	1889 151	1889 151	----

CODE	PART NAME AND DESCRIPTION	CYL.	PER CAR	VALIANT	PLYMOUTH	DESOTO	CHRYSLER	IMPERIAL
<b>8-53-O SWITCHES</b>								
8-53-150	SWITCH, Foot Dimmer . . . . .		1	1881 938	1881 938	1881 938	1881 938	1881 938

\* Indicates use as required.

Numerals in parentheses ( ) refer to notes.

Printed in U.S.A.

□ Indicates parts not listed in any previous parts book.

Prices and specifications subject to change without notice.

\* Indicates change or addition.

Page 8-35

March 1, 1962 Supersedes May 31, 1961.



CODE	PART NAME AND DESCRIPTION	CYL.	PER CAR	VALIANT	PLYMOUTH	DESOTO	CHRYSLER	IMPERIAL
<b>8-53-0 SWITCHES - Cont'd</b>								
8-53-234	SCREW, Instrument Housing to Switch Bezel Mounting . . . . .	8	2	-----	-----	-----	2257 448	
8-53-265	RHEOSTAT REPLACEMENT PACKAGE, Headlamp Switch, Stamped RBM . . . . .	1	2275 234	2275 234	2275 234			
	Stamped Fasco . . . . .	1	-----	2275 231	2275 231	2275 231		2275 231
8-53-266	CIRCUIT BREAKER, Rear Compartment Cigar Lighter, w/o Window Lifts and Electric Seat, 8 amp. . . . .	8	1	-----	-----	-----	-----	1642 386
	w/Electric Window Lift and 6 Way Seat . . . . .	8	1	-----	-----	-----	-----	1642 477
8-53-267	BRACKET, Circuit Breaker Mounting . . . . .	8	1	-----	-----	-----	-----	1479 060
8-53-270	SWITCH, Headlamp and Instrument Lamp, RC1, RC2, RC3 . . . . .	1	2209 329	*2209 329	*2209 329	2240 534		2240 534
8-53-294	BEZEL, Headlamp and Instrument Lamp Switch . . . . .	1	-----	2097 391				
8-53-296	KNOB, w/STEM, Headlamp and Instrument Lamp Switch . . . . .	6	1	2209 143	1887 596	2257 477	1887 987	2198 877
		1	-----	-----	1887 984	-----	-----	1972 347
8-53-312	RETAINER, Headlamp and Instrument Lamp Switch . . . . .	1	-----	-----	-----	-----	-----	-----
8-53-317	BEZEL and SPRING, Headlamp and Instrument Lamp Switch . . . . .	1	-----	-----	-----	2097 503	1887 963	-----
8-53-327	SWITCH, Low Oil Pressure. . . . .	1	1818 830	1818 830	1818 830	-----	-----	-----
<b>8-55-0 TAIL, STOP AND DIRECTIONAL SIGNAL LAMP</b>								
8-55-1	LAMP PACKAGE, Tail, Stop and Turn Signal, Painted Black, Right . . . . .	6	1	2240 261				
	Left . . . . .	6	1	2240 262				
	Chrome, Right . . . . .	6	1	2084 647				
	Left . . . . .	6	1	2084 648				
	Right . . . . .	8	1	-----	-----	2240 738		
	Left . . . . .	8	1	-----	-----	2240 739		
8-55-7	LAMP, Tail, Stop and Turn Signal . . . . .	2	-----	2094 356	-----	-----	-----	2094 287
	Right, except Sub. . . . .	8	1	-----	-----	2094 674	2094 642	
	Left . . . . .	8	1	-----	-----	2094 675	2094 643	
	Right, Sub. . . . .	8	1	-----	-----	-----	1961 344	
	Left . . . . .	8	1	-----	-----	-----	1961 345	
8-55-8	GASKET, Tail, Stop and Turn Signal Lamp, Housing to Quarter Panel . . . . .	6	2	2093 330				
	Housing to Quarter Panel, except Sub. . . . .	8	2	-----	-----	2094 840	2094 840	
	To Tail Lamp Opening . . . . .	8	2	-----	-----	2188 590	-----	
	Housing . . . . .	8	2	-----	-----	-----	-----	2094 286
8-55-9	NUT and WASHER, Tail, Stop and Turn Signal Lamp . . . . .	4	6022 194					6022 056
8-55-10	SCREW, Tail, Stop and Turn Signal Lamp Attaching, Rear . . . . .	8	6	-----	-----	-----	-----	6022 587
8-55-23	REINFORCEMENT, Tail Lamp Opening, Sub. . . . .	2	-----	2188 315				
	w/C/NUT, Sub. . . . .	2	-----	2094 585				
	Right . . . . .	8	1	-----	-----	2094 178		
	Left . . . . .	8	1	-----	-----	2094 179		
	Right, Sub. . . . .	8	1	-----	-----	-----	1878 260	
	Left, Sub. . . . .	8	1	-----	-----	-----	1878 261	
	Right, except Sub. . . . .	8	1	-----	-----	-----	2094 770	
	Left, except Sub. . . . .	8	1	-----	-----	-----	2094 771	
8-55-32	SUPPORT and HARNESS, Tail, Stop and Turn Signal Lamp . . . . .	8	2	-----	-----	-----	-----	2093 990

★ Indicates use as required. Numerals in parentheses ( ) refer to notes. Printed in U.S.A.  
 □ Indicates parts not listed in any previous parts book. Prices and specifications subject to change without notice.  
 March 1, 1962 Supersedes May 31, 1961. Page 8-36 \* Indicates change or addition.

CODE	PART NAME AND DESCRIPTION	CYL.	PER CAR	VALIANT	PLYMOUTH	DESOTO	CHRYSLER	IMPERIAL
<b>8-55-0 TAIL, STOP AND DIRECTIONAL SIGNAL LAMP - Cont'd</b>								
8-55-57	SOCKET, Tail, Stop and Turn Signal Lamp . . . . .	6	2	1832 014				
	w/BOOT, Left . . . . .		1	----	2096 410			
	Right . . . . .		1	----	2257 834			
	SOCKET, except Sub. . . . .	8	2	----		1641 742	1841 893	
	SOCKET, w/BOOT, Sub. . . . .	8	2	----	----	----	2096 410	
	Tail Lamp, except Sub. . . . .	8	2	----	----	----	2096 141	
	SOCKET and INSERT . . . . .	8	2	----	----	----	----	2094 646
8-55-63	SPRING, INSULATOR and CONTACT PACKAGE, Tail, Stop and Turn Signal Lamp Socket . . . . .		2	----	----	2198 860		
	Except Sub. . . . .	8	2	----	----	----	2198 860	
	Tail Lamp Socket, except Sub. . . . .	8	2	----	----	----	2257 100	
8-55-136	HOUSING, Tail, Stop and Turn Signal Lamp, Right, Upper, Chrome . . . . .	8	1	----	----	2189 676		
	Left, Upper, Chrome . . . . .	8	1	----	----	2189 677		
8-55-158	BEZEL, Tail, Stop and Turn Signal Lamp, except Sub., Right . . . . .	8	1	----	----	----	2094 252	
	Left . . . . .	8	1	----	----	----	2094 253	
	Tail, Stop and Turn Signal Lamp Housing . . . . .	8	2	----	----	----	----	2094 447
8-55-194	LENS and GASKET PACKAGE, Tail, Stop and Turn Signal Lamp . . . . .		1	----	2240 740			
8-55-195	LENS and WICK, Tail, Stop and Turn Signal Lamp, Right . . . . .	6	1	2093 550				
	Left . . . . .	6	1	2093 551				
	LENS, Right, except Sub. . . . .	8	1	----	----	2188 584	2094 256	
	Left, except Sub. . . . .	8	1	----	----	2188 585	2094 257	
	LENS and Reflector BUTTON, Right, Sub. . . . .	8	1	----	----	----	1961 326	
	Left, Sub. . . . .	8	1	----	----	----	1961 327	
	LENS and BEZEL, Rear . . . . .	8	2	----	----	----	----	2094 636
	LENS, Front . . . . .	8	2	----	----	----	----	2093 987
8-55-208	NUT, Tail, Stop and Turn Signal Lamp Lens, Front . . . . .	8	6	----	----	----	----	6006 425
8-55-209	SCREW, Tail, Stop and Turn Signal Lamp Housing, Sub. . . . .	8	2	----	----	----	6006 416	
	Lens Lower, Sub. . . . .	8	2	----	----	----	6006 041	
	Lens, Rear . . . . .	8	8	----	----	----	----	6022 587
8-55-214	GASKET, Tail, Stop and Turn Signal Lamp Lens, to Housing. . . . .	6	2	2093 328				
	Except Sub. . . . .	8	2	----	2094 368	2094 260		
	Front . . . . .	8	2	----	----	2094 684	2094 260	
	Rear . . . . .	8	2	----	----	----	----	2093 989
		8	2	----	----	----	----	2093 988
8-55-220	BUTTON, Tail, Stop and Turn Signal Lamp Reflector . . . . .	8	2	----	----	1770 936		
	REFLECTOR, Tail, Stop and Turn Signal Lamp Housing, Lower, Right . . . . .	8	1	----	E2094 678			
	Left, Lower . . . . .	8	1	----	E2094 679			
8-55-331	EXTENSION, Tail, Stop and Turn Signal Lamp Housing, except Sub., Chrome . . . . .		2	----	*2094 706			
	Sub., Chrome . . . . .		2	----	*2094 707			
	Except Sub., White . . . . .		2	----	E2094 358			
	Sub., White . . . . .		2	----	E2094 359			
8-55-332	SCREW, Tail, Stop and Turn Signal Lamp Housing Extension Front Attaching, Sub. . . . .		2	----	2094 369			
	SCREW and WASHER, Housing Extension, Sub. . . . .		4	----	6022 154			

★ Indicates use as required.

Numerals in parentheses ( ) refer to notes.

Printed in U.S.A.

E Indicates parts not listed in any previous parts book.

Prices and specifications subject to change without notice.

\* Indicates change or addition.

Page 8-37

March 1, 1962 Supersedes May 31, 1961.



# 1961 PASSENGER CAR PARTS CATALOG

ELECTRICAL

CODE	PART NAME AND DESCRIPTION	CYL.	PER CAR	VALIANT	PLYMOUTH	DESOTO	CHRYSLER	IMPERIAL
<b>8-56-0 BACK-UP LAMP</b>								
8-56-1	LAMP, Back-Up, Painted Black, Right . . . . .	6	1	2188 664				
	Left . . . . .	6	1	2188 665				
	Chrome, Right . . . . .	6	1	2093 332				
	Left . . . . .	6	1	2093 333				
	Right, except Sub. . . . .		1	----	2094 338	2094 664	2094 578	1961 450
	Left . . . . .		1	----	2094 339	2094 665	2094 579	1961 451
	Back-Up and License, Sub., Right . . . . .		1	----	2094 988			
	Left . . . . .		1	----	2094 989			
8-56-2	SWITCH, Back-Up Lamp, w/Auto. Trans. . . . .		1	1971 833	1972 052	1972 052	1972 052	1972 052
	w/Std. Trans., RC1 . . . . .		1	1343 998	1343 998	1343 998	1343 998	
8-56-3	LAMP PACKAGE, Back-Up, Sub., Right . . . . .	8	1	----	----	----	2084 052	
	Left . . . . .	8	1	----	----	----	2084 053	
8-56-4	J/NUT, Back-UP Lamp to Bumper . . . . .	8	4	----	----	----	----	6022 142
8-56-7	LENS, Back-Up Lamp, Right . . . . .	6	1	2093 336				
	Left . . . . .	6	1	2093 337				
	Back-Up and License Lamp, Sub., Right . . . . .		1	----	2094 992			
	Left . . . . .		1	----	2094 993			
	Back-Up Lamp, Right . . . . .	8	1	----		2094 668	----	1961 434
	Left . . . . .	8	1	----		2094 669	----	1961 435
	Right, except Sub. . . . .	8	1	----		----	2094 169	
	Left . . . . .	8	1	----		----	2188 371	
	Sub. . . . .	8	2	----		----	1878 585	
8-56-8	LENS and GASKET PACKAGE, Back-Up Lamp, except Sub. . . . .		1	----	2240 741			
8-56-10	SCREW, Back-Up Lamp Lens, except Sub. . . . .		4	----	6006 036	----	6022 053	
8-56-13	NUT, Back-Up Lamp Lens Attaching, Sub. . . . .	8	6	----	----	----	6006 425	
8-56-17	SEAL, Back-Up Lamp, except Sub. . . . .		2	----	2004 345			
8-56-23	GASKET, Back-Up and License Lamp Lens, Sub. . . . .		2	----	2094 994			
	Back-Up Lamp Lens, except Sub. . . . .		2	----	2094 343	2094 260	2094 172	
	Sub. . . . .	8	2	----	----	----	1878 660	
	To Housing . . . . .	8	2	----	----	----	----	1961 452
8-56-27	SPRING, INSULATOR and CONTACT PACKAGE, Back-Up Lamp . . . . .		2	----	2257 100	2257 100	2257 100	2257 100
8-56-34	SOCKET, Back-Up Lamp . . . . .	6	2	2198 388				
	Except Sub. . . . .		2	----	2096 648	1641 743	----	2096 648
	Sub. . . . .		2	----	----	----	2198 132	
	Sub. . . . .		2	----	----	----	2198 388	
8-56-36	BEZEL, Back-Up Lamp, Right . . . . .		1	----	----	2094 666		
	Left . . . . .		1	----	----	2094 667		
	BEZEL and GASKET PACKAGE, Back-Up Lamp, Right . . . . .	8	1	----	----	----	----	2240 731
	Left . . . . .	8	1	----	----	----	----	2240 732
8-56-38	GASKET, Back-Up Lamp Socket Retainer, except Sub. . . . .	8	2	----	----	----	2094 173	
	To Reinforcement, except Sub. . . . .	8	2	----	----	----	2094 898	
8-56-40	GASKET, Back-Up Lamp . . . . .	6	4	2093 338				
	To Quarter Panel . . . . .	8	2	----	----	2094 840		
8-56-41	SCREW, Back-Up Lamp Attaching, Sub. . . . .	8	4	----	----	----	1961 349	
8-56-43	HOUSING, Back-Up Lamp, Right, except Sub. . . . .	8	1	----	----	----	2094 170	
	Left . . . . .	8	1	----	----	----	2094 171	
8-56-44	GASKET, Back-Up Lamp Bezel, Sub. . . . .	8	2	----	----	----	1961 256	
	Sub. . . . .	8	2	----	----	----	----	1961 448

★ Indicates use as required. Numerals in parentheses ( ) refer to notes. Printed in U.S.A.  
 ☐ Indicates parts not listed in any previous parts book. Prices and specifications subject to change without notice.  
 March 1, 1962 Supersedes May 31, 1961. Page 8-38 \* Indicates change or addition.

CODE	PART NAME AND DESCRIPTION	CYL	PER CAR	VALIANT	PLYMOUTH	DESOTO	CHRYSLER	IMPERIAL
<b>8-56-O BACK-UP LAMP - Cont'd</b>								
8-56-46	GASKET, Back-Up Lamp Switch Hole Plug, w/Std. Trans., RC1 . . . . .		1	1302 807	1302 807	1302 807	1302 807	
	Back-Up Lamp Switch, w/Std. Trans., RC1 . . . . .		1	1302 807	1302 807	1302 807	1302 807	
8-56-51	TERMINAL, Back-Up Speed Feed From W/S Wiper Circuit Breaker . . . . .		1	----	1770 660	1770 660		
8-56-52	NUT, Back-Up Lamp Housing to Lens Bezel . . . . .	8	8	----	----	----	----	E1961 505
8-56-53	SCREW, Back-Up Lamp Socket Retaining, except Sub. . . . .	8	4	----	----	----	6022 050	
8-56-54	REINFORCEMENT, Back-Up Lamp Opening, except Sub., Right . . . . .	8	1	----	----	2094 770	2094 178	
	Left . . . . .	8	1	----	----	2094 771	2094 179	
8-56-63	PLUG, Back-Up Lamp Housing Socket Hole, Sub. . . . .		2	----	E2094 697			
	Housing . . . . .	8	2	----	----	*1751 763		
	Housing Button . . . . .	8	2	----	----	E2094 697		
<b>8-57-O LICENSE PLATE LAMP</b>								
8-57-10	LAMP, License . . . . .	6	1	2093 340				
	Except Sub. . . . .		1	----	1878 196	1878 196	1878 196	2188 824
	Sub. . . . .	8	2	----	----	----	1960 118	
8-57-11	SCREW, License Lamp Attaching, except Sub. . . . .		2	----	1878 893	1878 893	1878 893	
8-57-13	SPEED NUT, License Lamp . . . . .	8	2	----	----	----	----	6006 297
8-57-54	LENS and GASKET PACKAGE, License Lamp . . . . .		1	1879 566	----	----	----	1879 566
8-57-55	LENS, License Lamp, Sub. . . . .	8	2	----	----	----	1960 116	
8-57-56	GASKET, License Lamp Lens, to Bracket, Sub. . . . .	8	2	----	----	----	1960 117	
8-57-79	SOCKET and CABLE, License Lamp . . . . .		1	2094 628	----	----	----	2094 628
	Except Sub. . . . .		1	----	2096 141	2096 141	2096 141	
	Sub. . . . .		2	----	2096 141	----	2096 141	
8-57-89	SPRING, INSULATOR and CONTACT PACKAGE, License Lamp Socket, except Sub. . . . .		1	----	2257 100	2257 100	2257 100	
<b>8-58-O STOP LAMP</b>								
8-58-60	SWITCH, Hydraulic Type . . . . .		1	2084 284	2084 284	2084 284	2084 284	2084 284
	Mechanical Type . . . . .	6	1	<del>2257 768</del> 2257 768	2257 769	2257 769	2257 769	
	Mechanical Type, w/o Power Brakes, RC1, RC2 . . . . .		1	----	2257 769	2257 769	2257 769	
	Mechanical Type, w/Power Brakes . . . . .		1	----	2257 770	2257 770	2257 770	2257 770

## NOTES

★ Indicates use as required.

Numerals in parentheses ( ) refer to notes.

Printed in U.S.A.

☐ Indicates parts not listed in any previous parts book.

Prices and specifications subject to change without notice.

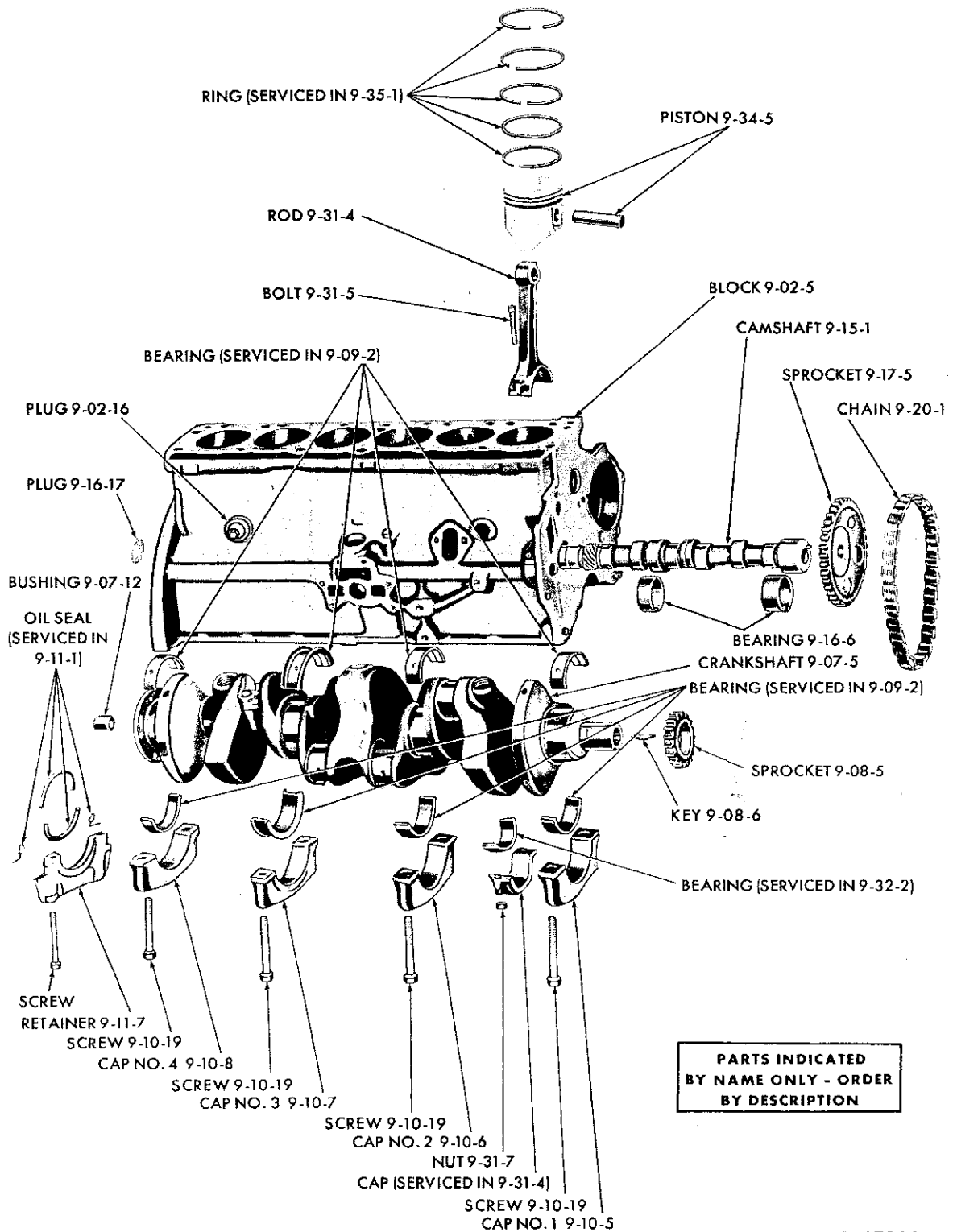
\* Indicates change or addition.

Page 8-39

May 31, 1961.



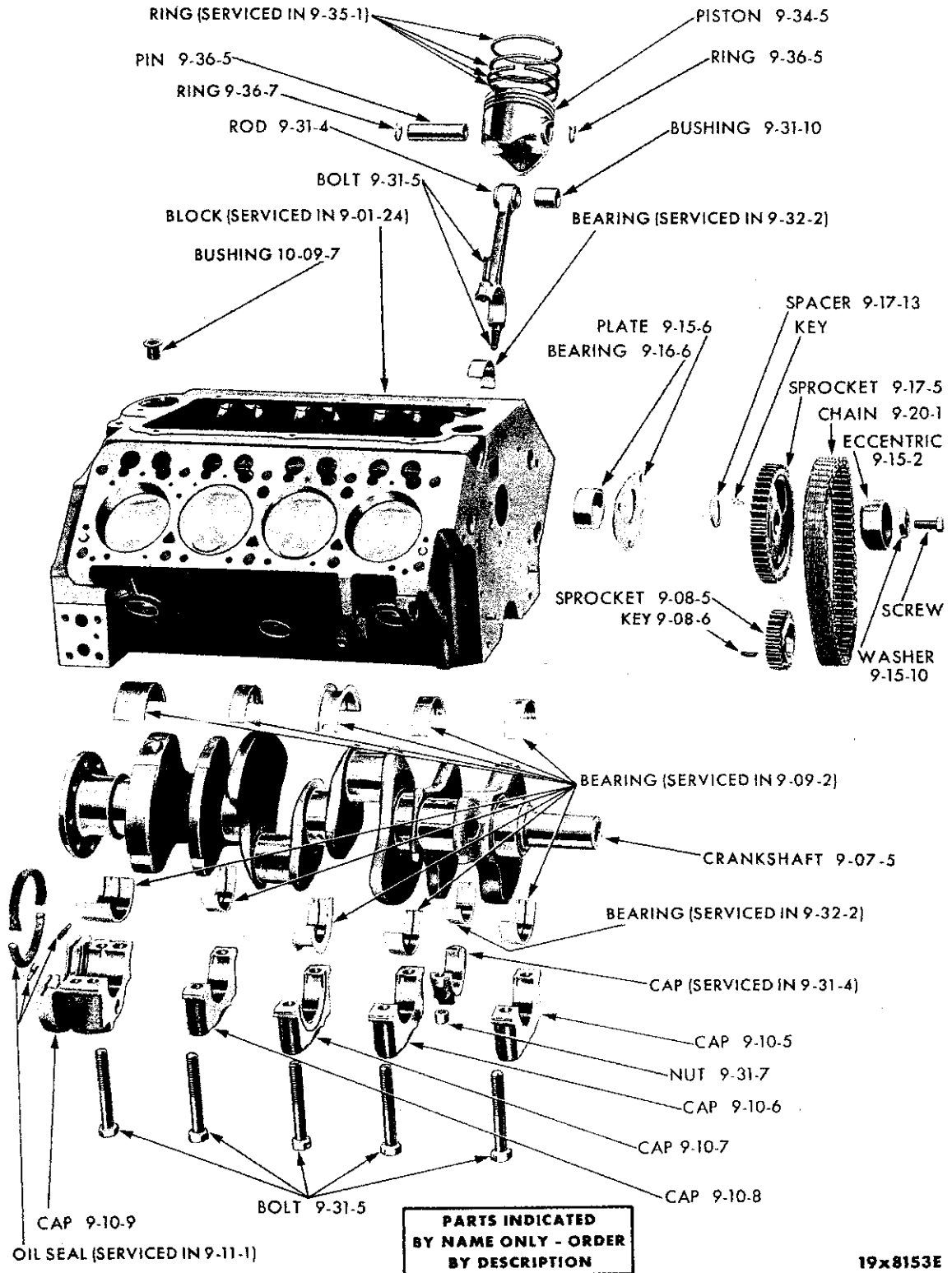
GROUP 9 - ENGINE

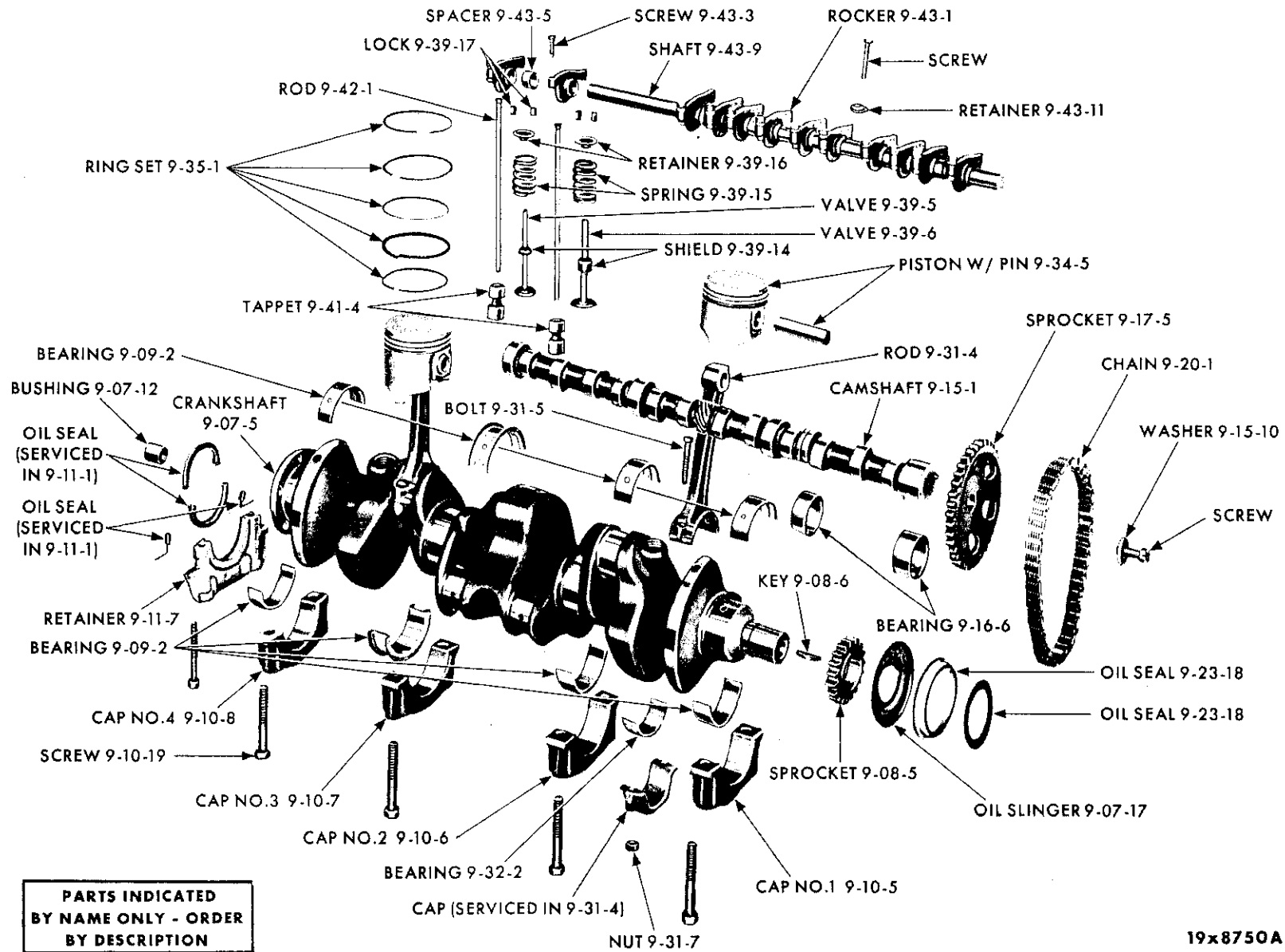


PARTS INDICATED BY NAME ONLY - ORDER BY DESCRIPTION

19x8786A

SHORT ENGINE - 6 CYLINDER

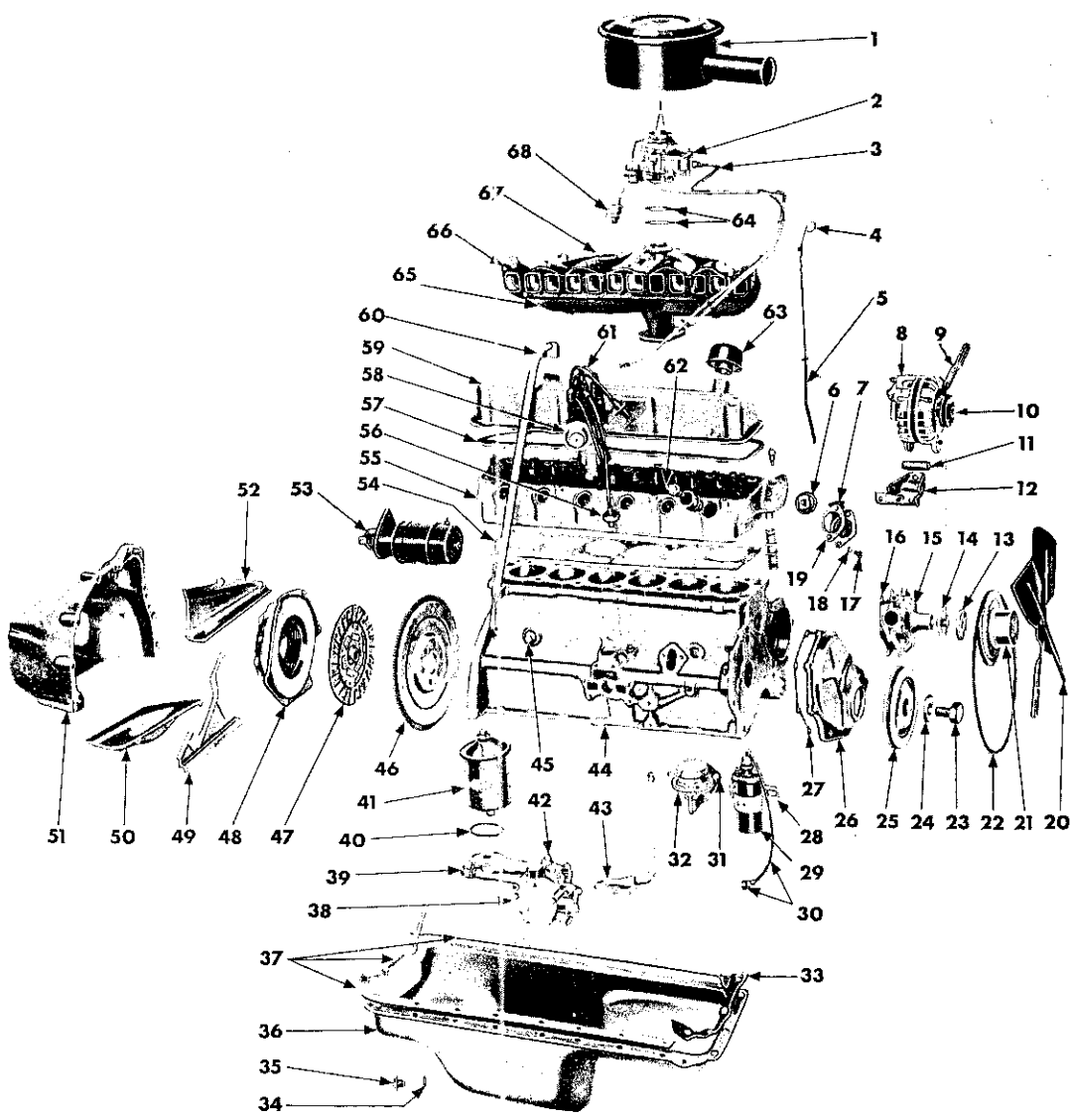




**PARTS INDICATED  
BY NAME ONLY - ORDER  
BY DESCRIPTION**

19x8750A

ENGINE INTERNAL PARTS - 6 CYLINDER



19L8794A

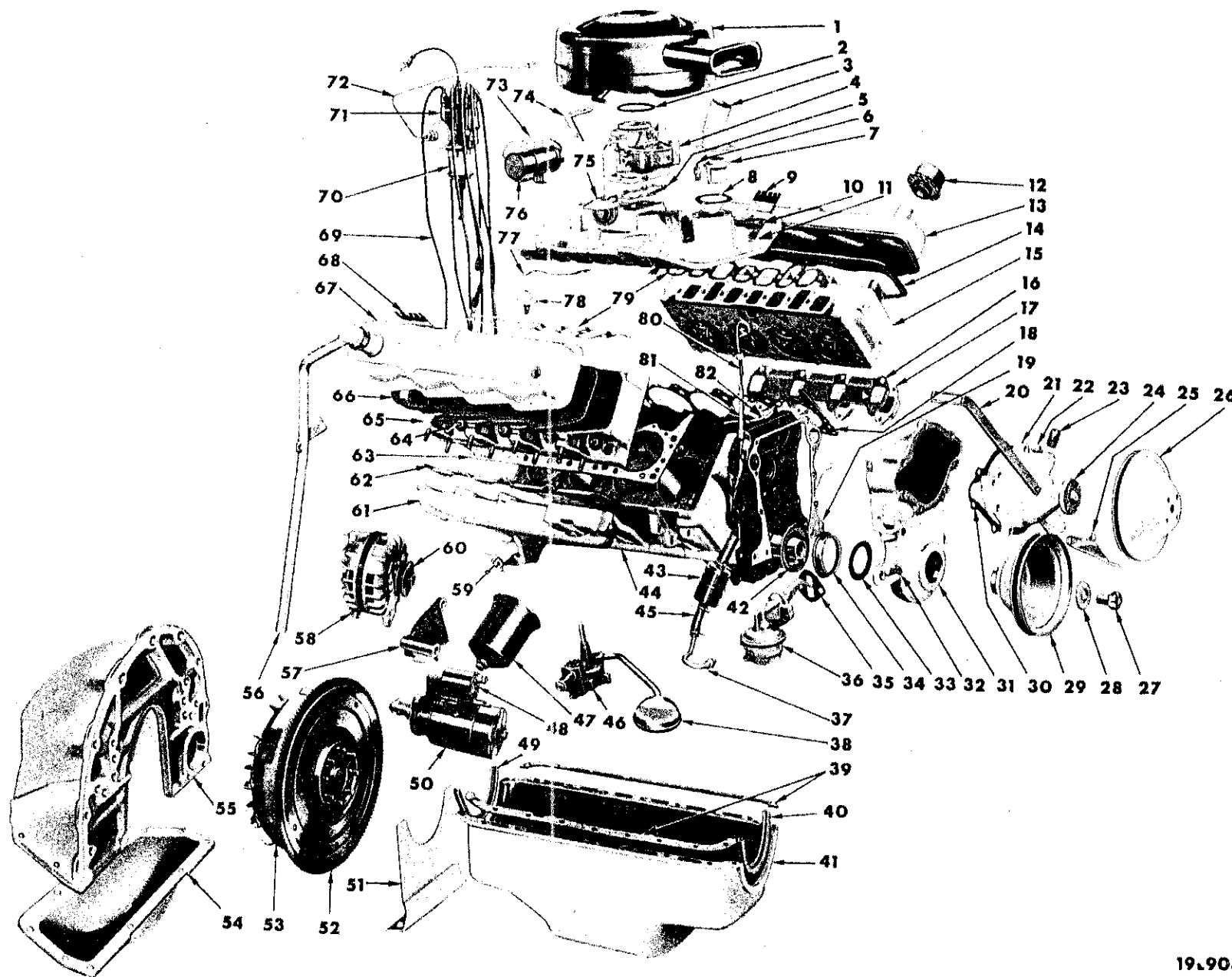
ENGINE EXTERNAL PARTS - 6 CYLINDER



## ENGINE EXTERNAL PARTS - 6 CYLINDER

Ref. No.	Name	Part Type Code	Ref. No.	Name	Part Type Code
1	Air Cleaner . . . . .	14-29-2	35	Plug . . . . .	10-24-37
2	Carburetor . . . . .	14-30-1	36	Pan . . . . .	10-24-4
3	Tube . . . . .	14-89-2	37	Gasket (Serviced in 10-24-1) . . . . .	
4	Indicator . . . . .	10-03-4	38	Pump . . . . .	10-07-6
5	Tube . . . . .	10-03-7	39	Cap . . . . .	10-22-40
6	Thermostat . . . . .	7-41-4	40	Gasket (Serviced in 10-26-6) . . . . .	
7	Elbow . . . . .	9-05-5	41	Filter . . . . .	10-26-6
8	Alternator . . . . .	8-28-3	42	Gasket . . . . .	10-07-11
9	Strap . . . . .	8-28-15	43	Strainer, w/Pipe . . . . .	10-23-7
10	Pulley . . . . .	8-28-297	44	Block . . . . .	9-02-5
11	Spacer . . . . .	Not Serviced	45	Plug . . . . .	
12	Bracket . . . . .	8-28-36	46	Flywheel . . . . .	9-45-1
13	Spacer . . . . .	7-02-16	47	Disc . . . . .	6-13-1
14	Hub . . . . .	7-05-1	48	Cover, w/Plate . . . . .	6-14-1
15	Pump Package . . . . .	7-42-1	49	Seal . . . . .	6-10-10
16	Gasket . . . . .	7-44-4	50	Pan . . . . .	6-10-2
17	Screw . . . . .		51	Housing . . . . .	6-09-1
18	Washer . . . . .		52	Strut . . . . .	6-09-11
19	Gasket . . . . .	9-05-6	53	Starter . . . . .	8-52-4
20	Fan . . . . .	7-02-1	54	Gasket . . . . .	9-03-5
21	Pulley . . . . .	7-06-14	55	Head . . . . .	9-03-4
22	Belt . . . . .	7-03-1	56	Cover . . . . .	8-36-117
23	Screw . . . . .	9-07-8	57	Gasket . . . . .	9-03-29
24	Washer . . . . .	9-07-22	58	Distributor . . . . .	8-27-1
25	Damper . . . . .	9-13-5	59	Cover . . . . .	9-03-28
26	Cover . . . . .	9-23-5	60	Pipe . . . . .	10-02-15
27	Gasket . . . . .	9-23-17	61	Cable Set . . . . .	8-36-1
28	Bracket . . . . .	8-35-41	62	Spark Plug . . . . .	8-36-114
29	Coil . . . . .	8-35-4	63	Air Cleaner . . . . .	10-01-21
30	Cable . . . . .	8-36-49	64	Gasket . . . . .	14-30-2
31	Gasket . . . . .	14-74-1	65	Manifold . . . . .	9-48-6
32	Pump Package . . . . .	14-73-1	66	Gasket (Serviced in 9-50-1) . . . . .	
33	Gasket . . . . .	10-24-1	67	Manifold . . . . .	9-48-7
34	Gasket . . . . .	10-24-38	68	Choke . . . . .	14-39-45

PARTS INDICATED BY NAME ONLY - ORDER BY DESCRIPTION



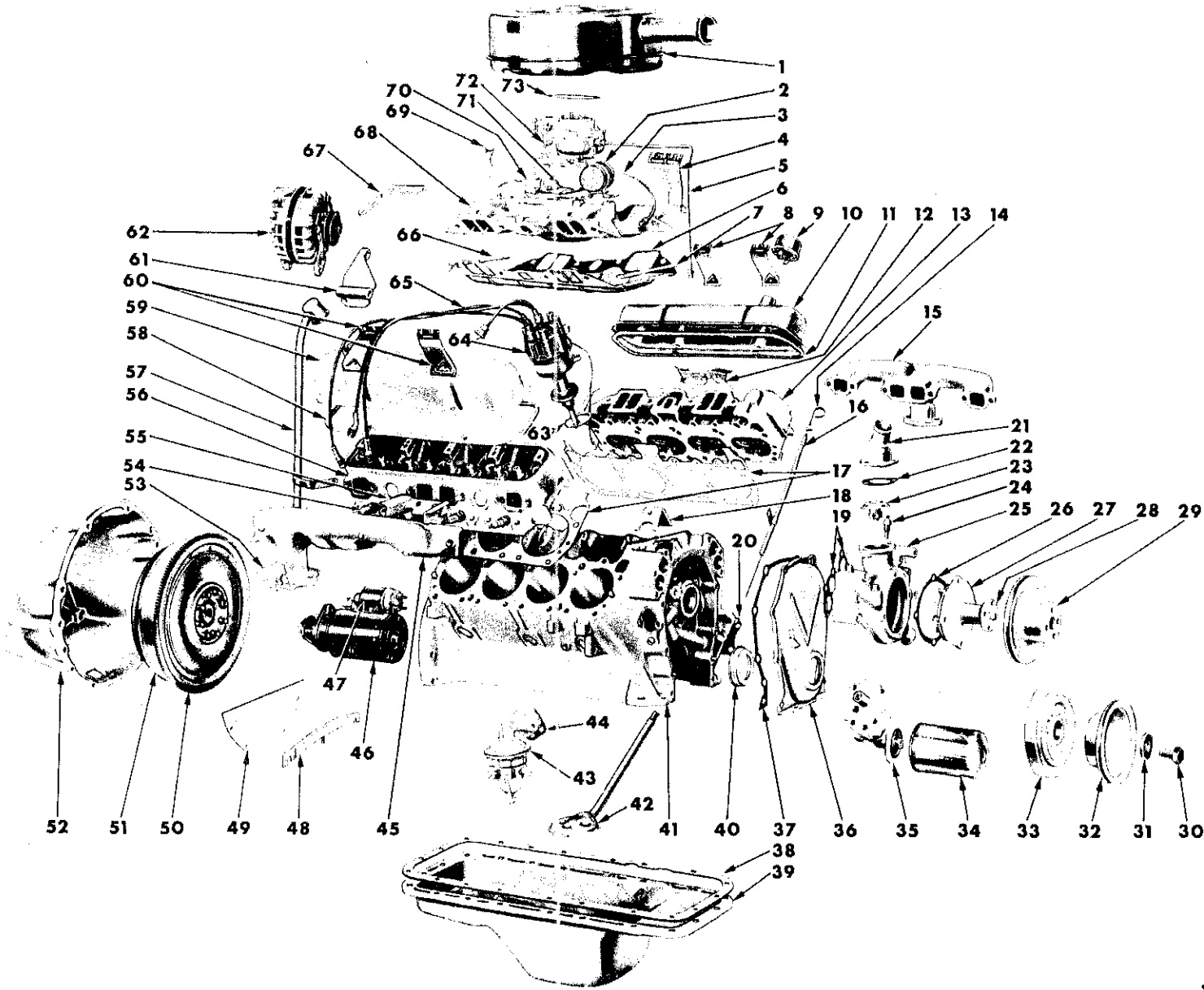
ENGINE EXTERNAL PARTS - V8 CYLINDER ("A" ENGINE)

19.9033

## ENGINE EXTERNAL PARTS - V8 CYLINDER ("A" ENGINE)

Ref. No.	Name	Part Type Code	Ref. No.	Name	Part Type Code
1	Air Cleaner . . . . .	14-29-2	42	Oil Slinger . . . . .	9-07-17
2	Gasket . . . . .	14-29-5	43	Filter . . . . .	14-67-1
3	Elbow . . . . .	9-05-5	44	Block (Serviced in 9-01-24) . . . . .	
4	Carburetor . . . . .	14-30-1	45	Hose . . . . .	14-67-2
5	Gasket . . . . .	14-30-2	46	Pump . . . . .	10-07-6
6	Sending Unit . . . . .	8-37-155	47	Shell . . . . .	10-26-14
7	Thermostat . . . . .	7-41-4	48	Solenoid . . . . .	8-52-345
8	Gasket . . . . .	9-05-6	49	Gasket (Serviced in 10-24-1) . . . . .	
9	Bracket . . . . .	8-36-4	50	Starting Motor . . . . .	8-52-4
10	Nipple . . . . .	7-48-22	51	Cover . . . . .	9-46-93
11	Manifold . . . . .	9-48-6	52	Gear . . . . .	9-45-2
12	Air Cleaner . . . . .	10-01-21	53	Torque Converter . . . . .	9-46-4
13	Cover . . . . .	9-03-28	54	Pan . . . . .	9-46-137
14	Gasket . . . . .	9-03-29	55	Housing . . . . .	9-46-90
15	Head . . . . .	9-03-4	56	Pipe . . . . .	10-02-15
16	Gasket . . . . .	9-50-5	57	Bracket . . . . .	8-28-36
17	Manifold . . . . .	9-48-6	58	Alternator . . . . .	8-28-3
18	Gasket . . . . .	9-03-5	59	Shield . . . . .	9-58-12
19	Gasket . . . . .	9-23-17	60	Pulley . . . . .	8-28-297
20	Strap . . . . .	8-28-15	61	Manifold . . . . .	9-48-6
21	Pump Package . . . . .	7-42-1	62	Gasket . . . . .	9-50-5
22	Plug . . . . .		63	Gasket . . . . .	9-03-5
23	Nipple . . . . .	7-48-22	64	Plug . . . . .	8-36-114
24	Hub . . . . .	7-05-1	65	Head . . . . .	9-03-4
25	Indicator . . . . .	9-23-40	66	Gasket . . . . .	9-03-29
26	Pulley . . . . .	7-06-14	67	Cover . . . . .	9-03-28
27	Screw . . . . .	9-07-8	68	Bracket . . . . .	8-36-4
28	Washer . . . . .	9-07-22	69	Cable . . . . .	8-36-1
29	Pulley . . . . .	7-06-1	70	Retainer . . . . .	8-27-4
30	Gasket . . . . .	7-44-3	71	Distributor . . . . .	8-27-1
31	Cover . . . . .	9-23-5	72	Tube . . . . .	8-27-320
32	Screw . . . . .	9-23-10	73	Resistor . . . . .	8-35-22
33	Gasket (Serviced in 9-23-18) . . . . .		74	Bracket . . . . .	14-06-10
34	Oil Seal . . . . .	9-23-18	75	Choke, w/Rod . . . . .	14-64-2
35	Gasket . . . . .	14-74-1	76	Coil . . . . .	8-35-4
36	Pump . . . . .	14-73-2	77	Gasket (Serviced in 9-50-1) . . . . .	
37	Tube . . . . .	14-89-2	78	Switch . . . . .	8-53-327
38	Strainer . . . . .	10-23-7	79	Gasket (Serviced in 9-50-1) . . . . .	
39	Gasket (Serviced in 10-24-1) . . . . .		80	Indicator . . . . .	10-03-4
40	Gasket (Serviced in 10-24-1) . . . . .		81	Tube . . . . .	10-03-7
41	Pan . . . . .	10-24-4	82	Gasket (Serviced in 9-50-1) . . . . .	

PARTS INDICATED BY NAME ONLY - ORDER BY DESCRIPTION



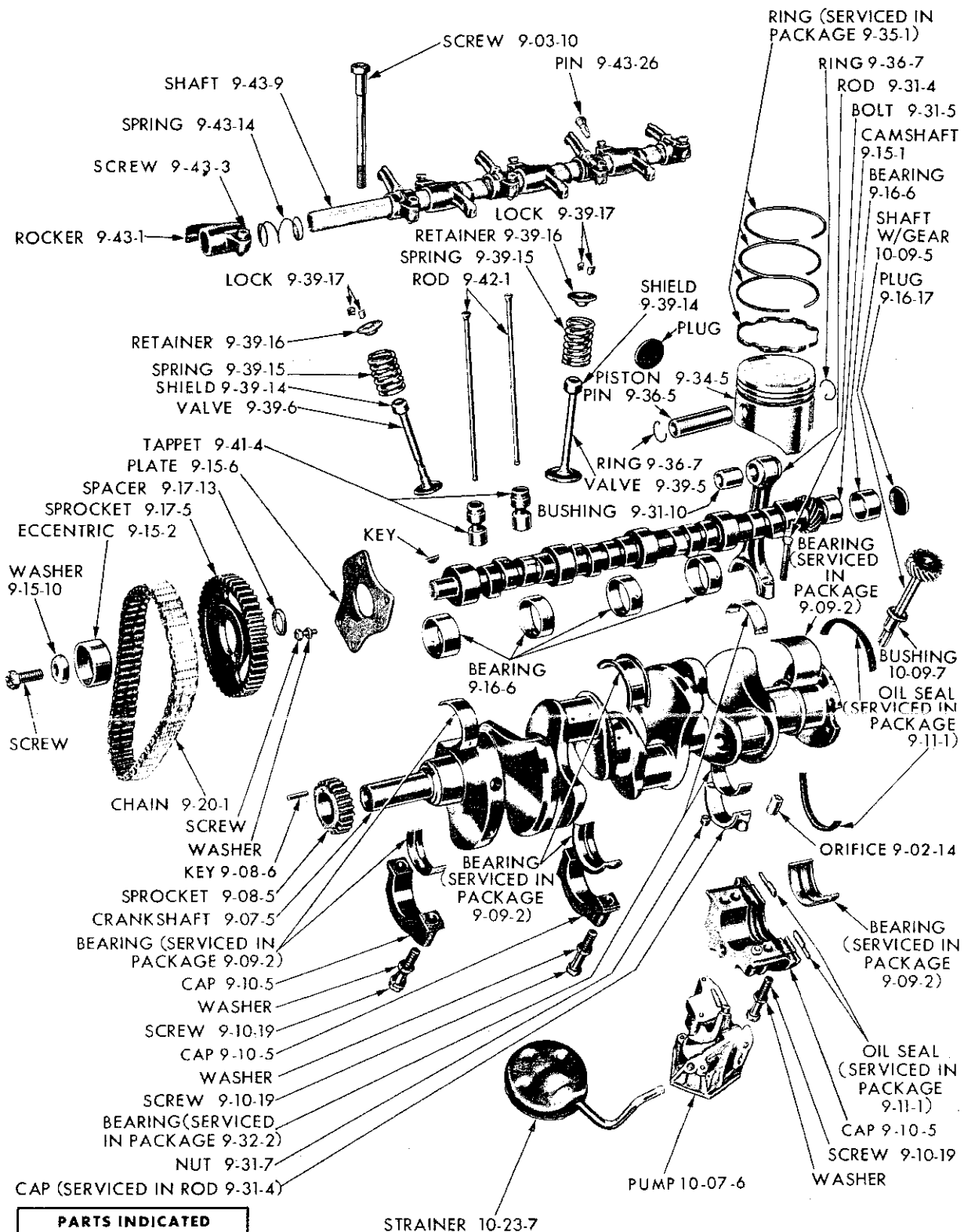
19L9032

ENGINE EXTERNAL PARTS - V8 CYLINDER ("B" ENGINE)

## ENGINE EXTERNAL PARTS - V8 CYLINDER ("B" ENGINE)

Ref. No.	Name	Part Type Code	Ref. No.	Name	Part Type Code
1	Air Cleaner . . . . .	14-29-2	38	Gasket . . . . .	10-24-8
2	Coil . . . . .	8-35-4	39	Pan . . . . .	10-24-4
3	Tube . . . . .	8-27-320	40	Oil Seal . . . . .	9-23-18
4	Bracket . . . . .	8-36-4	41	Block (Serviced in short engine 9-01-24) . . . . .	
5	Tube . . . . .	14-85-1	42	Strainer . . . . .	10-23-7
6	Gasket . . . . .	9-50-6	43	Pump Package . . . . .	14-73-1
7	Reinforcement . . . . .	9-48-27	44	Gasket . . . . .	14-74-1
8	Bracket . . . . .	8-36-4	45	Manifold . . . . .	9-48-6
9	Air Cleaner . . . . .	10-01-21	46	Starter . . . . .	8-52-4
10	Cover . . . . .	9-03-28	47	Solenoid . . . . .	8-52-345
11	Gasket . . . . .	9-03-29	48	Support . . . . .	11-08-4
12	Shield . . . . .	8-36-124	49	Cover . . . . .	9-46-93
13	Head . . . . .	9-03-4	50	Gear . . . . .	9-45-2
14	Indicator . . . . .	10-03-4	51	Torque Converter . . . . .	9-46-4
15	Manifold . . . . .	9-48-6	52	Housing . . . . .	9-46-90
16	Tube . . . . .	10-03-7	53	Shield . . . . .	9-58-12
17	Gasket . . . . .	9-03-5	54	Spark Plug . . . . .	8-36-114
18	Clamp . . . . .	8-27-26	55	Shield . . . . .	8-36-124
19	Gasket . . . . .	7-44-4	56	Head . . . . .	9-03-4
20	Gasket . . . . .	10-07-11	57	Pipe . . . . .	10-02-15
21	Elbow . . . . .	9-05-5	58	Gasket . . . . .	9-03-29
22	Gasket . . . . .	9-05-6	59	Cover . . . . .	9-03-28
23	Thermostat . . . . .	7-41-4	60	Bracket . . . . .	8-36-4
24	Fitting . . . . .		61	Bracket . . . . .	8-28-36
25	Housing . . . . .	7-43-1	62	Alternator . . . . .	8-28-3
26	Gasket . . . . .	7-44-3	63	Retainer . . . . .	8-27-4
27	Pump Package . . . . .	7-42-1	64	Distributor . . . . .	8-27-1
28	Hub . . . . .	7-05-1	65	Cable Set . . . . .	8-36-1
29	Pulley . . . . .	7-06-14	66	Reinforcement . . . . .	9-48-27
30	Screw . . . . .	9-07-8	67	Strap . . . . .	8-28-15
31	Washer . . . . .	9-07-22	68	Manifold . . . . .	9-48-7
32	Pulley . . . . .	7-06-1	69	Bracket . . . . .	14-29-12
33	Damper . . . . .	9-13-5	70	Choke . . . . .	14-39-45
34	Oil Filter . . . . .	10-26-6	71	Gasket . . . . .	14-30-2
35	Pump . . . . .	10-07-6	72	Carburetor . . . . .	14-30-1
36	Cover . . . . .	9-23-5	73	Gasket . . . . .	14-29-5
37	Gasket . . . . .	9-23-17			

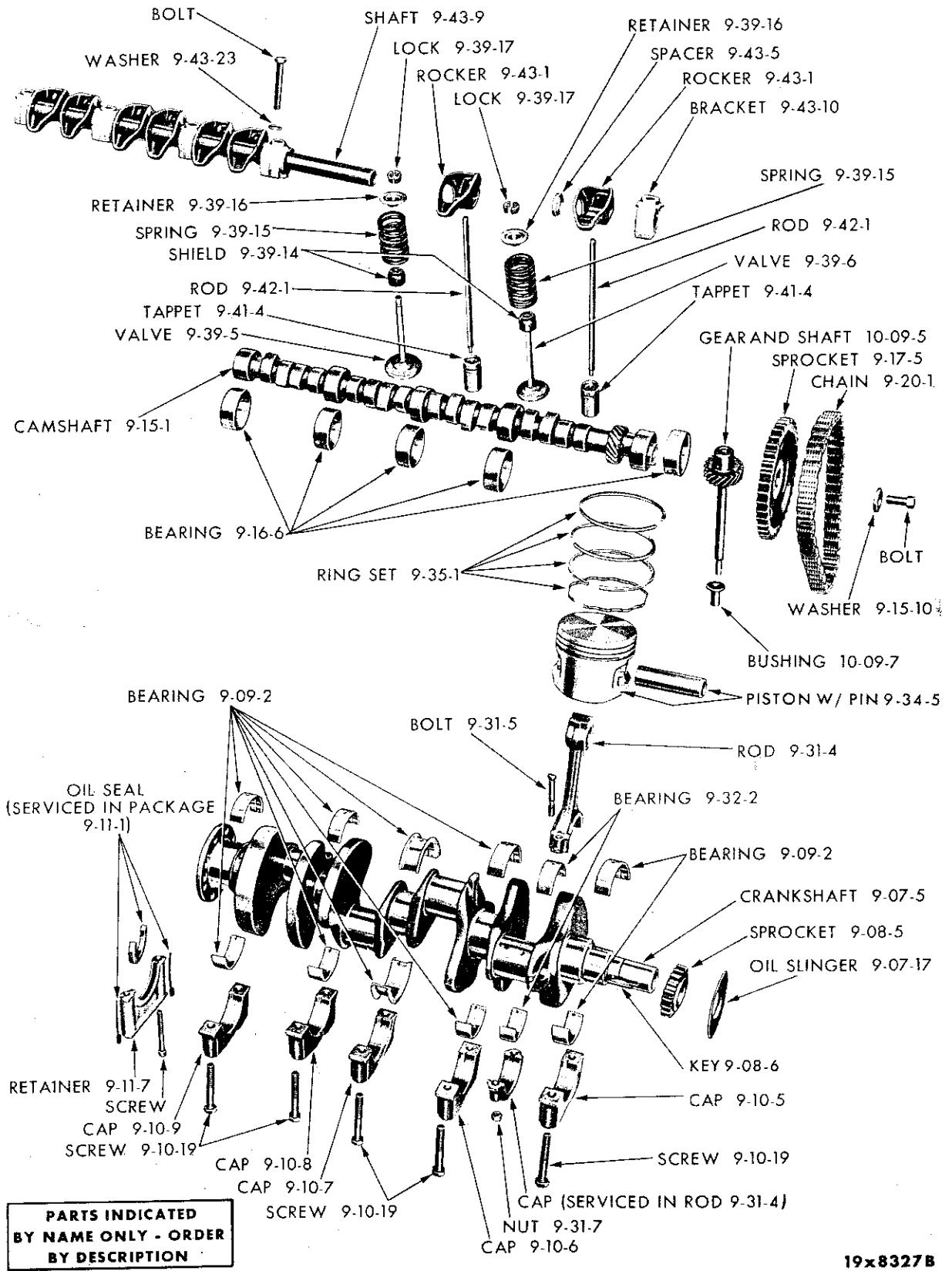
PARTS INDICATED BY NAME ONLY - ORDER BY DESCRIPTION



**PARTS INDICATED  
BY NAME ONLY - ORDER  
BY DESCRIPTION**

19x6914D

ENGINE INTERNAL PARTS - V8 CYLINDER ("A" ENGINE)

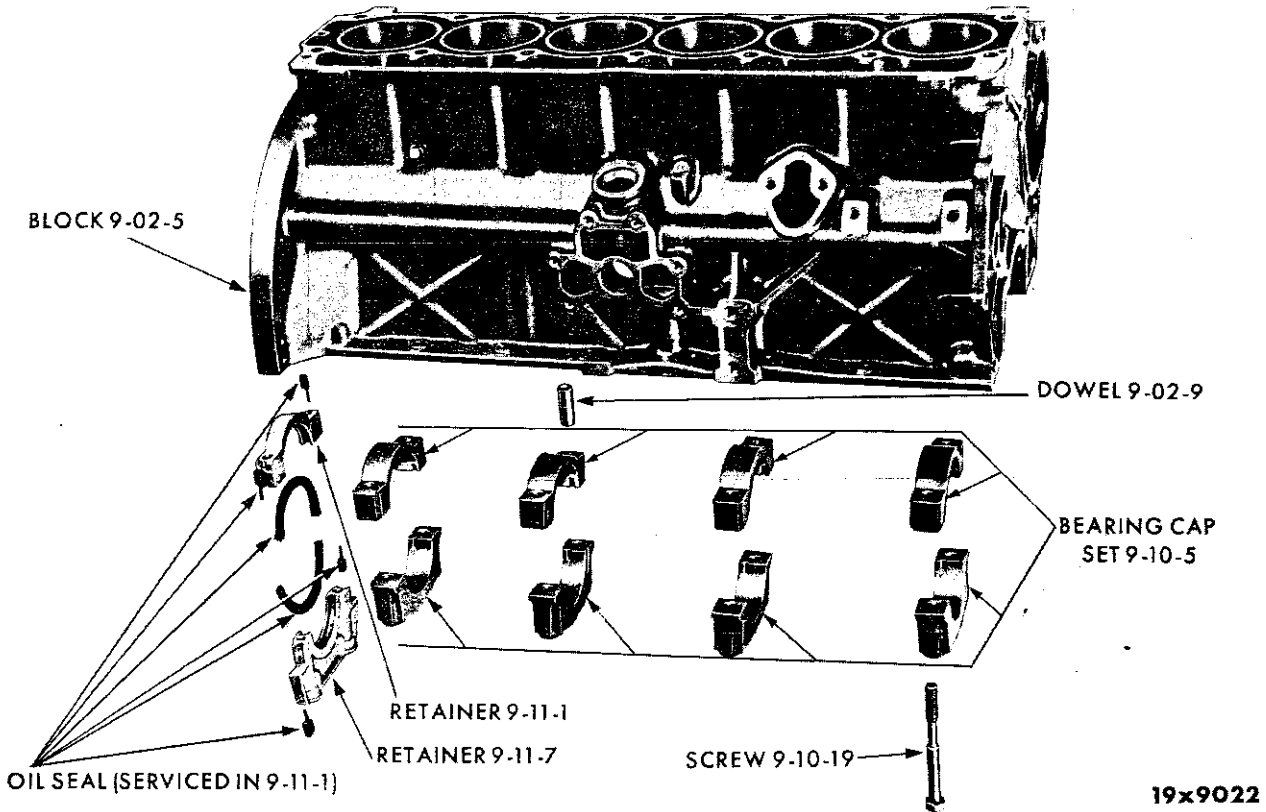


**PARTS INDICATED  
BY NAME ONLY - ORDER  
BY DESCRIPTION**

19x8327B

ENGINE INTERNAL PARTS - V8 CYLINDER ("B" ENGINE)





PARTS PECULIAR TO 6 CYLINDER ALUMINUM ENGINE

NOTES

---

---

---

---

---

---

---

---

---

---

---

---

---

---

---

---

---

---

---

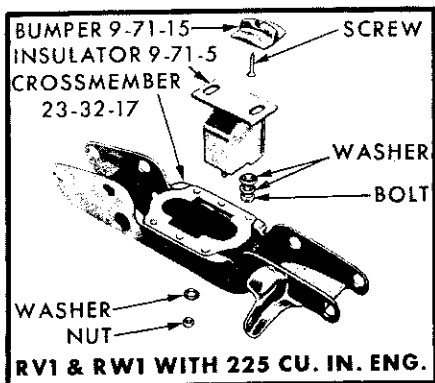
---

---

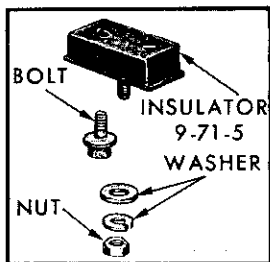
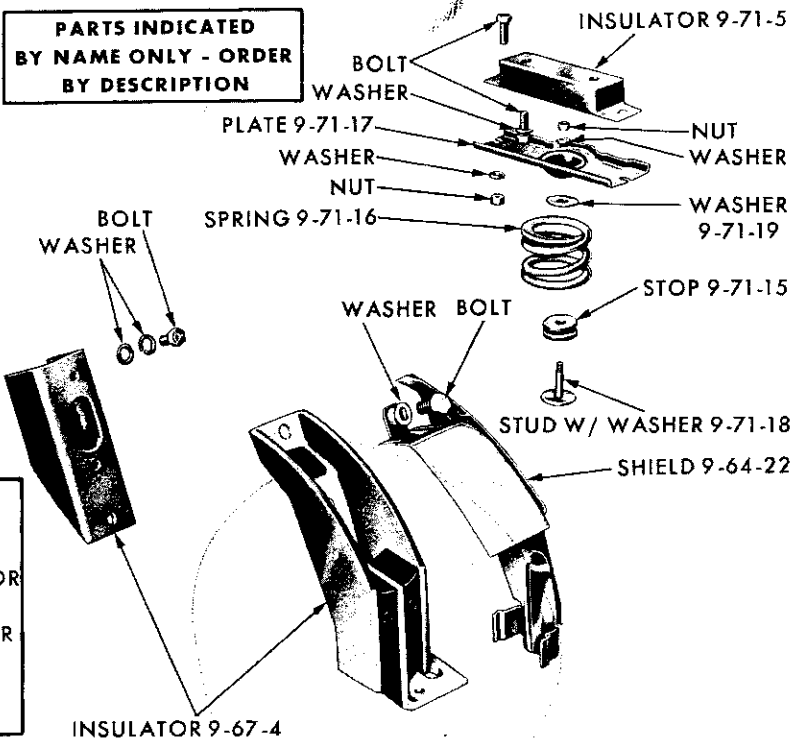
---

---

---

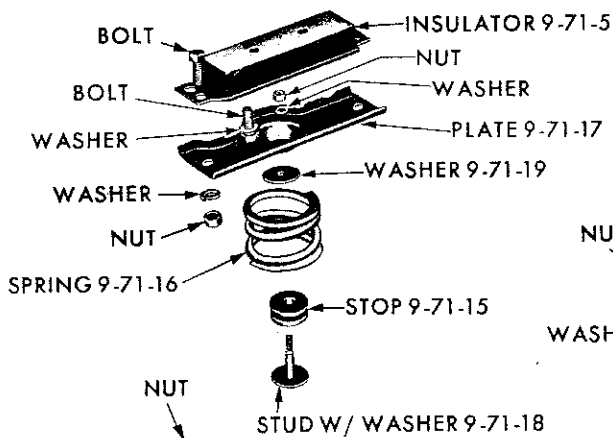


**PARTS INDICATED  
BY NAME ONLY - ORDER  
BY DESCRIPTION**

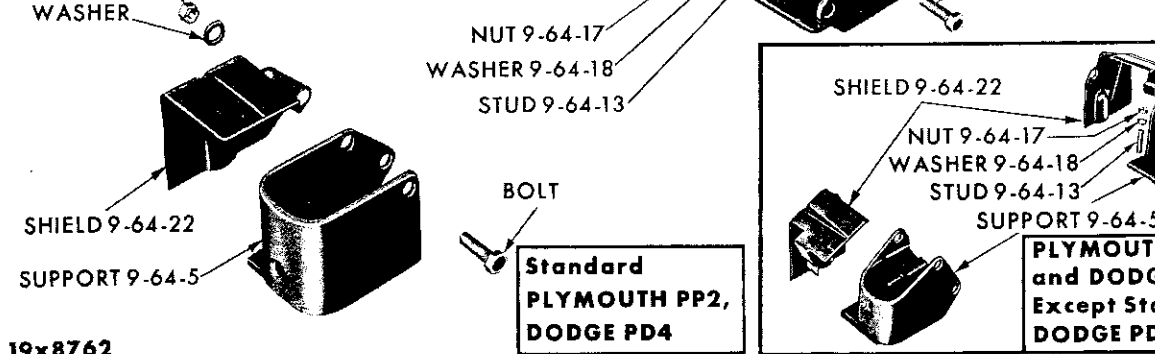


19x9148

ENGINE MOUNTINGS - 6 CYLINDER



**PARTS INDICATED  
BY NAME ONLY - ORDER  
BY DESCRIPTION**

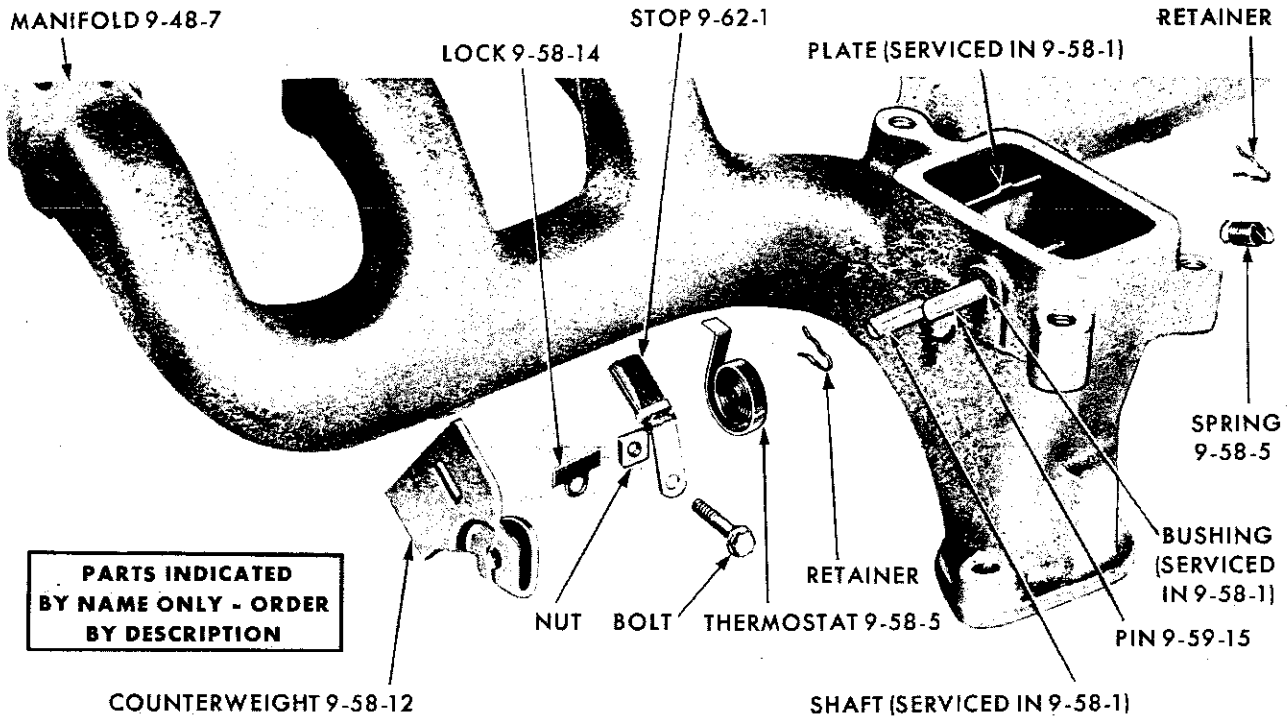


**Standard  
PLYMOUTH PP2,  
DODGE PD4**

**PLYMOUTH PP2  
and DODGE PD4  
Except Standard,  
DODGE PD1-2**

19x8762

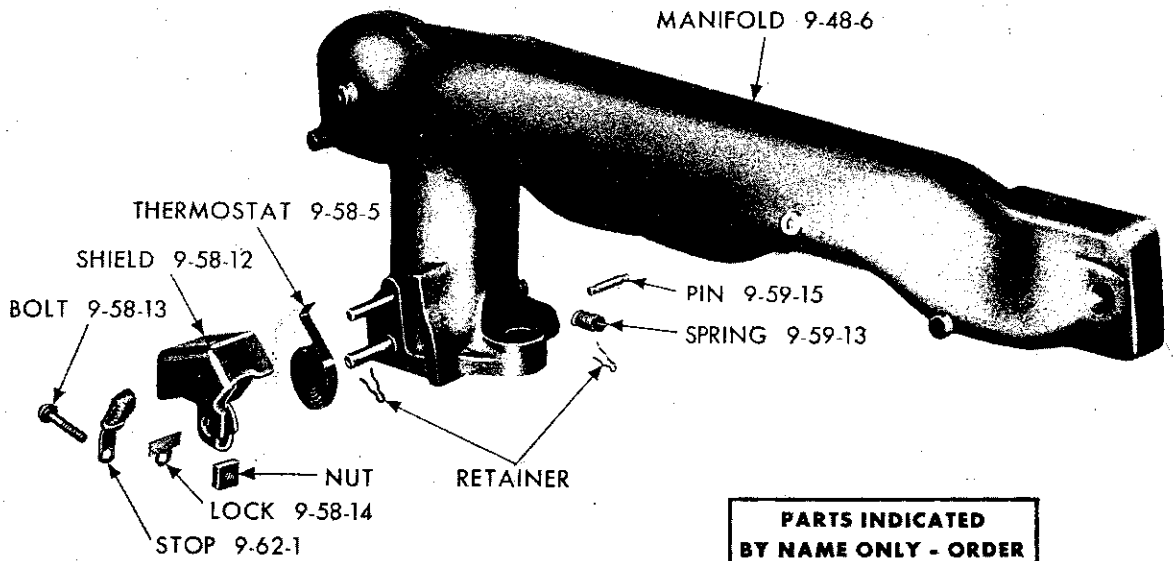
ENGINE MOUNTINGS - V8 CYLINDER



**PARTS INDICATED  
BY NAME ONLY - ORDER  
BY DESCRIPTION**

19x8775

MANIFOLD HEAT CONTROLS - 6 CYLINDER



**PARTS INDICATED  
BY NAME ONLY - ORDER  
BY DESCRIPTION**

19x8318A

MANIFOLD HEAT CONTROLS - V8 CYLINDER

**9-01-0 ENGINE ASSEMBLY**

**NOTE:** The following symbols are used in connection with engine numbers:

Engine numbers without symbols indicate "Standard Cylinders and Crankshaft Bearings."

The Letter "A" immediately following the engine number indicated Bore .020" (.508 MM.) Larger than Standard.

The Letter "B" immediately following the engine number indicated Main and Connecting Rod Bearings .010" (.245 MM.) Smaller than Standard.

The Letters "AB" immediately following the engine number indicate Cylinder Bore .020" (.508 MM.)

Larger than Standard and the Main and Connecting Rod Bearings .010" (.254 MM.) Smaller than Standard.

The Letters in the circular pads at either end of the engine number are for the use of factory inspectors only and should not be connected with the engine number. Always mention Serial Numbers when ordering major assemblies.

CODE	PART NAME AND DESCRIPTION	C Y L.	PER CAR	VALIANT	PLYMOUTH	DESOTO	CHRYSLER	IMPERIAL
9-01-5	GASKET SET . . . . .	6	1	2196 045	2196 045			
	w/225 cu.in. Aluminum Engine	6	1	2240 628	2240 628			
		8	1	----	2196 087			
	RP2 w/High Performance, RP2 w/Police Cars, RC1, RC2 . .	8	1	----	1879 701	1879 701	1879 701	
	RC2, RC3, RC4 . . . . .	8	1	----	----	----	1879 702(1)	1879 702
<p><b>NOTE:</b> Short Engine Assemblies consists of: The Cylinder Block with Pistons and Rings, Crankshaft and Bearings, Connecting Rods and Bearings, Camshaft and Bearings, Camshaft Thrust Plate, Camshaft and Crankshaft Sprockets and Timing Chain. On the 8 Cylinder Short Engine Assemblies some of the above parts have been left off to obtain a greater interchangeability.</p>								
9-01-24	SHORT ENGINE . . . . .	6	1	2206 136				
	Export L. H. D. . . . .	6	1	2206 138				
	8.2 to 1 Compression Ratio							
	Export R. H. D. . . . .	6	1	2206 140				
	w/225 cu. in. Cast Iron Engine	6	1	2206 132	2206 132			
	Export . . . . .	6	1	----	2206 134			
	w/225 cu. in. Aluminum Engine	6	1	2264 401	2264 401			
		8	1	----	1859 497			
	Export . . . . .	8	1	----	1859 499			
	RP2 w/High Performance, RC1 361 cu.in. Engine . . . . .	8	1	----	2205 941	2205 941	2205 941	
	RC2 . . . . .	8	1	----	----	----	1859 488(1)	
	RP2 Police Cars w/one four barrel carburetor, RP2 Police Cars w/Ram Manifold, RC2 w/383 cu. in. Engine . . . . .	8	1	----	2128 668	----	2128 668	----
RC3, RC4 . . . . .	8	1	----	----	----	1859 492	1859 492	
RC1 Export . . . . .	8	1	----	----	2205 942	2205 942		
<p><b>9-02-0 CYLINDER BLOCK</b></p>								
9-02-5	BLOCK, w/PISTONS and RINGS	6	1	2202 866				
	L. C. Export . . . . .	6	1	2203 097				
	w/225 cu. in. Cast Iron Engine	6	1	2206 495	2206 495			
	L. C. Export . . . . .	6	1	----	*2206 498			
	w/225 cu. in. Aluminum Engine	6	1	2206 119	2206 119			
9-02-7	DOWEL, Cylinder Block to Clutch Housing or Torque Converter Housing . . . . .		2	1122 532	1122 532	1122 532	1122 532	1122 532

**NOTE 1:** Used only on RC2 with D-1 code Disc and stamped RR-38 on Ser. No. Pad.

★ Indicates use as required.

Numerals in parentheses ( ) refer to notes.

Printed in U.S.A.

⊠ Indicates parts not listed in any previous parts book.

Prices and specifications subject to change without notice.

\* Indicates change or addition.

CODE	PART NAME AND DESCRIPTION	C Y L.	PER CAR	VALIANT	PLYMOUTH	DESOTO	CHRYSLER	IMPERIAL
<b>9-02-0 CYLINDER BLOCK - Cont'd</b>								
9-02-9	DOWEL, Cylinder Block to Bearing Cap . . . . .	8	1	----	1408 853			
	w/225 cu. in. Aluminum Engine	6	1	2129 004	2129 004			
9-02-12	PLUG, Cylinder Block Oil Gallery, Front w/225 cu. in. Aluminum Engine . . . . .	6	1	2121 718	2121 718			
	Rear, w/225 cu. in. Aluminum Engine . . . . .	6	1	2129 351	2129 351			
9-02-13	SEAL, Cylinder Block Oil Gallery Rear Plug, w/225 cu. in. Aluminum Engine . . . . .	6	1	2128 962	2128 962			
9-02-14	ORIFICE, Oil Line . . . . .	8		----	1821 557			
9-02-16	PLUG, Core Hole . . . . .	6	1	2121 197	2121 197			
		6	3	2121 198	2121 198			
		8	6	1821 721	1821 721	1821 721	1821 721	1821 721
<b>9-03-0 CYLINDER HEAD</b>								
9-03-4	HEAD . . . . .	6	1	2205 848	2205 848			
	w/225 cu. in. Aluminum Engine	6	1	2206 056	2206 056			
	UP TO Eng. No. 200505 . . . . .	8	2	----	*1730 862			
	AFTER Eng. No. 200505 . . . . .	8	2	----	2268 340			
	RP2 w/High Performance, RP2 w/Police Cars . . . . .	8	2	----	2128 589	2128 589	2128 589	2128 589
9-03-5	RC2 . . . . .	8	2	----	----	----	2128 553(1)	
	GASKET . . . . .	6	1	1947 578	1947 578			
	w/225 cu. in. Aluminum Engine . . . . .	6	1	2128 279	2128 279			
	UP TO Eng. No. 205312 . . . . .	8	2	----	*2129 655			
	AFTER Eng. No. 205312 . . . . .	8	2	----	2268 376			
	RP2 w/High Performance, RP2 w/Police Cars . . . . .	8	2	----	1851 579	1851 579	1851 579	1851 579
9-03-10	SCREW . . . . .	6	14	1947 687	1947 687			
	w/225 cu. in. Aluminum Engine . . . . .	6	14	1947 686	1947 686			
	Short . . . . .	8	10	----	1618 695			
	Long . . . . .	8	10	----	1618 696			
	Short, RP2 w/High Performance, RP2 w/Police Cars . . . . .	8	24	----	1739 605	1739 605	1739 605	1739 605
	Long, RP2 w/High Performance, RP2 w/Police Cars . . . . .	8	10	----	1739 606	1739 606	1739 606	1739 606
9-03-18	PLUG, Core Hole, RP2 w/High Performance, RP2 w/Police Cars	8	4	----	1551 067	1551 067	1551 067	1551 067
9-03-28	COVER . . . . .	6	1	2129 617	2129 617			
	Right . . . . .	8	1	----	2202 812			
	Left . . . . .	8	1	----	2128 405			
	RP2 w/High Performance, RP2 w/Police Cars, Right . . . . .	8	1	----	2205 836	2205 836	2205 836	2205 836
	RP2 w/High Performance, RP2 w/Police Cars, Left . . . . .	8	1	----	1851 924	1851 924	1851 924	1851 924
9-03-29	GASKET, Cover . . . . .	6	1	2121 244	2121 244			
		8	2	----	2128 407			
	RP2 w/High Performance, RP2 w/Police Cars . . . . .	8	2	----	1821 440	1821 440	1821 440	1821 440
9-03-34	SEAL, Cover Screw . . . . .	8	6	----	1618 914			
<b>9-05-0 CYLINDER HEAD WATER OUTLET ELBOW</b>								
9-05-5	ELBOW . . . . .	6	1	2121 524	2121 524			
	w/o Air Conditioning . . . . .	8	1	----	1855 393	1855 393	1855 393	1855 393
	w/Air Conditioning, Model F . . . . .	8	1	----	1859 542	1859 542	1859 542	1859 542
	w/Air Conditioning, RP2 w/High Performance, RP2 w/Police Cars w/one four Barrel Carburetor . . . . .	8	1	----	1855 605	1855 605	1855 605	1855 605

NOTE 1: Used only on RC2 with D-1 code Disc and stamped RR-38 on Ser. No. Pad.

★ Indicates use as required.

Numerals in parentheses ( ) refer to notes.

Printed in U.S.A.

□ Indicates parts not listed in any previous parts book.

Prices and specifications subject to change without notice.

March 1, 1962 Supersedes May 31, 1961.

Page 9-8

\* Indicates change or addition.

CODE	PART NAME AND DESCRIPTION	CYL.	PER CAR	VALIANT	PLYMOUTH	DESOTO	CHRYSLER	IMPERIAL
<b>9-05-0 CYLINDER HEAD WATER OUTLET ELBOW - Cont'd</b>								
9-05-6	GASKET, Cylinder Water Outlet Elbow . . . . .	6	1	1947 671	1947 671			
		8	1	-----	50 082	50 082	50 082	50 082
<b>9-07-0 CRANKSHAFT</b>								
9-07-5	CRANKSHAFT, UP TO Eng. No. R17-5-26 . . . . .	6	1	*2202 487				
	AFTER Eng. No. R17-5-26 . . . . .	6	1	*2264 173				
	w/225 cu. in. Engine . . . . .	6	1	2202 488	2202 488			
		8	1	-----	1859 752			
	RP2 w/High Performance, RP2 w/Police Cars, RC1, RC2 . . . . .	8	1	-----	1851 869	1851 869	1851 869	
	RC2, RC3, RC4 . . . . .	8	1	-----			1851 527(1)	1851 527
9-07-8	SCREW . . . . .	6	1	-----	2128 569			
	w/Std. Trans. . . . .	8	1	-----	1821 414			
	w/Automatic Trans. . . . .	8	1	-----	1731 525			
	w/Air Conditioning . . . . .		1	1821 177	1821 177			
	RP2 w/High Performance, RP2 w/Police Cars . . . . .	8	1	-----	1731 525	1731 525	1731 525	1731 525
9-07-12	BUSHING, Crankshaft Transmission Drive Pinion Pilot RC1 . . . . .		1	53 298	53 298	53 298	53 298	
9-07-17	OIL SLINGER . . . . .		1	1618 686	1618 686	1618 686	1618 686	1618 686
9-07-22	WASHER, Screw . . . . .	8	1	-----	1855 561	1855 561	1855 561	1855 561
<b>9-08-0 CRANKSHAFT SPROCKET</b>								
9-08-5	SPROCKET . . . . .	6	1	1737 621	1737 621			
		8	1	-----	1632 280			
	RP2 w/High Performance, RP2 w/Police Cars . . . . .	8	1	-----	1737 621	1737 621	1737 621	1737 621
9-08-6	KEY . . . . .		1	152 191	152 191	152 191	152 191	152 191

**9-09-0 CRANKSHAFT BEARING PACKAGES**

NOTE: When .001 thicker wall crankshaft main bearings are used for engines in production an identification mark is stamped on the machined surface of the crankshaft center counterweight for six cylinder engines and No. 3 counterweight for V8 cylinder engines. When the thicker wall crankshaft bearings are used the crankshaft will be marked M1, M2, M3, M4 or M5 depending on which journal has the .001 thicker wall bearing.

NOTE: Crankshaft Bearing Packages consist of one upper and one lower bearing.

9-09-2	BEARING PACKAGE, No. 1 Std.	6	1	2240 368	2240 368			
	No. 3 Std. . . . .	6	1	2240 372	2240 372			
	Nos. 2 and 4 Std. . . . .	6	2	2240 376	2240 376			
	No. 1 .001 U/S . . . . .	6	1	2240 369	2240 369			
	No. 3 .001 U/S . . . . .	6	1	2240 373	2240 373			
	Nos. 2 and 4 .001 U/S . . . . .	6	2	2240 377	2240 377			
	No. 1 .002 U/S . . . . .	6	1	2240 370	2240 370			
	No. 3 .002 U/S . . . . .	6	1	2240 374	2240 374			
	Nos. 2 and 4 .002 U/S . . . . .	6	2	2240 378	2240 378			
	No. 1 .003 U/S . . . . .	6	1	2275 381	2275 381			
	No. 3 .003 U/S . . . . .	6	1	2275 385	2275 385			
	Nos. 2 and 4 .003 U/S . . . . .	6	2	2275 383	2275 383			
	No. 1 .010 U/S . . . . .	6	1	2240 371	2240 371			
	No. 3 .010 U/S . . . . .	6	1	2240 375	2240 375			
	Nos. 2 and 4 .010 U/S . . . . .	6	2	2240 379	2240 379			
	No. 1 .012 U/S . . . . .	6	1	2275 382	2275 382			
	No. 3 .012 U/S . . . . .	6	1	2275 386	2275 386			

NOTE 1: Used only on RC2 with D-1 code Disc and stamped RR-38 on Ser. No. Pad.

★ Indicates use as required.

Numerals in parentheses ( ) refer to notes.

Printed in U.S.A.

⊠ Indicates parts not listed in any previous parts book.

Prices and specifications subject to change without notice.

\* Indicates change or addition.

# 1961 PASSENGER CAR PARTS CATALOG

ENGINE

CODE	PART NAME AND DESCRIPTION	C Y L.	PER CAR	VALIANT	PLYMOUTH	DESOTO	CHRYSLER	IMPERIAL
<b>9-09-0 CRANKSHAFT BEARING PACKAGES - Cont'd</b>								
9-09-2	BEARING PACKAGE - Cont'd							
	Nos. 2 and 4 .012 U/S . . . .	6	2	⊖2275 384	⊖2275 384			
	Nos. 1 and 2 and 4 Std. . . . .	8	3	----	2084 005			
	No. 3 Std. . . . .	8	1	----	1879 627			
	No. 5 Std. . . . .	8	1	----	1643 151			
	Nos. 1, 2 and 4 .001 U/S. . . . .	8	3	----	2084 006			
	No. 3 .001 U/S . . . . .	8	1	----	1879 628			
	No. 5 .001 U/S . . . . .	8	1	----	1643 152			
	Nos. 1, 2 and 4 .002 U/S . . . .	8	3	----	2084 007			
	No. 3 .002 U/S . . . . .	8	1	----	1879 629			
	No. 5 .002 U/S . . . . .	8	1	----	1643 153			
	Nos. 1, 2 and 4 .003 U/S . . . .	8	3	----	⊖2275 387			
	No. 3 .003 U/S . . . . .	8	1	----	⊖2275 389			
	Nos. 1, 2 and 4 .010 U/S . . . .	8	3	----	2084 008			
	No. 3 .010 U/S . . . . .	8	1	----	1879 630			
	No. 5 .010 U/S . . . . .	8	1	----	1643 155			
	No. 1 Std., RP2 w/High Performance, RP2 w/Police Cars, RC1, RC2 . . . . .	8	1	----	2084 810	2084 810	2084 810	
	Nos. 2, 4 and 5 Std., RP2 w/High Performance, RP2 w/Police Cars, RC1, RC2 . . . . .	8	3	----	2084 833	2084 833	2084 833	
	No. 3 Std., RP2 w/High Performance, RP2 w/Police Cars, RC1, RC2 . . . . .	8	1	----	1818 524	1818 524	1818 524	
	No. 1 .001 U/S, RP2 w/High Performance, RP2 w/Police Cars, RC1, RC2 . . . . .	8	1	----	2084 811	2084 811	2084 811	
	Nos. 2, 4 and 5 .001 U/S, RP2 w/High Performance, RP2 w/Police Cars, RC1, RC2 . . . .	8	3	----	2084 834	2084 834	2084 834	
	No. 3 .001 U/S, RP2 w/High Performance, RP2 w/Police Cars, RC1, RC2 . . . . .	8	1	----	1818 525	1818 525	1818 525	
	No. 1 .002 U/S, RP2 w/High Performance, RP2 w/Police Cars, RC1, RC2 . . . . .	8	1	----	2084 812	2084 812	2084 812	
	Nos. 2, 4 and 5 .002 U/S, RP2 w/High Performance, RP2 w/Police Cars, RC1, RC2 . . . .	8	3	----	2084 835	2084 835	2084 835	
	No. 3 .002 U/S, RP2 w/High Performance, RP2 w/Police Cars, RC1, RC2 . . . . .	8	1	----	1818 526	1818 526	1818 526	
	No. 1 .003 U/S, RP2 w/High Performance, RP2 w/Police Cars, RC1, RC2 . . . . .	8	1	----	⊖2275 391	⊖2275 391	⊖2275 391	
	Nos. 2, 4 and 5 .003 U/S, RP2 w/High Performance, RP2 w/Police Cars, RC1, RC2 . . . .	8	3	----	2275 393	2275 393	2275 393	
	No. 1 .010 U/S, RP2 w/High Performance, RP2 w/Police Cars, RC1, RC2 . . . . .	8	1	----	2084 813	2084 813	2084 813	
	Nos. 2, 4 and 5 .010 U/S, RP2 w/High Performance, RP2 w/Police Cars, RC1, RC2 . . . .	8	3	----	2084 836	2084 836	2084 836	
	No. 3 .010 U/S, RP2 w/High Performance, RP2 w/Police Cars, RC1, RC2 . . . . .	8	1	----	1818 528	1818 528	1818 528	
	No. 1 .012 U/S, RP2 w/High Performance, RP2 w/Police Cars, RC1, RC2 . . . . .	8	1	----	⊖2275 392	⊖2275 392	⊖2275 392	
	Nos. 2, 4 and 5 .012 U/S, RP2 w/High Performance, RP2 w/Police Cars RC1, RC2 . . . .	8	3	----	2275 394	2275 394	2275 394	

★ Indicates use as required.

⊖ Indicates parts not listed in any previous parts book.  
May 31, 1961 Supersedes Jan. 6, 1961.

Numerals in parentheses ( ) refer to notes.

Printed in U.S.A.

Prices and specifications subject to change without notice.

\* Indicates change or addition.



CODE	PART NAME AND DESCRIPTION	CYL	PER CAR	VALIANT	PLYMOUTH	DESOTO	CHRYSLER	IMPERIAL
<b>9-09-0 CRANKSHAFT BEARING PACKAGES - Cont'd</b>								
9-09-2	BEARING PACKAGE - Cont'd							
	No. 1 Std., RC2, RC3, RC4 . .	8	1	----	----	----	2084 814(1)	2084 814
	Nos. 2, 4 and 5 Std., RC2, RC3 RC4 . . . . .	8	3	----	----	----	2084 829(1)	2084 829
	No. 3 Std., RC2, RC3, RC4 . .	8	1	----	----	----	1879 378(1)	1879 378
	No. 1 .001 U/S, RC2, RC3, RC4 Nos. 2, 4 and 5 .001 U/S, RC2, RC3, RC4 . . . . .	8	1	----	----	----	2084 815(1)	2084 815
	No. 3 .001 U/S, RC2, RC3, RC4	8	3	----	----	----	2084 830(1)	2084 830
	No. 1 .002 U/S, RC2, RC3, RC4	8	1	----	----	----	1879 379(1)	1879 379
	Nos. 2, 4 and 5 .002 U/S, RC2, RC3, RC4 . . . . .	8	1	----	----	----	2084 816(1)	2084 816
	No. 3 .002 U/S, RC2, RC3, RC4 .	8	3	----	----	----	2084 831(1)	2084 831
	No. 1 .003 U/S, RC2, RC3, RC4 . . . . .	8	1	----	----	----	1879 380(1)	1879 380
	Nos. 2, 4 and 5 .003 U/S, RC3, RC4 . . . . .	8	1	----	----	----	E2275 395(1)	E2275 395(1)
	No. 1 .010 U/S, RC2, RC3, RC4	8	3	----	----	----	2275 397	2275 397
	Nos. 2, 4 and 5 .010 U/S, RC2, RC3, RC4 . . . . .	8	1	----	----	----	2084 817(1)	2084 817
	No. 3 .010 U/S, RC2, RC3, RC4	8	3	----	----	----	2084 832(1)	2084 832
	No. 1 .012 U/S RC2, RC3, RC4 . . . . .	8	1	----	----	----	1879 382(1)	1879 382
	Nos. 2, 4 and 5 .012 U/S, RC3, RC4 . . . . .	8	1	----	----	----	E2275 396(1)	E2275 396(1)
		8	3	----	----	----	2275 398	2275 398
<b>9-10-0 CRANKSHAFT BEARING CAP</b>								
9-10-2	PACKAGE, Crankshaft Bearing No. 5 Cap Oil Seal . . . . .	8	1	----	1326 091			
9-10-5	SET, Crankshaft Bearing Cap Complete, w/225 cu. in. Aluminum Engine . . . . .	6	1	*2275 442	*2275 442			
	CAP, No. 1 . . . . .	6	1	2084 403	2084 403			
		8	1	----	1643 168			
	RP2 w/High Performance, RP2 w/Police Cars, RC1, RC2 . . .	8	1	----	1879 327	1879 327	1879 327	
	RC2, RC3, RC4 . . . . .	8	1	----	----	----	1879 325(1)	1879 325
	CAP, No. 2 . . . . .	6	1	2084 403	2084 403			
		8	1	----	1643 168			
	RP2 w/High Performance, RP2 w/Police Cars, RC1, RC2 . . .	8	1	----	1879 327	1879 327	1879 327	
	RC2, RC3, RC4 . . . . .	8	1	----	----	----	1879 325(1)	1879 325
	CAP, No. 3 . . . . .	6	1	2084 405	2084 405			
		8	1	----	1643 169			
	RP2 w/High Performance, RP2 w/Police Cars, RC1, RC2 . . .	8	1	----	1879 328	1879 328	1879 328	
	RC2, RC3, RC4 . . . . .	8	1	----	----	----	1879 326(1)	1879 326
	CAP, No. 4 . . . . .	6	1	2084 404	2084 404			
		8	1	----	1643 168			
	RP2 w/High Performance, RP2 w/Police Cars, RC1, RC2 . . .	8	1	----	1879 327	1879 327	1879 327	
	RC2, RC3, RC4 . . . . .	8	1	----	----	----	1879 325(1)	1879 325
	CAP, No. 5 . . . . .	8	1	----	1643 170			
	RP2 w/High Performance, RP2 w/Police Cars, RC1, RC2 . . .	8	1	----	*1879 327(2)	*1879 327(2)	*1879 327(2)	
	RP2 w/High Performance, RP2 w/Police Cars, RC1, RC2, AFTER . . . . .	8	1	----	E2206 315(2)	E2206 315(2)	E2206 315(2)	
	RC2, RC3, RC4, UP TO Note 2	8	1	----	----	----	*1879 325(1)	*1879 325(2)
	RC2, RC3, RC4, AFTER . . . .	8	1	----	----	----	E2206 316(2)	E2206 316(2)

NOTE 1: Used only on RC2 with D-1 code Disc and stamped RR-38 on Ser. No. Pad.

NOTE 2: Engine Nos. R36-11-2, R38-11-2 and R41-11-2.

★ Indicates use as required.

Numerals in parentheses ( ) refer to notes.

Printed in U.S.A.

⊠ Indicates parts not listed in any previous parts book.

Prices and specifications subject to change without notice.

\* Indicates change or addition.

May 31, 1961 Supersedes Jan. 6, 1961.

CODE	PART NAME AND DESCRIPTION	CYL.	PER CAR	VALIANT	PLYMOUTH	DESOTO	CHRYSLER	IMPERIAL
<b>9-10-0 CRANKSHAFT BEARING CAP - Cont'd</b>								
9-10-19	SCREW . . . . .	6	8	1408 867	1408 867			
	w/225 cu. in. Aluminum Engine	6	8	1947 147	1947 147			
		8	10	-----	1408 867	1408 867	1408 867	1408 867
<b>9-11-0 CRANKSHAFT REAR BEARING OIL SEAL</b>								
9-11-1	OIL SEAL PACKAGE . . . . .	6	1	2084 411	2084 411			
	OIL SEAL PACKAGE, w/225 cu. in. Aluminum Engine	6	1	2240 650	2240 650			
	OIL SEAL PACKAGE, w/RETAINER, w/225 cu. in. Aluminum Engine . . . . .	6	1	2240 651	2240 651			
		8	1	-----	1326 093			
	RP2 w/High Performance, RP2 w/Police Cars, UP TO . . . . .	8	1	-----	1818 781(2)	1818 781(2)	1818 781(2)	1818 781(2)
	RP2 w/High Performance, RP2 w/Police Cars, AFTER . . . . .	6	1	-----	2275 365(2)	2275 365(2)	2275 365(2)	2275 365(2)
9-11-7	RETAINER . . . . .	6	1	1947 557	1947 557			
	RP2 w/High Performance, RP2 w/Police Cars . . . . .	8	1	-----	1821 389	1821 389	1821 389	1821 389
9-11-8	SCREW, Retainer, w/225 cu.in. Aluminum Engine . . . . .	6	2	455 866	455 866			
<b>9-13-0 CRANKSHAFT VIBRATION DAMPER</b>								
9-13-5	DAMPER . . . . .	6	1	*2205 859	*2205 859			
	w/Std. Trans. . . . .	8	1	-----	1947 235			
	RP2 w/High Performance, RP2 w/Police Cars . . . . .	8	1	-----	1947 897	1947 897	1947 897	1947 897
<b>9-15-0 CAMSHAFT</b>								
9-15-1	CAMSHAFT, UP TO . . . . .	6	1	2128 644(1)	2128 644(1)			
	AFTER . . . . .	6	1	2264 105(1)	2264 105(1)			
	w/225 cu.in. Aluminum Engine	6	1	2264 105	2264 105			
		8	1	-----	1947 016			
	w/Power Package . . . . .	8	1	-----	1944 712			
	RP2 w/High Performance, RP2 w/Police Cars, RS1 w/High Performance, RS3 w/High Performance, RS3 w/Ram Manifold, RC4 . . . . .	8	1	-----	2129 203	2129 203	2129 203	
	RC1, RC2, RC3 . . . . .	8	1	-----	-----	1739 608	1739 608	1739 608
9-15-2	ECCENTRIC . . . . .	8	1	-----	1618 718			
9-15-6	PLATE, Sprocket Thrust . . . . .	8	1	-----	1946 992			
9-15-10	WASHER, Sprocket Retaining Screw . . . . .	6	1	1739 607				
		8	1	-----	1618 732			
	RP2 w/High Performance, RP2 w/Police Cars . . . . .	8	1	-----	1739 607	1739 607	1739 607	1739 607
<b>9-16-0 CAMSHAFT BEARING</b>								
9-16-6	BEARING, No. 1 . . . . .	6	1	2121 725	2121 725			
	No. 2 . . . . .	6	1	1821 772	1821 772			
	No. 3 . . . . .	6	1	2121 726	2121 726			
	No. 4 . . . . .	6	1	2121 727	2121 727			
	No. 1 . . . . .	8	1	-----	1632 522			
	No. 2 . . . . .	8	1	-----	1632 523			
	No. 3 . . . . .	8	1	-----	1632 524			
	No. 4 . . . . .	8	1	-----	1632 525			
	No. 5 . . . . .	8	1	-----	1632 526			

NOTE 1: Engine Nos. R17-11-15, R22-11-15.

NOTE 2: Engine Nos. R36-11-2, R38-11-2 and R41-11-2.

★ Indicates use as required.

Numerals in parentheses ( ) refer to notes.

Printed in U.S.A.

☐ Indicates parts not listed in any previous parts book.

Prices and specifications subject to change without notice.

March 1, 1962 Supersedes May 31, 1961.

Page 9-12

\* Indicates change or addition.

CODE	PART NAME AND DESCRIPTION	CYL.	PER CAR	VALIANT	PLYMOUTH	DESOTO	CHRYSLER	IMPERIAL
<b>9-16-0 CAMSHAFT BEARING - Cont'd</b>								
9-16-6	BEARING - Cont'd							
	No. 1, RP2 w/High Performance, RP2 w/Police Cars . . . . .	8	1	----	1821 771	1821 771	1821 771	1821 771
	No. 2, RP2 w/High Performance, RP2 w/Police Cars . . . . .	8	1	----	1821 772	1821 772	1821 772	1821 772
	No. 3, RP2 w/High Performance, RP2 w/Police Cars . . . . .	8	1	----	1821 773	1821 773	1821 773	1821 773
	No. 4, RP2 w/High Performance, RP2 w/Police Cars . . . . .	8	1	----	1821 774	1821 774	1821 774	1821 774
	No. 5, RP2 w/High Performance, RP2 w/Police Cars . . . . .	8	1	----	1821 775	1821 775	1821 775	1821 775
9-16-17	PLUG, Camshaft Rear Bearing, w/225 cu. in. Aluminum Engine	6	1	1947 786	1947 786			
		8	1	*2120 059	*2120 059			
		8	1	----	1821 722			
	RP2 w/High Performance, RP2 w/Police Cars . . . . .	8	1	----	1852 177	1852 177	1852 177	1852 177
<b>9-17-0 CAMSHAFT SPROCKET</b>								
9-17-5	SPROCKET . . . . .	6	1	1947 560	1947 560			
		8	1	----	1618 666			
	RP2 w/High Performance, RP2 w/Police Cars w/one four Barrel Carburetor, RC1, RC2, RC3 . . . . .	8	1	----	1737 622	1737 622	1737 622	1737 622
	RP2 w/Police Cars w/Ram Manifold, RS3 w/Ram Manifold, RC4 . . . . .	8	1	----	2129 202	2129 202	2129 202	
9-17-13	SPACER . . . . .	8	1	----	1618 717			
<b>9-20-0 TIMING CHAIN</b>								
9-20-1	CHAIN . . . . .	6	1	1737 620	1737 620			
		8	1	----	1618 736			
	RP2 w/High Performance, RP2 w/Police Cars . . . . .	8	1	----	1737 620	1737 620	1737 620	1737 620
<b>9-23-0 CHAIN CASE COVER</b>								
9-23-5	COVER . . . . .	6	1	2203 106	2203 106			
		8	1	----	1944 773			
	RP2 w/High Performance, RP2 w/Police Cars . . . . .	8	1	----	2120 627	2120 627	2120 627	2120 627
9-23-10	SCREW, w/WASHER . . . . .	6	6	1407 234	1407 234			
		6	1	2121 573	2121 573			
	SCREW . . . . .	8	3	----	180 122			
		8	1	----	180 137			
	RP2 w/High Performance, RP2 w/Police Cars . . . . .	8	4	----	1407 234	1407 234	1407 234	1407 234
	RP2 w/High Performance, RP2 w/Police Cars . . . . .	8	4	----	1945 404	1945 404	1945 404	1945 404
9-23-17	GASKET . . . . .	6	1	1947 554	1947 554			
		8	1	----	*2129 012			
	RP2 w/High Performance, RP2 w/Police Cars . . . . .	8	1	----	1945 173	1945 173	1945 173	1945 173
9-23-18	OIL SEAL . . . . .	6	1	1947 581	1947 581			
		8	1	----	1618 683			
	RP2 w/High Performance, RP2 w/Police Cars . . . . .	8	1	----	1737 771	1737 771	1737 771	1737 771

★ Indicates use as required. Numerals in parentheses ( ) refer to notes. Printed in U.S.A.  
 ☐ Indicates parts not listed in any previous parts book. Prices and specifications subject to change without notice.  
 \* Indicates change or addition. May 31, 1961 Supersedes Jan. 6, 1961.



# 1961 PASSENGER CAR PARTS CATALOG

ENGINE

CODE	PART NAME AND DESCRIPTION	CYL.	PER CAR	VALIANT	PLYMOUTH	DESOTO	CHRYSLER	IMPERIAL
<b>9-23-0 CHAIN CASE COVER - Cont'd</b>								
9-23-40	INDICATOR, Timing . . . . .	6	1	2129 944	2129 944			
	Std. Trans. . . . .	8	1	----	1947 236			
	w/Automatic . . . . .	8	1	----	1851 861			
<b>9-31-0 CONNECTING ROD</b>								
NOTE: Connecting Rod includes Bearing Cap, Bolt, Nut, Lockwasher and Bushing but does not include Bearing.								
9-31-4	ROD . . . . .	6	6	1947 165	2205 552			
	w/225 cu. in. Engine . . . . .	6	6	*2205 552				
		8	8	----	1944 866			
	RP2 w/High Performance, RP2 w/Police Cars, RC1, RC2 . . . . .	8	8	----	1737 690	1737 690	1737 690	
	RC2, RC3, RC4 . . . . .	8	8	----	----	----	1851 533(1)	1851 533
9-31-5	BOLT, Bearing Cap . . . . .	6	12	1944 865	1944 865			
		8	16	----	1944 865			
	RP2 w/High Performance, RP2 w/Police Cars . . . . .	8	16	----	1737 694	1737 694	1737 694	1737 694
9-31-7	NUT, Cap Bolt . . . . .	8	★	1737 695	1737 695	1737 695	1737 695	1737 695
9-31-10	BUSHING . . . . .	8	8	----	1618 701			
<b>9-32-0 CONNECTING ROD BEARING PACKAGES</b>								
NOTE: When .001 thicker wall connecting rod bearings are used for engines in production an identification mark is stamped on the machined surface of the crankshaft center counterweight for six cylinder engines and No. 3 counterweight for V8 cylinder engines. When the thicker wall connecting rod bearings are used the crankshaft will be marked R1, R2, R2, R4 or R5 depending on which journal has the .001 thicker wall bearing.								
NOTE: Connecting rod bearing packages consist of one upper and one lower bearing.								
9-32-2	BEARING PACKAGE, Std. . . . .	6	6	2084 360	2084 360			
	.001 U/S . . . . .	6	6	2084 381	2084 381			
	.002 U/S . . . . .	6	6	2084 382	2084 382			
	.003 U/S . . . . .	6	6	⊠2275 411	⊠2275 411			
	.010 U/S . . . . .	6	6	2084 383	2084 383			
	.012 U/S . . . . .	6	6	⊠2275 412	⊠2275 412			
	Std. . . . .	8	8	----	1879 617			
	.001 U/S . . . . .	8	8	----	1879 618			
	.002 U/S . . . . .	8	8	----	1879 619			
	.010 U/S . . . . .	8	8	----	1879 621			
	Std., RP2 w/High Performance, RP2 w/Police Cars . . . . .	8	8	----	1818 698	1818 698	1818 698	1818 698
	.001 U/S, RP2 w/High Performance, RP2 w/Police Cars . . . . .	8	8	----	1818 699	1818 699	1818 699	1818 699
	.002 U/S, RP2 w/High Performance, RP2 w/Police Cars . . . . .	8	8	----	1818 700	1818 700	1818 700	1818 700
	.003 U/S, RP2 w/High Performance, RP2 w/Police Cars . . . . .	8	8	----	1818 701	1818 701	1818 701	1818 701
	.010 U/S, RP2 w/High Performance, RP2 w/Police Cars . . . . .	8	8	----	1818 702	1818 702	1818 702	1818 702
	.012 U/S, RP2 w/High Performance, RP2 w/Police Cars . . . . .	8	8	----	1818 703	1818 703	1818 703	1818 703

NOTE 1: Used only on RC2 with D-I code Disc and stamped RR-38 on Ser. No. Pad.

★ Indicates use as required.

Numerals in parentheses ( ) refer to notes.

Printed in U.S.A.

⊠ Indicates parts not listed in any previous parts book.  
May 31, 1961 Supersedes Jan. 6, 1961.

Prices and specifications subject to change without notice.

\* Indicates change or addition.

CODE	PART NAME AND DESCRIPTION	CYL	PER CAR	VALIANT	PLYMOUTH	DESOTO	CHRYSLER	IMPERIAL
<b>9-34-0 PISTON, W/PIN</b>								
NOTE: The following pistons include pin and pin retaining rings.								
9-34-5	PISTON, Std. . . . .	6	6	2084 384	2084 384			
	.005 O/S . . . . .	6	6	2084 385	2084 385			
	.020 O/S . . . . .	6	6	2084 386	2084 386			
	.040 O/S . . . . .	6	6	2084 387	2084 387			
	Piston, Std., L. C. Export . . . .	6	6	2084 388	2084 388			
	.005 O/S, L. C. Export . . . . .	6	6	2084 389	2084 389			
	.020 O/S, L. C. Export . . . . .	6	6	2084 390	2084 390			
	PISTON, Std. . . . .	8	8	-----	1843 004			
	.005 O/S . . . . .	8	8	-----	1843 005			
	.020 O/S . . . . .	8	8	-----	1843 006			
	.040 O/S . . . . .	8	8	-----	1843 007			
	PISTON, Std., L. C. Export . . . .	8	8	-----	1843 316			
	.005 O/S, L. C. Export . . . . .	8	8	-----	1843 317			
	.020 O/S, L. C. Export . . . . .	8	8	-----	1843 318			
	PISTON, Std., RP2 w/High Performance, RS1, RC1 . . . . .	8	8	-----	2240 333	2240 333	2240 333	
	.005 O/S, RP2 w/High Performance, RS1, RC1 . . . . .	8	8	-----	2240 334	2240 334	2240 334	
	.020 O/S, RP2 w/High Performance, RS1, RC1 . . . . .	8	8	-----	2240 335	2240 335	2240 335	
	.040 O/S, RP2 w/High Performance, RS1, RC1 . . . . .			-----	2240 336	2240 336	2240 336	
	PISTON, Std., RP2 w/Police Cars, RC2 . . . . .	8	8	-----	1879 333	-----	1879 333	
	.005 O/S, RP2 w/Police Cars, RC2 . . . . .	8	8	-----	1879 334	-----	1879 334	
	.020 O/S, RP2 w/Police Cars, RC2 . . . . .	8	8	-----	1879 335	-----	1879 335	
	.040 O/S, RP2 w/Police Cars, RC2 . . . . .	8	8	-----	1879 336	-----	1879 336	
	PISTON, Std., RC2 . . . . .	8	8	-----	-----	-----	1879 631(1)	
	.005 O/S, RC2 . . . . .	8	8	-----	-----	-----	1879 632(1)	
	.020 O/S, RC2 . . . . .	8	8	-----	-----	-----	1879 633(1)	
	.040 O/S, RC2 . . . . .	8	8	-----	-----	-----	1879 634(1)	
	PISTON, Std., RC3, RC4 . . . . .	8	8	-----	-----	-----	1879 337	1879 337
	.005 O/S, RC3, RC4 . . . . .	8	8	-----	-----	-----	1879 338	1879 338
	.020 O/S, RC3, RC4 . . . . .	8	8	-----	-----	-----	1879 339	1879 339
	.040 O/S, RC3, RC4 . . . . .	8	8	-----	-----	-----	1879 340	1879 340
	Piston, Std. L. C. Export, RC1 . . . . .	8	8	-----	-----	-----	2240 337	
	.005 O/S, L. C. Export, RC1 . . . . .	8	8	-----	-----	-----	2240 338	
	.010 O/S, L. C. Export, RC1 . . . . .	8	8	-----	-----	-----	2240 339	
	PISTON, Std., L. C. Export, RS1 w/High Performance, RS3, RC2 . . . . .	8	8	-----	-----	1879 648	1879 648	
	.005 O/S, L. C. Export, RS1 w/High Performance, RS3, RC2 . . . . .	8	8	-----	-----	1879 649	1879 649	
	.020 O/S, L. C. Export, RS1 w/High Performance, RS3, RC2 . . . . .	8	8	-----	-----	1879 650	1879 650	
	PISTON, Std., L. C. Export, RC3 . . . . .	8	8	-----	-----	-----	1879 636	1879 638
	.005 O/S, L. C. Export, RC3 . . . . .	8	8	-----	-----	-----	1879 639	1879 639
	.020 O/S, L. C. Export, RC3 . . . . .	8	8	-----	-----	-----	1879 640	1879 640

NOTE 1: Used only on RC2 with D-1 code Disc and stamped RR-38 on Ser. No. Pad.

★ Indicates use as required.

☐ Indicates parts not listed in any previous parts book.

\* Indicates change or addition.

Numerals in parentheses ( ) refer to notes.

Printed in U.S.A.

Prices and specifications subject to change without notice.

May 31, 1961 Supersedes Jan. 6, 1961.

# 1961 PASSENGER CAR PARTS CATALOG

ENGINE

CODE	PART NAME AND DESCRIPTION	CYL.	PER CAR	VALIANT	PLYMOUTH	DESOTO	CHRYSLER	IMPERIAL
<b>9-35-0 PISTON RING SETS</b>								
9-35-1	SET, Multi-Purpose, Std. to .009 O/S	6	1	2240 640	2240 640			
	.020 to .029 O/S	6	1	2275 453	2275 453			
	.040 to .049 O/S	6	1	2275 454	2275 454			
	Std. to .009 O/S	8	1	----	1752 588			
	.020 to .029 O/S	8	1	----	1752 589			
	.040 to .049 O/S	8	1	----	1752 590			
	Std. to .009 O/S, RP2 w/High Performance, RC1	8	1	----	1843 330	1843 330	1843 330	
	.020 to .029 O/S, RP2 w/High Performance, RC1	8	1	----	1843 331	1843 331	1843 331	
	.040 to .049 O/S, RP2 w/High Performance, RC1	8	1	----	1843 332	1843 332	1843 332	
	Std. to .009 O/S, RP2 w/Police Cars, RC2	8	1	----	1881 693	----	1881 693	
	.020 to .029 O/S, RP2 w/Police Cars, RC2	8	1	----	1881 694	----	1881 694	
	.040 to .049 O/S, RP2 w/Police Cars, RC2	8	1	----	1881 695	----	1881 695	
	Std. to .009 O/S, RC2	8	1	----	----	----	1881 696(1)	
	.020 to .029 O/S, RC2	8	1	----	----	----	1881 697(1)	
	.040 to .049 O/S, RC2	8	1	----	----	----	1881 698(1)	
	Std. to .009 O/S, RC3, RC4	8	1	----	----	----	1881 699	1881 699
	.020 to .029 O/S, RC3, RC4	8	1	----	----	----	1881 700	1881 700
	.040 to .049 O/S, RC3, RC4	8	1	----	----	----	1881 701	1881 701
<b>9-36-0 PISTON PIN</b>								
9-36-5	PIN, Std. w/o High Performance	8	8	----	*1618 738			
	.003 O/S, w/o High Performance	8	8	----	*1618 739			
	.008 O/S, w/o High Performance	8	8	----	*1618 740			
9-36-7	RING, Retaining	8	16	----	1324 470			
<b>9-39-0 VALVE</b>								
9-39-1	CASKET PACKAGE, Valve Grinding	6	1	2196 046	2196 046			
	w/225 cu. in. Aluminum Engine	6	1	2240 629	2240 629			
		8	1	----	2196 086			
	RP2 w/High Performance, RP2 w/Police Cars, RC1, RC2	8	1	----	1879 703	1879 703	1879 703	
	RC2, RC3, RC4	8	1	----	----	----	1879 704(1)	1879 704
9-39-5	VALVE, Intake, Std.	6	6	1947 623	1947 623			
	.005 O/S	6	6	2121 578	2121 578			
	.015 O/S	6	6	2121 579	2121 579			
	.030 O/S	6	6	2121 580	2121 580			
	Std.	8	8	----	1945 318			
	.005 O/S	8	8	----	1945 319			
	.015 O/S	8	8	----	1945 320			
	.030 O/S	8	8	----	1945 321			
	Std., RP2 w/High Performance, RP2 w/Police Cars	8	8	----	2206 103	2206 103	2206 103	2206 103
	.005 O/S, RP2 w/High Performance, RP2 w/Police Cars	8	8	----	2206 104	2206 104	2206 104	2206 104

NOTE 1: Used only on RC2 with D-1 code Disc and stamped RR-38 on Ser. No. Pad.

★ Indicates use as required.

Numerals in parentheses ( ) refer to notes.

Printed in U.S.A.

⊠ Indicates parts not listed in any previous parts book.  
March 1, 1962 Supersedes May 31, 1961.

Page 9-16

Prices and specifications subject to change without notice.  
\* Indicates change or addition.



CODE	PART NAME AND DESCRIPTION	C Y L.	PER CAR	VALIANT	PLYMOUTH	DESOTO	CHRYSLER	IMPERIAL
<b>9-39-0 VALVE - Cont'd</b>								
9-39-5	VALVE - Cont'd.							
	.015 O/S, RP2 w/High Performance, RP2 w/Police Cars . . . . .	8	8	----	2206 105	2206 105	2206 105	2206 105
	.030 O/S, RP2 w/High Performance, RP2 w/Police Cars . . . . .	8	8	----	2206 106	2206 106	2206 106	2206 106
	Std., RC2 . . . . .	8	8	----	----	----	1858 557(1)	
	.005 O/S, RC2 . . . . .	8	8	----	----	----	1858 558(1)	
	.015 O/S, RC2 . . . . .	8	8	----	----	----	1858 559(1)	
	.030 O/S, RC2 . . . . .	8	8	----	----	----	1858 560(1)	
9-39-6	VALVE, Exhaust, Std. . . . .	6	6	1947 624	1947 624			
	.005 O/S . . . . .	6	6	2121 581	2121 581			
	.015 O/S . . . . .	6	6	2121 582	2121 582			
	.030 O/S . . . . .	6	6	2121 583	2121 583			
	Std. . . . .	8	8	----	1852 248			
	.005 O/S . . . . .	8	8	----	1637 563			
	.015 O/S . . . . .	8	8	----	1637 564			
	.030 O/S . . . . .	8	8	----	1637 565			
	Std., RP2 w/High Performance, RP2 w/Police Cars . . . . .	8	8	----	1737 698	1737 698	1737 698	1737 698
	.005 O/S, RP2 w/High Performance, RP2 w/Police Cars . . . . .	8	8	----	1739 612	1739 612	1739 612	1739 612
	.015 O/S, RP2 w/High Performance, RP2 w/Police Cars . . . . .	8	8	----	1739 613	1739 613	1739 613	1739 613
	.030 O/S, RP2 w/High Performance, RP2 w/Police Cars . . . . .	8	8	----	1739 614	1739 614	1739 614	1739 614
9-39-14	SHIELD, Intake Valve Stem Oil Exhaust Valve Stem Oil . . . . .	6	6	1630 241	1630 241			
	Intake Valve Stem Oil . . . . .	6	6	2128 977	2128 977			
	Valve Stem Oil, RP2 w/High Performance, RP2 w/Police Cars . . . . .	8	8	----	1630 241			
		8	16	----	2121 586	2121 686	2121 686	2121 686
9-39-15	SPRING . . . . .	6	12	1739 534	1739 534			
		8	16	----	1739 534			
	w/DAMPER, RP2 w/High Performance, RP2 w/Police Cars, RC4 . . . . .	8	16	----	1855 042	----	1855 042	
	SPRING, RC1, RC2, RC3 . . . . .	8	16	----	----	1944 854	1944 854	1944 854
9-39-16	RETAINER, Valve Spring . . . . .	6	12	1619 636	1619 636			
		8	16	----	1619 636	1619 636	1619 636	1619 636
9-39-17	LOCK, Intake Valve Spring Retainer . . . . .	6	12	381 875	381 875			
		8	16	----	381 875	381 875	381 875	381 875
	Exhaust Valve Spring Retainer	6	12	1614 666	1614 666			
		8	16	----	1614 666	1614 666	1614 666	1614 666
9-39-21	SPACER, Valve Spring . . . . .	8	16	----	1639 947			
	RP2 w/High Performance, RP2 w/Police Cars . . . . .	8	16	----	1859 144	1859 144	1859 144	1859 144
<b>9-41-0 VALVE TAPPET</b>								
9-41-1	SILENCER PACKAGE, Tappet Chamber, RP2 w/High Performance, RP2 w/Police Cars . . . . .	8	1	----	1879 747	1879 747	1879 747	1879 747
9-41-4	TAPPET, Std. . . . .	6	12	1739 356	1739 356			
	.001 O/S . . . . .	6	12	1739 357	1739 357			
	.008 O/S . . . . .	6	12	1739 358	1739 358			
	.030 O/S . . . . .	6	12	*1739 359	*1739 359			

NOTE 1: Used only on RC2 with D-1 code Disc and stamped RR-38 on Ser. No. Pad.

★ Indicates use as required.

Numerals in parentheses ( ) refer to notes.

Printed in U.S.A.

☐ Indicates parts not listed in any previous parts book.

Prices and specifications subject to change without notice.

\* Indicates change or addition.

Page 9-17

May 31, 1961 Supersedes Jan. 6, 1961.



# 1961 PASSENGER CAR PARTS CATALOG

ENGINE

CODE	PART NAME AND DESCRIPTION	CYL.	PER CAR	VALIANT	PLYMOUTH	DESOTO	CHRYSLER	IMPERIAL
<b>9-41-0 VALVE TAPPET - Cont'd</b>								
9-41-4	TAPPET - Cont'd.							
	Std. . . . .	8	16	----	1739 356			
	.001 O/S . . . . .	8	16	----	1739 357			
	.008 O/S . . . . .	8	16	----	1739 358			
	.030 O/S . . . . .	8	16	----	2120 462			
	Std., RP2 w/High Performance, RP2 w/Police Cars . . . . .	8	16	----	2084 029	2084 029	2084 029	2084 029
	.001 O/S, RP2 w/High Performance, RP2 w/Police Cars . . . . .	8	16	----	2084 030	2084 030	2084 030	2084 030
	.008 O/S, RP2 w/High Performance, RP2 w/Police Cars . . . . .	8	16	----	2084 031	2084 031	2084 031	2084 031
	.030 O/S, RP2 w/High Performance, RP2 w/Police Cars . . . . .	8	16	----	2084 032	2084 032	2084 032	2084 032
9-41-12	RETAINER, Valve Tappet Plunger, RP2 w/High Performance, RP2 w/Police Cars . . . . .	8	16	----	1489 340	1489 340	1489 340	1489 340
<b>9-42-0 VALVE PUSH ROD</b>								
9-42-1	ROD . . . . .	6	12	1947 704				
	w/225 cu. m. Engine . . . . .	6	12	*2120 514	*2120 514			
		8	16	----	1637 721			
	RP2 w/High Performance, RP2 w/Police Cars, RC1, RC2 . . .	8	16	----	1737 757	1737 757	1737 757	
	RC2, RC3, RC4 . . . . .	8	16	----	----	----	1851 669(1)	1851 669
<b>9-43-0 VALVE ROCKER</b>								
9-43-1	ROCKER . . . . .	6	12	1947 594	1947 594			
	Intake Valve . . . . .	8	8	----	1859 919			
	Exhaust Valve . . . . .	8	8	----	1854 953			
	Right, RP2 w/High Performance, RP2 w/Police Cars . . . . .	8	8	----	1737 646	1737 646	1737 646	1737 646
	Left, RP2 w/High Performance, RP2 w/Police Cars . . . . .	8	8	----	1737 645	1737 645	1737 645	1737 645
9-43-3	SCREW, Adjusting . . . . .	6	12	1855 238	1855 238			
		8	16	----	1855 238			
9-43-5	SPACER . . . . .	6	6	2120 694	2120 694			
	RP2 w/High Performance, RP2 w/Police Cars . . . . .	8	8	----	1737 756	1737 756	1737 756	1737 756
9-43-9	SHAFT . . . . .	6	1	1947 614	1947 614			
		8	2	----	1618 671			
	RP2 w/High Performance, RP2 w/Police Cars . . . . .	8	2	----	1821 393	1821 393	1821 393	1821 393
9-43-10	BRACKET, Shaft, End and Center, RP2 w/High Performance, RP2 w/Police Cars . . . . .	8	6	----	1739 594	1739 594	1739 594	1739 594
	BRACKET, Shaft, Intermediate, RP2 w/High Performance, RP2 w/Police Cars . . . . .	8	4	----	1739 595	1739 595	1739 595	1739 595
9-43-11	RETAINER, Shaft End and Intermediate . . . . .	6	6	1947 616	1947 616			
	Retainer, Center . . . . .	6	1	1947 617	1947 617			
9-43-14	SPRING, Shaft . . . . .	8	8	----	1632 106			
9-43-19	PLUG, Shaft . . . . .	6	2	1324 268	1324 268			
		8	4	----	1858 802			
	RP2 w/High Performance, RP2 w/Police Cars . . . . .	8	4	----	1324 268	1324 268	1324 268	1324 268

NOTE 1: Used only on RC2 with D-1 code Disc and stamped RR-38 on Ser. No. Pad.

\* Indicates use as required. Numerals in parentheses ( ) refer to notes. Printed in U.S.A.  
 † Indicates parts not listed in any previous parts book. Prices and specifications subject to change without notice.  
 May 31, 1961 Supersedes Jan. 6, 1961. Page 9-18 \* Indicates change or addition.

CODE	PART NAME AND DESCRIPTION	CYL.	PER CAR	VALIANT	PLYMOUTH	DESOTO	CHRYSLER	IMPERIAL
<b>9-43-0 VALVE ROCKER - Cont'd</b>								
9-43-23	WASHER, Shaft Bracket Screw, RP2 w/High Performance, RP2 w/Police Cars . . . . .	8	10	----	1536 242	1536 242	1536 242	1536 242
9-43-26	SCREW, Shaft Bracket Locating	8	2	----	1670 476			
<b>9-45-0 FLYWHEEL</b>								
9-45-1	FLYWHEEL, w/Ring Gear . . .	6	1	1947 561	1947 561			
		8	1	----	2121 950			
	RP2 w/High Performance, RC1, 10 1/2" Clutch . . . . .	8	1	----	2121 950	2121 950	2121 950	
	RP2 w/Police Cars, 11" Clutch	8	1	----	2128 768			
9-45-2	GEAR, Flywheel or Torque Converter Ring . . . . .	6	1	2121 195	2121 195			
		8	1	----	1673 646	1673 646	1673 646	1673 646
9-45-6	BOLT . . . . .	8	6	----	1557 704	1557 704	1557 704	1557 704
9-45-7	NUT . . . . .	8	★	----	675 594	675 594	675 594	675 594
<b>9-46-0 TORQUE CONVERTER</b>								
9-46-4	TORQUE CONVERTER . . . . .	6	1	2125 000	2125 000			
		8	1	----	1823 934			
	RP2 w/High Performance, RP2 w/Police Cars . . . . .	8	1	----	1731 860	1731 860	1731 860	1731 860
9-46-8	PLATE, Drive . . . . .	6	1	1949 763	1949 763			
9-46-10	STUD, Torque Converter Drive Flange . . . . .	8	8	----	1061 157	1061 157	1061 157	1061 157
9-46-11	NUT, Torque Converter to Crankshaft Stud . . . . .		★	----	675 594	675 594	675 594	675 594
9-46-21	SCREW, Drive Plate to Crankshaft . . . . .	6	6	1949 424	1949 424			
	SCREW, Drive Plate . . . . .	6	6	1949 765	1949 765			
9-46-31	OIL COOLER, Radiator Core, RC1, RC2 . . . . .	8	1	1903 792	1903 792	1903 792	1903 792	
	RC3, RC4 . . . . .	8	1	----	----	----	1903 791	1903 791
9-46-33	BRACKET, Transmission Oil Cooler Tube . . . . .	8	1	----	1949 176	1949 176	1949 176	1949 176
9-46-43	NUT, Transmission Oil Cooler Tube Radiator End . . . . .		2	1941 667	1941 667	1941 667	1941 667	1941 667
9-46-90	HOUSING . . . . .	8	1	----	1824 334			
	RP2 w/High Performance, RP2 w/Police Cars . . . . .	8	1	----	1736 436	1736 436	1736 436	1736 436
9-46-93	COVER, Housing . . . . .	8	1	----	1854 314			
	RP2 w/High Performance, RP2 w/Police Cars . . . . .	8	1	----	1823 548	1823 548	1823 548	1823 548
9-46-107	SCREW, w/WASHER, Cylinder Block to Torque Converter Housing . . . . .	8	1	----	1854 523			
	RP2 w/High Performance, RP2 w/Police Cars . . . . .	8	2	----	6012 042	6012 042	6012 042	6012 042
9-46-130	OIL SEAL, Impeller Hub . . . . .	6	1	2124 705	2124 705			
	Heavy Duty . . . . .	6	1	----	2124 705			
	w/PowerFlite Trans. . . . .	8	1	----	*1738 263	*1738 263	*1738 263	*1738 263
	w/TorqueFlite Trans. . . . .	8	1	----	E2400 084	E2400 084	E2400 084	E2400 084
9-46-137	PAN, Housing . . . . .	8	1	----	1853 736			
9-46-229	SPRING, Overrunning Clutch . .	6	8	----	1942 187			
		8	8	----	1539 546	1539 546	1539 546	1539 546
<b>9-48-0 MANIFOLD</b>								
9-48-6	MANIFOLD, Exhaust . . . . .	6	1	E2298 917	E2298 917			
	Right . . . . .	8	1	----	2129 194			
	Left . . . . .	8	1	----	2129 198			

★ Indicates use as required.

E Indicates parts not listed in any previous parts book.

\* Indicates change or addition.

Numerals in parentheses ( ) refer to notes.

Printed in U.S.A.

Prices and specifications subject to change without notice.

March 1, 1962 Supersedes May 31, 1961.

CODE	PART NAME AND DESCRIPTION	C Y L.	PER CAR	VALIANT	PLYMOUTH	DESOTO	CHRYSLER	IMPERIAL
<b>9-48-0 MANIFOLD - Cont'd</b>								
9-48-6	MANIFOLD - Cont'd. RP2 w/High Performance, RP2 w/Police Cars w/one four barrel Carburetor, RC1, RC2, RC3, Right . . . . .	8	1	----	1854 990	1854 990	1854 990	1854 990
	RP2 w/High Performance, RP2 w/Police Cars w/one four barrel Carburetor, RC1, RC2, RC3, Left . . . . .	8	1	----	1739 600	1739 600	1739 600	1739 600
	RP2 w/Police Cars w/Ram Manifold, RC4, Right . . . . .	8	1	----	2205 853	----	2205 853	
	RP2 w/Police Cars w/Ram Manifold, RC4, Left . . . . .	8	1	----	1947 432	----	1947 432	
9-48-7	MANIFOLD, Intake . . . . .	6	1	2205 902	2205 902			
	w/one two barrel Carburetor. .	8	1	----	1859 228			
	w/one four barrel Carburetor .	8	1	----	1859 298			
	RP2 w/High Performance, RP2 w/Police Cars w/one four Barrel Carburetor, RS1 w/High Performance . . . . .	8	1	----	1859 300	1859 300		
	RP2 w/Police Cars w/Ram Manifold, RC4, Right. . . . .	8	1	----	2240 395	----	2240 395	
	RP2 w/Police Cars w/Ram Manifold, RC4, Left . . . . .	8	1	----	2240 394	----	2240 394	
	RC2 . . . . .	8	1	----	----	----	1851 899(1)	
	RC1, RC2 . . . . .	8	1	----	----	1859 299	1859 299	
	RC3 . . . . .	8	1	----	----	----	1858 623	1858 623
9-48-8	CONNECTOR, Vacuum Control		1	1858 955	1858 955	1858 955	1858 955	1858 955
9-48-12	STUD, Intake and Exhaust Manifold . . . . .	6	13	2121 585	2121 585			
9-48-13	ELBOW, Intake Manifold Heat Inlet, RP2 Police Cars, w/Ram Manifold . . . . .	8	2	----	1947 732			
	RC4 . . . . .	8	2	----	----	----	1947 430	
9-48-14	WASHER, Intake and Exhaust Manifold Stud . . . . .	6	11	2121 223	2121 223			
	Intake and Exhaust Manifold Stud	6	2	2206 416	2206 416			
9-48-27	REINFORCEMENT, Intake Manifold Gasket End, RP2 w/High Performance, RP2 w/Police Cars, RC1, RC2 . .	8	2	----	1859 332	1859 332	1859 332	
	RC2, RC3, RC4 . . . . .	8	1	----	----	----	1851 665(1)	1851 665
9-48-40	SCREW, Intake Manifold w/o Air Condition . . . . .	8	8	----	1859 465			
	w/o Air Condition . . . . .	8	8	----	1859 466			
	w/Air Condition . . . . .	8	1	----	1821 174			
	w/Air Condition . . . . .	8	1	----	1821 178			
	w/Air Condition . . . . .	8	7	----	1859 465			
	w/Air Condition . . . . .	8	7	----	1859 466			
	RP2 w/High Performance, RP2 w/Police Cars . . . . .	8	*	----	2120 468	2120 468	2120 468	2120 468
	RP2 w/High Performance, RP2 w/Police Cars . . . . .	8	*	----	2120 467	2120 467	2120 467	2120 467
9-48-43	STUD, Exhaust Manifold . . . . .	8	16	----	1613 782			
	RP2 w/High Performance, RP2 w/Police Cars . . . . .	8	13	----	1613 782	1613 782	1613 782	1613 782
9-48-44	NUT, Exhaust Manifold Stud . .	6	2	1947 753	1947 753			
		8	12	----	1737 695	1737 695	1737 695	1737 695
9-48-45	WASHER, Exhaust Manifold Stud Nut . . . . .	6	2	1947 752	1947 752			
9-48-56	SHIELD, Intake Manifold Heat .	8	1	----	1619 627			

NOTE 1: Used only on RC2 with D-1 code Disc and stamped RR-38 on Ser. No. Pad.

\* Indicates use as required.

Numerals in parentheses ( ) refer to notes.

Printed in U.S.A.

E Indicates parts not listed in any previous parts book.  
May 31, 1961 Supersedes Jan. 6, 1961.

Prices and specifications subject to change without notice.

Page 9-20

\* Indicates change or addition.

CODE	PART NAME AND DESCRIPTION	CYL.	PER CAR	VALIANT	PLYMOUTH	DESOTO	CHRYSLER	IMPERIAL
<b>9-48-0 MANIFOLD - Cont'd</b>								
9-48-124	ELBOW, Intake Manifold Heat Inlet, RP2 w/Police Cars w/Ram Manifold . . . . .	8	2	----	1947 732	----	1947 430	
	RC4 . . . . .	8	2	----	----	----		
9-48-151	TUBE, Intake Manifold Equalizer, RP2 w/Police Cars w/Ram Manifold, RC4 . . . . .	8	1	----	2206 153	----	2206 153	<i>Tube</i>
9-48-152	COUPLING, Intake Manifold Equalizer Tube, RP2 w/Police Cars w/Ram Manifold, RC4 . .	8	2	----	1947 403	----	1947 403	<i>rubber hose</i>
9-48-153	CLAMP, Intake Manifold Equalizer Tube Coupling, RP2 w/Police Cars w/Ram Manifold, RC4 . . . . .	8	1	----	870 469	----	870 469	
9-48-158	COVER, Exhaust Cross Over, Right, RP2 w/Police Cars w/Ram Manifold, RC4 . . . . .	8	1	----	2120 757	----	2120 757	
	Left, RP2 w/Police Cars w/Ram Manifold, RC4 . . . . .	8	1	----	2120 057	----	2120 057	
<b>9-50-0 MANIFOLD GASKETS</b>								
9-50-1	GASKET SET . . . . .	6	1	2084 416	2084 416			
		8	1	----	2084 347			
9-50-3	GASKET, Intake to Exhaust Manifold . . . . .	6	1	2206 120	2206 120			
9-50-4	GASKET, Intake Manifold Heat Inlet Elbow, RP2 w/Police Cars w/Ram Manifold, RC4 . .	8	2	----	1947 429	----	1947 429	
9-50-5	GASKET, Exhaust Manifold . .	8	1	----	1670 508			
9-50-6	GASKET, Intake Manifold, RP2 w/High Performance, RP2 w/Police Cars, RC1, RC2 . . .	8	1	----	1737 709	1737 709	1737 709	
	RC2, RC3, RC4 . . . . .	8	1	----	----	----	1851 664(1)	1851 664
9-50-16	GASKET, Intake Manifold Heat Inlet Elbow to Exhaust Manifold, RP2 w/Police Cars w/Ram Manifold, RC4 . . . . .	8	2	----	1947 428	----	1947 428	
<b>9-58-0 MANIFOLD HEAT CONTROL VALVE THERMOSTAT</b>								
9-58-1	PACKAGE, Manifold Heat Control . . . . .	6	1	2084 797	2084 797			
		8	1	----	2240 684			
	RP2 w/High Performance, RP2 w/Police Cars w/one four Barrel Carburetor, RC1, RC2, RC3 . . . . .	8	1	----	2084 794	2084 794	2084 794	2084 794
	RP2 w/Police Cars w/Ram Manifold, RC4, Right . . . . .	8	1	----	2196 074	----	2196 074	
	RP2 w/Police Cars w/Ram Manifold, RC4, Left . . . . .	8	1	----	2084 795	----	2084 795	
9-58-5	THERMOSTAT . . . . .	6	1	2121 554	2121 554			
	RP2 w/Police Cars w/Ram Manifold, RC4 . . . . .	8	2	----	2128 933	----	2128 933	
	RC1, RC2, RC3 . . . . .	8	1	----	960 003	960 003	960 003	960 003
9-58-12	COUNTERWEIGHT . . . . .	6	1	2121 430	2121 430			
	SHIELD, RC1, RC2, RC3 . . . .	8	1	----	1670 515	1670 515	1670 515	1670 515
	RP2 w/Police Cars w/Ram Manifold, RC4, Right . . . . .	8	1	----	1670 515	----	1670 515	
	RP2 w/Police Cars w/Ram Manifold, RC4, Left . . . . .	8	1	----	1944 616	----	1944 616	

NOTE 1: Used only on RC2 with D-1 code Disc and stamped RR-38 on Ser. No. Pad.

★ Indicates use as required.

Numerals in parentheses ( ) refer to notes.

Printed in U.S.A.

☐ Indicates parts not listed in any previous parts book.

Prices and specifications subject to change without notice.

\* Indicates change or addition.

# 1961 PASSENGER CAR PARTS CATALOG

ENGINE

CODE	PART NAME AND DESCRIPTION	CYL.	PER CAR	VALIANT	PLYMOUTH	DESOTO	CHRYSLER	IMPERIAL
<b>9-58-0 MANIFOLD HEAT CONTROL VALVE THERMOSTAT - Cont'd</b>								
9-58-13	BOLT, RC1, RC2, RC3 . . . . . RP2 w/Police Cars w/Ram Manifold, RC4 . . . . .	8	2	1736 012	1736 012	1736 012	1736 012	1736 012
9-58-14	LOCK, RC1, RC2, RC3 . . . . . RP2 w/Police Cars w/Ram Manifold, RC4 . . . . .	8	2	1409 594	1409 594	1409 594	1409 594	1409 594
<b>9-59-0 MANIFOLD HEAT CONTROL VALVE</b>								
9-59-13	SPRING, RC1, RC2, RC3 . . . . . RP2 w/Police Cars w/Ram Manifold, RC4 . . . . .	8	2	1558 897	1558 897	1558 897	1558 897	1558 897
9-59-15	PIN, Spring, RC1, RC2, RC3 . . . . . RP2 w/Police Cars w/Ram Manifold, RC4 . . . . .	8	2	1639 597	1639 597	1639 597	1639 597	1639 597
<b>9-62-0 MANIFOLD HEAT CONTROL VALVE STOP</b>								
9-62-1	STOP . . . . . RP2 w/Police Cars w/Ram Manifold RC4 . . . . . RC1, RC2, RC3 . . . . .	6	1	2121 455	2121 455			
		8	2	----	683 057	----	683 057	
		8	1	----	683 057	683 057	683 057	683 057
<b>9-64-0 ENGINE FRONT SUPPORT</b>								
9-64-5	SUPPORT, Right . . . . . Left . . . . . RP2 w/High Performance, RP2 w/Police Cars, RC1, RC2, Right RP2 w/High Performance, RP2 w/Police Cars, RC1, RC2, Left RC3, RC4, Right . . . . . RC3, RC4, Left . . . . .	8	1	----	2120 236			
		8	1	----	2120 232			
		8	1	----	2120 238	2120 238	2120 238	
		8	1	----	2120 237	2120 237	2120 237	
		8	1	----	----	----	2128 572	2128 572
		8	1	----	----	----	2128 571	2128 571
9-64-12	SCREW, Engine Front Support Heat Shield . . . . .	6	1	1947 301	1947 301			
9-64-13	STUD, Engine Front Support to Frame . . . . .		2	2128 773	2128 773	2128 773	2128 773	2128 773
9-64-17	NUT, Engine Front Support to Frame Stud . . . . .		2	2202 834	2202 834	2202 834	2202 834	2202 834
9-64-18	WASHER, Engine Front Support to Frame Stud . . . . .		2	2128 774	2128 774	2128 774	2128 774	2128 774
9-64-22	SHIELD, Engine Front Support Heat, Left . . . . . Right . . . . . Left . . . . . RP2 w/High Performance, RP2 w/Police Cars, Right . . . . . RP2 w/High Performance, RP2 w/Police Cars . . . . .	6	1	2128 999	2128 999			
		8	1	----	2128 943			
		8	1	----	2128 944			
		8	1	----	2128 935	2128 935	2128 935	2128 935
		8	1	----	2128 936	2128 936	2128 936	2128 936
9-64-24	BRACKET, Engine Front Support Insulator, Right, w/225 cu. in. Engine . . . . . Left w/225 cu. in. Engine . . . . .	6	1	E2203 062				
		6	1	E2203 063				
<b>9-67-0 ENGINE FRONT SUPPORT INSULATOR</b>								
9-67-4	INSULATOR, Right . . . . . Left . . . . . Right . . . . . Left . . . . . Right, w/225 cu. in. Engine . . . . . Left, w/225 cu. in. Engine . . . . .	6	1	2203 039				
		6	1	2203 040				
		6	1	----	2128 479			
		6	1	----	2128 821			
		6	1	E2264 119				
		6	1	E2264 140				

★ Indicates use as required. Numerals in parentheses ( ) refer to notes. Printed in U.S.A.  
 □ Indicates parts not listed in any previous parts book. Prices and specifications subject to change without notice.  
 May 31, 1961 Supersedes Jan. 6, 1961. \* Indicates change or addition.

CODE	PART NAME AND DESCRIPTION	C Y L.	PER CAR	VALIANT	PLYMOUTH	DESOTO	CHRYSLER	IMPERIAL
<b>9-67-0 ENGINE FRONT SUPPORT INSULATOR - Cont'd</b>								
9-67-9	SCREW, Engine Front Support Insulator to Cylinder Block . .	6	1	2206 288	2206 288			
	STUD, Engine Front Support Insulator to Cylinder Block . .	6	1	6022 799	6022 799			
9-67-19	ADAPTER, Engine Front Support Insulator Right, w/225 cu. in. Engine . . . . .	6	1	E2264 130				
	Left, w/225 cu. in. Engine . .	6	1	E2264 131				
<b>9-69-0 FRAME ENGINE REAR SUPPORT CROSSMEMBER</b>								
9-69-4	CROSSMEMBER, w/Automatic Trans. . . . .	6	1	----	2123 346			
	RC1, RC2 . . . . .		1	----	2122 578	2122 578	2122 578	
	RC3, RC4 . . . . .	8	1	----	----	----	2122 575	
		8	1	----	----	----	----	1829 984
9-69-6	BRACKET, Frame Engine Rear Support Crossmember, Right, Cv. Cp. . . . .	8	1	----	----	----	----	1940 300
	Left, Cv. Cp. . . . .	8	1	----	----	----	----	1940 301
9-69-28	SCREW, w/WASHER w/Automatic Trans. . . . .	6	2	----	2200 024			
	Trans. . . . .	6	2	----	2200 024			
<b>9-70-0 FRAME ENGINE REAR SUPPORT CROSSMEMBER BRACKET</b>								
9-70-9	NUT, Frame Engine Rear Support Crossmember to Bracket Bolt . . . . .		4	----	1946 141	1946 141	1946 141	
<b>9-71-0 ENGINE REAR SUPPORT INSULATOR</b>								
9-71-5	INSULATOR . . . . .	6	1	2074 404				
	w/225 cu. in. Engine . . . . .	6	1	E2206 957				
	w/Std. Trans. . . . .	6	1	----	1739 090			
	w/Automatic Trans. . . . .	6	1	----	1946 362			
	RY1 except Cv. Cp. . . . .	8	1	----	1734 529	1734 529	1734 529	1734 529
	Cv. Cp. . . . .	8	1	----	----	----	----	1533 850
9-71-8	NUT, Engine Rear Support Insulator Stud . . . . .		1	6022 805	6022 805	6022 805	6022 805	
9-71-15	STOP . . . . .		1	----	2122 280	2122 280	2122 280	
	BUMPER, w/225 cu.in. Engine .	6	1	E2206 965				
9-71-16	SPRING . . . . .		1	----	2122 278	2122 278	2122 278	
9-71-17	PLATE, Spring . . . . .		1	----	2122 277	2122 277	2122 277	
9-71-18	STUD, w/WASHER . . . . .		1	----	2122 275	2122 275	2122 275	
9-71-19	WASHER, Stud, Upper . . . . .		1	----	2122 279	2122 279	2122 279	

## NOTES

★ Indicates use as required.

Numerals in parentheses ( ) refer to notes.

Printed in U.S.A.

☐ Indicates parts not listed in any previous parts book.

Prices and specifications subject to change without notice.

\* Indicates change or addition.

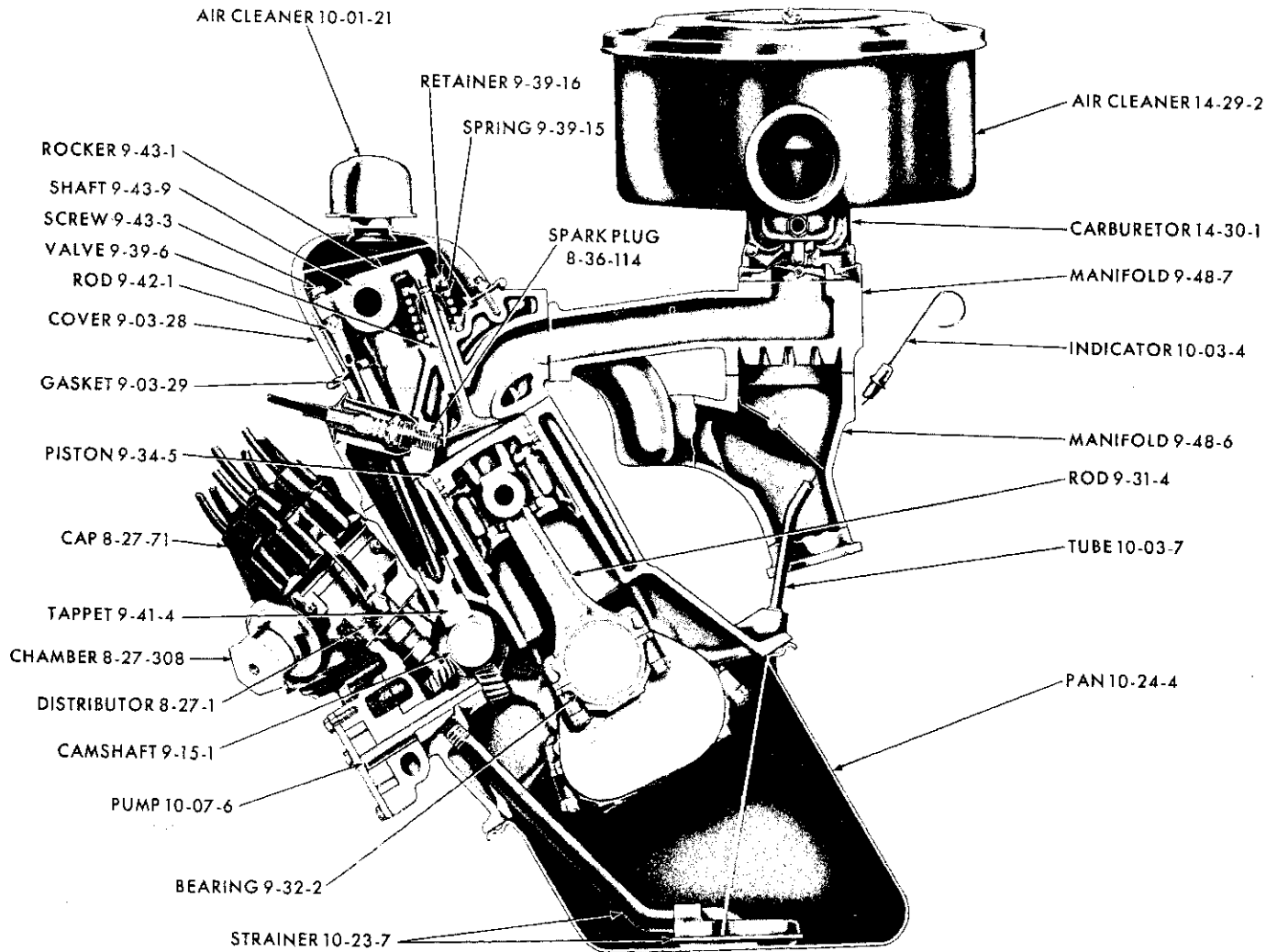
Page 9-23

May 31, 1961.





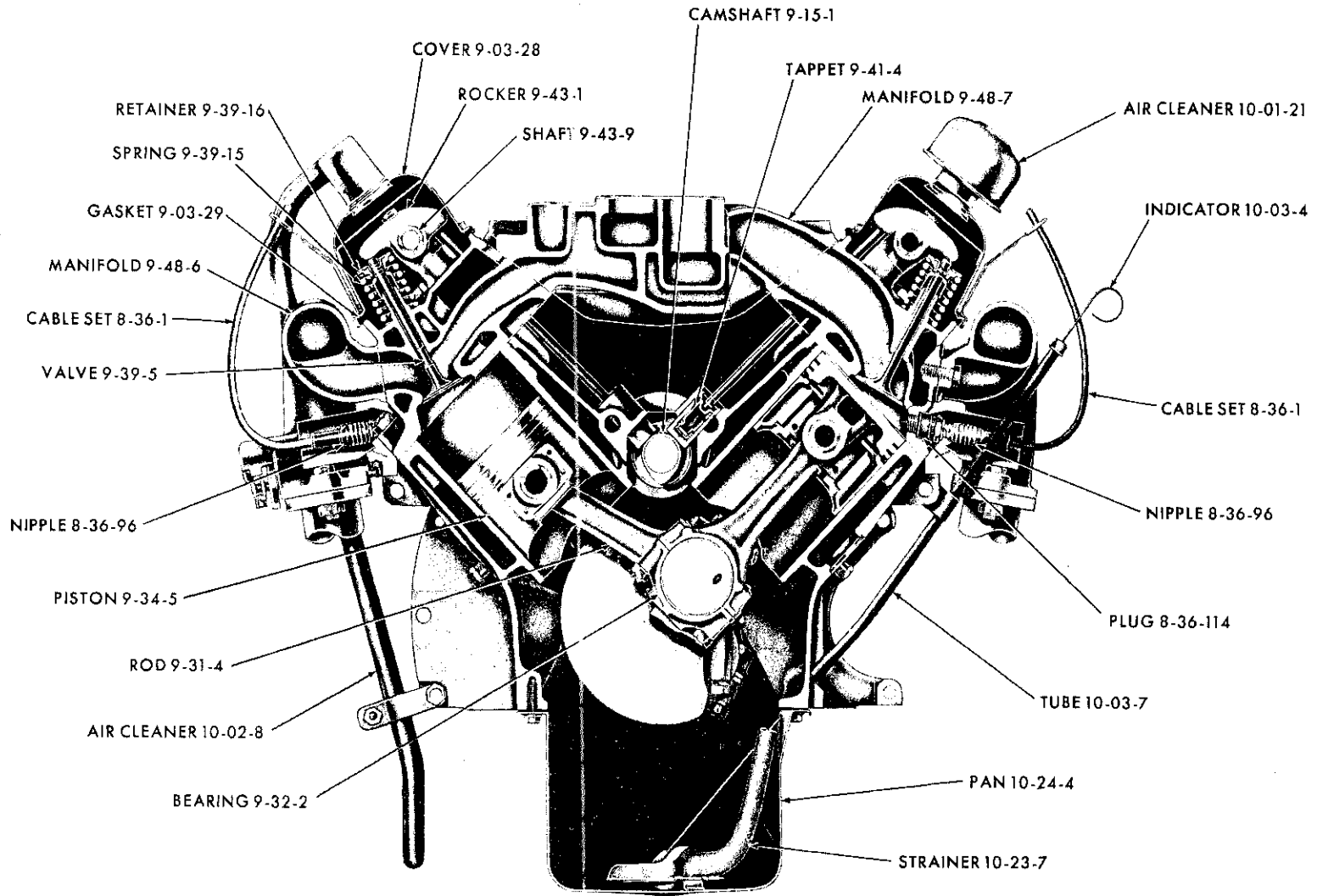
GROUP 10 - ENGINE OILING



19x8778

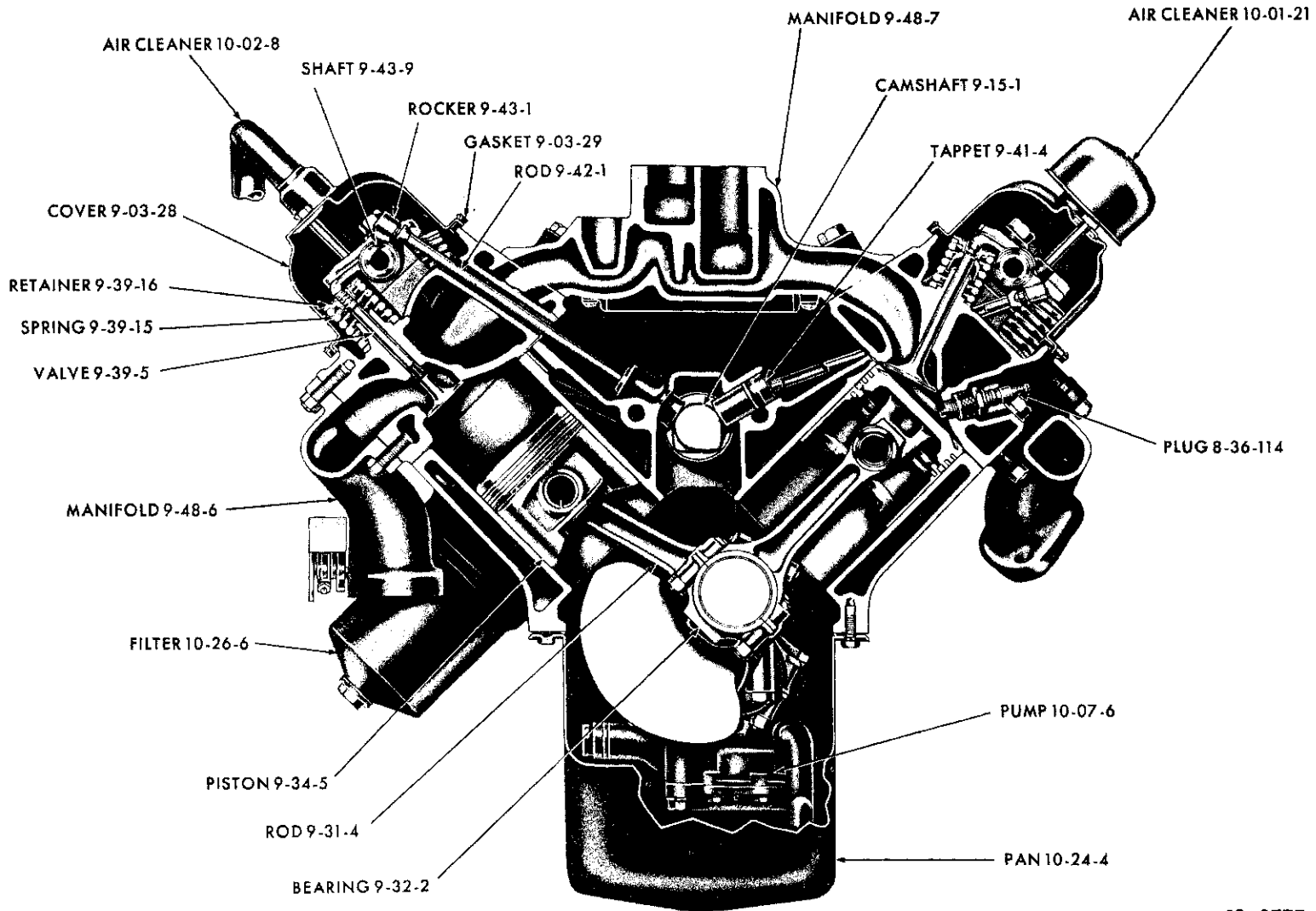
ENGINE OILING - 6 CYLINDER

MyMopar.com



19x8776

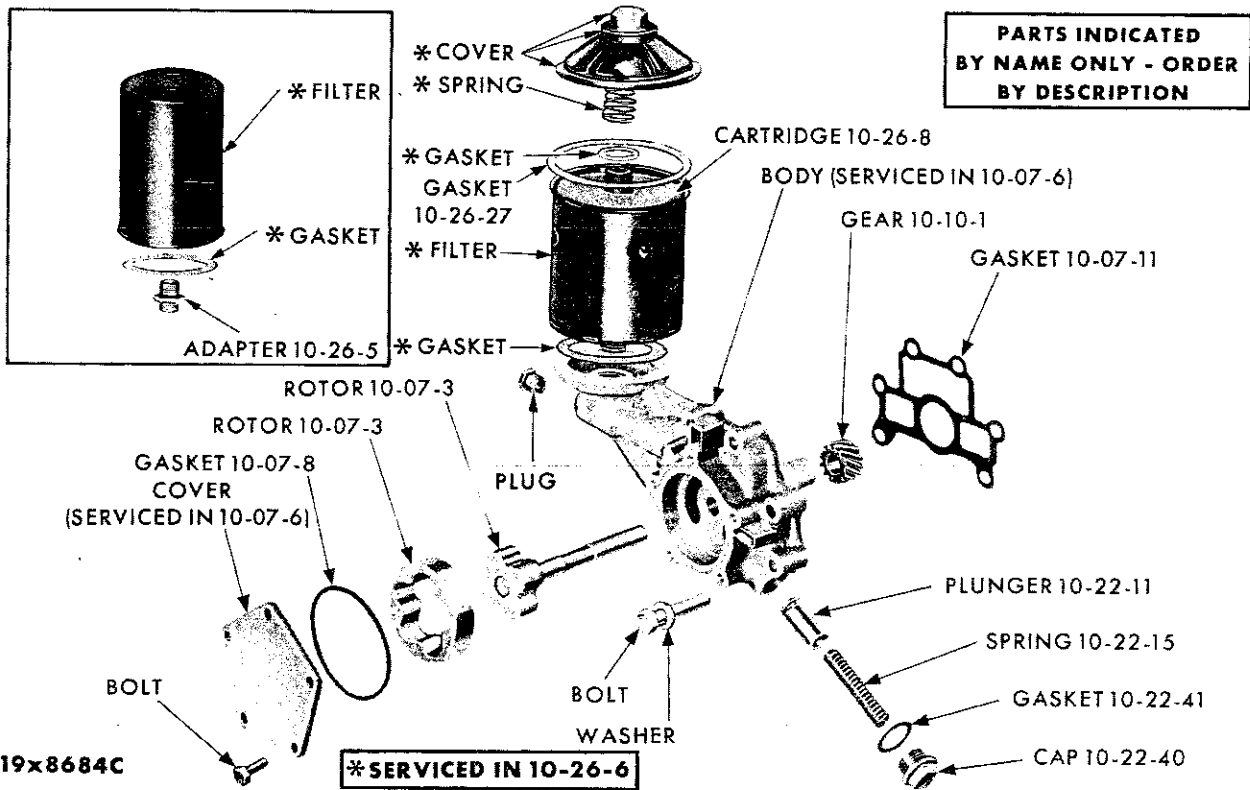
ENGINE OILING - V8 CYLINDER (EXCEPT STANDARD)



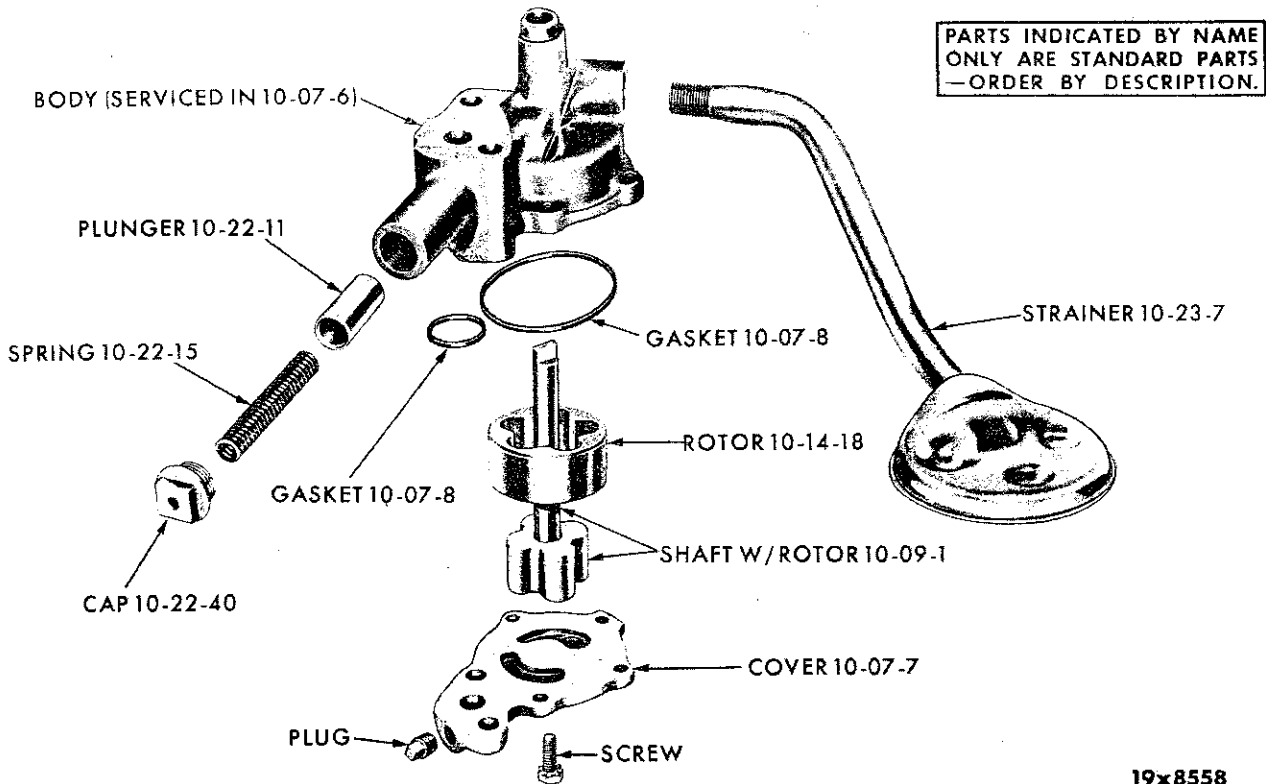
19x8777

ENGINE OILING - V8 CYLINDER (STANDARD)

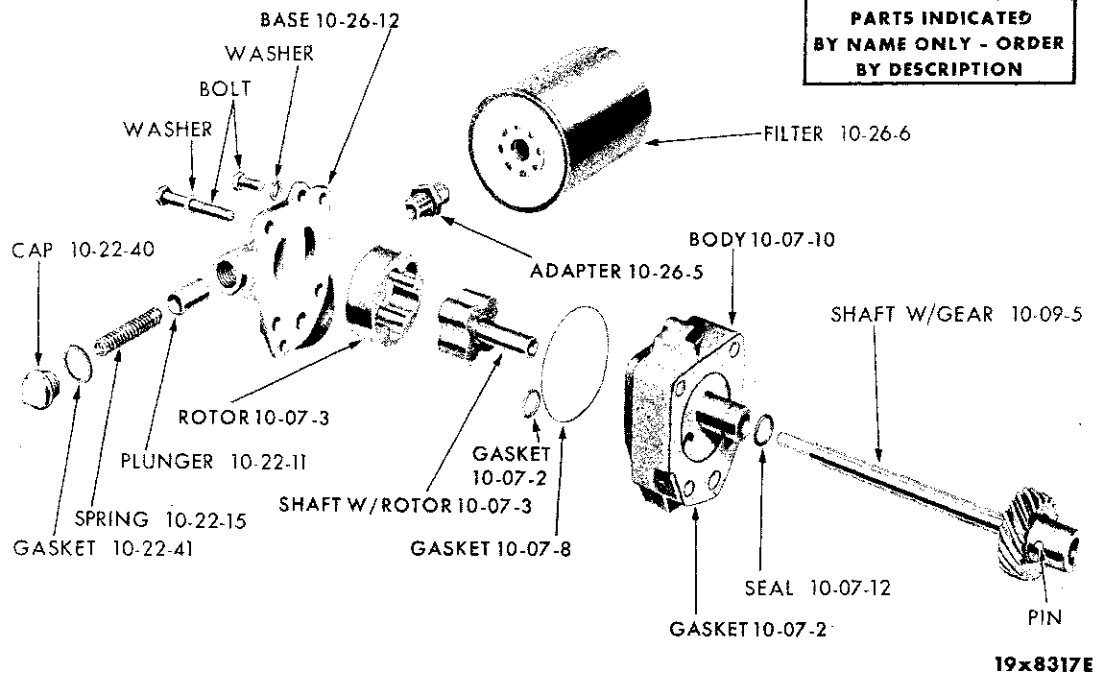
[MyMopar.com](http://MyMopar.com)



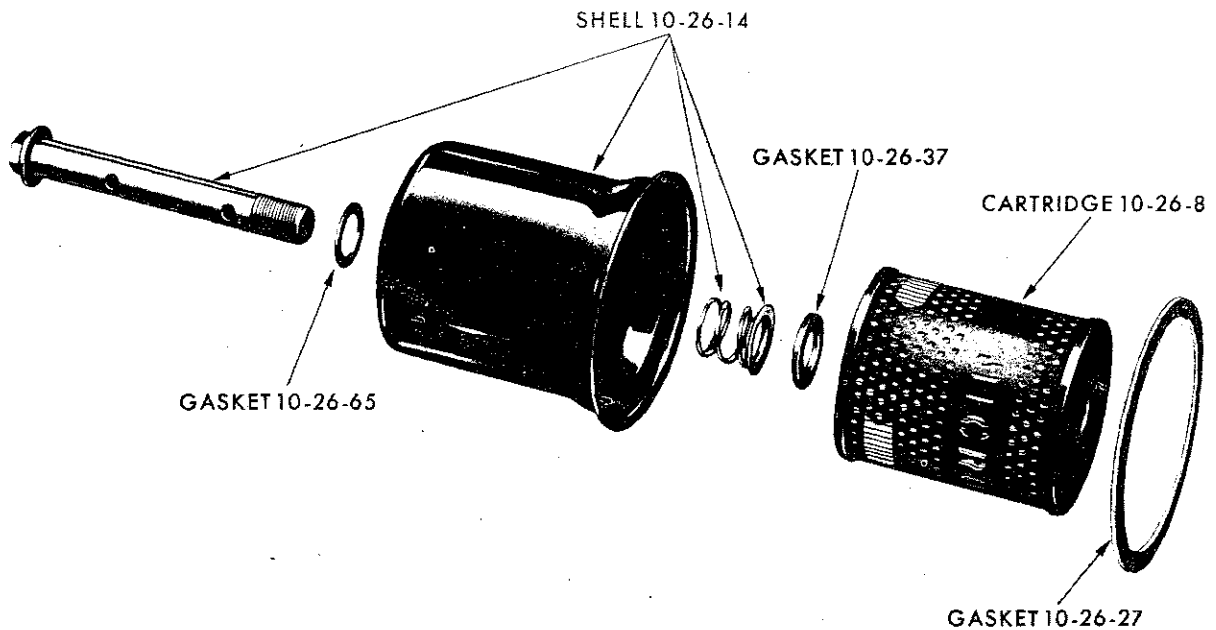
OIL PUMP - 6 CYLINDER



OIL PUMP - V8 CYLINDER ("A" ENGINE)

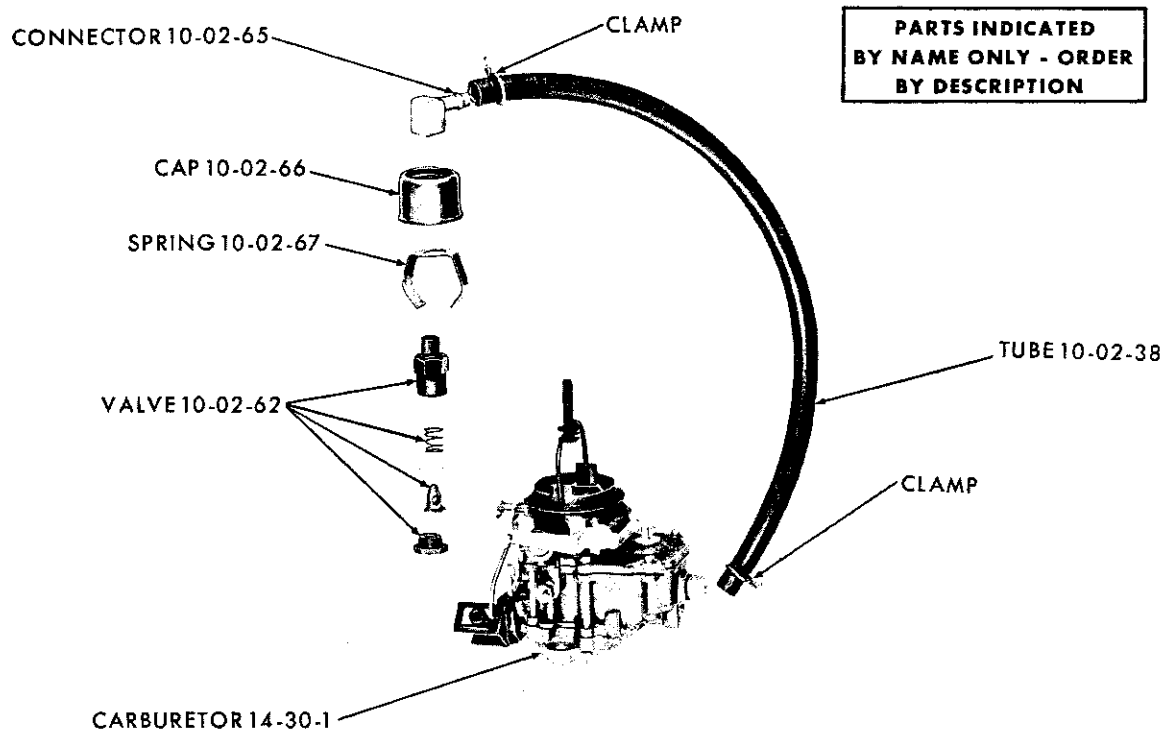


OIL PUMP - V8 CYLINDER ("B" ENGINE)



19x8591

OIL FILTER - V8 CYLINDER ("A" ENGINE)



19x9077

CLOSED CRANKCASE VENT SYSTEM

NOTES

---

---

---

---

---

---

---

---

---

---

---

---

---

---

---

---

---

---

---

---

---

---

---

---

CODE	PART NAME AND DESCRIPTION	CYL.	PER CAR	VALIANT	PLYMOUTH	DESOTO	CHRYSLER	IMPERIAL
<b>10-01-O CRANKCASE BREATHER PIPE INLET</b>								
10-01-21	AIR CLEANER, Inlet, use w/o Outlet Air Cleaner . . . . .	6	1	1821 198				
	Use w/Outlet Air Cleaner. . . . .	6	1	1821 200				
	Use w/o Outlet Air Cleaner, RP1, Taxi . . . . .	6	1	----	1821 198			
	Use w/Outlet Air Cleaner, RP1, Taxi . . . . .	6	1	----	1821 200			
	Use w/o Outlet Air Cleaner . . . . .	1		----	1821 198			
	Use w/Outlet Air Cleaner . . . . .	1		----	1821 200			
	Use w/o Outlet Air Cleaner . . . . .	8	1	----		1821 198	1821 198	1821 198
<b>10-02-O CRANKCASE VENTILATOR OUTLET</b>								
10-02-8	AIR CLEANER, RP2, w/High Performance, RP2, Police Cars	8	1	----	1825 922	1825 922	1825 922	1825 922
10-02-15	PIPE, use w/o Air Cleaner, RV1 except 225 cu.in. Eng., RP1, Taxi . . . . .	6	1	*2128 567	*2128 567			
	Use w/o Air Cleaner, RV1 w/225 cu.in. Eng. . . . .	6	1	E2205 939				
	Use w/Air Cleaner, RP1, Taxi . . . . .	6	1	2128 625	2128 625			
	Use w/o Air Cleaner, RP1 . . . . .	6	1	----	2128 568			
	Use w/Air Cleaner, RP1 . . . . .	6	1	----	2128 626			
	Use w/o Air Cleaner, RP2 . . . . .	8	1	----	2129 208			
	Use w/Air Cleaner, RP2 . . . . .	8	1	----	2129 209			
	Use w/o Air Cleaner, RP2, w/High Performance . . . . .	8	1	----	1852 057	1852 057	1852 057	1852 057
	Use w/Air Cleaner, RP2, w/High Performance . . . . .	8	1	----	1852 058	1852 058	1852 058	1852 058
10-02-38	TUBE, Crankcase Vent, Closed Vent System . . . . .		1	1064 541	1064 541	1064 541	1064 541	1064 541
10-02-40	NIPPLE, Crankcase Vent Tube, RP2 Police Cars, w/Ram Manifold, RC4 . . . . .	8	1	----	2206 151	----	2206 151	
10-02-62	VALVE, Vent, Closed Vent System . . . . .	6	1	2205 957	2205 957			
	RP2 w/High Performance, RP2 Police Cars, RC4 . . . . .	8	1	----	*2264 344	----	*2264 344	
	RP2, w/318 cu.in. Eng., RC1, RC2, RC3 . . . . .	8	1	----	2203 021	2203 021	2203 021	2203 021
10-02-65	CONNECTOR, Vent Valve, Closed Vent System . . . . .		1	2203 118	2203 118	2203 118	2203 118	2203 118
10-02-66	CAP, Vent Valve, Closed Vent System . . . . .		1	2203 116	2203 116	2203 116	2203 116	2203 116
10-02-67	SPRING, Valve Cap, Closed Vent System . . . . .		1	2203 117	2203 117	2203 117	2203 117	2203 117
<b>10-03-O OIL LEVEL INDICATOR</b>								
10-03-4	INDICATOR, except 225 cu.in. . . . .	6	1	*2121 569				
	w/225 cu.in. Eng. . . . .	6	1	E2206 319				
	RP1 . . . . .	6	1	----	2128 424			
	RP2, w/o High Performance . . . . .	8	1	----	1858 906			
	RP2, w/High Performance, RP2, Police Cars . . . . .	8	1	----	1858 907	1858 907	1858 907	1858 907
10-03-7	TUBE . . . . .	6	1	1859 788	1859 788			
	RP2, w/o High Performance . . . . .	8	1	----	1859 788			
	RP2, w/High Performance, RP2, Police Cars . . . . .	8	1	----	1944 652	1944 652	1944 652	1944 652

\* Indicates use as required.

Numerals in parentheses ( ) refer to notes.

Printed in U.S.A.

☐ Indicates parts not listed in any previous parts book.

Prices and specifications subject to change without notice.

\* Indicates change or addition.



CODE	PART NAME AND DESCRIPTION	C Y L.	PER CAR	VALIANT	PLYMOUTH	DESOTO	CHRYSLER	IMPERIAL
<b>10-07-0 OIL PUMP</b>								
10-07-2	GASKET and SEAL PACKAGE, RP2, w/High Performance, RP2, Police Cars . . . . .	8	1	----	2084 355	2084 355	2084 355	2084 355
10-07-3	SHAFT and ROTOR PACKAGE . RP2, w/High Performance, RP2, Police Cars . . . . .	6	1	2084 415	2084 415			
10-07-6	PUMP . . . . .	8	1	----	2084 354	2084 354	2084 354	2084 354
	SCREW and WASHER, Oil Pump Cover . . . . .	6	1	1947 221	1947 221			
	RP2, w/o High Performance . .	6	5	E6022 205	E6022 205			
	RP2, w/High Performance, RP2, Police Cars . . . . .	8	1	----	1618 949			
10-07-7	COVER, RP2, w/o High Performance . . . . .	8	1	----	2120 870	2120 870	2120 870	2120 870
10-07-8	GASKET, Cover . . . . .	8	1	----	1406 254			
	Small, RP2, w/o High Performance	6	1	1737 727	1737 727			
	Large, RP2, w/o High Performance	8	1	----	1552 291			
	Large, RP2, w/High Performance, RP2, Police Cars . . . . .	8	1	----	1124 984			
10-07-10	BODY, RP2, w/High Performance, RP2, Police Cars . . . . .	8	1	----	1737 727	1737 727	1737 727	1737 727
10-07-11	GASKET, Body . . . . .	8	1	----	1737 718	1737 718	1737 718	1737 718
10-07-12	SEAL, Body RP2, w/High Performance, RP2, Police Cars	6	1	2121 404	2121 404			
		8	1	----	1855 328	1855 328	1855 328	1855 328
<b>10-09-0 OIL PUMP DRIVE SHAFT</b>								
10-09-1	SHAFT, w/Inner ROTOR, RP2, w/o High Performance . . . .	8	1	----	1618 950			
10-09-5	SHAFT, Oil Pump and Distributor Drive, w/GEAR, RP2, w/o High Performance . . . . .	8	1	----	1323 369			
	RP2, w/High Performance, RP2, Police Cars . . . . .	8	1	----	1739 604	1739 604	1739 604	1739 604
10-09-7	BUSHING, RP2, w/o High Performance . . . . .	8	1	----	1324 281			
	RP2, w/High Performance, RP2, Police Cars . . . . .	8	1	----	1737 725	1737 725	1737 725	1737 725
<b>10-10-0 OIL PUMP DRIVE GEAR</b>								
10-10-1	GEAR . . . . .	6	1	1947 225	1947 225			
<b>10-14-0 OIL PUMP ROTOR</b>								
10-14-18	ROTOR, Outer, RP2, w/o High Performance . . . . .	8	1	----	1324 264			
10-14-19	PIN, RP2, w/o High Performance	8	1	----	867 386			
<b>10-22-0 OIL PRESSURE RELIEF VALVE</b>								
10-22-11	PLUNGER . . . . .	6	1	2120 764	2120 764			
	RP2, w/o High Performance . .	8	1	----	1324 282			
	RP2, w/High Performance, RP2, Police Cars . . . . .	8	1	----	2120 764	2120 764	2120 764	2120 764
10-22-15	SPRING, Std., Red . . . . .	6	1	1737 742	1737 742			
	Std., Red, RP2, w/o High Performance . . . . .	8	1	----	1328 352			
	Light, Gray, RP2, w/o High Performance . . . . .	8	1	----	1400 502			
	Heavy, Brown, RP2, w/o High Performance . . . . .	8	1	----	1400 503			
	Std., Red, RP2, w/High Performance, RP2, Police Cars	8	1	----	1737 742	1737 742	1737 742	1737 742
	Light, Gray, RP2, w/High Performance, RP2, Police Cars	8	1	----	1737 743	1737 743	1737 743	1737 743

\* Indicates use as required.

Numerals in parentheses ( ) refer to notes.

Printed in U.S.A.

⊠ Indicates parts not listed in any previous parts book.  
May 31, 1961 Supersedes Jan. 6, 1961.

Prices and specifications subject to change without notice.

\* Indicates change or addition.

CODE	PART NAME AND DESCRIPTION	CYL.	PER CAR	VALIANT	PLYMOUTH	DESOTO	CHRYSLER	IMPERIAL
<b>10-22-0 OIL PRESSURE RELIEF VALVE - Cont'd</b>								
10-22-15	SPRING - Cont'd Heavy, Brown, RP2, w/High Performance, RP2, Police Cars	8	1	-----	1737 744	1737 744	1737 744	1737 744
10-22-16	DAMPER, Spring, RP2, w/High Performance, RP2, Police Cars	8	1	-----	2202 845	2202 845	2202 845	2202 845
10-22-40	CAP, Plunger . . . . .	6	1	618 621	618 621			
	RP2, w/o High Performance . .	8	1	-----	1946 960			
	RP2, w/High Performance, RP2, Police Cars . . . . .	8	1	-----	618 621	618 621	618 621	618 621
10-22-41	GASKET, Cap . . . . .	6	1	618 622	618 622			
	RP2, w/High Performance, RP2, Police Cars . . . . .	8	1	-----	618 622	618 622	618 622	618 622
<b>10-23-0 OIL STRAINER</b>								
10-23-7	STRAINER, w/PIPE, except 225 cu.in. Eng. . . . .	6	1	*2121 702				
	w/225 cu.in. Eng. . . . .	6	1	E2206 317				
	RP1. . . . .	6	1	-----	2128 575			
	RP2, w/o High Performance . .	8	1	-----	1821 168			
	RP2, w/High Performance, RP2, Police Cars . . . . .	8	1	-----	1859 947	1859 947	1859 947	1859 947
<b>10-24-0 OIL PAN</b>								
10-24-1	GASKET SET . . . . .	6	1	2240 647	2240 647			
	RP2, w/o High Performance . .	8	1	-----	1879 520			
10-24-4	PAN, except 225 cu.in. Eng. . .	6	1	*2120 702				
	w/225 cu.in. Eng. . . . .	6	1	E2205 780				
	RP1. . . . .	6	1	-----	2121 707			
	RP2, w/o High Performance . .	8	1	-----	1828 140			
	RP2, w/High Performance, RP2, Police Cars . . . . .	8	1	-----	1944 694	1944 694	1944 694	1944 694
10-24-8	GASKET, RP2, w/High Performance, RP2, Police Cars	8	1	-----	1737 770	1737 770	1737 770	1737 770
10-24-23	SCREW, Pan Attaching . . . . .	6	22	*1947 953	*1947 953			
	RP2 . . . . .	8	18	-----	1947 953	1947 953	1947 953	1947 953
	To Bearing Seal Retainer. . . .	6	2	*1343 212	*1343 212			
	RP2 w/High Performance, RP2 Police Cars . . . . .	8	2	-----	*2121 573	*2121 573	*2121 573	*2121 573
10-24-37	PLUG, Drain, 5/8"-18 x 1/2" . .		1	2129 370	2129 370	2129 370	2129 370	2129 370
10-24-38	GASKET, Drain Plug, 5/8" I.D. - 7/8" O.D. . . . .		1	2129 963	2129 963	2129 963	2129 963	2129 963
	5/8" I.D. - 1" O.D. . . . .		1	*1855 248	*1855 248	*1855 248	*1855 248	*1855 248
<b>10-26-0 OIL FILTER</b>								
10-26-5	ADAPTER, Base to Filter . . . .		1	1739 619	1739 619	1739 619	1739 619	1739 619
10-26-6	FILTER, Replaceable Cartridge Type . . . . .	6	1	2128 548	2128 548			
	Sealed Can Type, w/Built-in GASKET, RP2, w/High Performance, RP2, Police Cars, except 318 cu. in. Eng. . . . .		1	1851 658	1851 658	1851 658	1851 658	1851 658
10-26-8	CARTRIDGE . . . . .	6	1	*2129 023	*2129 023			
	RP2, w/318 cu. in. Eng. . . . .	8	1	-----	2129 023			
10-26-12	BASE, RP2, w/High Performance, RP2, Police Cars . . . . .	8	1	-----	2120 866	2120 866	2120 866	2120 866

★ Indicates use as required. Numerals in parentheses ( ) refer to notes. Printed in U.S.A.  
 ☐ Indicates parts not listed in any previous parts book. Prices and specifications subject to change without notice.  
 \* Indicates change or addition. May 31, 1961 Supersedes Jan. 6, 1961.

CODE	PART NAME AND DESCRIPTION	CYL	PER CAR	VALIANT	PLYMOUTH	DESOTO	CHRYSLER	IMPERIAL
<b>10-26-O OIL FILTER - Cont'd</b>								
10-26-14	SHELL, w/NUT, SPRING and STUD, RP2, w/318 cu. in. Eng.	8	1	----	1557 573			
10-26-18	GASKET, Oil Filter Body . . . . .	6	1	E2268 870	E2268 870			
10-26-27	GASKET, Cover . . . . .	6	1	2129 024	2129 024			
	RP2, w/318 cu. in. Eng. . . . .	8	1	----	1557 575			
10-26-37	GASKET, Spring Retainer, RP2, w/318 cu. in. Eng. . . . .	8	1	----	1557 584			
10-26-65	GASKET, Oil Filter Tube Cap . . . . .	6	1	*2202 435	*2202 435			
	RP2, w/318 cu. in. Eng. . . . .	8	1	----	1557 581			

**NOTES**

---

---

---

---

---

---

---

---

---

---

---

---

---

---

---

---

---

---

---

---

---

---

---

---

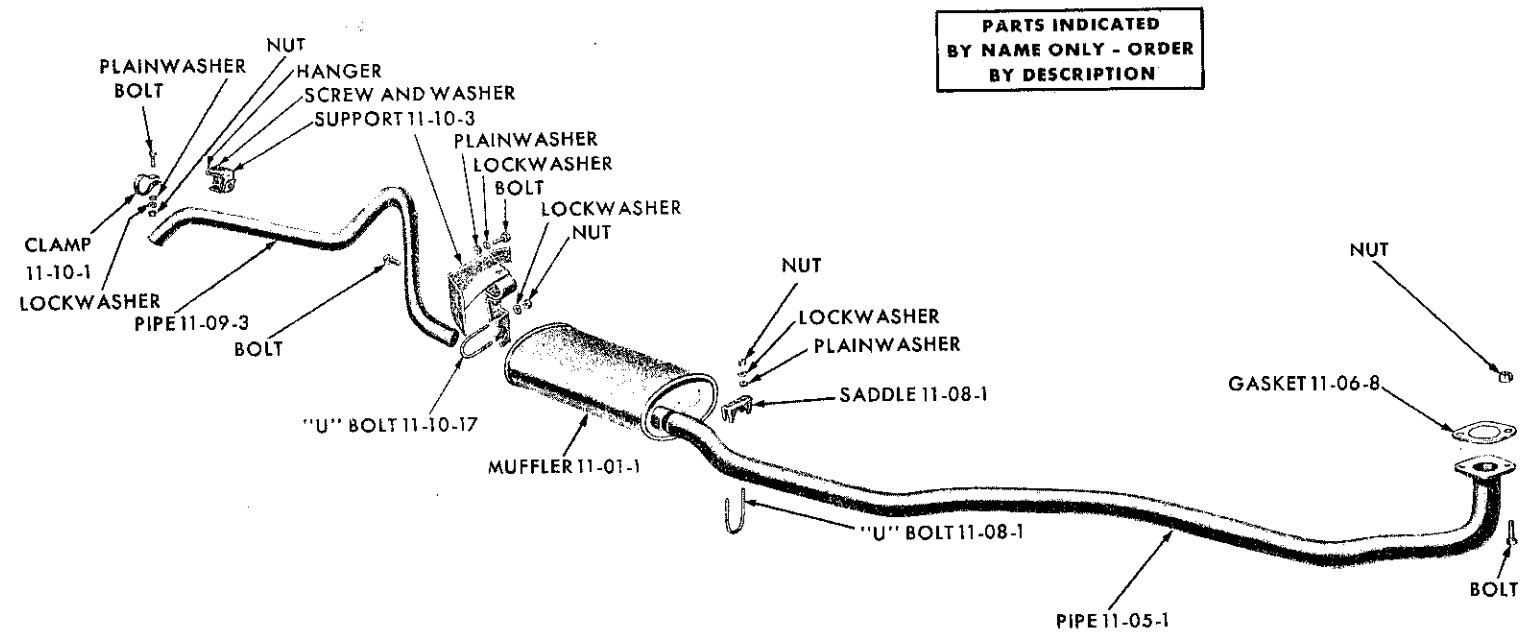
---

---

---

★ Indicates use as required. Numerals in parentheses ( ) refer to notes. Printed in U.S.A.  
 B Indicates parts not listed in any previous parts book. Prices and specifications subject to change without notice.  
 March 1, 1962 Supersedes May 31, 1961. Page 10-8 \* Indicates change or addition.

GROUP 11 - EXHAUST

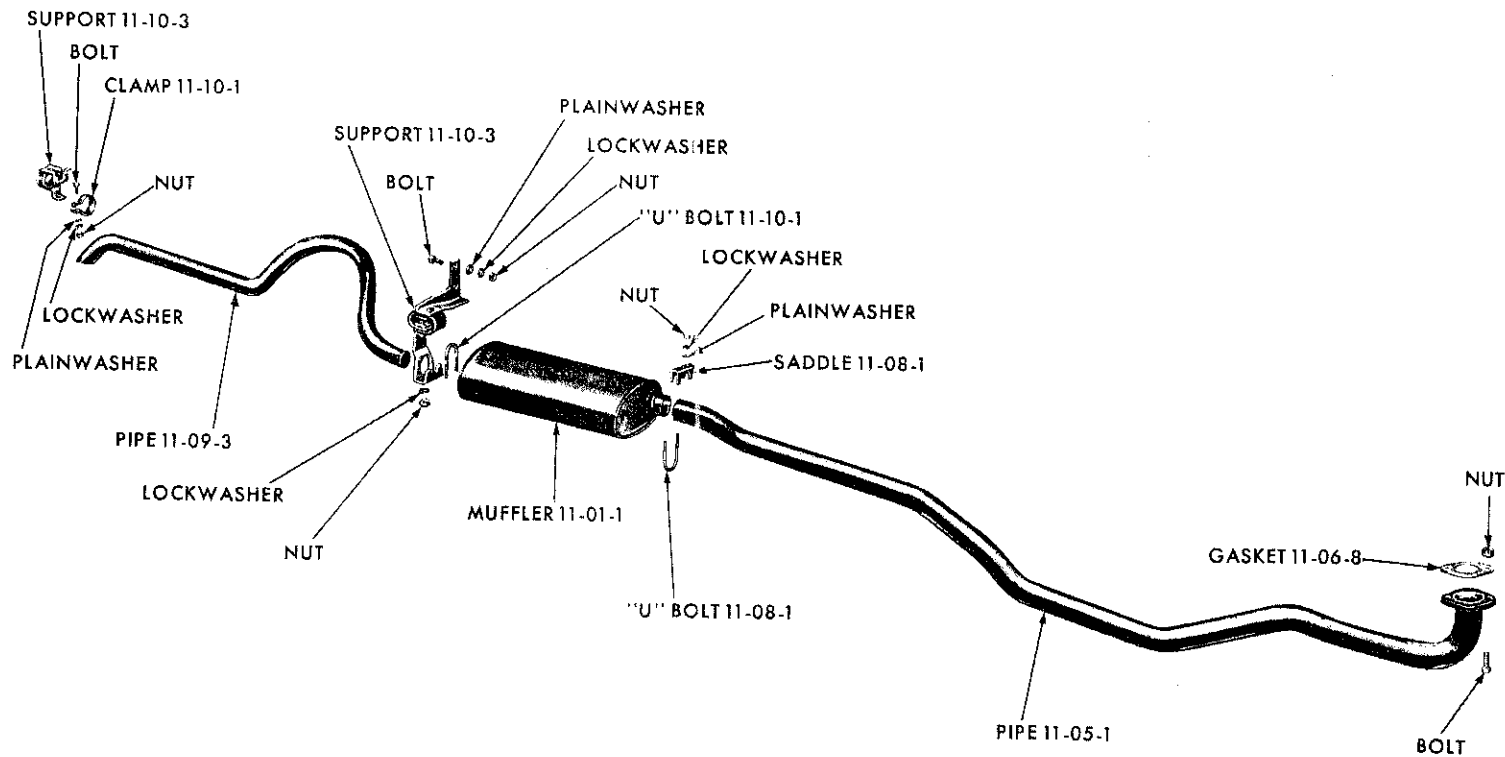


PARTS INDICATED BY NAME ONLY - ORDER BY DESCRIPTION

19x8748B

EXHAUST SYSTEM - VALIANT RV1

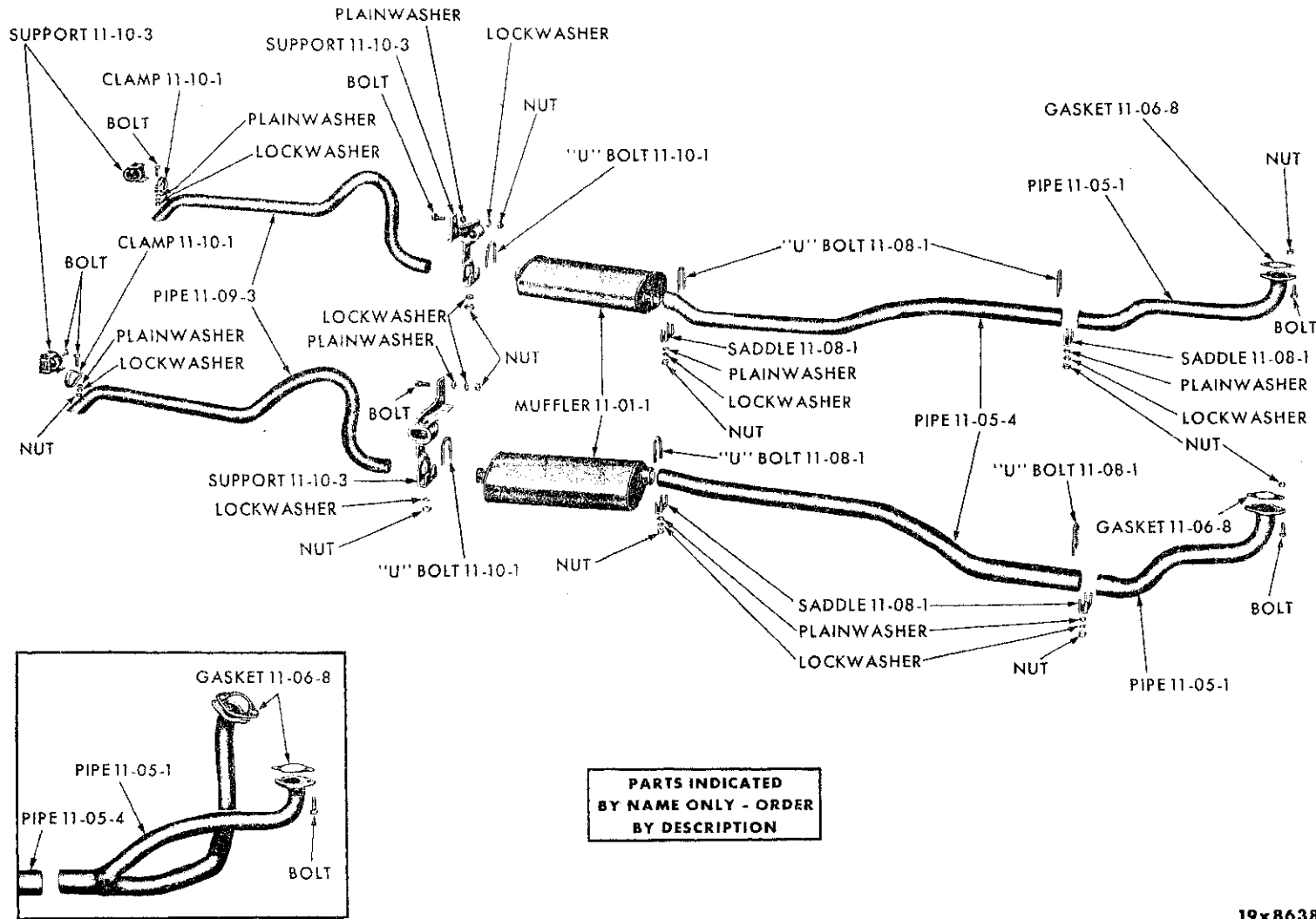
MyMopar.com



PARTS INDICATED  
BY NAME ONLY - ORDER  
BY DESCRIPTION

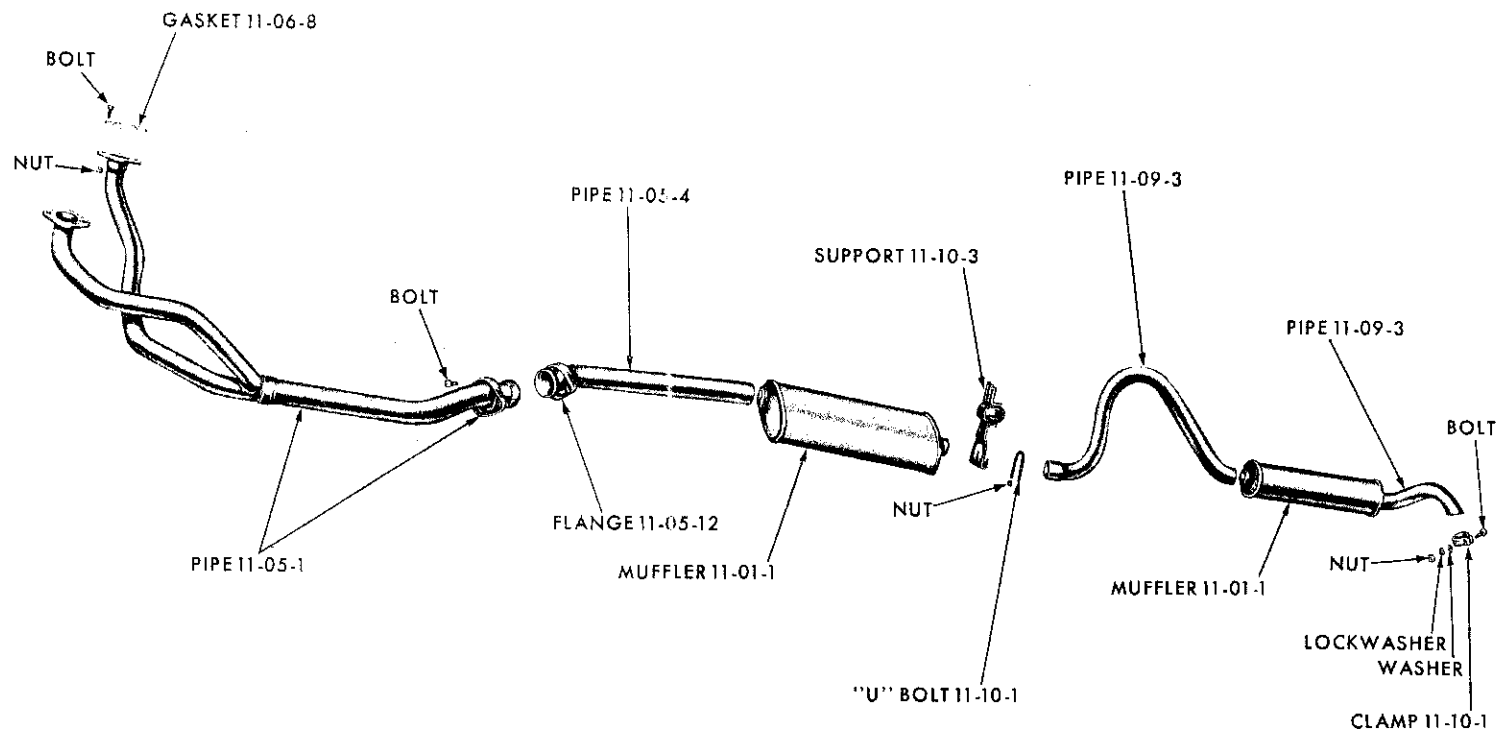
19x8644A

EXHAUST SYSTEM - PLYMOUTH RP1



PARTS INDICATED  
BY NAME ONLY - ORDER  
BY DESCRIPTION

19x8638A

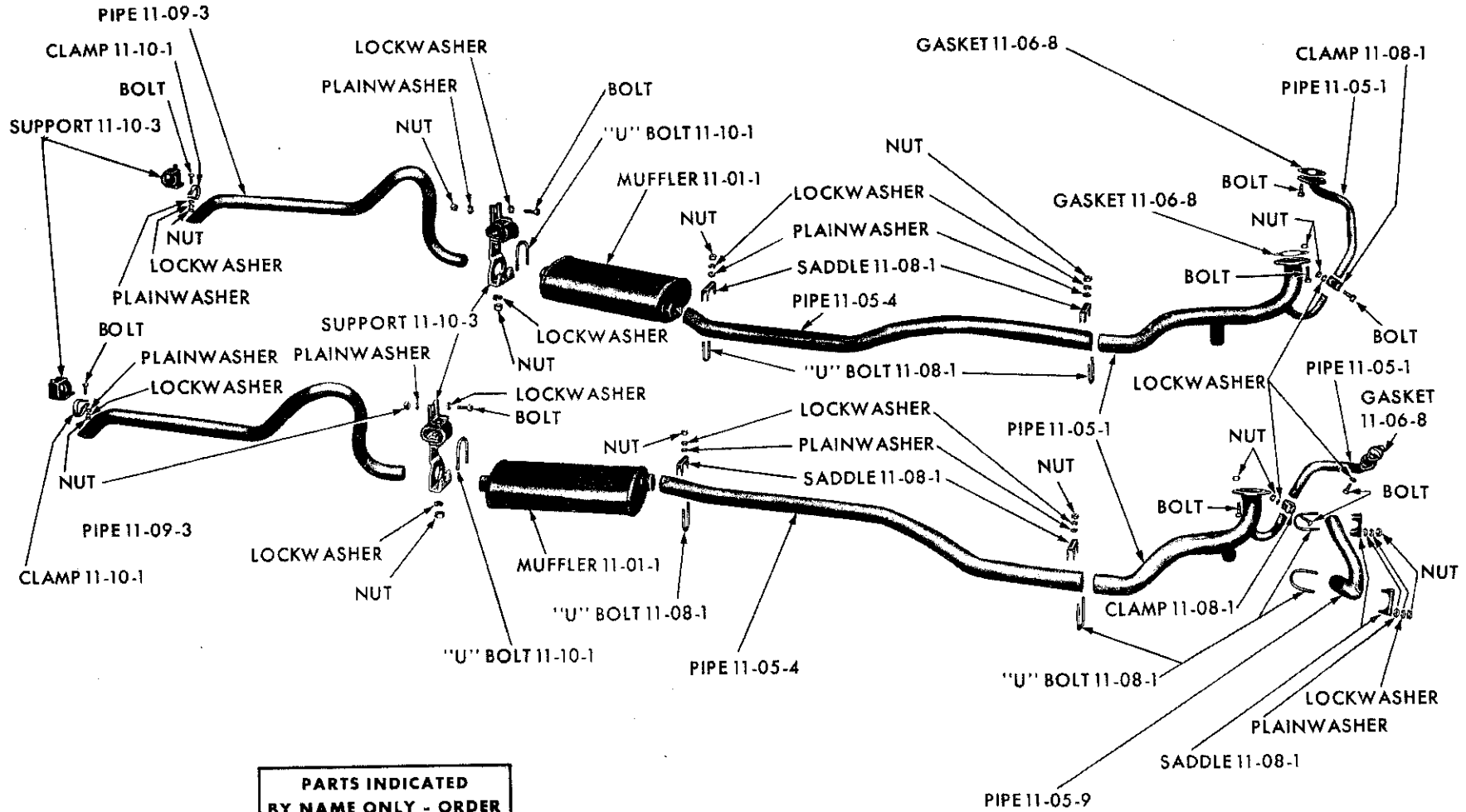


PARTS INDICATED  
BY NAME ONLY - ORDER  
BY DESCRIPTION

19x9098

EXHAUST SYSTEM - CHRYSLER RC1-2-3-4

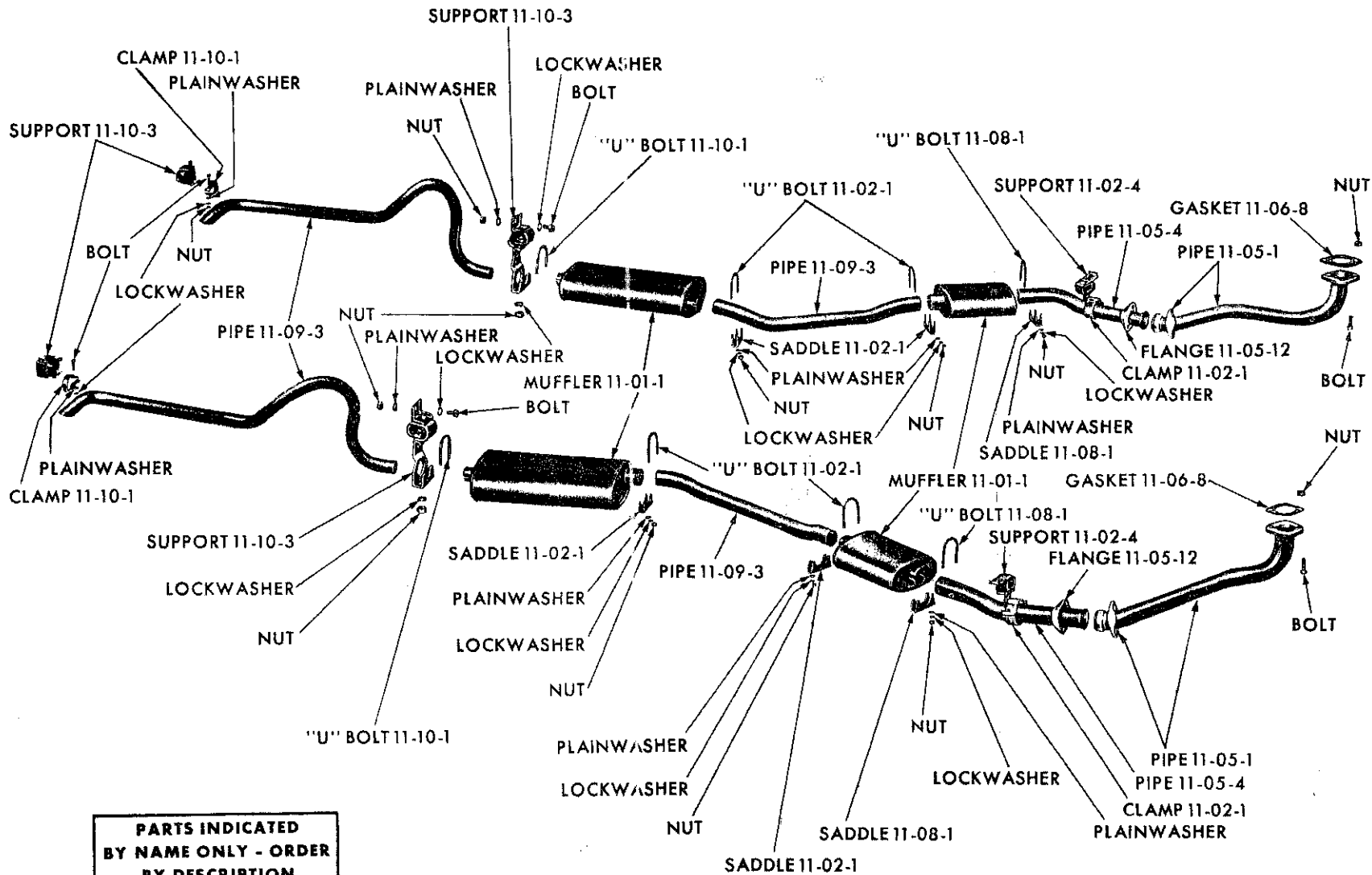




PARTS INDICATED  
BY NAME ONLY - ORDER  
BY DESCRIPTION

19x8640B

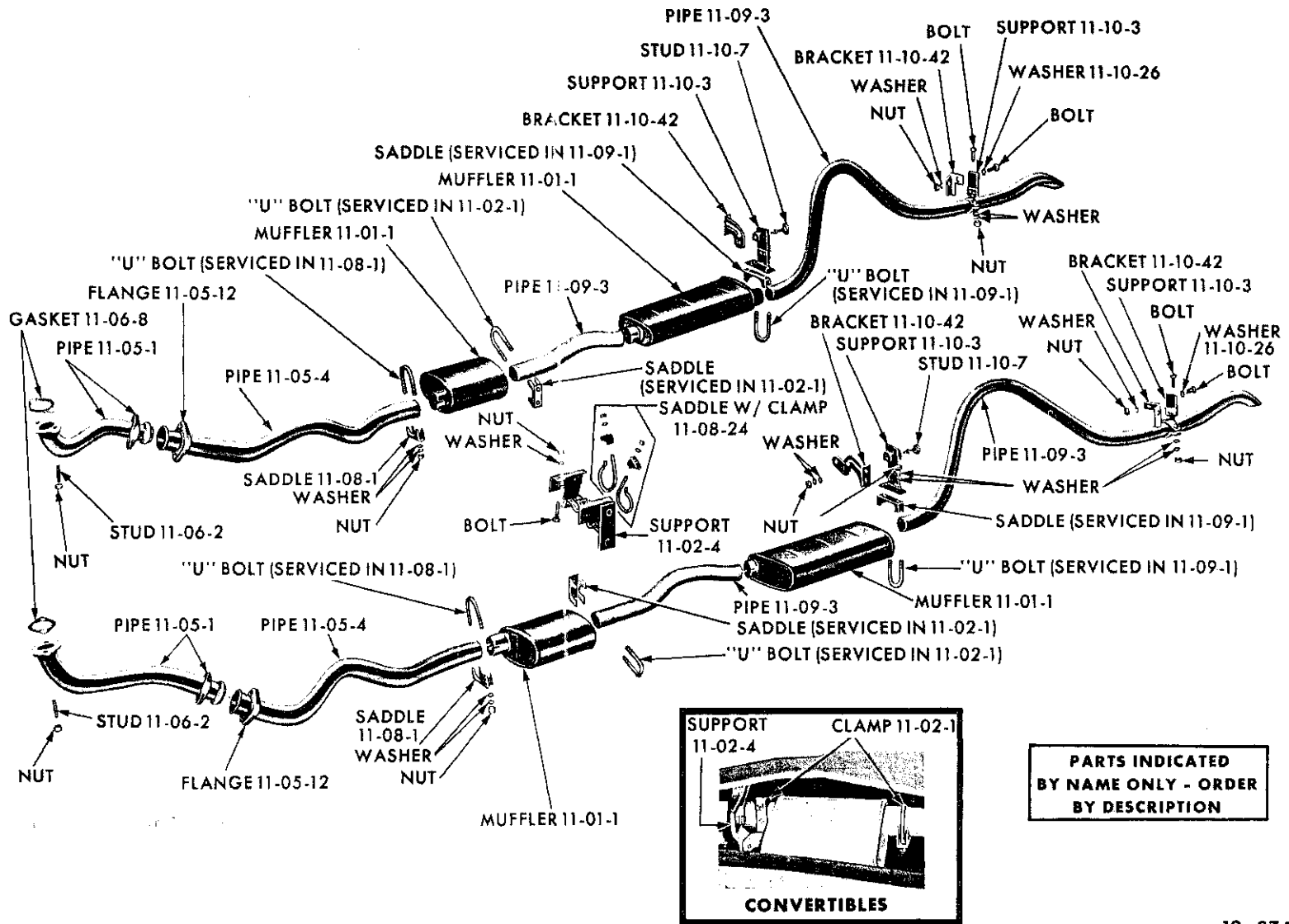
EXHAUST SYSTEM - WITH RAM MANIFOLD



19x8637A

EXHAUST SYSTEM - "B" ENGINE (EXCEPT WITH RAM MANIFOLD)





19x8743A

EXHAUST SYSTEM - IMPERIAL RY1

CODE	PART NAME AND DESCRIPTION	CYL.	PER CAR	VALIANT	PLYMOUTH	DESOTO	CHRYSLER	IMPERIAL
<b>11-01-0 MUFFLER</b>								
11-01-1	MUFFLER, Single Exhaust . . .	6	1	2208 370	2201 424			
	Single Exhaust . . . . .	8	1	----	2122 831	2122 833	2122 833	
	Dual Exhaust, w/o Ram Manifold or High Performance . . . . .	8	2	----	2201 424	2122 834		
	Dual Exhaust, w/Ram Manifold or High Performance . . . . .	8	2	----	2122 831	2122 831	2122 831	
	RC3, Single Exhaust, Front. . .	8	1	----	----	----	2122 833	
	Rear . . . . .	8	1	----	----	----	2201 418	
	RC3, Dual Exhaust, Front . . .	8	2	----	----	----	2122 835	
	Rear . . . . .	8	2	----	----	----	2122 834	
	RY1, except Cv., Front. . . . .	8	2	----	----	----	----	2123 425
	Rear . . . . .	8	2	----	----	----	----	1948 309
	RY1 Cv., Front . . . . .	8	2	----	----	----	----	2122 795
	Rear . . . . .	8	2	----	----	----	----	2123 470
<b>11-02-0 MUFFLER SUPPORT</b>								
11-02-4	SUPPORT, Front Muffler, RC3, Right . . . . .	8	1	----	----	----	2122 796	
	Left . . . . .	8	1	----	----	----	1948 549	
	Except Cv., Front. . . . .	8	1	----	----	----	----	1945 709
	Cv., Front Right . . . . .	8	1	----	----	----	----	1820 319
	Left. . . . .	8	1	----	----	----	----	1820 318
<b>11-05-0 EXHAUST PIPE</b>								
11-05-1	PIPE, Single Exhaust . . . . .	6	1	*2201 448				
	Single Exhaust, except Sub. . .	6	1	----	*2200 377			
	Single Exhaust, Sub. . . . .	6	1	----	2200 379			
	Taxi . . . . .	6	1	----	2201 382			
	Single Exhaust, RP2 . . . . .	8	1	----	2200 463			
	Dual Exhaust, except Sub., Right	8	1	----	2201 352			
	Left . . . . .	8	1	----	2201 350			
	Dual Exhaust, Sub., Right . . .	8	1	----	2201 358			
	Left . . . . .	8	1	----	2201 356			
	Dual Exhaust, w/High Performance, Right . . . . .		1	----	2122 790			
	Left . . . . .		1	----	2122 788			
	Dual Exhaust, Ram Manifold, Right . . . . .	8	1	----	2122 689			
	Left . . . . .	8	1	----	2122 677			
	Single Exhaust, RC1, RC2 . . .	8	1	----	----	2123 462	2123 462	
	Single Exhaust, Code Disc D1, RR-38 Serial No. Pad, RC2 . .	8	1	----	----	----	2201 432	
	Dual Exhaust, Right . . . . .	8	1	----	----	2123 459		
	Left . . . . .	8	1	----	----	2123 475		
	Single Exhaust, RC3 . . . . .	8	1	----	----	----	2201 432	
	Dual Exhaust, RC3, Right . . .	8	1	----	----	----	2123 481	
	Left . . . . .	8	1	----	----	----	2123 479	
	Dual Exhaust, w/Ram Manifold, RC4-300, Right . . . . .	8	1	----	----	----	2122 705	
	Left . . . . .	8	1	----	----	----	2122 696	
	By-Pass, w/Ram Manifold, RC4-300, Right . . . . .	8	1	----	----	----	2122 708	
	Left . . . . .	8	1	----	----	----	2122 702	
	Dual Exhaust, Right . . . . .	8	1	----	----	----	----	1948 166
	Left . . . . .	8	1	----	----	----	----	1948 164
11-05-4	PIPE, Exhaust Extension, Single Exhaust, except Sub. . . . .	8	1	----	1948 568			
	Single Exhaust, Sub. . . . .	8	1	----	1948 569			
	Single Exhaust . . . . .	8	1	----	----	2123 469	2123 469	
	Dual Exhaust, RC3, Right. . . .	8	1	----	----	----	2123 492	
	Left . . . . .	8	1	----	----	----	2123 491	
	Dual Exhaust, except Cv., Right	8	1	----	----	----	----	1948 171
	Left . . . . .	8	1	----	----	----	----	1948 170

★ Indicates use as required.  
 ☒ Indicates parts not listed in any previous parts book.  
 \* Indicates change or addition.

Numerals in parentheses ( ) refer to notes.

Printed in U.S.A.

Prices and specifications subject to change without notice.

# 1961 PASSENGER CAR PARTS CATALOG

EXHAUST

CODE	PART NAME AND DESCRIPTION	CYL.	PER CAR	VALIANT	PLYMOUTH	DESOTO	CHRYSLER	IMPERIAL
<b>11-05-0 EXHAUST PIPE - Cont'd</b>								
11-05-9	PIPE, Exhaust Crossover, RC4.	8	1	----	----	----	2122 680	
11-05-12	FLANGE, Extension Pipe Ball Joint, Single Exhaust . . . . .		1	----	----	1946 639	1946 639	
<b>11-06-0 EXHAUST PIPE FLANGE GASKET AND STUD</b>								
11-06-8	GASKET . . . . .	6	1	2073 792				
	RP1 . . . . .	6	1	----	2073 792			
	RP2 . . . . .	8	1	----	1636 570			
			2	----	----	1855 029	1855 029	1855 029
<b>11-08-0 EXHAUST PIPE SUPPORT AND CLAMP</b>								
11-08-1	CLAMP PACKAGE, Single Exhaust, RP2 . . . . .		1	1843 009	1603 364			
	Dual Exhaust, w/High Performance, RC4 . . . . .	8	2	----	1603 364	----	1603 364	
			2	----	----	----	----	1843 008
	Crossover Pipe, RC4 . . . . .	8	1	----	1843 009	----	1843 009	
11-08-3	BOLT, Exhaust Pipe Torque Converter Support, Single Exhaust . . . . .		1	----	----	2123 496	2123 496	
11-08-5	BRACE, Exhaust Pipe, Taxi . . . . .	6	1	----	E2208 399			
<b>11-09-0 TAIL PIPE</b>								
11-09-3	PIPE, Tail except Sub., Single Exhaust . . . . .	6	1	2073 793	1948 592			
	Single Exhaust, Sub. . . . .	6	1	2073 801	1948 588			
	Single Exhaust, except Sub. . . . .	8	1	----	1948 538	1948 538		
	Single Exhaust, Sub. . . . .	8	1	----	1948 590			
	Dual Exhaust, except Sub., w/o Ram Manifold or High Performance, Right . . . . .	8	1	----	*1948 593	1948 593	----	1948 284
	Left . . . . .	8	1	----	*1948 592	1948 592	----	1948 283
	Dual Exhaust, Sub., w/o Ram Manifold or High Performance, Right . . . . .	8	1	----	1948 589			
	Left . . . . .	8	1	----	1948 588			
	Dual Exhaust, except Sub., w/Ram Manifold or High Performance, Police, Right . . . . .	8	1	----	E2266 034			
	Left . . . . .	8	1	----	1948 538			
	Dual Exhaust, Sub., w/Ram Manifold or High Performance, Right . . . . .	8	1	----	1948 591			
	Left . . . . .	8	1	----	1948 590			
	Single Exhaust, except Sub., RC1, RC2 . . . . .	8	1	----	----	----	1948 538	
	Single Exhaust, Sub., RC1 . . . . .	8	1	----	----	----	1948 590	
	Dual Exhaust, except Sub., RC3, Right . . . . .	8	1	----	----	----	1948 593	
	Left . . . . .	8	1	----	----	----	1948 592	
	Dual Exhaust, Sub., RC3, Right . . . . .	8	1	----	----	----	1948 589	
	Left . . . . .	8	1	----	----	----	1948 588	
	Right, RC4 . . . . .	8	1	----	----	----	E2266 034	
	Left, RC4 . . . . .	8	1	----	----	----	*1948 538	
	Single Exhaust, Intermediate, except Sub., RC3 . . . . .	8	1	----	----	----	2201 411	
	Dual Exhaust, Intermediate, Right, RC3 . . . . .	8	1	----	----	----	*1948 536	
	Left, RC3 . . . . .	8	1	----	----	----	*1948 535	

★ Indicates use as required. Numerals in parentheses ( ) refer to notes. Printed in U.S.A.  
 ☐ Indicates parts not listed in any previous parts book. Prices and specifications subject to change without notice.  
 March 1, 1962 Supersedes Jan. 6, 1961. Page 11-6 \* Indicates change or addition.

CODE	PART NAME AND DESCRIPTION	C Y L.	PER CAR	VALIANT	PLYMOUTH	DESOTO	CHRYSLER	IMPERIAL
<b>11-09-O TAIL PIPE - Cont'd</b>								
11-09-3	PIPE - Cont'd.							
	Dual Exhaust, Intermediate, except Cv. . . . .	8	2	----	----	----	----	*2123 421
	Dual Exhaust, Intermediate, Cv., Right . . . . .	8	1	----	----	----	----	*1948 267
	Left . . . . .	8	1	----	----	----	----	1948 266
<b>11-10-O TAIL PIPE SUPPORT</b>								
11-10-1	CLAMP PACKAGE, Rear . . . . .		1	2240 308	----	2240 312		
	w/High Performance . . . . .		2	2240 311	2240 312			
	Single Exhaust . . . . .	8	1	----	----	----	B2240 312	
	Dual Exhaust . . . . .	8	2	----	----	----	B2240 311	B2240 311
11-10-3	SUPPORT, w/INSULATOR, Single Exhaust, except Sub., Front . . . . .	6	1	2201 406	2123 433			
	Rear . . . . .	6	1	2073 794				
	Single Exhaust, Sub., Front . . . . .	6	1	----	2123 438			
	Rear . . . . .	6	1	----	2123 446			
	Single Exhaust, except Sub., Front . . . . .	8	1	----	2123 435	2123 440	2123 440	
	Rear Right . . . . .	8	1	----	2201 386	2123 443		
	Single Exhaust, Sub., Front . . . . .	8	1	----	2123 440	----	2123 440	
	Rear . . . . .	8	1	----	2123 446	----	2123 446	
	Dual Exhaust, except Sub., Front . . . . .	8	2	----	2123 433	2123 438		
	Rear Right . . . . .	8	1	----	2201 386	2123 443		
	Left . . . . .	8	1	----	2201 385	2123 442		
	Dual Exhaust, Sub., Front . . . . .	8	2	----	2123 438			
	Rear Right . . . . .	8	1	----	2123 447			
	Left . . . . .	8	1	----	2123 446			
	Dual Exhaust, w/High Performance or Ram Manifold, except Sub., Front . . . . .	8	2	----	2123 435			
	Rear Right . . . . .	8	1	----	2201 386			
	Left . . . . .	8	1	----	2201 385			
	Dual Exhaust, w/Ram Manifold, Sub., Front . . . . .	8	2	----	2123 440			
	Dual Exhaust, w/Ram Manifold, except Sub., Front . . . . .	8	2	----	----	2123 440	2123 440	
	Rear Right . . . . .	8	1	----	----	2123 443		
	Left . . . . .	8	1	----	----	2123 442		
	Dual Exhaust, RC2, Front . . . . .	8	2	----	----	----	2123 438	
	Rear Right . . . . .	8	1	----	----	----	2123 443	
	Left . . . . .	8	1	----	----	----	2123 442	
	Dual Exhaust, RC3, Front . . . . .	8	2	----	----	----	2123 438	
	Except Sub., Rear Right . . . . .	8	1	----	----	----	2123 443	
	Left . . . . .	8	1	----	----	----	2123 442	
	Sub., Rear Right . . . . .	8	1	----	----	----	2123 447	
	Left . . . . .	8	1	----	----	----	2123 446	
	Dual Exhaust, to Rear Muffler, Front . . . . .	8	2	----	----	----	----	2123 456
	Rear Pipe . . . . .	8	2	----	----	----	----	2123 401
11-10-8	CLIP, Front Support Bracket to Body Bolt . . . . .		1	----	1327 986	1327 986	1327 986	
11-10-16	CLAMP, Rear Support . . . . .		1	2240 308				
11-10-17	U-BOLT, Tail Pipe Support Front . . . . .	6	1	2073 812				
11-10-18	NUT, Tail Pipe Rear Support to Body, except Sub. . . . .		★	----	6012 065	6012 065	6012 065	
11-10-26	WASHER, Rear Support Insulator . . . . .		1	----	688 900	688 900	688 900	688 900
11-10-42	BRACKET, Front Support, Right . . . . .		1	----	----	----	----	2123 395
	Left . . . . .		1	----	----	----	----	2123 396
	w/Brake Tube BRACKET, . . . . .		1	----	----	----	----	2201 403

## NOTES

★ Indicates use as required.

Numerals in parentheses ( ) refer to notes.

Printed in U.S.A.

☐ Indicates parts not listed in any previous parts book.

Prices and specifications subject to change without notice.

\* Indicates change or addition.

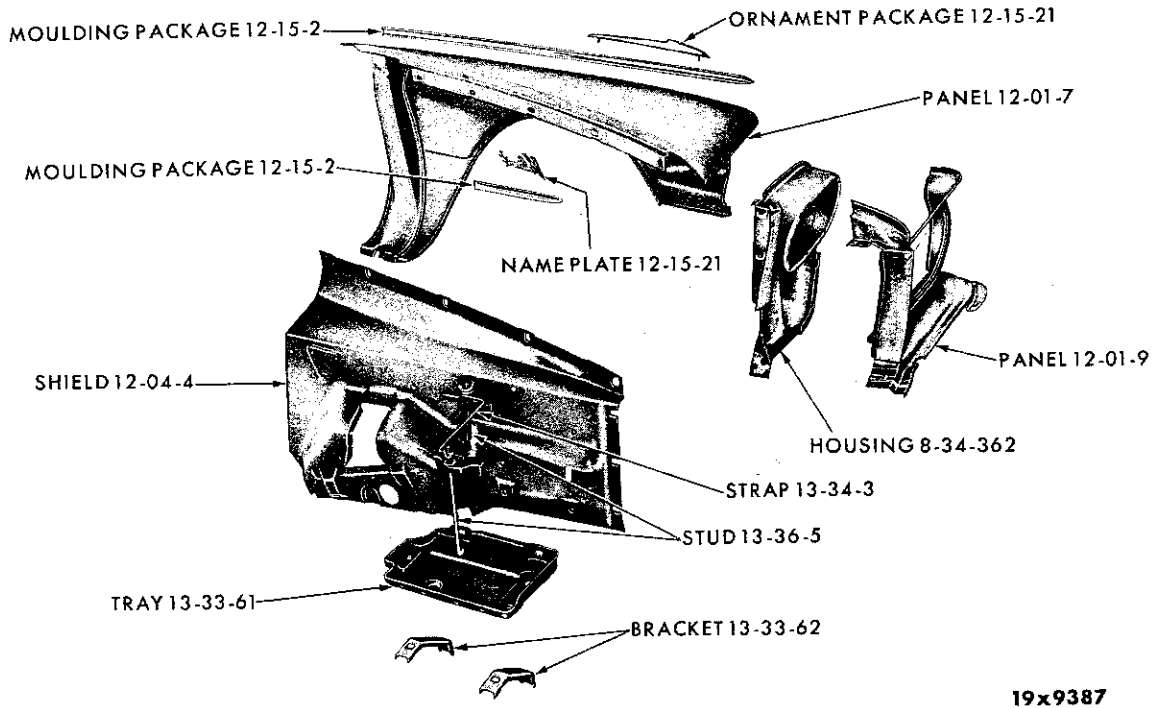
Page 11-7

March 1, 1962 Supersedes Jan. 6, 1961.

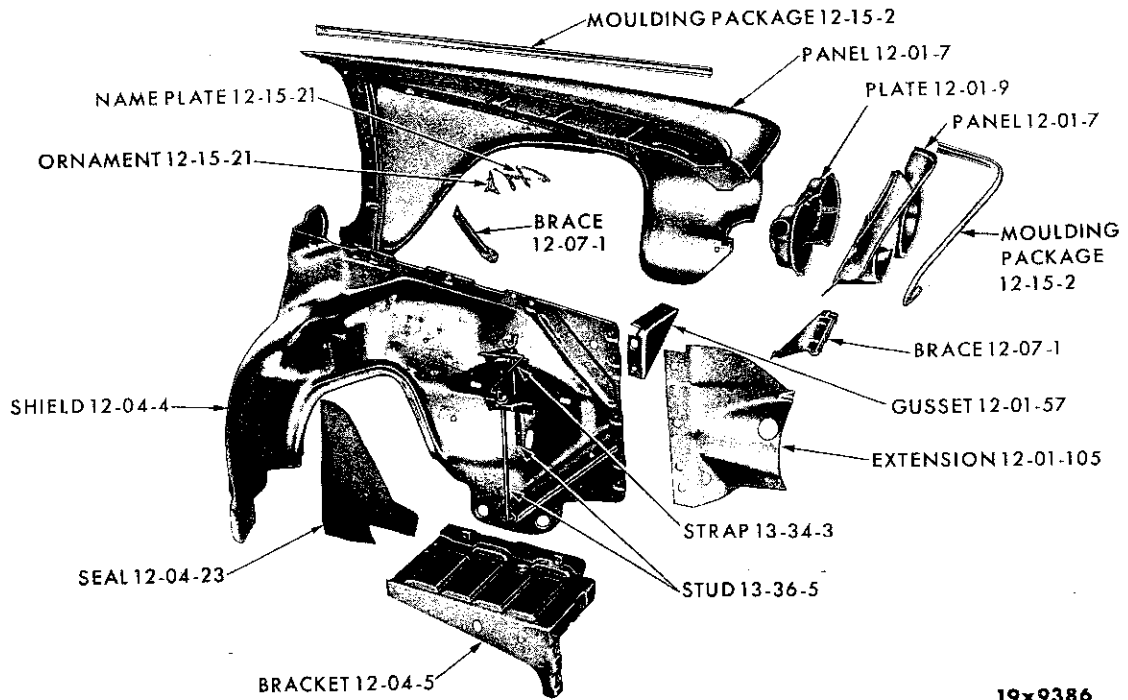




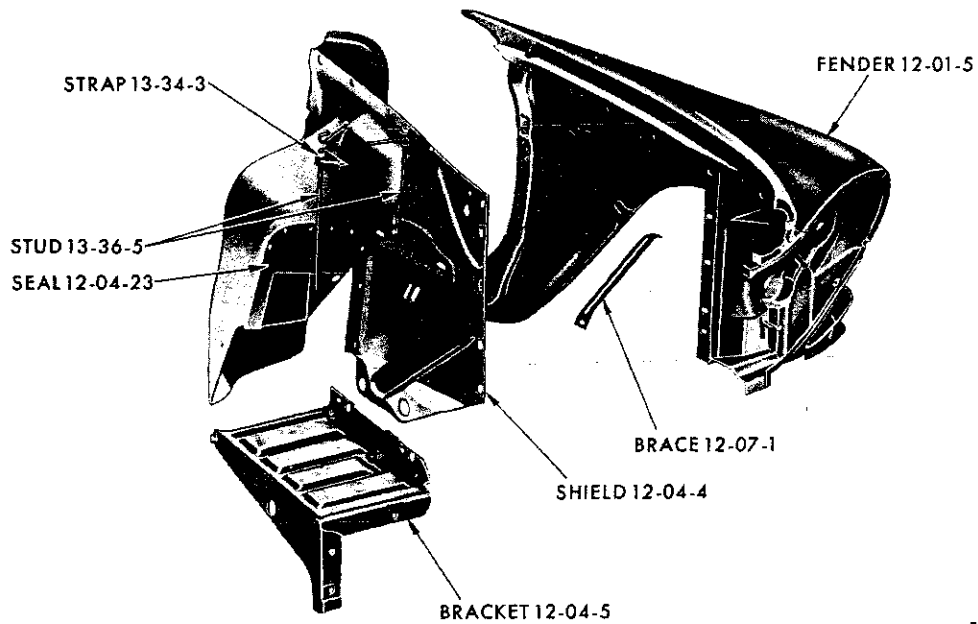
GROUP 12 - FENDERS AND SHEET METAL



FRONT FENDER - VALIANT RV1

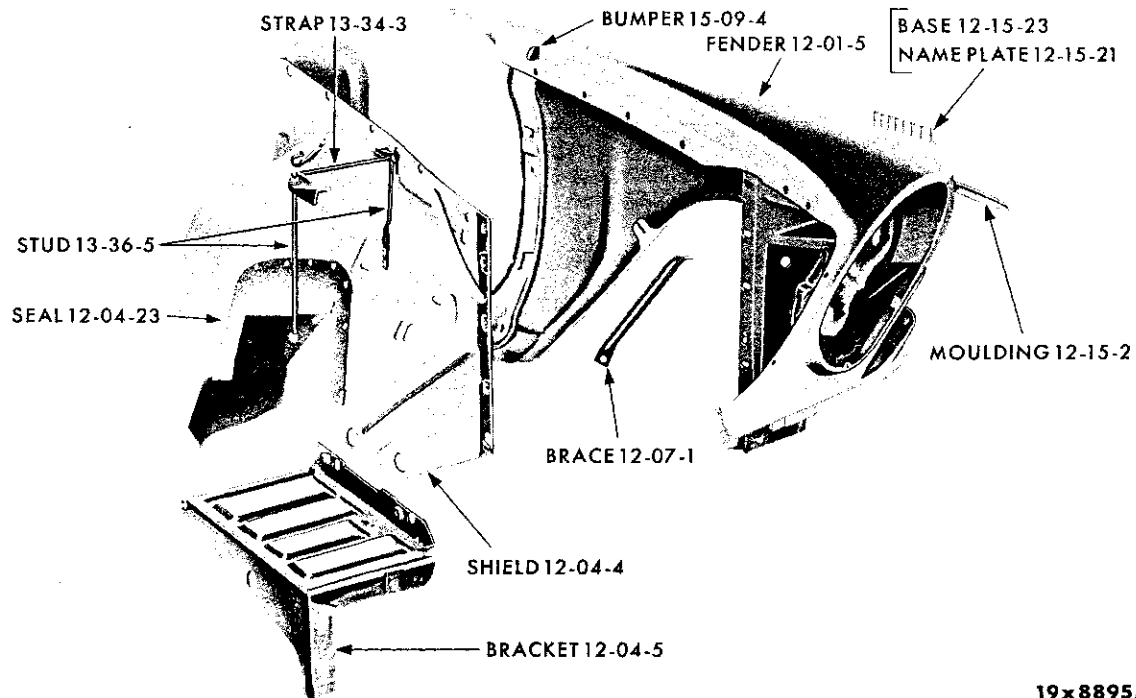


FRONT FENDER - PLYMOUTH RP1-2



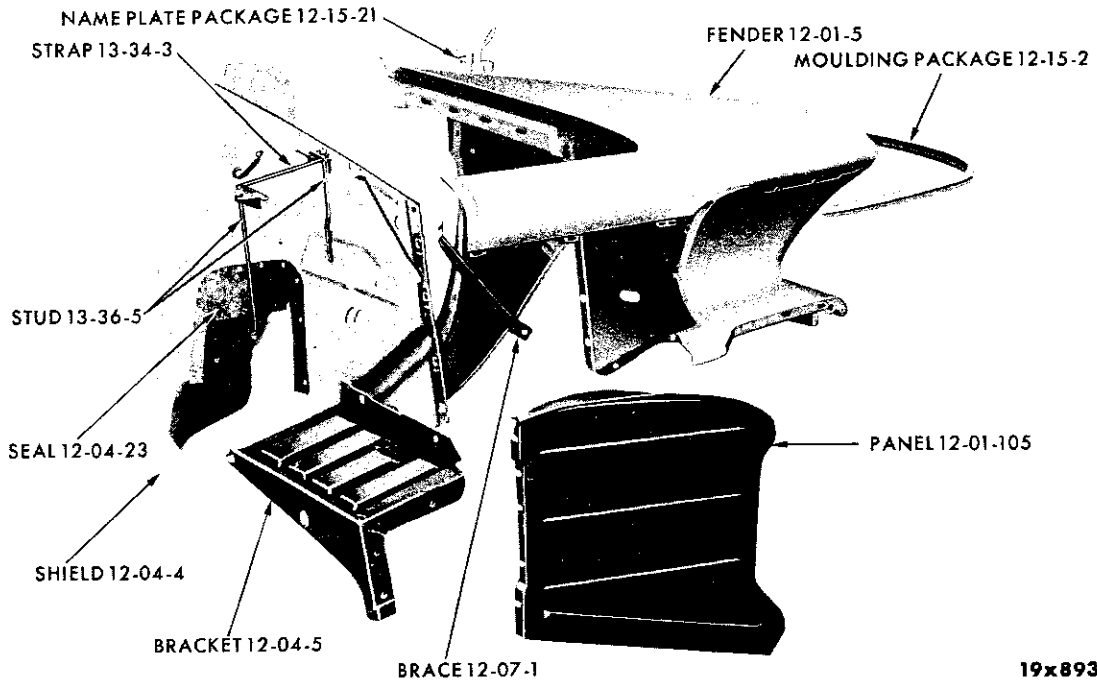
19x8935

FRONT FENDER - DESOTO RS1

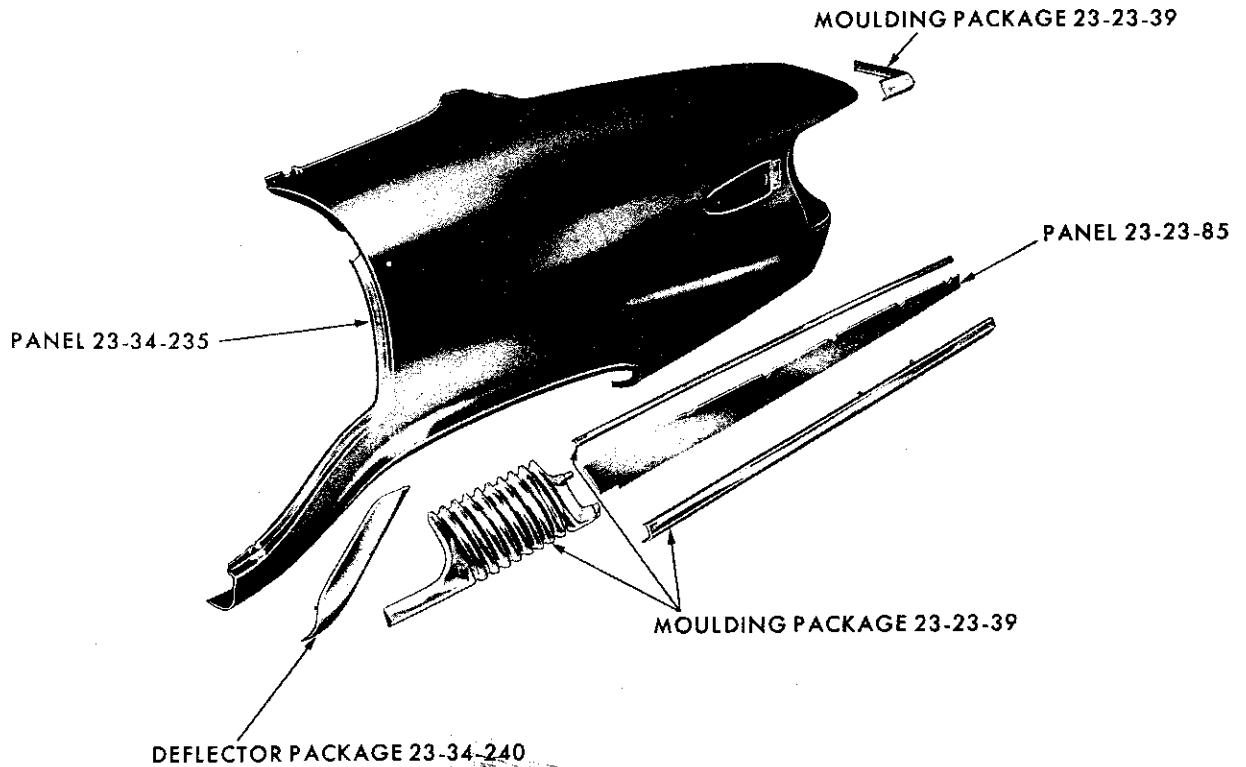


19x8895A

FRONT FENDER - CHRYSLER RC1-2-3-4



FRONT FENDER - IMPERIAL RY1



REAR QUARTER PANEL AND MOULDING - PLYMOUTH RP1-2 4 DOOR SEDAN

1961 PASSENGER CAR PARTS CATALOG

CODE	PART NAME AND DESCRIPTION	CYL PER CAR	VALIANT	PLYMOUTH	DESOTO	CHRYSLER	IMPERIAL
------	---------------------------	-------------------	---------	----------	--------	----------	----------

NOTES

---

---

---

---

---

---

---

---

---

---

---

---

---

---

---

---

---

---

---

---

---

---

---

---

---

---

---

---

---

---

★ Indicates use as required. Printed in U.S.A.  
 ☒ Indicates parts not listed in any previous parts book. Prices and specifications subject to change without notice.  
 October 3, 1960. Page 12-4

CODE	PART NAME AND DESCRIPTION	C Y L.	PER CAR	VALIANT	PLYMOUTH	DESOTO	CHRYSLER	IMPERIAL
<b>12-01-0 FRONT FENDERS</b>								
12-01-5	FENDER (For Front Fenders Not Listed See Illustration)							
	Right, RC1, RC2 . . . . .		1	----	----	1904 518	1904 080	
	Left, RC1, RC2 . . . . .		1	----	----	1904 519	1904 081	
	Right, RC3, RC4, RY1 . . . . .	8	1	----	----	----	1904 046	1904 062
	Left, RC3, RC4, RY1 . . . . .	8	1	----	----	----	1904 047	1904 063
12-01-7	PANEL, Front, Right . . . . .		1	----	1904 014	----	*1919 414	1904 066
	Left . . . . .		1	----	1904 015	----	*1919 415	1904 067
	PANEL, Top, Right . . . . .	8	1	----	----	----	----	1904 068
	Left . . . . .	8	1	----	----	----	----	1904 069
	PANEL, Side, Right, RC1, RC2.		1	*2253 694	*2253 608	----	*2253 612	
	Left, RC1, RC2 . . . . .		1	*2253 695	*2253 609	----	*2253 613	
	Right, RC3, RC4, RY1 . . . . .	8	1	----	----	----	*2253 614	*1904 064
	Left, RC3, RC4, RY1 . . . . .	8	1	----	----	----	*2253 615	*1904 065
12-01-9	PANEL, Headlamp Opening,							
	Right . . . . .	6	1	*1973 316				
	Left . . . . .	6	1	*1973 317				
	PLATE, Headlamp, Right, RC1, RC2 . . . . .		1	----	*1904 270	----	*1919 394	
	Left, RC1, RC2 . . . . .		1	----	*1904 271	----	*1919 395	
	Right, RC3 . . . . .	8	1	----	----	----	*1919 392	
	Left, RC3 . . . . .	8	1	----	----	----	*1919 393	
12-01-12	SCREW, to Side Shield . . . . .	6	★	2082 867				
	To Radiator Cross Bar . . . . .	6	★	----	6022 802			
	To Pillar Support, Upper . . . . .		★	----	6022 334	6022 334	6022 334	
	To Pillar Support, Lower . . . . .		★	----	6022 026	6022 026	6022 026	
	To Cowl, Upper . . . . .	8	★	----	6022 334	6022 334	6022 334	6022 237
	To Shear Panel . . . . .	8	★	----	----	----	----	6022 506
	To Sill . . . . .	8	★	----	----	----	----	1863 612
	STUD, to Pillar Support . . . . .		★	----	1863 019	----	----	1863 019
	To Side Rail . . . . .	6	★	1863 586				
	To Radiator Yoke . . . . .		★	----	1903 396	1903 396	1903 396	1903 396
	To Cowl . . . . .	8	★	----	1863 716	*1863 586	*1863 586	
	To Sill . . . . .		★	----	6022 016	6022 016	6022 016	6022 016
	Side Panel to Shear Panel Reinf.	8	4	----	----	----	----	6022 508
12-01-15	NUT, "U", to Side Shield . . . . .	6	6	2082 878				
12-01-16	WASHER, to Pillar Support . . . . .		★	1903 513	6022 187	----	----	6022 187
	To Sill . . . . .		★	----	6022 187	6022 187	6022 187	6022 187
	To Cowl, Upper . . . . .	8	★	----	----	1903 677	1903 677	
	To Cowl, Lower . . . . .	8	★	----	----	6022 187	6022 187	
12-01-57	GUSSET, Fender to Extension,							
	Right . . . . .		1	----	*1904 264			
	Left . . . . .		1	----	*1904 265			
12-01-92	REINFORCEMENT, Upper Flange	8	1	----	----	----	----	1904 180
	Side Panel to Shear Panel, Right	8	1	----	----	----	----	1904 276
	Left . . . . .	8	1	----	----	----	----	1904 277
12-01-105	PANEL, Shear, Right . . . . .	8	1	----	----	----	----	1904 194
	Left . . . . .	8	1	----	----	----	----	1904 195
	EXTENSION, to Yoke, Right . . . . .		1	----	1904 260			
	Left . . . . .		1	----	1904 261			
<b>12-02-0 FRONT FENDER SEAL OR SHIM</b>								
12-02-5	SEAL, to Cowl, Right . . . . .	6	1	2083 170				
	Left . . . . .	6	1	2083 171				
	To Pillar . . . . .		★	1242 974	2166 641	2166 641	2166 641	
	SHIM, to Crossmember . . . . .	6	★	6010 035				
	To Pillar . . . . .	6	★	6010 031				
	To Pillar, Upper, Front . . . . .		★	----	1863 926			
	To Pillar, Upper, Rear . . . . .		★	----	6010 035			
	To Pillar, Lower . . . . .		★	----	6010 031			

★ Indicates use as required. Numerals in parentheses ( ) refer to notes. Printed in U.S.A.  
 □ Indicates parts not listed in any previous parts book. Prices and specifications subject to change without notice.  
 \* Indicates change or addition. March 1, 1962 Supersedes Jan. 6, 1961

# 1961 PASSENGER CAR PARTS CATALOG

FENDERS AND SHEET METAL

CODE	PART NAME AND DESCRIPTION	CYL.	PER CAR	VALIANT	PLYMOUTH	DESOTO	CHRYSLER	IMPERIAL
<b>12-02-0 FRONT FENDER SEAL OR SHIM - Cont'd</b>								
12-02-5	SEAL - Cont'd.							
	To Cowl, Upper, Front . . . . .		★	----	----	1863 926	1863 926	6010 037
	To Cowl, Upper, Rear . . . . .		★	----	----	6010 035	6010 035	6010 035
	To Sill . . . . .		★	----	6010 031	6010 031	6010 031	6010 031
12-02-12	FASTENER, Seal . . . . .		★	6006 104	----	----	----	6006 012
	CLIP, Seal . . . . .		★	6017 018	6008 076	6008 076	6008 076	----
<b>12-04-0 FRONT FENDER SHIELD OR PLATE</b>								
12-04-4	SHIELD, Side, Right . . . . .	6	1	2082 012				
	Left . . . . .	6	1	2082 023				
	Right, RC1, RC2 . . . . .		1	----	1948 420	1948 420	1948 420	
	Left, RC1, RC2 . . . . .		1	----	1948 421	1948 421	1948 421	
	Right, RC3, RC4, RY1 . . . . .	8	1	----	----	----	1948 440	1948 440
	Left, RC3, RC4, RY1 . . . . .	8	1	----	----	----	1948 441	1948 441
	To Yoke, Upper, Right . . . . .	8	1	----	----	----	----	1904 182
	Left . . . . .	8	1	----	----	----	----	1904 183
	To Yoke, Lower, Right . . . . .	8	1	----	----	----	----	1904 186
	Left . . . . .	8	1	----	----	----	----	1904 187
12-04-5	BRACKET, Upper Support . . . . .		1	----	1940 892	1940 892	1940 892	1940 892
12-04-12	SCREW, Shield to Frame . . . . .		6	----	6022 361	6022 361	6022 361	6012 066
	Shield to Dash . . . . .		2	----	6012 068	6012 068	6012 068	6012 068
	Shield to Fender Tab . . . . .		2	----	6000 160	6000 160	6000 160	6012 078
	To Upper Support Bracket . . . . .		5	----	180 075	180 075	180 075	180 075
	To Fender . . . . .		8	----	6012 087	6012 087	6012 087	6012 087
	To Sill . . . . .		2	----	1739 049	1739 049	1739 049	----
	Upper Support Bracket to Yoke . . . . .	8	3	----	----	----	6012 077	6012 077
	To Dash Panel Brace . . . . .	8	1	----	----	----	----	1739 049
	To Cover, w/Ram Manifold . . . . .	8	★	----	6012 068	----	6012 068	----
12-04-18	BAFFLE, Fender to Shield,							
	Right . . . . .	8	1	----	----	----	----	1904 190
	Left . . . . .	8	1	----	----	----	----	1904 191
12-04-23	SEAL, to Upper Control Arm . . . . .		★	----	2123 337	2123 337	----	1851 024
	Shear Panel to Fender . . . . .	8	★	----	----	----	----	1242 974
	Shield to Fender . . . . .	8	2	----	----	----	----	1242 974
12-04-26	NUT, w/RETAINER . . . . .		★	----	6012 065	6012 065	6012 065	6012 065
	To Cover, w/Ram Manifold, RC4 . . . . .	8	★	----	6012 065	----	6012 065	----
12-04-33	BRACKET, to Side Sill, Right							
	RC3, RC4 . . . . .	8	1	----	----	----	1948 402	----
	Left, RC3, RC4 . . . . .	8	1	----	----	----	1948 403	----
	Fender to Pillar . . . . .		2	----	----	1686 914	1686 914	----
<b>12-05-0 FENDER PILLAR SUPPORT AND COWL BRACKET</b>								
12-05-2	BRACKET, Fender Pillar							
	Support and Cowl, Right . . . . .	8	1	----	----	----	----	1863 328
	Left . . . . .	8	1	----	----	----	----	1863 329
<b>12-06-0 FRONT FENDER BRACKET</b>								
12-06-3	BRACKET, to Sill . . . . .	8	2	----	----	----	----	1624 582
	To Hood Hinge Plate, Right . . . . .	8	1	----	----	----	----	1903 884
	Left . . . . .	8	1	----	----	----	----	1903 885
<b>12-07-0 FRONT FENDER BRACE OR SUPPORT</b>								
12-07-1	BRACE, Side Shield, Right . . . . .		1	----	2201 518			
	Left . . . . .		1	----	2201 519			
	Right, RC1, RC2 . . . . .		1	----	----	1948 414	1948 414	
	Left, RC1, RC2 . . . . .		1	----	----	1948 415	1948 415	
	Right, RC3, RC4 . . . . .	8	1	----	----	----	1940 894	
	Left, RC3, RC4 . . . . .	8	1	----	----	----	1940 895	
	Fender to Cowl, Right . . . . .	8	1	----	----	----	----	1754 294
	Left . . . . .	8	1	----	----	----	----	1754 295
	Front Panel to Extension, Right . . . . .		1	----	1904 262			
	Left . . . . .		1	----	1904 263			
12-07-2	NUT, to Dash Panel Brace . . . . .		2	----	6012 065	6012 065	6012 065	

★ Indicates use as required.

Numerals in parentheses ( ) refer to notes.

Printed in U.S.A.

□ Indicates parts not listed in any previous parts book.  
March 1, 1962 Supersedes Jan. 6, 1961.

Prices and specifications subject to change without notice.

\* Indicates change or addition.



CODE	PART NAME AND DESCRIPTION	C Y L.	PER CAR	VALIANT	PLYMOUTH	DESOTO	CHRYSLER	IMPERIAL
<b>12-15-0 FRONT FENDER MOULDING AND NAME PLATE PACKAGES</b>								
12-15-2	MOULDING PACKAGE, Side, Lower, Right . . . . .	6	1	2196 612				
	Left . . . . .	6	1	2196 613				
	CLIP . . . . .		2	6010 002				
	CLIP . . . . .		4	6017 007				
	NUT . . . . .		2	151 497				
	Side, Upper, Right . . . . .	6	1	2240 858				
	Side, Upper, Left . . . . .	6	1	2240 859				
	CLIP . . . . .		10	6000 949				
	CLIP . . . . .		2	6000 951				
	NUT . . . . .		2	151 497				
	Front, Right, RP1-L, RP2-L, RP1-M, RP2-M . . . . .		1	-----	2275 111			
	Front, Left, RP1-L, RP2-L, RP1-M, RP2-M . . . . .		1	-----	2275 112			
	Front, Right, RP1-H, RP2-H . . . . .		1	-----	2275 113			
	Front, Left, RP1-H, RP2-H . . . . .		1	-----	2275 114			
	CLIP . . . . .		14	-----	6000 822			
	NUT . . . . .		2	-----	*1203 361			
	Side, Upper, Right, RP1-H, RP2-H		1	-----	2275 121			
	Side, Upper, Left, RP1-H, RP2-H		1	-----	2275 122			
	CLIP . . . . .		10	-----	6000 820			
	Side, Lower, Right . . . . .		1	-----	2275 123			
	Side, Lower, Left . . . . .		1	-----	2275 124			
	NUT . . . . .		6	-----	6013 114			
	COVER, Trim, Right . . . . .		1	-----	2275 115			
	COVER, Trim, Left . . . . .		1	-----	2275 116			
	SCREW . . . . .		8	-----	128 151			
	Side, Right . . . . .	8	1	-----	-----	2240 916		
	Side, Left . . . . .	8	1	-----	-----	2240 917		
	RETAINER . . . . .		2	-----	-----	6010 189		
	CLIP . . . . .		14	-----	-----	6006 517		
	NUT . . . . .		2	-----	-----	446 059		
	Wheel Opening to Sill, Right, RS1, RC3 . . . . .	8	1	-----	-----	2196 503	2196 503	
	Wheel Opening to Sill, Left, RS1, RC3 . . . . .	8	1	-----	-----	2196 504	2196 504	
	CLIP . . . . .		2	-----	-----	6000 732	6000 732	
	SCREW . . . . .		4	-----	-----	125 978	125 978	
	Wheel Opening, Right, RS1, RC3	8	1	-----	-----	2240 922	2240 922	
	Wheel Opening, Left, RS1, RC3 . . . . .	8	1	-----	-----	*2240 923	*2240 923	
	CLIP . . . . .		10	-----	-----	6000 864	6000 864	
	NUT . . . . .		8	-----	-----	*9414 977	*9414 977	
	CLIP . . . . .		2	-----	-----	*6000 752	*6000 752	
	Side, Right, RC1, RC2 . . . . .	8	1	-----	-----	-----	2240 848	
	Side, Left, RC1, RC2 . . . . .	8	1	-----	-----	-----	2240 849	
	RETAINER . . . . .		6	-----	-----	-----	6006 284	
	CLIP . . . . .		4	-----	-----	-----	6010 002	
	NUT . . . . .		10	-----	-----	-----	446 059	
	Top, Right, RC3 . . . . .	8	1	-----	-----	-----	2275 000	
	Top, Left, RC3 . . . . .	8	1	-----	-----	-----	2275 001	
	CLIP . . . . .		6	-----	-----	-----	6000 752	
	NUT . . . . .		6	-----	-----	-----	151 497	
	Top Panel, Front . . . . .	8	1	-----	-----	-----	-----	2240 932
	Front, Upper, Right . . . . .	8	1	-----	-----	-----	-----	2240 936
	Front, Upper, Left . . . . .	8	1	-----	-----	-----	-----	2240 937
	Front, Lower, Right . . . . .	8	1	-----	-----	-----	-----	2240 938
	Front, Lower, Left . . . . .	8	1	-----	-----	-----	-----	2240 939
	SCREW . . . . .		6	-----	-----	-----	-----	180 020
	NUT . . . . .		8	-----	-----	-----	-----	120 375
	Side, Right . . . . .	8	1	-----	-----	-----	-----	2240 934
	Side, Left . . . . .	8	1	-----	-----	-----	-----	2240 935
	CLIP . . . . .		4	-----	-----	-----	-----	6000 505
	SPACER . . . . .		12	-----	-----	-----	-----	1904 617
	NUT . . . . .	8	12	-----	-----	-----	-----	*6006 264

★ Indicates use as required.

Numerals in parentheses ( ) refer to notes.

Printed in U.S.A.

⊠ Indicates parts not listed in any previous parts book.

Prices and specifications subject to change without notice.

\* Indicates change or addition.

# 1961 PASSENGER CAR PARTS CATALOG

FENDERS AND  
SHEET METAL

CODE	PART NAME AND DESCRIPTION	C Y L.	PER CAR	VALIANT	PLYMOUTH	DESOTO	CHRYSLER	IMPERIAL
------	---------------------------	--------------	------------	---------	----------	--------	----------	----------

## 12-15-O FRONT FENDER MOULDING AND NAME PLATE PACKAGES - Cont'd

12-15-2	MOULDING PACKAGE - Cont'd.	8	1	----	----	----	----	2240 940	
	Wheel Opening, Right . . . . .								
	Wheel Opening, Left . . . . .								
	SCREW . . . . .		16	----	----	----	----	9413 197	
12-15-21	NAME PLATE PACKAGE . . . . .	6	2	2196 619					
	CLIP . . . . .								6000 020
	CLIP . . . . .								6010 128
	ORNAMENT PACKAGE, Right . . . . .	6	1	2196 622					
	Left . . . . .								
	NUT . . . . .	6	4	274 751					
	NAME PLATE PACKAGE, RP1-H, RP2-H, except Sub. . . . .								
	CLIP . . . . .		2	----	2275 119				
	ORNAMENT PACKAGE, RP1-H, RP2-H, except Sub. . . . .								
	CLIP . . . . .		6	----	6000 020				
	ORNAMENT PACKAGE . . . . .								
	NUT . . . . .	8	6	----		2240 915	151 497		
	NAME PLATE PACKAGE, RC1 . . . . .								
	RC3 . . . . .	8	2	----				2240 825	
	NUT . . . . .								
ORNAMENT PACKAGE, Right, RC3 . . . . .	8	1	----				2240 846		
Left, RC3 . . . . .									
NUT . . . . .	8	4	----				2240 847		
NAME PLATE PACKAGE, RY1-L, RY1-M . . . . .									
CLIP . . . . .	8	12	----				6000 020	2240 942	
MEDALLION PACKAGE, RY1-M . . . . .									
CLIP . . . . .	8	2	----				2240 943	6010 055	
BASE, Fender Side Name Plate, RS3 . . . . .									
12-15-23		8	2	----	----	----	*1904 450		

### NOTES

---

---

---

---

---

---

---

---

---

---

---

---

---

---

---

---

---

---

---

---

---

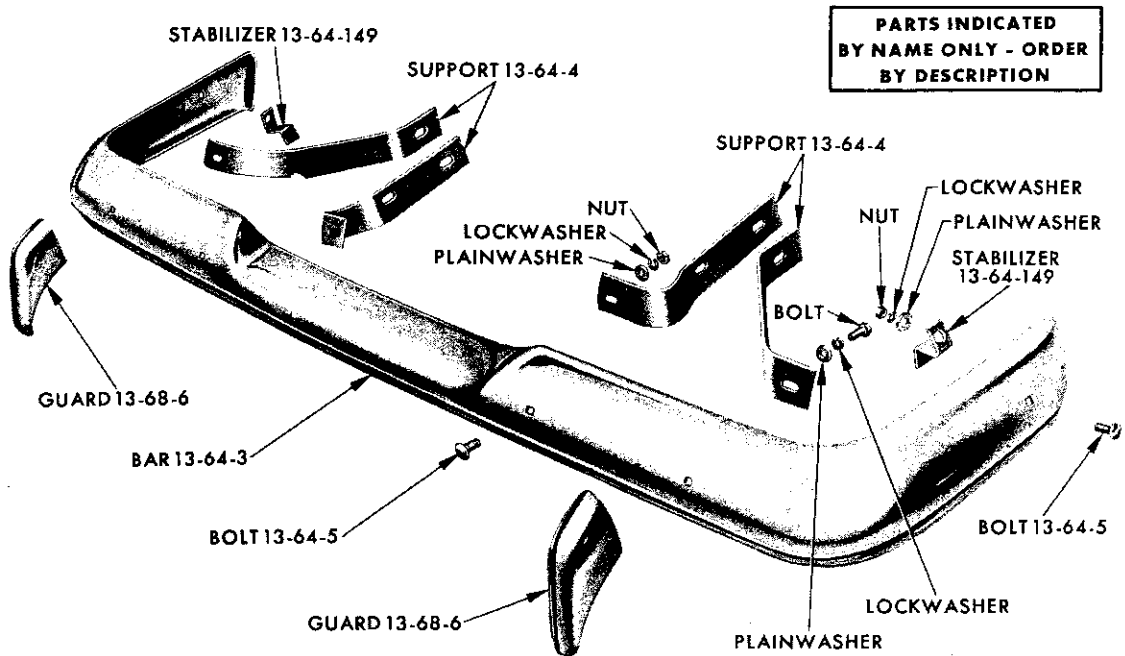
---

---

---

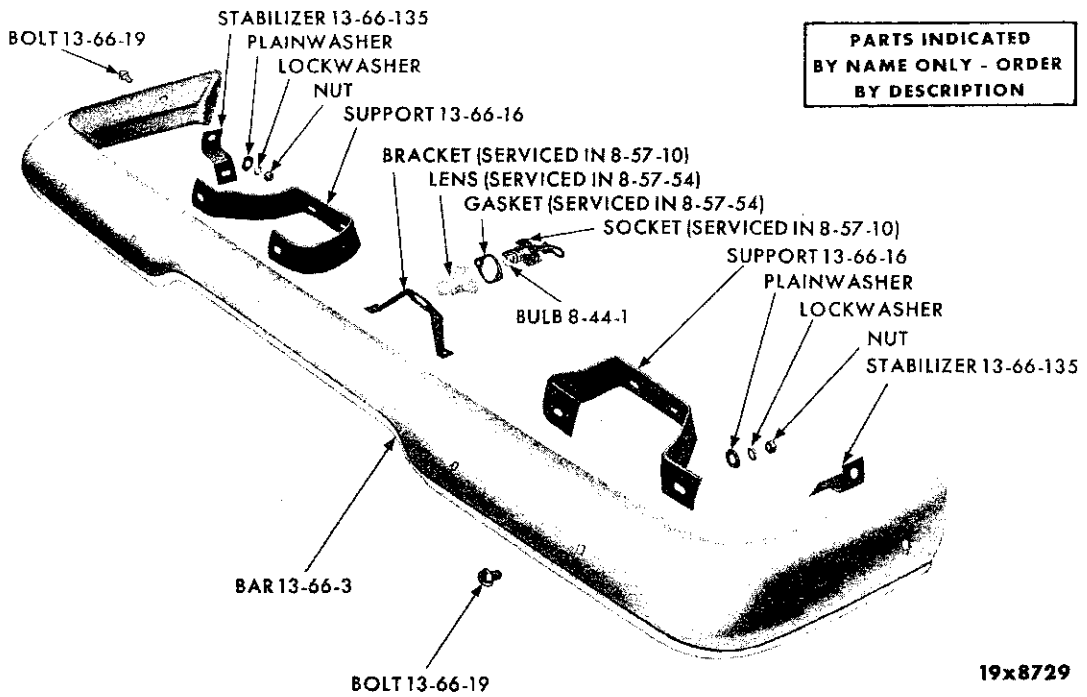
★ Indicates use as required. Numerals in parentheses ( ) refer to notes. Printed in U.S.A.  
 ☐ Indicates parts not listed in any previous parts book. Prices and specifications subject to change without notice.  
 March 1, 1962 Supersedes Jan. 6, 1961. Page 12-8 \* Indicates change or addition.

GROUP 13 - FRAME



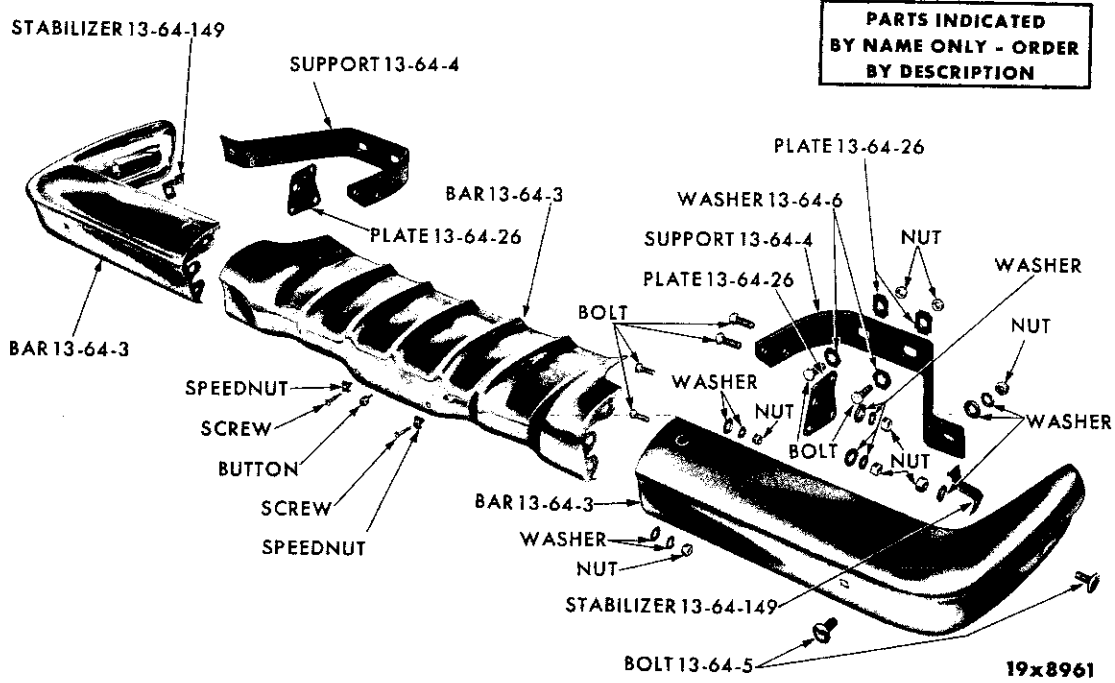
19x8738

FRONT BUMPER - VALIANT RV1

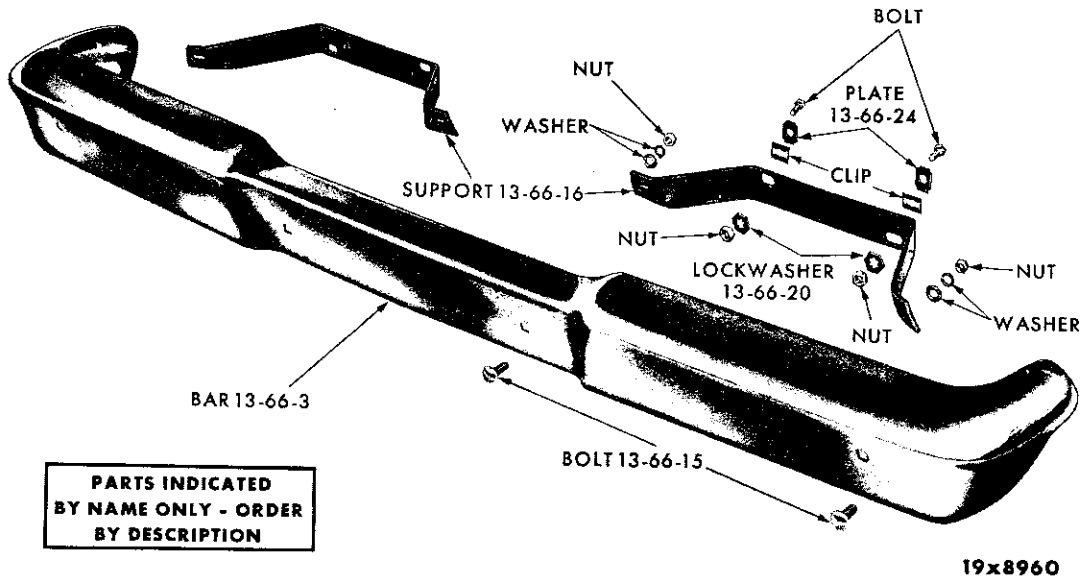


19x8729

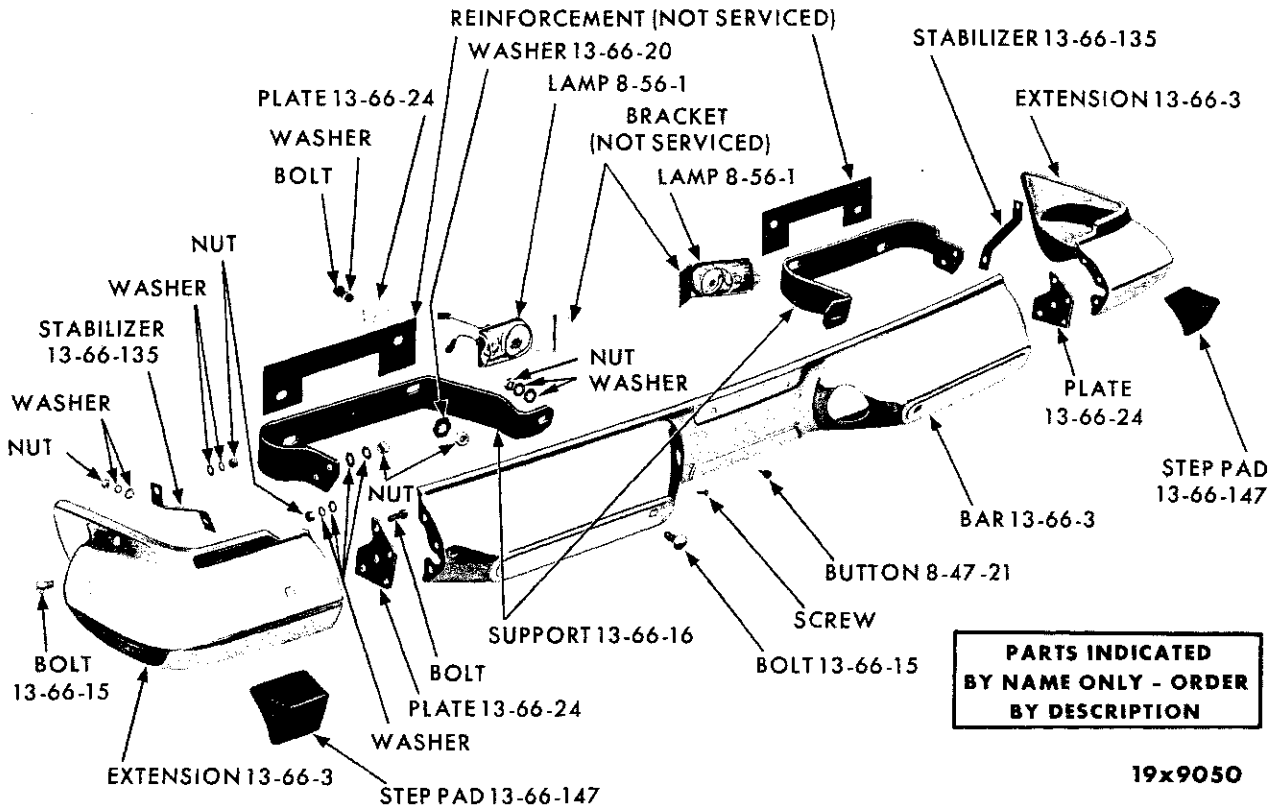
REAR BUMPER - VALIANT RV1



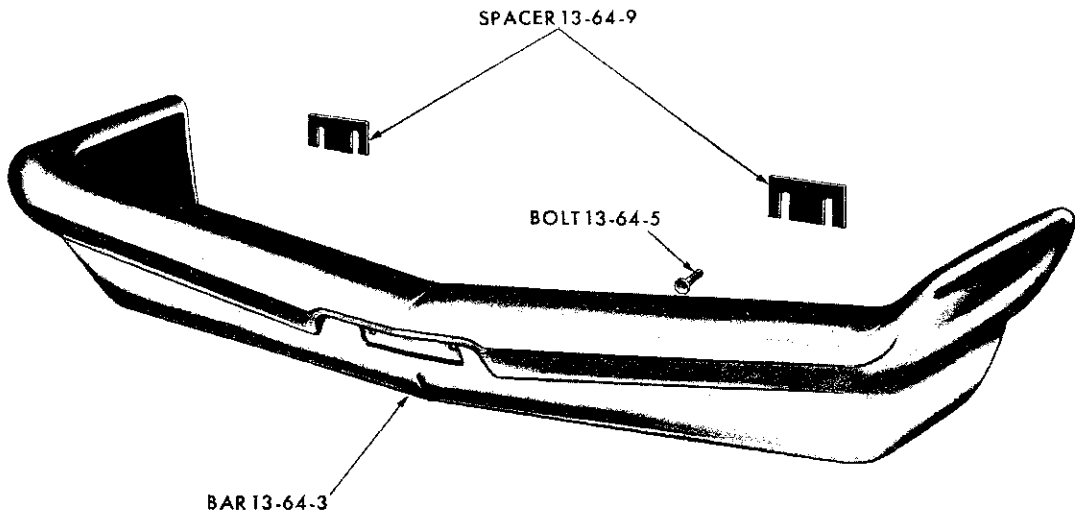
FRONT BUMPER - PLYMOUTH RP1-2



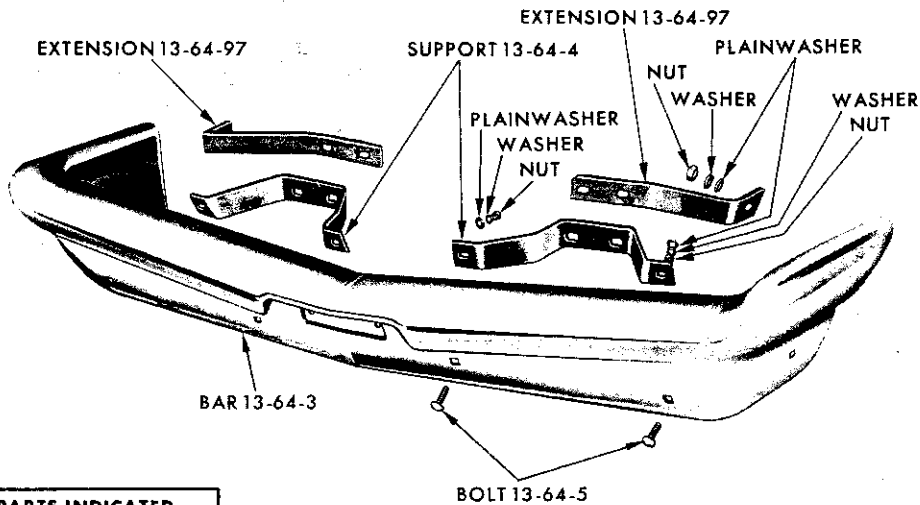
REAR BUMPER (EXCEPT SUBURBAN) - PLYMOUTH RP1-2



REAR BUMPER (SUBURBAN) - PLYMOUTH RP1-2



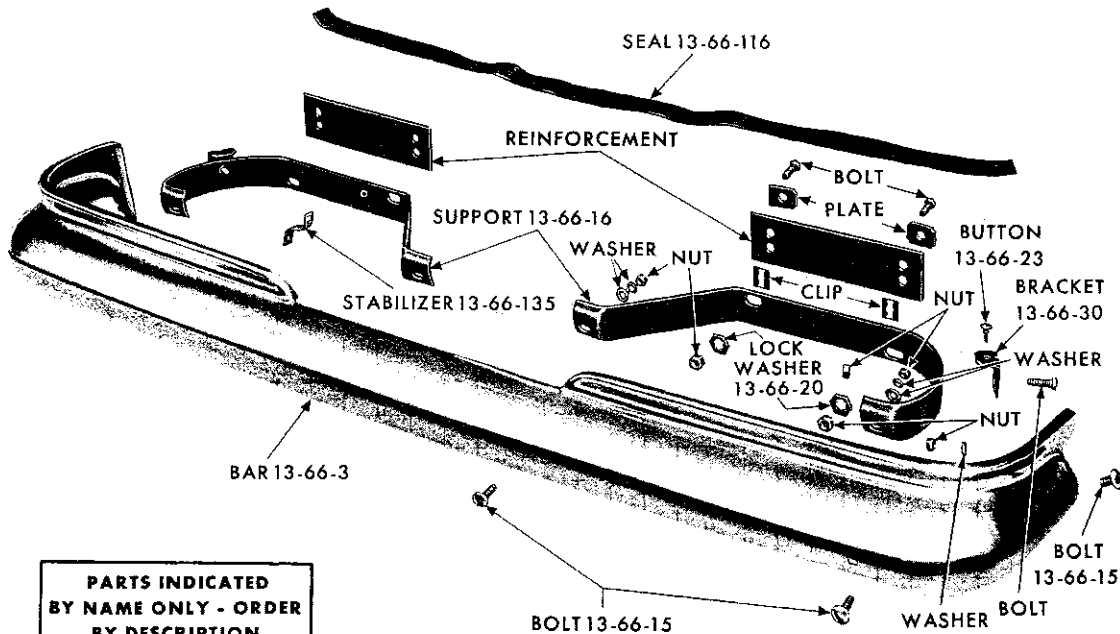
FRONT BUMPER - DESOTO RS1 AND CHRYSLER RC1-2 (UP-TO TYPE)



**PARTS INDICATED  
BY NAME ONLY - ORDER  
BY DESCRIPTION**

19x8615A

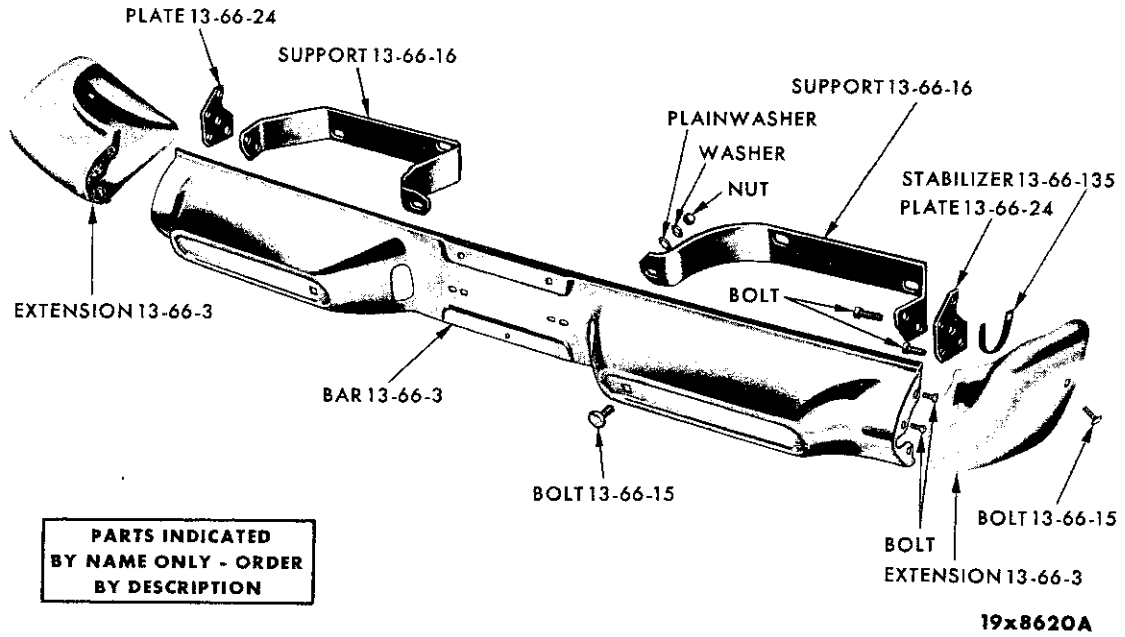
FRONT BUMPER - CHRYSLER RC1-2 (AFTER TYPE) AND CHRYSLER RC3-4



**PARTS INDICATED  
BY NAME ONLY - ORDER  
BY DESCRIPTION**

19x8899

REAR BUMPER - DESOTO RS1, CHRYSLER RC1-2-3-4 (EXCEPT SPECIAL 4 DOOR SUBURBAN)

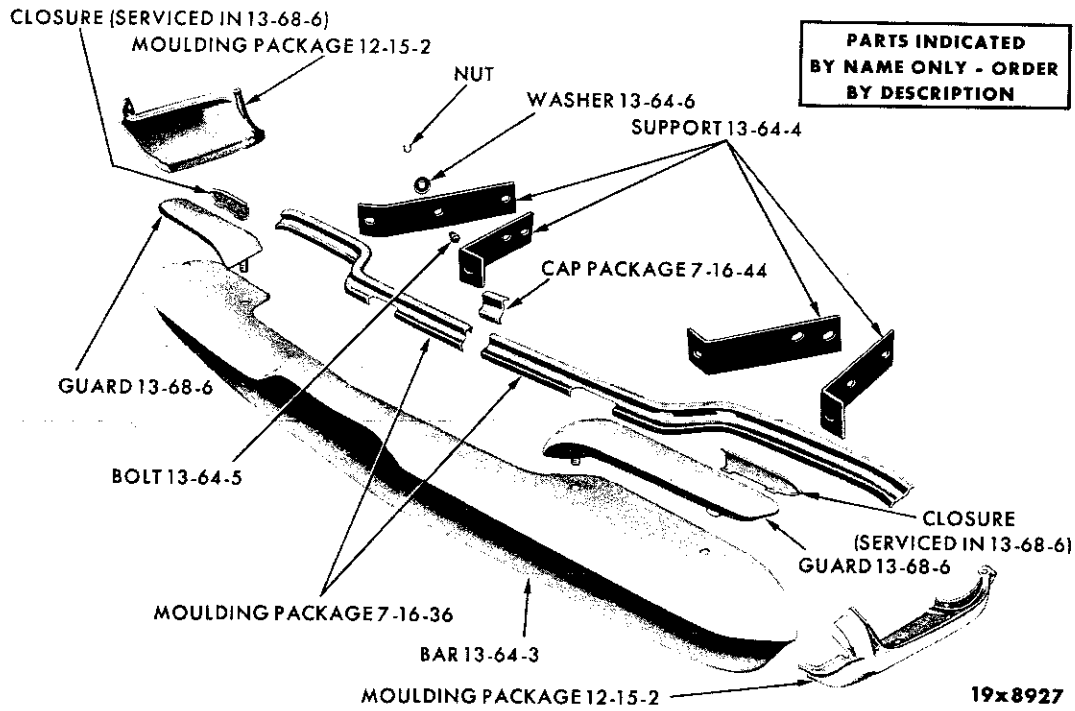


REAR BUMPER - CHRYSLER RC1-3 SPECIAL 4 DOOR SUBURBAN

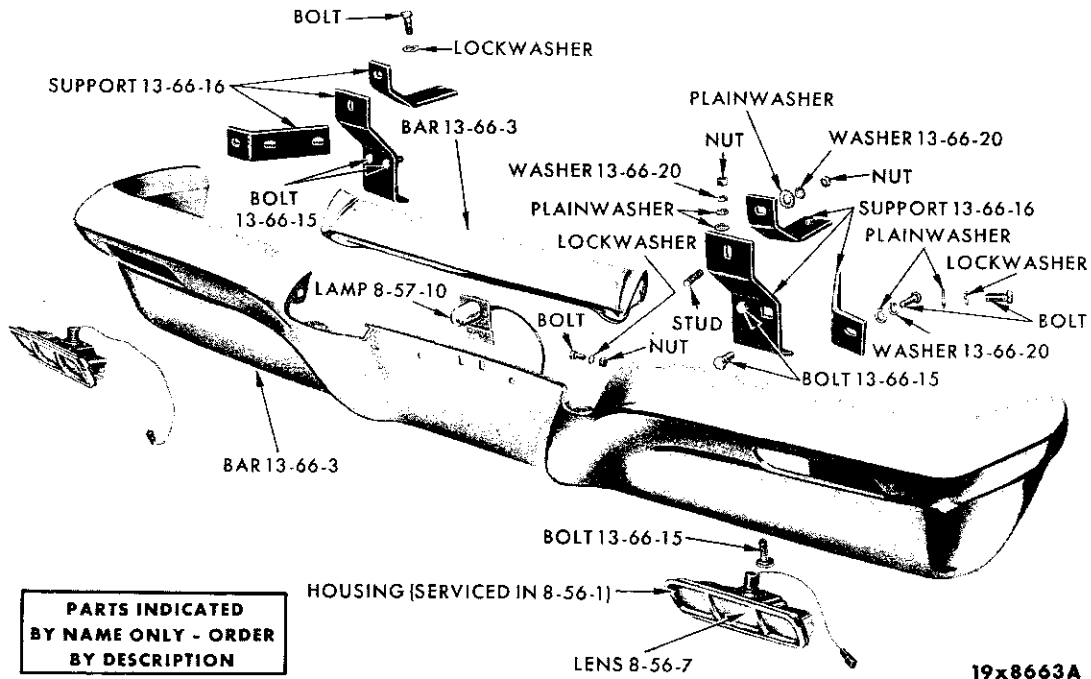
NOTES

A series of horizontal lines provided for handwritten notes.

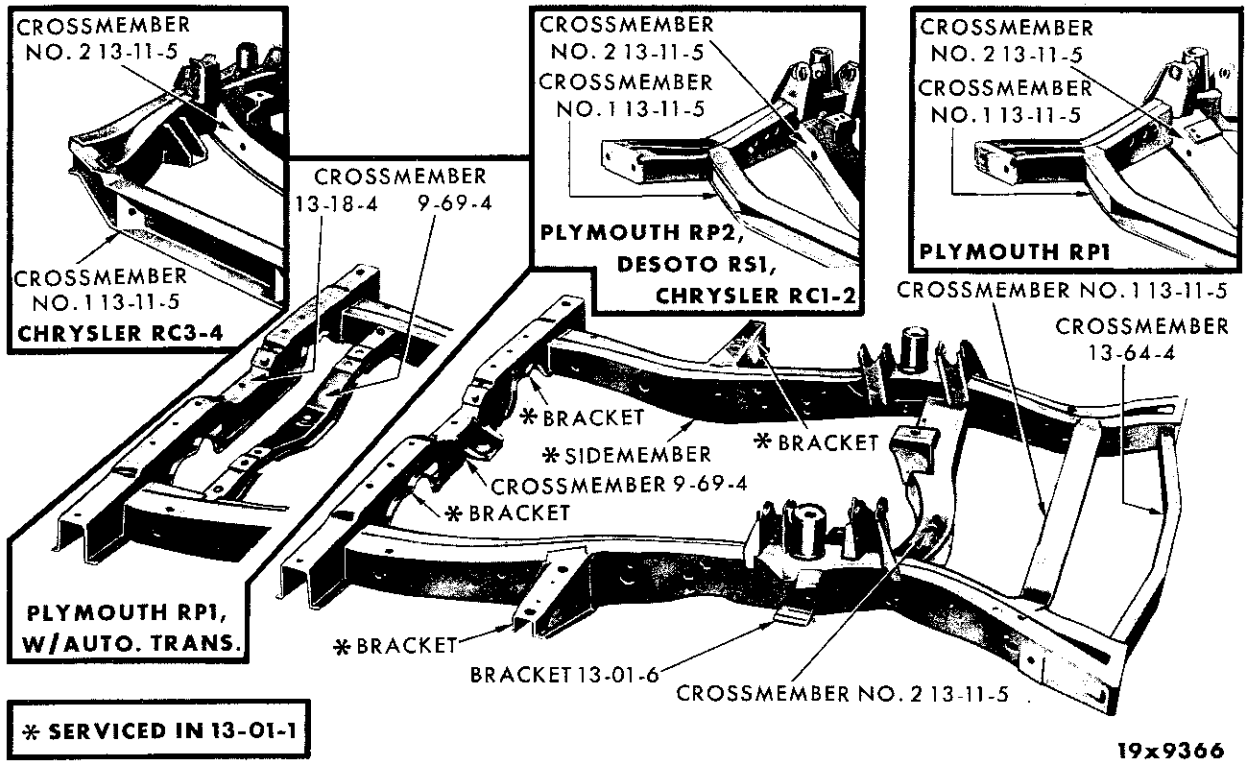




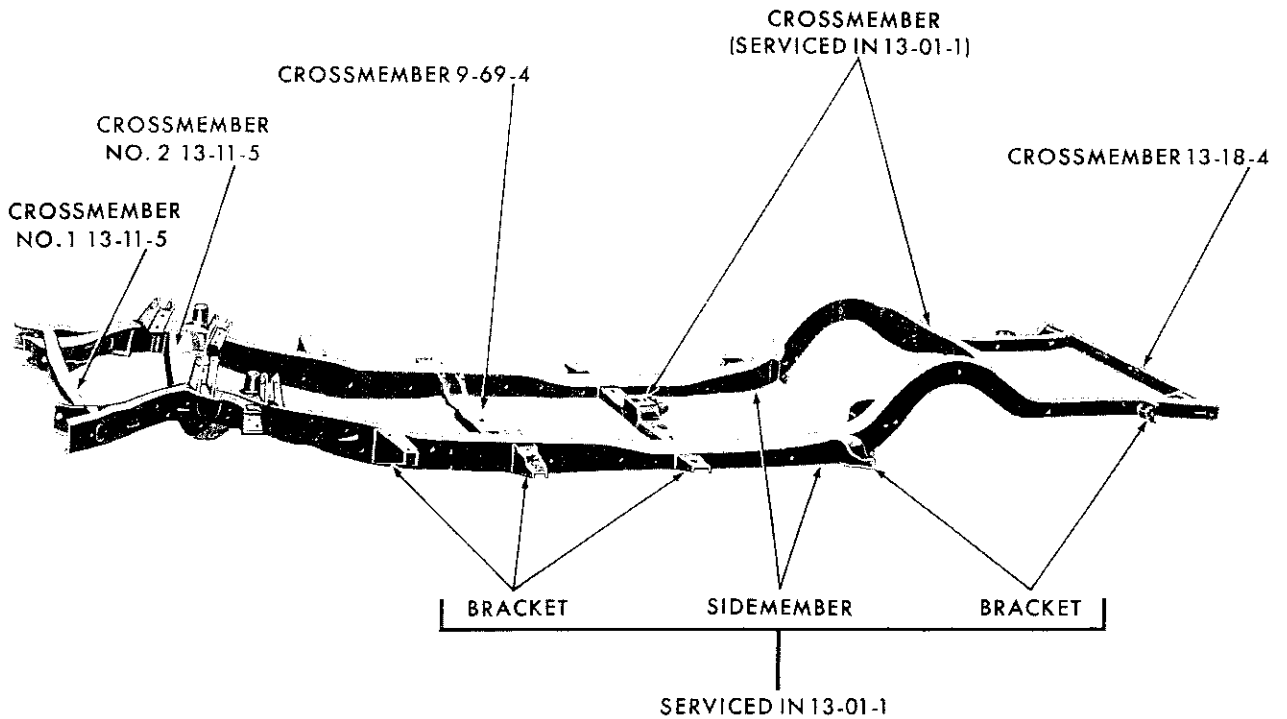
FRONT BUMPER - IMPERIAL RY1



REAR BUMPER - IMPERIAL RY1



FRAME - EXCEPT VALIANT RV1 AND IMPERIAL RY1



FRAME - IMPERIAL RY1



CODE	PART NAME AND DESCRIPTION	CYL.	PER CAR	VALIANT	PLYMOUTH	DESOTO	CHRYSLER	IMPERIAL
<b>13-01-O FRAME ASSEMBLY</b>								
13-01-1	FRAME . . . . .	6	1	----	2204 316			
	RC1, RC2 . . . . .	8	1	----	2204 315	2204 315	2204 315	
	RC3, RC4 . . . . .	8	1	----	----	----	2204 314	
	Except Cv. Cp. . . . .	8	1	----	----	----	----	2123 391
	Cv. Cp. . . . .	8	1	----	----	----	----	E2401 029
13-01-6	BRACKET, Front Control Arm Jounce and Rebound, Right, RC1, RC2 . . . . .		1	----	E1734 526	E1734 526	E1734 526	
	Left, RC1, RC2 . . . . .		1	----	E1734 527	E1734 527	E1734 527	
<b>13-04-O FRAME SUB - SIDEMEMBER</b>								
13-04-20	SHIELD, Splash (sold by the foot) RC3, RC4 . . . . .	8	★	----	----	----	1242 974	1242 974
13-04-21	CLIP, RC3, RC4 . . . . .	8	2	----	----	----	1674 082	1674 082
<b>13-11-O FRAME FRONT CROSSMEMBER</b>								
13-11-5	CROSSMEMBER, Front Suspension (see Part Type Code 23-32-17) Front Side Rail (front of frame) (see Part Type Code 23-32-17) CROSSMEMBER, No. 1, RC1, RC2 RC3, RC4 . . . . .		1	----	1940 961	1940 961	1940 961	
	No. 2 . . . . .	8	1	----	----	----	1940 920	2200 801
	RC1, RC2 . . . . .	6	1	----	2204 317			
	RC3, RC4 . . . . .	8	1	----	2122 620	2122 620	2122 620	
13-11-6	BOLT, 1 1/4" lgh (see Part Type Code 23-32-18)	8	1	----	----	----	2122 621	2122 621
13-11-8	WASHER, Bolt Lock (see Part Type Code 23-32-20)							
13-11-14	PLUG, Front Crossmember Front (see Part Type Code 23-32-15)							
<b>13-16-O FRAME TRANSMISSION MOUNTING CROSSMEMBER ASSEMBLY</b>								
13-16-5	CROSSMEMBER (see Part Type Code 23-32-17)							
<b>13-18-O FRAME REAR CROSSMEMBER</b>								
13-18-4	CROSSMEMBER, w/Auto. Trans.	6	1	----	2123 354			
		8	1	----	----	----	----	1944 407
<b>13-33-O BATTERY SUPPORT TRAY</b>								
13-33-59	U-NUT, Tray and Fender Shield Upper Support Yoke Bracket . . . . .		1	----	2082 878	2082 878	2082 878	2082 878
13-33-61	TRAY . . . . .	6	1	2208 569				
13-33-62	BRACKET, Support . . . . .	6	2	2074 087				
	Tray . . . . .	6	1	2074 082				
13-33-63	BOLT, w/WASHER, Bracket . . . . .	6	4	6022 777				
	SCREW, w/WASHER, Bracket . . . . .	8	★	----	6012 068	6012 068	6012 068	6012 068
	SCREW, w/WASHER, Support. . . . .		2	----	6022 537	6022 537	6022 537	6022 537
13-33-68	BRACE, Support, RC3, RC4 . . . . .	8	1	----	----	----	*2260 435	*2260 435
<b>13-34-O BATTERY HOLD-DOWN STRAP</b>								
13-34-3	STRAP . . . . .		1	1828 352	1828 352	1828 352	1828 352	1828 352
<b>13-35-O BATTERY HEAT SHIELD</b>								
13-35-1	SHIELD . . . . .		1	----	2122 198			

★ Indicates use as required. Numerals in parentheses ( ) refer to notes. Printed in U.S.A.  
 E Indicates parts not listed in any previous parts book. Prices and specifications subject to change without notice.  
 \* Indicates change or addition. Page 13-7 March 1, 1962 Supersedes Jan. 6, 1961.

# 1961 PASSENGER CAR PARTS CATALOG

FRAME

CODE	PART NAME AND DESCRIPTION	C Y L.	PER CAR	VALIANT	PLYMOUTH	DESOTO	CHRYSLER	IMPERIAL
<b>13-36-O BATTERY HOLD-DOWN STUD</b>								
13-36-5	STUD, Outer . . . . .		1	2074 090	1408 915	1408 915	1408 915	1408 915
	Inner . . . . .		1	2074 089	1408 918	1408 918	1408 918	1408 918
<b>13-54-O FRAME REAR SPRING HANGER</b>								
13-54-4	HANGER, Front . . . . .	6	2	2071 760				
	Except Sub. . . . .		2	----	1948 359	1948 359	1948 359	1734 502
	Sub. . . . .		2	----	1948 867	----	1948 867	
13-54-11	BOLT, Hanger . . . . .		★	2200 685	2200 685	2200 685	2200 685	
13-54-15	HANGER, Rear, except Sub.,							
	RC1, RC2 . . . . .		2	2071 764	1948 354	1948 880	1948 880	
	Except Sub., RC3, RC4 . . . . .		8	----	----	----	1948 354	1735 128
	Sub., RC1 . . . . .		2	2071 785	1948 878	----	1948 878	
	Sub., RC3 . . . . .		8	----	----	----	1948 377	
<b>13-64-O FRONT BUMPER FACE BAR</b>								
13-64-3	BAR, Face . . . . .	6	1	2074 208				
	Center . . . . .		1	----	2123 817			
	Outer, use w/Tie Bar, Right . . . . .		1	----	2123 932			
	Outer, use w/Tie Bar, Left . . . . .		1	----	2123 933			
	Outer, use w/o Tie Bar, Right . . . . .		1	----	2123 818			
	Outer, use w/o Tie Bar, Left . . . . .		1	----	2123 819			
	RC1, RC2 . . . . .	8	1	----		2123 809	*2123 809(1)	
	RC1, RC2 . . . . .	8	1	----			*2123 808(2)	
	RC3, RC4 . . . . .	8	1	----			2123 808	2123 800
13-64-4	SUPPORT, Outer, Right . . . . .	6	1	2074 230				
	Outer, Left . . . . .	6	1	2074 231				
	Inner, Right . . . . .	6	1	2074 228				
	Inner, Left . . . . .	6	1	2074 229				
	Outer, Right . . . . .	8	1	----				2123 796
	Outer, Left . . . . .	8	1	----				2123 797
	Inner, Right . . . . .	8	1	----				2123 798
	Inner, Left . . . . .	8	1	----				2123 799
	Right, RC1, RC2 . . . . .	8	1	----			*2123 928(2)	
	Left, RC1, RC2 . . . . .	8	1	----			*2123 929(2)	
	Right, RC3, RC4 . . . . .	8	1	----	2123 830		2123 804	
	Left, RC3, RC4 . . . . .	8	1	----	2123 831		2123 805	
	Crossmember, RC1, RC2 . . . . .	8	1	----	1944 399	1944 399	1944 399	
13-64-5	BOLT, Bumper to Support . . . . .	6	★	2074 225				
	Bumper to Stabilizer . . . . .	6	2	2074 225				
	Bumper to Support, RC3, RC4 . . . . .		★	----	2123 898	----	2123 898	1551 766
	RC1, RC2 . . . . .	8	2	----	2123 898	----	*1551 097(2)	
	Bumper to Stabilizer . . . . .			----	2123 898			
	Bumper or Support to Frame,		4	----		*6022 992	*6022 992	
	RC1, RC2 . . . . .			----				
	Bumper to Extension, RC3, RC4 . . . . .	8	2	----			2123 898	
	Support to Frame, RC1, RC2 . . . . .		★	----	*6022 904	----	*1551 097(2)	*1948 970
	STUD, Support to Frame, RC3, RC4 . . . . .	8	4	----	----	----	2123 902	
13-64-6	WASHER, Support to Frame							
	Reinforcement Bolt . . . . .		★	----	1943 554			
	Bumper to Frame Bolt Lock,							
	RC1, RC2 . . . . .	8	★	----		1943 554	*1943 554(1)	1948 969
	Support to Frame Stud, RC3, RC4 . . . . .	8	4	----			1943 554	
	Vertical Support to Frame . . . . .	8	4	----				1616 746
	Bumper Bracket to Support . . . . .	8	4	----				6022 898
13-64-9	SPACER, Bumper to Frame,							
	RC1, RC2 . . . . .	8	★	----		1943 583	*1943 583(1)	
13-64-26	PLATE, Bumper to Support . . . . .		2	----	2123 829			
	Support to Frame Bolt . . . . .		4	----	2123 861			
13-64-56	SPEED CLIP, Bumper or Support							
	to Frame Bolt, RC1, RC2 . . . . .	8	★	----	----	*1325 239	*1325 239	
13-64-97	EXTENSION, Support Bar and							
	Front Bumper, Right, RC1, RC2 . . . . .	8	1	----	----	----	*2123 930(2)	
	Left, RC1, RC2 . . . . .	8	1	----	----	----	*2123 931(2)	

NOTE 1: Use on RC1, RC2, not equipped w/Supports.

NOTE 2: Use on RC1, RC2, equipped w/Supports.

★ Indicates use as required. Numerals in parentheses ( ) refer to notes. Printed in U.S.A.  
 ☒ Indicates parts not listed in any previous parts book. Prices and specifications subject to change without notice.  
 March 1, 1962 Supersedes May 31, 1961. Page 13-8 \* Indicates change or addition.

CODE	PART NAME AND DESCRIPTION	CYL	PER CAR	VALIANT	PLYMOUTH	DESOTO	CHRYSLER	IMPERIAL
<b>13-64-O FRONT BUMPER FACE BAR - Cont'd</b>								
13-64-97	EXTENSION - Cont'd							
	Right, RC3, RC4 . . . . .	8	1	-----	-----	-----	*2123 806	
	Left, RC3, RC4 . . . . .	8	1	-----	-----	-----	*2123 807	
13-64-149	STABILIZER . . . . .	6	2	2074 214				
			2	-----	2123 842			
13-64-151	NUT, w/WASHER, Stabilizer to Fender . . . . .	6	2	6012 008				
			2	-----	6012 008			
<b>13-66-O REAR BUMPER FACE BAR</b>								
13-66-3	BAR, Face . . . . .	6	1	2074 209				
	Except Sub., use w/o Guards, RC1, RC2 . . . . .		1	-----	2123 812	2123 790	2123 790	
	Except Sub., use w/Guards . . . . .		1	-----	-----	2123 890	2123 890	1940 392
	Center, Sub. . . . .		1	-----	2123 860	-----	1940 409	
	Extension, Sub., Right . . . . .		1	-----	2123 814	-----	1940 388	
	Sub., Left . . . . .		1	-----	2123 813	-----	1940 389	
	Tie Bar . . . . .	8	1	-----	-----	-----	-----	1940 393
13-66-15	BOLT, Bumper to Support . . . . .		★	2074 225	2123 898	2123 898	2123 898	2123 898
	Stabilizer to Bumper . . . . .		2	-----	6012 016	2123 898	2123 898	
	Extension to Stabilizer, Sub. . . . .	8	2	-----	-----	-----	2123 898	
	Vertical Support to Frame . . . . .	8	4	-----	-----	-----	-----	1945 945
	PLUG, Step Pad Hole, Sub. . . . .		2	-----	6012 070	-----	6012 070	
13-66-16	SUPPORT, Right . . . . .	6	1	2074 226				
	Left . . . . .	6	1	2074 227				
	Right, except Sub. . . . .		1	-----	2123 832	2123 838	2123 838	
	Left, except Sub. . . . .		1	-----	2123 833	2123 839	2123 839	
	Right, Sub. . . . .		1	-----	2123 856	-----	1945 948	
	Left, Sub. . . . .		1	-----	2123 857	-----	1945 949	
	Right, Outer . . . . .	8	1	-----	-----	-----	-----	1941 032
	Left, Outer . . . . .	8	1	-----	-----	-----	-----	1941 033
	Vertical . . . . .	8	1	-----	-----	-----	-----	1941 031
	Upper . . . . .	8	1	-----	-----	-----	-----	1941 034
13-66-18	SHIM, Support to Frame, .06" thk. . . . .	8	★	-----	-----	-----	-----	6010 025
13-66-20	WASHER, Support to Frame Bolt, Lock . . . . .		★	-----	1943 554	1943 554	1943 554	1943 554
13-66-23	BUTTON, Jacking Bracket, except Sub. . . . .	8	2	-----	-----	1948 972	1948 972	
13-66-24	PLATE, Support, except Sub. To Support, Sub. . . . .		4	-----	2123 861	-----	-----	
	To Support, Sub. . . . .		2	-----	1948 015	-----	1948 015	
	To Frame Support, Sub. . . . .		4	-----	2123 938	-----	-----	
		8	4	-----	-----	2123 938	2123 938	
13-66-28	FASTENER, Jacking Bracket Pad, Sub. . . . .		2	-----	6006 456	-----	6006 456	
13-66-30	BRACKET, Jacking, except Sub. . . . .	8	2	-----	-----	2123 897	2123 897	
13-66-65	STUD, Bumper Bracket to Upper Support . . . . .	8	2	-----	-----	-----	-----	6022 037
13-66-93	BOLT, Support to Crossmember . . . . .		4	-----	6022 904	-----	-----	
13-66-106	DEFLECTOR, Stone . . . . .	6		2081 599				
	Except Sub. . . . .	8	1	-----	-----	2093 262	*2093 262(1)	
	Except Sub. . . . .	8	1	-----	-----	-----	E2189 926(2)	
13-66-116	SEAL, Stone Deflector, except Sub. . . . .	8	1	-----	-----	2094 106	*2094 106(1)	
	Except Sub. . . . .	8	1	-----	-----	-----	E2189 927(2)	
13-66-123	FASTENER, Stone Deflector Seal, except Sub. . . . .	8	★	-----	-----	*6006 104	*6006 104	
13-66-135	STABILIZER . . . . .	6	2	2074 218				
	Except Sub. . . . .		2	-----	-----	2123 912	2123 912	
	Sub. . . . .		2	-----	2123 855	-----	-----	
	Sub., Right . . . . .	8	1	-----	-----	-----	1948 106	
	Sub., Left . . . . .	8	1	-----	-----	-----	1948 107	

NOTE 1: Length - 74"

NOTE 2: Length - 26"

★ Indicates use as required. Numerals in parentheses ( ) refer to notes. Printed in U.S.A.  
 E Indicates parts not listed in any previous parts book. Prices and specifications subject to change without notice.  
 \* Indicates change or addition. Page 13-9 March 1, 1962 Supersedes May 31, 1961.

## 1961 PASSENGER CAR PARTS CATALOG

FRAME

CODE	PART NAME AND DESCRIPTION	CYL.	PER CAR	VALIANT	PLYMOUTH	DESOTO	CHRYSLER	IMPERIAL
<b>13-66-O REAR BUMPER FACE BAR - Cont'd</b>								
13-66-137	SCREW and WASHER, Stabilizer to Quarter Panel, Sub. . . . .	8	2	----	6022 339			
	Except Sub. . . . .		2	----	----	6012 077	6012 077	
13-66-147	STEP PAD, Sub. 3 Seater . . . .		2	----	2123 885	----	1948 032	
<b>13-68-O BUMPER GUARDS</b>								
13-68-6	GUARD, Front . . . . .	6	2	2074 233				
	Right . . . . .	8	1	----	----	----	----	2123 920
	Left . . . . .	8	1	----	----	----	----	2123 921
	Rear, except Sub. . . . .	6	2	2074 235				
	Sub. 2 Seater . . . . .	6	2	2074 235				
	Sub. 3 Seater . . . . .	6	2	2074 241				
	Except Sub. . . . .	8	2	----	----	2123 888	2123 888	
13-68-18	CUSHION, Bumper Guard, Rear, except Sub. . . . .	8	2	----	----	2123 891	2123 891	
<b>13-72-O BUMPER JACK</b>								
13-72-1	JACK . . . . .	6	1	2075 142				
	Except Sub. . . . .		1	----	2240 605	2240 606	2240 606	
	Sub. . . . .		1	----	2123 199	----	2240 606	
13-72-2	JACK HANDLE . . . . .		1	1736 990	2201 009	2201 009	2201 009	2201 010
13-72-3	HOOK, Jack, except Sub. . . . .		1	----	2203 385	2203 387	2203 387	2203 388
	Sub. . . . .		1	----	2201 012	----	2203 387	
13-72-4	BAR and BASE PACKAGE, Rack	8	1	----	----	----	----	2275 450

## NOTES

★ Indicates use as required.

Numerals in parentheses ( ) refer to notes.

Printed in U.S.A.

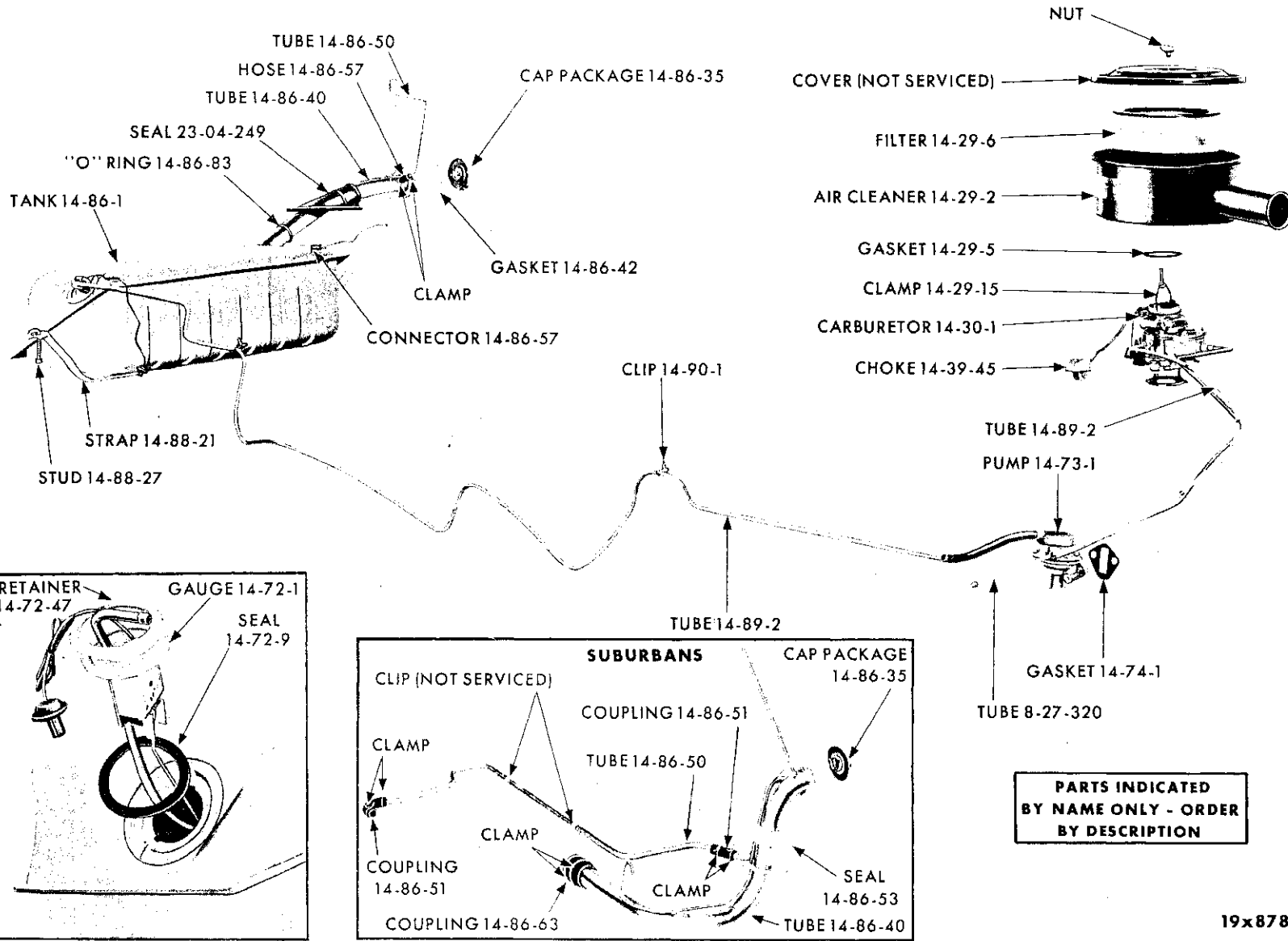
☐ Indicates parts not listed in any previous parts book.

Prices and specifications subject to change without notice.

March 1, 1962 Supersedes Jan. 6, 1961.

Page 13-10

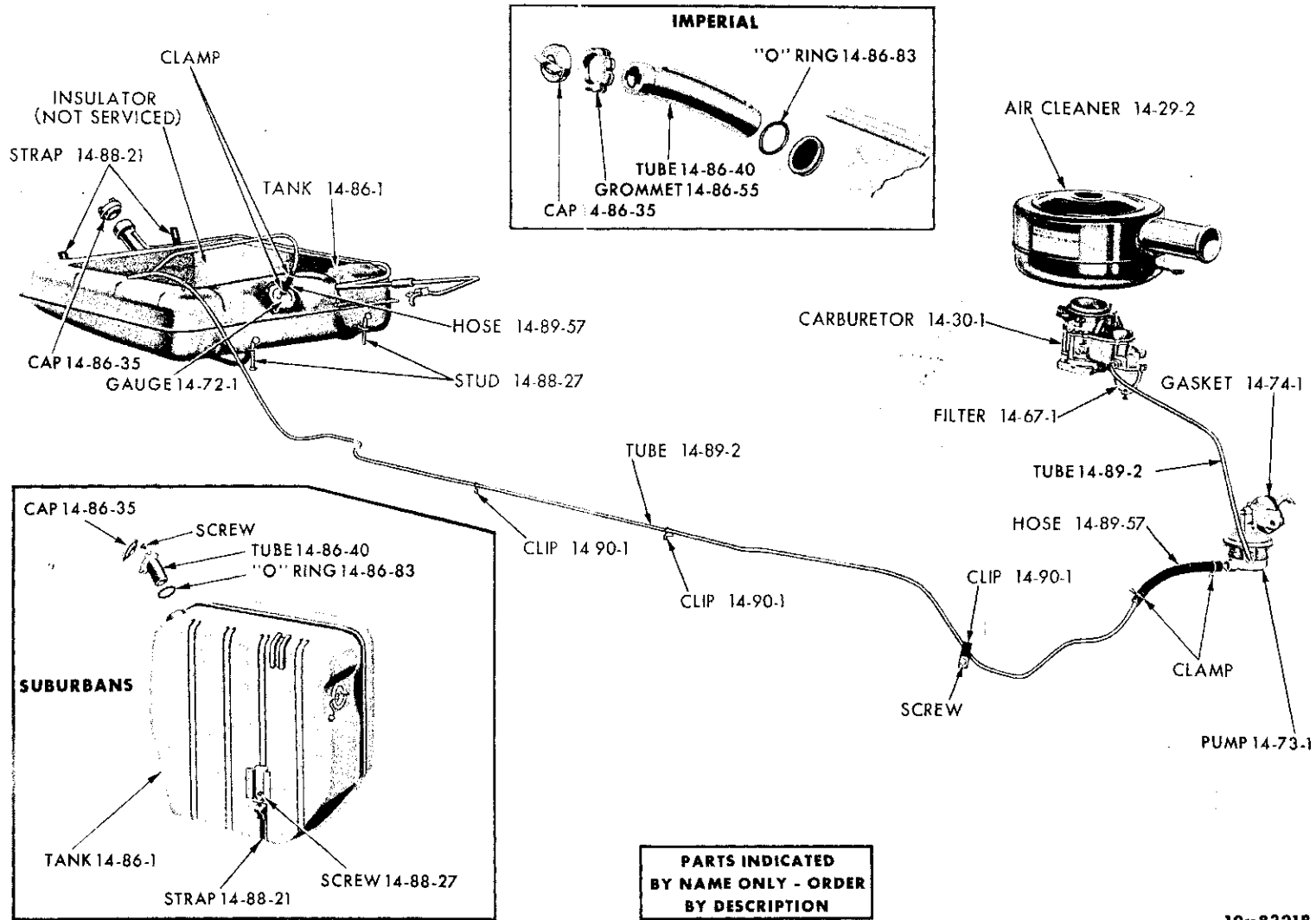
\* Indicates change or addition.



GROUP 14 - FUEL

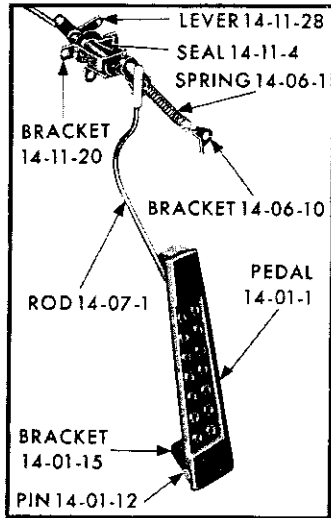
FUEL SYSTEM - VALIANT RV1



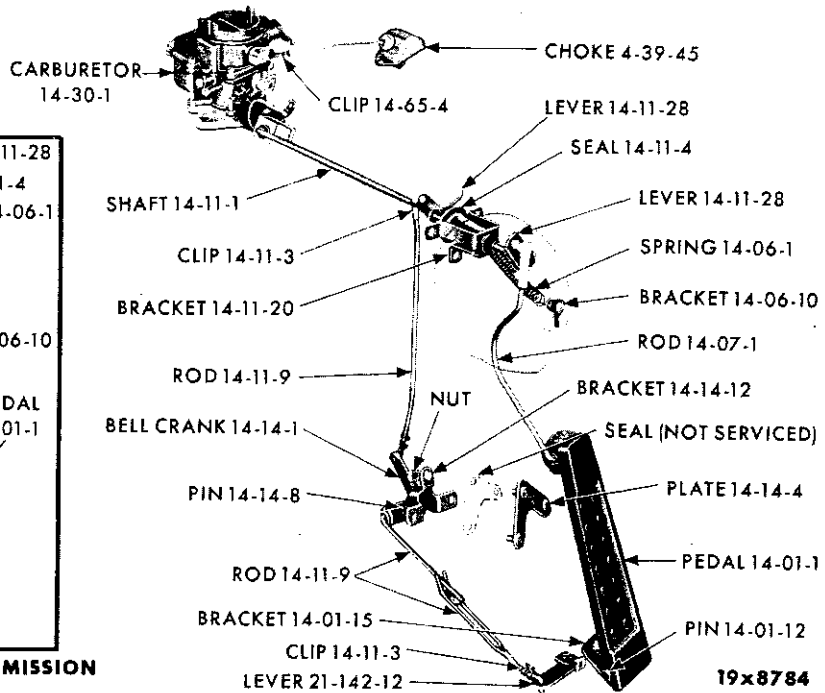


FUEL SYSTEM - EXCEPT VALIANT RV1

**PARTS INDICATED  
BY NAME ONLY - ORDER  
BY DESCRIPTION**

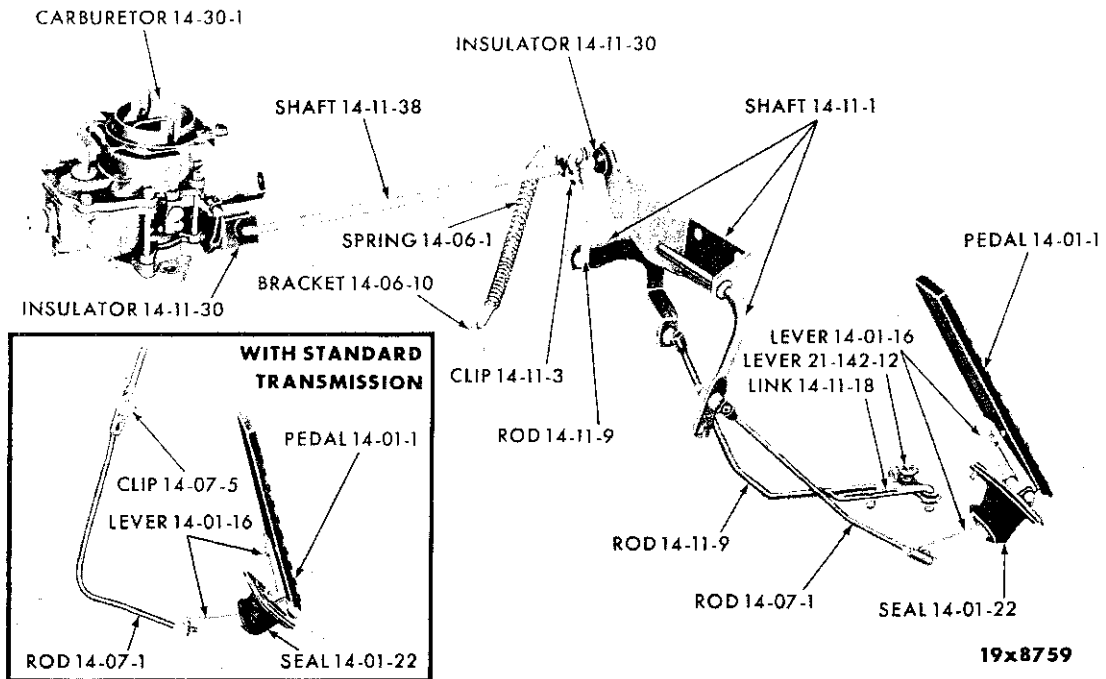


**WITH STANDARD TRANSMISSION**



19x8784

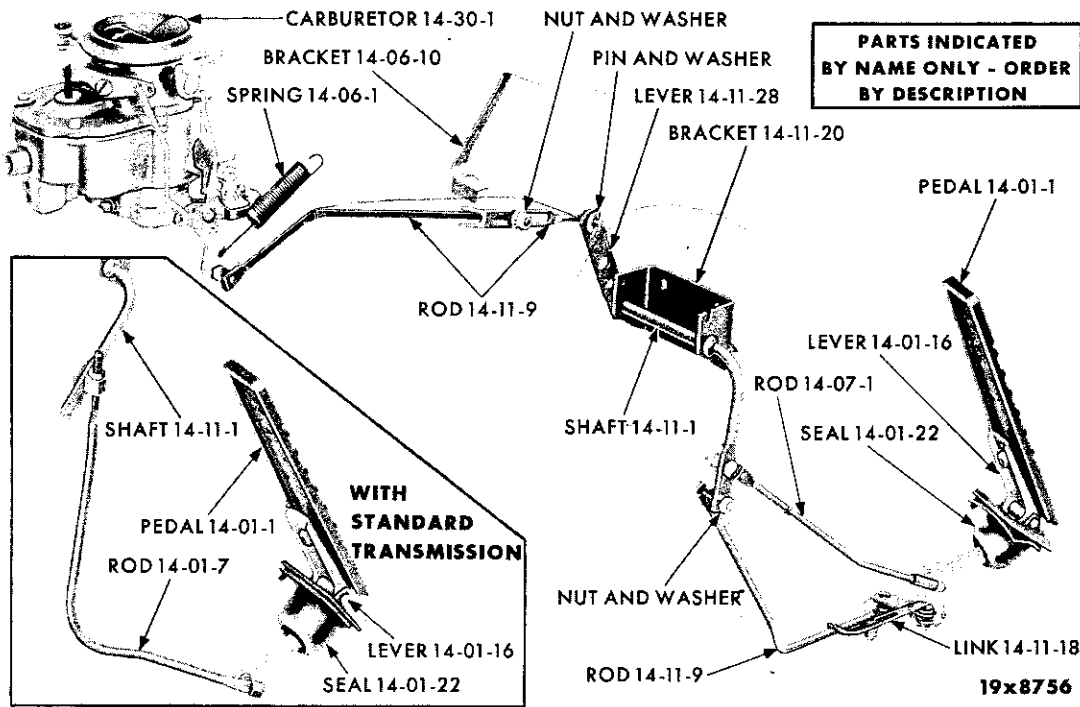
**THROTTLE LINKAGE - VALIANT RV1**



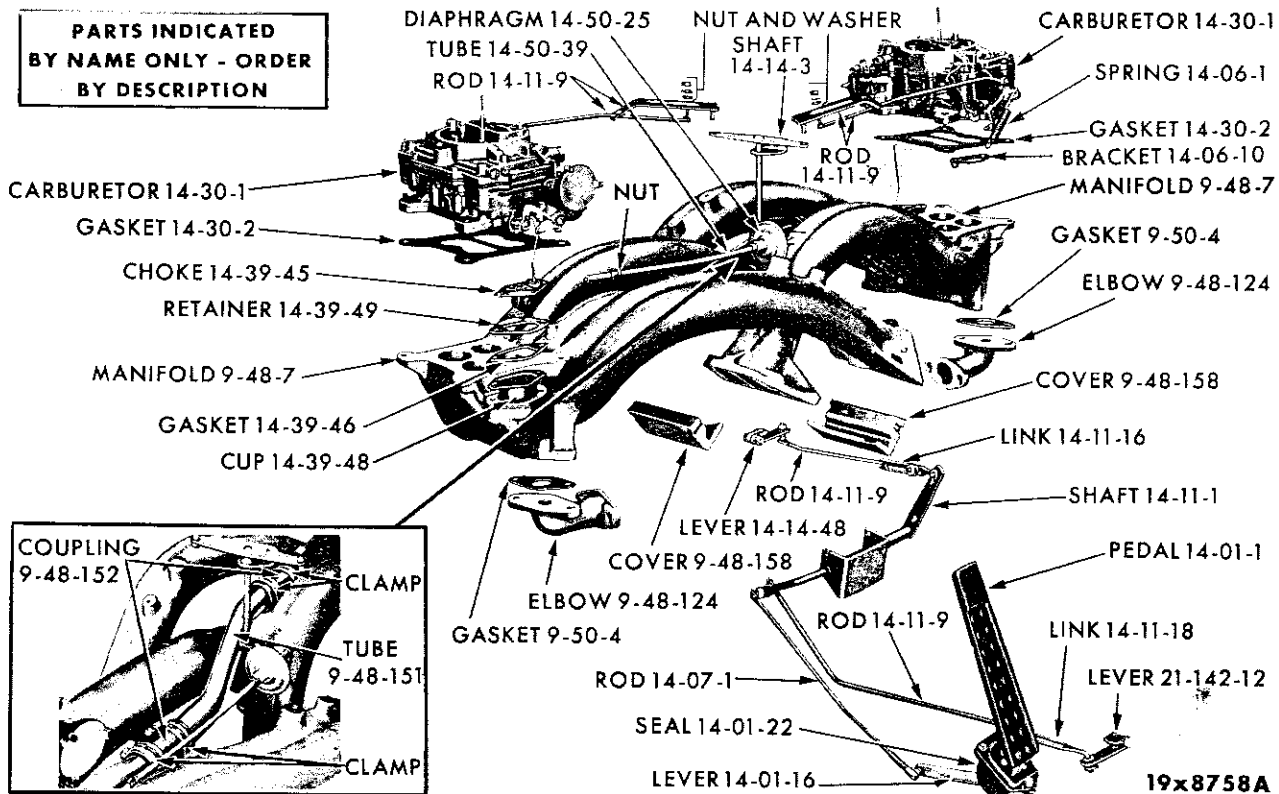
**WITH STANDARD TRANSMISSION**

19x8759

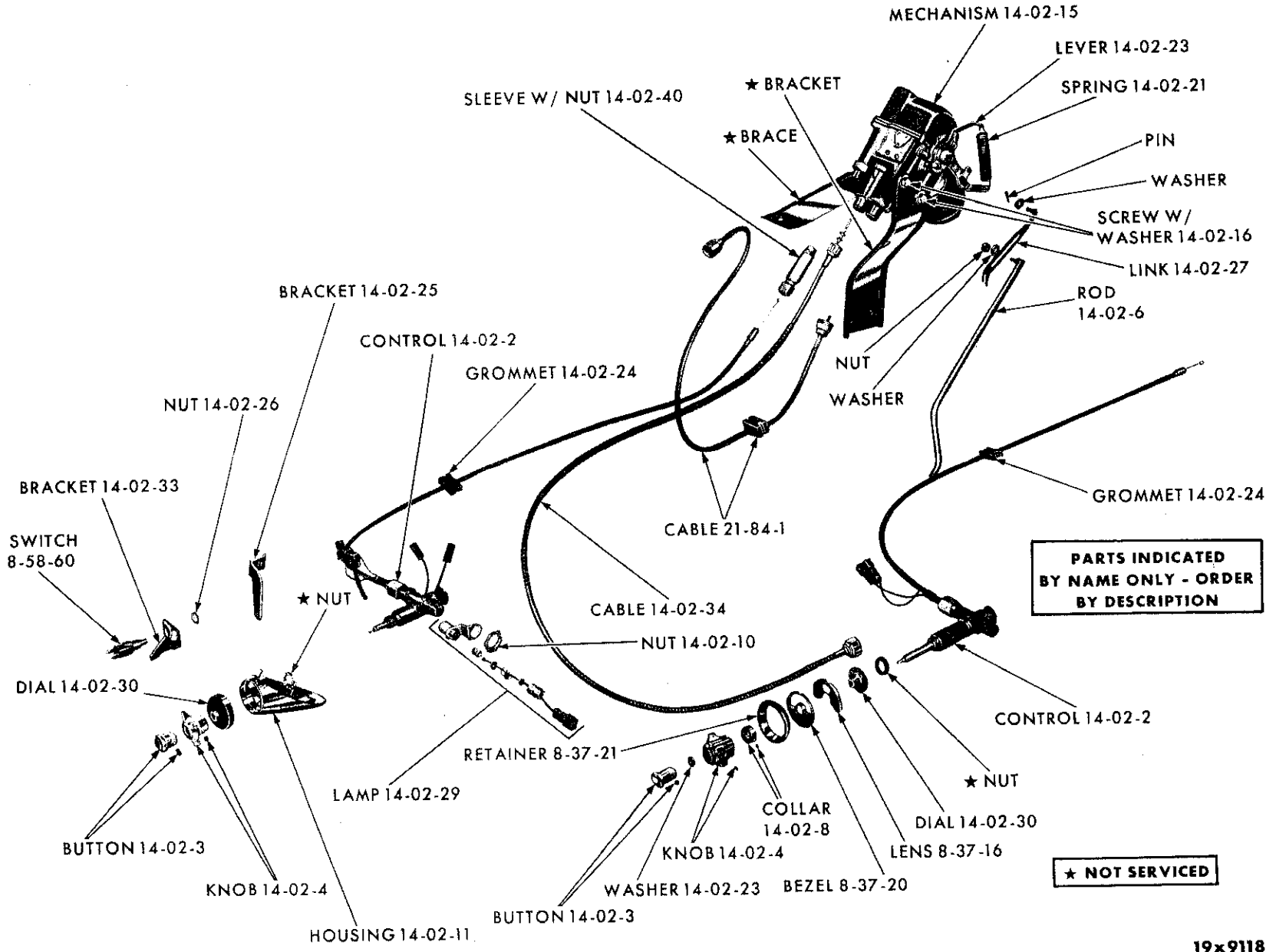
**THROTTLE LINKAGE - 6 CYLINDER (EXCEPT VALIANT RV1)**



THROTTLE LINKAGE - V8 CYLINDER (EXCEPT WITH RAM MANIFOLD)



THROTTLE LINKAGE - V8 CYLINDER (WITH RAM MANIFOLD)



PARTS INDICATED BY NAME ONLY - ORDER BY DESCRIPTION

\* NOT SERVICED

AUTO PILOT SYSTEM

19x9118



CODE	PART NAME AND DESCRIPTION	CY L.	PER CAR	VALIANT	PLYMOUTH	DESOTO	CHRYSLER	IMPERIAL
<b>14-01-0 ACCELERATOR PEDAL</b>								
14-01-1	PEDAL . . . . .		1	1947 812	2121 967	2121 967	2121 967	2128 664
14-01-3	SHIELD, Pedal . . . . .	6	1	2129 305				
14-01-8	CLIP, Pedal Hinge Pin . . . . .	6	1	1947 818				
14-01-12	PIN, Pedal Hinge . . . . .	6	1	1947 817				
14-01-15	BRACKET, Pedal . . . . .	6	1	1947 815				
14-01-16	LEVER, Pedal . . . . .		1	-----	1947 311	1947 311	1947 311	1858 704
14-01-22	SEAL, Lever . . . . .		1	-----	1947 415	1947 415	1947 415	1947 415
14-01-23	SCREW, Hinge Bracket Mounting	6	2	1947 301				
14-01-30	BUSHING, Pedal Bracket . . . . .	6	1	1859 768				
14-01-31	INSULATOR, Pedal Bracket Sound . . . . .	6	1	1859 767				
<b>14-02-0 AUTOMATIC PILOT</b>								
14-02-1	AUTO. PILOT PACKAGE . . . . .	8	1	-----	-----	-----	2290 057	2257 581
14-02-2	CONTROL . . . . .	8	1	-----	-----	-----	1887 792	2197 152
14-02-3	BUTTON, Control Reset . . . . .	8	1	-----	-----	-----	1972 902	2197 155
14-02-4	KNOB, Control . . . . .	8	1	-----	-----	-----	1887 798	2256 222
14-02-5	INSULATOR and TERMINAL PACKAGE, Control Lamp . . . . .	8	1	-----	-----	-----	1843 226	1843 226
14-02-6	ROD, Accelerator Shaft to Auto. Pilot . . . . .	8	1	-----	-----	-----	*2121 936	
14-02-7	LEVER, Accelerator Shaft to Auto. Pilot . . . . .	8	1	-----	-----	-----	2121 935	
14-02-8	COLLAR, Control Knob . . . . .	8	1	-----	-----	-----	-----	2198 361
14-02-10	NUT, Control Lamp Bracket . . . . .	8	1	-----	-----	-----	6008 070	
14-02-11	HOUSING, Control . . . . .	8	1	-----	-----	-----	2291 148	
14-02-12	BALL STUD, Accelerator Shaft Lever . . . . .	8	1	-----	-----	-----	1858 936	
14-02-15	MECHANISM, Drive . . . . .	8	1	-----	-----	-----	2257 989	2257 989
14-02-16	SCREW, w/WASHER, Auto Pilot Mounting . . . . .	8	2	-----	-----	-----	6010 019	
	Auto. Pilot to Fender Shield . . . . .	8	4	-----	-----	-----	6012 068	
14-02-23	WASHER, Reset Button . . . . .	8	1	-----	-----	-----	1972 906	1972 906
14-02-24	GROMMET, Control . . . . .	8	1	-----	-----	-----	2097 816	2097 816
14-02-25	BRACKET, Brake Pedal Cutout, w/Power Brakes . . . . .	8	1	-----	-----	-----	2123 126	
	w/o Power Brakes . . . . .	8	1	-----	-----	-----	2123 113	
14-02-26	NUT, Brake Switch Mounting . . . . .	8	1	-----	-----	-----	1886 313	1886 313
14-02-27	LINK, Accelerator Shaft to Auto. Pilot Rod Adjusting . . . . .	8	1	-----	-----	-----	2121 934	
14-02-28	STUD, Control Housing Mounting	8	★	-----	-----	-----	6010 020	
14-02-29	LAMP, Control . . . . .	8	1	-----	-----	-----	2097 471	2257 272
14-02-30	DIAL, Control . . . . .	8	1	-----	-----	-----	1887 794	2197 156
	SCREW . . . . .		2	-----	-----	-----	162 782	
14-02-32	SWITCH, Brake, Mechanical . . . . .	8	1	-----	-----	-----	1885 974	1885 974
	Hydraulic . . . . .	8	1	-----	-----	-----	1886 288	1886 288
	TEE . . . . .	8	1	-----	-----	-----	444 134	444 134
14-02-33	BRACKET, Cutout Switch . . . . .	8	1	-----	-----	-----	1850 879	
14-02-34	CABLE, Drive Mechanism . . . . .	8	1	-----	-----	-----	1887 908	1887 908
14-02-40	SLEEVE, w/NUT, Control . . . . .	8	1	-----	-----	-----	1881 965	1881 965
14-02-70	SCREW, Auto. Pilot Calibration Adjusting . . . . .	8	2	-----	-----	-----	2256 702	2256 702
<b>14-06-0 ACCELERATOR PEDAL RETURN SPRING</b>								
14-06-1	SPRING . . . . .	6	1	1312 131				
	w/Std. Trans., w/Governor . . . . .	6	1	-----	2129 861			
	w/Auto. Trans., w/Governor . . . . .	6	1	-----	*1312 131			
	w/or w/o Auto. Trans., w/o Governor . . . . .	6	1	-----	*1312 131			
	w/or w/o Auto. Trans., Std. . . . .	8	1	-----	1859 989			

\* Indicates use as required.

Numerals in parentheses ( ) refer to notes.

Printed in U.S.A.

□ Indicates parts not listed in any previous parts book.

Prices and specifications subject to change without notice.

\* Indicates change or addition.

CODE	PART NAME AND DESCRIPTION	CYL	PER CAR	VALIANT	PLYMOUTH	DESOTO	CHRYSLER	IMPERIAL
<b>14-06-0 ACCELERATOR PEDAL RETURN SPRING - Cont'd</b>								
14-06-1	SPRING - Cont'd w/or w/o Auto. Trans., PP2 High Performance and Police Car, w/1-4 Barrel Carburetor, Painted Silver . . . . .	8	1	-----	1856 580	1856 580	1856 580	1856 580
	w/or w/o Auto. Trans., PP2 High Performance and Police Car, w/1-4 Barrel Carburetor, Painted Purple . . . . .	8	1	-----	2264 382	2264 382	2264 382	2264 382
	w/Std. Trans. and Ram Manifold, w/2-4 Barrel Carburetors, High Performance and Police Car . . . . .	8	1	-----	1320 133			
	w/Auto. Trans. and Ram Manifold, w/2-4 Barrel Carburetors, RP2, High Performance and Police Car, RS3, RC4 . . . . .	8	1	-----	1320 133	1320 133	1320 133	
14-06-10	BRACKET, Spring . . . . .	6	1	2128 776	2128 776			
	w/or w/o Auto. Trans., Std. . . . .	8	1	-----	1858 706			
	w/or w/o Auto. Trans., and 1-4 Barrel Carburetor, RP2 High Performance and Police Car. . . . .	8	1	-----	1827 999	1827 999	1827 999	1827 999
	w/or w/o Auto. Trans., w/Ram Manifold and 2-4 Barrel Carburetors, RP2 Police Car, RS3, RC4 . . . . .	8	1	-----	2129 668	2129 668	2129 668	
<b>14-07-0 ACCELERATOR PEDAL TO ACCELERATOR SHAFT ROD</b>								
14-07-1	ROD. . . . .	6	1	2120 795				
	Taxi, w/GOVERNOR. . . . .	6	1	E2264 059				
	w/Std. Trans. . . . .	8	1	-----	2203 123			
	w/Auto. Trans. . . . .	8	1	-----	1859 396			
	w/Std. Trans. and 1-4 Barrel Carburetor, RP2 High Performance and Police Car, RC1 . . . . .	8	1	-----	2203 123	-----	2203 123	
	w/Auto. Trans. and 1-4 Barrel Carburetor, RP2 High Performance and Police Car . . . . .	8	1	-----	1859 396	1859 396	1859 396	1858 576
	w/Std. Trans. and Ram Manifold w/2-4 Barrel Carburetors, RP2 Police Car . . . . .	8	1	-----	2203 123			
	w/Auto. Trans. and Ram Manifold, w/2-4 Barrel Carburetors, RP2 Police Cars, RS3, RC4 . . . . .	8	1	-----	1859 396	1859 396	1859 396	
14-07-5	CLIP, Accelerator Pedal to Accelerator Shaft Rod, RC1. . . . .	8	1	-----	1137 669	1137 669	1137 669	
14-07-7	WASHER, Pedal to Shaft Rod, RC1	1	1	-----	631 217	-----	631 217	
14-07-15	SPRING, Rod . . . . .	6	1	2128 417				
<b>14-11-0 ACCELERATOR SHAFT</b>								
14-11-1	SHAFT, w/or w/o Auto. Trans., w/Governor . . . . .	6	1	-----	2129 849			
	w/or w/o Auto. Trans., w/o Governor . . . . .	6	1	-----	2128 495			
	Except Ram Manifold . . . . .	8	1	-----	2205 885	2205 885	2205 885	1858 892
	w/Ram Manifold . . . . .	8	1	-----	2206 177	2206 177	2206 177	
	w/Auto. Pilot . . . . .	8	1	-----	-----	-----	-----	1859 991
14-11-3	CLIP, Accelerator Shaft to Bell Crank Rod . . . . .	6	1	2120 878				
14-11-4	SEAL, Shaft . . . . .	6	1	2128 474				
	Taxi, w/GOVERNOR . . . . .	6	1	E2264 167				
14-11-5	WASHER, Shaft . . . . .	8	1	-----	6012 072	6012 072	6012 072	

★ Indicates use as required. Numerals in parentheses ( ) refer to notes. Printed in U.S.A.  
 ☐ Indicates parts not listed in any previous parts book. Prices and specifications subject to change without notice.  
 March 1, 1962 Supersedes Jan. 6, 1961. Page 14-6 \* Indicates change or addition.



CODE	PART NAME AND DESCRIPTION	CYL.	PER CAR	VALIANT	PLYMOUTH	DESOTO	CHRYSLER	IMPERIAL
<b>14-11-0 ACCELERATOR SHAFT - Cont'd</b>								
14-11-9	ROD, Shaft to Bell Crank. . . .	6	1	2203 235				
	Shaft to Bell Crank, w/GOVERNOR, Taxi. . . . .	6	1	E2264 057				
	Bell Crank to Trans., w/STUD	6	1	2120 814				
	Bell Crank to Trans., w/SLOT. .	6	1	2202 428				
	Bell Crank to Throttle Torque Shaft, w/Governor . . . . .	6	1	----	2203 264			
	Bell Crank to Throttle Torque Shaft, w/o Governor . . . . .	6	1	----	2202 445			
	Bell Crank to Trans., w/STUD	6	1	----	2128 505			
	Bell Crank to Trans., w/SLOT. .	6	1	----	2202 428			
	Shaft to Carburetor, w/STUD. .	8	1	----	----	----	----	1859 995
	Shaft to Carburetor, w/STUD, 10 1/4" long . . . . .	8	1	----	2203 092	2203 092	2203 092	
	Shaft to Carburetor, w/STUD, 10 3/4" long . . . . .	8	1	----	2120 968	2120 968	2120 968	
	Shaft to Carburetor, w/SLOT. .	8	1	----	2120 980	2120 980	2120 980	1859 996
	Shaft to Trans., w/STUD, w/PowerFlite, RS1 . . . . .	8	1	----	1859 868	1859 868		
	Shaft to Trans., w/STUD, w/Auto. 3 Speed Trans. . . . .	8	1	----	2202 790	2202 790	2202 790	2202 790
	Shaft to Trans., w/SLOT. . . . .	8	1	----	2129 611	2129 611	2129 611	2129 611
	Shaft to Throttle Shaft Lever, w/Ram Manifold, RP2 Police Car, RS3, RC4 . . . . .	8	1	----	2121 159	2121 159	2121 159	
	Bell Crank to Carburetor, w/STUD, w/Ram Manifold, RP2 Police Car, RS3, RC4 . .	8	1	----	2128 757	2128 757	2128 757	
	Bell Crank to Carburetor, w/SLOT, w/Ram Manifold, RP2 Police Car, RS3, RC4 . .	8	1	----	2129 569	2129 569	2129 569	
14-11-14	SWIVEL, Shaft to Accelerator Pedal Rod, w/Std. Trans., RC1		1	----	2202 379	2202 379	2202 379	
14-11-18	LINK, Shaft to Trans. Adjusting	8	1	----	2129 611	2129 611	2129 611	2129 611
	Bell Crank to Trans. . . . .	6	1	----	2202 428			
14-11-20	BRACKET, Shaft . . . . .		1	2120 799				1734 030
	Shaft Support . . . . .		1	E2264 060	E2205 820	E2205 820	E2205 820	E2205 820
	BRACKET, Shaft Engine . . . .	8	1	----	E2205 794	2205 797	2205 797	
	Shaft Engine, High Performance	8	1	----	*2205 797			
	Shaft Eng., w/Std. Trans. . . .	8	1	----	2206 121			
	Shaft Engine, w/Ram Manifold .	8	1	----	2206 179		2206 179	
14-11-23	SCREW, Shaft Bracket Tapping.		3	*1947 301	1947 301	1947 301	1947 301	
14-11-25	PLATE, Shaft Bracket Stud Retainer . . . . .	8	1	----	----	----	----	1734 028
14-11-28	LEVER, Shaft Rear . . . . .	6	1	2120 797				
	Intermediate . . . . .	6	1	2128 778				
	Throttle Torque Shaft . . . . .	6	1	----	2128 777			
	Shaft . . . . .	8	1	----	----	----	----	1859 994
14-11-29	BUSHING, Shaft Seal . . . . .	6	1	2120 525				
	Shaft Bell Crank . . . . .	6	1	----	1859 768			
	Shaft Lever . . . . .	8	1	----	1859 768	1859 768	1859 768	1859 768
	Shaft Eng. Bracket . . . . .	8	1	----	2206 408	2206 408	2206 408	
14-11-30	INSULATOR, Shaft Sound . . . .	6	1	2128 347	2203 349			
	Shaft Bell Crank . . . . .	6	1	----	1859 767			
	Throttle Torque Shaft . . . . .	6	1	2128 347	2128 347			
	Shaft Lever. . . . .	8	1	----	1859 767	1859 767	1859 767	1859 767
14-11-33	BUSHING, Accelerator Shaft Seal	6	1	2120 525	2120 525			
14-11-34	RING, Shaft Retaining . . . . .	8	1	----	1936 051	1936 051	1936 051	
14-11-38	SHAFT, Throttle Torque . . . . .	6	1	----	2129 961			
14-11-48	SEAL, Shaft Bracket . . . . .	8	1	----	----	----	----	1827 773
<b>14-13-0 THROTTLE LINKAGE BALL STUD OR BALL JOINT</b>								
14-13-1	BALL STUD, Accelerator Shaft Lever . . . . .		1	1858 936	1858 936	1858 936	1858 936	
	Accelerator Shaft . . . . .	6	1	1858 936				

★ Indicates use as required. Numerals in parentheses ( ) refer to notes. Printed in U.S.A.  
 □ Indicates parts not listed in any previous parts book. Prices and specifications subject to change without notice.  
 \* Indicates change or addition. March 1, 1962 Supersedes Jan. 6, 1961.



CODE	PART NAME AND DESCRIPTION	C Y L.	PER CAR	VALIANT	PLYMOUTH	DESOTO	CHRYSLER	IMPERIAL
<b>14-13-0 THROTTLE LINKAGE BALL STUD OR BALL JOINT - Cont'd</b>								
14-13-1	BALL STUD - Cont'd							
	Accelerator Shaft, Taxi . . . . .	6	1	*2128 636				
	Throttle Torque Shaft . . . . .	6	1	----	1858 936			
	Accelerator Shaft, Double Ball		1	----	1859 779	1859 779	1859 779	
	Accelerator Pedal Lever . . . . .	8	1	----	2128 636	2128 636	2128 636	
	Carburetor Lever . . . . .	8	1	----	1858 936	1858 936	1858 936	
	Shaft to Trans. Rod . . . . .	8	1	----	----	----	----	1858 936
	BALL JOINT, Accelerator Pedal to Accelerator Shaft Rod . . . . .	8	1	----	----	----	----	1617 187
14-13-3	CLIP, Ball Stud, Snap on Type . . . . .		★	2121 571	2121 571	2121 571	2121 571	2121 571
14-13-5	RETAINER, Ball Stud, Threaded Type . . . . .		★	1945 197	1945 197	1945 197	1945 197	1945 197
<b>14-14-0 THROTTLE CONTROL BELL CRANK</b>								
14-14-1	BELL CRANK . . . . .	6	1	2203 239				
14-14-3	SHAFT, Intake Manifold Throttle w/Ram Manifold . . . . .	8	1	----	2121 745	2121 745	2121 745	
14-14-4	PLATE, Bell Crank Tapping . . . . .	6	1	2121 694				
14-14-8	PIN, Bell Crank . . . . .	6	1	2120 811				
14-14-12	BRACKET, Bell Crank Mounting	6	1	2203 240				
14-14-41	PLATE, Bell Crank Tapping	6	1	2121 694				
14-14-42	SCREW, Bell Crank Tapping Plate . . . . .	6	3	2202 583				
14-14-47	BUSHING, Intake Manifold Throttle Shaft, w/Ram Manifold	8	2	----	1947 542	1947 542	1947 542	
14-14-48	LEVER, Intake Manifold Throttle Shaft, w/Ram Manifold . . . . .	8	1	----	1947 544	1947 544	1947 544	
14-14-49	EXTENSION, Intake Manifold Throttle Shaft Lever, w/Ram Manifold . . . . .	8	1	----	2206 030	2206 030	2206 030	
14-14-56	BUSHING, Bell Crank . . . . .	6	1	1859 768				
14-14-57	INSULATOR, Bell Crank Sound	6	1	1859 767				
<b>14-29-0 CARBURETOR AIR CLEANER</b>								
14-29-2	AIR CLEANER, Dry Type,							
	11 3/4" dia. . . . .	6	1	1947 726	1947 726			
	Dry Type, 11 1/8" dia. . . . .	6	1	2206 485	22279 891			
	Oil Bath Type, w/o Governor . . . . .	6	1	2128 805	2128 805			
	Oil Bath Type, w/Governor . . . . .	6	1	1859 750	1859 750			
	Dry Type, w/2 Barrel Carburetor, 3 3/4" high . . . . .	8	1	----	2206 254			
	Oil Bath Type, w/2 Barrel Carburetor, Export . . . . .	8	1	----	2129 383			
	w/Power Package, and 4 Barrel Carburetor . . . . .	8	1	----	1945 185			
	w/4 Barrel Carburetor, High Performance and Police Car, Painted Black . . . . .	8	1	----	1947 364			
	w/2-4 Barrel Carburetor and Ram Manifold, Police Car. . . . .	8	2	----	2120 633			
	w/2 Barrel Carburetor, RC1, RC2	8	1	----	----	1945 543	1945 543	
	w/4 Barrel Carburetor, RC3. . . . .	8	1	----	----	----	1945 543	1945 543
	w/4 Barrel Carburetor, High Performance . . . . .	8	1	----	----	1945 543		
	w/2-4 Barrel Carburetor, and Ram Manifold, RS3, RC4 . . . . .	8	2	----	----	2120 633	2120 633	
14-29-3	GASKET, Oil Chamber, w/Oil Bath Cleaner, Export . . . . .	8	1	----	1821 144			
	Filter to Adapter, w/Oil Bath Cleaner, Export . . . . .	8	1	----	2128 661			

★ Indicates use as required.

Numerals in parentheses ( ) refer to notes.

Printed in U.S.A.

□ Indicates parts not listed in any previous parts book.

Prices and specifications subject to change without notice.

March 1, 1962 Supersedes May 31, 1961.

Page 14-8

\* Indicates change or addition.

CODE	PART NAME AND DESCRIPTION	C Y L.	PER CAR	VALIANT	PLYMOUTH	DESOTO	CHRYSLER	IMPERIAL
<b>14-29-0 CARBURETOR AIR CLEANER - Cont'd</b>								
14-29-5	GASKET, w/o Governor . . . .	6	1	1947 797	1947 797			
	w/Governor, Oil Bath Type. . .	6	1	----	2129 000			
	w/2 Barrel Carburetor . . . . .	8	1	----	1326 847			
	w/4 Barrel Carburetor . . . . .	8	1	----	1821 170			
	w/Oil Bath Cleaner . . . . .	8	1	----	1326 847			
		8	1	----	----	1821 170	1821 170	1821 170
14-29-6	FILTER, w/Dry Type Cleaner, use w/1947 726 Cleaner . . .	6	1	1739 548	1739 548			
	w/Dry Type Cleaner, use w/2206 485 Cleaner . . . . .	6	1	2206 376	2206 376			
	w/Dry Type Cleaner . . . . .	8	1	----	1739 547			
	w/Oil Bath Cleaner . . . . .	8	1	----	2129 384			
	RP2 High Performance and Police Car, RS1, High Performance . . . . .	8	1	----	1851 493	1851 493		
		8	1	----	----	E2203 311	E2203 311	E2203 311
	w/Ram Manifold . . . . .	8	1	----	2120 634	2120 634	2120 634	
14-29-10	ADAPTER, w/Oil Bath Cleaner, w/Governor . . . . .	6	1	*2129 000	*2129 000			
	w/Oil Bath Cleaner . . . . .	8	1	----	E2128 660			
14-29-12	BRACKET, Steady, w/Oil Bath Cleaner, w/Governor . . . . .	6	1	----	2129 562			
14-29-15	CLAMP, w/Dry Type Cleaner. .	6	1	2129 597	2129 597			
	w/Oil Bath Cleaner . . . . .	6	1	1947 798	1947 798			
14-29-33	STUD, to Carburetor . . . . .	8	★	----	1826 286	1826 286	1826 286	1826 286
14-29-44	SPACER, Steady Bracket, w/Governor . . . . .	6	1	----	2129 856			

**14-30-0 CARBURETOR**

MODEL	USE WITH TRANSMISSION	CARBURETOR STAMPED	PART NUMBER
14-30-1	<b>CARBURETOR ASSEMBLIES</b>		
RV1	ALL	3093S	2202 408
RV1 Taxi	ALL	3097S	2202 412
RV1 Taxi, California Only	ALL	3129S	2202 886
RV1, California Only	ALL	3127S	2202 884
RP1, w/225 cu. in. Eng.	ALL	3098S	2202 413
RP1 Taxi, w/170 or 225 cu. in. Eng.	ALL	3097S	2202 412
RP1, w/225 cu. in. Eng., Domestic, California Only	ALL	3128S	2202 885
RP1 Taxi, w/170 or 225 cu. in. Eng., California Only	ALL	3129S	2202 886
RP2, w/318 cu. in. Eng., 2 Barrel, Detroit and Valley Park Built	ALL	2921S	2120 048
RP2, w/318 cu. in. Eng., 2 Barrel, Newark and L. A. Built	STANDARD	WW15-43	2121 779
RP2, w/318 cu. in. Eng., 2 Barrel, Newark and L. A. Built	AUTOMATIC	WW15-44	2121 780
RP2, w/318 cu. in. Eng., 2 Barrel, Domestic, L. A. Built	ALL	WW15-45	2202 887
RP2, w/Power Package, w/318 cu. in. Eng., 4 Barrel, Package	AUTOMATIC	3103S	E2275 264
RP2, w/Power Package, w/318 cu. in. Eng., 4 Barrel, Domestic, L. A. Built, w/Closed Vent	AUTOMATIC	3131S	*2202 889
RP2 High Performance, w/361 cu. in. Eng., 1-4 Barrel, Package	ALL	3105S	E2275 267
RP2 Police Car, w/383 cu. in. Eng., 1-4 Barrel, Package	ALL	3105S	E2275 267

★ Indicates use as required.

Numerals in parentheses ( ) refer to notes.

Printed in U.S.A.

⊠ Indicates parts not listed in any previous parts book.

\* Indicates change or addition.

Prices and specifications subject to change without notice.

March 1, 1962 Supersedes May 31, 1961.

14-30-0 CARBURETOR - Cont'd

MODEL	USE WITH TRANSMISSION	CARBURETOR STAMPED	PART NUMBER
14-30-1 CARBURETOR ASSEMBLIES - Cont'd RP2 Police Car, w/383 cu. in. Eng., California Only, 1-4 Barrel	AUTOMATIC	3133S	2202 891
	STANDARD	3140S	2203 126
RP2 High Performance, w/361 cu. in. Eng., California Only, 1-4 Barrel	AUTOMATIC	3133S	2202 891
RP2 High Performance, w/361 cu. in. Eng., California Only, 1-4 Barrel	AUTOMATIC	3133S	2202 891
RP2 Police Car, w/383 cu. in. Eng. and Ram Manifold, 2-4 Barrel	AUTOMATIC	2903S	1947 809
RS1, w/361 cu. in. Eng., 2 Barrel	ALL	3-188	1947 841
RS1, w/Power Package w/383 cu. in. Eng., 1-4 Barrel	ALL	3152S	*2205 730
RS1, w/361 cu. in. Eng., 4 Barrel, California Only	AUTOMATIC	3133S	*2202 891
RS1, w/361 cu. in. Eng., California Only, 2 Barrel	AUTOMATIC	3132S	*2202 890
RS1, w/383 cu. in. Eng., California Only, 4 Barrel	AUTOMATIC	3133S	*2202 891
RC1, w/361 cu. in. Eng., 2 Barrel	ALL	3-188	1947 841
RC1, w/361 cu. in. Eng., 2 Barrel, California Only	AUTOMATIC	3132S	2202 890
RC2, w/383 cu. in. Eng., 2 Barrel	AUTOMATIC	2923S	2120 050
RC2, w/383 cu. in. Eng., 2 Barrel, California Only	AUTOMATIC	3132S	2202 890
RC3, RY1, w/413 cu. in. Eng., 1-4 Barrel	AUTOMATIC	3108S	2202 423
RC3, RY1, w/413 cu. in. Eng., 1-4 Barrel, California Only	AUTOMATIC	3134S	2202 892
RC4, w/413 cu. in. Eng. and Ram Manifold, 2-4 Barrel	AUTOMATIC	2903S	1947 809

NOTE: For further Carburetor Service Parts see the following Charts.

PART TYPE CODE	SERVICE PARTS	CARBURETOR ASSEMBLIES						
		1947 809 2903S	1947 841 3-188	2120 048 2921S	2120 050 2923S	2121 208 2968S	2121 779 WW15-43	2121 780 WW15-44
14-30-2	GASKET, Flange . . . . .	1947 810	1822 051	1634 701	1822 051	2121 954	1634 701	1634 701
14-30-4	REPAIR PACKAGE . . . . .	2084 196	2084 725	E2240 496	2084 188	2084 198	2240 455	2240 457
14-30-7	GASKET PACKAGE . . . . .	2084 200	2084 728	1826 511	2084 192	2196 212	1631 368	E2275 255
14-30-8	NEEDLE, w/SEAT, Float . . . .	2196 207	*2240 436	*2240 410	1826 833	2196 207	2240 436	2240 436
14-30-27	STRAINER, Fuel Inlet . . . . .	1826 864	-----	-----	-----	1826 864	-----	-----
14-30-28	NUT, Fuel Inlet Strainer . . . .	1826 863	-----	-----	-----	1826 863	-----	-----
14-35-1	JET, Main Metering, Std. . . . .	-----	2084 729	1618 220	2196 203	-----	1553 087	1553 086
	1 Size Lean . . . . .	-----	2240 400	-----	E2240 485	-----	1553 086	1631 702
	Primary . . . . .	1400 857	-----	-----	-----	1400 857	-----	-----
	Secondary . . . . .	1610 759	-----	-----	-----	1676 717	-----	-----

★ Indicates use as required.

Numerals in parentheses ( ) refer to notes.

Printed in U.S.A.

E Indicates parts not listed in any previous parts book.

Prices and specifications subject to change without notice.

Jan. 6, 1961 Supersedes Oct. 3, 1960.

\* Indicates change or addition.

**14-30-0 CARBURETOR - Cont'd**

CARBURETOR ASSEMBLIES - Cont'd

NOTE: For further Carburetor Service Parts see the following Charts.

PART TYPE CODE	SERVICE PARTS	CARBURETOR ASSEMBLIES						
		1947 809 2903S	1947 841 3-188	2120 048 2921S	2120 050 2928S	2121 208 2968S	2121 779 WW15-43	2121 780 WW15-44
14-35-6	JET, Power By-Pass . . . . .	----	2084 731	----	----	----	2240 454	2275 262
14-35-8	JET, Main Discharge . . . . .	----	----	----	----	----	1631 353	1631 353
14-39-45	CHOKE . . . . .	1947 811	1947 842	1737 780	1858 523	2121 957	1852 020	1852 020
14-41-3	PLUNGER, w/ROD, Pump . . .	2196 208	2084 730	2084 163	1826 607	1826 369	2084 733	2084 733
14-43-5	ROD, Step-Up . . . . .	2084 184	----	1826 886	2240 492	2084 202	----	----

NOTE: For further Carburetor Service Parts see the following Charts.

PART TYPE CODE	SERVICE PARTS	CARBURETOR ASSEMBLIES						
		2202 408 3093S	2202 409 3094S	2202 412 3097S	2202 413 3098S	2202 414 3099S	2202 418 3103S	2202 420 3105S
14-30-2	GASKET, Flange . . . . .	Note 1	Note 1	Note 1	Note 1	Note 1	2121 953	2121 952
14-30-4	REPAIR PACKAGE . . . . .	2196 216	2196 217	2196 246	2240 486	2240 408	2275 251	2275 253
14-30-7	GASKET PACKAGE . . . . .	2196 221	2196 221	2196 221	2196 222	2196 222	2196 211	2196 209
14-30-8	NEEDLE, w/SEAT, Float . . . .	2240 401	2240 401	2240 401	2240 401	2240 401	2196 207	2196 207
14-30-27	STRAINER, Fuel Inlet . . . . .	----	----	----	----	----	1826 864	1826 864
14-30-28	NUT, Fuel Inlet Strainer . . . .	----	----	----	----	----	1826 863	1826 863
14-35-1	JET, Main Metering, Std. . . . .	1618 219	1618 219	1618 218	1610 882	1610 882	----	----
	1 Size Lean . . . . .	1618 218	1618 218	1618 157	1618 222	1618 221	----	----
	Primary . . . . .	----	----	----	----	----	2240 464	2240 464
	Secondary . . . . .	----	----	----	----	----	1631 356	1676 770
14-39-45	CHOKE . . . . .	1947 765	1947 765	1947 765	1947 765	1947 765	2121 955	2121 956
14-41-3	PLUNGER, w/ROD, Pump . . . .	2196 214	2196 214	2196 214	2196 214	2196 214	1826 369	1826 369
14-43-5	ROD, Step-Up . . . . .	1553 141	2196 215	1553 141	1618 108	1826 848	2240 466	2275 252

NOTE: For further Carburetor Service Parts see the following Charts.

PART TYPE CODE	SERVICE PARTS	CARBURETOR ASSEMBLIES						
		2202 421 3106S	2202 423 3108S	2202 884 3127S	2202 885 3128S	2202 886 3129S	2202 887 WW15-45	2202 889 3131S
14-30-2	GASKET, Flange . . . . .	2121 952	1822 051	Note 2	Note 2	Note 2	1634 701	2121 953
14-30-4	REPAIR PACKAGE . . . . .	2240 498	2240 467	2240 468	2240 491	2240 471	2240 455	2240 465
14-30-7	GASKET PACKAGE . . . . .	2196 209	2196 212	2240 472	2240 470	2240 472	1631 368	2196 211
14-30-8	NEEDLE, w/SEAT, Float . . . .	2196 207	2196 207	2240 401	2240 401	2240 401	2240 436	2196 207
14-30-27	STRAINER, Fuel Inlet . . . . .	1826 864	1826 864	----	----	----	----	1826 864
14-30-28	NUT, Fuel Inlet Strainer . . . .	1826 863	1826 863	----	----	----	----	1826 863

NOTE 1: On Cars Not Equipped w/Anti-Smog Unit Use (1630 472)

NOTE 2: On Cars Equipped w/Anti-Smog Unit Use (2205 582)

\* Indicates use as required.

ⓑ Indicates parts not listed in any previous parts book.

\* Indicates change or addition.

Numerals in parentheses ( ) refer to notes.

Prices and specifications subject to change without notice.

Printed in U.S.A.

**14-30-0 CARBURETOR - Cont'd**

CARBURETOR ASSEMBLIES - Cont'd

NOTE: For further Carburetor Service Parts see the following Charts.

PART TYPE CODE	SERVICE PARTS	CARBURETOR ASSEMBLIES						
		2202 421 3106S	2202 423 3108S	2202 884 3127S	2202 885 3128S	2202 886 3129S	2202 887 WW15-45	2202 889 3131S
14-35-1	JET, Main Metering, Std. . . . .	----	----	1618 219	1610 882	1618 218	1553 087	----
	1 Size Lean . . . . .	----	----	1618 218	----	1618 157	1553 086	----
	Primary . . . . .	2240 464	2240 464	2240 642	2240 642	2240 642	----	2240 464
	Secondary . . . . .	1631 356	1676 770	----	----	----	----	1631 356
14-35-6	JET, Power By-Pass . . . . .	----	----	----	----	----	2240 454	----
14-35-8	JET, Main Discharge . . . . .	----	----	----	----	----	1631 353	----
14-39-45	CHOKE . . . . .	2121 956	1858 523	1947 765	1947 765	1947 765	1852 020	2121 955
14-41-3	PLUNGER, w/ROD, Pump . . . . .	1826 369	1826 369	2196 214	2196 214	2196 214	2084 733	1826 369
14-43-5	ROD, Step-Up . . . . .	2240 463	2240 466	1631 504	1610 806	1631 502	----	2240 473

NOTE: For further Carburetor Service Parts see the following Charts.

PART TYPE CODE	SERVICE PARTS	CARBURETOR ASSEMBLIES						
		2202 890 3132S	2202 891 3133S	2202 892 3134S	2203 126 3140S	2205 730 3152S		
14-30-2	GASKET, Flange. . . . .	1822 051	2121 952	2121 954	2121 952	2121 954	----	----
14-30-4	REPAIR PACKAGE . . . . .	2240 477	2240 480	2240 467	2240 475	2240 489	----	----
14-30-7	GASKET PACKAGE . . . . .	2240 473	2106 212	2106 212	2106 209	2106 212	----	----
14-30-8	NEEDLE, w/SEAT, Float . . . . .	2240 410	2196 207	2196 207	2196 207	2196 207	----	----
14-30-27	STRAINER, Fuel Inlet . . . . .	----	1826 864	1826 864	1826 864	1826 864	----	----
14-30-28	NUT, Fuel Inlet Strainer . . . . .	----	1826 863	1826 863	1826 863	1826 863	----	----
14-35-1	JET, Main Metering, Std. . . . .	2240 437	----	----	----	----	----	----
	Primary . . . . .	----	2240 464	2240 464	2240 464	2240 464	----	----
	Secondary . . . . .	----	2084 166	1676 770	1676 770	1676 692	----	----
14-39-45	CHOKE . . . . .	1858 523	2121 956	2121 957	2121 956	2121 957	----	----
14-41-3	PLUNGER, w/ROD, Pump . . . . .	1826 607	1826 369	1826 369	1826 369	1826 369	----	----
14-43-5	ROD, Step-Up . . . . .	2240 476	2240 479	2240 466	2240 474	2240 488	----	----

CODE	PART NAME AND DESCRIPTION	C Y L.	PER CAR	VALIANT	PLYMOUTH	DESOTO	CHRYSLER	IMPERIAL
<b>14-39-0 CARBURETOR CHOKE ATTACHING PARTS</b>								
14-39-46	GASKET, Choke Coil Well, w/Ram Manifold . . . . .	8	2	----	1947 731	1947 731	1947 731	
14-39-48	CUP, Coil Well, w/Ram Manifold . . . . .	8	2	----	1947 729	1947 729	1947 729	
14-39-49	RETAINER, Coil Well, w/Ram Manifold . . . . .	8	2	----	1947 730	1947 730	1947 730	

★ Indicates use as required. Numerals in parentheses ( ) refer to notes. Printed in U.S.A.  
 † Indicates parts not listed in any previous parts book. Prices and specifications subject to change without notice.  
 March 1, 1962 Supersedes Jan. 6, 1961. Page 14-12 \* Indicates change or addition.

CODE	PART NAME AND DESCRIPTION	CYL.	PER CAR	VALIANT	PLYMOUTH	DESOTO	CHRYSLER	IMPERIAL
<b>14-50-0 ANTI-STALL DIAPHRAGM</b>								
14-50-25	DIAPHRAGM, w/Ram Manifold	8	1	----	2128 762	2128 762	2128 762	
14-50-39	TUBING, 25 ft. rolls	8	*	----	1843 251	1843 251	1843 251	
<b>14-65-0 AUTOMATIC CHOKE TO CARBURETOR ROD CLIP</b>								
14-65-4	CLIP, Stamped D-L		1	1639 182	1639 182	1639 182	1639 182	1639 182
	Stamped D-R		1	1738 635	1738 635	1738 635	1738 635	1738 635
<b>14-67-0 FUEL FILTER</b>								
14-67-1	FILTER, Sealed Type		1	*2084 258	*2084 258	*2084 258	*2084 258	*2084 258
14-67-2	HOSE, Filter to Carburetor		*	*1739 230	*1739 230	*1739 230	*1739 230	*1739 230
	CLAMP		2	* 274 461	* 274 461	* 274 461	* 274 461	* 274 461
14-67-10	FILTER and HOSE PACKAGE, use on Cars Without Factory Installed Fuel Filters		1	----	2084 467	2084 467	2084 467	
<b>14-68-0 GOVERNOR</b>								
NOTE: To insure against delay in shipment of Governor DO NOT send orders to Chrysler Corporation. Enter orders direct to the following: Handy Division of King-Seeley Corporation, Ann Arbor, Michigan, U. S. A.								
14-68-3	GASKET, Governor	6	1	*2205 858	2205 858			
14-68-8	SPACER, Carburetor to Governor	6	1	*2205 857	2205 857			
<b>14-72-0 FUEL TANK GAUGE</b>								
14-72-1	GAUGE	6	1	2209 296				
	Except Sub., w/20 Gallon Tank		1	----	2240 549	2240 549		
	Except Sub., w/23 Gallon Tank		1	----	2240 547	----	2240 547	2240 547
	Sub.		1	----	2240 548	----	2240 548	
14-72-5	CLIP, Gauge Grounding		1	⊕2258 862	⊕2258 412	⊕2258 412	⊕2258 412	⊕2258 412
14-72-9	SEAL, Gauge		1	1948 757	1948 757	1948 757	1948 757	1948 757
14-72-32	INSULATOR and TERMINAL PACKAGE, Gauge Wire		1	1843 226	1843 226	1843 226	1843 226	1843 226
14-72-33	CABLE, w/TERMINAL and INSULATOR, 14 Gage, Blue.		*	----	2257 282	2257 282	2257 282	2257 282
	16 Gage, Red		*	----	2257 443	2257 443	2257 443	2257 443
	18 Gage, Brown		*	----	2257 444	2257 444	2257 444	2257 444
14-72-47	RETAINER, Gauge		1	1730 095	1730 095	1730 095	1730 095	1730 095
<b>14-73-0 FUEL PUMP</b>								
14-73-1	PUMP PACKAGE	6	1	⊕2279 914	⊕2279 914			
	w/o Air Cond.	8	1	----	1843 287			
	w/Air Cond.	8	1	----	1843 400			
	High Performance and Police Car	8	1	----	2275 573			
		8	1	----	----	2275 573	2275 573	2275 573
<b>14-74-0 FUEL PUMP MOUNTING</b>								
14-74-1	GASKET		1	1400 185	1400 185	1400 185	1400 185	1400 185
14-74-2	SCREW, RP2 High Performance and Police Car	8	2	----	579 719	579 719	579 719	579 719
<b>14-77-0 FUEL PUMP PUSH ROD</b>								
14-77-17	ROD, RP2 High Performance and Police Car	8	1	----	1737 745	1737 745	1737 745	1737 745
<b>14-86-0 FUEL TANK</b>								
14-86-1	TANK, except Sub.	6	1	2208 462				
	Sub.	6	1	2208 458				
	Except Sub., 20 Gallon		1	----	2123 641	2123 641		
	Except Sub., 23 Gallon		1	----	2123 642	----	2123 642	2123 623
	Sub., 21 Gallon		1	----	1944 200	----	1944 200	

\* Indicates use as required.

⊕ Indicates parts not listed in any previous parts book.

\* Indicates change or addition.

Numerals in parentheses ( ) refer to notes.

Printed in U.S.A.

Prices and specifications subject to change without notice.

March 1, 1962 Supersedes Jan. 6, 1961.



# 1961 PASSENGER CAR PARTS CATALOG

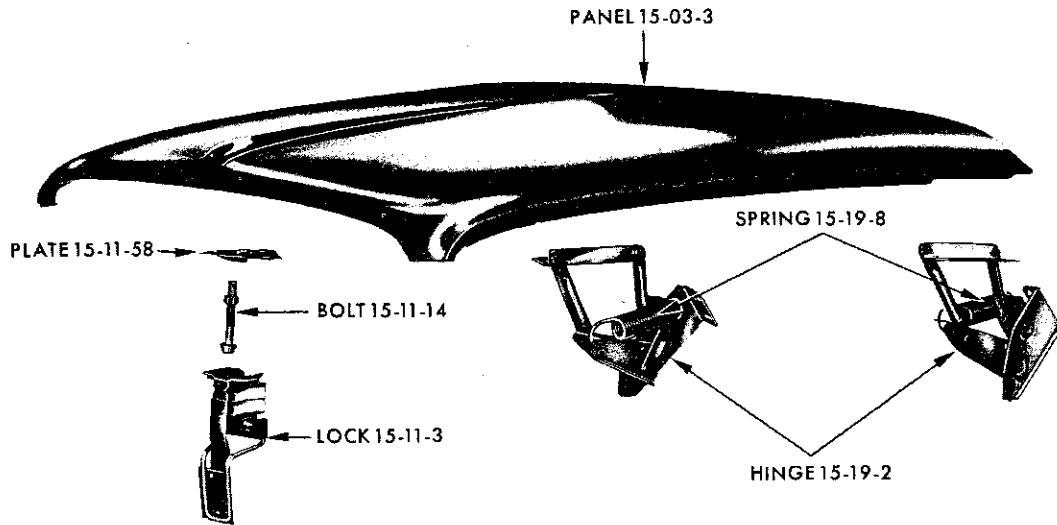
FUEL

CODE	PART NAME AND DESCRIPTION	C Y L.	PER CAR	VALIANT	PLYMOUTH	DESOTO	CHRYSLER	IMPERIAL
<b>14-86-0 FUEL TANK - Cont'd</b>								
14-86-13	PLUG, Drain . . . . .		1	----	1739 194	1739 194	1739 194	1739 194
14-86-24	SEAL, Drain Plug . . . . .		1	----	1739 196	1739 196	1739 196	1739 196
14-86-35	CAP PACKAGE, Filler Tube . .	6	1	2084 608				
	CAP, except Sub. . . . .		1	----	1948 749	1948 749	1948 749	1948 749
	Sub., Prime, Pkg. . . . .		1	----	2084 322	----	2084 322	
	Sub., Chrome, Pkg. . . . .		1	----	2240 235	----	2240 235	
14-86-40	TUBE, Filler, except Sub. . . .	6	1	2208 463				
	Sub. . . . .		1	2208 451	1944 208	----	1944 208	
		8	1	----	----	----	----	1948 734
14-86-42	GASKET, Filler Tube Cam . . .	6	1	2073 931				
14-86-50	TUBE, Fuel Vent Intermediate, Sub. . . . .	6	1	2073 944				
	Except Sub., Small Tube . . . .	6	1	B2208 467				
14-86-51	COUPLING, Vent Tube, Tank End, Sub. . . . .	6	1	2073 953				
	Top End, Sub. . . . .	6	1	2073 952				
14-86-53	SEAL, Filler Tube Floor Pan, Sub. . . . .	6	1	2208 456				
	Except Sub. . . . .		1	B2259 222				
14-86-55	GROMMET, Filler Tube . . . .	8	1	----	----	----	----	1948 741
14-86-57	HOSE, Vent Tube, except Sub.		1	1828 456	1828 456	1828 456	1828 456	1828 456
14-86-58	CLIP, Vent Tube, except Sub.	6	3	2123 640				
14-86-63	COUPLING, Filler Tube, Sub.	6	1	2073 951				
14-86-64	CLAMP, Floor Pan Fuel Tank Filler Tube Seal . . . . .	6	1	2082 304				
14-86-83	"O" RING, Filler Tube Sleeve, except Sub. . . . .	6	1	2073 938	----	----	----	1730 087
	Sub. . . . .		1	----	1730 087	----	1730 087	
14-86-85	FILTER, Inside of Tank . . . .		1	1670 694	1670 694	1670 694	1670 694	1670 694
<b>14-87-0 FUEL TANK STONE DEFLECTOR</b>								
14-87-2	DEFLECTOR, Sub. . . . .		1	----	1961 353	----	1961 353	
<b>14-88-0 FUEL TANK SUPPORT</b>								
14-88-21	STRAP . . . . .	6	1	2073 943				
	w/20 Gallon Tank, except Sub.		2	----	1944 174	1944 174		
	w/23 Gallon Tank, except Sub.		2	----	1944 194	----	1944 194	1944 177
	Sub. . . . .		1	----	1944 203	----	1944 203	
14-88-27	STUD, Strap . . . . .		★	1671 610	1944 171	1944 171	1944 171	1671 610
	SCREW, w/WASHER, Sub. . . .		1	----	6012 073	----	6012 073	
<b>14-89-0 FUEL LINE TUBE</b>								
14-89-2	TUBING, 25 ft. rolls, 5/16" O. D.		★	1843 253	1843 253	1843 253	1843 253	1843 253
14-89-57	HOSE, Tube . . . . .		★	1739 230	1739 230	1739 230	1739 230	1739 230
	Front Tube to Rear Tube . . .		★	----	2200 963	2200 963	2200 963	
	CLAMP . . . . .		★	274 461	274 461	274 461	274 461	274 461
<b>14-90-0 FUEL LINE CLIP</b>								
14-90-1	CLIP . . . . .		★	----	2123 341	2123 341	2123 341	

## NOTES

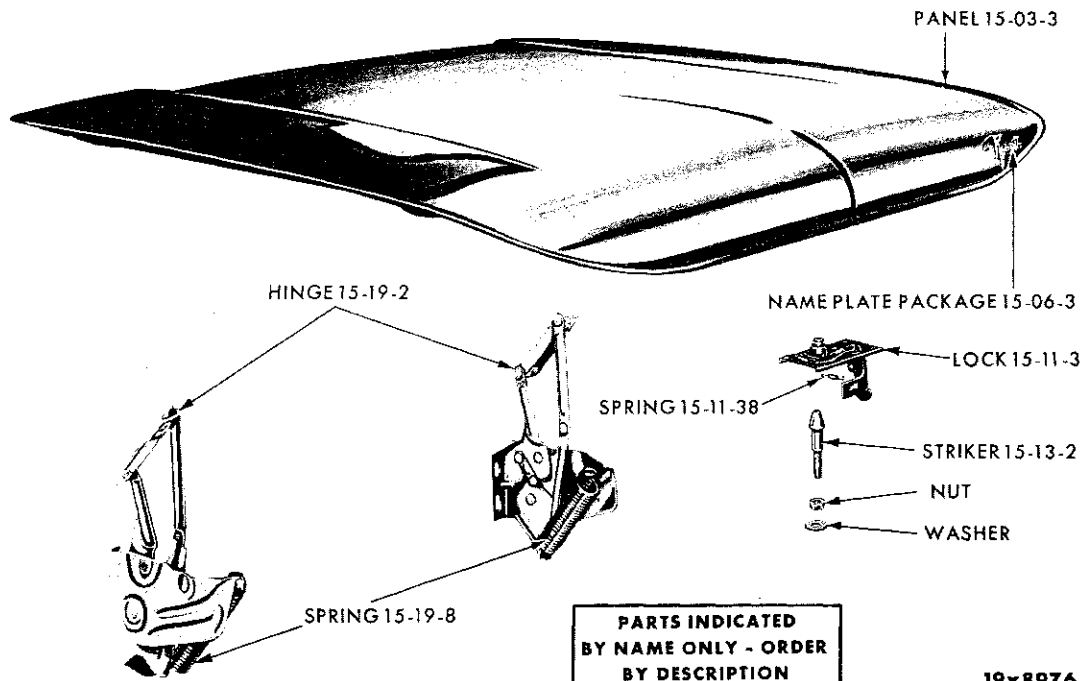
★ Indicates use as required. Numerals in parentheses ( ) refer to notes. Printed in U.S.A.  
 B Indicates parts not listed in any previous parts book. Prices and specifications subject to change without notice.  
 Jan. 6, 1961 Supersedes Oct. 3, 1960. Page 14-14 \* Indicates change or addition.

GROUP 15 - HOOD



19x8740

HOOD - VALIANT RV1



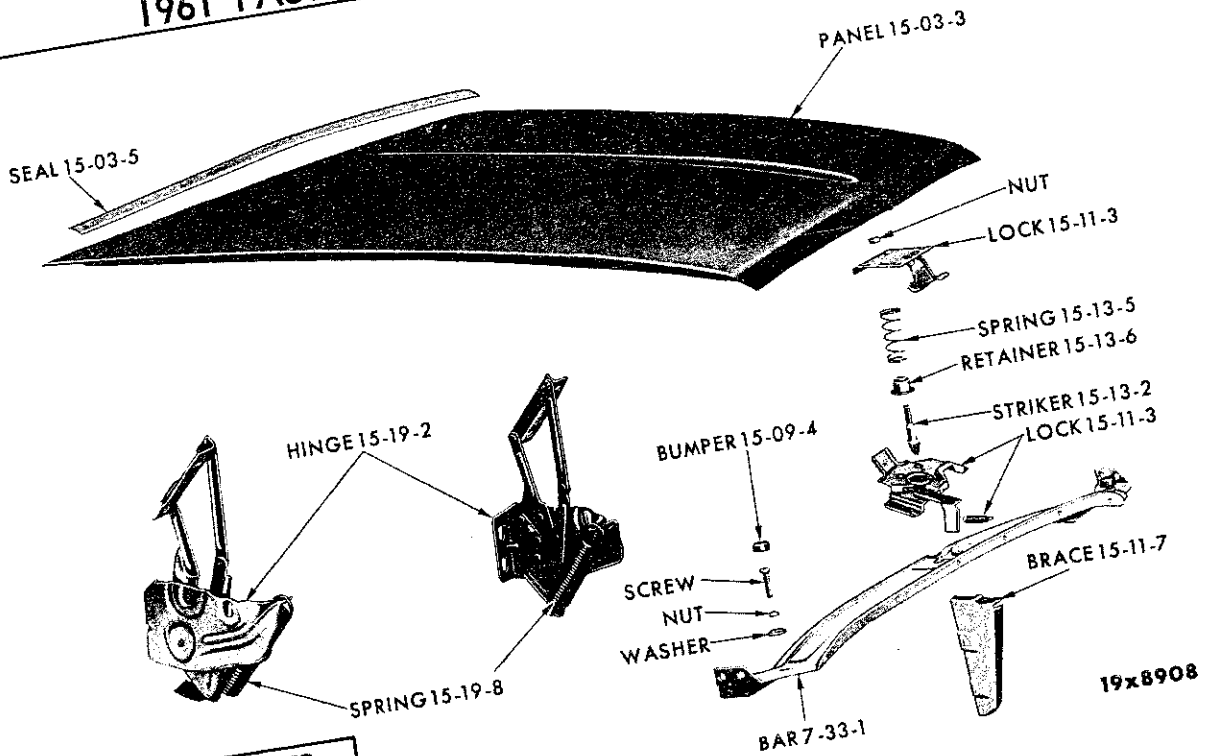
19x8976

HOOD - PLYMOUTH RP1-2



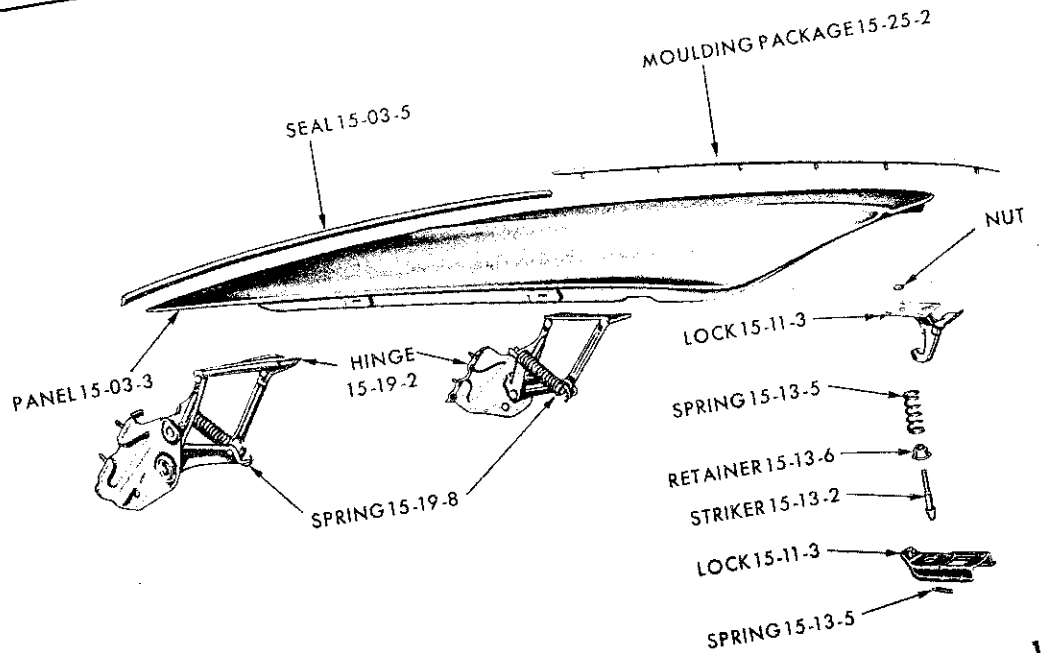
# 1961 PASSENGER CAR PARTS CATALOG

HOOD



**PARTS INDICATED  
BY NAME ONLY - ORDER  
BY DESCRIPTION**

HOOD - DESOTO RS1 AND CHRYSLER RC1-2-3-4



**PARTS INDICATED  
BY NAME ONLY - ORDER  
BY DESCRIPTION**

myMopar.com

HOOD - IMPERIAL RY1

CODE	PART NAME AND DESCRIPTION	CYL.	PER CAR	VALIANT	PLYMOUTH	DESOTO	CHRYSLER	IMPERIAL
<b>15-03-0 HOOD TOP PANEL</b>								
15-03-3	PANEL . . . . .		1	2082 329	1904 002	1904 072		
	RC1, RC2 . . . . .	8	1	----	----	----	1904 072	
	RC3, RC4 . . . . .	8	1	----	----	----	1904 038	1904 054
15-03-5	SEAL, Hood to Cowl. . . . .		1	1863 356	1863 356	1863 356	1863 356	*1751 182
	Hood to Yoke . . . . .		★	----	----	1242 974	1242 974	1242 974
15-03-60	SILENCER . . . . .		1	2259 105	2241 164	2241 167	2241 167	2241 168
15-03-61	CLIP, Silencer . . . . .		★	6000 932	6000 932	6000 932	6000 932	6000 932
	Inner Panel to Yoke Seal . . . . .	8	★	----	----	6600 070	6000 070	6000 070
<b>15-06-0 HOOD NAME PLATE, MEDALLIONS AND LETTERS</b>								
15-06-3	NAME PLATE PACKAGE, Hood Front . . . . .		1	----	2275 125			
15-06-17	CLIP, Hood Front Name Plate. . . . .		5	----	6022 129			
<b>15-09-0 HOOD BUMPER</b>								
15-09-4	BUMPER, Hood Lock Lower Half Radiator Yoke Upper Panel to Hood. . . . .	6	1	1541 608				
	Fender to Hood . . . . .	6	2	6010 155				
	Fender to Hood, Front . . . . .	4	2	2082 888	1863 598	1904 430	1904 430	
	Side . . . . .	8	2	----	----	----	----	1904 197
	Radiator Cross Bar to Hood . . . . .	8	6	----	----	----	----	1904 198
	Fender Side Shield Extension to Hood . . . . .	2	2	----	6010 155			
	Hood Lower Lock Plate . . . . .	8	2	----	----	----	----	6010 155
15-09-22	WASHER, Radiator Cross Bar to Hood Bumper Lock . . . . .	8	2	----	----	6022 188	6022 188	
	Fender Side Shield Extension to Hood Bumper Lock . . . . .	2	2	----	6022 188			
	Hood Lower Lock Plate Bumper Lock . . . . .	8	2	----	----	----	----	6010 038
<b>15-11-0 HOOD LOCK</b>								
15-11-3	LOCK, Upper Half . . . . .		1	----	1904 253	1904 643	1904 643	1904 143
	Lower Half . . . . .		1	2195 311	----	1904 607	1904 415	1904 175
15-11-7	BRACE, Lower Lock . . . . .	8	1	----	----	----	*1904 413	
	Lock Support to Dust Shield, RC1, RC2 . . . . .	8	1	----	----	1904 454	1904 454	
	Hood Lock Center Panel and Lock Support . . . . .	8	1	----	----	1904 509	----	
	Lower Lock to Dust Shield . . . . .	8	1	----	----	----	----	1004 171
15-11-9	SCREW, w/WASHER, Lower Lock Half to Lock Support . . . . .		3	----	----	*6022 802	*6022 802	
	Radiator Dust Shield to Lock Support . . . . .		1	----	*6022 802			
	Lock Upper Half to Hood Inside Panel Reinforcement . . . . .	6	3	2082 897				
	Lower Lock Half to Cross Bar . . . . .	8	2	----	----	6022 506	6022 506	
	SCREW, w/WASHER, Hood Upper Lock to Hood . . . . .	8	4	----	----	6022 501	6022 501	
15-11-14	BOLT, Lock Locking . . . . .	6	1	2082 452				
15-11-25	SPRING, Hood Lock Upper Half Pop-Up . . . . .	6	1	2195 571				
15-11-38	SPRING, Lower Lock Half Safety Latch . . . . .	6	1	2195 576				
	Safety Catch . . . . .		1	----	1904 581			
15-11-46	SUPPORT, Lock to Front Crossmember. . . . .	6	1	2082 182				
	Lower Lock Plate to Yoke, RC1, RC2. . . . .		1	----	⊖1904 908	⊖1904 908	⊖1904 908	
	RC3, RC4 . . . . .	8	1	----	----	----	1863 719	1904 173

★ Indicates use as required.

Numerals in parentheses ( ) refer to notes.

Printed in U.S.A.

⊖ Indicates parts not listed in any previous parts book.

Prices and specifications subject to change without notice.

\* Indicates change or addition.

Page 15-3

Jan. 6, 1961 Supersedes Oct. 3, 1960.

# 1961 PASSENGER CAR PARTS CATALOG

HOOD

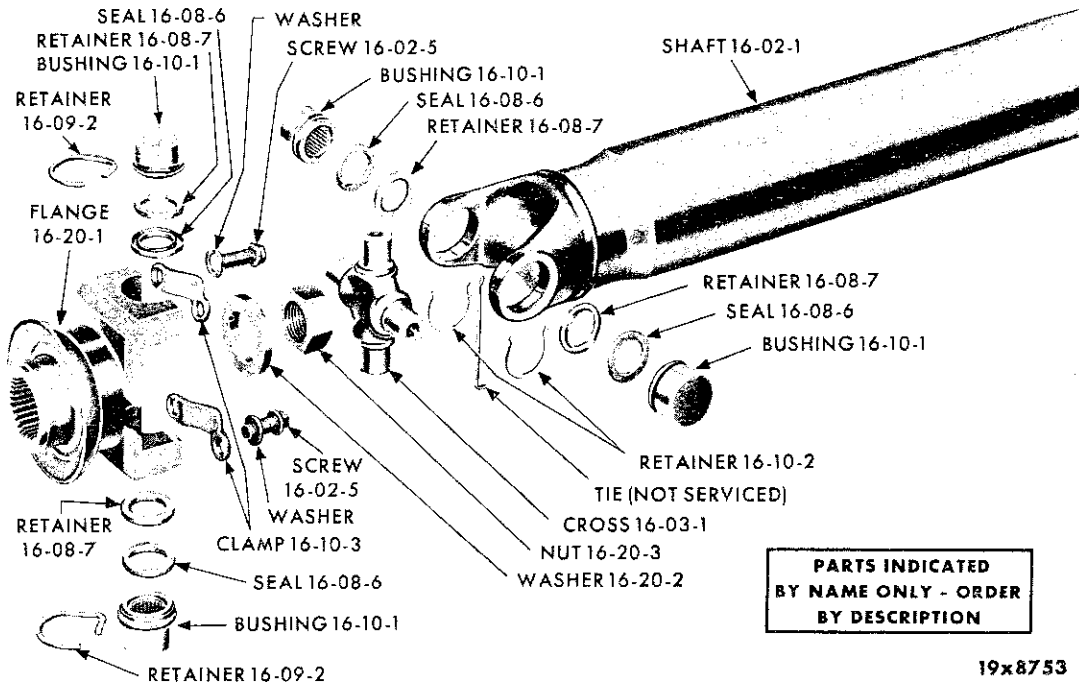
CODE	PART NAME AND DESCRIPTION	CYL.	PER CAR	VALIANT	PLYMOUTH	DESOTO	CHRYSLER	IMPERIAL
<b>15-11-0 HOOD LOCK - Cont'd</b>								
15-11-58	PLATE, Upper Lock Base . . .		1	2195 568	----	1904 407	1904 407	1904 143
15-11-61	NUT, w/RETAINER, Upper Lock Half to Panel . . . . .		4	----	6000 123			
15-11-66	SCREW, w/WASHER, Lock Support to Yoke, Upper . . . .		2	----	6022 506	6022 506	6022 506	
	Lock Support to Yoke, Lower . .		2	----	6022 506	6022 506	6022 506	
	Lock Support to Yoke . . . . .		8	----	----	----	----	6022 506
	Lower Lock Plate Dust Shield Brace to Lock . . . . .		8	3	----	----	----	6022 506
	Hood Lock and Cross Bar Brace to Lock Support . . . .		2	----	6022 306			
	Lock Support to Dust Shield Brace, RC1, RC2 . . . . .		8	1	----	180 020	180 020	
	Lower Lock Brace to Lower Lock Plate . . . . .		8	4	----	----	1863 010	
15-11-72	MEDALLION, Lock Release Handle . . . . .		6	1	2082 103			
15-11-73	INSERT, Medallion . . . . .		6	1	E2195 966			
<b>15-13-0 HOOD LOCK STRIKER</b>								
15-13-2	STRIKER . . . . .		1	----	1695 602	1863 331	1863 331	1863 331
15-13-5	SPRING, Striker Catch . . . . .		1	----	----	1903 285	1903 285	1373 263
	Striker Bolt . . . . .		8	1	----	----	----	1904 896
15-13-6	RETAINER, Lock Striker Spring		1	----	----	1696 605	1696 605	1696 605
<b>15-14-0 HOOD LOCK CONTROL</b>								
15-14-1	CONTROL, on Instrument Panel		8	1	----	----	----	2161 703
15-14-10	CLIP, Release Cable . . . . .		8	2	----	----	----	6015 172
	Release Cable . . . . .		8	1	----	----	----	6015 143
	Hog Ring, Cable Insulator . . .		8	2	----	----	----	6008 076
15-14-12	STOP, Control Cable . . . . .		8	1	----	----	----	932 143
15-14-13	SCREW, Control Set . . . . .		8	1	----	----	----	988 098
15-14-20	GROMMET, Control Cable . . . .		8	1	----	----	----	2097 816
15-14-21	SLEEVE, Control Cable . . . . .		8	1	----	----	----	1887 477
<b>15-19-0 HOOD HINGE</b>								
15-19-2	HINGE, Right . . . . .		6	1	2082 020			
	Left . . . . .		6	1	2082 021			
	Right, RC1, RC2 . . . . .		1	----	1903 440	1903 440	1903 440	1904 160
	Left, RC1, RC2 . . . . .		1	----	1903 441	1903 441	1903 441	1904 161
	Right, RC3, RC4 . . . . .		8	1	----	----	1863 222	
	Left, RC3, RC4 . . . . .		8	1	----	----	1863 223	
15-19-4	SCREW, w/WASHER, Hinge to Cowl . . . . .		4	----	6022 534	6022 534	6022 534	
	Hinge to Hood Flange . . . . .		4	----	1903 677	1903 677	1903 677	
	Hinge to Fender Shield . . . . .		2	----	1903 677	----	----	6022 339
	Hinge to Cowl, Right Side Only .		8	2	----	----	----	6022 531
	Hinge Body Half to Hinge Support . . . . .		8	2	----	----	----	6010 019
	Hinge to Fender Bracket . . . . .		8	2	----	----	----	1903 395
	Hinge Body Half to Dash to Dash Panel Hold-Down Brace, Right Side Only . . . . .		8	2	----	----	----	1903 395
	STUD, Hinge to Hood Flange Reinforcement . . . . .		4	----	6022 016	6022 016	6022 016	6022 016
	STUD, Hinge to Cowl, Right Side Only . . . . .		8	2	----	----	----	1863 019
	STUD, Hinge to Dash Panel Bracket, Left Side Only . . . .		8	2	----	----	----	1863 019
15-19-8	SPRING, Hinge . . . . .		6	2	2082 070			
	RC1, RC2 . . . . .		2	----	1904 670	1863 235	1863 235	
	RC3, RC4 . . . . .		8	2	----	----	1863 708	1754 236

★ Indicates use as required. Numerals in parentheses ( ) refer to notes. Printed in U.S.A.  
 ☐ Indicates parts not listed in any previous parts book. Prices and specifications subject to change without notice.  
 March 1, 1962 Supersedes Jan. 6, 1961. Page 15-4 \* Indicates change or addition.

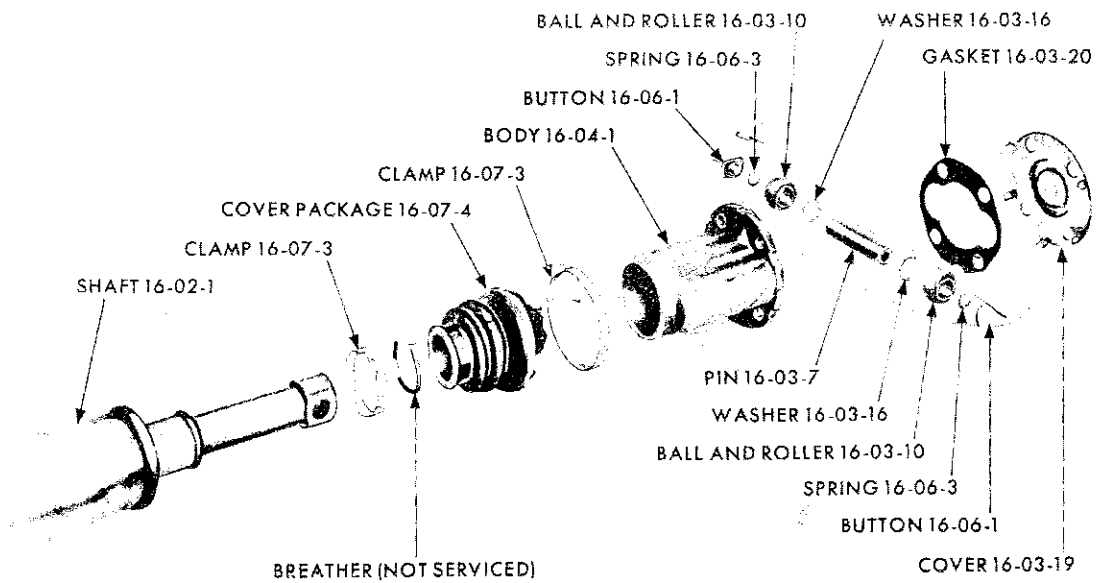




GROUP 16 - PROPELLER SHAFT AND UNIVERSAL JOINT

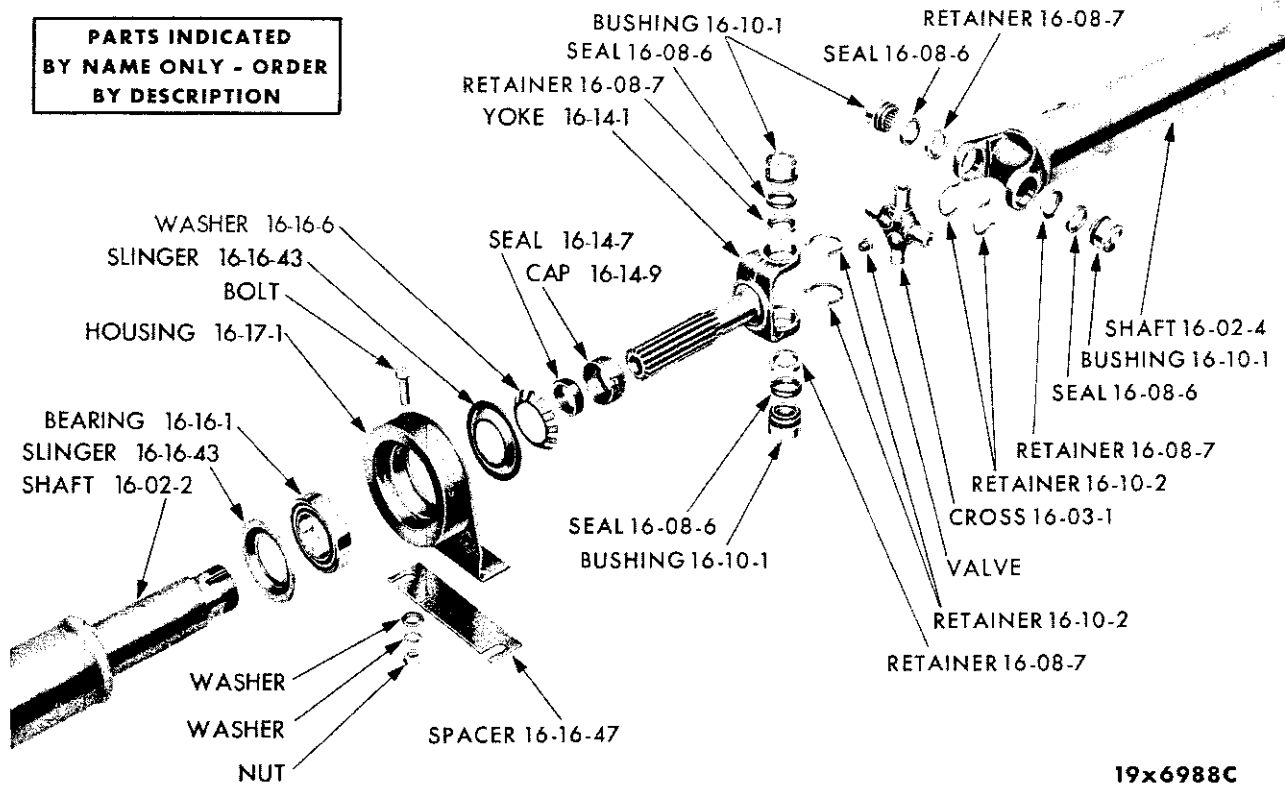


PROPELLER SHAFT (AXLE END)



PROPELLER SHAFT (TRANSMISSION END)

**PARTS INDICATED  
BY NAME ONLY - ORDER  
BY DESCRIPTION**



19x6988C

PROPELLER SHAFT CENTER BEARING - IMPERIAL RY1

### NOTES

CODE	PART NAME AND DESCRIPTION	C Y L.	PER CAR	VALIANT	PLYMOUTH	DESOTO	CHRYSLER	IMPERIAL
<b>16-02-0 PROPELLER SHAFT</b>								
NOTE 1: Used with Propeller Shaft No. 1372699, 1856963, 1856923, 1734118, 1856961, 2071017 and 2206974.								
NOTE 2: Used with Propeller Shaft No. 1739930, 2200534 and 1856931.								
16-02-1	SHAFT, 59" Lgh., 2 3/4" Dia., w/PowerFlite Trans., Sub. . . . .	8	1	----	1856 963			
	59" Lgh., 2 3/4" Dia., w/3 Speed Auto. Trans., Sub. . . . .	8	1	----	1856 931			
	59" Lgh., 3 1/4" Dia., Heavy Duty Manual Trans. w/Eng. Stamped 318 . . . . .	8	1	----	1856 931			
	SHAFT, 55" Lgh. 2 3/4" Dia., w/Manual Trans., except Sub. . . . .	6	1	----	1732 699			
	53 3/8" Lgh., 2 3/4" Dia., w/170 cu.in. Eng. . . . .	6	1	*2071 017				
	53 3/8" Lgh., 3" Dia., w/225 cu.in. Eng. . . . .	6	1	*2206 974				
	55" Lgh., 3 1/4" Dia., w/Std. and Heavy Duty Manual Trans. except Sub. . . . .	6	1	----	1856 921			
	59" Lgh., 3 1/4" Dia., w/Manual Trans., Sub. . . . .	6	1	----	1856 923			
	55" Lgh., 3" Dia., w/Manual Trans. w/Eng. Stamped 318, except Sub. . . . .	8	1	----	1734 118			
	55" Lgh., 2 1/2" O.D. w/PowerFlite Trans. except Sub. . . . .	8	1	----	1856 921			
	55" Lgh., 3" Dia., w/3 Speed Auto. and PowerFlite Trans., except Sub. . . . .	6	1	----	1734 118			
	59" Lgh., 2 3/4" Dia., w/3 Speed Auto. Trans., Sub. . . . .	6	1	----	1856 963			
	59" Lgh., 2 3/4" Dia., w/Manual Trans., Sub. . . . .	8	1	----	*1856 923			
	55" Lgh., 2 3/4" Dia., w/Heavy Duty Manual Trans., w/Eng. Stamped 36, except Sub. . . . .	8	1	----	1739 930			
	55" Lgh., 2 3/4" Dia., w/3 Speed Auto. Trans., except Sub. . . . .	8	1	----	1739 930			
	59" Lgh., 2 3/4" Dia., w/PowerFlite Trans., Sub. . . . .	8	1	----	1856 963			
	59" Lgh., 3 1/4" Dia., w/Manual or PowerFlite Trans. . . . .	8	1	----	1856 923			
	55" Lgh., 2 3/4" Dia., Special Police . . . . .	8	1	----	1739 930			
	59 1/4" Lgh., 3 1/4" Dia. RS1, RC1, w/Manual Trans., RS1, RC1, RC2, RC3, RC4, w/3 Speed Auto. Trans. . . . .	8	1	----		2200 534	2200 534	
16-02-2	SHAFT, Front, 29 1/4" Lgh. . . . .	8	1	----				2200 527
16-02-4	SHAFT, Rear, 33 1/16" Lgh. . . . .	8	1	----				1946 297
16-02-5	SCREW, Flange, Axle End . . . . .	4		952 538	952 538	952 538	952 538	
	Bolt, Flange, Trans. End . . . . .	4		----	1326 773	1326 773	1326 773	
	Bolt, Flange, Trans. End, w/Auto Trans., RS1 . . . . .	4		----	1946 283	1946 283	1946 283	
<b>16-03-0 UNIVERSAL JOINT</b>								
16-03-1	JOINT PACKAGE, Front, Note 1	1		1603 398	1603 398			
	JOINT PACKAGE, Ball and Pin Type, Note 2 . . . . .	1		----	*1752 680	*1752 680	*1752 680	
	JOINT PACKAGE, Cross and Roller Type . . . . .	1		1752 624	1752 624	1752 624	1752 624	1752 624
16-03-3	ROLLER PACKAGE . . . . .	1		638 637	638 637	638 637	638 637	638 637
16-03-7	PIN, Note 1 . . . . .	2		579 445	579 445			
	PIN, Note 2 . . . . .	8	2	----	1739 923	1739 923	1739 923	
16-03-10	BALL, w/ROLLER, Note 1 . . . . .	2		1550 466	1550 466			
	Note 2 . . . . .	8	2	----	1739 927	1739 927	1739 927	

★ Indicates use as required.

Numerals in parentheses ( ) refer to notes.

Printed in U.S.A.

☐ Indicates parts not listed in any previous parts book.

Prices and specifications subject to change without notice.

\* Indicates change or addition.



CODE	PART NAME AND DESCRIPTION	CYL.	PER CAR	VALIANT	PLYMOUTH	DESOTO	CHRYSLER	IMPERIAL
<b>16-03-0 UNIVERSAL JOINT - Cont'd</b>								
16-03-16	WASHER, Thrust . . . . .		2	605 004	605 004	605 004	605 004	
16-03-19	COVER, Grease, Note 1 . . . . .		1	602 820	602 820			
	Note 2 . . . . .	8	1	----	1635 092	1635 092	1635 092	
16-03-20	GASKET, Joint, Note 1 . . . . .		1	1616 185	1616 185			
	Note 2 . . . . .	8	1	----	1635 098	1635 098	1635 098	
<b>16-04-0 UNIVERSAL JOINT BODY</b>								
16-04-1	BODY, Note 1 . . . . .		1	1734 159	1734 159			
	Note 2 . . . . .	8	1	----	1739 920	1739 920	1739 920	
<b>16-06-0 UNIVERSAL JOINT CENTERING BUTTON</b>								
16-06-1	BUTTON, Note 1 . . . . .		2	629 768	629 768			
	Note 2 . . . . .	8	2	----	1739 924	1739 924	1739 924	
16-06-3	SPRING . . . . .		2	1739 926	1739 926	1739 926	1739 926	
<b>16-07-0 UNIVERSAL JOINT COVER</b>								
16-07-3	CLAMP, 1 5/8" Dia. . . . .		1	870 540	870 540	870 540	870 540	
	2 3/4" Dia. . . . .		1	----	870 539	870 539	870 539	
16-07-4	COVER PACKAGE, Note 1 . . . . .		1	1603 397	1603 397			
	Note 2 . . . . .		1	----	1450 448	1450 448	1450 448	
<b>16-08-0 UNIVERSAL JOINT CROSS</b>								
16-08-6	SEAL, Dust . . . . .		1	857 999	857 999	857 999	857 999	
16-08-7	RETAINER, Seal . . . . .		1	1739 912	1739 912	1739 912	1739 912	
<b>16-09-0 UNIVERSAL JOINT CROSS ROLLER AND BEARING BLOCK</b>								
16-09-2	RETAINER, Roller Bushing. . . . .		2	858 007	858 007	858 007	858 007	
<b>16-10-0 UNIVERSAL JOINT CROSS ROLLER AND BUSHING</b>								
16-10-1	ROLLER, w/BUSHING . . . . .		4	1739 913	1739 913	1739 913	1739 913	
16-10-2	RETAINER, Bushing . . . . .		2	858 006	858 006	858 006	858 006	
16-10-3	CLAMP, Bushing . . . . .		2	1828 824	1828 824	1828 824	1828 824	1828 824
<b>16-14-0 PROPELLER SHAFT SPLINE OR SLIDING YOKE</b>								
16-14-1	YOKE, Joint Stub . . . . .	8	1	----	----	----	----	1739 915
16-14-7	SEAL, Oil . . . . .	8	1	----	----	----	----	1672 049
16-14-9	CAP, Oil Seal . . . . .	8	1	----	----	----	----	1672 050
<b>16-16-0 PROPELLER SHAFT CENTER BEARING</b>								
16-16-1	BEARING . . . . .	8	1	----	----	----	----	1672 051
16-16-6	WASHER, Lock . . . . .	8	1	----	----	----	----	1638 151
16-16-43	SLINGER, Dust . . . . .	8	2	----	----	----	----	1672 053
16-16-47	SPACER, Cv. Cp. . . . .	8	★	----	----	----	----	1945 836
	Except, Cv. Cp. . . . .	8	★	----	----	----	----	1856 944
<b>16-17-0 PROPELLER SHAFT CENTER BEARING HOUSING INSULATOR</b>								
16-17-1	INSULATOR, Cv. Cp. . . . .	8	1	----	----	----	----	1856 942
	Except, Cv. Cp. . . . .	8	1	----	----	----	----	*1945 831

★ Indicates use as required.

Numerals in parentheses ( ) refer to notes.

Printed in U.S.A.

⊠ Indicates parts not listed in any previous parts book.  
May 31, 1961 Supersedes Oct. 3, 1960.

Prices and specifications subject to change without notice.

\* Indicates change or addition.





CODE	PART NAME AND DESCRIPTION	CYL.	PER CAR	VALIANT	PLYMOUTH	DESOTO	CHRYSLER	IMPERIAL
<b>17-11-0 REAR SPRINGS</b>								
17-11-1	BUSHING PACKAGE . . . . .		2	2196 011				
17-11-3	SPRING, Std., except Sub. . . . .	6	2	2196 776				
	Std., Sub., Right . . . . .	6	1	2196 780				
	Std., Sub., Left . . . . .	6	1	2196 781				
	Heavy Duty, except Sub. . . . .	6	2	2196 778				
	Heavy Duty, Sub., Right . . . . .	6	1	2196 782				
	Heavy Duty, Sub., Left . . . . .	6	1	2196 783				
	Std., Sub. . . . .	6	2	----	2084 902			
	Heavy Duty, except Sub. . . . .	6	2	----	2084 914			
	Std., except Sub. . . . .		2	----	2240 237			
	Std., 2D. Sub. . . . .		2	----	2084 902			
	Std., 4D. Sub., Right . . . . .	8	1	----	2084 902			
	Std., 4D. Sub., Left . . . . .	8	1	----	2084 903			
	Heavy Duty, Sub. . . . .		2	----	*2084 915			
	Heavy Duty, 4D., 2D., Sp. Cl. Cp. . . . .	8	2	----	2084 914			
	Heavy Duty, Sp. 4D., Cv. Cp. . . . .	8	2	----	2240 236			
	Std., except Sub., Right, RC1, RC2 . . . . .	8	1	----	----	2084 911	2084 911	
	Std., except Sub., Left, RC1, RC2 w/Dual or Rear Car Cooling, RC1, RC2 . . . . .	8	1	----	----	2240 611	2240 611	
	Heavy Duty . . . . .	8	2	----	----	2240 611	2240 611	
	Std., except Sub., Right, RC3 . . . . .	8	1	----	----	2240 686		
	Std., except Sub., Left, RC3 . . . . .	8	1	----	----	----	2240 240	
	Std., Sub., Right, RC1 . . . . .	8	1	----	----	----	2240 241	
	Std., Sub., Left, RC1 . . . . .	8	1	----	----	----	2084 902	
	w/Dual or Rear Car Cooling, except Sub., Right, RC3 . . . . .	8	1	----	----	----	2084 903	
	w/Dual or Rear Car Cooling, except Sub., Left, RC3 . . . . .	8	1	----	----	----	2084 909	
	Std., Sub., RC3 . . . . .	8	2	----	----	----	2240 241	
	Std., RC4 . . . . .	8	2	----	----	----	2084 907	
	Heavy Duty, except Sub., RC1, RC2 . . . . .	8	2	----	----	----	2084 906	
	Heavy Duty, Sub., RC1 . . . . .	8	2	----	----	----	2240 586	
	Heavy Duty, except Sub., Right, RC3 . . . . .	8	1	----	----	----	2084 915	
	Heavy Duty, except Sub., Left, RC3 . . . . .	8	1	----	----	----	2084 905	
	Heavy Duty, Sub., RC3 . . . . .	8	2	----	----	----	2240 239	
	Std. . . . .	8	2	----	----	----	2084 910	
	w/Dual or Rear Car Cooling . . . . .	8	2	----	----	----	----	2196 789
	Extreme Duty, Right . . . . .	8	1	----	----	----	----	2196 789
	Extreme Duty, Left . . . . .	8	1	----	----	----	----	2196 792
17-11-5	PLATE, Seat Angle, Sub. . . . .		2	----	2122 857	----	2122 857	2196 793
17-11-7	PLATE, w/STUD, Right, RC1, RC2 . . . . .		1	2071 766	1856 344	1856 344	1856 344	
	Left, RC1, RC2 . . . . .		1	2071 767	1856 345	1856 345	1856 345	
	Right, RC3, RC4 . . . . .	8	1	----	----	----	1856 346	1856 346
	Left, RC3, RC4 . . . . .	8	1	----	----	----	1856 347	1856 347
17-11-10	INSULATOR, Spring, Lower, RC1, RC2 . . . . .		2	----	1731 798	1731 798	1731 798	
	Upper, RC1, RC2 . . . . .		2	----	1731 796	1731 796	1731 796	
<b>17-12-0 REAR SPRING LEAF</b>								
17-12-4	LEAF, Main, Std., except Sub., RC1, RC2 . . . . .		★	2196 784	2084 819	2084 821	2084 821	2196 787
	Std., Sub., RC1 . . . . .		★	2196 784	2084 822	----	2084 822	
	Heavy Duty, except Sub., RC1, RC2 . . . . .		★	2196 785	2084 818	2084 820	2084 820	2196 788
	Heavy Duty, Sub., RC1 . . . . .		★	2196 786	2084 821	----	2084 821	
	Std., except Sub., RC3 . . . . .	8	★	----	----	----	2084 823	
	Std., RC4 . . . . .	8	★	----	----	----	2084 826	
	Std., Sub., RC3 . . . . .	8	★	----	----	----	2084 824	
	Heavy Duty, Except Sub., RC3 . . . . .	8	★	----	----	----	2084 824	

★ Indicates use as required. Numerals in parentheses ( ) refer to notes. Printed in U.S.A.  
 ☐ Indicates parts not listed in any previous parts book. Prices and specifications subject to change without notice.  
 \* Indicates change or addition.



# 1961 PASSENGER CAR PARTS CATALOG

SPRINGS

CODE	PART NAME AND DESCRIPTION	C Y L.	PER CAR	VALIANT	PLYMOUTH	DESOTO	CHRYSLER	IMPERIAL
<b>17-12-O REAR SPRING LEAF - Cont'd</b>								
17-12-4	LEAF - Cont'd. Heavy Duty, Sub., RC3 . . . . .	8	★	-----	-----	-----	2240 644	
	w/Dual or Rear Car Cooling . . . . .	8	★	-----	-----	-----	-----	2196 787
17-12-6	INTERLEAF . . . . .		★	2123 781	-----	-----	-----	2123 781
17-12-12	INTERLINER . . . . .	6	★	1948 396	-----	-----	-----	
	Front End . . . . .		★	-----	2122 359	2122 359	2122 359	2122 359
	Rear End, w/FASTENERS . . . . .		★	-----	2123 785	2123 785	2123 785	2123 785
<b>17-14-O REAR SPRING CENTER BOLT</b>								
17-14-10	BOLT . . . . .		2	1944 361	1944 361	1944 361	1944 361	1944 361
<b>17-15-O REAR SPRING CLIP</b>								
17-15-1	CLIP, 5 3/8" lgh. . . . .	6	★	2071 771				
	5 7/8" lgh. . . . .	6	★	2071 787				
	6 1/4" lgh. . . . .		★	-----	1489 745	1489 745	1489 745	
	7" lgh. . . . .		★	-----	1489 747	1489 747	1489 747	1489 747
	7 3/8" lgh. . . . .	8	★	-----	1635 666	1635 666	1635 666	
17-15-6	NUT . . . . .	8	★	2071 772	1943 999	1943 999	1943 999	1943 999
17-15-24	INSULATOR, Alignment Clip . . . . .	2	★	1829 929	1829 929	1829 929	1829 929	1829 929
17-15-25	CLIP, Alignment, 1" lgh. . . . .		★	1820 812	1820 812	1820 812	1820 812	1820 812
	1 1/4" lgh. . . . .		★	1820 152	1820 152	1820 152	1820 152	
	1 1/2" lgh. . . . .		★	-----	1820 153	1820 153	1820 153	1820 153
	1 3/4" lgh. . . . .		★	-----	1820 813	-----	1820 813	1820 813
	2" lgh. . . . .	8	★	-----	-----	-----	1829 928	
17-15-28	SCREW, Alignment . . . . .	4	★	1485 510	1485 510	1485 510	1485 510	1485 510
17-15-30	WASHER, Screw . . . . .	4	★	1530 398	1530 398	1530 398	1530 398	1530 398
<b>17-16-O REAR SPRING SHACKLE</b>								
17-16-1	SHACKLE and BUSHING PACKAGE, except Sub., RC1, RC2 . . . . .	2	★	2196 010	1450 961	1450 961	1450 961	
	Except Sub., RC3, RC4 . . . . .	8	★	-----	-----	-----	1450 087	1450 087
	Sub. . . . .	2	★	2196 009	2084 236	-----	2084 236	
17-16-6	BUSHING, Shackle . . . . .	8	★	-----	*1400 269	*1400 269	*1400 269	*1400 269
<b>17-17-O REAR SPRING SILENT BLOCK</b>								
17-17-3	BUSHING, Front Pivot . . . . .	2	★	2071 763	1948 869	1948 869	1948 869	1530 380
17-17-4	BOLT . . . . .	2	★	2071 761	1948 876	1948 876	1948 876	1400 788
17-17-5	NUT . . . . .	2	★	2071 772	1948 877	1948 877	1948 877	1948 877
<b>17-19-O REAR SPRING BUMPER</b>								
17-19-3	BUMPER, Axle Drive Pinion Carrier . . . . .	1	★	1948 338	1948 338	1948 338	1948 338	1637 031
	Side Rail Axle . . . . .	6	★	2071 778	-----	-----	-----	-----
	Std. except Sub., RC1, RC2, RC3 Heavy Duty . . . . .	2	★	-----	1948 342	1948 342	1948 342	1828 851
	Heavy Duty, w/PLATE and BLOCK Heavy Duty, w/o Plate and Block . . . . .	8	★	-----	1940 238	1940 238	1940 238	1940 234
	PLATE, w/BLOCK, Heavy Duty Axle Drive Pinion Carrier . . . . .	8	★	-----	1948 345	1948 345	1948 345	1940 238
17-19-4	BRACKET, Center Floor Pan Pinion Carrier Bumper . . . . .	8	★	-----	-----	-----	-----	1730 183
17-19-6	NUT, Axle Drive Pinion Carrier Bumper Retainer . . . . .	1	★	*2081 013	-----	-----	-----	-----
17-19-20	SUPPORT, Axle Drive Pinion Carrier Bumper . . . . .	1	★	1943 997	1943 997	1943 997	1943 997	-----
	REINFORCEMENT . . . . .	1	★	2071 774	1948 351	1948 351	1948 351	1673 531
		1	★	-----	*1960 151	-----	-----	-----

★ Indicates use as required.

Ⓜ Indicates parts not listed in any previous parts book.

March 1, 1962 Supersedes Oct. 3, 1960.

Numerals in parentheses ( ) refer to notes.

Prices and specifications subject to change without notice.

Printed in U.S.A.

## GROUP 18 - STANDARD PARTS

BALL - STEEL

The Standard Parts listed herein are furnished only in carton quantities, and should be ordered in these quantities or multiples thereof.

Plate 18-1



Diameter	Part No.	Ctn. Qty.	Diameter	Part No.	Ctn. Qty.
1/4	104 918	50	5/8	104 924	10
5/16	104 919	50	7/8	104 927	5
11/32	119 282	25			

**BOLT - HEXAGON HEAD**

National Coarse Thread

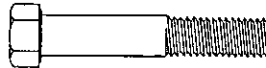


Plate 18-2

Length	Diameter & Thread									
	1/4-20		5/16-18		3/8-16		7/16-14		1/2-13	
	Part No.	Carton Qty.	Part No.	Carton Qty.	Part No.	Carton Qty.	Part No.	Carton Qty.	Part No.	Carton Qty.
1/2	180 016	50			180 116	25			180 166	25
5/8	180 018	100								
3/4	180 020	50	180 077	25			180 143	25		
1	180 022	50	180 079	25	180 122	25				
1-1/4	180 024	50	180 081	25	180 124	25	180 147	25	180 175	10
1-1/2	180 034	25	180 083	25	180 126	25	180 149	10		
1-3/4			181 094	25			180 151	10		
2					180 130	25			180 181	10
2-1/2	180 048	10	122 077	25			180 157	10		
3			180 113	10			180 160	10	180 190	10
3-3/4					186 284	10				
4			189 298	10	186 285	10	180 165	10		
5							272 406	50		

**BOLT - HEXAGON HEAD**

National Fine Thread

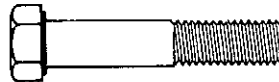


Plate 18-3

Length	Diameter & Thread											
	1/4-28		5/16-24		3/8-24		7/16-20		1/2-20		9/16-18	
	Part No.	Carton Qty.	Part No.	Carton Qty.	Part No.	Carton Qty.	Part No.	Carton Qty.	Part No.	Carton Qty.	Part No.	Carton Qty.
1/2	181 561	50			181 627	25			181 683	25		
5/8			181 593	25								
3/4			181 595	25								
1	181 568	50	181 608	25	181 637	25			181 696	25		
1-1/4			181 610	25	181 639	25	181 668	25	181 698	10		
1-1/2			181 614	25	181 643	25	181 670	10	181 700	10	181 727	10
1-3/4	181 577	25			181 646	25	181 672	10	660 378	10		
2	181 579	25	181 620	25			181 674	10	181 705	10	181 731	10
2-1/4											181 732	10
2-1/2					181 650	10			181 709	10		
2-3/4			181 623	10								
3			182 703	10	181 652	10	181 678	10	181 711	10	181 735	10
					186 310	10	181 680	10	182 788	10		
4							181 682	10	181 715	10	181 747	10
4-1/4							187 612	10				

**BUSHING**  
Pipe Reducing

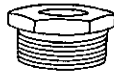


Plate 18-4

Ext. Thd.	Int. Thd.	Part No.	Carton Qty.
1/4	1/8	119 930	5
3/8	1/8	119 923	5
1/2	1/4	144 051	5
1/2	3/8	120 322	5

**CONNECTOR**  
Flared Tube

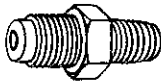


Plate 18-6

Diameter	Taper Thd.	Thread	Part No.	Carton Qty.
1/4	1/8	7/16-20	118 748	5
5/16	1/8	1/2-20	118 749	5
3/8	1/4	5/8-20	118 750	5
7/16	1/4	11/16-16	118 751	5
1/2	3/8	3/4-16	118 752	5

**COUPLING - PIPE**



Plate 18-8

Diameter & Thread	Part No.	Carton Qty.
1/8 x .96	105 408	5

**ELBOW**  
Ball, Sleeve Tubing



Plate 18-10

Diameter	Taper Thd.	Thread	Part No.	Carton Qty.
1/4	1/8	7/16-24	114 632	10
5/16	1/8	1/2-24	114 633	10
3/8	1/4	9/16-24	140 305	10

**ELBOW**  
Inverted Flared Tube, 45 Degree

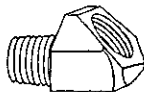


Plate 18-12

Diameter	Taper Thd.	Thread	Part No.	Carton Qty.
3/16	1/8	3/8-24	127 829	5
1/4	1/8	7/16-24	125 859	5
5/16	1/8	1/2-20	116 341	5
3/8	1/4	5/8-18	143 338	5

**CONNECTOR**  
Ball Sleeve Tubing

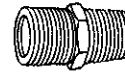


Plate 18-5

Tube Dia.	Taper Thd.	Thd. Size	Part No.	Carton Qty.
5/16	1/8	1/2-24	114 629	10

**CONNECTOR**  
Inverted Flared Tube

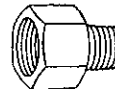


Plate 18-7

Diameter	Taper Thd.	Thread	Part No.	Carton Qty.
1/8	1/8	5/16-28	137 403	5
1/4	1/8	7/16-24	111 345	5
5/16	1/8	1/2-20	137 406	5
3/8	1/4	5/8-18	137 407	5
1/2	3/8	3/4-18	143 426	5

**DRAIN COCK**



Plate 18-9

Diameter	Part No.	Carton Qty.
1/4	103 647	5

**ELBOW**  
Flared Tube



Plate 18-11

Diameter	Taper Thd.	Thread	Part No.	Carton Qty.
3/16	1/8	3/8-24	121 339	5

**ELBOW**  
Inverted Flared Tube, 90 Degree



Plate 18-13

Diameter	Taper Thd.	Thread	Part No.	Carton Qty.
3/16	1/8	3/8-24	137 420	5
1/4	1/8	7/16-24	137 421	5
5/16	1/8	3/8-20	137 422	5
5/16	1/4	1/2-18	143 343	5
3/8	1/4	5/8-18	137 423	5
7/16	1/4	11/16-18	137 424	5
1/2	1/4		188 947	5

**ELBOW**  
Pipe, 90 Degree



Plate 18-14

Diameter	Part No.	Carton Qty.
1/4	105 413	5

**FITTING - LUBRICATING**  
Ball and Spring Type



Plate 18-17

Length	Diameter & Thread	Part No.	Carton Qty.
7/8	1/4-28	110 309	10
1	1/4-28	110 308	10

**FITTING - LUBRICATING**  
Straight Type



Plate 18-19

Thread & Length	Part No.	Carton Qty.
1/8 x 43/64	9411 010	10

**FITTING - LUBRICATING**  
Straight Type C



Plate 18-21

Length	Diameter & Thread	Part No.	Carton Qty.
1/2	1/4-20	110 347	10
11/16	1/4-20	111 595	10
15/16	1/4-20	125 846	5
1-1/8	1/4-20	128 274	5

**GASKET**  
ANNULAR, TYPE A

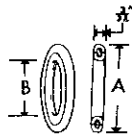


Plate 18-23

Dim. "A"	Dim. "B"	Part No.	Carton Qty.
1 1/8	.890	105 456	50

**NIPPLE - PIPE**

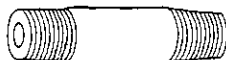


Plate 18-25

Diameter & Length	Part No.	Carton Qty.
1/4 x 1-1/2	144 596	5

**FITTING - LUBRICATING**



Plate 18-16

Thread & Length	Part No.	Carton Qty.
1/8 x 1-3/16 67-1/2°	109 365	5
1/8 x 1-13/16 90°	109 357	5

**FITTING - LUBRICATING**  
Straight Drive Base



Plate 18-18

Diameter & Length	Part No.	Carton Qty.
.311 x 5/8	119 516	10

**FITTING - LUBRICATING**  
Straight Type and Threaded Drive Type

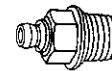


Plate 18-20

Diameter & Length	Part No.	Carton Qty.
1/8 x 23/32	9411 022	10

**FITTING - LUBRICATING**  
Threaded Drive Type

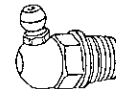


Plate 18-22

Length	Part No.	Carton Qty.
1 30°	145 434	10
47/64 85°	9411 025	10
25/32 67-1/2°	273 323	10

**GASKET**  
ANNULAR, TYPE C



Plate 18-24

Dim. "A"	Dim. "B"	Part No.	Carton Qty.
25/32	.561	150 189	100

**NUT**  
Flared Tube



Plate 18-26

Tube Dia.	Thread	Part No.	Carton Qty.
5/16	1/2-20	118 538	5



**NUT - HEXAGON**



Plate 18-27

Diameter & Thread	Part No.	Carton Qty.
3/4-16	219 753	10

**NUT - HEXAGON**  
Lock, Thin, Semi - Finished



Plate 18-29

Diameter & Thread	Part No.	Carton Qty.
5/8-18	145 013	10

**NUT - HEXAGON**  
Ball Sleeve Tubing



Plate 18-31

Tube Dia.	Thread	Part No.	Carton Qty.
5/16	1/2-24	114 630	10
3/4	1-28	144 409	5

**NUT - HEXAGON**  
Slotted, Standard Semi - Finished



Plate 18-33

Diameter & Thread	Part No.	Carton Qty.
3/8-24	125 233	50
7/16-20	128 014	50
9/16-18	128 178	25
5/8-18	128 027	25

**NUT - HEXAGON**  
Standard, Semi-Finished National Fine Thread



Plate 18-35

Diameter & Thread	Part No.	Carton Qty.
1/4-28	120 367	50
5/16-24	120 368	50
3/8-24	114 547	25
3/8-24	120 369	50
7/16-20	271 506	50
1/2-20	120 371	50
9/16-18	124 634	25

**NUT - HEXAGON**



Plate 18-28

Diameter & Thread	Part No.	Carton Qty.
3/4-16	426 099	10

**NUT - HEXAGON**  
Lock, Standard, Semi - Finished



Plate 18-30

Diameter & Thread	Part No.	Carton Qty.
7/16-14	126 012	50

**NUT - HEXAGON**  
Common



Plate 18-32

Thread & Length	Part No.	Carton Qty.
No. 8-32	120 622	100
No. 10-24	151 497	100
No. 12-24	121 743	100

**NUT - HEXAGON**  
Standard, Semi-Finished National Coarse Thread



Plate 18-34

Diameter & Thread	Part No.	Carton Qty.
1/4-20	120 375	50
5/16-18	120 376	50
3/8-16	120 377	50
7/16-14	271 501	50
1/2-13	120 378	50
9/16-12	124 583	25
5/8-11	124 589	25

**NUT**  
Inverted Flared Tube



Plate 18-36

Tube Dia.	Thread	Part No.	Carton Qty.
3/16	3/8-24	137 396	50
1/4	7/16-24	137 397	50
5/16	1/2-20	137 398	25
3/8	5/8-18	137 399	25

**NUT - HEXAGON**  
Tri-Slot, Semi-Finished



Plate 18-37

Diameter & Thread	Part No.	Carton Qty.
3/4-16	128 180	5

**PIN - DOWEL**

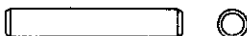


Plate 18-39

Diameter	Length	Part No.	Carton Qty.
1/4	2-1/4	141 210	10
5/16	2-1/4	141 232	10

**PIN**  
Straight, Grooved

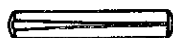


Plate 18-40

Diameter	Length	Part No.	Carton Qty.
1/4	1	142 520	10

**PIN - COTTER**  
Split

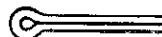


Plate 18-38

Length	Diameter	Part No.	Carton Qty.
1/2	3/64	114 856	100
3/4	3/32	103 373	100
7/8	1/8	108 630	100
1	1/16	103 363	100
1	5/32	103 396	100
1-1/8	3/32	108 636	100
1-3/8	1/16	108 640	100
1-5/8	1/8	119 209	100
1-5/8	5/32	119 210	100
1-5/8	3/16	137 254	100
1-3/4	1/8	190 381	100
1-3/4	5/32	103 399	100
2-1/2	3/32	103 380	100
3	3/16	103 415	50

**PLUG - BUTTON**

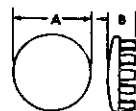


Plate 18-41

Dim. "A"	Dim. "B"	Part No.	Carton Qty.
1	19/64	142 093	10

**PLUG - EXPANSION**



Plate 18-42

Diameter	Part No.	Carton Qty.
5/8	103 891	25
3/4	103 892	25
13/16	105 602	25
7/8	103 893	25
15/16	117 919	25
1-1/16	117 920	10

Diameter	Part No.	Carton Qty.
1-1/8	106 517	10
1-3/16	140 690	10
1-3/16	117 921	10
1-1/4	179 380	10
1-3/8	117 923	10
1-1/2	103 896	10
1-5/8	117 924	10
1-5/8	140 802	10
1-3/4	103 897	10
1-7/8	114 564	10
2	140 089	10

**PLUG - PIPE**  
Countersunk Headless



Plate 18-43

Diameter & Thread	Part No.	Carton Qty.
1/2-14	103 874	5
3/8-18	143 162	10
3/4-14	103 875	5

**PLUG - PIPE**  
Square Head, Hollow



Plate 18-46

Diameter & Thread	Part No.	Carton Qty.
3/8-18	112 304	5
1/2-14	103 868	10
3/4-14	103 869	5

**PLUG - PIPE**  
Slotted Headless



Plate 18-45

Diameter & Thread	Part No.	Carton Qty.
1/8-27	118 831	10
3/8-18	115 711	10

**RING**



Plate 18-48

Dim. "A"	Dim. "B"	Part No.	Carton Qty.
.990	.0605	200 434	24

**RIVET**  
Solid, Round Head

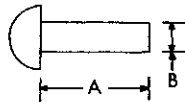


Plate 18-50

Dim. "A"	Dim. "B"	Part No.	Carton Qty.
5/8	3/16	108 682	100

**RIVET - TUBULAR**  
Oval Head, Drilled

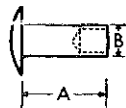


Plate 18-52

Dim. "A"	Dim. "B"	Part No.	Carton Qty.
9/64	1/4	118 140	100
3/16	3/32	131 284	100

**SCREW - FILLISTER HEAD**  
Cross Recess, National Coarse Thread



Plate 18-54

Diameter & Thread	Length	Part No.	Carton Qty.
No. 10-24	7/16	153 241	100

**SCREW**  
Fillister Head, Slotted



Plate 18-56

Diameter & Thread	Length	Part No.	Carton Qty.
1/4-20	2-1/2	132 300	100

**PLUG - PIPE**  
Square Head, Solid



Plate 18-47

Diameter & Thread	Part No.	Carton Qty.
1/8-27	143 932	25
1/4-18	143 933	25

**RIVET - TUBULAR**  
Flat Head, Countersunk

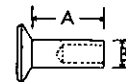


Plate 18-49

Dim. "A"	Dim. "B"	Part No.	Carton Qty.
9/32	9/64	121 573	100
13/32	3/16	114 518	100

**RIVET**  
Split, Oval Head



Plate 18-51

Diameter	Length	Part No.	Carton Qty.
9/64	7/16	113 194	100

**SCREW - TAPPING**  
Cross Recess, National Coarse Thread

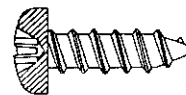


Plate 18-53

Diameter & Thread	Length	Part No.	Carton Qty.
No. 14-10	3/4	162 077	100

**SCREW - FILLISTER HEAD**  
Cross Recess, National Fine Thread

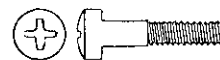


Plate 18-55

Diameter & Thread	Length	Part No.	Carton Qty.
No. 10-32	1/2	153 421	100
	1-1/2	153 479	50

**SCREW - FLAT HEAD**

Cross Recess, National Coarse Thread

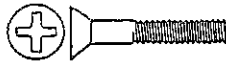


Plate 18-57

Length	Diameter & Thread									
	No. 6-32		No. 8-32		No. 10-24		No. 12-24		1/4-20	
	Part No.	Carton Qty.	Part No.	Carton Qty.	Part No.	Carton Qty.	Part No.	Carton Qty.	Part No.	Carton Qty.
3/16			155 864	100						
1/4	155 830	100								
1/2			155 886	100			156 094	100		
5/8									156 250	100
1					155 954	100				

**SCREW - FLAT HEAD**

Cross Recess, National Fine Thread



Plate 18-58

Length	Diameter & Thread			
	No. 10-32		5/16-24	
	Part No.	Carton Qty.	Part No.	Carton Qty.
1/2	156 009	100		
1	156 033	100	178 837	50

**SCREW - OVAL HEAD**

Cross Recess, National Coarse Thread



Plate 18-59

Length	Diameter & Thread									
	No. 8-32		No. 10-24		No. 12-24		1/4-20		5/16-18	
	Part No.	Carton Qty.	Part No.	Carton Qty.	Part No.	Carton Qty.	Part No.	Carton Qty.	Part No.	Carton Qty.
7/16			156 960	100						
1/2	156 771	50	156 963	100	157 277	100	157 391	100		
5/8	147 762	50	148 109	100						
3/4	186 575	100			157 297	100	157 402	100		
1							157 444	100		
1-1/2	156 831	50								

**SCREW - ROUND HEAD**

Cross Recess, National Coarse Thread

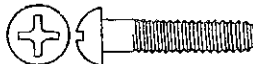


Plate 18-61

Length	Diameter & Thread											
	No. 4-40		No. 6-32		No. 8-32		No. 10-24		No. 12-24		1/4-20	
	Part No.	Carton Qty.	Part No.	Carton Qty.	Part No.	Carton Qty.	Part No.	Carton Qty.	Part No.	Carton Qty.	Part No.	Carton Qty.
1/4	154 921	100	154 959	100								
5/16					155 028	100						
1/2			154 987	100	155 043	100	155 113	100				
3/4									155 278	100	155 348	100
1					188 764	25						

**SCREW - ROUND HEAD**  
Cross Recess, National Fine Thread

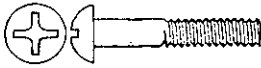


Plate 18-62

Diameter & Thread	Length	Part No.	Carton Qty.
No. 10-32	5/16	155 178	100
No. 10-32	1/2	155 194	100

**STUD**



Plate 18-64

Stud End	Nut End	Length	Part No.	Ctn. Qty.
3/8-16	3/8-24	3-5/16	103 203	5
3/8-16	3/8-24	5-13/16	111 647	5

**WASHER - LOCK**



Plate 18-66

Bolt Size	Part No.	Carton Qty.
1/4	120 380	100
5/16	120 214	100
3/8	120 382	100
1/2	120 384	100
9/16	120 898	50
5/8	121 574	50

**WASHER - LOCK**  
External Teeth



Plate 18-68

Bolt Size	Part No.	Carton Qty.
1/4	121 753	100
5/16	138 485	100
3/8	138 489	100
7/16	136 857	50
1/2	135 629	100
9/16	138 498	50
5/8	138 502	50

**SLEEVE**

Ball Sleeve Tubing



Plate 18-63

Diameter	Part No.	Carton Qty.
1/4	114 628	25
5/16	114 631	25
3/8	114 624	25
3/4	125 654	25

**WASHER - LOCK**

Countersunk, External Tooth

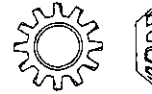


Plate 18-65

Bolt Size	I. D.	Part No.	Carton Qty.
3/8	.398	138 617	100

**WASHER - LOCK**

External and Internal Teeth

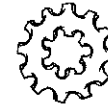


Plate 18-67

Bolt Size	Part No.	Carton Qty.
1/4	174 916	50
5/16	178 532	50
7/16	178 571	50
9/16	178 612	25
5/8	178 632	25

**WASHER - PLAIN**

Small

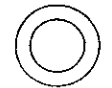


Plate 18-70

Bolt Size	Part No.	Carton Qty.
1/4	120 392	100
5/16	120 387	100
3/8	120 394	100
7/16	120 395	100
1/2	120 396	50
9/16	121 458	50
5/8	131 016	50

**WASHER - PLAIN**

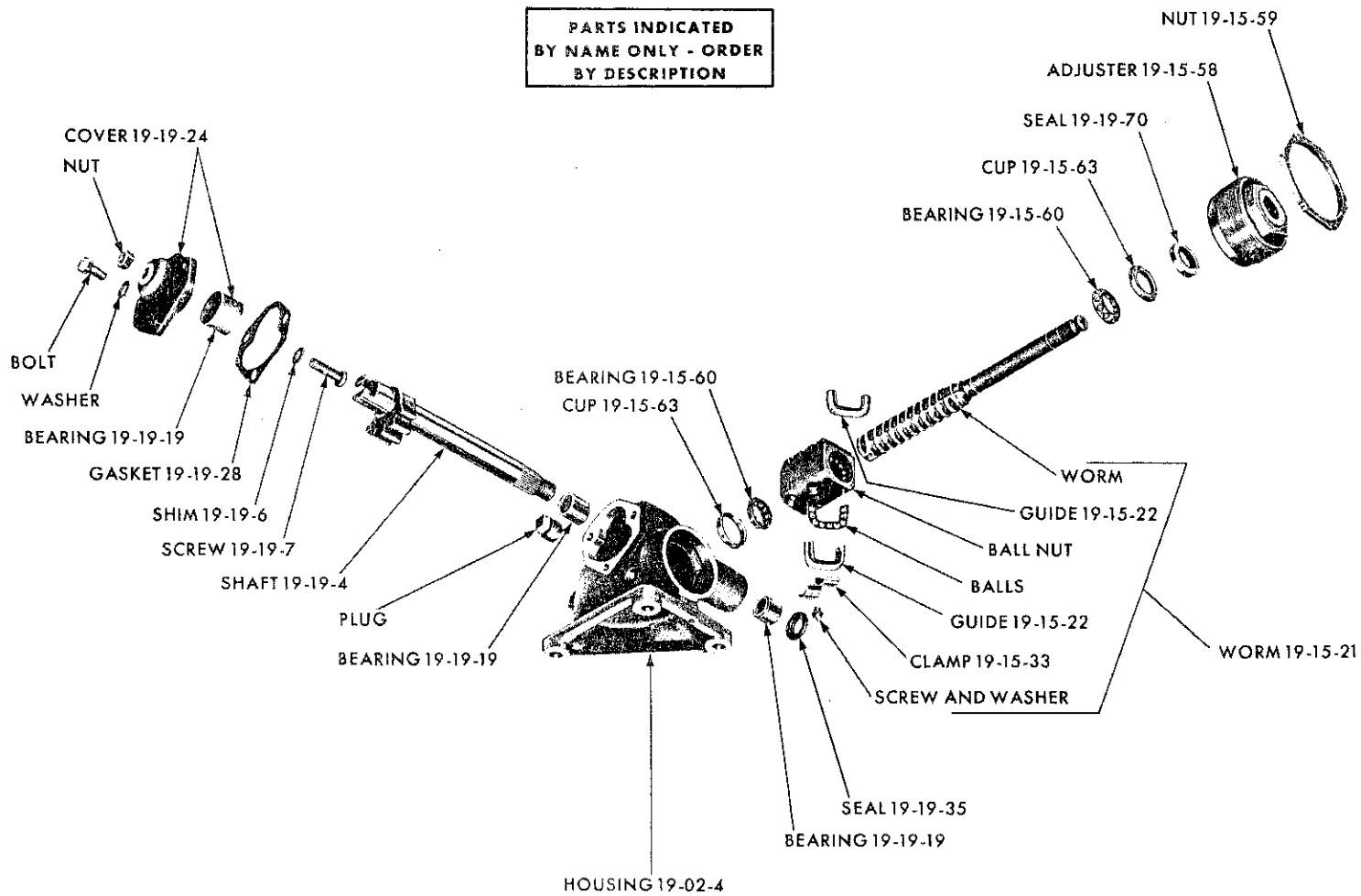
Large



Plate 18-69

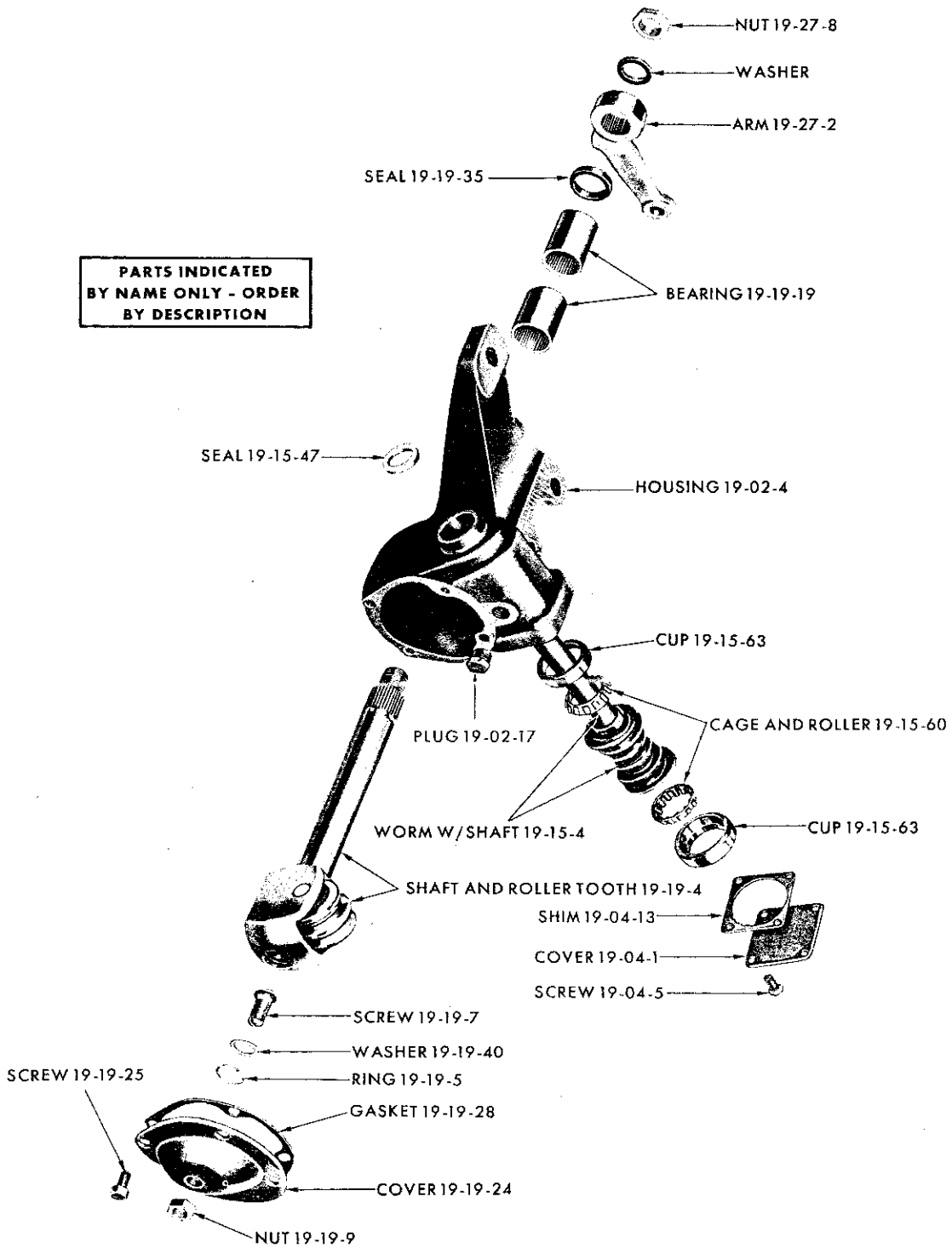
Bolt Size	Part No.	Carton Qty.
1/4	147 697	100
5/16	120 387	100
3/8	128 051	50
1/2	126 335	50

GROUP 19 - STEERING



19x8728

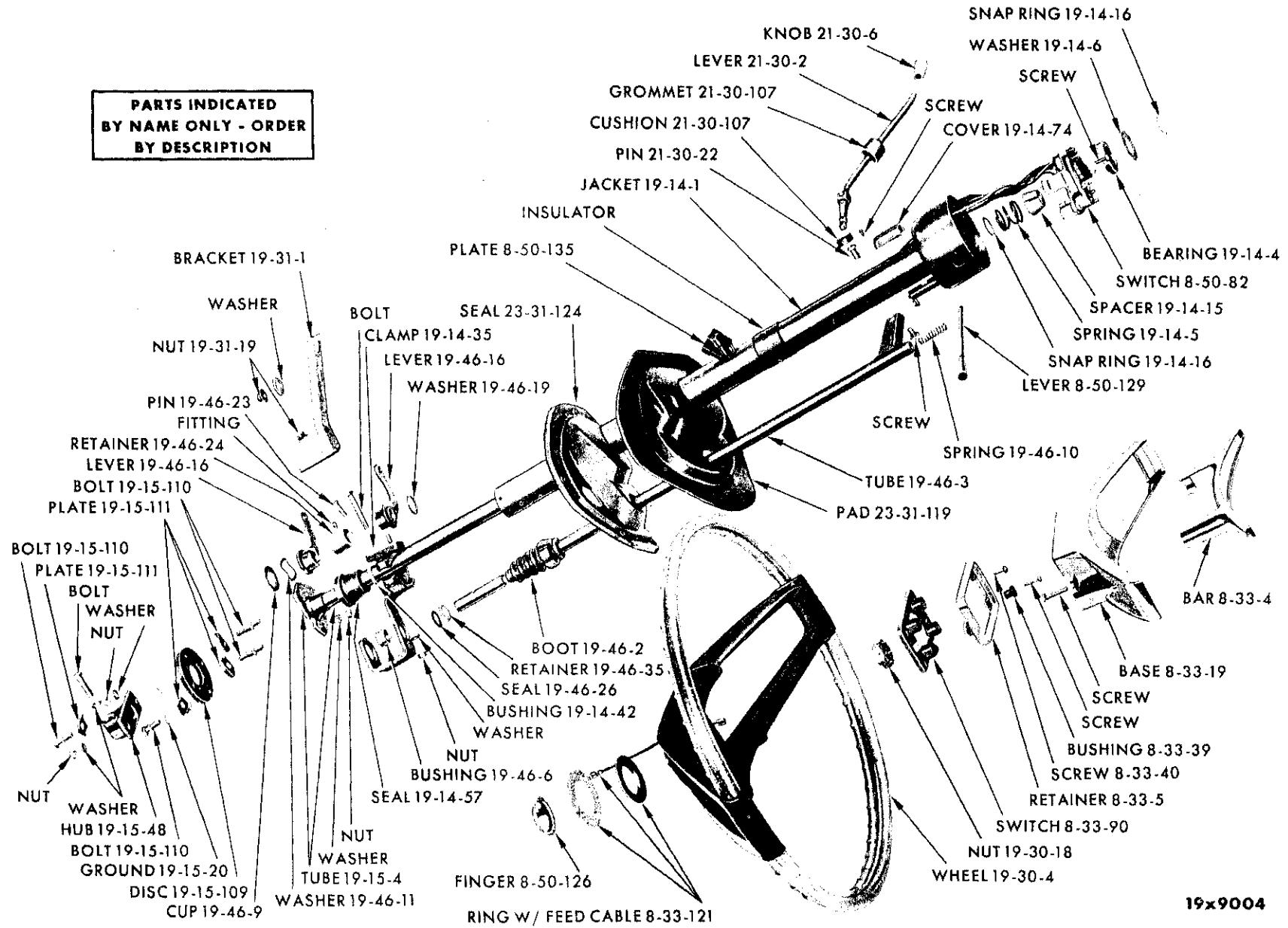
MANUAL STEERING GEAR - VALIANT RV1



19x8970

MANUAL STEERING GEAR - EXCEPT VALIANT RV1

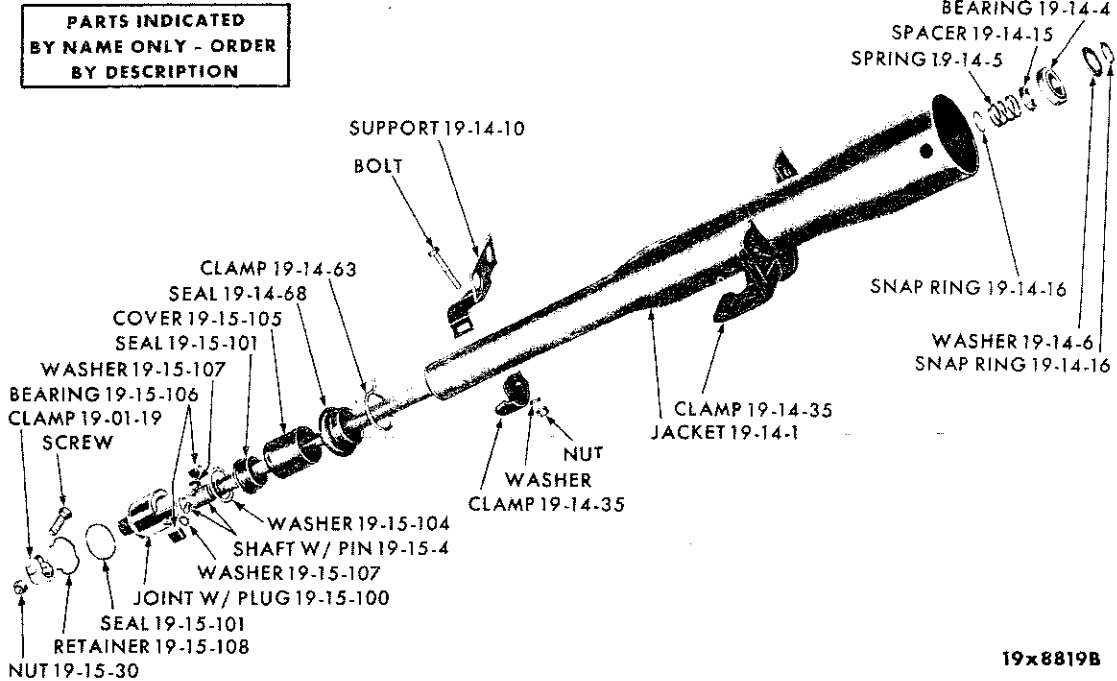
**PARTS INDICATED  
BY NAME ONLY - ORDER  
BY DESCRIPTION**



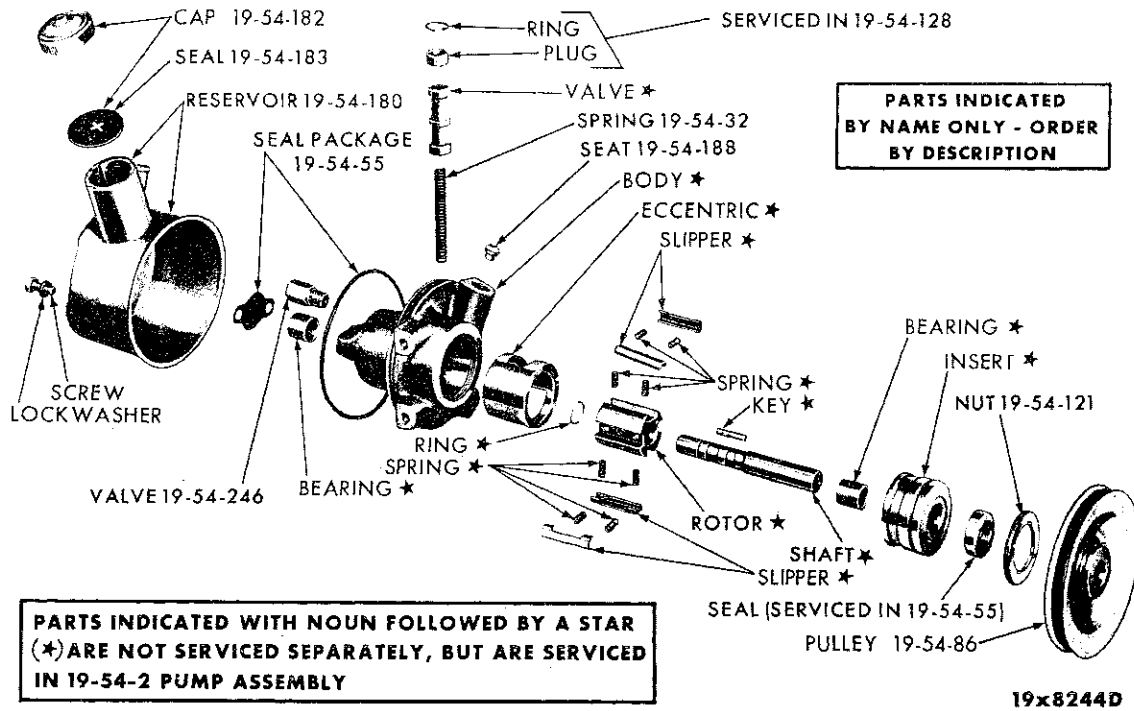
19x9004

STEERING CONTROLS - PLYMOUTH RP1-2

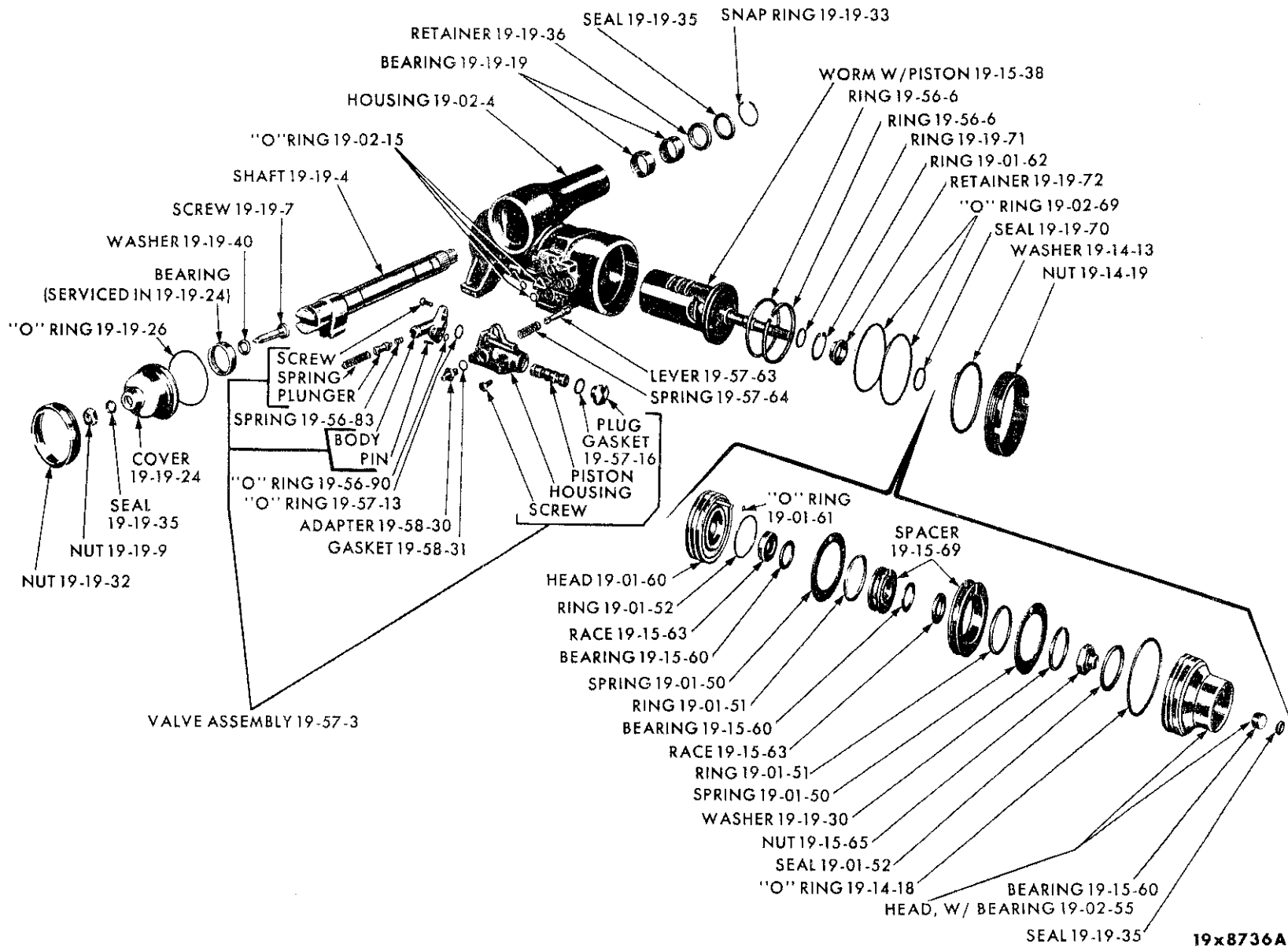




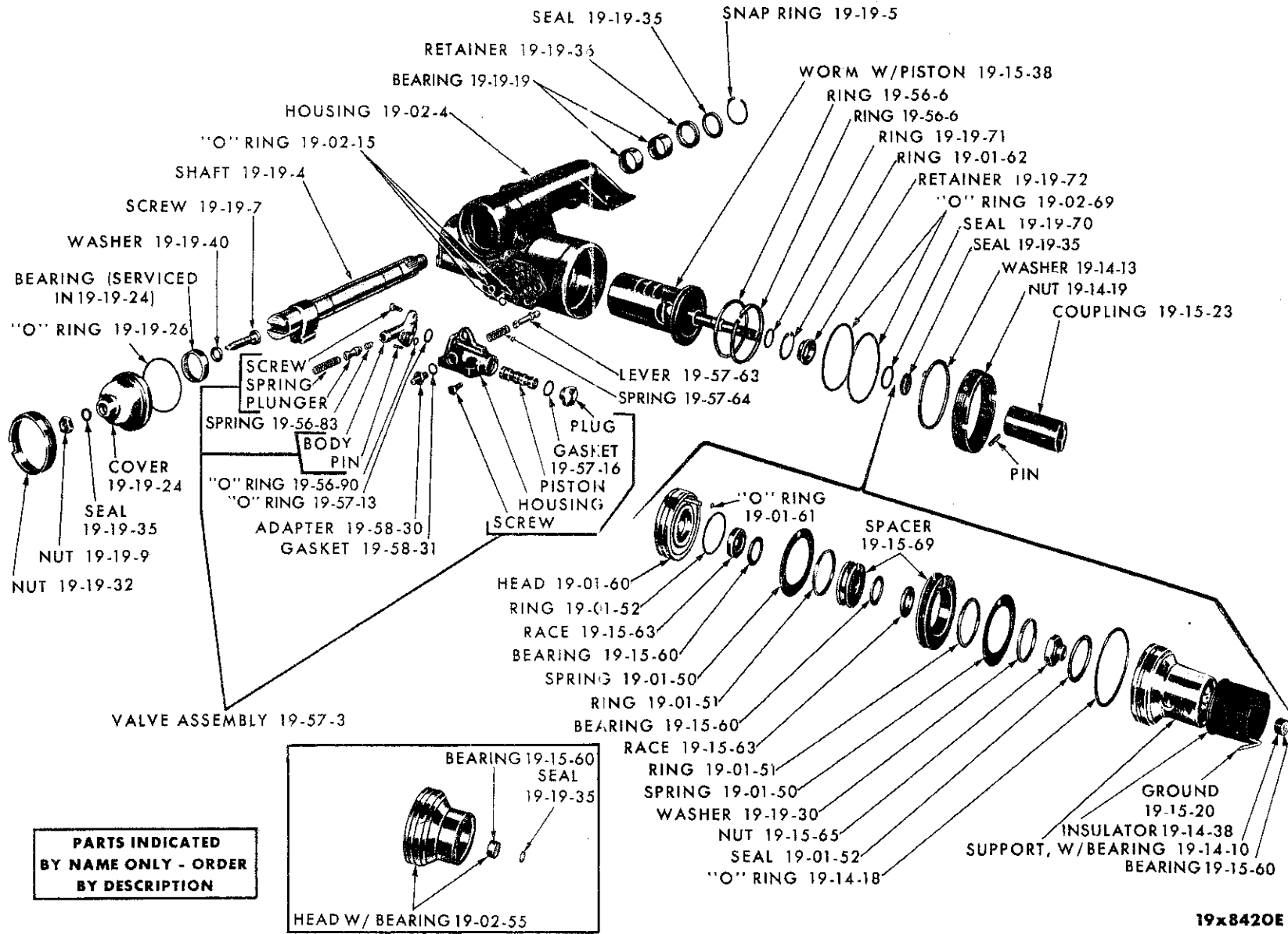
STEERING CONTROLS - VALIANT RV1



POWER STEERING PUMP



19x8736A



**PARTS INDICATED  
BY NAME ONLY - ORDER  
BY DESCRIPTION**

19x8420E

POWER STEERING - EXCEPT VALIANT RV1

CODE	PART NAME AND DESCRIPTION	CYL	PER CAR	VALIANT	PLYMOUTH	DESOTO	CHRYSLER	IMPERIAL
------	---------------------------	-----	---------	---------	----------	--------	----------	----------

STANDARD STEERING

19-01-0 STEERING GEAR ASSEMBLY

NOTE: A change was made on the Valiant Steering Gear whereby the column shaft was lengthened and the worm shaft in the chuck was shortened. The parts affected are the ones noted in parenthesis ( ) after the part numbers.

19-01-3	OVERHAUL PACKAGE, RC1, RC2 . . . . .	6	1	2196 033(3)	2196 995	2196 995	2196 995	
			1	2275 449(4)				
19-01-8	CHUCK, RC1, RC2 . . . . .	6	1	2072 090(1)	2201 622	2201 622	2201 622	
			1	2127 132(2)				
19-01-12	BOLT, Housing to Frame, 4 1/2" x 7/16", RC1, RC2 . . . . .		2	----	2201 621	2201 621	2201 621	
	4 5/8" x 7/16", RC1, RC2 . . . . .		1	----	2201 620	2201 620	2201 620	
19-01-19	CLAMP, Coupling . . . . .	6	1	2074 948(3)				
		6	1	2265 613(4)				
19-01-24	SPACER, Frame, Bolt, RC1, RC2		1	----	1733 218	1733 218	1733 218	

19-02-0 STEERING GEAR HOUSING

19-02-4	HOUSING, RC1, RC2 . . . . .	6	1	2072 092(3)	2200 719	2200 719	2200 719	
			1	2127 134(4)				
19-02-17	PLUG, Filler, RC1, RC2 . . . . .		1	----	1673 974	1673 974	1673 974	
19-02-18	WASHER, Housing to Frame Bolt RC1, RC2 . . . . .	6	2	2072 020				
			1	----	562 704	562 704	562 704	

19-04-0 STEERING GEAR HOUSING COVER

19-04-1	COVER, RC1, RC2 . . . . .		1	----	2201 237	2201 237	2201 237	
19-04-5	SCREW, Cover, RC1, RC2 . . . . .		4	----	1134 479	1134 479	1134 479	
19-04-13	SHIM, .003" thk., RC1, RC2 . . . . .		★	----	1123 313	1123 313	1123 313	
	.006" thk., RC1, RC2 . . . . .		★	----	620 180	620 180	620 180	
	.011" thk., RC1, RC2 . . . . .		★	----	620 181	620 181	620 181	
	.0275" thk., RC1, RC2 . . . . .		★	----	1856 992	1856 992	1856 992	

19-14-0 STEERING GEAR COLUMN JACKET

19-14-1	JACKET . . . . .	6	1	2073 668				
	w/Std. Trans. . . . .		1	----	2123 712	2123 712		
	w/Auto. Trans., RC1, RC2 . . . . .		1	----	2123 667	2123 668	2201 232	
19-14-4	BEARING, RC1, RC2 . . . . .		1	1828 911	1828 911	1828 911	1828 911	
19-14-5	SPRING, Bearing, RC1, RC2 . . . . .		1	2074 942	1828 566	1828 566	1828 566	
19-14-6	WASHER, Bearing, RC1, RC2 . . . . .		1	2260 124	2260 099	2260 099	2260 099	
19-14-10	SUPPORT, Lower . . . . .	6	1	2072 885				
19-14-15	SPACER, Bearing, RC1, RC2 . . . . .		1	2074 943	1316 772	1316 772	1316 772	
19-14-16	SNAP RING, Bearing, RC1, RC2		2	1405 286	1944 011	1944 011	1944 011	
19-14-35	CLAMP, Jacket, Lower . . . . .	6	1	2072 884				
	Upper . . . . .	6	1	2073 665				
	w/Std. Trans. . . . .		1	----	2200 721	2200 721		
	w/Auto. Trans., RC1, RC2 . . . . .		1	----	2201 272	2201 272	2201 272	
19-14-38	INSULATOR, w/Auto. Trans. . . . .		1	----	1602 951	1602 951		
19-14-42	BUSHING, Jacket to Shaft Seal. . . . .	6	1	2207 835				
	RC1, RC2 . . . . .		2	----	2201 624	2201 624	2201 624	
19-14-57	SEAL, Jacket, RC1, RC2 . . . . .		1	----	2201 234	2201 234	2201 234	
19-14-68	SEAL, Jacket to Shaft . . . . .	6	1	*2073 675(3)				
		6	1	*2265 344(4)				
19-14-72	SCREW, w/WASHER, to Floor, RC1, RC2 . . . . .	6	----	----	6008 218	6008 218	6008 218	
19-14-74	COVER, Jacket Wiring . . . . .		1	----	2123 127	2123 127		
19-14-77	ADAPTER, w/Std. Trans. . . . .		1	----	1902 333			

NOTE 1: Length of worm shaft protruding from chuck - 4 11/16"

NOTE 2: Length of worm shaft protruding from chuck - 1 11/16"

NOTE 3: Use w/2072 090 Chuck

NOTE 4: Use w/2127 132 Chuck

\* Indicates use as required.

Numerals in parentheses ( ) refer to notes.

Printed in U.S.A.

⊠ Indicates parts not listed in any previous parts book.

Prices and specifications subject to change without notice.

\* Indicates change or addition.

CODE	PART NAME AND DESCRIPTION	CYL.	PER CAR	VALIANT	PLYMOUTH	DESOTO	CHRYSLER	IMPERIAL
------	---------------------------	------	---------	---------	----------	--------	----------	----------

## STANDARD STEERING

19-15-O STEERING GEAR TUBE AND COUPLING								
19-15-4	SHAFT, w/COUPLING, Column	6	1	2074 941(1)				
		6	1	2265 605(2)				
	w/PIN . . . . .	6	1	2072 102(1)				
		6	1	2265 606(2)				
	TUBE, w/HUB, RC1, RC2 . . .		1	----	2200 747	----	2200 749	
	w/Std. Trans. . . . .		1	----	----	2200 747		
	w/Auto. Trans. . . . .		1	----	----	2200 748		
	WORM, w/SHAFT, RC1, RC2. .		1	----	2127 017	2127 017	2127 017	
19-15-12	GROMMET, Tube, RC1, RC2 . .		1	----	2265 339	2265 339	2265 339	
19-15-20	HORN GROUND, Coupling, RC1		1	----	2201 225	2201 225	2201 225	
19-15-21	WORM, Ball Nut . . . . .		1	2072 058(1)				
		6	1	2127 092(2)				
9-15-22	GUIDE, Ball Return . . . . .	6	1	2072 069(1)				
19-15-30	NUT, Coupling Screw . . . . .	6	1	2071 772				
19-15-33	CLAMP, Ball Return Guide . .	6	1	2072 068(1)				
		6	1	2226 129(2)				
19-15-34	SCREW, w/WASHER, Ball Guide Return Guide . . . . .	6	1	6022 996(2)				
19-15-35	SPRING, Column Coupling . . .	6	1	2204 143				
19-15-47	OIL SEAL, Worm Shaft, RC1, RC2 . . . . .		1	----	2200 730	2200 730	2200 730	
19-15-48	HUB, Worm Shaft, RC1, RC2. .		1	----	2260 484	2260 484	2260 484	
19-15-58	ADJUSTER, Worm Bearing . . .	6	1	2072 063(1)				
		6	1	2207 307(2)				
19-15-59	NUT, Worm Bearing Adjuster Lock . . . . .	6	1	2072 047				
19-15-60	BEARING, Worm Thrust . . . .	6	2	2072 060				
	Cage and Roller, RC1, RC2. . .		1	----	640 086	640 086	640 086	
19-15-63	CUP, Worm Thrust Bearing . .	6	2	2072 062				
	Lower, RC1, RC2 . . . . .		1	----	637 539	637 539	637 539	
	Upper, RC1, RC2 . . . . .		1	----	376 751	376 751	376 751	
19-15-100	JOINT, w/PLUG, Universal . . .	6	1	2072 104(1)				
		6	1	2265 610(2)				
19-15-101	SEAL, Joint . . . . .	6	1	2072 113(1)				
		6	1	1939 486(2)				
	"O" RING . . . . .	6	1	2072 112(1)				
19-15-104	WASHER, Coupling Bearing Retainer . . . . .	6	1	2072 108(1)				
		6	1	2260 082(2)				
19-15-105	COVER, Coupling Bearing Retainer . . . . .	6	1	2072 114(1)				
19-15-106	BEARING, Joint Coupling . . . .	6	2	2072 111				
19-15-107	WASHER, Joint Bearing . . . .	6	2	2072 110				
19-15-108	RETAINER, Joint Cover . . . .	6	★	2072 115(1)				
19-15-109	DISC, Flexible Joint, RC1, RC2		1	----	1856 999	1856 999	1856 999	
19-15-110	BOLT, Coupling, RC1, RC2. . .		2	----	1857 003	1857 003	1857 003	
	Drive, RC1, RC2 . . . . .		2	----	1857 001	1857 001	1857 001	
19-15-111	PLATE, Flexible Joint, RC1, RC2 . . . . .		4	----	1857 004	1857 004	1857 004	
19-15-112	NUT, Coupling Screw . . . . .	6	1	2071 772				
19-15-121	RING, Joint Seal Retainer . . .	6	1	1939 487(2)				

NOTE 1: Use w/2072 090 Chuck.

NOTE 2: Use w/2127 132 Chuck.

★ Indicates use as required.

Numerals in parentheses ( ) refer to notes.

Printed in U.S.A.

E Indicates parts not listed in any previous parts book.

Prices and specifications subject to change without notice.

March 1, 1962 Supersedes May 31, 1961.

Page 19-6

\* Indicates change or addition.

CODE	PART NAME AND DESCRIPTION	CYL	PER CAR	VALIANT	PLYMOUTH	DESOTO	CHRYSLER	IMPERIAL
------	---------------------------	-----	---------	---------	----------	--------	----------	----------

## STANDARD STEERING

## 19-19-0 STEERING GEAR SHAFT AND ROLLER TOOTH ASSEMBLY

19-19-4	SHAFT . . . . .	6	1	2072 087				
	w/Roller TOOTH, RC1, RC2 . .		1	-----	2201 612	2201 612	2201 612	
19-19-5	SNAP RING, Shaft, RC1, RC2 .		1	-----	2126 978	2126 978	2126 978	
19-19-6	SHIM PACKAGE, Shaft Adjusting Screw . . . . .	6	1	2240 601				
19-19-7	SCREW, Shaft Adjusting, RC1, RC2 . . . . .		1	2072 046	682 905	682 905	682 905	
19-19-16	BUSHING, Shaft Housing . . . .	6	2	B2127 135(2)				
19-19-19	BEARING, Shaft Cover . . . . .	6	1	*2072 122(1)				
	Shaft . . . . .	6	1	*2072 038(1)				
	Lower, RC1, RC2 . . . . .		1	-----	2123 170	2123 170	2123 170	
	Upper, RC1, RC2 . . . . .		1	-----	2123 169	2123 169	2123 169	
19-19-24	COVER, Shaft, RC1, RC2 . . . .		1	*2072 095(1)	1829 128	1829 128	1829 128	
		6	1	B2072 084(2)				
19-19-25	SCREW, Shaft Cover, RC1, RC2 Housing, Cover, RC1, RC2 . . .		4	-----	1188 668	1188 668	1188 668	
			4	-----	1134 479	1134 479	1134 479	
19-19-28	GASKET, Shaft Cover, RC1, RC2		1	2072 048	1738 206	1738 206	1738 206	
19-19-35	SEAL, Shaft . . . . .	6	1	2072 056				
	OIL SEAL, RC1, RC2 . . . . .		1	-----	1730 985	1730 985	1730 985	
19-19-40	WASHER, Shaft Thrust, RC1, RC2		1	-----	1329 092	1329 092	1329 092	
19-19-70	SEAL, Worm Shaft . . . . .	6	1	*2072 055(1)				
		6	1	B2207 306(2)				

## 19-27-0 STEERING GEAR ARM AND IDLER ARM

19-27-2	ARM PACKAGE, Gear. . . . .	6	1	2084 613				
	ARM, Gear, RC1, RC2 . . . . .		1	-----	1824 941	1824 941	1824 941	
19-27-8	NUT, Arm, RC1, RC2 . . . . .		1	-----	1392 770	1392 770	1392 770	
19-27-31	IDLER ARM PACKAGE . . . . .	6	1	2084 614				
	ARM KIT, RC1, RC2 . . . . .		1	1857 962	1857 962	1857 962	1857 962	
	ARM, Idler, RC1, RC2 . . . . .		1	-----	1734 335	1734 335	1734 335	
19-27-33	BRACKET, Idler Arm, RC1, RC2		1	-----	1671 702	1671 702	1671 702	
19-27-34	BUSHING, Idler Arm, RC1, RC2		1	1734 327	1734 327	1734 327	1734 327	
19-27-45	BOLT, Idler Arm, RC1, RC2 . .		1	2072 490	1734 326	1734 326	1734 326	
19-27-46	NUT, Bolt . . . . .	6	1	1825 351				
19-27-50	LINK, Center, RC1, RC2 . . . .		1	2072 456	1673 008	1673 008	1673 008	
19-27-55	SEAL, Gear Arm . . . . .	6	1	1670 299				
	Idler Arm End. . . . .	6	1	2072 455				
	Center Link, RC1, RC2 . . . . .		2	-----	1670 299	1670 299	1670 299	

## 19-30-0 STEERING WHEEL

19-30-4	WHEEL, Black Frost . . . . .	6	1	2207 804				
	Blue . . . . .	6	1	2207 802				
	Green . . . . .	6	1	2207 803				
	Red . . . . .	6	1	*2207 805				
	Rubber, Black, Oval Rim . . . .		1	-----	2201 753			
	Rubber, Blue, Oval Rim . . . .		1	-----	2201 751			
	Rubber, Brown, Oval Rim . . . .		1	-----	2201 754			
	Rubber, Green, Oval Rim . . . .		1	-----	2201 752			
	Rubber, Red, Oval Rim . . . . .		1	-----	2201 755			
	Plastic, Clear and Black, Oval Rim . . . . .		1	-----	2201 341			
	Plastic, Clear and Blue, Oval Rim . . . . .		1	-----	2201 339			
	Plastic, Clear and Brown, Oval Rim . . . . .		1	-----	2201 342			

NOTE 1: Use w/2072 090 Chuck.

NOTE 2: Use w/2127 132 Chuck.

★ Indicates use as required.

Numerals in parentheses ( ) refer to notes.

Printed in U.S.A.

⊠ Indicates parts not listed in any previous parts book.

Prices and specifications subject to change without notice.

\* Indicates change or addition.

Page 19-7

May 31, 1961 Supersedes Jan. 6, 1961.



CODE	PART NAME AND DESCRIPTION	CYL.	PER CAR	VALIANT	PLYMOUTH	DESOTO	CHRYSLER	IMPERIAL
------	---------------------------	------	---------	---------	----------	--------	----------	----------

STANDARD STEERING

19-30-0 STEERING WHEEL - Cont'd

19-30-4	WHEEL - Cont'd							
	Plastic, Clear and Green, Oval Rim . . . . .		1	----	2201 340			
	Rubber, Blue, use w/Horn Blowing Ring, w/Auto. Trans.	8	1	----	----	2201 313		
	Rubber, Brown, use w/Horn Blowing Ring, w/Auto. Trans.	8	1	----	----	2201 315		
	Rubber, Gray, use w/Horn Blowing Ring, w/Auto. Trans.	8	1	----	----	2201 316		
	Rubber, Red, use w/Horn Blowing Ring, w/Auto. Trans.	8	1	----	----	2201 317		
	Rubber, Black, w/Std. Trans., use w/Horn Blowing Bar. . . .	8	1	----	----	2201 753		
	Rubber, Blue w/Std. Trans., use w/Horn Blowing Bar. . . .	8	1	----	----	2201 751		
	Rubber, Brown, w/Std. Trans., use w/Horn Blowing Bar. . . .	8	1	----	----	2201 754		
	Rubber, Green, w/Std. Trans., use w/Horn Blowing Bar. . . .	8	1	----	----	2201 752		
	Rubber, Red, w/Std. Trans., use w/Horn Blowing Bar. . . .	8	1	----	----	2201 755		
	Plastic, Blue Pearl and Dark Blue, w/Auto. Trans. . . . .	8	1	----	----	2201 318		
	Plastic, Tan Pearl and Brown, w/Auto. Trans. . . . .	8	1	----	----	2201 320		
	Plastic, White Pearl and Black, w/Auto. Trans. . . . .	8	1	----	----	2201 321		
	Plastic, White Pearl and Blue, w/Auto. Trans. . . . .	8	1	----	----	2201 328		
	Plastic, White Pearl and Green, w/Auto. Trans. . . . .	8	1	----	----	2201 320		
	Plastic, White Pearl and Red, w/Auto. Trans. . . . .	8	1	----	----	2201 322		
	Plastic, White Pearl and Silver, w/Auto. Trans. . . . .	8	1	----	----	2201 330		
	Rubber, Black, RC1, RC2 . . . .	8	1	----	----	----	2201 785	
	Rubber, Blue, RC1, RC2 . . . .	8	1	----	----	----	2201 782	
	Rubber, Brown, RC1, RC2 . . . .	8	1	----	----	----	2201 784	
	Rubber, Cerise, RC1, RC2 . . . .	8	1	----	----	----	2201 786	
	Rubber, Green, RC1, RC2 . . . .	8	1	----	----	----	2201 783	
	Rubber, Red, RC1, RC2 . . . .	8	1	----	----	----	2201 787	
	Plastic, Clear and Blue, RC1, RC2 . . . . .	8	1	----	----	----	2201 788	
	Plastic, Clear and Black Frost, RC1, RC2 . . . . .	8	1	----	----	----	2201 791	
	Plastic, Clear and Cerise, RC1, RC2 . . . . .	8	1	----	----	----	2201 792	
	Plastic, Green Tint and Dark Green, RC1, RC2 . . . . .	8	1	----	----	----	2201 789	
	Plastic, Tan Tint and Dark Brown, RC1, RC2 . . . . .	8	1	----	----	----	2201 790	
	Plastic, Clear and Red, RC1, RC2 . . . . .	8	1	----	----	----	2201 793	
19-30-18	NUT, Wheel, RC1, RC2 . . . .	1	1	* 145 032	2200 577	2200 577	2200 577	

19-31-0 STEERING COLUMN BRACKET

19-31-1	BRACKET, w/Auto. Trans., RC1, RC2. . . . .		1	----	----	1839 984	1902 223	
	w/Std. Trans. . . . .		1	----	----	1839 979		
	w/Manual Brake, Lower Column to Dash Panel, RC1, RC2 . . . .		1	----	2200 740	2200 740	2200 740	
	w/Power Brake, Lower Column to Dash Panel, RC1, RC2 . . . .		1	----	2200 739	2200 739	2200 739	

★ Indicates use as required. Numerals in parentheses ( ) refer to notes. Printed in U.S.A.  
 □ Indicates parts not listed in any previous parts book. Prices and specifications subject to change without notice.  
 May 31, 1961 Supersedes Jan. 6, 1961. Page 19-8 \* Indicates change or addition.

CODE	PART NAME AND DESCRIPTION	CYL.	PER CAR	VALIANT	PLYMOUTH	DESOTO	CHRYSLER	IMPERIAL
------	---------------------------	------	---------	---------	----------	--------	----------	----------

## STANDARD STEERING

**19-31-O STEERING COLUMN BRACKET - Cont'd**

19-31-2	CLAMP, Support, RC1, RC2 . .		1	----	2200 738	2200 738	2200 738	
19-31-14	SPACER, Bracket and Reinforcement, RC1, RC2 . . .	8	2	----	----	----	2161 617	
19-31-19	STUD, Cap Attaching . . . . .	8	2	----	----	1901 587		
	Bracket Cap Attaching, RC1, RC2 . . . . .	8	2	----	----	----	6010 043	
	Speed Nut, Bracket Attaching . .	8	2	----	----	1327 986		
	NUT, w/WASHER, Upper Clamp Bracket Cap Attaching, Bracket, RC1, RC2 . . . . .	6	2	2076 232	----	----	----	
	RC1, RC2 . . . . .	8	2	----	2076 232	2076 232	2076 232	6012 032
19-31-24	CAP, w/Auto. Trans., RC1, RC2 . . . . .		1	----	1839 985	1839 985	1839 685	
	w/Std. Trans. . . . .		1	----	1839 980	1839 980		

**19-46-O GEARSHIFT ROD OR TUBE**

19-46-2	BOOT, Rod, w/Std. Trans. . . .		1	----	2161 726	2161 726		
19-46-3	TUBE, w/Std. Trans. . . . .		1	----	2201 794	2201 794		
19-46-5	SPRING, Anti-Shake, w/Std. Trans. . . . .		1	----	2201 795	2201 795		
19-46-6	BUSHING, Tube, w/Std. Trans.		1	----	2201 259	2201 259		
19-46-9	CUP, Lever Spring Washer, w/Std. Trans. . . . .		1	----	2201 258	2201 258		
19-46-10	SPRING, Tube Return, w/Std. Trans. . . . .		1	----	1632 808	1632 808		
	Lever Lock, Taxi and Heavy Duty, w/Std. Trans. . . . .		1	----	2122 977			
19-46-11	WASHER, Tube Lever Spring, w/Std. Trans. . . . .		1	----	2201 260	2201 260		
19-46-14	BUSHING, Tube Lever Lock, Taxi and Heavy Duty, w/Std. Trans. . . . .		1	----	2122 978			
19-46-16	LEVER, Tube, 2nd and High, w/Std. Trans. . . . .		1	----	*2201 772(1)	*2201 772(1)		
	2nd and High, w/Std. Trans. . .		1	----	*2122 039(2)	*2122 039(2)		
	First and Reverse, w/Std. Trans. . . . .		1	----	*2201 771(1)	*2201 771(1)		
	First and Reverse, w/Std. Trans.		1	----	*2122 038(2)	*2122 038(2)		
19-46-19	WASHER, Tube Lever, w/Std. Trans. . . . .		1	----	1670 932	1670 932		
19-46-23	PIN, Tube, w/Std. Trans. . . .		1	----	1946 578	1946 578		
	Taxi and Heavy Duty, w/Std. Trans. . . . .		1	----	1675 771			
	Lever Lock, Taxi and Heavy Duty, w/Std. Trans. . . . .		1	----	2122 979			
19-46-24	RETAINER, Tube Lever Pin, w/Std. Trans. . . . .		1	----	2123 129	2123 129		
19-46-26	SEAL, Tube Bushing Support, w/Std. Trans. . . . .		1	----	2123 012	2123 012		
19-46-35	RETAINER, Tube Support Seal, w/Std. Trans. . . . .		1	----	2123 013	2123 013		

**19-48-O GEARSHIFT CONTROL ROD**

19-48-1	ROD, First and Reverse, w/Std. Transmission . . . . .		1	----	2200 481	2260 864		
---------	--	--	---	------	----------	----------	--	--

NOTE 1: Contains Spool w/Knurled End.

NOTE 2: Contains Spool w/o Knurled End.

★ Indicates use as required.

Numerals in parentheses ( ) refer to notes.

Printed in U.S.A.

☐ Indicates parts not listed in any previous parts book.

Prices and specifications subject to change without notice.

\* Indicates change or addition.

Page 19-9

March 1, 1962 Supersedes May 31, 1961.







CODE	PART NAME AND DESCRIPTION	C Y L.	PER CAR	VALIANT	PLYMOUTH	DESOTO	CHRYSLER	IMPERIAL
<b>POWER STEERING</b>								
<b>19-01-0 STEERING GEAR ASSEMBLY</b>								
19-01-4	"O" RING and SEAL PACKAGE . . . . .		1	2196 032	2084 839	2084 839	2084 839	2084 840
19-01-8	CHUCK, RC1, RC2, RC3 . . . . .		1	2072 028	1733 763	1733 763	1733 763	
	RC4 . . . . .	8	1	-----	-----	-----	1946 571	2122 032
19-01-12	BOLT, Housing to Frame . . . . .		2	-----	2201 620	2201 620	2201 620	2201 620
	To Frame Wedge, RC1, RC2 . . . . .		1	-----	2200 554	2200 554	2200 554	
19-01-19	CLAMP, Coupling . . . . .	6	1	2074 948				
19-01-50	SPRING, Reaction . . . . .		2	1822 134	1822 134	1822 134	1822 134	1822 953
19-01-51	RING, Reaction . . . . .		2	1822 150	1822 150	1822 150	1822 150	1733 791
19-01-52	"O" RING, Reaction, Upper . . . . .		1	1822 151	1822 151	1822 151	1822 151	1733 593
	Lower . . . . .		1	1822 149	1822 149	1822 149	1822 149	1823 091
19-01-60	HEAD, Cylinder . . . . .		1	1823 157	1823 157	1823 157	1823 157	1823 161
19-01-61	"O" RING, Cylinder Head Ferule . . . . .		1	1486 205	1486 205	1486 205	1486 205	1486 205
19-01-62	SNAP RING, Cylinder Head . . . . .		1	1822 321	1822 321	1822 321	1822 321	1822 321
<b>19-02-0 STEERING GEAR HOUSING</b>								
19-02-4	HOUSING PACKAGE . . . . .		1	2240 615	2240 602	2240 602	2240 602	2240 602
19-02-13	BOLT, Housing to Frame . . . . .		1	-----	-----	-----	2200 556	2200 556
	Wedge, RC3, RC4 . . . . .	8	1	-----	-----	-----		
19-02-15	"O" RING, Housing . . . . .		1	1823 150	1823 150	1823 150	1823 150	1823 150
	Port. . . . .		2	1556 385	1556 385	1556 385	1556 385	1556 385
19-02-18	WASHER, Housing to Frame . . . . .	6	2	2072 020				
			1	-----	562 704	562 704	562 704	
19-02-20	SPACER, Housing to Frame . . . . .		5	-----	2122 980	2122 980	2122 980	2122 980
19-02-21	WEDGE, Housing to Frame . . . . .		1	-----	1671 587	1671 587	1671 587	1671 587
19-02-55	HEAD, Housing . . . . .	6	1	2126 946				
19-02-69	"O" Ring, Cylinder Head . . . . .		2	1733 562	1733 562	*1733 562	1733 562	1733 562
<b>19-14-0 STEERING GEAR COLUMN JACKET</b>								
19-14-1	JACKET . . . . .	6	1	2073 668				
	w/Std. Trans. . . . .		1	-----	2123 713			
	w/Auto. Trans., RC1, RC2 . . . . .		1	-----	2123 669	2123 670	1945 722	
	RC3, RC4 . . . . .	8	1	-----	-----	-----	1945 777	2123 730
19-14-4	BEARING . . . . .		1	1828 911	1828 911	1828 911	1828 911	1828 911
19-14-5	SPRING, Bearing . . . . .		1	2074 942	1828 566	1828 566	1828 566	1828 566
19-14-6	WASHER, Bearing . . . . .		1	2260 124	2260 099	2260 099	2260 099	2260 099
19-14-10	SUPPORT . . . . .		1	2072 885	1823 155	1823 155	1823 155	1823 160
19-14-13	WASHER, Support Nut . . . . .		1	1733 588	1733 588	1733 588	1733 588	1733 588
19-14-15	SPACER, Bearing . . . . .		1	2074 943	1316 772	1316 772	1316 772	1316 772
19-14-16	SNAP RING, Bearing . . . . .		2	1405 286	1944 011	1944 011	1944 011	1944 011
19-14-18	"O" RING, Support . . . . .		1	1733 602	1733 602	1733 602	1733 602	1733 602
19-14-19	NUT, Support . . . . .		1	1733 625	1733 625	1733 625	1733 625	1733 625
19-14-35	CLAMP, Lower . . . . .	6	1	2072 884				
	Upper . . . . .	6	1	2073 665				
	w/SUPPORT, w/Std. Trans. . . . .		1	-----	2123 011			
	CLAMP, Jacket . . . . .		1	-----	1820 385	1820 385	1820 385	1820 385
	Column . . . . .	8	1	-----	-----	-----	-----	2161 160
19-14-38	INSULATOR . . . . .		1	-----	1850 547	1850 547	1850 547	1850 547
19-14-42	BUSHING, Jacket to Shaft Seal . . . . .	6	2	2207 835				
19-14-68	SEAL, Jacket to Shaft, . . . . .		6	1	*2073 675			
	2 1/2" x 2 1/2" x 1 1/3" . . . . .	6	1	*2265 344				
	1 3/4" x 1 3/4" x 1 3/4" Dia. . . . .	6	1	-----				
19-14-72	SCREW, w/WASHER, to Floor . . . . .		6	-----	6008 218	6008 218	6008 218	
19-14-74	COVER, Jacket Wiring, w/Std. . . . .		1	-----	2123 127			
	Trans. . . . .		1	-----				
<b>19-15-0 STEERING GEAR TUBE AND COUPLING</b>								
19-15-4	SHAFT, w/COUPLING . . . . .	6	1	2074 941				
	w/PIN . . . . .	6	1	2072 102				
	TUBE . . . . .		1	-----	1948 687			
	w/Auto. Trans., RC1, RC2 . . . . .	8	1	-----	-----	1948 688	1948 691	
	RC3, RC4 . . . . .	8	1	-----	-----	-----	1948 692	2123 722

★ Indicates use as required. Numerals in parentheses ( ) refer to notes. Printed in U.S.A.  
 ☒ Indicates parts not listed in any previous parts book. Prices and specifications subject to change without notice.  
 March 1, 1962 Supersedes May 31, 1961. Page 19-10 \* Indicates change or addition.

CODE	PART NAME AND DESCRIPTION	CYL	PER CAR	VALIANT	PLYMOUTH	DESOTO	CHRYSLER	IMPERIAL
<b>POWER STEERING</b>								
<b>19-15-0 STEERING GEAR TUBE AND COUPLING - Cont'd</b>								
19-15-10	INSULATOR, Tube . . . . .		1	----	1822 668	1822 668	1822 668	1822 668
19-15-11	INSERT, Insulator . . . . .		2	----	1822 667	1822 667	1822 667	1822 667
19-15-20	HORN GROUND, Tube . . . . .		1	----	*1943 777	*1943 777	*1943 777	*1943 777
19-15-23	COUPLING, Worm . . . . .		1	----	1850 524	1850 524	1850 524	1850 524
19-15-30	NUT, Coupling . . . . .	6	1	2071 772				
19-15-35	SPRING, Column Coupling . . . . .	6	1	2204 143				
19-15-38	WORM, w/PISTON . . . . .		1	2072 031	1822 736	1822 736	1822 736	1822 736
19-15-39	SPRING PACKAGE, Ball Guide . . . . .		1	2084 215	2084 215	2084 215	2084 215	2084 215
19-15-60	BEARING, Thrust . . . . .		2	1822 158	1822 158	1822 158	1822 158	1822 158
	Worm . . . . .		1	1733 594	1733 594	1733 594	1733 594	1733 594
19-15-63	RACE, Thrust Bearing, Inner . . . . .		1	1856 292	1856 292	1856 292	1856 292	1856 292
	Outer . . . . .		1	1822 156	1822 156	1822 156	1822 156	1822 156
19-15-65	NUT, Thrust Bearing . . . . .		1	1822 157	1822 157	1822 157	1822 157	1822 157
19-15-69	SPACER, Center Race . . . . .		1	1822 390	1822 390	1822 390	1822 390	1822 390
19-15-100	JOINT, w/PLUG, Column							
	Universal, w/o Slots . . . . .	6	1	*2072 104				
	w/2 Slots - 1.3" x 1.9" Dia. . . . .	6	1	*2260 083				
19-15-101	SEAL, Joint, use w/2072 104							
	Joint . . . . .	6	1	*2072 113				
	Use w/2260 083 Joint . . . . .	6	1	*1939 486				
	SEAL, "O" Ring . . . . .	6	1	2072 112				
19-15-104	WASHER, Coupling Bearing							
	Retainer, use w/2072 104 Joint . . . . .	6	1	*2072 108				
	Use w/2260 083 Joint . . . . .	6	1	*2260 082				
19-15-105	COVER, Coupling . . . . .	6	1	2072 114				
19-15-106	BEARING, Coupling . . . . .	6	2	2072 111				
19-15-107	WASHER, Bearing . . . . .	6	2	2072 110				
19-15-108	RETAINER, Universal Joint							
	Cover . . . . .	6	1	2072 115				
19-15-112	NUT, Coupling Screw . . . . .	6	1	2071 772				
19-15-121	RING, Joint Seal Retainer, use							
	w/2260 083 Joint . . . . .	6	1	*1939 487				
<b>19-19-0 STEERING GEAR SHAFT AND ROLLER TOOTH ASSEMBLY</b>								
19-19-1	SEAL PACKAGE, Cross Shaft							
	Cover . . . . .		1	2279 986	2279 986	2279 986	2279 986	2279 986
19-19-4	SHAFT . . . . .		1	2072 036	1733 577	1733 577	1733 577	1733 577
19-19-5	SNAP RING, Shaft Oil Seal . . . . .		1	----	2127 049	2127 049	2127 049	2127 049
19-19-7	SCREW, Adjusting . . . . .		1	1675 269	1675 269	1675 269	1675 269	1675 269
19-19-9	NUT, Adjusting Screw . . . . .		1	1822 204	1822 204	1822 204	1822 204	1822 204
19-19-19	BEARING, Shaft . . . . .		2	2072 038	1734 078	1734 078	1734 078	1734 078
19-19-24	COVER, w/BEARING, Shaft . . . . .		1	1733 604	1733 604	1733 604	1733 604	1733 604
19-19-26	"O" RING, Cover . . . . .		1	1733 615	1733 615	1733 615	1733 615	1733 615
19-19-30	WASHER, Reaction Seal Upper . . . . .		1	1733 790	1733 790	1733 790	1733 790	1733 790
19-19-32	NUT, Shaft Cover . . . . .		1	1733 627	1733 627	1733 627	1733 627	1733 627
19-19-33	SNAP RING, Shaft Seal . . . . .	6	1	2072 041				
19-19-35	OIL SEAL, Shaft . . . . .		1	2072 039	1730 985	1730 985	1730 985	1730 985
	Worm Shaft . . . . .		1	1733 603	1733 603	1733 603	1733 603	1733 603
	SEAL, Adjusting Screw . . . . .		1	1822 203	1822 203	1822 203	1822 203	1822 203
19-19-36	RETAINER, Shaft Oil Seal . . . . .		1	2072 040	1670 356	1670 356	1670 356	1670 356
19-19-40	WASHER, Adjusting Screw							
	Thrust . . . . .		1	1675 271	1675 271	1675 271	1675 271	1675 271
19-19-70	SEAL, Worm Sleeve . . . . .		1	1822 324	1822 324	1822 324	1822 324	1822 324
19-19-71	RING, Worm Sealing . . . . .		1	1822 406	1822 406	1822 406	1822 406	1822 406
19-19-72	SLEEVE, Worm . . . . .		1	1822 320	1822 320	1822 320	1822 320	1822 320
<b>19-27-0 STEERING GEAR ARM AND IDLER ARM</b>								
19-27-2	ARM PACKAGE, Gear . . . . .	6	1	2084 613				
	Arm, Gear, RC1 . . . . .		1	----	1731 414	1731 414	1731 414	
	RC2, RC3, RC4 . . . . .		8	----	----	----	1731 415	1731 415
19-27-8	NUT, Arm . . . . .		1	----	1392 770	1392 770	1392 770	1392 770

\* Indicates use as required. Numerals in parentheses ( ) refer to notes. Printed in U.S.A.  
 † Indicates parts not listed in any previous parts book. Prices and specifications subject to change without notice.  
 \* Indicates change or addition. Page 19-11 March 1, 1962 Supersedes May 31, 1961.

CODE	PART NAME AND DESCRIPTION	CYL.	PER CAR	VALIANT	PLYMOUTH	DESOTO	CHRYSLER	IMPERIAL
<b>POWER STEERING</b>								
<b>19-27-O STEERING GEAR ARM AND IDLER ARM - Cont'd</b>								
19-27-31	IDLER ARM PACKAGE . . . . .	6	1	2084 614				
	ARM KIT, RC1, RC2 . . . . .		1	1857 962	1857 962	1857 962	1857 962	
	ARM, Idler, RC1, RC2 . . . . .		1	-----	1734 335	1734 335	1734 335	
	RC3, RC4 . . . . .	8	1	-----	-----	-----	1734 330	1734 330
19-27-33	BRACKET, Idler Arm . . . . .		1	-----	1671 702	1671 702	1671 702	1671 702
19-27-34	BUSHING, Idler Arm . . . . .		1	1734 327	1734 327	1734 327	1734 327	1734 327
19-27-45	BOLT, Idler Arm . . . . .		1	2072 490	1734 326	1734 326	1734 326	1734 326
19-27-46	NUT, Bolt . . . . .	6	1	1825 351				
19-27-50	LINK, Center, RC1, RC2 . . . . .		1	2072 456	1673 008	1673 008	1673 008	
	RC3, RC4 . . . . .	8	1	-----	-----	-----	1672 980	1672 980
19-27-55	SEAL, Gear Arm . . . . .	6	1	1670 299				
	Idler Arm End. . . . .	6	1	2072 455				
	Center Link . . . . .		2	-----	1670 299	1670 299	1670 299	1670 299
<b>19-30-O STEERING WHEEL</b>								
19-30-4	WHEEL, Black Frost . . . . .	6	1	2207 804				
	Blue . . . . .	6	1	2207 802				
	Green . . . . .	6	1	2207 803				
	Red . . . . .	6	1	2207 805				
	Rubber, Black . . . . .		1	-----	2201 753			
	Rubber, Blue . . . . .		1	-----	2201 751			
	Rubber, Brown . . . . .		1	-----	2201 754			
	Rubber, Green . . . . .		1	-----	2201 752			
	Rubber, Red . . . . .		1	-----	2201 755			
	Plastic, Flat Rim, Clear and Black . . . . .		1	-----	2201 336			
	Plastic, Flat Rim, Clear and Blue . . . . .		1	-----	2201 334			
	Plastic, Flat Rim, Clear and Brown . . . . .		1	-----	2201 337			
	Plastic, Flat Rim, Clear and Green . . . . .		1	-----	2201 335			
	Rubber, Black, w/Std. Trans., use w/Horn Blowing Bar . . . . .	8	1	-----	-----	2201 753		
	Rubber, Blue, w/Std. Trans., use w/Horn Blowing Bar . . . . .	8	1	-----	-----	2201 751		
	Rubber, Brown, w/Std. Trans., use w/Horn Blowing Bar . . . . .	8	1	-----	-----	2201 754		
	Rubber, Green, w/Std. Trans., use w/Horn Blowing Bar . . . . .	8	1	-----	-----	2201 752		
	Rubber, Red, w/Std. Trans., use w/Horn Blowing Bar . . . . .	8	1	-----	-----	2201 755		
	Rubber, Blue, use w/Horn Blowing Ring, w/Auto. Trans..	8	1	-----	-----	2201 313		
	Rubber, Brown, use w/Horn Blowing Ring, w/Auto. Trans..	8	1	-----	-----	2201 315		
	Rubber, Gray, use w/Horn Blowing Ring, w/Auto. Trans..	8	1	-----	-----	2201 316		
	Rubber, Red, use w/Horn Blowing Ring, w/Auto. Trans..	8	1	-----	-----	2201 317		
	Plastic, Blue Pearl and Dark Blue, w/Auto. Trans. . . . .	8	1	-----	-----	2201 318		
	Plastic, Tan Pearl and Brown, w/Auto. Trans. . . . .	8	1	-----	-----	2201 320		
	Plastic, White Pearl and Black, w/Auto. Trans. . . . .	8	1	-----	-----	2201 321		
	Plastic, White Pearl and Blue, w/Auto. Trans. . . . .	8	1	-----	-----	2201 328		
	Plastic, White Pearl and Green, w/Auto. Trans. . . . .	8	1	-----	-----	2201 329		
	Plastic, White Pearl and Red, w/Auto. Trans. . . . .	8	1	-----	-----	2201 322		

★ Indicates use as required.

Numerals in parentheses ( ) refer to notes.

Printed in U.S.A.

☐ Indicates parts not listed in any previous parts book.

Prices and specifications subject to change without notice.

March 1, 1962 Supersedes May 31, 1961.

\* Indicates change or addition.

CODE	PART NAME AND DESCRIPTION	CYL.	PER CAR	VALIANT	PLYMOUTH	DESOTO	CHRYSLER	IMPERIAL
<b>POWER STEERING</b>								
<b>19-30-0 STEERING WHEEL - Cont'd</b>								
19-30-4	WHEEL - Cont'd							
	Plastic, White Pearl and Silver, w/Auto. Trans. . . . .	8	1	----	----	2201 330		
	Rubber, Black, RC1, RC2 . . . .	8	1	----	----	----	2201 785	
	Rubber, Blue, RC1, RC2 . . . .	8	1	----	----	----	2201 782	
	Rubber, Brown, RC1, RC2 . . . .	8	1	----	----	----	2201 784	
	Rubber, Cerise, RC1, RC2 . . . .	8	1	----	----	----	2201 786	
	Rubber, Green, RC1, RC2 . . . .	8	1	----	----	----	2201 783	
	Rubber, Red, RC1, RC2 . . . .	8	1	----	----	----	2201 787	
	Plastic, Clear and Blue . . . .	8	1	----	----	----	2201 788	
	Plastic, Clear and Black Frost . . . .	8	1	----	----	----	2201 791	
	Plastic, Clear and Cerise . . . .	8	1	----	----	----	2201 792	
	Plastic, Green Tint and Dark Green . . . . .	8	1	----	----	----	2201 789	
	Plastic, Tan Tint and Dark Brown	8	1	----	----	----	2201 790	
	Plastic, Clear and Red . . . .	8	1	----	----	----	2201 793	
	Plastic, Flat Rim, Black . . . .	8	1	----	----	----	----	2201 306
	Plastic, Flat Rim, Blue . . . .	8	1	----	----	----	----	2200 581
	Plastic, Flat Rim, Green . . . .	8	1	----	----	----	----	2201 304
	Plastic, Flat Rim, Red . . . .	8	1	----	----	----	----	2201 308
	Plastic, Flat Rim, Russet . . . .	8	1	----	----	----	----	2201 307
	Plastic, Flat Rim, Topaz . . . .	8	1	----	----	----	----	2201 305
19-30-18	NUT, Wheel . . . . .		1	145 032	2200 577	2200 577	2200 577	2200 577
<b>19-31-0 STEERING COLUMN BRACKET</b>								
19-31-1	BRACKET, w/Auto. Trans., RC1, RC2 . . . . .	8	1	----	----	1839 984	1902 223	
	w/Std. Trans. . . . .	8	1	----	----	1839 979		
	RC3, RC4 . . . . .	8	1	----	----	----	1902 210	
19-31-7	BRACE, to Windshield Frame							
	Upper . . . . .	8	1	----	----	----	----	1839 327
	Lower . . . . .	8	1	----	----	----	----	1902 362
19-31-14	SPACER, Bracket and Reinforcement . . . . .	8	2	----	----	----	2161 617	
19-31-19	NUT, w/WASHER, Upper Clamp	6	1	2076 232				
	STUD, Cap Attaching . . . . .	8	2	----	----	1901 587		
	SPEED NUT . . . . .	8	2	----	----	1327 986		
	NUT, Bracket Cap Attaching	8	2	----	----	----	H6012 032	
19-31-24	CAP, w/Auto. Trans. . . . .		1	----	1839 985	1839 985	1839 685	2080 720
	w/Std. Trans. . . . .		1	----	1839 980	1839 980		
<b>19-46-0 GEARSHIFT ROD OR TUBE</b>								
19-46-2	BOOT, Rod, w/Std. Trans. . . . .		1	----	2161 726			
19-46-3	TUBE, w/Std. Trans. . . . .		1	----	2201 794			
19-46-5	SPRING, Tube Anti-Shake, w/Std. Trans. . . . .		1	----	2201 795			
19-46-9	CUP, Tube Lever Spring Washer, w/Std. Trans. . . . .		1	----	2201 258			
19-46-10	SPRING, Tube Return, w/Std. Trans. . . . .		1	----	1632 808			
19-46-11	WASHER, Tube Lever Spring, w/Std. Trans. . . . .		1	----	2201 260			
19-46-16	LEVER, Tube, w/Std. Trans., 2nd and High . . . . .		1	----	*2201 772(1)			
	2nd and High . . . . .		1	----	*2122 039(2)			
	First and Reverse . . . . .		1	----	*2201 771(1)			
	First and Reverse . . . . .		1	----	*2122 038(2)			

NOTE 1: Contains Spool w/Knurled End.

NOTE 2: Contains Spool w/o Knurled End.

\* Indicates use as required.

† Indicates parts not listed in any previous parts book.

\* Indicates change or addition.

Numerals in parentheses ( ) refer to notes.

Page 19-13

Printed in U.S.A.

Prices and specifications subject to change without notice.

March 1, 1962 Supersedes May 31, 1961.

CODE	PART NAME AND DESCRIPTION	CYL	PER CAR	VALIANT	PLYMOUTH	DESOTO	CHRYSLER	IMPERIAL
<b>POWER STEERING</b>								
<b>19-46-O GEARSHIFT ROD OR TUBE - Cont'd</b>								
19-46-19	WASHER, Tube Lever, w/Std. Trans. . . . .		1	----	1670 932			
19-46-23	PIN, Tube, w/Std. Trans. . . .		1	----	1946 578			
19-46-24	RETAINER, Tube Lever Pin, w/Std. Trans. . . . .		1	----	2123 129			
19-46-26	SEAL, Tube Bushing Support, w/Std. Trans. . . . .		1	----	2123 012			
19-46-35	RETAINER, Tube Support Seal, w/Std. Trans. . . . .		1	----	2123 013			
<b>19-48-O GEARSHIFT CONTROL RODS</b>								
19-48-1	ROD, First and Reverse, w/Std. Transmission . . . .		1	----	2200 481	2260 864		
	2nd and High, w/Std. Transmission		1	----	2200 480(1)	2260 862		
	2nd and High, w/Std. Transmission		1	----	2260 863(2)			
	Police Cars, Taxi, High Performance, Heavy Duty, 2nd and High, w/Std. Trans. . . .		1	----	2260 862			
	Police Cars, Taxi, High Performance, Heavy Duty, First and Reverse, w/Std. Trans. .		1	----	2260 864			
19-48-7	SMALL PARTS PACKAGE, w/Std. Trans. . . . .		1	----	2240 631	2240 631		
19-48-12	CLAMP, 2nd and High w/Std. Transmission . . . . .		1	----	2204 274	2204 274		
	First and Reverse, Heavy Duty, w/Std. Transmission		1	----	2204 274	2204 274		
19-48-16	SWIVEL. . . . .		2	----	1731 118	1731 118		
19-48-20	WASHER, Swivel, Spring . . . .		2	----	6012 072	6012 072		
19-48-21	WASHER, Swivel, Plain . . . .		2	----	632 258	632 258		
	Control Rod, w/Std. Transmission . . . . .		4	----	631 217	631 217		
	Heavy Duty . . . . .		4	----	1533 190	1533 190		
19-48-23	CLIP, Cotter . . . . .		2	----	1137 669	1137 669		
<b>19-54-O POWER STEERING OIL PUMP</b>								
19-54-2	PUMP PACKAGE, w/170, 225, 318 cu. in. Eng. . . . .		1	2240 620	2240 620(3)			
	w/318, w/361, 383, 413 cu. in. Eng. . . . .	8	1	----	2196 082(3)	2196 082	2196 082	2196 082

NOTE 1: Use w/o Clamp

NOTE 2: Use w/Clamp

NOTE 3: 2240 620 and 2196 082 Pumps are being used intermittently on the RP2 w/318 cu. in. Eng. To distinguish the difference, 2196 082 can easily be identified by the swivel type hinge mounting brackets. Use the 4th column of the chart for detail parts for these cars equipped with the 2196 082 Pump.

★ Indicates use as required.

⊠ Indicates parts not listed in any previous parts book.  
March 1, 1962 Supersedes May 31, 1961.

Numerals in parentheses ( ) refer to notes.

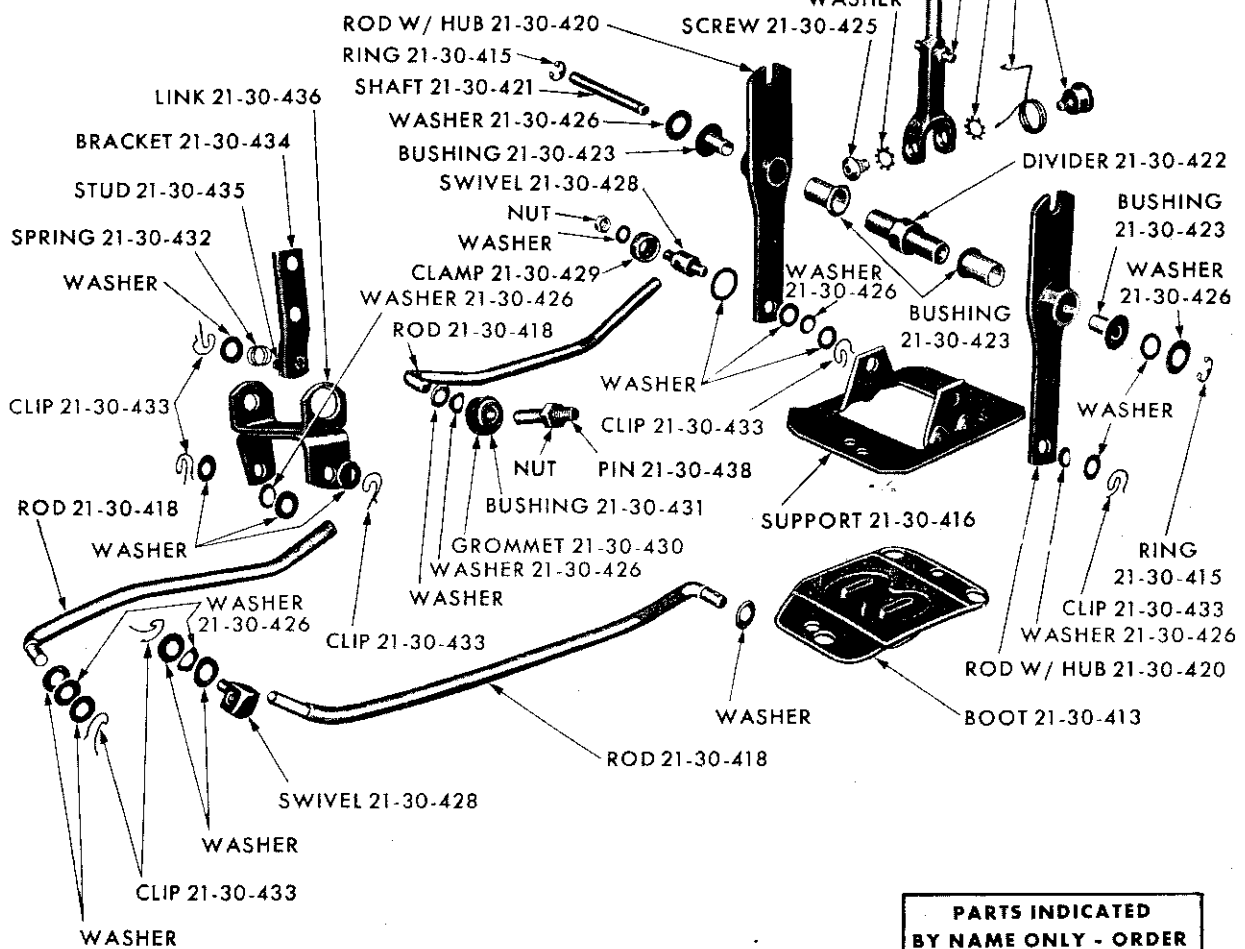
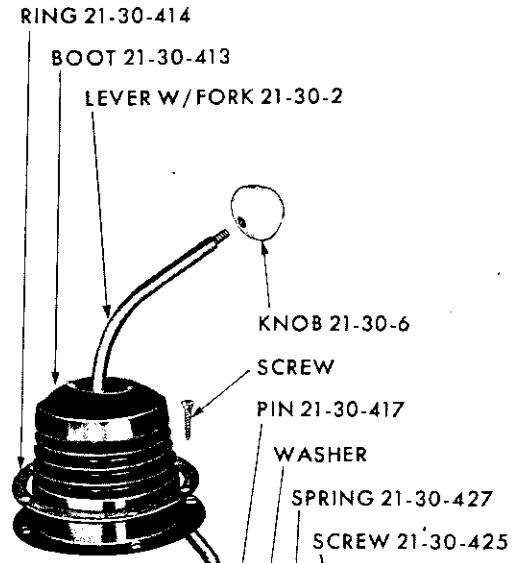
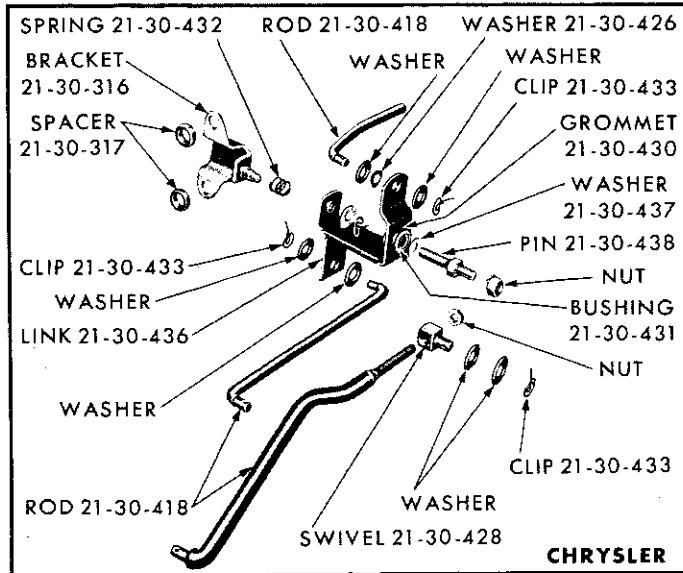
Page 19-14

Printed in U.S.A.  
Prices and specifications subject to change without notice.

\* Indicates change or addition.

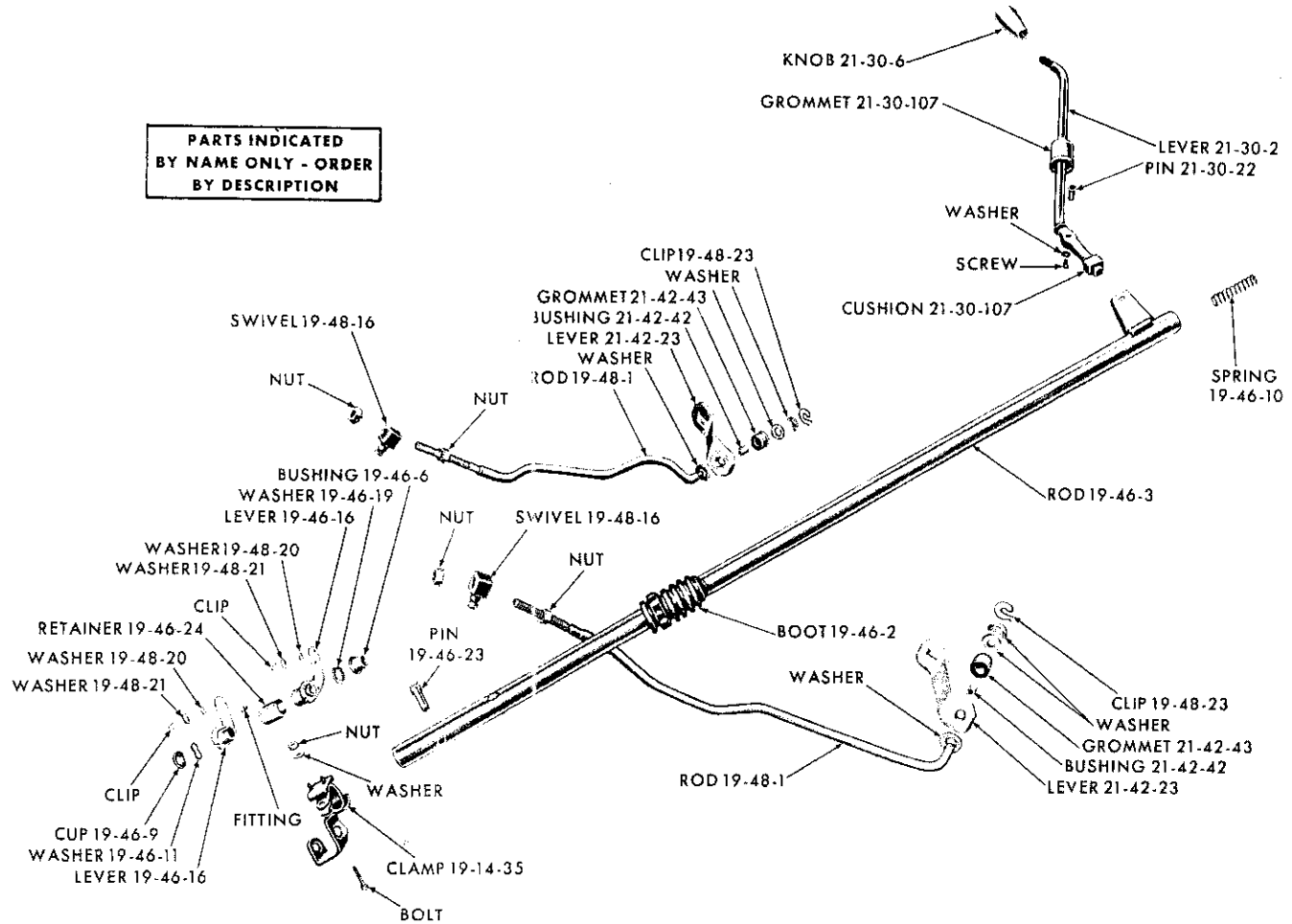


GROUP 21 - TRANSMISSION



PARTS INDICATED BY NAME ONLY - ORDER BY DESCRIPTION

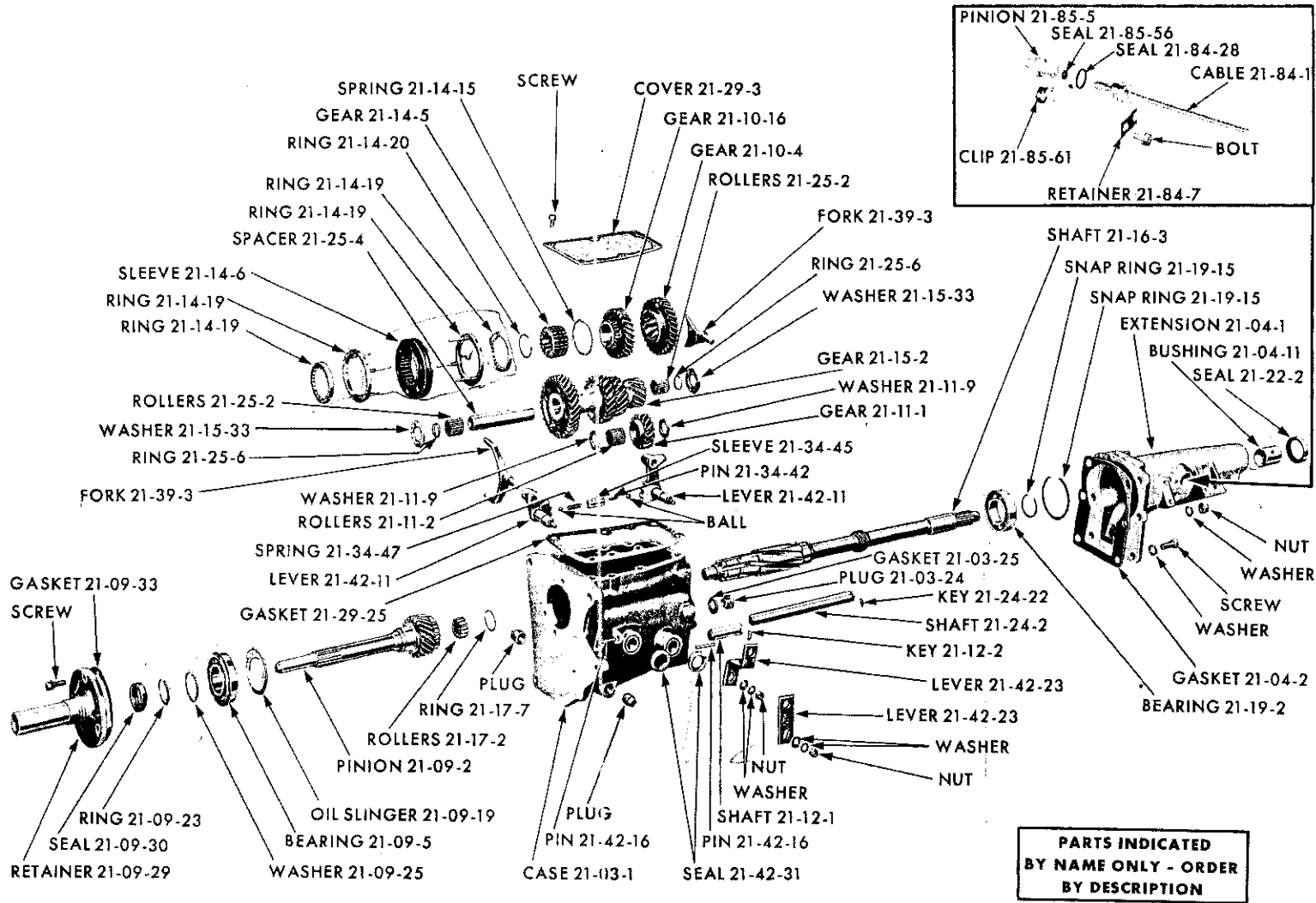




19x9041

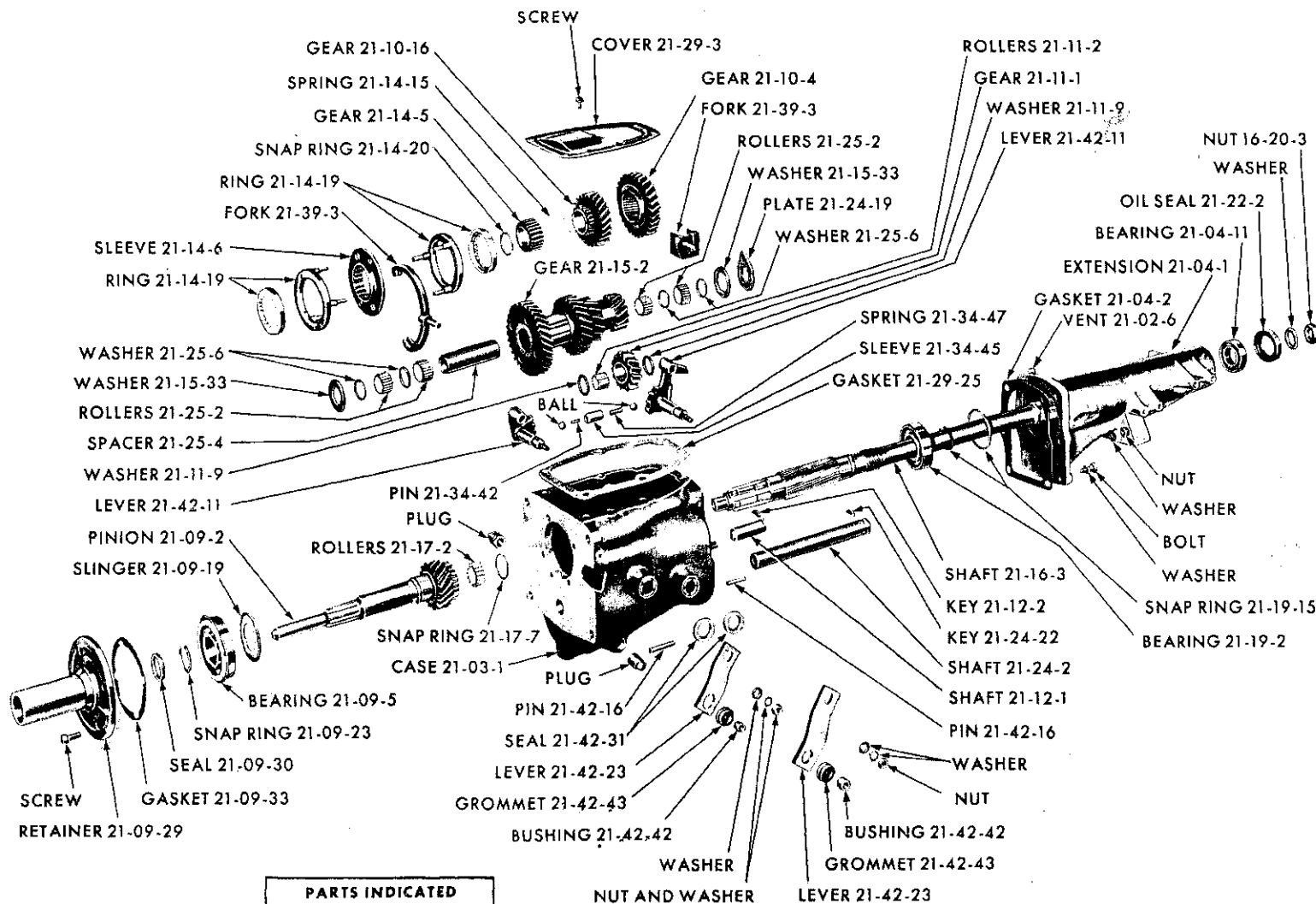
STANDARD TRANSMISSION CONTROLS - EXCEPT VALIANT RV1





19x8774B

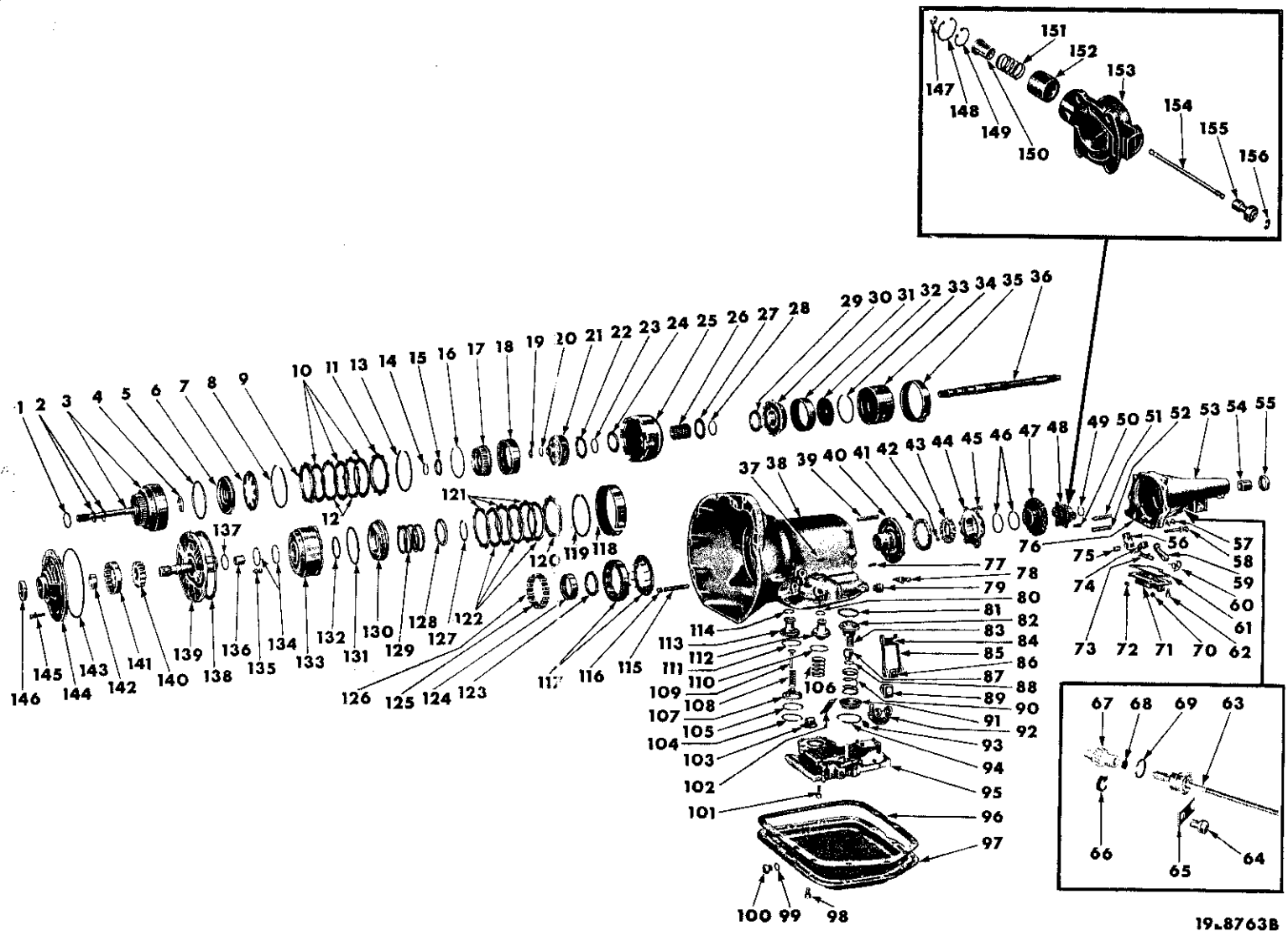
STANDARD TRANSMISSION -- VALIANT RV1 AND PLYMOUTH RP1-2



PARTS INDICATED  
BY NAME ONLY - ORDER  
BY DESCRIPTION

19x8915

STANDARD TRANSMISSION - PLYMOUTH RP1 (HEAVY DUTY), RP2, DESOTO RS1 AND CHRYSLER RC1

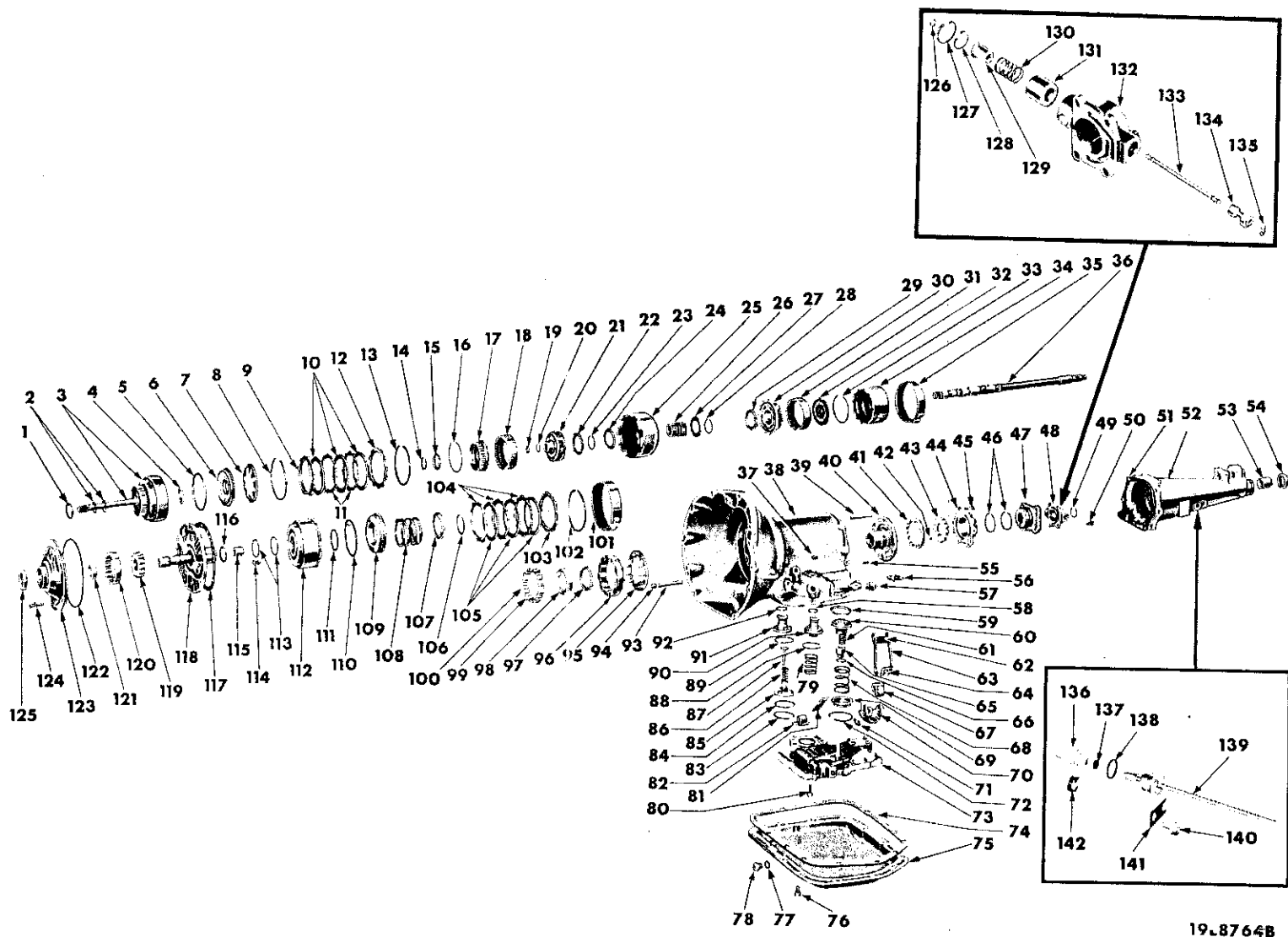


AUTOMATIC 3-SPEED TRANSMISSION - VALIANT RV1

## AUTOMATIC 3-SPEED TRANSMISSION - VALLIANT RV1

Ref. No.	Name	Part Type Code	Ref. No.	Name	Part Type Code
1	Washer	21-133-65	80	Ring	21-137-202
2	Ring	21-129-7	81	Seal	21-137-50
3	Shaft, Input	21-129-5	82	Piston, Reverse	21-137-35
4	Seal	21-133-17	83	Spring	21-137-41
5	Seal	21-133-17	84	Anchor	21-136-41
6	Piston	21-133-15	85	Link	21-136-44
7	Spring	21-133-20	86	Strut	21-136-41
8	Snap Ring	21-133-25	87	Plug	21-137-47
9	Plate	21-133-39	88	Snap Ring	21-137-44
10	Disc	21-133-36	89	Lever, Short	21-136-47
11	Plate	21-133-38	90	Spring	21-137-53
12	Plate	21-133-39	91	Retainer	21-137-56
13	Snap Ring	21-133-43	92	Lever, w/Stem	21-136-47
14	Snap Ring	21-134-40	93	Screw	21-136-52
15	Washer	21-134-45	94	Snap Ring	21-137-59
16	Snap Ring	21-134-40	95	Body, w/Transfer Plate	21-139-4
17	Support	21-134-36	96	Gasket	21-119-5
18	Gear	21-134-38	97	Pan	21-119-3
19	Washer	21-05-35	98	Screw	21-119-3
20	Snap Ring	21-05-19	99	Gasket	21-119-12
21	Carrier, Front	21-134-5	100	Plug	21-119-11
22	Washer	21-133-48	101	Screw	
23	Ring	21-133-46	102	Strut	21-136-15
24	Plate	21-133-47	103	Lever	21-136-20
25	Shell	21-133-42	104	Snap Ring	21-137-19
26	Gear, Sun	21-133-40	105	Ring	21-137-8
27	Plate	21-133-47	106	Spring	21-137-205
28	Ring	21-133-46	107	Guide	21-137-13
29	Washer	21-133-48	108	Spring	21-137-22
30	Carrier, Rear	21-134-5	109	Rod	21-137-11
31	Gear	21-134-38	110	Ring	21-137-202
32	Support	21-134-36	111	Ring	21-137-8
33	Snap Ring	21-134-40	112	Piston, Accumulator	21-137-200
34	Drum, Reverse	21-136-65	113	Piston, Kickdown	21-137-5
35	Band, Reverse	21-136-30	114	Ring	21-137-8
36	Shaft, Output	21-05-1	115	Shaft	21-136-23
37	Seal	21-139-47	116	Plug	
38	Case	21-03-1	117	Retainer and Cam	21-136-228
39	Shaft	21-136-49			
40	Housing, Rear	21-118-40	118	Band, Kickdown	21-136-5
41	Rotor, Outer	21-118-7	119	Snap Ring	21-133-43
42	Ball		120	Plate	21-133-39
43	Rotor, Inner (Serviced in 21-118-6)		121	Plate	21-133-38
44	Cover	21-118-53	122	Disc	21-133-36
45	Screw		123	Washer	21-136-237
46	Ring	21-138-38	124	Race	21-136-232
47	Support	21-138-10	125	Spring	21-136-236
48	Housing (Serviced in 21-138-2)		126	Roller	21-136-235
49	Snap Ring	21-138-7	127	Snap Ring	21-133-43
50	Screw		128	Retainer	21-133-22
51	Shaft	4-10-8	129	Spring	21-133-20
52	Bushing	4-10-12	130	Piston	21-133-15
53	Extension	21-04-1	131	Seal	21-133-17
54	Bushing	21-04-11	132	Seal	21-133-17
55	Oil Seal	21-05-12	133	Retainer, Front	21-133-7
56	Lever	4-10-7	134	Ring	21-129-13
57	Screw		135	Screw	
58	Screw		136	Bushing	21-129-23
59	Sprag	4-10-10	137	Washer	21-133-65
60	Spring	4-10-11	138	Gasket	21-129-24
61	Gasket	4-10-16	139	Shaft, Reacting, w/Support	21-129-10
62	Screw		140	Rotor, Inner (Serviced in 21-118-6)	
63	Cable	21-84-1	141	Rotor, Outer (Serviced in 21-118-6)	
64	Screw		142	Bushing	21-118-47
65	Retainer	21-84-7	143	Oil Seal	21-118-45
66	Clip	21-85-61	144	Housing, Front	21-118-40
67	Pinion	21-85-5	145	Screw	21-118-55
68	Seal	21-85-56	146	Oil Seal	21-118-42
69	Seal	21-84-28	147	Snap Ring	21-138-29
70	Plug		148	Snap Ring	21-138-19
71	Cover	4-10-15	149	Snap Ring	21-138-19
72	Plug		150	Weight	21-138-13
73	Adapter	4-10-2	151	Spring	21-138-15
74	Spacer	4-10-9	152	Weight	21-138-13
75	Bearing	4-10-19	153	Body (Serviced in 21-138-2)	
76	Gasket	21-04-2	154	Shaft	21-138-26
77	Pin		155	Valve	21-138-23
78	Screw	21-136-17	156	Snap Ring	21-138-29
79	Switch	21-113-24			

PARTS INDICATED BY NAME ONLY - ORDER BY DESCRIPTION



19-8764B

AUTOMATIC 3-SPEED TRANSMISSION - PLYMOUTH RP1

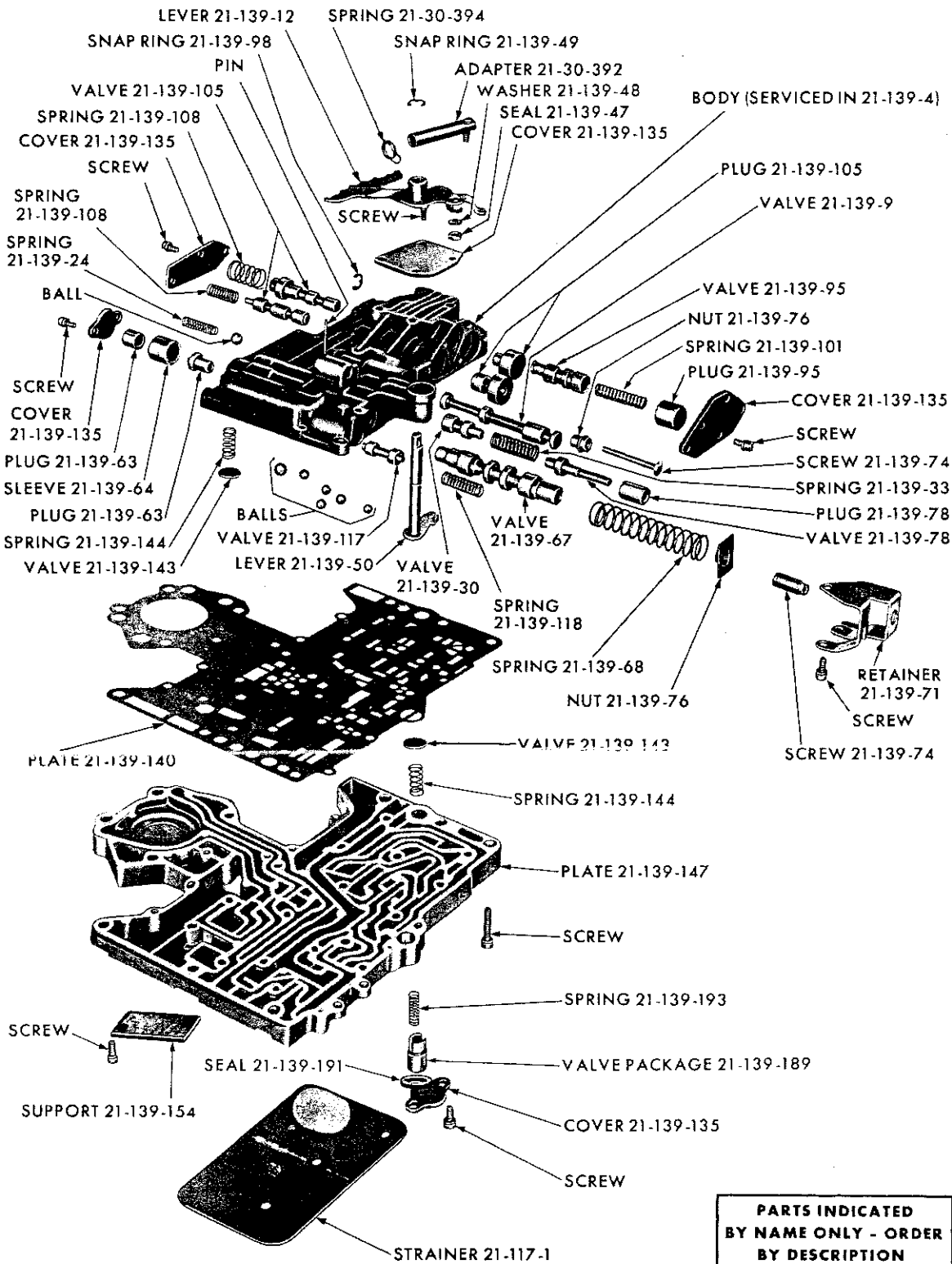


## AUTOMATIC 3-SPEED TRANSMISSION - PLYMOUTH RP1

Ref. No.	Name	Part Type Code	Ref. No.	Name	Part Type Code
1	Washer	21-133-65	72	Ring	21-137-59
2	Seal	21-129-7	73	Body, w/Plate	21-139-4
3	Shaft, Input	21-129-5	74	Gasket	21-119-5
4	Seal	21-133-17	75	Pan	21-119-3
5	Seal	21-133-17	76	Screw	21-119-3
6	Piston	21-133-15	77	Gasket	21-119-12
7	Spring	21-133-20	78	Plug	21-119-11
8	Ring	21-133-25	79	Spring	21-137-205
9	Plate	21-133-39	80	Screw	
10	Disc	21-133-36	81	Strut	21-136-15
11	Plate	21-133-38	82	Lever	21-136-20
12	Plate	21-133-39	83	Ring	21-137-19
13	Ring	21-133-43	84	Ring	21-137-8
14	Ring	21-134-40	85	Guide	21-137-13
15	Washer	21-134-45	86	Spring	21-137-22
16	Ring	21-134-40	87	Rod	21-137-11
17	Support	21-134-36	88	Ring	21-137-202
18	Gear	21-134-38	89	Ring	21-137-8
19	Washer	21-05-35	90	Piston	21-137-200
20	Ring	21-05-19	91	Piston	21-137-5
21	Carrier	21-134-5	92	Ring	21-137-8
22	Washer	21-133-48	93	Shaft	21-136-23
23	Ring	21-133-46	94	Plug	
24	Plate	21-133-47	95	Retainer (Serviced in 21-03-1)	
25	Shell	21-133-42	96	Cam (Serviced in 21-03-1)	
26	Gear	21-133-40	97	Washer	21-136-237
27	Plate	21-133-47	98	Race	21-136-232
28	Ring	21-133-46	99	Spring	21-136-236
29	Washer	21-133-48	100	Roller	21-136-235
30	Carrier	21-134-5	101	Band	21-136-5
31	Gear	21-134-38	102	Ring	21-133-43
32	Support	21-134-36	103	Plate	21-133-39
33	Ring	21-134-40	104	Plate	21-133-38
34	Drum	21-136-65	105	Disc	21-33-36
35	Band	21-136-30	106	Ring	21-133-43
36	Shaft, Output	21-05-1	107	Retainer	21-133-22
37	Seal	21-139-47	108	Spring	21-133-20
38	Case	21-03-1	109	Piston	21-133-15
39	Shaft	21-136-49	110	Seal	21-133-17
40	Housing	21-118-40	111	Seal	21-133-17
41	Rotor	21-118-7	112	Retainer	21-133-7
42	Ball		113	Ring	21-129-13
43	Rotor (Serviced in 21-118-6)		114	Screw	
44	Cover	21-118-53	115	Bushing	21-129-23
45	Screw		116	Washer	21-133-65
46	Ring	21-138-38	117	Gasket	21-129-24
47	Support	21-138-10	118	Shaft, w/Support	21-129-10
48	Housing (Serviced in 21-138-2)		119	Rotor, Inner (Serviced in 21-118-6)	
49	Ring	21-138-7	120	Rotor (Serviced in 21-118-6)	
50	Screw		121	Bushing	21-118-47
51	Gasket	21-04-2	122	Seal	21-118-45
52	Extension	21-04-1	123	Housing	21-118-40
53	Bushing	21-04-11	124	Screw	21-118-55
54	Seal	21-05-12	125	Seal	21-118-42
55	Pin		126	Ring	21-138-29
56	Screw	21-136-17	127	Ring	21-138-19
57	Switch	21-113-24	128	Ring	21-138-19
58	Ring	21-137-202	129	Weight	21-138-13
59	Ring	21-137-50	130	Spring	21-138-15
60	Piston	21-137-35	131	Weight	21-138-13
61	Spring	21-137-41	132	Body (Serviced in 21-138-2)	
62	Anchor	21-136-41	133	Shaft	21-138-26
63	Link	21-136-44	134	Valve	21-138-23
64	Strut	21-136-41	135	Ring	21-138-29
65	Plug	21-137-47	136	Pinion	21-85-5
66	Ring	21-137-44	137	Seal	21-85-56
67	Lever	21-136-47	138	Seal	21-84-28
68	Spring	21-137-53	139	Cable	21-84-1
69	Retainer	21-137-56	140	Bolt	
70	Lever	21-136-47	141	Retainer	21-84-7
71	Screw	21-136-52	142	Clip	21-85-61

PARTS INDICATED BY NAME ONLY - ORDER BY DESCRIPTION

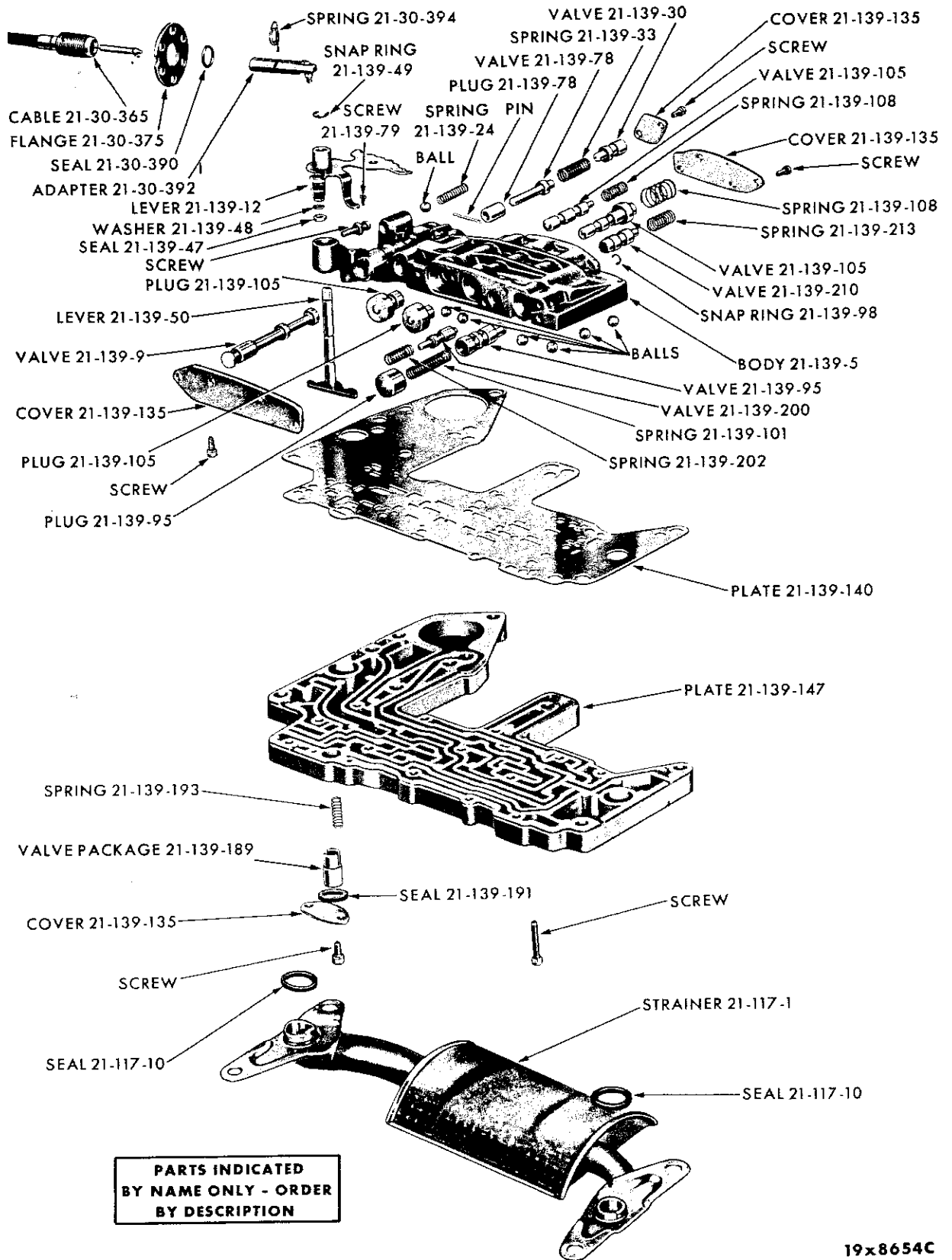




**PARTS INDICATED  
BY NAME ONLY - ORDER  
BY DESCRIPTION**

19x8761C

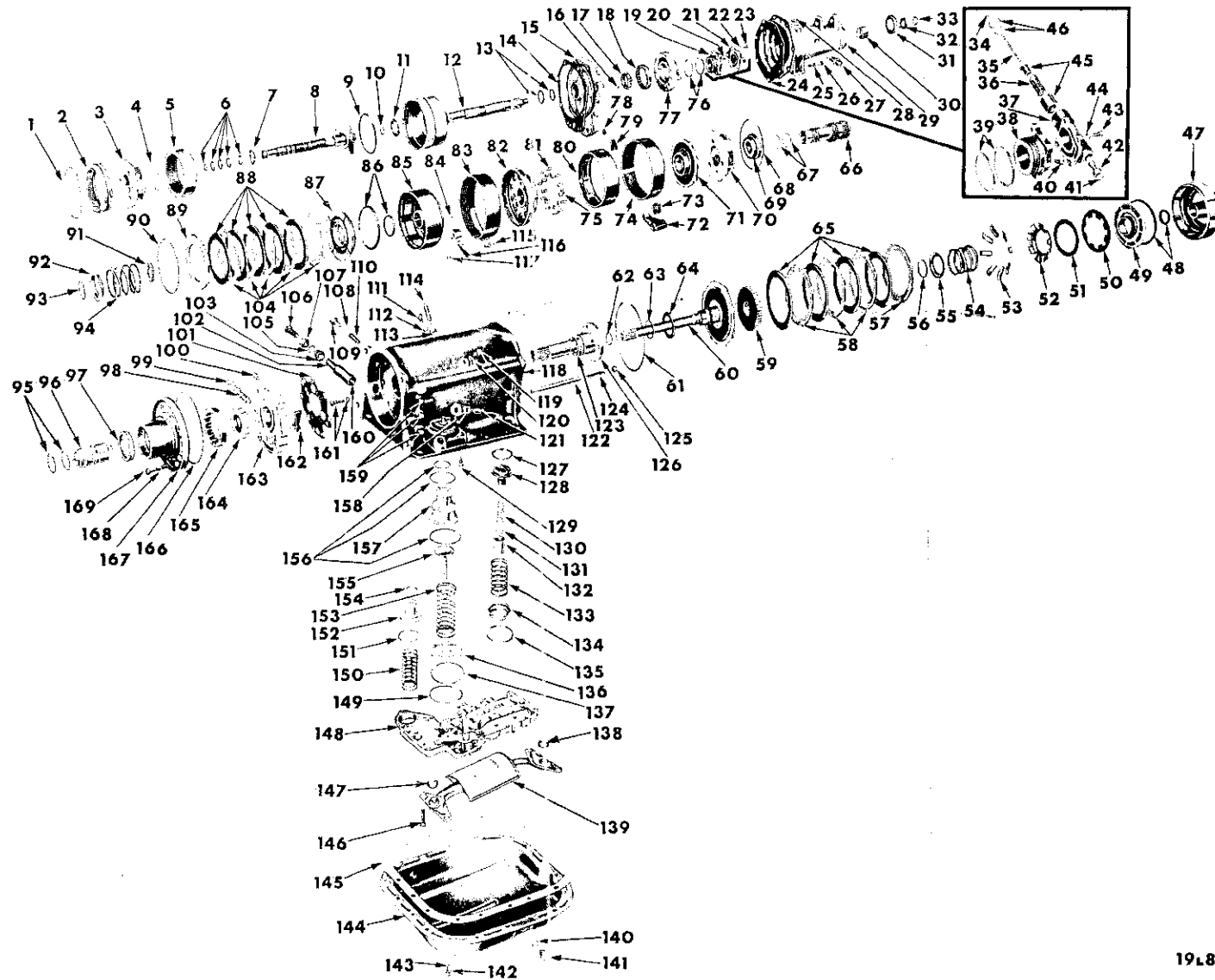
AUTOMATIC 3-SPEED TRANSMISSION VALVE PLATE - VALIANT RV1 AND PLYMOUTH RP1



**PARTS INDICATED  
BY NAME ONLY - ORDER  
BY DESCRIPTION**

19x8654C

AUTOMATIC 3-SPEED TRANSMISSION VALVE PLATE - EXCEPT VALIANT RV1 AND PLYMOUTH RP1



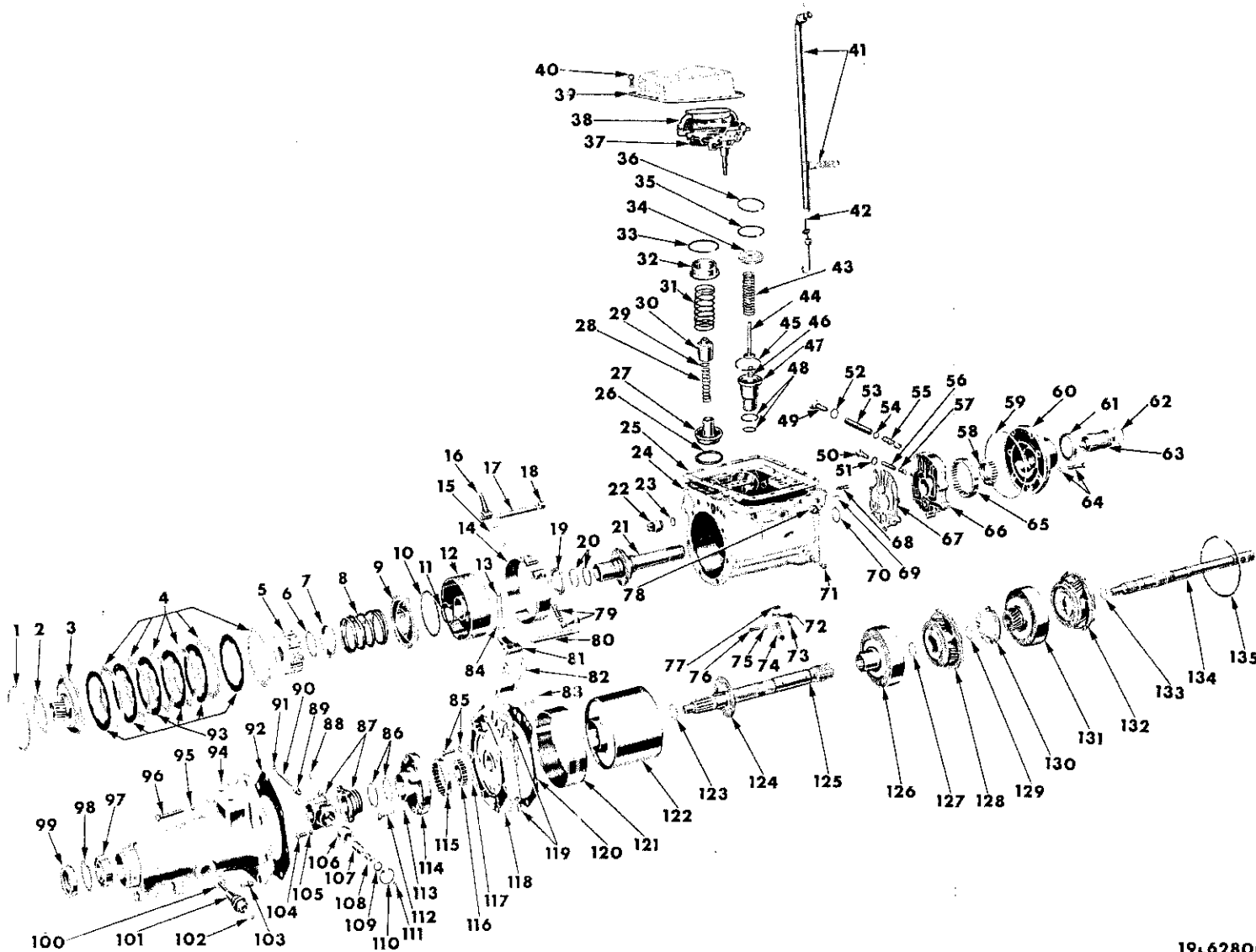
19L8509C

AUTOMATIC 3-SPEED TRANSMISSION - EXCEPT VALIANT RV1 AND PLYMOUTH RP1

## AUTOMATIC 3-SPEED TRANSMISSION - EXCEPT VALIANT RV1 AND PLYMOUTH RP1

Ref. No.	Name	Part Type Code	Ref. No.	Name	Part Type Code
1	Snap Ring	21-135-9	86	Ring	21-133-17
2	Gear, Reverse Annulus	21-135-25	87	Piston, Rear Clutch	21-133-15
3	Carrier, Kickdown	21-134-5	88	Disc	21-133-36
4	Washer	21-134-30	89	Plate	21-133-39
5	Gear, Kickdown Annulus	21-134-38	90	Snap Ring	21-133-43
6	Ring	21-129-33	91	Washer	21-133-30
7	Washer or Bearing	21-134-51	92	Retainer	21-133-22
8	Shaft, Intermediate	21-129-30	93	Snap Ring	21-133-25
9	Snap Ring	21-134-40	94	Spring	21-133-20
10	Ring, Small	21-129-33	95	Ring	21-118-38
11	Washer	21-05-35	96	Sleeve	21-118-37
12	Shaft, Output	21-05-1	97	Seal	21-118-42
13	Ring	21-05-18	98	Valve, Retainer	21-131-10
14	Gasket	21-05-26	99	Seat	21-131-20
15	Support, Output Shaft	21-05-25	100	Valve	21-131-35
16	Ball		101	Gasket	21-131-6
17	Pinion	21-118-8	102	Spring	21-131-15
18	Gear	21-118-7	103	Cup	21-131-20
19	Support, Serviced in Package	21-138-2	104	Plate	21-133-38
20	Screw	21-138-9	105	Gasket	21-131-27
21	Body, Serviced in Package	21-138-2	106	Screw	21-131-31
22	Washer		107	Retainer	21-131-25
23	Screw	21-138-6	108	Gasket	21-131-50
24	Gasket	21-04-2	109	Retainer	21-131-45
25	Washer		110	Spring	21-131-40
26	Bolt		111	Screw	21-136-225
27	Pinion	21-85-5	112	Washer	
28	Breather	21-02-6	113	Nut	
29	Extension	21-04-1	114	Screw	21-136-17
30	Bushing	21-04-11	115	Anchor, Kickdown Band	21-136-15
31	Oil Seal	21-05-12	116	Strut, Kickdown Band	21-136-15
32	Washer	16-20-2	117	Seal	21-139-47
33	Nut	16-20-3	118	Case	21-03-1
34	Snap Ring	21-138-29	119	Screw	21-136-225
35	Shaft	21-138-26	120	Washer	
36	Spring	21-138-15	121	Screw	21-136-52
37	Body, Serviced in Package	21-138-2	122	Shaft	21-137-32
38	Support, Serviced in Package	21-138-2	123	Ring	21-129-13
39	Rings	21-138-38	124	Spacer	21-137-33
40	Screw	21-138-8	125	Plug	
41	Snap Ring	21-138-29	126	Shaft, Reaction	21-129-10
42	Valve	21-138-23	127	Ring	21-137-50
43	Screw, w/Washer	21-138-6	128	Piston, Reverse Servo	21-137-35
44	Washer		129	Screw	
45	Weight	21-138-13	130	Spring	21-137-41
46	Snap Ring	21-138-19	131	Snap Ring	21-137-44
47	Retainer, Front Clutch	21-133-7	132	Plug	21-137-47
48	Ring	21-133-17	133	Spring	21-137-53
49	Piston, Front Clutch	21-133-15	134	Retainer	21-137-56
50	Spring	21-133-70	135	Snap Ring	21-137-59
51	Washer or Spacer	21-133-71	136	Guide	21-137-13
52	Retainer	21-133-34	137	Ring	21-137-8
53	Levers, Front Clutch	21-133-32	138	Seal	21-117-10
54	Spring	21-133-20	139	Strainer	21-117-1
55	Retainer	21-133-22	140	Gasket	
56	Snap Ring	21-133-25	141	Plug	
57	Plate	21-133-39	142	Washer	
58	Plate	21-133-38	143	Bolt	21-119-3
59	Hub, Driving Disc	21-133-35	144	Pan	21-119-3
60	Shaft, Input, w/Bushing	21-129-5	145	Gasket	21-119-5
61	Snap Ring	21-133-43	146	Screw	
62	Ring, Small	21-129-7	147	Seal	21-117-10
63	Ring, Large	21-129-7	148	Body, w/Transfer Plate	21-139-4
64	Washer	21-129-8	149	Snap Ring	21-137-19
65	Disc	21-133-36	150	Spring	21-137-205
66	Gear, Reverse Sun	21-134-50	151	Ring, Large	21-137-202
67	Ring	21-133-45	152	Piston, Accumulator	21-137-200
68	Snap Ring	21-136-68	153	Spring	21-137-22
69	Plate	21-134-30	154	Ring, Small	21-137-202
70	Carrier, Low & Reverse	21-135-50	155	Rod, Kickdown Piston	21-137-11
71	Hub, "O" Running Clutch	21-136-230	156	Rings	21-137-8
72	Lever, Low & Reverse Band	21-136-200	157	Piston, Kickdown Servo	21-137-5
73	Strut, Reverse Band	21-136-41	158	Nut	
74	Band, Low & Reverse	21-136-80	159	Plugs	
75	Spring	21-136-236	160	Sleeve	21-131-29
76	Rings	21-138-38	161	Bolt and Washer	
77	Housing, Rear Pump	21-118-40	162	Valve	21-131-12
78	Plug		163	Body, Regulator Valve	21-131-5
79	Anchor, Reverse Band	21-136-41	164	Rotor, Inner	21-118-8
80	Drum, Low & Reverse	21-136-210	165	Rotor, Outer	21-118-7
81	Roller	21-136-235	166	Seal	21-118-45
82	Support, Intermediate	21-136-214	167	Housing, Front Oil Pump	21-118-5
83	Band, Kickdown	21-136-5	168	Washer	
84	Lever, Kickdown Band	21-136-20	169	Bolt	
85	Retainer, Rear Clutch	21-133-7			

PARTS INDICATED BY NAME ONLY - ORDER BY DESCRIPTION



19L6280C

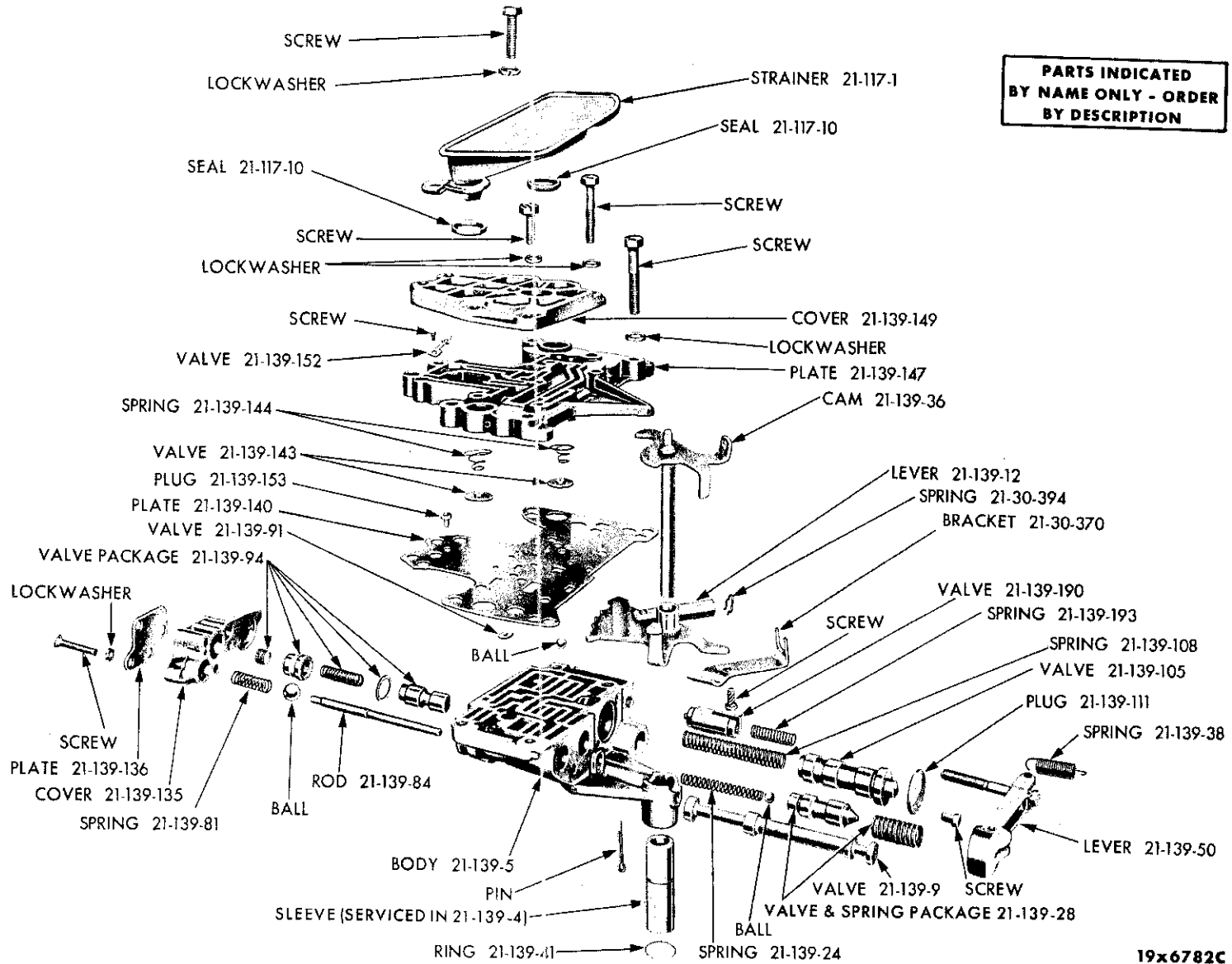
POWERFLITE TRANSMISSION

## POWERFLITE TRANSMISSION

Ref. No.	Name	Part Type Code	Ref. No.	Name	Part Type Code
1	Snap Ring . . . . .	21-133-43	69	Dowel . . . . .	21-129-16
2	Washer . . . . .	21-134-30	70	Seal . . . . .	21-129-12
3	Sun Gear Assembly . . . . .	21-133-40	71	Plug . . . . .	
4	Plate . . . . .	21-133-38	72	Retainer . . . . .	21-139-45
5	Hub . . . . .	21-133-35	73	Nut . . . . .	
6	Snap Ring . . . . .	21-133-25	74	Lever . . . . .	21-142-12
7	Retainer . . . . .	21-133-22	75	Washer . . . . .	
8	Spring . . . . .	21-133-20	76	Screw . . . . .	
9	Piston . . . . .	21-133-15	77	Felt . . . . .	21-139-42
10	Ring . . . . .	21-133-17	78	Plug . . . . .	
11	Ring . . . . .	21-133-12	79	Screw and Nut . . . . .	21-136-17
12	Retainer . . . . .	21-133-7	80	Shaft . . . . .	21-136-49
13	Screw . . . . .	21-136-52	81	Lever . . . . .	21-136-47
14	Band, Kickdown . . . . .	21-136-5	82	Link . . . . .	21-136-44
15	Strut . . . . .	21-136-15	83	Strut . . . . .	21-136-41
16	Lever . . . . .	21-136-20	84	Nut . . . . .	
17	Shaft . . . . .	21-136-23	85	Screw and Washer . . . . .	
18	Plug . . . . .		86	Rings . . . . .	21-138-38
19	Washer . . . . .	21-133-30	87	Support, Serviced in Repair Package . . . . .	21-138-2
20	Ring . . . . .	21-129-13	88	Screw . . . . .	21-138-9
21	Shaft, Reaction . . . . .	21-129-10	89	Valve . . . . .	21-138-23
22	Switch Package . . . . .	21-113-24	90	Shaft . . . . .	21-138-26
23	Washer . . . . .	21-113-29	91	Snap Ring . . . . .	21-138-29
24	Case . . . . .	21-03-1	92	Gasket . . . . .	21-04-2
25	Pan Gasket . . . . .	21-119-5	93	Disc . . . . .	21-133-36
26	Ring . . . . .	21-137-50	94	Extension . . . . .	21-04-1
27	Piston . . . . .	21-137-35	95	Washers . . . . .	
28	Spring . . . . .	21-137-41	96	Screw . . . . .	
29	Snap Ring . . . . .	21-137-44	97	Bearing . . . . .	21-05-2
30	Plug . . . . .	21-137-47	98	Snap Ring . . . . .	21-05-8
31	Spring . . . . .	21-137-53	99	Oil Seal . . . . .	21-05-12
32	Retainer . . . . .	21-137-56	100	Pinion . . . . .	21-85-5
33	Snap Ring . . . . .	21-137-59	101	Sleeve . . . . .	21-85-59
34	Guide . . . . .	21-137-13	102	Retainer . . . . .	21-85-76
35	Ring . . . . .	21-137-16	103	Breather . . . . .	21-02-6
36	Snap Ring . . . . .	21-137-19	104	Screw . . . . .	21-138-6
37	Valve Body and Transfer Plate . . . . .	21-139-4	105	Washer . . . . .	
38	Strainer . . . . .	21-117-1	106	Primary Weight . . . . .	21-138-13
39	Pan . . . . .	21-119-3	107	Spring . . . . .	21-138-15
40	Screw and Washer . . . . .	21-119-3	108	Secondary Weight . . . . .	21-138-13
41	Tube, w/Bracket . . . . .	21-119-15	109	Secondary Snap Ring . . . . .	21-138-19
42	Indicator . . . . .	21-119-19	110	Snap Ring . . . . .	21-138-19
43	Spring . . . . .	21-137-22	111	Snap Ring . . . . .	21-138-29
44	Rod . . . . .	21-137-11	112	Screw . . . . .	
45	Ring . . . . .	21-137-8	113	Washer . . . . .	
46	Spring . . . . .	21-137-20	114	Housing . . . . .	21-118-40
47	Piston . . . . .	21-137-5	115	Rear Oil Pump Gear . . . . .	21-118-7
48	Ring . . . . .	21-137-8	116	Rear Oil Pump Pinion . . . . .	21-118-8
49	Retainer . . . . .	21-131-25	117	Ball . . . . .	
50	Retainer . . . . .	21-131-45	118	Support . . . . .	21-05-25
51	Gasket . . . . .	21-131-50	119	Plugs . . . . .	
52	Gasket . . . . .	21-131-27	120	Gasket . . . . .	21-05-26
53	Spring . . . . .	21-131-15	121	Reverse Band . . . . .	21-136-30
54	Seat . . . . .	21-131-20	122	Housing . . . . .	21-135-33
55	Valve . . . . .	21-131-10	123	Ring . . . . .	21-05-18
56	Spring . . . . .	21-131-40	124	Washer . . . . .	21-135-35
57	Valve . . . . .	21-131-35	125	Shaft, Output . . . . .	21-05-1
58	Front Oil Pump Pinion . . . . .	21-118-6	126	Reverse Gear . . . . .	21-135-25
59	Oil Seal . . . . .	21-118-45	127	Snap Ring . . . . .	21-135-28
60	Housing . . . . .	21-118-40	128	Reverse Pinion Carrier . . . . .	21-135-5
61	Oil Seal . . . . .	21-118-42	129	Snap Ring . . . . .	21-134-40
62	Ring . . . . .	21-118-38	130	Washer . . . . .	21-134-30
63	Sleeve, w/Ring . . . . .	21-118-37	131	Kickdown Gear . . . . .	21-134-38
64	Screw and Washer . . . . .		132	Kickdown Pinion Carrier . . . . .	21-134-5
65	Front Oil Pump Gear . . . . .	21-118-6	133	Ring . . . . .	21-134-40
66	Body Package . . . . .	21-131-1	134	Input Shaft . . . . .	21-129-5
67	Gasket . . . . .	21-131-6	135	Snap Ring . . . . .	21-134-33
68	Screw . . . . .				

PARTS INDICATED BY NAME ONLY ARE STANDARD PARTS - ORDER BY DESCRIPTION





PARTS INDICATED BY NAME ONLY - ORDER BY DESCRIPTION

POWERFLITE TRANSMISSION VALVE AND TRANSFER PLATE

19x6782C

CODE	PART NAME AND DESCRIPTION	CYL.	PER CAR	VALIANT	PLYMOUTH	DESOTO	CHRYSLER	IMPERIAL
------	---------------------------	------	---------	---------	----------	--------	----------	----------

## STANDARD TRANSMISSION

**21-01-O TRANSMISSION SETS OR PACKAGES**

21-01-3	GASKET SET. . . . .	6	1	2196 062				
			1	----	2196 069			
	Heavy Duty Trans., RC1 . . . . .		1	----	*2240 320	----	*2240 320	

**21-02-O TRANSMISSION ASSEMBLY**

21-02-1	TRANSMISSION . . . . .	6	1	1949 992	2125 212			
	Heavy Duty Trans. . . . .	6	1	----	2204 472			
		8	1	----	2124 377			
	RP2, Heavy Duty Trans. . . . .	8	1	----	2124 768	2124 768		
	RC1 . . . . .	8	1	----	----	----	*2205 076	
21-02-6	VENT. . . . .		1	1139 204	2124 715			
	RP1, RP2, Heavy Duty Trans., RC1 . . . . .		1	----	1139 204	1139 204	1139 204	

**21-03-O TRANSMISSION CASE**

21-03-1	CASE . . . . .		1	1949 157	1949 910			
	RP1, RP2, Heavy Duty Trans., RC1 . . . . .		1	----	2124 367	2124 367	2124 367	
21-03-24	PLUG, Back-Up Light Switch Hole, RC1 . . . . .		1	1139 153	1139 153	1139 153	1139 153	
21-03-25	GASKET, Plug, RC1 . . . . .		1	1302 807	1302 807	1302 807	1302 807	

**21-04-O TRANSMISSION CASE EXTENSION**

21-04-1	EXTENSION . . . . .		1	1949 953	2124 281			
	RP1, RP2, Heavy Duty Trans., RC1 . . . . .		1	----	2124 457	2124 457	2124 457	
21-04-2	GASKET . . . . .		1	1949 361	1949 361			
	RP1, RP2, Heavy Duty Trans., RC1 . . . . .		1	----	2124 519	2124 519	2124 519	
21-04-11	BUSHING, Extension . . . . .		1	2124 607	1941 887			
	BEARING, Extension, RP1, RP2, Heavy Duty Trans., RC1 . . . . .		1	----	1672 194	1672 194	1672 194	

**21-09-O TRANSMISSION MAIN DRIVE PINION**

21-09-2	PINION, 24T., 19T., 10 35/64" lgh. . . . .	6	1	1949 842				
	24T., 19T., 12 43/64" lgh. . . . .	6	1	----	2124 875			
	24T., 22T., 12 13/32" lgh. . . . .	8	1	----	2124 365			
	24T., 18T., 13" lgh., Heavy Duty Trans. . . . .	6	1	----	2204 486			
	24T., 20T., 13" lgh., RP2, Heavy Duty Trans., RC1 . . . . .	8	1	----	2124 683	2124 683	2124 683	
21-09-5	BEARING . . . . .		1	1633 718	1633 718			
	RP1, RP2, Heavy Duty Trans., RC1 . . . . .		1	----	2124 516	2124 516	2124 516	
21-09-19	SLINGER, Bearing Oil, RC1 . . . . .		1	1633 669	1633 669	1633 669	1633 669	
21-09-23	SNAP RING, Bearing, .088" thk. . . . .		★	631 823	631 823			
	.091" thk. . . . .		★	631 824	631 824			
	.094" thk. . . . .		★	631 825	631 825			
	.097" thk. . . . .		★	640 332	640 332			
	.086" thk., RP1, RP2, Heavy Duty Trans., RC1 . . . . .		★	----	2125 113	2125 113	2125 113	
	.090" thk., RP1, RP2, Heavy Duty Trans., RC1 . . . . .		★	----	2125 114	2125 114	2125 114	
	.094" thk., RP1, RP2, Heavy Duty Trans., RC1 . . . . .		★	----	2125 115	2125 115	2125 115	
	.098" thk., RP1, RP2, Heavy Duty Trans., RC1 . . . . .		★	----	2125 116	2125 116	2125 116	

★ Indicates use as required.

Numerals in parentheses ( ) refer to notes.

Printed in U.S.A.

☐ Indicates parts not listed in any previous parts book.

Prices and specifications subject to change without notice.

\* Indicates change or addition.

Page 21-15

March 1, 1962 Supersedes May 31, 1961.



CODE	PART NAME AND DESCRIPTION	CYL	PER CAR	VALIANT	PLYMOUTH	DESOTO	CHRYSLER	IMPERIAL
------	---------------------------	-----	---------	---------	----------	--------	----------	----------

STANDARD TRANSMISSION

21-09-0 TRANSMISSION MAIN DRIVE PINION - Cont'd

21-09-25	WASHER, Bearing . . . . .		1	631 877	631 877			
21-09-29	RETAINER, Bearing . . . . .		1	1949 965	1949 363			
	RP1, RC2, Heavy Duty Trans., RC1 . . . . .		1	----	2124 396	2124 396	2124 396	
21-09-30	OIL SEAL, Pinion, RC1 . . . . .		1	1949 343	1949 933	1949 933	1949 933	
21-09-33	GASKET, Bearing Retainer, .009" thk. . . . .		★	865 180	865 180			
	.0135" thk. . . . .		★	865 181	865 181			
	.0225" thk. . . . .		★	* 672 709	* 672 709			
	.009" thk., RP1, RP2, Heavy Duty Trans., RC1 . . . . .		★	----	2124 496	2124 496	2124 496	
	.0135" thk., RP1, RP2, Heavy Duty Trans., RC1 . . . . .		★	----	2124 497	2124 497	2124 497	
	.0225" thk., RP1, RP2, Heavy Duty Trans., RC1 . . . . .		★	----	2124 499	2124 499	2124 499	

21-10-0 TRANSMISSION GEARS

21-10-4	GEAR, Sliding, First and Reverse, 29T., 6 Splines . . .	6	1	2124 329				
	First and Reverse, 29T., 6 Splines . . . . .			----	1853 855-			
	First and Reverse, 28T., 34 Splines, RP1, RP2, Heavy Duty Trans., RC1 . . . . .		1	----	2124 561	2124 561	2124 561	
21-10-16	GEAR, Second Speed, 24T., 25T. 24T., 24T., RP1, RP2, Heavy Duty Trans., RC1 . . . . .		1	1322 765	1322 765			
			1	----	2124 560	2124 560	2124 560	

21-11-0 TRANSMISSION REVERSE IDLER GEAR

21-11-1	GEAR, 15T. . . . .		1	1853 695	1853 695			
	14T., RP1, RP2, Heavy Duty Trans., RC1 . . . . .		1	----	*2124 562	*2124 562	*2124 562	
21-11-2	ROLLER, Bearing, RC1 . . . . .		22	666 927	666 927	666 927	666 927	
21-11-9	WASHER, RC1 . . . . .		2	666 924	666 924	666 924	666 924	

21-12-0 TRANSMISSION REVERSE IDLER GEAR SHAFT

21-12-1	SHAFT, RC1 . . . . .		1	1635 290	1635 290	1635 290	1635 290	
21-12-2	KEY, RC1 . . . . .	6	1	1635 293	1635 293	1635 293	1635 293	

21-14-0 TRANSMISSION CLUTCH GEAR

21-14-1	SYNCHRONIZER UNIT. . . . .		1	2205 058	2205 058			
	RP1, RP2, Heavy Duty Trans., RC1 . . . . .		1	----	2124 467	2124 467	2124 467	
21-14-5	GEAR, 24T. . . . .		1	1853 672	1853 672			
	24T., RP1, RP2, Heavy Duty Trans., RC1 . . . . .		1	----	2124 392	2124 392	2124 392	
21-14-6	SLEEVE, . . . . .		1	1676 197	1676 197			
	RP1, RP2, Heavy Duty Trans., RC1 . . . . .		1	----	2124 387	2124 387	2124 387	
21-14-15	SPRING, Synchronizer Stop Ring, .014" thk., UP TO . . . . .		1	*1823 916	*1823 916			
	.020" thk., AFTER . . . . .		1	*2205 061	*2205 061			
	RP1, RP2, Heavy Duty Trans., RC1 . . . . .		1	----	2204 503	2204 503	2204 503	
21-14-19	RING, Synchronizer Stop, Outer . . . . .		2	1196 894	1196 894			
	Inner . . . . .		2	1322 763	1322 763			
	Outer, RP1, RP2, Heavy Duty Trans., RC1 . . . . .		2	----	2124 468	2124 468	2124 468	
	Inner, RP1, RP2, Heavy Duty Trans., RC1 . . . . .		2	----	2124 472	2124 472	2124 472	
21-14-20	SNAP RING, .088" thk., RC1 . . . . .		★	631 823	631 823	631 823	631 823	
	.091" thk., RC1 . . . . .		★	631 824	631 824	631 824	631 824	
	.094" thk., RC1 . . . . .		★	631 825	631 825	631 825	631 825	
	.097" thk., RC1 . . . . .		★	640 332	640 332	640 332	640 332	

★ Indicates use as required. Numerals in parentheses ( ) refer to notes. Printed in U.S.A.  
 ☒ Indicates parts not listed in any previous parts book. Prices and specifications subject to change without notice.  
 March 1, 1962 Supersedes May 31, 1961. Page 21-16 \* Indicates change or addition.

CODE	PART NAME AND DESCRIPTION	CYL.	PER CAR	VALIANT	PLYMOUTH	DESOTO	CHRYSLER	IMPERIAL
------	---------------------------	------	---------	---------	----------	--------	----------	----------

## STANDARD TRANSMISSION

**21-15-O TRANSMISSION COUNTERSHAFT GEAR**

21-15-2	GEAR, 32T., 23T., 18T., 14T. 33T., 25T., 17T., 13T., Heavy Duty Trans. . . . .	6	1	1949 843	1949 843			
		6	1	----	2124 386			
	29T., 23T., 18T., 14T. . . . .	8	1	----	1853 627			
	31T., 25T., 17T., 13T., RP2, Heavy Duty Trans., RC1 . . . .	8	1	----	2124 384	2124 384	2124 384	
21-15-33	WASHER, Thrust, .057" thk. . . .		★	1633 763	1633 763			
	.062" thk. . . . .		★	1633 762	1633 762			
	.062" thk., RP1, RP2, Heavy Duty Trans., RC1 . . . . .		★	----	2124 504	2124 504	2124 504	
	.057" thk., RP1, RP2, Heavy Duty Trans., RC1 . . . . .		★	----	2124 505	2124 505	2124 505	

**21-16-O TRANSMISSION MAIN SHAFT**

21-16-3	SHAFT, 6, 23 Splines, 22 1/4" lgh. . . . .	6	1	1949 955				
	6, 23 Splines, 25 1/2" lgh. . . .		1	----	2124 283			
	6, 23, 34 Splines, 25" lgh., RP1, RP2, Heavy Duty Trans., RC1 . . . . .		1	----	2124 554	2124 554	2124 554	

**21-17-O TRANSMISSION MAIN SHAFT PILOT BEARING**

21-17-2	ROLLER, RC1 . . . . .		★	1949 834	1949 834	1949 834	1949 834	
21-17-7	SNAP RING, Roller . . . . .		1	601 108	601 108			
	RP1, RP2, Heavy Duty Trans., RC1 . . . . .		1	----	862 173	862 173	862 173	

**21-19-O TRANSMISSION MAIN SHAFT BEARING**

21-19-2	BEARING . . . . .		1	*1633 718	*1633 718			
	Front, RP1, RP2, Heavy Duty Trans., RC1 . . . . .		1	----	620 521	620 521	620 521	
21-19-15	SNAP RING, Inner, .088" thk. . .		★	631 823	631 823			
	Inner, .091" thk. . . . .		★	631 824	631 824			
	Inner, .095" thk. . . . .		★	631 825	631 825			
	Inner, .097" thk. . . . .		★	640 332	640 332			
	Outer, .086" thk. . . . .		★	640 280	640 280			
	Outer, .089" thk. . . . .		★	631 809	631 809			
	Outer, .092" thk. . . . .		★	631 810	631 810			
	Outer, .095" thk. . . . .		★	640 331	640 331			
	Inner, .086" thk., RP1, RP2, Heavy Duty Trans., RC1 . . . .		★	----	*2125 113	*2125 113	*2125 113	
	Inner, .090" thk., RP1, RP2, Heavy Duty Trans., RC1 . . . .		★	----	*2125 114	*2125 114	*2125 114	
	Inner, .094" thk., RP1, RP2, Heavy Duty Trans., RC1 . . . .		★	----	*2125 115	*2125 115	*2125 115	
	Outer, .087" thk., Heavy Duty Heavy Duty Trans., RC1 . . . .		★	----	*2124 508	*2124 508	*2124 508	
	Outer, .090" thk., RP1, RP2, Heavy Duty Trans., RC1 . . . .		★	----	2124 509	2124 509	2124 509	
	Outer, .093" thk., RP1, RP2, Heavy Duty Trans., RC1 . . . .		★	----	2124 510	2124 510	2124 510	
	Outer, .096" thk., RP1, RP2, Heavy Duty Trans., RC1 . . . .		★	----	2124 511	2124 511	2124 511	

**21-22-O TRANSMISSION MAIN SHAFT BEARING OIL SEAL**

21-22-2	OIL SEAL . . . . .		1	1942 401	1854 449			
	RP1, RP2, Heavy Duty Trans., RC1 . . . . .		1	----	2124 461	2124 461	2124 461	

★ Indicates use as required.

Numerals in parentheses ( ) refer to notes.

Printed in U.S.A.

☐ Indicates parts not listed in any previous parts book.

Prices and specifications subject to change without notice.

\* Indicates change or addition.

Page 21-17

March 1, 1962 Supersedes May 31, 1961.

CODE	PART NAME AND DESCRIPTION	C Y L.	PER CAR	VALIANT	PLYMOUTH	DESOTO	CHRYSLER	IMPERIAL
------	---------------------------	--------------	------------	---------	----------	--------	----------	----------

STANDARD TRANSMISSION

**21-24-O TRANSMISSION COUNTERSHAFT**

21-24-2	COUNTERSHAFT. . . . .		1	1635 282	1635 282			
	RP1, RP2, Heavy Duty Trans., RC1 . . . . .		1	----	2124 393	2124 393	2124 393	
21-24-19	PLATE or WASHER, Thrust, RP1, RP2, Heavy Duty Trans., RC1 . . . . .		1	----	2124 474	2124 474	2124 474	
21-24-22	KEY, RC1 . . . . .		1	1635 293	1635 293	1635 293	1635 293	

**21-25-O TRANSMISSION COUNTERSHAFT BEARING**

21-25-2	ROLLER . . . . .		44	666 927	666 927			
	RP1, RP2, Heavy Duty Trans., RC1 . . . . .		88	----	2124 502	2124 502	2124 502	
21-25-4	SPACER . . . . .		1	697 812	697 812			
	RP1, RP2, Heavy Duty Trans., RC1 . . . . .		1	----	2124 473	2124 473	2124 473	
21-25-6	WASHER or RING, Roller Thrust RP1, RP2, Heavy Duty Trans., RC1 . . . . .		2	1630 878	1630 878			
			4	----	2124 506	2124 506	2124 506	

**21-29-O TRANSMISSION CASE COVER**

21-29-3	COVER . . . . .		1	1949 345	1949 345			
	RP1, RP2, Heavy Duty Trans., RC1 . . . . .		1	----	2124 465	2124 465	2124 465	
21-29-25	GASKET, Cover . . . . .		1	1949 346	1949 346			
	RP1, RP2, Heavy Duty Trans., RC1 . . . . .		1	----	2124 466	2124 466	2124 466	

**21-30-O TRANSMISSION GEARSHIFT LEVER AND RODS**

21-30-2	LEVER, w/FORK . . . . .	6	1	2073 533				
	RC1 . . . . .		1	----	2123 130	2123 130	2203 480	
21-30-6	KNOB . . . . .	6	1	2208 140				
			1	----	2122 634	2122 634		
	RC1 . . . . .		8	----			2208 140	
21-30-22	PIN or BOLT . . . . .		1	----	1946 589	1946 589		
21-30-107	CUSHION . . . . .		1	----	2122 993	2122 993		
	GROMMET . . . . .		1	----	2122 992	2122 992		
21-30-315	PLATE, Control Bell-Crank to Floor Pan Bracket, RC1 . . . . .	8	1	----	----	----	2203 483	
21-30-316	BRACKET, Control Bell-Crank to Extension, RC1 . . . . .	8	1	----	----	----	2203 498	
	Bell Crank to Floor Pan . . . . .	8	1	----	----	----	2203 485	
21-30-317	SPACER, Control Bell-Crank to Extension . . . . .	8	2	----	----	----	6022 279	
21-30-409	COVER, Floor Mounting Gear- shift Mechanism Block, RC1 . . . . .	8	1	----	----	----	2171 945	
21-30-412	PLATE, Front Floor Pan Gearshift Control Lever Support, RC1 . . . . .		1	2082 872	----	----	----	2082 872
21-30-413	BOOT, Control, Upper, RC1 . . . . .		1	2260 856	----	----	2260 856	
	Lower, RC1 . . . . .		1	2074 506	----	----	2074 506	
21-30-414	RING, Upper Boot, RC1 . . . . .		1	2073 554	----	----	2073 554	
21-30-415	RING, Shaft, RC1 . . . . .		2	1946 343	----	----	1946 343	
21-30-416	SUPPORT, Gearshift Control Lever, RC1 . . . . .		1	2073 551	----	----	2073 551	
21-30-417	PIN, Gearshift Control Lever Pivot Fork, RC1 . . . . .		1	2073 553	----	----	2073 553	
21-30-418	ROD, Control, 1st and Reverse . . . . .	6	1	2074 527				
	2nd and 3rd, Inner . . . . .	6	1	2074 545				
	2nd and 3rd, Outer . . . . .	6	1	2074 530				
	1st and Reverse, RC1 . . . . .	8	1	----	----	----	2203 493	
	2nd and 3rd, Front, RC1 . . . . .	8	1	----	----	----	2203 494	
	2nd and 3rd, Rear, RC1 . . . . .	8	1	----	----	----	2203 488	

\* Indicates use as required.

Numerals in parentheses ( ) refer to notes.

Printed in U.S.A.

□ Indicates parts not listed in any previous parts book.

Prices and specifications subject to change without notice.

March 1, 1962 Supersedes May 31, 1961.

CODE	PART NAME AND DESCRIPTION	CYL.	PER CAR	VALIANT	PLYMOUTH	DESOTO	CHRYSLER	IMPERIAL
------	---------------------------	------	---------	---------	----------	--------	----------	----------

## STANDARD TRANSMISSION

## 21-30-O TRANSMISSION GEARSHIFT LEVER AND RODS - Cont'd

21-30-420	LEVER, Control Rod, RC1 . . .		2	2074 551	-----	-----	2203 475	
21-30-421	SHAFT, Gearshift Control Lever, RC1 . . . . .		1	2073 555	-----	-----	2073 555	
21-30-422	DIVIDER, Lever Rod, RC1 . .		1	2073 557	-----	-----	2073 557	
21-30-423	BUSHING, Divider, RC1 . . . .		2	2073 556	-----	-----	2073 556	
	Lever Rod, RC1 . . . . .		2	2073 558	-----	-----	2073 558	
21-30-425	SCREW, Lever Pivot, Rear, RC1. Front, RC1 . . . . .		1	2074 525	-----	-----	2074 525	
			1	2074 525	-----	-----	2074 525	
21-30-426	WASHER, Lever Pivot Divider Plain, RC1 . . . . .		2	2073 574	-----	-----	2073 574	
	WASHER, Lever Pivot or Rod Spring, RC1 . . . . .		★	391 888	-----	-----	391 888	
21-30-427	SPRING, Lever, RC1 . . . . .		1	2073 565	-----	-----	2073 565	
21-30-428	SWIVEL, Lever Rod, 1st and Reverse, RC1 . . . . .		1	2074 521	-----	-----	2074 521	
	2nd and 3rd, RC1 . . . . .		1	2074 535	-----	-----	2074 535	
21-30-429	CLAMP, Lever Rod Swivel, RC1		1	2074 543	-----	-----	2074 543	
21-30-430	GROMMET, Pivot Lock, RC1 . .		1	2074 539	-----	-----	2074 539	
21-30-431	BUSHING, Grommet Pivot, RC1		1	*2074 553	-----	-----	*2074 553	
21-30-432	SPRING, Control Pivot, RC1 . .		1	2074 534	-----	-----	2074 534	
21-30-433	CLIP, Lever Rod, RC1 . . . . .		★	1137 669	-----	-----	1137 669	
21-30-434	BRACKET, Control Link to Trans. Extension . . . . .	6	1	2074 541	-----	-----		
21-30-435	STUD, Bracket, RC1 . . . . .		1	2074 508	-----	-----	2074 508	
21-30-436	LINK, Control, w/BUSHING, RC1		1	2204 297	-----	-----	2203 495	
21-30-437	WASHER, Control Bushing, RC1 .		1	2074 554	-----	-----	2074 554	
21-30-438	PIN, Link Support, RC1 . . . . .		1	2074 547	-----	-----	2074 547	

## 21-34-O TRANSMISSION GEARSHIFT RAIL

21-34-42	PIN, Interlock, RC1 . . . . .		1	1949 356	1949 356	1949 356	1949 356	
21-34-45	SLEEVE, Interlock, RC1 . . . .		1	1949 355	1949 355	1949 355	1949 355	
21-34-47	SPRING, Interlock Ball, RC1 . .		1	1853 745	1853 745	1853 745	1853 745	

## 21-39-O TRANSMISSION GEARSHIFT FORK

21-39-3	FORK, Low and Reverse . . . . .		1	1949 351	1949 351			
	Second and Direct . . . . .		1	2125 059	2125 059			
	Low and Reverse, RP1, RP2, Heavy Duty Trans., RC1 . . . .		1	-----	2124 463	2124 463	2124 463	
	Second and Direct, RP1, RP2, Heavy Duty Trans., RC1 . . . .		1	-----	2124 462	2124 462	2124 462	

## 21-42-O TRANSMISSION REMOTE CONTROL GEARSHIFT

21-42-11	LEVER, Low and Reverse . . . . .		1	1949 347	1949 347			
	Second and Direct . . . . .		1	1949 352	1949 352			
	Low and Reverse, RP1, RP2, Heavy Duty Trans., RC1 . . . .		1	-----	2124 523	2124 523	2124 523	
	Second and Direct, RP1, RP2, Heavy Duty Trans., RC1 . . . .		1	-----	2124 494	2124 494	2124 494	
21-42-16	PIN, RC1 . . . . .		2	6022 161	6022 161	6022 161	6022 161	
21-42-23	LEVER, Operating, Low and Reverse . . . . .	6	1	1949 379				
	Second and Direct . . . . .	6	1	1949 380				
	Low and Reverse, RC1 . . . . .		1	-----	2124 276	2124 918	2204 398	
	Second and Direct, RC1 . . . . .		1	-----	2124 278	2124 917	2204 397	
	Low and Reverse, Heavy Duty Trans. . . . .		1	-----	2124 918			
	Second and Direct, Heavy Duty Trans. . . . .		1	-----	2124 917			
21-42-31	SEAL, Gearshift Lever Shaft, RC1		2	1949 350	1949 350	1949 350	1949 350	

★ Indicates use as required.

Numerals in parentheses ( ) refer to notes.

Printed in U.S.A.

□ Indicates parts not listed in any previous parts book.

Prices and specifications subject to change without notice.

\* Indicates change or addition.

Page 21-19

March 1, 1962 Supersedes May 31, 1961.

CODE	PART NAME AND DESCRIPTION	CYL.	PER CAR	VALIANT	PLYMOUTH	DESOTO	CHRYSLER	IMPERIAL
------	---------------------------	------	---------	---------	----------	--------	----------	----------

STANDARD TRANSMISSION

21-42-O TRANSMISSION REMOTE CONTROL GEARSHIFT - Cont'd

21-42-42	BUSHING, Operating Lever Grommet . . . . .	2	----	1676 200	1676 200			
21-42-43	GROMMET, Operating Lever, RC1 . . . . .	2	----	1941 699	1941 699	1941 699		

21-84-O TRANSMISSION SPEEDOMETER CABLE INCLUDES SHAFT AND HOUSING

21-84-1	HOUSING, w/SHAFT, 69 1/2" lgh. . . . .	6	1	2097 629				
	69 1/2" lgh, RC1 . . . . .	1	----	2097 629	----	2097 629		
	69 1/2" lgh. . . . .	8	1	----	2257 840			
21-84-4	SHAFT, 62 1/2" lgh. . . . .	6	1	2076 656				
	69 1/2" lgh. . . . .	1	----	2097 630	2097 630			
	64 43/64" lgh., RC1 . . . . .	8	1	----	----	2209 229		
21-84-7	RETAINER, Cable, RC1 . . . . .	1	1	1942 167	1942 167	1942 167	1942 167	
21-84-28	SEAL, Speedometer Cable Adapter, RC1 . . . . .	1	1	1942 259	1942 259	1942 259	1942 259	

21-85-O TRANSMISSION SPEEDOMETER PINION

21-85-5 PINION STANDARD TRANSMISSION

	3. 23 to 1 Ratio	3. 31 to 1 Ratio	3. 54 to 1 Ratio 3. 55 to 1 Ratio	3. 58 to 1 Ratio	3. 73 to 1 Ratio	3. 91 to 1 Ratio
Tire Size	Pinion Teeth	Pinion Teeth	Pinion Teeth	Pinion Teeth	Pinion Teeth	Pinion Teeth
6.50 x 13	*1949 403 19 R	----	*1949 405 21 LB	----	----	*1949 406 22 Y
7.00 x 14	----	----	*1949 403 19 R	*1949 403 19 R	----	*1949 405 21 LB
7.50 x 14	*1949 401 17 LP	*1949 401 17 LP	*1949 402 18 N	*1949 403 19 R	*1949 403 19 R	*1949 404 20 B
8.00 x 14	*1949 401 17 LP	*1949 401 17 LP	*1949 402 18 N	*1949 403 19 R	*1949 403 19 R	*1949 404 20 B
8.50 x 14	----	*1949 401 17 LP	*1949 402 18 N	*1949 403 19 R	*1949 403 19 R	*1949 404 20 B
6.70 x 15	*1949 401 17 LP	*1949 401 17 LP	*1949 402 18 N	*1949 403 19 R	*1949 403 19 R	*1949 404 20 B
7.60 x 15	----	----	----	----	----	*1949 403 19 R

COLORS OF PINIONS

R-RED LP-LIGHT PURPLE LB-LIGHT BLUE N-NATURAL B-BLUE Y-YELLOW

CODE	PART NAME AND DESCRIPTION	CYL.	PER CAR	VALIANT	PLYMOUTH	DESOTO	CHRYSLER	IMPERIAL
21-85-9	ADAPTER, Pinion, w/4.56 to 1 ratio, Export . . . . .	1	----		*2198 113			
21-85-56	SEAL, Pinion, RC1 . . . . .	1	1	2124 328	2124 328	2124 328	2124 328	
21-85-61	CLIP, Pinion, RC1 . . . . .	1	1	1942 174	1942 174	1942 174	1942 174	

NOTES

★ Indicates use as required. Numerals in parentheses ( ) refer to notes. Printed in U.S.A.  
 † Indicates parts not listed in any previous parts book. Prices and specifications subject to change without notice.  
 March 1, 1962 Supersedes May 31, 1961. Page 21-19A \* Indicates change or addition.



CODE	PART NAME AND DESCRIPTION	C Y L.	PER CAR	VALIANT	PLYMOUTH	DESOTO	CHRYSLER	IMPERIAL
------	---------------------------	--------------	------------	---------	----------	--------	----------	----------

## POWERFLITE TRANSMISSION

**21-01-0 TRANSMISSION SETS OR PACKAGES**

21-01-3	GASKET and SEAL PACKAGE,							
	Partial . . . . .	8	1	----	2084	616		
	Complete . . . . .	8	1	----	2084	617		
	Complete Overhaul . . . . .	8	1	----	2240	194		

**21-02-0 TRANSMISSION ASSEMBLY**

21-02-1	TRANSMISSION, LHD. . . . .	8	1	----	1949	388		
21-02-6	BREATHER . . . . .	8	1	----	1139	204		

**21-03-0 TRANSMISSION CASE**

21-03-1	CASE . . . . .	8	1	----	1824	493		
21-03-45	BALL, Case Seal, Large . . . . .	8	1	----	1824	321		

**21-04-0 TRANSMISSION CASE EXTENSION**

21-04-1	EXTENSION . . . . .	8	1	----	1949	192		
21-04-2	GASKET. . . . .	8	1	----	1408	254		

**21-05-0 TRANSMISSION OUTPUT SHAFT**

21-05-1	SHAFT, w/BUSHING, 23, 28 Splines, 7T., 18 1/2" lgh. . . . .	8	1	----	1673	194		
21-05-2	BEARING, Rear . . . . .	8	1	----	1672	194		
21-05-8	SNAP RING, Rear Bearing, .086" thk. . . . .	8	★	----	1736	432		
	.091" thk. . . . .	8	★	----	1736	433		
21-05-12	OIL SEAL, Rear Bearing . . . . .	8	1	----	1671	763		
21-05-18	RING, Seal . . . . .	8	1	----	1736	376		
21-05-22	BUSHING . . . . .	8	1	----	1559	106		
21-05-25	SUPPORT . . . . .	8	1	----	1408	334		
21-05-26	GASKET, Support . . . . .	8	1	----	1408	255		

**21-30-0 TRANSMISSION GEARSHIFT BUTTONS AND CABLE**

21-30-320	HOUSING, w/SLIDES. . . . .	8	1	----	1946	342		
21-30-325	ACTUATOR, Back-Up Light Switch . . . . .	8	1	----	1676	629		
21-30-336	BUTTON, Neutral . . . . .	8	1	----	2200	891		
	Drive . . . . .	8	1	----	2200	895		
	Low . . . . .	8	1	----	2200	894		
	Reverse . . . . .	8	1	----	2200	890		
21-30-340	BUMPER, Slide . . . . .	8	4	----	1731	143		
21-30-345	SPRING, Slide . . . . .	8	4	----	1639	970		
21-30-365	CABLE, Control, 45" lgh., UP TO . . . . .	8	1	----	*1945	856		
	44" lgh., AFTER . . . . .	8	1	----	2265	176		
21-30-370	BRACKET, Cable, on Trans., RD4 except Dodge Main Bit. . . . .	8	1	----	1638	686		
	BRACKET, Cable, on Dash or Housing . . . . .	8	1	----	1639	975		
	CLIP, Cable Adapter, on Trans. . . . .	8	1	----	1638	685		
21-30-390	SEAL, Cable, on Trans. . . . .	8	1	----	1316	864		
21-30-394	SPRING, Adapter, on Trans. . . . .	8	1	----	1673	184		

**21-84-0 TRANSMISSION SPEEDOMETER CABLE INCLUDES SHAFT AND HOUSING**

21-84-1	HOUSING, w/SHAFT, 78" lgh. (also specify 1 of 2258 060) . . . . .	8	1	----	1819	972		
21-84-4	SHAFT, 73 1/32" lgh. . . . .	8	1	----	2257	142		

★ Indicates use as required.

Numerals in parentheses ( ) refer to notes.

Printed in U.S.A.

⊠ Indicates parts not listed in any previous parts book.

Prices and specifications subject to change without notice.

March 1, 1962 Supersedes May 31, 1961.

Page 21-20

\* Indicates change or addition.



POWERFLITE TRANSMISSION

21-85-0 TRANSMISSION SPEEDOMETER PINION

21-85-7 TRANSMISSION SPEEDOMETER PINION PACKAGE

	3.23 to 1 Ratio	3.31 to 1 Ratio	3.54 to 1 Ratio	3.58 to 1 Ratio 3.73 to 1 Ratio	3.9 to 1 Ratio	4.1 to 1 Ratio
Tire Size	Pinion Teeth	Pinion Teeth	Pinion Teeth	Pinion Teeth	Pinion Teeth	Pinion Teeth
7.50 x 14	*1752 244 17 OR	*1752 244 17 OR	*1752 245 18 DP	*1752 246 19 DB	*1752 247 20 G	*1752 247 20 G
8.00 x 14	*1752 244 17 OR	*1752 244 17 OR	*1752 245 18 DP	*1752 245 18 DP	*1752 247 20 G	*1752 247 20 G
8.50 x 14	*1752 243 16 B	*1752 244 17 OR	*1752 245 18 DP	*1752 245 18 DP	*1752 247 20 G	*1752 247 20 G

COLORS OF PINIONS

CODE	PART NAME AND DESCRIPTION	OR-ORANGE		B-BROWN		DP-DARK PURPLE		G-GREEN		DB-DARK BLUE	
		C	PER	C	PER	C	PER	C	PER	C	PER
		Y	CAR	L		L		L		L	
21-85-59	RETAINER, Pinion . . . . .	8	1	----	----	1559	341				
21-85-76	SLEEVE, Pinion . . . . .	8	1	----	----	1559	342				

21-113-0 TRANSMISSION NEUTRAL STARTER SWITCH

21-113-24	SWITCH PACKAGE, w/WASHER and "O" RING, on Trans. . . . .	8	1	----	----	1704	283				
21-113-28	"O" RING, Mounting . . . . .	8	1	----	----	1316	849				
21-113-29	WASHER, Mounting . . . . .	8	1	----	----	1704	482				

21-117-0 TRANSMISSION OIL PUMP STRAINER AND FILTER

21-117-1	STRAINER . . . . .	8	1	----	----	1619	366				
	FILTER PACKAGE, Oil, w/CLAMP and BRACKET, Attached to Oil Pan . . . . .	8	1	----	----	E2298	945				
	FILTER, Attached to Oil Pan . . . . .	8	1	----	----	E2400	124				
21-117-10	SEAL, Tube . . . . .	8	2	----	----	1401	256				
21-117-24	WASHER, Support Screw Lock . . . . .	8	2	----	----	1559	377				

21-118-0 TRANSMISSION OIL PUMP

21-118-6	GEAR and PINION SET, Front Pump, used w/Housing Stamped A . . . . .	8	1	----	----	1603	360				
	Used w/Housing Stamped B . . . . .	8	1	----	----	1603	361				
	Used w/Housing Stamped C . . . . .	8	1	----	----	1603	362				
	Used w/Housing Stamped D . . . . .	8	1	----	----	1603	363				
21-118-7	GEAR, Rear Oil Pump . . . . .	8	1	----	----	1672	315				
21-118-8	PINION, Rear Pump . . . . .	8	1	----	----	1327	576				
	BALL . . . . .	8	1	----	----	147	483				
21-118-37	SLEEVE PACKAGE, Front Pump, w/RING . . . . .	8	1	----	----	1752	606				
21-118-38	RING, Front Pump Drive Sleeve Seal . . . . .	8	1	----	----	1738	264				
21-118-40	HOUSING, Front Pump, Stamped w/Letter A . . . . .	8	1	----	----	1630	726				
	Stamped w/Letter B . . . . .	8	1	----	----	1630	727				
	Stamped w/Letter C . . . . .	8	1	----	----	1630	728				
	Stamped w/Letter D . . . . .	8	1	----	----	1630	729				
	Rear Oil Pump . . . . .	8	1	----	----	1823	666				
21-118-42	OIL SEAL, Front Pump Housing, 2 7/8" O.D. . . . .	8	1	----	----	1738	263				
21-118-45	OIL SEAL, Front Pump Housing, 6 9/32" O.D. . . . .	8	1	----	----	1408	245				

★ Indicates use as required.

⊠ Indicates parts not listed in any previous parts book.

\* Indicates change or addition.

Numerals in parentheses ( ) refer to notes.

Printed in U.S.A.

Prices and specifications subject to change without notice.

CODE	PART NAME AND DESCRIPTION	CYL.	PER CAR	VALIANT	PLYMOUTH	DESOTO	CHRYSLER	IMPERIAL
------	---------------------------	------	---------	---------	----------	--------	----------	----------

POWERFLITE TRANSMISSION

**21-119-O TRANSMISSION OIL PAN**

21-119-3	PAN. . . . .	8	1	----	1408 280			
	SCREW . . . . .	8	18	----	180 075			
21-119-5	GASKET . . . . .	8	1	----	1408 282			
21-119-15	TUBE, Filler, w/BRACKET. . .	8	1	----	1941 730			
21-119-19	INDICATOR, Oil Level . . . . .	8	1	----	1949 383			

**21-129-O TRANSMISSION INPUT SHAFT AND TORQUE CONVERTER REACTION SHAFT**

21-129-5	SHAFT, Input. . . . .	8	1	----	1672 122			
21-129-10	SHAFT, Reaction, 27 Splines, 9 37/64" lgh. . . . .	8	1	----	1633 731			
21-129-12	SEAL, Reaction Shaft . . . . .	8	1	----	1738 265			
21-129-13	RING, Reaction Shaft Seal. . . .	8	2	----	1537 149			
21-129-16	DOWEL, Reaction Shaft . . . . .	8	1	----	1327 588			
21-129-20	SLEEVE, Reaction Shaft. . . . .	8	1	----	1559 029			
21-129-23	BUSHING, Reaction Shaft . . . . .	8	1	----	1559 026			

**21-131-O TRANSMISSION REGULATOR VALVE BODY AND VALVES**

21-131-1	BODY PACKAGE . . . . .	8	1	----	1643 243			
21-131-6	GASKET, Body. . . . .	8	1	----	1672 066			
21-131-10	VALVE, Regulator. . . . .	8	1	----	1327 673			
21-131-15	SPRING, Regulator Valve . . . . .	8	1	----	1941 693			
21-131-20	SEAT, Regulator Valve Spring . .	8	1	----	1327 675			
21-131-25	RETAINER, Regulator Valve Spring. . . . .	8	1	----	1408 373			
21-131-27	GASKET, Regulator Valve Spring Retainer. . . . .	8	1	----	1117 819			
21-131-35	VALVE, Torque Converter Control . . . . .	8	1	----	2124 247			
21-131-40	SPRING, Torque Converter Control Valve . . . . .	8	1	----	1630 812			
21-131-45	RETAINER, Torque Converter Control Valve Spring. . . . .	8	1	----	1941 779			
21-131-50	GASKET, Torque Converter Control Valve Spring Retainer. .	8	1	----	1408 375			

**21-133-O TRANSMISSION DIRECT CLUTCH**

21-133-5	RETAINER, Piston, w/PISTON, DISC and GEAR . . . . .	8	1	----	1854 111			
21-133-7	RETAINER, w/BUSHING . . . . .	8	1	----	1854 112			
21-133-12	RING, Piston Retainer Seal. . . .	8	1	----	1738 262			
21-133-15	PISTON, Clutch . . . . .	8	1	----	1633 768			
21-133-17	RING, Piston Seal . . . . .	8	1	----	1738 261			
21-133-20	SPRING . . . . .	8	1	----	1556 112			
21-133-22	RETAINER, Return Spring . . . . .	8	1	----	1556 111			
21-133-25	SNRP RING, Spring Retainer . . .	8	1	----	1327 749			
21-133-30	WASHER, Piston Retainer Thrust, .043" thk., Yellow . . .	8	★	----	1559 470			
	.060" thk., Green . . . . .	8	★	----	1559 471			
	.078" thk., Orange . . . . .	8	★	----	1559 472			
21-133-35	HUB. . . . .	8	1	----	1633 842			
21-133-36	DISC, Direct Clutch Driving . . .	8	6	----	1633 843			
21-133-37	PLATE and DISC PACKAGE, Direct Clutch Driving . . . . .	8	1	----	1643 259			
21-133-38	PLATE, Direct Clutch Driving . . .	8	6	----	1408 232			
21-133-40	GEAR, Kickdown Sun . . . . .	8	1	----	1672 081			
21-133-43	SNAP RING, Kickdown Sun Gear, .059" thk. . . . .	8	★	----	1327 729			
	.062" thk. . . . .	8	★	----	1327 730			

★ Indicates use as required.

Numerals in parentheses ( ) refer to notes.

Printed in U.S.A.

⊠ Indicates parts not listed in any previous parts book.

Prices and specifications subject to change without notice.

May 31, 1961 Supersedes Oct. 3, 1960.

CODE	PART NAME AND DESCRIPTION	CYL.	PER CAR	VALIANT	PLYMOUTH	DESOTO	CHRYSLER	IMPERIAL
------	---------------------------	------	---------	---------	----------	--------	----------	----------

## POWERFLITE TRANSMISSION

**21-134-O TRANSMISSION KICKDOWN PLANET PINION CARRIER AND COMPONENT PARTS**

21-134-5	CARRIER, w/PINIONS . . . . .	8	1	----	1853 934			
21-134-30	WASHER, Carrier, Front Thrust, 3 1/2" dia., 3 Tabs .	8	1	----	1638 462			
21-134-33	SNAP RING, .062" thk. . . . .	8	★	----	1327 730			
	.072" thk. . . . .	8	★	----	1559 275			
	.082" thk. . . . .	8	★	----	1559 332			
21-134-38	GEAR, Annulus . . . . .	8	1	----	1638 544			
21-134-40	SNAP RING, Annulus Gear . . .	8	1	----	1672 126			

**21-135-O TRANSMISSION REVERSE PLANET PINION CARRIER AND COMPONENT PARTS**

21-135-5	CARRIER, w/PINIONS . . . . .	8	1	----	1672 135			
21-135-25	GEAR, Annulus . . . . .	8	1	----	1559 440			
21-135-28	SNAP RING, Annulus Gear, .078" thk. . . . .	8	★	----	1329 608			
	.082" thk. . . . .	8	★	----	1329 609			
	.086" thk. . . . .	8	★	----	1329 610			
21-135-33	HOUSING . . . . .	8	1	----	1559 331			
21-135-35	WASHER, Housing Thrust . . . .	8	1	----	1672 083			

**21-136-O TRANSMISSION BANDS**

21-136-5	BAND, Kickdown . . . . .	8	1	----	1854 128			
21-136-15	STRUT, Kickdown Band . . . . .	8	1	----	1630 896			
	ANCHOR . . . . .	8	1	----	1736 427			
21-136-17	SCREW, Kickdown Band Adjustment . . . . .	8	1	----	1736 215			
21-136-20	LEVER, Kickdown Band . . . . .	8	1	----	1633 745			
21-136-23	SHAFT, Kickdown Band Lever .	8	1	----	1402 685			
21-136-30	BAND, Reverse . . . . .	8	1	----	1854 170			
21-136-41	STRUT, Reverse Band . . . . .	8	1	----	1854 172			
21-136-44	LINK, Reverse Band . . . . .	8	1	----	1854 171			
21-136-47	LEVER, Reverse Band . . . . .	8	1	----	1559 480			
21-136-49	SHAFT, Reverse Band Lever . .	8	1	----	1402 685			
21-136-52	SCREW, Reverse Band Lever Adjusting . . . . .	8	1	----	1406 531			

**21-137-O TRANSMISSION SERVOS**

21-137-5	PISTON, Kickdown . . . . .	8	1	----	1633 747			
21-137-8	RING, Kickdown Piston, Small .	8	1	----	1402 695			
	Intermediate . . . . .	8	1	----	1322 445			
	Large . . . . .	8	1	----	1329 693			
21-137-11	ROD, Kickdown Piston . . . . .	8	1	----	1530 834			
21-137-13	GUIDE, Kickdown Piston Rod . .	8	1	----	1633 750			
21-137-16	RING, Kickdown Piston Rod Guide Seal . . . . .	8	1	----	1329 693			
21-137-19	SNAP RING, Kickdown Piston Rod Guide . . . . .	8	1	----	1329 648			
21-137-20	SPRING, Kickdown Piston Cushion . . . . .	8	1	----	1638 562			
21-137-22	SPRING, Kickdown Piston . . . .	8	1	----	1633 748			
21-137-35	PISTON, Reverse Servo . . . . .	8	1	----	1732 099			
21-137-41	SPRING, Reverse Servo Cushion	8	1	----	1732 102			
21-137-44	SNAP RING, Reverse Servo Piston Plug . . . . .	8	1	----	1732 101			
21-137-47	PLUG, Reverse Servo Piston . .	8	1	----	1732 100			
21-137-50	RING, Reverse Servo Piston . . .	8	1	----	1329 638			
21-137-53	SPRING, Reverse Servo Piston .	8	1	----	1824 316			
21-137-56	RETAINER, Reverse Servo Piston Spring . . . . .	8	1	----	1824 317			
21-137-59	SNAP RING, Reverse Servo Piston Spring Retainer . . . . .	8	1	----	1329 642			

★ Indicates use as required.

⊠ Indicates parts not listed in any previous parts book.

Numerals in parentheses ( ) refer to notes.

Printed in U.S.A.

Prices and specifications subject to change without notice.

May 31, 1961 Supersedes Oct. 3, 1960.

CODE	PART NAME AND DESCRIPTION	CYL.	PER CAR	VALIANT	PLYMOUTH	DESOTO	CHRYSLER	IMPERIAL
------	---------------------------	------	---------	---------	----------	--------	----------	----------

## POWERFLITE TRANSMISSION

**21-138-O TRANSMISSION GOVERNOR**

21-138-2	REPAIR PACKAGE, Governor . .	8	1	----	1653 463			
21-138-6	SCREW, Body, w/WASHER . . .	8	4	----	1823 543			
21-138-9	SCREW, Locating . . . . .	8	1	----	1736 468			
21-138-13	WEIGHT, Outer . . . . .	8	1	----	1559 494			
	Inner . . . . .	8	1	----	1559 497			
	Intermediate . . . . .	8	1	----	1559 496			
21-138-15	SPRING, Weight . . . . .	8	1	----	1559 498			
21-138-19	SNAP RING, Weight . . . . .	8	1	----	1329 702			
	Outer . . . . .	8	1	----	1559 495			
21-138-23	VALVE . . . . .	8	1	----	1315 155			
21-138-26	SHAFT . . . . .	8	1	----	1556 082			
21-138-29	SNAP RING, Valve Shaft . . . .	8	2	----	1638 461			
21-138-38	RING, Support Piston . . . . .	8	2	----	2124 255			

**21-139-O TRANSMISSION VALVE BODY AND VALVES**

21-139-4	BODY, w/Transfer PLATE . . .	8	1	----	1731 833			
21-139-5	BODY . . . . .	8	1	----	1638 689			
21-139-9	VALVE, Manual . . . . .	8	1	----	1408 388			
21-139-12	LEVER, Manual Valve . . . . .	8	1	----	1638 633			
21-139-24	SPRING, Manual Valve Lever Detent Plunger . . . . .	8	1	----	1638 455			
	BALL . . . . .	8	1	----	114 861			
21-139-28	VALVE and SPRING PACKAGE, Throttle . . . . .	8	1	----	1879 506			
21-139-36	CAM, Throttle Valve . . . . .	8	1	----	1672 129			
21-139-38	SPRING, Throttle Valve Cam . .	8	1	----	1559 212			
21-139-41	RING, Cam Shaft Sleeve, 37/64" I.D. . . . .	8	1	----	1638 635			
	SEAL, Sleeve, 31/64" I.D. . . .	8	1	----	1672 358			
	RING, Cam, 21/64" I.D. . . . .	8	1	----	1672 150			
21-139-42	FELT, Throttle Valve Cam Shaft . . . . .	8	1	----	1322 496			
21-139-45	RETAINER, Throttle Valve Cam Shaft Felt . . . . .	8	1	----	1322 497			
21-139-50	LEVER, Throttle Valve Operating . . . . .	8	1	----	1732 058			
21-139-81	SPRING, Kickdown Valve . . . .	8	1	----	1408 384			
21-139-84	ROD, Kickdown Valve . . . . .	8	1	----	1559 483			
21-139-91	VALVE, Servo Pressure Bleed . .	8	1	----	1530 821			
21-139-94	VALVE PACKAGE, Shuttle . . . .	8	6	----	1643 118			
21-139-105	VALVE, Direct Clutch Shift . . .	8	1	----	1408 392			
21-139-108	SPRING, Direct Clutch Shift Valve . . . . .	8	1	----	1408 393			
21-139-111	PLUG, Direct Clutch Shift Valve .	8	1	----	1402 740			
21-139-135	COVER, Direct Valve Body End . .	8	1	----	1530 820			
21-139-136	PLATE, Valve Body End Cover . .	8	1	----	1530 813			
21-139-140	PLATE, Valve Body . . . . .	8	1	----	1408 395			
21-139-143	VALVE, Front and Rear Pump Check . . . . .	8	2	----	1823 762			
21-139-144	SPRING, Front and Rear Pump . .	8	2	----	1315 130			
21-139-147	PLATE, Transfer . . . . .	8	1	----	1530 822			
21-139-149	COVER, Transfer Plate . . . . .	8	1	----	1559 108			
21-139-151	WASHER, Transfer Plate Screw . .	8	5	----	1559 377			
21-139-152	VALVE, Servo Restrictor . . . .	8	1	----	1486 436			
21-139-153	PLUG, Servo Restrictor Valve Operating . . . . .	8	1	----	1538 295			
21-139-190	VALVE, Reverse Blocker . . . . .	8	1	----	1672 078			
21-139-193	SPRING, Reverse Blocker Valve . .	8	1	----	1672 323			

★ Indicates use as required.

Numerals in parentheses ( ) refer to notes.

Printed in U.S.A.

⊠ Indicates parts not listed in any previous parts book.

Prices and specifications subject to change without notice.

May 31, 1961 Supersedes Oct. 3, 1960.









CODE	PART NAME AND DESCRIPTION	CY L.	PER CAR	VALIANT	PLYMOUTH	DESOTO	CHRYSLER	IMPERIAL
------	---------------------------	-------	---------	---------	----------	--------	----------	----------

AUTOMATIC 3-SPEED TRANSMISSION

**21-01-0 TRANSMISSION SETS OR PACKAGES**

21-01-3	SEAL and GASKET PACKAGE . .	6	1	*2275 422	*2275 422			
		8	1	-----	1879 507	1879 507	1879 507	1879 507
	COMPLETE OVERHAUL PACKAGE, UP TO Trans. No. 1895 430 . .	8	1	-----	*2240 192	*2240 192	*2240 192	*2240 192
	COMPLETE OVERHAUL PACKAGE, AFTER Trans. No. 1895 430 . .	8	1	-----	⊖2298 927	⊖2298 927	⊖2298 927	⊖2298 927

**21-02-0 TRANSMISSION ASSEMBLY**

21-02-1	TRANSMISSION. . . . .	6	1	⊖2204 985	⊖2204 986*			
	w/225 cu. in. Engine . . . . .	6	1	⊖2204 987				
		8	1	-----	2204 752			
		8	1	-----	-----	2204 753	2204 753	2204 753
	Heavy Duty and Police Cars, RC1, RC2, w/383 cu. in. Engine, RC3 w/413 cu. in. Engine, w/o Cushion Spring . .	8	1	-----	2204 692	-----	2204 692	
	w/Ram Manifold, w/383 cu. in. Engine, RC4 w/413 cu. in. Engine, w/Cushion Spring . . .	8	1	-----	2204 693	-----	2204 693	
	w/361 and 383 cu.in. Engine, High Performance, w/Cushion Spring . . . . .	8	1	-----	2204 695	2204 695		
21-02-6	BREATHER . . . . .	8	1	1139 204	1139 204	1139 204	1139 204	1139 204

**21-03-0 TRANSMISSION CASE**

21-03-1	CASE, UP TO Trans. No. 2204 986 -	6	1	*1942 457	*1942 457			
	AFTER Trans. No. 2204 986 . .	6	1	*2125 237	*2125 237			
		8	1	-----	1941 628	1941 628	1941 628	1941 628
21-03-6	COVER, Case . . . . .	6	1	1949 767	1949 767			
21-03-23	SCREW, Cylinder Block to Transmission Case . . . . .	6	2	2124 411	2124 411			
		6	1	2124 410	2124 410			
	Bracket to Cylinder Block . . .	6	2	2124 409	2124 409			
21-03-28	BRACKET, Case to Cylinder Block . . . . .	6	1	1949 701	1949 701			

**21-04-0 TRANSMISSION CASE EXTENSION**

21-04-1	EXTENSION . . . . .	6	1	1942 504	1942 527			
		8	1	-----	1949 185	1949 185	1949 185	1949 185
21-04-2	GASKET. . . . .	6	1	2125 239	2125 239			
		8	1	-----	1853 891	1853 891	1853 891	1853 891
21-04-11	BUSHING . . . . .	6	1	2124 607	2124 607			
		8	1	-----	1941 887	1941 887	1941 887	1941 887

**21-05-0 TRANSMISSION OUTPUT SHAFT**

21-05-1	SHAFT, w/PLUG and Snap RING w/HOUSING. . . . .	6	1	*1942 413	⊖2240 627			
		8	1	-----	1949 186	1949 186	1949 186	1949 186
21-05-12	OIL SEAL, Output Shaft . . . . .	6	1	1942 401	1942 401			
		8	1	-----	1824 075	1824 075	1824 075	1824 075
21-05-18	RING, Seal, Small . . . . .	8	1	-----	1736 376	1736 376	1736 376	1736 376
	Large . . . . .	8	1	-----	1314 249	1314 249	1314 249	1314 249
21-05-19	SNAP RING, Output Shaft, UP TO Transmission No. 238877 . . .	6	1	6022 584	6022 584			
	AFTER Transmission No. 238877	6	1	6022 859	6022 859			
21-05-25	SUPPORT, Output Shaft . . . . .	8	1	-----	1853 769	1853 769	1853 769	1853 769
21-05-26	GASKET, Support . . . . .	8	1	-----	1853 888	1853 888	1853 888	1853 888

\* Indicates use as required. Numerals in parentheses ( ) refer to notes. Printed in U.S.A.  
 ⊖ Indicates parts not listed in any previous parts book. Prices and specifications subject to change without notice.  
 March 1, 1962 Supersedes May 31, 1961. Page 21-26 \* Indicates change or addition.

CODE	PART NAME AND DESCRIPTION	CYL.	PER CAR	VALIANT	PLYMOUTH	DESOTO	CHRYSLER	IMPERIAL
------	---------------------------	------	---------	---------	----------	--------	----------	----------

## AUTOMATIC 3-SPEED TRANSMISSION

## 21-05-O TRANSMISSION OUTPUT SHAFT - Cont'd

21-05-35	WASHER, Output Shaft Thrust, .052" thk., Natural . . . . .	6	1	1942 454	1942 454			
	.068" thk., Red . . . . .	6	1	1942 455	1942 455			
	.083" thk., Black . . . . .	6	1	1942 456	1942 456			
	Support Thrust, w/ 4 TABS . .	8	1	----	1824 403	1824 403	1824 403	1824 403
	Shaft Thrust, w/2 TABS . . . .	8	1	----	1636 290	1636 290	1636 290	1636 290

## 21-30-O TRANSMISSION GEARSHIFT BUTTONS AND CABLE

21-30-28	SOCKET, Selector Bulb, w/CABLE, RC1, RC2, RC3, RC4		1	----	2097 003	2257 275	*1885 977	*2197 939
21-30-320	HOUSING, w/SLIDES . . . . .	6	1	2073 600				
21-30-325	ACTUATOR, Back-Up Light Switch RIVET . . . . .		1	----	1946 547	1946 547	1946 547	1946 547
21-30-329	BRACKET, Reverse Slide Light Switch . . . . .		1	131 284	1676 629	1676 629	1676 629	1676 629
21-30-336	BUTTON, w/COVER, Neutral . .		1	2208 142	----	2200 884	1946 505	2200 862
	BUTTON, Neutral . . . . .		1	----	2200 891			
	w/COVER, Drive . . . . .		1	2208 143	----	2200 885	1946 508	2200 864
	BUTTON, Drive . . . . .		1	----	2200 892			
	w/COVER, First . . . . .		1	2208 145	----	2200 887	1946 514	2200 868
	BUTTON, First . . . . .		1	----	2200 894			
	w/COVER, Second . . . . .		1	2208 144	----	2200 886	1946 511	2200 866
	BUTTON, Second . . . . .		1	----	2200 893			
	w/COVER, Reverse . . . . .		1	2208 141	----	2200 883	1946 502	2200 860
	BUTTON, Reverse . . . . .		1	----	2200 890			
21-30-340	BUMPER, Slide . . . . .		4	1731 143	1731 143	1731 143	1731 143	1731 143
21-30-345	SPRING, Slide . . . . .		5	1639 970	1639 970	1639 970	1639 970	1639 970
21-30-365	CABLE, Control, 42" lgh., UP TO 40" lgh., AFTER . . . . .		1	*1856 491	----	----	----	*1856 491
	44" lgh., UP TO . . . . .	6	1	2265 182				
	43" lgh., AFTER . . . . .		1	----	*1946 545	*1946 545	*1946 545	
21-30-370	BRACKET, Cable, on Trans. . .		1	1673 921	2265 183	2265 183	2265 183	2265 183
21-30-375	FLANGE or WHEEL, Control Cable Adjusting . . . . .		1	1856 492	1673 921	1673 921	1673 921	1673 921
21-30-390	SEAL, Cable, on Trans. . . . .		1	1316 813	1856 492	1856 492	1856 492	1856 492
21-30-392	ADAPTER, Control Cable, w/PIN		1	1941 636	1316 813	1316 813	1316 813	1316 813
21-30-394	SPRING, Control Cable Adapter		1	1673 184	1941 636	1941 636	1941 636	1941 636
			1	1673 184	1673 184	1673 184	1673 184	1673 184

## 21-84-O TRANSMISSION SPEEDOMETER CABLE INCLUDES SHAFT AND HOUSING

21-84-1	HOUSING, w/SHAFT, 69 1/2" lgh. 78" lgh. (also specify 1 of 1370 460) . . . . .	6	1	2097 629	2097 629			
	78" lgh. (also specify 1 of 2258 060) . . . . .		8	----	----	1819 972		
	w/Auto. Pilot, 32 3/8" lgh. . .		8	----	1819 972	----	----	1819 972
	68 1/32" lgh. . . . .		8	----	----	1972 351		
	30 1/32" lgh., w/Auto. Pilot . .		8	----	----	----	1819 960	
21-84-4	SHAFT, 62 1/2" lgh. . . . .	6	1	2076 656	----	----	2257 632	2257 632
	69 1/2" lgh. . . . .	6	1	----	2097 630			
	73 1/32" lgh., RS1, RC2, RC3, RC4 . . . . .		8	----	2257 142	2257 142	2257 142	
	68 5/32" lgh., RC1 . . . . .		8	----	----	----	920 402	
	69 61/64" lgh. . . . .		8	----	----	----	----	2257 667
	30 1/32" lgh., w/Auto. Pilot . .		8	----	----	2257 417	2257 417	2257 417
21-84-7	RETAINER, Cable . . . . .	6	1	1942 167	1942 167			
21-84-28	SEAL, Cable Adapter . . . . .	6	1	1942 259	1942 259			

★ Indicates use as required.

Numerals in parentheses ( ) refer to notes.

Printed in U.S.A.

□ Indicates parts not listed in any previous parts book.

Prices and specifications subject to change without notice.

\* Indicates change or addition.

Page 21-27

March 1, 1962 Supersedes May 31, 1961.

AUTOMATIC 3-SPEED TRANSMISSION

21-85-O TRANSMISSION SPEEDOMETER PINION

21-85-5 PINION

6 CYLINDER CARS ONLY

Tire Size	3.23 to 1 Ratio	3.31 to 1 Ratio	3.54 to 1 Ratio 3.55 to 1 Ratio	3.91 to 1 Ratio
	Pinion Teeth	Pinion Teeth	Pinion Teeth	Pinion Teeth
6.50 x 13	*1942 522 19 B	----- --	*1942 524 21 DP	----- --
7.00 x 14	----- --	*1942 521 18 DB	*1942 522 19 B	*1942 524 21 DP
7.50 x 14	----- --	*1942 517 17 G	*1942 521 18 DB	*1942 523 20 GR
8.00 x 14	----- --	*1942 517 17 G	*1942 521 18 DB	*1942 523 20 GR
8.50 x 14	----- --	*1942 517 17 G	*1942 521 18 DB	*1942 523 20 GR
6.70 x 15	----- --	*1942 517 17 G	*1942 521 18 DB	*1942 523 20 GR

COLORS OF PINIONS

B-BROWN DB-DARK BLUE G-GREEN DP-DARK PURPLE GR-GRAY

8 CYLINDER CARS ONLY

Tire Size	2.93 to 1 Ratio	3.15 to 1 Ratio 3.18 to 1 Ratio	3.23 to 1 Ratio	3.31 to 1 Ratio	3.54 to 1 Ratio 3.55 to 1 Ratio	3.58 to 1 Ratio 3.73 to 1 Ratio
	Pinion Teeth	Pinion Teeth	Pinion Teeth	Pinion Teeth	Pinion Teeth	Pinion Teeth
7.50 x 14	----- --	*1636 408 19 LP	*1636 408 19 LP	*1636 409 20 LB	*1636 410 21 Y	*1636 410 21 Y
8.00 x 14	*1636 406 17 R	*1636 408 19 LP	*1636 408 19 LP	*1636 409 20 LB	*1636 410 21 Y	*1636 410 21 Y
8.50 x 14	*1636 406 17 R	*1636 407 18 B	*1636 408 19 LP	*1636 408 19 LP	*1636 409 20 LB	*1636 410 21 Y
9.00 x 14	*1636 406 17 R	*1636 407 18 B	----- --	*1636 408 19 LP	*1636 409 20 LB	*1636 410 21 Y
8.20 x 15	*1732 113 16 N	*1732 113 16 N	----- --	*1636 407 18 B	----- --	----- --
11.00 x 15	*1636 406 17 R	----- --	----- --	*1636 406 17 R	----- --	----- --

COLORS OF PINIONS

R-RED N-NATURAL LP-LIGHT PURPLE B-BLACK LB-LIGHT BLUE Y-YELLOW

CODE	PART NAME AND DESCRIPTION	CYL	PER CAR	VALIANT	PLYMOUTH	DESOTO	CHRYSLER	IMPERIAL
21-85-9	ADAPTER, Pinion, w/4.1 to 1 ratio, Taxi . . . . .	8	1	-----	*2258 878			
21-85-56	SEAL, Pinion . . . . .	6	1	2124 328	2124 328			
21-85-59	RETAINER, Pinion . . . . .	8	1	-----	1559 341	1559 341	1559 341	1559 341
21-85-61	CLIP, Pinion . . . . .	6	1	1942 174	1942 174			
21-85-76	SLEEVE, Pinion . . . . .	8	1	-----	1633 676	1633 676	1633 676	1633 676

21-113-O TRANSMISSION NEUTRAL STARTER SWITCH

21-113-24	SWITCH PACKAGE, w/WASHER and "O" RING, on Trans. . . . .		1	1704 283	1704 283	1704 283	1704 283	1704 283
21-113-28	"O" RING, Mounting . . . . .		1	1316 849	1316 849	1316 849	1316 849	1316 849
21-113-29	WASHER, Mounting . . . . .		1	1704 482	1704 482	1704 482	1704 482	1704 482

21-117-O TRANSMISSION OIL PUMP STRAINER AND FILTER

21-117-1	STRAINER . . . . .	6	1	1949 964	1949 964			
	FILTER, Oil, on Side Shield, Police Cars and Taxi . . . . .	8	1	-----	1736 216	1736 216	1736 216	1736 216
			1	-----	*2124 444			

\* Indicates use as required. Numerals in parentheses ( ) refer to notes. Printed in U.S.A.  
 † Indicates parts not listed in any previous parts book. Prices and specifications subject to change without notice.  
 March 1, 1962 Supersedes May 31, 1961. Page 21-28 \* Indicates change or addition.

CODE	PART NAME AND DESCRIPTION	C Y L.	PER CAR	VALIANT	PLYMOUTH	DESOTO	CHRYSLER	IMPERIAL
------	---------------------------	--------------	------------	---------	----------	--------	----------	----------

**AUTOMATIC 3-SPEED TRANSMISSION**

**21-117-O TRANSMISSION OIL PUMP STRAINER AND FILTER - Cont'd**

21-117-1	FILTER PACKAGE, Oil, w/CLAMP and BRACKET, attached to Oil Pan . . . . .	6	1	E2298 944	E2298 944			
	FILTER PACKAGE, Oil, w/CLAMP and BRACKET, attached to Oil Pan . . . . .	8	1	-----	E2298 945	E2298 945	E2298 945	E2298 945
	FILTER, Oil, attached to Oil Pan . . . . .		1	E2400 124	E2400 124	E2400 124	E2400 124	E2400 124
21-117-3	BRACKET, Oil Filter Mounting, Police Cars and Taxi . . . . .		1	-----	*2124 702			
21-117-7	CARTRIDGE, Oil Filter, Police Cars and Taxi . . . . .		1	-----	*1818 541			
21-117-10	SEAL, Tube . . . . .	8	2	-----	1401 256	1401 256	1401 256	1401 256

**21-118-O TRANSMISSION OIL PUMP**

21-118-1	GASKET SET, Front Pump, UP TO Trans. No. 1895 430 . . . . .	8	1	-----	*1843 230	*1843 230	*1843 230	*1843 230
	Front Pump, AFTER Trans. No. 1895 430 . . . . .	8	1	-----	E2298 926	E2298 926	E2298 926	E2298 926
	Rear Pump . . . . .	8	1	-----	2240 332	2240 332	2240 332	2240 332
21-118-5	HOUSING, Front Pump, w/ROTORs and SLEEVE. . . . .	8	1	-----	2084 319	2084 319	2084 319	2084 319
21-118-6	ROTOR PACKAGE, Front Pump . . . . .	6	1	2240 302	2240 302			
	Rear Pump . . . . .	6	1	2196 795	2196 795			
21-118-7	ROTOR, Rear Pump, Outer . . . . .	6	1	1672 296	1672 296			
	Front Pump, Outer . . . . .	8	1	-----	1736 163	1736 163	1736 163	1736 163
	GEAR, Rear Pump, Outer . . . . .	8	1	-----	1672 315	1672 315	1672 315	1672 315
21-118-8	ROTOR, Rear Pump, Inner . . . . .	8	1	-----	1327 576	1327 576	1327 576	1327 576
	Front Pump, Inner . . . . .	8	1	-----	1949 600	1949 600	1949 600	1949 600
21-118-37	SLEEVE, Front Pump . . . . .	8	1	-----	1949 601	1949 601	1949 601	1949 601
21-118-38	RING, Front Pump Drive . . . . .							
	Sleeve, Steel . . . . .	8	1	-----	1854 304	1854 304	1854 304	1854 304
	Rubber . . . . .	8	1	-----	1738 264	1738 264	1738 264	1738 264
21-118-40	HOUSING, Front Pump, w/BUSHING, UP TO Transmission No. 278039 (also specify 1 of 2204 709 Seal) . . . . .	6	1	2204 712	2204 712			
	Front Pump, AFTER Transmission No. 278039 . . . . .	6	1	2204 712	2204 712			
	Rear Pump . . . . .	6	1	1942 463	1942 463			
	Rear Pump . . . . .	8	1	-----	1823 667	1823 667	1823 667	1823 667
21-118-42	OIL SEAL, Front Pump . . . . .							
	Housing, 2 1/4" O.D. . . . .	6	1	2124 705	2124 705			
	2 7/8" O.D., UP TO Trans. No. 1895 430 . . . . .	8	1	-----	*1738 263	*1738 263	*1738 263	*1738 263
	AFTER Trans. No. 1895 430 . . . . .	8	1	-----	E2400 084	E2400 084	E2400 084	E2400 084
21-118-45	OIL SEAL, Front Pump . . . . .							
	Housing, 8 17/64" O.D., UP TO Transmission No. 278039 . . . . .	6	1	1942 384	1942 384			
	Front Pump, 8 17/64" O.D., AFTER Transmission No. 278039 . . . . .	6	1	2204 709	2204 709			
	6 31/64" O.D. . . . .	8	1	-----	1408 245	1408 245	1408 245	1408 245
21-118-47	BUSHING, Front Pump Housing . . . . .	6	1	2204 953	2204 953			
21-118-53	COVER, Rear Pump Housing . . . . .	6	1	1942 107	1942 107			
21-118-55	SCREW, Front Pump Housing, w/WASHER . . . . .	6	6	2124 600	2124 600			

**21-119-O TRANSMISSION OIL PAN**

21-119-3	PAN, Oil . . . . .	6	1	1942 514	1942 514			
	SCREW . . . . .	8	1	-----	1636 286	1636 286	1636 286	1636 286
			★	180 075	180 075	180 075	180 075	180 075

★ Indicates use as required. Numerals in parentheses ( ) refer to notes. Printed in U.S.A.  
 ☐ Indicates parts not listed in any previous parts book. Prices and specifications subject to change without notice.  
 \* Indicates change or addition. March 1, 1962 Supersedes May 31, 1961.

CODE	PART NAME AND DESCRIPTION	CYL	PER CAR	VALIANT	PLYMOUTH	DESOTO	CHRYSLER	IMPERIAL
------	---------------------------	-----	---------	---------	----------	--------	----------	----------

AUTOMATIC 3-SPEED TRANSMISSION

21-119-0 TRANSMISSION OIL PAN - Cont'd

21-119-5	GASKET, Oil Pan . . . . .	6	1	1942 516	1942 516	1636 448	1636 448	1636 448
		8	1	-----	1636 448			
21-119-11	PLUG, Oil Pan Drain . . . . .	6	1	863 986	863 986	1636 448	1636 448	1636 448
21-119-12	GASKET, Drain Plug . . . . .	6	1	863 987	863 987			
21-119-15	TUBE, Oil Filter . . . . .	6	1	2204 641	2204 641	1636 448	1636 448	1636 448
		8	1	-----	1941 632			
21-119-19	INDICATOR, Oil Level . . . . .	8	1	RP2, High Performance, RC1, RC2, RC3 . . . . .	1941 634	1941 634	1941 634	1941 634
				RP2, RS1, w/Ram Manifold . . . . .	1949 583	1949 583	1949 583	
				RC4 . . . . .	-----	-----	1949 542	
				2204 643	2204 643	1949 383	1949 383	
21-119-25	SEAL, Oil Filter Tube . . . . .	6	1	RC1, RC2, RC3 . . . . .	1949 383	1949 383	1949 383	1949 383
				RP2, RS1, w/Ram Manifold, RC4	1949 545	1949 545	1949 545	
				1316 815	1316 815	1316 815		

21-129-0 TRANSMISSION INPUT SHAFT, TORQUE CONVERTER REACTION SHAFT AND INTER-MEDIATE SHAFT

21-129-5	SHAFT, Input, w/Rear Clutch Piston RETAINER, 18T., 23T. . . . .	6	1	2125 201	2125 201	1853 673	1853 673	1853 673	
		6	1	2125 200	2125 200				
21-129-7	RING, Input Shaft Seal . . . . .	6	1	SHAFT, Input, w/o Retainer. . . . .	1941 831	1941 831	1941 831	1941 831	
				8	1	-----	1853 673	1853 673	1853 673
21-129-8	WASHER, Input Shaft Thrust, .059" thk., Orange. . . . .	8	★	9 29/32" lgh. . . . .	1942 426	1942 426	1942 426	1942 426	
				6	1	6022 859	6022 859	6022 859	
				8	1	-----	1941 831	1941 831	1941 831
				8	1	-----	1323 593	1323 593	1323 593
21-129-10	SHAFT, Reaction, w/SUPPORT, 27T., 6 5/8" lgh. . . . .	6	1	SNAP RING, Input Shaft, UP TO Transmission No. 238877 . . . . .	1942 426	1942 426	1942 426	1942 426	
				8	1	-----	1941 831	1941 831	1941 831
				8	1	-----	1323 593	1323 593	1323 593
21-129-13	RING, Reaction Shaft Support Seal . . . . .	6	2	AFTER Transmission No. 238877 RING, Input Shaft Seal, Small . . . . .	1942 419	1942 419	1942 419	1942 419	
				8	1	-----	1853 594	1853 594	1853 594
				8	★	-----	1823 872	1823 872	1823 872
21-129-23	BUSHING, Reaction Shaft . . . . .	8	1	.078" thk., Black . . . . .	1638 671	1638 671	1638 671	1638 671	
				.097" thk., Red . . . . .	1638 670	1638 670	1638 670		
				1942 389	1942 389	1824 553	1824 553		
21-129-24	GASKET, Reaction Shaft Support	6	1	1942 390	1942 390	1853 595	1853 595	1853 595	
21-129-30	SHAFT, Intermediate, w/TUBES, 66T., 26 Splines, 12 45/64" lgh. . . . .	8	1	-----	1636 468	1636 468	1636 468	1636 468	
21-129-33	RING, Intermediate Shaft Seal, Small . . . . .	8	2	-----	1636 324	1636 324	1636 324	1636 324	
				8	4	-----	1672 287	1672 287	1672 287

21-131-0 TRANSMISSION REGULATOR VALVE BODY AND PARTS

21-131-5	BODY . . . . .	8	1	-----	1636 311	1636 311	1636 311	1636 311
21-131-6	GASKET, Body . . . . .	8	1	-----	1636 303	1636 303	1636 303	1636 303
21-131-10	VALVE, Regulator . . . . .	8	1	-----	1672 359	1672 359	1672 359	1672 359
21-131-12	VALVE, Front and Rear Pump Check . . . . .	8	2	-----	2204 843	2204 843	2204 843	2204 843
				8	1	-----	1854 319	1854 319
21-131-15	SPRING, Regulator Valve . . . . .	8	1	w/Ram Manifold, RC4 . . . . .	1949 673	1949 673	1949 673	1949 673
				8	1	-----	1672 362	1672 362
21-131-20	SEAT, Regulator Valve Spring . . . . .	8	1	CUP, Regulator Valve Spring . . . . .	1672 363	1672 363	1672 363	1672 363
				8	1	-----	1672 363	1672 363
21-131-25	RETAINER, Regulator Valve Spring . . . . .	8	1	-----	1672 364	1672 364	1672 364	1672 364

★ Indicates use as required.

Numerals in parentheses ( ) refer to notes.

Printed in U.S.A.

‡ Indicates parts not listed in any previous parts book.

Prices and specifications subject to change without notice.

March 1, 1962 Supersedes May 31, 1961.

\* Indicates change or addition.

CODE	PART NAME AND DESCRIPTION	CYL.	PER CAR	VALIANT	PLYMOUTH	DESOTO	CHRYSLER	IMPERIAL
------	---------------------------	------	---------	---------	----------	--------	----------	----------

AUTOMATIC 3-SPEED TRANSMISSION

**21-131-O TRANSMISSION REGULATOR VALVE BODY AND PARTS - Cont'd**

21-131-27	GASKET, Regulator Valve Spring Retainer . . . . .	8	1	----	1117 819	1117 819	1117 819	1117 819
21-131-29	SLEEVE, Regulator Valve Spring . . . . .	8	1	----	1672 361	1672 361	1672 361	1672 361
21-131-31	SCREW, Regulator Valve Spring Adjusting . . . . .	8	1	----	1672 365	1672 365	1672 365	1672 365
21-131-35	VALVE, Torque Converter Control . . . . .	8	1	----	2124 247	2124 247	2124 247	2124 247
21-131-40	SPRING, Torque Converter Control Valve . . . . .	8	1	----	1630 812	1630 812	1630 812	1630 812
21-131-45	RETAINER, Torque Converter Control Valve Spring . . . . .	8	1	----	1941 779	1941 779	1941 779	1941 779
21-131-50	GASKET, Torque Converter Control Valve Spring Retainer . . . . .	8	1	----	1408 375	1408 375	1408 375	1408 375

**21-133-O TRANSMISSION CLUTCH**

21-133-3	GASKET and SEAL PACKAGE, Front and Rear Clutch and Input Shaft . . . . .	8	1	----	1843 229	1843 229	1843 229	1843 229
21-133-5	RETAINER, Front Clutch Piston, w/DISC, PISTON and SPRING, UP TO Trans. No. 377 698. . . . .	6	1	*2125 243	*2125 241			
	Front Clutch, AFTER Trans. No. 377 698. . . . .	6	1	E2205 326	E2204 979			
	Front Clutch, w/225 cu. in. Engine, UP TO Trans. No. 377 698 . . . . .	6	1	*2125 241				
	Front Clutch, w/225 cu. in. Engine, AFTER Trans. No. 377 698 . . . . .	6	1	E2204 979				
	Rear Clutch . . . . .	8	1	----	2204 757			
	Rear Clutch, High Performance and Heavy Duty . . . . .	8	1	----	2204 755			
	Rear Clutch . . . . .	8	1	----		2204 755	2204 755	2204 755
	Rear Clutch, Heavy Duty and High Performance, w/o Accumulator Spring, RC1, RC2, RC3 . . . . .	8	1	----	2204 756	2204 756	2204 756	
	Rear Clutch, w/Ram Manifold, RC4 . . . . .	8	1	----	2204 756	----	2204 756	
21-133-7	RETAINER, Front Clutch Piston, w/BUSHING, UP TO Trans. No. 377 698. . . . .	6	1	*2125 242	*2125 242			
	Front Clutch, AFTER Trans. No. 377 698 . . . . .	6	1	E2204 980	E2204 980			
	Front Clutch Piston . . . . .	8	1	----	1853 923	1853 923	1853 923	1853 923
	Rear Clutch Piston . . . . .	8	1	----	2204 758	2204 758	2204 758	2204 758
21-133-15	PISTON, Front Clutch . . . . .	6	1	1942 395	1942 395			
	Rear Clutch . . . . .	6	1	2125 198	2125 198			
	Front Clutch . . . . .	8	1	----	1853 858	1853 858	1853 858	1853 858
	Rear Clutch . . . . .	8	1	----	1736 333			
	Rear Clutch, High Performance and Heavy Duty. . . . .	8	1	----	1636 276			
	Rear Clutch . . . . .	8	1	----		1636 276	1636 276	1636 276
21-133-17	SEAL, Front Clutch Piston, Inner . . . . .	6	1	1942 396	1942 396			
	Outer . . . . .	6	1	1942 397	1942 397			
	Rear Clutch, Inner. . . . .	6	1	2125 187	2125 187			
	Outer . . . . .	6	1	1942 397	1942 397			

★ Indicates use as required. Numerals in parentheses ( ) refer to notes. Printed in U.S.A.  
 E Indicates parts not listed in any previous parts book. Prices and specifications subject to change without notice.  
 \* Indicates change or addition. March 1, 1962 Supersedes May 31, 1961.



CODE	PART NAME AND DESCRIPTION	CYL.	PER CAR	VALIANT	PLYMOUTH	DESOTO	CHRYSLER	IMPERIAL
------	---------------------------	------	---------	---------	----------	--------	----------	----------

## AUTOMATIC 3-SPEED TRANSMISSION

## 21-133-0 TRANSMISSION CLUTCH - Cont'd

21-133-17	SEAL - Cont'd							
	Front Clutch, Inner . . . . .	8	1	----	1824 551	1824 551	1824 551	1824 551
	Outer . . . . .	8	1	----	1824 549	1824 549	1824 549	1824 549
	Rear Clutch, Inner . . . . .	8	1	----	1824 552	1824 552	1824 552	1824 552
	Outer . . . . .	8	1	----	1824 550	1824 550	1824 550	1824 550
21-133-20	SPRING, Front Clutch Piston							
	Return . . . . .	6	1	2124 573	1942 467			
	Front Clutch, w/225 cu. in. Engine	6	1	*1942 467				
	Rear Clutch . . . . .	6	1	1942 414	1942 414			
	Front Clutch, Inner . . . . .	8	1	----	1636 365	1636 365	1636 365	1636 365
	Rear Clutch . . . . .	8	1	----	1636 364			
	Rear Clutch . . . . .	8	1	----		1738 235	1738 235	1738 235
	Rear Clutch, Heavy Duty . . . . .	8	1	----			1636 364	
	Rear Clutch, RP2 High							
	Performance and Heavy Duty . . . . .	8	1	----	1738 235			
	Rear Clutch, RC4, Ram Manifold	8	1	----			1636 364	
	Rear Clutch, High Performance	8	1	----		1636 364		
21-133-22	RETAINER, Front Clutch							
	Piston Spring . . . . .	6	1	1942 399	1942 399			
		8	1	----	1619 392	1619 392	1619 392	1619 392
	Rear Clutch . . . . .	8	1	----	1636 289	1636 289	1636 289	1636 289
21-133-25	SNAP RING, Front Clutch							
	Piston Return Spring . . . . .	8	1	----	1636 356	1636 356	1636 356	1636 356
	Rear Clutch . . . . .	8	1	----	1636 326	1636 326	1636 326	1636 326
	Rear Clutch . . . . .	6	1	1942 415	1942 415			
21-133-30	WASHER, Front Clutch and							
	Sun Gear Thrust, w/2 TABS . . . . .	8	1	----	1636 290	1636 290	1636 290	1636 290
21-133-32	LEVER, Front Clutch . . . . .	8	8	----	1853 860	1853 860	1853 860	1853 860
21-133-34	RETAINER, Front Clutch							
	Piston Lever . . . . .	8	1	----	1949 381	1949 381	1949 381	1949 381
21-133-35	HUB, Front Clutch Driving Disc	8	1	----	1853 859	1853 859	1853 859	1853 859
21-133-36	DISC, Front Clutch Driving . . . . .	6	4	1942 404	1942 404			
	Rear Clutch . . . . .	6	3	1942 418	1942 418			
	Front Clutch, .060" to .063" thk.	8	★	----	1949 196	1949 196	1949 196	1949 196
	.073" to .076" thk. . . . .	8	★	----	1949 197	1949 197	1949 197	1949 197
	.087" to .090" thk. . . . .	8	★	----	1949 198	1949 198	1949 198	1949 198
	Rear Clutch . . . . .	8	★	----	1732 116	1732 116	1732 116	1732 116
21-133-38	PLATE, Front Clutch	6	4	1942 403	1942 403			
	Rear Clutch . . . . .	6	2	1942 403	1942 403			
	Front Clutch . . . . .	8	3	----	1636 262	1636 262	1636 262	1636 262
	Rear Clutch . . . . .	8	★	----	1636 262	1636 262	1636 262	1636 262
21-133-39	PLATE, Front Clutch Pressure	6	1	1942 402	1942 402			
	Rear Clutch, Front . . . . .	6	1	1949 930	1949 930			
	Rear Clutch, Rear . . . . .	6	1	1942 402	1942 402			
	Front and Rear Clutch Pressure	8	2	----	2124 991	2124 991	2124 991	2124 991
21-133-40	GEAR, Sun, w/BUSHING . . . . .	6	1	1942 434	1942 434			
21-133-42	SHELL, Sun Gear Driving . . . . .	6	1	1942 438	1942 438			
21-133-43	SNAP RING, Front Clutch, Outer	6	1	1942 421	1942 421			
	Inner . . . . .	6	1	1942 400	1942 400			
	Rear Clutch, .060" thk. . . . .	6	★	1942 421	1942 421			
	.068" thk. . . . .	6	★	1942 422	1942 422			
	.076" thk. . . . .	6	★	1942 423	1942 423			
	Front and Rear Clutch, .060" thk.	8	★	----	1636 315	1636 315	1636 315	1636 315
	.064" thk. . . . .	8	★	----	1636 316	1636 316	1636 316	1636 316
	Front Clutch, .069" thk. . . . .	8	★	----	1636 317	1636 317	1636 317	1636 317
21-133-45	RING, Sun Gear Rear Clutch . . . . .	8	2	----	1636 469	1636 469	1636 469	1636 469
21-133-46	RING, Sun Gear Driving							
	Shell Lock . . . . .	6	2	1942 439	1942 439			
21-133-47	PLATE, Sun Gear Driving							
	Shell Thrust . . . . .	6	2	2124 258	2124 258			

★ Indicates use as required.

Numerals in parentheses ( ) refer to notes.

Printed in U.S.A.

□ Indicates parts not listed in any previous parts book.

Prices and specifications subject to change without notice.

March 1, 1962 Supersedes May 31, 1961.

Page 21-32

\* Indicates change or addition.

CODE	PART NAME AND DESCRIPTION	CYL	PER CAR	VALIANT	PLYMOUTH	DESOTO	CHRYSLER	IMPERIAL
------	---------------------------	-----	---------	---------	----------	--------	----------	----------

## AUTOMATIC 3-SPEED TRANSMISSION

**21-133-O TRANSMISSION CLUTCH - Cont'd**

21-133-48	WASHER, Sun Gear Driving Shell Thrust . . . . .	6	2	1942 441	1942 441			
21-133-65	WASHER, Front Clutch Thrust Front and Rear, Plastic . . . .	6	2	2204 369	2204 369			
21-133-70	SPRING, Front Clutch Cushion .	8	1	----	1823 731	1823 731	1823 731	1823 731
21-133-71	WASHER, Front Clutch Cushion Spring . . . . .	8	1	----	1823 729	1823 729	1823 729	1823 729
	SPACER, Front Clutch Lever, Heavy Duty Trans. only, RC1, RC2, RC3 . . . . .	8	1	----	1853 943	----	1853 943	

**21-134-O TRANSMISSION KICKDOWN PLANET PINION CARRIER AND COMPONENTS, FRONT AND REAR PLANET PINION CARRIER AND COMPONENTS**

21-134-5	CARRIER, w/PINIONS and WASHERS, Front . . . . .	6	1	E2298 931	E2298 931			
	Rear . . . . .	6	1	E2298 932	E2298 932			
	CARRIER, w/PINIONS, Kickdown w/Ram Manifold, RC4 . . . . .	8	1	----	*2125 070	*2125 070	*2125 070	*2125 070
		8	1	----	2125 071	----	2125 071	
21-134-30	PLATE, Kickdown Carrier Thrust, 3.42" O.D. . . . .	8	1	----	1638 667	1638 667	1638 667	1638 667
	WASHER, Kickdown Carrier Thrust, w/3 TABS, 3.38" O.D. . . . .	8	1	----	1636 376	1636 376	1636 376	1636 376
21-134-36	SUPPORT, Front Annulus Gear .	6	1	1942 446	1942 446			
	Rear Annulus Gear . . . . .	6	1	1942 450	1942 450			
21-134-38	GEAR, Front and Rear Annulus Kickdown Annulus . . . . .	6	2	1942 443	1942 443			
		8	1	----	1636 264	1636 264	1636 264	1636 264
21-134-40	SNAP RING, Front and Rear Annulus Gear . . . . .	6	2	1942 444	1942 444			
	Front Annulus Gear Support . .	6	1	1942 448	1942 448			
	Kickdown Annulus Gear, .060" thk. . . . .	8	★	----	1636 357	1636 357	1636 357	1636 357
	.064" thk. . . . .	8	★	----	1636 358	1636 358	1636 358	1636 358
21-134-45	WASHER, Front Annulus Gear Support Thrust . . . . .	6	1	1942 447	1942 447			
21-134-50	GEAR, Reverse Sun, w/BUSHING	8	1	----	1636 307	1636 307	1636 307	1636 307
21-134-51	WASHER, Sun Gear Thrust . . .	8	1	----	1636 314	1636 314	1636 314	1636 314

**21-135-O TRANSMISSION REVERSE PLANET PINION CARRIER AND COMPONENT PARTS**

21-135-9	SNAP RING, Output Shaft Drive Housing . . . . .	8	1	----	1636 319	1636 319	1636 319	1636 319
21-135-25	GEAR, Reverse Annulus . . . . .	8	1	----	1736 193	1736 193	1736 193	1736 193
21-135-50	CARRIER, Low and Reverse Planet Pinion . . . . .	8	1	----	2125 070	2125 070	2125 070	2125 070
	w/Ram Manifold, RC4 . . . . .	8	1	----	2125 071	----	2125 071	

**21-136-O TRANSMISSION BANDS**

21-136-5	BAND, Kickdown, UP TO Trans. No. 377 698 . . . . .	6	1	*2124 595	*2124 595			
	AFTER Trans. No. 377 698 . . .	6	1	E2204 792	E2204 792			
		8	1	----	2124 714	2124 714	2124 714	2124 714
21-136-15	STRUT, Kickdown Band . . . . .	1	1	1630 896	1630 896	1630 896	1630 896	1630 896
	ANCHOR, Kickdown Band . . . . .	8	1	----	1736 427	1736 427	1736 427	1736 427
21-136-17	SCREW, Kickdown Band Adjusting . . . . .	6	1	1942 477	1942 477			
		8	1	----	1736 215	1736 215	1736 215	1736 215

★ Indicates use as required.

Numerals in parentheses ( ) refer to notes.

Printed in U.S.A.

⊠ Indicates parts not listed in any previous parts book.

Prices and specifications subject to change without notice.

\* Indicates change or addition.

Page 21-33

March 1, 1962 Supersedes May 31, 1961.



CODE	PART NAME AND DESCRIPTION	CYL.	PER CAR	VALIANT	PLYMOUTH	DESOTO	CHRYSLER	IMPERIAL
------	---------------------------	------	---------	---------	----------	--------	----------	----------

## AUTOMATIC 3-SPEED TRANSMISSION

## 21-136-0 TRANSMISSION BANDS - Cont'd

21-136-20	LEVER, Kickdown Band, UP TO Trans. No. 377 698. . . . .	6	1	*2124 666				
	AFTER Trans. No. 377 698. . . . .	6	1	E2204 952				
	w/225 cu. in. Engine, UP TO Trans. No. 377 698. . . . .	6	1	*2124 579				
	w/225 cu. in. Engine, AFTER Trans. No. 377 698. . . . .	6	1	E2125 067				
	UP TO Trans. No. 377 698. . . . .	6	1	-----	*2124 579			
	AFTER Trans. No. 377 698. . . . .	6	1	-----	E2125 067			
	Heavy Duty, High Performance and w/Ram Manifold . . . . .	8	1	-----	1736 344	1949 655	1949 655	1949 655
21-136-23	SHAFT, Kickdown Band Lever . . . . .	8	1	-----	1949 655			
21-136-30	BAND, Reverse . . . . .	6	1	1942 132	1942 132			
21-136-41	ANCHOR, Reverse Band . . . . .	6	1	1942 487	1942 487			
	STRUT, Reverse Band. . . . .	6	1	1942 496	1942 496			
	ANCHOR, Low and Reverse Band	8	1	-----	1736 427	1736 427	1736 427	1736 427
	STRUT, Low and Reverse Band . . . . .	8	1	-----	1736 423	1736 423	1736 423	1736 423
21-136-44	LINK, Reverse Band . . . . .	6	1	1942 494	1942 494			
21-136-47	LEVER, Reverse Band, w/STEM Reverse Band, Short . . . . .	6	1	1942 491	1942 491			
	Reverse Band, Short . . . . .	6	1	1942 140	1942 140			
21-136-49	SHAFT, Reverse Band Lever . . . . .	6	1	1942 493	1942 493			
21-136-52	SCREW, Reverse Band Adjusting . . . . .	6	1	1942 543	1942 543			
	Low and Reverse Band Adjusting . . . . .	8	1	-----	1736 215	1736 215	1736 215	1736 215
21-136-65	DRUM, Reverse . . . . .	6	1	1942 451	1942 451			
21-136-68	SNAP RING, Low and Reverse, Band Drum, .060" thk. . . . .	8	★	-----	1636 315	1636 315	1636 315	1636 315
	.064" thk. . . . .	8	★	-----	1636 316	1636 316	1636 316	1636 316
	.068" thk. . . . .	8	★	-----	1636 317	1636 317	1636 317	1636 317
21-136-80	BAND, Low and Reverse . . . . .	8	1	-----	1636 367	1636 367	1636 367	1636 367
21-136-200	LEVER, Low and Reverse Band	8	1	-----	1736 519	1736 519	1736 519	1736 519
21-136-210	DRUM, Low and Reverse Band . . . . .	8	1	-----	1736 187	1736 187	1736 187	1736 187
21-136-214	SUPPORT, Intermediate, w/CAM	8	1	-----	1636 281	1636 281	1636 281	1636 281
21-136-225	SCREW, Intermediate Support . . . . .	8	3	-----	1636 418	1636 418	1636 418	1636 418
21-136-228	CAM and RETAINER PACKAGE, Overrunning Clutch . . . . .	6	1	2279 960	2279 960			
21-136-229	WASHER, Cam Screw . . . . .	6	5	1823 543	1823 543			
21-136-230	HUB, "O" Running Clutch, w/BUSHING . . . . .	8	1	-----	1736 207	1736 207	1736 207	1736 207
21-136-232	RACE, "O" Running Clutch . . . . .	6	1	1942 461	1942 461			
21-136-235	ROLLER, "O" Running Clutch Cam. . . . .	6	10	670 776	670 776			
	Cam Roller . . . . .	8	10	-----	1619 370	1619 370	1619 370	1619 370
21-136-236	SPRING, "O" Running Clutch Cam Roller . . . . .	6	10	1942 187	1942 187			
	Cam Roller . . . . .	8	10	-----	1539 546	1539 546	1539 546	1539 546
21-136-237	WASHER, "O" Running Clutch Race Thrust, UP TO Transmission No. 218531 . . . . .	6	1	1942 441	1942 441			
	AFTER Transmission No. 218531	6	1	2204 727	2204 727			
<b>21-137-0 TRANSMISSION SERVOS</b>								
21-137-5	PISTON, Kickdown Servo . . . . .	6	1	1942 478	1942 478			
		8	1	-----	1736 218	1736 218	1736 218	1736 218
21-137-8	RING, Kickdown Servo Piston Seal, Small . . . . .	6	1	1672 287	1672 287			
	Large . . . . .	6	1	1636 470	1636 470			
	Small . . . . .	8	1	-----	1314 249	1314 249	1314 249	1314 249

★ Indicates use as required.

Numerals in parentheses ( ) refer to notes.

Printed in U.S.A.

E Indicates parts not listed in any previous parts book.

Prices and specifications subject to change without notice.

March 1, 1962 Supersedes May 31, 1961.

Page 21-34

\* Indicates change or addition.

CODE	PART NAME AND DESCRIPTION	CYL	PER CAR	VALIANT	PLYMOUTH	DESOTO	CHRYSLER	IMPERIAL
------	---------------------------	-----	---------	---------	----------	--------	----------	----------

## AUTOMATIC 3 - SPEED TRANSMISSION

21-137-0 TRANSMISSION SERVOS - Cont'd								
21-137-8	RING - Cont'd							
	Medium . . . . .	8	1	----	1322 363	1322 363	1322 363	1322 363
	Large . . . . .	8	1	----	1736 224	1736 224	1736 224	1736 224
	Kickdown Servo Guide Seal . . . . .	6	1	1636 470	1636 470			
		8	1	----	1736 224	1736 224	1736 224	1736 224
21-137-11	ROD, Kickdown Servo Piston . . . . .	6	1	1942 482	1942 482			
		8	1	----	1736 221	1736 221	1736 221	1736 221
21-137-13	GUIDE, Kickdown Servo Piston Rod . . . . .	6	1	1942 485	1942 485			
		8	1	----	1736 219	1736 219	1736 219	1736 219
21-137-19	SNAP RING, Kickdown Servo Piston Rod Guide . . . . .	6	1	1942 486	1942 486			
		8	1	----	1736 223	1736 223	1736 223	1736 223
21-137-22	SPRING, Kickdown Servo Piston . . . . .	6	1	1942 481	1942 481			
		8	1	----	1736 222	1736 222	1736 222	1736 222
21-137-32	SHAFT, Kickdown and Reverse Lever . . . . .	8	1	----	1638 565	1638 565	1638 565	1638 565
21-137-33	SPACER, Servo Lever Shaft . . . . .	8	1	----	1636 446	1636 446	1636 446	1636 446
21-137-35	PISTON, Reverse Servo . . . . .	6	1	1942 498	1942 498			
		8	1	----	1732 099	1732 099	1732 099	1732 099
21-137-41	SPRING, Reverse Servo Piston Cushion . . . . .	6	1	1823 941	1823 941			
		8	1	----	1732 102	1732 102	1732 102	1732 102
21-137-44	SNAP RING, Reverse Servo Piston Plug . . . . .	6	1	1823 940	1823 940			
		8	1	----	1732 101	1732 101	1732 101	1732 101
21-137-47	PLUG, Reverse Servo Piston . . . . .	6	1	1942 152	1942 152			
		8	1	----	1736 214	1736 214	1736 214	1736 214
21-137-50	RING, Reverse Servo Piston Seal, Rubber . . . . .	6	1	1942 499	1942 499			
		8	1	----	1329 638	1329 638	1329 638	1329 638
21-137-53	SPRING, Reverse Servo Piston . . . . .	6	1	1942 458	1942 458			
		8	1	----	1824 316	1824 316	1824 316	1824 316
21-137-56	RETAINER, Reverse Servo Piston Spring . . . . .	6	1	1942 501	1942 501			
		8	1	----	1824 317	1824 317	1824 317	1824 317
21-137-59	SNAP RING, Reverse Servo Piston Spring Retainer . . . . .	6	1	1942 502	1942 502			
		8	1	----	1329 642	1329 642	1329 642	1329 642
21-137-200	PISTON, Accumulator . . . . .	6	1	1942 153	1942 153			
		8	1	----	1736 226	1736 226	1736 226	1736 226
21-137-202	RING, Accumulator Piston Seal, Small . . . . .	6	1	1941 831	1941 831			
	Large . . . . .	6	1	2124 255	2124 255			
	Small . . . . .	8	1	----	1672 287	1672 287	1672 287	1672 287
	Large . . . . .	8	1	----	1736 233	1736 233	1736 233	1736 233
21-137-205	SPRING, Accumulator Piston . . . . .	6	1	1942 156	1942 156			
		8	1	----	1949 837	1949 837	1949 837	1949 837
21-138-0 TRANSMISSION GOVERNOR								
21-138-2	REPAIR PACKAGE, Governor . . . . .	6	1	2196 998	2196 998			
		8	1	----	2084 602	2084 602	2084 602	2084 602
	High Performance . . . . .	8	1	----	2084 603	2084 603		
	w/Ram Manifold, RC4 . . . . .	8	1	----	1843 403	----	1843 403	
21-138-6	SCREW, Governor Body, w/WASHER . . . . .	8	4	----	1823 543	1823 543	1823 543	1823 543
21-138-7	SNAP RING, Governor Body . . . . .	6	1	6022 583	6022 583			
21-138-9	SCREW, Governor Locating . . . . .	8	1	----	1736 468	1736 468	1736 468	1736 468
21-138-10	SUPPORT, Governor . . . . .	6	1	1942 466	1949 776			
21-138-13	WEIGHT, Governor, Outer Inner . . . . .	1	1	1636 461	1636 461	1636 461	1636 461	1636 461
	Outer, w/Ram Manifold, RC4 . . . . .	8	1	1636 462	1636 462	1636 462	1636 462	1636 462
		8	1	----	1823 726	----	1823 726	

★ Indicates use as required.

Numerals in parentheses ( ) refer to notes.

Printed in U.S.A.

⊕ Indicates parts not listed in any previous parts book.

Prices and specifications subject to change without notice.

\* Indicates change or addition.

Page 21-35

March 1, 1962 Supersedes May 31, 1961.

CODE	PART NAME AND DESCRIPTION	CYL	PER CAR	VALIANT	PLYMOUTH	DESOTO	CHRYSLER	IMPERIAL
------	---------------------------	-----	---------	---------	----------	--------	----------	----------

AUTOMATIC 3 - SPEED TRANSMISSION

21-138-O TRANSMISSION GOVERNOR - Cont'd

21-138-15	SPRING, Governor Weight. . . . .	6	1	2124 662				
	w/225 cu. in. Engine . . . . .	6	1	*1949 858				
	High Performance . . . . .	8	1	-----	1949 858	1949 858	1949 858	1949 858
	w/Ram Manifold, RC4 . . . . .	8	1	-----	1949 859	1949 859		
21-138-19	SNAP RING, Governor Weight,				2124 252	-----	2124 252	
	Inner . . . . .		1	1636 464	1636 464	1636 464	1636 464	1636 464
	Outer . . . . .		1	1636 465	1636 465	1636 465	1636 465	1636 465
21-138-21	LOCK, Body Bolt . . . . .	6	2	2125 024	2125 024			
21-138-23	VALVE, Governor . . . . .	6	1	2124 663	2124 663			
		8	1	-----	1736 424	1736 424	1736 424	1736 424
21-138-26	SHAFT, Governor Valve . . . . .		1	1556 082	1556 082	1556 082	1556 082	1556 082
21-138-29	SNAP RING, Governor Valve							
	Shaft . . . . .		2	1638 461	1638 461	1638 461	1638 461	1638 461
21-138-38	RING, Governor Support Seal . .	6	2	1942 109	1942 109			
		8	2	-----	1636 470	1636 470	1636 470	1636 470

21-139-O TRANSMISSION VALVE BODY AND VALVES

21-139-4	BODY, w/Transfer PLATE . . . . .	6	1	□2204 894	□2204 894			
		8	1	-----	□2204 896	□2204 896	□2204 896	□2204 896
21-139-5	BODY . . . . .	8	1	-----	1854 271	1854 271	1854 271	1854 271
21-139-9	VALVE, Manual . . . . .	6	1	1942 211	1942 211			
		8	1	-----	1941 625	1941 625	1941 625	1941 625
21-139-12	LEVER, Manual Valve . . . . .	6	1	1942 223	1942 223			
		8	1	-----	1941 688	1941 688	1941 688	1941 688
21-139-24	SPRING, Manual Valve Lever							
	Detent Ball . . . . .		1	1942 225	1942 225	1942 225	1942 225	1942 225
21-139-30	VALVE, Throttle . . . . .	6	1	1636 423	1636 423			
		8	1	-----	1941 622	1941 622	1941 622	1941 622
21-139-33	SPRING, Throttle Valve . . . . .		1	1949 847	1949 847	1949 847	1949 847	1949 847
21-139-47	SEAL, Throttle Lever Shaft . . .		1	1732 183	1732 183	1732 183	1732 183	1732 183
21-139-48	WASHER, Throttle Lever Shaft .		1	1949 565	1949 565	1949 565	1949 565	1949 565
21-139-49	SNAP RING, Throttle Valve							
	Lever Shaft . . . . .		1	1539 430	1539 430	1539 430	1539 430	1539 430
21-139-50	LEVER, Throttle Valve . . . . .	6	1	1949 652	1949 652			
		8	1	-----	1941 626	1941 626	1941 626	1941 626
21-139-63	PLUG, Regulator Valve							
	Throttle Pressure . . . . .	6	1	1942 245	1942 245			
	Regulator Valve Line Pressure.	6	1	1942 218	1942 218			
21-139-64	SLEEVE, Regulator Valve Line							
	Pressure Plug . . . . .	6	1	1942 213	1942 213			
21-139-67	VALVE, Regulator . . . . .	6	1	2124 733	2124 733			
21-139-68	SPRING, Regulator Valve . . . . .	6	1	2124 734	2124 734			
21-139-71	RETAINER, Regulator Valve							
	Spring . . . . .	6	1	2124 735	2124 735			
21-139-74	SCREW, Line Pressure Adjusting	6	1	2124 736	2124 736			
21-139-76	NUT, Line Pressure Adjusting							
	Screw . . . . .	6	1	2124 737	2124 737			
	Throttle Pressure Adjusting							
	Screw Lock . . . . .	6	1	1949 523	1949 523			
21-139-78	VALVE, Kickdown . . . . .		1	1941 623	1941 623	1941 623	1941 623	1941 623
	PLUG, Kickdown Detent . . . . .		1	1941 624	1941 624	1941 624	1941 624	1941 624
21-139-79	SCREW, Kickdown Detent Plug							
	Stop, w/WASHER . . . . .	8	1	-----	2124 382	2124 382	2124 382	2124 382
21-139-95	VALVE, Shuttle . . . . .		1	1854 275	1854 275	1854 275	1854 275	1854 275
	PLUG, Shuttle Valve . . . . .		1	1854 274	1854 274	1854 274	1854 274	1854 274
21-139-98	SNAP RING, Shuttle Valve . . . .		1	1539 430	1539 430	1539 430	1539 430	1539 430
21-139-101	SPRING, Shuttle Valve . . . . .	6	1	2124 697	2124 697			
		8	1	-----	1854 278	1854 278	1854 278	1854 278

\* Indicates use as required.

Numerals in parentheses ( ) refer to notes.

Printed in U.S.A.

□ Indicates parts not listed in any previous parts book.  
March 1, 1962 Supersedes May 31, 1961.

Prices and specifications subject to change without notice.  
\* Indicates change or addition.

CODE	PART NAME AND DESCRIPTION	CYL	PER CAR	VALIANT	PLYMOUTH	DESOTO	CHRYSLER	IMPERIAL
------	---------------------------	-----	---------	---------	----------	--------	----------	----------

## AUTOMATIC 3 - SPEED TRANSMISSION

**21-139-0 TRANSMISSION VALVE BODY AND VALVES - Cont'd**

21-139-105	VALVE, 1-2 Shift . . . . .		1	1941 602	1941 602	1941 602	1941 602	1941 602
	PLUG, 1-2 Shift Valve Governor		1	1941 603	1941 603	1941 603	1941 603	1941 603
	VALVE, 2-3 Shift . . . . .		1	1941 600	1941 600	1941 600	1941 600	1941 600
	PLUG, 2-3 Shift Valve Governor		1	1941 601	1941 601	1941 601	1941 601	1941 601
21-139-108	SPRING, 1-2 Shift Valve . . . .	6	1	2204 547	2204 547			
		8	1	----	1942 229	1942 229	1942 229	1942 229
	2-3 Shift Valve . . . . .		1	1942 231	1942 231	1942 231	1942 231	1942 231
21-139-117	VALVE, Torque Converter Control . . . . .	6	1	2124 256	2124 256			
21-139-118	SPRING, Torque Converter Control Valve . . . . .	6	1	2124 257	2124 257			
21-139-135	COVER, Regulator Valve . . . .	6	1	1942 226	1942 226			
	Shift Valve . . . . .	6	1	1942 228	1942 228			
	Shuttle Valve . . . . .	6	1	1942 227	1942 227			
	Shift Valve Plug . . . . .	6	1	1942 230	1942 230			
	Reverse Blocker Valve . . . .	6	1	1942 226	1942 226			
	Reverse Blocker Valve . . . .	8	1	----	1854 272	1854 272	1854 272	1854 272
	Throttle Valve . . . . .	8	1	----	1854 258	1854 258	1854 258	1854 258
	Governor Plug . . . . .	8	1	----	1854 245	1854 245	1854 245	1854 245
	Shift Valve . . . . .	8	1	----	1854 273	1854 273	1854 273	1854 273
21-139-140	PLATE, Valve Body UP TO Transmission No. 198612 and AFTER Transmission No. 198949 FROM Transmission No. 198612 to 198949 . . . . .	6	1	2204 498	2204 498			
		6	1	1942 235	1942 235			
		8	1	----	1941 606	1941 606	1941 606	1941 606
21-139-143	VALVE, Front and Rear Pump Check . . . . .	6	2	2124 552	2124 552			
21-139-144	SPRING, Front and Rear Pump Check Valve . . . . .	6	2	1942 233	1942 233			
21-139-147	PLATE, Transfer, UP TO Transmission No. 198612 and AFTER Transmission No. 198949 FROM Transmission No. 198612 to 198949 . . . . .	6	1	2204 893	2204 893			
		6	1	1942 236	1942 236			
		8	1	----	1941 605	1941 605	1941 605	1941 605
21-139-150	SCREW, Valve Body and Transfer Plate to Case, w/WASHER . . . . .	6	10	2124 340	2124 340			
21-139-154	SUPPORT, Transfer Plate . . .	6	1	1942 237	1942 237			
21-139-189	VALVE PACKAGE, Reverse Blocker, w/SEAL and SPRING		1	2275 523	2275 523	2275 523	2275 523	2275 523
21-139-191	SEAL, Reverse Blocker Valve, RV1, RP1, AFTER Trans. No. 307321, RP2, RS1, RC1, RC2, RC3, RC4, RY1, AFTER Trans. No. 1821718 . . . . .		1	2204 885	2204 885	2204 885	2204 885	2204 885
21-139-193	SPRING, Reverse Blocker Valve	8	1	2204 890	2204 890	2204 890	2204 890	2204 890
21-139-200	VALVE, 1-2 Relay . . . . .	8	1	----	1854 276	1854 276	1854 276	1854 276
21-139-202	SPRING, 1-2 Relay . . . . .	8	1	----	1854 277	1854 277	1854 277	1854 277
21-139-210	VALVE, Throttle Compensator	8	1	----	1941 604	1941 604	1941 604	1941 604
21-139-213	SPRING, Throttle Compensator Valve . . . . .	8	1	----	1949 516	1949 516	1949 516	1949 516
<b>21-142-0 TRANSMISSION CONTROL LEVERS</b>								
21-142-12	LEVER, Throttle Control . . .	6	1	2120 817	2128 761			
		8	1	----	2121 473	2121 473	2121 473	2121 473
21-142-20	INSULATOR, Throttle Control Lever Sound . . . . .	6	1	1859 767				
		8	1	----	1859 767	1859 767	1859 767	1859 767
21-142-21	BUSHING, Throttle Control Lever . . . . .	8	1	----	1859 768	1859 768	1859 768	1859 768

\* Indicates use as required.

Numerals in parentheses ( ) refer to notes.

Printed in U.S.A.

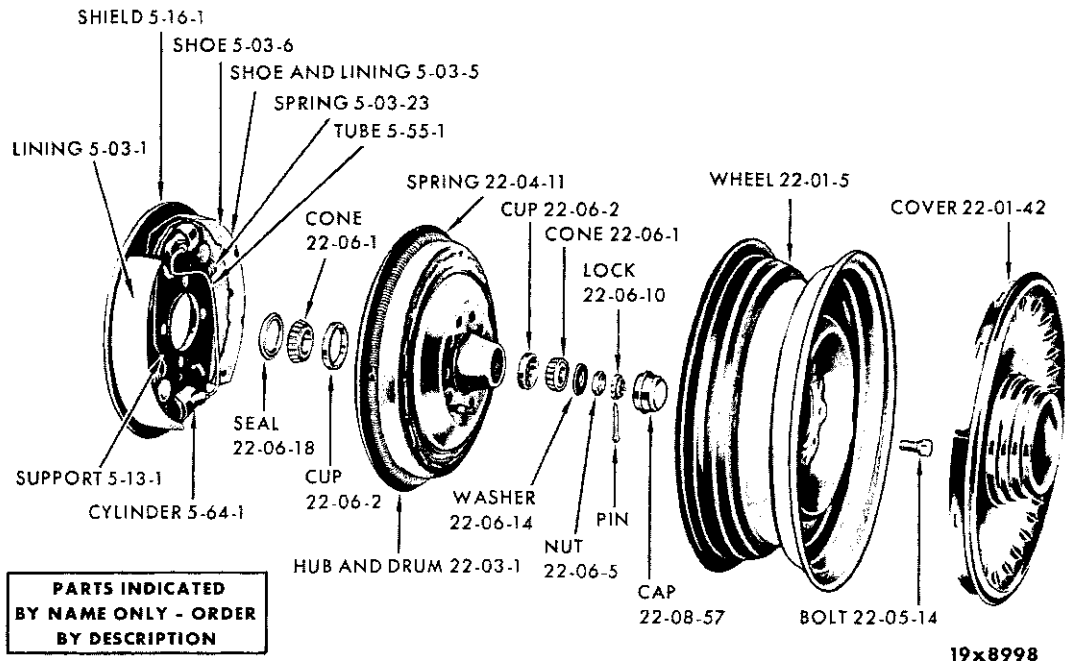
☐ Indicates parts not listed in any previous parts book.

Prices and specifications subject to change without notice.

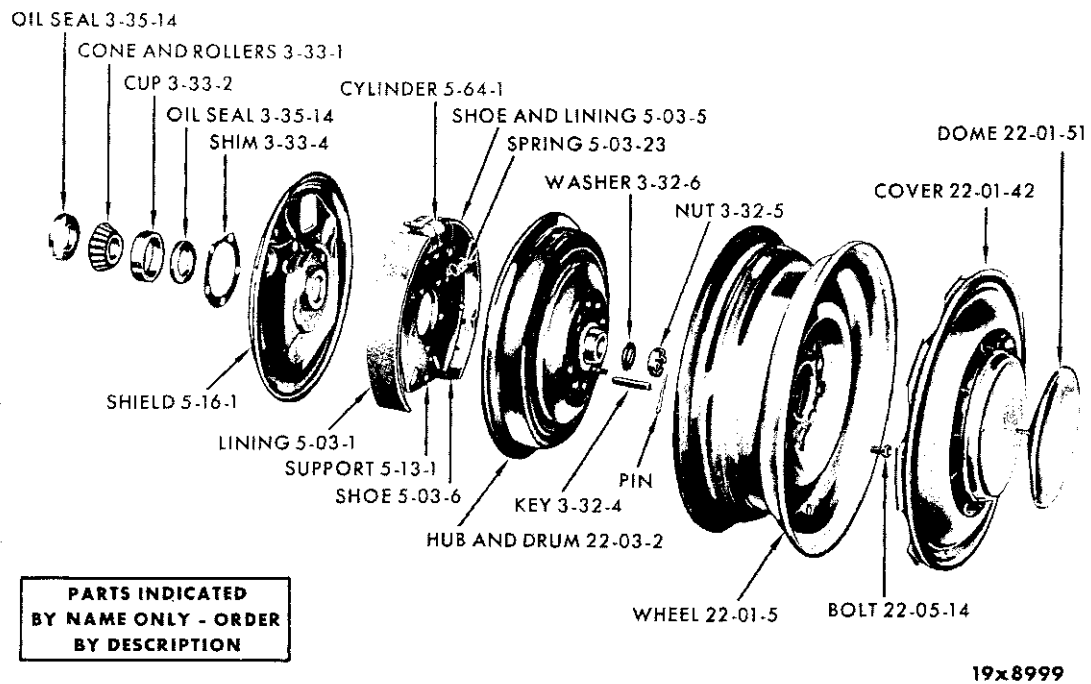
\* Indicates change or addition.



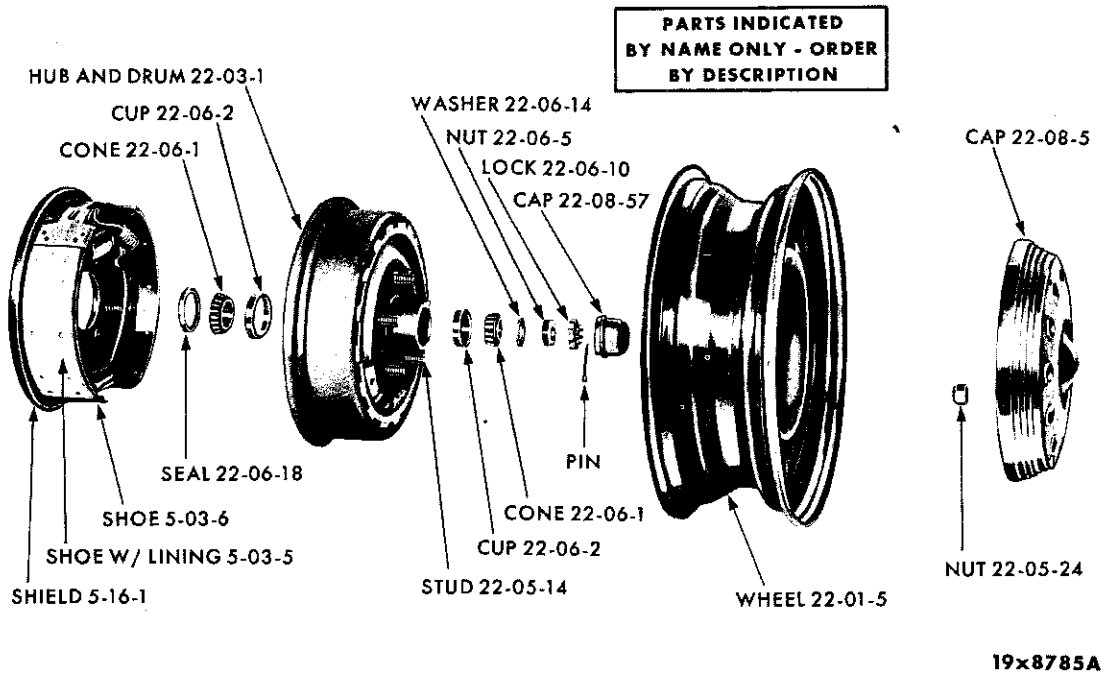
GROUP 22 - WHEELS



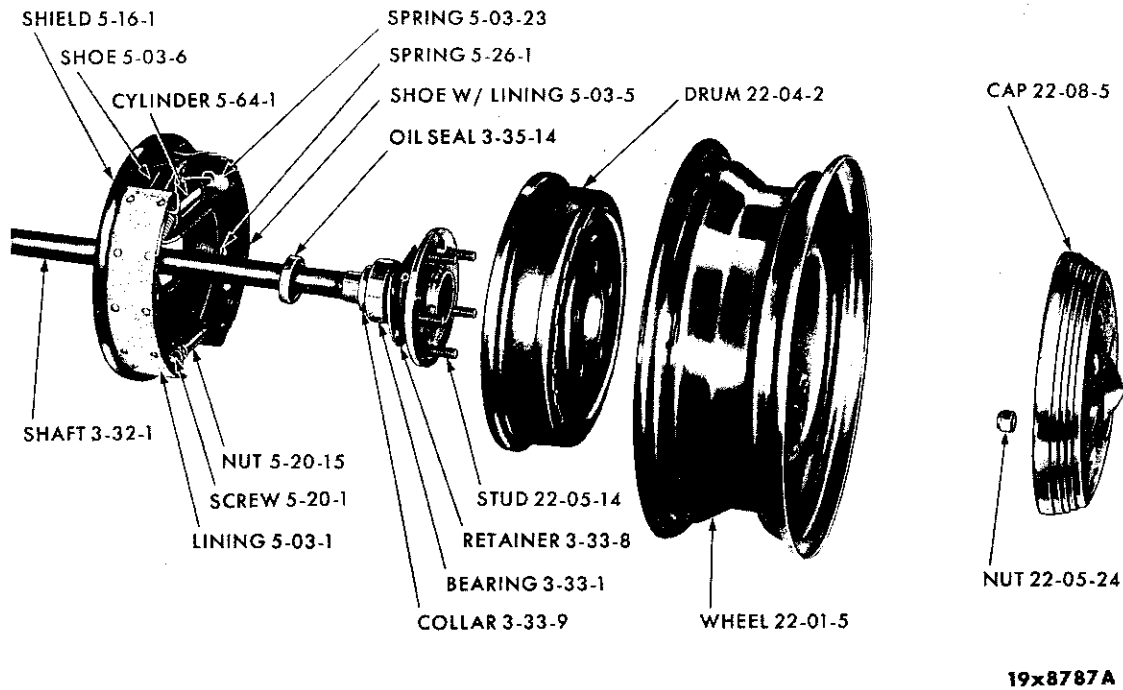
FRONT WHEEL - EXCEPT VALIANT RV1



REAR WHEEL - EXCEPT VALIANT RV1



FRONT WHEEL - VALIANT RV1



REAR WHEEL - VALIANT RV1



CODE	PART NAME AND DESCRIPTION	CYL.	PER CAR	VALIANT	PLYMOUTH	DESOTO	CHRYSLER	IMPERIAL
------	---------------------------	------	---------	---------	----------	--------	----------	----------

**22-01-0 WHEELS**

TIRE CHART

Wheel Size	Tire Size	Wheel Size	Tire Size
13 x 4.50	6.50 x 13	15 x 5.50	6.70 x 15
14 x 5.00	7.50 x 14	15 x 6.00	7.60 x 15
14 x 5.50	8.00 x 14	15 x 6.00	8.00 x 15
14 x 6.00	8.50 x 14	15 x 6.00	8.20 x 15
14 x 6.50	9.00 x 14		

22-01-5	WHEEL 13 x 4.50	5	2073 342					
	14 x 5.00	5	-----	2260 651				
	14 x 5.50	5	-----	2084 628	2084 628	2084 628		
	14 x 6.00	5	-----	2275 898	2275 898	2275 898		
	14 x 6.50	★	-----	-----	-----	2122 468		
	15 x 5.50	5	-----	2122 453				
	15 x 6.00	★	-----	-----	-----	2200 928		2122 478
22-01-42	COVER, Wheel	4	2207 638	2201 484	1940 830			
	15" Wheel	4	-----	1637 339				
	RC1, RC2, RY1-L, RY1-M	4	-----	-----	-----	2201 659*		2201 650
	RC3	4	-----	-----	-----	2260 170		
	RC4	4	-----	-----	-----	2260 876		
	RY1-H	4	-----	-----	-----	-----		2201 651
22-01-43	MEDALLION, Wheel Cover, RC4	4	-----	-----	-----	1828 420		2201 655
22-01-46	EXTENSION, Tire Valve	4	-----	-----	-----	1613 399		
22-01-49	RETAINER, Wheel Cover							
	Medallion, RC4	8	4	-----	-----	1829 625		
22-01-51	DOME, Wheel Cover, RY1-H	4	-----	-----	-----	-----		2207 516
	RC3, New Yorker	4	-----	-----	-----	2260 171		

**22-03-0 HUB AND BRAKE DRUM**

22-03-1	HUB and BRAKE DRUM, Det. Blt., Front Right	1	2260 534					
	Left	1	2260 535					
	Except Det. Blt., Front Right	1	2072 726					
	Left	1	2072 727					
	11" x 2" except Sub., Right	1	-----	2200 130				
	Left	1	-----	2200 131				
	11" x 2 1/2" RP1, RP2, Sub. except Cal. Blt., RC1 except Sub., RC2, Right	1	-----	2200 132	1948 112	1948 112		
	Left	1	-----	2200 133	1948 113	1948 113		
	11" x 2 1/2" Sub. Cal. Blt., Right	1	-----	1948 112				
	Left	1	-----	1948 113				
	12" x 2 1/2" Right	1	-----	2084 798	2084 798	2084 798	1732 294	
	Left	1	-----	2084 799	2084 799	2084 799	1732 295	
22-03-2	HUB and BRAKE DRUM, Rear							
	11" x 2" Right, Steel Encased	1	-----	2200 134				
	11" x 2" Right	1	-----	2200 134				
	Left	1	-----	2200 135				
	11" x 2" Right, Cast Iron	1	-----	1734 162				
	Left	1	-----	1734 163				
	11" x 2 1/2", RC1 except Sub. Right	1	-----	-----	1730 826	1730 826		
	Left	1	-----	-----	1730 827	1730 827		

**22-04-0 BRAKE DRUM**

22-04-2	DRUM, Rear	6	2	2072 705				
22-04-4	SEAL, Front Brake Drum		2	-----	2260 875	-----	2260 875	2260 875
22-04-11	SPRING, Dampener w/379 Coils, 35 3/16"		★	-----	1142 258	1142 258	1142 258	
	w/344 Coils, 32"		★	-----	1142 259	1142 259	1142 259	

★ Indicates use as required.

Numerals in parentheses ( ) refer to notes.

Printed in U.S.A.

☐ Indicates parts not listed in any previous parts book.

Prices and specifications subject to change without notice.

\* Indicates change or addition.

# 1961 PASSENGER CAR PARTS CATALOG

WHEELS

CODE	PART NAME AND DESCRIPTION	C Y L.	PER CAR	VALIANT	PLYMOUTH	DESOTO	CHRYSLER	IMPERIAL
<b>22-05-0 WHEEL HUB</b>								
22-05-14	STUD, Front Right . . . . .		5	2260 540				
	Left . . . . .		5	2260 541				
	Rear Right . . . . .		5	2070 158				
	Left . . . . .		5	2070 159				
	11" x 2" Brake, except Sub., Std., Right . . . . .		10	----	1633 050			
	Left . . . . .		10	----	1633 051			
	11" x 2 1/2" Brake, Sub., except Cal. Blt., Std., Right . . . . .		10	----	1633 050			
	Left . . . . .		10	----	1633 051			
	11" x 2 1/2" Brake, Sub., Cal. Blt., Std., Front Right . . . . .		5	----	1948 116			
	Left . . . . .		5	----	1948 117			
	11" x 2 1/2" Brake, .030 O/S, Front Right . . . . .		5	----	2122 208	2122 208	2122 208	
	Left . . . . .		5	----	2122 209	2122 209	2122 209	
	11" x 2 1/2" Brake, Std., Front Right . . . . .		5	----		1948 116	1948 116	
	Left . . . . .		5	----		1948 117	1948 117	
	11" x 2 1/2" Brake, RC1 except Sub., RC2, Std., Rear Right . . . . .		5	----		679 118	679 118	
	Left . . . . .		5	----		679 119	679 119	
	11" x 2 1/2" Brake, RC1 except Sub., RC2, .030 O/S, Rear Right . . . . .		5	----		687 901	687 901	
	Left . . . . .		5	----		687 902	687 902	
	12" x 2 1/2" Brake Right . . . . .		10	----	1633 050	1633 050	1633 050	1633 050
	Left . . . . .		10	----	1633 051	1633 051	1633 051	1633 051
22-05-24	NUT, Wheel Driving Stud, Right . . . . .		10	2072 728	1139 316	1139 316	1139 316	1315 697
	Left . . . . .		10	2072 729	1139 317	1139 317	1139 317	1315 698
<b>22-06-0 FRONT WHEEL BEARING</b>								
22-06-1	CONE and ROLLER, Inner . . . . .		2	2203 352	1619 701	1619 701	1619 701	*1789 755
	Outer . . . . .		2	2203 350	1619 702	1619 702	1619 702	*1789 754
22-06-2	CUP, Inner . . . . .		2	2203 353	1619 700	1619 700	1619 700	*1789 754
	Outer . . . . .		2	2203 351	1619 702	1619 702	1619 702	*1790 244
22-06-5	NUT . . . . .		2	2072 731	1732 300	1732 300	1732 300	1732 300
22-06-10	LOCK, Bearing Nut . . . . .		2	1673 324	1673 324	1673 324	1673 324	1673 324
22-06-14	WASHER, Front Wheel Bearing Nut Thrust . . . . .		2	2072-733				
22-06-18	SEAL, Dust . . . . .	6	2	<del>2072-707</del>	1613 409	1613 409	1613 409	1671 340
<b>22-08-0 HUB CAP</b>								
22-08-5	CAP, Wheel Hub . . . . .		4	2073 361				
	14" . . . . .		4	----	22266 123	1732 338	1736 676	
	15" . . . . .		4	----	1943 733			
22-08-17	CLIP, Wheel Hub Cap Spring RC4 . . . . .		★	----	1316 017	----	1316 017	
22-08-57	CAP, Front Wheel Hub Grease . . . . .		2	2072 718	1613 416	1613 416	1613 416	1671 341
<b>22-09-0 WHEEL BALANCE WEIGHT</b>								
22-09-1	WEIGHT 1/2 oz. . . . .		★	----	1615 349	1615 349	1615 349	1615 349
	1 oz. . . . .		★	----	1615 350	1615 350	1615 350	1615 350
	1 1/2 oz. . . . .		★	----	1615 351	1615 351	1615 351	1615 351
	2 oz. . . . .		★	----	1615 352	1615 352	1615 352	1615 352
	2 1/2 oz. . . . .		★	----	1615 353	1615 353	1615 353	1615 353
	3 oz. . . . .		★	----	1615 354	1615 354	1615 354	1615 354
<b>22-20-0 SPARE WHEEL CARRIER</b>								
22-20-29	BRACKET, Spare Wheel Mount- ing, except Sub. . . . .		1	2083 190	2094 624	2094 624	2094 624	1695 319
	BRACKET, Anchor Rod, RC1, RC3, Sub. . . . .		1	2083 190	2093 980	----	2093 980	

★ Indicates use as required. Numerals in parentheses ( ) refer to notes. Printed in U.S.A.  
 □ Indicates parts not listed in any previous parts book. Prices and specifications subject to change without notice.  
 March 1, 1962 Supersedes Jan. 6, 1961. Page 22-4 \* Indicates change or addition.



# 1961 PASSENGER CAR PARTS CATALOG

WHEELS

CODE	PART NAME AND DESCRIPTION	C Y L.	P E R C A R	VALIANT	PLYMOUTH	DESOTO	CHRYSLER	IMPERIAL
------	---------------------------	--------------	----------------------------	---------	----------	--------	----------	----------

## NOTES

---

---

---

---

---

---

---

---

---

---

---

---

---

---

---

---

---

---

---

---

---

---

---

---

---

---

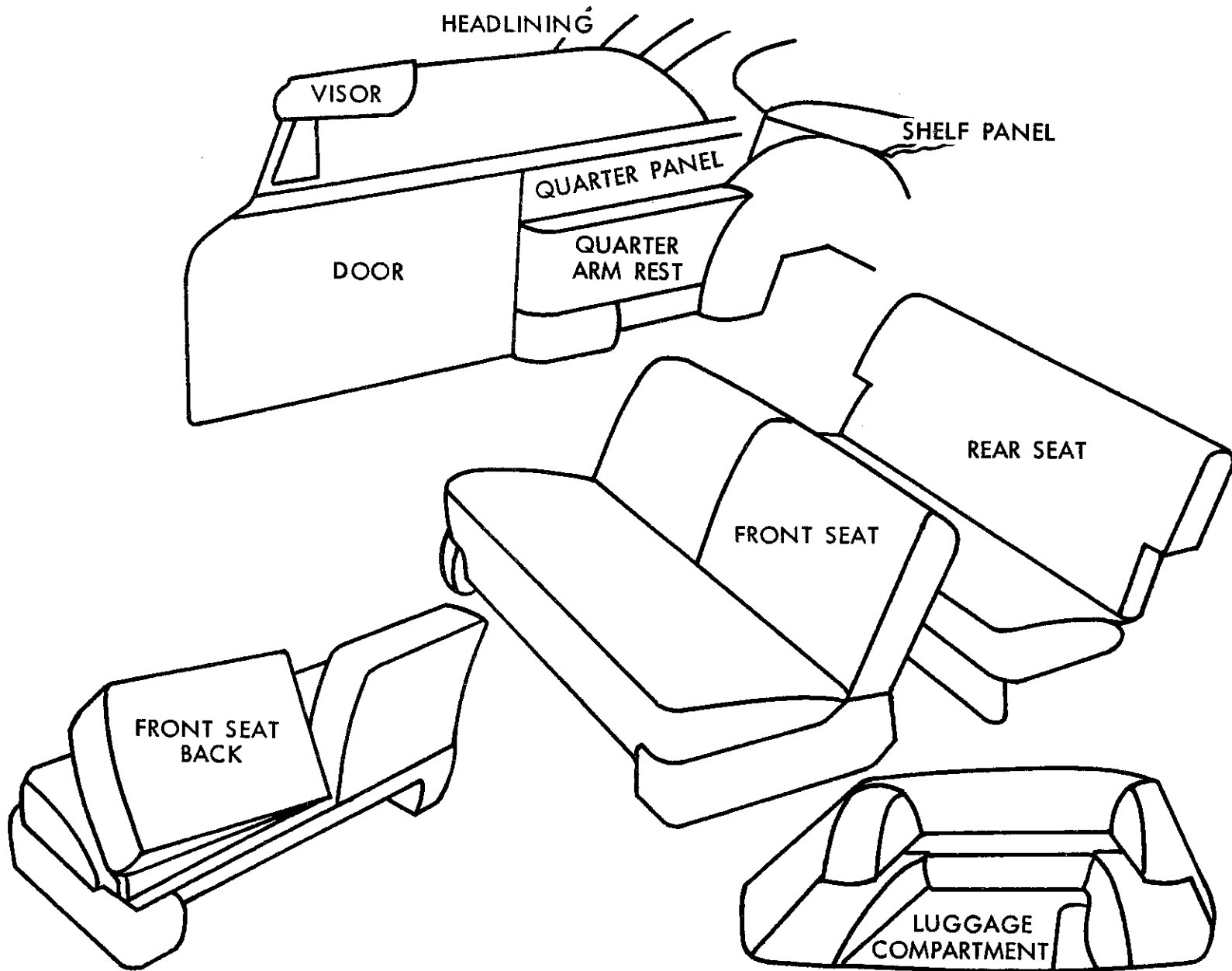
---

---

---

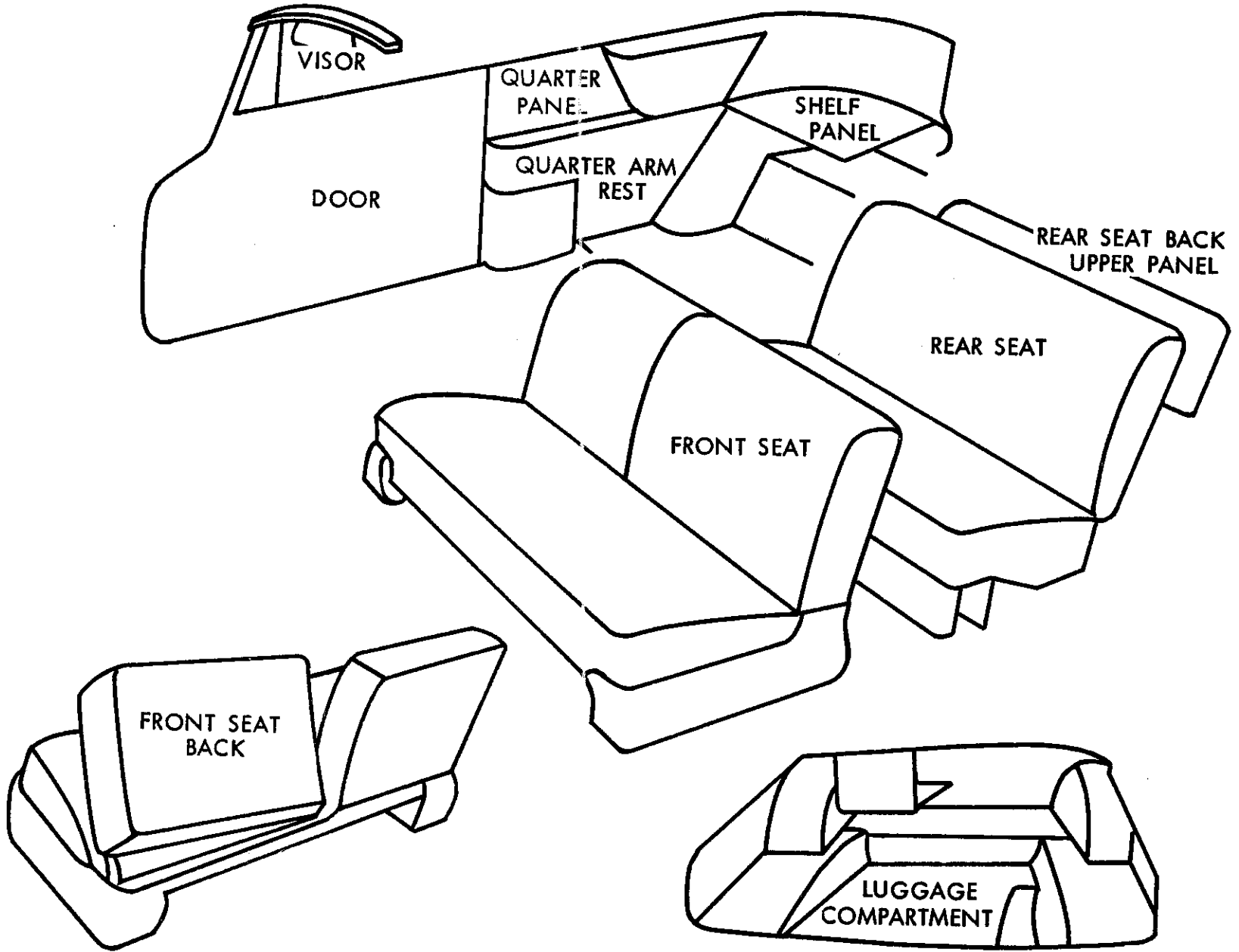
---

★ Indicates use as required.      Numerals in parentheses ( ) refer to notes.      Printed in U.S.A.  
 □ Indicates parts not listed in any previous parts book.      Prices and specifications subject to change without notice.  
 March 1, 1962.      Page 22-6      \* Indicates change or addition.



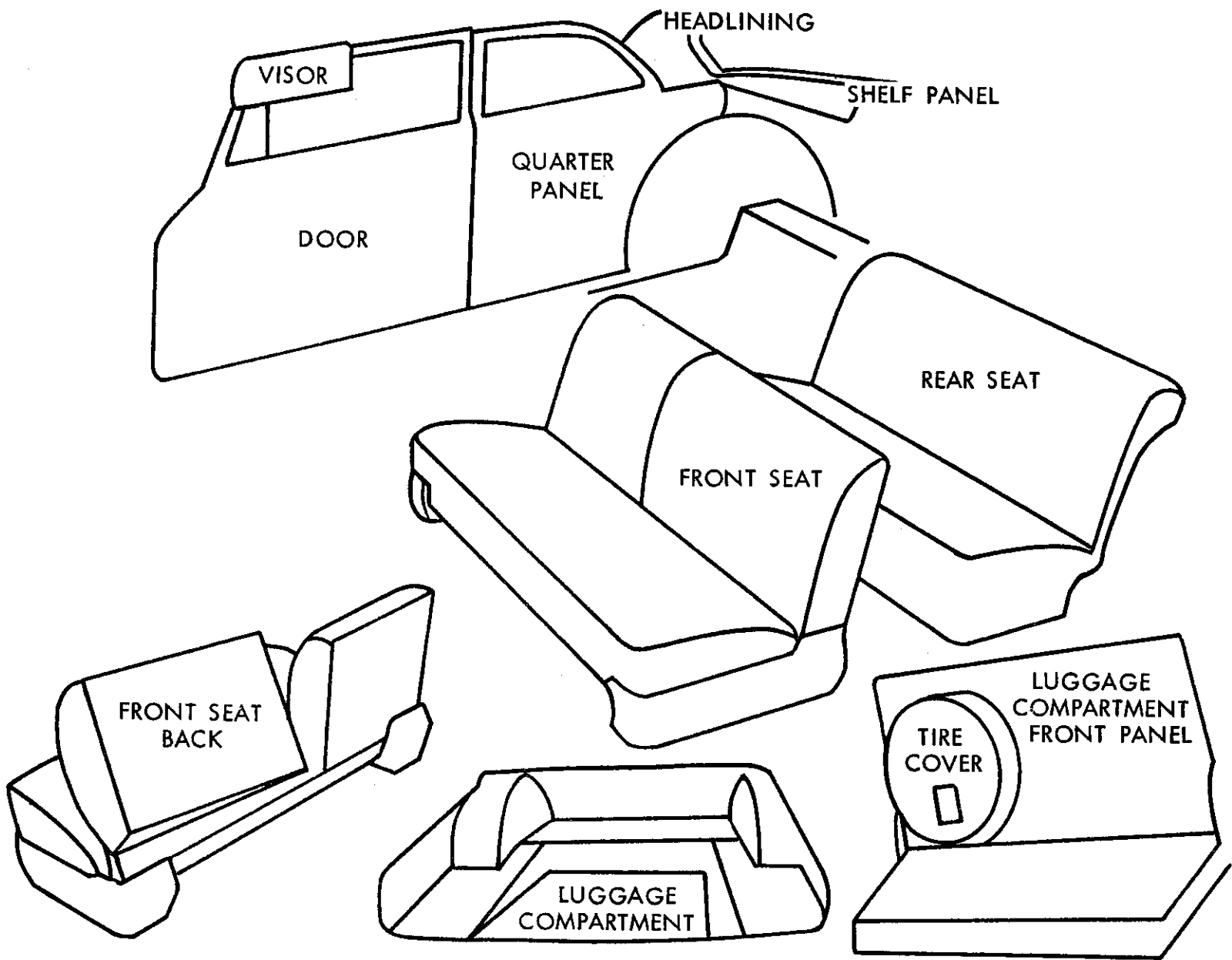
SPECIAL CLUB COUPE

19x6962



CONVERTIBLE COUPE

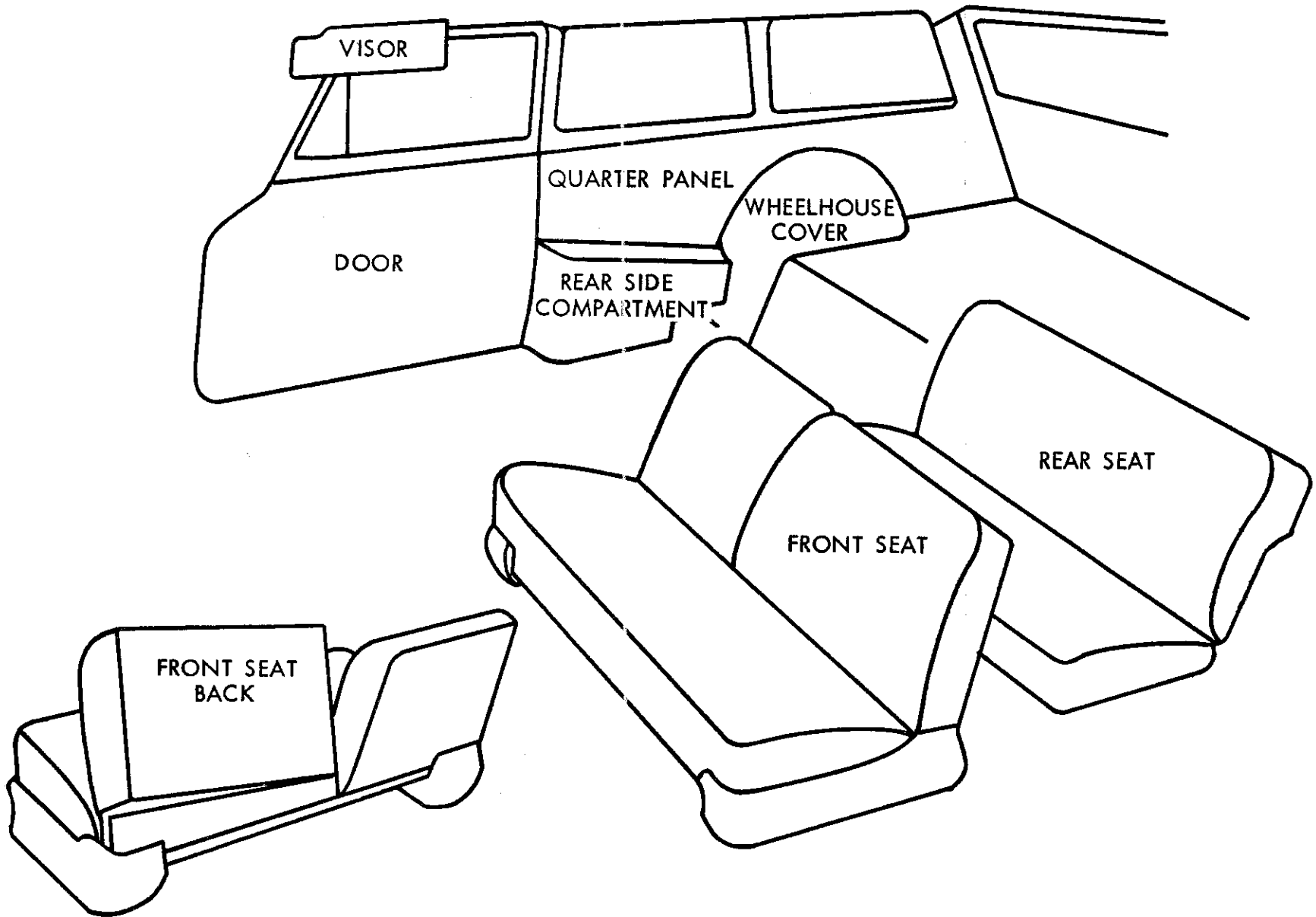
19x6963



CLUB SEDAN AND 3 PASSENGER COUPE

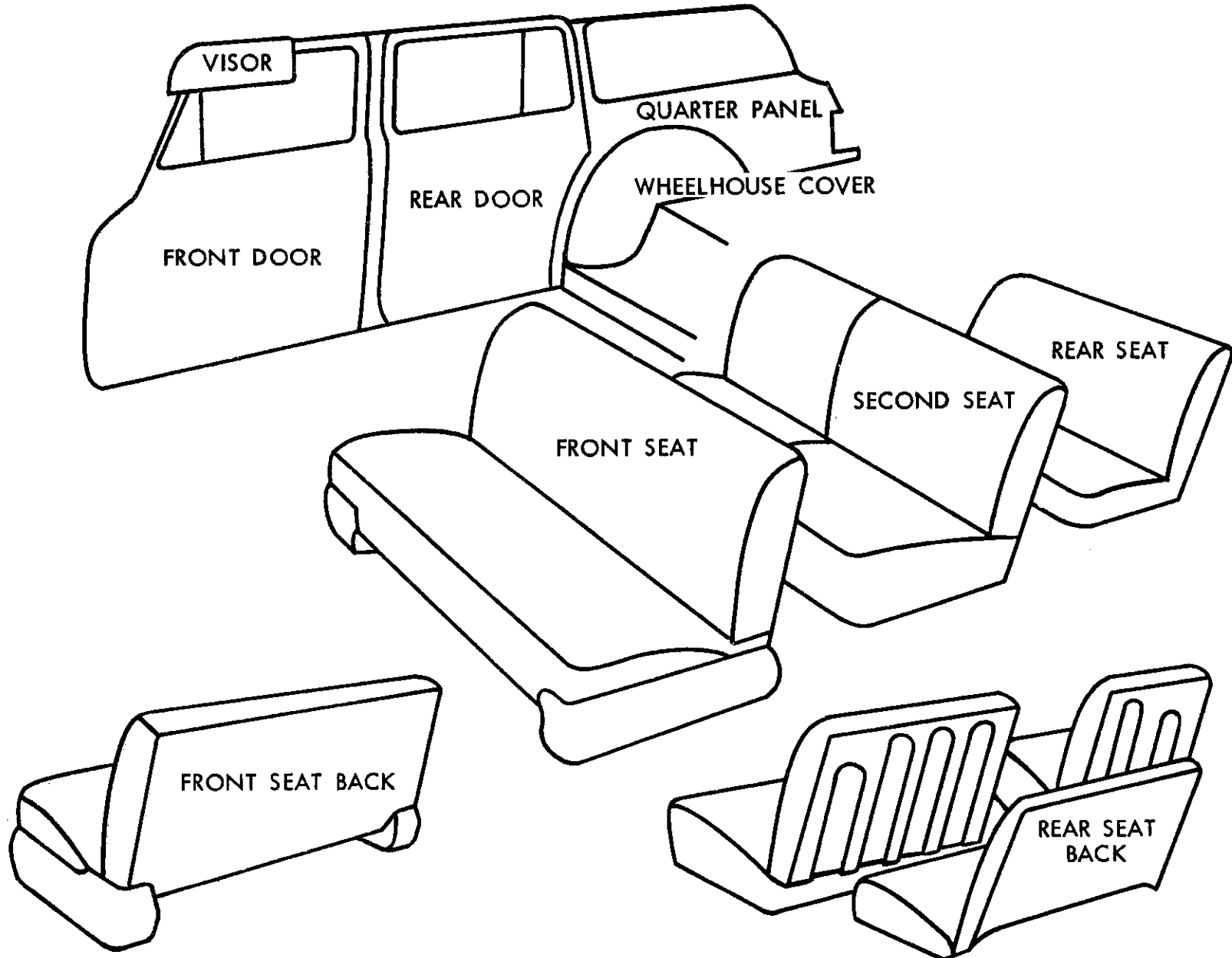
19x6961A





2 DOOR SUBURBAN

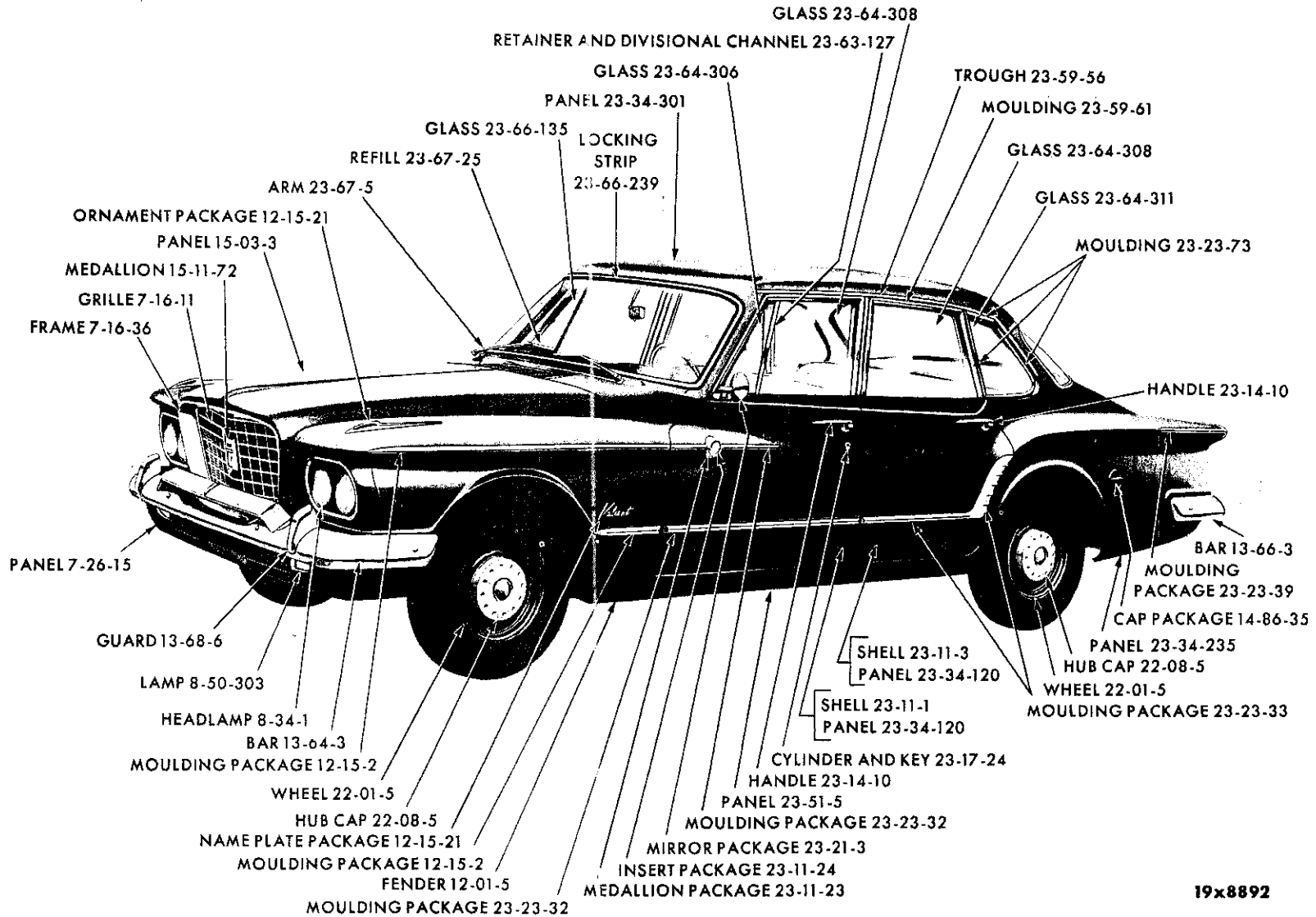
19x6964



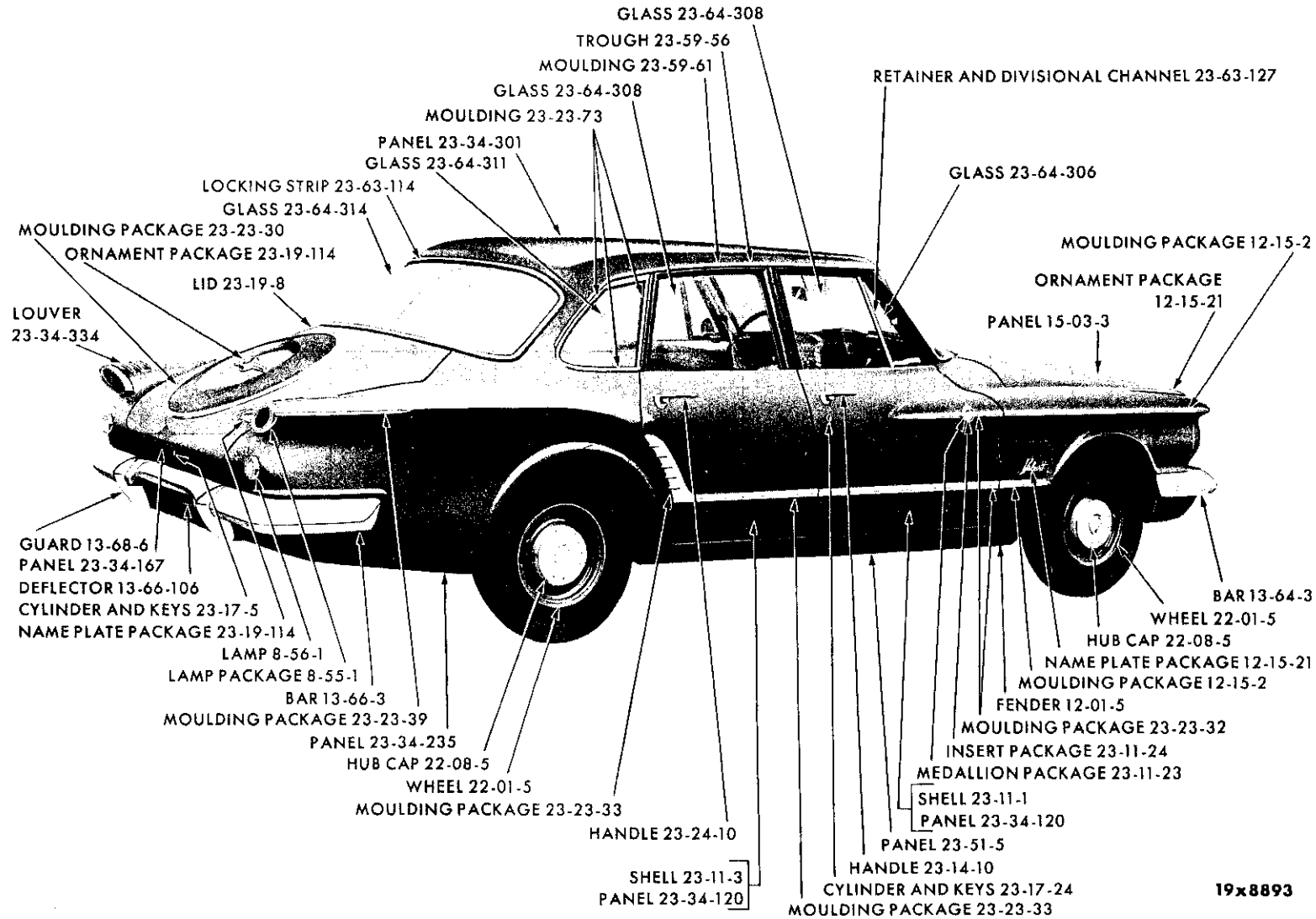
4 DOOR SUBURBAN

[MyMopar.com](http://MyMopar.com)

19x6965

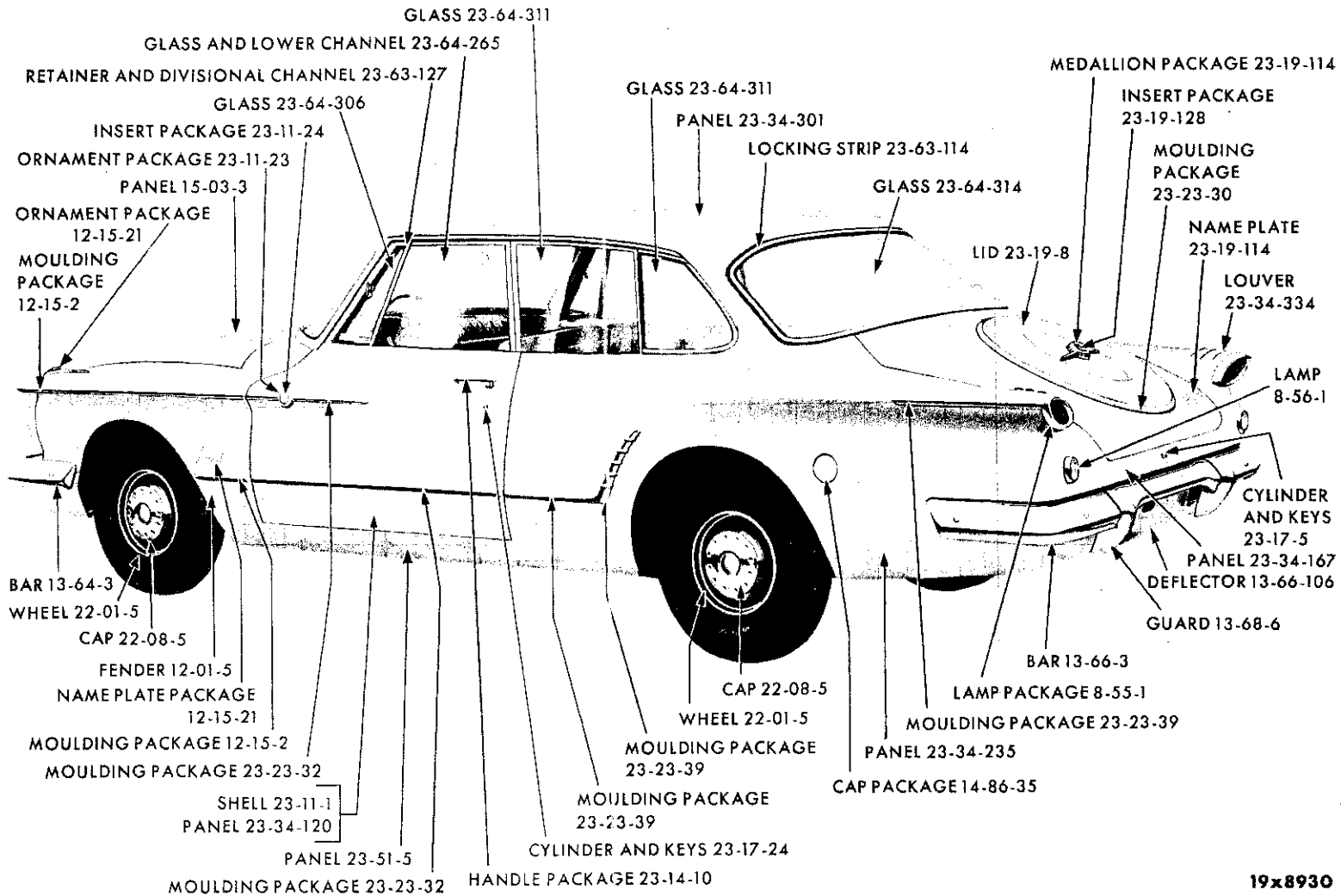


FRONT EXTERIOR - VALIANT RV1 4 DOOR SEDAN



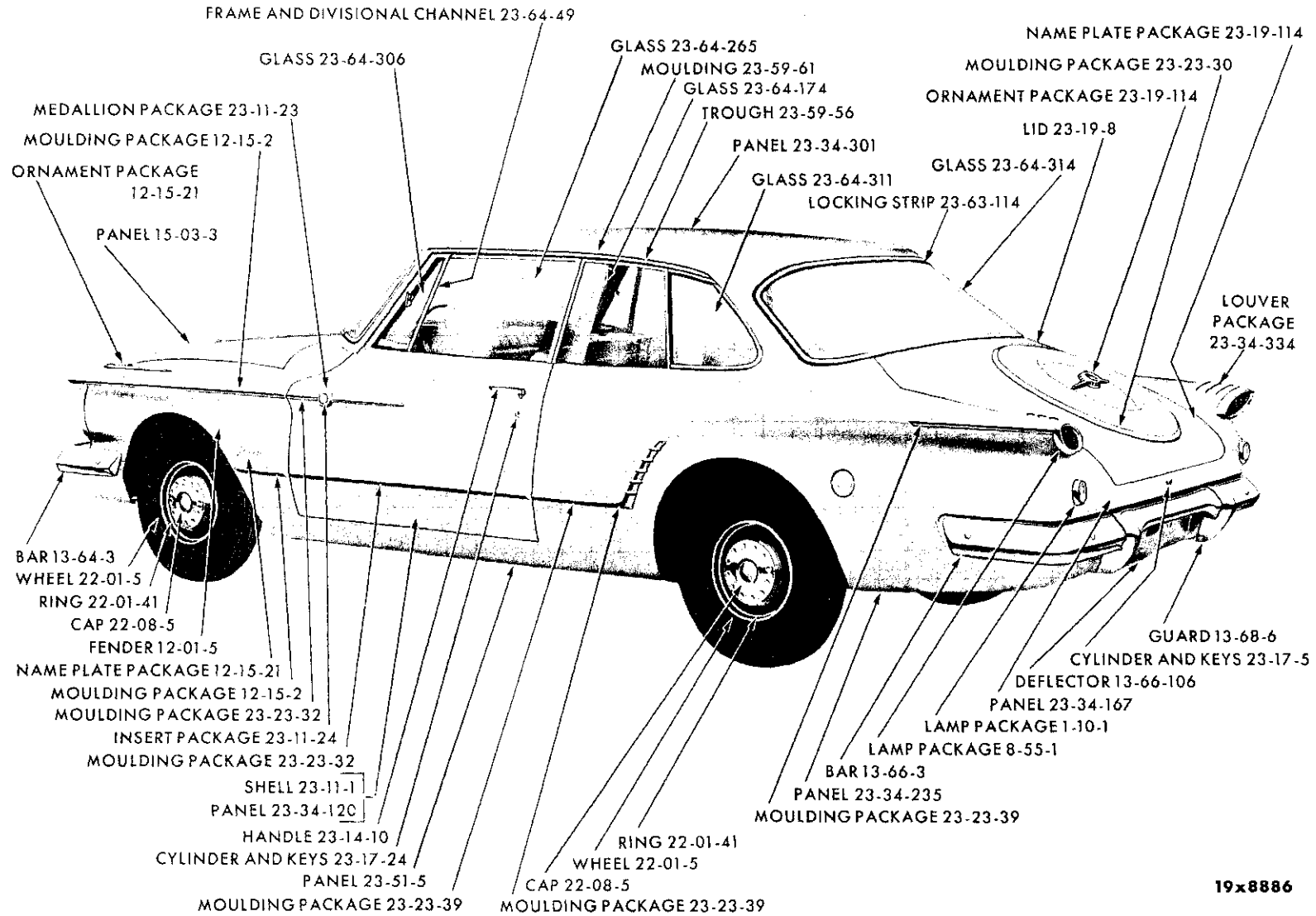
19x8893

REAR EXTERIOR - VALIANT RV1 4 DOOR SEDAN



REAR EXTERIOR - VALIANT RV1 CLUB SEDAN

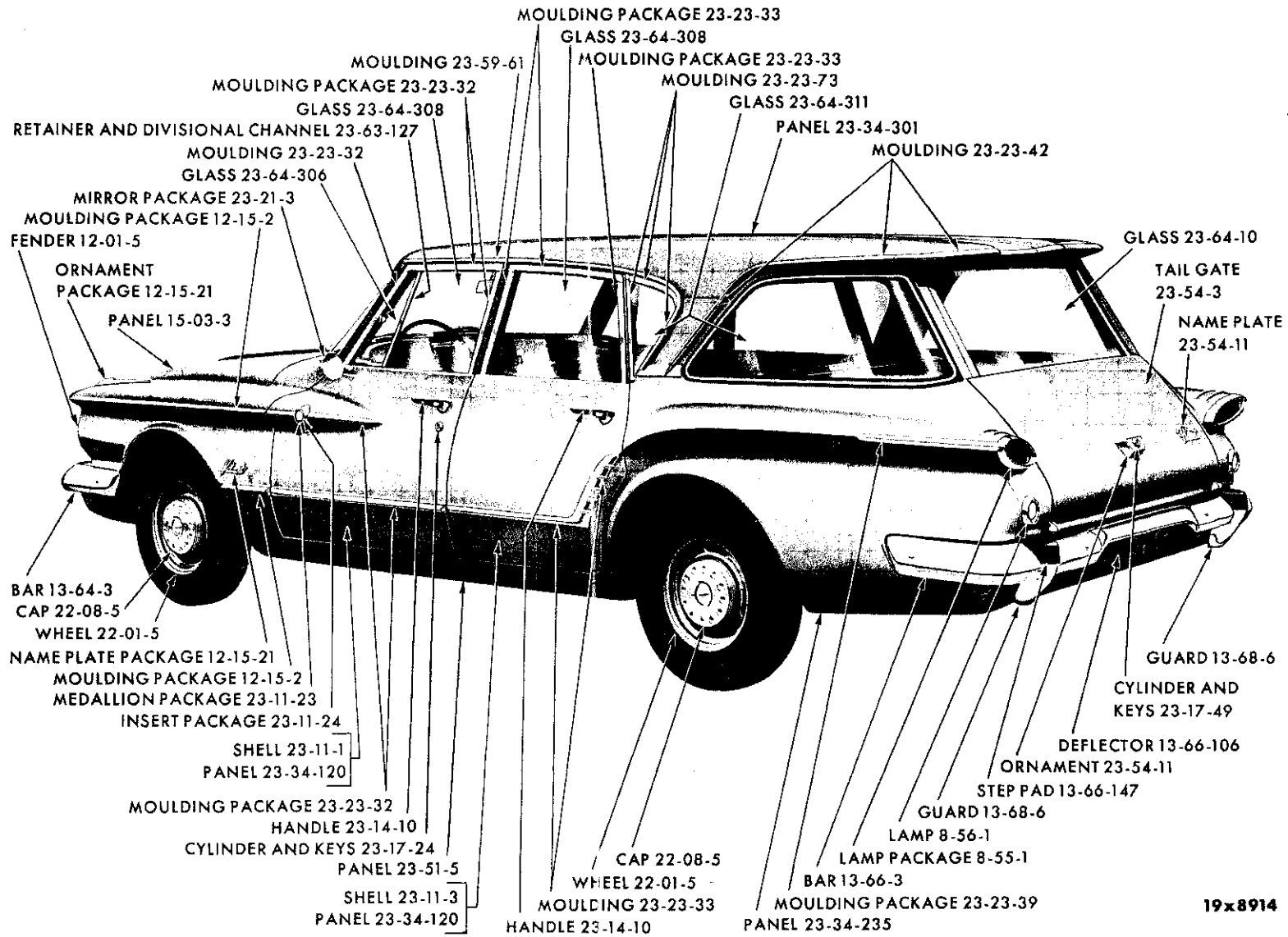
19x8930



19x8886

REAR EXTERIOR - VALIANT RV1 SPECIAL CLUB COUPE

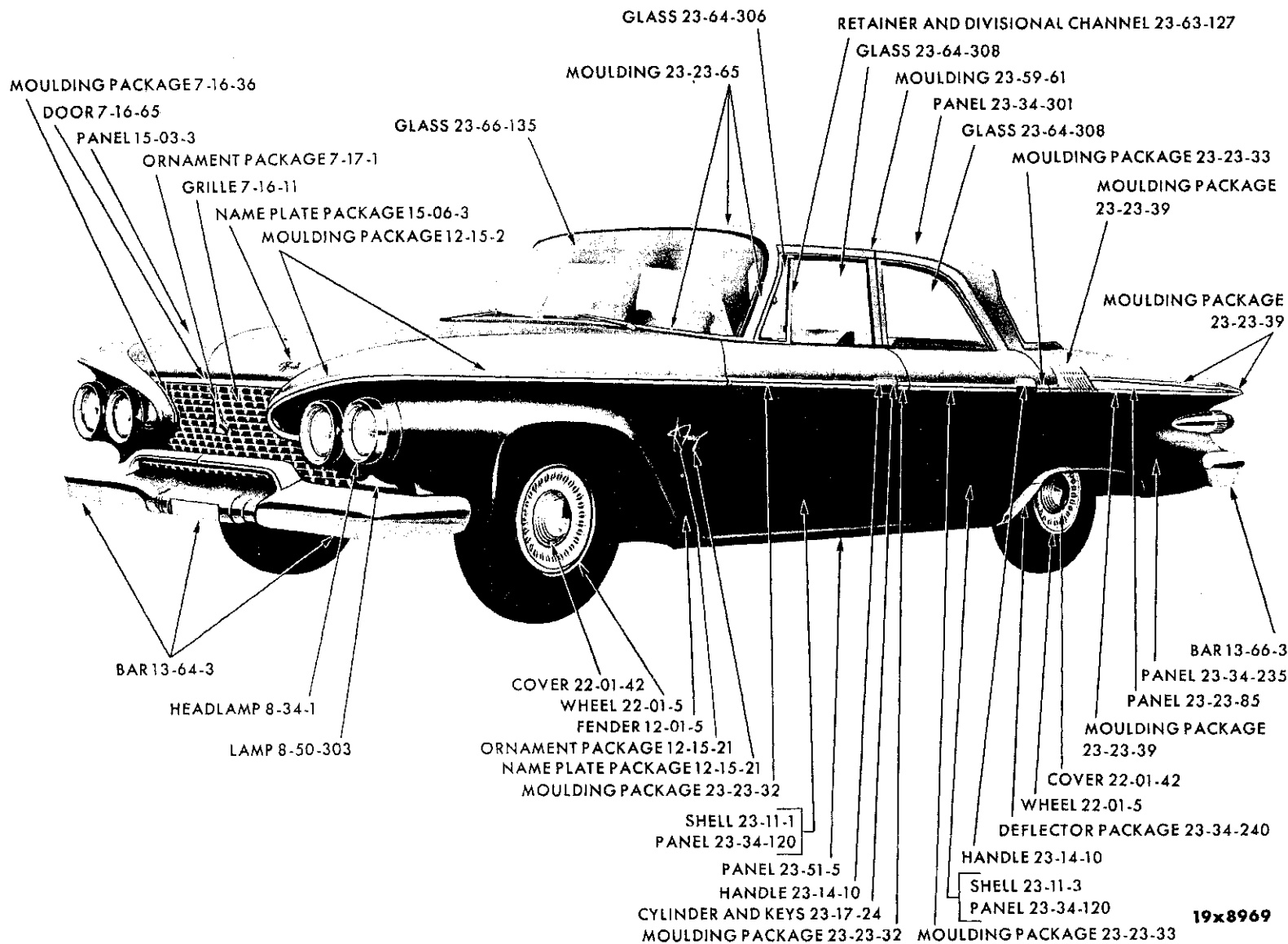
MyMopar.com



REAR EXTERIOR - VALIANT RV1 4 DOOR SUBURBAN

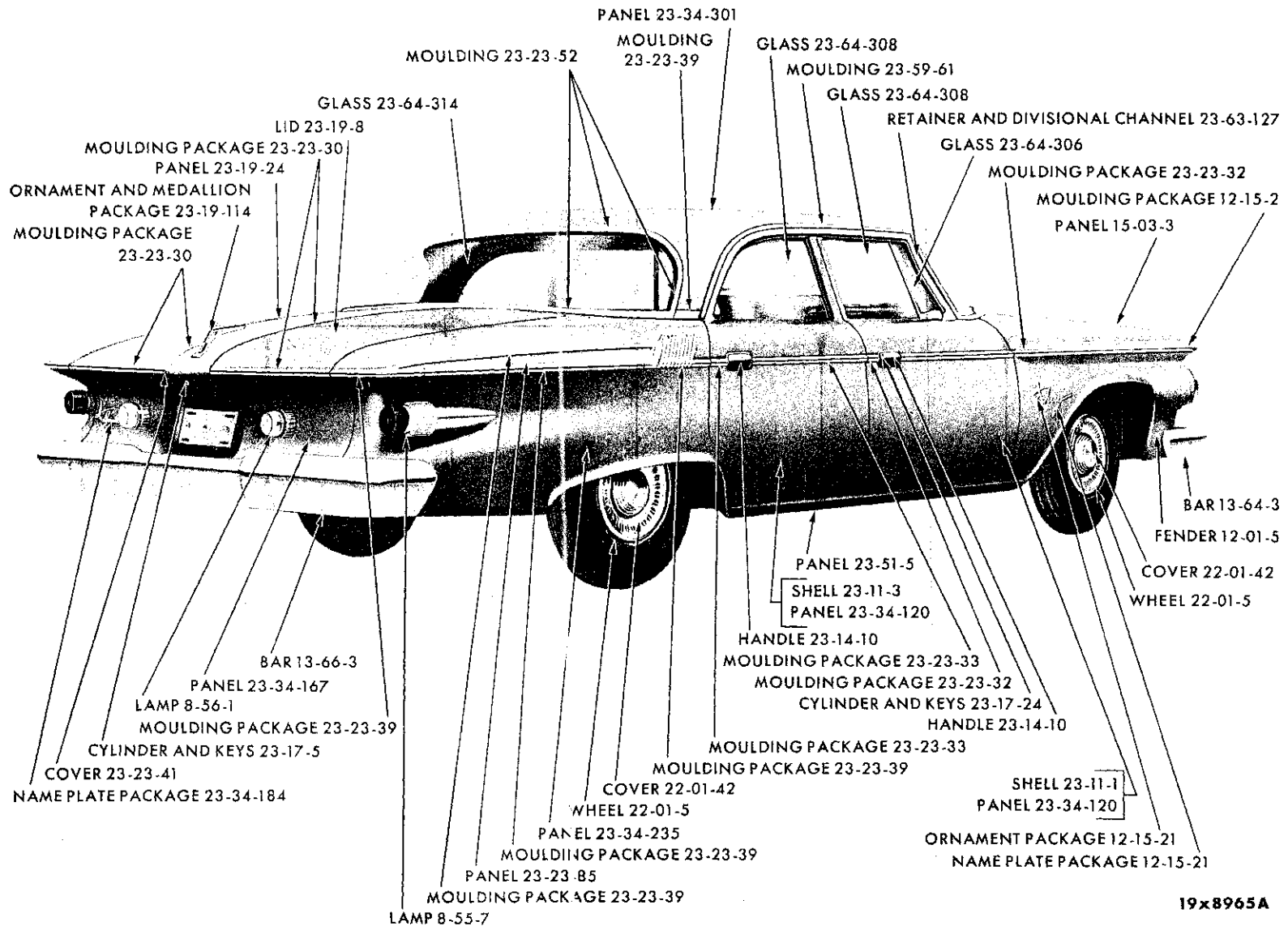
19x8914





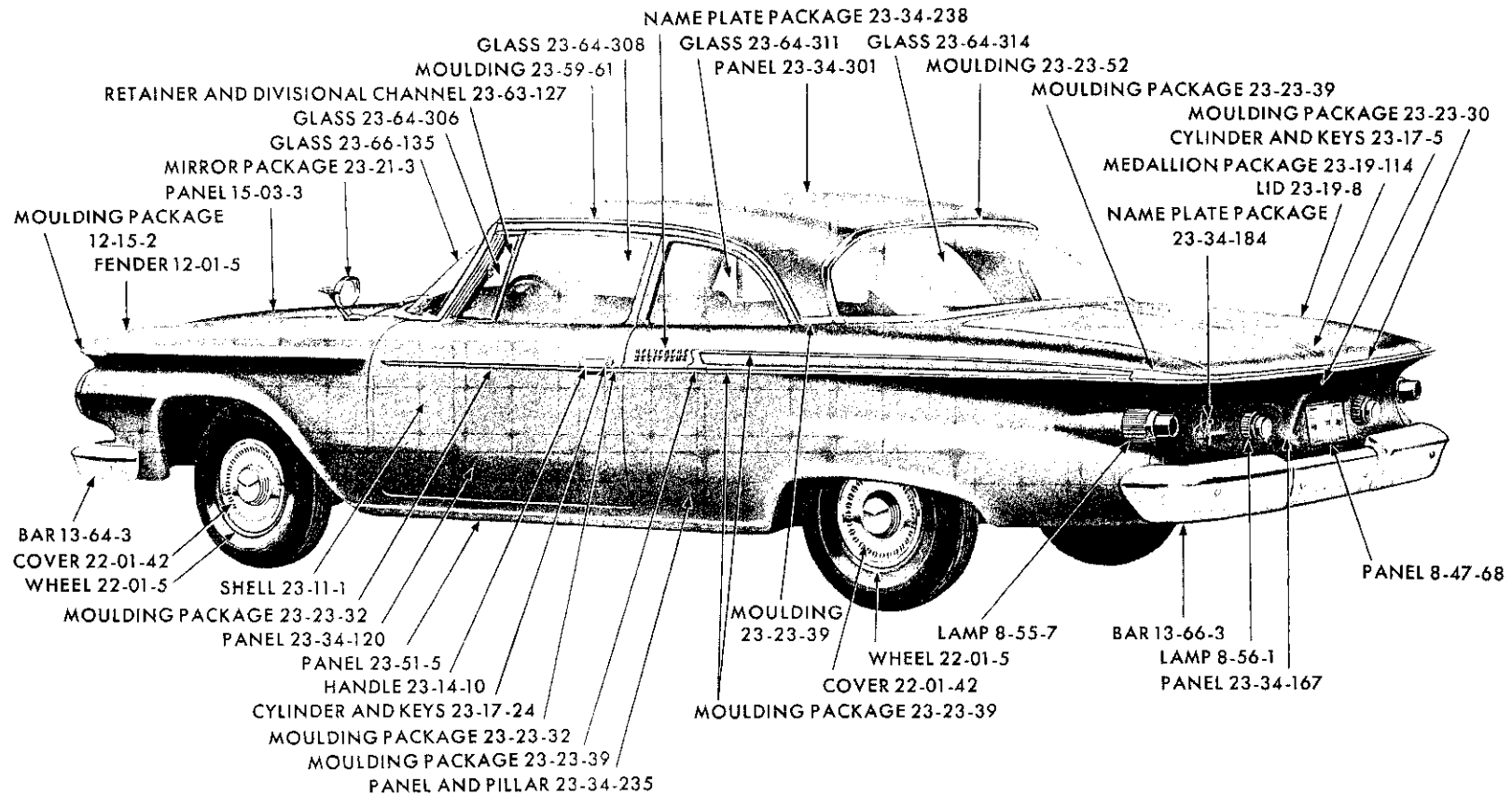
FRONT EXTERIOR - PLYMOUTH RP1-2 4 DOOR SEDAN

19x8969



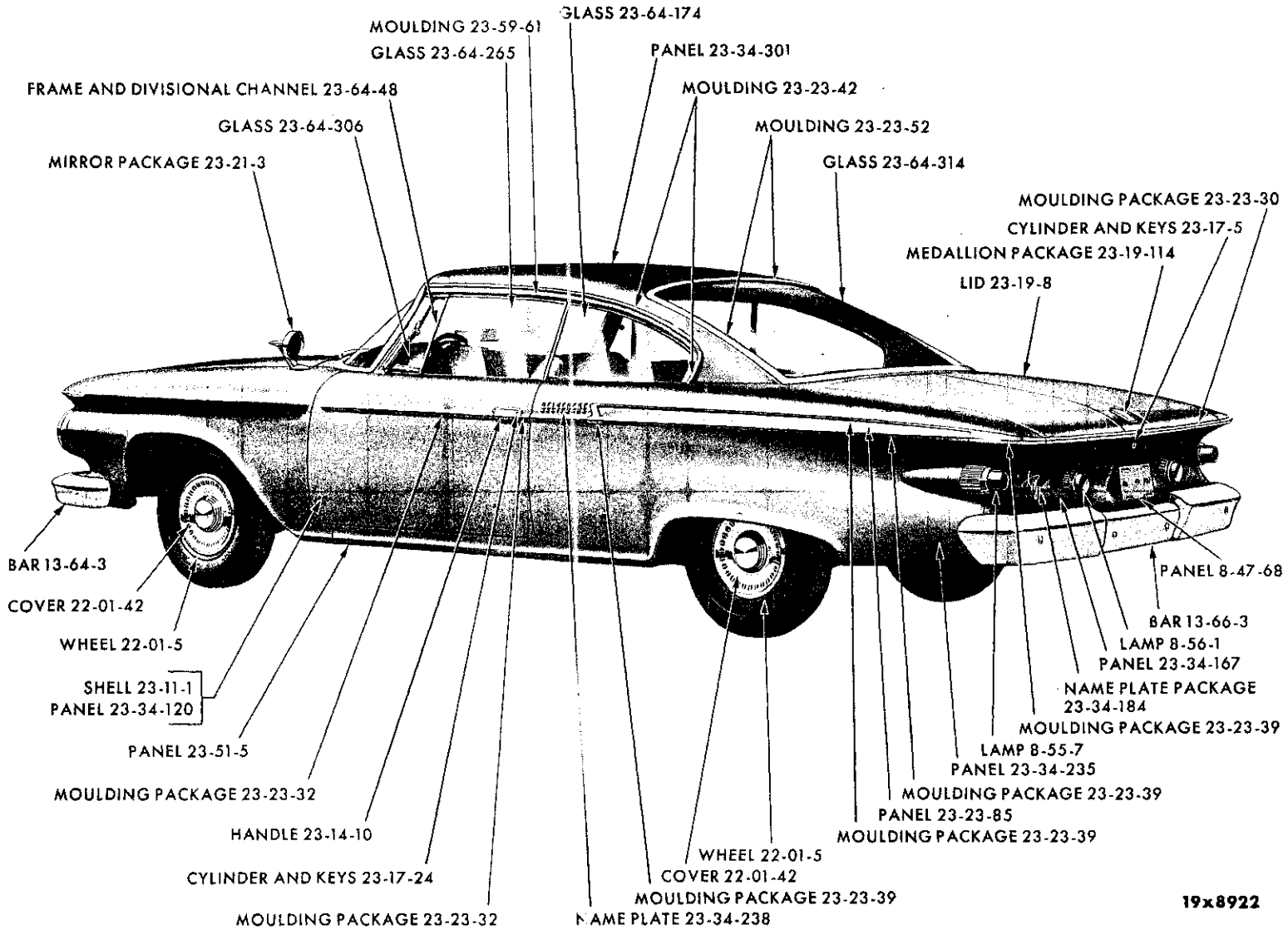
19x8965A

REAR EXTERIOR - PLYMOUTH RP1-2 4 DOOR SEDAN



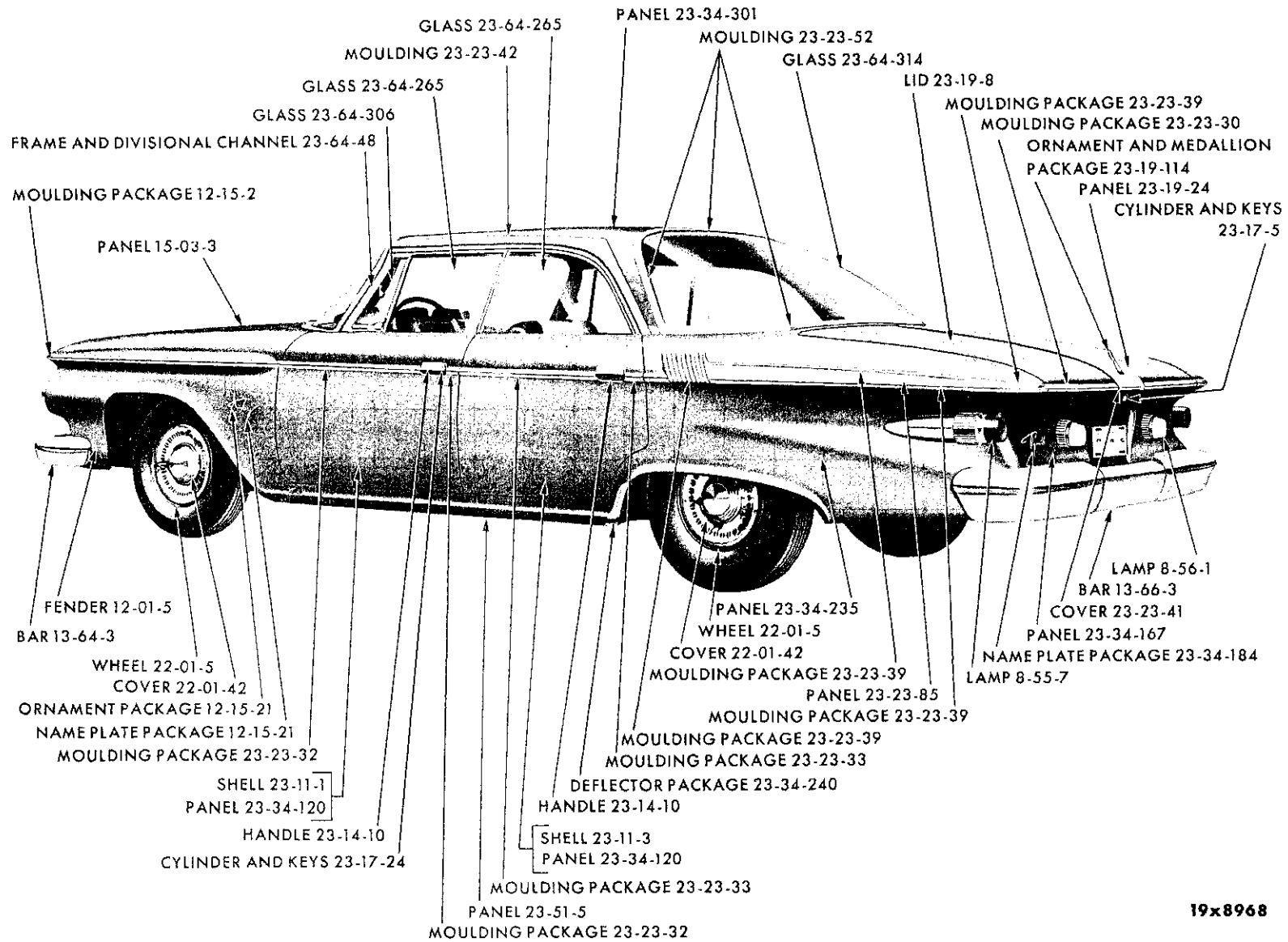
19x8967A

REAR EXTERIOR - PLYMOUTH RP1-2 CLUB SEDAN



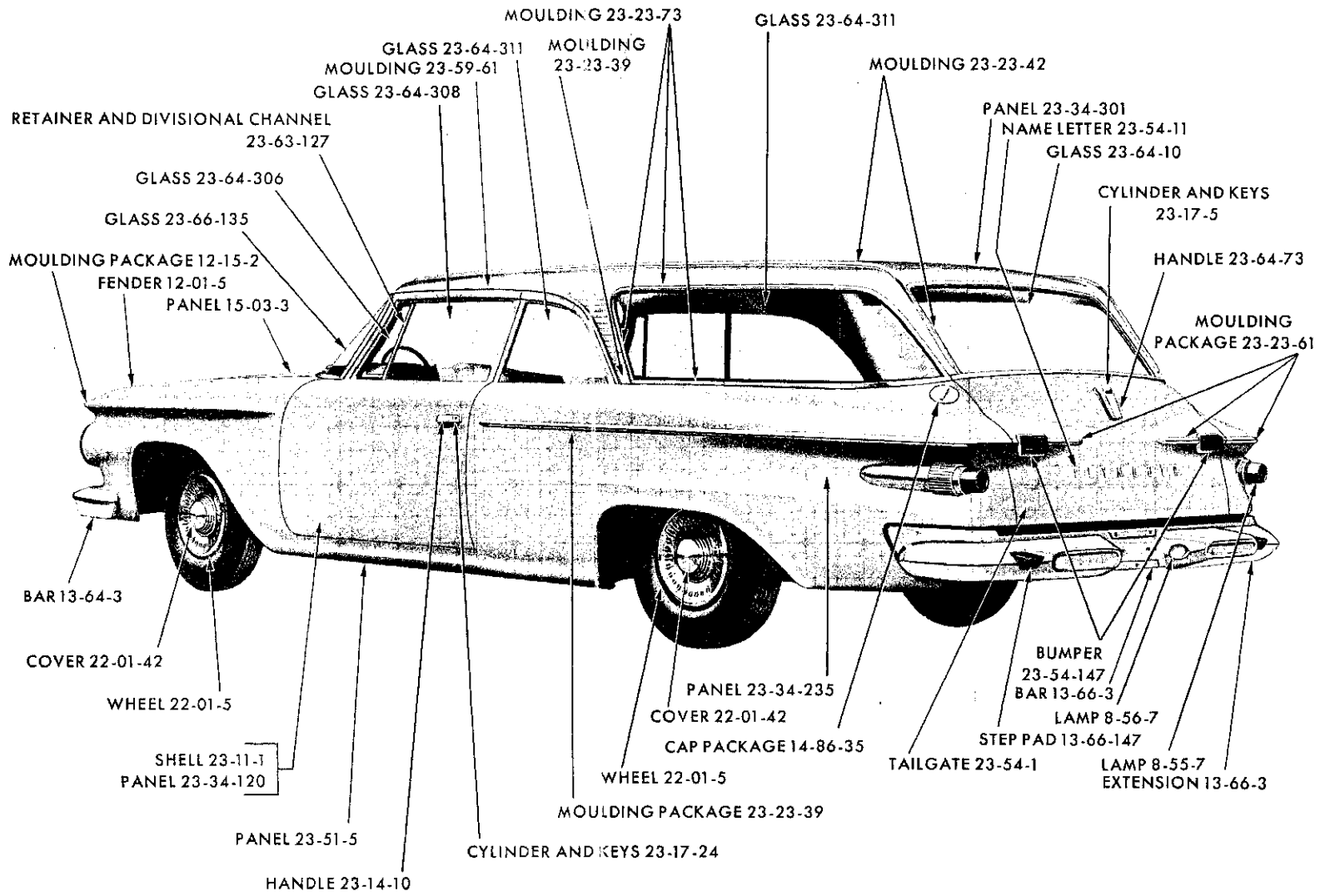
REAR EXTERIOR - PLYMOUTH RP1-2 SPECIAL CLUB COUPE

19x8922



19x8968

REAR EXTERIOR - PLYMOUTH RP1-2 SPECIAL 4 DOOR SEDAN



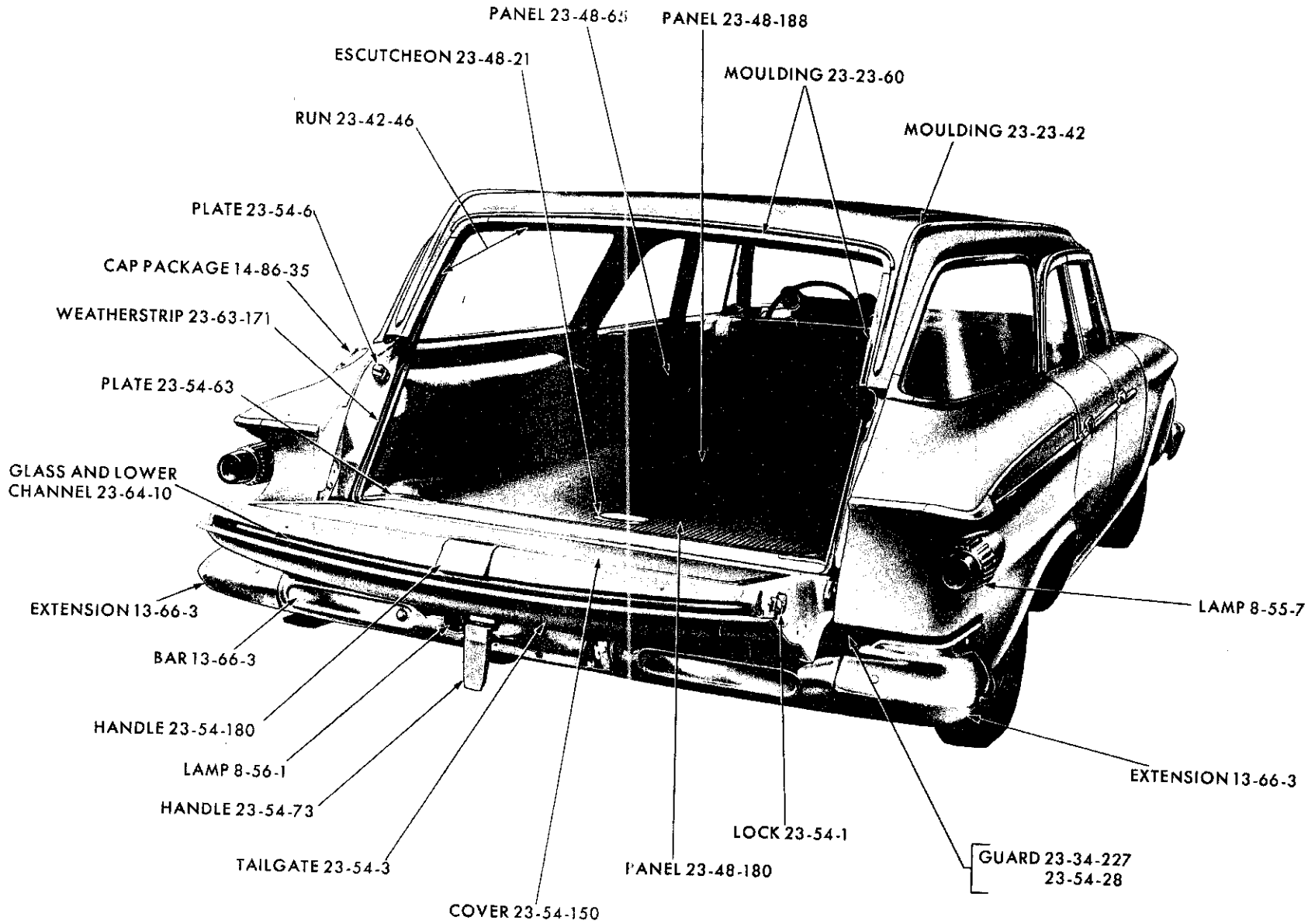
19x8953A

REAR EXTERIOR - PLYMOUTH RP1-2 2 DOOR SUBURBAN





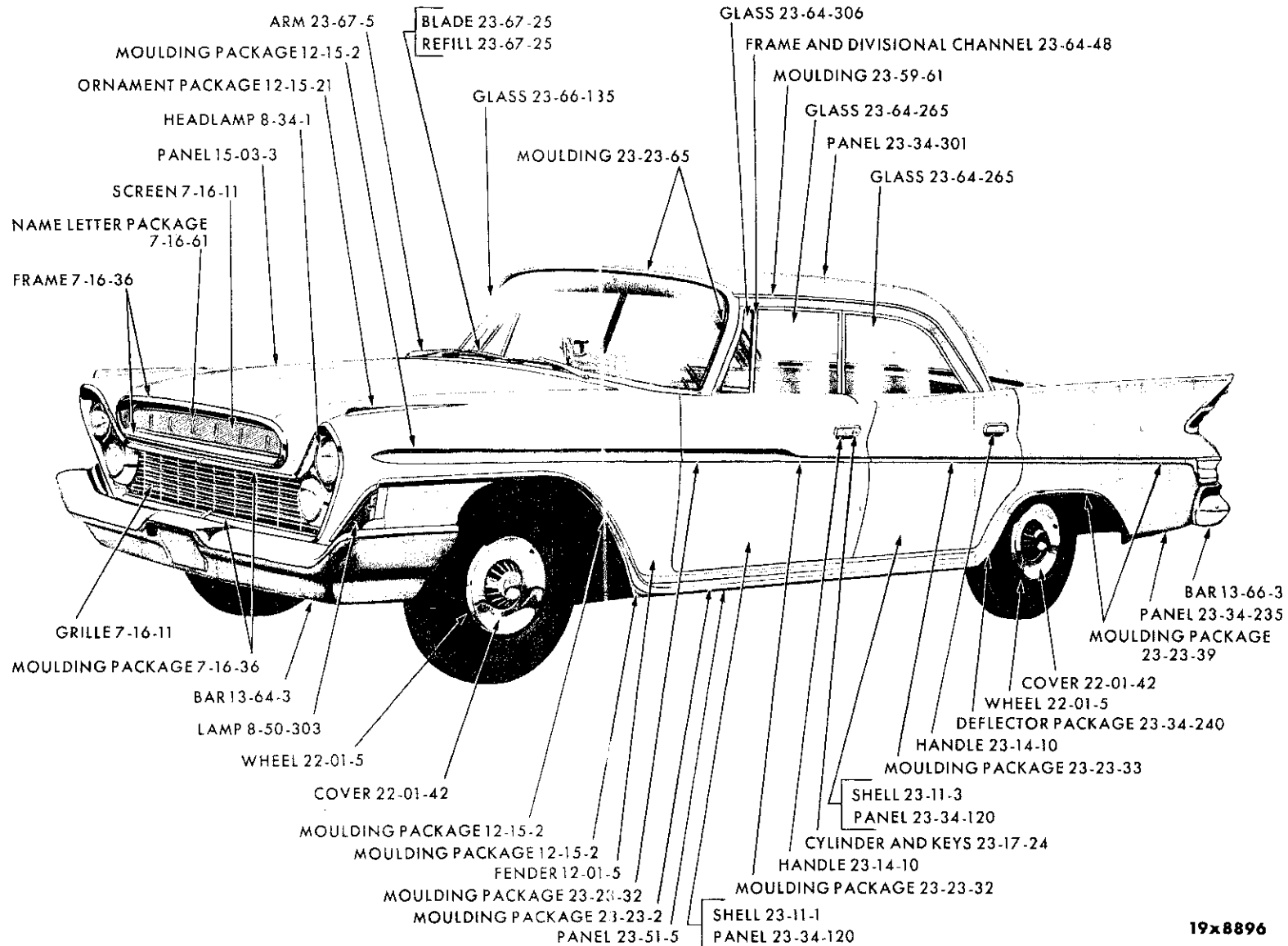




19x9049

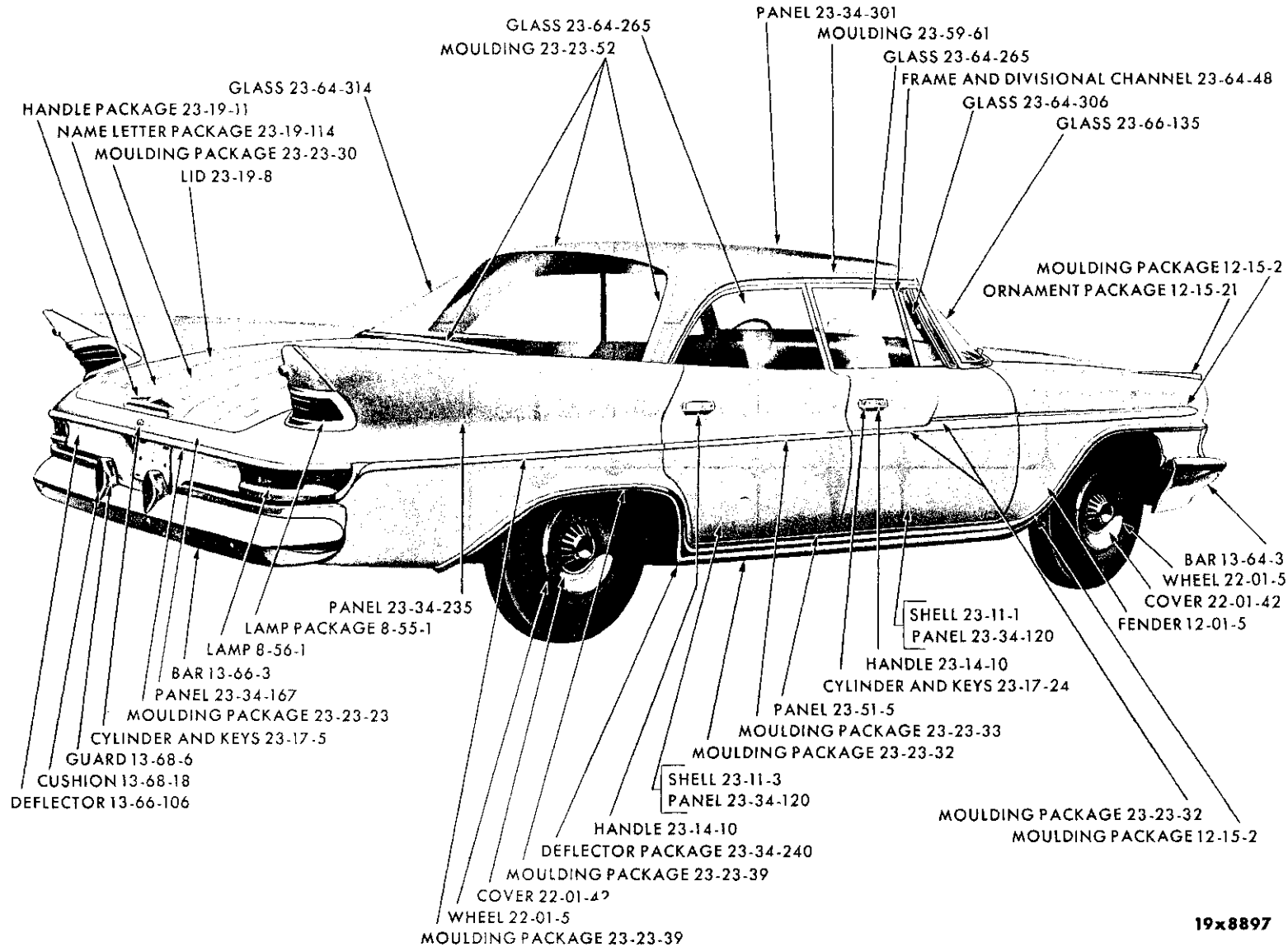
REAR VIEW - PLYMOUTH RP1-2 SUBURBAN



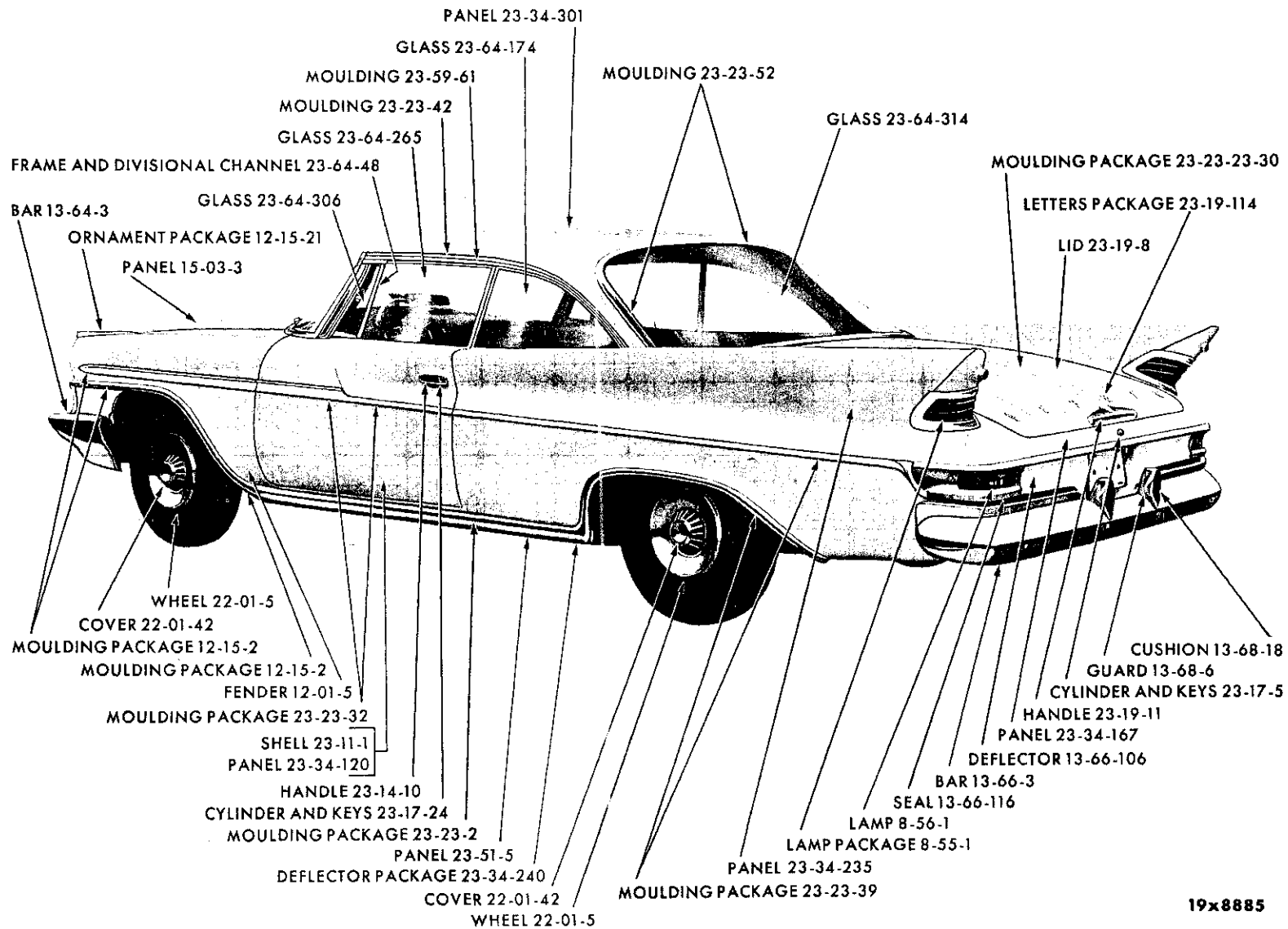


FRONT EXTERIOR - DESOTO RS1 SPECIAL 4 DOOR SEDAN

19x8896

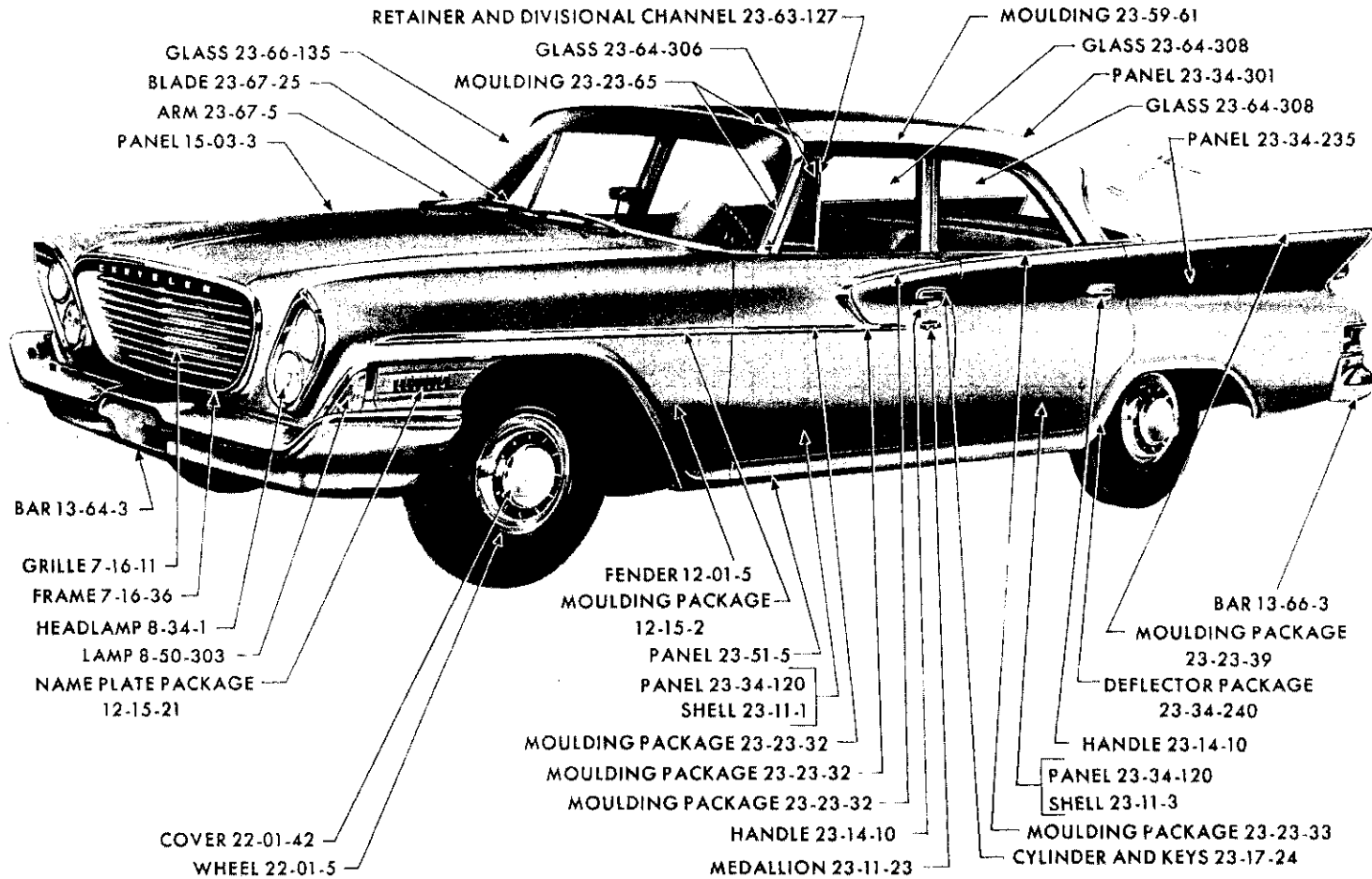


REAR EXTERIOR - DESOTO RS1 SPECIAL 4 DOOR SEDAN



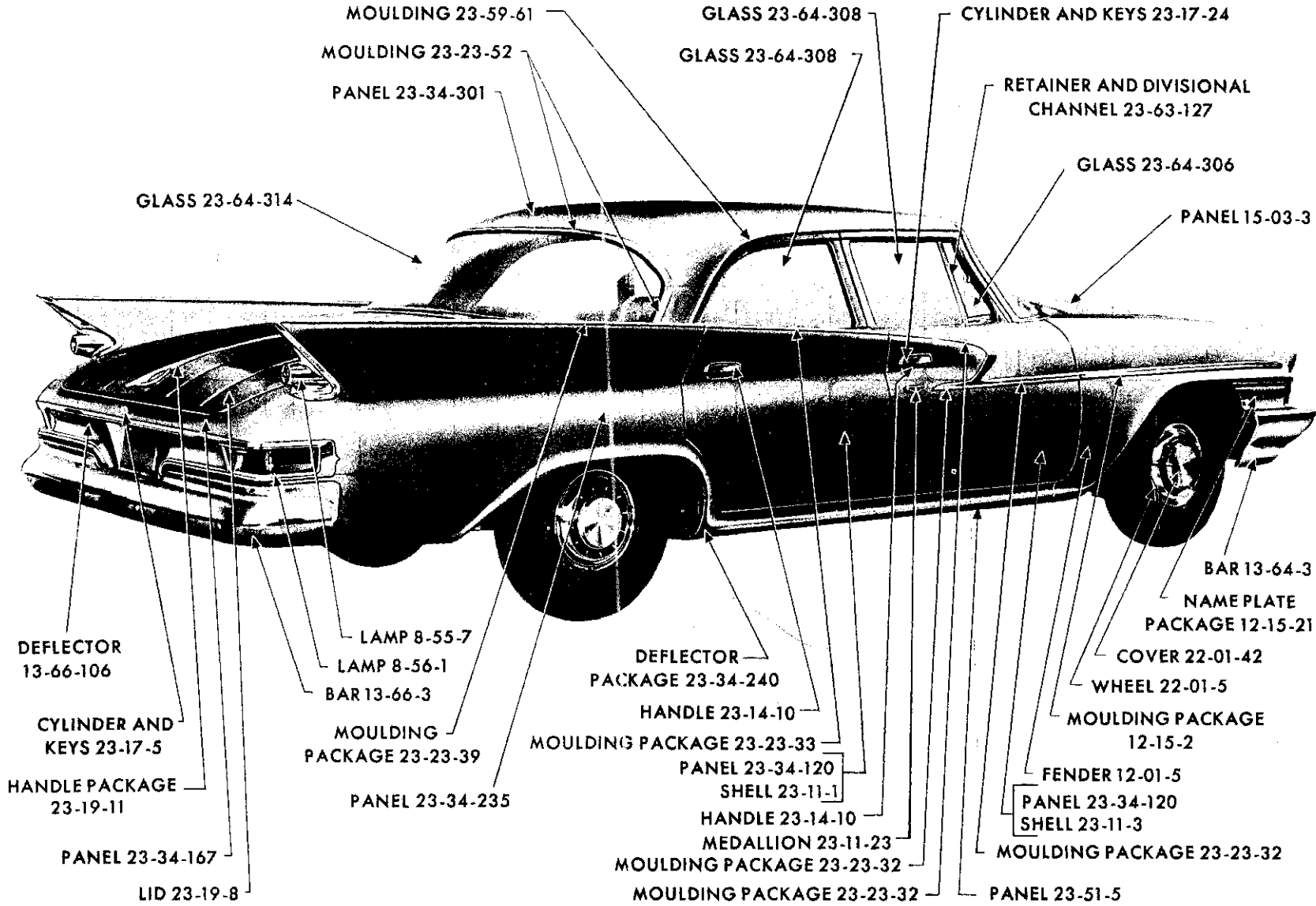
19x8885

REAR EXTERIOR - DESOTO RS1 SPECIAL CLUB COUPE



19x8879

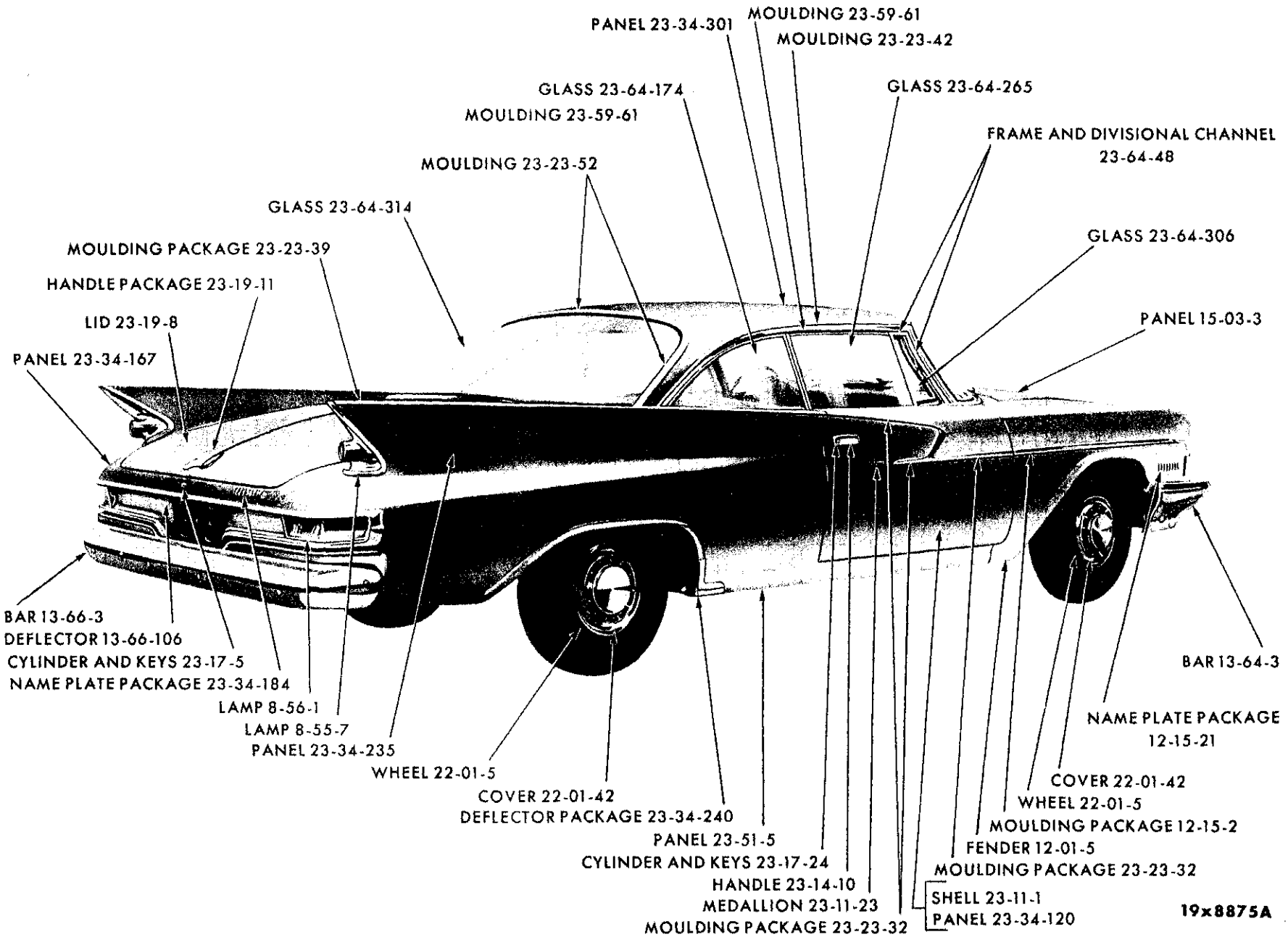
FRONT EXTERIOR - CHRYSLER RC1-2-3 4 DOOR SEDAN



19x8880A

REAR EXTERIOR - CHRYSLER RC1-2-3 4 DOOR SEDAN





PANEL 23-34-301

MOULDING 23-59-61

MOULDING 23-23-42

GLASS 23-64-174

MOULDING 23-59-61

GLASS 23-64-265

FRAME AND DIVISIONAL CHANNEL  
23-64-48

MOULDING 23-23-52

GLASS 23-64-314

GLASS 23-64-306

MOULDING PACKAGE 23-23-39

HANDLE PACKAGE 23-19-11

LID 23-19-8

PANEL 15-03-3

PANEL 23-34-167

BAR 13-66-3

DEFLECTOR 13-66-106

CYLINDER AND KEYS 23-17-5

NAME PLATE PACKAGE 23-34-184

LAMP 8-56-1

LAMP 8-55-7

PANEL 23-34-235

WHEEL 22-01-5

COVER 22-01-42

DEFLECTOR PACKAGE 23-34-240

PANEL 23-51-5

CYLINDER AND KEYS 23-17-24

HANDLE 23-14-10

MEDALLION 23-11-23

MOULDING PACKAGE 23-23-32

BAR 13-64-3

NAME PLATE PACKAGE  
12-15-21

COVER 22-01-42

WHEEL 22-01-5

MOULDING PACKAGE 12-15-2

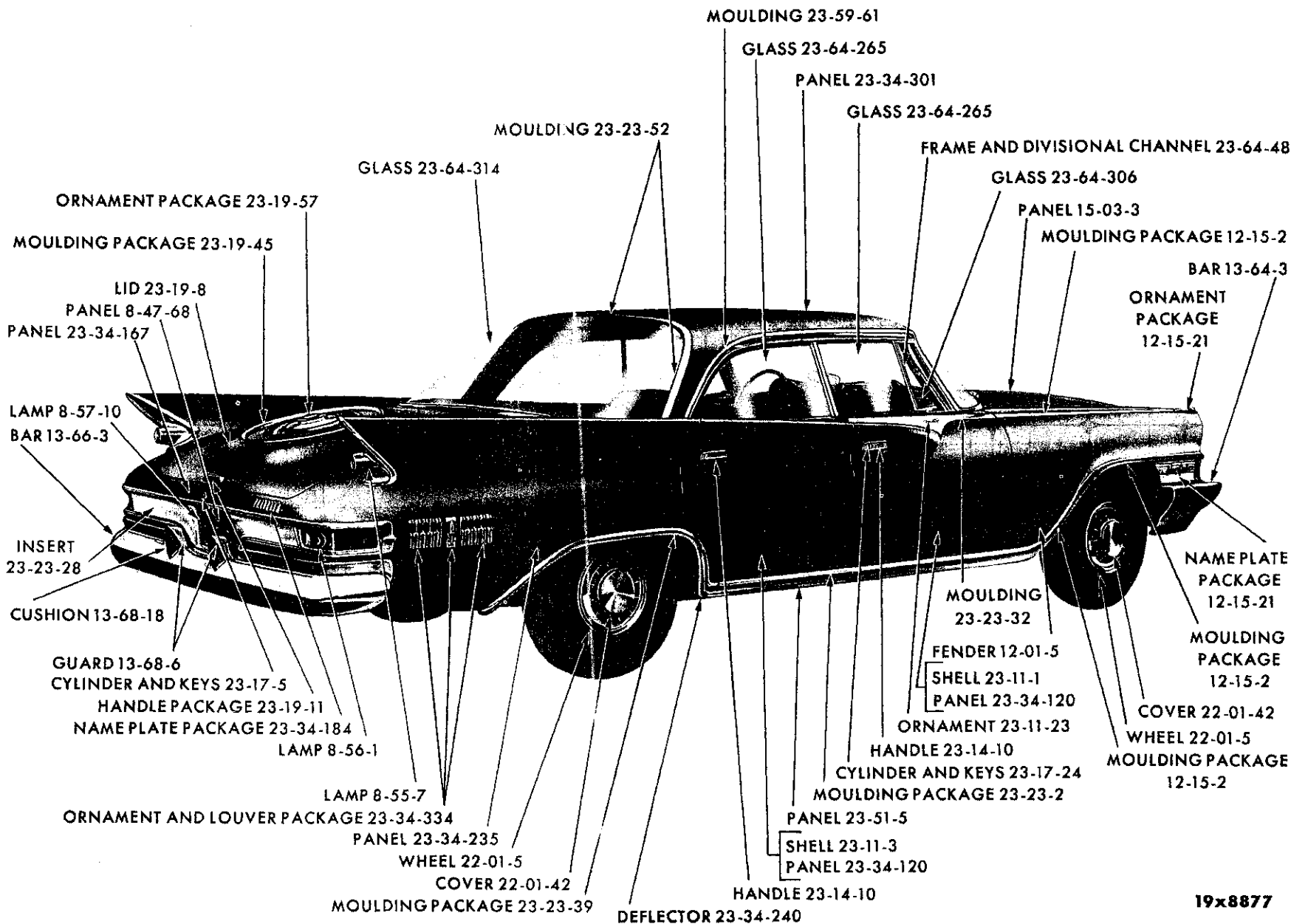
FENDER 12-01-5

MOULDING PACKAGE 23-23-32

SHELL 23-11-1

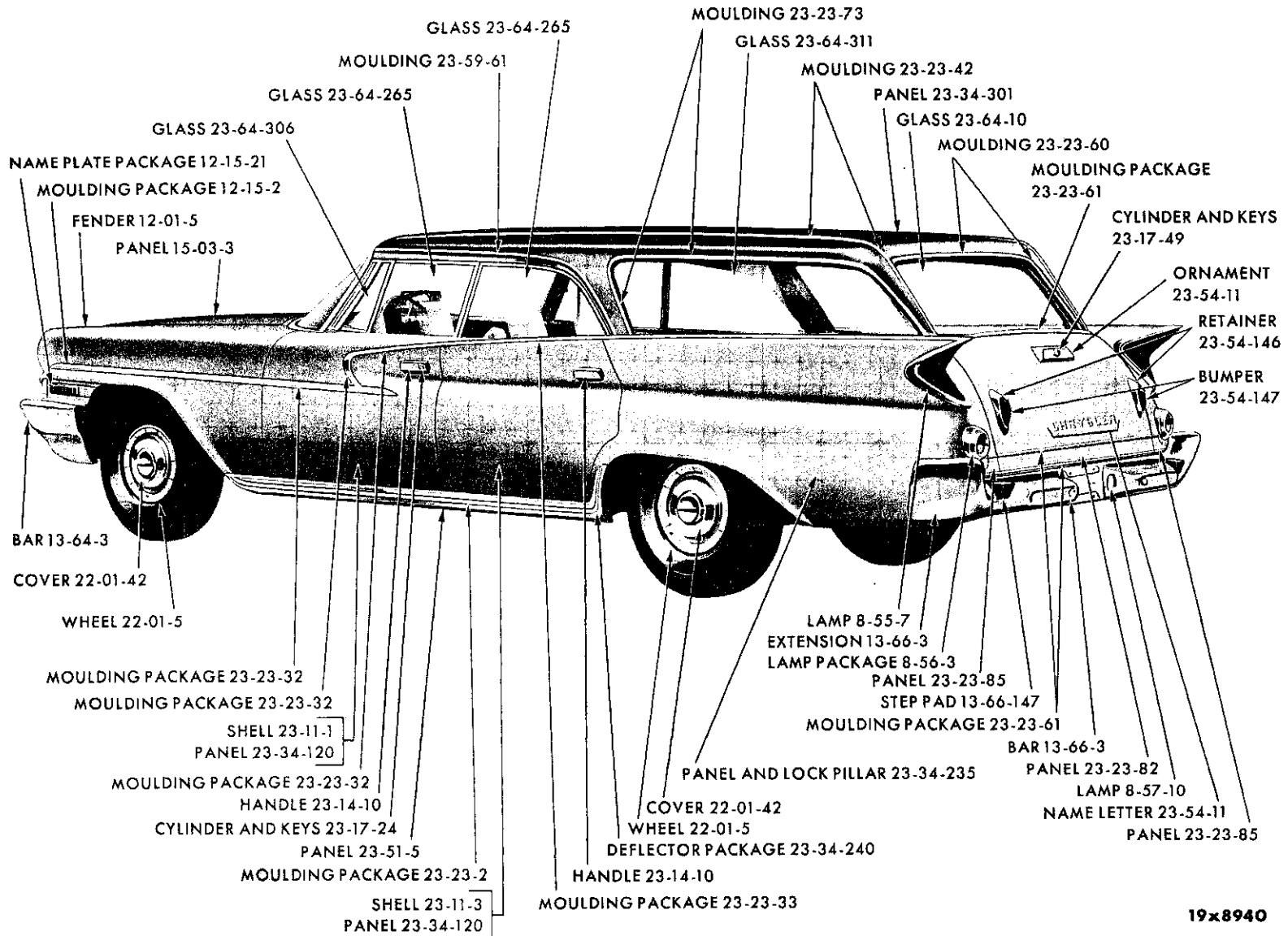
PANEL 23-34-120

19x8875A



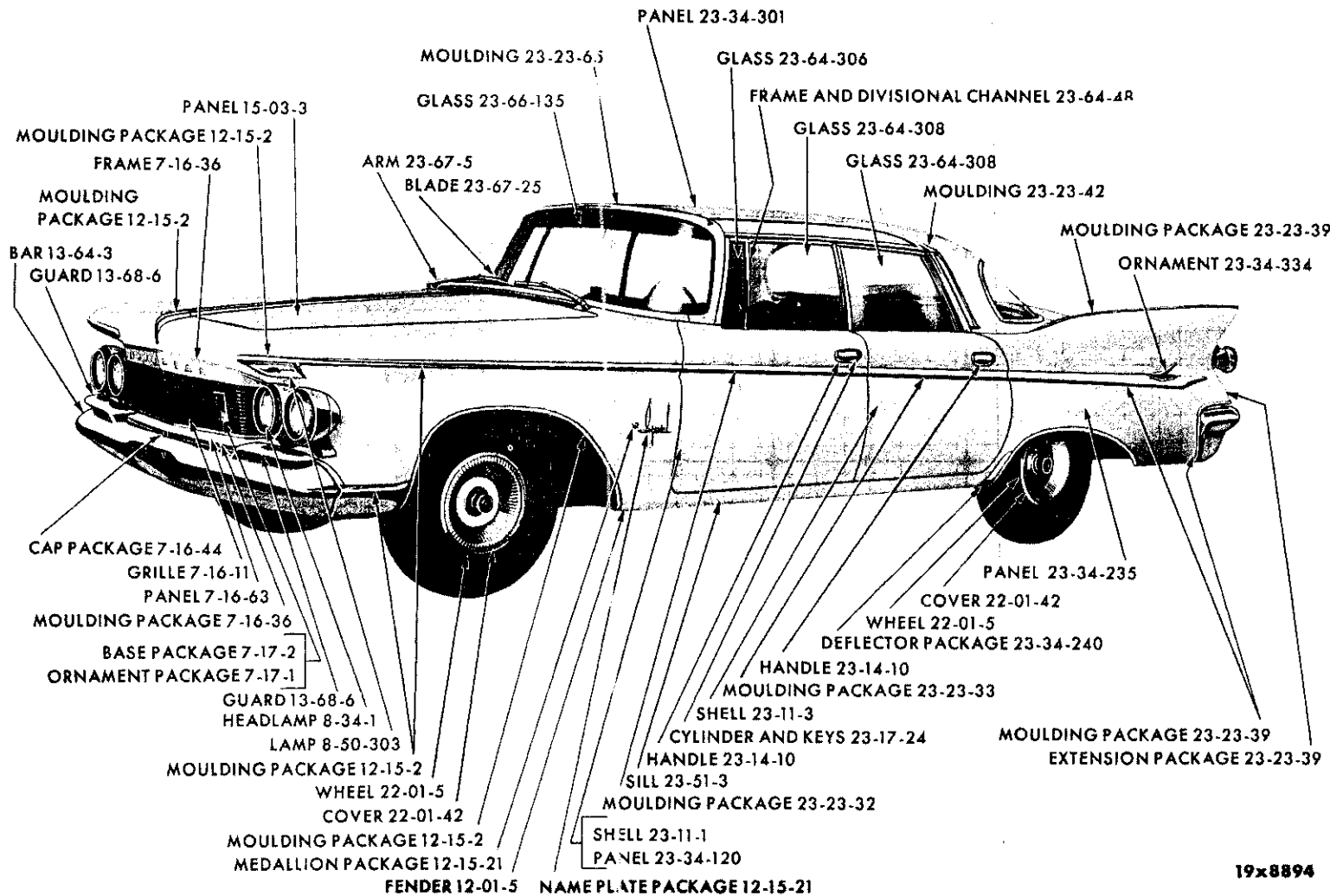
19x8877

REAR EXTERIOR - CHRYSLER RC1-2-3 SPECIAL 4 DOOR SEDAN

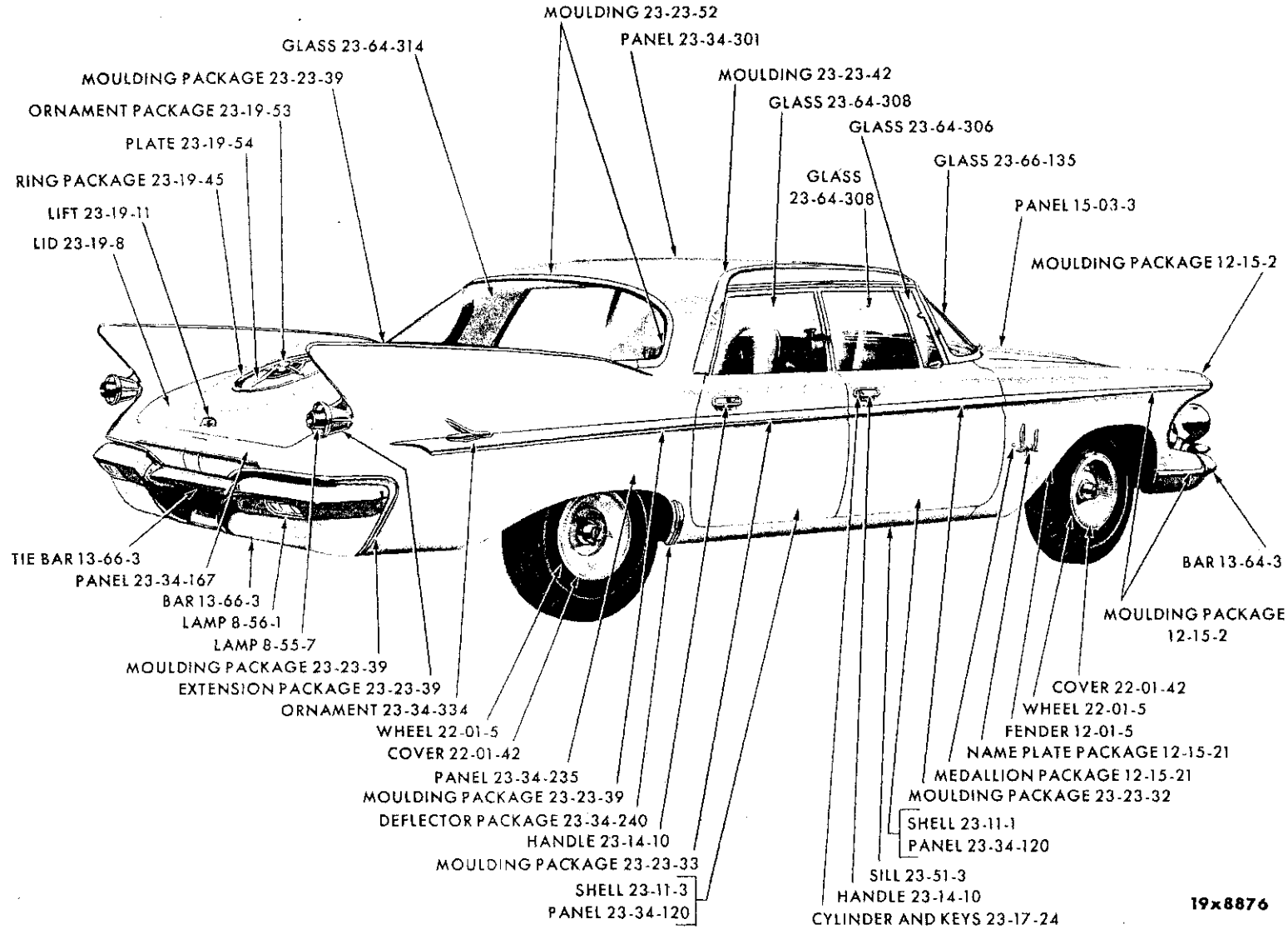


19x8940

REAR EXTERIOR - CHRYSLER RC1-3 SPECIAL 4 DOOR SUBURBAN

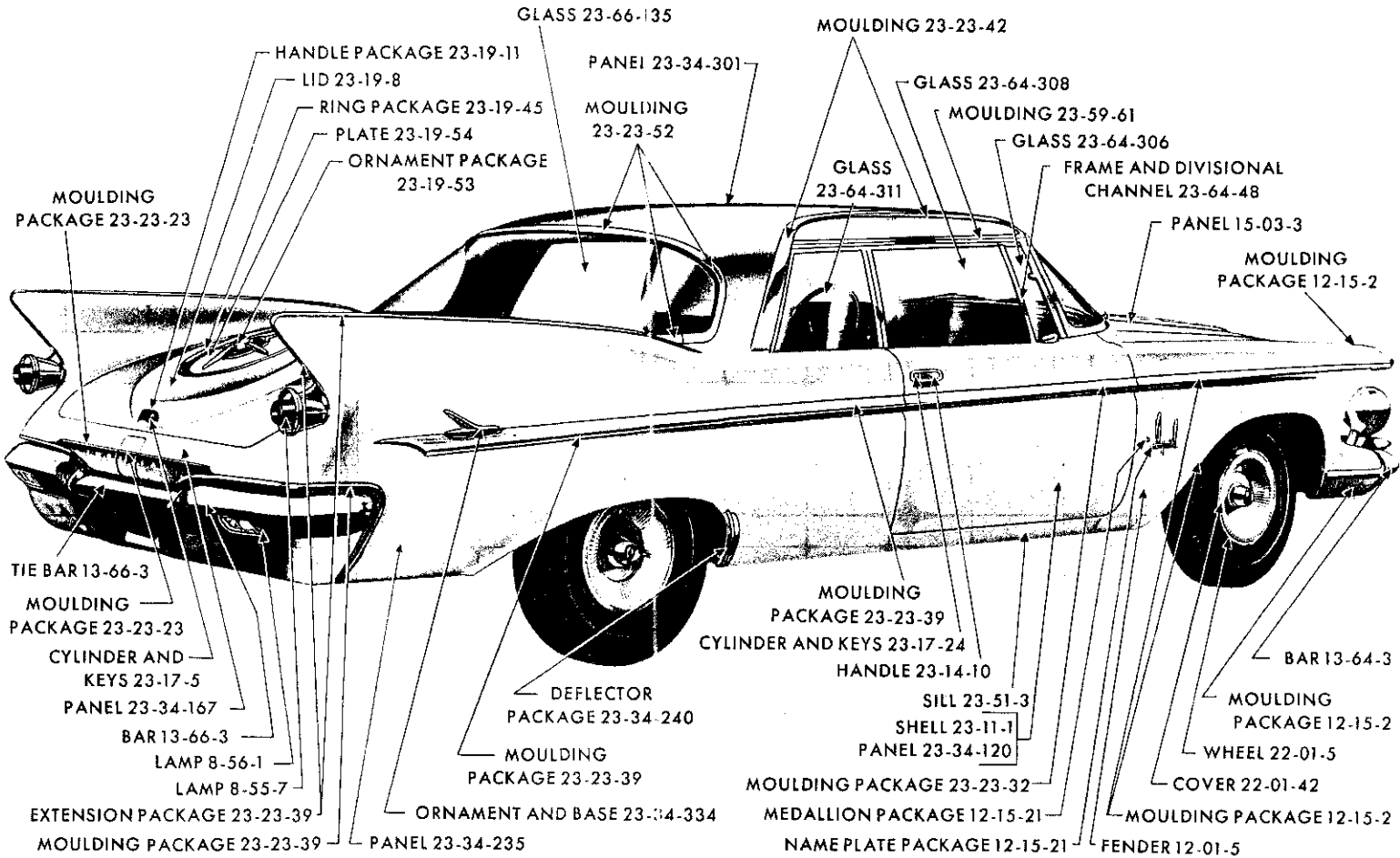


FRONT EXTERIOR - IMPERIAL RY1 SPECIAL 4 DOOR SEDAN



19x8876

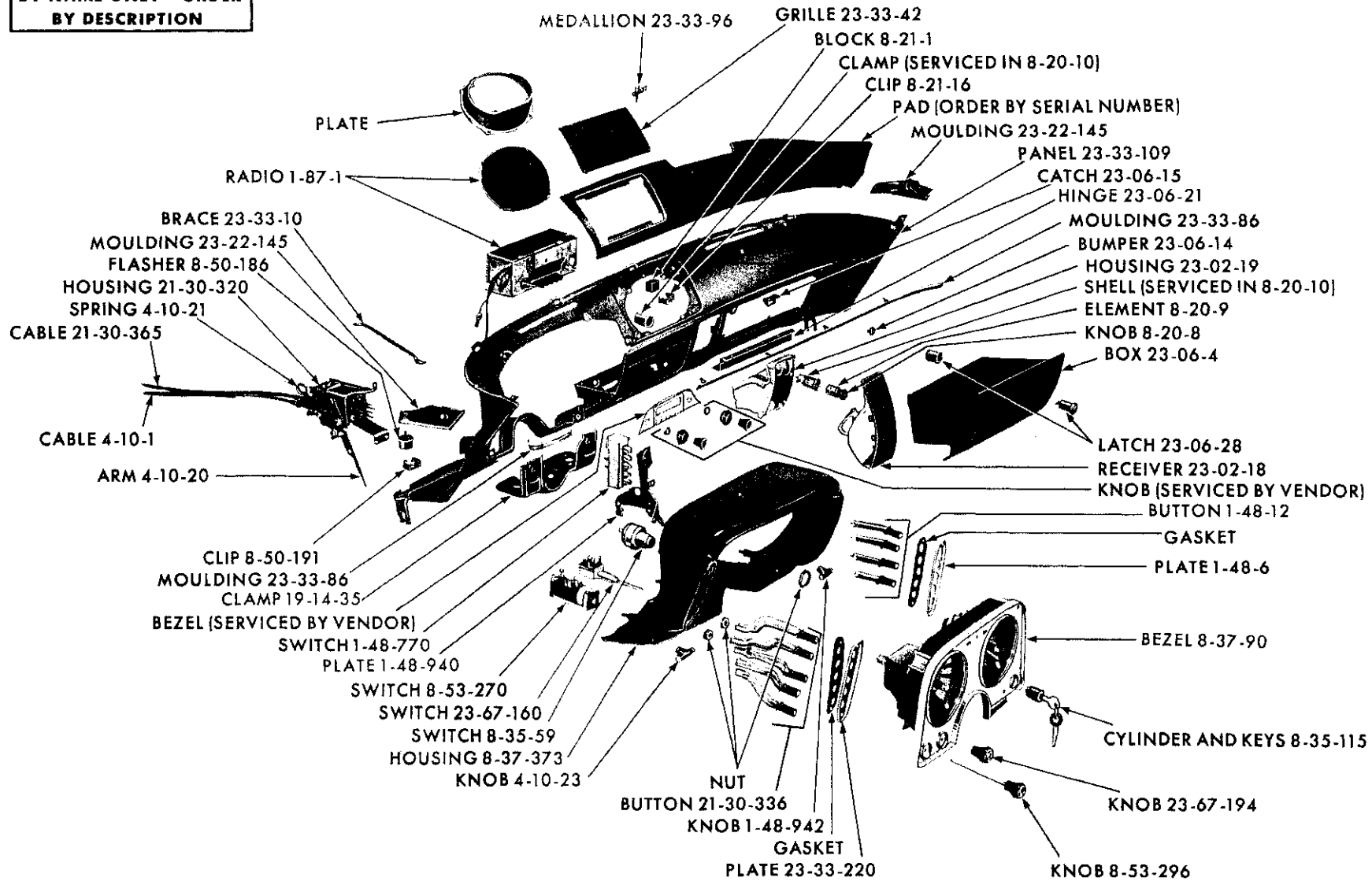
REAR EXTERIOR - IMPERIAL RY1 SPECIAL 4 DOOR SEDAN



19x8911

REAR EXTERIOR - IMPERIAL RY1 SPECIAL CLUB COUPE

**PARTS INDICATED  
BY NAME ONLY - ORDER  
BY DESCRIPTION**



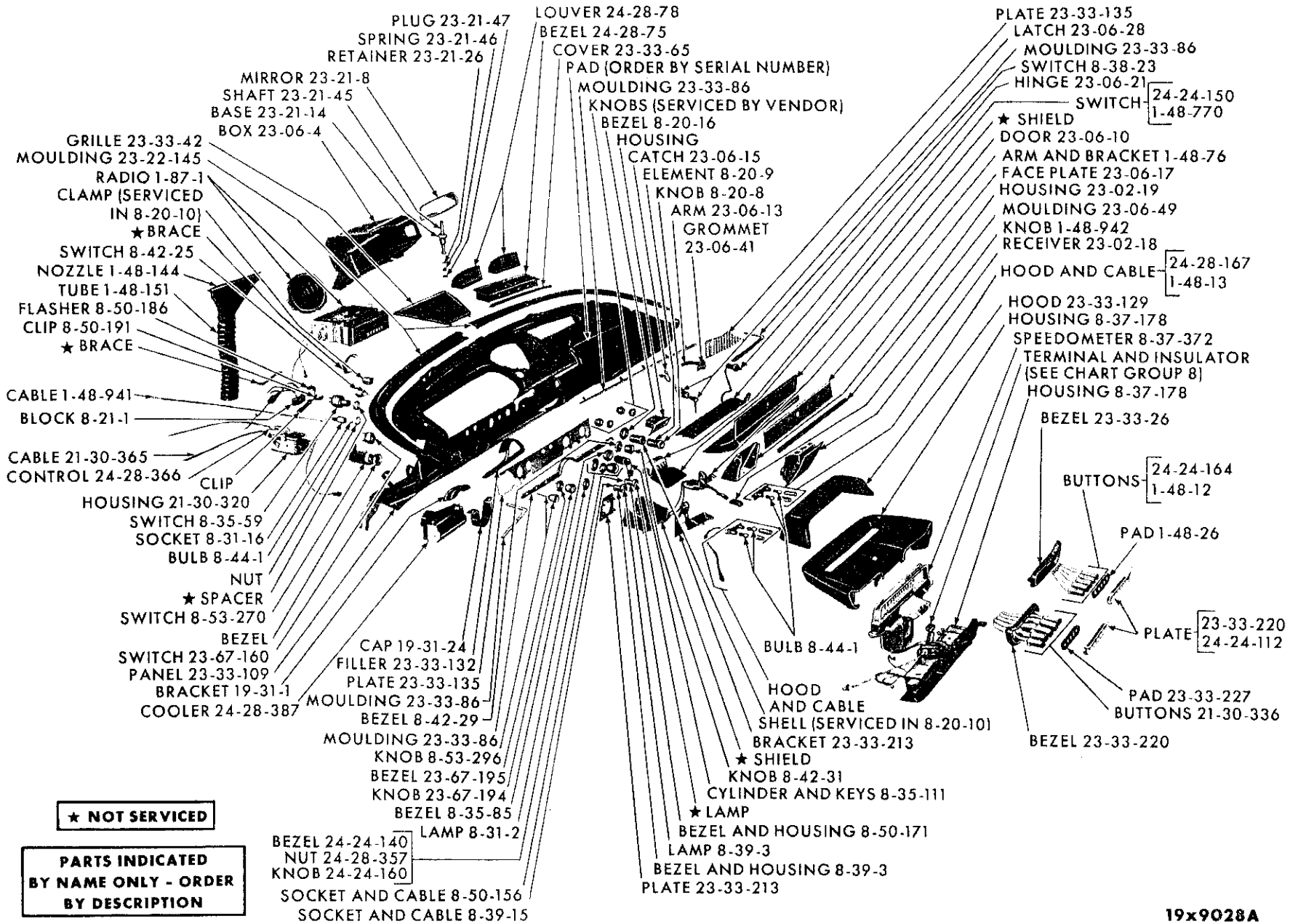
19x8816C

INSTRUMENT PANEL - VALIANT RV1

MyMopar.com





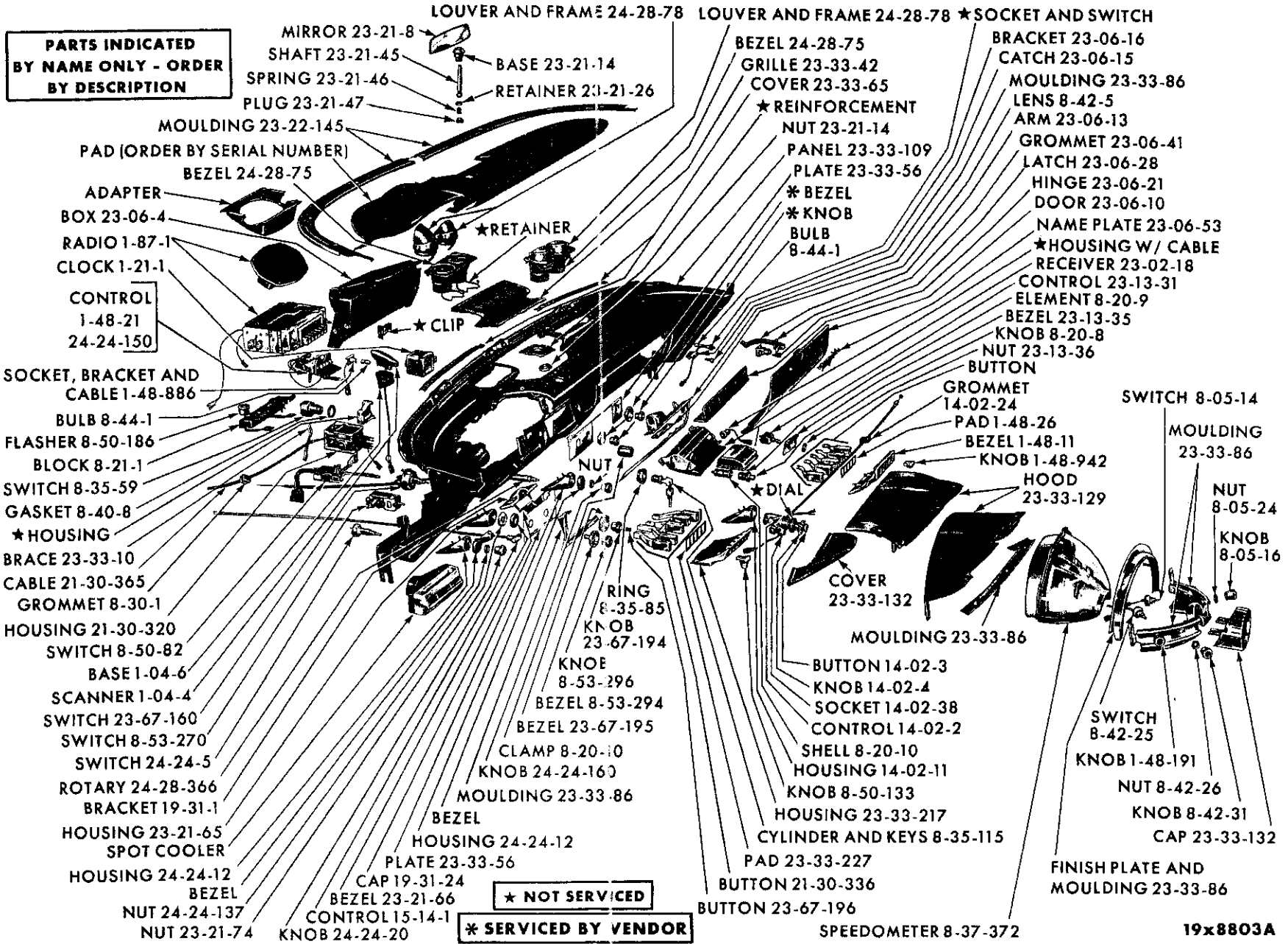


★ NOT SERVICED

PARTS INDICATED BY NAME ONLY - ORDER BY DESCRIPTION

19x9028A

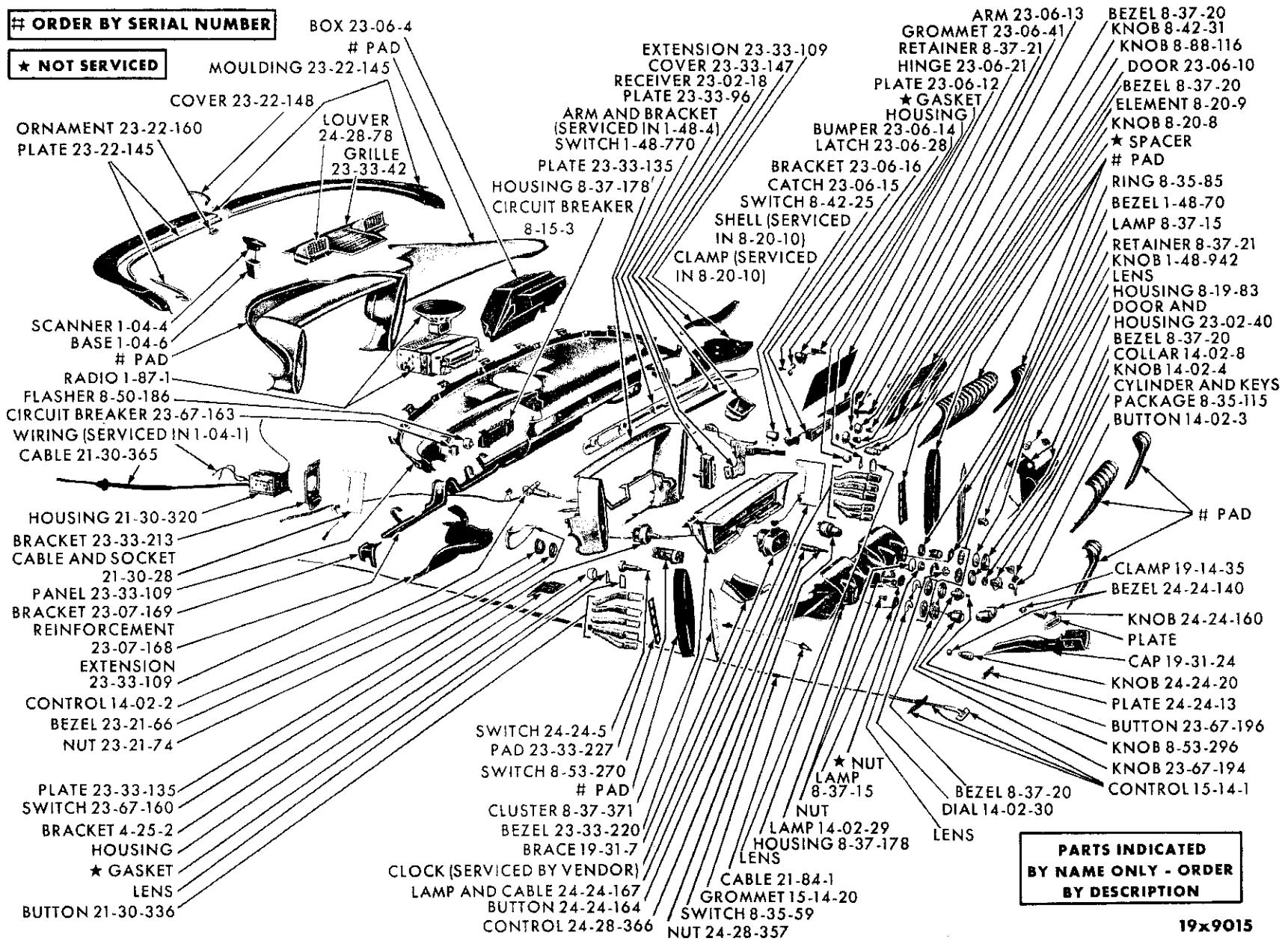
INSTRUMENT PANEL - DESOTO RS1



INSTRUMENT PANEL - CHRYSLER RC1-2-3-4

# ORDER BY SERIAL NUMBER

\* NOT SERVICED

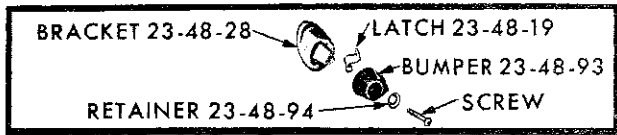


PARTS INDICATED BY NAME ONLY - ORDER BY DESCRIPTION

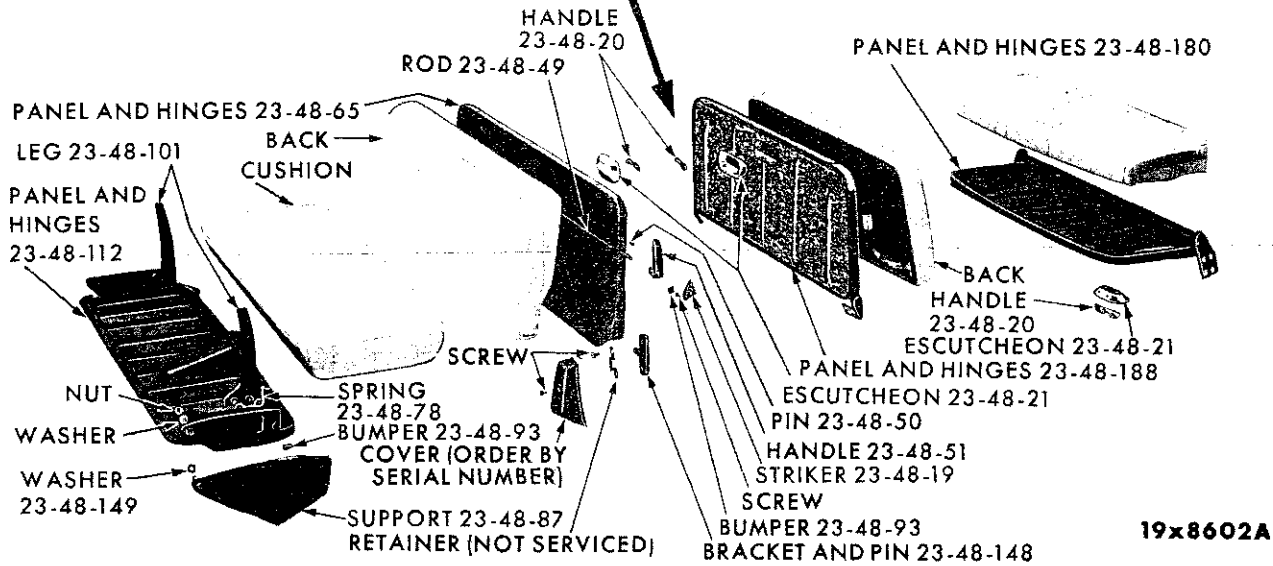
19x9015

INSTRUMENT PANEL - IMPERIAL RY1





PARTS INDICATED  
BY NAME ONLY - ORDER  
BY DESCRIPTION



19x8602A

SUBURBAN SEATS - EXCEPT VALIANT RV1

NOTES

---

---

---

---

---

---

---

---

---

---

---

---

---

---

---

---

---

---

---

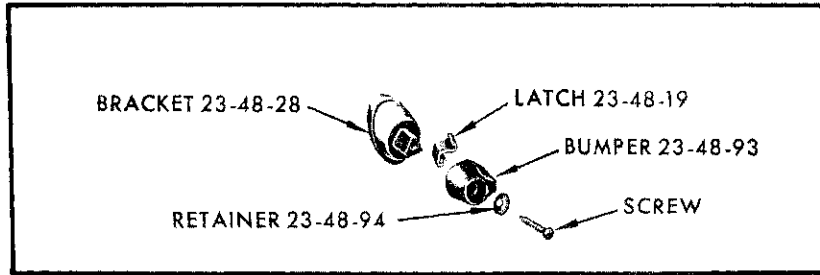
---

---

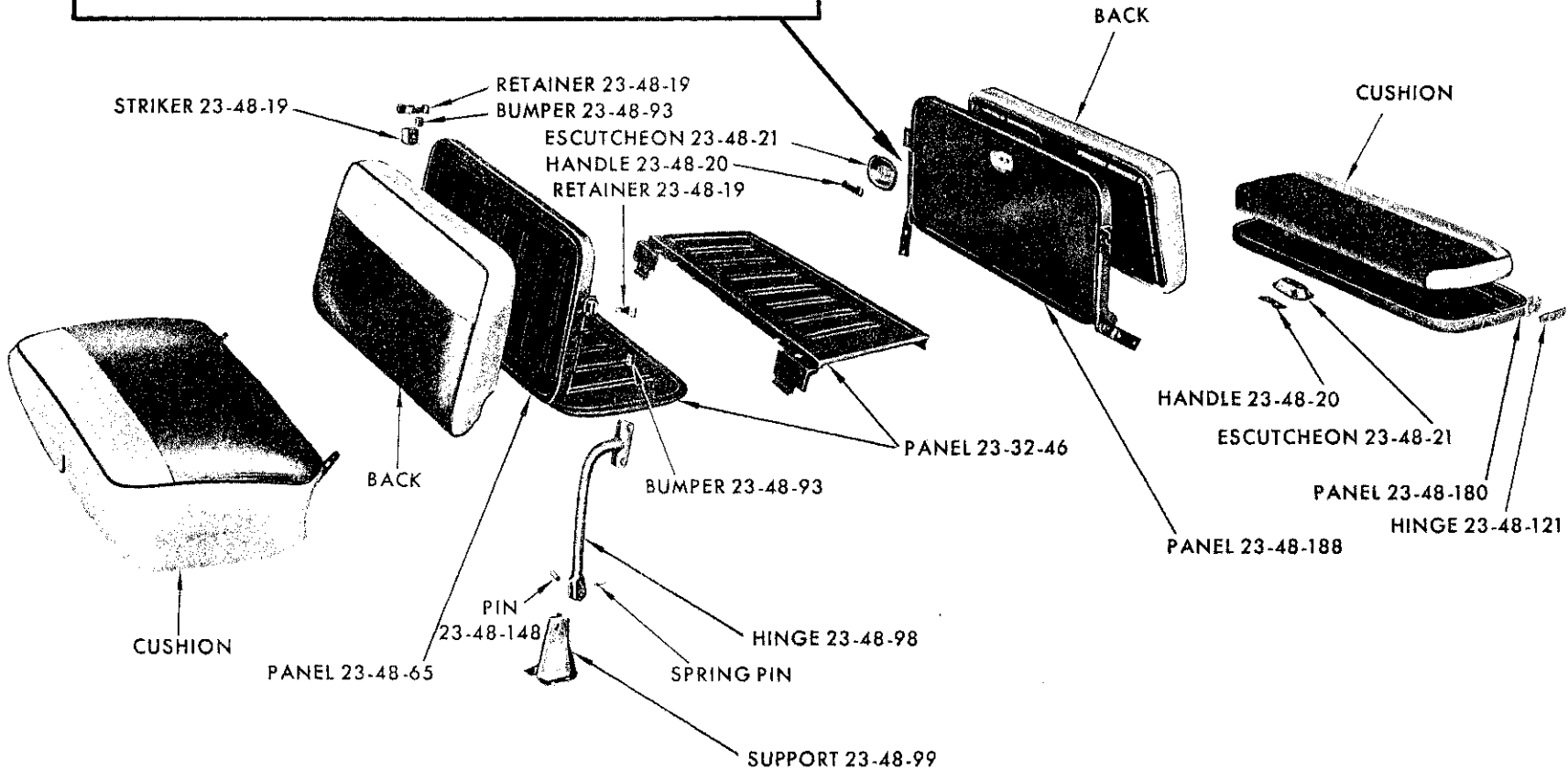
---

---

---

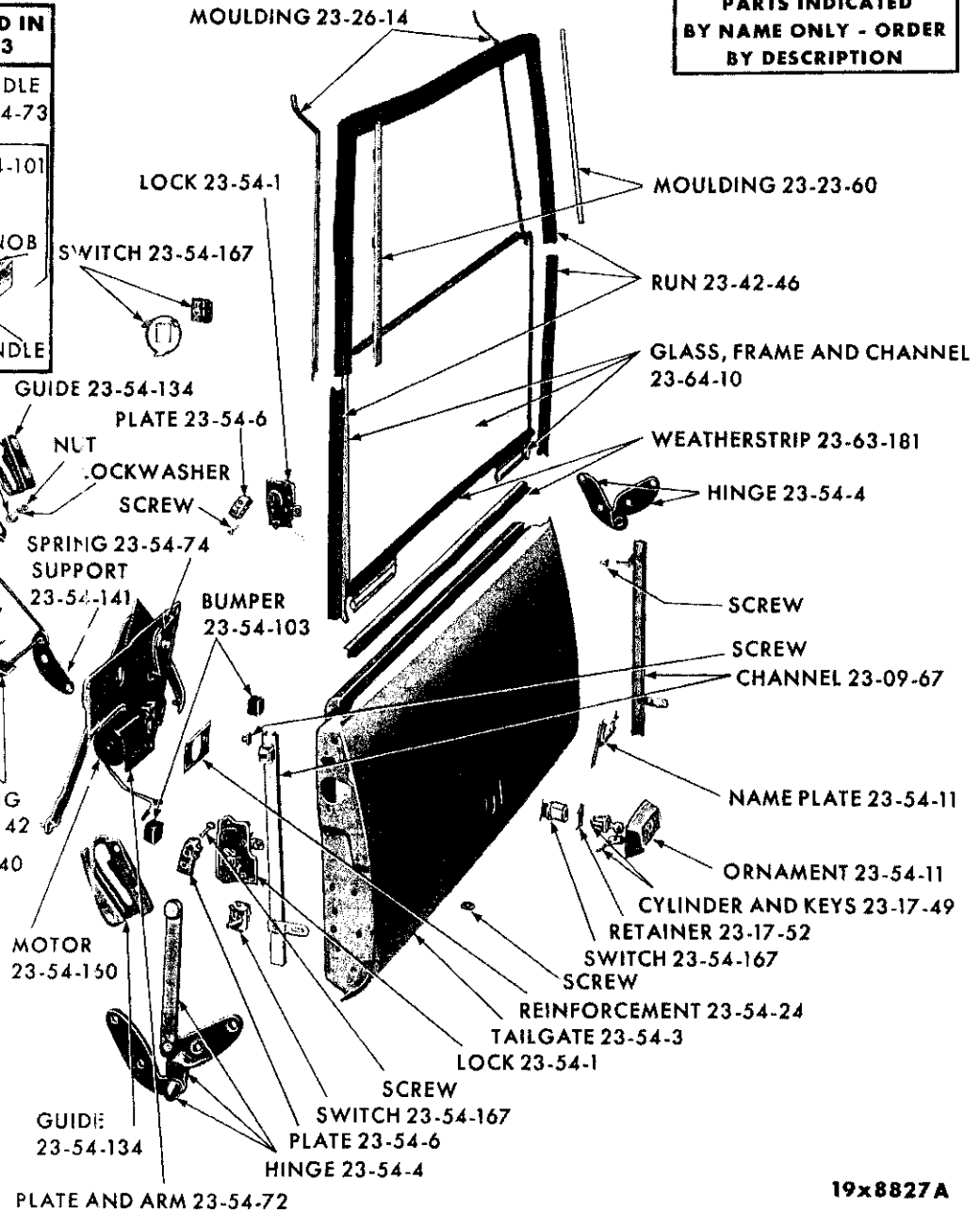
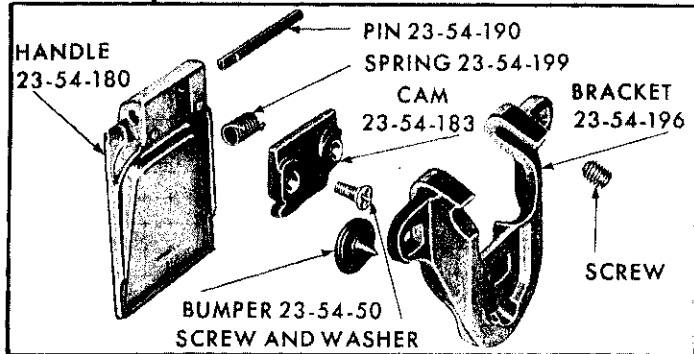
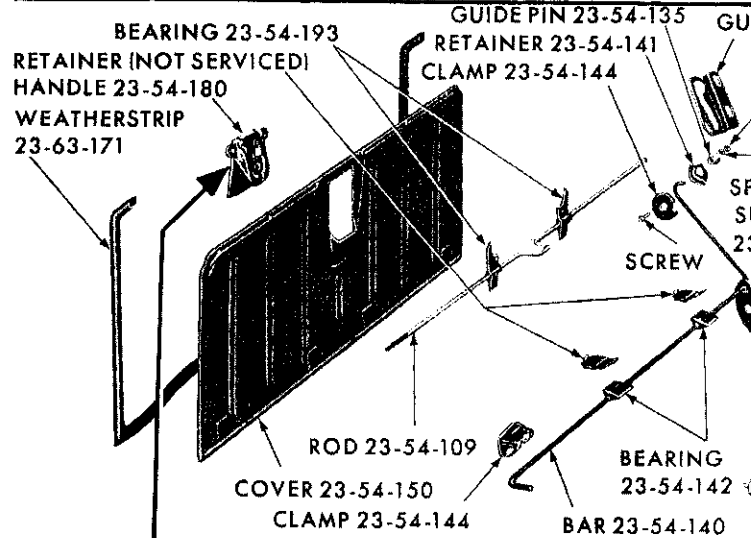
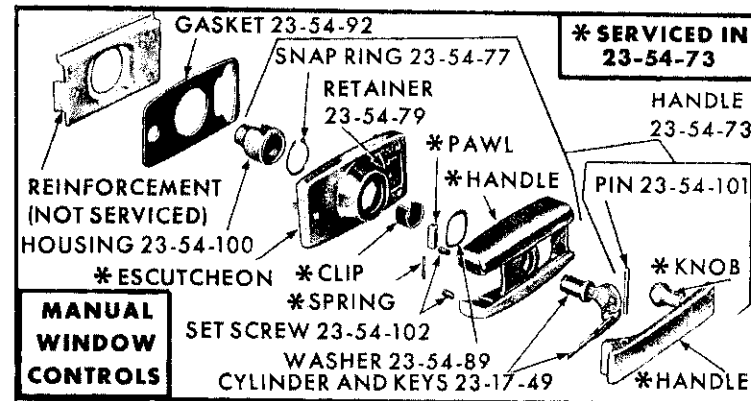


**PARTS INDICATED  
BY NAME ONLY - ORDER  
BY DESCRIPTION**



19x8984A

SUBURBAN SEATS - VALIANT RV1

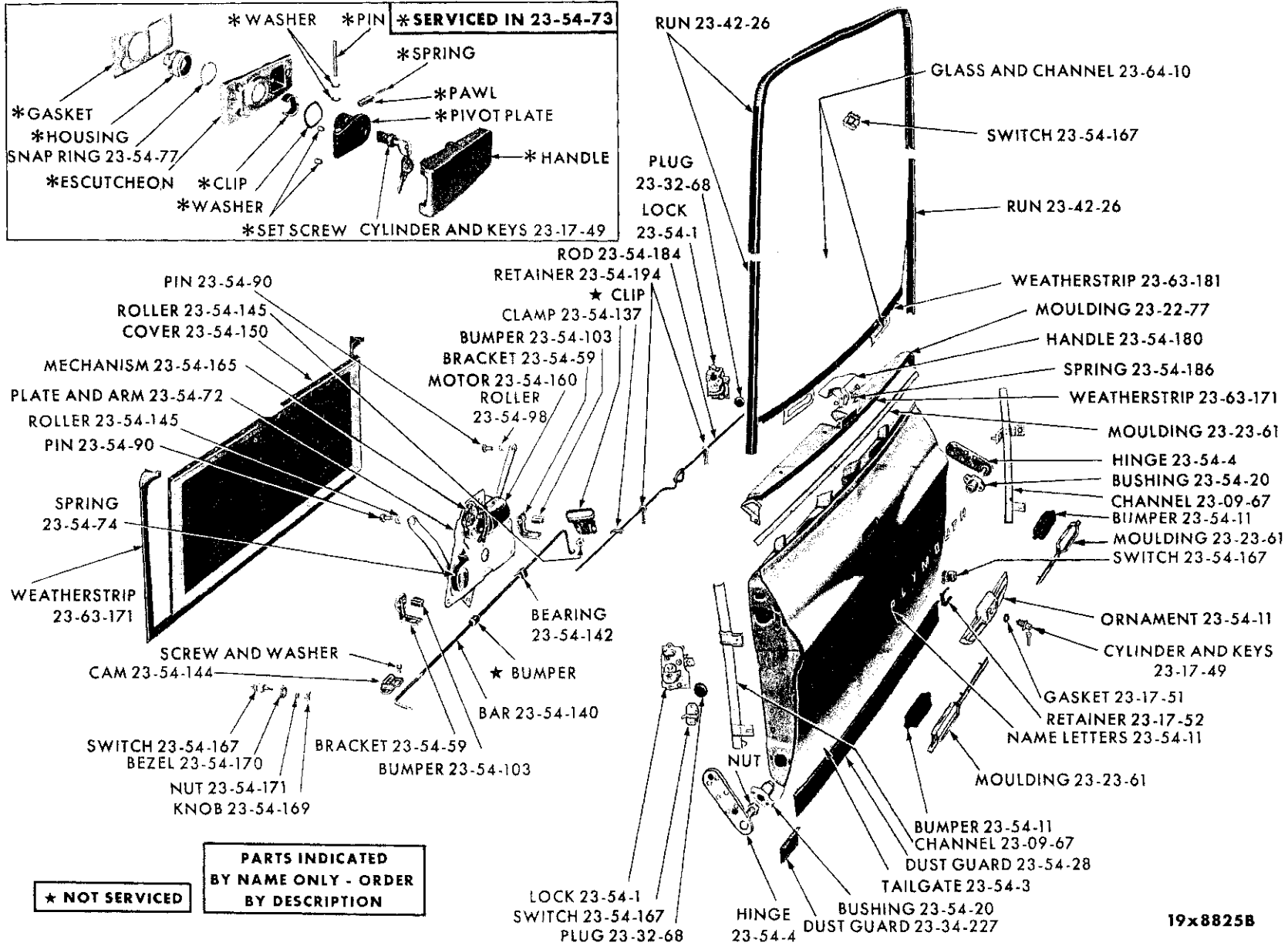
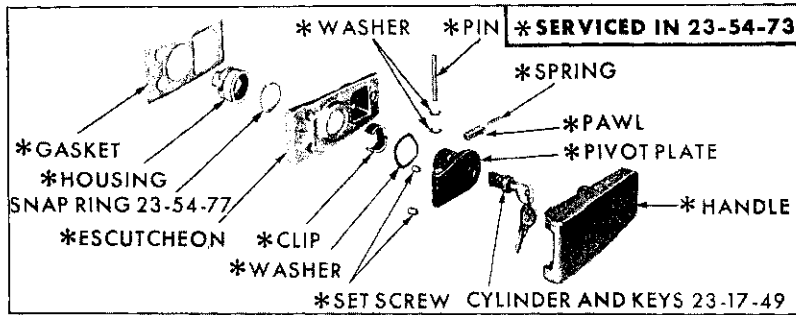


**PARTS INDICATED BY NAME ONLY - ORDER BY DESCRIPTION**

SUBURBAN TAILGATE - VALIANT RV1

19x8827A





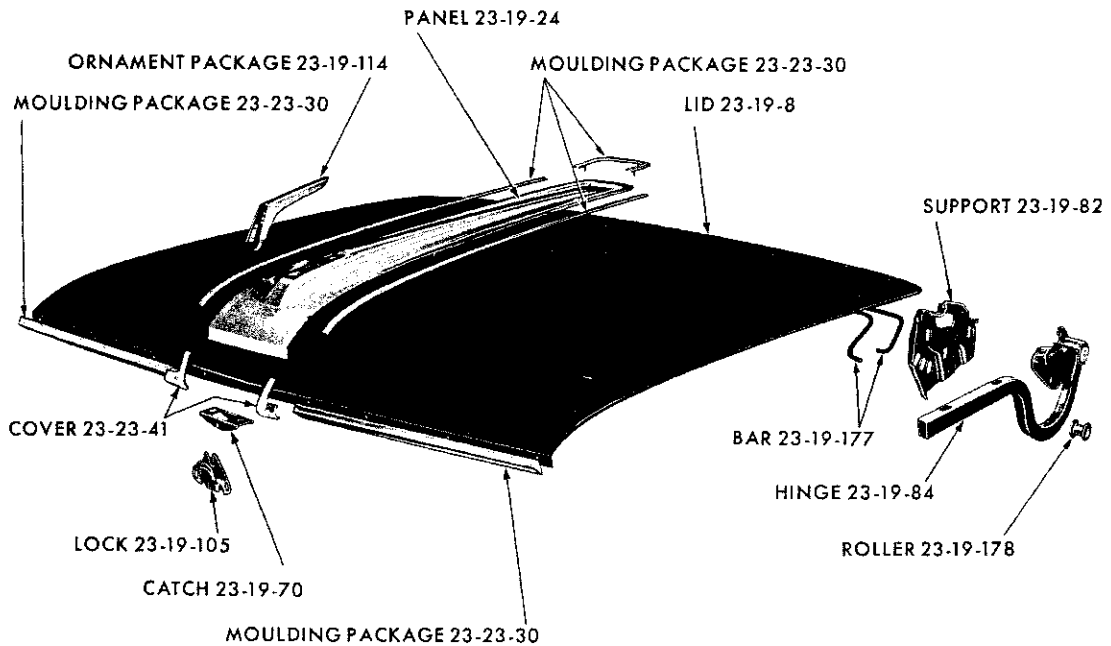
\* NOT SERVICED

PARTS INDICATED BY NAME ONLY - ORDER BY DESCRIPTION

19x8825B

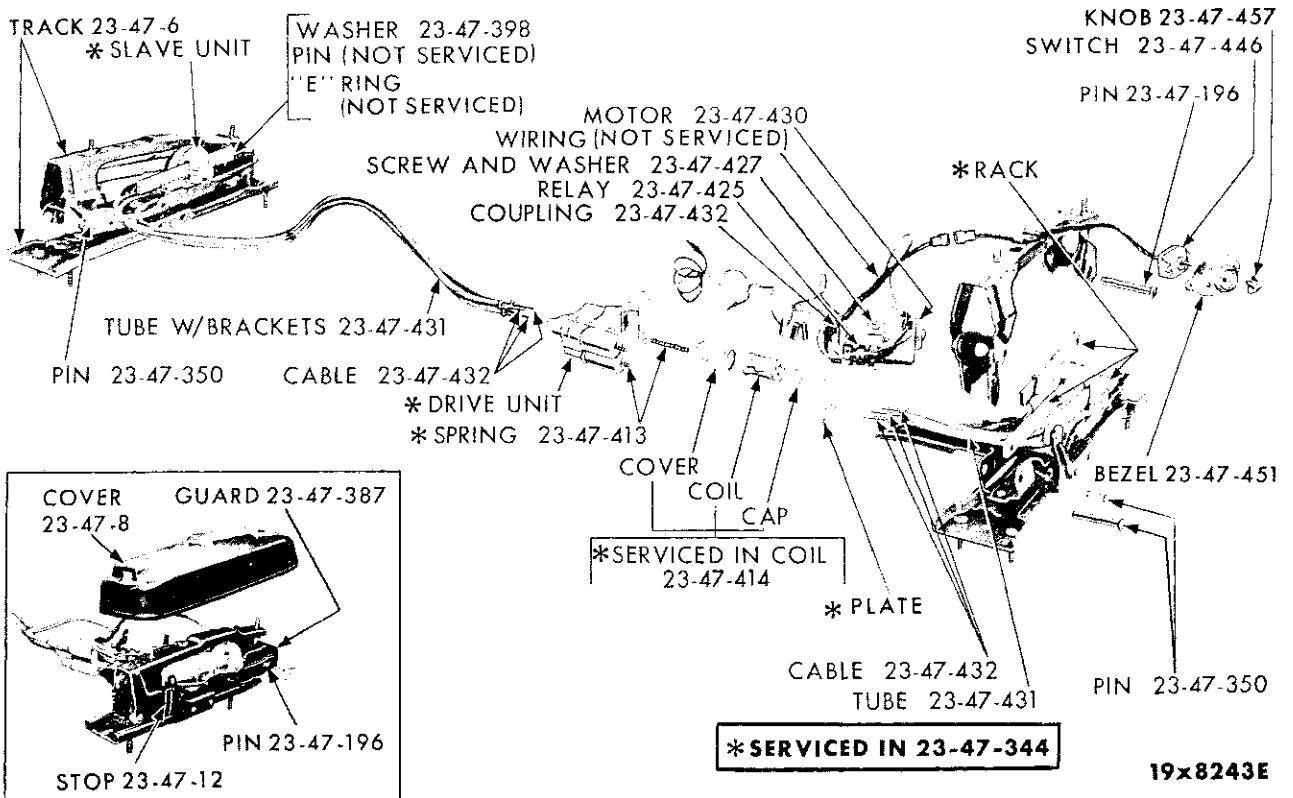
SUBURBAN TAILGATE - PLYMOUTH RP1-2





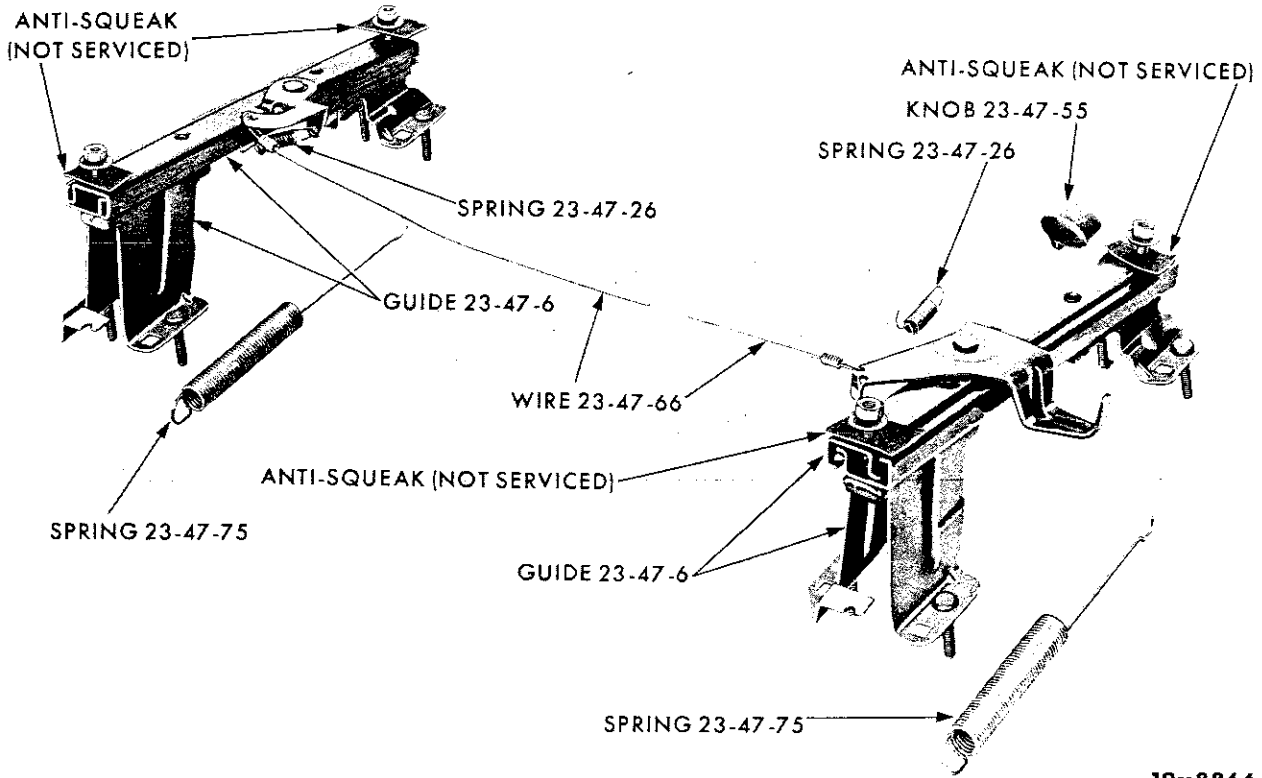
19x8988

LUGGAGE LID AND HINGE - PLYMOUTH RP1-2



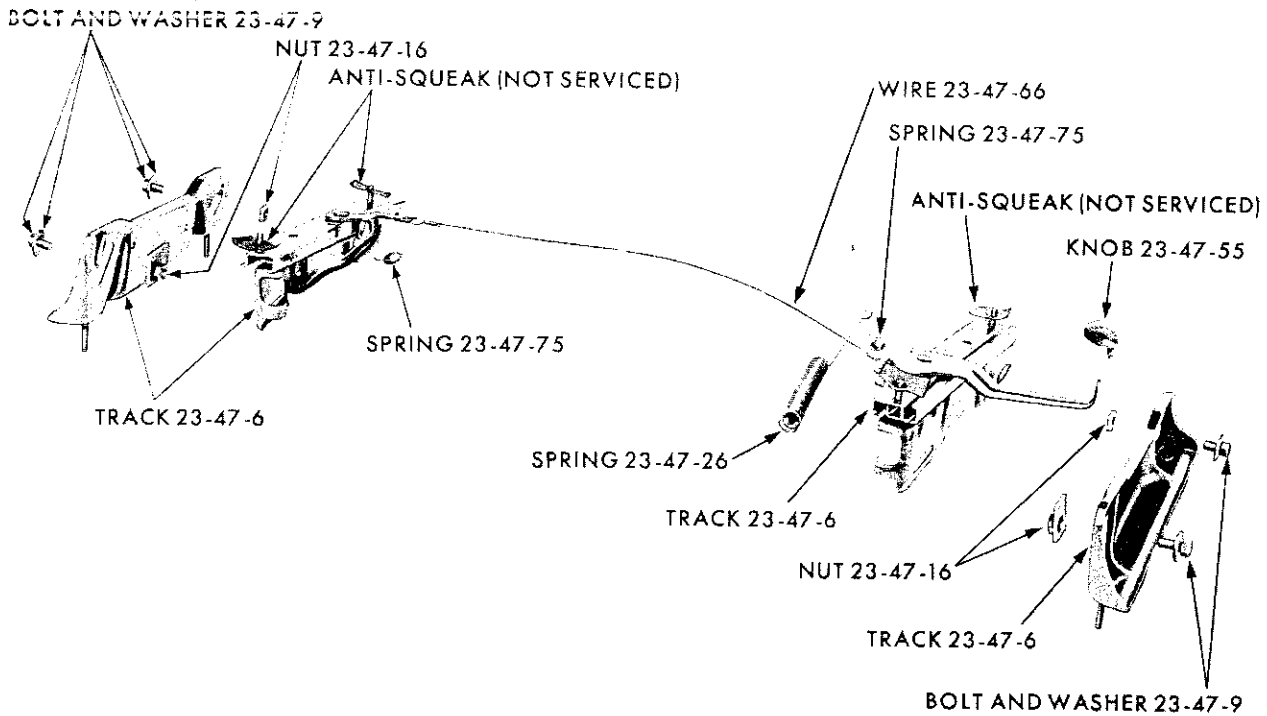
19x8243E

POWER SEAT ADJUSTER  
MyMopar.com



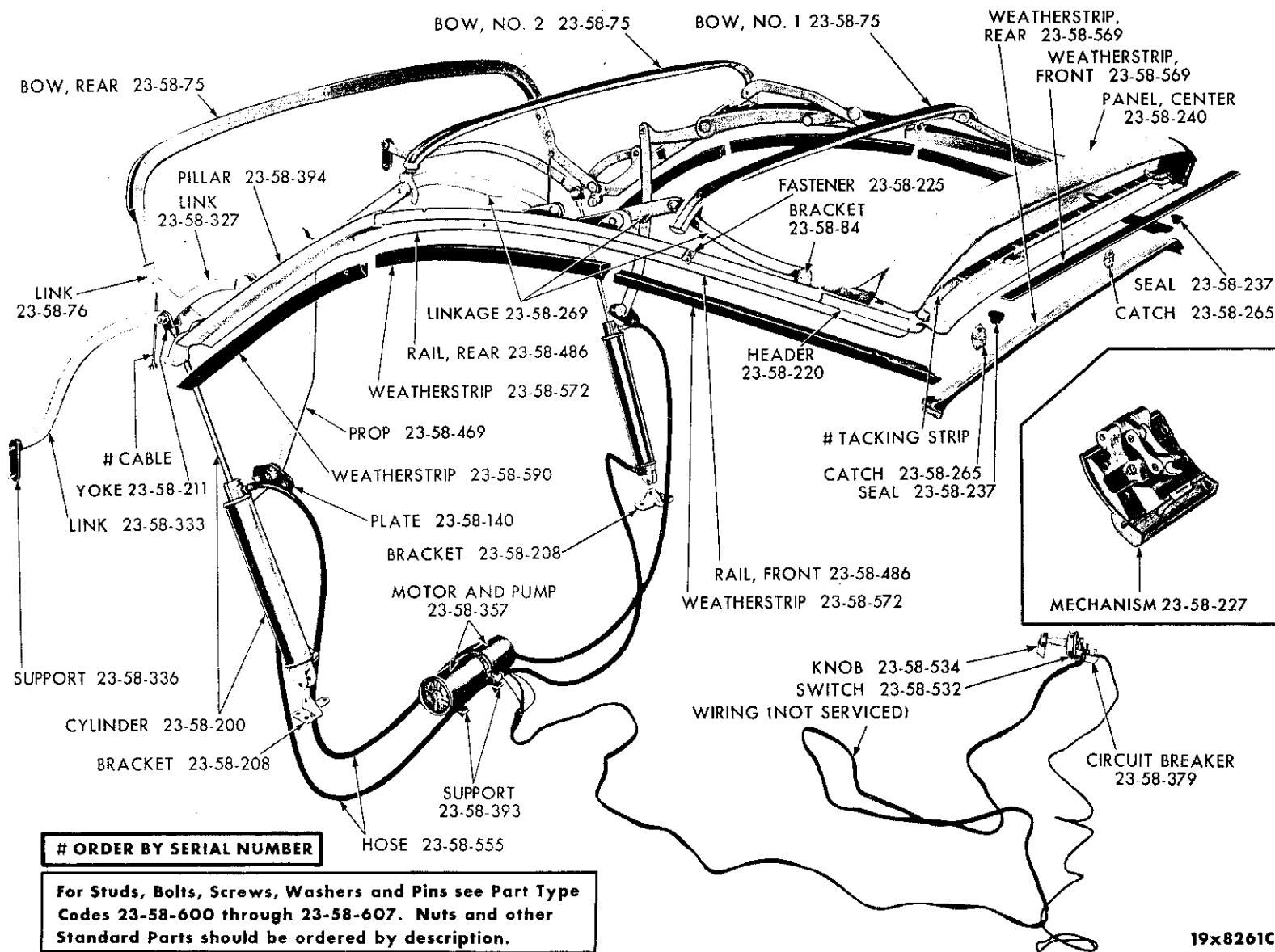
19x8866

MANUAL SEAT ADJUSTER - VALIANT RV1



19x8815

MANUAL SEAT ADJUSTER - EXCEPT VALIANT RV1



# ORDER BY SERIAL NUMBER

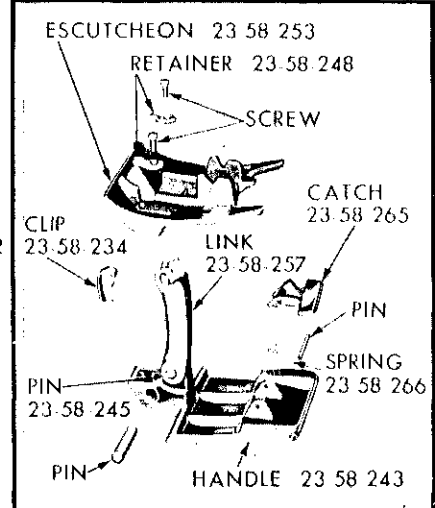
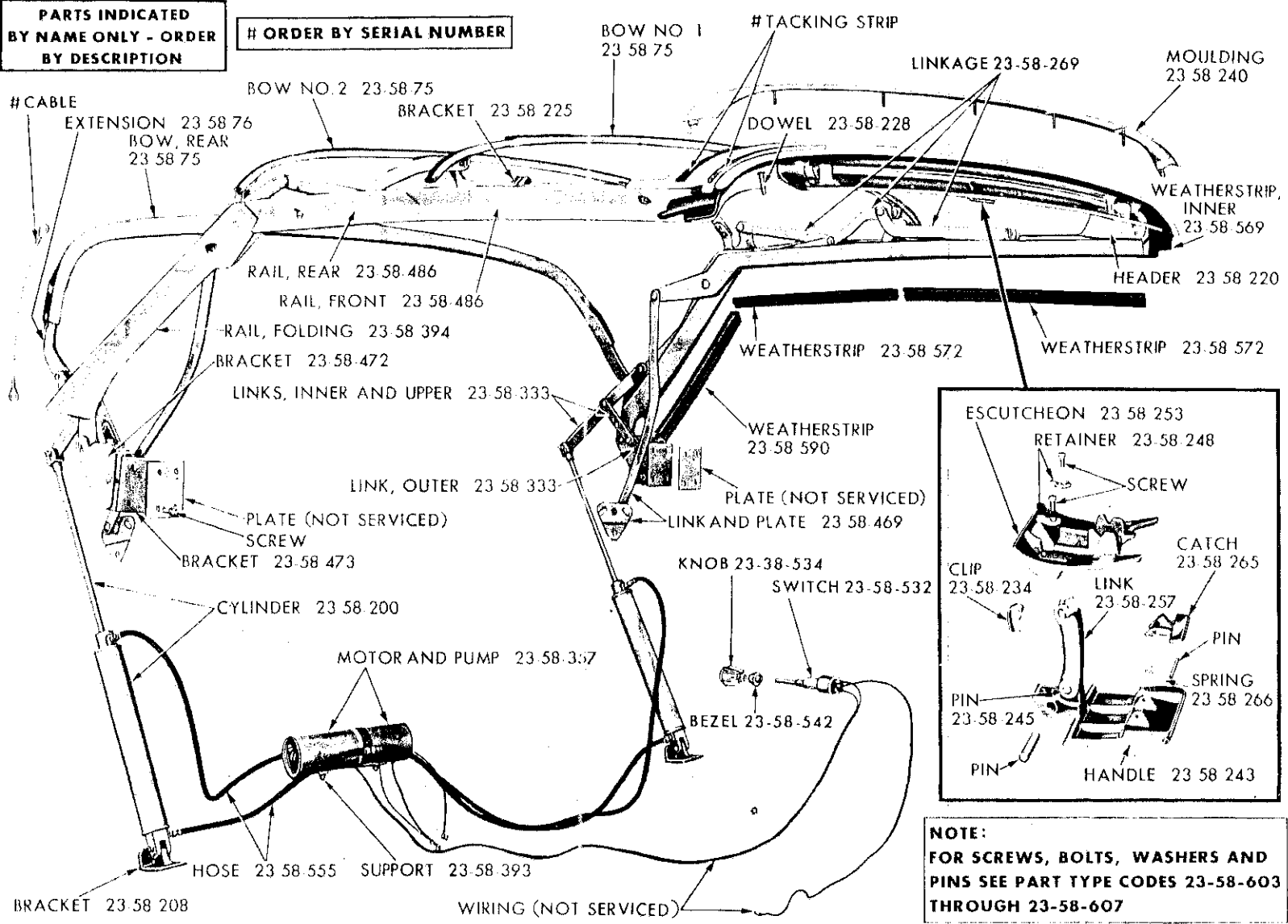
For Studs, Bolts, Screws, Washers and Pins see Part Type Codes 23-58-600 through 23-58-607. Nuts and other Standard Parts should be ordered by description.

19x8261C

CONVERTIBLE COUPE FOLDING TOP - EXCEPT IMPERIAL RY1

**PARTS INDICATED  
BY NAME ONLY - ORDER  
BY DESCRIPTION**

**# ORDER BY SERIAL NUMBER**



**NOTE:**  
FOR SCREWS, BOLTS, WASHERS AND  
PINS SEE PART TYPE CODES 23-58-603  
THROUGH 23-58-607

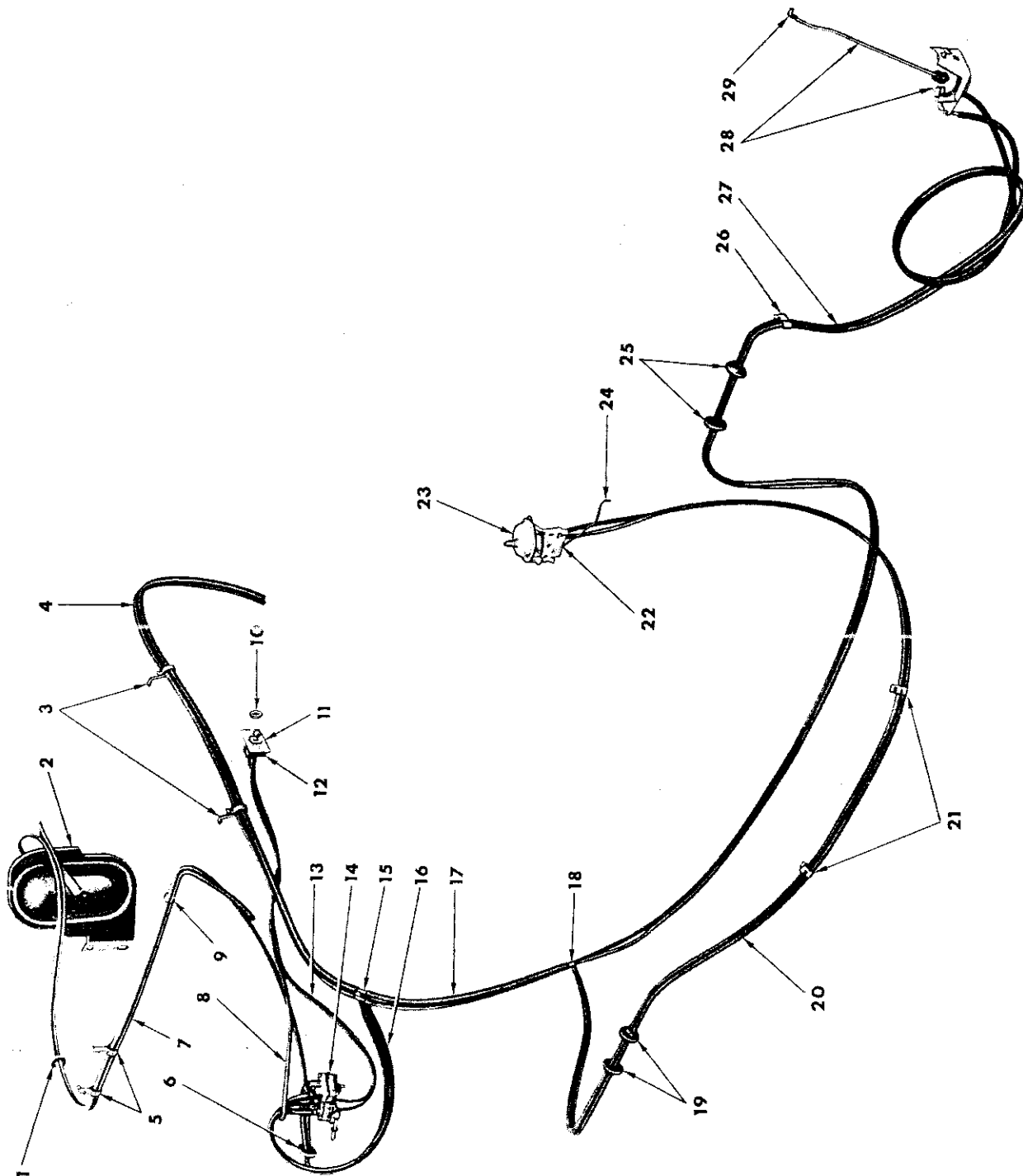
19x8248B

CONVERTIBLE COUPE FOLDING TOP - IMPERIAL RY1



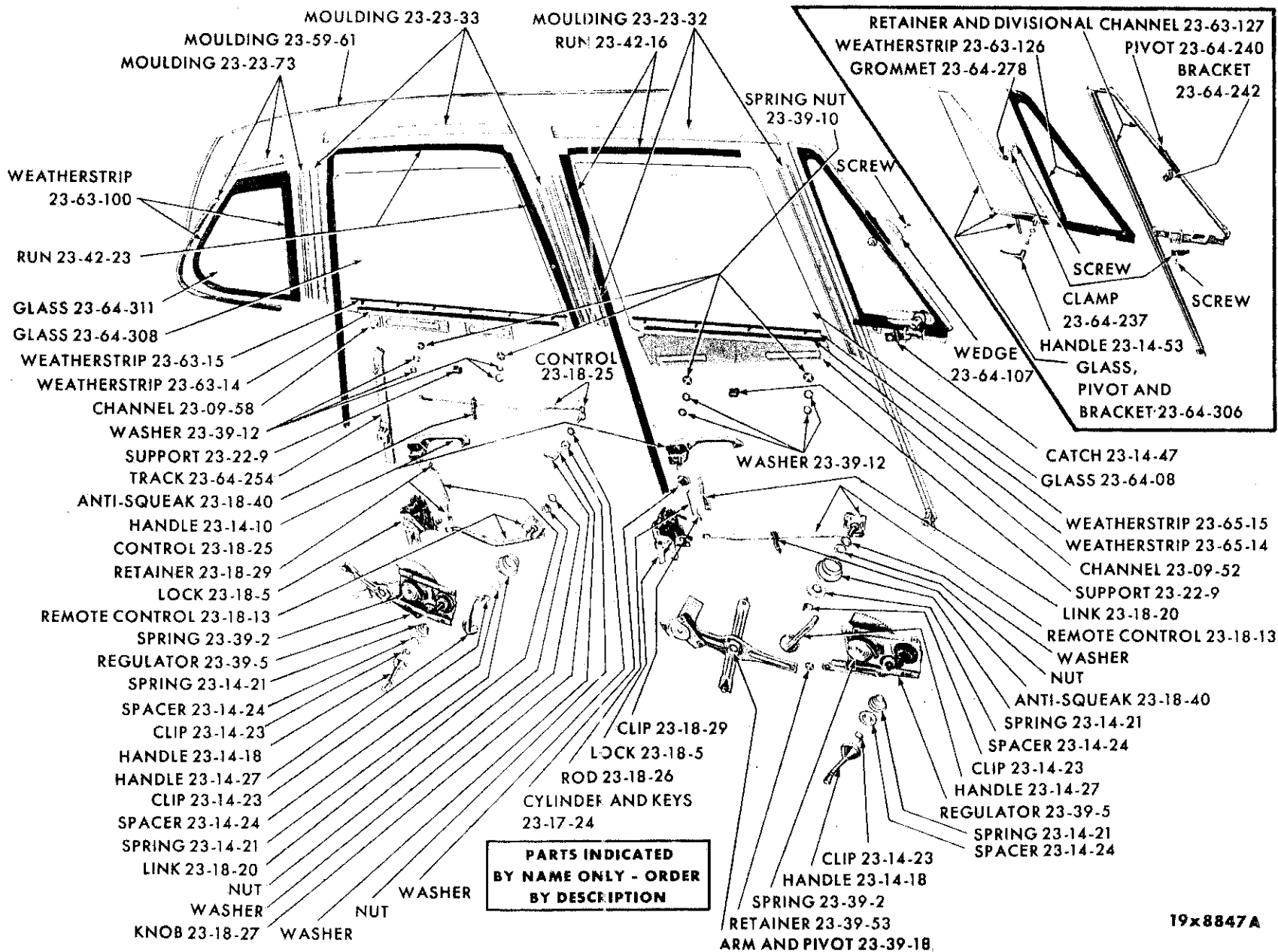


19x9019

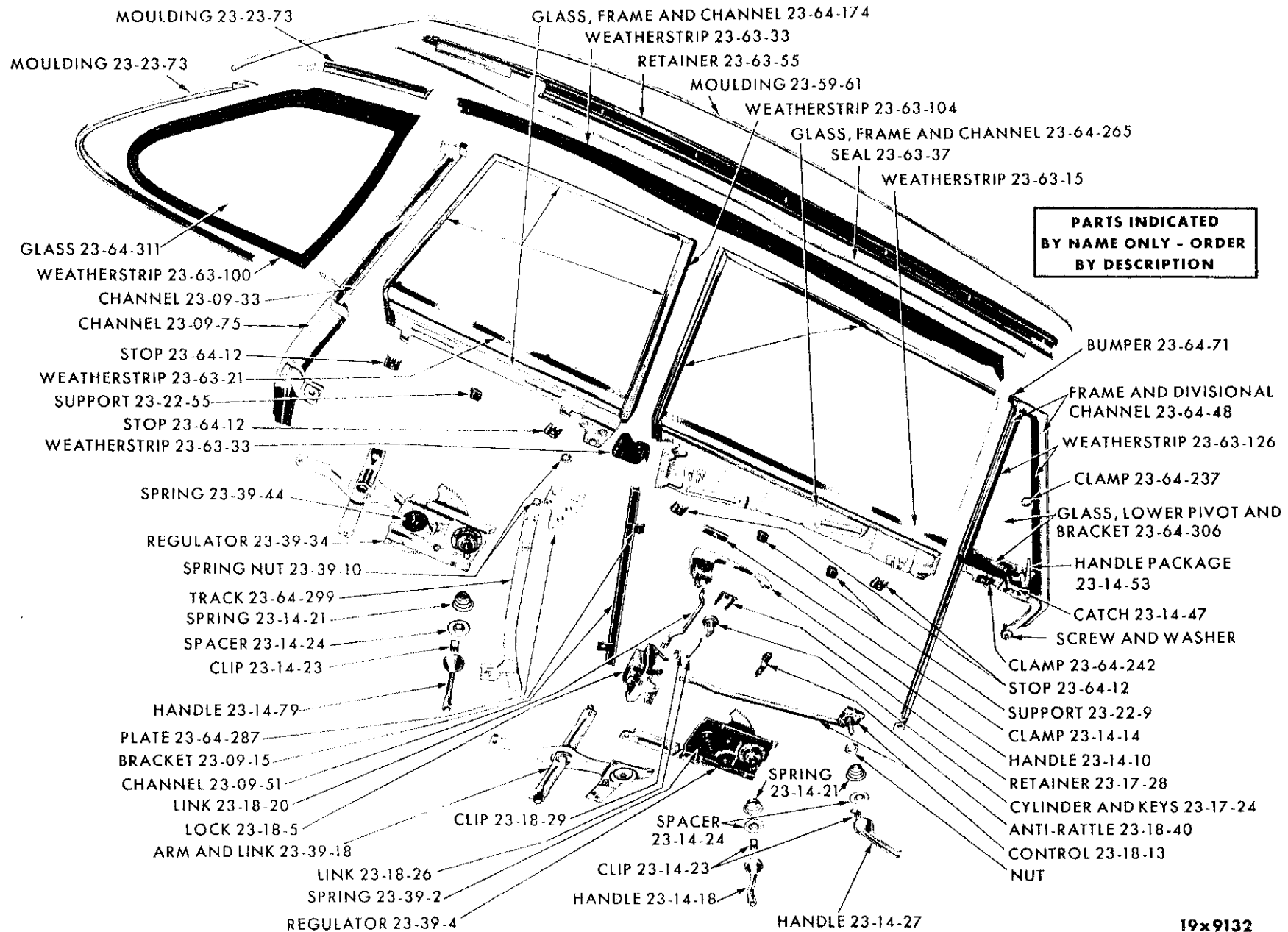


VACUUM DOOR LOCK SYSTEM





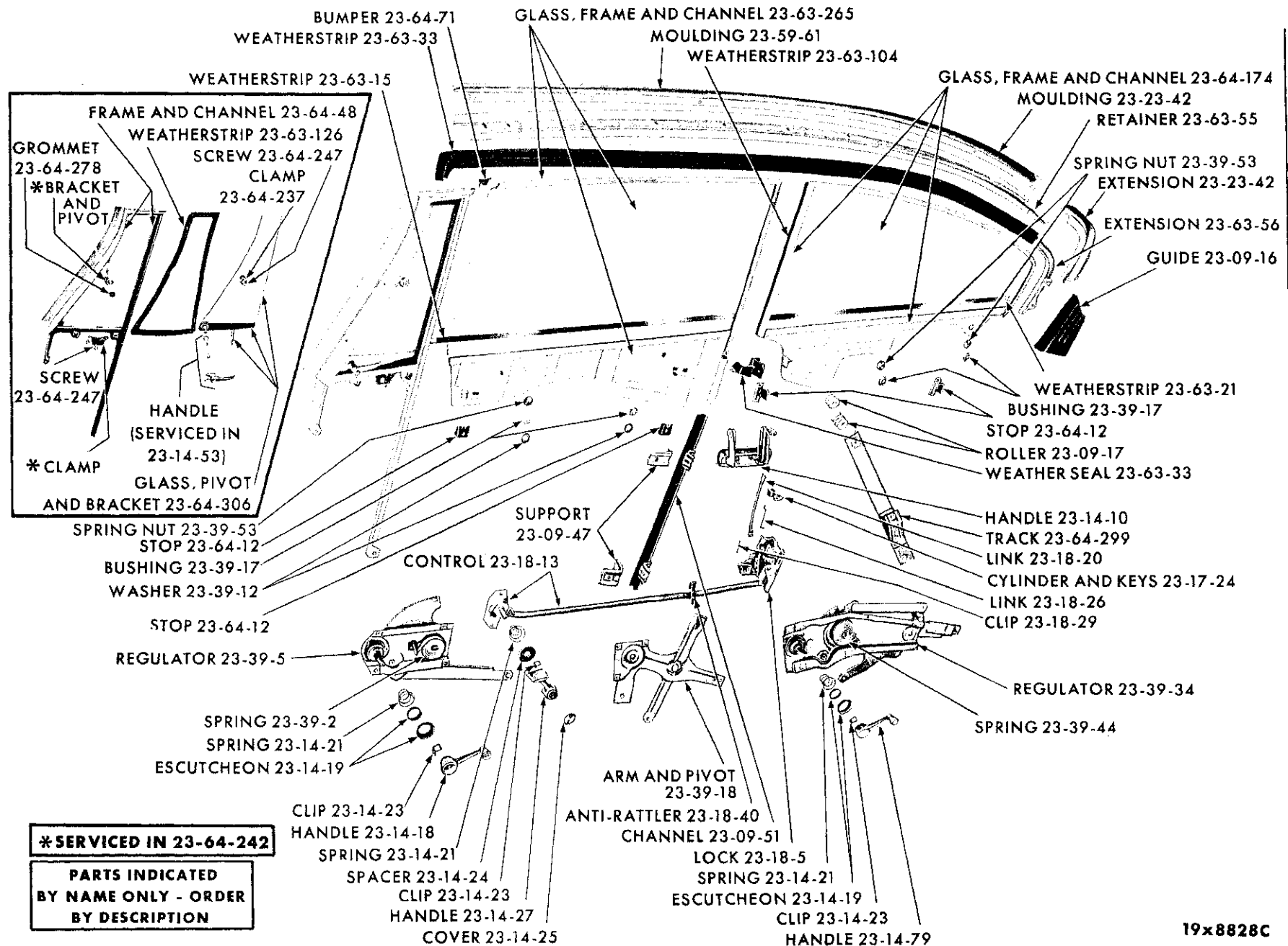
DOOR WINDOW REGULATORS AND RUNS - VALIANT RV1 4 DOOR SEDAN



19x9132

DOOR WINDOW REGULATORS AND RUNS - VALLANT RV1 SPECIAL CLUB COUPE

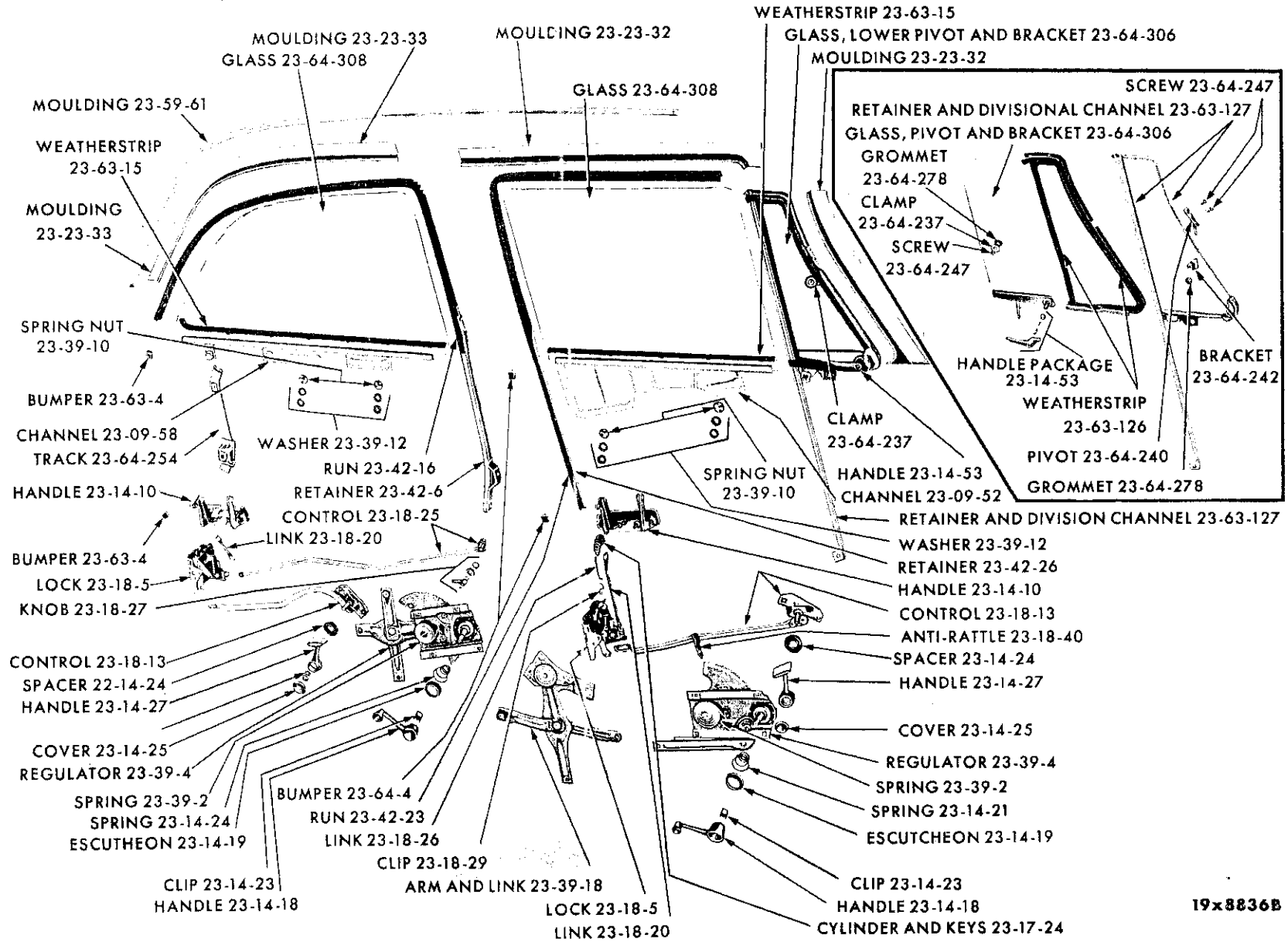




**\*SERVICED IN 23-64-242**

**PARTS INDICATED  
BY NAME ONLY - ORDER  
BY DESCRIPTION**

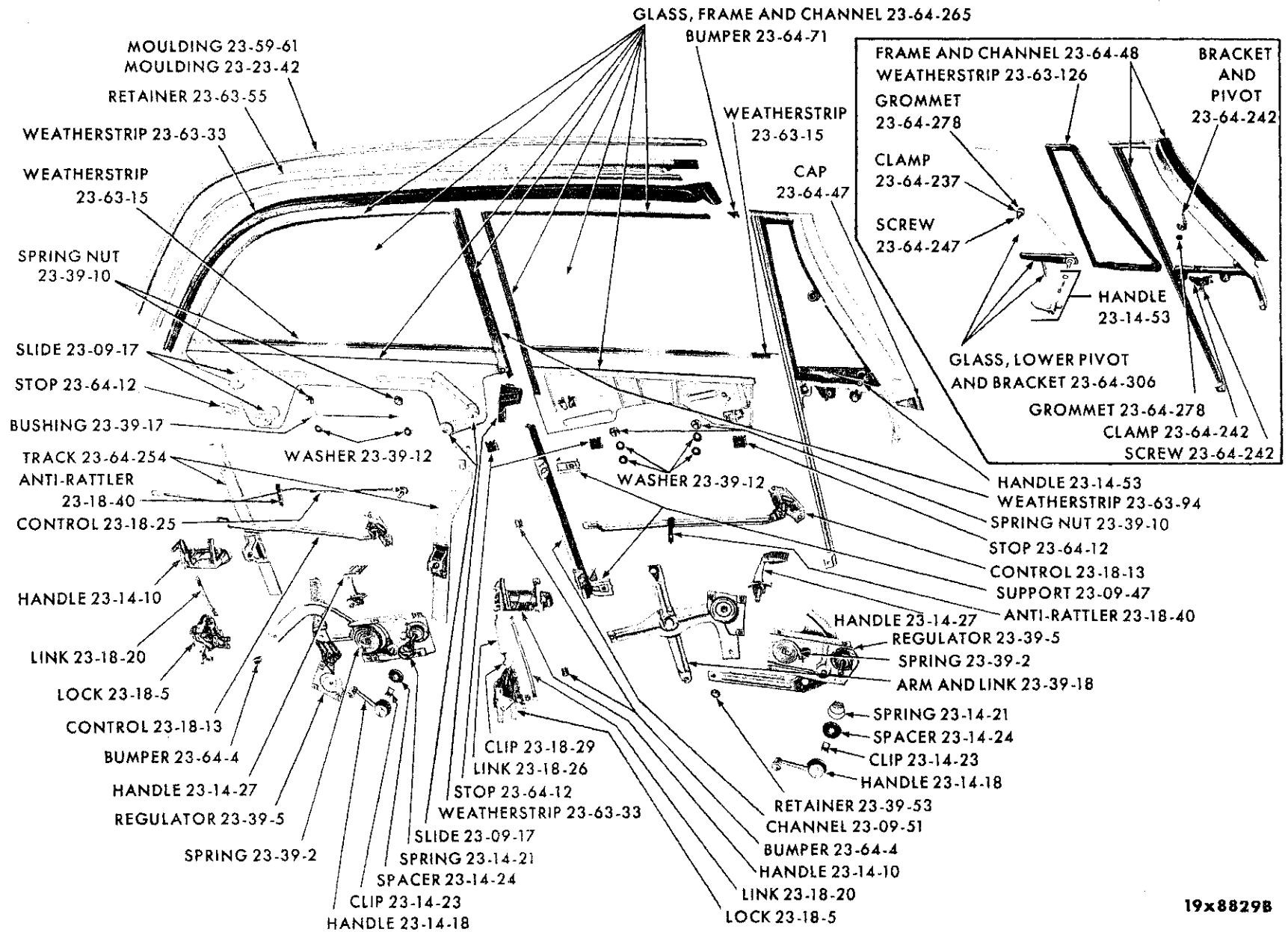
DOOR WINDOW REGULATORS AND RUNS - PLYMOUTH RP1-2 SPECIAL CLUB COUPE



19x8836B

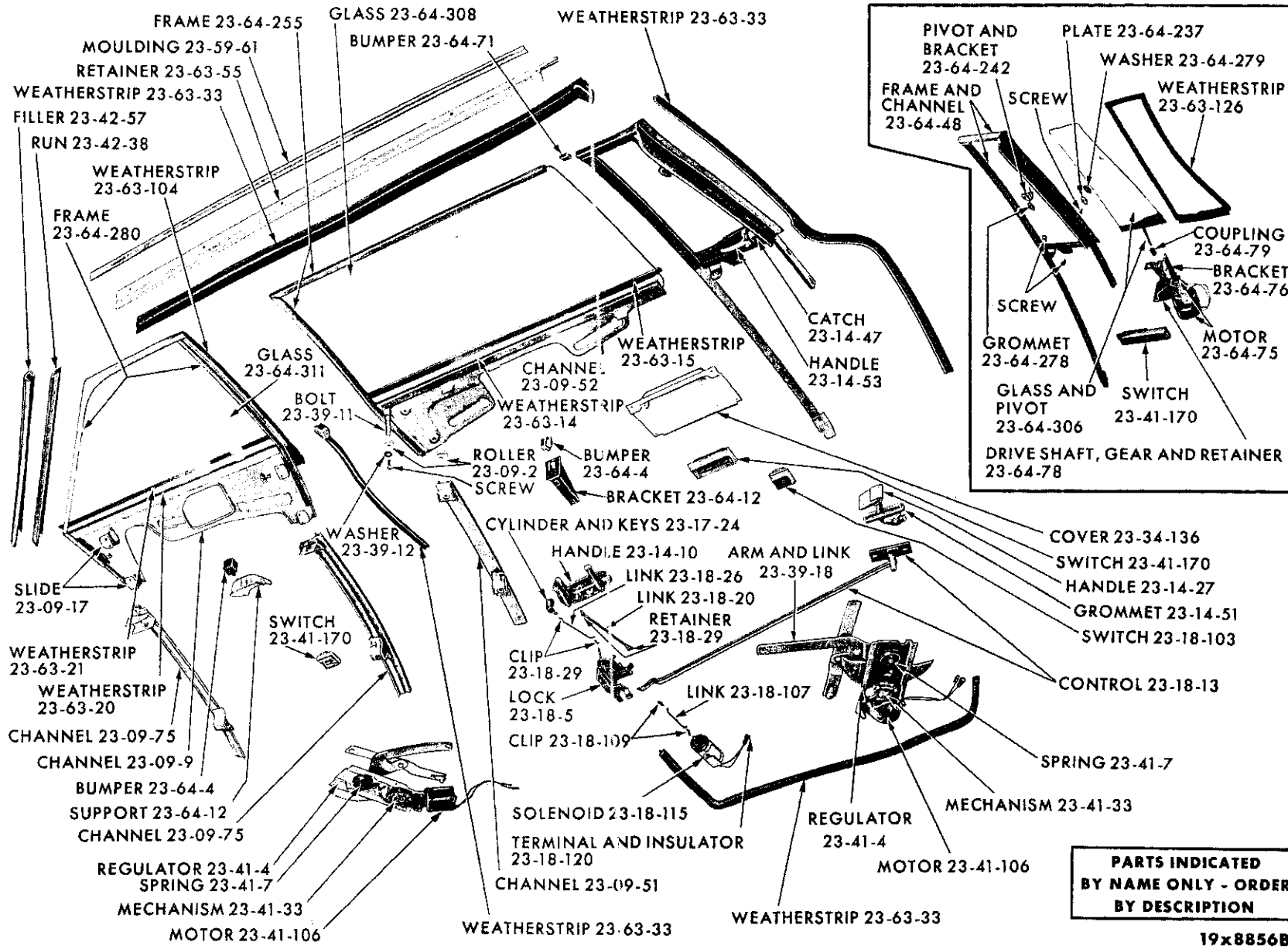
DOOR WINDOW REGULATORS AND RUNS - PLYMOUTH RP1-2 AND CHRYSLER RC1-2-3 4 DOOR SEDAN



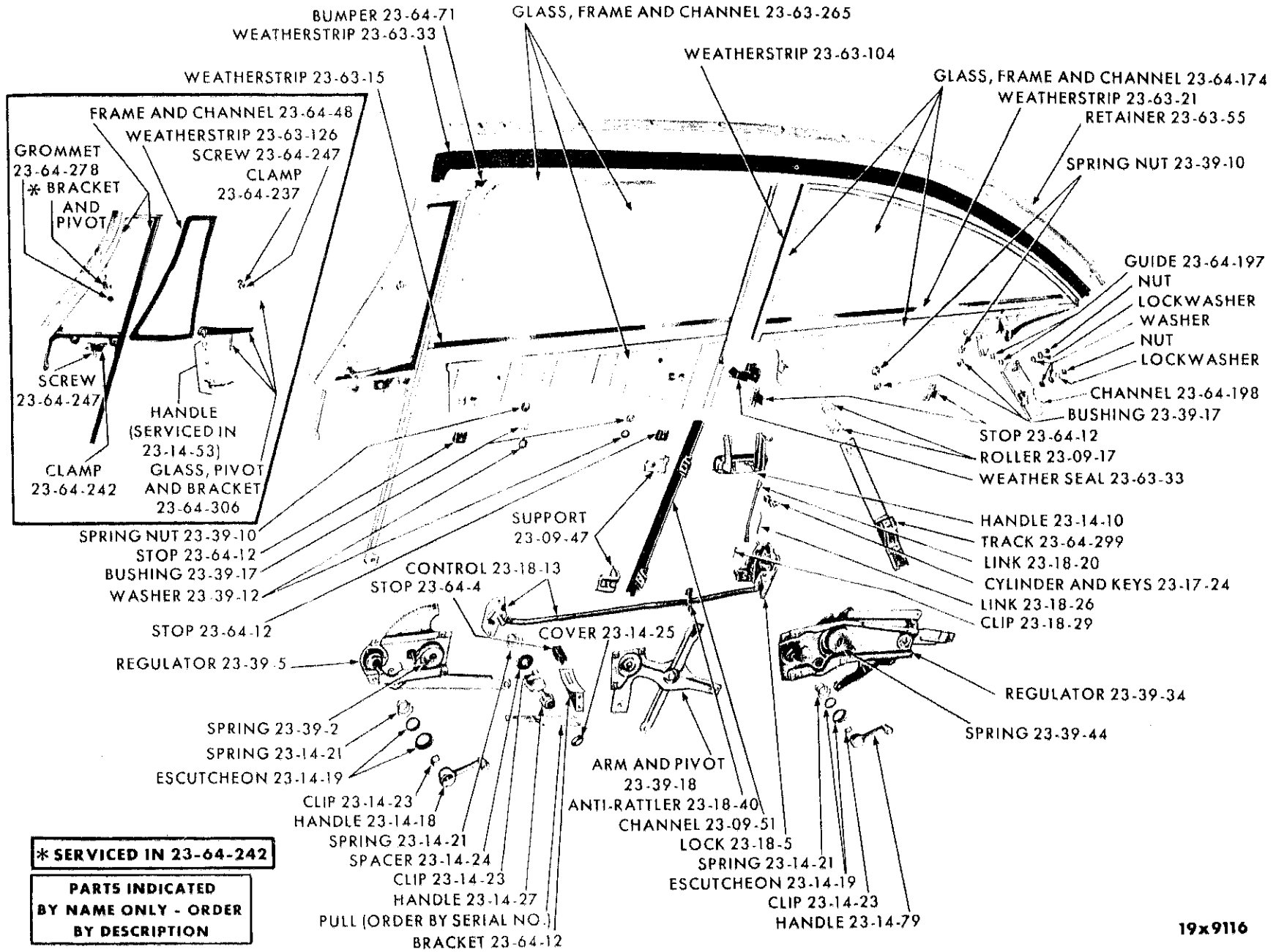


19x8829B

DOOR WINDOW REGULATORS AND RUNS - DESOTO RS1 AND CHRYSLER RC1-2-3 SPECIAL 4 DOOR SEDAN



DOOR WINDOW REGULATORS AND RUNS - IMPERIAL RY1 SPECIAL CLUB COUPE

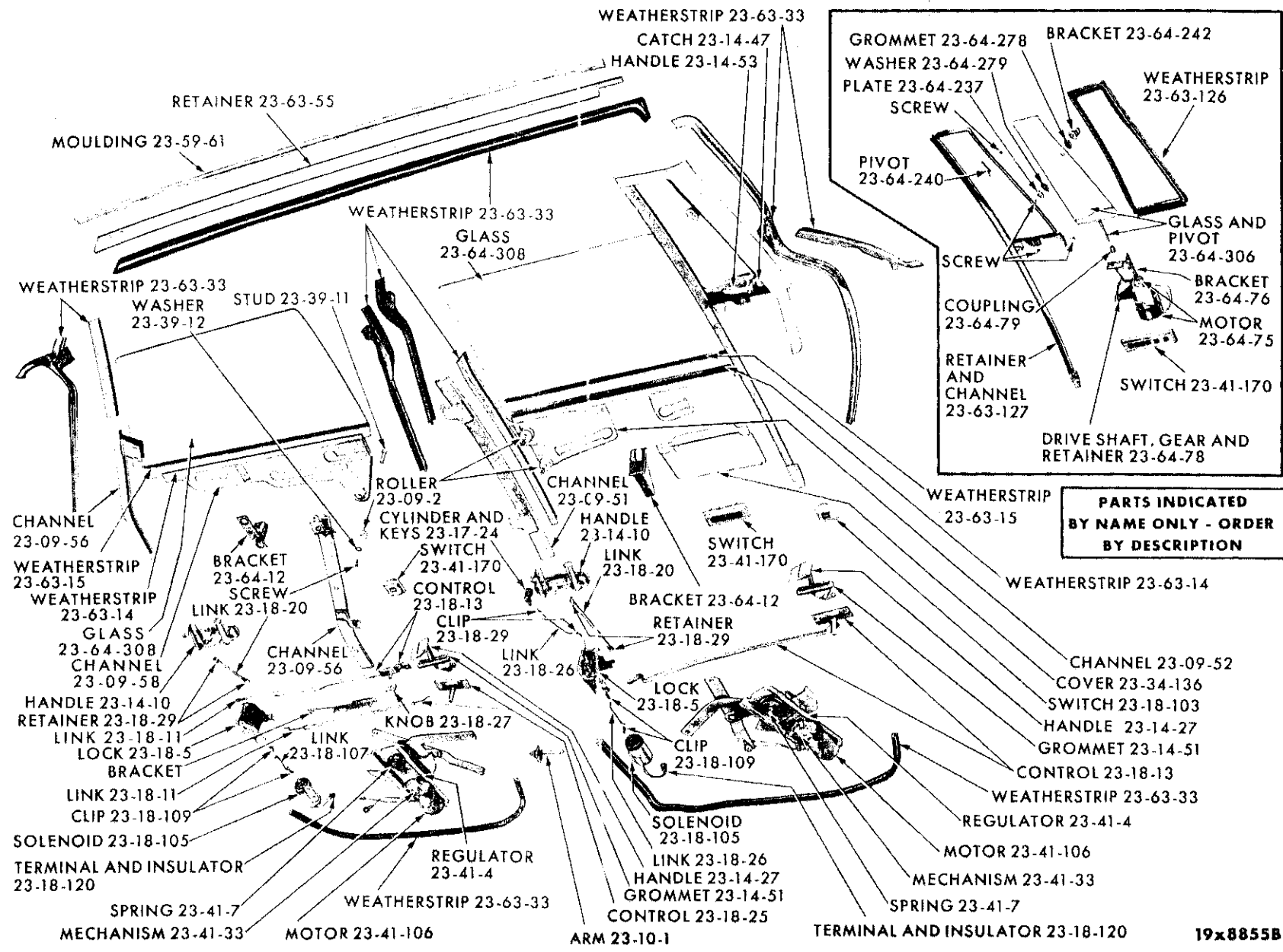


**\* SERVICED IN 23-64-242**

**PARTS INDICATED BY NAME ONLY - ORDER BY DESCRIPTION**

19x9116

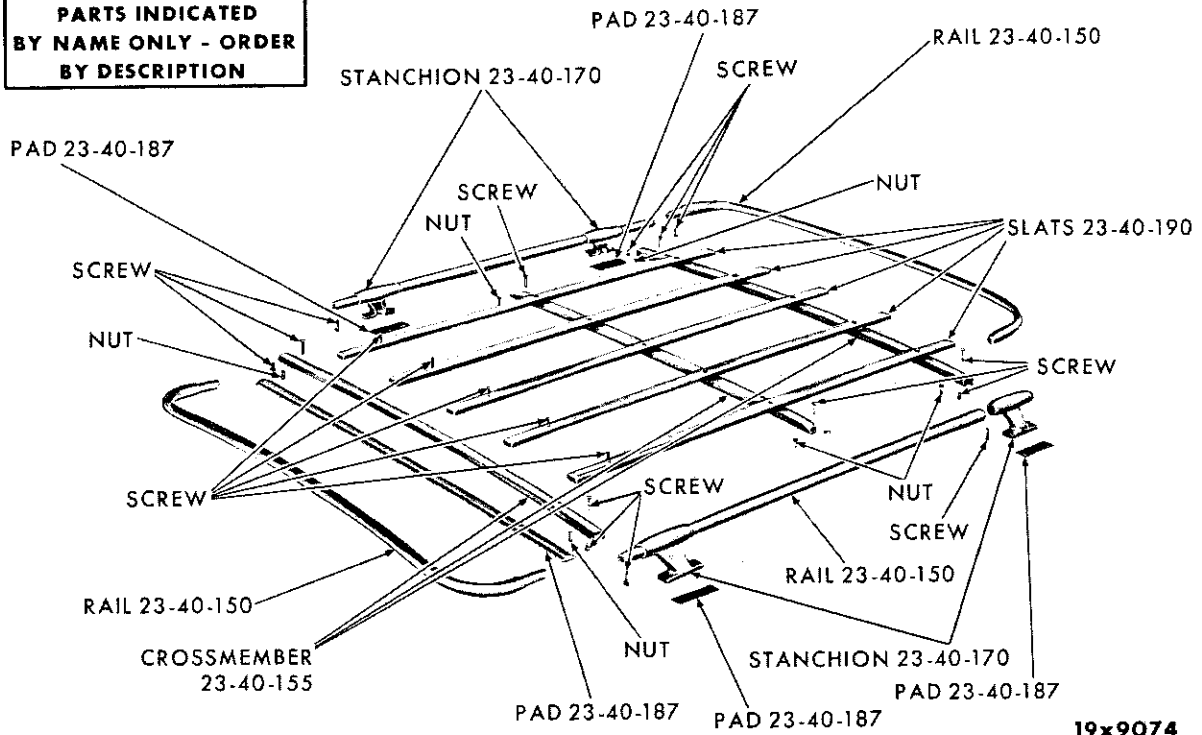
DOOR WINDOW REGULATORS AND CONTROLS - CHRYSLER RC1-2-3-4 SPECIAL CLUB COUPE



DOOR WINDOW REGULATORS AND RUNS - IMPERIAL RY1 SPECIAL 4 DOOR SEDAN

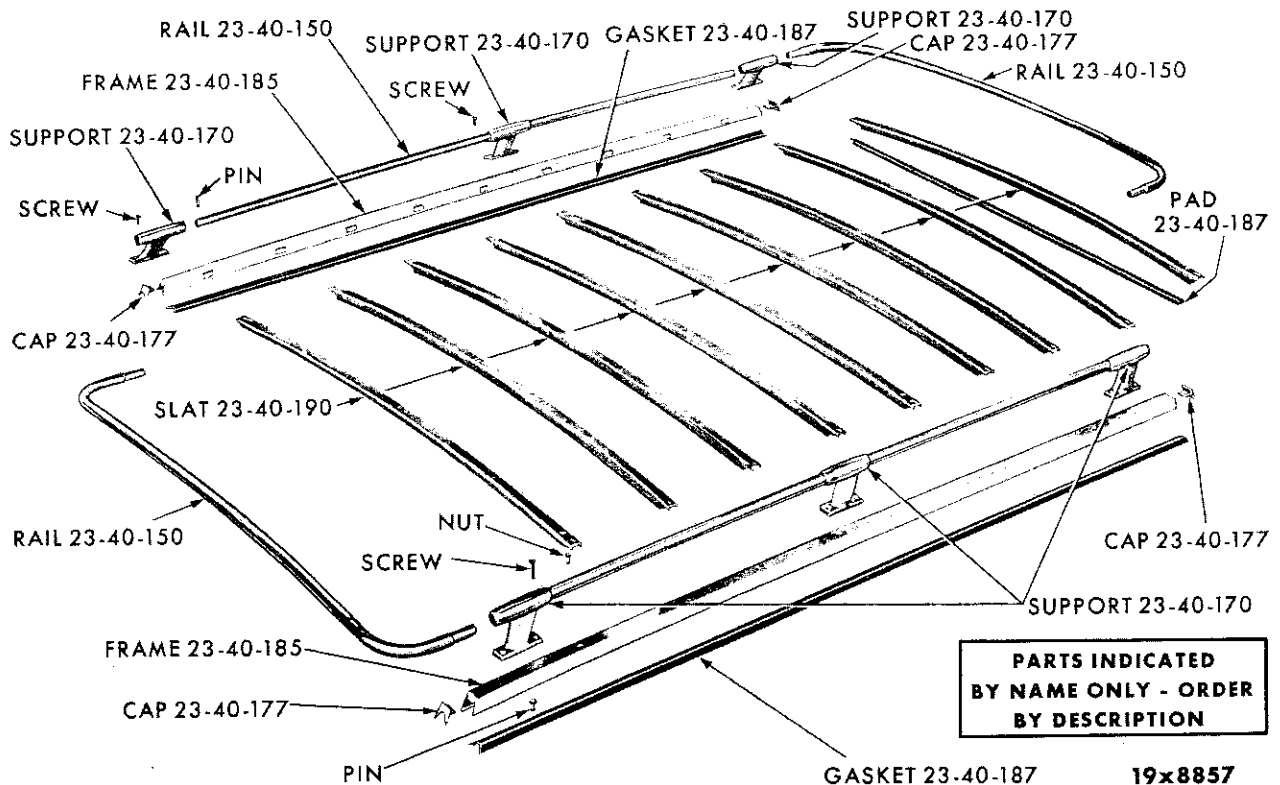
19x8855B

PARTS INDICATED BY NAME ONLY - ORDER BY DESCRIPTION



19x9074

ROOF RACK - VALIANT RV1

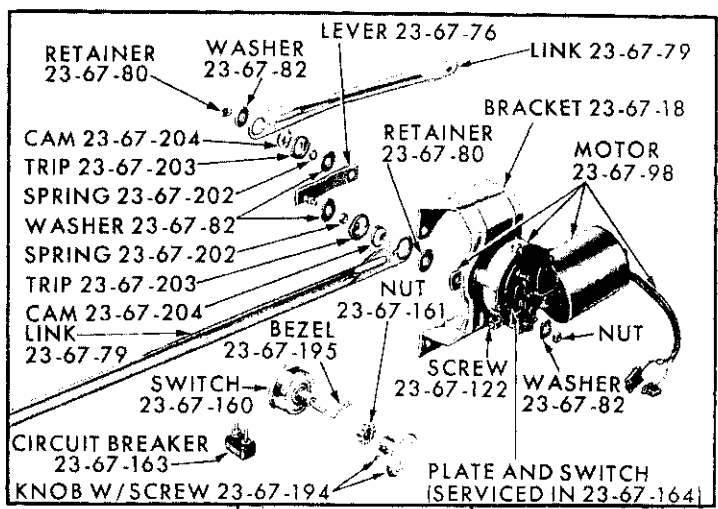


PARTS INDICATED BY NAME ONLY - ORDER BY DESCRIPTION

19x8857

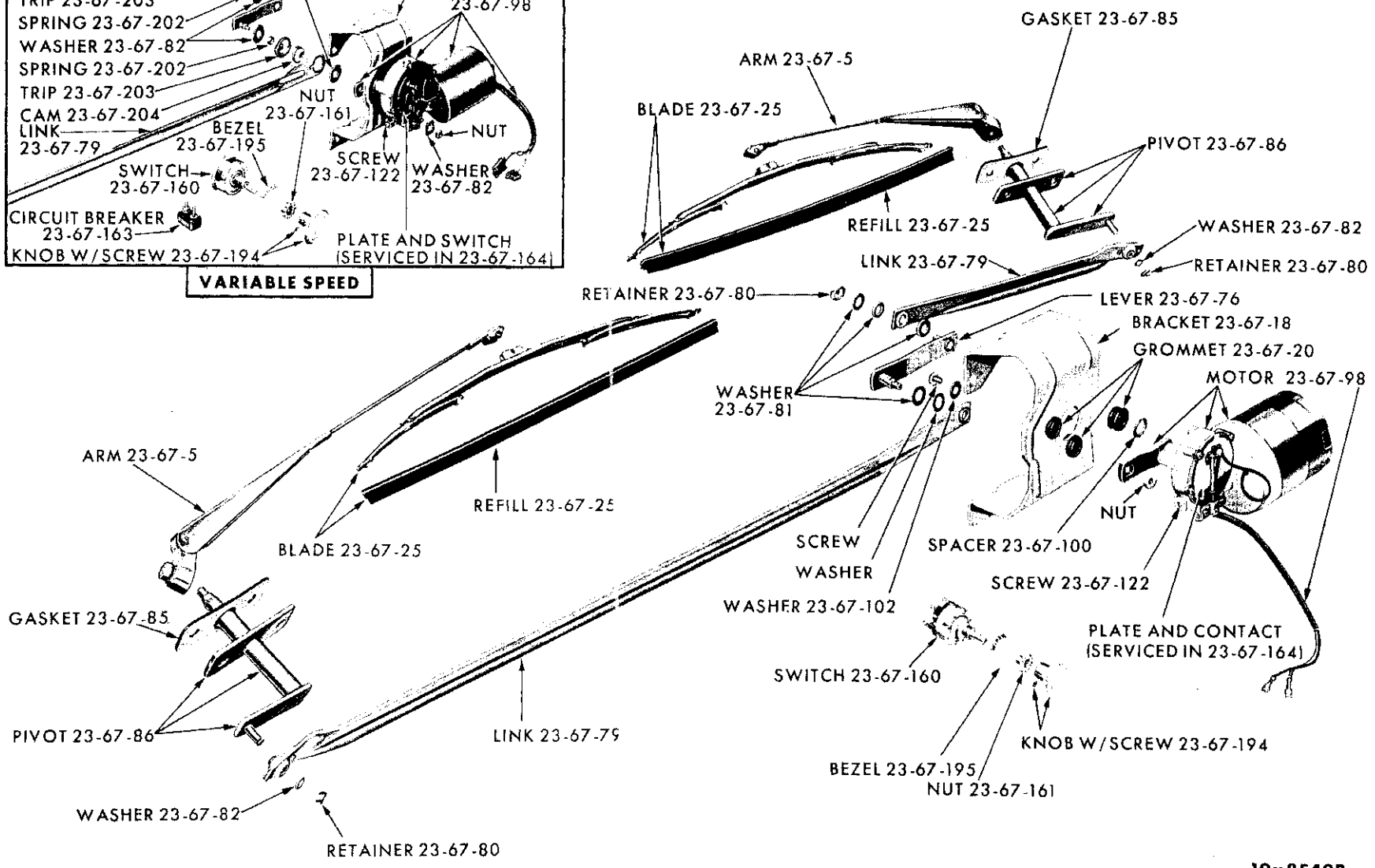
ROOF RACK - EXCEPT VALIANT RV1





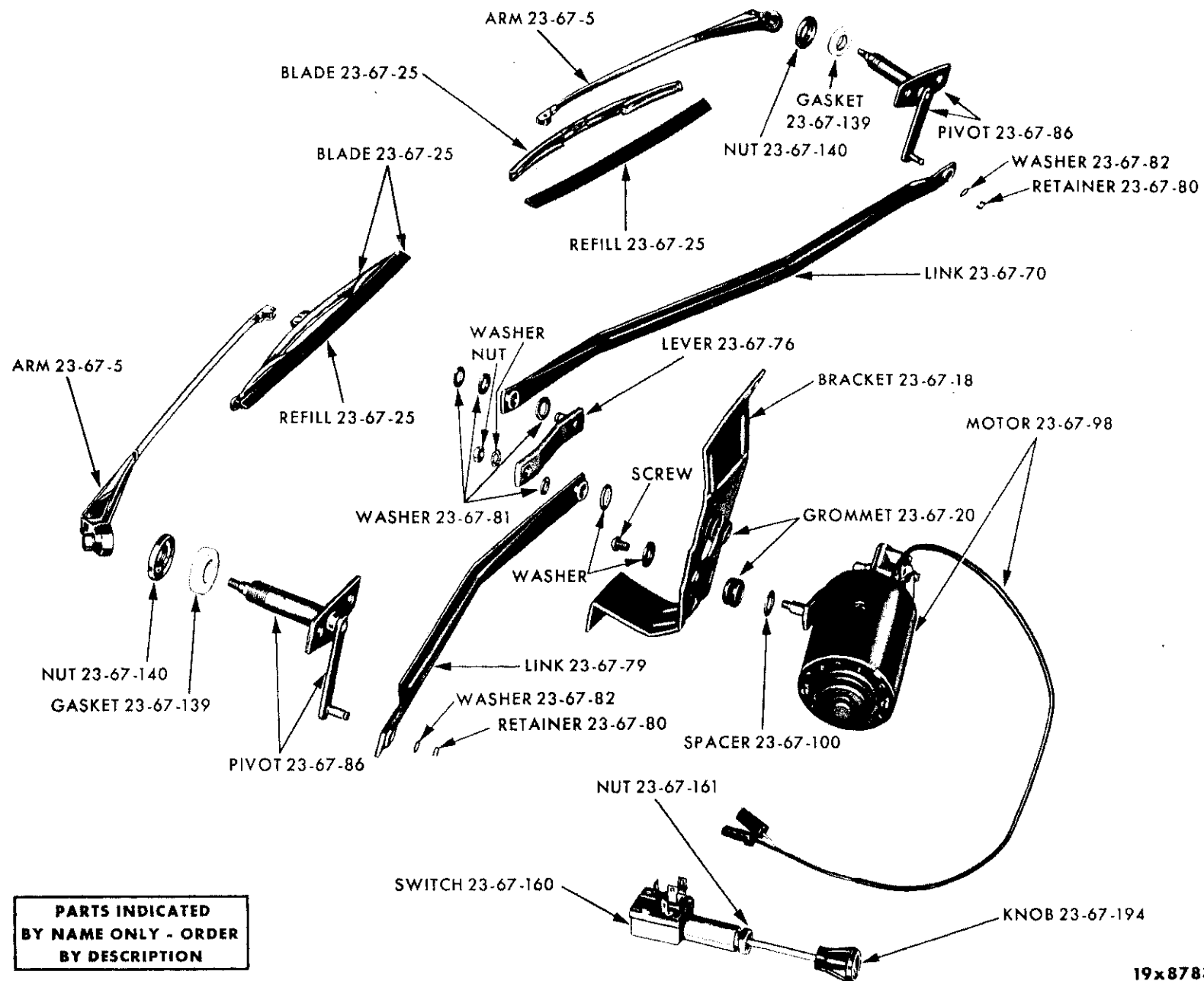
**VARIABLE SPEED**

**PARTS INDICATED  
BY NAME ONLY - ORDER  
BY DESCRIPTION**



WINDSHIELD WIPER - PLYMOUTH RP1-2, DESOTO RS1 AND CHRYSLER RC1-2-3-4

19x8549B

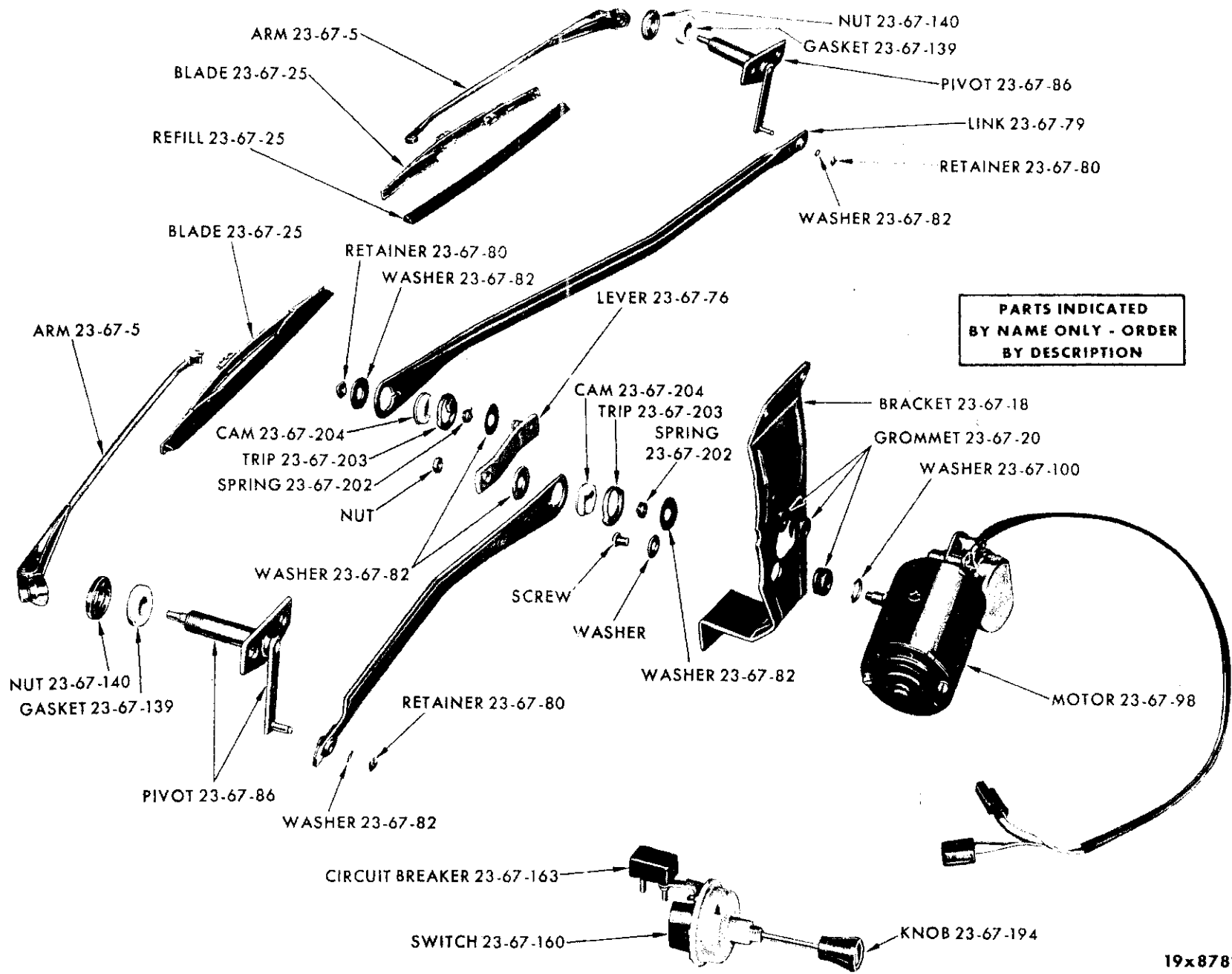


**PARTS INDICATED  
BY NAME ONLY - ORDER  
BY DESCRIPTION**

WINDSHIELD WIPER (SINGLE SPEED) - VALIANT RV1

19x8783A

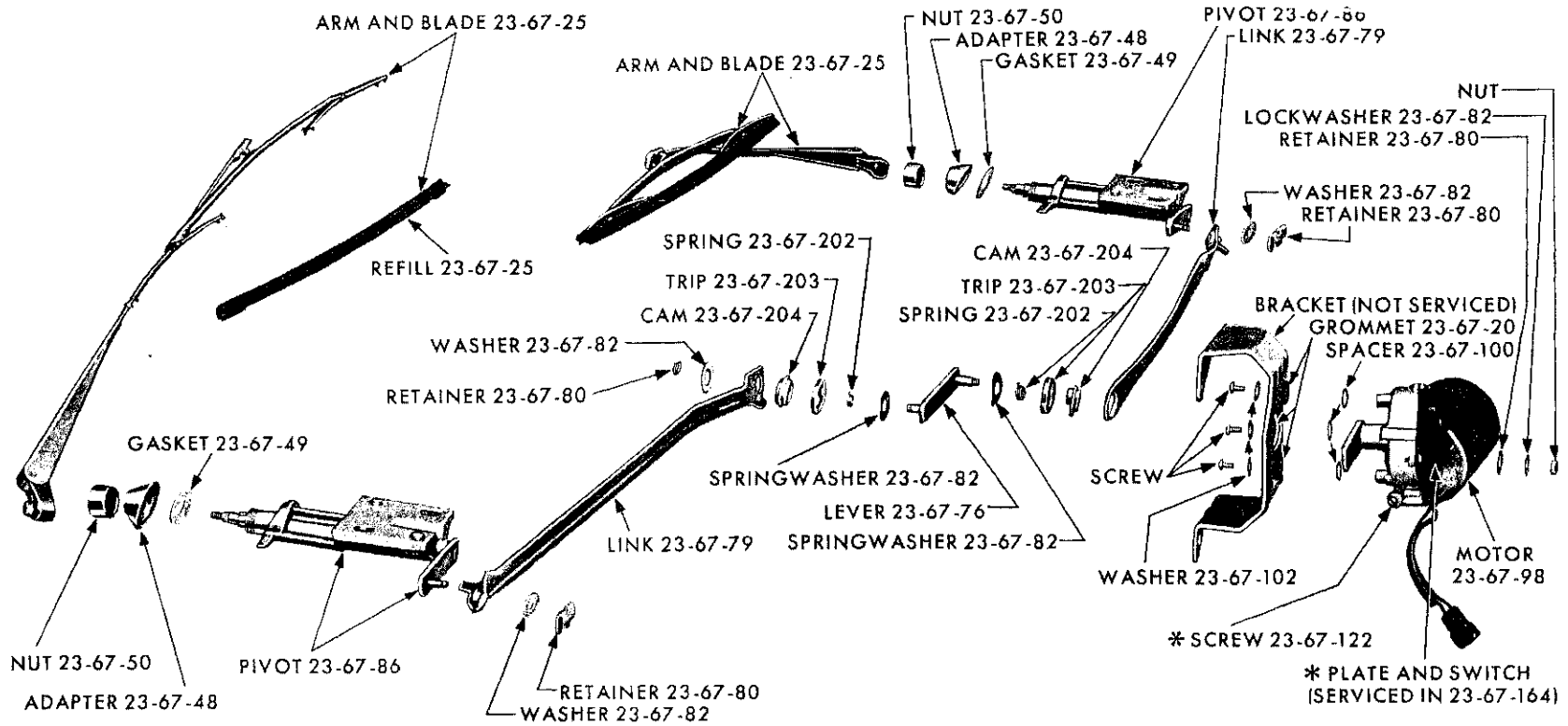




PARTS INDICATED  
BY NAME ONLY - ORDER  
BY DESCRIPTION

WINDSHIELD WIPER (VARIABLE SPEED) - VALIANT RV1

19x8782A



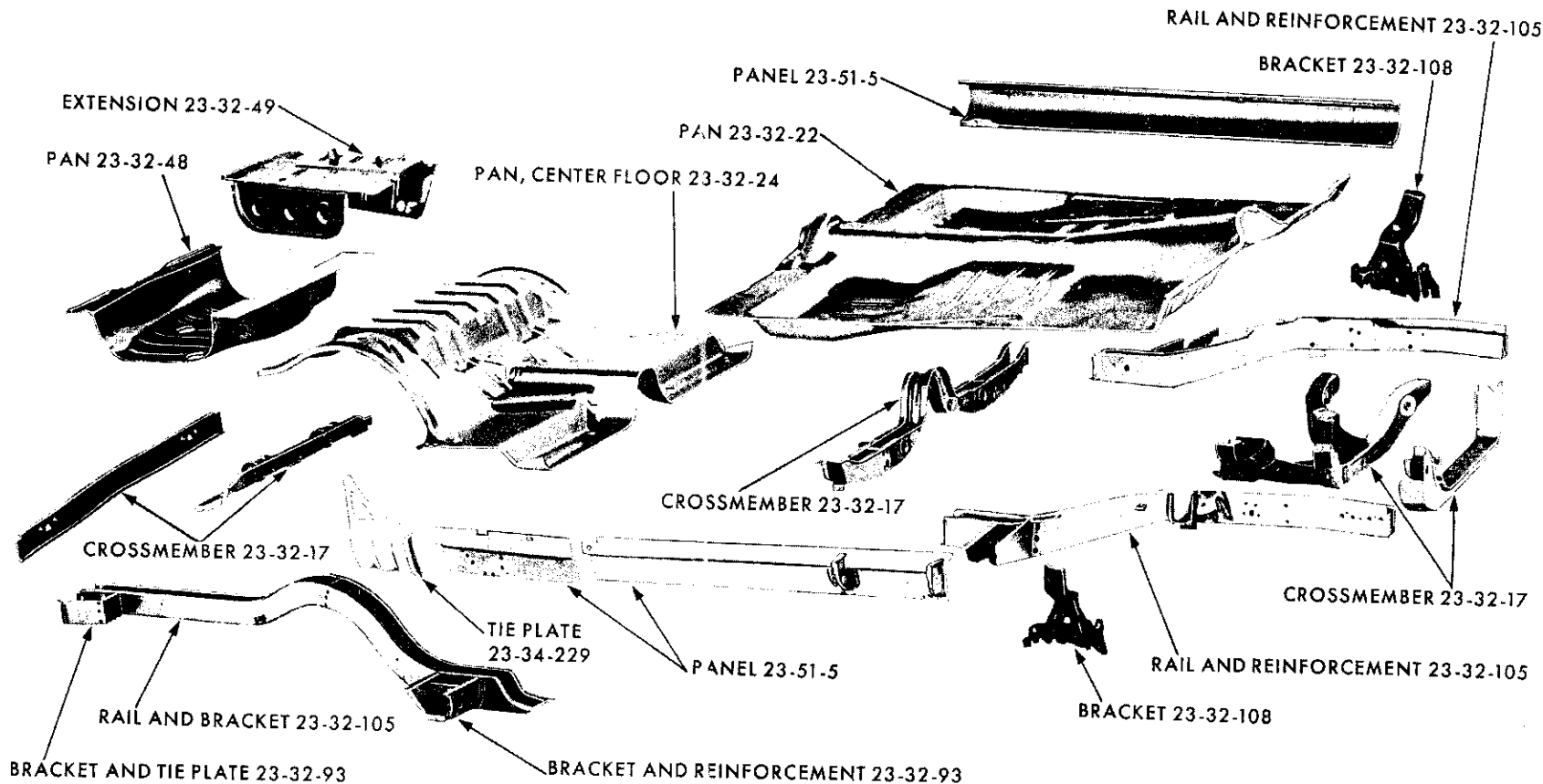
**\* ALSO SERVICED IN 23-67-98**

**PARTS INDICATED BY NAME  
 ONLY ARE STANDARD PARTS  
 —ORDER BY DESCRIPTION.**

19x8542A

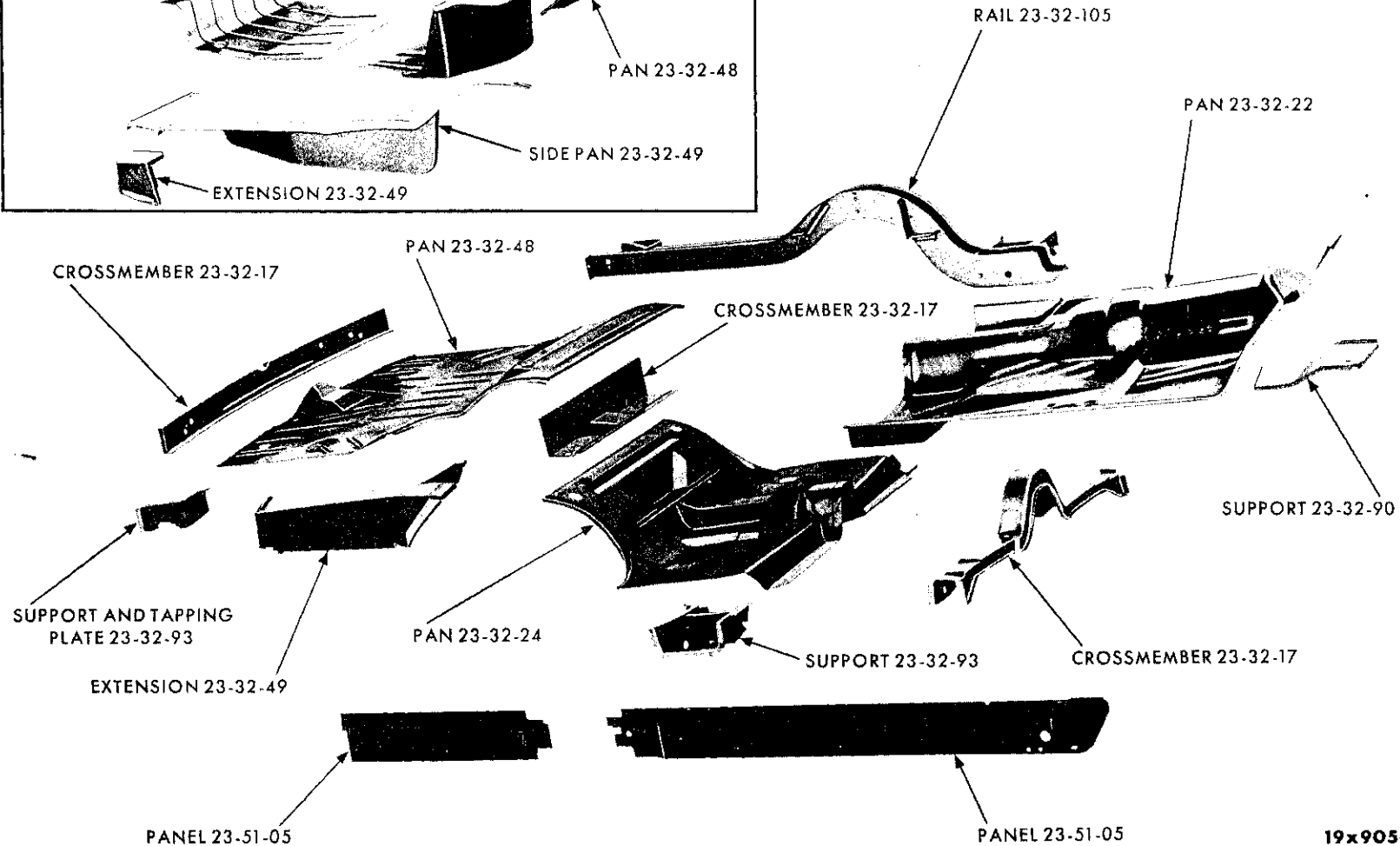
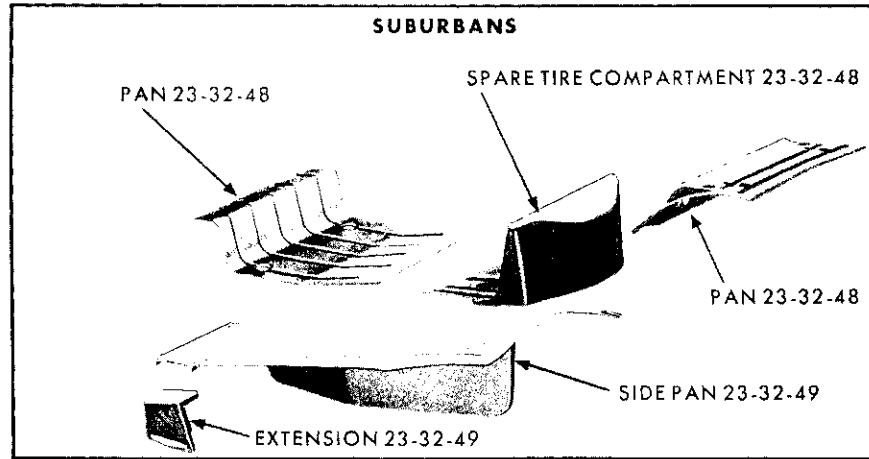
WINDSHIELD WIPER - IMPERIAL RY1

MyMopar.com



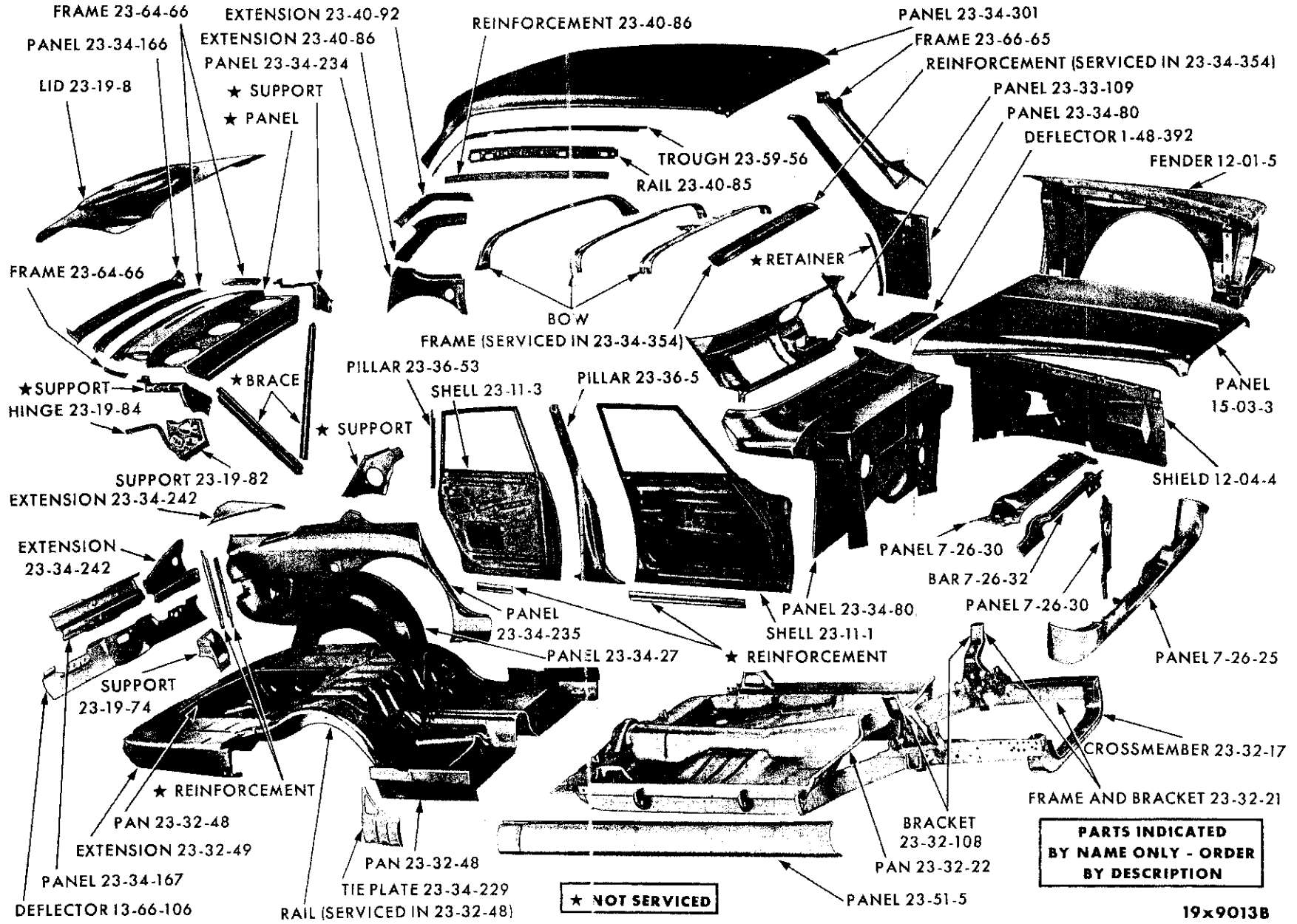
19x9052

UNDERBODY - VALIANT RV1



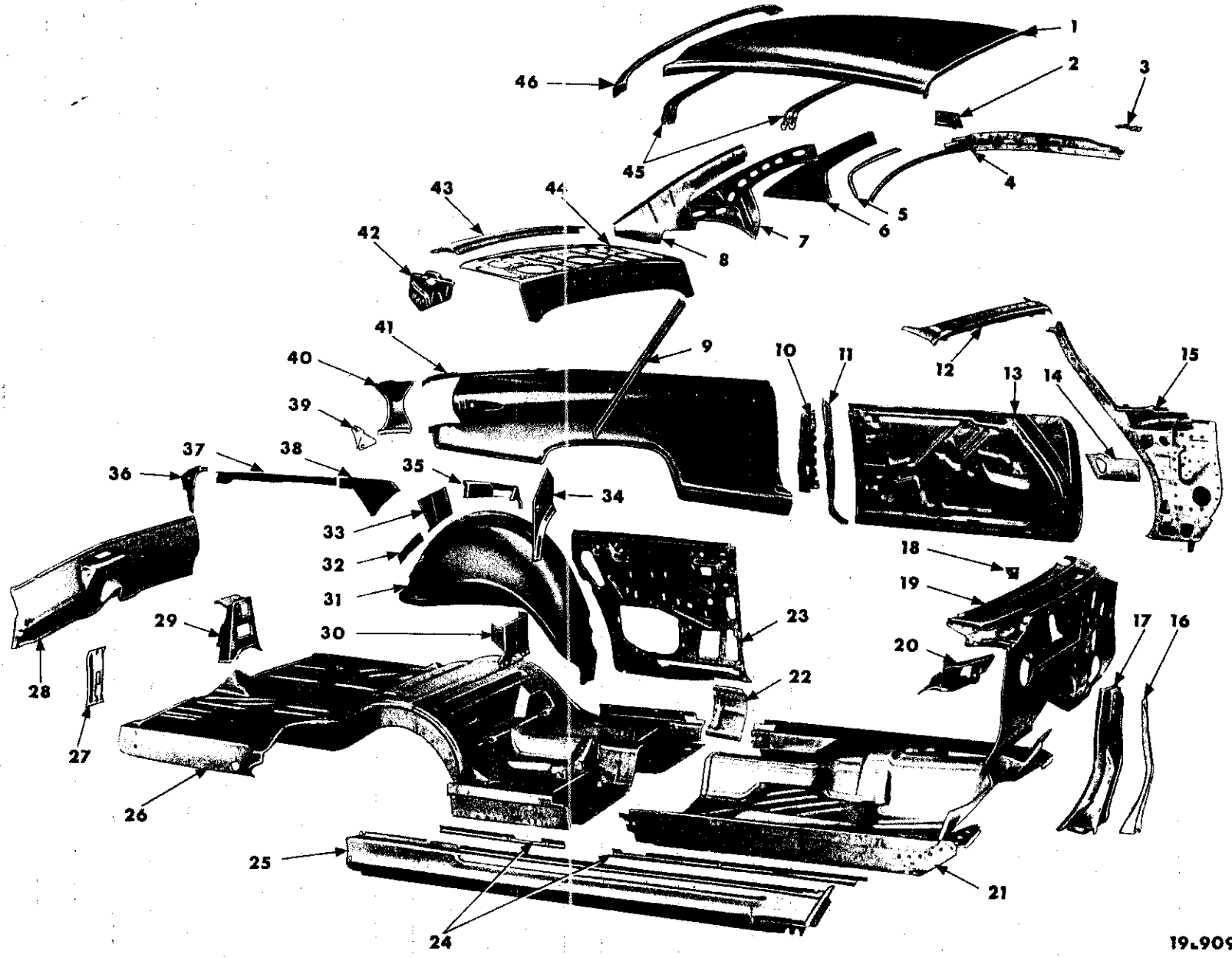
19x9056

UNDERBODY - EXCEPT VALIANT RV1 AND IMPERIAL RY1



BODY - VALIANT RV1





19L9094

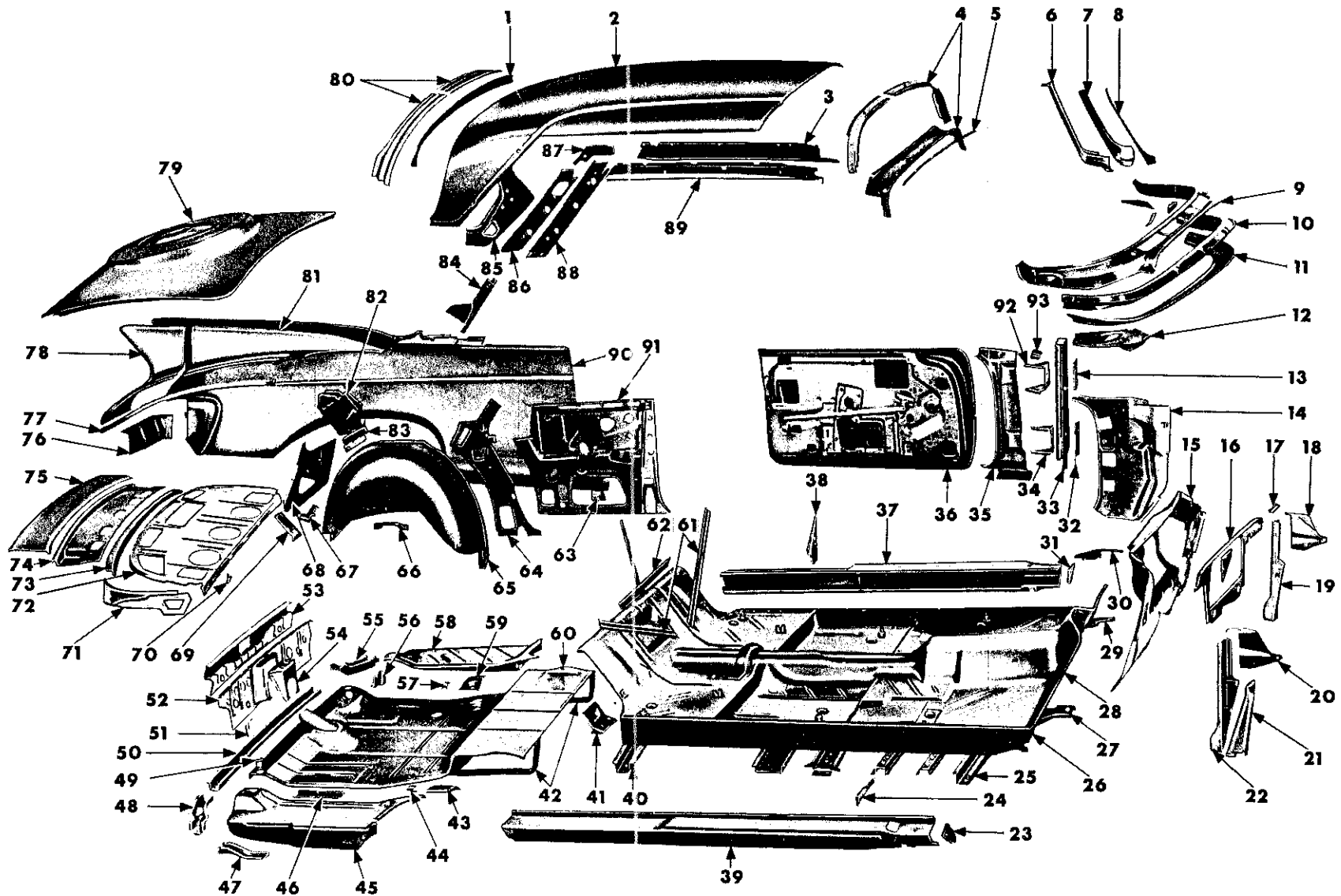
BODY - PLYMOUTH RP1-2 SPECIAL CLUB COUPE



BODY - PLYMOUTH RP1-2 SPECIAL CLUB COUPE

Ref. No.	Name	Part Type Code	Ref. No.	Name	Part Type Code
1	Roof Panel	23-34-301	23	Panel	23-34-234
2	Extension	23-64-68	24	Reinforcement	Not Serviced
3	Reinforcement	Not Serviced	25	Panel	23-51-5
4	Rail	23-40-85	26	Rear Floor Pan	23-32-48
5	Trough	23-59-56	27	Support	Not Serviced
6	Extension	23-34-280	28	Panel	23-34-167
7	Gusset	23-64-70	29	Support	23-19-74
8	Brace	23-40-97	30	Bracket	Not Serviced
9	Brace	Not Serviced	31	Wheelhouse Panel	23-32-27
10	Reinforcement (Serviced in 23-36-53)		32	Support	Not Serviced
11	Pillar	23-36-53	33	Support	23-19-82
12	Header and Reinforcement	23-34-354	34	Support	Not Serviced
13	Door Shell	23-11-1	35	Support	Not Serviced
14	Bracket (Serviced in 23-34-80)		36	Brace	Not Serviced
15	Cowl Side Panel	23-34-80	37	Reinforcement	23-34-177
16	Reinforcement (Serviced in 23-34-80)		38	Support	Not Serviced
17	Brace (Serviced in 23-34-80)		39	Brace	Not Serviced
18	Bracket	Not Serviced	40	Panel	23-34-235
19	Dash Panel (Serviced in 23-34-80)		41	Panel	23-34-235
20	Brace (Serviced in 23-34-80)		42	Support	23-19-82
21	Front Floor Pan	23-32-22	43	Panel	23-34-166
22	Tie Plate	Not Serviced	44	Shelf Panel	Not Serviced
			45	Bow	
			46	Frame	23-64-66

PARTS INDICATED BY NAME ONLY - ORDER BY DESCRIPTION

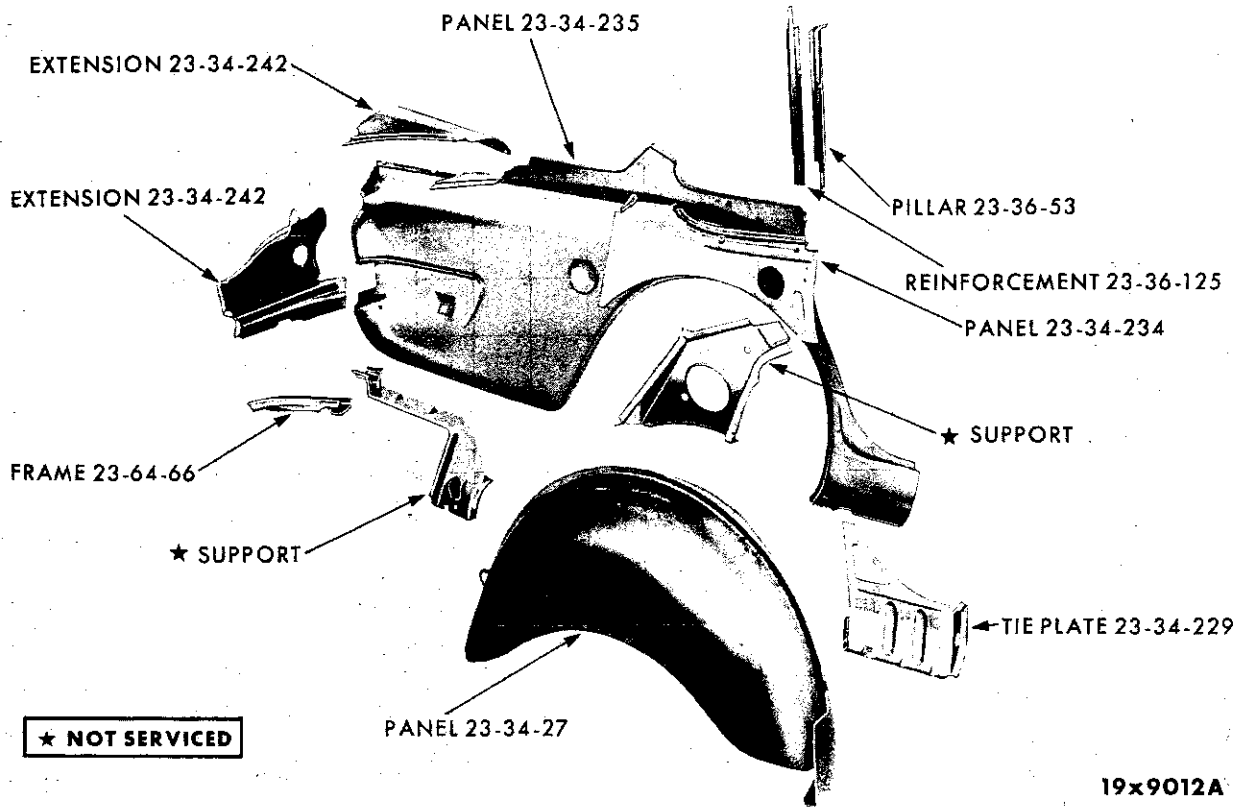


19L9095

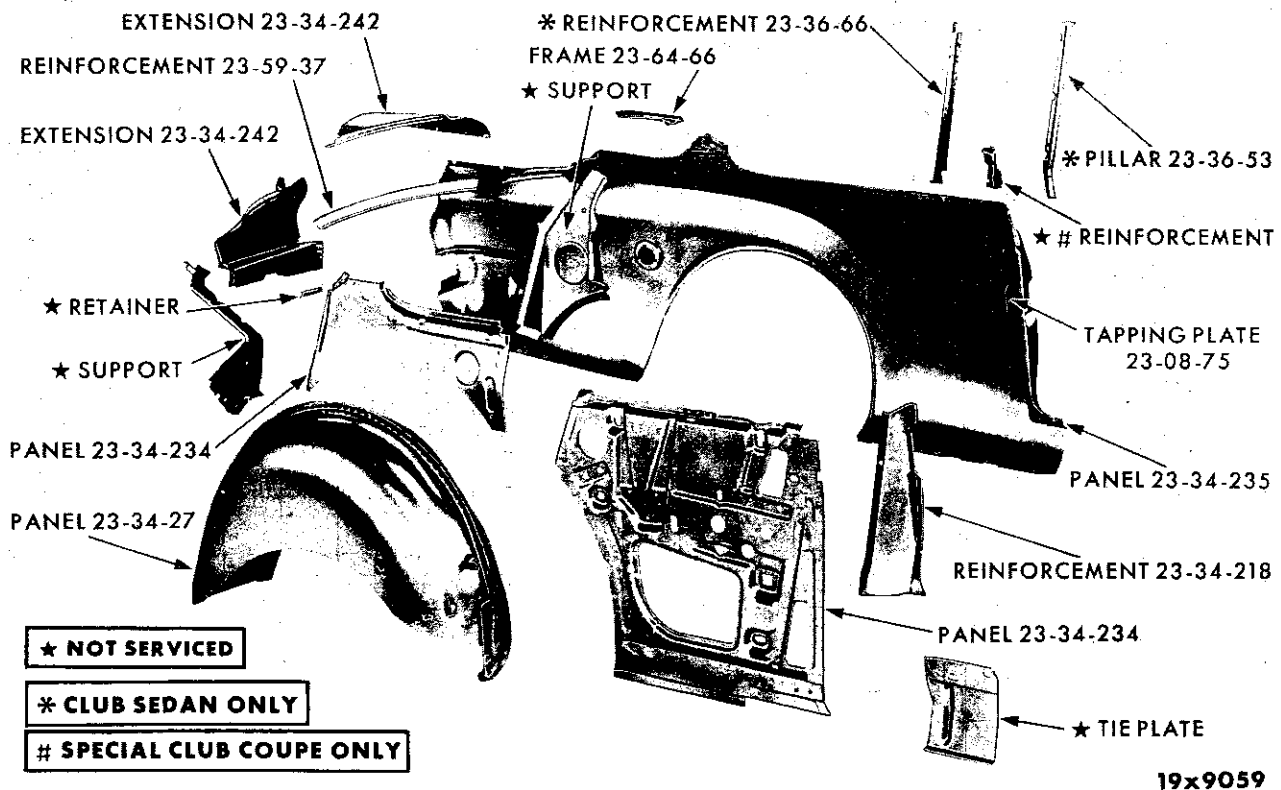
BODY - IMPERIAL RY1 SPECIAL CLUB COUPE

## BODY - IMPERIAL RY1 SPECIAL CLUB COUPE

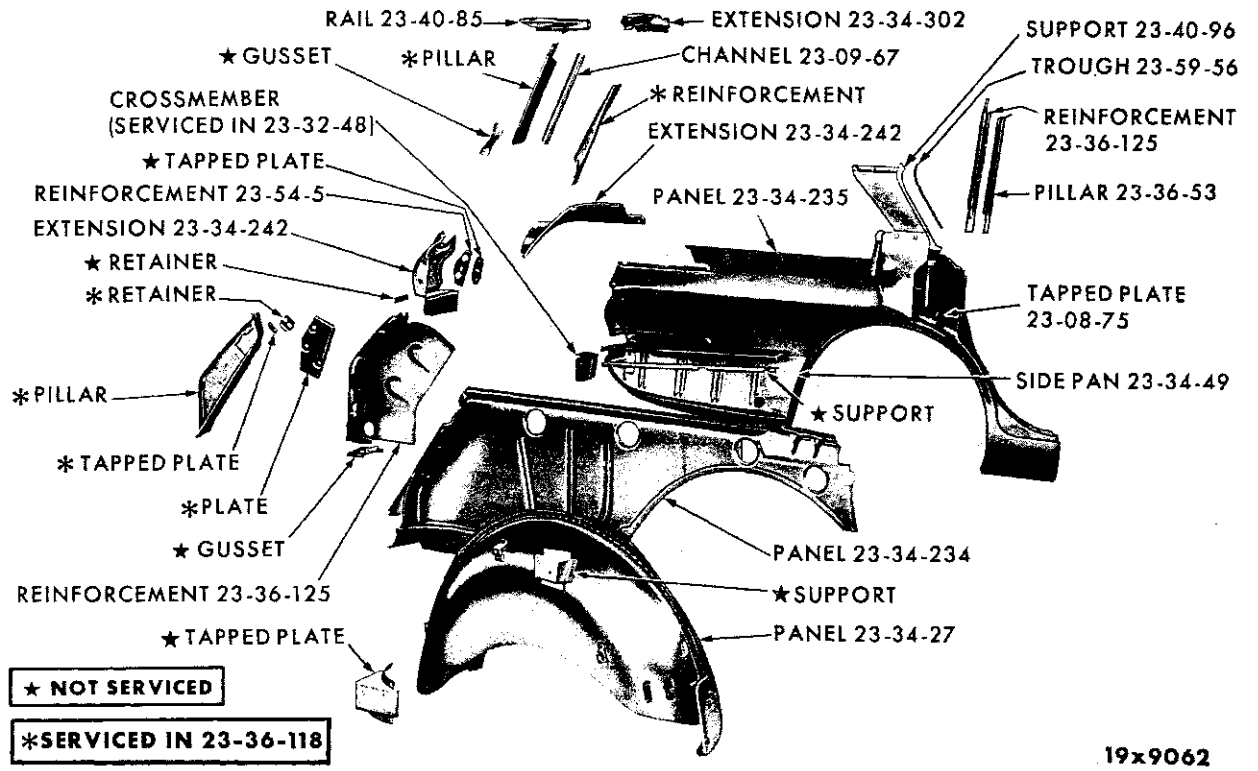
Ref. No.	Name	Part Type Code	Ref. No.	Name	Part Type Code
1	Rear Window Opening Upper Frame.	23-64-66	46	Floor Pan Spare Wheel Bracket Reinforcement . . . . .	Not Serviced
2	Roof Panel . . . . .	23-34-301	47	Fuel Tank Rear Floor Pan Reinforcement Extension . . . . .	Not Serviced
3	Roof Side Rail . . . . .	23-40-85	48	No. 6 Body Bolt Floor Pan Reinforcement Extension . . . . .	Not Serviced
4	Windshield Opening Upper Frame (Serviced in 23-34-80) . . . . .		49	No. 6 Body Bolt Reinforcement to Floor Pan Spacer . . . . .	23-05-36
5	Windshield Header Trim Retainer (Serviced in 23-34-80) . . . . .		50	No. 6 Body Bolt Floor Pan Reinforcement . . . . .	Not Serviced
6	Front Hinge Pillar Extension (Serviced in 23-34-80) . . . . .		51	Deck Opening Lower Panel Drain Trough Support . . . . .	Not Serviced
7	Windshield Opening Side Frame (Serviced in 23-34-80) . . . . .		52	Deck Opening Lower Panel Reinforcement . . . . .	23-34-179
8	Cowl Top Panel Extension (Serviced in 23-34-80) . . . . .		53	Deck Opening Lower Panel . . . . .	23-34-167
9	Cowl Top Panel (Serviced in 23-34-80) . . . . .		54	Deck Opening Lower Panel Lock Support . . . . .	23-19-74
10	Windshield Opening Lower Frame (Serviced in 23-34-80) . . . . .		55	No. 6 Body Bolt Floor Pan Reinforcement . . . . .	Not Serviced
11	Windshield Opening Lower Frame Reinforcement (Serviced in 23-34-80) . . . . .		56	Rear Floor Pan Jack Stowage Bracket . . . . .	Not Serviced
12	Front Pillar to Cowl Side Filler (Serviced in 23-34-80) . . . . .		57	Spare Wheel Anchor Stud Bracket . . . . .	Not Serviced
13	Front Pillar Door Hinge Tapping Plate . . . . .	23-15-13	58	Extension . . . . .	23-32-49
14	Cowl Side Panel . . . . .	23-34-80	59	No. 5 Body Bolt Floor Pan Reinforcement . . . . .	Not Serviced
15	Dash Panel . . . . .	23-34-110	60	Rear Floor Pan . . . . .	23-32-48
16	Dash Panel Air Duct Cover . . . . .	23-34-116	61	Shelf Panel to Floor Brace . . . . .	Not Serviced
17	Cowl Top Panel Hood Seal Support (Serviced in 23-34-80) . . . . .		62	Shelf Panel to Floor Center Brace Support . . . . .	Not Serviced
18	Hood Hinge Support and Clinch Nut (Serviced in 23-34-80) . . . . .		63	Quarter Window Lower Stop Support . . . . .	23-64-12
19	Dash Panel No. 1 & 1A Body Bolt Brace and C/Nut . . . . .	23-34-122	64	Quarter Inside Panel to Wheelhouse Reinforcement . . . . .	23-34-249
20	Hood Hinge Support and Clinch Nut (Serviced in 23-34-80) . . . . .		65	Panel . . . . .	23-34-27
21	Dash Panel No. 1 & 1A Body Bolt Brace and Clinch Nut Reinforcement . . . . .	23-34-126	66	Deck Lid Hinge Support to Wheelhouse Bracket . . . . .	23-19-76
22	Dash Panel No. 1 & 1A Body Bolt Brace and Clinch Nut . . . . .	23-34-122	67	Wheelhouse Jack Stowage Bracket Support . . . . .	Not Serviced
23	Body Side Sill Front End Cover . . . . .	23-51-43	68	Shelf Panel to Wheelhouse Gusset . . . . .	Not Serviced
24	Body Floor Seat Track Reinforcement . . . . .	Not Serviced	69	Rear Seat Back Hanger . . . . .	Not Serviced
25	Floor Pan Reinforcement . . . . .	Not Serviced	70	Belt Side Bar . . . . .	23-51-41
26	Body Side Inner Sill . . . . .	23-51-5	71	Shelf Panel . . . . .	Not Serviced
27	No. 1 & 2 Body Bolt Strainer . . . . .	Not Serviced	72	Belt Center Bar (Serviced in 23-34-166) . . . . .	
28	Front Floor Pan . . . . .	Not Serviced	73	Deck Opening Upper Panel Reinforcement (Serviced in 23-34-166) . . . . .	
29	No. 1 & No. 2 Body Bolt Strainer . . . . .	Not Serviced	74	Deck Opening Upper Panel . . . . .	23-34-166
30	Dash Panel Hood Hinge Support to Front Cowl Filler Reinforcement . . . . .	Not Serviced	75	Extension . . . . .	23-34-176
31	Body Side Sill End Cover . . . . .	23-51-43	76	Reinforcement . . . . .	23-59-37
32	Front Pillar Door Hinge Tapping Plate . . . . .	23-15-13	77	Panel . . . . .	23-34-233
33	Front Pillar Front Half (Serviced in 23-34-80) . . . . .		78	Deck Lid . . . . .	23-19-8
34	Front Pillar Lower Hinge Reinforcement (Serviced in 23-34-80) . . . . .		79	Rear Window Upper Frame Reinforcement . . . . .	23-64-67
35	Front Pillar Rear Half (Serviced in 23-34-80) . . . . .		80	Panel . . . . .	23-34-233
36	Door Shell . . . . .	23-11-1	81	Deck Lid Hinge Body Bracket Support . . . . .	23-19-82
37	Body Side Sill Outer Panel . . . . .	23-51-5	82	Deck Lid Hinge Support to Wheelhouse Bracket . . . . .	Not Serviced
38	Quarter Inside Panel to Seat Riser Brace . . . . .	Not Serviced	83	Roof Side Rail Extension . . . . .	23-40-92
39	Body Side Outer Sill . . . . .	23-51-5	84	Rear Window Side Frame . . . . .	23-64-66
40	Body Floor Pan Reinforcement . . . . .	Not Serviced	85	Roof Side Rear Outer Rail . . . . .	23-40-85
41	Axle Drive Pinion Carrier Bumper Reinforcement . . . . .	Not Serviced	86	Gusset . . . . .	Not Serviced
42	Fuel Tank Rear Floor Pan Reinforcement . . . . .	Not Serviced	87	Roof Side Rear Inner Rail . . . . .	23-40-85
43	No. 5 Body Bolt Floor Pan Reinforcement . . . . .	Not Serviced	88	Roof Side Rail . . . . .	23-40-85
44	Fuel Tank Hanger . . . . .	Not Serviced	89	Quarter Panel . . . . .	23-34-235
45	Rear Floor Pan Side Extension . . . . .	23-32-49	90	Quarter Inner Panel . . . . .	23-34-234
			91	Front Pillar Upper Hinge Reinforcement (Serviced in 23-34-80) . . . . .	
			92	Windshield Opening Lower Frame to Upper Strg. Column Bracket (Serviced in 23-34-80) . . . . .	
			93		



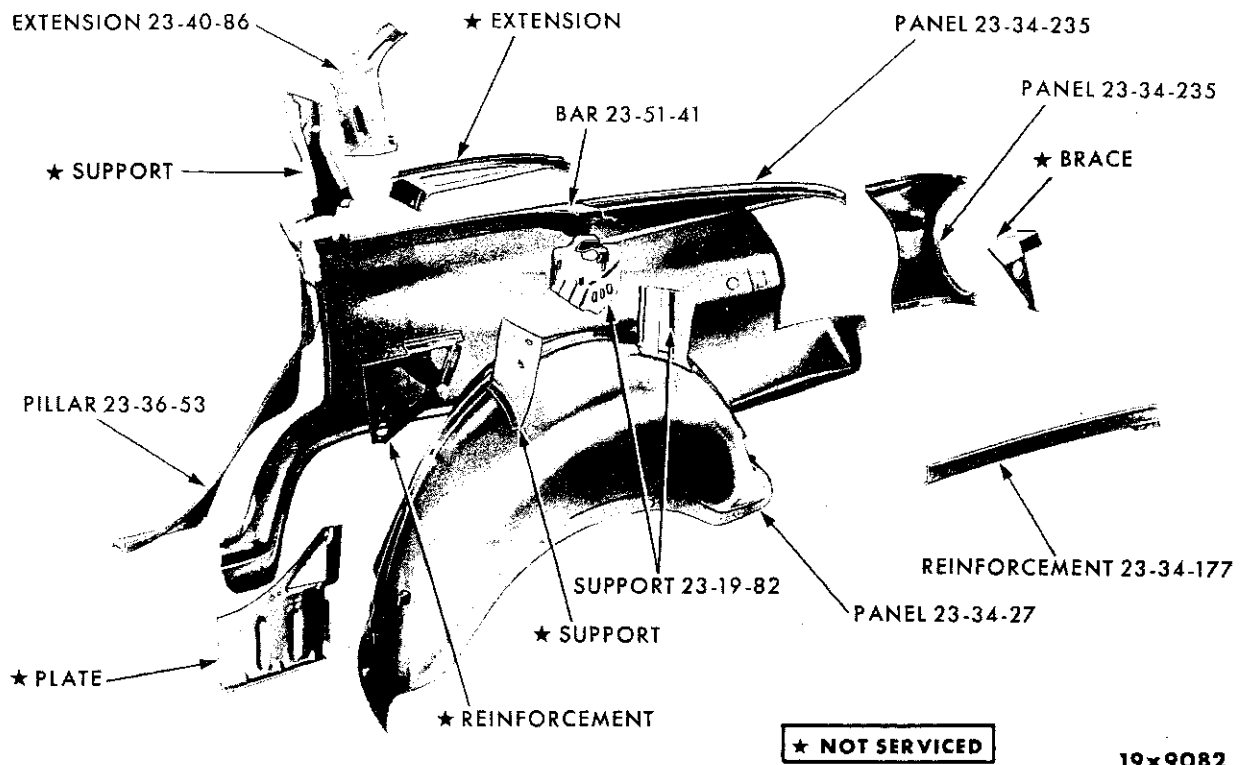
REAR QUARTER PANEL - VALIANT RV1 4 DOOR SEDAN



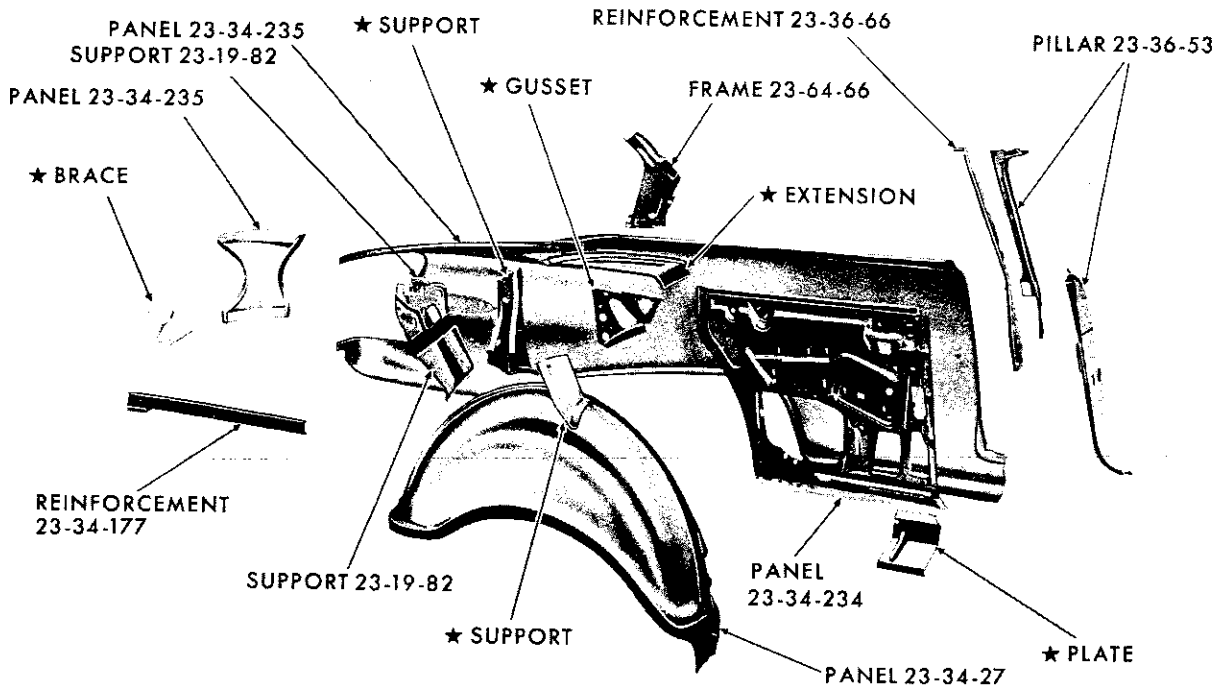
REAR QUARTER PANEL - VALIANT RV1 CLUB SEDAN AND SPECIAL CLUB COUPE



REAR QUARTER PANEL - VALIANT RV1 4 DOOR SUBURBAN



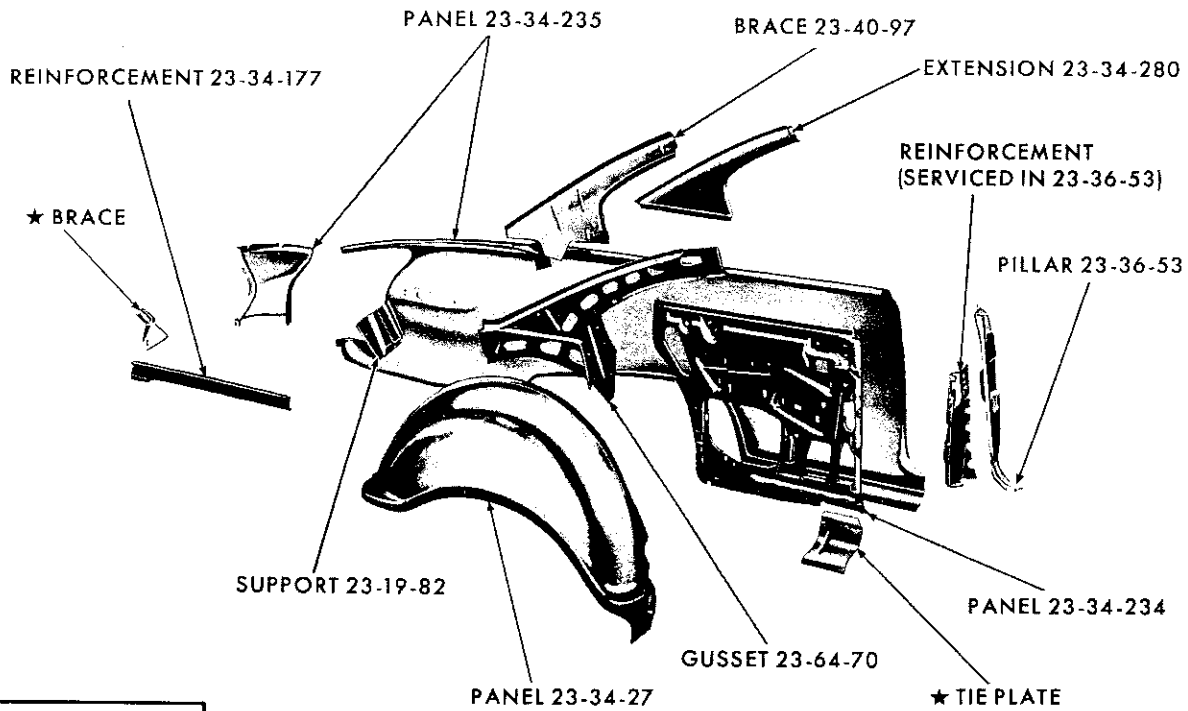
REAR QUARTER PANEL - PLYMOUTH RP1-2 4 DOOR SEDAN AND SPECIAL 4 DOOR SEDAN



**★ NOT SERVICED**

19x9081

REAR QUARTER PANEL - PLYMOUTH RP1-2 CLUB SEDAN

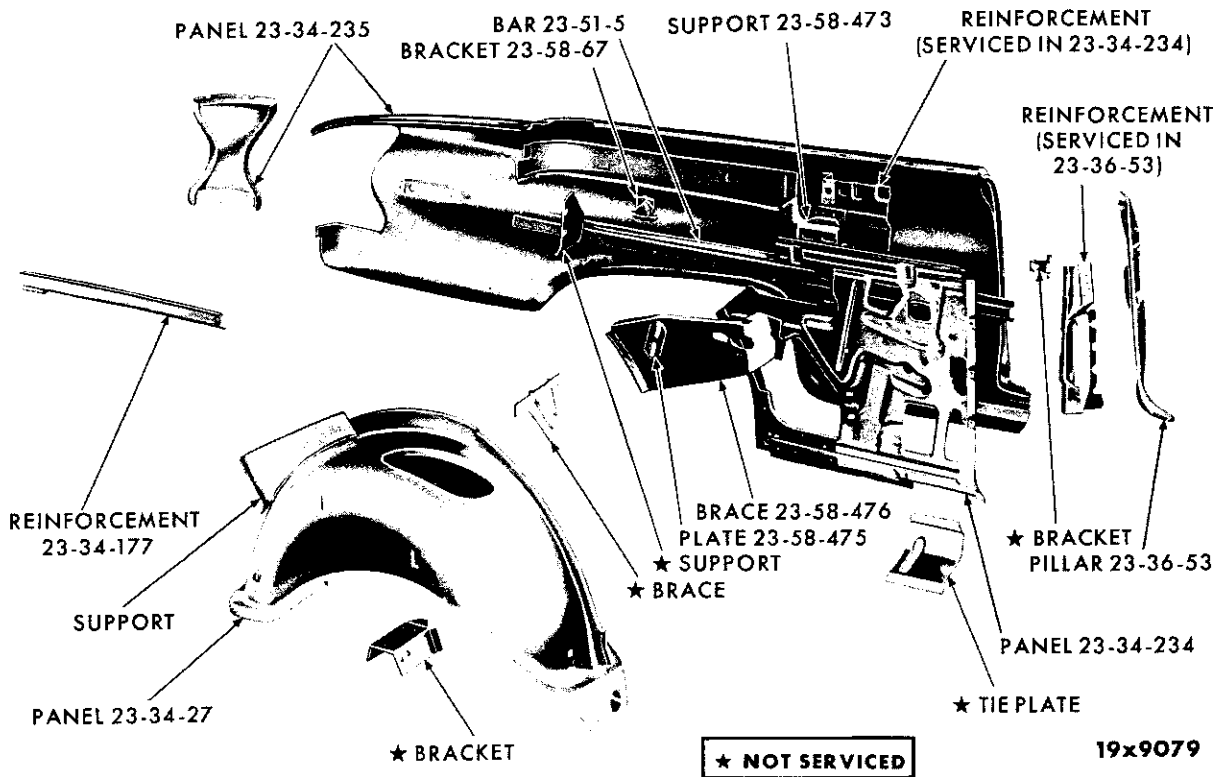


**★ NOT SERVICED**

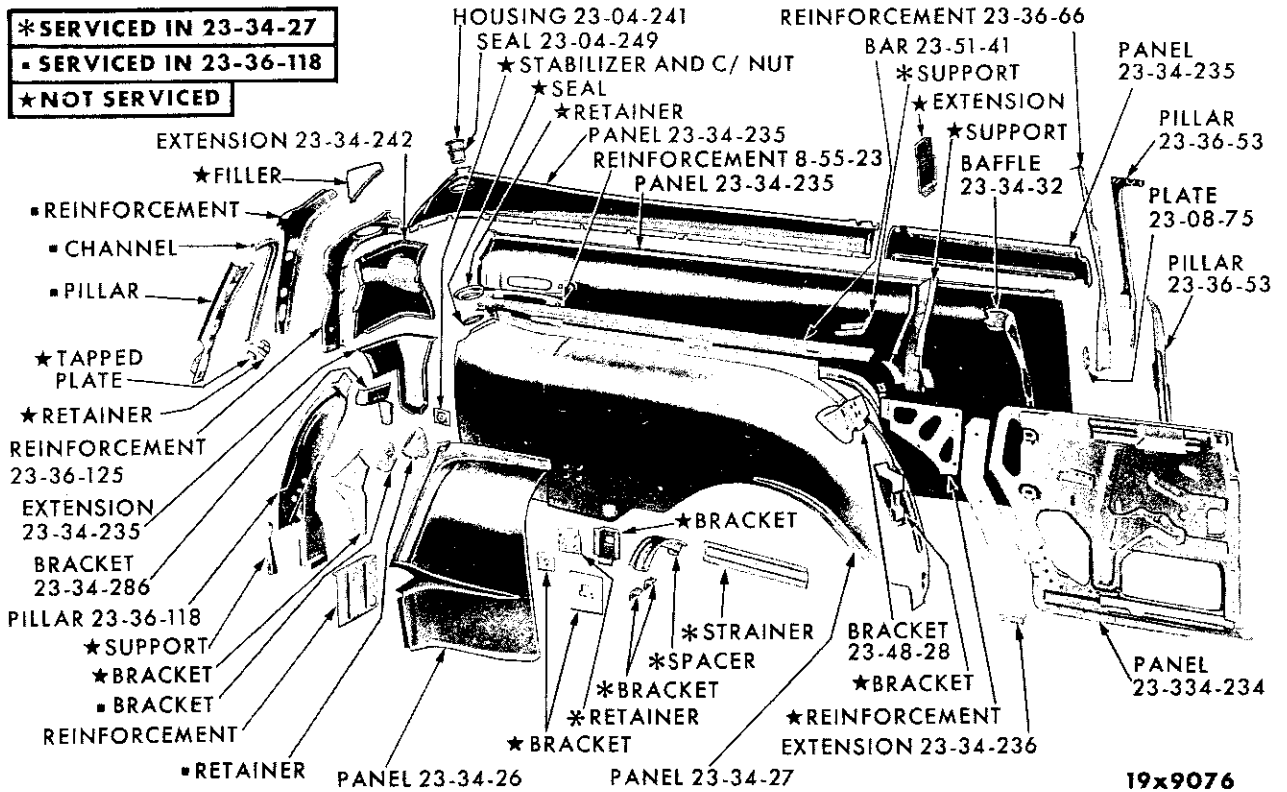
19x9080

REAR QUARTER PANEL - PLYMOUTH RP1-2 SPECIAL CLUB COUPE



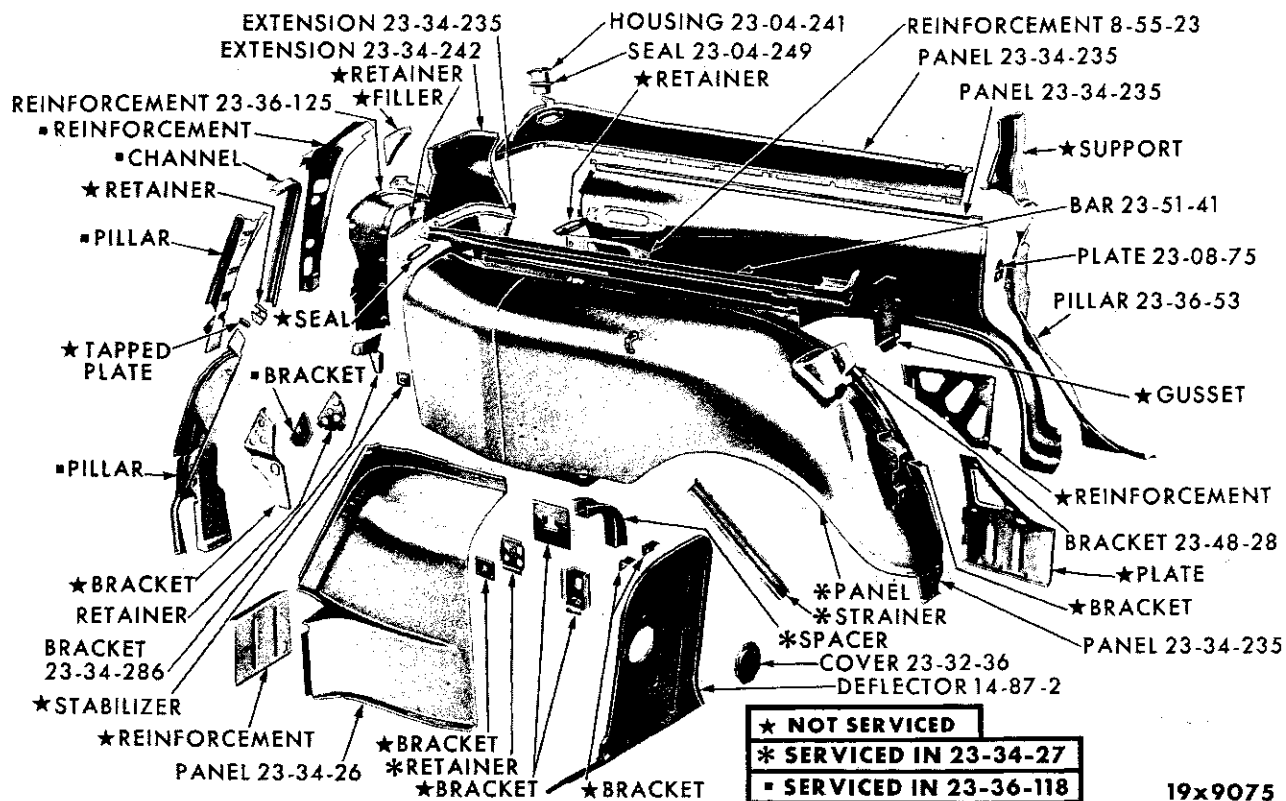


REAR QUARTER PANEL - PLYMOUTH RP1-2 CONVERTIBLE COUPE

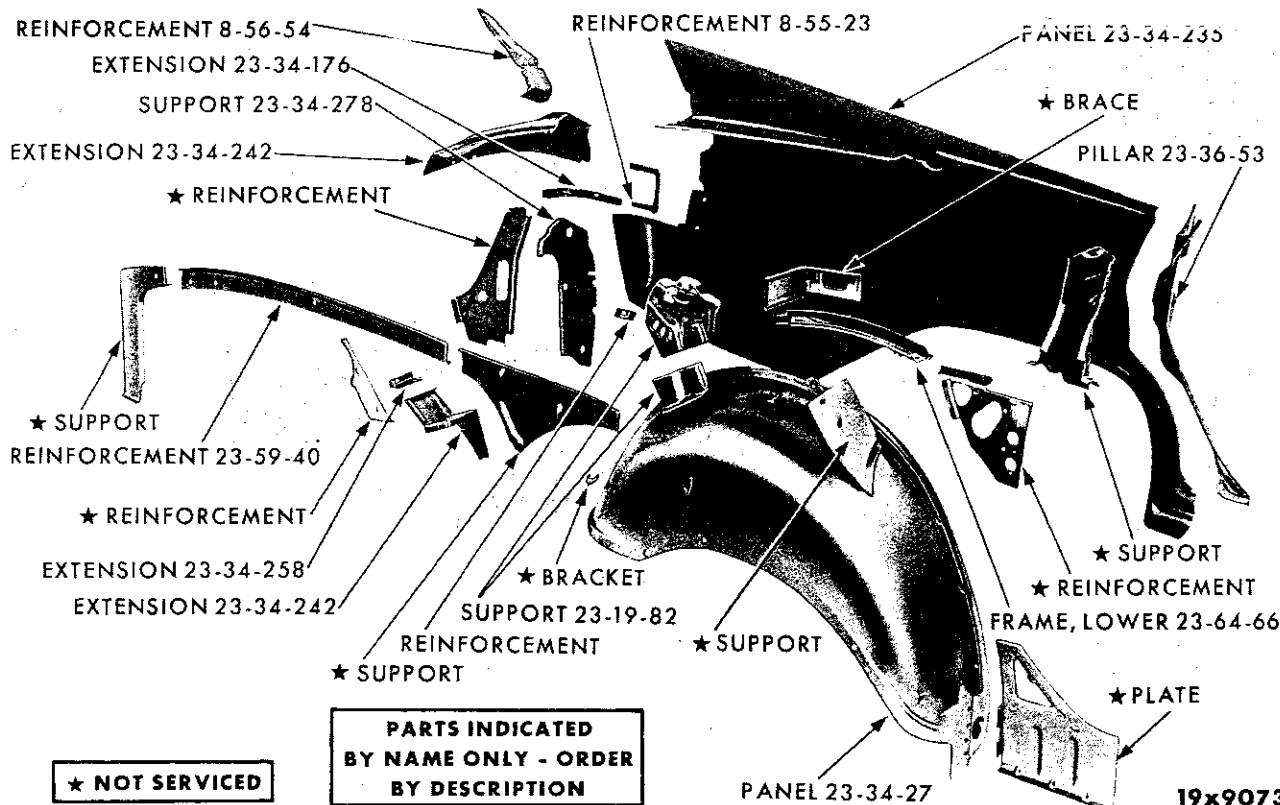


REAR QUARTER PANEL - PLYMOUTH RP1-2 2 DOOR SUBURBAN

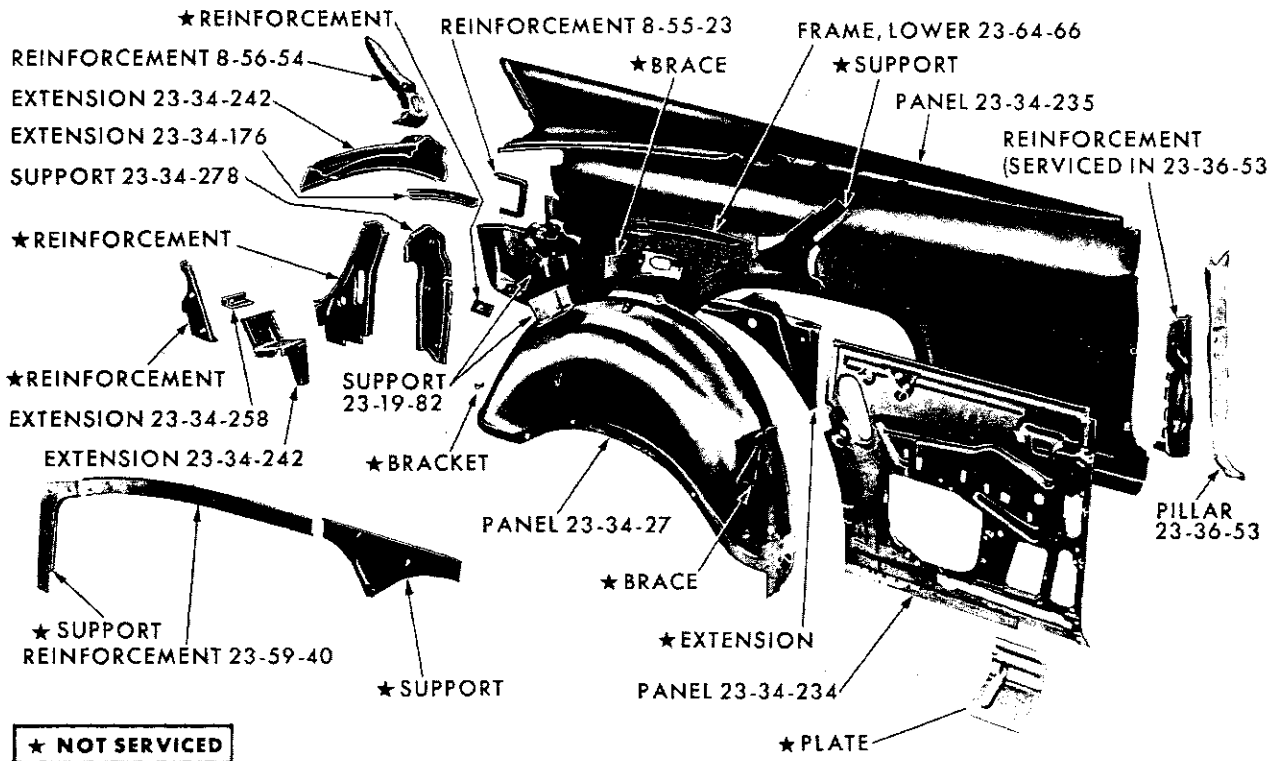




REAR QUARTER PANEL - PLYMOUTH RP1-2 4 DOOR SUBURBAN

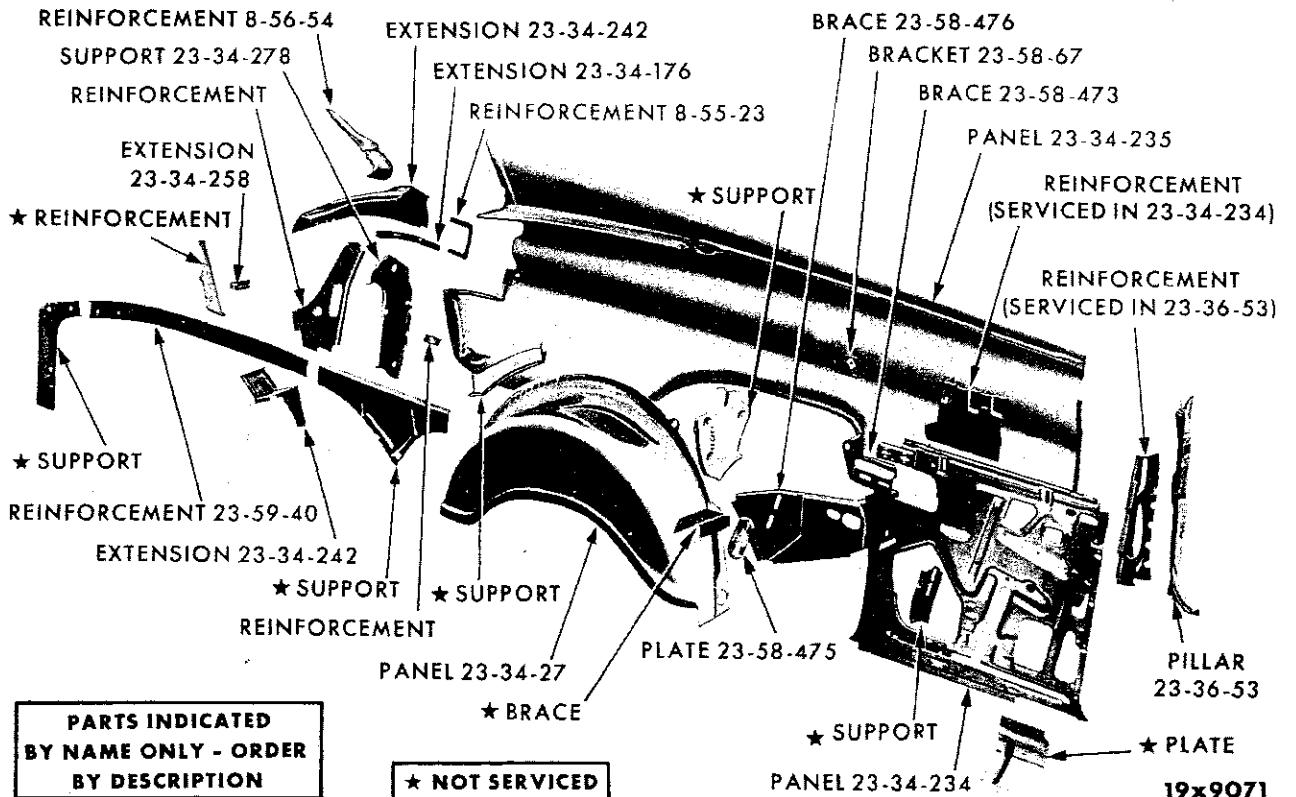


REAR QUARTER PANEL - CHRYSLER RC1-2-3 4 DOOR SEDAN



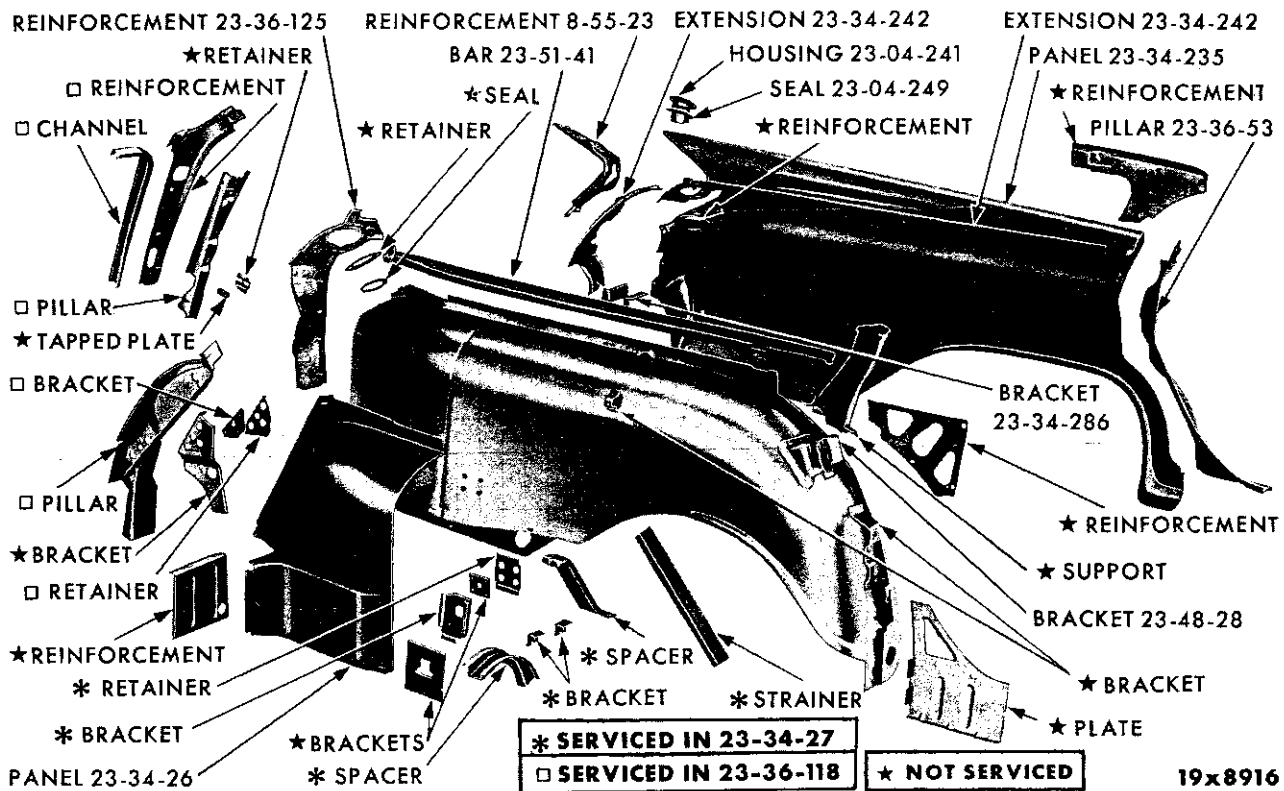
19x9072

REAR QUARTER PANEL - DESOTO RS1 AND CHRYSLER RC1-2-3-4 SPECIAL CLUB COUPE

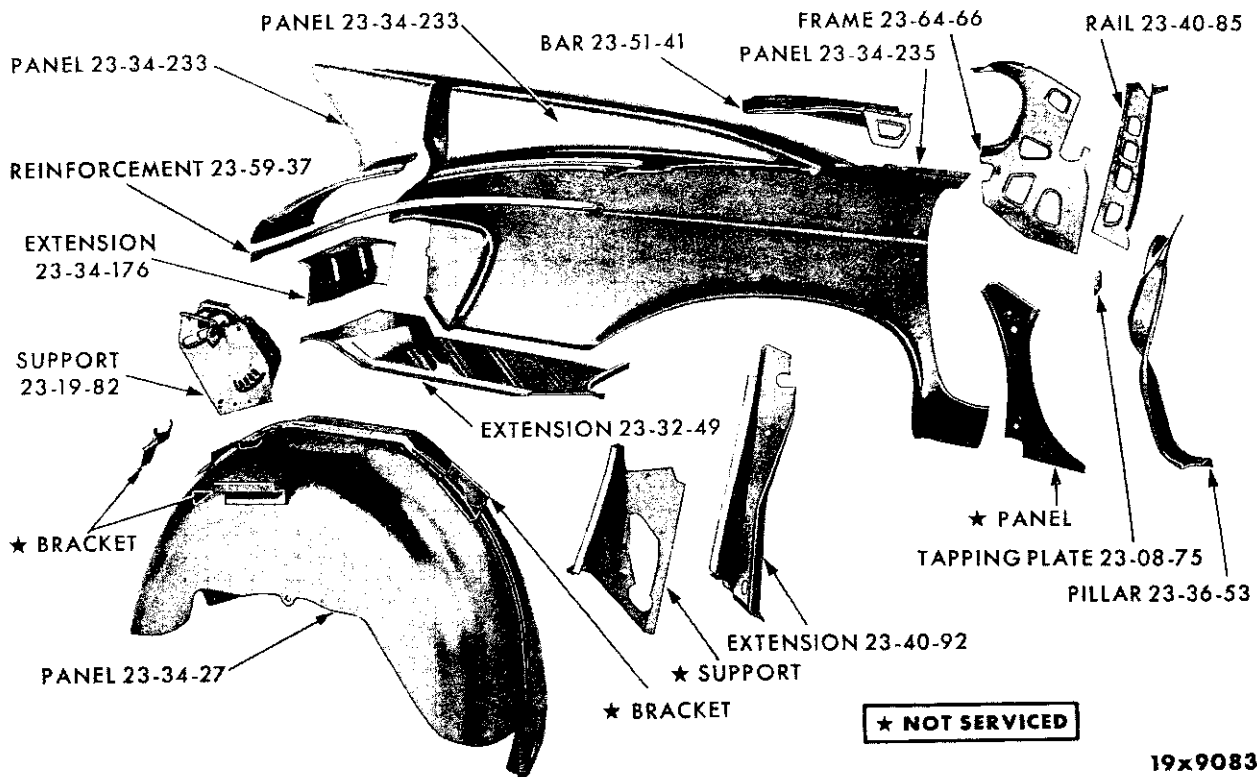


19x9071

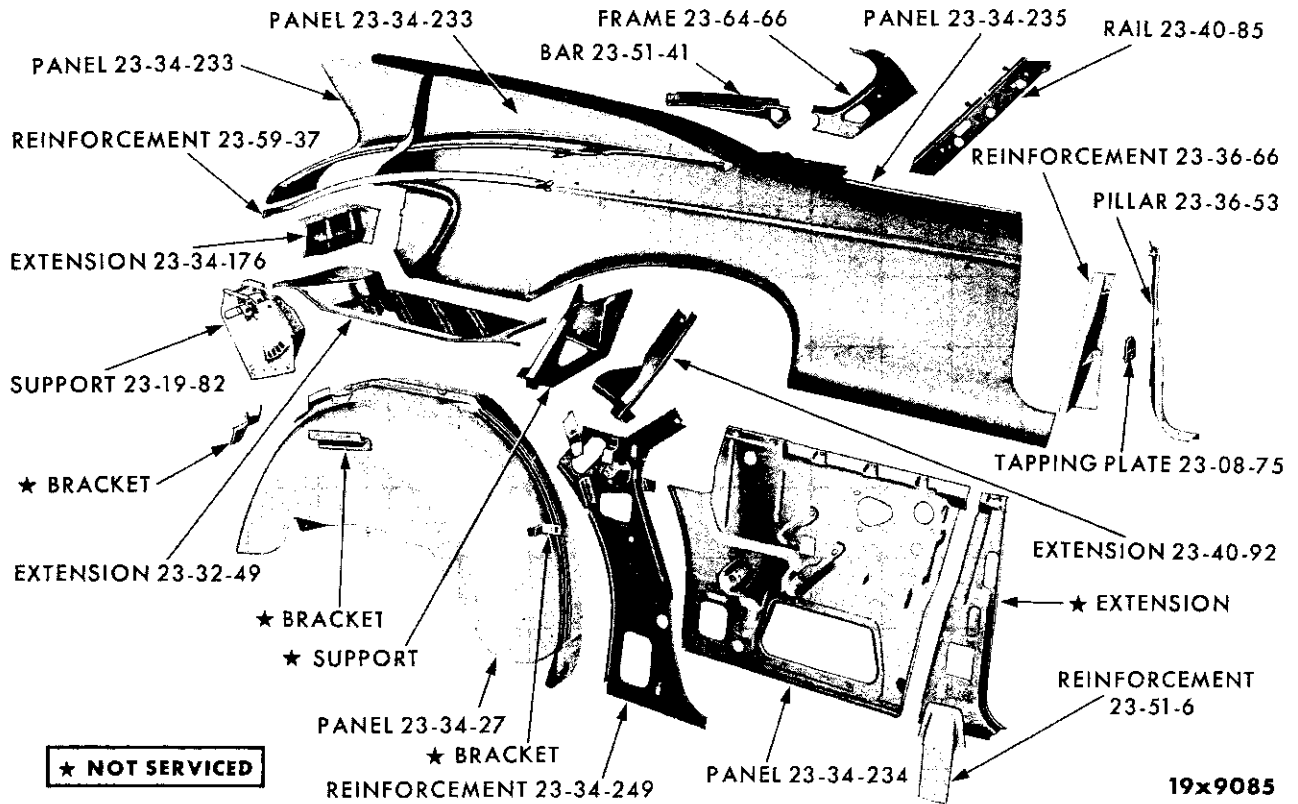
REAR QUARTER PANEL - CHRYSLER RC1-3-4 CONVERTIBLE COUPE



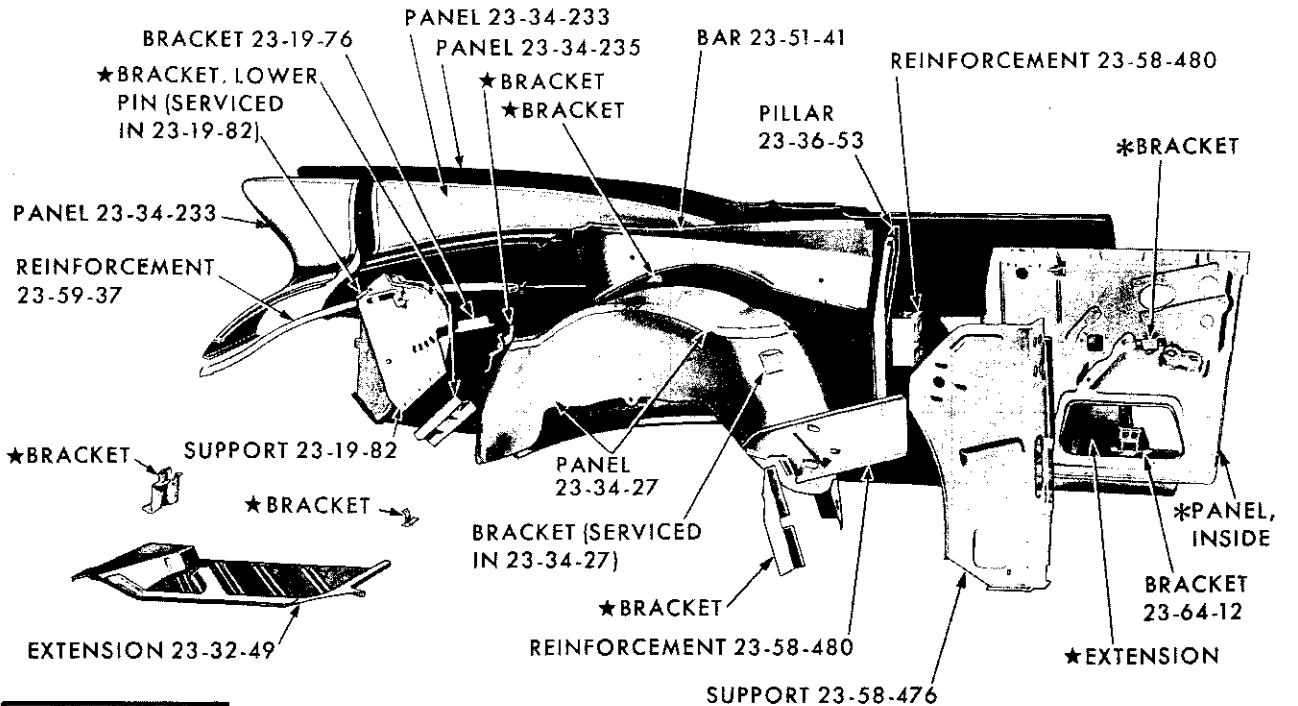
REAR QUARTER PANEL - CHRYSLER RC1-3 SPECIAL 4 DOOR SUBURBAN



REAR QUARTER PANEL - IMPERIAL RY1 SPECIAL 4 DOOR SEDAN



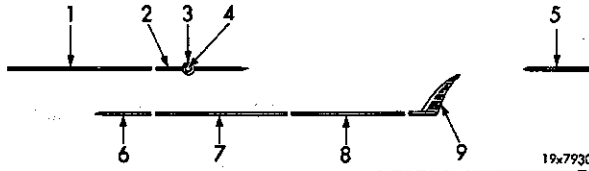
REAR QUARTER PANEL - IMPERIAL RY1 SPECIAL CLUB COUPE



REAR QUARTER PANEL - IMPERIAL RY1 CONVERTIBLE COUPE



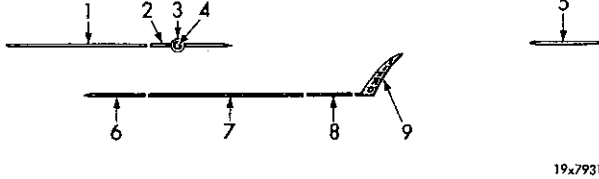
1961 VALIANT MOULDINGS for 4 Door Sedans and 4 Door Suburbans



REF. NO.	PART NUMBER	DESCRIPTION
----------	-------------	-------------

1	2240 858-9	MOULDING PACKAGE, Front Fender Upper
	10-6000 949	Clip
	2-6000 951	Clip
	2-120 361	Nut
2	2240 763-4	MOULDING PACKAGE, Front Door Upper
	4-6000 949	Clip
	2-6000 950	Clip
3	2240 765-6	MEDALLION PACKAGE, Front Door
	2-6000 808	Clip
4	2-2240 814	INSERT PACKAGE, Front Door Medallion
5	2196 602-3	MOULDING PACKAGE, Quarter Panel Top
	6-6017 008	Clip and Bolt
	6-151 497	Nut and Washer
6	*2196 612-3	MOULDING PACKAGE, Front Fender Lower
	4-6000 818	Clip
7	2-2196 618	MOULDING PACKAGE, Front Door Lower
	18-6017 007	Clip
8	2275 041-2	MOULDING PACKAGE, Rear Door Front
	6-6017 007	Clip
9	2240 864-5	MOULDING PACKAGE, Rear Door Rear
	2-6000 808	Clip
	2-154 987	Screw

1961 VALIANT MOULDINGS for Special Club Coupes and Club Sedans



REF. NO.	PART NUMBER	DESCRIPTION
----------	-------------	-------------

NOTE: Club Sedan has one Moulding, No. 5

1	2240 858-9	MOULDING PACKAGE, Front Fender Upper
	10-6000 949	Clip
	2-6000 951	Clip
	2-120 361	Nut
2	2240 763-4	MOULDING PACKAGE, Front Door Upper
	4-6000 949	Clip
	2-6000 950	Clip

REF. NO.	PART NUMBER	DESCRIPTION
3	2240 765-6	MEDALLION PACKAGE, Door
	2-6000 808	Clip
4	2-2240 814	INSERT PACKAGE, Door Medallion
5	2196 602-3	MOULDING PACKAGE, Quarter Panel Top
	2-6017 008	Clip and Bolt
	2-151 497	Nut and Washer
6	2196 612-3	MOULDING PACKAGE, Front Fender Lower
	4-6017 007	Clip
	2-6010 002	Clip
	2-151 497	Nut
7	2-2275 043	MOULDING PACKAGE, Door Lower
	12-6017 007	Clip
8	2275 195-6	MOULDING PACKAGE, Quarter Panel Lower Front
	4-6000 941	Clip
9	2240 852-3	MOULDING PACKAGE, Quarter Panel Lower Rear
	4-6000 808	Clip

1961 PLYMOUTH Savoy MOULDINGS for 4 Door Sedans and 4 Door Suburbans



REF. NO.	PART NUMBER	DESCRIPTION
1	2275 111-2	MOULDING PACKAGE, Front Fender
	14-6000 822	Clip
	2-151 497	Nut
2	2275 115-6	COVER PACKAGE, Front Fender Moulding
	8-128 151	Screw
3	2275 123-4	MOULDING PACKAGE, Front Fender Lower
	6-6013 114	Nut
4	2240 788-9	MOULDING PACKAGE, Rear Door Front, 4 D.
	2275 109-10	MOULDING PACKAGE, Rear Door Front, Sub.
	6-6000 822	Clip
5	2240 790-1	MOULDING PACKAGE, Rear Door Rear
	2-6000 819	Retainer
	2-155 044	Screw
6	2240 792-3	MOULDING PACKAGE, Quarter Panel, 4 D.
	6-6000 822	Clip and Seal
	8-6000 820	Clip and Seal
	4-6000 863	Clip and Bolt
	4-151 497	Nut
	2275 065-6	MOULDING PACKAGE, Quarter Panel, Sub.
	16-6000 822	Clip
	2-6000 820	Clip

★ Indicates use as required.

⊠ Indicates parts not listed in any previous parts book.

\* Indicates change or addition.

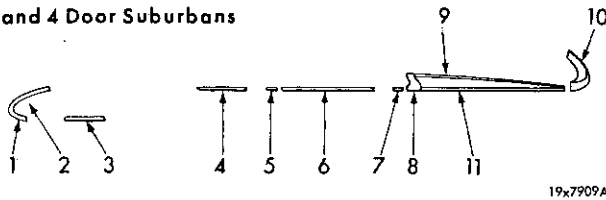


1961 PLYMOUTH Savoy MOULDINGS for Club Sedans and 2 Door Suburbans



REF. NO.	PART NUMBER	DESCRIPTION
1	2275 111-2	MOULDING PACKAGE, Front Fender
	14-6000 822	Clip
	2-151 497	Nut
2	2275 115-6	COVER PACKAGE, Front Fender Moulding
	8-128 151	Screw
3	2275 123-4	MOULDING PACKAGE, Front Fender Lower
	6-6013 114	Nut
4	2240 786-7	MOULDING PACKAGE, Quarter Panel, Cl. Sed.
	14-6000 822	Clip and Seal
	8-6000 820	Clip and Seal
	4-6000 863	Clip and Bolt
	4-151 497	Nut
	2275 067-8	MOULDING PACKAGE, Quarter Panel, Sub.
	26-6000 822	Clip

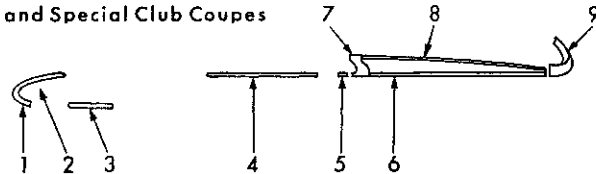
1961 PLYMOUTH Belvedere MOULDINGS for 4 Door Sedans and 4 Door Suburbans



REF. NO.	PART NUMBER	DESCRIPTION
1	2275 111-2	MOULDING PACKAGE, Front Fender
	14-6000 822	Clip
	2-151 497	Nut
2	2275 115-6	COVER PACKAGE, Front Fender Moulding
	8-128-151	Screw
3	2275 123-4	MOULDING PACKAGE, Front Fender Lower
	6-6013 114	Nut
4	2275 083-4	MOULDING PACKAGE, Front Door Front
	6-6000 818	Clip
5	2275 052-3	MOULDING PACKAGE, Front Door Rear
	2-6000 890	Retainer
	2-155 044	Screw
6	2275 018-9	MOULDING PACKAGE, Rear Door Front, 4 D.
	2275 103-4	MOULDING PACKAGE, Rear Door Front, Sub.
	8-6000 818	Clip

REF. NO.	PART NUMBER	DESCRIPTION
7	2275 058-9	MOULDING PACKAGE, Rear Door Rear
	2-6000 812	Retainer
	2-155 044	Screw
8	2275 090-1	MOULDING PACKAGE, Quarter Panel Upper Front, 4 D.
	2-6000 860	Clip and Seal
	2275 005-6	MOULDING PACKAGE, Quarter Panel Upper Front, Sub.
	2-6000 910	Retainer
	2-6000 909	Retainer
9	2275 079-80	MOULDING PACKAGE, Quarter Panel Upper, 4 D.
	12-6000 817	Clip and Seal
	2275 073-4	MOULDING PACKAGE, Quarter Panel Upper, Sub.
	16-6000 817	Clip
10	2275 077-8	MOULDING PACKAGE, Quarter Panel Rear, 4 D.
	2-6000 887	Retainer and Bolt
	2-6000 863	Clip and Bolt
	4-151 497	Nut
	2275 062-3	MOULDING PACKAGE, Quarter Panel Rear, Sub.
	2-6000 820	Clip
11	2275 085-6	MOULDING PACKAGE, Quarter Panel Lower, 4 D.
	6-6000 824	Clip and Seal
	8-6000 826	Clip and Seal
	2-2275 070	MOULDING PACKAGE, Quarter Panel Lower, Sub.
	14-6000 822	Clip

1961 PLYMOUTH Belvedere MOULDINGS for Club Sedans and Special Club Coupes



REF. NO.	PART NUMBER	DESCRIPTION
1	2275 111-2	MOULDING PACKAGE, Front Fender
	14-6000 822	Clip
	2-151 497	Nut
2	2275 115-6	COVER PACKAGE, Front Fender Moulding
	8-128 151	Screw
3	2275 123-4	MOULDING PACKAGE, Front Fender Lower
	6-6013 114	Nut
4	2275 087-8	MOULDING PACKAGE, Door Front
	8-6000 818	Clip
5	2275 050-1	MOULDING PACKAGE, Door Rear, w/Retainer
	2-155 044	Screw

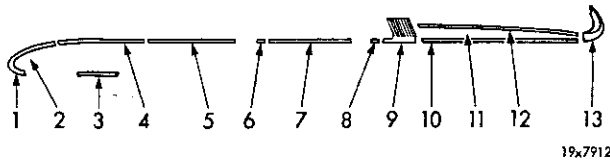
★ Indicates use as required.

⊔ Indicates parts not listed in any previous parts book. Jan. 6, 1961 Supersedes Oct. 3, 1960.



REF. NO.	PART NUMBER	DESCRIPTION
6	2-2275 092	MOULDING PACKAGE, Quarter Panel Lower
	18-6000 824	Clip and Seal
	8-6000 826	Clip and Seal
7	2275 090-1	MOULDING PACKAGE, Quarter Panel Upper Front
	2-6000 860	Clip and Seal
8	2275 075-6	MOULDING PACKAGE, Quarter Panel Upper
	18-6000 817	Clip
9	2275 077-8	MOULDING PACKAGE, Quarter Panel Rear
	2-6000 887	Retainer and Bolt
	2-6000 863	Clip and Bolt
	4-151 497	Nut

1961 PLYMOUTH Fury MOULDINGS for 4 Door Sedans, Special 4 Door Sedans and 4 Door Suburbans

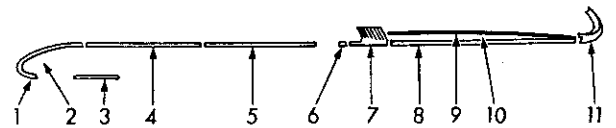


19x7912

REF. NO.	PART NUMBER	DESCRIPTION
1	2275 113-4	MOULDING PACKAGE, Front Fender Front
	14-6000 822	Clip
	2-151 497	Nut
2	2275 115-6	COVER PACKAGE, Front Fender Moulding
	8-128 151	Screw
3	2275 123-4	MOULDING PACKAGE, Front Fender Lower
	6-6013 114	Nut
4	2275 121-2	MOULDING PACKAGE, Front Fender Rear
	10-6000 820	Clip
5	2240 798-9	MOULDING PACKAGE, Front Door Front
	8-6000 818	Clip
	2-6000 890	Retainer
6	2275 052-3	MOULDING PACKAGE, Front Door Rear
	2-155 044	Screw
	2-6000 890	Retainer
7	2275 018-9	MOULDING PACKAGE, Rear Door Front, 4 D., Sp.4 D.
	2275 103-4	MOULDING PACKAGE, Rear Door Front, Sub.
	8-6000 818	Clip
8	2275 058-9	MOULDING PACKAGE, Rear Door Rear
	2-6000 812	Clip
9	2275 056-7	MOULDING PACKAGE, Quarter Panel Finish, 4 D., Sp.4 D.
	8-6000 829	Clip
	2275 060-1	MOULDING PACKAGE, Quarter Panel Front, Sub.
	8-6000 808	Clip

REF. NO.	PART NUMBER	DESCRIPTION
10	2-2275 082	MOULDING PACKAGE, Quarter Panel Lower, 4 D., Sp.4 D.
	2-6000 824	Clip and Seal
	8-6000 826	Clip and Seal
	2-2275 069	MOULDING PACKAGE, Quarter Panel Lower, Sub.
11	12-6000 822	Clip
	1964 776-7	PANEL, Quarter Panel Finish, 4 D., Sp.4 D.
12	2094 862-3	PANEL, Quarter Panel Finish, Sub.
	2275 079-80	MOULDING PACKAGE, Quarter Panel Upper, 4 D., Sp.4 D.
13	12-6000 817	Clip and Seal
	2275 071-2	MOULDING PACKAGE, Quarter Panel Upper, Sub.
	14-6000 817	Clip
	2275 077-8	MOULDING PACKAGE, Quarter Panel Rear, 4 D., Sp.4 D.
	2-6000 887	Retainer and Bolt
	2-6000 863	Clip and Bolt
	4-151 497	Nut
	2275 062-3	MOULDING PACKAGE, Quarter Panel Rear, Sub.
	2-6000 820	Clip
	2-2275 064	MOULDING PACKAGE, Quarter Panel Rear Rear, Sub.
	2-6000 820	Clip

1961 PLYMOUTH Fury MOULDINGS for Special Club Coupes and Convertible Coupes



19x7911

REF. NO.	PART NUMBER	DESCRIPTION
1	2275 113-4	MOULDING PACKAGE, Front Fender Front
	14-6000 822	Clip
	2-151 497	Nut
2	2275 115-6	COVER PACKAGE, Front Fender Moulding
	8-128 151	Screw
3	2275 123-4	MOULDING PACKAGE, Front Fender Lower
	6-6013 114	Nut
4	2275 121-2	MOULDING PACKAGE, Front Fender Rear
	10-6000 820	Clip
5	2240 796-7	MOULDING PACKAGE, Door Front
	10-6000 818	Clip
6	2275 050-1	MOULDING PACKAGE, Door Rear, w/Retainer
	2-155 044	Screw
7	2275 054-5	MOULDING PACKAGE, Quarter Panel Finish
	10-6000 829	Clip
8	2-2275 081	MOULDING PACKAGE, Quarter Panel Front Lower
	10-6000 824	Clip and Seal
	8-6000 826	Clip and Seal

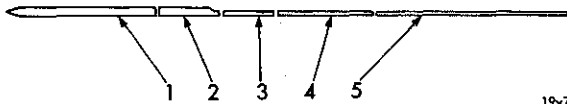
★ Indicates use as required.

☐ Indicates parts not listed in any previous parts book.

\* Indicates change or addition.

REF. NO.	PART NUMBER	DESCRIPTION
9	2275 075-6	MOULDING PACKAGE, Quarter Panel Upper
	18-6000 817	Clip and Seal
10	1964 916-7	PANEL, Quarter Panel Finish
11	2275 077-8	MOULDING PACKAGE, Quarter Panel Rear
	2-6000 887	Retainer and Bolt
	2-6000 863	Clip and Bolt
	4-151 497	Nut

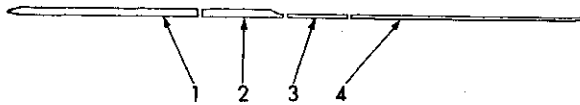
1961 DESOTO MOULDINGS for Special 4 Door Sedans



19x7913

REF. NO.	PART NUMBER	DESCRIPTION
1	2240 916-7	MOULDING PACKAGE, Front Fender
	14-6006 517	Clip
	2-6010 189	Retainer and Bolt
	2-446 059	Nut
2	2240 907-8	MOULDING PACKAGE, Front Door Front
	6-6006 517	Clip
	2-6006 461	Retainer
3	2240 909-10	MOULDING PACKAGE, Front Door Rear
	4-6006 291	Retainer
4	2240 913-4	MOULDING PACKAGE, Rear Door
	8-6006 291	Retainer
	2-6006 514	Clip and Bolt
	2-151 497	Nut
5	2240 905-6	MOULDING PACKAGE, Quarter Panel
	14-6000 567	Clip
	2-6006 514	Clip and Bolt
	2-151 497	Nut

1961 DESOTO MOULDINGS for Special Club Coupes

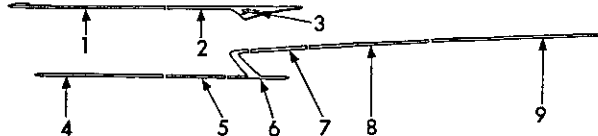


19x7914

REF. NO.	PART NUMBER	DESCRIPTION
1	2240 916-7	MOULDING PACKAGE, Front Fender
	14-6006 517	Clip
	2-6010 189	Retainer and Bolt
	2-446 059	Nut
2	2240 907-8	MOULDING PACKAGE, Door Front
	6-6006 517	Clip
	2-6006 461	Retainer

REF. NO.	PART NUMBER	DESCRIPTION
3	2240 911-2	MOULDING PACKAGE, Door Rear Retainer
	6-6006 291	
4	2240 903-4	MOULDING PACKAGE, Quarter Panel
	20-6000 567	Clip
	2-6006 514	Clip and Bolt
	2-151 497	Nut

1961 CHRYSLER MOULDINGS for 4 Door Sedans, Special 4 Door Sedans and Special 4 Door Suburbans



19x7917

REF. NO.	PART NUMBER	DESCRIPTION
1	2275 000-1	MOULDING PACKAGE, Front Fender, RC3
	6-6000 752	Clip
	6-151 497	Nut
2	2094 820-1	MOULDING, Front Door, RC3
	8-6000 808	Clip
3	2094 822-3	ORNAMENT PACKAGE, Front Door Moulding, RC3
	4-151 497	Nut
4	2240 848-9	MOULDING PACKAGE, Front Fender, RC1, RC2
	10 6010 002	Clip and Bolt
	10-446 059	Nut
	6-6006 284	Clip
5	2240 832-3	MOULDING PACKAGE, Front Door Front, RC1, RC2
	6-6006 284	Clip
6	2240 834-5	MOULDING PACKAGE, Front Door Center, RC1, RC2
	4-6000 914	Retainer
	2-6000 920	Retainer
7	2240 836-7	MOULDING PACKAGE, Front Door Rear, RC1, RC2
	4-6000 921	Retainer
8	2240 840-1	MOULDING PACKAGE, Rear Door, RC1, RC2
	10-6000 921	Retainer
9	2240 826-7	MOULDING PACKAGE, Quarter Panel, 4 D., Sp. 4 D., RC1, RC2
	2240 844-5	MOULDING PACKAGE, Quarter Panel, Sub., C1
	16-6000 921	Retainer

★ Indicates use as required.

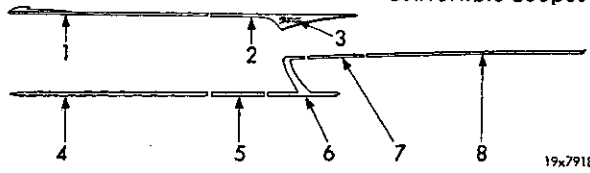
☐ Indicates parts not listed in any previous parts book.  
March 1, 1962 Supersedes Jan. 6, 1961.

Printed in U.S.A.

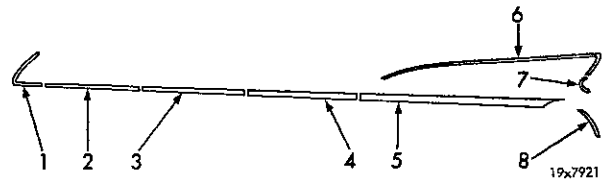
Prices and specifications subject to change without notice.

\* Indicates change or addition.

1961 CHRYSLER MOULDINGS for Special Club Coupes and Convertible Coupes



1961 IMPERIAL MOULDINGS for Special 4 Door Sedans



REF. NO.	PART NUMBER	DESCRIPTION
1	2275 000-1	MOULDING PACKAGE, Front Fender, RC3
	6-6000 752	Clip
	6-151 497	Nut
2	*2094 820-1	MOULDING, Door, RC3
	8-6000 808	Clip
3	*2094 822-3	ORNAMENT, Door Moulding, RC3
	4-445 153	Nut
4	2240 848-9	MOULDING PACKAGE, Front Fender, RC1, RC2
	10-6010 002	Clip and Bolt
	10-446 059	Nut
	6-6006 284	Clip
5	2240 832-3	MOULDING PACKAGE, Door Front, RC1, RC2
	6-6006 284	Clip
6	2240 834-5	MOULDING PACKAGE, Door Center, RC1, RC2
	4-6000 914	Retainer
	2-6000 920	Retainer
7	2240 838-9	MOULDING PACKAGE, Door Rear, RC1, RC2
	6-6000 921	Retainer
8	2240 828-9	MOULDING PACKAGE, Quarter Panel, RC1, RC2
	22-6000 921	Retainer

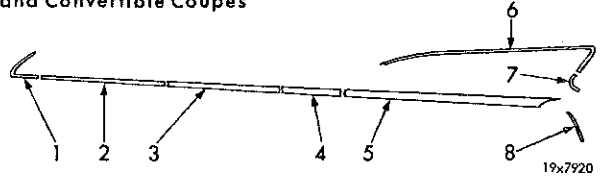
REF. NO.	PART NUMBER	DESCRIPTION
1	2240 936-7	MOULDING PACKAGE, Front Fender
2	2240 934-5	MOULDING PACKAGE, Front Fender
	12-1904 617	Spacer
	4-6000 505	Clip
3	2275 105-6	MOULDING PACKAGE, Front Door
	2-151 497	Nut
	6-6000 808	Clip
	2-1649 607	Washer
	2-159 577	Screw
4	2275 193-4	MOULDING PACKAGE, Rear Door
	2-151 497	Nut
	8-6000 808	Clip
	2-1649 607	Washer
	2-159 577	Screw
5	2275 179-80	MOULDING PACKAGE, Quarter Panel
	4-151 497	Nut
6	2-2275 178	MOULDING PACKAGE, Quarter Panel Top
	2-6006 521	Retainer
	16-6006 446	Clip and Bolt
	16-151 497	Nut
7	2-2275 187	EXTENSION PACKAGE, Quarter Panel Top Moulding
	2-6006 264	Nut
8	2275 185-6	MOULDING PACKAGE, Quarter Panel Side and Rear
	2-9414 080	Screw
	10-6000 709	Clip and Bolt

1961 CHRYSLER C-300 MOULDINGS for Special Club Coupes and Convertible Coupes



REF. NO.	PART NUMBER	DESCRIPTION
1	2-2196 574	MOULDING PACKAGE, Quarter Panel Front
	2-6000 716	Clip
	2-6000 745	Clip and Bolt
	2-6000 028	Nut
2	2-2196 575	BASE PACKAGE, Quarter Panel Medallion
	2-6006 215	Nut
3	2-2094 801	MEDALLION, Quarter Panel
4	2-2240 842	MOULDING PACKAGE, Quarter Panel Rear
	16-6000 716	Clip

1961 IMPERIAL MOULDINGS for Special Club Coupes and Convertible Coupes



REF. NO.	PART NUMBER	DESCRIPTION
1	2240 936-7	MOULDING PACKAGE, Front Fender
2	2240 934-5	MOULDING PACKAGE, Front Fender
	12-1904 617	Spacer
	4-6000 505	Clip

\* Indicates use as required.  
 □ Indicates parts not listed in any previous parts book.  
 \* Indicates change or addition.



CODE	PART NAME AND DESCRIPTION	PER CAR	VALIANT	PLYMOUTH	DESOTO	CHRYSLER	IMPERIAL
<b>23-02-0 ASH RECEIVERS</b>							
23-02-1	RECEIVER, Front Seat Back Ash						
	Complete, use w/o Lighter .	1	2092 145	----	2080 642	2080 641	
	Use w/o Lighter .	1	2092 143	----	2080 184	2080 184	
	w/Face PLATE .	1	----	2086 611	----	----	
	Complete, use w/Lighter . .	1	----	----	----	2080 639	
	Use w/Lighter . .	1	----	----	----	2080 181	
	Complete, use w/Swivel Seat . . . . .	1	----	----	----	2161 119	
	Use w/Swivel Seat, w/Face PLATE . . . . .	1	----	----	----	2161 115	
23-02-2	RETAINER, Swivel Seat Back Ash Receiver	1	----	----	----	2080 784	
23-02-11	HOUSING, Front Seat Back Ash Receiver	1	----	1902 375	----	----	
23-02-12	SNUFFER, Seat Back Ash Receiver						
	Front . . . . .	1	----	1902 374	----	----	
	Sp. 4 D.Sub., Third . . . . .	1	----	----	----	1902 374	
23-02-18	RECEIVER, Instrument Panel Ash	1	2083 100	----	1901 938	1901 739	1901 826
	Complete	1	----	2162 216	----	1839 704	
23-02-19	HOUSING, Instrument Panel Ash Receiver	1	2083 021	1901 751	1901 944	----	
23-02-38	BUMPER, Instrument Panel Ash Receiver	★	----	----	----	----	2080 480
23-02-40	DOOR and HOUSING, Instrument Panel Ash Receiver	1	----	----	----	----	1900 878
23-02-42	HANDLE, Instrument Panel Ash Receiver	1	----	----	----	1698 140	
23-02-43	SPRING, Instrument Panel Ash Receiver Door						
	Right . . . . .	1	----	----	----	2080 234	1901 844
	Left . . . . .	1	----	----	----	----	1901 845
23-02-62	RECEIVER, Rear Quarter Ash Sp. Cl. Cp., Cv. Cp.	2	----	----	----	----	2080 413
23-02-78	RECEIVER, Rear Door Ash	2	----	----	----	----	2080 413
23-02-81	RETAINER, Rear Floor Tunnel Console Ash Receiver C4	1	----	----	----	2086 114	
23-02-82	SPRING, Rear Door and Quarter Arm Rest Ash Receiver Lid	2	----	----	----	----	2085 485
23-02-89	BEZEL and LID, Rear Door and Quarter Arm Rest Ash Receiver						
	Sp. 4 D. Right . . . . .	1	----	----	----	----	2085 514
	Left . . . . .	1	----	----	----	----	2085 515
	Sp. Cl. Cp., Cv. Cp. Right . . . . .	1	----	----	----	----	2080 670
	Left . . . . .	1	----	----	----	----	2080 671
23-02-105	RECEIVER, Floor Tunnel Console Ash C4						
	Front . . . . .	1	----	----	----	2161 028	
	w/Face PLATE, Rear . . . . .	1	----	----	----	2161 115	
23-02-107	BEZEL, Rear Floor Tunnel Console Ash Receiver C4	1	----	----	----	2161 035	

★ Indicates use as required.  
 □ Indicates parts not listed in any previous parts book.  
 \* Indicates change or addition.

Printed in U.S.A.  
 Prices and specifications subject to change without notice.  
 March 1, 1962 Supersedes May 31, 1961.

CODE	PART NAME AND DESCRIPTION	PER CAR	VALIANT	PLYMOUTH	DESOTO	CHRYSLER	IMPERIAL
<b>23-02-0 ASH RECEIVERS - Cont'd</b>							
23-02-145	RECEIVER, Third Seat Ash Sub.	1	-----	-----	-----	2086 611	
23-02-149	BRACKET, Third Seat Ash Receiver Mounting Sub.	1	-----	-----	-----	2080 596	
23-02-150	HOUSING, Third Seat Ash Receiver Sub.	1	-----	-----	-----	1902 375	
<b>23-04-0 FLOOR BOARDS</b>							
23-04-2	COVER, Floor Pan Steering Column Opening	1	-----	-----	-----	-----	1878 145
23-04-117	BOLT and RETAINER, Steering Column Opening Cover	3	-----	-----	-----	-----	1475 900
23-04-229	COVER, Spare Tire, Plastic Sub.	1	-----	2170 087	-----	2170 087	
	Black . . . . .	1	-----	-----	-----	2173 006	
	Brown . . . . .	1	-----	-----	-----	-----	
	PANEL, Spare Tire Cover Except Sub.	1	2082 359	-----	-----	-----	1708 248
23-04-241	HOUSING, Fuel Tank Filler Tube Sub.	1	-----	1960 501	-----	1960 500	
	w/COLLAR . . . . .	1	-----	-----	-----	-----	
	All Upper . . . . .	1	-----	-----	-----	-----	1877 354
	Lower . . . . .	1	-----	-----	-----	-----	1877 353
23-04-247	COLLAR, Fuel Tank Filler Opening Sub.	1	-----	2093 957	-----	2093 959	
23-04-249	SEAL, Fuel Tank Filler Tube Except Sub.	1	2081 597	-----	-----	-----	
	Rubber . . . . .	1	2259 222	-----	-----	-----	
	Rubber and Steel.	1	-----	1833 900	-----	1833 900	
	Sub. Housing . . . . .	1	-----	-----	-----	-----	1877 488
	All Collar . . . . .	1	-----	-----	-----	-----	1877 516
	To Door Housing .	1	-----	-----	-----	-----	
23-04-250	RETAINER, Fuel Tank Filler Tube Seal	1	-----	-----	-----	-----	1877 355
<b>23-06-0 GLOVE BOX</b>							
23-06-4	BOX, Glove Consists Of: Box Panel Stops Door	1	2083 096	-----	-----	-----	
	SCREW	★	-----	2080 550	1901 784	1901 793	1901 808
	Use w/Air Cond .	1	-----	1901 828	1901 828	1901 828	1901 828
23-06-10	DOOR, Glove Box	1	-----	-----	2161 268	-----	
23-06-12	PLATE, Glove Box Door Inner	1	-----	2162 213	1901 931	1901 734	1839 569
23-06-13	ARM, Glove Box Door Check SCREW	★	-----	2080 554	1901 790	1901 764	1839 568
	Right . . . . .	1	-----	1901 691	1901 691	1901 691	
	Left . . . . .	1	-----	-----	-----	-----	1902 176
23-06-14	BUMPER, Glove Box Door	★	*2080 480	2161 995	1298 930	2080 201	2080 480
23-06-15	CATCH, Glove Box Door Lock BOLT	1	2082 219	6008 203	2161 217	6008 016	2161 469
23-06-16	BRACKET, Glove Box Door Lock Catch	2	-----	-----	-----	-----	2161 473
23-06-17	FACE PLATE, Glove Box Door	1	-----	-----	-----	1685 782	
23-06-21	HINGE, Glove Box Door SCREW	★	2083 061 164 042	2080 458 1901 691	2161 621 1901 691	1901 727 1901 691	1902 201

★ Indicates use as required.

☐ Indicates parts not listed in any previous parts book.  
March 1, 1962 Supersedes May 31, 1961.

CODE	PART NAME AND DESCRIPTION	PER CAR	VALIANT	PLYMOUTH	DESOTO	CHRYSLER	IMPERIAL
<b>23-06-0 GLOVE BOX - Cont'd</b>							
23-06-28	LATCH, Glove Box Door w/o Lock . . . . .	1	2161 182	2080 736			
	w/LOCK . . . . .	1	2161 357	1830 415	2080 321	1830 415	2086 051
23-06-41	GROMMET, Glove Box Door Check Arm	1	----	2080 488	2080 488	2080 488	2080 488
23-06-49	MOULDING, Glove Box Door Horizontal	1	----	----	1902 313		
	NUT	3	----	----	6008 128		
23-06-53	NAME PLATE, Glove Box Door Windsor . . . . .	1	----	----	----	1901 847	
	NUT	3	----	----	----	6008 153	
	Newport . . . . .	1	----	----	----	2162 382	
	NUT	3	----	----	----	6008 153	
	New Yorker . . . . .	1	----	----	----	1901 849	
	NUT	3	----	----	----	6008 153	
	Chrysler . . . . .	1	----	----	----	1902 430	
	NUT	3	----	----	----	6008 153	
23-06-102	CLIP, Glove Box Road Map	1	----	*2080 950	*2080 950	*2080 950	
	SCREW	2	----	*1901 828	*1901 828	*1901 828	
<b>23-07-0 BRACKETS AND REINFORCEMENTS</b>							
23-07-168	REINFORCEMENT, Instrument Panel Lower	1	----	----	----	----	1839 570
23-07-169	BRACKET, Instrument Panel Lower Reinforcement to Pillar Right . . . . .	1	----	----	----	----	2080 652
	Left . . . . .	1	----	----	----	----	2080 653
<b>23-08-0 BUMPERS AND STRIKERS</b>							
23-08-12	BUMPER or WEDGE, Door Sp. Cl. Cp., Cv. Cp. Door . . . . .	2	----	989 513	989 513	989 513	989 513
	Body . . . . .	2	----	1544 841	1544 841	1544 841	1750 995
	4D., 4D.Sub., Front Upper . . . . .	2	2082 641	2080 201	----	2080 201	
	Rear . . . . .	2	1954 397				
	Lower . . . . .	2	1954 397				
	Cl.Sed., 2 D.Sub. Front Upper . . . . .	2	----	2080 201			
	Sp. Cl. Cp., Cv. Cp., Cl.Sed., 2 D.Sub.	4	----	1954 393			
	Sp. Cl. Cp., Cv. Cp., Upper	2	----	----	1954 393	1954 393	
	Sp. Cl. Cp., Cv. Cp.	4	----	----	----	----	2093 950
	Rear . . . . .	4	----	----	----	----	2093 950
23-08-13	STOP, Front Door Bumper Sp. 4 D. Chrome . . . . .	4	----	----	----	----	2080 982
	SCREW	4	----	----	----	----	161 378
23-08-54	SPACER, Door Lock Striker Front, Thick . . . . .	★	2081 542				
	Thin . . . . .	★	2081 543				
	Rear, Thin . . . . .	★	1954 717				
	Thin . . . . .	★	----	1954 717	1954 717	1954 717	1954 717
23-08-60	STRIKER, Door Lock Front, Right . . . . .	1	2195 766	1954 234	1954 234	1954 234	1954 234
	Left . . . . .	1	2195 767	1954 235	1954 235	1954 235	1954 235
	Rear, Right . . . . .	1	1954 234	1954 234	1954 234	1954 234	1954 234
	Left . . . . .	1	1954 235	1954 235	1954 235	1954 235	1954 235
23-08-63	PLATE, Front Door Lock Striker Cover 4 D., 4 D.Sub.	2	2082 609				
	Sp. Cl. Cp., Cl.Sed.	2	2195 765				

★ Indicates use as required.

☐ Indicates parts not listed in any previous parts book.

\* Indicates change or addition.



CODE	PART NAME AND DESCRIPTION	PER CAR	VALIANT	PLYMOUTH	DESOTO	CHRYSLER	IMPERIAL
<b>23-08-O BUMPERS AND STRIKERS - Conf'd</b>							
23-08-75	PLATE, Door Lock Striker Tapping	★	2195 787	1952 214	1952 214	1952 214	1952 214
23-08-76	SHIELD, Front Door Lock Striker						
	4D., 4D.Sub., Right . . . . .	1	2082 520				
	Left . . . . .	1	2082 521				
<b>23-09-O GLASS CHANNELS</b>							
23-09-2	ROLLER, Rear Door Glass Lower Channel						
	4D., 4D.Sub., Single Groove . .	2	1697 607	1697 607	----	1697 607	
23-09-9	CHANNEL, Quarter Window Glass Lower						
	NOTE: For Models not listed see Part Type Code 23-64-174						
	Cl.Sed., 2 D.Sub.						
	Right . . . . .	1	2195 284	1950 560			
	Left . . . . .	1	2195 284	1950 561			
	Sp. Cl. Cp., Cv. Cp.						
	Right . . . . .	1	----	----	----	----	1691 086
	Left . . . . .	1	----	----	----	----	1691 087
23-09-10	ROLLER, Quarter Window Glass Lower Channel						
	Cv. Cp., Cl.Sed., 2 D.Sub.	2	----	1697 607	----	1697 607	
23-09-15	BRACKET, Quarter Window Guide Channel Upper Rear						
	Sp. Cl. Cp.	2	----	----	----	----	*1750 660
23-09-16	GUIDE, Quarter Window Glass, w/RUN						
	Sp. Cl. Cp. Right . . . . .	1	----	2216 326			
	Left . . . . .	1	----	2216 327			
23-09-17	ROLLER, Quarter Window Glass Lower Channel and Track						
	Sp. Cl. Cp., Cv. Cp.						
	Double Groove . .	★	----	2165 992	2165 992	2165 992	
	ROLLER, Rear Door Window Glass Lower Channel and Track						
	Sp. 4 D., Sp. 4 D.Sub.						
	Double Groove . .	6	----	2165 992	2165 992	2165 992	
	SLIDE, Quarter Window Glass Lower Channel Guide, Nylon, Sp. Cl. Cp., Cv. Cp.	8	----	----	----	----	1690 950
23-09-33	BAR, Quarter Window Division, w/BRACKET						
	Cl.Sed. Right . . . . .	1	2195 618				
	Left . . . . .	1	2195 619				
	Sp. Cl. Cp. w/CHANNEL, Right . . . . .	1	2195 776				
	Left . . . . .	1	2195 777				
23-09-35	CHANNEL, Quarter Window Glass Run, w/BRACKET						
	Cl.Sed. Right . . . . .	1	2195 740				
	Left . . . . .	1	2195 741				
23-09-47	SUPPORT, Front Door Glass Rear Run Channel						
	Sp. 4 D., Sp. 4 D.Sub., Sp. Cl. Cp., Cv. Cp., Upper . . . . .	2	----	1963 732	1963 732	1963 732	
	Lower . . . . .	2	----	1954 446	1954 446	1954 446	
23-09-51	CHANNEL, Front Door Window Glass Guide, w/BRACKET						
	Sp. Cl. Cp., Cl.Sed.						
	Right . . . . .	1	2195 876				
	Left . . . . .	1	2195 877				

★ Indicates use as required.

☐ Indicates parts not listed in any previous parts book.

March 1, 1962 Supersedes May 31, 1961.

Printed in U.S.A.

Prices and specifications subject to change without notice.

\* Indicates change or addition.

CODE	PART NAME AND DESCRIPTION	PER CAR	VALIANT	PLYMOUTH	DESOTO	CHRYSLER	IMPERIAL
<b>23-09-0 GLASS CHANNELS - Cont'd</b>							
23-09-51	CHANNEL, Front Door Window Glass Rear Run Sp. 4 D., Sp. 4 D. Sub., Sp. Cl. Cp., Cv. Cp., w/RUN, Right . . . . .	1	----	1950 812	1950 812	1950 812	
	Left . . . . .	1	----	1950 813	1950 813	1950 813	
	Sp. 4 D., Sp. Cl. Cp., Cv. Cp. Right . . . . .	1	----	----	----	----	1961 382
	Left . . . . .	1	----	----	----	----	1961 383
23-09-52	CHANNEL, Front Door Window Glass Lower NOTE: For Models not listed see Part Type Code 23-64-265 4D., 4D. Sub., Right . . . . .	1	2082 264	2165 712	----	2165 712	
	Left . . . . .	1	2082 265	2165 713	----	2165 713	
	Cl. Sed., 2 D. Sub. Right . . . . .	1	----	2165 714	----	----	
	Left . . . . .	1	----	2165 715	----	----	
	Sp. 4 D. Right . . . . .	1	----	----	----	----	1750 578
	Left . . . . .	1	----	----	----	----	1750 579
	Sp. Cl. Cp., Cv. Cp. Right . . . . .	1	----	----	----	----	1751 056
	Left . . . . .	1	----	----	----	----	1751 057
23-09-56	CHANNEL, Rear Door Window Glass Run Sp. 4 D. Front, Right . . .	1	----	----	----	----	1961 378
	Left . . . . .	1	----	----	----	----	1961 379
	Rear, Right . . .	1	----	----	----	----	1961 380
	Left . . . . .	1	----	----	----	----	1961 381
23-09-58	CHANNEL, Rear Door Window Glass Lower NOTE: For Models not listed see Part Type Code 23-64-265 4 D. Right . . . . .	1	2081 470	1950 582	----	1950 648	
	Left . . . . .	1	2081 471	1950 583	----	1950 649	
	4 D. Sub. Right . . . . .	1	2081 470	1950 648	----	----	
	Left . . . . .	1	2081 471	1950 649	----	----	
	Sp. 4D. Right . . . . .	1	----	----	----	----	*1692 152
	Left . . . . .	1	----	----	----	----	*1692 153
23-09-67	CHANNEL, Tailgate Glass Run Sub. Upper . . . . .	1	2081 725	----	----	----	
	Side, Upper . . .	2	2081 146	----	----	----	
	Lower, Right . . .	1	2082 764	1960 008	----	1960 008	
	Left . . . . .	1	2082 765	1960 009	----	1960 009	
	w/Sleeve NUT, Lower, Right . . . . .	1	----	2189 754	----	2189 754	
	Left . . . . .	1	----	2189 755	----	2189 755	
23-09-75	CHANNEL, Quarter Window Guide Sp. Cl. Cp. Right . . . . .	1	2195 726	----	----	----	
	Left . . . . .	1	2195 727	----	----	----	
	Sp. Cl. Cp., Cv. Cp. Front, Right . . .	1	----	----	----	----	1961 392
	Left . . . . .	1	----	----	----	----	1961 393
	Rear, Right . . .	1	----	----	----	----	1961 394
	Left . . . . .	1	----	----	----	----	1961 395
<b>23-10-0 DOOR CHECK</b>							
23-10-1	ARM, Door Check Front . . . . .	2	2081 340	----	----	----	
	Rear . . . . .	2	2081 456	----	----	----	1860 829
23-10-2	BRACKET, Rear Door Check Arm	2	----	----	----	----	1750 686
23-10-17	GUIDE, Door Check Arm Front . . . . .	2	1758 076	----	----	----	
	Rear . . . . .	2	1758 076	----	----	----	1476 900
	w/BRACKET, Rear . . . . .	2	2081 622	----	----	----	

★ Indicates use as required.

☐ Indicates parts not listed in any previous parts book.

\* Indicates change or addition.

Printed in U.S.A.

Prices and specifications subject to change without notice.

March 1, 1962 Supersedes May 31, 1961.

CODE	PART NAME AND DESCRIPTION	PER CAR	VALIANT	PLYMOUTH	DESOTO	CHRYSLER	IMPERIAL
<b>23-11-0 DOORS</b>							
23-11-1	SHELL, Front Door Cl.Sed., 2 D.Sub.						
	Right . . . . .	1	2259 158	1964 122			
	Left . . . . .	1	2259 159	1964 123			
	Sp. Cl. Cp., Cv. Cp.						
	Right . . . . .	1	2259 160	1964 124	2165 400	2165 400	1961 370
	Left . . . . .	1	2259 161	1964 125	2165 401	2165 401	1961 371
	4D., 4D.Sub., Right . . . . .	1	1919 100	1964 118	----	2165 372	
	Left . . . . .	1	1919 101	1964 119	----	2165 373	
	Sp. 4 D., Sp. 4 D.Sub.						
	Right . . . . .	1	----	2165 326	2165 386	2165 386	1961 374
	Left . . . . .	1	----	2165 327	2165 387	2165 387	1961 375
23-11-2	DOOR, Front, Trimmed, Includes HARDWARE and GLASS. All Codes.						
NOTE: Door assemblies complete, will no longer be listed by part number in the parts books. Door assemblies complete will be available during the production run of the car model and will be furnished on special order only. The vehicle SERIAL NUMBER must be noted on the order.							
23-11-3	SHELL, Rear Door 4 D.						
	Right . . . . .	1	1919 102	1964 132	----	1952 510	
	Left . . . . .	1	1919 103	1964 133	----	1952 511	
	4 D.Sub.						
	Right . . . . .	1	1919 102	1964 130			
	Left . . . . .	1	1919 103	1964 131			
	Sp. 4 D., Sp. 4 D.Sub.						
	Right . . . . .	1	----	1964 134	1952 514	1952 514	1961 404
	Left . . . . .	1	----	1964 135	1952 515	1952 515	1961 405
23-11-4	DOOR, Rear, Trimmed, Includes HARDWARE and GLASS. All Codes.						
NOTE: Door assemblies complete, will no longer be listed by part number in the parts books. Door assemblies complete will be available during the production run of the car model and will be furnished on special order only. The vehicle SERIAL NUMBER must be noted on the order.							
23-11-23	MEDALLION or ORNAMENT PACKAGE, Front Door						
	Right . . . . .	1	2240 765				
	CLIP	1	6000 808				
	SCREW	1	9416 706				
	Left . . . . .	1	2240 766				
	CLIP	1	6000 808				
	SCREW	1	9416 706				
	MEDALLION or ORNAMENT, Front Door						
	C1, C2, Base, w/LION . . . . .	2	----	----	----	2094 953	
	CLIP	4	----	----	----	6000 808	
	Lion . . . . .	2	----	----	----	2094 819	
	C3 Lion, Right . . . . .	1	----	----	----	2094 822	
	CLIP	2	----	----	----	* 445 153	
	Left . . . . .	1	----	----	----	2094 823	
	CLIP	2	----	----	----	* 445 153	
23-11-24	INSERT PACKAGE, Front Door						
	Medallion	2	2240 814				
	NUT	4	188 369				
<b>23-13-0 SAFE-T-MATIC DOOR LOCKS</b>							
NOTE: See illustration in front of Group.							
<b>23-14-0 DOOR REGULATORS AND REMOTE CONTROL HANDLES</b>							
23-14-7	HANDLE, Rear Door Outside Assist						
	Taxi Right . . . . .	1	----	2165 276			
	Left . . . . .	1	----	2165 277			
	RIVET . . . . .	8	----	2165 341			

★ Indicates use as required.

⊠ Indicates parts not listed in any previous parts book.  
March 1, 1962 Supersedes May 31, 1961.

CODE	PART NAME AND DESCRIPTION	PER CAR	VALIANT	PLYMOUTH	DESOTO	CHRYSLER	IMPERIAL	
<b>23-14-0 DOOR REGULATORS AND REMOTE CONTROL HANDLES - Cont'd</b>								
23-14-10	HANDLE, Door Outside Chrome Button, Right . . . . . Left . . . . . Black Button, Right . . . . . Left . . . . . SCREW Front, Right . . . . . Left . . . . . NUT Rear, Right . . . . . Left . . . . . NUT	★ ★ ★ ★ ★ 1 1 ★ 1 1 ★	*2081 334 *2081 335 E2242 902 E2242 903 *2082 983 ---- ---- ---- ---- ---- ---- ----					
23-14-14	CLAMP, Door Outside Handle Attaching	★	2082 511					
23-14-18	HANDLE, Door Window Regulator . . . . . w/ESCUTCHEON .	★ ★	2082 891 ----	1952 818 ----		1900 870 1900 870	1900 870	
23-14-19	ESCUTCHEON, Doors and Quarter Window Regulator Handle, C1, C2	★	----	1954 124	2192 685	2192 685		
23-14-21	SPRING, Regulator and Remote Control Handle	★	2082 928	1695 431	1695 431	1695 431	1695 431	
23-14-23	CLIP, Regulator and Remote Control Handle	★	1602 532	1602 532	1602 532	1602 532	1602 532	
23-14-24	SPACER, Regulator and Remote Control Handle	★	1684 831	2166 751	1900 872	1900 872	1900 872	
23-14-25	COVER, Door Remote Control Handle	★	----	1952 955				
23-14-27	HANDLE, Door Remote Control w/CLIP . . . . . P1-H, P2-H, C1, C2 Right . . . . . Left . . . . . NUT Except P1-H, P2-H C3, C4 Right . . . . . Left . . . . . SCREW	2 ★ ★ ★ ★ ★ ★ ★	2082 385 1593 022 1593 022 ---- ---- ---- ---- ----	1954 570 1954 571 6022 838 2166 752 ---- ---- ----	2162 106 2162 107 6022 838 ---- ---- ----	2162 106 2162 107 6022 838 1900 860 1900 861 6008 191	1900 856 1900 857 6008 191	
23-14-39	HANDLE, Front Door Vent Wing NOTE: See Part Type Code 23-14-53.							
23-14-46	WASHER, Front Door Vent Wing Handle Shaft	2	6000 110	6000 110	6000 110	6000 110	6000 110	
23-14-47	CATCH, Front Door Vent Wing Handle Except Sp. Cl. Cp. Right . . . . . Left . . . . . Sp. Cl. Cp. Right . . . . . Left . . . . . All Right . . . . . Left . . . . .	1 1 1 1 1 1 1	2081 298 2081 299 2195 810 2195 811 ---- ---- ----					2093 828 2093 829
23-14-51	GROMMET, Door Remote Control Handle, w/CLIP C3	★	----	----	----	2085 899	2085 862	
23-14-52	PIN, Door Vent Wing Handle to Shaft	2	6000 116	6000 116	6000 116	6000 116	6000 116	
23-14-53	HANDLE PACKAGE, Front Door Vent Wing w/KEY, Right . . . . . Left . . . . . w/o Key, Right . . . . . Left . . . . .	1 1 1 1	E2083 294 E2083 295 *2259 214 *2259 215	1954 110 1954 111 2167 916 2167 917	1954 110 1954 111 2167 916 2167 917	1954 110 1954 111 2167 916 2167 917	1954 110 1954 111 2167 916 2167 917	

★ Indicates use as required.  
 E Indicates parts not listed in any previous parts book.  
 \* Indicates change or addition.

CODE	PART NAME AND DESCRIPTION	PER CAR	VALIANT	PLYMOUTH	DESOTO	CHRYSLER	IMPERIAL
<b>23-14-0 DOOR REGULATORS AND REMOTE CONTROL HANDLES - Cont'd</b>							
23-14-79	HANDLE, Quarter Window Regulator Cl. Sed. Sp. Cl. Cp., Cv. Cp., 2 D. Sub.	2 2	2082 891 2082 891	1954 540 1952 818			
23-14-147	SEAL, Door Outside Handle Push Button	★	E2299 687				
23-14-153	BUMPER, Door Outside Handle Center . . . . .	★ ★	---- ----	1651 493 1707 384	1651 493 1707 384	1651 493 1707 384	1651 493 1707 384
<b>23-15-0 DOOR HINGE</b>							
23-15-1	HINGE, Door Upper Front, Right . . . Left . . . . . 4D., 4D. Sub., Rear, Right . . . Left . . . . . Sp. 4 D., Sp. 4 D. Sub. Rear, Right . . . Left . . . . .	1 1 1 1 1 1	2081 320 2081 321 2081 450 2081 451 ---- ----	1882 028 1882 029 1950 610 1950 611 1882 400 1882 401	1882 028 1882 029 ---- ---- 1950 604 1950 605	1882 028 1882 029 1884 448 1884 449 1950 604 1950 605	2189 384 2189 385   1651 400 1750 565
23-15-3	HINGE, Door Lower Front, Right . . . Left . . . . . 4D., 4D. Sub., Rear, Right . . . Left . . . . . Sp. 4 D., Sp. 4 D. Sub. Rear, Right . . . Left . . . . .	1 1 1 1 1 1	2082 724 2082 725 2081 444 2081 445 ---- ----	1882 048 1882 049 2166 452 2166 453 2166 466 2166 467	1882 048 1882 049 ---- ---- 2166 466 2166 467	1882 048 1882 049 2166 452 2166 453 2166 466 2166 467	1651 396 1651 397   1651 400 1750 565
23-15-6	ROLLER, Door Hinge Integral Check Front, Upper . . . Rear, Lower . . .	2 2	---- ----	1883 802 1882 967	1883 802 1882 967	1883 802 1882 967	
23-15-7	SHIM, Rear Door Upper Hinge	★	----	1950 670	1909 421	1909 421	2189 408
23-15-9	PIN, Door Hinge Integral Check Upper . . . . . Lower . . . . .	★ ★	---- ----	1882 964 1882 964	1882 964 1882 964	1882 964 1882 964	
	PIN, Door Hinge Front . . . . . Rear . . . . . Upper . . . . . Lower . . . . .	4 4 ★ ★	2259 188 2081 596 ---- ----	---- ---- 1882 053 1882 965	---- ---- 1882 053 1882 965	---- ---- 1882 053 1882 965	6006 043 6006 047
23-15-10	SCREW and WASHER, Door Hinge Front . . . . . Rear to Body . . .	★ 12	1964 747 2081 800	1964 747	1964 747	1964 747	
23-15-11	RING, Door Hinge Integral Check Roller Retainer Front . . . . . Rear . . . . .	2 2	---- ----	1884 405 1882 961	1884 405 1882 961	1884 405 1882 961	
23-15-13	PLATE, Front Pillar Door Hinge Tapping	4	----	----	----	----	6006 086
23-15-14	SPRING, Door Hinge Integral Check Pin Upper . . . . . Lower . . . . .	★ ★	---- ----	1882 055 1882 963	1882 055 1882 963	1882 055 1882 963	
23-15-17	SPACER, Front Door Upper Hinge or Sleeve SPACER, Rear Door Hinge Integral Check Pin	4 2	---- ----	1909 975 1950 559	1909 975 1950 559	1909 975 1950 559	
23-15-21	RETAINER, Center Pillar Rear Door Hinge Tapping Plate Upper, Right . . . Left . . . . . Lower . . . . .	1 1 2	---- ---- ----	---- ---- ----	---- ---- ----	---- ---- ----	1750 602 1750 603 1750 484
23-15-22	GROMMET, Front Door Hinge Lower . . . . . SEAL, Door Hinge	2 ★	---- ----	1758 813 ----	1758 813 ----	1758 813 ----	1961 262

★ Indicates use as required.

☐ Indicates parts not listed in any previous parts book.  
March 1, 1962 Supersedes May 31, 1961.

CODE	PART NAME AND DESCRIPTION	PER CAR	VALIANT	PLYMOUTH	DESOTO	CHRYSLER	IMPERIAL
<b>23-17-0 LOCK CYLINDER AND KEYS</b>							
NOTE: For Glove Box See Part Type Code 23-06-28.							
23-17-2	CYLINDER and KEYS, Door and Ignition Lock	1	2161 192	2161 503	2161 503	2161 503	2161 503
	Taxi and Police	1	----	2080 227			
23-17-5	CYLINDER and KEYS, Deck Lid Lock	1	2161 424	2161 424	2086 049	2086 049	2161 865
	Taxi w/o Key . . . . .	1	----	2161 851			
23-17-9	GASKET, Deck Lid Lock Cylinder	1	1883 896	1883 896	1883 896	1883 896	
23-17-10	RETAINER, Deck Lid Lock Cylinder	1	2080 575	2080 575	2080 575	2080 575	
23-17-18	RETAINER, Rear Floor Pan Cover Lock Cylinder Sub.	1	----	1866 686	----	1866 686	
23-17-24	CYLINDER and KEYS, Door Lock (consists of 2 cylinders and 2 keys)	1	2161 356	2086 048	2086 048	2086 048	2086 048
23-17-28	RETAINER, Door Lock Cylinder	2	2162 351				
23-17-49	CYLINDER and KEYS, Tailgate Lock						
	Sub. Manual . . . . .	1	2161 599	2161 599	----	2161 599	
	Electric. . . . .	1	2161 423	2161 423	----	2161 423	
23-17-51	GASKET, Electric Tailgate Lock Cylinder						
	Sub.	1	2076 675	1819 316	----	1819 316	
23-17-52	RETAINER, Electric Tailgate Lock Cylinder	1	1819 317	1819 317	----	1819 317	
23-17-66	KEY, Deck Lid and Glove Box Lock Cylinder Blank	2	----	----	----	----	1520 798
23-17-72	CYLINDER and KEYS, Tirewell Cover Lock						
	Sub	1	----	2161 615	----	2161 615	
<b>23-18-0 DOOR LOCKS AND REMOTE CONTROLS</b>							
23-18-5	LOCK, Door						
	Front, Right . . .	1	E2082 412	E2166 694	E2166 694	E2166 694	E2188 900
	Left . . . . .	1	E2082 413	2166 695	2166 695	2166 695	1961 745
	Rear, Right . . .	1	2081 440	1954 058	1954 058	1954 058	1961 746
	Left . . . . .	1	2081 441	1954 059	1954 059	1954 059	1961 747
23-18-11	LINK, Rear Door Lock Remote Control	2	----	----	----	----	1961 717
23-18-13	REMOTE CONTROL, Door Lock, w/LINK						
	4 D., Sp.4 D., 4 D.Sub., Sp.4 D.Sub., C1, C2						
	Front, Right . . .	1	2081 316	1964 834	1964 834	1964 834	1961 748
	Left . . . . .	1	2081 317	1964 835	1964 835	1964 835	1961 749
	4 D., Sp.4 D., Sp.4 D.Sub., C1, C2						
	Rear, Right . . .	1	2082 474	1964 784	1964 782	1964 782	
	Left . . . . .	1	2082 475	1964 785	1964 783	1964 783	
	4 D.Sub.						
	Rear, Right . . .	1	2082 474	1964 782			
	Left . . . . .	1	2082 475	1964 783			
	4 D., Sp.4 D., Sp.4 D.Sub., C3						
	Front, Right . . .	1	----	----	----	2165 224	
	Left . . . . .	1	----	----	----	2165 225	
	Rear, Right . . .	1	----	----	----	2165 232	
	Left . . . . .	1	----	----	----	2165 233	
	Sp. Cl. Cp., Cv. Cp., Cl. Sed., 2 D.Sub., C1, C2						
	Right . . . . .	1	2195 828	1964 836	1964 836	1964 836	1961 750
	Left . . . . .	1	2195 829	1964 837	1964 837	1964 837	1961 751
	Sp. Cl. Cp., Cv. Cp., C3, C4						
	Right . . . . .	1	----	----	----	2165 226	
	Left . . . . .	1	----	----	----	2165 227	

★ Indicates use as required.  
 E Indicates parts not listed in any previous parts book.  
 \* Indicates change or addition.

Printed in U.S.A.  
 Prices and specifications subject to change without notice.  
 March 1, 1962 Supersedes May 31, 1961.

# 1961 PASSENGER CAR PARTS CATALOG

BODY

CODE	PART NAME AND DESCRIPTION	PER CAR	VALIANT	PLYMOUTH	DESOTO	CHRYSLER	IMPERIAL
<b>23-18-0 DOOR LOCKS AND REMOTE CONTROLS - Cont'd</b>							
23-18-13	CONTROL, Rear Door Lock Remote						
	Right . . . . .	1	----	----	----	----	1961 704
	Left . . . . .	1	----	----	----	----	1961 705
23-18-20	LINK, Door Outside Handle to Lock						
	Front . . . . .	2	2195 785	1963 638*	1963 639	1963 639	
	Rear . . . . .	2	2081 826	1954 909	1954 911	1954 911	1961 736
	Sp. 4 D. Front . . . . .	2	----	----	----	----	1961 752
	Sp. Cl. Cp., Cv. Cp.	2	----	----	----	----	1961 753
23-18-21	SPRING, Door Lock Remote Control Lever	★	849 517	849 517	849 517	849 517	849 517
23-18-25	CONTROL, Rear Door Lock Locking, w/LINK						
	4D., Sp. 4D., Right . . . . .	1	2081 950	1884 486	1884 488	1884 488	1961 724
	Left . . . . .	1	2081 951	1884 487	1884 489	1884 489	1961 725
	Sub. Right . . . . .	1	2081 950	1884 488	----	1884 488	
	Left . . . . .	1	2081 951	1884 489	----	1884 489	
23-18-26	LINK or ROD, Front Door Lock to Lock Cylinder	2	2082 616				
	Right . . . . .	1	----	1954 818	1954 830	1954 830	
	Left . . . . .	1	----	1954 819	1954 831	1954 831	
	Sp. 4 D. Right . . . . .	1	----	----	----	----	1961 862
	Left . . . . .	1	----	----	----	----	2093 412
	Sp. Cl. Cp., Cv. Cp. Right . . . . .	1	----	----	----	----	1961 863
	Left . . . . .	1	----	----	----	----	2093 413
23-18-27	KNOB, Rear Door Lock Locking Control	2	1952 601	1952 601	1952 601	1952 601	1952 601
	SCREW	2	158 414	158 414	158 414	158 414	158 414
	WASHER	2	1952 603	1952 603	1952 603	2241 263	1952 603
23-18-28	SPRING, Door Lock Actuator						
	Right . . . . .	★	1458 246	1458 246	1458 246	1458 246	1458 246
	Left . . . . .	★	1458 247	1458 247	1458 247	1458 247	1458 247
23-18-29	RETAINER, Door Outside Handle to Lock	★	1954 851	1954 851	1954 851	1954 851	1954 851
	CLIP, Front Door Lock Cylinder to Locking Lever	2	*2166 622	2166 622	2166 622	2166 622	2166 622
23-18-40	ANTI-RATTLE, Door Remote Control Link	★	2083 149	1952 778	1952 778	1952 778	
23-18-42	CLIP, Rear Door Remote Control and Lock Link Anti-Rattle	4	----	----	----	----	B6006 506
23-18-102	RETAINER, Electric Door Lock Switch						
	YL, YM, YH	2	----	----	----	----	1971 478
23-18-103	SWITCH, Electric Door Lock	2	----	----	----	----	2096 398
23-18-104	SPRING, Electric Door Lock Switch Retaining	8	----	----	----	----	2096 169
23-18-106	RELAY, Electric Door Lock	1	----	----	----	----	2257 703
23-18-107	LINK, Electric Door Lock Solenoid to Lock						
	Sp. 4 D. Front . . . . .	2	----	----	----	----	1972 952
	Rear . . . . .	2	----	----	----	----	2258 898
	Sp. Cl. Cp., Cv. Cp.	2	----	----	----	----	1972 954
23-18-109	CLIP, Electric Door Lock Solenoid to Lock Link						
	Right . . . . .	★	----	----	----	----	6015 106
	Left . . . . .	★	----	----	----	----	6015 107
23-18-112	CIRCUIT BREAKER, Electric Door Lock	1	----	----	----	----	1566 038
23-18-115	SOLENOID, Electric Door Lock, w/BRACKET						
	Sp. 4 D. Front . . . . .	2	----	----	----	----	1972 940
	Rear, Right . . . . .	1	----	----	----	----	1972 938
	Left . . . . .	1	----	----	----	----	1972 939

★ Indicates use as required.  
 □ Indicates parts not listed in any previous parts book.  
 March 1, 1962 Supersedes May 31, 1961.



BODY

# 1961 PASSENGER CAR PARTS CATALOG

Page

CODE	PART NAME AND DESCRIPTION	PER CAR	VALIANT	PLYMOUTH	DESOTO	CHRYSLER	IM
<b>23-18-0 DOOR LOCKS AND REMOTE CONTROLS - Cont'd</b>							
23-18-115	SOLENOID - Cont'd Sp. Cl. Cp., Cv. Cp. Right . . . . .	1	---	---	---	---	197
	Left . . . . .	1	---	---	---	---	197
23-18-116	SCREW and WASHER, Electric Door Lock Solenoid Mounting Sp. 4 D. Front . . . . .	4	---	---	---	---	209
	Rear . . . . .	4	---	---	---	---	209
	Sp. Cl. Cp., Cv. Cp.	4	---	---	---	---	209
23-18-120	TERMINAL and INSULATOR PACKAGE, Electric Door Lock Solenoid	*	---	---	---	---	184
<b>23-19-0 DECK LID</b>							
23-19-8	LID, Deck w/Spare Tire PANEL . . . . .	1	2082 404	1919 058	1919 061	1919 061	218
23-19-11	HANDLE PACKAGE, Deck Lid Lift NUT Except C4 w/MEDALLION. WASHER NUT ALL Use w/Spare Tire Panel . . . . .	1 3 1 3 3 1	---	---	2240 900 151 497	*2275 007 *1961 286 151 497 *2196 515	218 151
	NUT	2	---	---	---	156 009	2240
	ALL	1	---	---	---	---	6006
	WASHER	3	---	---	---	---	151
	NUT	3	---	---	---	---	
	HANDLE, Deck Lid Lift, C4	1	---	---	---	B2189 367	
23-19-12	MEDALLION, Deck Lid Lift Handle	1	---	---	---	2094 217	
23-19-21	PLUG, Deck Lid Inside Panel Drain Hole	2	---	---	1878 752	1878 752	2188
23-19-22	GASKET, Deck Lid Lift Handle	1	---	---	---	---	
23-19-24	PANEL, Deck Lid Outside Finish	1	---	2166 742	---	---	
23-19-45	RING PACKAGE, Deck Lid Spare Tire Outer . . . . .	1	---	---	---	---	2240
	WASHER	8	---	---	---	---	2094
	NUT	8	---	---	---	---	6006
	MOULDING PACKAGE, Deck Lid Spare Tire	1	---	---	---	2196 663	
	CLIP and BOLT	6	---	---	---	6006 428	
	NUT	6	---	---	---	151 497	
23-19-53	ORNAMENT PACKAGE, Deck Lid Spare Tire WASHER NUT	1 4 4	---	---	---	---	2240 2094 6006
23-19-54	PLATE, Deck Lid Spare Tire Ornament	1	---	---	---	---	2093
23-19-57	ORNAMENT, Deck Lid Spare Tire Except C4 "PKG" NUT C1, C2 C3 "Chrysler New Yorker"	1 4 1 1	---	---	---	2196 662 151 497 2189 484	
23-19-60	TUBE, Deck Lid Spare Tire Ornament Drain Except C4	1	---	---	---	1961 489	
23-19-63	BUMPER, Deck Lid Upper Corner . . . . . Side Upper . . . . . Lower . . . . .	2 2 2 2	---	2166 620	2094 759	2094 759	1961 7 1960 7 1960 6

★ Indicates use as required.  
 ☐ Indicates parts not listed in any previous parts book.  
 \* Indicates change or addition.

MyMopar.com

# 1961 PASSENGER CAR PARTS CATALOG

BODY

CODE	PART NAME AND DESCRIPTION	PER CAR	VALIANT	PLYMOUTH	DESOTO	CHRYSLER	IMPERIAL
<b>23-19-O DECK LID - Cont'd</b>							
23-19-70	CATCH, Deck Lid Lock	1	2081 214	1867 661	1867 661	1867 661	1867 661
23-19-74	SUPPORT, Deck Lid Lower Panel Lock	1	2081 860	2093 979	1960 098	1960 098	1960 149
23-19-75	w/Tapping PLATE PLATE or REINFORCEMENT, Deck Lid Lock	1	-----	-----	1973 181	1973 181	-----
23-19-76	BRACKET, Deck Lid Hinge Support to Wheelhouse Except Cv. Cp.	1	-----	-----	1960 486	1960 486	1960 560
	Upper . . . . .	2	-----	-----	-----	-----	1750 991
	Cv. Cp. Right . . . . .	1	-----	-----	-----	-----	1751 130
	Left . . . . .	1	-----	-----	-----	-----	1751 131
23-19-82	SUPPORT, Deck Lid Hinge Body Bracket						
	Right . . . . .	1	2259 038				
	Left . . . . .	1	2259 039				
	Except Cv. Cp.						
	Upper, Right . . . . .	1	-----	1909 410	1919 014	1919 014	
	Left . . . . .	1	-----	1909 411	1919 015	1919 015	
	Lower, Right . . . . .	1	-----	1884 630	1884 636	1884 636	
	Left . . . . .	1	-----	1884 631	1884 637	1884 637	
	Except Cv. Cp.						
	Right . . . . .	1	-----	-----	-----	-----	1961 078
	Left . . . . .	1	-----	-----	-----	-----	1961 079
	Cv. Cp. Right . . . . .	1	-----	-----	-----	-----	1961 080
	Left . . . . .	1	-----	-----	-----	-----	1961 081
23-19-84	HINGE, Deck Lid Except Cv. Cp.						
	Right . . . . .	1	2259 299	2166 420	1884 620	1884 620	
	Left . . . . .	1	2259 299	2166 421	1884 621	1884 621	
	Cv. Cp. Right . . . . .	1	-----	2165 572	-----	2165 572	
	Left . . . . .	1	-----	2165 573	-----	2165 573	
	ALL	2	-----	-----	-----	-----	2093 530
23-19-85	PIN, Deck Lid Hinge	2	2188 990	-----	-----	-----	1331 899
23-19-92	SPRING, Deck Lid Hinge Cv. Cp.	4	-----	2165 590	-----	2165 590	
23-19-96	RING, Deck Lid Hinge Pin Retaining	2	1922 183				
23-19-105	LOCK, Deck Lid	1	1961 038	1961 057	1961 038	1961 038	1961 057
23-19-114	NAME PLATE PACKAGE, Deck Lid						
	Plymouth . . . . .	1	2275 300				
	NUT	3	6000 492				
	Sonoramic Commando Power CLIP	5	-----	2196 256			
	Golden Commando Power CLIP	1	-----	6000 050			
	CLIP	3	-----	2196 836			
	CLIP	3	-----	6000 037			
	Letter "D" . . . . .	1	-----	-----	2196 509		
	NUT	2	-----	-----	6000 050		
	"E" . . . . .	1	-----	-----	2196 510		
	NUT	2	-----	-----	6000 050		
	"S" . . . . .	1	-----	-----	2196 511		
	NUT	2	-----	-----	6000 050		
	"O" . . . . .	2	-----	-----	2196 512		
	NUT	4	-----	-----	6000 050		
	"T" . . . . .	1	-----	-----	2196 513		
	NUT	2	-----	-----	6000 050		
	MEDALLION or ORNAMENT PACKAGE, Deck Lid						
	Except P1-H, P2-H	1	2240 813	2240 782			
	NUT and SEAL	3	152 260	152 260			
	P1-H, P2-H	1	-----	2275 144			
	NUMERAL PACKAGE, Deck Lid C4 "3"	1	-----	-----	-----	2275 199	
	CLIP	2	-----	-----	-----	6000 176	
	"0"	2	-----	-----	-----	2275 140	
	CLIP	4	-----	-----	-----	6000 176	

es use as required.  
 es parts not listed in any previous parts book.  
 1, 1962 Supersedes May 31, 1961.

CODE	PART NAME AND DESCRIPTION	PER CAR	VALIANT	PLYMOUTH	DESOTO	CHRYSLER	IMPERIAL
<b>23-19-0 DECK LID - Cont'd</b>							
23-19-128	INSERT PACKAGE, Deck Lid Medallion	1	2240 814				
23-19-133	COVER, Deck Lid Lock Striker Support	1	-----	-----	-----	-----	2086 735
23-19-177	BAR, Deck Lid Hinge Torsion Except Cv. Cp.						
	Right . . . . .	1	2081 480	1964 512	1964 512	1964 512	1877 540
	Left . . . . .	1	2081 481	1964 513	1964 513	1964 513	1877 541
23-19-178	ROLLER, Deck Lid Hinge Torsion Bar End Except Cv. Cp.	2	2081 486	1952 228	1952 228	1952 228	*6006 243
	Cv. Cp.	2	-----	-----	-----	-----	6006 243
	ALL RETAINER, Center	1	E2259 413	-----	-----	-----	6000 594
23-19-185	LINK, Deck Lid Hinge to Torsion Bar						
	Sp. 4 D., Sp. Cl. Cp.	2	-----	-----	-----	-----	1877 521
	Cv. Cp.	2	-----	-----	-----	-----	1877 520
<b>23-20-0 FLOOR MATS</b>							
23-20-8	MAT, Front Floor						
	Heavy Duty Black . . . . .	1	E2274 866				
	Std. Black . . . . .	1	E2274 865				
	C1, Black . . . . .	1	-----	2163 520	-----	2176 135	
	Blue . . . . .	1	-----	2249 506	-----	2249 506	
	Green . . . . .	1	-----	*2249 507	-----	2249 507	
	Brown . . . . .	1	-----	2176 136	-----	2176 136	
23-20-11	MAT, Intermediate Floor						
	Sub., C1 Black . . . . .	1	2249 372	2163 608	-----	2163 608	
	4 D. Sub., C1 Blue . . . . .	1	-----	2212 105	-----	2212 105	
	Green . . . . .	1	-----	2212 106	-----	2212 106	
	Brown . . . . .	1	-----	2212 107	-----	2212 107	
23-20-14	PLATE, Door Sill Scuff						
	4D., 4D.Sub., Front, Right . . .	1	2259 142	1882 886	-----	1882 892	
	Left . . . . .	1	2259 143	1882 887	-----	1882 893	
	4 D. Rear, Right . . . . .	1	2259 144	1882 902	-----	1884 454	
	Left . . . . .	1	2259 145	1882 903	-----	1884 455	
	4 D.Sub. Rear, Right . . . . .	1	2259 146	1884 454			
	Left . . . . .	1	2259 147	1884 455			
	Sp. Cl. Cp., Cv. Cp., Cl. Sed.,						
	2 D.Sub. Right . . . . .	1	2195 638	1882 894	1882 898	1882 900	2162 140
	Left . . . . .	1	2195 639	1882 895	1882 899	1882 901	2162 141
	Sp. 4 D., Sp. 4 D.Sub.,						
	Front, Right . . . . .	1	-----	1884 420	1884 424	1884 426	2162 136
	Left . . . . .	1	-----	1884 421	1884 425	1884 427	2162 137
	Rear, Right . . . . .	1	-----	1884 452	1884 456	1884 456	2162 138
	Left . . . . .	1	-----	1884 453	1884 457	1884 457	2162 139
23-20-16	INSERT, Door Scuff Plate Thread						
	C4	★	-----	-----	-----	1766 986	1839 956
23-20-19	SUPPORT, Door Sill Scuff Plate						
	4 D., Sp. 4 D., 4 D. Sub., Sp. 4 D. Sub.						
	Front, Right . . . . .	1	-----	1954 286	1954 286	1954 286	1692 173
	Left . . . . .	1	-----	1954 287	1954 287	1954 287	1692 173
	Rear, Right . . . . .	1	-----	1954 288	1954 288	1954 288	1692 172
	Left . . . . .	1	-----	1954 289	1954 289	1954 289	*1810 910
	Sp. Cl. Cp., Cv. Cp., Cl. Sed.,						
	2 D.Sub. Right . . . . .	1	-----	1954 316	1954 316	1954 316	
	Left . . . . .	1	-----	1954 317	1954 317	1954 317	
	Sp. Cl. Cp., Cv. Cp.	2	-----	-----	-----	-----	1690 742
23-20-20	EXTENSION, Door Sill Scuff Plate Support, Galvanized						
	2 D.Sub. Right . . . . .	1	-----	1963 354			
	Left . . . . .	1	-----	1963 343			

★ Indicates use as required.  
 □ Indicates parts not listed in any previous parts book.  
 \* Indicates change or addition.

## 1961 PASSENGER CAR PARTS CATALOG

BODY

CODE	PART NAME AND DESCRIPTION	PER CAR	VALIANT	PLYMOUTH	DESOTO	CHRYSLER	IMPERIAL
<b>23-20-0 FLOOR MATS - Cont'd</b>							
23-20-20	EXTENSION - Cont'd 4 D.Sub., Sp.4 D.Sub. Rear, Right . . .	1	----	1963 380	----	1963 380	
	Left . . .	1	----	1963 381	----	1963 381	
23-20-24	EXTENSION, Door Sill Scuff Plate, Aluminum 2 D.Sub. Right . . .	1	----	1963 310			
	Left . . .	1	----	1963 311			
	Cl.Sed. Right . . .	1	----	1963 648			
	Left . . .	1	----	1963 649			
	4D., Sp.4 D., Rear, Right . . .	1	----	1963 308	1963 308	1963 308	
	Left . . .	1	----	1963 309	1963 309	1963 309	
	4 D.Sub., Sp.4 D.Sub. Rear, Right . . .	1	----	1963 378	----	1963 378	
	Left . . .	1	----	1963 379	----	1963 379	
	Sp. Cl. Cp., Cv. Cp. Right . . .	1	----	2166 024	2166 024	2166 024	
	Left . . .	1	----	2166 025	2166 025	2166 025	
	Sub., use w/Air Cond. Rear, Right . . .	1	----	E2094 276	----	E2094 276	
	Left . . .	1	----	E2094 277	----	E2094 277	
23-20-29	MAT, Rear Deck Floor Black . . .	1	2083 816	2212 367	2175 487	2175 487	
	Gray . . .	1	----	----	----	2176 070	
	Cv. Cp. Black, Left . . .	1	----	2249 552	----	2249 552	
23-20-41	MAT, Rear Floor Except Sub., Heavy Duty Black . . .	1	2249 372				
	Sub., P1-L, P2-L Black . . .	1	2251 072	2163 700			
	Except Sub., Black Green . . .	1	----	2163 526	----	2176 348	
	Blue . . .	1	----	E2249 464	----	2176 346	
	Brown . . .	1	----	2249 463	----	2176 345	
	Sub. 3rd Seat Well Black . . .	1	2083 463	2163 919	----	2163 919	
23-20-65	PLATE, Center Pillar Scuff 4 D., 4 D. Sub., Large Right . . .	1	2082 320				
	Left . . .	1	2082 321				
	Small, Right . . .	1	2259 122				
	Left . . .	1	2259 123				
	4 D., 4 D.Sub. Sp.4 D., Sp.4 D.Sub. Right . . .	2	----	1954 648	----	1954 648	
	Left . . .	1	----	1954 650	1954 650	1954 650	
		1	----	1954 651	1954 651	1954 651	
<b>23-21-0 MIRRORS</b>							
23-21-3	MIRROR PACKAGE, Rear View Outside Consists of: 1 - ---- Mirror 2 - 163 468 Screw 1 - ---- Gasket Taxi and Police, Outside, Clear . . .	*	2275 345				
	None-Glare . . .	1	----	E2292 194			
	Consists of: 1 - ---- Mirror 1 - ---- Set Screw 1 - ---- Gasket 1 - ---- Clip Driver's Side . . .	1	----	E2292 195			
	Consists of: 1 - ---- Mirror 1 - 2161 931 Anti-Squeak 2 - 274 791 Screw	1	----	2275 020	2275 020	2275 020	2275 020

\* Indicates use as required.

E Indicates parts not listed in any previous parts book.  
March 1, 1962 Supersedes May 31, 1961.



CODE	PART NAME AND DESCRIPTION	PER CAR	VALIANT	PLYMOUTH	DESOTO	CHRYSLER	IMPERIAL
<b>23-21-O MIRRORS - Cont'd</b>							
23-21-50	NUT, Rear View Outside Mirror Remote Control Dummy	1	----	----	----	----	2162 170
	WASHER	1	----	----	----	----	6022 791
23-21-65	HOUSING, Rear View Outside Mirror Remote Control	1	----	----	----	2162 115	
	NUT	2	----	----	----	6022 826	
23-21-66	BEZEL, Rear View Outside Mirror Remote Control Handle	1	----	2097 393	2080 539	2080 489	2161 431
23-21-67	PLATE, Rear View Outside Mirror Remote Control Mounting	1	----	----	2080 540	----	
23-21-74	NUT, Rear View Outside Mirror Remote Control Attaching	1	----	2080 839	2080 541	1901 838	2161 432
<b>23-22-O GARNISH MOULDINGS</b>							
23-22-7	MOULDING, Door Garnish Cl. Sed., 2 D. Sub.						
	Right . . . . .	1	2195 398	1883 092			
	Left . . . . .	1	2195 399	1883 093			
	4 D., 4 D. Sub., C3, Prime,						
	Front, Right . . .	1	2081 402	1883 148	----	1883 156	
	Left . . . . .	1	2081 403	1883 149	----	1883 157	
	Rear . . . . .	2	2081 478				
	4 D., C3, Prime,						
	Rear, Right . . .	1	----	1883 160	----	1883 176	
	Left . . . . .	1	----	1883 161	----	1883 177	
	4 D. Sub., Prime,						
	Rear, Right . . .	1	----	1883 168			
	Left . . . . .	1	----	1883 169			
	4 D., C1, C2, Prime,						
	Front, Right . . .	1	----	----	----	1883 148	
	Left . . . . .	1	----	----	----	1883 149	
	Rear, Right . . .	1	----	----	----	1883 168	
	Left . . . . .	1	----	----	----	1883 169	
	Sp. 4 D., Sub., C1, C2, Prime,						
	Front, Right . . .	1	----	*2165 890	*2165 890	2165 890	
	Left . . . . .	1	----	*2165 891	*2165 891	2165 891	
	Rear, Right . . .	1	----	*2165 902	*2165 902	2165 902	
	Left . . . . .	1	----	*2165 903	*2165 903	2165 903	
	Sp. Cl. Cp., Cv. Cp., C1, C2, Prime						
	Right . . . . .	1	2195 398	2165 896	2165 896	2165 896	
	Left . . . . .	1	2195 399	2165 897	2165 897	2165 897	
23-22-9	SUPPORT, Door Garnish Moulding						
	4 D., 4 D. Sub., Cl. Sed.	4	*2082 881				
	Sp. Cl. Cp., Cv. Cp.	4	----	----	1952 824	1952 824	
23-22-13	CLIP, Rear Window Lower Garnish Moulding						
	Y1-H	9	----	----	----	----	6008 223
23-22-53	MOULDING, Front Quarter Window Garnish						
	4 D. Sub. Right . . . . .	1	2082 998				
	Left . . . . .	1	2082 999				
	2 D. Sub. Right . . . . .	1	----	1883 100			
	Left . . . . .	1	----	1883 101			
	MOULDING, Rear Quarter Window Garnish						
	4 D. Sub., 2 D. Sub., Front to Roof Rail, Right . . . . .	1	----	1902 304			
	Left . . . . .	1	----	1902 305			
	Sp. 4 D. Sub., Front to Roof Rail, Right . . . . .	1	----	----	----	1902 306	
	Left . . . . .	1	----	----	----	1902 307	

★ Indicates use as required.

□ Indicates parts not listed in any previous parts book.  
March 1, 1962 Supersedes May 31, 1961.

Page 23-58

Printed in U.S.A.  
Prices and specifications subject to change without notice.  
\* Indicates change or addition.

CODE	PART NAME AND DESCRIPTION	PER CAR	VALIANT	PLYMOUTH	DESOTO	CHRYSLER	IMPERIAL
<b>23-22-0 GARNISH MOULDINGS - Cont'd</b>							
23-22-53	MOULDING - Cont'd						
Sub.	Front, Right . . .	1	----	1839 926	----	1839 926	
	Left . . . . .	1	----	1839 927	----	1839 927	
	Upper Center, Right . . . . .	1	----	1839 928	----	1839 928	
	Left . . . . .	1	----	1839 929	----	1839 929	
	Upper Rear, Right . . . . .	1	----	1839 932	----	1839 932	
	Left . . . . .	1	----	1839 933	----	1839 933	
	Lower Center, Right . . . . .	1	----	1839 930	----	1839 930	
	Left . . . . .	1	----	1839 931	----	1839 931	
	Lower Rear, Right . . . . .	1	----	1839 934	----	1839 934	
	Left . . . . .	1	----	1839 935	----	1839 935	
	MOULDING, Quarter Window Garnish						
Cl. Sed.	Front, Right . . .	1	2195 758				
	Left . . . . .	1	2195 759				
	Upper, Right . . .	1	2195 800				
	Left . . . . .	1	2195 801				
	Lower, Right . . .	1	2195 274				
	Left . . . . .	1	2195 275				
Sp. Cl. Cp., Cl. Sed.	Rear, Right	1	2195 754				
	Left . . . . .	1	2195 755				
Cl. Sed.	Right . . . . .	1		1963 722			
	Left . . . . .	1		1963 723			
Sp. Cl. Cp., Prime,	Right . . . . .	1	----	----	2161 780	2161 780	
	Left . . . . .	1	----	----	2161 781	2161 781	
Sp. Cl. Cp., Prime, C3, C4,	End, Right . . . .	1	----	----	1901 866	1901 866	
	Left . . . . .	1	----	----	1901 867	1901 869	
Sp. Cl. Cp., Cl, C2, Prime,	End, Right . . . .	1	----	----	----	1901 866	
	Left . . . . .	1	----	----	----	1901 867	
Sp. Cl. Cp., Chrome,	End, Right	1	----	----	----	2080 314	
	Left . . . . .	1	----	----	----	2080 315	
Cv. Cp., Cl, Prime,	Right . . . . .	1	----	----	----	2165 908	
	Left . . . . .	1	----	----	----	2165 909	
4 D., Prime, Right . . . . .		1	2082 994				
	Left . . . . .	1	2082 995				
Sp. 4 D., w/High Window, Prime,	Right . . . . .	1	----	1952 972	----	1952 976	
	Left . . . . .	1	----	1952 973	----	1952 977	
Sp. 4 D., w/High Window, C3, Chrome,	Right . . . . .	1	----	----	----	1963 710	
	Left . . . . .	1	----	----	----	1963 711	
Sp. 4 D., Cl, C2, w/Low Window, Prime,	Right . . . . .	1	----	----	1884 828	1884 828	
	Left . . . . .	1	----	----	1884 829	1884 829	
Sp. 4 D.	Chrome, Right . .	1	----	----	----	----	1901 994
	Left . . . . .	1	----	----	----	----	1901 995
	Rear, Right . . .	1	----	----	----	----	2080 858
	Left . . . . .	1	----	----	----	----	2080 859
23-22-55	SUPPORT, Quarter Window Garnish Moulding						
Cl. Sed.	Right . . . . .	1	2195 883	1909 488			
	Left . . . . .	1	2195 883	1909 489			
	Upper . . . . .	2	2195 775				
	Lower . . . . .	2	2082 881				
4 D., Cl. Sed.	Rear . . . . .	4	2195 775				
2 D. Sub.	Right . . . . .	1	----	1909 490			
	Left . . . . .	1	----	1909 491			

★ Indicates use as required.  
 ☐ Indicates parts not listed in any previous parts book.  
 \* Indicates change or addition.



CODE	PART NAME AND DESCRIPTION	PER CAR	VALIANT	PLYMOUTH	DESOTO	CHRYSLER	IMPERIAL
<b>23-22-0 GARNISH MOULDINGS - Cont'd</b>							
23-22-77	MOULDING, Tailgate Belt Garnish Sub.	1	----	1839 977	----	1839 977	
23-22-78	MOULDING, Tailgate Opening Garnish Sub.	1	----	1839 976	----	1839 976	
23-22-80	SPACER, Tailgate Belt Garnish Moulding Sub.	2	----	2094 449	----	2094 449	
	Outer . . . . .	2	----	2094 448	----	2094 448	
23-22-81	SEAL, Tailgate Garnish Moulding End Sub.	2	----	2161 818	----	2161 818	
23-22-85	COVER, Rear Window Garnish Moulding Joint Sp. Cl. Cp., w/High Window .	1	----		2086 168	2086 168	
	Sp. 4 D., w/High Window, Chrome, Upper .	1	----		1963 670	1963 670	
	Chrome, Upper .	1	----				1901 990
	Lower. . . . .	1	----				1901 991
23-22-86	MOULDING, Rear Low Window Garnish 4D., Sp. 4D., Prime, Upper . .	1	----		1882 955	1882 955	
	Side, Right . . . . .	1	----		1883 002	1883 002	
	Left . . . . .	1	----		1883 003	1883 003	
	MOULDING, Rear High Window Garnish Sp. 4 D., C3, Chrome, Upper and Side, Right . . . . .	1	----		1963 668	1963 668	
	Left . . . . .	1	----		1963 669	1963 669	
	Sp. 4 D., Prime, Upper and Side, Right . . . . .	1	----			1952 654	
	Left . . . . .	1	----			1952 655	
	Sp. Cl. Cp., C3, C4, Chrome, Upper, Right . . . . .	1	----			2086 056	
	Left . . . . .	1	----			2086 057	
	Sp. Cl. Cp., Prime Upper, Right . . . . .	1	----		1839 940	1839 940	
	Left . . . . .	1	----		1839 941	1839 941	
	MOULDING, Rear Window Garnish Sp. 4 D., YL, YM, Chrome, Upper, Right . . . . .	1	----				1901 971
	Left . . . . .	1	----				1901 972
	Lower, Right . . . . .	1	----				1901 969
	Left . . . . .	1	----				1901 970
	Lower Corner, Right . . . . .	1	----				1901 992
	Left . . . . .	1	----				1901 993
	Sp. 4 D., YH, Chrome, Upper . . . . .	1	----				2080 860
	Lower . . . . .	1	----				2080 910
	Sp. Cl. Cp., Chrome, Upper, Right . . . . .	1	----				1901 988
	Left . . . . .	1	----				1901 989
	Lower, Right . . . . .	1	----				1901 986
	Left . . . . .	1	----				1901 987
	Lower Corner, Right . . . . .	1	----				1902 000
	Left . . . . .	1	----				1902 001
23-22-145	MOULDING, Windshield Garnish Prime, Lower, Right . .	1	2083 086	1839 538	1839 558	1839 546	1839 566
	Left . . . . .	1	2083 087	1839 539	1839 558	1839 547	1839 567
	SCREW	2	145 417				

★ Indicates use as required.

◻ Indicates parts not listed in any previous parts book.  
March 1, 1962 Supersedes May 31, 1961.

CODE	PART NAME AND DESCRIPTION	PER CAR	VALIANT	PLYMOUTH	DESOTO	CHRYSLER	IMPERIAL
<b>23-22-0 GARNISH MOULDINGS - Cont'd</b>							
23-22-145	MOULDING - Cont'd						
	Except Cv. Cp., Prime,						
	Upper . . . . .	1	----	2165 504	2165 504	2165 504	
	Side, Right . . . . .	1	----	2165 498	2165 498	2165 498	
	Left . . . . .	1	----	2165 499	2165 499	2165 499	
	Cv. Cp., Prime,						
	Upper . . . . .	1	----	1882 915	----	1882 915	
	Cv. Cp. Chrome, Upper . . . . .	1	----	1954 048	----	1954 048	
	Side, Right . . . . .	1	----	1963 346	----	1963 346	
	Left . . . . .	1	----	1963 347	----	1963 347	
	4 D., Sp. 4 D., Sp. 4 D. Sub.,						
	Sp. Cl. Cp., Chrome,						
	Upper . . . . .	1	----	2165 500	2165 500	2165 500	
	Side, Right . . . . .	1	----	2165 494	2165 494	2165 494	
	Left . . . . .	1	----	2165 495	2165 495	2165 495	
	Cv. Cp. Chrome, Upper . . . . .	1	----	----	----	----	2093 619
	Side, Right . . . . .	1	----	----	----	----	1901 998
	Left . . . . .	1	----	----	----	----	1901 999
	Except Cv. Cp., Chrome,						
	Upper, Right . . . . .	1	----	----	----	----	2080 782
	Left . . . . .	1	----	----	----	----	2080 783
	Side, Right . . . . .	1	----	----	----	----	1901 996
	Left . . . . .	1	----	----	----	----	1901 997
	Sp. 4 D., Sp. Cl. Cp., Chrome,						
	Upper Corner,						
	Right . . . . .	1	----	----	----	----	1901 974
	Left . . . . .	1	----	----	----	----	1901 975
	All, Plate, Inner, Right . . . . .	1	----	----	----	----	2080 306
	Left . . . . .	1	----	----	----	----	2080 307
	Outer, Right . . . . .	1	----	----	----	----	1902 274
	Left . . . . .	1	----	----	----	----	1902 275
23-22-148	COVER, Windshield Garnish						
	Moulding Center Joint,						
	Chrome, Lower . . . . .	1	----	----	----	----	2080 284
23-22-151	SUPPORT, Windshield Garnish						
	Moulding						
	Cv. Cp. Upper . . . . .	1	----	1964 348	1964 348	1964 345	
	Except Cv. Cp.	4	----	1963 956	1963 956	1963 956	
23-22-152	SPACER, Windshield Upper						
	Garnish Moulding	6	----	----	----	----	1901 973
23-22-160	ORNAMENT, Windshield Lower						
	Garnish Moulding	6	----	----	----	----	2080 285
	NUT	6	----	----	----	----	6008 032
<b>23-23-0 OUTSIDE FINISH MOULDINGS</b>							
23-23-2	MOULDING PACKAGE, Body						
	Side Sill Outside Finish						
	All Right . . . . .	1	----	----	2196 524	----	
	CLIP	6	----	----	6000 942	----	
	Left . . . . .	1	----	----	2196 525	----	
	CLIP	6	----	----	6000 942	----	
	C1 Right . . . . .	1	----	----	----	2196 730	
	CLIP	7	----	----	----	6000 732	
	CLIP and BOLT	1	----	----	----	6010 046	
	NUT	1	----	----	----	151 497	
	Left . . . . .	1	----	----	----	2196 731	
	CLIP	7	----	----	----	6000 732	
	CLIP and BOLT	1	----	----	----	6010 046	
	NUT	1	----	----	----	151 497	
	C2 Right . . . . .	1	----	----	----	2196 732	
	CLIP	7	----	----	----	6000 732	
	CLIP and BOLT	1	----	----	----	6010 046	
	NUT	1	----	----	----	151 497	
	Left . . . . .	1	----	----	----	2196 733	
	CLIP	7	----	----	----	6000 732	

★ Indicates use as required.  
 ☐ Indicates parts not listed in any previous parts book.  
 \* Indicates change or addition.

# 1961 PASSENGER CAR PARTS CATALOG

CODE	PART NAME AND DESCRIPTION	PER CAR	VALIANT	PLYMOUTH	DESOTO	CHRYSLER	IMPERIAL
<b>23-23-0 OUTSIDE FINISH MOULDINGS - Cont'd</b>							
23-23-2	MOULDING PACKAGE - Cont'd						
	CLIP and BOLT	1	----	----	----	6010 046	
	NUT	1	----	----	----	151 497	
	C3 Right . . . . .	1	----	----	----	2196 734	
	CLIP	4	----	----	----	6000 942	
	CLIP	1	----	----	----	6010 046	
	NUT	1	----	----	----	151 497	
	Left . . . . .	1	----	----	----	2196 735	
	CLIP	4	----	----	----	6000 942	
	CLIP	1	----	----	----	6010 046	
	NUT	1	----	----	----	151 497	
	Right . . . . .	1	----	----	----	----	2275 107
	CLIP	5	----	----	----	----	6000 938
	SCREW	10	----	----	----	----	125 978
	Left . . . . .	1	----	----	----	----	2275 108
	CLIP	5	----	----	----	----	6000 938
	SCREW	10	----	----	----	----	125 978
23-23-14	MOULDING, Front Pillar Face						
	Cv. Cp. Right . . . . .	1	----	----	----	----	2093 136
	Left . . . . .	1	----	----	----	----	2093 137
23-23-23	MOULDING PACKAGE, Deck						
	Opening Lower Panel						
	Upper . . . . .	1	----	----	2275 024	2240 902	
	CLIP	7	----	----	6006 519	6006 519	
	Lower Center . .	1	----	----	----	2275 012	
	CLIP	3	----	----	----	6006 301	
	Lower Outer . . .	2	----	----	----	2275 013	
	CLIP	2	----	----	----	6006 519	
	Right . . . . .	1	----	----	----	----	2240 944
	WASHER	4	----	----	----	----	2093 930
	NUT	4	----	----	----	----	120 376
	Left . . . . .	1	----	----	----	----	2240 945
	WASHER	4	----	----	----	----	2093 930
	NUT	4	----	----	----	----	120 376
	Filler Door . . .	1	----	----	----	----	2240 949
	SCREW	3	----	----	----	----	159 229
	WASHER	3	----	----	----	----	6008 131
23-23-28	INSERT, Deck Opening Lower						
	Panel Moulding						
	C3 Right . . . . .	1	----	----	----	2094 626	
	Left . . . . .	1	----	----	----	2094 627	
23-23-30	MOULDING PACKAGE, Deck						
	Lid	1	2196 606				
	RETAINER and BOLT	10	6017 001				
	NUT	10	9415 250				
	P1-H, P2-H Front . . . . .	1		2240 775			
	RETAINER and BOLT	2		6000 930			
	NUT	2		6006 024			
	Side Right . . . .	1		2240 776			
	RETAINER and BOLT	4		6000 930			
	NUT	4		6006 024			
	Side Left . . . . .	1		2240 777			
	RETAINER and BOLT	4		6000 930			
	NUT	4		6006 024			
	Lower . . . . .	2		2240 778			
	CLIP and BOLT	6		6000 863			
	WASHER	6		446 161			
	NUT	6		441 256			
	P1-L, P2-L, P1-M, P2-M,						
	Lower . . . . .	1		2240 783			
	CLIP and BOLT	6		6000 863			
	NUT	6		441 256			
	SCREW	1			2240 901		
	MOULDING, Deck Lid,	3			161 798		
	Center . . . . .	1					2093 611
	RETAINER	4					6006 467
	SCREW	4					161 798

★ Indicates use as required.

⊠ Indicates parts not listed in any previous parts book.  
 March 1, 1962 Supersedes May 31, 1961.

Printed in U.S.A.

Prices and specifications subject to change without notice.

\* Indicates change or addition.

CODE	PART NAME AND DESCRIPTION	PER CAR	VALIANT	PLYMOUTH	DESOTO	CHRYSLER	IMPERIAL
<b>23-23-0 OUTSIDE FINISH MOULDINGS - Cont'd</b>							
23-23-32	MOULDING, Front Door Outside Window Opening Frame						
	NOTE: See illustration in front of group for Mouldings not listed						
	4 D., 4 D.Sub.						
	Front, Right . . .	1	2081 876				
	Left . . . . .	1	2081 877				
	Upper, Right . . .	1	2081 878				
	Left . . . . .	1	2081 879				
	Rear, Right . . .	1	2081 880				
	Left . . . . .	1	2081 881				
	MOULDING PACKAGE, Front Door Outside Window Opening Frame						
	4 D. Front, Right . . .	1	----	2240 873	----	2240 873	
	SCREW	3	----	6022 059	----	6022 059	
	Left . . . . .	1	----	2240 874	----	2240 874	
	SCREW	3	----	6022 059	----	6022 059	
	Upper, Right . . .	1	----	2240 866	----	2240 866	
	SCREW	3	----	6022 059	----	6022 059	
	Left . . . . .	1	----	2240 867	----	2240 867	
	SCREW	3	----	6022 059	----	6022 059	
23-23-33	MOULDING, Rear Door Outside Window Opening Frame						
	NOTE: See illustration in front of group for Mouldings not listed.						
	4D., 4D.Sub., Front, Right . . .	1	2081 882				
	Left . . . . .	1	2081 883				
	4 D., 4 D.Sub. Upper, Right . . .	1	2081 884				
	Left . . . . .	1	2081 885				
	Rear, Right . . .	1	2081 886				
	Left . . . . .	1	2081 887				
	MOULDING PACKAGE, Rear Door Outside Window Opening Frame						
	4 D. Right . . . . .	1	----	2240 975	----	2240 868	
	SCREW	4	----	6022 059	----	6022 059	
	Left . . . . .	1	----	2240 976	----	2240 869	
	SCREW	4	----	6022 059	----	6022 059	
23-23-36	MOULDING, Front Door Vent Wing Division Channel						
	Outer . . . . .	2	E2189 707	----	----	----	1751 323
	Inner . . . . .	2	E2189 707	----	----	----	1751 325
23-23-39	MOULDING PACKAGE, Quarter Panel Outside Finish Belt						
	NOTE: See illustration in front of group for Mouldings not listed.						
	4 D., Cl. Sed.,						
	Right . . . . .	1	----	2084 772			
	Left . . . . .	1	----	2084 773			
	CLIP and SEAL	2	----	6000 862			
	Sub. Right . . . . .	1	----	2196 814			
	Left . . . . .	1	----	2196 815			
	CLIP and SEAL	2	----	6000 721			
	MOULDING PACKAGE, Quarter Panel Tailgate Extension						
	Sub. Upper . . . . .	2	----	----	----	2240 974	
	SCREW	2	----	----	----	125 978	
	CLIP	4	----	----	----	6000 239	
	NUT	1	----	----	----	120 622	
	Lower, Right . . .	1	----	----	----	2240 972	
	CLIP	2	----	----	----	6010 046	
	Left . . . . .	1	----	----	----	2240 973	
	CLIP	1	----	----	----	6010 046	

★ Indicates use as required.  
 ☐ Indicates parts not listed in any previous parts book.  
 \* Indicates change or addition.

CODE	PART NAME AND DESCRIPTION	PER CAR	VALIANT	PLYMOUTH	DESOTO	CHRYSLER	IMPERIAL
<b>23-23-0 OUTSIDE FINISH MOULDINGS - Cont'd</b>							
23-23-39	MOULDING PACKAGE, Quarter Panel Wheel Opening Sub., P1-H, P2-H,						
	Right . . . . .	1	----	2196 180			
	SCREW	7	----	125 978			
	Left . . . . .	1	----	2196 181			
	SCREW	7	----	125 978			
C3	Right . . . . .	1	----	----	2196 526	2196 526	
	SCREW	7	----	----	125 978	125 978	
	Left . . . . .	1	----	----	2196 527	2196 527	
	SCREW	1	----	----	125 978	125 978	
All	Right . . . . .	1	----	----	----	----	2196 820
	SCREW	5	----	----	----	----	161 627
	Left . . . . .	1	----	----	----	----	2196 821
	SCREW	5	----	----	----	----	161 627
23-23-41	CAP or COVER, Body Outside Finish Moulding Joint						
	Cv. Cp., Folding Top Belt Bar Finish Moulding	1	----	1963 336	----	1963 336	
	Sp. Cl. Cp., Rear Window, Side and Lower, Right . . . . .	1	----	1909 616			
	Left . . . . .	1	----	1909 617			
	Cl. Sed., 4 D. Sed., w/Low Window, Side and Lower	2	----	1954 784			
	Sp. Cl. Cp., P1-M, P2-M, w/Low Window, Side and Upper, Right . . . . .	1	----	1954 732			
	Left . . . . .	1	----	1954 733			
	Cl. Sed., Rear Window, Upper and Lower	1	----	2093 479			
	4 D., Sp. 4 D., Rear Window, Upper and Lower	1	----	2093 479	2093 479	2093 479	
	Sp. Cl. Cp., Upper Center	1	----	----	2093 479	2093 479	
	Sp. Cl. Cp., P1-H, P2-H, w/High Window, Side and Upper, Right . . . . .	1	----	1954 730			
	Left . . . . .	1	----	1954 731			
	Sp. Cl. Cp., Cv. Cp., 4 D., Sp. 4 D., Deck Lid Outside Finish, Rear, Pkg., Right . . . . .	1	----	2240 780			
	Left . . . . .	1	----	2240 781			
	NUT	2	----	441 256			
	Sp. Cl. Cp., Cv. Cp., 4 D., Sp. 4 D., Deck Opening Lower Panel Lower Outer to Center, Pkg., Right . . . . .	1	----	----	----	2275 010	
	Left . . . . .	1	----	----	----	2275 011	
	CLIP	2	----	----	----	6006 515	
	Sp. 4 D., P1-H, P2-H, Rear Window, Side and Lower, w/High Window, Right . . . . .	1	----	2166 340			
	Left . . . . .	1	----	2166 341			
	Cv. Cp., Belt Moulding to Quarter Panel, Pkg., Right . . . . .	1	----	----	----	----	2196 682
	Left . . . . .	1	----	----	----	----	2196 683
	FASTENER	2	----	----	----	----	6006 254
	Sp. Cl. Cp., Sp. 4 D., Rear Window, Lower . . . . .	1	----	----	----	----	2188 375
23-23-42	MOULDING PACKAGE, Roof Panel Outside Finish						
	Sub., Side Front, Right . . . . .	1	2196 628				
	Left . . . . .	1	2196 629				

★ Indicates use as required.

☐ Indicates parts not listed in any previous parts book.  
March 1, 1962 Supersedes May 31, 1961.

CODE	PART NAME AND DESCRIPTION	PER CAR	VALIANT	PLYMOUTH	DESOTO	CHRYSLER	IMPERIAL
<b>23-23-0 OUTSIDE FINISH MOULDINGS - Cont'd</b>							
23-23-42	MOULDING PACKAGE - Cont'd						
	RETAINER	2	6017 013				
	NUT and WASHER	2	151 497				
	CLIP	8	6017 010				
	SCREW	2	161 798				
	Sub., Side Rear,						
	Right . . . . .	1	2196 626				
	Left . . . . .	1	2196 627				
	SCREW	2	161 798				
	CLIP	4	6017 010				
	Sub., Rear	1	2196 624				
	SCREW	4	161 798				
	CLIP	4	6017 010				
	Sp. 4 D., Side Front						
	Right . . . . .	1	----	2240 771			
	Left . . . . .	1	----	2240 772			
	SCREW	8	----	161 589			
	Sp. 4 D., Side Rear,						
	Right . . . . .	1	----	2240 773			
	Left . . . . .	1	----	2240 774			
	SCREW	6	----	161 589			
	CLIP	2	----	6000 889			
	Sp. Cl. Cp., P1-H, P2-H,						
	Extension, Right . . . . .	1	----	2196 102			
	Left . . . . .	1	----	2196 103			
	SCREW	2	----	161 589			
	Cl. Sed., Side Rear Extension,						
	Right . . . . .	1	----	2275 158			
	Left . . . . .	1	----	2275 159			
	CLIP	2	----	6000 721			
	SCREW	2	----	161 589			
	Sp. 4 D., w/High Window, Side						
	Rear Extension,						
	Right . . . . .	1	----	2275 158			
	Left . . . . .	1	----	2275 159			
	CLIP	2	----	6000 721			
	SCREW	2	----	161 589			
	Sp. 4D., P1-H, P2-H, Side,						
	Rear, Extension and Cover	1	----	2275 336			
	Sp. Cl. Cp., C3, Side, Front,						
	Right . . . . .	1	----	----	2196 665	2196 665	
	Left . . . . .	1	----	----	2196 666	2196 666	
	CLIP and SEAL	8	----	----	6006 444	6006 444	
	Sp. Cl. Cp., C3, Rear,						
	Right . . . . .	1	----	----	2196 667	2196 667	
	Left . . . . .	1	----	----	2196 668	2196 668	
	RETAINER	2	----	----	6006 490	6006 490	
		4	----	----	6006 491	6006 491	
	Sp. 4 D., Y1-H, Side,						
	Right . . . . .	1	----	----	----	----	2196 696
	Left . . . . .	1	----	----	----	----	2196 697
	NUT	4	----	----	----	----	9411 618
	Sp. Cl. Cp., P1-H, P2-H, Side,						
	Right . . . . .	1	----	2196 100			
	Left . . . . .	1	----	2196 101			
	SCREW	14	----	161 589			
	Sub., Rear Front . . . . .	2	----	2196 252	----	2196 252	
	CLIP	20	----	6006 301	----	6006 301	
	Sub., Top . . . . .	2	----	2196 253	----	2196 253	
	CLIP	28	----	6006 301	----	6006 301	
	Sp. 4 D., Upper,						
	Right . . . . .	1	----	----	----	----	2196 692
	Left . . . . .	1	----	----	----	----	2196 693
	NUT	14	----	----	----	----	9411 618

★ Indicates use as required.  
 ☐ Indicates parts not listed in any previous parts book.  
 \* Indicates change or addition.

CODE	PART NAME AND DESCRIPTION	PER CAR	VALIANT	PLYMOUTH	DESOTO	CHRYSLER	IMPERIAL
<b>23-23-0 OUTSIDE FINISH MOULDINGS - Cont'd</b>							
23-23-42	MOULDING PACKAGE - Cont'd						
	Sp. Cl. Cp., Y1-L, Y1-M,						
	Upper, Right . . . . .	1	----	----	----	----	2196 694
	Left . . . . .	1	----	----	----	----	2196 695
	NUT	14	----	----	----	----	9411 618
	Sp. 4 D., Y1-L, Y1-M, Side,						
	Right . . . . .	1	----	----	----	----	2196 696
	Left . . . . .	1	----	----	----	----	2196 697
	NUT	4	----	----	----	----	9411 618
	Sp. Cl. Cp., Y1-L, Y1-M,						
	Side, Right . . . . .	1	----	----	----	----	2196 698
	Left . . . . .	1	----	----	----	----	2196 699
	NUT	6	----	----	----	----	9411 618
	Sp. 4D., RY1-H. Belt.						
	Right . . . . .	1	----	----	----	----	2275 314
	Left . . . . .	1	----	----	----	----	2275 315
	RETAINER	2	----	----	----	----	6001 205
	CLIP	4	----	----	----	----	6001 208
	SCREW	4	----	----	----	----	161 871
	SEALER	4	----	----	----	----	6022 862
	SEALER	2	----	----	----	----	6022 850
	NUT and SEAL	2	----	----	----	----	152 260
	SCREW	2	----	----	----	----	161 430
	CLIP and SEAL	8	----	----	----	----	6001 204
	Sp. 4D., RY1-H. Belt Extension.						
	Right . . . . .	1	----	----	----	----	2275 312
	Left . . . . .	1	----	----	----	----	2275 313
	SCREW	2	----	----	----	----	161 430
	NUT	2	----	----	----	----	152 260
	4 D. Sub., Side Extension,						
	Right . . . . .	1	2275 197				
	Left . . . . .	1	2275 198				
	SEAL	4	2259 189				
	NUT	4	152 260				
	COVER, Roof Panel						
	Sp. 4 D., Stainless S.,						
	Right . . . . .	1	----	----	----	----	1961 300
	Left . . . . .	1	----	----	----	----	1961 301
23-23-49	MOULDING, Folding Top Belt						
	Outside Finish						
	Cv. Cp., Right . . . . .	1	----	2165 704	----	1963 334	
	Left . . . . .	1	----	2165 705	----	1963 335	
	Cv. Cp., Pkg., Right . . . . .	1	----	----	----	----	2196 684
	Left . . . . .	1	----	----	----	----	2196 685
	FASTENER . . . . .	20	----	----	----	----	2094 380
23-23-50	PLATE, Roof Side Rear						
	Moulding Retainer Backing						
	Sp. Cl. Cp., RC3	4	----	----	2189 294	2189 294	
23-23-52	MOULDING PACKAGE, Rear						
	Window Outside Finish						
	Sp. 4 D., w/High Window,						
	Lower End, Right . . . . .	1	----	----	----	2275 027	
	Left . . . . .	1	----	----	----	2275 028	
	CLIP	2	----	----	----	6000 688	
	CLIP	2	----	----	----	6000 733	
	4 D., w/Low Window, Lower						
	End, Right . . . . .	1	----	----	----	2275 025	
	Left . . . . .	1	----	----	----	2275 026	
	CLIP	2	----	----	----	6000 688	
	CLIP	2	----	----	----	6000 733	
	Sp. Cl. Cp., Lower . . . . .	1	----	2084 785	----	----	
	CLIP	7	----	6000 693	----	----	

★ Indicates use as required.

☐ Indicates parts not listed in any previous parts book.  
March 1, 1962 Supersedes May 31, 1961.

Printed in U.S.A.

Prices and specifications subject to change without notice.  
\* Indicates change or addition.



CODE	PART NAME AND DESCRIPTION	PER CAR	VALIANT	PLYMOUTH	DESOTO	CHRYSLER	IMPERIAL
<b>23-23-0 OUTSIDE FINISH MOULDINGS - Cont'd</b>							
23-23-52	MOULDING PACKAGE - Cont'd						
	Sp. 4 D., w/High Window,						
	Lower End, Right . . . . .	1	----	2084 776			
	Left . . . . .	1	----	2275 336			
	CLIP	2	----	6000 862			
	SCREW	2	----	161 589			
	Sp. 4 D., w/High Window,						
	Upper and Side,						
	Right . . . . .	1	----	2084 778			
	Left . . . . .	1	----	2084 779			
	CLIP	10	----	6000 692			
	Cl.Sed., 4 D., Sp. 4 D.,						
	Lower, Right . . . . .	1	----	2084 774			
	Left . . . . .	1	----	2084 775			
	CLIP	12	----	6000 693			
	Sp. 4 D., w/High Window,						
	Upper and Side,						
	Right . . . . .	1	----	----	----	2196 288	
	Left . . . . .	1	----	----	----	2196 289	
	CLIP	10	----	----	----	6000 692	
	Sp. Cl. Cp., w/High Window,						
	Upper and Side,						
	Right . . . . .	1	----	----	2196 808	2196 808	
	Left . . . . .	1	----	----	2196 809	2196 809	
	CLIP	12	----	----	6000 692	6000 692	
	4 D., Sp. 4 D., Lower Center						
	CLIP	7	----	----	2196 292	2196 292	
	CLIP	7	----	----	6000 689	6000 689	
	Sp. Cl. Cp., w/High Window,						
	Lower Side, Right . . . . .	1	----	----	2196 810	2196 810	
	Left . . . . .	1	----	----	2196 811	2196 811	
	CLIP	2	----	----	6000 688	6000 688	
	SCREW	2	----	----	9414 042	9414 042	
	Sp. Cl. Cp., P2-H, w/High						
	Window, Side,						
	Right . . . . .	1	----	2084 780			
	Left . . . . .	1	----	2084 781			
	CLIP	10	----	6000 692			
	Sp. Cl. Cp., P1-M, P2-M,						
	w/Low Window, Side,						
	Right . . . . .	1	----	2084 782			
	Left . . . . .	1	----	2084 783			
	CLIP	10	----	6000 692			
	Sp. Cl. Cp.,						
	Upper . . . . .	1	----	2084 784			
	CLIP	7	----	6000 692			
	4 D., w/Low Window, Upper						
	and Side, Right . . . . .	1	----	----	----	2196 282	
	Left . . . . .	1	----	----	----	2196 283	
	CLIP	10	----	----	----	6000 692	
	Sp. 4 D., C1, C2, w/Low						
	Window, Upper and Side,						
	Right . . . . .	1	----	----	2196 282	2196 282	
	Left . . . . .	1	----	----	2196 283	2196 283	
	CLIP	10	----	----	6000 692	6000 692	
	Sp. Cl. Cp., Lower Center						
	CLIP	6	----	----	2196 812	2196 812	
	CLIP	6	----	----	6000 688	6000 688	
	Sp. 4 D., C1, C2, w/Low Window,						
	Lower End, Right . . . . .	1	----	----	2196 284	2196 284	
	Left . . . . .	1	----	----	2196 285	2196 285	
	CLIP	2	----	----	6000 773	6000 773	
	CLIP	2	----	----	6000 903	6000 903	
	SCREW	2	----	----	161 592	161 592	
	SCREW	2	----	----	125 675	125 675	

★ Indicates use as required.  
 ☐ Indicates parts not listed in any previous parts book.  
 \* Indicates change or addition.

## 1961 PASSENGER CAR PARTS CATALOG

BODY

CODE	PART NAME AND DESCRIPTION	PER CAR	VALIANT	PLYMOUTH	DESOTO	CHRYSLER	IMPERIAL
<b>23-23-0 OUTSIDE FINISH MOULDINGS - Cont'd</b>							
23-23-52	MOULDING PACKAGE - Cont'd						
	4D., C1, C2, C3, w/Low Window,						
	Lower End. Right . . . . .	1	-----	-----	-----	2196 284	
	Left . . . . .	1	-----	-----	-----	2196 285	
	CLIP	2	-----	-----	-----	6000 773	
	CLIP	2	-----	-----	-----	6000 903	
	SCREW	2	-----	-----	-----	161 592	
	SCREW	2	-----	-----	-----	125 675	
	Cl. Sed., 4 D., w/Low Window,						
	Side and Upper,						
	Right . . . . .	1	-----	2084 770	-----	-----	
	Left . . . . .	1	-----	2084 771	-----	-----	
	CLIP	10	-----	6000 692	-----	-----	
	Sp. 4 D., Y1-L, Y1-M, Side,						
	Right . . . . .	1	-----	-----	-----	-----	2196 824
	Left . . . . .	1	-----	-----	-----	-----	2196 825
	CLIP	12	-----	-----	-----	-----	6006 201
	Sp. 4 D., Y1-L, Y1-M, Upper	1	-----	-----	-----	-----	2196 822
	CLIP	14	-----	-----	-----	-----	6006 201
	Sp. Cl. Cp., Side,						
	Right . . . . .	1	-----	-----	-----	-----	2196 826
	Left . . . . .	1	-----	-----	-----	-----	2196 827
	CLIP	12	-----	-----	-----	-----	6006 201
	Sp. Cl. Cp., Y1-L, Y1-M, Upper .	1	-----	-----	-----	-----	2196 823
	CLIP	14	-----	-----	-----	-----	6006 201
	Sp. Cl. Cp., Lower,						
	Right . . . . .	1	-----	-----	-----	-----	2196 880
	Left . . . . .	1	-----	-----	-----	-----	2196 881
	CLIP	16	-----	-----	-----	-----	6006 200
	Sp. 4 D., Y1-L, Y1-M, Lower,						
	Right . . . . .	1	-----	-----	-----	-----	2196 882
	Left . . . . .	1	-----	-----	-----	-----	2196 883
	CLIP	16	-----	-----	-----	-----	6006 200
	MOULDING, Rear Window						
	Outside Finish						
	Sp. 4 D., Y1-H,						
	Right . . . . .	1	-----	-----	-----	-----	1961 516
	Left . . . . .	1	-----	-----	-----	-----	1961 517
23-23-60	MOULDING PACKAGE, Tailgate						
	Opening Outside Finish						
	Sub., Roof Rear . . . . .	1	-----	2196 466	-----	2196 466	
	CLIP	7	-----	6006 451	-----	6006 451	
	Rear Pillar, Right . . . . .	1	2196 608	2196 462	-----	2196 462	
	Left . . . . .	1	2196 609	2196 463	-----	2196 463	
	CLIP	★	6006 451	6006 451	-----	6006 451	
	Cap, Right . . . . .	1	-----	2196 464	-----	2196 464	
	Left . . . . .	1	-----	2196 465	-----	2196 465	
	CLIP	2	-----	6006 451	-----	6006 451	
23-23-61	MOULDING PACKAGE, Tailgate						
	Opening Outside Finish						
	Sub., Belt . . . . .	1	-----	2196 460	-----	2196 460	
	CLIP	2	-----	6006 441	-----	6006 441	
	SCREW	2	-----	151 306	-----	151 306	
	Sub., Bumper, Right . . . . .	1	-----	2275 031	-----	-----	
	Left . . . . .	1	-----	2275 032	-----	-----	
	NUT	4	-----	151 497	-----	-----	
	Sub., C1, C3, Upper . . . . .	1	-----	-----	-----	2275 021	
	SCREW	7	-----	-----	-----	125 978	
	CLIP	9	-----	-----	-----	6000 239	

★ Indicates use as required.

☐ Indicates parts not listed in any previous parts book.  
May 31, 1961 Supersedes Jan. 6, 1961.

Printed in U.S.A.





CODE	PART NAME AND DESCRIPTION	PER CAR	VALIANT	PLYMOUTH	DESOTO	CHRYSLER	IMPERIAL
<b>23-23-0 OUTSIDE FINISH MOULDINGS - Cont'd</b>							
23-23-65	MOULDING PACKAGE - Cont'd Except Cv. Cp., Upper, Right . . . . .	1	----	----	----	----	2196 474
	Left . . . . .	1	----	----	----	----	2196 475
	RETAINER	2	----	----	----	----	6006 338
23-23-66	CAP, Windshield Outside Finish Moulding Joint All, Lower Center . .	1	----	----	----	----	1692 191
	Except Cv. Cp., PKG., Upper Center . .	1	----	----	----	----	2196 476
23-23-73	MOULDING, Quarter Window Outside Finish Sp. Cl. Cp., Upper, Right . . .	1	2195 964				
	Left . . . . .	1	2195 965				
	Rear, Right . . . . .	1	2195 836				
	Left . . . . .	1	2195 837				
	4 D., Upper, Right . . . . .	1	2081 916				
	Left . . . . .	1	2081 917				
	4 D., 4 D. Sub. Front, Right . . .	1	2081 914				
	Left . . . . .	1	2081 915				
	4 D. Rear, Right . . . . .	1	2081 918				
	Left . . . . .	1	2081 919				
	4 D. Sub., Rear, Right . . . . .	1	2082 992				
	Left . . . . .	1	2082 993				
	Sub. Upper, Right . . . . .	1	2082 742	1961 212	----	1961 212	
	Left . . . . .	1	2082 743	1961 213	----	1961 213	
	Lower, Right . . . . .	1	----	1961 214	----	1961 214	
	Left . . . . .	1	----	1961 215	----	1961 215	
	Front, Right . . . . .	1	----	2094 018	----	2094 018	
	Left . . . . .	1	----	2094 019	----	2094 019	
23-23-74	CAP, Quarter Window Outside Finish Sub., w/RETAINER, Front Upper, Right . . . . .	1	----	2094 016	----	2094 016	
	Left . . . . .	1	----	2094 017	----	2094 017	
	Lower . . . . .	2	----	1961 210	----	1961 210	
	Sub., PKG., Lower, Rear, Right . . . . .	1	----	2196 816	----	2196 816	
	Left . . . . .	1	----	2196 817	----	2196 817	
	SCREW	2	----	125 978	----	125 978	
23-23-75	SEAL, Folding Top Belt Out- side Finish Moulding Retainer Cv. Cp.	★	----	2165 279	----	2165 279	
23-23-77	PACKAGE, Tailgate and Quarter Panel Textured Panel Sp. 4D, Sub., C1, C3	1	----	----	----	2188 679	
23-23-85	PANEL, Quarter Panel Outside Finish 4 D., Sp. 4 D., P1-H, P2-H, Right . . . . .	1	----	1964 776			
	Left . . . . .	1	----	1964 777			
	Sp. Cl. Cp., Cv. Cp., P2-H, Right . . . . .	1	----	1964 916			
	Left . . . . .	1	----	1964 917			
	4 D. Sub., P1-H, P2-H, Right . . . . .	1	----	2094 862			
	Left . . . . .	1	----	2094 863			
<b>23-26-0 TRIM FINISH MOULDINGS</b>							
23-26-2	MOULDING, Rear Quarter Arm Rest Sp. Cl. Cp., P2-H Sp. Cl. Cp., Cv. Cp., Y1-M	2 2	----	1868 886 ----	----	----	2241 075

★ Indicates use as required.  
 ☐ Indicates parts not listed in any previous parts book.  
 \* Indicates change or addition.

CODE	PART NAME AND DESCRIPTION	PER CAR	VALIANT	PLYMOUTH	DESOTO	CHRYSLER	IMPERIAL
<b>23-26-0 TRIM FINISH MOULDINGS - Cont'd</b>							
23-26-14	MOULDING, Rear Upper Pillar Inside						
	Sub. Right . . . . .	1	2082 924				
	Left . . . . .	1	2082 925				
23-26-23	MOULDING, Door Trim Panel						
	Front Door Arm Rest, Mylar Tape, P1-H, P2-H	2	----	2194 109			
	Sp. Cl. Cp., Cv. Cp., 4 D., Sp. 4 D., C3, Front, Lower . .	2	----	----	----	2241 557	
	Sp. Cl. Cp., Cv. Cp., RC1. KC4, Upper Right . . . . .	1	----	----	----	2085 470	
	Left . . . . .	1	----	----	----	2085 471	
	Sp. Cl. Cp., RC2, Upper Right . . . . .	1	----	----	----	2085 470	
	Left . . . . .	1	----	----	----	2085 471	
	Sp. Cl. Cp., Cv. Cp., C4, Lower . . . . .	2	----	----	----	2085 800	
	Except Sub., C3-H, Rear Upper, Right . . . . .	1	----	----	----	2085 480	
	Left . . . . .	1	----	----	----	2085 481	
	4 D., C1-L, C2-M, Rear, Right. . . . .	1	----	----	----	1900 958	
	Left . . . . .	1	----	----	----	1900 959	
	Sp. 4 D., C1-L, C2-M, Rear, Right. . . . .	1	----	----	----	1900 972	
	Left . . . . .	1	----	----	----	1900 973	
	Except Sub., C1-L, C2-M, Front, Right . . . . .	1	----	----	----	1900 922	
	Left . . . . .	1	----	----	----	1900 923	
	Except Sub., C3-H, Front Upper, Right . . . . .	1	----	----	----	2085 470	
	Left . . . . .	1	----	----	----	2085 471	
	Sp. 4D., Sp. 4D. Sub., C3-H, Front Lower . . . . .	2	----	----	----	2241 556	
	Sp. Cl. Cp., Cv. Cp., C3-H, Lower . . . . .	2	----	----	----	2241 560	
	Sp. Cl. Cp., Cv. Cp., C4, Finish Plate						
	Right . . . . .	1	----	----	----	E2085 574	
	Left . . . . .	1	----	----	----	E2085 575	
	Sp. 4 D., Y1-M, Y1-H, Rear, Recess Finish Plate,						
	Right . . . . .	1	----	----	----	----	2241 088
	Left . . . . .	1	----	----	----	----	2241 089
	Sp. 4 D., Y1-H, Rear, Recess Finish Plate, Right . . . . .	1	----	----	----	----	2241 092
	Left . . . . .	1	----	----	----	----	2241 093
	Sp. Cl. Cp., Cv. Cp., Y1-M, Lower . . . . .	2	----	----	----	----	2241 098
	Sp. 4 D., Y1-H, Front, Recess Finish Plate, Right . . . . .	1	----	----	----	----	2241 148
	Left . . . . .	1	----	----	----	----	2241 149
	Sp. 4 D., Y1-M, Y1-H, Front, Lower, Right . . . . .	1	----	----	----	----	2241 126
	Left . . . . .	1	----	----	----	----	2241 127
	Sp. Cl. Cp., Cv. Cp., Sp. 4 D., Front, Recess						
	Right . . . . .	1	----	----	----	----	2241 082
	Left . . . . .	1	----	----	----	----	2241 083
	Sp. Cl. Cp., Cv. Cp., Sp. 4 D., Y1-M, Front, Recess Finish Plate, Right . . . . .	1	----	----	----	----	2241 148
	Left . . . . .	1	----	----	----	----	2241 149
	Sp. 4 D., Y1-H, Front, Recess Finish Plate, Right . . . . .	1	----	----	----	----	2241 086
	Left . . . . .	1	----	----	----	----	2241 087

★ Indicates use as required.

⊠ Indicates parts not listed in any previous parts book.  
May 31, 1961 Supersedes Jan. 6, 1961.

Printed in U.S.A.

Prices and specifications subject to change without notice.

\* Indicates change or addition.

CODE	PART NAME AND DESCRIPTION	PER CAR	VALIANT	PLYMOUTH	DESOTO	CHRYSLER	IMPERIAL
<b>23-26-0 TRIM FINISH MOULDINGS - Cont'd</b>							
23-26-23	MOULDING - Cont'd Sp. 4 D., Y1-M, Y1-H, Rear, Lower . . . . .	2	----	----	----	----	2241 142
	Sp. 4 D., Rear, Recess, Right . . . . .	1	----	----	----	----	2241 084
	Left . . . . .	1	----	----	----	----	2241 085
23-26-24	MEDALLION, Door Trim Panel Crown Sp. 4D C1, C3 Front . . . . .	★ ★	----	----	----	1900 924	*2241 076
23-26-34	MOULDING, Front Seat Back Finish 4 D., Sp. 4 D., Y1-M, Y1-H, w/o Swivel Seat Sp. Cl. Cp., Cv. Cp., Y1-M, w/o Swivel Seat, Right . . . . .	1 1	----	----	----	----	2086 362 2086 360
	Left . . . . .	1	----	----	----	----	1900 762
23-26-41	MOULDING, Roof Side Rail Inside Finish Sp. Cl. Cp., P1-H, P2-H, Stainless S., Right . . . . .	1 1	----	1954 930 1954 931			
	Left . . . . .	1	----	1964 280 1964 281			
	Sp. 4 D., Stainless S., Right . . . . .	1	----	1902 308 1902 309			
	Left . . . . .	1	----				
	2 D. Sub., Prime, Right . . . . .	1	----				
	Left . . . . .	1	----				
	4 D. Sub., Prime, Right . . . . .	1	----				
	Left . . . . .	1	----				
	Sp. Cl. Cp., C1, C2, C3, Prime, Right . . . . .	1	----		1839 936	1839 936	
	Left . . . . .	1	----		1839 937	1839 937	
	Sp. Cl. Cp., C3, C4, Stainless S., Right . . . . .	1	----			2086 058	
	Left . . . . .	1	----			2086 059	
	Sp. 4 D., Sp. 4 D. Sub., C3, Stainless S., Right . . . . .	1	----			1954 862	
	Left . . . . .	1	----			1954 863	
	Sp. 4 D., Chrome, Front, Right . . .	1	----				1901 978
	Left . . . . .	1	----				1901 979
	Sp. 4 D., Chrome, Rear, Right . . .	1	----				1901 982
	Left . . . . .	1	----				1901 983
	Sp. Cl. Cp., Chrome, Front, Right . . .	1	----				1901 980
	Left . . . . .	1	----				1901 981
	Sp. Cl. Cp., Chrome, Rear, Right . . .	1	----				1901 984
	Left . . . . .	1	----				1901 985
	Sp. Cl. Cp., Prime, P1-M, P2-M, P2-H, Right . . . . .	1	----	1882 950			
	Left . . . . .	1	----	1882 951			
	Sp. 4 D., C1, C2, Prime, Right . . . . .	1	----		1882 946	1882 946	
	Left . . . . .	1	----		1882 947	1882 947	
	Sp. 4 D. Sub., C1, C3, Prime, Right . . . . .	1	----			1882 946	
	Left . . . . .	1	----			1882 947	
	Sp. Cl. Cp., Prime, Right . . . . .	1	2195 406				
	Left . . . . .	1	2195 407				

★ Indicates use as required.  
 ☐ Indicates parts not listed in any previous parts book.  
 \* Indicates change or addition.



CODE	PART NAME AND DESCRIPTION	PER CAR	VALIANT	PLYMOUTH	DESOTO	CHRYSLER	IMPERIAL
<b>23-26-0 TRIM FINISH MOULDINGS - Cont'd</b>							
23-26-41	EXTENSION, Roof Side Rail Inside Finish Moulding Sp. Cl. Cp., Prime, Right . . . . .	1	2195 660				
	Left . . . . .	1	2195 660				
	Sp. Cl. Cp., P1-M, P2-M, Prime, Rear, Right . . . . .	1	----	1954 644			
	Left . . . . .	1	----	1954 645			
	Sp. Cl. Cp., P1-H, P2-H, Stainless S., Rear, Right. . . .	1	----	1963 640			
	Left . . . . .	1	----	1963 641			
	2 D.Sub., 4 D.Sub., Prime, Front, Right . . . . .	1	----	1902 348			
	Left . . . . .	1	----	1902 349			
	Sp. Cl. Cp., C1, C2, Prime, Front, Right . . . . .	1	----	1952 880	1952 880	1952 880	
	Left . . . . .	1	----	1952 881	1952 881	1952 881	
	Sp. 4D., Sp. 4D.Sub., C1, C2, Prime, Front, Right . . . . .	1	----	*1952 880	----	*1952 880	
	Left . . . . .	1	----	1952 881	----	1952 881	
	Sp. Cl. Cp., Sp. 4D., Sp. 4D. Sub., C3, C4, Stainless S., Front, Right . . . . .	1	----	*1952 896	----	*1952 896	
	Left . . . . .	1	----	1952 897	----	1952 897	
23-26-44	SUPPORT, Roof Side Rail Inside Moulding Sp. Cl. Cp. Sp. 4 D., Sp. 4 D. Sub., Right . . . . .	★	2195 883				
	Left . . . . .	1	----	----	1869 564	1869 564	
	Sp. Cl. Cp., w/Low Window, Right . . . . .	1	----	1869 858			
	Left . . . . .	1	----	1869 859			
	Sp. 4 D. Right . . . . .	1	----	1869 860			
	Left . . . . .	1	----	1869 861			
	Sp. Cl. Cp. Right . . . . .	1	----	----	1878 440	1878 440	
	Left . . . . .	1	----	----	1878 441	1878 441	
23-26-45	MOULDING, Front Seat Side Shield 4 D., Sp. 4 D., Y1-M, Y1-H, w/o Swivel Seat, Right . . . . .	1	----	----	----	----	2080 382
	Left . . . . .	1	----	----	----	----	2080 383
	Sp. Cl. Cp., Cv. Cp., Y1-M, w/o Swivel Seat, Upper, Right . . . . .	1	----	----	----	----	2080 384
	Left . . . . .	1	----	----	----	----	2080 385
	Lower, Right . . . . .	1	----	----	----	----	2080 386
	Left . . . . .	1	----	----	----	----	2080 387
23-26-46	FINISH PLATE, Rear Quarter Trim Panel Cv. Cp., C4, Right . . . . .	1	----	----	----	E2085 602	
	Left . . . . .	1	----	----	----	E2085 603	
	Sp. Cl. Cp., C4, Right . . . . .	1	----	----	----	E2085 590	
	Left . . . . .	1	----	----	----	E2085 591	
23-26-47	MOULDING, Rear Quarter Trim Panel Finish Sub., Rear Lower . . . . .	2	2082 405				
	Rear, Right . . . . .	1	2083 244				
	Left . . . . .	1	2083 245				
	Upper Front, Right . . . . .	1	2083 246				
	Left . . . . .	1	2083 247				
	Upper Rear, Right . . . . .	1	2083 248				
	Left . . . . .	1	2083 249				

★ Indicates use as required.

E Indicates parts not listed in any previous parts book.  
Jan. 6, 1961 Supersedes Oct. 3, 1960.

Printed in U.S.A.

Prices and specifications subject to change without notice.

\* Indicates change or addition.

CODE	PART NAME AND DESCRIPTION	PER CAR	VALIANT	PLYMOUTH	DESOTO	CHRYSLER	IMPERIAL
<b>23-26-0 TRIM FINISH MOULDINGS - Cont'd</b>							
23-26-47	MOULDING - Cont'd						
	2 D. Sub., Wheelhouse,						
	Front, Right . . .	1	----	2080 544			
	Left . . . . .	1	----	2080 545			
	4 D. Sub., Wheelhouse, Front						
	Upper, Right . . . . .	1	----	2080 440			
	Left . . . . .	1	----	2080 441			
	4 D. Sub., Sp. 4 D. Sub., Wheel-						
	house, Front Lower,						
	Right . . . . .	1	----	2080 438	----	2080 438	
	Left . . . . .	1	----	2080 439	----	2080 439	
	Cv. Cp., C4, Lower . . . . .	2	----		----	2086 177	
	Sp. Cl. Cp., C4, Upper . . . . .	2	----		----	2086 338	
	Sp. Cl. Cp., C4, Lower . . . . .	2	----		----	1876 338	
	Sp. 4 D. Sub., Wheelhouse,						
	Front Upper, Right . . . . .	1	----		----	2080 644	
	Left . . . . .	1	----		----	2080 645	
	Cv. Cp., C1, Rear . . . . .	2	----		----	1766 808	
	Cv. Cp., C1, C3, C4, Upper,						
	Right . . . . .	1	----		----	2085 478	
	Left . . . . .	1	----		----	2085 479	
	Sp. Cl. Cp., C1, C2, Rear Lower	2	----		----	2085 446	
23-26-55	MOULDING, Center Pillar						
	Cover Protector						
	Sp. 4 D., Sp. 4 D. Sub., w/Swivel						
	Seat, Right . . . . .	1	----	2161 070	2161 070	2161 070	
	Left . . . . .	1	----	2161 071	2161 071	2161 071	
23-26-58	CAP, Center Pillar Finish						
	4 D., 4 D. Sub.	2	2082 687				
	Sp. 4 D., Right . . . . .	1	----		----		2161 610
	Left . . . . .	1	----		----		2161 611
23-26-60	SUPPORT, Door Trim Panel						
	Sp. Cl. Cp., 4 D., 4 D. Sub.	★	2195 786				
	Sp. Cl. Cp., Cv. Cp.,						
	Right . . . . .	1	----	2194 056			
	Left . . . . .	1	----	2194 057			
23-26-62	CAP, Door Trim Panel Finish						
	Sp. 4 D., Rear Door Rear,						
	Right . . . . .	1	----	2194 066	----		1830 498
	Left . . . . .	1	----	2194 067	----		1830 499
	Sp. 4 D., Sp. 4 D. Sub., Rear						
	Door Rear, Prime, Right . . .	1	----		----	*2241 494	
	Left . . . . .	1	----		----	*2241 495	
	Sp. 4 D., Sp. 4 D. Sub., C3,						
	Rear Door Rear, Chrome,						
	Right . . . . .	1	----		----	2241 494	
	Left . . . . .	1	----		----	2241 495	
23-26-80	MEDALLION, Trim Panel						
	Window Regulator Hole						
	4D., Sp. 4D., 4D. Sub., Sp. Cl. Cp.,	2	----	2194 054			
	Cv. Cp.	2	----	6000 907			
	NUT						
23-26-87	MOULDING, Floor Tunnel						
	Console Finish						
	C4						
	Right . . . . .	1	----		----	2161 016	
	Left . . . . .	1	----		----	2161 017	
	Rear . . . . .	2	----		----	2161 018	
	Rear, Right . . . . .	1	----		----	2161 014	
	Left . . . . .	1	----		----	2161 015	
	Front, Right . . . . .	1	----		----	2161 012	
	Left . . . . .	1	----		----	2161 013	
23-26-89	COVER, Floor Tunnel Console						
	Finish Moulding Joint						
	C4	2	----		----	2161 011	

★ Indicates use as required.  
 ☐ Indicates parts not listed in any previous parts book.  
 \* Indicates change or addition.

# 1961 PASSENGER CAR PARTS CATALOG

BODY

CODE	PART NAME AND DESCRIPTION	PER CAR	VALIANT	PLYMOUTH	DESOTO	CHRYSLER	IMPERIAL
<b>23-31-0 PADS, LINERS, INSULATORS, SEALS, ANTI-SQUEAK</b>							
23-31-33	LINER, Dash	1	2259 181	2089 893	2210 279	2210 279	2241 409
23-31-36	FASTENER, Dash Liner w/or w/o Heater and Air Conditioning	★	6008 109	6008 109	6008 109	6008 109	6008 109
23-31-119	PAD, Steering Column to Floor Finish	1	-----	-----	-----	-----	1773 635
	w/Power Strg., w/Std.Trans., w/LINER . . . . .	1	-----	2161 723	-----	-----	-----
	C1, w/o Power Strg., w/Std. Trans., w/LINER . . . . .	1	-----	2161 724	-----	2162 293	-----
	C1, C2, w/o Power Strg., w/Auto. Trans.	1	-----	2080 936	2080 936	2080 936	-----
	C1, C2, w/Power Strg., w/Auto. Trans.	1	-----	2080 938	2080 938	2080 938	-----
	C3, C4, w/Power Strg., w/Auto. Trans.	1	-----	-----	-----	2080 937	-----
23-31-124	SEAL, Steering Column to Floor	1	-----	2080 588	-----	-----	-----
	w/o Power Strg., w/Std.Trans. C1, w/Power Strg., w/Std. Trans.	1	-----	2080 769	-----	2080 769	-----
	C1, w/o Power Strg., w/Std. Trans.	1	-----	2161 564	-----	2162 290	-----
	S1, C1, C2, w/o Power Strg., w/Auto. Trans.	1	-----	2080 766	2080 766	2080 766	-----
	S1, C1, C2, w/Power Strg., w/Auto. Trans.	1	-----	2080 768	2080 768	2080 768	-----
	C3, C4, w/Power Strg., w/Auto. Trans.	1	-----	-----	-----	2080 767	-----
	All	1	-----	-----	-----	-----	1830 452
23-31-125	SILENCER, Steering Column Opening Cover	1	-----	-----	-----	-----	1767 102
23-31-145	WEATHERSTRIP, Cowl to Hood	1	-----	-----	-----	-----	1751 182
23-31-205	SILENCER, Roof Panel 1/2" x 25 1/2" x 67" 1/8" x 25 1/2" x 67" Rear Extension Panel Sp. 4 D., Y1-H,	★	1774 621	1774 621	1774 621	1774 621	-----
	Right . . . . .	1	-----	-----	-----	-----	2086 702
	Left . . . . .	1	-----	-----	-----	-----	2086 703
<b>23-32-0 PANS, PLUGS AND BODY BUMPERS</b>							
23-32-8	PLATE and NUT, Center Floor Pan 2nd. Seat Back Hinge Support 4 D.Sub., Right . . . . . Left . . . . .	1 1	2082 842 2082 843	-----	-----	-----	-----
23-32-12	BRACE, Floor Pan to Center Pillar 4 D., 4 D.Sub., Right . . . . . Left . . . . .	1 1	2081 008 2081 009	-----	-----	-----	-----
23-32-14	SCREW and WASHER, Rear Floor Pan Cover Hinge Sub.	4	-----	1244 818	-----	1244 818	-----
23-32-15	PLUG or BUTTON, Floor Pan 2 1/2" Hole 1 3/4" Hole 1" Hole 1/2" Hole 7/8" Hole	★ ★ ★ ★ ★	2189 093 ----- 1695 998 2094 984 -----	2189 093 2189 375 1695 998 2094 984 2094 631	2189 093 2189 375 ----- 2094 984 2094 631	2189 093 2189 375 ----- 2094 984 2094 631	1869 582 *2189 098 *1695 998 2093 945

★ Indicates use as required.

☐ Indicates parts not listed in any previous parts book.  
March 1, 1962 Supersedes May 31, 1961.

Printed in U.S.A.  
Prices and specifications subject to change without notice.  
\* Indicates change or addition.

CODE	PART NAME AND DESCRIPTION	PER CAR	VALIANT	PLYMOUTH	DESOTO	CHRYSLER	IMPERIAL
<b>23-32-0 PANS, PLUGS AND BODY BUMPERS - Cont'd</b>							
23-32-17	CROSSMEMBER, Front Floor Pan Rear	1	-----	-----	-----	-----	1861 264
	CROSSMEMBER, Rear Floor Pan Rear Center . . .	1	2081 016				
	w/REINF., except Sub., Rear	1	-----	1960 180	1960 180	1960 180	
	CROSSMEMBER, Front Suspension	1	2074 350				
	CROSSMEMBER and REINFORCEMENT, Rear Floor Pan Shock Absorber	1	1973 206				
	CROSSMEMBER, Front Floor Pan Trans. Mounting	1	1919 553	1861 003	1861 003	1861 003	
	CROSSMEMBER, Front Side Rail Front Complete . . . . .	1	22253 731				
	CROSSMEMBER, Frame Trans. Mounting	1	2208 732				
	CROSSMEMBER, Center Floor Pan Pinion Carrier Bumper	1	-----	-----	1919 129	1919 129	
	CROSSMEMBER, Floor Pan Rear	1	-----	1878 475	1878 475	1878 475	
23-32-18	BOLT, Front Suspension Crossmember						
	1 7/8" length	4	2074 393				
	1 1/4" length	★	2074 394				
23-32-20	WASHER, Front Suspension Crossmember Bolt Lock	4	2074 386				
23-32-21	FRAME and BRACKET, Front Floor Pan	1	1919 583				
23-32-22	PAN, Front Floor	1	2259 046	1861 000	1861 000	1861 000	
23-32-24	PAN, Center Floor except Sub.	1	2081 029	1877 918	1861 001	1861 001	
	Sub.	1	2082 892	1861 001	-----	1861 001	
23-32-27	REINFORCEMENT, Front Floor Pan Seat Track						
	Front, Right . . .	1	22081 808	1960 198	1960 198	1960 198	
	Left . . . . .	1	22081 809	1960 199	1960 199	1960 199	
	Rear, Right . . .	1	22081 810	1960 200	1960 200	1960 200	
	Left . . . . .	1	22081 811	1960 201	1960 201	1960 201	
23-32-34	SPACER, Fuel Tank to Floor Pan Reinforcement						
	Except Sub.	2	-----	2123 639	2123 639	2123 639	
	SPACER, Floor Pan Rear Side Rail Front . . . . .	2	2081 566				
23-32-36	COVER, Fuel Gauge Inspection Hole						
	Sub.	1	-----	1846 668	-----	1846 668	
23-32-40	BRACKET, Center Floor Pan Rear Suspension Front Hanger						
	Bracket 2nd. Seat Fastening						
	Sub., RC3 Right . . . . .	1	-----	-----	-----	1960 084	
	Left . . . . .	1	-----	-----	-----	1960 085	
23-32-46	PANEL, Floor Pan Cover						
	Sub., Rear Front . . . . .	1	2082 799				
	Center . . . . .	1	2081 658				
	Sub., 2nd. Seat Back Center . .	1	1959 649				
	FILLER PANEL, Rear, Right . . . . .	1	2259 258				
	Left . . . . .	1	2259 259				
	PANEL, 2nd. Seat Back to Rear Floor Pan Cover						
	Sub., Prime . . . . .	1	-----	1878 636	-----	1878 636	
23-32-48	PAN, Rear Floor						
	All	1	2082 420				
	Except Sub.	1	-----	1861 002	1861 002	1861 002	1877 346
	PAN, Rear Floor Center						
	Sub., Front . . . . .	1	-----	2093 702	-----	2093 702	
	Rear . . . . .	1	-----	2093 703	-----	2093 703	
	Sub. Center . . . . .	1	-----	1861 041	-----	1861 041	
	Sub., Spare Tire Compartment	1	-----	1973 211	-----	1973 211	

★ Indicates use as required.

□ Indicates parts not listed in any previous parts book.

\* Indicates change or addition.

CODE	PART NAME AND DESCRIPTION	PER CAR	VALIANT	PLYMOUTH	DESOTO	CHRYSLER	IMPERIAL
<b>23-32-0 PANS, PLUGS AND BODY BUMPERS - Cont'd</b>							
23-32-49	EXTENSION, Rear Floor Pan Side						
	Sub. Right . . . . .	1	2082 418	1960 080	----	1960 080	
	Left . . . . .	1	2082 419	1960 081	----	1960 081	
	Except Sub., Right . . . . .	1	⊕2082 416	2093 864	1861 048	1861 048	1877 762
	Left . . . . .	1	2081 021	2093 865	1861 049	1861 049	1877 763
	Except Sub., w/Wiring CLIPS and BRACKETS	1	1919 673				
	PAN, Rear Floor Side						
	Sub. Right . . . . .	1	2082 628	1877 830	----	1877 830	
	Left . . . . .	1	2082 629	1877 831	----	1877 831	
23-32-51	BUMPER, 2nd. Seat Back Center Floor Pan Cover Panel						
	Sub.	2	2082 311				
	BUMPER, 2nd. Seat Back Center Floor Pan Cover Panel Frame						
	Sub.	2	2082 216				
	BUMPER, Tailgate Opening Sill Panel to Rear Floor Pan Cover						
	Sub.	2	----	1380 060	----	1380 060	
	BUMPER, Wheelhouse Rear Floor Pan Support to Rear Floor Pan Cover						
	Sub., 2 Seater	2	----	1380 060	----	1380 060	
	BUMPER, Rear Floor Pan Front Cover Panel Support 3 Seat Sub.	2	1901 569				
23-32-56	FILLER and REINFORCEMENT, Rear Floor Pan Cover						
	Sub., also Specify 2 of 2082 733 Reinforcement						
	Right . . . . .	1	⊕2259 252				
	Left . . . . .	1	⊕2259 259				
	COVER, Rear Floor Pan Tire Well						
	Sub.	1	----	1878 889	----	1878 889	
23-32-58	STRIKER, Rear Floor Pan Cover Lock Latch, w/Tire Well Lock						
	Sub.	1	----	1960 476	----	1960 476	
23-32-64	LATCH, Rear Floor Pan Cover Lock, w/Tire Well Lock						
	Sub.	1	----	1866 685	----	1866 685	
23-32-65	HINGE, Rear Floor Pan Compartment or Tire Well Cover						
	Sub. Body Half . . . . .	2	2082 670				
	Sub., 2 Seater, Body Half, Right . . . . .	2	----	1878 170	----	1878 170	
	Left . . . . .	2	----	1878 171	----	1878 171	
	Second Seat Back Cover Panel	1	2082 830				
23-32-66	SPRING, Rear Floor Pan Cover Lock Latch						
	Sub. w/Tire Well Lock.	1	----	1866 682	----	1866 682	
23-32-67	SUPPORT, Wheelhouse Rear Floor Pan Cover Compartment						
	Sub.	2	----	1878 014	----	1878 014	
23-32-68	PLUG, Tailgate Inside Panel Lock Adjusting Access Hole Button						
	4 D.Sub.	2	1882 735	1882 735	----	1882 735	
23-32-69	TAPPING PLATE, Wheelhouse Rear Floor Pan Cover Support						
	Sub.	2	----	⊕2189 290	----	⊕2189 290	

★ Indicates use as required.

⊕ Indicates parts not listed in any previous parts book.  
March 1, 1962 Supersedes May 31, 1961.

Printed in U.S.A.

Prices and specifications subject to change without notice.  
\* Indicates change or addition.

CODE	PART NAME AND DESCRIPTION	PER CAR	VALIANT	PLYMOUTH	DESOTO	CHRYSLER	IMPERIAL
<b>23-32-O PANS, PLUGS AND BODY BUMPERS - Cont'd</b>							
23-32-70	REINFORCEMENT, Rear Floor Center Pan Sub. Except Sub. REINFORCEMENT and TAPPING PLATE, Rear Floor Pan Cover Filler Panel Center 3 Seat Sub. . . . .	1 1 2	---- ---- E2082 733	1961 325 E1861 042	---- ----	1961 325	
23-32-73	PIN, Rear Floor Pan Cover Hinge Sub. 2 Seater . . . . .	2	----	1960 627	----	1960 627	
23-32-75	BRACKET, Rear Floor Pan Cover Lock Latch Sub., w/Tire Well Lock	1	----	1866 683	----	1866 683	
23-32-77	BOLT, Rear Floor Pan Cover Lock Latch Bracket Sub., w/Tire Well Lock NUT	2 2	---- ----	1883 654 151 497	---- ----	1883 654 151 497	
23-32-79	BRACKET, Rear Floor Pan Cover Prop Rod Pivot Sub., 2 Seater w/RETAINER . . . . .	1 1	---- ----	1432 929 1960 689	---- ----	1432 929 1960 689	
23-32-80	HANDLE, Rear Floor Pan Cover Lift Sub., 2 Seater, Chrome	2	----	1833 596	----	1833 596	
23-32-82	ESCUTCHEON, Rear Floor Pan Front and Rear Cover Panel Lift Handle Sub., Prime . . . . . Chrome . . . . .	2 2	1775 814 1833 597	1775 814 1833 597	---- ----	1775 814 1833 597	
23-32-83	PLUG, Quarter Inside Lower Panel	8	2083 111				
23-32-90	SUPPORT, Front Floor Pan No. 1 Body Hold-Down Brace Bolt RC1, RC2 Right . . . . . Left . . . . . RC3, RC4, Nos. 1 and 1A Right . . . . . Left . . . . .	1 1 1 1	---- ---- ---- ----	1878 136 1878 137	1878 136 1878 137	1878 136 1878 137	1878 138 1878 139
23-32-93	SUPPORT and T/PLATE, Rear Floor Pan Rear Suspension Rear Hanger Bracket, Right . . . . . Left . . . . . BRACKET and REINFORCEMENT, Floor Pan Rear Suspension Front Hanger Right . . . . . Left . . . . . SUPPORT and T/PLATE, Rear Floor Pan Rear Suspension Rear Hinge Bracket, Except Sub., Right . . . . . Left . . . . . SUPPORT, Center Floor Pan Rear Suspension Front Hanger Bracket RC3, RC4, Right . . . . . Left . . . . . SUPPORT and T/PLATE, Rear Floor Pan Rear Suspension Rear Hanger Bracket Sub., Right . . . . . Left . . . . . All, Right . . . . . Left . . . . .	1 1	2081 004 2081 005 1973 232 1973 233 ---- ---- 2094 388 2094 389 ---- ---- ---- ---- 1878 236 1878 237 ---- ---- 1878 236 1878 237			1883 320 1883 321	

★ Indicates use as required.  
 ☐ Indicates parts not listed in any previous parts book.  
 \* Indicates change or addition.

CODE	PART NAME AND DESCRIPTION	PER CAR	VALIANT	PLYMOUTH	DESOTO	CHRYSLER	IMPERIAL
<b>23-32-O PANS, PLUGS AND BODY BUMPERS - Cont'd</b>							
23-32-98	PLUG, Dash Panel 1 3/16"	1	1963 755				
23-32-104	BOLT, Rear Floor Pan Cover Panel Hold-Down and Spare Wheel Sub.	1	6022 801				
23-32-105	RAIL and REINFORCEMENT, Front Floor Pan Front Right . . . . . Left . . . . . RAIL and BRACKET, Floor Pan Rear Outer and Inner, Right . . . . . Left . . . . .	1 1 1 1	1973 324 1973 325 1919 534 1919 533				
	RAILS, Rear Floor Pan Inner and Outer Side Sub. Right . . . . . Left . . . . . Except Sub., RC3, RC4, Right . . . . . Left . . . . . RAIL, Rear Floor Pan Inner and Outer Side RS1, RC1, RC2, except Sub. Right . . . . . Left . . . . .	1 1 1 1 1 1	---- ---- 1919 336 1919 337	1973 312 1973 313	---- ----	1973 312 1973 313	
23-32-106	RETAINER, Rear Floor Pan Cover Panel Prop Rod Sub., Prime . . . . . RETAINER, Wheelhouse Inner Rear Floor Pan Cover Support T/Plate Sub.	1 2	2259 173	*1960 496		*1960 496	
23-32-107	BRACKET, Rear Floor Pan Cover Panel Hinge Sub., Prime . . . . .	2	2082 483				
23-32-108	BRACKET, Front Side Rail Front Suspension Upper Control Arm Mounting Right . . . . . Left . . . . .	1 1	2081 840 2081 841				
23-32-115	REINFORCEMENT, Front Side Rail, All Right . . . . . Left . . . . .	1 1	E2081 058 E2081 059				
<b>23-33-O INSTRUMENT PANEL</b>							
23-33-10	BRACE, Instrument Panel Reinforcement to Cowl Plenum Chamber Rear Upper . . . . . Lower . . . . . BRACE, Instrument Panel Lower Reinforcement to Windshield Frame BRACE, Instrument Panel to Pedal Bracket BRACE, Instrument Panel to Windshield Wiper Mounting Bracket C1, C2, C3	1 1 1 1 1	2083 000 2083 049 ---- ---- ---- ----	2080 679	2080 899	2080 899 1901 802	2080 649 2161 633

★ Indicates use as required.

☐ Indicates parts not listed in any previous parts book.  
March 1, 1962 Supersedes May 31, 1961.



CODE	PART NAME AND DESCRIPTION	PER CAR	VALIANT	PLYMOUTH	DESOTO	CHRYSLER	IMPERIAL
<b>23-33-0 INSTRUMENT PANEL - Cont'd</b>							
23-33-12	COVER, Instrument Panel Radio Opening Knob Hole NUT	1 2 2	2083 012 ----- -----	2161 973 ----- -----	2161 586 ----- -----	2162 145 ----- -----	1901 811 2080 058 151 497
23-33-20	COVER, Instrument Panel Clock Opening C1	1	-----	2097 707	-----	2161 838	
23-33-26	BEZEL, Instrument Panel Fresh Air Door Control w/o Heater and Air Conditioning, Prime . . . . .	1	-----	-----	2161 135		
NOTE: w/Heater see Part Type Code 1-48-70							
23-33-42	GRILLE, Instrument Panel Radio Speaker, w/FRAME Prime . . . . . w/o Air Conditioning, Prime . . . . . w/Air Conditioning, Prime . . . . . Black, Paint as Required	1 1 1 1	2249 265 ----- ----- -----	----- ----- 2172 137	----- ----- 2174 644	2162 129 -----	2161 162 2161 616
23-33-44	NAME PLATE, Dummy Switch Sp. Cl. Cp., 4 D., Sp. 4 D.	1	-----	-----	-----	-----	2197 511
23-33-65	COVER, Instrument Panel Defroster Opening	★	2082 340	2080 238	2080 238	2080 238	2080 238
23-33-84	CLIP, Instrument Panel Moulding Horizontal CLIP, Instrument Panel Trim Pad Moulding Attaching FASTENER, Instrument Panel Trim Pad	7 7 6 4	6017 015 ----- ----- -----	6008 189 -----	6008 200 -----		
23-33-86	MOULDING, Instrument Panel Right . . . . . Left . . . . . Finish Plate, Horizontal . . . . w/Trim Pad Finish Plate End, Right . . . . . Left . . . . . Controls Finish Plate, Right . . . . . Left . . . . . Hood Trim Pad Hood	1 1 1 1 1 1 1 1 1 1	2083 078 2083 079 ----- ----- ----- ----- ----- ----- ----- -----	2080 559 -----	2080 863 2161 769 ----- -----	1902 310 1902 311 ----- -----	2162 143 1839 695 2080 362 2161 834
23-33-94	STUD, Instrument Panel Instruments Hsg. Lower to Left Extension Instrument Panel Instruments Hsg. Lower to Upper Hsg. Instrument Panel End Extension to Instrument Hsg. Instrument Panel Radio Knob Hole Cover Attaching	1 5 2 2	----- ----- ----- -----	----- -----	----- -----	----- -----	6010 023 6010 023 6010 023 6010 020
23-33-96	NAME PLATE, Instrument Panel Imperial . . . . . Le Baron . . . . . MEDALLION, Radio Speaker Grille GUARD, Instrument Panel Ignition Key	1 1 1 1	----- ----- 2259 031 -----	----- ----- -----	2080 960		2161 174 2161 175

★ Indicates use as required.  
 □ Indicates parts not listed in any previous parts book.  
 \* Indicates change or addition.

# 1961 PASSENGER CAR PARTS CATALOG

BODY

CODE	PART NAME AND DESCRIPTION	PER CAR	VALIANT	PLYMOUTH	DESOTO	CHRYSLER	IMPERIAL
<b>23-33-0 INSTRUMENT PANEL - Cont'd</b>							
23-33-109	PANEL, Instrument C4	1	2259 041	2161 561	2161 529	2161 804	2161 440
	EXTENSION, Instrument Panel End	1	-----	-----	-----	2161 040	
	Right . . . . .	1	-----	-----	-----	-----	2080 940
	Left . . . . .	1	-----	-----	-----	-----	2161 552
23-33-110	SCREW and WASHER, Instrument Panel Lower Reinforcement to Pillar Attaching	2	-----	6008 225	6008 017		
	Instrument Panel to Belt Bar	5	6008 242	6008 242	6008 242	6008 242	
23-33-111	NUT, Instrument Panel Radio Opening Cover Attaching	2	6022 087	6006 034			
	Instrument Panel Finish Plate to End Extension Attaching	★	-----	-----	-----	-----	6010 128
23-33-129	HOOD, Instrument Panel Speedometer	1	-----	-----	2080 704		
	HOOD, Instruments Upper . . . . .	1	-----	-----	-----	2162 234	
	Lower . . . . .	1	-----	-----	-----	1839 690	
23-33-132	FILLER, Instrument Panel Steering Column Opening w/Std. Trans.	1	-----	2172 145	2080 279		
	Steering Column Opening Prime . . . . .	1	-----	-----	1902 399		
	COVER, Instrument Panel Steering Column Opening Prime . . . . .	1	-----	-----	-----	1902 091	
	CAP, Steering Column to Cluster	1	-----	-----	-----	1971 522	
23-33-135	FINISH PLATE, Instrument Panel						
	End, Right . . . . .	1	-----	2162 210			
	Right . . . . .	1	-----	-----	2161 584	-----	2161 489
	Left . . . . .	1	-----	-----	2161 585	-----	2161 528
	Fresh Air Door Controls	1	-----	-----	2161 493		
	Right . . . . .	1	-----	-----	-----	2161 836	
	Left . . . . .	1	-----	-----	-----	2161 837	
	w/Radio . . . . .	1	-----	2162 212			
	w/o Radio . . . . .	1	-----	2162 208			
23-33-147	COVER, Instrument Panel Right End Extension	1	-----	-----	-----	-----	2080 942
23-33-153	COVER, Instrument Panel Cigar Lighter Hole	1	-----	2162 419			
23-33-213	BRACKET, Instrument Panel Gear Selector Mounting PLATE, Gearshift Control Housing Mounting	1	*2073 601	-----	2161 136	-----	2161 158
		1	-----	2200 490	2200 490	-----	2200 490
23-33-216	COVER, Instrument Panel Map Lamp Opening	1	-----	-----	2080 152		
23-33-217	HOUSING, Instrument Panel Gear Selector	1	-----	-----	-----	1839 691	
	RC1, w/Std. Trans.	1	-----	-----	-----	2162 294	
23-33-220	COVER PLATE, Instrument Housing Push Button Control Opening						
	Right . . . . .	1	2076 261				
	Left . . . . .	1	2076 262				
	FACE PLATE, Transmission Push Button Control	1	2076 263				
	FINISH PLATE, Instrument Panel Gear Selector Gear Selector						
	Std. Trans.	1	-----	-----	2161 492		
	FINISH PLATE, Instrument Panel Fresh Air Door and Heater Control, w/Heater	1	-----	-----	2161 518		

★ Indicates use as required.

☐ Indicates parts not listed in any previous parts book.  
March 1, 1962 Supersedes May 31, 1961.

Printed in U.S.A.  
Prices and specifications subject to change without notice.  
\* Indicates change or addition

CODE	PART NAME AND DESCRIPTION	PER CAR	VALIANT	PLYMOUTH	DESOTO	CHRYSLER	IMPERIAL
<b>23-33-0 INSTRUMENT PANEL - Cont'd</b>							
23-33-220	FINISH PLATE, Instrument Panel Fresh Air Door, w/o Heater	1	-----	-----	2161 493		
	FINISH PLATE, Instrument Panel Gear Selector, w/PowerFlite Trans., 4 Button	1	-----	-----	2161 520		
	FINISH PLATE, Instrument Panel Gear Selector, w/Auto. 3 Speed Trans., 5 Button	1	-----	-----	2161 519		
	BEZEL, Instrument Panel Gear Selector	1	-----	-----	2161 134		
	BEZEL and BRACKET, Gear Selector, w/PowerFlite Trans., 4 Button						
	P2	1	-----	2198 685			
	w/Auto. 3 Speed Trans., 5 Button	1	-----	2198 684			
	BEZEL and LENS, Instrument Panel Gear Selector, w/Std. Trans.	1	-----	2161 696			
	BEZEL, Instrument Panel Gear Selector	1	-----	-----	-----	-----	2161 156
23-33-227	PAD, Instrument Panel Gear Selector Housing	1	-----	-----	2161 606	-----	2161 707
	GASKET, Transmission Push Button Control Face Plate Mounting	1	2076 217			2080 388	
23-33-231	BEZEL, Parking Brake Lever Release Rod	1	2071 130				
23-33-240	GROMMET, Gearshift Control Housing Mounting Plate Stud	4	-----	2161 522			
23-33-245	BUSHING, Parking Brake Lever Release Rod Bezel	1	2260 223				
<b>23-34-0 BODY PANELS</b>							
23-34-13	BRACKET, Wheel House Inner and Outer to Fuel Tank Stone Deflector						
	Sub.	2	-----	E1961 131	-----	E1961 131	
23-34-16	PANEL, Tailgate Opening Sill						
	Sub.	1	2081 207	1877 833	-----	1877 833	
23-34-17	REINFORCEMENT, Tailgate Opening Sill Panel						
	Sub.	1	2081 209	1877 834	-----	1877 834	
23-34-20	DEFLECTOR, Quarter Panel Rear Inner Water						
	CV. CP., Right . . . . .	1	-----	E2165 406	-----	E2165 406	
	Left . . . . .	1	-----	E2165 407	-----	E2165 407	
23-34-23	BRACE, Wheel House Support to Side Rail Reinforcement Extension						
	Sp. Cl. Cp., w/Low Window, Right . . . . .	1	-----	1963 148			
	Left . . . . .	1	-----	1963 149			
23-34-26	PANEL, Wheel House to Rear Pillar						
	Sub. Right . . . . .	1	-----	1960 090	-----	1960 090	
	Left . . . . .	1	-----	1960 091	-----	1960 091	
23-34-27	PANEL, Wheelhouse						
	Right . . . . .	1	2196 498				
	Left . . . . .	1	2196 499				
	Cv. Cp., Right . . . . .	1	-----	2084 518	-----	2084 522	2084 528
	Left . . . . .	1	-----	2084 519	-----	2084 523	2084 529

★ Indicates use as required.  
 ☐ Indicates parts not listed in any previous parts book.  
 \* Indicates change or addition.

# 1961 PASSENGER CAR PARTS CATALOG

CODE	PART NAME AND DESCRIPTION	PER CAR	VALIANT	PLYMOUTH	DESOTO	CHRYSLER	IMPERIAL
<b>23-34-0 BODY PANELS - Cont'd</b>							
23-34-27	PANEL - Cont'd						
	Sp. Cl. Cp., 4D., Sp. 4D.,						
	Right . . . . .	1	----	----	2084 524	2084 524	2084 526
	Left . . . . .	1	----	----	2084 525	2084 525	2084 527
	Cl. Sed., Sp. Cl. Cp., 4D., Sp. 4D.,						
	Right . . . . .	1	----	2084 520			
	Left . . . . .	1	----	2084 521			
	Sub.,						
	Right . . . . .	1	----	2084 516	----	2084 516	
	Left . . . . .	1	----	2084 517	----	2084 517	
23-34-32	SEAL, Wheelhouse to Quarter Panel Dust						
	2 D. Sub.	2	----	2188 958			
23-34-80	PANEL, Cowl Side						
	Except Cv. Cp.,						
	Right . . . . .	1	2259 052	1909 324	1909 324	1909 324	
	Left . . . . .	1	2259 053	1909 325	1909 325	1909 325	
	Cv. Cp.,						
	Right . . . . .	1	----	1952 946	----	1952 946	
	Left . . . . .	1	----	1952 947	----	1952 947	
	PANEL, Cowl Top and Dash, Complete	1	2259 085				
	w/o Air Conditioning	1	----	2166 996	2166 996	2166 996	
	Cv. Cp.	1	----	----	----	----	2084 539
	Except Cv. Cp.	1	----	----	----	----	2084 538
	Cowl Side, Less Extension						
	All						
	Right . . . . .	1	----	----	----	----	2275 907
	Left . . . . .	1	----	----	----	----	2275 908
23-34-85	COVER PACKAGE, Cowl Upper Panel to Front Pillar Joint						
	Right . . . . .	1	----	----	----	----	2196 479
	Left . . . . .	1	----	----	----	----	2196 480
	SCREW	2	----	----	----	----	9413 268
23-34-100	FILLER, Cowl Side to Door at Belt						
	Right . . . . .	1	----	----	----	----	2188 416
	Left . . . . .	1	----	----	----	----	2188 417
23-34-110	PANEL, Dash	1	----	----	----	----	2188 995
23-34-116	COVER, Dash Panel Air Duct Drain Hole	2	1810 565	1810 565	1810 565	1810 565	1810 565
	COVER, Dash Panel Air Duct w/o Heater . . . . .	1	----	1750 445	1750 445	1750 445	1750 445
	w/Heater . . . . .	1	----	----	----	----	2188 985
23-34-118	J/NUT, Dash Panel Heater Valve Opening Cover						
	w/o Heater or Air Conditioning	2	----	6006 397	6006 397	6006 397	6006 397
23-34-120	PANEL, Front Door Outside Repair						
	Sp. Cl. Cp., Cv. Cp.,						
	Right . . . . .	1	2195 922	1867 682	1964 240	1964 240	1877 288
	Left . . . . .	1	2195 923	1867 683	1964 241	1964 241	1877 289
	4D., 4D. Sub.,						
	Right . . . . .	1	2081 288	1954 736	----	2254 082	
	Left . . . . .	1	2081 289	1954 737	----	2254 083	
	Cl. Sed., 2D. Sub.,						
	Right . . . . .	1	2195 376	1954 738			
	Left . . . . .	1	2195 377	1954 739			
	Sp. 4D., Sp. 4D. Sub.,						
	Right . . . . .	1	----	2165 236	1964 238	1964 238	1877 284
	Left . . . . .	1	----	2165 237	1964 239	1964 239	1877 285
	PANEL, Rear Door Outside Repair						
	4D.,						
	Right . . . . .	1	2081 426	1964 502	----	1869 674	
	Left . . . . .	1	2081 427	1964 503	----	1869 675	
	4D. Sub.,						
	Right . . . . .	1	2081 426	1954 744			
	Left . . . . .	1	2081 427	1954 745			
	Sp. 4D., Sp. 4D. Sub.,						
	Right . . . . .	1	----	1963 002	1869 678	1869 678	1877 286
	Left . . . . .	1	----	1963 003	1869 679	1869 679	1877 287

★ Indicates use as required.

Ⓚ Indicates parts not listed in any previous parts book.  
March 1, 1962 Supersedes May 31, 1961.

Prices and specifications subject to change without notice.  
\* Indicates change or addition.

Printed in U.S.A.

CODE	PART NAME AND DESCRIPTION	PER CAR	VALIANT	PLYMOUTH	DESOTO	CHRYSLER	IMPERIAL
<b>23-34-0 BODY PANELS - Cont'd</b>							
23-34-122	BRACE, Dash Panel Body Front Hold-Down						
	C1, C2, Right . . . . .	1	----	*1909 326	*1909 326	*1909 326	
	Left . . . . .	1	----	*1909 327	*1909 327	*1909 327	
	C3, C4, Right . . . . .	1	----	-----	-----	*1909 328	
	Left . . . . .	1	----	-----	-----	*1909 329	
	BRACE, Dash Panel No. 1 and 1A Body Hold-Down Bolt						
	Right . . . . .	1	----	-----	-----	-----	2189 128
	Left . . . . .	1	----	-----	-----	-----	2189 129
23-34-123	PLUG, Dash Panel Clutch Rod Opening, w/3 Speed Trans., All	1	2082 962				
23-34-126	REINFORCEMENT, Dash Panel No. 1 and 1A Body Hold-Down Bolt Brace						
	Right . . . . .	1	----	-----	-----	-----	1861 248
	Left . . . . .	1	----	-----	-----	-----	1861 249
23-34-136	COVER, Door Inside Panel Access Hole	2	----	-----	-----	-----	1751 033
23-34-166	PANEL, Deck Opening Upper, Cl. Sed.	1	2081 204	1909 314			
	Sp. Cl. Cp.	1	2081 204	1909 313	1963 214	1963 214	*1961 442
	4D., Sp.4D., RY1-H	1	2081 204	1909 314	1963 213	1963 213	2189 369
	Cv. Cp.	1	----	1869 633	-----	*1964 431	*1961 443
23-34-167	PANEL, Deck Opening Lower Except Sub.	1	2081 205	1919 242	1919 557	1919 557	2093 924
23-34-176	EXTENSION, Quarter Panel Tail Lamp Opening Lower Sp. Cl. Cp., Cv. Cp., 4D., Sp.4D.,						
	Right . . . . .	1	----	-----	2094 692	2094 692	
	Left . . . . .	1	----	-----	2094 693	2094 693	
	Lower Panel						
	All, Right . . . . .	1	----	-----	-----	-----	1877 350
	Left . . . . .	1	----	-----	-----	-----	1877 351
23-34-177	REINFORCEMENT, Quarter Panel Deck Opening Side Flange Cl. Sed., Sp. Cl. Cp., 4D., Sp.4D.,						
	Right . . . . .	1	----	2165 670	-----	-----	
	Left . . . . .	1	----	2165 671	-----	-----	
23-34-179	REINFORCEMENT, Deck Opening Upper Panel Cv. Cp.	1	----	1882 391	-----	1882 286	
	Lower	1	----	-----	-----	-----	2093 925
23-34-184	NAME PLATE PACKAGE, Deck Opening Lower Panel, "Plymouth" . . .	1	----	2240 784	-----	-----	
	NUT and SEAL	3	----	6000 037	-----	-----	
	"Chrysler" . . .	1	----	-----	-----	2275 009	
	WASHER	3	----	-----	-----	6022 077	
	CLIP	3	----	-----	-----	6000 808	
23-34-218	REINFORCEMENT, Quarter Outside Panel Lock Face Sp. Cl. Cp., Right . . . . .	1	2195 392				
	Left . . . . .	1	2195 393				
23-34-224	SEAL, Louver to Quarter Outside Panel Upper Extension	★	2195 656				
23-34-225	COVER, Quarter Inside Panel Access Hole						
	Sp. Cl. Cp., Cv. Cp.	1	----	-----	-----	-----	1691 107
23-34-227	GUARD, Quarter Panel Rear Lower Dust Sub.	2	----	2188 746	-----	-----	
	Sp. 4D. Sub., Right . . . . .	1	----	-----	-----	2093 666	
	Left . . . . .	1	----	-----	-----	2093 667	

★ Indicates use as required.  
 □ Indicates parts not listed in any previous parts book.  
 \* Indicates change or addition.



CODE	PART NAME AND DESCRIPTION	PER CAR	VALIANT	PLYMOUTH	DESOTO	CHRYSLER	IMPERIAL
<b>23-34-0 BODY PANELS - Cont'd</b>							
23-34-235	PANEL and LOCK PILLAR - Cont'd						
	4D., Sp. 4D., Right . . . . .	1	----	1963 758	2093 250	2093 250	
	Left . . . . .	1	----	1963 759	2093 251	2093 251	
	4D., Sp. 4D., w/Holes,						
	Right . . . . .	1	----	----	----	----	2093 728
	Left . . . . .	1	----	----	----	----	2093 729
	Except Sub., Rear Lower,						
	Right . . . . .	1	----	1964 712			
	Left . . . . .	1	----	1964 713			
	2D. Sub., Lower,						
	Right . . . . .	1	----	2093 774			
	Left . . . . .	1	----	2093 775			
	Upper Front, Right . . . . .	1	----	2093 780			
	Left . . . . .	1	----	2093 781			
	Upper Rear, Right . . . . .	1	----	2094 108			
	Left . . . . .	1	----	2094 109			
	4D. Sub., Upper,						
	Right . . . . .	1	----	2093 772			
	Left . . . . .	1	----	2093 773			
	Lower, Right . . . . .	1	----	2093 778			
	Left . . . . .	1	----	2093 779			
	Sp. 4D. Sub., Right . . . . .	1	----	----		1861 082	
	Left . . . . .	1	----	----		1861 083	
23-34-236	EXTENSION, Quarter Inside						
	2D. Sub., Right . . . . .	1	----	1950 276			
	Left . . . . .	1	----	1950 277			
	Sp. Cl. Cp., Upper,						
	Right . . . . .	1	----	----	----	----	1692 142
	Left . . . . .	1	----	----	----	1692 143	
	Cv. Cp., Upper, Right . . . . .	1	----	----	----	1750 188	
	Left . . . . .	1	----	----	----	1750 189	
23-34-238	NAME PLATE PACKAGE						
	Quarter Panel Outside						
	BELVEDERE	2	----	2275 089			
	CLIP	12	----	6000 050			
	WINDSOR	2	----	----		2275 346	
	NUT	10	----	----		152 259	
23-34-240	DEFLECTOR PACKAGE						
	Quarter Panel Stone						
	except Sub., Right . . . . .	1	----	2240 794			
	Left . . . . .	1	----	2240 795			
	Sub., Right . . . . .	1	----	2196 184			
	Left . . . . .	1	----	2196 185			
	SCREW	2	----	125 978			
	NUT	4	----	6000 028			
	All, Right . . . . .	1	----	----	2196 528	2196 528	2196 818
	Left . . . . .	1	----	----	2196 529	2196 529	2196 819
	SCREW	6	----	----	125 978	125 978	9414 080
23-34-242	EXTENSION, Rear Quarter						
	Outside Panel						
	except Sub., Upper,						
	Right . . . . .	1	2082 624	----	2093 254	2093 254	
	Left . . . . .	1	2082 625	----	2093 255	2093 255	
	Lower, Right . . . . .	1	2081 148	----	2093 816	2093 816	
	Left . . . . .	1	2081 149	----	2093 817	2093 817	
	Sub., Upper, Right . . . . .	1	2082 636	2093 782			
	Left . . . . .	1	2082 637	2093 783			
	Lower, Right . . . . .	1	2081 706	2093 776			
	Left . . . . .	1	2081 707	2093 777			
	Sp. 4D. Sub., Cl, C3,						
	Right . . . . .	1	----	----	----	1861 096	
	Left . . . . .	1	----	----	----	1861 097	
EXTENSION, Rear Quarter							
Outside Panel							
Except Sub. w/Back-Up Lamp							
Holes Lower Left . . . . .	1	E2082 257					
Except Sub., w/Back-Up Lamp							
Holes Upper Right . . . . .	1	E2195 564					
Left . . . . .	1	E2195 565					

★ Indicates use as required.  
 E Indicates parts not listed in any previous parts book.  
 \* Indicates change or addition.



## 1961 PASSENGER CAR PARTS CATALOG

BODY

CODE	PART NAME AND DESCRIPTION	PER CAR	VALIANT	PLYMOUTH	DESOTO	CHRYSLER	IMPERIAL
<b>23-34-0 BODY PANELS - Cont'd</b>							
23-34-245	RETAINER and STUD, Quarter Panel Outside Stone Deflector except Sub., Upper . . . . .	2	----	6000 795			
	Lower. . . . .	1	----	6000 803			
23-34-249	REINFORCEMENT, Quarter Inside Panel to Folding Top Folding Pillar Support Cv. Cp., Right . . . . .	1	----	E1954 094	----	E1952 144	
	Left. . . . .	1	----	E1954 095	----	E1952 145	
	REINFORCEMENT, Quarter Inside Panel to Wheelhouse Sp. Cl. Cp., Right . . . . .	1	----	----	----	----	1810 056
	Left . . . . .	1	----	----	----	----	1810 057
23-34-253	DOOR, Fuel Tank Filler	1	----	----	----	----	2093 886
23-34-254	BUMPER, Quarter Panel Extension	2	2082 599				
23-34-255	SPRING, Fuel Tank Filler Door	1	----	----	----	----	1877 486
23-34-258	EXTENSION, Quarter Panel Tail Lamp Opening Lower Inner Sp. Cl. Cp., Cv. Cp., 4D., Sp. 4D., Right . . . . .	1	----	----	2094 806	2094 806	
	Left. . . . .	1	----	----	2094 807	2094 807	
23-34-260	HINGE, Deck Opening Lower Panel Fuel Filler Door Right . . . . .	1	----	----	----	----	1877 338
	Left . . . . .	1	----	----	----	----	1877 339
23-34-270	BUMPER, Fuel Tank Filler Door	1	----	----	----	----	1882 429
23-34-277	STUD and RETAINER, Quarter Panel Rear Bumper Front Mounting	2	2082 080				
23-34-278	SUPPORT, Quarter Panel Extension to Lower Quarter Tail Lamp Opening Sp. Cl. Cp., Cv. Cp., 4D., Sp. 4D., Right . . . . .	1	----	----	2094 496	2094 496	
	Left . . . . .	1	----	----	2094 497	2094 497	
23-34-282	BRACKET, Quarter Panel Tail Lamp Attaching Inner . . . . .	2	2082 779				
	Outer . . . . .	2	2082 781				
	BRACKET, Quarter Panel Tail Lamp Opening Reinforcement Sp. 4D. Sub., Upper . . . . .	2	----	----	----	E1961 699	
	Lower . . . . .	2	----	----	----	E1961 663	
23-34-286	BRACKET, Quarter Panel Rear Bumper Support Bar Jacking Sub., Right . . . . .	1	----	1961 022	----	1961 024	
	Left . . . . .	1	----	1961 023	----	1961 025	
23-34-301	PANEL, Roof Sub. Except Sub. Sp. Cl. Cp., P1-H, P2-H, w/High Window	1	----	1952 666	1861 118	1861 118	
	Sp. Cl. Cp., w/Low Window	1	----	1869 615			
	Cl. Sed., 4D., w/Low Window	1	----	1964 370			
	Sp. 4D., w/High Window	1	----	1963 796	----	1952 642	
	Sp. 4D. Sub., C1, C3	1	----	----	----	2188 716	
	Sp. 4D., w/Low Window, C1, C2	1	----	----	1867 873	1867 873	
	Sp. 4D., RY1-L, RY1-M	1	----	----	----	----	1877 732
	Sp. 4D., RY1-H	1	----	----	----	----	2189 368
	4D., w/Low Window	1	----	----	----	1867 873	
	Sp. Cl. Cp.	1	----	----	----	----	1877 267
	PANEL, Roof Rear Extension, Sp. 4D. Y1-H	1	----	----	----	----	1961 512

★ Indicates use as required.

E Indicates parts not listed in any previous parts book.  
March 1, 1962 Supersedes May 31, 1961.Printed in U.S.A.  
Prices and specifications subject to change without notice.  
\* Indicates change or addition.

CODE	PART NAME AND DESCRIPTION	PER CAR	VALIANT	PLYMOUTH	DESOTO	CHRYSLER	IMPERIAL
<b>23-34-0 BODY PANELS - Cont'd</b>							
23-34-302	EXTENSION, Roof Panel Side						
	Sub., Rear . . . . .	1	2081 217				
	Side, Right . . . . .	1	2081 728	1861 222			
	Left . . . . .	1	2081 729	1861 223			
	Side, Rear, Right. . . . .	1	2081 730				
	Left . . . . .	1	2081 731				
	Sp. 4D. Sub., Side,						
	Right . . . . .	1	----	----	----	1960 092	
	Left . . . . .	1	----	----	----	1960 093	
	4D., Sp. 4D., Side Rear,						
	Right . . . . .	1	----	----	----	----	1877 492
	Left . . . . .	1	----	----	----	----	1877 493
	Sp. Cl. Cp., P1-M, P2-M, Upper						
	to Roof, w/Low Window						
	Right . . . . .	1	----	1883 296			
	Left . . . . .	1	----	1883 297			
	Sp. Cl. Cp., P1-H, P2-H, w/High						
	Window, Upper to Roof,						
	Right . . . . .	1	----	1952 684			
	Left . . . . .	1	----	1952 685			
	Sp. Cl. Cp., Y1-L, Y1-M, Rear						
	Right . . . . .	1	----	----	----	----	1877 742
	Left . . . . .	1	----	----	----	----	1877 743
	Sp. Cl. Cp., Lower,						
	Right . . . . .	1	----	----	1878 444	1878 444	
	Left . . . . .	1	----	----	1878 445	1878 445	
23-34-304	REINFORCEMENT, Roof Rear						
	Extension Panel						
	Sp. 4D., Y1-H, Upper . . . . .	1	----	----	----	----	1961 511
	Lower . . . . .	1	----	----	----	----	1961 513
23-34-334	MEDALLION, ORNAMENT or						
	LOUVER Quarter Panel						
	Louver, Pkg., Right . . . . .	1	2240 854				
	Left . . . . .	1	2240 855				
	NUT and SEAL	4	6006 438				
	NAMEPLATE and RETAINER,						
	Roof Panel Side Extension, Pkg.,						
	Sub., Right . . . . .	1	2196 610				
	Left . . . . .	1	2196 611				
23-34-334	MEDALLION, C4,						
	300G . . . . .	2	----	----	----	2094 801	
	LOUVER						
	Sub., C3, Pkg., Right . . . . .	1	----	----	----	2196 599	
	Left . . . . .	1	----	----	----	2196 725	
	CLIP	4	----	----	----	*6000 808	
	WASHER	4	----	----	----	*2189 165	
	ORNAMENT,						
	C3 except Sub., Quarter Panel						
	Outside Center, Pkg.	1	----	----	----	2240 831	
	LOUVER						
	C3 except Sub., Pkg.,						
	Front and Rear. . . . .	4	----	----	----	2240 824	
	CLIP	12	----	----	----	6000 808	
	ORNAMENT, w/BASE, Eagle,						
	Pkg., Right . . . . .	1	----	----	----	----	2275 160
	Left . . . . .	1	----	----	----	----	2275 161
	NUT & WASHER	6	----	----	----	----	6006 024
	MEDALLION, Roof Panel Side						
	Y1-H, Sp. 4D., Pkg.	1	----	----	----	----	2240 950
	WASHER	4	----	----	----	----	6022 052
	CLIP	4	----	----	----	----	6000 829
23-34-339	ESCUTCHEON, Quarter Panel						
	Outside Louver						
	Sub., C3, Right . . . . .	9	----	----	----	2093 360	
	Left . . . . .	9	----	----	----	2093 361	

★ Indicates use as required.

☐ Indicates parts not listed in any previous parts book.

\* Indicates change or addition.

## 1961 PASSENGER CAR PARTS CATALOG

BODY

CODE	PART NAME AND DESCRIPTION	PER CAR	VALIANT	PLYMOUTH	DESOTO	CHRYSLER	IMPERIAL
<b>23-34-O BODY PANELS - Cont'd</b>							
23-34-340	BASE, Quarter Panel Outside Ornament						
	C3, Center, Pkg	2	----	----	----	2240 830	
	CLIP	4	----	----	----	6000 808	
	C4, 300G, Pkg.	2	----	----	----	2196 575	
	NUT	4	----	----	----	6006 215	
23-34-354	PANEL, Windshield Header	1	2082 530				
	Cv. Cp., w/REINFORCEMENT	1	----	1963 627	----	1963 627	
	Except Cv. Cp., w/REINFORCEMENT	1	----	1909 319	1909 319	1909 319	
<b>23-36-O PILLARS</b>							
23-36-5	PILLAR, Body Center						
	4D., 4D. Sub., Right . . . . .	1	2259 154	1909 892	1909 892	1909 892	
	Left . . . . .	1	2259 155	1909 893	1909 893	1909 893	
	Sp. 4D., Sp. 4D. Sub.,						
	Right . . . . .	1	----	1952 204	1952 204	1952 204	1973 290
	Left . . . . .	1	----	1952 205	1952 205	1952 205	1973 291
	4D., Sp. 4D., Center Inner						
	Right . . . . .	1	----	----	----	----	1861 286
	Left . . . . .	1	----	----	----	----	1861 287
23-36-6	PANEL, Center Pillar Trim						
	4D., 4D. Sub., Prime,						
	Right . . . . .	1	----	1882 884	----	1882 884	
	Left . . . . .	1	----	1882 885	----	1882 885	
23-36-11	PLATE, Body Center Pillar						
	Upper Hinge Reinforcement						
	Back-Up						
	Taxi	1	----	1963 635			
23-36-14	EXTENSION, Front Hinge Pillar						
	Cv. Cp., Right . . . . .	1	----	----	----	----	1960 726
	Left . . . . .	1	----	----	----	----	1960 727
	Sp. Cl. Cp., Sp. 4 D.,						
	Right . . . . .	1	----	----	----	----	1877 318
	Left . . . . .	1	----	----	----	----	1877 319
23-36-18	PLUG, Body Pillar Hole w/o						
	Auto. Door Switch	★	6013 105	6013 105	6013 105	6013 105	
23-36-21	COVER, Center Pillar Hinge						
	Sp. 4D.	4	----	----	----	----	1751 793
23-36-22	PLATE, Body Center Pillar						
	Front Tapping						
	4D., Sp. 4D., Sub.	2	----	1952 214	1952 214	1952 214	
23-36-30	BUMPER, Body Center Pillar						
	Rear Door Check						
	4D., Sp. 4D., 4D. Sub.	2	2083 127				
23-36-53	PILLAR, Body Lock, Rear						
	4D., 4D. Sub., Right . . . . .	1	2081 168	----	----	----	1877 310
	Left . . . . .	1	2081 169	----	----	----	1877 311
	Sp. 4D., Right . . . . .	1	----	----	----	----	1877 310
	Left . . . . .	1	----	----	----	----	1877 311
	Cl. Sed., 2D. Sub.,						
	Right . . . . .	1	----	1869 774			
	Left . . . . .	1	----	1869 775			
	Sp. Cl. Cp., Right . . . . .	1	----	1869 772	1952 332	1952 332	1877 314
	Left . . . . .	1	----	1869 773	1952 333	1952 333	1877 315
	Cv. Cp., Right . . . . .	1	----	1954 676	----	1954 814	1877 314
	Left . . . . .	1	----	1954 677	----	1954 815	1877 315
	4D., Sp. 4D., w/Tapping PLATE,						
	Right . . . . .	1	----	1964 422	1973 042	1973 042	
	Left . . . . .	1	----	1964 423	1973 043	1973 043	
	4D. Sub., w/Tapping PLATE,						
	Right . . . . .	1	----	1919 312			
	Left . . . . .	1	----	1919 313			

★ Indicates use as required.

□ Indicates parts not listed in any previous parts book.  
March 1, 1962 Supersedes Jan. 6, 1961.Printed in U.S.A.  
Prices and specifications subject to change without notice.  
\* Indicates change or addition.

CODE	PART NAME AND DESCRIPTION	PER CAR	VALIANT	PLYMOUTH	DESOTO	CHRYSLER	IMPERIAL
<b>23-36-0 PILLARS - Cont'd</b>							
23-36-53	PILLAR - Cont'd						
	Sp. 4D. Sub., w/Tapping PLATE,						
	Right . . . . .	1	----	----	----	1973 042	
	Left . . . . .	1	----	----	----	1973 043	
	Sp. Cl. Cp., Cv. Cp., w/Tapping						
	PLATE and COVERS						
	Right . . . . .	1	----	----	----	----	1919 024
	Left . . . . .	1	----	----	----	----	1919 025
	Cl. Sed., 2D. Sub., Upper,						
	Right . . . . .	1	----	1884 700	----	----	
	Left . . . . .	1	----	1884 701	----	----	
23-36-63	PANEL, Body Lock Pillar						
	Upper Outside						
	Cl. Sed., Right . . . . .	1	2195 762				
	Left . . . . .	1	2195 763				
23-36-66	REINFORCEMENT, Body Lock						
	Pillar						
	Cl. Sed., 2D. Sub., Upper,						
	Right . . . . .	1	2195 254	1884 532			
	Left . . . . .	1	2195 255	1884 533			
	Sp. Cl. Cp., Cv. Cp.,						
	Right . . . . .	1	----	⊠1950 220	⊠1950 220	⊠1950 220	1690 440
	Left . . . . .	1	----	⊠1950 221	⊠1950 221	⊠1950 221	1690 441
	REINFORCEMENT, Body Front						
	Pillar Upper to Roof Side						
	Drain Trough						
	Sp. Cl. Cp., Right . . . . .	1	2195 562				
	Left . . . . .	1	2195 563				
23-36-73	COVER, Lock Pillar Hole Edge						
	Sp. Cl. Cp., Cv. Cp., Outer,						
	Right . . . . .	1	----	----	----	----	1810 586
	Left . . . . .	1	----	----	----	----	1810 587
	Inner, Right . . . . .	1	----	----	----	----	1810 446
	Left . . . . .	1	----	----	----	----	1810 447
23-36-118	PILLAR, Body Rear						
	Sub., Upper, Right . . . . .	1	1973 360				
	Left . . . . .	1	1973 361				
	Lower, Right . . . . .	1	1973 362				
	Left . . . . .	1	1973 363				
	Sub., Complete,						
	Right . . . . .	1	----	1973 174	----	1973 174	
	Left . . . . .	1	----	1973 175	----	1973 175	
23-36-120	PILLAR, Quarter Rear Upper						
	Cv. Cp. Right . . . . .	1	----	⊠1884 524			
	Left . . . . .	1	----	⊠1884 525			
23-36-121	PANEL, Rear Pillar Roof Rail						
	Joint Cover						
	Sub., Right . . . . .	1	----	1878 254	----	1878 254	
	Left . . . . .	1	----	1878 255	----	1878 255	
23-36-123	HANDLE PACKAGE, Roof Panel						
	Rear Pillar Outside Assist						
	Sub.	2	----	2196 839	----	2196 839	
	NUT	8	----	6006 035	----	6006 035	
	BOLT	2	----	681 135	----	681 135	
23-36-125	REINFORCEMENT, Rear Body						
	Lock Upper Pillar						
	4D., 4D. Sub., Right . . . . .	1	2081 176				
	Left . . . . .	1	2081 177				
	REINFORCEMENT, Rear Lower						
	Pillar to Quarter Inside Panel						
	4D. Sub., Right . . . . .	1	2081 718				
	Left . . . . .	1	2081 719				
	REINFORCEMENT, Rear Pillar						
	to Wheelhouse						
	Sub., Right . . . . .	1	----	1877 840	----	1877 840	
	Left . . . . .	1	----	1877 841	----	1877 841	

★ Indicates use as required.  
 ⊠ Indicates parts not listed in any previous parts book.  
 \* Indicates change or addition.

## 1961 PASSENGER CAR PARTS CATALOG

BODY

CODE	PART NAME AND DESCRIPTION	PER CAR	VALIANT	PLYMOUTH	DESOTO	CHRYSLER	IMPERIAL
<b>23-36-0 PILLARS - Cont'd</b>							
23-36-131	COVER, Rear Pillar Wiring Sub. Left . . . . .	1	-----	2189 148	-----	2189 148	
<b>23-38-0 FLOOR TUNNEL CONSOLE</b>							
23-38-5	PLATE, Floor Tunnel Console Finish C4 Front . . . . . Rear . . . . .	1 1	----- -----	----- -----	----- -----	2161 021 2161 022	
23-38-9	FILLER, Front Floor Console to Instrument Panel C4	1	-----	-----	-----	2161 041	
23-38-12	BASE, Floor Tunnel Console Arm Rest C4	2	-----	-----	-----	2241 393	
23-38-14	HINGE, Floor Tunnel Console Arm Rest C4	2	-----	-----	-----	2161 038	
23-38-16	REINFORCEMENT, Floor Heel Pad Finish Plate C4	2	-----	-----	-----	2086 461	
23-38-17	PLATE, Floor Heel Pad Finish C4	2	-----	-----	-----	2086 460	
23-38-21	FERKULE, Floor Tunnel Console Arm Rest Lid Strap Attaching C4	2	-----	-----	-----	2161 572	
23-38-22	TAPPING PLATE, Floor Tunnel Console Arm Rest Attaching C4	6	-----	-----	-----	2086 838	
23-38-23	CABLE, Floor Tunnel Console Arm Rest Lid Check C4	2	-----	-----	-----	1777 897	
23-38-24	NUT, Floor Tunnel Console Arm Rest Lid Check Strap Attaching C4	1	-----	-----	-----	6022 151	
<b>23-39-0 WINDOW LIFT (MANUAL)</b>							
23-39-2	SPRING, Door Manual Window Regulator Front . . . . . 4D., 4D.Sub. Rear . . . . . Sp. 4D., Sp. 4D.Sub. Rear . . . . .	2 2 2	1256 337 1256 337 -----	1256 337 1256 337 1690 329	1256 337 1256 337 1690 329	1256 337 1256 337 1690 329	1256 337
23-39-5	REGULATOR or PLATE and ARM, Door Manual Window 4D., 4D.Sub., Sp. 4D., Sp. 4D.Sub. Front Right . . . Left . . . . . Sp. 4D., Sp. 4D.Sub. Rear Right . . . Left . . . . . 4D., 4D.Sub. Rear Right . . . . . Left . . . . . Sp. Cl. Cp., Cv. Cp., Cl. Sed, 2D.Sub. Right . . . . . Left . . . . . Sp. Cl. Cp. Right . . . . . Left . . . . .	1 1 1 1 1 1 1 1 1 1	2081 624 2081 625 ----- ----- 2081 438 2081 439 2195 822 2195 823 ----- -----	1954 346 1954 347 1883 494 1883 495 1883 568 1883 569 1954 348 1954 349 ----- -----	1954 346 1954 347 1883 494 1883 495 1883 568 1883 569 1954 348 1954 349 ----- -----	1954 346 1954 347 1883 494 1883 495 1883 568 1883 569 1954 348 1954 349 ----- -----	2093 486 2093 487 2093 446 2093 447 2093 456 2093 457
23-39-6	SCREW and WASHER, Door Window Regulator Attaching SCREW, Window Regulator Arm Roller	★ ★	1954 602 -----	2165 340 -----	2165 340 -----	2165 340 -----	
23-39-8	RING, Manual Window Regulator Retaining	4	2165 355	2165 355	2165 355	2165 355	6006 172

★ Indicates use as required.

◻ Indicates parts not listed in any previous parts book.  
March 1, 1962 Supersedes May 31, 1961.

CODE	PART NAME AND DESCRIPTION	PER CAR	VALIANT	PLYMOUTH	DESOTO	CHRYSLER	IMPERIAL
<b>23-39-O WINDOW LIFT (MANUAL) - Cont'd</b>							
23-39-10	SPRING NUT, Manual Window Regulator Link and Mounting Plate	★	3022 287	6022 287	6022 287	6022 287	6022 287
23-39-11	STUD, Manual Window Regulator Pivot Arm						
	Doors and Quarters . . . . .	★	6000 211	6000 211	6000 211	6000 211	6006 239
23-39-12	WASHER, Manual Window Regulator Arm and Link to Door						
	Plain Type . . . . .	★	-----	-----	-----	-----	6000 117
	Dished Type . . . . .	★	-----	-----	-----	-----	6000 165
	WASHER, Manual Window Regulator Stud to Connecting Link	★	1954 125	1954 125	1954 125	1954 125	
	WASHER, Manual Window Regulator Arm Stud to Glass Lower Channel						
	Leather . . . . .	★	6000 141	6000 141	6000 141	6000 141	6000 141
23-39-15	STOP, Rear Door Manual Window Regulator Pivot Arm Sp. 4D.	2	-----	-----	-----	-----	1751 732
	STOP, Manual Window Regulator Down Position, on Regulator	4	1909 918	1909 918	1909 918	1909 918	
23-39-17	BUSHING, Window Regulator Stud						
	Sp. 4D., Sp. 4D. Sub. Rear . . . . .	★	-----	2166 511	2166 511	2166 511	
	Sp. Cl. Cp., Cv. Cp. Quarter . . . . .	★	-----	2166 511	2166 511	2166 511	
23-39-18	ARM and LINK, Door Manual Window Regulator Pivot						
	4D., 4D. Sub., Sp. 4D., Sp. 4D. Sub., Front Right . . . . .	1	2081 644	1954 342	1954 342	1954 342	1692 154
	Left . . . . .	1	2081 645	1954 343	1954 343	1954 343	1692 155
	Sp. 4 D. Rear Right . . . . .	1	-----	-----	-----	-----	2188 802
	Left . . . . .	1	-----	-----	-----	-----	2188 803
	Sp. Cl. Cp., Cv. Cp., Cl. Sed., 2D. Sub., Right . . . . .	1	2081 644	1954 342	1954 342	1954 342	1750 466
	Left . . . . .	1	2081 645	1954 343	1954 343	1954 343	1750 467
23-39-19	BRACKET, Door Manual Window Regulator Pivot Arm						
	Front . . . . .	2	*1592 610	*1245 581	-----	*1245 581	
	Rear . . . . .	2	*1592 610				
23-39-30	BRACKET, Rear Door Window Regulator Adjusting						
	Sp. 4 D., includes Pivot BRACKET, Right . . . . .	1	-----	-----	-----	-----	2259 394
	Left . . . . .	1	-----	-----	-----	-----	2259 395
23-39-33	STUD, Window Regulator Pivot Arm and Link Roller						
	4D., Sp. 4D. Rear . . . . .	4	-----	-----	-----	-----	1691 100
	Sp. Cl. Cp. Quarter . . . . .	4	-----	-----	-----	-----	1691 100
23-39-34	REGULATOR, Manual Quarter Window						
	Cl. Sed., 2D. Sub., Right . . . . .	1	2195 282	1884 490			
	Left . . . . .	1	2195 283	1884 491			
	Sp. Cl. Cp. Right . . . . .	1	2195 346	1884 492	1884 492	1884 492	1651 416
	Left . . . . .	1	2195 347	1884 493	1884 493	1884 493	1651 417
	Cv. Cp. Right . . . . .	1	-----	1884 494	-----	1884 494	
	Left . . . . .	1	-----	1884 495	-----	1884 495	
23-39-44	SPRING, Manual Quarter Window Regulator						
	Sp. Cl. Cp.	2	2259 130	1690 329	1690 329	1690 329	
	Cv. Cp.	2	-----	1256 337	-----	1256 337	
	Cl. Sed., 2D. Sub.	2	2195 820	1256 337			

★ Indicates use as required.  
 ☐ Indicates parts not listed in any previous parts book.  
 \* Indicates change or addition.





CODE	PART NAME AND DESCRIPTION	PER CAR	VALIANT	PLYMOUTH	DESOTO	CHRYSLER	IMPERIAL
<b>23-40-O ROOF RAIL AND LUGGAGE RACK - Cont'd</b>							
23-40-85	RAIL - Cont'd						
	Rear Outer, Right . . . . .	1	----	----	----	----	1877 328
	Left . . . . .	1	----	----	----	----	1877 329
Sp. Cl. Cp.	Right . . . . .	1	2195 886				
	Left . . . . .	1	2195 887				
	Front Inner, Right . . . . .	1	----	----	----	----	1877 768
	Left . . . . .	1	----	----	----	----	1877 769
	Front Outer, Right . . . . .	1	----	----	----	----	1960 542
	Left . . . . .	1	----	----	----	----	1960 543
	Rear Outer, Right . . . . .	1	----	----	----	----	1961 584
	Left . . . . .	1	----	----	----	----	1961 585
	RAIL, Roof Rear Sub.	1	----	1960 636	----	1960 636	
23-40-86	REINFORCEMENT, Roof Side Rail						
4D., Sp. 4D.	Right . . . . .	1	----	1882 098	1869 556	1869 556	
	Left . . . . .	1	----	1882 099	1869 557	1869 557	
4D.	Right . . . . .	1	2259 204				
	Left . . . . .	1	2259 205				
Sp. Cl. Cp.	Right . . . . .	1	2259 206	1882 100			
	Left . . . . .	1	2259 207	1882 101			
Sp. Cl. Cp.	Front, Right . . .	1	----	----	1878 338	1878 338	
	Left . . . . .	1	----	----	1878 339	1878 339	
	Rear, Right . . .	1	----	----	1878 340	1878 340	
	Left . . . . .	1	----	----	1878 341	1878 341	
Sub.	Rear, Right . . .	1	----	1861 128	----	1861 128	
	Left . . . . .	1	----	1861 129	----	1861 129	
Sub.	Right . . . . .	1	2259 204	1869 556	----	1869 556	
	Left . . . . .	1	2259 205	1869 557	----	1869 557	
Cl. Sed.	Right . . . . .	1	2259 206	1882 098			
	Left . . . . .	1	2259 207	1882 099			
	REINFORCEMENT, Roof Rail Sub.	1	2081 233				
	Rear Corner, Right . . . . .	1	2082 654				
	Left . . . . .	1	2082 655				
	EXTENSION, Roof Side Rail Reinforcement						
4D., Cl. Sed.	Right . . . . .	1	----	1882 130	----	1882 134	
	Left . . . . .	1	----	1882 131	----	1882 135	
Sp. 4 D., w/Low Window,	Right . . . . .	1	----	----	1882 134	1882 134	
	Left . . . . .	1	----	----	1882 135	1882 135	
	w/High Window Right . . . . .	1	----	1952 706	1952 648	1952 648	
	Left . . . . .	1	----	1952 707	1952 649	1952 649	
Sp. Cl. Cp., w/Low Window,	Right . . . . .	1	----	1884 538			
	Left . . . . .	1	----	1884 539			
	w/High Window, Right . . . . .	1	----	1952 676			
	Left . . . . .	1	----	1952 677			
Sub.	Right . . . . .	1	----	1960 064	----	1960 064	
	Left . . . . .	1	----	1960 065	----	1960 065	
Except Sub.	Right . . . . .	1	2081 220				
	Left . . . . .	1	2081 221				
23-40-92	EXTENSION, Roof Side Rail						
	Front, Right . . .	1	2195 956				
	Left . . . . .	1	2195 957				
	Rear, Right . . .	1	2081 224				
	Left . . . . .	1	2081 225				

★ Indicates use as required.  
 ☐ Indicates parts not listed in any previous parts book.  
 \* Indicates change or addition.

# 1961 PASSENGER CAR PARTS CATALOG

CODE	PART NAME AND DESCRIPTION	PER CAR	VALIANT	PLYMOUTH	DESOTO	CHRYSLER	IMPERIAL
<b>23-40-O ROOF RAIL AND LUGGAGE RACK - Cont'd</b>							
23-40-92	EXTENSION - Cont'd						
	4D., Cl. Sed., w/Low Window,						
	Right . . . . .	1	----	1884 638	----	1884 868	
	Left . . . . .	1	----	1884 639	----	1884 869	
	Sp. 4 D. w/Low Window,						
	Right . . . . .	1	----	----	1884 868	1884 868	
	Left . . . . .	1	----	----	1884 869	1884 869	
	w/High Window,						
	Right . . . . .	1	----	1952 704	----	1952 650	
	Left . . . . .	1	----	1952 705	----	1952 651	
	Sp. 4D. Rear Outer,						
	Right . . . . .	1	----	----	----	----	1877 408
	Left . . . . .	1	----	----	----	----	1877 409
	Sub. Right . . . . .	1	----	1961 422	----	1961 422	
	Left . . . . .	1	----	1961 423	----	1961 423	
	Sp. Cl. Cp. to Wheelhouse,						
	Right . . . . .	1	----	----	----	----	1810 058
	Left . . . . .	1	----	----	----	----	1810 059
	EXTENSION, Roof Rail to						
	Quarter Window Front Frame						
	Sub. Right . . . . .	1	----	1961 018	----	1961 018	
	Left . . . . .	1	----	1961 019	----	1961 019	
23-40-96	SUPPORT, Roof Side Rail						
	Extension to Wheelhouse Outer						
	Panel						
	Sub. Right . . . . .	1	2081 732				
	Left . . . . .	1	2081 733				
23-40-97	BRACE, Roof Side Rail						
	Reinforcement Extension to						
	Wheelhouse						
	Sp. Cl. Cp., w/High Window						
	Right . . . . .	1	----	1963 146	----		
	Left . . . . .	1	----	1963 147	----		
<b>23-41-O WINDOW LIFT (ELECTRIC)</b>							
23-41-4	REGULATOR, Electric Window						
	4D., 4D. Sub., Sp. 4D., Sp. 4D. Sub.						
	Front Right . . . . .	1	----	1964 364	1964 364	1964 364	2094 322
	Left . . . . .	1	----	1964 365	1964 365	1964 365	2094 323
	4D., 4D. Sub. Rear Right . . . . .	1	----	1964 362	----	1964 362	
	Left . . . . .	1	----	1964 363	----	1964 363	
	Sp. 4D., Sp. 4D. Sub.						
	Rear Right . . . . .	1	----	1964 352	1964 352	1964 352	1860 962
	Left . . . . .	1	----	1964 353	1964 353	1964 353	1860 963
	Sp. Cl. Cp., Cv. Cp., Cl. Sed.,						
	2 D. Sub. Door Right . . . . .	1	----	1964 360	1964 360	1964 360	1860 962
	Left . . . . .	1	----	1964 361	1964 361	1964 361	1860 963
	Sp. Cl. Cp. Quarter Right . . . . .	1	----	1964 356	1964 356	1964 356	1753 706
	Left . . . . .	1	----	1964 357	1964 357	1964 357	1753 707
	Cv. Cp. Quarter Right . . . . .	1	----	1964 354	----	1964 354	1753 706
	Left . . . . .	1	----	1964 355	----	1964 355	1753 707
	Cl. Sed., 2D. Sub.						
	Quarter Right . . . . .	1	----	1964 358	----		
	Left . . . . .	1	----	1964 359	----		
	REGULATOR, Electric Window						
	(used in Dura Type Assembly)						
	4D., Sp. 4D., 4D. Sub., Sp. 4D. Sub.						
	Front Right . . . . .	1	----	1964 596	1964 596	1964 596	
	Left . . . . .	1	----	1964 597	1964 597	1964 597	
	Sp. Cl. Cp., Cv. Cp., Cl. Sed.,						
	2 D. Sub., Front Right . . . . .	1	----	1964 598	1964 598	1964 598	
	Left . . . . .	1	----	1964 599	1964 599	1964 599	
	4D., 4D. Sub. Rear Right . . . . .	1	----	1964 594	----	1964 594	
	Left . . . . .	1	----	1964 595	----	1964 595	

★ Indicates use as required.  
 ☐ Indicates parts not listed in any previous parts book.  
 March 1, 1962 Supersedes May 31, 1961.

CODE	PART NAME AND DESCRIPTION	PER CAR	VALIANT	PLYMOUTH	DESOTO	CHRYSLER	IMPERIAL
<b>23-41-O WINDOW LIFT (ELECTRIC) - Cont'd</b>							
23-41-5	BUS BAR, Electric Window Lift Circuit Breaker	1	----	1498 776	1498 776	1498 776	1498 776
23-41-7	SPRING, Electric Window Regulator, Quarter . . . . .	2	----	1964 312	1964 312	1964 312	1440 596
	Doors . . . . .	★	----	1964 289	1964 289	1964 289	1440 596
	SPRING, Electric Window Regulator (used in Dura Type Assembly) Front and Quarter	★	----	2165 768	2165 768	2165 768	
23-41-9	BOLT and WASHER, Electric Window Regulator	★	----	1963 851	1963 851	1963 851	
	SCREW and LOCKWASHER, Electric Window Regulator Hex Head Front . . . . .	★	----	1963 949	1963 949	1963 949	
	STUD, Electric Window Regulator Pivot Arm	★	----	6000 211	6000 211	6000 211	
23-41-11	CIRCUIT BREAKER, Electric Window Lift, 30 amp.	1	----	1689 022	1689 022	1689 022	1689 022
23-41-12	CLIP, Electric Window Lift Circuit Breaker Mounting	★	----	6015 159	6015 159	6015 159	
23-41-25	RETAINER, Electric Window Lift Wiring Conduit Front . . . . .	2	----	1886 949	1886 949	1886 949	1886 949
23-41-33	MECHANISM, Electric Window Lift, Front . . . . .	2	----	1963 827	1963 827	1963 827	
	Rear . . . . .	2	----	1963 828	1963 828	1963 828	
	Front, Right . . . . .	1	----	-----	-----	-----	1860 942
	Left . . . . .	1	----	-----	-----	-----	1860 943
	Rear, Right . . . . .	1	----	-----	-----	-----	1860 942
	Left . . . . .	1	----	-----	-----	-----	1860 943
	Sp. Cl. Cp., Cv. Cp., Quarter, Right . . . . .	1	----	1963 828	1963 828	1963 828	*1604 889
	Left . . . . .	1	----	1963 828	1963 828	1963 828	1819 168
	Cl. Sed., 2D. Sub., Quarter . . . . .	2	----	1963 827			
23-41-34	REPAIR PACKAGE, Electric Window Regulator Mechanism used for Part Number 1963 827 Used for Part Number 1963 828	1 1	----	2275 142 2275 143	2275 142 2275 143	2275 142 2275 143	
23-41-53	BRACKET, Electric Window Regulator Mounting 4 D., Sp. 4 D., 4 D. Sub., Sp. 4 D. Sub., Front Right . . . . .	1 1	----	1963 874 1963 875	1963 874 1963 875	1963 874 1963 875	
	Left . . . . .	1	----	-----	-----	-----	
	Sp. 4D., Sp. 4D. Sub., Rear Right . . . . .	1	----	1964 818	1964 818	1964 818	
	Left . . . . .	1	----	1964 819	1964 819	1964 819	
23-41-55	WIRING, Electric Window Lift 4D., 4D. Sub.	1	----	2198 195	-----	2198 195	
	Sp. 4D., Sp. 4D. Sub.	1	----	2198 196	2198 196	2198 196	2198 813
	Sp. Cl. Cp., Cv. Cp., Cl. Sed., 2D. Sub.	1	----	2198 197	2198 197	2198 197	2198 811
	Sp. Cl. Cp., Cv. Cp., w/Power Vent . . . . .	1	----	-----	-----	-----	2198 814
	w/Electric Door Locks . . . . .	1	----	-----	-----	-----	2198 817
	w/Power Vent and Electric Door Locks	1	----	-----	-----	-----	2198 820
	Sp. 4 D. w/Power Vent . . . . .	1	----	-----	-----	-----	2198 816
	w/Electric Door Locks . . . . .	1	----	-----	-----	-----	2198 819
	w/Power Vent and Electric Door Locks	1	----	-----	-----	-----	2198 822
	WIRING, Electric Window Lift, Cigar Lighter and Tachometer Lamp Sp. Cl. Cp., Cv. Cp., RC4	1	----	-----	-----	E2197 139	

★ Indicates use as required.  
 □ Indicates parts not listed in any previous parts book.  
 \* Indicates change or addition.

## 1961 PASSENGER CAR PARTS CATALOG

BODY

CODE	PART NAME AND DESCRIPTION	PER CAR	VALIANT	PLYMOUTH	DESOTO	CHRYSLER	IMPERIAL
<b>23-41-O WINDOW LIFT (ELECTRIC) - Cont'd</b>							
23-41-58	INSULATOR, Electric Window Lift Wiring 4D., Sp. 4D., 4D. Sub., Sp. 4D. Sub. Rear . . . . .	2	----	1843 226	1843 226	1843 226	
23-41-60	CLIP, Door Inside Panel Wiring Harness Retaining 4D., Sp. 4D. Rear . . . . .	★	----	----	----	----	6006 104
23-41-62	WASHER, Electric Window Regulator Arm Stud to Glass Lower Channel	★	6000 141	6000 141	6000 141	6000 141	
23-41-94	RETAINER, Electric Window Regulator Arm Stud	★	----	6000 305	6000 305	6000 305	
23-41-95	GROMMET, Electric Window Lift Wiring Harness Rear Door . . . . .	2	----	1952 584	1952 584	1952 584	
	GROMMET, Electric Window Lift Wiring Conduit Front . . . . .	2	----	2257 299	2257 299	2257 299	
	Rear . . . . .	2	----	2257 744	2257 744	2257 744	1753 681
23-41-106	MOTOR, Electric Window Lift Front . . . . .	2	----	2084 445	2084 445	2084 445	2093 842
	4D., 4D. Sub. Rear . . . . .	2	----	2084 445	----	2084 445	2093 843
	Sp. 4D., Sp. 4D. Sub. Rear . . . . .	2	----	2084 444	2084 444	2084 444	2093 843
	Sp. Cl. Cp. Quarter . . . . .	2	----	2084 444	2084 444	2084 444	*2084 849
	Cv. Cp. Quarter . . . . .	2	----	2084 446	----	2084 446	2084 849
	Cl. Sed., 2D. Sub. Quarter . . . . .	2	----	2084 445			
	MOTOR, Electric Window Lift (used in Dura Type Assembly) Front Right . . .	1	----	2196 343	2196 343	2196 343	
	Left . . . . .	1	----	2196 342	2196 342	2196 342	
	Quarter, Right . .	1	----	2196 343	2196 343	2196 343	
	Left . . . . .	1	----	2196 342	2196 342	2196 342	
	4D., 4D. Sub., Rear Right . . . .	1	----	2196 343	2196 343	2196 343	
	Left . . . . .	1	----	2196 342	2196 342	2196 342	
23-41-126	BUMPER, Electric Window Regulator Motor	★	----	----	----	----	1860 619
23-41-128	GROMMET, Electric Window Lift Motor Mounting Sp. Cl. Cp., Cv. Cp., Quarter . . . . .	★	----	----	----	----	1383 351
23-41-129	SCREW, Electric Window Regulator Motor Strap	★	----	----	----	----	6006 249
23-41-130	LOCKWASHER, Electric Window Regulator to Inside Panel	★	----	----	----	----	6013 031
23-41-138	COUPLING, Electric Window Lift Motor to Mechanism Front . . . . .	2	----	1627 108	1627 108	1627 108	1627 108
	Rear . . . . .	2	----	1688 919	1688 919	1688 919	1688 919
	Quarter . . . . .	2	----	1627 108	1627 108	1627 108	1627 108
	COUPLING and Drive CABLE, Electric Window Lift Motor to Mechanism (used in Dura Type Assembly)	4	----	1810 641	1810 641	1810 641	
23-41-139	SHIELD, Electric Window Lift Motor Shaft, Plastic . . . . .	★	----	1689 167	1689 167	1689 167	1689 167
23-41-167	CONDUIT, Electric Window Lift Wiring, Front . . . . .	2	----	1971 326	1971 326	1971 326	1971 326
	Rear . . . . .	2	----	1971 314	1971 314	1971 314	
23-41-168	SUPPORT, Front Door Electric Window Lift Wiring Conduit	2	----	----	----	----	2258 010

★ Indicates use as required.

□ Indicates parts not listed in any previous parts book.  
March 1, 1962 Supersedes May 31, 1961.

Printed in U.S.A.

Prices and specifications subject to change without notice.

\* Indicates change or addition.

CODE	PART NAME AND DESCRIPTION	PER CAR	VALIANT	PLYMOUTH	DESOTO	CHRYSLER	IMPERIAL
<b>23-41-O WINDOW LIFT (ELECTRIC) - Cont'd</b>							
23-41-170	SWITCH, Electric Window Lift, 4 Gang, includes BEZEL	1	----	2096 089	2096 089	2096 089	2096 090
	Single, includes BEZEL	3	----	2096 399	2096 399	2096 399	2096 765
	SWITCH, Electric Window Lift Safety, Toggle Type . . .	1	----	2197 404	2197 404	2197 404	2197 404
	SWITCH, Electric Window Lift and Vent Wing	1	----	----	----	----	2096 176
	6 Gang, includes BEZEL	1	----	----	----	----	2096 177
	2 Gang, includes BEZEL	1	----	----	----	----	2096 177
23-41-174	SPRING, Electric Window Lift Switch Retaining	★	----	2096 169	2096 169	2096 169	2096 169
23-41-176	CONNECTOR, Electric Window Lift Switch, Single . . . . .	★	----	2096 905	2096 905	2096 905	2096 905
	4 Way . . . . .	★	----	2096 908	2096 908	2096 908	2096 908
	5 Way . . . . .	★	----	2096 911	2096 911	2096 911	2096 911
23-41-177	TERMINAL, Electric Window Lift Safety Switch Wiring	4	----	903 895	903 895	903 895	903 895
23-41-184	RETAINER, Electric Window Lift Switch and Bezel						
	Left Front Door . . . . .	1	----	1769 330	1769 330	1769 330	1769 330
	Except Left Front Door . . . . .	3	----	1971 478	1971 478	1971 478	1971 478
23-41-250	ROLLER, Electric Window Regulator Guide Arm Plate Sp. 4D. Rear . . . . .	6	----	----	----	----	2188 984
23-41-256	STUD, Electric Window Regulator Arm and Link Roller	8	----	----	----	----	1691 100
23-41-270	HOUSING, PINION and CABLE PACKAGE, Electric Window Regulator (used in Dura Type Assembly) Right . . . . .	1	----	2166 926	2166 926	2166 926	
	Left . . . . .	1	----	2166 927	2166 927	2166 927	
23-41-273	BUSHING or BEARING, Electric Window Lift Mechanism Gear Shaft (used in Dura Type Assembly) Outer . . . . .	2	----	1810 635	1810 635	1810 635	
23-41-281	BRACE, Front Door Inside Panel Electric Window Regulator Lower						
	Sp. Cl. Cp., Cv. Cp., Cl. Sed.	2	----	1964 821	1964 821	1964 821	
	4D., Sp. 4D., 4D. Sub., Sp. 4D. Sub.	2	----	1964 823	1964 823	1964 823	
	REINFORCEMENT, Rear Door Inside Panel Electric Window Regulator						
	4D., 4D. Sub. Upper Right . . .	1	----	1964 690	1964 690	1964 690	
	Left . . . . .	1	----	1964 691	1964 691	1964 691	
	Front Right . . . . .	1	----	1964 696	1964 696	1964 696	
	Left . . . . .	1	----	1964 697	1964 697	1964 697	
<b>23-42-O WINDOW GLASS RUN</b>							
	NOTE 1: Length 70"						
	NOTE 2: Length 55 1/2"						
	NOTE 3: Length 64 1/2"						
23-42-6	SCREW and WASHER, Window Glass Run Retainer	★	----	2165 340	2164 340	2165 340	
23-42-13	RUN, Door Window Glass Divisional Channel Sp. 4D., Sp. Cl. Cp., Cv. Cp.						
	Right . . . . .	1	----	----	----	----	2093 836
	Left . . . . .	1	----	----	----	----	2093 837
23-42-16	RUN, Front Door Window Glass						
	4D., 4D. Sub., Cl. Sed., 2D. Sub.	2	----	*2165 492(1)	----	*2165 492(1)	
	4D., 4D. Sub., Cl. Sed., 2D. Sub.	2	----	E2216 406(2)	----	E2216 406(2)	
	4D., 4D. Sub.	2	----	2081 354			
	Cl. Sed.	2	----	2195 266			

★ Indicates use as required.

□ Indicates parts not listed in any previous parts book.

\* Indicates change or addition.

CODE	PART NAME AND DESCRIPTION	PER CAR	VALIANT	PLYMOUTH	DESOTO	CHRYSLER	IMPERIAL
<b>23-42-0 WINDOW GLASS RUN - Cont'd</b>							
23-42-23	RUN, Rear Door Window Glass 4D., 4D. Sub.	2	2081 460	*2165 492(1)	----	*2165 492(1)	
	4D., 4D. Sub.	2	----	B2216 404(3)	----	B2216 404(3)	
23-42-26	RETAINER, Front Door Window Glass Run 4D., 4D. Sub., Cl. Sed., 2D. Sub. Right . . . . .	1	----	1952 378	1952 378	1952 378	
	Left . . . . .	1	----	1952 379	1952 379	1952 379	
	RETAINER, Rear Door Window Glass Run 4D., 4D. Sub. Right . . . . .	1	----	1954 144	----	1954 144	
	Left . . . . .	1	----	1954 145	----	1954 145	
23-42-38	RUN, Quarter Window Glass Cl. Sed., 2D. Sub.	2	2195 310	*2165 492(1)			
	Cl. Sed., 2D. Sub.	2	----	B2216 404(3)			
	Sp. Cl. Cp. Right . . . . .	1	----	----	----	----	2094 154
	Left . . . . .	1	----	----	----	----	2094 155
23-42-46	RUN, Tailgate Window Glass Sub. Upper . . . . .	1	2082 397	2189 351	----	2189 351	
	Lower . . . . .	2	2082 391	1961 556	----	1961 556	
23-42-56	RETAINER, Quarter Window Glass Run Cl. Sed., 2D. Sub. Right . . . . .	1	----	1909 386			
	Left . . . . .	1	----	1909 387			
	RETAINER, Quarter Window Glass Run Upper Cl. Sed., 2D. Sub.	4	----	B2254 135			
23-42-57	FILLER, Quarter Window Glass Run to Roof Rear Side Rail Sp. Cl. Cp. Right . . . . .	1	----	----	----	----	2094 156
	Left . . . . .	1	----	----	----	----	2094 157
<b>23-45-0 FRONT SEAT</b>							
23-45-10	NUT, Swivel Seat Cushion Bolt to Pivot Bracket	2	----	----	----	2092 253	2092 253
	NUT, Swivel Seat Cushion Frame to Lower Frame	2	----	----	----	6016 004	6016 004
23-45-11	WASHER, Swivel Seat Upper Frame Lower Pivot Arm	★	----	----	----	2094 167	2094 167
	WASHER, Swivel Seat Cushion Bearing	2	----	----	----	2092 254	2092 254
	WASHER, Swivel Seat Upper Frame Lower Pivot Bracket	★	----	----	----	2094 168	2094 168
23-45-12	ROLLER, Swivel Seat Cushion Frame Pivot Track	4	----	----	----	1918 529	1918 529
23-45-17	BRACKET, Swivel Seat Adjuster to Floor	2	----	----	----	2161 057	
23-45-18	FRAME, Swivel Seat Lower, w/Manual Seat Adjuster	1	----	----	----	2092 469	
	w/Electric Seat Adjuster	1	----	----	----	2092 260	2092 260
	RC4, w/Manual Seat Adjuster	1	----	----	----	2092 226	
	w/Electric Seat Adjuster	1	----	----	----	2092 187	
23-45-19	BOLT, Swivel Seat Cushion to Lower Frame	2	----	----	----	2092 256	2092 256
23-45-20	SPRING, Swivel Seat Cushion Frame to Lower Frame Tension SUPPORT, Swivel Seat Cushion Frame Tension Wire, w/Manual Seat Adjuster	1	----	----	----	1918 551	1918 551
	SPRING, Swivel Seat Cushion Frame Tension	1	----	----	----	1969 032	1969 032
	C4	1	----	----	----	2094 069	
23-45-21	BRACKET, Swivel Seat Cushion Lower Frame Spring Mounting	2	----	----	----	1969 200	1969 200

★ Indicates use as required.

B Indicates parts not listed in any previous parts book.  
March 1, 1962 Supersedes May 31, 1961.

Printed in U.S.A.

Prices and specifications subject to change without notice.

\* Indicates change or addition.

CODE	PART NAME AND DESCRIPTION	PER CAR	VALIANT	PLYMOUTH	DESOTO	CHRYSLER	IMPERIAL
<b>23-45-0 FRONT SEAT - Cont'd</b>							
23-45-22	STABILIZER, Swivel Seat Cushion Frame						
	C1, C2, C3, Right . . . . .	1	----	----	----	2092 464	2092 464
	Left . . . . .	1	----	----	----	2092 465	2092 465
	C4 Right . . . . .	1	----	----	----	2094 200	
	Left . . . . .	1	----	----	----	2094 201	
23-45-24	SUPPORT, Swivel Seat Cushion Release Wire						
	C4	1	----	----	----	2092 241	
23-45-25	RAMP, Swivel Seat Cushion Frame Stabilizer						
	C1, C2, C3	2	----	----	----	2092 456	2092 456
	C4	2	----	----	----	2094 149	
23-45-29	PLATE, Front Seat Back Center Hinge Stop						
	Sp. Cl. Cp., Cl. Sed.	2	2160 502				
23-45-30	BUMPER, Front Seat Back Stop Sp. Cl. Cp., Cv. Cp., Cl. Sed., 2D. Sub., w/o Swivel Seat						
	Cl. Sed., 2 D. Sub. w/Heavy Duty Springs	2	2160 500	1815 328	1815 328	1815 328	1815 328
23-45-31	WASHER, Front Seat Back Stop Bumper						
	Sp. Cl. Cp., Cv. Cp., Cl. Sed., 2D. Sub., w/o Swivel Seat	2	----	6008 077	6008 077	6008 077	6008 077
23-45-33	BRACKET, Front Seat Back Outer Hinge Arm Cover						
	Sp. Cl. Cp., Cv. Cp., Cl. Sed., 2 D. Sub., Right . . . . .	1	----	2080 944	2080 944	2080 944	
	Left . . . . .	1	----	2080 945	2080 945	2080 945	
23-45-41	SNAP RING, Front Seat Side Panel Hinge Rod						
	Sp. Cl. Cp., Cv. Cp., Cl. Sed., 2D. Sub.	2	1884 405	1884 405	1884 405	1884 405	1884 405
23-45-43	BRACKET and RETAINER, Swivel Seat Cushion Frame Pivot						
	C4	2	----	----	----	2094 896	
23-45-44	STUD, Swivel Seat Cushion Side Shield						
		4	----	----	----	6008 030	6008 030
23-45-46	PUSHNUT, Front Seat Back Frame to Cushion Frame						
	Sp. Cl. Cp., Cl. Sed., Spring Steel . . .	2	2160 648				
23-45-52	HANDLE, Swivel Seat Control						
23-45-53	SCREW, Swivel Seat Control Handle						
		2	----	----	----	1902 031	1902 031
23-45-56	SCREW, Swivel Seat Back to Cushion Wedge Tension Spring Adjusting						
		★	----	----	----	6016 005	6016 005
23-45-58	SCREW, Swivel Seat Back Pivot Bracket Cover Attaching						
		★	----	----	----	1901 691	1901 691
23-45-59	SPRING, Swivel Seat Cushion Frame Latch						
	Right . . . . .	1	----	----	----	1969 100	1969 100
	Left . . . . .	1	----	----	----	1969 101	1969 101
	SPRING, Swivel Seat Cushion Frame Lower Return						
		2	----	----	----	2094 067	2094 067
23-45-61	BUSHING, Swivel Seat Cushion Frame Lower Pivot . . . . .						
		2	----	----	----	2094 098	2094 098
23-45-62	NUT, Swivel Seat Cushion Frame Pivot Bracket						
	C4	2	----	----	----	2094 888	
23-45-75	FASTENER, Swivel Seat Adjuster Cover to Seat Bottom Frame						
		2	----	----	----	2161 331	2161 331

★ Indicates use as required.

☐ Indicates parts not listed in any previous parts book.

\* Indicates change or addition.



## 1961 PASSENGER CAR PARTS CATALOG

BODY

CODE	PART NAME AND DESCRIPTION	PER CAR	VALIANT	PLYMOUTH	DESOTO	CHRYSLER	IMPERIAL
<b>23-45-0 FRONT SEAT - Cont'd</b>							
23-45-102	CATCH and BRACKET, Swivel Seat Lower Frame C4 Right . . . . .	1	----	----	----	2188 518	
	Left . . . . .	1	----	----	----	2188 519	
23-45-105	SPRING, Swivel Seat Lower Frame Catch Actuating Pawl C4 Right . . . . .	1	----	----	----	2188 468	2188 468
	Left . . . . .	1	----	----	----	2188 469	2188 469
23-45-112	HOOK, Swivel Seat Lower Frame to Pivot Arm C4	2	----	----	----	2188 411	
<b>23-47-0 FRONT SEAT ADJUSTER</b>							
23-47-6	GUIDE or TRACK, Manual Seat Adjuster, Upper Right . . .	1	----	2080 956	2080 956	2080 956	2080 956
	Left . . . . .	1	----	2080 957	2080 957	2080 957	2080 957
	Lower Right . . . . .	1	----	2080 952	2080 952	2080 952	2080 952
	Left . . . . .	1	----	2080 953	2080 953	2080 953	2080 953
	Right . . . . .	1	2080 904				
	Left . . . . .	1	2082 686				
	GUIDE or TRACK, Electric Seat Adjuster, Right . . . . .	1	----	2080 828	2080 828	2080 828	2080 828
	Left . . . . .	1	----	2080 827	2080 827	2080 827	2080 827
NOTE: Part Numbers 2080 827 and 2080 828 used with or without Swivel Seat.							
23-47-8	COVER, Swivel Seat Adjuster Track, Right . . . . .	1	----	----	----	1916 840	1916 840
	Left . . . . .	1	----	----	----	1916 852	1916 852
NOTE: With 1916 852 Cover specify 1 of 1902 186 Name Plate.							
	COVER, Electric Seat Adjuster Track w/o Swivel Seat, Right . . . . .	1	----	1839 386	1839 386	1839 386	1839 386
	Left . . . . .	1	----	1839 387	1839 387	1839 387	1839 387
	Track Floor Pan Well Right . . . . .	1	----	----	----	----	1902 108
	Left . . . . .	1	----	----	----	----	1902 109
23-47-9	STUD, Electric Seat Adjuster to Floor	8	----	6008 111	6008 111	6008 111	6008 111
	BOLT and WASHER, Manual Seat Guide Support	4	----	6008 220	6008 220	6008 220	6008 220
23-47-12	STOP, Electric Seat Adjuster Track Horizontal Right . . . . .	1	----	1830 236	1830 236	1830 236	1830 236
	Left . . . . .	1	----	1830 237	1830 237	1830 237	1830 237
23-47-14	SCREW, Swivel Seat Adjuster Track Cover Attaching	★	----	1901 691	1901 691	1901 691	1901 691
23-47-16	NUT and WASHER, Seat Adjuster to Floor Pan Y1-L	★	----	6008 243	6008 243	6008 243	6008 243
		★	----	----	----	----	6022 056
	NUT, Manual Seat Guide Support Front . . . . .	2	----	2080 951	2080 951	2080 951	2080 951
23-47-26	SPRING, Manual Seat Guide Tension	2	1902 350	1902 350	1902 350	1902 350	1902 350
23-47-35	NUT and WASHER, Seat Guide to Floor Pan	★	6008 000	6008 243	6008 243	6008 243	6008 243
23-47-55	KNOB, Manual Seat Guide Latch Control	1	1902 217	2161 291	2161 291	2161 291	2161 291
23-47-64	CLIP, Front Seat Guide Connecting Wire	★	----	1969 366	1969 366	1969 366	1969 366

★ Indicates use as required.

□ Indicates parts not listed in any previous parts book.  
March 1, 1962 Supersedes May 31, 1961.

Printed in U.S.A.

Prices and specifications subject to change without notice.

\* Indicates change or addition.

CODE	PART NAME AND DESCRIPTION	PER CAR	VALIANT	PLYMOUTH	DESOTO	CHRYSLER	IMPERIAL
<b>23-47-O FRONT SEAT ADJUSTER - Cont'd</b>							
23-47-66	WIRE, Manual Seat Guide Latch Connecting w/o Swivel Seat	1	2082 545	1969 367	1969 367	1969 367	1969 367
	w/Swivel Seat	1	-----	-----	-----	2092 184	
23-47-75	SPRING, Manual Seat Guide Latch	2	1645 615	1645 615	1645 615	1645 615	1645 615
23-47-196	PIN, Electric Seat Adjuster Track Rear Lever	2	----	6008 216	6008 216	6008 216	6008 216
23-47-344	UNIT or MECHANISM, Electric Seat Adjuster Drive	1	----	1819 228	1819 228	1819 228	1819 228
	UNIT or MECHANISM, Electric Seat Adjuster Slave						
	Right . . . . .	1	----	1819 240	1819 240	1819 240	1819 240
	Left . . . . .	1	----	1819 239	1819 239	1819 239	1819 239
23-47-350	DOWEL PIN, Electric Seat Adjuster Drive Unit	2	----	6008 051	6008 051	6008 051	6008 051
23-47-352	SCREW, Electric Seat Adjuster Drive Unit	6	----	6008 126	6008 126	6008 126	6008 126
	SCREW, Electric Seat Adjuster Slave Unit Cap or Cover	16	----	6008 027	6008 027	6008 027	6008 027
23-47-375	STUD, Electric Seat Adjuster Stabilizer to Floor Bracket	1	----	2080 456	2080 456	2080 456	2080 456
23-47-383	PIVOT END, Electric Seat Adjuster Stabilizer Strut	2	----	2080 329	2080 329	2080 329	2080 329
23-47-384	STRUT, Electric Seat Adjuster Stabilizer						
	Male . . . . .	1	----	2080 331	2080 331	2080 331	2080 331
	Female . . . . .	1	----	2080 330	2080 330	2080 330	2080 330
23-47-386	WASHER, Electric Seat Adjuster Stabilizer Pivot End	2	----	2080 466	2080 466	2080 466	2080 466
23-47-387	GUARD, Electric Seat Adjuster Track Rear Lever	2	----	2080 478	2080 478	2080 478	2080 478
23-47-413	SPRING, Electric Seat Adjuster Drive Unit Gear Selector Lever and Shaft	3	----	1819 230	1819 230	1819 230	1819 230
23-47-414	COIL PACKAGE, Electric Seat Adjuster Drive Unit Solenoid	3	----	1830 290	1830 290	1830 290	1830 290
23-47-423	CIRCUIT BREAKER, Electric Seat Adjuster, 40 amps.	1	----	1769 967	1769 967	1769 967	1769 967
23-47-424	CLIP, Electric Seat Adjuster Circuit Breaker Mounting	1	----	6015 159	6015 159	6015 159	
23-47-425	RELAY, Electric Seat Adjuster Motor	1	----	1779 890	1779 890	1779 890	1779 890
23-47-427	SCREW, Electric Seat Adjuster Motor Relay Mounting	2	----	6008 110	6008 110	6008 110	6008 110
23-47-430	MOTOR, Electric Seat Adjuster	1	----	1779 055	1779 055	1779 055	1779 055
23-47-431	TUBE, Electric Seat Adjuster Drive Unit to Slave Unit Cable						
	Front Control, Left, Short . . .	1	----	1830 216	1830 216	1830 216	1830 216
	Rear Control, Left, Short	1	----	1830 217	1830 217	1830 217	1830 217
	Horizontal Control, Left, Short .	1	----	1830 218	1830 218	1830 218	1830 218
	w/BRACKETS, Right, Long	1	----	1830 212	1830 212	1830 212	1830 212
23-47-432	COUPLING, Electric Seat Adjuster Motor to Mechanism or Drive Unit	1	----	1594 834	1594 834	1594 834	1594 834
	CABLE, Electric Seat Adjuster Drive Unit to Slave Unit						
	Front Control,						
	Right, 50 5/16"	1	----	1830 344	1830 344	1830 344	1830 344
	Left, 10 25/32"	1	----	1830 345	1830 345	1830 345	1830 345
	Rear Control,						
	Right, 50 5/16"	1	----	1830 346	1830 346	1830 346	1830 346
	Left, 10" . . . . .	1	----	1830 347	1830 347	1830 347	1830 347
	Horizontal Control,						
	Right, 50 13/16"	1	----	1830 348	1830 348	1830 348	1830 348
	Left, 12 5/32" .	1	----	1830 349	1830 349	1830 349	1830 349

★ Indicates use as required.

□ Indicates parts not listed in any previous parts book.

\* Indicates change or addition.

CODE	PART NAME AND DESCRIPTION	PER CAR	VALIANT	PLYMOUTH	DESOTO	CHRYSLER	IMPERIAL
<b>23-47-O FRONT SEAT ADJUSTER - Cont'd</b>							
23-47-446	SWITCH, Electric Seat Adjuster w/Swivel Seat	1	----	----	----	2096 658	2096 658
	w/o Swivel Seat	1	----	1972 598	1972 598	1972 598	1972 598
23-47-451	BEZEL, Electric Seat Adjuster Switch						
	w/Swivel Seat	1	----	----	----	2080 946	2080 946
	w/o Swivel Seat	1	----	2161 261	2161 261	2161 261	
23-47-454	BRUSH and SPRING PACKAGE, Electric Seat Adjuster Motor	1	----	1297 879	1297 879	1297 879	1297 879
23-47-457	KNOB, Electric Seat Adjuster Switch	1	----	2096 022	2096 022	2096 022	2096 022
23-47-458	STUD, Electric Seat Adjusting Switch Bezel	1	----	6010 020	6010 020	6010 020	
<b>23-48-O SECOND AND THIRD SEAT</b>							
23-48-6	SPACER, Seat Back to Cushion Down Position	★	----	1884 737	----	1884 737	
23-48-11	PIN, Third Seat Back Hinge Sub.	2	----	1960 627	----	1960 627	
23-48-19	STRIKER, Second Seat Back Up Position						
	Sub. Right . . . . .	1	2082 245				
	Left . . . . .	1	2082 244				
	On Wheelhouse, Right . . . . .	1	----	1961 438	----	1961 438	
	Left . . . . .	1	----	1961 439	----	1961 439	
	Third Seat, on Wheel House	2	----	1960 503	----	1960 503	
	LATCH or RETAINER, Seat Back Up Position on Wheel House						
	Sub. Second Seat, Right . . . . .	1	1961 488				
	Left . . . . .	1	2083 126				
	Sub. Third Seat . . . . .	2	----	1775 440	----	1775 440	
23-48-20	HANDLE, Third Seat Lift						
	Sub. Chrome . . . . .	2	1833 596	1833 596	----	1833 596	
23-48-21	ESCUTCHEON, Third Seat Lift Handle						
	Sub. Chrome . . . . .	2	1833 597	1833 597	----	1833 597	
	White . . . . .	2	----	1775 814	----	1775 814	
23-48-28	BRACKET, Seat Back Up Position on Wheel House						
	Sub. Second Seat, Right . . . . .	1	----	1961 230	----	1961 230	
	Left . . . . .	1	----	1961 231	----	1961 231	
	SUPPORT, Seat Back Up Position on Wheel House						
	Sub. Third Seat	2	1878 641	1878 641	----	1878 641	
23-48-49	ROD, Second Seat Back Latch Actuating						
	Sub.	1	----	1961 091	----	1961 091	
23-48-50	PIN, Second Seat Back Latch Handle Stop						
	Sub.	2	----	1961 085	----	1961 085	
23-48-51	HANDLE, Second Seat Back Latch						
	Sub. Right . . . . .	1	----	1961 436	----	1961 436	
	Left . . . . .	1	----	1961 437	----	1961 437	
23-48-52	SPRING, Second Seat Back Latch Handle Retaining						
	Sub. Right . . . . .	1	----	1961 692	----	1961 692	
	Left . . . . .	1	----	1961 693	----	1961 693	
23-48-65	PANEL and HINGES, Second Seat Back						
	Sub.	1	1959 646	1878 652	----	1878 652	

★ Indicates use as required.

☐ Indicates parts not listed in any previous parts book.  
March 1, 1962 Supersedes May 31, 1961.

CODE	PART NAME AND DESCRIPTION	PER CAR	VALIANT	PLYMOUTH	DESOTO	CHRYSLER	IMPERIAL
<b>23-48-O SECOND AND THIRD SEAT - Cont'd</b>							
23-48-76	SCREW and WASHER, Third Seat Back Hinge	4	----	6022 540	----	6022 540	
	SCREW and WASHER, Third Seat Back Latch Bracket Bumper to Wheelhouse Sub.	2	6022 219				
23-48-78	WASHER, Second Seat Bottom Hinge and Leg Pivot Bolt Sub.	2	----	617 115	----	617 115	
23-48-87	SUPPORT and PIN, Second Seat Cushion Hinge Sub.	1	----	1877 926	----	1877 926	
	Right . . . . .	1	----	1877 927	----	1877 927	
	Left . . . . .	1	----				
23-48-93	BUMPER, Seat Back Up Position on Wheelhouse Sub.	2	1960 719	2094 592	----	2094 592	
	Third Seat BUMPER, Third Seat Back Frame Sub.	2	1835 109	1835 109	----	1835 109	
	Sub.	2	----	1835 109	----	1835 109	
23-48-94	RETAINER, Third Seat Back Up Position Latch and Bumper Mounting Screw	2	----	6000 177	6000 177	6000 177	
23-48-98	HINGE, Second Seat Back Sub.	1	2082 250				
	Right . . . . .	1	2082 251				
	Left . . . . .	1					
	HINGE and BEARING, Second Seat Bottom Sub.	1	----	1878 910	----	1878 910	
	Right . . . . .	1	----	1878 911	----	1878 911	
	Left . . . . .	1					
23-48-99	SUPPORT, Second Seat Back Hinge Sub.	1	2082 844				
	Right . . . . .	1	2082 845				
	Left . . . . .	1					
23-48-101	LEG, Second Seat Cushion Sub.	1	----	2093 236	----	2093 236	
	Right . . . . .	1	----	2093 237	----	2093 237	
	Left . . . . .	1					
23-48-105	SPACER, Second Seat Bottom Hinge Support to Floor Pan Sub.	2	----	2188 616	----	2188 616	
	Front . . . . .	2	----	2188 617	----	2188 617	
	Rear . . . . .	2					
23-48-108	SPRING, Second Seat Cushion Leg Sub.	1	----	2093 646	----	2093 646	
	Right . . . . .	1	----	2093 647	----	2093 647	
	Left . . . . .	1					
23-48-112	PANEL and HINGES, Second Seat Cushion Bottom Sub.	1	----	1878 769	----	1878 769	
23-48-116	WASHER, Second Seat Bottom Leg to Pivot Bolt Sub.	2	----	6022 153	----	6022 153	
23-48-121	HINGE, Third Seat Bottom Sub.	1	----	2094 130	----	2094 130	
	Body Half, Right . . . . .	1	----	2094 131	----	2094 131	
	Left . . . . .	1					
	HINGE, Third Seat Back Sub.	1	----	1878 170	----	1878 170	
	Body Half, Right . . . . .	1	----	1878 171	----	1878 171	
	Left . . . . .	1					
23-48-148	PIN, Second Seat Back Pivot Sub.	1	----				
	includes BRACKET Right . . . . .	1	----	1878 600	----	1878 600	
	Left . . . . .	1	----	1878 601	----	1878 601	
	PIN, Second Seat Back Hinge Support Sub.	2	1952 482				

★ Indicates use as required.

☐ Indicates parts not listed in any previous parts book.

\* Indicates change or addition.

Printed in U.S.A.

Prices and specifications subject to change without notice.

March 1, 1962 Supersedes May 31, 1961.



CODE	PART NAME AND DESCRIPTION	PER CAR	VALIANT	PLYMOUTH	DESOTO	CHRYSLER	IMPERIAL
<b>23-51-O SIDE SILL AND BELT BAR - Cont'd</b>							
23-51-5	PANEL - Cont'd w/REINFORCEMENT						
	Right . . . . .	1	1919 316				
	Left . . . . .	1	1919 317				
	2D. Sub. Right . . . . .	1	----	1952 960			
	Left . . . . .	1	----	1952 961			
	PANEL, Body Side Sill Inner						
	Front Right . . .	1	2081 036	1961 066	1961 066	1961 066	
	Left . . . . .	1	2081 037	1961 067	1961 067	1961 067	
	Rear Right . . . .	1	2081 038	1861 014	1861 014	1861 014	
	Left . . . . .	1	2081 039	1861 015	1861 015	1861 015	
23-51-6	REINFORCEMENT, Body Side Sill Outer Panel						
	Sp. Cl. Cp., Cl. Sed.						
	Right . . . . .	1	2195 586				
	Left . . . . .	1	2195 537				
	Sp. Cl. Cp., Cv. Cp.						
	Right . . . . .	2	----	----	----	----	1861 418
	Left . . . . .	2	----	----	----	----	1878 228
	Sp. 4 D. Right . . . . .	2	----	----	----	----	1878 031
	Left . . . . .	2	----	----	----	----	1878 227
	Sp. Cl. Cp., Cv. Cp., at No. 2 and No. 2 A Hold-Down Bolt,						
	Right . . . . .	1	----	----	----	----	1861 416
	Left . . . . .	1	----	----	----	----	1878 226
	Sp. 4 D., at No. 3 and No. 3A Hold-Down Bolt						
	Front Right . . .	1	----	----	----	----	1878 556
	Left . . . . .	1	----	----	----	----	1873 557
	Sp. 4 D., Sp. Cl. Cp., Cv. Cp. at No. 3 and No. 3A Hold-Down Bolt						
	Rear Right . . . .	1	----	----	----	----	1861 274
	Left . . . . .	1	----	----	----	----	1861 275
	REINFORCEMENT, Quarter Inside Panel to Outer Sill Sp. Cl. Cp., Cv. Cp.						
		2	----	----	----	----	1861 386
23-51-41	BAR, Quarter Belt Side						
	Sp. Cl. Cp. Right . . . . .	1	----	----	1878 428	1878 428	1877 462
	Left . . . . .	1	----	----	1878 429	1878 429	1877 463
	Sp. 4D. Right . . . . .	1	----	----	----	----	1877 522
	Left . . . . .	1	----	----	----	----	1877 523
	Sub. Right . . . . .	1	----	1878 238	----	1878 238	
	Left . . . . .	1	----	1878 239	----	1878 239	
	Cv. Cp. Right . . . . .	1	----	1964 624	----	1909 510	1877 494
	Left . . . . .	1	----	1964 625	----	1909 511	1877 495
	BAR, Quarter Belt Side Lower						
	Cv. Cp. Right . . . . .	1	----	1963 996			
	Left . . . . .	1	----	1963 997			
	BAR, Rear Belt						
	Cv. Cp.	1	----	1950 584	----	1952 273	
	BAR, Center Belt						
	Sp. Cl. Cp.	1	----	----	1877 975	1877 975	
23-51-43	COVER, Body Side Sill Front End						
	Right . . . . .	1	----	----	----	----	1861 270
	Left . . . . .	1	----	----	----	----	1861 271
23-51-45	PLUG, Belt Side Bar Sealing						
	Sub.	3	----	2093 981	----	2093 981	
<b>23-52-O SEAT SPRING</b>							
23-52-1	SPRING PACKAGE, Seat Cushion Helper	★	----	1872 552	1872 552	1872 552	1872 552

★ Indicates use as required.  
 □ Indicates parts not listed in any previous parts book.  
 \* Indicates change or addition.

Printed in U.S.A.  
 Prices and specifications subject to change without notice.  
 March 1, 1962 Supersedes May 31, 1961.

CODE	PART NAME AND DESCRIPTION	PER CAR	VALIANT	PLYMOUTH	DESOTO	CHRYSLER	IMPERIAL
<b>23-54-0 TAILGATE</b>							
23-54-1	LOCK, Tailgate						
	Sub. Right . . . . .	1	1961 786	2189 116	----	2189 116	
	Left . . . . .	1	1961 787	2189 117	----	2189 117	
23-54-3	TAILGATE						
	Sub. Electric . . . . .	1	2259 221	1919 289	----	1919 487	
	Manual . . . . .	1	2259 221	1919 288			
23-54-4	HINGE, Tailgate						
	Sub. Right . . . . .	1	----	2188 934	----	2188 934	
	Left . . . . .	1	----	2188 935	----	2188 935	
	Tailgate Half, Right . . . . .	1	2082 210				
	Left . . . . .	1	2082 727				
	Body Half, Right . . . . .	1	2082 642				
	Left . . . . .	1	2082 643				
23-54-5	REINFORCEMENT, Tailgate						
	Hinge						
	Sub. Right . . . . .	1	2081 182				
	Left . . . . .	1	2081 183				
23-54-6	PLATE, Tailgate Lock Striker						
	Sub. Right . . . . .	1	1774 024	1774 024	----	1774 024	
	Left . . . . .	1	1774 025	1774 025	----	1774 025	
23-54-11	ORNAMENT PACKAGE, Tailgate Window Lift						
	Sub. w/Electric Window Lift	1	2196 621				
	NUT and WASHER	3	151 497				
	ORNAMENT, Tailgate Lift						
	Sub., w/Electric Window Lift	1	----	2188 389	----	2188 389	
	NAMELETTER, Tailgate						
	Sub. "P" . . . . .	1	----	2188 508			
	"L" . . . . .	1	----	2188 509			
	"Y" . . . . .	1	----	2188 510			
	"M" . . . . .	1	----	2188 511			
	"O" . . . . .	1	----	2188 512			
	"U" . . . . .	1	----	2188 513			
	"T" . . . . .	1	----	2188 514			
	"H" . . . . .	1	----	2188 515			
	NAMEPLATE PACKAGE, Tailgate						
	Sub.	1	2275 300				
	SPEED CLIP	3	6000 743				
	Sub.	1	----	----	----	2240 825	
	NUT	3	----	----	----	6013 114	
23-54-12	SCREW, Tailgate Outside Handle Base Attaching						
	Sub.	3	----	1960 020			
23-54-20	BUSHING, Tailgate Hinge Mounting						
	Sub. Right . . . . .	1	----	2188 836	----	2188 836	
	Left . . . . .	1	----	2188 628	----	2188 628	
23-54-24	REINFORCEMENT, Tailgate Outside Panel Handle						
	Sub. w/Manual Window Lift	1	1776 875				
	w/Electric Window Lift	1	2082 248				
23-54-25	SHIM, Tailgate Hinge Pin and Bushing						
	Sub.	2	----	2188 441	----	2188 441	
23-54-27	SHIM or SPACER, Tailgate Lock Striker						
	Sub.	★	1777 926	1777 926	----	1777 926	
23-54-28	GUARD, Tailgate Lower Dust						
	Sub.	1	----	2093 494	----	2093 494	
23-54-29	FASTENER, Tailgate Lower Dust Guard						
	Sub.	10	----	6006 104	----	6006 104	
23-54-31	SPRING, Tailgate Lock Lever						
	Sub.	2	1777 458	1777 458	----	1777 458	

★ Indicates use as required.

□ Indicates parts not listed in any previous parts book.  
March 1, 1962 Supersedes May 31, 1961.



CODE	PART NAME AND DESCRIPTION	PER CAR	VALIANT	PLYMOUTH	DESOTO	CHRYSLER	IMPERIAL
<b>23-54-0 TAILGATE - Cont'd</b>							
23-54-32	SET SCREW, Tailgate Hinge Sub.	2	2082 817				
	SPRING WASHER, Tailgate Hinge to Tailgate Half Sub.	*	6006 216				
23-54-46	TUBING, Roof Rail Tailgate Glass Bumper Rubber Sub. w/Electric Window Lifts	1	----	E1964 641	----	E1964 641	
23-54-50	BUMPER, Tailgate Inside Handle Mounting Bracket Sub.	1	1777 881				
23-54-53	SEAL, Tailgate Access Cover to Inner Panel Sub. Foam . . . . .	1	----	2241 219	----	2241 219	
23-54-59	BRACKET, Tailgate Window Down Position Stop Sub.	1	----	1878 584	----	1878 584	
23-54-63	SCUFF PLATE, Tailgate Opening Sill Lower Sub. 2 Seater, Right . . . . . Left . . . . . 3 Seater	1 1 1	---- ---- ----	2086 732 2086 733 2080 012	---- ---- ----	2080 012	
23-54-67	REPAIR PACKAGE, Tailgate Manual Window Regulator Outside Handle Sub.	1	----	E2421 243	----	E2421 243	
23-54-69	SCREW and WASHER, Tailgate Lock Striker Plate Sub.	4	6022 147	6022 147	----	6022 147	
23-54-72	REGULATOR or PLATE and ARM, Tailgate Window Sub. Manual . . . . . Electric . . . . .	1 1	2081 775 2259 171	1878 450 2188 767	---- ----	2188 767	
23-54-73	HANDLE, Tailgate Manual Window Regulator Sub.	1	2196 620	1960 493			
23-54-74	SPRING, Tailgate Window Regulator Counterbalance Sub.	1	2082 989	1779 645	----	1779 645	
23-54-75	FLAP, Tailgate Handle Sub. Rubber . . . . .	1	----	2080 673	----	2080 673	
23-54-77	SNAP RING, Tailgate Manual Window Regulator Outside Handle Sub.	1	1961 317	1961 317			
23-54-79	RETAINER, Tailgate Manual Window Regulator Handle Knob Sub.	1	1775 164	1775 164			
23-54-83	PIN, Tailgate Manual Window Regulator Handle Knob Sub.	1	6000 173				
23-54-86	WASHER, Tailgate Window Regulator Arm and Link Stud Sub.	4	6000 141				
23-54-87	RETAINER, Tailgate Window Regulator Stud to Glass Lower Channel Sub.	2	6000 305				
23-54-90	PIN, Tailgate Window Regulator Arm Roller Sub.	2	----	1960 969	----	1960 969	
23-54-92	GASKET, Tailgate Manual Window Regulator Outside Handle Sub.	1	1775 840				

★ Indicates use as required.

E Indicates parts not listed in any previous parts book.

\* Indicates change or addition.

Printed in U.S.A.

Prices and specifications subject to change without notice.

March 1, 1962 Supersedes May 31, 1961.

CODE	PART NAME AND DESCRIPTION	PER CAR	VALIANT	PLYMOUTH	DESOTO	CHRYSLER	IMPERIAL
<b>23-54-0 TAILGATE - Cont'd</b>							
23-54-98	ROLLER, Tailgate Window Regulator Arm Sub.	2	-----	1878 310	-----	1878 310	
23-54-100	HOUSING, Tailgate Manual Window Regulator Outside Handle Shaft Sub.	1	1775 838				
23-54-101	PIN, Tailgate Manual Window Regulator Handle Pivot Sub.	1	6000 004				
23-54-102	SET SCREW, Tailgate Manual Window Regulator Handle Pivot Pin Sub.	2	6000 003				
23-54-103	BUMPER, Tailgate Window Down Position Stop Sub.	2	1381 435	1381 435	-----	1381 435	
23-54-109	ROD, Tailgate Inside Handle Lock Actuating Sub.	1	2081 781				
23-54-111	TEE BOLT, Tailgate Window Regulator Arm Sub.	2	-----	1960 968	-----	1960 968	
23-54-128	CLIP, Tailgate Manual Window Regulator Outside Handle Lock Pawl Spring Retaining Sub.	1	1961 318	1961 318			
23-54-131	SCREW and WASHER, Tailgate Hinge Torsion Bar Clamp Sub.	★	2094 890	2094 890	-----	2094 890	
23-54-133	SCREW and WASHER, Tailgate Hinge Torsion Bar Guide Sub.	★	2083 101				
23-54-134	GUIDE, Tailgate Hinge Torsion Bar Sub. Right . . . . . Left . . . . .	1 1	2082 752 2082 753				
23-54-135	GUIDE PIN, Tailgate Hinge Torsion Bar Retainer Sub.	1	2082 795				
23-54-137	CAM, Tailgate Hinge Torsion Bar Sub.	1	-----	1960 197	-----	1960 197	
23-54-140	BAR, Tailgate Hinge Torsion Sub.	1	2082 791	1960 194	-----	1960 194	
23-54-141	RETAINER or SUPPORT, Tailgate Torsion Bar Sub. at Guide . . . . . at Hinge . . . . .	1 1	2082 971 2082 207				
23-54-142	BEARING, Tailgate Torsion Bar Sub.	2	2082 786	1960 187	-----	1960 187	
23-54-144	CLAMP, Tailgate Torsion Bar Retainer Sub. Left Side . . . . . CLAMP, Tailgate Torsion Bar Sub. Right Side . . . . .	1 1	2082 794 1960 195	1960 195	-----	1960 195	
23-54-145	ROLLER, Tailgate Hinge Torsion Bar Sub.	1	-----	1960 196	-----	1960 196	
23-54-146	RETAINER PACKAGE, Tailgate Down Position Bumper Sub. NUT and WASHER	2 4	----- -----	----- -----	----- -----	2196 467 6010 048	
23-54-147	BUMPER, Tailgate Down Piston Sub. Right . . . . . Left . . . . .	1 1	----- -----	2188 466 2188 467	----- -----	1877 931 1877 931	

★ Indicates use as required.

□ Indicates parts not listed in any previous parts book.  
March 1, 1962 Supersedes May 31, 1961.

CODE	PART NAME AND DESCRIPTION	PER CAR	VALIANT	PLYMOUTH	DESOTO	CHRYSLER	IMPERIAL
<b>23-54-0 TAILGATE - Cont'd</b>							
23-54-148	NUT and WASHER, Tailgate Bumper Attaching Sub.	4	----	----	----	6010 048	
23-54-150	COVER, Tailgate Inside Steel Sub.	1	2081 774	1877 855	----	1877 855	
23-54-152	SHAFT or COUPLING, Tailgate Electric Window Lift Motor to Mechanism Sub.	1	1778 955	1778 955	----	1778 955	
23-54-156	REPAIR PACKAGE, Tailgate Electric Window Lift Mechanism Sub.	1	2275 141	2275 141	----	2275 141	
23-54-160	MOTOR, Tailgate Electric Window Lift Sub.	1	E2259 200	E2259 200	----	E2259 200	
23-54-165	MECHANISM, Tailgate Electric Window Lift Sub.	1	2188 735	2188 735	----	2188 735	
23-54-166	SPRING, Tailgate Electric Window Lift Switch Control Knob Retaining Sub.	1	2076 145	1769 327	----	1769 327	
23-54-167	SWITCH, Tailgate Electric Window Lift Sub., on Instrument Panel Lock, on Tailgate Limit, on Tailgate 3rd. Seat Passengers, on Headliner, includes BEZEL . . . . . Less Bezel . . . .	1 1 1 1 1	2076 376 2196 313 1887 946 ---- ----	1972 316 2196 313 1887 946 2097 626 2097 625	---- ---- ---- ---- ----	2097 045 2196 313 1887 946 2097 626 2097 625	
23-54-169	KNOB, Tailgate Electric Window Lift Instrument Panel Switch Sub.	1	2209 147	1887 591	----	*2197 075	
23-54-170	BEZEL, Tailgate Electric Window Lift Instrument Panel Switch Sub.	1	2076 377				
23-54-171	NUT, Tailgate Electric Window Lift Switch Sub.	1	1339 711	1887 603			
23-54-172	CLIP, Tailgate Electric Window Lift Switch Mounting Sub. Lock End . . . .	1	----	1652 092	----	1652 092	
23-54-176	CIRCUIT BREAKER, Tailgate Electric Window Lift Sub.	1	1689 022				
23-54-177	CLIP, Tailgate Electric Window Lift Circuit Breaker Mounting Sub.	1	----	6015 159			
23-54-178	WIRING, Tailgate Window Lift Sub. Tailgate Half . . . Body Half . . . .	1 1	2076 412 ----	2198 213 2197 346	---- ----	2198 213 2197 346	
23-54-180	HANDLE, Tailgate Lock Remote Control Sub.	1	2082 904	1902 406	----	1902 406	
23-54-183	CAM, Tailgate Inside Handle Sub.	1	2082 485				
23-54-184	ROD, Tailgate Lock Remote Control Handle to Lock Sub.	1	----	2189 074	----	2189 074	
23-54-186	SPRING, Tailgate Lock Remote Control Handle Sub.	1	----	1902 409	----	1902 409	

★ Indicates use as required.

E Indicates parts not listed in any previous parts book.

\* Indicates change or addition.

Printed in U.S.A.

Prices and specifications subject to change without notice.

March 1, 1962 Supersedes May 31, 1961.

CODE	PART NAME AND DESCRIPTION	PER CAR	VALIANT	PLYMOUTH	DESOTO	CHRYSLER	IMPERIAL
<b>23-54-0 TAILGATE - Cont'd</b>							
23-54-190	PIN, Tailgate Lock Remote Control Handle Sub.	1	2082 907	1902 410	----	1902 410	
23-54-193	BEARING, Tailgate Lock Remote Control Rod Sub.	1	2083 116	1961 118	----	1961 118	
	Right . . . . .	1	2083 117	1961 118	----	1961 118	
	Left . . . . .	1			----		
23-54-194	RETAINER, Tailgate Lock Remote Control Rod Bearing Sub.	2	----	1961 119	----	1961 119	
23-54-195	SCREW, Tailgate Handle to Latch Pin Sub.	2	----	1902 297	----	1902 297	
23-54-196	BRACKET, Tailgate Inside Panel Handle Mounting Sub.	1	2082 908				
23-54-197	SCREW and WASHER, Tailgate Inside Panel Handle Mounting Bracket Sub.	2	6017 016				
23-54-198	STUD and RETAINER, Tailgate Inside Panel Handle Mounting Bracket Sub.	1	2082 987				
23-54-199	SPRING, Tailgate Inside Handle Sub.	1	2082 906				
<b>23-58-0 FOLDING TOP</b>							
23-58-3	TOP, Folding Cv. Cp.	1	----	1952 312	----	1952 313	2094 745
NOTE: Above assemblies less lift Mechanism and Trim.							
23-58-66	SCREW, Folding Top Rear Bow to Wheelhouse Bracket Tension Cable Cv. Cp.	2	----	6022 169	----	6022 169	
23-58-67	BRACKET, Folding Top Quarter Belt Bar Bow Tension Cable Cv. Cp.	2	----	1954 604	----	1954 604	
23-58-75	BOW, Folding Top Cv. Cp.	1	----	1964 078	----	1964 078	1691 415
	No. 1 . . . . .	1	----	1964 073	----	1964 073	1691 397
	No. 2 . . . . .	1	----	1952 195	----	1952 195	1691 400
23-58-76	LINK, Folding Top Rear Bow Cv. Cp.	1	----	1950 500	----	1950 502	
	Right . . . . .	1	----	1950 501	----	1950 503	
	Left . . . . .	1			----		
	EXTENSION, Folding Top Rear Bow Cv. Cp.	1	----	----	----	----	1691 902
	Right . . . . .	1	----	----	----	----	1691 903
	Left . . . . .	1			----		
23-58-78	PLATE, Folding Top Number One Bow Bracket to Link Adjusting Cv. Cp.	2	----	1909 914	----	1909 914	
23-58-200	CYLINDER, Folding Top Lift Cv. Cp.	2	----	1952 938	----	1952 938	
	Right . . . . .	1	----	----	----	----	1770 553
	Left . . . . .	1	----	----	----	----	1770 552
23-58-202	REINFORCEMENT, Folding Top Actuating Piston Mounting Cv. Cp.	2	----	1961 223	----	1961 223	
23-58-208	BRACKET, Folding Top Lift Cylinder Floor Pan Mounting Cv. Cp.	2	----	1952 939	----	1952 939	1861 392

★ Indicates use as required.

☐ Indicates parts not listed in any previous parts book.  
March 1, 1962 Supersedes May 31, 1961.

CODE	PART NAME AND DESCRIPTION	PER CAR	VALIANT	PLYMOUTH	DESOTO	CHRYSLER	IMPERIAL
<b>23-58-0 FOLDING TOP - Cont'd</b>							
23-58-209	SPACER, Folding Top Operating Cylinder Mounting Bracket Cv. Cp.	4	----	1249 332	----	1249 332	
23-58-211	YOKE, Folding Top Lift Cylinder to Power Link Cv. Cp.	2	----	1249 525	----	1249 525	
23-58-220	HEADER, Folding Top Cv. Cp.	1	----	2166 338	----	2166 338	1751 094
23-58-227	MECHANISM, Folding Top Header Locking Cv. Cp.	1	----	2166 049	----	2166 049	
23-58-228	DOWEL, Folding Top Header Cv. Cp.	2	----	1909 466	----	1909 466	6006 235
23-58-229	RETAINER, Folding Top Header Dowel Lock Nut Cv. Cp.	2	----	----	----	----	1691 911
23-58-232	COVER, Folding Top Header Lock Mechanism Access Hole Cv. Cp., 6 7/16" Long	1	----	----	----	----	1750 777
	COVER, Folding Top Header Lock Access Hole Cv. Cp., 7 3/8" Long, Right . . . . .	1	----	----	----	----	1750 854
	Left . . . . .	1	----	----	----	----	1750 855
23-58-234	CLIP, Folding Top Header Lock Handle Torsion Bar to Link Cv. Cp.	1	----	----	----	----	6006 221
23-58-236	SCREW, Folding Top Header Lock Adjusting Cv. Cp.	2	----	1964 896	----	1964 896	
23-58-237	SEAL, Windshield Header Cv. Cp., Length 60"	1	----	2094 559	----	2094 559	
23-58-240	PANEL, Folding Top Header Outside Finish Cv. Cp.	1	----	1954 020	----	1954 020	
	MOULDING PACKAGE, Folding Top Header Outside Finish Cv. Cp.	1	----	----	----	----	2196 483
	SCREW	11	----	----	----	----	274 110
23-58-242	CLIP, Folding Top Header Outside Finish Panel Cv. Cp.	5	----	6000 680	----	6000 680	
	End	2	----	6000 681	----	6000 681	
23-58-243	HANDLE, Folding Top Header Lock Cv. Cp.	1	----	----	----	----	1751 156
23-58-245	PIN, Folding Top Header Lock Handle to Torsion Bar Link Cv. Cp.	1	----	----	----	----	6006 222
23-58-248	RETAINER, Folding Top Header Lock Handle to Escutcheon Pin Cv. Cp.	2	----	----	----	----	1750 724
23-58-253	ESCUTCHEON, Folding Top Header Lock Handle Cv. Cp.	1	----	----	----	----	1751 173
23-58-257	LINK, Folding Top Header Handle to Torsion Bar Cv. Cp.	1	----	----	----	----	1750 619
23-58-265	CATCH, Folding Top Header Locking Latch Cv. Cp.	2	----	1964 895	----	1964 895	
	CATCH, Folding Top Header Lock Safety Cv. Cp.	1	----	----	----	----	1751 264

★ Indicates use as required.

☐ Indicates parts not listed in any previous parts book.

\* Indicates change or addition.

## 1961 PASSENGER CAR PARTS CATALOG

BODY

CODE	PART NAME AND DESCRIPTION	PER CAR	VALIANT	PLYMOUTH	DESOTO	CHRYSLER	IMPERIAL
<b>23-58-0 FOLDING TOP - Cont'd</b>							
23-58-266	SPRING, Folding Top Header Lock Safety Catch to Handle Cv. Cp.	1	-----	-----	-----	-----	1751 262
23-58-269	LINKAGE, Folding Top Side Rail Cv. Cp. Right . . . . .	1	-----	*1964 076	-----	*1964 074	1751 206
	Left . . . . .	1	-----	*1964 077	-----	*1964 075	1751 207
23-58-270	BUSHING, Folding Top Control Link and Center Side Rail Pivot Cv. Cp.	4	-----	-----	-----	-----	1750 647
23-58-333	LINK, Folding Top Power Guide Cv. Cp. Right . . . . .	1	-----	2166 610	-----	2166 612	
	Left . . . . .	1	-----	2166 611	-----	2166 613	
	Inner . . . . .	2	-----	-----	-----	-----	1751 210
	Outer . . . . .	2	-----	-----	-----	-----	1750 400
23-58-335	TAPPING PLATE, Folding Top Power Guide Link and Prop Cv. Cp.	4	-----	6000 388	-----	6000 388	
23-58-336	SUPPORT, Folding Top Power Guide Link and Main Control Prop Cv. Cp.	4	-----	1708 914	-----	1708 914	
23-58-357	MOTOR, Folding Top Lift Cv. Cp. Less Pump	1	-----	*2094 107(1)	-----	*2094 107(1)	*2094 107(1)
	NOTE 1: Folding Top Lift Motor PUMP is not Serviced. To Repair Pump Specify Part No. 1641 650 Rotor Package P. T. C. 23-58-381						
23-58-364	PLUG, Folding Top Well Drain Valve Cv. Cp.	1	-----	1977 449	-----	1977 449	1977 449
23-58-365	RETAINER, Folding Top Well Drain Plug Cv. Cp.	1	-----	1977 448	-----	1977 448	1977 448
23-58-375	"O" RING, Folding Top Lift Motor Pump Drive Shaft Cv. Cp.	1	-----	1641 590	-----	1641 590	1641 590
23-58-379	CIRCUIT BREAKER, Folding Top Lift Switch 30 amp. . . . .	1	-----	1689 022	-----	1689 022	1689 022
23-58-380	BRUSH and SPRING PACKAGE, Folding Top Lift Motor Cv. Cp.	1	-----	1752 518	-----	1752 518	1752 518
23-58-381	ROTOR PACKAGE, Folding Top Lift Pump Cv. Cp.	1	-----	1641 650	-----	1641 650	1641 650
23-58-393	SUPPORT, Folding Top Lift Motor and Pump Floor Pan Cv. Cp.	1	-----	-----	-----	-----	1878 112
23-58-394	PILLAR or RAIL, Folding Top Folding Cv. Cp. Right . . . . .	1	-----	1884 584	-----	1884 586	1691 946
	Left . . . . .	1	-----	1884 585	-----	1884 587	1691 947
23-58-395	PLUG, Folding Top Lift Pump Reservoir Filler Cv. Cp.	1	-----	1641 579	-----	1641 579	1641 579
23-58-396	BRACKET, Folding Top Lift Motor Mounting Cv. Cp.	1	-----	1641 578	-----	1641 578	1641 578

★ Indicates use as required.

☐ Indicates parts not listed in any previous parts book.  
March 1, 1962 Supersedes May 31, 1961.

Printed in U.S.A.

Prices and specifications subject to change without notice.

\* Indicates change or addition.

CODE	PART NAME AND DESCRIPTION	PER CAR	VALIANT	PLYMOUTH	DESOTO	CHRYSLER	IMPERIAL
<b>23-58-0 FOLDING TOP - Cont'd</b>							
23-58-430	PLATE, Folding Top Lift Pump Cover Cv. Cp.	1	----	1641 592	----	1641 592	1641 592
	PLATE, Folding Top Lift Pump End Cv. Cp. Includes BUSHING	1	----	1641 586	----	1641 586	1641 586
23-58-469	PRCP, Folding Top Main Control Cv. Cp. Right . . . . .	1	----	1884 580	----	1884 582	
	Left . . . . .	1	----	1884 581	----	1884 583	
	LINK, Folding Top Main Control Cv. Cp., Includes Adjusting						
	PLATE, Right . . . . .	1	----	----	----	----	1751 208
	Left . . . . .	1	----	----	----	----	1751 209
23-58-472	BRACKET, Folding Top Folding Rail Pivot Cv. Cp. Right . . . . .	1	----	----	----	----	1691 948
	Left . . . . .	1	----	----	----	----	1691 949
23-58-473	SUPPORT, Folding Top Folding Pillar to Body Cv. Cp. Right . . . . .	1	----	1884 608	----	1884 608	
	Left . . . . .	1	----	1884 609	----	1884 609	
	BRACKET, Folding Top Folding Rail Pivot Bracket to Body Mounting Support Cv. Cp. Right . . . . .	1	----	----	----	----	1750 406
	Left . . . . .	1	----	----	----	----	1750 407
23-58-475	PLATE, Folding Top Main Control Support Adjustment Cv. Cp.	2	----	1954 824	----	1954 824	
23-58-476	BRACE, Folding Top Main Control Prop Body Cv. Cp. Right . . . . .	1	----	1884 504	----	1884 508	
	Left . . . . .	1	----	1884 505	----	1884 509	
	SUPPORT, Folding Top Main Control Link and Pivot Bracket Mounting Bracket Body Cv. Cp. Right . . . . .	1	----	----	----	----	1961 088
	Left . . . . .	1	----	----	----	----	1961 089
23-58-480	REINFORCEMENT, Folding Top Folding Rail Pivot Bracket Mounting Bracket to Body Mounting, Cv. Cp.	2	----	----	----	----	1751 810
	REINFORCEMENT, Folding Top Main Control Link Adjustment Plate Body Cv. Cp. Right . . . . .	1	----	----	----	----	1751 806
	Left . . . . .	1	----	----	----	----	1751 807
23-58-486	RAIL, Folding Top Side Cv. Cp. Front Right . . .	1	----	1884 588	----	1884 592	2094 466
	Left . . . . .	1	----	1884 589	----	1884 593	2094 467
	Rear Right . . . . .	1	----	1884 590	----	1884 594	2094 472
	Left . . . . .	1	----	1884 591	----	1884 595	2094 473
23-58-487	BUSHING, Folding Top Rear Side Rail Pivot Cv. Cp.	2	----	----	----	----	1810 440
23-58-497	CAP, Folding Top Front Side Rail to Header Joint Cv. Cp.	2	----	1950 486	----	1950 486	
23-58-532	SWITCH, Folding Top Lift Cv. Cp.	1	----	1972 316	----	1972 318	2197 415
23-58-533	NUT, Folding Top Lift Switch Mounting Cv. Cp.	1	----	1887 603	----	1971 521	

★ Indicates use as required.  
 □ Indicates parts not listed in any previous parts book.  
 \* Indicates change or addition.



## 1961 PASSENGER CAR PARTS CATALOG

BODY

CODE	PART NAME AND DESCRIPTION	PER CAR	VALIANT	PLYMOUTH	DESOTO	CHRYSLER	IMPERIAL
<b>23-58-0 FOLDING TOP - Cont'd</b>							
23-58-534	KNOB, Folding Top Lift Switch Cv. Cp.	1	----	1887 591	----	2197 075	1887 935
23-58-535	HOUSING, Folding Top Lift Switch Cv. Cp.	1	----	----	----	E2291 149	
23-58-543	BEZEL, Folding Top Lift Switch Cv. Cp.	1	----	2097 390	----	1972 489	2197 389
23-58-552	NAMEPLATE, Folding Top Lift Switch Cv. Cp.	1	----	----	----	----	2197 508
23-58-555	HOSE, Folding Top Lift Pump to Cylinder Cv. Cp.	1	----	1964 402	----	1964 402	1964 402
	Upper . . . . .	1	----	1964 402	----	1964 402	2094 119
	Lower . . . . .	1	----	1964 402	----	1964 402	
23-58-569	WEATHERSTRIP, Folding Top Header Cv. Cp.	1	----	2166 958	----	2166 958	
	End, Right . . . . .	1	----	2166 960	----	2166 960	
	Left . . . . .	1	----	2166 961	----	2166 961	
	Inner . . . . .	1	----	----	----	----	1751 733
	Outer . . . . .	1	----	----	----	----	1860 995
	Upper Corner Moulding, Right . . . . .	1	----	----	----	----	1861 334
	Left . . . . .	1	----	----	----	----	1861 335
23-58-572	WEATHERSTRIP, Folding Top Side Rail Cv. Cp.	1	----	1950 844	----	1950 846	1810 002
	Front Right . . . . .	1	----	1950 844	----	1950 846	1810 002
	Left . . . . .	1	----	1950 845	----	1950 847	1810 003
	Rear Right . . . . .	1	----	1950 848	----	1950 850	1810 004
	Left . . . . .	1	----	1950 849	----	1950 851	1810 005
23-58-573	RETAINER, Folding Top Side Rail Weatherstrip Cv. Cp.	1	----	1954 942	----	1954 944	
	Front Right . . . . .	1	----	1954 942	----	1954 944	
	Left . . . . .	1	----	1954 942	----	1954 944	
	Rear Right . . . . .	1	----	1954 938	----	1954 940	
	Left . . . . .	1	----	1954 939	----	1954 941	
23-58-590	WEATHERSTRIP, Folding Top Folding Pillar or Rail Cv. Cp.	1	----	1950 852	----	1950 854	1810 006
	Right . . . . .	1	----	1950 852	----	1950 854	1810 006
	Left . . . . .	1	----	1950 853	----	1950 855	1810 007
23-58-591	RETAINER, Folding Top Folding Pillar Weatherstrip Cv. Cp.	1	----	1954 934	----	1954 936	
	Right . . . . .	1	----	1954 934	----	1954 936	
	Left . . . . .	1	----	1954 935	----	1954 937	
23-58-603	SCREW, Folding Top Side Rear Rail Cv. Cp.	2	----	1964 260	----	1964 260	
	BOLT, Folding Top Power Guide Link Cv. Cp.	2	----	1954 765	----	1954 765	
	BOLT, Folding Top Main Control Prop Cv. Cp.	2	----	1954 765	----	1954 765	
	SCREW, Folding Top Side Rail to Header Joint Cap Cv. Cp.	2	----	6000 223	----	6000 223	
	BOLT, Folding Top Control Link Adjusting Plate Cv. Cp.	2	----	----	----	----	6006 224
	SCREW, Folding Top Header Lock Torsion Bar Adjusting Cv. Cp.	2	----	----	----	----	1750 726

★ Indicates use as required.

☐ Indicates parts not listed in any previous parts book.  
March 1, 1962 Supersedes May 31, 1961.

Page 23-114

Prices and specifications subject to change without notice.

\* Indicates change or addition.

Printed in U.S.A.



CODE	PART NAME AND DESCRIPTION	PER CAR	VALIANT	PLYMOUTH	DESOTO	CHRYSLER	IMPERIAL
<b>23-59-0 DRAIN TROUGH AND MOULDING - Cont'd</b>							
23-59-56	TROUGH, Roof Side Drain 4D						
	Right . . . . .	1	2081 252				
	Left . . . . .	1	2081 253				
	Sp. Cl. Cp.						
	Right . . . . .	1	2195 796	1952 682			
	Left . . . . .	1	2195 797	1952 683			
	Cl. Sed.						
	Right . . . . .	1	2195 794				
	Left . . . . .	1	2195 795				
	4 D. Sub.						
	Front Right . . .	1	2082 664				
	Left . . . . .	1	2082 665				
	Rear Right . . . .	1	2081 254				
	Left . . . . .	1	2081 255				
	TROUGH, Roof Rear Drain Sub. . . . .	1	---- --	2094 134	---- --	2094 134	
	TROUGH, Quarter Roof Drain Sp. Cl. Cp. w/High Window,						
	Right . . . . .	1	---- --	1952 682			
	Left . . . . .	1	---- --	1952 683			
23-59-57	CAP, Roof Side Drain Trough Joint Sub.	2	2082 798				
23-59-61	MOULDING or COVER, Roof Side Drain Trough 4D.						
	Right . . . . .	1	2081 902	1909 624	---- --	2093 648	
	Left . . . . .	1	2081 903	1909 625	---- --	2093 649	
	Sp. 4D. C3						
	Right . . . . .	1	---- --	---- --	1909 636	1909 636	1750 104
	Left . . . . .	1	---- --	---- --	1909 637	1909 637	1750 105
	C1, C2						
	Right . . . . .	1	---- --	---- --	---- --	2093 648	
	Left . . . . .	1	---- --	---- --	---- --	2093 649	
	4 D. Sub.						
	Right . . . . .	1	2081 906	2094 122			
	Left . . . . .	1	2081 907	2094 123			
	Sp. 4D. Sub. C1.						
	Right . . . . .	1	---- --	---- --	---- --	2093 648	
	Left . . . . .	1	---- --	---- --	---- --	2093 649	
	C3.						
	Right . . . . .	1	---- --	---- --	---- --	1909 636	
	Left . . . . .	1	---- --	---- --	---- --	1909 637	
	Sp. Cl. Cp., P1M, P2M,						
	Right . . . . .	1	2081 902	1909 626	2093 174	2093 174	1750 102
	Left . . . . .	1	2081 903	1909 627	2093 175	2093 175	1750 103
	Cl. Sed.						
	Right . . . . .	1	2081 902	1909 624			
	Left . . . . .	1	2081 903	1909 625			
<b>23-61-0 COWL VENT OR AIR INTAKE</b>							
23-61-39	PANEL, Dash Panel Cowl Air Intake Rain Deflector w/o Heater DEFLECTOR, Dash Panel Cowl Air Intake Water	1	---- --	1777 885	1777 885		
23-61-99	CLIP, Cowl Ventilator Grille and Grille Cap	★	---- --	---- --	---- --	---- --	1810 453
23-61-103	GRILLE, Cowl Ventilator						
	Right . . . . .	1	---- --	---- --	---- --	---- --	2093 580
	Left . . . . .	1	---- --	---- --	---- --	---- --	2093 581
23-61-104	CAP, Cowl Ventilator Grille	1	---- --	---- --	---- --	---- --	2093 577

★ Indicates use as required.

☐ Indicates parts not listed in any previous parts book.  
March 1, 1962 Supersedes May 31, 1961.

CODE	PART NAME AND DESCRIPTION	PER CAR	VALIANT	PLYMOUTH	DESOTO	CHRYSLER	IMPERIAL
<b>23-61-O COWL VENT OR AIR INTAKE - Cont'd</b>							
23-61-116	PANEL, Cowl Top Fresh Air Opening Insert	1	----	2165 691	2166 657	2166 657	
23-61-119	PLUG, Cowl Top Fresh Air Opening Insert Panel Button	2	----	2166 431	2166 431	2166 431	
<b>23-63-O WEATHERSTRIP</b>							
23-63-14	WEATHERSTRIP, Front Door Window Belt Inner						
	4 D., 4 D. Sub., V1H, C1, C2	2	2195 434	1883 500	----	1883 500	----
	V1L, C3, Right . . . . .	1	2081 362	----	----	2085 710	
	Left . . . . .	1	2081 362	----	----	2085 711	
	Sp. 4D., Sp. 4D. Sub., C1, C2						
	Right . . . . .	1	----	2166 556	2166 556	2166 556	2085 780
	Left . . . . .	1	----	2166 557	2166 557	2166 557	2085 781
	C3, Right . . . . .	1	----	----	----	2085 712	
	Left . . . . .	1	----	----	----	2085 713	
	WEATHERSTRIP, Rear Door Window Belt Inner						
	4 D., 4 D. Sub.	2	2081 465				
	4D., C3, Right . . . . .	1	----	1954 680	----	2085 482	
	Left . . . . .	1	----	1954 681	----	2085 482	
	4 D. Sub. Right . . . . .	1	----	1883 512			
	Left . . . . .	1	----	1883 513			
	Sp. 4D., Sp. 4D. Sub., C1, C2						
	Right . . . . .	1	----	2166 514	2166 512	2166 512	
	Left . . . . .	1	----	2166 515	2166 513	2166 513	
	C3	2	----	----	----	2085 482	1767 247
	WEATHERSTRIP, Door Window Belt Inner						
	Sp. Cl. Cp., Cv. Cp., C1, C2						
	Right . . . . .	1	2195 434	2166 552	2166 552	2166 552	2085 780
	Left . . . . .	1	2195 434	2166 553	2166 553	2166 553	2085 781
	C3, C4, Right . . . . .	1	----	----	----	2085 722	
	Left . . . . .	1	----	----	----	2085 723	
	Cl. Sed., 2D. Sub.	2	*2195 268	*1952 826			
23-63-15	WEATHERSTRIP, Front Door Window Belt Outer						
	4 D., 4 D. Sub., C1, C2	2	2081 546	1883 500	----	1883 500	
	C3	2	----	----	----	1954 775	
	Sp. 4D., Sp. 4D. Sub.						
	Right . . . . .	1	----	2166 558	2166 558	2166 558	1751 706
	Left . . . . .	1	----	2166 559	2166 559	2166 559	1751 707
	WEATHERSTRIP, Rear Door Window Belt Outer						
	4D., C1, C2 Right . . . . .	1	2081 546	1954 680	----	1883 512	----
	Left . . . . .	1	2081 546	1954 681	----	1883 513	----
	C3, Right . . . . .	1	----	----	----	1954 776	
	Left . . . . .	1	----	----	----	1954 777	
	4D. Sub., Right . . . . .	1	2081 546	1883 512			
	Left . . . . .	1	2081 546	1883 513			
	Sp. 4D., Sp. 4D. Sub.						
	Right . . . . .	1	----	2166 548	2166 516	2166 516	1751 724
	Left . . . . .	1	----	2166 549	2166 517	2166 517	1751 725
	WEATHERSTRIP, Door Window Belt Outer						
	Sp. Cl. Cp., Cv. Cp.						
	Right . . . . .	1	2195 806	2166 554	2166 554	2166 554	1751 708
	Left . . . . .	1	2195 807	2166 555	2166 555	2166 555	1751 709
	Cl. Sed., 2D. Sub.	2	*2195 267	*1952 826			
23-63-16	CLIP, Window Belt Outer Weatherstrip	★	1775 089	1775 089	1775 089	1775 089	6006 104
	CLIP, Door Weatherstrip Retaining	★	2082 367				

★ Indicates use as required.

⊠ Indicates parts not listed in any previous parts book.

\* Indicates change or addition.

# 1961 PASSENGER CAR PARTS CATALOG

BODY

CODE	PART NAME AND DESCRIPTION	PER CAR	VALIANT	PLYMOUTH	DESOTO	CHRYSLER	IMPERIAL
<b>23-63-0 WEATHERSTRIP - Cont'd</b>							
23-63-19	RETAINER, Window Belt Inner Weatherstrip 4 D., 4 D. Sub., Doors . . . . .	4	2259 067				
	Sp. Cl. Cp., Quarter . . . . .	2	2259 067				
23-63-20	WEATHERSTRIP, Quarter Window Belt Inner Sp. Cl. Cp., C1, C2 Right . . . . .	1	2195 434	2166 538	2161 350	2161 350	
	Left . . . . .	1	2195 434	2166 539	2161 351	2161 350	
	Sp. Cl. Cp., Cv. Cp., C3, C4 Cv. Cp., C1 Right . . . . .	2	----	----	----	2085 482	1772 798
	Left . . . . .	1	----	2166 540	----	2166 542	
	Cl. Sed., 2D. Sub. Left . . . . .	1	----	2166 541	----	2166 543	
	Cl. Sed., 2D. Sub. Left . . . . .	2	2195 434	1909 456			
23-63-21	WEATHERSTRIP, Quarter Window Belt Outer Sp. Cl. Cp., Right . . . . .	1	2195 440	2166 584	2093 546	2093 546	2094 648
	Left . . . . .	1	2195 441	2166 585	2093 547	2093 547	2094 649
	Cv. Cp., Right . . . . .	1	----	2166 572	----	2166 582	2094 648
	Left . . . . .	1	----	2166 573	----	2166 583	2094 649
	Cl. Sed., 2D. Sub. Left . . . . .	2	----	1954 724			
	Cl. Sed., w/CLIPS . . . . .	2	2195 401				
	w/o Clips . . . . .	2	2195 272				
23-63-22	CLIP, Quarter Window Belt Weatherstrip Inner . . . . .	★	----	6000 804			
	Outer . . . . .	★	2195 899	1775 089	1775 089	1775 089	
23-63-33	WEATHERSTRIP and WEATHERCORD, Front Door 4D., 4D. Sub., Medium Blue, Right . . . . .	1	E2271 097				
	Left . . . . .	1	2249 297				
	Medium Green, Right . . . . .	1	2249 298				
	Left . . . . .	1	2249 299				
	Medium Gray, Right . . . . .	1	E2271 099				
	Left . . . . .	1	2249 301				
	Red, Right . . . . .	1	2249 302				
	Left . . . . .	1	2249 303				
	Sp. Cl. Cp., Medium Blue, Right . . . . .	1	2249 312				
	Left . . . . .	1	2249 313				
	Medium Green, Right . . . . .	1	2249 314				
	Left . . . . .	1	2249 315				
	Medium Gray, Right . . . . .	1	2249 316				
	Left . . . . .	1	2249 317				
	Red, Right . . . . .	1	2249 318				
	Left . . . . .	1	2249 319				
	Cl. Sed., Medium Blue, Right . . . . .	1	2249 304				
	Left . . . . .	1	2249 305				
	Medium Green, Right . . . . .	1	2249 306				
	Left . . . . .	1	2249 307				
	Medium Gray, Right . . . . .	1	2249 308				
	Left . . . . .	1	2249 309				
	WEATHERSTRIP and WEATHERCORD, Rear Door 4D., 4D. Sub., Medium Blue, Right . . . . .	1	2083 912				
	Left . . . . .	1	2083 913				
	Medium Green, Right . . . . .	1	2083 914				
	Left . . . . .	1	2083 915				
	Medium Gray, Right . . . . .	1	2083 916				
	Left . . . . .	1	2083 917				
	Red, Right . . . . .	1	2083 918				
	Left . . . . .	1	2083 919				

★ Indicates use as required.

E Indicates parts not listed in any previous parts book.  
March 1, 1962 Supersedes May 31, 1961.

Printed in U.S.A.

Prices and specifications subject to change without notice.

\* Indicates change or addition.

CODE	PART NAME AND DESCRIPTION	PER CAR	VALIANT	PLYMOUTH	DESOTO	CHRYSLER	IMPERIAL
<b>23-63-0 WEATHERSTRIP - Cont'd</b>							
23-63-33	WEATHERSTRIP, Door						
	4D., 4D. Sub., Front . . . . .	2	----	1883 504	----	1883 504	
	Rear . . . . .	2	----	1954 826	----	1883 520	
	Sp. 4D., Sp. 4D. Sub.,						
	Front Right . . . . .	1	----	2165 304	2165 304	2165 304	
	Left . . . . .	1	----	2165 305	2165 305	2165 305	
	Rear Right . . . . .	1	----	2165 486	2165 488	2165 488	
	Left . . . . .	1	----	2165 487	2165 489	2165 489	
	Sp. 4D.						
	Hinge Pillar, Front Right . . . . .	1	----	----	----	----	1810 704
	Left . . . . .	1	----	----	----	----	1810 705
	Lock Pillar, Front Right . . . . .	1	----	----	----	----	2094 962
	Left . . . . .	1	----	----	----	----	2094 963
	Bottom, Front Right . . . . .	1	----	----	----	----	1751 742
	Left . . . . .	1	----	----	----	----	1751 743
	Hinge Pillar, Rear Right . . . . .	1	----	----	----	----	2094 960
	Left . . . . .	1	----	----	----	----	2094 961
	Lock Pillar, Rear Right . . . . .	1	----	----	----	----	1751 654
	Left . . . . .	1	----	----	----	----	1751 655
	Bottom, Rear Right . . . . .	1	----	----	----	----	1751 774
	Left . . . . .	1	----	----	----	----	1751 775
	Lock Pillar to Lock Pillar						
	Angle . . . . .	2	----	----	----	----	1690 874
	Sp. Cl. Cp., Cv. Cp.,						
	Front Right . . . . .	1	----	1952 852	1952 852	1952 852	
	Left . . . . .	1	----	1952 853	1952 853	1952 853	
	Lock Pillar, Front Right . . . . .	1	----	----	----	----	1751 646
	Left . . . . .	1	----	----	----	----	1751 647
	Bottom, Front Right . . . . .	1	----	----	----	----	1751 744
	Left . . . . .	1	----	----	----	----	1751 745
	Cv. Cp., Hinge Pillar,						
	Right . . . . .	1	----	----	----	----	1810 706
	Left . . . . .	1	----	----	----	----	1810 707
	Cl. Sed., 2D. Sub., Front	2	----	1954 828	----	----	
	WEATHERSTRIP, Front Door						
	Hinge Pillar Auxiliary						
	Right . . . . .	1	----	----	----	----	1751 570
	Left . . . . .	1	----	----	----	----	1751 571
	WEATHERSTRIP, Roof Side						
	Rail						
	Sp. 4D., Sp. 4D. Sub.,						
	Right . . . . .	1	----	2094 484	2094 484	2094 484	E2188 688
	Left . . . . .	1	----	2094 485	2094 485	2094 485	E2188 689
	Sp. Cl. Cp., Right . . . . .	1	2195 428	2094 484	2094 484	2094 484	2093 630
	Left . . . . .	1	2195 429	2094 485	2094 485	2094 485	2093 631
	WEATHERSTRIP, Roof Rail						
	Door Header Rear						
	Sp. 4D., Right . . . . .	1	----	----	----	----	2094 870
	Left . . . . .	1	----	----	----	----	2094 871
	WEATHERSTRIP, Rear Door						
	Upper Hinge Side						
	Sp. 4D., Sp. 4D. Sub.,						
	Right . . . . .	1	----	2165 484	2165 484	2165 484	
	Left . . . . .	1	----	2165 485	2165 485	2165 485	
	WEATHERSEAL, Body Lock						
	Pillar Belt to Door						
	Sp. Cl. Cp., Cv. Cp.,						
	Right . . . . .	1	----	1954 618	1954 618	1954 618	
	Left . . . . .	1	----	1954 619	1954 619	1954 619	
	WEATHERSTRIP, Quarter						
	Outside Panel Lock Face Belt						
	Sp. Cl. Cp., Right . . . . .	1	2259 054				
	Left . . . . .	1	2259 055				

★ Indicates use as required.

☐ Indicates parts not listed in any previous parts book.

\* Indicates change or addition.

## 1961 PASSENGER CAR PARTS CATALOG

BODY

CODE	PART NAME AND DESCRIPTION	PER CAR	VALIANT	PLYMOUTH	DESOTO	CHRYSLER	IMPERIAL
<b>23-63-0 WEATHERSTRIP - Cont'd</b>							
23-63-33	WEATHERSEAL, Door Vent Wing Frame Front Corner Cv. Cp., Upper Right . . . Left . . . . .	1 1	---- ----	1954 718 1954 719	---- ----	1954 718 1954 719	
	SEAL, Quarter Window Opening Weatherstrip SEAL, Door Opening Upper Corner 4D., 4D. Sub., Front . . . . . Rear . . . . .	2 4 4	2082 456 2082 973 2082 974				
23-63-37	SEAL, Roof Rail Weatherstrip Retainer to Roof Rail Sp. 4D. Sp. Cl. Cp.	2 2	---- 2259 166	---- ----	---- ----	---- ----	2094 581 2094 581
23-63-55	RETAINER, Roof Side Rail Weatherstrip Sp. 4D., Right . . . . . Left . . . . . Sp. 4 D., Sp. 4 D. Sub., Pkg., Right . . . . . Left . . . . . SCREW Sp. Cl. Cp., Right . . . . . Left . . . . . Sp. Cl. Cp., Pkg., Right . . . . . Left . . . . . SCREW	1 1 1 1 32 1 1 1 1 24	---- ---- ---- ---- ---- 2195 410 2195 411 ---- ---- ---- ----	1883 290 1883 291 ---- ---- ---- 1883 294 1883 295 ---- ---- ---- ----	---- ---- 2196 671 2196 672 125 978 ---- 2196 669 2196 670 125 978	---- ---- 2196 671 2196 672 125 978 ---- 2196 669 2196 670 125 978	2093 714 2093 715  2093 366 2093 367
23-63-56	EXTENSION, Roof Side Rail Rear Weatherstrip Retainer Sp. Cl. Cp., Right . . . . . Left . . . . .	1 1	---- ----	1954 864 1954 865			
23-63-94	WEATHERSTRIP, Rear Door Window Front Frame Sp. 4D., Sp. 4D. Sub., Right . . . . . Left . . . . .	1 1	---- ----	1954 544 1954 545	1954 544 1954 545	1954 544 1954 545	1810 010 1810 017
23-63-97	WEATHERSTRIP, Door Window Glass Lower Channel Front . . . . .	2	----	----	----	----	1750 517
23-63-100	WEATHERSTRIP, Quarter Window Glass Sub. used with Outside Finish Mouldings, Right . . . . . Left . . . . . Used with Rubber Inserts, Right . . . . . Left . . . . . Front Right . . . . . Left . . . . . Rear Right . . . . . Left . . . . . 4D., Right . . . . . Left . . . . . Sp. Cl. Cp., Stationary, Right . . . . . Left . . . . . Cl. Sed., Stationary, Right . . . . . Left . . . . .	1 1 1 1 1 1 1 1 1 1 1 1 1 1 1 1 1 1 1 1	---- ---- ---- ---- 2083 124 2083 125 2083 162 2083 163 2083 122 2083 123 2195 968 2195 969 2195 308 2195 309	*2093 200 *2093 201 E2189 166 E2189 167	---- ---- ---- ----	*2093 200 *2093 201	
23-63-104	WEATHERSTRIP, Quarter Window Glass Front Frame Sp. Cl. Cp., Cv. Cp., Right . . . . . Left . . . . .	1 1	2195 444 2195 445	1954 544 1954 545	1954 544 1954 545	1954 544 1954 545	1751 610 1751 611

★ Indicates use as required.

E Indicates parts not listed in any previous parts book.  
March 1, 1962 Supersedes Jan. 6, 1961.



CODE	PART NAME AND DESCRIPTION	PER CAR	VALIANT	PLYMOUTH	DESOTO	CHRYSLER	IMPERIAL
<b>23-63-0 WEATHERSTRIP - Cont'd</b>							
23-63-106	WEATHERSTRIP, Quarter Window Opening Upper Frame Cl. Sed.	2	2195 764				
23-63-110	INSERT, Quarter Window Glass Weatherstrip 4 D. Sub., 2 D. Sub. Rubber . . . . .	2	---- --	2189 296			
	Sub. Rear, Rubber . .	2	2083 166				
23-63-112	WEATHERSTRIP, Rear Window Glass 4D., Cl. Sed., w/Low Window . . 4D., Sp. Cl. Cp., Cl. Sed. Sp. 4D., w/Low Window . . Sp. 4D., w/High Window . . Sp. 4D., Y1L, Y1M Y1H Sp. Cl. Cp., w/Low Window . . Sp. Cl. Cp., w/High Window . . Sp. Cl. Cp.	1 1 1 1 1 1 1 1 1	---- -- 2082 275 ---- -- ---- -- ---- -- ---- -- ---- -- ---- -- ---- --	1884 848 ---- -- 2166 790 ---- -- ---- -- 2166 789 2166 788 ---- --	---- -- ---- -- 1963 684 ---- -- ---- -- ---- -- 2093 652 ---- --	1963 684 1963 684 1952 661 ---- -- ---- -- ---- -- 2093 652 ---- --	2093 398 1961 509 2093 399
23-63-114	LOCKINGSTRIP, Rear Window Glass Weatherstrip Except Sub.	1	2082 278				
23-63-126	WEATHERSTRIP, Door Vent Wing 4D., 4D. Sub., Cl. Sed., 2D. Sub., Right . . . . . Left . . . . . Sp. 4D., Sp. 4D. Sub., Sp. Cl. Cp., Cv. Cp., Right . . . . . Left . . . . .	1 1 1 1	2081 356 2081 357 2195 700 2195 701	1950 594 1950 595 1950 592 1950 593	1950 594 1950 595 1950 592 1950 593	1950 594 1950 595 1950 592 1950 593	---- -- 2094 334 2094 335
23-63-127	RETAINER and Divisional CHANNEL, Door Vent Wing 4D., 4D. Sub., Cl. Sed., 2D. Sub., Right . . . . . Left . . . . . RETAINER, Door Vent Wing Weatherstrip Sp. Cl. Cp., Upper . . . . . Lower, Right . . . . . Left . . . . .	1 1 2 1 1	2081 380 E2259 345 2195 689 2195 696 2195 697	1950 478 1950 479 ---- -- ---- --	---- -- ---- -- 1950 478 1950 479	1950 478 1950 479	
23-63-171	WEATHERSTRIP, Tailgate Opening Lower Sub.	1	2082 421	2189 350	---- --	2189 350	
23-63-172	WEATHERSTRIP, Deck Lid Opening Except Sub.	1	2081 503	2166 010	2093 645	2093 645	2093 086
23-63-173	RETAINER, Deck Lid Opening Lower Panel Weatherstrip Except Sub.	1	---- --	1964 371			
23-63-181	WEATHERSTRIP, Tailgate Window Belt Sub., Inner . . . . . Outer . . . . .	1 1	E2251 452 2081 783	1878 650 1878 204	---- -- ---- --	1878 650 1878 204	

★ Indicates use as required.

⊠ Indicates parts not listed in any previous parts book.

\* Indicates change or addition.

# 1961 PASSENGER CAR PARTS CATALOG

BODY

CODE	PART NAME AND DESCRIPTION	PER CAR	VALIANT	PLYMOUTH	DESOTO	CHRYSLER	IMPERIAL
------	---------------------------	---------	---------	----------	--------	----------	----------

## 23-64-0 WINDOW AND VENT WING

NOTE 1: PLACE ORDERS DIRECT WITH YOUR USUAL SOURCE OF SUPPLY FOR MOPAR PARTS.

NOTE 2: PLACE ORDERS DIRECT WITH CHRYSLER "SAFEGUARD" DISTRIBUTOR OR GLASS SHOP.

23-64-4	BUMPER, Door and Quarter Window Down Position Stop w/Electric Window Lifts	★	----	1954 083	1954 083	1954 083	
	BUMPER, Window Glass Lower Channel Stop Bracket	★	----	----	----	----	1680 109
	BUMPER, Quarter Window Regulator Arm Guide Plate Stop						
	Upper . . . . .	2	----	----	----	----	985 563
23-64-10	GLASS and Lower CHANNEL, Tailgate Window (see Note 1)						
	Sub. Clear . . . . .	1	2082 395	2189 346	----	2189 346	
	Tinted . . . . .	1	*2082 396	*2189 347	----	*2189 347	
23-64-12	STOP, Door and Quarter Window Up Position	★	1909 529	1909 529	1909 529	1909 529	
	STOP, Rear Door Window Up Position						
	Sp. 4D., Sp. 4D. Sub., Rear . . . . .	2	----	1909 530	1909 530	1909 530	
	STOP, Quarter Window Up Position						
	Sp. Cl. Cp., Front . . . . .	2	----	1963 222	1963 222	1963 222	
	Rear . . . . .	2	----	1909 530	1909 530	1909 530	
	BRACKET, Door and Quarter Window Glass Channel Down Position Stop	★	----	1963 393	1963 393	1963 393	
	w/Electric Window Lifts						
	SUPPORT, Rear Door Glass Channel Down Position Stop Bracket						
	Sp. 4D., Sp. 4D. Sub. w/Electric Window Lifts	2	----	1963 392	1963 392	1963 392	
	SUPPORT, Quarter Window Lift Down Position Stop Bracket						
	Sp. Cl. Cp., w/Electric Window Lifts	2	----	1963 428	1963 428	1963 428	
	BRACKET, Door Glass Down Position Stop	★	----	----	----	----	1475 487
	BRACKET, Rear Door Window Lower Stop . . . . .	2	----	----	----	----	1750 606
	BRACKET, Quarter Window Stop Support Lower	2	----	----	----	----	1750 806
	SUPPORT, Quarter Window Lower	2	----	----	----	----	1750 537
	STOP, Front Door Window Up Position, on Door	2	----	----	----	----	1750 609
	STOP, Rear Door Window Up Position, on Rear Track						
	Right . . . . .	1	----	----	----	----	1751 692
	Left . . . . .	1	----	----	----	----	1751 693
	STOP, Rear Door Window Up Position, on Door						
	Right . . . . .	1	----	----	----	----	1751 698
	Left . . . . .	1	----	----	----	----	1751 699
	SUPPORT, Quarter Window Up Position Stop Bumper, on Glass Lower Channel						
	Front Right . . . . .	1	----	----	----	----	1750 658
	Left . . . . .	1	----	----	----	----	1750 659
	Rear Right . . . . .	1	----	----	----	----	1691 104
	Left . . . . .	1	----	----	----	----	1691 105

★ Indicates use as required.

⊠ Indicates parts not listed in any previous parts book. March 1, 1962 Supersedes Jan. 6, 1961.

Printed in U.S.A.

Prices and specifications subject to change without notice.

\* Indicates change or addition.

CODE	PART NAME AND DESCRIPTION	PER CAR	VALIANT	PLYMOUTH	DESOTO	CHRYSLER	IMPERIAL
<b>23-64-0 WINDOW AND VENT WING - Cont'd</b>							
23-64-34	RIVET, Quarter Window Frame to Weatherstrip Retainer Sp. Cl. Cp., Cv. Cp., Upper . . . . . Lower . . . . .	★ ★	----- -----	----- -----	----- -----	----- -----	6000 174 6000 143
	RIVET, Quarter Window Divisional Bar Guide Channel 4D. Sub.	★	6000 157				
23-64-41	STUD, Door Vent Wing Adjusting	★	1950 830	1950 830	1950 830	1950 830	
23-64-46	NUT, Door Vent Wing Frame Lower Corner Cap Self Thread Sp. 4D., Sp. 4D. Sub., Sp. Cl. Cp., Cv. Cp.	2	-----	2165 703	2165 703	2165 703	
23-64-47	CAP, Door Vent Wing Frame Lower Corner Sp. 4D., Sp. 4D. Sub., Sp. Cl. Cp., Cv. Cp. Right . . . . . Left . . . . .	1 1	----- -----	2165 996 2165 997	2165 998 2165 999	2165 998 2165 999	
23-64-48	FRAME and DIVISIONAL CHANNEL, Door Vent Wing Sp. 4D., Sp. 4D. Sub., Sp. Cl. Cp., Cv. Cp. Right . . . . . Left . . . . . w/Power Vent, Right . . . . . Left . . . . . DIVISIONAL CHANNEL, Door Vent Sp. Cl. Cp.	1 1 1 1 2	2195 690 2195 691 ----- ----- 2195 698	1952 348 1952 349 ----- -----	1952 348 1952 349 ----- -----	1952 348 1952 349 ----- -----	1960 948 1960 949 2093 942 2093 943
23-64-49	FRAME, Door Vent Wing Sp. Cl. Cp., Right . . . . . Left . . . . .	1 1	2195 694 2195 695				
23-64-60	RIVET, Door Vent Wing Frame to Lower Retainer Sp. 4D., Sp. 4D. Sub., Sp. Cl. Cp., Cv. Cp.	2	-----	1578 269	1578 269	1578 269	6000 019
23-64-66	FRAME, Rear Window Opening Upper 4D. Cl. Sed. 4 D. w/Low Window . . w/High Window . . Sp. 4D., w/Low Window . . w/High Window . . Sp. Cl. Cp. w/Low Window . . w/High Window . . 4D., Sp. Cl. Cp., Cl. Sed. Sp. 4D. Sp. Cl. Cp.	1 1 1 1 1 1 1 1 1 1	----- ----- ----- ----- ----- ----- 2081 227 ----- -----	1909 320 ----- ----- 1963 228 1909 321 1963 306 ----- -----	----- ----- 1909 322 1963 229 1909 322 1963 229 ----- 1909 323 ----- -----	----- ----- 1909 322 1909 322 1963 229 ----- 1909 323 ----- -----	----- ----- ----- ----- ----- ----- ----- ----- ----- ----- ----- ----- -----
	FRAME, Rear Window Opening Side 4D., Cl. Sed., Right . . . . . Left . . . . . 4D., w/Low Window, Right . . . . . Left . . . . . 4 D., w/High Window, Right . . . . . Left . . . . . Sp. 4D., w/Low Window, Right . . . . . Left . . . . . Sp. 4D., w/High Window, Right . . . . . Left . . . . . Sp. Cl. Cp., Right . . . . . Left . . . . .	1 1 1 1 1 1 1 1 1 1 1 1 1 1 1 1	----- ----- ----- ----- ----- ----- ----- ----- ----- ----- ----- ----- ----- ----- ----- -----	1869 892 1869 893 ----- ----- ----- ----- ----- ----- ----- ----- ----- ----- ----- ----- ----- ----- -----	----- ----- ----- ----- ----- ----- ----- ----- ----- ----- ----- ----- ----- ----- ----- -----	----- ----- ----- ----- ----- ----- ----- ----- ----- ----- ----- ----- ----- ----- ----- -----	----- ----- ----- ----- ----- ----- ----- ----- ----- ----- ----- ----- ----- ----- ----- -----

★ Indicates use as required.  
 □ Indicates parts not listed in any previous parts book.  
 \* Indicates change or addition.



CODE	PART NAME AND DESCRIPTION	PER CAR	VALIANT	PLYMOUTH	DESOTO	CHRYSLER	IMPERIAL
<b>23-64-0 WINDOW AND VENT WING - Cont'd</b>							
23-64-66	FRAME, Rear Window Opening Lower 4D., Sp. Cl. Cp., Cl. Sed.	1	2081 226				
	FRAME, Rear Window Opening Lower End 4D., Sp. 4D., Right . . . . .	1	----	----	1954 668	1954 668	
	Left . . . . .	1	----	----	1954 669	1954 669	
	4D., Sp. Cl. Cp., Cl. Sed., Right . . . . .	1	2081 248				
	Left . . . . .	1	2081 249				
	FRAME, Rear Window Opening Sp. 4 D., Y1-H Center . . . . .	1	----	----	----	----	2189 374
	Side Right . . . . .	1	----	----	----	----	2189 370
	Left . . . . .	1	----	----	----	----	2189 371
	Upper End, Right . . . . .	1	----	----	----	----	2189 372
	Left . . . . .	1	----	----	----	----	2189 373
23-64-67	REINFORCEMENT, Rear Window Upper Frame Sp. 4D., Right . . . . .	1	----	----	----	----	1877 364
	Left . . . . .	1	----	----	----	----	1877 365
	Sp. Cl. Cp., Right . . . . .	1	----	----	----	----	1877 390
	Left . . . . .	1	----	----	----	----	1877 391
23-64-68	EXTENSION, Rear Window Opening Upper Frame Sp. Cl. Cp., w/Low Window Right . . . . .	1	----	1952 686			
	Left . . . . .	1	----	1952 687			
	w/Low Window, Right . . . . .	1	----	1884 562			
	Left . . . . .	1	----	1884 563			
	EXTENSION, Rear Window Opening Lower Frame Sp. Cl. Cp., Right . . . . .	1	----	1909 608			
	Left . . . . .	1	----	1909 609			
23-64-70	GUSSET, Rear Window Upper Frame to Wheelhouse Sp. Cl. Cp., w/High Window, Right . . . . .	1	----	1952 678			
	Left . . . . .	1	----	1952 679			
	w/Low Window, Right . . . . .	1	----	1884 610			
	Left . . . . .	1	----	1884 611			
23-64-71	BUMPER or PLUG, Door Glass Upper Corner, on Divisional Channel Sp. 4D., Sp. 4D. Sub., Sp. Cl. Cp., Cv. Cp., Right . . . . .	1	2195 702	1964 228	1964 228	1964 228	2093 809
	Left . . . . .	1	2195 703	1964 229	1964 229	1964 229	2093 809
23-64-74	SEAL, Door Vent Wing to Door Inner Panel Sp. 4D., Sp. 4D. Sub., Sp. Cl. Cp., Cv. Cp.	2	----	2165 519	2165 519	2165 519	
23-64-75	MOTOR and TRANSMISSION, Electric Vent Wing Right . . . . .	1	----	----	----	----	2093 030
	Left . . . . .	1	----	----	----	----	2093 031
23-64-76	BRACKET, Electric Vent Wing Motor Mounting Right . . . . .	1	----	----	----	----	1961 802
	Left . . . . .	1	----	----	----	----	1961 803
23-64-78	DRIVE SHAFT, GEAR and RETAINERS, Electric Vent Wing Right . . . . .	1	----	----	----	----	2093 048
	Left . . . . .	1	----	----	----	----	2093 049

★ Indicates use as required.

☐ Indicates parts not listed in any previous parts book.  
March 1, 1962 Supersedes Jan. 6, 1961.

Printed in U.S.A.

Prices and specifications subject to change without notice.

CODE	PART NAME AND DESCRIPTION	PER CAR	VALIANT	PLYMOUTH	DESOTO	CHRYSLER	IMPERIAL
<b>23-64-O WINDOW AND VENT WING - Cont'd</b>							
23-64-79	COUPLING, Electric Vent Wing Shaft to Pivot	2	----	----	----	----	1961 977
23-64-83	SHIM, Electric Vent Wing Motor Mounting Bracket to Door	2	----	----	----	----	6006 512
	WASHER, Electric Vent Wing Motor Mounting Bracket to Door	1	----	----	----	----	6006 507
23-64-107	WEDGE, Door Vent Wing Upper Pivot Adjusting 4D., 4D. Sub., Cl. Sed.	2	2082 854				
23-64-174	GLASS, Frame and Lower Channel, Quarter Window (see Note 1)						
	Sp. Cl. Cp. Clear, Right . . .	1	2195 354	1909 430	1961 782	1961 782	
	Left . . . . .	1	2195 355	1909 431	1961 783	1961 783	
	Tinted, Right . . .	1	*2195 360	*1909 432	*1961 784	*1961 784	
	Left . . . . .	1	2195 361	1909 433	1961 785	1961 785	
	Cv. Cp., Clear, Right . . .	1	----	1909 682	----	1909 688	
	Left . . . . .	1	----	1909 683	----	1909 689	
	Tinted, Right . . .	1	----	*1909 684	----	*1909 690	
	Left . . . . .	1	----	1909 685	----	1909 691	
23-64-197	GUIDE, Quarter Window Glass Lower Frame Stabilizer	4	----	----	1961 681	1961 681	
23-64-198	CHANNEL, Quarter Window Glass Lower Frame						
	Sp. Cl. Cp., Right . . . . .	1	----	----	1961 822	1961 822	
	Left . . . . .	1	----	----	1961 823	1961 823	
23-64-237	CLAMP, Door Vent Wing Upper Pivot to Glass	2	1708 998	1708 998	1708 998	1708 998	
	PLATE, Door Vent Wing Upper Pivot to Glass Base Anchor	2	----	----	----	----	1755 366
23-64-240	PIVOT, Door Vent Wing Upper 4D., 4D. Sub., Cl. Sed., 2D. Sub.,						
	Right . . . . .	1	2081 394	1950 356	----	1950 356	
	Left . . . . .	1	2081 395	1950 357	----	1950 357	
	PIVOT PACKAGE, Door Vent Wing Upper						
	4D., 4D. Sub., Cl. Sed., 2D. Sub.						
	Right . . . . .	1	----	2216 344	----	2216 344	
	Left . . . . .	1	----	2216 345	----	2216 345	
	SCREW . . . . .	2	----	125 978	----	125 978	
23-64-242	BRACKET, Door Vent Wing Upper Pivot						
	4D., 4D. Sub., Cl. Sed., 2D. Sub.						
	Right . . . . .	1	2081 648	1950 292	1950 292	1950 292	
	Left . . . . .	1	2081 649	1950 293	1950 293	1950 293	
	Sp. 4D., Sp. 4D. Sub., Sp. Cl. Cp.,						
	Cv. Cp., Right . . . . .	1	2081 648	1950 292	1950 292	1950 292	2094 464
	Left . . . . .	1	2081 649	1950 293	1950 293	1950 293	2094 465
	BRACKET and PIVOT, Door Vent Wing Upper						
	Sp. 4D., Sp. 4D. Sub., Sp. Cl. Cp.,						
	Cv. Cp., Right . . . . .	1	2195 998	2166 680	2166 680	2166 680	2094 462
	Left . . . . .	1	2195 999	2166 681	2166 681	2166 681	2094 463
	CLAMP, Door Vent Wing Lower Pivot Tension						
	Right . . . . .	1	2081 379	1776 504	1776 504	1776 504	
	Left . . . . .	1	2081 379	1776 505	1776 505	1776 505	
23-64-246	SHIM, Door Vent Wing Frame to Door	★	----	----	----	----	1349 190
23-64-247	SCREW, Door Vent Wing Upper Pivot Base	2	6000 374	6000 374	6000 374	6000 374	6000 374
	SCREW, Door Vent Wing Lower Pivot Tension Clamp	2	6006 244	6006 244	6006 244	6006 244	6006 244

★ Indicates use as required.  
 □ Indicates parts not listed in any previous parts book.  
 \* Indicates change or addition.

# 1961 PASSENGER CAR PARTS CATALOG

BODY

CODE	PART NAME AND DESCRIPTION	PER CAR	VALIANT	PLYMOUTH	DESOTO	CHRYSLER	IMPERIAL
<b>23-64-O WINDOW AND VENT WING - Cont'd</b>							
23-64-254	TRACK, Rear Door Window Roller						
	4D., 4D. Sub., Right . . . . .	1	2082 458	2165 294	2165 294	2165 294	
	Left . . . . .	1	2082 459	2165 295	2165 295	2165 295	
	Sp. 4D., Sp. 4D. Sub.,						
	Front Right . . .	1	----	1883 884	1883 884	1883 884	
	Left . . . . .	1	----	1883 885	1883 885	1883 885	
	Rear . . . . .	2	----	1954 418	1954 418	1954 418	
23-64-255	FRAME or EXTENSION, Door Window Glass						
	Sp. 4D., Front, Right . . .	1	----	----	----	----	1750 534
	Left . . . . .	1	----	----	----	----	1750 535
	Rear, Upper and Front,						
	Right . . . . .	1	----	----	----	----	1691 842
	Left . . . . .	1	----	----	----	----	1691 843
	Rear, Right . . .	1	----	----	----	----	1691 788
	Left . . . . .	1	----	----	----	----	1691 789
	Sp. Cl. Cp., Cv. Cp.,						
	Front Right . . .	1	----	----	----	----	1751 092
	Left . . . . .	1	----	----	----	----	1751 093
	Cl. Sed., Front, Right . . .	1	2195 260				
	Left . . . . .	1	2195 261				
23-64-263	LOCKWASHER, Window Roller Track Adjusting Stud to Panel	1	----	----	6006 192	6006 192	6006 192
23-64-265	GLASS, Frame and Lower Channel, Front Door Window (see Note 1)						
	Sp. 4D., Sp. 4D. Sub.,						
	Clear, Right . . .	1	----	1909 694	1909 694	1909 694	
	Left . . . . .	1	----	1909 695	1909 695	1909 695	
	Tinted, Right . . .	1	----	*1909 696	*1909 696	*1909 696	
	Left . . . . .	1	----	1909 697	1909 697	1909 697	
	Sp. Cl. Cp., Cv. Cp.,						
	Clear, Right . . .	1	2195 426	1909 302	1909 710	1909 710	
	Left . . . . .	1	2195 427	1909 303	1909 711	1909 711	
	Tinted, Right . . .	1	*2195 680	*1909 304	*1909 712	*1909 712	
	Left . . . . .	1	2195 681	1909 305	1909 713	1909 713	
	Cl. Sed., Less Frame,						
	Clear, Right . . .	1	2195 682				
	Left . . . . .	1	2195 683				
	Tinted, Right . . .	1	*2195 684				
	Left . . . . .	1	2195 685				
	GLASS, Frame and Lower Channel, Rear Door Window						
	Sp. 4D., Sp. 4D. Sub.,						
	Clear, Right . . .	1	----	1909 704	1909 698	1909 698	
	Left . . . . .	1	----	1909 705	1909 699	1909 699	
	Tinted, Right . . .	1	----	*1909 706	*1909 700	*1909 700	
	Left . . . . .	1	----	1909 707	1909 701	1909 701	
23-64-273	SUPPORT, Door Vent Wing Divisional Channel to Inside Panel Lower	2	----	1909 856	1909 856	1909 856	
	Sp. Cl. Cp., Right . . . . .	1	2195 864				
	Left . . . . .	1	2195 865				
23-64-275	STUD, Window Roller Track Adjusting	★	1883 554	1883 554	1883 554	1883 554	
	STUD, Window Roller Track Lower Support						
	Sp. 4D., Sp. 4D. Sub.,						
	Rear Door . . . . .	★	----	1954 674	1954 674	1954 674	
	Sp. Cl. Cp., Cv. Cp.,						
	Quarter . . . . .	★	----	1954 674	1954 674	1954 674	
23-64-278	GROMMET, Door Vent Wing Upper Pivot Bracket to Glass	2	1909 917	1909 917	1909 917	1909 917	1751 492

★ Indicates use as required.

⊞ Indicates parts not listed in any previous parts book.  
March 1, 1962 Supersedes Jan. 6, 1961.

Printed in U.S.A.  
Prices and specifications subject to change without notice.  
\* Indicates change or addition.

CODE	PART NAME AND DESCRIPTION	PER CAR	VALIANT	PLYMOUTH	DESOTO	CHRYSLER	IMPERIAL
<b>23-64-O WINDOW AND VENT WING - Cont'd</b>							
23-64-279	WASHER or INSULATOR, Door Vent Wing Upper Pivot Bracket to Glass	2	-----	-----	-----	-----	1751 489
23-64-280	PANEL, Quarter Window Opening Cl. Sed., 2D. Sub.,						
	Front Right . . .	1	-----	1869 868			
	Left . . . . .	1	-----	1869 869			
	Cl. Sed., Upper Right . . .	1	-----	1869 872			
	Left . . . . .	1	-----	1869 873			
	2D. Sub., Upper Right . . .	1	-----	1884 522			
	Left . . . . .	1	-----	1884 523			
	FRAME, Quarter Window Sub.,						
	Front Right . . .	1	-----	1960 066	-----	1960 066	
	Left . . . . .	1	-----	1960 067	-----	1960 067	
	Cl. Sed., Upper Right . . .	1	2195 306				
	Left . . . . .	1	2195 307				
	FRAME, Quarter Window Glass Sp. Cl. Cp., Cv. Cp.,						
	Front, Right . . .	1	-----	-----	-----	-----	1751 890
	Left . . . . .	1	-----	-----	-----	-----	1751 891
	Rear and Extension, Right . . . . .	1	-----	-----	-----	-----	1691 616
	Left . . . . .	1	-----	-----	-----	-----	1691 617
23-64-287	PLATE and ROLLERS, Quarter Window Glass Lower Frame Mounting						
	Sp. Cl. Cp., Right . . . . .	1	2195 744				
	Left . . . . .	1	2195 745				
	PLATE, Quarter Window Glass Lower Frame Roller Mounting						
	Sp. Cl. Cp., Right . . . . .	1	2195 686				
	Left . . . . .	1	2195 687				
23-64-299	TRACK or CHANNEL, Quarter Window Roller						
	Sp. Cl. Cp., Right . . . . .	1	2259 102	1952 725	1952 725	1952 725	
	Left . . . . .	1	2259 103	1952 725	1952 725	1952 725	
	Cv. Cp., Front Right . . .	1	-----	B2253 926	-----	B2253 926	
	Left . . . . .	1	-----	B2253 927	-----	B2253 927	
	Rear Right . . .	1	-----	1952 994	-----	1952 994	
	Left . . . . .	1	-----	1952 995	-----	1952 995	
	Cl. Sed., 2D. Sub., Right . . . . .	1	-----	2165 294			
	Left . . . . .	1	-----	2165 295			
	Cv. Cp., w/STUDS, Rear Right . . .	1	-----	2166 808	-----	2166 808	
	Left . . . . .	1	-----	2166 809	-----	2166 809	
	w/STUDS, Front . . . . .	2	-----	*2166 806	-----	*2166 807	
23-64-306	GLASS, Lower Pivot and Bracket, Door Vent Wing (see Note 1)						
	4 D., 4 D. Sub., Cl. Sed., 2D. Sub., Clear, Right . . .	1	2083 296	1954 104	-----	1954 104	
	Left . . . . .	1	2083 297	1954 105	-----	1954 105	
	Tinted, Right . . .	1	*2083 298	*1954 106	-----	*1954 106	
	Left . . . . .	1	2083 299	1954 107	-----	1954 107	
	Sp. 4D., Sp. 4D. Sub., Sp. Cl. Cp., Cv. Cp., Clear, Right . . .	1	2083 296	1954 100	1954 100	1954 100	
	Left . . . . .	1	2083 297	1954 101	1954 101	1954 101	
	Tinted, Right . . .	1	*2083 298	*1954 102	*1954 102	*1954 102	
	Left . . . . .	1	2083 299	1954 103	1954 103	1954 103	

★ Indicates use as required.

☐ Indicates parts not listed in any previous parts book.

\* Indicates change or addition.



CODE	PART NAME AND DESCRIPTION	PER CAR	VALIANT	PLYMOUTH	DESOTO	CHRYSLER	IMPERIAL
<b>23-64-0 WINDOW AND VENT WING - Cont'd</b>							
23-64-306	GLASS - Cont'd						
	Sp. 4D., Sp. Cl. Cp., Cv. Cp.,						
	Clear, Right . . .	1	----	----	----	----	2094 518
	Left . . . . .	1	----	----	----	----	2094 519
	Tinted, Right . . .	1	----	----	----	----	*2094 520
	Left . . . . .	1	----	----	----	----	2094 521
	w/Power Vent, Clear, Right . . .	1	----	----	----	----	2094 522
	Left . . . . .	1	----	----	----	----	2094 523
	Tinted, Right . . .	1	----	----	----	----	*2094 524
	Left . . . . .	1	----	----	----	----	2094 525
23-64-308	GLASS, Front Door Window (see Note 2)						
	4D., 4D.Sub., Clear . . . . .	2	2081 370	1883 268	----	1883 268	
	Tinted . . . . .	2	*2081 355	*1883 269	----	*1883 269	
	Sp. 4D., Clear, Right . . .	1	----	----	----	----	1691 156
	Left . . . . .	1	----	----	----	----	1691 157
	Tinted, Right . . .	1	----	----	----	----	*1691 196
	Left . . . . .	1	----	----	----	----	1691 197
	GLASS, Rear Door Window						
	4D., Clear . . . . .	2	2081 467	1950 255	----	1883 271	
	Tinted . . . . .	2	*2081 547	*1950 256	----	*1883 272	
	4D. Sub., Clear . . . . .	2	2081 467	1883 271	----	----	
	Tinted . . . . .	2	*2081 547	*1883 272	----	----	
	Sp. 4D., Clear, Right . . .	1	----	----	----	----	1691 152
	Left . . . . .	1	----	----	----	----	1691 153
	Tinted, Right . . .	1	----	----	----	----	*1691 174
	Left . . . . .	1	----	----	----	----	1691 175
	GLASS, Door Window						
	Sp. Cl. Cp., Cv. Cp.,						
	Clear, Right . . .	1	----	----	----	----	1691 076
	Left . . . . .	1	----	----	----	----	1691 077
	Tinted, Right . . .	1	----	----	----	----	*1691 078
	Left . . . . .	1	----	----	----	----	1691 079
	Cl. Sed., 2D. Sub.,						
	Clear . . . . .	2	----	1884 888	----	----	
	Tinted . . . . .	2	----	*1884 889	----	----	
23-64-311	GLASS, Quarter Window (see Note 2)						
	Sp. Cl. Cp., Cv. Cp.,						
	Clear, Right . . .	1	----	----	----	----	1691 238
	Left . . . . .	1	----	----	----	----	1691 239
	Tinted, Right . . .	1	----	----	----	----	*1691 240
	Left . . . . .	1	----	----	----	----	1691 241
	Cl. Sed., Clear . . . . .	2	----	1950 667	----	----	
	Tinted . . . . .	2	----	*1950 668	----	----	
	Drop. Clear . . .	2	2195 302	----	----	----	
	Tinted . . . . .	2	*2195 303	----	----	----	
	2D. Sub., Clear . . . . .	2	----	1950 683	----	----	
	Tinted . . . . .	2	----	*1950 684	----	----	
	Sp. Cl. Cp., Cl. Sed.,						
	Stationary Clear. . .	2	2195 304	----	----	----	
	Tinted . . . . .	2	*2195 305	----	----	----	
	4D., Clear . . . . .	2	2081 198	----	----	----	
	Tinted . . . . .	2	*2081 555	----	----	----	
	4D. Sub., Front, Clear . . .	2	2081 710	----	----	----	
	Tinted . . . . .	2	*2081 827	----	----	----	
	Rear Clear, Right . .	1	2081 196	----	----	----	
	Left . . . . .	1	2081 197	----	----	----	
	Rear Tinted, Right . . .	1	*2081 830	----	----	----	
	Left . . . . .	1	2081 831	----	----	----	
	Sub., Stationary Clear,						
	Right . . . . .	1	----	1878 180	----	1878 180	
	Left . . . . .	1	----	1878 181	----	1878 181	
	Stationary Tinted, Right . . .	1	----	*1878 184	----	*1878 184	
	Left . . . . .	1	----	1878 185	----	1878 185	

★ Indicates use as required.

☐ Indicates parts not listed in any previous parts book.  
March 1, 1962 Supersedes Jan. 6, 1961.

CODE	PART NAME AND DESCRIPTION	PER CAR	VALIANT	PLYMOUTH	DESOTO	CHRYSLER	IMPERIAL
<b>23-64-0 WINDOW AND VENT WING - Cont'd</b>							
23-64-313	STUD, Quarter Window Roller Track to Inside Panel Sp. Cl. Cp.	2	6022 130				
23-64-314	GLASS, Rear Window (see Note 2) 4D., Sp. Cl. Cp., Cl. Sed., Clear . . . . .	1	2081 257				
	Tinted . . . . .	1	*2081 533				
	4D., Cl. Sed., w/Low Window Clear . . . . .	1	-----	1869 628	-----	1869 630	
	Tinted . . . . .	1	-----	*1954 074	-----	*1954 217	
	4D., w/High Window Clear . . . . .	1	-----	-----	-----	2165 515	
	Tinted . . . . .	1	-----	-----	-----	*1952 643	
	Sp. 4 D., w/Low Window, Clear . . . . .	1	-----	-----	1869 630	1869 630	
	Tinted . . . . .	1	-----	-----	*1954 217	*1954 217	
	w/High Window, Clear . . . . .	1	-----	2165 514	-----	2165 515	
	Tinted . . . . .	1	-----	*1952 699	-----	*1952 643	
	Y1L, Y1M, Clear . . . . .	1	-----	-----	-----	-----	1877 316
	Sun Shade . . . . .	1	-----	-----	-----	-----	1877 325
	Y1H, Clear . . . . .	1	-----	-----	-----	-----	1961 508
	Tinted . . . . .	1	-----	-----	-----	-----	*1961 646
	Sp. Cl. Cp., w/Low Window, Clear . . . . .	1	-----	1869 629	-----	-----	
	Tinted . . . . .	1	-----	*1954 237	-----	-----	
	w/High Window, Clear . . . . .	1	-----	1964 261	1877 958	1877 958	
	Tinted . . . . .	1	-----	*1952 668	*1878 161	*1878 161	
	Clear . . . . .	1	-----	-----	-----	-----	1877 317
	Tinted . . . . .	1	-----	-----	-----	-----	*1877 324
<b>23-66-0 WINDSHIELD</b>							
NOTE 2: PLACE ORDERS DIRECT WITH CHRYSLER "SAFEGUARD" DISTRIBUTOR OR GLASS SHOP.							
23-66-65	FRAME, Windshield Opening Side Right . . . . .	1	2081 838				
	Left . . . . .	1	2081 839				
23-66-77	REINFORCEMENT, Windshield Opening Upper Frame Sp. 4D., Sp. Cl. Cp.	1	-----	-----	-----	-----	1960 768
23-66-135	GLASS, Windshield (see Note 2) Clear . . . . .	1	2081 117	-----	-----	-----	1651 431
	Tinted . . . . .	1	*2081 532	-----	-----	-----	*1690 871
	Cv. Cp., Clear . . . . .	1	-----	1869 627	-----	1869 627	
	Tinted . . . . .	1	-----	*1954 216	-----	*1954 216	
	Except Cv. Cp., Clear . . . . .	1	-----	2165 418	2165 418	2165 418	
	Sunshade . . . . .	1	-----	2165 419	2165 419	2165 419	
23-66-235	WEATHERSTRIP, Windshield Glass Except Cv. Cp.	1	2082 249	2166 675	2166 675	2166 675	2093 638
	Cv. Cp.	1	-----	1882 146	-----	1882 146	2093 638
23-66-239	LOCKINGSTRIP, Windshield Glass Weatherstrip V1L, W1L, Mylar . . . . .	1	2082 278				
<b>23-67-0 WINDSHIELD WIPER</b>							
23-67-5	ARM, Windshield Wiper Right . . . . .	1	-----	-----	-----	-----	*2257 258
	Left . . . . .	1	-----	-----	-----	-----	*2257 259
	ARM and BLADE, Windshield Wiper Right . . . . .	1	-----	2258 106	2258 106	2258 108	
	Left . . . . .	1	-----	2258 107	2258 107	2258 109	

★ Indicates use as required.

☐ Indicates parts not listed in any previous parts book.

\* Indicates change or addition.

Printed in U.S.A.  
Prices and specifications subject to change without notice.

CODE	PART NAME AND DESCRIPTION	PER CAR	VALIANT	PLYMOUTH	DESOTO	CHRYSLER	IMPERIAL
<b>23-67-0 WINDSHIELD WIPER - Cont'd</b>							
23-67-5	ARM and BRIDGE, Windshield Wiper						
	Right . . . . .	1	2076 678				
	Left . . . . .	1	2076 679				
23-67-10	GEAR and DRIVE END COVER PLATE GASKET PACKAGE, Windshield Wiper Motor						
	w/Single Speed Motor . .	1	1879 601	1879 601	1879 601	1879 601	
	w/Variable Speed Motor.	1	2240 256	1879 598	1879 598	1879 598	1879 598
23-67-16	BRUSH and SPRING PACKAGE, Windshield Wiper Motor,						
	w/Single Speed Motor . .	1	1752 518	1752 518	1752 518	1752 518	
	w/Variable Speed Motor.	1	1752 518	1627 273	1627 273	1627 273	1627 273
23-67-18	BRACKET, Windshield Wiper Motor Mounting						
	Single Speed . . .	1	2076 355	1838 293	1838 293	1838 293	
	Variable Speed . .	1	2076 355	1838 289	1838 289	1838 289	1838 289
23-67-20	GROMMET, Windshield Wiper Motor Mounting	3	1594 992	1594 992	1594 992	1594 992	1594 992
23-67-25	BLADE, Windshield Wiper	2	----	1879 499	1879 499	1879 499	1879 499
	REFILL, Windshield Wiper Blade	2	2196 333	1818 892	1818 892	1818 892	1818 892
23-67-48	ADAPTER, Windshield Wiper Pivot						
	Right . . . . .	1	----	----	----	----	1704 062
	Left . . . . .	1	----	----	----	----	1704 063
23-67-49	GASKET, Windshield Wiper Pivot Adapter	2	----	----	----	----	1704 066
23-67-50	NUT, Windshield Wiper Pivot Adapter	2	----	----	----	----	1770 140
23-67-76	LEVER or ARM, Windshield Wiper Link Crank						
	Single Speed . . .	1	2076 081	1838 936	1838 936		
	Variable Speed . .	1	2076 081	1838 292	1838 292	1838 292	1838 292
23-67-79	LINK, Windshield Wiper Crank Lever to Pivot						
	Cv. Cp., Single Speed,						
	Right . . . . .	1	----	1030 934			
	Left . . . . .	1	----	1838 935			
	Except Cv. Cp., Single Speed,						
	Right . . . . .	1	2076 618	2198 363	2198 363	2198 363	
	Left . . . . .	1	2076 069	2198 364	2198 364	2198 364	
	Cv. Cp., Variable Speed,						
	Right . . . . .	1	----	1842 407	----	1842 407	1841 679
	Left . . . . .	1	----	1838 291	----	1838 291	2198 099
	Except Cv. Cp., Variable Speed,						
	Right . . . . .	1	2076 617	2198 348	2198 348	2198 348	1841 679
	Left . . . . .	1	2076 071	2198 349	2198 349	2198 349	2198 099
23-67-80	RETAINER, Windshield Wiper Link to Pivot	2	1605 299	1605 299	1605 299	1605 299	1605 299
	To Crank Arm, Right . . . . .	1	1642 029	1642 029	1642 029	1642 029	1642 029
	Left . . . . .	1	----	1886 202	1886 202	1886 202	1886 202
23-67-81	WASHER, Windshield Wiper Link to Crank Lever, Felt w/Single Speed Wipers	★	1540 383	1540 383	1540 383		
23-67-82	WASHER, Windshield Wiper Link to Pivot	2	1605 604	1605 604	1605 604	1605 604	1605 604
	WASHER, Windshield Wiper Link to Crank Lever,						
	Single Speed, to Motor	1	----	1622 352	1622 352		
	w/Variable Speed Wipers,						
	Plain . . . . .	1	1770 289	1770 289	1770 289	1770 289	1770 289
	Spring Type . . .	1	1770 290	1770 290	1770 290	1770 290	1770 290
	Shake Proof . . .	1	----	1770 296	1770 296	1770 296	1770 296

★ Indicates use as required.

☐ Indicates parts not listed in any previous parts book.  
March 1, 1962.

Printed in U.S.A.

Prices and specifications subject to change without notice.

\* Indicates change or addition.

CODE	PART NAME AND DESCRIPTION	PER CAR	VALIANT	PLYMOUTH	DESOTO	CHRYSLER	IMPERIAL
<b>23-67-0 WINDSHIELD WIPER - Cont'd</b>							
23-67-85	GASKET, Windshield Wiper Pivot Mounting .12" thick . . . . .	2	----	1887 001	1887 001	1887 001	
	Cv. Cp. .06" thick . . . . .	2	----	1838 242	----	1838 242	
	Except Cv. Cp. .06" thick . . . . .	2	----	2198 407	2198 407	2198 407	
23-67-86	PIVOT, Windshield Wiper Cv. Cp. Except Cv. Cp., Right . . . . .	2 1	----	1841 191 2076 241	----	1841 191 2240 526	1841 682
	Left . . . . .	1	2076 241	2240 527	2240 527	2240 527	1841 683
	Cv. Cp., Right . . . . .	1	----	----	----	----	1841 682
	Left . . . . .	1	----	----	----	----	1841 683
23-67-91	SCREW and WASHER, Windshield Wiper Pivot Mounting	4	----	----	----	----	1704 061
23-67-95	NUT and WASHER, Windshield Wiper Pivot Mounting	4	2076 232	2076 232	2076 232	2076 232	
23-67-98	MOTOR, Windshield Wiper Single Speed . . . . .	1	2084 884	1879 583	1879 583	1879 583	
	Variable Speed . . . . .	1	2084 885	1842 964	1842 964	1842 964	1842 964
23-67-100	SPACER, Windshield Wiper Motor Mounting 15/32" Hole . . . . .	3	1594 995	1594 995	1594 995	1594 995	1594 995
23-67-102	WASHER, Windshield Wiper Motor Mounting 9/32" Hole . . . . .	3	1594 993	1594 993	1594 993	1594 993	1594 993
23-67-129	REINFORCEMENT, Windshield Wiper Motor to Dash Panel Mounting	1	----	1846 350	1846 350	1846 350	1846 350
23-67-139	GASKET, Windshield Wiper Pivot to Cowl	2	2076 084				
23-67-140	NUT, Windshield Wiper Pivot Gasket to Cowl	2	2076 085				
23-67-160	SWITCH, Windshield Wiper Single Speed . . . . .	1	2084 886	2240 533	1879 267	1879 267	
	Variable Speed . . . . .	1	2076 524	2096 988	1971 705	1971 707	
	Single Speed, w/Washer	1	----	----	----	2258 147	
	Variable Speed, w/Washer	1	----	----	2096 231	2198 255	2198 256
23-67-161	NUT, Windshield Wiper Switch Mounting	1	1339 711	1887 603			
23-67-153	CIRCUIT BREAKER, Windshield Wiper Switch w/TERMINAL . . . . .	1	----	1770 661	1770 661	2097 148	1886 696
	w/o Terminal . . . . .	1	1658 366	1642 384	1642 384	1642 384	1642 384
23-67-164	SWITCH CONTACT, COVER PLATE and GASKET PACKAGE, Windshield Wiper Motor w/Single Speed Motor	1	1879 602	1879 602	1879 602	1879 602	
	w/Variable Speed Motor	1	2240 257	1879 599	1879 599	1879 599	1879 599
23-67-166	TERMINAL, Windshield Wiper Switch Circuit Breaker	1	----	1770 660	1770 660	1770 660	1770 660
23-67-194	KNOB, Windshield Wiper Switch w/o Washers . . . . .	1	----	1887 591	2257 478	1887 991	
	w/WASHERS . . . . .	1	----	----	----	1887 989	2256 282
	Single Speed . . . . .	1	2209 145				
	Variable Speed . . . . .	1	2209 145				
23-67-195	BEZEL, Windshield Wiper Switch	1	----	2097 387	1887 789	1887 962	
23-67-196	BUTTON, Windshield Wiper Washer Switch Knob, w/CLIP . . . . .	1	----	----	----	1972 512	1972 512
23-67-198	SPRING, Windshield Wiper Switch Control Knob Retaining	1	2076 145				

★ Indicates use as required.

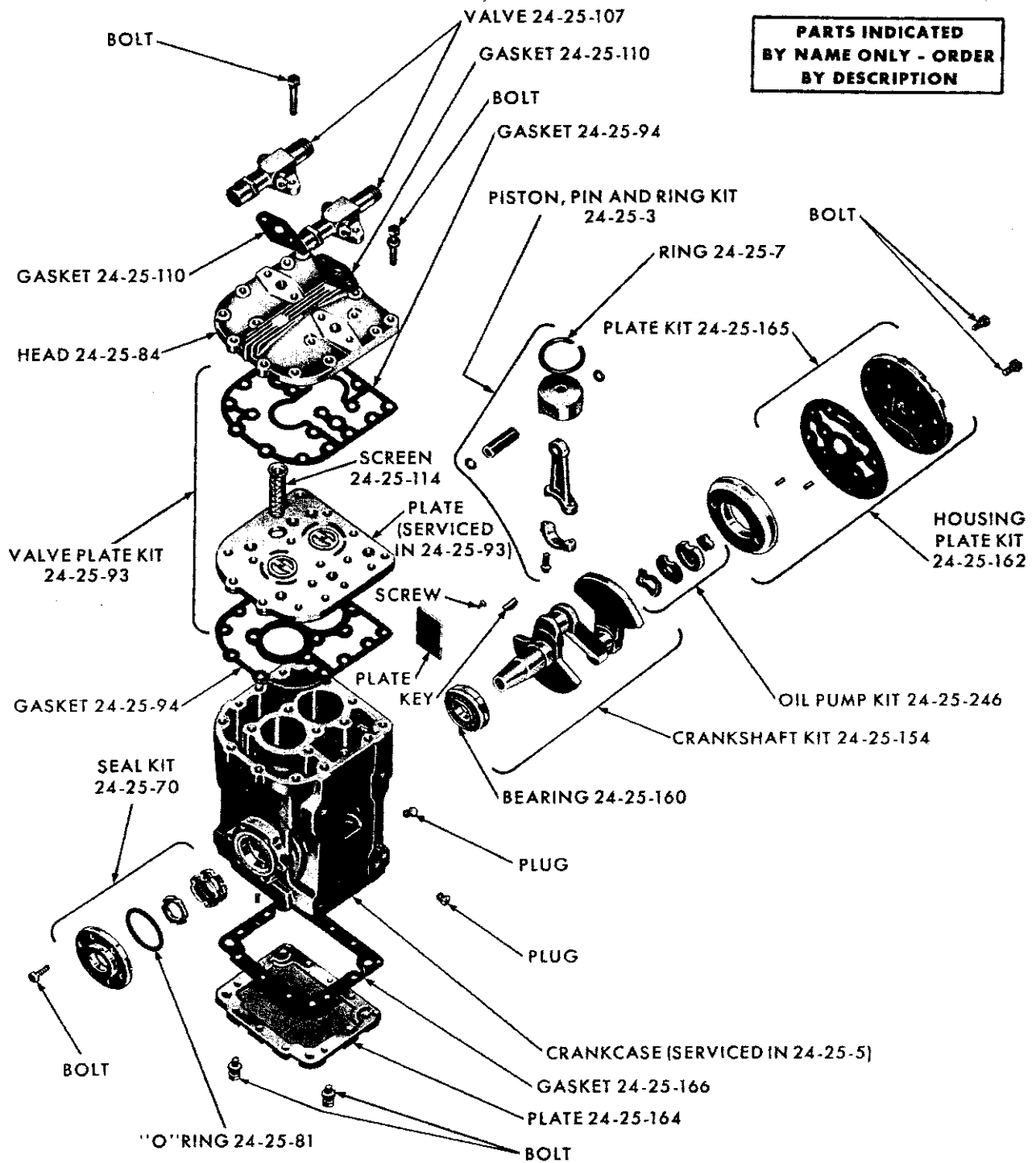
☐ Indicates parts not listed in any previous parts book.

\* Indicates change or addition.

Printed in U.S.A.  
Prices and specifications subject to change without notice.  
March 1, 1962.

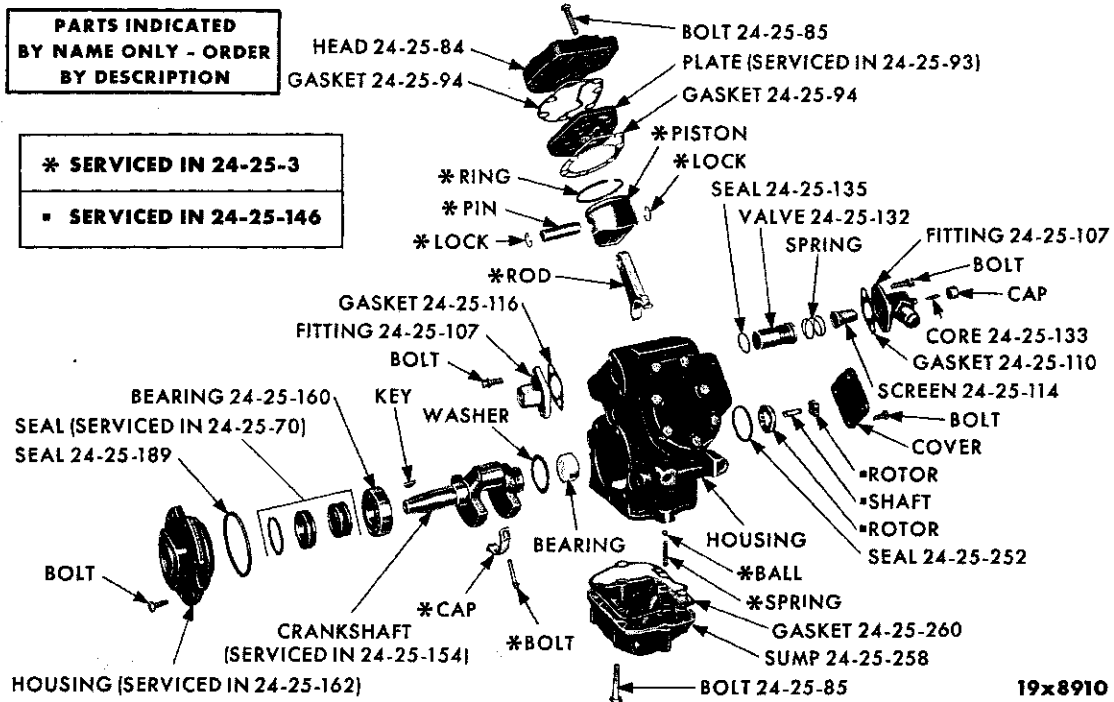


GROUP 24 - AIR CONDITIONING

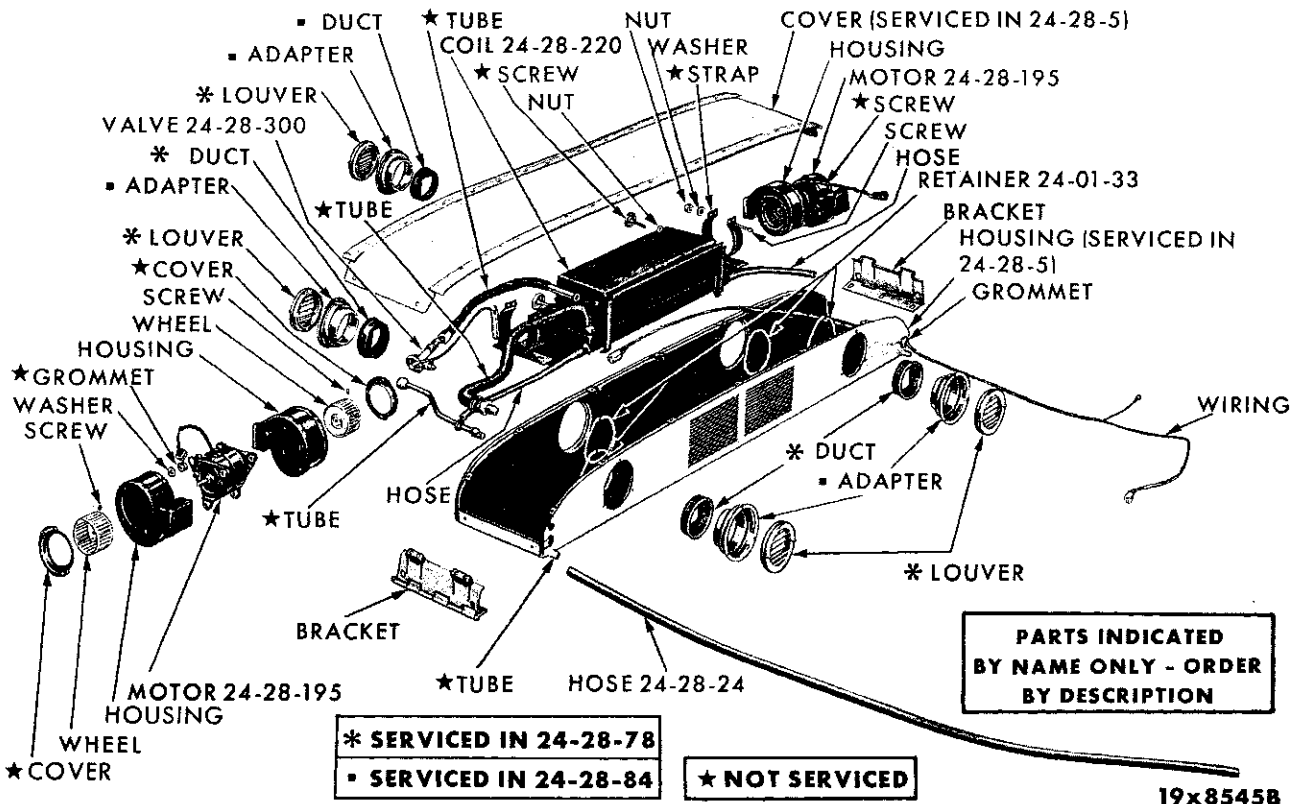


19x9030A

AIR CONDITIONING AIR COMPRESSOR - 6 CYLINDER



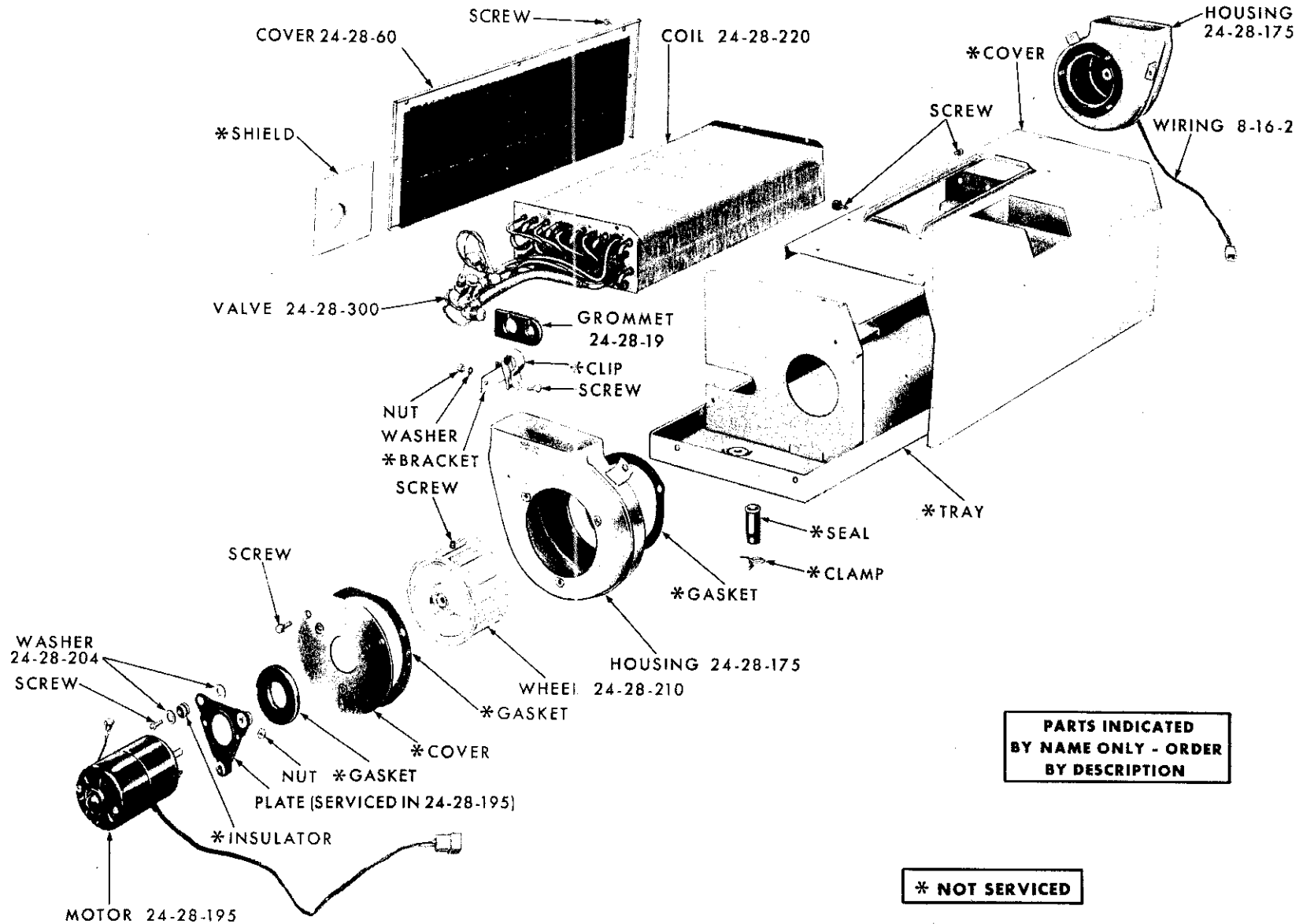
AIR CONDITIONING AIR COMPRESSOR - V8 CYLINDER



AIR CONDITIONING EVAPORATOR - SUBURBAN

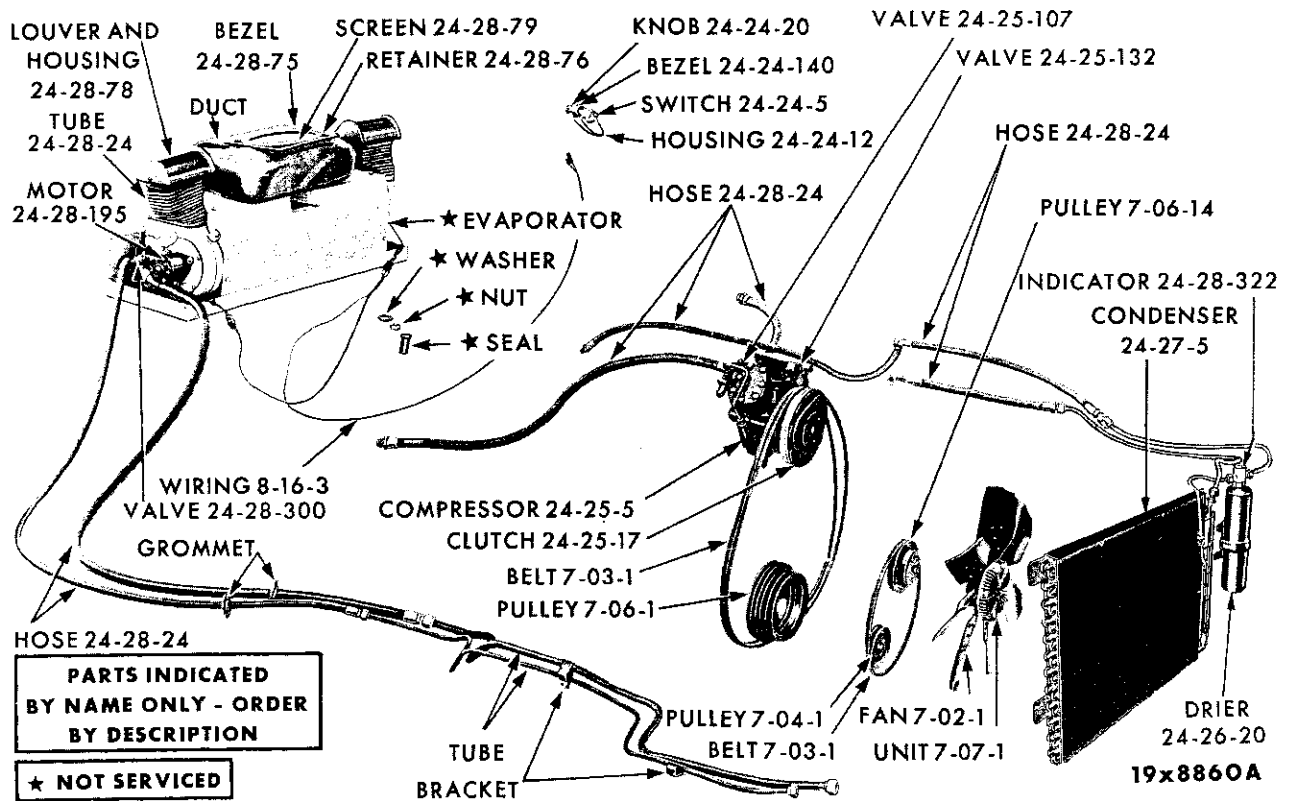




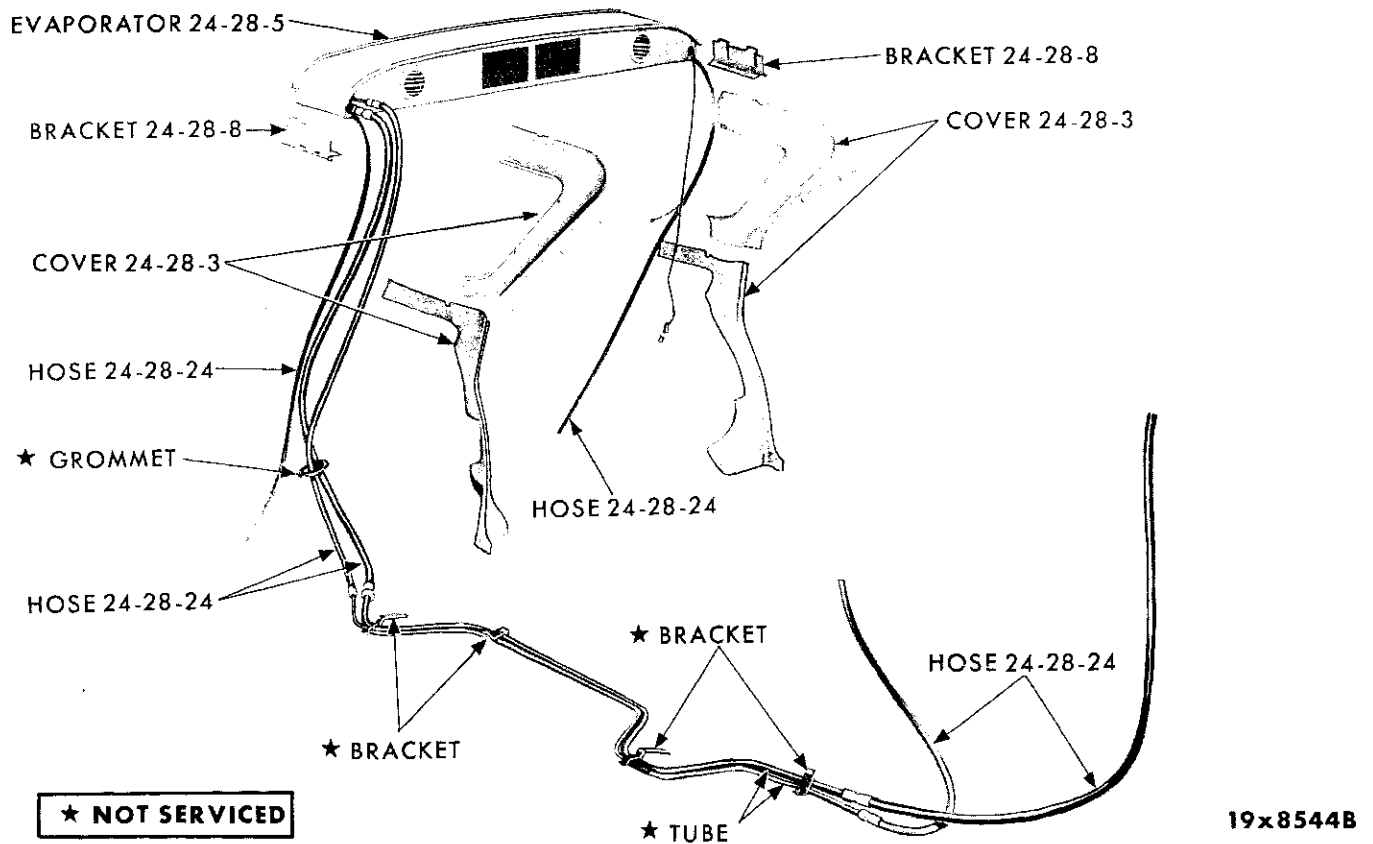


19x8368B

AIR CONDITIONING EVAPORATOR - TRUNK TYPE

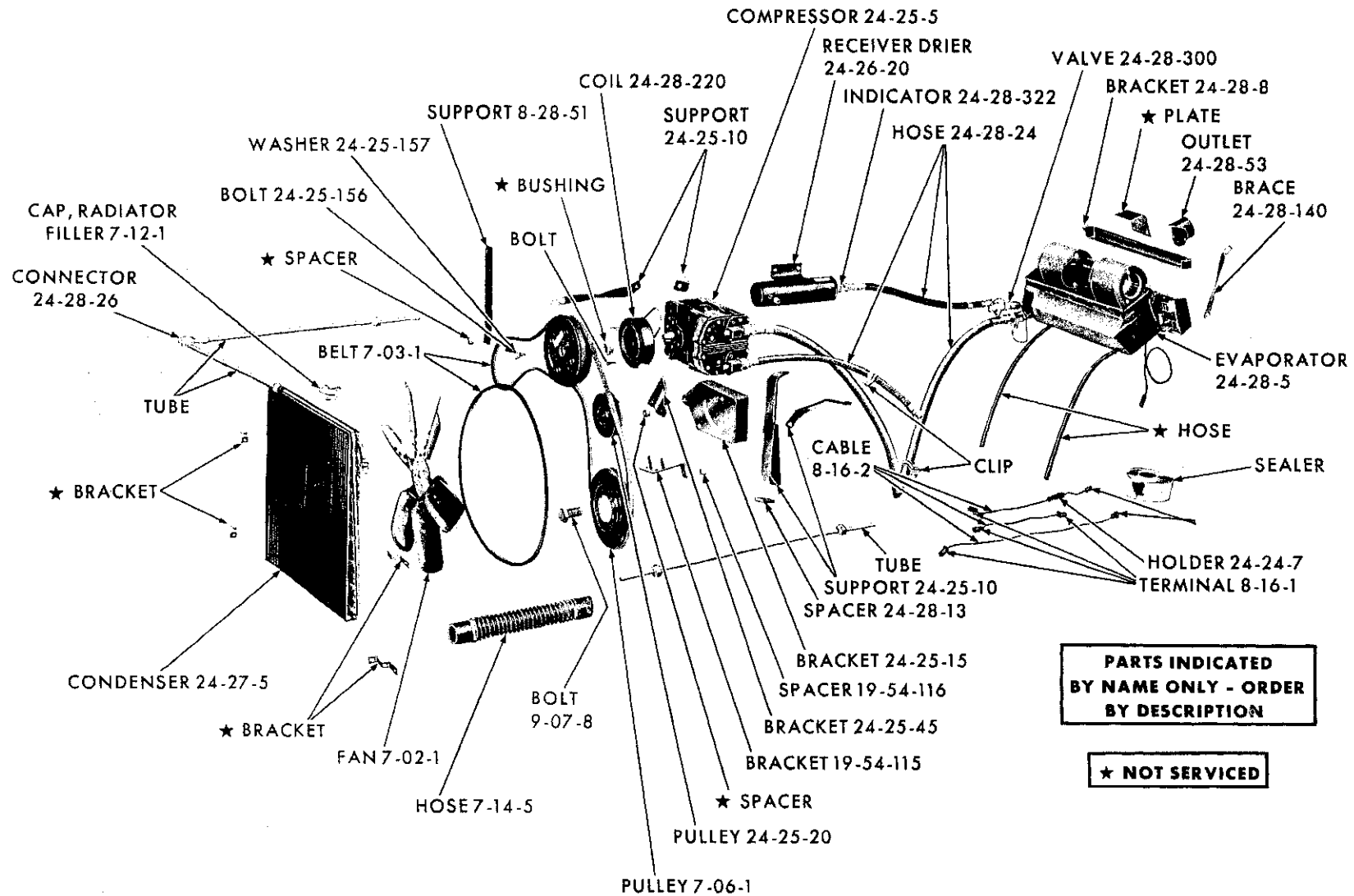


AIR CONDITIONING SYSTEM - TRUNK TYPE



AIR CONDITIONING SYSTEM - SUBURBANS

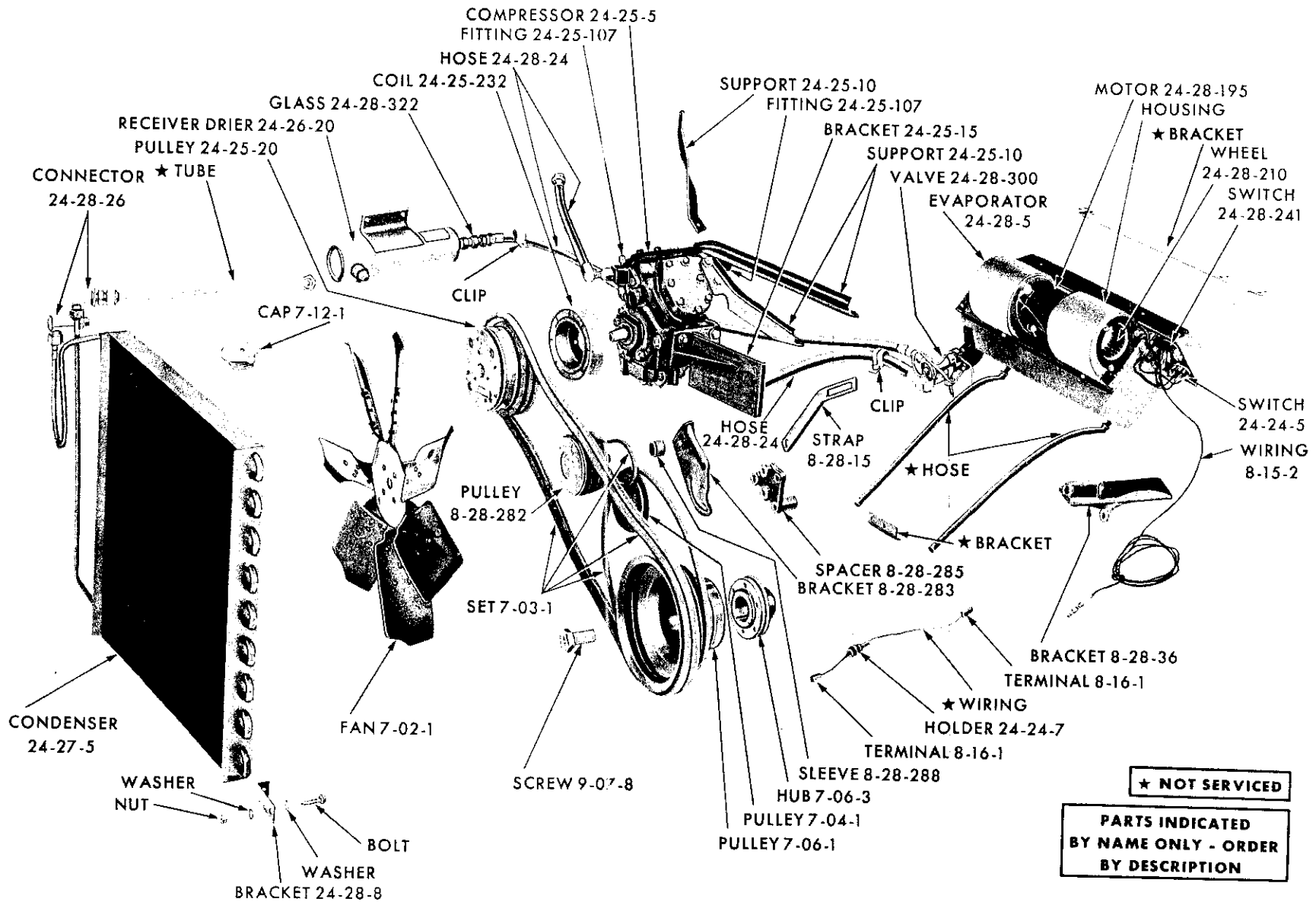




**PARTS INDICATED BY NAME ONLY - ORDER BY DESCRIPTION**

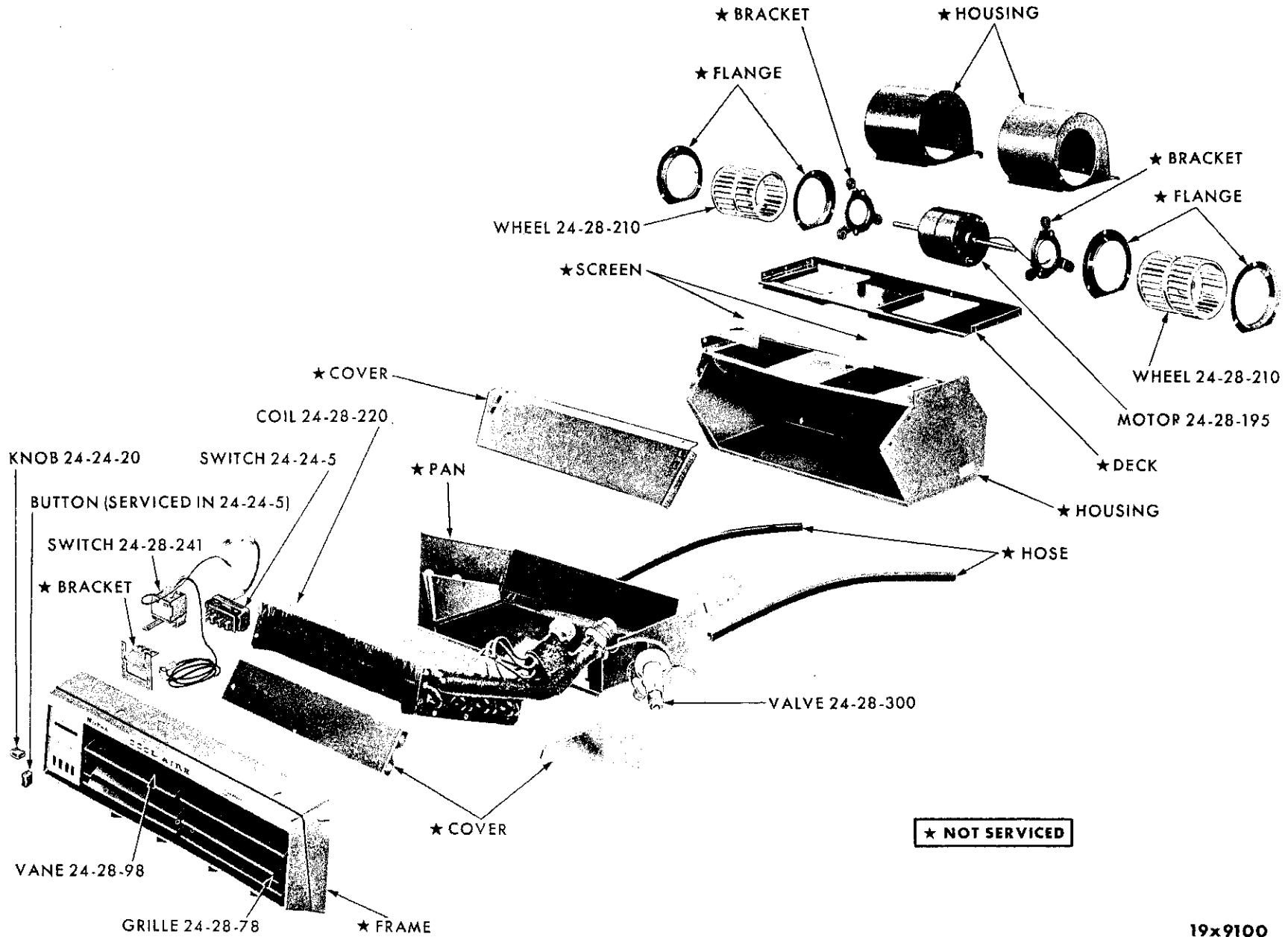
**★ NOT SERVICED**

AIR CONDITIONING SYSTEM - MOPAR MODEL "F" (6 CYLINDER)



19x8849A

AIR CONDITIONING SYSTEM - MOPAR MODEL "F" (V8 CYLINDER)

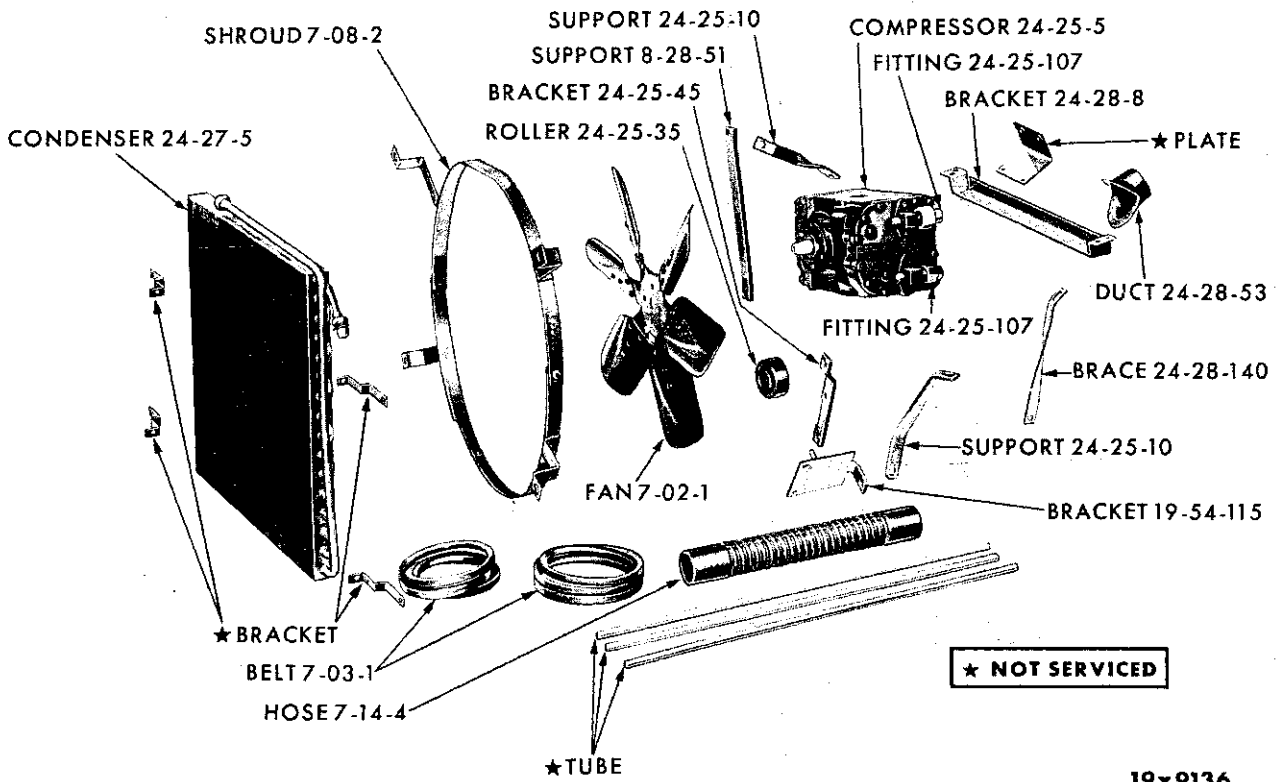


AIR CONDITIONING EVAPORATOR - MOPAR MODEL "F"

MyMopar.com

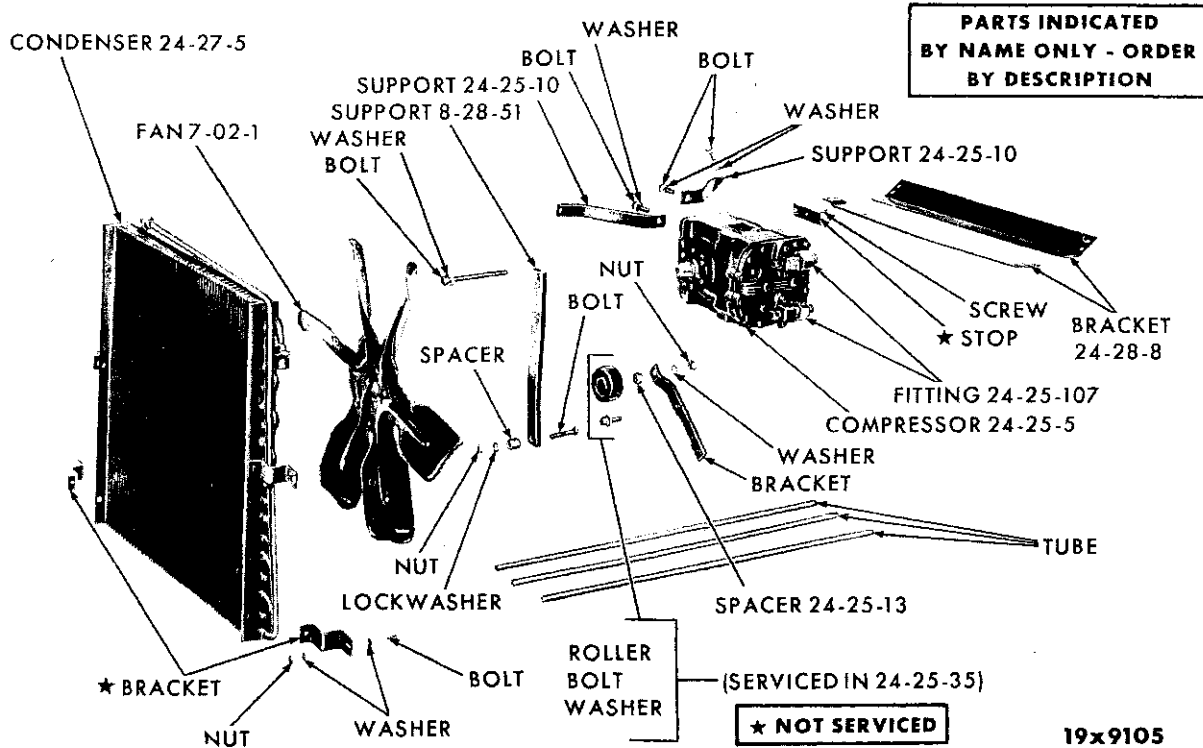
19x9100





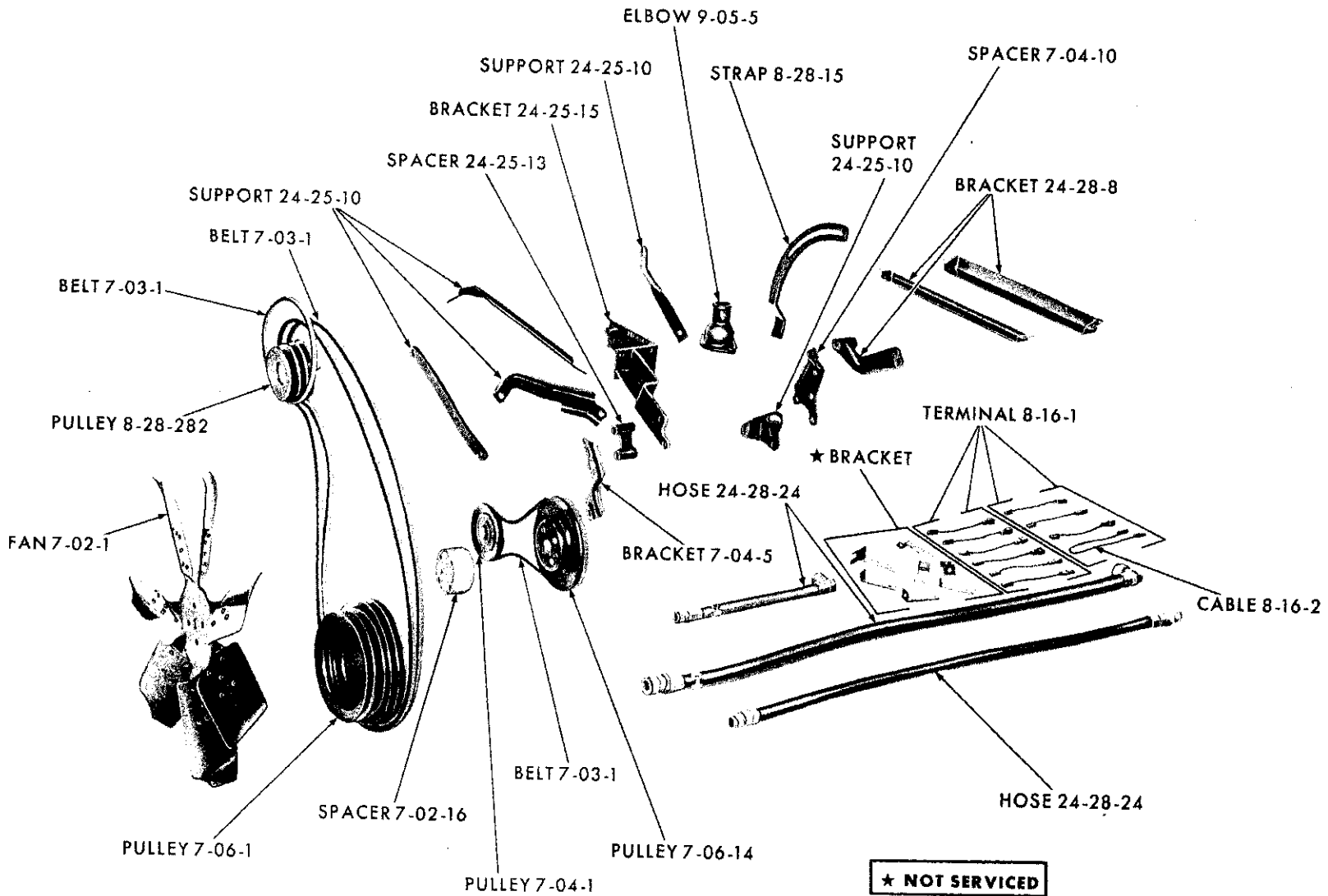
19x9136

AIR CONDITIONING ADAPTER PACKAGE - VALIANT RV1

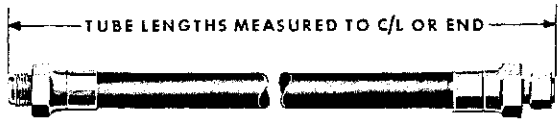
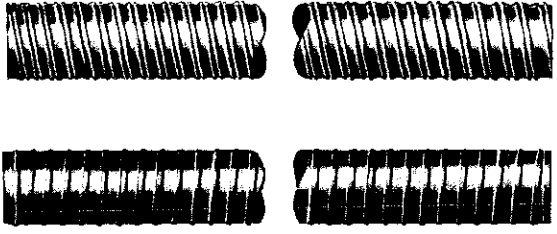

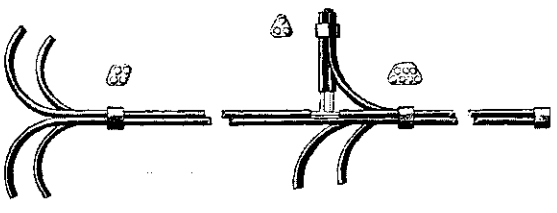

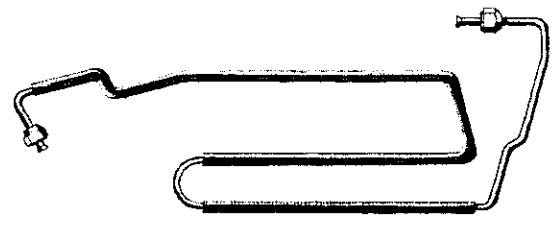





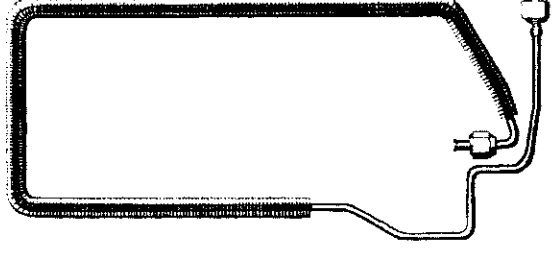


19x9105

AIR CONDITIONING ADAPTER PACKAGE - 6 CYLINDER (EXCEPT VALIANT RV1)



19x9103

<b>A</b> 	<b>G</b> 
<b>B</b> 	<b>H</b> 
<b>C</b> 	<b>I</b> 
<b>D</b> 	<b>J</b> 
<b>E</b> 	<b>K</b> 
<b>F</b> 	<b>L</b> 

19.9147

AIR CONDITIONING HOSE CHART

## AIR CONDITIONING HOSE CHART

TYPE	PART NUMBER	LENGTH	HOSE OUTSIDE DIA.	THREAD DIAMETER	LOCATION	
A	1704 447	94 in.	1 in.	7/8 in.-14	Evaporator to Under Body Suction Tube	
	1885 159	60 in.	1 in.	7/8 in.-14	Under Body Hose to Section Tee	
	2097 052	80 in.	3/4 in.	5/8 in.-18	Under Body to Liquid Tube	
	2219 127	18 7/8 in.	7/8 in.	3/4 in.-16	Muffler to Discharge Tube	
	1887 254	68 1/2 in.	1 in.	7/8 in.-14	Compressor to Suction Tube, Evaporator to Under Body Tube	
	2096 522	26 in.	1 in.	7/8 in.-14	Compressor to Suction Tube	
	2219 174	20 in.	3/4 in.	5/8 in.-18	Liquid Tube to Tee	
	1998 626	20 in.	3/4 in.	3/4 in.-16	Compressor to Condenser	
	B	1315 466	---	---	---	Valve to Heater, Heater to Pump (50 ft. Roll)
	C	1595 160	29 in.	1 in.	---	Control Valve to Eng.
2096 132		46 in.	1 in.	---	Heater to Pump	
D	1993 699	42 in.	5/8 in.	7/8 in.-14	Evaporator to Suction Valve	
	1998 627	20 in.	7/16 in.	5/8 in.-18	Evaporator to Receiver Drier (Model F)	
	1997 507	13 in.	7/16 in.	5/8 in.-18	Compressor to Condenser (Model F)	
	2219 599	36 in.	1 in.	7/8 in.-14	Evaporator to Suction Tee	
E	2096 835	23 in.	1 in.	1 in.	Receiver Drier to Expansion Valve	
	1993 671	38 in.	3/8 in.	3/8 in.	Receiver Drier to Expansion Valve	
	1998 625	66 in.	5/8 in.	5/8 in.	Evaporator to Compressor (Model F)	
F	2097 009	31 1/2 in.	1 in.	7/8 in.-14	Evaporator to Compressor	
	2219 048	17 in.	7/8 in.	3/4 in.-16	Muffler to Discharge Tube	
G	1689 313	52 in.	2 1/2 in.	---	Duct to Spot Cooler	
	2096 989	21 in.	2 1/2 in.	---	Defroster	
	2197 020	18 in.	3 1/4 in.	---	Air Outlet	
H	2257 198	---	1/4 in.	---	Control Tubes (Plastic)	
I	2219 302	---	---	---	Cooler Tube, w/Fins, RC1, RY1	
J	2097 202	60 in.	1 in.	7/8 in.-14	Tee to Under Body Tube (Suction)	
	2219 214	42 in.	3/4 in.	5/8 in.-18	Tee to Under Body Tube Liquid	
	2277 100	46 in.	1 in.	7/8 in.-14	Tee to Under Body Tube (Suction)	
K	2219 133	11 3/4 in.	7/8 in.	3/4 in.-16	Muffler to Discharge Tube	
L	2219 303	---	---	---	Cooler Tube, w/Fins, RC4	



AIR CONDITIONING 1961 PASSENGER CAR PARTS CATALOG

CODE	PART NAME AND DESCRIPTION	CY L.	PER CAR	VALIANT	PLYMOUTH	DESOTO	CHRYSLER	IMPERIAL
<b>24-01-0 AIR CONDITIONING</b>								
24-01-1	PACKAGE, Common, Model F . .	6	1	2275 239	2275 239			
24-01-5	PACKAGE, Adapter, Model F . .	6	1	2275 241	2275 240			
	RC3, RY1, Model F . . . . .	8	1	-----	-----	-----	2275 224	2275 224
24-01-6	CONVERSION PACKAGE, Model G for R Series . . . . .	8	1	-----	E2299 318			
24-01-18	COVER, Heater Core . . . . .	8	1	-----	2097 373	2097 373	2097 373	2097 373
24-01-24	CORE, Heater, Model 906 . . . .	8	1	-----	1879 904	1879 904	1879 904	1879 904
24-01-26	SEAL, Heater Core Tube . . . . .	8	2	-----	1604 116	1604 116	1604 116	1604 116
24-01-33	RETAINER, Air Outlet Roof Unit, Sub. . . . .	8	4	-----	1689 670	*1689 670	1689 670	
	RETAINER, Outlet Louver and Frame, Model 906 . . . . .	8	4	-----	-----	-----	*2197 896	
24-01-36	VALVE, Temperature Control, Includes GASKET . . . . .	8	1	-----	1972 779	1972 779	1972 779	1972 781
24-01-62	NOZZLE, Defroster . . . . .	8	1	-----	-----	1971 693		
24-01-65	CABLE, Temperature Control . .	8	1	-----	1819 748	1819 748	1819 748	1819 748
24-01-87	NIPPLE, Heater Hose Inlet . . .	8	1	-----	1971 061	1971 061	1971 061	1971 061
	Outlet . . . . .	8	1	-----	1779 257	1779 257	1779 257	1779 257
<b>24-24-0 CONTROL</b>								
24-24-5	SWITCH, Blower, Model F . . . .	6	1	1998 598	1998 598	1998 598	1998 598	1998 598
	SWITCH, Blower Motor, Toggle, Rear Unit, Sub. . . . .	8	1	-----	1972 596			
	w/Dual Unit, Trunk Unit . . . . .	8	1	-----	1972 596	1972 596	2084 450	2197 407
	SWITCH, Blower Motor, includes CABLES, Frt. Unit . .	8	1	-----	2097 970	2097 970	-----	2097 970
24-24-6	BRACKET, Blower Motor Mtg. . .	8	1	-----	1880 211	1880 211	1880 211	1880 211
24-24-7	HOLDER, Fuse, C1, C2 . . . . .	8	1	-----	1885 608	1885 608	1885 608	1885 608
	HOLDER, Fuse, Rear Unit except Sub. . . . .	8	1	-----	1841 698	1841 698		
24-24-8	NUT, Blower Switch, Rear Unit Deflector . . . . .	8	1	-----	-----	-----	1971 521	
24-24-11	CLIP, Fuse, Rear Unit w/B Eng. HOUSING, Blower Motor, Rear Unit . . . . .	8	1	-----	2197 136	2197 136	2197 136	2197 136
24-24-12	Deflector, Floor . . . . .	8	1	-----	-----	-----	E2291 149 1972 146	
24-24-13	PLATE, Blower Switch Name, Rear Unit . . . . .	8	1	-----	-----	-----	-----	2197 509
24-24-20	KNOB, Blower Motor Switch, Rear Unit . . . . .	8	1	-----	-----	1887 909	2197 075	1887 935
	KNOB, Temperature Control . .	8	1	-----	2197 623	2197 623	1972 499	2197 844
24-24-23	PACKAGE, Adapter Blower Switch. . . . .	8	1	-----	2196 336	2196 336	2196 336	2196 336
24-24-25	RIVET, Heater Core to Housing .	8	2	-----	1879 960	1879 960	1879 960	1879 960
24-24-27	COVER, Switch Mtg. Hole . . . .	8	1	-----	-----	-----	-----	2198 082
24-24-85	BLOCK, Resistor, w/BRACKET . .	8	1	-----	1972 049	1972 049	1972 049	1972 049
24-24-137	NUT, Blower Switch, Rear Unit, except Sub. . . . .	8	1	-----	1688 542	1688 542	1971 521	
	Sub. . . . .	8	1	-----	1688 542			
24-24-140	BEZEL, Blower Switch, Rear Unit . . . . .	8	1	-----	-----	1972 558	-----	2197 389
	Temperature Control . . . . .	8	1	-----	2097 930	-----	2084 054	2197 663
24-24-142	STUD, Blower Switch Housing, Rear Unit . . . . .	8	2	-----	-----	-----	6010 020	
24-24-150	SWITCH, Vacuum Push Button Control . . . . .	8	1	-----	2096 084	2096 084	2096 084	2096 084
	SWITCH, Vacuum Push Button, w/EXTENSIONS . . . . .		1	-----	*2097 908			
24-24-156	KNOB, Temperature Control . . .		1	-----	2197 623	2197 623	1972 499	2197 844
24-24-159	PLATE, Temperature Control, includes SWITCH and ARM . . .	8	1	-----	2097 917	2197 466	2097 100	2197 839

\* Indicates use as required. Numerals in parentheses ( ) refer to notes. Printed in U.S.A.  
 E Indicates parts not listed in any previous parts book. Prices and specifications subject to change without notice.  
 \* Indicates change or addition. March 1, 1962 Supersedes May 31, 1961.

CODE	PART NAME AND DESCRIPTION	C Y L.	PER CAR	VALIANT	PLYMOUTH	DESOTO	CHRYSLER	IMPERIAL
<b>24-24-0 CONTROL - Cont'd</b>								
24-24-160	KNOB, Floor Deflector Switch .	8	1	----	1887 591	257 478	2197 075	1887 935
24-24-164	EXTENSION, Push Button Control, includes COVER, Heat Defroster . . . . .	8	1	----	2097 927	2197 475	1887 674	2197 853
	Fr-Cool . . . . .	8	1	----	2097 926	2197 471	1887 670	2197 849
	Max-Cool . . . . .	8	1	----	2097 925	2197 474	1887 673	2197 852
	Off . . . . .	8	1	----	2097 924	2197 473	1887 672	2197 851
	Air . . . . .	8	1	----	2097 923	2197 468	1887 667	2197 846
24-24-165	SLEEVE, Temperature Control Arm . . . . .	8	1	----	----	----	*1887 671	----
24-24-167	SOCKET, Control Lamp, includes BRACKET and HOOD	8	1	----	----	2097 942	2097 942	2097 942
24-24-170	PAD, Push Button Extension . .	8	1	----	----	2197 463	2197 001	2197 832
		8	1	----	----	----	2080 388	----
<b>24-25-0 COMPRESSOR</b>								
	NOTE: For Compressor Belts See Part Type Code 7-03-1.							
24-25-2	PACKAGE, Piston Ring . . . . .	8	1	----	2275 207	2275 207	2275 207	2275 207
24-25-3	PACKAGE, Piston, Model F Std. PACKAGE, Piston, .20 O/S . .	6	1	2275 599	1140 717			
	PACKAGE, Piston, .20 O/S . .	6	1	2279 944				
	PACKAGE, Piston . . . . .	6	1	----	*2279 945			
24-25-5	PACKAGE, Piston . . . . .	8	1	----	2275 203	2275 203	2275 203	2275 203
	COMPRESSOR, Model F . . . . .	6	1	1999 148	2203 114			
	COMPRESSOR	8	1	----	1998 174	1998 174	1998 174	1998 174
24-25-6	SCREW, Support to Manifold, RC1 . . . . .	8	1	----	1821 174	----	1821 174	----
24-25-7	RING, Compressor Piston Std., Model F . . . . .	6	2	2240 709	2240 709			
	.20 O/S, Model F . . . . .	6	2	2240 710	2240 710			
24-25-10	SUPPORT, Compressor, Front, w/Eng. Stamped 36, 38 to Case Cover . . . . .	8	1	----	*1947 657	*1947 657	*1947 657	*1947 657
	Compressor, Front, Rt. w/170 cu. in. Eng. . . . .	6	1	1997 556				
	Rear, Rt. w/170 cu. in. Eng.	6	1	1997 557				
	Upper, Lt. ALL . . . . .	6	1	1997 546	1997 546			
	Lower, Lt. ALL . . . . .	6	1	1997 551	1997 551			
	Front Rt. . . . .	6	1	*1997 555	*1997 555			
	Rear Rt. . . . .	6	1	*1997 556	*1997 556			
	Compressor, to Intake Manifold, w/Eng. Stamped 318, Rt. . . . .	8	1	----	1738 415			
	Lt. . . . .	8	1	----	1738 414			
	RP2 w/Eng. Stamped 36 . . . . .	8	1	----	1997 533	1997 533	1997 533	1997 533
	w/Eng. Stamped 318 . . . . .	8	1	----	1997 531			
	Compressor to Intake Manifold, RP2, w/Eng. Stamped 36, Rt. . .	8	1	----	1859 987	1859 987	1859 987	1859 987
	Lt. . . . .	8	1	----	1859 988	1859 988	1859 988	1859 988
	Compressor to Water Pump, RP2, w/Eng. Stamped 36, RC1, RC2	8	1	----	*2240 288	*2240 288	*2240 288	2240 288
	RC3, RY1, Model F . . . . .	8	1	----	----	----	1985 510	1985 510
24-25-13	SPACER, Lower Support to Block . . . . .	6	1	1997 447	1997 447			
	SPACER, Compressor Mtg. Bracket, RP2, w/Eng. Stamped 36 . . . . .	8	1	----	1980 568	1980 568	1980 568	1980 568
	Support to Block . . . . .	6	1	1748 433	1748 433			
	Support to Block, Lower Left . .	6	1	1997 561	1997 561			
24-25-14	SCREW, Mtg. Bracket to Cylinder Head, w/High Performance, 3/8" x 2" . . . . .	8	1	----	2120 735	2120 735	2120 735	2120 735
	Steady Bracket 3/8" x 2 1/2" . .	8	1	----	2120 736	2120 736	2120 736	2120 736
	Support to Block 3/8" x 1 7/8" .	6	1	E1997 563	E1997 563			

★ Indicates use as required. Numerals in parentheses ( ) refer to notes. Printed in U.S.A.  
 ☐ Indicates parts not listed in any previous parts book. Prices and specifications subject to change without notice.  
 March 1, 1962 Supersedes May 31, 1961. Page 24-4 \* Indicates change or addition.



CODE	PART NAME AND DESCRIPTION	CYL	PER CAR	VALIANT	PLYMOUTH	DESOTO	CHRYSLER	IMPERIAL
<b>24-25-0 COMPRESSOR - Cont'd</b>								
24-25-15	BRACKET, Steady, Left, Compressor Head to Manifold, w/361, 383, cu. in. Eng. . . . .	8	1	----	*1852 933	*1852 933	*1852 933	*1852 933
	RP2, to Water Pump, w/318 cu. in. Eng. . . . .	8	1	----	*1947 865			
	RP2, RD2, w/318 cu. in. Eng., RD1, RS1, RC1, w/361 cu. in. Eng., to Right Manifold . . . . .	8	1	----	E2128 969	E2128 969	E2128 969	E2128 969
	RC3, RC4, RY1, w/413 cu. in. Eng., to Intake Manifold . . . . .	8	1	----			*1858 620	*1858 620
	RC3, RC4, RY1, w/413 cu. in. Eng., to Exhaust Manifold . . . . .	8	1	----			E2128 970	E2128 970
	BRACKET, Compressor Mtg., Model F . . . . .	6	1	1997 547	1997 547			
	RC3, RC4, RY1, w/413 cu. in. Eng. RP2, w/Eng. Stamped 36, RC1, RC2 Model F . . . . .	8	1	----			*1858 622	*1858 622
	RP2, w/Eng. Stamped 318 Model F . . . . .	8	1	----	1980 566	1980 566	1980 566	
	C3, CY1, Model F . . . . .	8	1	----	1980 572			
	w/Eng. Stamped 36, 38, Model 906 . . . . .	8	1	----			1980 576	1980 576
	w/Eng. Stamped 318 Model 906 . C1, C2, C3, Model F . . . . .	8	1	----		1852 932	1852 932	
24-25-16	BRUSH, Clutch, w/HOLDER and BRACKET, w/Eng. Stamped 18	8	1	----	1730 844		1993 677	
24-25-17	CLUTCH, Compressor, w/Eng. Stamped 318 . . . . .	8	1	----	2097 507			
24-25-18	SHOE, w/HUB, w/Eng. Stamped 318 . . . . .	8	1	----	1886 328			
24-25-19	COIL, Field, includes PULLEY	8	1	----	2097 996			
24-25-20	PULLEY, Compressor, w/HUB . Model F . . . . .	8	1	----	2097 995	2097 106	2097 106	2097 106
24-25-35	PULLEY, Compressor Idler, Model F . . . . .	6	1	----	2219 613	2219 613	2219 613	2219 613
	Compressor Drive, Model F . . ROLLER, Idler, w/225 cu. in. Eng.	6	1	2203 031	2203 031			
24-25-45	BRACKET, Compressor Idler . Idler Roller, w/225 cu. in. Eng..	6	1	2202 794	E2206 022			
24-25-53	WASHER, Muffler Inlet Seal . .	6	1	1997 550	1997 550			
24-25-70	PACKAGE, Seal, Crankshaft, Gas PACKAGE, Crankshaft Seal . .	8	1	E1997 562	E2277 330	E2277 330	E2277 330	E2277 330
24-25-78	NUT, Manifold Support . . . . .	8	1	----	1426 501	1426 501	1426 501	1426 501
24-25-81	"O" RING, Front Seal Plate Model F . . . . .	6	1	2240 720	2240 720			
24-25-84	HEAD, Compressor, Rt. . . . . Lt. . . . .	8	1	1998 617	1998 617	1998 617	1998 617	1998 617
24-25-85	HEAD, Compressor, Model F . . BOLT, Compressor Sump . . . . .	6	1	2240 714	2240 714			
24-25-93	PACKAGE, Valve Plate, Rt. . . . Lt. . . . .	8	6	1990 596	1990 596	1990 596	1990 596	1990 596
24-25-94	PACKAGE, Valve Plate, Model F GASKET, Compressor Head Valve Plate . . . . .	6	1	2240 701	2240 701			
	Cylinder Head, Model F . . . . .	8	1	1990 595	1990 595	1990 595	1990 595	1990 595
	Valve Plate, Model F . . . . .	6	1	2240 712	2240 712			
	Shut-Off Valve, Model F . . . . .	6	1	2240 713	2240 713			
	Valve Plate, Model 906 . . . . .	8	2	1990 598	1990 598	1990 598	1990 598	1990 598
24-25-107	FITTING, Suction, used w/2203 243 and 1998 175 Compressor. . . . .	8	1	2240 718	2240 718			
	Used w/2203 244 Compressor. .	8	1	1997 447	1997 447	1997 447	1997 447	1997 447
	Used w/2203 114 and 1998 603 Compressor, Model F . . . . .	8	1	1997 448	1997 448	1997 448	1997 448	1997 448
	Model F, w/Ram Manifold . . . .	6	1	1998 602	1998 602			
		8	1	----	E2275 593	----	E2275 593	

★ Indicates use as required.

Numerals in parentheses ( ) refer to notes.

Printed in U.S.A.

E Indicates parts not listed in any previous parts book.

Prices and specifications subject to change without notice.

\* Indicates change or addition.

Page 24-5

March 1, 1962 Supersedes May 31, 1961.

CODE	PART NAME AND DESCRIPTION	C Y L	PER CAR	VALIANT	PLYMOUTH	DESOTO	CHRYSLER	IMPERIAL
<b>24-25-0 COMPRESSOR - Cont'd</b>								
24-25-107	FITTING, Discharge, used w/2203 243 and 2203 244 Compressor . . . . . Used w/1998 175 and 1998 174 Compressor . . . . .	8	1	----	1997 449	1997 449	1997 449	1997 449
	Model F . . . . .	6	1	1998 601	1998 601			
24-25-110	GASKET, Discharge Fitting. . . Suction Fitting . . . . .	8	1	----	1994 406	1994 406	1994 406	1994 406
	GASKET, Fitting, Model F . . .	6	2	E2219 644	E2219 644			
24-25-114	SCREEN, Suction Valve . . . . .	8	1	*1996 845	1996 845	1996 845	1996 845	
	SCREEN, Compressor Suction	6	1	2240 715	2240 715			
24-25-127	CAP, Pressure Regulator Valve CAP, Compressor Seal . . . . .	8	★	----	1989 202	1989 202	1989 202	1989 202
		6	1	2240 706	2240 706			
24-25-131	BOLT, Compressor Fitting Mtg.	8	1	----	E1998 186	E1998 186	E1998 186	E1998 186
24-25-132	VALVE, Pressure Regulator . .	8	1	----	2275 202	2275 202	2275 202	2275 202
24-25-133	CORE, Pressure Regulator . . .		★	----	1992 947	1992 947	1992 947	1992 947
24-25-135	SEAL, Pressure Regulator Valve	8	1	----	1994 410	1994 410	1994 410	1994 410
24-25-154	PACKAGE, Crankshaft . . . . . PACKAGE, Crankshaft Model F	8	1	----	2275 206	2275 206	2275 206	2275 206
		6	1	2275 598	2240 716			
24-25-156	SCREW, Clutch Mtg., 5/16" x 1 1/2" . . . . . 5/16" x 1 1/4" . . . . . 1 5/8" lgh. 3/4" dia., Model F	8	1	----	1819 843			
		8	1	*1658 638	1658 638	1658 638	1658 638	1658 638
		6	1	1821 177	1821 177			
24-25-157	WASHER, Clutch Mtg., 3/16" thick 15/16" O.D. . . . 1/8" thick 7/8" O.D. . . . .	8	1	----	1648 240			
		8	1	2097 102	2097 102	2097 102	2097 102	2097 102
24-25-158	PACKAGE, Front Bearing Model F . . . . .	6	1	2240 723	2240 723			
24-25-160	BEARING, Crankshaft, Ball. . . Model F . . . . .	8	1	----	1854 829	1854 829	1854 829	1854 829
		6	1	2240 703	2240 703			
24-25-162	PACKAGE, Crankshaft Bearing Housing . . . . . Model F . . . . .	8	1	----	2196 315	2196 315	2196 315	2196 315
		6	1	2240 721	2240 721			
24-25-164	PLATE, Compressor Base Cover . . . . .	6	1	2240 704	2240 704			
24-25-165	PACKAGE, Rear Cover Plate, Model F . . . . .	6	1	2240 722	2240 722			
24-25-166	GASKET, Compressor Rear Cover Plate . . . . . Base Cover Plate . . . . .	6	1	2240 711	2240 711			
		6	1	E2240 705	E2240 705			
24-25-189	SEAL, Bearing Housing . . . . .	8	1	----	1377 831	1377 831	1377 831	1377 831
24-25-219	BEARING, Clutch . . . . .	8	1	----	1769 318	1769 318	1769 318	1769 318
24-25-232	COIL, Clutch Field, w/Eng. Stamped 318 . . . . . RP2, w/Eng. Stamped 36 . . . .	8	1	----	2097 995			
		8	1	----	2097 105	2097 105	2097 105	2097 105
	COIL, Clutch Field, Model F .	6	1	2219 614	2219 614	2097 105	2097 105	2097 105
24-25-233	SCREW, Field Coil Mtg., Model F . . . . .	6	1	2097 109	2097 109			
24-25-234	RING, Clutch Snap, Internal, w/Eng. Stamped 318 . . . . . RP2, w/Eng. Stamped 36 . . . .	8	1	----	1626 836			
		8	1	----	2097 103	2097 103	2097 103	2097 103
	RING, Clutch Snap, External, w/Eng. Stamped 318 . . . . . RP2, w/Eng. Stamped 36 . . . .	8	1	----	1626 837			
		8	1	----	2097 101	2097 101	2097 101	2097 101
24-25-246	PACKAGE, Oil Pump . . . . . PACKAGE, Oil Pump, Model F .	8	1	----	2196 306	2196 306	2196 306	2196 306
		6	1	2240 719	2240 719			
24-25-252	SEAL, Compressor Oil Pump Cover . . . . .	8	1	----	1747 988	1747 988	1747 988	1747 988
24-25-258	SUMP, Compressor Oil . . . . .	8	1	----	1747 962	1747 962	1747 962	1747 962
24-25-260	GASKET, Oil Sump . . . . .	8	1	----	1377 825	1377 825	1377 825	1377 825

★ Indicates use as required.

Numerals in parentheses ( ) refer to notes.

Printed in U.S.A.

E Indicates parts not listed in any previous parts book.  
March 1, 1962 Supersedes May 31, 1961.

Prices and specifications subject to change without notice.

Page 24-6

\* Indicates change or addition.

CODE	PART NAME AND DESCRIPTION	C Y L.	PER CAR	VALIANT	PLYMOUTH	DESOTO	CHRYSLER	IMPERIAL
<b>24-26-O RECEIVER DRIER</b>								
24-26-20	PACKAGE, Drier . . . . .	8	1	----	1880 658	1880 658	1880 658	1880 658
	Receiver Drier, Model F . . . . .	8	1	----	1742 766	1742 766	1742 766	1742 766
	Model F . . . . .	6	1	1998 644	1998 644			
24-26-21	CLIP, Damper Link Mtg. . . . .	8	1	----	666 790	666 790	666 790	666 790
24-26-26	PLUG, Receiver Drier Fusible, Model F . . . . .	6	1	----	1744 767	1744 767	1744 767	1744 767
	Model F . . . . .	6	1	1998 645	1998 645			
24-26-35	BRACKET, Drier Mtg. w/B Eng. 24-26-100	8	1	----	2219 155	2219 155	2219 155	2219 155
	MUFFLER, includes TUBES, Lt. Hand Mtg. . . . .			----	2219 549	2219 549	2219 549	2219 549
	Rt. Hand Mtg. . . . .			----	2219 469			
<b>24-27-O CONDENSER</b>								
24-27-5	CONDENSER, Model 906 . . . . .	8	1	----	1904 224	1904 224	1904 224	1904 224
	COIL, Condenser, Model F . . . . .	6	1	1998 613	1998 616			
	Model F . . . . .	8	1	----	1748 059	1748 059	1748 059	1748 059
<b>24-28-O EVAPORATOR UNIT</b>								
24-28-3	COVER, Lock Pillar Hose and Wiring, Sub. Upper, Right, Grey . . . . .	8	1	----	2212 633			
	Left, Grey . . . . .	8	1	----	2212 634			
	Right, Tan . . . . .	8	1	----			2176 631	
	Left, Tan . . . . .	8	1	----			2176 632	
	Right, Brown . . . . .	8	1	----			2174 609	
	Left, Brown . . . . .	8	1	----			2174 610	
	Right, Red . . . . .	8	1	----			2174 613	
	Left, Red . . . . .	8	1	----			2174 614	
	Right, Frost . . . . .	8	1	----			2172 825	
	Left, Frost . . . . .	8	1	----			2172 826	
	Right, Dark Blue . . . . .	8	1	----			2174 607	
	Left, Dark Blue . . . . .	8	1	----			2174 608	
	Right, Med. Blue . . . . .	8	1	----			2176 629	
	Left, Med. Blue . . . . .	8	1	----			2176 630	
	Lower Right, Grey . . . . .	8	1	----	2212 631			
	Left, Grey . . . . .	8	1	----	2212 632			
	Right, Tan . . . . .	8	1	----			2174 617	
	Left, Tan . . . . .	8	1	----			2174 618	
	Right, Red . . . . .	8	1	----			2174 621	
	Left, Red . . . . .	8	1	----			2174 622	
	Right, Frost . . . . .	8	1	----			2172 827	
	Left, Frost . . . . .	8	1	----			2172 828	
	Right, Dark Blue . . . . .	8	1	----			2174 615	
	Left, Dark Blue . . . . .	8	1	----			2174 616	
	Right, Med. Blue . . . . .	8	1	----			2177 921	
	Left, Med. Blue . . . . .	8	1	----			2177 922	
	Right, Brown . . . . .	8	1	----			2177 923	
	Left, Brown . . . . .	8	1	----			2177 924	
24-28-4	CLIP, Radiator Yoke Seal . . . . .	8	1	----	6010 094			
	Hood Panel . . . . .	8	1	----	6010 094			
24-28-5	EVAPORATOR, Model F . . . . .	8	1	----	1998 594	1998 594	1998 594	1998 594
	Sub., Roof Unit . . . . .			----	1886 232		1886 232	
	Model F . . . . .		1	1999 150	1999 150			
24-28-8	BRACKET, Evaporator Mtg., Model F . . . . .	6	1	1998 633	1993 668		1993 677	
	RS1, RY1, Model F . . . . .	8	1	----	1993 668	1993 678		1993 674
	Evaporator Mtg. Roof Unit, Sub. 24-28-13	8	2	----	1971 956		1971 956	
	PLATE, Floor Air, Name . . . . .	8	1	----	2097 548			
	PLATE, Blower Switch Name Rear Unit except Sub. . . . .	8	1	----	2097 547		2197 509	
24-28-19	GROMMET, Suction Tube Rear Unit . . . . .	8	1	----		1658 766	1658 766	1658 766

★ Indicates use as required. Numerals in parentheses ( ) refer to notes. Printed in U.S.A.  
 ☐ Indicates parts not listed in any previous parts book. Prices and specifications subject to change without notice.  
 \* Indicates change or addition. Page 24-7 March 1, 1962 Supersedes May 31, 1961.

CODE	PART NAME AND DESCRIPTION	C Y L.	PER CAR	VALIANT	PLYMOUTH	DESOTO	CHRYSLER	IMPERIAL
<b>24-28-O EVAPORATOR UNIT - Cont'd</b>								
24-28-22	SCREW, Evaporator Housing Mtg., Model 950 . . . . .	8	14	-----	6015 014	6015 014	6015 014	6015 014
	SCREW, Brace to Evaporator	6	1	1740 029				
24-28-24	HOSE, Liquid, Expansion Valve to Receiver Drier, Model F . .	6	1	1998 627	1998 627			
	Model F	8	1	-----	1993 671	1993 671	1993 671	1993 671
	38" lgh., 3 1/4" dia. 5/8"-18 thd.	8	1	-----	-----	-----	-----	*1658 029
	HOSE, Suction, Evaporator to Compressor, Model F . . . . .	6	1	1998 625	1998 625			
	Model F . . . . .	8	1	-----	1993 669	1993 669	1993 669	1993 669
	HOSE, Suction Tube to Compressor 26" lgh, 1" dia. 5/8"-18 thd. RC-300 . . . . .	8	1	-----	-----	-----	2096 522	
	HOSE, Suction Evaporator to Compressor 33" lgh., 1" dia. 7/8"-14 thd. . . . .	8	1	-----	2097 009			
	HOSE, Discharge, Compressor to Condenser, Model F . . . . .	6	1	1998 626	1998 626			
	Model F . . . . .	8	1	-----	1997 507	1997 507	1997 507	1997 507
	HOSE, Liquid, Rear Unit, 8" lgh. 3/4" O.D. 5/8" - 18 thd.	8	1	-----	2097 052	2097 052	2097 052	
	Liquid Tube to Tee, 20" lgh. 3/4" O.D. 5/8" - 18 thd. . . .	8	1	-----	2219 174	2219 174	2219 174	
	Liquid Tee to Underbody Tube, 51" lgh. 3/4" O.D. 5/8" - 18 thd.	8	1	-----	-----	-----	-----	2219 406
	Liquid Tee to Underbody, 42" lgh. 3/4" O.D. 5/8" - 18 thd.	8	1	-----	2219 214	2219 214	2219 214	
	51" lgh. 3/4" O.D. 5/8" - 18 thd.	8	1	-----	-----	-----	-----	2219 406
	Evaporator to Suction Tee 36" lgh. 1" O.D. 7/8" - 14 thd.	8	1	-----	2219 599			
	Tee to Underbody Body Tube, 60" lgh. 1" O.D. 7/8"-14 thd., Sub. . . . .	8	1	-----	2277 100	-----	-----	1887 254
	Tee to Evaporator, Left Hand Mtg., 29" lgh. 1" O.D. 7/8" - 14 thd. . . . .	8	1	-----	2096 835	2096 835	2096 835	2096 835
	Evaporator to Underbody Tube, 68 1/2" lgh. 1" O.D. 7/8"-14 thd.	8	1	-----	-----	1887 254	1887 254	
	Tee to Underbody Tube, 68 1/2" lgh. 1" O.D. 7/8"-14 thd.	8	1	-----	-----	-----	-----	1887 254
	Evaporator to Underbody Tube, 36" lgh. 1" O.D. 7/8" - 14 thd.	8	1	-----	-----	-----	-----	1887 254
	Tee to Underbody Tube, 60" lgh. 1" O.D. 7/8"-14 thd.	8	1	-----	1885 859	1885 859	1885 859	
	TUBE, to Rear Evaporator, 94" lgh. 1" O.D. 7/8"-14 thd.	8	1	-----	1704 447	1704 447	1704 447	
	HOSE, Discharger, Muffler to Discharge Tube, 11 3/4" lgh., 3/4" O.D. 3/4" - 16 thd. . . .	8	1	-----	2219 133			
	18 7/8" lgh. 3/4" O.D. 3/4"-16 thd.	8	1	-----	2219 127	2219 127	2219 127	2219 127
	17" lgh. 3/4" O.D. 3/4"-16 thd.	8	1	-----	-----	-----	2219 048	2219 048
	HOSE, Valve, 29" lgh. 1" dia. . .	8	1	-----	1595 160	1595 160	1595 160	1595 160
	45" lgh. 1" dia. . . . .	8	1	-----	-----	-----	2096 932	
	HOSE, Vacuum Control, w/CONNECTOR . . . . .	8	1	-----	2257 198	2257 198	2257 198	2257 198
	TUBE, Defroster, Flexible, 21" lgh. 2 9/16" I.D. . . . .	1		2096 989	2096 989			
	TUBE, Spot Cooler, 52" lgh. 2 1/4" O.D. . . . .	1		-----	1689 313	1689 313	1689 313	1689 313
	TUBE, Air Outlet, Flexible 18" lgh. 3 1/4" O.D. . . . .	8	1	-----	-----	-----	2197 020	2197 020
	TUBE, Liquid Hose to Receiver Drier, w/Fins, except C4 . . .	8	1	-----	-----	-----	2219 302	2219 302
	C4 . . . . .	8	1	-----	-----	-----	2219 303	2219 303
	TUBE, Outlet, Rear Unit . . .	8	1	-----	-----	1648 407	1648 407	1648 407
	TUBE, Compressor Oil Return.	1		-----	E1986 060	E1986 060	E1986 060	E1986 060

★ Indicates use as required.

Numerals in parentheses ( ) refer to notes.

Printed in U.S.A.

⊠ Indicates parts not listed in any previous parts book.  
March 1, 1962 Supersedes May 31, 1961.

Prices and specifications subject to change without notice.

\* Indicates change or addition

CODE	PART NAME AND DESCRIPTION	CYL.	PER CAR	VALIANT	PLYMOUTH	DESOTO	CHRYSLER	IMPERIAL
<b>24-28-O EVAPORATOR UNIT - Cont'd</b>								
24-28-25	HOUSING, Evaporator Coil Center . . . . .	8	1	----	2096 259	2096 259	2096 259	2096 259
	HOUSING, Evaporator Coil w/LINKAGE, Rear . . . . .	8	1	----	2097 376	2097 376	2097 376	2097 376
24-28-26	CONNECTOR, Model F . . . . .		*	1748 066	1748 066	1748 066	1748 066	1748 066
24-28-33	FLANGE, Air Outlet Housing Mtg, w/GASKET, Rear Unit . . . . .	8	1	----	----	E2096 681	E2096 681	E2096 681
24-28-36	SEAL PACKAGE, Hose . . . . .	8	1	----	2196 341	2196 341	2196 341	2196 341
24-28-52	NUT, Roof Rail Upper Cover, Sub. J/NUT, Condenser to Yoke . . . . .	8	1	----	6006 486	6010 006	6010 006	6010 006
24-28-53	OUTLET, Defroster, Model F . . . . .	6	1	1998 604	----	----	----	----
24-28-55	CONNECTOR, Defroster Outlet. CONNECTOR, Outlet to Distribution Duct, Rt., Rubber. CONNECTOR, Outlet Includes TUBE, Right, RY1 . . . . .	8	1	----	*1972 324	*1972 324	----	----
	SCREW, w/SHOULDER, Recirculating Door Link . . . . .	8	1	----	*2096 024	*2096 024	*2096 024	----
24-28-59	COVER, Evaporator Housing, Rear Unit . . . . .	8	1	----	----	----	----	E2279 917
24-28-60	GASKET, Heater Core Cover . . . . .	8	1	----	*1885 835	*1885 835	*1885 835	*1885 835
24-28-63	GRILLE, Air Inlet, Rear Unit, except Sub. . . . .	8	1	----	----	1887 501	1887 501	----
24-28-70	RY1, Gray . . . . .	8	1	----	----	----	----	*1885 901
24-28-72	CLIP, Inlet Grille Bezel Mtg., Rear Unit . . . . .	8	4	----	1331 850	1331 850	1331 850	----
24-28-73	DUCT, Inlet . . . . .	8	1	----	E1972 360	E1972 360	E1972 360	1648 430
24-28-75	BEZEL, Models 950, 906 . . . . .	8	1	----	2219 035	2219 004	----	----
	BEZEL, Models 950, 906 Rt. . . . .	8	1	----	----	----	----	1972 960
	Lt. . . . .	8	1	----	----	----	----	1972 961
24-28-76	Air Inlet, Rear Unit except Sub. RETAINER, Inlet Duct to Shelf, Rear Unit . . . . .	8	1	----	----	1819 014	1819 014	----
	Inlet Duct, to Evaporator . . . . .	8	1	----	----	*2097 010	*2097 010	----
24-28-78	LOUVER, Air Outlet, includes FRAME, Model 906 . . . . .	8	4	----	----	----	2219 057	----
	LOUVER, Air Outlet, includes FRAME, Rear Unit, except Sub. Sub. . . . .	8	2	----	2096 940	2096 940	2096 940	2096 940
	LOUVER, Air Outlet, Rt., Model 906 . . . . .	8	4	----	1838 380	----	1838 380	----
	LOUVER, Air Outlet, Lt., Model 906 . . . . .	8	1	----	2197 370	2197 370	----	2197 370
	LOUVER, Air Outlet . . . . .	8	1	----	2197 371	2197 371	----	2197 371
	GRILLE, Model F . . . . .	8	4	1997 542	1997 542	1997 542	2219 057	1997 542
24-28-79	SCREEN, Inlet Grille . . . . .	8	1	----	----	----	----	1570 956
24-28-80	DEFLECTOR, Floor Air, Lt. . . . .	8	1	----	1886 413	1886 413	1886 413	1886 413
24-28-84	ADAPTER, Outlet Louver Roof Unit, Sub. . . . .	8	4	----	1753 579	----	1753 579	----
24-28-89	DUCT, Air Outlet, Lt. . . . .	8	1	----	----	----	1972 956	----
	DUCT, Air Outlet, Front Unit, Right . . . . .	8	1	----	----	E2219 010	E2219 010	E2219 010
	Air Outlet, Front Unit . . . . .	8	1	----	E2219 007	----	----	2219 019
24-28-93	CONNECTOR, Defroster, Lt. . . . .	8	1	----	----	----	----	2219 019
24-28-98	VANE, Horizontal, Model F . . . . .	4		1997 541	1997 541	1997 541	1997 541	1997 541
	Horizontal Control, Model F . . . . .	2		1997 545	1997 545	1997 545	1997 545	1997 545
	Vertical, Model F . . . . .	8		1998 591	1998 591	1998 591	1998 591	1998 591
	Vertical Control, Model F . . . . .	4		1998 590	1998 590	1998 590	1998 590	1998 590
24-28-140	BRACE, Evaporator to Wiper Motor Stud, Model F . . . . .	6	1	1998 628	1998 628	----	----	----
24-28-175	HOUSING, Blower, Rear Unit, except Sub. . . . .	8	2	----	1648 394	1648 394	1648 394	1648 394
24-28-176	SEAL, Distribution Duct Inlet, Model 950 . . . . .	8	1	----	1887 757	1887 757	1887 757	1887 757

★ Indicates use as required. Numerals in parentheses ( ) refer to notes. Printed in U.S.A.  
 □ Indicates parts not listed in any previous parts book. Prices and specifications subject to change without notice.  
 \* Indicates change or addition. Page 24-9 March 1, 1962 Supersedes May 31, 1961.



CODE	PART NAME AND DESCRIPTION	C Y L.	PER CAR	VALIANT	PLYMOUTH	DESOTO	CHRYSLER	IMPERIAL
<b>24-28-O EVAPORATOR UNIT - Cont'd</b>								
24-28-195	MOTOR, Blower, Front Unit . .	8	1	----	1879 579	1879 579	1879 579	1879 579
	Roof Unit, Sub. . . . .	8	1	----	1886 266	----	1886 266	1886 266
	Rear Unit, except Sub. . . . .	8	1	----	1887 401	1887 401	1887 401	1887 401
	MOTOR, Blower, Model F . . . .		1	1985 536	1985 536	1985 536	1985 536	1985 536
24-28-197	INSULATOR, Control Socket . .	8	1	----	1843 226	1843 226	1843 226	1843 226
24-28-200	SPACER, Blower Motor to Cover Rear Unit . . . . .	8	12	----	----	6006 065	6006 065	6006 065
24-28-202	GROMMET, Blower Motor Mtg., Front Unit . . . . .	8	3	----	1879 827	1879 827	*1879 827	*1879 827
24-28-204	SPACER, Blower Motor Housing, Rear Unit . . . . .	8	★	----	6006 065	6006 065	6006 065	6006 065
24-28-210	WHEEL, Blower Motor, Front Unit . . . . .	8	2	----	*1880 442	*1880 442	*1880 442	*1880 442
	Rear Unit, except Sub. . . . .	8	2	----	*1235 644	*1235 644	*1235 644	*1235 644
	WHEEL, Blower Motor, Rt. Model F . . . . .		1	1985 539	1985 539	1985 539	1985 539	1985 539
	Lt., Model F. . . . .		1	1985 537	1985 537	1985 537	1985 537	1985 537
24-28-220	COIL, Evaporator, Front Unit . .	8	1	----	2096 253	2096 253	2096 253	2096 253
	Rear Unit, except Sub. . . . .	8	1	----	1880 642	----	1880 642	1880 642
	COIL, Evaporator, Model F . . .		1	1991 581	1991 581	1991 581	1991 581	1991 581
	Sub., Roof Unit . . . . .	8	1	----	1886 249	----	1886 249	----
24-28-235	NUT, Evaporator Feed Coil Suction Tube Grommet Mtg. . .	8	2	----	----	*1605 267	*1605 267	*1605 267
24-28-236	TEE, Suction Hose to Compressor	8	1	----	*1886 011	*1886 011	*1886 011	*1886 011
24-28-238	TERMINAL, Compressor Clutch, Brush Lead. . . . .	8	1	----	1843 222	1843 222	1843 222	1843 222
24-28-241	SWITCH, Thermo, Model F . . . .		1	1997 564	1997 564	1997 564	1997 564	1997 564
24-28-248	KNOB, Temperature Control, Model F . . . . .		1	1997 553	1997 553	1997 553	1997 553	1997 553
24-28-300	VALVE, Expansion, Frt. and Rear Unit, except Rear Sub. . .	8	1	*1879 580	*1879 580	*1879 580	*1879 580	*1879 580
	Sub., Rear Unit . . . . .	8	1	----	*1887 364	*1887 364	*1887 364	*1887 364
	Model F . . . . .	8	1	----	1991 619	1991 619	1991 619	1991 619
	Model F . . . . .	6	1	1999 149	1999 149	----	----	----
24-28-318	TEE, Liquid Hose to Expansion Valve, Dual Unit, Steel . . . .	8	1	----	1885 692	1885 692	1885 692	1885 692
	TEE, Suction Hose to Compressor, Dual Unit, Steel . .	8	1	----	1886 011	1886 011	1886 011	1886 011
	TEE, Vacuum Control Hose, Plastic . . . . .	8	1	----	1886 109	1886 109	1886 109	1886 109
24-28-322	INDICATOR PACKAGE, Liquid Model F . . . . .	8	1	1744 768	1880 657	1880 657	1880 657	1880 657
					1744 768	1744 768	1744 768	1744 768
24-28-357	NUT, Damper Control Mtg., Hex. NUT, Damper Control, 1 1/16" O.D., Round . . . . .	8	1	----	1339 711	1339 711	1971 521	1339 711
					----	1972 548	1971 521	1971 521
24-28-358	PLATE, Floor Air Name . . . . .	8	1	----	2097 548	----	2197 510	----
	Blower Switch, Name Rear Unit, except Sub. . . . .	8	1	----	2097 547	----	----	2197 509
24-28-361	CLIP, Defroster Door . . . . .	8	1	----	6015 143	6015 143	6015 143	6015 143
24-28-364	DUCT, Distribution . . . . .	8	1	----	1972 594	1972 594	1972 594	1972 594
24-28-366	SWITCH, Rotary Floor Damper Control . . . . .	8	1	----	2096 109	*2096 111	*2096 112	2198 024
24-28-368	WASHER, Deflector Door . . . . .	8	★	----	1971 463	1971 463	1971 463	1971 463
24-28-376	PIN, Damper Hinge Bracket . . . .	8	1	----	6006 079	6006 079	6006 079	6006 079
24-28-378	NUT, Defroster Door Shaft . . . .	8	1	----	1829 825	1829 825	1829 825	1829 825
24-28-379	DOOR PACKAGE, Defroster . . . .	8	1	----	2084 295	2084 295	2084 295	2084 295
24-28-382	BEZEL, Floor Damper Control . . .	8	1	----	----	2197 498	----	2197 389
24-28-383	CLIP, Defroster Actuator Rod Recirculating Door Actuator Rod	8	1	----	6008 144	6008 144	6008 144	6008 144
		8	1	----	6008 145	6008 145	6008 145	6008 145
24-28-384	COVER, Deflector Lever . . . . .	8	1	----	2097 152	2097 152	2097 152	2097 152
24-28-387	SPOT COOLER . . . . .	8	1	----	1972 372	1972 372	1972 372	1972 372
	SPOT COOLER w/SPACER . . . . .	8	1	----	----	----	----	2197 885
24-28-389	SPACER, Spot Cooler Mtg. . . . .	8	1	----	1972 378	----	----	----
24-28-392	RETAINER, Deflector Rod, 7/16" O.D. . . . .	8	1	----	2197 678	2197 678	2197 678	2197 678

★ Indicates use as required.

Numerals in parentheses ( ) refer to notes.

Printed in U.S.A.

E Indicates parts not listed in any previous parts book.

Prices and specifications subject to change without notice.

March 1, 1962 Supersedes May 31, 1961.

Page 24-10

\* Indicates change or addition.







PART NAME	CODE	PART NAME	CODE
<b>ALPHABETICAL INDEX</b>			
<b>A</b>			
Absorber, shock . . . . .	17-23-3 to 17-23-57	Arm, front wheel upper control . . . . .	2-08-5 to 2-08-75
Accelerator pedal . . . . .	14-01-1 to 14-01-31	Arm, power steering gear arm and idler . . . . .	19-27-2 to 19-27-55
Accelerator pedal return spring . . . . .	14-06-1 to 14-06-10	Arm, steering linkage knuckle . . . . .	2-05-4
Accelerator pedal to accelerator shaft rod . . . . .	14-07-1 to 14-07-15	Arm and idler arm, standard steering gear . . . . .	19-27-2 to 19-27-55
Accelerator shaft . . . . .	14-11-1 to 14-11-48	Ash receiver . . . . .	23-02-1 to 23-02-150
Actuator . . . . .	24-29-1 to 24-29-7	Automatic choke to carburetor rod clip . . . . .	14-65-4
Adjuster, front seat . . . . .	23-47-6 to 23-47-458	Automatic headlamp dimmer . . . . .	1-04-4 to 1-04-12
Adjuster, parking brake . . . . .	4-07-1 to 4-07-28	Automatic lamp door switch . . . . .	8-12-1 to 8-12-3
Adjuster, wheel brake . . . . .	5-20-1 to 5-20-17	Automatic pilot . . . . .	14-02-1 to 14-02-70
Air cleaner, carburetor . . . . .	14-29-2 to 14-29-44	Automatic 3 speed transmission . . . . .	21-02-1 to 21-02-6
Air cleaner, power brake . . . . .	5-113-17	Automatic 3 speed transmission band . . . . .	21-136-5 to 21-136-237
Air conditioning . . . . .	24-01-1 to 24-01-87	Automatic 3 speed transmission case . . . . .	21-03-1 to 21-03-28
Air conditioning control . . . . .	24-24-5 to 24-24-170	Automatic 3 speed transmission case extension . . . . .	21-04-1 to 21-04-11
Air intake . . . . .	23-61-39 to 23-61-119	Automatic 3 speed transmission clutch . . . . .	21-133-3 to 21-133-71
Alternator . . . . .	8-28-3 to 8-28-289	Automatic 3 speed transmission control lever . . . . .	21-142-12 to 21-142-21
Alternator component parts . . . . .	8-29-17 to 8-29-208	Automatic 3 speed transmission front and rear planet pinion carrier and components . . . . .	21-134-5 to 21-134-51
Anchor, parking brake shoe . . . . .	4-06-1 to 4-06-11	Automatic 3 speed transmission gearshift button and cable . . . . .	21-30-28 to 21-30-394
Antenna, radio . . . . .	1-88-1 to 1-88-206	Automatic 3 speed transmission governor . . . . .	21-138-2 to 21-138-38
Anti-squeak, body . . . . .	23-31-33 to 23-31-205	Automatic 3 speed transmission input shaft . . . . .	21-129-5 to 21-129-33
Anti-stall diaphragm . . . . .	14-50-25 to 14-50-39	Automatic 3 speed transmission inter- mediate shaft . . . . .	21-129-5 to 21-129-33
Arm, front wheel lower control . . . . .	2-10-6 to 2-10-77	Automatic 3 speed transmission kickdown planet carrier and components . . . . .	21-134-5 to 21-134-51

PART NAME	CODE	PART NAME	CODE
Automatic 3 speed transmission neutral starter switch . . . . .	21-113-24	Bar, front bumper face . . . . .	13-64-3
	to		13-64-151
	21-113-29	Bar, radiator cross. . . . .	7-33-1
Automatic 3 speed transmission oil pan . .	21-119-3		to
	to		7-33-4
	21-119-25	Bar, rear bumper face. . . . .	13-66-3
Automatic 3 speed transmission oil pump .	21-118-1		to
	to		13-66-147
	21-118-55	Bar, side sill and belt . . . . .	23-51-3
Automatic 3 speed transmission oil pump strainer and filter . . . . .	21-117-1		to
	to		23-51-45
	21-117-10	Battery and cable. . . . .	8-01-4
Automatic 3 speed transmission output shaft . . . . .	21-05-1		to
	to		8-01-21
	21-05-35	Battery heat shield . . . . .	13-35-1
Automatic 3 speed transmission package . .	21-01-3	Battery hold-down strap . . . . .	13-34-3
Automatic 3 speed transmission regulator valve body and parts . . . . .	21-131-5	Battery hold-down stud. . . . .	13-36-5
	to	Battery support tray . . . . .	13-33-59
	21-131-50		to
Automatic 3 speed transmission reverse planet pinion carrier and component parts . . . . .	21-135-9		13-33-68
	to	Bearing, camshaft . . . . .	9-16-6
	21-135-50		to
Automatic 3 speed transmission servos . .	21-137-5		9-16-17
	to	Bearing, clutch release . . . . .	6-19-2
	21-137-205		to
Automatic 3 speed transmission set . . . .	21-01-3		6-19-3
Automatic 3 speed transmission speedometer cable, includes shaft and housing . .	21-84-1	Bearing, differential . . . . .	3-11-1
	to		to
	21-84-28		3-11-14
Automatic 3 speed transmission speedometer pinion. . . . .	21-85-5	Bearing, drive pinion. . . . .	3-22-24
	to		to
	21-85-76		3-22-45
Automatic 3 speed transmission torque converter reaction shaft . . . . .	21-129-5	Bearing, drive shaft . . . . .	3-33-1
	to		to
	21-129-33		3-33-9
Automatic 3 speed transmission valve body and valves . . . . .	21-139-4	Bearing, front wheel . . . . .	22-06-1
	to		to
	21-139-213		22-06-18
Auxiliary seat. . . . .	23-107-12	Bearing, propeller shaft center . . . . .	16-16-1
	to		to
	23-107-44		16-16-47
<b>B</b>			
Back-up lamp . . . . .	1-10-1	Bearing, standard transmission countershaft	21-25-2
	8-56-1		to
	to		21-25-6
	8-56-63	Bearing, standard transmission main shaft .	21-19-2
Back-up lamp switch . . . . .	8-56-2		to
Band, automatic 3 speed transmission. . . .	21-136-5		21-19-15
	to	Bearing, standard transmission main shaft pilot . . . . .	21-17-2
	21-136-237		to
Band, parking brake . . . . .	4-03-1		21-17-7
	to	Belt, fan and related drive. . . . .	7-03-1
	4-03-11	Belt, safety . . . . .	1-67-1
Band, powerflite transmission . . . . .	21-136-5	Block, cylinder . . . . .	9-02-5
	to		to
	21-136-52		9-02-16
		Block, rear spring silent . . . . .	17-17-3
			to
			17-17-5
		Block, terminal . . . . .	8-21-1
			to
			8-21-16
		Block, universal joint cross roller and bearing. . . . .	16-09-2
		Blower motor toggle switch . . . . .	24-24-5
		Blower motor switch . . . . .	24-24-5

PART NAME	CODE	PART NAME	CODE
Board, floor . . . . .	23-04-2 to 23-04-250	Boot, wheel cylinder . . . . .	5-69-1
Body, bracket . . . . .	23-07-168 to 23-07-169	Box, glove . . . . .	23-06-4 to 23-06-102
Body, universal joint . . . . .	16-04-1	Brace, front fender . . . . .	12-07-1 to 12-07-2
Body and parts, automatic 3 speed transmission regulator valve . . . . .	21-131-5 to 21-131-50	Bracket, body . . . . .	23-07-168 to 23-07-169
Body and valves, automatic 3 speed transmission valve . . . . .	21-139-4 to 21-139-213	Bracket, brake pedal . . . . .	5-31-11 to 5-31-18
Body and valves, powerflite transmission regulator valve . . . . .	21-131-1 to 21-131-50	Bracket, brake tube . . . . .	5-57-2
Body and valves, powerflite transmission valve . . . . .	21-139-4 to 21-139-193	Bracket, fender pillar support and cowl . . . . .	12-05-2
Body anti-squeak . . . . .	23-31-33 to 23-31-205	Bracket, frame engine rear support crossmember. . . . .	9-70-9
Body bumper . . . . .	23-08-12 to 23-08-76	Bracket, front fender . . . . .	12-06-3
Body insulator . . . . .	23-32-8 to 23-32-115	Bracket, power steering column . . . . .	19-31-1 to 19-31-24
Body liner . . . . .	23-31-33 to 23-31-205	Bracket, shock absorber . . . . .	17-24-28
Body pad . . . . .	23-31-33 to 23-31-205	Bracket, standard steering column . . . . .	19-31-1 to 19-31-24
Body pan . . . . .	23-32-8 to 23-32-115	Brake drum . . . . .	22-04-2 to 22-04-11
Body panel . . . . .	23-32-13 to 23-34-354	Brake flexible hose . . . . .	5-62-1 to 5-62-20
Body pillar . . . . .	23-36-5 to 23-36-131	Brake fluid . . . . .	5-01-2
Body plug . . . . .	23-32-8 to 23-32-115	Brake hose clip . . . . .	5-56-2
Body reinforcement . . . . .	23-07-168 to 23-07-169	Brake pedal and bushing . . . . .	7-27-1 to 7-27-35
Body seal . . . . .	23-31-33 to 23-31-205	Brake pedal bracket . . . . .	5-31-11 to 5-31-18
Body striker . . . . .	23-08-12 to 23-08-76	Brake pedal pad . . . . .	5-28-8
Bolt, drive gear . . . . .	3-20-1 to 3-20-2	Brake pedal return spring . . . . .	5-34-1 to 5-34-6
Bolt, rear spring center . . . . .	17-14-10	Brake pedal shaft . . . . .	5-29-1
Boot, master cylinder . . . . .	5-40-1 to 5-40-3	Brake self adjusting package . . . . .	1-44-1
		Brake shoe guide . . . . .	5-26-1 to 5-26-5
		Brake tube bracket . . . . .	5-57-2
		Brake tube clip . . . . .	5-56-2
		Brake tube tee . . . . .	5-58-1
		Brake tubing and cover . . . . .	5-53-3 to 5-53-4
		Bulb . . . . .	8-44-1
		Bumper, body . . . . .	23-08-12 to 23-08-76
			23-32-12 to 23-32-115
		Bumper, hood . . . . .	15-09-4 to 15-09-22
		Bumper, rear spring . . . . .	17-19-3 to 17-19-20

## 1961 PASSENGER CAR PARTS CATALOG

ALPHABETICAL  
INDEX

PART NAME	CODE	PART NAME	CODE
Bumper guard . . . . .	1-01-1 13-68-6 to 13-68-18	Carburetor air cleaner . . . . .	14-29-2 to 14-29-44
Bumper jack . . . . .	13-72-1 to 13-72-4	Carburetor assemblies and service parts . .	14-30-1 to 14-30-28
Bushing and pedal, brake . . . . .	7-27-1 to 7-27-35		14-35-1 to 14-35-8
Bushing and roller, universal joint cross. .	16-10-1 to 16-10-3	Carburetor choke attaching parts . . . . .	14-39-45 14-41-3 14-43-5
Button, universal joint centering . . . . .	16-06-1 to 16-06-3	Carrier and component parts, automatic 3 speed transmission reverse pilot pinion .	14-39-46 to 14-39-49
Button and cable, automatic 3 speed trans- mission gearshift . . . . .	21-30-28 to 21-30-394	Carrier, spare wheel . . . . .	22-20-29 to 22-20-89
Button and cable, powerflite transmission gearshift . . . . .	21-30-320 to 21-30-394	Carrier and component parts, powerflite transmission kickdown planet pinion . . . .	21-135-9 to 21-135-50
<b>C</b>			
Cable, parking brake . . . . .	4-23-1 to 4-23-51	Carrier and component parts, powerflite transmission reverse planet pinion . . . . .	21-134-5 to 21-134-40
Cable, includes shaft and housing, automatic 3 speed transmission . . . . .	21-84-1 to 21-84-28	Carrier and component parts, powerflite transmission reverse planet pinion . . . . .	21-135-5 to 21-135-35
Cable, speedometer powerflite transmission, includes shaft and housing . . . . .	21-84-1 to 21-84-4	Carrier and components, automatic 3 speed transmission front and rear planet pinion. .	21-134-5 to 21-134-51
Cable, speedometer standard transmission, includes shaft and housing . . . . .	21-84-1 to 21-84-28	Carrier and differential, rear axle . . . . .	3-03-1 to 3-03-36
Cable and battery . . . . .	8-01-4 to 8-01-21	Case, automatic 3 speed transmission . . .	21-03-1 to 21-03-28
Cable and button, powerflite transmission gearshift . . . . .	21-30-320 to 21-30-394	Case, differential . . . . .	3-04-6 to 3-04-10
Cable and connection . . . . .	8-16-1 to 8-16-10	Case, powerflite transmission . . . . .	21-03-1 to 21-03-45
Camshaft . . . . .	9-15-1 to 9-15-10	Case, standard transmission . . . . .	21-03-1 to 21-03-25
Camshaft bearing . . . . .	9-16-6 to 9-16-17	Chain, timing . . . . .	9-20-1
Camshaft sprocket . . . . .	9-17-5 to 9-17-13	Chain case cover . . . . .	9-23-5 to 9-23-40
Cap, crankshaft bearing . . . . .	9-10-2 to 9-10-19	Channel, glass . . . . .	23-09-2 to 23-09-75
Cap, fuel tank locking . . . . .	1-39-2	Chassis and body wiring . . . . .	8-15-2 to 8-15-52
Cap, hub . . . . .	22-08-5 to 22-08-57	Check, door . . . . .	23-10-1 to 23-10-17
Cap, radiator filler . . . . .	7-12-1	Cigar lighter . . . . .	1-12-1 8-20-3 to 8-20-20
Carburetor . . . . .	14-30-1	Clamp, power brake hose . . . . .	5-112-1
		Clamp and support, exhaust pipe . . . . .	11-08-1 to 11-08-3

PART NAME	CODE	PART NAME	CODE
Clip, automatic choke to carburetor rod . .	14-65-4	Component parts, shock absorber . . . . .	17-26-11
Clip, brake hose . . . . .	5-56-2	to	17-26-38
Clip, brake tube . . . . .	5-56-2	Component parts and carrier, automatic 3	21-135-9
Clip, fuel line . . . . .	14-90-1	speed transmission reverse planet pinion .	to
Clip, rear spring . . . . .	17-15-1	to	21-135-50
	17-15-30	Component parts and carrier, powerflite	21-134-5
Clock . . . . .	1-21-1	transmission kickdown planet pinion . . . .	to
	to	to	21-134-40
	1-21-32	Component parts and carrier, powerflite	21-135-5
Clutch . . . . .	6-01-1	transmission reverse planet pinion . . . . .	to
Clutch, automatic 3 speed transmission. . .	21-133-3	to	21-135-35
	to	Component parts and hot water heater . . .	1-48-1
	21-133-71	to	1-48-942
Clutch, powerflite transmission direct . . .	21-133-5	Component parts for power brake power	5-100-5
	to	unit . . . . .	to
	21-133-43	to	5-100-210
Clutch cover and pressure plate . . . . .	6-14-1	Components and carrier, automatic 3	21-134-5
	to	speed transmission front and rear planet	to
	6-14-10	pinion . . . . .	21-134-51
Clutch disc . . . . .	6-13-1	to	21-134-5
	to	Components and carrier, automatic 3	21-134-5
	6-13-19	speed transmission kickdown planet . . . . .	to
Clutch housing . . . . .	6-09-1	to	21-134-51
	to	Component parts, rear axle differential . . . . .	3-09-1
	6-09-11	to	3-09-3
Clutch housing pan . . . . .	6-10-2	Clutch pedal . . . . .	6-38-1
	to	to	6-38-26
	6-10-31	Clutch pedal pad . . . . .	6-39-2
Clutch parts, rear axle differential . . . . .	3-09-1	Clutch pedal rod . . . . .	6-50-1
	to	to	6-50-12
	3-09-3	Clutch pedal shaft. . . . .	6-43-7
Clutch pedal . . . . .	6-38-1	to	6-43-13
	to	Clutch pressure plate. . . . .	6-15-1
	6-38-26	Clutch pressure spring. . . . .	6-16-1
Clutch pedal pad . . . . .	6-39-2	Clutch release bearing . . . . .	6-19-2
Clutch pedal rod . . . . .	6-50-1	to	6-19-3
	to	Clutch release bearing return spring . . . .	6-20-14
	6-50-12	Clutch release center spring. . . . .	6-35-1
Clutch pedal shaft. . . . .	6-43-7	to	6-35-19
	to	Clutch release fork. . . . .	6-22-1
	6-43-13	to	6-22-19
Clutch pressure plate. . . . .	6-15-1	Clutch release fork return spring. . . . .	6-27-5
Clutch pressure spring. . . . .	6-16-1	Clutch release lever . . . . .	6-17-3
Clutch release bearing . . . . .	6-19-2	Clutch release rod . . . . .	6-24-1
	to	to	6-24-6
	6-19-3	Clutch torque shaft . . . . .	6-52-1
Clutch release bearing return spring . . . .	6-20-14	to	6-52-15
Clutch release center spring. . . . .	6-35-1	Coil, ignition . . . . .	8-35-4
	to	to	8-35-115
	6-35-19	Component parts, alternator . . . . .	8-29-17
Clutch release fork. . . . .	6-22-1	to	8-29-208
	to	Component parts, generator . . . . .	8-29-17
	6-22-19	to	8-29-208
Clutch release fork return spring. . . . .	6-27-5	Component parts, shock absorber . . . . .	17-26-11
Clutch release lever . . . . .	6-17-3	to	17-26-38
Clutch release rod . . . . .	6-24-1	Component parts and carrier, automatic 3	21-135-9
	to	speed transmission reverse planet pinion .	to
	6-24-6	to	21-135-50
Clutch torque shaft . . . . .	6-52-1	Component parts and carrier, powerflite	21-134-5
	to	transmission kickdown planet pinion . . . .	to
	6-52-15	to	21-134-40
Coil, ignition . . . . .	8-35-4	Component parts and carrier, powerflite	21-135-5
	to	transmission reverse planet pinion . . . . .	to
	8-35-115	to	21-135-35
Component parts, alternator . . . . .	8-29-17	Component parts and hot water heater . . .	1-48-1
to	8-29-208	to	1-48-942
Component parts, generator . . . . .	8-29-17	Component parts for power brake power	5-100-5
to	8-29-208	unit . . . . .	to
	8-29-208	to	5-100-210
		Components and carrier, automatic 3	21-134-5
		speed transmission front and rear planet	to
		pinion . . . . .	21-134-51
		to	21-134-5
		Components and carrier, automatic 3	21-134-5
		speed transmission kickdown planet . . . . .	to
		to	21-134-51
		Compressor . . . . .	24-25-2
		to	24-25-260
		Condenser . . . . .	24-27-5
		Conditioning, air . . . . .	24-01-1
		to	24-01-87
		Connecting rod . . . . .	9-31-4
		to	9-31-10
		Connecting rod bearing package. . . . .	9-32-2
		Connection and cable . . . . .	8-16-1
		to	8-16-10
		Connector, power brake tube. . . . .	5-110-18
		Console floor tunnel . . . . .	23-38-5
		to	23-38-24
		Control, air conditioning . . . . .	24-24-5
		to	24-24-170
		Control, door lock and remote . . . . .	23-18-5
		to	23-18-40
		Control, hood lock . . . . .	15-14-1
		to	15-14-21
		Control, horn . . . . .	8-33-4
		to	8-33-164
		Converter, torque . . . . .	9-46-4
		to	9-46-229
		Coordinator switch . . . . .	1-82-14
		Core, radiator. . . . .	7-11-3
		Countershaft, standard transmission. . . . .	21-24-2
		to	21-24-22

# 1961 PASSENGER CAR PARTS CATALOG

ALPHABETICAL  
INDEX

PART NAME	CODE	PART NAME	CODE
Coupling and tube, power steering gear. . .	19-15-4 to 19-15-121	Cylinder, master . . . . .	5-39-1 to 5-39-27
Coupling and tube, standard steering gear .	19-15-4 to 19-15-121	Cylinder, wheel brake . . . . .	5-64-1 to 5-64-2
Courtesy lamp. . . . .	8-11-6 to 8-11-12	Cylinder and keys, lock . . . . .	23-17-2 to 23-17-72
Courtesy lamp switch . . . . .	8-11-6	Cylinder block . . . . .	9-02-5 to 9-02-16
Courtesy light. . . . .	1-14-4 to 1-14-40	Cylinder head . . . . .	9-03-4 to 9-03-34
Cover, chain case . . . . .	9-23-5 to 9-23-40	Cylinder head water outlet elbow . . . . .	9-05-5 to 9-05-6
Cover, standard steering gear housing . . .	19-04-1 to 19-04-13	<b>D</b>	
Cover, standard transmission case . . . . .	21-29-3 to 21-29-25	Damper, crankshaft vibration . . . . .	9-13-5
Cover, universal joint . . . . .	16-07-3 to 16-07-4	Deck lid . . . . .	23-19-8 to 23-19-185
Cover and tubing, brake . . . . .	5-53-3 to 5-53-4	Deck lid tire cover . . . . .	1-02-1
Cowl vent . . . . .	23-61-39 to 23-61-119	Deflector, fuel tank stone . . . . .	14-87-2
Crank, throttle control bell . . . . .	14-14-1 to 14-14-57	Deflector, radiator stone . . . . .	7-35-2 to 7-35-12
Crankcase breather pipe inlet . . . . .	10-01-21	Diaphragm, anti-stall . . . . .	14-50-25 to 14-50-39
Crankcase ventilator outlet. . . . .	10-02-8 to 10-02-67	Differential and carrier, rear axle . . . . .	3-03-1 to 3-03-36
Crankshaft . . . . .	9-07-5 to 9-07-22	Differential bearing . . . . .	3-11-1 to 3-11-14
Crankshaft bearing cap. . . . .	9-10-2 to 9-10-19	Differential case . . . . .	3-04-6 to 3-04-10
Crankshaft bearing package . . . . .	9-09-2	Differential pinion . . . . .	3-07-1 to 3-07-2
Crankshaft rear bearing oil seal . . . . .	9-11-1 to 9-11-8	Differential pinion shaft . . . . .	3-08-1 to 3-08-2
Crankshaft sprocket. . . . .	9-08-5 to 9-08-6	Differential side gear. . . . .	3-06-5 to 3-06-8
Crankshaft vibration damper. . . . .	9-13-5	Dimmer, automatic headlamp . . . . .	1-04-4 to 1-04-12
Cross, universal joint . . . . .	16-08-6 to 16-08-7	Directional signal lamp. . . . .	8-55-1 to 8-55-332
Crossmember, frame engine rear support . .	9-69-4 to 9-69-28	Disc, clutch . . . . .	6-13-1 to 6-13-19
Crossmember, frame front. . . . .	13-11-5	Distributor, ignition . . . . .	8-27-1 to 8-27-352
Crossmember, frame rear . . . . .	13-18-4	Dome lamp and switch . . . . .	5-05-6 to 5-05-32
Crossmember, frame transmission mounting	13-16-5	Dome lamp switch . . . . .	8-05-14
Cup, master cylinder piston . . . . .	5-45-8		
Cup, wheel cylinder piston . . . . .	5-71-1 to 5-71-2		
Cylinder, ignition lock . . . . .	8-35-4 to 8-35-122		



PART NAME	CODE	PART NAME	CODE
Door . . . . .	23-11-1 to 23-11-24	Evaporator unit . . . . .	24-28-3 to 24-28-392
Door check . . . . .	23-10-1 to 23-10-17	Exhaust pipe . . . . .	11-05-1 to 11-05-12
Door edge protector . . . . .	1-135-1	Exhaust pipe flange gasket and stud . . . . .	11-06-8
Door hinge . . . . .	23-15-1 to 23-15-22	Exhaust pipe support and clamp . . . . .	11-08-1 to 11-08-3
Door lock and remote control . . . . .	23-18-5 to 23-18-120	Exhaust valve . . . . .	9-39-6
Door regulator . . . . .	23-14-7 to 23-14-153	Expander, wheel cylinder piston . . . . .	5-72-1
Door remote control handle . . . . .	23-14-7 to 23-14-153	Extension, automatic 3 speed transmission case . . . . .	21-04-1 to 21-04-11
Drain cock, radiator . . . . .	7-13-2	Extension, powerlite transmission case . . . . .	21-04-1 to 21-04-2
Drain trough . . . . .	23-59-37 to 23-59-61	Extension, standard transmission case . . . . .	21-04-1 to 21-04-11
Drain trough moulding . . . . .	23-59-37 to 23-59-61	<b>F</b>	
Drier, receiver . . . . .	24-26-20 to 24-26-100	Fan . . . . .	7-02-1 to 7-02-16
Drive gear and pinion set . . . . .	3-19-1	Fan and related drive belt . . . . .	7-03-1
Drive gear bolt . . . . .	3-20-1 to 3-20-2	Fan belt idler pulley . . . . .	7-04-1 to 7-04-10
Drive pinion bearing . . . . .	3-22-24 to 3-22-45	Fan drive and driven pulley . . . . .	7-06-1 to 7-06-14
Drive shaft . . . . .	3-32-1 to 3-32-9	Fan fluid drive unit . . . . .	7-07-1
Drive shaft bearing . . . . .	3-33-1 to 3-33-9	Fan pulley hub . . . . .	7-05-1
Drive shaft oil seal . . . . .	3-35-14	Fender, front . . . . .	12-01-5 to 12-01-105
Drum, brake . . . . .	22-04-2 to 22-04-11	Fender pillar support and cowl bracket . . . . .	12-05-2
Drum, hub and brake . . . . .	22-03-1 to 22-03-2	Fender skirt . . . . .	1-45-1
Drum, parking brake . . . . .	4-01-1	Filter, fuel . . . . .	14-67-1 to 14-67-10
<b>E</b>		Filter, oil . . . . .	10-26-5 to 10-26-65
Elbow, cylinder head water outlet . . . . .	9-05-5 to 9-05-6	Filter and strainer automatic 3 speed transmission oil pump . . . . .	21-117-1 to 21-117-10
Elbow, water pump . . . . .	7-48-22	Filter and strainer, powerlite transmission oil pump . . . . .	21-117-1 to 21-117-24
Electric seat adjuster switch . . . . .	23-47-446	Flange, propeller shaft . . . . .	16-20-1 to 16-20-3
Electric window lift switch . . . . .	23-41-170	Floor board . . . . .	23-04-2 to 23-04-250
Engine . . . . .	9-01-5 to 9-01-24	Floor mat . . . . .	23-20-8 to 23-20-65
Engine front support . . . . .	9-64-5 to 9-64-24	Floor tunnel console . . . . .	23-38-5 to 23-38-24
Engine front support insulator . . . . .	9-67-4	Fluid, brake . . . . .	5-01-2
Engine rear support insulator . . . . .	9-71-5 to 9-71-19	Flywheel . . . . .	9-45-1 to 9-45-7

PART NAME	CODE	PART NAME	CODE
Folding top . . . . .	23-58-3 to 23-58-608	Front wheel lower control arm . . . . .	2-10-6 to 2-10-77
Folding top lift switch . . . . .	23-58-532	Front wheel upper control arm . . . . .	2-08-5 to 2-08-75
Foot dimmer switch . . . . .	8-53-150	Fuel filter . . . . .	14-67-1 to 14-67-10
Fork, clutch release . . . . .	6-22-1 to 6-22-19	Fuel line clip . . . . .	14-90-1
Fork, standard transmission gearshift . . . . .	21-39-3	Fuel line tube . . . . .	14-89-2 to 14-89-57
Frame . . . . .	13-01-1 to 13-01-6	Fuel pump . . . . .	14-73-1
Frame engine rear support crossmember . . . . .	9-69-4 to 9-69-28	Fuel pump mounting . . . . .	14-74-1 to 14-74-2
Frame engine rear support crossmember bracket . . . . .	9-70-9	Fuel pump push rod . . . . .	14-77-17
Frame front crossmember . . . . .	13-11-5 to 13-11-14	Fuel tank . . . . .	14-86-1 to 14-86-85
Frame rear crossmember . . . . .	13-18-4	Fuel tank gauge . . . . .	14-72-1 to 14-72-47
Frame rear spring hanger . . . . .	13-54-4 to 13-54-15	Fuel tank locking cap . . . . .	1-39-2
Frame sub-sidemember . . . . .	13-04-20 to 13-04-21	Fuel tank stone deflector . . . . .	14-87-2
Frame transmission mounting crossmember	13-16-5	Fuel tank support . . . . .	14-88-21 to 14-88-27
Front bumper face bar . . . . .	13-64-3 to 13-64-151	<b>G</b>	
Front door automatic lamp switch . . . . .	8-12-2	Garnish moulding . . . . .	23-22-7 to 23-22-160
Front fender . . . . .	12-01-5 to 12-01-105	Gasket, manifold . . . . .	9-50-1 to 9-50-16
Front fender brace . . . . .	12-07-1 to 12-07-2	Gasket, water pump . . . . .	7-44-3 to 7-44-4
Front fender bracket . . . . .	12-06-3	Gasket and stud, exhaust pipe flange . . . . .	11-06-8
Front fender moulding package . . . . .	12-15-2 to 12-15-21	Gauge, fuel tank . . . . .	14-72-1 to 14-72-47
Front fender name plate package . . . . .	12-15-2 to 12-15-21	Gear, differential side . . . . .	3-06-5 to 3-06-8
Front fender plate . . . . .	12-04-4 to 12-04-33	Gear, oil pump drive . . . . .	10-10-1
Front fender seal . . . . .	12-02-5 to 12-02-12	Gear, power steering . . . . .	19-01-4 to 19-01-62
Front fender shield . . . . .	12-04-4 to 12-04-33	Gear, standard steering . . . . .	19-01-3 to 19-01-24
Front fender shim . . . . .	12-02-5 to 12-02-12	Gear, standard transmission . . . . .	21-10-4 to 21-10-16
Front fender support . . . . .	12-07-1	Gear, standard transmission clutch . . . . .	21-14-1 to 21-14-20
Front seat . . . . .	23-45-10 to 23-45-112	Gear, standard transmission countershaft . . . . .	21-15-2 to 21-15-33
Front seat adjuster . . . . .	23-47-6 to 23-47-458	Gear, standard transmission reverse idler . . . . .	21-11-1 to 21-11-9
Front suspension torsion parts . . . . .	2-14-1 to 2-14-25		
Front wheel bearing . . . . .	22-06-1 to 22-06-18		

PART NAME	CODE	PART NAME	CODE
Gearshift, standard transmission remote control . . . . .	21-42-11 to 21-42-43	Hood bumper . . . . .	15-09-4 to 15-09-22
Generator . . . . .	8-28-3 to 8-28-289	Hood hinge . . . . .	15-19-2 to 15-19-40
Generator component parts . . . . .	8-29-17 to 8-29-208	Hood letters . . . . .	15-06-3 to 15-06-17
Glass channel . . . . .	23-09-2 to 23-09-75	Hood lock . . . . .	15-11-3 to 15-11-73
Glove box . . . . .	23-06-4 to 23-06-102	Hood lock control . . . . .	15-14-1 to 15-14-21
Glove compartment light . . . . .	1-19-1 8-38-4 to 8-38-23	Hood lock striker . . . . .	15-13-2 to 15-13-6
Governor . . . . .	14-68-3 to 14-68-8	Hood medallion . . . . .	15-06-3 to 15-06-17
Governor, automatic 3 speed transmission . . . . .	21-138-2 to 21-138-38	Hood moulding . . . . .	15-25-2
Governor, powerlite transmission . . . . .	21-138-2 to 21-138-38	Hood name plate . . . . .	15-06-3 to 15-06-17
Grille, radiator . . . . .	7-16-11 to 7-16-73	Hood top panel . . . . .	15-03-3 to 15-03-61
Grille guard . . . . .	1-01-1	Horn . . . . .	8-32-2 to 8-32-18
Grommet . . . . .	8-30-1	Horn control . . . . .	8-33-4 to 8-33-164
Guard, bumper . . . . .	13-68-6 to 13-68-18	Horn switch . . . . .	8-33-90
Guide, brake shoe . . . . .	5-26-1 to 5-26-5	Hose, brake flexible . . . . .	5-62-1 to 5-62-20
<b>H</b>		Hose, power brake vacuum . . . . .	5-111-17
Hand brake signal lamp . . . . .	1-09-1 8-31-2 to 8-31-16	Hose, power steering gear . . . . .	19-58-7 to 19-58-31
Handle, door remote control . . . . .	23-14-7 to 23-14-153	Hose, radiator . . . . .	7-14-1 to 7-14-31
Hanger, frame rear spring . . . . .	13-54-4 to 13-54-15	Hot water heater and component parts . . . . .	1-48-1 to 1-48-942
Head, cylinder . . . . .	9-03-4 to 9-03-34	Housing, clutch . . . . .	6-09-1 to 6-09-11
Headlamp . . . . .	8-34-1 to 8-34-374	Housing, power steering gear . . . . .	19-02-4 to 19-02-69
Headlamp and instrument lamp switch . . . . .	8-53-270	Housing, rear axle . . . . .	3-02-1 to 3-02-20
Headlamp beam indicator light . . . . .	8-39-3 to 8-39-15	Housing, standard steering gear . . . . .	19-02-4 to 19-02-18
Heater control switch . . . . .	1-48-770	Housing, water pump . . . . .	7-43-1
Hinge, door . . . . .	23-15-1 to 23-15-22	Hub, fan pulley . . . . .	7-05-1
Hinge, hood . . . . .	15-19-2 to 15-19-40	Hub, wheel . . . . .	22-05-14 to 22-05-24
		Hub and brake drum . . . . .	22-03-1 to 22-03-2

PART NAME	CODE	PART NAME	CODE
Hub cap . . . . .	22-08-5 to 22-08-57	Joint, universal . . . . .	16-03-1 to 16-03-20
Hydraulic brake switch . . . . .	14-02-32	<b>K</b>	
<b>I</b>		Keys and cylinder, lock . . . . .	23-17-2 to 23-17-72
Ignition . . . . .	8-36-1 to 8-36-137	Knuckle, steering . . . . .	2-03-3
Ignition coil . . . . .	8-35-4 to 8-35-115	<b>L</b>	
Ignition distributor . . . . .	8-27-1 to 8-27-352	Lamp, back-up . . . . .	1-10-1 8-56-1 to 8-56-63
Ignition lamp . . . . .	8-40-8 to 8-40-16	Lamp, courtesy . . . . .	8-11-6 to 8-11-12
Ignition switch and lock cylinder . . . . .	8-35-4 to 8-35-115	Lamp, directional signal . . . . .	8-55-1 to 8-55-332
Impeller, water pump . . . . .	7-45-31	Lamp, hand brake signal . . . . .	1-09-1 8-31-1 to 8-31-16
Indicator, oil level . . . . .	10-03-4 to 10-03-7	Lamp, ignition . . . . .	8-40-8 to 8-40-16
Inlet, crankcase breather pipe . . . . .	10-01-21	Lamp, license plate . . . . .	8-57-10 to 8-57-89
Instrument panel . . . . .	23-33-10 to 23-33-245	Lamp, map . . . . .	8-42-5 to 8-42-31
Instrument panel instruments . . . . .	8-37-1 to 8-37-517	Lamp, parking . . . . .	8-50-82 to 8-50-349
Instrument panel light . . . . .	8-41-36	Lamp, parking brake signal . . . . .	8-31-2 to 8-31-16
Instrument panel wiring . . . . .	8-19-25 to 8-19-83	Lamp, quarter . . . . .	8-11-6 to 8-11-12
Instruments, instrument panel . . . . .	8-37-1 to 8-37-517	Lamp, stop . . . . .	8-58-60
Insulator, body . . . . .	23-31-33 to 23-31-205	Lamp, tail and stop . . . . .	8-55-1 to 8-55-332
Insulator, engine front support . . . . .	9-67-4	Lamp, trunk . . . . .	8-13-1 to 8-13-9
Insulator, engine rear support . . . . .	9-71-5 to 9-71-19	Lamp and switch, dome . . . . .	5-05-6 to 5-05-32
Insulator, propeller shaft center bearing housing . . . . .	16-17-1	Leaf, rear spring . . . . .	17-12-4 to 17-12-12
Intake, air . . . . .	23-61-39 to 23-61-119	Letter, hood . . . . .	15-06-3 to 15-06-17
Intake, valve . . . . .	9-39-5	Level, indicator oil . . . . .	10-03-4 to 10-03-7
<b>J</b>		Leveller, load . . . . .	1-07-1
Jack, bumper . . . . .	13-72-1 to 13-72-4	Lever, automatic 3 speed transmission control . . . . .	21-142-12 to 21-142-21
Jacket, power steering gear column . . . . .	19-14-1 to 19-14-74	Lever, clutch release . . . . .	6-17-3
Jacket, standard steering gear column . . . . .	19-14-1 to 19-14-77		
Joint, throttle linkage ball . . . . .	14-13-1 to 14-13-5		

PART NAME	CODE	PART NAME	CODE
Lever, parking brake . . . . .	4-25-1 to 4-25-21	Lock cylinder and switch, ignition . . . . .	8-35-4 to 8-35-122
Lever, parking brake operating . . . . .	4-26-1 to 4-26-28	Low oil pressure switch . . . . .	8-53-327
Lever, powerflite transmission control . . . . .	21-142-12 to 21-142-21	Luggage rack . . . . .	1-74-1
Lever, standard transmission gearshift . . . . .	21-30-2 to 21-30-438	<b>M</b>	
License mounting parts . . . . .	8-47-8 to 8-47-131	Manifold . . . . .	9-48-6 to 9-48-158
License plate lamp . . . . .	8-57-10 to 8-57-89	Manifold gasket . . . . .	9-50-1 to 9-50-16
Lid, deck . . . . .	23-19-8 to 23-19-185	Manifold heat control valve . . . . .	9-59-13 to 9-59-15
Lift, window (electric) . . . . .	23-41-4 to 23-41-281	Manifold heat control valve stop . . . . .	9-62-1
Lift, window (manual) . . . . .	23-39-2 to 23-39-53	Manifold heat control valve thermostat . . . . .	9-58-1 to 9-58-14
Light, courtesy . . . . .	1-14-4 to 1-14-40	Map lamp . . . . .	8-42-5 to 8-42-31
Light, glove compartment . . . . .	1-19-1 to 8-38-4	Map lamp switch . . . . .	8-42-25
Light, headlamp beam indicator . . . . .	8-38-23 to 8-39-3	Map light . . . . .	1-14-4 to 1-14-40
Light, instrument panel . . . . .	8-39-15 to 8-41-36	Master cylinder . . . . .	5-39-1 to 5-39-27
Light, map . . . . .	1-14-4 to 1-14-40	Master cylinder boot . . . . .	5-40-1 to 5-40-3
Light, trunk compartment . . . . .	1-30-1	Master cylinder brake tube . . . . .	5-52-3 to 5-52-62
Light, underhood . . . . .	1-13-1 to 1-13-10	Master cylinder piston . . . . .	5-44-3 to 5-44-8
Light, warning . . . . .	1-06-1 to 1-06-2	Master cylinder piston cup . . . . .	5-45-8
Lighter, cigar . . . . .	1-12-1 to 8-20-3	Master cylinder piston push rod . . . . .	5-47-2 to 5-47-10
Liner, body . . . . .	8-20-20 to 23-31-33	Master cylinder piston return spring . . . . .	5-46-1
Lining and shoe, wheel brake . . . . .	23-31-205 to 5-03-1	Master cylinder valve . . . . .	5-43-1 to 5-43-5
Load leveller . . . . .	5-03-23 to 1-07-1	Mat, floor . . . . .	23-20-8 to 23-20-65
Lock, door Safe-T-Matic . . . . .	23-13-0	Mechanical brake switch . . . . .	14-02-32
Lock, hood . . . . .	15-11-3 to 15-11-73	Medallion, hood . . . . .	15-06-3 to 15-06-17
Lock, transmission parking . . . . .	4-10-1 to 4-10-28	Medallion, radiator grille . . . . .	7-17-1 to 7-17-2
Lock cylinder and keys . . . . .	23-17-2 to 23-17-72	Mirror . . . . .	1-76-1 to 1-76-3
		Motor, starting . . . . .	23-21-3 to 23-21-74
			8-52-4 to 8-52-375

PART NAME	CODE	PART NAME	CODE
Moulding, drain trough . . . . .	23-59-37 to 23-59-61	Package, front fender name plate . . . . .	12-15-2 to 12-15-21
Moulding, garnish . . . . .	23-22-7 to 23-22-160	Package, power brake . . . . .	1-42-1
Moulding, hood . . . . .	15-25-2	Package, powerflite transmission . . . . .	21-01-3
Moulding, outside finish . . . . .	23-23-2 to 23-23-85	Package, powerflite transmission neutral starter switch . . . . .	21-113-24
Moulding, trim finish . . . . .	23-26-2 to 23-26-89	Package, silencer . . . . .	9-41-1 to 9-41-12
Mounting, fuel pump . . . . .	14-74-1	Package, standard transmission . . . . .	21-01-3
Mounting parts, license . . . . .	8-47-8 to 8-47-131	Package, switch, automatic 3 speed transmission . . . . .	21-113-24
Muffler . . . . .	11-01-1	Package, wheel cylinder service . . . . .	5-63-1 to 5-63-3
Muffler support . . . . .	11-02-4	Pad, body . . . . .	23-31-33 to 23-31-205
<b>N</b>		Pad, brake pedal . . . . .	5-28-8
Nipple, water pump . . . . .	7-48-22	Pad, clutch pedal . . . . .	6-39-2
<b>O</b>		Pan, automatic 3 speed transmission oil . .	21-119-3 to 21-119-25
Oil filter . . . . .	10-26-5 to 10-26-65	Pan, body . . . . .	23-32-8 to 23-32-115
Oil level indicator . . . . .	10-03-4 to 10-03-7	Pan, clutch housing . . . . .	6-10-2 to 6-10-10
Oil pan . . . . .	10-24-1 to 10-24-38	Pan, oil . . . . .	10-24-1 to 10-24-38
Oil pressure relief valve . . . . .	10-22-11 to 10-22-41	Pan, powerflite transmission oil . . . . .	21-119-3 to 21-119-19
Oil pump . . . . .	10-07-2 to 10-07-12	Panel, body . . . . .	23-34-13 to 23-34-354
Oil pump drive gear . . . . .	10-10-1	Panel, hood top . . . . .	15-03-3 to 15-03-61
Oil pump drive shaft . . . . .	10-09-1 to 10-09-7	Panel, instrument . . . . .	23-33-10 to 23-33-245
Oil pump rotor . . . . .	10-14-18 to 10-14-19	Parking brake adjuster . . . . .	4-07-1 to 4-07-28
Oil strainer . . . . .	10-23-7	Parking brake band . . . . .	4-03-1 to 4-03-11
Ornament, radiator grille . . . . .	7-17-1 to 7-17-2	Parking brake cable . . . . .	4-23-1 to 4-23-51
Outlet, crankcase ventilator . . . . .	10-02-8 to 10-02-67	Parking brake drum . . . . .	4-01-1
Outside finish moulding . . . . .	23-23-2 to 23-23-85	Parking brake lever . . . . .	4-25-1 to 4-25-21
<b>P</b>		Parking brake operating lever . . . . .	4-26-1 to 4-26-28
Package, brake self adjusting . . . . .	1-44-1	Parking brake shoe . . . . .	4-03-1 to 4-03-11
Package, connecting rod bearing . . . . .	9-32-2	Parking brake shoe anchor . . . . .	4-06-1 to 4-06-11
Package, crankshaft bearing . . . . .	9-09-2		
Package, front fender moulding . . . . .	12-15-2 to 12-15-21		

PART NAME	CODE	PART NAME	CODE
Parking brake signal lamp . . . . .	8-31-2 to 8-31-16	Plate, clutch cover and pressure . . . . .	6-14-1 to 6-14-10
Parking brake signal lamp switch . . . . .	8-31-10	Plate, clutch pressure . . . . .	6-15-1
Parking brake support . . . . .	4-29-1 to 4-29-16	Plate, front fender . . . . .	12-04-4 to 12-04-33
Parking lamp . . . . .	8-50-82 to 8-50-349	Plate, hood name . . . . .	15-06-3 to 15-06-17
Parts, carburetor choke attaching . . . . .	14-39-46 to 14-39-49	Plug, body . . . . .	23-32-8 to 23-32-115
Parts, component for power brake power unit . . . . .	5-100-5 to 5-100-210	Power brake . . . . .	1-42-1
Pedal, accelerator . . . . .	14-01-1 to 14-01-31	Power brake air cleaner . . . . .	5-113-17
Pedal, clutch . . . . .	6-38-1 to 6-38-26	Power brake hose clamp . . . . .	5-112-1
Pedal and bushing, brake . . . . .	7-27-1 to 7-27-35	Power brake power unit . . . . .	5-100-1 to 5-100-157
Pillar, body . . . . .	23-36-5 to 23-36-131	Power brake tube connector . . . . .	5-110-18
Pilot, automatic . . . . .	14-02-1 to 14-02-70	Power brake vacuum check valve . . . . .	5-105-1
Pin, piston . . . . .	9-36-5 to 9-36-7	Power brake vacuum hose . . . . .	5-111-17
Pinion, automatic 3 speed transmission speedometer . . . . .	21-85-5 to 21-85-76	Power brake vacuum tank . . . . .	5-102-2 to 5-102-11
Pinion, differential . . . . .	3-07-1 to 3-07-2	Power steering column bracket . . . . .	19-31-1 to 19-31-24
Pinion, powerflite transmission speedometer	21-85-7	Power steering gear . . . . .	19-01-4 to 19-01-62
Pinion, standard transmission main drive . .	21-09-2 to 21-09-33	Power steering gear arm and idler arm . . .	19-27-2 to 19-27-55
Pinion, standard transmission speedometer .	21-85-5 to 21-85-61	Power steering gear column jacket . . . . .	19-14-1 to 19-14-74
Pipe, exhaust . . . . .	11-05-1 to 11-05-12	Power steering gear hose . . . . .	19-58-7 to 19-58-31
Pipe, tail . . . . .	11-09-3	Power steering gear housing . . . . .	19-02-4 to 19-02-69
Piston, master cylinder . . . . .	5-44-3 to 5-44-8	Power steering gear piston . . . . .	19-56-6 to 19-56-90
Piston, power steering gear . . . . .	19-56-6 to 19-56-90	Power steering gear shaft and roller tooth .	19-19-1 to 19-19-72
Piston, wheel cylinder . . . . .	5-70-1	Power steering gear tube and coupling . . .	19-15-4 to 19-15-121
Piston pin . . . . .	9-36-5 to 9-36-7	Power steering gear valve . . . . .	19-57-1 to 19-57-64
Piston w/pin . . . . .	9-34-5	Power steering gearshift control rod . . . .	19-48-1 to 19-48-23
Piston ring set . . . . .	9-35-1	Power steering gearshift rod . . . . .	19-46-2 to 19-46-35
		Power steering gearshift tube . . . . .	19-46-2 to 19-46-35
		Power steering oil pump . . . . .	19-54-2 to 19-54-258



PART NAME	CODE	PART NAME	CODE
Power steering wheel . . . . .	19-30-4 to 19-30-18	Powerflite transmission speedometer pinion	21-85-7 to 21-85-76
Powerflite transmission . . . . .	21-02-1 to 21-02-6	Powerflite transmission switch package . . .	21-113-24
Powerflite transmission band . . . . .	21-136-5 to 21-136-52	Powerflite transmission torque converter reaction shaft . . . . .	21-129-5 to 21-129-23
Powerflite transmission case . . . . .	21-03-1 to 21-03-45	Powerflite transmission valve body and valves . . . . .	21-139-4 to 21-139-193
Powerflite transmission case extension . . .	21-04-1 to 21-04-2	Propeller shaft . . . . .	16-02-1 to 16-02-5
Powerflite transmission control lever . . . .	21-142-12 to 21-142-21	Propeller shaft center bearing . . . . .	16-16-1 to 16-16-47
Powerflite transmission direct clutch . . . .	21-133-5 to 21-133-43	Propeller shaft center bearing housing insulator . . . . .	16-17-1 16-20-1
Powerflite transmission gearshift button and cable . . . . .	21-30-320 to 21-30-394	Propeller shaft flange . . . . .	16-20-1 to 16-20-3
Powerflite transmission governor . . . . .	21-138-2 to 21-138-38	Propeller shaft sliding yoke . . . . .	16-14-1 to 16-14-9
Powerflite transmission input shaft . . . . .	21-129-5 to 21-129-23	Propeller shaft spline . . . . .	16-14-1 to 16-14-9
Powerflite transmission kickdown planet pinion carrier and component parts . . . .	21-134-5 to 21-134-40	Protector, door edge . . . . .	1-135-1
Powerflite transmission neutral starter switch . . . . .	21-113-24 to 21-113-29	Pulley, fan belt idler . . . . .	7-04-1 to 7-04-10
Powerflite transmission oil pan . . . . .	21-119-3 to 21-119-19	Pulley, fan drive and driven . . . . .	7-06-1 to 7-06-14
Powerflite transmission oil pump . . . . .	21-118-6 to 21-118-45	Pump, automatic 3 speed transmission oil .	21-118-1 to 21-118-55
Powerflite transmission oil pump strainer and filter . . . . .	21-117-1 to 21-117-24	Pump, fuel . . . . .	14-73-1
Powerflite transmission output shaft . . . . .	21-05-1 to 21-05-26	Pump, oil . . . . .	10-07-2 to 10-07-12
Powerflite transmission package . . . . .	21-01-3	Pump, power steering oil . . . . .	19-54-2 to 19-54-258
Powerflite transmission regulator valve body and valves . . . . .	21-131-1 to 21-131-50	Pump, powerflite transmission oil . . . . .	21-118-6 to 21-118-45
Powerflite transmission reverse planet pinion carrier and component parts . . . .	21-135-5 to 21-135-35	Pump, water . . . . .	7-42-1 to 7-42-4
Powerflite transmission servos . . . . .	21-137-5 to 21-137-59		
Powerflite transmission set . . . . .	21-01-3		
Powerflite transmission speedometer cable includes shaft and housing . . . . .	21-84-1 to 21-84-4		
		<b>Q</b>	
		Quarter, lamp . . . . .	8-11-6 to 8-11-12
		<b>R</b>	
		Rack, luggage . . . . .	1-74-1
		Rack, roof rail and luggage . . . . .	23-40-82 to 23-40-185
		Radiator core . . . . .	7-11-3 to 7-11-4

PART NAME	CODE	PART NAME	CODE
Radiator cross bar . . . . .	7-33-1 to 7-33-4	Rear spring silent block . . . . .	17-17-3 to 17-17-5
Radiator drain cock . . . . .	7-13-2	Rear window defroster switch . . . . .	1-48-300
Radiator dust shield . . . . .	7-31-2 to 7-31-45	Rear window defroster switch package . . . . .	1-48-299
Radiator fan shroud . . . . .	7-08-2 to 7-08-16	Receiver, ash . . . . .	23-02-1 to 23-02-150
Radiator filler cap . . . . .	7-12-1	Receiver drier . . . . .	24-26-20 to 24-26-100
Radiator grille . . . . .	7-16-11 to 7-16-73	Record player, Hi Fi . . . . .	1-49-1 to 1-49-10
Radiator grille medallion . . . . .	7-17-1 to 7-17-2	Reinforcement, body . . . . .	23-07-168 to 23-07-169
Radiator grille ornament . . . . .	7-17-1 to 7-17-2	Rocker, valve . . . . .	9-43-1 to 9-43-26
Radiator hose . . . . .	7-14-1 to 7-14-31	Rod, accelerator pedal to accelerator shaft . . . . .	14-07-1 to 14-07-15
Radiator stone deflector . . . . .	7-35-2 to 7-35-12	Rod, clutch pedal . . . . .	6-50-1 to 6-50-12
Radiator yoke . . . . .	7-26-2 to 7-26-37	Rod, clutch release . . . . .	6-24-1 to 6-24-6
Radio . . . . .	1-87-2 to 1-87-464	Rod, connecting . . . . .	9-31-4 to 9-31-10
Radio antenna . . . . .	1-88-1 to 1-88-206	Rod, fuel pump push . . . . .	14-77-17
Rail, standard transmission gearshift . . . . .	21-34-42 to 21-34-47	Rod, master cylinder piston push . . . . .	5-47-2 to 5-47-10
Rear axle control strut . . . . .	3-01-25 to 3-01-35	Rod, power steering gearshift . . . . .	19-46-2 to 19-46-41
Rear axle differential and carrier . . . . .	3-03-1 to 3-03-36	Rod, power steering gearshift control . . . . .	19-48-1 to 19-48-23
Rear axle differential clutch parts . . . . .	3-09-1 to 3-09-3	Rod, standard gearshift control . . . . .	19-48-1 to 19-48-23
Rear axle housing . . . . .	3-02-1 to 3-02-20	Rod, standard steering gearshift . . . . .	19-46-2 to 19-46-35
Rear bumper face bar . . . . .	13-66-3 to 13-66-147	Rod, standard transmission gearshift . . . . .	21-30-2 to 21-30-438
Rear spring . . . . .	17-11-1 to 17-11-10	Rod, steering knuckle tie . . . . .	2-07-1 to 2-07-28
Rear spring bumper . . . . .	17-19-3 to 17-19-20	Rod, valve push . . . . .	9-42-1
Rear spring center bolt . . . . .	17-14-10	Rod, wheel cylinder piston push . . . . .	5-12-1
Rear spring clip . . . . .	17-15-1 to 17-15-30	Roller and bushing, universal joint cross . . . . .	16-10-1 to 16-10-3
Rear spring leaf . . . . .	17-12-4 to 17-12-12	Roof rail and luggage rack . . . . .	23-40-82 to 23-40-97
Rear spring shackle . . . . .	17-16-1 to 17-16-8	Rotor, oil pump . . . . .	10-14-19
		Run, window glass . . . . .	23-42-6 to 23-42-57.

PART NAME	CODE	PART NAME	CODE
<b>S</b>			
Safe-T-Matic door lock . . . . .	23-13-0	Shaft, automatic 3 speed transmission output . . . . .	21-05-1 to 21-05-35
Safety belt . . . . .	1-67-1	Shaft, automatic 3 speed transmission torque converter reaction . . . . .	21-129-5 to 21-129-33
Screen, tailgate window . . . . .	1-08-1	Shaft, brake pedal . . . . .	5-29-1
Screw, wheel cylinder bleeder . . . . .	5-67-1	Shaft, clutch pedal . . . . .	6-43-7 to 6-43-19
Seal, body . . . . .	23-31-33 to 23-31-205	Shaft, clutch torque . . . . .	6-52-1 to 6-52-15
Seal, crankshaft rear bearing oil . . . . .	9-11-1 to 9-11-8	Shaft, differential pinion . . . . .	3-08-1 to 3-08-2
Seal, drive shaft oil . . . . .	3-35-14	Shaft, drive . . . . .	3-32-1 to 3-32-9
Seal, front fender . . . . .	12-02-5 to 12-02-12	Shaft, oil pump drive . . . . .	10-09-1 to 10-09-7
Seal, standard transmission main shaft bearing oil . . . . .	21-22-2	Shaft, powerflite transmission input . . . . .	21-129-5 to 21-129-23
Seal, water pump . . . . .	7-46-1	Shaft, powerflite transmission output . . . . .	21-05-1 to 21-05-26
Seal, wheel brake adjusting cam dust shield	5-22-8	Shaft, powerflite transmission torque converter reaction shaft . . . . .	21-129-5 to 21-129-23
Seat, front . . . . .	23-45-10 to 23-45-112	Shaft, propeller . . . . .	16-02-1 to 16-02-5
Seat, second . . . . .	23-48-6 to 23-48-188	Shaft, standard transmission main . . . . .	21-16-3
Seat, third . . . . .	23-48-6 to 23-48-188	Shaft, standard transmission reverse idler gear . . . . .	21-12-1 to 21-12-2
Seat spring . . . . .	23-52-1	Shaft, sway eliminator . . . . .	17-29-5 to 17-29-21
Second seat . . . . .	23-48-6 to 23-48-188	Shield, battery heat . . . . .	13-35-1
Service parts and carburetor assemblies . . . . .	14-30-1 to 14-30-28	Shield, front fender . . . . .	12-04-4 to 12-04-33
	14-35-1 to 14-35-8	Shield, radiator dust . . . . .	7-31-2 to 7-31-45
	14-39-45	Shield, wheel brake dust . . . . .	5-16-1
	14-41-3	Shim, front fender . . . . .	12-02-5 to 12-02-12
Servos, automatic 3 speed transmission . . . . .	14-43-5	Shock absorber . . . . .	17-23-3 to 17-23-57
Servos, powerflite transmission . . . . .	21-137-5 to 21-137-205	Shock absorber bracket . . . . .	17-24-28
	21-137-59	Shock absorber component parts . . . . .	17-26-11 to 17-26-38
Set, drive gear and pinion . . . . .	3-19-1	Shoe, parking brake . . . . .	4-03-1 to 4-03-11
Set, piston ring . . . . .	9-35-1	Shoe and lining, wheel brake . . . . .	5-03-1 to 5-03-23
Set, powerflite transmission . . . . .	21-01-3		
Set, 3 speed automatic transmission . . . . .	21-01-3		
Set, standard transmission . . . . .	21-01-3		
Shackle, rear spring . . . . .	17-16-1 to 17-16-8		
Shaft, accelerator . . . . .	14-11-1 to 14-11-48		
Shaft, automatic 3 speed transmission input	21-129-5 to 21-129-33		
Shaft, automatic 3 speed transmission intermediate . . . . .	21-129-5 to 21-129-33		

PART NAME	CODE	PART NAME	CODE
Shroud, radiator fan . . . . .	7-08-2 to 7-08-16	Standard steering gear tube and coupling . .	19-15-4 to 19-15-121
Side sill and belt bar . . . . .	23-51-3 to 23-51-45	Standard steering gearshift rod . . . . .	19-46-2 to 19-46-35
Silencer package . . . . .	9-41-1 to 9-41-12	Standard steering gearshift tube . . . . .	19-46-2 to 19-46-35
Skirt, fender . . . . .	1-45-1	Standard steering wheel . . . . .	19-30-4 to 19-30-18
Spare wheel carrier . . . . .	22-20-29 to 22-20-89	Standard transmission . . . . .	21-02-1 to 21-02-6
Spline, propeller shaft . . . . .	16-14-1 to 16-14-9	Standard transmission case . . . . .	21-03-1 to 21-03-25
Spotlight . . . . .	1-108-1 to 1-108-49	Standard transmission case cover . . . . .	21-29-3 to 21-29-25
Spotlight switch . . . . .	1-108-28	Standard transmission case extension . . . .	21-04-1 to 21-04-11
Spring, accelerator pedal return . . . . .	14-06-1 to 14-06-10	Standard transmission clutch gear . . . . .	21-14-1 to 21-14-20
Spring, brake pedal return . . . . .	5-34-1 to 5-34-6	Standard transmission countershaft . . . . .	21-24-2 to 21-24-22
Spring, clutch pressure . . . . .	6-16-1	Standard transmission countershaft bearing .	21-25-2 to 21-25-6
Spring, clutch release bearing return . . . .	6-20-14	Standard transmission countershaft gear . .	21-15-2 to 21-15-33
Spring, clutch release center spring . . . .	6-35-1 to 6-35-18	Standard transmission gear . . . . .	21-10-4 to 21-10-16
Spring, clutch release fork return . . . . .	6-27-5	Standard transmission gearshift fork . . . .	21-39-3
Spring, master cylinder piston return . . . .	5-46-1	Standard transmission gearshift lever . . . .	21-30-2 to 21-30-438
Spring, rear . . . . .	17-11-1 to 17-11-10	Standard transmission gearshift rail . . . .	21-34-42 to 21-34-47
Spring, seat . . . . .	23-52-1	Standard transmission gearshift rod . . . . .	21-30-2 to 21-30-438
Sprocket, camshaft . . . . .	9-17-5 to 9-17-13	Standard transmission main drive pinion . . .	21-09-2 to 21-09-33
Sprocket, crankshaft . . . . .	9-08-5 to 9-08-6	Standard transmission main shaft . . . . .	21-16-3
Standard gearshift control rod . . . . .	19-48-1 to 19-48-23	Standard transmission main shaft bearing . .	21-19-2 to 21-19-15
Standard steering column bracket . . . . .	19-31-1 to 19-31-24	Standard transmission main shaft bearing oil seal . . . . .	21-22-2
Standard steering gear . . . . .	19-01-3 to 19-01-24	Standard transmission main shaft pilot bearing . . . . .	21-17-2 to 21-17-7
Standard steering gear arm and idler arm . .	19-27-2 to 19-27-55	Standard transmission package . . . . .	21-01-3
Standard steering gear column jacket . . . .	19-14-1 to 19-14-77	Standard transmission remote control gearshift . . . . .	21-42-11 to 21-42-43
Standard steering gear housing . . . . .	19-02-4 to 19-02-18		
Standard steering gear housing cover . . . .	19-04-1 to 19-04-13		
Standard steering gear shaft and roller tooth . . . . .	19-19-4 to 19-19-70		

PART NAME	CODE	PART NAME	CODE
Standard transmission reverse idler gear . .	21-11-1	Support, wheel brake . . . . .	5-13-1
	to		to
	21-11-9		5-13-35
Standard transmission reverse idler gear		Support and clamp, exhaust pipe . . . . .	11-08-1
shaft . . . . .	21-12-1		to
	to		11-08-3
	21-12-2	Sway eliminator shaft . . . . .	17-29-5
Standard transmission set . . . . .	21-01-3		to
Standard transmission speedometer cable			17-29-21
includes shaft and housing . . . . .	21-84-1	Switch, automatic lamp door . . . . .	8-12-1
	to		to
	21-84-28		8-12-3
Standard transmission speedometer pinion .	21-85-5	Switch, automatic 3 speed transmission	
	to	neutral starter . . . . .	21-113-24
	21-85-61		to
Starter and ignition switch . . . . .	8-35-59		21-113-29
Starter switch . . . . .	8-52-330	Switch, back-up lamp . . . . .	8-56-2
Starting motor . . . . .	8-52-4	Switch, blower motor . . . . .	24-24-5
	to	Switch, blower motor toggle . . . . .	24-24-5
	8-52-375	Switch, coordinator . . . . .	1-82-14
Steering knuckle . . . . .	2-03-3	Switch, courtesy lamp . . . . .	8-11-6
Steering knuckle tie rod . . . . .	2-07-1	Switch, dome lamp . . . . .	8-05-14
	to	Switch, electric seat adjuster . . . . .	23-47-446
	2-07-28	Switch, electric window lift . . . . .	23-41-170
Steering linkage knuckle arm . . . . .	2-05-4	Switch, folding top lift . . . . .	23-58-532
Stop, manifold heat control valve . . . . .	9-62-1	Switch, foot dimmer . . . . .	8-53-150
Stop lamp . . . . .	8-58-60	Switch, front door automatic lamp . . . . .	8-12-2
Stop lamp switch . . . . .	8-58-60	Switch, headlamp and instrument lamp . . . . .	8-53-270
Strainer, oil . . . . .	10-23-7	Switch, heater control . . . . .	1-48-770
Strainer and filter, automatic 3 speed		Switch, horn . . . . .	8-33-90
transmission oil pump . . . . .	21-117-1	Switch, hydraulic brake . . . . .	14-02-32
	to	Switch, ignition . . . . .	8-35-4
	21-117-10		to
Strainer and filter, powerflite transmission		Switch, low oil pressure . . . . .	8-35-122
oil pump . . . . .	21-117-1	Switch, map lamp . . . . .	8-53-327
	to	Switch, mechanical brake . . . . .	8-42-25
	21-117-24	Switch, parking brake signal lamp . . . . .	14-02-32
Strap, battery hold-down . . . . .	13-34-3	Switch, powerflite transmission neutral	
Striker, body . . . . .	23-08-12	starter . . . . .	21-113-24
	to		to
	23-08-76		21-113-29
Striker, hood lock . . . . .	15-13-2	Switch, rear window defroster . . . . .	1-48-300
	to	Switch, socket and cable, trunk lamp . . . . .	8-13-1
	15-13-6	Switch, spotlight . . . . .	1-108-28
Strut, rear axle control . . . . .	3-01-25	Switch, starter . . . . .	8-52-330
	to	Switch, starter and ignition . . . . .	8-35-59
	3-01-35	Switch, stop lamp . . . . .	8-58-60
Stud, battery hold-down . . . . .	13-36-5	Switch, tailgate electric window lift . . . . .	23-54-167
Stud, throttle linkage ball . . . . .	14-13-1	Switch, trunk lamp . . . . .	8-13-2
	to	Switch, turn signal . . . . .	8-50-82
	14-13-5	Switch, vacuum push botton . . . . .	24-24-150
Stud and gasket, exhaust pipe flange . . . . .	11-06-8	Switch, window safety . . . . .	1-50-1
Sub-sidemember, frame . . . . .	13-04-20	Switch, windshield wiper . . . . .	23-67-160
	to	Switch and lamp, dome . . . . .	5-05-6
	13-04-21		to
Support, engine front . . . . .	9-64-5		5-05-32
	to	Switch and lock cylinder, ignition . . . . .	8-35-4
	9-64-24		to
Support, front fender . . . . .	12-07-1		8-35-115
Support, fuel tank . . . . .	14-88-21	Switch and wire, glove compartment lamp	
	to	socket . . . . .	8-38-23
	14-88-27	Switch package, automatic 3 speed	
Support, muffler . . . . .	11-02-4	transmission . . . . .	21-113-24
Support, parking brake . . . . .	4-29-1	Switch package, neutral starter automatic 3	
	to	speed transmission . . . . .	21-113-24
	4-29-16	Switch package, powerflite . . . . .	21-113-24
Support, tail pipe . . . . .	11-10-3	Switch package, rear window defroster . . . . .	1-48-299
	to		
	11-10-42		

PART NAME	CODE	PART NAME	CODE
Switches . . . . .	8-53-150 to 8-53-327	Transmission package, automatic 3 speed . . . . .	21-01-3
		Transmission parking lock . . . . .	4-10-1 to 4-10-28
<b>T</b>		Tray, battery support . . . . .	13-33-61 to 13-33-68
Tail and stop lamp . . . . .	8-55-1 to 8-55-232	Trim finish moulding . . . . .	23-26-2 to 23-26-89
Tail pipe . . . . .	11-09-3	Trough, drain . . . . .	23-59-37 to 23-59-61
Tail pipe support . . . . .	11-10-1 to 11-10-42	Trunk compartment light . . . . .	1-30-1
Tailgate . . . . .	23-54-1 to 23-54-199	Trunk lamp . . . . .	8-13-1 to 8-13-9
Tailgate electric window lift switch . . . . .	23-54-167	Trunk lamp switch . . . . .	8-13-1
Tailgate window screen . . . . .	1-08-1	Tube, fuel line . . . . .	14-89-2 to 14-89-57
Tank, fuel . . . . .	14-86-1 to 14-86-85	Tube, master cylinder brake . . . . .	5-52-3 to 5-52-62
Tank, power brake vacuum . . . . .	5-102-2 to 5-102-7	Tube, power steering gearshift . . . . .	19-46-2 to 19-46-41
Tappet, valve . . . . .	9-41-1 to 9-41-12	Tube, standard steering gearshift . . . . .	19-46-2 to 19-46-35
Tee, brake tube . . . . .	5-58-1	Tube, wheel cylinder connecting . . . . .	5-55-1
Terminal block . . . . .	8-21-1 to 8-21-16	Tube and coupling, power steering gear . . . . .	19-15-4 to 19-15-121
Thermostat . . . . .	7-41-4	Tube and coupling, standard steering gear . . . . .	19-15-4 to 19-15-121
Thermostat, manifold heat control valve . . . . .	9-58-1 to 9-58-14	Tubing and cover, brake . . . . .	5-53-3 to 5-53-4
Third seat . . . . .	23-48-6 to 23-48-188	Turn signal switch . . . . .	8-50-82
Throttle control bell crank . . . . .	14-14-1 to 14-14-57	<b>U</b>	
Throttle linkage ball joint . . . . .	14-13-1 to 14-13-5	Underhood light . . . . .	1-13-1 to 1-13-10
Throttle linkage ball stud . . . . .	14-13-1 to 14-13-5	Unit, evaporator . . . . .	24-28-3 to 24-28-384
Timing chain . . . . .	9-20-1	Unit, fan fluid drive . . . . .	7-07-1
Tooth, power steering gear shaft and roller . . . . .	19-19-1 to 19-19-72	Unit, power brake power . . . . .	5-100-1 to 5-100-157
Tooth, standard steering gear shaft and roller . . . . .	19-19-4 to 19-19-70	Universal joint . . . . .	16-03-1 to 16-03-20
Top, folding . . . . .	23-58-3 to 23-58-608	Universal joint body . . . . .	16-04-1
Torque converter . . . . .	9-46-4 to 9-46-229	Universal joint centering button . . . . .	16-06-1 to 16-06-3
Torsion parts, front suspension . . . . .	2-14-1 to 2-14-25	Universal joint cover . . . . .	16-07-3 to 16-07-4
Transmission, automatic 3 speed . . . . .	21-02-1 to 21-02-6	Universal joint cross . . . . .	16-08-6 to 16-08-7
Transmission, powerflite . . . . .	21-02-1 to 21-02-6		
Transmission, standard . . . . .	21-02-1 to 21-02-6		

PART NAME	CODE	PART NAME	CODE
Universal joint cross roller and bearing block . . . . .	16-09-2	Weight, wheel balance . . . . .	22-09-1
Universal joint cross roller and bushing . . . . .	16-10-1	Wheel . . . . .	22-01-5
	to		to
	16-10-3	Wheel, power steering . . . . .	22-01-51
			19-30-4
			to
			19-30-18
Vacuum push button switch . . . . .	24-24-150	Wheel, standard steering . . . . .	19-30-4
Valve . . . . .	9-39-1		to
	to		19-30-18
	9-39-21	Wheel balance weight . . . . .	22-09-1
Valve, exhaust . . . . .	9-39-6	Wheel brake adjuster . . . . .	5-20-1
Valve, intake . . . . .	9-39-5		to
Valve, manifold heat control . . . . .	9-59-13		5-20-17
	to	Wheel brake adjusting cam dust shield seal . . . . .	5-22-8
	9-59-15	Wheel brake cylinder . . . . .	5-64-1
	5-43-1		to
Valve, master cylinder . . . . .	to		5-64-2
	5-43-5	Wheel brake dust shield . . . . .	5-16-1
	10-22-11	Wheel brake shoe and lining . . . . .	5-03-1
Valve, oil pressure relief . . . . .	to		to
	10-22-41		5-03-23
	5-105-1	Wheel brake support . . . . .	5-13-1
Valve, power brake vacuum check . . . . .	19-57-2		to
Valve, power steering gear . . . . .	to		5-13-35
	19-57-64	Wheel cylinder bleeder screw . . . . .	5-67-1
	9-42-1	Wheel cylinder boot . . . . .	5-69-1
Valve push rod . . . . .	9-43-1	Wheel cylinder connecting tube . . . . .	5-55-1
Valve rocker . . . . .	to	Wheel cylinder piston . . . . .	5-70-1
	9-43-26	Wheel cylinder piston cup . . . . .	5-71-1
	21-139-4		to
Valves and body powerlite transmission . . . . .	to		5-71-2
	21-139-193	Wheel cylinder piston cup expander . . . . .	5-72-1
	21-139-4	Wheel cylinder piston push rod . . . . .	5-12-1
Valves and valve body, automatic 3 speed transmission . . . . .	to	Wheel cylinder service package . . . . .	5-63-1
	21-139-213		to
	23-61-39	Wheel hub . . . . .	5-63-3
Vent, cowl . . . . .	to		22-05-14
	23-61-119		to
Vent wing . . . . .	23-64-4	Window . . . . .	22-05-24
	to		23-64-4
	23-64-314		to
		Window glass run . . . . .	23-64-314
			23-42-6
			to
			23-42-57
Warning light . . . . .	1-06-1	Window lift (electric) . . . . .	23-41-4
	to		to
	1-06-2		23-41-281
Washer, windshield . . . . .	1-82-2	Window lift (manual) . . . . .	23-39-2
	to		to
	1-82-49		23-39-53
Water pump . . . . .	7-42-1	Window safety switch . . . . .	1-50-1
	to	Windshield . . . . .	23-66-65
	7-42-4		to
Water pump elbow . . . . .	7-48-22		23-66-239
Water pump gasket . . . . .	7-44-3	Windshield washer . . . . .	1-82-2
	to		to
	7-44-4		1-82-49
Water pump housing . . . . .	7-43-1	Windshield wiper . . . . .	23-67-5
	to		to
	7-43-5		23-67-204
Water pump impeller . . . . .	7-45-31	Windshield wiper switch . . . . .	23-67-160
Water pump nipple . . . . .	7-48-22	Wing, vent . . . . .	23-64-4
Water pump seal . . . . .	7-46-1		to
Weatherstrip . . . . .	23-63-14		23-64-314
	to		
	23-63-181		



PART NAME	CODE	PART NAME	CODE
Wiper, windshield . . . . .	23-67-5		
	to		
	23-67-204		
Wiring, chassis and body . . . . .	8-15-2		
	to		
	8-15-52		
Wiring, instrument panel . . . . .	8-19-3		
	to		
	8-19-83		
<b>Y</b>			
Yoke, propeller shaft sliding . . . . .	16-14-1		
	to		
	16-14-9		
Yoke, radiator . . . . .	7-26-2		
	to		
	7-26-37		

# 1961 PASSENGER CAR PARTS CATALOG

PART NAME	PAGE NO.	CODE	PART NAME	PAGE NO.	CODE

PART NUMBER	CODE	PART NUMBER	CODE	PART NUMBER	CODE	PART NUMBER	CODE	PART NUMBER	CODE
-------------	------	-------------	------	-------------	------	-------------	------	-------------	------

NUMERICAL INDEX

Standard Parts shown in Group 18 not listed.

50 082 . . . . . 9-05-6	611 898 . . . . . 8-16-8	682 905 . . . . . 19-19-7	1119 423 . . . . . 5-56-2	1314 477 . . . . . 4-07-2
50 652 . . . . . 3-32-6	617 115 . . . . . 23-48-78	683 057 . . . . . 9-62-1	1122 532 . . . . . 9-02-7	1314 478 . . . . . 4-07-1
53 298 . . . . . 9-07-12	620 180 . . . . . 19-04-13	684 158 . . . . . 8-52-368	1123 313 . . . . . 19-04-13	1314 619 . . . . . 8-12-3
53 553 . . . . . 3-32-5	620 181 . . . . . 19-04-13	684 748 . . . . . 1-48-129	1124 304 . . . . . 3-19-1	8-31-16
117 142 . . . . . 8-20-3	620 521 . . . . . 21-19-2	687 901 . . . . . 22-05-14	1124 984 . . . . . 10-07-8	8-42-10
120 369 . . . . . 5-13-10	623 207 . . . . . 8-27-114	687 902 . . . . . 22-05-14	1134 479 . . . . . 19-04-5	1315 466 . . . . . 1-48-555
124 634 . . . . . 2-10-63	629 768 . . . . . 16-06-1	688 900 . . . . . 11-10-26	19-19-25	7-14-9
127 934 . . . . . 8-44-1	631 217 . . . . . 14-07-7	694 773 . . . . . 4-07-4	1135 197 . . . . . 3-03-26	1315 697 . . . . . 22-05-24
128 027 . . . . . 2-10-68	19-48-21	697 812 . . . . . 21-25-4	1136 872 . . . . . 5-69-1	1315 698 . . . . . 22-05-24
131 282 . . . . . 8-44-1	631 809 . . . . . 21-19-15	697 814 . . . . . 4-26-11	1137 203 . . . . . 3-33-4	1315 879 . . . . . 4-26-1
142 450 . . . . . 8-44-1	631 810 . . . . . 21-19-15	698 399 . . . . . 3-33-2	1137 669 . . . . . 14-07-5	1316 017 . . . . . 22-08-17
142 451 . . . . . 8-44-1	631 823 . . . . . 21-09-23	698 400 . . . . . 3-33-1	19-48-23	1316 627 . . . . . 5-40-3
142 453 . . . . . 8-44-1	21-14-15	698 403 . . . . . 3-11-2	21-30-433	1316 628 . . . . . 5-40-1
142 454 . . . . . 8-44-1	21-19-15	698 404 . . . . . 3-11-1	1138 526 . . . . . 8-52-11	1316 772 . . . . . 19-14-15
145 032 . . . . . 19-30-18	631 824 . . . . . 21-09-23	849 517 . . . . . 23-18-21	1139 153 . . . . . 21-03-24	1316 813 . . . . . 21-30-390
151 567 . . . . . 8-44-1	21-14-20	852 429 . . . . . 4-07-2	1139 204 . . . . . 21-02-6	1316 815 . . . . . 21-119-25
151 576 . . . . . 8-44-1	21-19-15	852 454 . . . . . 4-26-1	1139 316 . . . . . 22-05-24	1316 849 . . . . . 21-113-28
151 577 . . . . . 8-44-1	631 877 . . . . . 21-09-25	853 876 . . . . . 4-07-16	1139 317 . . . . . 22-05-24	1316 864 . . . . . 21-30-390
151 578 . . . . . 8-44-1	632 258 . . . . . 19-48-21	855 274 . . . . . 4-06-11	1139 896 . . . . . 3-35-14	1317 150 . . . . . 4-26-16
152 229 . . . . . 3-08-2	632 587 . . . . . 3-06-6	855 519 . . . . . 6-15-1	1140 557 . . . . . 6-52-12	1317 858 . . . . . 4-07-3
152 240 . . . . . 8-44-1	633 238 . . . . . 6-22-15	855 521 . . . . . 6-16-1	1140 717 . . . . . 24-25-3	1318 011 . . . . . 3-03-25
152 244 . . . . . 8-44-1	635 884 . . . . . 6-52-11	857 999 . . . . . 16-08-6	1141 541 . . . . . 3-19-1	1318 446 . . . . . 5-43-1
272 848 . . . . . 5-112-1	637 539 . . . . . 19-15-63	858 006 . . . . . 16-10-2	1142 006 . . . . . 3-08-1	1319 554 . . . . . 17-23-53
273 703 . . . . . 3-32-9	638 637 . . . . . 16-03-3	858 007 . . . . . 16-09-2	1142 258 . . . . . 22-04-11	1319 555 . . . . . 17-23-53
273 705 . . . . . 5-13-10	640 086 . . . . . 19-15-60	859 882 . . . . . 6-13-4	1142 259 . . . . . 22-04-11	1319 902 . . . . . 17-23-52
274 004 . . . . . 8-44-1	640 280 . . . . . 21-19-15	862 173 . . . . . 21-17-7	1188 668 . . . . . 19-19-25	1320 133 . . . . . 14-06-1
274 110 . . . . . 23-58-240	640 331 . . . . . 21-19-15	863 146 . . . . . 4-03-1	1188 715 . . . . . 3-33-2	1320 470 . . . . . 9-36-7
307 555 . . . . . 6-14-10	640 332 . . . . . 21-09-23	863 986 . . . . . 21-119-11	1196 894 . . . . . 21-14-19	1321 044 . . . . . 6-16-1
308 247 . . . . . 3-11-14	21-14-20	863 987 . . . . . 21-119-12	1235 644 . . . . . 24-28-210	1322 363 . . . . . 21-137-8
314 926 . . . . . 6-14-10	21-19-15	864 397 . . . . . 6-16-1	1239 241 . . . . . 1-48-225	1322 763 . . . . . 21-14-19
314 948 . . . . . 3-03-8	652 970 . . . . . 4-26-19	865 180 . . . . . 21-09-33	1239 344 . . . . . 1-108-49	1322 765 . . . . . 21-10-16
376 751 . . . . . 19-15-63	658 998 . . . . . 6-19-3	865 181 . . . . . 21-09-33	1242 974 . . . . . 7-26-9	1323 369 . . . . . 10-09-5
381 875 . . . . . 9-39-17	660 146 . . . . . 6-13-8	866 591 . . . . . 6-16-1	12-02-5	1323 593 . . . . . 21-129-7
388 302 . . . . . 4-07-4	663 479 . . . . . 3-07-2	867 386 . . . . . 10-14-19	13-04-20	1324 090 . . . . . 6-22-17
391 888 . . . . . 21-30-426	663 480 . . . . . 3-08-1	870 469 . . . . . 9-48-153	15-03-5	1324 264 . . . . . 10-14-18
404 194 . . . . . 4-23-24	663 481 . . . . . 3-20-1	870 539 . . . . . 16-07-3	1243 631 . . . . . 7-46-1	1324 268 . . . . . 9-43-19
441 256 . . . . . 23-23-30	663 482 . . . . . 3-20-2	870 540 . . . . . 16-07-3	1244 818 . . . . . 23-32-14	1324 281 . . . . . 10-09-7
23-23-41	665 151 . . . . . 8-13-9	870 821 . . . . . 8-16-4	1245 581 . . . . . 23-39-19	1324 282 . . . . . 10-22-11
446 161 . . . . . 23-23-30	8-16-10	903 895 . . . . . 23-41-177	23-39-48	1325 239 . . . . . 13-64-56
448 797 . . . . . 5-112-1	665 454 . . . . . 4-06-3	920 402 . . . . . 21-84-4	1249 332 . . . . . 23-58-209	1325 701 . . . . . 4-07-1
455 866 . . . . . 9-11-8	666 790 . . . . . 24-26-21	925 525 . . . . . 3-02-20	23-58-605	1325 906 . . . . . 8-33-40
456 098 . . . . . 8-52-50	666 924 . . . . . 21-11-9	932 143 . . . . . 15-14-12	1249 525 . . . . . 23-58-211	1326 093 . . . . . 9-11-1
562 704 . . . . . 19-02-18	666 927 . . . . . 21-11-2	952 538 . . . . . 16-02-5	1256 337 . . . . . 23-39-2	1326 219 . . . . . 3-07-1
572 507 . . . . . 5-111-17	21-25-2	953 717 . . . . . 8-27-100	23-39-44	1326 773 . . . . . 16-02-5
579 445 . . . . . 16-03-7	669 896 . . . . . 6-35-17	958 659 . . . . . 5-45-8	1261 834 . . . . . 5-67-1	1326 836 . . . . . 8-27-4
579 719 . . . . . 7-43-5	670 776 . . . . . 21-136-235	960 003 . . . . . 9-58-5	1263 079 . . . . . 4-23-38	1326 847 . . . . . 14-29-5
14-74-2	671 915 . . . . . 6-20-14	985 563 . . . . . 23-64-4	1264 933 . . . . . 8-16-5	1327 471 . . . . . 7-03-1
600 072 . . . . . 5-26-2	672 709 . . . . . 21-09-33	988 059 . . . . . 8-30-1	1297 879 . . . . . 23-47-454	1327 576 . . . . . 21-118-8
600 073 . . . . . 5-26-2	675 594 . . . . . 9-45-7	988 098 . . . . . 15-14-13	1298 930 . . . . . 23-06-14	1327 847 . . . . . 3-22-25
600 983 . . . . . 4-06-6	9-46-11	989 513 . . . . . 23-08-12	1302 807 . . . . . 21-03-25	1327 986 . . . . . 11-10-8
601 014 . . . . . 5-13-10	679 118 . . . . . 22-05-14	1061 157 . . . . . 9-46-10	1311 949 . . . . . 6-13-4	19-31-19
601 108 . . . . . 21-17-7	679 119 . . . . . 22-05-14	1064 541 . . . . . 5-111-17	1312 131 . . . . . 14-06-1	1328 352 . . . . . 10-22-15
601 864 . . . . . 3-11-13	681 135 . . . . . 23-36-123	10-02-38	1312 830 . . . . . 5-70-1	1329 092 . . . . . 19-19-40
602 820 . . . . . 16-03-19	681 320 . . . . . 3-33-4	1064 754 . . . . . 8-16-3	1314 013 . . . . . 4-26-23	1329 638 . . . . . 21-137-50
605 004 . . . . . 16-03-16	681 322 . . . . . 3-33-4	1067 037 . . . . . 6-16-1	1314 249 . . . . . 21-05-18	1329 642 . . . . . 21-137-59
		1117 819 . . . . . 21-131-27	21-137-8	1329 890 . . . . . 5-12-1
		1118 149 . . . . . 3-32-4	1314 476 . . . . . 4-07-28	1331 850 . . . . . 24-28-72

## 1961 PASSENGER CAR PARTS CATALOG

NUMERICAL INDEX

PART NUMBER	CODE	PART NUMBER	CODE	PART NUMBER	CODE	PART NUMBER	CODE	PART NUMBER	CODE
1339 711.	1-48-309	1450 961.	17-16-1	1558 058.	7-03-1	1616 185.	16-03-20	1630 727.	21-118-40
	23-54-171	1458 246.	23-18-28	1558 191.	5-55-1	1616 505.	3-04-6	1630 728.	21-118-40
	23-67-161	1458 247.	23-18-28			1616 746.	13-64-6	1630 729.	21-118-40
	24-28-357	1475 487.	23-64-12	1558 192.	5-55-1	1616 898.	5-28-8	1630 812.	21-131-40
1343 212.	8-28-19	1475 900.	23-04-117	1558 352.	17-23-53		6-39-2	1630 878.	21-25-6
1349 190.	23-64-246				17-29-21	1617 187.	14-13-1	1630 896.	21-136-15
1370 460.	4-10-28	1476 900.	23-10-17	1558 897.	9-59-13	1617 379.	5-43-5		
	4-23-46	1479 060.	8-53-267	1559 106.	21-05-22	1618 108.	14-43-5	1631 353.	14-35-8
1373 263.	15-13-5	1483 287.	6-16-1	1559 341.	21-85-59	1618 157.	14-35-1	1631 356.	14-35-1
		1484 652.	5-13-9	1559 342.	21-85-76	1618 218.	14-35-1	1631 368.	14-30-7
1377 825.	24-25-260	1485 066.	3-03-31	1559 377.	21-117-24			1631 502.	14-43-5
1377 831.	24-25-189	1485 510.	17-15-28	1559 753.	5-39-18	1618 219.	14-35-1	1631 504.	14-43-5
1380 060.	23-32-51	1486 205.	19-01-61	1566 038.	23-18-112	1618 220.	14-35-1		
1381 435.	23-54-103	1488 884.	4-06-1			1618 221.	14-35-1	1631 702.	14-35-1
1383 351.	23-41-128	1488 889.	4-29-16	1570 956.	24-28-79	1618 222.	14-35-1	1632 106.	9-43-14
		1488 890.	4-29-15	1571 028.	1-82-30	1618 610.	19-58-30	1632 280.	9-08-5
1383 958.	8-27-205			1578 269.	23-64-60			1632 522.	9-16-6
1392 770.	19-27-8	1488 901.	4-29-13	1592 610.	23-39-19	1618 611.	19-58-31	1632 523.	9-16-6
1400 185.	14-74-1	1489 340.	9-41-12	1593 022.	23-14-27	1618 666.	9-17-5		
1400 269.	17-16-8	1489 745.	17-15-1			1618 668.	7-48-22	1632 524.	9-16-6
1400 502.	10-22-15	1489 747.	17-15-1	1594 834.	23-47-432	1618 671.	9-43-9	1632 525.	9-16-6
		1498 776.	23-41-5	1594 992.	23-67-20	1618 683.	9-23-18	1632 526.	9-16-6
1400 503.	10-22-15			1594 993.	23-67-102			1632 808.	19-46-10
1400 788.	17-17-4	1520 798.	23-17-66	1594 995.	23-67-100	1618 686.	9-07-17	1633 050.	22-05-14
1400 857.	14-35-1	1523 160.	1-82-8	1595 160.	1-48-555	1618 695.	9-03-10		
1401 256.	21-117-10	1530 380.	17-17-3		24-28-24	1618 696.	9-03-10	1633 051.	22-05-14
1401 808.	3-22-24	1530 398.	17-15-30	1602 532.	23-14-23	1618 701.	9-31-10	1633 092.	5-55-1
		1530 775.	4-07-23	1602 951.	19-14-38	1618 717.	9-17-13	1633 093.	5-55-1
1401 809.	3-22-24			1603 360.	21-118-6	1618 718.	9-15-2	1633 106.	5-71-2
1401 810.	3-22-25	1533 190.	19-48-21	1603 361.	21-118-6	1618 732.	9-15-10	1633 111.	5-22-8
1403 574.	4-06-7	1533 850.	9-71-5	1603 362.	21-118-6	1618 736.	9-20-1		
1403 611.	4-03-11	1536 242.	9-43-23			1618 738.	9-36-5	1633 676.	21-85-76
1404 472.	3-22-24	1536 268.	4-10-27	1603 363.	21-118-6	1618 739.	9-36-5	1633 718.	21-09-5
			19-56-90	1603 364.	11-08-1				21-19-2
1405 286.	19-14-16			1603 397.	16-07-4	1618 740.	9-36-5	1633 762.	21-15-33
1406 254.	10-07-7	1539 430.	21-139-49	1603 398.	16-03-1	1618 914.	9-03-29	1633 763.	21-15-33
1406 504.	6-16-1		21-133-33	1604 053.	1-82-22	1618 949.	10-07-6		
1406 677.	4-26-11	1539 546.	9-46-229			1618 950.	10-09-1	1633 928.	3-08-1
1406 748.	5-62-7		21-136-236	1604 116.	24-01-26			1633 937.	3-08-2
		1540 383.	23-67-81	1604 889.	23-41-33	1619 366.	21-117-1	1633 959.	3-07-1
1406 964.	4-23-50			1604 921.	8-33-118	1619 370.	21-136-235	1633 960.	3-06-6
1406 975.	4-23-51	1541 608.	15-09-4	1605 267.	24-28-235	1619 392.	21-133-22	1633 961.	3-07-2
1406 976.	14-23-51	1544 841.	23-08-12	1605 271.	1-48-688	1619 627.	9-48-56		
1407 234.	8-28-19	1550 466.	16-03-10			1619 636.	9-39-16	1634 288.	7-05-1
	9-23-10	1551 005.	7-03-1	1605 299.	23-67-80			1634 508.	6-24-6
		1551 077.	7-03-1	1605 602.	23-67-202	1619 700.	22-06-2	1634 619.	2-07-2
1407 347.	6-24-3			1605 604.	23-67-82	1619 701.	22-06-1	1634 701.	14-30-2
1408 245.	21-118-45	1551 097.	13-64-5	1610 759.	14-35-1	1619 702.	22-06-2	1634 973.	3-19-1
1408 254.	21-04-2	1551 766.	13-64-5	1610 806.	14-43-5	1619 703.	22-06-1		
1408 255.	21-05-26	1552 141.	7-03-1	1610 882.	14-35-1	1622 064.	1-48-24	1634 984.	3-03-3
1408 334.	21-05-25	1552 291.	10-07-8					1635 092.	16-03-19
		1553 086.	14-35-1	1613 399.	22-01-46			1635 098.	16-03-20
1408 375.	21-131-50			1613 409.	22-06-18	1622 352.	23-67-82	1635 282.	21-24-2
1408 853.	9-02-5	1553 087.	14-35-1	1613 416.	22-08-57	1622 535.	8-01-11	1635 290.	21-12-1
1408 867.	9-11-1	1553 141.	14-43-5	1613 782.	9-48-43				
1408 915.	13-36-5	1554 347.	5-62-1	1614 385.	17-23-52	1622 536.	8-01-12	1635 293.	21-12-2
1408 918.	13-36-5	1554 593.	6-13-4				8-01-21		21-24-22
		1556 082.	21-138-26	1614 579.	6-50-6			1635 344.	5-27-35
1409 594.	9-58-14			1614 666.	9-39-17	1623 132.	8-11-12	1635 588.	17-23-52
1426 501.	24-25-70	1556 385.	19-02-15	1614 894.	5-71-2	1624 506.	7-08-7	1635 600.	3-01-28
1432 929.	23-32-79	1556 556.	16-20-2	1615 349.	22-09-1	1626 836.	24-25-234		
1439 758.	1-48-779	1556 638.	16-20-3	1615 350.	22-09-1	1626 837.	24-25-234	1635 666.	17-15-1
	1-88-206	1556 664.	5-44-8			1627 108.	23-41-138	1635 783.	7-45-31
		1557 573.	10-26-14	1615 351.	22-09-1			1636 010.	2-10-76
			10-26-27	1615 352.	22-09-1	1627 273.	23-67-16	1636 017.	2-10-76
1440 596.	23-41-7			1615 353.	22-09-1	1630 241.	9-39-14	1636 259.	4-29-1
1450 087.	17-16-1	1557 581.	10-26-65	1615 354.	22-09-1	1630 472.	14-30-2		
1450 448.	16-07-4	1557 584.	10-26-37	1615 460.	5-13-9	1630 726.	21-118-40	1636 262.	21-133-38
1450 499.	7-14-10	1557 704.	9-45-2					1636 264.	21-134-38
1450 500.	7-14-10								

March 1, 1962 Supersedes Oct. 3, 1960.

Page NU-2

Printed in U.S.A.

PART NUMBER	CODE	PART NUMBER	CODE	PART NUMBER	CODE	PART NUMBER	CODE	PART NUMBER	CODE
1636 276	. . . 21-133-15	1638 461	. . . 21-138-29	1669 337	. . . 5-71-1	1673 324	. . . 22-06-10	1688 207	. . . 8-35-41
1636 281	. . . 21-136-214	1638 565	. . . 21-137-32	1670 299	. . . 19-27-55	1673 367	. . . 3-03-25	1688 542	. . . 24-24-137
1636 286	. . . 21-119-3	1638 667	. . . 21-134-30	1670 320	. . . 2-03-3	1673 373	. . . 3-35-14	1688 919	. . . 23-41-138
1636 289	. . . 21-133-22	1638 670	. . . 21-129-8	1670 356	. . . 19-19-36	1673 375	. . . 3-33-1	1689 022	. . . 23-41-11
1636 290	. . . 21-05-35	1638 671	. . . 21-129-8	1670 476	. . . 9-43-26	1673 380	. . . 3-19-1		23-54-176
	21-133-30	1638 685	. . . 21-30-370	1670 508	. . . 9-50-5	1673 390	. . . 3-19-1		23-58-379
1636 303	. . . 21-131-6	1638 686	. . . 21-30-370	1670 515	. . . 9-58-12	1673 531	. . . 17-19-20	1689 167	. . . 23-41-139
1636 307	. . . 21-134-50	1639 182	. . . 14-65-4	1670 694	. . . 14-86-85	1673 620	. . . 5-100-180	1689 313	. . . 1-48-151
		1639 597	. . . 9-59-15	1670 932	. . . 19-46-19	1673 634	. . . 5-100-120		24-28-24
1636 311	. . . 21-131-5	1639 947	. . . 9-39-21	1671 340	. . . 22-06-18	1673 646	. . . 9-45-2	1689 538	. . . 8-39-15
1636 314	. . . 21-134-51	1639 970	. . . 21-30-345	1671 341	. . . 22-08-57	1673 649	. . . 7-03-1		8-41-36
1636 315	. . . 21-129-43	1639 975	. . . 21-30-370	1671 362	. . . 2-03-3	1673 921	. . . 21-30-370	1689 592	. . . 1-87-70
	21-136-68	1641 511	. . . 1-108-28	1671 363	. . . 2-03-3	1673 967	. . . 8-33-5	1689 670	. . . 24-01-33
1636 316	. . . 21-133-43	1641 512	. . . 1-108-5	1671 405	. . . 2-10-68		8-33-13	1689 692	. . . 1-48-46
	21-136-68	1641 532	. . . 23-58-357	1671 418	. . . 2-10-58	1673 974	. . . 19-02-17	1690 329	. . . 23-39-2
1636 317	. . . 21-133-43	1641 578	. . . 23-58-396	1671 419	. . . 2-10-58	1674 080	. . . 5-71-1		23-39-44
	21-136-68	1641 579	. . . 23-58-395	1671 437	. . . 17-29-5	1674 081	. . . 5-72-1	1690 440	. . . 23-36-66
1636 319	. . . 21-135-9	1641 586	. . . 23-58-430	1671 567	. . . 6-27-5	1674 082	. . . 13-04-21	1690 441	. . . 23-36-66
1636 324	. . . 21-129-33	1641 590	. . . 23-58-375	1671 569	. . . 5-47-7	1674 302	. . . 5-100-111	1690 742	. . . 23-20-19
1636 326	. . . 21-133-25	1641 592	. . . 23-58-430	1671 587	. . . 19-02-21	1674 677	. . . 7-03-1	1690 871	. . . 23-66-135
1636 356	. . . 21-133-25	1641 650	. . . 23-58-381	1671 610	. . . 14-88-27	1674 746	. . . 7-02-16	1690 874	. . . 23-63-33
1636 357	. . . 21-134-40	1641 742	. . . 8-55-57	1671 650	. . . 5-111-17	1674 942	. . . 5-100-179	1690 937	. . . 23-39-45
1636 358	. . . 21-134-40	1641 903	. . . 7-08-15	1671 702	. . . 19-27-33	1674 944	. . . 5-100-127	1690 950	. . . 23-09-17
1636 364	. . . 21-133-20	1642 029	. . . 23-67-80	1671 763	. . . 21-05-12	1674 949	. . . 5-100-155	1691 076	. . . 23-64-308
1636 365	. . . 21-133-20	1642 384	. . . 23-67-163	1672 049	. . . 16-14-7		5-100-161	1691 077	. . . 23-64-308
1636 367	. . . 21-136-80	1642 386	. . . 8-53-266	1672 050	. . . 16-14-9	1674 950	. . . 5-100-156	1691 078	. . . 23-64-308
1636 376	. . . 21-134-30	1642 477	. . . 8-53-266	1672 051	. . . 16-16-1	1674 952	. . . 5-100-159	1691 079	. . . 23-64-308
1636 407	. . . 21-85-5	1643 151	. . . 9-09-2	1672 053	. . . 16-16-43	1674 954	. . . 5-100-162	1691 086	. . . 23-09-9
1636 408	. . . 21-85-5	1643 152	. . . 9-09-2	1672 194	. . . 21-04-11	1674 955	. . . 5-100-160	1691 087	. . . 23-09-9
1636 409	. . . 21-85-5	1643 153	. . . 9-09-2		21-05-2	1674 957	. . . 5-100-181	1691 100	. . . 23-39-33
1636 410	. . . 21-85-5	1643 155	. . . 9-09-2	1672 287	. . . 21-129-33	1674 963	. . . 5-113-17		23-41-256
1636 418	. . . 21-136-225	1645 615	. . . 23-47-75		21-137-8	1674 965	. . . 5-100-202	1691 104	. . . 23-64-12
1636 423	. . . 21-139-30	1648 240	. . . 24-25-157		21-137-202	1674 966	. . . 5-100-206	1691 105	. . . 23-64-12
1636 446	. . . 21-137-33	1648 380	. . . 24-28-60	1672 296	. . . 21-118-7	1674 968	. . . 5-100-206	1691 107	. . . 23-34-225
1636 448	. . . 21-119-5	1648 394	. . . 24-28-175	1672 315	. . . 21-118-7	1674 970	. . . 5-100-145	1691 152	. . . 23-64-308
1636 461	. . . 21-138-13	1648 430	. . . 24-28-73	1672 359	. . . 21-131-10	1674 972	. . . 5-100-148	1691 153	. . . 23-64-308
1636 462	. . . 21-138-13	1648 460	. . . 24-28-76	1672 361	. . . 21-131-29	1674 974	. . . 5-100-148	1691 156	. . . 23-64-308
1636 464	. . . 21-138-19	1648 707	. . . 24-28-24	1672 362	. . . 21-131-20	1674 975	. . . 5-100-210	1691 157	. . . 23-64-308
1636 465	. . . 21-138-19	1651 396	. . . 23-15-2	1672 363	. . . 21-131-20	1674 989	. . . 5-100-171	1691 174	. . . 23-64-308
1636 468	. . . 21-129-30	1651 397	. . . 23-15-2	1672 364	. . . 21-131-25	1674 991	. . . 5-100-181	1691 175	. . . 23-64-308
1636 469	. . . 21-133-45	1651 400	. . . 23-15-1	1672 365	. . . 21-131-31	1674 993	. . . 5-100-121	1691 196	. . . 23-64-308
1636 470	. . . 21-137-8		23-15-3	1672 960	. . . 2-08-62	1676 197	. . . 21-14-6	1691 197	. . . 23-64-308
	21-138-38	1651 416	. . . 23-39-34		2-10-67	1676 200	. . . 21-42-42	1691 238	. . . 23-64-311
1636 570	. . . 11-06-8	1651 417	. . . 23-39-34	1672 961	. . . 2-10-67	1676 486	. . . 5-100-130	1691 239	. . . 23-64-311
1637 031	. . . 17-19-3	1651 431	. . . 23-66-135	1672 962	. . . 2-10-58	1676 487	. . . 5-100-173	1691 240	. . . 23-64-311
1637 339	. . . 22-01-42	1651 493	. . . 23-14-153	1672 963	. . . 2-10-58	1676 629	. . . 21-30-325	1691 241	. . . 23-64-311
1637 502	. . . 19-58-9	1652 092	. . . 23-54-172	1672 964	. . . 17-29-5	1676 692	. . . 14-35-1	1691 397	. . . 23-58-75
1637 563	. . . 9-39-6	1658 029	. . . 24-28-24	1672 980	. . . 19-27-50	1676 717	. . . 14-35-1	1691 400	. . . 23-58-75
1637 564	. . . 9-39-6	1658 328	. . . 1-88-123	1672 988	. . . 17-29-16	1676 770	. . . 14-35-1	1691 415	. . . 23-58-75
1637 565	. . . 9-39-6	1658 366	. . . 23-67-163	1672 989	. . . 17-29-13	1680 109	. . . 23-64-4	1691 616	. . . 23-64-280
1637 721	. . . 9-42-1	1658 535	. . . 8-27-300	1673 008	. . . 19-27-50	1684 831	. . . 23-14-24	1691 617	. . . 23-64-280
1637 724	. . . 7-45-31	1658 638	. . . 24-25-156	1673 045	. . . 2-07-28	1685 757	. . . 5-100-113	1691 788	. . . 23-64-255
1637 773	. . . 5-27-10	1658 660	. . . 8-34-178	1673 060	. . . 17-29-11	1685 782	. . . 23-06-16	1691 789	. . . 23-64-255
1637 779	. . . 5-27-2	1658 766	. . . 24-28-19	1673 065	. . . 17-29-10	1686 107	. . . 7-12-1	1691 842	. . . 23-64-255
	6-38-3	1658 830	. . . 8-31-16	1673 184	. . . 4-10-3	1686 198	. . . 7-13-2	1691 843	. . . 23-64-255
1637 782	. . . 5-29-1	1661 046	. . . 1-108-17		21-30-394	1686 412	. . . 7-08-2	1691 899	. . . 23-19-85
1637 784	. . . 5-47-4	1663 669	. . . 21-09-19	1673 194	. . . 21-05-1		7-08-2	1691 902	. . . 23-58-76
1637 793	. . . 5-100-35	1664 537	. . . 5-03-10			1686 414	. . . 7-08-2	1691 903	. . . 23-58-76
1637 805	. . . 5-47-6	1664 564	. . . 5-13-35			1686 451	. . . 7-08-13	1691 911	. . . 23-58-229
1638 151	. . . 16-16-6					1686 453	. . . 7-08-13		



## 1961 PASSENGER CAR PARTS CATALOG

NUMERICAL INDEX

PART NUMBER	CODE	PART NUMBER	CODE	PART NUMBER	CODE	PART NUMBER	CODE	PART NUMBER	CODE
1691 946.	23-58-394	1730 366.	7-14-9	1733 763.	19-01-8	1736 432.	21-05-8	1738 800.	3-22-27
1691 947.	23-58-394	1730 587.	24-25-85			1736 433.	21-05-8	1738 801.	3-22-27
1691 948.	23-58-472	1730 826.	22-03-2	1733 790.	19-19-30			1738 802.	3-22-27
		1730 827.	22-03-2	1733 791.	19-01-51	1736 436.	9-46-90	1738 805.	3-22-28
1691 949.	23-58-472	1730 844.	24-25-15	1733 805.	7-06-3	1736 468.	21-138-9		
1691 966.	23-39-47			1733 932.	9-03-4	1736 519.	21-136-200	1738 806.	3-22-28
1691 967.	23-39-47	1730 978.	8-33-19	1734 028.	14-11-25	1736 676.	22-08-5	1738 807.	3-22-28
1692 142.	23-34-236	1730 985.	19-19-35			1736 990.	13-72-2	1738 812.	3-22-27
1692 143.	23-34-236	1731 118.	19-48-16	1734 030.	14-11-20			1738 813.	3-22-27
		1731 143.	21-30-340	1734 078.	19-19-19	1736 993.	3-01-35	1738 814.	3-22-27
		1731 202.	5-47-2	1734 118.	16-02-1	1736 997.	17-23-56		
1692 152.	23-09-58			1734 159.	16-04-1	1737 157.	5-100-110	1738 815.	3-22-27
1692 153.	23-09-58	1731 214.	6-35-13	1734 162.	22-03-2	1737 158.	5-100-113	1738 816.	3-22-27
1692 154.	23-39-18	1731 225.	5-39-20			1737 167.	5-47-10	1738 817.	3-22-27
1692 155.	23-39-18	1731 226.	5-39-27	1734 163.	22-03-2	1737 569.	4-25-8	1738 818.	3-22-27
1692 172.	23-20-19	1731 227.	5-39-21	1734 266.	2-08-61			1738 819.	3-22-27
		1731 232.	6-50-10	1734 267.	2-08-75	1737 585.	4-26-1		
1692 173.	23-20-19			1734 315.	17-29-20	1737 620.	9-20-1	1738 820.	3-22-27
1692 191.	23-23-66	1731 233.	6-50-12	1734 321.	2-10-59	1737 621.	9-08-5	1738 826.	3-22-26
1692 678.	8-20-9	1731 234.	6-50-11	1734 326.	19-27-45	1737 622.	9-17-5	1738 831.	3-22-45
1695 319.	22-20-29	1731 264.	2-08-61	1734 327.	19-27-34	1737 645.	9-43-1	1739 090.	9-71-5
1695 431.	23-14-21	1731 275.	17-29-18	1734 327.	19-27-34			1739 092.	6-13-4
		1731 341.	17-29-15	1734 330.	19-27-31	1737 646.	9-43-1		
1695 602.	15-13-2			1734 335.	19-27-31	1737 690.	9-31-4	1739 194.	14-86-13
1695 998.	23-32-15	1731 402.	2-10-58	1734 341.	2-10-60	1737 694.	9-31-7	1739 196.	14-86-24
1696 605.	15-13-6	1731 403.	2-10-58			1737 695.	9-31-7	1739 215.	5-62-1
1697 607.	23-09-2	1731 414.	19-27-2	1734 347.	2-10-72		9-48-44	1739 226.	5-52-3
	23-09-10	1731 415.	19-27-2	1734 502.	13-54-4			1739 230.	14-67-2
		1731 525.	9-07-8	1734 526.	13-01-6	1737 698.	9-39-6		14-89-57
1698 140.	23-02-42			1734 527.	13-01-6	1737 705.	7-44-3		
1698 868.	8-47-126	1731 738.	3-01-33	1734 529.	9-71-5	1737 709.	9-50-6	1739 248.	5-57-2
1704 061.	8-32-18	1731 769.	3-01-30			1737 718.	10-07-10	1739 249.	5-62-1
	23-67-91	1731 789.	3-01-34	1734 957.	7-41-4	1737 725.	10-09-7	1739 356.	9-41-4
1704 062.	23-67-48	1731 796.	17-11-10	1735 011.	7-41-4			1739 357.	9-41-4
		1731 798.	17-11-10	1735 088.	7-03-1	1737 727.	10-07-8	1739 358.	9-41-4
1704 063.	23-67-48			1735 128.	13-54-15	1737 742.	10-22-15		
1704 066.	23-67-49	1731 860.	9-46-4	1735 470.	2-07-28	1737 743.	10-22-15	1739 359.	9-41-4
1704 283.	21-113-24	1732 099.	21-137-35			1737 745.	14-77-17	1739 534.	9-39-15
1704 447.	24-28-24	1732 101.	21-137-44	1735 620.	5-100-2	1737 756.	9-43-5	1739 547.	14-29-6
1704 467.	8-42-10	1732 102.	21-137-41	1735 640.	5-100-207			1739 548.	14-29-6
		1732 113.	21-85-5	1735 939.	7-02-1	1737 757.	9-42-1	1739 594.	9-43-10
				1735 941.	7-02-1	1737 761.	7-44-4		
1704 482.	21-113-29	1732 116.	21-133-36	1736 012.	9-58-13	1737 771.	9-23-18	1739 595.	9-43-10
1704 689.	8-33-90	1732 183.	21-139-47			1737 780.	14-39-45	1739 600.	9-48-6
1704 768.	23-67-5	1732 294.	22-03-1	1736 163.	21-118-7	1738 206.	19-19-28	1739 604.	10-09-5
1704 769.	23-67-5	1732 295.	22-03-1	1736 187.	21-136-210			1739 605.	9-03-10
1704 802.	1-108-2	1732 300.	22-06-5	1736 193.	21-135-25	1738 214.	8-33-4	1739 606.	9-03-18
				1736 207.	21-136-230	1738 221.	4-29-1		
1704 803.	1-108-2	1732 338.	22-08-5	1736 214.	21-137-47	1738 235.	21-133-20	1739 607.	9-15-10
1704 875.	8-05-12	1732 699.	16-02-1			1738 263.	9-46-130	1739 608.	9-15-1
	8-42-10	1732 946.	19-54-181	1736 215.	21-136-17		21-118-42	1739 612.	9-39-6
1706 470.	23-58-605	1732 953.	19-54-32		21-136-52			1739 613.	9-39-6
1707 384.	23-14-153	1733 218.	19-01-24	1736 216.	21-117-1	1738 264.	21-118-38	1739 614.	9-39-6
				1736 218.	21-137-5	1738 268.	5-46-1		
1708 248.	23-04-229	1733 488.	19-54-86	1736 219.	21-137-13	1738 271.	5-27-1	1739 616.	6-10-2
1708 914.	23-58-336	1733 562.	19-02-69	1736 221.	21-137-11	1738 272.	5-100-34	1739 832.	5-100-138
1708 998.	23-64-237	1733 577.	19-19-4	1736 222.	21-137-22	1738 414.	24-25-10	1739 834.	5-100-139
1730 007.	6-38-26	1733 588.	19-14-13	1736 223.	23-137-19			1739 835.	5-100-141
1730 009.	5-29-1	1733 593.	19-01-52	1736 224.	21-137-8	1738 415.	24-25-10	1739 836.	5-100-140
				1736 226.	21-137-200	1738 635.	14-65-4		
1730 015.	6-35-3	1733 594.	19-15-60			1738 662.	19-54-181	1739 838.	5-100-144
1730 019.	6-38-7	1733 602.	19-14-18	1736 333.	21-133-15	1738 683.	19-54-188	1739 839.	5-100-8
	6-43-13	1733 603.	19-19-35		21-137-202	1738 761.	3-19-1		5-100-15
1730 055.	6-14-1	1733 604.	19-19-24	1736 344.	21-136-20			1739 842.	5-100-20
1730 077.	5-34-1	1733 612.	19-57-13	1736 376.	21-05-18	1738 794.	3-22-27	1739 847.	5-100-127
				1736 423.	21-136-41	1738 795.	3-22-27		
1730 087.	14-86-83	1733 615.	19-19-26			1738 796.	3-22-27		
1730 095.	14-72-47	1733 625.	19-14-19	1736 424.	21-138-23	1738 797.	3-22-27	1739 849.	5-100-186
1730 155.	7-02-16	1733 627.	19-19-32	1736 427.	21-136-15	1738 798.	3-22-27	1739 851.	5-100-206
1730 160.	3-01-25	1733 724.	19-57-16		21-136-41	1738 799.	3-22-27	1739 852.	5-100-7
1730 183.	17-19-3								

PART NUMBER	CODE	PART NUMBER	CODE	PART NUMBER	CODE	PART NUMBER	CODE	PART NUMBER	CODE
1739 853	5-100-8	1750 991	23-19-76	1751 891	23-64-280	1773 635	23-31-119	1810 705	23-63-33
1739 912	16-08-7	1750 995	23-08-12	1752 243	21-85-7	1774 024	23-54-6	1810 706	23-63-33
		1751 000	23-34-234	1752 244	21-85-7	1774 025	23-54-6	1810 707	23-63-33
1739 913	16-10-1			1752 245	21-85-7	1774 621	23-31-205		
1739 915	16-14-1	1751 001	23-34-234	1752 246	21-85-7	1774 625	23-31-205	1810 910	23-20-19
1739 920	16-04-1	1751 002	23-34-234					1815 328	23-45-30
1739 923	16-03-7	1751 003	23-34-234	1752 247	21-85-7	1775 089	23-63-16	1818 524	9-09-2
1739 924	16-06-1	1751 033	23-34-136	1752 422	7-42-1		23-63-22	1818 525	9-09-2
		1751 056	23-09-52	1752 435	7-42-4	1775 164	23-54-79	1818 526	9-09-2
1739 926	16-06-3			1752 470	5-39-4	1775 440	23-48-19		
1739 927	16-03-10	1751 057	23-09-52	1752 488	8-16-3	1775 814	23-32-82	1818 528	9-09-2
1739 930	16-02-1	1751 092	23-64-255				23-48-21	1818 541	21-117-7
1740 029	24-28-22	1751 093	23-64-255	1752 489	8-16-3	1775 838	23-54-100	1818 571	8-27-279
1742 766	24-26-20	1751 094	23-58-220	1752 490	8-16-3	1775 840	23-54-92	1818 639	5-63-1
		1751 130	23-19-76	1752 491	8-16-3	1776 504	23-64-242	1818 698	9-32-2
1744 767	24-26-26			1752 518	23-58-380	1776 505	23-64-242	1818 699	9-32-2
1744 768	24-28-322	1751 131	23-19-76		23-67-16	1776 875	23-54-24	1818 700	9-32-2
1747 962	24-25-258	1751 156	23-58-243	1752 588	9-35-1			1818 701	9-32-2
1747 988	24-25-252	1751 173	23-58-253	1752 589	9-35-1	1777 458	23-54-31	1818 702	9-32-2
1748 059	24-27-5	1751 182	23-31-145	1752 590	9-35-1	1777 881	23-54-50	1818 703	9-32-2
		1751 206	23-58-269	1752 606	21-118-37	1777 885	23-61-39		
1748 066	24-28-26			1752 622	7-42-4	1777 897	23-38-23	1818 730	8-27-205
1748 275	7-04-5	1751 207	23-58-269			1777 926	23-54-27	1818 757	8-27-190
1748 433	24-25-13	1751 208	23-58-469	1752 624	16-03-1			1818 781	9-11-1
1749 763	9-46-8	1751 209	23-58-469	1752 680	16-03-1	1778 955	23-54-152	1818 830	8-53-327
1750 102	23-59-61	1751 210	23-58-333	1753 435	8-34-175	1779 055	23-47-430	1818 834	5-63-3
		1751 262	23-58-266	1753 436	8-34-175	1779 257	1-48-572		
1750 103	23-59-61			1753 534	8-16-4		24-01-87	1818 892	23-67-25
1750 104	23-59-61	1751 264	23-58-265			1779 406	8-34-180	1818 917	1-108-2
1750 105	23-59-61	1751 323	23-23-36	1753 579	24-28-84			1818 918	1-108-2
1750 188	23-34-236	1751 325	23-23-36	1753 632	8-31-16	1779 645	23-54-74	1818 999	2-07-1
1750 189	23-34-236	1751 489	23-64-279		8-50-156	1779 654	8-16-1	1819 014	1-48-159
		1751 492	23-64-278	1753 681	23-41-95	1779 890	23-47-425		1-87-22
1750 400	23-58-333			1753 706	23-41-4	1779 992	23-67-5		24-28-75
1750 406	23-58-473	1751 570	23-63-33			1779 993	23-67-5		
1750 407	23-58-473	1751 571	23-63-33	1753 707	23-41-4			1819 168	23-41-33
1750 445	23-34-116	1751 610	23-63-104	1753 711	23-67-204	1789 754	22-06-2	1819 169	23-41-33
1750 466	23-39-18	1751 611	23-63-104	1753 712	23-67-203	1789 755	22-06-1	1819 228	23-47-344
		1751 646	23-63-33	1754 236	15-19-8	1790 241	22-06-1	1819 230	23-47-413
1750 467	23-39-18			1755 366	23-64-237	1790 244	22-06-2	1819 239	23-47-344
1750 484	23-15-21	1751 647	23-63-33			1790 523	3-11-1		
1750 517	23-63-97	1751 654	23-63-33	1758 076	23-10-17	1799 518	5-20-4	1819 240	23-47-344
1750 534	23-64-255	1751 655	23-63-33	1758 813	23-15-22			1819 251	1-82-15
1750 535	23-64-255	1751 692	23-64-12	1766 808	23-26-47	1810 002	23-58-572	1819 316	23-17-51
		1751 693	23-64-12	1766 986	23-20-16	1810 003	23-58-572	1819 317	13-17-52
1750 537	23-64-12			1767 102	23-31-125	1810 004	23-58-572	1819 441	8-38-4
1750 565	23-15-1	1751 698	23-64-12			1810 005	23-58-572		
	23-15-3	1751 699	23-64-12	1767 247	23-63-14	1810 006	23-58-590	1819 470	1-48-264
1750 578	23-09-52	1751 706	23-63-15	1769 318	24-25-219			1819 748	1-48-941
1750 579	23-09-52	1751 707	23-63-15	1769 327	23-54-166	1810 007	23-58-590		24-01-65
		1751 708	23-63-15	1769 330	23-41-184	1810 016	23-63-94	1819 843	24-25-156
1750 593	5-100-105			1769 430	1-87-404	1810 017	23-63-94	1819 889	1-87-289
1750 602	23-15-21	1751 709	23-63-15			1810 056	23-34-249		
1750 603	23-15-21	1751 724	23-63-15	1769 967	23-47-423	1810 057	23-34-249	1819 960	21-84-1
1750 606	23-64-12	1751 725	23-63-15	1770 140	23-67-50			1819 972	21-84-1
1750 609	23-64-12	1751 732	23-39-15	1770 289	23-67-82	1810 058	23-40-92	1820 002	5-100-183
		1751 733	23-58-569	1770 290	23-67-82	1810 059	23-40-92	1820 003	5-100-152
1750 619	23-58-257			1770 296	23-67-82	1810 440	23-58-487	1820 005	5-28-8
1750 647	23-58-270	1751 743	23-63-33			1810 446	23-36-73		
1750 658	23-64-12	1751 744	23-63-33	1770 531	1-48-801	1810 447	23-36-73	1820 007	5-100-200
1750 659	23-64-12	1751 745	23-63-33	1770 552	23-58-200			1820 008	5-100-203
1750 660	23-09-15	1751 774	23-63-33	1770 553	23-58-200	1810 453	23-61-39	1820 009	5-100-142
		1751 775	23-63-33	1770 660	8-19-39	1810 565	23-34-116	1820 010	5-100-201
1750 686	23-10-2				23-67-166	1810 586	23-36-73	1820 011	5-100-21
1750 724	23-58-248	1751 793	23-36-21	1770 661	23-67-163	1810 587	23-36-73		
1750 726	23-58-603	1751 806	23-58-480	1770 756	8-20-20	1810 635	23-41-273	1820 012	5-100-169
1750 777	23-58-232	1751 807	23-58-480	1770 786	8-13-1			1820 013	5-100-183
1750 806	23-64-12	1751 810	23-58-480	1770 936	8-55-220			1820 025	5-100-182
1750 854	23-58-232			1772 798	23-63-20	1810 641	23-41-138	1820 152	17-15-25
1750 855	23-58-232	1751 890	23-64-280			1810 704	23-63-33		



## 1961 PASSENGER CAR PARTS CATALOG

PART NUMBER	CODE	PART NUMBER	CODE	PART NUMBER	CODE	PART NUMBER	CODE	PART NUMBER	CODE
1820 153.	. . . 17-15-25	1822 668.	. . . 19-15-10	1825 351.	. . . 5-13-10	1828 851.	. . . 17-19-3	1838 163.	. . . 1-88-159
1820 211.	. . . 6-27-5	1822 671.	. . . 19-56-6		19-27-46	1828 911.	. . . 19-14-4	1838 242.	. . . 23-67-85
1820 217.	. . . 6-35-1	1822 672.	. . . 19-56-6	1825 432.	. . . 2-10-63	1829 058.	. . . 8-47-57	1838 289.	. . . 23-67-18
1820 318.	. . . 11-02-4	1822 736.	. . . 19-15-38	1825 449.	. . . 2-08-71	1829 266.	. . . 3-32-1	1838 291.	. . . 23-67-79
1820 319.	. . . 11-02-4	1822 953.	. . . 19-01-50		2-10-63	1829 267.	. . . 3-32-1	1838 292.	. . . 23-67-76
1820 385.	. . . 19-14-35	1823 091.	. . . 19-01-52	1825 487.	. . . 2-08-61	1829 338.	. . . 3-03-1	1838 293.	. . . 23-67-18
		1823 148.	. . . 19-57-3		2-08-75	1829 377.	. . . 6-52-15	1838 505.	. . . 8-27-1
1820 454.	. . . 6-13-4	1823 150.	. . . 19-02-15	1825 488.	. . . 2-10-66			1838 508.	. . . 8-27-76
1820 551.	. . . 3-22-25			1825 604.	. . . 2-14-3	1829 383.	. . . 6-52-10	1838 514.	. . . 8-27-71
1820 552.	. . . 3-22-24	1823 151.	. . . 19-57-64	1825 605.	. . . 2-14-3	1829 400.	. . . 5-39-3	1838 516.	. . . 8-27-300
1820 698.	. . . 3-03-3	1823 155.	. . . 19-14-10			1829 440.	. . . 3-22-28		
1820 703.	. . . 3-22-28	1823 157.	. . . 19-01-60	1825 606.	. . . 2-14-3	1829 441.	. . . 3-22-28	1838 643.	. . . 8-27-158
		1823 160.	. . . 19-14-10	1825 607.	. . . 2-14-3	1829 442.	. . . 3-22-28	1838 830.	. . . 24-28-78
1820 704.	. . . 3-22-28	1823 161.	. . . 19-01-60	1825 608.	. . . 2-14-3			1838 934.	. . . 23-67-79
1820 705.	. . . 3-22-28			1825 609.	. . . 2-14-3	1829 443.	. . . 3-22-28	1838 935.	. . . 23-67-79
1820 812.	. . . 17-15-25	1823 543.	. . . 21-136-229	1825 610.	. . . 2-14-3	1829 444.	. . . 3-22-28	1838 936.	. . . 23-67-76
1820 813.	. . . 17-15-25		21-138-6			1829 445.	. . . 3-32-9		
1821 144.	. . . 14-29-3	1823 548.	. . . 9-46-93	1825 611.	. . . 2-14-3	1829 446.	. . . 3-08-1	1839 197.	. . . 1-48-366
		1823 666.	. . . 21-118-40	1825 664.	. . . 2-08-5	1829 447.	. . . 3-06-8	1839 327.	. . . 19-31-7
1821 170.	. . . 14-29-5	1823 667.	. . . 21-118-40	1825 665.	. . . 2-08-5			1839 345.	. . . 1-48-389
1821 174.	. . . 9-48-40			1825 672.	. . . 2-05-4	1829 448.	. . . 3-06-5	1839 386.	. . . 23-47-8
	24-25-6	1823 726.	. . . 21-138-13	1825 673.	. . . 2-05-4	1829 449.	. . . 3-07-1	1839 387.	. . . 23-47-8
1821 177.	. . . 9-07-8	1823 729.	. . . 21-133-71			1829 450.	. . . 3-09-2		
	24-25-156	1823 731.	. . . 21-133-70	1825 674.	. . . 2-05-4	1829 451.	. . . 3-09-1	1839 538.	. . . 23-22-145
		1823 872.	. . . 21-129-8	1825 675.	. . . 2-05-4	1829 496.	. . . 3-03-1	1839 539.	. . . 23-22-145
1821 178.	. . . 9-48-40	1823 916.	. . . 21-14-15	1825 676.	. . . 2-05-4			1839 546.	. . . 23-22-145
1821 198.	. . . 10-01-21			1825 677.	. . . 2-05-4	1829 502.	. . . 3-03-1	1839 547.	. . . 23-22-145
1821 200.	. . . 10-01-21	1823 934.	. . . 9-46-4	1825 702.	. . . 2-14-3	1829 625.	. . . 22-01-49	1839 558.	. . . 23-22-145
1821 389.	. . . 9-11-7	1823 940.	. . . 21-137-44			1829 790.	. . . 4-23-1		
1821 393.	. . . 9-43-9	1823 941.	. . . 21-137-41	1825 703.	. . . 2-14-3	1829 816.	. . . 4-23-2	1839 566.	. . . 23-22-145
		1824 075.	. . . 21-05-12	1825 706.	. . . 2-14-3	1829 825.	. . . 24-28-378	1839 567.	. . . 23-22-145
1821 411.	. . . 7-06-1	1824 309.	. . . 16-20-3	1825 707.	. . . 2-14-3			1839 568.	. . . 23-06-12
1821 414.	. . . 9-07-8			1825 922.	. . . 10-02-8	1829 928.	. . . 17-15-25	1839 569.	. . . 23-06-10
1821 440.	. . . 9-03-29	1824 316.	. . . 21-137-53	1826 053.	. . . 7-06-1	1829 929.	. . . 17-15-24	1839 570.	. . . 23-07-168
1821 449.	. . . 7-06-1	1824 317.	. . . 21-137-56			1829 984.	. . . 9-69-4		
1821 452.	. . . 7-06-14	1824 321.	. . . 21-03-45	1826 286.	. . . 14-29-33	1830 212.	. . . 23-47-431	1839 685.	. . . 19-31-24
		1824 334.	. . . 9-46-90	1826 369.	. . . 14-41-3	1830 216.	. . . 23-47-431	1839 690.	. . . 23-33-129
1821 557.	. . . 9-02-14	1824 403.	. . . 21-05-35	1826 511.	. . . 14-30-7			1839 691.	. . . 23-33-217
1821 684.	. . . 7-03-1			1826 607.	. . . 14-41-3	1830 217.	. . . 23-47-431	1839 695.	. . . 23-33-86
1821 721.	. . . 9-02-16	1824 493.	. . . 21-03-1	1826 833.	. . . 14-30-8	1830 218.	. . . 23-47-431	1839 704.	. . . 23-02-18
1821 722.	. . . 9-16-17	1824 549.	. . . 21-133-17			1830 236.	. . . 23-47-12		
1821 771.	. . . 9-16-6	1824 550.	. . . 21-133-17	1826 848.	. . . 14-43-5	1830 237.	. . . 23-47-12	1839 845.	. . . 1-76-2
		1824 551.	. . . 21-133-17	1826 863.	. . . 14-30-28	1830 290.	. . . 23-47-414	1839 926.	. . . 23-22-53
1821 772.	. . . 9-16-6	1824 552.	. . . 21-133-17	1826 864.	. . . 14-30-27			1839 927.	. . . 23-22-53
1821 773.	. . . 9-16-6			1826 886.	. . . 14-43-5	1830 344.	. . . 23-47-432	1839 928.	. . . 23-22-53
1821 774.	. . . 9-16-6	1824 553.	. . . 21-129-13	1827 328.	. . . 8-28-15	1830 345.	. . . 23-47-432	1839 929.	. . . 23-22-53
1821 775.	. . . 9-16-6	1824 879.	. . . 17-29-6			1830 346.	. . . 23-47-432		
1822 051.	. . . 14-30-2	1824 934.	. . . 17-29-14	1827 773.	. . . 14-11-48	1830 347.	. . . 23-47-432	1839 930.	. . . 23-22-53
		1824 935.	. . . 17-29-12	1827 999.	. . . 14-06-10	1830 348.	. . . 23-47-432	1839 931.	. . . 23-22-53
1822 134.	. . . 19-01-50	1824 936.	. . . 17-29-12	1828 352.	. . . 13-34-3			1839 932.	. . . 23-22-53
1822 149.	. . . 19-01-52			1828 388.	. . . 5-40-1	1830 349.	. . . 23-47-432	1839 933.	. . . 23-22-53
1822 150.	. . . 19-01-51			1828 389.	. . . 5-44-8	1830 415.	. . . 23-06-28	1839 934.	. . . 23-22-53
1822 151.	. . . 19-01-52	1824 941.	. . . 19-27-2			1830 452.	. . . 23-31-124	1839 935.	. . . 23-22-53
1822 156.	. . . 19-15-63	1824 974.	. . . 2-10-6	1828 396.	. . . 5-52-62	1830 498.	. . . 23-26-62	1839 936.	. . . 23-26-41
		1824 975.	. . . 2-10-7		5-62-62	1830 499.	. . . 23-26-62	1839 937.	. . . 23-26-41
1822 157.	. . . 19-15-65	1825 135.	. . . 2-10-10	1828 420.	. . . 21-01-43			1839 940.	. . . 23-22-86
1822 158.	. . . 19-15-60	1825 136.	. . . 2-10-16	1828 447.	. . . 3-03-3	1830 632.	. . . 1-48-365	1839 941.	. . . 23-22-86
1822 203.	. . . 19-19-35			1828 456.	. . . 14-86-57	1830 633.	. . . 1-48-365	1839 956.	. . . 23-20-16
1822 204.	. . . 19-19-9	1825 137.	. . . 2-10-16			1832 014.	. . . 8-55-57	1839 965.	. . . 23-21-26
1822 320.	. . . 19-19-72	1825 138.	. . . 2-10-6	1828 461.	. . . 5-52-3	1832 135.	. . . 7-16-70	1839 966.	. . . 23-21-46
		1825 139.	. . . 2-10-7	1828 516.	. . . 3-03-1	1833 596.	. . . 23-32-80	1839 967.	. . . 23-21-47
1822 321.	. . . 19-01-62	1825 180.	. . . 2-10-10	1828 517.	. . . 3-03-1		23-48-20	1839 976.	. . . 23-22-78
1822 324.	. . . 19-19-70	1825 303.	. . . 2-10-66	1828 566.	. . . 19-14-5				
1822 380.	. . . 19-57-63			1828 659.	. . . 5-44-3	1833 597.	. . . 23-32-82	1839 977.	. . . 23-22-77
1822 390.	. . . 19-15-69	1825 306.	. . . 2-08-5				23-48-21	1839 979.	. . . 19-31-1
1822 406.	. . . 19-19-71	1825 307.	. . . 2-08-5	1828 719.	. . . 3-22-45	1833 900.	. . . 23-04-249	1839 980.	. . . 19-31-24
		1825 314.	. . . 2-08-48	1828 725.	. . . 3-22-28	1835 109.	. . . 23-48-93	1839 984.	. . . 19-31-1
1822 442.	. . . 19-56-83	1825 317.	. . . 2-08-7	1828 824.	. . . 16-10-3	1838 162.	. . . 1-88-159	1839 985.	. . . 29-31-24
1822 667.	. . . 19-15-11	1825 350.	. . . 2-10-62						

PART NUMBER	CODE	PART NUMBER	CODE	PART NUMBER	CODE	PART NUMBER	CODE	PART NUMBER	CODE
1841 191.	23-67-86	1850 547.	19-14-38	1854 278.	21-139-101	1858 558.	9-39-5	1860 942.	23-41-33
1841 223.	1-48-258	1850 732.	3-03-1	1854 304.	21-118-38	1858 559.	9-39-5	1860 943.	23-41-33
1841 679.	23-67-79			1854 314.	9-46-93			1860 962.	23-41-4
1841 682.	23-67-86	1850 804.	3-09-2	1854 319.	21-131-15	1858 560.	9-39-5	1860 963.	23-41-4
1841 683.	23-67-86	1850 879.	14-02-33	1854 449.	21-22-2	1858 576.	14-07-1		
		1850 938.	5-13-9			1858 620.	24-25-15	1860 995.	23-58-569
1841 698.	1-48-160	1851 314.	19-54-115	1854 523.	9-46-107	1858 622.	24-25-15	1861 000.	23-32-22
	1-87-464	1851 371.	8-28-289	1854 829.	24-25-160	1858 623.	9-48-7	1861 001.	23-32-24
	24-24-7			1854 895.	7-03-1			1861 002.	23-32-48
1841 775.	8-34-175	1851 493.	14-29-6	1854 953.	9-43-1	1858 704.	14-01-16	1861 003.	23-32-17
1841 893.	8-55-57	1851 527.	9-07-5	1854 990.	9-48-6	1858 706.	14-06-10		
		1851 533.	9-31-4			1858 802.	9-43-19	1861 014.	23-51-5
1842 003.	8-16-8	1851 579.	9-03-5	1855 029.	11-06-8	1858 892.	14-11-1	1861 015.	23-51-5
1842 009.	8-16-4	1851 608.	7-04-10	1855 042.	9-39-15	1858 906.	10-03-4	1861 041.	23-32-48
1842 211.	8-34-175			1855 152.	7-06-1			1861 042.	23-32-70
1842 407.	23-67-79	1851 664.	9-50-6	1855 238.	9-43-3	1858 907.	10-03-4	1861 048.	23-32-49
1842 964.	23-67-98	1851 665.	9-48-27	1855 239.	7-06-14	1858 936.	14-02-12		
		1851 669.	9-42-1				14-13-1	1861 049.	23-32-49
1843 004.	9-34-5	1851 861.	9-23-40	1855 328.	10-07-12	1858 955.	9-48-8	1861 082.	23-34-235
1843 005.	9-34-5	1851 869.	9-07-5	1855 393.	9-05-5	1859 144.	9-39-21	1861 083.	23-34-235
1843 006.	9-34-5			1855 561.	9-07-22			1861 096.	23-34-242
1843 007.	9-34-5	1851 899.	9-48-7	1855 605.	9-05-5	1859 151.	7-45-31	1861 097.	23-34-242
1843 008.	11-08-1	1851 924.	9-03-28	1856 292.	19-15-63	1859 228.	9-48-7		
		1851 957.	19-54-60			1859 252.	7-06-1	1861 118.	23-34-301
1843 009.	11-08-1	1852 020.	14-39-45	1856 344.	17-11-7	1859 298.	9-48-7	1861 128.	23-40-86
1843 179.	4-03-5	1852 057.	10-02-15	1856 345.	17-11-7	1859 299.	9-48-7	1861 129.	23-40-86
1843 222.	8-16-1			1856 346.	17-11-7			1861 142.	23-64-66
	24-28-238	1852 058.	10-02-15	1856 347.	17-11-7	1859 300.	9-48-7	1861 143.	23-64-66
1843 226.	8-16-1	1852 177.	9-16-17	1856 491.	21-30-365	1859 332.	9-48-27		
	14-02-5	1852 248.	9-39-6			1859 396.	14-07-1	1861 222.	23-34-302
	14-72-32	1852 582.	7-06-14	1856 492.	21-30-375	1859 465.	9-48-40	1861 223.	23-34-302
	23-18-120	1852 606.	7-06-1	1856 580.	14-06-1	1859 466.	9-48-40	1861 248.	23-34-126
	23-41-58			1856 921.	16-02-1			1861 249.	23-34-126
	24-28-197	1852 855.	19-54-246	1856 923.	16-02-1	1859 488.	9-01-24	1861 264.	23-32-17
		1852 920.	19-54-248	1856 931.	16-02-1	1859 492.	9-01-24		
1843 227.	8-16-1	1852 932.	24-25-15			1859 497.	9-01-24	1861 268.	23-51-3
1843 229.	21-133-3	1852 933.	24-25-15	1856 942.	16-17-1	1859 499.	9-01-24	1861 269.	23-51-3
1843 230.	21-118-1	1853 594.	21-129-10	1856 944.	16-16-47	1859 542.	9-05-5	1861 270.	23-51-43
1843 251.	5-53-3			1856 963.	16-02-1			1861 271.	23-51-43
	8-27-320	1853 595.	21-129-23	1856 992.	19-04-13	1859 580.	7-06-1	1861 274.	23-51-6
	14-50-39	1853 627.	21-15-2	1856 999.	19-15-109	1859 589.	8-28-288		
		1853 672.	21-14-5			1859 671.	7-06-1	1861 275.	23-51-6
1843 252.	5-53-3	1853 673.	21-129-5	1857 001.	19-15-110	1859 680.	7-06-1	1861 286.	23-36-5
1843 253.	5-53-3	1853 695.	21-11-1	1857 003.	19-15-110	1859 750.	14-29-2	1861 287.	23-36-5
	14-89-2			1857 004.	19-15-111			1861 334.	23-58-569
1843 254.	5-53-3	1853 736.	9-46-137	1857 032.	4-01-1	1859 752.	9-07-5	1861 335.	23-58-569
1843 257.	5-53-4	1853 745.	21-34-47	1857 034.	4-01-1	1859 767.	14-01-31		
		1853 769.	21-05-25				14-11-30	1861 386.	23-51-6
1843 258.	5-53-4	1853 855.	21-10-4	1857 044.	5-16-1		14-14-57	1861 392.	23-58-208
1843 259.	5-53-4	1853 858.	21-133-15	1857 051.	5-64-1		21-142-20	1861 416.	23-51-6
1843 287.	14-73-1			1857 052.	5-64-1			1861 418.	23-51-6
1843 316.	9-34-5	1853 859.	21-133-35	1857 053.	5-64-1	1859 768.	14-01-30	1863 010.	15-11-66
1843 317.	9-34-5	1853 860.	21-133-32	1857 054.	5-64-1		14-11-29		
		1853 888.	21-05-26				14-14-56	1863 019.	12-01-12
		1853 891.	21-04-2	1857 055.	5-64-1		21-142-21		15-19-4
1843 318.	9-34-5	1853 923.	21-133-7	1857 056.	5-16-1	1859 779.	14-13-1	1863 222.	15-19-2
1843 330.	9-35-1			1857 057.	5-16-1			1863 223.	15-19-2
1843 331.	9-35-1			1857 058.	5-16-1	1859 788.	10-03-7	1863 235.	15-19-8
1843 332.	9-35-1	1853 943.	21-133-71	1857 059.	5-16-1	1859 868.	14-11-9		
1843 337.	8-27-138	1854 245.	21-139-135			1859 952.	8-28-282	1863 323.	15-11-46
		1854 258.	21-139-135	1857 061.	5-16-1	1859 987.	24-25-10	1863 326.	15-19-2
		1854 271.	21-139-5	1857 062.	5-16-1	1859 988.	24-25-10	1863 327.	15-19-2
		1854 272.	21-139-135	1857 063.	5-03-5	1859 989.	14-06-1	1863 331.	15-13-2
1843 368.	8-27-138			1857 919.	9-43-1	1859 991.	14-11-1	1863 356.	15-03-5
1843 400.	14-73-1			1857 962.	19-27-31	1859 994.	14-11-28		
1843 403.	21-138-2					1859 995.	14-11-9	1863 586.	7-26-5
1843 447.	7-42-4	1854 273.	21-139-135				14-11-29		12-01-12
1846 350.	23-67-129	1854 274.	21-139-95	1858 488.	7-06-5	1859 996.	14-11-9	1863 598.	15-09-4
		1854 275.	21-139-95	1858 523.	14-39-45			1863 612.	12-01-12
1846 668.	23-32-36	1854 276.	21-139-200	1858 557.	9-39-5	1860 619.	23-41-126	1863 708.	15-19-8
1850 370.	3-04-6	1854 277.	21-139-202			1860 829.	23-10-1		
1850 524.	19-15-23								

## 1961 PASSENGER CAR PARTS CATALOG

PART NUMBER	CODE	PART NUMBER	CODE	PART NUMBER	CODE	PART NUMBER	CODE	PART NUMBER	CODE
1863 716.	. . . 12-01-12	1877 317.	. . . 23-64-314	1877 841.	. . . 23-36-125	1878 652.	. . . 23-48-65	1879 638.	. . . . 9-34-5
1863 719.	. . . 15-11-46	1877 318.	. . . 23-36-14	1877 855.	. . . 23-54-150	1878 752.	. . . 23-19-21	1879 639.	. . . . 9-34-5
1863 760.	. . . . 7-26-5	1877 319.	. . . 23-36-14	1877 918.	. . . 23-32-24	1878 755.	. . . 23-48-180	1879 640.	. . . . 9-34-5
1863 926.	. . . 12-02-5	1877 324.	. . . 23-64-314	1877 926.	. . . 23-48-87	1878 769.	. . . 23-48-112	1879 648.	. . . . 9-34-5
1866 682.	. . . 23-32-66	1877 325.	. . . 23-64-314	1877 927.	. . . 23-48-87	1878 889.	. . . 23-32-56	1879 649.	. . . . 9-34-5
1866 683.	. . . 23-32-75	1877 328.	. . . 23-40-85	1877 931.	. . . 23-54-147	1879 910.	. . . 23-48-98	1879 650.	. . . . 9-34-5
1866 685.	. . . 23-32-64	1877 329.	. . . 23-40-85	1877 958.	. . . 23-64-314	1878 911.	. . . 23-48-98	1879 652.	. . . . 6-17-3
1866 686.	. . . 23-17-18	1877 338.	. . . 23-34-260	1877 975.	. . . 23-51-41	1879 267.	. . . 23-67-160	1879 690.	. . . . 5-03-1
1867 661.	. . . 23-19-70	1877 339.	. . . 23-34-260	1878 014.	. . . 23-32-67	1879 268.	. . . . 5-01-2	1879 701.	. . . . 9-01-5
1867 682.	. . . 23-34-120	1877 346.	. . . 23-32-48	1878 031.	. . . 23-51-6	1879 269.	. . . . 5-01-2	1879 702.	. . . . 9-01-5
1867 683.	. . . 23-34-120	1877 350.	. . . 23-34-176	1878 112.	. . . 23-58-393	1879 270.	. . . . 5-01-2	1879 703.	. . . . 9-39-1
1867 873.	. . . 23-34-301	1877 351.	. . . 23-34-176	1878 136.	. . . 23-32-90	1879 271.	. . . . 5-01-2	1879 704.	. . . . 9-39-1
1868 886.	. . . 23-26-2	1877 353.	. . . 23-04-241	1878 137.	. . . 23-32-90	1879 272.	. . . . 5-01-2	1879 747.	. . . . 9-41-1
1869 556.	. . . 23-40-86	1877 354.	. . . 23-04-241	1878 138.	. . . 23-32-90	1879 273.	. . . . 5-01-2	1879 827.	. . . . 1-48-684
1869 557.	. . . 23-40-86	1877 355.	. . . 23-04-250	1878 139.	. . . 23-32-90	1879 303.	. . . . 5-39-1		. . . . 24-28-202
1869 564.	. . . 23-26-44	1877 358.	. . . 23-64-66	1878 145.	. . . 23-04-2	1879 333.	. . . . 9-34-5	1879 843.	. . . . 1-48-258
1869 565.	. . . 23-26-44	1877 359.	. . . 23-64-66	1878 161.	. . . 23-64-314	1879 334.	. . . . 9-34-5	1879 861.	. . . . 24-28-63
1869 582.	. . . 23-32-15	1877 360.	. . . 23-64-66	1878 170.	. . . 23-32-65	1879 335.	. . . . 9-34-5	1879 904.	. . . . 24-01-24
1869 615.	. . . 23-34-301	1877 361.	. . . 23-64-66	1878 171.	. . . 23-32-65	1879 336.	. . . . 9-34-5	1879 938.	. . . . 8-01-17
1869 627.	. . . 23-66-135	1877 362.	. . . 23-64-66	1878 180.	. . . 23-32-65	1879 337.	. . . . 9-34-5		. . . . 8-52-357
1869 628.	. . . 23-64-314	1877 363.	. . . 23-64-66	1878 181.	. . . 23-64-311	1879 338.	. . . . 9-34-5	1879 944.	. . . . 8-01-4
1869 629.	. . . 23-64-314	1877 364.	. . . 23-64-67	1878 181.	. . . 23-64-311	1879 339.	. . . . 9-34-5		. . . . 8-01-17
1869 630.	. . . 23-64-314	1877 365.	. . . 23-64-67	1878 184.	. . . 23-64-311	1879 340.	. . . . 9-34-5	1879 945.	. . . . 8-01-4
1869 633.	. . . 23-34-166	1877 390.	. . . 23-64-67	1878 185.	. . . 23-64-311	1879 353.	. . . 19-54-128		. . . . 8-01-17
1869 674.	. . . 23-34-120	1877 391.	. . . 23-64-67	1878 204.	. . . 23-63-181	1879 391.	. . . . 8-27-100	1879 960.	. . . . 24-24-25
1869 675.	. . . 23-34-120	1877 408.	. . . 23-40-92	1878 204.	. . . 23-63-181	1879 398.	. . . . 5-03-1	1880 211.	. . . . 1-48-683
1869 678.	. . . 23-34-120	1877 409.	. . . 23-40-92	1878 226.	. . . 23-51-6	1879 401.	. . . . 5-03-1		. . . . 24-24-6
1869 679.	. . . 23-34-120	1877 462.	. . . 23-51-41	1878 227.	. . . 23-51-6	1879 404.	. . . . 5-03-1	1880 222.	. . . . 1-82-38
1869 772.	. . . 23-36-53	1877 463.	. . . 23-51-41	1878 228.	. . . 23-51-6	1879 499.	. . . 23-67-25	1880 439.	. . . . 1-48-226
1869 773.	. . . 23-36-53	1877 472.	. . . 23-59-37	1878 236.	. . . 23-32-93	1879 507.	. . . 21-01-3		. . . . 1-48-258
1869 774.	. . . 23-36-53	1877 473.	. . . 23-59-37	1878 237.	. . . 23-32-93	1879 509.	. . . 19-57-2	1880 442.	. . . . 24-28-210
1869 775.	. . . 23-36-53	1877 486.	. . . 23-34-255	1878 238.	. . . 23-51-41	1879 526.	. . . . 7-42-1	1880 472.	. . . . 1-48-126
1869 858.	. . . 23-26-44	1877 488.	. . . 23-04-249	1878 239.	. . . 23-51-41	1879 536.	. . . . 7-42-1	1880 642.	. . . . 24-28-220
1869 859.	. . . 23-26-44	1877 492.	. . . 23-34-302	1878 254.	. . . 23-36-121	1879 579.	. . . 24-28-195	1880 657.	. . . . 24-28-322
1869 860.	. . . 23-26-44	1877 493.	. . . 23-34-302	1878 255.	. . . 23-36-121	1879 580.	. . . 24-28-300	1880 658.	. . . . 24-26-20
1869 861.	. . . 23-26-44	1877 494.	. . . 23-51-41	1878 260.	. . . 8-55-23	1879 583.	. . . 23-67-98	1881 647.	. . . . 2-10-61
1869 868.	. . . 23-64-280	1877 495.	. . . 23-51-41	1878 261.	. . . 8-55-23	1879 589.	. . . 23-67-10	1881 650.	. . . . 2-10-61
1869 869.	. . . 23-64-280	1877 516.	. . . 23-04-249	1878 310.	. . . 23-54-98	1879 596.	. . . 8-27-133	1881 652.	. . . . 2-08-59
1869 872.	. . . 23-64-280	1877 520.	. . . 23-19-185	1878 338.	. . . 23-40-86	1879 597.	. . . 8-27-315	1881 693.	. . . . 9-35-1
1869 873.	. . . 23-64-280	1877 521.	. . . 23-19-185	1878 339.	. . . 23-40-86	1879 598.	. . . 23-67-10	1881 694.	. . . . 9-35-1
1869 892.	. . . 23-64-66	1877 522.	. . . 23-51-41	1878 340.	. . . 23-40-86	1879 599.	. . . 23-67-164	1881 695.	. . . . 9-35-1
1869 893.	. . . 23-64-66	1877 523.	. . . 23-51-41	1878 341.	. . . 23-40-86	1879 601.	. . . 23-67-10	1881 696.	. . . . 9-35-1
1872 552.	. . . 23-52-1	1877 540.	. . . 23-19-177	1878 428.	. . . 23-51-41	1879 602.	. . . 23-67-164	1881 697.	. . . . 9-35-1
1875 597.	. . . 8-27-315	1877 541.	. . . 23-19-177	1878 429.	. . . 23-51-41	1879 606.	. . . 8-27-77	1881 698.	. . . . 9-35-1
1876 331.	. . . 23-21-8	1877 732.	. . . 23-34-301	1878 440.	. . . 23-26-44	1879 607.	. . . 8-27-297	1881 699.	. . . . 9-35-1
1876 338.	. . . 23-26-47	1877 742.	. . . 23-34-302	1878 441.	. . . 23-26-44	1879 609.	. . . . 8-16-1	1881 700.	. . . . 9-35-1
1877 267.	. . . 23-34-301	1877 743.	. . . 23-34-302	1878 444.	. . . 23-34-302	1879 613.	. . . 8-52-180	1881 701.	. . . . 9-36-5
1877 284.	. . . 23-34-120	1877 762.	. . . 23-32-49	1878 445.	. . . 23-34-302	1879 617.	. . . . 9-32-2	1881 727.	. . . . 8-52-82
1877 285.	. . . 23-34-120	1877 763.	. . . 23-32-49	1878 450.	. . . 23-54-72	1879 618.	. . . . 9-32-2	1881 742.	. . . . 8-27-316
1877 286.	. . . 23-34-120	1877 768.	. . . 23-40-85	1878 475.	. . . 23-32-17	1879 619.	. . . . 9-32-2	1881 746.	. . . . 8-27-278
1877 287.	. . . 23-34-120	1877 769.	. . . 23-40-85	1878 556.	. . . 23-51-6	1879 621.	. . . . 9-32-2	1881 751.	. . . . 8-27-218
1877 288.	. . . 23-34-120	1877 786.	. . . 23-51-5	1878 557.	. . . 23-51-6	1879 627.	. . . . 9-09-2	1881 766.	. . . . 8-27-316
1877 289.	. . . 23-34-120	1877 787.	. . . 23-51-5	1878 584.	. . . 23-54-59	1879 628.	. . . . 9-09-2	1881 768.	. . . . 8-27-208
1877 310.	. . . 23-36-53	1877 830.	. . . 23-32-49	1878 592.	. . . 23-48-188	1879 629.	. . . . 9-09-2	1881 804.	. . . . 7-14-4
1877 311.	. . . 23-36-53	1877 831.	. . . 23-32-49	1878 600.	. . . 23-48-148	1879 630.	. . . . 9-09-2		. . . . 7-14-5
1877 314.	. . . 23-36-53	1877 833.	. . . 23-34-16	1878 601.	. . . 23-48-148	1879 631.	. . . . 9-34-5	1881 806.	. . . . 7-14-4
1877 315.	. . . 23-36-53	1877 834.	. . . 23-34-17	1878 636.	. . . 23-32-46	1879 632.	. . . . 9-34-5		. . . . 7-14-5
1877 316.	. . . 23-64-314	1877 840.	. . . 23-36-125	1878 641.	. . . 23-48-28	1879 633.	. . . . 9-34-5	1881 809.	. . . . 7-14-5
				1878 650.	. . . 23-63-181	1879 634.	. . . . 9-34-5		

March 1, 1962 Supersedes Oct. 3, 1960.





## 1961 PASSENGER CAR PARTS CATALOG

PART NUMBER	CODE	PART NUMBER	CODE	PART NUMBER	CODE	PART NUMBER	CODE	PART NUMBER	CODE
1889 568.	. . . 8-27-1	1901 869.	. . . 23-22-53	1902 310.	. . . 23-33-86	1904 146.	. . . 7-33-1	1904 397.	. . . 7-31-10
1889 683.	. . . 8-27-250	1901 931.	. . . 23-06-10	1902 311.	. . . 23-33-86	1904 148.	. . . 7-31-10	1904 407.	. . . 15-11-58
1889 684.	. . . 8-27-250	1901 938.	. . . 23-02-18	1902 313.	. . . 23-06-49			1904 413.	. . . 15-11-7
1889 709.	. . . 8-27-292	1901 969.	. . . 23-22-86	1902 333.	. . . 19-14-77	1904 160.	. . . 15-19-2	1904 415.	. . . 15-11-3
1889 710.	. . . 8-27-1			1902 348.	. . . 23-26-41	1904 161.	. . . 15-19-2		
		1901 970.	. . . 23-22-86			1904 171.	. . . 15-11-7	1904 430.	. . . 15-09-4
1889 715.	. . . 8-27-292	1901 971.	. . . 23-22-86	1902 349.	. . . 23-26-41	1904 173.	. . . 15-11-46	1904 449.	. . . 12-15-21
1889 750.	. . . 8-27-1	1901 972.	. . . 23-22-86	1902 350.	. . . 23-47-26	1904 175.	. . . 15-11-3	1904 450.	. . . 12-15-21
1889 752.	. . . 8-27-250	1901 973.	. . . 23-22-152	1902 362.	. . . 19-31-7			1904 454.	. . . 15-11-7
1889 788.	. . . 8-27-205	1901 974.	. . . 23-22-145	1902 374.	. . . 23-02-12	1904 180.	. . . 12-01-92	1904 463.	. . . 7-31-10
1889 938.	. . . 8-52-13			1902 375.	. . . 23-02-11	1904 194.	. . . 12-01-105		
		1901 975.	. . . 23-22-145		23-02-150	1904 195.	. . . 12-01-105	1904 480.	. . . 7-16-11
1900 762.	. . . 23-26-34	1901 978.	. . . 23-26-41			1904 197.	. . . 15-09-4	1904 489.	. . . 7-16-11
1900 856.	. . . 23-14-27	1901 979.	. . . 23-26-41	1902 399.	. . . 23-33-132	1904 198.	. . . 15-09-4	1904 490.	. . . 7-16-36
1900 857.	. . . 23-14-27	1901 980.	. . . 23-26-41	1902 406.	. . . 23-54-180			1904 491.	. . . 7-16-36
1900 860.	. . . 23-14-27	1901 981.	. . . 23-26-41	1902 409.	. . . 23-54-186	1904 208.	. . . 8-34-362	1904 506.	. . . 7-16-63
1900 861.	. . . 23-14-27			1902 410.	. . . 23-54-190	1904 209.	. . . 8-34-362		
		1901 982.	. . . 23-26-41	1902 417.	. . . 8-05-6	1904 212.	. . . 8-34-362	1904 509.	. . . 15-11-7
1900 870.	. . . 23-14-18	1901 983.	. . . 23-26-41			1904 213.	. . . 8-34-362	1904 518.	. . . 12-01-5
1900 872.	. . . 23-14-24	1901 984.	. . . 23-26-41	1902 430.	. . . 23-06-53	1904 214.	. . . 8-34-40	1904 519.	. . . 12-01-5
1900 878.	. . . 23-02-40	1901 985.	. . . 23-26-41	1902 720.	. . . 7-08-2			1904 528.	. . . 8-34-40
1900 922.	. . . 23-26-23	1901 986.	. . . 23-22-86	1902 763.	. . . 7-26-18	1904 216.	. . . 8-34-371	1904 529.	. . . 8-34-40
1900 923.	. . . 23-26-23			1903 036.	. . . 7-31-45	1904 217.	. . . 8-34-371		
		1901 987.	. . . 23-22-86	1903 285.	. . . 15-13-5	1904 218.	. . . 8-34-372	1904 552.	. . . 15-11-7
1900 924.	. . . 23-26-24	1901 988.	. . . 23-22-86			1904 220.	. . . 8-34-372	1904 553.	. . . 15-11-7
1900 958.	. . . 23-26-23	1901 989.	. . . 23-22-86	1903 395.	. . . 15-19-4	1904 224.	. . . 24-27-5	1904 581.	. . . 15-11-38
1900 959.	. . . 23-26-23	1901 990.	. . . 23-22-85	1903 396.	. . . 12-01-12			1904 607.	. . . 15-11-3
1900 972.	. . . 23-26-23	1901 991.	. . . 23-22-85	1903 457.	. . . 7-26-15	1904 225.	. . . 7-16-11	1904 609.	. . . 7-33-4
1900 973.	. . . 23-26-23	1901 992.	. . . 23-22-86	1903 513.	. . . 12-01-16	1904 234.	. . . 7-33-1		
		1901 993.	. . . 23-22-86	1903 517.	. . . 8-50-349	1904 243.	. . . 7-31-10	1904 616.	. . . 7-16-36
1901 569.	. . . 23-32-51	1901 994.	. . . 23-22-53	1903 600.	. . . 7-08-2	1904 246.	. . . 7-35-2	1904 617.	. . . 12-15-2
1901 587.	. . . 19-31-19	1901 995.	. . . 23-22-53	1903 677.	. . . 12-01-16	1904 247.	. . . 7-35-2	1904 627.	. . . 7-16-66
1901 592.	. . . 8-20-19	1901 996.	. . . 23-22-145		15-19-4	1904 253.	. . . 15-11-3	1904 631.	. . . 15-11-46
1901 691.	. . . 23-06-13			1903 791.	. . . 9-46-31	1904 260.	. . . 12-01-105	1904 643.	. . . 15-11-3
	23-06-21	1901 997.	. . . 23-22-145	1903 792.	. . . 9-46-31	1904 261.	. . . 12-01-105	1904 648.	. . . 7-16-47
	23-45-58	1901 998.	. . . 23-22-145			1904 264.	. . . 12-01-57	1904 649.	. . . 7-16-47
	23-47-14	1901 999.	. . . 23-22-145	1902 041.	. . . 7-26-15	1904 265.	. . . 12-01-57	1904 661.	. . . 8-34-40
1901 727.	. . . 23-06-21	1902 000.	. . . 23-22-86	1903 976.	. . . 7-16-12	1904 270.	. . . 12-01-9	1904 670.	. . . 15-19-8
1901 734.	. . . 23-06-10	1902 001.	. . . 23-22-86	1904 002.	. . . 15-03-3	1904 271.	. . . 12-01-9		
1901 739.	. . . 23-02-18			1904 010.	. . . 12-01-5	1904 272.	. . . 8-34-40	1904 717.	. . . 7-16-11
1901 744.	. . . 23-02-19	1902 031.	. . . 23-45-53	1904 011.	. . . 12-01-5	1904 276.	. . . 12-01-92	1904 728.	. . . 7-16-47
1901 751.	. . . 23-02-19	1902 091.	. . . 23-33-132			1904 277.	. . . 12-01-92	1904 789.	. . . 7-11-3
		1902 108.	. . . 23-47-8	1904 014.	. . . 12-01-7			1904 790.	. . . 7-11-3
1901 764.	. . . 23-06-13	1902 109.	. . . 23-47-8	1904 015.	. . . 12-01-7	1904 282.	. . . 8-34-374	1904 795.	. . . 7-11-3
1901 774.	. . . 5-27-9	1902 138.	. . . 23-21-8	1904 038.	. . . 15-03-3	1904 283.	. . . 8-34-374		
1901 784.	. . . 23-06-4			1904 046.	. . . 12-01-5	1904 286.	. . . 8-34-300	1904 798.	. . . 7-11-3
1901 788.	. . . 5-27-9	1902 176.	. . . 23-06-13	1904 047.	. . . 12-01-5	1904 287.	. . . 8-34-300	1904 799.	. . . 7-11-3
1901 790.	. . . 23-06-13	1902 177.	. . . 23-06-13			1904 291.	. . . 7-26-2	1904 801.	. . . 7-11-3
		1902 201.	. . . 23-06-21	1904 054.	. . . 15-03-3			1904 807.	. . . 7-11-3
1901 793.	. . . 23-06-4	1902 210.	. . . 19-31-1	1904 062.	. . . 12-01-5	1904 367.	. . . 7-16-11	1904 809.	. . . 7-11-3
1901 801.	. . . 5-27-9	1902 217.	. . . 23-47-55	1904 063.	. . . 12-01-5	1904 368.	. . . 7-16-36		
1901 802.	. . . 23-33-10			1904 064.	. . . 12-01-7	1904 371.	. . . 7-16-47	1904 810.	. . . 7-11-3
1901 808.	. . . 23-06-4	1902 223.	. . . 19-31-1	1904 065.	. . . 12-01-7	1904 372.	. . . 7-16-47	1904 811.	. . . 7-11-3
1901 811.	. . . 23-33-12	1902 237.	. . . 8-05-6			1904 373.	. . . 7-16-47	1904 848.	. . . 7-16-36
		1902 274.	. . . 23-22-145	1904 066.	. . . 12-01-7			1904 852.	. . . 7-16-36
1901 826.	. . . 23-02-18	1902 275.	. . . 23-22-145	1904 067.	. . . 12-01-7	1904 374.	. . . 7-16-47	1904 853.	. . . 7-16-36
1901 828.	. . . 23-06-4	1902 277.	. . . 1-67-1	1904 068.	. . . 12-01-7	1904 375.	. . . 7-16-47		
	23-06-102			1904 069.	. . . 12-01-7	1904 376.	. . . 7-16-47	1904 864.	. . . 7-16-65
1901 838.	. . . 23-21-74	1902 288.	. . . 15-14-10	1904 080.	. . . 12-01-5	1904 377.	. . . 7-16-47	1904 896.	. . . 15-13-5
1901 844.	. . . 23-02-43	1902 291.	. . . 1-67-1			1904 378.	. . . 7-16-11	1904 932.	. . . 7-26-37
		1902 297.	. . . 23-54-195	1904 081.	. . . 12-01-5			1904 933.	. . . 7-26-37
1901 845.	. . . 23-02-43	1902 298.	. . . 8-05-23	1904 124.	. . . 7-16-11	1904 379.	. . . 7-16-47	1904 938.	. . . 7-31-2
1901 847.	. . . 23-06-53	1902 304.	. . . 23-22-53	1904 125.	. . . 7-16-36	1904 384.	. . . 7-17-1	1904 947.	. . . 7-16-21
1901 849.	. . . 23-06-53			1904 126.	. . . 7-16-36	1904 385.	. . . 7-16-63	1904 950.	. . . 7-14-31
1901 866.	. . . 23-22-53	1902 305.	. . . 23-22-53	1904 131.	. . . 7-16-22	1904 389.	. . . 7-33-1	1909 302.	. . . 23-64-265
1901 867.	. . . 23-22-53	1902 306.	. . . 23-22-53					1909 303.	. . . 23-64-265
		1902 307.	. . . 23-22-53	1904 139.	. . . 7-16-63	1904 392.	. . . 7-26-2	1909 304.	. . . 23-64-265
1901 868.	. . . 23-22-53	1902 308.	. . . 23-26-41	1904 143.	. . . 15-11-3				
		1902 309.	. . . 23-26-41		15-11-58				

PART NUMBER	CODE	PART NUMBER	CODE	PART NUMBER	CODE	PART NUMBER	CODE	PART NUMBER	CODE
1909 305.	23-64-265	1909 701.	23-64-265	1927 232.	4-25-17	1941 688.	21-139-12	1942 404.	21-133-36
1909 313.	23-34-166	1909 704.	23-64-265		5-13-10	1941 699.	21-42-43		
1909 314.	23-34-166			1930 225.	8-50-186	1941 779.	21-131-45	1942 413.	21-05-1
1909 319.	23-34-354	1909 705.	23-64-265	1932 807.	1-48-144	1941 831.	21-129-7	1942 414.	21-133-20
1909 320.	23-64-66	1909 706.	23-64-265				21-137-202	1942 415.	21-133-25
		1909 707.	23-64-265	1936 051.	14-11-34			1942 418.	21-133-36
1909 321.	23-64-66	1909 710.	23-64-265	1937 770.	3-11-2	1941 887.	21-04-11	1942 419.	21-129-10
1909 322.	23-64-66	1909 711.	23-64-265	1937 771.	3-11-1	1942 000.	4-10-10		
1909 323.	23-64-66			1939 486.	19-15-101	1942 002.	4-10-7	1942 421.	21-133-43
1909 324.	23-34-80	1909 712.	23-64-265	1939 487.	19-15-121	1942 005.	4-10-17	1942 422.	21-133-43
1909 325.	23-34-80	1909 713.	23-64-265			1942 006.	4-10-19	1942 423.	21-133-43
		1909 856.	23-64-273	1940 147.	6-38-23			1942 426.	21-129-7
1909 326.	23-34-122	1909 892.	23-36-5		19-54-131	1942 009.	4-10-19	1942 434.	21-133-40
1909 327.	23-34-122	1909 893.	23-36-5	1940 166.	5-27-1	1942 011.	4-10-3		
1909 328.	23-34-122			1940 173.	5-27-1	1942 012.	4-10-4	1942 438.	21-133-42
1909 329.	23-34-122	1909 914.	23-58-78	1940 175.	6-50-1	1942 107.	21-118-53	1942 439.	21-133-46
1909 386.	23-42-56	1909 917.	23-64-278			1942 109.	21-138-38	1942 441.	21-133-48
		1909 918.	23-39-15	1940 182.	6-52-1			21-136-237	
1909 387.	23-42-56	1909 975.	23-15-17	1940 184.	6-52-1	1942 132.	21-136-23	1942 443.	21-134-38
1909 410.	23-19-82	1916 840.	23-47-8	1940 194.	5-31-11	1942 140.	21-136-47		
1909 411.	23-19-82			1940 195.	5-31-11	1942 152.	21-137-47	1942 444.	21-134-40
1909 421.	23-15-7	1916 852.	23-47-8	1940 234.	17-19-3	1942 153.	21-137-200	1942 446.	21-134-36
1909 430.	23-64-174	1918 529.	23-45-12			1942 156.	21-137-205	1942 447.	21-134-45
		1918 551.	23-45-20	1940 238.	17-19-3			1942 448.	21-134-40
1909 431.	23-64-174	1919 014.	23-19-82	1940 300.	9-69-6	1942 161.	4-10-11	1942 450.	21-134-36
1909 432.	23-64-174	1919 015.	23-19-82	1940 301.	9-69-6	1942 162.	4-10-12		
1909 433.	23-64-174			1940 388.	13-66-3	1942 164.	4-10-15	1942 451.	21-136-65
1909 456.	23-63-20	1919 024.	23-36-53	1940 389.	13-66-3	1942 165.	4-10-16	1942 454.	21-05-35
1909 466.	23-58-228	1919 025.	23-36-53			1942 167.	21-84-7	1942 455.	21-05-35
		1919 058.	23-19-8	1940 392.	13-66-3			1942 456.	21-05-35
1909 488.	23-22-55	1919 060.	23-19-11	1940 393.	13-66-3	1942 174.	21-85-61	1942 457.	21-03-1
1909 489.	23-22-55	1919 061.	23-19-8	1940 409.	13-66-3	1942 187.	9-46-229		
1909 490.	23-22-55			1940 447.	3-02-9		21-136-236	1942 458.	21-137-53
1909 491.	23-22-55	1919 100.	23-11-1	1940 596.	3-03-31	1942 199.	4-10-2	1942 461.	21-136-232
1909 510.	23-51-41	1919 101.	23-11-1			1942 211.	21-139-9	1942 463.	21-118-40
		1919 102.	23-11-3	1940 604.	3-32-8			1942 466.	21-138-10
1909 511.	23-51-41	1919 103.	23-11-3	1940 621.	5-58-1	1942 213.	21-139-64	1942 467.	21-133-20
1909 529.	23-64-12	1919 129.	23-32-17	1940 622.	5-58-1	1942 218.	21-139-63		
1909 530.	23-64-12	1919 192.	23-34-235	1940 787.	5-100-3	1942 223.	21-139-12	1942 477.	21-136-17
1909 608.	23-64-68	1919 193.	23-34-235	1940 788.	5-100-1	1942 225.	21-139-24	1942 478.	21-137-5
1909 609.	23-64-68	1919 242.	23-34-167			1942 226.	21-139-135	1942 481.	21-137-22
		1919 288.	23-54-3	1940 790.	5-100-39	1942 227.	21-139-135	1942 482.	21-137-11
1909 616.	23-23-41	1919 289.	23-54-3	1940 830.	22-01-42	1942 228.	21-139-135	1942 485.	21-137-13
1909 617.	23-23-41			1940 920.	13-11-5	1942 229.	21-139-108	1942 487.	21-136-30
1909 624.	23-59-61	1919 312.	23-36-53	1940 961.	13-11-5	1942 230.	21-139-135	1942 491.	21-136-47
1909 625.	23-59-61	1919 313.	23-36-53	1941 031.	13-66-16	1942 231.	21-139-108	1942 493.	21-136-49
1909 626.	23-59-61	1919 316.	23-51-5					1942 494.	21-136-44
		1919 317.	23-51-5	1941 032.	13-66-16	1942 233.	21-139-144	1942 496.	21-136-41
1909 627.	23-59-61	1919 336.	23-32-105	1941 033.	13-66-16	1942 235.	21-139-140		
1909 636.	23-59-61			1941 034.	13-66-16	1942 236.	21-139-147	1942 497.	21-136-41
1909 637.	23-59-61	1919 337.	23-32-105	1941 600.	21-139-105	1942 237.	21-139-154	1942 498.	21-137-35
1909 682.	23-64-174	1919 434.	23-34-234	1941 601.	21-139-105	1942 245.	21-139-63	1942 499.	21-137-50
1909 683.	23-64-174	1919 435.	23-34-234					1942 501.	21-137-56
		1919 436.	23-34-234	1941 602.	21-139-105	1942 256.	4-10-1	1942 502.	21-137-59
1909 684.	23-64-174	1919 437.	23-34-234	1941 603.	21-139-105	1942 259.	21-84-28		
1909 685.	23-64-174			1941 604.	21-139-210	1942 384.	21-118-45	1942 504.	21-04-1
1909 688.	23-64-174	1919 487.	23-54-3	1941 605.	21-139-147	1942 389.	21-129-13	1942 514.	21-119-3
1909 689.	23-64-174	1919 533.	23-32-105	1941 606.	21-139-140	1942 390.	21-129-24	1942 516.	21-119-5
1909 690.	23-64-174	1919 534.	23-32-105					1942 517.	21-85-5
		1919 553.	23-32-17	1941 622.	21-139-30	1942 395.	21-133-15	1942 521.	21-85-5
1909 691.	23-64-174	1919 557.	23-34-167	1941 623.	21-138-78	1942 396.	21-133-17		
1909 694.	23-64-265			1941 624.	21-138-78	1942 397.	21-133-17	1942 522.	21-85-5
1909 695.	23-64-265	1919 575.	12-01-5	1941 625.	21-139-9	1942 399.	21-133-22	1942 523.	21-85-5
1909 696.	23-64-265	1919 576.	12-01-5	1941 626.	21-139-50	1942 400.	21-133-43	1942 524.	21-85-5
1909 697.	23-64-265	1919 583.	23-32-21					1942 527.	21-04-1
		1919 673.	23-32-49	1941 628.	21-03-1	1942 401.	21-05-12	1942 543.	21-136-52
1909 698.	23-64-265	1922 183.	23-19-96	1941 632.	21-119-15		21-22-2		
1909 699.	23-64-265			1941 634.	21-119-15	1942 402.	21-133-39	1942 544.	4-10-8
1909 700.	23-64-265	1923 765.	5-71-2	1941 636.	21-30-392	1942 403.	21-133-38	1943 547.	8-47-21
				1941 667.	19-46-43				



## 1961 PASSENGER CAR PARTS CATALOG

NUMERICAL INDEX

PART NUMBER	CODE	PART NUMBER	CODE	PART NUMBER	CODE	PART NUMBER	CODE	PART NUMBER	CODE
1943 554. . .	13-64-6	1945 320. . .	9-39-5	1946 921. . .	7-03-1	1947 786. . .	9-16-17	1948 691. . .	19-15-4
	13-66-20	1945 321. . .	9-39-5	1946 922. . .	7-03-1	1947 797. . .	14-29-5	1948 692. . .	19-15-4
1943 583. . .	19-64-9	1945 384. . .	8-28-283	1946 926. . .	7-03-1			1948 734. . .	14-86-40
			19-54-115			1947 798. . .	14-29-15	1948 741. . .	14-86-55
1943 666. . .	5-16-1	1945 404. . .	8-28-19	1946 992. . .	9-15-6	1947 809. . .	14-30-1	1948 749. . .	14-86-35
1943 667. . .	5-16-1		9-23-10	1947 016. . .	9-15-1	1947 810. . .	14-30-2	1948 754. . .	1-39-2
1943 674. . .	5-03-6		19-54-123	1947 132. . .	7-03-1	1947 811. . .	14-39-45	1948 757. . .	14-72-9
1943 686. . .	5-16-1			1947 147. . .	9-11-1	1947 812. . .	14-01-1	1948 815. . .	5-102-2
1943 687. . .	5-16-1	1945 543. . .	14-29-2	1947 165. . .	9-31-4			1948 838. . .	5-110-18
		1945 709. . .	11-02-4			1947 815. . .	14-01-15		
1943 690. . .	5-69-1	1945 749. . .	3-04-6	1947 221. . .	10-07-6	1947 817. . .	14-01-12	1948 867. . .	13-54-4
1943 691. . .	5-13-9	1945 751. . .	3-04-10	1947 225. . .	10-10-1	1947 818. . .	14-01-8	1948 869. . .	17-17-3
1943 733. . .	22-08-5	1945 768. . .	3-20-1	1947 235. . .	9-13-5	1947 841. . .	14-30-1	1948 876. . .	17-17-4
1943 777. . .	19-15-20			1947 236. . .	9-23-40	1947 842. . .	14-39-45	1948 877. . .	17-17-5
1943 796. . .	5-13-1	1945 777. . .	19-14-1	1947 301. . .	9-64-12	1947 865. . .	24-25-15	1948 878. . .	13-54-15
		1945 782. . .	19-14-1		14-01-23	1947 897. . .	9-13-5		
1943 797. . .	5-13-1	1945 831. . .	16-17-1		14-11-23	1947 907. . .	7-02-1	1948 880. . .	13-54-15
1943 798. . .	5-13-1	1945 836. . .	16-16-47	1947 311. . .	14-01-16	1947 953. . .	6-10-31	1948 884. . .	17-23-56
1943 805. . .	5-03-6	1945 856. . .	21-30-365	1947 364. . .	14-29-2	1948 015. . .	13-66-24	1948 969. . .	13-64-6
1943 806. . .	5-03-6			1947 403. . .	9-48-153			1948 970. . .	13-64-5
1943 813. . .	5-13-1	1945 919. . .	8-33-4	1947 415. . .	14-01-22	1948 032. . .	13-66-147	1948 972. . .	13-66-23
		1945 920. . .	8-33-4	1947 428. . .	9-50-16	1948 106. . .	13-66-135		
1943 814. . .	5-03-5	1945 922. . .	8-33-6			1948 107. . .	13-66-135	1949 157. . .	21-03-1
1943 828. . .	4-23-50	1945 923. . .	8-33-6	1947 429. . .	9-50-4	1948 112. . .	22-03-1	1949 176. . .	9-46-33
1943 832. . .	5-13-1	1945 924. . .	8-33-6	1947 430. . .	9-48-13	1948 113. . .	22-03-1	1949 185. . .	21-04-1
1943 833. . .	4-23-51				9-48-124			1949 186. . .	21-05-1
1943 838. . .	5-13-1	1945 945. . .	13-66-15	1947 432. . .	9-48-6	1948 116. . .	22-05-14	1949 192. . .	21-04-1
		1945 948. . .	13-66-16	1947 515. . .	7-45-3	1948 117. . .	22-05-14		
1943 839. . .	5-13-1	1945 949. . .	13-66-16	1947 521. . .	7-44-3	1948 139. . .	5-03-5	1949 196. . .	21-133-36
1943 840. . .	5-64-2	1946 141. . .	9-70-9	1947 523. . .	7-44-4	1948 164. . .	11-05-1	1949 197. . .	21-133-36
1943 997. . .	17-19-6	1946 283. . .	16-02-5	1947 542. . .	14-14-47	1948 166. . .	11-05-1	1949 198. . .	21-133-36
1943 999. . .	17-15-6			1947 544. . .	14-14-48			1949 319. . .	9-39-5
1944 011. . .	19-14-16	1946 297. . .	16-02-4	1947 554. . .	9-23-17	1948 170. . .	11-05-4		16-20-2
		1946 342. . .	21-30-320	1947 554. . .	9-23-17	1948 171. . .	11-05-4		
1944 089. . .	5-105-1	1946 343. . .	21-30-415	1947 557. . .	9-11-7	1948 177. . .	11-09-3	1949 343. . .	21-09-30
1944 092. . .	5-110-18	1946 353. . .	6-35-6	1947 560. . .	9-17-5	1948 266. . .	11-09-3	1949 345. . .	21-29-3
1944 154. . .	5-110-18	1946 357. . .	5-28-8	1947 561. . .	9-45-1	1948 267. . .	11-09-3	1949 346. . .	21-29-25
1944 171. . .	14-88-27			1947 561. . .	9-45-1	1948 284. . .	11-09-3	1949 347. . .	21-42-11
1944 174. . .	14-88-21	1946 360. . .	6-13-19	1947 578. . .	9-03-5	1948 309. . .	11-01-1	1949 350. . .	21-42-31
			6-35-19	1947 581. . .	9-23-18	1948 309. . .	11-01-1		
1944 177. . .	14-88-21	1946 362. . .	9-71-5			1948 338. . .	17-19-3	1949 351. . .	21-39-3
1944 194. . .	14-88-21	1946 377. . .	6-38-3	1947 594. . .	9-43-1	1948 342. . .	17-19-3	1949 352. . .	21-42-11
1944 200. . .	14-86-1	1946 393. . .	6-52-1	1947 612. . .	8-27-26	1948 345. . .	17-19-3	1949 355. . .	21-34-45
1944 203. . .	14-88-21			1947 613. . .	8-27-26			1949 356. . .	21-34-42
1944 208. . .	14-86-40	1946 401. . .	4-25-6	1947 614. . .	9-43-9	1948 351. . .	17-19-20	1949 361. . .	21-04-2
		1946 413. . .	4-23-1	1947 616. . .	9-43-11	1948 354. . .	13-54-15		
1944 361. . .	17-14-10	1946 415. . .	4-23-4	1947 617. . .	9-43-11	1948 359. . .	13-54-4	1949 363. . .	21-09-29
1944 399. . .	13-64-4	1946 416. . .	4-23-6	1947 623. . .	9-39-5	1948 377. . .	13-54-15	1949 378. . .	16-20-1
1944 407. . .	13-18-4	1946 418. . .	4-23-1	1947 624. . .	9-39-6	1948 396. . .	17-12-12	1949 379. . .	21-42-23
1944 616. . .	9-58-12	1946 434. . .	4-25-6	1947 643. . .	7-48-22			1949 380. . .	21-42-23
1944 652. . .	10-03-7	1946 445. . .	4-29-1	1947 657. . .	24-25-10	1948 420. . .	12-04-4	1949 381. . .	21-133-34
		1946 450. . .	4-23-1			1948 421. . .	12-04-4		
1944 712. . .	9-15-1	1946 451. . .	4-25-11	1947 671. . .	9-05-6	1948 421. . .	12-04-4	1949 383. . .	21-119-19
1944 773. . .	9-23-5	1946 466. . .	4-01-1	1947 686. . .	9-03-10	1948 535. . .	11-09-3	1949 388. . .	21-02-1
1944 792. . .	19-54-246			1947 687. . .	9-03-10	1948 536. . .	11-09-3	1949 401. . .	21-85-5
1944 844. . .	8-28-282	1946 468. . .	4-23-3	1947 704. . .	9-42-1	1948 538. . .	11-09-3	1949 402. . .	21-85-5
1944 845. . .	8-28-283	1946 502. . .	21-30-336	1947 726. . .	14-29-2	1948 549. . .	11-02-4	1949 403. . .	21-85-5
		1946 505. . .	21-30-336			1948 568. . .	11-05-4		
1944 847. . .	8-28-288	1946 508. . .	21-30-336	1947 729. . .	14-39-48	1948 569. . .	11-05-4	1949 404. . .	21-85-5
1944 854. . .	9-39-15	1946 511. . .	21-30-336	1947 730. . .	14-39-49	1948 588. . .	11-09-3	1949 405. . .	21-85-5
1944 865. . .	9-31-5			1947 731. . .	14-39-46	1948 589. . .	11-09-3	1949 406. . .	21-85-5
1944 866. . .	9-31-4	1946 514. . .	21-30-336	1947 732. . .	9-48-13			1949 424. . .	9-46-21
1944 881. . .	7-03-1	1946 545. . .	21-30-365		9-48-124	1948 590. . .	11-09-3	1949 516. . .	21-139-213
		1946 547. . .	21-30-320	1947 752. . .	9-48-45	1948 591. . .	11-09-3		
1944 916. . .	7-43-1	1946 571. . .	19-01-8	1947 753. . .	9-48-44	1948 592. . .	11-09-3	1949 523. . .	21-139-76
1945 173. . .	9-23-17	1946 578. . .	19-46-23	1947 765. . .	14-39-45	1948 593. . .	11-09-3	1949 542. . .	21-119-15
1945 185. . .	14-29-2					1948 687. . .	19-15-4	1949 545. . .	21-119-19
1945 197. . .	14-13-5	1946 589. . .	21-30-22					1949 565. . .	21-139-48
1945 318. . .	9-39-5	1946 639. . .	11-05-12			1948 688. . .	19-15-4	1949 583. . .	21-119-15

March 1, 1962 Supersedes Oct. 3, 1960.

Page NU-12

Printed in U.S.A.



PART NUMBER	CODE	PART NUMBER	CODE	PART NUMBER	CODE	PART NUMBER	CODE	PART NUMBER	CODE
1949 600.	21-118-8	1950 667.	23-64-311	1952 655.	23-22-86	1952 939.	23-58-208	1954 397.	23-08-12
1949 601.	21-118-37	1950 668.	23-64-311	1952 661.	23-63-112	1952 946.	23-34-80	1954 418.	23-64-254
1949 652.	21-139-50			1952 666.	23-34-301			1954 446.	23-09-47
1949 655.	21-136-20	1950 670.	23-15-7	1952 668.	23-64-314	1952 947.	23-34-80	1954 540.	23-14-79
1949 671.	4-01-1	1950 683.	23-64-311			1952 948.	23-51-5		
		1950 684.	23-64-311	1952 676.	23-40-86	1952 949.	23-51-5	1954 544.	23-63-94
1949 673.	21-131-15	1950 812.	23-09-51	1952 677.	23-40-86	1952 955.	23-14-25		23-63-104
1949 701.	21-03-28	1950 813.	23-09-51	1952 678.	23-64-70	1952 960.	23-51-5	1954 545.	23-63-94
1949 765.	9-46-21			1952 679.	23-64-70				23-63-104
1949 767.	21-03-6	1950 830.	23-64-41	1952 682.	23-59-56	1952 961.	23-51-5	1954 570.	23-14-27
1949 776.	21-138-10	1950 844.	23-58-572			1952 962.	23-51-5		
		1950 845.	23-58-572	1952 683.	23-59-56	1952 963.	23-51-5	1954 571.	23-14-27
1949 834.	21-17-2	1950 846.	23-58-572	1952 684.	23-34-302	1952 972.	23-22-53	1954 595.	23-41-4
1949 837.	21-137-205	1950 847.	23-58-572	1952 685.	23-34-302	1952 973.	23-22-53	1954 602.	23-39-6
1949 842.	21-09-2			1952 686.	23-64-68			1954 604.	23-58-67
1949 843.	21-15-2	1950 848.	23-58-572	1952 687.	23-64-68	1952 976.	23-22-53	1954 618.	23-63-33
1949 847.	21-139-33	1950 849.	23-58-572			1952 977.	23-22-53		
		1950 850.	23-58-572	1952 699.	23-64-314	1952 983.	23-58-605	1954 619.	23-63-33
1949 858.	21-138-15	1950 851.	23-58-572	1952 704.	23-40-92	1952 984.	23-58-607	1954 644.	23-26-41
1949 859.	21-138-15	1950 852.	23-58-590	1952 705.	23-40-92	1952 994.	23-64-299	1954 645.	23-26-41
1949 910.	21-03-1			1952 706.	23-40-86			1954 648.	23-20-65
1949 930.	21-133-39	1950 853.	23-58-590	1952 707.	23-40-86	1952 995.	23-64-299	1954 650.	23-20-65
1949 933.	21-09-30	1950 854.	23-58-590			1954 020.	23-58-240		
		1950 855.	23-58-590	1952 725.	23-64-299	1954 048.	23-22-145	1954 651.	23-20-65
1949 953.	21-04-1	1950 897.	23-58-607	1952 778.	23-18-40	1954 058.	23-18-5	1954 668.	23-64-66
1949 955.	21-16-3	1950 941.	23-58-573	1952 779.	23-58-607	1954 059.	23-18-5	1954 669.	23-64-66
1949 964.	21-117-1			1952 803.	23-40-82			1954 674.	23-64-275
1949 965.	21-09-29	1952 144.	23-34-249	1952 818.	23-14-18	1954 074.	23-64-314	1954 676.	23-36-53
1949 992.	21-02-1	1952 145.	23-34-249		23-14-79	1954 083.	23-64-4		
		1952 195.	23-58-75	1952 824.	23-22-9	1954 094.	23-34-249	1954 677.	23-36-53
1950 220.	23-36-66	1952 204.	23-36-5	1952 826.	23-63-14	1954 095.	23-34-249	1954 680.	23-63-14
1950 221.	23-36-66	1952 205.	23-36-5		23-63-15	1954 100.	23-64-306		23-63-15
1950 255.	23-64-308			1952 852.	23-63-33	1954 101.	23-64-306	1954 681.	23-63-14
1950 256.	23-64-308	1952 214.	23-08-75	1952 853.	23-63-33	1954 102.	23-64-306		23-63-15
1950 276.	23-34-236		23-36-22			1954 103.	23-64-306	1954 717.	23-08-54
		1952 228.	23-19-178	1952 874.	23-51-5	1954 104.	23-64-306	1954 718.	23-63-33
1950 277.	23-34-236	1952 273.	23-51-41	1952 875.	23-51-5	1954 105.	23-64-306	1954 719.	23-63-33
1950 292.	23-64-242	1952 312.	23-58-3	1952 876.	23-64-66			1954 724.	23-63-21
1950 293.	23-64-242			1952 877.	23-64-66	1954 106.	23-64-306	1954 730.	23-23-41
1950 356.	23-64-240	1952 313.	23-58-3	1952 878.	23-64-66	1954 107.	23-64-306		
1950 357.	23-64-240	1952 315.	23-58-607			1954 110.	23-14-53	1954 731.	23-23-41
		1952 332.	23-36-53	1952 879.	23-64-66	1954 111.	23-14-53	1954 732.	23-23-41
1950 478.	23-63-127	1952 333.	23-36-53	1952 880.	23-26-41	1954 124.	23-14-19	1954 733.	23-23-41
1950 479.	23-63-127	1952 348.	23-64-48	1952 881.	23-26-41			1954 736.	23-34-120
1950 486.	23-58-497			1952 882.	23-51-5	1954 125.	23-39-12	1954 737.	23-34-120
1950 500.	23-58-76	1952 349.	23-64-48	1952 883.	23-51-5	1954 144.	23-42-26		
1950 501.	23-58-76	1952 378.	23-42-26			1954 145.	23-42-26	1954 738.	23-34-120
		1952 379.	23-42-26	1952 884.	23-51-5	1954 216.	23-66-135	1954 739.	23-34-120
1950 502.	23-58-76	1952 482.	23-48-148	1952 885.	23-51-5	1954 217.	23-64-314	1954 744.	23-34-120
1950 503.	23-58-76		23-58-607	1952 896.	23-26-41			1954 745.	23-34-120
1950 559.	23-15-17			1952 897.	23-26-41	1954 234.	23-08-60	1954 765.	23-58-603
1950 560.	23-09-9	1952 510.	23-11-3	1952 916.	23-51-5	1954 235.	23-08-60		
1950 561.	23-09-9	1952 511.	23-11-3			1954 237.	23-64-314	1954 775.	23-63-15
		1952 514.	23-11-3	1952 917.	23-51-5	1954 286.	23-20-19	1954 776.	23-63-15
1950 582.	23-09-58	1952 515.	23-11-3	1952 918.	23-51-5	1954 287.	23-20-19	1954 777.	23-63-15
1950 583.	23-09-58	1952 584.	23-41-95	1952 919.	23-51-5			1954 784.	23-23-41
1950 584.	23-51-41			1952 920.	23-51-5	1954 288.	23-20-19	1954 814.	23-36-53
1950 592.	23-63-126	1952 601.	23-18-27	1952 921.	23-51-5	1954 289.	23-20-19		
1950 593.	23-63-126	1952 603.	23-18-27			1954 316.	23-20-19	1954 815.	23-36-53
		1952 620.	23-64-299	1952 922.	23-51-5	1954 317.	23-20-19	1954 818.	23-18-26
1950 594.	23-63-126	1952 621.	23-64-299	1952 923.	23-51-5	1954 342.	23-39-18	1954 819.	23-18-26
1950 595.	23-63-126	1952 642.	23-34-301	1952 924.	23-51-5			1954 824.	23-58-475
1950 604.	23-15-1	1952 643.	23-64-314	1952 925.	23-51-5	1954 343.	23-39-18	1954 826.	23-63-33
1950 605.	23-15-1	1952 648.	23-40-86	1952 926.	23-51-5	1954 346.	23-39-5	1954 828.	23-63-33
1950 610.	23-15-1	1952 649.	23-40-86			1954 347.	23-39-5	1954 830.	23-18-26
		1952 650.	23-40-92	1952 927.	23-51-5	1954 348.	23-39-5	1954 831.	23-18-26
1950 611.	23-15-1	1952 651.	23-40-92	1952 936.	23-58-607	1954 349.	23-39-5	1954 851.	23-18-29
1950 648.	23-09-58	1952 654.	23-22-86	1952 938.	23-58-200	1954 393.	23-08-12	1954 862.	23-26-41
1950 649.	23-09-58								

## 1961 PASSENGER CAR PARTS CATALOG

PART NUMBER	CODE	PART NUMBER	CODE	PART NUMBER	CODE	PART NUMBER	CODE	PART NUMBER	CODE
1954 863	. . . 23-26-41	1960 187	. . . 23-54-142	1961 131	. . . 23-34-13	1961 556	. . . 23-42-46	1963 308	. . . 23-20-24
1954 864	. . . 23-63-56	1960 194	. . . 23-54-140	1961 210	. . . 23-23-74	1961 584	. . . 23-40-85	1963 309	. . . 23-20-24
1954 865	. . . 23-63-56	1960 195	. . . 23-54-144	1961 212	. . . 23-23-73	1961 585	. . . 23-40-85	1963 310	. . . 23-20-24
1954 909	. . . 23-18-20	1960 196	. . . 23-54-145	1961 213	. . . 23-23-73	1961 600	. . . 23-14-10	1963 311	. . . 23-20-24
1954 911	. . . 23-18-20	1960 197	. . . 23-54-137	1961 214	. . . 23-23-73	1961 601	. . . 23-14-10	1963 334	. . . 23-23-49
1954 930	. . . 23-26-41	1960 198	. . . 23-32-27	1961 215	. . . 23-23-73	1961 606	. . . 23-14-10	1963 335	. . . 23-23-49
1954 931	. . . 23-26-41	1960 199	. . . 23-32-27	1961 223	. . . 23-58-202	1961 607	. . . 23-14-10	1963 336	. . . 23-23-41
1954 934	. . . 23-58-591	1960 200	. . . 23-32-27	1961 230	. . . 23-48-28	1961 618	. . . 23-40-85	1963 343	. . . 23-20-20
1954 935	. . . 23-58-591	1960 201	. . . 23-32-27	1961 231	. . . 23-48-28	1961 619	. . . 23-40-85	1963 346	. . . 23-22-145
1954 936	. . . 23-58-591	1960 476	. . . 23-32-58	1961 262	. . . 23-15-22	1961 646	. . . 23-64-314	1963 347	. . . 23-22-145
1954 937	. . . 23-58-591	1960 486	. . . 23-19-75	1961 286	. . . 23-19-11	1961 663	. . . 23-34-282	1963 354	. . . 23-20-20
1954 938	. . . 23-58-573	1960 493	. . . 23-54-73	1961 300	. . . 23-23-42	1961 681	. . . 23-64-197	1963 378	. . . 23-20-24
1954 939	. . . 23-58-573	1960 496	. . . 23-32-106	1961 301	. . . 23-23-42	1961 692	. . . 23-48-52	1963 379	. . . 23-20-24
1954 940	. . . 23-58-573	1960 500	. . . 23-04-241	1961 317	. . . 23-54-77	1961 693	. . . 23-48-52	1963 380	. . . 23-20-20
1954 941	. . . 23-58-573	1960 501	. . . 23-04-241	1961 318	. . . 23-54-128	1961 699	. . . 23-34-282	1963 381	. . . 23-20-20
1954 942	. . . 23-58-573	1960 503	. . . 23-48-19	1961 325	. . . 23-32-70	1961 704	. . . 23-18-13	1963 392	. . . 23-64-12
1954 944	. . . 23-58-573	1960 540	. . . 23-40-85	1961 326	. . . 8-55-195	1961 705	. . . 23-18-13	1963 393	. . . 23-64-12
1959 560	. . . 23-40-85	1960 541	. . . 23-40-85	1961 327	. . . 8-55-195	1961 717	. . . 23-18-11	1963 428	. . . 23-64-12
1959 561	. . . 23-40-85	1960 542	. . . 23-40-85	1961 344	. . . 8-55-7	1961 724	. . . 23-18-25	1963 464	. . . 23-40-82
1959 562	. . . 23-40-85	1960 543	. . . 23-40-85	1961 345	. . . 8-55-7	1961 725	. . . 23-18-25	1963 479	. . . 8-11-8
1959 563	. . . 23-40-85	1960 560	. . . 23-19-75	1961 353	. . . 14-87-2	1961 736	. . . 23-18-20	1963 603	. . . 8-05-6
1959 564	. . . 23-40-85	1960 624	. . . 23-19-63	1961 370	. . . 23-11-1	1961 737	. . . 23-19-63	1963 606	. . . 8-05-6
1959 565	. . . 23-40-85	1960 627	. . . 23-32-73	1961 371	. . . 23-11-1	1961 745	. . . 23-18-5	1963 627	. . . 23-34-354
1959 566	. . . 23-40-85	1960 627	. . . 23-32-73	1961 374	. . . 23-11-1	1961 746	. . . 23-18-5	1963 635	. . . 23-36-11
1959 567	. . . 23-40-85	1960 627	. . . 23-48-11	1961 375	. . . 23-11-1	1961 747	. . . 23-18-5	1963 638	. . . 23-18-20
1959 568	. . . 23-40-85	1960 636	. . . 23-40-85	1961 378	. . . 23-09-56	1961 748	. . . 23-18-13	1963 639	. . . 23-18-20
1959 569	. . . 23-40-85	1960 689	. . . 23-32-79	1961 379	. . . 23-09-56	1961 749	. . . 23-18-13	1963 640	. . . 23-26-41
1959 570	. . . 23-40-85	1960 714	. . . 23-19-63	1961 380	. . . 23-09-56	1961 750	. . . 23-18-13	1963 641	. . . 23-26-41
1959 571	. . . 23-40-85	1960 716	. . . 1-48-391	1961 381	. . . 23-09-56	1961 751	. . . 23-18-13	1963 648	. . . 23-20-24
1959 572	. . . 23-40-85	1960 719	. . . 23-48-93	1961 382	. . . 23-09-51	1961 752	. . . 23-18-20	1963 649	. . . 23-20-24
1959 573	. . . 23-40-85	1960 726	. . . 23-36-14	1961 383	. . . 23-09-51	1961 753	. . . 23-18-20	1963 668	. . . 23-22-86
1959 574	. . . 23-40-85	1960 727	. . . 23-36-14	1961 392	. . . 23-09-75	1961 754	. . . 23-64-174	1963 669	. . . 23-22-86
1959 577	. . . 23-40-85	1960 768	. . . 23-66-77	1961 393	. . . 23-09-75	1961 783	. . . 23-64-174	1963 670	. . . 23-22-85
1959 578	. . . 23-40-85	1960 872	. . . 8-47-68	1961 394	. . . 23-09-75	1961 784	. . . 23-64-174	1963 684	. . . 23-63-112
1959 579	. . . 23-40-85	1960 948	. . . 23-64-48	1961 395	. . . 23-09-75	1961 785	. . . 23-64-174	1963 722	. . . 23-22-53
1959 646	. . . 23-48-65	1960 949	. . . 23-64-48	1961 404	. . . 23-11-3	1961 786	. . . 23-54-1	1963 723	. . . 23-22-53
1959 649	. . . 23-32-46	1960 968	. . . 23-54-11	1961 405	. . . 23-11-3	1961 787	. . . 23-54-1	1963 732	. . . 23-09-47
1960 008	. . . 23-09-67	1960 969	. . . 23-54-90	1961 422	. . . 23-40-92	1961 802	. . . 23-64-76	1963 736	. . . 23-34-234
1960 009	. . . 23-09-67	1961 018	. . . 23-40-92	1961 423	. . . 23-40-92	1961 803	. . . 23-64-76	1963 737	. . . 23-34-234
1960 020	. . . 23-54-12	1961 019	. . . 23-40-92	1961 436	. . . 23-48-51	1961 822	. . . 23-64-198	1963 738	. . . 23-34-234
1960 064	. . . 23-40-86	1961 022	. . . 23-34-286	1961 437	. . . 23-48-51	1961 823	. . . 23-64-198	1963 739	. . . 23-34-234
1960 065	. . . 23-40-86	1961 023	. . . 23-34-286	1961 438	. . . 23-48-19	1961 862	. . . 23-18-26	1963 740	. . . 23-34-234
1960 066	. . . 23-64-280	1961 024	. . . 23-34-286	1961 439	. . . 23-48-19	1961 863	. . . 23-18-26	1963 741	. . . 23-34-234
1960 067	. . . 23-64-280	1961 025	. . . 23-34-286	1961 442	. . . 23-34-166	1961 977	. . . 23-64-79	1963 755	. . . 23-32-98
1960 080	. . . 23-32-49	1961 038	. . . 23-19-105	1961 443	. . . 23-34-166	1963 002	. . . 23-34-120	1963 758	. . . 23-34-235
1960 081	. . . 23-32-49	1961 057	. . . 23-19-105	1961 450	. . . 8-56-1	1963 003	. . . 23-34-120	1963 759	. . . 23-34-235
1960 084	. . . 23-32-40	1961 064	. . . 23-40-85	1961 451	. . . 8-56-1	1963 146	. . . 23-40-97	1963 760	. . . 23-34-235
1960 085	. . . 23-32-40	1961 065	. . . 23-40-85	1961 468	. . . 23-40-85	1963 147	. . . 23-40-97	1963 761	. . . 23-34-235
1960 090	. . . 23-34-26	1961 066	. . . 23-51-5	1961 469	. . . 23-40-85	1963 148	. . . 23-34-23	1963 762	. . . 23-34-235
1960 091	. . . 23-34-26	1961 067	. . . 23-51-5	1961 488	. . . 23-48-19	1963 149	. . . 23-34-23	1963 763	. . . 23-34-235
1960 092	. . . 23-34-302	1961 078	. . . 23-19-82	1961 489	. . . 23-19-60	1963 213	. . . 23-34-166	1963 764	. . . 23-34-235
1960 093	. . . 23-34-302	1961 079	. . . 23-19-82	1961 508	. . . 23-64-314	1963 214	. . . 23-34-166	1963 765	. . . 23-34-235
1960 098	. . . 23-19-74	1961 080	. . . 23-19-82	1961 509	. . . 23-63-112	1963 222	. . . 23-64-12	1963 796	. . . 23-34-301
1960 127	. . . 8-47-76	1961 081	. . . 23-19-82	1961 511	. . . 23-34-304	1963 228	. . . 23-64-66	1963 827	. . . 23-41-33
1960 130	. . . 8-47-126	1961 085	. . . 23-48-50	1961 512	. . . 23-34-301	1963 229	. . . 23-64-66	1963 828	. . . 23-41-33
1960 131	. . . 8-47-67	1961 088	. . . 23-58-476	1961 513	. . . 23-34-304	1963 236	. . . 22-20-87	1963 851	. . . 23-41-9
1960 149	. . . 23-19-74	1961 089	. . . 23-58-476	1961 516	. . . 23-23-52	1963 237	. . . 22-20-87	1963 874	. . . 23-41-53
1960 151	. . . 17-19-20	1961 091	. . . 23-48-49	1961 517	. . . 23-23-52	1963 306	. . . 23-64-66	1963 875	. . . 23-41-53
1960 180	. . . 23-32-17	1961 118	. . . 23-54-193	1961 517	. . . 23-23-52			1963 949	. . . 23-41-9
1960 181	. . . 8-47-68	1961 119	. . . 23-54-194						

PART NUMBER	CODE	PART NUMBER	CODE	PART NUMBER	CODE	PART NUMBER	CODE	PART NUMBER	CODE
1963 956.	23-22-151	1964 423.	23-36-53	1971 224.	8-40-8	1972 391.	8-33-90	1973 313.	23-32-105
1963 996.	23-51-41	1964 431.	23-34-166	1971 241.	1-88-6			1973 318.	8-34-362
1963 997.	23-51-41	1964 442.	23-34-235	1971 242.	1-88-6	1972 426.	1-13-10	1973 319.	8-34-362
1964 073.	23-58-75	1964 443.	23-34-235				8-13-2	1973 324.	23-32-105
1964 074.	23-58-269	1964 502.	23-34-120	1971 314.	23-41-167		8-31-10		
1964 075.	23-58-269	1964 503.	23-34-120	1971 326.	23-41-167	1972 469.	1-48-194	1973 325.	23-32-105
1964 076.	23-58-269	1964 512.	23-19-177	1971 328.	8-15-3	1972 480.	1-19-1	1973 360.	23-36-118
1964 077.	23-58-269	1964 513.	23-19-177	1971 463.	24-28-368			1973 361.	23-36-118
1964 078.	23-58-75	1964 515.	1-135-1	1971 478.	23-18-102	1972 489.	23-58-543	1973 362.	23-36-118
1964 118.	23-11-1	1964 518.	1-135-1		24-28-368	1972 490.	1-09-1	1973 363.	23-36-118
		1964 528.	1-135-1	1971 521.	8-05-24	1972 499.	24-24-20		
1964 119.	23-11-1				8-42-26		24-24-156	1977 448.	23-58-365
1964 122.	23-11-1	1964 594.	23-41-4		23-58-533	1972 512.	1-82-43	1977 449.	23-58-364
1964 123.	23-11-1	1964 595.	23-41-4		24-24-8		23-67-196	1980 566.	24-25-15
1964 124.	23-11-1	1964 596.	23-41-4		24-24-137	1972 532.	1-21-25	1980 568.	24-25-13
1964 125.	23-11-1	1964 597.	23-41-4		24-28-357	1972 548.	1-48-309	1980 572.	24-25-15
		1964 598.	23-41-4	1971 522.	23-33-132		24-28-357	1980 576.	24-25-15
1964 130.	23-11-3	1964 599.	23-41-4	1971 644.	1-87-180	1972 558.	24-24-140	1980 584.	24-25-94
1964 131.	23-11-3	1964 624.	23-51-41	1971 676.	1-48-8	1972 594.	24-28-364	1981 854.	7-06-14
1964 132.	23-11-3	1964 625.	23-51-41	1971 693.	24-01-62			1985 513.	7-02-1
1964 133.	23-11-3	1964 641.	23-54-46	1971 705.	23-67-160	1972 596.	1-48-300	1985 536.	24-28-195
1964 134.	23-11-3	1964 690.	23-41-281				24-24-5		
		1964 691.	23-41-281	1971 707.	23-67-160	1972 598.	23-47-446	1985 537.	24-28-210
1964 135.	23-11-3	1964 696.	23-41-281	1971 739.	1-82-28	1972 669.	8-05-14	1985 539.	24-28-210
1964 182.	23-34-234	1964 697.	23-41-281	1971 740.	8-30-1		8-42-25	1986 060.	24-28-24
1964 183.	23-34-234	1964 712.	23-34-235	1971 750.	8-50-98	1972 689.	1-30-1	1989 202.	24-25-127
1964 184.	23-34-234	1964 713.	23-34-235	1971 751.	8-50-133	1972 690.	1-13-1	1990 595.	24-25-84
1964 185.	23-34-234					1972 757.	8-37-200	1990 596.	24-25-84
		1964 747.	23-15-10	1971 841.	1-48-144		8-37-418	1990 598.	24-25-94
1964 228.	23-64-71	1964 776.	23-23-85	1971 842.	1-48-144	1972 774.	1-48-300	1991 581.	24-28-220
1964 229.	23-64-71	1964 777.	23-23-85	1971 873.	8-35-85			1991 619.	24-28-300
1964 238.	23-34-120	1964 782.	23-18-13	1971 879.	8-42-5	1972 779.	24-01-36	1992 947.	24-25-133
1964 239.	23-34-120	1064 783.	23-18-13	1971 896.	8-31-3	1972 781.	24-01-36		
1964 240.	23-34-120	1964 784.	23-18-13			1972 902.	14-02-3	1993 668.	24-28-8
		1964 785.	23-18-13	1971 931.	8-12-2	1972 906.	14-02-23	1993 669.	24-28-24
1964 241.	23-34-120	1964 818.	23-41-53		8-31-10	1972 938.	23-18-115	1993 671.	24-28-24
1964 260.	23-58-603	1964 819.	23-41-53	1971 940.	8-33-90			1993 674.	24-28-8
1964 261.	23-64-314			1971 956.	24-28-8	1972 939.	23-18-115	1993 677.	24-25-15
1964 280.	23-26-41	1964 821.	23-41-281	1971 978.	8-42-25	1972 940.	23-18-115		24-28-8
1964 281.	23-26-41	1964 823.	23-41-281			1972 942.	23-18-115	1993 678.	24-28-8
		1964 834.	23-18-13	1972 049.	24-24-85	1972 943.	23-18-115	1994 406.	24-25-110
1964 289.	23-41-7	1964 835.	23-18-13	1972 061.	1-88-6	1972 952.	23-18-107	1994 410.	24-25-135
1964 312.	23-41-7	1964 836.	23-18-13	1972 062.	1-88-6			1996 845.	24-25-114
1964 345.	23-22-151	1964 837.	23-18-13	1972 066.	1-88-120	1972 960.	24-28-75	1997 446.	24-25-110
1964 348.	23-22-151	1964 895.	23-58-265	1972 077.	8-35-95	1972 961.	24-28-75		
1964 352.	23-41-4	1964 896.	23-58-236			1972 972.	8-34-177	1997 447.	24-25-13
		1964 916.	23-23-85	1972 141.	8-37-415				24-25-107
1964 353.	23-41-4	1964 917.	23-23-85	1972 146.	23-58-535	1973 042.	23-36-53	1997 448.	24-25-107
1964 354.	23-41-4				24-24-12	1973 043.	23-36-53	1997 449.	24-25-107
1964 355.	23-41-4	1969 032.	23-45-20	1972 196.	8-50-82	1973 174.	23-36-118	1997 507.	24-28-24
1964 356.	23-41-4	1969 100.	23-45-59	1972 201.	8-50-126	1973 175.	23-36-118		
1964 357.	23-41-4	1969 101.	23-45-59			1973 181.	23-19-74	1997 526.	8-28-15
		1969 200.	23-45-21	1972 207.	8-50-104			1997 527.	8-28-36
1964 358.	23-41-4	1969 366.	23-47-64	1972 208.	8-33-121			1997 528.	8-28-38
1964 359.	23-41-4			1972 241.	8-37-317	1973 206.	23-32-17	1997 531.	24-25-10
1964 360.	23-41-4	1969 367.	23-47-66	1972 316.	23-54-167	1973 211.	23-32-48	1997 532.	8-28-15
1964 361.	23-41-4	1971 032.	1-21-32		23-58-532	1973 232.	23-32-93		
1964 362.	23-41-4	1971 043.	1-48-158	1972 318.	23-58-532	1973 233.	23-32-93	1997 533.	24-25-10
		1971 057.	1-87-8	1972 324.	24-28-55	1973 290.	23-36-5	1997 535.	24-25-107
1964 363.	23-41-4	1971 061.	1-48-572	1972 329.	8-12-2			1997 541.	24-28-98
1964 364.	23-41-4		24-01-87	1972 347.	8-53-312	1973 291.	23-36-5	1997 542.	24-28-78
1964 365.	23-41-4	1971 091.	1-48-158	1972 351.	21-84-1	1973 304.	23-32-105	1997 545.	24-28-98
1964 370.	23-34-301					1973 305.	23-32-105		
1964 371.	23-63-173			1972 360.	24-28-73	1973 308.	23-32-105	1997 546.	24-25-10
				1972 368.	1-82-4	1973 309.	23-32-105	1997 547.	24-25-15
1964 379.	1-135-1			1972 372.	24-28-387			1997 549.	8-28-51
1964 380.	1-135-1			1972 378.	24-28-389	1973 312.	23-32-105	1997 550.	24-25-45
1964 402.	23-58-555								
1964 422.	23-36-53								



## 1961 PASSENGER CAR PARTS CATALOG

NUMERICAL INDEX

PART NUMBER	CODE	PART NUMBER	CODE	PART NUMBER	CODE	PART NUMBER	CODE	PART NUMBER	CODE
1997 551.	24-25-10	2070 102.	3-22-26	2070 461.	3-22-26	2071 246.	2-10-66	2072 111.	19-15-106
1997 553.	24-28-248	2070 103.	3-22-26	2070 462.	3-22-26	2071 254.	2-10-62	2072 112.	19-15-101
1997 554.	8-28-51	2070 104.	3-22-26	2070 463.	3-22-26	2071 255.	2-08-61	2072 113.	19-15-101
1997 555.	24-25-10	2070 105.	3-22-26	2070 464.	3-22-26	2071 268.	2-03-3	2072 114.	19-15-105
1997 556.	24-25-10	2070 106.	3-22-26	2070 465.	3-22-26	2071 269.	2-03-3	2072 115.	19-15-108
1997 557.	24-25-10	2070 107.	3-22-26	2070 466.	3-22-26	2071 270.	2-05-4	2072 122.	19-19-19
1997 558.	24-25-10	2070 108.	3-22-26	2070 467.	3-22-26	2071 271.	2-06-4	2072 441.	2-07-2
1997 561.	24-25-13	2070 109.	3-22-26	2070 468.	3-22-26	2071 350.	2-10-58	2072 455.	19-27-55
1997 562.	24-25-45	2070 110.	3-22-26	2070 469.	3-22-26	2071 351.	2-10-58	2072 456.	19-27-50
1997 563.	24-25-14	2070 113.	3-22-45	2070 514.	3-02-20	2071 358.	2-10-6	2072 490.	19-27-45
1997 564.	24-28-241	2070 117.	16-20-2	2070 537.	3-04-6	2071 359.	2-10-7	2072 609.	5-13-1
1997 565.	19-54-115	2070 119.	3-03-29	2070 563.	3-19-1	2071 624.	2-14-3	2072 612.	5-62-7
1998 174.	24-25-5	2070 120.	3-03-30	2070 564.	3-19-1	2071 625.	2-14-3	2072 615.	5-64-2
1998 186.	24-25-131	2070 122.	3-03-36	2070 565.	3-19-1	2071 628.	2-14-3	2072 616.	5-64-1
1998 587.	19-54-116	2070 130.	3-35-14	2070 569.	3-19-1	2071 629.	2-14-3	2072 617.	5-64-1
1998 590.	24-28-98	2070 139.	3-19-1	2070 570.	3-19-1	2071 714.	17-23-56	2072 625.	5-69-1
1998 591.	24-28-98	2070 140.	3-19-1	2070 579.	3-03-1	2071 760.	13-54-4	2072 628.	5-13-1
1998 594.	24-28-5	2070 142.	3-32-1	2070 583.	3-03-1	2071 761.	17-17-4	2072 629.	5-13-1
1998 598.	24-24-5	2070 143.	3-32-1	2070 619.	3-03-1	2071 763.	17-17-3	2072 632.	5-64-1
1998 601.	24-25-107	2070 148.	3-06-5	2070 620.	3-03-1	2071 764.	13-54-15	2072 636.	5-71-1
1998 602.	24-25-107	2070 153.	3-33-8	2070 621.	3-03-1	2071 766.	17-11-7	2072 637.	5-71-2
1998 604.	24-28-53	2070 155.	3-33-1	2070 629.	3-03-1	2071 767.	17-11-7	2072 643.	4-26-26
1998 613.	24-27-5	2070 156.	3-33-9	2070 643.	3-03-1	2071 771.	17-15-1	2072 644.	4-26-27
1998 616.	24-27-5	2070 158.	22-05-14	2070 696.	3-11-3	2071 772.	17-15-6	2072 646.	4-26-18
1998 617.	24-25-78	2070 159.	22-05-14	2070 697.	3-11-3		17-17-5	2072 651.	5-20-1
1998 625.	24-28-24	2070 231.	3-02-1	2070 698.	3-11-3		19-15-30	2072 652.	5-20-17
1998 626.	24-28-24	2070 242.	3-06-5	2070 816.	3-19-1		19-15-112	2072 655.	5-70-1
1998 627.	24-28-24	2070 243.	3-32-8	2070 817.	3-19-1	2071 774.	17-19-20	2072 656.	5-70-1
1998 628.	24-28-140	2070 262.	3-03-1	2070 824.	3-03-2	2071 778.	17-19-3	2072 658.	5-67-1
1998 633.	24-28-8	2070 269.	3-02-1	2070 845.	3-09-3	2071 785.	13-54-15	2072 660.	5-03-5
1998 644.	24-26-20	2070 270.	3-02-1	2070 848.	3-11-3	2071 787.	17-15-1	2072 661.	5-03-5
1998 645.	24-26-26	2070 300.	3-19-1	2070 849.	3-11-3	2072 020.	19-02-18	2072 666.	5-03-5
1999 148.	24-25-5	2070 311.	5-58-1	2070 850.	3-11-3	2072 021.	19-58-7	2072 667.	5-03-5
1999 149.	24-28-300	2070 316.	3-22-24	2070 851.	3-11-3	2072 028.	19-01-8	2072 670.	5-03-6
1999 150.	24-28-5	2070 317.	3-22-25	2070 915.	3-19-1	2072 031.	19-15-38	2072 675.	5-26-5
2070 012.	3-02-1	2070 318.	3-22-24	2070 982.	5-100-47	2072 036.	19-19-4	2072 679.	5-69-1
2070 022.	3-04-6	2070 319.	3-22-25	2070 984.	5-100-47	2072 038.	19-19-19	2072 681.	5-13-9
2070 023.	3-06-5	2070 333.	3-03-1	2071 017.	16-02-1	2072 039.	19-19-35	2072 682.	5-13-9
2070 024.	3-06-6	2070 335.	3-03-1	2071 043.	5-102-2	2072 040.	19-19-36	2072 684.	5-13-22
2070 025.	3-07-1	2070 342.	3-03-1	2071 094.	4-23-36	2072 041.	19-19-33	2072 689.	4-26-17
2070 026.	3-07-2	2070 369.	3-02-20	2071 098.	4-25-1	2072 046.	19-19-7	2072 705.	22-04-2
2070 027.	3-08-1	2070 370.	5-13-7	2071 101.	4-23-1	2072 047.	19-15-59		
2070 041.	5-13-9	2070 441.	3-11-3	2071 110.	4-25-1	2072 048.	19-19-28		
2070 042.	3-20-1	2070 442.	3-11-3	2071 114.	4-25-7	2072 055.	19-19-70	2072 707.	22-06-18
2070 082.	3-11-3	2070 443.	3-11-3	2071 129.	4-25-14	2072 056.	19-19-35	2072 718.	22-08-57
2070 084.	3-11-3	2070 444.	3-11-3	2071 130.	23-33-231	2072 058.	19-15-21	2072 719.	5-03-23
2070 086.	3-11-3	2070 445.	3-11-3	2071 131.	4-25-3	2072 060.	19-15-60	2072 726.	22-03-1
2070 088.	3-11-3	2070 446.	3-11-3	2071 132.	4-23-3	2072 062.	19-15-63	2072 727.	22-03-1
2070 090.	3-11-3	2070 447.	3-11-3	2071 134.	4-23-1	2072 063.	19-15-58	2072 728.	22-05-24
2070 092.	3-11-3	2070 448.	3-11-3	2071 135.	4-23-1	2072 068.	19-15-33	2072 729.	22-05-24
2070 094.	3-22-26	2070 449.	3-11-3	2071 167.	2-10-59	2072 069.	19-15-22	2072 730.	5-20-15
2070 095.	3-22-26	2070 450.	3-11-3	2071 204.	2-08-7	2072 084.	19-19-24	2072 731.	22-06-5
2070 096.	3-22-26	2070 454.	3-22-26	2071 205.	2-10-77	2072 087.	19-19-4	2072 733.	22-06-14
2070 097.	3-22-26	2070 455.	3-22-26	2071 206.	2-10-76	2072 090.	19-01-8	2072 804.	4-26-1
2070 098.	3-22-26	2070 456.	3-22-26	2071 211.	2-10-60	2072 092.	19-02-4	2072 805.	4-26-1
2070 099.	3-22-26	2070 457.	3-22-26	2071 230.	2-10-10	2072 095.	19-19-24	2072 816.	5-27-6
2070 100.	3-22-26	2070 458.	3-22-26	2071 232.	2-08-5	2072 102.	19-15-4	2072 822.	5-27-21
2070 101.	3-22-26	2070 459.	3-22-26	2071 233.	2-08-5	2072 104.	19-15-100	2072 825.	5-31-12
		2070 460.	3-22-26	2071 245.	2-10-74	2072 108.	19-15-104	2072 826.	5-31-11
						2072 110.	19-15-107	2072 831.	6-38-14

PART NUMBER	CODE	PART NUMBER	CODE	PART NUMBER	CODE	PART NUMBER	CODE	PART NUMBER	CODE
2072 837	6-50-10	2073 943	14-88-21	2074 978	5-100-6	2076 346	8-50-82	2080 306	23-22-145
2072 838	6-50-12	2073 944	14-86-50			2076 352	1-48-608	2080 307	23-22-145
2072 849	6-24-1	2073 951	14-86-63	2074 979	5-100-196	2076 354	1-48-611		
		2073 952	14-86-51	2074 980	5-100-193	2076 355	23-67-18	2080 314	23-22-53
2072 852	6-19-2			2074 981	5-100-166			2080 315	23-22-53
2072 855	6-27-5	2073 953	14-86-51	2074 984	5-100-47	2076 376	23-54-167	2080 321	23-06-28
2072 857	6-52-10	2073 990	1-39-2	2074 985	5-100-189	2076 377	1-48-192	2080 329	23-47-383
2072 884	19-14-35	2074 082	13-33-62				23-54-170	2080 330	23-47-384
2072 885	19-14-10	2074 087	13-33-62	2074 986	5-100-191	2076 400	1-48-88		
		2074 089	13-36-5	2074 987	5-100-26	2076 405	1-48-254	2080 331	23-47-384
				2074 988	5-100-206		24-29-15	2080 362	23-33-86
2072 894	6-35-1	2074 090	13-36-5	2074 989	5-100-190			2080 382	23-26-45
2072 896	6-38-26	2074 208	13-64-3	2074 990	5-100-7	2076 410	8-21-1	2080 383	23-26-45
2072 900	6-22-15	2074 209	13-66-3			2076 412	23-54-178	2080 384	23-26-45
2072 901	6-22-19	2074 214	13-64-149	2074 991	5-100-7	2076 423	1-48-164		
2072 902	6-22-1	2074 218	13-66-135	2074 992	5-100-185	2076 434	8-37-96	2080 385	23-26-45
				2074 997	5-100-169	2076 445	1-13-1	2080 386	23-26-45
2072 978	8-33-4	2074 225	13-64-5	2074 998	5-100-20			2080 387	23-26-45
2072 980	8-33-13		13-66-15	2074 999	5-100-15	2076 451	1-30-1	2080 388	23-33-227
2072 985	8-33-17	2074 226	13-66-16			2076 461	8-37-381		24-24-170
2072 995	8-33-69	2074 227	13-66-16	2075 000	5-100-152	2076 462	8-37-386	2080 411	23-21-14
2073 023	5-62-1	2074 228	13-64-4	2075 001	5-100-1	2076 474	8-20-8	2080 413	23-02-62
				2075 005	5-100-192	2076 486	8-32-2		23-02-78
2073 130	4-23-38	2074 229	13-64-4	2075 006	5-100-194			2080 438	23-26-47
2073 134	4-23-15	2074 230	13-64-4	2075 007	1-42-1	2076 487	8-32-2	2080 439	23-26-47
2073 205	4-23-6	2074 231	13-64-4			2076 494	8-32-15		
2073 329	1-48-256	2074 233	13-68-6	2075 009	6-22-4	2076 495	8-32-15	2080 440	23-26-47
2073 342	22-01-5	2074 235	13-68-6	2075 142	13-72-1	2076 524	23-67-160	2080 441	23-26-47
				2076 069	23-67-79	2076 532	1-48-151	2080 456	23-47-375
2073 361	22-08-5	2074 241	13-68-6	2076 071	23-67-79			2080 458	23-06-21
2073 551	21-30-416	2074 350	23-32-17	2076 081	23-67-76	2076 538	1-12-1	2080 466	23-47-386
2073 553	21-30-417	2074 386	23-32-20	2076 084	23-67-139	2076 543	8-33-90		
2073 554	21-30-414	2074 393	23-32-18	2076 085	23-67-140	2076 578	1-88-1	2080 478	23-47-387
2073 555	21-30-421	2074 394	23-32-18	2076 088	1-48-608	2076 617	23-67-79	2080 480	23-02-38
				2076 117	1-48-46	2076 618	23-67-79		23-06-14
2073 556	21-30-423	2074 404	9-71-5	2076 129	1-48-144			2080 488	23-06-41
2073 557	21-30-422	2074 506	21-30-413			2076 632	8-15-7	2080 489	23-21-66
2073 558	21-30-423	2074 508	21-30-435	2076 130	1-48-144	2076 633	1-48-162		
2073 565	21-30-427	2074 521	21-30-428	2076 140	1-48-707	2076 656	21-84-4	2080 536	6-50-10
2073 566	21-30-2	2074 525	21-30-425	2076 145	23-54-166	2076 666	1-48-1	2080 539	23-21-66
					23-67-198	2076 675	23-17-51	2080 540	23-21-67
2073 574	21-30-426	2074 526	21-30-425	2076 175	1-82-25			2080 541	23-21-74
2073 600	21-30-320	2074 527	21-30-418			2076 678	23-67-5	2080 544	23-26-47
2073 602	4-10-20	2074 530	21-30-418	2076 210	1-82-6	2076 679	23-67-5		
2073 606	6-14-1	2074 534	21-30-432	2076 216	1-82-4	2076 718	1-87-7	2080 545	23-26-47
2073 615	5-31-18	2074 535	21-30-428	2076 217	23-33-227	2076 719	1-09-1	2080 550	23-06-4
				2076 232	5-31-13	2076 723	1-10-1	2080 554	23-06-13
2073 632	6-38-4	2074 539	21-30-430		5-102-11			2080 559	23-33-86
	6-43-7	2074 541	21-30-434	2076 263	23-33-220	2076 724	1-10-1	2080 568	4-25-1
2073 634	5-27-2	2074 543	21-30-429	2076 264	1-48-6	2080 012	23-54-63		
2073 636	6-38-1	2074 545	21-30-418		19-31-19	2080 058	23-33-12	2080 575	23-17-10
2073 637	5-31-15	2074 547	21-30-438		23-67-95	2080 152	23-33-216	2080 588	23-31-124
				2076 241	23-67-86	2080 181	23-02-1	2080 596	23-02-149
2073 642	6-50-1	2074 551	21-30-420	2076 250	1-88-6			2080 639	23-02-1
2073 643	6-52-10	2074 553	21-30-431	2076 251	1-88-107	2080 184	23-02-1	2080 641	23-02-1
2073 663	6-52-1	2074 554	21-30-437	2076 261	23-33-220	2080 187	23-45-52		
2073 665	19-14-35	2074 930	5-100-2	2076 262	23-33-220	2080 201	23-06-14	2080 642	23-02-1
2073 668	19-14-1	2074 934	5-105-1				23-08-12	2080 644	23-26-47
				2076 268	1-48-940	2080 227	8-35-111	2080 645	23-26-47
2073 675	19-14-68			2076 292	8-34-1		23-17-2	2080 649	23-33-10
2073 676	6-13-1	2074 941	19-15-4					2080 652	23-07-169
2073 684	6-13-4	2074 942	19-14-5	2076 293	8-34-1	2080 230	23-34-301		
2073 687	6-20-14	2074 943	19-14-15	2076 305	8-34-177	2080 231	23-34-301	2080 653	23-07-169
2073 792	11-06-8	2074 948	19-01-19	2076 306	8-34-180	2080 234	23-02-43	2080 670	23-02-89
		2074 963	5-39-3	2076 322	1-48-126	2080 238	23-33-65	2080 671	23-02-89
2073 793	11-09-3			2076 327	1-48-867	2080 279	23-33-132	2080 673	23-54-75
2073 794	11-10-3	2074 965	5-39-18					2080 679	23-33-10
2073 801	11-09-3	2074 966	5-31-18	2076 263	23-33-220	2080 280	8-05-23		
2073 812	11-10-17	2074 970	5-27-1	2076 264	1-48-6	2080 284	23-22-148	2080 702	8-37-178
2073 931	14-86-42	2074 971	5-27-1		1-48-70	2080 285	23-22-160	2080 703	8-37-178
2073 938	14-86-83	2074 977	5-100-5	2076 268	1-48-940				
				2076 292	8-34-1				
				2076 293	8-34-1				
				2076 305	8-34-177				
				2076 306	8-34-180				
				2076 322	1-48-126				
				2076 327	1-48-867				
				2076 339	1-48-258				

## 1961 PASSENGER CAR PARTS CATALOG

NUMERICAL INDEX

PART NUMBER	CODE	PART NUMBER	CODE	PART NUMBER	CODE	PART NUMBER	CODE	PART NUMBER	CODE
2080 704.	23-33-129	2081 117.	23-66-135	2081 340.	23-10-1	2081 729.	23-34-302	2082 038.	7-35-2
2080 705.	8-37-178	2081 146.	23-09-67	2081 354.	23-42-16	2081 730.	23-34-302	2082 039.	7-26-15
2080 720.	19-31-24	2081 148.	23-34-242	2081 355.	23-64-308	2081 731.	23-34-302	2082 064.	7-26-30
		2081 149.	23-34-242	2081 356.	23-63-126	2081 732.	23-40-96	2082 065.	7-26-30
2080 736.	23-06-28	2081 150.	23-34-235	2081 357.	23-63-126	2081 733.	23-40-96	2082 070.	15-19-8
2080 766.	23-31-124			2081 362.	23-63-14			2082 080.	23-34-277
2080 767.	23-31-124	2081 151.	23-34-235	2081 370.	23-64-308	2081 774.	23-54-150		
2080 768.	23-31-124	2081 154.	23-34-234	2081 379.	23-64-242	2081 775.	23-54-72		
2080 769.	23-31-124	2081 155.	23-34-234	2081 380.	23-63-127	2081 781.	23-54-109	2082 103.	15-11-72
		2081 156.	23-34-234	2081 394.	23-64-240	2081 783.	23-63-181	2082 112.	7-16-44
2080 774.	23-21-14	2081 157.	23-34-234	2081 395.	23-64-240	2081 800.	23-15-10	2082 120.	8-34-40
2080 776.	23-21-26							2082 121.	8-34-40
2080 782.	23-22-145	2081 168.	23-36-53	2081 402.	23-22-7	2081 808.	23-32-27	2082 124.	7-16-36
2080 783.	23-22-145	2081 169.	23-36-53	2081 403.	23-22-7	2081 809.	23-32-27		
2080 784.	23-02-2	2081 174.	23-34-229	2081 426.	23-34-120	2081 810.	23-32-27	2082 125.	7-16-36
		2081 175.	23-34-229	2081 427.	23-34-120	2081 811.	23-32-27	2082 172.	8-47-8
2080 827.	23-47-6	2081 176.	23-36-125	2081 438.	23-39-5	2081 826.	23-18-20	2082 180.	7-26-15
2080 828.	23-47-6							2082 181.	7-26-15
2080 839.	23-21-74	2081 177.	23-36-125	2081 439.	23-39-5	2081 827.	23-64-311	2082 182.	15-11-46
2080 858.	23-22-53	2081 182.	23-54-5	2081 440.	23-18-5	2081 830.	23-64-311		
2080 859.	23-22-53	2081 183.	23-54-5	2081 441.	23-18-5	2081 831.	23-64-311	2082 183.	7-16-44
		2081 196.	23-64-311	2081 444.	23-15-3	2081 838.	23-66-65	2082 188.	7-16-36
2080 860.	23-22-86	2081 197.	23-64-311	2081 445.	23-15-3	2081 839.	23-66-65	2082 189.	7-16-36
2080 863.	23-33-86							2082 207.	23-54-141
2080 874.	23-21-45	2081 198.	23-64-311	2081 450.	23-15-1	2081 840.	2-08-63	2082 210.	23-54-4
2080 875.	23-21-45	2081 204.	23-34-166	2081 451.	23-15-1		23-32-108		
2080 897.	23-21-14	2081 205.	23-34-167	2081 456.	23-10-1	2081 841.	2-08-63	2082 216.	23-32-51
		2081 207.	23-34-16	2081 460.	23-42-23		23-32-108	2082 219.	23-06-15
		2081 209.	23-34-17	2081 465.	23-63-14	2081 860.	23-19-74	2082 224.	23-21-45
2080 899.	23-33-10	2081 214.	23-19-70	2081 467.	23-64-308			2082 225.	23-21-12
2080 904.	23-47-6	2081 217.	23-34-302	2081 470.	23-09-58	2081 876.	23-23-32	2082 226.	23-40-82
2080 910.	23-22-86	2081 220.	23-40-86	2081 471.	23-09-58	2081 877.	23-23-32		
2080 936.	23-31-119	2081 221.	23-40-86	2081 478.	23-22-7	2081 878.	23-23-32	2082 228.	1-48-361
2080 937.	23-31-119	2081 222.	23-34-234	2081 480.	23-19-177	2081 879.	23-23-32	2082 231.	1-48-363
						2081 880.	23-23-32	2082 244.	23-48-19
2080 938.	23-31-119	2081 223.	23-34-234	2081 481.	23-19-177			2082 245.	23-48-19
2080 940.	23-33-109	2081 224.	23-40-92	2081 486.	23-19-178	2081 881.	23-23-32	2082 248.	23-54-24
2080 942.	23-33-147	2081 225.	23-40-92	2081 502.	23-65-172	2081 882.	23-23-33		
2080 944.	23-45-33	2081 226.	23-64-66	2081 532.	23-66-135	2081 883.	23-23-33	2082 249.	23-66-235
2080 945.	23-45-33	2081 227.	23-64-66	2081 533.	23-64-314	2081 884.	23-23-33	2082 250.	23-48-98
						2081 885.	23-23-33	2082 251.	23-48-98
2080 946.	23-47-451	2081 230.	23-34-301	2081 542.	23-08-54			2082 264.	23-09-52
2080 950.	23-06-102	2081 231.	23-34-301	2081 543.	23-08-54	2081 886.	23-23-33	2082 265.	23-09-52
2080 951.	23-47-16	2081 232.	23-40-85	2081 546.	23-63-15	2081 887.	23-23-33		
2080 952.	23-47-6	2081 233.	23-40-86	2081 547.	23-64-308	2081 902.	23-59-61	2082 275.	23-63-112
2080 953.	23-47-6	2081 234.	23-40-85	2081 555.	23-64-311	2081 903.	23-59-61	2082 278.	23-63-114
				2081 558.	1-76-3	2081 906.	23-59-61		23-66-239
2080 956.	23-47-6	2081 235.	23-40-85		23-21-8			2082 294.	1-48-399
2080 957.	23-47-6	2081 238.	23-40-85	2081 566.	23-32-34	2081 907.	23-59-61	2082 304.	14-86-64
2080 960.	23-33-96	2081 239.	23-40-85	2081 596.	23-15-9	2081 914.	23-23-73		
2080 970.	1-76-3	2081 248.	23-64-66	2081 597.	23-04-249	2081 915.	23-23-73	2082 311.	23-32-51
2080 982.	23-08-13	2081 249.	23-64-66	2081 599.	13-66-106	2081 916.	23-23-73	2082 320.	23-20-65
						2081 917.	23-23-73	2082 321.	23-20-65
2080 996.	8-20-16	2081 252.	23-59-56	2081 622.	23-10-17			2082 329.	15-03-3
2081 004.	23-32-93	2081 253.	23-59-56	2081 624.	23-39-5	2081 918.	23-23-73	2082 340.	23-33-65
2081 005.	23-32-93	2081 254.	23-59-56	2081 625.	23-39-5	2081 919.	23-23-73		
2081 008.	23-32-12	2081 255.	23-59-56	2081 644.	23-39-18	2081 950.	23-18-25	2082 357.	8-05-7
2081 009.	23-32-12	2081 257.	23-64-314	2081 645.	23-39-18	2081 951.	23-18-25	2082 359.	23-04-229
						2081 963.	1-48-392	2082 367.	23-63-16
2081 013.	17-19-4	2081 288.	23-34-120	2081 648.	23-64-242			2082 385.	23-14-27
2081 016.	23-32-17	2081 289.	23-34-120	2081 649.	23-64-242	2081 974.	1-48-360	2082 391.	23-42-46
2081 021.	23-32-49	2081 298.	23-14-47	2081 658.	23-32-46	2081 975.	1-48-360		
2081 029.	23-32-24	2081 299.	23-14-47	2081 706.	23-34-242	2081 976.	1-48-398	2082 395.	23-64-10
2081 036.	23-51-5	2081 316.	23-18-13	2081 707.	23-34-242	2082 012.	12-04-4	2082 396.	23-64-10
						2082 020.	15-19-2	2082 397.	23-42-46
2081 037.	23-51-5	2081 317.	23-18-13	2081 710.	23-64-311			2082 404.	23-19-8
2081 038.	23-51-5	2081 320.	23-15-1	2081 718.	23-36-125	2082 021.	15-19-2	2082 405.	23-26-47
2081 039.	23-51-5	2081 321.	23-15-1	2081 719.	23-36-125	2082 023.	12-04-4		
2081 058.	23-32-115	2081 334.	23-14-10	2081 725.	23-09-67	2082 036.	7-35-2	2082 412.	23-18-5
2081 059.	23-32-115	2081 335.	23-14-10	2081 728.	23-34-302	2082 037.	7-35-2	2082 413.	23-18-5



PART NUMBER	CODE	PART NUMBER	CODE	PART NUMBER	CODE	PART NUMBER	CODE	PART NUMBER	CODE
2082 416.	23-32-49	2082 753.	23-54-134	2082 999.	23-22-53	2084 030.	9-41-4	2084 424.	8-16-1
2082 418.	23-32-49	2082 764.	23-09-67	2083 000.	23-33-10	2084 031.	9-41-4	2084 425.	8-16-1
2082 419.	23-32-49	2082 765.	23-09-67	2083 012.	23-33-12	2084 032.	9-41-4	2084 444.	23-41-106
2082 420.	23-32-48	2082 766.	1-48-362	2083 021.	23-02-19	2084 045.	2-10-57	2084 445.	23-41-106
2082 421.	23-63-171	2082 767.	1-48-362	2083 049.	23-33-10	2084 054.	1-48-70	2084 446.	23-41-106
2082 452.	15-11-14	2082 779.	23-34-282	2083 061.	23-06-21		24-24-140	2084 448.	8-27-137
2082 456.	23-63-33	2082 781.	23-34-282	2083 078.	23-33-86	2084 055.	1-48-70	2084 450.	24-24-5
2082 458.	23-64-254	2082 786.	23-54-142	2083 079.	23-33-86	2084 071.	8-01-17	2084 460.	1-48-854
2082 459.	23-64-254	2082 791.	23-54-140	2083 086.	23-22-145	2084 072.	8-37-177	2084 461.	1-48-854
2082 470.	7-16-36	2082 794.	23-54-144	2083 087.	23-22-145	2084 079.	8-27-158	2084 467.	14-67-10
2082 471.	7-16-36	2082 795.	23-54-135	2083 096.	23-06-4	2084 080.	8-27-158	2084 516.	23-34-27
2082 472.	7-16-44	2082 798.	23-59-57	2083 100.	23-02-18	2084 088.	8-52-214	2084 517.	23-34-27
2082 474.	23-18-13	2082 799.	23-32-46	2083 101.	23-54-133	2084 090.	8-52-344	2084 518.	23-34-27
2082 475.	23-18-13		23-48-188	2083 111.	23-32-83	2084 091.	8-52-341	2084 519.	23-34-27
2082 483.	23-32-107	2082 808.	1-48-401	2083 116.	23-54-193	2084 093.	8-52-49	2084 520.	23-34-27
2082 485.	23-54-183	2082 810.	1-48-397	2083 117.	23-54-193	2084 094.	8-52-354	2084 521.	23-34-27
2082 511.	23-14-14	2082 817.	23-54-32	2083 118.	23-54-193	2084 163.	14-41-3	2084 522.	23-34-27
2082 520.	23-08-76	2082 830.	23-32-65	2083 122.	23-63-100	2084 166.	14-35-1	2084 524.	23-34-27
2082 521.	23-08-76	2082 842.	23-32-8	2083 123.	23-63-100	2084 184.	14-43-5	2084 525.	23-34-27
2082 530.	23-34-354	2082 843.	23-32-8	2083 124.	23-63-100	2084 188.	14-30-4	2084 526.	23-34-27
2082 540.	23-51-5	2082 844.	23-48-99	2083 125.	23-63-100	2084 192.	14-30-7	2084 527.	23-34-27
2082 541.	23-51-5	2082 845.	23-48-99	2083 126.	23-48-19	2084 196.	14-30-4	2084 528.	23-34-27
2082 545.	23-47-66	2082 854.	23-64-107	2083 127.	23-36-30	2084 198.	14-30-4	2084 538.	23-34-80
2082 571.	23-40-82	2082 861.	1-48-370	2083 136.	23-59-37	2084 200.	14-30-7	2084 539.	23-34-80
2082 579.	8-05-23	2082 867.	7-26-33	2083 137.	23-59-37	2084 202.	14-43-5	2084 602.	21-138-2
2082 599.	23-34-254		7-26-34	2083 149.	23-18-40	2084 215.	19-15-39	2084 603.	21-138-2
2082 606.	4-23-7		12-01-12	2083 162.	23-63-100	2084 236.	17-16-1	2084 608.	14-86-35
2082 609.	23-08-63	2082 872.	21-30-412	2083 163.	23-63-100	2084 250.	6-17-3	2084 613.	19-27-2
2082 610.	23-40-85	2082 878.	12-01-15	2083 166.	23-63-110	2084 252.	2-08-57	2084 614.	19-27-31
2082 611.	23-40-85		13-33-59	2083 170.	12-02-5	2084 253.	2-10-55	2084 616.	21-01-3
2082 616.	23-18-26		15-19-40	2083 171.	12-02-5	2084 255.	5-63-3	2084 617.	21-01-3
2082 624.	23-34-242	2082 881.	23-22-9	2083 190.	22-20-29	2084 257.	5-03-9	2084 628.	22-01-5
2082 625.	23-34-242		23-22-55	2083 244.	23-26-47	2084 258.	14-67-1	2084 645.	8-36-1
2082 628.	23-32-49	2082 891.	23-14-18	2083 245.	23-26-47	2084 295.	24-28-379	2084 647.	8-55-1
2082 629.	23-32-49		23-14-79	2083 246.	23-26-47	2084 304.	8-50-103	2084 648.	8-55-1
2082 636.	23-34-242	2082 892.	23-32-24	2083 247.	23-26-47	2084 319.	21-118-5	2084 652.	8-27-308
2082 637.	23-34-242			2083 248.	23-26-47	2084 322.	14-86-35	2084 653.	8-27-352
2082 638.	23-34-235	2082 897.	15-11-9	2083 249.	23-26-47	2084 347.	9-50-1	2084 654.	8-27-71
2082 639.	23-34-235	2082 904.	23-54-180	2083 246.	23-26-47	2084 352.	2-07-1	2084 655.	8-27-85
2082 641.	23-08-12	2082 906.	23-54-199	2083 294.	23-14-53	2084 353.	2-07-1	2084 659.	8-52-241
2082 642.	23-54-4	2082 907.	23-54-190	2083 295.	23-14-53	2084 354.	10-07-3	2084 660.	8-52-2
2082 643.	23-54-4	2082 908.	23-54-196	2083 296.	23-64-306	2084 355.	10-07-2	2084 661.	8-52-135
2082 652.	23-40-85	2082 924.	23-26-14	2083 297.	23-64-306	2084 380.	9-32-2	2084 662.	8-52-176
2082 653.	23-40-85	2082 925.	23-26-14	2083 298.	23-64-306	2084 381.	9-32-2	2084 665.	8-52-137
2082 654.	23-40-86	2082 928.	23-14-21	2083 299.	23-64-306	2084 382.	9-32-2	2084 666.	8-52-140
2082 655.	23-40-86	2082 954.	1-76-3	2083 463.	23-20-41	2084 383.	9-32-2	2084 667.	8-52-275
2082 664.	23-59-56		23-21-8	2083 816.	23-20-29	2084 384.	9-34-5	2084 673.	8-29-17
2082 665.	23-59-56	2082 962.	23-34-123	2083 912.	23-63-33	2084 385.	9-34-5	2084 725.	14-30-4
2082 670.	23-32-65	2082 971.	23-54-141	2083 913.	23-63-33	2084 386.	9-34-5	2084 728.	14-30-7
2082 686.	23-47-6	2082 973.	23-63-33	2083 914.	23-63-33	2084 387.	9-34-5	2084 729.	14-35-1
2082 687.	23-26-58	2082 974.	23-63-33	2083 915.	23-63-33	2084 388.	9-34-5	2084 730.	14-41-3
2082 688.	15-09-4	2082 978.	23-21-14	2083 916.	23-63-33	2084 389.	9-34-5	2084 731.	14-35-6
2082 724.	23-15-2	2082 983.	23-14-10	2083 917.	23-63-33	2084 390.	9-34-5	2084 733.	14-41-3
2082 725.	23-15-2	2082 987.	23-54-198	2083 918.	23-63-33	2084 411.	9-11-1	2084 770.	23-23-52
2082 727.	23-54-4	2082 989.	23-54-74	2083 919.	23-63-33	2084 413.	6-01-1	2084 771.	23-23-52
2082 733.	23-32-70	2082 992.	23-23-73	2084 006.	9-09-2	2084 415.	10-07-3	2084 772.	23-23-39
2082 742.	23-23-73	2082 993.	23-23-73	2084 007.	9-09-2	2084 416.	9-50-1	2084 773.	23-23-39
2082 743.	23-23-73	2082 994.	23-22-53	2084 008.	9-09-2	2084 421.	8-16-1	2084 774.	23-23-52
2082 752.	23-54-134	2082 995.	23-22-53	2084 029.	9-41-4	2084 423.	8-33-164		
		2082 998.	23-22-53						



## 1961 PASSENGER CAR PARTS CATALOG

PART NUMBER	CODE	PART NUMBER	CODE	PART NUMBER	CODE	PART NUMBER	CODE	PART NUMBER	CODE
2084 775.	. . . 23-23-52	2084 902.	. . . 17-11-3	2086 168.	. . . 23-22-85	2093 345.	. . . 8-50-315	2093 773.	. . . 23-34-235
2084 776.	. . . 23-23-52	2084 903.	. . . 17-11-3	2086 177.	. . . 23-26-47	2093 350.	. . . 8-50-308	2093 774.	. . . 23-34-235
2084 778.	. . . 23-23-52	2084 905.	. . . 17-11-3	2086 275.	. . . 23-21-14	2093 360.	. . . 23-34-339	2093 775.	. . . 23-34-235
2084 779.	. . . 23-23-52	2084 906.	. . . 17-11-3	2086 338.	. . . 23-26-47	2093 361.	. . . 23-34-339	2093 776.	. . . 23-34-242
2084 780.	. . . 23-23-52	2084 907.	. . . 17-11-3	2086 360.	. . . 23-26-34	2093 366.	. . . 23-63-55	2093 777.	. . . 23-34-242
2084 781.	. . . 23-23-52	2084 909.	. . . 17-11-3	2086 362.	. . . 23-26-34	2093 367.	. . . 23-63-55	2093 778.	. . . 23-34-235
2084 782.	. . . 23-23-52	2084 910.	. . . 17-11-3	2086 460.	. . . 23-38-17	2093 398.	. . . 23-63-112	2093 779.	. . . 23-34-235
2084 783.	. . . 23-23-52	2084 911.	. . . 17-11-3	2086 461.	. . . 23-38-16	2093 399.	. . . 23-63-112	2093 780.	. . . 23-34-235
2084 784.	. . . 23-23-52	2084 914.	. . . 17-11-3	2086 597.	. . . 8-05-28	2093 412.	. . . 23-18-26	2093 781.	. . . 23-34-235
2084 785.	. . . 23-23-52	2084 915.	. . . 17-11-3	2086 611.	. . . 23-02-1	2093 413.	. . . 23-18-26	2093 782.	. . . 23-34-242
2084 786.	. . . 1-02-1	2084 916.	. . . 5-100-1	2086 611.	. . . 23-02-145	2093 446.	. . . 23-39-5	2093 783.	. . . 23-34-242
2084 788.	. . . 5-63-1	2084 917.	. . . 5-100-1	2086 702.	. . . 23-31-205	2093 447.	. . . 23-39-5	2093 806.	. . . 23-34-235
2084 789.	. . . 5-63-1	2084 918.	. . . 2-10-57	2086 703.	. . . 23-31-205	2093 456.	. . . 23-39-5	2093 807.	. . . 23-34-235
2084 790.	. . . 5-63-3	2084 919.	. . . 2-10-61	2086 732.	. . . 23-54-63	2093 457.	. . . 23-39-5	2093 809.	. . . 23-64-71
2084 791.	. . . 5-63-3	2084 920.	. . . 2-08-59	2086 733.	. . . 23-54-63	2093 478.	. . . 23-34-228	2093 816.	. . . 23-34-242
2084 794.	. . . 9-58-1	2084 997.	. . . 23-23-65	2086 735.	. . . 23-19-133	2093 479.	. . . 23-23-41	2093 817.	. . . 23-34-242
2084 795.	. . . 9-58-1	2084 998.	. . . 23-23-65	2086 838.	. . . 23-38-22	2093 486.	. . . 23-39-5	2093 828.	. . . 23-14-47
2084 797.	. . . 9-58-1	2084 999.	. . . 23-23-65	2089 893.	. . . 23-31-33	2093 487.	. . . 23-39-5	2093 829.	. . . 23-14-47
2084 798.	. . . 22-03-1	2085 005.	. . . 9-09-2	2092 143.	. . . 23-02-1	2093 494.	. . . 23-54-28	2093 833.	. . . 23-19-54
2084 799.	. . . 22-03-1	2085 252.	. . . 23-14-79	2092 145.	. . . 23-02-1	2093 530.	. . . 23-19-84	2093 836.	. . . 23-42-13
2084 809.	. . . 1-42-1	2085 446.	. . . 23-26-47	2092 184.	. . . 23-47-66	2093 546.	. . . 23-63-21	2093 837.	. . . 23-42-13
2084 810.	. . . 9-09-2	2085 470.	. . . 23-26-23	2092 187.	. . . 23-45-18	2093 547.	. . . 23-63-21	2093 842.	. . . 23-41-106
2084 811.	. . . 9-09-2	2085 471.	. . . 23-26-23	2092 226.	. . . 23-45-18	2093 550.	. . . 8-55-195	2093 843.	. . . 23-41-106
2084 812.	. . . 9-09-2	2085 478.	. . . 23-26-47	2092 241.	. . . 23-45-24	2093 551.	. . . 8-55-195	2093 864.	. . . 23-32-49
2084 813.	. . . 9-09-2	2085 479.	. . . 23-26-47	2092 253.	. . . 23-45-10	2093 577.	. . . 23-61-104	2093 865.	. . . 23-32-49
2084 818.	. . . 17-12-4	2085 480.	. . . 23-26-23	2092 254.	. . . 23-45-11	2093 580.	. . . 23-61-103	2093 886.	. . . 23-34-253
2084 819.	. . . 17-12-4	2085 481.	. . . 23-26-23	2092 256.	. . . 23-45-19	2093 581.	. . . 23-61-103	2093 924.	. . . 23-34-167
2084 820.	. . . 17-12-4	2085 482.	. . . 23-63-14	2092 260.	. . . 23-45-18	2093 611.	. . . 23-23-30	2093 925.	. . . 23-34-179
2084 821.	. . . 17-12-4	2085 485.	. . . 23-02-82	2092 456.	. . . 23-45-25	2093 619.	. . . 23-22-145	2093 930.	. . . 23-23-23
2084 822.	. . . 17-12-4	2085 514.	. . . 23-02-89	2092 464.	. . . 23-45-22	2093 628.	. . . 23-63-33	2093 942.	. . . 23-64-48
2084 823.	. . . 17-12-4	2085 515.	. . . 23-02-89	2092 465.	. . . 23-45-22	2093 629.	. . . 23-63-33	2093 943.	. . . 23-64-48
2084 824.	. . . 17-12-4	2085 574.	. . . 23-26-23	2092 469.	. . . 23-45-18	2093 630.	. . . 23-63-33	2093 945.	. . . 23-32-15
2084 826.	. . . 17-12-4	2085 575.	. . . 23-26-23	2093 030.	. . . 23-64-75	2093 631.	. . . 23-63-33	2093 950.	. . . 23-08-12
2084 833.	. . . 9-09-2	2085 590.	. . . 23-26-46	2093 031.	. . . 23-64-75	2093 638.	. . . 23-66-235	2093 957.	. . . 23-04-247
2084 834.	. . . 9-09-2	2085 591.	. . . 23-26-46	2093 048.	. . . 23-64-78	2093 645.	. . . 23-63-172	2093 959.	. . . 23-04-247
2084 835.	. . . 9-09-2	2085 602.	. . . 23-26-46	2093 049.	. . . 23-64-78	2093 646.	. . . 23-48-108	2093 979.	. . . 23-19-74
2084 836.	. . . 9-09-2	2085 603.	. . . 23-26-46	2093 086.	. . . 23-63-172	2093 647.	. . . 23-48-108	2093 980.	. . . 22-20-29
2084 837.	. . . 2-08-57	2085 710.	. . . 23-63-14	2093 136.	. . . 23-23-14	2093 648.	. . . 23-59-61	2093 981.	. . . 23-51-45
2084 838.	. . . 2-10-55	2085 711.	. . . 23-63-14	2093 137.	. . . 23-23-14	2093 649.	. . . 23-59-61	2093 987.	. . . 8-55-195
2084 839.	. . . 19-01-4	2085 712.	. . . 23-63-14	2093 174.	. . . 23-59-61	2093 652.	. . . 23-63-112	2093 988.	. . . 8-55-214
2084 840.	. . . 19-01-4	2085 713.	. . . 23-63-14	2093 175.	. . . 23-59-61	2093 666.	. . . 23-34-227	2093 989.	. . . 8-55-214
2084 847.	. . . 8-35-4	2085 722.	. . . 23-63-14	2093 200.	. . . 23-63-100	2093 667.	. . . 23-34-227	2093 990.	. . . 8-55-32
2084 848.	. . . 1-48-599	2085 723.	. . . 23-63-14	2093 201.	. . . 23-63-100	2093 678.	. . . 23-34-233	2094 016.	. . . 23-23-74
2084 849.	. . . 23-41-106	2085 780.	. . . 23-63-14	2093 236.	. . . 23-48-101	2093 679.	. . . 23-34-233	2094 017.	. . . 23-23-74
2084 857.	. . . 8-27-308	2085 781.	. . . 23-63-14	2093 237.	. . . 23-48-101	2093 680.	. . . 23-34-233	2094 018.	. . . 23-23-73
2084 862.	. . . 1-48-599	2085 800.	. . . 23-26-23	2093 250.	. . . 23-34-235	2093 681.	. . . 23-34-233	2094 019.	. . . 23-23-73
2084 863.	. . . 8-50-103	2085 862.	. . . 23-14-51	2093 251.	. . . 23-34-235	2093 702.	. . . 23-32-48	2094 065.	. . . 23-19-45
2084 866.	. . . 8-27-279	2085 899.	. . . 23-14-51	2093 254.	. . . 23-34-242	2093 703.	. . . 23-32-48	2094 067.	. . . 23-19-53
2084 867.	. . . 8-27-133	2086 047.	. . . 8-35-115	2093 255.	. . . 23-34-242	2093 714.	. . . 23-63-55	2094 069.	. . . 23-45-59
2084 868.	. . . 8-27-308	2086 048.	. . . 23-17-24	2093 262.	. . . 13-66-106	2093 715.	. . . 23-63-55	2094 069.	. . . 23-45-20
2084 869.	. . . 8-27-352	2086 049.	. . . 23-17-5	2093 278.	. . . 23-34-233	2093 721.	. . . 8-47-131	2094 098.	. . . 23-45-61
2084 870.	. . . 8-27-18	2086 051.	. . . 23-06-28	2093 279.	. . . 23-34-233	2093 724.	. . . 23-34-235	2094 106.	. . . 13-66-116
2084 884.	. . . 23-67-98	2086 056.	. . . 23-22-86	2093 328.	. . . 8-55-214	2093 725.	. . . 23-34-235	2094 107.	. . . 23-58-357
2084 885.	. . . 23-67-98	2086 057.	. . . 23-22-86	2093 330.	. . . 8-55-8	2093 726.	. . . 23-34-235	2094 108.	. . . 23-34-235
2084 886.	. . . 23-67-160	2086 058.	. . . 23-26-41	2093 332.	. . . 8-56-1	2093 727.	. . . 23-34-235	2094 109.	. . . 23-34-235
2084 891.	. . . 8-27-279	2086 059.	. . . 23-26-41	2093 333.	. . . 8-56-1	2093 728.	. . . 23-34-235	2094 119.	. . . 23-58-555
2084 892.	. . . 8-27-279	2086 114.	. . . 23-02-81	2093 342.	. . . 8-50-303	2093 729.	. . . 23-34-235	2094 122.	. . . 23-59-61
2084 893.	. . . 8-27-308			2093 343.	. . . 8-50-303	2093 772.	. . . 23-34-235	2094 123.	. . . 23-59-61
				2093 344.	. . . 8-50-315				

PART NUMBER	CODE	PART NUMBER	CODE	PART NUMBER	CODE	PART NUMBER	CODE	PART NUMBER	CODE
2094 130.	23-48-121	2094 523.	23-64-306	2095 004.	8-29-208	2096 141.	8-55-57	2097 045.	23-54-167
2094 131.	23-48-121	2094 524.	23-64-306	2095 012.	8-29-155	2096 169.	23-18-104	2097 052.	24-28-24
2094 134.	23-59-56	2094 525.	23-64-306				23-41-174	2097 094.	1-48-4
		2094 559.	23-58-237	2095 013.	8-29-97	2096 176.	23-41-170		1-48-381
2094 149.	23-45-25	2094 578.	8-56-1	2095 037.	8-29-133			2097 095.	1-48-4
2094 154.	23-42-38			2095 038.	8-29-42	2096 177.	23-41-170	2097 096.	1-48-4
2094 155.	23-42-38	2094 579.	8-56-1	2095 052.	8-29-134	2096 180.	8-05-14	2097 097.	1-48-76
2094 156.	23-42-57	2094 581.	23-63-37	2095 059.	8-28-3	2096 181.	8-05-20	2097 100.	24-24-159
2094 157.	23-42-57	2094 585.	8-55-23			2096 231.	23-67-160	2097 101.	24-25-234
		2094 592.	23-48-93	2095 060.	8-28-3	2096 253.	24-28-220		
2094 167.	23-45-11	2094 624.	22-20-29	2095 065.	8-27-1			2097 102.	24-25-157
2094 168.	23-45-11			2095 100.	8-28-3	2096 259.	24-28-25	2097 103.	24-25-234
2094 178.	8-55-23	2094 626.	23-23-28	2095 270.	8-27-1	2096 317.	8-35-85	2097 105.	24-25-232
2094 179.	8-55-23	2094 627.	23-23-28	2095 273.	8-27-250	2096 374.	8-41-36	2097 106.	24-25-20
2094 200.	23-45-22	2094 631.	23-32-15				8-50-156	2097 109.	24-25-233
		2094 636.	8-55-195	2095 274.	8-27-292	2096 376.	1-48-300		
2094 201.	23-45-22	2094 642.	8-55-7	2095 339.	8-29-132			2097 128.	24-29-1
2094 217.	23-19-12			2095 374.	8-35-41	2096 386.	1-14-40	2097 148.	23-67-163
2094 252.	8-55-158	2094 643.	8-55-7	2095 393.	8-52-4	2096 396.	8-31-11	2097 152.	24-28-384
2094 253.	8-55-158	2094 646.	8-55-57	2095 410.	8-52-80	2096 398.	23-18-103	2097 183.	1-82-14
2094 256.	8-55-195	2094 648.	23-63-21			2096 399.	23-41-170	2097 184.	1-82-14
		2094 649.	23-63-21	2095 427.	8-29-98	2096 410.	8-55-57		
2094 257.	8-55-195	2094 664.	8-56-1	2095 430.	8-28-3			2097 279.	8-31-10
2094 260.	8-55-214			2095 501.	8-35-22	2096 499.	8-05-12	2097 301.	1-49-10
2094 276.	23-20-24	2094 665.	8-56-1	2095 502.	8-29-131	2096 522.	24-28-24	2097 302.	1-49-10
2094 277.	23-20-24	2094 674.	8-55-7	2095 506.	8-29-131	2096 526.	8-31-2	2097 303.	8-30-1
2094 286.	8-55-8	2094 675.	8-55-7			2096 594.	1-49-1	2097 310.	1-88-117
		2094 678.	8-55-220	2095 508.	8-27-205	2096 597.	8-20-10		
		2094 679.	8-55-220	2095 525.	8-27-205			2097 316.	8-34-1
2094 287.	8-55-7			2095 530.	8-27-1	2096 599.	8-20-10	2097 317.	8-34-1
2094 322.	23-41-4	2094 684.	8-55-214	2095 606.	8-52-330	2096 623.	1-82-19	2097 319.	8-34-1
2094 323.	23-41-4	2094 692.	23-34-176	2095 607.	8-52-330		1-82-44	2097 373.	24-01-18
2094 334.	23-63-126	2094 693.	23-34-176	2095 608.	8-52-328	2096 632.	1-88-6	2097 376.	24-28-25
2094 335.	23-63-126	2094 706.	8-55-331	2095 609.	8-52-328	2096 658.	23-47-446		
		2094 707.	8-55-331	2095 624.	8-52-330	2096 681.	24-28-33	2097 387.	23-67-195
2094 338.	8-56-1			2095 625.	8-52-330	2096 714.	8-19-64	2097 390.	23-58-543
2094 339.	8-56-1	2094 745.	23-58-3	2095 627.	8-52-23	2096 735.	8-50-82	2097 391.	8-53-294
2094 356.	8-55-7	2094 759.	23-19-63			2096 765.	23-41-170	2097 392.	8-35-85
2094 358.	8-55-331	2094 770.	8-55-23	2095 630.	8-27-4	2096 768.	1-48-7	2097 393.	23-21-66
2094 359.	8-55-331	2094 771.	8-55-23	2095 647.	8-27-1			2097 394.	8-20-16
		2094 771.	8-55-23	2095 648.	8-27-250	2096 772.	1-48-268		
2094 368.	8-55-214	2094 801.	23-34-334	2095 653.	8-29-154	2096 835.	24-28-24	2097 434.	1-87-335
2094 369.	8-55-332			2095 679.	8-27-1	2096 857.	1-13-9	2097 459.	8-38-23
2094 380.	23-23-49	2094 806.	23-34-258				8-13-3	2097 471.	14-02-29
2094 388.	23-32-93	2094 807.	23-34-258	2095 680.	8-27-1	2096 894.	1-04-4	2097 503.	8-53-317
2094 389.	23-32-93	2094 819.	23-11-23	2095 700.	8-28-74			2097 507.	24-25-16
		2094 822.	23-11-23	2095 740.	8-27-4	2096 905.	23-41-176		
2094 447.	8-55-158	2094 823.	23-11-23	2095 741.	8-27-292	2096 908.	23-41-176	2097 533.	8-20-8
2094 448.	23-22-80			2095 742.	8-27-250	2096 911.	23-41-176	2097 547.	24-28-13
2094 448.	23-22-80	2094 840.	8-55-8			2096 926.	1-19-1		24-28-358
2094 462.	23-64-242	2094 862.	23-23-85	2095 922.	8-27-138	2096 932.	1-48-555	2097 548.	24-28-13
2094 463.	23-64-242	2094 863.	23-23-85	2095 925.	8-29-135		24-28-24		24-28-358
		2094 870.	23-63-33	2095 945.	8-29-153	2096 940.	24-28-78	2097 570.	1-87-335
2094 464.	23-64-242	2094 871.	23-63-33	2096 022.	23-47-457	2096 976.	8-37-517	2097 625.	23-54-167
2094 465.	23-64-242			2096 024.	24-28-55	2096 988.	23-67-160	2097 626.	23-54-167
2094 466.	23-58-486	2094 888.	23-45-62			2096 989.	1-48-151	2097 628.	8-35-59
2094 467.	23-58-486	2094 890.	23-54-131	2096 041.	1-88-120		24-28-24	2097 629.	21-84-1
2094 472.	23-58-486	2094 896.	23-45-43	2096 052.	1-88-120				
		2094 921.	1-135-1	2096 053.	1-88-6	2097 003.	1-21-22	2097 630.	21-84-4
		2094 926.	1-135-1	2096 083.	1-48-707		1-48-10	2097 633.	1-88-159
2094 473.	23-58-486			2096 084.	24-24-150		8-39-15	2097 638.	8-37-420
2094 484.	23-63-33	2094 953.	23-11-23				8-40-16	2097 642.	8-37-411
2094 485.	23-63-33	2094 960.	23-63-33	2096 089.	23-41-170		8-41-36	2097 659.	8-37-421
2094 496.	23-34-278	2094 961.	23-63-33	2096 090.	23-41-170		8-50-156		
2094 497.	23-34-278	2094 962.	23-63-33	2096 109.	24-28-366		21-20-28	2097 662.	8-37-372
		2094 963.	23-63-33	2096 111.	24-28-366			2097 663.	8-37-372
2094 518.	23-64-306			2096 112.	24-28-366			2097 665.	8-37-399
2094 519.	23-64-306	2094 970.	23-34-233			2097 009.	24-28-24	2097 666.	8-37-399
2094 520.	23-64-306	2094 971.	23-34-233	2096 129.	23-18-116	2097 010.	24-28-76		
2094 521.	23-64-306	2094 984.	23-32-15						
2094 522.	23-64-306								

## 1961 PASSENGER CAR PARTS CATALOG

PART NUMBER	CODE	PART NUMBER	CODE	PART NUMBER	CODE	PART NUMBER	CODE	PART NUMBER	CODE
2097 680.	8-39-15	2120 237.	9-64-5	2121 694.	14-14-4	2122 790.	11-05-1	2123 479.	11-05-1
		2120 238.	9-64-5		14-14-41	2122 795.	11-01-1	2123 481.	11-05-1
2097 681.	8-39-3	2120 462.	9-41-4	2121 724.	7-07-1	2122 796.	11-02-4	2123 491.	11-05-4
2097 707.	23-33-20	2120 467.	9-48-40	2121 725.	9-16-6	2122 831.	11-01-1	2123 492.	11-05-4
2097 746.	1-48-125			2121 726.	9-16-6	2122 833.	11-01-1	2123 496.	11-08-3
2097 813.	8-30-1	2120 468.	9-48-40						
2097 814.	8-30-1	2120 510.	7-02-16	2121 727.	9-16-6	2122 834.	11-01-1	2123 517.	5-100-183
		2120 514.	9-42-1	2121 745.	14-14-3	2122 835.	11-01-1	2123 623.	14-86-1
2097 816.	8-30-1	2120 525.	14-11-29	2121 779.	14-30-1	2122 857.	17-11-5	2123 639.	23-32-34
	14-02-24		14-11-33	2121 780.	14-30-1	2122 977.	19-46-10	2123 640.	14-86-58
	15-14-20			2121 861.	6-09-1	2122 978.	19-46-14	2123 641.	14-86-1
2097 819.	8-37-372	2120 627.	9-23-5						
2097 820.	8-37-372	2120 633.	14-29-2	2121 880.	6-09-1	2122 979.	19-46-23	2123 642.	14-86-1
		2120 634.	14-29-6	2121 934.	14-02-27	2122 980.	19-02-20	2123 643.	1-39-2
2097 826.	8-37-410	2120 694.	9-43-5	2121 935.	14-02-7	2122 992.	21-30-107	2123 667.	19-14-1
2097 827.	8-37-410	2120 735.	24-25-14	2121 936.	14-02-6	2122 993.	21-30-107	2123 668.	19-14-1
2097 908.	1-48-4			2121 940.	8-28-36	2123 011.	19-14-35	2123 669.	19-14-1
	24-24-150	2120 736.	24-25-14						
2097 909.	1-48-4	2120 757.	9-48-158	2121 942.	1-82-48	2123 012.	19-46-26	2123 670.	19-14-1
		2120 764.	10-22-11	2121 950.	9-45-1	2123 013.	19-46-35	2123 712.	19-14-1
2097 910.	1-48-4	2120 795.	14-07-1	2121 952.	14-30-2	2123 036.	6-35-16	2123 713.	19-14-1
2097 911.	1-48-940	2120 797.	14-11-28	2121 953.	14-30-2	2123 040.	5-100-2	2123 722.	19-15-4
2097 917.	24-24-159			2121 954.	14-30-2	2123 113.	14-02-25	2123 730.	19-14-1
2097 923.	1-48-12	2120 799.	14-11-20						
	24-24-164	2120 811.	14-14-8	2121 955.	14-39-45	2123 125.	5-112-1	2123 781.	17-12-6
		2120 814.	14-11-9	2121 956.	14-39-45	2123 126.	14-02-25	2123 785.	17-12-12
2097 924.	1-48-12	2120 817.	21-142-12	2121 957.	14-39-45	2123 127.	19-14-74	2123 790.	13-66-3
	24-24-164	2120 870.	10-07-6	2121 967.	14-01-1	2123 129.	19-46-24	2123 796.	13-64-4
2097 925.	1-48-12			2121 971.	7-02-1	2123 130.	21-30-2	2123 797.	13-64-4
	24-24-164	2120 878.	14-11-3						
2097 926.	1-48-12	2120 955.	7-46-1	2122 032.	19-01-8	2123 169.	19-19-19	2123 798.	13-64-4
	24-24-164	2120 968.	14-11-9	2122 038.	19-46-16	2123 170.	19-19-19	2123 799.	13-64-4
		2120 980.	14-11-9	2122 039.	19-46-16	2123 199.	13-72-1	2123 800.	13-64-3
2097 927.	1-48-12	2121 013.	7-02-1	2122 198.	13-35-1	2123 204.	5-58-1	2123 802.	8-47-8
	24-24-164			2122 208.	22-05-14	2123 212.	5-57-2		8-47-15
2097 928.	1-48-70	2121 014.	7-02-1						
2097 929.	1-48-70	2121 016.	7-06-14	2122 209.	22-05-14	2123 213.	5-57-2	2123 804.	13-64-4
2097 930.	24-24-140	2121 159.	14-11-9	2122 213.	4-03-1	2123 214.	5-57-2	2123 805.	13-64-4
		2121 163.	8-52-5	2122 214.	4-03-8	2123 217.	5-58-1	2123 806.	13-64-97
2097 942.	1-48-788	2121 195.	9-45-2	2122 254.	6-14-1	2123 218.	5-58-1	2123 807.	13-64-97
	24-24-165			2122 255.	6-14-1	2123 248.	4-10-21	2123 808.	13-64-3
2097 950.	8-32-2	2121 197.	9-02-16	2122 262.	6-14-4	2123 249.	21-30-329		
2097 951.	8-32-2	2121 198.	9-02-16	2122 266.	5-47-8	2123 341.	5-56-2	2123 809.	13-64-3
2097 970.	24-24-5	2121 217.	8-28-15	2122 275.	9-71-18		14-90-1	2123 812.	13-66-3
		2121 221.	7-03-1	2122 276.	5-39-24	2123 346.	9-69-4	2123 813.	13-66-3
2097 995.	24-25-19	2121 223.	9-48-13	2122 277.	9-71-16	2123 354.	13-18-4	2123 814.	13-66-3
	24-25-232							2123 817.	13-64-3
2097 996.	24-25-18	2121 244.	9-03-29	2122 278.	9-71-16	2123 391.	13-01-1		
2098 057.	8-27-158	2121 250.	7-03-1	2122 279.	9-71-19	2123 395.	11-10-42	2123 818.	13-64-3
2098 058.	8-27-190	2121 404.	10-07-11	2122 280.	9-71-8	2123 396.	11-10-42	2123 819.	13-64-3
		2121 430.	9-58-12	2122 359.	17-12-12	2123 401.	11-10-3	2123 829.	13-64-26
2098 278.	8-29-99	2121 455.	9-62-1	2122 453.	22-01-5	2123 421.	11-09-3	2123 830.	13-64-4
2098 279.	8-29-99							2123 831.	13-64-4
2098 292.	8-29-131	2121 473.	21-142-12	2122 468.	22-01-5	2123 425.	11-01-1		
2098 293.	8-29-131	2121 524.	9-02-5	2122 478.	22-01-5	2123 433.	11-10-3	2123 832.	13-66-16
2099 908.	7-11-3	2121 554.	9-58-5	2122 575.	9-69-4	2123 435.	11-10-3	2123 833.	13-66-16
		2121 569.	10-03-4	2122 578.	9-69-4	2123 438.	11-10-3	2123 838.	13-66-16
2120 012.	19-54-121	2121 571.	14-13-3	2122 620.	13-11-5	2123 440.	11-10-3	2123 839.	13-66-16
2120 018.	19-54-181							2123 842.	13-64-149
2120 019.	19-54-181	2121 573.	9-23-10	2122 621.	13-11-5	2123 442.	11-10-3		
2120 048.	14-30-1	2121 578.	9-39-5	2122 634.	21-30-6	2123 443.	11-10-3	2123 855.	13-66-135
2120 050.	14-30-1	2121 579.	9-39-5	2122 677.	11-05-1	2123 446.	11-10-3	2123 856.	13-66-16
		2121 580.	9-39-5	2122 680.	11-05-9	2123 447.	11-10-3	2123 857.	13-66-16
2120 057.	9-48-158	2121 581.	9-39-6	2122 689.	11-05-1	2123 456.	11-10-3	2123 860.	13-66-3
2120 059.	9-16-17							2123 861.	13-64-26
2120 130.	7-02-16	2121 582.	9-39-6	2122 696.	11-05-1	2123 459.	11-05-1		13-66-24
2120 208.	7-02-1	2121 583.	9-39-6	2122 702.	11-05-1	2123 462.	11-05-1		
2120 232.	9-64-5	2121 585.	9-48-12	2122 705.	11-05-1	2123 469.	11-05-4	2123 885.	13-66-147
		2121 600.	19-54-246	2122 708.	11-05-1	2123 470.	11-01-1	2123 888.	13-68-6
2120 236.	9-64-5	2121 686.	9-39-14	2122 788.	11-05-1	2123 475.	11-05-1	2123 890.	13-66-3



# 1961 PASSENGER CAR PARTS CATALOG

NUMERICAL INDEX		PART		PART		PART		PART	
PART NUMBER	CODE	NUMBER	CODE	NUMBER	CODE	NUMBER	CODE	NUMBER	CODE
2123 891. . .	13-68-18	2124 502. . .	21-25-2	2125 131. . .	16-20-1	2128 626. . .	10-02-15	2129 617. . .	9-03-28
2123 897. . .	13-66-30	2124 504. . .	21-15-33			2128 636. . .	14-13-1	2129 655. . .	9-03-5
		2124 505. . .	21-15-33	2125 187. . .	21-133-17	2128 644. . .	9-15-1	2129 666. . .	7-04-5
2123 898. . .	13-64-5	2124 506. . .	21-25-6	2125 198. . .	21-133-15			2129 667. . .	7-04-5
	13-66-15			2125 200. . .	21-129-5	2128 660. . .	14-29-10	2129 668. . .	14-06-10
2123 902. . .	13-64-5	2124 508. . .	21-19-15	2125 201. . .	21-129-5	2128 661. . .	14-29-3		
2123 912. . .	13-66-135	2124 509. . .	21-19-15	2125 212. . .	21-02-1	2128 664. . .	14-01-1	2129 669. . .	6-10-2
2123 920. . .	13-68-6	2124 510. . .	21-19-15			2128 668. . .	9-01-24	2129 684. . .	19-54-132
		2124 511. . .	21-19-15	2125 237. . .	21-03-1	2128 718. . .	9-02-12	2129 849. . .	14-11-1
2123 921. . .	13-68-6	2124 516. . .	21-09-5	2125 239. . .	21-04-2			2129 856. . .	14-29-44
2123 928. . .	13-64-4			2125 241. . .	21-133-5	2128 757. . .	14-11-9	2129 861. . .	14-06-1
2123 929. . .	13-64-4	2124 519. . .	21-04-2	2125 242. . .	21-133-7	2128 761. . .	21-142-12		
2123 930. . .	13-64-97	2124 523. . .	21-42-11	2125 243. . .	21-133-5	2128 762. . .	14-50-25	2129 885. . .	6-10-2
2123 931. . .	13-64-97	2124 552. . .	21-139-143			2128 768. . .	9-45-1	2129 886. . .	6-10-10
		2124 554. . .	21-16-3	2125 656. . .	8-28-36	2128 773. . .	9-64-13	2129 887. . .	6-09-11
2123 932. . .	13-64-3	2124 560. . .	21-10-16	2126 946. . .	19-02-55			2129 913. . .	7-03-1
2123 933. . .	13-64-3			2126 978. . .	19-19-5	2128 774. . .	9-64-18	2129 915. . .	8-28-15
2123 938. . .	13-66-24	2124 561. . .	21-10-4	2127 017. . .	19-15-4	2128 776. . .	14-06-10		
2124 247. . .	21-131-35	2124 562. . .	21-11-1	2127 049. . .	19-19-5	2128 777. . .	14-11-28	2129 916. . .	19-54-115
2124 252. . .	21-138-15	2124 579. . .	21-136-20			2128 778. . .	14-11-28	2129 940. . .	8-28-36
		2124 588. . .	4-10-9	2127 058. . .	19-57-3	2128 805. . .	14-29-2	2129 944. . .	9-23-40
2124 255. . .	21-137-202	2124 595. . .	21-136-5	2127 092. . .	19-15-21			2129 961. . .	14-11-38
2124 256. . .	21-139-117			2127 132. . .	19-01-8	2128 821. . .	9-67-4	2160 496. . .	23-45-30
2124 257. . .	21-139-118	2124 600. . .	21-118-55	2127 134. . .	19-02-4	2128 933. . .	9-58-5		
2124 258. . .	21-133-47	2124 607. . .	21-04-11	2127 135. . .	19-19-16	2128 935. . .	9-64-22	2160 500. . .	23-45-30
2124 276. . .	21-42-23	2124 637. . .	4-10-5			2128 936. . .	9-64-22	2160 502. . .	23-45-29
		2124 648. . .	4-10-24	2127 157. . .	19-54-182	2128 943. . .	9-64-22	2160 648. . .	23-45-46
2124 278. . .	21-42-23	2124 662. . .	21-138-15	2127 159. . .	19-54-183			2161 011. . .	23-26-89
2124 279. . .	16-20-1			2127 170. . .	19-54-105	2128 944. . .	9-64-22	2161 012. . .	23-26-87
2124 281. . .	21-04-1	2124 663. . .	21-138-23	2127 174. . .	19-54-180	2128 962. . .	9-02-13		
2124 283. . .	21-16-3	2124 666. . .	21-136-20	2127 189. . .	19-54-121	2128 969. . .	24-25-15	2161 013. . .	23-26-87
2124 328. . .	21-85-56	2124 682. . .	4-01-1			2128 970. . .	24-25-15	2161 014. . .	23-26-87
		2124 683. . .	21-09-2	2127 196. . .	19-54-180	2128 977. . .	9-39-14	2161 015. . .	23-26-87
2124 329. . .	21-10-4	2124 697. . .	21-139-101	2127 212. . .	19-58-14			2161 016. . .	23-26-87
2124 340. . .	21-139-150			2127 213. . .	19-58-7	2128 999. . .	9-64-22	2161 017. . .	23-26-87
2124 365. . .	21-09-2	2124 702. . .	21-117-3	2128 275. . .	19-54-258	2129 000. . .	14-29-5	2161 018. . .	23-26-87
2124 367. . .	21-03-1	2124 705. . .	9-46-130	2128 279. . .	9-03-5		14-29-10	2161 021. . .	23-38-5
2124 377. . .	21-02-1		21-118-42			2129 004. . .	9-02-9	2161 022. . .	23-38-5
		2124 714. . .	21-136-5	2128 285. . .	8-52-39	2129 012. . .	9-23-17	2161 028. . .	23-02-105
2124 382. . .	21-139-79	2124 715. . .	21-02-6	2128 323. . .	19-54-115			2161 035. . .	23-02-107
2124 384. . .	21-15-2			2128 324. . .	19-54-115	2129 013. . .	7-44-3		
2124 386. . .	21-15-2	2124 733. . .	21-139-67	2128 325. . .	19-54-123	2129 019. . .	19-54-246	2161 038. . .	23-38-14
2124 387. . .	21-14-6	2124 734. . .	21-139-68	2128 337. . .	19-54-86	2129 024. . .	10-26-27	2161 040. . .	23-33-109
2124 392. . .	21-14-5	2124 735. . .	21-139-71			2129 154. . .	8-28-36	2161 041. . .	23-38-9
		2124 736. . .	21-139-74	2128 338. . .	19-54-86	2129 156. . .	8-28-36	2161 057. . .	23-45-17
2124 393. . .	21-24-2	2124 737. . .	21-139-76	2128 347. . .	14-11-30			2161 070. . .	23-26-55
2124 396. . .	21-09-29			2128 348. . .	6-09-1	2129 194. . .	9-48-6		
2124 409. . .	21-03-23	2124 768. . .	21-02-1	2128 351. . .	6-09-1	2129 198. . .	9-48-6	2161 071. . .	23-26-55
2124 410. . .	21-03-23	2124 875. . .	21-09-2	2128 405. . .	9-03-28	2129 202. . .	9-17-5	2161 079. . .	1-76-3
2124 411. . .	21-03-23	2124 917. . .	21-42-23			2129 203. . .	9-15-1		23-21-3
		2124 918. . .	21-42-23	2128 407. . .	9-03-29	2129 205. . .	7-41-4	2161 115. . .	23-02-1
2124 444. . .	21-117-1	2124 991. . .	21-133-39	2128 412. . .	8-52-39				23-02-105
2124 457. . .	21-04-1			2128 417. . .	14-07-15	2129 206. . .	7-41-4		
2124 461. . .	21-22-2	2125 000. . .	9-46-4	2128 424. . .	10-03-4	2129 208. . .	10-02-15	2161 119. . .	23-02-1
2124 462. . .	21-39-3	2125 024. . .	21-138-21	2128 474. . .	14-11-4	2129 209. . .	10-02-15	2161 134. . .	23-33-220
2124 463. . .	21-39-3	2125 059. . .	21-39-3			2129 275. . .	19-54-246	2161 135. . .	23-33-26
		2125 067. . .	21-136-20	2128 479. . .	9-67-4	2129 277. . .	7-03-1	2161 136. . .	23-33-213
2124 465. . .	21-29-3	2125 070. . .	21-134-5	2128 495. . .	14-11-1			2161 156. . .	23-33-220
2124 466. . .	21-29-25		21-135-50	2128 505. . .	14-11-9	2129 284. . .	7-03-1		
2124 467. . .	21-14-1			2128 545. . .	7-06-1	2129 305. . .	14-01-3	2161 158. . .	23-33-213
2124 468. . .	21-14-19	2125 071. . .	21-134-5	2128 553. . .	9-03-4	2129 351. . .	3-03-35	2161 160. . .	19-14-35
2124 472. . .	21-14-19		21-135-50				9-02-12	2161 162. . .	23-33-42
		2125 113. . .	21-09-23	2128 567. . .	10-02-15	2129 357. . .	7-03-1	2161 174. . .	23-33-96
2124 473. . .	21-25-4		21-19-15	2128 568. . .	10-02-15	2129 383. . .	14-29-2	2161 175. . .	23-33-96
2124 474. . .	21-24-19	2125 114. . .	21-09-23	2128 569. . .	9-07-8	2129 384. . .	14-29-6	2161 182. . .	23-06-28
2124 494. . .	21-42-11		21-19-15	2128 571. . .	9-64-5	2129 562. . .	14-29-12	2161 192. . .	8-35-111
2124 496. . .	21-09-33	2125 115. . .	21-09-23	2128 572. . .	9-64-5	2129 569. . .	14-11-9		23-17-2
2124 497. . .	21-09-33		21-19-15			2129 597. . .	14-29-15	2161 217. . .	23-06-15
		2125 116. . .	21-09-23	2128 589. . .	9-03-4	2129 611. . .	14-11-9	2161 261. . .	23-47-451
2124 499. . .	21-09-33	2125 130. . .	16-20-1	2128 625. . .	10-02-15		14-11-18		

## 1961 PASSENGER CAR PARTS CATALOG

PART NUMBER	CODE	PART NUMBER	CODE	PART NUMBER	CODE	PART NUMBER	CODE	PART NUMBER	CODE
2161 268.	23-06-4	2161 726.	19-46-2	2165 237.	23-34-120	2165 891.	23-22-7	2166 641.	12-02-5
2161 291.	23-47-55	2161 729.	23-06-17	2165 276.	23-14-7	2165 896.	23-22-7	2166 657.	23-61-116
2161 307.	8-05-8	2161 769.	23-33-86	2165 277.	23-14-7	2165 897.	23-22-7	2166 675.	23-66-235
2161 308.	8-05-6			2165 279.	23-23-75				
2161 316.	8-05-32	2161 780.	23-22-53	2165 294.	23-64-254	2165 902.	23-22-7	2166 676.	8-05-23
		2161 781.	23-22-53		23-64-299	2165 903.	23-22-7	2166 680.	23-64-242
2161 329.	23-21-45	2161 788.	23-21-48			2165 908.	23-22-53	2166 681.	23-64-242
2161 331.	23-45-75	2161 804.	23-33-109	2165 295.	23-64-254	2165 909.	23-22-53	2166 694.	23-18-5
2161 350.	23-63-20	2161 818.	23-22-81		23-64-299	2165 992.	23-09-17	2166 695.	23-18-5
2161 351.	23-63-20			2165 304.	23-63-33				
2161 356.	23-17-24	2161 834.	23-33-86	2165 305.	23-63-33	2165 996.	23-64-47	2166 742.	23-19-24
		2161 836.	23-33-135	2165 326.	23-11-1	2165 997.	23-64-47	2166 743.	8-05-8
2161 357.	23-06-28	2161 837.	23-33-135			2165 998.	23-64-47	2166 751.	23-14-24
2161 368.	1-67-1	2161 838.	23-33-20	2165 327.	23-11-1	2165 999.	23-64-47	2166 752.	23-14-27
2161 423.	23-17-49	2161 851.	23-17-5	2165 340.	23-39-6	2166 010.	23-63-172	2166 788.	23-63-112
2161 424.	23-17-5	2161 865.	23-17-5		23-42-6	2166 024.	23-20-24		
2161 426.	1-76-1			2165 341.	23-14-7	2166 025.	23-20-24	2166 789.	23-63-112
	23-21-15	2161 929.	23-21-24	2165 355.	23-39-8	2166 049.	23-58-227	2166 790.	23-63-112
		2161 930.	23-21-18	2165 372.	23-11-1	2166 338.	23-58-220	2166 806.	23-64-299
2161 428.	23-21-32	2161 931.	23-21-18			2166 340.	23-23-41	2166 807.	23-64-299
2161 431.	23-21-66	2161 973.	23-33-12	2165 373.	23-11-1			2166 808.	23-64-299
2161 432.	23-21-74	2161 995.	23-06-14	2165 386.	23-11-1	2166 420.	23-19-84		
2161 440.	23-33-109			2165 387.	23-11-1	2166 421.	23-19-84	2166 809.	23-64-299
2161 467.	23-21-45	2162 106.	23-14-27	2165 400.	23-11-1	2166 431.	23-61-119	2166 926.	23-41-270
		2162 107.	23-14-27	2165 401.	23-11-1	2166 452.	23-15-3	2166 927.	23-41-270
2161 469.	23-06-15	2162 115.	23-21-65			2166 453.	23-15-3	2166 958.	23-58-569
2161 473.	23-06-15	2162 129.	23-33-42	2165 406.	23-34-20			2166 960.	23-58-569
2161 489.	23-33-135	2162 136.	23-20-14	2165 407.	23-34-20	2166 466.	23-15-3		
2161 492.	23-33-220			2165 418.	23-66-135	2166 467.	23-15-3	2166 961.	23-58-569
2161 493.	23-33-135	2162 137.	23-20-14	2165 419.	23-66-135	2166 511.	23-39-17	2166 996.	23-34-80
	23-33-220	2162 138.	23-20-14	2165 484.	23-63-33	2166 512.	23-63-14	2167 916.	23-14-53
		2162 139.	23-20-14			2166 513.	23-63-14	2167 917.	23-14-53
2161 503.	8-35-111	2162 140.	23-20-14	2165 485.	23-63-33			2170 087.	23-04-229
	23-17-2	2162 141.	23-20-14	2165 486.	23-63-33	2166 514.	23-63-14		
2161 518.	23-33-220			2165 487.	23-63-33	2166 515.	23-63-14		
2161 519.	23-33-220	2162 143.	23-33-86	2165 488.	23-63-33	2166 516.	23-63-15	2171 945.	21-30-409
2161 520.	23-33-220	2162 145.	23-33-12	2165 489.	23-63-33	2166 517.	23-63-15	2172 137.	23-33-42
		2162 165.	23-21-32			2166 539.	23-63-20	2172 115.	23-33-132
2161 522.	23-33-240	2162 170.	23-21-50	2165 492.	23-42-16			2172 825.	24-28-3
2161 528.	23-33-135	2162 208.	23-33-135		23-42-23	2166 539.	23-63-20	2172 826.	24-28-3
2161 529.	23-33-109				23-42-38	2166 540.	23-63-20		
2161 552.	23-33-109	2162 210.	23-33-135	2165 494.	23-22-145	2166 541.	23-63-20	2172 827.	24-28-3
2161 561.	23-33-109	2162 212.	23-33-135	2165 495.	23-22-145	2166 542.	23-63-20	2172 828.	24-28-3
		2162 213.	23-06-10			2166 543.	23-63-20	2173 006.	23-04-229
2161 564.	23-31-124	2162 216.	23-02-18	2165 498.	23-22-145			2174 607.	24-28-3
2161 572.	23-38-21	2162 219.	8-05-6	2165 499.	23-22-145	2166 548.	23-63-15	2174 608.	24-28-3
2161 573.	8-37-178			2165 500.	23-22-145	2166 549.	23-63-15		
2161 584.	23-33-135	2162 220.	8-05-6	2165 504.	23-22-145	2166 552.	23-63-14	2174 609.	24-28-3
2161 585.	23-33-135	2162 234.	23-33-129	2165 514.	23-64-314	2166 553.	23-63-14	2174 610.	24-28-3
		2162 290.	23-31-124			2166 554.	23-63-15	2174 613.	24-28-3
2161 586.	23-33-12	2162 293.	23-31-119	2165 515.	23-64-314			2174 614.	24-28-3
2161 599.	23-17-49	2162 294.	23-33-217	2165 519.	23-64-74	2166 555.	23-63-15	2174 615.	24-28-3
2161 606.	1-48-26			2165 572.	23-19-84	2166 556.	23-63-14		
	23-33-227	2162 351.	23-17-28	2165 573.	23-19-84	2166 557.	23-63-14	2174 616.	24-28-3
2161 610.	23-26-58	2162 382.	23-06-53	2165 590.	23-19-92	2166 558.	23-63-15	2174 617.	24-28-3
		2162 419.	23-33-153			2166 559.	23-63-15	2174 618.	24-28-3
2161 611.	23-26-58	2163 520.	23-20-8	2165 670.	23-34-177			2174 621.	24-28-3
2161 615.	23-17-72	2163 526.	23-20-41	2165 671.	23-34-177	2166 572.	23-63-21	2174 622.	24-28-3
2161 616.	23-33-42			2165 691.	23-61-116	2166 573.	23-63-21		
2161 617.	19-31-14	2163 608.	23-20-11	2165 703.	23-64-46	2166 582.	23-63-21	2174 644.	23-33-42
2161 621.	23-06-21	2163 700.	23-20-41	2165 704.	23-23-49	2166 583.	23-63-21	2175 487.	23-20-29
		2163 919.	23-20-41			2166 584.	23-63-21	2176 070.	23-20-29
2161 633.	23-33-10	2165 224.	23-18-13	2165 705.	23-23-49			2176 135.	23-20-8
2161 650.	8-37-178	2165 225.	23-18-13	2165 712.	23-09-52	2166 585.	23-63-21	2176 136.	23-20-8
2161 696.	23-33-220			2165 713.	23-09-52	2166 610.	23-58-333		
2161 703.	15-14-1	2165 226.	23-18-13	2165 714.	23-09-52	2166 611.	23-58-333	2176 345.	23-20-41
2161 707.	23-33-227	2165 227.	23-18-13	2165 715.	23-09-52	2166 612.	23-58-333	2176 346.	23-20-41
		2165 232.	23-18-13			2166 613.	23-58-333	2176 347.	23-20-41
2161 723.	23-31-119	2165 233.	23-18-13	2165 768.	23-41-7	2166 620.	23-19-63	2176 348.	23-20-41
2161 724.	23-31-119	2165 236.	23-34-120	2165 890.	23-22-7	2166 622.	23-18-29	2176 629.	24-28-3

NUMERICAL INDEX

PART NUMBER	CODE	PART NUMBER	CODE	PART NUMBER	CODE	PART NUMBER	CODE	PART NUMBER	CODE
2176 630.	24-28-3	2188 802.	23-39-18	2192 685.	23-14-19	2195 460.	23-40-85	2195 765.	23-08-63
2176 631.	24-28-3	2188 803.	23-39-18	2194 054.	23-26-80			2195 766.	23-08-60
2176 632.	24-28-3	2188 804.	23-19-22	2194 056.	23-26-60	2195 461.	23-40-85	2195 767.	23-08-60
2177 921.	24-28-3	2188 835.	23-19-11	2194 057.	23-26-60	2195 462.	23-51-5		
2177 922.	24-28-3	2188 836.	23-54-20	2194 066.	23-26-62	2195 463.	23-51-5	2195 768.	23-39-48
						2195 552.	7-11-3	2195 769.	23-39-48
2177 923.	24-28-3	2188 852.	8-50-303	2194 067.	23-26-62	2195 555.	7-11-3	2195 775.	23-22-55
2177 924.	24-28-3	2188 853.	8-50-303	2194 109.	23-26-23			2195 776.	23-09-33
2188 315.	8-55-23	2188 856.	8-50-315	2195 254.	23-36-66	2195 558.	8-34-40	2195 777.	23-09-33
2188 375.	23-23-41	2188 857.	8-50-315	2195 255.	23-36-66	2195 559.	8-34-40		
2188 376.	8-50-335	2188 864.	8-50-308	2195 260.	23-64-255	2195 562.	23-36-66	2195 785.	23-18-20
						2195 563.	23-36-66	2195 786.	23-26-60
2188 377.	8-50-335	2188 900.	23-18-5	2195 261.	23-64-255	2195 568.	15-11-58	2195 787.	23-08-75
2188 389.	23-54-11	2188 934.	23-54-4	2195 266.	23-42-16			2195 794.	23-59-56
2188 411.	23-45-112	2188 935.	23-54-4	2195 267.	23-63-15	2195 570.	15-11-34	2195 795.	23-59-56
2188 416.	23-34-100	2188 938.	23-19-8	2195 268.	23-63-14	2195 571.	15-11-25		
2188 417.	23-34-100	2188 958.	23-34-32	2195 272.	23-63-21	2195 576.	15-11-38	2195 796.	23-59-56
						2195 586.	23-51-6	2195 797.	23-59-56
2188 418.	23-59-40	2188 984.	23-41-250	2195 274.	23-22-53	2195 587.	23-51-6	2195 800.	23-22-53
2188 419.	23-59-40	2188 985.	23-34-116	2195 275.	23-22-53			2195 801.	23-22-53
2188 432.	8-50-335	2188 990.	23-19-85	2195 282.	23-39-34	2195 618.	23-09-33	2195 806.	23-63-15
2188 433.	8-50-335	2188 995.	23-34-110	2195 283.	23-39-34	2195 619.	23-09-33		
2188 434.	8-50-338	2189 074.	23-54-184	2195 284.	23-09-9	2195 638.	23-20-14	2195 807.	23-63-15
						2195 639.	23-20-14	2195 810.	23-14-47
2188 436.	8-50-308	2189 093.	23-32-15	2195 302.	23-64-311	2195 656.	23-34-224	2195 811.	23-14-47
2188 438.	8-50-303	2189 098.	23-32-15	2195 303.	23-64-311			2195 820.	23-39-44
2188 439.	8-50-303	2189 116.	23-54-1	2195 304.	23-64-311	2195 660.	23-26-41	2195 822.	23-39-5
2188 441.	23-54-25	2189 117.	23-54-1	2195 305.	23-64-311	2195 676.	23-34-234		
2188 450.	8-50-303	2189 128.	23-34-122	2195 306.	23-64-280	2195 677.	23-34-234	2195 823.	23-39-5
2188 451.	8-50-303	2189 129.	23-34-122			2195 680.	23-64-265	2195 828.	23-18-13
2188 454.	8-50-338	2189 148.	23-36-131	2195 307.	23-64-280	2195 681.	23-64-265	2195 829.	23-18-13
2188 456.	8-50-308	2189 165.	23-34-334	2195 308.	23-63-100			2195 836.	23-23-73
2188 466.	23-54-147	2189 166.	23-63-100	2195 309.	23-63-100	2195 682.	23-64-265	2195 837.	23-23-73
2188 467.	23-54-147	2189 167.	23-63-100	2195 310.	23-42-38	2195 683.	23-64-265		
				2195 311.	15-11-3	2195 684.	23-64-265	2195 864.	23-64-273
2188 468.	23-45-105	2189 290.	23-32-69			2195 685.	23-64-265	2195 865.	23-64-273
2188 469.	23-45-105	2189 292.	8-50-303	2195 346.	23-39-34	2195 686.	23-64-287	2195 876.	23-09-51
2188 508.	23-54-11	2189 293.	8-50-303	2195 347.	23-39-34			2195 877.	23-09-51
2188 509.	23-54-11	2189 294.	23-23-50	2195 354.	23-64-174	2195 687.	23-64-287	2195 883.	23-22-55
2188 510.	23-54-11	2189 296.	23-63-110	2195 355.	23-64-174	2195 689.	23-63-127		23-26-44
				2195 360.	23-64-174	2195 690.	23-64-48		
2188 511.	23-54-11	2189 314.	23-51-3			2195 691.	23-64-48	2195 886.	23-40-85
2188 512.	23-54-11	2189 315.	23-51-3	2195 361.	23-64-174	2195 694.	23-64-49	2195 887.	23-40-85
2188 513.	23-54-11	2189 346.	23-64-10	2195 376.	23-34-120			2195 899.	23-63-22
2188 514.	23-54-11	2189 347.	23-64-10	2195 377.	23-34-120	2195 695.	23-64-49	2195 922.	23-34-120
2188 515.	23-54-11	2189 350.	23-63-171	2195 380.	23-34-235	2195 696.	23-63-127	2195 923.	23-34-120
				2195 381.	23-34-235	2195 697.	23-63-127		
2188 518.	23-45-102	2189 351.	23-42-46			2195 698.	23-64-48	2195 951.	1-48-365
2188 519.	23-45-102	2189 367.	23-19-11	2195 392.	23-34-218	2195 700.	23-63-126	2195 952.	7-16-11
2188 584.	8-55-195	2189 368.	23-34-301	2195 393.	23-34-218			2195 956.	23-40-92
2188 585.	8-55-195	2189 369.	23-34-166	2195 398.	23-22-7	2195 701.	23-63-126	2195 957.	23-40-92
2188 590.	8-55-8	2189 370.	23-64-66	2195 399.	23-22-7	2195 702.	23-64-71	2195 964.	23-23-73
				2195 401.	23-63-21	2195 703.	23-64-71		
2188 616.	23-48-105	2189 371.	23-64-66			2195 709.	23-39-48	2195 965.	23-23-73
2188 617.	23-48-105	2189 372.	23-64-66	2195 406.	23-26-41	2195 726.	23-09-75	2195 966.	15-11-73
2188 628.	23-54-20	2189 373.	23-64-66	2195 407.	23-26-41			2195 968.	23-63-100
2188 664.	8-56-1	2189 374.	23-64-66	2195 410.	23-63-55	2195 727.	23-09-75	2195 969.	23-63-100
2188 665.	8-56-1	2189 375.	23-32-15	2195 411.	23-63-55	2195 740.	23-09-35	2195 998.	23-64-242
				2195 426.	23-64-265	2195 741.	23-09-35	2195 999.	23-64-242
2188 679.	23-23-77	2189 382.	23-59-35			2195 744.	23-64-287		
2188 688.	23-63-33	2189 384.	23-15-1	2195 427.	23-64-265	2195 745.	23-64-287	2196 009.	17-16-1
2188 689.	23-63-33	2189 385.	23-15-1	2195 428.	23-63-33			2196 010.	17-16-1
2188 713.	23-34-301	2189 408.	23-15-7	2195 429.	23-63-33	2195 754.	23-22-53	2196 011.	17-11-1
2188 716.	23-34-301	2189 484.	23-19-57	2195 434.	23-63-14	2195 755.	23-22-53	2196 032.	19-01-4
					23-63-20	2195 758.	23-22-53	2196 033.	19-01-3
2188 734.	23-54-160	2189 676.	8-55-136			2195 759.	23-22-53		
2188 735.	23-54-165	2189 677.	8-55-136	2195 440.	23-63-21	2195 762.	23-36-63	2196 045.	9-01-5
2188 745.	23-34-228	2189 707.	23-23-36	2195 441.	23-63-21			2196 046.	9-39-1
2188 746.	23-34-227	2189 926.	13-68-106	2195 444.	23-63-104	2195 763.	23-36-63	2196 058.	2-08-57
2188 767.	23-54-72	2189 927.	13-66-116	2195 445.	23-63-104	2195 764.	23-63-106	2196 059.	2-10-55



## 1961 PASSENGER CAR PARTS CATALOG

NUMERICAL INDEX

PART NUMBER	CODE	PART NUMBER	CODE	PART NUMBER	CODE	PART NUMBER	CODE	PART NUMBER	CODE
2196 062.	21-01-3	2196 343.	23-41-10F	2196 665.	23-23-42	2196 820.	23-23-39	2197 371.	24-28-78
2196 074.	9-58-1	2196 449.	1-01-1	2196 666.	23-23-42	2196 821.	23-23-39	2197 375.	8-50-129
2196 077.	5-03-1	2196 460.	23-23-61	2196 667.	23-23-42	2196 822.	23-23-52	2197 376.	8-50-82
2196 082.	19-54-2	2196 462.	23-23-60	2196 668.	23-23-42	2196 823.	23-23-52	2197 389.	1-48-192
2196 086.	9-39-1	2196 463.	23-23-60	2196 669.	23-63-55	2196 824.	23-23-52		23-58-543
2196 087.	9-01-5	2196 464.	23-23-60	2196 670.	23-63-55	2196 825.	23-23-52		24-24-140
		2196 465.	23-23-60	2196 671.	23-63-55				24-28-382
2196 092.	5-03-1	2196 466.	23-23-60	2196 672.	23-63-55	2196 826.	23-23-52	2197 404.	23-41-170
2196 100.	23-23-42			2196 673.	23-23-65	2196 827.	23-23-52	2197 405.	1-50-1
2196 101.	23-23-42	2196 467.	23-54-146	2196 674.	23-23-65	2196 836.	23-19-114	2197 407.	24-24-5
2196 102.	23-23-42	2196 468.	23-23-61			2196 839.	23-36-123	2197 410.	1-48-300
2196 103.	23-23-42	2196 472.	23-23-65	2196 682.	23-23-41	2196 880.	23-23-52	2197 415.	23-58-532
		2196 473.	23-23-65	2196 683.	23-23-41				
2196 116.	23-34-235	2196 474.	23-23-65	2196 684.	23-23-49	2196 881.	23-23-52		
2196 117.	23-34-235			2196 685.	23-23-49	2196 882.	23-23-52	2197 442.	1-48-299
2196 119.	23-23-64	2196 475.	23-23-65	2196 692.	23-23-42	2196 883.	23-23-52	2197 446.	1-88-6
2196 144.	1-08-1	2196 476.	23-23-66			2196 895.	1-45-1	2197 447.	1-88-6
2196 180.	23-23-39	2196 477.	23-23-65	2196 693.	23-23-42	2196 904.	5-39-1	2197 461.	1-48-76
		2196 478.	23-23-65	2196 694.	23-23-42			2197 463.	1-48-13
2196 181.	23-23-39	2196 479.	23-34-85	2196 695.	23-23-42	2196 905.	5-39-1		24-24-167
2196 184.	23-34-240			2196 696.	23-23-42	2196 906.	5-39-1		
2196 185.	23-34-240	2196 480.	23-34-85	2196 697.	23-23-42	2196 910.	7-42-1	2197 466.	24-24-159
2196 203.	14-35-1	2196 481.	23-23-65			2196 934.	7-14-5	2197 468.	1-48-12
2196 207.	14-30-8	2196 482.	23-23-65	2196 698.	23-23-42	2196 995.	19-01-3		24-24-164
		2196 483.	23-58-240	2196 699.	23-23-42			2197 469.	1-48-12
2196 208.	14-41-3	2196 488.	23-34-27	2196 725.	23-34-334	2196 998.	21-138-2	2197 470.	1-48-12
2196 209.	14-30-7			2196 730.	23-23-2	2197 001.	1-48-886		
2196 211.	14-30-7	2196 499.	23-34-27	2196 731.	23-23-2		24-24-167	2197 471.	1-48-12
2196 212.	14-30-7	2196 503.	12-15-2			2197 011.	1-48-555		24-24-164
2196 214.	14-41-3	2196 504.	12-15-2	2196 732.	23-23-2	2197 020.	24-28-24	2197 472.	1-48-12
		2196 509.	23-19-114	2196 733.	23-23-2			2197 473.	24-24-164
2196 215.	14-43-5	2196 510.	23-19-114	2196 734.	23-23-2	2197 052.	8-37-162	2197 474.	24-24-164
2196 216.	14-30-4			2196 735.	23-23-2	2197 059.	8-37-275		
2196 217.	14-30-4	2196 511.	23-19-114	2196 749.	23-23-65	2197 060.	8-37-136	2197 475.	24-24-164
2196 221.	14-30-7	2196 512.	23-19-114			2197 075.	8-05-16	2197 493.	8-15-2
2196 222.	14-30-7	2196 513.	23-19-114	2196 773.	2-14-1		8-42-31	2197 498.	24-28-382
		2196 515.	23-19-11	2196 774.	2-14-1		23-54-169	2197 499.	1-48-192
2196 246.	14-30-4	2196 524.	23-23-2	2196 776.	17-11-3		23-58-534	2197 508.	23-58-552
2196 250.	1-74-1			2196 778.	17-11-3		24-24-20		
2196 252.	23-23-42	2196 525.	23-23-2	2196 780.	17-11-3		24-24-160	2197 509.	1-48-313
2196 253.	23-23-42	2196 526.	23-23-39						24-24-13
2196 256.	23-19-114	2196 527.	23-23-39	2196 781.	17-11-3	2197 079.	8-33-121		24-28-13
		2196 528.	23-34-240	2196 782.	17-11-3	2197 111.	8-32-2		24-28-358
2196 272.	23-23-65	2196 529.	23-34-240	2196 783.	17-11-3	2197 112.	8-32-2	2197 510.	24-28-358
2196 273.	23-23-65			2196 784.	17-12-4	2197 124.	8-32-2		
2196 282.	23-23-52	2196 575.	23-34-340	2196 785.	17-12-4	2197 125.	8-32-2	2197 511.	23-33-44
2196 283.	23-23-52	2196 599.	23-34-334					2197 604.	1-88-1
2196 284.	23-23-52	2196 606.	23-23-30	2196 786.	17-12-4	2197 131.	24-29-1	2197 622.	1-48-942
		2196 608.	23-23-60	2196 787.	17-12-4	2197 136.	1-48-165	2197 623.	24-24-20
2196 285.	23-23-52	2196 609.	23-23-60	2196 788.	17-12-4		8-15-6		24-24-156
2196 288.	23-23-52			2196 789.	17-11-3		24-24-11		
2196 289.	23-23-52	2196 610.	23-34-334	2196 792.	17-11-3	2197 139.	23-41-55	2197 641.	1-88-1
2196 292.	23-23-52	2196 611.	23-34-334					2197 642.	1-88-1
2196 300.	1-06-2	2196 619.	12-15-21	2196 793.	17-11-3	2197 147.	1-88-205	2197 650.	1-82-44
		2196 620.	23-54-73	2196 795.	21-118-6	2197 152.	14-02-2	2197 663.	1-48-70
2196 306.	24-25-234	2196 621.	23-54-11	2196 805.	23-19-11	2197 155.	14-02-3		24-24-140
2196 312.	8-33-164			2196 808.	23-23-52	2197 156.	14-02-30		
2196 313.	23-54-167	2196 622.	12-15-21	2196 809.	23-23-52	2197 170.	8-50-126	2197 664.	1-48-70
2196 315.	24-25-162	2196 623.	12-15-21					2197 667.	1-48-164
2196 322.	8-50-135	2196 624.	23-23-42	2196 810.	23-23-52	2197 180.	1-88-1	2197 678.	24-28-392
		2196 626.	23-23-42	2196 811.	23-23-52	2197 222.	8-37-316	2197 798.	1-48-707
2196 323.	8-52-120	2196 627.	23-23-42	2196 812.	23-23-52	2197 224.	8-37-136	2197 801.	8-37-98
2196 324.	8-52-76			2196 814.	23-23-39	2197 225.	8-37-275		
2196 325.	8-52-80	2196 628.	23-23-42	2196 815.	23-23-39	2197 271.	8-37-458		
2196 333.	23-67-25	2196 629.	23-23-42					2197 804.	8-37-162
2196 336.	24-24-23	2196 642.	1-135-1	2196 816.	23-23-74	2197 287.	1-21-1	2197 807.	8-37-136
		2196 662.	23-19-57	2196 817.	23-23-74	2197 327.	8-34-178	2197 808.	8-37-275
2196 341.	24-28-36	2196 663.	23-19-45	2196 818.	23-34-240	2197 346.	23-54-178	2197 813.	8-37-316
2196 342.	23-41-106			2196 819.	23-34-240	2197 370.	24-28-78	2197 827.	1-48-4



PART NUMBER	CODE	PART NUMBER	CODE	PART NUMBER	CODE	PART NUMBER	CODE	PART NUMBER	CODE
2197 832.	24-24-167	2198 407.	23-67-85	2200 345.	5-31-15	2201 218.	6-13-4	2201 650.	22-01-42
2197 836.	1-48-942	2198 448.	1-82-4	2200 349.	6-22-19	2201 223.	6-14-1	2201 651.	22-01-42
2197 839.	24-24-159	2198 454.	1-82-22	2200 377.	11-05-1	2201 225.	19-15-20	2201 655.	22-01-43
2197 844.	24-24-20 24-24-156	2198 458.	8-39-3	2200 379.	11-05-1	2201 232.	19-14-1	2201 659.	22-01-42
2197 846.	1-48-12 24-24-164	2198 506.	8-30-1	2200 463.	11-05-1	2201 234.	19-14-57	2201 735.	8-33-6
2197 847.	1-48-12	2198 514.	1-87-2	2200 480.	19-48-1	2201 237.	19-04-1	2201 751.	19-30-4
2197 848.	1-48-12	2198 515.	1-87-2	2200 481.	19-48-1	2201 248.	8-33-5	2201 752.	19-30-4
2197 849.	1-48-12 24-24-164	2198 569.	8-15-2	2200 490.	23-33-213	2201 258.	19-46-9	2201 753.	19-30-4
2197 850.	1-48-12	2198 684.	23-33-220	2200 527.	16-02-2	2201 259.	19-46-6	2201 754.	19-30-4
2197 851.	24-24-164	2198 685.	23-33-220	2200 534.	16-02-1	2201 260.	19-46-11	2201 755.	19-30-4
2197 852.	24-24-164	2198 694.	8-37-372	2200 554.	19-01-12	2201 265.	8-33-5	2201 759.	8-33-4
2197 853.	24-24-164	2198 695.	8-37-372	2200 556.	19-02-13	2201 272.	19-14-35	2201 762.	8-33-4
2197 871.	8-32-15	2198 696.	8-37-372	2200 557.	8-33-5	2201 294.	8-33-6	2201 764.	19-58-7
2197 874.	8-32-15	2198 727.	1-108-2	2200 560.	19-58-14	2201 297.	8-33-4	2201 765.	19-58-7
2197 876.	8-32-15	2198 737.	1-88-1	2200 577.	19-30-18	2201 304.	19-30-4	2201 767.	8-33-6
2197 885.	24-28-387	2198 805.	1-48-194	2200 581.	19-30-4	2201 305.	19-30-4	2201 771.	19-46-16
2197 896.	24-01-33	2198 806.	8-42-25	2200 585.	8-33-4	2201 306.	19-30-4	2201 772.	19-46-16
2197 899.	1-48-138	2198 811.	23-41-55	2200 639.	4-25-4	2201 307.	19-30-4	2201 782.	19-30-4
2197 903.	1-48-293	2198 813.	23-41-55	2200 642.	4-25-3	2201 308.	19-30-4	2201 783.	19-30-4
2197 904.	1-48-707	2198 814.	23-41-55	2200 685.	13-54-11	2201 313.	19-30-4	2201 784.	19-30-4
2197 906.	1-48-599	2198 816.	23-41-55	2200 706.	8-33-4	2201 315.	19-30-4	2201 785.	19-30-4
2197 907.	1-48-46	2198 817.	23-41-55	2200 712.	8-33-4	2201 316.	19-30-4	2201 786.	19-30-4
2197 908.	1-48-88	2198 819.	23-41-55	2200 715.	8-33-17	2201 317.	19-30-4	2201 787.	19-30-4
2197 939.	21-20-28	2198 820.	23-41-55	2200 719.	19-02-4	2201 318.	19-30-4	2201 788.	19-30-4
2197 999.	8-32-2	2198 822.	23-41-55	2200 721.	19-14-35	2201 320.	19-30-4	2201 789.	19-30-4
2198 000.	8-32-2	2198 826.	8-55-63	2200 730.	19-15-47	2201 321.	19-30-4	2201 790.	19-30-4
2198 020.	8-15-4	2198 860.	8-35-44	2200 738.	19-31-2	2201 322.	19-30-4	2201 791.	19-30-4
2198 024.	24-28-366	2198 869.	8-35-44	2200 739.	19-31-1	2201 328.	19-30-4	2201 792.	19-30-4
2198 035.	8-32-2	2198 872.	8-35-85	2200 740.	19-31-1	2201 329.	19-30-4	2201 793.	19-30-4
2198 036.	1-82-22	2198 877.	8-53-296	2200 747.	19-15-4	2201 330.	19-30-4	2201 794.	19-46-3
2198 082.	24-24-27	2198 879.	1-88-205	2200 748.	19-15-4	2201 334.	19-30-4	2201 795.	19-46-5
2198 090.	8-42-25	2200 023.	6-14-1	2200 749.	19-15-4	2201 335.	19-30-4	2201 889.	3-35-14
2198 099.	23-67-79	2200 024.	9-69-28	2200 801.	13-11-5	2201 336.	19-30-4	2201 905.	5-102-2
2198 113.	21-85-9	2200 027.	6-19-2	2200 860.	21-30-336	2201 337.	19-30-4	2201 942.	5-102-2
2198 127.	1-88-6	2200 028.	6-24-1	2200 862.	21-30-336	2201 339.	19-30-4	2201 944.	5-102-2
2198 128.	1-88-6	2200 029.	6-24-1	2200 864.	21-30-336	2201 340.	19-30-4	2202 379.	14-11-14
2198 195.	23-41-55	2200 032.	6-14-1	2200 866.	21-30-336	2201 341.	19-30-4	2202 380.	8-28-285
2198 196.	23-41-55	2200 051.	6-13-1	2200 868.	21-30-336	2201 342.	19-30-4	2202 381.	8-28-283
2198 197.	23-41-55	2200 053.	6-13-1	2200 883.	21-30-336	2201 350.	11-05-1	2202 390.	7-03-1
2198 210.	1-82-9	2200 055.	6-13-1	2200 884.	21-30-336	2201 352.	11-05-1	2202 408.	14-30-1
2198 211.	1-82-6	2200 058.	5-31-12	2200 885.	21-30-336	2201 356.	11-05-1	2202 412.	14-30-1
2198 213.	23-54-178	2200 064.	6-13-1	2200 886.	21-30-336	2201 358.	11-05-1	2202 413.	14-30-1
2198 223.	8-50-349	2200 068.	6-13-1	2200 887.	21-30-336	2201 382.	11-05-1	2202 423.	14-30-1
2198 229.	1-88-1	2200 069.	6-13-1	2200 890.	21-30-336	2201 385.	11-10-3	2202 428.	14-11-9 14-11-18
2198 255.	23-67-160	2200 118.	5-03-5	2200 891.	21-30-336	2201 386.	11-10-3	2202 435.	10-26-65
2198 256.	23-67-160	2200 122.	5-03-5	2200 892.	21-30-336	2201 403.	11-10-42	2202 445.	14-11-9
2198 292.	1-88-6	2200 130.	22-03-1	2200 893.	21-30-336	2201 406.	11-10-3	2202 484.	8-28-15
2198 293.	1-88-6	2200 131.	22-03-1	2200 894.	21-30-336	2201 411.	11-09-3	2202 487.	9-07-5
2198 323.	1-82-14 1-82-41	2200 132.	22-03-1	2200 895.	21-30-336	2201 418.	11-01-1	2202 488.	9-07-5
2198 348.	23-67-79	2200 133.	22-03-1	2200 928.	22-01-5	2201 424.	11-01-1	2202 511.	8-28-36
2198 349.	23-67-79	2200 134.	22-03-2	2200 963.	14-89-57	2201 432.	11-05-1	2202 512.	8-28-15
2198 354.	1-108-1	2200 135.	22-03-2	2201 009.	13-72-2	2201 448.	11-05-1	2202 583.	14-14-42
2198 361.	14-02-8	2200 214.	16-20-1	2201 010.	13-72-2	2201 470.	4-25-4	2202 666.	7-06-14
2198 363.	23-67-79	2200 301.	6-19-2	2201 012.	13-72-3	2201 484.	22-01-42	2202 767.	8-28-15
2198 364.	23-67-79	2200 302.	6-27-5	2201 181.	5-47-4	2201 612.	19-19-4	2202 790.	14-11-9
		2200 303.	6-38-1	2201 195.	6-39-2			2202 794.	7-06-1 24-25-35
		2200 335.	6-38-1	2201 197.	5-28-8				
		2200 338.	6-35-8	2201 212.	6-14-1				
		2200 344.	5-31-15	2201 217.	6-13-4				

## 1961 PASSENGER CAR PARTS CATALOG

NUMERICAL INDEX

PART NUMBER	CODE	PART NUMBER	CODE	PART NUMBER	CODE	PART NUMBER	CODE	PART NUMBER	CODE
2202 812. . .	9-03-28	2204 297. . .	21-30-436	2205 858. . .	14-68-3	2207 802. . .	19-30-4	2212 367. . .	23-20-29
2202 834. . .	9-64-17	2204 314. . .	13-01-1	2205 859. . .	9-13-5			2212 631. . .	24-28-3
2202 846. . .	19-54-115	2204 315. . .	13-01-1	2205 885. . .	14-11-1	2207 803. . .	19-30-4	2212 632. . .	24-28-3
		2204 316. . .	13-01-1	2205 902. . .	9-48-7	2207 804. . .	19-30-4	2212 633. . .	24-28-3
2202 850. . .	19-54-123			2205 939. . .	10-02-15	2207 805. . .	19-30-4		
2202 851. . .	19-54-86	2204 317. . .	13-11-5			2207 816. . .	8-33-17	2212 634. . .	24-28-3
2202 860. . .	7-14-5	2204 369. . .	21-133-65	2205 941. . .	9-01-24	2207 835. . .	19-14-42	2216 326. . .	23-09-16
2202 866. . .	9-02-5	2204 397. . .	21-42-23	2205 942. . .	9-01-24			2216 327. . .	23-09-16
2202 869. . .	7-14-5	2204 398. . .	21-42-23	2205 957. . .	10-02-62	2207 988. . .	4-25-4	2216 344. . .	23-64-240
		2204 472. . .	21-02-1	2206 022. . .	24-25-35	2208 008. . .	4-26-28	2216 345. . .	23-64-240
2202 876. . .	7-03-1			2206 030. . .	14-14-49		5-27-12		
2202 884. . .	14-30-1	2204 486. . .	21-09-2			2208 009. . .	4-25-3	2216 404. . .	23-42-23
2202 885. . .	14-30-1	2204 498. . .	21-139-140	2206 056. . .	9-03-4	2208 017. . .	4-25-4		23-42-38
2202 886. . .	14-30-1	2204 503. . .	21-14-15	2206 103. . .	9-39-5			2216 406. . .	23-42-16
2202 887. . .	14-30-1	2204 547. . .	21-139-108	2206 104. . .	9-39-5	2208 022. . .	4-25-7		24-28-24
		2204 641. . .	21-119-15	2206 105. . .	9-39-5	2208 043. . .	4-25-7	2219 004. . .	24-28-75
2202 889. . .	14-30-1			2206 106. . .	9-39-5	2208 140. . .	21-30-6		
2202 890. . .	14-30-1	2204 643. . .	21-119-19			2208 141. . .	21-30-336	2219 007. . .	24-28-89
2202 891. . .	14-30-1	2204 692. . .	21-02-1	2206 119. . .	9-02-5	2208 142. . .	21-30-336	2219 010. . .	24-28-89
2202 892. . .	14-30-1	2204 693. . .	21-02-1	2206 120. . .	9-50-3			2219 019. . .	24-28-93
2203 021. . .	10-02-62	2204 695. . .	21-02-1	2206 121. . .	14-11-20	2208 143. . .	21-30-336	2219 035. . .	24-28-75
		2204 709. . .	21-118-45	2206 132. . .	9-01-24	2208 144. . .	21-30-336	2219 048. . .	24-28-24
2203 024. . .	7-07-1			2206 134. . .	9-01-24	2208 145. . .	21-30-336		
2203 031. . .	24-25-35	2204 727. . .	21-136-237			2208 370. . .	11-01-1	2219 057. . .	24-28-78
2203 039. . .	9-67-4	2204 752. . .	21-02-1	2206 136. . .	9-01-24	2208 399. . .	11-08-5	2219 066. . .	1-48-236
2203 040. . .	9-67-4	2204 753. . .	21-02-1	2206 138. . .	9-01-24			2219 071. . .	1-48-162
2203 062. . .	9-64-24	2204 755. . .	21-133-5	2206 140. . .	9-01-24	2208 451. . .	14-86-40	2219 090. . .	24-29-1
		2204 756. . .	21-133-5	2206 151. . .	10-02-40	2208 456. . .	14-86-53	2219 127. . .	24-28-24
2203 063. . .	9-64-24			2206 153. . .	9-48-151	2208 458. . .	14-86-1		
2203 083. . .	8-28-36	2204 757. . .	21-133-5			2208 462. . .	14-86-1	2219 133. . .	24-28-24
2203 092. . .	14-11-9	2204 758. . .	21-133-7	2206 177. . .	14-11-1	2208 463. . .	14-86-40	2219 155. . .	24-26-35
2203 097. . .	9-02-5	2204 792. . .	21-136-5	2206 179. . .	14-11-20			2219 174. . .	24-28-24
2203 106. . .	9-23-5	2204 843. . .	21-131-12	2206 191. . .	19-54-115	2208 467. . .	14-86-50	2219 214. . .	24-28-24
		2204 885. . .	21-139-191	2206 192. . .	19-54-115	2208 569. . .	13-33-61	2219 280. . .	1-48-854
2203 114. . .	24-25-5			2206 193. . .	19-54-86	2208 732. . .	23-32-17		
2203 116. . .	10-02-66	2204 890. . .	21-139-193			2208 893. . .	5-62-20	2219 291. . .	1-48-1
2203 117. . .	10-02-67	2204 893. . .	21-139-147	2206 254. . .	14-29-2	2209 143. . .	8-53-296	2219 292. . .	1-48-1
2203 118. . .	10-02-65	2204 894. . .	21-139-4	2206 266. . .	9-67-9			2219 294. . .	1-48-1
2203 123. . .	14-07-1	2204 896. . .	21-139-4	2206 319. . .	10-03-4	2209 145. . .	23-67-194	2219 302. . .	24-28-24
		2204 952. . .	21-136-20	2206 356. . .	7-02-1	2209 147. . .	23-54-169	2219 303. . .	24-28-24
2203 126. . .	14-30-1			2206 376. . .	14-29-6	2209 190. . .	1-48-4		
2203 233. . .	8-28-36	2204 953. . .	21-118-47			2209 199. . .	8-37-372	2219 392. . .	1-48-125
2203 235. . .	14-11-9	2204 979. . .	21-133-5	2206 408. . .	14-11-29	2209 200. . .	8-37-372	2219 469. . .	24-26-100
2203 239. . .	14-14-1	2204 980. . .	21-133-7	2206 416. . .	9-48-14			2219 549. . .	24-26-100
2203 240. . .	14-14-12	2204 985. . .	21-02-1	2206 485. . .	14-29-2	2209 203. . .	8-37-275	2219 599. . .	24-28-24
		2204 986. . .	21-02-1	2206 495. . .	9-02-5	2209 204. . .	8-37-136	2219 613. . .	24-25-20
2203 264. . .	14-11-9			2206 498. . .	9-02-5	2209 206. . .	1-48-12		
2203 311. . .	14-29-6	2204 987. . .	21-02-1			2209 207. . .	1-48-12	2219 614. . .	24-25-232
2203 349. . .	14-11-30	2205 058. . .	21-14-1	2206 633. . .	1-07-1	2209 208. . .	1-48-12	2219 644. . .	24-25-110
2203 350. . .	22-06-1	2205 061. . .	21-14-15	2206 957. . .	9-71-5			2219 676. . .	1-48-379
2203 351. . .	22-06-2	2205 076. . .	21-02-1	2206 965. . .	9-71-15	2209 209. . .	1-48-12	2219 677. . .	1-48-379
		2205 326. . .	21-133-5	2206 974. . .	16-02-1	2209 229. . .	21-84-4	2219 852. . .	1-48-1
2203 352. . .	22-06-1			2207 306. . .	19-19-70	2209 250. . .	8-37-373		
2203 353. . .	22-06-2	2205 518. . .	7-06-1			2209 257. . .	1-48-942	2219 886. . .	1-48-599
2203 385. . .	13-72-3	2205 519. . .	19-54-115	2207 307. . .	19-15-58	2209 259. . .	4-10-23	2219 887. . .	1-48-46
2203 387. . .	13-72-3	2205 521. . .	19-54-115	2207 484. . .	3-35-14			2219 888. . .	1-48-88
2203 388. . .	13-72-3	2205 522. . .	19-54-123	2207 504. . .	5-03-5	2209 295. . .	1-48-941	2219 891. . .	1-48-854
		2205 523. . .	19-54-86	2207 516. . .	22-01-51	2209 296. . .	14-72-1	2226 129. . .	19-15-33
2203 475. . .	21-30-420			2207 520. . .	5-26-1	2209 313. . .	8-37-100		
2203 480. . .	21-30-2	2205 552. . .	9-31-4			2209 323. . .	1-48-7	2240 192. . .	21-01-3
2203 483. . .	21-30-315	2205 582. . .	14-30-2	2207 638. . .	22-01-42	2209 329. . .	8-05-14	2240 194. . .	21-01-3
2203 485. . .	21-30-316	2205 730. . .	14-30-1	2207 701. . .	5-27-6		8-53-270	2240 235. . .	14-86-35
2203 488. . .	21-30-418	2205 794. . .	14-11-20	2207 709. . .	5-31-18			2240 236. . .	17-11-3
		2205 797. . .	14-11-20	2207 710. . .	5-31-18	2209 339. . .	1-82-6	2240 237. . .	17-11-3
2203 493. . .	21-30-418			2207 712. . .	21-118-40	2209 342. . .	1-82-2		
2203 494. . .	21-30-418	2205 820. . .	14-11-20			2210 279. . .	23-31-33	2240 239. . .	17-11-3
2203 495. . .	21-30-436	2205 836. . .	9-03-28	2207 738. . .	6-35-1	2212 105. . .	23-20-11	2240 240. . .	17-11-3
2203 498. . .	21-30-316	2205 848. . .	9-03-4	2207 747. . .	5-28-8	2212 106. . .	23-20-11	2240 241. . .	17-11-3
2204 143. . .	19-15-35	2205 853. . .	9-48-6	2207 752. . .	6-38-1			2240 245. . .	5-39-1
2204 274. . .	19-48-12	2205 857. . .	14-68-8	2207 757. . .	6-38-1	2212 107. . .	23-20-11	2240 250. . .	8-50-103

PART NUMBER	CODE	PART NUMBER	CODE	PART NUMBER	CODE	PART NUMBER	CODE	PART NUMBER	CODE
2240 256.	23-67-10	2240 454.	14-35-6	2240 644.	17-12-4	2240 825.	12-15-21	2241 076.	23-26-24
2240 257.	23-67-164			2240 650.	9-11-1		23-54-11	2241 082.	23-26-23
2240 261.	8-55-1	2240 455.	14-30-4	2240 651.	9-11-1	2240 830.	23-34-340	2241 083.	23-26-23
2240 262.	8-55-1	2240 457.	14-30-4			2240 831.	23-34-334	2241 084.	23-26-23
2240 264.	8-16-1	2240 463.	14-43-5	2240 684.	9-58-1			2241 085.	23-26-23
		2240 464.	14-35-1	2240 686.	17-11-3	2240 846.	12-15-21		
2240 288.	24-25-10	2240 465.	14-30-4	2240 701.	24-25-84	2240 847.	12-15-21	2241 086.	23-26-23
2240 302.	21-118-6			2240 702.	24-25-94	2240 848.	12-15-2	2241 087.	23-26-23
2240 304.	6-01-1	2240 466.	14-43-5	2240 703.	24-25-160	2240 849.	12-15-2	2241 088.	23-26-23
2240 308.	11-10-1	2240 467.	14-30-4			2240 854.	23-34-334	2241 089.	23-26-23
	11-10-16	2240 468.	14-30-4	2240 704.	24-25-164			2241 092.	23-26-23
		2240 470.	14-30-7	2240 705.	24-25-166	2240 855.	23-34-334		
2240 311.	11-10-1	2240 471.	14-30-4	2240 706.	24-25-127	2240 858.	12-15-2	2241 093.	23-26-23
2240 312.	11-10-1			2240 709.	24-25-7	2240 859.	12-15-2	2241 098.	23-26-23
2240 316.	17-23-3	2240 472.	14-30-7	2240 710.	24-25-7	2240 866.	23-23-32	2241 126.	23-26-23
2240 317.	17-23-3	2240 473.	14-43-5			2240 867.	23-23-32	2241 127.	23-26-23
2240 318.	7-43-1	2240 474.	14-43-5	2240 711.	24-25-166			2241 142.	23-26-23
		2240 475.	14-30-4	2240 712.	24-25-94	2240 868.	23-23-33		
2240 320.	21-01-3	2240 476.	14-43-5	2240 713.	24-25-94	2240 869.	23-23-33	2241 148.	23-26-23
2240 332.	21-118-1			2240 714.	24-25-81	2240 873.	23-23-32	2241 149.	23-26-23
2240 333.	9-34-5	2240 477.	14-30-4	2240 715.	24-25-114	2240 874.	23-23-32	2241 164.	15-03-60
2240 334.	9-34-5	2240 478.	14-30-7			2240 900.	23-19-11	2241 167.	15-03-60
2240 335.	9-34-5	2240 479.	14-43-5	2240 716.	24-25-154			2241 168.	15-03-60
		2240 480.	14-30-4	2240 718.	24-25-93	2240 901.	23-23-30		
2240 336.	9-34-5	2240 485.	14-35-1	2240 719.	24-25-246	2240 902.	23-23-23	2241 219.	23-54-53
2240 337.	9-34-5			2240 720.	24-25-70	2240 915.	12-15-21	2241 263.	23-18-27
2240 338.	9-34-5	2240 486.	14-30-4	2240 721.	24-25-162	2240 916.	12-15-2	2241 393.	23-38-12
2240 339.	9-34-5	2240 488.	14-43-5			2240 917.	12-15-2	2241 409.	23-31-33
2240 353.	17-23-3	2240 489.	14-30-4	2240 722.	24-25-165			2241 494.	23-26-62
		2240 491.	14-30-4	2240 723.	24-25-158	2240 922.	12-15-2		
2240 355.	17-23-3	2240 492.	14-43-5	2240 728.	8-55-1	2240 923.	12-15-2	2241 495.	23-26-62
2240 356.	17-23-3			2240 739.	8-55-1	2240 924.	7-16-61	2241 556.	23-26-23
2240 358.	17-23-3	2240 496.	14-30-4	2240 740.	8-55-194	2240 925.	7-16-61	2241 557.	23-26-23
2240 359.	17-23-3	2240 498.	14-30-4			2240 926.	7-16-61	2241 560.	23-26-23
2240 360.	17-23-3	2240 526.	23-67-86	2240 742.	8-50-334			2242 902.	23-14-10
		2240 527.	23-67-86	2240 743.	8-50-334	2240 927.	7-16-61		
2240 361.	17-23-3	2240 529.	8-52-180	2240 744.	8-37-155	2240 928.	7-16-61	2242 903.	23-14-10
2240 362.	17-23-3			2240 745.	8-27-308	2240 930.	7-16-36	2249 265.	23-33-42
2240 364.	17-23-3	2240 533.	23-67-160	2240 747.	8-27-279	2240 931.	7-16-36	2249 296.	23-63-33
2240 365.	17-23-3	2240 534.	8-53-270			2240 932.	12-15-2	2249 297.	23-63-33
2240 368.	9-09-2	2240 536.	8-16-1	2240 749.	8-52-135			2249 298.	23-63-33
		2240 547.	14-72-1	2240 765.	23-11-23	2240 933.	15-25-2		
2240 369.	9-09-2	2240 548.	14-72-1	2240 766.	23-11-23	2240 934.	12-15-2	2249 299.	23-63-33
2240 370.	9-09-2			2240 768.	23-23-65	2240 935.	12-15-2	2249 300.	23-63-33
2240 371.	9-09-2	2240 549.	14-72-1	2240 769.	23-23-65	2240 936.	12-15-2	2249 301.	23-63-33
2240 372.	9-09-2	2240 573.	1-74-1			2240 937.	12-15-2	2249 302.	23-63-33
2240 373.	9-09-2	2240 574.	1-135-1	2240 770.	23-23-65			2249 303.	23-63-33
		2240 601.	19-19-6	2240 771.	23-23-42	2240 938.	12-15-2		
2240 374.	9-09-2	2240 602.	19-02-4	2240 772.	23-23-42	2240 939.	12-15-2	2249 304.	23-63-33
2240 375.	9-09-2			2240 773.	23-23-42	2240 940.	12-15-2	2249 305.	23-63-33
2240 376.	9-09-2	2240 605.	13-72-1	2240 774.	23-23-42	2240 941.	12-15-2	2249 306.	23-63-33
2240 377.	9-09-2	2240 606.	13-72-1			2240 942.	12-15-21	2249 307.	23-63-33
2240 378.	9-09-2	2240 608.	8-33-39	2240 775.	23-23-30			2249 308.	23-63-33
		2240 611.	17-11-3	2240 776.	23-23-30	2240 943.	12-15-21		
2240 379.	9-09-2	2240 612.	16-20-1	2240 777.	23-23-30	2240 944.	23-23-23	2249 309.	23-63-33
2240 380.	2-07-1			2240 778.	23-23-30	2240 945.	23-23-23	2249 312.	23-63-33
2240 381.	2-07-1	2240 613.	16-20-1	2240 779.	23-19-11	2240 946.	23-19-53	2249 313.	23-63-33
2240 382.	1-01-1	2240 614.	16-20-1			2240 947.	23-19-45	2249 314.	23-63-33
2240 387.	5-03-1	2240 615.	19-02-4	2240 780.	23-23-41			2249 315.	23-63-33
		2240 620.	19-54-2	2240 781.	23-23-41	2240 949.	23-23-23		
2240 394.	9-48-7	2240 625.	5-100-157	2240 782.	23-19-114	2240 950.	23-34-334	2249 316.	23-63-33
2240 395.	9-48-7			2240 783.	23-23-30			2249 317.	23-63-33
2240 397.	7-04-1	2240 627.	21-05-1	2240 784.	23-34-184	2240 970.	7-16-36	2249 318.	23-63-33
2240 400.	14-35-1	2240 628.	9-01-5	2240 794.	23-34-240	2240 971.	7-16-36	2249 319.	23-63-33
2240 401.	14-30-8	2240 629.	9-39-1	2240 795.	23-34-240	2240 972.	23-23-39	2249 372.	23-20-11
		2240 631.	19-48-7	2240 813.	23-19-114	2240 973.	23-23-39		23-20-41
2240 408.	14-30-4	2240 634.	6-17-3	2240 814.	23-11-24	2240 974.	23-23-39		
2240 410.	14-30-8				23-19-128	2240 975.	23-23-33	2249 463.	23-20-41
2240 436.	14-30-8	2240 640.	9-35-1			2240 976.	23-23-33	2249 464.	23-20-41
2240 437.	14-35-1	2240 642.	14-35-1	2240 824.	23-34-334	2241 075.	23-26-2	2249 465.	23-20-41



## 1961 PASSENGER CAR PARTS CATALOG

NUMERICAL INDEX

PART NUMBER	CODE	PART NUMBER	CODE	PART NUMBER	CODE	PART NUMBER	CODE	PART NUMBER	CODE
2249 506.	23-20-8	2257 480.	8-20-8	2259 052.	23-34-80	2260 083.	19-15-100	2265 606.	19-15-4
2249 507.	23-20-8	2257 581.	14-02-1	2259 053.	23-34-80	2260 099.	19-14-6	2265 610.	19-15-100
		2257 582.	1-21-1	2259 054.	23-63-33			2265 613.	19-01-19
2249 552.	23-20-29	2257 586.	1-10-1	2259 055.	23-63-33	2260 124.	19-14-6	2265 795.	5-03-5
2251 072.	23-20-41	2257 632.	21-84-1	2259 067.	23-63-19	2260 170.	22-01-42		
2251 452.	23-63-181					2260 171.	22-01-51	2266 034.	11-09-3
2252 100.	8-50-349	2257 645.	8-37-162	2259 074.	1-48-362		23-19-57	2266 123.	22-08-5
2253 241.	15-03-3	2257 651.	8-37-91	2259 085.	23-34-80	2260 223.	23-33-245	2266 729.	8-33-70
		2257 660.	8-37-136	2259 102.	23-64-299			2266 881.	5-03-23
2253 608.	12-01-7	2257 667.	21-84-4	2259 103.	23-64-299	2260 435.	13-33-68	2267 066.	5-03-23
2253 609.	12-01-7	2257 692.	1-82-2	2259 105.	15-03-60	2260 484.	19-15-48		
2253 612.	12-01-7					2260 534.	22-03-1	2268 870.	10-26-18
2253 613.	12-01-7	2257 701.	1-10-1	2259 112.	1-48-383	2260 535.	22-03-1	2271 097.	23-63-33
2253 614.	12-01-7	2257 703.	23-18-106	2259 118.	4-23-4	2260 540.	22-05-14	2271 099.	23-63-33
		2257 719.	8-50-171	2259 119.	4-23-4			2274 865.	23-20-8
2253 615.	12-01-7	2257 720.	8-50-156	2259 122.	23-20-65	2260 541.	22-05-14	2274 866.	23-20-8
2253 694.	12-01-7	2257 722.	8-39-15	2259 123.	23-20-65	2260 651.	22-01-5		
2253 695.	12-01-7					2260 684.	5-31-15	2275 000.	12-15-2
2253 730.	23-32-105	2257 723.	8-39-3	2259 130.	23-39-44	2260 709.	5-34-6	2275 001.	12-15-2
2253 731.	23-32-17	2257 726.	1-14-4	2259 142.	23-20-14	2260 710.	5-34-1	2275 007.	23-19-11
		2257 744.	23-41-95	2259 143.	23-20-14			2275 009.	23-34-184
2253 926.	23-64-299	2257 767.	8-15-2	2259 144.	23-20-14	2260 714.	6-35-1	2275 010.	23-23-41
2253 927.	23-64-299	2257 771.	8-15-2	2259 145.	23-20-14	2260 717.	6-38-1		
2254 082.	23-34-120					2260 804.	5-26-1	2275 011.	23-23-41
2254 083.	23-34-120	2257 773.	8-19-25	2259 146.	23-20-14	2260 856.	21-30-413	2275 012.	23-23-23
2254 135.	23-42-56	2257 824.	8-15-2	2259 147.	23-20-14	2260 862.	19-48-1	2275 013.	23-23-23
		2257 827.	8-15-2	2259 154.	23-36-5			2275 014.	1-76-1
2256 218.	8-37-504	2257 828.	8-15-2	2259 155.	23-36-5	2260 863.	19-48-1		23-21-3
2256 222.	14-02-4	2257 834.	8-55-57	2259 158.	23-11-1	2260 864.	19-48-1		
2256 282.	23-67-194					2260 875.	22-04-4	2275 015.	1-76-1
2256 302.	8-37-155	2257 838.	8-15-52	2259 159.	23-11-1	2260 876.	22-01-42		23-21-3
2256 423.	1-12-1	2257 840.	21-84-1	2259 160.	23-11-1	2264 057.	14-11-9	2275 016.	7-17-1
		2257 989.	14-02-15	2259 161.	23-11-1			2275 017.	7-16-61
2256 702.	14-02-70	2258 010.	23-41-168	2259 166.	23-63-37	2264 059.	14-07-1	2275 020.	1-76-1
2256 968.	1-06-1	2258 035.	8-15-4	2259 171.	23-54-72	2264 060.	14-11-20		23-21-3
2257 100.	8-55-63					2264 105.	9-15-1		
2257 142.	21-84-4	2258 036.	3-15-4	2259 173.	23-32-100	2264 119.	9-67-4	2275 021.	23-23-61
2257 182.	1-04-12	2258 097.	8-37-372	2259 181.	23-31-33	2264 130.	9-67-19	2275 024.	23-23-23
		2258 106.	23-67-5	2259 188.	23-15-9			2275 025.	23-23-52
2257 197.	1-48-7	2258 107.	23-67-5	2259 189.	23-23-42	2264 131.	9-67-19	2275 026.	23-23-52
2257 198.	24-28-24	2258 108.	23-67-5	2259 200.	23-54-160	2264 140.	9-67-4	2275 027.	23-23-52
2257 258.	23-67-5					2264 167.	14-11-4		
2257 259.	23-67-5	2258 109.	23-67-5	2259 204.	23-40-86	2264 173.	9-07-5	2275 028.	23-23-52
2257 267.	8-50-125	2258 119.	1-82-25	2259 205.	23-40-86	2264 262.	7-14-14	2275 031.	23-23-61
		2258 137.	8-37-275	2259 206.	23-40-86			2275 032.	23-23-61
2257 272.	14-02-29	2258 138.	8-37-316	2259 207.	23-40-86	2264 344.	10-02-62	2275 089.	23-34-238
2257 275.	21-20-28	2258 147.	23-67-160	2259 214.	23-14-53	2264 364.	7-03-1	2275 100.	7-16-36
2257 280.	1-82-49					2264 382.	14-06-1		
2257 282.	14-72-33	2258 153.	8-15-3	2259 215.	23-14-53	2264 401.	9-01-24	2275 101.	7-16-36
2257 286.	1-10-1	2258 412.	14-72-5	2259 221.	23-54-3	2264 403.	7-14-5	2275 102.	7-17-1
		2258 436.	8-38-23	2259 222.	14-86-53			2275 107.	23-23-2
2257 287.	1-10-1	2258 507.	1-14-40		23-04-249	2264 449.	7-06-1	2275 108.	23-23-2
2257 288.	1-10-1	2258 588.	8-33-121	2259 258.	23-32-46	2264 450.	7-06-14	2275 111.	12-15-2
2257 289.	1-10-1				23-32-56	2264 459.	8-28-36		
2257 295.	1-87-7	2258 622.	8-37-508	2259 259.	23-32-56	2264 615.	7-14-5	2275 112.	12-15-2
2257 299.	23-41-95	2258 754.	8-16-6	2259 263.	7-26-30	2265 097.	5-26-4	2275 113.	12-15-2
2257 404.	1-21-1	2258 771.	1-88-67	2259 265.	7-26-32			2275 114.	12-15-2
2257 406.	1-21-1	2258 799.	1-13-1	2259 266.	7-26-37	2265 176.	21-30-365	2275 115.	12-15-2
2257 410.	8-37-372	2258 862.	14-72-5	2259 267.	7-26-37	2265 182.	21-30-365	2275 116.	12-15-2
2257 417.	21-84-4	2258 878.	21-85-9			2265 183.	21-30-365		
2257 429.	8-42-25	2258 898.	23-18-107	2259 299.	23-19-84	2265 236.	5-16-1	2275 119.	12-15-21
2257 443.	14-72-33	2258 899.	1-88-7	2259 329.	1-48-839	2265 237.	5-16-1	2275 120.	12-15-21
2257 444.	14-72-33	2259 011.	1-48-374	2259 345.	23-63-127	2265 238.	5-16-1	2275 121.	12-15-2
2257 448.	8-53-234	2259 028.	4-23-2	2259 366.	8-05-6			2275 122.	12-15-2
2257 477.	8-53-296	2259 031.	23-33-96	2259 394.	23-39-30	2265 239.	5-16-1	2275 123.	12-15-2
2257 478.	1-48-191	2259 038.	23-19-82			2265 294.	4-25-7		
	8-05-16	2259 039.	23-19-82	2259 395.	23-39-30	2265 295.	4-25-4	2275 124.	12-15-2
	8-42-31	2259 041.	23-33-109	2259 413.	23-19-178	2265 339.	19-15-12	2275 125.	15-06-3
	23-67-194	2259 046.	23-32-22	2260 082.	19-15-104	2265 344.	19-14-68	2275 140.	23-19-114
	24-24-160					2265 605.	19-15-4	2275 141.	23-54-156

PART NUMBER	CODE	PART NUMBER	CODE	PART NUMBER	CODE	PART NUMBER	CODE	PART NUMBER	CODE
2275 142.	23-41-34	2275 370.	5-39-3	2292 194.	23-21-3	6000 215.	23-34-340	6006 012.	12-02-12
2275 143.	23-41-34	2275 371.	5-39-3	2292 195.	23-21-3	6000 223.	23-58-603	6006 024.	23-23-30
2275 144.	23-19-114	2275 381.	9-09-2	2298 517.	5-03-1	6000 238.	23-58-603		23-34-334
2275 158.	23-23-42	2275 382.	9-09-2	2298 767.	8-12-1	6000 239.	23-23-39	6006 034.	23-33-111
2275 159.	23-23-42				8-31-2		23-23-61	6006 035.	8-47-77
2275 160.	23-34-334	2275 383.	9-09-2	2298 905.	6-13-1	6000 305.	23-39-53		23-36-123
		2275 384.	9-09-2				23-41-94		
2275 161.	23-34-334	2275 385.	9-09-2	2298 907.	7-42-4		23-54-87	6006 036.	1-48-779
2275 188.	7-17-2	2275 386.	9-09-2	2298 917.	9-48-6	6000 319.	23-58-607	6006 041.	8-55-209
2275 189.	7-17-2	2275 387.	9-09-2	2298 926.	21-118-1	6000 320.	23-58-605	6006 043.	23-15-9
2275 190.	7-16-36	2275 389.	9-09-2	2298 927.	21-01-3			6006 047.	23-15-9
2275 191.	7-16-36	2275 391.	9-09-2			6000 332.	22-20-89	6006 052.	23-58-605
		2275 392.	9-09-2	2298 931.	21-134-5	6000 374.	23-64-247		
2275 192.	7-16-44	2275 393.	9-09-2	2298 932.	21-134-5	6000 388.	23-58-335	6006 065.	1-48-226
2275 197.	23-23-42	2275 394.	9-09-2	2298 944.	21-117-1	6000 492.	23-19-114		24-28-200
2275 198.	23-23-42			2298 945.	21-117-1	6000 505.	12-15-2		24-28-204
2275 199.	23-19-114	2275 411.	9-32-2	2299 314.	8-29-143			6006 071.	8-05-11
2275 200.	8-01-9	2275 412.	9-32-2			6000 594.	23-19-178	6006 079.	24-28-376
		2275 422.	21-01-3	2299 318.	24-01-6	6000 680.	23-58-242		
2275 202.	24-25-132	2275 430.	1-44-1	2299 331.	8-15-2	6000 681.	23-58-242	6006 086.	23-15-13
2275 203.	24-25-3	2275 449.	19-01-3	2299 333.	8-15-2	6000 685.	23-23-65	6006 093.	23-58-607
2275 204.	24-25-93			2299 335.	8-15-2	6000 688.	23-23-52	6006 104.	12-02-12
2275 206.	24-25-154	2275 450.	13-72-4	2299 339.	8-37-98				13-66-123
2275 207.	24-25-2	2275 453.	9-35-1			6000 689.	23-23-52		23-41-60
		2275 454.	9-35-1	2299 687.	23-14-147	6000 692.	23-23-52		23-54-29
2275 211.	8-50-334	2275 518.	5-39-1	2400 084.	9-46-130	6000 693.	23-23-52		23-63-16
2275 212.	8-50-334	2275 523.	21-139-189		21-118-42	6000 721.	23-23-39		
2275 215.	1-48-15			2400 124.	21-117-1		23-23-42		
2275 220.	8-16-3	2275 573.	14-73-1	2401 029.	13-01-1			6006 120.	5-27-7
2275 224.	24-01-5	2275 591.	7-08-2			6000 732.	12-15-2	6006 172.	23-39-6
		2275 593.	24-25-107	2421 069.	3-33-1		23-23-2	6006 176.	23-23-65
2275 226.	8-27-308	2275 598.	24-25-154	2421 137.	8-29-129	6000 733.	23-23-52	6006 192.	23-64-263
2275 227.	8-27-279	2275 599.	24-25-3	2421 138.	8-29-145	6000 743.	23-54-11	6006 200.	23-23-52
2275 228.	8-27-133	2275 738.	4-25-1	2421 243.	23-54-67	6000 752.	12-15-2		23-23-65
2275 229.	8-27-133							6006 201.	23-23-52
2275 231.	8-53-265	2275 898.	22-01-5	6000 000.	23-23-65	6000 773.	23-23-52	6006 204.	23-58-605
		2275 907.	23-34-80	6000 003.	23-54-102	6000 793.	7-16-37	6006 205.	23-58-607
2275 234.	8-53-265	2275 908.	23-34-80	6000 004.	23-54-101	6000 795.	23-34-245	6006 215.	23-34-340
2275 239.	24-01-1	2275 967.	1-76-1	6000 019.	23-64-60	6000 803.	23-34-245	6006 216.	23-54-32
2275 240.	24-01-5		23-21-15	6000 020.	12-15-21	6000 804.	23-63-22		23-58-606
2275 241.	24-01-5			6000 028.	23-34-240			6006 221.	23-58-234
2275 242.	8-15-7	2275 974.	1-45-1	6000 037.	23-19-114	6000 808.	23-11-23	6006 222.	23-58-245
		2277 100.	24-28-24		23-34-184		23-34-184	6006 223.	23-58-607
2275 243.	8-37-371	2277 330.	24-25-53	6000 050.	23-19-114		23-34-340	6006 224.	23-58-603
2275 244.	8-37-371	2277 423.	1-48-1		23-34-238	6000 820.	12-15-2	6006 226.	23-58-607
2275 251.	14-30-4	2279 891.	14-29-2					6006 227.	23-58-607
2275 252.	14-43-5			6000 070.	15-03-61	6000 822.	12-15-2	6006 228.	23-58-607
2275 253.	14-30-4	2279 914.	14-73-1		7-31-26	6000 829.	23-34-334	6006 229.	23-58-607
		2279 917.	24-28-55	6000 097.	23-48-149	6000 862.	23-23-39	6006 230.	23-58-607
2275 255.	14-30-7	2279 944.	24-25-3	6000 110.	23-14-46		23-23-52	6006 231.	23-58-607
2275 262.	14-35-6	2279 945.	24-25-3	6000 116.	23-14-52	6000 863.	23-23-30		
2275 264.	14-30-1	2279 960.	21-136-228					6006 233.	23-58-608
2275 267.	14-30-1			6000 117.	23-39-12	6000 864.	12-15-2	6006 235.	23-58-228
2275 300.	23-19-114	2279 985.	19-57-1	6000 123.	15-11-64	6000 866.	7-16-37	6006 236.	23-58-608
	23-54-11	2279 986.	19-19-1	6000 141.	23-39-12	6000 889.	23-23-42	6006 237.	23-58-607
		2279 997.	19-54-55		23-41-62	6000 903.	23-23-52	6006 239.	23-39-11
2275 312.	23-23-42	2279 998.	19-54-55		23-54-86	6000 907.	23-26-80		
2275 313.	23-23-42	2290 057.	14-02-1					6006 243.	23-19-178
2275 314.	23-23-42			6000 143.	23-64-34	6000 927.	23-23-65	6006 244.	23-64-247
2275 315.	23-23-42	2290 088.	1-82-38	6000 157.	23-64-34	6000 930.	23-23-30	6006 249.	23-41-129
2275 336.	23-23-42	2290 097.	1-14-6	6000 165.	5-27-15	6000 932.	15-03-61	6006 254.	23-23-41
	23-23-52	2290 106.	1-10-1		23-39-12	6000 938.	23-23-2	6006 261.	23-61-99
		2290 107.	1-10-1	6000 173.	23-54-83	6000 942.	23-23-2		
2275 345.	1-76-1	2290 394.	8-37-372					6006 263.	23-19-45
	23-21-3			6000 174.	23-64-34	6000 949.	12-15-2	6006 264.	12-15-2
2275 346.	23-34-238	2290 623.	8-32-18	6000 176.	23-19-114	6000 951.	12-15-2	6006 284.	12-15-2
2275 365.	9-11-1	2290 882.	8-50-129	6000 177.	23-48-94	6001 204.	23-23-42	6006 301.	23-23-23
2275 368.	5-39-3	2291 148.	14-02-11	6000 211.	23-39-11	6001 205.	23-23-42		23-23-42
2275 369.	5-39-3	2291 149.	23-58-535		23-31-9	6001 208.	23-23-42		
			24-24-12						







## VENDOR NUMBER CROSS REFERENCE LIST

Auto-Lite Sales Part No.	Chrysler	Auto-Lite Sales Part No.	Chrysler	Auto-Lite Sales Part No.	Chrysler	Auto-Lite Sales Part No.	Chrysler
<b>SWITCHES</b>		<b>STARTER CLUTCH</b>		<b>PINION HOUSING (Con't)</b>		<b>TRANSMISSION CONTROLS (Con't)</b>	
15-5	1692658	18-2	1261401	21-42	1479104	27-6	1479737
15-6	1692659	18-3	1261402	21-44	1523305	27-7	1370204
15-7	648336	18-4	1343708	21-45	1658575	27-8	1297999
15-8	1121741	18-6	1300522	21-47	1505929	27-15	1473102
15-20	864888	18-9	1752374	21-48	1662224		
15-21	871758	18-10	1273427	21-50	1752388		
15-22	957467			21-58	1517559	<b>DIST. SHAFT &amp; GOV.</b>	
15-23	1115382	<b>C. E. HEADS (STARTER)</b>		21-59	1662167	28-2	1818563
15-24	1300507	19-4	641453	21-61	1752392	28-3	1818574
15-25	1315970	19-5	1123011	21-62	1752377	28-5	1383947
15-27	1075941	19-6	648340	21-63	1752380	28-6	1473064
15-28	1633166	19-7	636839	21-64	1818744	28-7	1473687
15-29	1523128	19-8	652102	21-67	1843320	28-8	1505931
15-30	1383605	19-10	1138525	21-68	1843321	28-9	1508428
15-32	1605435	19-12	1383848	21-71	1889376	28-10	1509681
15-36	1495598	19-15	1300516	21-74	1889262	28-13	677156
15-37	1343694	19-16	1605584	21-91	1889796	28-14	1566347
15-38	1529144	19-17	1671301	21-93	2084436	28-15	953715
15-39	1517558	19-19	1658554	21-94	2084431	28-16	1269131
15-40	1343695	19-28	1123018	21-96	2084663	28-17	1436974
15-42	1498878	19-32	1752366	21-97	2084669	28-18	1390543
15-43	641462	19-38	2084662			28-19	599633
15-44	1390061			<b>STARTER YOKE</b>		28-20	1436975
15-57	1818738	<b>FIELD COILS (STARTER)</b>		23-1	1300510	28-21	1390532
15-58	1075543	20-5	643827	23-2	1343709	28-22	1501756
15-59	1075942	20-6	930277	23-3	1523299	28-24	1843376
15-60	1889797	20-9	643830	23-4	1390062	28-29	1509678
15-63	2084439	20-10	643831	23-6	1752373	28-43	1394900
		20-15	1752364			28-48	869138
		20-16	1300504	<b>BEARINGS</b>		28-55	1818641
<b>ARMATURES (STARTER)</b>		20-17	1752390	24-1	1752381	28-56	1818665
16-8	641443	20-18	1665062	24-3	636804	28-57	1818820
16-10	927079	20-20	1300514	24-4	1752378	28-58	1889395
16-15	1138524	20-21	1300515	24-5	1402563	28-59	1889397
16-16	1300505	20-22	1265711	24-6	1440349		
16-17	1343705	20-23	1300513	24-9	343936	<b>CAM &amp; STOP PLATE</b>	
16-19	1383849	20-25	1605583	24-9	2084265	29-6	1089081
16-21	1523306	20-26	1658580	24-12	1614929	29-10	1627242
16-25	1605585	20-28	1658577	24-15	592564	29-11	1479529
16-44	687379	20-29	1658562	24-17	927093	29-12	1505930
16-47	1123019	20-30	1662181	24-23	652115	29-13	1571398
16-55	1752421	20-31	1658553	24-28	636845	29-14	1508812
16-56	1752386	20-32	1879319			29-15	1509676
16-57	1752368	20-35	1123016	<b>LEADS &amp; CONNECTORS</b>		29-16	1660504
16-59	1889375	20-36	687372	26-1	1818566	29-17	1627233
16-60	1843384	20-37	927967	26-2	1818660	29-18	1627228
16-64	1843383	20-38	927968	26-5	1343583	29-19	1627239
16-65	1843385	20-39	1123017	26-7	1343582	29-20	1660501
16-74	2084429	20-43	1879574	26-8	1495568	29-21	1627261
16-75	2084658	20-50	1889614	26-9	1401009	29-26	1658545
		20-53	2084660	26-10	1383958	29-27	1658548
		20-54	2084668	26-11	1527974	29-28	1658543
<b>BRUSH SETS (STARTER)</b>				26-12	1383959	29-29	1689771
17-2	1195774	<b>PINION HOUSING</b>		26-14	1658602	29-30	1689776
17-3	1614933	21-10	927095	26-15	1261010	29-31	1658621
17-8	927909	21-11	919950	26-16	677206	29-32	1689769
17-9	1069966	21-17	1123012	26-17	677205	29-33	1663125
17-11	927910	21-28	1138528	26-19	699307	29-34	1663131
17-13	595319	21-29	1473339	26-24	683363	29-35	1663135
17-20	1538343	21-30	1605551	26-28	1879348	29-55	859904
17-21	1843135	21-31	1633168	26-29	1818730	29-56	1568075
17-24	1605587	21-32	1658556	26-31	1879564	29-57	859907
17-25	1658581	21-33	1658558			29-58	1136535
17-26	1658552	21-35	1315966	<b>TRANSMISSION CONTROLS</b>		29-59	1343588
17-33	1311457	21-38	1369646	27-1	689882	29-60	599126
17-34	1345005	21-39	1390063	27-2	1112508	29-61	1138512
17-39	2084661	21-40	1390064	27-3	1126633	29-62	1135596

# VENDOR NUMBER CROSS REFERENCE LIST

Auto-Lite Sales Part No.	Chrysler	Auto-Lite Sales Part No.	Chrysler	Auto-Lite Sales Part No.	Chrysler	Auto-Lite Sales Part No.	Chrysler
<b>CAM &amp; STOP PLATE(Con't)</b>		<b>MISC. DIST. PARTS (Con't)</b>		<b>MISC. GEN. PARTS (Con't)</b>		<b>WIPER MOTORS (Con't)</b>	
29-64	959316	31-43	691707	35-9	636800	38-13	1239453
29-65	921275	31-44	691709	35-10	648392	38-14	1261499
29-66	861444	31-45	691708	35-11	674939	38-15	1261498
29-67	1818570	31-46	691710	35-12	40654	38-16	1495163
29-68	1818575	31-47	1689788	35-13	1253362	38-17	1788676
29-69	1818649	31-48	1195772	35-14	671481	38-18	1788675
29-70	1818663			35-15	695627		
29-71	1818643	<b>MISC. IGNITION PARTS</b>		35-16	674936	<b>MISC. WIPER PARTS</b>	
29-72	1818646	32-1	1688207	35-17	673014	39-1	1704421
29-73	1752627	32-3	1818729	35-18	683358	39-3	1505326
29-74	1818732	32-6	1818839	35-19	683357	39-4	1566051
29-75	1818764	32-7	867119	35-20	1138481	39-5	1879600
29-76	1818769	32-9	920368	35-21	636815	39-6	1568050
29-77	1752235	32-14	1842000	35-22	1266520	39-12	1622012
29-78	1843378			35-23	1253348	39-13	1622011
29-79	1879281	<b>MISC. REGULATOR PARTS</b>		35-24	1253344	39-14	1658486
29-81	1879312	33-1	126049	35-25	1253346	39-16	1622436
		33-3	1394893	35-26	1266497	39-17	1879341
		33-4	928551	35-27	1627277	39-18	1704072
<b>GEARS, COLLARS, COUPLINGS</b>				35-28	859901	39-19	1704744
30-1	1594973	<b>PULLEY FANS</b>		35-29	636810	39-20	1704068
30-2	1300635	34-1	1370320	35-30	674943	39-21	1704067
30-3	1262345	34-2	1383658			39-22	1770698
30-4	1262346	34-5	1479176	<b>MISC. PARTS (STARTER)</b>		39-23	1605601
30-5	1265717	34-6	1479182	36-3	1532985	39-24	1605610
30-6	1540105	34-8	1479852	36-4	927092	39-25	1605609
30-7	1540104	34-9	1479853	36-5	1121742	39-26	1622010
30-8	1818685	34-10	1495318	36-6	1266543	39-27	1622009
		34-13	1540846	36-7	1121743	39-28	1648064
<b>MISC. DISTRIBUTOR PARTS</b>		34-14	1505368	36-8	1138526	39-30	1605425
31-1	1235421	34-15	1505907	36-10	641445	39-31	1658757
31-2	953717	34-16	1505916	36-13	636840	39-33	1704711
31-5	1089090	34-19	1565346	36-14	648387	39-34	1770870
31-6	1195769	34-20	1565347	36-18	636825	39-35	1658349
31-7	1195770	34-21	1565785	36-19	1501797	39-36	1658348
31-8	1343585	34-22	1565881	36-21	636817	39-38	1658420
31-9	1343591	34-23	1565888	36-22	1343710	39-42	1770707
31-10	1345705	34-24	1565886	36-23	1369645	39-43	1818890
31-11	1383641	34-25	1565890	36-25	1671288	39-45	1261446
31-12	1274087	34-27	1507931	36-26	1343706	39-46	1261447
31-13	1274088	34-28	1508413	36-27	1273430	39-47	1263468
31-14	1383953	34-39	1540847	36-28	1752360	39-48	1263469
31-15	1383954	34-40	1889371	36-29	1752361	39-49	1886203
31-16	1383946	34-41	1889373	36-30	641444	39-50	1370004
31-17	643915	34-42	1540845	36-32	687366	39-51	1370010
31-18	643892	34-43	1889372	36-33	120393	39-52	1370009
31-19	960546	34-48	1922614	36-34	1123014	39-53	1479946
31-21	643896	34-49	1922613	36-35	641446	39-55	1540465
31-22	643989	34-55	1263560	36-36	672641	39-56	1540520
31-23	643893	34-56	1194599	36-37	1383663	39-57	1838291
31-24	643907	34-59	1136932	36-38	1818777	39-58	1842407
31-25	648400	34-60	1126616			39-59	1838292
31-26	648401	34-61	1263488	<b>MISC. PARTS (SWITCHES)</b>		39-60	1841680
31-27	648404	34-62	1264952	37-1	652122	39-61	1841679
31-28	1089084	34-63	1319434	37-6	636884	39-62	1886222
31-29	1343594	34-65	1320117	37-7	861499	39-63	1886224
31-30	1473688	34-66	1264986	37-8	636863	39-64	1838935
31-31	643899	34-67	1889398	37-9	861500	39-65	1838934
31-32	1407579					39-66	1838936
31-33	960548	<b>MISC. GENERATOR PARTS</b>		<b>WIPER MOTORS</b>		39-68	1233532
31-34	1369774	35-1	113702	38-1	1505322	39-69	837999
31-35	643901	35-2	1274093	38-3	1568077		
31-36	648246	35-4	674927	38-4	1622403	<b>SMALL MOTORS</b>	
31-37	648029	35-5	1253349	38-5	1595003	40-1	1603324
31-38	859903	35-6	674930	38-7	1627384	40-3	1605379
31-39	958177	35-7	671477	38-9	1627380	40-4	1622407
31-42	636899	35-8	636796	38-12	974467	40-5	

## VENDOR NUMBER CROSS REFERENCE LIST

Auto-Lite Sales Part No.	Chrysler	Auto-Lite Sales Part No.	Chrysler	Auto-Lite Sales Part No.	Chrysler	Auto-Lite Sales Part No.	Chrysler
<b>SMALL MOTORS (Con't)</b>		<b>MISC. HARDWARE ITEMS</b>		<b>GENERATORS</b>		<b>SPRINGS</b>	
40-6	1642435	43-1	120614	45-4	853770	50-1	1752362
40-7	1642434	43-2	43761	45-8	E71258M	50-2	1605571
40-8	1436729	43-3	120391	45-9	1136934	50-3	1818571
40-9	1495282	43-4	131094	45-11	1495199	50-4	864912
40-10	1879579	43-5	131095	45-12	1604834	50-6	958161
<b>MISC. ARMATURES</b>		43-6	131096	45-15	1257392	50-7	1818684
41-1	1605570	43-7	131098	45-16	1263971	50-9	1818647
41-2	1605593	43-8	103905	45-17	1479175	50-10	1818644
41-3	1605597	43-9	106750	45-18	1504760	50-11	1818667
41-4	1658583	43-10	122159	45-19	1540596	50-12	1818736
41-5	1658586	43-11	132900	45-20	1505824	50-14	671490
41-6	1605576	43-12	121540	45-21	1604825	50-15	1818822
41-10	1658592	43-13	131015	45-22	1605400	50-16	960173
41-11	1752653	43-14	111873	45-23	1264054	50-17	674935
41-12	1300634	43-15	132930	45-27	1642005	50-18	1843155
41-13	1262365	43-16	134566	45-30	1770755	50-19	1345517
41-14	1479685	43-17	131949	45-31	1798760	50-20	1843379
41-15	1818813	43-18	131958	45-32	1920845	50-21	1879287
41-16	1818878	43-19	132105	<b>STARTING MOTORS</b>		50-22	1627279
41-17	1818879	43-20	132919	46-5	1071819	50-23	1308183
41-19	1627272	43-21	120214	46-7	1070939	50-24	1879321
<b>MISC. BRUSHES</b>		43-22	120367	46-8	1067335	50-25	1879320
42-1	866773	43-23	121801	46-10	1922641	50-27	1110964
42-2	1605594	43-25	120368	46-11	1268125	50-28	1627263
42-4	1658585	43-26	1264047	46-13	1473558	50-29	852026
42-5	1605573	43-27	131870	46-14	1889260	50-30	1627231
42-6	1627271	43-29	120611	46-16	1535557	50-31	959310
42-7	1265745	<b>DISTRIBUTORS</b>		46-18	1311459	50-32	1067297
42-8	860937	44-5	930366	46-19	1268126	50-34	1689772
42-10	958163	44-10	1193314	46-20	1604480	50-35	1879282
42-11	1308473	44-16	1479588	46-24	1658033	50-37	1308243
42-13	1752517	44-20	1274066	46-25	1627289	50-38	1689774
		44-21	1274116	46-26	1627290	50-40	674959
		44-24	1479139	46-45	1941107	50-45	1879292
		44-25	1626661	46-46	1941117	50-46	1627243
		44-26	1626656	<b>SPEEDOMETER, FRAME, ROTOR, ODOMETER</b>		50-48	1308182
		44-27	1501786	48-1	589890	50-49	1627229
		44-29	1648685	48-8	1604702	50-52	1658622
		44-30	1642392	48-25	1798619	50-56	1879310
		44-31	1922670	<b>MISC. SPEEDOMETER PARTS</b>		50-57	1879323
		44-42	1881943	49-4	1263532	50-58	671505
		44-42	1889305			50-62	1889496
		44-44	1788688			50-63	1889519
						50-64	1889538
						50-65	636841
						50-67	1889548
						50-68	1889608
						50-70	2084087
						50-75	592565
						50-81	2084681

# VENDOR NUMBER CROSS REFERENCE LIST

VENDOR NUMBER	CHRYSLER NUMBER	VENDOR NUMBER	CHRYSLER NUMBER	VENDOR NUMBER	CHRYSLER NUMBER
<b>AUTO-LITE</b>					
4-GS-125 . . . . .	1594 767	CB-1805 . . . . .	1390 260	EBA-2031 . . . . .	927 089
4-GS-150 . . . . .	1540 373	CB-5777 . . . . .	1390 619	EBA-2105 . . . . .	927 091
4-GS-200 . . . . .	1555 285	CB-6134 . . . . .	854 798	EBA-3307 . . . . .	1495 571
4-S-165 . . . . .	1436 277	CB-13940 . . . . .	1122 887	EBA-3307 A . . . . .	1670 141
4-S-250 . . . . .	1565 337	CB-13946 . . . . .	1124 730	EBA-7905 . . . . .	1110 995
6-12-33-51 . . . . .	1391 399	CB-14499 . . . . .	1123 385	EBB-20 . . . . .	1473 219
6-12-34-51 . . . . .	1391 398	CB-15238 . . . . .	1345 574	EBB-26 A . . . . .	1532 984
8-12-6-45 . . . . .	1122 921	CB-17363 . . . . .	1390 624	EBB-32 A . . . . .	1550 078
A-5 . . . . .	1406 647	CB-17379 . . . . .	1273 969	EBB-53 . . . . .	1752 387
A-5-7 . . . . .	667 031	CB-17423 . . . . .	1390 625	EBB-69 . . . . .	2084 438
A-7 . . . . .	1075 955	CB-17435 . . . . .	1390 616	EBB-70 . . . . .	2084 664
A-9 . . . . .	691 672	CB-17443 . . . . .	1390 621	EBB-79 . . . . .	2095 397
A-11 . . . . .	964 402	CB-17449 . . . . .	1390 009	EBB-832 . . . . .	1473 219
A-32A . . . . .	1889 521	CB-17766 . . . . .	1390 626	EC-41 . . . . .	1154 359
A-42B . . . . .	1889 520	CB-17768 . . . . .	1390 026	ED-15602 . . . . .	1842 522
A-52B . . . . .	1889 522	CB-17770 . . . . .	1390 623	EMA-4001 . . . . .	1498 901
A-3897 K 427 . . . . .	1929 343	CB-18994 . . . . .	1390 622	EMA-4002 . . . . .	1627 166
A-14908 A . . . . .	1798 596	CB-22669 . . . . .	1570 970	EMB-4001 . . . . .	1627 146
ADM-5 . . . . .	1889 295	CB-24778 . . . . .	1648 133	EMC-4002 . . . . .	1527 422
AG-3 B . . . . .	1889 712	CE-308 A . . . . .	1271 779	EMD-47 . . . . .	1540 383
AG-4 . . . . .	2095 755	CE-1187 DQS . . . . .	578 506	EMD-1044 . . . . .	1540 476
AG-32 . . . . .	2095 675	CE 1187 FNS . . . . .	1191 544	EMD-1045 . . . . .	1540 477
AG-52 . . . . .	2095 289	CE-2229 S . . . . .	643 819	EMD-4003 B . . . . .	1540 366
AGR-2 . . . . .	1841 500	CE-2260 AQS . . . . .	868 587	EMF-2006 . . . . .	1527 950
AGR-8 S . . . . .	1614 216	CAH-4001 . . . . .	1688 212	EMG-20 . . . . .	1540 564
AGR-31 . . . . .	1648 989	CAL-4001 SS . . . . .	1818 837	EMG-40 . . . . .	1527 831
AGR-32 . . . . .	1689 297	CF-4013 . . . . .	924 053	EMG-106 . . . . .	1505 326
AGR-41 . . . . .	1658 910	CM-4503 T . . . . .	1330 239	EMG-1099 A . . . . .	1571 125
AGR-42 . . . . .	1658 852	CR-3224 JS . . . . .	1345 489	EMG-1109 L . . . . .	1571 233
AGR-45 . . . . .	1553 043	CR-4002 M . . . . .	1311 474	EMG-1110 R . . . . .	1571 232
AGR-51 . . . . .	1568 040	CT-4002 . . . . .	1394 885	EMG-2006 . . . . .	1527 945
AGR-52 . . . . .	1689 073	CT-4004 . . . . .	1612 741	EMG-3107 L . . . . .	1571 099
AGR-82 . . . . .	1704 305	CW-4001 T . . . . .	1401 015	EMG-3108 R . . . . .	1571 098
AL-7 . . . . .	691 673	CW-4002 . . . . .	1672 746	EMG-4102 B . . . . .	1540 122
AR-5 . . . . .	1257 587	CY-4002 . . . . .	1394 885	EMG-4105 . . . . .	1505 322
AR-5 S . . . . .	1268 988	CAC-4001 . . . . .	1595 023	EMJ-1005 B . . . . .	1818 504
AR-8 A . . . . .	1658 844	CAF-4001 . . . . .	1843 324	EMJ-2024 . . . . .	1818 503
AR-8 S . . . . .	1450 160	CAG-4001 . . . . .	1688 210	EMJ-2026 . . . . .	1818 505
AR-10 . . . . .	1479 185	CAH-4001 . . . . .	1688 212	EMJ-4104 . . . . .	1648 342
AR-31 . . . . .	1889 465	CAK-4001 . . . . .	1672 793	EMK-2006 . . . . .	1527 950
AR-32 . . . . .	1753 672	CAM-4001 . . . . .	1818 840	EMK-4101 . . . . .	1540 123
AR-41 . . . . .	1662 273	DA-60 A . . . . .	1404 671	EMK-4105 . . . . .	1509 627
AR-42 . . . . .	1658 851	DA-132 . . . . .	1495 552	EMM-4002 . . . . .	1603 324
AR-51 . . . . .	1568 039	DD-44 . . . . .	960 170	EMP-24 . . . . .	1604 242
AR-52 . . . . .	1658 850	DK-23 C . . . . .	1253 343	EMP-40 . . . . .	1604 243
AR-80 . . . . .	1658 844	DK-45 . . . . .	636 816	EMP-43 R . . . . .	1594 973
AR-82 . . . . .	1658 843	EBA-2 A . . . . .	1109 698	EMP-62 . . . . .	1568 051
AT-4 . . . . .	1262 988	EBA-17 . . . . .	661 603	EMP-1053 . . . . .	1568 052
AT-8 . . . . .	1262 986	EBA-39 . . . . .	1473 219	EMP-1063 . . . . .	1568 050
ATR-42 . . . . .	2095 255	EBA-57 . . . . .	1066 722	EMP-1065 . . . . .	1568 049
C-16-25 . . . . .	2084 108	EBA-79 . . . . .	1110 992	EMP-1075 E . . . . .	1569 823
C181-101 . . . . .	1826 583	EBA-87 . . . . .	1134 138	EMP-4002 . . . . .	1594 772
CAE-4002 . . . . .	1627 412	EBA-1213 . . . . .	927 083	EMP-4003 . . . . .	1604 028
CAG-33 . . . . .	1842 000	EBA-1225 . . . . .	927 084	EMP-4101 . . . . .	1568 077
CAH-4001 SS . . . . .	1843 324	EBA-2006 . . . . .	927 086	EMR-4001 . . . . .	1593 331
CAL-4001 SS . . . . .	1818 837	EBA-2007 . . . . .	1495 571	EMS-2006 . . . . .	1605 549
CAM-4001 SS . . . . .	1818 840	EBA-2008 . . . . .	927 088	EMS-4001 . . . . .	1595 331

# VENDOR NUMBER CROSS REFERENCE LIST

VENDOR NUMBER	CHRYSLER NUMBER	VENDOR NUMBER	CHRYSLER NUMBER	VENDOR NUMBER	CHRYSLER NUMBER
<b>AUTO-LITE</b>					
EMU-1057 . . . . .	1604 023	EPG-4001 . . . . .	1627 146	EPV-1076 L . . . . .	1779 677
EMU-1071 L . . . . .	1622 012	EPH-1005 . . . . .	1752 667	EPV-1076 R . . . . .	1779 584
EMU-1071 R . . . . .	1622 011	EPH-2002 . . . . .	1752 668	EPV-1117 . . . . .	1704 744
EMU-1078 L . . . . .	1658 486	EPH-2006 . . . . .	1658 592	EPV-2002 . . . . .	1818 811
EMU-1085 . . . . .	1622 435	EPH-4101 . . . . .	1627 380	EPV-2003 . . . . .	1818 812
EMU-1089 . . . . .	1622 436	EPH-4102 . . . . .	1662 302	EPV-2006 . . . . .	1818 813
EMU-2006 A . . . . .	1605 570	EPH-4103 . . . . .	1788 675	EPV-4001 . . . . .	1770 336
EMU-2047 . . . . .	1879 341	EPJ-1005 . . . . .	1752 688	EPV-4001 A . . . . .	1770 337
EMU-2047 A . . . . .	1818 890	EPJ-1005 A . . . . .	1752 689	EPV-4001 C . . . . .	1779 860
EMU-4101 . . . . .	1622 403	EPJ-1005 C . . . . .	1818 868	EPV-4001 D . . . . .	1838 932
EMV-12 . . . . .	1605 594	EPJ-1005 D . . . . .	1818 869	EPV-4001 E . . . . .	1842 408
EMV-19 . . . . .	1605 589	EPJ-2002 A . . . . .	1752 641	EPV-4001 F . . . . .	1886 123
EMV-25 . . . . .	1752 654	EPJ-2006 . . . . .	1752 640	EPV-4001 G . . . . .	1842 964
EMV-43 . . . . .	1752 655	EPJ-2048 . . . . .	1752 637	EPW-49 . . . . .	1605 572
EMV-1003 . . . . .	1752 656	EPJ-2048 A . . . . .	1818 871	EPW-1005 . . . . .	1818 876
EMV-2006 . . . . .	1605 593	EPJ-2048 B . . . . .	1879 262	EPW-1070 L . . . . .	1704 743
EMW-2006 . . . . .	1605 597	EPJ-2052 . . . . .	1818 870	EPW-1070 R . . . . .	1770 707
EMX-1005 . . . . .	1752 686	EPJ-4003 . . . . .	1642 434	EPW-2002 . . . . .	1818 877
EMX-2002 . . . . .	1752 679	EPJ-4008 . . . . .	1810 758	EPW-2002 A . . . . .	1879 342
EMX-2006 . . . . .	1658 583	EPJ-4102 . . . . .	1753 856	EPW-2006 . . . . .	1818 878
EMY-2006 . . . . .	1658 586	EPK-28 . . . . .	1818 889	EPW-4001 . . . . .	1770 882
EMZ-32 . . . . .	1642 029	EPK-1005 . . . . .	1752 660	EPW-4001 B . . . . .	1838 937
EMZ-40 . . . . .	1594 992	EPK-1005 A . . . . .	1752 687	EPX-20 . . . . .	1818 886
EMZ-49 . . . . .	1605 572	EPK-1005 E . . . . .	1818 874	EPX-53 . . . . .	1753 174
EMZ-53 . . . . .	1594 995	EPK-2002 . . . . .	1752 652	EPX-1003 . . . . .	1818 880
EMZ-54 . . . . .	1594 993	EPK-2006 . . . . .	1752 653	EPX-1005 . . . . .	1818 882
EMZ-57 . . . . .	1752 661	EPK-2017 . . . . .	1818 873	EPX-2006 . . . . .	1818 879
EMZ-59 . . . . .	1752 662	EPK-2026 . . . . .	1752 642	EPX-3002 . . . . .	1818 881
EMZ-63 . . . . .	1605 068	EPK-2034 . . . . .	1818 863	EPZ-1005 . . . . .	1818 865
EMZ-64 . . . . .	1605 605	EPK-2034 A . . . . .	1818 900	EPZ-1005 A . . . . .	1818 864
EMZ-65 . . . . .	1605 607	EPK-2038 . . . . .	1818 875	EPZ-4001 . . . . .	1753 224
EMZ-66 . . . . .	1605 602	EPK-2048 . . . . .	1818 866	EPZ-4003 . . . . .	1810 759
EMZ-72 . . . . .	1605 606	EPK-2048 A . . . . .	1818 862	EPZ-4004 . . . . .	2093 843
EMZ-74 . . . . .	1752 663	EPK-2048 B . . . . .	1879 264	EPZ-4101 . . . . .	1753 870
EMZ-1058 . . . . .	1594 990	EPK-4001 . . . . .	1648 896	EPZ-4103 . . . . .	1779 595
EMZ-1060 . . . . .	1605 601	EPK-4201 . . . . .	1769 459	ERA-20 . . . . .	1818 904
EMZ-1070 L . . . . .	1605 610	EPP-4001 . . . . .	1648 239	ERA-1007 . . . . .	1818 905
EMZ-1070 R . . . . .	1605 609	EPS-1005 . . . . .	1879 344	ERA-1008 . . . . .	1818 906
EMZ-1071 L . . . . .	1622 010	EPT-4001 . . . . .	1660 551	ERA-2006 . . . . .	1818 907
EMZ-1071 R . . . . .	1622 009	EPT-4005 . . . . .	1788 676	ERA-2048 A . . . . .	1818 908
EMZ-1076 . . . . .	1648 064	EPV-25 . . . . .	1818 806	ERC-2005 . . . . .	1879 416
EMZ-1085 . . . . .	1605 524	EPV-26 . . . . .	1818 807	ERC-2006 . . . . .	1879 415
EMZ-1089 . . . . .	1605 425	EPV-34 . . . . .	1818 808	EW-41 . . . . .	1154 343
EMZ-1098 L . . . . .	1658 757	EPV-43 RA . . . . .	1818 685	EW-43 . . . . .	1300 635
EMZ-2003 . . . . .	1752 664	EPV-49 . . . . .	1752 513	EW-208 . . . . .	1660 965
EMZ-2006 . . . . .	1605 576	EPV-50 . . . . .	1769 565	EWB-20 A . . . . .	1818 814
EMZ-4001 . . . . .	1595 003	EPV-64 . . . . .	1753 712	EWD-62 . . . . .	1273 472
EO-16235 . . . . .	1889 770	EPV-72 . . . . .	1753 711	EWD-100 . . . . .	883 086
EOD-15431 . . . . .	1842 798	EPV-78 . . . . .	1818 809	EWD-115 . . . . .	837 999
EOP-14576 . . . . .	1770 732	EPV-94 . . . . .	1770 290	EWD-2055 . . . . .	952 431
EPF-1005 . . . . .	1752 665	EPV-95 . . . . .	1770 289	EWJ-12 . . . . .	1495 533
EPF-1060 . . . . .	1642 086	EPV-1005 . . . . .	1818 810	EWG-20 A . . . . .	1843 157
EPF-1070 R . . . . .	1658 348	EPV-1060 . . . . .	1704 072	EWG-1030 . . . . .	958 167
EPF-1070 L . . . . .	1658 349	EPV-1062 . . . . .	1819 075	EWJ-38 . . . . .	1261 021
EPF-2002 . . . . .	1752 666	EPV-1070 L . . . . .	1704 068	EWJ-4001 . . . . .	974 467
EPF-2006 . . . . .	1627 272	EPV-1070 R . . . . .	1704 067	EWJ-41 . . . . .	1262 344
EPF-4001 . . . . .	1627 384	EPV-1071 L . . . . .	1704 711	EWJ-43 L . . . . .	1262 345
				EWJ-43 R . . . . .	1262 346



# VENDOR NUMBER CROSS REFERENCE LIST

VENDOR NUMBER	CHRYSLER NUMBER	VENDOR NUMBER	CHRYSLER NUMBER
<b>AUTO-LITE</b>			
EWJ-51 . . . . .	.1262 350	EWR-1072 . . . . .	.1370 004
EWJ-64 . . . . .	.1390 521	EWR-1084 . . . . .	.1479 613
EWJ-75 A . . . . .	.1262 351	EWR-1099 L . . . . .	.1370 023
EWJ-80 . . . . .	.1239 471	EWR-1099 R . . . . .	.1370 022
EWJ-81 A . . . . .	.1262 354	EWR-1100 L . . . . .	.1383 507
EWJ-91 . . . . .	.1194 585	EWR-1100 R . . . . .	.1383 506
EWJ-131 . . . . .	.1233 532	EWR-2006 . . . . .	.1436 247
EWJ-132 . . . . .	.1233 531	EWR-2082 . . . . .	.1495 353
EWJ-142 . . . . .	.1272 410	EWR-2096 S . . . . .	.1479 946
EWJ-1090 . . . . .	.1194 581	EWV-20 . . . . .	.1499 160
EWJ-1097 L . . . . .	.1310 541	EWV-2006 . . . . .	.1479 685
EWJ-1097 R . . . . .	.1310 543	EWV-4001 . . . . .	.1436 729
EWJ-1117 . . . . .	.1310 656	EWY-1073 . . . . .	.1473 235
EWJ-1119 . . . . .	.1308 336	EWY-1085 E . . . . .	.1540 467
EWJ-1120 L . . . . .	.1310 654	EWY-1085 F . . . . .	.1540 466
EWJ-1120 R . . . . .	.1310 661	EWY-1085 G . . . . .	.1540 522
EWJ-1141 L . . . . .	.1370 210	EWY-1085 H . . . . .	.1540 524
EWJ-1141 R . . . . .	.1370 209	EWY-1097 LA . . . . .	.1540 150
EWJ-1162 RA . . . . .	.1540 371	EWY-1097 RA . . . . .	.1540 149
EWJ-1162 LA . . . . .	.1540 372	EWY-1098 LA . . . . .	.1540 369
EWJ-1167 . . . . .	.1540 145	EWY-1098 RA . . . . .	.1540 368
EWJ-2003 C . . . . .	.1391 902	EWY-1116 F . . . . .	.1540 520
EWJ-2006 . . . . .	.1262 365	EWY-1116 G . . . . .	.1540 523
EWJ-2056 . . . . .	.1262 366	EWY-1117 C . . . . .	.1540 521
EWJ-2072 . . . . .	.1540 475	EWY-4004 . . . . .	.1495 163
EWJ-2143 . . . . .	.1390 519	EX-88454 . . . . .	.1343 488
EWJ-2154 . . . . .	.1495 606	EX-93914 . . . . .	.1440 349
EWJ-4002 . . . . .	.1261 036	F5-3276-P-16 . . . . .	.1934 350
EWJ-4007 A . . . . .	.1436 660	FA-31 S . . . . .	.1313 837
EWJ-4011 . . . . .	.1272 340	FA-1012 B . . . . .	.1618 098
EWK-26 . . . . .	.1265 716	FA-1037 . . . . .	.1631 343
EWK-43 . . . . .	.1265 717	FB-16 . . . . .	.1313 698
EWK-74 . . . . .	.1660 965	FB-17 . . . . .	.1313 699
EWK-100 . . . . .	.1261 446	FB-1030 . . . . .	.1618 096
EWK-100 A . . . . .	.1261 447	FB-1031 . . . . .	.1618 119
EWK-1015 . . . . .	.1261 454	FB-1034 . . . . .	.1618 099
EWK-1085 . . . . .	.1263 468	FB-4002 S . . . . .	.1637 367
EWK-1090 . . . . .	.1263 469	FP-672 . . . . .	.1631 421
EWK-2006 . . . . .	.1265 731	GAA-32 . . . . .	.671 477
EWK-2071 . . . . .	.1265 732	GAA-35 A . . . . .	.1273 382
EWK-2072 . . . . .	.1265 736	GAR-63 . . . . .	.636 812
EWK-4101 . . . . .	.1261 499	GAR-64 . . . . .	.636 813
EWK-4102 . . . . .	.1261 498	GAR-73 . . . . .	.636 796
EWM-20 . . . . .	.1308 465	GAR-95 . . . . .	.648 359
EWM-1005 D . . . . .	.1605 556	GAR-98 A . . . . .	.636 800
EWM-2006 . . . . .	.1308 472	GAR-171 . . . . .	.648 392
EWM-4001 . . . . .	.1300 526	GAR-221 A . . . . .	.1273 438
EWO-4001 . . . . .	.1343 472	GBF-79 . . . . .	.636 804
EWR-42 . . . . .	.1473 608	GBG-24 M . . . . .	.1405 151
EWR-43 . . . . .	.1540 105	GBG-49 C . . . . .	.1405 143
EWR-43 R . . . . .	.1540 104	GBG-56 D . . . . .	.1405 149
EWR-81 . . . . .	.1436 565	GBG-57 B . . . . .	.1405 147
EWR-81 A . . . . .	.1436 566	GBG-66 B . . . . .	.1405 137
EWR-81 B . . . . .	.1436 567	GBG-121 . . . . .	.960 545
EWR-1026 A . . . . .	.1439 662	GBG-1056 F . . . . .	.1405 148
EWR-1026 B . . . . .	.1473 111	GBJ-25 . . . . .	.674 931
EWR-1071 . . . . .	.1436 242	GBM-21 B . . . . .	.40 654
GBM-124 . . . . .	.1253 362	GBM-2012 AS . . . . .	.689 929
GBM-2012 AS . . . . .	.689 929	GBM-2065 F . . . . .	.671 474
GBM-2065 F . . . . .	.671 474	GBM-4610-5 . . . . .	.691 696
GBM-4610-5 . . . . .	.691 696	GBW-24 B . . . . .	.673 031
GBW-24 B . . . . .	.673 031	GBW-34 . . . . .	.671 481
GBW-34 . . . . .	.671 481	GBW-45 . . . . .	.671 490
GBW-45 . . . . .	.671 490	GBW-45 A . . . . .	.1110 952
GBW-45 A . . . . .	.1110 952	GBW-66 . . . . .	.688 015
GBW-66 . . . . .	.688 015	GBW-69 . . . . .	.695 627
GBW-69 . . . . .	.695 627	GBW-72 . . . . .	.695 628
GBW-72 . . . . .	.695 628	GBW-73 . . . . .	.695 629
GBW-73 . . . . .	.695 629	GBW-1024 N . . . . .	.1138 490
GBW-1024 N . . . . .	.1138 490	GBW-1068 . . . . .	.695 626
GBW-1068 . . . . .	.695 626	GBW-2012 CS . . . . .	.1550 087
GBW-2012 CS . . . . .	.1550 087	GBW-2052 FM . . . . .	.1112 913
GBW-2052 FM . . . . .	.1112 913	GBY-25 . . . . .	.674 936
GBY-25 . . . . .	.674 936	GBY-34 C . . . . .	.1405 142
GBY-34 C . . . . .	.1405 142	GBY-38 A . . . . .	.674 919
GBY-38 A . . . . .	.674 919	GCD-2012 S . . . . .	.960 544
GCD-2012 S . . . . .	.960 544	GCE-24 . . . . .	.674 944
GCE-24 . . . . .	.674 944	GCE-40 . . . . .	.916 572
GCE-40 . . . . .	.916 572	GCE-40 B . . . . .	.1405 138
GCE-40 B . . . . .	.1405 138	GCE-53 . . . . .	.674 935
GCE-53 . . . . .	.674 935	GCE-53 A . . . . .	.1123 522
GCE-53 A . . . . .	.1123 522	GCE-54 . . . . .	.674 936
GCE-54 . . . . .	.674 936	GCG-54 . . . . .	.960 173
GCG-54 . . . . .	.960 173	GCE-2002 S . . . . .	.1262 932
GCE-2002 S . . . . .	.1262 932	GCE-2012 S . . . . .	.677 175
GCE-2012 S . . . . .	.677 175	GCT-25 . . . . .	.683 358
GCT-25 . . . . .	.683 358	GCK-4806-1 . . . . .	E-54 629-M
GCK-4806-1 . . . . .	E-54 629-M	GCP-2052 FM . . . . .	.1138 489
GCP-2052 FM . . . . .	.1138 489	GCP-2105 FM . . . . .	.1531 572
GCP-2105 FM . . . . .	.1531 572	GCP-4801 . . . . .	E-40 259-M
GCP-4801 . . . . .	E-40 259-M	GCT-25 . . . . .	.683 358
GCT-25 . . . . .	.683 358	GCY-25 . . . . .	.683 357
GCY-25 . . . . .	.683 357	GDD-27 . . . . .	.960 161
GDD-27 . . . . .	.960 161	GDD-28 . . . . .	.960 162
GDD-28 . . . . .	.960 162	GDJ-23 B . . . . .	.1405 139
GDJ-23 B . . . . .	.1405 139	GDJ-63 D . . . . .	.1404 672
GDJ-63 D . . . . .	.1404 672	GDJ-73 B . . . . .	.1405 150
GDJ-73 B . . . . .	.1405 150	GDJ-1008 . . . . .	.916 568
GDJ-1008 . . . . .	.916 568	GDJ-1010 . . . . .	.916 570
GDJ-1010 . . . . .	.916 570	GDJ-1012 . . . . .	.957 473
GDJ-1012 . . . . .	.957 473	GDJ-1073 . . . . .	.919 871
GDJ-1073 . . . . .	.919 871	GDJ-1073 B . . . . .	.1405 146
GDJ-1073 B . . . . .	.1405 146	GDJ-2012 BS . . . . .	.1405 140
GDJ-2012 BS . . . . .	.1405 140	GDJ-2012 CS . . . . .	.1502 235
GDJ-2012 CS . . . . .	.1502 235	GDJ-2062 FT . . . . .	.1405 144
GDJ-2062 FT . . . . .	.1405 144	GDJ-2065 F . . . . .	.916 581
GDJ-2065 F . . . . .	.916 581	GDJ-2074 . . . . .	.919 869
GDJ-2074 . . . . .	.919 869	GDJ-2074 BS . . . . .	.1405 141
GDJ-2074 BS . . . . .	.1405 141	GDJ-2171 S . . . . .	.1558 130
GDJ-2171 S . . . . .	.1558 130	GDJ-2202 FT . . . . .	.1558 148
GDJ-2202 FT . . . . .	.1558 148	GDJ-4808 . . . . .	.918 720
GDJ-4808 . . . . .	.918 720	GDJ-4840 T-S1 . . . . .	.1330 235
GDJ-4840 T-S1 . . . . .	.1330 235	GDW-44 . . . . .	.1138 481
GDW-44 . . . . .	.1138 481		

# VENDOR NUMBER CROSS REFERENCE LIST

VENDOR NUMBER	CHRYSLER NUMBER	VENDOR NUMBER	CHRYSLER NUMBER	VENDOR NUMBER	CHRYSLER NUMBER
<b>AUTO-LITE</b>					
GDZ-64 . . . . .	1135 623	GGA-6005 S1 . . . . .	1662 147	GGU-6001 S1 . . . . .	1136 934
GDZ-1002 A . . . . .	860 491	GGA-6008 S1 . . . . .	1661 773	GGU-6002 S1 . . . . .	1262 334
GDZ-1003 . . . . .	860 492	GGE-1003 . . . . .	1112 915	GGU-6004 S1 . . . . .	1440 394
GDZ-1005 . . . . .	858 269	GGE-1004 A . . . . .	1112 920	GGU-6005 S1 . . . . .	1479 730
GDZ-1007 . . . . .	858 270	GGE-4804 M . . . . .	E-71 258-M	GGU-6006 S1 . . . . .	1495 199
GDZ-1007 A . . . . .	1135 607	GGE-4805 M . . . . .	E-71 259-M	GGU-6008 S1 . . . . .	1540 816
GDZ-1008 . . . . .	858 271	GGE-4807 M . . . . .	1311 471	GGU-6009 S1 . . . . .	1540 640
GDZ-1008 A . . . . .	1135 608	GGF-10 . . . . .	1266 521	GGU-6012-S1 . . . . .	1507 928
GDZ-1008 B . . . . .	1323 951	GGF-11 . . . . .	1266 522	GGW-40 . . . . .	1271 164
GDZ-1064 A . . . . .	1320 488	GGF-13 . . . . .	1266 524	GGW-52 . . . . .	1269 238
GDZ-2006 F . . . . .	859 900	GGJ-27 . . . . .	1267 793	GGW-72 . . . . .	1752 673
GDZ-2057 F . . . . .	596 888	GGJ-2012 S . . . . .	1253 341	GGW-83 . . . . .	1610 386
GDZ-2094 . . . . .	1135 620	GGJ-2021 S . . . . .	1501 791	GGW-87 . . . . .	1552 859
GDZ-2094 AS . . . . .	1320 486	GGJ-2079 S . . . . .	1495 546	GGW-88 . . . . .	1552 885
GDZ-2094 S . . . . .	1616 621	GGJ-2101 AF . . . . .	1627 214	GGW-97 . . . . .	1605 567
GDZ-4801 S1 . . . . .	853 770	GGJ-2103 F . . . . .	1384 049	GGW-102 . . . . .	1752 674
GDZ-4802 S1 . . . . .	595 316	GGJ-2102 S . . . . .	1627 247	GGW-111 . . . . .	1818 859
GDZ-4820 M . . . . .	1123 539	GGJ-2104 F . . . . .	1473 063	GGW-1002 E . . . . .	1402 561
GDZ-4822 S1 . . . . .	1138 509	GGJ-2107 F . . . . .	1627 248	GGW-1003 . . . . .	1266 500
GE-48 . . . . .	661 647	GGJ-6001 S1 . . . . .	1136 931	GGW-1008 . . . . .	1266 493
GE-48 A . . . . .	1843 436	GGJ-6002 S1 . . . . .	1263 554	GGW-1024 . . . . .	1266 502
GEA-34 . . . . .	859 899	GGJ-6003 S1 . . . . .	1383 529	GGW-1031 . . . . .	1266 519
GEB-29 . . . . .	916 588	GGJ-6004 S1 . . . . .	1440 393	GGW-1072 . . . . .	1495 496
GEB-58 . . . . .	953 732	GGJ-6005 S1 . . . . .	1540 429	GGW-1078 . . . . .	1527 938
GEB-1008 A . . . . .	1189 547	GGJ-6007 S1 . . . . .	1390 077	GGW-1082 . . . . .	1527 968
GEB-2006 F . . . . .	860 922	GGJ-6008 S1 . . . . .	1604 843	GGW-2001 AS . . . . .	1616 622
GEB-6001 S-1 . . . . .	1194 650	GGU-27 . . . . .	1253 348	GGW-2002 AS . . . . .	1402 559
GEE-27 . . . . .	1752 647	GGU-28 . . . . .	1253 349	GGW-2002 S . . . . .	1384 081
GEF-1008 C . . . . .	1138 483	GGU-30 . . . . .	1253 344	GGW-2006 F . . . . .	1266 499
GEF-2006 F . . . . .	2084 290	GGU-31 . . . . .	1253 345	GGW-2006 FT . . . . .	1402 565
GEF-4901 M . . . . .	E-71 260-M	GGU-32 . . . . .	1253 346	GGW-2012 S . . . . .	1605 565
GEF-4902 M . . . . .	E-71 261-M	GGU-33 . . . . .	1253 355	GGW-2032 F . . . . .	1266 526
GEF-4903 M . . . . .	1323 917	GGU-34 . . . . .	1253 356	GGW-2045 F . . . . .	1479 690
GEF-4904 M . . . . .	1323 918	GGU-40 A . . . . .	1818 775	GGW-2046 F . . . . .	1505 843
GEF-5003 . . . . .	1889 606	GGU-45 . . . . .	1269 228	GGW-2047 S . . . . .	1505 842
GEW-31 . . . . .	120 396	GGU-51 . . . . .	1473 055	GGW-2079 S . . . . .	1507 941
GEW-1003 . . . . .	594 372	GGU-1002 A . . . . .	1253 358	GGW-2089 S . . . . .	1605 566
GFM-18 A . . . . .	131 954	GGU-1003 . . . . .	1253 361	GGW-2090 F . . . . .	1605 568
GFR-56 A . . . . .	1405 145	GGU-1003 D . . . . .	1879 569	GGW-2098 F . . . . .	1605 563
GFY-1007 A . . . . .	1253 329	GGU-1007 . . . . .	1253 351	GGW-6001 AT . . . . .	1330 240
GFY-1008 A . . . . .	1253 331	GGU-1007 A . . . . .	1483 977	GGW-6001 S . . . . .	1257 392
GFY-2093 F . . . . .	1689 799	GGU-1008 . . . . .	1253 352	GGW-6001 S1 . . . . .	1504 760
GFY-2101 F . . . . .	1391 249	GGU-1008 A . . . . .	1483 978	GGW-6001 SN . . . . .	1257 392
GFY-2107 F . . . . .	1689 780	GGU-1045 . . . . .	1269 227	GGW-6001 T-S1 . . . . .	1330 241
GFY-2108 F . . . . .	1689 801	GGU-1064 A . . . . .	1889 351	GGW-6002 S1 . . . . .	1263 971
GG-164 . . . . .	636 815	GGU-1065 . . . . .	1527 960	GGW-6004 T-S1 . . . . .	1326 562
GGA-20 . . . . .	1253 327	GGU-2006 F . . . . .	1253 360	GGW-6005-T-S1 . . . . .	1401 004
GGA-52 . . . . .	1253 332	GGU-2006 FF . . . . .	1566 346	GGW-6008-S1 . . . . .	1479 175
GGA-84 . . . . .	1571 409	GGU-2012 S . . . . .	1253 367	GGW-6010 S1 . . . . .	1527 328
GGA-86 . . . . .	1818 857	GGU-2042 F . . . . .	1495 573	GGW-6012 S1 . . . . .	1540 596
GGA-1005 A . . . . .	1391 246	GGU-2046 F . . . . .	1268 226	GGW-6013 S1 . . . . .	1505 824
GGA-1068 . . . . .	1253 338	GGU-2048 S . . . . .	1473 057	GGW-6014-S1 . . . . .	1540 820
GGA-1080 . . . . .	1384 050	GGU-2054 F . . . . .	1473 060	GGW-6016 S1 . . . . .	1604 825
GGA-1086 . . . . .	1818 749	GGU-2063 F . . . . .	1571 493	GGW-6019 S1 . . . . .	1550 577
GGA-2102 S . . . . .	1689 779	GGU-2070 S . . . . .	1605 558	GGY-45 . . . . .	1345 517
GGA-6002 S1 . . . . .	1658 865	GGU-2071 F . . . . .	1605 559	GGY-45 A . . . . .	1402 564
GGA-6003 S1 . . . . .	1658 861	GGU-6001 FF-S1 . . . . .	1507 840	GGY-2012 S . . . . .	1402 500



# VENDOR NUMBER CROSS REFERENCE LIST

VENDOR NUMBER	CHRYSLER NUMBER	VENDOR NUMBER	CHRYSLER NUMBER	VENDOR NUMBER	CHRYSLER NUMBER
<b>AUTO-LITE</b>					
GGY-2012 BS . . . . .	1661 748	GHM-6001 S1 . . . . .	1753 624	GJC-57 . . . . .	1818 860
GGY-2017 BS . . . . .	1610 378	GHM-6003-SN1 . . . . .	1704 272	GJC-1005 . . . . .	1568 078
GGY-3080 S . . . . .	1610 383	GHM-6004-S1 . . . . .	1704 265	GJC-1007 A . . . . .	1752 645
GGY-3080 BS . . . . .	1692 763	GHM-6007-S1 . . . . .	1704 267	GJC-1008 A . . . . .	1752 646
GGZ-1064 A . . . . .	1889 351	GHM-6008-S1 . . . . .	1787 869	GJC-1019 . . . . .	2196 328
GGZ-2006 F . . . . .	1268 129	GHM-6009-S1 . . . . .	1665 108	GJC-1031 A . . . . .	2196 329
GGZ-2046 F . . . . .	1507 942	GHM-6010 S1 . . . . .	1770 747	GJC-1033 . . . . .	1752 693
GGZ-6001 M-S1 . . . . .	1321 751	GHM-6011 S1 . . . . .	1779 960	GJC-1034 . . . . .	1752 694
GGZ-6001-S1 . . . . .	1264 054	GHM-8002 S1 . . . . .	1842 773	GJC-1050 . . . . .	2084 855
GGZ-6002-S1 . . . . .	1506 324	GHM-8004 S1 . . . . .	1842 776	GJC-1057 . . . . .	1818 784
GGZ-6004-S1 . . . . .	1661 761	GHM-8005 S1 . . . . .	1842 779	GJC-1057 A . . . . .	1889 385
GHA-15 . . . . .	1273 439	GHM-8006 B . . . . .	1889 400	GJC-1061 . . . . .	2084 264
GHA-35 . . . . .	1273 446	GHP-2001 S . . . . .	1555 264	GJC-1082 . . . . .	1662 174
GHA-36 . . . . .	1273 447	GHP-2002 AS . . . . .	1818 559	GJC-1102 . . . . .	1658 527
GHA-37 . . . . .	1273 444	GHP-6002 T-S1 . . . . .	1532 976	GJC-1107 . . . . .	1689 791
GHA-38 . . . . .	1273 432	GHR-20 . . . . .	1818 824	GJC-1111 . . . . .	1818 581
GHA-39 . . . . .	1273 448	GHR-20 B . . . . .	2084 289	GJC-1111 A . . . . .	1889 234
GHA-40 . . . . .	1273 449	GHR-1003 . . . . .	1610 380	GJC-1111 B . . . . .	2084 852
GHA-41 . . . . .	1273 450	GHR-1003 B . . . . .	2084 293	GJC-1112 . . . . .	1843 161
GHA-42 . . . . .	1273 451	GHR-1005 . . . . .	1610 377	GJC-1112 A . . . . .	2196 326
GHA-47 S . . . . .	1394 888	GHR-2006 FM . . . . .	1630 647	GJC-2002 A . . . . .	2084 861
GHA-53 . . . . .	1273 454	GHR-2081 . . . . .	1630 645	GJC-2012 AS . . . . .	1843 156
GHA-1004 S . . . . .	1273 437	GHR-4801 M . . . . .	1535 579	GJC-2032 F . . . . .	1568 079
GHA-1044 . . . . .	1273 455	GHR-4801 NM . . . . .	1616 642	GJC-2044 . . . . .	1658 526
GHA-1052 . . . . .	1273 440	GHR-4802 M . . . . .	1535 591	GJC-2047 F . . . . .	1661 749
GHA-2006 FT . . . . .	1273 445	GHR-4802 NM . . . . .	1616 643	GJC-2048 F . . . . .	1662 175
GHA-2012 S . . . . .	1273 441	GHU-2006 FM . . . . .	1610 379	GJC-2055 F . . . . .	1689 793
GHA-4802 UT . . . . .	1268 963	GHU-4801 M . . . . .	1553 022	GJC-2056 F . . . . .	1689 803
GHB-3 . . . . .	1879 496	GHU-4801 NM . . . . .	1616 645	GJC-2058 F . . . . .	1879 571
GHB-1003 . . . . .	1879 495	GHU-4802 M . . . . .	1553 023	GJC-2059 F . . . . .	1889 353
GHB-2006 F . . . . .	1402 501	GHU-4802 NM . . . . .	1616 644	GJC-2060 . . . . .	2084 263
GHB-4801 S1 . . . . .	1323 901	GHW-1005 . . . . .	1612 726	GJC-2090 F . . . . .	1658 608
GHB-4802 S1 . . . . .	1842 609	GHW-1005 B . . . . .	2084 298	GJC-2098 F . . . . .	1658 617
GHC-1007 . . . . .	1402 493	GHW-2002 S . . . . .	2084 292	GJC-6002-S1 . . . . .	1565 827
GHC-1008 . . . . .	1402 494	GHW-2006 AF . . . . .	2084 299	GJC-6003-S1 . . . . .	1568 355
GHC-6002 S . . . . .	1323 921	GHW-2006 FM . . . . .	1612 729	GJC-7001-S1 . . . . .	1642 000
GHC-6003 S1 . . . . .	1610 368	GHW-3017 S . . . . .	2084 300	GJC-7002-S1 . . . . .	1770 755
GHF-1007 . . . . .	1483 986	GHW-4801-M . . . . .	1553 025	GJC-7003-S1 . . . . .	1642 005
GHF-1007 A . . . . .	1499 171	GHW-4801-NM . . . . .	1616 646	GJC-7005-S1 . . . . .	1787 871
GHF-1008 . . . . .	1483 987	GHW-4802-M . . . . .	1553 026	GJC-7006-S1 . . . . .	1642 009
GHF-1008 A . . . . .	1499 172	GHW-4802 NM . . . . .	1616 647	GJC-7009-S1 . . . . .	1569 860
GHF-2006 F . . . . .	1818 560	GHW-4809 . . . . .	1889 481	GJC-7010-S1 . . . . .	1662 153
GHF-2006 AFT . . . . .	1555 268	GHW-4810 . . . . .	1889 483	GJC-7011-S1 . . . . .	1689 302
GHF-3006 FM . . . . .	1483 989	GHX-4801 NM . . . . .	1616 648	GJC-7012 S1 . . . . .	1770 755
GHG-2048 FM . . . . .	1612 734	GHX-4802 NM . . . . .	1616 649	GJC-7013 S1 . . . . .	1779 945
GHM-3 . . . . .	1818 858	GHX-4803 . . . . .	1889 827	GJC-7014 S1 . . . . .	1787 871
GHM-1003 . . . . .	1818 640	GHX-4804 . . . . .	1889 829	GJC-7017 S1 . . . . .	1941 108
GHM-1003 A . . . . .	1889 349	GJ-20 . . . . .	1300 503	GJC-7401 T-61 . . . . .	2095 498
GHM-2006 F . . . . .	1752 520	GJ-20 A . . . . .	1532 980	GJM-1005 . . . . .	1889 352
GHM-2034 F . . . . .	1879 568	GJ-20 C . . . . .	2084 659	GJM-1005 C . . . . .	2084 860
GHM-2042 F . . . . .	1499 173	GJC-19 . . . . .	1658 529	GJM-7001 . . . . .	1920 863
GHM-2045 F . . . . .	1889 350	GJC-35 . . . . .	1627 277	GJM-7002 S1 . . . . .	1798 760
GHM-2046 F . . . . .	1752 408	GJC-38 A . . . . .	2084 265	GJM-7003 S1 . . . . .	1920 845
GHM-2059 F . . . . .	1752 289	GJC-39 . . . . .	1752 692	GJM-8001 S1 . . . . .	1842 800
GHM-2059 FS . . . . .	1752 289	GJC-41 . . . . .	1627 278	GJM-8002 S1 . . . . .	1842 794
GHM-2071 F . . . . .	1605 561	GJC-42 . . . . .	1627 279	GJM-8201 A . . . . .	2095 070
GHM-2074 F . . . . .	1843 209	GJC-50 . . . . .	1658 597	GJM-8203 S1 . . . . .	2095 417

# VENDOR NUMBER CROSS REFERENCE LIST

VENDOR NUMBER	CHRYSLER NUMBER	VENDOR NUMBER	CHRYSLER NUMBER	VENDOR NUMBER	CHRYSLER NUMBER
<b>AUTO-LITE</b>					
GK-20 A . . . . .	673 009	HO-1025 . . . . .	860 933	IAO-4114-1 M . . . . .	1321 788
GK-38 . . . . .	859 901	HO-1073 . . . . .	857 770	IAO-4116-1 . . . . .	1193 314
GK-38 C . . . . .	1314 123	HO-1074 . . . . .	857 777	IAP-9 . . . . .	1269 181
GK-215 . . . . .	120 395	HR-43 . . . . .	652 398	IAP-23 . . . . .	1261 005
GY-20 B . . . . .	1110 947	HRC-4001 . . . . .	853 750	IAP-3004 R . . . . .	1261 008
HA-1025 . . . . .	643 956	HRL-4101 . . . . .	1113 099	IAP-3004 RD . . . . .	1253 295
HA-4029 . . . . .	866 103	HRM-4002 . . . . .	1538 314	IAP-3004 RE . . . . .	1308 180
HA-4032 . . . . .	1089 619	HRM-4102 . . . . .	1113 084	IAP-4101-1 . . . . .	1233 564
HA-4034 . . . . .	1089 621	HRM-4104 . . . . .	1594 487	IAP-4101 A-1 . . . . .	1546 755
HA-4035 . . . . .	1188 465	HRS-4001 . . . . .	1120 526	IAR-8 . . . . .	1244 738
HA-4042 . . . . .	1540 453	HRT-4001 A . . . . .	1479 522	IAR-1003 . . . . .	1126 570
HA-4101 . . . . .	1565 848	HRV-4001 . . . . .	1370 235	IAR-1004 R . . . . .	1244 621
HA-4102 . . . . .	1565 840	HRW-4001 A . . . . .	1440 445	IAR-3004 R . . . . .	1244 620
HAB-88 A . . . . .	1662 342	HRZ-4001 L . . . . .	1495 223	IAR-4101-1 . . . . .	1126 571
HAB-1052 L . . . . .	1540 268	HRZ-4001 R . . . . .	1495 222	IAT-6 . . . . .	1343 585
HAB-1052 R . . . . .	1540 267	HRZ-4002 . . . . .	1473 791	IAT-7 . . . . .	1343 591
HAB-4017 . . . . .	1436 670	HW-9 . . . . .	1310 719	IAT-14 . . . . .	1343 583
HAB-4018 . . . . .	1436 669	HW-1008 A . . . . .	1310 718	IAT-24 R . . . . .	1343 582
HAB-4028 . . . . .	1622 476	HW-1011 . . . . .	1310 720	IAT-29 . . . . .	1345 705
HAB-4313 . . . . .	1302 784	HW-4101 . . . . .	1241 032	IAT-30 . . . . .	1383 641
HAB-4314 . . . . .	1302 785	HW-4102 . . . . .	1241 033	IAT-51 . . . . .	1495 568
HAB-4603 . . . . .	1540 264	HW-4203 . . . . .	1436 757	IAT-52 . . . . .	1495 565
HAB-4604 . . . . .	1540 263	HW-4204 . . . . .	1436 758	IAT-81 RE . . . . .	2084 865
HAB-4617 . . . . .	1523 540	IA-013 . . . . .	1345 583	IAT-1033 . . . . .	1343 576
HAB-4664 . . . . .	1523 541	IA-131 . . . . .	643 908	IAT-2004 RA . . . . .	1343 578
HAD-1026 . . . . .	1753 017	IAC-2040 L . . . . .	2084 639	IAT-2004 RCS . . . . .	1752 398
HAD-1027 . . . . .	1753 017	IAD-8 . . . . .	1089 089	IAT-2004 RD . . . . .	1752 397
HAD-1028 . . . . .	1838 278	IAD-10 . . . . .	1089 090	IAT-2004 RS . . . . .	1752 398
HAD-1032 L . . . . .	1779 474	IAD-12 . . . . .	1089 089	IAT-2015 RA . . . . .	1692 794
HAD-1032 R . . . . .	1779 473	IAD-14 A . . . . .	1323 928	IAT-2023 G . . . . .	1343 590
HAD-1033 L . . . . .	1753 101	IAD-1014 M . . . . .	1483 967	IAT-2023 RJ . . . . .	1345 473
HAD-1033 R . . . . .	1753 100	IAD-1100 RH . . . . .	1089 081	IAT-2023 RK . . . . .	1345 383
HAD-2042 . . . . .	1753 059	IAD-2004 B . . . . .	1134 140	IAT-2023 RP . . . . .	1345 473
HAD-4027 . . . . .	1622 484	IAD-2015 . . . . .	1089 085	IAT-2035 . . . . .	1345 223
HAD-4101 . . . . .	1753 001	IAD-2021 . . . . .	1089 087	IAT-2035 A . . . . .	1495 566
HAD-4627 . . . . .	1627 303	IAD-4201 . . . . .	930 367	IAT-2050 R . . . . .	1692 793
HAD-4628 . . . . .	1627 302	IAD-4203 . . . . .	1109 761	IAT-2050 RC . . . . .	1692 793
HAD-4729 . . . . .	1660 936	IAE-4001 M . . . . .	1075 920	IAT-2050 RS . . . . .	1495 569
HAD-4733 . . . . .	1658 822	IAK-8 . . . . .	696 043	IAT-3076 DS . . . . .	1881 723
HAD-4734 . . . . .	1658 821	IAK-4002-1 M . . . . .	1119 565	IAT-3076 RA . . . . .	1692 794
HAD-4801 . . . . .	1753 006	IAL-4001-1M . . . . .	1123 056	IAT-3076 LA . . . . .	1818 757
HAD-4804 . . . . .	1753 007	IAL-4004-1M . . . . .	1119 564	IAT-4011 . . . . .	1546 755
HAD-4901 . . . . .	1664 986	IAO-7 . . . . .	1195 772	IAT-4012 . . . . .	1479 588
HAD-4905 . . . . .	1779 472	IAO-13 . . . . .	1345 583	IAT-4103 . . . . .	1689 323
HAD-4906 . . . . .	1779 471	IAO-14 . . . . .	1267 371	IAU-23 . . . . .	1269 011
HAD-4909 . . . . .	1753 092	IAO-17 . . . . .	1267 367	IAU-39 . . . . .	1271 751
HAD-4910 . . . . .	1753 093	IAO-17 M . . . . .	1323 924	IAU-56 . . . . .	1271 754
HAD-4913 . . . . .	1753 087	IAO-20 . . . . .	1308 183	IAU-62 . . . . .	1394 961
HAD-4916 . . . . .	1753 086	IAO-1003 . . . . .	1235 421	IAU-1016 A . . . . .	1343 587
HAF-4523 AA . . . . .	1605 186	IAO-1004 . . . . .	1195 775	IAU-1065 . . . . .	1530 724
HAF-4523 BB . . . . .	1605 185	IAO-1014 M . . . . .	1483 968	IAU-1066 . . . . .	1390 137
HC-135 . . . . .	1089 626	IAO-2004 . . . . .	1195 774	IAU-1069 RA . . . . .	1486 151
HD-4018 . . . . .	1089 622	IAO-2004 M . . . . .	1323 925	IAU-1071 . . . . .	1394 963
HD-4102 . . . . .	1565 842	IAO-4109-1 M . . . . .	1321 787	IAU-2058 S . . . . .	1500 968
HO-34 . . . . .	863 141	IAO-4110-1 M . . . . .	1323 899	IAU-2070 S . . . . .	1500 769
HO-35 . . . . .	870 341	IAO-4112-1 M . . . . .	1326 533	IAU-3076 AS . . . . .	2196 327
HO-39 . . . . .	861 248	IAO-4113-1 M . . . . .	1326 532	IAU-3076 L . . . . .	1271 766

# VENDOR NUMBER CROSS REFERENCE LIST

VENDOR NUMBER	CHRYSLER NUMBER	VENDOR NUMBER	CHRYSLER NUMBER	VENDOR NUMBER	CHRYSLER NUMBER
<b>AUTO-LITE</b>					
IAU-3076 LB . . . . .	1530 726	IAZ-1021 RP . . . . .	1627 261	IBB-2012 . . . . .	1505 932
IAU-4005 UT . . . . .	1268 976	IAZ-1021 RQ . . . . .	1671 316	IBB-2013 . . . . .	1509 677
IAU-4007 UT . . . . .	1391 376	IAZ-1021 RU . . . . .	1752 627	IBB-2014 . . . . .	1508 429
IAU-4016 UT . . . . .	1633 145	IAZ-1021 RV . . . . .	1843 346	IBB-2014 M . . . . .	1558 133
IAU-4017 UT . . . . .	1550 585	IAZ-1021 RW . . . . .	1879 289	IBB-2015 L . . . . .	1663 127
IAU-4018 UT . . . . .	1550 584	IAZ-1025 RA . . . . .	1818 641	IBB-2015 R . . . . .	1571 394
IAX-2046 M . . . . .	1323 946	IAZ-1025 RB . . . . .	1843 038	IBB-2015 RA . . . . .	1818 757
IAX-4004-1 M . . . . .	1323 933	IAZ-1026 R . . . . .	1473 687	IFB-2023 . . . . .	1509 682
IAX-4005-1 M . . . . .	1321 786	IAZ-1026 RA . . . . .	1505 931	IBB-2040 . . . . .	1505 933
IAY-7 . . . . .	1274 087	IAZ-1026 RA . . . . .	1818 574	IBB-2040 D . . . . .	1663 133
IAY-8 . . . . .	1274 088	IAZ-1026 RC . . . . .	1843 033	IBB-2040 M . . . . .	1532 968
IAY-9 . . . . .	1274 089	IAZ-1028 R . . . . .	1818 820	IBB-2042 SS1 . . . . .	1818 757
IAY-1004 . . . . .	1274 090	IAZ-1036 L . . . . .	1843 376	IBB-4001 A-1M . . . . .	1321 761
IAY-1019 S . . . . .	1818 727	IAZ-1036 LA . . . . .	1879 313	IBB-4101-1M . . . . .	1486 190
IAY-2001 B . . . . .	1818 671	IAZ-1037 L . . . . .	1879 392	IBB-4101-B-1 . . . . .	1616 631
IAY-2012 B . . . . .	1818 760	IAZ-1038 R . . . . .	1879 390	IBB-4102-1 . . . . .	1402 600
IAY-2019 . . . . .	1818 672	IAZ-1039 L . . . . .	1889 397	IBB-4102 A-1M . . . . .	1402 503
IAY-2019 B . . . . .	1818 780	IAZ-2001 . . . . .	1818 666	IBB-4103 A . . . . .	1501 786
IAY-2019 E . . . . .	2084 864	IAZ-2001 B . . . . .	1843 336	IBB-4103 B . . . . .	1566 656
IAY-4003-1 . . . . .	1274 066	IAZ-2004 R . . . . .	1658 610	IBB-4105 A . . . . .	1612 742
IAY-4003 B-1 . . . . .	1507 456	IAZ-2004 RA . . . . .	1658 610	IBB-4105 B . . . . .	1634 193
IAY-4004 C-1 . . . . .	1788 688	IAZ-2023 LC . . . . .	1879 314	IBB-4106 A-1 . . . . .	1507 047
IAY-4004 1T . . . . .	1391 299	IAZ-2023 RA . . . . .	1439 671	IBB-4107-1 . . . . .	1555 284
IAY-4101-1 . . . . .	1788 688	IAZ-2023 RB . . . . .	1627 234	IBB-4108 . . . . .	1507 048
IAY-4102-1 . . . . .	1787 972	IAZ-2023 RC . . . . .	1627 262	IBC-34 . . . . .	1486 150
IAY-4104-1 . . . . .	1788 688	IAZ-2023 RD . . . . .	1658 620	IBC-1025 R . . . . .	1614 207
IAZ-7 . . . . .	1383 953	IAZ-2023 RE . . . . .	1689 773	IBC-1035 . . . . .	1486 159
IAZ-10 . . . . .	1383 958	IAZ-2023 RF . . . . .	1689 765	IBC-4018 UT . . . . .	1550 590
IAZ-11 S . . . . .	1527 974	IAZ-2023 RG . . . . .	1843 034	IBC-4019 UT . . . . .	1551 878
IAZ-13 . . . . .	1383 954	IAZ-2040 LS . . . . .	2084 080	IBC-4021 UT . . . . .	1633 140
IAZ-22 . . . . .	1383 955	IAZ-2040 R . . . . .	2084 077	IBD-4008 UT . . . . .	1555 289
IAZ-24 . . . . .	1383 959	IAZ-2040 RS . . . . .	2084 076	IBD-4009 UT . . . . .	1555 288
IAZ-30 . . . . .	1440 349	IAZ-4001 A . . . . .	1479 139	IBD-4014 . . . . .	1633 141
IAZ-31 . . . . .	1479 105	IAZ-4001 B . . . . .	1479 139	IBE-1001 . . . . .	1401 001
IAZ-32 . . . . .	1440 360	IAZ-4001 C . . . . .	1540 552	IBF-9 . . . . .	1610 370
IAZ-1002 R . . . . .	1383 947	IAZ-4001 E . . . . .	1626 661	IBF-27 . . . . .	1530 735
IAZ-1002 RB . . . . .	1752 328	IAZ-4001 F . . . . .	1641 707	IBF-33 . . . . .	1530 736
IAZ-1002 RC . . . . .	1818 563	IAZ-4001 G . . . . .	1658 989	IBF-1003 . . . . .	1530 737
IAZ-1002 RD . . . . .	1843 040	IAZ-4002 . . . . .	1383 290	IBF-1004 R . . . . .	1530 738
IAZ-1004 R . . . . .	1383 960	IAZ-4002 A . . . . .	1540 810	IBF-1066 . . . . .	1530 739
IAZ-1004 RA . . . . .	1689 784	IAZ-4002 B . . . . .	1595 305	IBF-4001-UT . . . . .	1409 647
IAZ-1014 . . . . .	1383 948	IAZ-4002 C . . . . .	1626 658	IBF-4002 BUT . . . . .	1634 224
IAZ-1015 . . . . .	1383 950	IAZ-4002 D . . . . .	1626 659	IBF-4002 CUT . . . . .	1612 723
IAZ-1021 LB . . . . .	1879 312	IAZ-4003 A . . . . .	1540 809	IBF-4002-UT . . . . .	1614 217
IAZ-1021 R . . . . .	1439 670	IAZ-4003 B . . . . .	1605 148	IBF-4004 UT . . . . .	1889 286
IAZ-1021 RB . . . . .	1627 242	IAZ-4003 C . . . . .	1626 656	IBG-4001 UT . . . . .	1558 149
IAZ-1021 RC . . . . .	1479 529	IAZ-4003 D . . . . .	1641 956	IBH-4001 UT . . . . .	1610 349
IAZ-1021 RD . . . . .	1505 930	IAZ-4003 F . . . . .	1641 956	IBJ-8 . . . . .	1658 538
IAZ-1021 RE . . . . .	1571 398	IAZ-4003 G . . . . .	1641 740	IBJ-14 . . . . .	1658 540
IAZ-1021 RF . . . . .	1508 812	IAZ-4003 H . . . . .	1658 870	IBJ-24 . . . . .	1658 602
IAZ-1021 RG . . . . .	1509 676	IB-654 S . . . . .	1879 282	IBJ-1021 R . . . . .	1658 533
IAZ-1021 RH . . . . .	1660 504	IBB-9 M . . . . .	1558 134	IBJ-1021 RC . . . . .	1658 545
IAZ-1021 RK . . . . .	1627 233	IBB-1002 R . . . . .	1508 428	IBJ-1021 RD . . . . .	1658 548
IAZ-1021 RL . . . . .	1627 228	IBB-1002 RM . . . . .	1558 132	IBJ-1021 RE . . . . .	1658 543
IAZ-1021 RM . . . . .	1627 239	IBB-1024 R . . . . .	1509 681	IBJ-1021 RF . . . . .	1689 771
IAZ-1021 RN . . . . .	1660 501	IBB-1040 . . . . .	1505 934	IBJ-1021 RG . . . . .	1689 776
		IBB-1040 M . . . . .	1532 969	IBJ-1021 RH . . . . .	1658 621

# VENDOR NUMBER CROSS REFERENCE LIST

VENDOR NUMBER	CHRYSLER NUMBER	VENDOR NUMBER	CHRYSLER NUMBER	VENDOR NUMBER	CHRYSLER NUMBER
<b>AUTO-LITE</b>					
IBJ-1021 RJ . . . . .	1689 769	IBP-2004 L . . . . .	1843 368	IBR-4001 . . . . .	1689 323
IBJ-1021 RK . . . . .	1663 125	IBP-2004 LS . . . . .	1843 369	IBR-4001 A . . . . .	1889 550
IBJ-1021 RL . . . . .	1663 131	IBP-2004 R . . . . .	1818 565	IBR-4002 A . . . . .	1889 552
IBJ-1021 RM . . . . .	1663 135	IBP-2004 RA . . . . .	1843 482	IBS-30 . . . . .	1843 440
IBJ-1021 RN . . . . .	1752 235	IBP-2004 RS . . . . .	1818 567	IBS-38 . . . . .	1843 437
IBJ-1021 RP . . . . .	1752 394	IBP-2023 L . . . . .	1843 377	IBS-39 . . . . .	1843 438
IBJ-1021 RT . . . . .	1818 732	IBP-2023 LB . . . . .	2084 085	IBS-1004 L . . . . .	1843 338
IBJ-1021 RU . . . . .	1818 769	IBP-2023 R . . . . .	1818 569	IBS-1004 R . . . . .	1752 629
IBJ-1021 RV . . . . .	1879 281	IBP-2023 RA . . . . .	1818 652	IBS-2001 . . . . .	1843 439
IBJ-1048 R . . . . .	1658 603	IBP-2023 RB . . . . .	1818 648	IBS-2004 L . . . . .	1843 337
IBJ-2048 R . . . . .	1658 601	IBP-2023 RC . . . . .	1818 642	IBS-2004 R . . . . .	1752 628
IBJ-4301 . . . . .	1642 387	IBP-2023 RD . . . . .	1818 771	IBS-2004 RA . . . . .	1843 488
IBJ-4301 A . . . . .	1688 647	IBP-2023 RE . . . . .	1879 283	IBS-2014 . . . . .	1843 442
IBJ-4301 B . . . . .	1688 649	IBP-2040 L . . . . .	2084 079	IBS-4003 B . . . . .	1842 809
IBJ-4302 C . . . . .	1704 261	IBP-2040 R . . . . .	2084 078	IBS-4004 . . . . .	1779 941
IBJ-4302 D . . . . .	1704 262	IBP-2209 L . . . . .	1843 378	IBS-4005 A . . . . .	1841 518
IBJ-4303 . . . . .	1648 635	IBP-2209 LA . . . . .	1889 396	IBS-4006 B . . . . .	1779 983
IBJ-4303 C . . . . .	1704 260	IBP-2209 R . . . . .	1818 575	IBS-4006 C . . . . .	1842 810
IBK-388 CS . . . . .	2084 866	IBP-2209 RA . . . . .	1818 570	IBS-4007 . . . . .	1838 822
IBK-1003 . . . . .	1658 534	IBP-2209 RB . . . . .	1818 651	IBS-4007 A . . . . .	1841 515
IBK-1003 B . . . . .	2084 654	IBP-2209 RC . . . . .	1818 653	IBS-4010 . . . . .	1842 811
IBK-1016 . . . . .	1658 535	IBP-2209 RD . . . . .	1818 649	IBS-4010 A . . . . .	1842 805
IBK-1021 R . . . . .	1658 533	IBP-2209 RE . . . . .	1818 655	IG-88 . . . . .	1126 640
IBK-1027 R . . . . .	1818 665	IBP-2209 RF . . . . .	1818 643	IG-90 . . . . .	643 892
IBK-2001 . . . . .	1818 666	IBP-2209 RG . . . . .	1818 646	IG-514 . . . . .	643 896
IBK-2001 A . . . . .	1843 487	IBP-2209 RH . . . . .	1818 772	IG-579 A . . . . .	643 906
IBK-4301 A . . . . .	1642 392	IBP-3028 AS . . . . .	1818 568	IG-636 ES . . . . .	1627 263
IBK-4301 C . . . . .	1704 309	IBP-3028 BS . . . . .	1843 370	IG-636 KS . . . . .	1627 231
IBK-4302 . . . . .	1704 310	IBP-4001 . . . . .	1689 320	IG-636 MS . . . . .	1627 237
IBK-4303 . . . . .	1704 308	IBP-4002 . . . . .	1689 319	IG-636 NS . . . . .	959 310
IBK-4304 . . . . .	1689 325	IBP-4002 A . . . . .	1770 750	IG-636 QS . . . . .	1067 297
IBM-17 . . . . .	1879 348	IBP-4002 B . . . . .	1779 940	IG-636 XS . . . . .	1473 689
IBM-1004 R . . . . .	1818 735	IBP-4002 C . . . . .	1788 638	IG-636 YS . . . . .	1752 236
IBM-1040 . . . . .	1663 128	IBP-4002 D . . . . .	1779 952	IG-644 A . . . . .	1530 741
IBM-2001 . . . . .	1818 733	IBP-4002 E . . . . .	1841 511	IG-680 . . . . .	643 893
IBM-2001 A . . . . .	1843 475	IBP-4002 F . . . . .	1841 514	IG-694 . . . . .	643 907
IBM-2004 RA . . . . .	1843 476	IBP-4002 G . . . . .	1792 701	IG-694 A . . . . .	1109 790
IBM-2012 . . . . .	1818 821	IBP-4002 H . . . . .	1798 640	IG-776 AS . . . . .	1818 669
IBM-2040 . . . . .	1663 126	IBP-4002 J . . . . .	1922 670	IG-784 S . . . . .	1689 772
IBM-4001 . . . . .	1663 025	IBP-4003 . . . . .	1689 318	IG-863 AS . . . . .	1818 644
IBM-4001 B . . . . .	1664 956	IBP-4003 A . . . . .	1779 938	IG-884 CS . . . . .	1879 292
IBM-4002 . . . . .	1663 122	IBP-4003 C . . . . .	1779 951	IG-884 DS . . . . .	1879 310
IBM-4101 . . . . .	1785 139	IBP-4003 E . . . . .	1842 602	IG-913 BS . . . . .	1527 975
IBM-4101 A . . . . .	1792 703	IBP-4003 F . . . . .	1842 607	IG-913 S . . . . .	1527 976
IBM-4101 B . . . . .	1793 772	IBP-4003 G . . . . .	1842 802	IG-1456 . . . . .	643 917
IBM-4102 . . . . .	1787 878	IBP-4003 H . . . . .	1881 942	IG-3927 C . . . . .	674 960
IBM-4106 S . . . . .	1889 891	IBP-4003 J . . . . .	1889 305	IG-3927 F . . . . .	1818 891
IBO-4001 A-1 . . . . .	1664 970	IBP-4003 K . . . . .	1922 654	IG-3927 G . . . . .	1135 589
IBO-4002-1 . . . . .	1663 189	IBP-4005 B . . . . .	1842 803	IG-3927 K . . . . .	1136 534
IBO-4003 . . . . .	1665 020	IBP-4006 . . . . .	1842 804	IGB-208 CS . . . . .	1308 243
IBP-17 . . . . .	1818 566	IBP-4006 A . . . . .	1889 566	IGB-208 DS . . . . .	1889 548
IBP-17 A . . . . .	1818 660	IBP-4006 C . . . . .	1889 564	IGB-208 S . . . . .	674 962
IBP-17 B . . . . .	1818 730	IBP-4006 D . . . . .	1889 485	IGB-250 AS . . . . .	1843 035
IBP-17 D . . . . .	1818 826	IBR-2035 . . . . .	1818 658	IGB-266 AS . . . . .	1689 774
IBP-361 BS . . . . .	1889 496	IBR-2050 R . . . . .	1818 659	IGB-266 BS . . . . .	1843 379
IBP-2001 A . . . . .	1843 367	IBR-2050 RA . . . . .	1818 825	IGB-277 BS . . . . .	1604 900
IBP-2001 B . . . . .	1843 481	IBR-2050 RS . . . . .	1818 661	IGB-278 CS . . . . .	2084 887



# VENDOR NUMBER CROSS REFERENCE LIST

VENDOR NUMBER	CHRYSLER NUMBER	VENDOR NUMBER	CHRYSLER NUMBER	VENDOR NUMBER	CHRYSLER NUMBER
<b>AUTO-LITE</b>					
IGB-281 S . . . . .	2275 201	IGC-1148 B . . . . .	1109 788	IGS-1100 RW . . . . .	959 316
IGB-292 SS . . . . .	674 959	IGC-2148 A . . . . .	592 475	IGS-1100 RX . . . . .	921 275
IGB-329 S . . . . .	1527 980	IGC-2148 G . . . . .	1136 533	IGS-1112 R . . . . .	953 715
IGB-336 CS . . . . .	1571 399	IGC-2168 L . . . . .	1843 380	IGS-1112 RA . . . . .	1269 131
IGB-336 DS . . . . .	2084 679	IGC-2168 R . . . . .	1271 768	IGS-1112 RB . . . . .	1343 994
IGB-342 CS . . . . .	1889 608	IGC-4508 B . . . . .	1191 589	IGS-1112 RC . . . . .	1323 936
IGB-346 AS . . . . .	1627 235	IGC-4510-1 M . . . . .	1124 876	IGS-1112 RE . . . . .	1390 543
IGB-348 AS . . . . .	1627 243	IGC-4511-1 M . . . . .	1124 874	IGS-1112 RK . . . . .	1818 778
IGB-349 BS . . . . .	2084 087	IGC-4515 A-1 . . . . .	1266 945	IGS-1113 R . . . . .	599 633
IGB-351 AS . . . . .	1752 326	IGC-4517-1 . . . . .	1261 411	IGS-1113 RB . . . . .	1343 589
IGB-351 BS . . . . .	1818 656	IGC-4518 A-1 . . . . .	1509 668	IGS-1113 RD . . . . .	1436 975
IGB-352 S . . . . .	1689 785	IGE-29 AS . . . . .	1818 571	IGS-1113 RE . . . . .	1390 532
IGB-353 BS . . . . .	1308 182	IGE-29 BS . . . . .	1818 576	IGS-1124 RA . . . . .	1501 756
IGB-361 AS . . . . .	1752 342	IGH-28 . . . . .	643 899	IGS-1145 RA . . . . .	1509 672
IGB-361 CS . . . . .	2084 678	IGH-1041 . . . . .	1136 550	IGS-1154 RA . . . . .	1136 537
IGB-362 AS . . . . .	1509 679	IGL-9 A . . . . .	1369 774	IGS-1199 R . . . . .	1266 942
IGB-363 AS . . . . .	1627 240	IGP-30 . . . . .	643 912	IGS-1199 RA . . . . .	1394 900
IGB-364 AS . . . . .	1627 229	IGP-1003 . . . . .	641 033	IGS-2144 . . . . .	1068 959
IGB-369 AS . . . . .	1889 519	IGP-1016 B . . . . .	868 096	IGS-2224 L . . . . .	2084 074
IGB-374 AS . . . . .	1843 155	IGP-1046 A . . . . .	1112 347	IGS-2224 R . . . . .	2084 075
IGB-374 BS . . . . .	1879 320	IGP-2004 B . . . . .	674 963	IGS-3004 . . . . .	699 295
IGB-374 CS . . . . .	1879 321	IGP-2046 A . . . . .	1109 252	IGS-3004 A . . . . .	699 303
IGB-374 DS . . . . .	1879 323	IGP-3028 A . . . . .	674 236	IGS-3004 B . . . . .	699 294
IGB-376 AS . . . . .	1818 822	IGP-3028 ES . . . . .	699 291	IGT-11 A . . . . .	677 206
IGB-379 BS . . . . .	1879 308	IGP-3028 GS . . . . .	699 292	IGT-69 . . . . .	1843 381
IGB-379 DS . . . . .	2084 889	IGP-3028 VS . . . . .	1110 981	IGT-70 . . . . .	863 095
IGB-381 AS . . . . .	1818 662	IGP-3028 WS . . . . .	1112 353	IGT-1002 RB . . . . .	1407 586
IGB-381 BS . . . . .	2275 227	IGP-3028 XS . . . . .	1401 011	IGT-1021 R . . . . .	1308 242
IGB-385 AS . . . . .	1818 667	IGP-4402 B . . . . .	1071 821	IGT-1021 R-1 . . . . .	1112 349
IGB-385 BS . . . . .	1818 911	IGP-4507-1 M . . . . .	1125 894	IGT-1021 RB-1 . . . . .	1323 949
IGB-386 S . . . . .	1818 736	IGS-17 . . . . .	643 901	IGT-1021 RE-1 . . . . .	1614 201
IGB-388 AS . . . . .	1818 647	IGS-18 . . . . .	643 902	IGT-1021 RG . . . . .	861 451
IGB-388 BS . . . . .	1889 602	IGS-19 S . . . . .	643 903	IGT-1021 RN . . . . .	1308 242
IGB-388 CS . . . . .	2084 866	IGS-34 . . . . .	648 029	IGT-1025 RD . . . . .	1401 026
IGB-389 AS . . . . .	1818 750	IGS-99 . . . . .	859 903	IGT-1072 RA . . . . .	1112 352
IGB-1007 . . . . .	648 404	IGS-104 . . . . .	860 939	IGT-1072 RE . . . . .	1407 588
IGC-42 PS . . . . .	1689 761	IGS-114 . . . . .	866 069	IGT-1072 RJ . . . . .	1407 586
IGC-117 . . . . .	648 030	IGS-115 M . . . . .	1323 934	IGT-3004 A . . . . .	699 293
IGC-135 . . . . .	581 598	IGS-148 . . . . .	1135 588	IGW-3028 AS . . . . .	1879 388
IGC-154 AS . . . . .	1658 622	IGS-181 . . . . .	1261 010	IGW-3028 BS . . . . .	1343 581
IGC-154 BS . . . . .	1818 684	IGS-1016 B . . . . .	868 095	IGW-3028 DS . . . . .	1274 092
IGC-175 . . . . .	1089 084	IGS-1020-S . . . . .	628 921	IGW-3028 JS . . . . .	1843 339
IGC-175 A . . . . .	1343 594	IGS-1060 R . . . . .	677 156	IGW-3028 KS . . . . .	1658 541
IGC-175 B . . . . .	1473 688	IGS-1060 RB . . . . .	1483 969	IGW-3028 MS . . . . .	1658 604
IGC-198 AS . . . . .	1879 287	IGS-1082 RS . . . . .	1311 454	IGW-3028 NS . . . . .	1663 129
IGC-198 S . . . . .	1614 913	IGS-1092 RS . . . . .	1253 292	IGW-3028 PS . . . . .	1663 134
IGC-200 AS . . . . .	1692 795	IGS-1100 R . . . . .	859 904	IGW-3028 RS . . . . .	1879 423
IGC-200 BS . . . . .	1818 654	IGS-1100 RA . . . . .	859 907	IGW-3028 SS . . . . .	1879 322
IGC-207 BS . . . . .	1752 221	IGS-1100 RA 3 . . . . .	1317 803	IGW-3028 VS . . . . .	1879 504
IGC-210 AS . . . . .	1689 770	IGS-1100 RAJ . . . . .	1343 588	IGW-3139 . . . . .	921 274
IGC-214 S . . . . .	2084 301	IGS-1100 RAQ . . . . .	1486 157	IGZ-1003 A . . . . .	960 552
IGC-1107 S . . . . .	643 822	IGS-1100 RB-3 . . . . .	1323 935	IGZ-1016 . . . . .	960 134
IGC-1123 C . . . . .	1136 522	IGS-1100 RBB . . . . .	1818 663	IPM-4106 . . . . .	1889 666
IGC-1124 B . . . . .	1136 523	IGS-1100 RBC . . . . .	1818 764	K-703 . . . . .	1826 568
IGC-1134 . . . . .	581 596	IGS-1100 RA-5 . . . . .	1568 076	K-11427 . . . . .	1826 574
IGC-1134 M . . . . .	1323 941	IGS-1100 RN . . . . .	1138 512	KIT-9 . . . . .	1056 039
IGC-1148 . . . . .	592 476	IGS-1100 RQ . . . . .	1135 596	KIT-19 . . . . .	1056 042

# VENDOR NUMBER CROSS REFERENCE LIST

VENDOR NUMBER	CHRYSLER NUMBER	VENDOR NUMBER	CHRYSLER NUMBER	VENDOR NUMBER	CHRYSLER NUMBER
<b>AUTO-LITE</b>					
KIT-30 . . . . .	1056 041	MAW-4029 . . . . .	1070 939	MCH-76 . . . . .	1343 711
KIT-31 . . . . .	1056 040	MAW-4032 . . . . .	1070 939	MCH-77 . . . . .	1343 710
KIT-42 . . . . .	1064 633	MAW-4041 . . . . .	1113 121	MCH-90 . . . . .	1402 587
L-6301 C . . . . .	1140 836	MAX-35 . . . . .	636 817	MCH-96 . . . . .	1369 645
L-8192-2 . . . . .	1594 936	MAX-46 . . . . .	636 858	MCH-1009 B . . . . .	1138 521
LM-7795-2 . . . . .	1479 521	MAX-47 . . . . .	927 078	MCH-1009 C . . . . .	1265 707
MAB-12 A . . . . .	1614 940	MAX-49 . . . . .	643 829	MCH-1009 E . . . . .	1665 062
MAB-31 . . . . .	1121 742	MAX-64 . . . . .	683 363	MCH-1010 B . . . . .	1138 522
MAB-31 A . . . . .	1135 578	MAX-1007 . . . . .	636 833	MCH-1010 C . . . . .	1265 708
MAB-31 C . . . . .	1818 751	MAX-1007 D . . . . .	1300 513	MCH-1010 E . . . . .	1665 062
MAB-85 . . . . .	1121 743	MAX-1007 F . . . . .	1300 513	MCH-1024 . . . . .	641 457
MAB-1024 N . . . . .	1109 742	MAX-1008 . . . . .	643 830	MCH-1051 . . . . .	1138 526
MAB-1024 NS . . . . .	1550 079	MAX-1009 S . . . . .	652 101	MCH-1074 D . . . . .	1658 579
MAB-2012 CS . . . . .	1614 933	MAX-1078 B . . . . .	1558 156	MCH-1074 E . . . . .	1752 373
MAB-2012 DS . . . . .	1614 940	MAX-2002 . . . . .	636 839	MCH-2064 . . . . .	1265 032
MAB-2012 GS . . . . .	1532 990	MAX-3005 AS . . . . .	1300 513	MCH-2070 . . . . .	1343 705
MAB-2012 HS . . . . .	1614 933	MAX-3098 . . . . .	1261 401	MCH-2070 A . . . . .	1402 586
MAB-2012 JS . . . . .	1614 940	MAX-3098 A . . . . .	1261 402	MCH-2074 . . . . .	1343 709
MAD-96 . . . . .	641 445	MAX-4003 A . . . . .	674 900	MCH-2074 B . . . . .	1479 692
MAD-110 . . . . .	636 840	MAX-4050 . . . . .	868 857	MCH-2074 C . . . . .	1523 299
MAD-2087 . . . . .	636 861	MAX-4058 . . . . .	1067 335	MCH-2074 E . . . . .	1633 159
MAJ-20 . . . . .	1300 503	MAX-4062 . . . . .	1075 951	MCH-2088 . . . . .	1383 849
MAK-61 A . . . . .	1110 989	MAX-4085 . . . . .	1195 568	MCH-2088 A . . . . .	1692 753
MAK-80 . . . . .	687 364	MAY-12 A . . . . .	648 004	MCH-2088 M . . . . .	1532 983
MAT-30 . . . . .	636 818	MAY-12 B . . . . .	1069 966	MCH-2098 . . . . .	1390 065
MAW-12 . . . . .	636 838	MAY-31 B . . . . .	1662 179	MCH-2099 . . . . .	1390 062
MAW-13 . . . . .	636 820	MAY-31 C . . . . .	1662 182	MCH-2110 . . . . .	1523 306
MAW-24 . . . . .	641 457	MAY-33 . . . . .	1069 967	MCH-3005 BS . . . . .	1300 504
MAW-31 . . . . .	636 842	MAY-36 . . . . .	853 754	MCH-3005 EE . . . . .	1665 062
MAW-35 . . . . .	636 822	MAY-1008 A . . . . .	852 058	MCH-3005 KS . . . . .	1665 062
MAW-37 . . . . .	636 825	MAY-1009 A . . . . .	852 059	MCH-3030 C . . . . .	1692 760
MAW-66 R . . . . .	648 335	MAY-1009 B . . . . .	1136 554	MCH-3114 AS . . . . .	1752 510
MAW-116 . . . . .	853 752	MAY-1010 . . . . .	1069 993	MCH-6106 . . . . .	1268 125
MAW-130 . . . . .	927 093	MAY-1010 A . . . . .	648 010	MCH-6106 F . . . . .	1502 093
MAW-144 . . . . .	957 465	MAY-1012 AS . . . . .	1069 966	MCH-6110 . . . . .	1509 729
MAW-161 . . . . .	1112 379	MAY-2010 A . . . . .	655 811	MCH-6201 . . . . .	1473 558
MAW-1009 . . . . .	1070 933	MAY-2012 AS . . . . .	927 910	MCH-6205 . . . . .	1473 558
MAW-1009 B . . . . .	643 827	MAY-2030 . . . . .	648 012	MCH-6208 M . . . . .	1535 558
MAW-1010 . . . . .	1070 934	MAY-3005 BS . . . . .	1672 729	MCH-6209 M . . . . .	1535 557
MAW-1010 B . . . . .	930 277	MAY-4114 A . . . . .	918 151	MCH-6305 . . . . .	1604 035
MAW-2002 F . . . . .	1123 011	MAY-4114 B . . . . .	918 151	MCH-6201 . . . . .	1473 558
MAW-2012 S . . . . .	927 909	MAY-4131 . . . . .	E-54 632-M	MCH-6205 . . . . .	1473 558
MAW-2030 . . . . .	641 443	MBD-12 . . . . .	592 556	MCH-6208 M . . . . .	1535 558
MAW-2064 . . . . .	648 333	MBD-12 A . . . . .	593 886	MCH-6209 M . . . . .	1535 557
MAW-2064 M . . . . .	1112 928	MBD-13 . . . . .	592 557	MCH-6305 . . . . .	1604 035
MAW-2069 M . . . . .	112 947	MBD-13 A . . . . .	593 887	MCH-39 A . . . . .	1369 642
MAW-2128 . . . . .	927 079	MBD-1007 S . . . . .	1269 242	MCH-39 B . . . . .	1369 642
MAW-2129 . . . . .	927 092	MCH-13 A . . . . .	1402 575	MCL-30 . . . . .	1315 965
MAW-2148 . . . . .	919 949	MCH-25 A . . . . .	1390 057	MCL-34 . . . . .	1300 512
MAW-2160 . . . . .	1112 380	MCH-27 . . . . .	1369 644	MCL-51 . . . . .	1479 691
MAW-2179 M . . . . .	1134 127	MCH-34 A . . . . .	1473 338	MCL-53 . . . . .	1523 304
MAW-2197 . . . . .	1191 599	MCH-34 C . . . . .	1658 551	MCL-58 . . . . .	1527 946
MAW-2206 . . . . .	1195 776	MCH-47 . . . . .	1138 519	MCL-59 . . . . .	1527 947
MAW-3002 C . . . . .	1112 941	MCH-53 . . . . .	1138 527	MCL-60 . . . . .	1527 948
MAW-3132 . . . . .	871 754	MCH-58 . . . . .	1300 508	MCL-63 . . . . .	1614 923
MAW-3132 A . . . . .	1261 402	MCH-62 . . . . .	1300 509	MCL-65 . . . . .	1616 653
MAW-4008 M . . . . .	1113 864	MCH-63 . . . . .	1300 506	MCL-102 . . . . .	1614 926
				MCL-103 . . . . .	1614 927
				MCL-127 . . . . .	1752 375
				MCL-129 . . . . .	1752 376
				MCL-129 A . . . . .	1889 379
				MCL-132 . . . . .	1752 367

# VENDOR NUMBER CROSS REFERENCE LIST

VENDOR NUMBER	CHRYSLER NUMBER	VENDOR NUMBER	CHRYSLER NUMBER	VENDOR NUMBER	CHRYSLER NUMBER
<b>AUTO-LITE</b>					
MCL-132 A . . . . .	1889 381	MCS-1278 . . . . .	1271 775	MDF-1002 . . . . .	1658 554
MCL-1010 D . . . . .	1265 712	MCS-2006 F . . . . .	1271 778	MDF-1005 AS . . . . .	1658 577
MCL-2030 . . . . .	1300 516	MCS-2012 S . . . . .	1271 776	MDF-1005 BS . . . . .	1662 178
MCL-2030 A . . . . .	1558 137	MCS-2050 . . . . .	1273 426	MDF-1005 S . . . . .	1658 562
MCL-2030 C . . . . .	1402 584	MCS-2079 S . . . . .	1394 972	MDF-2006 . . . . .	1658 563
MCL-2030 D . . . . .	1532 982	MCS-2079 S-1 . . . . .	1500 972	MDF-2012 S . . . . .	1658 552
MCL-2030 F . . . . .	1605 584	MCS-3075 . . . . .	1273 427	MDF-2088 . . . . .	1658 555
MCL-2114 S . . . . .	1616 625	MCT-34 B . . . . .	1752 290	MDF-6001 . . . . .	1642 140
MCL-3005 CS . . . . .	1300 513	MCT-1010 . . . . .	1323 906	MDF-6002 . . . . .	1642 205
MCL-3075 . . . . .	1343 708	MCT-2070 . . . . .	1671 293	MDF-6003 . . . . .	1569 178
MCL-3098 A . . . . .	1300 522	MCT-2079 M . . . . .	1614 212	MDF-6006 . . . . .	1660 844
MCL-6107 . . . . .	1311 459	MCT-2088 M . . . . .	1550 624	MDF-6007 . . . . .	1658 033
MCL-6109 . . . . .	1343 692	MCT-3005 BS . . . . .	1672 727	MDF-6015 . . . . .	1665 053
MCL-6110 . . . . .	1268 126	MCT-6101 . . . . .	1317 790	MDG-1005 AS . . . . .	1662 181
MCL-6111 . . . . .	1268 128	MCT-6103 . . . . .	1401 014	MDG-1005 S . . . . .	1658 553
MCL-6115 T . . . . .	1330 243	MCT-6104 . . . . .	1323 915	MDG-6001 . . . . .	1627 289
MCL-6117 . . . . .	1473 187	MCT-6105 M . . . . .	1486 137	MDG-6002 . . . . .	1627 290
MCL-6121 A . . . . .	1527 689	MCT-6106 M . . . . .	1486 138	MDG-6003 . . . . .	1569 176
MCL-6124 . . . . .	1503 784	MCT-6202 M . . . . .	1535 562	MDL-23 . . . . .	1752 360
MCL-6126 . . . . .	1392 684	MCT-6203 M . . . . .	1535 561	MDL-24 . . . . .	1752 361
MCL-6127 M . . . . .	1405 190	MCT-6301 . . . . .	1616 639	MDL-25 . . . . .	1752 362
MCL-6128 M . . . . .	1405 191	MCZ-49 . . . . .	1394 988	MDL-26 . . . . .	1752 363
MCL-6201 M . . . . .	1488 216	MCZ-61 . . . . .	1555 272	MDL-90 . . . . .	1818 777
MCL-6202 . . . . .	1630 683	MCZ-62 . . . . .	1394 978	MDL-1002 . . . . .	1752 366
MCL-6202 M . . . . .	1535 559	MCZ-64 . . . . .	1501 821	MDL-1005 S . . . . .	1752 364
MCL-6203 M . . . . .	1535 560	MCZ-66 . . . . .	1394 979	MDL-1064 . . . . .	2084 665
MCL-6304 . . . . .	1604 480	MCZ-70 . . . . .	1394 981	MDL-2006 . . . . .	1752 368
MCL-6308 . . . . .	1558 155	MCZ-71 . . . . .	1394 982	MDL-2012 AS . . . . .	1843 135
MCL-6309 . . . . .	1616 627	MCZ-73 . . . . .	1394 986	MDL-2012 CS . . . . .	2084 661
MCS-12 . . . . .	1394 973	MCZ-77 . . . . .	1394 989	MDL-2012 S . . . . .	1752 365
MCS-46 . . . . .	1343 706	MCZ-1060 . . . . .	1394 987	MDL-2046 . . . . .	1752 421
MCS-46 A . . . . .	1273 429	MCZ-1065 . . . . .	1394 983	MDL-2048 . . . . .	1889 375
MCS-47 A . . . . .	1273 430	MCZ-1069 . . . . .	1394 980	MDL-2049 . . . . .	2084 871
MCS-48 . . . . .	1271 780	MCZ-1073 . . . . .	1394 985	MDL-2070 S . . . . .	1843 383
MCS-53 . . . . .	1273 423	MCZ-1074 . . . . .	1394 990	MDL-2076 S . . . . .	1843 384
MCS-57 . . . . .	1271 788	MCZ-2006 F . . . . .	1394 975	MDL-2084 . . . . .	2084 429
MCS-61 . . . . .	1271 781	MCZ-2050 . . . . .	1394 991	MDL-2085 . . . . .	2084 658
MCS-62 . . . . .	1271 789	MCZ-2073 . . . . .	1501 822	MDL-2088 . . . . .	1752 386
MCS-63 . . . . .	1271 790	MCZ-2097 F . . . . .	1889 382	MDL-2088 A . . . . .	2084 890
MCS-64 . . . . .	1271 791	MCZ-4004 T . . . . .	1630 660	MDL-2098 S . . . . .	1843 385
MCS-66 . . . . .	1271 782	MCZ-4103 T . . . . .	1484 001	MDL-3123 . . . . .	1752 374
MCS-67 . . . . .	1271 792	MCZ-4109 T . . . . .	1677 294	MDL-3132 A . . . . .	1889 378
MCS-69 . . . . .	1271 793	MDC-33 . . . . .	1605 586	MDL-6001 . . . . .	1689 342
MCS-71 . . . . .	1271 783	MDC-40 . . . . .	1671 310	MDL-6003 . . . . .	1689 341
MCS-73 . . . . .	1271 794	MDC-2012 BS . . . . .	1671 317	MDL-6004 . . . . .	1689 339
MCS-76 . . . . .	1271 784	MDC-2012 CS . . . . .	1671 306	MDL-6005 . . . . .	1665 101
MCS-77 . . . . .	1273 424	MDC-6302 . . . . .	1508 761	MDM-27 . . . . .	1752 383
MCS-78 . . . . .	1273 419	MDC-6303 T . . . . .	1630 656	MDM-28 . . . . .	1752 384
MCS-1002 . . . . .	1271 774	MDD-34 . . . . .	1752 378	MDM-1005 S . . . . .	1752 390
MCS-1012 S . . . . .	1538 343	MDD-1005 AS . . . . .	1658 580	MDM-6001 . . . . .	1689 340
MCS-1034 S . . . . .	1394 974	MDD-2012 S . . . . .	1658 581	MDM-6002 . . . . .	1689 338
MCS-1040 . . . . .	1273 420	MDF-16 . . . . .	1752 698	MDT-1002 . . . . .	2084 662
MCS-1049 . . . . .	1271 785	MDF-25 . . . . .	1752 695	MDT-1005 AS . . . . .	2084 660
MCS-1060 . . . . .	1273 421	MDF-26 . . . . .	1658 561	MDT-1005 S . . . . .	1879 319
MCS-1065 . . . . .	1271 786	MDF-27 . . . . .	1658 574	MDT-2005 S . . . . .	1889 614
MCS-1072 . . . . .	1273 425	MDF-30 . . . . .	1818 502	MDT-6001 . . . . .	1779 955
MCS-1073 . . . . .	1271 787	MDF-31 . . . . .	1752 699	MDT-6002 . . . . .	1770 712



# VENDOR NUMBER CROSS REFERENCE LIST

VENDOR NUMBER	CHRYSLER NUMBER	VENDOR NUMBER	CHRYSLER NUMBER	VENDOR NUMBER	CHRYSLER NUMBER
<b>AUTO-LITE</b>					
X-163 A . . . . .	113 739	X-2955 . . . . .	1394 893	90-62 . . . . .	1881 755
8X-163 . . . . .	120 375	X-3003 . . . . .	1630 649	90-64 . . . . .	1881 753
X-176 . . . . .	113 103	X-3008 . . . . .	200 156	90-65 . . . . .	1881 719
12X-193 . . . . .	120 380	8X-3017 . . . . .	132 915	90-66 . . . . .	1881 720
X-194 . . . . .	131 044	X-3031 . . . . .	131 949	90-67 . . . . .	1881 741
12X-194 . . . . .	131 044	X-3032 . . . . .	151 510	90-68 . . . . .	1881 740
X-198 . . . . .	120 384	X-3037 . . . . .	1273 442	90-69 . . . . .	1881 745
12X-198 . . . . .	120 384	X-3038 . . . . .	1273 456	90-70 . . . . .	1881 744
8X-199 . . . . .	120 380	X-3051 . . . . .	151 507	90-71 . . . . .	1881 743
12X-199 . . . . .	120 380	X-3053 . . . . .	151 517	90-75 . . . . .	2084 083
X-204 . . . . .	131 206	X-3054 . . . . .	151 518	90-76 . . . . .	2084 081
X-258 . . . . .	106 749	X-3055 . . . . .	151 519	90-78 . . . . .	2084 294
19X-258 . . . . .	106 749	X-3060 . . . . .	178 469	90-79 . . . . .	2084 302
X-263 . . . . .	103 906	12X-3074 . . . . .	120 380	90-80 . . . . .	2084 303
X-295 A . . . . .	1889 235	X-3075 . . . . .	120 375	90-81 . . . . .	2084 432
8X-323 . . . . .	121 839	X-3090 . . . . .	151 504	90-82 . . . . .	2084 433
8X-361 . . . . .	120 392	X-3135 . . . . .	1479 097	90-83 . . . . .	2084 434
19X-361 . . . . .	120 392	X-3155 . . . . .	1405 223	90-85 . . . . .	2084 435
X-378 . . . . .	620 528	X-3187 . . . . .	1483 522	90-92 . . . . .	2084 638
X-404 . . . . .	121 244	X-3217 . . . . .	113 103	90-94 . . . . .	2084 666
X-441 . . . . .	659 799	X-3226 . . . . .	1552 884	90-95 . . . . .	2084 667
X-489 . . . . .	113 702	X-3316 . . . . .	1770 296	90-96 . . . . .	2084 655
8X-645 . . . . .	132 696	YRS-6009 AM . . . . .	1672 803	90-99 . . . . .	2084 680
19X-709 . . . . .	1321 110	90-23 . . . . .	1879 604	90-100 . . . . .	2084 857
8X-712 . . . . .	661 825	90-24 . . . . .	1879 594	90-101 . . . . .	2084 853
8X-714 . . . . .	132 930	90-25 . . . . .	1879 595	90-102 . . . . .	2084 854
6X-832 . . . . .	120 368	90-26 . . . . .	1879 596	90-103 . . . . .	2084 867
8X-832 . . . . .	120 368	90-27 . . . . .	1879 597	90-104 . . . . .	2084 868
X-842 . . . . .	126 049	90-28 . . . . .	1879 605	90-105 . . . . .	2084 869
X-865 A . . . . .	143 932	90-29 . . . . .	1879 606	90-106 . . . . .	2084 870
8X-878 . . . . .	131 974	90-30 . . . . .	1879 607	90-107 . . . . .	2084 877
19X-884 . . . . .	131 949	90-31 . . . . .	1879 613	90-108 . . . . .	2084 878
8X-902 . . . . .	132 105	90-32 . . . . .	1881 721	90-109 . . . . .	2084 879
19X-902 . . . . .	132 105	90-33 . . . . .	1881 722	90-110 . . . . .	2084 880
X-931 . . . . .	1274 093	90-34 . . . . .	1879 598	90-111 . . . . .	2084 881
8X-1002 . . . . .	120 628	90-35 . . . . .	1879 599	90-112 . . . . .	2084 850
8X-1014 . . . . .	120 214	90-36 . . . . .	1879 601	90-113 . . . . .	2084 888
8X-1063 . . . . .	120 367	90-37 . . . . .	1879 602	90-115 . . . . .	2196 330
10X-1063 . . . . .	120 367	90-39 . . . . .	1881 747	90-127 . . . . .	2240 294
X-1134 . . . . .	131 016	90-40 . . . . .	*1881 750	90-128 . . . . .	2240 295
X-1177 . . . . .	138 502	90-41 . . . . .	1881 752	90-129 . . . . .	2240 296
X-1284 . . . . .	138 485	90-44 . . . . .	1881 766	90-130 . . . . .	2240 297
8X-1376 . . . . .	120 368	90-46 . . . . .	1881 768	90-131 . . . . .	2240 530
X-1379 . . . . .	1273 422	90-47 . . . . .	1881 929	90-134 . . . . .	2275 225
X-1491 . . . . .	147 686	90-48 . . . . .	1879 603	90-135 . . . . .	2275 226
19X-1494 . . . . .	132 764	90-49 . . . . .	1881 727	90-143 . . . . .	2275 225
X-1512 . . . . .	1879 391	90-50 . . . . .	1881 728	90-146 . . . . .	2275 564
X-1520 . . . . .	147 685	90-51 . . . . .	1879 611	90-155 . . . . .	2084 869
8X-1576 . . . . .	120 392	90-52 . . . . .	1879 612	90-169 . . . . .	*2299 319
X-1590 . . . . .	953 717	90-54 . . . . .	1881 726	90-170 . . . . .	*2229 320
X-1610 . . . . .	120 368	90-55 . . . . .	1881 724	2012 BS . . . . .	2084 291
X-1649 . . . . .	114 545	90-56 . . . . .	1881 751	6010 S . . . . .	1658 865
X-1711 . . . . .	174 916	90-57 . . . . .	1881 737	9738 A . . . . .	595 361
8X-1711 . . . . .	174 916	90-58 . . . . .	1881 756	10870 . . . . .	652 115
12X-1711 . . . . .	174 916	90-59 . . . . .	1881 748	13851 A . . . . .	1566 398
8X-2843 . . . . .	114 546	90-60 . . . . .	1881 746	10886 A . . . . .	1154 292
X-2845 . . . . .	134 570	90-61 . . . . .	1881 754	11397 A . . . . .	1195 746
				11399 A . . . . .	1195 741
				11400 A . . . . .	1195 745

# VENDOR NUMBER CROSS REFERENCE LIST

VENDOR NUMBER	CHRYSLER NUMBER	VENDOR NUMBER	CHRYSLER NUMBER	VENDOR NUMBER	CHRYSLER NUMBER
<b>AUTO-LITE</b>					
RAD-4002 L . . . . .	1627 165	SP-1272 A . . . . .	1450 760	SS-4003 . . . . .	1121 741
RAD-4002 R . . . . .	1627 164	SP-1294 A . . . . .	1265 713	SS-4020 . . . . .	927 081
RAH-4001 . . . . .	1566 350	SP-1299 . . . . .	678 495	SS-4204 A . . . . .	863 124
RAH-4002 . . . . .	1626 929	SP-1311 . . . . .	585 854	SS-4214 . . . . .	1323 908
RAH-4003 . . . . .	1843 490	SP-1889 . . . . .	1136 924	SS-4704 . . . . .	871 758
RAM-4001 . . . . .	1842 550	SP-1913 . . . . .	1136 935	SS-4705 . . . . .	957 467
RAM-4002 . . . . .	1842 546	SP-1936 . . . . .	1257 393	SS-4706 . . . . .	1115 382
RD-19-300 . . . . .	1631 490	SP-1936 A . . . . .	1402 510	SS-4707 . . . . .	1300 507
SAA-4002 T . . . . .	1555 270	SP-1949 . . . . .	1297 974	SS-4708 . . . . .	1315 970
SAA-4004 T . . . . .	1630 660	SP-1954 . . . . .	1264 943	SSB-38 . . . . .	1343 593
SAD-4 . . . . .	1658 566	SP-1954 A . . . . .	1402 508	SSB-43 . . . . .	1262 359
SAD-39 . . . . .	1752 371	SP-1977 . . . . .	1319 443	SSP-4001 M . . . . .	1075 941
SAD-1005 . . . . .	1658 572	SP-4016 . . . . .	924 065	SSP-4003 M . . . . .	1488 227
SAD-1005 A . . . . .	1752 370	SPS-224 . . . . .	1689 598	SSR-4002 M . . . . .	1553 029
SAD-1022 . . . . .	1658 565	SPS-1005 K . . . . .	652 499	SSS-4003 . . . . .	1126 633
SAD-1022 A . . . . .	2084 430	SPS-1105 BB . . . . .	1089 709	SST-4007 . . . . .	1383 605
SAD-4001 . . . . .	1658 985	SPS-1105 BJ . . . . .	1163 782	SST-4013 . . . . .	1605 435
SAD-4301 . . . . .	1770 717	SPS-1105 BK . . . . .	860 195	SST-4013 A . . . . .	1605 499
SAD-4501 . . . . .	1889 799	SPS-1105 BL . . . . .	860 283	SSX-13 . . . . .	1752 372
SAD-4502 . . . . .	2084 439	SPS-1105 BM . . . . .	920 402	SSX-21 . . . . .	1345 007
SAE-4001 . . . . .	1692 658	SPS-1105 BS . . . . .	1260 731	SSX-22 . . . . .	1345 006
SAE-4002 . . . . .	1692 659	SPS-1105 E . . . . .	859 992	SSX-25 . . . . .	1345 021
SAE-4005 . . . . .	1889 797	SPS-1105 F . . . . .	595 415	SSX-26 . . . . .	1345 018
SAF-4001 . . . . .	1752 340	SPS-2105 H . . . . .	926 079	SSX-28 . . . . .	1345 020
SAG-4001 . . . . .	1818 738	SPS-2155 G . . . . .	996 077	SSX-35 . . . . .	1369 648
SAH-4001 . . . . .	1665 052	SPS-2157 E . . . . .	1257 335	SSX-37 . . . . .	1369 652
SAJ-33 . . . . .	2084 873	SPS-2157 F . . . . .	595 372	SSX-57 . . . . .	1479 683
SAJ-4002 . . . . .	2084 876	SPS-2157 L . . . . .	595 414	SSX-1004 . . . . .	1495 598
SGA-30 . . . . .	1648 008	SPS-2209 A . . . . .	1501 745	SSX-1024 . . . . .	1495 598
SGA-31 . . . . .	1648 009	SPS-2223 B . . . . .	1689 077	SSX-4002 . . . . .	1495 598
SGA-32 . . . . .	1648 007	SPS-2235 A . . . . .	1819 948	SSX-4003 . . . . .	1495 598
SGA-1055 . . . . .	1769 460	SPS-2235 C . . . . .	1819 957	SSX-4004 . . . . .	1529 144
SGA-3003 S . . . . .	1626 846	SPS-2235 D . . . . .	1819 960	SSX-4101 . . . . .	1343 695
SGA-3004 S . . . . .	1626 844	SPS-2235 E . . . . .	1819 981	SSX-4103 . . . . .	1671 279
SGA-4003 . . . . .	1605 069	SPS-2235 G . . . . .	1819 990	SSX-4103 T . . . . .	1402 588
SGA-4013 . . . . .	1769 457	SPS-2235 H . . . . .	1819 939	SSX-4104 . . . . .	1633 158
SP-270 . . . . .	583 180	SPS-2235 N . . . . .	1819 972	SSX-4104 T . . . . .	1752 482
SP-378 . . . . .	595 317	SPS-2235 O . . . . .	1819 960	SSY-1043 . . . . .	1404 639
SP-471 B . . . . .	1194 651	SPS-2235 R . . . . .	1819 975	SSY-4002 . . . . .	1498 878
SP-700 . . . . .	1138 511	SPS-2235 U . . . . .	1819 987	SSY-4101 . . . . .	1671 312
SP-784 . . . . .	1113 233	SS-13 . . . . .	1135 614	SSY-4101 T . . . . .	1402 599
SP-843 . . . . .	1123 540	SS-54 . . . . .	652 122	SSY-4102 . . . . .	1671 294
SP-887 . . . . .	1263 560	SS-61 . . . . .	636 866	SSY-4102 T . . . . .	1616 654
SP-894 . . . . .	1194 599	SS-149 L . . . . .	587 382	SW-213 . . . . .	1689 763
SP-903 . . . . .	1136 932	SS-176 . . . . .	861 494	SW-634 . . . . .	120 387
SP-904 . . . . .	1126 616	SS-239 . . . . .	1315 968	SW-634 . . . . .	120 392
SP-939 . . . . .	1263 488	SS-1058 . . . . .	1692 774	SW-764 S . . . . .	1501 797
SP-959 . . . . .	1311 469	SS-2124 . . . . .	675 955	SW-2813 . . . . .	641 462
SP-959 A . . . . .	1402 509	SS-2124 E . . . . .	861 499	SW-2827 . . . . .	1390 061
SP-964 . . . . .	1264 966	SS-2124 M . . . . .	1315 967	TC-51 U . . . . .	685 817
SP-965 . . . . .	1262 993	SS-2124 N . . . . .	1323 909	TG-22 . . . . .	958 336
SP-966 . . . . .	1268 983	SS-3035 RAA . . . . .	871 759	TG-32 . . . . .	1495 519
SP-974 . . . . .	1319 434	SS-3035 RAE . . . . .	1115 389	TG-88 . . . . .	1126 640
SP-975 . . . . .	1320 116	SS-3035 RAH . . . . .	1315 969	TG-2075 D . . . . .	1297 999
SP-976 . . . . .	1320 117	SS-3070 R . . . . .	636 863	TG-4002 R . . . . .	867 075
SP-983 . . . . .	1264 986	SS-3070 RD . . . . .	861 500	TGG-11 . . . . .	1473 110
SP-994 P2 . . . . .	1473 596	SS-4001 . . . . .	648 336	TGG-12 . . . . .	1473 109

# VENDOR NUMBER CROSS REFERENCE LIST

VENDOR NUMBER	CHRYSLER NUMBER	VENDOR NUMBER	CHRYSLER NUMBER	VENDOR NUMBER	CHRYSLER NUMBER
<b>AUTO-LITE</b>					
TGG-14 . . . . .	1473 108	VBO-4202 KC . . . . .	2095 204	VRP-4503 BX . . . . .	1641 510
TGG-14 A . . . . .	1473 107	VBO-4202 LC . . . . .	2095 205	VRP-4503 M . . . . .	1571 161
TGG-14 C . . . . .	1473 106	VBO-4202 MC . . . . .	2095 206	VRS-6001 AM . . . . .	1321 758
TGG-19 . . . . .	1473 104	VBO-4402 ATC . . . . .	2095 207	VRS-6003 AM . . . . .	1109 771
TGG-4001 . . . . .	1370 204	VBO-4602 AC . . . . .	2095 208	VRS-6004 AM . . . . .	1484 000
VAD-116 A . . . . .	1273 383	VBO-4602 BC . . . . .	2095 209	VRU-6001 AM . . . . .	1553 027
VAD-117 A . . . . .	1273 384	VBO-4802 BTC . . . . .	2095 210	VRU-6001 BM . . . . .	1550 611
VAD-166 A . . . . .	1273 461	VBO-4602 EC . . . . .	2095 211	VRU-6002 AM . . . . .	1553 028
VAD-176 . . . . .	1273 462	VBO-4602 FC . . . . .	2095 212	VRU-6002 BM . . . . .	1550 579
VAD-1118 . . . . .	1273 385	VBO-4602 GC . . . . .	2095 213	VRW-6003 AM . . . . .	E-71249-M
VAT-6201 A . . . . .	1662 137	VBO-4602 KC . . . . .	2095 214	VRW-6004 BM . . . . .	1535 592
VAV-1022 . . . . .	1406 639	VBO-4602 LC . . . . .	2095 215	VRW-6006 AM . . . . .	1553 024
VAV-6002 B . . . . .	1343 575	VBO-4602 MC . . . . .	2095 216	VRW-6007 AM . . . . .	1553 030
VAV-6003 AT . . . . .	1326 571	VC-14 . . . . .	691 707	VRX-6003 A . . . . .	1496 058
VAV-7006 AT . . . . .	1532 966	VC-15 . . . . .	1345 705	VRX-6003 C . . . . .	1660 457
VBA-4203 A . . . . .	1268 222	VC-45 . . . . .	691 712	VRS-6201 A . . . . .	1941 112
VBA-6002 AM . . . . .	1321 757	VC-46 . . . . .	691 709	VRS-6010 A . . . . .	1889 607
VBC-2 . . . . .	1273 463	VC-46 A . . . . .	691 708	VRX-6201 A . . . . .	1642 333
VBC-18 . . . . .	1273 473	VC-46 B . . . . .	691 710	VRX-6301 A . . . . .	1842 798
VBC-19 . . . . .	1273 464	VC-55 . . . . .	691 713	VRY-4203 G . . . . .	922 487
VBC-21 . . . . .	1273 465	VC-76 . . . . .	1345 483	WL-5 . . . . .	1343 480
VBC-22 . . . . .	1273 474	VC-90 . . . . .	1689 789	WL-21 . . . . .	1343 485
VBC-23 . . . . .	1273 363	VC-115 . . . . .	1439 672	WL-22 . . . . .	1343 484
VBC-25 . . . . .	1273 364	VC-149 . . . . .	1689 767	WL-1008 . . . . .	1343 474
VBC-30 . . . . .	1273 466	VC-150 . . . . .	1689 788	WL-2001 . . . . .	1343 470
VBC-31 . . . . .	1273 467	VC-155 . . . . .	1818 912	WLB-8 . . . . .	6006 065
VBC-40 . . . . .	1273 365	VC-167 . . . . .	1527 977	WLB-9 . . . . .	1383 351
VBC-42 . . . . .	1273 366	VC-169 . . . . .	1752 220	WLB-12 . . . . .	1256 337
VBC-46 . . . . .	1273 469	VC-174 . . . . .	1689 778	WLB-22 . . . . .	1472 042
VBC-47 . . . . .	1273 367	VC-175 . . . . .	1818 668	WLB-83 . . . . .	1473 010
VBC-57 . . . . .	1394 890	VC-176 . . . . .	1752 220	WLB-94 . . . . .	1440 596
VBC-64 . . . . .	1394 892	VC-177 . . . . .	1818 572	WLB-105 . . . . .	1479 866
VBC-1016 . . . . .	1273 470	VC-178 . . . . .	1818 650	WLB-108 . . . . .	1523 217
VBC-1029 . . . . .	1273 386	VC-179 . . . . .	1818 645	WLB-110 . . . . .	1540 188
VBC-1036 A . . . . .	1273 368	VC-180 . . . . .	1843 036	WLB-111 . . . . .	6008 110
VBC-1040 S . . . . .	1273 471	VC-181 . . . . .	1879 291	WLB-162 . . . . .	1479 866
VBC-1044 . . . . .	1273 369	VC-182 . . . . .	1879 286	WLB-168 . . . . .	1689 167
VBC-1052 . . . . .	1394 889	VC-183 . . . . .	1879 315	WLB-179 . . . . .	6006 070
VBC-1055 . . . . .	1273 374	VC-1039 A . . . . .	1135 574	WLB-1079 L . . . . .	1473 013
VBC-1061 . . . . .	1273 376	VC-2082 R . . . . .	1135 576	WLB-1102 LS . . . . .	1479 480
VBC-1080 . . . . .	1273 377	VC-2117 R . . . . .	1135 577	WLB-1102 RS . . . . .	1479 479
VBC-3008 . . . . .	1273 375	VC-3147 . . . . .	1261 011	WLB-2087 L . . . . .	1473 048
VBC-3070 . . . . .	1273 381	VP-19 . . . . .	137 423	WLB-2120 L . . . . .	1622 347
VBC-3071 . . . . .	1273 390	VRA-15 . . . . .	927 950	WLB-2120 R . . . . .	1622 346
VBC-4002 UT . . . . .	1268 962	VRA-16 . . . . .	927 951	WLB-2124 L . . . . .	1604 904
VBE-6001 AF . . . . .	1502 074	VRA-17 . . . . .	927 952	WLB-2124 R . . . . .	1604 903
VBE-6001 AT . . . . .	1330 242	VRA-46 . . . . .	928 566	WLB-2128 L . . . . .	1622 340
VBF-6001 A . . . . .	1343 122	VRA-1060 A . . . . .	1273 380	WLB-2128 R . . . . .	1622 339
VBF-6002 A . . . . .	1343 124	VRH-51 . . . . .	1402 513	WLB-2172 L . . . . .	1753 837
VBF-6005 T . . . . .	1534 162	VRH-4104 D1 . . . . .	913 344	WLB-2172 R . . . . .	1753 836
VBF-6201 A . . . . .	1641 510	VRH-7107 B-1T . . . . .	1401 019	WLB-3022 LS . . . . .	1658 769
VBJ-6001 AT . . . . .	1486 145	VRP-100 D . . . . .	1273 388	WLB-3022 RS . . . . .	1658 768
VBO-4202 AC . . . . .	2095 200	VRP-100 E . . . . .	1273 389	WLB-3079 L . . . . .	1473 017
VBO-4202 BC . . . . .	1889 944	VRP-100 K . . . . .	1394 891	WLB-3079 R . . . . .	1473 012
VBO-4202 DC . . . . .	2095 201	VRP-4001 B . . . . .	1195 738	WLB-3087 L . . . . .	1604 888
VBO-4202 HC . . . . .	2095 202	VRP-4303 DM . . . . .	1571 164	WLB-3087 R . . . . .	1819 169
VBO-4202 JC . . . . .	2095 203	VRP-4503 AX . . . . .	1121 978	WLB-3090 L . . . . .	1440 508

# VENDOR NUMBER CROSS REFERENCE LIST

VENDOR NUMBER	CHRYSLER NUMBER	VENDOR NUMBER	CHRYSLER NUMBER	VENDOR NUMBER	CHRYSLER NUMBER
<b>AUTO-LITE</b>					
WLB-3090 LB . . . . .	1604 451	XA-770 . . . . .	1273 391	X-378 . . . . .	620 528
WLB-3090 LC . . . . .	1604 937	XA-773 . . . . .	1527 254	X-382 . . . . .	105 036
WLB-3090 R . . . . .	1440 507	XA-776 . . . . .	1273 435	X-382 A . . . . .	1110 972
WLB-3090 RB . . . . .	1604 450	XA-777 . . . . .	1273 436	X-404 . . . . .	121 244
WLB-3090 RC . . . . .	1604 936	XA-782 . . . . .	1273 372	X-441 . . . . .	659 799
WLB-3090 RH . . . . .	1704 714	XA-783 . . . . .	1273 373	X-489 . . . . .	113 702
WLB-3090 LH . . . . .	1704 715	XA-785 . . . . .	1383 347	X-525 . . . . .	135 694
WLB-3101 L . . . . .	1479 492	XA-794 . . . . .	1405 225	8X-645 . . . . .	132 696
WLB-3101 LB . . . . .	1605 212	XA-801 . . . . .	1091 629	19X-709 . . . . .	1321 110
WLB-3101 R . . . . .	1479 491	XA-803 . . . . .	1440 489	8X-712 . . . . .	661 825
WLB-3101 RB . . . . .	1605 211	XA-803 A . . . . .	1688 919	8X-714 . . . . .	132 930
WLB-3132 L . . . . .	1819 166	XA-815 . . . . .	1594 834	6X-832 . . . . .	120 368
WLB-3132 R . . . . .	1604 883	XA-823 A . . . . .	1616 612	8X-832 . . . . .	120 368
WLB-3173 L . . . . .	1753 707	XA-827 . . . . .	903 895	X-842 . . . . .	126 049
WLB-3173 R . . . . .	1753 706	XA-836 A . . . . .	1753 285	8X-859 . . . . .	192 484
WLB-3173 LA . . . . .	1753 239	XA-839 . . . . .	1689 763	X-865 A . . . . .	143 932
WLB-3173 RA . . . . .	1753 238	XA-863 . . . . .	1818 815	8X-872 . . . . .	132 096
WLB-3174 L . . . . .	1819 166	XA-879 . . . . .	1818 910	8X-878 . . . . .	131 974
WLB-3174 R . . . . .	1819 167	XA-903 . . . . .	2095 627	19X-884 . . . . .	131 949
WLB-3175 L . . . . .	1819 168	XH-119705 . . . . .	1819 054	8X-888 . . . . .	131 958
WLB-3175 R . . . . .	1819 169	8X-53 . . . . .	132 764	8X-902 . . . . .	132 105
WLB-3178 L . . . . .	1753 241	8X-55 . . . . .	121 832	19X-902 . . . . .	132 105
WLB-3178 R . . . . .	1753 240	8X-63 . . . . .	133 482	8X-905 . . . . .	132 251
WLB-3180 L . . . . .	1753 351	8X-66 . . . . .	133 634	19X-905 . . . . .	132 251
WLB-3180 R . . . . .	1753 350	19X-93 . . . . .	180 079	X-931 . . . . .	1274 093
WLB-3190 L . . . . .	1770 025	8X-97 . . . . .	126 078	8X-1002 . . . . .	120 628
WLB-3190 R . . . . .	1770 024	8X-135 . . . . .	121 328	8X-1014 . . . . .	120 214
WLB-3191 L . . . . .	1770 033	19X-141 . . . . .	120 622	8X-1063 . . . . .	120 367
WLB-3191 R . . . . .	1770 032	8X-146 . . . . .	120 375	10X-1063 . . . . .	120 367
WLB-3200 . . . . .	1779 233	8X-147 . . . . .	120 376	X-1134 . . . . .	131 016
WLB-3211 L . . . . .	1810 787	8X-158 . . . . .	120 371	X-1177 . . . . .	138 502
WLB-3211 R . . . . .	1810 786	8X-159 . . . . .	120 369	X-1284 . . . . .	138 485
WLC-2033 . . . . .	1479 757	X-163 A . . . . .	113 739	8X-1376 . . . . .	120 368
WLC-3079 L . . . . .	1495 343	8X-163 . . . . .	120 375	X-1379 . . . . .	1273 422
XA-548 R . . . . .	647 165	X-176 . . . . .	113 103	X-1448 . . . . .	135 761
XA-584 . . . . .	137 407	8X-189 B . . . . .	1473 066	X-1491 . . . . .	147 686
XA-595 A . . . . .	120 367	12X-193 . . . . .	120 380	19X-1494 . . . . .	132 764
XA-646 . . . . .	110 309	X-194 . . . . .	131 044	X-1512 . . . . .	1879 391
XA-699 . . . . .	1273 370	12X-194 . . . . .	131 044	X-1520 . . . . .	147 685
XA-736 . . . . .	1122 042	X-195 . . . . .	138 530	X-1543 . . . . .	431 942
XA-744 AA . . . . .	2240 735	8X-195 . . . . .	138 530	8X-1543 . . . . .	431 942
XA-744 C . . . . .	1273 428	X-198 . . . . .	120 384	X-1560 . . . . .	136 008
XA-744 F . . . . .	1391 931	12X-198 . . . . .	120 384	8X-1576 . . . . .	120 392
XA-744 G . . . . .	1271 770	X-199 . . . . .	131 098	X-1583 . . . . .	863 816
XA-744 J . . . . .	1273 458	8X-199 . . . . .	120 380	X-1590 . . . . .	953 717
XA-744 K . . . . .	1273 459	12X-199 . . . . .	120 380	X-1610 . . . . .	120 368
XA-744 L . . . . .	1273 460	12X-199 . . . . .	131 098	X-1625 . . . . .	1495 525
XA-744 M . . . . .	1271 777	X-204 . . . . .	131 045	X-1649 . . . . .	114 545
XA-744 N . . . . .	1273 378	X-204 . . . . .	131 206	X-1711 . . . . .	174 916
XA-744 P . . . . .	1271 771	X-258 . . . . .	106 749	8X-1711 . . . . .	174 916
XA-744 S . . . . .	1394 984	19X-258 . . . . .	106 749	12X-1711 . . . . .	174 916
XA-748 . . . . .	1271 772	X-263 . . . . .	103 906	8X-2843 . . . . .	114 546
XA-751 . . . . .	1271 765	X-295 . . . . .	602 454	X-2845 . . . . .	134 570
XA-765 . . . . .	1273 387	X-295 A . . . . .	1889 235	8X-2848 . . . . .	132 518
XA-766 . . . . .	1273 379	8X-323 . . . . .	121 839	X-2872 . . . . .	113 337
XA-767 . . . . .	1273 434	8X-361 . . . . .	120 392	X-2878 . . . . .	151 375
XA-767 A . . . . .	1501 831	19X-361 . . . . .	120 392	X-2940 . . . . .	1302 747

# VENDOR NUMBER CROSS REFERENCE LIST

VENDOR NUMBER	CHRYSLER NUMBER	VENDOR NUMBER	CHRYSLER NUMBER	VENDOR NUMBER	CHRYSLER NUMBER
<b>AUTO-LITE</b>					
X-2943 . . . . .	113 337	90-47 . . . . .	1881 929	9739 A . . . . .	595 362
X-2955 . . . . .	1394 893	90-48 . . . . .	1879 603	10857 A . . . . .	1154 216
X-2990 . . . . .	151 509	90-49 . . . . .	1881 727	10870 . . . . .	652 115
X-3003 . . . . .	1630 649	90-50 . . . . .	1881 728	13851 A . . . . .	1566 398
X-3008 . . . . .	200 156	90-51 . . . . .	1879 611	10873 A . . . . .	1149 337
X-3009 . . . . .	200 162	90-52 . . . . .	1879 612	10886 A . . . . .	1154 292
X-3012 . . . . .	1343 592	90-54 . . . . .	1881 726	11385 A . . . . .	1194 576
8X-3017 . . . . .	132 915	90-55 . . . . .	1881 724	11397 A . . . . .	1195 746
8X-3027 . . . . .	131 954	90-56 . . . . .	1881 751	11398 A . . . . .	1195 747
X-3028 . . . . .	151 511	90-57 . . . . .	1881 737	11399 A . . . . .	1195 741
X-3031 . . . . .	131 949	90-58 . . . . .	1881 756	11400 A . . . . .	1195 745
X-3032 . . . . .	151 510	90-59 . . . . .	1881 748	11401 A . . . . .	1195 742
X-3037 . . . . .	1273 442	90-60 . . . . .	1881 746	11434 A . . . . .	1195 709
X-3038 . . . . .	1273 456	90-61 . . . . .	1881 754	11450 A . . . . .	1195 743
X-3049 . . . . .	151 524	90-62 . . . . .	1881 755	11451 A . . . . .	1195 744
X-3050 . . . . .	151 506	90-64 . . . . .	1881 753	11526 A . . . . .	1261 467
X-3051 . . . . .	151 507	90-65 . . . . .	1881 719	11538 A . . . . .	1240 864
X-3053 . . . . .	151 517	90-66 . . . . .	1881 720	11607 A . . . . .	1257 287
X-3054 . . . . .	151 518	90-67 . . . . .	1881 741	11610 A . . . . .	1257 270
X-3055 . . . . .	151 519	90-68 . . . . .	1881 740	11652 A . . . . .	1263 499
X-3060 . . . . .	178 469	90-69 . . . . .	1881 745	11680 A . . . . .	1302 621
X-3063 . . . . .	140 879	90-70 . . . . .	1881 744	11681 A . . . . .	1302 620
8X-3277 . . . . .	1818 501	90-71 . . . . .	1881 743	11721 A . . . . .	1253 112
12X-3074 . . . . .	120 380	90-75 . . . . .	2084 083	11728 A . . . . .	1302 632
X-3075 . . . . .	120 375	90-76 . . . . .	2084 081	11729 A . . . . .	1302 630
X-3090 . . . . .	151 504	90-78 . . . . .	2084 294	11803 A . . . . .	1310 864
16X-3094 . . . . .	131 958	90-79 . . . . .	2084 302	11821 A . . . . .	1257 602
X-3135 . . . . .	1479 097	90-80 . . . . .	2084 303	11822 A . . . . .	1257 604
X-3155 . . . . .	1405 223	90-81 . . . . .	2084 432	12013 A . . . . .	1339 675
X-3187 . . . . .	1433 522	90-82 . . . . .	2084 433	12014 A . . . . .	1339 674
X-3217 . . . . .	113 103	90-83 . . . . .	2084 434	12038 A . . . . .	1339 934
X-3218 . . . . .	1527 971	90-85 . . . . .	2084 435	12103 A . . . . .	1340 309
X-3226 . . . . .	1552 884	90-92 . . . . .	2084 638	12104 A . . . . .	1340 310
8X-3280 . . . . .	1752 696	90-94 . . . . .	2084 666	12106 A . . . . .	1340 312
8X-3284 . . . . .	1752 697	90-95 . . . . .	2084 667	12109 A . . . . .	1340 314
X-3316 . . . . .	1770 296	90-96 . . . . .	2084 655	12110 A . . . . .	1340 315
YRS-6009 AM . . . . .	1672 803	90-97 . . . . .	2084 656	12127 A . . . . .	1340 299
90-23 . . . . .	1879 604	90-99 . . . . .	2084 680	12129 A . . . . .	1340 300
90-24 . . . . .	1879 594	90-101 . . . . .	2084 853	12132 A . . . . .	1339 805
90-25 . . . . .	1879 595	90-102 . . . . .	2084 854	12139 A . . . . .	1339 824
90-26 . . . . .	1879 596	90-103 . . . . .	2084 867	12306 A . . . . .	1369 698
90-27 . . . . .	1879 597	90-104 . . . . .	2084 868	12307 A . . . . .	1369 699
90-28 . . . . .	1879 605	90-105 . . . . .	2084 869	12309 A . . . . .	1369 696
90-29 . . . . .	1879 606	90-106 . . . . .	2084 870	12310 A . . . . .	1369 697
90-30 . . . . .	1879 607	90-107 . . . . .	2084 877	12323 A . . . . .	1383 780
90-31 . . . . .	1879 613	90-108 . . . . .	2084 878	12328 A . . . . .	1369 753
90-32 . . . . .	1881 721	90-109 . . . . .	2084 879	12348 A . . . . .	1271 228
90-33 . . . . .	1881 722	90-110 . . . . .	2084 880	12356 A . . . . .	1390 545
90-34 . . . . .	1879 598	90-111 . . . . .	2084 881	12379 A . . . . .	1436 174
90-35 . . . . .	1879 599	90-113 . . . . .	2084 888	12380 A . . . . .	1436 175
90-36 . . . . .	1879 601	90-115 . . . . .	2196 330	12412 A . . . . .	1272 352
90-37 . . . . .	1879 602	90-135 . . . . .	2275 226	12414 A . . . . .	1272 351
90-39 . . . . .	1881 747	90-143 . . . . .	2275 225	12415 A . . . . .	1272 353
90-41 . . . . .	1881 752	90-155 . . . . .	2084 869	12474 A . . . . .	1383 413
90-44 . . . . .	1881 766	2012 BS . . . . .	2084 291	12783 A . . . . .	1473 848
90-45 . . . . .	1881 749	6010 S . . . . .	1658 865	12818 A . . . . .	1473 882
90-46 . . . . .	1881 768	9738 A . . . . .	595 361	13091 A . . . . .	1495 806



# VENDOR NUMBER CROSS REFERENCE LIST

VENDOR NUMBER	CHRYSLER NUMBER	VENDOR NUMBER	CHRYSLER NUMBER
<b>AUTO-LITE</b>			
13380 A . . . . .	1546 502	14202 A . . . . .	1648 820
13384 A . . . . .	1546 621	14203 A . . . . .	1648 822
13400 A . . . . .	1604 704	14204 A . . . . .	1648 821
13433 A . . . . .	1546 127	14208 A . . . . .	1663 046
13455 A . . . . .	1571 827	14235-A . . . . .	1689 411
13514 A . . . . .	1571 704	14259 . . . . .	1753 797
13535 A . . . . .	1571 705	14263 A . . . . .	1753 599
13541 A . . . . .	1571 524	14265 A . . . . .	1753 590
13615 A . . . . .	1550 103	14266 A . . . . .	1753 593
13630 A . . . . .	1509 659	14272 A . . . . .	1818 830
13678 A . . . . .	1660 852	14280 A . . . . .	1663 235
13683 A . . . . .	1594 753	14286 A . . . . .	1753 753
13706 A . . . . .	1604 698	14290 A . . . . .	1753 754
13710 A . . . . .	1604 705	14291 A . . . . .	1753 756
13726 A . . . . .	1604 729	14294 A . . . . .	1753 744
13739 A . . . . .	1604 228	14296 A . . . . .	1753 769
13740 A . . . . .	1604 229	14297 A . . . . .	1753 766
13752 A . . . . .	1622 135	14298 A . . . . .	1753 759
13754 A . . . . .	1622 622	14299 A . . . . .	1753 771
13778 A . . . . .	1604 808	14309-A . . . . .	1819 281
13851 A . . . . .	1566 398	14310 A . . . . .	1819 282
13912 A . . . . .	1566 399	14321 A . . . . .	1819 293
13964 A . . . . .	1569 117	14322 A . . . . .	1819 294
13965 A . . . . .	1569 118	14323 A . . . . .	1819 295
13989 A . . . . .	1648 760	14324 A . . . . .	1819 296
14018 A . . . . .	1648 566	14331 A . . . . .	1779 532
14019 A . . . . .	1648 567	14336 A . . . . .	1779 551
14039 A . . . . .	1658 102	14374 A . . . . .	1838 044
14040 A . . . . .	1658 103	14375 A . . . . .	1838 043
14041 A . . . . .	1658 104	14376 A . . . . .	1838 045
14044 A . . . . .	1627 484	14377 A . . . . .	1838 046
14071 A . . . . .	1660 852	14406 A . . . . .	1770 093
14072 A . . . . .	1660 853	14433 A . . . . .	1663 236
14073 A . . . . .	1660 854	14580 A . . . . .	1788 621
14195 A . . . . .	1658 825	14581 A . . . . .	1788 622
14196 A . . . . .	1648 811	14906-A . . . . .	1798 594
14200 A . . . . .	1648 819	14907 A . . . . .	1798 595
14201 A . . . . .	1648 830	14915 A . . . . .	1798 610
14921 A . . . . .	1923 544	24448 . . . . .	1310 382
15007 A . . . . .	1798 750	24511 . . . . .	1300 980
20702 . . . . .	939 548	25062 . . . . .	1753 800
23178 . . . . .	1154 399	25091 . . . . .	1369 682
24037 . . . . .	1263 532	25427 . . . . .	1436 163
25456 . . . . .	1436 131	25611 . . . . .	1272 373
25611 . . . . .	1272 373	26408 . . . . .	1394 272
26408 . . . . .	1394 272	27045 . . . . .	1622 819
27045 . . . . .	1622 819	27123 . . . . .	1622 832
27123 . . . . .	1622 832	27174 . . . . .	1605 003
27174 . . . . .	1605 003	27189 . . . . .	1605 004
27189 . . . . .	1605 004	27235 . . . . .	1626 882
27235 . . . . .	1626 882	27236 . . . . .	1626 881
27236 . . . . .	1626 881	27275 . . . . .	1626 968
27275 . . . . .	1626 968	27887 . . . . .	1753 739
27887 . . . . .	1753 739	27934 . . . . .	1769 113
27934 . . . . .	1769 113	27935 . . . . .	1769 112
27935 . . . . .	1769 112	28673 . . . . .	1819 429
28673 . . . . .	1819 429	28703 . . . . .	1819 430
28703 . . . . .	1819 430	28704 . . . . .	1819 431
28704 . . . . .	1819 431	28707 . . . . .	1819 438
28707 . . . . .	1819 438	28849 . . . . .	1819 223
28849 . . . . .	1819 223	28997 . . . . .	1788 624
28997 . . . . .	1788 624	29005 . . . . .	1788 627
29005 . . . . .	1788 627	72200 . . . . .	1658 838
72200 . . . . .	1658 838	200477 . . . . .	1818 836
200477 . . . . .	1818 836	200847 . . . . .	2084 847
200847 . . . . .	2084 847	301178 . . . . .	1842 818
301178 . . . . .	1842 818	435361 B . . . . .	1273 355
435361 B . . . . .	1273 355	910897 . . . . .	1565 354
910897 . . . . .	1565 354	915009 . . . . .	1889 545
915009 . . . . .	1889 545		

# VENDOR NUMBER CROSS REFERENCE LIST

VENDOR NUMBER	CHRYSLER NUMBER	VENDOR NUMBER	CHRYSLER NUMBER	VENDOR NUMBER	CHRYSLER NUMBER
<b>AUTO-LITE</b>					



# VENDOR NUMBER CROSS REFERENCE LIST

VENDOR NUMBER	CHRYSLER NUMBER	VENDOR NUMBER	CHRYSLER NUMBER	VENDOR NUMBER	CHRYSLER NUMBER
<b>CARTER</b>					
A1-126 . . . . .	1827 965	BBD-2313-S . . . . .	1637 364	BBS-3273 S . . . . .	*2264 847
A13-3800 V568. . . . .	2084 587	BBD-2407-S . . . . .	1675 941	BBS-3274 S . . . . .	*2264 848
AFB-2448 S . . . . .	1731 514	BBD-2409 S . . . . .	1631 370	BBS-3275 S . . . . .	*2264 849
AFB-2641 S . . . . .	1822 052	BBD-2420-S . . . . .	1639 708	BBS-3276 S . . . . .	*2264 850
AFB-2642 S . . . . .	1822 053	BBD-2489 SA . . . . .	1732 572	BBS-3277 S . . . . .	*2264 851
AFB-2650 S . . . . .	1826 079	BBD-2522 SB . . . . .	1733 826	BBS-3278 S . . . . .	*2264 852
AFB-2651 S . . . . .	1826 080	BBD-2527 SA . . . . .	1733 831	BBS-3279 S . . . . .	*2264 853
AFB-2652 S . . . . .	1826 081	BBD-2550 SA . . . . .	1736 098	BBS-3280 S . . . . .	*2264 854
AFB-2653 S . . . . .	1826 082	BBD-2620 SA . . . . .	1738 416	BBS-3281 S . . . . .	*2264 855
AFB-2686 S . . . . .	1821 997	BBD-2637 S . . . . .	1821 960	BBS-3287 S . . . . .	*2206 230
AFB-2686 S . . . . .	1827 997	BBD-2685 S . . . . .	1827 998	D6G1 . . . . .	871 552
AFB-2744 S . . . . .	1852 574	BBD-2733 S . . . . .	1852 129	D6H2 . . . . .	1312 178
AFB-2773 S . . . . .	1855 634	BBD-2772 S . . . . .	1855 633	D6P2 . . . . .	1317 907
AFB-2786 S . . . . .	1858 469	BBD-2795 S . . . . .	1858 477	DTE 1 . . . . .	1317 256
AFB-2787 S . . . . .	1858 470	BBD-2822 S . . . . .	1944 571	DTG-2 . . . . .	1269 404
AFB-2790 S . . . . .	1858 473	BBD-2832 S . . . . .	1944 683	DTL-2 . . . . .	1400 468
AFB-2791 S . . . . .	1858 474	BBD-2871 S . . . . .	1859 985	E7B1 . . . . .	1138 880
AFB-2794 S . . . . .	1858 476	BBD-2896 S . . . . .	1826 888	E-7D3 . . . . .	1138 897
AFB-2797 S . . . . .	1858 479	BBD-2905 SA . . . . .	1947 373	E-7E . . . . .	1138 898
AFB-2798 S . . . . .	1858 480	BBD-2921 S . . . . .	2120 048	E7J2 . . . . .	1140 005
AFB-2799 S . . . . .	1858 481	BBD-2923 S . . . . .	2120 050	E-7L . . . . .	1140 042
AFB-2801 S . . . . .	1858 758	BBD-3132 S . . . . .	2202 890	E7R1 . . . . .	1318 987
AFB-2805 S . . . . .	1858 776	BBD-3240 S . . . . .	*2203 130	E-7S . . . . .	1315 677
AFB-2806 S . . . . .	1858 777	BBD-3241 S . . . . .	*2203 132	E-7T . . . . .	1317 258
AFB-2812 S . . . . .	1858 976	BBD-3245 S . . . . .	*2205 765	E7U2 . . . . .	1317 259
AFB-2813 S . . . . .	1858 975	BBS-994 S . . . . .	1631 362	E9A1 . . . . .	1325 841
AFB-2854 S . . . . .	1859 935	BBS-2215-S . . . . .	1617 194	E9G1 . . . . .	1532 831
AFB-2855 S . . . . .	1945 167	BBS-2221-S . . . . .	E-3 571-M	E9T1 . . . . .	1551 025
AFB-2856 S . . . . .	1945 168	BBS-2227-S . . . . .	1617 816	E9U1 . . . . .	1551 026
AFB-2903 S . . . . .	1947 809	BBS-2248-S . . . . .	1631 360	E9V1 . . . . .	1551 047
AFB-2906 S . . . . .	1947 733	BBS-2262 S . . . . .	1632 459	E9X1 . . . . .	1506 462
AFB-2925 S . . . . .	2120 052	BBS-2360-S . . . . .	E-4 057-M	E9Y1 . . . . .	1507 195
AFB-2927 S . . . . .	2120 054	BBS-2403-S . . . . .	1674 766	ETW 1 . . . . .	929 845
AFB-2948 S . . . . .	2120 738	BBS-2410-S . . . . .	1675 971	EQ-200310 . . . . .	1924 069
AFB-2950 S . . . . .	2120 740	BBS-2412 SA . . . . .	1639 710	F-7D . . . . .	1138 897
AFB-2968 S . . . . .	2121 208	BBS-2416-S . . . . .	1676 275	F23-39 . . . . .	1450 661
AFB-2969 S . . . . .	2121 209	BBS-2421 S . . . . .	1639 710	F23-41 . . . . .	1402 616
AFB-2991 S . . . . .	2121 728	BBS-2478 S . . . . .	1678 676	F23-44 U. . . . .	1450 885
AFB-3083 S . . . . .	2129 881	BBS-2604 S . . . . .	1739 401	F23-46 U. . . . .	1450 660
AFB-3108 S . . . . .	2202 423	BBS-2624 S . . . . .	1677 063	F23-57 U . . . . .	1879 294
AFB-3131 S . . . . .	2202 889	BBS-2900 SA . . . . .	1947 843	F23-A20 . . . . .	1320 527
AFB-3152 S . . . . .	2205 730	BBS-2905 S . . . . .	1947 373	F30-60 . . . . .	1138 687
AFB-3249 S . . . . .	*2203 142	BBS-2985 SB . . . . .	2121 505	F30-76 . . . . .	1879 458
AFB-3256 S . . . . .	*2205 766	BBS-3000 S . . . . .	2121 783	F63-129 . . . . .	1316 416
AFB-3257 S . . . . .	*2205 768	BBS-3001 S . . . . .	2121 784	F63-146 . . . . .	1402 617
AFB-3259 S . . . . .	*2206 469	BBS-3053 S . . . . .	2129 177	F 842-S . . . . .	1402 141
BB1-289 SD . . . . .	*2125 818	BBS-3097 S . . . . .	2202 412	F 862-S . . . . .	1402 143
B-9211 AX . . . . .	1324 432	BBS-3098 S . . . . .	2202 885	IA-17 . . . . .	864 599
BBD-908-S . . . . .	1533 595	BBS-3110 S . . . . .	2202 568	IA-24 . . . . .	662 811
BBD-2162 SA . . . . .	1611 551	BBS-3121 S . . . . .	2202 724	IA-30 . . . . .	637 192
BBD-2178 S . . . . .	1613 077	BBS-3127 S . . . . .	2202 884	IA-45 . . . . .	697 695
BBD-2229-S . . . . .	1617 862	BBS-3128 S . . . . .	2202 885	IA-64 . . . . .	1140 006
BBD-2250-S . . . . .	1671 799	BBS-3234 S . . . . .	*2206 226	IA-71 . . . . .	1404 605
BBD-2262 S . . . . .	1632 459	BBS-3235 S . . . . .	*2206 227	IA-77 . . . . .	1553 170
BBD-2274-SA . . . . .	1634 335	BBS-3236 S . . . . .	*2206 228	IA-88 . . . . .	1553 097
BBD-2291-S . . . . .	E-3 745-M	BBS-3239 S . . . . .	*2264 572	IA-89 . . . . .	1553 098
BBD-2310-S . . . . .	1637 361	BBS-3272 S . . . . .	*2264 846	IA-90 . . . . .	1610 799

## VENDOR NUMBER CROSS REFERENCE LIST

VENDOR NUMBER	CHRYSLER NUMBER	VENDOR NUMBER	CHRYSLER NUMBER	VENDOR NUMBER	CHRYSLER NUMBER
<b>CARTER</b>					
IA-94 . . . . .	1618 129	1A-17. . . . .	864 599	16-165 . . . . .	2240 473
IA-96 . . . . .	1631 364	1A-23. . . . .	561 378	16-192 . . . . .	*2299 059
IA-103 . . . . .	1676 726	1A-24. . . . .	662 811	20-32 . . . . .	* 645 619
M-121-133 . . . . .	1124 946	1A-30. . . . .	637 192	25-44-S. . . . .	645 615
M-121-134 . . . . .	1400 185	1A-45. . . . .	697 695	25-82-S. . . . .	690 676
M 203-87S . . . . .	1676 728	1A-46. . . . .	637 191	25-98-S. . . . .	1400 821
M-639 SB . . . . .	1450 705	1A-64. . . . .	1140 006	25-148-S . . . . .	1072 972
M-834 S . . . . .	1450 705	1A-71. . . . .	1404 605	25-202-S . . . . .	1404 577
M-856 SA . . . . .	1450 703	1A-77. . . . .	1553 170	25-216-S . . . . .	1531 362
M-857 S . . . . .	1450 706	1A-88. . . . .	1553 097	25-225-S . . . . .	1539 152
M-859 SA . . . . .	1489 858	1A-89. . . . .	1553 098	25-254-S . . . . .	1610 738
M-875 SA . . . . .	1450 704	1A-90. . . . .	1610 799	25-273 S . . . . .	2084 132
M-2000 S . . . . .	1450 720	1A-94. . . . .	1618 129	25-278-S . . . . .	1618 234
M-2077 S . . . . .	1450 719	1A-99. . . . .	1615 551	25-279-S . . . . .	1618 235
M-2342 S . . . . .	1643 175	1A-103 . . . . .	1676 726	25-280-S . . . . .	1618 288
M-2491 S . . . . .	1677 406	2-118. . . . .	1073 092	25-291-S . . . . .	1631 436
M-20006 . . . . .	1321 285	3-182 . . . . .	1945 482	25-392 S . . . . .	2196 207
RA-2 . . . . .	1501 649	3-449 S . . . . .	957 797	25-337 S . . . . .	1826 833
WCD-931-SC . . . . .	1408 602	3-971 S . . . . .	1618 270	25-343 S . . . . .	1826 834
WCD-992-SA . . . . .	1489 993	4-475-S. . . . .	1073 083	25-348 S . . . . .	1826 844
WCD-2039-SA . . . . .	1535 929	4A-105-S. . . . .	1190 551	25-362 S . . . . .	2084 180
WCFB-2041-S . . . . .	1535 888	4A-114 S . . . . .	1190 551	25-392 S . . . . .	*2196 207
WCFB-2210-S . . . . .	1615 831	6E-2 . . . . .	912 412	25-394 S . . . . .	2240 410
WCFB-2253-S . . . . .	1631 216	6N 1 . . . . .	1317 959	25-426 S . . . . .	2240 401
WCFB-2302-SB . . . . .	1636 645	6-773 S . . . . .	1409 449	25-428 S . . . . .	2240 438
WCFB-2303-SB . . . . .	1636 649	7-138-S . . . . .	1075 634	25-437 S . . . . .	2240 493
WCFB-2311-SA . . . . .	1637 362	10-58 . . . . .	1826 863	25-440 S . . . . .	2275 281
WCFB-2314-S . . . . .	1637 365	11B-79 . . . . .	699 811	30-37 . . . . .	1138 687
WCFB-2317-SA . . . . .	1635 715	11B-186-S . . . . .	1070 743	30-58 . . . . .	1826 353
WCFB-2365-S . . . . .	E-3 889-M	11B-193 . . . . .	1073 093	30-73 . . . . .	1618 236
WCFB-2367-SA . . . . .	1671 906	11B-219-S . . . . .	1125 788	30-78 . . . . .	*1826 864
WCFB-2442-S . . . . .	1731 473	15-58 S . . . . .	1826 863	61-288 . . . . .	1075 669
WCFB-2444-S . . . . .	1731 475	15-62 S . . . . .	1826 346	61-314-S . . . . .	1323 827
WCFB-2445-S . . . . .	1731 476	16-25 . . . . .	2084 108	61-502 . . . . .	1631 372
WCFB-2476-S . . . . .	1731 639	16-26 . . . . .	1826 845	62-208-S . . . . .	1631 437
WCFB-2530 SA . . . . .	1733 846	16-27 . . . . .	2084 111	64-60-S . . . . .	697 709
WCFB-2531-S . . . . .	1733 847	16-29 . . . . .	1826 887	64-74 S . . . . .	871 999
WCFB-2532 S . . . . .	1733 848	16-35 . . . . .	1826 347	64-118-S . . . . .	1140 849
WCFB-2534-S . . . . .	1733 850	16-39 . . . . .	1826 348	64-134-S . . . . .	1404 612
WCFB-2535 S . . . . .	1733 851	16-40 . . . . .	1826 349	64-137-S . . . . .	1404 604
WCFB-2588 S . . . . .	1739 337	16-42 . . . . .	1826 884	64-145 S . . . . .	1610 746
WCFB-2589 S . . . . .	1739 338	16-43 . . . . .	1826 875	64-148 S . . . . .	1533 778
WCFB-2590 S . . . . .	1739 339	16-45 . . . . .	1826 840	64-160-S . . . . .	1610 784
WCFB-2628 S . . . . .	E-4534-M	16-51 . . . . .	1826 861	64-161-S . . . . .	1610 774
WCFB-2631 S . . . . .	1821 709	16-109 . . . . .	2084 112	64-163-S . . . . .	1618 107
WCFB-2632 SA . . . . .	1821 710	16-111 . . . . .	2084 110	64-174-S . . . . .	1618 150
WCFB-2635 S . . . . .	1821 885	16-113 . . . . .	2084 109	64-176-S . . . . .	1618 250
WCFB-2636 S . . . . .	1821 886	16-117 . . . . .	2084 165	64-182-S . . . . .	1631 398
WCFB-2660 S . . . . .	1827 687	16-118 . . . . .	2084 179	64-183-S . . . . .	1631 409
WCFB-2698 S . . . . .	1851 490	16-119 . . . . .	2084 184	64-184 S . . . . .	1631 453
WCFB-2741 S . . . . .	1852 257	16-120 . . . . .	2084 194	64-187-S . . . . .	1631 515
WCFB-2742 S . . . . .	1852 258	16-122 . . . . .	2084 202	64-210 S . . . . .	1826 607
WCFB-2761 S . . . . .	1855 390	16-157 . . . . .	2240 479	64-212 S . . . . .	1826 369
WCFB-2762 S . . . . .	1855 391	16-158 . . . . .	2240 488	64-215 S . . . . .	1826 846
WCFD-2622 SA . . . . .	1821 318	16-160 . . . . .	2240 466	64-225 S . . . . .	*2084 163
YH-2911 S . . . . .	E-5815-M	16-161 . . . . .	2240 463	64-237 S . . . . .	2240 402
1-432-S. . . . .	1073 080	16-162 . . . . .	2275 252	65-34-S . . . . .	1533 785

# VENDOR NUMBER CROSS REFERENCE LIST

VENDOR NUMBER	CHRYSLER NUMBER	VENDOR NUMBER	CHRYSLER NUMBER	VENDOR NUMBER	CHRYSLER NUMBER
<b>CARTER</b>					
71A-17 . . . . .	622 462	75-1519 . . . . .	2240 439	120-217 S . . . . .	1631 354
75-118 S . . . . .	1631 471	75-1525 . . . . .	2240 476	120-221 S . . . . .	1631 617
75-126 . . . . .	2240 492	75-1526 . . . . .	2240 492	120-224 . . . . .	1676 691
75-933 . . . . .	1551 493	75-1575 . . . . .	2275 285	120-226 . . . . .	1676 770
75-934 . . . . .	1551 494	75-1579 . . . . .	*2299 001	120-228 . . . . .	2084 166
75-943 . . . . .	1553 141	75-1581 . . . . .	*2299 009	120-231 S . . . . .	1826 849
75-990 . . . . .	1553 168	75-1582 . . . . .	*2299 016	120-232 S . . . . .	1826 837
75-991 . . . . .	1610 806	75-1583 . . . . .	*2299 020	120-245 S . . . . .	2196 203
75-998 . . . . .	1610 794	76-34 . . . . .	1066 646	120-248 S . . . . .	2240 448
75-999 . . . . .	1318 108	76-35 . . . . .	1066 647	120-249 . . . . .	2240 437
75-1125 . . . . .	1610 869	80-46-S . . . . .	1075 655	120-251 S . . . . .	2240 485
75-1143 . . . . .	1618 251	86-11 . . . . .	120 380	120-252 . . . . .	2240 464
75-1144 . . . . .	1618 297	86-15 . . . . .	120 382	120-253 S . . . . .	2240 404
75-1145 . . . . .	1631 327	86-26 . . . . .	121 752	120-264 S . . . . .	*2299 000
75-1160 . . . . .	1631 394	101-12 . . . . .	131 974	121-78 . . . . .	1330 873
75-1168 . . . . .	1631 389	101-173 . . . . .	100 944	121-113 . . . . .	1073 085
75-1177 . . . . .	1631 438	101-178 . . . . .	963 799	121-115 . . . . .	929 850
75-1178 . . . . .	1631 440	101-179 . . . . .	1075 631	121-175 . . . . .	1330 874
75-1180 . . . . .	1631 442	101-181 . . . . .	963 798	121-176 . . . . .	1330 875
75-1186 . . . . .	1631 471	101-195 . . . . .	1073 097	121-202 . . . . .	1409 446
75-1207 . . . . .	1631 504	101-200 S . . . . .	1073 098	121-229 . . . . .	1618 262
75-1208 . . . . .	1631 502	101-203 . . . . .	1075 670	136-27 . . . . .	1141 431
75-1217 . . . . .	1631 613	101-234 S . . . . .	188 079	137 A . . . . .	1063 442
75-1225 . . . . .	1631 680	101-248 . . . . .	1193 218	149-82-S . . . . .	1073 090
75-1247 . . . . .	1631 704	101-322 . . . . .	271 122	156-29 . . . . .	862 072
75-1248 . . . . .	1631 705	105-A-13 . . . . .	120 369	156-92 . . . . .	188 947
75-1251 . . . . .	1631 783	105A-51 . . . . .	271 506	156-116 S . . . . .	1826 876
75-1263 . . . . .	1676 675	114-137-S . . . . .	1631 516	159-43 S . . . . .	*1075 762
75-1264 . . . . .	1676 690	115-239 . . . . .	1618 258	159-59-S . . . . .	650 193
75-1273 . . . . .	1676 695	118-53-S . . . . .	1075 660	159-93-S . . . . .	867 322
75-1274 . . . . .	1676 696	120-155 . . . . .	1826 235	163-22 . . . . .	1073 099
75-1278 . . . . .	1676 693	120-159 . . . . .	1400 857	163-28 . . . . .	1117 474
75-1280 . . . . .	1676 701	120-160 . . . . .	1631 540	164 A . . . . .	1626 425
75-1281 . . . . .	1676 702	120-163 . . . . .	1826 208	170-AA-312 SU . . . . .	1610 845
75-1327 . . . . .	1676 755	120-164 . . . . .	1676 758	170-AB-317 SU . . . . .	1610 864
75-1328 . . . . .	1676 769	120-166 . . . . .	1610 758	170-AB-323 SU . . . . .	1610 863
75-1336 . . . . .	1676 813	120-173 S . . . . .	1531 177	170-AB-426 S . . . . .	1676 679
75-1344 . . . . .	1676 814	120-174 . . . . .	1631 629	170-AC-323 S . . . . .	1631 330
75-1365 . . . . .	1826 185	120-175 . . . . .	1676 717	170-AC-325 SU . . . . .	1676 733
75-1370 . . . . .	1826 189	120-182 S . . . . .	1531 178	170-AC-358 S . . . . .	1631 396
75-1373 . . . . .	1826 192	120-183 S . . . . .	1531 179	170-AC-385 S . . . . .	1631 493
75-1376 . . . . .	1826 221	120-185 . . . . .	1676 692	170-AE-320 SU . . . . .	1610 865
75-1387 . . . . .	1826 280	120-186 . . . . .	1631 541	170-AE-479 S . . . . .	1826 880
75-1391 . . . . .	1826 413	120-189 . . . . .	1826 865	170-AH-312 SU . . . . .	1610 866
75-1409 . . . . .	1826 881	120-195 S . . . . .	1553 088	170-AN-320 S . . . . .	1631 626
75-1414 . . . . .	1826 879	120-196 . . . . .	1610 759	170-AN-479 S . . . . .	1676 751
75-1426 . . . . .	1826 848	120-199-S . . . . .	1610 880	170-AR-358 S . . . . .	1618 307
75-1427 . . . . .	1826 883	120-200-S . . . . .	1610 811	170-AR-538 S . . . . .	1826 398
75-1429 . . . . .	1826 843	120-201 S . . . . .	1610 812	170-AS-484 S . . . . .	1676 837
75-1442 . . . . .	1826 886	120-206-S . . . . .	1610 882	170-AU-465 S . . . . .	1737 782
75-1453 . . . . .	2084 131	120-207 S . . . . .	1610 881	170-AU-653 S . . . . .	2121 955
75-1476 . . . . .	2084 183	120-210 S . . . . .	1618 217	170-AU-654 S . . . . .	2121 956
75-1477 . . . . .	2084 182	120-211-S . . . . .	1618 218	170-AV-464 S . . . . .	1737 780
75-1482 . . . . .	2084 182	120-212-S . . . . .	1618 219	170-AW-484 S . . . . .	1676 837
75-1494 . . . . .	2196 223	120-213-S . . . . .	1618 220	170-AX-514 S . . . . .	1821 963
75-1507 . . . . .	2196 215	120-214-S . . . . .	1618 221	170-AX-596 S . . . . .	1858 523
75-1518 . . . . .	2240 403	120-215-S . . . . .	1618 222	170-AZ-538 S . . . . .	1826 847

# VENDOR NUMBER CROSS REFERENCE LIST

VENDOR NUMBER	CHRYSLER NUMBER	VENDOR NUMBER	CHRYSLER NUMBER	VENDOR NUMBER	CHRYSLER NUMBER
<b>CARTER</b>					
170-BA-655 S . . . . .	2121 957	316 . . . . .	1826 554	905-8 . . . . .	2084 199
170-BC-634 S . . . . .	1947 765	317 . . . . .	1826 552	905-9 . . . . .	2084 196
170-EC-634 F . . . . .	1947 765	318 . . . . .	1826 549	1341 B . . . . .	1501 648
170-N-312 S . . . . .	1618 116	319 . . . . .	1826 561	1503 N . . . . .	1826 598
170-P-312 S . . . . .	1618 111	320 . . . . .	1826 562	1513 N . . . . .	1826 447
170-T-320 S . . . . .	1676 720	326 . . . . .	1826 616	1526 N . . . . .	1826 448
170-X-312 S . . . . .	1676 775	333 . . . . .	2084 129	1533 N . . . . .	1826 596
172 A . . . . .	1826 503	335 . . . . .	2084 192	1534 P . . . . .	1826 517
192-23 S . . . . .	1479 527	336 . . . . .	2084 193	1578 N . . . . .	1826 449
195-65-U . . . . .	1631 640	337 . . . . .	2084 200	1579 N . . . . .	1826 450
195-66-U . . . . .	1674 812	340 . . . . .	2196 221	1728 N . . . . .	1826 451
202-24 S . . . . .	1404 610	341 . . . . .	2196 222	1740 N . . . . .	1826 452
202-35-S . . . . .	1538 426	343 . . . . .	2196 211	1748 N . . . . .	1826 453
202-75-S . . . . .	1557 277	344 . . . . .	2196 212	1752 N . . . . .	1826 454
202-76-S . . . . .	1557 281	900-1 . . . . .	2084 682	1753 N . . . . .	1826 455
202-80-U . . . . .	1631 362	900-2 . . . . .	2084 683	1757 N . . . . .	1826 456
202-83-U . . . . .	1631 370	900-4 . . . . .	2084 684	1758 N . . . . .	1826 457
203 . . . . .	1826 428	900-5 . . . . .	2084 685	1766 N . . . . .	1826 458
203-53 S . . . . .	2084 130	900-10 . . . . .	2084 686	1768 N . . . . .	1826 459
205 . . . . .	1826 429	900-14 . . . . .	2084 687	1775 N . . . . .	1826 460
212 D . . . . .	1826 505	900-15 . . . . .	2084 688	1779 N . . . . .	1826 461
213 A . . . . .	1826 430	900-16 . . . . .	2084 689	1786 N . . . . .	1826 462
213-14-S . . . . .	1400 883	900-22 . . . . .	2084 690	1789 N . . . . .	1826 464
214 A . . . . .	1826 506	900-25 . . . . .	2084 691	1791 N . . . . .	1826 465
215 . . . . .	1826 431	900-26 . . . . .	2084 692	1793 N . . . . .	1826 466
218 . . . . .	1501 649	900-29 . . . . .	2084 693	1794 N . . . . .	1826 467
218-10 . . . . .	1075 671	900-35 . . . . .	2084 694	1795 N . . . . .	1826 468
224-10-S . . . . .	1313 707	900-40 . . . . .	2084 695	1801 N . . . . .	1826 469
224-11-S . . . . .	1316 029	900-47 . . . . .	2084 696	1806 N . . . . .	1826 470
224-13-S . . . . .	1316 031	900-48 . . . . .	2084 687	1817 N . . . . .	1826 471
224-15-S . . . . .	1316 033	900-49 . . . . .	2084 688	1820 N . . . . .	1826 472
225 . . . . .	1826 432	900-52 . . . . .	2084 699	1825 N . . . . .	1826 473
234 A . . . . .	1826 433	900-53 . . . . .	2084 700	1826 N . . . . .	1826 474
236 . . . . .	1826 434	900-55 . . . . .	2084 701	1834 N . . . . .	1826 475
237 . . . . .	1826 435	900-67 . . . . .	2084 702	1835 N . . . . .	1826 476
242 . . . . .	1826 436	900-68 . . . . .	2084 703	1838 N . . . . .	1826 477
243 . . . . .	1826 437	900-69 . . . . .	2084 704	1846 N . . . . .	1826 478
244 . . . . .	1826 438	900-70 . . . . .	2084 705	1857 N . . . . .	1826 479
247 A . . . . .	1826 439	900-71 . . . . .	2084 706	1858 N . . . . .	1826 480
251 . . . . .	1826 440	900-81 . . . . .	2084 707	1859 N . . . . .	1826 481
252 . . . . .	1826 441	900-89 . . . . .	2084 708	1860 N . . . . .	1826 482
255 . . . . .	1826 442	900-100 . . . . .	2196 226	1862 N . . . . .	1826 483
264 A . . . . .	1826 443	900-102 . . . . .	2196 228	1863 N . . . . .	1826 484
265 . . . . .	1826 444	900-103 . . . . .	2196 229	1864 N . . . . .	1826 485
269 A . . . . .	1826 445	900-104 . . . . .	2196 230	1869 N . . . . .	1826 486
278 . . . . .	1826 446	900-105 . . . . .	2196 231	1876 N . . . . .	1826 546
282 A . . . . .	1826 504	900-106 . . . . .	2196 232	1878 N . . . . .	1826 489
288 . . . . .	1826 507	900-107 . . . . .	2196 233	1879 N . . . . .	1826 490
297 . . . . .	1826 508	901-1 . . . . .	2196 227	1880 N . . . . .	1826 491
298 . . . . .	1826 509	901-2 . . . . .	2196 230	1881 N . . . . .	1826 492
299 . . . . .	1826 510	905-1 . . . . .	2084 176	1882 N . . . . .	1826 493
300 . . . . .	1826 511	905-2 . . . . .	2084 177	1883 N . . . . .	1826 494
302 . . . . .	1826 512	905-3 . . . . .	2084 178	1884 N . . . . .	1826 495
309 . . . . .	1826 513	905-4 . . . . .	2084 187	1885 N . . . . .	1826 496
310 . . . . .	1826 514	905-5 . . . . .	2084 189	1886 N . . . . .	1826 497
311 . . . . .	1826 515	905-6 . . . . .	2084 190	1887 N . . . . .	1826 498
313 . . . . .	1826 560	905-7 . . . . .	2084 198	1888 N . . . . .	1826 499

Mar. 1, 1962 Supersedes Oct. 3, 1960.



# VENDOR NUMBER CROSS REFERENCE LIST

VENDOR NUMBER	CHRYSLER NUMBER	VENDOR NUMBER	CHRYSLER NUMBER
<b>CARTER</b>			







# VENDOR NUMBER CROSS REFERENCE LIST

VENDOR NUMBER	CHRYSLER NUMBER	VENDOR NUMBER	CHRYSLER NUMBER	VENDOR NUMBER	CHRYSLER NUMBER
<b>STROMBERG</b>					
3-85 . . . . .	1241 507	384956 . . . . .	1138 697	P-2866 . . . . .	131 958
3-86 . . . . .	1241 508	385057 . . . . .	1141 770	P-3157 . . . . .	120 380
3-99 . . . . .	1317 260	385100 . . . . .	1312 284	P-6893 . . . . .	201 081
3-100 . . . . .	1317 261	385394 . . . . .	1323 835	P-17844 . . . . .	123 983
1928 N . . . . .	1826 565	385431 . . . . .	1323 832	P-18811 . . . . .	1123 980
374146 . . . . .	1935 343	386094 . . . . .	272 470	P-18839 . . . . .	137 406
379868 . . . . .	1935 344	386108 . . . . .	1531 383	P-21197 . . . . .	662 762
380249 . . . . .	1312 120	386117 . . . . .	1531 384	P-21918 . . . . .	959 232
380261 . . . . .	1317 260	386186 . . . . .	1534 460	P-22499 . . . . .	677 620
380262 . . . . .	1317 261	386205 . . . . .	1533 766	P-23912 . . . . .	1610 836
380319 . . . . .	1409 941	386207 . . . . .	1533 768	P-24771 . . . . .	1135 512
380320 . . . . .	1404 045	386208 . . . . .	1533 769	P-24827 . . . . .	861 129
380322 . . . . .	1484 347	386208 . . . . .	1534 403	RK-143 . . . . .	1610 815
380330 . . . . .	1489 789	386208 . . . . .	1618 205	RK-148 . . . . .	1618 123
380331 . . . . .	1489 786	386208 . . . . .	1676 659	RK-149 . . . . .	1610 816
380360 . . . . .	1612 232	386498 . . . . .	1553 093	RK-167 . . . . .	1618 122
380363 . . . . .	1613 072	386724 . . . . .	1618 170	RK-172 . . . . .	1610 814
380365 . . . . .	1613 074	386776 . . . . .	1618 184	RK-185 . . . . .	1618 124
380376 . . . . .	1616 350	386797 . . . . .	1618 185	RK-188 . . . . .	1631 365
380384 . . . . .	1630 415	386906 . . . . .	1618 201	RK-194 . . . . .	1631 451
380386 . . . . .	1630 417	386913 . . . . .	1618 198	RK-195 . . . . .	1631 495
380391 . . . . .	1636 646	386943 . . . . .	1631 339	RK-197 . . . . .	1631 682
380393 . . . . .	1636 648	386949 . . . . .	1631 353	RK-220 . . . . .	1676 721
380394 . . . . .	1637 352	386980 . . . . .	1631 486	RK-222 . . . . .	1676 722
380396 . . . . .	1637 354	387144 . . . . .	1631 656	RK-223 . . . . .	1676 720
380404 . . . . .	1639 936	387184 . . . . .	1631 709	RK-229 . . . . .	1676 812
380406 . . . . .	1676 334	387189 . . . . .	1631 673	RK-231 . . . . .	1826 152
380423 . . . . .	1639 706	387375 . . . . .	1826 184	RK-232 . . . . .	1826 154
380424 . . . . .	1674 823	387411 . . . . .	1738 614	RK-233 . . . . .	1826 155
380428 . . . . .	1730 458	387412 . . . . .	1738 352	RK-235 . . . . .	1826 271
380431 . . . . .	1673 744	387428 . . . . .	1676 819	RK-236 . . . . .	1826 272
380436 . . . . .	1734 052	387444 . . . . .	1676 821	RK-240 . . . . .	1826 331
380440 . . . . .	1736 093	387745 . . . . .	1826 862	RK-245 . . . . .	1826 557
380442 . . . . .	1736 095	387749 . . . . .	1826 414	RK-253 . . . . .	1826 866
380443 . . . . .	1736 096	387806 . . . . .	1852 020	RK-258 . . . . .	2084 113
380444 . . . . .	1736 097	388111 . . . . .	2084 729	RK-259 . . . . .	2084 114
380451 . . . . .	1738 618	388211 . . . . .	1826 885	RK-260 . . . . .	2084 115
380452 . . . . .	1738 619	388471 . . . . .	2084 733	RK-267 . . . . .	2084 722
380458 . . . . .	1738 406	388481 . . . . .	2084 730	RK-268 . . . . .	2084 723
380463 . . . . .	1821 611	388558 . . . . .	2196 204	RK-269 . . . . .	2084 724
380476 . . . . .	1828 000	388592 . . . . .	2240 436	RK-270 . . . . .	2084 725
380904 . . . . .	1851 552	388657 . . . . .	2240 454	RK-271 . . . . .	2084 726
380943 . . . . .	1947 841	388661 . . . . .	2240 456	RK-272 . . . . .	2084 727
380948 . . . . .	1859 944	901002 . . . . .	131 044	RK-273 . . . . .	2196 202
380953 . . . . .	1945 422	901006 . . . . .	120 380	RK-276 . . . . .	2240 455
380970 . . . . .	2120 064	901713-K7 . . . . .	1553 095	RK-277 . . . . .	2240 457
380971 . . . . .	2120 065	902024-K1 . . . . .	132 688	WW3-108 A . . . . .	1485 966
380989 . . . . .	2121 780	902963-K1 . . . . .	132 056	WW3-109 A . . . . .	1495 967
382340 . . . . .	2084 728	903899-K1 . . . . .	131 954	WW3-130 . . . . .	1617 861
382357 . . . . .	1631 366	903922-K1 . . . . .	132 056	WW3-142 . . . . .	1676 332
382359 . . . . .	1631 368	904230-K1 . . . . .	132 105	WW3-144 . . . . .	1676 334
382363-4 . . . . .	1610 817	AAVP-2 . . . . .	1530 598	WW3-152 . . . . .	1828 000
382371 . . . . .	1610 818	J-5968 . . . . .	1610 819	WW3-161 . . . . .	1738 406
384333 . . . . .	1610 831	P-112-S-22 . . . . .	112 726	WW3-162 . . . . .	1821 611

# VENDOR NUMBER CROSS REFERENCE LIST

VENDOR NUMBER	CHRYSLER NUMBER	VENDOR NUMBER	CHRYSLER NUMBER	VENDOR NUMBER	CHRYSLER NUMBER
<b>STROMBERG</b>					
WW3-147 . . . . .	1730 456	WW3-199 . . . . .	*2203 133	WW3-207 . . . . .	*2264 864
WW3-152 . . . . .	1828 000	WW3-200 . . . . .	*2203 134	WW3-211 . . . . .	*2265 032
WW3-161 . . . . .	*1738 406	WW3-201 . . . . .	*2205 757	386208 . . . . .	*1553 087
WW3-171 . . . . .	*1851 554	WW3-202 . . . . .	*2264 859	388186 . . . . .	*2299 090
WW3-173 . . . . .	*1851 556	WW3-203 . . . . .	*2264 860	388883 . . . . .	*2299 085
WW3-184 . . . . .	*1945 422	WW3-204 . . . . .	*2264 861	388887 . . . . .	*2299 089
WW3-198 . . . . .	*2203 131	WW3-205 . . . . .	*2264 862		

# VENDOR NUMBER CROSS REFERENCE LIST

VENDOR NUMBER	CHRYSLER NUMBER	VENDOR NUMBER	CHRYSLER NUMBER	VENDOR NUMBER	CHRYSLER NUMBER
<b>TIMKEN</b>					
5-BC . . . . .	669 077	1220 . . . . .	622 266	09194 . . . . .	698 388
6 . . . . .	618 311	1280 . . . . .	622 267	09195 . . . . .	1139 291
6-AX . . . . .	1316 791	1729 . . . . .	698 401	11520 . . . . .	1793 515
6-CE . . . . .	632 685	1755 . . . . .	698 402	11590 . . . . .	1793 514
7-C . . . . .	1536 251	1780 . . . . .	1262 533	LM-11910 . . . . .	1619 702
11-BA . . . . .	376 749	1780 . . . . .	1662 675	LM-11949 . . . . .	1619 703
11-BC . . . . .	640 086	2523 . . . . .	698 390	12520 . . . . .	1662 607
12-CB . . . . .	1532 736	2578 . . . . .	1662 741	12580 . . . . .	1662 723
13-C . . . . .	376 751	2585 . . . . .	698 391	12610 . . . . .	1790 244
14-C . . . . .	637 539	2631 . . . . .	55 584	12649 . . . . .	1790 241
14-CE . . . . .	1532 737	2691 . . . . .	1193 749	14116 . . . . .	1790 525
15-BA . . . . .	386 645	2720 . . . . .	310 213	14119-A . . . . .	1189 687
16 . . . . .	386 642	2735-X . . . . .	1188 715	14124 . . . . .	912 161
18 . . . . .	924 262	2736 . . . . .	681 318	14125-A . . . . .	698 395
35-BC . . . . .	640 892	2780 . . . . .	1188 716	14130 . . . . .	698 410
36-X . . . . .	675 117	2788 . . . . .	22 678	14137-A . . . . .	589 211
38-A . . . . .	1273 099	2790 . . . . .	41 591	14138-A . . . . .	698 396
T-83 . . . . .	959 141	2793 . . . . .	927 375	14274 . . . . .	698 409
T-138 . . . . .	531 031	2820 . . . . .	854 617	14276 . . . . .	698 394
332 . . . . .	304 003	2877 . . . . .	854 618	15101 . . . . .	1790 546
339 . . . . .	568 675	2924 . . . . .	927 016	15123 . . . . .	1139 294
342-S . . . . .	314 951	2984 . . . . .	927 018	15245 . . . . .	1139 293
382 . . . . .	527 722	3420 . . . . .	51 094	18620 . . . . .	1792 268
387-A . . . . .	527 521	3476 . . . . .	376 505	18685 . . . . .	1792 267
394-A . . . . .	527 745	3479 . . . . .	1667 638	23100 . . . . .	927 014
394-AS . . . . .	1667 854	3525 . . . . .	305 654	23256 . . . . .	927 013
395 . . . . .	536 645	3525 . . . . .	1662 740	24720 . . . . .	926 162
395-A . . . . .	1508 700	3585 . . . . .	668 122	24780 . . . . .	912 160
432 . . . . .	531 053	3586 . . . . .	1662 742	25520 . . . . .	698 403
444 . . . . .	579 104	3720 . . . . .	503 229	25523 . . . . .	1793 510
453-X . . . . .	1662 719	3778 . . . . .	570 918	25576 . . . . .	929 194
462 . . . . .	1662 721	3780 . . . . .	913 778	25577 . . . . .	1793 511
472-A . . . . .	510 764	3820 . . . . .	619 395	25580 . . . . .	698 404
472-A . . . . .	1264 092	3876 . . . . .	567 226	25590 . . . . .	1790 523
482 . . . . .	1264 090	3878 . . . . .	856 859	25821 . . . . .	698 399
485-T . . . . .	1264 869	3880 . . . . .	668 520	25877 . . . . .	698 400
493 . . . . .	1264 086	3920 . . . . .	1662 783	26822 . . . . .	671 604
495 . . . . .	107 363	3975 . . . . .	1270 856	26823 . . . . .	1662 673
495 . . . . .	1663 767	3979 . . . . .	1192 110	26884 . . . . .	1662 674
495-A . . . . .	1264 084	3982 . . . . .	1662 785	28521 . . . . .	1795 352
495-AX . . . . .	1663 767	3984 . . . . .	1662 722	28580 . . . . .	1795 353
496 . . . . .	1191 987	3994 . . . . .	1789 829	28622 . . . . .	927 015
498 . . . . .	1264 091	A-4059 . . . . .	625 119	28682 . . . . .	927 017
532-A . . . . .	531 050	A-4138 . . . . .	625 118	28920 . . . . .	587 531
539 . . . . .	531 049	5535 . . . . .	1793 637	28985 . . . . .	587 530
552-A . . . . .	1192 238	5566 . . . . .	1192 735	31520 . . . . .	698 413
559 . . . . .	1192 237	5577 . . . . .	1508 901	31590 . . . . .	698 414
560 . . . . .	572 032	5720 . . . . .	1503 911	31593 . . . . .	698 415
563 . . . . .	503 248	5784-T . . . . .	1503 910	31594 . . . . .	1793 516
566 . . . . .	519 107	9121 . . . . .	1267 718	31597 . . . . .	1795 927
572 . . . . .	530 133	9181 . . . . .	1267 721	33275 . . . . .	1660 794
575 . . . . .	530 371	9185 . . . . .	1267 719	33281 . . . . .	1662 786
580 . . . . .	572 037	02820 . . . . .	1793 512	33462 . . . . .	1662 784
581 . . . . .	553 219	02872 . . . . .	1793 513	33472 . . . . .	1660 792
582 . . . . .	1192 001	09062 . . . . .	1274 672	33821 . . . . .	926 245
592-A . . . . .	1192 542	09067 . . . . .	1139 292	33891 . . . . .	926 244
598-A . . . . .	1192 543	09074 . . . . .	698 389	34301 . . . . .	1666 152

# VENDOR NUMBER CROSS REFERENCE LIST

VENDOR NUMBER	CHRYSLER NUMBER	VENDOR NUMBER	CHRYSLER NUMBER	VENDOR NUMBER	CHRYSLER NUMBER
<b>TIMKEN</b>					
34500 . . . . .	.1666 151	49577 . . . . .	.1192 235	78214 . . . . .	.1192 439
35175 . . . . .	.698 398	49585 . . . . .	.588 887	78225 . . . . .	.1192 436
A3736D-394 . . . . .	*2226 459	52400 . . . . .	.127 841	78551 . . . . .	.1192 437
A3736E-395 . . . . .	*2226 458	53162 . . . . .	.543 659	M-88010 . . . . .	.1820 551
39520 . . . . .	.1662 791	53177 . . . . .	.1509 052	M-88048 . . . . .	.1820 552
39580 . . . . .	.1263 857	53375 . . . . .	.1264 089	HM-89410 . . . . .	.1401 810
39581 . . . . .	.1267 212	53387 . . . . .	.530 020	HM-89443 . . . . .	.1401 808
39590 . . . . .	.1662 793	55176 . . . . .	.1191 867	HM-89446 . . . . .	.1401 809
41125 . . . . .	.568 463	55187 . . . . .	.1191 748	HM-212011 . . . . .	.1669 981
41286 . . . . .	.568 462	55200 . . . . .	.117 186	HM-212044 . . . . .	.1669 980
42381 . . . . .	.1264 085	55443 . . . . .	.1191 868	H-414210 . . . . .	.1268 075
42584 . . . . .	.1264 088	59175 . . . . .	.563 571	H-414242 . . . . .	.1508 912
42620 . . . . .	.1662 792	59187 . . . . .	.92 624	H-414245 . . . . .	.1268 074
42687 . . . . .	.1191 989	59200 . . . . .	.566 600	HM-516410 . . . . .	.1668 284
42688 . . . . .	.1196 228	59412 . . . . .	.563 572	HM-516449 . . . . .	.1668 286
42688 . . . . .	.1662 794	65200 . . . . .	.1668 279	H-715311 . . . . .	.1393 095
44143 . . . . .	.1667 864	65225 . . . . .	.1268 057	H-715345 . . . . .	.1393 092
NA-44143-44363-D . . . . .	.926 261	65237 . . . . .	.1789 002	HM-801310 . . . . .	.1404 470
NA-44143-44363-D . . . . .	.587 545	65320 . . . . .	.1192 127	HM-801346 . . . . .	.1404 469
44162 . . . . .	.1667 037	65384 . . . . .	.1192 126	HM-803110 . . . . .	.1327 847
44348 . . . . .	.537 819	65390 . . . . .	.1192 129	HM-803112 . . . . .	.1405 885
45220 . . . . .	.1789 610	65500 . . . . .	.1268 058	HM-803145 . . . . .	.1327 846
45284 . . . . .	.1789 611	66200 . . . . .	.1666 158	HM-803145 . . . . .	.1667 008
46176 . . . . .	.856 861	66212 . . . . .	.1666 338	HM-803149 . . . . .	.1404 472
46368 . . . . .	.688 474	66225 . . . . .	.1270 874	HM-804810 . . . . .	.1327 850
47490 . . . . .	.1793 403	66462 . . . . .	.1270 873	HM-804843 . . . . .	.1566 143
47620 . . . . .	.1192 423	67010 . . . . .	.1619 700	HM-804846 . . . . .	.1327 849
47686 . . . . .	.1192 424	LM-67048 . . . . .	.1619 701	HM-807010 . . . . .	*1799 297
47687 . . . . .	.1668 285	72188 . . . . .	.1191 914	HM-807040 . . . . .	.1667 408
47820 . . . . .	.1267 696	72200 . . . . .	.1191 917	HM-807046 . . . . .	.1393 091
47890 . . . . .	.1267 697	72218 . . . . .	.1503 924	HM-813810 . . . . .	.1566 147
LM-48510 . . . . .	.1789 754	72225 . . . . .	.1666 341	HM-813842 . . . . .	.1566 146
LM-48548 . . . . .	.1789 755	72487 . . . . .	.1191 916	813844 . . . . .	.1661 378
49151 . . . . .	.563 574				
49520 . . . . .	.587 551				

# VENDOR NUMBER CROSS REFERENCE LIST

VENDOR NUMBER	CHRYSLER NUMBER	VENDOR NUMBER	CHRYSLER NUMBER	VENDOR NUMBER	CHRYSLER NUMBER
<b>ZENITH</b>					
10945 A . . . . .	1323 887	C177-5 . . . . .	E-67 564-M	K-702 . . . . .	1826 567
11000 . . . . .	1323 888	C178-10 . . . . .	E-67 882-M	K-10640 . . . . .	1826 570
11583 B . . . . .	E-3135-M	C-181-55 . . . . .	1826 581	K-11000 . . . . .	1826 572
427047 . . . . .	E-71 816-M	C181-56 . . . . .	1826 582	K-11426 . . . . .	1826 573
B38-24-23 . . . . .	1676 657	C181-73 . . . . .	1826 585	K-11481 . . . . .	1826 575
B38-32-33 . . . . .	1323 818	C181-65 . . . . .	1631 777	K-11534 . . . . .	1826 576
B1807 . . . . .	E-24 374-M	C181-99 . . . . .	1826 584	K-11583 . . . . .	1826 577
B1808 . . . . .	E-71 817-M	CR9-3 . . . . .	1117 457	K-11885 . . . . .	1826 578
C36-15 . . . . .	1826 874	EF-337 . . . . .	915 093	K-11962 . . . . .	1826 579
C38-14A30 . . . . .	1120 683	F16-27 . . . . .	919 450	K-12145 . . . . .	1826 580
C52-3-24 . . . . .	1121 183	FIX 10 . . . . .	919 446	O-10640 . . . . .	E-98 695-M
C52-3-25 . . . . .	E-78 442-M	FIX 15 . . . . .	919 452	O-10970 . . . . .	E-780-M
C52-13-23 . . . . .	1826 871	F26-3 . . . . .	919 447	O-12145 . . . . .	E-4776-M
C52-13-30 . . . . .	1826 870	F2X3 . . . . .	1122 541	RR63-28 . . . . .	929 571
C52-14-17 . . . . .	1826 873	F290 X2D . . . . .	870 449	S629-BC . . . . .	E-64 236-M
C81-1-40 . . . . .	1316 729	F353 . . . . .	965 039	T1B25-12 . . . . .	226 546
C81-15-60 . . . . .	1320 112	F862-S . . . . .	1402 143	T11S12-12 . . . . .	132 198
C81-20-50 . . . . .	1120 693	F5-7 . . . . .	919 451	T15B6-4 . . . . .	100 944
C85-53 . . . . .	1120 694	F6-12 . . . . .	915 891	T41-12 . . . . .	121 744
C97-16-24 . . . . .	1826 872	F7-121 . . . . .	919 444	T43-6 . . . . .	131 044
C111-7 . . . . .	929 609	F8-59 . . . . .	919 445	T43-25 . . . . .	131 098
C136-3 . . . . .	925 484	GR41-4 . . . . .	1826 868	T43-103 . . . . .	120 214
C140-7 . . . . .	925 487	K-S637 . . . . .	1826 566	T45-8 . . . . .	138 530
C142-38 . . . . .	1117 448	K-660 . . . . .	1826 569	T73-9 . . . . .	145 371

# VENDOR NUMBER CROSS REFERENCE LIST

VENDOR NUMBER	CHRYSLER NUMBER	VENDOR NUMBER	CHRYSLER NUMBER
<h2>ZENITH</h2>			



