

CHRYSLER

PASSENGER CAR PARTS CATALOG

"T" SERIES
1963

PLYMOUTH

VALIANT

DODGE

DART

CHRYSLER

IMPERIAL

JANUARY 1964

PARTS DIVISION



CHRYSLER
MOTORS CORPORATION

DETROIT 31, MICHIGAN

Pages	
INF-1	General Information
PK-1	Parts Packages
PT-1	Police - Taxi
1-1	Group 1 Accessories
2-1	Group 2 Front Suspension
3-1	Group 3 Axle - Rear
4-1	Group 4 Brake - Parking
5-1	Group 5 Brake - Service
6-1	Group 6 Clutch
7-1	Group 7 Cooling
8-1	Group 8 Electrical
9-1	Group 9 Engine
10-1	Group 10 Engine Oiling
11-1	Group 11 Exhaust
12-1	Group 12 Fenders and Sheet Metal
13-1	Group 13 Frame
14-1	Group 14 Fuel
15-1	Group 15 Hood
16-1	Group 16 Prop. Shaft & Univ. Jt.
17-1	Group 17 Springs
18-1	Group 18 Standard Parts
19-1	Group 19 Steering
21-1	Group 21 Transmission
22-1	Group 22 Wheels
23-1	Group 23 Body
IT-1	Group 23 Interior Trim
24-1	Air Conditioning
AL-1	Alphabetical Index
NU-1	Numerical Index
X-1	Vendor Cross Reference

INDEX TO INFORMATION PAGES

	Page No.
Abbreviations	INF-11
Alphabetical Index	INF-15
Engine Identification	INF-14
Engine Numbers	INF-14
Illustrations	INF-14
Interfiling Revision Pages	INF-10
Locating Parts	INF-11
Model Designation	INF- 4
Model Specifications	INF- 6
Plymouth	
Valiant	
Dodge	
Dart	
Chrysler	
Imperial	
Numerical Index	INF-15
Ordering Information	INF-15
Page Numbering	INF-15
Parts Packages	INF-15
Part Type Code System	INF-13
Revision Service to Parts Catalog	INF-10
Serial Number Designation	INF- 5
Specifying Information	INF-11
Standard Parts	INF-11
Symbols Used In Parts Catalog	INF-10
Vehicle Serial Numbers	INF-13

1963 PASSENGER CAR MODEL DESIGNATION

The following information will acquaint you with the model code system being used with the 1963 series vehicles.

The year is identified by the letter "T" for 1963.

Each car make is identified by the letters P for Plymouth, V - Valiant, D - Dodge, A - Dodge 880, L - Dart, C - Chrysler and Y for the Imperial.

The various chassis for each make are identified by the numbers 1, 2 and 3. On the Plymouth No. 1 represents a 6 cylinder chassis and No. 2 an 8 cylinder chassis. On the Valiant No. 1 represents a 6 cylinder chassis. On the Dart No. 1 represents a 6 cylinder chassis. On the Dodge No. 1 represents a 6 cylinder chassis and No. 2 an 8 cylinder chassis. On the Chrysler and Imperial the numbers 1, 2 and 3 indicate one of the various 8 cylinder chassis built.

The last letter in the model code indicates the price class in which the particular model falls, as shown below.

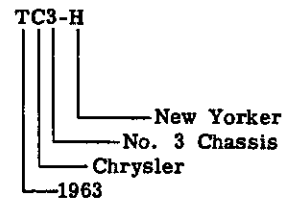
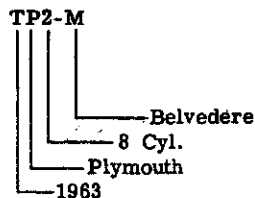
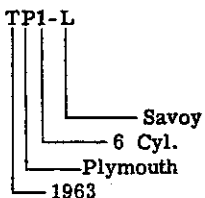
L - Low price class (Savoy, Valiant V100, Dart 170, Dodge 330, Dodge 880, Newport, Imperial Custom)

M - Medium price class (Belvedere, Dodge 440, Chrysler 300, Imperial Crown)

H - High price class (Fury, Valiant V200, Polara, Dart 270, New Yorker, Imperial Le Baron)

P - Premium price class (Sport Fury, Dart G.T., Valiant Signet 200 and Dodge Polara 500)

Example:



A glance at the model designation will enable you to identify a model by year, make of car, number of cylinders and price class.

1963 PASSENGER CAR SERIAL NUMBER DESIGNATION

The serial number coding system will be uniform for all car assembly plants. The code breakdown is as follows:

The serial number will consist of a ten (10) digit numeric sequence number.

The 1st digit is the numeric identification for car line used in the uniform body codes.

1. Valiant 6 Cyl.
2. Plymouth 6 Cyl.
3. Plymouth 8 Cyl.
4. Dodge 6 Cyl.
5. Dodge Custom 880
6. Dodge 8 Cyl.
7. Dart
8. Chrysler
9. Imperial

The 2nd digit is the model series identification.

1. Savoy, Valiant V100, Dart 170, Dodge 330, Custom 880, Newport, Imperial Custom
2. Belvedere, Dodge 440, Chrysler 300, Crown Imperial
3. Fury, Valiant V200, Dart 270, Polara, New Yorker, Imperial Le Baron
4. Dart G.T., Valiant Signet 200, Fury Sport, Polara 500, Chrysler 300J
5. Savoy Suburban, Valiant V100 Suburban, Dodge 330 Suburban, Dart 170 Suburban, Custom 880 Suburban, Newport Suburban
6. Belvedere Suburban, Dodge 440 Suburban
7. Valiant V200 Suburban, Fury Suburban, Dart 270 Suburban, Polara Suburban, New Yorker Suburban
8. Taxi
9. Police
0. Fleet

The third digit (3 - indicates 1963 models)

The fourth digit will be a numeric designation for producing plant.

1. Plymouth Plant - Detroit
2. Dodge Plant - Detroit
3. Jefferson Plant - Detroit
5. Los Angeles Plant - Calif.
6. Newark Plant - Del.
7. St. Louis Plant - Valley Park, Mo.

The last six digits will consist of a six digit sequence number. The sequence numbers will begin with 100001. Each model series for each car line will begin with sequence number 100001.

1963 PLYMOUTH

Model Specifications

1963 MODEL		1962 CODE	NO. CYL.	CAR SERIAL NO. FIRST	
TP1-L	SAVOY	SP1-L	6	DETROIT	2131-100001
				ST. LOUIS	2137-100001
				NEWARK	2136-100001
				LOS ANGELES	2135-100001
TP1-L	SAVOY SUBURBAN	SP1-L	6	DETROIT	2531-100001
				ST. LOUIS	2537-100001
				NEWARK	2536-100001
				LOS ANGELES	2535-100001
TP1-M	BELVEDERE	SP1-M	6	DETROIT	2231-100001
				ST. LOUIS	2237-100001
				NEWARK	2236-100001
				LOS ANGELES	2235-100001
TP1-H	FURY	SP1-H	6	DETROIT	2331-100001
				ST. LOUIS	2337-100001
				NEWARK	2336-100001
				LOS ANGELES	2335-100001
TP2-L	SAVOY	SP2-L	8	DETROIT	3131-100001
				ST. LOUIS	3137-100001
				NEWARK	3136-100001
				LOS ANGELES	3135-100001
TP2-L	SAVOY SUBURBAN	SP2-L	8	DETROIT	3531-100001
				ST. LOUIS	3537-100001
				NEWARK	3536-100001
				LOS ANGELES	3535-100001
TP2-M	BELVEDERE	SP2-M	8	DETROIT	3231-100001
				ST. LOUIS	3237-100001
				NEWARK	3236-100001
				LOS ANGELES	3235-100001
TP2-M	BELVEDERE SUBURBAN	SP2-M	8	DETROIT	3631-100001
				ST. LOUIS	3631-100001
				NEWARK	3636-100001
				LOS ANGELES	3635-100001
TP2-H	FURY	SP2-H	8	DETROIT	3331-100001
				ST. LOUIS	3337-100001
				NEWARK	3336-100001
				LOS ANGELES	3335-100001
TP2-H	FURY SUBURBAN	SP2-H	8	DETROIT	3731-100001
				ST. LOUIS	3737-100001
				NEWARK	3736-100001
				LOS ANGELES	3735-100001
TP2-P	FURY SPORT	SP2-P	8	DETROIT	3431-100001
				ST. LOUIS	3437-100001
				NEWARK	3436-100001
				LOS ANGELES	3435-100001

1963 VALIANT Model Specifications

	1963 MODEL	1962 CODE	NO. CYL.	CAR SERIAL NO. FIRST	
TV1-L	VALIANT V100	SV1-L	6	DETROIT	1132-500001
				ST. LOUIS	1137-100001
				NEWARK	1136-100001
				LOS ANGELES	1135-100001
TV1-L	VALIANT SUBURBAN V100	SV1-L	6	DETROIT	1532-500001
				ST. LOUIS	1537-100001
				NEWARK	1536-100001
				LOS ANGELES	1535-100001
TV1-H	VALIANT V200	SV1-H	6	DETROIT	1332-500001
				ST. LOUIS	1337-100001
				NEWARK	1336-100001
				LOS ANGELES	1335-100001
TV1-H	VALIANT SUBURBAN V200	SV1-H	6	DETROIT	1732-500001
				ST. LOUIS	1737-100001
				NEWARK	1736-100001
				LOS ANGELES	1735-100001
TV1-P	VALIANT SIGNET 200	SV1-P	6	DETROIT	1432-500001
				ST. LOUIS	1437-100001
				NEWARK	1436-100001
				LOS ANGELES	1435-100001

1963 DART Model Specifications

	1963 MODEL	1962 CODE	NO. CYL.	CAR SERIAL NO. FIRST	
TL1-L	DART 170	SL1-L	6	DETROIT	7132-500001
				ST. LOUIS	7137-100001
				NEWARK	7136-100001
				LOS ANGELES	7135-100001
TL1-L	DART SUBURBAN 170	SL1-L	6	DETROIT	7532-500001
				ST. LOUIS	7537-100001
				NEWARK	7536-100001
				LOS ANGELES	7535-100001
TL1-H	DART 270	SL1-H	6	DETROIT	7332-500001
				ST. LOUIS	7337-100001
				NEWARK	7336-100001
				LOS ANGELES	7335-100001
TL1-H	DART SUBURBAN 270	SL1-H	6	DETROIT	7732-500001
				ST. LOUIS	7737-100001
				NEWARK	7736-100001
				LOS ANGELES	7735-100001
TL1-P	DART GT	SL1-P	6	DETROIT	7432-500001
				ST. LOUIS	7437-100001
				NEWARK	7436-100001
				LOS ANGELES	7435-100001

1963 DODGE

Model Specifications

	1963 MODEL	1962 CODE	NO. CYL.	CAR SERIAL NO.	FIRST
TD1-L	DODGE 330	SD1-L	6	DETROIT	4132-100001
				ST. LOUIS	4137-100001
				NEWARK	4136-100001
				LOS ANGELES	4135-100001
TD1-L	DODGE 330 SUBURBAN	SD1-L	6	DETROIT	4532-100001
				ST. LOUIS	4537-100001
				NEWARK	4536-100001
				LOS ANGELES	4535-100001
TD1-M	DODGE 440	SD1-H	6	DETROIT	4232-100001
				ST. LOUIS	4237-100001
				NEWARK	4236-100001
				LOS ANGELES	4235-100001
TD1-H	POLARA		6	DETROIT	4332-100001
				ST. LOUIS	4337-100001
				NEWARK	4336-100001
				LOS ANGELES	4335-100001
TD2-L	DODGE 330	SD2-M	8	DETROIT	6132-100001
				ST. LOUIS	6137-100001
				NEWARK	6136-100001
				LOS ANGELES	6135-100001
TD2-L	DODGE 330 SUBURBAN	SD2-M	8	DETROIT	6532-100001
				ST. LOUIS	6537-100001
				NEWARK	6536-100001
				LOS ANGELES	6535-100001
TD2-M	DODGE 440	SD2-H	8	DETROIT	6232-100001
				ST. LOUIS	6237-100001
				NEWARK	6236-100001
				LOS ANGELES	6235-100001
TD2-M	DODGE 440 SUBURBAN	SD2-H	8	DETROIT	6632-100001
				ST. LOUIS	6637-100001
				NEWARK	6636-100001
				LOS ANGELES	6635-100001
TD2-H	POLARA		8	DETROIT	6332-100001
				ST. LOUIS	6337-100001
				NEWARK	6336-100001
				LOS ANGELES	6335-100001
TD2-P	POLARA 500	SD2-P	8	DETROIT	6432-100001
				NEWARK	6436-100001
TA3-L	CUSTOM 880	SD3-L	8	DETROIT	5133-100001
TA3-L	CUSTOM 880 SUBURBAN	SD3-L	8	DETROIT	5533-100001

1963 CHRYSLER Model Specifications

	1963 MODEL	1962 CODE	NO. CYL.	CAR SERIAL NO. FIRST	
TC1-L	NEWPORT	SC1-L	8	DETROIT	8133-100001
TC1-L	NEWPORT SUBURBAN	SC1-L	8	DETROIT	8533-100001
TC2-M	300	SC2-M	8	DETROIT	8233-100001
TC2-300J	CHRYSLER 300J	SC2-H	8	DETROIT	8433-100001
TC3-H	NEW YORKER	SC3-H	8	DETROIT	8333-100001
TC3-H	NEW YORKER SUBURBAN	SC3-H	8	DETROIT	8733-100001
TC3-H	NEW YORKER SALON		8	DETROIT	8833-100001

1963 IMPERIAL Model Specifications

	1963 MODEL	1962 CODE	NO. CYL.	CAR SERIAL NO. FIRST	
TY1-L	IMPERIAL CUSTOM	SY1-L	8	DETROIT	9133-100001
TY1-M	IMPERIAL CROWN	SY1-M	8	DETROIT	9233-100001
TY1-H	IMPERIAL LE BARON	SY1-H	8	DETROIT	9333-100001

SYMBOLS USED IN THIS CATALOG

The following symbols are used in the Parts Catalog and revisions thereto:

- * - An asterisk preceding a part number indicates a change or addition.
- - A double box preceding a part number indicates parts which have been added and not previously published.
- ★ - A star symbol in the "Per Car" column means "use as required."
- () - The numerals with parenthesis in the model column refer to notes at the bottom of the page. These notes have been used wherever necessary to further explain model application, serial number breaks, etc. Such notes are numbered and cross referenced to the item to which they apply.

PARTS CATALOG REVISION SERVICE

GENERAL

Subscribers to the MoPar Passenger Car Parts Catalog Revision Service will be provided with revision pages incorporating latest information. Proper interfiling of the revision pages will insure the subscriber a complete and up-to-date Parts Book.

Accompanying each mailing of a set of revision pages is a covering letter which outlines the contents of the particular revision: Group Name, Group Number, and Page Numbers being eliminated, replaced, or added to each revised group. It is advised that the letter be read carefully to avoid elimination of pages which are still current.

INTERFILING REVISION PAGES

The importance of prompt interfiling of revision pages upon receipt cannot be stressed too greatly.

The following method for interfiling revised and new pages has been found to be efficient and time saving and is recommended for your use:

1. Insert the revised pages loosely in their proper location in the catalog.
2. Pull the locking trigger and lift the transfer bar with all pages down to the first loose revision sheet which has been inserted in its proper location.
3. Compare the revised (loose) page with the superseded page, noting changes and date.

NOTE: If you use the revised pages as part of your parts record-keeping system, note the changes in the revised (loose) page and post accordingly.

4. Remove superseded page.
5. Place revised page on post of transfer bar.
6. Replace transfer bar with all pages in place on bottom post.
7. Re-lock cover and your catalog is current and accurate.

SPECIFYING INFORMATION

The following information is included in this Parts Catalog:

1. Part Type Code
2. Part Name
3. Part Number
4. Model Application
5. Quantity used per vehicle
6. Effective points of changes by vehicle serial number, engine number and body number.
7. Description and dimensions necessary for proper identification of parts.

8. Parts not previously listed in the Parts Catalog are designated by a double box (E) symbol preceding the part number.
9. Under the column No. Cyl. where no. of cylinders are not shown indicates part is for 6 and 8 cylinder. In the model column 3 conditions appear:
 - A. Part Number
 - B. Dashes
 - C. Blank
 Part number applies only where it appears in the column of the model.

HOW TO LOCATE PARTS

The Parts Catalog is divided into Groups. A tab index is provided to separate the Groups. To locate a part by name, see Alphabetical Index. To locate a part by number, see Numerical Index.

In cases where only the location of the part on the vehicle is known, refer to Tab Index to locate the Group in which the part is located. Then refer to the illustrations which appear at the beginning of that Group for identification of the part by name and Part Type Code. Parts are listed in Part Type Code sequence within the Group and reference to the proper code will determine the part number.

STANDARD PARTS

Standard Parts such as bolts, nuts, etc., are listed under the major parts which they attach and are not coded. Standard Parts listed as Major Parts, such as fuses, bulbs, and bearings in the 100,000 part number series are assigned a Part Type Code and coded within the group in which they are listed.

A comprehensive listing of the most commonly used Standard Parts available in carton quantities will be found under Group 18.

ABBREVIATIONS

Abbreviations as used throughout this list are interpreted as follows:

abs.	absorber	carb.	carburetor
accel.	accelerator	C. I.	cast iron
acc.	accessory	ctr.	center
adj.	adjusting-or-able-ment	C/L	Center Line
alum.	aluminum	chamf.	chamfered
amp.	ampere	chr.	chromium
approx.	approximate-or-ly	c/breaker	circuit breaker
arm.	armature	c/nut	clinch nut
assy.	assembly	comb.	combination
as req.	as required	compt.	compartment
att.	attaching	comp.	complete or component
AL	AutoLite	con.	connecting-tion-or
auto.	automatic	cont.	continued
aux.	auxiliary	cop.	copper
bal.	balance	ck.	countersunk
brg.	bearing	cu.	cubic
B. E.	black enamel	cust.	custom
brkt.	bracket	cyl.	cylinder
br.	brass	defl.	deflector
bz.	bronze	Det.	Detroit
blt.	built	diag.	diagonal
bush.	bushing	dia.	diameter
ca.	cadmium	diaph.	diaphragm
Cal.	California	diff.	differential
canc.	cancelled	dir.	directional
cp.	candlepower	dist.	distributor or distributing

ABBREVIATIONS - CONT'D

div. division
 dom. domestic
 d/r shaft double rocker shaft
 elec. electric
 elim. eliminator
 eng. engine
 equip. equipment
 etc. et cetera
 Evans. Evansville
 exh. exhaust
 Exp. Export
 ext. extension
 F. Fahrenheit
 fast. fastening, fastener
 fil. hd. fillister head
 fin. finish
 fl. hd. flat head
 ft. foot or feet
 freq. frequency
 frt. front
 gen. generator
 gov. governor
 Gm. Gyromatic Transmission
 h/brake hand brake
 hd. head
 h/lamp headlamp
 hdls. headless
 h/lining headlining
 htr. heater
 hex. hexagon
 hsg. housing
 hydr. hydraulic
 ign. ignition
 in. inch
 incl. inclusive or includes
 ind. indicator
 I. D. inside diameter
 inst. instrument or instruction
 ins. insulating-tion-or
 inter. intermittently-mediate
 j/block junction block
 kilo. kilometer
 lea. leather
 lt. left
 LHD Left Hand Drive
 L. H. thd. Left Hand Thread
 lgh. length
 lic. license
 l/washer lockwasher
 L. A. Los Angeles
 L. C. low compression
 lwr. lower
 M. I. malleable iron
 manif. manifold
 man. manual
 m/cyl. master cylinder
 med. medium
 M. P. H. miles per hour
 mldg. moulding
 mtg. mounting
 neg. negative
 ni. nickel
 No. or # number
 oper. operating
 opp. opposite
 opt. optional
 oz. ounce

O. D. outside diameter
 O/S oversize
 pkg. package
 pkd. parkerized
 park. parking
 p/lamp parking lamp
 part. partial or partition
 P. or Pass. passenger
 Penna. Pennsylvania
 pil. pillar
 pln. plain
 p/washer plainwasher
 pltd. plated
 pt. point
 pos. positive
 lbs. pounds
 prop. propeller
 qtr. quarter
 rad. radiator
 rr. rear
 rec. receiver
 refl. reflector
 reg. regulator
 reinf. reinforcement
 rem. remote
 repl. replacement
 req. required
 ret. retainer
 R. P. M. revolutions per minute
 rt. right
 RHD Right Hand Drive
 R. H. thd. Right Hand Thread
 rd. round
 S. L. San Leandro
 sec. section
 s-fin. semi-finished
 ser. serial or service
 s. p. shakeproof
 sig. signal
 s/r shaft single rocker shaft
 speedo. speedometer
 spec. equip. special equipment
 sq. square
 std. standard
 S. steel
 strg. steering
 stght. straight
 supt. support
 synch. synchronizer
 T/Lamp tail lamp
 T/Plate tapping plate
 T/Bolt tee-bolt
 term. terminal
 T. teeth
 thd. thread
 thk. thick
 Tor. Cv. Torque Converter
 trans. transmission
 tub. tubular
 U/Drive underdrive
 U/S undersize
 univ. universal
 U. J. universal joint
 vac. vacuum
 vent. ventilator-ing
 vert. vertical
 v. volt

ABBREVIATIONS - CONT'D

vol. cont.	volume control	w/lift	window lift
w/strip	weatherstrip	w/shield	windshield
whl.	wheel	w/	with
W.B.	wheelbase	w/o	without
w/house	wheelhouse		

PASSENGER CAR MODELS AND BODY STYLES

2 D. Cl. Sed.	2 Door Club Sedan	Ply.	Plymouth
4 D.	4 Door Sedan	Sed.	Sedan
Cv. Cp.	Convertible Coupe	Sp.	Special
Cl. Cp.	Club Coupe	Sp. Cl. Cp.	Special Club Coupe
Chry.	Chrysler	Sp. 4 D. Sed.	Special 4 Door Sedan
Cust.	Custom	Sta. Wgn.	Station Wagon
Imp.	Imperial	Sub.	Suburban

PART TYPE CODE SYSTEM

To simplify the listing and location of individual parts, a system of Part Type Codes is used in this Parts Catalog.

To illustrate, a Type of Part will be indicated as:

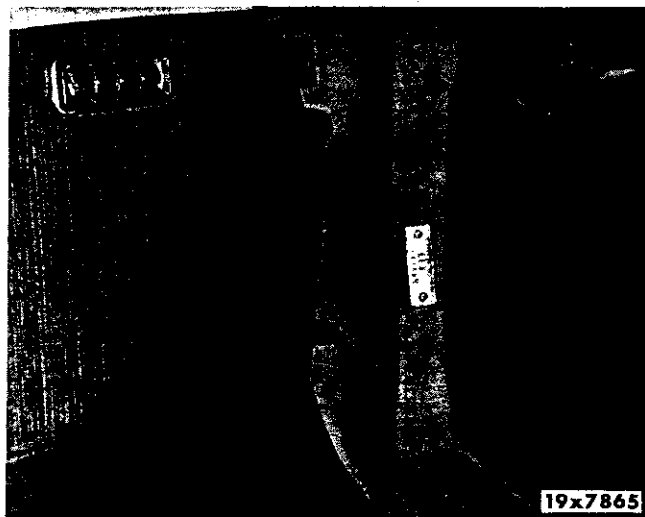
2-03-3 KNUCKLE, w/BUSHING

This code is broken down as follows:

- 2- Indicates the Major Group: "Group 2 -- Front Suspension"
- 03 Indicates the Sub Group: "03 -- Steering Knuckle"
- 3 Indicates the Code for the specific name of the part: "Knuckle, w/Bushing"

Part Type Code 2-03-3 will always appear as "KNUCKLE, w/BUSHING."

VEHICLE SERIAL NUMBER PLATE

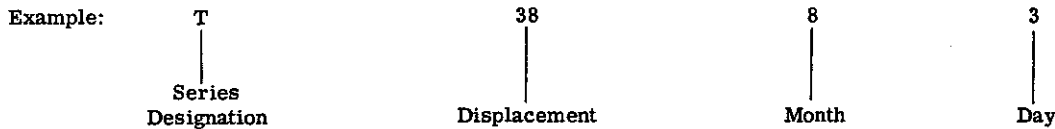


The Vehicle Serial Number Plate is located on the left front door hinge pillar.

If you are not certain of the correct part number when ordering parts for a specific vehicle, always specify the Vehicle Serial Number.

ENGINE IDENTIFICATION

1963 engines carry an engine identification number designation as follows (except Chrysler 300J, 426 and 318 cubic inch engines):



1. The first letter designates the Series.
2. The two numbers following the Series Designation letter indicate the Cubic Inch Displacement.
3. The numerals following the Displacement numbers designate the Month and Day the engine was built.

Cyl.	Eng. Type	Cubic Inch Displacement	*Engine No.
6	G	170	T-17-8-1
6	RG	225	T-22-8-1
8	B	361	T-36-8-1
8	LB	383	T-38-8-1
8	RE	413	T-41-8-1

* Assuming a production date of August 1.

Chrysler 300J engines have a starting engine number of C-300J-8-1.

426 cubic inch engines have starting engine numbers as follows:

11:1 Compression Ratio -- TMP-8-1
13.5:1 Compression Ratio -- TMP-HC-8-1

318 cubic inch engines are identified with a series letter, cubic inch displacement designation, and a serial sequence number, as follows: T-318-1001.

ENGINE NUMBER**LOCATING ENGINE NUMBER**

A boss is provided on all cylinder blocks upon which the engine identification number is stamped. The location of the boss varies with each type of engine, as described below:

Cyl.	Cubic Inch Displacement	Boss Location
6	170	Right side, front of block, below cylinder head
6	225	
8	318	Left side, front of block, below cylinder head
8	361	Right side, front of block, below ignition distributor
8	383	
8	413	Top front of block, left of water pump
8	426	Left side, front of block, behind thermostat housing

IMPORTANT

Engines are supplied with blank engine number bosses only. Dealers are governed by state law on the application of engine numbers. In states where license fees are based on displacement or taxable horsepower, it will be necessary to change Vehicle Registration if the new Engine differs from the one which it replaces.

ILLUSTRATIONS

Illustrations are located at the beginning of each group. Parts are identified on the illustration by Noun Name and Part Type Code. The Part Type Code designation will serve as an index to locate the listing of the Group.

PAGE NUMBERING

Two-part page numbers are used throughout this catalog. The first part of the page designation indicates the major group or section. The second part indicates the actual page number in the group. For example:

1-1 indicates Group 1, Accessories, Page 1

2-1 indicates Group 2, Front Suspension, Page 1

In the maintenance of the Loose Leaf Parts Catalog Revision Service, it may become necessary to add information beyond the capacity of the page. In this event, an "A" page will be used. For example: If it becomes necessary, because of change, to add several part numbers to page 2-1 and space does not permit the addition, you will be given Page 2-1A. Page 2-1A should be filed immediately following page 2-1.

PARTS PACKAGES

Service Parts Packages, containing all parts needed for a specific service operation, are listed in their respective groups with related parts. The listing will show adaptability and model application. Often it becomes necessary to know just what parts are contained in a Service Package. To determine this, refer to the Service Package Section. This section contains a secondary listing of all Service Packages in this Parts Catalog together with a list of every component part of each package. Service Packages in this section are listed numerically by Part Type Code.

ALPHABETICAL INDEX

Reference to any part by sub-group name is provided in the Alphabetical Index. This index indicates the Part Type Code, by means of which the listing can be quickly located.

NUMERICAL INDEX

Reference to any part by part number is provided in the Numerical Index. This index indicates the Part Type Code.

ORDERING INFORMATION

NOTE - For information on how to order Chrysler parts, see General Information Section in Chrysler Parts Price List

CODE	PART NAME AND PART NUMBER	CODE	PART NAME AND PART NUMBER
------	---------------------------	------	---------------------------

PARTS PACKAGES

1-01-1 GUARD and CUSHION
PACKAGE, FRONT
BUMPER Part No. 2421 697
Consists of:
2 - ---- Guard, w/Cushion
2 - ---- Lockwasher
2 - ---- Nut
2 - 120 395 Plainwasher

GUARD and CUSHION
PACKAGE, Front
BUMPER Part No. 2421 698
Consists of:
2 - ---- Bolt
2 - ---- Guard, w/Cushion
2 - ---- Lockwasher

GUARD and CUSHION
PACKAGE, REAR
BUMPER Part No. 2421 696
Consists of:
2 - ---- Guard, w/Cushion
2 - ---- Lockwasher
2 - ---- Nut
2 - 120 395 Plainwasher

GUARD and CUSHION
PACKAGE, REAR
BUMPER Part No. 2421 699
Consists of:
2 - ---- Bolt
2 - ---- Guard, w/Cushion
4 - ---- Lockwasher
2 - ---- Nut
4 - 120 395 Plainwasher

1-09-1 LAMP PACKAGE,
PARKING BRAKE
INDICATOR Part No. 2291 664
Consists of:
1 - 2291 091 Bracket, Switch Mounting
1 - 120 151 Fuse
1 - ---- Lamp, Complete
1 - ---- Nut, Switch Mounting
1 - ---- Screw, Bracket Mounting
1 - 2291 852 Switch
1 - ---- Nut, Switch Mounting

1-10-1 LAMP PACKAGE,
BACK-UP Part No. 2426 440
Consists of:
2 - 151 576 Bulb
1 - 1302 807 Gasket, Switch Mounting
2 - ---- Insulator, Wiring Terminal
2 - ---- Socket, Lamp
1 - 2258 404 Switch
1 - ---- Wiring, Engine
1 - ---- Wiring, Lamp
1 - ---- Wiring, Switch

1-10-1 Cont'd
LAMP PACKAGE,
BACK-UP Part No. 2426 441
Consists of:
2 - 151 576 Bulb
1 - ---- Cable, Switch Feed
2 - ---- Insulator, Wiring Terminal
2 - 172 335 Screw, Switch and Bracket
Mounting
2 - ---- Socket, Lamp
1 - ---- Switch, w/Bracket
1 - ---- Wiring, Lamp

LAMP PACKAGE,
BACK-UP Part No. 2426 442
Consists of:
2 - 151 576 Bulb
1 - ---- Cable, Lamp
1 - ---- Clip, Lamp Wiring
1 - ---- Clip, Lamp Wiring
1 - 1302 807 Gasket, Switch Mounting
2 - 2422 640 Lamp
4 - ---- Nut, Lamp Mounting
2 - 2426 243 Socket, Lamp
1 - 2258 404 Switch
1 - ---- Wiring, Lamp
1 - ---- Wiring, Engine
1 - ---- Wiring, Switch

LAMP PACKAGE,
BACK-UP Part No. 2426 443
Consists of:
2 - 151 576 Bulb
1 - ---- Cable, Switch Feed
1 - ---- Cable, Lamp
1 - ---- Clip, Lamp Wiring
1 - ---- Clip, Lamp Wiring
2 - 2422 640 Lamp
4 - ---- Nut, Lamp Mounting
2 - 172 335 Screw, Switch Mounting
2 - 2426 243 Socket
1 - ---- Switch
1 - ---- Wiring, Lamp

LAMP PACKAGE,
BACK-UP Part No. 2426 444
Consists of:
1 - 1302 807 Gasket, Switch Mounting
2 - ---- Insulator, Wiring Terminal
2 - 2244 042 Lamp
4 - 274 531 Screw, Lamp Mounting
1 - 2258 404 Switch
1 - ---- Wiring, Engine
1 - ---- Wiring, Lamp
1 - ---- Wiring, Switch

LAMP PACKAGE,
BACK-UP Part No. 2426 445
Consists of:
1 - ---- Cable, Switch Feed
2 - ---- Insulator, Wiring Terminal
(Pkg. Cont'd)

★ Indicates use as required.

⊞ Indicates parts not listed in any previous parts book.

* Indicates change or addition.

CODE	PART NAME AND PART NUMBER	CODE	PART NAME AND PART NUMBER
1-10-1	(Cont'd)	1-10-1	Cont'd
	2 - 2244 042 Lamp		1 - ---- Cable, Switch Feed
	4 - ---- Screw, Lamp Mounting		1 - 2244 914 Lamp, Right
	2 - 172 335 Screw, Switch Mounting		1 - 2244 915 Lamp, Left
	1 - ---- Switch		4 - 6023 097 Nut and Seal, Mounting
	1 - ---- Wiring, Lamp		2 - 172 335 Screw, Switch Mounting
	LAMP PACKAGE,		1 - ---- Switch
	BACK-UP Part No. 2426 446		1 - ---- Wiring, Lamp
	Consists of:		LAMP PACKAGE,
	2 - 151 576 Bulb		BACK-UP Part No. 2426 452
	2 - ---- Clip, Lamp Wiring		Consists of:
	1 - 1302 807 Gasket, Switch Mounting		2 - 151 576 Bulb
	1 - 2422 656 Lamp, Right		1 - 1302 807 Gasket, Switch Mounting
	1 - 2422 657 Lamp, Left		2 - ---- Socket and Cable
	4 - 6023 420 Screw and Washer, Lamp		1 - 2258 404 Switch
	Mounting		1 - ---- Wiring, Engine
	2 - ---- Socket and Cable		1 - ---- Wiring, Switch
	1 - 2258 404 Switch		LAMP PACKAGE,
	1 - ---- Wiring, Engine		BACK-UP Part No. 2426 862
	1 - ---- Wiring, Lamp		Consists of:
	1 - ---- Wiring, Switch		2 - 151 576 Bulb
	LAMP PACKAGE,		2 - 172 335 Screw
	BACK-UP Part No. 2426 447		1 - ---- Switch
	Consists of:		1 - ---- Wiring
	2 - 151 576 Bulb		1-13-1
	1 - ---- Cable, Switch Feed		LIGHT PACKAGE,
	2 - ---- Clip, Lamp Wiring		UNDERHOOD Part No.*2427 537
	1 - 2422 656 Lamp, Right		Consists of:
	1 - 2422 657 Lamp, Left		1 - 151 578 Bulb
	2 - 172 335 Screw, Switch Mounting		1 - 2097 279 Switch
	2 - ---- Socket and Cable		1 - ---- Bracket
	1 - ---- Switch		1 - ---- Socket, w/Cable
	1 - ---- Wiring, Lamp		3 - ---- Screw
	2 - ---- Cover, Socket		1-14-4
	4 - 6023 420 Screw, Lamp Mounting		LAMP PACKAGE, MAP
	LAMP PACKAGE,		AND COURTESY Part No. 2291 819
	BACK-UP Part No. 2426 449		Consists of:
	Consists of:		1 - 151 578 Bulb
	2 - 151 576 Bulb		1 - ---- Lamp
	1 - ---- Cable, Switch Feed		2 - ---- Screw, Mounting
	2 - 172 335 Screw, Switch Mounting		1 - ---- Wiring
	2 - ---- Socket and Cable		LAMP PACKAGE,
	1 - ---- Switch		COURTESY Part No. 2291 800
	LAMP PACKAGE,		Consists of:
	BACK-UP Part No. 2426 450		2 - 142 453 Bulb
	Consists of:		2 - ---- Bracket, Socket Mounting
	2 - 151 576 Bulb		2 - ---- Screw, Bracket Mounting
	1 - 1302 807 Gasket, Switch Mounting		1 - ---- Socket, w/Wires
	1 - 2244 914 Lamp, Right		2 - ---- Speed-Nut, Bracket
	1 - 2244 915 Lamp, Left		Mounting
	4 - 6023 097 Nut and Seal, Mounting		1-19-1
	1 - 2258 404 Switch		LAMP PACKAGE, GLOVE
	1 - ---- Wiring, Engine		BOX Part No. 2291 795
	1 - ---- Wiring, Lamp		Consists of:
	1 - ---- Wiring, Switch		1 - 152 244 Bulb
	LAMP PACKAGE,		1 - ---- Bracket
	BACK-UP Part No. 2426 451		1 - ---- Lamp, w/Switch
	Consists of:		1 - ---- Screw
	2 - 151 576 Bulb		

(Pkg. Cont'd)

★ Indicates use as required.
 ☐ Indicates parts not listed in any previous parts book.
 Jan. 3, 1964 Supersedes Dec. 14, 1962.

CODE	PART NAME AND PART NUMBER	CODE	PART NAME AND PART NUMBER
1-21-1	CLOCK PACKAGE Part No. 2290 757 Consists of: 1 - ---- Cable 1 - ---- Clock 1 - ---- Fuse 1 - ---- Knob 1 - ---- Nut	1-26-1	Cont'd 4 - 6012 068 Screw, Bracket and Brace 2 - 6010 019 Screw, Drive Mechanism Mounting 2 - ---- Sleeve, Return Hose 1 - 1885 974 Switch, Brake 1 - 120 392 Washer, Accelerator Mounting 1 - 1972 906 Washer, Reset Button 1 - ---- Wiring, Engine Compartment 1 - 2291 384 Wiring, Instrument Panel
	CLOCK PACKAGE . . . Part No. 2291 690 Consists of: 1 - ---- Cable 1 - ---- Clock 1 - ---- Fuse 1 - ---- Knob 1 - ---- Nut		AUTOMATIC PILOT PACKAGE Part No. 2291 906 Consists of: 1 - 1858 936 Ball Stud, Drive Mechanism Accelerator Rod Mounting 1 - ---- Bolt, Brake Switch Lever Mounting 1 - 2201 082 Brace, Drive Mechanism Mounting 1 - 2071 075 Bracket, Brake Switch Mounting 1 - 2201 080 Bracket, Drive Mechanism Mounting 1 - 2258 859 Button, Reset 1 - ---- Cable, Drive Mechanism to Speedometer 1 - 2290 966 Cable, Transmission to Drive Mechanism 1 - ---- Clip, Cable 1 - ---- Clip, Odometer Reset Cable 1 - 2198 361 Collar, Dial Mounting 1 - ---- Control 1 - ---- Pin, Cotter, Accelerator Rod 1 - 2197 156 Dial 1 - 2201 764 Hose, Pressure 1 - ---- Hose, Return 1 - ---- Insulator, Title Lamp Terminal 1 - 2258 858 Knob 1 - 2257 272 Lamp, Title 1 - ---- Lamp, w/Power Antenna Switch, Map and Courtesy 1 - 2257 273 Lens, Title Lamp 1 - 2071 076 Lever, Brake Switch 1 - ---- Mechanism, Drive 1 - 2122 266 Nut, Brake Switch Lever Mounting 1 - 1886 313 Nut, Brake Switch Mounting 1 - ---- Nut, Control Mounting 1 - ---- Nut, Drive Mechanism Accelerator Rod Mounting 1 - 2076 232 Nut, Drive Mechanism Mounting 1 - ---- Pin, Sleeve Gauge 1 - ---- Rod, Drive Mechanism Accelerator 4 - 6012 068 Screw, Drive Mechanism Bracket and Brace Mounting (Pkg. Cont'd)
	CLOCK PACKAGE Part No. 2291 780 Consists of: 1 - ---- Cable 1 - ---- Clock 1 - ---- Fuse 1 - ---- Knob 1 - ---- Nut		
1-26-1	AUTOMATIC PILOT PACKAGE Part No. 2291 905 Consists of: 1 - 1858 936 Ball Stud, Drive Mechanism Accelerator Rod Mounting 1 - 2291 240 Bezel 1 - ---- Bolt, Brake Switch Lever Mounting 1 - 2123 515 Brace, Drive Mechanism Mounting 1 - 2071 075 Bracket, Brake Switch Mounting 1 - 2123 513 Bracket, Drive Mechanism Mounting 1 - ---- Button, Reset 1 - ---- Cable, Drive Mechanism to Speedometer 1 - 2290 966 Cable, Transmission to Drive Mechanism 1 - ---- Control 1 - ---- Pin, Cotter, Drive Mechanism 1 - ---- Dial 1 - 2201 764 Hose, Pressure 1 - ---- Hose, Return 1 - 1887 798 Knob, Control 1 - ---- Lamp 1 - ---- Lever, Brake Switch 1 - ---- Mechanism, Drive 1 - ---- Nut, Bezel Mounting 1 - 1886 313 Nut, Brake Switch Mounting 1 - ---- Nut, Control Mounting 1 - 2076 232 Nut, Drive Mechanism Mounting 1 - 2122 266 Nut, Lever Mounting 1 - ---- Nut, Accelerator Rod 1 - ---- Pin, Sleeve Nut 1 - ---- Rod, Drive Mechanism Accelerator 2 - 2256 702 Screw, Dial Mounting (Pkg. Cont'd)		

★ Indicates use as required.

⊠ Indicates parts not listed in any previous parts book.

* Indicates change or addition.

Page PK-3

Printed in U.S.A.
Prices and specifications subject to change without notice.
Jan. 3, 1964 Supersedes Dec. 14, 1962.

CODE	PART NAME AND PART NUMBER	CODE	PART NAME AND PART NUMBER
1-26-1	Cont'd 2 - 6010 019 Screw, Drive Mechanism Mounting 1 - ---- Sleeve, Return Hose 1 - 1885 974 Switch, Brake 1 - 120 392 Washer, Accelerator Rod Mounting 1 - 1972 906 Washer, Reset Button 1 - ---- Wiring, Engine Compartment 1 - 2291 951 Wiring, Instrument Panel	1-42-1	Cont'd POWER BRAKE PACKAGE Part No. 2421 774 Consists of: 1 - ---- Power Brake Assembly 1 - 2401 862 Gasket, Mounting 1 - 2201 905 Tank, Vacuum 2 - 2076 232 Nut, Vacuum Tank 1 - 2074 934 Valve, Check 1 - 1944 154 Connector, Hose 1 - ---- Hose, Vacuum 1 - ---- Hose, Vacuum 1 - ---- Hose, Vacuum 6 - 448 797 Clamp, Hose 1 - 2074 965 Gasket, Master Cylinder 1 - ---- Piston, Master Cylinder 4 - 120 376 Nut, Master Cylinder Mounting 4 - 120 214 Washer, Master Cylinder Mounting 1 - 2421 303 Elbow, Master Cylinder 1 - ---- Adapter, Master Cylinder to Brake Line
1-30-1	LAMP PACKAGE, TRUNK Part No. *2427 537 Consists of: 1 - 151 578 Bulb 1 - ---- Insulator, Socket 1 - ---- Screw, Lamp Switch Mounting Bracket 1 - ---- Socket, w/Cable 1 - 2097 279 Switch 1 - ---- Terminal, Socket and Cable	1-50-1	SWITCH PACKAGE, ELECTRIC WINDOW LIFT SAFETY Part No. 2197 405 Consists of: 3 - 1264 933 Sleeve 1 - ---- Switch 4 - 903 895 Terminal 1 - ---- Terminal 2 - ---- Terminal 1 - ---- Wire, 48" Long 1 - 1345 871 Connector, Wire
1-42-1	POWER BRAKE PACKAGE Part No. 2298 968 Consists of: 1 - ---- Brake 2 - 448 797 Clamp, Brake to Engine Intake Manifold Hose 1 - 1944 092 Connector, Vacuum Line 1 - 2298 946 Elbow, Master Cylinder 1 - ---- Hose, Brake to Engine Intake Manifold 2 - 120 214 Lockwasher, Brake Mounting 2 - 120 376 Nut, Brake Mounting 1 - ---- Piston, Master Cylinder 1 - 2401 405 Reinforcement, Brake Bracket 1 - 2200 341 Screw, Master Cylinder Piston Stop 3 - ---- Seal, Brake Mounting to Dash 1 - ---- Stop, Master Cylinder Piston	1-74-1	RACK PACKAGE, ROOF LUGGAGE Part No. 2196 250 Consists of: 2 - ---- Gasket 2 - 2094 869 Nut 6 - 2094 874 Pad 3 - ---- Pad, with Holes 1 - ---- Rack 6 - ---- Screw
	POWER BRAKE PACKAGE Part No 2421 763 Consists of: 1 - ---- Brake 2 - 448 797 Clamp, Brake to Engine Intake Manifold 1 - 1944 092 Connector, Vacuum Line 1 - ---- Hose, Brake to Intake Manifold 2 - 120 214 Lockwasher, Brake Mounting 2 - 120 376 Nut, Brake Mounting 1 - ---- Piston, Master Cylinder 1 - ---- Reinforcement, Brake Bracket 1 - 2200 341 Screw, Master Cylinder Piston Stop 3 - ---- Seal, Brake Mounting to Dash 1 - 2265 635 Stop, Master Cylinder Piston	1-76-1	MIRROR PACKAGE, OUTSIDE REAR VIEW . Part No. 2275 015 Consists of: 1 - 2161 931 Anti-Squeak 1 - ---- Mirror 2 - 274 791 Screw
			MIRROR PACKAGE, OUTSIDE REAR VIEW . Part No.* 2421 990 Consists of: 1 - 2161 931 Anti-Squeak 1 - ---- Mirror 2 - 274 791 Screw
			MIRROR PACKAGE, OUTSIDE REAR VIEW . Part No. 2275 345 Consists of: 1 - ---- Gasket 1 - ---- Mirror 2 - 9417 530 Screw

★ Indicates use as required.

□ Indicates parts not listed in any previous parts book.

Jan. 3, 1964 Supersedes Jan. 25, 1963.

Printed in U.S.A.
Prices and specifications subject to change without notice.

* Indicates change or addition.

CODE	PART NAME AND PART NUMBER	CODE	PART NAME AND PART NUMBER
1-76-1	Cont'd MIRROR PACKAGE, OUTSIDE REAR VIEW . Part No.* 2421 989 Consists of: 1 - 2161 931 Anti-Squeak 1 - ---- --- Bracket 1 - ---- --- Mirror and Control 1 - 2080 541 Nut 2 - 9411 860 Screw 2 - ---- --- Screw	2-07-1	Cont'd END PACKAGE, FRONT SUSPENSION TIE ROD INNER, RIGHT Part No. 2279 990 Consists of: 1 - ---- --- Bolt, Tie Rod End Clamp 1 - ---- --- Clamp, Tie Rod End 1 - ---- --- End, Tie Rod 1 - ---- --- Pin, Tie Rod End Ball Nut Cotter 1 - ---- --- Nut, Tie Rod End Clamp Bolt
	MIRROR PACKAGE, OUTSIDE REAR VIEW . Part No. 2299 574 Consists of: 1 - ---- --- Gasket 1 - ---- --- Mirror 2 - 9417 530 Screw		END PACKAGE, FRONT SUSPENSION TIE ROD INNER, LEFT Part No. 2279 991 Consists of: 1 - ---- --- Bolt, Tie Rod End Clamp 1 - ---- --- Clamp, Tie Rod End 1 - ---- --- End, Tie Rod 1 - ---- --- Pin, Tie Rod End Ball Nut Cotter 1 - ---- --- Nut, Tie Rod End Clamp Bolt
2-07-1	END PACKAGE, FRONT SUSPENSION TIE ROD INNER Part No. 2448 384 Consists of: 1 - ---- --- Bolt, Tie Rod End Clamp 1 - ---- --- Clamp, Tie Rod End 1 - ---- --- End, Tie Rod 1 - ---- --- Nut, Tie Rod End Clamp Bolt Lock 1 - ---- --- Pin, Tie Rod Nut Cotter		END PACKAGE, FRONT SUSPENSION TIE ROD OUTER Part No. 2279 992 Consists of: 1 - ---- --- Bolt, Tie Rod End Clamp 1 - ---- --- Clamp, Tie Rod End 1 - ---- --- End, Tie Rod 1 - ---- --- Pin, Tie Rod End Nut Cotter 1 - ---- --- Nut, Tie Rod End Clamp Bolt 1 - 1858 262 Shield, Tie Rod End Seal, Right 1 - 1858 263 Shield, Tie Rod End Seal, Left 1 - ---- --- Spacer, Tie Rod End Ball
	END PACKAGE, FRONT SUSPENSION TIE ROD OUTER Part No. 2448 383 Consists of: 1 - ---- --- Bolt, Tie Rod End Clamp 1 - ---- --- Clamp, Tie Rod End 1 - ---- --- End, Tie Rod 1 - ---- --- Nut, Tie Rod End Clamp Bolt Lock 1 - ---- --- Pin, Tie Rod Nut Cotter		2-08-57
	END PACKAGE, FRONT SUSPENSION TIE ROD INNER Part No. 2279 989 Consists of: 1 - ---- --- Bolt, Tie Rod End Clamp 1 - ---- --- Clamp, Tie Rod End 1 - ---- --- End, Tie Rod 1 - ---- --- Pin, Tie Rod End Nut Cotter 1 - ---- --- Nut, Tie Rod End Clamp Bolt 1 - ---- --- Spacer, Tie Rod End Ball		BALL JOINT PACKAGE, FRONT SUSPENSION UPPER Part No. 2298 533 Consists of: 1 - ---- --- Ball Joint 1 - 273 705 Nut, Ball Joint Stud 1 - 108 636 Pin, Ball Joint Stud Nut Cotter 1 - 1858 115 Plug, Ball Joint 1 - 2071 255 Seal, Ball Joint
	END PACKAGE, FRONT SUSPENSION TIE ROD OUTER Part No. 2448 398 Consists of: 1 - ---- --- Bolt, Tie Rod End Clamp 1 - ---- --- Clamp, Tie Rod End 1 - ---- --- End, Tie Rod 1 - ---- --- Nut, Tie Rod End Clamp Bolt 1 - ---- --- Pin, Tie Rod End Nut Cotter		BALL JOINT PACKAGE, FRONT SUSPENSION UPPER Part No. 2298 534 Consists of: 1 - ---- --- Ball Joint 1 - 128 025 Nut, Ball Joint Stud 1 - 119 209 Pin, Ball Joint Stud Nut Cotter 1 - 1858 115 Plug, Ball Joint 1 - 1825 487 Seal, Ball Joint 1 - 1672 960 Washer, Ball Joint Stud Nut

★ Indicates use as required.

☐ Indicates parts not listed in any previous parts book.

* Indicates change or addition.

Page PK-5

Printed in U.S.A.
Prices and specifications subject to change without notice.
Jan. 3, 1964 Supersedes Dec. 14, 1962.

CODE	PART NAME AND PART NUMBER	CODE	PART NAME AND PART NUMBER
2-08-57	<p>Cont'd</p> <p>BALL JOINT PACKAGE, FRONT SUSPENSION UPPER Part No. 2298 536</p> <p>Consists of:</p> <p>1 - ---- --- Ball Joint</p> <p>1 - 128 027 Nut, Ball Joint Stud</p> <p>1 - 119 209 Pin, Ball Joint Stud Nut Cotter</p> <p>1 - 1858 115 Plug, Ball Joint</p> <p>1 - 1825 761 Seal, Ball Joint</p> <p>1 - 1672 960 Washer, Ball Joint Stud Nut</p>	2-10-55	<p>Cont'd</p> <p>1 - 128 025 Nut, Steering Knuckle Ball Joint Stud</p> <p>1 - 119 209 Pin, Steering Knuckle Ball Joint Nut Cotter</p> <p>1 - 1858 209 Seal, Steering Knuckle Lower Ball Joint</p> <p>1 - 1858 115 Plug, Steering Knuckle Lower Ball Joint</p> <p>ARM and BALL JOINT PACKAGE, FRONT SUSPENSION STEERING KNUCKLE HOUSING, LOWER RIGHT Part No. 2275 464</p> <p>Consists of:</p> <p>1 - ---- --- Arm, Steering Knuckle Ball Joint Housing</p> <p>1 - 128 025 Nut, Steering Knuckle Ball Joint Stud</p> <p>1 - 119 209 Pin, Steering Knuckle Ball Joint Nut Cotter</p> <p>1 - 1858 115 Plug, Steering Knuckle Lower Ball Joint</p> <p>1 - 1858 209 Seal, Steering Knuckle Lower Ball Joint</p> <p>ARM and BALL JOINT PACKAGE, FRONT SUSPENSION STEERING KNUCKLE HOUSING, LOWER LEFT Part No. 2275 465</p> <p>Consists of:</p> <p>1 - ---- --- Arm, Steering Knuckle Ball Joint Housing</p> <p>1 - 128 025 Nut, Steering Knuckle Ball Joint Stud</p> <p>1 - 119 209 Pin, Steering Knuckle Ball Joint Nut Cotter</p> <p>1 - 1858 115 Plug, Steering Knuckle Lower Ball Joint</p> <p>1 - 1858 209 Seal, Steering Knuckle Lower Ball Joint</p> <p>BALL JOINT PACKAGE, FRONT SUSPENSION LOWER Part No. 2298 535</p> <p>Consists of:</p> <p>1 - ---- --- Ball Joint</p> <p>1 - 128 027 Nut, Ball Joint Stud</p> <p>1 - 119 209 Pin, Ball Joint Stud Nut Cotter</p> <p>1 - 1858 115 Plug, Ball Joint</p> <p>1 - 1825 488 Seal, Ball Joint</p> <p>1 - 1672 960 Washer, Ball Joint Stud Nut Cotter</p> <p>BALL JOINT PACKAGE, FRONT SUSPENSION LOWER Part No. 2298 537</p> <p>Consists of:</p> <p>1 - ---- --- Ball Joint</p> <p>1 - 1671 405 Nut, Ball Joint Stud</p>
2-08-59	<p>CAM and BUSHING PACKAGE, FRONT SUSPENSION UPPER CONTROL ARM Part No. 2084 920</p> <p>Consists of:</p> <p>2 - 2071 204 Bushing, Arm</p> <p>2 - ---- --- Cam, Arm, Slotted</p> <p>2 - ---- --- Cam, Arm</p> <p>2 - 1825 449 Nut, Arm Bolt</p> <p>2 - 120 384 Washer, Arm Cam Lock</p> <p>CAM and BUSHING PACKAGE, FRONT WHEEL UPPER CONTROL ARM SUSPENSION Part No. 2448 099</p> <p>Consists of:</p> <p>2 - ---- --- Bracket, Cam</p> <p>2 - 1825 317 Bushing, Arm</p> <p>2 - ---- --- Cam, Bracket Slotted</p> <p>2 - 120 384 Lock Washer, Bracket Cam</p> <p>2 - 1825 449 Nut, Bracket Bolt</p> <p>1 - ---- --- Sleeve, Arm Bushing Locking</p>		
2-10-55	<p>ARM and BALL JOINT PACKAGE, FRONT SUSPENSION STEERING KNUCKLE HOUSING, LOWER RIGHT Part No. 2275 462</p> <p>Consists of:</p> <p>1 - ---- --- Arm, Steering Knuckle Ball Joint Housing</p> <p>1 - 128 025 Nut, Steering Knuckle Ball Joint Stud</p> <p>1 - 119 209 Pin, Steering Knuckle Ball Joint Nut Cotter</p> <p>1 - 1858 115 Plug, Steering Knuckle Lower Ball Joint</p> <p>1 - 1858 209 Seal, Steering Knuckle Lower Ball Joint</p> <p>ARM and BALL JOINT PACKAGE, FRONT SUSPENSION STEERING KNUCKLE HOUSING, LOWER LEFT Part No. 2275 463</p> <p>Consists of:</p> <p>1 - ---- --- Arm, Steering Knuckle Ball Joint Housing</p>		

★ Indicates use as required.
 E Indicates parts not listed in any previous parts book.
 Jan. 3, 1964 Supersedes Sept. 4, 1962.

CODE	PART NAME AND PART NUMBER	CODE	PART NAME AND PART NUMBER
2-10-55	Cont'd 1 - 119 209 Pin, Ball Joint Stud Nut Cotter 1 - 1858 115 Plug, Ball Joint 1 - 1825 762 Seal, Ball Joint 1 - 1872 961 Washer, Ball Joint Stud Nut ARM and BALL JOINT PACKAGE, FRONT SUSPENSION STEERING KNUCKLE HOUSING, LOWER RIGHT, RHD . . Part No. 2275 466 Consists of: 1 - ---- Arm, Steering Knuckle Ball Joint Housing 1 - 128 025 Nut, Steering Knuckle Ball Joint Stud 1 - 1858 115 Plug, Steering Knuckle Lower Ball Joint 1 - 119 209 Pin, Steering Knuckle Ball Joint Nut Cotter 1 - 1858 209 Seal, Steering Knuckle Lower Ball Joint ARM and BALL JOINT PACKAGE, FRONT SUSPENSION STEERING KNUCKLE HOUSING, LOWER LEFT, RHD . . Part No. 2275 467 Consists of: 1 - ---- Arm, Steering Knuckle Ball Joint Housing 1 - 128 025 Nut, Steering Knuckle Ball Joint Stud 1 - 1858 115 Plug, Steering Knuckle Lower Ball Joint 1 - 119 209 Pin, Steering Knuckle Ball Joint Nut Cotter 1 - 1858 209 Seal, Steering Knuckle Lower Ball Joint	2-10-61	SHAFT PACKAGE, FRONT SUSPENSION LOWER CONTROL ARM Part No. 2275 460 Consists of: 1 - 128 027 Nut, Lower Control Arm Shaft 1 - 119 209 Pin, Lower Control Arm Shaft Nut Cotter 1 - ---- Shaft, Lower Control Arm 1 - 2072 470 Washer, Lower Control Arm Shaft SHAFT PACKAGE, FRONT SUSPENSION LOWER CONTROL ARM Part No. 2275 461 Consists of: 1 - 128 027 Nut, Lower Control Arm Shaft 1 - 119 209 Pin, Lower Control Arm Shaft Nut Cotter 1 - ---- Shaft, Lower Control Arm 1 - 2071 470 Washer, Lower Control Arm Shaft SHAFT and BUSHING PACKAGE, FRONT SUSPENSION LOWER CONTROL ARM Part No. 1881 650 Consists of: 1 - 1636 017 Bushing, Shaft 1 - ---- Nut, Bushing 1 - ---- Nut, Shaft 1 - ---- Pin, Arm 1 - 119 209 Pin, Bushing 1 - ---- Shaft, Lower Control Arm 1 - ---- Washer, Bushing 1 - ---- Washer, Shaft Nut SHAFT and BUSHING PACKAGE, FRONT SUSPENSION LOWER CONTROL ARM Part No. *1881 647 Consists of: 1 - 1636 010 Bushing, Shaft 1 - ---- Nut, Bushing 1 - 128 213 Nut, Shaft 1 - ---- Pin, Arm 1 - 119 209 Pin, Bushing Nut Cotter 1 - ---- Shaft, Lower Control Arm 1 - ---- Washer, Bushing 1 - ---- Washer, Shaft Nut
2-10-57	BUSHING and RETAINER PACKAGE, FRONT SUSPENSION LOWER CONTROL ARM STRUT. Part No. 2084 045 Consists of: 1 - 1734 321 Bushing, Control Arm Strut 1 - 1825 432 Nut, Control Arm Strut Bushing 2 - 1734 341 Retainer, Control Arm Strut Bushing BUSHING and RETAINER PACKAGE, FRONT SUSPENSION LOWER CONTROL ARM STRUT. Part No. 2084 918 Consists of: 1 - ---- Bushing, Front Suspension Strut 1 - 124 634 Nut, Front Suspension Strut Bushing Retainer 2 - 2071 211 Retainer, Front Suspension Strut Bushing	2-14-1	BOLT and SWIVEL PACKAGE, FRONT SUSPENSION TORSION BAR or SPRING, FRONT END ADJUSTING Part No. 2275 468 Consists of: 1 - ---- Bolt 1 - ---- Swivel

★ Indicates use as required.

☐ Indicates parts not listed in any previous parts book.

* Indicates change or addition.

Printed in U.S.A.

Prices and specifications subject to change without notice.

Jan. 3, 1964 Supersedes Sept. 4, 1962.

CODE	PART NAME AND PART NUMBER	CODE	PART NAME AND PART NUMBER
2-14-1	<p>Cont'd</p> <p>BOLT and SWIVEL PACKAGE, FRONT SUSPENSION TORSION BAR of SPRING, FRONT END ADJUSTING Part No. 2275 469</p> <p>Consists of:</p> <p>1 - ---- Bolt 1 - ---- Swivel</p> <p>BOLT and SWIVEL PACKAGE, FRONT SUSPENSION TORSION BAR or SPRING, FRONT END ADJUSTING Part No. 2275 470</p> <p>Consists of:</p> <p>1 - ---- Bolt 1 - ---- Swivel</p> <p>BOLT and SWIVEL PACKAGE, FRONT SUSPENSION TORSION BAR or SPRING, REAR END ANCHOR ADJUSTING Part No. 2196 773</p> <p>Consists of:</p> <p>1 - ---- Bolt, Torsion Bar Anchor 1 - ---- Swivel, Torsion Bar Anchor</p> <p>BOLT and SWIVEL PACKAGE, FRONT SUSPENSION TORSION BAR or SPRING REAR END ANCHOR ADJUSTING Part No. 2196 774</p> <p>Consists of:</p> <p>1 - ---- Bolt, Torsion Bar Anchor 1 - ---- Swivel, Torsion Bar Anchor</p>	2-14-8	<p>Cont'd</p> <p>1 - 1857 580 Plug, End Anchor 1 - 1613 388 Seal, End Anchor 1 - 1857 549 Seat, End Anchor Adjusting 1 - ---- Swivel, End Anchor Adjusting</p> <p>ANCHOR PACKAGE, FRONT SUSPENSION TORSION BAR or SPRING, REAR END, RIGHT Part No. 2196 752</p> <p>Consists of:</p> <p>1 - ---- Anchor, End 1 - ---- Bolt, End Anchor Adjusting 1 - 1639 171 Lock, End Anchor 1 - 1825 582 Plug, End Anchor 1 - 1613 388 Seal, End Anchor 1 - 1857 549 Seat, End Anchor Adjusting 1 - ---- Swivel, End Anchor Adjusting</p> <p>ANCHOR PACKAGE, FRONT SUSPENSION TORSION BAR or SPRING, REAR END, LEFT Part No. 2196 753</p> <p>Consists of:</p> <p>1 - ---- Anchor, End 1 - ---- Bolt, End Anchor Adjusting 1 - 1639 171 Lock, End Anchor 1 - 1825 582 Plug, End Anchor 1 - 1613 388 Seal, End Anchor 1 - 1857 549 Seat, End Anchor Adjusting 1 - ---- Swivel, End Anchor Adjusting</p> <p>ANCHOR PACKAGE, FRONT SUSPENSION TORSION BAR or SPRING, REAR END RIGHT Part No. 2196 754</p> <p>Consists of:</p> <p>1 - ---- Anchor, End 1 - ---- Bolt, End Anchor Adjusting 1 - 1639 171 Lock, End Anchor 1 - 1825 582 Plug, End Anchor 1 - 1613 388 Seal, End Anchor 1 - 1857 549 Seat, End Anchor Adjusting 1 - ---- Swivel, End Anchor Adjusting</p> <p>ANCHOR PACKAGE, FRONT SUSPENSION TORSION BAR or SPRING, REAR END, Left Part No. 2196 755</p> <p>Consists of:</p> <p>1 - ---- Anchor, End 1 - ---- Bolt, End Anchor Adjusting 1 - 1639 171 Lock, End Anchor 1 - 1825 582 Plug, End Anchor 1 - 1613 388 Seal, End Anchor 1 - 1857 549 Seat, End Anchor Adjusting 1 - ---- Swivel, End Anchor Adjusting</p>
2-14-8	<p>ANCHOR PACKAGE, FRONT SUSPENSION TORSION BAR or SPRING, REAR END, RIGHT Part No. 2196 750</p> <p>Consists of:</p> <p>1 - ---- Anchor, End 1 - ---- Bolt, End Anchor Adjusting 1 - 1639 171 Lock, End Anchor 1 - 1857 580 Plug, End Anchor 1 - 1613 388 Seal, End Anchor 1 - 1857 549 Seat, End Anchor Adjusting 1 - ---- Swivel, End Anchor Adjusting</p> <p>ANCHOR PACKAGE, FRONT SUSPENSION TORSION BAR or SPRING, REAR END, LEFT Part No. 2196 751</p> <p>Consists of:</p> <p>1 - ---- Anchor, End 1 - ---- Bolt, End Anchor Adjusting 1 - 1639 171 Lock, End Anchor</p> <p>(Pkg. Cont'd)</p>		

★ Indicates use as required.
 E Indicates parts not listed in any previous parts book.
 Jan. 3, 1964 Supersedes Sept. 4, 1962.

CODE	PART NAME AND PART NUMBER	CODE	PART NAME AND PART NUMBER
2-14-8	Cont'd ANCHOR PACKAGE, FRONT SUSPENSION TORSION BAR or SPRING, REAR END, RIGHT Part No. 2448 314 Consists of: 1 - ---- --- Anchor, End 1 - ---- --- Bolt, End Anchor Adjusting 1 - 1639 171 Lock, End Anchor 1 - 1857 580 Plug, End Anchor 1 - 1613 388 Seal, End Anchor 1 - 1857 549 Seat, End Anchor Adjusting 1 - ---- --- Swivel, End Anchor Adjusting ANCHOR PACKAGE, FRONT SUSPENSION TORSION BAR or SPRING, REAR END, LEFT Part No. 2448 313 Consists of: 1 - ---- --- Anchor, End 1 - ---- --- Bolt, End Anchor Adjusting 1 - 1639 171 Lock, End Anchor 1 - 1857 580 Plug, End Anchor 1 - 1613 388 Seal, End Anchor 1 - 1857 549 Seat, End Anchor Adjusting 1 - ---- --- Swivel, End Anchor Adjusting	5-03-1	Cont'd LINING PACKAGE, WHEEL BRAKE SHOE Part No.* 2495 005 Consists of: 8 - ---- --- Lining LINING PACKAGE, WHEEL BRAKE SHOE Part No.* 2495 006 Consists of: 8 - ---- --- Lining LINING PACKAGE, WHEEL BRAKE SHOE Part No. 2448 320 Consists of: 8 ---- --- Lining
3-09-3	REPAIR KIT, REAR AXLE DIFFERENTIAL, SURE- GRIP Part No. 2070 845 Consists of: 2 - ---- --- Disc 2 - ---- --- Disc 2 - ---- --- Plate 2 - ---- --- Plate 2 - ---- --- Plate	5-39-1	SERVICE PACKAGE, MASTER CYLINDER . . Part No. 2196 905 Consists of: 1 - ---- --- Cup, Piston 1 - ---- --- Cup, Secondary 1 - ---- --- Washer, Piston Cup 1 - 1318 446 Valve 1 - ---- --- Seal, Valve 1 - 1828 388 Boot SERVICE PACKAGE, MASTER CYLINDER . . Part No. 2275 516 Consists of: 1 - ---- --- Cup, Piston 1 - ---- --- Cup, Secondary 1 - ---- --- Washer, Piston Cup 1 - ---- --- Piston and Push Rod 1 - 1318 446 Valve 1 - ---- --- Seal, Valve 1 - 1828 388 Boot SERVICE PACKAGE, MASTER CYLINDER . . Part No. 2298 939 Consists of: 1 - ---- --- Cup, Piston 1 - ---- --- Cup, Secondary 1 - ---- --- Washer, Piston Cup 1 - ---- --- Piston 1 - 1318 446 Valve 1 - ---- --- Seal, Valve
5-03-1	LINING PACKAGE, WHEEL BRAKE SHOE Part No. 2298 842 Consists of: 8 - ---- --- Lining LINING PACKAGE, WHEEL BRAKE SHOE Part No. 2298 848 Consists of: 8 - ---- --- Lining LINING PACKAGE, WHEEL BRAKE SHOE Part No. 2298 942 Consists of: 8 - ---- --- Lining LINING PACKAGE, WHEEL BRAKE SHOE Part No. 2298 943 Consists of: 8 - ---- --- Lining LINING PACKAGE, WHEEL BRAKE SHOE Part No. 2421 314 Consists of: 8 - ---- --- Lining	5-63-1	SERVICE PACKAGE, FRONT WHEEL CYLINDER Part No. 2084 788 Consists of: 2 - 1669 337 Cup 2 - 2072 625 Boot

★ Indicates use as required.

B Indicates parts not listed in any previous parts book.

* Indicates change or addition.

Page PK-9

Printed in U.S.A.
Prices and specifications subject to change without notice.
Jan. 3, 1964 Supersedes Sept. 4, 1962.

CODE	PART NAME AND PART NUMBER	CODE	PART NAME AND PART NUMBER
5-63-1	<p>Cont'd</p> <p>SERVICE PACKAGE, REAR WHEEL CYLINDER Part No. 2084 789 Consists of: 2 - 2072 636 Cup 2 - 2072 679 Boot</p> <p>SERVICE PACKAGE, FRONT WHEEL CYLINDER Part No. 2275 535 Consists of: 2 - 2260 838 Cup 2 - 2260 840 Boot</p> <p>SERVICE PACKAGE, REAR WHEEL CYLINDER Part No. 2275 536 Consists of: 2 - 2260 844 Cup 2 - 2260 846 Boot</p> <p>SERVICE PACKAGE, REAR WHEEL CYLINDER Part No. 2421 347 Consists of: 2 - 2072 636 Cup 2 - 2260 846 Boot</p>	5-63-3	<p>Cont'd</p> <p>PISTON PACKAGE, REAR WHEEL CYLINDER Part No. 2421 346 Consists of: 2 - 2072 636 Cup 1 - 2072 637 Spring 2 - 2260 846 Boot 2 - 2401 938 Piston</p>
5-63-3	<p>PISTON PACKAGE, FRONT WHEEL CYLINDER Part No. 2084 790 Consists of: 2 - 1669 337 Cup 1 - 1923 765 Spring 2 - 2072 625 Boot 2 - 2072 655 Piston</p> <p>PISTON PACKAGE, REAR WHEEL CYLINDER Part No. 2084 791 Consists of: 2 - 2072 636 Cup 1 - 2072 637 Spring 2 - 2072 656 Piston 2 - 2072 679 Boot</p> <p>PISTON PACKAGE, FRONT WHEEL CYLINDER Part No. 2275 539 Consists of: 2 - 2260 837 Piston 2 - 2260 838 Cup 1 - 2260 839 Spring 2 - 2260 840 Boot</p> <p>PISTON PACKAGE, REAR WHEEL CYLINDER Part No. 2275 540 Consists of: 1 - 1923 765 Spring 2 - 2260 843 Piston 2 - 2260 844 Cup 2 - 2260 846 Boot</p>	5-100-1	<p>SERVICE PACKAGE, POWER BRAKE Part No. 2448 343 Consists of: 1 - ---- Diaphragm 1 - ---- Ring, Plunger Cushion 1 - ---- Seal, Plunger 1 - ---- Seal, Adaptor 1 - ---- Valve Assembly 1 - ---- Seal, Valve 1 - ---- Ring, Plunger Assembly 1 - ---- Bellows, Valve Body 1 - 2401 163 Seal, Valve Body 1 - 2401 163 Seal, Adaptor Assembly 1 - 2401 166 Retainer, Push Rod 1 - 2401 172 Seal, Plunger Sleeve 1 - 2401 855 Filter, Air 1 - 2401 858 Ring, Lever Retaining 1 - 2401 866 Ring, Reaction</p> <p>SERVICE PACKAGE, POWER BRAKE Part No. 2448 345 Consists of: 1 - 2401 126 Seal, Valve Body 1 - 2401 132 Seal, "O" Ring 1 - 2401 134 Guard, Valve Rod 1 - 2401 155 Filter, Air Cleaner 1 - 2401 882 Filter, Air Cleaner 1 - 2401 886 Valve, Check 1 - 2401 887 Disc, Reaction 1 - ---- Valve Rod and Plunger 1 - ---- Plate and Seal</p> <p>SERVICE PACKAGE, POWER BRAKE Part No. 2448 346 Consists of: 1 - 2401 126 Seal, Valve Body 1 - 2401 132 Seal, "O" Ring 1 - 2401 134 Guard, Valve Rod 1 - 2401 155 Filter, Air Cleaner 1 - 2401 882 Filter, Air Cleaner 1 - 2401 886 Valve, Check 1 - 2401 887 Disc, Reaction 1 - ---- Valve Rod and Plunger 1 - ---- Plate and Seal</p> <p>SERVICE PACKAGE, POWER BRAKE (MINOR OVERHAUL) . . . Part No. 2448 347 Consists of: 1 - 1191 159 Washer 1 - 1193 701 Vee Block 1 - 1267 510 Cup, Slave Cylinder 2 - 1502 556 Vee Block</p>

(Pkg. Cont'd)

★ Indicates use as required.
 □ Indicates parts not listed in any previous parts book.
 Jan. 3, 1964 Supersedes Dec. 14, 1962.

CODE	PART NAME AND PART NUMBER	CODE	PART NAME AND PART NUMBER
5-100-1	Cont'd 1 - 1502 557 Gasket 1 - 1502 559 Seal 1 - 1502 565 "O" Ring 1 - 1502 566 "O" Ring 1 - 1506 248 Nut 1 - ---- Piston, Valve 1 - 2401 873 "O" Ring 1 - ---- Diaphragm	6-17-3	Cont'd CLUTCH LEVER PACKAGE Part No. 2240 634 Consists of: 3 - ---- Eye Bolt, w/Nut 3 - ---- Lever 3 - ---- Pin 3 - ---- Spring 3 - ---- Strut
	SERVICE PACKAGE, POWER BRAKE (MAJOR OVERHAUL) . . Part No. 2448 348 Consists of: 1 - 1191 159 Washer 1 - 1193 701 Vee Block 1 - 1267 503 Diaphragm and Plate 1 - 1267 509 Piston 1 - 1267 510 Cup, Slave Cylinder 2 - 1502 556 Vee Block 1 - 1502 557 Gasket 1 - 1502 559 Seal 1 - 1502 565 "O" Ring 1 - 1502 566 "O" Ring 1 - 1506 248 Nut 1 - ---- Piston, Valve 1 - 2401 873 "O" Ring 1 - ---- Ring, Snap 1 - ---- Diaphragm, Control Valve 1 - 2401 876 Spring 1 - 2401 877 Spring		CLUTCH LEVER PACKAGE Part No. 2279 894 Consists of: 3 - ---- Eye Bolt, W/Nut 3 - ---- Lever 3 - ---- Pin 3 - ---- Spring 3 - ---- Strut
5-100-166	RETAINER PACKAGE, PLUNGER and PUSH ROD Part No. 2421 084 Consists of: 1 - ---- Plunger Assembly 1 - 2401 166 Retainer, Push Rod		CLUTCH LEVER PACKAGE Part No. 2298 909 Consists of: 3 - ---- Clip 3 - ---- Lever 3 - ---- Nut 3 - ---- Pin 3 - ---- Screw 3 - ---- Washer
5-105-1	CHECK VALVE and WASHER PACKAGE . . Part No. 2421 083 Consists of: 1 - ---- Valve, Hose Connector Check 1 - 2401 857 Washer, Hose Connector	7-42-1	PUMP PACKAGE, WATER Part No. 2196 910 Consists of: 1 - ---- Pump 1 - 1947 523 Gasket
6-03-1	CLUTCH PACKAGE . . . Part No. 2448 372 Consists of: 1 - ---- Cover, w/Pressure Plate 1 - ---- Disc, Driving		PUMP PACKAGE, WATER Part No.*2448 315 Consists of: 1 - ---- Pump 1 - 2129 013 Gasket
	CLUTCH PACKAGE . . . Part No. 2279 893 Consists of: 1 - ---- Cover, w/Pressure Plate 1 - 2298 904 Disc, Driving		PUMP PACKAGE, WATER Part No. 2448 326 Consists of: 1 - ---- Pump 1 - 1737 705 Gasket
6-17-3	CLUTCH LEVER PACKAGE Part No. 2084 250 Consists of: 3 - ---- Eye Bolt, w/Nut 3 - ---- Lever 3 - ---- Pin 3 - ---- Spring 3 - ---- Strut		PUMP PACKAGE, WATER Part No. 2448 328 Consists of: 1 - ---- Pump 1 - 1737 705 Gasket
		7-42-4	SERVICE PACKAGE, WATER PUMP Part No. 2298 907 Consists of: 1 - ---- Shaft and Slinger 1 - 1947 521 Gasket 1 - 1947 523 Gasket 1 - 1947 671 Gasket 1 - 2120 955 Seal 1 - ---- Impeller

★ Indicates use as required.

☐ Indicates parts not listed in any previous parts book.

* Indicates change or addition.

Page PK-11

Printed in U.S.A.
Prices and specifications subject to change without notice.
Jan. 3, 1964 Supersedes Dec. 14, 1962.

CODE	PART NAME AND PART NUMBER	CODE	PART NAME AND PART NUMBER
7-42-4	Cont'd SERVICE PACKAGE, WATER PUMP Part No. 2448 327 Consists of: 1 - ---- --- Shaft and Bearing 1 - 1737 705 Gasket 1 -- 2120 955 Seal 1 - ---- --- Impeller SERVICE PACKAGE, WATER PUMP Part No. 2448 329 Consists of: 1 - ---- --- Shaft and Bearing 1 - 1737 705 Gasket 1 - 2120 955 Seal 1 - ---- --- Impeller SERVICE PACKAGE, WATER PUMP Part No. 2421 376 Consists of: 1 - ---- --- Shaft and Bearing 1 - 2120 955 Seal 1 - 2129 013 Gasket 1 - 2402 795 Impeller	8-27-18	Cont'd 1 - ---- --- Gear 1 - ---- --- Shaft 1 - ---- --- Washer, Thrust
8-05-6	HOUSING and SEAL PACKAGE, READING LAMP Part No.*2448 807 Consists of: 1 - ---- --- Housing 1 - ---- --- Retainer, Housing 1 - ---- --- Seal, Housing	8-27-61	CAP, ROTOR and CABLE PACKAGE, DISTRIBUTOR Part No.*2448 273 Consists of: 1 - 2095 773 Cable 1 - 2098 765 Cap 1 - 2098 770 Rotor
8-05-16	KNOB and SEAL PACKAGE, READING LAMP SWITCH Part No.*2448 808 Consists of: 1 - ---- --- Knob, Switch 1 - ---- --- Seal, Switch Knob	8-27-77	SPRING and HINGE PACKAGE, DISTRIBUTOR CAP Part No. 1879 606 Consists of: 1 - ---- --- Spring, w/Hinge Locating Clamp 1 - ---- --- Spring, w/Hinge, Clamp SPRING and HINGE PACKAGE, CAP CLAMP Part No. 2084 303 Consists of: 1 - ---- --- Bracket, Cap Spring 4 - ---- --- Rivet, Tubular 2 - ---- --- Spring, Cap Clamp 1 - ---- --- Spring, w/Locating Bracket, Cap
8-05-23	LENS and RETAINING RING PACKAGE, READING LAMP Part No.*2448 809 Consists of: 1 - ---- --- Lens 1 - ---- --- Ring, Lens Retaining	8-27-85	CONTACT and SPRING PACKAGE, CAP and PLUNGER Part No. 2084 655 Consists of: 1 - ---- --- Contact 1 - ---- --- Spring
8-15-3	BLOCK AND CLIP PACKAGE, FUSE Part No. 2421 834 Consists of: 1 - ---- --- Block, Fuse 2 - ---- --- Clip, Wire Retaining	8-27-133	BEARING and THRUST WASHER PACKAGE, DRIVE SHAFT Part No. 2275 229 Consists of: 2 - ---- --- Bearing, Shaft 1 - ---- --- Collar 1 - ---- --- Pin 2 - ---- --- Washer, Thrust BEARING PACKAGE, DRIVE SHAFT Part No. 1879 596 Consists of: 2 - ---- --- Bearing 1 - ---- --- Collar 1 - ---- --- Pin, Collar 3 - ---- --- Washer
8-27-11	GEAR and PIN PACKAGE, TACHOMETER DRIVE Part No. 2084 869 Consists of: 1 - ---- --- Gear 1 - ---- --- Pin		BEARING and THRUST WASHER PACKAGE, DRIVE SHAFT Part No. 2275 228 Consists of: 2 - ---- --- Bearing, Shaft 2 - ---- --- Washer, Thrust
8-27-18	FOLLOWER GEAR PACKAGE, TACHOMETER Part No. 2084 870 Consists of: 1 - ---- --- Cover, Housing (Pkg. Cont'd)		

★ Indicates use as required.
 ☒ Indicates parts not listed in any previous parts book.
 Jan. 3, 1964 Supersedes Dec. 14, 1962.

CODE	PART NAME AND PART NUMBER	CODE	PART NAME AND PART NUMBER
8-27-133	Cont'd BEARING and THRUST WASHER PACKAGE, DRIVE SHAFT Part No. 2084 867 Consists of: 2 - ---- Bearing 1 - ---- Collar 1 - ---- Pin, Collar 2 - ---- Washer, Thrust	8-27-279	Cont'd SPRING SET, GOVERNOR WEIGHT Part No. 2448 250 Consists of: 2 - ---- Spring SPRING SET, GOVERNOR WEIGHT Part No. 2421 473 Consists of: 2 - ---- Spring SPRING SET, GOVERNOR WEIGHT Part No. 2448 257 Consists of: 2 - ---- Spring SPRING SET, GOVERNOR WEIGHT Part No. 2448 258 Consists of: 2 - ---- Spring SPRING SET, GOVERNOR WEIGHT Part No. 2448 259 Consists of: 2 - ---- Spring SPRING SET, GOVERNOR WEIGHT Part No. 2448 260 Consists of: 2 - ---- Spring SPRING SET, GOVERNOR WEIGHT . . Part No. 1881 956 Consists of: 2 - Spring SPRING SET, GOVERNOR WEIGHT . . Part No. 2448 634 Consists of: 2 - Spring
8-27-137	COLLAR and PIN PACKAGE, DRIVE SHAFT Part No. 2084 448 Consists of: 1 - ---- Collar 1 - ---- Pin	8-27-297	FELT DISC and SNAP RING PACKAGE, CAM SLEEVE Part No. 1879 607 Consists of: 1 - ---- Disc, Felt 1 - ---- Snap Ring
8-27-208	BREAKER and GROUND LEAD PACKAGE, DISTRIBUTOR Part No. 2299 320 Consists of: 1 - ---- Lead, Breaker Arm 1 - ---- Lead, Ground	8-27-308	VACUUM CHAMBER PACKAGE, DISTRIBUTOR Part No. 2084 868 Consists of: 1 - ---- Chamber, Vacuum 2 - ---- Washer VACUUM CHAMBER PACKAGE, DISTRIBUTOR Part No. 2084 857 Consists of: 1 - ---- Chamber, Vacuum 2 - ---- Washer
8-27-218	STUD and MOUNTING PACKAGE, DISTRIBUTOR TERMINAL Part No. 1881 751 Consists of: 1 - ---- Nut 4 - ---- Stud 1 - ---- Washer, Lock 1 - ---- Washer, Plain		
8-27-278	WEIGHT PACKAGE, GOVERNOR Part No. 1881 746 Consists of: 2 - ---- Weight WEIGHT PACKAGE, GOVERNOR Part No. 1881 945 Consists of: 2 - ---- Weight WEIGHT PACKAGE, GOVERNOR Part No. 1881 955 Consists of: 2 - ---- Weight		
8-27-279	SPRING SET, GOVERNOR WEIGHT . . Part No. 2298 765 Consists of: 2 - ---- Spring SPRING SET, GOVERNOR WEIGHT Part No. 2084 866 Consists of: 2 - ---- Spring SPRING SET, GOVERNOR WEIGHT Part No. 2275 227 Consists of: 2 - ---- Spring		

★ Indicates use as required.

☐ Indicates parts not listed in any previous parts book.

* Indicates change or addition.

CODE	PART NAME AND PART NUMBER	CODE	PART NAME AND PART NUMBER
8-27-315	PLUG and GASKET PACKAGE, VACUUM CHAMBER Part No. 2299 319 Consists of: 1 - ---- Gasket 1 - ---- Plug	8-32-2	HORN PACKAGE, UNIVERSAL, ELECTRIC AUTO LITE Part No. 2421 486 Consists of: 1 - 2258 517 Bracket, Horn Mounting 1 - ---- Horn 1 - 120 622 Nut, Horn Terminal Screw 1 - 9417 273 Screw, Horn Terminal 1 - 6023 253 Screw and Washer, Bracket to Car Mounting 1 - 2290 623 Screw and Washer, Bracket to Horn Mounting 1 - 121 752 Washer, Lock, Horn Terminal Screw
8-27-316	SPRING and WASHER PACKAGE, VACUUM CHAMBER Part No. 1881 766 Consists of: 1 - ---- Spring 2 - ---- Washer (.032) 3 - ---- Washer (.010) 2 - ---- Washer (.065) SPRING and WASHER PACKAGE, VACUUM CHAMBER Part No. 1881 750 Consists of: 1 - ---- Spring 2 - ---- Washer (.32) 3 - ---- Washer (.010) 2 - ---- Washer (.065)	SPARTON 1 - 2426 271 Bracket, Horn Mounting 1 - ---- Horn 1 - 120 622 Nut, Horn Terminal Screw 1 - 6023 253 Screw and Washer, Bracket to Car Mounting 3 - ---- Screw, Bracket to Horn Mounting 1 - 9417 273 Screw, Horn Terminal 3 - ---- Washer, Lock, Bracket to Horn Mounting Screw 1 - 121 752 Washer, Lock, Horn Terminal Screw	
8-27-352	GEAR and PIN PACKAGE, DRIVE Part No. 2084 653 Consists of: 1 - ---- Gear 1 - 9414 181 Pin 1 - ---- Washer	HORN PACKAGE, UNIVERSAL, ELECTRIC AUTO LITE Part No. 2421 487 Consists of: 1 - 2258 517 Bracket, Horn Mounting 1 - ---- Horn 1 - 120 622 Nut, Horn Terminal Screw 1 - 9417 273 Screw, Horn Terminal 1 - 6023 253 Screw and Washer, Bracket to Car Mounting 1 - 2290 623 Screw and Washer, Bracket to Horn Mounting 1 - 121 752 Washer, Lock, Horn Terminal Screw	
8-29-17	BRUSH, WASHER and TERMINAL PACKAGE . Part No. 2084 673 Consists of: 2 - ---- Brush 1 - ---- Terminal Field 1 - ---- Washer, Brush Mounting Insulator	SPARTON 1 - 2426 271 Bracket, Horn Mounting 1 - ---- Horn 1 - 120 622 Nut, Horn Terminal Screw 1 - 6023 253 Screw and Washer, Bracket to Car Mounting 3 - ---- Screw, Bracket to Horn Mounting 1 - 9417 273 Screw, Horn Terminal 3 - 138 479 Washer, Lock, Bracket to Horn Mounting Screw 1 - 121 752 Washer, Lock, Horn Terminal Screw	
8-29-99	RETAINER, WASHER and SLIP RING PACKAGE, ROTOR GREASE Part No. 2421 804 Consists of: 1 - ---- Retainer, Rotor Grease 1 - 2098 278 Ring, Rotor Slip 1 - ---- Washer, Rotor Grease Retainer	8-33-39	BUSHING PACKAGE, HORN RING SPACER . Part No. 2240 608 Consists of: 4 - ---- Bushing 4 - 1325 906 Screw
8-29-129	CAPACITOR and INSULATOR PACKAGE Part No. 2421 137 Consists of: 1 - ---- Capacitor and Bolt 1 - ---- Insulator, Heat Sink 1 - ---- Insulator, Capacitor Bolt 2 - ---- Nut, Hex 2 - 120 380 Washer, Lock 1 - ---- Washer, Plain		
8-29-145	SPACER PACKAGE, HEAT SINK Part No. 2421 138 Consists of: 2 - ---- Spacer, Rectifier Heat Sink		

★ Indicates use as required.

☐ Indicates parts not listed in any previous parts book.

Jan. 3, 1964 Supersedes Dec. 14, 1962.

Page PK-14

Printed in U.S.A.
Prices and specifications subject to change without notice.

* Indicates change or addition.

CODE	PART NAME AND PART NUMBER	CODE	PART NAME AND PART NUMBER
8-34-1	HEADLAMP and DOOR PACKAGE Part No. 2421 140 Consists of: 1 - 2445 946 Door 1 - ----- Headlamp 3 - 6023 228 Screw, Door Mounting		CYLINDER PACKAGE, IGNITION, DOOR and MANUAL TAIL GATE LOCK Part No. 2419 183 Consists of: 1 - ----- Cylinder, Ignition Lock 1 - ----- Cylinder, Door Lock, Right 1 - ----- Cylinder, Door Lock, Left 1 - ----- Cylinder, Manual Tail Gate Lock 1 - ----- Key
	HEADLAMP and DOOR PACKAGE Part No. 2421 141 Consists of: 1 - 2276 146 Door 1 - ----- Headlamp 3 - 6023 228 Screw, Door Mounting		CYLINDER PACKAGE, IGNITION and DOOR LOCK Part No.*2427 116 Consists of: 1 - ----- Cylinder, Door Lock, Right 1 - ----- Cylinder, Door Lock, Left 1 - ----- Cylinder, Ignition Lock 1 - ----- Cylinder, Electric Tailgate Window Lift Lock 1 - ----- Key
8-35-111	CYLINDER PACKAGE, Ignition and Door Lock Part No.*2161 192 Consists of: 1 - ----- Cylinder, Door Lock, Right 1 - ----- Cylinder, Door Lock, Left 1 - ----- Cylinder, Ignition Lock 1 - ----- Key		
	CYLINDER PACKAGE, IGNITION and DOOR LOCK Part No.*2161 503 Consists of: 1 - ----- Cylinder, Door Lock, Right 1 - ----- Cylinder, Door Lock, Left 1 - ----- Cylinder, Ignition Lock 1 - ----- Key	8-36-1	CABLE PACKAGE, IGNITION, RESISTOR TYPE Part No. 2084 456 Consists of: 1 - ----- Cable 1 - 2095 766 Nipple 1 - 1717 314 Terminal
	CYLINDER PACKAGE, IGNITION and DOOR LOCK Part No. 2162 503 Consists of: 1 - ----- Cylinder, Ignition Lock 1 - ----- Cylinder, Door Lock, Right 1 - ----- Cylinder, Door Lock, Left 1 - ----- Key		CABLE PACKAGE, IGNITION, RESISTOR TYPE Part No. 2084 458 Consists of: 1 - ----- Cable 1 - 2095 766 Nipple 1 - 1717 314 Terminal
	CYLINDER PACKAGE, IGNITION and DOOR LOCK Part No.*2162 531 Consists of: 1 - ----- Cylinder, Door Lock, Right 1 - ----- Cylinder, Door Lock, Left 1 - ----- Cylinder, Ignition Lock 1 - ----- Cylinder, Manual Tail Gate Lock 1 - ----- Key		CABLE PACKAGE, IGNITION, RESISTOR TYPE Part No. 2196 335 Consists of: 1 - ----- Cable 1 - 2095 766 Nipple 1 - 1717 314 Terminal
	CYLINDER PACKAGE, IGNITION and DOOR LOCK Part No.*2291 411 Consists of: 1 - ----- Cylinder, Door Lock, Right 1 - ----- Cylinder, Door Lock, Left 1 - ----- Cylinder, Ignition Lock 1 - ----- Cylinder, Electric Tail Gate Window Lift Lock 1 - ----- Key		CABLE PACKAGE, IGNITION, METAL CORE CONDUCTOR . . Part No.*2421 495 Consists of: 1 - ----- Cable 1 - 2095 766 Nipple 1 - 1717 314 Terminal
			CABLE PACKAGE, IGNITION, METAL CORE CONDUCTOR . . Part No.*2421 496 Consists of: 1 - ----- Cable 1 - 2095 766 Nipple 1 - 1717 314 Terminal

★ Indicates use as required.

☐ Indicates parts not listed in any previous parts book.

* Indicates change or addition.

Page PK-15

Printed in U.S.A.
Prices and specifications subject to change without notice.
Jan. 3, 1964 Supersedes Dec. 14, 1962.

1963 PASSENGER CAR PARTS CATALOG

CODE	PART NAME AND PART NUMBER	CODE	PART NAME AND PART NUMBER
8-36-1	Cont'd CABLE PACKAGE, IGNITION, METAL CORE CONDUCTOR . Part No.*2421 835 Consists of: 1 - ---- Cable 1 - 2095 766 Nipple 1 - 676 872 Terminal SET, IGNITION CABLE, RESISTOR TYPE Part No. 2421 836 Consists of: 8 - ---- Cable 1 - ---- Cable, Coil Secondary SET, IGNITION CABLE, RESISTOR TYPE Part No. 2421 800 Consists of: 6 - ---- Cable 1 - 2095 773 Cable, Coil SET, IGNITION CABLE, RESISTOR TYPE Part No.*2495 515 Consists of: 8 - ---- Cable 1 - 2095 772 Cable, Coil 2 - 1841 499 Separator SET, IGNITION CABLE, RESISTOR TYPE Part No. 2448 680 Consists of: 8 - ---- Cable 1 - 2095 772 Cable, Coil SET, IGNITION CABLE, RESISTOR TYPE Part No. 2448 681 Consists of: 8 - ---- Cable 1 - 2095 772 Cable, Coil CABLE SET, IGNITION, STAINLESS STEEL . . . Part No.*2421 497 Consists of: 8 - ---- Cable 1 - 2098 572 Cable, Coil Secondary CABLE SET, IGNITION, RESISTOR TYPE Part No.*2495 512 Consists of: 8 - ---- Cable 1 - 2095 772 Cable, Coil Secondary (9") CABLE SET, IGNITION, RESISTOR TYPE Part No.*2495 514 Consists of: 8 - ---- Cable 1 - 2095 772 Cable, Coil Secondary (9")	8-37-373	Cont'd 1 - ---- Grommet 1 - 2291 635 Housing, Instrument and Speedometer 2 - ---- Screw 2 - ---- Spacer 8-50-103 ARM PACKAGE, TURN SIGNAL SWITCH OPERATING Part No. 2240 250 Consists of: 1 - 2197 374 Arm 1 - 1972 207 Pivot, Arm 1 - ---- Spring, Switch Detent 8-50-304 LAMP PACKAGE, PARKING and TURN SIGNAL Part No. 2448 602 Consists of: 1 - 2188 277 Bezel 1 - 2188 280 Gasket 1 - ---- Housing 1 - ---- Lens 2 - ---- Screw, Housing to Panel 1 - 9414 111 Screw, Lens to Housing 1 - 9415 912 Screw, Lens to Housing 8-50-334 LENS and GASKET PACKAGE, PARKING and TURN SIGNAL LAMP Part No. 2421 133 Consists of: 1 - 2243 182 Gasket, Lens 1 - ---- Lens LENS and GASKET PACKAGE, PARKING and TURN SIGNAL LAMP Part No. 2421 452 Consists of: 1 - 2255 366 Gasket, Lens 1 - ---- Lens LENS and GASKET PACKAGE, PARKING and TURN SIGNAL LAMP, RIGHT Part No. 2448 270 Consists of: 1 - 2243 158 Gasket, Lens 1 - ---- Lens 1 - ---- Spacer LENS and GASKET PACKAGE, PARKING and TURN SIGNAL LAMP, LEFT Part No. 2448 271 Consists of: 1 - 2243 158 Gasket, Lens 1 - ---- Lens 1 - ---- Spacer LENS and GASKET PACKAGE, PARKING and TURN SIGNAL LAMP, RIGHT Part No. 2448 600 Consists of: 1 - 2188 864 Gasket, Lens 1 - ---- Lens
8-37-373	HOUSING PACKAGE, SPEEDOMETER, INSTRUMENT and CONTROL Part No. 2421 197 Consists of: 1 - ---- Gasket (Pkg. Cont'd)		

★ Indicates use as required.

☐ Indicates parts not listed in any previous parts book.

Jan. 3, 1964 Supersedes Dec. 14, 1962.

* Indicates change or addition.

CODE	PART NAME AND PART NUMBER	CODE	PART NAME AND PART NUMBER
8-50-334	Cont'd LENS and GASKET PACKAGE, PARKING and TURN SIGNAL LAMP, LEFT Part No. 2448 601 Consists of: 1 - 2188 864 Gasket, Lens 1 - ---- Lens	8-52-98	THRUST WASHER and RETAINING RING PACKAGE, PINION SHAFT Part No. 2275 558 Consists of: 1 - 6022 006 Ring, Pinion Shaft Retaining 2 - ---- Washer, Pinion Shaft Thrust
	LENS and GASKET PACKAGE, PARKING and TURN SIGNAL LAMP Part No. 2448 610 Consists of: 1 - 2255 366 Gasket, Lens 1 - ---- Lens	8-52-121	THRUST WASHER PACKAGE, ARMATURE Part No. 2275 555 Consists of: 6 - ---- Washer
	LENS and GASKET PACKAGE, PARKING and TURN SIGNAL LAMP Part No. 2448 299 Consists of: 1 - 2188 280 Gasket, Lens 1 - ---- Lens	8-52-135	BRUSH PACKAGE Part No. 2240 749 Consists of: 2 - ---- Brush
8-50-354	SPRING, INSULATOR and CONTACT PACKAGE, PARKING and TURN SIGNAL LAMP SOCKET Part No. 2198 860 Consists of: 1 - ---- Contact 1 - ---- Insulator 1 - ---- Spring	8-52-137	PLATE and BRUSH PACKAGE, BRUSH HOLDER Part No. 2275 550 Consists of: 1 - ---- Brush, w/Terminal, Negative 1 - ---- Plate, Brush Holder
8-52-49	FORK and PIN PACKAGE, SHIFTING Part No. 2084 093 Consists of: 1 - ---- Fork, Shifting 1 - 456 098 Pin, Roll	8-52-140	SPRING PACKAGE, BRUSH Part No. 2084 666 Consists of: 4 - ---- Spring, Brush
8-52-82	STOP, SNAP RING and STOP WASHER PACKAGE, PINION Part No. 2448 804 Consists of: 1 - ---- Ring, Pinion Stop Snap 1 - ---- Stop, Pinion	8-52-180	THRUST WASHER PACKAGE, COMMUTATOR END . . . Part No. 2240 529 Consists of: 10 - ---- Washer
8-52-87	ACTUATOR and RETAINING RING PACKAGE, CLUTCH SHIFTING Part No. 2275 556 Consists of: 2 - ---- Actuator, Clutch Shifting 1 - 2095 130 Ring, Clutch Actuator Retaining	8-52-214	FIELD SERIES and SHUNT COIL PACKAGE Part No. 2084 088 Consists of: 1 - ---- Coil, Field Series 1 - ---- Coil, Field Shunt
8-52-96	GEAR and SNAP RING PACKAGE, PINION SHAFT Part No. 2275 557 Consists of: 1 - ---- Gear, Pinion Shaft 1 - 2095 117 Snap Ring, Pinion Shaft Gear Retaining 1 - ---- Washer, Pinion Shaft Gear Friction		FIELD SERIES and SHUNT COIL PACKAGE Part No. 2275 248 Consists of: 1 - ---- Coil, Field Series 1 - ---- Coil, Field Shunt 4 - ---- Insulator, Field Pole 1 - ---- Rivet, Field Series Coil Ground
			FIELD SERIES COIL PACKAGE Part No. 2421 474 Consists of: 1 - ---- Coil, Field Series 4 - ---- Insulator, Field Pole 1 - ---- Rivet, Field Series Coil Ground 1 - ---- Washer

★ Indicates use as required.

☐ Indicates parts not listed in any previous parts book.

* Indicates change or addition.

Page PK-17

Printed in U.S.A.
Prices and specifications subject to change without notice.
Jan. 3, 1964 Supersedes Dec. 14, 1962.

1963 PASSENGER CAR PARTS CATALOG

CODE	PART NAME AND PART NUMBER	CODE	PART NAME AND PART NUMBER
8-52-341	CONTACT and COVER GASKET PACKAGE, SOLENOID Part No. 2084 091 Consists of: 1 - ---- Contact, Solenoid 1 - ---- Gasket, Cover 1 - ---- Spring, Return 1 - ---- Spring, Solenoid Switch, Outer	8-55-1	Cont'd LAMP PACKAGE, TAIL STOP and TURN SIGNAL, LEFT Part No. 2298 894 Consists of: 1 - ---- Lamp 4 - 273 292 Nut 2 - 6010 008 Nut and Seal
8-52-342	CONTACT and SPRING PACKAGE, SOLENOID SWITCH Part No. 2275 553 Consists of: 1 - ---- Contact, Solenoid Switch 1 - ---- Spring, Solenoid Switch, Outer 1 - ---- Spring, Return		LAMP PACKAGE, TAIL, STOP and TURN SIGNAL, RIGHT Part No. 2299 347 Consists of: 3 - 6023 272 J/Nut 1 - ---- Lamp 2 - 9418 009 Screw 1 - 9418 010 Screw
8-52-344	COVER and GASKET PACKAGE, SOLENOID . Part No. 2084 090 Consists of: 1 - ---- Cover 1 - ---- Gasket, Cover		LAMP PACKAGE, TAIL, STOP and TURN SIGNAL, LEFT Part No. 2299 348 Consists of: 3 - 6023 272 J/Nut 1 - ---- Lamp 2 - 9418 009 Screw 1 - 9418 010 Screw
8-52-345	SOLENOID PACKAGE . . Part No. 2275 554 Consists of: 1 - 120 622 Nut, Hex 1 - ---- Retainer, Solenoid Coil 1 - ---- Sleeve, Solenoid Coil 1 - ---- Solenoid 1 - ---- Washer, Solenoid Coil 1 - ---- Washer, Solenoid Terminal Relay Stud Insulating 1 - ---- Washer, Terminal Relay Stud		LAMP PACKAGE, TAIL, STOP and TURN SIGNAL, RIGHT . Part No. 2421 144 Consists of: 1 - 151 567 Bulb 1 - ---- Housing 1 - ---- Lens 3 - 6014 023 J/Nut 6 - ---- Screw
8-52-354	STUD PACKAGE, SOLENOID TERMINAL RELAY Part No. 2084 094 Consists of: 1 - ---- Insulator, Relay Stud 1 - 120 622 Nut, Hex 1 - ---- Stud, Terminal Relay 1 - 9414 106 Washer, Lock 1 - ---- Washer, Relay Stud Spacing STUD and SEAL PACKAGE, SOLENOID TERMINAL RELAY . . . Part No. 2421 837 Consists of: 1 - 6022 377 Screw, Grounding 1 - 2098 660 Seal, Solenoid Contact 1 - ---- Sealer, Brush Plate 1 - ---- Stud, Terminal Relay 1 - ---- Washer, Battery Stud Sealing 1 - ---- Washer, Relay Stud Insulating		LAMP PACKAGE, TAIL, STOP and TURN SIGNAL, LEFT Part No. 2421 145 Consists of: 1 - 151 567 Bulb 1 - ---- Housing 1 - ---- Lens 3 - 6014 023 J/Nut 6 - ---- Screw LAMP PACKAGE, TAIL, STOP and TURN SIGNAL, RIGHT Part No. 2421 148 Consists of: 1 - 151 567 Bulb 1 - ---- Gasket, Housing 1 - 2243 094 Gasket, Lens 1 - ---- Housing and Socket 3 - 6014 023 J/Nut 1 - ---- Lens and Bezel 3 - 1878 117 Screw 3 - 168 595 Screw 1 - ---- Wick
8-55-1	LAMP PACKAGE, TAIL, STOP and TURN SIGNAL, RIGHT Part No. 2298 893 Consists of: 1 - ---- Lamp 4 - 273 292 Nut 2 - 6010 008 Nut and Seal		LAMP PACKAGE, TAIL, STOP and TURN SIGNAL, LEFT Part No. 2421 149 Consists of: 1 - 151 567 Bulb - - ---- Gasket, Housing (Pkg. Cont'd)

★ Indicates use as required.
 □ Indicates parts not listed in any previous parts book.
 Jan. 3, 1964 Supersedes Dec. 14, 1962.

Printed in U.S.A.
 Prices and specifications subject to change without notice.
 * Indicates change or addition.

CODE	PART NAME AND PART NUMBER	CODE	PART NAME AND PART NUMBER
8-55-1	Cont'd	8-55-1	Cont'd
	1 - 2243 094 Gasket, Lens		4 - 6023 111 J/Nut
	1 - ----- Housing and Socket		4 - ----- Screw, Attaching
	3 - 6014 023 J/Nut		4 - ----- Screw, Housing to Body
	1 - ----- Lens and Bezel		LAMP PACKAGE, TAIL, STOP and TURN SIGNAL, RIGHT Part No. 2448 635
	3 - 1878 117 Screw		Consists of:
	3 - 168 595 Screw		1 - ----- Lamp
	1 - ----- Wick		3 - 6023 251 Nut
	LAMP PACKAGE, TAIL, STOP and TURN SIGNAL . . . Part No. 2421 182		1 - 6023 185 Washer
	Consists of:		LAMP PACKAGE, TAIL, STOP and TURN SIGNAL, LEFT Part No. 2448 636
	1 - 151 567 Bulb		Consists of:
	1 - ----- Housing		1 - ----- Lamp
	3 - 6023 481 J/Nut		3 - 6023 251 Nut
	1 - ----- Lens		1 - 6023 185 Washer
	6 - ----- Screw		LAMP PACKAGE, TAIL, STOP and TURN SIGNAL Part No. 2421 184
	LAMP PACKAGE, TAIL, STOP and TURN SIGNAL Part No. 2421 184		Consists of:
	Consists of:		1 - 151 567 Bulb
	1 - ----- Gasket, Housing to Body		1 - ----- Gasket, Lens to Housing
	1 - ----- Gasket, Lens to Housing		1 - ----- Housing, Socket and Cable
	1 - ----- Housing, Socket and Cable		3 - ----- J/Nut
	3 - ----- J/Nut		1 - ----- Lens and Bezel
	1 - ----- Lens and Bezel		3 - 1903 385 Screw
	3 - 1903 385 Screw		3 - 9414 713 Screw
	3 - 9414 713 Screw		1 - ----- Wick
	1 - ----- Wick		8-55-34 EXTENSION and GASKET PACKAGE, TAIL, STOP and TURN SIGNAL LAMP, RIGHT Part No. 2448 613
	LAMP PACKAGE, TAIL, STOP and TURN SIGNAL, RIGHT Part No. 2421 460		Consists of:
	Consists of:		1 - ----- Extension
	1 - ----- Gasket, Housing to Body		3 - ----- Washer, Sealing
	1 - ----- Gasket, Lens		1 - ----- Welt
	1 - ----- Housing and Socket		EXTENSION and GASKET PACKAGE, TAIL, STOP and TURN SIGNAL LAMP, LEFT Part No. 2448 614
	1 - ----- Lens		Consists of:
	2 - 6023 282 Screw		1 - ----- Extension
	2 - 9418 260 Screw		3 - ----- Washer, Sealing
	1 - ----- Screw		1 - ----- Welt
	1 - ----- Wick		8-55-63 SPRING, INSULATOR and CONTACT PACKAGE, TAIL, STOP and TURN SIGNAL LAMP SOCKET Part No. 2198 860
	LAMP PACKAGE, TAIL, STOP and TURN SIGNAL, LEFT Part No. 2421 461		Consists of:
	Consists of:		1 - ----- Contact
	1 - ----- Gasket, Housing to Body		1 - ----- Insulator
	1 - ----- Gasket, Lens		1 - ----- Spring
	1 - ----- Housing and Socket		8-55-136 HOUSING PACKAGE, TAIL, STOP and TURN SIGNAL LAMP, RIGHT . Part No. 2298 895
	1 - ----- Lens		Consists of:
	2 - 6023 282 Screw		1 - ----- Gasket
	2 - 9418 260 Screw		1 - ----- Housing and Stud
	1 - ----- Screw		HOUSING PACKAGE, TAIL, STOP and TURN SIGNAL LAMP, LEFT . Part No. 2298 896
	1 - ----- Wick		Consists of:
	LAMP PACKAGE, TAIL, STOP and TURN SIGNAL Part No. 2421 814		1 - ----- Gasket
	Consists of:		1 - ----- Housing and Stud
	1 - ----- Bezel and Lens		
	1 - ----- Housing		
	(Pkg. Cont'd)		

★ Indicates use as required.

☐ Indicates parts not listed in any previous parts book.

* Indicates change or addition.

Page PK-19

Printed in U.S.A.
Prices and specifications subject to change without notice.
Jan. 3, 1964 Supersedes Dec. 14, 1962.

CODE	PART NAME AND PART NUMBER	CODE	PART NAME AND PART NUMBER
8-55-136	<p>Cont'd HOUSING PACKAGE, TAIL, STOP, TURN SIGNAL and BACK-UP LAMP, RIGHT Part No. 2421 467 Consists of: 1 - ---- Gasket, Back-Up Lamp Housing 1 - ---- Gasket, Tail, Stop and Turn Signal Lamp Housing 1 - ---- Housing and Stud 9 - 273 292 Nut 12 - ---- Screw 9 - 6022 013 Washer 1 - ---- Welt</p> <p>HOUSING PACKAGE, TAIL, STOP, TURN SIGNAL and BACK-UP LAMP, LEFT Part No. 2421 468 Consists of: 1 - ---- Gasket, Back-Up Lamp Housing 1 - ---- Gasket, Tail, Stop and Turn Signal Lamp Housing 1 - ---- Housing and Stud 8 - 273 292 Nut 12 - ---- Screw 8 - 6022 013 Washer 1 - ---- Welt</p> <p>HOUSING PACKAGE, TAIL, STOP and TURN SIGNAL LAMP Part No. 2448 619 Consists of: 1 - ---- Gasket, Housing 1 - ---- Housing 4 - 6023 539 Nut, Bezel Stud Attaching 3 - 9411 629 Screw, Extension Attaching 4 - 6023 867 Screw, Housing to Bezel Attaching 4 - 9418 831 Screw, Bezel to Back-Up Lens Attaching 5 - 6023 185 Washer, Cup 2 - ---- Washer, Bezel Drive Stud Upper Sealing 2 - 6022 007 Washer, Bezel Sealing</p>	8-55-158	<p>Cont'd 1 - ---- Gasket, Lens 1 - ---- Lens 1 - ---- Welt</p> <p>BEZEL, LENS and GASKET PACKAGE, TAIL, STOP and TURN SIGNAL LAMP, RIGHT Part No. *2421 180 Consists of: 1 - 2243 094 Gasket, Lens and Bezel 1 - ---- Lens and Bezel</p> <p>BEZEL, LENS and GASKET PACKAGE, TAIL, STOP and TURN SIGNAL LAMP, LEFT Part No. *2421 181 Consists of: 1 - 2243 094 Gasket, Lens and Bezel 1 - ---- Lens and Bezel</p> <p>BEZEL, LENS and GASKET PACKAGE, TAIL, STOP and TURN SIGNAL LAMP Part No. 2421 185 Consists of: 1 - ---- Gasket, Lens and Bezel to Housing 1 - ---- Lens and Bezel</p> <p>BEZEL, LENS and GASKET PACKAGE, TAIL, STOP and TURN SIGNAL LAMP Part No. 2421 477 Consists of: 1 - ---- Bezel and Lens 1 - ---- Gasket, Bezel and Lens</p> <p>BEZEL and REFLECTOR PACKAGE, TAIL, STOP and TURN SIGNAL LAMP Part No. 2421 815 Consists of: 1 - ---- Bezel 1 - ---- Reflector, Button 1 - ---- Retainer, Reflector</p> <p>BEZEL and HOUSING PACKAGE, TAIL LAMP, RIGHT Part No. 2421 839 Consists of: 1 - ---- Bezel, Housing 1 - ---- Housing 2 - 6023 111 J/Nut, Housing to Panel Attaching 2 - ---- Nut, Bezel to Lens Attaching 2 - 6000 286 Nut, Housing to Panel Attaching 4 - 6023 633 Screw, Tail Lamp Attaching 2 - ---- Screw, Housing to Panel Attaching 2 - 9418 480 Screw, Housing to Panel Attaching</p>
8-55-158	<p>BEZEL, LENS and GASKET PACKAGE, TAIL, STOP and TURN SIGNAL LAMP, RIGHT . Part No. 2299 349 Consists of: 1 - ---- Bezel 1 - ---- Gasket, Reflex 1 - ---- Gasket, Lens 1 - ---- Lens 1 - ---- Welt</p> <p>BEZEL, LENS and GASKET PACKAGE, TAIL, STOP and TURN SIGNAL LAMP, LEFT Part No. 2421 100 Consists of: 1 - ---- Bezel 1 - ---- Gasket, Reflex (Pkg. Cont'd)</p>		

★ Indicates use as required.
 ☐ Indicates parts not listed in any previous parts book.
 Jan. 3, 1964 Supersedes Dec. 14, 1962.

CODE	PART NAME AND PART NUMBER	CODE	PART NAME AND PART NUMBER	
8-55-158	Cont'd BEZEL and HOUSING PACKAGE, TAIL LAMP, LEFT Part No. 2421 840 Consists of: 1 - ---- --- Bezel, Housing 1 - ---- --- Housing 2 - 6023 111 J/Nut, Housing to Panel Attaching 2 - ---- --- Nut, Bezel to Lens Attaching 2 - 6000 286 Nut, Housing to Panel Attaching 4 - 6023 633 Screw, Tail Lamp Attaching 2 - ---- --- Screw, Housing to Panel Attaching 2 - 9418 480 Screw, Housing to Panel Attaching BEZEL and HOUSING PACKAGE, TAIL, STOP and TURN SIGNAL LAMP, RIGHT Part No. 2421 843 Consists of: 1 - ---- --- Bezel, Housing 1 - ---- --- Housing 4 - 6023 111 J/Nut, Housing to Panel Attaching 2 - ---- --- Nut, Bezel to Lens Attaching 4 - 9418 480 Screw, Housing to Panel Attaching 4 - 6023 633 Screw, Lamp Attaching BEZEL and HOUSING PACKAGE, TAIL, STOP and TURN SIGNAL LAMP, LEFT Part No. 2421 844 Consists of: 1 - ---- --- Bezel, Housing 1 - ---- --- Housing 4 - 6023 111 J/Nut, Housing to Panel Attaching 2 - ---- --- Nut, Bezel to Lens Attaching 4 - 9418 480 Screw, Housing to Panel Attaching 4 - 6023 633 Screw, Lamp Attaching BEZEL and GASKET PACKAGE, TAIL, STOP, TURN SIGNAL and BACK- UP LAMP, RIGHT . . . Part No. 2448 615 Consists of: 1 - ---- --- Bezel and Stud 1 - ---- --- Gasket, Housing to Lens 1 - ---- --- Gasket, Lens Reflex 1 - ---- --- Gasket, Back-Up Lamp to Quarter Panel 1 - ---- --- Welt	8-55-158	Cont'd BEZEL and GASKET PACKAGE, TAIL, STOP, TURN SIGNAL and BACK- UP LAMP, LEFT . . . Part No. 2448 616 Consists of: 1 - ---- --- Bezel and Stud 1 - ---- --- Gasket, Housing to Lens 1 - ---- --- Gasket, Lens Reflex 1 - ---- --- Gasket, Back-Up Lamp to Quarter Panel 1 - ---- --- Welt BEZEL, LENS and GASKET PACKAGE, TAIL, STOP and TURN SIGNAL LAMP Part No. 2448 617 Consists of: 1 - ---- --- Bezel and Lens 1 - ---- --- Gasket, Lens Reflex 1 - ---- --- Gasket, Housing to Lens 1 - ---- --- Wick BEZEL, LENS and GASKET PACKAGE, TAIL, STOP and TURN SIGNAL LAMP, RIGHT Part No. *2448 637 Consists of: 1 - ---- --- Bezel 1 - ---- --- Gasket, Lamp Reflex 1 - ---- --- Gasket, Lens 1 - ---- --- Lens 1 - 2424 882 Welt BEZEL, LENS and GASKET PACKAGE, TAIL, STOP and TURN SIGNAL LAMP, LEFT . Part No. *2448 638 Consists of: 1 - ---- --- Bezel 1 - ---- --- Gasket, Lamp Reflex 1 - ---- --- Gasket, Lens 1 - ---- --- Lens 1 - 2424 882 Welt 8-55-194	LENS and GASKET PACKAGE, TAIL, STOP and TURN SIGNAL LAMP, RIGHT Part No. 2298 897 Consists of: 1 - ---- --- Gasket, Lens 1 - ---- --- Lens LENS and GASKET PACKAGE, TAIL, STOP and TURN SIGNAL LAMP, LEFT Part No. 2298 898 Consists of: 1 - ---- --- Gasket, Lens 1 - ---- --- Lens LENS and GASKET PACKAGE, TAIL, STOP and TURN SIGNAL LAMP, RIGHT Part No. 2279 934 Consists of: 1 - 2189 548 Gasket, Lens 1 - ---- --- Lens

★ Indicates use as required.

☐ Indicates parts not listed in any previous parts book.

* Indicates change or addition.

Printed in U.S.A.

Prices and specifications subject to change without notice.

Jan. 3, 1964 Supersedes Dec. 14, 1962.

1963 PASSENGER CAR PARTS CATALOG PARTS PACKAGES

CODE	PART NAME AND PART NUMBER	CODE	PART NAME AND PART NUMBER
8-55-194	Cont'd LENS and GASKET PACKAGE, TAIL, STOP and TURN SIGNAL LAMP, LEFT Part No. 2279 935 Consists of: 1 - 2189 548 Gasket, Lens 1 - ---- Lens LENS and GASKET PACKAGE, TAIL, STOP and TURN SIGNAL LAMP Part No. 2299 311 Consists of: 1 - ---- Gasket, Lens 1 - ---- Gasket, Reflex 1 - ---- Lens 1 - ---- Welt LENS and GASKET, PACKAGE, TAIL, STOP and TURN SIGNAL LAMP Part No. 2299 344 Consists of: 1 - ---- Gasket, Lens 1 - ---- Lens LENS and GASKET PACKAGE, TAIL, STOP and TURN SIGNAL LAMP, RIGHT Part No. 2421 101 Consists of: 1 - ---- Gasket, Lens 1 - ---- Gasket, Reflex 1 - ---- Lens 1 - ---- Welt LENS and GASKET PACKAGE, TAIL, STOP and TURN SIGNAL LAMP, LEFT Part No. 2421 102 Consists of: 1 - ---- Gasket, Lens 1 - ---- Gasket, Reflex 1 - ---- Lens 1 - ---- Welt LENS and GASKET PACKAGE, TAIL, STOP and TURN SIGNAL LAMP, RIGHT. Part No. 2421 146 Consists of: 1 - 2243 094 Gasket 1 - ---- Lens LENS and GASKET PACKAGE, TAIL, STOP and TURN SIGNAL LAMP, LEFT Part No. 2421 147 Consists of: 1 - 2243 094 Gasket 1 - ---- Lens LENS and GASKET PACKAGE, TAIL, STOP and TURN SIGNAL LAMP Part No. 2421 183 Consists of: 1 - 2243 084 Gasket 1 - ---- Lens	8-55-194	Cont'd LENS and GASKET PACKAGE, TAIL, STOP and TURN SIGNAL LAMP Part No. 2421 451 Consists of: 1 - ---- Gasket, Lens 1 - ---- Lens LENS and GASKET PACKAGE, TAIL, STOP and TURN SIGNAL LAMP, RIGHT Part No. 2421 469 Consists of: 1 - ---- Gasket, Lens 1 - ---- Lens LENS and GASKET PACKAGE, TAIL, STOP and TURN SIGNAL LAMP, LEFT Part No. 2421 470 Consists of: 1 - ---- Gasket, Lens 1 - ---- Lens LENS and GASKET PACKAGE, TAIL, STOP and TURN SIGNAL LAMP Part No. 2421 817 Consists of: 1 - 2422 698 Gasket, Lens 1 - ---- Lens LENS and GASKET PACKAGE, TAIL, STOP and TURN SIGNAL LAMP, RIGHT Part No. 2421 831 Consists of: 1 - ---- Gasket, Lens 1 - ---- Lens LENS and GASKET PACKAGE, TAIL, STOP and TURN SIGNAL LAMP, LEFT Part No. 2421 832 Consists of: 1 - ---- Gasket, Lens 1 - ---- Lens LENS and GASKET PACKAGE, TAIL LAMP, RIGHT Part No. 2421 841 Consists of: 1 - ---- Gasket, Lens 1 - ---- Lens LENS and GASKET PACKAGE, TAIL LAMP, LEFT Part No. 2421 842 Consists of: 1 - ---- Gasket, Lens 1 - ---- Lens LENS and GASKET PACKAGE, TAIL, STOP and TURN SIGNAL LAMP, RIGHT Part No. 2421 845 Consists of: 1 - 2422 727 Gasket, Lens 1 - ---- Lens

★ Indicates use as required. Numerals in parentheses () refer to notes. Printed in U.S.A.
 ☐ Indicates parts not listed in any previous parts book. Prices and specifications subject to change without notice.
 Jan. 3, 1964 Supersedes Sept. 4, 1962. Page PK-22 * Indicates change or addition.

CODE	PART NAME AND PART NUMBER	CODE	PART NAME AND PART NUMBER
8-55-194	Cont'd LENS and GASKET PACKAGE, TAIL, STOP and TURN SIGNAL LAMP, LEFT Part No. 2421 846 Consists of: 1 - 2422 727 Gasket, Lens 1 - ---- Lens	8-56-8	Cont'd LENS and GASKET PACKAGE, BACK-UP LAMP Part No. 2298 852 Consists of: 1 - ---- Gasket, Lens 1 - ---- Lens
8-55-219	REFLECTOR PACKAGE, TAIL, STOP and TURN SIGNAL LAMP Part No. 2421 816 Consists of: 1 - ---- Reflector 1 - ---- Retainer, Reflector		LENS and GASKET PACKAGE, BACK-UP LAMP, RIGHT Part No. 2299 336 Consists of: 1 - 2243 158 Gasket 1 - ---- Lens 1 - ---- Spacer
	REFLECTOR PACKAGE, TAIL, STOP and TURN SIGNAL LAMP Part No. 2421 833 Consists of: 1 - ---- Button, Reflector 1 - ---- Retainer, Reflector Button		LENS and GASKET PACKAGE, BACK-UP LAMP, LEFT Part No. 2299 337 Consists of: 1 - 2243 158 Gasket 1 - ---- Lens 1 - ---- Spacer
8-55-335	INSERT and EXTENSION PACKAGE, TAIL, STOP and TURN SIGNAL LAMP BEZEL, RIGHT Part No. 2279 932 Consists of: 1 - ---- Extension, Bezel 1 - ---- Insert, Bezel Extension 3 - ---- Screw, Mounting		LENS and GASKET PACKAGE, BACK-UP LAMP Part No. 2299 345 Consists of: 1 - ---- Gasket, Lens 1 - ---- Lens
	INSERT and EXTENSION PACKAGE, TAIL, STOP and TURN SIGNAL LAMP BEZEL, LEFT Part No. 2279 933 Consists of: 1 - ---- Extension, Bezel 1 - ---- Insert, Bezel Extension 3 - ---- Screw, Mounting		LENS and GASKET PACKAGE, BACK-UP LAMP, RIGHT Part No. 2421 464 Consists of: 1 - ---- Gasket, Lens 1 - ---- Lens
8-56-1	LAMP PACKAGE, BACK- UP, RIGHT Part No. 2421 462 Consists of: 1 - ---- Gasket, Housing to Body 1 - ---- Gasket, Lens 1 - ---- Housing and Socket 2 - 6014 023 J/Nut 1 - ---- Lens 2 - 9418 260 Screw 2 - 6023 282 Screw 1 - ---- Wick		LENS and GASKET PACKAGE, BACK-UP LAMP, LEFT Part No. 2421 465 Consists of: 1 - ---- Gasket, Lens 1 - ---- Lens
	LAMP PACKAGE, BACK- UP, LEFT Part No. 2421 463 Consists of: 1 - ---- Gasket, Housing to Body 1 - ---- Gasket, Lens 1 - ---- Housing and Socket 2 - 6014 023 J/Nut 1 - ---- Lens 2 - 9418 260 Screw 2 - 6023 282 Screw 1 - ---- Wick		LENS and GASKET PACKAGE, BACK-UP LAMP, RIGHT Part No. 2421 471 Consists of: 1 - ---- Gasket, Lens 1 - ---- Lens
8-56-8	LENS and GASKET PACKAGE, BACK-UP LAMP Part No. 2279 915 Consists of: 1 - 2255 126 Gasket 1 - 2189 521 Gasket, Lens 1 - ---- Lens		LENS and GASKET PACKAGE, BACK-UP LAMP Part No. 2421 472 Consists of: 1 - ---- Gasket, Lens 1 - ---- Lens
			LENS and GASKET PACKAGE, BACK-UP LAMP Part No. 2421 499 Consists of: 1 - 2255 324 Gasket 1 - ---- Lens

★ Indicates use as required.

☐ Indicates parts not listed in any previous parts book.

* Indicates change or addition.

CODE	PART NAME AND PART NUMBER	CODE	PART NAME AND PART NUMBER
8-56-8	Cont'd LENS and GASKET PACKAGE, BACK-UP LAMP Part No. 2421 801 Consists of: 1 - ---- Gasket, Lens 1 - ---- Lens	9-01-5	Cont'd 1 - 1947 797 Gasket, Air Cleaner to Carburetor 1 - 637 191 Gasket, Carburetor Flange 1 - 1947 554 Gasket, Chain Case Cover 1 - 1947 578 Gasket, Cylinder Head 1 - 2121 244 Gasket, Cylinder Head Cover 1 - 1947 671 Gasket, Cylinder Water Outlet Elbow 1 - 2073 792 Gasket, Exhaust Pipe Flange 1 - 1400 185 Gasket, Fuel Pump Flange 1 - ---- Gasket, Intake and Exhaust Manifold 1 - ---- Gasket, Oil Pan, Front 1 - ---- Gasket, Oil Pan, Left 1 - ---- Gasket, Oil Pan, Rear 1 - ---- Gasket, Oil Pan, Right 1 - 618 622 Gasket, Oil Pressure Relief Valve Cap 1 - 2121 404 Gasket, Oil Pump Body 1 - 1947 521 Gasket, Water Pump Body 1 - 1947 523 Gasket, Water Pump Body Intermediate Plate
	LENS and GASKET PACKAGE, BACK-UP LAMP, RIGHT Part No. 2421 802 Consists of: 1 - ---- Gasket, Lens 1 - ---- Lens		GASKET SET, ENGINE W/ALUMINUM ENGINE, Part No. 2240 628 Consists of: 1 - 1947 797 Gasket, Air Cleaner to Carburetor 1 - 1947 554 Gasket, Chain Case Cover 1 - 2128 279 Gasket, Cylinder Head 1 - 2121 244 Gasket, Cylinder Head Cover 1 - 1947 671 Gasket, Cylinder Water Outlet Elbow 1 - 2073 792 Gasket, Exhaust Pipe Flange 1 - 1400 185 Gasket, Fuel Pump Flange 1 - 1947 762 Gasket, Intake and Exhaust Manifold 1 - 2268 264 Gasket, Intake to Exhaust Manifold 1 - ---- Gasket, Oil Pan, Front 1 - ---- Gasket, Oil Pan, Left 1 - ---- Gasket, Oil Pan, Rear 1 - ---- Gasket, Oil Pan, Right 1 - 618 622 Gasket, Oil Pressure Relief Valve Cap 1 - 2121 404 Gasket, Oil Pump Body 1 - 1947 521 Gasket, Water Pump Body 1 - 1947 523 Gasket, Water Pump Body Intermediate Plate
	LENS and GASKET PACKAGE, BACK-UP LAMP, LEFT Part No. 2421 803 Consists of: 1 - ---- Gasket, Lens 1 - ---- Lens		GASKET SET, ENGINE . . . Part No. 2196 087 Consists of: 1 - 2129 012 Gasket, Chain Case Cover 2 - ---- Gasket, Cylinder Head 2 - 2128 407 Gasket, Cylinder Head Cover 1 - ---- Gasket, Cylinder Water Outlet (Pkg. Cont'd)
	LENS and GASKET PACKAGE, BACK-UP LAMP, RIGHT Part No. 2421 805 Consists of: 1 - ---- Gasket 1 - ---- Lens		
	LENS and GASKET PACKAGE, BACK-UP LAMP, LEFT Part No. 2421 806 Consists of: 1 - ---- Gasket 1 - ---- Lens		
	LENS and GASKET PACKAGE, BACK-UP LAMP Part No. 2448 618 Consists of: 1 - ---- Gasket, Lens 1 - ---- Lens		
8-56-27	SPRING, INSULATOR and CONTACT PACKAGE, BACK-UP LAMP SOCKET Part No. 2257 100 Consists of: 1 - ---- Contact 1 - ---- Insulator 1 - ---- Spring		
8-57-89	SPRING, INSULATOR and CONTACT PACKAGE, LICENSE LAMP SOCKET Part No. 2257 100 Consists of: 1 - ---- Contact 1 - ---- Insulator 1 - ---- Spring		
9-01-5	GASKET SET, ENGINE . Part No. 2196 045 Consists of: 1 - 1945 561 Gasket, Air Cleaner Cover (Pkg. Cont'd)		

★ Indicates use as required.

☐ Indicates parts not listed in any previous parts book.

Jan. 3, 1964 Supersedes Sept. 4, 1962.

Printed in U.S.A.
Prices and specifications subject to change without notice.

* Indicates change or addition.

CODE	PART NAME AND PART NUMBER	CODE	PART NAME AND PART NUMBER
9-01-5	Cont'd	9-01-5	Cont'd
	2 - 1636 570 Gasket, Exhaust Pipe Flange		1 - 50 082 Gasket, Cylinder Water Outlet Elbow
	1 - 1400 185 Gasket, Fuel Pump Flange		2 - 2401 577 Gasket, Exhaust Pipe Flange
	1 - 1326 836 Gasket, Ignition Distributor		1 - 1400 185 Gasket, Fuel Pump Flange
	2 - ---- Gasket, Intake Manifold		2 - 2402 380 Gasket, Intake Manifold - Center
	1 - ---- Gasket, Intake Manifold - Front		1 - 1326 836 Gasket, Ignition Distributor
	1 - ---- Gasket, Intake Manifold - Rear		2 - ---- Gasket, Intake Manifold - End
	2 - ---- Gasket, Oil Pan		1 - 1737 770 Gasket, Oil Pan
	2 - ---- Gasket, Oil Pan-End		1 - 618 622 Gasket, Oil Pressure Relief Valve Cap
	1 - 2129 013 Gasket, Water Pump Body		1 - 1737 705 Gasket, Water Pump Body
	GASKET SET, ENGINE . . Part No. 2279 976		2 - 1737 761 Gasket, Water Pump Housing to Cylinder Block
	Consists of:		GASKET SET, ENGINE . Part No. 2279 977
	1 - 2264 794 Gasket, Chain Case Cover		Consists of:
	2 - 1851 579 Gasket, Cylinder Head		1 - 2264 794 Gasket, Chain Case Cover
	2 - ---- Gasket, Cylinder Head Cover		2 - 1851 579 Gasket, Cylinder Head
	1 - 50 082 Gasket, Cylinder Water Outlet Elbow		2 - ---- Gasket, Cylinder Head Cover
	2 - 1855 029 Gasket, Exhaust Pipe Flange		1 - 50 082 Gasket, Cylinder Water Outlet Elbow
	2 - 1821 640 Gasket, Exhaust Pipe Flange		2 - 1821 640 Gasket, Exhaust Pipe Flange
	1 - 1400 185 Gasket, Fuel Pump Flange		2 - 1855 029 Gasket, Exhaust Pipe Flange
	1 - 1326 836 Gasket, Ignition Distributor		1 - 1400 185 Gasket, Fuel Pump Flange
	1 - 1737 709 Gasket, Intake Manifold		1 - 1326 836 Gasket, Ignition Distributor
	1 - 1737 770 Gasket, Oil Pan		1 - 1851 664 Gasket, Intake Manifold
	1 - 618 622 Gasket, Oil Pressure Relief Valve Cap		1 - 1737 770 Gasket, Oil Pan
	1 - 1737 705 Gasket, Water Pump Body		1 - 618 622 Gasket, Oil Pressure Relief Valve Cap
	2 - 1737 761 Gasket, Water Pump to Cylinder Block		1 - 1737 705 Gasket, Water Pump Body
	GASKET SET, ENGINE . . Part No. 2421 396		2 - 1737 761 Gasket, Water Pump to Cylinder Block
	Consists of:		GASKET SET, ENGINE . Part No. *2448 713
	1 - 2264 794 Gasket, Chain Case Cover		Consists of:
	2 - 1859 429 Gasket, Cylinder Head		1 - 1947 797 Gasket, Air Cleaner to Carburetor
	2 - ---- Gasket, Cylinder Head Cover		1 - 1947 554 Gasket, Chain Case Cover
	1 - 50 082 Gasket, Cylinder Water Outlet Elbow		1 - 1947 578 Gasket, Cylinder Head
	2 - 683 051 Gasket, Exhaust Pipe Flange		1 - 2406 625 Gasket, Cylinder Head Cover
	2 - ---- Gasket, Exhaust Pipe Flange		1 - 1947 671 Gasket, Cylinder Water Outlet Elbow
	1 - 1400 185 Gasket, Fuel Pump Flange		1 - 2073 792 Gasket, Exhaust Pipe Flange
	1 - 1326 836 Gasket, Ignition Distributor		1 - 1400 185 Gasket, Fuel Pump Flange
	1 - 1851 664 Gasket, Intake Manifold		1 - 1947 762 Gasket, Intake and Exhaust Manifold
	1 - 1737 770 Gasket, Oil Pan		1 - 2268 264 Gasket, Intake to Exhaust Manifold
	1 - 618 622 Gasket, Oil Pressure Relief Valve Cap		1 - ---- Gasket, Oil Pan, Front
	1 - 1737 705 Gasket, Water Pump Body		1 - 2205 801 Gasket, Oil Pan, Rear
	2 - 1737 761 Gasket, Water Pump to Cylinder Block		1 - ---- Gasket, Oil Pan, Left
	GASKET SET, ENGINE . . Part No. 2421 364		1 - ---- Gasket, Oil Pan, Right
	Consists of:		1 - 618 622 Gasket, Oil Pressure Relief Valve Cap
	1 - 2264 794 Gasket, Chain Case Cover		1 - 2121 404 Gasket, Oil Pump Body
	2 - 1859 429 Gasket, Cylinder Head		
	2 - ---- Gasket, Cylinder Head Cover		

(Pkg. Cont'd)

(Pkg. Cont'd)

★ Indicates use as required.

☐ Indicates parts not listed in any previous parts book.

* Indicates change or addition.

Printed in U.S.A.

Prices and specifications subject to change without notice.

Jan. 3, 1964 Supersedes Sept. 4, 1962.

CODE	PART NAME AND PART NUMBER	CODE	PART NAME AND PART NUMBER
9-01-5	Cont'd	9-01-5	Cont'd
	1 - 1947 521 Gasket, Water Pump Body		1 - 50 082 Gasket, Cylinder Water Outlet Elbow
	1 - 1947 523 Gasket, Water Pump Intermediate Plate		2 - 2401 577 Gasket, Exhaust Pipe Flange
	GASKET SET, ENGINE . Part No.*2448 715		1 - 1400 185 Gasket, Fuel Pump Flange
	Consists of:		1 - 1326 836 Gasket, Ignition Distributor
	1 - 1947 797 Gasket, Air Cleaner to Carburetor		2 - 2402 380 Gasket, Intake Manifold Center
	1 - 1947 554 Gasket, Chain Case Cover		2 - ---- --- Gasket, Intake Manifold, End
	1 - 2128 279 Gasket, Cylinder Head		1 - 1737 770 Gasket, Oil Pan
	1 - 2406 625 Gasket, Cylinder Head Cover		1 - 618 622 Gasket, Oil Pressure Relief Valve Cap
	1 - 1947 671 Gasket, Cylinder Water Outlet Elbow		1 - 1737 705 Gasket, Water Pump Body
	1 - 2073 792 Gasket, Exhaust Pipe Flange		2 - 1737 761 Gasket, Water Pump Housing to Cylinder Block
	1 - 1400 185 Gasket, Fuel Pump Flange		GASKET SET, ENGINE . Part No.*2448 779
	1 - 1947 762 Gasket, Intake and Exhaust Manifold		Consists of:
	1 - 2268 264 Gasket, Intake to Exhaust Manifold		1 - 2264 794 Gasket, Chain Case Cover
	1 - ---- --- Gasket, Oil Pan, Front		2 - 1851 579 Gasket, Cylinder Head
	1 - ---- --- Gasket, Oil Pan, Rear		2 - 2463 168 Gasket, Cylinder Head Cover
	1 - ---- --- Gasket, Oil Pan, Left		1 - 50 082 Gasket, Cylinder Water Outlet Elbow
	1 - ---- --- Gasket, Oil Pan, Right		2 - 1821 640 Gasket Exhaust Pipe Flange
	1 - 618 622 Gasket, Oil Pressure Relief Valve Cap		2 - 1855 029 Gasket, Exhaust Pipe Flange
	1 - 2121 404 Gasket, Oil Pump Body		1 - 1400 185 Gasket, Fuel Pump Flange
	1 - 1947 521 Gasket, Water Pump Body		1 - 1326 836 Gasket, Ignition Distributor
	1 - 1947 523 Gasket, Water Pump Intermediate Plate		1 - 1851 664 Gasket, Intake Manifold
	GASKET SET, ENGINE . Part No.*2448 777		1 - 1737 770 Gasket, Oil Pan
	Consists of:		1 - 618 622 Gasket, Oil Pressure Relief Valve Cap
	1 - 2264 794 Gasket, Chain Case Cover		1 - 1737 705 Gasket, Water Pump Body
	2 - 1851 579 Gasket, Cylinder Head		2 - 1737 761 Gasket, Water Pump to Cylinder Block
	2 - 2463 168 Gasket, Cylinder Head Cover		GASKET SET, ENGINE . Part No.*2448 781
	1 - 50 082 Gasket, Cylinder Water Outlet Elbow		Consists of:
	2 - 1821 640 Gasket, Exhaust Pipe Flange		1 - 2264 794 Gasket, Chain Case Cover
	2 - 1855 029 Gasket, Exhaust Pipe Flange		2 - 1859 429 Gasket, Cylinder Head
	1 - 1400 185 Gasket, Fuel Pump Flange		2 - 2463 168 Gasket, Cylinder Head Cover
	1 - 1326 836 Gasket, Ignition Distributor		1 - 50 082 Gasket, Cylinder Water Outlet Elbow
	1 - 1737 709 Gasket, Intake Manifold		2 - 683 051 Gasket, Exhaust Pipe Flange
	1 - 1737 770 Gasket, Oil Pan		2 - ---- --- Gasket, Exhaust Pipe Flange
	1 - 618 622 Gasket, Oil Pressure Relief Valve Cap		1 - 1400 185 Gasket, Fuel Pump Flange
	1 - 1737 705 Gasket, Water Pump Body		1 - 1326 836 Gasket, Ignition Distributor
	2 - 1737 761 Gasket, Water Pump to Cylinder Block		1 - 1851 664 Gasket, Intake Manifold
	GASKET SET, ENGINE . Part No.*2448 783		4 - 1947 428 Gasket, Intake Manifold Heat Pipe Flange, Lower
	Consists of:		4 - 1947 429 Gasket, Intake Manifold Heat Pipe Flange, Upper
	1 - 2264 794 Gasket, Chain Case Cover		1 - 1737 770 Gasket, Oil Pan
	2 - 1859 429 Gasket, Cylinder Head		1 - 618 622 Gasket, Oil Pressure Relief Valve Cap
	2 - 2463 168 Gasket, Cylinder Head Cover		1 - 1737 705 Gasket, Water Pump Body
	2 - 2463 168 Gasket, Cylinder Head Cover		2 - 1737 761 Gasket, Water Pump to Cylinder Block
	(Pkg. Cont'd)		

★ Indicates use as required.

☐ Indicates parts not listed in any previous parts book.

Jan. 3, 1964 Supersedes Sept. 4, 1962.

Page PK-26

Printed in U.S.A.

Prices and specifications subject to change without notice.

* Indicates change or addition.

CODE	PART NAME AND PART NUMBER	CODE	PART NAME AND PART NUMBER
9-10-2	OIL SEAL PACKAGE, CRANKSHAFT BEARING NO. 5 CAP Part No. 1326 091 Consists of: 1 - ---- Oil Seal, Left 1 - ---- Oil Seal, Right	9-39-1	Cont'd 2 - ---- Gasket, Exhaust Pipe Flange 2 - ---- Gasket, Intake Manifold 1 - ---- Gasket, Intake Manifold- Front 1 - ---- Gasket, Intake Manifold- Rear
9-11-1	OIL SEAL PACKAGE, CRANKSHAFT REAR BEARING Part No. 1326 093 Consists of: 2 - ---- Oil Seal, Bearing 1 - ---- Oil Seal, Bearing Cap, Right 1 - ---- Oil Seal, Bearing Cap, Left		GASKET PACKAGE, VALVE GRIND Part No. 1879 703 Consists of: 2 - 1851 579 Gasket, Cylinder Head 2 - ---- Gasket, Cylinder Head Cover 2 - 1821 640 Gasket, Exhaust Pipe Flange 2 - 1855 029 Gasket, Exhaust Pipe Flange 1 - 1737 709 Gasket, Intake Manifold 2 - 1737 761 Gasket, Water Pump to Cylinder Block
	OIL SEAL PACKAGE, CRANKSHAFT REAR BEARING Part No. 2084 411 Consists of: 1 - ---- Gasket, Cap, Right 1 - ---- Gasket, Cap, Left 2 - ---- Oil Seal		GASKET PACKAGE, VALVE GRIND Part No. 1879 704 Consists of: 2 - 1851 579 Gasket, Cylinder Head 2 - ---- Gasket, Cylinder Head Cover 2 - 1821 640 Gasket, Exhaust Pipe Flange 2 - 1855 029 Gasket, Exhaust Pipe Flange 2 - 1851 664 Gasket, Intake Manifold 2 - 1737 761 Gasket, Water Pump to Cylinder Block
	OIL SEAL PACKAGE, CRANKSHAFT REAR BEARING Part No. 2240 650 Consists of: 2 - ---- Oil Seal, Bearing 1 - ---- Oil Seal, Bearing, Upper 2 - ---- Seal, Bearing Retainer, Upper 2 - ---- Seal, Bearing Retainer, Lower		GASKET PACKAGE, VALVE GRIND Part No. 2421 365 Consists of: 2 - 1859 429 Gasket, Cylinder Head 2 - ---- Gasket, Cylinder Head Cover 2 - 2401 577 Gasket, Exhaust Pipe Flange 2 - 2402 380 Gasket, Intake Manifold- Center 2 - ---- Gasket, Intake Manifold- End 2 - 1737 761 Gasket, Water Pump Housing to Cylinder Block
	OIL RETAINER and SEAL PACKAGE, CRANKSHAFT BEARING Part No. 2240 651 Consists of: 1 - ---- Retainer, Bearing Oil Seal Upper 1 - ---- Seal, Bearing Oil, Upper		GASKET PACKAGE, VALVE GRIND Part No. 2421 397 Consists of: 2 - 1859 429 Gasket, Cylinder Head 2 - ---- Gasket, Cylinder Head Cover 2 - 683 051 Gasket, Exhaust Pipe Flange 2 - ---- Gasket, Exhaust Pipe Flange 1 - 1851 664 Gasket, Intake Manifold 2 - 1737 761 Gasket, Water Pump to Cylinder Block
	OIL SEAL PACKAGE, CRANKSHAFT REAR BEARING Part No. 2275 365 Consists of: 2 - ---- Oil Seal, Rear Bearing 2 - ---- Oil Seal, Rear Bearing Retainer		
9-39-1	GASKET PACKAGE, VALVE GRIND Part No. 2196 046 Consists of: 1 - 1947 578 Gasket, Cylinder Head 1 - 2121 244 Gasket, Cylinder Head Cover 1 - 2073 792 Gasket, Exhaust Pipe Flange		
	GASKET PACKAGE, VALVE GRIND Part No. 2196 086 Consists of: 2 - ---- Gasket, Cylinder Head 2 - 2128 407 Gasket, Cylinder Head Cover		

(Pkg. Cont'd)

★ Indicates use as required.

☐ Indicates parts not listed in any previous parts book.

* Indicates change or addition.

CODE	PART NAME AND PART NUMBER	CODE	PART NAME AND PART NUMBER
9-39-1	GASKET PACKAGE, VALVE GRIND Part No.*2448 714 Consists of: 1 - 1947 578 Gasket, Cylinder Head 1 - 2406 625 Gasket, Cylinder Head Cover 1 - 1947 671 Gasket, Cylinder Water Outlet Elbow 1 - 2073 792 Gasket, Exhaust Pipe Flange 1 - 1947 762 Gasket, Intake and Exhaust Manifold 1 - 2268 264 Gasket, Intake to Exhaust Manifold	9-39-1	Cont'd 2 - 683 051 Gasket, Exhaust Pipe Flange 2 - ---- --- Gasket, Exhaust Pipe Flange 1 - 1851 664 Gasket, Intake Manifold 4 - 1947 428 Gasket, Intake Manifold Heat Pipe Flange, Lower 4 - 1947 429 Gasket, Intake Manifold Heat Pipe Flange, Upper 2 - 1737 761 Gasket, Water Pump to Cylinder Block
	GASKET PACKAGE, VALVE GRIND Part No.*2448 716 Consists of: 1 - 2128 279 Gasket, Cylinder Head 1 - 2406 625 Gasket, Cylinder Head Cover 1 - 1947 671 Gasket, Cylinder Water Outlet Elbow 1 - 2073 792 Gasket, Exhaust Pipe Flange 1 - 1947 762 Gasket, Intake and Exhaust Manifold 1 - 2268 264 Gasket, Intake to Exhaust Manifold		GASKET PACKAGE, VALVE GRIND Part No.*2448 780 Consists of: 2 - 1851 579 Gasket, Cylinder Head 2 - 2463 168 Gasket, Cylinder Head Cover 2 - 1821 640 Gasket, Exhaust Pipe Flange 2 - 1855 029 Gasket, Exhaust Pipe Flange 1 - 1851 664 Gasket, Intake Manifold 2 - 1737 761 Gasket, Water Pump to Cylinder Block
	GASKET PACKAGE, VALVE GRIND Part No.*2448 778 Consists of: 2 - 1851 579 Gasket, Cylinder Head 2 - 2463 168 Gasket, Cylinder Head 2 - 1821 640 Gasket, Exhaust Pipe Flange 2 - 1855 029 Gasket, Exhaust Pipe Flange 1 - 1737 709 Gasket, Intake Manifold 2 - 1737 761 Gasket, Water Pump to	9-41-1	SILENCER PACKAGE, TAPPET CHAMBER . . Part No. 1879 747 Consists of: 1 - ---- --- Silencer, Front 1 - ---- --- Silencer, Rear
	GASKET PACKAGE, VALVE GRIND Part No.*2448 784 Consists of: 2 - 1859 429 Gasket, Cylinder Head 2 - 2463 168 Gasket, Cylinder Head Cover 2 - 2401 577 Gasket, Exhaust Pipe Flange 2 - 2402 380 Gasket, Intake Manifold Center 2 - 2402 379 Gasket, Intake Manifold-End 2 - 1737 761 Gasket, Water Pump Housing to Cylinder Block	9-50-1	GASKET SET, MANIFOLD Part No. 2084 416 Consists of: 1 - ---- --- Gasket, Intake and Exhaust Manifold 1 - ---- --- Gasket, Intake to Exhaust Manifold
	GASKET PACKAGE, VALVE GRIND Part No.*2448 782 Consists of: 2 - 1859 429 Gasket, Cylinder Head 2 - 2463 168 Gasket, Cylinder Head Cover		GASKET SET, MANIFOLD Part No. 2525 090 Consists of: 2 - ---- --- Gasket, Intake Manifold 1 - ---- --- Gasket, Intake Manifold, Front 1 - ---- --- Gasket, Intake Manifold, Rear
			GASKET PACKAGE, EXHAUST MANIFOLD . Part No.*2448 791 Consists of: 2 - ---- --- Gasket, Exhaust Manifold, Center 4 - ---- --- Gasket, Exhaust Manifold, End
			GASKET PACKAGE, INTAKE MANIFOLD . . Part No. 2421 363 Consists of: 2 - 2402 380 Gasket, Intake Manifold-Center 2 - ---- --- Gasket, Intake Manifold-End

(Pkg. Cont'd)

★ Indicates use as required.

⊞ Indicates parts not listed in any previous parts book.

Jan. 3, 1964 Supersedes Sept. 4, 1962.

Printed in U.S.A.

Prices and specifications subject to change without notice.

* Indicates change or addition.

CODE	PART NAME AND PART NUMBER	CODE	PART NAME AND PART NUMBER
9-58-1	HEAT CONTROL PACKAGE, MANIFOLD. Part No. 2084 797 Consists of: 1 - 1736 012 Bolt, Valve Clamp 2 - ---- --- Bushing 1 - 2121 430 Counterweight 1 - 1409 594 Lock, Counterweight 1 - 120 614 Nut, Valve Clamp 1 - ---- --- Plate 2 - 148 148 Retainer, Shaft 1 - ---- --- Shaft 1 - 1558 897 Spring, Valve 1 - 2121 455 Stop 1 - 2121 554 Thermostat	10-07-3	SHAFT and ROTOR PACKAGE, OIL PUMP DRIVE Part No. 2084 415 Consists of: 1 - ---- --- Rotor, Outer 1 - ---- --- Shaft, Drive SHAFT and ROTOR PACKAGE, OIL PUMP DRIVE Part No. 2084 354 Consists of: 1 - ---- --- Rotor, Outer 1 - ---- --- Shaft, Drive
	HEAT CONTROL PACKAGE, MANIFOLD. Part No. 2084 794 Consists of: 1 - 1736 012 Bolt, Shield Clamp 2 - ---- --- Bushing 1 - 1409 594 Lock, Shield 1 - 120 614 Nut, Shield Clamp Bolt 1 - ---- --- Plate 2 - 148 148 Retainer, Shaft 1 - ---- --- Shaft 1 - 1670 515 Shield, Thermostat 1 - 1558 897 Spring, Valve 1 - 683 057 Stop 1 - 960 003 Thermostat	10-24-1	GASKET PACKAGE, OIL PAN Part No. 2240 647 Consists of: 1 - ---- --- Gasket, Oil Pan, Right 1 - ---- --- Gasket, Oil Pan, Left 1 - ---- --- Gasket, Oil Pan, Front 1 - ---- --- Gasket, Oil Pan, Rear GASKET PACKAGE, OIL PAN Part No. 1879 520 Consists of: 2 - ---- --- Gasket, Oil Pan, Side 2 - ---- --- Gasket, Oil Pan, End
	HEAT CONTROL PACKAGE, MANIFOLD Part No. 2240 684 Consists of: 1 - 862 830 Bolt, Shield Clamp 2 - ---- --- Bushing 1 - 1409 594 Lock, Shield 1 - 120 614 Nut, Shield Clamp Bolt 1 - ---- --- Plate 2 - 148 148 Retainer, Shaft 1 - ---- --- Shaft 1 - 1670 515 Shield, Thermostat 1 - 1558 897 Spring, Valve 1 - 683 057 Stop 1 - 960 003 Thermostat	10-26-8	CARTRIDGE, OIL FILTER Part No. 2129 023 Consists of: 1 - ---- --- Cartridge, Oil Filter 5 - ---- --- Gasket
	HEAT CONTROL PACKAGE, MANIFOLD. Part No. 2279 887 Consists of: 1 - 862 830 Bolt, Shield Clamp 2 - ---- --- Bushing 2 - ---- --- Bushing 1 - 1409 594 Lock, Shield 1 - 120 614 Nut, Shield Clamp Bolt 1 - ---- --- Plate 2 - 148 148 Retainer, Shaft 1 - ---- --- Shaft 1 - 1944 616 Shield, Thermostat 1 - 1558 897 Spring, Valve 1 - 683 057 Stop 1 - 2128 933 Thermostat	11-02-1	CLAMP PACKAGE, EXHAUST to EXTENSION Part No. 1603 364 Consists of: 2 - 120 214 Lockwasher 2 - 120 376 Nut 1 - ---- --- Saddle 1 - ---- --- U-Bolt CLAMP PACKAGE, TAIL PIPE FRONT SUPPORT, MUFFLER to EXHAUST PIPE, MUFFLER to EXHAUST EXTENSION Part No. 1843 008 Consists of: 2 - 120 214 Lockwasher 2 - 120 376 Nut 1 - ---- --- Saddle 1 - ---- --- U-Bolt CLAMP PACKAGE, TAIL PIPE FRONT SUPPORT, MUFFLER to EXHAUST PIPE Part No. 1843 009 Consists of: 2 - 120 214 Lockwasher 2 - 120 376 Nut 1 - ---- --- Saddle 1 - ---- --- U-Bolt
10-07-2	GASKET and SEAL PACKAGE, OIL PUMP . Part No. 2084 355 Consists of: 3 - ---- --- Gasket 1 - ---- --- Seal		

★ Indicates use as required.
 ☐ Indicates parts not listed in any previous parts book.
 * Indicates change or addition.

Printed in U.S.A.
 Prices and specifications subject to change without notice.
 Jan. 3, 1964 Supersedes Dec. 14, 1962.

CODE	PART NAME AND PART NUMBER	CODE	PART NAME AND PART NUMBER
11-02-1	<p>Cont'd CLAMP PACKAGE, EXHAUST PIPE BRACE, MUFFLER to EXHAUST PIPE Part No. 1843 010 Consists of: 2 - 120 214 Lockwasher 2 - 120 368 Nut 1 - ----- Saddle 1 - ----- U-Bolt</p> <p>CLAMP PACKAGE, MUFFLER to EXHAUST EXTENSION, FRONT MUFFLER SUPPORT, INTERMEDIATE to EXHAUST PIPE Part No. *1603 365 Consists of: 2 - 120 214 Lockwasher 2 - 120 376 Nut 1 - ----- Saddle 1 - ----- U-Bolt 2 - 120 387 Washer, Plain</p> <p>CLAMP PACKAGE, TAIL PIPE REAR SUPPORT . Part No. 2240 308 Consists of: 1 - 181 614 Bolt 1 - ----- Clamp 1 - 120 214 Lockwasher 1 - 120 368 Nut 1 - 120 387 Plainwasher</p> <p>CLAMP PACKAGE, TAIL PIPE REAR SUPPORT . Part No. 2240 311 Consists of: 1 - 181 614 Bolt 1 - ----- Clamp 1 - 120 214 Lockwasher 1 - 120 368 Nut 1 - 120 387 Plainwasher</p> <p>CLAMP PACKAGE, TAIL PIPE REAR SUPPORT . Part No. 2240 312 Consists of: 1 - 181 614 Bolt 1 - ----- Clamp 1 - 120 214 Lockwasher 1 - 120 368 Nut 1 - 120 387 Plainwasher</p> <p>CLAMP PACKAGE, TAIL PIPE REAR SUPPORT . Part No. 2279 897 Consists of: 1 - 181 614 Bolt 1 - ----- Clamp 1 - 120 214 Lockwasher 1 - 120 368 Nut 1 - 120 387 Plainwasher</p>	14-30-4	<p>REPAIR PACKAGE, CARBURETOR Part No. 2299 186 Consists of: 1 - ----- Gasket, Air Horn 1 - ----- Gasket, Flange 1 - ----- Gasket, Pump Jet Housing 2 - ----- Gasket, Primary Vent Cluster 2 - ----- Gasket, Secondary Vent Cluster 2 - ----- Jet, Primary Metering Rod 2 - ----- Needle, w/Seat, Float 1 - ----- Plunger, w/Rod, Pump 2 - ----- Rod, Step-Up 2 - ----- Spring, Vacuum Piston</p> <p>REPAIR PACKAGE, CARBURETOR Part No. *2299 233 Consists of: 1 - ----- Gasket, Air Horn 1 - ----- Gasket, Flange 1 - ----- Gasket, Pump Jet Housing 2 - ----- Gasket, Primary Vent Cluster 2 - ----- Gasket, Secondary Vent Cluster 2 - ----- Jet, Primary Metering 2 - ----- Needle, w/Seat, Float 1 - ----- Plunger, w/Rod, Pump 2 - ----- Spring, Vacuum Piston</p> <p>REPAIR PACKAGE, CARBURETOR Part No. 2299 207 Consists of: 1 - ----- Gasket, Body 1 - ----- Gasket, Body Flange 1 - ----- Gasket, Flange 1 - ----- Gasket, Step-Up Piston 1 - ----- Jet, Main Metering 1 - ----- Needle, w/Seat, Float 1 - ----- Plunger, w/Rod 1 - ----- Spring, Step-Up Piston 1 - ----- Tube, Main Vent 1 - ----- Tube, w/Plug, Idle Orifice</p> <p>REPAIR PACKAGE, CARBURETOR Part No. 2299 211 Consists of: 1 - ----- Gasket, Body 1 - ----- Gasket, Body Flange 1 - ----- Gasket, Flange 1 - ----- Gasket, Step-Up Piston 1 - ----- Jet, Main Metering 1 - ----- Needle, w/Seat, Float 1 - ----- Plunger, w/Rod, Pump 1 - ----- Spring, Step-Up Piston 1 - ----- Tube, Main Vent 1 - ----- Tube, w/Plug, Idle Orifice</p> <p>REPAIR PACKAGE, CARBURETOR Part No. 2299 219 Consists of: 1 - ----- Gasket, Body 1 - ----- Gasket, Body Flange 1 - ----- Gasket, Flange</p>
13-72-4	<p>BAR and BASE PACKAGE, BUMPER JACK Part No. 2275 450 Consists of: 1 - ----- Bar 1 - ----- Base</p>		

(Pkg. Cont'd)

★ Indicates use as required.
 ☐ Indicates parts not listed in any previous parts book.
 Jan. 3, 1964 Supersedes Dec. 14, 1962.

CODE	PART NAME AND PART NUMBER	CODE	PART NAME AND PART NUMBER
14-30-4	Cont'd	14-30-4	Cont'd
1	- - - - - Gasket, Step-Up Piston	1	- - - - - Gasket, Pump Discharge Nozzle
1	- - - - - Gasket, Venturi Cover	1	- - - - - Needle, w/Seat, Float
1	- - - - - Gasket, Venturi Housing	2	- - - - - Jet, Main Metering
1	- - - - - Jet, Main Metering	1	- - - - - Jet, Power By-Pass
1	- - - - - Needle, w/Seat, Float	1	- - - - - Plunger, w/Rod, Pump
1	- - - - - Plunger, w/Rod, Pump	1	- - - - - Spring, Pump
1	- - - - - Spring, Step-Up Piston		
	REPAIR PACKAGE,		REPAIR PACKAGE,
	CARBURETOR Part No. 2299 226		CARBURETOR Part No. 2299 258
	Consists of:		Consists of:
1	- - - - - Gasket, Body	1	- - - - - Gasket, Air Horn
1	- - - - - Gasket, Body Flange	1	- - - - - Gasket, Flange
1	- - - - - Gasket, Flange	1	- - - - - Gasket, Main Body
1	- - - - - Gasket, Venturi Cover	1	- - - - - Gasket, Power By-Pass Jet
1	- - - - - Gasket, Venturi Housing	1	- - - - - Gasket, Venturi Cluster
1	- - - - - Gasket, Step-Up Piston	1	- - - - - Needle, w/Seat, Float
2	- - - - - Jet, Main Metering	2	- - - - - Jet, Main Metering
1	- - - - - Needle, w/Seat, Float	1	- - - - - Jet, Power By-Pass
1	- - - - - Plunger, w/Rod, Pump	1	- - - - - Plunger, w/Rod, Pump
1	- - - - - Spring, Step-Up Piston		
	REPAIR PACKAGE,		REPAIR PACKAGE,
	CARBURETOR Part No. 2299 233		CARBURETOR Part No. 2299 219
	Consists of:		Consists of:
1	- - - - - Gasket, Air Horn	1	- - - - - Gasket, Body
1	- - - - - Gasket, Flange	1	- - - - - Gasket, Body Flange
1	- - - - - Gasket, Pump Jet Housing	1	- - - - - Gasket, Flange
2	- - - - - Gasket, Primary Venturi Cluster	1	- - - - - Gasket, Step-Up Piston
2	- - - - - Gasket, Secondary Venturi Cluster	1	- - - - - Gasket, Venturi Cover
2	- - - - - Jet, Metering Rod	1	- - - - - Gasket, Venturi Housing
2	- - - - - Needle, w/Seat, Float	2	- - - - - Jet, Main Metering
1	- - - - - Plunger, w/Rod, Pump	1	- - - - - Needle, w/Seat, Float
2	- - - - - Rod, Step-Up	1	- - - - - Plunger, w/Rod, Pump
2	- - - - - Spring, Vacuum Piston	1	- - - - - Spring, Step-Up Piston
	REPAIR PACKAGE,		REPAIR PACKAGE,
	CARBURETOR Part No. 2299 235		CARBURETOR Part No. 2299 264
	Consists of:		Consists of:
1	- - - - - Gasket, Air Horn	1	- - - - - Gasket, Air Horn
1	- - - - - Gasket, Flange	1	- - - - - Gasket, Body
1	- - - - - Gasket, Pump Jet Housing	1	- - - - - Gasket, Flange
2	- - - - - Gasket, Primary Venturi Cluster	1	- - - - - Gasket, Power By-Pass Jet
2	- - - - - Gasket, Secondary Venturi Cluster	1	- - - - - Gasket, Pump Discharge Nozzle
2	- - - - - Jet, Primary Metering Rod	2	- - - - - Jet, Main Metering
2	- - - - - Needle, w/Seat, Float	1	- - - - - Jet, Power By-Pass
1	- - - - - Plunger, w/Rod, Pump	1	- - - - - Plunger, w/Rod, Pump
2	- - - - - Rod, Step-Up	1	- - - - - Needle, w/Seat, Float
2	- - - - - Spring, Vacuum Piston	1	- - - - - Spring, Pump
	REPAIR PACKAGE,		REPAIR PACKAGE,
	CARBURETOR Part No. 2299 255		CARBURETOR Part No. 2299 278
	Consists of:		Consists of:
1	- - - - - Gasket, Air Horn	1	- - - - - Gasket, Air Horn
1	- - - - - Gasket, Flange	1	- - - - - Gasket, Flange
1	- - - - - Gasket, Main Body	1	- - - - - Gasket, Main Metering Jet
2	- - - - - Gasket, Metering Jet Plug	1	- - - - - Gasket, Power By-Pass Jet
1	- - - - - Gasket, Power By-Pass Jet	1	- - - - - Jet, Main Metering
	(Pkg. Cont'd)	1	- - - - - Jet, Power By-Pass
		1	- - - - - Needle, w/Seat, Float
		1	- - - - - Plunger, w/Rod, Pump
		1	- - - - - Spring, Pump

★ Indicates use as required.

☐ Indicates parts not listed in any previous parts book.

* Indicates change or addition.

Printed in U.S.A.

Prices and specifications subject to change without notice.

Page PK-31

Jan. 3, 1964 Supersedes Sept. 4, 1962.

CODE	PART NAME AND PART NUMBER	CODE	PART NAME AND PART NUMBER
14-30-4	Cont'd REPAIR PACKAGE, CARBURETOR MINOR . Part No. 2299 083 Consists of: 1 - ---- Gasket, Air Horn 1 - ---- Gasket, Flange 1 - ---- Gasket, Main Body 2 - ---- Gasket, Metering Jet 1 - ---- Gasket, Power By-Pass Jet 1 - ---- Gasket, Pump Discharge Nozzle 1 - ---- Needle, w/Seat, Float 1 - ---- Plunger, w/Rod, Pump	14-30-4	Cont'd 1 - ---- Gasket, Flange 1 - ---- Gasket, Step-Up Jet 1 - ---- Gasket, Step-Up Piston 1 - ---- Needle, w/Seat, Float 1 - ---- Plunger, w/Rod, Pump
	REPAIR PACKAGE, CARBURETOR MINOR . Part No. 2299 260 Consists of: 1 - ---- Gasket, Air Horn 1 - ---- Gasket, Flange 1 - ---- Gasket, Main Body 1 - ---- Gasket, Power By-Pass Jet 1 - ---- Gasket, Venturi Cluster 1 - ---- Needle, w/Seat, Float 1 - ---- Plunger, w/Rod, Pump		ZIP KIT, CARBURETOR . Part No. 2299 074 Consists of: 1 - ---- Gasket, Body 1 - ---- Gasket, Body Flange 1 - ---- Gasket, Flange 1 - ---- Gasket, Step-Up Piston 1 - ---- Gasket, Venturi Cover 1 - ---- Gasket, Venturi Housing 1 - ---- Needle, w/Seat, Float 1 - ---- Plunger, w/Rod, Pump
	REPAIR PACKAGE, CARBURETOR MINOR . Part No. 2299 280 Consists of: 1 - ---- Gasket, Air Horn 1 - ---- Gasket, Flange 1 - ---- Gasket, Metering Jet 1 - ---- Gasket, Power By-Pass Jet 1 - ---- Needle, w/Seat, Float 1 - ---- Plunger, w/Rod, Pump		ZIP KIT, CARBURETOR . Part No. 2299 080 Consists of: 1 - ---- Gasket, Air Horn 1 - ---- Gasket, Flange 1 - ---- Gasket, Pump Jet Housing 2 - ---- Gasket, Primary Venturi Cluster 2 - ---- Gasket, Secondary Venturi Cluster 2 - ---- Needle, w/Seat, Float 1 - ---- Plunger, w/Rod, Pump
	REPAIR PACKAGE, CARBURETOR Part No. 2299 181 Consists of: 1 - ---- Gasket, Air Horn 1 - ---- Gasket, Flange 1 - ---- Gasket, Pump Jet Housing 2 - ---- Gasket, Primary Vent Cluster 2 - ---- Gasket, Secondary Vent Cluster 2 - ---- Jet, Metering Rod 2 - ---- Needle, w/Seat, Float 1 - ---- Plunger, w/Rod, Pump 2 - ---- Rod, Step-Up 2 - ---- Spring, Vacuum Piston		ZIP KIT, CARBURETOR . Part No. 2299 184 Consists of: 1 - ---- Gasket, Air Horn 1 - ---- Gasket, Flange 1 - ---- Gasket, Pump Jet Housing 2 - ---- Gasket, Primary Venturi Cluster 2 - ---- Gasket, Secondary Venturi Cluster 1 - ---- Needle, w/Seat, Float 1 - ---- Plunger, w/Rod, Pump
	ZIP KIT, CARBURETOR . Part No. 2299 072 Consists of: 1 - ---- Gasket, Body 1 - ---- Gasket, Body Flange 1 - ---- Gasket, Flange 1 - ---- Gasket, Step-Up Jet 1 - ---- Gasket, Step-Up Piston 1 - ---- Needle, w/Seat, Float 1 - ---- Plunger, w/Rod, Pump		ZIP KIT, CARBURETOR . Part No. 2299 220 Consists of: 1 - ---- Gasket, Body 1 - ---- Gasket, Body Flange 1 - ---- Gasket, Flange 1 - ---- Gasket, Step-Up Piston 1 - ---- Gasket, Venturi Cover 1 - ---- Gasket, Venturi Housing 1 - ---- Needle, w/Seat, Float 1 - ---- Plunger, w/Rod, Pump
	ZIP KIT, CARBURETOR . Part No. 2299 073 Consists of: 1 - ---- Gasket, Body 1 - ---- Gasket, Body Flange (Pkg. Cont'd)	14-30-7	GASKET PACKAGE, CARBURETOR Part No. 1826 511 Consists of: 1 - ---- Gasket, Body 1 - ---- Gasket, Body Flange 1 - ---- Gasket, Flange 2 - ---- Gasket, Main Metering Jet 1 - ---- Gasket, Float Needle Seat 1 - ---- Gasket, Step-Up Piston 1 - ---- Gasket, Venturi Cover 1 - ---- Gasket, Venturi Housing

* Indicates use as required.

□ Indicates parts not listed in any previous parts book.

Jan. 3, 1964 Supersedes Sept. 4, 1962.

Printed in U.S.A.

Prices and specifications subject to change without notice.

* Indicates change or addition.

CODE	PART NAME AND PART NUMBER	CODE	PART NAME AND PART NUMBER
14-30-7	Cont'd GASKET PACKAGE, CARBURETOR Part No. 2299 037 Consists of: 1 - ---- Gasket, Economizer Body 1 - ---- Gasket, Flange 1 - ---- Gasket, Float Bowl 1 - ---- Gasket, Fuel Inlet Seal 1 - ---- Valve, Mechanical Vent	14-30-7	Cont'd 1 - ---- Gasket, Pump Jet Housing 2 - ---- Gasket, Primary Venturi Cluster 2 - ---- Gasket, Secondary Venturi Cluster
	GASKET PACKAGE, CARBURETOR Part No. 2299 227 Consists of: 1 - ---- Gasket, Body 1 - ---- Gasket, Body Flange 1 - ---- Gasket, Flange 1 - ---- Gasket, Step-Up Piston 1 - ---- Gasket, Venturi Cover 1 - ---- Gasket, Venturi Housing	16-03-1	JOINT PACKAGE, UNIVERSAL BALL and PIN TYPE Part No. 2298 940 Consists of: 2 - 1739 927 Ball and Roller 2 - 629 768 Button, Centering 1 - 870 539 Clamp, Large 1 - 870 540 Clamp, Small 1 - ---- Cover, Dust 1 - 2266 923 Cover, Grease 1 - 1616 185 Gasket 1 - 579 445 Pin, Centering 2 - 605 004 Washer, Thrust
	GASKET PACKAGE, CARBURETOR Part No. 2299 259 Consists of: 1 - ---- Gasket, Air Horn 1 - ---- Gasket, Flange 1 - ---- Gasket, Main Body 1 - ---- Gasket, Power By-Pass Jet 1 - ---- Gasket, Venturi Cluster		JOINT PACKAGE, UNIVERSAL BALL and PIN TYPE Part No. 2298 941 Consists of: 2 - 1739 927 Ball and Roller 2 - 1739 924 Button, Centering 1 - 1532 943 Clamp, Large 1 - 870 540 Clamp, Small 1 - 1635 092 Cover, Grease 1 - ---- Cover, Dust 1 - 2266 922 Cover, Grease 1 - 1739 923 Pin, Centering 1 - ---- Gasket 2 - 605 004 Washer, Thrust
	GASKET PACKAGE, CARBURETOR Part No. 2299 279 Consists of: 1 - ---- Gasket, Air Horn 1 - ---- Gasket, Flange 1 - ---- Gasket, Metering Jet Plug 1 - ---- Gasket, Power By-Pass Jet		JOINT PACKAGE, UNIVERSAL CROSS and ROLLER Part No. 1752 624 Consists of: 1 - ---- Cross 4 - 858 006 Retainer, Roller 4 - 1739 913 Roller and Bushing
	GASKET PACKAGE, CARBURETOR Part No. 2240 470 Consists of: 1 - ---- Gasket, Body 1 - ---- Gasket, Body Flange 1 - ---- Gasket, Flange 1 - ---- Gasket, Float Needle, w/Seat 1 - ---- Gasket, Step-Up Jet 1 - ---- Gasket, Step-Up Piston	16-07-4	DUST COVER PACKAGE, UNIVERSAL JOINT . . . Part No. 1603 397 Consists of: 1 - 870 539 Clamp, Large 1 - 870 540 Clamp, Small 1 - ---- Cover
	GASKET PACKAGE, CARBURETOR Part No. 2240 472 Consists of: 1 - ---- Gasket, Body 1 - ---- Gasket, Body Flange 1 - ---- Gasket, Flange 1 - ---- Gasket, Float Needle, w/Seat 1 - ---- Gasket, Step-Up Jet 1 - ---- Gasket, Step-Up Piston		DUST COVER PACKAGE, UNIVERSAL JOINT . . . Part No. 2275 514 Consists of: 1 - 870 540 Clamp, Small 1 - 1532 943 Clamp, Large 1 - ---- Cover
	GASKET PACKAGE, CARBURETOR Part No. 2299 182 Consists of: 1 - ---- Gasket, Air Horn 1 - ---- Gasket, Flange (Pkg. Cont'd)	16-20-1	FLANGE PACKAGE, AXLE DRIVE Part No. 2240 612 Consists of: 2 - 1828 824 Clamp, Bushing 1 - ---- Flange 4 - 120 380 Washer 4 - 952 538 Screw

★ Indicates use as required.

⊠ Indicates parts not listed in any previous parts book.

* Indicates change or addition.

CODE	PART NAME AND PART NUMBER	CODE	PART NAME AND PART NUMBER
16-20-1	Cont'd FLANGE PACKAGE, AXLE DRIVE Part No. 2240 614 Consists of: 2 - 1828 824 Clamp, Bushing 1 - ----- Flange 4 - 120 380 Washer 4 - 952 538 Screw	17-23-3	ABSORBER and BUSHING PACKAGE, FRONT SHOCK Part No. 2298 803 Consists of: 1 - ----- Absorber 1 - 2206 923 Bushing, Upper Mounting 1 - ----- Insert, Lower Bushing 1 - ----- Sleeve, Lower Bushing 2 - 2206 925 Washer, Upper Mounting Bushing
17-12-3	BOOSTER PACKAGE, SPRING No. 2 Leaf Part No. *2403 790 Consists of: 2 - 1944 361 Bolt, Spring Center 2 - 2122 359 Interliner, Spring Leaf 2 - 2123 785 Interliner, Spring Leaf 2 - ----- Leaf, Spring 2 - ----- Nut, Spring Center Bolt		ABSORBER and BUSHING PACKAGE, FRONT SHOCK Part No. 2298 804 Consists of: 1 - ----- Absorber 1 - 2206 923 Bushing 1 - ----- Insert, Lower Bushing 1 - ----- Sleeve, Lower Bushing 2 - 2206 925 Washer, Upper Mounting Bushing
17-16-1	SHACKLE and BUSHING PACKAGE, REAR SPRING Part No. 1450 087 Consists of: 4 - 1400 269 Bushing 1 - ----- Plate 2 - 271 506 Nut, Bolt 1 - ----- Shackle, w/Bolt SHACKLE and BUSHING PACKAGE, REAR SPRING Part No. 1450 961 Consists of: 4 - 1400 269 Bushing 1 - ----- Plate 2 - 271 506 Nut, Bolt 1 - ----- Shackle, w/Bolt SHACKLE and BUSHING PACKAGE, REAR SPRING Part No. 2084 236 Consists of: 4 - 1400 269 Bushing 1 - ----- Plate 2 - 271 506 Nut, Bolt 1 - ----- Shackle, w/Bolt SHACKLE and BUSHING PACKAGE, REAR SPRING Part No. 2196 010 Consists of: 4 - 1940 725 Bushing 2 - 120 369 Nut, Bolt 1 - ----- Plate, Outer 1 - ----- Shackle, w/Bolt SHACKLE and BUSHING PACKAGE, REAR SPRING Part No. 2275 543 Consists of: 4 - 1400 269 Bushing 2 - 271 506 Nut, Bolt 1 - ----- Plate, Outer 1 - ----- Insert, Bushing 1 - ----- Shackle, w/Bolt		ABSORBER and BUSHING PACKAGE, FRONT SHOCK Part No. 2298 805 Consists of: 1 - ----- Absorber 1 - 2206 923 Bushing, Upper Mounting 1 - ----- Insert, Lower Bushing 1 - ----- Sleeve, Lower Bushing 2 - 2206 925 Washer, Upper Mounting Bushing ABSORBER and BUSHING PACKAGE, FRONT SHOCK Part No. 2298 807 Consists of: 1 - ----- Absorber 1 - 2206 923 Bushing, Upper Mounting 1 - ----- Insert, Lower Bushing 1 - ----- Sleeve, Lower Bushing 2 - 2206 925 Washer, Upper Mounting Bushing ABSORBER and BUSHING PACKAGE, FRONT SHOCK Part No. 2275 883 Consists of: 1 - ----- Absorber 1 - 2206 923 Bushing, Upper 1 - ----- Insert, Lower Bushing 1 - ----- Sleeve, Lower Bushing
			ABSORBER and BUSHING PACKAGE, FRONT SHOCK Part No. *2448 337 Consists of: 1 - ----- Absorber and Lower Bushing 1 - 2206 923 Bushing, Upper

★ Indicates use as required.

E Indicates parts not listed in any previous parts book.

Jan. 3, 1964 Supersedes Sept. 4, 1962.

Page PK-34

Prices and specifications subject to change without notice.

* Indicates change or addition.

Printed in U.S.A.

CODE	PART NAME AND PART NUMBER	CODE	PART NAME AND PART NUMBER
17-23-3	Cont'd ABSORBER and BUSHING PACKAGE, REAR SHOCK Part No. 2240 317 Consists of: 1 - ---- Absorber 2 - 1319 902 Bushing	19-01-3	OVERHAUL PACKAGE, STEERING GEAR . . . Part No. 2196 995 Consists of: 1 - 2123 169 Bearing, Shaft Housing, Lower 1 - 2123 170 Bearing, Shaft Housing, Upper 2 - 2201 624 Bushing, Jacket Column Seal 2 - 640 086 Cage and Roller, Worm Thrust Bearing 1 - 2225 805 Cup, Worm Thrust Bearing, Lower 1 - 376 751 Cup, Worm Thrust Bearing, Upper 1 - 1738 206 Gasket, Shaft Cover 1 - 2201 234 Seal, Column Jacket Oil 1 - 1730 985 Seal, Shaft Oil 1 - 2200 730 Seal, Worm Shaft Oil 10 - 1123 313 Shim, Housing Cover
	ABSORBER and BUSHING PACKAGE, REAR SHOCK Part No. 2240 358 Consists of: 1 - ---- Absorber 2 - 1319 902 Bushing		OVERHAUL PACKAGE, STEERING GEAR . . . Part No. 2279 954 Consists of: 3 - 2126 890 Bearing, Shaft 2 - 2072 060 Bearing, Worm Thrust 2 - 2127 097 Cup, Worm Thrust Bearing 1 - 2127 108 Gasket, Shaft Cover 1 - 2266 738 Seal, Column Shaft 1 - 2127 154 Seal, Shaft Oil 1 - 2267 156 Seal, Worm Shaft 4 - ---- Washer, Shaft Adjusting Screw
	ABSORBER and BUSHING PACKAGE, REAR SHOCK Part No. 2240 360 Consists of: 1 - ---- Absorber 2 - 1319 902 Bushing		OVERHAUL PACKAGE, STEERING GEAR . . . Part No. 2279 955 Consists of: 2 - 2072 060 Bearing, Worm Thrust 2 - 2267 128 Bushing, Shaft 2 - 2127 097 Cup, Worm Thrust Bearing 1 - 2127 108 Gasket, Shaft Cover 1 - 2266 738 Seal, Column Shaft 1 - 2127 154 Seal, Shaft Oil 1 - 2267 156 Seal, Worm Shaft 4 - ---- Washer, Shaft Adjusting Screw
	ABSORBER and BUSHING PACKAGE, REAR SHOCK Part No. 2240 362 Consists of: 1 - ---- Absorber 2 - 1319 902 Bushing	19-01-4	"O" RING and SEAL PACKAGE, POWER STEERING GEAR . . . Part No. 2448 309 Consists of: 1 - 1733 724 Gasket, Valve Housing Plug 1 - 1733 602 "O" Ring, Column Support 2 - 1733 562 "O" Ring, Cylinder Head 1 - 1486 205 "O" Ring, Cylinder Head Ferrule 1 - 1823 150 "O" Ring, Housing 2 - 1556 385 "O" Ring, Housing Port 1 - 1536 268 "O" Ring, Pressure Control Valve 1 - 1822 149 "O" Ring, Reaction, Lower 1 - 1733 615 "O" Ring, Shaft Cover 1 - 1733 612 "O" Ring, Valve Housing 1 - 1733 593 Seal, Reaction, Upper 1 - 1822 203 Seal, Shaft Adjusting Screw (Pkg. Cont'd)
	ABSORBER and BUSHING PACKAGE, REAR SHOCK Part No. *2448 338 Consists of: 1 - ---- Absorber and Upper Bushing 1 - 1319 902 Bushing, Lower		
	ABSORBER and BUSHING PACKAGE, REAR SHOCK Part No. 2275 848 Consists of: 1 - ---- Absorber 1 - 1319 902 Bushing, Lower 1 - 2201 554 Bushing, Upper		
	ABSORBER and BUSHING PACKAGE, REAR SHOCK Part No. 2275 849 Consists of: 1 - ---- Absorber 1 - 1319 902 Bushing, Lower 1 - 2201 554 Bushing, Upper		
	ABSORBER and BUSHING PACKAGE, REAR SHOCK Part No. 2298 900 Consists of: 1 - ---- Absorber 2 - 1319 902 Bushing		
	ABSORBER and BUSHING PACKAGE, REAR SHOCK Part No. 2298 912 Consists of: 1 - ---- Absorber 2 - 1319 902 Bushing		

★ Indicates use as required.

☐ Indicates parts not listed in any previous parts book.

* Indicates change or addition.

Printed in U.S.A.

Prices and specifications subject to change without notice.

Page PK-35

Jan. 3, 1964 Supersedes Dec. 14, 1962.

CODE	PART NAME AND PART NUMBER	CODE	PART NAME AND PART NUMBER
19-01-4	Cont'd 1 - ---- Seal, Shaft Dust 1 - 1730 985 Seal, Shaft Oil 1 - 1822 324 Seal, Worm Shaft Inner	19-19-40	WASHER PACKAGE, STEERING GEAR SHAFT ADJUSTING SCREW . . Part No. 2279 961 Consists of: 3 - ---- Washer
	"O" RING and SEAL PACKAGE, POWER STEERING GEAR . . . Part No. 2448 310 Consists of: 1 - 1733 724 Gasket, Valve Housing Plug 1 - 1733 602 "O" Ring, Column Support 2 - 1733 562 "O" Ring, Cylinder Head 1 - 1486 205 "O" Ring, Cylinder Head Ferrule 1 - 1823 150 "O" Ring, Housing 2 - 1556 385 "O" Ring, Housing Port 1 - 1536 268 "O" Ring Pressure Control Valve 1 - 1823 091 "O" Ring, Reaction, Lower 1 - 1733 615 "O" Ring, Shaft Cover 1 - 1733 612 "O" Ring, Valve Housing 1 - 1733 593 Seal, Reaction, Upper 1 - 1822 203 Seal, Shaft Adjusting Screw 1 - ---- Seal, Shaft Dust 1 - 1730 985 Seal, Shaft Oil 1 - 1822 324 Seal, Worm Shaft Inner	19-27-31	IDLER ARM PACKAGE, STEERING LINKAGE, RHD Part No. 2196 932 Consists of: 1 - ---- Arm 1 - 2072 490 Bolt 1 - 1734 327 Bushing 1 - ---- Nut, Bolt 1 - ---- Nut, End 1 - ---- Pin, End Nut Cotter 1 - ---- Seal, Arm End
	"O" RING and SEAL PACKAGE, POWER STEERING GEAR . . . Part No. 2448 311 Consists of: 1 - 1733 724 Gasket, Valve Housing Plug 1 - 1733 602 "O" Ring, Column Support 2 - 1733 562 "O" Ring, Cylinder Head 1 - 1486 205 "O" Ring, Cylinder Head Ferrule 1 - 1823 150 "O" Ring, Housing 2 - 1556 385 "O" Ring, Housing Port 1 - 1536 268 "O" Ring, Pressure Control Valve 1 - 1822 149 "O" Ring, Reaction, Lower 1 - 1733 615 "O" Ring, Shaft Cover 1 - 1733 612 "O" Ring, Valve Housing 1 - 1822 151 Seal, Reaction, Upper 1 - 1822 203 Seal, Shaft Adjusting Screw 1 - ---- Seal, Shaft Dust 1 - 2126 956 Seal, Shaft Oil 1 - 1822 324 Seal, Worm Sleeve	19-48-7	SMALL PARTS PACKAGE, GEARSHIFT CONTROL . Part No. 2421 770 Consists of: 1 - 2208 159 Bushing, Torque Shaft Frame Bracket Grommet 1 - 1676 200 Bushing, Torque Shaft Lever 1 - 1676 200 Bushing, Transmission Gearshift Operating Lever Grommet 1 - 1137 669 Clip, Control Rod 1 - 6025 071 Clip, Control Rod 1 - 2405 205 Clip, Control Rod Anti- Rattle 1 - 1137 669 Clip, Control Rod Swivel 1 - 6025 071 Clip, Control Rod Swivel 1 - 2405 205 Clip, Control Rod Swivel Anti-Rattle 1 - 2208 158 Grommet, Torque Shaft Frame Bracket 1 - 1941 699 Grommet, Torque Shaft Lever 1 - 1941 699 Grommet, Transmission Gearshift Operating Lever 2 - 2208 172 Spacer, Torque Shaft 2 - 631 217 Washer, Control Rod Plain 2 - 631 217 Washer, Control Rod Swivel 2 - 6023 085 Washer, Torque Shaft Plain 1 - 6023 086 Washer, Torque Shaft Spring
19-02-4	HOUSING PACKAGE, POWER STEERING GEAR Part No. 2240 602 Consists of: 1 - ---- Housing 1 - 1823 150 "O" Ring 1 - 1823 151 Spring, Valve Lever		SMALL PARTS PACKAGE, GEARSHIFT CONTROL . Part No. 2421 771 Consists of: 1 - 2208 159 Bushing, Torque Shaft Frame Bracket Grommet 1 - 1676 200 Bushing, Torque Shaft Lever Grommet 1 - 1137 669 Clip, Control Rod 1 - 2405 205 Clip, Control Rod 1 - 6025 071 Clip, Control Rod 1 - 1137 669 Clip, Control Rod Swivel 1 - 6025 071 Clip, Control Rod Swivel 1 - 2405 205 Clip, Control Rod Swivel Anti-Rattle (Pkg. Cont'd)
19-15-39	SPRING PACKAGE, POWER STEERING GEAR BALL GUIDE Part No. 2084 215 Consists of: 2 - ---- Plug 2 - ---- Spring		
19-19-1	SEAL PACKAGE, CROSS SHAFT COVER Part No. 2279 986 Consists of: 1 - 1733 615 "O" Ring, Cover 1 - 1822 203 Seal, Shaft Adjusting Screw		

★ Indicates use as required.

⊠ Indicates parts not listed in any previous parts book.

Jan. 3, 1964 Supersedes Dec. 14, 1962.

CODE	PART NAME AND PART NUMBER	CODE	PART NAME AND PART NUMBER
19-48-7	Cont'd 1 - 2208 158 Grommet, Torque Shaft Frame Bracket 1 - 1941 699 Grommet, Torque Shaft Lever 2 - 2208 172 Spacer, Torque Shaft 2 - 631 217 Washer, Control Rod Plain 2 - 1533 190 Washer, Control Rod Swivel 2 - 6023 085 Washer, Torque Shaft Plain 1 - 6023 086 Washer, Torque Shaft Spring SMALL PARTS PACKAGE, GEARSHIFT CONTROL . . . Part No. 2421 772 Consists of: 2 - 1676 200 Bushing, Transmission Gearshift Operating Lever Grommet 1 - 1137 669 Clip, Control Rod 1 - 1137 669 Clip, Control Rod Swivel 1 - 2405 205 Clip, Control Rod 1 - 6025 071 Clip, Control Rod 1 - 6025 071 Clip, Control Rod Swivel, Anti-Rattle 1 - 6025 071 Clip, Control Rod Swivel 2 - 1941 699 Grommet, Transmission Gearshift Operating Lever 2 - 631 217 Washer, Control Rod Plain 2 - 631 217 Washer, Control Rod Swivel	19-54-228	SLIPPER SPRING REPAIR PACKAGE, POWER STEERING PUMP . . . Part No. 2448 097 Consists of: 1 - 1852 920 Gasket, Oil Pressure Relief Valve 1 - 2120 017 Seal, Flow Control Valve Plug 1 - 2128 275 Seal, Front Insert 1 - 1738 662 Seal, Oil Reservoir Mounting 1 - ---- Seal, Rotor Shaft Oil 1 - 1738 678 Snap Ring, Flow Control Valve Bore 8 - ---- Spring, Rotor Slipper SLIPPER SPRING REPAIR PACKAGE, POWER STEERING PUMP . . . Part No. 2448 098 Consists of: 1 - 1852 920 Gasket, Oil Pressure Relief Valve 1 - ---- Plug, Flow Control Valve Bore 1 - 2120 017 Seal, Flow Control Valve Plug 1 - ---- Seal, Front Insert 1 - 1738 662 Seal, Oil Reservoir Mounting 1 - ---- Seal, Rotor Shaft Oil 1 - 1738 678 Snap Ring, Flow Control Valve Bore 8 - ---- Spring, Rotor Slipper
19-54-2	PUMP PACKAGE, POWER STEERING . . . Part No. 2196 082 Consists of: 1 - ---- Pump, Partial 1 - 2120 019 Seal, Oil Reservoir Mounting 1 - 2120 018 Seal, Oil Reservoir Oil PUMP PACKAGE, POWER STEERING . . . Part No. 2240 620 Consists of: 1 - ---- Pump, Partial 1 - 1738 662 Seal, Oil Reservoir Mounting 1 - 1732 946 Seal, Oil Reservoir Oil	19-57-1	SEAL PACKAGE, POWER STEERING GEAR VALVE Part No. 2279 985 Consists of: 1 - 1733 724 Gasket, Plug Valve Housing 1 - 1823 150 "O" Ring, Housing 2 - 1556 385 "O" Ring, Housing Port 1 - 1536 268 "O" Ring, Pressure Control Valve Body 1 - 1733 612 "O" Ring, Valve Housing 1 - 1822 442 Spring
19-54-55	SEAL PACKAGE, POWER STEERING PUMP . . . Part No. 2279 997 Consists of: 1 - 1732 946 Oil Seal, Oil Reservoir 1 - 1738 662 Seal, Oil Reservoir Mounting SEAL PACKAGE, POWER STEERING PUMP . . . Part No. 2279 998 Consists of: 1 - 2120 018 Oil Seal, Oil Reservoir 1 - 2120 019 Seal, Oil Reservoir Mounting	19-57-2	PISTON and SPRING PACKAGE, POWER STEERING GEAR PRESSURE CONTROL VALVE . . . Part No. 1879 509 Consists of: 1 - ---- Piston
		21-01-3	SEAL and GASKET PACKAGE, STANDARD TRANSMISSION . . . Part No. 2196 062 Consists of: 1 - 1949 346 Gasket, Case Cover 3 - 865 180 Gasket, Bearing Retainer 1 - 1949 361 Gasket, Extension 2 - 1949 350 Seal, Lever Shaft 1 - 1949 343 Seal, Drive Pinion Oil 1 - 1942 401 Seal, Main Shaft

★ Indicates use as required.

☐ Indicates parts not listed in any previous parts book.

* Indicates change or addition.

Page PK-37

Printed in U.S.A.
Prices and specifications subject to change without notice.
Jan. 3, 1964 Supersedes Dec. 14, 1962.

CODE	PART NAME AND PART NUMBER	CODE	PART NAME AND PART NUMBER
21-01-3	Cont'd SEAL and GASKET PACKAGE, STANDARD TRANSMISSION Part No. 2240 320 Consists of: 1 - 2124 466 Gasket, Case Cover 1 - ---- --- Seal, Output Shaft 1 - 2124 519 Gasket, Extension 2 - 2124 496 Gasket, Bearing Retainer 1 - 2124 497 Gasket, Bearing Retainer 1 - 1949 933 Seal, Drive Pinion SEAL and GASKET PACKAGE, STANDARD TRANSMISSION Part No. 2275 896 Consists of: 1 - 1949 346 Gasket, Case Cover 2 - 865 180 Gasket, Bearing Retainer 1 - 865 181 Gasket, Bearing Retainer 1 - 1949 361 Gasket, Extension 1 - 1949 343 Seal, Drive Pinion 1 - 1854 449 Seal, Output Shaft Oil SEAL and GASKET PACKAGE, STANDARD TRANSMISSION Part No. 2275 893 Consists of: 1 - 2124 466 Gasket, Case Cover 1 - 2124 519 Gasket, Extension 2 - 2124 496 Gasket, Bearing Retainer 1 - 2124 497 Gasket, Bearing Retainer 1 - 1949 343 Seal, Drive Pinion 1 - 2205 080 Seal, Output Shaft Oil SEAL and GASKET PACKAGE, STANDARD TRANSMISSION Part No. 2084 243 Consists of: 1 - 1921 475 Gasket, Bearing Retainer 1 - 1921 480 Gasket, Extension 1 - 1921 507 Gasket, Gearshift Housing SEAL and GASKET PACKAGE, AUTO. TRANSMISSION Part No.*2421 737 Consists of: 1 - 2205 299 Gasket, Oil Pan 1 - 1942 390 Gasket, Reaction Shaft Support 1 - 2205 322 Gasket, Extension 1 - 2400 863 Gasket, Drain Plug 1 - 2205 207 Gasket, Parking Lock Cover 1 - 2124 258 Plate, Sun Gear Shell Thrust 2 - 1942 109 Ring, Governor Support Seal 3 - 1941 831 Ring, Input Shaft Seal 2 - 1942 389 Ring, Reaction Shaft Support Seal 1 - 6022 859 Ring, Output Shaft Snap 1 - 1942 486 Ring, Kickdown Rod Guide 1 - 2124 255 Ring, Accumulator Piston Seal, Large (Pkg. Cont'd)	21-01-3	Cont'd 1 - 1942 499 Ring, Reverse Servo Piston Seal 1 - 1823 940 Ring, Reverse Servo Piston Plug Snap 1 - 1942 502 Ring, Reverse Servo Piston Spring Retainer Snap 2 - 1636 470 Ring, Kickdown Servo Piston Seal, Large 1 - 1627 287 Ring, Kickdown Servo Piston Seal, Small 1 - 1942 384 Seal, Front Oil Pump Housing 1 - 2125 187 Seal, Rear Clutch Piston, Inner 1 - 2124 705 Seal, Torque Converter Impeller Hub 1 - 1942 396 Seal, Front Clutch Piston, Inner 2 - 1942 397 Seal, Clutch Piston, Outer 1 - 2204 709 Seal, Front Oil Pump Housing 1 - 1942 401 Seal, Output Shaft 1 - 2205 300 Seal, Throttle Lever Shaft 1 - 1942 454 Washer, Output Shaft Thrust, .052" 1 - 1942 455 Washer, Output Shaft Thrust, .068" 1 - 1942 456 Washer, Output Shaft Thrust, .083" 2 - 2204 369 Washer, Front Clutch Thrust 2 - 2400 528 Washer, Sun Gear Driving Shell Thrust 2 - 2205 223 Washer, Sun Gear Driving Shell Thrust 1 - 2400 528 Washer, "O" Running Clutch Race Thrust SEAL and GASKET PACKAGE, AUTO TRANSMISSION Part No.*2421 735 Consists of: 1 - 2400 064 Gasket, Extension 1 - 2124 846 Gasket, Front Oil Pump Housing 1 - 2400 863 Gasket, Drain Plug 1 - 2205 207 Gasket, Parking Lock Cover 1 - 2124 867 Gasket Oil Pan 1 - 1942 130 Ring, Servo Piston Rod Guide 1 - 2124 851 Ring, Servo Piston Seal, Small 2 - 1942 123 Ring, Servo Piston Seal 1 - 2124 255 Ring, Accumulator Piston Seal, Large 1 - 2124 820 Seal, Front Clutch Piston Inner 1 - 2124 821 Seal, Front Clutch Piston, Outer 1 - 1942 021 Seal, Front Oil Pump Housing (Pkg. Cont'd)

★ Indicates use as required.

☐ Indicates parts not listed in any previous parts book.

Jan. 3, 1964 Supersedes Dec. 14, 1962.

Printed in U.S.A.

Prices and specifications subject to change without notice.

* Indicates change or addition.

CODE	PART NAME AND PART NUMBER	CODE	PART NAME AND PART NUMBER
21-01-3	Cont'd	21-118-6	Cont'd
	2 - 1942 109 Seal, Governor Support		ROTOR PACKAGE,
	1 - 2205 080 Seal, Output Shaft		AUTO. TRANSMISSION
	1 - 1942 054 Seal, Rear Clutch Piston, Inner		FRONT OIL PUMP . . . Part No. 2275 497
	1 - 2124 835 Seal, Rear Clutch Piston, Outer		Consists of:
	1 - 2205 300 Seal, Throttle Lever Shaft		1 - ---- Rotor, Front Oil Pump, Inner
	1 - 1942 020 Seal, Torque Converter Impeller Hub		1 - ---- Rotor, Front Oil Pump, Outer
	2 - 2124 813 Seal, Reaction Shaft Support		ROTOR PACKAGE,
	2 - 1942 041 Snap Ring, Input Shaft		AUTO. TRANSMISSION
	1 - 6024 311 Snap Ring, Output Shaft		REAR OIL PUMP Part No. 2275 496
	1 - 6024 312 Snap Ring, Output Shaft		Consists of:
	1 - 6022 816 Snap Ring, Output Shaft		1 - ---- Rotor, Rear Oil Pump, Outer
	1 - 1823 940 Snap Ring, Servo Piston Plug		1 - ---- Rotor, Rear Oil Pump, Inner
	1 - 2400 843 Washer, Output Shaft Thrust		
	SEAL and GASKET PACKAGE, STANDARD TRANSMISSION Part No. 2448 370		21-136-228 CAM and RETAINER PACKAGE, AUTO. TRANSMISSION OVER-RUNNING CLUTCH . . Part No. 2279 960
	Consists of:		Consists of:
	1 - 2408 100 Bearing, Thrust		1 - ---- Cam
	1 - 2408 098 Gasket, Bearing Retainer		1 - ---- Retainer
	1 - 2408 111 Gasket, Adapter to Case		5 - 138 212 Screw
	1 - 1921 507 Gasket, Gearshift Housing		5 - 1823 543 Washer
	1 - 2408 112 Gasket, Adapter to Case		
	3 - 1921 513 Seal, Lever Shaft		21-138-2 REPAIR PACKAGE, AUTO. TRANSMISSION GOVERNOR Part No. 2196 998
	1 - 2205 080 Seal, Extension Oil		Consists of:
	1 - 2408 089 Washer, Idler Gear Thrust, Frt.		1 - ---- Body, Governor
	1 - 2408 080 Washer, Idler Gear Thrust, Rr.		2 - 2125 024 Lock, Body Bolt
	1 - 2408 095 Washer, First Speed Gear Thrust		4 - ---- Bolt, Body
	1 - 6023 561 Washer, Extension Bearing		2 - 1942 109 Ring, Support Seal or Piston
			1 - 1636 464 Snap Ring, Weight, Inner
			1 - 1636 465 Snap Ring, Weight, Outer
			2 - 1638 461 Snap Ring, Valve Shaft
			1 - ---- Snap Ring, Body
			1 - 2124 662 Spring, Governor
			1 - 1556 082 Shaft, Valve
			1 - 2124 663 Valve, Governor
			1 - 1636 461 Weight, Governor, Outer
			1 - 1636 462 Weight, Governor, Inner
21-113-24	SWITCH PACKAGE, AUTO. TRANSMISSION NEUTRAL STARTER . . Part No. 1704 283		23-06-15 CATCH PACKAGE, GLOVE BOX DOOR LOCK . . . Part No. 2298 698
	Consists of:		Consists of:
	1 - 1316 849 "O" Ring Mounting		1 - ---- Catch
	1 - ---- Switch, Neutral Starter		2 - ---- Spacer
	1 - 1704 482 Washer, Mounting		2 - 181 561 Bolt
21-118-6	ROTOR PACKAGE, AUTO. TRANSMISSION FRONT OIL PUMP . . . Part No. 2240 302		23-14-53 HANDLE PACKAGE, FRONT DOOR VENT WING Part No. 1954 110
	Consists of:		Consists of:
	1 - ---- Rotor, Front Oil Pump, Inner		1 - ---- Handle, Right
	1 - ---- Rotor, Front Oil Pump, Outer		1 - ---- Key
	ROTOR PACKAGE, AUTO. TRANSMISSION REAR OIL PUMP . . . Part No. 2196 795		1 - 6000 116 Pin
	Consists of:		1 - 6000 110 Washer
	1 - ---- Rotor, Rear Oil Pump, Outer		1 - ---- Spring
	1 - ---- Rotor, Rear Oil Pump, Inner		

★ Indicates use as required.

☐ Indicates parts not listed in any previous parts book.

* Indicates change or addition.

CODE	PART NAME AND PART NUMBER	CODE	PART NAME AND PART NUMBER
23-14-53	<p>Cont'd</p> <p>HANDLE PACKAGE, FRONT DOOR VENT</p> <p>WING Part No. 1954 111</p> <p>Consists of:</p> <p>1 - ---- --- Handle, Left</p> <p>1 - ---- --- Key</p> <p>1 - 6000 116 Pin</p> <p>1 - 6000 110 Washer</p> <p>1 - ---- --- Spring</p> <p>HANDLE PACKAGE, FRONT DOOR VENT</p> <p>WING Part No. 2167 916</p> <p>Consists of:</p> <p>1 - ---- --- Handle, Right</p> <p>1 - 6000 116 Pin</p> <p>1 - 6000 110 Washer</p> <p>HANDLE PACKAGE, FRONT DOOR VENT</p> <p>WING Part No. 2167 917</p> <p>Consists of:</p> <p>1 - ---- --- Handle, Left</p> <p>1 - 6000 116 Pin</p> <p>1 - 6000 110 Washer</p> <p>HANDLE PACKAGE, FRONT DOOR VENT</p> <p>WING Part No. 2299 433</p> <p>Consists of:</p> <p>1 - ---- --- Handle, Right</p> <p>1 - 6022 858 Washer</p> <p>1 - ---- --- Pin</p> <p>HANDLE PACKAGE, FRONT DOOR VENT</p> <p>WING Part No. 2299 434</p> <p>Consists of:</p> <p>1 - ---- --- Handle, Left</p> <p>1 - 6022 858 Washer</p> <p>1 - ---- --- Pin</p>	23-17-2	<p>Cont'd</p> <p>1 - ---- --- Cylinder, Door, Right</p> <p>1 - ---- --- Cylinder, Door, Left</p> <p>1 - ---- --- Cylinder, Tail Gate</p> <p>2 - ---- --- Keys</p> <p>CYLINDER and KEYS PACKAGE, DOOR, IGNITION and ELECTRIC</p> <p>TAILGATE LOCK . . . Part No. 2291 411</p> <p>Consists of:</p> <p>1 - ---- --- Cylinder, Ignition</p> <p>1 - ---- --- Cylinder, Door, Right</p> <p>1 - ---- --- Cylinder, Door, Left</p> <p>1 - ---- --- Cylinder, Tailgate</p> <p>2 - ---- --- Keys</p> <p>CYLINDER and KEYS PACKAGE, DOOR, IGNITION and MANUAL</p> <p>TAIL GATE LOCK . . . Part No. 2419 183</p> <p>Consists of:</p> <p>1 - ---- --- Cylinder, Ignition</p> <p>1 - ---- --- Cylinder, Door, Right</p> <p>1 - ---- --- Cylinder, Door, Left</p> <p>1 - ---- --- Cylinder, Tailgate</p> <p>2 - ---- --- Keys</p> <p>CYLINDER and KEYS PACKAGE, DOOR, IGNITION and ELECTRIC</p> <p>TAILGATE LOCK . . . Part No. 2427 116</p> <p>Consists of:</p> <p>1 - ---- --- Cylinder, Ignition</p> <p>1 - ---- --- Cylinder, Door, Right</p> <p>1 - ---- --- Cylinder, Door, Left</p> <p>1 - ---- --- Cylinder, Tailgate</p> <p>2 - ---- --- Keys</p>
23-17-2	<p>CYLINDER and KEYS PACKAGE, DOOR and IGNITION Part No. 2161 192</p> <p>Consists of:</p> <p>1 - ---- --- Cylinder, Ignition</p> <p>1 - ---- --- Cylinder, Door, Right</p> <p>1 - ---- --- Cylinder, Door, Left</p> <p>2 - ---- --- Keys</p> <p>CYLINDER and KEYS PACKAGE, DOOR and IGNITION Part No. 2161 503</p> <p>Consists of:</p> <p>1 - ---- --- Cylinder, Ignition</p> <p>1 - ---- --- Cylinder, Door, Right</p> <p>1 - ---- --- Cylinder, Door, Left</p> <p>2 - ---- --- Keys</p> <p>CYLINDER and KEYS PACKAGE, DOOR, IGNITION and MANUAL</p> <p>TAILGATE LOCK . . . Part No. 2162 531</p> <p>Consists of:</p> <p>1 - ---- --- Cylinder, Ignition</p> <p>(Pkg. Cont'd)</p>	23-17-4	<p>CYLINDER and KEYS PACKAGE, DECK LID, GLOVE BOX and CENTER ARM REST . Part No.*2490 169</p> <p>Consists of:</p> <p>1 - ---- --- Cylinder, Deck Lid</p> <p>1 - ---- --- Latch, Glove Box</p> <p>1 - 2490 108 Latch, Arm Rest</p> <p>2 - ---- --- Keys</p>
		23-17-5	<p>CYLINDER and KEYS PACKAGE, DECK LID LOCK Part No. 2086 050</p> <p>Consists of:</p> <p>1 - ---- --- Cylinder</p> <p>2 - ---- --- Keys</p> <p>CYLINDER and KEYS PACKAGE, DECK LID LOCK Part No.*2162 613</p> <p>Consists of:</p> <p>1 - ---- --- Cylinder</p> <p>2 - ---- --- Keys</p> <p>CYLINDER and KEYS PACKAGE, DECK LID LOCK Part No. 2440 019</p> <p>Consists of:</p> <p>1 - ---- --- Cylinder</p> <p>2 - ---- --- Keys</p>

★ Indicates use as required.

☐ Indicates parts not listed in any previous parts book.

Jan. 3, 1964 Supersedes Dec. 14, 1962.

* Indicates change or addition.

CODE	PART NAME AND PART NUMBER	CODE	PART NAME AND PART NUMBER
23-17-5	Cont'd CYLINDER and KEYS PACKAGE, DECK LID LOCK Part No. 2440 020 Consists of: 1 - - - - - Cylinder 2 - - - - - Keys	23-17-72	CYLINDER and KEYS PACKAGE, TIREWELL COVER LOCK Part No. 2161 615 Consists of: 1 - - - - - Cylinder 2 - - - - - Keys
23-17-24	CYLINDER and KEYS PACKAGE, DOOR LOCK Part No. 2086 048 Consists of: 2 - - - - - Cylinders 2 - - - - - Keys		CYLINDER and KEYS PACKAGE, TIREWELL COVER LOCK Part No. 2292 051 Consists of: 1 - - - - - Cylinder 2 - - - - - Keys
	CYLINDER and KEYS PACKAGE, DOOR LOCK Part No. 2161 356 Consists of: 2 - - - - - Cylinders 2 - - - - - Keys	23-41-34	REPAIR PACKAGE, ELECTRIC WINDOW LIFT REGULATOR MECHANISM, RIGHT . . Part No. 2275 142 Consists of: 1 - - - - - Pinion 1 - - - - - Washer 1 - - - - - Wheel
23-17-38	CYLINDER and KEYS PACKAGE, FLOOR CONSOLE LOCK Part No. 2419 706 Consists of: 1 - - - - - Latch 2 - - - - - Keys		REPAIR PACKAGE, ELECTRIC WINDOW LIFT REGULATOR MECHANISM, LEFT . . Part No. 2275 143 Consists of: 1 - - - - - Pinion 1 - - - - - Washer 1 - - - - - Wheel
	CYLINDER and KEYS PACKAGE, FLOOR CONSOLE LOCK Part No. 2419 717 Consists of: 1 - - - - - Latch 2 - - - - - Keys	23-41-270	PINION and CABLE PACKAGE, ELECTRIC WINDOW REGULATOR HOUSING, Right Part No. 2166 926 Consists of: 1 - - - - - Cable, w/Coupling 1 - - - - - Housing, w/Pinion
23-17-45	CYLINDER and KEYS PACKAGE, MANUAL TAILGATE, TIRE WELL and GLOVE BOX LOCK Part No. 2440 399 Consists of: 1 - - - - - Cylinder, Tailgate 1 - - - - - Cylinder, Tire Well 1 - - - - - Latch, Glove Box 2 - - - - - Keys		PINION and CABLE PACKAGE, ELECTRIC WINDOW REGULATOR HOUSING, LEFT Part No. 2166 927 Consists of: 1 - - - - - Cable, w/Coupling 1 - - - - - Housing, w/Pinion
23-17-49	CYLINDER and KEYS PACKAGE, ELECTRIC TAILGATE LOCK . . . Part No. 2161 423 Consists of: 1 - - - - - Cylinder 2 - - - - - Keys	23-47-414	COIL PACKAGE, FRONT SEAT ADJUSTER MAGNETIC. Part No. 1830 290 Consists of: 1 - - - - - Cap, Cover 1 - - - - - Coil 1 - - - - - Cover
	CYLINDER and KEYS PACKAGE, MANUAL TAILGATE LOCK . . . Part No. 2162 536 Consists of: 1 - - - - - Cylinder 2 - - - - - Keys	23-58-381	ROTOR PACKAGE, TOP LIFT PUMP Part No. 2480 448 Consists of: 1 - - - - - Rotor, Inner 1 - - - - - Rotor, Outer
	CYLINDER and KEYS PACKAGE, MANUAL TAILGATE LOCK . . . Part No. 2419 271 Consists of: 1 - - - - - Cylinder 2 - - - - - Keys	23-58-388	BOLT PACKAGE, TOP LIFT RESERVOIR . . . Part No. 2480 444 1 - - - - - Bolt 1 - - - - - "O" Ring 1 - - - - - Washer

★ Indicates use as required.
 ☐ Indicates parts not listed in any previous parts book.
 * Indicates change or addition.

CODE	PART NAME AND PART NUMBER	CODE	PART NAME AND PART NUMBER
23-64-240	PIVOT and SCREW PACKAGE, FRONT DOOR VENT WING UPPER, RIGHT Part No. 2216 344 Consists of: 1 - ---- --- Pivot 1 - ---- --- Screw	23-67-16	BRUSH and SPRING PACKAGE, WINDSHIELD WIPER MOTOR Part No. 1627 273 Consists of: 2 - ---- --- Brush 2 - ---- --- Spring
	PIVOT and SCREW PACKAGE, FRONT DOOR VENT WING UPPER, LEFT Part No. 2216 345 Consists of: 1 - ---- --- Pivot 1 - ---- --- Screw		BRUSH and SPRING PACKAGE, WINDSHIELD WIPER MOTOR Part 1752 518 Consists of: 2 - ---- --- Brush 2 - ---- --- Spring
23-67-2	CAM PACKAGE, WINDSHIELD WIPER MOTOR PARKING . . . Part No. *2421 485 Consists of: 1 - ---- --- Cam 1 - ---- --- Release 1 - 1642 029 Retainer, Link 1 - 1770 290 Spring Washer, Drive Link 1 - ---- --- Spring, Parking 1 - ---- --- Washer, Cam Mounting 1 - 1770 289 Washer, Drive Link		BRUSH and SPRING PACKAGE, WINDSHIELD WIPER MOTOR Part No. 2448 265 Consists of: 2 - ---- --- Brush 2 - ---- --- Spring
			BRUSH and SPRING PACKAGE, WINDSHIELD WIPER MOTOR Part No. 2448 606 Consists of: 2 - ---- --- Brush 2 - ---- --- Spring
23-67-10	GEAR and COVER PACKAGE, WINDSHIELD MOTOR Part No. 2448 264 Consists of: 1 - ---- --- Gasket 1 - ---- --- Gear	23-67-164	PLATE and GASKET PACKAGE, WINDSHIELD WIPER SWITCH Part No. *2298 876 Consists of: 1 - ---- --- Gasket, Drive End Cover 1 - ---- --- Plate
	GEAR and COVER PACKAGE, WINDSHIELD WIPER MOTOR Part No. 2448 267 Consists of: 1 - ---- --- Gasket 1 - ---- --- Gear		PLATE and GASKET PACKAGE, WINDSHIELD WIPER SWITCH Part No. 2448 263 Consists of: 1 - ---- --- Gasket, Drive End Cover 1 - ---- --- Plate
	GEAR and COVER PACKAGE, WINDSHIELD WIPER MOTOR Part No. 2448 608 Consists of: 1 - ---- --- Gasket 1 - ---- --- Gear		PLATE and GASKET PACKAGE, WINDSHIELD WIPER SWITCH Part No. 2448 266 Consists of: 1 - ---- --- Gasket, Drive End Cover 1 - ---- --- Plate
	GEAR and GASKET, WINDSHIELD WIPER MOTOR Part No. 1879 598 Consists of: 1 - ---- --- Gasket 1 - ---- --- Gear		PLATE and GASKET PACKAGE, WINDSHIELD WIPER SWITCH Part No. 2448 283 Consists of: 1 - ---- --- Contact 1 - ---- --- Gasket, Drive End Cover
	GEAR and GASKET PACKAGE, WINDSHIELD WIPER MOTOR Part No. 2448 282 Consists of: 1 - ---- --- Gasket 1 - ---- --- Gear		PLATE and GASKET PACKAGE, WINDSHIELD WIPER SWITCH Part No. 2448 284 Consists of: 1 - ---- --- Gasket, Drive End Cover 1 - ---- --- Plate

★ Indicates use as required.

☐ Indicates parts not listed in any previous parts book.

January 3, 1964.

Page PK-42

Printed in U.S.A.
Prices and specifications subject to change without notice.

* Indicates change or addition.

CODE	PART NAME AND PART NUMBER	CODE	PART NAME AND PART NUMBER
23-67-164	Cont'd PLATE and GASKET PACKAGE, WINDSHIELD WIPER SWITCH Part No. 2448 607 Consists of: 1 - - - - - Gasket, Drive End Cover 1 - - - - - Plate	24-25-93	VALVE PLATE PACKAGE Part No. 2275 204 Consists of: 1 - 1990 584 Gasket, Valve Head 1 - 1990 598 Gasket, Valve Plate 1 - - - - - Plate, Valve VALVE PLATE PACKAGE Part No. 2275 205 Consists of: 1 - 1990 584 Gasket, Valve Head 1 - 1990 598 Gasket, Valve Plate 1 - - - - - Plate, Valve
24-01-6	CONVERSION PACKAGE. Part No. 2448 280 Consists of: 1 - 1551 005 Belt 1 - 2202 876 Belt 1 - 1881 805 Hose 1 - - - - - Bolt 1 - 1997 565 Bracket 1 - 1998 587 Spacer 2 - - - - - Nut 2 - - - - - Washer CONVERSION PACKAGE. Part No. 2448 623 Consists of: 4 - - - - - Bolt 1 - - - - - Bolt 1 - - - - - Bracket 2 - 1740 550 Nut 1 - - - - - Nut 2 - - - - - Nut 1 - 1999 171 Shroud 1 - 1999 172 Shroud 1 - - - - - Washer 1 - - - - - Washer 1 - - - - - Washer 4 - - - - - Washer 6 - - - - - Washer 1 - - - - - Bracket 2 - - - - - Screw	24-25-154	CRANKSHAFT PACKAGE Part No. 2275 206 Consists of: 1 - - - - - Crankshaft 1 - 1990 584 Gasket, Cylinder Head 1 - 1377 825 Gasket, Oil Sump 2 - 1990 598 Gasket, Valve Plate 1 - 1377 831 Seal, Bearing Housing 1 - - - - - Seal, Crankshaft Gas 1 - - - - - Washer, Thrust
24-24-23	BLOWER SWITCH ADAPTER PACKAGE . . Part No. 2196 336 Consists of: 1 - - - - - Spring, Control Arm 2 - - - - - Bushing, Control Arm	24-25-162	BEARING HOUSING PACKAGE Part No. 2196 315 Consists of: 1 - - - - - Housing 1 - 1377 831 Seal
24-25-2	PISTON RING PACKAGE . Part No. 2275 207 Consists of: 1 - - - - - Ring 1 - 1377 825 Gasket, Oil Sump 1 - 1990 584 Gasket, Cylinder Head 1 - 1990 598 Gasket, Valve Plate	24-25-246	OIL PUMP PACKAGE . . Part No. 2196 306 Consists of: 1 - - - - - Cover, Oil Pump 1 - 1747 988 Seal, Cover 1 - - - - - Rotor, Outer 1 - - - - - Rotor, Inner 1 - - - - - Shaft
24-25-3	PISTON and CONNECTING ROD PACKAGE Part No. 2275 203 Consists of: 1 - - - - - Ball, Oil Pressure 1 - 1990 584 Gasket, Cylinder Head 1 - 1990 598 Gasket, Valve Plate 1 - 1377 825 Gasket, Oil, Sump 1 - - - - - Piston and Connecting Rod 1 - - - - - Spring, Oil Pressure	24-26-20	RECEIVER DRIER PACKAGE Part No. 1880 658 Consists of: 1 - - - - - Gasket 1 - - - - - Receiver Drier
24-25-70	SEAL PACKAGE, CRANKSHAFT GAS . . Part No. 1426 501 Consists of: 1 - - - - - Seal, Crankshaft Gas 1 - 1377 831 Seal, Bearing Housing	24-28-64	REPAIR KIT, VACUUM TUBE Part No. 2448 621 Consists of: 1 - - - - - Tube, 25 ft. lgh, 3/16" I.D. 30 - 2485 019 Connector REPAIR KIT, VACUUM TUBE Part No. 2448 620 Consists of: 1 - - - - - Tube, 25 ft. lgh, 1/4" I.D. 30 - 2485 020 Connector
		24-28-379	DEFROSTER DOOR PACKAGE Part No. 2084 295 Consists of: 1 - - - - - Clip, Outlet Rod Lever 1 - - - - - Clip, Outlet Rod 1 - - - - - Door and Seal 1 - - - - - Lever, Door 1 - - - - - Nut, Shaft 1 - - - - - Rod, Door 1 - - - - - Shaft and Lever 1 - - - - - Spacer, Shaft

★ Indicates use as required.
 □ Indicates parts not listed in any previous parts book.
 * Indicates change or addition.

Printed in U.S.A.
 Prices and specifications subject to change without notice.
 January 3, 1964.

POLICE

1963 POLICE VEHICLES

BODY TYPES

- 4 Door Sedan
- 2 Door Sedan
- 4 Door Suburban

Plymouth Patroller "6"	225 cu.in. Engine with single one barrel Carburetor.
Dodge Pursuit "6"	225 cu.in. Engine with single one barrel Carburetor.
Plymouth Patroller "8"	318 cu.in. Engine with single two barrel Carburetor.
Dodge Pursuit "8"	318 cu.in. Engine with single two barrel Carburetor.
Plymouth Pursuit "8"	361 cu.in. Engine with single two barrel Carburetor.
Plymouth Pursuit "8"	383 cu.in. Engine with single four barrel Carburetor.
Dodge Pursuit "8"	383 cu.in. Engine with single two barrel Carburetor.
Dodge Pursuit "8"	383 cu.in. Engine with single four barrel Carburetor.
Dodge 880 "8"	361 cu.in. Engine with single two barrel Carburetor.
Dodge 880 Pursuit "8"	383 cu.in. Engine with single two barrel Carburetor.
Dodge 880 "8"	413 cu.in. Engine with single four barrel Carburetor.

In the event the Parts required are not listed in this section of the catalog, refer to the 1963 "T" Series listing when specifying parts.

CODE	PART NAME AND DESCRIPTION	C Y L.	PER CAR	PLYMOUTH	DODGE	DODGE 880
------	---------------------------	--------------	------------	----------	-------	-----------

GROUP 2 - FRONT SUSPENSION

2-14-3	BAR or SPRING, Torsion, Heavy Duty, Right		1	1857 778	1857 778	----
	Heavy Duty, Left		1	1857 779	1857 779	----
	Heavy Duty, Right	8	1	----	----	1825 606
	Heavy Duty, Left	8	1	----	----	1825 607

GROUP 3 - AXLE-REAR

All 6 Cylinder Police Cars have 8 3/4" diameter Drive Gears and 1 3/8" diameter Pinion Stem. Two types of Differentials are being used on TP2, TD2, 8 Cylinder Police Cars. With 1 3/8" diameter Pinion Stem, the Carrier has part number 1820657 or 2070741 embossed on it 2" below the Yoke. With 1 3/4" diameter Pinion Stem, the Carrier has part number 1634985 or 2070742 embossed on it 2" below the Yoke.

3-03-1	DIFFERENTIAL, w/CARRIER, 3.23 to 1 ratio, w/1 3/4" dia. Stem	8	1	2070 811	2070 811	2070 811
	2.93 to 1 ratio, w/1 3/4" dia. Stem	8	1	2070 579	2070 579	2070 579
3-03-3	CARRIER, w/CAPS, w/1 3/4" dia. Stem	8	1	----	1634 984	1634 984
3-19-1	GEAR and PINION SET, 3.23 to 1 ratio, w/1 3/4" dia. Stem	8	1	2070 817	2070 817	2070 817
	2.93 to 1 ratio, w/1 3/4" dia. Stem	8	1	2070 570	2070 570	2070 570
3-22-24	CONE, Drive Pinion Front Bearing, w/ROLLERS, w/1 3/4" dia. Stem	8	1	1401 808	1401 808	1401 808
	Rear	8	1	1404 472	1404 472	1404 472

★ Indicates use as required.
 ☐ Indicates parts not listed in any previous parts book.
 * Indicates change or addition.

CODE	PART NAME AND DESCRIPTION	C Y L	PER CAR	PLYMOUTH	DODGE	DODGE 880
------	---------------------------	-------------	------------	----------	-------	-----------

GROUP 3 - AXLE-REAR - Cont'd

3-22-25	CUP, Drive Pinion Front Bearing, w/1 3/4" dia. Stem	8	1	1401 810	1401 810	1401 810
	Rear, w/1 3/4" dia. Stem	8	1	1327 847	1327 847	1327 847
3-22-27	WASHER, Drive Pinion Rear Bearing, w/1 3/4" dia. Stem, .084" thk.	8	★	1738 812	1738 812	1738 812
	w/1 3/4" dia. Stem, .086" thk.	8	★	1738 813	1738 813	1738 813
	w/1 3/4" dia. Stem, .088" thk.	8	★	1738 814	1738 814	1738 814
	w/1 3/4" dia. Stem, .090" thk.	8	★	1738 815	1738 815	1738 815
	w/1 3/4" dia. Stem, .092" thk.	8	★	1738 816	1738 816	1738 816
	w/1 3/4" dia. Stem, .094" thk.	8	★	1738 817	1738 817	1738 817
	w/1 3/4" dia. Stem, .096" thk.	8	★	1738 818	1738 818	1738 818
	w/1 3/4" dia. Stem, .098" thk.	8	★	1738 819	1738 819	1738 819
	w/1 3/4" dia. Stem, .100" thk.	8	★	1738 820	1738 820	1738 820
3-22-28	SHIM, Drive Pinion Front Bearing, w/1 3/4" dia. Stem, .014" thk.	8	★	1738 805	1738 805	1738 805
	w/1 3/4" dia. Stem, .016" thk.	8	★	1738 806	1738 806	1738 806
	w/1 3/4" dia. Stem, .018" thk.	8	★	1738 807	1738 807	1738 807
	w/1 3/4" dia. Stem, .022" thk.	8	★	1829 442	1829 442	1829 442
	w/1 3/4" dia. Stem, .024" thk.	8	★	1829 443	1829 443	1829 443
	w/1 3/4" dia. Stem, .026" thk.	8	★	1829 444	1829 444	1829 444
3-22-45	OIL SEAL, Drive Pinion Front Bearing, w/1 3/4" dia. Stem	8	1	1828 719	1828 719	1828 719
3-32-1	SHAFT, Drive, w/1 3/4" dia. Stem, TP2, TD2 . .	8	2	2404 003	2404 003	

GROUP 5 - BRAKE-SERVICE

5-03-1	LINING PACKAGE, Wheel Brake Shoe		1	2298 848	2298 848	2298 848
5-03-5	SHOE and LINING, Front Wheel, Front Shoe . . .		2	2401 011	2401 011	2401 011
	SHOE and LINING, Front Wheel, Rear Shoe		2	2401 012	2401 012	2401 012
	SHOE and LINING, Rear Wheel, Front Shoe		2	2401 007	2401 007	2401 011
	SHOE and LINING, Rear Wheel, Rear Shoe		2	2401 008	2401 008	2401 012
5-03-6	SHOE, Front Wheel Brake		4	2260 654	2260 654	2260 654
	SHOE, Rear Wheel Brake		4	2260 886	2260 886	2260 654
5-13-1	SUPPORT, Front Wheel Brake		2	2265 563	2265 563	2401 420
	SUPPORT, Rear Wheel Brake, Right		1	2265 564	2265 564	2266 892
	SUPPORT, Rear Wheel Brake, Left		1	2265 565	2265 565	2266 893
5-20-1	SCREW, Wheel Brake Adjuster		4	2265 201	2265 201	----
5-20-4	SPRING, Wheel Brake Adjuster Lock		4	2265 203	2265 203	----
5-20-15	NUT, Wheel Brake Adjuster Screw Pivot		4	2260 671	2260 671	----
5-20-17	SOCKET, Wheel Brake Adjuster Screw		4	2265 068	2265 068	----
5-63-1	SERVICE PACKAGE, Rear Wheel Cylinder		2	2421 347	2421 347	2275 536
5-63-3	SERVICE PACKAGE, Rear Wheel Cylinder Piston.		2	2421 346	2421 346	2275 540
5-64-1	CYLINDER, Rear Wheel		2	2401 930	2401 930	2260 842
5-70-1	PISTON, Rear Wheel Cylinder		4	2401 938	2401 938	2260 843
5-71-1	CUP, Rear Wheel Cylinder Piston		4	2072 636	2072 636	2260 844
5-71-2	SPRING, Rear Wheel Cylinder Piston		2	2072 637	2072 637	1923 765

★ Indicates use as required.

⊔ Indicates parts not listed in any previous parts book.

Jan. 3, 1964 Supersedes Dec. 14, 1962.

Printed in U.S.A.

Prices and specifications subject to change without notice.

* Indicates change or addition.

CODE	PART NAME AND DESCRIPTION	C Y L.	PER CAR	PLYMOUTH	DODGE	DODGE 880
------	---------------------------	--------------	------------	----------	-------	-----------

GROUP 6 - CLUTCH

8 Cylinder 10 1/2" Clutch						
6-13-1	DISC, Clutch, 383 cu. in. Eng.	8	1	2256 232		
6-14-1	PRESSURE PLATE, w/COVER, 383 cu. in. Eng. .	8	1	2401 095		
8 Cylinder 11" Clutch						
6-09-1	HOUSING, TP1, TD1, w/225 cu. in. Eng., 11" Clutch	6	1	----	*2463 565	
6-09-11	STRUT, TP1, TD1, to Block, TP1, TD1, w/225 cu. in. Eng., 11" Clutch	6	1	----	*2129 887	
6-10-2	PAN, TP1, TD1, Clutch Housing, w/225 cu. in. Eng., 11" Clutch	6	1	----	*2463 568	
6-10-3	SCREW, TP1, TD1, Clutch Pan 5/16 x 11/16 . . .	6	5	----	*1947 953	
6-10-10	SEAL, Clutch Pan, w/225 cu. in. Eng., 11" Clutch	6	1	----	*2129 886	
6-13-1	DISC, TP1, TD1, w/225 cu. in. Eng., w/11" Clutch	6	1	----	*2409 683	
	DISC, Clutch, 413,383 cu. in. Eng.	8	1	----	2208 273	
6-13-4	FACING, TP1, TD1, w/225 cu. in. Eng., w/11" Clutch	6	2	----	*2409 685	
6-14-1	COVER, Clutch, includes Pressure PLATE, TP1, TD1, w/225 cu. in. Eng.	6	1	----	*2409 682	
	PRESSURE PLATE, w/COVER, 413,383 cu.in. Eng.	8	1	----	2208 274	
6-19-2	BEARING, Clutch Release, includes SLEEVE, TP1, TD1, w/225 cu. in. Eng., 11" Clutch	6	1	----	*2461 494	
6-19-3	BEARING, Clutch Release, less Sleeve, TP1, TD1, w/225 cu. in. Eng., 11" Clutch	6	1	----	* 658 998	
6-20-14	SPRING, Clutch Release Bearing Return, TP1, TD1, w/225 cu. in. Eng., 11" Clutch	6	1	----	*2073 687	
6-22-1	PIVOT, Release Fork, TP1, TD1, w/225 cu. in. Eng., 11" Clutch	6	1	----	*2260 719	
	SCREW	6	2	----	*6022 226	
6-22-4	SEAL, Clutch Release, TP1, TD1, w/225 cu. in. Eng., 11" Clutch	6	1	----	*2260 021	
6-22-19	SPRING, Pivot Fork, TP1, TD1, w/225 cu. in. Eng., w/11" Clutch	6	1	----	*2072 901	
6-27-5	SPRING, Clutch Release Fork Return, TP1, TD1, w/225 cu. in. Eng., 11" Clutch	6	1	----	*2260 023	

GROUP 7 - COOLING

7-02-1	FAN, Standard, w/Leece-Neville Alternator	8	1	2265 034	2265 034	2265 034
	Heavy Duty, w/Leece-Neville Alternator	8	1	2120 208	2120 208	2120 208

★ Indicates use as required.
 □ Indicates parts not listed in any previous parts book.
 * Indicates change or addition.

Printed in U.S.A.
 Prices and specifications subject to change without notice.
 Jan. 3, 1964 Supersedes Dec. 14, 1962.

1963 PASSENGER CAR PARTS CATALOG

POLICE - TAXI

CODE	PART NAME AND DESCRIPTION	CYL	PER CAR	PLYMOUTH	DODGE	DODGE 880
------	---------------------------	-----	---------	----------	-------	-----------

GROUP 7 - COOLING - Cont'd

7-02-16	SPACER, Fan, w/318 cu.in. Engine	8	1	2265 036	2265 036	-----
	w/361,383 and 413 cu.in. Engine	8	1	1730 155	1730 155	1730 155
7-03-1	BELT, Fan and Alternator Drive, w/Leece-Neville Alternator	6	1	2264 463	2264 463	-----
	Alternator Drive, w/318 cu.in. Engine, w/Leece-Neville Alternator	8	1	1673 650	1673 650	-----
	w/361 and 383 cu.in. Engine, w/Leece-Neville Alternator	8	1	2121 250	2121 250	2121 250
	w/413 cu.in. Engine, w/Leece-Neville Alternator .	8	1	-----	-----	2120 673
	BELT, Fan Drive, w/318 cu.in. Engine, w/Leece-Neville Alternator	8	1	1821 684	1821 684	-----
	w/361,383 and 413 cu.in. Engine, w/Leece-Neville Alternator	8	1	1327 471	1327 471	1327 471
7-04-1	PULLEY, Fan Idler	8	1	2240 397	2240 397	2240 397
	Alternator Idler	8	1	1859 770	1859 770	1859 770
7-04-5	BRACKET, Fan Idler Pulley, w/318 cu.in. Engine	8	1	2129 666	2129 666	-----
	w/361,383 and 413 cu.in. Engine	8	1	2129 667	2129 667	2129 667
	Alternator Idler Pulley	8	1	2264 517	2264 517	2264 517
7-04-8	REINFORCEMENT, Alternator Idler Pulley Bracket Support. w/Leece-Neville Alternator, w/318 cu. in. Engine	8	1	2406 647	2406 647	-----
7-04-9	SUPPORT, Alternator Idler Pulley Bracket, w/Leece-Neville Alternator, w/318, 361, 383 and 413 cu. in. Engine	8	1	2406 646	2406 646	2406 646
7-04-10	SPACER, Fan Idler Pulley Bracket, w/361,383 and 413 cu.in. Engine	8	1	2203 195	2203 195	2203 195
	Alternator Idler Pulley Bracket, w/318 cu.in. Engine	8	1	2202 380	2202 380	-----
7-04-13	BRACKET, Alternator Idler Pulley Bracket Spacer, w/318 cu.in. Engine	8	1	1945 384	1945 384	-----
7-04-16	SPACER, Alternator Idler Pulley Bearing, w/361,383 and 413 cu.in. Engine	8	1	2120 520	2120 520	2120 520
7-06-1	PULLEY, Fan Drive, w/Leece-Neville Alternator .	6	1	2264 449	2264 449	-----
	w/318 cu.in. Engine, w/Leece-Neville Alternator .	8	1	1859 580	1859 580	-----
	w/361,383 and 413 cu.in. Engine, w/Leece-Neville Alternator	8	1	1859 252	1859 252	1859 252
7-06-3	HUE, Fan Pulley, w/318 cu.in. Engine	8	1	1733 805	1733 805	-----
7-06-14	PULLEY, Fan Driven, w/Leece-Neville Alternator	6	1	2264 450	2264 450	-----
	w/318 cu.in. Engine, w/Leece-Neville Alternator .	8	1	1852 582	1852 582	-----
	w/361,383 and 413 cu.in. Engine, w/Leece-Neville Alternator	8	1	1851 248	1851 248	1851 248
7-08-2	SHROUD, Fan, Upper and Lower	6	2	1686 463	1686 463	-----
	Upper	8	1	2417 423	2417 423	2417 423
	Lower	8	1	2417 427	2417 427	2417 427
7-08-9	FILLER, Fan Shroud, Upper	6	1	2099 962	2099 962	-----
	Lower	6	1	2099 963	2099 963	-----
7-08-13	BRACKET, Fan Shroud, Right	6	1	2099 944	2099 944	-----
	Left	6	1	2099 945	2099 945	-----
		8	4	2099 555	2099 555	-----

★ Indicates use as required.

☐ Indicates parts not listed in any previous parts book.

Jan. 3, 1964 Supersedes Dec. 14, 1962.

Prices and specifications subject to change without notice.

* Indicates change or addition.

CODE	PART NAME AND DESCRIPTION	CYL.	PER CAR	PLYMOUTH	DODGE	DODGE 880
------	---------------------------	------	---------	----------	-------	-----------

GROUP 7 - COOLING - Cont'd

7-08-15	SCREW, Bracket to Core	6	2	6023 092	6023 092	
		8	8	6023 092	6023 092	6023 092
	STUD, Upper to Lower Shroud	8	2	1641 903	1641 903	1641 903
7-11-3	CORE, Radiator, High Capacity	6	1	2276 830	2276 830	----
	w/318 cu.in. Engine	8	1	2276 839	2276 839	----
	w/361,383 and 413 cu.in. Engine	8	1	2276 842	2276 842	----
	w/361 and 383 cu.in. Engine	8	1	----	----	2276 847

GROUP 8 - ELECTRICAL

8-27-1	DISTRIBUTOR, Double Breaker, w/383 cu.in. Eng., one 4 Barrel Carburetor	8	1	2095 832	2095 832	----
	Double Breaker, w/413 cu.in. Eng., one 4 Barrel Carburetor	8	1	----	----	2098 495
8-28-3	ALTERNATOR, 40 Amp		1	*2098 850	*2098 850	*2098 850
8-28-15	STRAP, Alternator Adjusting, w/361 cu.in. Eng., w/o Air Conditioning, w/Leece-Neville Alternator	8	1	----	----	2206 348
	w/413 cu.in. Eng., w/o Air Conditioning, w/Leece-Neville Alternator	8	1	----	----	2268 928
8-28-36	BRACKET, Alternator Mounting, Front, w/o Air Conditioning, w/Leece-Neville Alternator, w/361 cu.in. Engine.	8	1	----	----	2206 346
	w/Spring Anchor, w/o Air Conditioning, w/Leece-Neville Alternator, w/361 and 413 cu.in. Engine	8	1	----	----	2206 347
	w/413 cu.in. Eng., w/o Air Conditioning	8	1	----	----	2268 927
8-36-114	PLUG, Spark, High Performance, Champion, J-10Y	8	8	*2098 337	*2098 337	*2098 337
8-37-1	AMMETER, 60A		1	2290 586	2290 448	*2197 916
	100A		1	2290 425	2290 425	2290 425
8-37-372	SPEEDOMETER, 60A		1	2290 572	2290 443	2291 692
	Mile	8	1	----	----	2257 693
8-58-60	SWITCH, Stop Lamp, w/WIRING and BRACKET . .	8	1	*2496 985	*2496 985	
	w/o Wiring and Bracket	8	1	*2497 124	*2497 124	

GROUP 9 - ENGINE

Note 1: Specify engine detail parts listed in the 1963 Parts Catalog according to the cu.in. Engine and Carburetor used.

Note 2: Specify engine detail parts listed in the 1963 parts Catalog listed for TC1 w/413 cu.in. Engine.

9-01-24	SHORT ENGINE, w/225 cu.in. Eng., see Note 1 . .	6	1	2206 132	2206 132	----
	SHORT ENGINE, w/318 cu.in. Eng., see Note 1 . .	8	1	2402 971	2402 971	----
	SHORT ENGINE, w/361 cu.in. Engine, w/1-2 Barrel Carburetor, see Note 1	8	1	2268 314	2268 314	2268 314
	SHORT ENGINE, w/383 cu.in. Engine, w/1-2 Barrel Carburetor, see Note 1	8	1	2268 318	2268 318	2268 318
	SHORT ENGINE, w/383 cu.in. Engine, w/1-4 Barrel Carburetor, see Note 1	8	1	2268 318	2268 318	----
	SHORT ENGINE, w/413 cu.in. Eng., see Note 2 . .	8	1	----	----	2268 310

★ Indicates use as required.

☐ Indicates parts not listed in any previous parts book.

* Indicates change or addition.

CODE	PART NAME AND DESCRIPTION	C Y L	PER CAR	PLYMOUTH	DODGE	DODGE 880
------	---------------------------	-------------	------------	----------	-------	-----------

GROUP 9 - ENGINE - Cont'd

9-45-2	GEAR, Torque Converter Ring	6	1	1941 648	1941 648	----
9-46-4	TORQUE CONVERTER	6	1	2125 090	2125 090	----
9-46-8	PLATE, Drive, Torque Converter.	6	1	2204 719	2204 719	----
9-46-21	SCREW, Torque Converter to Crankshaft	6	6	6022 148	6022 148	----
9-46-33	BRACKET, Transmission Oil Cooler Tube	6	1	1949 176	1949 176	----
9-46-61	ADAPTER, Torque Converter Drive Plate	6	1	2202 472	2202 472	----
9-46-130	OIL SEAL, Torque Converter Impeller Hub	6	1	1942 020	1942 020	----
9-67-4	INSULATOR, Engine Front Support, Right	6	1	2406 672	2406 672	----
	Left	6	1	2406 674	2406 674	----

GROUP 10 - ENGINE OILING

TD1, TP1, Police and Taxi

10-03-4	INDICATOR, Oil Level, 15 11/16" approx., lgh.	6	1	----	*2402 837	----
	18 11/16" approx., lgh.	6	1	----	*2463 444	----
10-03-7	TUBE, Oil Level Indicator.	6	1	----	2406 366	----
10-24-4	PAN, Oil, w/Drain PLUG	6	1	----	2406 688	----

GROUP 11 - EXHAUST

11-01-1	MUFFLER, except Sub., Aluminized, Right	8	1	----	----	2409 134
	Left	8	1	----	----	2409 133
	Zinc Coated, except Sub.	8	2	----	----	2208 405
	Front, Sub.	8	2	----	----	*2405 331
	Rear, Sub.	8	2	----	----	2409 136
11-02-1	CLAMP PACKAGE, Tail Pipe Rear Support, except Sub.	8	2	----	----	2240 312
	Sub.	8	2	----	----	2240 311
	Tail Pipe Front Support, except Sub.	8	2	----	----	*2240 311
	Sub.	8	2	----	----	1843 009
	Front Muffler to Intermediate, Sub.	8	2	----	----	*2240 311
	Front Muffler to Exhaust Extension	8	2	----	----	2240 312
	Muffler to Exhaust Extension, except Sub.	8	2	----	----	1603 364
11-02-4	SUPPORT, w/Insulator, Front Muffler, Sub., Right	8	1	----	----	2122 796
	Left	8	1	----	----	1948 549
11-05-1	PIPE, Exhaust, except Sub., Right	8	1	----	----	2265 952
	Left	8	1	----	----	2265 950
	Sub., Right	8	1	----	----	2123 481
	Left	8	1	----	----	2123 479
11-05-4	PIPE, Exhaust Extension, except Sub., Right	8	1	----	----	2405 330
	Left	8	1	----	----	2405 329
	Sub., Right	8	1	----	----	2123 492
	Left	8	1	----	----	2123 491
11-05-12	FLANGE, Extension Pipe Ball Joint, Sub.	8	2	----	----	1946 637

★ Indicates use as required.

☐ Indicates parts not listed in any previous parts book.

Jan. 3, 1964 Supersedes Dec. 14, 1962.

Printed in U.S.A.

Prices and specifications subject to change without notice.

* Indicates change or addition.

CODE	PART NAME AND DESCRIPTION	C Y L.	PER CAR	PLYMOUTH	DODGE	DODGE 880
------	---------------------------	--------------	------------	----------	-------	-----------

GROUP 11 - EXHAUST - Cont'd

11-09-3	PIPE, Tail, Right, except Sub.	8	1	----	----	*2401 569
	Left, except Sub.	8	1	----	----	*2401 568
	Sub., Right	8	1	----	----	1948 589
	Left	8	1	----	----	1948 588
	Intermediate, Sub., Right	8	1	----	----	1948 536
	Left	8	1	----	----	1948 535
11-10-3	SUPPORT, w/Insulator, Tail Pipe, Front, except Sub.	8	2	----	----	2123 440
	Rear, except Sub.	8	2	----	----	2203 680
	Front, Sub.	8	2	----	----	2123 438
	Rear, Sub., Right	8	1	----	----	2208 394
	Left	8	1	----	----	2208 393

GROUP 14 - FUEL

14-01-3	SHIELD, Accelerator Pedal Lever	8	1	2129 264	2129 264	2129 264
14-24-1	CABLE, Fast Idle	8	1	917 248	917 248	917 248
14-24-4	COLLAR, Fast Idle Cable	8	1	2268 677	2268 677	2268 677
14-24-5	PIN, Fast Idle Cable	8	1	2268 679	2268 679	2268 679
14-24-9	SWIVEL, Fast Idle Cable	8	1	----	----	639 173
14-24-11	CLIP, Fast Idle Cable Swivel	8	1	----	----	639 174
14-29-6	FILTER, Air Cleaner	8	1	1946 923	1946 923	1946 923
14-29-7	COVER, Air Cleaner	8	1	2298 938	2298 938	2298 938
14-30-1	CARBURETOR	8	1	2402 211	2402 211	2402 515
14-30-2	GASKET, Carburetor Flange	8	1	2121 952	2121 952	2121 952
14-30-4	REPAIR PACKAGE, Carburetor	8	1	*2299 233	*2299 233	2299 233
	ZIP KIT, Carburetor	8	1	2299 080	2299 080	2299 080
14-30-7	GASKET PACKAGE, Carburetor	8	1	2196 212	2196 212	2196 212
14-30-8	NEEDLE, w/SEAT, Carburetor Float	8	2	2196 207	2196 207	2196 207
14-30-27	STRAINER, Carburetor Fuel Inlet	8	1	1826 864	1826 864	1826 864
14-30-28	NUT, Fuel Inlet Strainer	8	1	1826 863	1826 863	1826 863
14-35-1	JET, Main Metering, Primary	8	2	2240 464	2240 464	2240 464
	Secondary	8	2	2084 166	2084 166	2299 231
14-39-45	CHOKE, Carburetor	8	1	2402 201	2402 201	2402 201
14-41-3	PLUNGER, w/ROD, Carburetor Pump	8	1	1826 369	1826 369	1826 369
14-43-5	ROD, Carburetor Step-Up	8	2	2299 187	2299 187	2299 230

★ Indicates use as required.

☐ Indicates parts not listed in any previous parts book.

* Indicates change or addition.

Printed in U.S.A.

Prices and specifications subject to change without notice.

Jan. 3, 1964 Supersedes Dec. 14, 1962.

CODE	PART NAME AND DESCRIPTION	C Y L.	PER CAR	PLYMOUTH	DODGE	DODGE 880
------	---------------------------	--------------	------------	----------	-------	-----------

GROUP 16 - PROPELLER SHAFT AND UNIVERSAL JOINT

NOTE: When it becomes necessary to service Propeller Shaft or Front Universal Joint on All V8 Engines Police Cars it is recommended that the Shaft be Replaced as a Complete Assembly. As listed below.

16-02-1	SHAFT, w/318, 383 cu. in. Eng., Std. Heavy Duty Trans., includes U/JOINTS, TP2, All, TD2, Sub.	8	1	2401 350	2401 350	----
	SHAFT, w/318, 383 cu. in. Eng., 3 Speed Auto. Trans., includes U/JOINTS, TP2, All, TD2, Sub.	8	1	2405 877	2405 877	----
	SHAFT, w/318, 383 cu. in. Eng., 3 Speed Auto. Trans., less U/Joins, TP2, All, TD2, Sub.	8	1	2401 355	2401 355	----
	SHAFT, w/318, 383 cu. in. Eng., Std. Heavy Duty Trans., includes U/JOINTS, TD2, except Sub.	8	1	----	2401 489	----
	SHAFT, w/318, 383 cu. in. Eng., 3 Speed Auto. Trans., includes U/JOINTS, TD2 except Sub.	8	1	----	2405 878	----
	SHAFT, w/318, 383 cu. in. Eng., 3 Speed Auto. Trans., less U/Joins, TD2, except Sub.	8	1	----	2401 493	----
	SHAFT, w/361, 383, 413 cu. in. Eng., w/Std. Heavy Duty Trans., TA3	8	1	----	----	2401 478

GROUP 17 - SPRINGS

17-11-3	SPRING, Rear, except Sub.		2	2275 862	2275 862	2448 303
	Sub., Right		1	2275 866	2275 866	2275 870
	Left		1	2275 867	2275 867	2275 871
17-19-3	BUMPER, Side Rail Rear Axle	8	2	----	----	2206 884
17-23-3	ABSORBER PACKAGE, Front Shock		2	2275 883	2275 883	2298 807
	Rear, 1" dia.		2	2275 849	2275 849	2240 360
	Rear, 1 3/8" dia.		2	2275 848	2275 848	2240 362

GROUP 19 - STEERING

19-30-4	WHEEL, Steering, Black		1	2405 022	2405 022	2405 022
19-48-1	ROD, Gearshift Control, First and Reverse	6	1	2208 171	2208 171	----
19-48-7	SMALL PARTS PACKAGE		1	2421 771	2421 771	----
19-48-45	SHAFT, Torque	6	1	2208 166	2208 166	----
19-54-86	PULLEY, Power Steering Pump.	6	1	2202 851	2202 851	----
19-54-91	STRAP, Power Steering Pump Bracket to Water Body	6	1	2268 766	2268 766	----
19-54-115	BRACKET, Power Steering Pump.	6	1	2129 916	2129 916	----
	BRACKET, Power Steering Pump Engine	6	1	2202 846	2202 846	----
19-54-123	BOLT, Power Steering Pump Engine Bracket Swivel	6	1	2202 850	2202 850	----
	SCREW, w/WASHER, Power Steering Pump Bracket Adjusting.	6	2	1945 404	1945 404	----
19-54-132	NUT, Power Steering Pump Engine Bracket Swivel Bolt.	6	1	2129 684	2129 684	----

★ Indicates use as required.

⊠ Indicates parts not listed in any previous parts book.

Jan. 3, 1964 Supersedes Jan. 25, 1963.

Page PT-8

Prices and specifications subject to change without notice.

* Indicates change or addition.

Printed in U.S.A.

CODE	PART NAME AND DESCRIPTION	C Y L	PER CAR	PLYMOUTH	DODGE	DODGE 880
------	---------------------------	-------------	------------	----------	-------	-----------

GROUP 21 - TRANSMISSION STANDARD TRANSMISSION

21-01-3	GASKET SET	6	1	2275 893	2275 893	----
21-02-1	TRANSMISSION, w/7 Tooth Speedometer Gear, used UP TO date 11-9-62 stamped on Trans. Cover	6	1	2400 846	2400 846	----
	w/8 Tooth Speedometer Gear, used AFTER date 11-9-62 stamped on Trans. Cover	6	1	2464 094	2464 094	----
21-03-1	CASE, Trans.	6	1	2400 829	2400 829	----
21-04-1	EXTENSION	6	1	2400 627	2400 627	----
21-04-2	GASKET, Extension	6	1	2124 519	2124 519	----
21-04-11	BEARING, Extension	6	1	1672 194	1672 194	----
21-09-2	PINION, Main Drive, 24T., 18T., 23 Splines, 10 17/32" lgh., w/7 Tooth Speedometer Gear, used UP TO date 11-9-62 stamped on Trans. Cover	6	1	2125 195	2125 195	----
	24T., 18T., 23 Splines, 10 17/32" lgh., w/8 Tooth Speedometer Gear, used AFTER date 11-9-62 stamped on Trans. Cover	6	1	2408 147	2408 147	----
21-09-5	BEARING, Drive Pinion	6	1	2124 516	2124 516	----
21-09-29	RETAINER, Bearing	6	1	2124 945	2124 945	----
21-09-33	GASKET, Retainer	6	1	2124 499	2124 499	----
21-10-4	GEAR, Sliding, First and Reverse, 28T., 34 Splines	6	1	2124 561	2124 561	----
21-10-16	GEAR, Second Speed, 24T., 24T.	6	1	2124 560	2124 560	----
21-11-1	GEAR, Reverse Idler, 14T.	6	1	2124 562	2124 562	----
21-11-9	WASHER, Bearing Roller	6	2	2204 978	2204 978	----
21-14-1	SYNCHRONIZER UNIT	6	1	E2400 864	E2400 864	----
21-14-5	GEAR, Synchronizer Clutch	6	1	2204 666	2204 666	----
21-14-6	SLEEVE, Clutch Gear	6	1	2124 387	2124 387	----
21-14-15	SPRING, Synchronizer Stop Ring	6	1	2205 061	2205 061	----
21-14-19	RING, Synchronizer Stop, Outer	6	2	E2400 865	E2400 865	----
	Inner	6	2	2124 472	2124 472	----
21-14-20	SNAP RING, Clutch Gear	6	1	2205 192	2205 192	----
21-15-2	GEAR, Countershaft, 33T., 25T., 17T., 13T. . . .	6	1	2124 386	2124 386	----
21-15-33	WASHER, Gear Thrust, .057" thk.	6	★	2124 505	2124 505	----
	.062" thk.	6	★	2124 504	2124 504	----
21-16-3	SHAFT, Main, 32, 34, 23 Splines, 25 1/4" lgh., w/7 Tooth Speedometer Gear, used UP TO date 11-9-62 stamped on Trans. Cover	6	1	2408 009	2408 009	----
	32, 34, 23 Splines, 25 1/4" lgh., w/8 Tooth Speedometer Gear, used AFTER date 11-9-62 stamped on Trans. Cover	6	1	2408 041	2408 041	----

★ Indicates use as required.

E Indicates parts not listed in any previous parts book.

* Indicates change or addition.

Printed in U.S.A.

Prices and specifications subject to change without notice.

Jan. 3, 1964 Supersedes Jan. 25, 1963.

CODE	PART NAME AND DESCRIPTION	C Y L	PER CAR	PLYMOUTH	DODGE	DODGE 880
------	---------------------------	-------------	------------	----------	-------	-----------

GROUP 21 - TRANSMISSION - Cont'd
STANDARD TRANSMISSION

21-17-7	SNAP RING, Mainshaft Pilot Bearing	6	1	862 173	862 173	----
21-19-2	BEARING, Mainshaft	6	1	620 521	620 521	----
21-19-15	SNAP RING, Bearing, Outer, .087" thk.	6	★	2124 508	2124 508	----
	Outer, .090" thk.	6	★	2124 509	2124 509	----
	Outer, .093" thk.	6	★	2124 510	2124 510	----
	Outer, .096" thk.	6	★	2124 511	2124 511	----
21-22-2	OIL SEAL, Mainshaft Bearing	6	1	2205 080	2205 080	----
21-24-2	COUNTERSHAFT	6	1	2124 393	2124 393	----
21-24-19	PLATE or WASHER, Roller Thrust	6	1	2124 474	2124 474	----
21-25-2	ROLLER, Countershaft Bearing	6	88	2124 502	2124 502	----
21-25-4	SPACER, Bearing	6	1	2124 473	2124 473	----
21-25-6	WASHER or RING, Roller Thrust	6	4	2124 506	2124 506	----
21-29-3	COVER, Case	6	1	2124 465	2124 465	----
21-29-25	GASKET, Cover	6	1	2124 466	2124 466	----
21-30-428	SWIVEL, Interlock	6	1	2404 859	2404 859	----
21-30-429	CLAMP, Interlock	6	1	2204 274	2204 274	----
21-34-47	SPRING, Interlock Ball	6	1	*2205 131	*2205 131	----
21-39-3	FORK, Gearshift, Low and Reverse	6	1	2124 463	2124 463	----
	Second and Direct	6	1	2124 462	2124 462	----
21-42-11	LEVER, Gearshift, Low and Reverse	6	1	2124 523	2124 523	----
	Second and Direct	6	1	2124 494	2124 494	----
21-42-23	LEVER, Operating, Low and Reverse	8	1	2204 932	2204 932	----
	Second and Direct	6	1	2208 160	2208 160	----
	Low and Reverse	6	1	2400 562	2400 562	----
	Interlock, Low and Reverse	6	1	2400 716	2400 716	----
	CLIP, Interlock Lever	6	1	6025 071	6025 071	----
	WASHER, Interlock Lever	6	1	6023 596	6023 596	----
21-42-28	PIN, Low and Reverse Interlock Lever Pivot	6	1	2400 568	2400 568	----
21-42-29	PAWL, Low and Reverse Interlock Lever	6	1	2400 715	2400 715	----

NOTES

★ Indicates use as required.
 ☐ Indicates parts not listed in any previous parts book.
 Jan. 3, 1964 Supersedes Jan. 25, 1963.

Printed in U.S.A.
 Prices and specifications subject to change without notice.
 * Indicates change or addition.

GROUP 21 - TRANSMISSION - Cont'd
HEAVY DUTY STANDARD TRANSMISSION

21-85-5 PINION

HEAVY DUTY STANDARD TRANSMISSION, w/7 TOOTH SPEEDOMETER GEAR,
USED UP TO DATE 11-9-62 STAMPED ON TRANS. COVER

Tire Size	3.23 to 1 Ratio		3.31 to 1 Ratio		3.55 to 1 Ratio	
	Pinion	Teeth	Pinion	Teeth	Pinion	Teeth
7.00 x 14	1949 402	18 N	1949 402	18 N	1949 403	19 R
7.50 x 14	1949 401	17 L P	1949 401	17 L P	1949 403	19 R
8.00 x 14	1949 401	17 L P	-----	---	-----	---
6.70 x 15	1949 401	17 L P	1949 401	17 L P	1949 402	18 N
7.10 x 15	1949 402(1)	18 N	-----	---	-----	---
7.60 x 15	1949 401(1)	17 L P	-----	---	1949 402	18 N

NOTE No. 1 USE ADAPTER 2291 140

COLORS OF PINIONS

N-NATURAL

LP-LIGHT PURPLE

R-RED

HEAVY DUTY STANDARD TRANSMISSION, w/8 TOOTH SPEEDOMETER GEAR,
USED AFTER DATE 11-9-62 STAMPED ON TRANS. COVER

Tire Size	2.93 to 1 Ratio		3.23 to 1 Ratio		3.31 to 1 Ratio		3.55 to 1 Ratio	
	Pinion	Teeth	Pinion	Teeth	Pinion	Teeth	Pinion	Teeth
7.00 x 14	1949 402	18 N	1949 404	20 B	1949 405	21 L B	1949 406	22 Y
7.50 x 14	1949 402	18 N	1949 403	19 R	1949 404	20 B	1949 405	21 L B
8.00 x 14	-----	---	1949 403	19 R	-----	---	-----	---
6.70 x 15	1949 401	17 L P	1949 403	19 R	1949 404	20 B	1949 405	21 L B
7.10 x 15	-----	---	1949 403	19 R	-----	---	-----	---
7.60 x 15	-----	---	1949 402	18 N	-----	---	1949 404	20 B

COLORS OF PINIONS

N-NATURAL

LP-LIGHT PURPLE

R-RED

B-BLACK

Y-YELLOW

LB-LIGHT BLUE

NOTES

★ Indicates use as required.

☐ Indicates parts not listed in any previous parts book.

* Indicates change or addition.

Printed in U.S.A.

Prices and specifications subject to change without notice.

Jan. 3, 1964 Supersedes Jan. 25, 1963.

CODE	PART NAME AND DESCRIPTION	CYL.	PER CAR	PLYMOUTH	DODGE	DODGE 880
------	---------------------------	------	---------	----------	-------	-----------

GROUP 21 - TRANSMISSION
AUTOMATIC 3 - SPEED TRANSMISSION

NOTE: For Parts not listed below for TP1, TD1, 6 cylinder, refer to Automatic Transmission Section of the Parts Catalog.

21-02-1	TRANSMISSION, w/361 cu.in. Engine	8	1	2408 005		
	w/383 cu.in. Engine	8	1	-----	2408 006	
		6	1	-----	2464 099	-----
21-03-1	CASE, Transmission, w/361 and 383 cu.in.Engine	8	1	2400 131	2400 131	-----
21-03-2	PLATE, Case Adapter	6	1	-----	2125 013	-----
21-03-6	COVER, Case Torque Converter, w/361 and 383 cu.in. Engine	8	1	1942 248	1942 248	-----
21-03-23	SCREW, Trans. to Plate	6	4	-----	6023 187	-----
	Plate to Trans.	6	2	-----	6012 042	-----
21-03-40	PIN, Adapter Plate Dowel	6	2	-----	1533 923	-----
21-30-365	CABLE, Control, 47" lgh., w/361 and 383 cu.in. Engine	8	1	2266 405	2266 405	-----
21-119-3	PAN, w/PLUG	6	1	E2464 312	E2464 312	
21-136-20	LEVER, Kickdown Band, w/361 and 383 cu.in. Engine	8	1	2124 666	2124 666	-----
21-137-205	SPRING, Accumulator Piston	6	1	-----	2464 076	-----
21-138-2	REPAIR PACKAGE, Governor, w/383 cu.in.Engine, 4 Barrel Carburetor	8	1	2298 514	2298 514	-----
21-138-15	SPRING, Governor Weight, TP2, TD2, w/383 cu.in. Engine, 4 Barrel Carburetor	8	1	1949 859	1949 859	-----

GROUP 22 - WHEELS

22-01-5	WHEEL, 14 x 5.50		5	2298 523	2298 523	-----
	15 x 5.50, w/Spring CLIP Type Hub Caps, UP TO 15 x 5.50, w/Nubbing Hub Cap, AFTER Type		5	*1856 808	*1856 808	
	15 x 6.00	8	5	*2409 855	*2409 855	
22-01-42	COVER, Wheel, 15" Wheel	8	4	-----	-----	2200 928
22-03-1	HUB and BRAKE DRUM, Front, 11" x 3" Brakes, Right		1	2266 390	2266 390	-----
	Left		1	2266 391	2266 391	-----
	11" x 3" Brakes, Right	8	1	-----	-----	2401 548
	Left	8	1	-----	-----	2401 549
22-03-2	HUB and BRAKE DRUM, Rear, 11" x 2 1/2" Brakes, Right		1	2265 354	2265 354	-----
	Left		1	2265 355	2265 355	-----
	11" x 3" Brakes, Right	8	1	-----	-----	2401 426
	Left	8	1	-----	-----	2401 427
22-04-11	SPRING, Rear Wheel Brake Drum Dampener, 11" x 2 1/2" Brakes		2	2266 877	2266 877	-----
	Front Wheel, 11" x 3" Brakes		2	2266 877	2266 877	-----
	Front and Rear Wheel, 11" x 3" Brakes	8	4	-----	-----	2266 877

★ Indicates use as required.

☐ Indicates parts not listed in any previous parts book.

Jan. 3, 1964 Supersedes Jan. 25, 1963.

Prices and specifications subject to change without notice.

* Indicates change or addition.

Printed in U.S.A.

CODE	PART NAME AND DESCRIPTION	CYL.	PER CAR	PLYMOUTH	DODGE	DODGE 880
------	---------------------------	------	---------	----------	-------	-----------

GROUP 22 - WHEELS - Cont'd

22-05-14	STUD, Front Hub, 11" x 3" Brakes, Right		5	----	1633 050	----
	Left		5	----	1633 051	----
	Rear Hub, 11" x 2 1/2" Brakes, Right		5	----	2265 076	----
	Left		5	----	2265 077	----
	Rear Hub, 11" x 3" Brakes, Right	8	5	----	----	1799 554
	Left	8	5	----	----	1799 555
22-08-5	CAP, Hub, 15" Wheel, w/Spring CLIP, UP TO . .		4	*1943 733	*1943 733	*1943 733
	15" Wheel, w/Nubbing Cap, AFTER Type		4	*2401 956	*2401 956	

GROUP 23 - BODY

23-17-5	CYLINDER and KEYS, Deck Lid Lock, w/o Key. . .		1	2428 245	2428 245	----
23-20-8	MAT, Front Floor, Heavy Duty, Black		1	2413 732	2413 732	----
	Use w/Std. Trans, Heavy Duty, Black			----	----	2179 550
23-21-3	MIRROR PACKAGE, Rear View Outside, Clear . .		1	2292 194	2292 194	2292 194
	Non-Glare		1	2292 195	2292 195	2292 195

1963 POLICE

CHRYSLER TC1 ENFORCER

Body Types

- 4 Door Sedan
- 4 Door Suburban

361 cu.in. Engine with single 2 bbl. Carburetor is standard equipment.
 413 cu.in. Engine with single 4 bbl. Carburetor is optional.
 Heavy Duty Manual 3 Speed Transmission is standard for both Engines.
 The Automatic 3 Speed Transmission with standard Governor is optional equipment on the 361 cu.in. Engine.
 The Automatic 3 Speed Transmission with High Speed Governor is optional on the 413 cu.in. Engine.
 In the event the parts required are not listed in this section of the catalog, refer to the 1963 "T" Series listing when specifying Parts.

CODE	PART NAME AND DESCRIPTION	CYL.	PER CAR	CHRYSLER
------	---------------------------	------	---------	----------

GROUP 2 - FRONT SUSPENSION

2-14-3	BAR or SPRING, Torsion, Heavy Duty, Right	8	1	1825 606
	Heavy Duty, Left	8	1	1825 607

GROUP 3 - AXLE-REAR

3-03-1	DIFFERENTIAL, w/CARRIER, 3.23 to 1 ratio	8	1	2070 811
3-03-3	CARRIER, w/CAPS	8	1	1634 984
3-19-1	GEAR and PINION SET, 3.23 to 1 ratio	8	1	2070 817
3-22-24	CONE, Drive Pinion Front Bearing, w/ROLLERS	8	1	1401 808
	Rear	8	1	1404 472
3-22-25	CUP, Drive Pinion Front Bearing	8	1	1401 810
	Rear	8	1	1327 847

★ Indicates use as required.

☐ Indicates parts not listed in any previous parts book.

* Indicates change or addition.

Printed in U.S.A.

Prices and specifications subject to change without notice.

CODE	PART NAME AND DESCRIPTION	C Y L.	PER CAR	CHRYSLER
GROUP 3 - AXLE-REAR - Cont'd				
3-22-27	WASHER, Drive Pinion Rear Bearing, .084" thk.	8	★	1738 812
	.086" thk.	8	★	1738 813
	.088" thk.	8	★	1738 814
	.090" thk.	8	★	1738 815
	.092" thk.	8	★	1738 816
	.094" thk.	8	★	1738 817
	.096" thk.	8	★	1738 818
	.098" thk.	8	★	1738 819
	.100" thk.	8	★	1738 820
3-22-28	SHIM, Drive Pinion Front Bearing, .014" thk.	8	★	1738 805
	.016" thk.	8	★	1738 806
	.018" thk.	8	★	1738 807
	.022" thk.	8	★	1829 442
	.024" thk.	8	★	1829 443
	.026" thk.	8	★	1829 444
3-22-45	OIL SEAL, Drive Pinion Front Bearing	8	1	1828 719
GROUP 5 - BRAKE-SERVICE				
5-03-1	LINING PACKAGE, Wheel Brake Shoe	8	1	2448 320
5-03-5	SHOE and LINING, Front and Rear Wheel, Front Shoe	8	4	2401 011
	SHOE and LINING, Front and Rear Wheel, Rear Shoe	8	4	2401 012
GROUP 7 - COOLING				
7-02-1	FAN, Standard, w/Leece-Neville Alternator	8	1	2265 034
	Heavy Duty, w/Leece-Neville Alternator	8	1	2120 208
	w/413 cu.in. Engine, w/Chrysler Alternator	8	1	2402 282
7-02-16	SPACER, Fan	8	1	1730 155
7-03-1	BELT, Alternator Drive, w/361 cu.in. Engine, w/Leece-Neville Alternator	8	1	2121 250
	w/413 cu.in. Engine, w/Leece-Neville Alternator	8	1	2120 673
	Fan Drive, w/361 and 413 cu.in. Engine, w/Leece-Neville Alternator	8	1	1327 471
7-04-1	PULLEY, Fan Idler	8	1	2240 397
	Alternator Idler	8	1	1859 770
7-04-5	BRACKET, Fan Idler Pulley	8	1	2129 667
	Alternator Idler Pulley	8	1	2264 517
7-04-9	SUPPORT, Alternator Idler Pulley Bracket,			
	w/Leece-Neville Alternator, w/361, 383 and			
	413 cu. in. Engine, TC1	8	1	2406 646
7-04-10	SPACER, Fan Idler Pulley Bracket	8	1	2203 195
7-04-16	SPACER, Alternator Idler Pulley Bearing	8	1	2120 520
7-06-1	PULLEY, Fan Drive, w/Leece-Neville Alternator	8	1	1859 252
	w/Chrysler Alternator, w/o Air Conditioning	8	1	1821 449
	w/413 cu.in. Engine, w/Chrysler Alternator, w/Air Conditioning	8	1	2128 545
7-06-14	PULLEY, Fan Driven, w/Chrysler Alternator, w/o Air Conditioning	8	1	1821 452
	w/413 cu.in. Engine, w/Chrysler Alternator, w/Air Conditioning	8	1	2121 016
	w/Leece-Neville Alternator	8	1	1851 248

★ Indicates use as required.

☐ Indicates parts not listed in any previous parts book.

Jan. 3, 1964 Supersedes Dec. 14, 1962.

Printed in U.S.A.
Prices and specifications subject to change without notice.

Page PT-12

* Indicates change or addition.

CODE	PART NAME AND DESCRIPTION	CYL.	PER CAR	CHRYSLER
GROUP 7 - COOLING - Cont'd				
7-08-2	SHROUD, Fan, Upper	8	1	2417 423
	Lower	8	1	2417 427
7-08-15	SCREW, Fan Shroud	8	8	6023 092
	STUD, Upper to Lower Shroud	8	2	1641 903
7-08-16	NUT	8	★	6000 124
7-11-3	CORE, Radiator, High Capacity, w/361 cu.in. Engine	8	1	2276 847
	w/413 cu.in. Engine	8	1	2276 851

GROUP 8 - ELECTRICAL				
8-27-1	DISTRIBUTOR, Double Breaker, w/413 cu.in. Eng., one 4 Barrel Carburetor	8	1	2098 495
8-28-3	ALTERNATOR, 40 Amp.		1	*2098 850
8-28-15	STRAP, Alternator Adjusting, w/361 cu.in. Eng., w/o Air Conditioning, w/Leece-Neville Alternator	8	1	2206 348
	w/413 cu.in. Eng., w/o Air Conditioning, w/Leece-Neville Alternator	8	1	2268 928
8-28-36	BRACKET, Alternator Mounting, Front, w/o Air Conditioning, w/Leece-Neville Alternator, w/361 cu.in. Eng.	8	1	2206 346
	w/Spring Anchor, w/o Air Conditioning, w/Leece-Neville Alternator, w/361 and 413 cu.in. Eng.	8	1	2206 347
	w/413 cu.in. Eng., w/o Air Conditioning	8	1	2268 927
8-36-114	PLUG, Spark, High Performance, Champion J-10Y	8	8	*2098 337
8-37-1	AMMETER, 60 Amp.		1	2291 694
	100 Amp.		1	2290 425
8-37-372	SPEEDOMETER, 60 Amp.		1	2291 692

GROUP 9 - ENGINE

NOTE: Specify engine detail parts listed in the 1963 parts catalog for TC1 w/413 cu.in. Engine.

9-01-24	SHORT ENGINE, w/361 cu.in. Engine, w/1-2 Barrel Carburetor, see Note..	8	1	2268 314
	SHORT ENGINE, w/413 cu.in Engine, see Note	8	1	2268 310

GROUP 11 - EXHAUST

11-01-1	MUFFLER, except Sub., Aluminized, Right	8	1	2409 134
	Left	8	1	2409 133
	Zinc Coated, except Sub.	8	2	2208 405
	Front, Sub.	8	2	*2405 331
	Rear, Sub.	8	2	2409 136
11-02-1	CLAMP PACKAGE, Tail Pipe Rear Support, except Sub.	8	2	2240 312
	Sub.	8	2	2240 311
	Tail Pipe Front Support, except Sub.	8	2	*2240 311
	Sub.	8	2	1843 009
	Front Muffler to Intermediate, Sub.	8	2	*2240 311
	Front Muffler to Exhaust Extension	8	2	2240 312
	Muffler to Exhaust Extension, except Sub.	8	2	1603 364

★ Indicates use as required.

☐ Indicates parts not listed in any previous parts book.

* Indicates change or addition.

CODE	PART NAME AND DESCRIPTION	C Y L.	PER CAR	CHRYSLER
GROUP 11 - EXHAUST - Cont'd				
11-02-4	SUPPORT, w/INSULATOR, Front Muffler, Sub., Right	8	1	2122 796
	Left	8	1	1948 549
11-05-1	PIPE, Exhaust, except Sub., Right	8	1	2265 952
	Left	8	1	2265 950
	Sub., Right	8	1	2123 481
	Left	8	1	2123 479
11-05-4	PIPE, Exhaust Extension, except Sub., Right	8	1	2405 330
	Left	8	1	2405 329
	Sub., Right	8	1	2123 492
	Left	8	1	2123 491
11-05-12	FLANGE, Extension Pipe Ball Joint, Sub.	8	2	1946 637
11-09-3	PIPE, Tail, Right, except Sub.	8	1	*2401 569
	Left, except Sub.	8	1	*2401 568
	Sub., Right	8	1	1948 589
	Left	8	1	1948 588
	Intermediate, Sub., Right	8	1	1948 536
	Left	8	1	1948 535
11-10-3	SUPPORT, w/INSULATOR, Tail Pipe Front, except Sub.	8	2	2123 440
	Rear, except Sub.	8	2	2203 680
	Front, Sub.	8	2	2123 438
	Rear, Sub., Right	8	1	2208 394
	Left	8	1	2208 393

GROUP 14 - FUEL

14-01-3	SHIELD, Accelerator Pedal Lever	8	1	2129 264
14-24-1	CABLE, Fast Idle	8	1	917 248
14-24-4	COLLAR, Fast Idle Cable	8	1	2268 677
14-24-5	PIN, Fast Idle Cable	8	1	2268 679
14-24-9	SWIVEL, Fast Idle Cable	8	1	639 173
14-24-11	CLIP, Fast Idle Cable Swivel	8	1	639 174
14-29-2	AIR CLEANER PACKAGE	8	1	2298 938
14-29-6	FILTER, Air Cleaner	8	1	1946 923
14-30-1	CARBURETOR	8	1	2402 515
14-30-2	GASKET, Carburetor Flange	8	1	2121 952
14-30-4	REPAIR PACKAGE, Carburetor	8	1	2299 233
	ZIP KIT, Carburetor	8	1	2299 080
14-30-7	GASKET PACKAGE, Carburetor	8	1	2196 212
14-30-8	NEEDLE, w/SEAT, Carburetor Float	8	2	2196 207
14-30-27	STRAINER, Carburetor Fuel Inlet	8	1	1826 864
14-30-28	NUT, Fuel Inlet Strainer	8	1	1826 863

★ Indicates use as required.

⊕ Indicates parts not listed in any previous parts book.

Jan. 3, 1964 Supersedes Dec. 14, 1962.

Page PT-14

Printed in U.S.A.
Prices and specifications subject to change without notice.

* Indicates change or addition.

CODE	PART NAME AND DESCRIPTION	C Y L.	PER CAR	CHRYSLER
GROUP 14 - FUEL - Cont'd				
14-35-1	JET, Main Metering, Primary	8	2	2240 464
	Secondary	8	2	2299 231
14-39-45	CHOKE, Carburetor	8	1	2402 201
14-41-3	PLUNGER, w/ROD, Carburetor Pump	8	1	1826 369
14-43-5	ROD, Carburetor Step-Up	8	2	2299 230

GROUP 16 - PROPELLER SHAFT AND UNIVERSAL JOINT

NOTE: When it becomes necessary to service Propeller Shaft or Front Universal Joint on all V8 Engine's Police Cars it is recommended that the Shaft be replaced as a Complete Assembly. As listed below.

16-02-1	SHAFT, w/361, 413 cu. in. Eng., w/Heavy Duty Std. Trans., TC1	8	1	2401 478
---------	--	---	---	----------

GROUP 17 - SPRING

17-11-3	SPRING, Rear, except Sub.	8	2	2448 303
	Sub., Right	8	1	2275 870
	Left	8	1	2275 871
17-19-3	BUMPER, Side Rail Rear Axle	8	2	2206 939
17-23-3	ABSORBER PACKAGE, Front Shock	8	2	2298 807
	Rear, 1" dia.	8	2	2240 360
	Rear, 1 3/8" dia.	8	2	2240 362

GROUP 21 - TRANSMISSION

21-02-1	TRANSMISSION, w/413 cu.in. Engine, Automatic 3 Speed	8	1	2408 006
21-138-2	REPAIR PACKAGE, Governor, w/413 cu.in. Engine, Automatic 3 Speed ...	8	1	2298 514
21-138-15	SPRING, Governor Weight, w/413 cu.in. Engine, Automatic 3 Speed	8	1	1949 859

GROUP 22 - WHEELS

22-01-5	WHEEL, 14 x 6.00	8	5	2275 898
	15 x 6.00	8	5	2200 928
22-01-42	COVER, 15" Wheel	8	4	2260 160
22-03-1	HUB and BRAKE DRUM, Front, 11" x 3" Brakes, Right	8	1	2401 548
	Left	8	1	2401 549
22-03-2	HUB and BRAKE DRUM, Rear, 11" x 3" Brakes, Right	8	1	2401 426
	Left	8	1	2401 427

★ Indicates use as required.

⊠ Indicates parts not listed in any previous parts book.

* Indicates change or addition.

Printed in U.S.A.

Prices and specifications subject to change without notice.

Jan. 3, 1964 Supersedes Jan. 25, 1963.

CODE	PART NAME AND DESCRIPTION	C Y L	P E R C A R	CHRYSLER
------	---------------------------	-------------	----------------------------	----------

GROUP 22 - WHEELS - Cont'd

22-04-11	SPRING, Wheel, Brake Drum Dampener, 11" x 3" Brakes	8	4	2266 877
22-05-14	STUD, Front Hub, 11" x 3" Brakes, Right	8	5	1633 050
	Left	8	5	1633 051
	STUD, Rear Hub, 11" x 3" Brakes, Right	8	5	1799 554
	Left	8	5	1799 555
22-08-5	CAP, Hub, 15" Wheel	8	4	1943 733

GROUP 23 - BODY

23-20-8	MAT, Front Floor, Use w/Std. Trans., Heavy Duty, Black.		1	2179 550
23-21-3	MIRROR PACKAGE, Rear View Outside Clear . .		1	2292 194
	Non-Glare		1	2292 195

NOTES

★ Indicates use as required.
 □ Indicates parts not listed in any previous parts book.
 Jan. 3, 1964 Supersedes Dec. 14, 1962.

Printed in U.S.A.
 Prices and specifications subject to change without notice.
 * Indicates change or addition.

TAXI

1963 TAXI VEHICLES

BODY TYPE
4 DOOR SEDAN

Plymouth 6 - 225 cu. in. Engine
 Plymouth 8 - 318 cu. in. Engine
 Dodge 6 - 225 cu. in. Engine
 Dodge 8 - 318 cu. in. Engine

In the event parts required are not listed in this section of the Catalog, refer to the 1963 "T" Series listing when specifying Parts.

CODE	PART NAME AND DESCRIPTION	C Y L.	PER CAR	PLYMOUTH DODGE
GROUP 2 - FRONT SUSPENSION				
2-14-3	BAR or SPRING, Torsion, Heavy Duty, Right		1	1857 778
	Heavy Duty, Left		1	1857 779
GROUP 3 - AXLE-REAR				
3-03-1	DIFFERENTIAL, Rear Axle, w/CARRIER, 2.93 to 1 ratio	6	1	2070 579
	3.23 to 1 ratio	6	1	2070 771
	3.55 to 1 ratio	6	1	2070 908
	CARRIER, Differential, w/CAPS	6	1	1820 698
3-04-6	CASE, Differential	6	1	1850 370
3-06-5	GEAR, Differential Side	6	2	2070 148
3-06-6	WASHER, Differential Side Gear Thrust	6	2	1633 960
3-07-1	PINION, Differential	6	2	1633 959
3-07-2	WASHER, Differential Pinion	6	2	1633 961
3-08-1	SHAFT, Differential Pinion	6	1	1633 928
3-08-2	PIN, Differential Pinion Shaft Lock	6	1	1633 937
3-11-1	CONE, Differential, w/ROLLERS	6	2	1790 523
3-19-1	GEAR and PINION SET, Rear Axle, 2.93 to 1 ratio	6	1	2070 569
	3.23 to 1 ratio	6	1	2070 816
	3.55 to 1 ratio	6	1	2070 915
3-22-26	SPACER, Drive Pinion Rear Bearing	6	1	1738 826
3-32-8	BLOCK, Axle Drive Shaft Thrust	6	1	1940 604

★ Indicates use as required.

☐ Indicates parts not listed in any previous parts book.

* Indicates change or addition.

Printed in U.S.A.
 Prices and specifications subject to change without notice.
 Jan. 3, 1964 Supersedes Dec. 14, 1962.

CODE	PART NAME AND DESCRIPTION	CYL.	PER CAR	PLYMOUTH DODGE
GROUP 4 - BRAKE-PARKING				
3-1	LEVER, Control		1	2401 760
1-3	BRACKET, Mounting		1	2401 302
1-26	ANCHOR, Return Spring		1	2265 324
1-27	PIN, Handle Stop		1	1405 532
1-35	PIN, Lever Hinge		1	1732 198
1-36	RETAINER, Lever Hinge Pin		1	1829 817
1-37	HINGE, Control Lever		1	2265 322
1-6	PIN, Pawl Pivot		2	1405 533
1-1	SPRING, Control Lever Return		1	1946 446
1-1	CABLE, Front		1	2401 773
1-24	PIN, Clevis		1	2265 269
1-28	CLAMP, Cable		1	2401 303
GROUP 5 - BRAKE-SERVICE				
1-1	LINING PACKAGE, Brake Shoe		1	2421 314
1-5	SHOE, w/LINING, Front Wheel, Front Shoe		2	2401 806
	Front Wheel, Rear Shoe		2	2401 807
	Rear Wheel, Front Shoe		2	2401 800
	Rear Wheel, Rear Shoe		2	2401 801
1-6	SHOE, Front Wheel		4	2260 654
	Rear Wheel		4	2260 886
1-23	SPRING, Brake Shoe Return		8	2260 789
1-1	SUPPORT, Wheel Brake, Front		2	2265 563
	Rear, Right		1	2265 564
	Rear, Left		1	2265 565
GROUP 7 - COOLING				
1-1	FAN ASSEMBLY, Standard	8	1	2265 034
	Heavy Duty	8	1	2120 208
1-16	SPACER, w/Standard Fan	8	1	2265 036
	w/Heavy Duty Fan	8	1	1825 956
1-1	BELT, Engine to Alternator to Fan w/Leece-Neville Alternator	6	1	2264 463
	Engine to Fan, w/Leece-Neville Alternator	8	1	1821 684
	Engine to Alternator, w/Leece-Neville Alternator	8	1	1673 650
	Engine to Strg. Pump	8	1	1854 895
1-1	PULLEY, Fan Idler, w/Leece-Neville Alternator	8	1	2240 397
	Alternator Idler, w/Leece-Neville Alternator	8	1	1859 770
1-5	BRACKET, Fan Idler, w/Leece-Neville Alternator	8	1	2129 666
	Alternator Idler, w/Leece-Neville Alternator	8	1	2264 517
1-10	SPACER, Alternator Idler Pulley Bracket, w/Leece-Neville Alternator	8	1	2202 380

Items use as required.
 Items parts not listed in any previous parts book.
 3, 1964 Supersedes Dec. 14, 1962.

Printed in U.S.A.
 Prices and specifications subject to change without notice.
 * Indicates change or addition.

CODE	PART NAME AND DESCRIPTION	C Y L.	PER CAR	PLYMOUTH DODGE
GROUP 7 - COOLING - Cont'd				
7-04-13	BRACKET, Alternator Idler Pulley Bracket Spacer, w/Leece-Neville Alternator	8	1	1945 384
7-04-16	SPACER, Alternator Idler Pulley Bearing, w/Leece-Neville Alternator	8	1	2120 520
7-06-1	PULLEY, Fan Drive, w/Leece-Neville Alternator	6	1	2264 449
	w/Leece-Neville Alternator	8	1	1859 580
7-06-3	HUB, Drive Pulley, w/Leece-Neville Alternator	8	1	1733 805
7-06-14	PULLEY, Fan Driven, w/Leece-Neville Alternator	6	1	2264 450
7-08-2	SHROUD, Fan, Upper	8	1	2417 423
	Lower	8	1	2417 427
7-08-13	BRACKET, Fan Shroud	8	4	2099 555
7-08-15	SCREW, Fan Shroud Bracket	8	8	6023 092
	STUD, Upper to Lower Shroud	8	2	1641 903
7-08-16	NUT	8	★	6000 124
7-11-3	CORE, Radiator, High Capacity	6	1	2276 830
		8	1	2276 839
GROUP 8 - ELECTRICAL				
8-27-1	DISTRIBUTOR, Chrysler Built, w/Std. Trans., w/170 cu. in. Eng.	6	1	2098 667
	Chrysler Built, w/Auto. Trans., w/170 cu. in. Eng.	6	1	2098 677
8-28-3	ALTERNATOR, 40 Amp.		1	*2098 850
8-37-1	AMMETER, 60 Amp., TP1, TP2		1	2290 586
	60 Amp., TD1, TD2		1	2290 448
	100 Amp.		1	2290 425
8-37-372	SPEEDOMETER, 60 Amp., TP1, TP2		1	2290 572
	60 Amp., TD1, TD2		1	2290 443
8-52-4	STARTING MOTOR, w/Std. Trans., 11" Clutch	6	1	*2095 753
8-58-60	SWITCH, Stop Lamp, w/WIRING and BRACKET		1	*2496 985
	w/o Wiring and Bracket		1	*2497 124
GROUP 9 - ENGINE				
9-01-24	SHORT ENGINE, w/225 cu. in. Engine	6	1	2206 132
	SHORT ENGINE, w/318 cu. in. Engine	8	1	2402 971
9-45-1	FLYWHEEL, w/Ring GEAR, w/11" Clutch	6	1	*2128 488
9-45-2	GEAR, Torque Converter Ring	6	1	1941 648
	GEAR, Flywheel, w/11" Clutch	6	1	*1673 646
9-46-4	TORQUE CONVERTER	6	1	2125 090
9-46-8	PLATE, Drive Torque Converter	6	1	2204 719
9-46-21	SCREW, Torque Converter to Crankshaft	6	6	6022 148
9-46-33	BRACKET, Transmission Oil Cooler Tube	6	1	1949 176
9-46-61	ADAPTER, Torque Converter Drive Plate	6	6	2202 472

★ Indicates use as required.

⊠ Indicates parts not listed in any previous parts book.

* Indicates change or addition.

Printed in U.S.A.

Prices and specifications subject to change without notice.

Jan. 3, 1964 Supersedes Dec. 14, 1962.

CODE	PART NAME AND DESCRIPTION	CYL.	PER CAR	PLYMOUTH DODGE
GROUP 9 - ENGINE - Cont'd				
9-46-130	OIL SEAL, Torque Converter Impeller Hub	6	1	1942 020
9-64-24	BRACKET, Engine Front Support Insulator, Left	6	1	2264 679
	BRACKET, Engine Front Support Insulator, Right, w/11" Clutch	6	1	*2264 668
9-67-4	INSULATOR, Engine Front Support, Right	6	1	2406 672
	Left	6	1	2406 674
	INSULATOR, Engine Front Support, Right, w/11" Clutch	6	1	*2264 140
	Right, w/Auto. Trans.	6	1	*2406 672
	Left, w/Auto. Trans.	6	1	*2406 674
GROUP 10 - ENGINE OILING				
10-26-6	OIL FILTER, Replaceable Cartridge Type, Including CARTRIDGE	6	1	2128 548
10-26-8	CARTRIDGE	6	1	2129 023
GROUP 11 - EXHAUST				
11-02-1	CLAMP PACKAGE, Exhaust Pipe Brace	6	1	1843 010
11-05-1	PIPE, Exhaust, w/Auto. Trans., TP1 2 D., 4 D. and Sub., TD1 Sub.	6	1	*2409 148
	w/Std. Trans., 2 D. and 4 D., TP1	6	1	*2208 428
	w/Std. Trans., 2 D. and 4 D., TD1	6	1	*2267 007
	w/Auto. Trans., 2 D. and 4 D., TD1	6	1	*2409 152
11-08-5	BRACE, Exhaust Pipe Support and Clamp, Std. Trans., 2 D. and 4 D.	6	1	*2203 638
	w/Auto. Trans.	6	1	*2409 155
GROUP 14 - FUEL				
TP1, TD1, Taxi and Police Car, w/A727 Trans.				
14-11-9	ROD, Engine Bell Crank to Carburetor, w/o Governor	6	1	2268 356
	ROD, Engine Bell Crank to Carburetor, w/Governor	6	1	2406 763
	ROD, Engine Bell Crank to Trans.	6	1	2406 683
14-14-12	BRACKET, w/Bell Crank Throttle Control.	6	1	2402 246
14-14-20	STUD, Throttle Control Bell Crank.	6	1	2402 214
14-24-1	CABLE, Fast Idle	6	1	917 248
	NUT	6	1	124 939
	WASHER, Lock	6	1	138 498
14-25-5	CLIP, Fast Idle Cable	6	1	2402 210
14-25-11	CABLE, Throttle Control	6	1	2406 789
14-25-12	PIN, Throttle Control Cable	6	1	2264 706
	CLIP	6	1	6023 285
14-26-6	BRACKET, Throttle Control Cable	6	1	*2448 746
14-29-2	AIR CLEANER, Oil Bath, Taxi	6	1	1859 750
14-29-10	ADAPTER, Air Cleaner to Carburetor, Taxi.	6	1	2129 000

★ Indicates use as required.

□ Indicates parts not listed in any previous parts book.
Jan. 3, 1964 Supersedes Jan. 25, 1963.Printed in U.S.A.
Prices and specifications subject to change without notice.
* Indicates change or addition.

CODE	PART NAME AND DESCRIPTION	CYL	PER CAR	PLYMOUTH DODGE
GROUP 14 - FUEL - Cont'd				
14-30-1	CARBURETOR, TP1, TD1, Stamped 3236S	6	1	*2299 204
	NUT	6	2	120 369
	STUD.	6	2	9418 080
14-30-2	GASKET, Carburetor Flange	6	1	2205 582
14-30-4	REPAIR PACKAGE, Carburetor	6	1	2240 471
	ZIP KIT, Carburetor	6	1	2299 073
14-30-7	GASKET PACKAGE, Carburetor	6	1	2240 472
14-30-8	NEEDLE, w/SEAT, Carburetor Float	6	1	2240 401
14-35-1	JET, Carburetor Main Metering	6	1	1618 157
14-39-45	CHOKE, Carburetor	6	1	2402 527
14-41-3	PLUNGER, w/ROD, Carburetor Pump	6	1	2196 214
14-43-5	ROD, Carburetor Step-Up	6	1	1631 502
14-68-8	SPACER, Governor to Carburetor, Taxi	6	1	2406 762
GROUP 17 - SPRINGS				
17-11-3	SPRING, Rear, Right	6	1	2275 862
	Left	6	1	2275 862
		8	2	2298 512
17-23-3	ABSORBER PACKAGE, Front Shock		2	2275 883
	Rear, 1" dia.		2	2275 849
	Rear, 1 3/8" dia.		2	2275 848
GROUP 19 - STEERING				
19-48-1	ROD, Gearshift Control, first and reverse	6	1	2208 171
19-48-7	SMALL PARTS PACKAGE		1	2421 771
19-48-45	SHAFT, Torque	6	1	2208 166
19-54-86	PULLEY, Power Steering Pump	6	1	2202 851
19-54-91	STRAP, Power Steering Pump Bracket to Water Body	6	1	2268 766
19-54-115	BRACKET, Power Steering Pump	6	1	2129 916
	BRACKET, Power Steering Pump Engine	6	1	2202 846
19-54-123	BOLT, Power Steering Pump Engine Bracket Swivel	6	1	2202 850
	SCREW, w/WASHER, Power Steering Pump Bracket Adjusting	6	2	1945 404
19-54-132	NUT, Power Steering Pump Engine Bracket Swivel Bolt	6	1	2129 684

★ Indicates use as required.

☐ Indicates parts not listed in any previous parts book.

* Indicates change or addition.

1963 PASSENGER CAR PARTS CATALOG

POLICE-TAXI

CODE	PART NAME AND DESCRIPTION	C Y L.	PER CAR	PLYMOUTH DODGE
GROUP 21 - TRANSMISSION				
MANUAL TRANSMISSION				
21-01-3	GASKET SET	6	1	2275 893
21-02-1	TRANSMISSION, w/7 Tooth Speedometer Gear, used UP TO date 11-9-62 stamped on Trans. Cover	6	1	2400 846
	w/8 Tooth Speedometer Gear, used AFTER date 11-9-62 stamped on Trans. Cover	6	1	2464 094
21-03-1	CASE	6	1	2400 829
21-04-1	EXTENSION	6	1	2400 627
21-04-2	GASKET, Extension	6	1	2124 519
21-04-11	BEARING, Extension	6	1	1672 194
21-09-2	PINION, Drive, 24T., 18T., 23 Splines, 10 17/32" lgh., w/7 Tooth Speedometer Gear, used UP TO date 11-9-62 stamped on Trans. Cover.	6	1	2125 195
	24T., 18T., 23 Splines, 10 17/32" lgh., w/8 Tooth Speedometer Gear, used AFTER date 11-9-62 stamped on Trans. Cover	6	1	2408 147
21-09-5	BEARING, Drive Pinion	6	1	2124 516
21-09-29	RETAINER, Pinion Bearing	6	1	2124 945
21-09-33	GASKET, Retainer	6	1	2124 499
21-10-4	GEAR, Sliding, First and Reverse	6	1	2124 561
21-10-16	GEAR, Second Speed	6	1	2124 560
21-11-1	GEAR, Reverse Idler	6	1	2124 562
21-11-9	WASHER, Reverse Idler Gear	6	2	2204 978
21-14-1	SYNCHRONIZER UNIT	6	1	Ⓜ2400 864
21-14-5	GEAR, Clutch	6	1	2204 666
21-14-15	SPRING, Synchronizer Stop Ring	6	1	2205 061
21-14-19	RING, Synchronizer Stop, Outer	6	2	Ⓜ2400 865
	Inner	6	2	2124 472
21-14-20	SNAP RING, Clutch Gear	6	1	2205 192
21-15-2	GEAR, Countershaft	6	1	2124 386
21-15-33	WASHER, Countershaft Gear, .057" thk.	6	★	2124 505
	.062" thk.	6	★	2124 504
21-16-3	SHAFT, Main, 32, 34, 23, Splines, 25 1/4" lgh., w/7 Tooth Speedometer Gear, used UP TO date 11-9-62 stamped on Trans. Cover	6	1	2408 009
	32, 34, 23 Splines, 25 1/4" lgh., w/8 Tooth Speedometer Gear, used AFTER date 11-9-62 stamped on Trans. Cover	6	1	2408 041
21-17-7	SNAP RING, Mainshaft Pilot Bearing Roller	6	1	862 173
21-19-2	BEARING, Main Shaft, Front	6	1	620 521
21-19-15	SNAP RING, Main Shaft Bearing, .087" thk.	6	★	2124 508
	.090" thk.	6	★	2124 509
	.093" thk.	6	★	2124 510
	.096" thk.	6	★	2124 511

★ Indicates use as required.

Ⓜ Indicates parts not listed in any previous parts book.

Jan. 3, 1964 Supersedes Jan. 25, 1963.

Printed in U.S.A.
Prices and specifications subject to change without notice.

* Indicates change or addition.

CODE	PART NAME AND DESCRIPTION	C Y L.	PER CAR	PLYMOUTH DODGE
------	---------------------------	--------------	------------	-------------------

GROUP 21 - TRANSMISSION - Cont'd

MANUAL TRANSMISSION

21-22-2	OIL SEAL, Bearing	6	1	2205 080
21-24-2	COUNTERSHAFT	6	1	2124 393
21-24-19	PLATE or WASHER, Bearing Roller Thrust	6	1	2124 474
21-25-2	ROLLER, Countershaft Bearing	6	88	2124 502
21-25-4	SPACER, Countershaft Bearing	6	1	2124 473
21-25-6	WASHER or RING, Bearing Roller Thrust	6	4	2124 506
21-29-3	COVER, Case	6	1	2124 465
21-29-25	GASKET, Cover	6	1	2124 466
21-30-428	SWIVEL, Interlock	1	6	2404 859
21-30-429	CLAMP, Interlock	6	1	2204 274
21-34-47	SPRING, Interlock Ball	6	1	*2205 131
21-39-3	FORK, Gearshift, Low and Reverse	6	1	2124 463
	Second and Direct	6	1	2124 462
21-42-11	LEVER, Gearshift, Low and Reverse	6	1	2124 523
	Second and Direct	6	1	2124 494
21-42-23	LEVER, Operating, Low and Reverse	8	1	2204 932
	Low and Reverse	6	1	2400 562
	Second and Direct	6	1	2208 160
	Interlock, Low and Reverse	6	1	2400 716
	CLIP, Interlock Lever	6	1	6025 071
	WASHER, Interlock Lever	6	1	6023 596
21-42-28	PIN, Low and Reverse Interlock Lever Pivot	6	1	2400 568
21-42-29	PAWL, Low and Reverse Interlock Lever	6	1	2400 715

NOTES

★ Indicates use as required.
 ☐ Indicates parts not listed in any previous parts book.
 * Indicates change or addition.

Printed in U.S.A.
 Prices and specifications subject to change without notice.

GROUP 21 - TRANSMISSION - Cont'd
MANUAL TRANSMISSION

21-85-0 TRANSMISSION SPEEDOMETER PINION

21-85-5 PINION

HEAVY DUTY MANUAL TRANSMISSION, w/7 TOOTH SPEEDOMETER GEAR,
USED UP TO DATE 11-9-62 STAMPED ON TRANS. COVER

Tire Size	3.23 to 1 Ratio		3.55 to 1 Ratio		COLORS-OF-PINIONS
	Pinion	Teeth	Pinion	Teeth	
7.00 x 14	1949 402	18 N	1949 403	19 R	N-NATURAL LP-LIGHT PURPLE R-RED
7.50 x 14	1949 401	17 LP	1949 403	19 R	
6.70 x 15	1949 401	17 LP	1949 402	18 N	
7.10 x 15	1949 402	18 N			
7.60 x 15	1949 401	17 LP	1949 402	18 N	

HEAVY DUTY MANUAL TRANSMISSION, w/8 TOOTH SPEEDOMETER GEAR,
USED AFTER DATE 11-9-62 STAMPED ON TRANS. COVER

Tire Size	3.23 to 1 Ratio		3.55 to 1 Ratio		COLORS OF PINIONS
	Pinion	Teeth	Pinion	Teeth	
7.00 x 14	1949 404	20 B	1949 406	22 Y	B-BLACK R-RED N-NATURAL Y-YELLOW LB-LIGHT BLUE
7.50 x 14	1949 403	19 R	1949 405	21 LB	
6.70 x 15	1949 403	19 R	1949 405	21 LB	
7.10 x 15	1949 403	19 R	----	--	
7.60 x 15	1949 402	18 N	1949 404	20 B	

NOTES

★ Indicates use as required.
B Indicates parts not listed in any previous parts book.
Jan. 3, 1964 Supersedes Jan. 25, 1963.

Printed in U.S.A.
Prices and specifications subject to change without notice.
* Indicates change or addition.

CODE	PART NAME AND DESCRIPTION	C Y L	PER CAR	PLYMOUTH DODGE
------	---------------------------	-------------	------------	-------------------

GROUP 21 - TRANSMISSION - Cont'd

AUTOMATIC 3-SPEED TRANSMISSION

NOTE: For parts not listed below for TP1, TD1, 6 Cylinder, refer to Automatic Transmission Section of the Parts Catalog.

21-02-1	TRANSMISSION	6	1	2464 099
21-03-2	PLATE, Case Adapter	6	1	2125 013
21-03-23	SCREW, Trans. to Plate	6	4	6023 187
	Plate to Trans.	6	2	6012 042
21-03-40	PIN, Adapter Plate Dowel	6	2	1533 923
21-137-205	SPRING, Accumulator Piston	6	1	2464 076

GROUP 22 - WHEELS

22-01-5	WHEEL, 14" x 5.50"		5	2298 523
	15" x 5.00"		5	1856 808
22-03-1	HUB and BRAKE DRUM, Front, 11" x 3" Brakes, Right		1	2266 390
	Left		1	2266 391
22-03-2	HUB and BRAKE DRUM, Rear, 11" x 2 1/2" Brakes, Right		1	2265 354
	Left		1	2265 355
22-04-11	SPRING, Rear Wheel Brake Drum Dampener, 11" x 2 1/2" Brakes		2	2266 877
	Front Wheel, 11" x 3" Brakes		2	2266 877
22-05-14	STUD, Front Hub, 11" x 3" Brakes, Right		5	1633 050
	Left		5	1633 051
	Rear Hub, 11" x 2 1/2" Brakes, Right		5	2265 076
	Left		5	2265 077
22-08-5	CAP, Hub, 15" Wheel		4	1943 733

GROUP 23 - BODY

23-17-5	CYLINDER and KEYS, Deck Lid Lock, w/o Key		1	2428 245
23-20-8	MAT, Front Floor, Heavy Duty, Black		1	2413 732
23-21-3	MIRROR PACKAGE, Rear View Outside, Clear		1	2292 194
	Non-Glare		1	2292 195

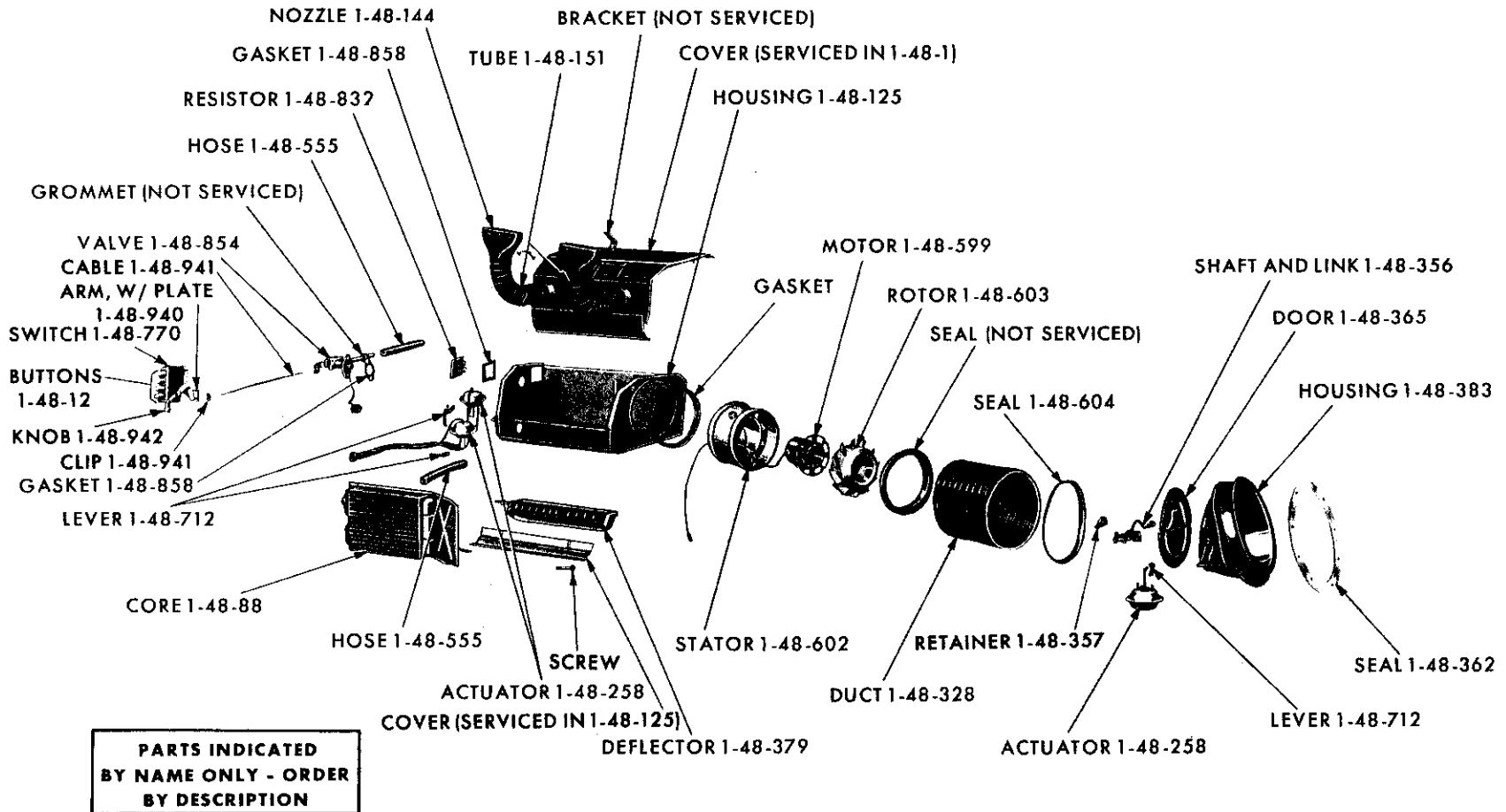
NOTES

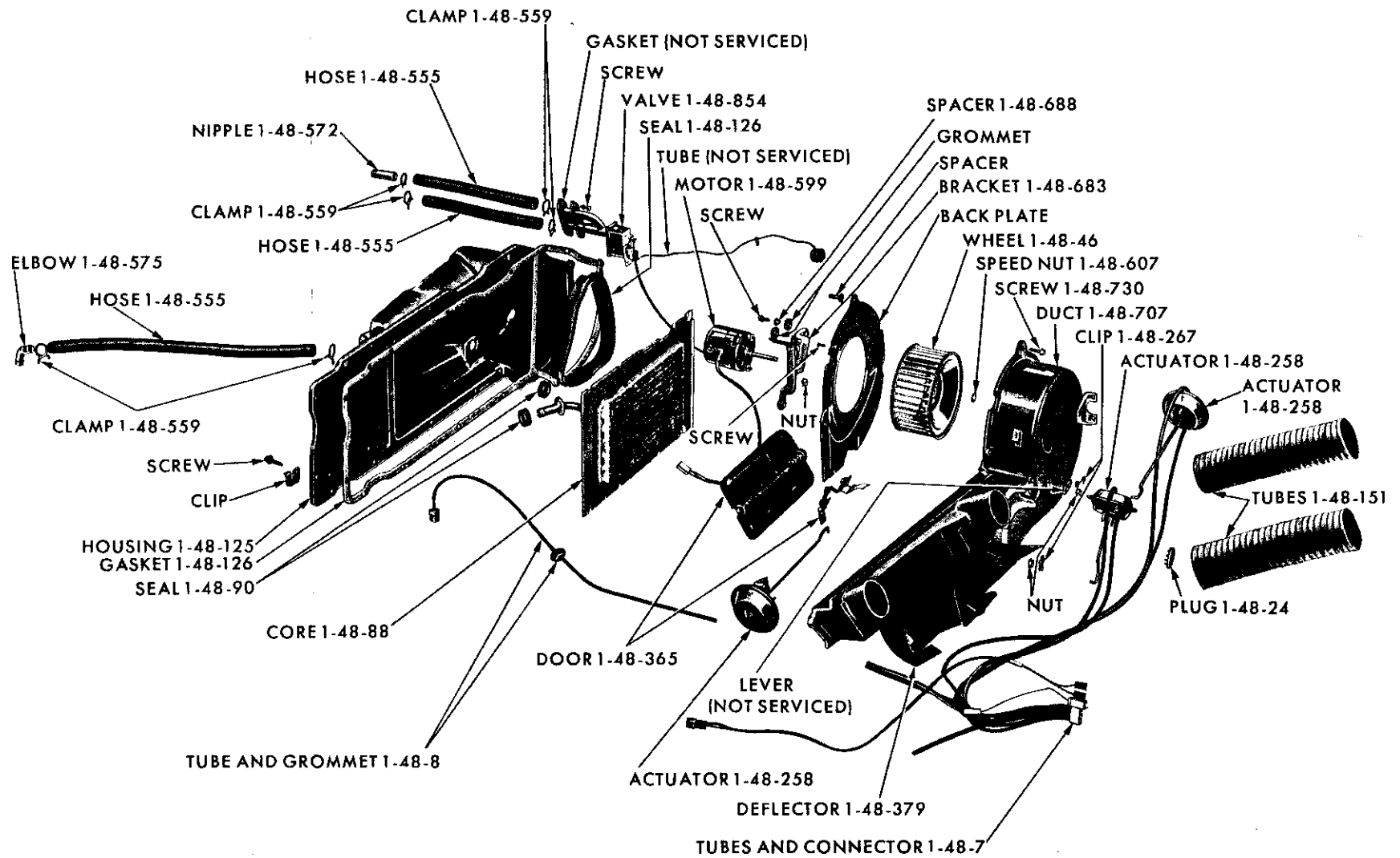
★ Indicates use as required.
 ☐ Indicates parts not listed in any previous parts book.
 * Indicates change or addition.

Printed in U.S.A.
 Prices and specifications subject to change without notice.
 January 3, 1964.

GROUP 1 - ACCESSORIES

19x9355B

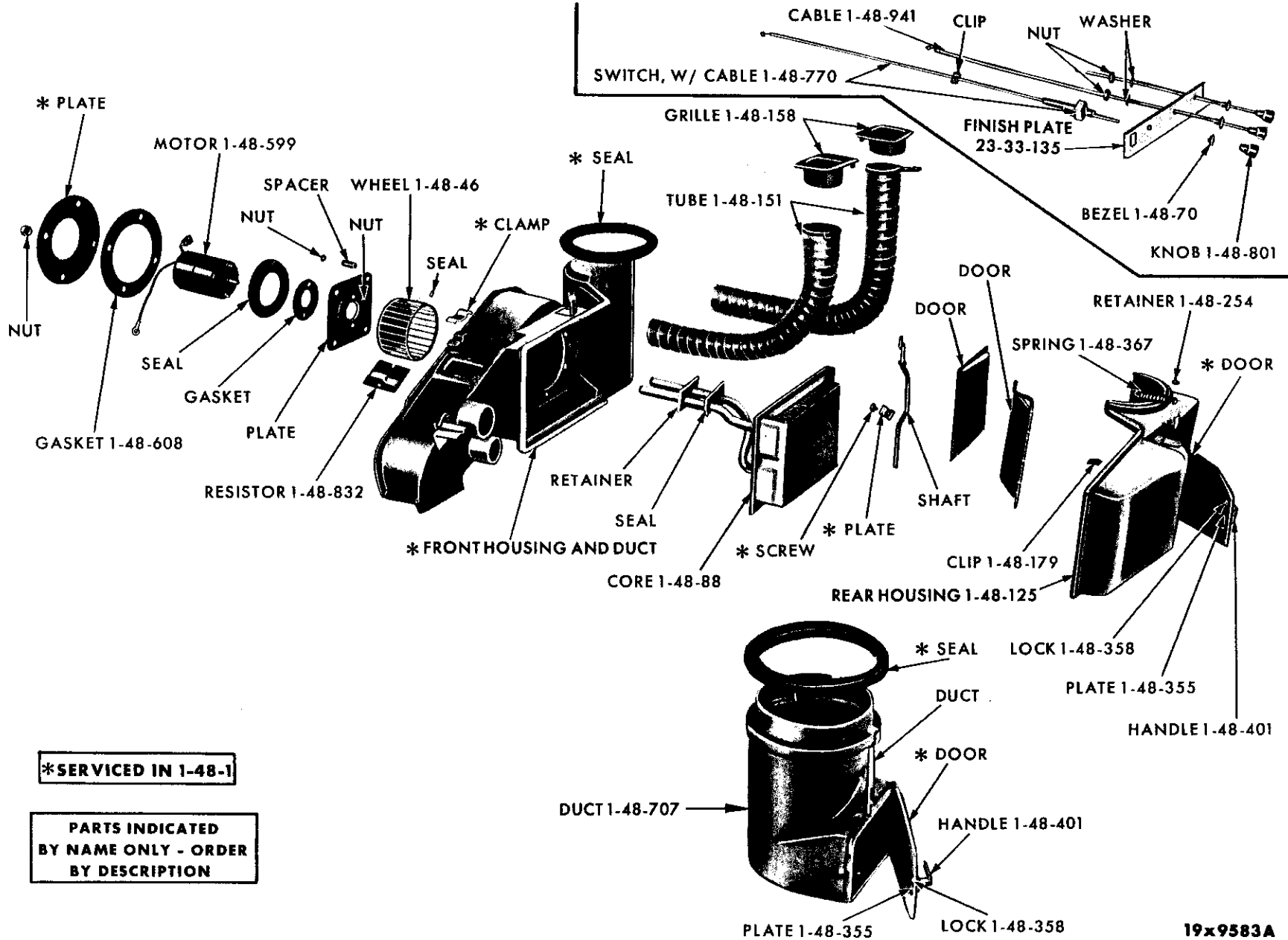




**PARTS INDICATED
 BY NAME ONLY - ORDER
 BY DESCRIPTION**

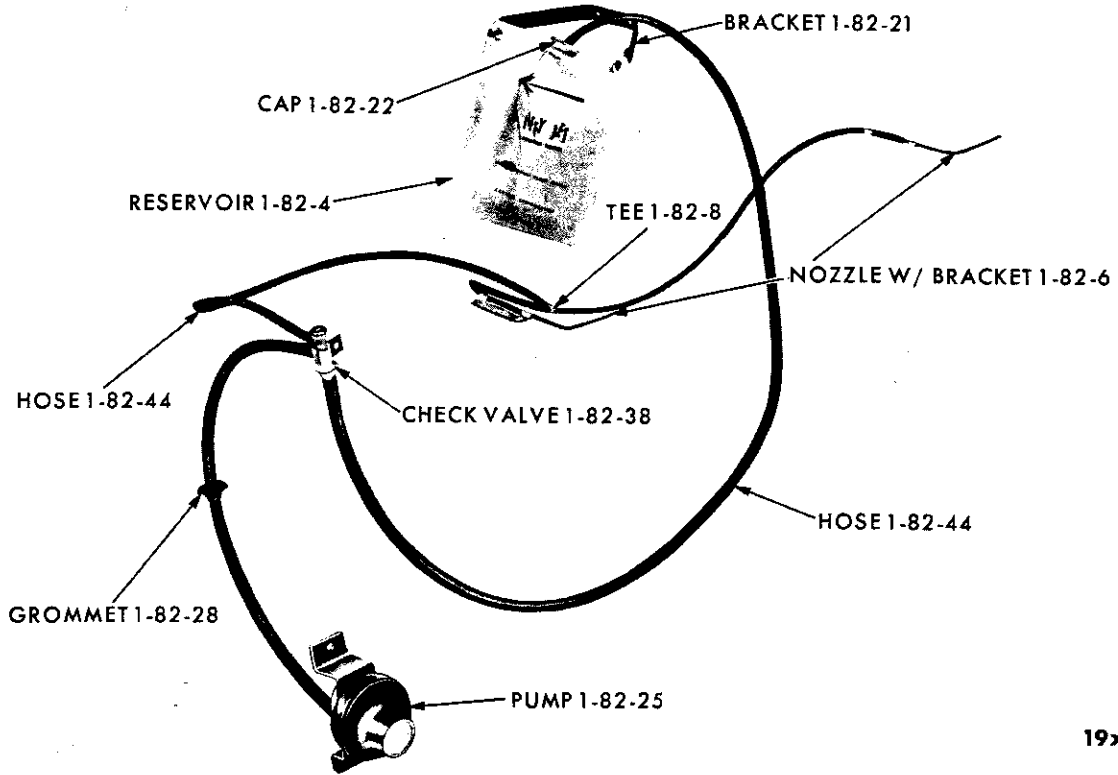
19x8554F

HEATER (MODEL 750) - DODGE TA3, CHRYSLER TC1-2-3 AND IMPERIAL TY1



***SERVICED IN 1-48-1**

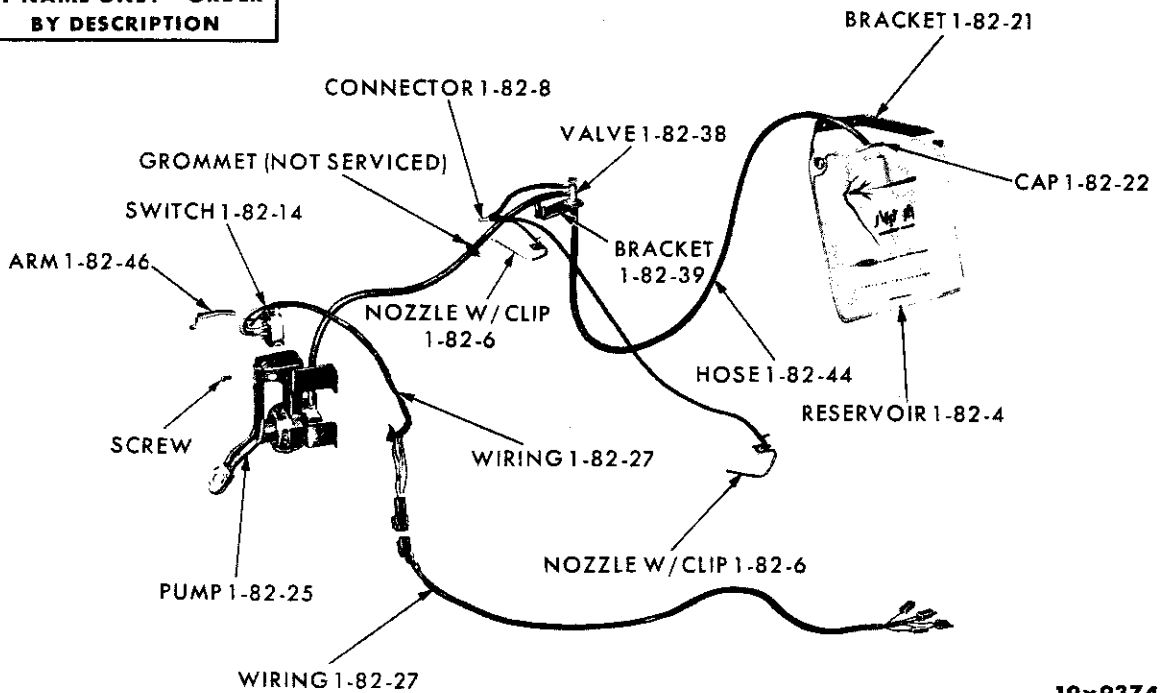
**PARTS INDICATED
BY NAME ONLY - ORDER
BY DESCRIPTION**



19x9369

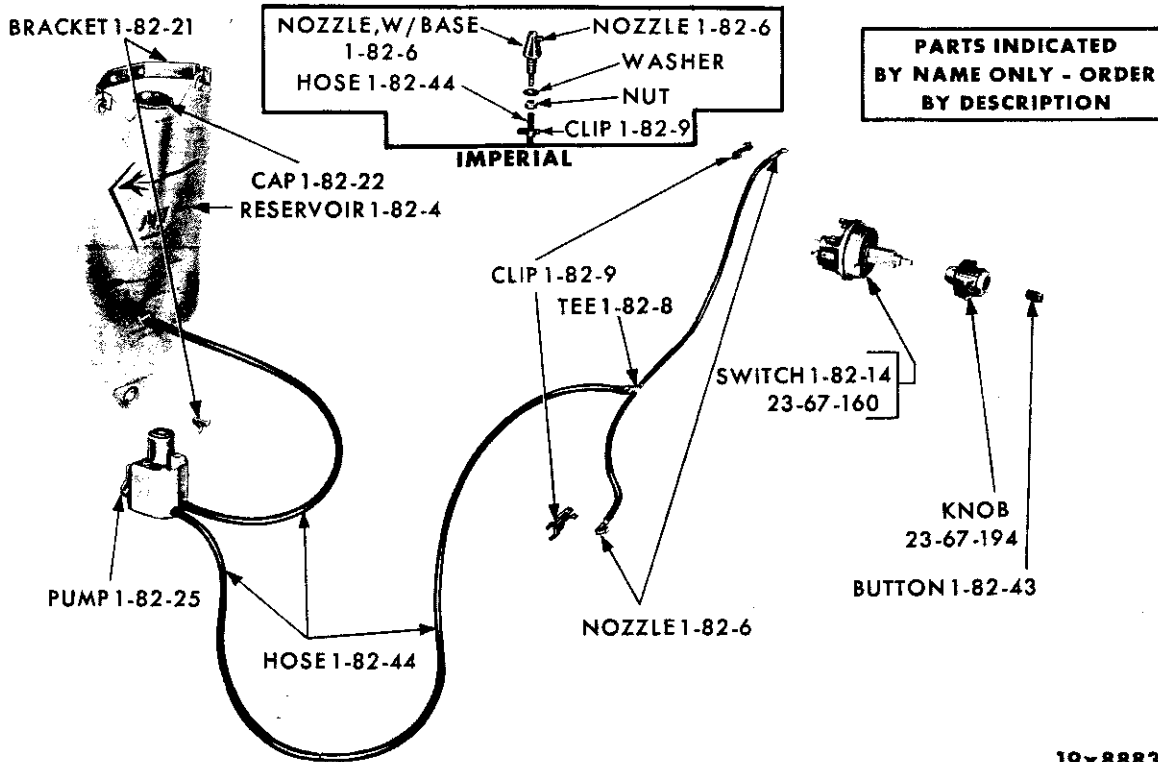
WINDSHIELD WASHER - VALIANT TVI AND DART TL1

**PARTS INDICATED
BY NAME ONLY - ORDER
BY DESCRIPTION**



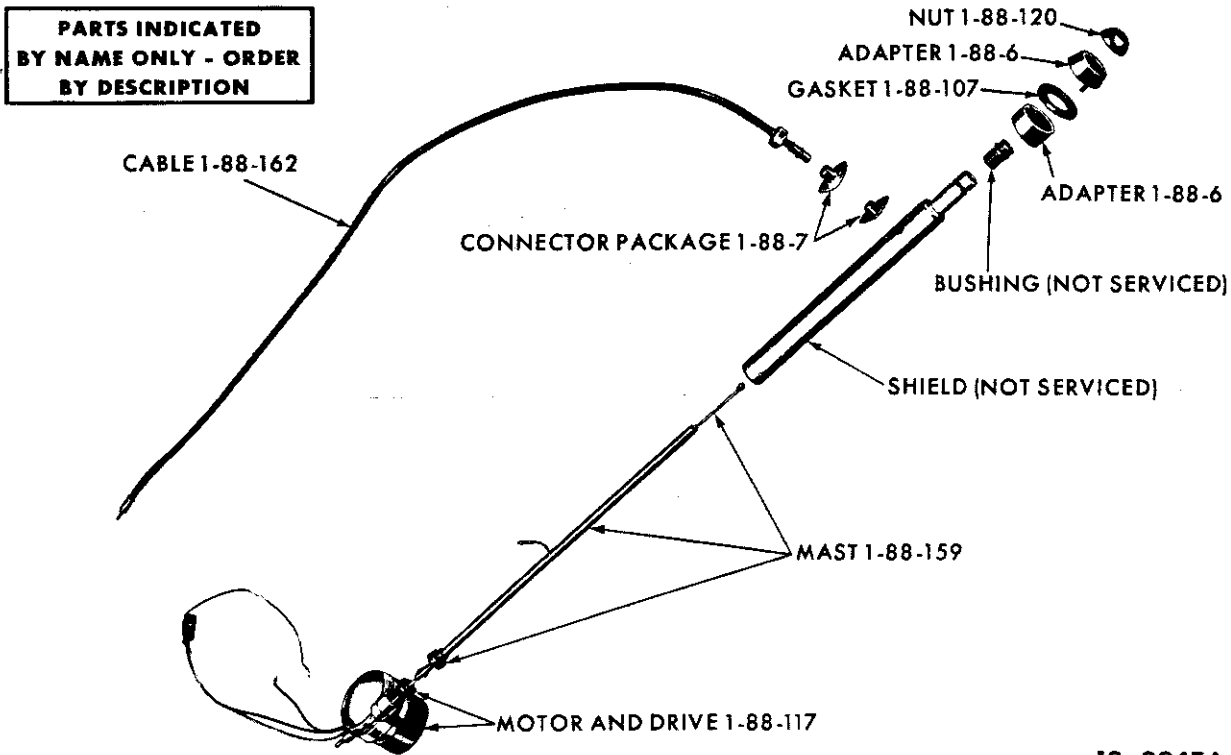
19x9374A

WINDSHIELD WASHER - PLYMOUTH TP1-2 - DODGE TD1-2 - TA3 AND CHRYSLER TC1-2



19x8883B

WINDSHIELD WASHER (ELECTRIC) - DODGE TA3, CHRYSLER TC1-2-3 AND IMPERIAL TY1



19x9047A

POWER ANTENNA

CODE	PART NAME AND DESCRIPTION	C Y L.	PER CAR	VALIANT DART	PLYMOUTH DODGE	CHRYSLER IMPERIAL
1-01-0 BUMPER OR GRILLE GUARD						
1-01-1	GUARD PACKAGE, Front Bumper, TP1, TP2		1	----	2421 697	
	TD1, TD2		1	----	2421 698	
	Rear Bumper, TP1, TP2, except Sub.		1	----	2421 696	
	TD1, TD2, except Sub.		1	----	2421 699	
1-04-0 AUTOMATIC HEADLAMP DIMMER						
1-04-4	SCANNER, TY1	8	1	----	----	2096 894
1-04-6	BASE, Scanner, TY1	8	1	----	----	2096 899
1-04-7	SPACER, Scanner Base, TY1	8	2	----	----	*2427 659
1-04-12	AMPLIFIER, TY1	8	1	----	----	2257 182
1-04-18	ADAPTER, Amplifier, TY1	8	3	----	----	2096 872
1-06-0 EMERGENCY FLASHER LIGHT						
1-06-2	FLASHER UNIT		1	2290 360	2290 360	2290 360
1-06-3	SWITCH		1	2291 741	2291 741	2291 741
1-06-4	KNOB		1	1972 137	1972 137	1972 137
1-06-8	TERMINAL, Feed		1	2291 588	2291 588	2291 588
1-06-9	HOUSING, Indicator Lamp, TV1, TP1, TP2		1	2426 179	2426 179	
1-06-10	WIRING		1	2291 744	2291 744	2291 744
1-06-11	SOCKET, Indicator Lamp		1	2097 003	2097 003	2097 003
1-07-0 SHOCK ABSORBER (LOAD LEVELER)						
1-07-1	SHOCK ABSORBER, Load Leveler, Rear	6	2	2421 075		
	TP1, TP2, TD1, TD2		2	----	2403 008	
	TA3, TC1, TC2, TC3	8	2	----	2206 633	2206 633
1-08-0 TAILGATE WINDOW SCREEN						
1-08-1	SCREEN, TA3, TC1, TC3, Sub.	8	1	----	2196 144	2196 144
1-09-0 PARKING BRAKE SIGNAL LAMP						
1-09-1	LAMP PACKAGE, Parking Brake Signal		1	2291 664	2291 664	2291 664
1-10-0 BACK-UP LAMP						
1-10-1	LAMP PACKAGE, w/Std. Trans., except Sub., TV1, TP1, TP2 (see Note 1)		1	----	*2426 446	
	TL1, TD1, TD2 (see Note 1)		1	*2426 442	*2426 450	
	w/Std. Trans., Sub., TV1, TP1, TP2		1	2426 440	2426 452	
	TL1, TD1, TD2, TA3, TC1		1	2426 444	2426 452	2426 452
	w/Auto. Trans., except Sub., TV1, TP1, TP2		1	----	2426 447	
	TL1, TD1, TD2		1	2426 443	2426 451	
	TA3		1	----	2426 862	
	w/Auto. Trans., Sub., TV1, TP1, TP2		1	2426 441	2426 449	
	TL1, TD1, TD2, TA3, TC1		1	2426 445	2426 449	2426 449

NOTE 1: For cars with Floor Shift also specify 1-2427 137 Switch, 1-2427 166 Bracket.

★ Indicates use as required.

⊠ Indicates parts not listed in any previous parts book.

* Indicates change or addition.

Numerals in parentheses () refer to notes.

Prices and specifications subject to change without notice.

Printed in U.S.A.

1963 PASSENGER CAR PARTS CATALOG

ACCESSORIES

CODE	PART NAME AND DESCRIPTION	C Y L.	PER CAR	VALIANT DART	PLYMOUTH DODGE	CHRYSLER IMPERIAL
1-12-0 CIGAR LIGHTER						
NOTE: For Components see Part Type Code 8-20-1						
1-12-1	CIGAR LIGHTER PACKAGE, TP1, TP2		1	----	2426 296	
1-13-0 UNDERHOOD LIGHT						
1-13-1	LIGHT PACKAGE, Underhood		1	E2427 537	E2427 537	E2427 537
1-13-10	SWITCH		1	*2097 279	*2097 279	*2097 279
1-14-0 MAP AND COURTESY LAMP						
1-14-4	LAMP PACKAGE, Map and Courtesy, TA3, TC1, TC2	8	1	----	*2257 726	*2291 819
	Courtesy, TP1, TP2, TD1, TD2		1	*2291 800	*2291 800	
1-14-6	WIRING, Dome Lamp Rear Door		1	2290 097	2290 097	
1-19-0 GLOVE BOX LAMP						
1-19-1	LAMP PACKAGE, Glove Box		1	2291 795	2291 795	2291 795
1-20-0 STONE DEFLECTOR						
1-20-1	DEFLECTOR, Rear Quarter Panel Stone, TP1, TP2		1	----	E2495 119	
	TL1, TD1, TD2		1	E2495 120	E2495 118	
1-21-0 CLOCK						
1-21-1	CLOCK PACKAGE, TP1-L, TP2-L, TP1-M, TP2-M TD1, TD2	8	1	----	2291 690	
	TC1, TC2		1	----	2290 757	2291 780
1-21-24	KNOB, Reset, TC1, TC2, TC3	8	1	----	----	*2426 469
1-26-0 AUTOMATIC PILOT						
1-26-1	AUTOMATIC PILOT PACKAGE, TY1	8	1	----	----	2291 906
1-30-0 TRUNK COMPARTMENT LAMP						
1-30-1	LAMP PACKAGE, Trunk Compartment, TC1, TC2		1	E2427 537	E2427 537	E2427 537
1-30-3	SWITCH, TC1, TC2		1	----	*2097 279	*2097 279
1-32-0 VISOR						
1-32-2	VISOR, Padded, TV1, TL1, except Cv. Cp.	6	2	2413 446		
	TP1, TP2, TD1, TD2, TY1		2	----	*2273 455	*2273 455
	TC1, TC2, TC3, except Cv. Cp.	8	2	----	----	2178 557
	TA3, Cv. Cp.	8	2	----	*2163 901	
	TA3, TC1, TC3, w/Instrument Panel Mounted Mirror	8	2	----	*2212 272	*2212 272
1-39-0 FUEL TANK LOCKING CAP						
1-39-2	CAP, Locking	6	1	2073 990		
	Except Sub.		1	----	1948 754	1948 754
	TP1, TP2, TD1, TD2, Sub.		1	----	2073 990	
	TA3, TC1, TC3, Sub.	8	1	----	2123 643	2123 643

★ Indicates use as required.

Numerals in parentheses () refer to notes.

Printed in U.S.A.

⊞ Indicates parts not listed in any previous parts book.

Prices and specifications subject to change without notice.

Jan. 3, 1964 Supersedes Dec. 14, 1962.

* Indicates change or addition.

CODE	PART NAME AND DESCRIPTION	C Y L.	PER CAR	VALIANT DART	PLYMOUTH DODGE	CHRYSLER IMPERIAL
1-42-0 POWER BRAKE						
1-42-1	POWER BRAKE PACKAGE, TP1, TP2, TD1, TD2. TA3, TC1, TC2, w/Power Strg.	8	1 1	2421 774 ---- --	2298 968 2421 763	2421 763
1-47-0 REAR WINDOW DEFOGGER						
1-47-1	DEFOGGER PACKAGE, TP1, TP2, TD1, TD2, TC1, TC2, TC3	8	1 1	2277 897 ---- --	2277 850 *2277 505	2277 898 *2277 899
1-47-3	DUCT TA3	8	1 1	2277 735 ---- --	2277 459	2277 460
1-47-4	GRILLE, Inlet, TA3 LOUVER, TP1, TP2, TD1, TD2 GRILLE, Outlet, TA3 LOUVER, TP1, TP2, TD1, TD2		1 1 1 1	1971 091 ---- -- 2219 627 ---- --	1971 091 2277 860 2219 627 2277 861	1971 091 2219 627
1-47-6	BEZEL, Inlet Grille, TA3		1	1819 014	1819 014	1819 014
1-47-7	SWITCH, TP1, TP2, TD1, TD2, TC1, TC2, TC3 . TA3, TY1	8	1 1	2291 095 ---- --	2291 095 2426 508	2291 095 2291 522
1-47-8	KNOB, Switch, TV1, TP1, TP2 TL1, TD1, TD2 TA3, TC1, TC2, TC3 TY1	8 8	1 1 1 1	2291 282 2256 626 ---- -- ---- --	2291 282 2256 626 2197 379 ---- --	2197 075 1887 935
1-47-9	BEZEL, Switch, TV1, TP1, TP2 TL1, TD1, TD2 TA3, TC1, TC2, TC3 TY1	8 8	1 1 1 1	1972 898 1972 548 ---- -- ---- --	1972 898 2256 616 2197 499 ---- --	2290 700 2197 389
1-47-10	WIRING PACKAGE		1	2076 423	2076 423	2076 423
1-47-11	NUT, Switch Mounting, TV1, TP1, TP2 TL1, TA3		1 1	1887 603 1972 548	1887 603 1972 548	
1-47-12	TUBE, TA3 TP1, TP2, TD1, TD2		1 1	2096 989 ---- --	2096 989 2277 849	2096 989
1-47-13	MOTOR, w/BRACKET		1	2096 772	2096 772	2096 772
1-47-14	PLATE, Blower Mounting		1	1887 582	1887 582	1887 582
1-47-15	NAME PLATE, Switch, TY1 DECAL, Switch, TC1, TC2, TC3	8 8	1 1	---- -- ---- --	---- -- ---- --	2197 509 2290 865
1-47-16	WHEEL, Blower		1	1239 241	1239 241	1239 241
1-47-17	HOUSING, Blower, TA3 TP1, TP2, TD1, TD2		1 1	1819 470 ---- --	1819 470 2277 845	1819 470
1-47-19	CLIP, Louver Retaining Tube Retaining		6 3	---- -- ---- --	1842 965 2277 840	

★ Indicates use as required.

Numerals in parentheses () refer to notes.

Printed in U.S.A.

☐ Indicates parts not listed in any previous parts book.

Prices and specifications subject to change without notice.

* Indicates change or addition.

1-48-O HEATER AND COMPONENTS

NOTE: Model 720, 725, 727 and 750, Fresh Air Heaters
 Model 724, 726, Recirculating Heaters
 Quantity is one (1) per car unless otherwise indicated.

CODE	PART NAME	MODEL 725	MODEL 720 and 727	MODEL 750	RECIRCU- LATING
1-48-1	HEATER PACKAGE, TL1, TV1	2277 926			
	TP1, TP2	----	2277 927	----	2277 691
	TD1, TD2	----	2277 928	----	2277 691
	TA3	----	----	2219 292	
	TC1, TC2, TC3	----	----	2277 929	
1-48-4	HEATER CONTROLS, Complete, TY1 . . .	----	----	2290 316	
1-48-7	TUBES and CONNECTOR, Heater Control,				
	TP1, TP2, TD1, TD2	----	2290 269		
	TA3, TC1, TC2, TC3	----	----	2257 197	
	TY1	----	----	2291 879	
	Fresh Air Door Control, w/o Heater, TP1,				
	TP2, TD1, TD2	----	2290 268	----	
	TA3, TC1, TC2, TC3	----	----	2257 195	
	TY1	----	----	2291 877	
1-48-10	LAMP, Heater Control, TP1, TP2	----	2258 168		
1-48-12	BUTTON, Heater Control Push,				
	TP1, TP2	----	2258 171		
			Heat	2258 172	
			Def.	2258 173	
			Cool	2258 174	
	TD1, TD2	----	2258 348		
			Heat	2258 349	
			Def.	2258 350	
			Cool	2258 351	
	TA3	----	----	2197 468	
			Lo	2197 469	
			Hi	2197 470	
			Def.	2197 471	
			Air	2197 472	
	TC1, TC2, TC3	----	----	2290 788	
			Lo.	2290 789	
			Hi.	2290 790	
			Def.	2290 791	
			Air	2290 792	
	TY1	----	----	2197 846	
			Lo.	2197 847	
			Hi.	2197 848	
			Def.	2197 849	
			Air	2197 850	
1-48-24	PLUG, Temperature Control Valve Tube Hole	----	1622 064	1622 064	
1-48-46	WHEEL, Blower	2277 597	----	----	*2277 597
	TP1, TP2, TD1, TD2	----	----	----	2197 907
	TA3, TC1, TC2, TC3, TY1	----	----	1689 692	
1-48-70	BEZEL, Blower Switch, TD1, TD2	2290 900	2256 616		
	Heater Control	2290 932			
	TC1, TC2, TC3	----	----	2426 533	
			Black	2426 534	
			Blue	2426 534	
			Green	2426 535	

★ Indicates use as required. Numerals in parentheses () refer to notes. Printed in U.S.A.
 ☐ Indicates parts not listed in any previous parts book. Prices and specifications subject to change without notice.
 Jan. 3, 1964 Supersedes Dec. 14, 1962. Page 1-8. * Indicates change or addition.

1-48-O HEATER AND COMPONENTS - Cont'd

CODE	PART NAME	MODEL 725	MODEL 720 and 727	MODEL 750	RECIRCULATING
1-48-70	BEZEL - Cont'd TC1, TC2, TC3, Brown Turquoise Red Alabaster TY1 Fresh Air Door Control, w/o Heater, TY1	----- ----- ----- ----- ----- -----	----- ----- ----- ----- ----- -----	2426 536 2426 537 2426 538 2426 593 2197 663 2197 664	
1-48-88	CORE, Heater TP1, TP2, TD1, TD2 TA3, TC1, TC2, TC3, TY1	2277 535 ----- -----	----- 2277 023 -----	----- ----- 1885 826	2277 535 2277 577
1-48-90	SEAL, Air Door Shaft, TL1, TV1 Heater Core Tube (2)	2277 648 -----	----- 1604 116	----- 1604 116	2277 648
1-48-106	RIVET, Core to Housing Mounting (2)	-----	-----	1879 960	
1-48-125	HOUSING, Rear	B2277 509	-----	B2097 746	
1-48-126	GASKET, Housing to Dash SEAL, Inlet Duct to Dash TA3, TC1, TC2, TC3, TY1	----- -----	----- -----	1880 472 *1887 757	
1-48-144	NOZZLE, Defroster, w/BRACKET, Right, TA3, TC1, TC2, TC3 Left, TA3, TC1, TC2, TC3	----- -----	----- -----	*1971 841 *1971 842	
1-48-145	GROMMET, Blower Mounting, TP1, TP2, TD1, TD2	-----	2277 424		
1-48-151	TUBE, Defroster, Right, TL1, TV1 Left, TL1, TV1 Right, except TL1, TV1 Left, except TL1, TV1	2277 992 2277 993 ----- -----	----- ----- 2096 989 2096 989	----- ----- 2096 989 2096 989	2277 992 2277 993 2277 692 2277 693
1-48-158	GRILLE, Windshield Defroster Outlet (2) TP1, TP2, TD1, TD2	----- -----	*4233 VX9 2277 477	----- -----	*4233 VX9 2277 477
1-48-179	CLIP, Front to Rear Housing Mounting (11)	2277 538	-----	-----	2277 538
1-48-194	ADAPTER, Dummy Knob, TY1	-----	-----	2198 805	
1-48-236	ADAPTER, Defroster Air Outlet, TY1 (2)	-----	-----	*2219 066	
1-48-254	RETAINER, Shut-Off Door Spring Vacuum . Actuator Shaft to Lever, TP1, TP2, TD1, TD2, (2) TA3, TC1, TC2, TC3, TY1	2197 678 ----- -----	----- 2197 678 -----	----- 2076 405	
1-48-258	ACTUATOR, Vacuum, Fresh Air Door Air Deflector Distribution Duct Shut-Off Defroster Damper	----- ----- ----- -----	*2277 923 2277 923 ----- 2277 923	2277 091 ----- 2219 981 2219 982	
1-48-280	CONNECTOR, Defroster Tube (2)	-----	2277 085		
1-48-328	DUCT, Fresh Air Intake	-----	2277 342		
1-48-355	PLATE, Heater Vent Door Lock	2277 516	-----	-----	2277 516

★ Indicates use as required.

Numerals in parentheses () refer to notes.

Printed in U.S.A.

⊠ Indicates parts not listed in any previous parts book.

Prices and specifications subject to change without notice.

* Indicates change or addition.

1-48-O HEATER AND COMPONENTS - Cont'd

CODE	PART NAME	MODEL 725	MODEL 720 and 727	MODEL 750	RECIRCU- LATING
1-48-356	SHAFT and LINK, Fresh Air Door	----	2162 525		
1-48-357	RETAINER, Fresh Air Door Shaft	----	2162 360		
1-48-358	LOCK, Heater Vent Door	2277 515	----	----	2277 515
1-48-362	SEAL, Fresh Air Door Housing to Dash . .	----	2162 245		
1-48-365	DOOR, Fresh Air, TP1, TP2, TD1, TD2 . TA3, TC1, TC2, TC3, TY1 w/FRAME, TY1	----	2162 418	1830 632 1830 633	
1-48-367	SPRING, Shut-Off Door Over Center	2277 830			
1-48-374	CONTROL, Fresh Air Door, w/o Heater TC1, TC2, TC3	----	----	2290 773	
1-48-379	DEFLECTOR, Air, TP1, TP2, TD1, TD2 . .	----	2277 061		
1-48-383	HOUSING, Fresh Air Door	----	2162 239		
1-48-388	NUT, Fresh Air Door Linkage Adjusting . .	----	----	6022 274	
1-48-389	BOLT, Fresh Air Door Linkage Mounting . .	----	----	1839 345	
1-48-391	BRACKET, Fresh Air Door Vacuum Actuator Mounting On Dash Panel, TY1	----	----	1885 836 1960 716	
1-48-393	LEVER and LINK, Deflector	----	2277 068		
1-48-394	WASHER, Deflector Lever Pivot (★) Fresh Air Door Linkage Spring	----	*6023 375 1152 315	*2277 401 1152 315	
1-48-401	HANDLE, Fresh Air Vent Door, TL1, TV1	2277 517	----	----	2277 517
1-48-555	HOSE, Heater, 50 Foot Roll Engine to Valve, w/318 cu. in. Engine . . Core to Pump, w/426 cu.in. Engine Engine to Core, w/426 cu.in. Engine Core to Pump Valve to Core	1315 466 ---- ---- ---- ---- ----	1315 466 1595 160 2197 011 2197 011 ---- ----	1315 466 ---- ---- *2096 932 1595 160	1315 466
1-48-559	CLIP, Fresh Air Door Vacuum Tube CLAMP, Hose, Worm Gear Type, 1/2" to 1"(★)	---- B2448 761	1302 783 B2448 761	B2448 761	B2448 761
1-48-572	NIPPLE, Heater Hose, Inlet Return, w/318 cu. in. Engine w/361, 383 and 426 cu.in. Engine w/361, 383 and 413 cu. in. Engine, Police	1971 061 ---- ---- ----	1971 061 1971 061 1779 257 1971 061	1971 061 ---- 1779 257 1971 061	1971 061 1971 061
1-48-599	MOTOR, Blower, TL1, TV1 TP1, TP2, TD1, TD2 TA3, TC1, TC2, TC3, TY1	2277 544 ---- ----	---- 2277 419 ----	---- ---- 2084 862	2277 544 2277 639
1-48-600	CLIP, Blower Rotor Balancing (★)	----	2277 247 2277 884 2277 885 2277 886 2277 887 2277 888		
1-48-602	STATOR, Blower	----	2219 102		

★ Indicates use as required.

Numerals in parentheses () refer to notes.

Printed in U.S.A.

B Indicates parts not listed in any previous parts book.

Prices and specifications subject to change without notice.

Jan. 3, 1964 Supersedes Dec. 14, 1962.

Page 1-10

* Indicates change or addition.

1-48-O HEATER AND COMPONENTS - Cont'd

CODE	PART NAME	MODEL 725	MODEL 720 and 727	MODEL 750	RECIRCULATING
1-48-603	ROTOR, Blower	----	2219 103		
1-48-608	GASKET, Heater to Dash Mounting	2242 425			
1-48-611	BRACKET, Blower Mounting, TP1, TP2, TD1, TD2	----	2277 345		
1-48-613	SCREW, Blower Motor to Stator (4)	----	6023 146		
	Blower Mounting	----	6024 003		
	Blower Mounting Bracket	----	9416 339		
	Housing Mounting (14)	----	----	*9417 531	
1-48-683	BRACKET, Blower Motor Mounting	----	----	1880 211	
1-48-684	GROMMET, Blower Motor Mounting Bracket (3)	----	----	1879 827	
1-48-688	SPACER, Blower Motor Mounting Bracket (★)	----	2277 873	1605 271	
1-48-707	DUCT, Air Outlet, w/o Heater	----	2277 675		
	Fresh Air, Left Side	*2277 565			
	Front Duct and Housing	B2277 545			
	Heater Distribution	----	----	2277 754	
1-48-709	CLIP, Duct to Backboard (7)	B2485 241			
1-48-712	LEVER, Defroster Damper	----	1819 697	1819 689	
	Shut-Off Damper	----	----	1819 689	
1-48-722	NUT, Defroster Damper Shaft	----	----	1829 825	
1-48-770	SWITCH, Push Button	----	2256 681	2290 089	
	Blower Motor, w/CABLE, TL1, TV1	2290 891	----	----	2426 295
	TP1, TP2, TD1, TD2	----	2256 590	----	2290 945
1-48-774	DECAL, Blower Switch, TP1, TP2	----	2290 730		
	TD1, TD2	----	2258 626		
1-48-779	NUT, Blower Switch Mounting, TL1, TV1	----	----	----	*6008 060
	TP1, TP2	----	1339 711	----	*6008 060
1-48-780	BRACKET, Blower Switch Mounting TP1, TP2	----	2290 061		
	TV1, TL1	----	----	----	2097 161
1-48-801	KNOB, Blower Switch, TV1	2290 909	----	----	2290 909
	TL1	2290 949	----	----	2290 909
	TP1, TP2	----	2291 286	----	2291 282
	TD1, TD2	----	2256 483	----	2291 282
1-48-832	RESISTOR, Blower Motor	2277 710	2277 016		
1-48-854	VALVE, Temperature Control, for Model 720, TP1, TP2, TD1, TD2	----	*2448 674		
	For Model 727, TP1, TP2, TD1, TD2	----	2448 674		
	TA3, TC1, TC2, TC3	----	----	2084 461	
	TY1	----	----	2084 460	
1-48-855	SEAL, Temperature Control Valve	----	2277 026		
1-48-858	GASKET, Temperature Control Valve Mounting	----	2277 025		

★ Indicates use as required.

Numerals in parentheses () refer to notes.

Printed in U.S.A.

B Indicates parts not listed in any previous parts book.

Prices and specifications subject to change without notice.

* Indicates change or addition.

Page 1-11

Jan. 3, 1964 Supersedes Dec. 14, 1962.

1-48-O HEATER AND COMPONENTS - Cont'd

CODE	PART NAME	MODEL 725	MODEL 720 and 727	MODEL 750	RECIRCULATING
1-48-940	ARM, Temperature Control, TP1, TP2 . . . TD1, TD2 TA3 TC1, TC2, TC3	---- ---- ---- ----	2258 161 2258 342 ---- ----	2197 461 2290 775 ---- ----	
1-48-941	CABLE, Temperature Control, TL1 TV1, TP1, TP2, TD1, TD2 TC1, TC2, TC3 TA3, TY1 Defroster Control, TL1 TV1 TP1, TP2, TD1, TD2 CLIP, Cable	2290 931 2290 927 ---- ---- 2290 930 2290 926 ---- 6015 143	2426 157 ---- ---- ---- ---- 6015 143 6015 143	2426 142 2291 604 ---- ---- 6015 143 6015 143	2426 935 6015 143
1-48-942	KNOB, Temperature Control, TP1, TP2 . . . TD1, TD2 TA3 TC1, TC2, TC3 TY1	---- ---- ---- ---- ----	2258 166 2258 359 ---- ---- ----	2197 622 2290 807 2291 684 ----	

CODE	PART NAME AND DESCRIPTION	CYL	PER CAR	VALIANT DART	PLYMOUTH DODGE	CHRYSLER IMPERIAL
1-50-O WINDOW SAFETY SWITCH						
1-50-1	SWITCH PACKAGE, Electric Window Lift Safety . . .		1	----	2197 405	2197 405
1-67-O BELT PACKAGE						
1-67-1	BELT PACKAGE, Safety, Front Seat, Single		1	2299 970	2299 970	2299 970
	Rear Seat, Single		1	2299 971	2299 971	2299 971
	Front Seat, Single, TC2-300J		1	----	----	*2421 446
	Rear Seat, Single, TC2-300J		1	----	----	*2421 447
1-67-3	REINFORCEMENT, to Floor, 5 3/8" long		2	2424 563	2424 563	2424 563
	3" long		2	2252 151	2252 151	2252 151
1-67-5	PLUG, Anchor Hole Seal		4	2423 975	2423 975	2423 975
	GROMMET, TC3, TY1		★	----	----	2161 510
1-67-6	STUD, Front Seat Belt Eye		2	2428 046	2428 046	2428 046
1-67-9	WASHER, Trim		2	2299 534	2299 534	2299 534
1-67-11	COVER, Front Seat Belt to Floor		4	E2182 196	E2182 196	E2182 196
1-72-O REAR DOOR SAFETY LOCK						
1-72-5	LOCK PACKAGE, Child Guard Rear Door Safety, TP1, TP2, TD1, TD2		1	----	2448 548	
	TA3, TC1, TC2, TC3, TY1		1	----	2240 572	2240 572
1-74-O ROOF LUGGAGE RACK						
1-74-1	RACK PACKAGE, Suburban, Large, TP1, TP2, TD1, TD2		1	2243 544	2243 544	
	TA3, TC1, TC3	8	1	----	2196 250	2196 250

★ Indicates use as required. Numerals in parentheses () refer to notes. Printed in U.S.A.
 ☐ Indicates parts not listed in any previous parts book. Prices and specifications subject to change without notice.
 Jan. 3, 1964 Supersedes Dec. 14, 1962. Page 1-12 * Indicates change or addition.

CODE	PART NAME AND DESCRIPTION	C Y L.	PER CAR	VALIANT DART	PLYMOUTH DODGE	CHRYSLER IMPERIAL
1-76-O MIRROR						
1-76-1	MIRROR PACKAGE, Outside Rear View, Manual . Double Strut		★ 1	2299 574 ---- --	2299 574 *1773 071	*1773 071
	Right, TY1	8	1	---- --	---- --	*2275 015
	Right, TC1, TC2, TC3	8	1	---- --	---- --	*2495 121
	Left	8	1	---- --	---- --	*2421 990
	w/Remote Control, Left		1	*2495 878	*2495 878	*2421 989
1-76-2	MIRROR, Vanity		1	1839 845	1839 845	1839 845
1-76-3	MIRROR PACKAGE, Inside Rear View Prismatic, TP1, TP2, TD1, TD2, TA3, TC1, TC2, TC3		1	2428 246		
	TA3, TY1	8	1	*2299 846 ---- --	*2299 846 2421 208	*2299 846 2421 208
1-76-18	CONTROL, Outside Remote Control Rear View Mirror		1	*2486 371	*2486 371	
1-82-O WINDSHIELD WASHER						
1-82-2	WASHER PACKAGE, TP1, TP2, TD1, TD2 TA3, TC1, TC2	8	1	2291 936 ---- --	2290 045 2257 692	2257 692
1-82-4	RESERVOIR, TP1, TP2, TD1, TD2 TA3	8	1	2076 216 ---- --	2076 216 2198 448	2198 448
1-82-6	NOZZLE Right, TP1, TP2, TD1, TD2 Left, TP1, TP2, TD1, TD2 TA3, TC1, TC2, TC3 TY1 w/BASE, TY1	6	2	2290 840 ---- -- ---- -- ---- -- ---- -- ---- --	2426 501 2426 500 *2198 211 ---- -- ---- --	2198 211 1887 321 1887 319
1-82-8	CONNECTOR, Hose, TP1, TP2, TD1, TD2 TA3		1	2258 912 ---- --	2258 912 1523 160	1523 160
1-82-9	CLIP, Nozzle Mounting, TA3, TC1, TC2, TC3	8	2	---- --	2198 210	2198 210
1-82-14	SWITCH, Single Speed, TP1, TP2, TD1, TD2 Variable Speed, TP1, TP2, TD1, TD2 TA3		1	---- --	2290 629 2290 628	
		8	1	---- --	2290 498	2198 323
1-82-15	SCREW, Switch Mounting, TP1, TP2, TD1, TD2		2	---- --	1819 251	
1-82-17	TERMINAL and INSULATOR PACKAGE, Switch Wiring		1	*2298 882	*2298 882	*2298 882
1-82-21	BRACKET, Reservoir Mounting, TP1, TP2, TD1, TD2 TA3	8	1	2290 845 ---- --	*2290 845 2198 450	2198 450
1-82-22	CAP, Reservoir, w/Hole, TP1, TP2, TD1, TD2 w/o Hole, TA3	8	1	1604 053 ---- --	1838 001 2198 454	2198 454
1-82-25	PUMP, Foot Control, TP1, TP2, TD1, TD2 TA3, TC1, TC2 Electric, TA3	8	1	2290 844 ---- -- ---- --	2258 782 2197 423 2258 119	2197 423 2258 119
1-82-27	WIRING, Switch Feed, TP1, TP2 TD1, TD2		1	---- --	2291 696 2291 730	
1-82-29	CIRCUIT BREAKER, Electric Pump, TA3	8	1	---- --	*2290 102	*2290 102
1-82-30	STRAINER, TP1, TP2, TD1, TD2		1	1571 028	1571 028	
1-82-38	VALVE, Check, TP1, TP2, TD1, TD2		1	1880 222	1880 222	

★ Indicates use as required.

Numerals in parentheses () refer to notes.

Printed in U.S.A.

☐ Indicates parts not listed in any previous parts book.

Prices and specifications subject to change without notice.

* Indicates change or addition.

Jan. 3, 1964 Supersedes Dec. 14, 1962.

1963 PASSENGER CAR PARTS CATALOG

CODE	PART NAME AND DESCRIPTION	CYL.	PER CAR	VALIANT DART	PLYMOUTH DODGE	CHRYSLER IMPERIAL
1-82-O WINDSHIELD WASHER - Cont'd						
1-82-39	BRACKET, Check Valve, TP1, TP2, TD1, TD2 . . .		1	----	2258 780	
1-82-43	BUTTON, Switch, TA3	8	1	----	1972 512	1972 512
1-82-44	HOSE, 3/16" O.D. x 127" long		★	2096 623	2096 623	2096 623
	9/32" O.D. x 90" long		★	2197 650	2197 650	2197 650
	13/32" O.D. x 96" long		★	2097 055	2097 055	2097 055
1-82-48	CONNECTOR, Vacuum, 2 Way, w/o Power Brakes, TA3, TC1, TC2	8	1	----	2121 942	2121 942
1-87-O RADIO						
1-87-1	RADIO PACKAGE, Model 218, TV1	6	1	*2496 270		
	Model 206, TL1	6	1	*2496 271		
	Model 216, TP1, TP2		1	----	2291 650	
	Model 345, TP1, TP2		1	----	2291 651	
	Model 217, TD1, TD2		1	----	2291 653	
	Model 350, TA3	8	1	----	2426 462	
	Model 343, TC1, TC2, TC3	8	1	----	----	2291 655
	Model 411, TC1, TC2, TC3	8	1	----	----	2291 656
	Model 413, TY1	8	1	----	----	2291 657
1-87-2	SPEAKER, Instrument Panel, Model 200 Series					
	Radio		1	*2448 810	*2448 810	
	Model 300 Series Radio, TP1, TP2, TD1, TD2		1	----	*2448 811	
	Model 350 Radio, TA3	8	1	----	*2448 812	
	Model 343 and 411 Radio, TC1, TC2, TC3	8	1	----	----	*2448 811
	Model 413 Radio, TY1	8	1	----	----	*2448 813
	SPEAKER PACKAGE, Rear Compartment, w/SWITCH		1	*2291 479	*2291 479	
	w/o Switch, TP1, TP2, TD1, TD2, TA3 except Cv. Cp.		1	----	*2291 874	
	w/o Switch, TA3 Cv. Cp.	8	1	----	*2426 623	*2426 623
	SPEAKER Only, Rear Compartment		1	*2448 812	*2448 812	*2448 812
1-87-5	SWITCH, Foot Control, for Model 411 and 413 Radio	8	1	----	----	1819 409
1-87-6	PLUG, Foot Control Switch, TY1	8	1	----	----	2086 634
1-87-7	GROMMET, Foot Control Switch	8	1	----	----	*2292 474
1-87-17	NUT, Rear Speaker Reverberator Control Mounting		1	1887 603	1887 603	1887 603
1-87-21	GRILLE, Rear Speaker, TP1, TP2, TD1, TD2, TA3 except Cv. Cp.		1	*2291 876	*2291 876	
	TA3, TC1, Cv. Cp., TC2	8	1	----	2419 434	2419 434
1-87-22	BEZEL, Rear Speaker Grille		1	1819 014	1819 014	
	Instrument Panel Radio, AM-FM Radio, TP1, TP2		1	----	⊕2427 380	
	TD1, TD2		1	----	⊕2427 381	
	TA3, TC1, TC2, TC3	8	1	----	⊕2427 451	⊕2426 987
1-87-23	MEDALLION, Rear Seat Back Speaker Grille, TC2	8	1	----	----	2423 261
1-87-25	BRACKET, Rear Seat Back Speaker Grille Mounting, TA3, TC1, Cv. Cp., TC2	8	2	----	2419 038	2419 038
1-87-27	NUMERAL, Rear Seat Back Speaker Grille, "3", TC2	8	1	----	----	1840 998
	"0", TC2	8	2	----	----	1840 999

★ Indicates use as required. Numerals in parentheses () refer to notes. Printed in U.S.A.
 ⊕ Indicates parts not listed in any previous parts book. Prices and specifications subject to change without notice.
 Jan. 3, 1964 Supersedes Dec. 14, 1962. * Indicates change or addition.

CODE	PART NAME AND DESCRIPTION	C Y L.	PER CAR	VALIANT DART	PLYMOUTH DODGE	CHRYSLER IMPERIAL
1-87-O RADIO - Cont'd						
1-87-30	PLATE, Instrument Panel Speaker Mounting, TC1, TC2, TC3		1	*2217 363	----	2218 342
	Rear Seat Back Speaker Grille Mounting, TA3, TC1, Cv. Cp., TC2	8	1	----	2419 037	2419 037
1-87-32	BRACE, Rear Speaker Grille Screen, w/PAD, TA3, TC1, TC2	8	1	----	2440 971	2440 971
1-87-35	SOCKET, w/BOOT, Radio Dial, TA3	8	1	----	2097 003	
1-87-58	CONTROL, Rear Speaker Reverberator		1	B2427 348	B2427 348	B2427 348
1-87-180	KNOB, Reverberator Control		1	B2426 764	B2427 980	B2427 980
1-87-289	SWITCH, Rear Speaker, TP1, TP2, TD1, TD2 . .		1	1819 889	1819 889	
1-87-292	NAME PLATE, Rear Speaker Switch, TP1, TP2, TD1, TD2		1	1972 405	1972 405	
1-87-334	GASKET, Rear Speaker Grille Screen, TA3, TC1, TC2	8	1	----	2440 969	2440 969
1-87-335	STUD, Instrument Panel Speaker Mounting, TA3 .	8	4	----	2097 570	
1-87-336	NUT, Radio Mounting	8	1	----	----	6023 201
	Rear Seat Back Speaker Grille, TC1, TC2	8	2	----	----	6023 215
1-87-404	CABLE, Rear Speaker Wiring		★	1627 125	1627 125	1627 125
	Rear Speaker Wiring Assy.		★	1769 430	1769 430	1769 430
	w/Reverberator Speaker		★	*2427 445	*2427 445	*2427 445
1-87-405	TERMINAL, Rear Speaker Reverberator Wiring . .		3	2291 588	2291 588	2291 588
1-87-406	ADAPTOR, Rear Speaker Reverberator Wiring Terminal		1	2096 872	2096 872	2096 872
1-88-O RADIO ANTENNA						
1-88-1	ANTENNA PACKAGE, Manual, TP1, TP2, TD1, TD2 TA3, TC1, TC2, TC3	8	1	2291 336	2291 336	
	Power, TC1, TC2, TC3	8	1	----	2291 727	2291 727
	Power, TC1, TC2, TC3	8	1	----	----	2291 911
1-88-6	ADAPTER, Mounting, TP1, TP2		1	2258 745	2258 745	
	TD1, TD2, TD3, TC1, TC2, TC3		1	----	2291 671	2291 711
	Power Antenna, Upper, TC1, TC2, TC3	8	1	----	----	2291 835
	TY1	8	1	----	----	2197 446
	Power Antenna, Lower, TC1, TC2, TC3	8	1	----	----	2291 827
	TY1	8	1	----	----	2197 447
1-88-7	PIN and CONNECTOR PACKAGE, Power Antenna .	8	1	----	----	2258 899
1-88-25	STUD, Power Antenna Mounting, TC1, TC2, TC3 .	8	1	----	----	6023 570
1-88-51	COVER, Fender Shield Antenna Hole, TY1	8	1	----	----	1940 860
1-88-107	GASKET, Upper Adapter, TY1	8	1	----	----	2197 448
1-88-116	KNOB, Switch, TY1	8	1	----	----	1887 935
1-88-117	MOTOR, w/Drive	8	1	----	----	1972 068
1-88-120	NUT, Dome, Manual Antenna, TC1, TC2, TC3 . .		1	2258 831	2258 831	2258 831
	Power Antenna	8	1	----	----	2291 832
1-88-123	NUT, Switch Mounting, TY1	8	1	----	----	*6008 060

★ Indicates use as required.

Numerals in parentheses () refer to notes.

Printed in U.S.A.

Ⓜ Indicates parts not listed in any previous parts book.

Prices and specifications subject to change without notice.

* Indicates change or addition.

1963 PASSENGER CAR PARTS CATALOG

ACCESSORIES

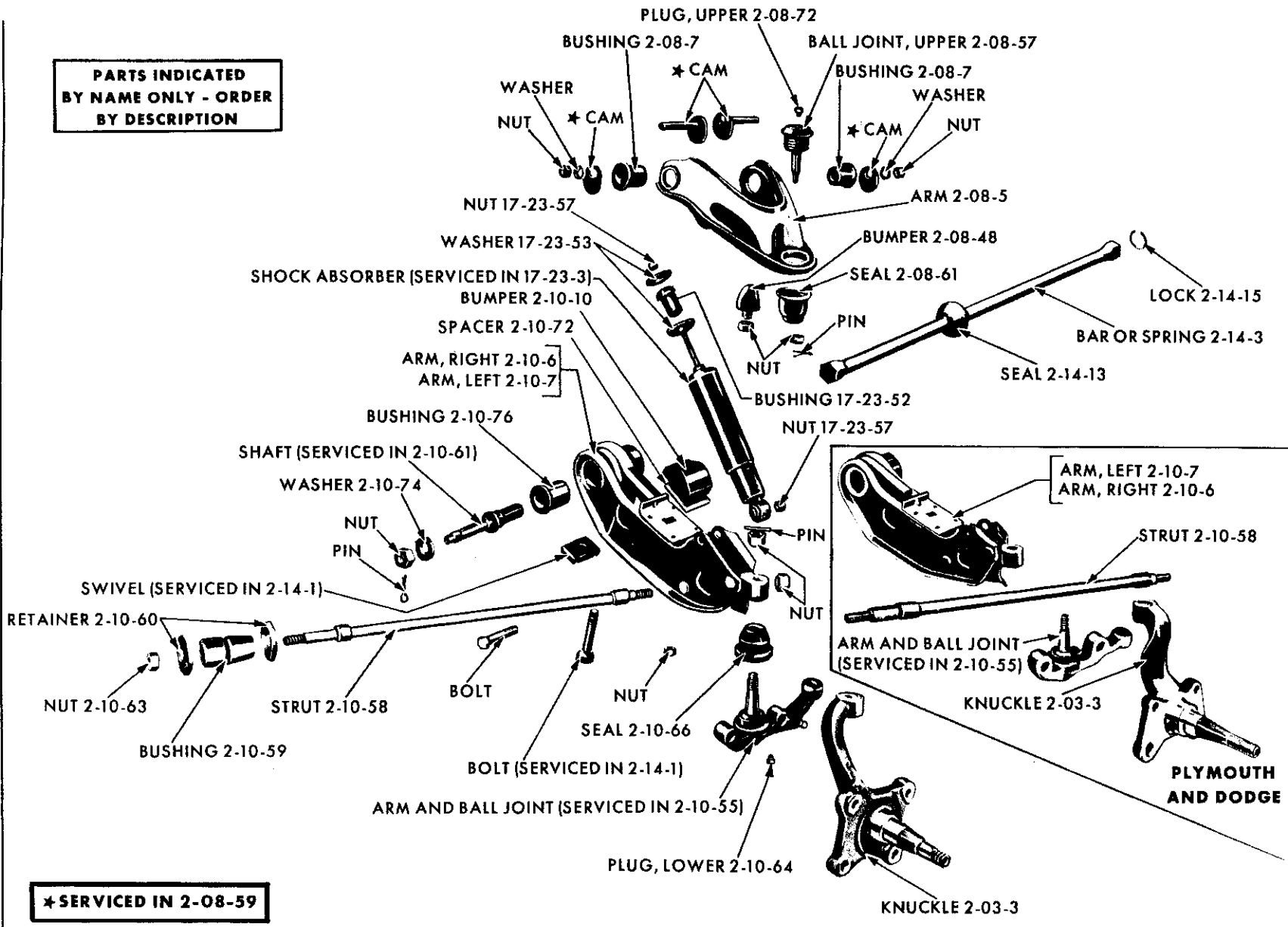
CODE	PART NAME AND DESCRIPTION	CYL	PER CAR	VALIANT DART	PLYMOUTH DODGE	CHRYSLER IMPERIAL
1-88-O RADIO ANTENNA - Cont'd						
1-88-159	MAST, w/LEAD, Manual, TP1, TP2, TD1, TD2 . . . TA3, TC1, TC2, TC3 Power Antenna	8 8 8	1 1 1	2258 881 ---- ----	2258 881 2258 939 ----	2258 939 1972 065
1-88-162	CABLE, Power Antenna Lead-in, TC1, TC2, TC3 . TY1 For Rear Mount Antenna, Antenna to Radio, TC1, TC2, TC3	8 8 8	1 1 1	---- ---- ----	---- ---- ----	2427 179 2426 677 2426 137
1-88-170	COLLAR, Grounding, Power Antenna	8	1	----	----	2197 870
1-88-205	SWITCH, Power Antenna, w/o Auto. Pilot, TY1 . .	8	1	----	----	2197 147
1-108-O SPOTLIGHT						
1-108-1	SPOTLIGHT PACKAGE, w/MIRROR, TP1, TP2, TD1, TD2, TC1, TC2, TC3 TA3, TY1	8 8	1 1	*2427 317 ----	*2427 317 E2427 189	*2427 317 *2291 571
1-108-2	BRACKET PACKAGE, Outside Mounting, Right, TA3, TC1, TC2, TC3 Left, TA3, TC1, TC2, TC3 Right, Pillar Mount, TP1, TP2, TD1, TD2 . . . Left, Pillar Mount, TP1, TP2, TD1, TD2 . . . Right, Door Mount, TP1, TP2, TD1, TD2 . . . Left, Door Mount, TP1, TP2, TD1, TD2 . . . Left, TY1	1 1 1 1 1 1 8	1 1 1 1 1 1 1	*2427 928 *2427 929 ---- ---- ---- ---- ----	E2427 830 E2427 831 *2416 003 *2416 004 E2427 888 E2427 889 ----	*2427 769 *2427 629 *2198 727
1-108-10	MEDALLION, Coronado Crest Sportsman Crest	1 1	1 1	2291 575 2291 576	2291 575 2291 576	2291 575 2291 576
1-108-17	BULB, 5" Diameter	1	1	1661 046	1661 046	1661 046
1-108-28	SWITCH	1	1	1641 511	1641 511	1641 511
1-108-49	HOLDER, Fuse	1	1	1239 344	1239 344	1239 344
1-135-O DOOR EDGE PROTECTOR						
1-135-1	PROTECTOR PACKAGE, Door Edge, 2 Door Models, TP1, TP2, TD1, TD2, TC1, TC2, TC3 TA3, TY1 4 Door Models, TP1, TP2, TD1, TD2, TC1, TC2, TC3 TA3, TY1	8 8 8	1 1 1	E2448 132 ---- E2448 133 ----	E2448 134 *1964 379 E2448 135 *1964 528	*2480 789 *2094 926 *2480 788 *2094 921

NOTES

★ Indicates use as required. Numerals in parentheses () refer to notes. Printed in U.S.A.
 E Indicates parts not listed in any previous parts book. Prices and specifications subject to change without notice.
 Jan. 3, 1964 Supersedes Sept. 4, 1962. Page 1-16 * Indicates change or addition.

GROUP 2 - FRONT SUSPENSION

**PARTS INDICATED
BY NAME ONLY - ORDER
BY DESCRIPTION**

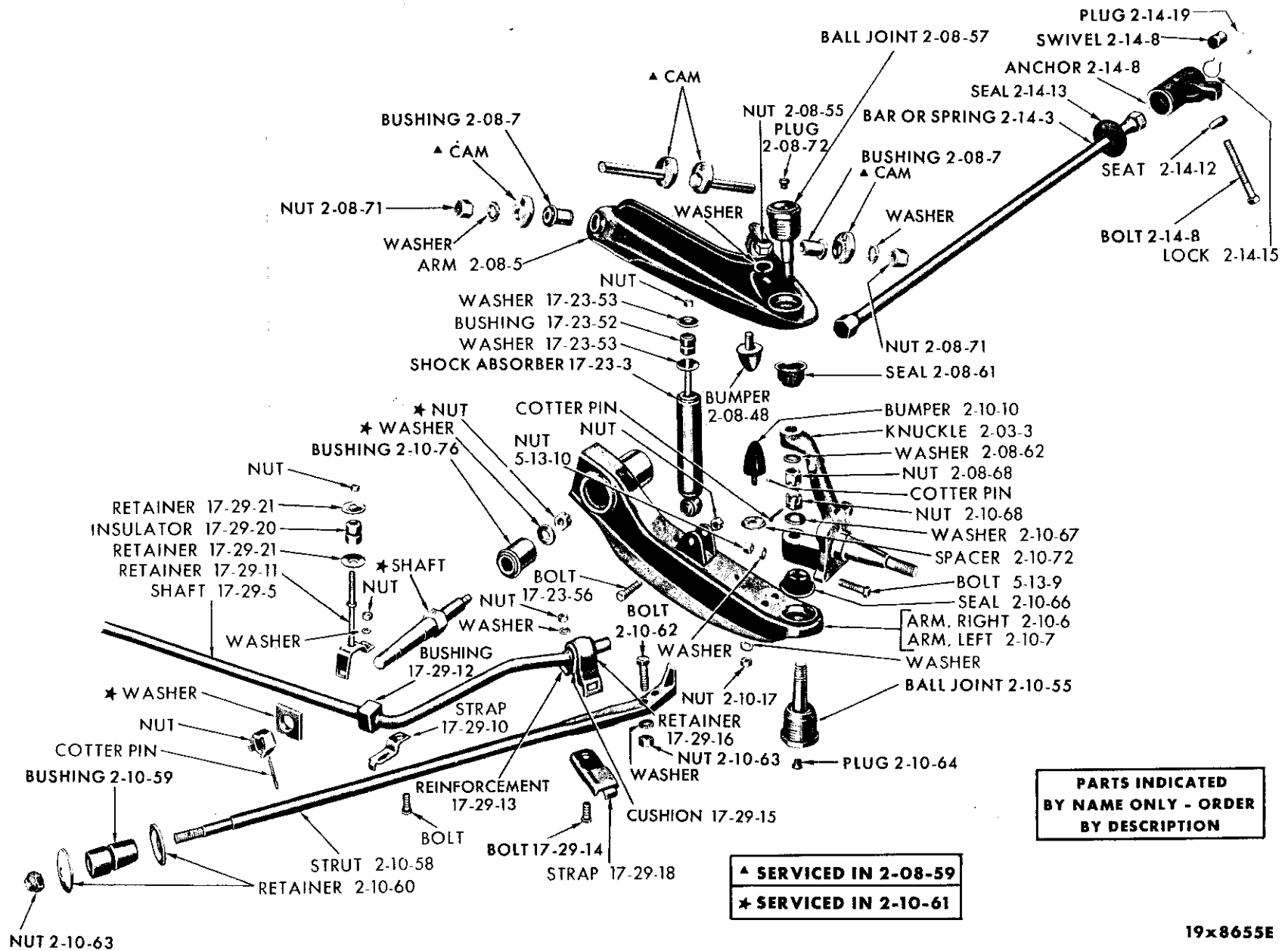


*** SERVICED IN 2-08-59**

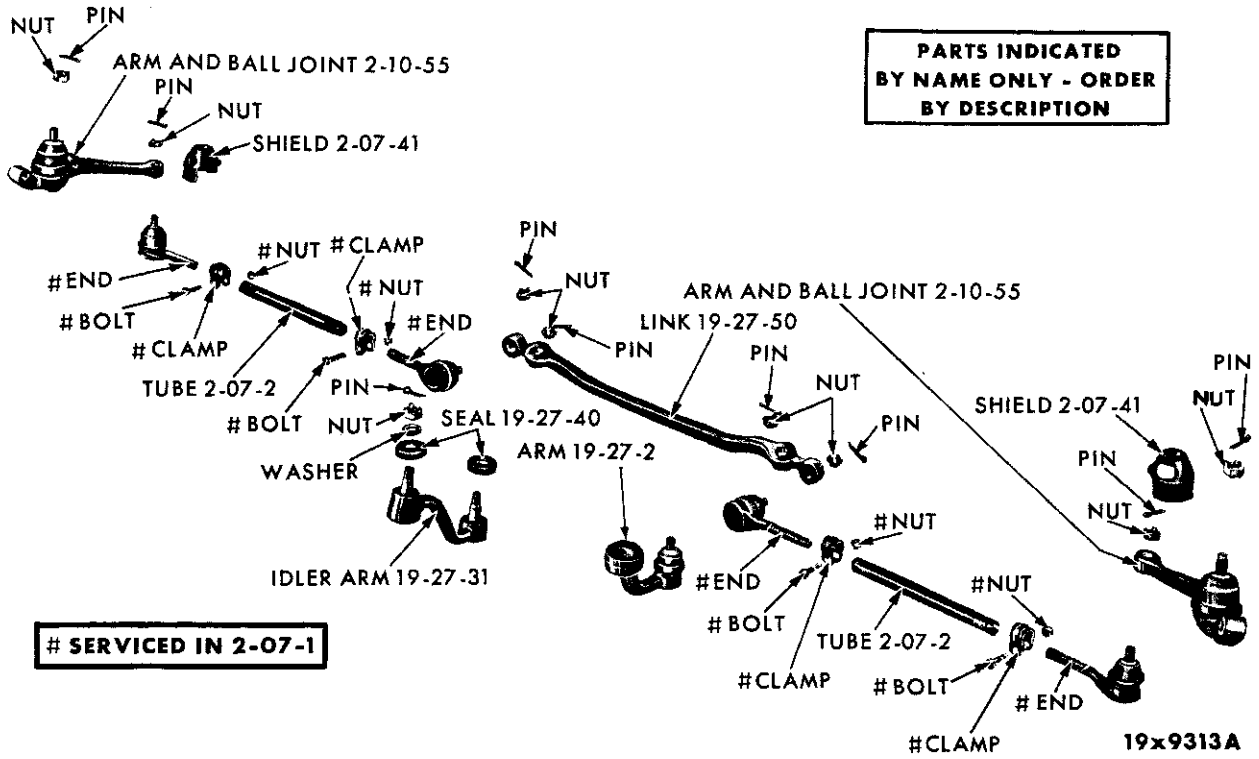
19x9301A

FRONT SUSPENSION - EXCEPT DODGE 880 - CHRYSLER TC1-2-3 AND IMPERIAL TY1

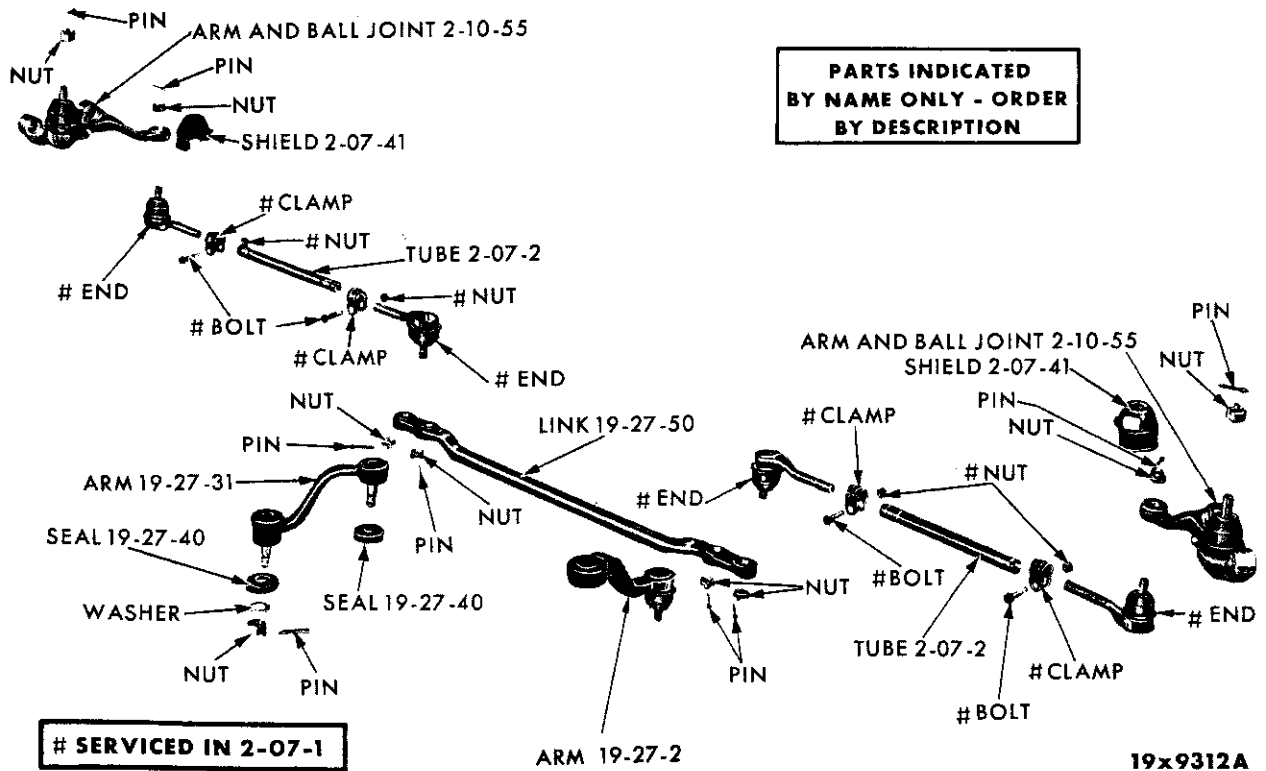
MyMopar.com



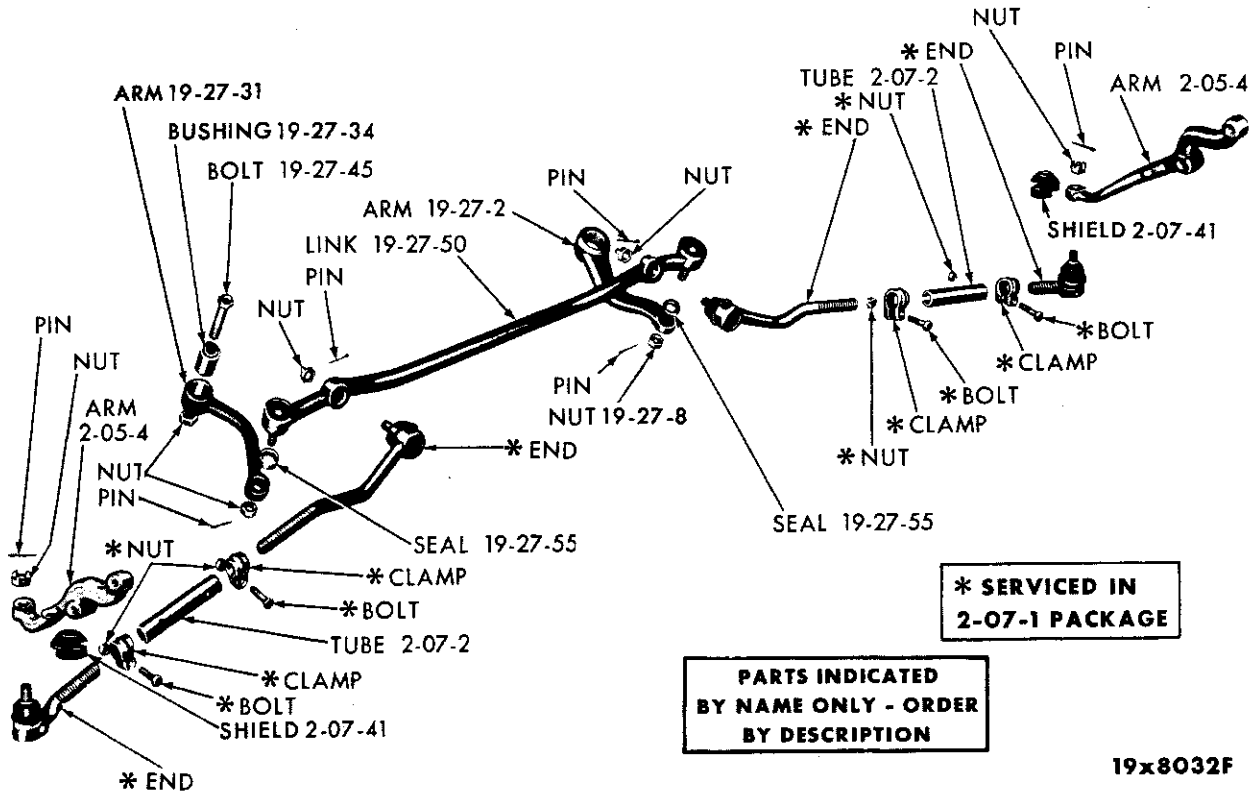
FRONT SUSPENSION - DODGE 880 - CHRYSLER TC1-2-3 AND IMPERIAL TY1



TIE RODS - VALIANT TV1 AND DART TL1



TIE RODS - PLYMOUTH TP1-2 AND DODGE TD1-2



TIE RODS - DODGE 880 - CHRYSLER TC1-2-3 AND IMPERIAL TY1

NOTES

[Lined area for handwritten notes]

CODE	PART NAME AND DESCRIPTION	CYL	PER CAR	VALIANT DART	PLYMOUTH DODGE	CHRYSLER IMPERIAL
2-03-0 STEERING KNUCKLE						
2-03-3	KNUCKLE, Right	6	1	2071 432		
	Left	6	1	2071 433		
	Except TA3		2	----	1858 084	
	TA3, TC1, TC2, TC3	8	2	----	2207 031	2207 031
	TY1	8	2	----	----	2207 033
2-05-0 STEERING LINKAGE KNUCKLE ARM						
2-05-4	ARM, Right, TA3, TC1, TC2, TC3	8	1	----	2207 374	2207 374
	Left, TA3, TC1, TC2, TC3	8	1	----	2207 375	2207 375
	Right, TY1	8	1	----	----	2208 096
	Left, TY1	8	1	----	----	2208 097
2-07-0 STEERING KNUCKLE TIE ROD						
2-07-1	END PACKAGE, Inner, L.H. thd., except TA3		2	B2448 384	B2448 384	
	Outer, R.H. thd., except TA3		2	B2448 383	B2448 383	
	Inner, TA3, TC1, TC2, TC3	8	2	----	2279 989	2279 989
	Outer, TA3, TC1, TC2, TC3	8	2	----	B2448 398	B2448 398
	Inner, Right, TY1	8	1	----	----	2279 990
	Inner, Left, TY1	8	1	----	----	2279 991
	Outer, TY1	8	2	----	----	2279 992
2-07-2	TUBE, except TA3		2	2072 441	2072 441	
	TUBE, w/CLAMP, BOLT and NUT, TA3	8	2	----	1634 619	1634 619
2-07-17	PLUG, Steering Link Tie Rod End Cover		*	*1858 115	*1858 115	*1858 115
2-07-41	SHIELD, Steering Link Outer Tie Rod End Seal					
	Right	1		1858 262	1858 262	1858 262
	Left	1		1858 263	1858 263	1858 263
2-08-0 FRONT WHEEL UPPER CONTROL ARM						
2-08-5	ARM, Right	6	1	2071 452		
	Left	6	1	2071 453		
	Right, except TA3		1	----	1857 856	
	Left, except TA3		1	----	1857 857	
	Right, TA3, TC1, TC2, TC3	8	1	----	2207 086	2207 086
	Left, TA3, TC1, TC2, TC3	8	1	----	2207 087	2207 087
	Right, TY1	8	1	----	----	2207 184
	Left, TY1	8	1	----	----	2207 185
2-08-7	BUSHING, Upper Control Arm, except TA3		4	2071 204	2071 204	
	TA3	8	4	----	1825 317	1825 317
2-08-11	SLEEVE, Upper Control Arm Bushing, except TA3		2	----	1857 840	
	TA3, TC1, TC2, TC3	8	2	----	2207 200	2207 200
2-08-48	BUMPER, Frame		2	1825 314	1825 314	1825 314
2-08-55	NUT, Bumper Bolt		2	6012 031	6012 031	6012 031
2-08-57	BALL JOINT PACKAGE, Upper	6	2	2298 533		
	TC1, TC2, TC3		2	----	2298 534	2298 534
	TY1	8	2	----	----	2298 536
2-08-59	CAM and BUSHING PACKAGE, Support Bracket,		2	2084 920	2084 920	
	except TA3		2	----	2448 099	2448 099
	TA3	8				
2-08-61	SEAL, Ball Joint	6	2	2071 255		
	TC1, TC2, TC3		2	----	1825 487	1825 487
	TY1	8	2	----	----	1825 761

★ Indicates use as required. Numerals in parentheses () refer to notes. Printed in U.S.A.
 □ Indicates parts not listed in any previous parts book. Prices and specifications subject to change without notice.
 * Indicates change or addition. Dec. 14, 1962 Supersedes Sept. 4, 1962.

1963 PASSENGER CAR PARTS CATALOG

FRONT-SUSPENSION

CODE	PART NAME AND DESCRIPTION	CYL.	PER CAR	VALIANT DART	PLYMOUTH DODGE	CHRYSLER IMPERIAL
2-08-0 FRONT WHEEL UPPER CONTROL ARM - Cont'd						
2-08-62	WASHER, Ball Joint Stud Nut		2	----	1672 960	1672 960
2-08-63	BRACKET, Control Arm Mounting, Right	6	1	2081 840		
	Left	6	1	2081 841		
	Right, except TA3		1	----	2204 184	
	Left, except TA3		1	----	2204 185	
2-08-68	NUT, Ball Joint Stud	6	2	273 705		
	TC1, TC2, TC3		2	----	128 025	128 025
	TY1	8	2	----	----	128 027
2-08-70	REINFORCEMENT, Control Arm Mounting Bracket, except TA3		2	----	2204 244	
2-08-71	NUT, Control Arm Bolt		4	1825 449	1825 449	1825 449
2-08-72	PLUG, Upper Ball Joint		2	1858 115	1858 115	1858 115
2-10-0 FRONT WHEEL LOWER CONTROL ARM						
2-10-6	ARM, Right	6	1	2071 468		
	Right, except TA3		1	----	1857 992	
	Right, TA3, TC1, TC2, TC3	8	1	----	1858 150	1858 150
	Right, TY1	8	1	----	----	1858 160
	RIVET, Lower Control Arm Plate, Right		4	6023 293	6023 293	
2-10-7	ARM, Left	6	1	2071 469		
	Left, except TA3		1	----	1857 993	
	Left, TA3, TC1, TC2, TC3	8	1	----	1858 151	1858 151
	Left, TY1	8	1	----	----	1858 161
	RIVET, Lower Control Arm Plate, Left		4	6023 293	6023 293	
2-10-10	BUMPER, Std., except TA3		2	1858 070	1858 070	
	Std., except Sub., TA3	8	2	----	1857 682	1857 682
	Std., Sub., TA3	8	2	----	1858 153	1858 153
	Heavy Duty, except Sub., TA3	8	2	----	1858 153	1858 153
2-10-17	NUT, Bumper Retainer		2	6012 031	6012 031	6012 031
2-10-55	ARM and BALL JOINT PACKAGE, Steering Knuckle Housing Lower, Right	6	1	2275 464		
	Left	6	1	2275 465		
	Right, except TA3		1	----	2275 462	
	Left, except TA3		1	----	2275 463	
	BALL JOINT PACKAGE, Lower, TA3, TC1, TC2, TC3	8	2	----	2298 535	2298 535
	TY1	8	2	----	----	2298 537
2-10-57	BUSHING and RETAINER PACKAGE	6	2	2084 918		
			2	----	2084 045	2084 045
2-10-58	STRUT	6	2	2071 417		
	Except TA3		2	----	1857 901	
	TA3, TC1, TC2, w/o Sway Eliminator	8	2	----	E2207 027	E2207 027
	STRUT, w/SPACER, TA3, TC1, TC2, w/Sway Eliminator, w/15 in. Wheels, TC3 w/Sway Eliminator	8	2	----	E2207 042	E2207 042
	STRUT, TA3, TC1 w/14 in. Wheels, TC2, TC3 4 D. Sed., TC3 Sp. 4 D., w/Sway Eliminator	8	2	----	E2207 035	E2207 035
	TY1	8	2	----	----	E2207 029

★ Indicates use as required.

Numerals in parentheses () refer to notes.

Printed in U.S.A.

⊠ Indicates parts not listed in any previous parts book.

Prices and specifications subject to change without notice.

September 4, 1962.

CODE	PART NAME AND DESCRIPTION	C Y L.	PER CAR	VALIANT DART	PLYMOUTH DODGE	CHRYSLER IMPERIAL
2-10-0 FRONT WHEEL LOWER CONTROL ARM - Cont'd						
2-10-59	BUSHING, Lower Control Arm Strut	6	2	2071 443		
			2	----	1734 321	1734 321
2-10-60	RETAINER, Strut Bushing	6	4	2071 211		
			4	----	1734 341	1734 341
2-10-61	SHAFT PACKAGE, Lower Control Arm	6	2	2275 461		
	Except TA3		2	----	2275 460	
	SHAFT and BUSHING PACKAGE, TA3, TC1, TC2, TC3	8	2	----	1881 650	1881 650
	TY1	8	2	----	----	1881 647
2-10-62	BOLT, Strut, TA3	8	4	----	*1825 350	*1825 350
2-10-63	NUT, Strut Bushing	6	2	*6023 890		
	Strut, except TA3		2	6025 056	6025 056	
	Strut Bushing Front		2	----	1825 202	1825 202
	Strut Bolt Rear		4	----	1825 449	1825 449
2-10-64	PLUG, Lower Ball Joint		2	1858 115	1858 115	1858 115
2-10-66	SEAL, Ball Joint, except TA3	8	2	1858 209	1858 209	
	TA3, TC1, TC2, TC3		2	----	1825 488	1825 488
	TY1	8	2	----	----	1825 762
2-10-67	WASHER, Ball Joint Nut		2	----	1672 960	1672 960
2-10-68	NUT, Ball Joint Stud, TC1, TC2, TC3		2	128 027	128 027	128 027
	TY1	8	2	----	----	1671 405
2-10-72	SPACER, Bumper, except TA3	8	2	1858 247	1858 247	
	TA3		2	----	1858 155	1858 155
2-10-74	WASHER, Shaft, except TA3		2	2071 470	2071 470	
2-10-76	BUSHING, Shaft, except TA3	8	2	1858 024	1858 024	
	TA3, TC1, TC2, TC3		2	----	1636 017	1636 017
	TY1	8	2	----	----	1636 010

2-14-0 FRONT SUSPENSION TORSION PARTS

2-14-1	BOLT and SWIVEL PACKAGE, BAR or SPRING, Front End Adjusting, Std.	6	2	2275 469		
	Heavy Duty	6	2	2275 470		
	Std., except TA3		2	----	2275 468	
	Heavy Duty, except TA3		2	----	2275 469	
	Rear End Anchor Adjusting TA3, TC1, TC2, TC3 TY1	8	2	----	2196 773	2196 773
		8	2	----	----	2196 774

NOTE: The Anchor End of Torsion Bars or Springs are stamped with the last 3 digits of the part number. If the stamped number is 622, the Torsion Bar or Spring will be applicable to the right side of the car, since the last digit of the part number is a even number. Left side is indicated by an odd digit.

2-14-3	BAR or SPRING, Std., Right	6	1	2071 622		
	Std., Left	6	1	2071 623		
	Heavy Duty, Right	6	1	2071 626		
	Heavy Duty, Left	6	1	2071 627		
	Std., except Sub., Right	6	1	----	1857 774	
	Std., except Sub., Left	6	1	----	1857 775	
	Std., Sub., Right	6	1	----	1857 776	
	Std., Sub., Left	6	1	----	1857 777	
	Std., except TA3, Right	8	1	----	1857 776	
	Std., except TA3, Left	8	1	----	1857 777	
	Heavy Duty, w/o Sway Eliminator, Sub., except TA3, Right		1	----	1857 778	

* Indicates use as required.

Numerals in parentheses () refer to notes.

Printed in U.S.A.

☐ Indicates parts not listed in any previous parts book.

Prices and specifications subject to change without notice.

* Indicates change or addition.

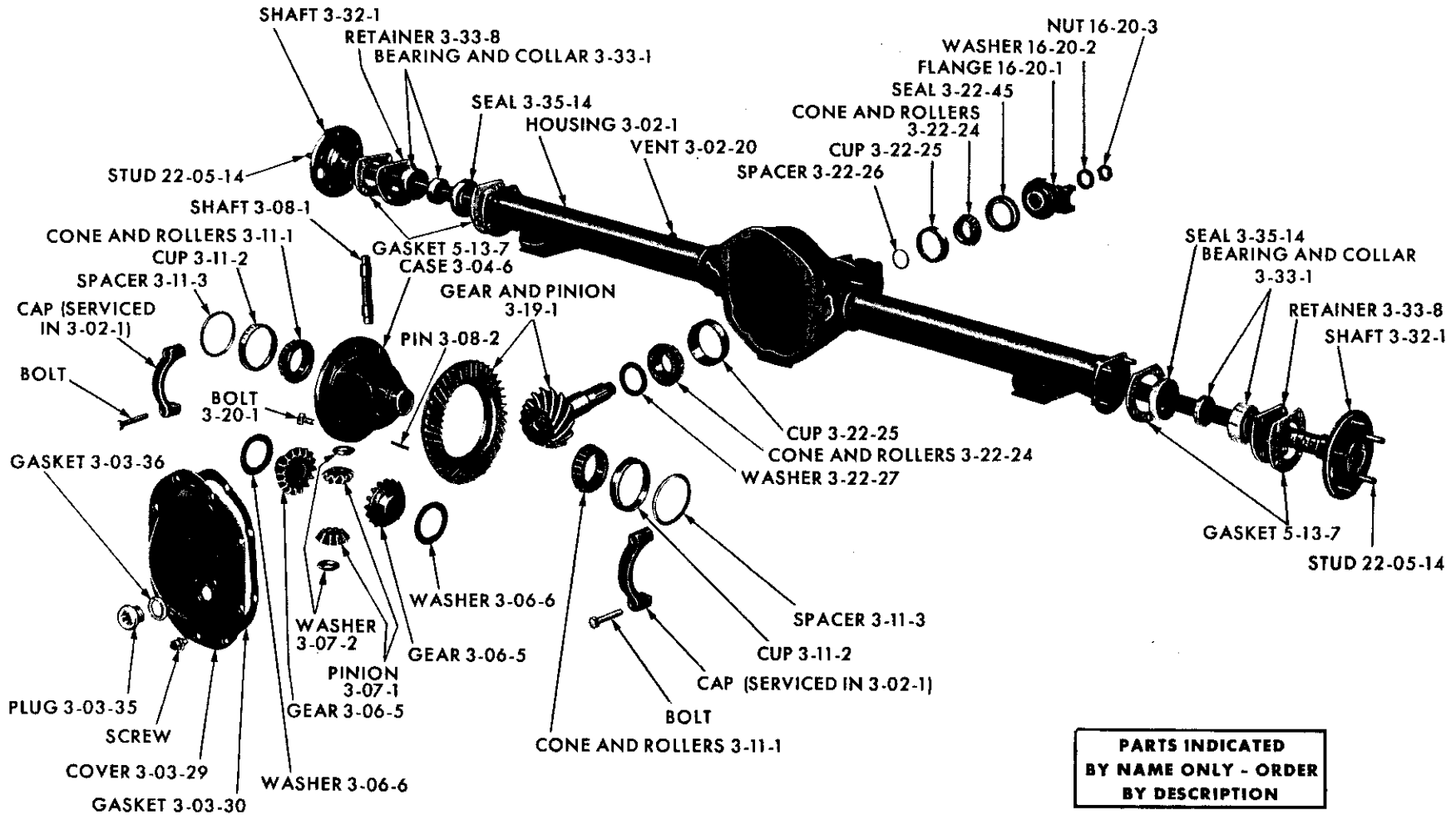
1963 PASSENGER CAR PARTS CATALOG FRONT-SUSPENSION

CODE	PART NAME AND DESCRIPTION	CYL.	PER CAR	VALIANT DART	PLYMOUTH DODGE	CHRYSLER IMPERIAL
2-14-0 FRONT SUSPENSION TORSION PARTS - Cont'd						
2-14-3	BAR or SPRING - Cont'd					
	Heavy Duty, w/o Sway Eliminator, Sub., except TA3, Left		1	----	1857 779	
	Heavy Duty, w/o Sway Eliminator, except TA3, Right		1	----	1857 778	
	Heavy Duty, w/o Sway Eliminator, except TA3, Left		1	----	1857 779	
	TA3, TC1, Std., Sub., w/Sway Eliminator, Right .	8	1	----	*1825 604	*1825 604
	TA3, TC1, Std., Sub., w/Sway Eliminator, Left .	8	1	----	*1825 605	*1825 605
	TA3, TC1, TC2, Std., w/o Sway Eliminator, Right	8	1	----	1825 610	1825 610
	TA3, TC1, TC2, Std., w/o Sway Eliminator, Left	8	1	----	1825 611	1825 611
	TA3, TC1, TC2, TC2-300J, TC3, Heavy Duty, w/Sway Eliminator, Right	8	1	----	1825 606	1825 606
	TA3, TC1, TC2, TC2-300J, TC3, Heavy Duty, w/Sway Eliminator, Left	8	1	----	1825 607	1825 607
	TC3, Std., w/Sway Eliminator, Right	8	1	----	----	*1825 708
	TC3, Std., w/Sway Eliminator, Left	8	1	----	----	*1825 709
	TY1, Std., Right	8	1	----	----	2275 508
	TY1, Std., Left	8	1	----	----	2275 509
	TY1, Heavy Duty, Right	8	1	----	----	2275 510
	TY1, Heavy Duty, Left	8	1	----	----	2275 511
2-14-8	ANCHOR PACKAGE, Torsion Bar or Spring, Rear End, TA3, TC1, TC2, Right	8	1	----	2196 750	2196 750
	TA3, TC1, TC2, Left	8	1	----	2196 751	2196 751
	TC3, Right	8	1	----	----	2448 314
	TC3, Left	8	1	----	----	2448 313
	TY1, except Cv. Cp., Right	8	1	----	----	2196 754
	TY1, except Cv. Cp., Left	8	1	----	----	2196 755
	TY1, Cv. Cp., Right	8	1	----	----	2196 752
	TY1, Cv. Cp., Left	8	1	----	----	2196 753
2-14-12	SEAT, Spring Front End, Adjusting Bolt Nut, Seat, Bar or Spring, Rear End, Anchor Adjusting Bolt, TA3	8	2	----	1857 549	1857 549
2-14-13	SEAL, Spring Rear End Anchor, except TA3 . . . TA3	8	2	2071 173 ----	2071 173 1613 388	1613 388
2-14-15	LOCK, Spring Rear End Anchor, except TA3 TA3	8	2	1671 446 ----	1671 446 1639 171	1639 171
2-14-19	PLUG, Spring Rear End Anchor, Round Type . . . Hexagon Type	8	2	----	1857 580 ----	1857 580 1825 582
2-14-25	RETAINER, Spring Rear End Anchor Adjusting Bolt, TY1	8	2	----	----	1857 576

NOTES

★ Indicates use as required. Numerals in parentheses () refer to notes. Printed in U.S.A.
 ☐ Indicates parts not listed in any previous parts book. Prices and specifications subject to change without notice.
 Dec. 14, 1962 Supersedes Sept. 4, 1962. * Indicates change or addition.

GROUP 3 - AXLE - REAR

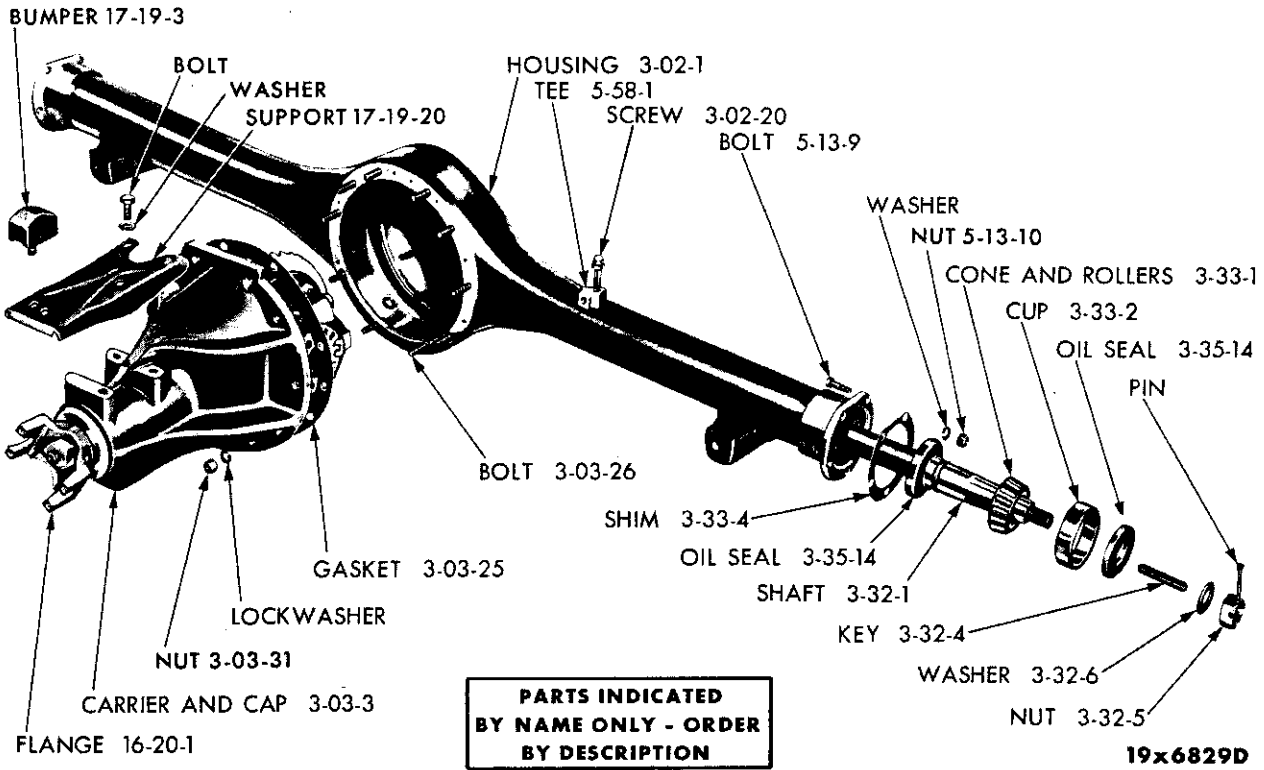


PARTS INDICATED BY NAME ONLY - ORDER BY DESCRIPTION

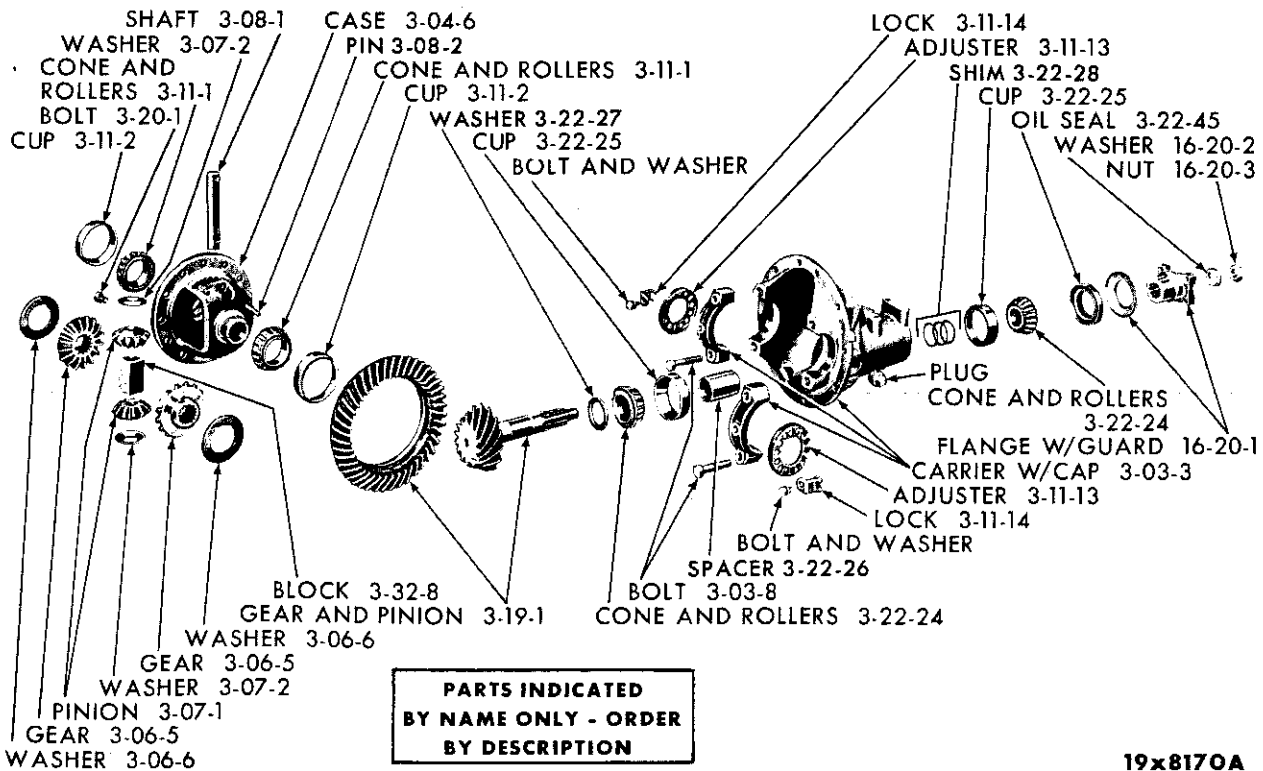
19x8727G

REAR AXLE DIFFERENTIAL AND CARRIER - VALIANT TV1 AND DART TL1

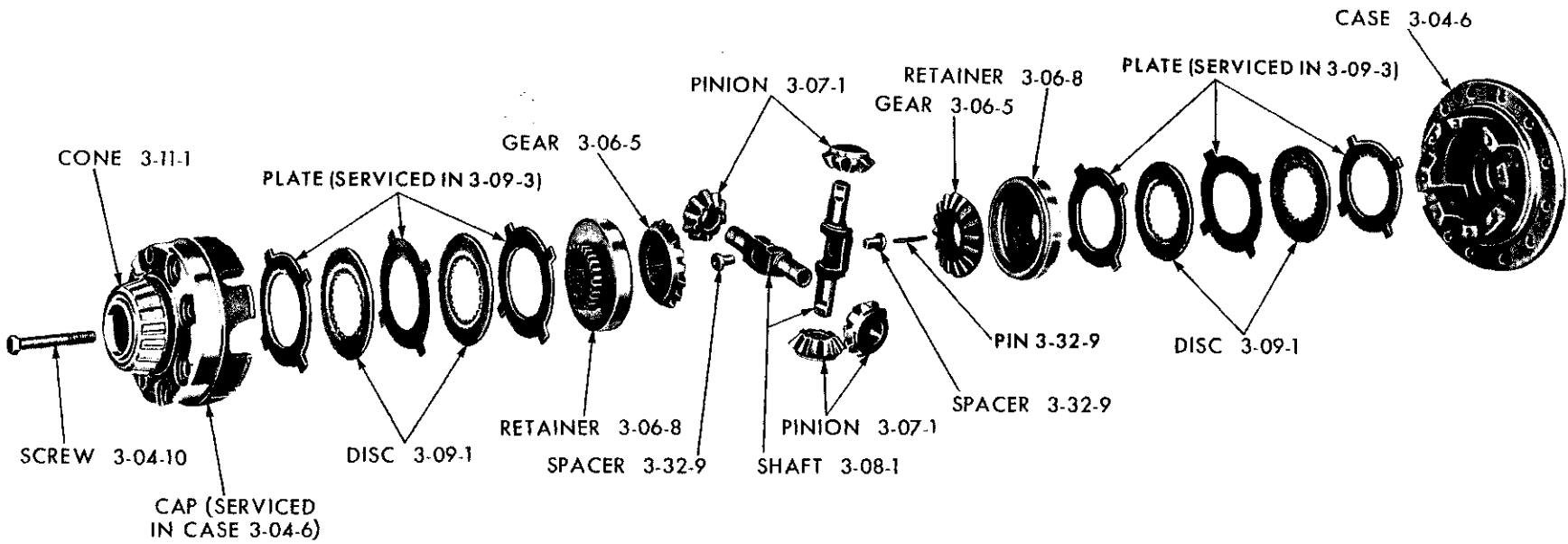
MyMopar.com



REAR AXLE HOUSING AND CARRIER - EXCEPT VALIANT TV1 AND DART TL1



REAR AXLE - EXCEPT VALIANT TV1 AND DART TL1



19x8320C

"NO-SPIN" REAR AXLE DIFFERENTIAL - EXCEPT VALIANT TV1 AND DART TL1

CODE	PART NAME AND DESCRIPTION	C Y L.	PER CAR	VALIANT DART	PLYMOUTH DODGE	CHRYSLER IMPERIAL
------	---------------------------	--------------	------------	-----------------	-------------------	----------------------

NOTE: Two Types of Differentials are being used in production on 8 cylinder cars. With 1 3/8" diameter pinion shaft. The carrier has part number 1820 657 or 2070 741 embossed on it 2" below the yoke.
 With 1 3/4" diameter pinion shaft. The carrier has part number 1634 985 or 2070 742 embossed on it 2" below the yoke.

3-01-0 REAR AXLE CONTROL STRUT

3-01-25	STRUT, TY1	8	2	----	----	1730 160
3-01-28	BUSHING, TY1	8	4	----	----	1635 600
3-01-30	SPACER, TY1	8	*	----	----	1731 769
3-01-33	HANGER, w/BOLTS, TY1	8	2	----	----	2403 248
	BRACKET, Frame, Right, TY1	8	1	----	----	*1829 998
	Left	8	1	----	----	*1829 999
3-01-34	BOLT, Hanger, TY1	8	8	----	----	2403 247

3-02-0 REAR AXLE HOUSING

3-02-1	HOUSING	6	1	2404 073		
	TP1, TP2, TD1, TD2		1	----	2070 539	
	TA3, TC1, TC2, TC3	8	1	----	2070 960	2070 960
	TY1	8	1	----	----	2070 961
3-02-9	SPACER, Housing to Carrier Bolt Nut, TA3	8	1	----	1940 447	1940 447
3-02-20	SCREW, Vent	6	1	2404 119		
	TC1, TC2, TC3		1	----	2404 119	2404 119
	TY1	8	1	----	----	2124 715

3-03-0 REAR AXLE DIFFERENTIAL AND CARRIER

3-03-1	DIFFERENTIAL, w/CARRIER and TUBES, 3.23					
	to 1 ratio	6	1	2404 076		
	3.55 to 1 ratio	6	1	2404 077		
	3.91 to 1 ratio	6	1	2404 078		
	2.93 to 1 ratio, w/225 cu. in. Engine	6	1	2404 075		
	2.93 to 1 ratio, w/8 1/4" dia. Gear, except Sub.	6	1	----	2070 797	
	3.31 to 1 ratio, w/8 1/4" dia. Gear, except Sub.	6	1	----	2070 798	
	2.76 to 1 ratio, w/Sure-Grip, w/1 3/8" dia. Stem, TP1, TP2, TD1, TD2-L, TD2-M, TD2-H		1	----	2070 693	
	3.91 to 1 ratio, w/Sure-Grip, w/1 3/4" dia. Stem, TP2, TD2, TC2-300J	8	1	----	2404 129	2404 129
	3.23 to 1 ratio, w/Sure-Grip, w/1 3/8" dia. Stem, TP1, TP2, TD1, TD2-L, TD2-M, TD2-H		1	----	2070 774	
	2.76 to 1 ratio, w/8 3/4" dia. Gear, w/1 3/8" dia. Stem, TA3, TC1, except Sub., TP2, TD2-L, TD2-M, TD2-H	8	1	----	2070 654	2070 654
	2.93 to 1 ratio, w/8 3/4" dia. Gear, w/1 3/4" dia. Stem, TP1, TP2, TD1, TD2-L, TD2-M, TD2-H		1	----	2070 579	
	3.23 to 1 ratio, w/8 3/4" dia. Gear, w/1 3/8" dia. Stem, TP1, TP2, TD1, TD2-L, TD2-M, TD2-H		1	----	2070 771	
	3.55 to 1 ratio, w/8 3/4" dia. Gear, w/1 3/8" dia. Stem, TP1, TP2, TD1, TD2-L, TD2-M, TD2-H		1	----	2070 908	
	3.91 to 1 ratio, w/8 3/4" dia. Gear, w/1 3/8" dia. Stem, TP1, TP2, TD1, TD2-L, TD2-M, TD2-H		1	----	1828 517	
	2.93 to 1 ratio, w/1 3/4" dia. Stem, TY1	8	1	----	----	2070 579
	3.23 to 1 ratio, w/1 3/4" dia. Stem, TC1, TC2, TC3	8	1	----	2070 811	2070 811
	2.76 to 1 ratio, w/1 3/4" dia. Stem, TC1 Sub., TC3	8	1	----	2070 853	2070 853

★ Indicates use as required. Numerals in parentheses () refer to notes. Printed in U.S.A.
 B Indicates parts not listed in any previous parts book. Prices and specifications subject to change without notice.
 * Indicates change or addition. Jan. 3, 1964 Supersedes Dec. 14, 1962.

CODE	PART NAME AND DESCRIPTION	CYL.	PER CAR	VALIANT DART	PLYMOUTH DODGE	CHRYSLER IMPERIAL
3-03-O REAR AXLE DIFFERENTIAL AND CARRIER - Cont'd						
3-03-1	DIFFERENTIAL - Cont'd 2.93 to 1 ratio, w/Sure-Grip, w/1 3/4" dia. Stem, TY1	8	1	----	----	2070 583
	3.23 to 1 ratio, w/Sure-Grip, w/1 3/4" dia. Stem, TC1, TC2	8	1	----	2070 813	2070 813
	2.76 to 1 ratio, w/Sure-Grip, TA3, TC1, TC3	8	1	----	2070 856	2070 856
3-03-2	DIFFERENTIAL ASSEMBLY, Partial, w/Sure-Grip		1	----	2070 824	2070 824
3-03-3	CARRIER, w/CAPS, w/8 1/4" dia. Gear, except Sub. w/8 3/4" dia. Gear, 1 3/8" dia. Stem, TA3, TC1, except Sub., TP1, TP2, TD1, TD2-L, TD2-M, TD2-H	6	1	----	2070 782	
	w/8 3/4" dia. Gear, 1 3/4" dia. Stem	8	1	----	1820 698 1634 984	1820 698 1634 984
3-03-8	SCREW, Cap		4	----	314 948	314 948
3-03-25	GASKET, Carrier		1	----	1673 367	1673 367
3-03-26	BOLT, Housing to Carrier TY1	8	★ 1	----	1135 197 ----	1135 197 B2404 480
3-03-29	COVER, Carrier	6	1	2070 119		
3-03-30	GASKET, Cover	6	1	2070 120		
3-03-31	NUT, Housing to Carrier Bolt w/Fiber WASHER, TA3	8	★ 1	----	1485 066 1940 596	1485 066 1940 596
3-03-35	PLUG, Cover Filler	6	1	*1392 371		
3-03-36	GASKET, Plug	6	1	2070 122		
3-04-O DIFFERENTIAL CASE						
3-04-6	CASE	6	1	2070 537		
	w/2.93 to 1 ratio, 8 1/4" dia. Gear, except Sub. w/3.31 to 1 ratio, 8 1/4" dia. Gear, except Sub. w/8 3/4" dia. Gear	6 6 1	1 1 1	---- ---- ----	2070 704 2070 706 1850 370	1850 370
	w/Sure-Grip	1	1	----	*2240 222	*2240 222
3-04-10	SCREW, Case Cap, w/Sure-Grip		8	----	1945 751	1945 751
3-06-O DIFFERENTIAL SIDE GEAR						
3-06-5	GEAR	6	2	2070 023		
	w/8 1/4" dia. Gear, except Sub.	6	2	----	2070 242	
	w/8 3/4" dia. Gear	2	2	----	2070 148	2070 148
	w/Sure-Grip	2	2	----	1829 448	1829 448
3-06-6	WASHER, Thrust	6	2	2070 024		
	w/8 1/4" dia. Gear, except Sub.	6	2	----	2070 820	
	w/8 3/4" dia. Gear	2	2	----	1633 960	1633 960
3-06-8	RETAINER, w/Sure-Grip		2	----	1829 447	1829 447
3-07-O DIFFERENTIAL PINION						
3-07-1	PINION	6	2	2070 025		
	w/8 1/4" dia Gear, except Sub.	6	2	----	1326 219	
	w/8 3/4" dia. Gear	2	2	----	1633 959	1633 959
	w/Sure-Grip	4	2	----	1829 449	1829 449

★ Indicates use as required.

Numerals in parentheses () refer to notes.

Printed in U.S.A.

Ⓔ Indicates parts not listed in any previous parts book.

Prices and specifications subject to change without notice.

Jan. 3, 1964 Supersedes Dec. 14, 1962.

* Indicates change or addition.

CODE	PART NAME AND DESCRIPTION	CYL.	PER CAR	VALIANT DART	PLYMOUTH DODGE	CHRYSLER IMPERIAL
3-07-O DIFFERENTIAL PINION - Cont'd						
3-07-2	WASHER	6	2	2070 026		
	w/8 1/4" dia. Gear, except Sub.	6	2	----	2070 821	
	w/8 3/4" dia. Gear		2	----	1633 961	1633 961
3-08-O DIFFERENTIAL PINION SHAFT						
3-08-1	SHAFT	6	1	2070 027		
	w/8 1/4" dia. Gear, except Sub.	6	1	----	663 480	
	w/8 3/4" dia. Gear		1	----	1633 928	1633 928
	w/Sure-Grip		2	----	1829 446	1829 446
3-08-2	PIN, Lock	6	1	152 229		
		1	----	----	1633 937	1633 937
3-09-O DIFFERENTIAL CLUTCH PARTS						
3-09-1	DISC, Clutch, w/Sure-Grip		2	----	1829 451	1829 451
3-09-3	REPAIR KIT, Differential, w/Sure-Grip		1	----	2070 845	2070 845
3-11-O DIFFERENTIAL BEARINGS						
3-11-1	CONE, w/ROLLERS	6	2	1937 771		
	w/8 1/4" dia. Gear, except Sub.	6	2	----	698 404	
	w/8 3/4" dia. Gear		2	----	1790 523	1790 523
3-11-2	CUP	6	2	1937 770		
			2	----	698 403	698 403
3-11-3	SPACER, Adjusting, .2500" thk.	6	2	*2070 848		
	.2520" thk.	6	2	*2070 849		
	.2540" thk.	6	2	*2070 082		
	.2560" thk.	6	2	*2070 441		
	.2580" thk.	6	2	2070 442		
	.2600" thk.	6	2	2070 084		
	.2620" thk.	6	2	2070 443		
	.2640" thk.	6	2	2070 444		
	.2660" thk.	6	2	2070 086		
	.2680" thk.	6	2	2070 445		
	.2700" thk.	6	2	2070 446		
	.2720" thk.	6	2	2070 088		
	.2740" thk.	6	2	2070 447		
	.2760" thk.	6	2	2070 448		
	.2780" thk.	6	2	2070 090		
	.2800" thk.	6	2	2070 449		
	.2820" thk.	6	2	2070 450		
	.2840" thk.	6	2	2070 092		
	.2860" thk.	6	2	*2070 696		
	.2880" thk.	6	2	*2070 697		
	.2900" thk.	6	2	*2070 698		
	.2920" thk.	6	2	*2070 850		
	.2940" thk.	6	2	*2070 851		
3-11-13	ADJUSTER		2	----	601 864	601 864
3-11-14	LOCK, Adjuster		2	----	308 247	308 247
3-19-O DRIVE GEAR AND PINION SET						
3-19-1	GEAR and PINION SET, 3.23 to 1 ratio	6	1	2070 563		
	3.55 to 1 ratio	6	1	2070 564		
	3.91 to 1 ratio	6	1	2070 565		
	2.93 to 1 ratio, w/225 cu.in. Engine	6	1	2070 596		
	2.93 to 1 ratio, 8 1/4" dia. Gear, except Sub.	6	1	----	2070 808	
	3.31 to 1 ratio, 8 1/4" dia. Gear, except Sub.	6	1	----	2070 809	

★ Indicates use as required.

Numerals in parentheses () refer to notes.

Printed in U.S.A.

☐ Indicates parts not listed in any previous parts book.

Prices and specifications subject to change without notice.

* Indicates change or addition.

Jan. 3, 1964 Supersedes Sept. 4, 1962.

CODE	PART NAME AND DESCRIPTION	CYL.	PER CAR	VALIANT DART	PLYMOUTH DODGE	CHRYSLER IMPERIAL
3-19-0 DRIVE GEAR AND PINION SET - Cont'd						
3-19-1	GEAR and PINION SET - Cont'd					
	2.93 to 1 ratio, 8 3/4" dia. Gear, 1 3/8" dia. Stem, TP1, TP2, TD1, TD2-L, TD2-M, TD2-H.		1	----	2070 569	
	3.23 to 1 ratio, 8 3/4" dia. Gear, 1 3/8" dia. Stem, TP1, TP2, TD1, TD2-L, TD2-M, TD2-H.		1	----	2070 816	
	3.55 to 1 ratio, 8 3/4" dia. Gear, 1 3/8" dia. Stem, TP1, TP2, TD1, TD2-L, TD2-M, TD2-H.		1	----	2070 915	
	3.91 to 1 ratio, 8 3/4" dia. Gear, 1 3/8" dia. Stem, TP1, TP2, TD1, TD2-L, TD2-M, TD2-H.		1	----	2070 300	
	2.76 to 1 ratio, 8 3/4" dia. Gear, 1 3/8" dia. Stem, TA3, TC1, except Sub., TP1, TP2, TD1, TD2-L, TD2-M, TD2-H		1	----	2070 689	2070 689
	3.55 to 1 ratio, 8 3/4" dia. Gear, 1 3/4" dia. Stem, TP2, TD2, w/383 and 426 cu. in. Engine, TC2-300J	8	1	----	2070 916	2070 916
	3.91 to 1 ratio, 8 3/4" dia. Gear, 1 3/4" dia. Stem, TP2, TD2, TC2-300J	8	1	----	2404 127	2404 127
	4.3 to 1 ratio, 8 3/4" dia. Gear, 1 3/4" dia. Stem, TP2, TD2, w/383 and 426 cu. in. Engine, TC2-300J	8	1	----	1738 822	1738 822
	4.56 to 1 ratio, 8 3/4" dia. Gear, 1 3/4" dia. Stem, TP2, TD2, w/383 and 426 cu. in. Engine, TC2-300J	8	1	----	1738 823	1738 823
	4.89 to 1 ratio, 8 3/4" dia. Gear, 1 3/4" dia. Stem, TP2, TD2, w/383 and 426 cu. in. Engine, TC2-300J	8	1	----	1738 824	1738 824
	2.93 to 1 ratio, 8 3/4" dia. Gear, 1 3/4" dia. Stem, TP2, TD2, TY1	8	1	----	2070 570	2070 570
	3.23 to 1 ratio, 8 3/4" dia. Gear, 1 3/4" dia. Stem, TC1, TC2, TC3	8	1	----	2070 817	2070 817
	2.76 to 1 ratio, 8 3/4" dia. Gear, 1 3/4" dia. Stem, TC1, TC3	8	1	----	2070 690	2070 690
3-20-0 DRIVE GEAR BOLT						
3-20-1	BOLT		★	1675 485	1675 485	1675 485
	w/Sure-Grip		12	----	1945 768	1945 768
3-22-0 DRIVE PINION BEARINGS						
3-22-24	CONE, Front Bearing, w/ROLLERS	6	1	2070 316		
	Rear	6	1	2070 318		
	Front, w/1 3/8" dia. Stem, TA3, TC1, except Sub., TP1, TP2, TD1, TD2-L, TD2-M, TD2-H.		1	----	1820 552	1820 552
	Rear, w/1 3/8" dia. Stem, TA3, TC1 except Sub., TP1, TP2, TD1, TD2-L, TD2-M, TD2-H		1	----	1401 809	1401 809
	Front, w/1 3/4" dia. Stem	8	1	----	1401 808	1401 808
	Rear, w/1 3/4" dia. Stem	8	1	----	1404 472	1404 472
3-22-25	CUP, Front Bearing	6	1	2070 317		
	Rear	6	1	2070 319		
	Front, w/1 3/8" dia. Stem, TA3, TC1 except Sub., TP1, TP2, TD1, TD2-L, TD2-M, TD2-H.		1	----	1820 551	1820 551
	Rear, w/1 3/8" dia. Stem, TA3, TC1 except Sub., TP1, TP2, TD1, TD2-L, TD2-M, TD2-H.		1	----	1401 810	1401 810
	Front, w/1 3/4" dia. Stem	8	1	----	1401 810	1401 810
	Rear, w/1 3/4" dia. Stem	8	1	----	1327 847	1327 847
3-22-26	SPACER, Front Bearing Adjusting, .074" thk. . .	6	★	2070 094		
	.075" thk.	6	★	2070 454		
	.076" thk.	6	★	2070 095		
	.077" thk.	6	★	2070 455		

★ Indicates use as required.

Numerals in parentheses () refer to notes.

Printed in U.S.A.

☐ Indicates parts not listed in any previous parts book.

Prices and specifications subject to change without notice.

Jan. 3, 1964 Supersedes Dec. 14, 1962.

* Indicates change or addition.

CODE	PART NAME AND DESCRIPTION	C Y L	PER CAR	VALIANT DART	PLYMOUTH DODGE	CHRYSLER IMPERIAL
3-22-0 DRIVE PINION BEARINGS - Cont'd						
3-22-26	SPACER - Cont'd					
	.078" thk.	6	★	2070 096		
	.079" thk.	6	★	2070 456		
	.080" thk.	6	★	2070 097		
	.081" thk.	6	★	2070 457		
	.082" thk.	6	★	2070 098		
	.083" thk.	6	★	2070 458		
	.084" thk.	6	★	2070 099		
	.085" thk.	6	★	2070 459		
	.086" thk.	6	★	2070 100		
	.087" thk.	6	★	2070 460		
	.088" thk.	6	★	2070 101		
	.089" thk.	6	★	2070 461		
	.090" thk.	6	★	2070 102		
	.091" thk.	6	★	2070 462		
	.092" thk.	6	★	2070 103		
	.093" thk.	6	★	2070 463		
	.094" thk.	6	★	2070 104		
	.095" thk.	6	★	2070 464		
	.096" thk.	6	★	2070 105		
	.097" thk.	6	★	2070 465		
	.098" thk.	6	★	2070 106		
	.099" thk.	6	★	2070 466		
	.100" thk.	6	★	2070 107		
	.101" thk.	6	★	2070 467		
	.102" thk.	6	★	2070 108		
	.103" thk.	6	★	2070 468		
	.104" thk.	6	★	2070 109		
	.105" thk.	6	★	2070 469		
	.106" thk.	6	★	2070 110		
	SPACER, Rear Bearing, w/8 1/4" dia. Gear, except Sub.	6	1	----	2070 709	
	w/8 3/4" dia Gear, 1 3/8" dia. Stem, TA3, TC1, except Sub., TP1, TP2, TD1, TD2-L, TD2-M, TD2-H		1	----	1738 826	1738 826
3-22-27	WASHER, Rear Bearing, .084" thk.	6	★	1738 794		
	.086" thk.	6	★	1738 795		
	.088" thk.	6	★	1738 796		
	.090" thk.	6	★	1738 797		
	.092" thk.	6	★	1738 798		
	.094" thk.	6	★	1738 799		
	.096" thk.	6	★	1738 800		
	.098" thk.	6	★	1738 801		
	.100" thk.	6	★	1738 802		
	w/1 3/8" dia. Stem, .084" thk., TA3, TC1, except Sub., TP1, TP2, TD1, TD2-L, TD2-M, TD2-H.		★	----	1738 794	1738 794
	w/1 3/8" dia. Stem, .086" thk., TA3, TC1, except Sub., TP1, TP2, TD1, TD2-L, TD2-M, TD2-H.		★	----	1738 795	1738 795
	w/1 3/8" dia. Stem, .088" thk., TA3, TC1, except Sub., TP1, TP2, TD1, TD2-L, TD2-M, TD2-H.		★	----	1738 796	1738 796
	w/1 3/8" dia. Stem, .090" thk., TA3, TC1, except Sub., TP1, TP2, TD1, TD2-L, TD2-M, TD2-H.		★	----	1738 797	1738 797
	w/1 3/8" dia. Stem, .092" thk., TA3, TC1, except Sub., TP1, TP2, TD1, TD2-L, TD2-M, TD2-H.		★	----	1738 798	1738 798
	w/1 3/8" dia. Stem, .094" thk., TA3, TC1, except Sub., TP1, TP2, TD1, TD2-L, TD2-M, TD2-H.		★	----	1738 799	1738 799
	w/1 3/8" dia. Stem, .096" thk., TA3, TC1, except Sub., TP1, TP2, TD1, TD2-L, TD2-M, TD2-H.		★	----	1738 800	1738 800

★ Indicates use as required. Numerals in parentheses () refer to notes. Printed in U.S.A.
 ☐ Indicates parts not listed in any previous parts book. Prices and specifications subject to change without notice.
 * Indicates change or addition.

1963 PASSENGER CAR PARTS CATALOG

AXLE-REAR

CODE	PART NAME AND DESCRIPTION	C Y L.	PER CAR	VALIANT DART	PLYMOUTH DODGE	CHRYSLER IMPERIAL
3-22-0 DRIVE PINION BEARINGS - Cont'd						
3-22-27	WASHER - Cont'd w/1 3/8" dia. Stem, .098" thk., TA3, TC1, except Sub., TP1, TP2, TD1, TD2-L, TD2-M, TD2-H.		★	----	1738 801	1738 801
	w/1 3/8" dia. Stem, .100" thk. TA3, TC1, except Sub., TP1, TP2, TD1, TD2-L, TD2-M, TD2-H.		★	----	1738 802	1738 802
	w/1 3/4" dia. Stem, .084" thk.	8	★	----	1738 812	1738 812
	w/1 3/4" dia. Stem, .086" thk.	8	★	----	1738 813	1738 813
	w/1 3/4" dia. Stem, .088" thk.	8	★	----	1738 814	1738 814
	w/1 3/4" dia. Stem, .090" thk.	8	★	----	1738 815	1738 815
	w/1 3/4" dia. Stem, .092" thk.	8	★	----	1738 816	1738 816
	w/1 3/4" dia. Stem, .094" thk.	8	★	----	1738 817	1738 817
	w/1 3/4" dia. Stem, .096" thk.	8	★	----	1738 818	1738 818
	w/1 3/4" dia. Stem, .098" thk.	8	★	----	1738 819	1738 819
	w/1 3/4" dia. Stem, .100" thk.	8	★	----	1738 820	1738 820
3-22-28	SHIM, Front Bearing Adjusting, w/1 3/8" dia. Stem, .014" thk., TA3, TC1, except Sub., TP1, TP2, TD1, TD2-L, TD2-M, TD2-H		★	----	1820 703	1820 703
	w/1 3/8" dia. Stem, .016" thk., TA3, TC1, except Sub., TP1, TP2, TD1, TD2-L, TD2-M, TD2-H		★	----	1820 704	1820 704
	w/1 3/8" dia. Stem, .018" thk., TA3, TC1, except Sub., TP1, TP2, TD1, TD2-L, TD2-M, TD2-H.		★	----	1820 705	1820 705
	w/1 3/8" dia. Stem, .020" thk, TA3, TC1, except Sub., TP1, TP2, TD1, TD2-L, TD2-M, TD2-H		★	----	*1820 706	
	w/1 3/8" dia. Stem, .022" thk., TA3, TC1, except Sub., TP1, TP2, TD1, TD2-L, TD2-M, TD2-H.		★	----	1828 725	1828 725
	w/1 3/8" dia. Stem, .024" thk., TA3, TC1, except Sub., TP1, TP2, TD1, TD2-L, TD2-M, TD2-H.		★	----	1829 440	1829 440
	w/1 3/8" dia. Stem, .026" thk., TA3, TC1, except Sub., TP1, TP2, TD1, TD2-L, TD2-M, TD2-H.		★	----	1829 441	1829 441
	w/1 3/4" dia. Stem, .014" thk.	8	★	----	1738 805	1738 805
	w/1 3/4" dia. Stem, .016" thk.	8	★	----	1738 806	1738 806
	w/1 3/4" dia. Stem, .018" thk.	8	★	----	1738 807	1738 807
	w/1 3/4" dia. Stem, .022" thk.	8	★	----	1829 442	1829 442
	w/1 3/4" dia. Stem, .024" thk.	8	★	----	1829 443	1829 443
	w/1 3/4" dia. Stem, .026" thk.	8	★	----	1829 444	1829 444
3-22-45	OIL SEAL, Front Bearing	6	1	2070 113		
	w/1 3/8" dia. Stem, TA3, TC1, except Sub., TP1, TP2, TD1, TD2-L, TD2-M, TD2-H		1	----	1738 831	1738 831
	w/1 3/4" dia. Stem	8	1	----	1828 719	1828 719
3-32-0 DRIVE SHAFT						
3-32-1	SHAFT, w/BEARING, COLLAR and STUDS, Right.	6	1	2404 054		
	Left	6	1	2404 055		
	w/1 3/8" dia. Pinion Stem, TP1, TP2, TD1, TD2-L, TD2-M, TD2-H		2	----	2070 573	
	w/Sure-Grip, w/1 3/8" dia. Pinion Stem, w/2.76 and 3.23 to 1 ratio, TP1, TP2, TD1, TD2-L, TD2-M, TD2-H		2	----	2070 695	
	w/1 3/4" dia. Pinion Stem, TP2, TD2	8	2	----	2404 003	
	w/Sure-Grip, w/1 3/4" dia. Pinion Stem, w/3.23 and 3.91 to 1 ratio, TP2, TD2	8	2	----	2404 050	
	TA3, TC1, TC2, TC3	8	2	----	1675 448	1675 448
	w/Sure-Grip, TA3, TC1, TC2, TC3	8	2	----	1829 266	1829 266
	TY1	8	2	----	----	1675 449
	w/Sure-Grip, TY1	8	2	----	----	1829 267
3-32-4	KEY		2	----	1118 149	1118 149

★ Indicates use as required.

Numerals in parentheses () refer to notes.

Printed in U.S.A.

⊠ Indicates parts not listed in any previous parts book.

Prices and specifications subject to change without notice.

Jan. 3, 1964 Supersedes Dec. 14, 1962.

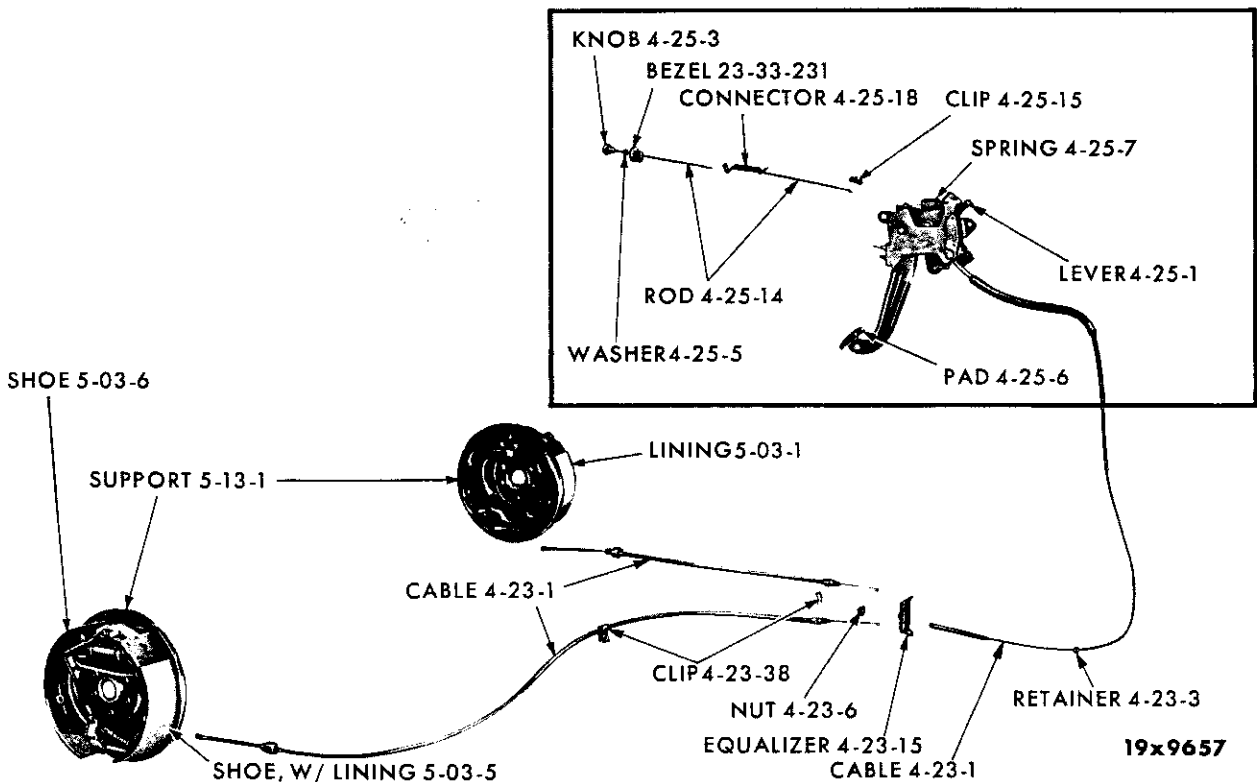
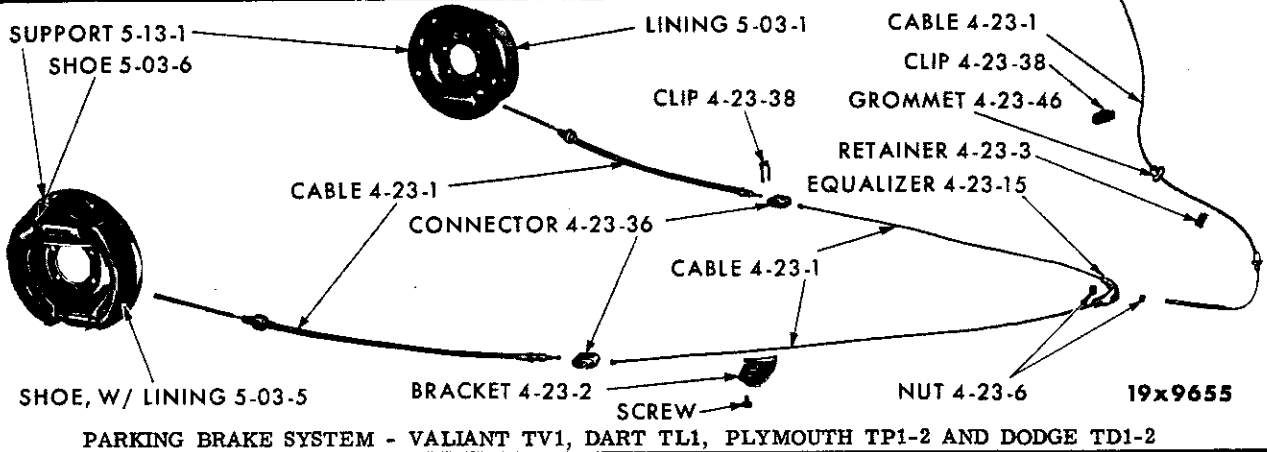
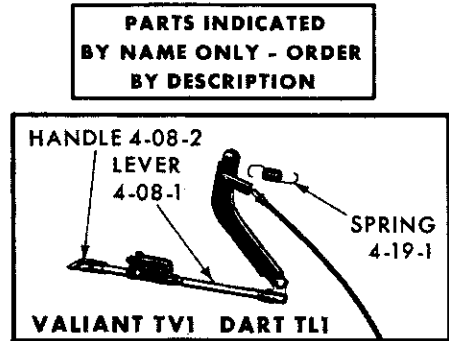
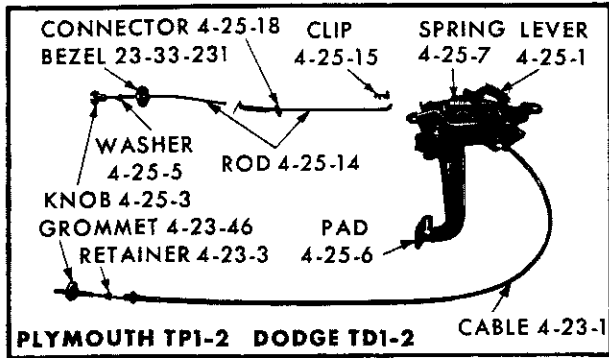
* Indicates change or addition.

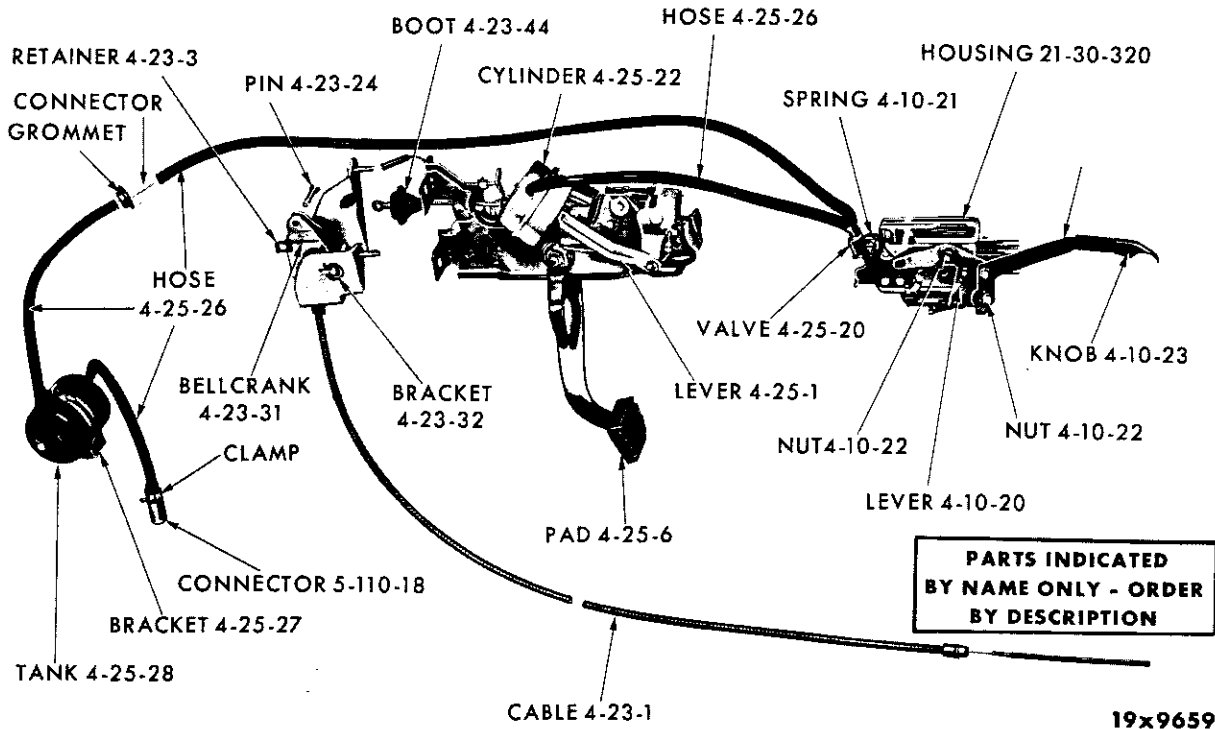
CODE	PART NAME AND DESCRIPTION	C Y L.	PER CAR	VALIANT DART	PLYMOUTH DODGE	CHRYSLER IMPERIAL
3-32-O DRIVE SHAFT - Cont'd						
3-32-5	NUT		2	----	53 553	53 553
3-32-6	WASHER		2	----	50 652	50 652
3-32-8	BLOCK, Thrust, w/8 1/4" dia. Gear, except Sub. w/8 3/4" dia. Gear	6	1 1	----	2070 663 1940 604	1940 604
3-32-9	SPACER, Thrust Block, w/Sure-Grip PIN, w/Sure-Grip		2 1	----	1829 445 273 703	1829 445 273 703
3-33-O DRIVE SHAFT BEARINGS						
3-33-1	BEARING, w/COLLAR CONE, w/ROLLERS, TC1, TC2, TC3 TY1	6	2 2 8	2421 349 ----- -----	698 400 -----	698 400 1673 375
3-33-2	CUP, TC1, TC2, TC3 TY1		2 8	----- -----	698 399 -----	698 399 1188 715
3-33-4	SHIM, .005" thk.012" thk.030" thk.		* * *	----- ----- -----	2070 866 2070 868 2070 870	2070 866 2070 868 2070 870
3-33-8	RETAINER, Bearing	6	2	2070 995		
3-35-O DRIVE SHAFT OIL SEAL						
3-35-14	OIL SEAL, Bearing Inner Outer, TC1, TC2, TC3 Outer, TY1	6	2 2 2 8	2404 052 ----- ----- -----	*2070 788 2265 811 -----	*2070 788 2265 811 2266 894

NOTES

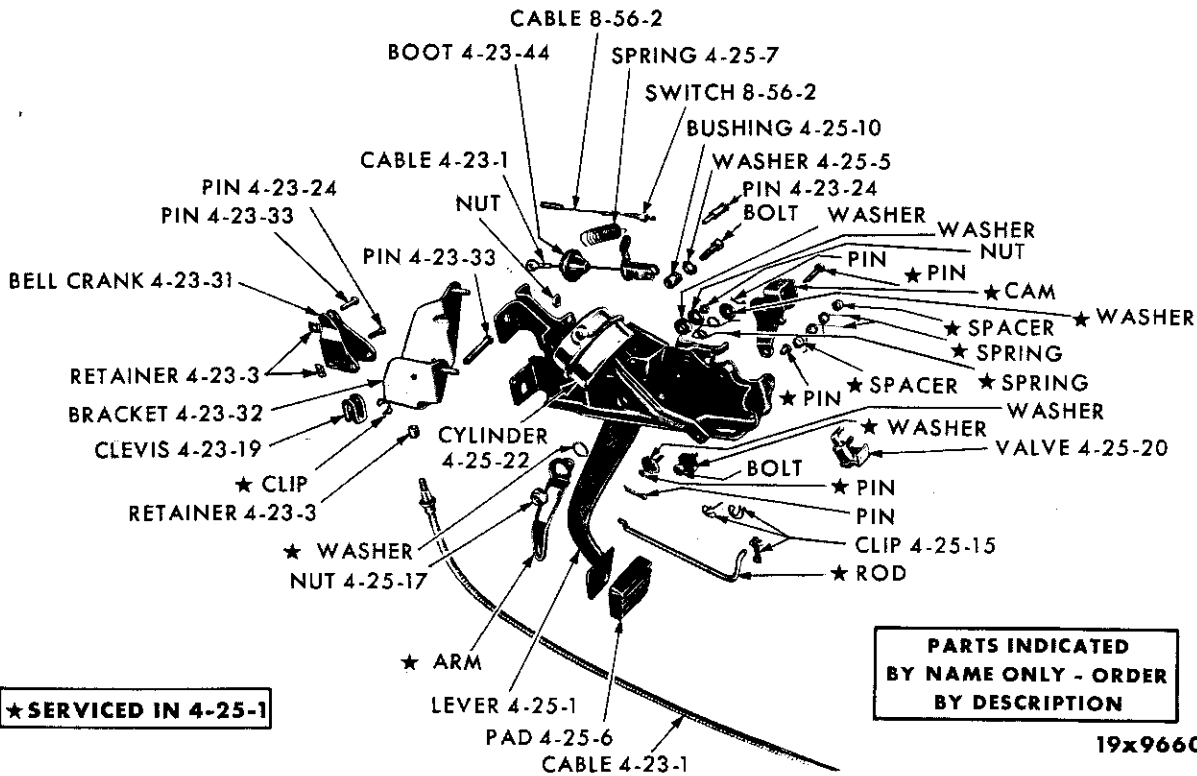
★ Indicates use as required. Numerals in parentheses () refer to notes. Printed in U.S.A.
 ☐ Indicates parts not listed in any previous parts book. Prices and specifications subject to change without notice.
 * Indicates change or addition. Jan. 3, 1964 Supersedes Dec. 14, 1962.

GROUP 4 - BRAKE-PARKING





PARKING BRAKE VACUUM LINES - CHRYSLER TC3 LUXURY NEW YORKER AND IMPERIAL TY1



PARKING BRAKE CONTROLS (VACUUM RELEASE) - CHRYSLER TC3 LUXURY NEW YORKER AND IMPERIAL TY1

CODE	PART NAME AND DESCRIPTION	CYL.	PER CAR	VALIANT DART	PLYMOUTH DODGE	CHRYSLER IMPERIAL
4-08-0 PARKING BRAKE LEVER (HAND OPERATED)						
4-08-1	LEVER		1	2265 300	2401 760	
4-08-2	HANDLE, Lever, Narrow, Plain		1	*1829 827		
	Wide, Marked "Brake"		1	*2409 450		
4-08-3	BRACKET, Lever Mounting		1	---- --	2401 302	
	Lever Hinge	6	1	2409 428		
4-08-8	PIN, Handle Stop		1	273 503	1405 532	
4-08-26	ANCHOR, Lever Return Spring		1	---- --	2265 324	
4-08-34	HINGE, Lever		1	---- --	2265 322	
4-08-35	PIN, Lever Hinge		1	1732 198	1732 198	
4-08-36	RETAINER, Lever Hinge Pin		1	1829 817	1829 817	
4-10-0 TRANSMISSION PARKING LOCK						
4-10-1	CABLE, TP1, TP2		1	2401 291	2401 291	
	TD1, TD2		1	---- --	2401 292	
	TA3	8	1	---- --	1942 256	1942 256
	TC2-300J	8	1	---- --	---- --	*2401 291
4-10-2	ADAPTER		1	1942 199	1942 199	1942 199
4-10-3	SPRING, Cable Adapter		1	1673 184	1673 184	1673 184
	Cable Actuator		1	1942 011	1942 011	1942 011
4-10-4	WASHER, Cable Adapter		1	1942 012	1942 012	1942 012
4-10-5	SCREW, Cable Clamp		1	2124 637	2124 637	2124 637
	LOCKWASHER		1	120 380	120 380	120 380
	NUT		1	120 367	120 367	120 367
4-10-7	LEVER, Sprag Operating		1	2124 589	2124 589	2124 589
4-10-8	SHAFT, Operating Lever, except Police and Taxi	6	1	1942 544	1942 544	
	Police and Taxi, TP1, TD1	6	1	---- --	1942 163	
		8	1	---- --	1942 163	1942 163
4-10-9	SPACER, Operating Lever		1	2124 588	2124 588	2124 588
4-10-10	SPRAG		1	1942 000	1942 000	1942 000
4-10-11	SPRING, Sprag		1	1942 161	1942 161	1942 161
4-10-12	BUSHING, Sprag		1	1942 162	1942 162	1942 162
4-10-15	COVER		1	2400 062	2400 062	2400 062
	SCREW		5	6022 230	6022 230	6022 230
4-10-16	GASKET, Cover		1	2205 207	2205 207	2205 207
4-10-17	ROLLER		1	1942 005	1942 005	1942 005
4-10-19	BEARING, Roller Needle		22	1942 006	1942 006	1942 006
4-10-20	LEVER, Sprag Control		1	2208 169	2208 169	2208 169
	ARM, Sprag Control Lever, TP1, TP2		1	2401 997	2260 855	
	TD1, TD2, TC1, TC2, TC3		1	---- --	2401 296	2265 199
	TA3, TY1	8	1	---- --	2405 222	2401 290
4-10-21	SPRING, Control Lever		1	2123 248	2123 248	2123 248

★ Indicates use as required. Numerals in parentheses () refer to notes. Printed in U.S.A.
 ☐ Indicates parts not listed in any previous parts book. Prices and specifications subject to change without notice.
 * Indicates change or addition. Jan. 3, 1964 Supersedes Dec. 14, 1962.

1963 PASSENGER CAR PARTS CATALOG

BRAKE-PARKING

CODE	PART NAME AND DESCRIPTION	CYL	PER CAR	VALIANT DART	PLYMOUTH DODGE	CHRYSLER IMPERIAL
4-10-O TRANSMISSION PARKING LOCK - Cont'd						
4-10-22	NUT, Control Lever		1	6023 118	6023 118	6023 118
	Control Lever Stud		2	6022 582	6022 582	6022 582
4-10-23	KNOB, Control Lever Arm, TP1, TP2		1	2266 422	2204 256	
	TD1, TD2, TA3, TC1, TC2, TC3		1	----	2258 884	2401 976
	TY1	8	1	----	----	2401 978
4-10-24	RIVET, Roller Shaft		1	2124 648	2124 648	2124 648
4-10-25	CLIP, Control Cable Bracket, TA3	8	1	----	2401 299	2401 299
	Control Lever Pin		1	6023 285	6023 285	6023 285
4-10-27	SEAL, Control Cable		1	1536 268	1536 268	1536 268
4-10-28	GROMMET, Control Cable, TP1, TP2, TD1, TD2 . .		1	2265 189	2265 190	
	TA3	8	1	----	2265 189	2265 189
4-13-O PARKING BRAKE LEVER PAWL						
4-13-6	PIN, Pawl Pivot		2	----	1405 533	
4-19-O PARKING BRAKE LEVER RETURN SPRING						
4-19-1	SPRING, Hand Operated		1	1556 693	1946 446	
4-23-O PARKING BRAKE CABLE						
4-23-1	CABLE, Front, Hand Operated		1	*2404 817	*2404 817	
	Foot Operated, TP1, TP2, TD1, TD2		1	----	2404 818	
	TA3, TC1, TC2, TC3	8	1	----	2404 819	2404 819
	TY1, Primary	8	1	----	----	2404 809
	TY1, Secondary, UP-TO	8	1	----	----	*2404 811(1)
	TY1, Secondary, AFTER	8	1	----	----	B2409 429(1)
	w/EQUALIZER, TV1, TL1 Sub.	6	1	2401 762		
	TL1 except Sub., TP1, TP2, TD1 Sub., TD2 Sub. .		1	2401 763	2401 763	
	TD1, TD2, except Sub., TY1		1	----	2401 764	2401 794
	Rear, TP1, TP2, TD1, TD2		2	*2448 768	*2448 768	
	Right, TA3, TC1, TC2, TC3	8	1	----	2401 797	2401 797
	Left, TA3, TC1, TC2, TC3	8	1	----	*2448 769	*2448 769
	TY1	8	2	----	----	*2448 769
4-23-2	BRACKET, Cable Guide, on Front Floor Pan. . . .		2	2259 028	2254 785	
	TA3, TC1, TC2, TC3	8	1	----	2424 162	2424 162
	Rear		1	2401 756	2259 028	
4-23-3	RETAINER, Front Cable, TC1, TC2, TC3		★	2071 132	1946 468	1946 468
	On Crossmember, TY1	8	1	----	----	2404 814
	At Bellcrank Bracket, TY1	8	1	----	----	2071 132
	Cable to Bellcrank Pin, TY1	8	2	----	----	2404 832
4-23-4	SEAL, Cable, on Floor Pan, TA3, TC1, TC2, TC3 .		1	----	2259 118	2259 118
4-23-6	NUT, Cable Equalizer Lock, TP1, TP2, TD1, TD2, TY1		1	2073 205	2073 205	2073 205
	TA3, TC1, TC2, TC3	8	1	----	6023 997	6023 997
4-23-7	SUPPORT, Cable, on Rear Side Rail, TC1, TC2, TC3		2	2251 398	2251 398	2251 398
4-23-15	EQUALIZER, Cable, TP1, TP2, TD1, TD2, TY1 . .		1	2073 134	2073 134	2073 134
	TA3, TC1, TC2, TC3	8	1	----	2401 768	2401 768
4-23-19	CLEVIS, Cable to Bellcrank, TY1	8	1	----	----	2404 829
4-23-24	PIN, Clevis, Upper, Hand Operated		1	2265 269	2265 269	
	Primary Cable, Front, TY1	8	1	----	----	2404 843
	Cable to Bellcrank, TY1	8	1	----	----	2404 834

NOTE 1: TY1 Approximate Serial No. 207949

★ Indicates use as required. Numerals in parentheses () refer to notes. Printed in U.S.A.
 ☐ Indicates parts not listed in any previous parts book. Prices and specifications subject to change without notice.
 Jan. 3, 1964 Supersedes Dec. 14, 1962. Page 4-4 * Indicates change or addition.

CODE	PART NAME AND DESCRIPTION	C Y L	PER CAR	VALIANT DART	PLYMOUTH DODGE	CHRYSLER IMPERIAL
4-23-O PARKING BRAKE CABLE - Cont'd						
4-23-28	CLAMP, Cable, Hand Operated		1	2265 273	2401 303	
4-23-31	BELLCRANK, Cable, TY1	8	1	-----	-----	2404 813
4-23-32	BRACKET, Cable Bellcrank, TY1	8	1	-----	-----	2404 806
4-23-33	PIN, Bellcrank Pivot, TY1	8	1	-----	-----	623 355
	Primary Cable to Bellcrank, TY1	8	1	-----	-----	2404 833
4-23-36	CONNECTOR, Cable, TP1, TP2, TD1, TD2, TY1		2	*2071 094	*2071 094	*2071 094
4-23-38	CLIP, Cable, TA3, TC1, TC2, TC3		1	2401 759	2409 195	2409 195
	Rear Support Bracket, TP1, TP2, TD1, TD2, TY1		2	*2401 300	*2401 300	*2401 300
	TA3, TC1, TC2, TC3	8	2	-----	2201 467	2201 467
4-23-44	BOOT, Front Primary Cable, TY1	8	1	-----	-----	2218 347
4-23-46	GROMMET, Cable, TP1, TP2, TD1, TD2.		1	2401 772	2401 772	
	TA3	8	1	-----	2216 552	2216 552
4-25-O PARKING BRAKE LEVER (FOOT OPERATED)						
4-25-1	LEVER, TP1, TP2, TD1, TD2		1	-----	2401 770	
	TA3, TC1, TC1, TC3	8	1	-----	2401 317	2401 317
	TC3, Luxury New Yorker	8	1	-----	-----	2409 176
	TY1	8	1	-----	-----	2401 790
4-25-2	BRACKET, Mounting, TY1	8	1	-----	-----	2080 568
	NUT, Lever Bracket Adjusting, TY1		1	-----	-----	*6023 950
	BOLT, Lever Bracket Adjusting, TY1		1	-----	-----	*9419 247
4-25-3	KNOB, Release, TP1, TP2, TC1, TC2, TC3		1	-----	2401 792	2401 329
	TD1, TD2, TA3		1	-----	2265 282	
4-25-4	SPRING, Cam Return, Right, TY1	8	1	-----	-----	*2404 845
	Left, TY1	8	1	-----	-----	*2404 804
4-25-5	WASHER, Release Knob, TC1, TC2, TC3.		1	-----	2265 296	2265 296
	Lever Silencing, TY1	8	1	-----	-----	2404 849
4-25-6	PAD, Pedal, TC1, TC2, TC3		1	-----	1946 401	2404 846
	TY1	8	1	-----	-----	*1946 434
4-25-7	SPRING, Pedal Return, TC1, TC2, TC3.		1	-----	2401 323	2401 323
	TC3 Luxury New Yorker	8	1	-----	-----	2409 188
	TY1		1	-----	-----	2208 043
4-25-9	BUMPER, Pedal Stop, TC1, TC2, TC3		1	-----	2071 150	2071 150
	TY1	8	1	-----	-----	2404 848
4-25-10	BUSHING, Pedal Pivot, TY1	8	1	-----	-----	2401 301
4-25-14	ROD, Release Lever, TP1, TP2, TD1, TD2		1	-----	2071 154	
	TA3, TC1, TC2, TC3	8	1	-----	2404 840	2404 840
	Release Knob, TP1, TP2, TD1, TD2		1	-----	2265 315	
	TA3, TC1, TC2, TC3	8	1	-----	2404 841	2404 839
4-25-15	CLIP, Release Rod, TC1, TC2, TC3		1	-----	6008 145	6008 145
	TY1	8	1	-----	-----	6008 144
	Release Cam, TY1	8	2	-----	-----	1137 669
4-25-17	NUT, Pedal Pivot, TC1, TC2, TC3		1	-----	1927 232	1927 232
	TY1	8	1	-----	-----	1940 596
4-25-18	CONNECTOR, Release Rod, TC1, TC2, TC3		1	-----	2265 316	2265 316
4-25-20	VALVE, Release, TC3 Luxury New Yorker, TY1	8	1	-----	-----	2260 945

★ Indicates use as required.

Numerals in parentheses () refer to notes.

Printed in U.S.A.

☐ Indicates parts not listed in any previous parts book.

Prices and specifications subject to change without notice.

* Indicates change or addition.

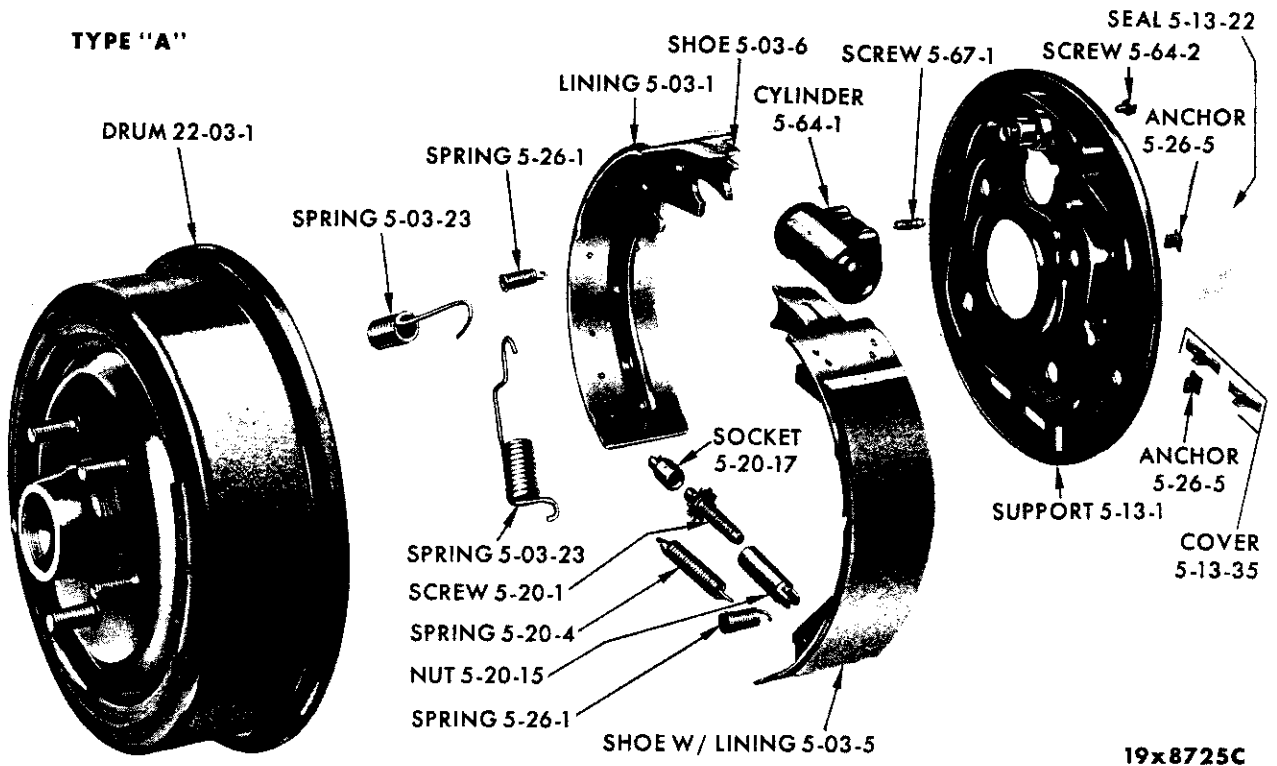
Jan. 3, 1964 Supersedes Dec. 14, 1962.

CODE	PART NAME AND DESCRIPTION	CYL	PER CAR	VALIANT DART	PLYMOUTH DODGE	CHRYSLER IMPERIAL
4-25-O PARKING BRAKE LEVER (FOOT OPERATED) - Cont'd						
4-25-22	CYLINDER, Vacuum, TC3 Luxury New Yorker . . .	8	1	----	----	2409 179
	TY1	8	1	----	----	*2401 786
4-25-23	BEZEL, Pedal Pad, TA3, TC1, TC2, TC3	8	1	----	2404 847	2404 847
4-25-26	HOSE, Release Valve, TC3 Luxury New Yorker, TY1	8	★	----	----	2405 462
4-25-27	BRACKET, Release Valve Surge Tank, TC3 Luxury New Yorker, TY1	8	1	----	----	2405 465
4-25-28	TANK PACKAGE, Release Valve Surge, TC3 New Yorker, TY1	8	1	----	----	2421 268
4-26-O PARKING BRAKE OPERATING LEVER						
4-26-1	LEVER, w/PIN, Right, 9" x 2" Brakes	6	1	2265 360		
	Left, 9" x 2" Brakes	6	1	2265 361		
	Right, 10" x 2 1/2" Brakes		1		2260 830	
	Left, 10" x 2 1/2" Brakes		1		2260 831	
	Right, 11" x 2 1/2" and 11" x 3" Brakes		1		2260 800	2260 800
	Left, 11" x 2 1/2" and 11" x 3" Brakes		1		2260 801	2260 801
4-26-17	STRUT, Lever	6	2	2072 689		
	10" x 2 1/2" Brakes, TP1, TP2, TD1, TD2 . . .		2	----	2260 423	
	11" x 2 1/2" Brakes, TP1, TP2, TD1, TD2, Heavy Duty, Police and Taxi, TA3, TC1, except Sub.		2	----	2260 557	2260 557
	11" x 3" Brakes, TA3, TC1, Sub., TA3, TC1, Police, TC2, TC3, TY1	8	2	----	2401 512	2401 512
4-26-18	SPRING, Strut		2	2072 646	2260 807	2260 807
4-26-26	WASHER, Operating Lever Pin		2	2072 643	2072 643	2072 643
4-26-27	LOCK, Lever Pin Washer		2	2072 644	2072 644	2072 644

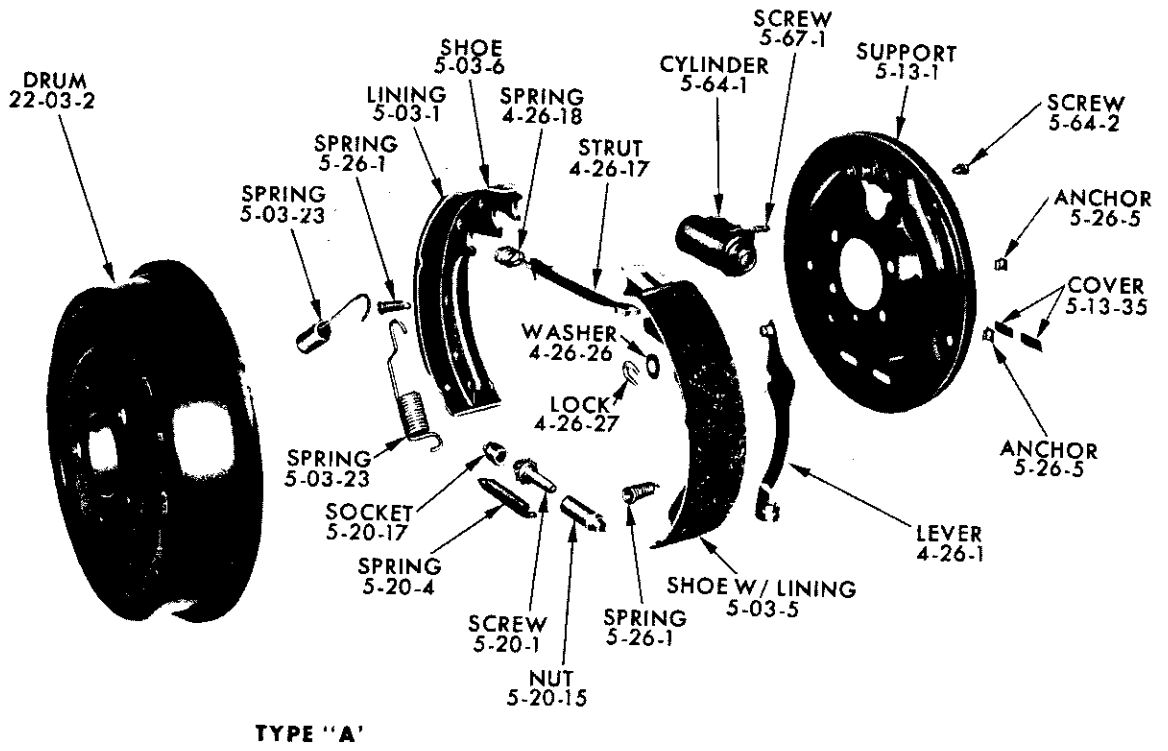
NOTES

★ Indicates use as required. Numerals in parentheses () refer to notes. Printed in U.S.A.
 ☒ Indicates parts not listed in any previous parts book. Prices and specifications subject to change without notice.
 Jan. 3, 1964 Supersedes Dec. 14, 1962. Page 4-6- * Indicates change or addition.

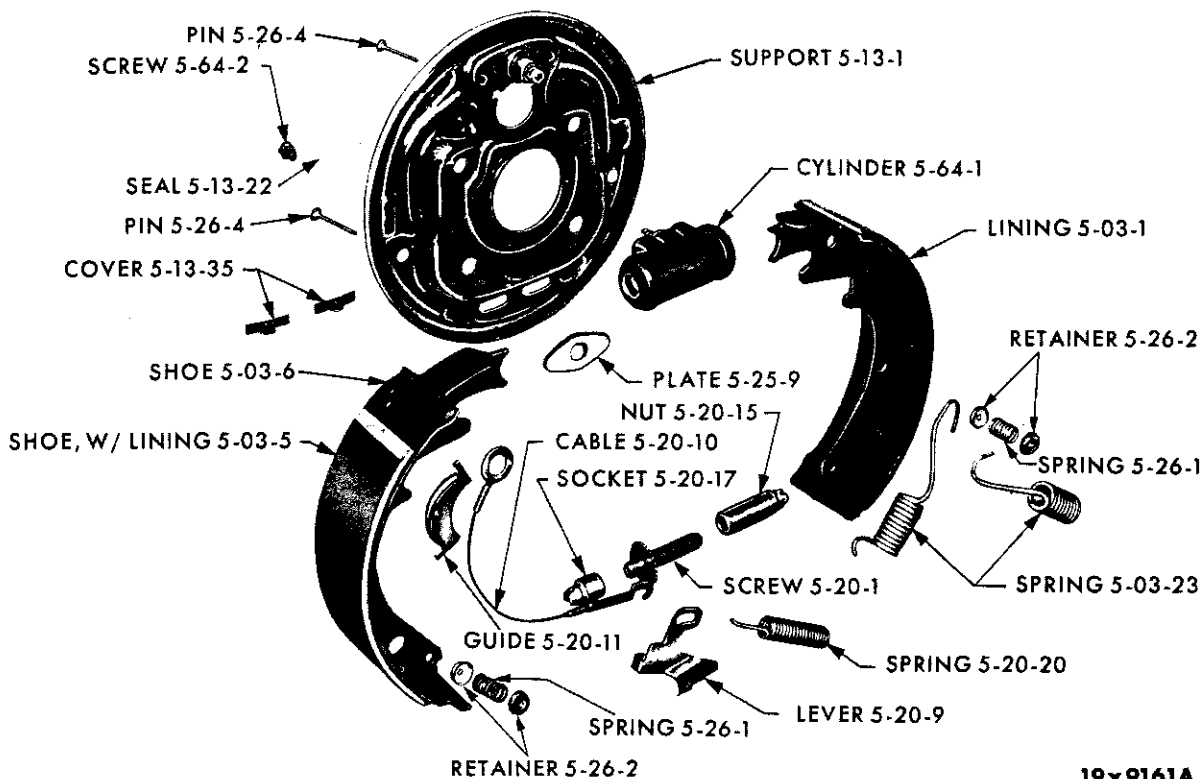
GROUP 5 - BRAKE-SERVICE



FRONT WHEEL BRAKE - VALIANT TV1 AND DART TL1

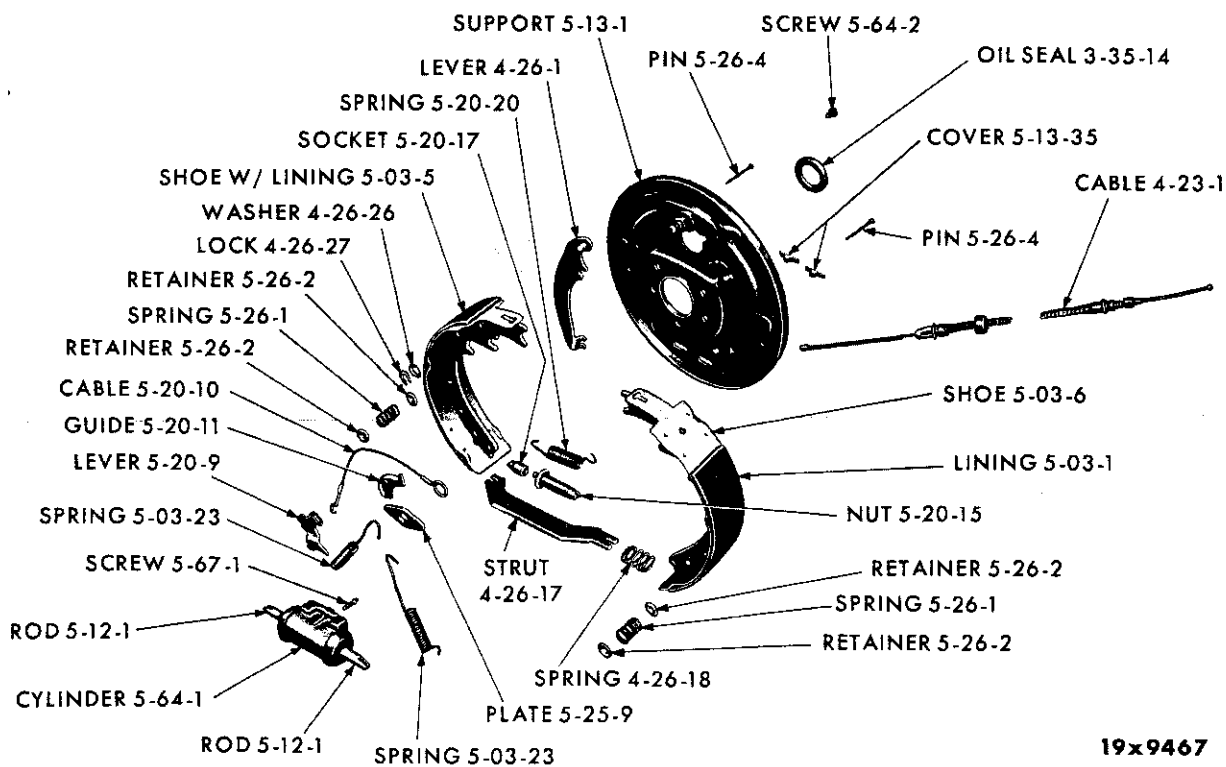


REAR WHEEL BRAKE - VALIANT TV1 AND DART TL1



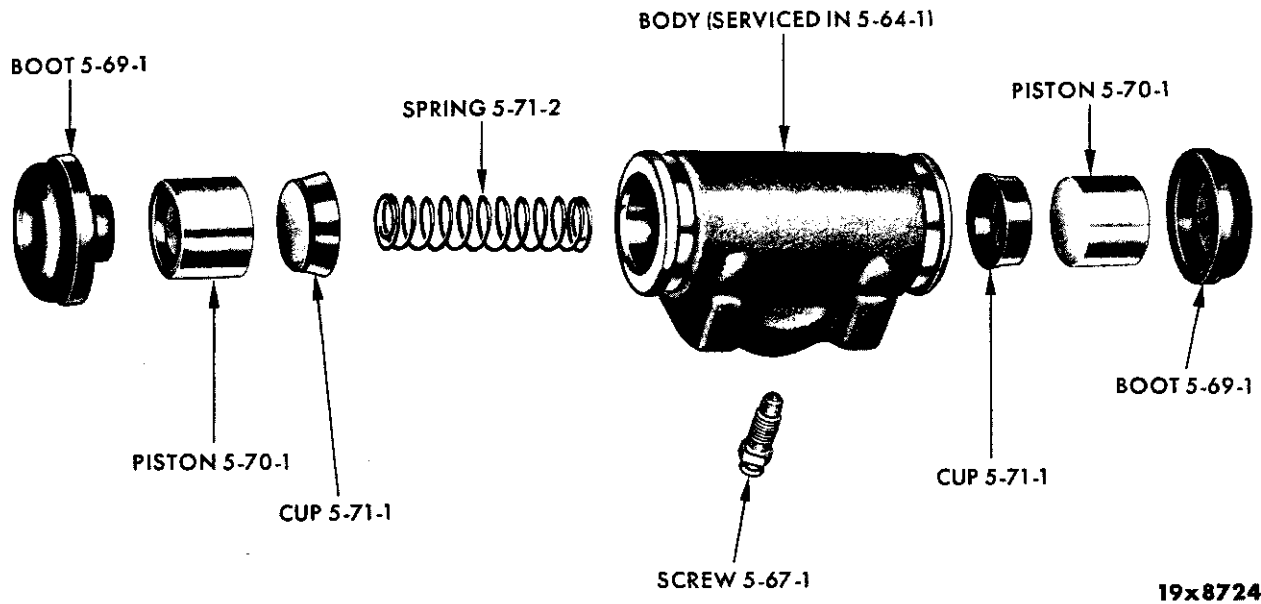
19x9161A

FRONT WHEEL BRAKE - PLYMOUTH TP1-2, DODGE TD1-2, TA3, CHRYSLER TC1-2-3 AND IMPERIAL TY1



19x9467

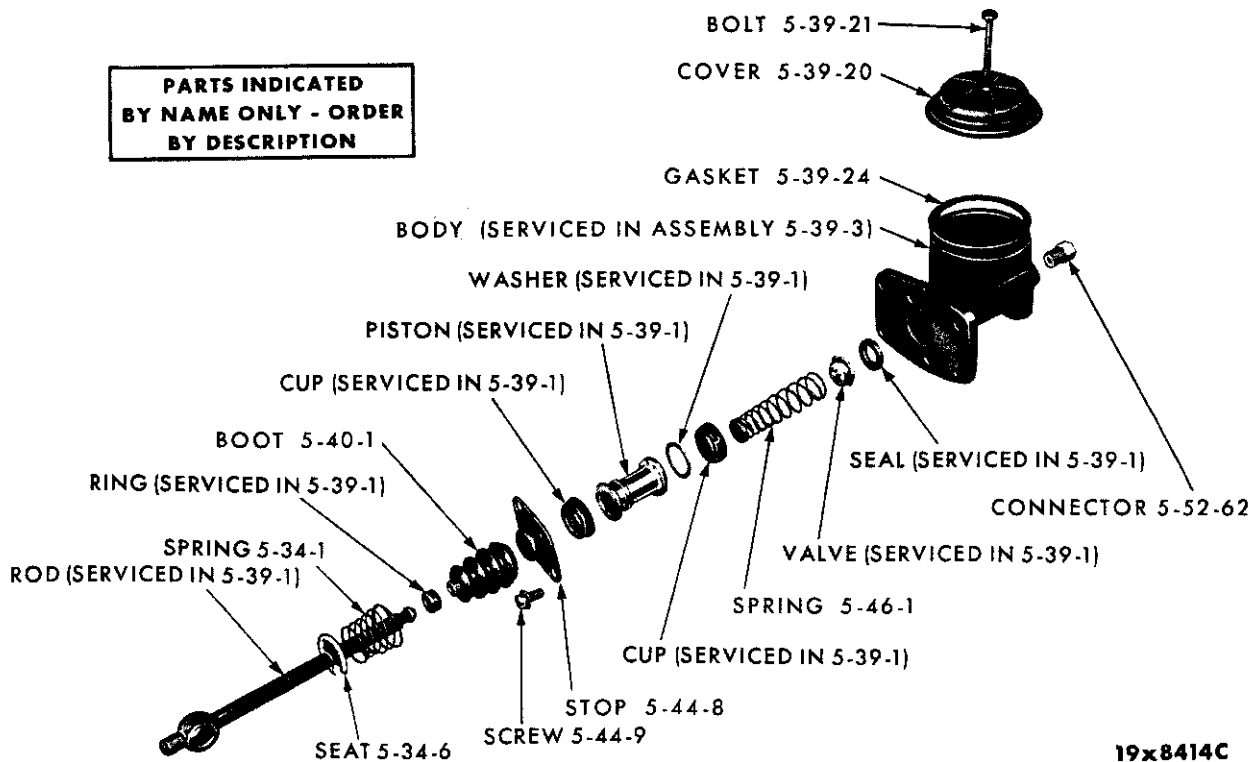
REAR WHEEL BRAKE - PLYMOUTH TP1-2, DODGE TD1-2, TA3, CHRYSLER TC1-2-3 AND IMPERIAL TY1



19x8724

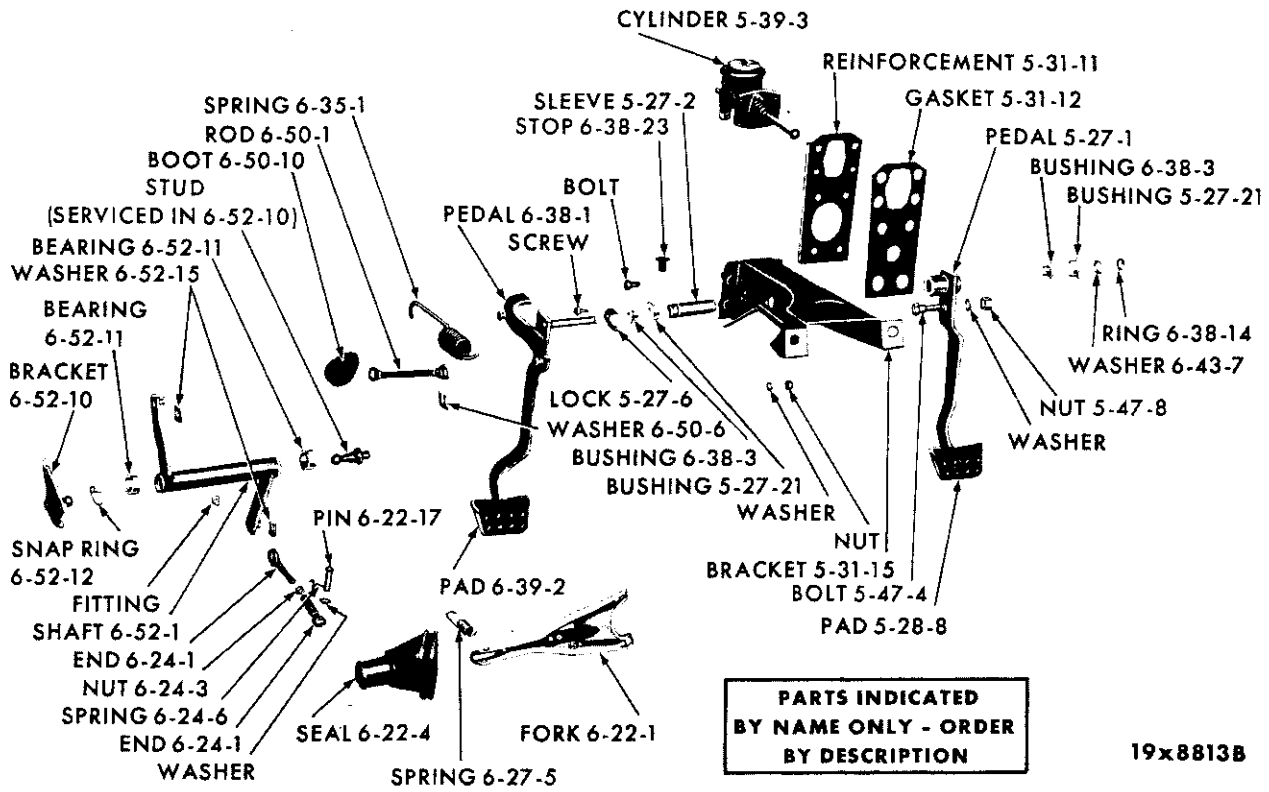
WHEEL CYLINDER

PARTS INDICATED
BY NAME ONLY - ORDER
BY DESCRIPTION

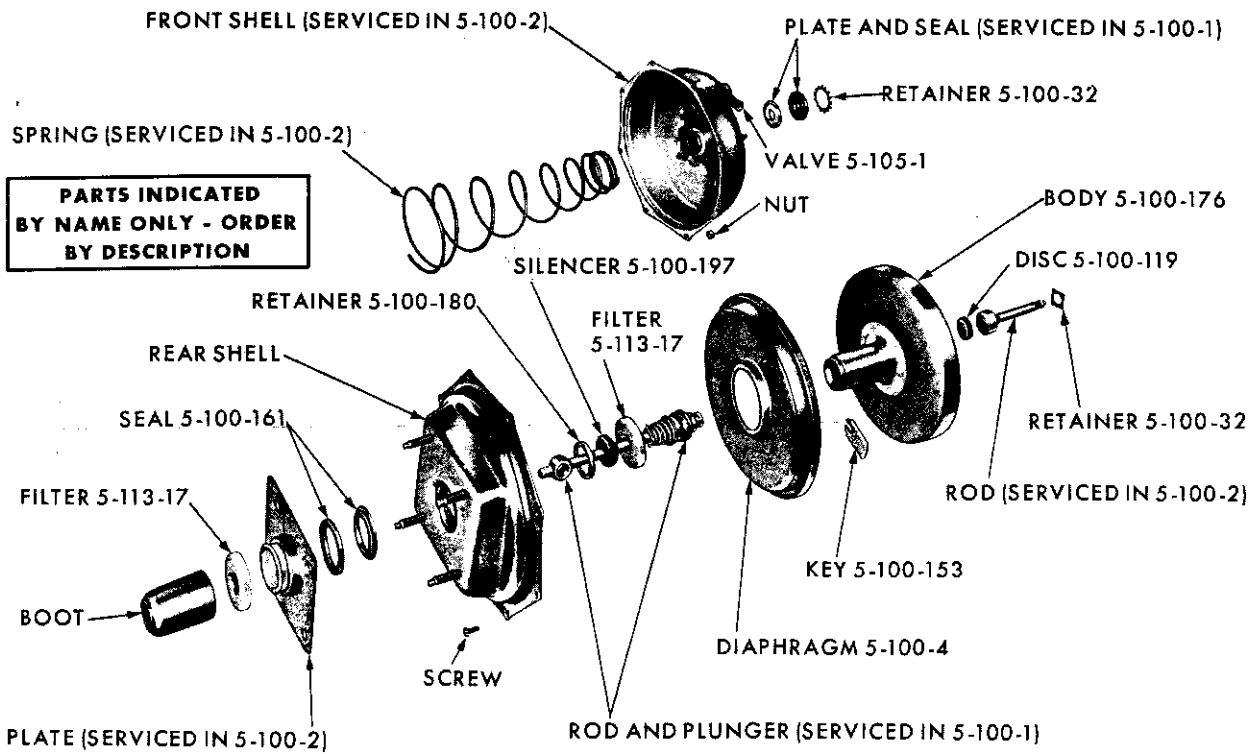


19x8414C

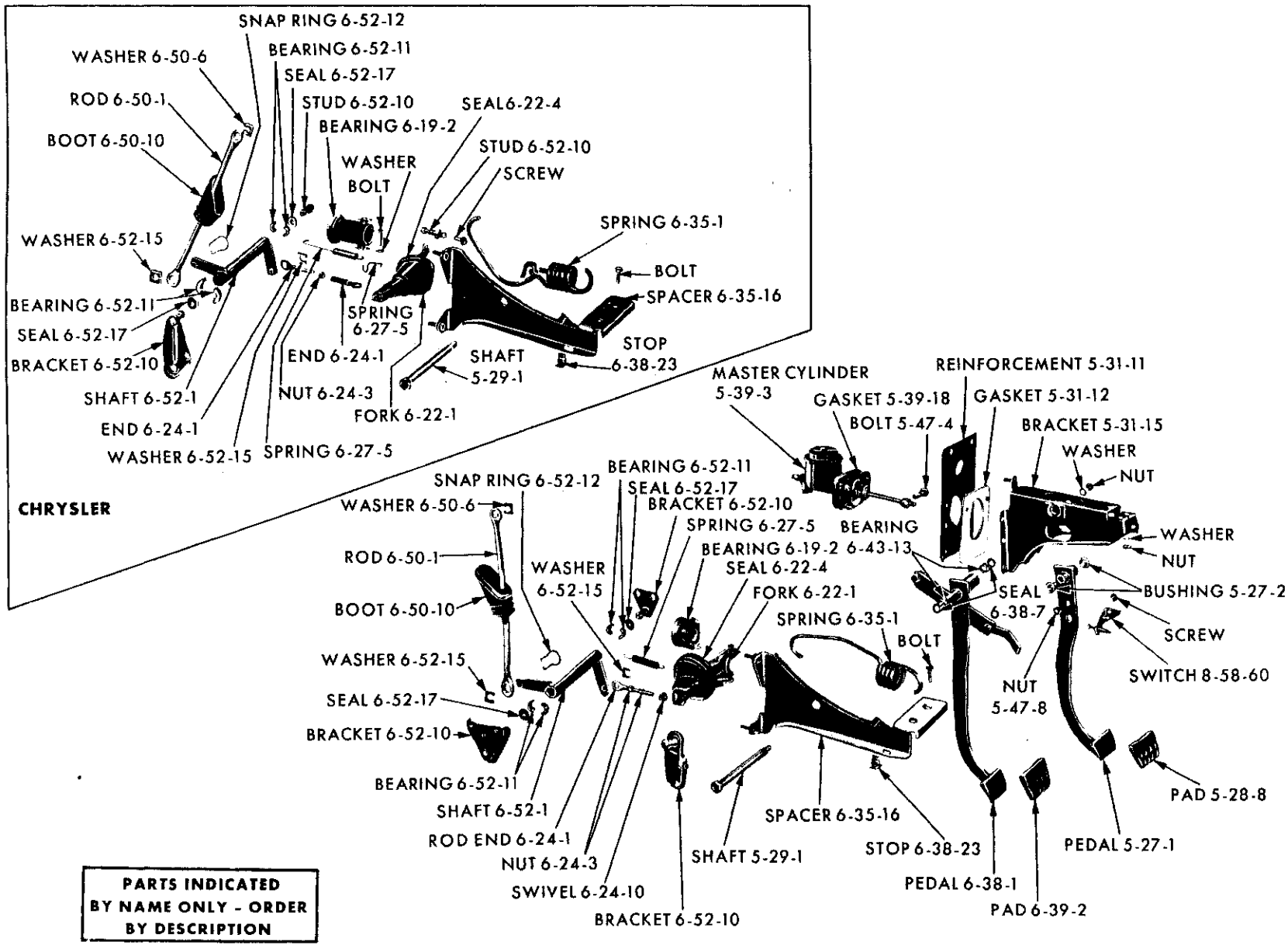
MASTER CYLINDER - WITHOUT POWER BRAKES



BRAKE AND CLUTCH PEDAL LINKAGE - VALIANT TV1 AND DART TL1

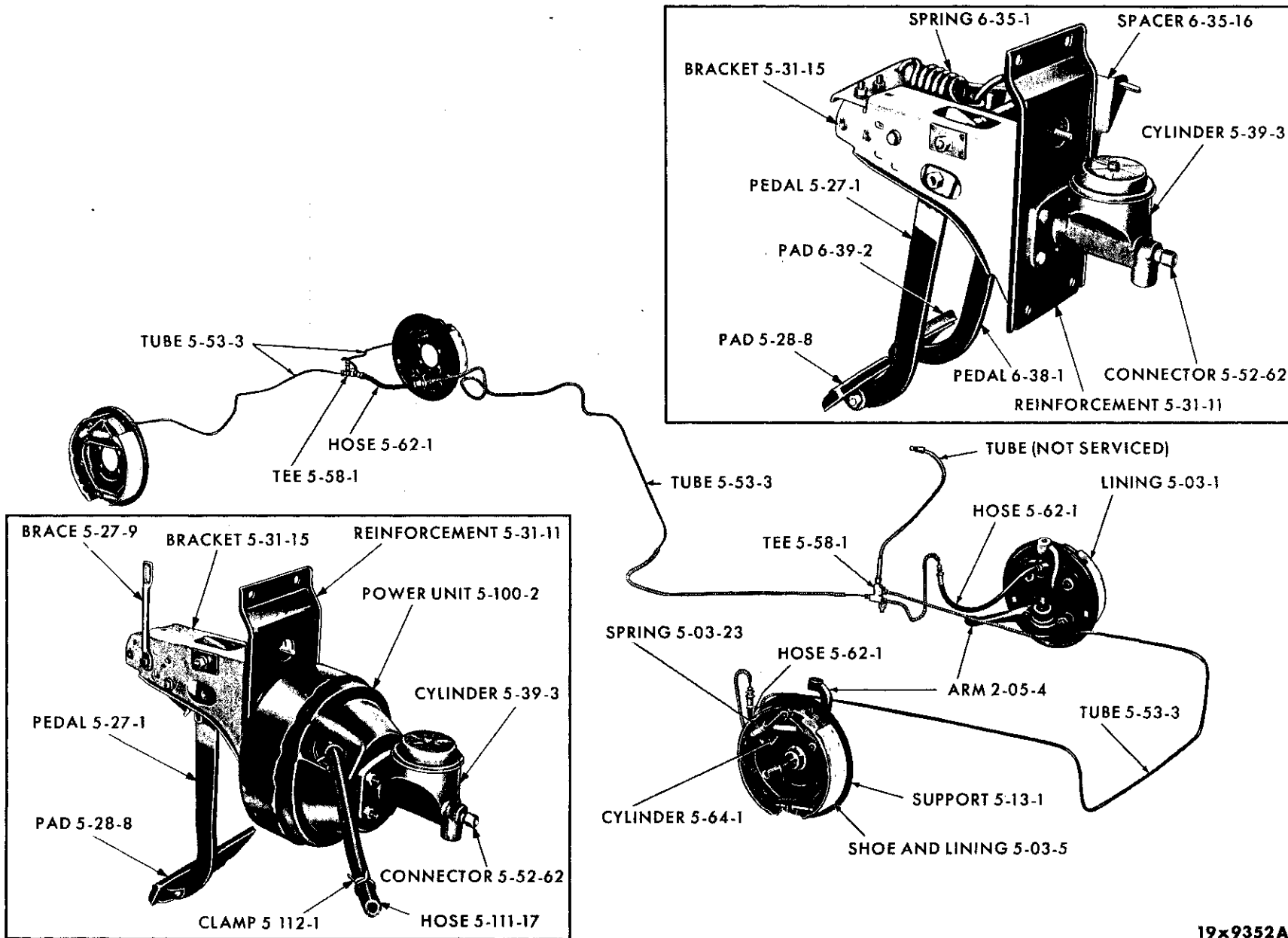


POWER BRAKE POWER UNIT (BENDIX TYPE) - PLYMOUTH TP1-2, DODGE TD1-2, TA3 AND CHRYSLER TC1-2-3



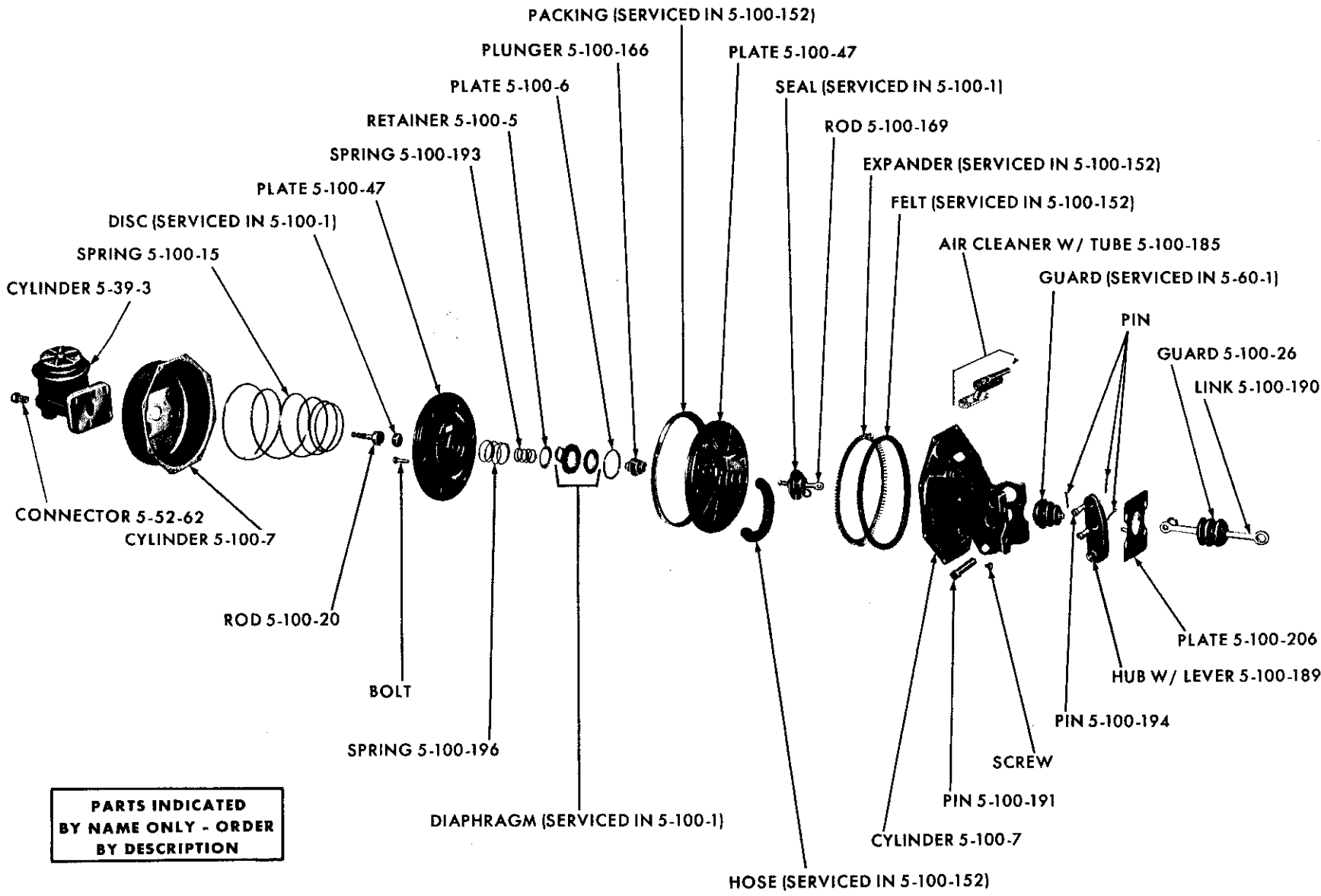
**PARTS INDICATED
 BY NAME ONLY - ORDER
 BY DESCRIPTION**

BRAKE AND CLUTCH PEDAL LINKAGE - PLYMOUTH TP1-2 - DODGE TD1-2 - TA3 - AND CHRYSLER TC1-2



HYDRAULIC BRAKE SYSTEM

19x9352A

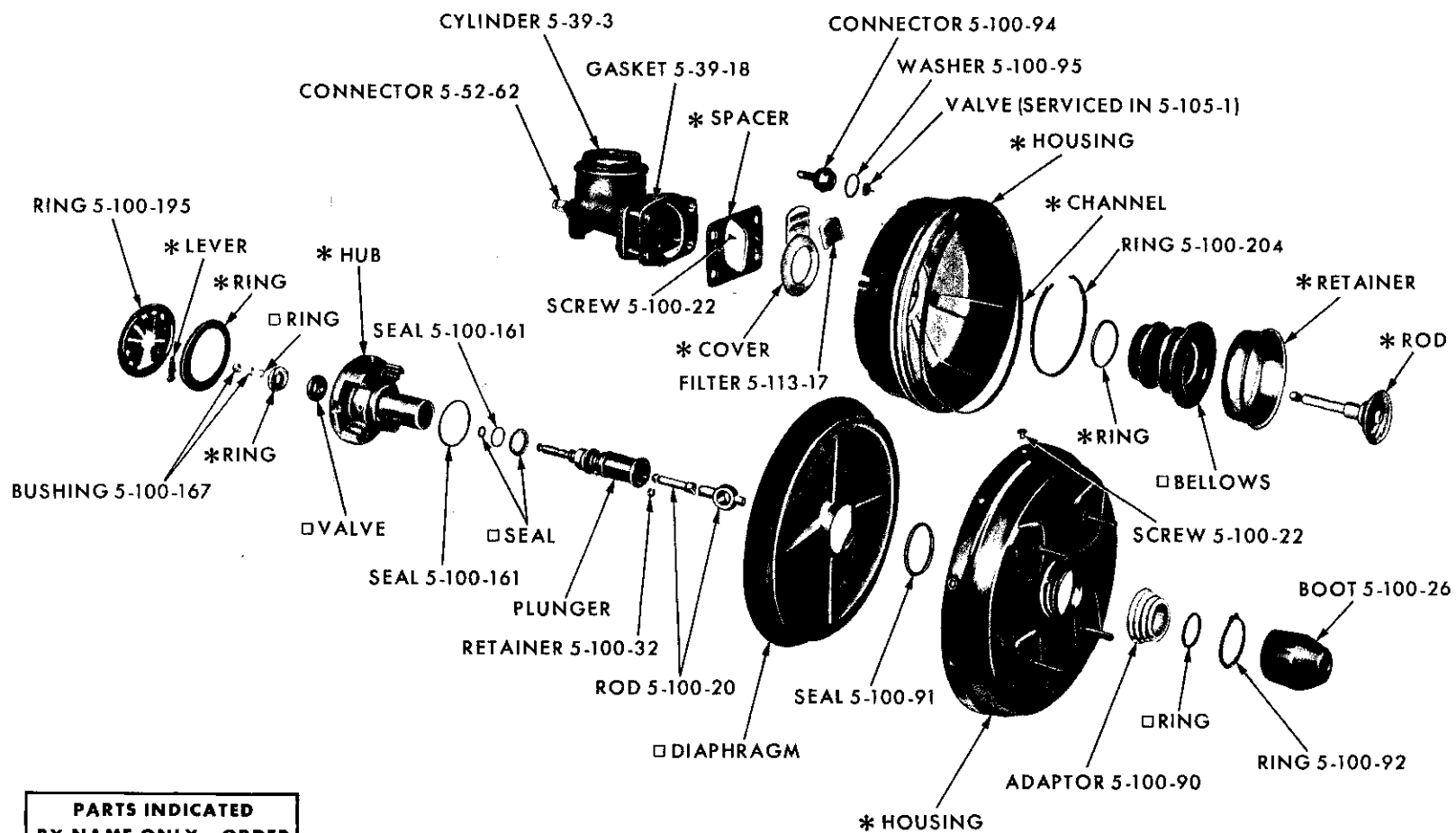


**PARTS INDICATED
BY NAME ONLY - ORDER
BY DESCRIPTION**

POWER BRAKE POWER UNIT - VALIANT TV1 AND DART TL1

MyMopar.com

19x8754A



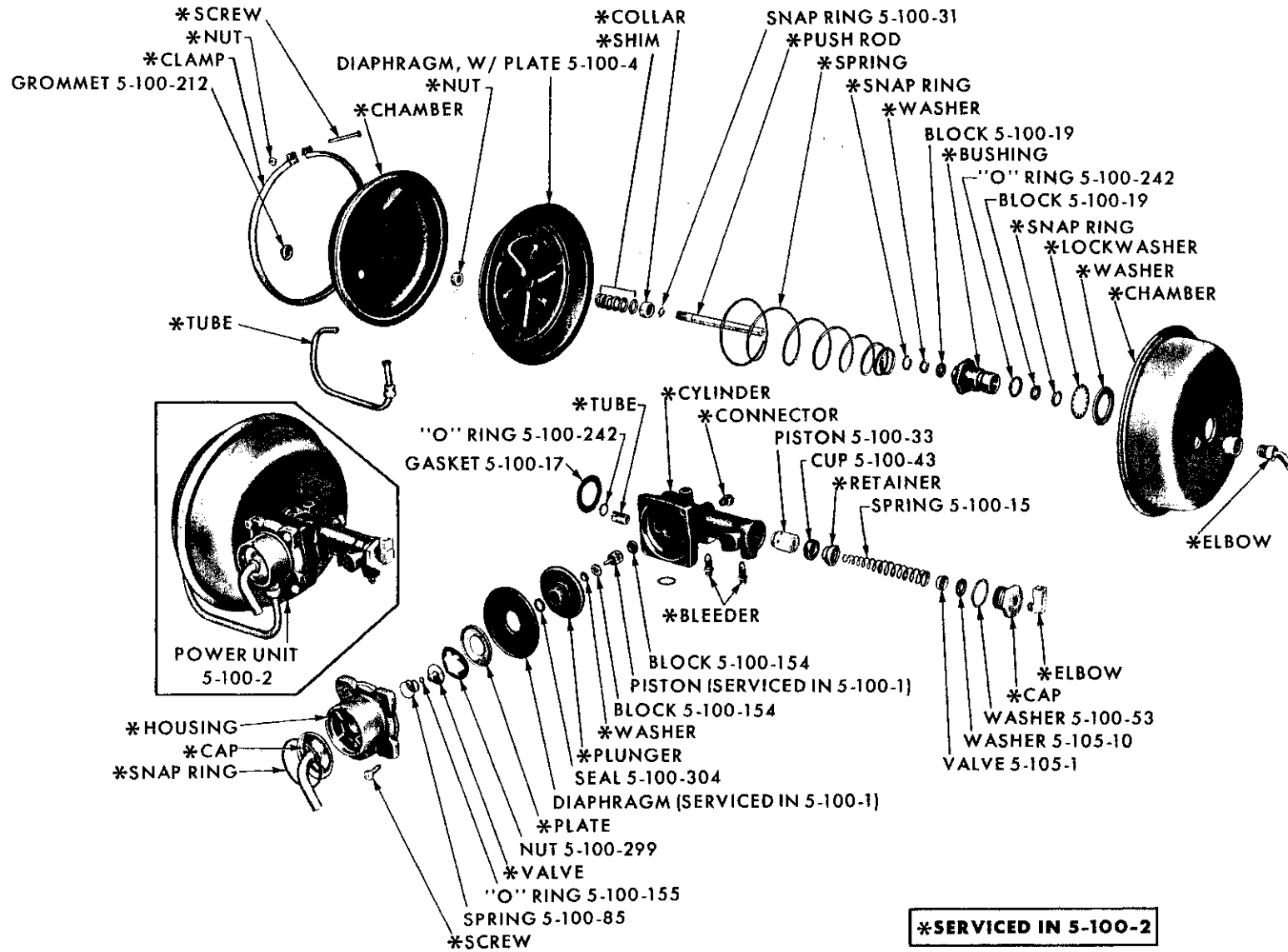
**PARTS INDICATED
BY NAME ONLY - ORDER
BY DESCRIPTION**

SERVICED IN 5-100-1

SERVICED IN 5-100-2

19x9380A

POWER BRAKE POWER UNIT - PLYMOUTH TP1-2, DODGE TD1-2, TA3 AND CHRYSLER TC1-2-3 (MIDLAND-ROSS TYPE)



POWER BRAKE POWER UNIT - CHRYSLER TC2-300J

CODE	PART NAME AND DESCRIPTION	CYL. L.	PER CAR	VALIANT DART	PLYMOUTH DODGE	CHRYSLER IMPERIAL
------	---------------------------	------------	------------	-----------------	-------------------	----------------------

NOTES

★ Indicates use as required.

☐ Indicates parts not listed in any previous parts book.

Numerals in parentheses () refer to notes.

Printed in U.S.A.
Prices and specifications subject to change without notice.

CODE	PART NAME AND DESCRIPTION	C Y L.	PER CAR	VALIANT DART	PLYMOUTH DODGE	CHRYSLER IMPERIAL
5-01-0 BRAKE FLUID						
5-01-1	BRAKE FLUID, 12 oz. Can		★	2421 352	2421 352	2521 352
	1 Quart Can		★	1879 270	1879 270	1879 270
	1 Gallon Can		★	1879 271	1879 271	1879 271
	5 Gallon Can		★	1879 272	1879 272	1879 272
	30 Gallon Drum		★	1879 273	1879 273	1879 273
5-03-0 WHEEL BRAKE SHOE AND LINING						
5-03-1	LINING PACKAGE, 9" Brakes, Taxi	6	1	2298 943		
	9" Brakes, except Taxi	6	1	2448 321		
	10" Brakes		1	----	2298 842	
	11" Brakes, Taxi Only		1	----	2421 314	
	11" Brakes, Police and Heavy Duty		1	----	2298 848	
	11" x 3" Front - 11" x 2 1/2" Rear Brakes, TA3, TC1, except Sub.	8	1	----	*2495 005	*2495 005
	11" x 3" Front and Rear Brakes, TA3, TC1, TC2, TC3	8	1	----	*2495 006	*2495 006
	TA3, TC1, Police, TC2-300J	8	1	----	2448 320	2448 320
5-03-5	SHOE, w/LINING, Front Wheel, Front Shoe	6	2	2405 804		
	Front Wheel, Rear Shoe,	6	2	2405 807		
	Rear Wheel, Front Shoe	6	2	2405 814		
	Rear Wheel, Rear Shoe	6	2	2405 817		
	Front and Rear Wheel, Front Shoe, 10" Brakes		4	----	2265 777	
	Front and Rear Wheel, Rear Shoe, 10" Brakes		4	----	2265 781	
	Front Wheel, Front Shoe, 11" Brakes, Taxi		2	----	2401 806	
	Front Wheel, Rear Shoe, 11" Brakes, Taxi		2	----	2401 807	
	Rear Wheel, Front Shoe, 11" Brakes, Taxi		2	----	2401 800	
	Rear Wheel, Rear Shoe, 11" Brakes, Taxi		2	----	2401 801	
	Front Wheel, Front Shoe, 11" Brakes, Heavy Duty and Police		2	----	2401 011	
	Front Wheel, Rear Shoe, 11" Brakes Heavy Duty and Police		2	----	2401 012	
	Rear Wheel, Front Shoe, 11" Brakes, Heavy Duty and Police		2	----	2401 007	
	Rear Wheel, Rear Shoe, 11" Brakes, Heavy Duty and Police		2	----	2401 008	
	Front Wheel, Front Shoe, 11" x 3" Brakes, TA3, TC1, TC2, TC3	8	2	----	*2405 179	*2405 179
	Front Wheel, Rear Shoe, 11" x 3" Brakes, TA3, TC1, TC2, TC3	8	2	----	*2409 882	*2409 882
	Rear Wheel, Front Shoe, 11" x 2 1/2" Brakes, TA3, TC1, except Sub.	8	2	----	2405 175	2405 175
	Rear Wheel, Rear Shoe, 11" x 2 1/2" Brakes, TA3, TC1, except Sub.	8	2	----	2405 136	2405 136
	Rear Wheel, Front Shoe, 11" x 3" Brakes, TA3, TC1, TC2, TC3	8	2	----	*2405 179	*2405 179
	Rear Wheel, Rear Shoe, 11" x 3" Brakes, TA3, TC1, TC2, TC3	8	2	----	*2409 882	*2409 882
	Front and Rear Wheel, Front Shoe 11" x 3" Brakes, TY1	8	4	----	----	2405 179
	Front and Rear Wheel, Rear Shoe, 11" x 3" Brakes, TY1	8	4	----	----	*2409 882

★ Indicates use as required.

Numerals in parentheses () refer to notes.

Printed in U.S.A.

☐ Indicates parts not listed in any previous parts book.

Prices and specifications subject to change without notice.

* Indicates change or addition.

Jan. 3, 1964 Supersedes Dec. 14, 1962.

1963 PASSENGER CAR PARTS CATALOG

BRAKE-SERVICE

CODE	PART NAME AND DESCRIPTION	C Y L	PER CAR	VALIANT DART	PLYMOUTH DODGE	CHRYSLER IMPERIAL
5-03-0 WHEEL BRAKE SHOE AND LINING - Cont'd						
5-03-5	SHOE, w/LINING - Cont'd					
	Front and Rear Wheel, Front Shoe, 11" Brakes, TA3, TC1, Police, TC2-300J	8	4	----	2401 011	2401 011
	Front and Rear Wheel, Rear Shoe, 11" Brakes, TA3, TC1, Police, TC2-300J	8	4	----	2401 012	2401 012
5-03-6	SHOE, Front Wheel, 9" x 2 1/4" Brakes	6	4	2072 664		
	Rear Wheel, 9" x 2 1/2" Brakes	6	4	2072 670		
	Front Wheel, 10" x 2 1/2" Brakes		4	----	2260 812	
	Rear Wheel, 10" x 2 1/2" Brakes		4	----	2260 812	
	Front Wheel, Taxi, Police, and Heavy Duty, 11" x 3" Brakes		4	----	2260 654	
	Rear Wheel, Taxi, Police, and Heavy Duty, 11" x 2 1/2" Brakes		4	----	2260 886	
	Front Wheel, 11" x 3" Brakes, TA3, TC1, TC2, TC3	8	4	----	2260 654	2260 654
	Rear Wheel, 11" x 2 1/2" Brakes, TA3, TC1 except Sub.	8	4	----	2260 886	2260 886
	Rear Wheel, 11" x 3" Brakes, TA3, TC1, TC2, TC3	8	4	----	2260 654	2260 654
5-03-23	SPRING, Brake Shoe Return, Front and Rear Wheel, 9" Brakes	6	8	2072 719		
	Front and Rear Wheel, Front Shoe, 10" x 2 1/2" Brakes		4	----	2267 044	
	Front and Rear Wheel, Rear Shoe, 10" x 2 1/2" Brakes		4	----	2260 835	
	Front and Rear Wheel, 11" x 2 1/2" and 11" x 3" Brakes		8	----	2260 789	2260 789
5-12-0 WHEEL CYLINDER PISTON PUSH ROD						
5-12-1	ROD		8	----	2260 787	2260 787
5-13-0 WHEEL BRAKE SUPPORT						
5-13-1	SUPPORT, Front Wheel, 9" Brakes	6	2	2072 609		
	Rear Wheel, Right, 9" Brakes	6	1	2401 940		
	Rear Wheel, Left, 9" Brakes	6	1	2401 941		
	Front Wheel, 10" Brakes		2	----	2265 581	
	Rear Wheel, Right, 10" Brakes		1	----	2265 584	
	Rear Wheel, Left, 10" Brakes		1	----	2265 585	
	Front Wheel, 11" x 3" Brakes, Taxi, Police and Heavy Duty		2	----	2265 563	
	Rear Wheel, Right, 11" x 2 1/2" Brakes, Taxi, Police and Heavy Duty		1	----	2265 564	
	Rear Wheel, Left, 11" x 2 1/2" Brakes, Taxi, Police and Heavy Duty		1	----	2265 565	
	Front Wheel, 11" x 3" Brakes, TA3, TC1, TC2, TC3	8	2	----	2401 420	2401 420
	Front Wheel, 11" x 3" Brakes, TY1	8	2	----	----	2266 867
	Rear Wheel, Right, 11" x 2 1/2" Brakes, TA3, TC1, except Sub.	8	1	----	2265 564	2265 564
	Rear Wheel, Left, 11" x 2 1/2" Brakes, TA3, TC1, except Sub.	8	1	----	2265 565	2265 565
	Rear Wheel, Right, 11" x 3" Brakes, TA3, TC1, TC2, TC3, TY1	8	1	----	*2266 892	*2266 892
	Rear Wheel, Left, 11" x 3" Brakes, TA3, TC1, TC2, TC3, TY1	8	1	----	*2266 893	*2266 893

★ Indicates use as required. Numerals in parentheses () refer to notes. Printed in U.S.A.
 ☐ Indicates parts not listed in any previous parts book. Prices and specifications subject to change without notice.
 Jan. 3, 1964 Supersedes Sept. 4, 1962. * Indicates change or addition.

CODE	PART NAME AND DESCRIPTION	C Y L.	PER CAR	VALIANT DART	PLYMOUTH DODGE	CHRYSLER IMPERIAL
5-13-O WHEEL BRAKE SUPPORT - Cont'd						
5-13-7	GASKET, Brake Support Plate, Rear	6	4 4	2070 997 ----	*2070 933	*2070 933
5-13-9	BOLT, Support Mounting, Front, Upper, TP1, TP2, TD1, TD2		4	*2072 682	*2207 604	
	Lower, TP1, TP2, TD1, TD2		4	2072 681	2207 606	
	Front, 7/16" - 20 x 1 9/16", TA3	8	4	----	2207 604	2207 604
	Front, 7/16" - 20 x 2 7/16", TA3	8	2	----	2401 501	2401 501
	Front, 7/16" - 20 x 2 7/8", TA3	8	2	----	2401 502	2401 502
	Rear		*	2265 572	2265 572	2265 572
5-13-10	NUT, Support Mounting Bolt, Front, Upper		4	601 014	601 014	601 014
	Front, Lower		4	1825 351	128 027	272 314
	Rear		*	1927 232	120 369	120 369
	LOCKWASHER, Front Wheel, TA3	8	4	----	6023 050	6023 050
5-13-22	SEAL, to Strg. Knuckle		2	2401 960	2266 890	2266 890
5-13-35	COVER, Adjusting Hole Screw		8	1664 564	1664 564	1664 564
5-20-O WHEEL BRAKE ADJUSTER						
5-20-1	SCREW, 9" and 10" Brakes, Right		2	2260 826	2260 826	
	9" and 10" Brakes, Left		2	2260 827	2260 827	
	11" Brakes, Right, except Police		2	----	2260 782	2260 782
	11" Brakes, Left, except Police		2	----	2260 783	2260 783
	11" Brakes, TP1, TP2, TD1, TD2, Police		4	----	2265 201	
5-20-4	SPRING, Lock, TP1, TP2, TD1, TD2, Police		4	----	2265 203	
5-20-9	LEVER, Automatic Adjusting, Right, except Police Left, except Police		2 2	2260 794 2260 795	2260 794 2260 795	2260 794 2260 795
5-20-10	CABLE, Automatic Adjusting, 9" and 10" Brakes		4	2266 273	2401 513	
	11" Brakes, except Police		4	----	2266 270	2266 270
5-20-11	GUIDE, Cable, except Police		4	2260 793	2260 793	2260 793
5-20-15	NUT, Adjusting Screw Pivot, 9" and 10" Brakes, Right		2	2260 572	2260 572	
	Left		2	2260 573	2260 573	
	11" Brakes, Right, except Police		2	----	2260 670	2260 670
	Left, except Police		2	----	2260 671	2260 671
	11" Brakes, TP1, TP2, TD1, TD2, Police		4	----	2260 671	
5-20-17	SOCKET, Adjusting Screw, 9" and 10" Brakes		4	2260 824	2260 824	
	11" Brakes		4	----	2265 068	2265 068
5-20-18	WASHER, Adjusting Screw Socket End, except Police		4	2266 271	2266 271	2266 271
5-20-20	SPRING, Automatic Adjuster, 9" and 10" Brakes		4	2266 272	2401 514	
	11" Brakes, except Police		4	----	2265 069	2265 069
5-25-O BRAKE SHOE GUIDE						
5-25-9	PLATE, 10" Brakes		4	----	2267 045	
	11" Brakes		4	----	2260 788	2260 788
5-26-O WHEEL BRAKE SHOE GUIDE OR HOLD-DOWN SPRING						
5-26-1	SPRING, Hold-Down		8	2207 520	2260 791	2260 791
5-26-2	RETAINER, Hold-Down Spring		8	----	2260 792	2260 792
	Seat, Hold-Down Spring		8	----	2401 957	2401 957

* Indicates use as required.

⊠ Indicates parts not listed in any previous parts book.

* Indicates change or addition.

Numerals in parentheses () refer to notes.

Printed in U.S.A.
Prices and specifications subject to change without notice.

Jan. 3, 1964 Supersedes Dec. 14, 1962.

1963 PASSENGER CAR PARTS CATALOG

BRAKE-SERVICE

CODE	PART NAME AND DESCRIPTION	C Y L.	PER CAR	VALIANT DART	PLYMOUTH DODGE	CHRYSLER IMPERIAL
5-26-O WHEEL BRAKE SHOE GUIDE OR HOLD-DOWN SPRING - Cont'd						
5-26-4	PIN, Hold-Down Spring, Front and Rear Wheel, 10" Brakes		8	----	2260 548	
	Front Wheel, 11" Brakes		4	----	2260 549	2260 549
	Rear Wheel, 11" x 2 1/2" Brakes, TA3, TC1, except Sub.		4	----	2260 548	2260 548
	Rear Wheel, 11" x 3" Brakes	8	4	----	2260 549	2260 549
5-26-5	ANCHOR, Hold-Down Spring	6	8	2072 675		
5-27-O BRAKE PEDAL AND BUSHING						
5-27-1	PEDAL, w/Std. Trans., TP1, TP2, TD1, TD2 . .		1	2260 736	2260 004	
	w/Auto. Trans., TP1, TP2, TD1, TD2		1	2260 738	2260 074	
	w/Std. or Auto. Trans., TA3, TC1, TC2, TC3 . .	8	1	-----	2404 779	2404 779
	TY1	8	1	----	----	2260 065
5-27-2	SLEEVE	6	1	2073 634		
	BUSHING		2	----	1637 779	1637 779
5-27-6	LOCK, Sleeve	6	1	2072 816		
	Taxi and Heavy Duty	6	1	2207 701		
5-27-9	BRACE, Pedal Bracket to Instrument Panel, TP1, TP2, TD1, TD2		1	----	2161 912	
	Pedal Bracket to Dash Panel, TP1, TP2, TD1, TD2		1	----	2162 795	
	Pedal Bracket to Reinforcement, TA3	8	1	----	1901 788	
	Pedal Bracket to Windshield Frame, TA3, TC1, TC2, TC3	8	1	----	1901 801	1901 801
5-27-12	NUT, Pedal Sleeve Lock Screw	6	1	2208 008		
5-27-21	BUSHING, Pedal Hub	6	2	2072 822		
5-28-O BRAKE PEDAL PAD						
5-28-8	PAD, w/Std. Trans., TP1, TP2, TD1, TD2		1	1731 228	1731 228	
	TA3, TC1, TC2	8	1	----	2405 088	2405 088
	w/Auto. Trans., TP1, TP2, TD1, TD2		1	2260 071	2260 071	
	TA3, TC1, TC2, TC3	8	1	----	E2405 082	E2405 082
	TY1	8	1	----	----	1946 357
5-29-O BRAKE PEDAL SHAFT						
5-29-1	SHAFT, w/Std. Trans., TC1, TC2		1	----	1730 009	1730 009
	w/Auto. Trans.		1	----	1637 782	1637 782
5-30-O BRAKE PEDAL STOP						
5-30-12	PIN, w/Power Brakes, TA3, TC1, TC2, TC3 . . .	8	1	----	2404 781	2404 781
5-31-O BRAKE PEDAL BRACKET						
5-31-11	REINFORCEMENT, w/o Power Brakes, TP1, TP2, TD1, TD2		1	----	2260 008	
	TA3, TC1, TC2	8	1	----	2260 705	2260 705
	w/Power Brakes, TP1, TP2, TD1, TD2		1	----	2401 405	
	TA3, TC1, TC2, TC3	8	1	----	2260 703	2260 703
	TY1	8	1	----	----	2260 069
5-31-12	GASKET, Reinforcement		1	----	2260 016	2260 016
5-31-13	NUT, Reinforcement, TC1, TC2, TC3		4	----	2076 232	2076 232
	Pedal Bracket		1	----	2076 232	2076 232
5-31-14	SPACER, Reinforcement to Master Cylinder, TC2-C300J	8	1	----	----	2401 861

★ Indicates use as required.

Numerals in parentheses () refer to notes.

Printed in U.S.A.

E Indicates parts not listed in any previous parts book.

Prices and specifications subject to change without notice.

Dec. 14, 1962 Supersedes Sept. 4, 1962.

* Indicates change or addition.

CODE	PART NAME AND DESCRIPTION	CYL	PER CAR	VALIANT DART	PLYMOUTH DODGE	CHRYSLER IMPERIAL
5-31-O BRAKE PEDAL BRACKET - Cont'd						
5-31-15	BRACKET, Pedal, except TC2-300J		1	2266 779	2404 777	2404 777
	TC2-300J	8	1	---- --	---- --	2401 914
5-34-O BRAKE PEDAL RETURN SPRING						
5-34-1	SPRING, w/o Power Brakes, TC1, TC2		1	2260 710	2260 710	2260 710
5-34-6	SEAT, Spring, w/o Power Brakes, TC1, TC2 . . .		1	2260 709	2260 709	2260 709
5-39-O MASTER CYLINDER						
5-39-1	SERVICE PACKAGE, Master Cylinder, w/o Power Brakes, w/o Piston, TC1, TC2 . . .		1	2196 905	2196 905	2196 905
	w/o Power Brakes, w/PISTON, TC1, TC2		1	2421 315	2275 516	2275 516
	w/Power Brakes, w/PISTON		1	2298 939	2298 939	2298 939
5-39-3	CYLINDER, Master, w/o Power Brakes, TC1, TC2 w/Power Brakes, except TC2-300J		1	2421 353	2071 060	2071 060
	TC2-300J	8	1	*2275 519	2275 519	2275 519
				---- --	---- --	2401 863
5-39-10	SHIELD, Heat, w/426 cu. in. Engine, TP2, TD2 .	8	1	---- --	*2409 981	
5-39-11	BOLT, Mounting, w/o Power Brakes, TC1, TC2 .		4	---- --	2260 046	2260 046
5-39-12	WASHER, Cover Screw, TC2-300J	8	1	---- --	---- --	1193 106
5-39-18	GASKET, w/o Power Brakes, Master Cylinder to Dash, TC1, TC2		1	2401 862	1559 753	1559 753
	w/Power Brakes, Power Unit to Dash	6	1	2401 862		
	w/Power Brakes, Power Unit to Master Cylinder .	6	1	2074 965		
	w/Power Brakes, Master Cylinder to Dash, TC2-300J	8	1	---- --	---- --	1559 753
5-39-20	COVER		1	2265 642	2265 642	2265 642
5-39-21	SCREW, Cover		1	1556 675	1556 675	1556 675
5-39-24	GASKET, Cover		1	2401 152	2401 152	2401 152
5-40-O MASTER CYLINDER BOOT						
5-40-1	BOOT, w/o Power Brakes, TC1, TC2		1	1828 388	1828 388	1828 388
5-44-O MASTER CYLINDER PISTON						
5-44-8	STOP, w/o Power Brakes, TC1, TC2		1	1828 389	1828 389	1828 389
	w/Power Brakes		1	---- --	2265 635	2265 635
5-44-9	SCREW, Stop, w/Power Brakes		2	---- --	2200 341	2200 341
5-46-O MASTER CYLINDER PISTON RETURN SPRING						
5-46-1	SPRING		1	1738 268	1738 268	1738 268
5-47-O MASTER CYLINDER PISTON PUSH ROD						
5-47-4	BOLT, End		1	2201 181	2201 181	2201 181
5-47-8	NUT, End Bolt		1	2122 266	2122 266	2122 266
5-52-O MASTER CYLINDER BRAKE TUBE						
5-52-3	NUT, Master Cylinder End		1	1828 461	1828 461	1828 461
	Tee End		1	1739 226	1739 226	1739 226
5-52-62	CONNECTOR		1	1828 396	1828 396	1828 396

* Indicates use as required.

Numerals in parentheses () refer to notes.

Printed in U.S.A.

☐ Indicates parts not listed in any previous parts book.

Prices and specifications subject to change without notice.

* Indicates change or addition.

Page 5-11

Jan. 3, 1964 Supersedes Dec. 14, 1962.

1963 PASSENGER CAR PARTS CATALOG

BRAKE-SERVICE

CODE	PART NAME AND DESCRIPTION	CYL.	PER CAR	VALIANT DART	PLYMOUTH DODGE	CHRYSLER IMPERIAL
5-53-O BRAKE TUBING AND COVERS						
5-53-3	TUBING, 25 Foot Roll, 3/16" O.D.		★	1843 251	1843 251	1843 251
	1/4" O.D.		★	1843 252	1843 252	1843 252
	5/16" O.D.		★	1843 253	1843 253	1843 253
	3/8" O.D.		★	1843 254	1843 254	1843 254
5-53-4	COVER, Tubing, 25 Foot Roll, for 3/16" O.D. Tube For 1/4" O.D. Tube		★	1843 257	1843 257	1843 257
	For 5/16" O.D. Tube		★	1843 258	1843 258	1843 258
			★	1843 259	1843 259	1843 259
5-53-6	SHIELD, Brake Tube to Gearshift Control Cable, TP1, TP2, TD1, TD2		1	----	*1739 230	
5-56-O BRAKE TUBE CLIP						
5-56-2	CLIP		★	2123 341	2123 341	2123 341
			★	1119 423	1119 423	1119 423
			★	----	2207 933	
5-57-O BRAKE TUBE BRACKET						
5-57-2	BRACKET, Front, TA3, TC1, TC2, TC3	8	2	----	1739 248	1739 248
	TY1	8	2	----	----	2123 212
	Rear, TP1, TP2, TD1, TD2		1	----	2208 892	
	TA3, TC1, TC2, TC3	8	1	----	2123 214	2123 214
5-58-O BRAKE TUBE TEE						
5-58-1	TEE, Master Cylinder Tube to Brake Tube, TP1, TP2, TD1, TD2		1	2208 853	2207 937	
	TA3, TC1, TC2 except 300J, TC3	8	1	----	2123 217	2123 217
	TC2-300J	8	1	----	----	2074 069
	TY1	8	1	----	----	2123 218
	Rear Axle Tube, TP1, TP2, TD1, TD2		1	1940 621	1118 161	
	TA3, TC1, TC2, TC3	8	1	----	1940 622	1940 622
	TY1	8	1	----	----	2070 311
5-58-2	SCREW, Brake Tube Tee		1	6023 133	6023 133	6023 133
5-58-5	SPACER, Rear Axle Brake Tee, TY1	8	1	----	----	1940 447
5-62-O BRAKE FLEXIBLE HOSE						
5-62-1	HOSE, Front, TP1, TP2, TD1, TD2		2	2073 023	2200 996	
	TA3, TC1, TC2, TC3	8	2	----	2208 495	2208 495
	TY1	8	2	----	----	2208 496
	Rear, TP1, TP2, TD1, TD2		1	1739 215	2207 918	
	TA3, TC1, TC2, TC3	8	1	----	1739 249	1739 249
	TY1	8	1	----	----	1739 215
5-62-7	GASKET, Front Wheel Hose		2	2072 612	1406 748	1406 748
5-62-20	LOCK, Brake Hose to Bracket		3	2208 893	2208 893	2208 893
5-63-O WHEEL CYLINDER SERVICE PACKAGE						
5-63-1	SERVICE PACKAGE, Wheel Cylinder, Front . . .		2	2084 788	2275 535	2275 535
	Rear, except TP1, TP2, TD1, TD2, Police . . .		2	2084 789	2275 536	2275 536
	Rear, TP1, TP2, TD1, TD2, Police		2	----	2421 347	
5-63-3	SERVICE PACKAGE, Wheel Cylinder Piston, Front		2	2084 790	2275 539	2275 539
	Rear, except TP1, TP2, TD1, TD2, Police . . .		2	2084 791	2275 540	2275 540
	Rear, TP1, TP2, TD1, TD2, Police		2	----	2421 346	

★ Indicates use as required.

Numerals in parentheses () refer to notes.

Printed in U.S.A.

⊠ Indicates parts not listed in any previous parts book.

Prices and specifications subject to change without notice.

Jan. 3, 1964 Supersedes Sept. 4, 1962.

* Indicates change or addition.

CODE	PART NAME AND DESCRIPTION	CYL	PER CAR	VALIANT DART	PLYMOUTH DODGE	CHRYSLER IMPERIAL
5-64-O WHEEL BRAKE CYLINDER						
5-64-1	CYLINDER, Front, Right, TP1, TP2, TD1, TD2		1	*2072 616	*2265 362	
	Left, TP1, TP2, TD1, TD2		1	*2072 617	*2265 363	
	Right, TA3	8	1	----	*2265 363	*2265 363
	Left, TA3	8	1	----	*2265 362	*2265 362
	Rear, TP1, TP2, TD1, TD2, except Police TA3		2	*2072 632	*2260 842	*2260 842
	Rear, TD1, TD2, TP1, TP2, Police and Heavy Duty		2	----	2401 930	
5-64-2	SCREW, Mounting, Front Wheel	6	4	*6023 963		
	Rear Wheel	6	4	*2072 615		
	Front and Rear Wheel		8	----	*2266 876	*2266 876
5-67-O WHEEL CYLINDER BLEEDER SCREW						
5-67-1	SCREW		4	2072 658	2072 658	2072 658
5-69-O WHEEL CYLINDER BOOT						
5-69-1	BOOT, Front		4	2072 625	2260 840	2260 840
	Rear		4	2072 679	2260 846	2260 846
5-70-O WHEEL CYLINDER PISTON						
5-70-1	PISTON, Front		4	2072 655	2260 837	2260 837
	Rear, TP1, TP2, TD1, TD2, except Police, TA3		4	2072 656	2260 843	2260 843
	Rear, TP1, TP2, TD1, TD2, Police and Heavy Duty		4	----	2401 938	
5-71-O WHEEL CYLINDER PISTON CUP						
5-71-1	CUP, Front		4	1669 337	2260 838	2260 838
	Rear, TP1, TP2, TD1, TD2, except Police, TA3		4	2072 636	2260 844	2260 844
	Rear, TP1, TP2, TD1, TD2, Police and Heavy Duty		4	----	2072 636	
5-71-2	SPRING, Front		2	1923 765	2260 839	2260 839
	Rear, TP1, TP2, TD1, TD2, except Police, TA3		2	2072 637	1923 765	1923 765
	Rear, TP1, TP2, TD1, TD2, Police and Heavy Duty		2	----	2072 637	
5-100-O POWER BRAKE POWER UNIT						
5-100-1	REPAIR PACKAGE, Power Unit	6	1	*2075 001		
	For Midland-Ross Power Unit, TC1, TC2, TC3		1	----	*2448 343	*2448 343
	For Bendix Power Unit, TP1, TP2, TD1, TD2		1	----	2448 345	
	For Bendix Power Unit, TA3, TC1, TC2, TC3	8	1	----	2448 346	2448 346
	For Midland-Ross Power Unit, Minor Overhaul, TC2-300J	8	1	----	----	2448 347
	For Midland-Ross Power Unit, Major Overhaul, TC2-300J	8	1	----	----	2448 348
5-100-2	POWER UNIT, TP1, TP2, TD1, TD2, except 426 cu. in. Engine with Std. Trans.		1	*2401 865	*2421 355	
	TA3, TC1, TC2, TC3, w/Power Steering		1	----	2421 764	2421 764
	TC2-300J	8	1	----	----	2201 098
	TY1	8	1	----	----	2409 207
5-100-4	DIAPHRAGM and PRESSURE PLATE, TC2-300J	8	1	----	----	1267 503
	DIAPHRAGM, for Bendix Power Unit, TC1, TC2, TC3		1	----	2401 881	2401 881
5-100-5	RETAINER, Diaphragm	6	1	*2074 977		
5-100-7	SHELL, Power Unit, Rear	6	1	2409 203		
	Front	6	1	*2074 990		

★ Indicates use as required. Numerals in parentheses () refer to notes. Printed in U.S.A.
 ☐ Indicates parts not listed in any previous parts book. Prices and specifications subject to change without notice.
 * Indicates change or addition. Jan. 3, 1964 Supersedes Dec. 14, 1962.

CODE	PART NAME AND DESCRIPTION	C Y L.	PER CAR	VALIANT DART	PLYMOUTH DODGE	CHRYSLER IMPERIAL
5-100-0 POWER BRAKE POWER UNIT - Cont'd						
5-100-15	SPRING, Piston Return	6	1	*2074 999		
	TC2-300J	8	1	-----	-----	2401 877
5-100-17	GASKET, Hydraulic Cylinder, TC2-300J	8	1	-----	-----	1502 557
5-100-19	BLOCK, Push Rod Vee, TC2-300J	8	2	-----	-----	1502 556
5-100-20	ROD, Push, for Midland-Ross Power Unit		1	-----	2401 168	2401 168
		6	1	*2074 998		
5-100-22	SCREW, Front Housing Spacer, for Midland-Ross Power Unit		2	-----	2401 856	*2401 856
	Front to Rear Housing, for Midland-Ross Power Unit		10	-----	2401 173	2401 173
5-100-26	BOOT, Push Rod, for Midland-Ross Power Unit		1	-----	2401 165	2401 165
		6	1	*2074 987		
5-100-31	SNAP RING, Push Rod to Diaphragm Collar, TC2-300J	8	1	-----	-----	1191 144
5-100-32	RETAINER, Push Rod, for Midland-Ross Power Unit, TC1, TC2, TC3		1	-----	2401 166	2401 166
	For Bendix Power Unit TC1, TC2, TC3		1	-----	2401 888	2401 888
	Push Rod Seal, for Bendix Power Unit, TC1, TC2, TC3		1	-----	*2401 885	*2401 885
5-100-33	PISTON, TC2-300J	8	1	-----	-----	1267 509
5-100-43	CUP, Slave Cylinder, TC2-300J	8	1	-----	-----	1267 510
5-100-47	PLATE, Piston, Front	6	1	*2071 082		
5-100-53	WASHER, Hydraulic Cylinder End Cap, TC2-300J	8	1	-----	-----	1191 159
5-100-62	SCREW, Push Rod, for Midland-Ross Power Unit		1	-----	2401 852	2401 852
5-100-85	SPRING, Breather Control Piston, TC2-300J	8	1	-----	-----	2401 876
5-100-87	RING, Two Stage Reaction, for Midland-Ross Power Unit		1	-----	2401 866	2401 866
5-100-90	ADAPTOR, for Midland-Ross Power Unit		1	-----	2401 170	2401 170
5-100-91	SEAL, Valve Body, for Midland-Ross Power Unit		1	-----	2401 163	2401 163
	Adaptor, for Midland-Ross Power Unit		1	-----	2401 163	2401 163
	Adaptor Retainer, for Midland-Ross Power Unit		1	-----	2401 171	2401 171
5-100-92	RING, Adaptor Snap, for Midland-Ross Power Unit		1	-----	2401 164	2401 164
5-100-94	CONNECTOR, Vacuum Hose, for Midland-Ross Power Unit		1	-----	2401 159	2401 159
5-100-95	WASHER, Vacuum Hose Connector, for Midland-Ross Power Unit		1	-----	2401 857	2401 857
5-100-105	REINFORCEMENT, Brake Pedal Bellows, at Dash Panel, TY1	8	1	-----	-----	2217 843
5-100-119	DISC, Reaction, for Bendix Power Unit, TP1, TP2, TD1, TD2		1	-----	E2401 887	
	TA3, TC1, TC2, TC3		1	-----	*2409 990	*2409 990
5-100-152	PACKING KIT, Piston	6	1	*2075 000		

★ Indicates use as required.

Numerals in parentheses () refer to notes.

Printed in U.S.A.

☐ Indicates parts not listed in any previous parts book.

Prices and specifications subject to change without notice.

Jan. 3, 1964 Supersedes Dec. 14, 1962.

* Indicates change or addition.

CODE	PART NAME AND DESCRIPTION	C Y L.	PER CAR	VALIANT DART	PLYMOUTH DODGE	CHRYSLER IMPERIAL
5-100-0 POWER BRAKE POWER UNIT - Cont'd						
5-100-153	KEY, Valve Plunger Stop, for Bendix Power Unit, TC1, TC2, TC3		1	----	2401 891	2401 891
5-100-154	BLOCK, Breather Control Piston Vee, TC2-300J	8	1	----	----	1193 701
5-100-155	"O" RING, Breather Control Valve, TC2-300J	8	1	----	----	2401 873
5-100-157	PLATE PACKAGE, Diaphragm and Piston	6	1	*2240 625		
5-100-161	SEAL, Sleeve, for Midland-Ross Power Unit		1	----	2401 172	2401 172
	"O" RING, for Midland-Ross Power Unit		1	----	2401 132	2401 132
	Valve Body, for Bendix Power Unit		1	----	2401 126	2401 126
	Reaction Hub, for Bendix Power Unit, TY1	8	1	----	----	2266 942
5-100-166	RETAINER PACKAGE, Plunger and Push Rod, for Midland-Ross Power Unit, TC1, TC2, TC3. Plunger, Vacuum Valve	6	1	*2074 981	2448 745	2448 745
5-100-167	BUSHING, Plunger, for Midland-Ross Power Unit		2	----	2401 853	2401 853
5-100-169	ROD, Valve Operating	6	1	*2074 997		
5-100-176	DIAPHRAGM, Plate and Valve Body, for Bendix Power Unit, TP1, TP2, TD1, TD2		1	----	2401 879	
	TA3, TC1, TC2, TC3	8	1	----	2401 880	2401 880
5-100-180	RETAINER, Silencer, for Bendix Power Unit, TC1, TC2, TC3		1	----	2401 892	2401 892
5-100-185	CLEANER, Air, w/TUBE	6	1	*2074 992		
5-100-189	HUB, w/LEVERS	6	1	*2074 985		
5-100-190	LINK, Pedal	6	1	*2074 989		
5-100-191	PIN, Lever Pivot	6	1	*2074 986		
5-100-192	WASHER, Bowed	6	2	*2075 005		
5-100-193	SPRING, Valve Return	6	1	*2074 980		
5-100-194	PIN, Clevis	6	2	*2075 006		
5-100-195	RING, Diaphragm Retaining, for Midland-Ross Power Unit		1	----	2401 161	2401 161
	Lever Retaining, for Midland-Ross Power Unit		1	----	2401 858	2401 858
5-100-196	SPRING, Poppet Return	6	1	*2074 979		
5-100-197	SILENCER, Valve, for Bendix Unit		1	----	2401 154	2401 154
5-100-210	RETAINER, Front Shell Seal, for Bendix Unit, TY1	8	1	----	----	2401 129
5-100-212	GROMMET, By-Pass Tube, TC2-300J	8	1	----	----	1923 484
5-100-242	"O" RING, Push Rod Bushing, TC2-300J	8	1	----	----	1502 565
	Hydraulic Cylinder to Front Chamber, TC2-300J	8	1	----	----	1502 566
5-100-299	NUT, Breather Control Diaphragm Plate, TC2-300J	8	1	----	----	1506 248
5-100-304	SEAL, Breather Control Piston, TC2-300J	8	1	----	----	1502 559

★ Indicates use as required.

Numerals in parentheses () refer to notes.

Printed in U.S.A.

⊞ Indicates parts not listed in any previous parts book.

Prices and specifications subject to change without notice.

* Indicates change or addition.

1963 PASSENGER CAR PARTS CATALOG

BRAKE-SERVICE

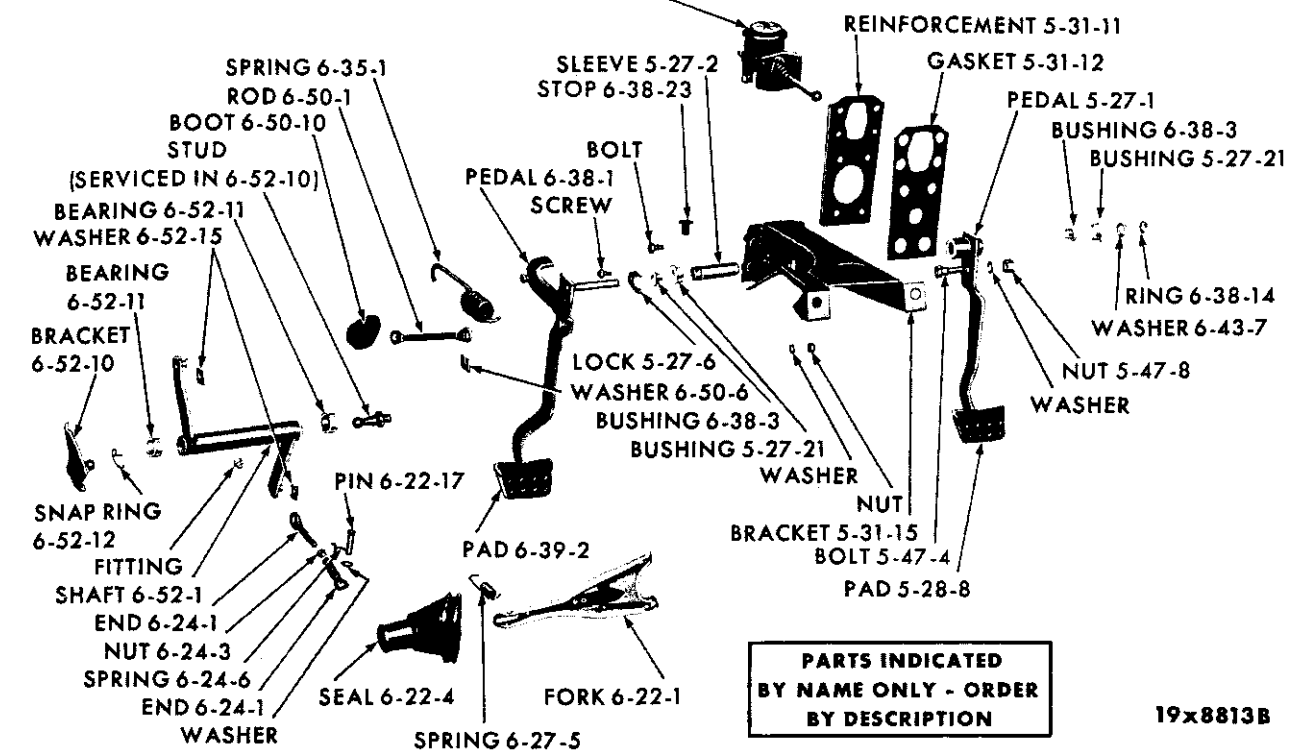
CODE	PART NAME AND DESCRIPTION	C Y L.	PER CAR	VALIANT DART	PLYMOUTH DODGE	CHRYSLER IMPERIAL
5-101-O POWER UNIT MOUNTING BRACKET						
5-101-1	BRACKET, Mounting, for Midland-Ross Power Unit, TC2-C300J	8	1	----	----	2201 089
5-101-5	REINFORCEMENT, Bracket, TC2-300J	8	1	----	----	2401 911
5-101-6	GASKET, Reinforcement, TC2-300J	8	1	----	----	2401 913
5-102-O POWER BRAKE VACUUM TANK						
5-102-2	TANK, Vacuum	6	1	2201 905		
5-102-11	NUT, Vacuum Tank Mounting	6	2	2076 232		
5-105-O POWER BRAKE VACUUM CHECK VALVE						
5-105-1	VALVE, Vacuum Check, for Midland-Ross Power Unit, except TC2-300J		1	----	2421 083	2421 083
	TC2-300J	8	1	----	----	2401 870
	For Bendix Power Unit, TC1, TC2, TC3		1	2074 934	2401 886	2401 886
	TY1	8	1	----	----	2409 211
5-105-10	WASHER, Check Valve, TC2-300J	8	1	----	----	2401 871
	SEAL, Check Valve	8	1	----	*2401 132	*2401 132
5-110-O POWER BRAKE TUBE CONNECTOR						
5-110-18	CONNECTOR, Tube, Single	6	1	1944 154		
	2 Way, TC1, TC2, TC3		1	1944 092	1944 092	1944 092
	2 Way, TY1	8	1	----	----	2405 466
	3 Way		1	----	1948 838	1948 838
	4 Way, TC3 Luxury New Yorker	8	1	----	----	2460 416
5-111-O POWER BRAKE VACUUM HOSE						
5-111-17	HOSE (11/32" I.D. (sold by the inch)		★	*1064 541	1064 541	1064 541
	(1/2" I.D. - sold by the inch) TC2-300J	8	★	----	----	1671 650
5-112-O POWER BRAKE HOSE CLAMP						
5-112-1	CLAMP, Worm Gear Type, 5/8" to 1 3/8"		★	B2448 770	B2448 770	B2448 770
5-113-O POWER BRAKE AIR CLEANER						
5-113-17	BREATHER, for Midland-Ross Power Unit, TC2-C300J	8	1	----	----	2201 099
	Filter, for Midland-Ross Power Unit		1	----	2401 855	2401 855
	For Bendix Power Unit, in Valve Rod Guard		1	----	2401 155	2401 155
	For Bendix Power Unit, in Valve Body		1	----	2401 882	2401 882

NOTES

★ Indicates use as required. Numerals in parentheses () refer to notes. Printed in U.S.A.
 B Indicates parts not listed in any previous parts book. Prices and specifications subject to change without notice.
 Jan. 3, 1964 Supersedes Dec. 14, 1962. * Indicates change or addition.

GROUP 6 - CLUTCH

CYLINDER 5-39-3

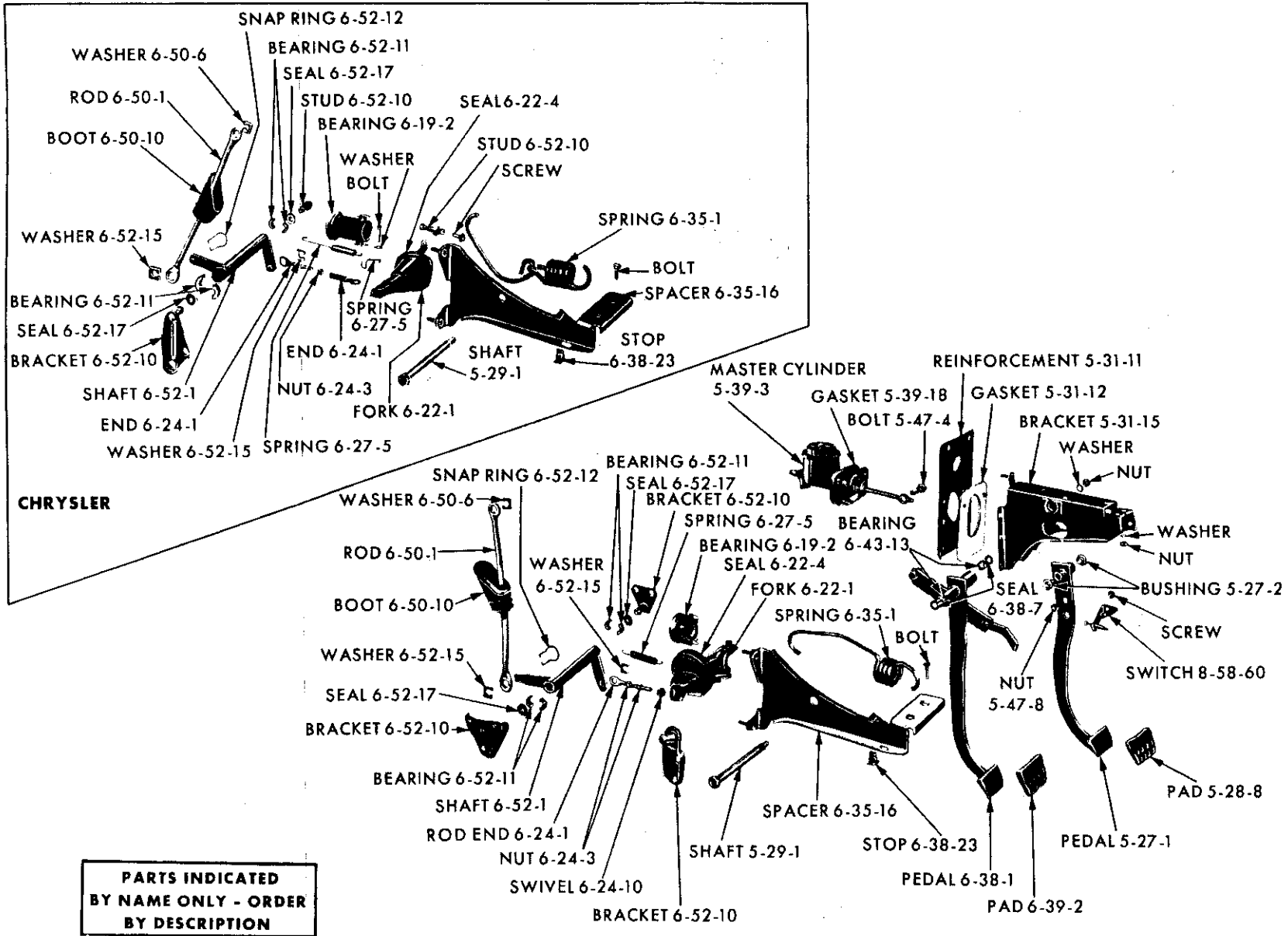


PARTS INDICATED BY NAME ONLY - ORDER BY DESCRIPTION

19x8813B

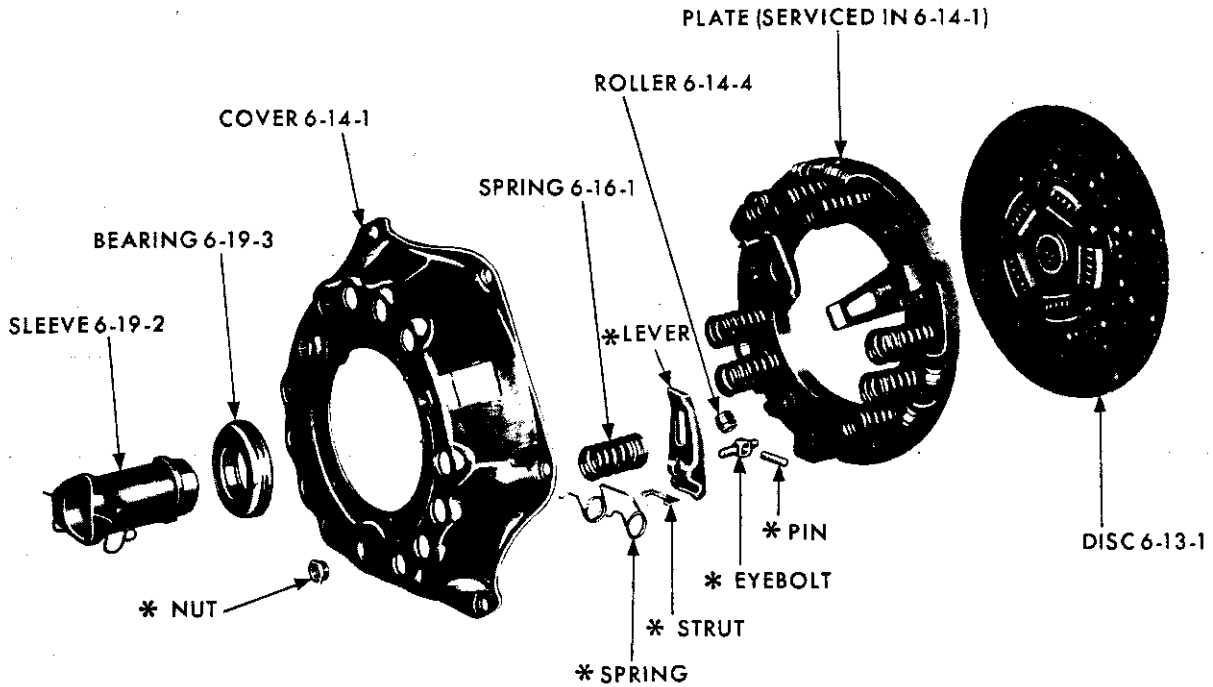
CLUTCH AND BRAKE PEDAL LINKAGE - VALIANT TV1 AND DART TL1

NOTES



CLUTCH AND BRAKE PEDAL LINKAGE - PLYMOUTH TP1-2 - DODGE TD1-2 - TA3 - AND CHRYSLER TC1-2

19x9314A



*** SERVICED IN LEVER PACKAGE 6-17-3**

19x8633B

CLUTCH PRESSURE PLATE AND DISC

NOTES

CODE	PART NAME AND DESCRIPTION	C Y L.	PER CAR	VALIANT DART	PLYMOUTH DODGE	CHRYSLER IMPERIAL
6-01-0 CLUTCH						
6-01-3	CLUTCH PACKAGE, 9 1/8" Clutch, w/170 cu. in. Eng.	6	1	2279 893		
	9 1/4" Clutch, w/225 cu. in. Eng.	6	1	2448 372	2448 372	
6-09-0 CLUTCH HOUSING						
6-09-1	HOUSING, Clutch, w/170 and 225 cu. in. Eng. . .	6	1	2402 690	2402 690	
	w/318 cu. in. Eng.	8	1	----	2402 696	
	TP1, TD1, w/361 cu. in. Eng., All except TA3, TP2, TD2, 383 cu. in. Eng., Police Cars	8	1	----	2402 681	
	TP2, TD2, w/426 cu. in. Eng., Aluminum	8	1	----	*2402 218	
	TP2, TD2, w/426 cu. in. Eng., Steel	8	1	----	*2406 043	
	w/361, 383, 413 cu. in. Eng., TA3	8	1	----	2128 351	2128 351
	TP2, TD2, w/318 cu. in. Eng., 4 Speed Std. Trans.	8	1	----	2406 343	
	TP2, TD2, w/361, 383 cu. in. Eng., 4 Speed Std. Trans.	8	1	----	2406 292	
	SCREW, Housing to Block, 3/8 x 1 3/8"	6	3	6023 187	6023 187	
	SCREW, Block to Housing, 7/16 x 2 1/8"	6	2	9418 208	9418 208	
	WASHER, Block to Housing Screw, 7/16"	6	2	6023 050	6023 050	
6-09-11	BRACKET, Clutch Housing, TP1, TD1 w/170, 225 cu. in. Eng., TP2, TD2 w/318, 383 cu. in. Eng.	6	1	----	*2204 702	
6-09-11	STRUT, TP1, TD1, w/170, 225 cu. in. Eng.	6	1	*2129 887	*2129 887	
6-10-0 CLUTCH HOUSING PAN						
6-10-2	PAN, w/170, 225 cu. in. Eng.	6	1	2129 885	2129 885	
	w/318 cu. in. Eng.	8	1	----	2128 938	
	TP2, TD2, w/426, 361, 383, cu. in. Eng.	8	1	----	*2402 935	
	TC1, w/361, 413 cu. in. Eng., TC2, TC2-300 Eng.	8	1	----	1739 616	1739 616
	w/361, 383 cu. in. Eng., except TA3	8	1	----	2402 935	
6-10-3	SCREW, w/WASHER, 11/16" x 5/16"		★	----	1947 953	1947 953
6-10-10	SEAL, Clutch Pan	6	1	2129 886	2129 886	
	WASHER, Seal to Housing	8	1	----	2128 939	
	SCREW, Seal to Housing	1	1	6023 050	6023 050	
6-10-31	SCREW, Clutch Housing Pan	5	5	6024 015	6024 015	
				1947 953	1947 953	1947 953
6-13-0 CLUTCH DISC						
6-13-1	DISC, 9 1/8" Clutch, w/170 cu. in. Eng.	6	1	2298 904		
	9 1/4" Clutch, w/225 cu. in. Eng.	6	1	*2448 336	*2448 336	
	10" Clutch, w/170, 225 cu. in. Eng.	6	1	2200 069	2200 069	
	10" Clutch, w/318 cu. in. Eng.	8	1	----	2200 051	
	10 1/2" Clutch, w/426 cu. in. Eng.	8	1	----	2401 097	
	10 1/2" Clutch, w/318, 361, 383 cu. in. Eng.	8	1	----	2266 232	2266 232
	11" Clutch, TA1, TD1, w/225 cu. in. Eng., Taxi	6	1	----	*2409 683	
	11" Clutch, TC1, TC2, w/413 cu. in. Eng., TA3, w/413, 383 cu. in. Eng., Police Cars	8	1	----	*2208 273	*2208 273
6-13-4	FACING, Disc, 9 1/8" Clutch, 170 cu. in. Eng., w/24 Rivet Holes	6	2	2265 464		
	9 1/8" Clutch, w/170 cu. in. Eng., w/32 Rivet Holes	6	2	2073 684		
	9 1/4" Clutch, w/225 cu. in. Eng., w/24 Rivet Holes	6	2	1820 454	1820 454	
	9 1/4" Clutch, w/225 cu. in. Eng., w/32 Rivet Holes	6	2	859 882	859 882	

★ Indicates use as required.

Numerals in parentheses () refer to notes.

Printed in U.S.A.

☐ Indicates parts not listed in any previous parts book.

Prices and specifications subject to change without notice.

* Indicates change or addition.

1963 PASSENGER CAR PARTS CATALOG

CLUTCH

CODE	PART NAME AND DESCRIPTION	C Y L.	PER CAR	VALIANT DART	PLYMOUTH DODGE	CHRYSLER IMPERIAL
6-13-0 CLUTCH DISC - Cont'd						
6-13-4	FACING - Cont'd					
	10" Clutch, w/170, 225 cu. in. Eng., Front . . .	6	1	2201 218	2201 218	
	10" Clutch, w/170, 225 cu. in. Eng., Rear . . .	6	1	2201 217	2201 217	
	10" Clutch, w/318 cu. in. Eng.	8	1	-----	1554 593	
	10 1/2" Clutch, w/318, 361, 383 cu. in. Eng. . .		2	-----	2266 233	2266 233
	10 1/2" Clutch, w/426 cu. in. Eng.	8	2	-----	2401 098	
	11" Clutch, TP1, TD1, w/225 cu. in. Eng., Taxi	6	2	-----	*2409 685	
	11" Clutch, TC1, TC2, w/413 cu. in. Eng., TA3, w/413, 383 cu. in. Eng., Police Cars	6	2	-----	*2208 272	*2208 272
6-13-8	RIVET, Disc Facing, 7/32" lgh., 9/64 dia.		★	660 146	660 146	660 146
	1/4" lgh., 1/8" dia.		★	1313 312	1313 312	
6-14-0 CLUTCH COVER AND PRESSURE PLATE						
6-14-1	COVER, w/PLATE, 9 1/8" Clutch, w/170 cu. in. Eng.	6	1	2298 903		
	9 1/4" Clutch, w/225 cu. in. Eng.	6	1	2298 518	2298 518	
	10" Clutch, w/170 cu. in. Eng.	6	1	2201 212		
	10" Clutch, w/225 cu. in. Eng.	6	1	-----	*2266 235	
	10" Clutch, w/318 cu. in. Eng.	8	1	-----	2122 254	
	10 1/2" Clutch, TP2, TD2, w/426 cu. in. Eng. and w/383 cu.in. Eng., Police Cars also 4 Speed Trans.	8	1	-----	*2409 688	
	10 1/2" Clutch, TP1; TP2, w/318, 361 cu. in. Eng., TP2 w/361 cu. in. Eng., 4 Speed Trans., TC1, TA3, w/361 cu. in. Eng.	8	1	-----	2122 255	2122 255
	11" Clutch, TP1, TD1, Taxi	6	1	-----	*2409 682	
	11" Clutch, TC1, TC2, w/413 cu. in. Eng., TA3 w/413, 383 cu. in. Eng., Police Cars . . .	8	1	-----	*2208 274	*2208 274
6-14-4	ROLLER, Centrifugal	8	1	-----	2122 262	2122 262
6-14-10	SCREW, 9 1/8" Clutch, 13/16" lgh., 5/16 dia. . .	6	6	*2200 050	*2200 050	
	9 1/4" Clutch, 7/8 lgh., 5/16 dia.	6	6	307 555	307 555	
	10, 10 1/2, 11" Clutch, 1" lgh., 3/8 dia.	8	6	-----	314 926	314 926
6-16-0 CLUTCH PRESSURE SPRING						
6-16-1	SPRING, w/7 3/4 Orange Coils		★	864 397	864 397	864 397
	7 3/4 Lavender Coils		★	855 521		
	9 Black Coils		★	2266 239		
	7 1/4 Red Coils		★	1067 037	1067 037	1067 037
	7 3/4 Tan Coils		★	866 591	866 591	866 591
	6 3/4 White Coils		★	1406 504	1406 504	1406 504
	8 3/8 Red Striped Coils		★	2208 268	2208 268	
6-17-0 CLUTCH RELEASE LEVER						
6-17-3	LEVER PACKAGE, 9 1/8" Clutch, w/170 cu. in. Eng., w/6 Spring Pressure Plate	6	1	2279 894		
	9 1/8, 9 1/4" Clutch, w/170, 225 cu. in. Eng., w/3 Spring Pressure Plate	6	1	2298 909	2298 909	
	9 1/4" Clutch, w/225 cu. in. Eng., w/6 Spring Pressure Plate	6	1	2240 634	2240 634	
	10, 10 1/2 and 11" Clutch		3	2084 250	2084 250	2084 250
6-19-0 CLUTCH RELEASE BEARING						
6-19-2	BEARING, includes SLEEVES		1	*2405 077	*2405 077	
	TA3, TC1	8	1	-----	2200 301	2200 301
	TP1, TD1, w/11" Clutch, Taxi	6	1	-----	*2461 494	
6-19-3	BEARING, less Sleeve		1	658 998	658 998	658 998

★ Indicates use as required.

☐ Indicates parts not listed in any previous parts book.

Jan. 3, 1964 Supersedes Jan. 25, 1963.

Numerals in parentheses () refer to notes.

Page 6-6

Printed in U.S.A.

Prices and specifications subject to change without notice.

* Indicates change or addition.

CODE	PART NAME AND DESCRIPTION	CYL	PER CAR	VALIANT DART	PLYMOUTH DODGE	CHRYSLER IMPERIAL
6-20-0 CLUTCH RELEASE BEARING RETURN SPRING						
6-20-14	SPRING, except TA3		2	2073 687	2073 687	
	TA3		2	-----	671 915	671 915
6-22-0 CLUTCH RELEASE FORK						
6-22-1	FORK, includes SPRING	6	1	2072 902		
	Except TA3		1	-----	*2260 047	
	TA3	8	1	-----	1618 848	1618 848
6-22-4	SEAL, except TA3		1	2260 021	2260 021	
	TA3	8	1	-----	2075 009	2075 009
6-22-15	PIVOT, Release Fork, 9 1/8, 10" Clutch, w/170 cu. in. Eng., 9 1/4" Clutch, w/225 cu. in. Eng.	6	1	2266 819		
	9 1/4, 10" Clutch, w/225 cu. in. Eng.	6	1	-----	2260 719	
	10" Clutch, TP1, TD2, w/170, 225 cu. in. Eng., TP2, TD2, w/318 cu. in. Eng.		1	-----	2260 719	
	10 1/2" Clutch, w/318, 361, 383 cu. in. Eng.	8	2	-----	2260 719	
	10 1/2" Clutch, w/426 cu. in. Eng.	8	1	-----	2401 908	
	10 1/2" Clutch, TA3, TC1, w/361 cu. in. Eng.	8	1	-----	633 238	633 238
	11" Clutch, TA3, TC1, TC2, w/413, 383 cu. in. Eng.	8	1	-----	633 238	633 238
	SCREW, w/WASHER		2	-----	6022 226	6022 226
6-22-17	PIN, Release Fork		1	1324 090	1324 090	1324 090
6-22-19	SPRING, Release Fork		1	2072 901	2072 901	2072 901
	RIVET		2	6023 660	6023 660	6023 660
6-24-0 CLUTCH RELEASE ROD						
6-24-1	END, Front	6	1	2072 849		
	Rear		1	*1675 246	*1675 246	*1675 246
	TA3, TC1, TC2, Front	8	1	-----	2200 029	2200 029
	TA3, TC1, TC2, Rear	8	1	-----	2072 849	2072 849
	ROD, Release Fork, w/170, 225, 361, 383, 413, cu. in. Eng.		1	-----	*2401 739	*2401 739
	ROD, Release Interlock	6	1	-----	2405 079	2405 079
6-24-3	NUT, Rod Adjusting		1	1407 347	1407 347	1407 347
6-24-6	SPRING, Rear Rod		1	1634 508	1634 508	1634 508
6-24-7	WASHER, Release Interlock w/Heavy Duty Trans., Taxi and Police TP1, TP2		4	-----	631 217	
6-24-10	SWIVEL, Rod Adjusting		1	-----	2401 740	*2401 740
	NUT		1	-----	124 925	
6-24-14	CLAMP, Release Interlock w/Heavy Duty Trans., 170, 225 cu. in. Eng.	6	1	-----	2204 274	
6-27-0 CLUTCH RELEASE FORK RETURN SPRING						
6-27-5	SPRING, TP1, TD1, TP2, TD2, TC-2-300		1	2072 855	2260 023	2260 023
	TA3, TC1, TC2	8	1	-----	-----	1820 211
6-27-10	EXTENSION, Release Fork Spring w/170, 225 cu. in. Eng., Police Cars	6	1	-----	E2461 514	
6-35-0 CLUTCH RELEASE CENTER SPRING						
6-35-1	SPRING, w/170 cu. in. Eng., 1 3/8" dia.	6	1	*2260 742		
	w/225 cu. in. Eng., 1 1/2" dia.	6	1	*2266 784		
	w/225 cu. in. Eng.	6	1	-----	2260 728	

★ Indicates use as required.

Numerals in parentheses () refer to notes.

Printed in U.S.A.

E Indicates parts not listed in any previous parts book.

Prices and specifications subject to change without notice.

* Indicates change or addition.

Jan. 3, 1964 Supersedes Jan. 25, 1963.

1963 PASSENGER CAR PARTS CATALOG

CLUTCH

CODE	PART NAME AND DESCRIPTION	CYL	PER CAR	VALIANT DART	PLYMOUTH DODGE	CHRYSLER IMPERIAL
6-35-O CLUTCH RELEASE CENTER SPRING - Cont'd						
6-35-1	SPRING - Cont'd					
	TP1, TD1, w/Heavy Duty, Taxi and Police Cars		1	----	2260 727	
	TP2, TD2, w/318, 361 cu. in. Eng.	8	1	----	----	2260 739
	TA3, TC1, TC2					
6-35-9	HOOK, Center Spring	6	1	2266 777		
6-35-16	SPACER, Center Spring		1	----	2260 044	2260 044
6-35-17	NUT, Center Spring Spacer		2	----	2076 232	2076 232
6-38-O CLUTCH PEDAL						
6-38-1	PEDAL	6	1	2266 781		
	w/Heavy Duty and Taxi	6	1	2266 812		
	w/225 cu. in. Eng.	6	1	----	2260 026	
	w/Heavy Duty, Taxi and Police Cars	6	1	----	2260 048	
	w/318, 361 cu. in. Eng.	8	1	----	2260 048	
	TA3, TC1, TC2, w/361, 413, 383 cu. in. Eng.	8	1	----	2260 027	2260 027
6-38-3	BEARING, Clutch Pedal		2	1946 377	1946 377	1946 377
	BUSHING	6	2	1637 779	1637 779	
6-38-14	RING, Pedal Shaft Lock	6	1	2072 831		
6-38-23	STOP		1	2266 820	2266 820	2266 820
6-39-O CLUTCH PEDAL PAD						
6-39-2	PAD, Black, except TD3.		1	1731 228	1731 228	2405 089
	TD3		1	----	2405 089	
6-43-O CLUTCH PEDAL SHAFT						
6-43-7	WASHER, Plain	6	1	2073 632		
6-43-13	SEAL, Pedal Bearing		1	1730 019	1730 019	
6-50-O CLUTCH PEDAL ROD						
6-50-1	ROD	6	1	2073 642		
	TP1, TD1, w/225 cu. in. Eng., TP2, TD2, w/318 cu. in. Eng., except TD2-P		1	----	2401 725	
	TP1, TD1, w/170, 225 cu. in. Eng., Heavy Duty, Taxi and Police Cars, TP2, TD2, w/361, 383, 426 cu. in. Eng., Police Cars		1	----	*2401 725	
	TA3, TC1, w/361 cu. in. Eng., TC2 w/413 cu. in. Eng.	8	1	----	2260 073	2260 073
6-50-6	WASHER, Rod Pin		1	*2405 085	2405 085	2405 085
6-50-10	BOOT, Pedal Rod	6	1	2266 783		
	TP1, TD1, w/225 cu. in. Eng., TP2, TD2, w/318, 361 cu. in. Eng., TP2, TD2, w/383, 426, 413 cu. in. Eng., Police Cars		1	----	2266 818	2266 818
6-52-O CLUTCH TORQUE SHAFT						
6-52-1	SHAFT	6	1	2265 930		
	Heavy Duty, Taxi and Police, w/170, 225 cu. in. Eng.	6	1	*2265 932	*2421 399	
	w/225 cu. in. Eng.	6	1	----	2260 678	
	w/426, 383, 413 cu. in. Eng.	8	1	----	*2421 354	
	w/318 cu. in. Eng.	8	1	----	*2421 354	

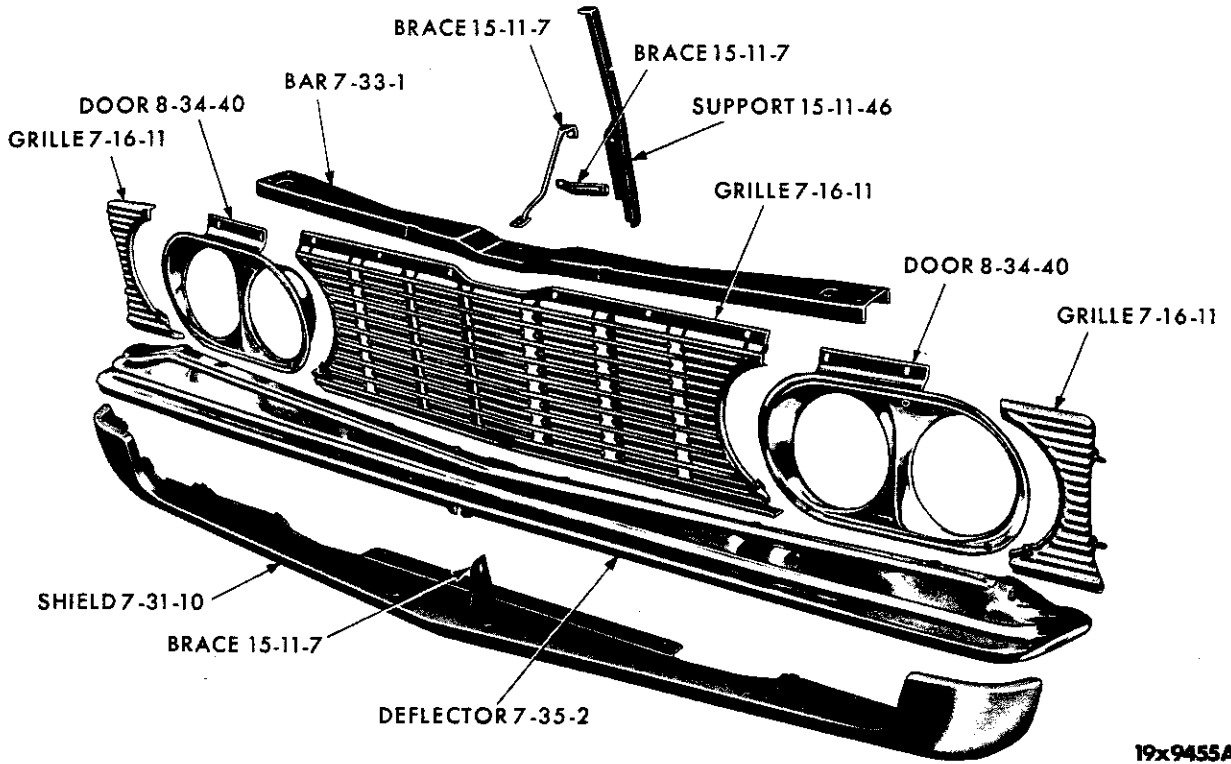
★ Indicates use as required. Numerals in parentheses () refer to notes. Printed in U.S.A.
 ☐ Indicates parts not listed in any previous parts book. Prices and specifications subject to change without notice.
 Jan. 3, 1964 Supersedes Jan. 25, 1963. * Indicates change or addition.

CODE	PART NAME AND DESCRIPTION	CYL.	PER CAR	VALIANT DART	PLYMOUTH DODGE	CHRYSLER IMPERIAL
6-52-0 CLUTCH TORQUE SHAFT - Cont'd						
6-52-1	SHAFT - Cont'd					
	TA3, TC1, TC2, All, TC2-300J UP-TO Serial No. 125836	8	1	----	----	*2265 937
	TA3, TC1, TC2, All, TC2-300J AFTER Serial No. 125836	8	1	----	----	*2401 747
	TP2, TD2, w/361, 383, 413 cu. in. Eng.	8	1	----	----	*2421 354
6-52-10	BRACKET, Torque Shaft, w/Pivot STUD	6	1	2265 944		
	TA3, TC1, TC2	8	1	----	2260 718	
	BRACKET, Eng. End, TP2, TD2, w/STUD, w/318 cu. in. Eng.		1	*2260 746	*2260 746	2265 943
	BRACKET, w/STUD, Eng. End, 170 cu. in. Eng. w/361, 383 cu. in. Eng.	6	1	*2260 746		2265 943
	w/225 cu. in. Eng.	8	1	----	*2260 746	
	STUD, Shaft Pivot, Eng. End	6	1	----	*2260 744	
		8	1	----	----	1829 383
6-52-11	BEARING, Pivot		4	2265 938	2265 938	2265 938
6-52-12	RING, Pivot Snap, 1 1/4" I.D.		1	*2265 939	*2265 939	*2265 939
	TP1, TD1, w/170, 225 cu. in. Eng., Heavy Duty, Taxi and Police Cars, TP2, TD2, w/318, 361 cu. in. Eng., 426, 383 cu. in. Eng., Police Cars, 1 1/4" I.D.		1	----	*2401 910	*2401 910
	TA3, TC1, TC2, except TC2 300J UP-TO Serial No. 125836	8	1	----	*2265 939	*2265 939
	TA3, TC1, TC2, AFTER Serial No. 125836, TC2 300J	8	1	----	*2401 910	*2401 910
6-52-15	WASHER, Spring		1	2405 085	2405 085	2405 085
	WASHER, Dampner		1	*2405 085	*2405 085	*2405 086
6-52-17	SEAL, Shaft		2	2265 942	2265 942	2265 942

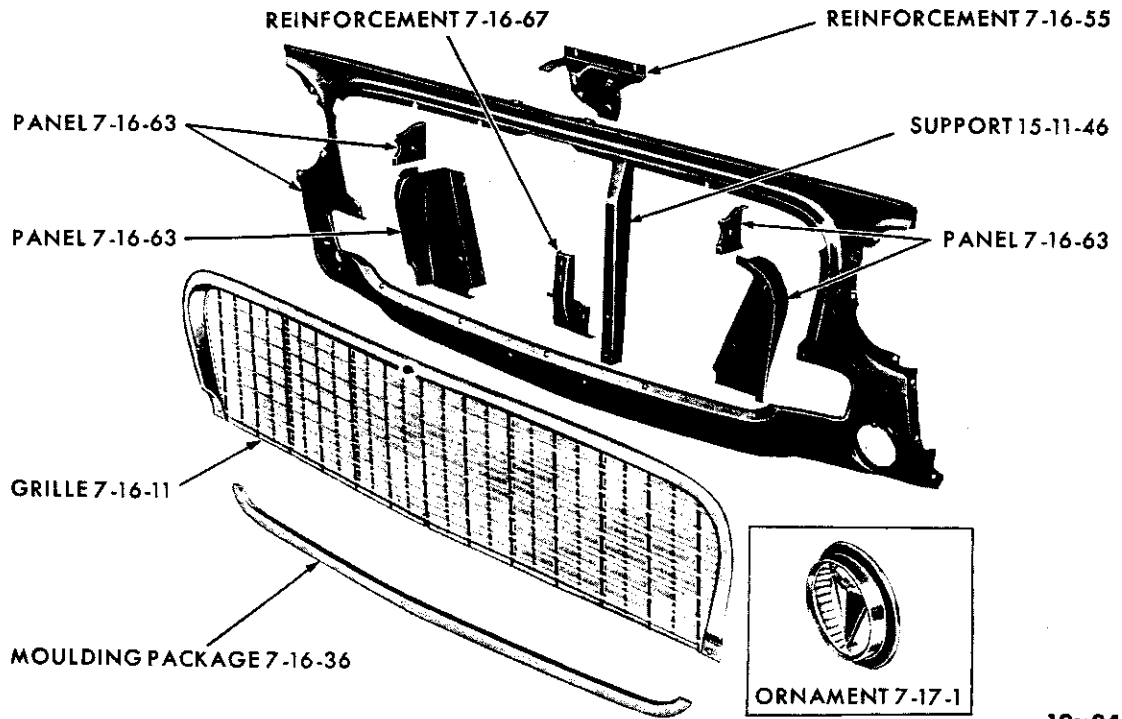
NOTES

★ Indicates use as required. Numerals in parentheses () refer to notes. Printed in U.S.A.
 ☐ Indicates parts not listed in any previous parts book. Prices and specifications subject to change without notice.
 * Indicates change or addition.

GROUP 7 - COOLING

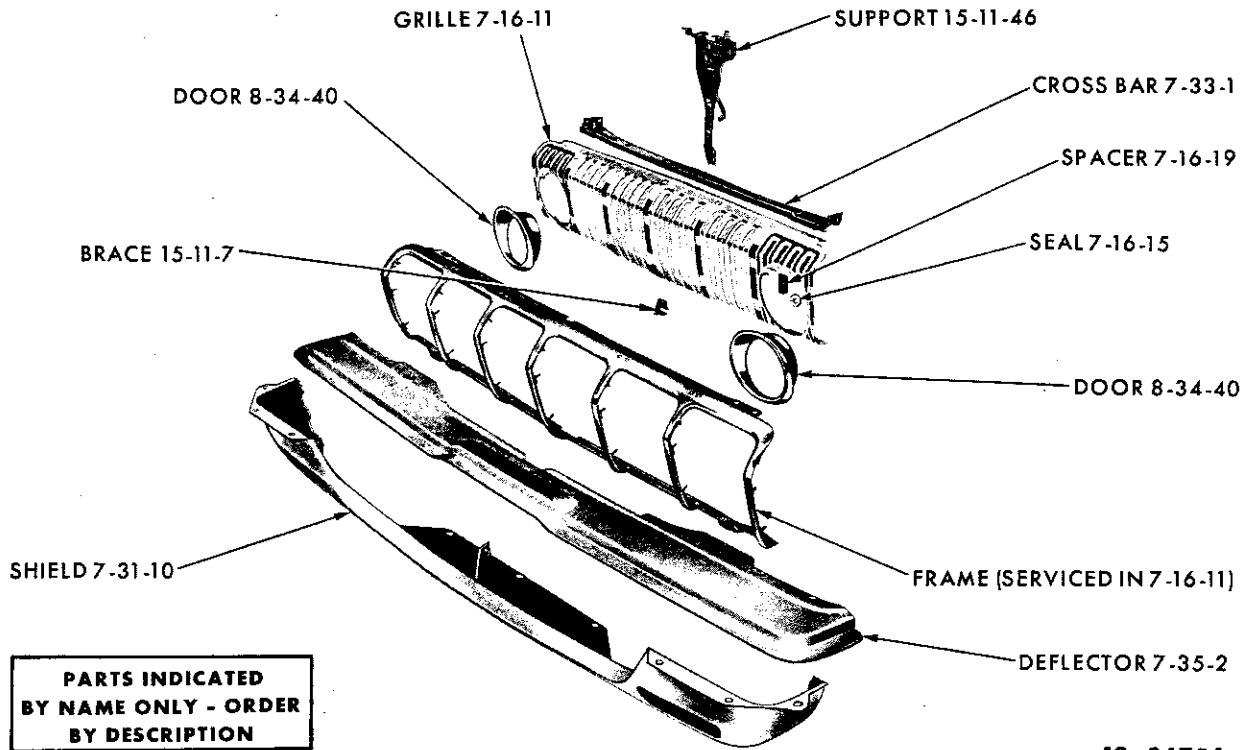


GRILLE - PLYMOUTH TP1-2



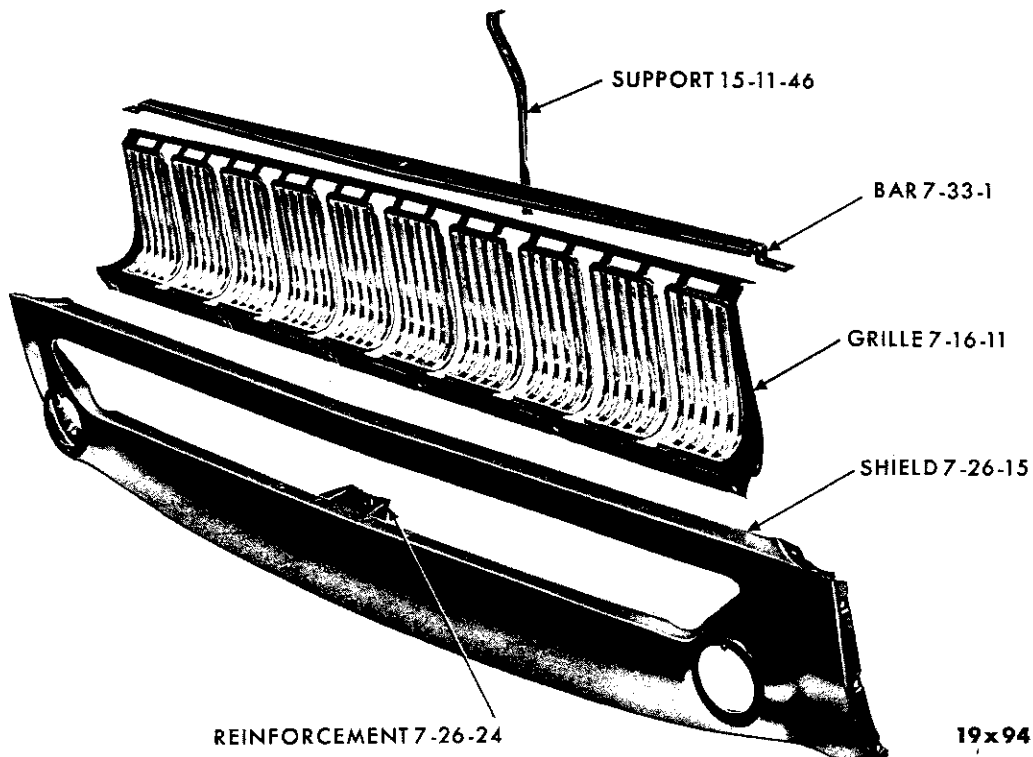
19x9490

GRILLE - VALIANT TV1



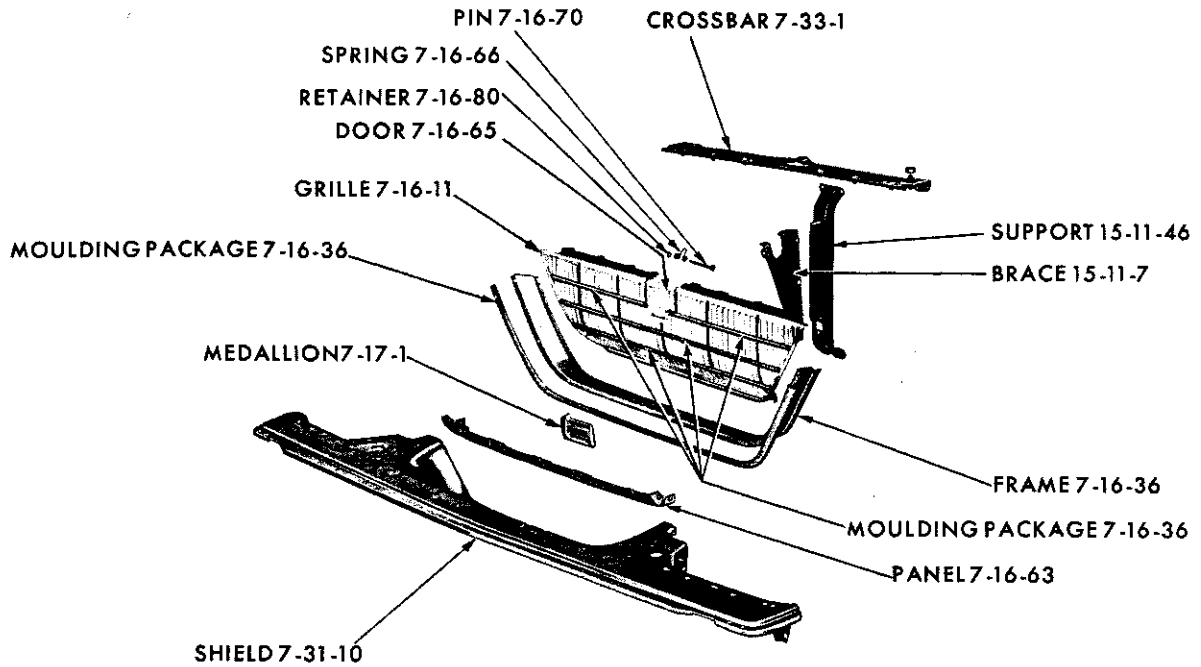
19x9475A

GRILLE - DODGE TD1-2



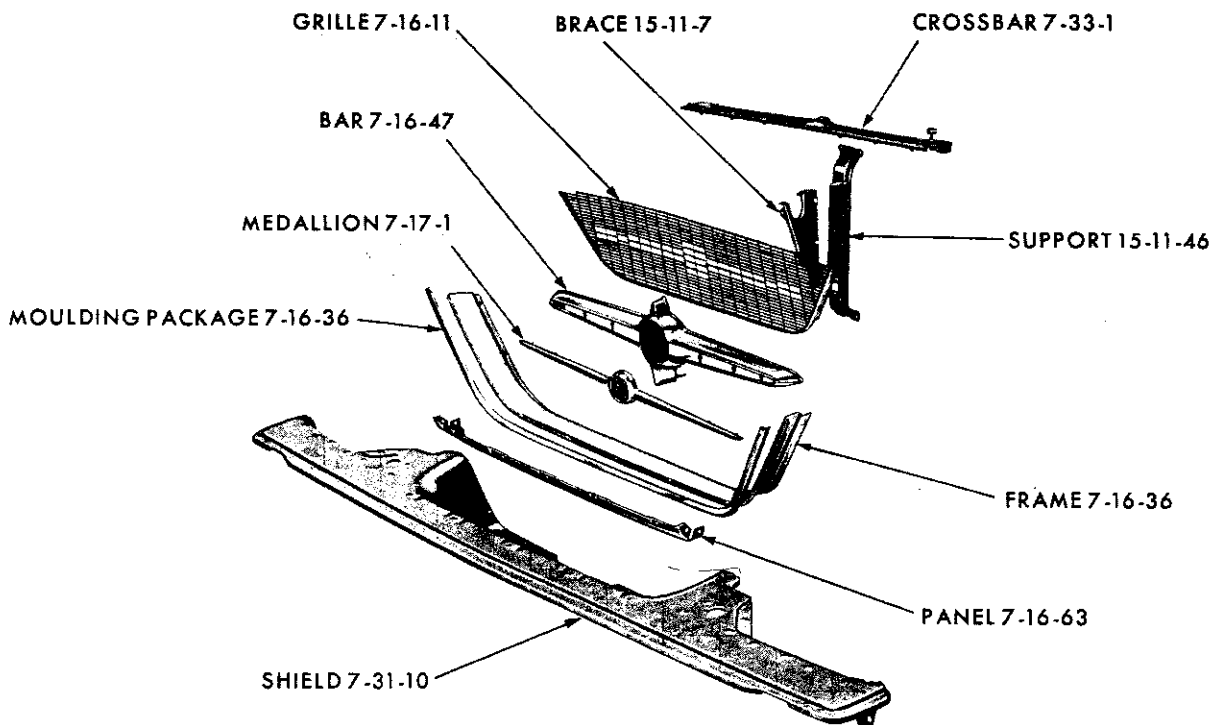
19x9454

GRILLE - DART TL1



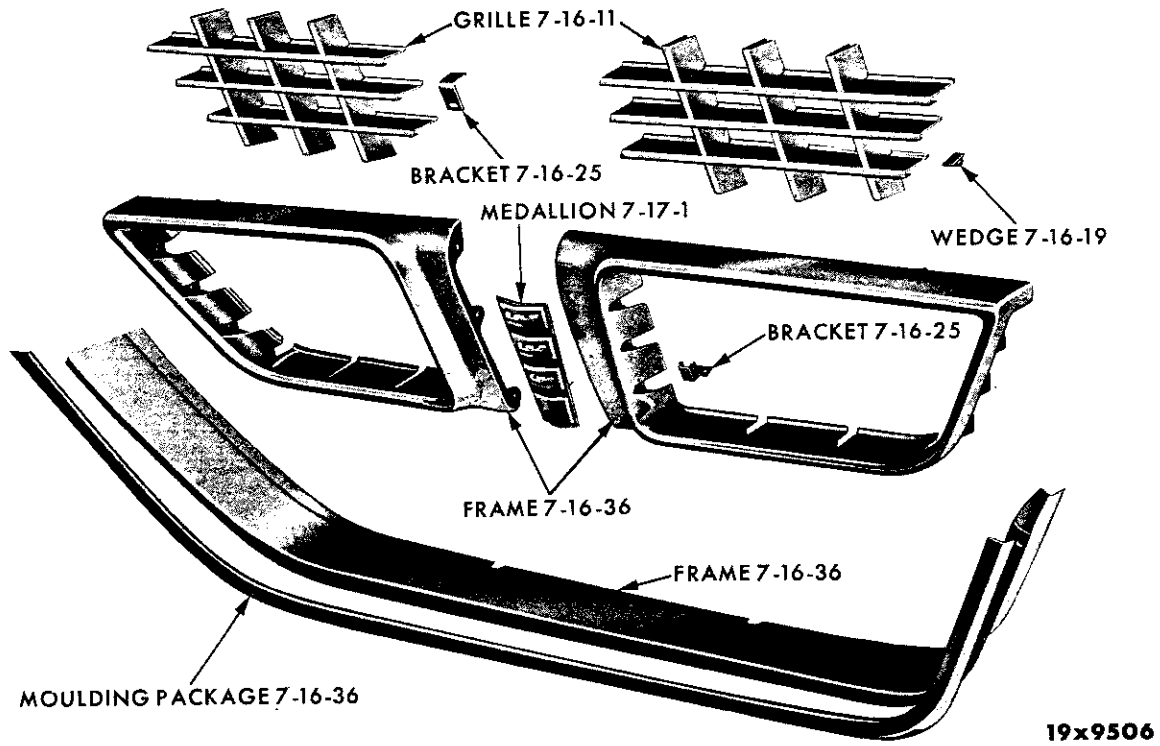
19x9497A

GRILLE - CHRYSLER TC1

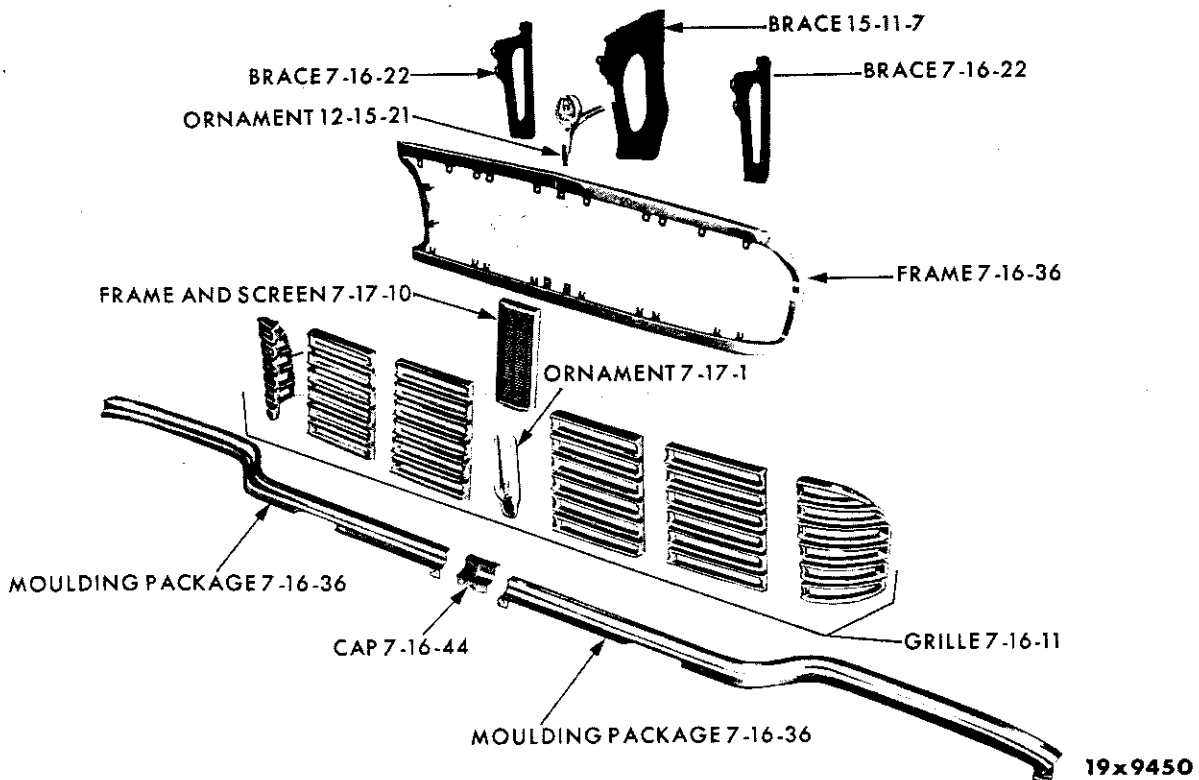


19x9498

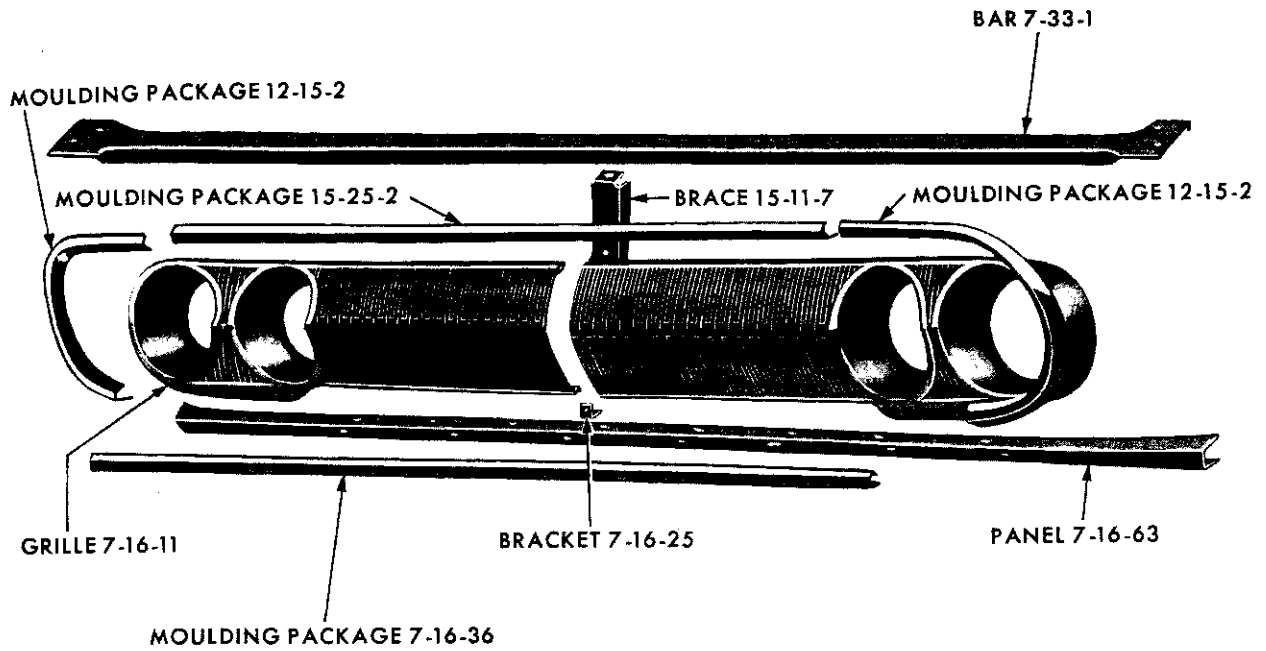
GRILLE - CHRYSLER TC2



GRILLE - CHRYSLER TC3



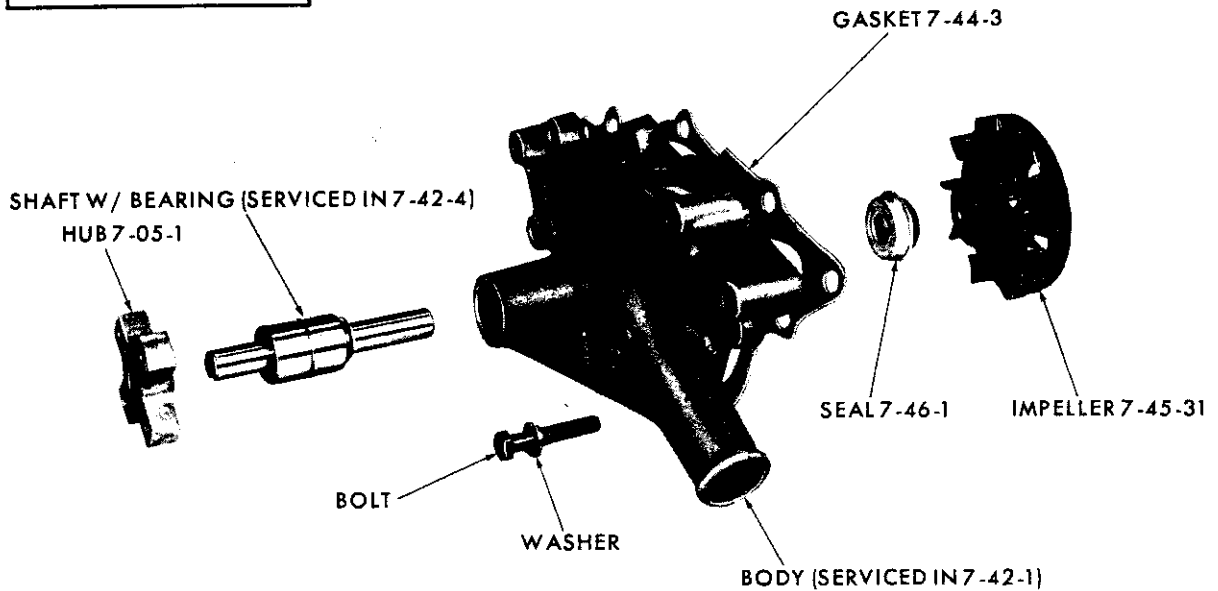
GRILLE - IMPERIAL TY1



19x9596

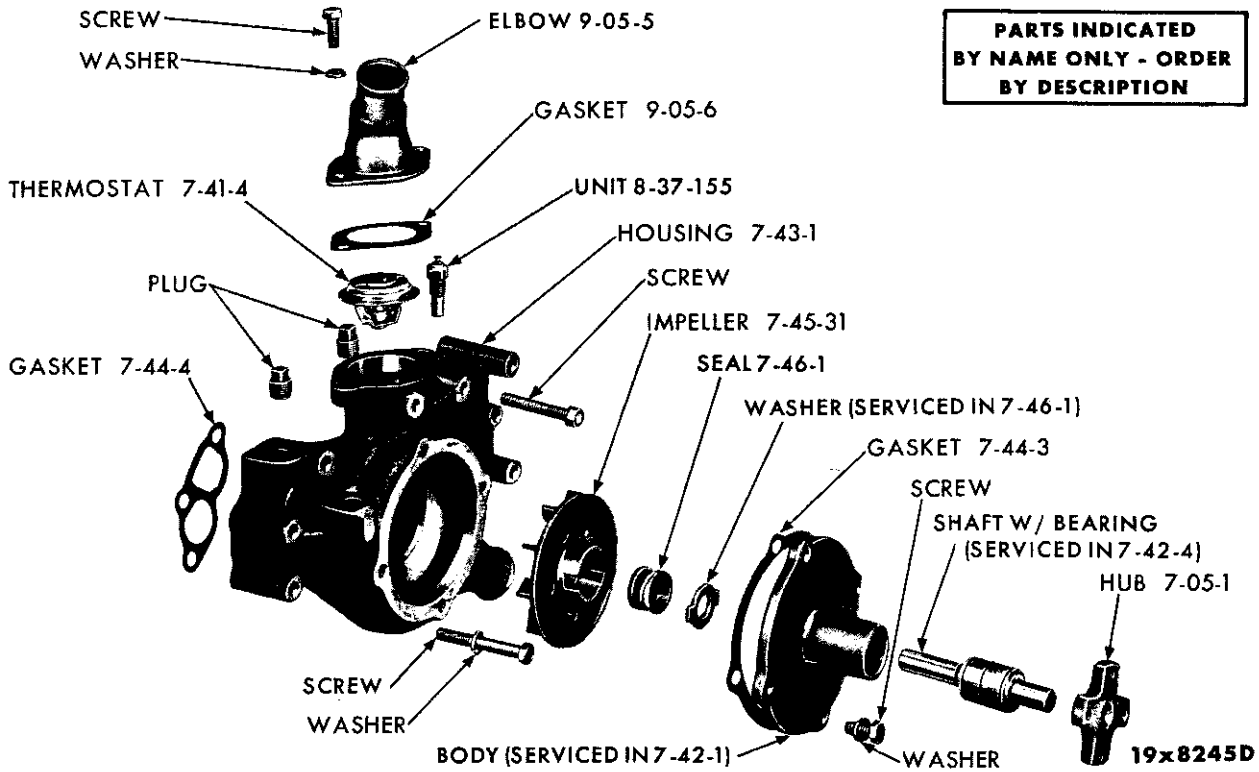
GRILLE - DODGE TA3

**PARTS INDICATED
BY NAME ONLY - ORDER
BY DESCRIPTION**



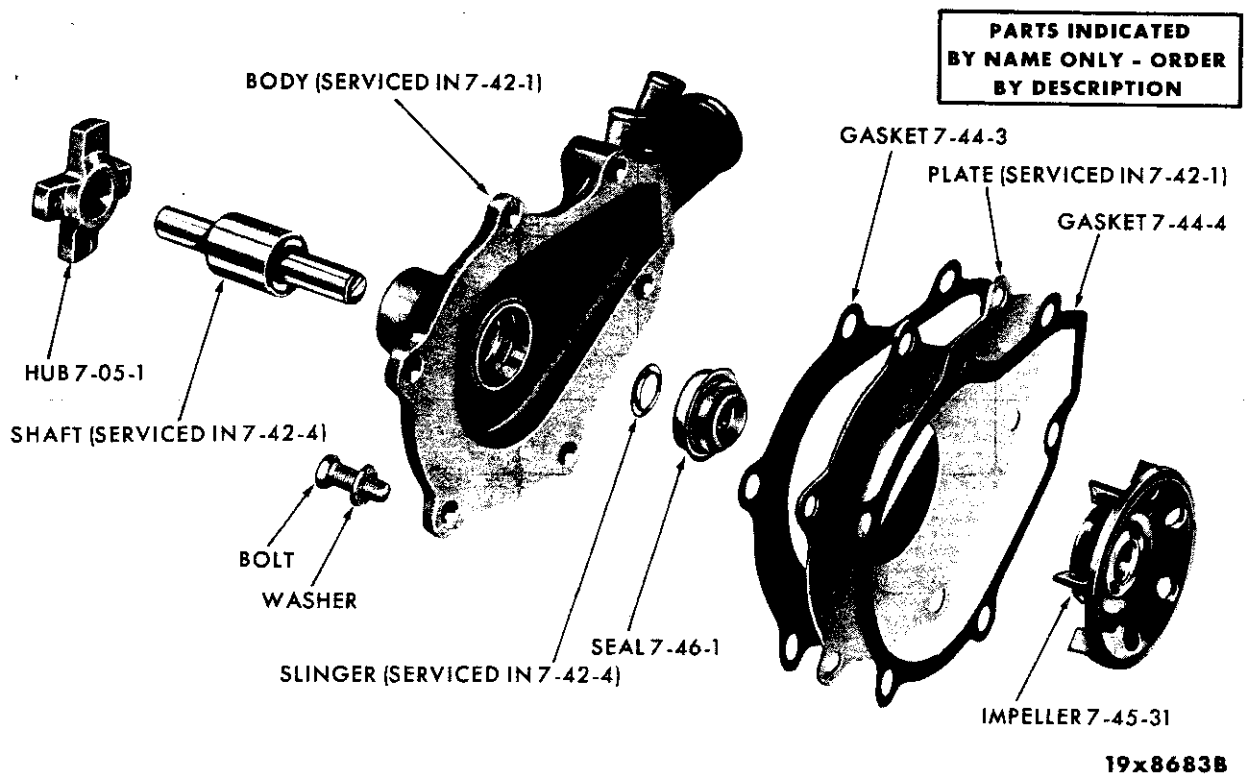
19x9447

WATER PUMP (V8 CYLINDER) - WITH 318 CU.IN. ENGINE



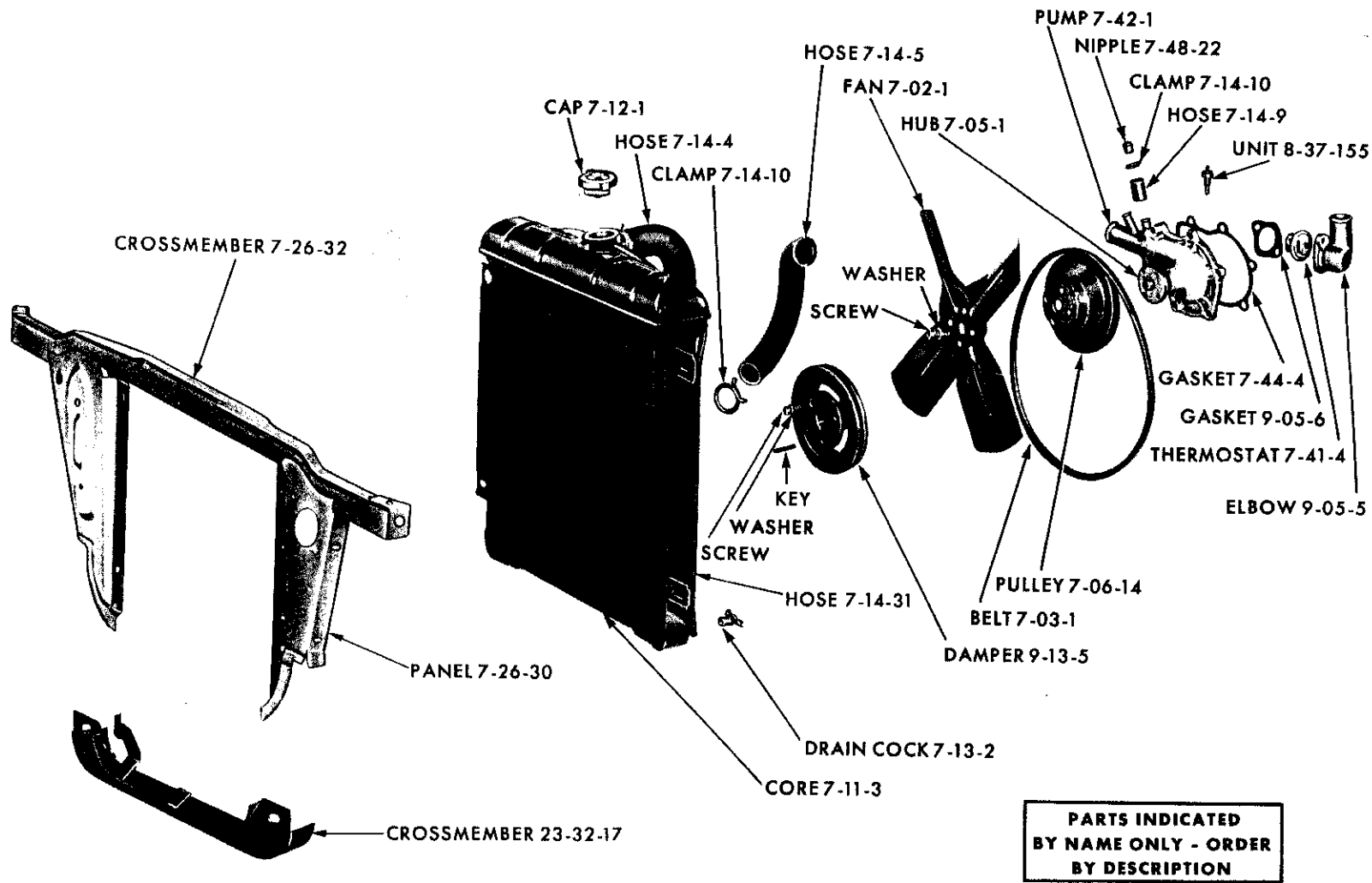
PARTS INDICATED BY NAME ONLY - ORDER BY DESCRIPTION

WATER PUMP (V8 CYLINDER) - WITH 361, 383, 413 AND 426 CU. IN. ENGINE



PARTS INDICATED BY NAME ONLY - ORDER BY DESCRIPTION

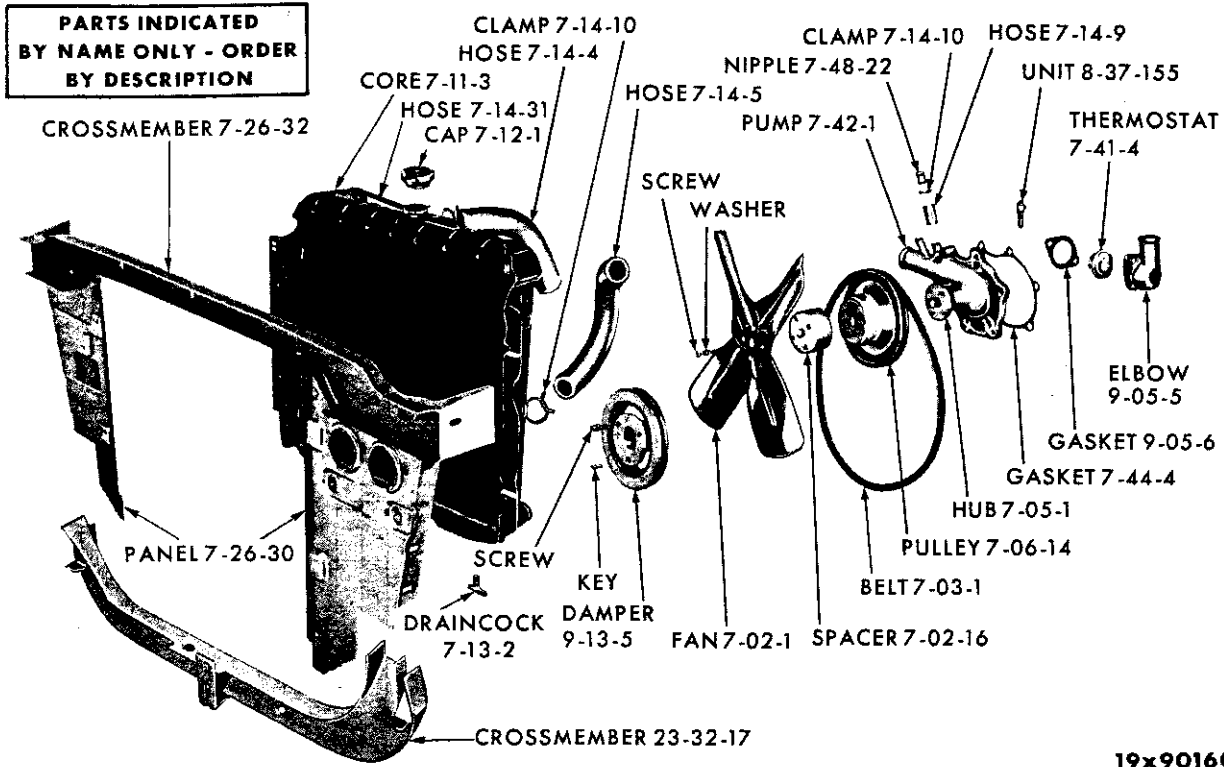
WATER PUMP - 6 CYLINDER



COOLING SYSTEM (6 CYLINDER) - VALIANT TV1 AND DART TL1

MyMopar.com

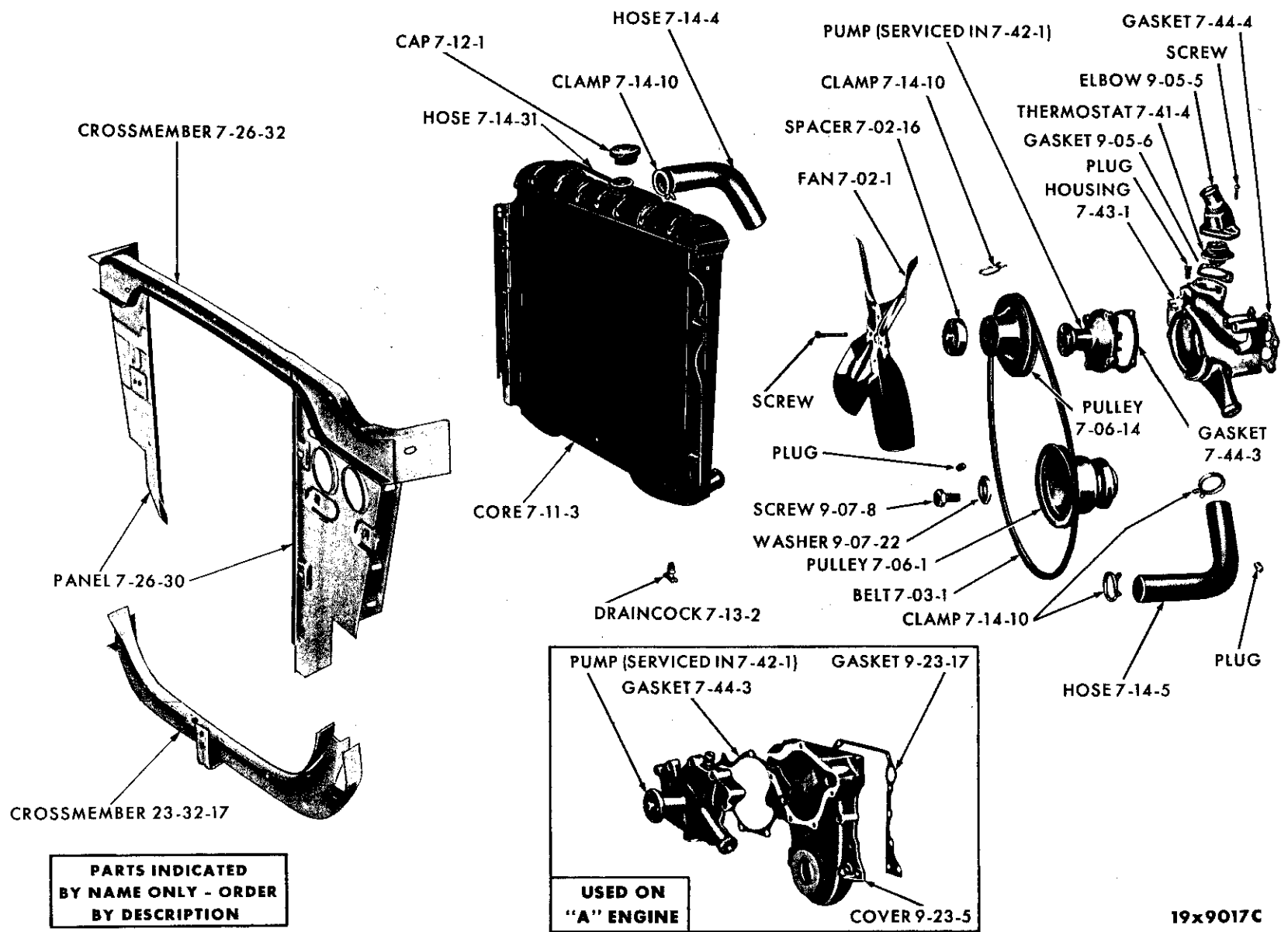
19x8844D



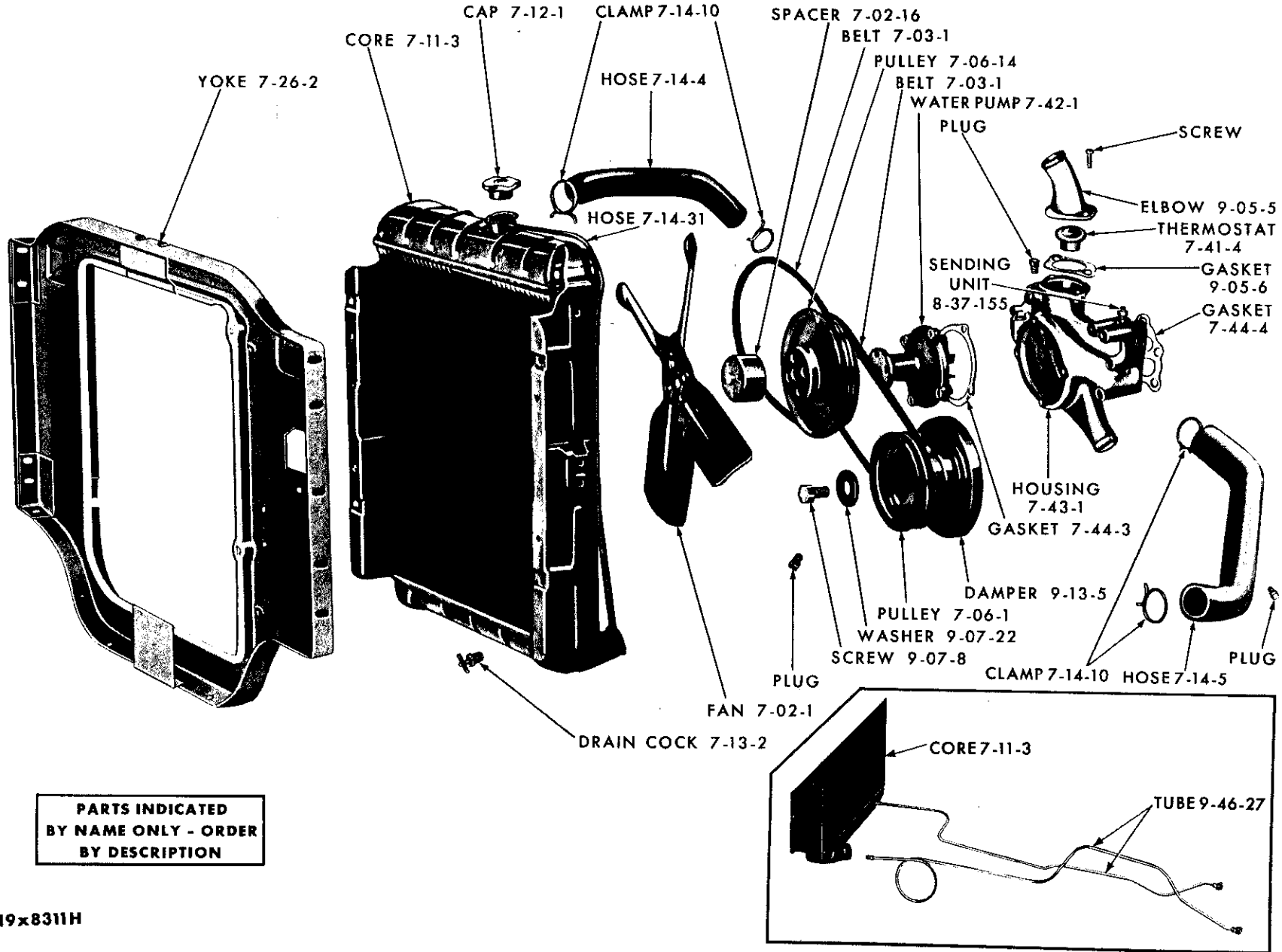
19x9016C

COOLING SYSTEM (6 CYLINDER) - PLYMOUTH TP1 AND DODGE TD1

NOTES



COOLING SYSTEM (V8 CYLINDER) - PLYMOUTH TP2 AND DODGE TD2



**PARTS INDICATED
BY NAME ONLY - ORDER
BY DESCRIPTION**

19x8311H

COOLING SYSTEM - DODGE TA3, CHRYSLER TC1-2-3 AND IMPERIAL TY1

CODE	PART NAME AND DESCRIPTION	C Y L.	PER CAR	VALIANT DART	PLYMOUTH DODGE	CHRYSLER IMPERIAL
------	---------------------------	--------------	------------	-----------------	-------------------	----------------------

NOTES

Figure 1

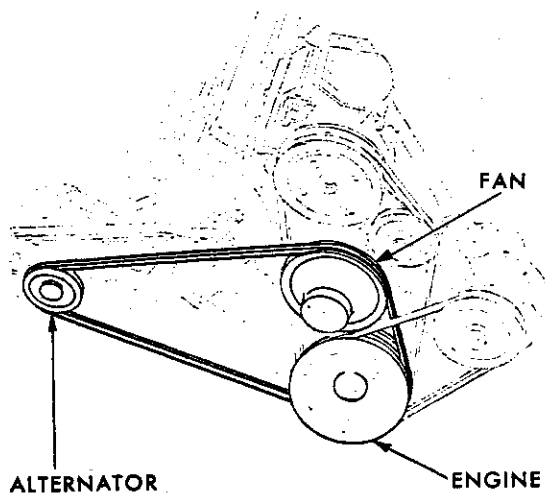


Figure 2

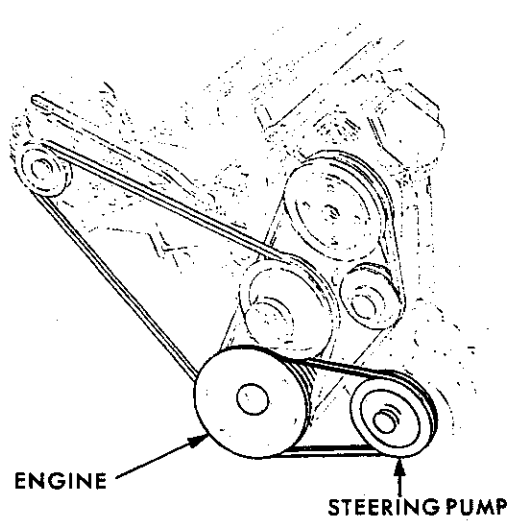


Figure 3

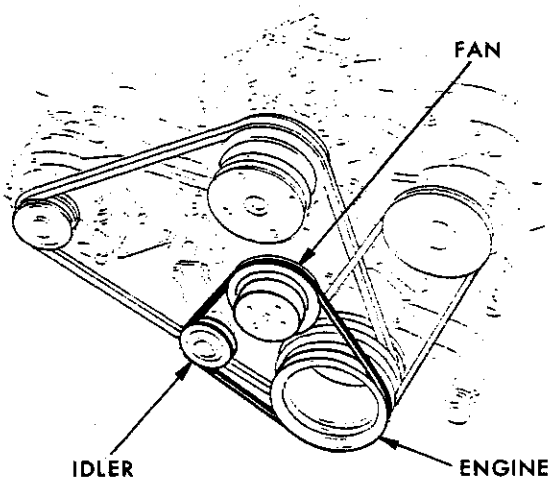


Figure 4

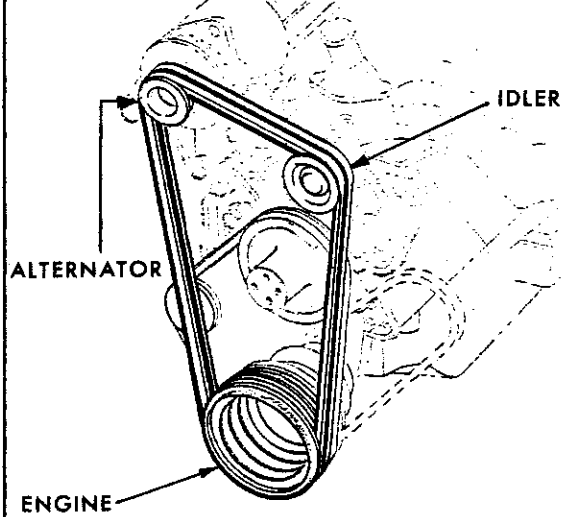


Figure 5

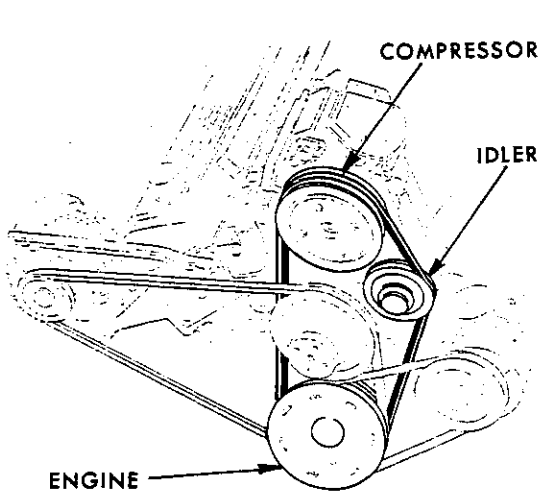
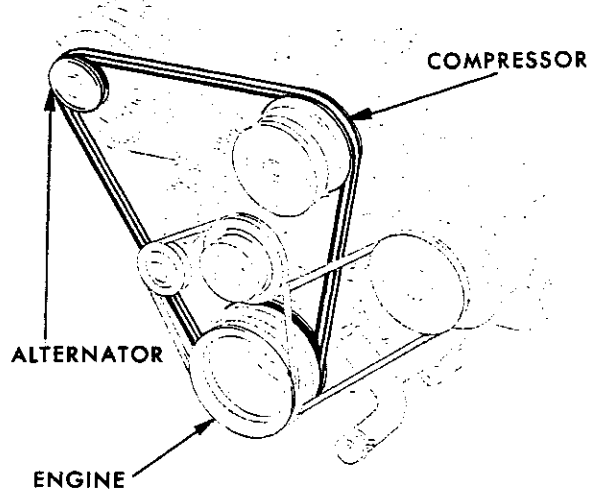


Figure 6



19x9214A

FAN BELT CHART

CODE	PART NAME AND DESCRIPTION	CYL.	PER CAR	VALIANT DART	PLYMOUTH DODGE	CHRYSLER IMPERIAL
7-03-0 FAN AND RELATED DRIVE BELTS						
7-03-1	BELT					
	ENGINE TO ALTERNATOR TO FAN (see Fig. 1)					
	w/170 cu. in. Engine	6	1	1673 649		
	w/225 cu. in. Engine	6	1	1821 138	1821 138	
	w/Leece-Neville Alternator	6	1	2264 463	2264 463	
	w/318 cu. in. Engine	8	1	----	2268 242	
	w/361, 383 and 413 cu. in. Engine, TC1, TC2, TC3 .	8	1	----	*1739 925	*1739 925
	w/413 cu. in. Engine, TY1	8	1	----	----	*1533 121
	w/Model H Air Conditioning, w/361, 383 and					
	413 cu. in. Engine	8	1	----	1533 532	1533 532
	w/426 cu. in. Engine, TP2, TD2	8	1	----	1324 963	
	ENGINE TO STEERING PUMP (see Fig. 2)					
	w/170 and 225 cu. in. Engine, w/o					
	Air Conditioning	6	1	1327 471	1327 471	
	w/170 and 225 cu. in. Engine, w/Air					
	Conditioning	6	1	1859 297	1859 297	
	TP1, TD1, Taxi and Police	6	1	----	1821 684	
	w/318 cu. in. Engine	8	1	----	1854 895	
	w/361 and 383 cu. in. Engine, TP2, TD2	8	1	----	2402 378	
	w/361, 383 and 413 cu. in. Engine, TA3	8	1	----	2129 277	2129 277
	ENGINE TO FAN (see Fig. 3)					
	w/361, 383, 413 and 426 cu. in. Engine,					
	w/Air Conditioning	8	1	----	1558 058	1558 058
	w/318 cu. in. Engine, w/Leece-Neville Alternator .	8	1	----	1821 684	
	w/361, 383 and 413 cu. in. Engine, w/Leece-					
	Neville Alternator, TC1	8	1	----	1327 471	1327 471
	ENGINE TO ALTERNATOR (see Fig. 4)					
	w/318 cu. in. Engine, w/Leece-Neville Alternator .	8	1	----	1673 650	
	w/361 and 383 cu. in. Engine, w/Leece-					
	Neville Alternator, TC1	8	1	----	2121 250	2121 250
	w/413 cu. in. Engine, w/Leece-Neville Alternator,					
	TA3, TC1	8	1	----	2120 673	2120 673
	ENGINE TO COMPRESSOR (see Fig. 5)					
	w/Model H Air Conditioning	6	1	*2202 769		
	w/225 and 318 cu. in. Engine, w/Air Conditioning .				*2268 222	
	w/Model H Air Conditioning, w/361, 383 and					
	413 cu. in. Engine	8	1	----	1825 903	1825 903
	ENGINE TO ALTERNATOR TO COMPRESSOR					
	(see Fig. 6)					
	w/361 and 383 cu. in. Engine, w/Air					
	Conditioning, TC1, TC2	8	1	----	1947 132	1947 132
	w/413 cu. in. Engine, w/Air Conditioning, TA3 . .	8	1	----	2129 284	2129 284

NOTES

★ Indicates use as required. Numerals in parentheses () refer to notes. Printed in U.S.A.
 ☐ Indicates parts not listed in any previous parts book. Prices and specifications subject to change without notice.
 * Indicates change or addition.

CODE	PART NAME AND DESCRIPTION	CYL	PER CAR	VALIANT DART	PLYMOUTH DODGE	CHRYSLER IMPERIAL
7-02-0 FAN ASSEMBLY						
7-02-1	FAN, w/o Air Conditioning	6	1	2121 971	1947 907	
	w/Air Conditioning	6	1	2206 356	2265 034	
	w/o Air Conditioning	8	1	-----	2265 034	2265 034
	w/o Air Conditioning, w/426 cu. in. Engine . . .	8	1	-----	*2121 013	
	w/Air Conditioning, w/318 cu. in. Engine.	8	1	-----	2120 208	
	w/Air Conditioning, TP2, TD2, w/361 and 383 cu. in. Engine, TC1, TC2	8	1	-----	*2121 013	*2121 013
	w/Air Conditioning, TC1, TC2, TC3, w/413 cu. in. Eng., TA3	8	1	-----	2402 282	2402 282
	w/Air Conditioning, TY1	8	1	-----	-----	2121 014
	w/o Air Conditioning, TC2-300J.	8	1	-----	-----	2121 013
	w/o Air Conditioning, Heavy Duty.	8	1	-----	2120 208	
	w/o Air Conditioning, TP2, TD2, w/361 cu. in. Engine, TC1, TC2, TC3, w/Leece-Neville Alternator	8	1	-----	2120 208	2120 208
	w/Model H Air Conditioning, w/225 cu. in. Engine	6	1	-----	1735 941	
	w/Model H Air Conditioning, w/361, 383 and 413 cu. in. Engine	8	1	-----	1985 513	1985 513
7-02-16	SPACER, w/o Air Conditioning	6	1	2265 037	1730 155	
	w/318 cu. in. Engine	8	1	-----	2265 036	
	w/361, 383, 413 and 426 cu. in. Engine, TC1, TC2, TC3	8	1	-----	1730 155	1730 155
	TY1	8	1	-----	-----	2120 510
	w/Heavy Duty Fan, w/318 cu. in. Engine	8	1	-----	1825 956	
	w/Heavy Duty Fan, w/361, 383 and 413 cu. in. Engine, TC1 Police	8	1	-----	1730 155	1730 155
	w/Leece-Neville Alternator, w/361, 383 and 413 cu. in. Engine, TC1 Police.	8	1	-----	1730 155	1730 155
	w/Air Conditioning	6	1	-----	1825 932	
	w/Air Conditioning, w/318 cu. in. Engine.	8	1	-----	1825 956	
	w/Model H Air Conditioning, w/361, 383 and 413 cu. in. Engine	8	1	-----	*2003 059	*2003 059
7-03-0 FAN AND RELATED DRIVE BELTS						
NOTE: See Illustrations in Front of Group 7.						
7-04-0 FAN AND ALTERNATOR IDLER PULLEY						
7-04-1	PULLEY, Fan Idler	8	1	-----	2240 397	2240 397
	Alternator Idler, w/Leece-Neville Alternator, TC1	8	1	-----	1859 770	1859 770
7-04-5	BRACKET, Fan Idler Pulley, w/318 cu. in. Engine	8	1	-----	2129 666	
	w/361, 383, 413 and 426 cu. in. Engine	8	1	-----	2129 667	2129 667
	Alternator Idler Pulley, TC1.	8	1	-----	2264 517	2264 517
7-04-6	SCREW, Adjusting		★	-----	*2206 300	
7-04-8	REINFORCEMENT, Alternator Idler Pulley Bracket Support, w/Leece-Neville Alternator, w/318 cu. in. Engine	8	1	-----	2406 647	
7-04-9	SUPPORT, Alternator Idler Pulley Bracket, w/Leece-Neville Alternator, w/318, 361, 383 and 413 cu. in. Engine, TC1 Police	8	1	-----	2406 646	2406 646

★ Indicates use as required. Numerals in parentheses () refer to notes. Printed in U.S.A.
 ☐ Indicates parts not listed in any previous parts book. Prices and specifications subject to change without notice.
 * Indicates change or addition.

1963 PASSENGER CAR PARTS CATALOG

CODE	PART NAME AND DESCRIPTION	CYL	PER CAR	VALIANT DART	PLYMOUTH DODGE	CHRYSLER IMPERIAL
7-04-0 FAN AND ALTERNATOR IDLER PULLEY - Cont'd						
7-04-10	SPACER, Alternator Idler Pulley Bracket, Leece-Neville Alternator, w/318 cu. in. Engine	8	1	----	2202 380	
	Alternator Idler Pulley Bracket, w/Leece-Neville Alternator, w/361, 383 and 413 cu. in. Engine, TC1	8	1	----	2203 195	2203 195
	Fan Idler Pulley Bracket, w/Air Conditioning, w/361, 383, 413 and 426 cu. in. Engine	8	1	----	1851 608	1851 608
7-04-13	BRACKET, Alternator Idler Pulley Bracket Spacer, w/Leece-Neville Alternator, w/318 318 cu. in. Engine	8	1	----	1945 384	
7-04-16	SPACER, Alternator Idler Pulley Bearing, TC1 . .	8	1	----	2120 520	2120 520
7-04-20	NUT, Alternator Idler Pulley Bolt, TC1, w/Leece-Neville Alternator	8	1	----	*2072 728	*2072 728
7-05-0 FAN PULLEY HUB						
7-05-1	HUB		1	2129 265	2129 265	2129 265
7-06-0 FAN DRIVE AND DRIVEN PULLEYS						
7-06-1	PULLEY, Drive, w/Power Steering, except Police and Taxi	6	1	2205 518	2205 518	
	w/Leece-Neville Alternator	6	1	2264 449	2264 449	
	w/Air Conditioning	6	1	2202 794	2202 794	
	w/Power Strg., TP1, TD1, Police and Taxi	6	1	----	2202 794	
	w/318 cu. in. Engine, w/o Power Strg.	8	1	----	1821 411	
	w/318 cu. in. Engine, w/Power Strg.	8	1	----	1855 152	
	w/318 cu. in. Engine, w/Air Conditioning	8	1	----	2402 730	
	w/318 cu. in. Engine, w/Leece-Neville Alternator w/361 and 383 cu. in. Engine, w/o Power Strg., w/o Air Conditioning	8	1	----	1859 580	
	w/413 and 426 cu. in. Engine, w/o Power Strg., w/o Air Conditioning	8	1	----	2402 294	
	w/361, 383, 413 and 426 cu. in. Engine, w/Power Strg., w/o Air Conditioning	8	1	----	1826 053	1826 053
	w/361 and 383 cu. in. Engine, w/Air Conditioning	8	1	----	1859 252	1859 252
	w/413 cu. in. Engine, w/Air Conditioning, TA3	8	1	----	2128 545	2128 545
	w/361, 383 and 413 cu. in. Engine, w/Leece-Neville Alternator	8	1	----	1859 252	1859 252
	w/Model H Air Conditioning, w/361, 383 and 413 cu. in. Engine	8	1	----	2011 445	2011 445
7-06-3	HUB, Drive Pulley, w/318 cu. in. Engine, w/Leece-Neville Alternator	8	1	----	1733 805	
7-06-14	PULLEY, Fan Driven	6	1	2202 666	2202 666	
	w/Leece-Neville Alternator	6	1	2264 450	2264 450	
	w/Air Conditioning	6	1	2406 039	2406 039	
	w/318 cu. in. Engine	8	1	----	1852 582	
	w/361 and 383 cu. in. Engine, w/o Air Conditioning, TP2, TD2	8	1	----	*1821 452	
	w/413 and 426 cu. in. Engine, w/o Air Conditioning, TP2, TD2	8	1	----	*2402 296	
	w/361, 383, 413 and 426 cu. in. Engine, w/o Air Conditioning, TA3	8	1	----	*1821 452	*1821 452
	w/361, 383, 413 and 426 cu. in. Engine, w/Air Conditioning	8	1	----	2121 016	2121 016
	w/361, 383 and 413 cu. in. Engine, w/Leece-Neville Alternator, TC1	8	1	----	1851 248	1851 248
	w/Model H Air Conditioning, w/361, 383 and 413 cu. in. Engine	8	1	----	1999 180	1999 180

★ Indicates use as required. Numerals in parentheses () refer to notes. Printed in U.S.A.
 ☐ Indicates parts not listed in any previous parts book. Prices and specifications subject to change without notice.
 Jan. 3, 1964 Supersedes Dec. 14, 1962. Page 7-12 * Indicates change or addition.

CODE	PART NAME AND DESCRIPTION	C Y L.	PER CAR	VALIANT DART	PLYMOUTH DODGE	CHRYSLER IMPERIAL
7-07-O FAN FLUID DRIVE UNIT						
7-07-1	UNIT, Fan Fluid Drive, w/o Thermostatic Coil, w/Air Conditioning, w/361 and 383 cu. in. Engine, TP2, TD2	8	1	----	*2268 903	
	w/361 and 383 cu. in. Engine, TA3, TC1, TC2 . .	8	1	----	2421 130	2421 130
	w/413 cu. in. Engine, TA3	8	1	----	*2402 848	*2402 848
	w/o Air Conditioning, TC2-300J	8	1	----	----	*2402 848
	w/Thermostatic Coil, w/Air Conditioning, TA3 .	8	1	----	*2402 848	*2402 848
	w/o Air Conditioning, TP2, TD2, w/426 cu. in. Engine	8	1	----	*2268 903	
7-08-O RADIATOR CORE FAN SHROUD						
7-08-2	SHROUD, Upper.	6	1	2417 435		
	Lower	6	1	2417 442		
	Upper and Lower	6	2	----	1686 463	
	Upper, TC1, TC2, TC3	8	1	----	2417 423	2417 423
	Lower, TC1, TC2, TC3	8	1	----	2417 427	2417 427
	Upper, TY1	8	1	----	----	1686 412
	Lower, TY1	8	1	----	----	1686 414
7-08-7	BUMPER, TY1	8	4	----	----	1624 506
7-08-9	FILLER, to Core, Upper.	6	1	----	2099 962	
	Lower	6	1	----	2099 963	
7-08-13	BRACKET, Right	6	1	*2417 444	2099 944	
	Left	6	1	----	2099 945	
	TP2, TD2	8	4	----	2099 555	
	Right, TY1	8	1	----	----	1686 451
	Left, TY1	8	1	----	----	1686 453
7-08-15	STUD, Upper to Lower Shroud, TC1, TC2, TC3 . .	8	2	----	*1641 903	*1641 903
7-08-16	NUT	6	2	6000 124	6000 124	
	TC1, TC2, TC3	8	4	----	6000 124	6000 124
	TY1	8	4	----	----	6010 006
7-11-O RADIATOR CORE						
				Standard	High Altitude	Air Conditioning
7-11-3	CORE, TL1, TV1, w/Std. Trans.	6	1	2276 825	2276 822	
	TL1, TV1, w/Auto. Trans.	6	1	2276 826	2276 822	
	TP1, TD1, w/Std. Trans.	6	1	2276 832	2276 830	2276 831
	TP1, TD1, w/Auto. Trans.	6	1	2276 833	2276 830	2276 831
	TP2, TD2, w/Std. Trans., w/318 cu.in. Engine . .	8	1	2276 837	2276 839	2276 839
	TP2, TD2, w/Auto. Trans., w/318 cu.in. Engine .	8	1	2276 838	2276 839	2276 839
	TP2, TD2, w/361 or 426 cu. in. Engine	8	1	2276 844	2276 842	2276 842
	TP2, TD2, w/383 cu. in. Engine.	8	1	2276 842	2276 842	2276 842
	TP2-P, TD2-P, w/383 cu. in. Engine	8	1	2276 844	2276 842	2276 842
	TA3, TC1, TC2, w/361 and 383 cu. in. Engine . . .	8	1	2276 849	2276 847	2276 848
	TC1, TC2, TC3, w/413 cu. in. Engine	8	1	2276 853	2276 851	2276 852
	TY1, w/413 cu. in. Engine	8	1	2276 854	2276 855	2276 855

★ Indicates use as required. Numerals in parentheses () refer to notes. Printed in U.S.A.
 ☐ Indicates parts not listed in any previous parts book. Prices and specifications subject to change without notice.
 * Indicates change or addition. Jan. 3, 1964 Supersedes Dec. 14, 1962.

1963 PASSENGER CAR PARTS CATALOG

COOLING

CODE	PART NAME AND DESCRIPTION	C Y L.	PER CAR	VALIANT DART	PLYMOUTH DODGE	CHRYSLER IMPERIAL
7-12-O RADIATOR FILLER CAP						
7-12-1	CAP		1	1686 107	1686 107	1686 107
7-13-O RADIATOR DRAIN COCK						
7-13-2	DRAIN COCK		1	1686 198	1686 198	1686 198
7-14-O RADIATOR HOSE						
7-14-4	HOSE, Inlet, Upper, w/170 cu. in. Engine	6	1	2268 911		
	w/225 cu. in. Engine	6	1	2268 912	1881 804	
	w/Air Conditioning	6	1	*1881 805	*1881 805	
	w/Auto. Trans., TP1, TD1, Police and Taxi	6	1	----	*2406 713	
	w/o Air Conditioning, TP2, TD2	8	1	----	*1881 813	
	TA3	8	1	----	*1881 804	*1881 804
	w/Air Conditioning	8	1	----	1881 806	1881 805
	w/361 and 383 cu. in. Engine, w/Leece- Neville Alternator	8	1	----	1881 806	
	w/361, 383 and 413 cu. in. Engine, w/Leece- Neville Alternator, TA3	8	1	----	2268 986	2268 986
7-14-5	HOSE, Outlet, Lower	6	1	2268 651	2268 598	
	w/Auto. Trans., TP1, TD1, Police and Taxi	6	1	----	2406 714	
	w/318 cu. in. Engine	8	1	----	1881 805	
	w/361, 383, 413 and 426 cu. in. Engine, TC1, TC2, TC3	8	1	----	2196 934	2196 934
	TY1	8	1	----	----	1881 809
7-14-9	HOSE, Water Pump By-Pass, 50 foot roll, 5/8" I.D. w/318 cu. in. Engine	6	★	*1315 466	*1315 466	
		8	1	----	1730 366	
7-14-10	CLAMP PACKAGE, Radiator Hose, Large, 1 1/2" to 2 3/4"		★	1450 500	1450 500	1450 500
7-14-13	CLAMP, Hose, Worm Gear Type, 1 1/4" to 1 15/16"		★	E2448 762	E2448 762	E2448 762
	1 1/2" to 2 1/4"		★	E2448 763	E2448 763	E2448 763
	2 1/8" to 2 7/8"		★	E2448 764	E2448 764	E2448 764
7-14-31	HOSE, Radiator Overflow 9/32" I.D. (sold by the inch)		★	*1904 950	*1904 950	*1904 950
7-16-O RADIATOR GRILLE						
7-16-11	GRILLE, TV1	6	1	2276 048		
	TL1	6	1	2276 114		
	Center, TP1, TP2		1	----	2276 304	
	Right, TP1, TP2		1	----	2276 306	
	Left, TP1, TP2		1	----	2276 307	
	TD1, TD2		1	----	2417 250	
	GRILLE, TC1	8	1	----	----	2445 088
	TC2	8	1	----	----	2276 409
	Right, TA3, TC3	8	1	----	2417 282	2276 418
	Left, TA3, TC3	8	1	----	2417 283	2276 419
	Center, Right, TY1	8	1	----	----	2276 718
	Center, Left, TY1	8	1	----	----	2276 719
	Intermediate, Right, TY1	8	1	----	----	2276 720
	Intermediate, Left, TY1	8	1	----	----	2276 721
	Outer, Right, TY1	8	1	----	----	2276 722
	Outer, Left, TY1	8	1	----	----	2276 723
7-16-12	SCREW, to Grille, TV1	6	3	*6022 951		
	Grille Panel to Yoke Crossmember, TV1	6	2	6022 951		

★ Indicates use as required. Numerals in parentheses () refer to notes. Printed in U.S.A.
 E Indicates parts not listed in any previous parts book. Prices and specifications subject to change without notice.
 Jan. 3, 1964 Supersedes Dec. 14, 1962. * Indicates change or addition.

CODE	PART NAME AND DESCRIPTION	CYL	PER CAR	VALIANT DART	PLYMOUTH DODGE	CHRYSLER IMPERIAL
7-16-0 RADIATOR GRILLE - Cont'd						
7-16-12	SCREW - Cont'd					
	Grille Panel to Headlamp Housing, TV1	6	6	6022 951		
	To Radiator Cross Bar, TL1	6	6	6022 951		
	Grille to Cross Bar, TP1, TP2		6	----	6022 951	
	Grille to Headlamp Plate, TP1, TP2		2	----	6022 951	
	Grille Frame to Grille, TD1, TD2		6	----	6022 951	
	Grille Frame to Hood Lock Brace, TD1, TD2		1	----	6022 951	
	Grille to Radiator Cross Bar, TC1	8	8	----	----	6022 951
	Grille to Frame, TC1	8	5	----	----	*6023 535
	Grille to Frame, TC1	8	2	----	----	6024 000
	Grille to Frame, TC2	8	8	----	----	6023 535
	Grille to Cross Bar, TC2	8	6	----	----	6023 535
	Grille Bar to Lower Front Bracket, TC2	8	1	----	----	6023 535
	Grille to Grille Frame, TC3	8	12	----	----	6024 004
	Grille to Grille Frame Wedge, TC3	8	12	----	----	6024 009
	Grille Frame to Bracket, TC3	8	4	----	----	6023 368
7-16-15	SEAL, Radiator Grille Extension, TD1, TD2		6	----	2097 419	
7-16-19	WEDGE, Grille to Frame, TC3	8	12	----	----	2276 875
7-16-22	BRACE, TY1	8	2	----	----	1904 131
7-16-25	BRACKET, Grille and Grille Panel, TA3	8	5	----	2417 483	
	Grille Frame to Grille Opening Frame, TC3	8	4	----	----	2276 421
	Grille Frame to Cross Bar, TC3	8	4	----	----	2276 631
7-16-29	SUPPORT, Grille Bar Grille Opening Frame, TC2	8	2	----	----	2445 036
7-16-36	GRILLE FRAME and MOULDINGS					
	NOTE: See Exterior Moulding Illustrations in Front of Group 23 Body.					
7-16-37	CLIP, Grille Opening Moulding, TC1, TC2, TC3	8	9	----	----	6001 070
7-16-38	NUT, Grille to Grille Panel, TV1	6	2	6023 164		
	Grille to Grille Panel, TV1	6	6	6023 201		
	Grille to Headlamp Door, TD1, TD2		4	----	*6023 165	
	Grille to Hood Lock Support, TD1, TD2		1	----	6023 168	
	Grille to Hood Lock Support Brace, TD1, TD2		1	----	6023 152	
	Grille to Grille Frame, TD1, TD2, TC2	8	----	----	6023 152	6023 152
	Grille to Lock Support Bracket, TA3	8	1	----	6023 670	
	Right Grille to Left Grille, TA3	8	2	----	6023 670	
	Grille to Frame, Side, TC1	8	2	----	----	6025 002
	Grille to Frame, Lower, TC1	8	5	----	----	*6023 165
	Grille to Cross Bar, TC2	8	6	----	----	*6023 165
	Grille to Frame, TC2	8	1	----	----	*6023 165
	Grille Frame to Grille Opening Frame, TC3	8	4	----	----	6023 152
	Grille Moulding, TC1, TC2, TC3	8	★	----	----	6023 284
	Grille Frame to Grille Panel, TC1, TC2, TC3	8	5	----	----	6023 284
	Grille Frame to Fender, TC1, TC2, TC3	8	4	----	----	6023 284
	Grille Panel to Fender, TC1, TC2, TC3	8	4	----	----	6023 167
	Grille to Grille Frame, TY1	8	22	----	----	6023 202
	Grille Frame Attaching, TY1	8	14	----	----	6023 202
7-16-44	GRILLE MOULDING CAP					
	NOTE: See Exterior Moulding Illustrations in Front of Group 23 Body.					
7-16-47	BAR, Center, TC2	8	1	----	----	2276 412

★ Indicates use as required.

Numerals in parentheses () refer to notes.

Printed in U.S.A.

□ Indicates parts not listed in any previous parts book.

Prices and specifications subject to change without notice.

* Indicates change or addition.

Jan. 3, 1964 Supersedes Dec. 14, 1962.

1963 PASSENGER CAR PARTS CATALOG

COOLING

CODE	PART NAME AND DESCRIPTION	C Y L.	PER CAR	VALIANT DART	PLYMOUTH DODGE	CHRYSLER IMPERIAL
7-16-0 RADIATOR GRILLE - Cont'd						
7-16-55	REINFORCEMENT, Grille Panel to Yoke Crossmember, TV1	6	1	2276 511		
7-16-59	GASKET, to Stone Deflector, TP1, TP2		1	----	2276 623	
7-16-63	PANEL, Grille, TV1	6	1	2276 049		
	Grille Panel to Yoke, Lower, Right, TV1.	6	1	2276 506		
	Left, TV1	6	1	2276 507		
	Grille, Center, TA3, TC1, TC2, TC3	8	1	----	2417 836	2276 422
	Grille, Lower, TY1.	8	1	----	----	1904 139
7-16-65	DOOR, Hood Lock Access, TC1.	8	1	----	----	2276 565
7-16-66	SPRING, Hood Lock Access Door, TC1	8	1	----	----	2276 566
7-16-67	REINFORCEMENT, Grille Panel, TV1	6	1	2276 063		
7-16-70	PIN, Hood Lock Access Door, TC1.	8	1	----	----	2276 567
7-16-80	RETAINER, Access Door Pin, TC1	8	1	----	----	6006 079
7-16-82	BUMPER, Radiator Center Grille, TP1, TP2		6	----	1651 493	

7-17-0 RADIATOR GRILLE MEDALLION OR ORNAMENT

NOTE: See Exterior Moulding Illustrations in Front of Group 23 Body.

7-26-0 RADIATOR YOKE						
7-26-2	YOKE, TA3, TC1, TC2, TC3	8	1	----	2276 914	2276 914
	TY1	8	1	----	----	2425 490
7-26-3	BRACKET, Yoke to Stone Deflector, Right, TD1, TD2 Left, TD1, TD2		1	----	2417 616	
			1	----	2417 617	
7-26-5	STUD, to Side Shield, TP1, TP2, TD1, TD2		2	6022 016	6022 016	
	To Fender Shear Panel, TY1	8	6	----	----	B6024 628
	To Frame, TA3	8	2	----	----	B6024 628
	To Side Shield, TA3, TC1, TC2, TC3	8	2	----	----	B6024 628
7-26-8	WASHER, to Side Shield		2	----	6022 784	
	To Frame, TA3.	8	2	----	6022 193	6022 193
7-26-9	SEAL, to Hood, w/Air Conditioning, TP1, TP2, TD1, TD2		1	----	2276 650	
	TA3	8	1	----	2417 505	
7-26-11	NUT, Radiator Yoke to Headlamp Mounting Bracket, TP1, TP2		2	----	6023 167	
7-26-15	SHIELD, Air, TL1, TY1		1	2276 118	----	1903 457
7-26-17	CLIP, Hood Seal, w/Air Conditioning		7	----	6001 015	
	Yoke to Core Air Shield, TA3, TY1	8	4	----	6010 060	6010 060
7-26-18	SHIM, Crossmember to Side Shield	6	4	B6001 071		
	To Frame, TA3.	8	★	----	1902 763	1902 763
7-26-24	REINFORCEMENT, Air Shield Center, TL1	6	1	2417 215		
7-26-28	BRACKET, Inner Headlamp Mounting Plate, TP1, TP2		2	----	2276 898	
7-26-29	NUT, Air Shield to Fender, TL1	6	6	6023 167		
	Air Shield Reinforcement to Frame, TL1	6	2	*6023 168		

★ Indicates use as required. Numerals in parentheses () refer to notes. Printed in U.S.A.
 B Indicates parts not listed in any previous parts book. Prices and specifications subject to change without notice.
 Jan. 3, 1964 Supersedes Dec. 14, 1962. Page 7-16 * Indicates change or addition.

CODE	PART NAME AND DESCRIPTION	C Y L.	PER CAR	VALIANT DART	PLYMOUTH DODGE	CHRYSLER IMPERIAL
7-26-0 RADIATOR YOKE - Cont'd						
7-26-30	PANEL, Side, Right		1	2276 394	2099 334	
	Left		1	2276 395	2099 335	
7-26-32	CROSSMEMBER, Side Panel		1	2276 066	2099 339	
NOTE: For Lower Crossmember See Part Type Code 23-32-17.						
7-26-37	BRACKET, Upper Crossmember to Side Shield, Right		1	----	2099 598	
	Left		1	----	2099 599	
7-31-0 RADIATOR DUST SHIELD						
7-31-10	SHIELD, Dust, TP1, TP2		1	----	2276 320	
	TD1, TD2, TC1, TC2, TC3		1	----	2276 179	2276 431
	TA3, TY1	8	1	----	2417 291	2099 639
7-31-14	NUT, To Fender		★	6023 167	6023 167	
	To Headlamp Splash Shield		2	----	6023 167	
	To Headlamp Plate, TC1, TC2, TC3	8	4	----	----	6022 802
	To Center Grille Panel, TC1, TC2, TC3	8	5	----	----	6022 802
	To Yoke, TC1, TC2, TC3	8	4	----	----	*6022 802
	To Lock Support, TC1, TC2, TC3	8	1	----	----	*6022 802
7-31-28	BRACE, Center, TD1, TD2		1	----	2276 180	
7-31-45	SHIM, Radiator Yoke to Fender, TA3	8	★	----	1903 036	1903 036
7-33-0 RADIATOR CROSS BAR						
7-33-1	BAR, TL1, TP1, TP2		1	2276 116	2276 305	
	TD1, TD2		1	----	2276 174	
	TA3, TC1, TC2, TC3	8	1	----	2417 313	2276 424
	TY1	8	1	----	----	2417 834
	To Bracket, TC2	8	2	----	----	6022 951
	Cross Bar, TC1, TC2, TC3	8	4	----	----	6022 802
	To Grille Bar, TC2	8	2	----	----	6023 535
7-35-0 RADIATOR STONE DEFLECTOR						
7-35-2	DEFLECTOR, TP1, TP2		1	----	2276 318	
	TD1, TD2		1	----	2276 184	
	TA3	8	1	----	2417 289	
7-35-13	NUT, TP1, TP2		★	----	6023 152	
	TD1, TD2, TA3		★	----	6023 167	
7-41-0 THERMOSTAT						
7-41-4	THERMOSTAT, 160° Fahrenheit	6	1	2129 206	2129 206	
	180° Fahrenheit	6	1	2129 205	2129 205	
	180° Fahrenheit	8	1	----	1735 011	1735 011
7-42-0 WATER PUMP						
7-42-1	WATER PUMP PACKAGE	6	1	2196 910	2196 910	
	w/318 cu. in. Engine	8	1	----	2448 315	
	w/361, 383, 413 and 426 cu. in. Engine, w/o Air Conditioning	8	1	----	2448 326	2448 326
	w/361, 383, 413 and 426 cu. in. Engine, w/Air Conditioning	8	1	----	2448 328	2448 328

★ Indicates use as required.

Numerals in parentheses () refer to notes.

Printed in U.S.A.

☐ Indicates parts not listed in any previous parts book.

Prices and specifications subject to change without notice.

* Indicates change or addition.

1963 PASSENGER CAR PARTS CATALOG

COOLING

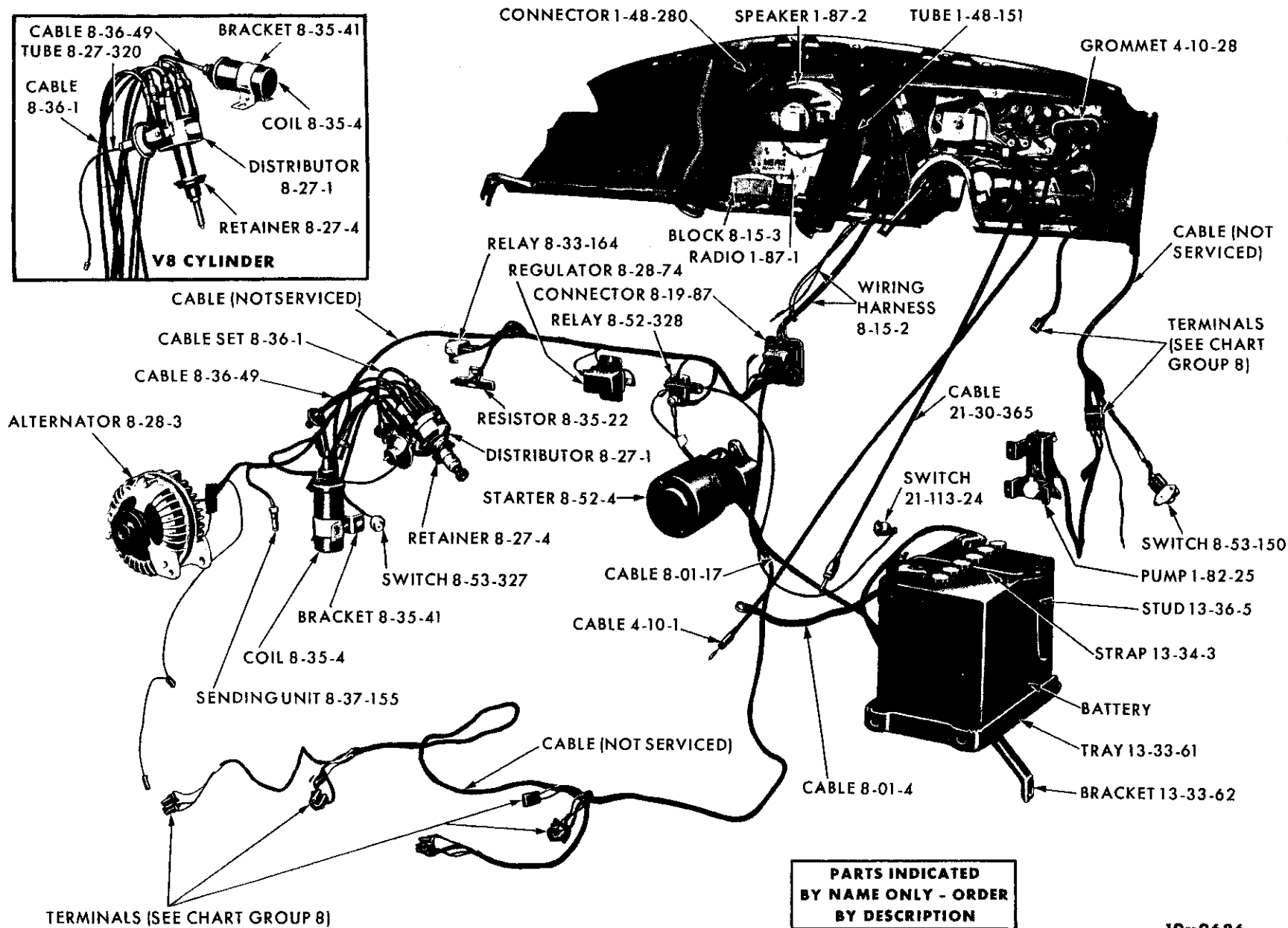
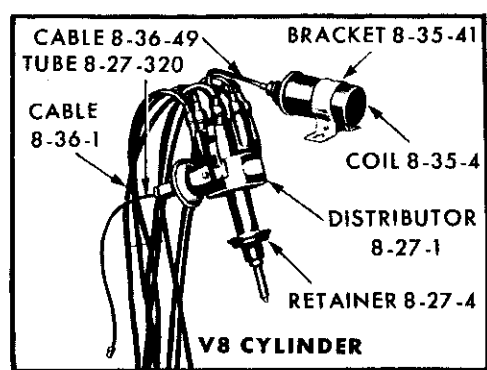
CODE	PART NAME AND DESCRIPTION	CYL.	PER CAR	VALIANT DART	PLYMOUTH DODGE	CHRYSLER IMPERIAL
7-42-O WATER PUMP - Cont'd						
7-42-4	REPAIR PACKAGE, Water Pump	6	1	2298 907	2298 907	
	w/318 cu. in. Engine	8	1	-----	2421 376	
	w/361, 383, 413 and 426 cu. in. Engine, w/o Air Conditioning	8	1	-----	2448 327	2448 327
	w/361, 383, 413 and 426 cu. in. Engine, w/Air Conditioning	8	1	-----	2448 329	2448 329
7-43-O WATER PUMP HOUSING						
7-43-1	HOUSING, w/361, 383, 413 and 426 cu.in.Engine, w/o Air Conditioning, except TC2-300J	8	1	-----	*2448 759	*2448 759
	w/Air Conditioning	8	1	-----	2240 318	2240 318
	w/o Air Conditioning, TC2-300J	8	1	-----	-----	2240 318
7-43-8	CAP, Heater Hole	6	1	2128 425	2128 425	
7-44-O WATER PUMP GASKET						
7-44-3	GASKET, Body	6	1	1947 521	1947 521	
	w/318 cu. in. Engine	8	1	-----	2129 013	
	w/361, 383, 413 and 426 cu. in. Engine	8	1	-----	1737 705	1737 705
7-44-4	GASKET, to Intermediate Plate	6	1	1947 523	1947 523	
	To Cylinder Block, w/361, 383, 413 and 426 cu. in. Engine	8	2	-----	1737 761	1737 761
7-45-O WATER PUMP SHAFT AND IMPELLER						
7-45-31	IMPELLER	6	1	2205 549	2205 549	
	w/318 cu. in. Engine	8	1	-----	2402 795	
	w/361, 383, 413 and 426 cu. in. Engine, w/o Air Conditioning	8	1	-----	2402 909	2402 909
	w/361, 383, 413 and 426 cu. in. Engine, w/Air Conditioning	8	1	-----	2402 923	2402 923
7-46-O WATER PUMP SEAL						
7-46-1	SEAL		1	2120 955	2120 955	2120 955
7-48-O WATER PUMP ELBOW OR NIPPLE						
7-48-22	NIPPLE, By-Pass	6	1	1947 643	1947 643	

NOTES

★ Indicates use as required. Numerals in parentheses () refer to notes. Printed in U.S.A.
 ☐ Indicates parts not listed in any previous parts book. Prices and specifications subject to change without notice.
 * Indicates change or addition.

GROUP 8 - ELECTRICAL

19x9686

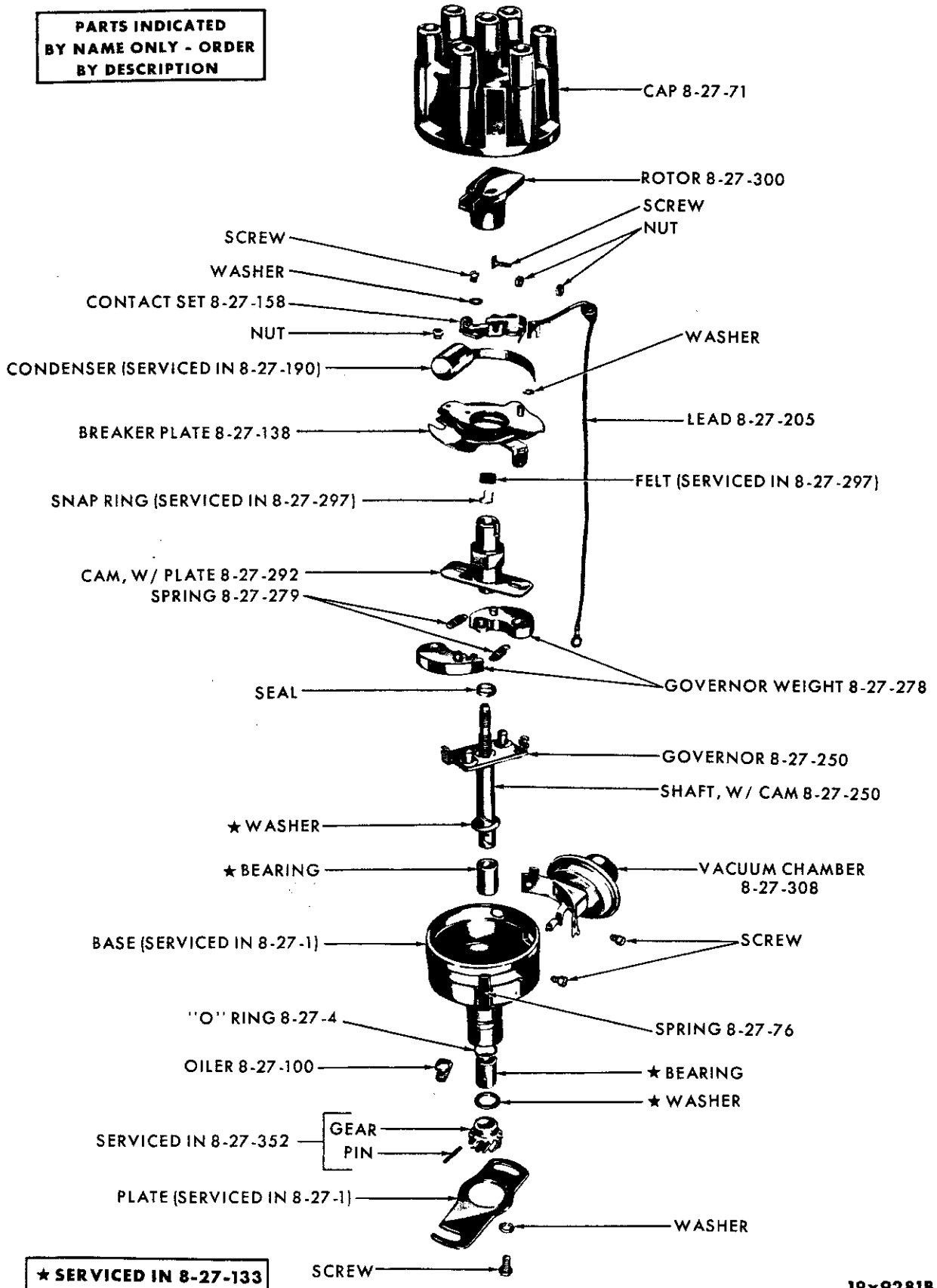


PARTS INDICATED BY NAME ONLY - ORDER BY DESCRIPTION

ELECTRICAL SYSTEM

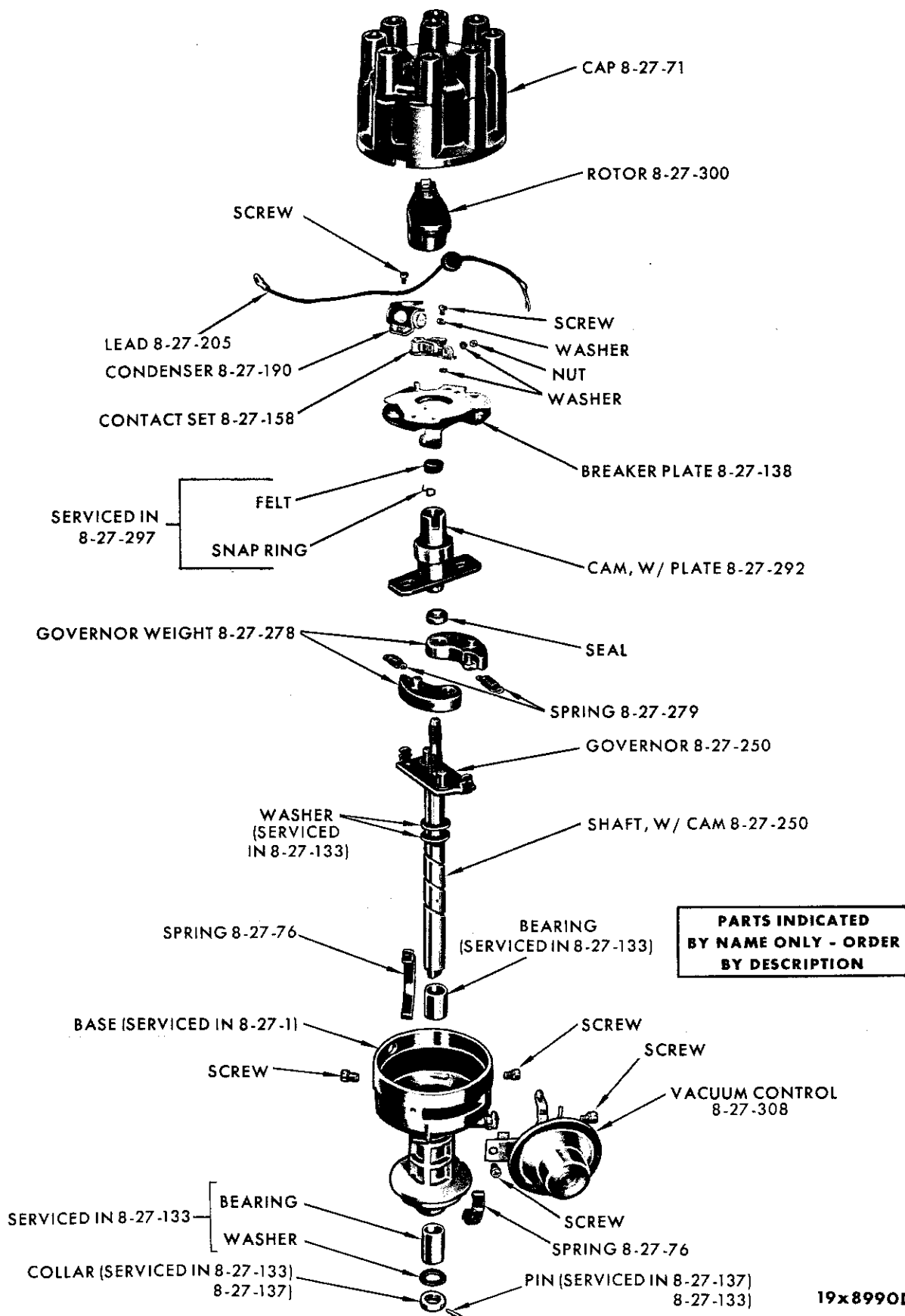
MyMopar.com

**PARTS INDICATED
BY NAME ONLY - ORDER
BY DESCRIPTION**



19x9281B

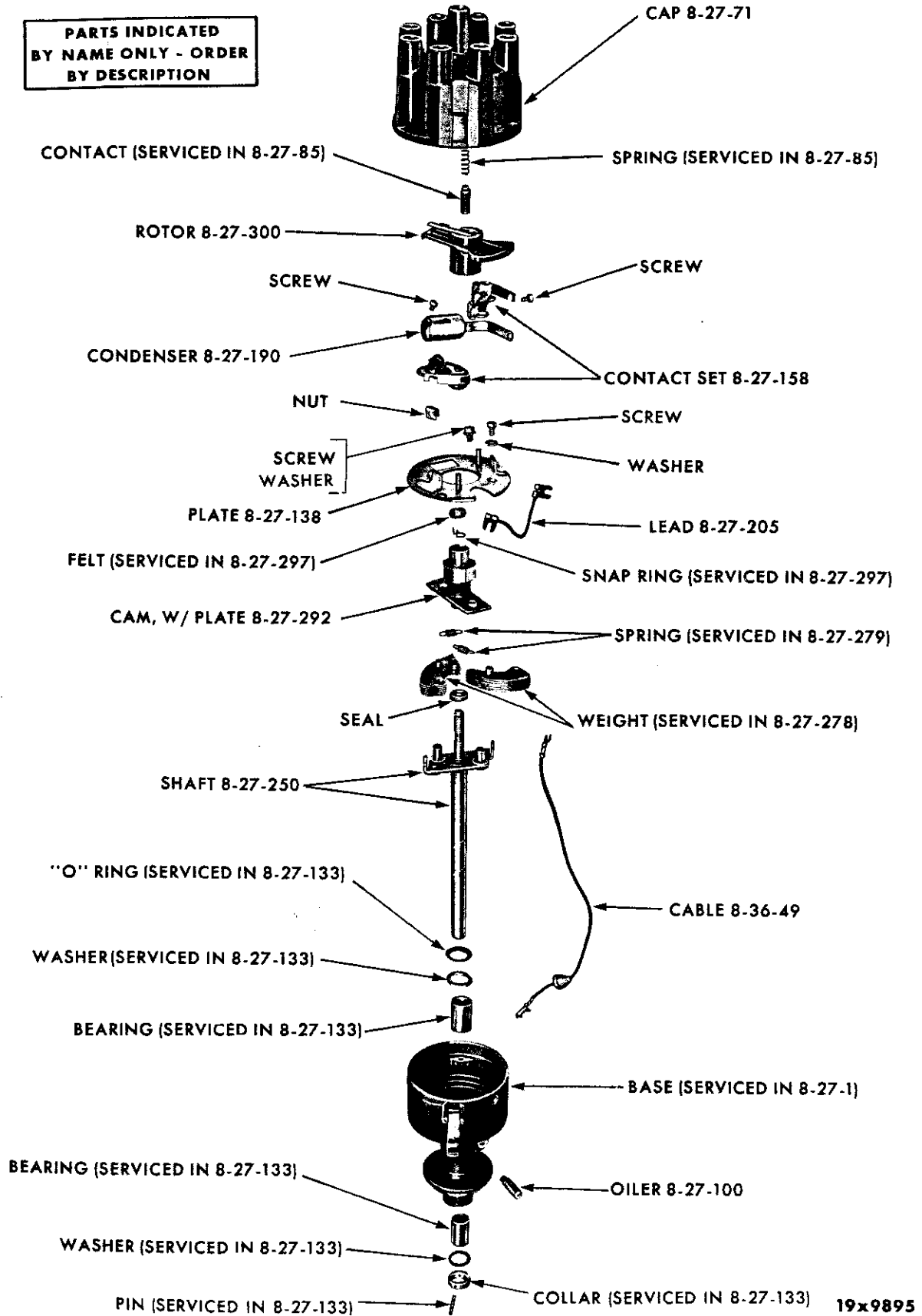
DISTRIBUTOR ASSEMBLY - 6 CYLINDER



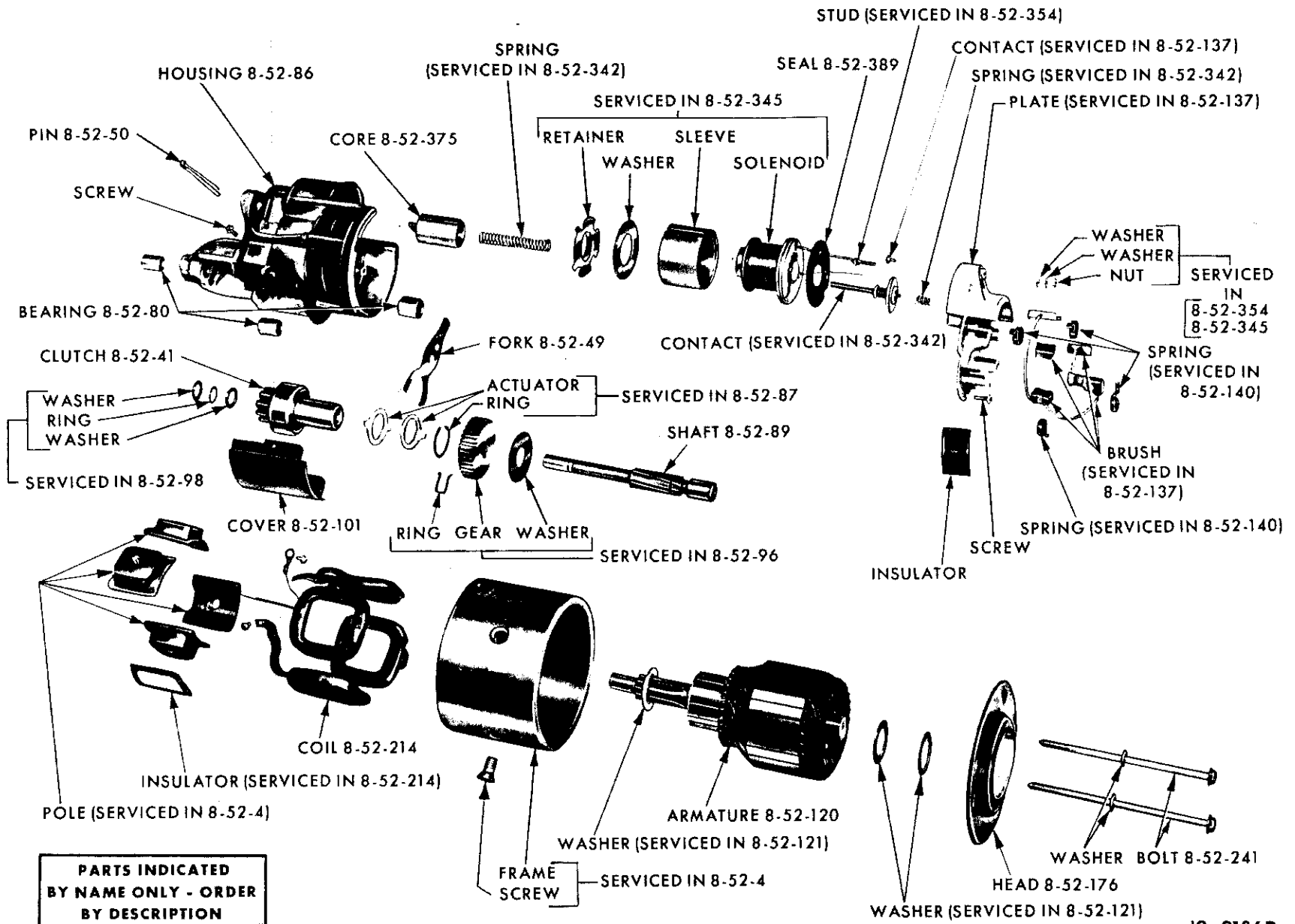
19x8990D

DISTRIBUTOR ASSEMBLY - V8 CYLINDER

PARTS INDICATED BY NAME ONLY - ORDER BY DESCRIPTION



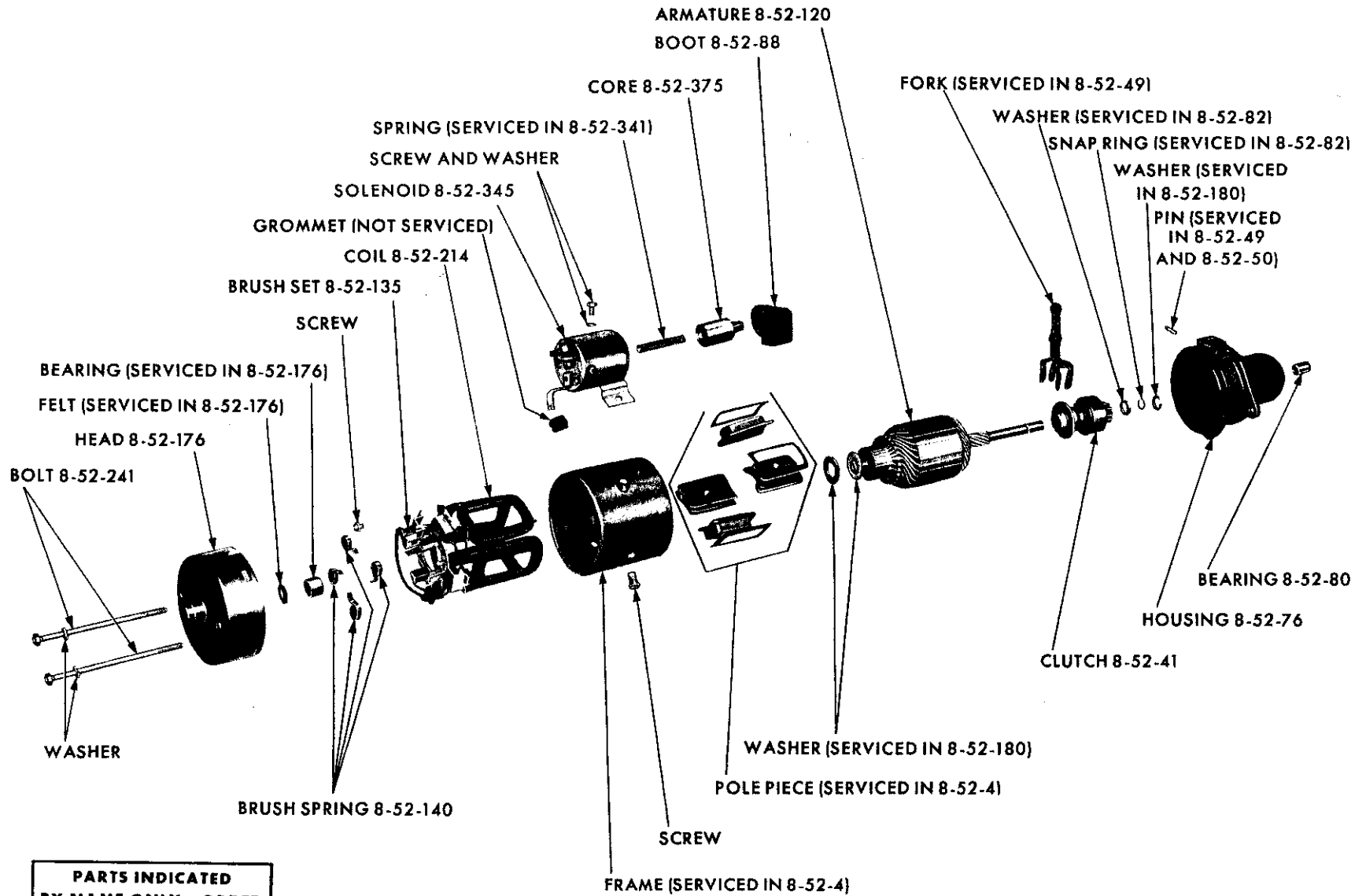
DISTRIBUTOR ASSEMBLY - PLYMOUTH VP2 AND DODGE VD2 (WITH 426 CU. IN. ENG.)



**PARTS INDICATED
BY NAME ONLY - ORDER
BY DESCRIPTION**

STARTER ASSEMBLY (2095 150) - V8 CYLINDER

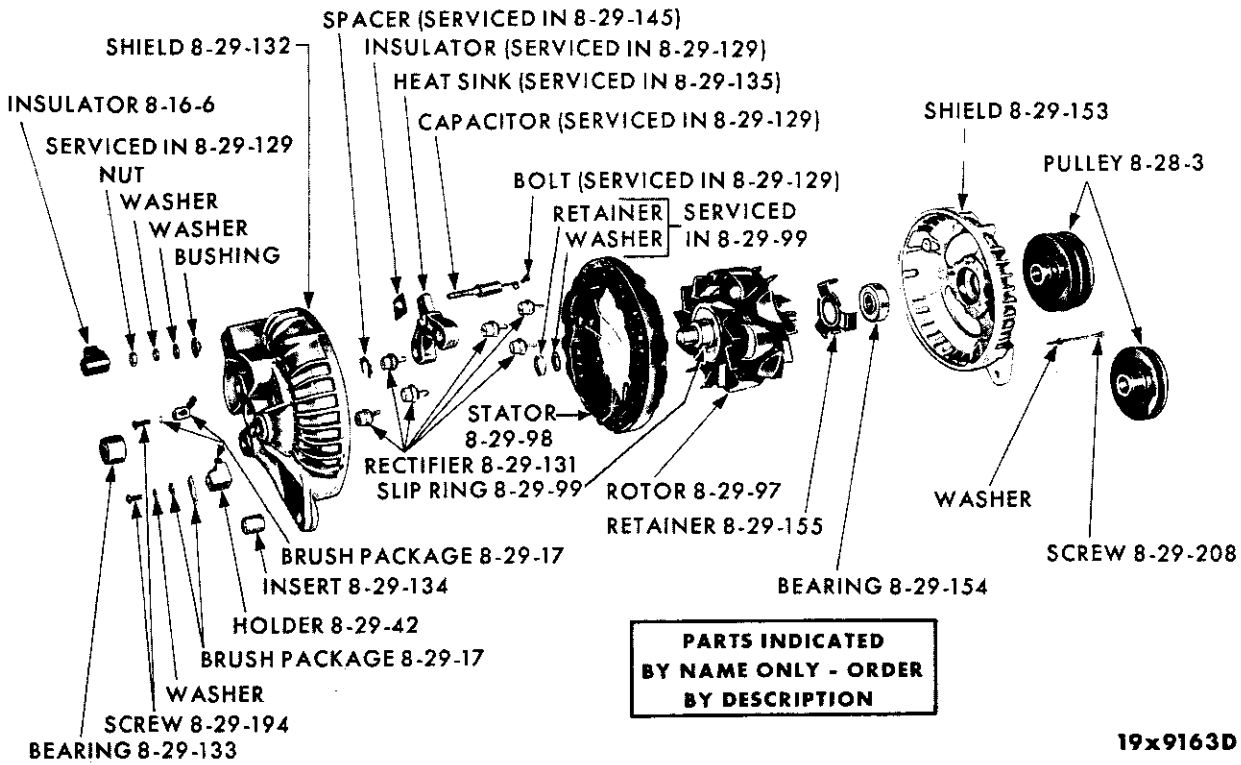
19x9186D



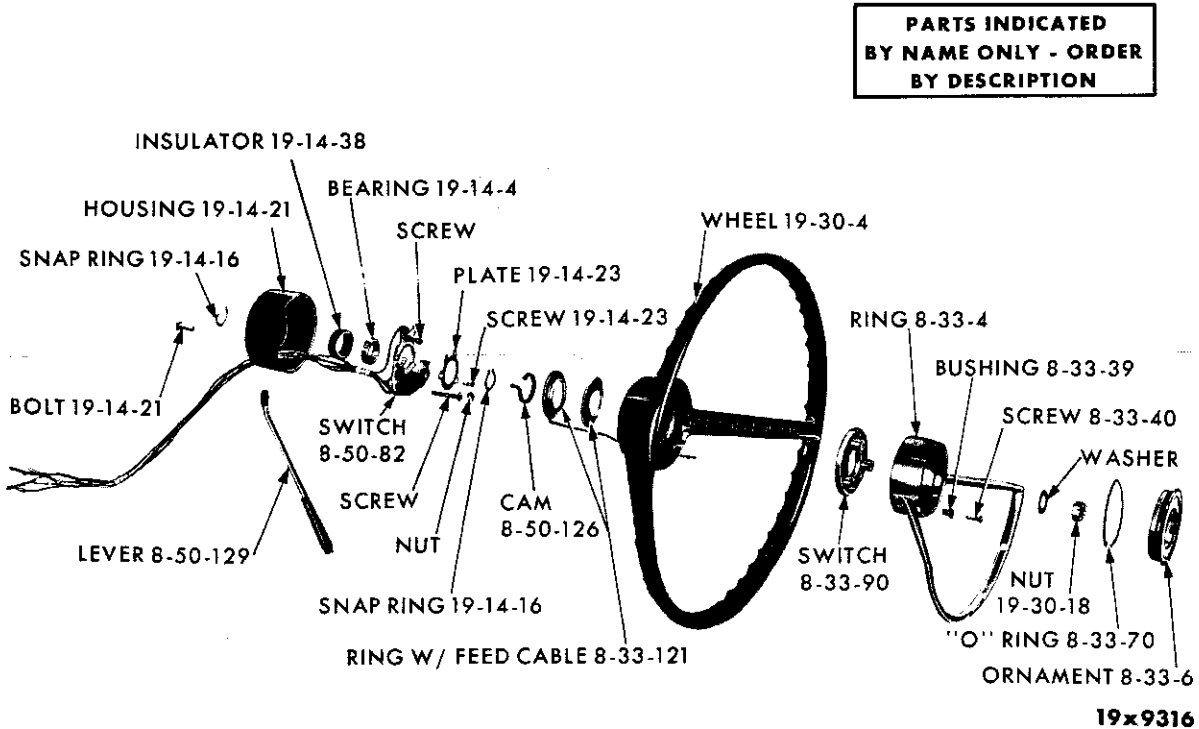
**PARTS INDICATED
BY NAME ONLY - ORDER
BY DESCRIPTION**

19x8726D

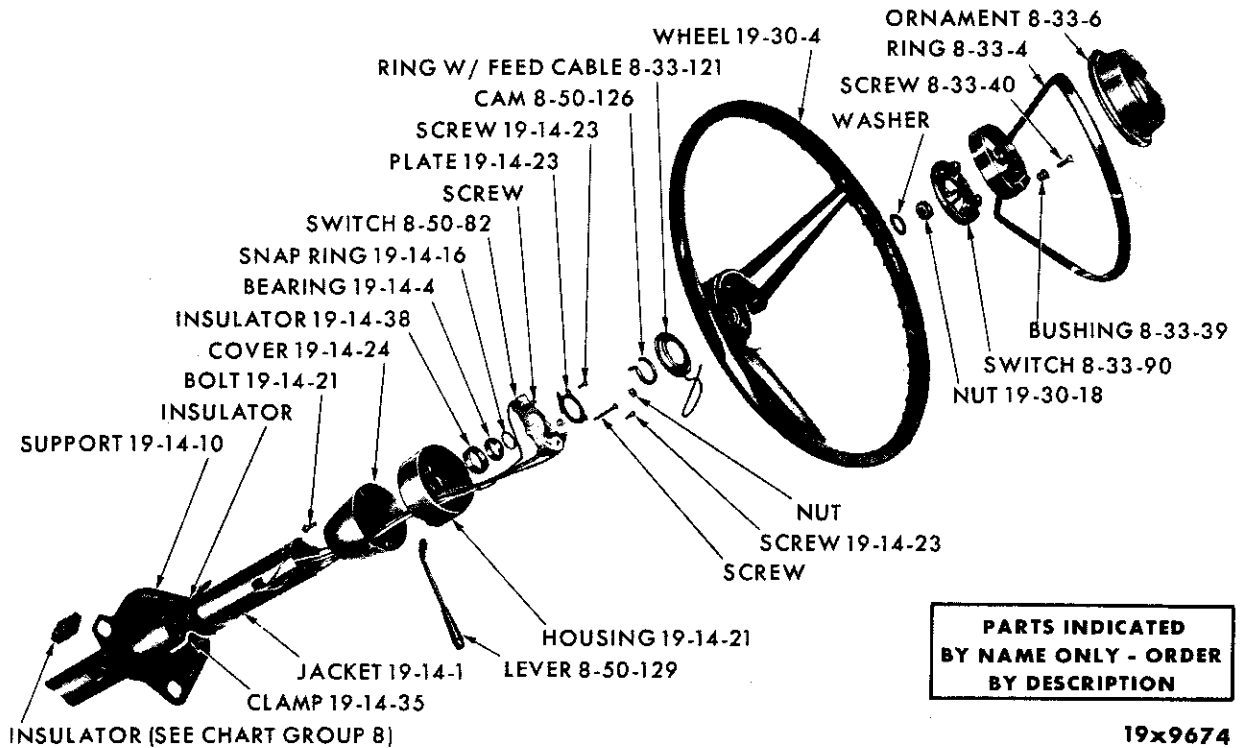
STARTER (STANDARD TRANSMISSION) - DODGE TA3 AND CHRYSLER TC1-2



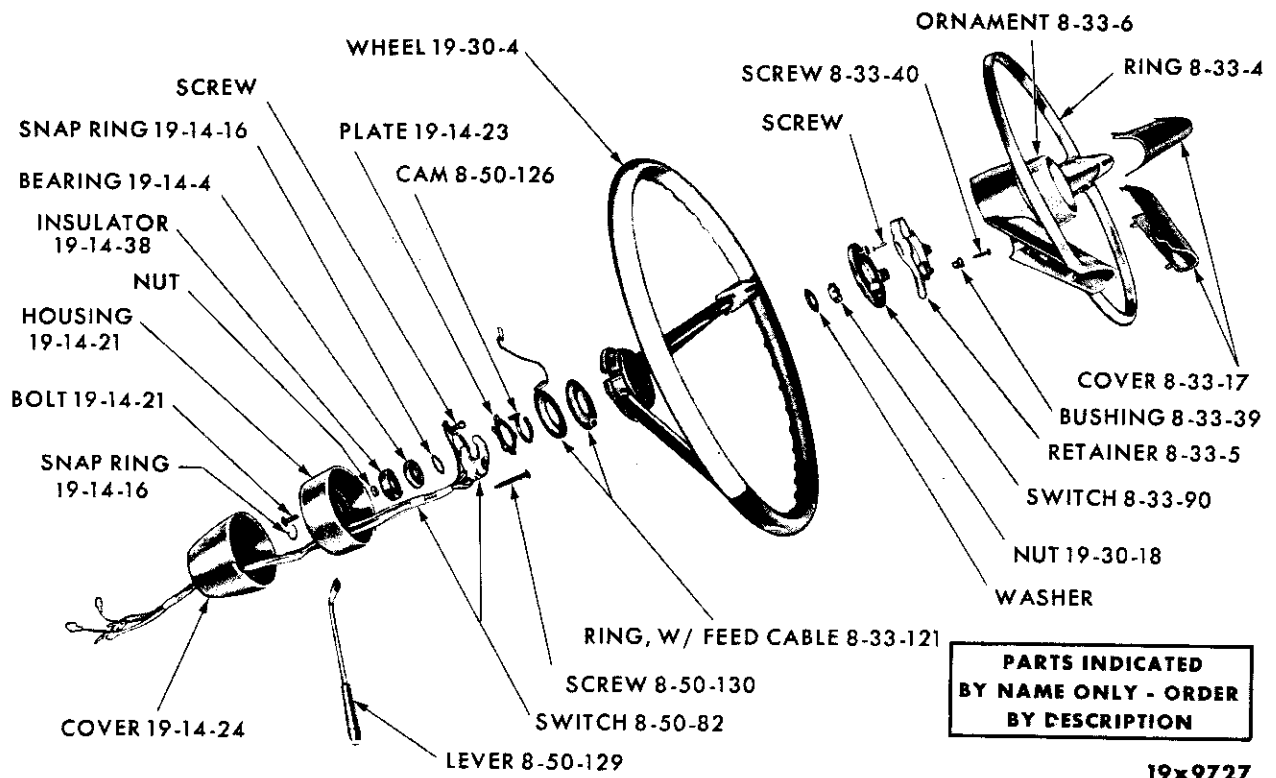
ALTERNATOR



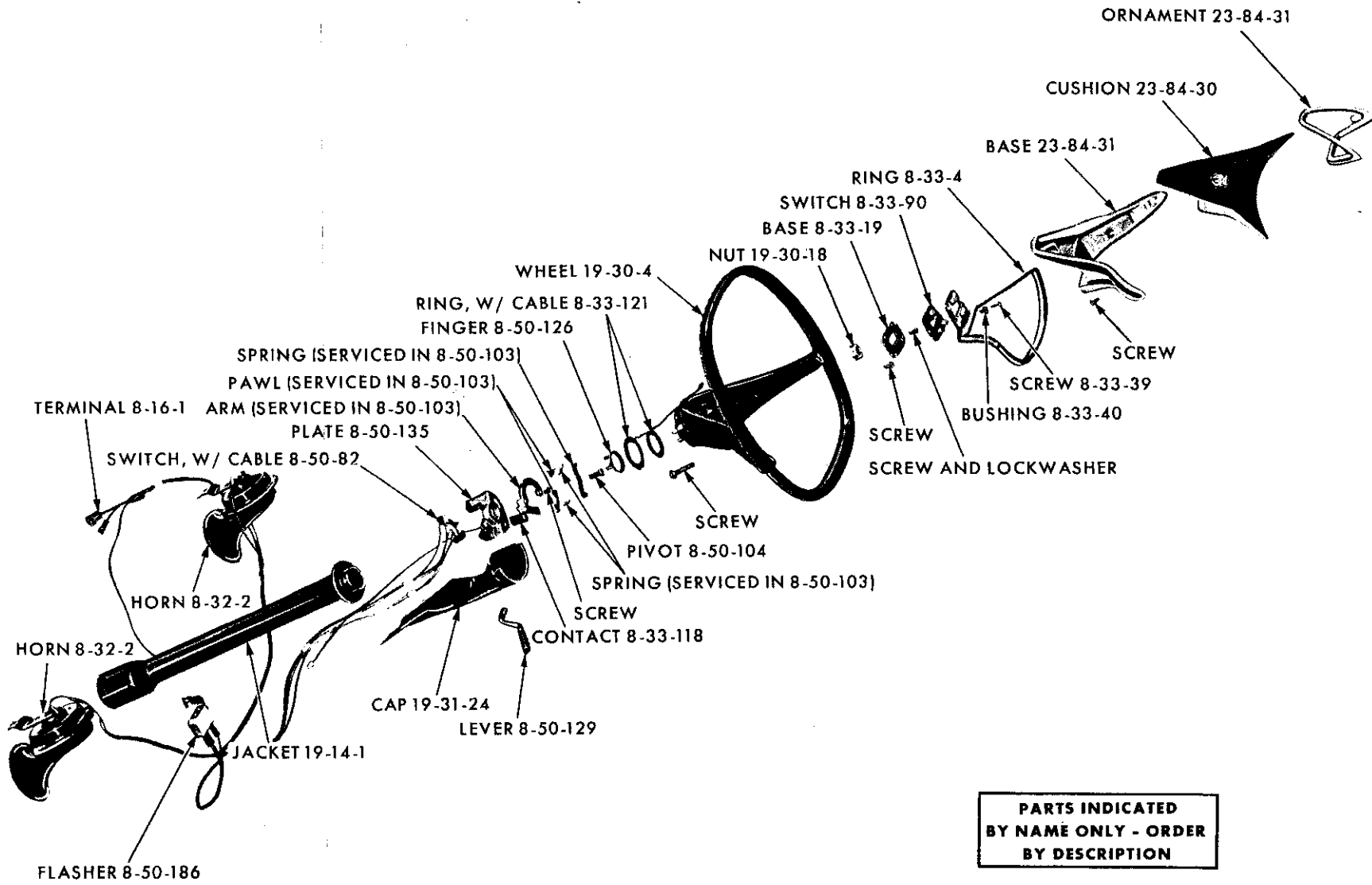
HORN AND DIRECTIONAL SIGNAL CONTROLS - VALIANT TV1



STEERING WHEEL TURN SIGNAL AND HORN CONTROLS - PLYMOUTH TP1-2

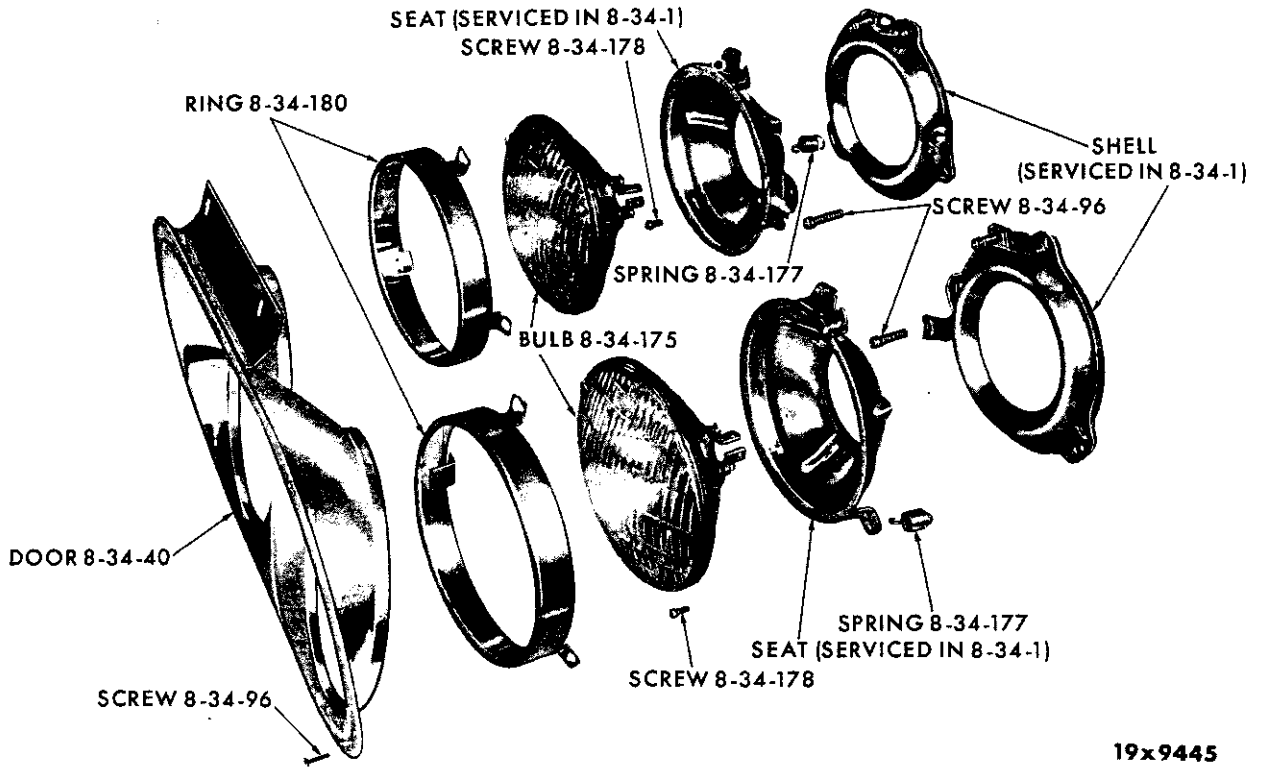


HORN AND DIRECTIONAL SIGNAL CONTROLS - PLYMOUTH TP1-2 (DELUXE)

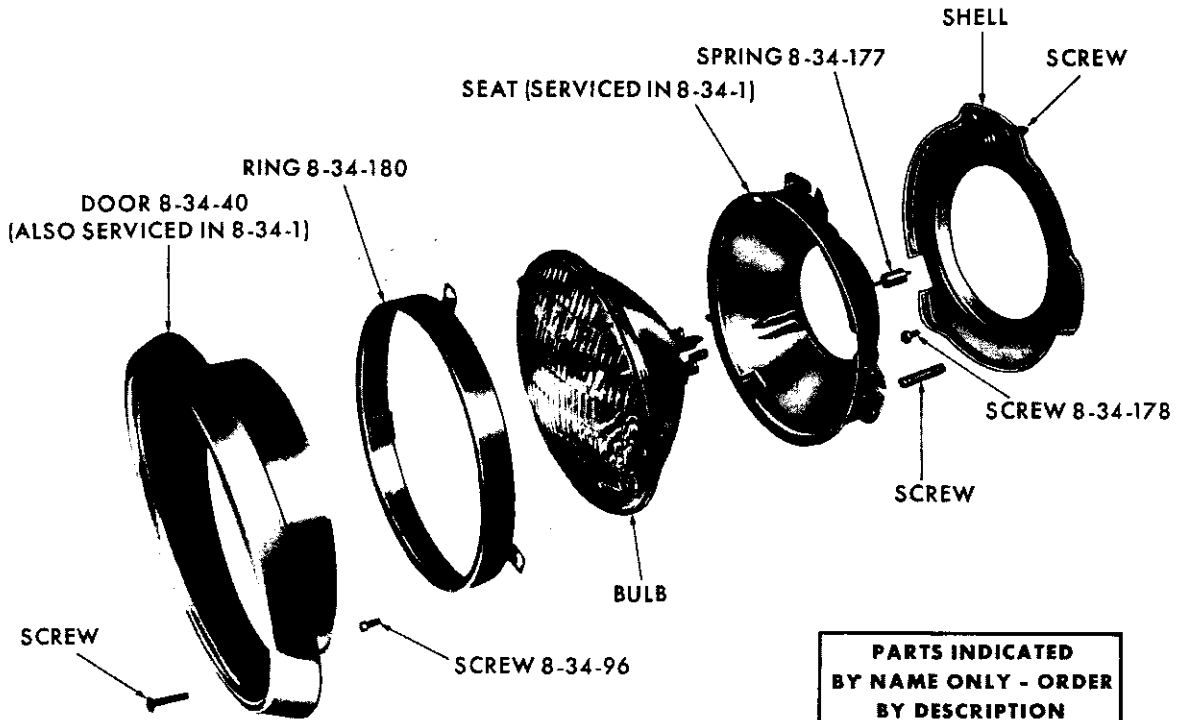


19x9363A

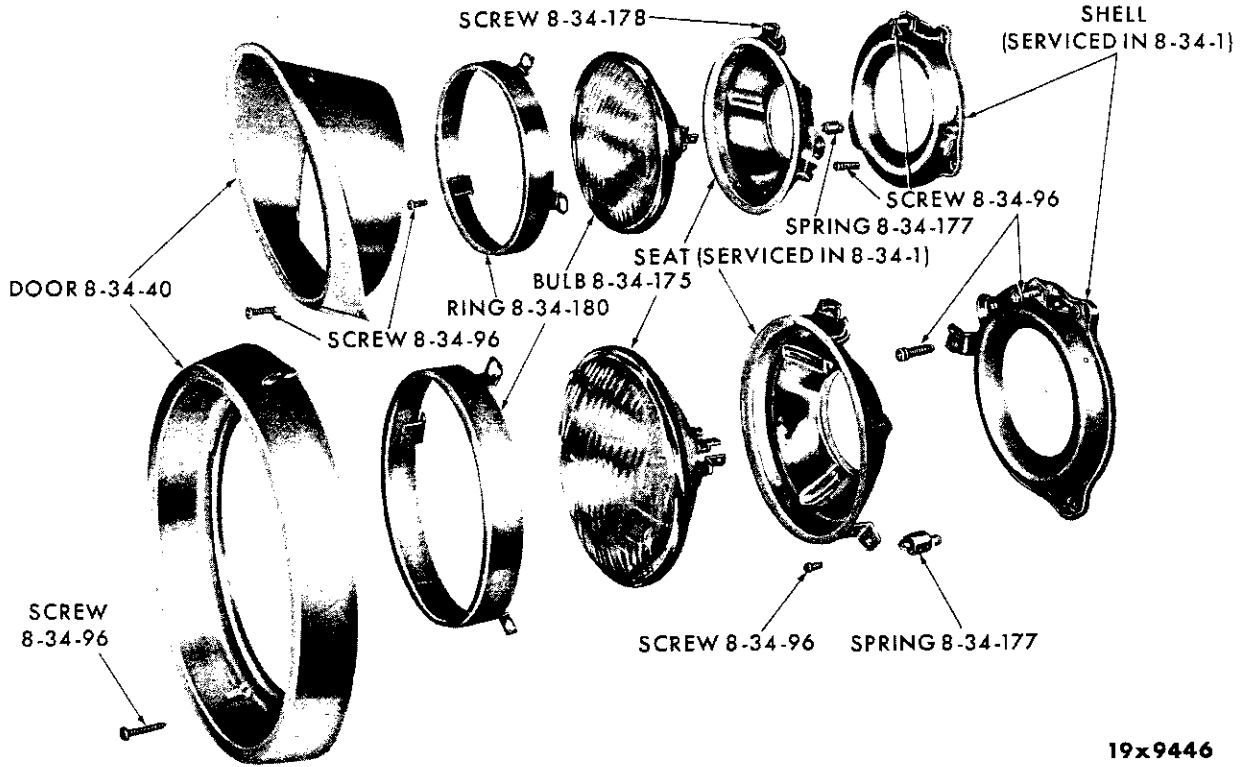
HORN AND DIRECTIONAL SIGNAL CONTROLS - IMPERIAL TY1



HEADLAMP - PLYMOUTH TP1-2

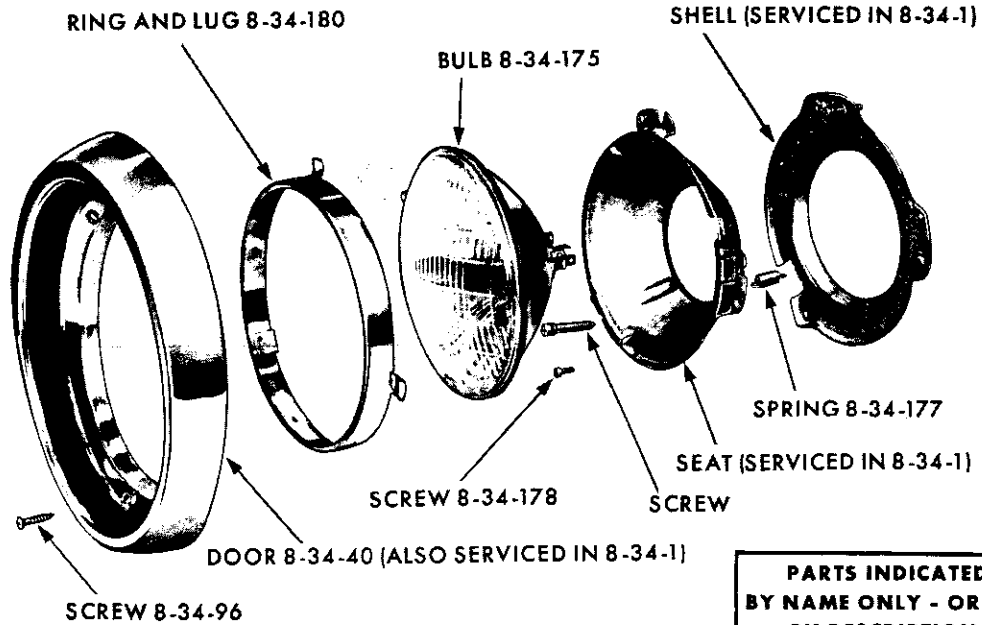


HEADLAMP - VALIANT TV1



19x9446

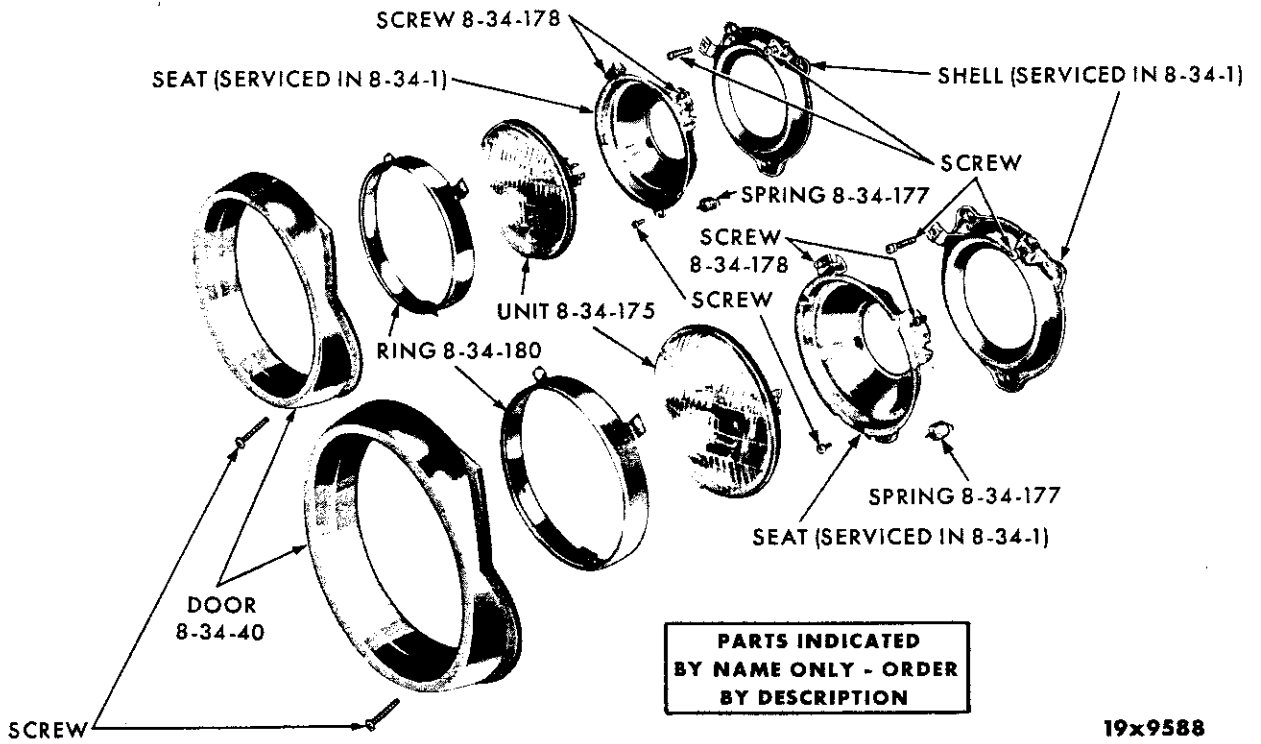
HEADLAMP - DODGE TD1-2



**PARTS INDICATED
BY NAME ONLY - ORDER
BY DESCRIPTION**

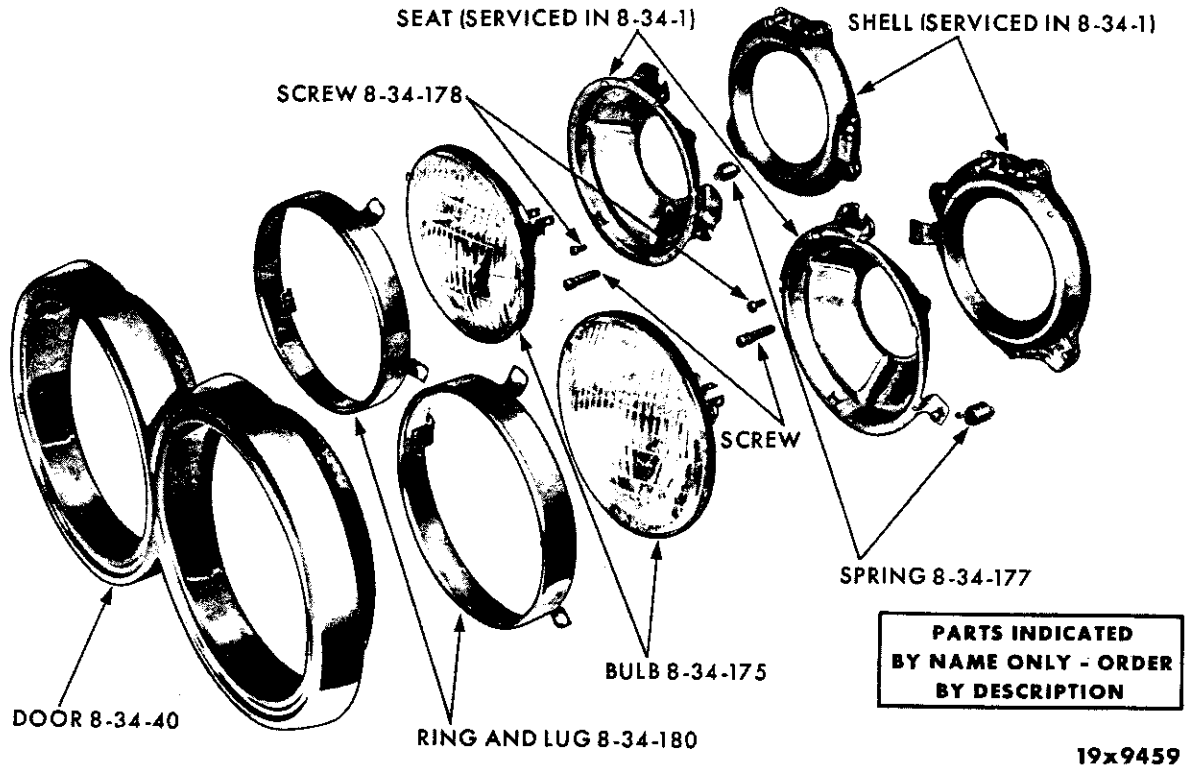
19x9458A

HEADLAMP - DART TL1

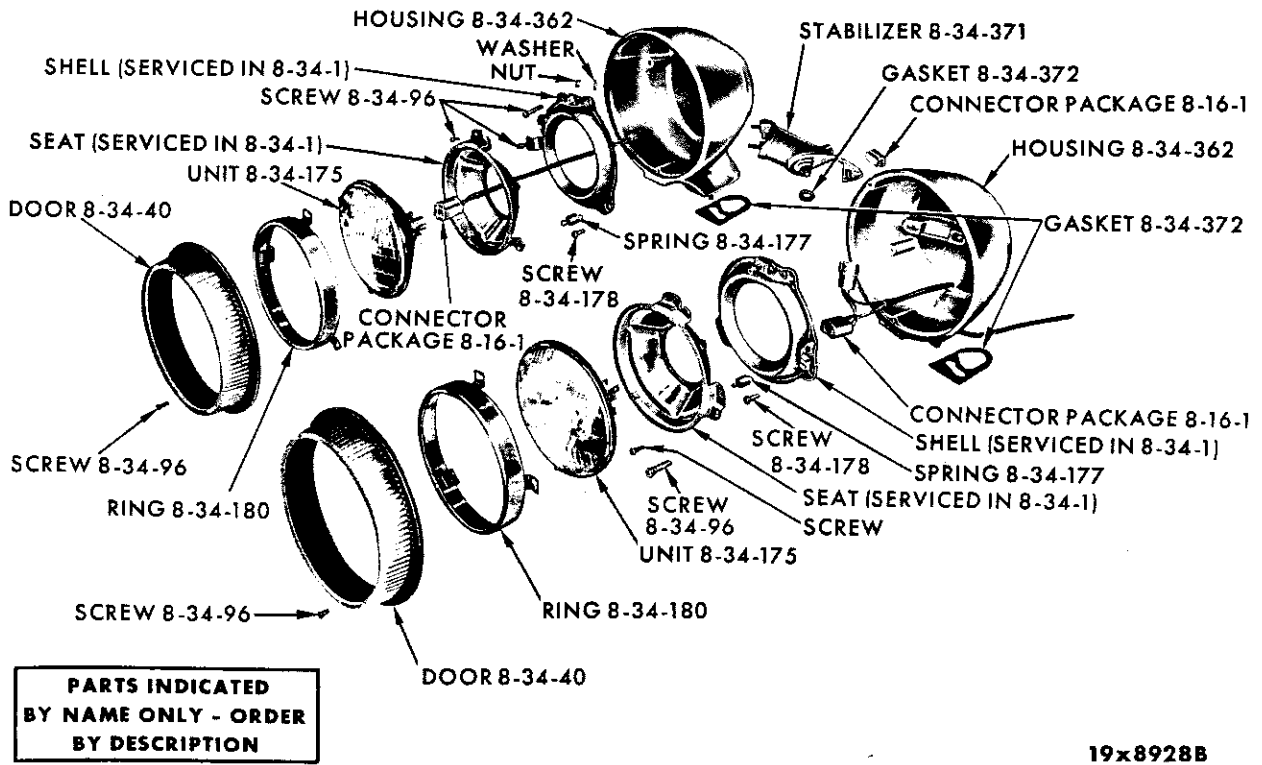


HEADLAMP - DODGE TA3

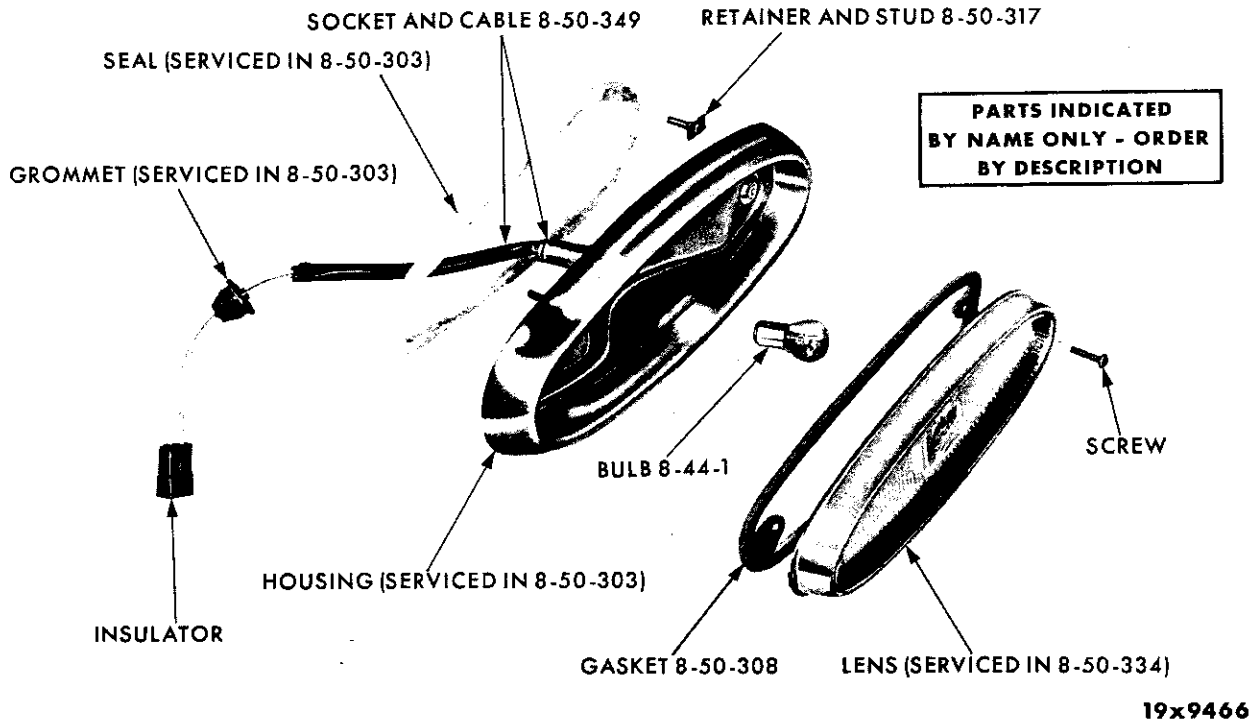
NOTES



HEADLAMP - CHRYSLER TC1-2-3

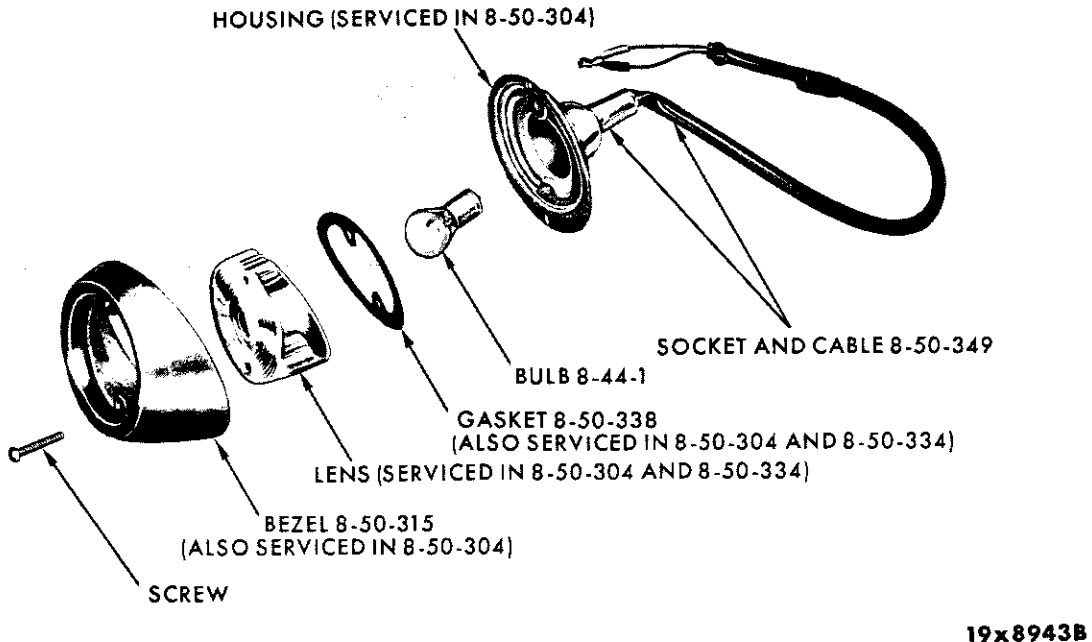


HEADLAMP - IMPERIAL TY1



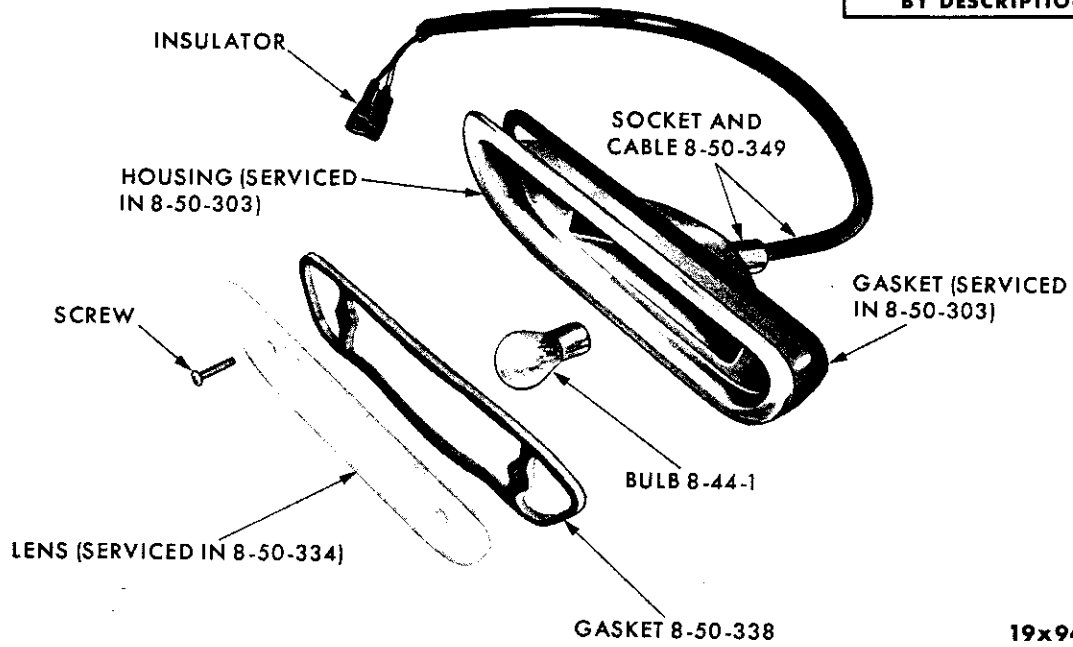
PARKING LAMP - PLYMOUTH TP1-2

PARTS INDICATED BY NAME ONLY - ORDER BY DESCRIPTION



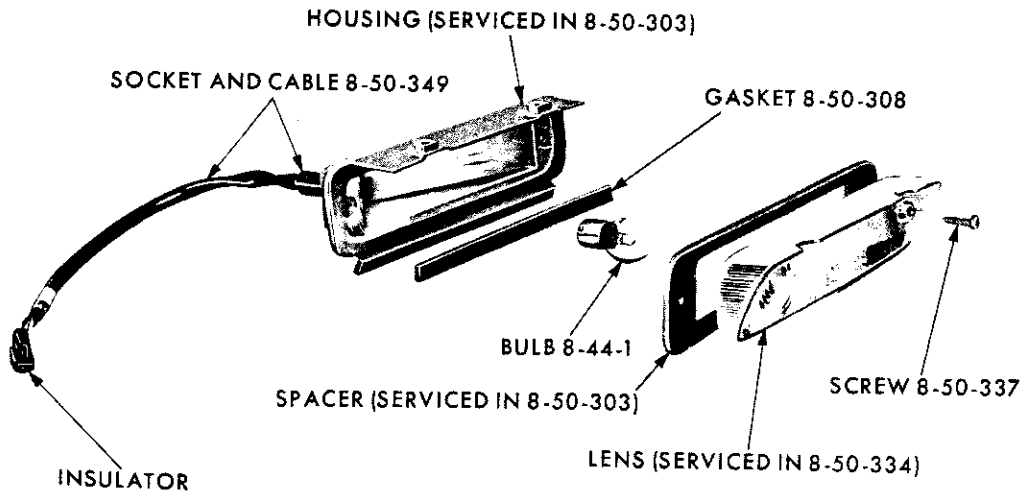
PARKING LAMP - VALIANT TV1 AND DART TL1

PARTS INDICATED
BY NAME ONLY - ORDER
BY DESCRIPTION



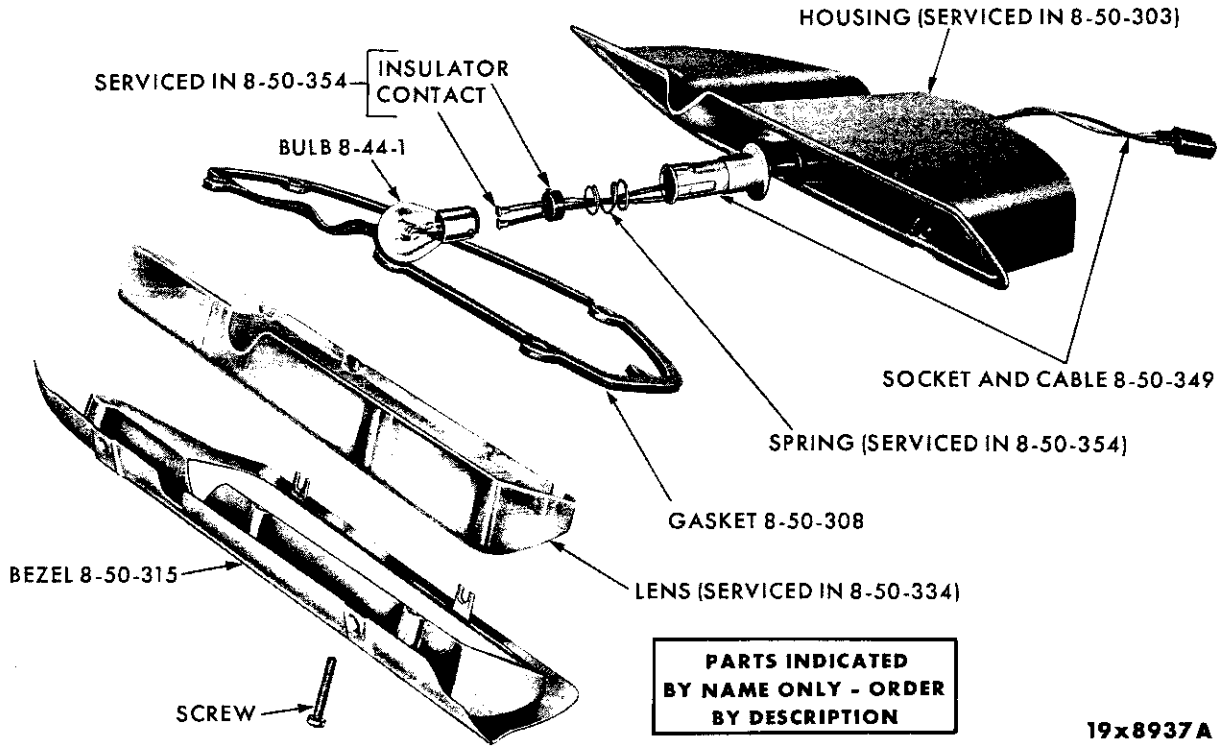
19x9460

PARKING LAMP - DODGE TD1-2

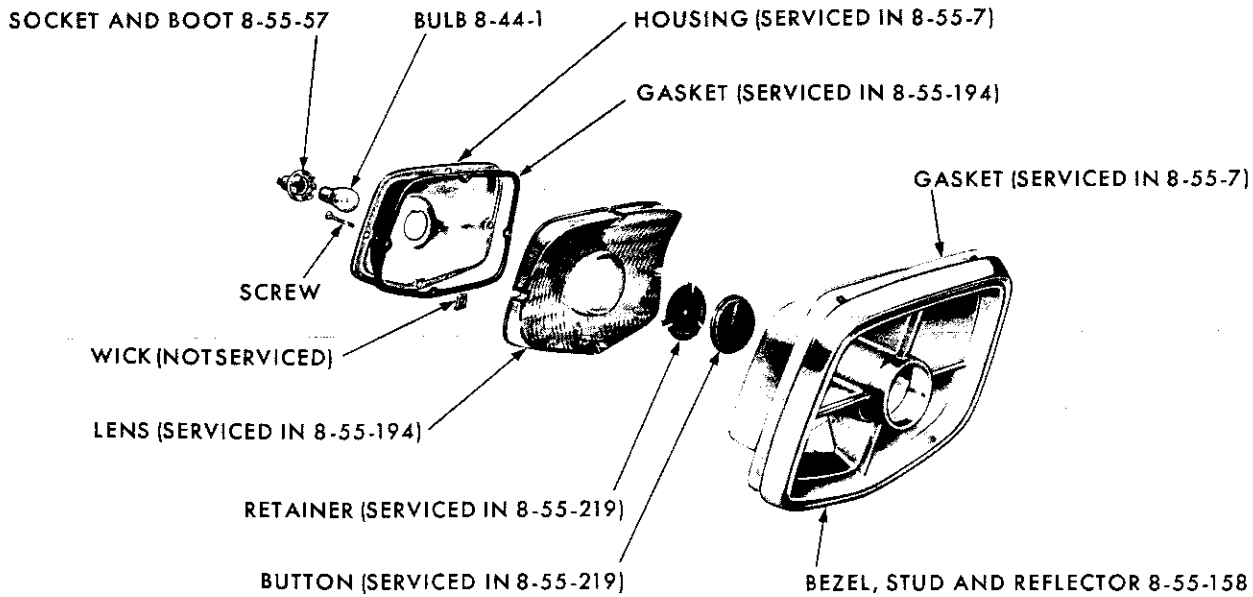


19x9461

PARKING LAMP - DODGE TA3 AND CHRYSLER TC1-2-3

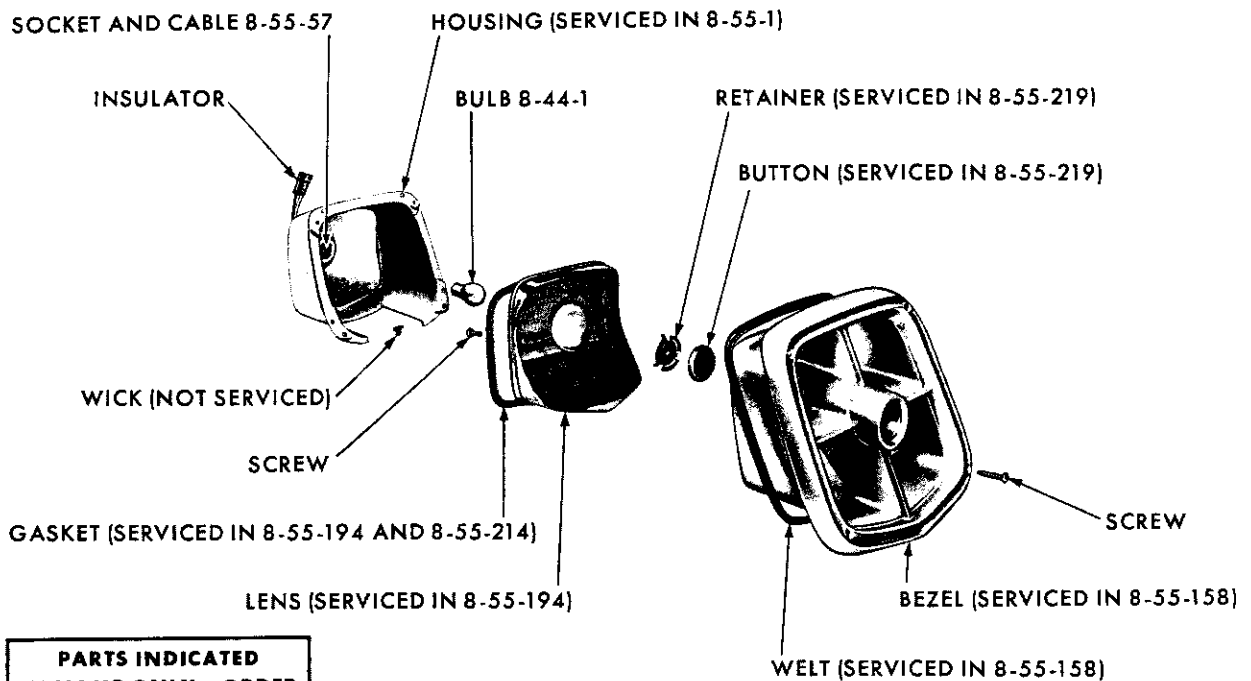


PARKING LAMP - IMPERIAL TY1



19x9532

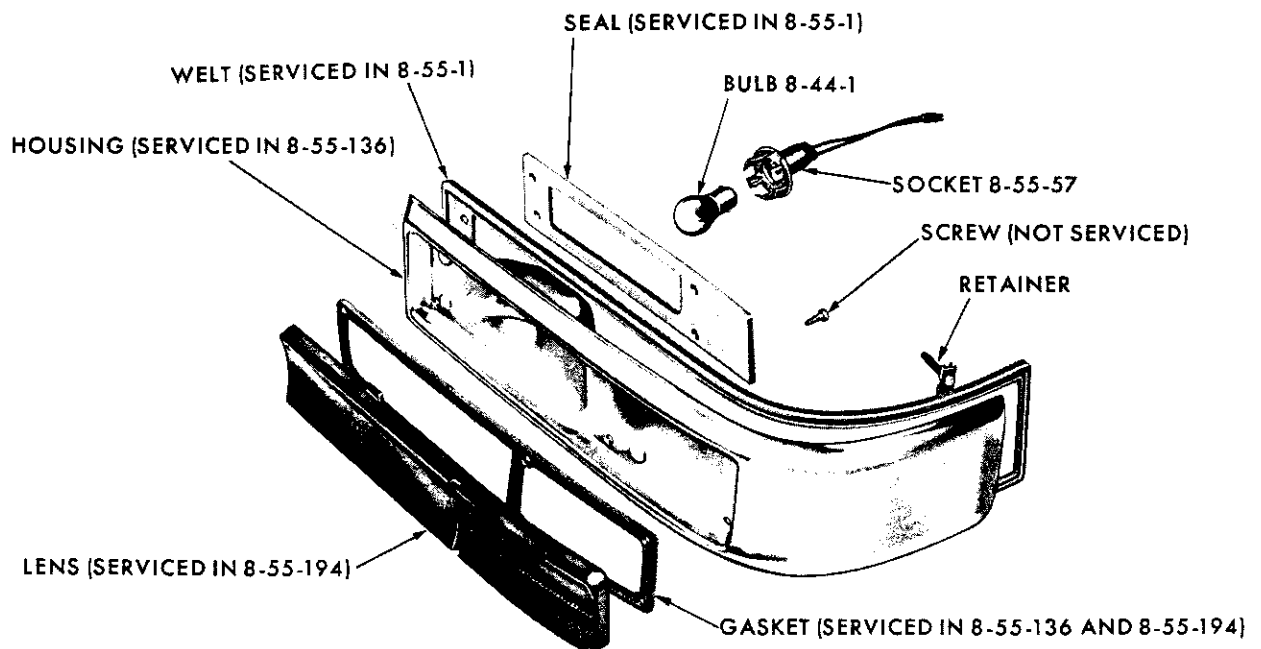
TAIL AND STOP LAMP - PLYMOUTH TP1-2 (EXCEPT SUBURBAN)



**PARTS INDICATED
BY NAME ONLY - ORDER
BY DESCRIPTION**

19x9533

TAIL AND STOP LAMP - PLYMOUTH TP1-2 (SUBURBAN)

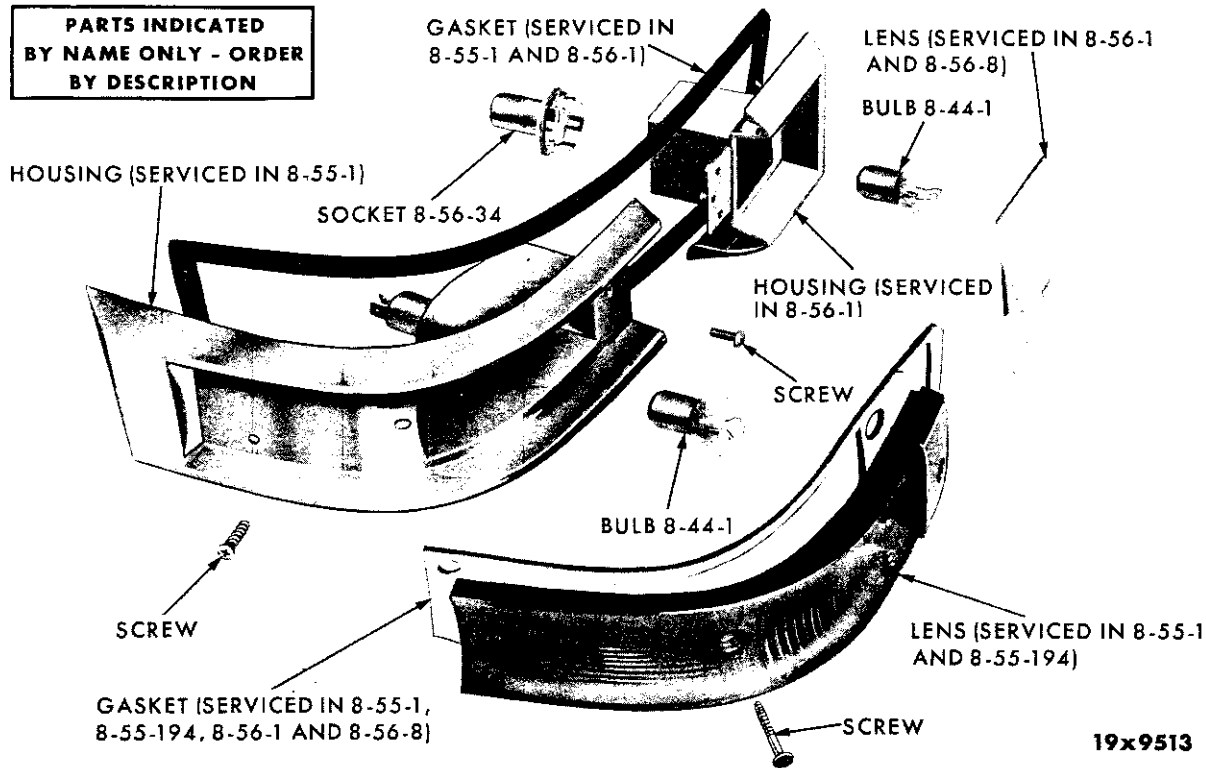


**PARTS INDICATED
BY NAME ONLY - ORDER
BY DESCRIPTION**

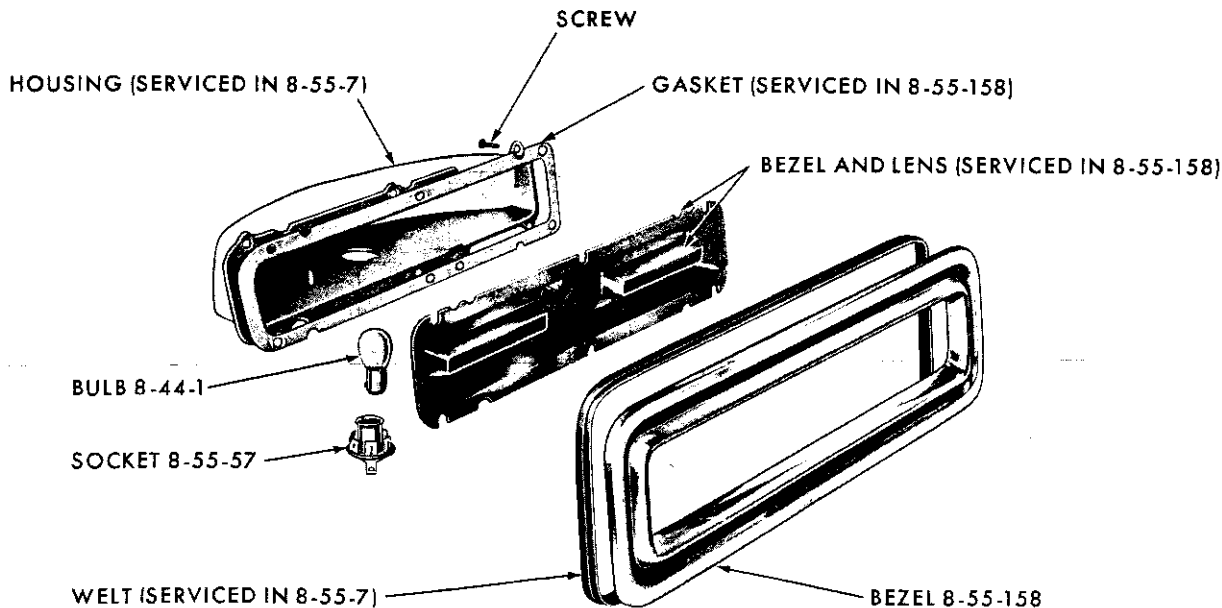
19x9470

TAIL AND STOP LAMP - VALIANT TV1 (EXCEPT SUBURBAN)

**PARTS INDICATED
BY NAME ONLY - ORDER
BY DESCRIPTION**



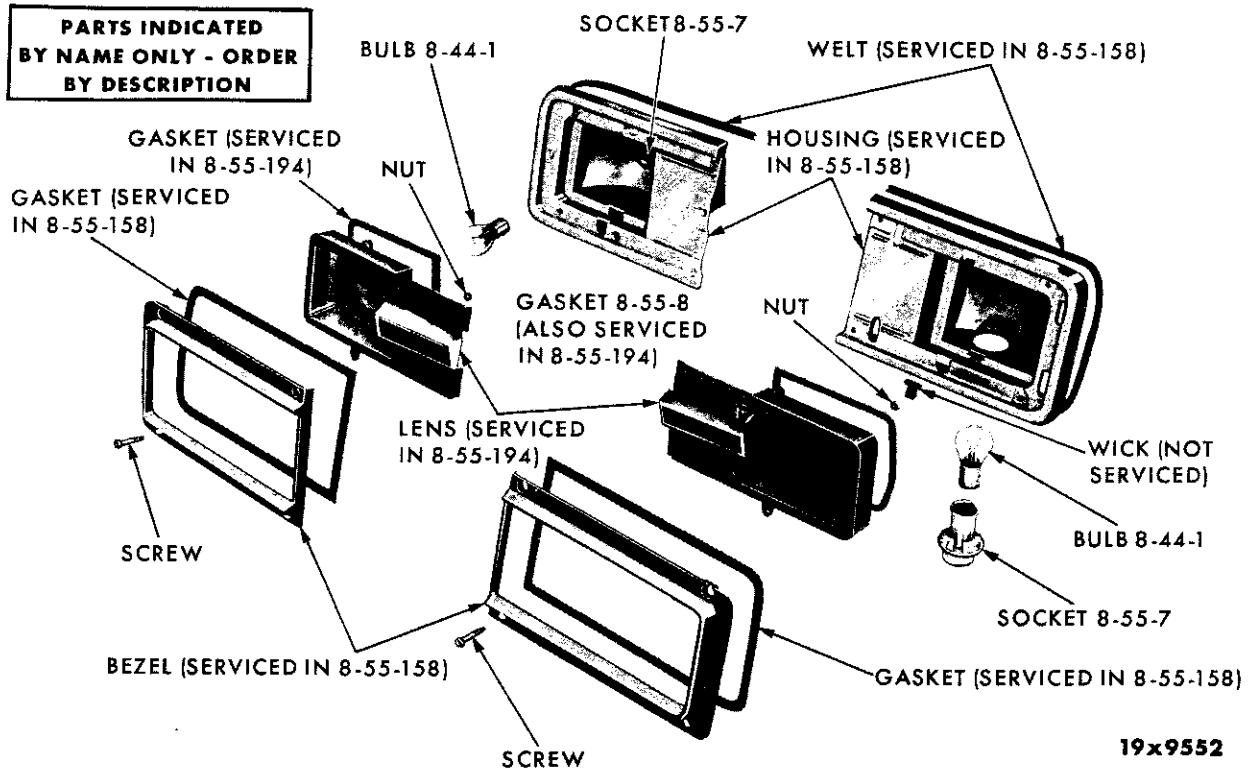
TAIL, STOP AND BACK-UP LAMP - VALIANT TV1 (SUBURBAN)



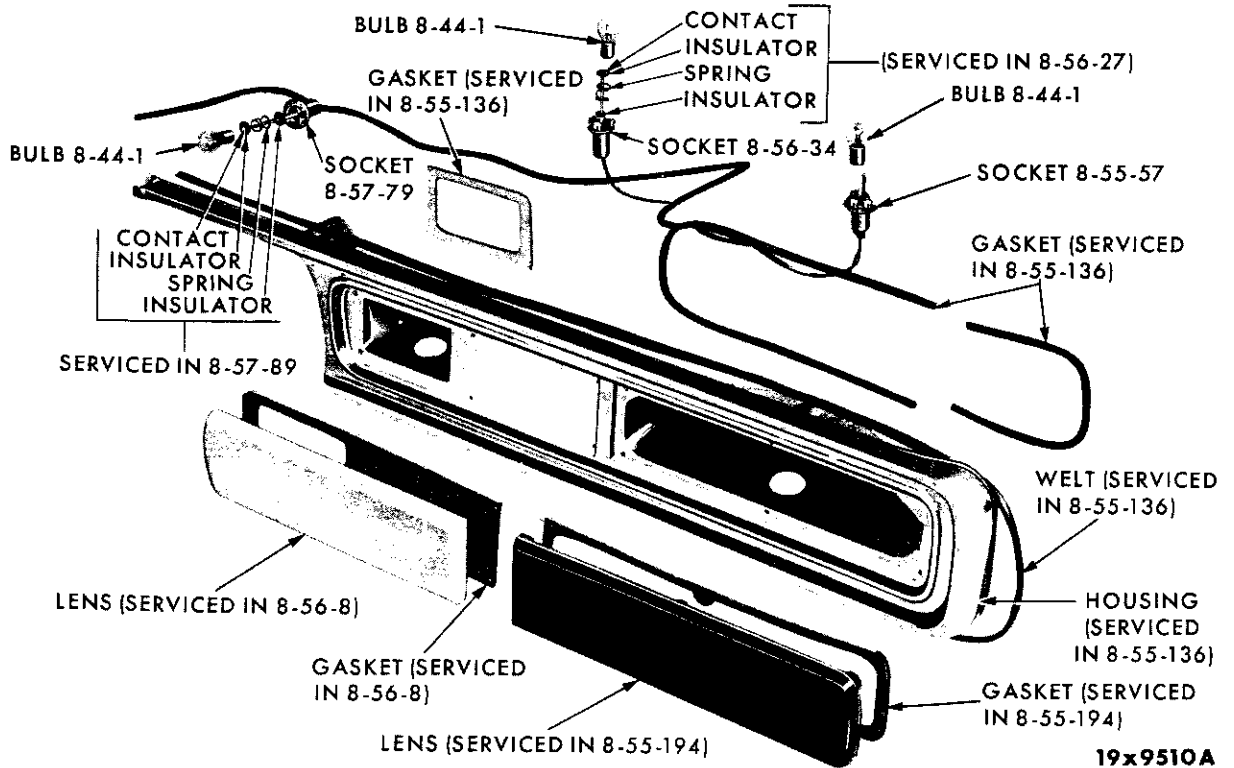
**PARTS INDICATED
BY NAME ONLY - ORDER
BY DESCRIPTION**

19x9514

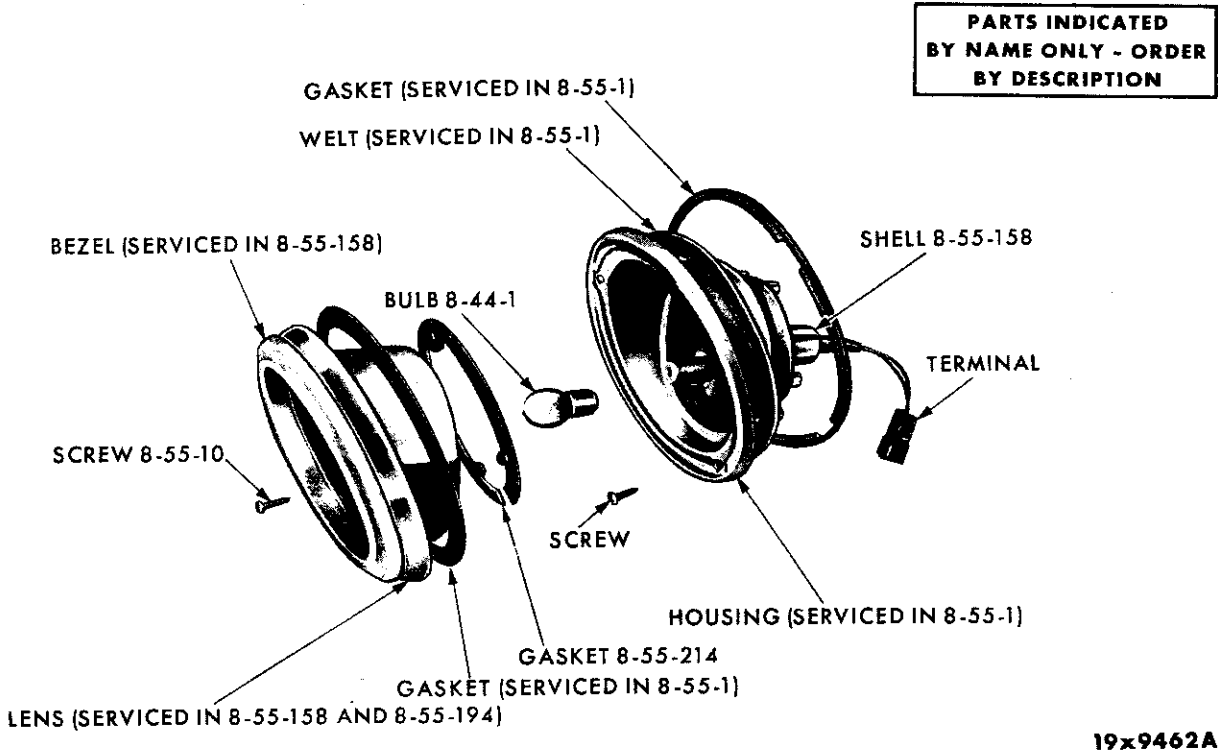
TAIL AND STOP LAMP - DODGE TD1-2 (EXCEPT SUBURBAN) (330 AND 440)



TAIL AND STOP LAMP - DODGE TD1-2 (SUBURBAN)

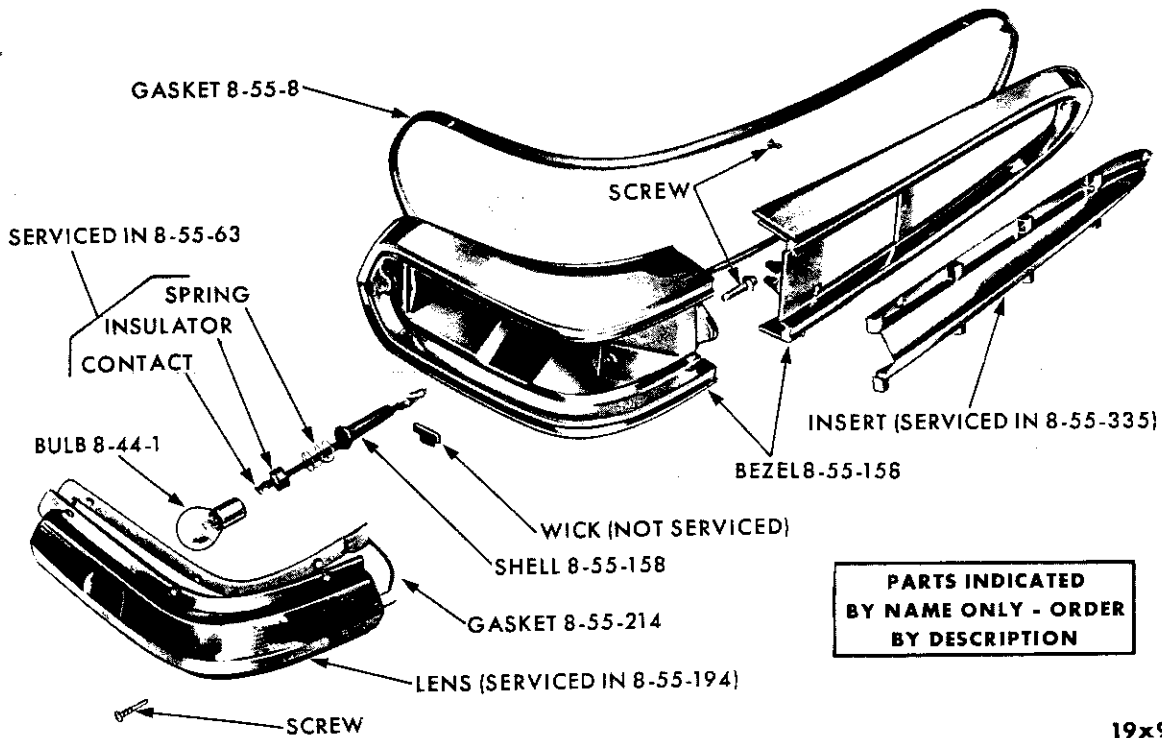


TAIL, STOP AND BACK-UP LAMP - DODGE TD1-2 (POLARA AND POLARA 500)



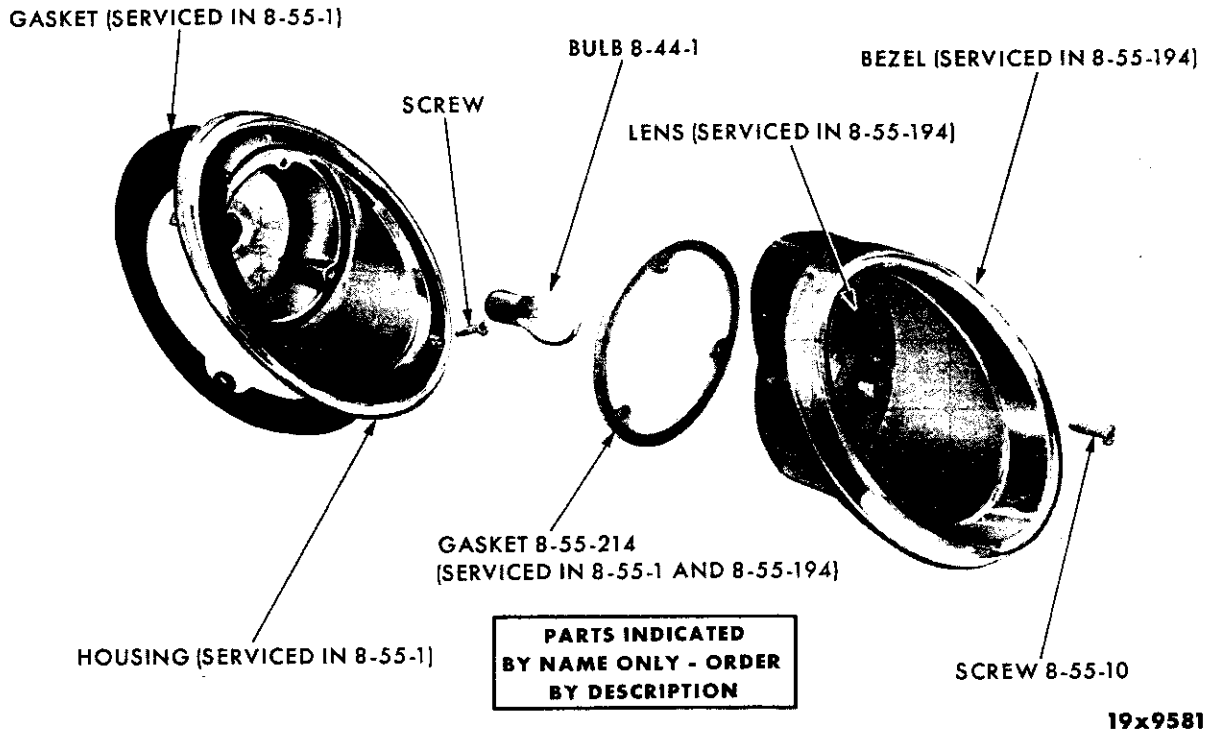
19x9462A

TAIL AND STOP LAMP - DART TL1 (EXCEPT SUBURBAN)

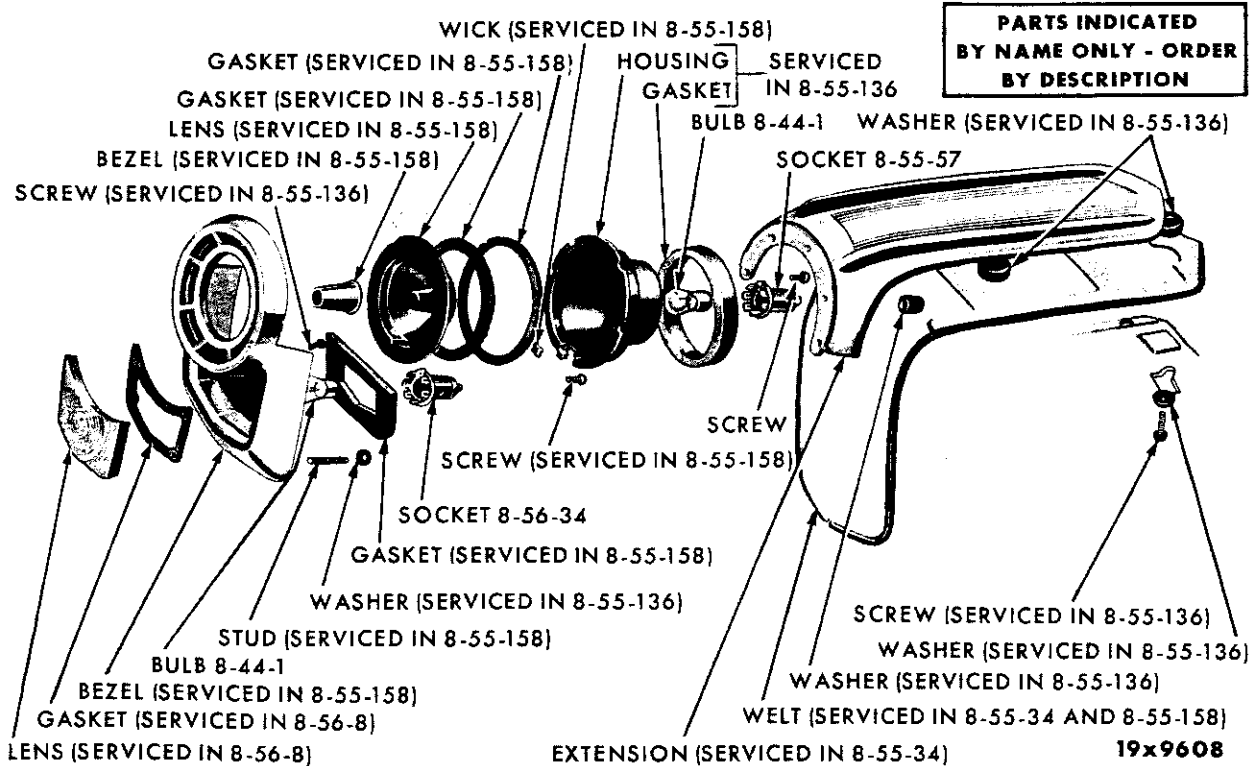


19x9225

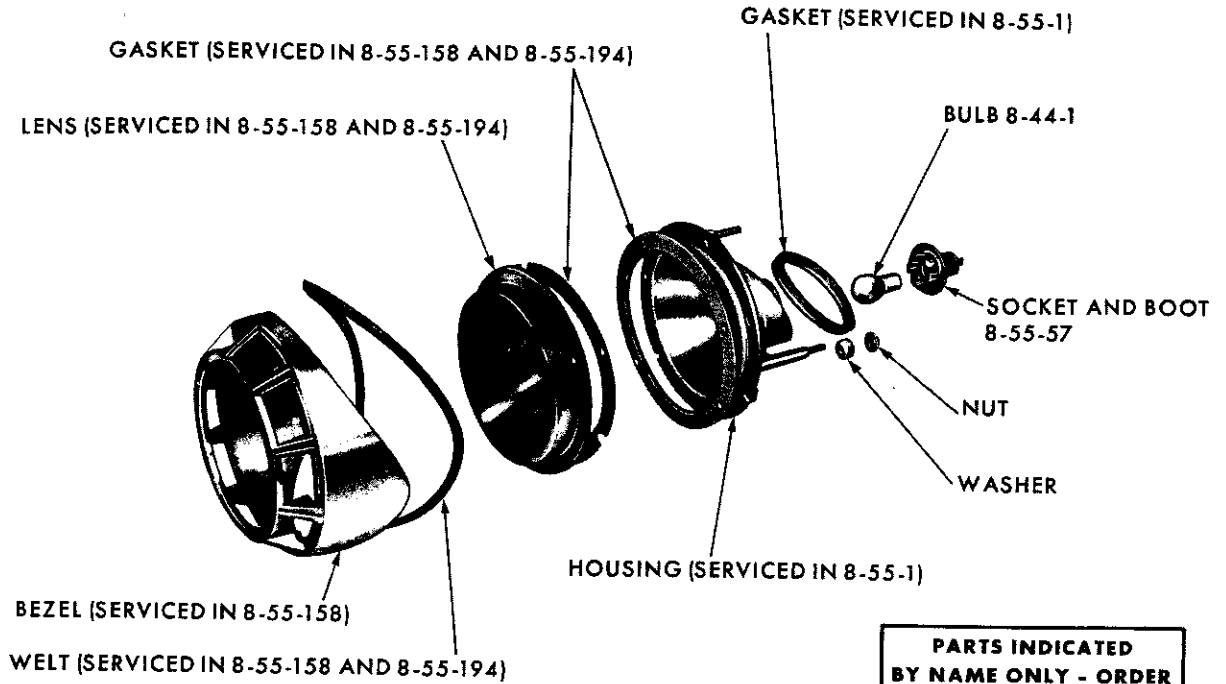
TAIL AND STOP LAMP - DODGE TA3 (SUBURBAN)



TAIL AND STOP LAMP - DART TL1 (SUBURBAN)



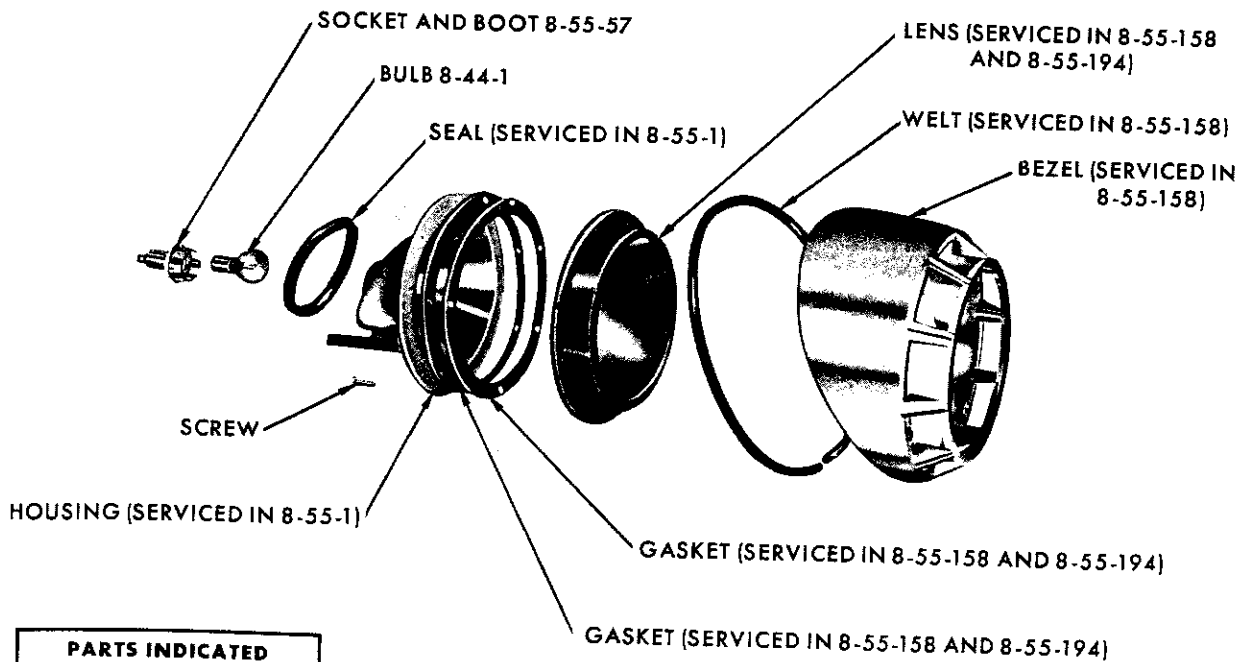
TAIL, STOP AND BACK-UP LAMP - DODGE TA3 (EXCEPT SUBURBAN)



**PARTS INDICATED
BY NAME ONLY - ORDER
BY DESCRIPTION**

19x9471

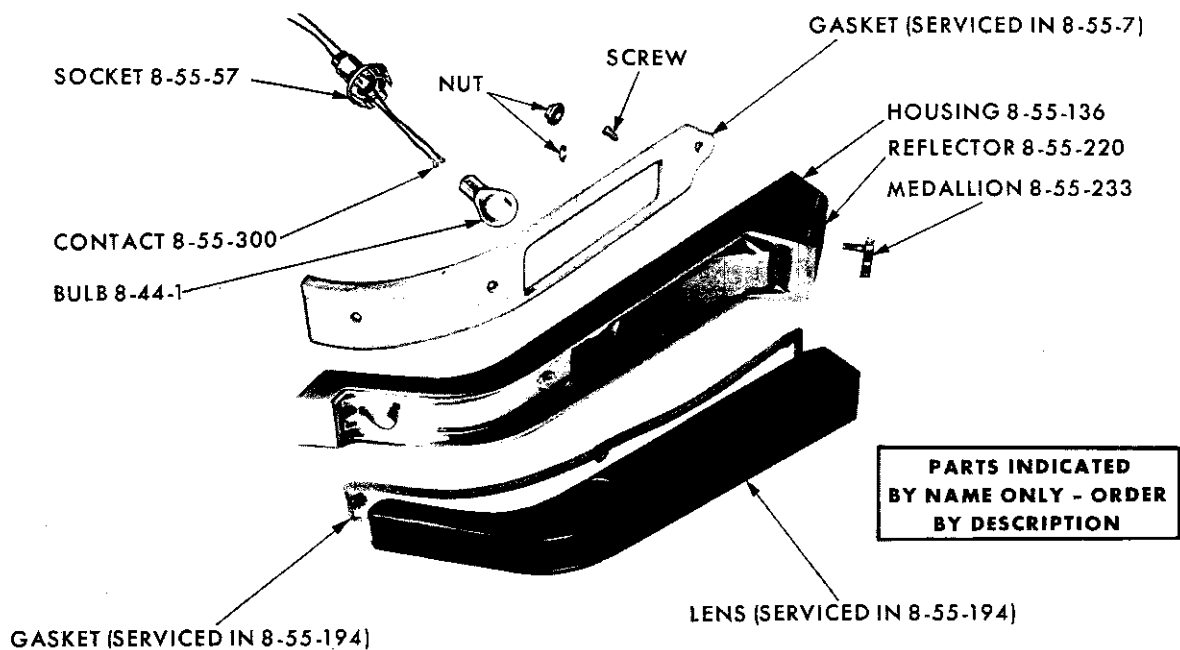
TAIL AND STOP LAMP - CHRYSLER TC1-2-3 (EXCEPT SUBURBAN)



**PARTS INDICATED
BY NAME ONLY - ORDER
BY DESCRIPTION**

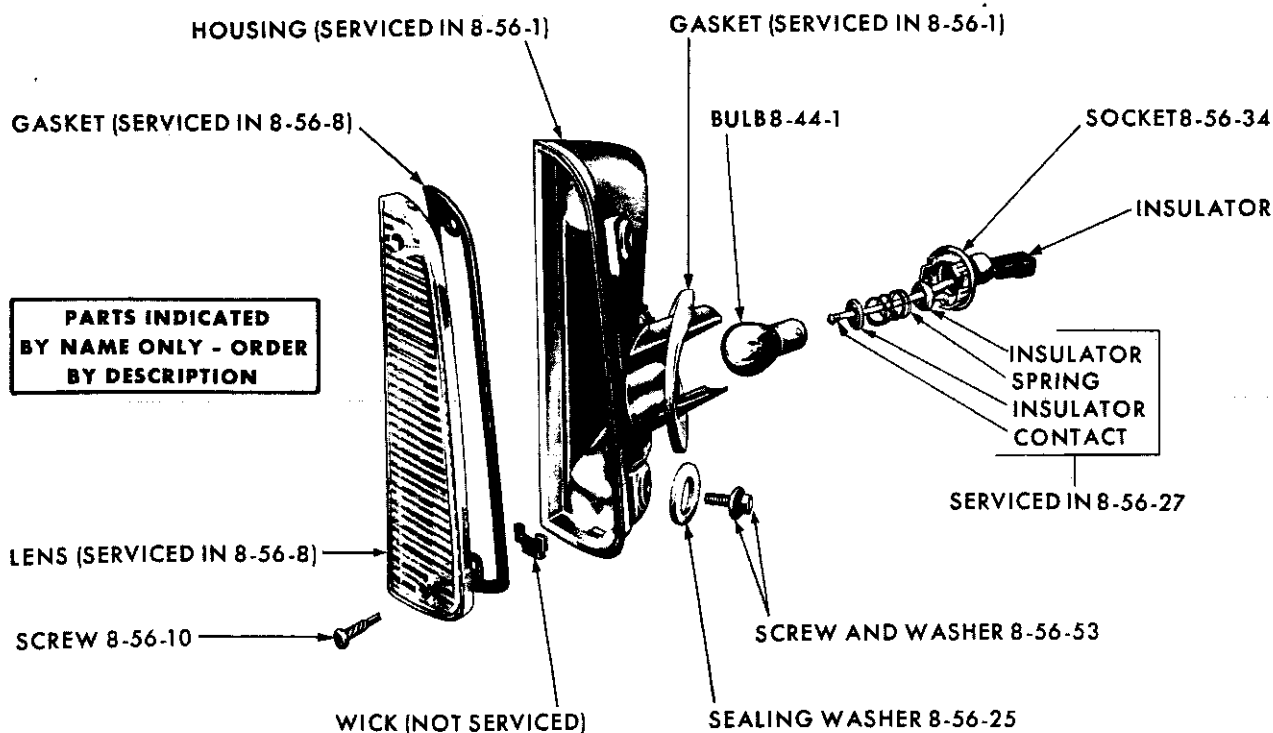
19x9477

TAIL AND STOP LAMP - CHRYSLER TC1-3 (SUBURBAN)



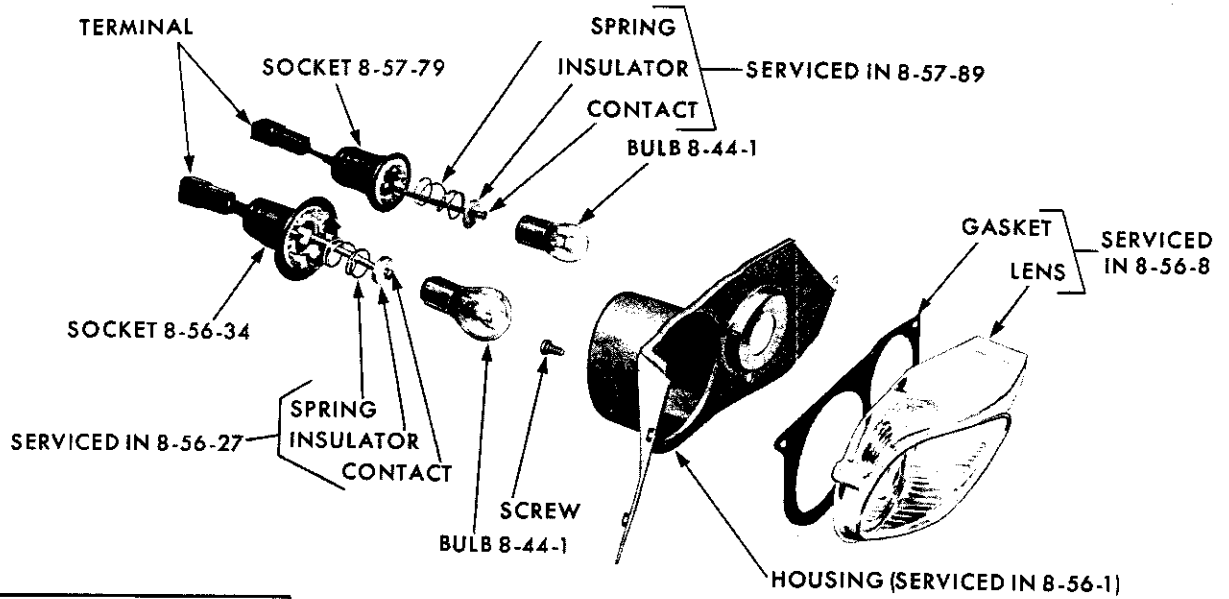
19x9463

TAIL AND STOP LAMP - IMPERIAL TY1



19x9534

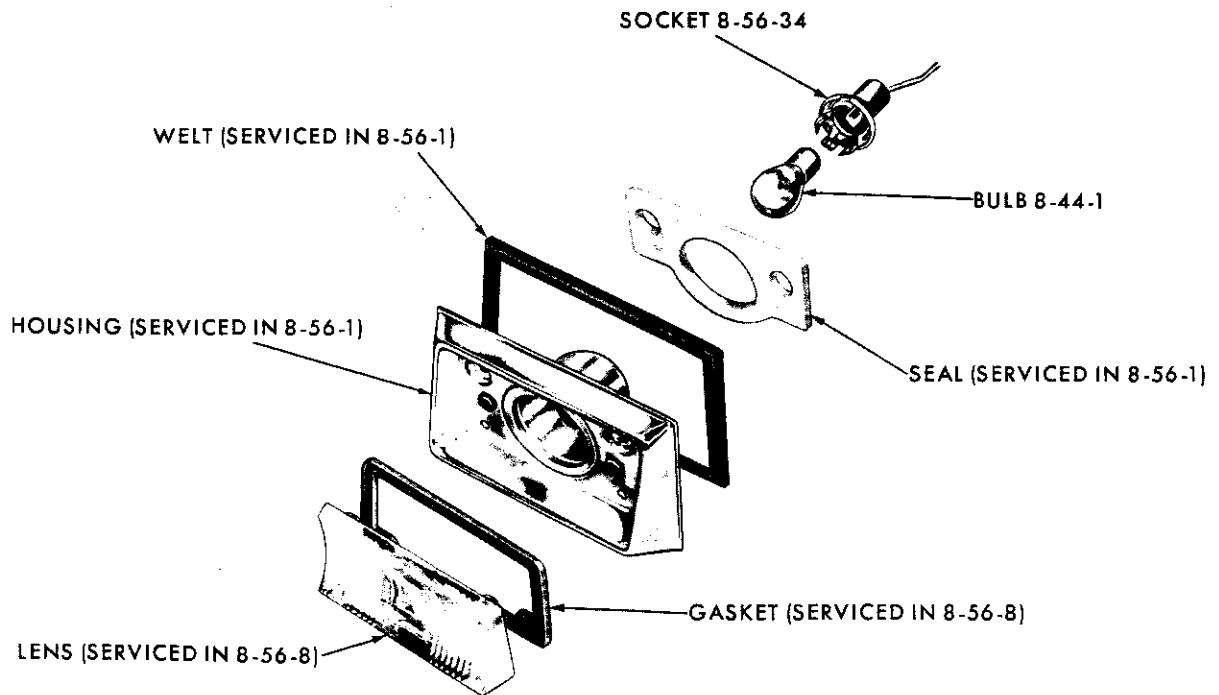
BACK-UP LAMP - PLYMOUTH TP1-2 (EXCEPT SUBURBAN)



**PARTS INDICATED
BY NAME ONLY - ORDER
BY DESCRIPTION**

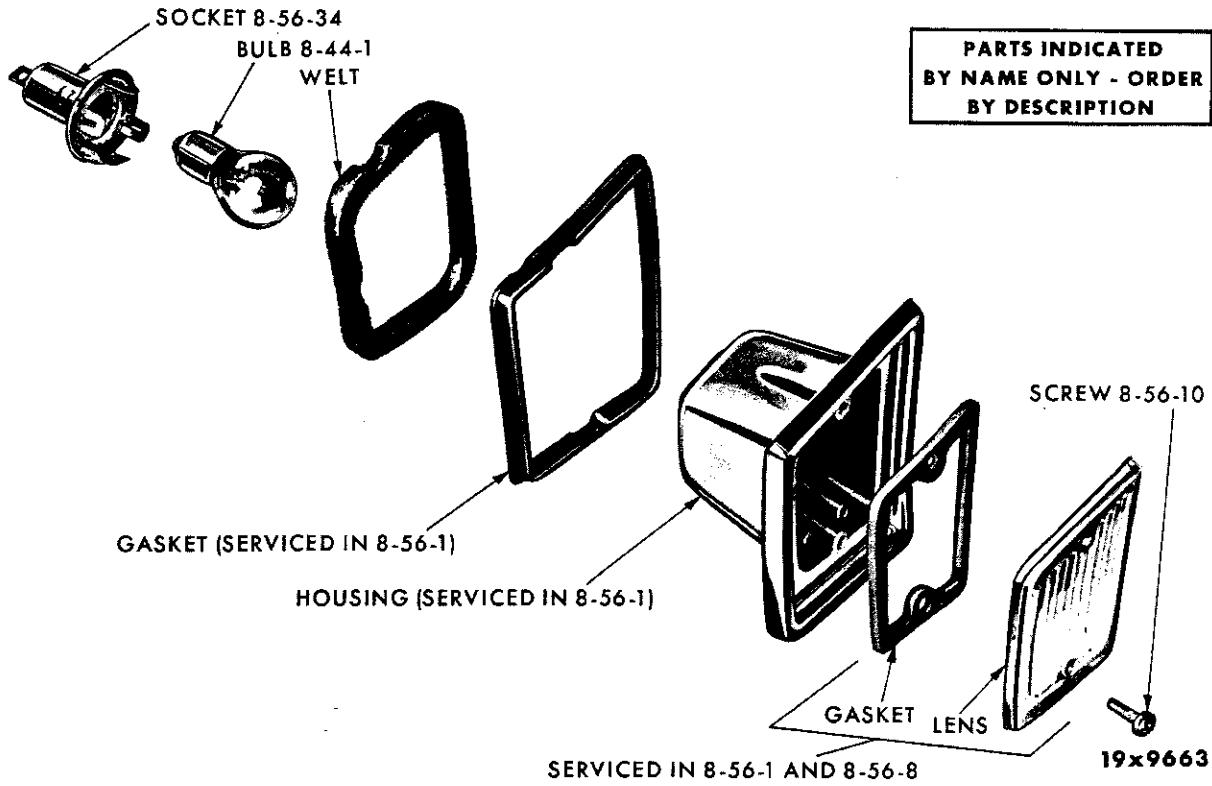
19x9171A

BACK-UP AND LICENSE LAMP - PLYMOUTH TP1-2 AND DODGE TD1-2 (SUBURBAN)



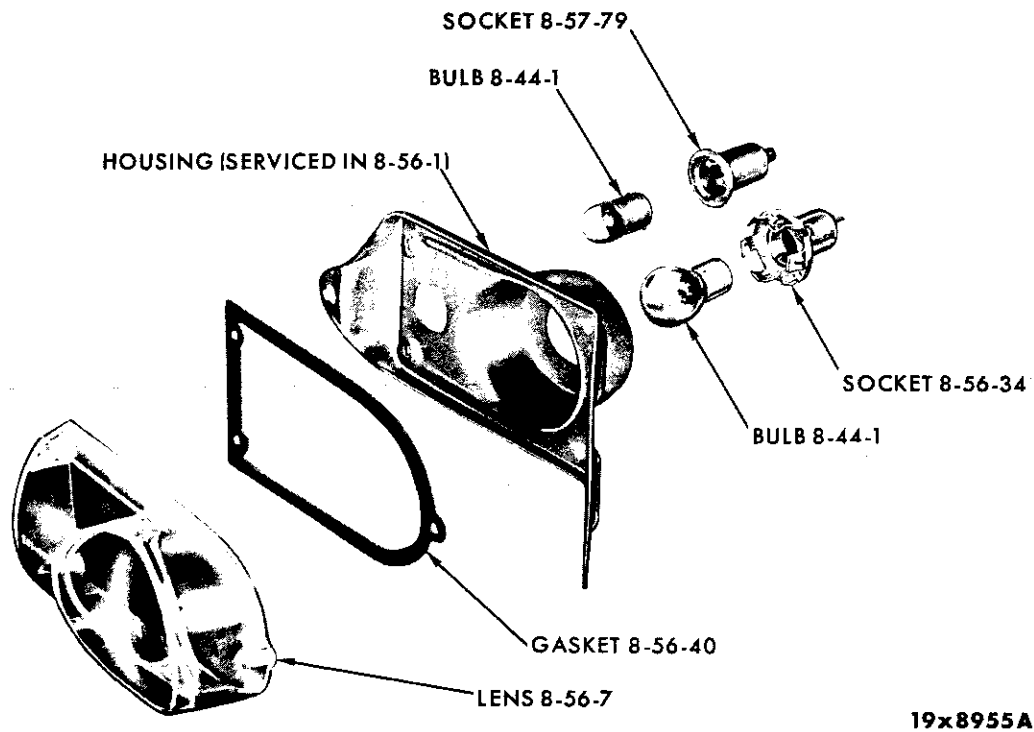
19x9472

BACK-UP LAMP - VALIANT TV1 (EXCEPT SUBURBAN)

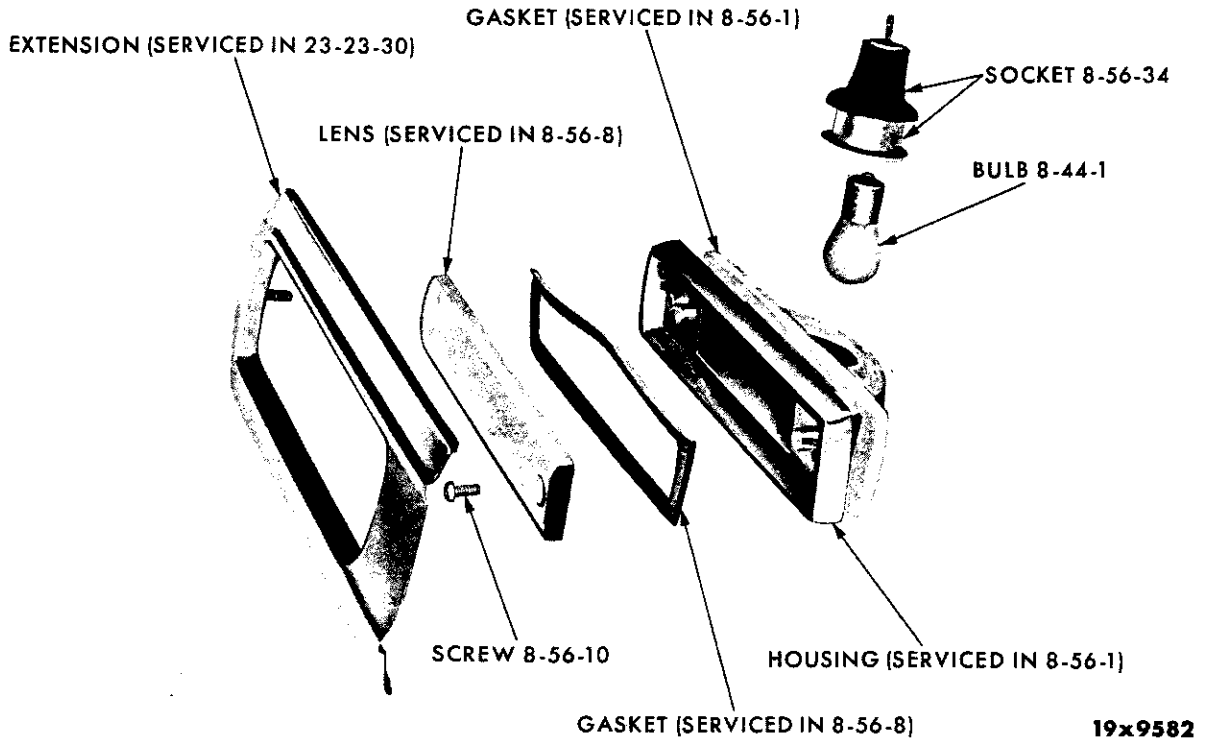


**PARTS INDICATED
BY NAME ONLY - ORDER
BY DESCRIPTION**

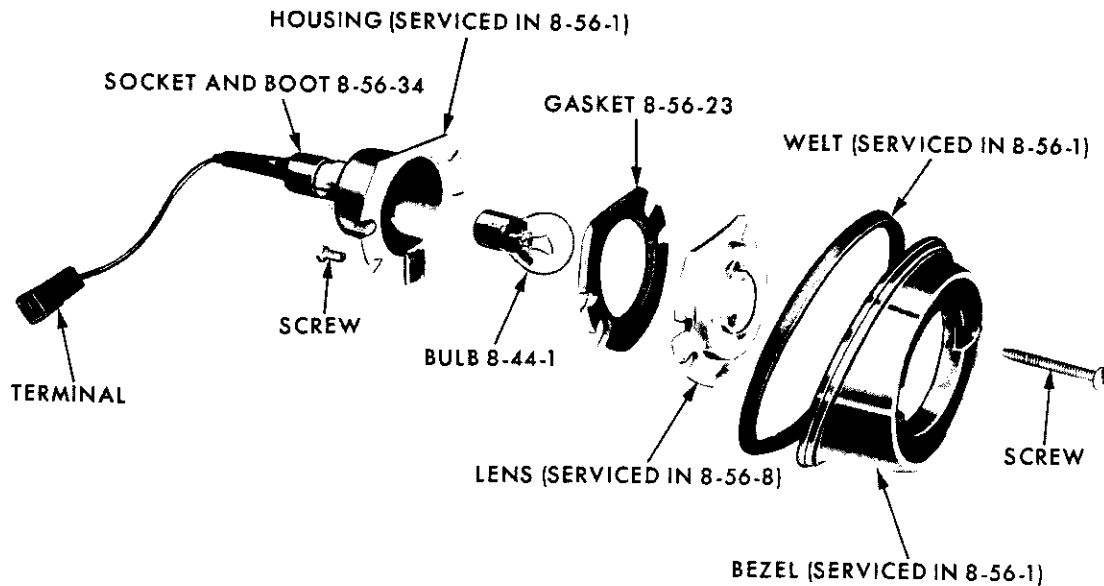
BACK-UP LAMP - DODGE TD1-2L, M (EXCEPT SUBURBAN)



BACK-UP AND LICENSE LAMP - DODGE TA3 AND CHRYSLER TC1-3 (SUBURBAN)



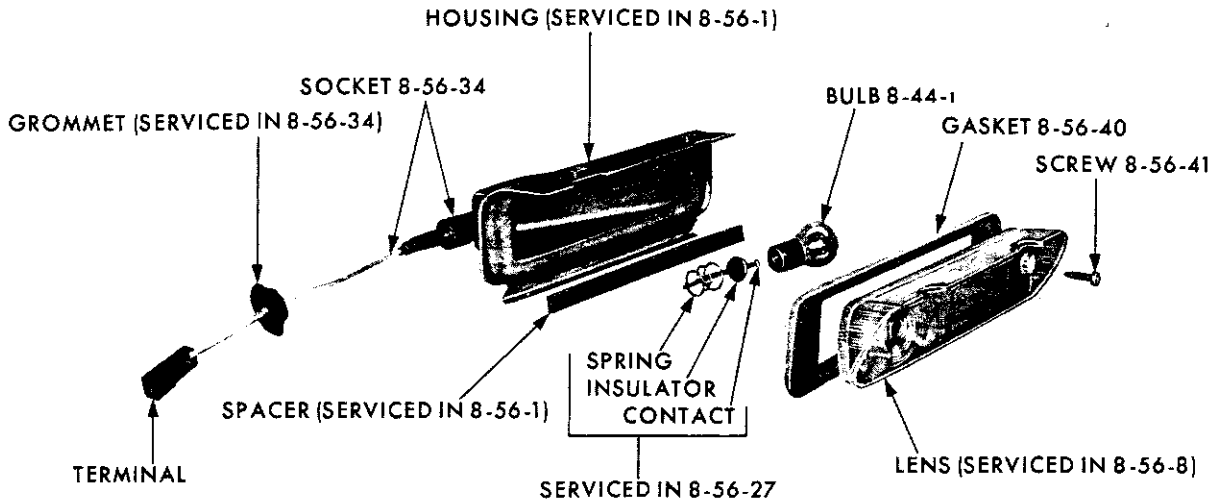
BACK-UP LAMP - DART TL1 (EXCEPT SUBURBAN)



PARTS INDICATED
BY NAME ONLY - ORDER
BY DESCRIPTION

19x9509

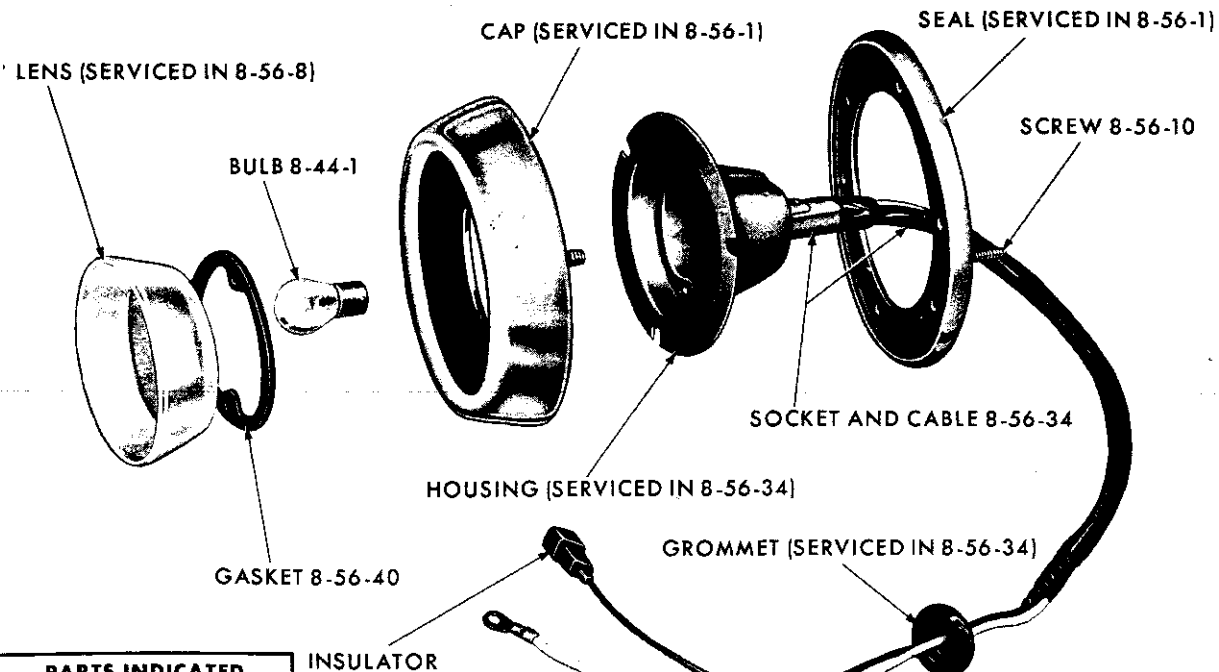
BACK-UP LAMP - DART TL1 (SUBURBAN)



**PARTS INDICATED
BY NAME ONLY - ORDER
BY DESCRIPTION**

19x9478

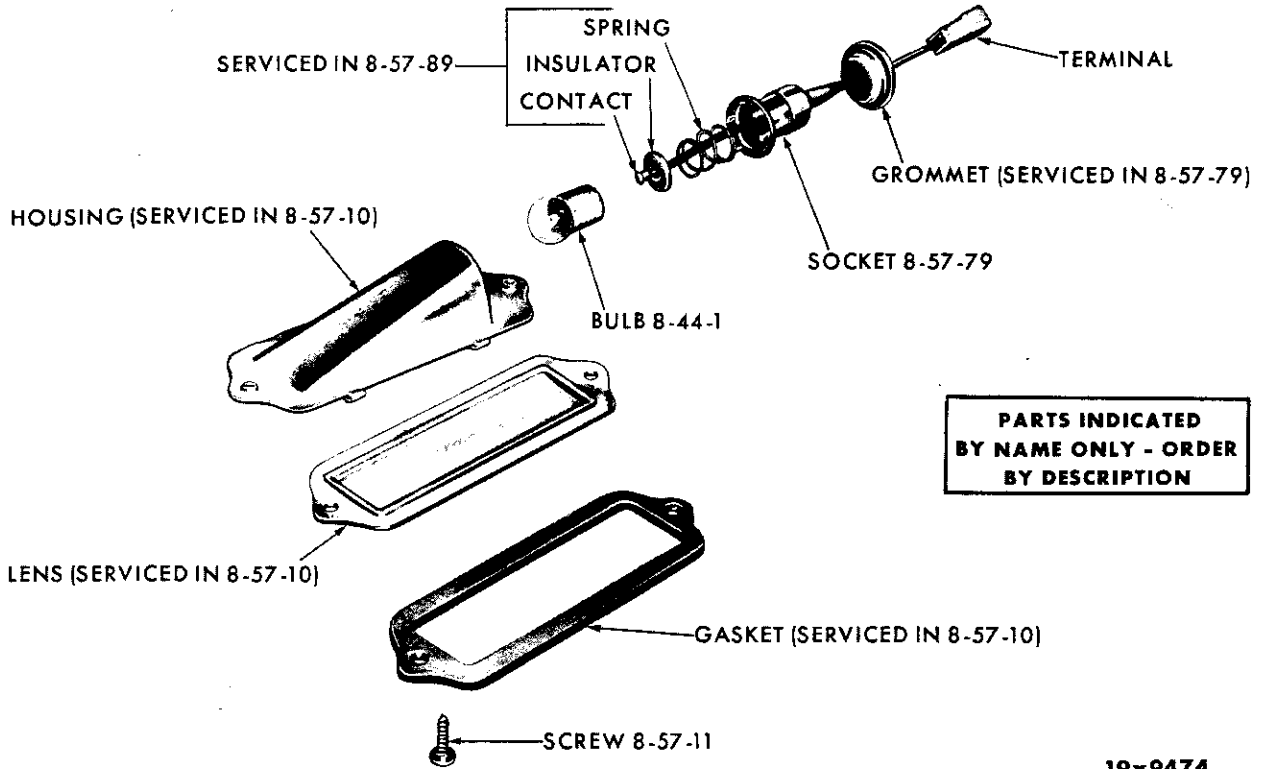
BACK-UP LAMP - CHRYSLER TC1-2-3 (EXCEPT SUBURBAN)



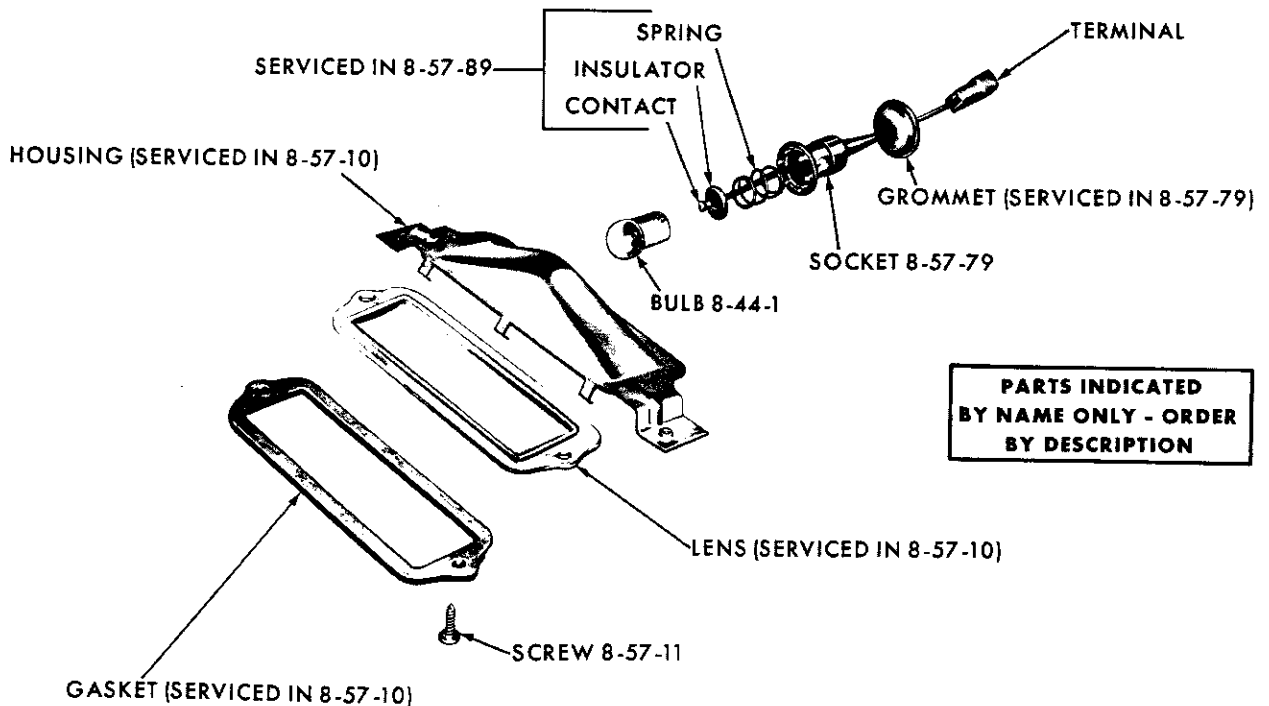
**PARTS INDICATED
BY NAME ONLY - ORDER
BY DESCRIPTION**

19x9469

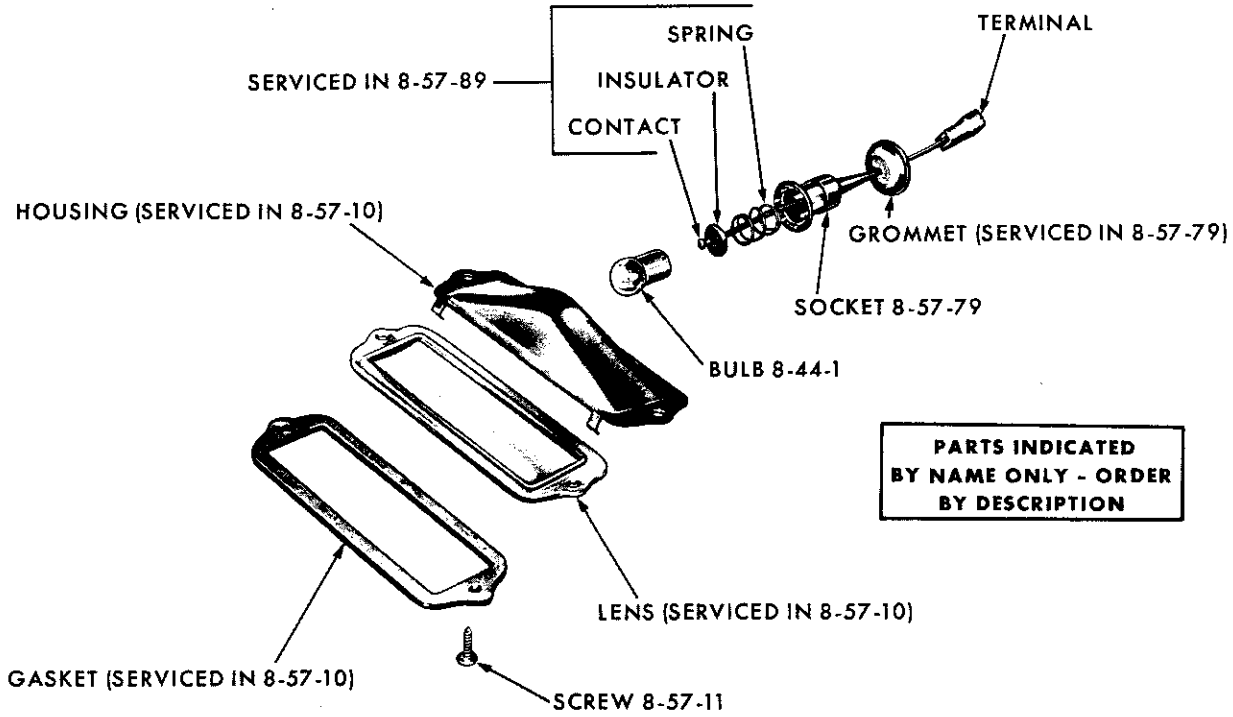
BACK-UP LAMP - IMPERIAL TY1



LICENSE LAMP - PLYMOUTH TP1-2 (EXCEPT SUBURBAN)

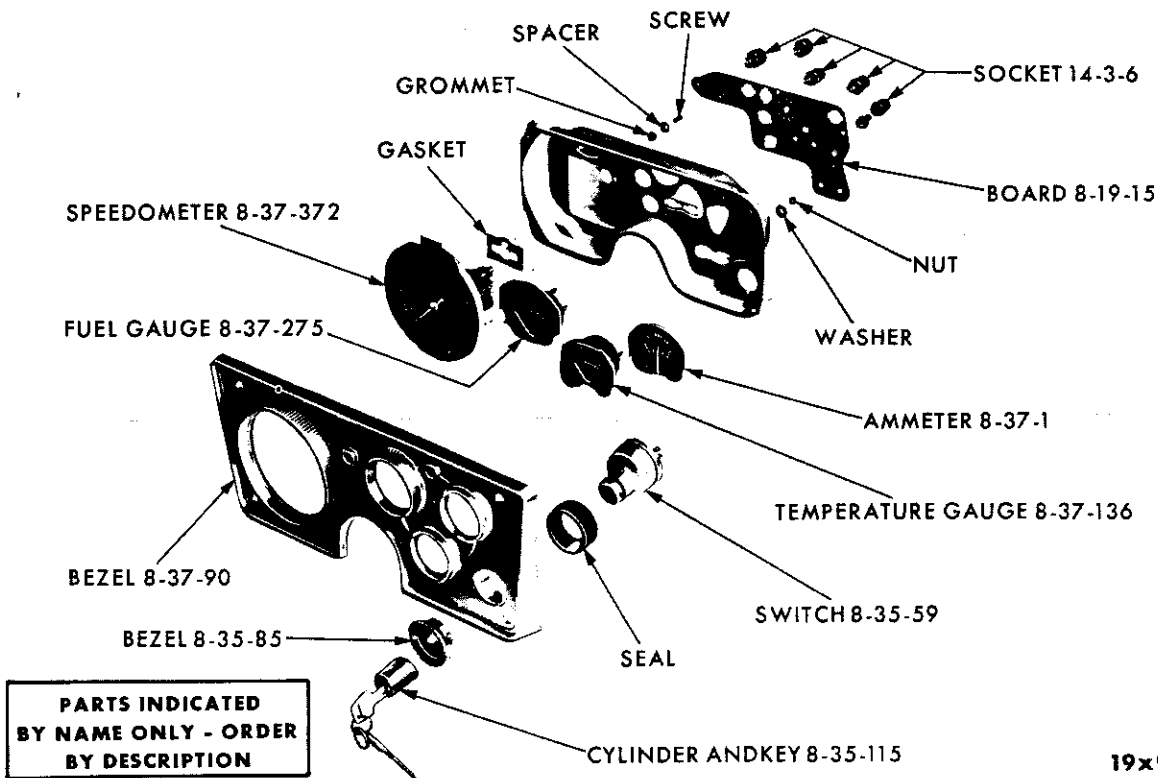


LICENSE LAMP - VALIANT TV1, DART TL1, IMPERIAL TY1 AND CHRYSLER TC1-2-3 (EXCEPT SUBURBAN)



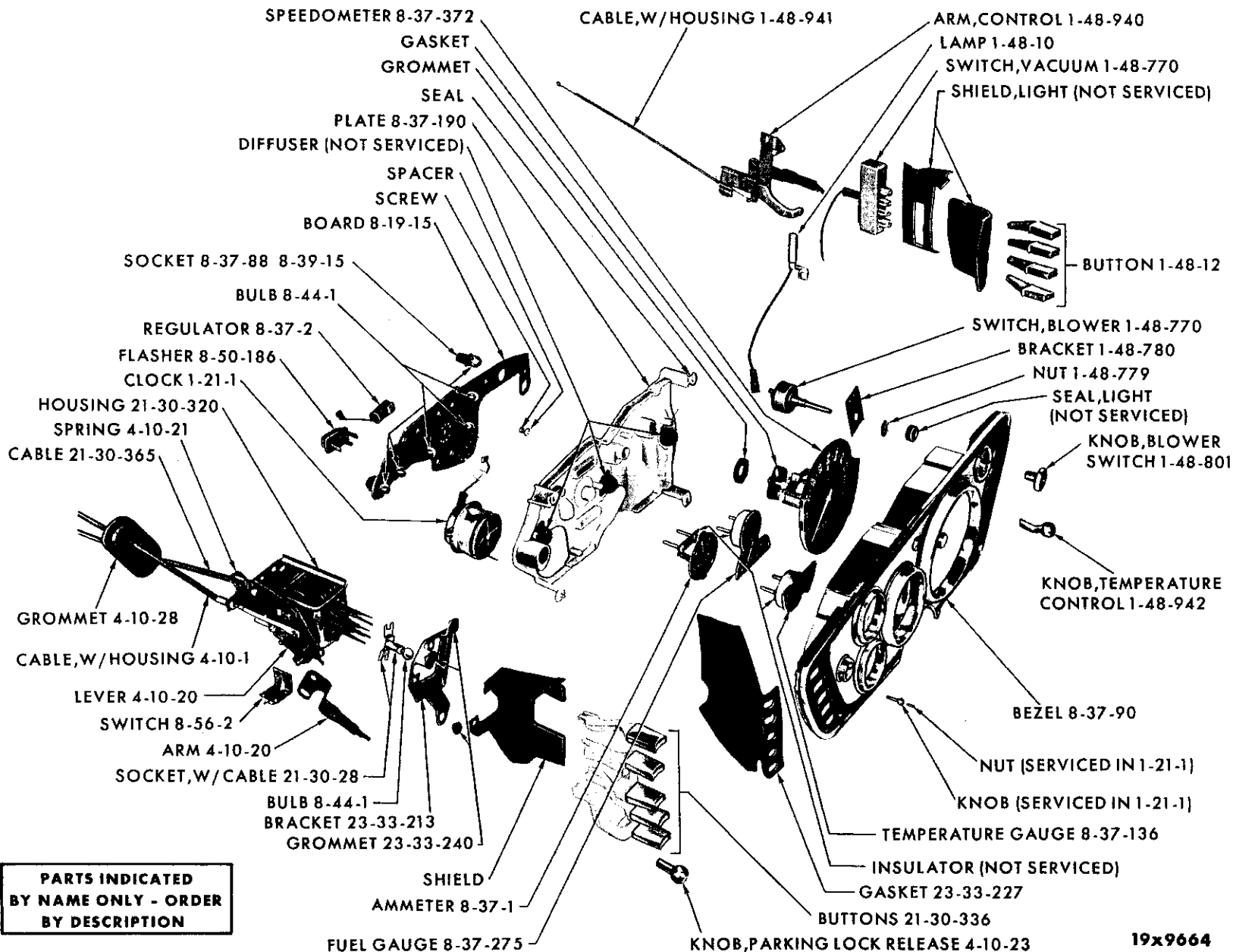
19x9585

LICENSE LAMP - DODGE TD1-2, TA3 (EXCEPT SUBURBAN)



19x9599

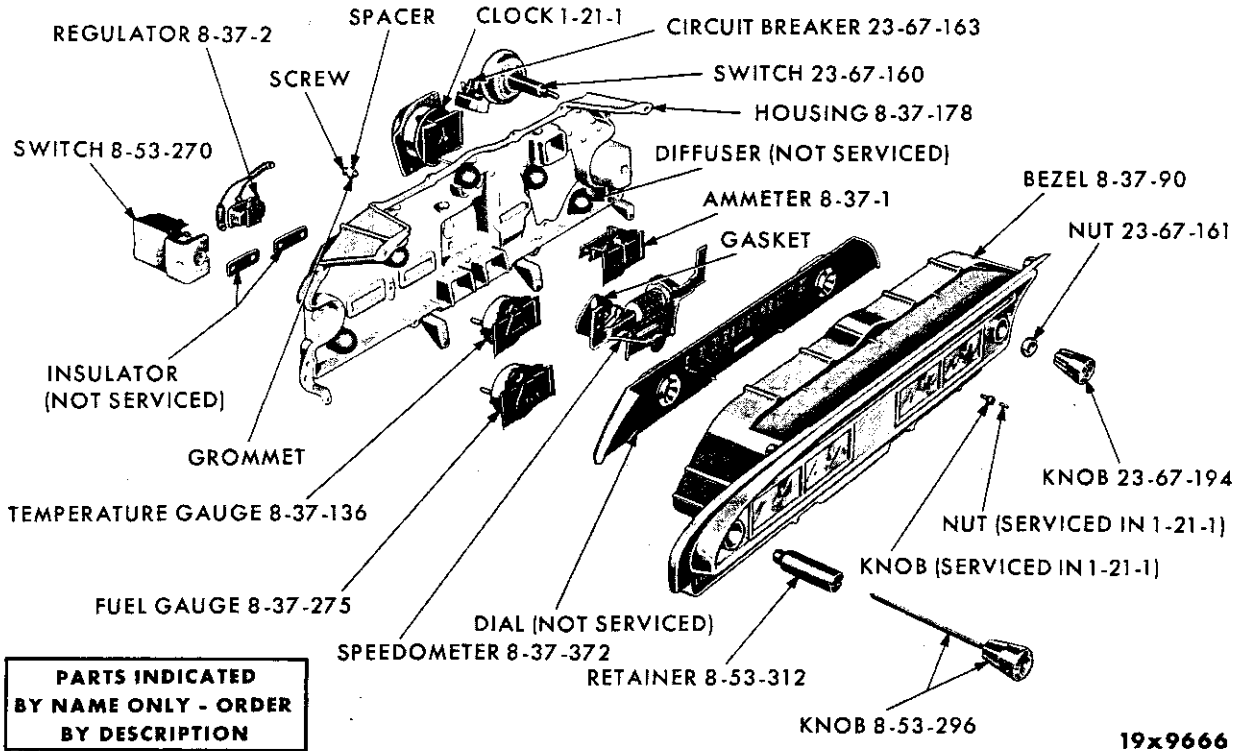
INSTRUMENT CLUSTER - VALIANT TV1



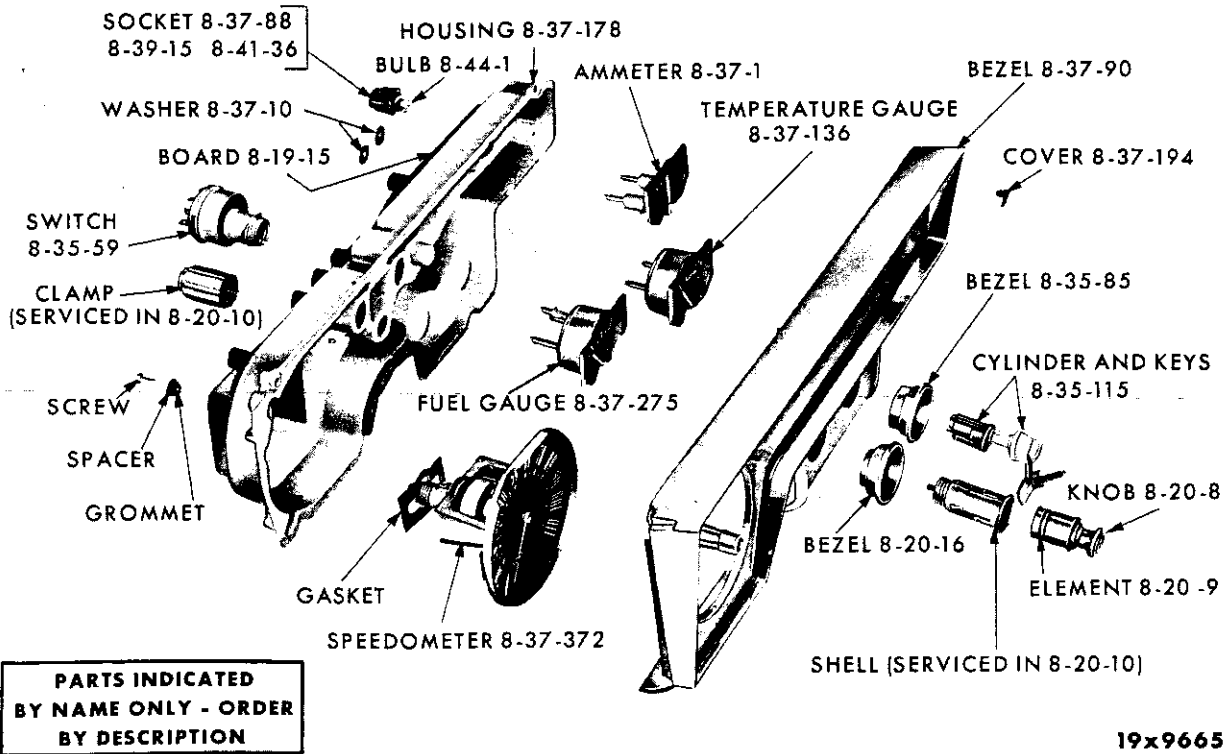
**PARTS INDICATED
BY NAME ONLY - ORDER
BY DESCRIPTION**

19x9664

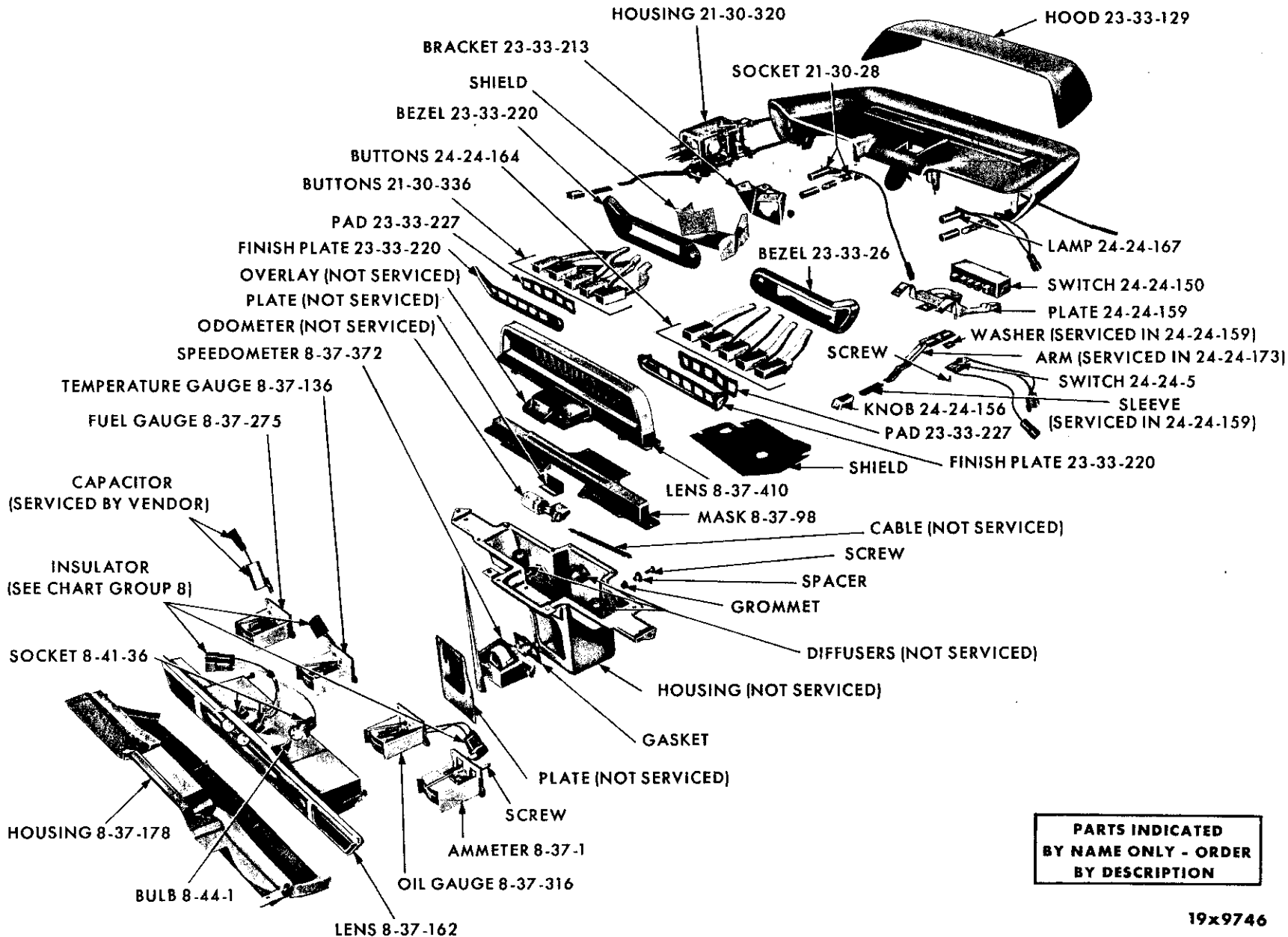
INSTRUMENT CLUSTER - PLYMOUTH TP1-2



INSTRUMENT CLUSTER - DODGE TD1-2



INSTRUMENT CLUSTER - DART TL1



**PARTS INDICATED
 BY NAME ONLY - ORDER
 BY DESCRIPTION**

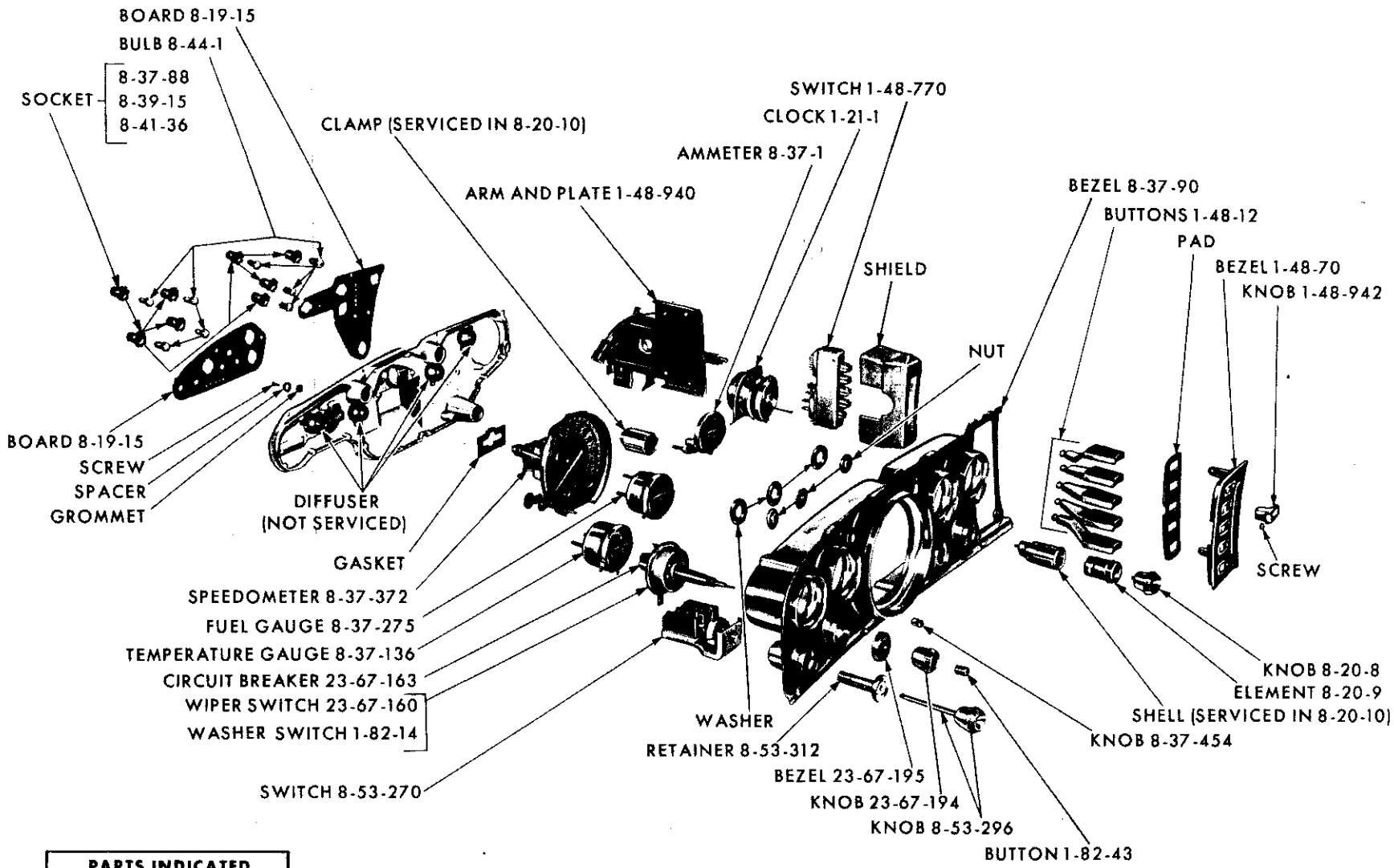
19x9746

INSTRUMENT CLUSTER - DODGE TA3

Jan. 3, 1964 Supersedes Dec. 14, 1962.

Page 8-20D

Printed in U.S.A.



**PARTS INDICATED
BY NAME ONLY - ORDER
BY DESCRIPTION**

19x9667

INSTRUMENT CLUSTER - CHRYSLER TC1-2-3

<p>CONNECTOR 1842003</p>  <p>1842009 TERMINAL</p>	<p>CONNECTOR (1)</p>  <p>TERMINAL (3) 1879609 PACKAGE</p>	<p>CONNECTOR</p>  <p>PART NO. A B 611898 1 3/8" 3/4"</p>	<p>TERMINAL</p>  <p>PART NO. A B 1753534 3/4" 1/4"</p>	<p>TERMINAL</p>  <p>PART NO. A B 1769280 1 3/4" 1/4"</p>	<p>TERMINAL</p>  <p>PART NO. A B 870821 3/4" 3/8"</p>
<p>TERMINAL 2291588</p> 	<p>TERMINAL</p>  <p>PART NO. A 221259 3/8"</p>	<p>TERMINAL 1770660</p> 	<p>TERMINAL 200156</p> 	<p>TERMINAL (10)</p>  <p>(SILVER PLATED) 1819836 PACKAGE</p>	<p>TERMINAL (10)</p>  <p>1779654 PACKAGE</p>
<p>TERMINAL 2258591</p> 	<p>TERMINAL 2258118</p> 	<p>TERMINAL 2290069</p> 	<p>TERMINAL 2258590</p> 	<p>TERMINAL 2290207</p> 	<p>TERMINAL AND CLIP 2291838</p> 
<p>TERMINAL (FEMALE)</p>  <p>INSULATOR (FEMALE) TERMINAL (MALE)</p>  <p>INSULATOR (MALE) 2298882 PACKAGE</p>	<p>INSULATOR 2291093</p> 	<p>INSULATOR 2291663</p> 	<p>INSULATOR 2258651</p> 	<p>INSULATOR 2258102</p> 	<p>INSULATOR (10)</p>  <p>TERMINAL (10) 2240264 PACKAGE</p>
<p>INSULATOR (1)</p>  <p>TERMINAL (6) 1843222 PACKAGE</p>	<p>INSULATOR (10)</p>  <p>TERMINAL (10) 2240536 PACKAGE</p>	<p>INSULATOR (10)</p>  <p>TERMINAL (10) 2084421 PACKAGE</p>	<p>INSULATOR (1)</p>  <p>TERMINAL (8) 2084424 PACKAGE</p>	<p>INSULATOR (1)</p>  <p>TERMINAL (8) 2084425 PACKAGE</p>	<p>INSULATOR (10)</p>  <p>TERMINAL (FEMALE 10) TERMINAL (MALE 10) 1843226 PACKAGE</p>
<p>INSULATOR (10)</p>  <p>TERMINAL (FEMALE 10) 1843227 PACKAGE</p>	<p>ADAPTER 1798521</p> 	<p>INSULATOR (1)</p>  <p>TERMINAL (6) INSULATOR (1) TERMINAL (6) 2448822 PACKAGE</p>			





19x9543A

CHART

MOPAR BATTERIES

- Longer Battery Life
- Greater Power
- Instant Power Under All Weather Extremes
- Dependable Power
- Economical Power

MODELS	GROUP NUMBER		
	20H	24H	27H
Valiant and Dart	Standard	Optional	
Plymouth and Dodge		Standard	Optional
Chrysler - Newport and "300" New Yorker		Standard	Optional All
Imperial			All

BATTERY TYPE	AABM GROUP NUMBER	PART NUMBERS		PLATES PER CELL	AMP HOURS
		WET CHARGED	DRY CHARGED		
 "SUPREME" 48 Months Pro-Rata Service Adjustment Super Performance	24H	2098 029	2098 030	11	60
	27H	2098 039	2098 040	13	70
 "DELUXE" 36 Months Pro-Rata Service Adjustment Valued Dependability	20H	2098 447	2098 448	7	38
	24H	2098 041	2098 042	9	48
	24H	2098 795	2098 796	11	59
	27H	2098 051	2098 052	13	70
 "CUSTOM" 24 Months Pro-Rata Service Adjustment Popular Priced Dependability	24H	2098 797	2098 798	7	41
 "SPECIAL" 12 Months Pro-Rata Service Adjustment Economical Quality	24H	2098 053	----	7	35

FOR COMPLETE PAST MODEL APPLICATION AND FOR OTHER MAKE VEHICLES SEE MOPAR BATTERY PRICE AND APPLICATION GUIDE

19x9571

CODE	PART NAME AND DESCRIPTION	C Y L.	PER CAR	VALIANT DART	PLYMOUTH DODGE	CHRYSLER IMPERIAL
8-01-0 BATTERY AND CABLE						
8-01-4	CABLE, Battery Ground, 6 Gauge, 28" long . . .		1	E2525 348	E2525 348	E2525 348
	Trunk Battery, except Sub., w/426 cu.in. Eng., TP2, TD2, 32" long	8	1	----	*1879 939	
	GROMMET, Battery Cable Dash, w/426 cu.in. Eng., except Sub., TP2, TD2	8	1	----	*1370 460	
8-01-7	CLIP, Battery Cable Left Side Rail Front Reinforcement, TP1, TP2, TD1, TD2		1	----	*6015 366	
8-01-10	WASHER, Intake Manifold Ground Cable	8	1	----	1536 242	1536 242
	Battery Cable Ground to Rear Floor Pan, except Sub., w/426 cu.in. Eng., TP2, TD2 . . .	8	4	----	E9417 793	
8-01-11	BOLT, Battery Ground Cable Clamp		1	1622 535	1622 535	1622 535
8-01-12	NUT, Battery Ground Cable Clamp Bolt		1	1622 536	1622 536	1622 536
8-01-13	SCREW, Battery Ground Cable, w/426 cu. in. Eng., except Sub., TP2, TD2	8	2	----	*6006 120	
8-01-16	TUBE, Battery Vent, w/426 cu.in. Eng., except Sub., TP2, TD2	8	1	----	*2409 372	
8-01-17	CABLE, Single Post to Starter Relay Safety Link, 40 Amp.		1	*2427 261	*2427 261	*2427 261
	Battery to Starter, 6 Gauge, 28" long	6	1	E2525 348		
	Battery to Starter, TP1, TP2, TD1, TD2, 6 Gauge, 42" long		1	----	E2525 512	
	Starting Motor to Battery, w/426 cu.in. Eng., except Sub., TP2, TD2, 224" long	8	2	----	*2427 809	
	Engine to Body Ground, w/426 cu.in. Eng., TP2, TD2, 15" long	8	2	----	*2427 807	
	Battery to Starter Relay, TA3, 6 Gauge, 12" long	8	1	----	E2525 347	E2525 347
	Starter Relay to Starter, VA3, 29" long	8	1	----	*1879 938	*1879 938
8-01-20	BOLT, Battery to Starter Cable Clamp.		1	1622 535	1622 535	1622 535
8-01-21	NUT, Battery to Starter Cable Clamp Bolt.		1	1622 536	1622 536	1622 536
8-01-23	SCREW, Engine to Body Ground Cable Dash . . .		1	*6006 120	*6006 120	*6006 120
	SCREW, Front Fender Side Shield Wiring Clip Attaching Left for Battery Cable	8	1	----	----	6006 120
8-05-0 DOME LAMP AND SWITCH						
8-05-6	HOUSING, except Cv. Cp.	6	1	*2292 994		
	Except Cv. Cp. and Sub., TP1, TP2, TC1, TC2, TC3 Sub., TP1, TP2, TD1, TD2, TC1, TC3		1	----	2419 236	2419 236
	2 D. and 4 D., TD1, TD2		1	----	2292 871	2292 871
	Sp. Cl. Cp. and Sp. 4 D., TD1-M, TD2-M		1	----	2419 236	
	Sp. Cl. Cp. and Sp. 4 D., TD1-H, TD2-H-P, TY1 4 D., TA3	8	1	----	2292 871	1902 237
	Rear, Sub., TC1, TC3		1	----	1963 603	
	Rear, Sub., TC1, TC3		1	----	2161 308	2161 308
	Sp. Cl. Cp., Sp. 4 D. and Sub., TA3	8	1	----	2292 871	
	HOUSING and SEAL PACKAGE, Reading Lamp, TC3, Sp. 4 D.	8	1	----	----	2448 807
8-05-8	BEZEL, except Cv. Cp., TC1, TC2, TC3		1	----	*2166 743	*2166 743
	Rear, Sub., TC1, TC3		1	----	2161 307	2161 307

★ Indicates use as required.

Numerals in parentheses () refer to notes.

Printed in U.S.A.

☐ Indicates parts not listed in any previous parts book.

Prices and specifications subject to change without notice.

* Indicates change or addition.

Page 8-23

Jan. 3, 1964 Supersedes Dec. 14, 1962.

1963 PASSENGER CAR PARTS CATALOG

ELECTRICAL

CODE	PART NAME AND DESCRIPTION	C Y L.	PER CAR	VALIANT DART	PLYMOUTH DODGE	CHRYSLER IMPERIAL
8-05-O DOME LAMP AND SWITCH - Cont'd						
8-05-10	SEAL, Dome Lamp Housing Precemented, except Cv. Cp., TY1	8	1	-----	-----	2440 373
8-05-11	RETAINER, Switch, TP1, TP2 TD1, TD2, TC1, TC2, TC3	1 1	1 1	*1887 604 -----	*1887 604 *2427 118	*2290 720
8-05-12	SOCKET, except Cv. Cp., TP1, TP2, TD1, TD2, TC1, TC2, TC3 4 D., TA3 Sp. Cl. Cp., Sp. 4 D. and Sub., TA3 Reading Lamp, TC3 Sp. 4 D. Sp. Cl. Cp. and Sp. 4 D., TY1	1 8 8 8 8	1 1 1 2 1	*1704 875 ----- ----- ----- -----	*2258 598 2096 499 2258 598 ----- -----	*2258 598 1704 875 1704 875
8-05-14	SWITCH, TP1, TP2, TD1, TD2, TC1, TC2, TC3 . TA3 Reading Lamp, TC3 Sp. 4 D. Sp. Cl. Cp. and Sp. 4 D., TY1	1 8 8 8	1 1 2 1	*2448 823 ----- ----- -----	*2298 855 2421 453 ----- -----	*2298 855 2427 335 2096 180
8-05-16	KNOB, Switch, TL1, TD1, TD2 TV1, TP1, TP2, TC1, TC2, TC3 w/Spot Lamp, except Cv. Cp., TD1, TD2 TA3 KNOB and SEAL PACKAGE, Reading Lamp Switch, TC3 Sp. 4 D.	1 1 1 8 8	1 1 1 1 1	*2290 701 2291 288 ----- ----- -----	*2290 398 2291 288 2290 701 2426 398 -----	2290 824 2448 808
8-05-20	BEZEL, Switch, TV1, TP1, TP2 Sp. Cl. Cp. and Sp. 4 D., TY1	1 8	1 1	*2256 432 -----	*2256 432 -----	2096 181
8-05-23	LENS, except Cv. Cp., TC1, TC2, TC3 Sp. Cl. Cp. and Sp. 4 D., TY1 LENS and RETAINING RING PACKAGE, Reading Lamp, TC3 Sp. 4 D.	1 8 8	1 1 1	*2292 995 ----- -----	*2166 676 ----- -----	*2166 676 1902 298 2448 809
8-05-28	BRACKET, Mounting, Rear, Sub., TC1, TC3 SUPPORT, Sp. Cl. Cp. and Sp. 4 D., TY1	1 8	1 1	----- -----	*2086 597 -----	*2086 597 2419 844
8-05-31	CONTACT, Socket, except Cv. Cp. Reading Lamp Socket, TC3 Sp. 4 D.	* 8	4 4	*2256 966 -----	*2256 966 -----	*2256 966 2256 966
8-05-32	CORE, Socket, Rear, Sub., TC1, TC3	1	1	-----	*2161 316	*2161 316
8-11-O QUARTER OR COURTESY LAMP						
8-11-5	PLATE, Attaching, Cv. Cp., TP2, TD2	8	2	-----	*2440 355	
8-11-6	SWITCH, on Console TP2-P, TD2-P	8	1	-----	*2291 106	
8-11-8	SOCKET and WIRES, Cv. Cp., TP2, TD2, TY1 Floor Tunnel Console, TD2-P, TP2-P Floor Tunnel Console, except 4 D., TC2 Quarter Arm Rest, TA3, TC1, TC2 SOCKET, Front Door, TY1-M-H Rear Door, Sp. 4 D., TY1-H	2 8 8 8 8 8	2 1 2 2 2 2	----- ----- ----- ----- ----- -----	*1963 479 *1963 479 ----- *1963 479 *1963 479 ----- -----	*1963 479 *1704 875 *1704 875
8-11-11	NUT, Switch, on Console, TP2-P, TD2-P	8	1	-----	*2291 107	
8-11-12	LENS and RETAINER, Cv. Cp., TP2, TD2, TY1 Floor Tunnel Console Courtesy Lamp Bezel, TP2-P, TD2-P Quarter Arm Rest Courtesy Lamp Bezel, Cv. Cp., TA3, TC1, TC2 Floor Tunnel Console Courtesy Lamp Bezel, Sp. Cl. Cp., Cv. Cp. and Sp. 4 D., TC2	2 8 8 8 8	2 1 1 2 2	----- ----- ----- ----- -----	*1623 132 1623 132 1623 132 1623 132 -----	*1623 132 1623 132

★ Indicates use as required.

Numerals in parentheses () refer to notes.

Printed in U.S.A.

☐ Indicates parts not listed in any previous part book.

Prices and specifications subject to change without notice.

Jan. 3, 1964 Supersedes Dec. 14, 1962.

Page 8-24

* Indicates change or addition.

CODE	PART NAME AND DESCRIPTION	C Y L	PER CAR	VALIANT DART	PLYMOUTH DODGE	CHRYSLER IMPERIAL
8-11-O QUARTER OR COURTESY LAMP - Cont'd						
8-11-12	LENS and RETAINER - Cont'd					
	Front Door Arm Rest, TY1-M-H	8	2	----	----	*1887 954
	Rear Door Arm Rest, Sp. 4 D., TY1-H	8	2	----	----	*1887 954
8-11-15	HOUSING and SHIELD, Front Door Arm Rest, TY1-M-H	8	2	----	----	*2419 604
	Rear Door Arm Rest, Sp. 4 D., TY1-H	8	2	----	----	*2419 604
8-11-16	BEZEL, Front Door Arm Rest, TY1-M-H	8	2	----	----	*2419 232
	Rear Door Arm Rest, Sp. 4 D., TY1-H	8	2	----	----	*2419 232
8-11-18	CONTACT, Front Door Courtesy Lamp Socket, TY1-M-H	8	2	----	----	2256 966
	Rear Door Courtesy Lamp Socket, TY1-H Sp. 4 D.	8	4	----	----	2256 966
8-11-19	SPACER, Floor Tunnel Console Courtesy Lamp to Console, Sp. Cl. Cp., Cv. Cp. and Sp. 4 D., TC2 .	8	4	----	----	B2427 659
8-12-O AUTOMATIC DOOR LAMP SWITCH						
8-12-2	SWITCH, w/Elbow Type Sleeve Connector		2	*1972 329	*1972 329	*1972 329
	w/Straight Type Sleeve Connector		2	1971 931	1971 931	1971 931
8-12-3	SOCKET, 4 D., TP1, TP2, TD1, TD2		1	----	*1753 632	
8-12-15	LENS, BEZEL and HOUSING, 4 D., TP1, TP2, TD1, TD2		1	----	*2426 179	
8-12-17	CONTACT, Socket, 4 D., TP1, TP2, TD1, TD2 . .		2	----	*2256 966	
8-13-O TRUNK LAMP						
8-13-1	SWITCH, SOCKET and CABLE, TY1	8	1	----	----	*1770 786
8-13-2	SWITCH, except Sub., TC1, TC2, TC3		1	*2097 279	*2097 279	*2097 279
8-13-3	SOCKET and BRACKET, except Sub., TC1, TC2, TC3		1	*2096 857	*2096 857	*2096 857
8-13-4	SPRING, Socket, except Sub., TC1, TC2, TC3 . .		1	*1842 340	*1842 340	*1842 340
8-13-5	INSULATOR, Socket, except Sub., TC1, TC2, TC3 .		1	*1842 338	*1842 338	*1842 338
8-13-6	CONTACT, Socket, except Sub., TC1, TC2, TC3 .		1	*2256 966	*2256 966	*2256 966
8-15-O CHASSIS AND BODY WIRING COMPARTMENT						
8-15-2	WIRING, Headlamp and Engine Compartment, TP1, TP2, TC1, TC2, TC3		1	2290 998	2290 902	2291 200
	Headlamp and Engine Compartment, TD1, TD2, TY1		1	----	2291 626	2291 899
	Headlamp and Engine Compartment, TA3	8	1	----	2426 688	
	Engine Compartment	6	1	----	2291 738	
	Engine Compartment, TP2, TD2	8	1	----	2290 903	
	Engine Compartment, w/426 cu. in. Eng., TP2, TD2	8	1	----	2291 923	
8-15-3	BLOCK and CLIP PACKAGE, Fuse		1	2421 834	2421 834	2421 834
8-15-4	WIRING, Body, except Sub., TV1	6	1	2290 862		
	Sub.	6	1	2290 970		
	Except Sub., TL1, TA3	1	1	2291 345	2426 320	
	Console Wiring Console, TP2-P, TD2-P, TC2 . .	8	1	----	2291 078	2291 753

★ Indicates use as required.

Numerals in parentheses () refer to notes.

Printed in U.S.A.

□ Indicates parts not listed in any previous parts book.

Prices and specifications subject to change without notice.

* Indicates change or addition.

Page 8-25

Jan. 3, 1964 Supersedes Dec. 14, 1962.

1963 PASSENGER CAR PARTS CATALOG

CODE	PART NAME AND DESCRIPTION	C Y L.	PER CAR	VALIANT DART	PLYMOUTH DODGE	CHRYSLER IMPERIAL
------	---------------------------	--------------	------------	-----------------	-------------------	----------------------

8-15-0 CHASSIS AND BODY WIRING COMPARTMENT - Cont'd

8-15-4	WIRING - Cont'd					
	TD1 except Cv. Cp., Sp. 4 D. and Sub.,		1	----	2291 546	
	TD2-L-M-H except Sub.		1	----	2291 546	
	TD2-P	8	1	----	2427 461	
	w/Back-Up Lamp, except Sub., TP1, TP2 . . .		1	----	2290 762	
	w/o Back-Up Lamp, except Sub., TP1, TP2 . . .		1	----	2258 196	
	w/Electric Tail Gate Window Lift Switch, Sub.,		1	----	2258 076	
	TP1, TP2, TD1, TD2		1	----	2426 406	
	w/o Electric Tail Gate Window Lift Switch,		1	----	2427 238	
	Sub., TP1, TP2, TD1, TD2	8	1	----		
	w/Electric Tail Gate Window Lift Switch, Sub.,		1	----		
	TA3	8	1	----		
	w/o Electric Tail Gate Window Lift Switch,		1	----		
	Sub., TA3	8	1	----		
	Except Sub., TC1, TC2, TC3	8	1	----		2290 873
	Sub., TC1, TC3	8	1	----		2290 983
	Console Wiring, on Instrument Panel, TC2 . . .	8	1	----		2291 759
	TY1	8	1	----		2291 265
	GROMMET, Body Wiring, Sub.	6	2	*2291 672		
	GROMMET, Body Wiring Harness to Tie Plate,					
	Left Sub., TP1, TP2, TD1, TD2		1	----	*2480 149	
	GROMMET, Console Wiring, on Instrument					
	Panel, TC2	8	1	----		*2257 299
8-15-7	FUSE WIRE, Alternator Voltage Regulator		1	2275 242	2275 242	2275 242
	WIRING, Alternator, 60 Amp., w/o Safety Link . .	6	1	E2291 540		
	WIRING, Alternator, 60 Amp., w/ Safety LINK . .	6	1	E2427 899		
	CABLE, Safety Link, 60 Amp., TC1, TC2, TC3 . .		1	E2427 932	E2427 932	E2427 932
8-15-32	CLIP, Connector Retaining		4	2291 662	2291 662	2291 662
	Dome Lamp Wiring, TP1, TP2, TD1, TD2		1	*6015 288	*6015 288	
	Engine Wiring Locator		★	6015 288	6015 288	6015 288
	w/Bus Bar, Fuse Block Fuse, TP1, TP2, TD1, TD2		2	2291 842	2291 842	
	Dome Lamp Wiring, except Cv. Cp., TP1, TP2,					
	TD1, TD2		1	----	6015 288	
	w/Bus Bar, Fuse Block Fuse, TA3	8	1	----	2291 841	2291 841
	w/Bus Bar, Fuse Block Fuse, TA3	8	1	----	2291 842	2291 842
	Body Wiring Locator, TY1	8	1	----		*6015 288
	Headlamp Housing to Fender Stabilizer Wiring,					
	TY1	8	2	----		6015 271
8-15-33	SCREW and WASHER, Wiring Bulkhead					
	Disconnect Terminal		★	2426 920	2426 920	2426 920
8-15-52	WIRING, Rear Lamp, w/Electric Tail Gate					
	Window Lift Switch, Sub. TP1, TP2		1	----	2290 962	
	w/o Electric Tail Gate Window Lift Switch,					
	Sub., TP1, TP2		1	----	2290 957	
	w/Electric Tail Gate Window Lift Switch, Sub.,					
	TD1, TD2		1	----	2290 731	
	w/o Electric Tail Gate Window Lift Switch,					
	Sub., TD1, TD2		1	----	2290 756	
	Sub., TC1, TC3	8	1	----		2291 050
8-15-53	WIRING, Dome Lamp, TP1, TP2, TD1, TD2		1	----	2291 340	
	Rear, Sub., TP1, TP2, TD1, TD2		1	----	2291 340	
	Dome and Reading Lamp, TC3 Sp. 4 D.	8	1	----		2427 080

★ Indicates use as required.

Numerals in parentheses () refer to notes.

Printed in U.S.A.

⊠ Indicates parts not listed in any previous parts book.

Prices and specifications subject to change without notice.

Jan. 3, 1964 Supersedes Jan. 25, 1963.

* Indicates change or addition.

CODE	PART NAME AND DESCRIPTION	CYL.	PER CAR	VALIANT DART	PLYMOUTH DODGE	CHRYSLER IMPERIAL
------	---------------------------	------	---------	--------------	----------------	-------------------

8-16-0 CABLE AND CONNECTIONS

NOTE: For a more practical and economical method of servicing, only the more complicated Assemblies will be stocked for service. These will be found in their respective groups. On the more simple Assemblies the required length and size of Cable, necessary Terminals, etc. should be specified. For visual chart of Insulator and Terminal Packages see front of group.

8-16-1	CONNECTOR and TERMINAL PACKAGE, Headlamp Cable	★	1879 609	1879 609	1879 609
	TERMINAL and INSULATOR PACKAGE, 6 Pole Disconnect, Male	★	1843 222	1843 222	1843 222
	Single Pole, Long	★	1843 226	1843 226	1843 226
	Single Pole, Short	★	1843 227	1843 227	1843 227
	Female, Miniature	★	2084 421	2084 421	2084 421
	8 Pole, Male	★	2084 425	2084 425	2084 425
	8 Pole, Female	★	2084 424	2084 424	2084 424
	Female, Miniature	★	2240 264	2240 264	2240 264
	Male, Miniature	★	2240 536	2240 536	2240 536
	Male and Female	★	2298 882	2298 882	2298 882
	6 Pole, Male and Female	★	2448 822	2448 822	2448 822
8-16-3	CABLE, No. 8 Brown, 100 Foot Spool	★	2275 220	2275 220	2275 220
	No. 12 Red, 100 Foot Spool	★	1752 491	1752 491	1752 491
	No. 14 Green, 100 Foot Spool	★	1752 490	1752 490	1752 490
	No. 16 Blue, 100 Foot Spool	★	1752 489	1752 489	1752 489
	No. 18 Yellow, 100 Foot Spool	★	1752 488	1752 488	1752 488
	Horn Cable, No. 16 Black, 100 Foot Spool	★	1064 754	1064 754	1064 754
	Wire and Spool, Triple Conductor, No. 14 Gauge, Red, Green and Black, 100 Foot Spool	★	2298 769	2298 769	2298 769
	Wire and Spool, Double Conductor, No. 14 Gauge, Green and Black, 100 Foot Spool	★	2298 770	2298 770	2298 770
	Wire and Spool, Double Conductor, No. 14 Gauge, Red and Black, 100 Foot Spool	★	2298 768	2298 768	2298 768
	8-16-4	TERMINAL, Female Side Type	★	1842 009	1842 009
Cable Connector		★	870 821	870 821	870 821
Electrical Window Lift Safety Switch Wiring		★	903 895	903 895	903 895
Wiring, .910" long		★	2258 591	2258 591	2258 591
Printed Circuit Wiring, Female		★	2258 118	2258 118	2258 118
Female Hair Pin Wiring		★	1779 654	1779 654	1779 654
Wiring Fuse Clip		★	2290 207	2290 207	2290 207
Wiring, 1.36" long		★	2258 590	2258 590	2258 590
Wiring, 1.025" long		★	2290 069	2290 069	2290 069
Female, K-Type		★	1819 836	1819 836	1819 836
Male Blade		★	1770 660	1770 660	1770 660
Printed Circuit Board Wiring, Female		★	2291 259	2291 259	2291 259
w/CLIP, Fuse Block, Male		★	2291 838	2291 838	2291 838
Female, Cold Crimp	★	2291 588	2291 588	2291 588	
8-16-5	SLEEVE, Wiring Terminal, Black	★	1264 933	1264 933	1264 933
	Starting Motor Terminal	★	930 304	930 304	930 304
8-16-6	INSULATOR, Alternator Battery Terminal	1	2291 093	2291 093	2291 093
	Headlamp Switch, 7 Pole Female	★	2258 102	2258 102	2258 102
	Printed Circuit Wiring Terminal	★	2258 651	2258 651	2258 651
	Printed Circuit Board Wiring Terminal, 5 Pole Female	★	2291 258	2291 258	2291 258
8-16-8	CONNECTOR, 2 Way Polarized, Female	★	1842 003	1842 003	1842 003
	Single Cable	★	611 898	611 898	611 898
	Electric Window Lift Safety Switch Wiring	★	1345 871	1345 871	1345 871
8-16-10	PLUG, Cable Connector, No. 12 Cable	★	665 151	665 151	665 151

★ Indicates use as required.

Numerals in parentheses () refer to notes.

Printed in U.S.A.

□ Indicates parts not listed in any previous parts book.

Prices and specifications subject to change without notice.

* Indicates change or addition.

Jan. 3, 1964 Supersedes Dec. 14, 1962.

8-17-0 FUSES

CODE		AMP.	SIZE	PART NO.
8-17-2	FUSES			
	All Models	1	5/8	* 149 559
	All Models	2	5/8	* 148 086
	All Models	2	1-1/4	* 145 511
	All Models	3	5/8	* 445 365
	All Models	3	1-1/4	* 106 652
	All Models	4	1-1/4	* 148 511
	All Models	5	5/8	* 126 049
	All Models	6	3/4	* 147 683
	All Models	7-1/2	7/8	* 150 866
	All Models	7-1/2	1-1/4	* 455 107
	All Models	9	7/8	* 147 684
	All Models	10	5/8	* 142 864
	All Models	10	1-1/4	* 117 142
	All Models	14	1-1/16	* 147 685
	All Models	15	1-1/4	* 120 151
	All Models	20	5/8	* 106 650
	All Models	30	1-1/4	* 120 114
	All Models	30	1-7/16	* 147 686
	All Models	60	43/50	*2258 284

CODE	PART NAME AND DESCRIPTION	C Y L.	PER CAR	VALIANT DART	PLYMOUTH DODGE	CHRYSLER IMPERIAL
8-19-0 INSTRUMENT PANEL WIRING						
8-19-2	CONTACT, Ash Receiver Lamp Socket	8	1	----	----	2256 966
8-19-3	WIRING, Instrument Panel, TV1, TP1, TP2, TC1, TC2, TC3		1	2290 822	2290 964	2291 338
	TL1, TD1, TD2, TY1		1	2291 291	2291 048	2291 185
	CABLE, Temperature and Fuel Gauge Feed, TD1, TD2		1	----	1887 103	
	TA3	8	1	----	2426 484	
	GROMMET, Instrument Panel Dash, TP1, TP2, TD1, TD2		1	----	*2216 552	*2216 552
8-19-15	BOARD, Printed Circuit, TV1, TP1, TP2		1	*2427 427	*2427 139	
	TL1	6	1	2427 375		
	Right, TC1, TC2, TC3	8	1	----	----	2427 432
	Left, TC1, TC2, TC3	8	1	----	----	2427 430
8-19-16	CABLE, Printed Circuit Ground, TP1, TP2		1	----	2426 995	
8-19-83	SOCKET and CABLE, Ash Receiver Lamp	8	1	----	----	2291 751
8-19-87	CONNECTOR, CLIP and GASKET, Bulkhead		1	2258 497	2258 497	2258 497
8-20-0 CIGAR LIGHTER						
8-20-3	CIRCUIT BREAKER, Thermal, Manual Reset, Cigar Lighter, Rear Console, TP2-P, TD2-P	8	1	----	1887 222	
	Rear Compartment, except 4 D., TC2	8	1	----	----	1887 222
	Front Seat Back, Sp.4 D. and Sub., TC3	8	1	----	----	1887 222
8-20-4	HOLDER, Fuse, 10 Amp., Console, TP2-P, TD2-P	8	1	----	*1971 742	
	Rear Compartment, Fuse, 10 Amp., TC2 except 4 D., TC3	8	1	----	----	*1971 742

★ Indicates use as required. Numerals in parentheses () refer to notes. Printed in U.S.A.
 □ Indicates parts not listed in any previous parts book. Prices and specifications subject to change without notice.
 Jan. 3, 1964 Supersedes Jan. 25, 1963. * Indicates change or addition.

CODE	PART NAME AND DESCRIPTION	C Y L	PER CAR	VALIANT DART	PLYMOUTH DODGE	CHRYSLER IMPERIAL
8-20-0 CIGAR LIGHTER - Cont'd						
8-20-8	KNOB, Instrument Panel Cigar Lighter, TV1, TP1, TP2, TD1, TD2, TY1		1	2291 289	2290 188	2290 188
	TL1, TA3		1	2290 399	2426 397	
	Rear Console, TP2-P, TD2-P	8	1	----	2290 188	
	Instrument Panel Cigar Lighter, TC1, TC2, TC3	8	1	----	----	2257 952
	Rear Compartment, except 4 D., TC2	8	1	----	----	2290 188
	Rear Door, TC3 Sp. 4 D.	8	1	----	----	*2290 188
	Front Seat Back, TC3	8	1	----	----	2290 188
	Rear Door Arm Rest, Sp. 4 D., TY1	8	2	----	----	*2290 188
	Quarter Arm Rest, Sp. Cl. Cp. and Cv. Cp., TY1	8	2	----	----	*2290 188
8-20-9	ELEMENT, Instrument Panel Cigar Lighter Heat		1	1692 678	1692 678	1692 678
	Rear Console Cigar Lighter Heat, TP2-P, TD2-P	8	1	----	1692 678	
	Rear Compartment Cigar Lighter Heat, except 4 D., TC2	8	1	----	----	1692 678
	Front Seat Back Cigar Lighter Heat, TC3	8	1	----	----	1692 678
	Rear Door Cigar Lighter Heat, Sp. 4 D., TC3	8	1	----	----	1692 678
	Rear Door Arm Rest Cigar Lighter Heat, Sp. 4 D., TY1	8	2	----	----	1692 678
	Quarter Panel Arm Rest Cigar Lighter Heat, Sp. Cl. Cp. and Cv. Cp., TY1	8	2	----	----	1692 678
8-20-10	SHELL and CLAMP, Instrument Panel Cigar Lighter		1	2096 597	2096 599	2096 599
	Rear Console, TD2-P, TP2-P, Cuno	8	1	----	2198 192	
	Rear Compartment, w/Bucket Seat, w/Console, except 4 D., Cuno, TC2	8	1	----	----	2198 192
	Rear Compartment, w/Bucket Seat, w/Console, except 4 D., Casco, TC2	8	1	----	----	2291 997
	Rear Compartment, w/Bucket Seat, w/o Console, except 4 D., Casco, TC2	8	1	----	----	2096 599
	Rear Door, Sp. 4 D., TC3 Luxury, Casco	8	2	----	----	B2291 997
	Rear Door, Sp. 4 D., TC3 Luxury, Cuno	8	2	----	----	*2198 192
	Rear Door, Sp. 4 D., TC3 except TC3 Luxury	8	2	----	----	*2096 599
	Front Seat Back, TC3	8	1	----	----	2096 599
	Rear Door Arm Rest, SP. 4 D., TY1	8	1	----	----	2096 599
	Quarter Panel Arm Rest, Sp. Cl. Cp. and Cv. Cp., TY1	8	1	----	----	2096 599
8-20-12	INSULATOR, Rear Console Cigar Lighter Terminal, TP2-P, TD2-P.	8	1	----	1300 528	
8-20-16	BEZEL, Instrument Panel Cigar Lighter, TL1.	6	1	2291 062		
	TV1	6	1	1887 600		
	TA3	8	1	----	1887 787	
	Front Seat, except 4 D., TC2, TC3	8	1	----	----	*2080 996

NOTES

★ Indicates use as required.

Numerals in parentheses () refer to notes.

Printed in U.S.A.

□ Indicates parts not listed in any previous parts book.

Prices and specifications subject to change without notice.

* Indicates change or addition.

Jan. 3, 1964 Supersedes Jan. 25, 1963.

8-27-0 IGNITION DISTRIBUTOR

8-27-1 DISTRIBUTOR, Assembly

Models	Cyl.	Eng. (cu. in.)	Trans.	Breaker	Distributor Stamped	Distributor Partial (1) or Complete Assembly
TV1, TL1	6	170	Std.	Single	2098 665	*2098 667(1)
TV1, TL1	6	170	Auto	Single	2098 675	*2098 677(1)
TV1, TL1, TP, TD1	6	225	All	Single	2098 670	*2098 672(1)
TP2, TD2	8	318	Std.	Single	2098 680	*2098 679(1)
TP2, TD2	8	318	Auto	Single	2098 685	*2098 684(1)
TP2, TD2, w/o Air Conditioning	8	318	Auto	Single	2444 346 IBP-4003Z	*2444 371(1) IBP-4003ZS
TP2 w/Power Pack, TC1, One-2 Barrel Carburetor	8	361	All	Single	2095 836	*2095 836
TP2, TD2, One-4 Barrel Carburetor	8	383	All	Double	2095 832 IBS-4006G	*2095 832 IBS-4006G
TP2, TD2, Two-4 Barrel Carburetor	8	426	All	Double	2098 582 IBB-4202	*2098 725(1) IBB-4202S
TD2 w/Power Pack, TC2, One-2 Barrel Carburetor	8	383	All	Single	2095 836	*2095 836
TA3, One-2 Barrel Carburetor	8	361 and 383	All	Single	2095 836	*2095 836
TA3, TC1, TC2 w/Power Pack, One- 4 Barrel Carburetor	8	413	All	Double	2098 313 IBS-4011A	*2098 495(1) IBS-4011AS
TC2-300J, Two-4 Barrel Carburetor	8	413	All	Double	2098 620 IBS-4011B	*2098 726(1) IBS-4011BS
TC3, TY1, One-4 Barrel Carburetor	8	413	Auto	Single	2098 690	*2098 689(1)

(1) Partial Assemblies do not include the Cap and Rotor

CODE	PART NAME AND DESCRIPTION	CYL.	PER CAR	VALIANT DART	PLYMOUTH DODGE	CHRYSLER IMPERIAL
8-27-61	CAP, Rotor and Cable Package, Distributor . . .	6	1	*2448 273	*2448 273	
8-27-259	SPACER, Distributor Cam		1	1889 996	1889 996	1889 996
8-27-296	WICK, Distributor Cam Sleeve		1	643 899	643 899	643 899
8-27-320	TUBE, Carburetor to Distributor Vacuum Control .		1	2264 962	2264 962	2264 962

★ Indicates use as required. Numerals in parentheses () refer to notes. Printed in U.S.A.
 ☐ Indicates parts not listed in any previous parts book. Prices and specifications subject to change without notice.
 Jan. 3, 1964 Supersedes Dec. 14, 1962. * Indicates change or addition.

8-27-0 IGNITION DISTRIBUTOR - Cont'd

FOR MODEL APPLICATION SEE CODE 8-27-1

CODE	REMARKS	DISTRIBUTOR ASSEMBLIES			
		*2095 832 IBS-4006G	*2095 836	*2098 313 IBS-4011A	*2098 665
	DISTRIBUTOR IDENTIFICATION STAMPED	*2095 832 IBS-4006G	*2095 836	*2098 313 IBS-4011A	*2098 667
	REPLACEMENT ASSY'S (PARTIAL) (LESS CAPS)	*2095 832 IBS-4006G	*2095 836	*2098 495 IBS-4011AS	
8-27-4	GASKET, Distributor Mounting Oil Retaining	1326 836	1326 836	1326 836	2095 630
	GASKET, Distributor Mounting to Cylinder Block . .	----	----	----	*2095 740
8-27-11	GEAR and PIN PACKAGE, Tachometer Drive	----	----	2084 869	----
8-27-18	FOLLOWER GEAR PACKAGE, Tachometer.	----	----	2084 870	----
8-27-26	CLAMP	1947 613	1947 613	1947 613	----
8-27-27	SCREW and WASHER, Clamp	6022 185	6022 185	6022 185	----
8-27-71	CAP	*1658 534	1838 514	*1658 534	2098 765
8-27-76	SPRING, Cap Attaching	----	1838 508	----	1838 508
8-27-77	SPRING and HINGE PACKAGE, Cap Clamp.	1879 606	----	1879 606	----
8-27-85	CONTACT and SPRING PACKAGE, Cap Plunger . . .	2084 655	----	2084 655	----
8-27-100	OILER.	953 717	----	1879 391	953 717
8-27-114	BEARING, Ball	----	----	623 207	----
8-27-133	BEARING and THRUST WASHER PACKAGE, Drive Shaft	1879 596	2275 229	2084 867	2275 228
8-27-137	COLLAR and PIN PACKAGE, Drive Shaft.	----	2084 448	----	----
8-27-138	PLATE, Breaker	2299 321	2095 922	2299 321	2095 922
8-27-158	CONTACT SET	2299 322	2098 244	----	2098 244
	CONTACT SET (2 used)	----	----	*2421 174	----
8-27-190	CONDENSER	1818 757	2098 058	1818 757	2098 058
8-27-205	LEAD, Primary	1383 958	2095 873	1383 958	2095 508
8-27-208	BREAKER and GROUND LEAD PACKAGE.	2299 320	----	2299 320	----
8-27-218	TERMINAL and STUD PACKAGE	1881 751	----	1881 751	----
8-27-250	SHAFT, GOVERNOR and CAM	----	2098 189	----	2098 663
8-27-278	WEIGHT PACKAGE, Governor.	1881 746	1881 955	1881 746	1881 945
8-27-279	SPRING SET, Governor Weight	2275 227	2298 765	2084 866	2448 259
8-27-292	CAM and STOP PLATE	----	2098 190	----	2098 175
8-27-297	FELT DISC and SNAP RING PACKAGE	1879 607	1879 607	1879 607	1879 607
8-27-300	ROTOR	1658 535	1838 516	1658 535	2098 770
8-27-308	CHAMBER PACKAGE, Vacuum	2084 857	----	2084 868	----
	CONTROL, Vacuum	----	2098 192	----	2098 664
8-27-315	PLUG and GASKET PACKAGE, Vacuum Chamber . .	2299 319	----	2299 319	----
8-27-316	SPRING and WASHER PACKAGE, Vacuum Chamber .	1881 750	----	1881 766	----
8-27-352	GEAR and PIN PACKAGE, Drive	----	----	----	2084 653

★ Indicates use as required.

Numerals in parentheses () refer to notes.

Printed in U.S.A.

ⓔ Indicates parts not listed in any previous parts book.

Prices and specifications subject to change without notice.

* Indicates change or addition.

Jan. 3, 1964 Supersedes Dec. 14, 1962.

8-27-0 IGNITION DISTRIBUTOR - Cont'd

FOR MODEL APPLICATION SEE CODE 8-27-1

CODE	REMARKS	DISTRIBUTOR ASSEMBLIES			
		*2098 670 *2098 672	*2098 675 *2098 677	*2098 680 *2098 679	*2098 685 *2098 684
	DISTRIBUTOR IDENTIFICATION STAMPED REPLACEMENT ASSY'S (PARTIAL) (LESS CAPS)				
8-27-4	GASKET, Distributor Mounting Retaining GASKET, Distributor Mounting to Cylinder Block . .	2095 630 2095 740	2095 630 2095 740	1326 836 -----	1326 836 -----
8-27-26	CLAMP	-----	-----	1947 612	1947 612
8-27-27	SCREW and WASHER, Clamp	-----	-----	1675 958	1675 958
8-27-71	CAP	2098 765	2098 765	1838 514	1838 514
8-27-76	SPRING, Cap Attaching	1838 508	1838 508	1838 508	1838 508
8-27-100	OILER	953 717	953 717	953 717	953 717
8-27-133	BEARING and THRUST WASHER PACKAGE, Drive Shaft	2275 228	2275 228	2275 229	2275 229
8-27-137	COLLAR and PIN PACKAGE, Drive Shaft	-----	-----	2084 448	2084 448
8-27-138	PLATE, Breaker	2095 922	2095 922	2095 922	2095 922
8-27-158	CONTACT SET	2098 244	2098 244	2098 244	2098 244
8-27-190	CONDENSER	2098 058	2098 058	2098 058	2098 058
8-27-205	LEAD, Primary	2095 508	2095 508	2095 873	2095 873
8-27-250	SHAFT, GOVERNOR and CAM, Drive	2098 673	2098 519	2098 727	2098 728
8-27-278	WEIGHT PACKAGE, Governor	1881 945	1881 945	1881 945	1881 945
8-27-279	SPRING SET, Governor Weight	2448 260	2421 473	2448 258	2448 257
8-27-292	CAM and STOP PLATE	2095 274	2098 175	2095 741	1889 320
8-27-297	FELT DISC and SNAP RING PACKAGE	1879 607	1879 607	1879 607	1879 607
8-27-300	ROTOR	2098 770	2098 770	1838 516	1838 516
8-27-308	CONTROL, Vacuum	2098 209	2098 664	2098 298	2098 184
8-27-352	GEAR and PIN PACKAGE, Drive	2084 653	2084 653	-----	-----

NOTES

★ Indicates use as required. Numerals in parentheses () refer to notes. Printed in U.S.A.
 ☐ Indicates parts not listed in any previous parts book. Prices and specifications subject to change without notice.
 Jan. 3, 1964 Supersedes Dec. 14, 1962. Page 8-32 * Indicates change or addition.

8-27-0 IGNITION DISTRIBUTOR - Cont'd

FOR MODEL APPLICATION SEE CODE 8-27-1

CODE	REMARKS	DISTRIBUTOR ASSEMBLIES			
		*2098 690 ---- *2098 689 ----	*2098 582 IBB-4202 *2098 725 IBB-4202S	*2098 620 IBS-4011B *2098 726 IBS-4011BS	*2444 346 IBP-4003Z *2444 371 IBP-4003ZS
8-27-4	GASKET, Distributor Mounting Oil Retaining	*1326 836	*1326 836	*1326 836	*1326 836
8-27-11	GEAR and PIN PACKAGE, Tachometer Drive . . .	----	----	*2084 869	----
8-27-18	FOLLOWER GEAR PACKAGE, Tachometer	----	----	*2084 870	----
8-27-26	CLAMP	*1947 613	*2406 143	*1947 613	*1326 835
8-27-27	SCREW and WASHER, Clamp	*6022 185	*6022 185	*6022 185	----
8-27-71	CAP	*1838 514	*1658 534	*1658 534	*1658 534
8-27-76	SPRING, Cap Attaching	*1838 508	----	----	----
8-27-77	SPRING and HINGE PACKAGE, Cap Clamp	----	*2084 303	*1879 606	*1879 606
8-27-85	CONTACT and SPRING PACKAGE, Cap Plunger . .	----	*2084 655	*2084 655	*2084 655
8-27-100	OILER	----	* 953 717	*1879 391	* 953 717
8-27-114	BEARING, Ball	----	----	* 623 207	----
8-27-133	BEARING and THRUST WASHER PACKAGE, Drive Shaft	*2275 229	*1879 596	*2084 867	*1879 596
8-27-137	COLLAR and PIN PACKAGE, Drive Shaft	*2084 448	----	----	----
8-27-138	PLATE, Breaker	*2095 922	*2421 848	*2299 321	E2525 265
8-27-158	CONTACT SET	*2098 244	----	----	E2421 177
	CONTACT SET (2 used)	----	*2421 849	*2421 173	----
8-27-190	CONDENSER	*2098 058	*1818 757	*1818 757	*1818 757
8-27-205	LEAD, Primary	*2095 873	E2448 252	*1383 958	*2084 865
8-27-208	BREAKER and GROUND LEAD PACKAGE	----	----	*2299 320	----
8-27-218	TERMINAL and STUD PACKAGE	----	----	*1881 751	----
8-27-250	SHAFT, GOVERNOR AND CAM, Drive	*2095 648	----	----	----
	SHAFT, Drive	----	E2448 251	E2448 289	*1818 574
8-27-278	WEIGHT PACKAGE, Governor	*1881 955	*1881 746	*1881 746	*1879 595
8-27-279	SPRING SET, Governor Weight	*1881 956	E2448 250	E2448 634	E2525 266
8-27-292	CAM and STOP PLATE	*1889 709	E2448 805	----	----
8-27-297	FELT DISC and SNAP RING PACKAGE, Cam Sleeve	*1879 607	*1879 607	*1879 607	*1879 607
8-27-300	ROTOR	*1838 516	*1658 535	*1658 535	*1658 535
8-27-308	CONTROL, Vacuum	*2098 734	----	----	----
8-27-315	CHAMBER PACKAGE, Vacuum	----	----	*2084 868	*2299 324
	PLUG and GASKET PACKAGE, Vacuum Chamber .	----	----	*2299 319	*2299 319
8-27-316	SPRING and WASHER PACKAGE, Vacuum Chamber.	----	----	*1881 758	*2084 083

★ Indicates use as required.

Numerals in parentheses () refer to notes.

Printed in U.S.A.

☐ Indicates parts not listed in any previous parts book.

Prices and specifications subject to change without notice.

* Indicates change or addition.

Page 8-33

Jan. 3, 1964 Supersedes Jan. 25, 1963.

8-28-0 GENERATOR OR ALTERNATOR

NOTE: For Component Parts of Alternators see Part Type Code 8-29-0. Where Component Parts of a listed Alternator are not shown please order by description. Production Assemblies w/o Pulley are for identification purposes only. Order Service Alternators w/Pulley.

NOTE: Higher Ampere Leece-Neville Alternators and Alternator Regulators are used on some 1963 Vehicles. Chrysler Parts Plants do not stock Complete Replacement Assemblies or Repair Parts for Leece-Neville Units. When Complete Alternator or Alternator Regulator Assemblies or Repair Parts are required, they should be ordered by Description Direct from the nearest Leece-Neville Distributor or Leece-Neville, 1374 E. 51st Street, Cleveland 3, Ohio. Attaching Parts such as Bracket, Straps and Belts are available through your usual Chrysler Parts Source.

NOTE: Alternator 2098 830 includes No. 2095 430 Single Groove Pulley, if Double Groove Pulley is required change Pulley to No. 2095 662.

NOTE: Alternator 2098 850 includes No. 2095 059 Double Groove Pulley, when using on cars equipped with Single Groove Pulley, it is not necessary to change Pulley to Single Groove.

CODE	REMARKS	Alternator w/o Pulley	Pulley No.	Amp.	Alternator w/Pulley
8-28-3	TV1, TL1	*2098 530	*2095 430	S 30	*2098 835
	TP1, TP2, TD1, TD2, TA3, TC1, TC2, TC3, TY1	*2098 525	*2095 430	S 35	*2098 830
	TP2, TD2, w/426 cu. in. Eng., w/3-1/2" Pulley	*2098 525	*2095 662	D 35	*2098 830
	TV1, TL1, TP1, TP2, TD1, TD2, TA3, TC1, TC2, TC3	*2098 535	*2095 430	S 40	*2098 850
	TP2, TD2, TA3, TC1, TC2, TC3, TY1, w/Air Conditioning, w/3" Pulley	*2098 535	*2095 059	D 40	*2098 850

NOTE: Letter "S" and "D" in Pulley Margin represent Single Groove and Double Groove.

CODE	PART NAME AND DESCRIPTION	C Y L	PER CAR	VALIANT DART	PLYMOUTH DODGE	CHRYSLER IMPERIAL
8-28-14	SPACER, Alternator Adjusting Strap, to Water Pump Housing, w/o Air Conditioning, w/High Performance	8	1	----	2206 450	2206 450
8-28-15	STRAP, Alternator Adjusting	6	1	2202 767	2202 767	
	w/318 cu. in. Eng., TP2, TD2 except TD2-P	8	1	----	2202 942	
	w/Air Conditioning, Field Installation, TP1, TP2 except 318 cu. in. Eng., TD1, TD2 except 318 cu. in. Eng., TA3		1	----	E1999 184	E1999 184
	w/o Air Conditioning, w/318 cu. in. Eng., w/Leece-Neville Alternator, TP2, TD2 except TD2-P	8	1	----	2264 518	
	w/o Air Conditioning, TP2 w/361 and 383 cu. in. Eng., TD2 w/383 cu. in. Eng., TA3 w/361 and 383 cu. in. Eng., TC1 w/361 cu. in. Eng., TC2 w/383 cu. in. Eng., TC3 w/Trailer Package	8	1	----	2206 446	2206 446
	w/o Air Conditioning, w/413 cu. in. Eng., TA3 Police	8	1	----	2206 447	2206 447
	w/Air Conditioning, TP2 w/361 and 383 cu. in. Eng., TD2 w/383 cu. in. Eng.	8	1	----	2129 060	
	w/o Air Conditioning, w/Leece-Neville Alternator, TP2 w/361 and 383 cu. in. Eng., TD2 w/383 cu. in. Eng., TA3 Police w/361 and 383 cu. in. Eng., TC1 Police w/361 cu. in. Eng.	8	1	----	2206 348	2206 348
	w/o Air Conditioning, w/426 cu. in. Eng., TP2, TD2	8	1	----	2402 297	
	w/o Air Conditioning, w/Leece-Neville Alternator, w/413 cu. in. Eng., TA3 Police, TC1 Police	8	1	----	2268 928	2268 928
	w/Air Conditioning, w/Auto. Trans., TA3 w/361 and 383 cu. in. Eng.	8	1	----	2129 060	2129 060

* Indicates use as required. Numerals in parentheses () refer to notes. Printed in U.S.A.
 B Indicates parts not listed in any previous parts book. Prices and specifications subject to change without notice.
 Jan. 3, 1964 Supersedes Dec. 14, 1962. * Indicates change or addition.

CODE	PART NAME AND DESCRIPTION	C Y L.	PER CAR	VALIANT DART	PLYMOUTH DODGE	CHRYSLER IMPERIAL
8-28-0 GENERATOR OR ALTERNATOR - Cont'd						
8-28-36	BRACKET, Alternator and Coil Mounting	6	1	E2299 305	E2299 305	
	w/Leece-Neville Alternator	6	1	2406 526	2406 526	
	w/318 cu. in. Eng., TP2, TD2 except TD2-P . . .	8	1	----	*2202 940	
	w/o Air Conditioning, w/Leece-Neville Alternator,					
	w/318 cu. in. Eng., TP2, TD2 except TD2-P . . .	8	1	----	2264 523	
	w/o Air Conditioning, TP2, TD2, except 318 cu.					
	in. Eng., TA3	8	1	----	2206 445	2206 445
	w/Air Conditioning, TP2 w/361 and 383 cu. in.					
	Eng., TD2 w/383 cu. in. Eng., TA3	8	1	----	2129 154	2129 154
	w/Air Conditioning, Field Installation, TP1, TP2					
	except 318 cu. in. Eng., TD1, TD2 except 318					
	cu. in. Eng., TA3	1		----	E2129 156	E2129 156
	w/o Air Conditioning, w/Leece-Neville Alternator,					
	TP2 w/361 and 383 cu. in. Eng., TD2 w/383					
	cu. in. Eng., TA3 Police w/361 and 383 cu. in.	8	1	----	2206 346	2206 346
	Eng., TC1 Police w/361 cu. in. Eng.					
	w/o Air Conditioning, w/Leece-Neville Alternator,					
	Police w/413 cu. in. Eng., TA3, TC1	8	1	----	2268 927	2268 927
	w/Spring Anchor, w/o Air Conditioning, w/Leece-					
	Neville Alternator, TP2 w/361 and 383 cu. in.					
	Eng., TD2 w/383 cu. in. Eng., TA3 Police,	8	1	----	2206 347	2206 347
	TC1 Police w/361 and 413 cu. in. Eng.					
8-28-74	REGULATOR, Alternator Voltage		1	2098 300	2098 300	2098 300
	SCREW, Mounting		2	6006 120	6006 120	6006 120
8-28-88	SCREW and CLAMP, Alternator Regulator		4	1779 986	1779 986	1779 986
	Terminal, w/Leece-Neville Alternator.					
8-28-292	SPACER, Alternator to Cylinder Head, w/o Air					
	Conditioning, TP2 High Performance, TD2	8	1	----	2206 448	2206 448
	High Performance, TA3.					
	SPACER, Alternator, w/o Air Conditioning, TP2	8	1	----	2206 449	2206 449
	High Performance, TD2 High Performance, TA3.					

8-29-0 ALTERNATOR COMPONENT PARTS

FOR MODEL APPLICATION SEE CODE 8-28-3

		ALTERNATOR ASSEMBLIES		
Alternator, w/o Pulley		*2098 525	*2098 530	*2098 535
Alternator, w/Pulley		2098 830	2098 835	2098 850

CODE	REMARKS			
ALTERNATOR COMPONENT PARTS				
8-29-17	BRUSH, Washer and Terminal Package	2084 673	2084 673	2084 673
8-29-42	HOLDER, Brush	2095 038	2095 038	2095 038
8-29-97	ROTOR	2098 511	2098 516	2098 511
8-29-98	STATOR	2095 427	2095 427	2095 427
8-29-99	RETAINER, WASHER and SLIP RING PACKAGE, Rotor Grease . . .	2421 804	2421 804	2421 804
8-29-129	CAPACITOR and INSULATOR PACKAGE	2421 137	2421 137	2421 137
8-29-130	SCREW, Capacitor Ground.	6022 381	6022 381	6022 381

★ Indicates use as required. Numerals in parentheses () refer to notes. Printed in U.S.A.
 E Indicates parts not listed in any previous parts book. Prices and specifications subject to change without notice.
 * Indicates change or addition. Jan. 3, 1964 Supersedes Dec. 14, 1962.

8-29-0 ALTERNATOR COMPONENT PARTS - Cont'd

FOR MODEL APPLICATION SEE CODE 8-28-3

	ALTERNATOR ASSEMBLIES		
	Alternator, w/o Pulley	Alternator, w/Pulley	
	*2098 525	*2098 530	*2098 535
	2098 830	2098 835	2098 850

CODE	REMARKS
------	---------

ALTERNATOR COMPONENT PARTS - Cont'd

8-29-131	RECTIFIER, Positive	2098 288	2098 288	2098 288
	RECTIFIER, Negative	2098 287	2098 287	2098 287
8-29-132	SHIELD, Rectifier End	2098 646	2098 646	2098 646
8-29-133	BEARING, Rectifier End Shield	2098 512	2098 512	2098 512
8-29-134	INSERT, Rectifier End Mounting	2095 052	2095 052	2095 052
8-29-135	HEAT SINK, Rectifier	2095 925	2095 925	2095 925
8-29-145	SPACER PACKAGE, Heat Sink	2421 138	2421 138	2421 138
8-29-153	SHIELD, Drive End	2095 945	2095 945	2095 945
8-29-154	BEARING, Drive End Shield	2098 478	2098 478	2098 478
8-29-155	PLATE, Drive End Bearing Retainer	2095 012	2095 012	2095 012
8-29-194	SCREW, Field Terminal Mounting	6023 112	6023 112	6023 112
	SCREW, Brush Mounting	6023 112	6023 112	6023 112
8-29-208	SCREW, Frame	2095 004	2095 004	2095 004

CODE	PART NAME AND DESCRIPTION	CYL	PER CAR	VALIANT DART	PLYMOUTH DODGE	CHRYSLER IMPERIAL
8-31-0 PARKING BRAKE SIGNAL LAMP						
8-31-2	LAMP, TA3	8	1	----	*2096 526	
8-31-5	LENS, BEZEL and HOUSING, TC1, TC2, TC3	8	1	*2426 179	*2426 179	*2426 179
	BEZEL, Dummy, TA3		1	----	*1972 836	
8-31-10	SWITCH		1	*2291 852	*2291 852	*2291 852
8-31-11	BRACKET, Switch Mounting	6	1	2291 091		
8-31-16	SOCKET		1	*1753 632	*1753 632	*1753 632
8-31-18	CONTACT, Socket, TA3, TY1	8	1	----	*2256 966	*2256 966
8-32-0 HORN						
8-32-2	HORN PACKAGE, Universal, 12 Volt, Low Note, Single Terminal		1	2421 486	2421 486	2421 486
	HORN PACKAGE, Universal, 12 Volt, High Note, Single Terminal		1	2421 487	2421 487	2421 487
8-32-15	BRACKET, Horn Mounting, Auto-Lite		2	*2258 517	*2258 517	*2258 517

★ Indicates use as required. Numerals in parentheses () refer to notes. Printed in U.S.A.
 ☐ Indicates parts not listed in any previous parts book. Prices and specifications subject to change without notice.
 Jan. 3, 1964 Supersedes Jan. 25, 1963. Page 8-36 * Indicates change or addition.

CODE	PART NAME AND DESCRIPTION	C Y L	PER CAR	VALIANT DART	PLYMOUTH DODGE	CHRYSLER IMPERIAL
8-32-0 HORN - Cont'd						
8-32-18	SCREW, Horn Relay and Bracket Mounting, TP1, TP2, TD1, TD2, TC1, TC2, TC3		1	6006 120	6006 120	6006 120
	SCREW, Horn and Mounting Bracket, to Yoke, TA3		2	6023 253	6023 253	6023 253
	SCREW, Horn and Mounting Bracket, to Yoke, TP1, TP2, TD1, TD2		1	----	6023 253	
8-33-0 HORN CONTROLS						
8-33-4	RING, Steering Wheel Horn	6	1	2265 517		
	RING, w/Plastic Wheel, TP1, TP2		1	----	2401 255	
	RING, Partial, TP1-M-H, TP2-M-H, TD1, TD2-L-M-H, TY1		1	----	2204 104	2200 585
	RING, w/ORNAMENT, w/Plastic Wheel, TD1, TD2-L, M, H, TA3		1	----	2401 195	
	RING, w/ORNAMENT, w/Plastic Wheel, TD2-P	8	1	----	2401 704	
	RING, Partial, w/Oval Rim, w/Rubber Wheel, TC1, TC2, TC3	8	1	----	----	2266 764
	RING, w/Flat Rim, w/Rubber Wheel, TC1, TC2, TC3	8	1	----	----	2401 177
8-33-5	RETAINER, Horn Button Ornament Cap, Paint, TP1-L, TP2-L		1	----	2207 888	
	Horn Ring, w/Plastic Wheel		1	----	2260 511	
8-33-6	ORNAMENT, Steering Wheel, TV1	6	1	2266 209		
	TL1	6	1	2401 263		
	Plastic, TP1, TP2-L-M-H		1	----	2266 772	
	Chrome, Complete, TP1, TP2-L-M-H		1	----	2401 205	
	Chrome, Complete, TD1, TD2-L-M-H, TA3E		1	----	2401 206	
	Horn Ring, Complete, w/Rubber Wheel, TC1, TC2, TC3	8	1	----	----	2401 179
8-33-17	COVER, Horn Ring, TP1, TP2		1	----	2401 254	
8-33-19	BASE, Horn Button Ornament, TV1-L, TL1-L	6	1	2266 220		
	Horn Ring Mounting, TY1	8	1	----	----	1730 978
	SCREW and LOCKWASHER, TY1	8	4	----	----	6023 401
8-33-23	SPACER, Steering Wheel Ornament	6	1	*2401 209		
8-33-39	BUSHING PACKAGE, Horn Ring Spacer		1	2240 608	2240 608	2240 608
8-33-40	SCREW, Horn Ring Spacer Bushing		★	1325 906	1325 906	1325 906
8-33-70	"O" RING, Steering Wheel Ornament Retainer	6	1	6023 346		
8-33-90	SWITCH, Horn, Complete, TV1-L, TL1-L, TP1-L, TP2-L		1	2076 543	2076 543	
	w/Horn Ring, Export, TV1-L, TL1-L, TP1-L, TP2-L		1	1972 391	1972 391	
	w/Horn Ring, TV1-H-P, TL1-H-P, TP1-M-H, TP2-M-H-P, TD1, TD2, TA3, TC1, TC1, TC3		1	1972 391	1972 391	1972 391
	TY1	8	1	----	----	1704 689
8-33-118	CONTACT, Turn Signal Switch Horn, TY1	8	1	----	----	*1604 921
8-33-121	RING and FEED CABLE, Horn Contact, TC1, TC2, TC3		1	2258 723	2258 723	2258 723
	TY1	8	1	----	----	2197 079
8-33-164	RELAY, Horn		1	*2291 436	*2291 436	*2291 436
	SCREW, Mounting		1	6006 120	6006 120	6006 120

★ Indicates use as required.

Numerals in parentheses () refer to notes.

Printed in U.S.A.

☐ Indicates parts not listed in any previous parts book.

Prices and specifications subject to change without notice.

* Indicates change or addition.

Jan. 3, 1964 Supersedes Jan. 25, 1963.

1963 PASSENGER CAR PARTS CATALOG

ELECTRICAL

CODE	PART NAME AND DESCRIPTION	C Y L.	PER CAR	VALIANT DART	PLYMOUTH DODGE	CHRYSLER IMPERIAL
8-34-O HEADLAMP						
8-34-1	HEADLAMP and DOOR PACKAGE, Headlamp, Complete, TV1	6	2	2421 140		
	HEADLAMP and DOOR PACKAGE, Headlamp, Complete, TL1	6	2	2421 141		
	HEADLAMP, Single, Complete, Left Way Shift, Export	6	2	2290 760		
	High-Low Beam, Rite Way Shift, Complete		2	----	2097 316	2097 316
	High-Low Beam, Left Way Shift, Complete, TP1, TP2, TD1, TD2		2	----	2097 317	
	High Beam, Complete		2	----	2097 319	2097 319
8-34-40	DOOR, Fender Headlamp, TV1; TD1, TD2		2	*2445 946	2276 214	
	Fender Headlamp, TL1	6	2	2276 146		
	Radiator Grille Headlamp, Right, TP1, TP2		1	----	2276 308	
	Left, TP1, TP2		1	----	2276 309	
	Radiator Grille Headlamp, Right, TD1, TD2		1	----	2276 172	
	Left, TD1, TD2		1	----	2276 173	
	Radiator Grille Headlamp, Right, TA3	8	2	----	2417 284	
	Left, TA3	8	2	----	2417 285	
	Fender Headlamp, Right, TC1, TC2, TC3	8	1	----	----	2276 464
	Left, TC1, TC2, TC3	8	1	----	----	2276 465
	Headlamp, TY1	8	4	----	----	1904 214
8-34-56	WELT, Headlamp Door to Hood, Black, TL1	6	2	2271 132		
	STAPLE, Headlamp Door Welt Fastener, TL1	6	6	6006 104		
8-34-62	J/NUT, Radiator Grille Headlamp Door, Upper, TP1, TP2		4	----	6024 230	
	U/NUT, Radiator Grille Headlamp Door Attaching, Lower, TP1, TP2		4	----	6024 194	
	J/NUT, Headlamp Door to Fender Front Panel, TC1, TC2, TC3	8	4	----	----	6023 164
8-34-63	RETAINER, Headlamp Door, Lower, TV1	6	2	E2445 947		
8-34-96	SCREW, Fender Headlamp Door Attaching	6	6	6024 196		
	SCREW, Radiator Grille Headlamp Door Attaching, Lower, TP1, TP2		4	----	6024 213	
	SCREW, Radiator Grille Headlamp Door Attaching, Upper, TP1, TP2		4	----	6023 659	
	SCREW, Radiator Grille Headlamp Door Attaching, Lower, TD1, TD2		2	----	6023 665	
	SCREW, Radiator Grille Headlamp Door Attaching, Upper, TD1, TD2		2	----	6025 099	
	SCREW, Headlamp Door to Grille Attaching, TD1, TD2		4	----	6025 099	
	SCREW, Headlamp Mounting, TA3, TY1	8	12	----	9418 419	9418 419
	SCREW, Headlamp Door to Fender Headlamp Panel, TC1, TC2, TC3	8	6	----	----	6023 637
	SCREW, Headlamp Door Attaching, TA3, TY1	8	12	----	*6024 278	6010 061
8-34-175	SEALED BEAM UNIT, Headlamp Rite Way Shift	6	2	*2197 450		
	Single Headlamp, Left Way Shift, Export	6	2	*2197 680		
	High-Low Beam, Left Shift, Export, TP1, TP2, TD1, TD2		2	----	1841 775	
	High-Low Beam, Rite Way Shift		2	----	1753 436	1753 436
	High Beam		2	----	1753 435	1753 435
8-34-177	SPRING, Single Headlamp Sealed Beam Unit Mounting Adjusting	6	2	*1972 972		
	TP1, TP2, TD1, TD2		4	----	1972 972	1972 972
8-34-178	SCREW, Single Headlamp Sealed Beam Unit Mounting Seat Adjusting	6	4	*1658 660		
			8	----	2197 327	2197 327

★ Indicates use as required.

Numerals in parentheses () refer to notes.

Printed in U.S.A.

☐ Indicates parts not listed in any previous parts book.

Prices and specifications subject to change without notice.

Jan. 3, 1964 Supersedes Dec. 14, 1962.

Page 8-38

* Indicates change or addition.

CODE	PART NAME AND DESCRIPTION	C Y L.	PER CAR	VALIANT DART	PLYMOUTH DODGE	CHRYSLER IMPERIAL
8-34-O HEADLAMP - Cont'd						
8-34-180	RING and LUG, Single Headlamp Sealed Beam Unit, Retaining	6	2 4	*2426 312 -----	1779 406	1779 406
8-34-300	REINFORCEMENT, Headlamp Mounting, White, Right, TY1	8	1	-----	-----	1904 286
	Left, TY1	8	1	-----	-----	1904 287
8-34-362	HOUSING, Headlamp, Inboard, Right, TY1	8	1	-----	-----	1904 212
	Left, TY1	8	1	-----	-----	1904 213
	Outboard, Right, TY1	8	1	-----	-----	1904 208
	Left, TY1	8	1	-----	-----	1904 209
	NUT and WASHER, TY1	8	8	-----	-----	6022 162
8-34-371	STABILIZER, Headlamp Housing to Fender, Right, TY1	8	1	-----	-----	1904 216
	Left, TY1	8	1	-----	-----	1904 217
8-34-372	GASKET, Headlamp Housing Base, TY1	8	4	-----	-----	1904 218
	GASKET, Headlamp Housing Stabilizer, TY1	8	2	-----	-----	1904 220
8-34-374	REINFORCEMENT, Headlamp Housing Stabilizer, White, Right, TY1	8	1	-----	-----	1904 282
	Left, TY1	8	1	-----	-----	1904 283
8-35-O IGNITION COIL, SWITCH AND LOCK CYLINDER						
8-35-4	COIL, Ignition		1	2084 847	2084 847	2084 847
8-35-22	RESISTOR, Ignition Coil Primary		1	2275 590	2275 590	2275 590
8-35-41	BRACKET, Ignition Coil Mounting, on Coil, used w/Leece-Neville Alternator	6	1	2203 144	2203 144	
	On Coil	6	1	1688 207	1688 207	
	w/318 cu. in. Eng., on Coil, TP2, TD2	8	1	-----	2095 374	
	Except 318 cu. in. Eng., on Coil	8	1	-----	1688 207	1688 207
8-35-44	SPACER, Ignition and Starter Switch Mounting, TA3	8	1	-----	2198 869	
8-35-52	SCREW, Ignition Coil Primary Resistor Mounting		1	6006 120	6006 120	6006 120
8-35-59	SWITCH, Ignition and Starter		1	2097 628	2097 628	2097 628
8-35-62	SEAL, Starter and Ignition Switch, TV1	6	1	2291 143		
8-35-85	BEZEL, Switch Mounting, TV1, TP1, TP2		1	*2290 414	*1972 084	
	TL1, TD1, TD2, TC1, TC2, TC3		1	2291 063	2256 449	2290 818
	TA3	8	1	-----	2198 872	
	RING, Retaining, TY1	8	1	-----	-----	1971 873
8-35-95	RETAINER, Switch, TP1, TP2		1	-----	*1972 077	
8-35-111	CYLINDER PACKAGE, Ignition and Door Lock, except TA3, TY1		1	2161 192	2161 192	2161 192
	Ignition, Door and Manual Tailgate, Sub., TP1, TP2, TD1, TD2		1	2419 183	2162 531	
	Police and Taxi, TP1, TP2, TD1, TD2, TC1, TC2, TC3		1	-----	2162 503	2162 503
	TA3, TY1	8	1	-----	2161 503	2161 503
	Ignition, Door and Electric Tailgate, Sub., TA3, TC1, TC3	8	1	-----	2291 411	2427 116
8-35-115	CYLINDER and KEY, Ignition Lock		1	2086 047	2086 047	2086 047

★ Indicates use as required.

Numerals in parentheses () refer to notes.

Printed in U.S.A.

☐ Indicates parts not listed in any previous parts book.

Prices and specifications subject to change without notice.

* Indicates change or addition.

Page 8-39

Jan. 3, 1964 Supersedes Jan. 25, 1963.

1963 PASSENGER CAR PARTS CATALOG

ELECTRICAL

CODE	PART NAME AND DESCRIPTION	CYL.	PER CAR	VALIANT DART	PLYMOUTH DODGE	CHRYSLER IMPERIAL
8-36-0 IGNITION						
8-36-1	CABLE SET, Ignition, Resistor Type	6	1	*2421 800	*2421 800	
	CABLE SET, Resistor Type, w/318 cu. in. Eng., TP2, TD2 except TD2-P	8	1	----	*2448 680	
	CABLE SET, Resistor Type, w/361 and 383 cu. in. Eng., TP2, TD2	8	1	----	*2448 681	
	CABLE SET, Stainless Steel Core, w/426 cu. in. Eng., TP2, TD2	8	1	----	*2421 497	
	CABLE SET, Resistor Type, w/Leece-Neville Alternator, TA3, TC1	8	1	----	*2495 512	*2495 512
	CABLE SET, Resistor Type, w/GROMMETS, TA3	8	1	----	*2495 514	*2495 514
	CABLE SET, Resistor Type, TA3, TC1, TC2 except TC2-300J, TC3, TY1	8	1	----	E2495 515	E2495 515
	CABLE SET, Metal Core Conductor, TC2-300J	8	1	----	----	*2421 836
	CABLE PACKAGE, Resistor Type, w/318 cu. in. Eng., TP2, TD2, except TD2-P	8	8	----	*2196 335	
	CABLE PACKAGE, Resistor Type, except 318 and 426 cu. in. Eng., except No. 3 Cable, TP2, TD2	8	7	----	*2084 458	
	CABLE PACKAGE, Resistor Type, except 318 and 426 cu. in. Eng., No. 3 Cable, TP2, TD2	8	1	----	*2084 456	
	CABLE PACKAGE, Metal Core Conductor, w/426 cu. in. Eng., except No. 3 and 5 Cable, TP2, TD2	8	6	----	*2421 495	
	CABLE PACKAGE, Metal Core Conductor, w/426 cu. in. Eng., No. 3 and 5 Cable, TP2, TD2	8	2	----	*2421 496	
	CABLE PACKAGE, Resistor Type, except No. 2 Cable, TA3, TC1, TC2 except TC2-300J, TC3, TY1	8	7	----	*2196 335	*2196 335
	CABLE PACKAGE, Resistor Type, No. 2 Cable, TA3, TC1, TC2 except TC2-300J, TC3, TY1	8	1	----	*2084 458	*2084 458
	CABLE PACKAGE, Resistor Type, w/Leece-Neville Alternator, except No. 2 Cable, TA3, TY1	8	7	----	*2196 335	*2196 335
	CABLE PACKAGE, Resistor Type, w/Leece-Neville Alternator, No. 2 Cable, TA3, TY1	8	1	----	*2084 458	*2084 458
	CABLE PACKAGE, Metal Core Conductor, except No. 2, 3 and 4 Cable, TC2-300J	8	5	----	----	*2421 835
	CABLE PACKAGE, Metal Core Conductor, No. 2 Cable, TC2-300J	8	1	----	----	*2421 495
	CABLE PACKAGE, Metal Core Conductor, No. 3 and 4 Cable, TC2-300J	8	2	----	----	*2421 496
8-36-4	BRACKET, Spark Plug Wire, w/318 cu. in. Eng., TP2, TD2 except TD2-P	8	2	----	1739 355	
	Intermediate, Front, Right, TP2 w/361 and 383 cu. in. Eng., TD2 w/383 cu. in. Eng.	8	1	----	2406 345	
	Intermediate, Front, Left, TP2 w/361 and 383 cu. in. Eng., TD2 w/383 cu. in. Eng.	8	1	----	2268 122	
	Front, TP2 w/361 and 383 cu. in. Eng., TD2 w/383 cu. in. Eng.	8	2	----	2268 112	
	Front, w/426 cu. in. Eng., TP2, TD2	8	2	----	2268 122	
	Front, Right and Left Bank, w/426 cu. in. Eng., TP2, TD2	8	2	----	2268 112	
	Intermediate, TA3	8	1	----	1859 802	1859 802
	Front, Right, TA3	8	1	----	*2463 276	*2463 276
	Rear, Right, TC2-300J	8	1	----	----	1859 803
	Rear, Left, TC2-300J	8	1	----	----	1859 804
	Front, Left, TC2-300J	8	1	----	----	1859 803
	Intermediate, Front, Left, TC2-300J	8	1	----	----	1859 802
8-36-14	SEPARATOR, Spark Plug Cable, Right Bank, w/High Performance	8	1	----	1841 499	1841 499
	Left Bank, w/426 cu. in. Eng., TP2, TD2	8	2	----	1841 499	

★ Indicates use as required.

Numerals in parentheses () refer to notes.

Printed in U.S.A.

⊠ Indicates parts not listed in any previous parts book.

Prices and specifications subject to change without notice.

Jan. 3, 1964 Supersedes Jan. 25, 1963.

* Indicates change or addition.

CODE	PART NAME AND DESCRIPTION	C Y L.	PER CAR	VALIANT DART	PLYMOUTH DODGE	CHRYSLER IMPERIAL
8-36-0 IGNITION - Cont'd						
8-36-49	CABLE, Coil Secondary	6	1	2095 773	2095 773	
	w/318 cu. in. Eng., TP2, TD2 except TD2-P. . .	8	1	---- --	2095 772	
	w/318 cu. in. Eng., w/Auto. Trans., w/o Air Conditioning, TP2, TD2, Stamped 2444 377 . . .	8	1	---- --	*2095 775	
	Except 318 and 426 cu. in. Eng., w/Black Nipple, except TC2-300J.	8	1	---- --	2095 772	2095 772
	Except 318 and 426 cu. in. Eng., w/Red Nipple, except TC2-300J.	8	1	---- --	2095 775	2095 775
	w/426 cu. in. Eng., TP2, TD2	8	1	---- --	2098 572	
	TC2-300J	8	1	---- --	---- --	2095 777
8-36-83	CABLE, Spark Plug, No. 1 and 6, UP TO approx. date 5-13-63	6	2	*1889 917	*1889 917	
	No. 1 and 6, AFTER approx. date 5-13-63 . . .	6	2	*2444 024	*2444 024	
	No. 2, UP TO approx. date 5-19-63	6	1	*2095 823	*2095 823	
	No. 2, AFTER approx. date 5-19-63	6	1	*2444 025	*2444 025	
	No. 3 and 4, UP TO approx. date 5-16-63. . . .	6	2	*2095 277	*2095 277	
	No. 3 and 4, AFTER approx. date 5-16-63 . . .	6	2	E2444 031	E2444 031	
	No. 5, w/170 cu. in. Eng., UP TO approx. date 5-16-63	6	1	*1889 917		
	No. 5, w/170 cu. in. Eng., AFTER approx. date 5-16-63	6	1	E2444 025		
	No. 5, w/225 cu. in. Eng., UP TO approx. date 5-16-63	6	1	*2095 823	*2095 823	
	No. 5, w/225 cu. in. Eng., AFTER approx. date 5-16-63	6	1	E2444 025	E2444 025	
8-36-96	NIPPLE, Coil Secondary Cable, Coil End		1	2095 768	2095 768	2095 768
	Coil Secondary Cable, Distributor End		1	2095 766	2095 766	2095 766
	Spark Plug Cable	8	8	---- --	2095 766	2095 766
8-36-114	PLUG, Spark, Champion N-14Y	6	6	2098 381	2098 381	
	Domestic, Champion J-12Y, except 413 and 426 cu. in. Eng., w/2 Barrel Carburetor, TP2, TD2, TA3, TC1, TC2	8	8	---- --	1889 524	1889 524
	Export, Champion J-18Y	8	8	---- --	1889 525	1889 525
	Champion J-10Y, w/4 Barrel Carburetor, w/383 cu. in. Eng., TP2, TD2	8	8	---- --	*2098 337	
	Champion J-10Y, w/8 Barrel Carburetor, w/426 cu. in. Eng., TP2, TD2	8	8	---- --	*2098 337	
	Champion J-10Y, w/4 Barrel Carburetor, w/413 cu. in. Eng., TA3, TC1, TC2	8	8	---- --	*2098 337	*2098 337
	Champion XJ-9Y, TC2-300J	8	8	---- --	---- --	*2098 376
	Domestic, Champion J-12Y, TC3, TY1	8	8	---- --	---- --	1889 524
8-36-117	COVER, Spark Plug Cable	6	6	1889 921	1889 921	
		8	★	---- --	1889 517	1889 517
8-36-124	SHIELD, Spark Plug Heat, High Performance, Right, TP2, TD2	8	1	---- --	2268 647	
	Left, TP2, TD2	8	1	---- --	2206 006	
	TA3	8	2	---- --	1821 394	1821 394
8-36-136	TUBE, Spark Plug	6	6	2121 245	2121 245	
8-36-137	SEAL, Spark Plug Tube	6	6	1947 708	1947 708	
8-36-141	COVER, Spark Plug Cables Tube (sold by the foot) TC2-300J		★	---- --	---- --	*1484 356

★ Indicates use as required.

Numerals in parentheses () refer to notes.

Printed in U.S.A.

E Indicates parts not listed in any previous parts book.

Prices and specifications subject to change without notice.

* Indicates change or addition.

Jan. 3, 1964 Supersedes Jan. 25, 1963.

1963 PASSENGER CAR PARTS CATALOG

ELECTRICAL

CODE	PART NAME AND DESCRIPTION	C Y L.	PER CAR	VALIANT DART	PLYMOUTH DODGE	CHRYSLER IMPERIAL
8-37-O INSTRUMENT PANEL INSTRUMENTS						
8-37-1	AMMETER, TV1	6	1	2290 236		
	TL1	6	1	2291 022		
	35 to 40 Amp., TP1, TP2		1	----	*2290 585	
	60 Amp., TP1, TP2		1	----	*2290 586	
	100 Amp., TC1		1	----	----	*2290 425
	40 Amp., TD1, TD2		1	----	*2290 153	
	60 Amp., TD1, TD2		1	----	*2290 448	
	TA3, TC1, TC2, TC3	8	1	----	2426 703	2290 688
	60 Amp., TA3, TC1	8	1	----	*2197 916	2291 694
	TY1	8	1	----	----	2291 466
8-37-2	REGULATOR, Voltage, for Printed Circuit, TP1, TP2		1	----	2258 413	
	TD1, TD2		1	----	2209 216	
8-37-5	SHUNT, w/60 Amp. Ammeter, TA3	8	1	----	*2427 458	
8-37-10	WASHER, Ammeter Mounting	6	2	2209 343		
8-37-15	LAMP, Windshield Wiper Switch Title, TY1	8	1	----	----	2198 638
	Ignition Switch Title, TY1	8	1	----	----	2198 641
	Headlamp and Instrument Lamp Switch, TY1	8	1	----	----	2198 639
	Power Antenna Switch Title, TY1	8	1	----	----	2198 640
8-37-16	LENS and OVERLAY, Auto Pilot Control Title Lamp, TY1	8	1	----	----	2257 273
	LENS, Power Antenna Switch Title Lamp, TY1	8	1	----	----	2198 652
	Switch Title Lamp, TY1	8	1	----	----	2198 652
	Auto Pilot Control Title Lamp, TY1	8	1	----	----	2198 652
	Dummy Title Lamp, TY1	8	1	----	----	2198 652
8-37-17	POWER SUPPLY, Electro Luminescent, TY1	8	1	----	----	2240 544
8-37-20	BEZEL, Headlamp and Instrument Lamp Switch Title Lamp Lens, TY1	8	1	----	----	2197 599
	Windshield Wiper Switch Title Lamp Lens, TY1	8	1	----	----	2197 599
	Dummy Title Power Antenna Switch Title Lamp Lens, TY1	8	1	----	----	2197 599
	Ignition Switch Title Lamp Lens, TY1	8	1	----	----	2197 600
	Auto Pilot Control Title Lamp Lens, TY1	8	1	----	----	2197 600
8-37-21	RETAINER, Switch Title Lamp, TY1	8	1	----	----	2197 449
8-37-88	SOCKET, Oil Warning Lamp, on Printed Circuit, TP1, TP2, TC1, TC2, TC3		1	2257 440	2257 440	*2496 279
	Low Oil Pressure Indicator Lamp, TD1, TD2		1	----	1753 632	
	Ammeter Lamp, w/60 Amp. Ammeter, TA3	8	1	----	*2097 003	
8-37-89	SEAL, Oil Indicator Lamp, TL1	6	1	*2291 974		
8-37-90	BEZEL and LENS, Speedometer and Instrument Cluster, TV1	6	1	2290 217		
	BEZEL, Instrument Cluster, TL1, TD1, TD2		1	2427 495	2290 142	
	w/Std. Trans., TP1, TP2		1	----	2291 324	
	w/Auto. Trans., TP1, TP2		1	----	2291 323	
	Speedometer, Instrument and Control, Alabaster, TC1, TC2, TC3	8	1	----	----	2426 435
	Blue, TC1, TC2, TC3	8	1	----	----	2426 565
	Green, TC1, TC2, TC3	8	1	----	----	2426 566
	Brown, TC1, TC2, TC3	8	1	----	----	2426 567
	Turquoise, TC1, TC2, TC3	8	1	----	----	2426 568
	Red, TC1, TC2, TC3	8	1	----	----	2426 569
	Black, TC1, TC2, TC3	8	1	----	----	2426 570
	Beige, SP.4 D., TC3 Luxury	8	1	----	----	2426 791
	Light Blue, SP.4 D., TC3 Luxury	8	1	----	----	2426 848

★ Indicates use as required.

Numerals in parentheses () refer to notes.

Printed in U.S.A.

☐ Indicates parts not listed in any previous parts book.

Prices and specifications subject to change without notice

Jan. 3, 1964 Supersedes Jan. 25, 1963.

* Indicates change or addition.

CODE	PART NAME AND DESCRIPTION	C Y L.	PER CAR	VALIANT DART	PLYMOUTH DODGE	CHRYSLER IMPERIAL
8-37-O INSTRUMENT PANEL INSTRUMENTS - Cont'd						
8-37-93	CONTACT, Low Oil Pressure Indicator Lamp Socket, TD1, TD2		1	----	2256 966	
8-37-127	VACUUM GAUGE, On Console, TC2	8	1	----	----	B2427 945
8-37-135	HOSE, Vacuum Gauge (sold by the inch) w/Console, TC2	8	★	----	----	*2275 215
8-37-136	GAUGE, Temperature, TV1, TD1, TD2, TC1, TC2, TC3 TL1, TP1, TP2, TY1	1	1	2290 235	2290 152	2290 682
	TA3	8	1	2291 021	2290 579	2291 465
				----	2426 701	
8-37-155	SENDING UNIT, Temperature Gauge, King-Seeley and Auto-Lite	1	1	2240 744	2240 744	2240 744
	Stewart Warner	1	1	2256 302	2256 302	2256 302
8-37-162	LENS, Instrument Cluster, TA3	8	1	----	2426 697	
8-37-178	HOUSING, Instrument Cluster, TL1	6	1	2291 453		
	White, TP1, TP2	1	1	----	2162 599	
	White, TD1, TD2	1	1	----	2162 602	
	Instrument Panel Instrument, Upper, White, TA3	8	1	----	2217 920	
	Lower, White, TA3	8	1	----	2080 703	
	HOUSING, w/Turn Signal Indicator Lamp Lens and High Beam Indicator Lamp Lens, TA3-L	8	1	----	2491 041	
	Instrument Cluster, TA3	8	1	----	B2426 695	
	Upper, Prime, TY1	8	1	----	----	2217 063
	Lower, Prime, TY1	8	1	----	----	2161 573
8-37-188	SCREW, Speedometer and Instrument Cluster Back Plate Mounting to Bezel, TV1	6	4	2290 381		
	Instrument Cluster Housing Mounting to Bezel, TL1	6	5	*2427 787		
	Instrument Cluster Mounting	6	4	9418 537		
	Instrument Lower Housing to Instrument Panel, TA3-L	8	5	----	9417 361	
8-37-190	BACK PLATE, Speedometer and Instrument Cluster, TV1	6	1	2290 224		
	Instrument Cluster, TP1, TP2	1	1	----	2291 325	
	TD1, TD2	1	1	----	2290 488	
	Instrument Mounting, TC1, TC2, TC3	8	1	----	----	2290 768
8-37-194	COVER, Instrument Cluster Mounting Screw, TL1	6	2	2426 372		
8-37-199	NUT and WASHER, Instrument Panel Instruments Housing to Instrument Panel Attaching, TP1, TP2, TD1, TD2		5	----	6023 201	
	J/NUT, Speedometer Instruments and Control Mounting to Panel, TC1, TC2, TC3	8	6	----	----	6023 387
8-37-275	GAUGE, Fuel, TV1, TP1, TP2, TC1, TC2, TC3	1	1	2290 234	2290 577	2290 685
	TL1, TD1, TD2, TY1	1	1	2291 020	2290 151	2291 468
	TA3	8	1	----	2426 700	
8-37-316	GAUGE, Oil, TA3, TY1	8	1	----	2426 702	2291 467
8-37-371	CLUSTER, Speedometer and Instrument, Partial, Mile, TY1	8	1	----	----	2291 563
	Kilo, TY1	8	1	----	----	2291 564

★ Indicates use as required.

Numerals in parentheses () refer to notes.

Printed in U.S.A.

B Indicates parts not listed in any previous parts book.

Prices and specifications subject to change without notice.

* Indicates change or addition.

Jan. 3, 1964 Supersedes Jan. 25, 1963.

1963 PASSENGER CAR PARTS CATALOG

ELECTRICAL

CODE	PART NAME AND DESCRIPTION	C Y L.	PER CAR	VALIANT DART	PLYMOUTH DODGE	CHRYSLER IMPERIAL
8-37-O INSTRUMENT PANEL INSTRUMENTS - Cont'd						
8-37-372	SPEEDOMETER, Mile, TV1, TP1, TP2, TC1, TC2, TC3		1	2290 227	2290 570	2290 672
	Kilo, TV1, TP1, TP2, TC1, TC2, TC3		1	2290 228	2290 571	2290 673
	Mile, TL1, TD1, TD2		1	2291 030	2290 161	
	Kilo, TL1, TD1, TD2		1	2291 031	2290 162	
	60A, TP1, TP2, TC1		1	----	2290 572	2291 692
	60A, TD1, TD2		1	----	2290 443	
	Mile, TA3	8	1	----	2426 689	
	Kilo, TA3	8	1	----	2097 820	
	Calibrated, Mile, TA3	8	1	----	2257 693	
	150 Mile, TC1	8	1	----	----	2290 394
	150 Mile, TC2	8	1	----	----	2290 674
8-37-410	LENS, Speedometer, TA3	8	1	----	2427 145	
	Kilo, TA3	8	1	----	2097 827	
	Calibrated, Mile, TA3	8	1	----	2427 146	
8-37-418	SCREW, Speedometer Dial Mounting, TD1, TD2 . .		2	----	2258 385	
8-37-454	KNOB, Odometer Reset, TC1, TC2, TC3	8	1	----	----	2290 654
8-37-458	CABLE, Odometer Reset, TY1	8	1	----	----	2197 271
8-37-459	NUT, Odometer Reset Cable Mounting to Panel, TY1	8	1	----	----	1886 089
8-37-504	TACHOMETER, on Console, TC2-300J	8	1	----	----	*2291 858
8-37-508	CABLE, Tachometer, on Console, TC2-300J . . .	8	1	----	----	*2426 286
	GROMMET, Tachometer Cable Mounting Floor Board, TC2-300J	8	1	----	----	*1370 460
8-37-517	SHAFT, Tachometer Cable, Drive, on Console, TC2-300J	8	1	----	----	*2426 287
8-38-O GLOVE COMPARTMENT LAMP						
8-38-4	BEZEL and LENS, Glove Box Lamp, TY1	8	1	----	----	1819 441
8-38-23	LAMP and SWITCH, Glove Box, TC1, TC2, TC3 . .	8	1	2291 781	2291 781	2291 781
	TY1	8	1	----	----	2258 436
8-39-O HEADLAMP BEAM INDICATOR LIGHT						
8-39-15	SOCKET, High Beam Indicator Lamp, on Printed Circuit, TP1, TP2, TC1, TC2, TC3		1	2257 440	2257 440	*2496 279
	TD1, TD2, TY1		1	----	2097 003	2097 003
	TA3	8	1	----	2096 374	
8-39-17	CONTACT, High Beam Indicator Lamp Socket, TA3	8	1	----	2256 966	
8-40-O IGNITION LAMP						
8-40-16	SOCKET, Instrument Lamp Push Button Title Illuminated, TD1, TD2		2	----	2097 003	
	Instrument Lamp Gauge Illuminated, TD1, TD2 .		3	----	2097 003	
	Ignition Switch Lamp, TC1, TC2, TC3	8	1	----	----	2097 003

★ Indicates use as required.

Numerals in parentheses () refer to notes.

Printed in U.S.A.

⊠ Indicates parts not listed in any previous parts book.

Prices and specifications subject to change without notice.

Jan. 3, 1964 Supersedes Jan. 25, 1963.

* Indicates change or addition.

CODE	PART NAME AND DESCRIPTION	C Y L.	PER CAR	VALIANT DART	PLYMOUTH DODGE	CHRYSLER IMPERIAL
8-41-O INSTRUMENT PANEL LAMP						
8-41-36	SOCKET, Instrument Lamp, on Printed Circuit, TV1	6	2	2257 440		
	TL1, TP1, TP2		3	2257 440	2257 440	
	Instrument Lamp, TA3	8	2	----	2096 374	
	Speedometer Lamp, TA3	8	3	----	2097 003	
	TC1, TC2, TC3	8	4	----	----	*2496 279
	Console, TC2	8	1	----	----	1753 632
8-41-39	CONTACT, Console Instrument Lamp Socket, TC2	8	1	----	----	2256 966
8-42-O MAP AND COURTESY LAMP						
8-42-2	LENS, SWITCH and BRACKET, Map Lamp, Cv. Cp., TP2-H, TD1-M, TD2-M		1	*2084 672	*2084 672	
	TP1-L, TP2-L, TD1-L, TD2-L		1	----	2084 672	
8-42-5	LENS, Map Lamp, TA3	8	1	----	1887 954	
	Map and Courtesy Lamp	8	1	----	----	1971 879
	SCREW, Mounting	8	2	----	----	167 838
8-42-6	HOUSING and LENS, Map Lamp, TA3	8	1	----	1887 955	
8-42-10	SOCKET, Map and Courtesy Lamp, TP1-L, TP2-L, TD1-L, TD2-L		1	1314 619	1314 619	
	Cv. Cp., TP2-H, TD1-M, TD2-M		1	----	1314 619	
	Map Lamp, TA3, TC1, TC2, TC3	8	1	----	1704 875	2426 141
	Map Lamp, TY1	8	1	----	----	1704 467
8-42-12	CONTACT, Map and Courtesy Lamp Socket		★	2256 966	2256 966	2256 966
8-42-19	SHIELD, Map and Courtesy Lamp, TC1, TC2, TC3	8	1	----	----	2291 749
8-42-25	SWITCH, Map Lamp, TA3	8	1	----	2426 399	
	Map and Courtesy Lamp Housing and Map	8	1	----	----	2198 090
	Map and Courtesy Lamp Housing, w/Power Antenna	8	1	----	----	2257 429
8-42-29	BEZEL, Map Lamp Switch Mounting, TA3	8	1	----	1887 789	

8-44-O BULBS

8-44-1 BULB

BASE CONTACT	CANDLE POWER	VENDOR LAMP NO.	PART NO.	BASE CONTACT	CANDLE POWER	VENDOR LAMP NO.	PART NO.
Single	1	51	115 273	Double	15	210	* 151 559
Single	1	53	131 282	Single	2	257	*9412 348
Single	1	53X	152 280	Double	32-32	1000	* 142 307
Single	2	57	127 934	Single	15	1003	* 151 577
Single	3	63	142 303	Double	15	1004	* 151 578
Double	3	64	142 311	Double	32-4	1034	* 151 567
Single	4	67	142 450	Double	32-4	1034A	*9418 772
Single	4	67AF	9420 830	Single	32	1073	* 151 576
Double	4	68	142 451	Single	4	1095	* 9418 903

★ Indicates use as required.

Numerals in parentheses () refer to notes.

Printed in U.S.A.

⊠ Indicates parts not listed in any previous parts book.

Prices and specifications subject to change without notice.

* Indicates change or addition.

Jan. 3, 1964 Supersedes Jan. 25, 1963.

8-44-O BULBS - Cont'd

BASE CONTACT	CANDLE POWER	VENDOR LAMP NO.	PART NO.	BASE CONTACT	CANDLE POWER	VENDOR LAMP NO.	PART NO.
8-44-1	BULB - Cont'd						
Single	6	81	142 306	Single	21	1129	* 142 308
Single	6	82	142 312	Double	21	1130	* 142 447
Double	15	88	142 446	Single	21	1141	* 142 456
Single	15	87	142 304	Double	21	1142	* 142 457
Single	6	89	142 452	Double	21-3	1154	* 145 416
Double	6	90	142 453	Double	21-3	1158	* 142 449
Single	10	91	113 238	Single	15	1445	* 274 004
Single	15	93	142 454	Single	10	1813	* 274 148
Double	15	94	142 455	Single	33	1816	* 152 240
Single	2	158	9415 969	Single	2	1891	* 152 244
Single	15	209	151 579	Single	1	1892	* 274 020

CODE	PART NAME AND DESCRIPTION	C Y L	PER CAR	VALIANT DART	PLYMOUTH DODGE	CHRYSLER IMPERIAL
------	---------------------------	-------	---------	--------------	----------------	-------------------

8-47-O LICENSE MOUNTING PARTS

8-47-8	BRACKET, Front License Plate Stabilizing, TV1, TP1, TP2, TY1		2	2266 498	2266 467	2266 499
	TL1	6	2	2266 474		
	Front License Plate to Bumper, TL1	6	2	2266 479		
	Front License Plate, w/Guards, TY1	8	2	----		2123 802
	Front License Plate, TA3, TC1, TC2, TC3	8	1	----	2266 599	2266 599
8-47-14	SCREW and WASHER, Front License Plate to Front Bumper, TV1, TP1, TP2		2	6023 349	6023 349	
	TA3, TC1, TC2, TC3	8	2	----	6024 179	6024 179
8-47-15	SPEED NUT, Rear License Plate to Lower Panel, except Sub.	6	2	6023 269		
	SPEED NUT, Front License Plate to Front Bumper, TV1, TP1, TP2, TC1, TC2, TC3		2	6012 049	6012 049	6023 925
	TA3	8	2	----	6023 925	
	NUT and WASHER, Front License Plate to Front Bumper, TL1, TA3, TC1, TC2, TC3		2	6023 271	6023 271	6023 271
	SPEED NUT, Rear License Plate to Rear Bumper, Sub., TP1, TP2, TD1, TD2		2	----	6023 925	
	SPEED NUT, Rear License Plate to Rear Bumper, TA3 Sub.		2	----	6012 049	
	SPEED NUT, Rear License Plate to Rear Bumper	8	2	----	----	6012 049
8-47-21	BUTTON, Rear License Plate to Rear Bumper, Sub., TP1, TP2, TD1, TD2		2	----	1943 547	
	Rear License Plate to Rear Bumper, TY1	8	1	----	----	1943 547
8-47-67	SPRING, License Plate Mounting Panel Hinge, except Sub.		1	----	1960 131	
8-47-68	PANEL, Rear Stone Deflector License Plate, except Sub., TL1	6	1	2422 848		
	Tailgate Opening Sill License Plate Protector, Sub.	6	1	2422 843		
	License Plate Mounting, Partial, except Sub.		1	----	*2188 619	

★ Indicates use as required. Numerals in parentheses () refer to notes. Printed in U.S.A.
 ☐ Indicates parts not listed in any previous parts book. Prices and specifications subject to change without notice.
 Jan. 3, 1964 Supersedes Jan. 25, 1963. * Indicates change or addition.

CODE	PART NAME AND DESCRIPTION	CYL.	PER CAR	VALIANT DART	PLYMOUTH DODGE	CHRYSLER IMPERIAL
8-47-O LICENSE MOUNTING PARTS - Cont'd						
8-47-69	HINGE, License Plate Mounting Panel, except Sub., TP1, TP2, TD1, TD2.		1	----	2244 894	
	w/BOLTS, except Sub., TA3.	8	1	----	2094 641	
	NUT, except Sub., TA3.	8	2	----	6023 351	
8-47-75	BRACKET, Rear License Plate, Sub., TA3	8	1	----	2266 599	
	TC1, TC2, TC3	8	1	----	----	2266 599
8-47-76	PIN, License Plate Mounting Bracket Hinge, except Sub.		1	----	1960 127	
8-47-79	RETAINER, Rear License Plate Mounting Panel Hinge Pin, except Sub.		1	----	6006 324	
8-47-93	SPACER, Front License Plate to Front Bumper, TD1, TD2		1	----	2203 756	
8-47-126	BUMPER, Rear License Plate to Deck Opening Lower Panel, except Sub.	6	2	2094 618		
	Rear License Plate to Tailgate Opening Sill License Plate Protector Panel, Sub.	6	1	2094 618		
	Rear License Plate Mounting Panel, except Sub., TP1, TP2, TA3.		2	----	2094 618	
	Rear License Plate Mounting Panel, except Sub., TD1, TD2		2	----	2252 184	
8-47-130	SCREW and WASHER, Rear License Plate to Panel SCREW, Rear License Plate to Rear Bumper, Sub., TP1, TP2, TD1, TD2.	6	2	6023 349		
	SCREW and WASHER, Rear License Plate to Rear Bumper	8	2	----	6024 179	*6024 179
8-47-131	NUT, Rear License Plate to Mounting Panel, TD1, TD2, TA3		2	----	6023 351	
	NUT and WASHER, Rear License Plate Bracket, except Sub., TA3	8	4	----	6023 271	
	NUT, Rear License Plate to Rear Bumper, Sub.		2	----	*6023 925	
	NUT and WASHER, Rear License Plate to Rear Bumper, TC1, TC2, TC3	8	2	----	----	*6023 925
8-50-O PARKING AND TURN SIGNAL LAMP						
8-50-82	SWITCH, Turn Signal, TC1, TC2, TC3		1	2258 700	2258 700	2258 700
	TY1	8	1	----	----	2197 376
	SWITCH and CABLE, Turn Signal Electric, TY1	8	1	----	----	2096 735
8-50-103	ARM PACKAGE, Turn Signal Switch Operating, TY1	8	1	----	----	2240 250
8-50-104	PIVOT, Turn Signal Switch Operating Arm, TY1	8	1	----	----	1972 207
8-50-108	SEAL, Turn Signal Indicator Lamp, TL1.	6	1	2291 139		
8-50-126	CAM, Turn Signal Switch Cancelling, TC1, TC2, TC3 FINGER, Turn Signal Switch Cancelling, TY1		1	2258 704	2258 704	2258 704
		8	1	----	----	1972 201
8-50-129	LEVER and KNOB, Turn Signal Switch, TC1, TC2, TC3		1	2258 710	2258 710	2258 710
	LEVER, TY1	8	1	----	----	2197 375
8-50-130	SCREW, Turn Signal Switch Lever Mounting, TC1, TC2, TC3		1	6023 490	6023 490	6023 490
	TY1	8	1	----	----	6023 636

★ Indicates use as required.

Numerals in parentheses () refer to notes.

Printed in U.S.A.

☐ Indicates parts not listed in any previous parts book.

Prices and specifications subject to change without notice.

* Indicates change or addition.

Page 8-47

Jan. 3, 1964 Supersedes Jan. 25, 1963.

1963 PASSENGER CAR PARTS CATALOG

ELECTRICAL

CODE	PART NAME AND DESCRIPTION	CYL.	PER CAR	VALIANT DART	PLYMOUTH DODGE	CHRYSLER IMPERIAL
8-50-0 PARKING AND TURN SIGNAL LAMP - Cont'd						
8-50-135	PLATE, Turn Signal Switch Contact, TY1	8	1	----	----	2196 322
8-50-156	SOCKET, Turn Signal Lamp, on Printed Circuit, TV1, TP1, TP2		1	2257 440	2257 440	
	On Printed Circuit, TL1, TC1, TC2, TC3		2	*2257 440	----	*2496 279
	TD1, TD2, TY1		2	----	2097 003	2097 003
	TA3	8	2	----	2096 374	
8-50-159	CONTACT, Turn Signal Indicator Lamp Socket, TA3	8	2	----	2256 966	
8-50-170	LENS, Turn Signal Indicator Lamp, TY1	8	2	----	----	2198 863
8-50-186	FLASHER, Turn Signal		1	2426 166	2426 166	2426 166
8-50-191	CLIP, Turn Signal Flasher Mounting		1	*2426 194	*2426 194	*2426 194
8-50-297	WELT, Parking and Turn Signal Lamp, TP1, TP2		2	----	2481 607	
8-50-303	LAMP, Parking and Turn Signal, Amber, TP1, TP2 Right, Amber, TD1, TD2		2	----	2243 178	
	Left, Amber, TD1, TD2		1	----	2243 126	
	Right, Amber, TA3, TC1, TC2, TC3	8	1	----	2243 127	
	Left, Amber, TA3, TC1, TC2, TC3	8	1	----	2243 150	2243 150
	Right, Amber, TY1	8	1	----	2243 151	2243 151
	Left, Amber, TY1	8	1	----	----	2424 486
		8	1	----	----	2424 487
8-50-304	LAMP PACKAGE	6	2	*2448 602		
8-50-307	CLINCH NUT, TP1, TP2		4	----	*6023 252	
	STAMPED NUT, TP1, TP2		8	----	6023 539	
	STAMPED NUT, TD1, TD2		4	----	6023 539	
	CLINCH NUT, Housing		4	----	6023 252	
8-50-308	GASKET, TP1, TP2, TC1, TC2, TC3	8	2	----	*2243 182	*2243 158
	TA3, TY1	8	2	----	2243 158	2188 864
8-50-315	BEZEL	6	2	*2188 277		
	Right, TY1	8	1	----	----	2188 856
	Left, TY1	8	1	----	----	2188 857
8-50-317	RETAINER and STUD, Housing, TP1, TP2		8	----	*6001 430	
8-50-334	LENS and GASKET PACKAGE, Amber	6	2	*2448 299		
	TP1, TP2		2	----	2421 133	
	Amber, TD1, TD2		2	----	2448 610	
	Clear, TD1, TD2		2	----	2421 452	
	Right, TA3, TC1, TC2, TC3	8	1	----	2448 270	2448 270
	Left, TA3, TC1, TC2, TC3	8	1	----	2448 271	2448 271
	Right, Amber, TY1	8	1	----	----	2448 600
	Left, Amber, TY1	8	1	----	----	2448 601
8-50-337	SCREW, Lens Attaching, TL1	6	2	*9414 111		
	SCREW, Lens to Housing, TL1	6	2	*6025 057		
	SCREW, TA3, TC1, TC2, TC3	8	4	----	*9417 787	*9417 787
8-50-338	GASKET, Lens, TD1, TD2		2	*2188 280	*2255 366	
8-50-349	SOCKET and CABLE, TV1	6	2	*1903 517		
	SOCKET and CABLE, TL1	6	2	*1903 517		
	SOCKET and CABLE, TP1, TP2		2	----	*2291 290	
	SOCKET and CABLE, Housing, TD1, TD2		2	----	*2188 712	
	SOCKET and CABLE, TA3, TC1, TC2, TC3	8	2	----	*1903 517	*1903 517
	SOCKET and CABLE, TY1	8	2	----	----	*2198 223
8-50-354	SPRING, INSULATOR and CONTACT PACKAGE, Socket		*	*2198 860	*2198 860	*2198 860

★ Indicates use as required.

Numerals in parentheses () refer to notes.

Printed in U.S.A.

☐ Indicates parts not listed in any previous parts book.

Prices and specifications subject to change without notice.

Jan. 3, 1964 Supersedes Jan. 25, 1963.

* Indicates change or addition.

CODE	PART NAME AND DESCRIPTION	CYL	PER CAR	VALIANT DART	PLYMOUTH DODGE	CHRYSLER IMPERIAL
8-52-0 STARTING MOTOR						
8-52-4	STARTING MOTOR, Assembly, w/170 cu. in. Eng.	6	1	*2098 500		
	w/225 cu. in. Eng.	6	1	*2095 150	*2095 150	
	w/Auto. Trans., stamped MDT-7009 or 1889770	6	1	E2095 393	E2095 393	
	w/Std. Trans., 11" Clutch, Taxi	6	1	----	*2095 753	
	TP2, TD2	8	1	----	2095 150	
	w/Std. Trans., TA3, TC1, TC2	8	1	----	1889 200	1889 200
	w/Auto. Trans., TA3	8	1	----	2095 150	2095 150
8-52-39	SEAL, Cylinder Block to Starter, TP1, TP2, TD1, TD2, TA3 Police	6	1	2129 234	2129 234	
	Used w/1889 770 Starter	6	1	*2128 412	*2128 412	
	w/Std. Trans., TA3 except Police, TC1, TC2	8	1	----	2128 285	2128 285
	w/Auto. Trans., TA3 except Police.	8	1	----	2129 234	2129 234
8-52-328	RELAY, Starter, w/Std. Trans., TC1, TC2	1	1	2095 609	2095 609	2095 609
	w/Auto. Trans.	1	1	2095 608	2095 608	2095 608
	SCREW, Mounting	2	1	6006 120	6006 120	6006 120
8-52-330	SWITCH, Solenoid, used w/1889 770 Starter	6	1	E2095 329	E2095 329	

FOR MODEL APPLICATION SEE CODE 8-52-4

CODE	STARTING MOTOR COMPONENT PARTS	STARTER ASSEMBLIES				
		*1889 200	*2095 150	*2095 393 MDT-7009S	*2095 753	*2098 500
8-52-2	FIELD COIL PACKAGE	----	----	*2084 660	----	----
8-52-5	STUD, Mounting Lower	*9417 094	*2095 875	----	*9417 094	*2095 875
	SCREW and WASHER, Mounting Upper	*9413 794	3 899	----	----	*6024 210
8-52-6	NUT, Mounting Stud Lower	----	506	----	----	* 271 506
8-52-11	BEARING, Intermediate	----	----	*1138 526	----	----
8-52-13	BENDIX DRIVE	----	----	*1889 938	----	----
8-52-23	PIN, Bendix Drive	----	----	*2095 627	----	----
8-52-41	CLUTCH	*1889 129	*2095 122	----	*1889 129	*2095 122
8-52-49	FORK and PIN PACKAGE, Shifting	*2084 093	----	----	*2084 093	----
	FORK, Shifting	----	*2095 134	----	----	*2095 134
8-52-50	PIN, Shifting Fork Pivot	* 456 098	*2095 133	----	* 456 098	*2095 133
8-52-61	RING, Clutch Actuator Retaining	----	*2095 130	----	----	*2095 130
8-52-67	SNAP RING, Pinion Shaft Gear Retaining	----	*095 117	----	----	*2095 117
	SNAP RING, Clutch Drive Sleeve	*2095 350	----	----	*2095 350	----
8-52-76	HOUSING, Pinion	*1889 154	----	*2196 324	*2095 752	----
	HOUSING and BEARING, Gear	----	*2095 112	----	----	*2095 112
8-52-80	BEARING, Pinion Housing	*2098 986	*2095 410	*2196 325	*2098 986	*2098 986
	BEARING, End Head	----	*2095 242	----	----	*2098 987
8-52-82	STOP, SNAP RING and STOP WASHER PACKAGE, Pinion	*2448 804	----	----	*2448 804	----
8-52-87	ACTUATOR and RETAINING RING PACKAGE, Clutch Shifting	----	*2275 556	----	----	*2275 556

★ Indicates use as required.

Numerals in parentheses () refer to notes.

Printed in U.S.A.

☐ Indicates parts not listed in any previous parts book.

Prices and specifications subject to change without notice.

* Indicates change or addition.

Jan. 3, 1964 Supersedes Jan. 25, 1963.

8-52-0 STARTING MOTOR - Cont'd

FOR MODEL APPLICATION SEE CODE 8-52-4

STARTING MOTOR COMPONENT PARTS - Cont'd	STARTER ASSEMBLIES				
	*1889 200	*2095 150	*2095 393 MDT-7009S	*2095 753	*2098 500
8-52-88 BOOT, Shifting Fork	*1889 147	----	----	*1889 147	----
8-52-89 SHAFT, Pinion	----	*2095 118	----	----	*2095 118
8-52-96 GEAR and SNAP RING PACKAGE, Pinion Shaft	----	*2275 557	----	----	*2275 557
8-52-98 THRUST WASHER and RETAINING RING PACKAGE, Pinion Shaft	----	*2275 558	----	----	*2275 558
8-52-100 RING, Pinion Shaft Retaining	----	*6022 006	----	----	*6022 006
8-52-101 COVER, Gear Housing	----	*2095 116	----	----	*2095 116
8-52-102 WASHER, Pinion Shaft Gear	----	*2095 114	----	----	*2095 114
8-52-120 ARMATURE	*1889 079	*2095 094	*2196 323	*1889 079	*2098 496
8-52-121 THRUST WASHER PACKAGE, Armature	----	*2275 555	----	----	*2275 555
8-52-135 BRUSH PACKAGE	*2240 749	----	*2084 661	*2240 749	----
8-52-137 PLATE and BRUSH PACKAGE, Brush Holder	----	*2275 550	----	----	*2275 550
PLATE, Brush	----	----	*2084 665	----	----
PLATE and RIVET PACKAGE, Brush	----	----	*2275 237	----	----
8-52-140 SPRING PACKAGE, Brush	*2084 666	*2084 666	*2084 666	*2084 666	*2084 666
8-52-142 SEALER, Brush Plate	----	*2421 838	----	----	*2421 838
8-52-150 PLATE, Brush Holder	*1889 044	----	----	*1889 044	----
8-52-176 HEAD, Commutator End	*1889 363	*2095 076	*2084 662	*1889 363	*2095 076
8-52-180 THRUST WASHER PACKAGE Commutator End	*2240 529	----	*1879 613	*2240 529	----
8-52-214 FIELD SERIES and SHUNT COIL PACKAGE	*2084 088	*2275 248	----	*2084 088	*2421 474
COIL FIELD SERIES, Complete	----	*2095 085	----	----	----
WASHER, Field Series Coil Ground	----	----	----	----	*9418 398
8-52-227 RIVET, Field Series Coil Ground	----	*2095 347	----	----	*2095 347
8-52-241 SCREW, Thru	*1889 080	*2095 105	*2084 659	*1889 080	*2095 105
8-52-275 TERMINAL STUD PACKAGE	----	----	*2084 667	----	----
8-52-341 CONTACT and COVER GASKET PACKAGE, Solenoid	*2084 091	----	----	*2084 091	----
8-52-342 CONTACT and SPRING PACKAGE, Solenoid Switch	----	*2275 553	----	----	*2275 553

* Indicates use as required. Numerals in parentheses () refer to notes. Printed in U.S.A.
 ☒ Indicates parts not listed in any previous parts book. Prices and specifications subject to change without notice.
 Jan. 3, 1964 Supersedes Jan. 25, 1963. * Indicates change or addition.

FOR MODEL APPLICATION SEE CODE 8-52-4

STARTING MOTOR COMPONENT PARTS - Cont'd	STARTER ASSEMBLIES				
	*1889 200	*2095 150	*2095 393 MDT-7009S	*2095 753	*2098 500
8-52-344 COVER and GASKET PACKAGE, Solenoid	*2084 090	-----	-----	*2084 090	-----
8-52-345 SOLENOID PACKAGE	*1889 146	*2275 554	-----	*1889 146	*2275 554
8-52-354 STUD PACKAGE, Terminal Relay	*2084 094	*2421 837	-----	*2084 094	*2421 837
8-52-372 STUD and WASHER PACKAGE, Solenoid Terminal	-----	*2275 551	-----	-----	*2275 551
8-52-375 CORE, Solenoid Moving	*1889 151	*2095 155	-----	*1889 151	*2095 155
8-52-389 SEAL, Solenoid Contact	-----	*2098 660	-----	-----	*2098 660

CODE	PART NAME AND DESCRIPTION	C Y L.	PER CAR	VALIANT DART	PLYMOUTH DODGE	CHRYSLER IMPERIAL
8-53-O SWITCHES						
8-53-150	SWITCH, Foot Dimmer. GROMMET, Front Floor Covering Dimmer Switch		1	1881 938	1881 938	1881 938
			1	-----	*2292 474	*2292 474
8-53-154	SCREW, Foot Dimmer Switch Mounting		2	6023 513	6023 513	6023 513
8-53-265	RHEOSTAT REPLACEMENT PACKAGE, Headlamp Switch, Stamped R. B. M. Stamped Fasco		1	2448 837	2448 837	2448 837
			1	2448 838	2448 838	2448 838
8-53-266	CIRCUIT BREAKER, Cigar Lighter, 8A, TY1	8	1	-----	-----	1642 477
8-53-270	SWITCH, Headlamp and Instrument Lamp, TP1, TP2, TD1, TD2, TC1, TC2, TC3 TA3, TY1		1	2448 823	2298 855	2298 855
		8	1	-----	2421 453	2275 586
8-53-294	BEZEL, Switch, TV1, TP1, TP2		1	*2256 432	*2256 432	
8-53-296	KNOB SWITCH, TL1, TD1, TD2, TC1, TC2, TC3 . TV1, TP1, TP2, TY1. w/Spotlamp, except Cv.Cp., TD1, TD2 TA3		1	*2290 701	*2290 398	*2290 824
			1	2291 288	2291 288	2258 027
			1	-----	2290 701	
		8	1	-----	2426 398	
8-53-312	RETAINER, Switch, TP1, TP2 TD1, TD2, TC1, TC2, TC3		1	*1887 604	*1887 604	
			1	-----	E2427 118	*2290 720
8-53-327	SWITCH, Low Oil Pressure TP2, TD2, TC1, TC2, TC3. SENDING UNIT, Oil Pressure, TA3, TY1		6	2256 800	2256 800	
			8	-----	1818 830	1818 830
			8	-----	*1972 241	*1972 241
8-55-O TAIL, STOP AND TURN SIGNAL LAMP						
8-55-1	LAMP PACKAGE, Tail, Stop and Turn Signal, Right, except Sub., TV1, TC1, TC2, TC3 Left, except Sub., TV1, TC1, TC2, TC3 Right, Sub., TV1, TC1, TC3 Left, Sub., TV1, TC1, TC3 Except Sub., TL1-L Right, Sub., TL1-L Left, Sub., TL1-L Except Sub., TL1-H-P		1	2298 893	-----	2448 635
			1	2298 894	-----	2448 636
			1	2421 460	-----	2299 347
			1	2421 461	-----	2299 348
		6	2	2421 182		
		6	1	2421 144		
		6	1	2421 145		
			2	2421 184		

★ Indicates use as required.

Numerals in parentheses () refer to notes.

Printed in U.S.A.

E Indicates parts not listed in any previous parts book.

Prices and specifications subject to change without notice.

* Indicates change or addition.

Jan. 3, 1964 Supersedes Jan. 25, 1963.

CODE	PART NAME AND DESCRIPTION	CYL	PER CAR	VALIANT DART	PLYMOUTH DODGE	CHRYSLER IMPERIAL
8-55-O TAIL, STOP AND TURN SIGNAL - Cont'd						
8-55-1	LAMP PACKAGE - Cont'd					
	Right, Sub., TL1-H-P		1	2421 148		
	Left, Sub., TL1-H-P		1	2421 149		
	Sub., TP1, TP2		2	----	2421 814	
8-55-7	LAMP, Tail, Stop and Turn Signal, Right, except					
	Sub., TP1, TP2		1	----	2422 668	
	Left, except Sub., TP1, TP2		1	----	2422 669	
	Right, except Sub., TD1-L-M, TD2-L-M		1	----	2243 108	
	Left, except Sub., TD1-L-M, TD2-L-M		1	----	2243 109	
	Right, TY1	8	1	----	----	2243 168
	Left, TY1	8	1	----	----	2243 169
8-55-8	GASKET, Tail, Stop and Turn Signal Lamp, Sub.,					
	TD1, TD2		2	----	2422 727	
	Except Sub., TD1-L-M, TD2-L-M		2	----	E2481 769	
	Housing, except Sub., TD1-H, TD2-H-P		2	----	2480 633	
	To Body, Sub., TA3	8	2	----	2189 550	
8-55-9	NUT, Tail, Stop and Turn Signal Lamp, TL1	6	6	6023 481		
	J/NUT, Sub., TL1, TC1, TC3		6	6014 023	----	6023 272
	STAMPED NUT, Mounting, except Sub., TP1, TP2		8	----	6023 539	
	STAMPED NUT, Mounting, except Sub., TD1-L-M, TD2-L-M		12	----	6023 539	
	NUT, Tail Lamp Mounting, Outboard, Sub., TD1, TD2		4	----	6000 286	
	NUT, J Type, Tail Lamp, Sub., TD1, TD2		4	----	6023 111	
	NUT, J Type, Tail, Stop and Turn Signal Lamp, Sub., TD1, TD2		8	----	6023 111	
	J/NUT, Tail, Stop and Turn Signal Lamp, Sub., TA3	8	8	----	*6014 023	
	NUT, Tail, Stop and Turn Signal Lamp, except Sub., TC1, TC2, TC3	8	6	----	----	6023 351
8-55-10	SCREW, Tail, Stop and Turn Signal Lamp, except					
	Sub., TL1	6	6	1903 385		
	Sub., TL1	6	6	1878 117		
	TC1, TC2, TC3	8	6	----	----	9418 883
	STUD, except Sub., TC1, TC2, TC3	8	2	----	----	6023 085
8-55-12	WASHER, Tail, Stop and Turn Signal Lamp,					
	Except Sub., TC1, TC2, TC3	8	2	----	----	6023 185
	Except Sub., TC1, TC2, TC3	8	6	----	----	2252 297
8-55-23	REINFORCEMENT, Tail Lamp Opening, Right,					
	except Sub., TP1, TP2		1	----	2255 680	
	Left, except Sub., TP1, TP2		1	----	2255 681	
	Right, except Sub., TD1, TD2		1	----	2244 544	
	Left, except Sub., TD1, TD2		1	----	2244 545	
	Right, except Sub., TA3	8	1	----	2423 770	
	Left, except Sub., TA3	8	1	----	2423 771	
8-55-34	EXTENSION and GASKET PACKAGE, Tail, Stop,					
	Turn Signal and Back-Up Lamp, Right, except					
	Sub., TA3	8	1	----	2448 613	
	Left, except Sub., TA3	8	1	----	2448 614	
8-55-54	CABLE, Tail, Stop and Turn Signal Lamp					
	Socket, TL1 except Sub., TA3 Sub.		2	E2291 301	E2291 301	
8-55-57	SOCKET, Tail, Stop and Turn Signal Lamp, except					
	Sub., TV1		2	2290 263	2290 263	
	Sub., TV1, TD1, TD2		2	1863 196	1863 196	
	SHELL, Tail, Stop and Turn Signal Lamp					
	Socket, TL1 except Sub., TA3 Sub.		2	*2189 834	*2189 834	
	w/CABLE, Sub., TP1, TP2		2	----	2426 246	

★ Indicates use as required.

Numerals in parentheses () refer to notes.

Printed in U.S.A.

E Indicates parts not listed in any previous parts book.

Prices and specifications subject to change without notice.

Jan. 3, 1964 Supersedes Jan. 25, 1963.

* Indicates change or addition.

CODE	PART NAME AND DESCRIPTION	C Y L	PER CAR	VALIANT DART	PLYMOUTH DODGE	CHRYSLER IMPERIAL
8-55-0 TAIL, STOP AND TURN SIGNAL LAMP - Cont'd						
8-55-57	SOCKET - Cont'd					
	Tail Lamp, Sub., TD1, TD2		2	----	2427 265	
	w/BOOT, TC1, TC2, TC3	8	2	----	----	*2290 204
	TY1	8	2	----	----	2290 263
8-55-63	SPRING, INSULATOR and CONTACT PACKAGE, Tail, Stop and Turn Signal Lamp Socket, Sub., TP1, TP2, TA3		2	*2198 860	*2198 860	
8-55-136	HOUSING PACKAGE, Tail, Stop and Turn Signal Lamp, Right, except Sub., TV1	6	1	2298 895		
	Left, except Sub., TV1	6	1	2298 896		
	Tail, Stop, Turn Signal and Back-Up Lamp, Right, except Sub., TD1-H, TD2-H-P		1	----	2421 467	
	Left, except Sub., TD1-H, TD2-H-P		1	----	2421 468	
	Except Sub., TA3	8	2	----	2448 619	
	HOUSING, Right, TY1	8	1	----	----	2255 594
	Left, TY1	8	1	----	----	2255 595
8-55-140	WELT, Tail, Stop and Turn Signal Lamp, TP1, TP2, TD1-L-M, TD2-L-M		2	----	*2424 882	
	w/Back-Up Lamp, except Sub., TD1-H, TD2-H-P. w/Back-Up Lamp, Inner and Outer, except Sub., TA3		2	----	2255 255	
	TC1, TC2, TC3	8	4	----	*2424 882	
		8	2	----	----	*2424 882
8-55-158	BEZEL, LENS and GASKET PACKAGE, except Sub., TL1-H-P	6	2	2421 185		
	BEZEL and REFLECTOR PACKAGE, Sub., TP1, TP2		2	----	2421 815	
	BEZEL, LENS and GASKET PACKAGE, Right Sub., TL1-H-P	6	1	*2421 180		
	Left, Sub., TL1-H-P	6	1	*2421 181		
	BEZEL, STUD and REFLECTOR, Right, except Sub., TP1, TP2		1	----	*2423 020	
	Left, except Sub., TP1, TP2		1	----	2423 021	
	BEZEL and HOUSING PACKAGE, Tail Lamp, Right, Sub., TD1, TD2		1	----	2421 839	
	Left, Sub., TD1, TD2		1	----	2421 840	
	BEZEL and HOUSING PACKAGE, Tail, Stop and Turn Signal Lamp, Right, Sub., TD1, TD2		1	----	2421 843	
	Left, Sub., TD1, TD2		1	----	2421 844	
	BEZEL, LENS and GASKET PACKAGE, except except Sub., TD1-L-M, TD2-L-M		2	----	2421 477	
	BEZEL, STUDS and GASKET, Outer, Right, except Sub., TD1-L-M, TD2-L-M		1	----	2255 500	
	Left, except Sub., TD1-L-M, TD2-L-M		1	----	2255 501	
	BEZEL, Tail Lamp Housing, Right, Sub., TD1, TD2 Left, Sub., TD1, TD2		1	----	2422 708	
			1	----	2422 709	
	BEZEL, Tail, Stop and Turn Signal Lamp Housing, Right, Sub., TD1, TD2		1	----	2422 720	
	Left, Sub., TD1, TD2		1	----	2422 721	
	BEZEL, Sub., Right, TA3	8	1	----	2189 832	
	Left, Sub., TA3	8	1	----	2189 833	
	BEZEL, LENS and GASKET PACKAGE, except Sub., TA3	8	2	----	2448 617	
	BEZEL and GASKET PACKAGE, w/Back-Up Lamp, Right, except Sub., TA3	8	1	----	2448 615	
	Left, except Sub., TA3	8	1	----	2448 616	

★ Indicates use as required.

Numerals in parentheses () refer to notes.

Printed in U.S.A.

⊠ Indicates parts not listed in any previous parts book.

Prices and specifications subject to change without notice.

* Indicates change or addition.

Page 8-53

Jan. 3, 1964 Supersedes Jan. 25, 1963.

1963 PASSENGER CAR PARTS CATALOG

ELECTRICAL

CODE	PART NAME AND DESCRIPTION	CYL	PER CAR	VALIANT DART	PLYMOUTH DODGE	CHRYSLER IMPERIAL
8-55-O TAIL, STOP AND TURN SIGNAL LAMP - Cont'd						
8-55-158	BEZEL - Cont'd					
	Right, except Sub., TC1, TC2, TC3	8	1	----	----	*2448 637
	Left, except Sub., TC1, TC2, TC3	8	1	----	----	2448 638
	BEZEL, LENS and GASKET PACKAGE, Right, Sub., TC1, TC3	8	1	----	----	2299 349
	Left, Sub., TC1, TC3	8	1	----	----	2421 100
8-55-159	SCREW, Tail, Stop, Turn Signal and Back-Up Lamp Housing, Sub., TV1	6	8	9418 260		
	SCREW, Tail, Stop and Turn Signal Lamp Bezel, Sub., TP1, TP2	8		----	892 569	
	SCREW, Tail Lamp Housing Attaching, Sub., TD1, TD2	4		----	E9420 778	
	SCREW, Housing, Sub., TD1, TD2	8		----	9418 480	
	SCREW, Housing to Bezel, except Sub., TP1, TP2	2		----	9418 524	
	SCREW, Tail, Stop, Turn Signal and Back-Up Lamp Extension to Bezel, except Sub., TA3	8	6	----	6023 867	
	SCREW, Housing to Bezel, except Sub., TA3	8	2	----	6023 867	
	STUD, Housing, TY1	8	*	----	----	6024 084
8-55-161	NUT, Tail Lamp Bezel, Sub., TD1, TD2		4	----	1839 995	
	NUT, Tail, Stop, Turn Signal and Back-Up Lamp Bezel, except Sub., TA3	8	8	----	6023 539	
	J/NUT, Tail, Stop and Turn Signal Lamp Housing, Sub., TP1, TP2		8	----	6023 111	
	NUT, Tail, Stop and Turn Signal Lamp Housing, TY1	8	6	----	----	6024 113
8-55-162	RETAINER, Tail, Stop and Turn Signal Lamp Housing, except Sub., TV1	6	4	*6001 430		
	CUP WASHER, Tail, Stop, Turn Signal and Back-Up Lamp Bezel, Lower, TA3	8	4	----	6023 185	
	SEALING WASHER, Tail, Stop, Turn Signal and Back-Up Lamp Bezel Drive Stud, Upper, except Sub., TA3	8	4	----	6023 854	
	SEALING WASHER, Tail, Stop, Turn Signal and Back-Up Lamp Bezel Drive Stud, Lower, except Sub., TA3	8	4	----	6022 007	
	CUP WASHER, Tail, Stop, Turn Signal and Back-Up Lamp Extension, except Sub., TA3	8	6	----	6023 185	
8-55-163	SEALING WASHER, Tail, Stop and Turn Signal and Back-Up Lamp Housing, TD1-H, TD2-H-P		17	----	6022 052	
	SEALING WASHER, Housing, Sub., TD1, TD2		*	----	6022 997	
8-55-170	PLUG, Tail Lamp Gauge Hole, except Sub., TA3	8	4	----	*2216 829	
8-55-194	LENS and GASKET PACKAGE, Tail, Stop and Turn Signal Lamp, Right, except Sub., TV1, TP1, TP2		1	2298 897	2421 831	
	Left, except Sub., TV1, TP1, TP2		1	2298 898	2421 832	
	Sub., TV1, TP1, TP2		2	2299 344	2421 817	
	Right, Sub., TL1-L	6	1	2421 146		
	Left, Sub., TL1-L	6	1	2421 147		
	Except Sub., TL1-L	6	2	2421 183		
	Right, except Sub., TD1-H, TD2-H-P		1	----	2421 469	
	Left, except Sub., TD1-H, TD2-H-P		1	----	2421 470	
	Tail Lamp, Right, Sub., TD1, TD2		1	----	2421 841	
	Tail Lamp, Left, Sub., TD1, TD2		1	----	2421 842	
	Right, Sub., TD1, TD2		1	----	2421 845	
	Left, Sub., TD1, TD2		1	----	2421 846	
	Right, Sub., TA3	8	1	----	2279 934	
	Left, Sub., TA3	8	1	----	2279 935	
	Except Sub., TC1, TC2, TC3	8	2	----	----	2299 311
	Right, Sub., TC1, TC3	8	1	----	----	2421 101
	Left, Sub., TC1, TC3	8	1	----	----	2421 102
	TY1	8	2	----	----	2421 451

★ Indicates use as required.

Numerals in parentheses () refer to notes.

Printed in U.S.A.

Ⓜ Indicates parts not listed in any previous parts book.

Prices and specifications subject to change without notice.

Jan. 3, 1964 Supersedes Jan. 25, 1963.

* Indicates change or addition.

CODE	PART NAME AND DESCRIPTION	C Y L.	PER CAR	VALIANT DART	PLYMOUTH DODGE	CHRYSLER IMPERIAL
8-55-O TAIL, STOP AND TURN SIGNAL LAMP - Cont'd						
8-55-209	SCREW, Tail, Stop and Turn Signal Lamp Lens Attaching, Sub., TV1	6	6	6023 282		
	SCREW, Tail, Stop and Turn Signal Lamp Bezel and Lens Attaching, Sub., TD1, TD2		8	----	6023 633	
	SCREW, Tail Lamp Bezel and Lens Attaching, Sub., TD1, TD2		8	----	6023 633	
	SCREW, w/Back-Up Lamp, Lens to Housing, TD1-H, TD2-H-P		24	----	*6024 369	
	SCREW, Tail, Stop and Turn Signal Lamp Lens, Sub., TA3	8	12	----	6022 594	
8-55-214	GASKET, Tail, Stop and Turn Signal Lamp Lens, to Housing, Sub., TL1	6	2	2243 094		
	Except Sub., TL1	6	2	2243 084		
	Sub., TP1, TP2		2	----	2422 698	
	Sub., TA3	8	2	----	2189 548	
8-55-219	REFLECTOR PACKAGE, Tail, Stop and Turn Signal Lamp, Sub., TP1, TP2		2	----	2421 816	
	Except Sub., TP1, TP2		2	----	2421 833	
8-55-220	REFLECTOR, Tail, Stop and Turn Signal Lamp, TY1	8	2	----	----	2255 532
8-55-233	MEDALLION, Tail, Stop and Turn Signal Lamp Reflector, TY1	8	2	----	----	1598 388
8-55-300	CONTACT, Tail, Stop and Turn Signal Lamp Socket		★	2256 966	2256 966	2256 966
8-55-301	INSULATOR, Tail, Stop and Turn Signal Lamp Socket, Sub., TA3	8	2	----	1842 338	
8-55-332	SCREW, Tail, Stop, Turn Signal and Back-Up Lamp Extension to Bezel, except Sub., TA3 . . .	8	6	----	6023 867	
8-55-335	INSERT and EXTENSION PACKAGE, Tail, Stop and Turn Signal Lamp Bezel, Sub., Right, TA3 . . .	8	1	----	2279 932	
	Left, Sub., TA3	8	1	----	2279 933	
8-56-O BACK-UP LAMP						
8-56-1	LAMP, except Sub., TV1	6	2	*2243 196		
	LAMP PACKAGE, Right, Sub., TV1	6	1	2421 462		
	Left, Sub., TV1	6	1	2421 463		
	LAMP, except Sub., TL1	6	2	*2422 640		
	Sub., TL1	6	2	*2244 042		
	Right, except Sub., TP1, TP2		1	----	2422 656	
	Left, except Sub., TP1, TP2		1	----	2422 657	
	w/License Lamp, Right, Sub., TP1, TP2, TD1, TD2		1	----	2422 728	
	Left, Sub., TP1, TP2, TD1, TD2		1	----	2422 729	
	Right, except Sub., TD1-L, M, TD2-L-M		1	----	2244 914	
	Left, except Sub., TD1-L-M, TD2-L-M		1	----	2244 915	
	Right, except Sub., TC1, TC2, TC3	8	1	----	----	2243 160
	Left, except Sub., TC1, TC2, TC3	8	1	----	----	2243 161
	w/License Lamp, Right, Sub., TA3, TC1, TC3 . .	8	1	----	*2094 988	*2094 988
	Left, Sub., TA3, TC1, TC3	8	1	----	2094 989	2094 989
	TY1	8	2	----	----	*2424 307

★ Indicates use as required.

Numerals in parentheses () refer to notes.

Printed in U.S.A.

☐ Indicates parts not listed in any previous parts book.

Prices and specifications subject to change without notice.

* Indicates change or addition.

Jan. 3, 1964 Supersedes Jan. 25, 1963.

1963 PASSENGER CAR PARTS CATALOG

ELECTRICAL

CODE	PART NAME AND DESCRIPTION	C Y L.	PER CAR	VALIANT DART	PLYMOUTH DODGE	CHRYSLER IMPERIAL
8-56-0 BACK-UP LAMP - Cont'd						
8-56-2	SWITCH, w/Std. Trans., TC1, TC2		1	*2258 404	*2258 404	*2258 404
	w/Auto. Trans.		1	1971 833	1972 052	1972 052
	w/4 Speed Std. Trans., TP2, TD2	8	1	-----	2427 137	
	CONE WASHER, w/4 Speed Std. Trans., TP2, TD2	8	2	-----	6022 681	
8-56-4	NUT and SEAL, except Sub., TD1-L-M, TD2-L-M		4	-----	*6023 097	
8-56-7	LENS, Back-Up and License Lamp, Right, Sub., TA3, TC1, TC3	8	1	-----	2094 992	2094 992
	Left, Sub., TA3, TC1, TC3	8	1	-----	2094 993	2094 993
8-56-8	LENS and GASKET PACKAGE, Sub., TV1	6	2	*2299 345		
	Except Sub., TV1	6	2	2298 852		
	Except Sub. TL1	6	2	2421 801		
	Sub., TL1	6	2	2279 915		
	Right, except Sub., TP1, TP2		1	-----	2421 802	
	Left, except Sub., TP1, TP2		1	-----	2421 803	
	w/License Lamp, Right, Sub., TP1, TP2, TD1, TD2		1	-----	*2421 805	
	Left, Sub., TP1, TP2, TD1, TD2		1	-----	2421 806	
	Right, except Sub., TD1-L-M, TD2-L-M		1	-----	2421 464	
	Left, except Sub., TD1-L-M, TD2-L-M		1	-----	2421 465	
	Right, except Sub., Sub., TD1-H, TD2-H-P		1	-----	2421 471	
	Left, except Sub., TD1-H, TD2-H-P		1	-----	2421 472	
	Except Sub., TA3	8	2	-----	2448 618	
	Right, except Sub., TC1, TC2, TC3	8	1	-----		2299 336
	Left, except Sub., TC1, TC2, TC3	8	1	-----		2299 337
	TY1	8	2	-----		2421 499
8-56-10	SCREW, Lens, except Sub., TL1, TD1-L-M, TD2-L-M		4	*6022 050	*6022 050	
	Except Sub., TP1, TP2		4	-----	1961 965	
	TY1	8	4	-----		6023 486
	Except Sub., TA3	8	8	-----	9418 831	
8-56-23	GASKET, Lens, Sub., TL1	6	2	*2189 521		
8-56-25	SEALING WASHER, except Sub., TP1, TP2		4	-----	*6023 599	
8-56-27	SPRING, INSULATOR and CONTACT PACKAGE, Socket		★	*2257 100	*2257 100	*2257 100
8-56-34	SOCKET, except Sub., TV1	6	2	*2096 648		
	Sub., TV1	6	2	2290 189		
	Except Sub., TL1	6	2	2426 243		
	w/BOOT, Sub., TL1	6	2	2096 141		
			2	-----	2096 648	
	Sub., TC1, TC3	8	2	-----		2096 648
	w/BOOT, except Sub., TC1, TC2, TC3	8	2	-----		2096 141
	w/CABLE, TY1	8	2	-----		2291 622
8-56-40	GASKET, Housing, except Sub., TV1	6	2	*2243 356		
	w/License Lamp, Sub., TA3, TC1, TC3	8	2	-----	2094 994	2094 994
	Except Sub., TC1, TC2, TC3	8	2	-----		2243 158
	TY1	8	2	-----		2255 324
8-56-41	SCREW, w/License Lamp, Sub., TP1, TP2, TD1, TD2		2	-----	*6025 081	
	w/License Lamp, Sub., TA3, TC1, TC3	8	6	-----	*6024 494	*6024 494
	Except Sub., TC1, TC2, TC3	8	4	-----		9417 787

★ Indicates use as required. Numerals in parentheses () refer to notes. Printed in U.S.A.
 □ Indicates parts not listed in any previous parts book. Prices and specifications subject to change without notice.
 Jan. 3, 1964 Supersedes Jan. 25, 1963. * Indicates change or addition.

CODE	PART NAME AND DESCRIPTION	C Y L.	PER CAR	VALIANT DART	PLYMOUTH DODGE	CHRYSLER IMPERIAL
8-56-O BACK-UP LAMP - Cont'd						
8-56-46	GASKET, Switch Hole Plug, w/Std. Trans., TC1, TC2		1	*1302 807	*1302 807	*1302 807
	GASKET, Switch, w/Std. Trans., TC1, TC2		1	*1302 807	*1302 807	*1302 807
8-56-47	ROD, Switch Operating, w/4 Speed Std. Trans., TP2, TD2	8	1	-----	*2426 957	
8-56-53	SCREW, Housing, except Sub., TP1, TP2		4	-----	*6023 414	
8-56-61	COVER, Socket, except Sub., TP1, TP2		2	-----	*2480 145	
8-56-63	PLUG, Sub., TC1	8	2	-----	-----	*2094 697
8-56-65	BRACKET, Switch Mounting, w/4 Speed Std. Trans., TP2, TD2	8	1	-----	*2427 166	
8-56-74	WELT, except Sub., TV1	6	2	*2255 210		
	2 D. and 4 D., TL1	6	2	*2424 882		
	Right, except Sub., TD1-L-M, TD2-L-M		1	-----	2424 270	
	Left, except Sub., TD1-L-M, TD2-L-M		1	-----	2424 271	
8-57-O LICENSE LAMP						
8-57-7	PLUG, Sub., TP1-L-M, TP2-L-M, TD1-L-M, TD2-L-M, TA3		2	-----	*2094 697	
8-57-10	LAMP and HOUSING, TY1		1	*2243 978	-----	*2243 978
	Except Sub., TP1, TP2		2	-----	2422 664	
	Except Sub., TD1, TD2, TA3		1	-----	1878 196	
	w/HOUSING, except Sub., TC1, TC2, TC3	8	1	-----	-----	2243 978
8-57-11	SCREW, License Lamp Mounting, TV1, TY1		2	6022 071	-----	6022 071
	SCREW, Attaching, except Sub., TP1, TP2		4	-----	1878 893	
	SCREW, Attaching, except Sub., TD1, TD2, TA3		2	-----	1878 893	
	BOLT, Attaching, Sub., TP1, TP2, TD1, TD2		4	-----	*6025 081	
	SCREW, Mounting, except Sub., TC1, TC2, TC3	8	2	-----	-----	6022 071
8-57-79	SOCKET, License Lamp, TY1		1	*2290 765	-----	*2290 765
	TP1, TP2 except TP2-P		2	-----	2096 141	
	Except Sub., TA3, TC1, TC2, TC3	8	1	-----	*2096 141	*2290 765
	Sub., TD1, TD2, TA3, TC1, TC2, TC3		2	-----	2096 141	2096 141
8-57-89	SPRING, TY1		1	*2427 634	-----	*2427 634
	SPRING, INSULATOR and CONTACT PACKAGE, TP1, TP2, TD1, TD2		1	-----	*2257 100	
	SPRING, except Sub., TD1, TD2, TC1, TC2, TC3		1	-----	*1842 340	*2427 634
	SPRING, INSULATOR and CONTACT PACKAGE, Sub., TA3, TC1, TC3	8	1	-----	*2257 100	*2257 100
	SPRING, except Sub., TA3	8	1	-----	*2427 634	
8-57-90	INSULATOR, Socket		★	*6006 106	*6006 106	*6006 106
8-57-109	CONTACT, Socket		★	*2256 966	*2256 966	*2256 966
8-58-O STOP LAMP						
8-58-60	SWITCH, Mechanical Type		1	*2291 382	*2258 864	*2258 864
	SCREW and WASHER, Mounting		1	6023 541	6023 541	6023 541

★ Indicates use as required.

Numerals in parentheses () refer to notes.

Printed in U.S.A.

☐ Indicates parts not listed in any previous parts book.

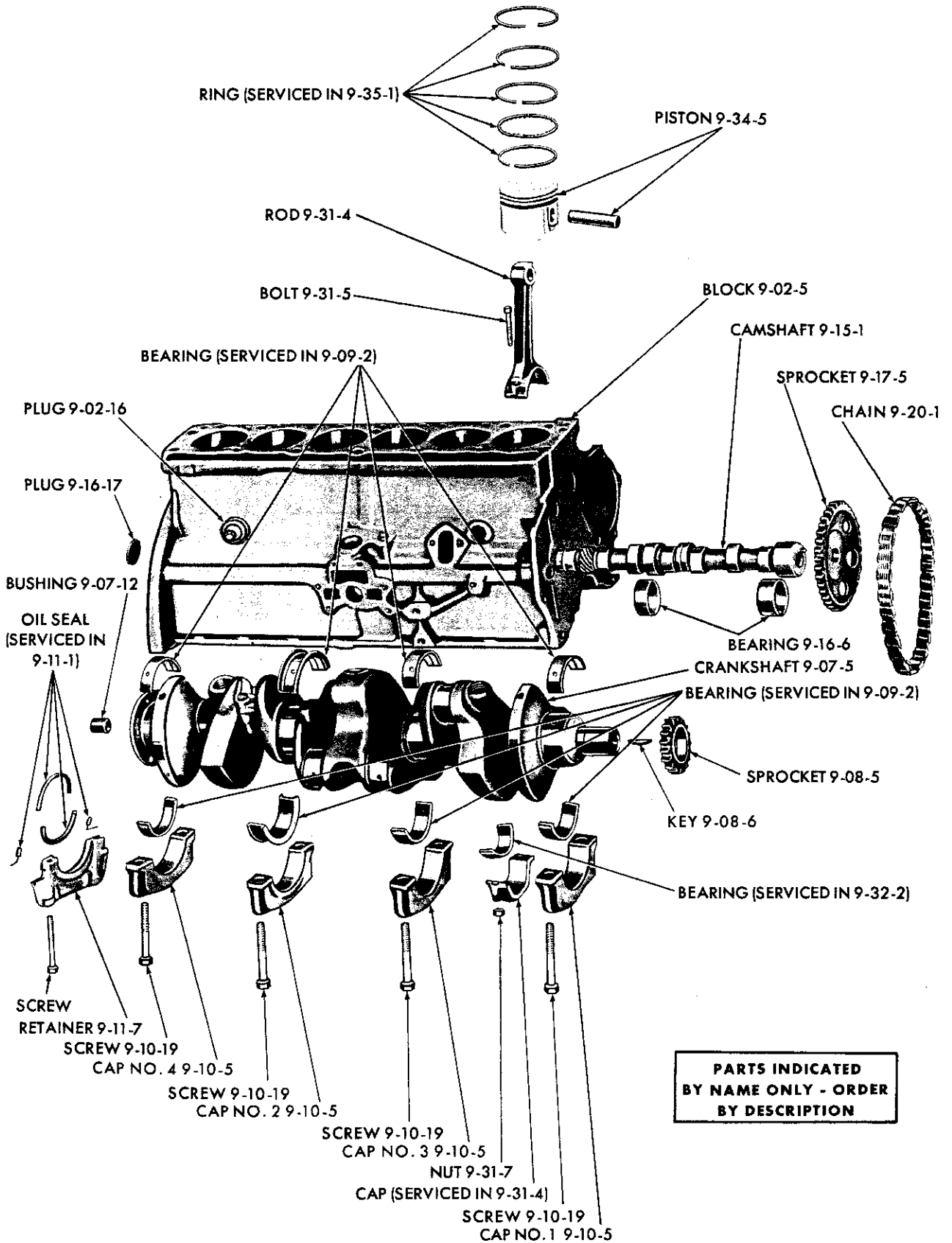
Prices and specifications subject to change without notice.

* Indicates change or addition.

Page 8-57

January 3, 1964.

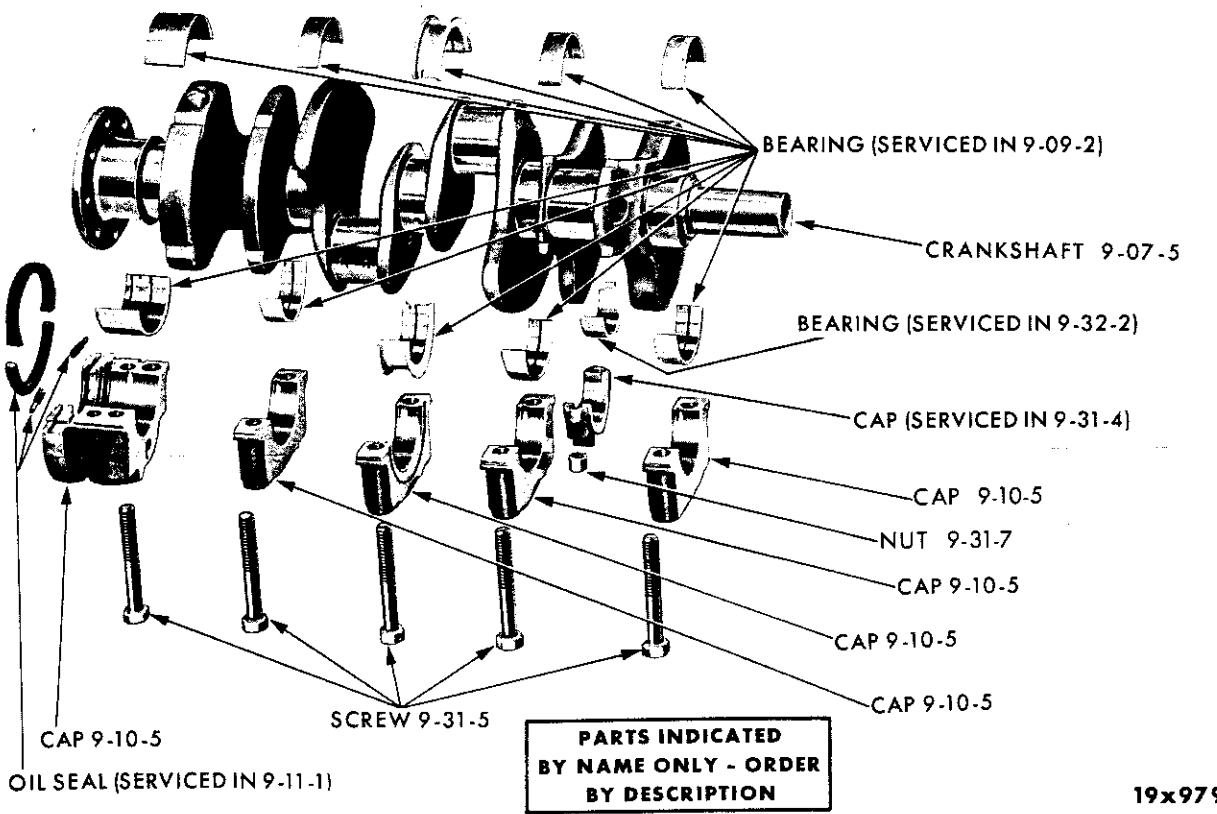
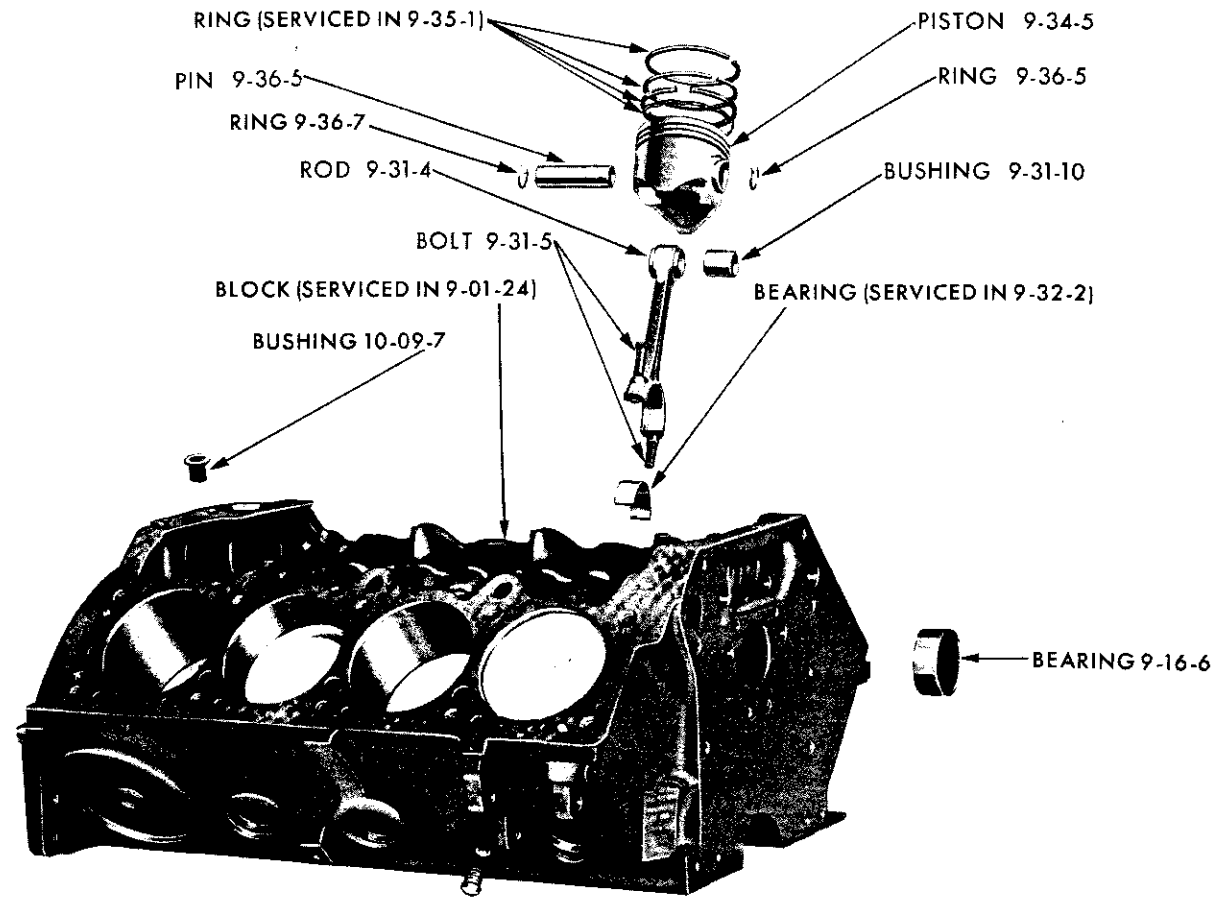
GROUP 9 - ENGINE



**PARTS INDICATED
BY NAME ONLY - ORDER
BY DESCRIPTION**

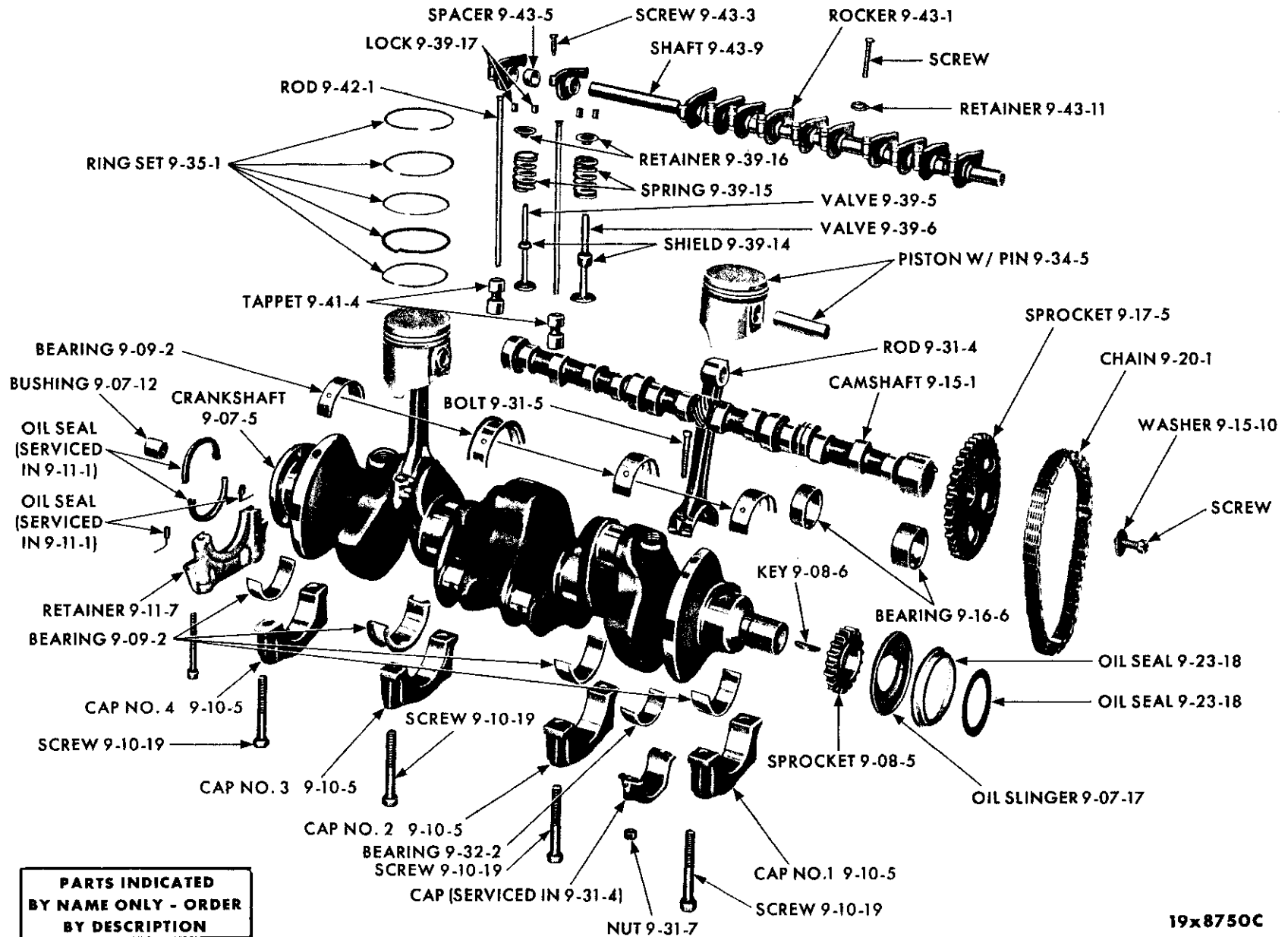
SHORT ENGINE - 6 CYLINDER (170 AND 225 CU. IN.)

19x8786B



19x9791

SHORT ENGINE - V8 CYLINDER

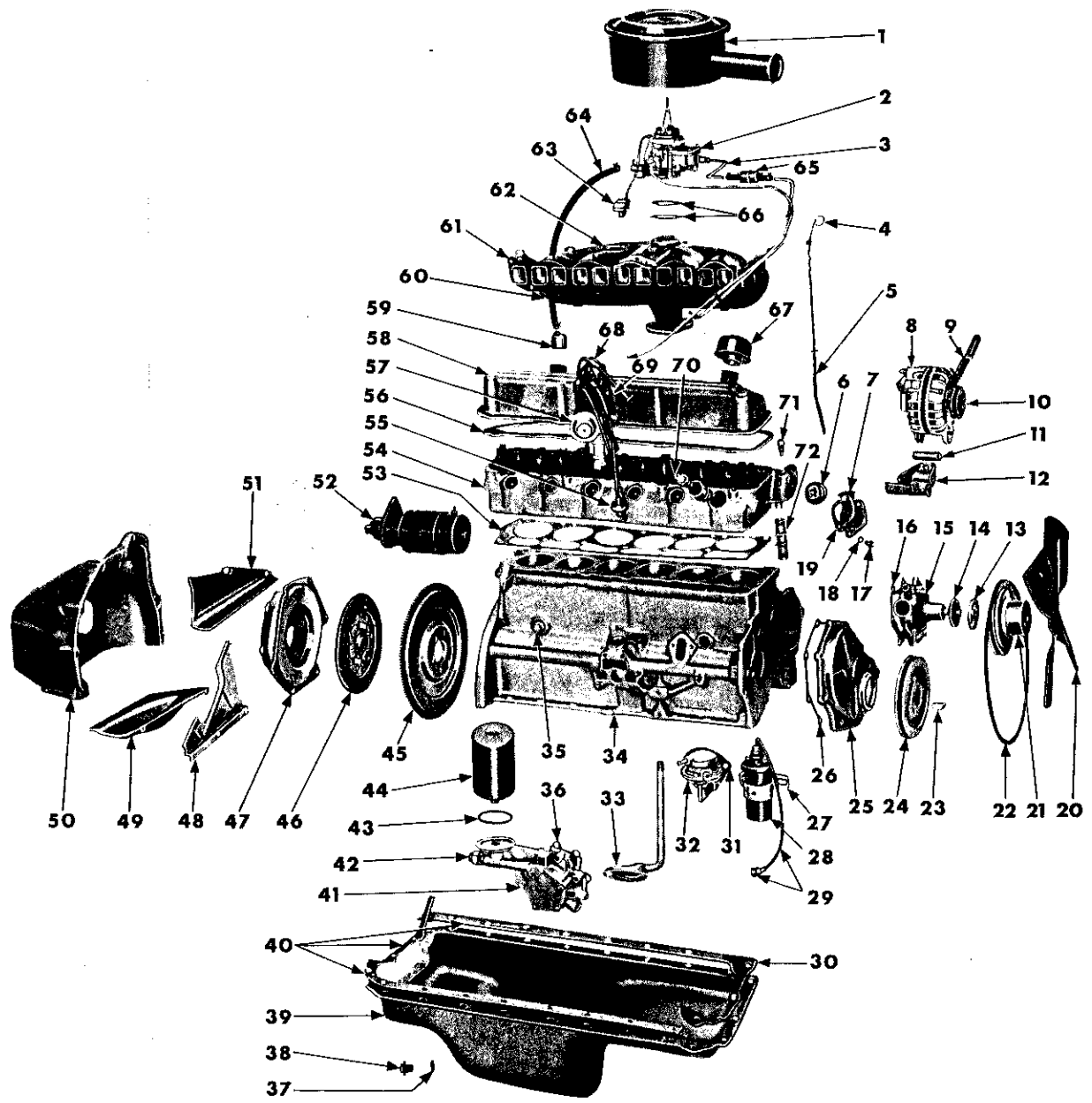


**PARTS INDICATED
BY NAME ONLY - ORDER
BY DESCRIPTION**

19x8750C

ENGINE INTERNAL PARTS - 6 CYLINDER (170 AND 225 CU. IN.)

MyMopar.com



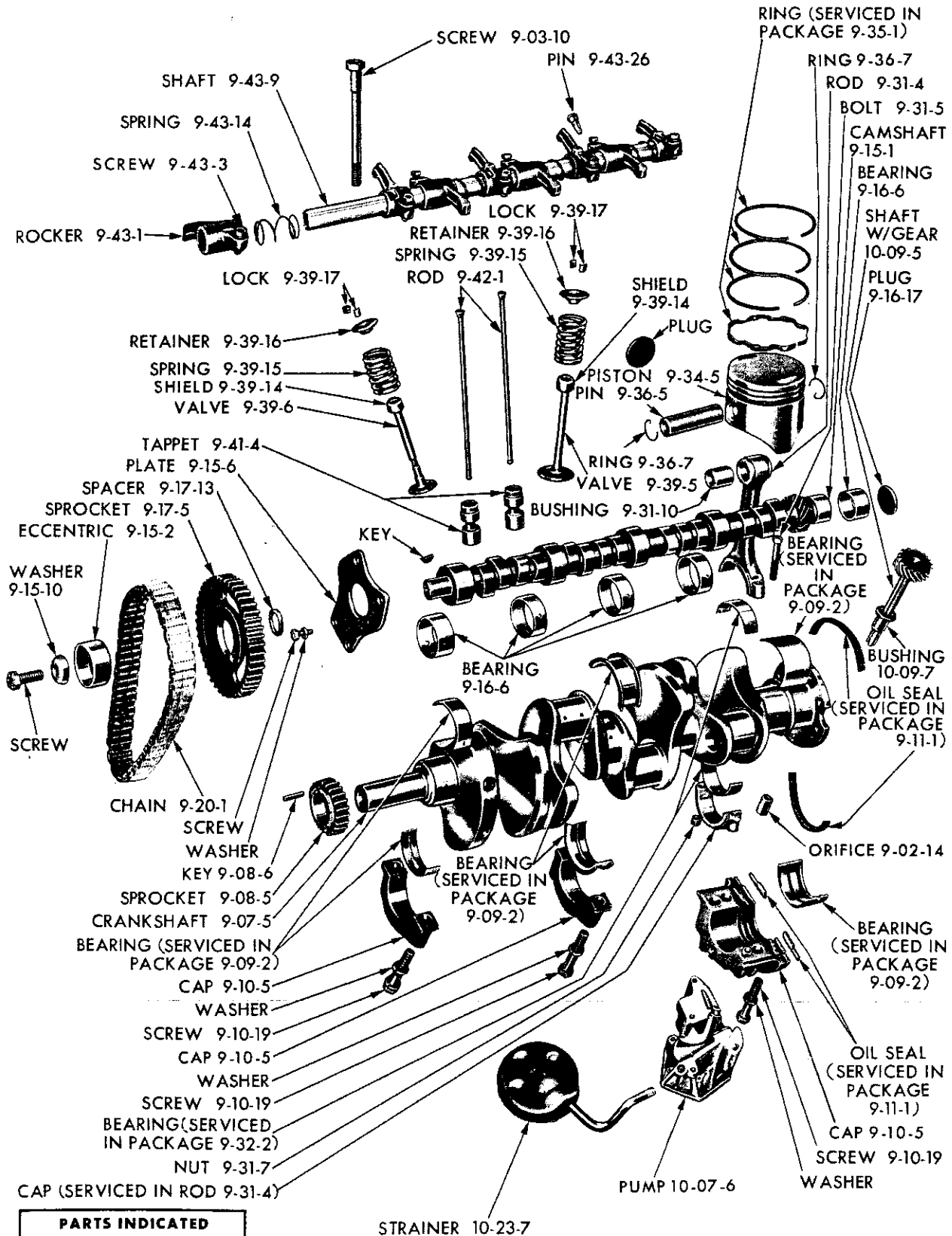
ENGINE EXTERNAL PARTS - 6 CYLINDER (225 CU. IN.)

19L8794C

ENGINE EXTERNAL PARTS - 6 CYLINDER (225 CU. IN.)

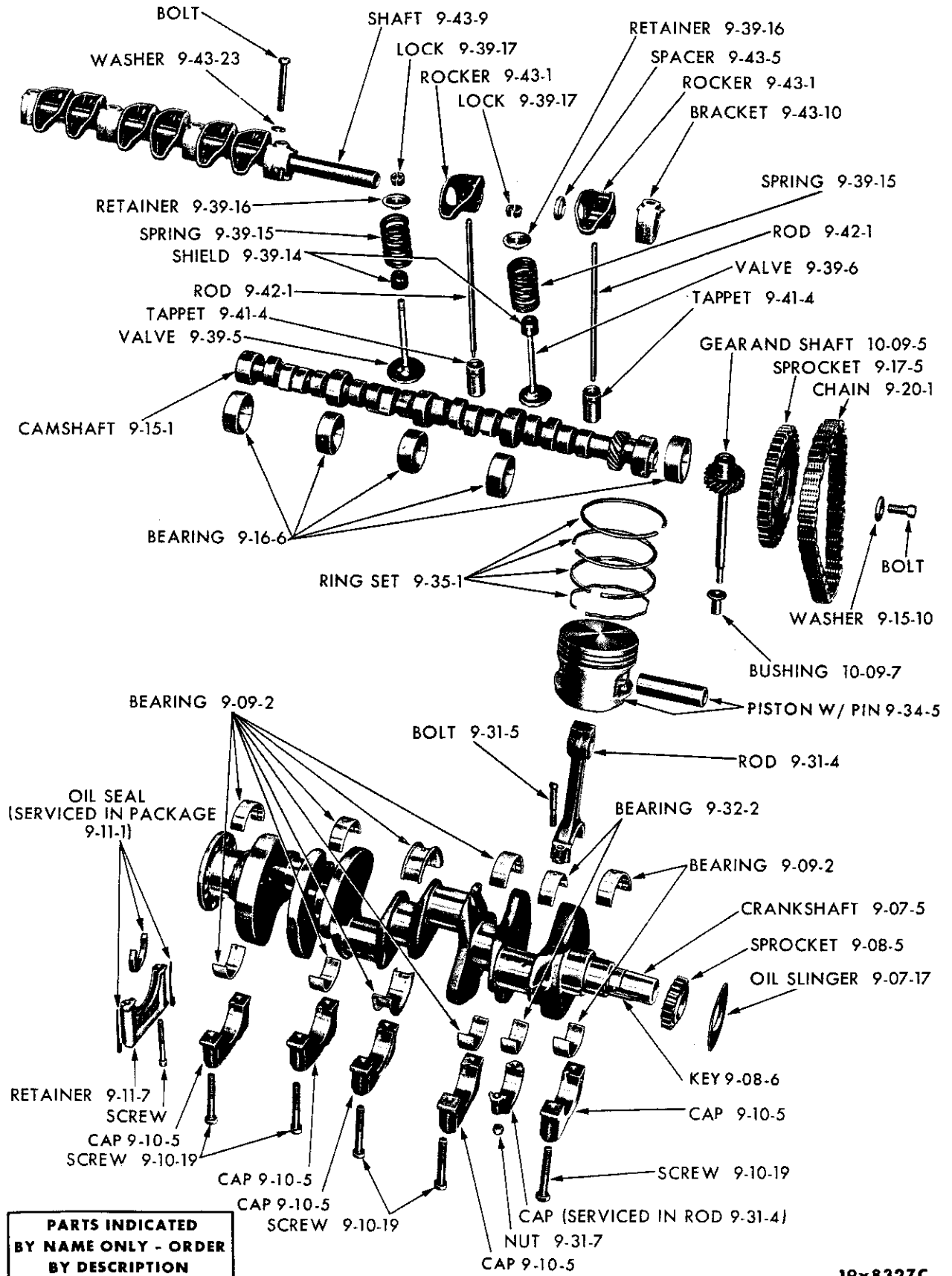
Ref. No.	Name	Part Type Code	Ref. No.	Name	Part Type Code
1	Air Cleaner	14-29-2	37	Gasket	10-24-38
2	Carburetor	14-30-1	38	Plug	10-24-37
3	Tube	14-89-2	39	Pan	10-24-4
4	Indicator	10-03-4	40	Gasket (Serviced in 10-24-1) . . .	
5	Tube	10-03-7	41	Pump	10-07-6
6	Thermostat	7-41-4	42	Cap	10-22-40
7	Elbow	9-05-5	43	Gasket (Serviced in 10-26-6) . . .	
8	Alternator	8-28-3	44	Filter	10-26-6
9	Strap	8-28-15	45	Flywheel	9-45-1
10	Pulley	8-28-297	46	Disc	6-13-1
11	Spacer	Not Serviced	47	Cover, w/Plate	6-14-1
12	Bracket	8-28-36	48	Seal	6-10-10
13	Spacer	7-02-16	49	Pan	6-10-2
14	Hub	7-05-1	50	Housing	6-09-1
15	Pump Package	7-42-1	51	Strut	6-09-11
16	Gasket	7-44-4	52	Starter	8-52-4
17	Screw		53	Gasket	9-03-5
18	Washer		54	Head	9-03-4
19	Gasket	9-05-6	55	Cover	8-36-117
20	Fan	7-02-1	56	Gasket	9-03-29
21	Pulley	7-06-14	57	Distributor	8-27-1
22	Belt	7-03-1	58	Cover	9-03-28
23	Key	9-08-5	59	Cap	10-02-66
24	Damper	9-13-5	60	Manifold	9-48-6
25	Cover	9-23-5	61	Gasket (Serviced in 9-50-1)	
26	Gasket	9-23-17	62	Manifold	9-48-7
27	Bracket	8-35-41	63	Choke	14-39-45
28	Coil	8-35-4	64	Hose	10-02-53
29	Cable	8-36-49	65	Fuel Filter	14-67-1
30	Gasket	10-24-1	66	Gasket	14-30-2
31	Gasket	14-74-1	67	Air Cleaner	10-01-21
32	Pump Package	14-73-1	68	Cable Set	8-36-1
33	Strainer, w/Pipe	10-23-7	69	Cap	8-27-71
34	Block	9-02-5	70	Spark Plug	8-36-114
35	Plug		71	Sending Unit	8-37-155
36	Gasket	10-07-11	72	Hose, Water Pump By-Pass	7-14-9

PARTS INDICATED BY NAME ONLY - ORDER BY DESCRIPTION



**PARTS INDICATED
BY NAME ONLY - ORDER
BY DESCRIPTION**

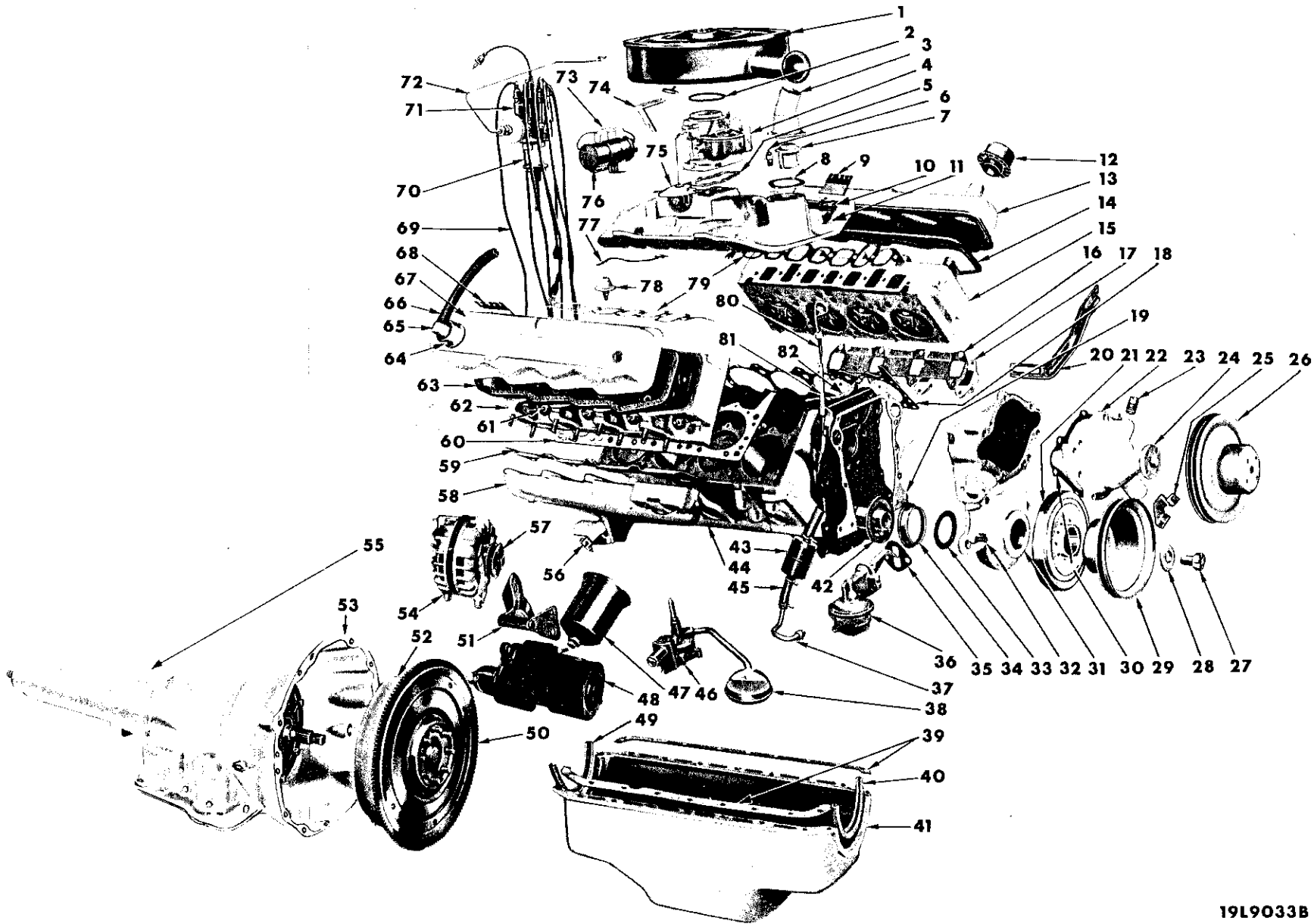
19x6914D



**PARTS INDICATED
BY NAME ONLY - ORDER
BY DESCRIPTION**

19x8327C

ENGINE INTERNAL PARTS - "B" ENGINE



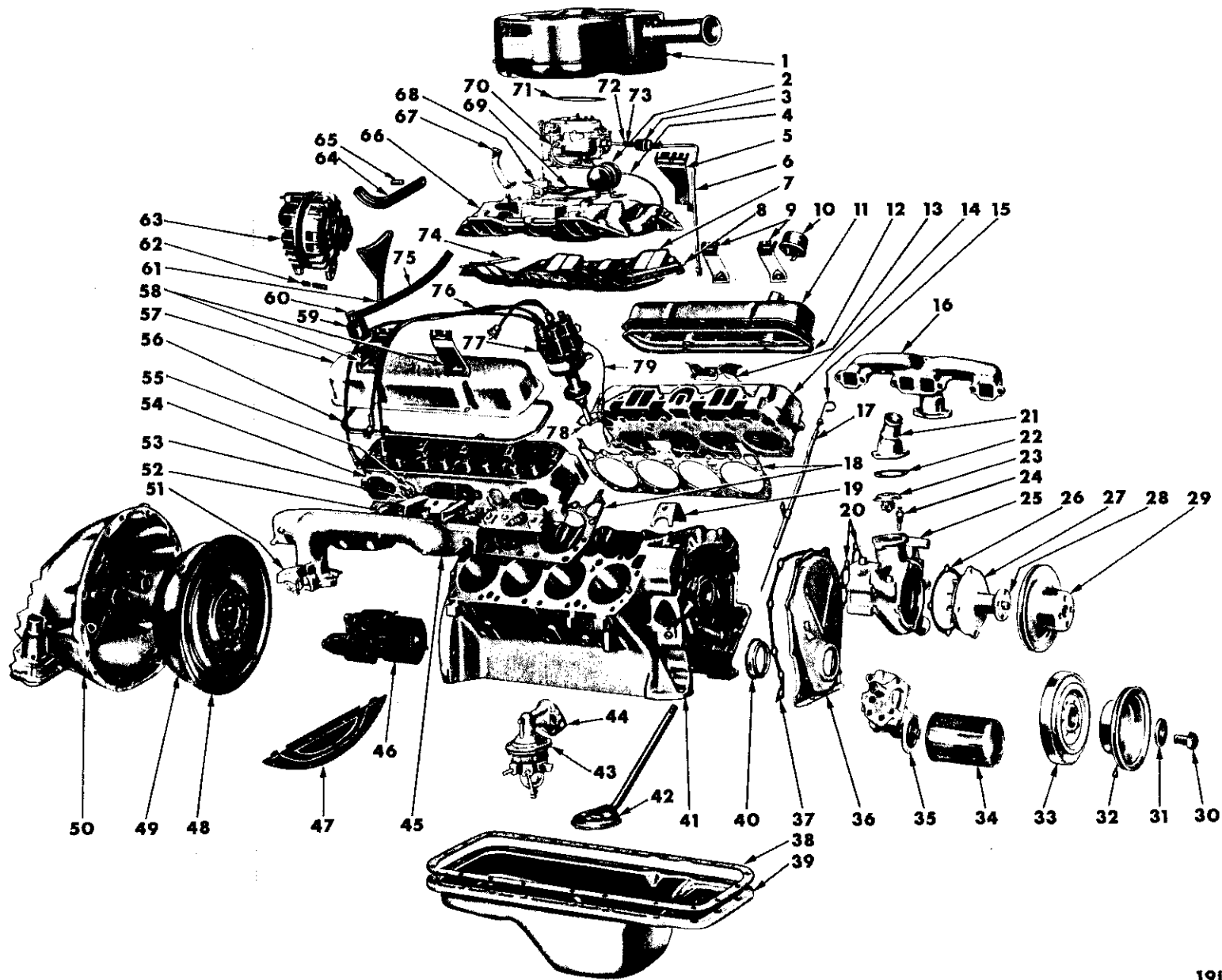
19L9033B

ENGINE EXTERNAL PARTS - V8 CYLINDER ("A" ENGINE)

ENGINE EXTERNAL PARTS - V8 CYLINDER ("A" ENGINE)

Ref. No.	Name	Part Type Code	Ref. No.	Name	Part Type Code
1	Air Cleaner	14-29-2	42	Oil Slinger	9-07-17
2	Gasket	14-29-5	43	Filter	14-67-1
3	Elbow	9-05-5	44	Block (Serviced in 9-01-24)	
4	Carburetor	14-30-1	45	Hose	14-67-2
5	Gasket	14-30-2	46	Pump	10-07-6
6	Sending Unit	8-37-155	47	Shell	10-26-14
7	Thermostat	7-41-4	48	Starting Motor	8-52-4
8	Gasket	9-05-6	49	Gasket (Serviced in 10-24-1)	
9	Bracket	8-36-4	50	Gear	9-45-2
10	Nipple	7-48-22	51	Bracket	8-28-36
11	Manifold	9-48-6	52	Torque Converter	9-46-4
12	Air Cleaner	10-01-21	53	Case	21-03-1
13	Cover	9-03-28	54	Alternator	8-28-3
14	Gasket	9-03-29	55	Extension	21-04-1
15	Head	9-03-4	56	Shield	9-58-12
16	Gasket	9-50-5	57	Pulley	8-28-297
17	Manifold	9-48-6	58	Manifold	9-48-6
18	Gasket	9-03-5	59	Gasket	9-50-5
19	Gasket	9-23-17	60	Gasket	9-03-5
20	Strap	8-28-15	61	Plug	8-36-114
21	Damper	9-13-5	62	Head	9-03-4
22	Pump Package	7-12-1	63	Gasket	9-03-29
23	Nipple	7-48-22	64	Cap	10-02-66
24	Hub	7-05-1	65	Connector	10-02-65
25	Indicator	9-23-40	66	Hose	10-02-53
26	Pulley	7-06-14	67	Cover	9-03-28
27	Screw	9-07-8	68	Bracket	8-36-4
28	Washer	9-07-22	69	Cable	8-36-1
29	Pulley	7-06-1	70	Retainer	8-27-4
30	Gasket	7-44-3	71	Distributor	8-27-1
31	Cover	9-23-5	72	Tube	8-27-320
32	Screw		73	Resistor	8-35-22
33	Gasket (Serviced in 9-23-18)		74	Bracket	14-06-10
34	Oil Seal	9-23-18	75	Choke, w/Rod	14-39-45
35	Gasket	14-74-1	76	Coil	8-35-4
36	Pump	14-73-2	77	Gasket (Serviced in 9-50-1)	
37	Tube	14-89-2	78	Switch	8-53-327
38	Strainer	10-23-7	79	Gasket (Serviced in 9-50-1)	
39	Gasket (Serviced in 10-24-1)		80	Indicator	10-03-4
40	Gasket (Serviced in 10-24-1)		81	Tube	10-03-7
41	Pan.	10-24-4	82	Gasket (Serviced in 9-50-1)	

PARTS INDICATED BY NAME ONLY - ORDER BY DESCRIPTION



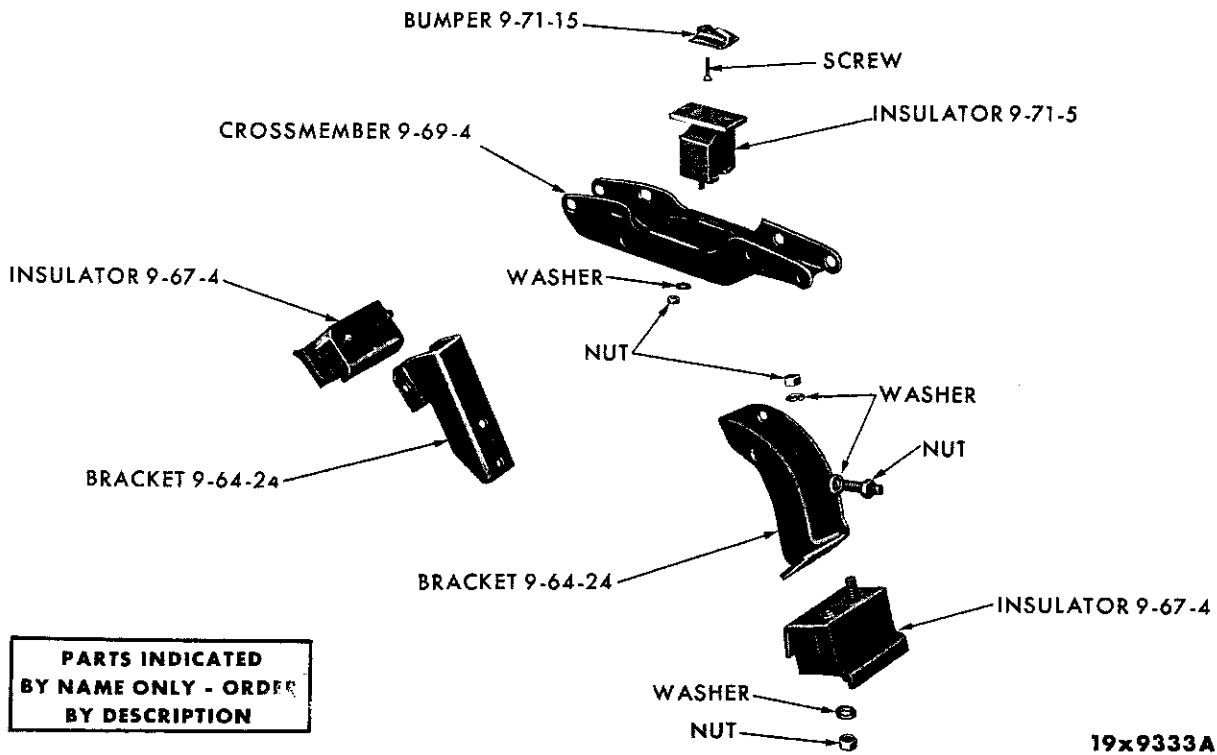
ENGINE EXTERNAL PARTS - V8 CYLINDER ("B" ENGINE)

19L9032B

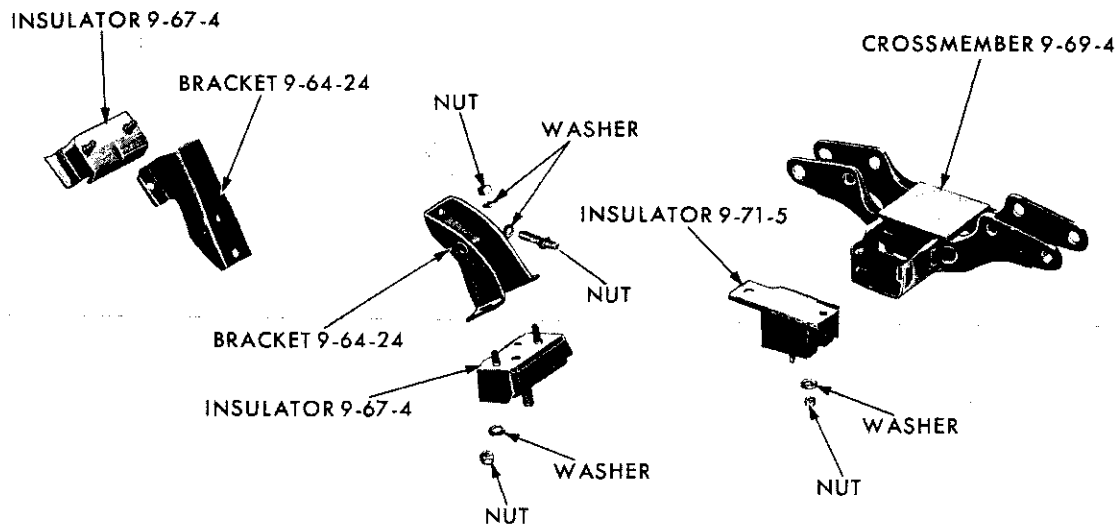
ENGINE EXTERNAL PARTS - V8 CYLINDER ("B" ENGINE)

Ref. No.	Name	Part Type Code	Ref. No.	Name	Part Type Code
1	Air Cleaner	14-29-2	41	Block (Serviced in Short Engine 9-01-24)	
2	Coil		42	Strainer	10-23-7
3	Filter	14-67-1	43	Pump Package	14-73-1
4	Cable	8-36-49	44	Gasket	14-74-1
5	Bracket	8-36-4	45	Manifold	9-48-6
6	Tube	14-85-1	46	Starter	8-52-4
7	Gasket	9-50-6	47	Cover	21-03-6
8	Reinforcement	9-48-27	48	Gear	9-45-2
9	Bracket	8-36-4	49	Torque Converter	9-46-4
10	Air Cleaner	10-01-21	50	Case	21-03-1
11	Cover	9-03-28	51	Shield	9-58-12
12	Gasket	9-03-29	52	Spark Plug	8-36-114
13	Shield	8-36-124	53	Shield	8-36-124
14	Head	9-03-4	54	Head	9-03-4
15	Indicator	10-03-4	55	Plug	9-02-16
16	Manifold	9-48-6	56	Gasket	9-03-29
17	Tube	10-03-7	57	Cover	9-03-28
18	Gasket	9-03-5	58	Bracket	8-36-4
19	Clamp	8-27-26	59	Cap	10-02-66
20	Gasket	7-44-4	60	Connector	10-02-65
21	Elbow	9-05-5	61	Bracket	8-28-36
22	Gasket	9-05-6	62	Spacer	8-28-292
23	Thermostat	7-41-4	63	Alternator	8-28-3
24	Sending Unit	8-37-155	64	Strap	8-28-15
25	Housing	7-43-1	65	Spacer	8-28-14
26	Gasket	7-44-3	66	Manifold	9-48-7
27	Pump Package	7-42-1	67	Bracket	14-29-12
28	Hub	7-05-1	68	Choke	14-39-45
29	Pulley	7-06-14	69	Gasket	14-30-2
30	Screw	9-07-8	70	Carburetor	14-30-1
31	Washer	9-07-22	71	Gasket	14-29-5
32	Pulley	7-06-1	72	Clamp	
33	Damper	9-13-5	73	Hose	14-67-2
34	Oil Filter	10-26-6	74	Reinforcement	9-48-27
35	Pump	10-07-6	75	Hose	10-02-53
36	Cover	9-23-5	76	Cable Set	8-36-1
37	Gasket	9-23-17	77	Distributor	8-27-1
38	Gasket	10-24-8	78	Retainer	8-27-4
39	Pan	10-24-4	79	Tube	8-27-320
40	Oil Seal	9-23-18			

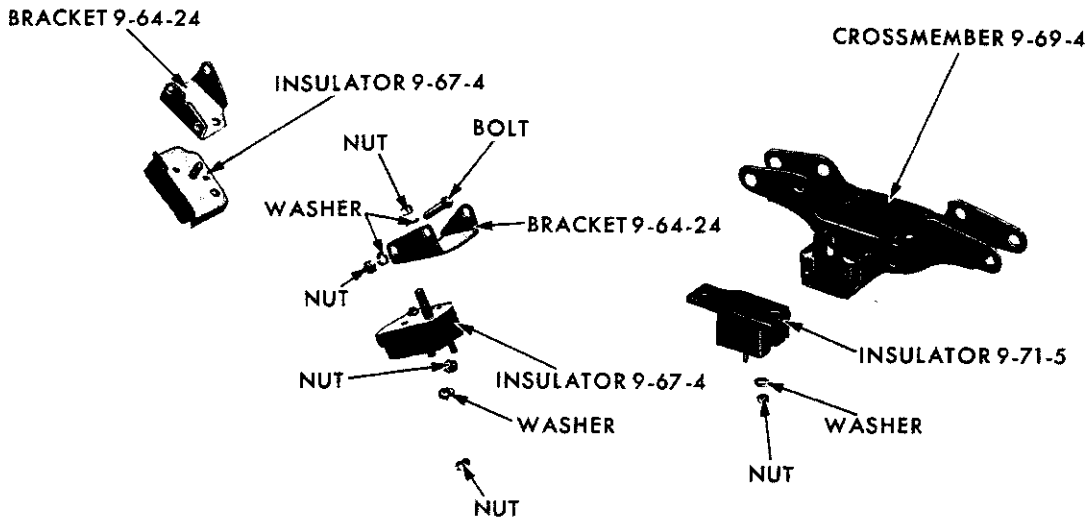
PARTS INDICATED BY NAME ONLY - ORDER BY DESCRIPTION



ENGINE MOUNTINGS - VALIANT TV1 AND DART TL1



ENGINE MOUNTINGS (6 CYLINDER) - PLYMOUTH TP1 AND DODGE TD1



**PARTS INDICATED
BY NAME ONLY - ORDER
BY DESCRIPTION**

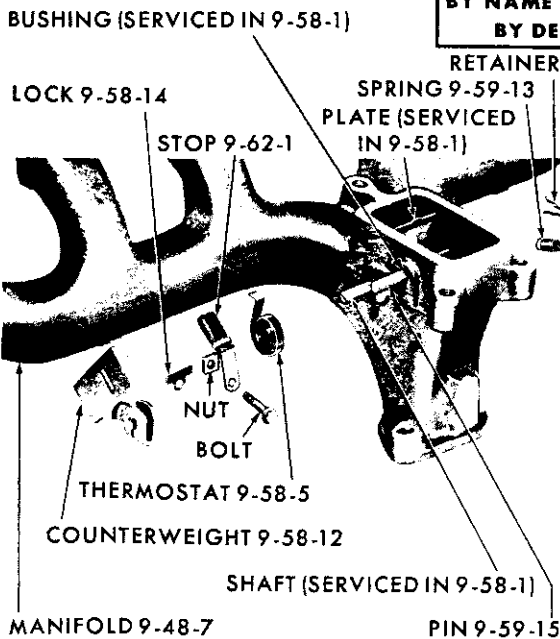
19x9337A

ENGINE MOUNTINGS (V8 CYLINDER) - PLYMOUTH TP2 AND DODGE TD2

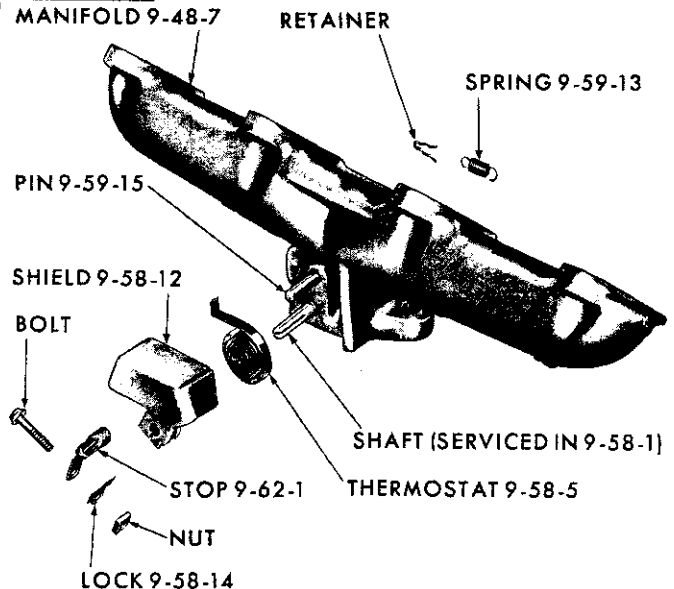
170 AND 225 CUBIC INCH ENGINE

**PARTS INDICATED
BY NAME ONLY - ORDER
BY DESCRIPTION**

318 CUBIC INCH ENGINE



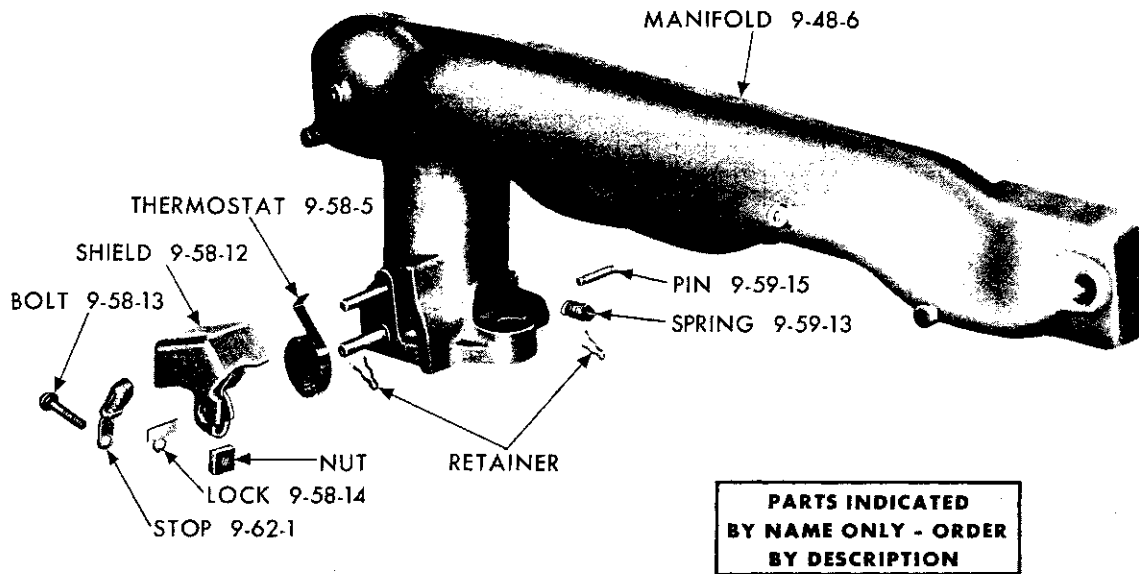
6 CYLINDER



V8 CYLINDER

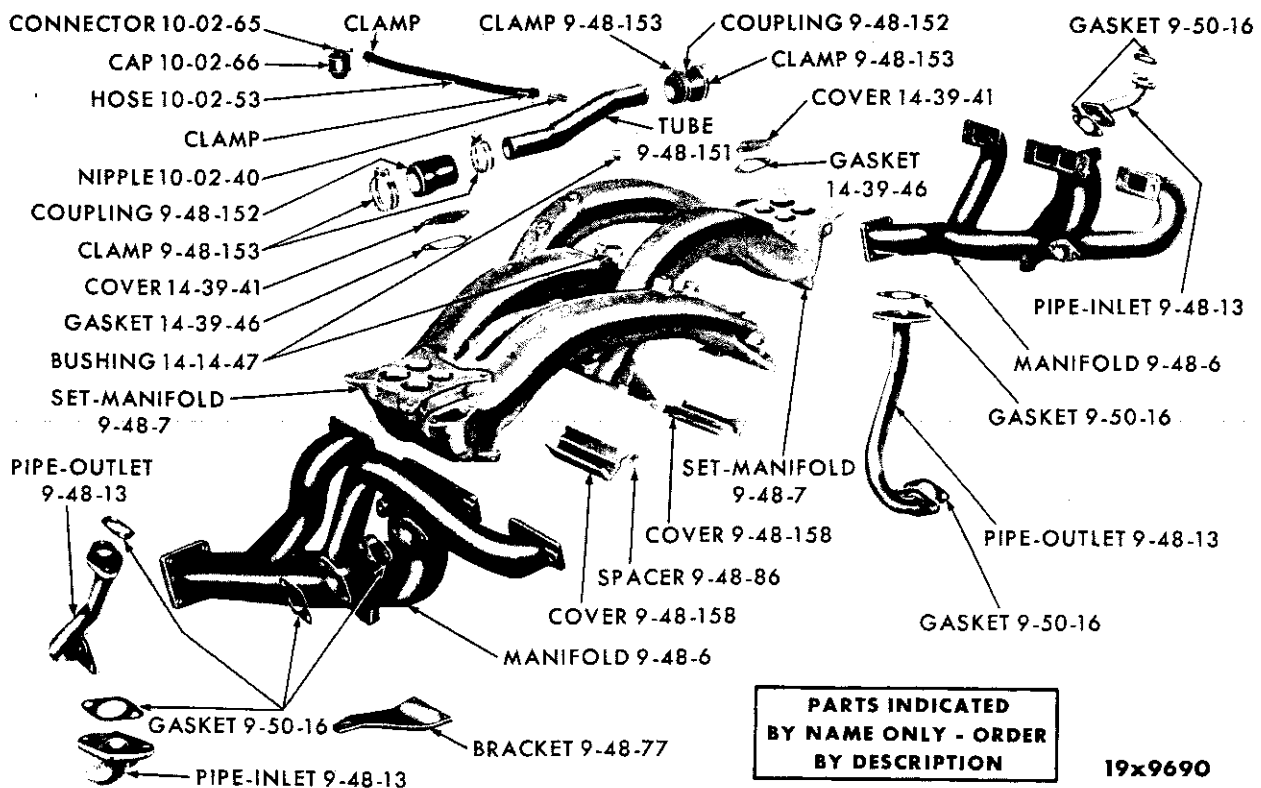
19x9097B

MANIFOLD HEAT CONTROLS



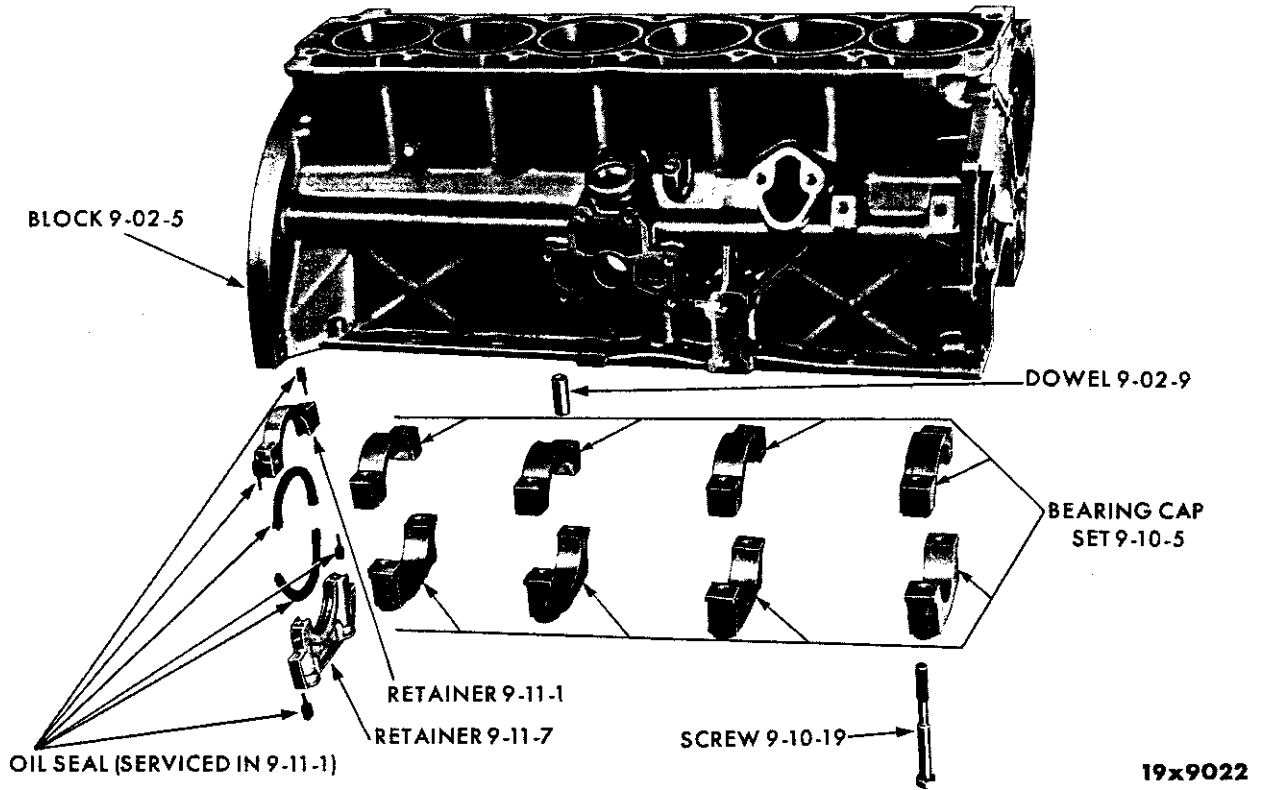
19x8318A

MANIFOLD HEAT CONTROLS (V8 CYLINDER) - 361 AND 383 CU. IN. ENGINE



19x9690

RAM MANIFOLD - CHRYSLER TC2-300J (WITH 413 CU. IN. ENGINE)



PARTS PECULIAR TO 6 CYLINDER ALUMINUM ENGINE - VALIANT TV1 AND DART TL1

NOTES

Blank lined area for notes.

NOTE: The following symbols are used in connection with engine numbers:
 Engine numbers without symbols indicate "Standard Cylinders and Crankshaft Bearings."
 The Letter "A" immediately following the engine identification number indicates Bore .020"
 (. 508 MM.) Larger than Standard.

The Letter "B" immediately following the engine identification number indicates Main and
 Connecting Rod Bearings .010" (. 245 MM.) Smaller than Standard.

The Letters "AB" immediately following the engine identification number indicates Cylinder
 Bore .20" Larger than Standard and the Main and Connecting Rod Bearings .010" (. 254 MM.)
 Smaller than Standard. (. 508 MM.).

The Letters in the circular pads at either end of the engine identification number are for the
 use of factory inspectors only and should not be connected with engine identification number.
 Always mention Serial Numbers when ordering major assemblies.

CODE	PART NAME AND DESCRIPTION	C Y L	PER CAR	VALIANT DART	PLYMOUTH DODGE	CHRYSLER IMPERIAL
9-01-0 ENGINE ASSEMBLY						
9-01-5	GASKET SET, w/C.I. Eng., UP-TO Eng. Nos. T17-4-1, T22-4-1	6	1	*2196 045	*2196 045	
	w/C.I. Eng. AFTER Eng. Nos. T17-4-1, T22-4-1	6	1	*2448 713	*2448 713	
	w/Alum. Eng. UP-TO Eng. No., T22-4-1	6	1	*2240 628		
	w/Alum. Eng. AFTER Eng. No. T22-4-1	6	1	B2448 715		
	361 cu. in. Eng. UP-TO Eng. No. T36-1-11, 383 cu. in. Eng. UP-TO Eng. No. T38-1-11	8	1	----	*2279 976	*2279 976
	361 cu. in. Eng. AFTER Eng. No. T36-1-11, 383, cu. in. Eng. AFTER Eng. No. T38-1-11	8	1	----	*2448 777	*2448 777
	426 cu. in. Eng. UP-TO Eng. Nos. TMP-426-2- 15-06 and TMP-HC426-2-15-06	8	1	----	*2421 364	
	426 cu. in. Eng. AFTER Eng. Nos. TMP-426-2- 15-06 and TMP-HC426-2-15-06	8	1	----	*2448 783	
	413 cu. in. Eng. UP-TO Eng. No. T41-1-11 except TC2-300J	8	1	----	----	*2279 977
	413 cu. in. Eng. AFTER Eng. No. T41-1-11 except TC2-300J	8	1	----	----	*2448 779
	TC2-300J UP-TO Eng. No. C2-300J-2-15	8	1	----	----	*2421 396
	TC2-300J AFTER Eng. No. C2-300J-2-15	8	1	----	----	*2448 781

NOTE: Short Engine Assemblies Consist of: The Cylinder Block with Pistons and Rings, Crankshaft
 and BEARINGS, Connecting Rods and Bearings, Camshaft and Bearings, Camshaft Thrust Plate,
 Camshaft and Crankshaft Sprockets and Timing Chain. On the 8 Cylinder Short Engine
 Assemblies some of the above parts have been left off to obtain a greater interchangeability.

9-01-24	SHORT ENGINE, w/170 cu. in. Eng.	6	1	2206 136		
	w/225 cu. in. Eng. w/Alum. Eng.	6	1	2264 401		
	w/225 cu. in. Eng. w/Cast Iron Eng.	6	1	2206 132	2206 132	
	w/170 cu. in. Eng., w/Low Compression, Export	6	1	2206 138		
	w/225 cu. in. Eng. w/Low Compression, Export	6	1	2206 134	2206 134	
	w/318 cu. in. Eng.	8	1	----	2402 971	
	w/318 cu. in. Eng. w/Low Compression, Export	8	1	----	2402 973	
	w/361 cu. in. Eng., TP2, TA3, TC1	8	1	----	2268 314	2268 314
	w/383 cu. in. Eng., TP2, TD2, TA3, TC2	8	1	----	2268 318	2268 318
	w/361 cu. in. Eng., w/Low Compression, Export TA3, TC1	8	1	----	2268 316	2268 316
	w/383 cu. in. Eng., w/Low Compression, Export TD2, TC2	8	1	----	2402 930	2402 930
	w/426 cu. in. Eng., w/11 to 1 Compression Ratio, TP2, TD2	8	1	----	*2465 299	
	w/426 cu. in. Eng., w/12.5 to 1 Compression Ratio, TP2, TD2	8	1	----	*2465 301	
	w/413 cu. in. Eng., w/Low Compression, Export	8	1	----	----	2268 310
	w/413 cu. in. Eng., TC1, TC2, TC3, TY1 TC3, TY1	8	1	----	----	2268 312

★ Indicates use as required.

Numerals in parentheses () refer to notes.

Printed in U.S.A.

Ⓚ Indicates parts not listed in any previous parts book.

Prices and specifications subject to change without notice.

* Indicates change or addition.

1963 PASSENGER CAR PARTS CATALOG

ENGINE

CODE	PART NAME AND DESCRIPTION	C Y L	P E R C A R	VALIANT DART	PLYMOUTH DODGE	CHRYSLER IMPERIAL
9-02-0 CYLINDER BLOCK						
9-02-5	BLOCK, w/PISTONS and RINGS, w/170 cu. in. Eng.	6	1	*2125 860		
	w/Low Compression w/170 cu. in. Eng.	6	1	2203 097		
	w/225 cu. in. Alum. Eng. also 1 of 2298542 Adaptation Package	6	1	*2206 495		
	w/225 cu. in. C.I. Eng.	6	1	2206 495	2206 495	
	w/Low Compression w/225 cu. in. Eng.	6	1	*2206 498	2206 498	
9-02-7	DOWEL, Cylinder Block to Clutch Housing or Torque Converter Housing		2	1122 532	1122 532	1122 532
	DOWEL, Cylinder Block to Transmission Case, w/Automatic Trans. .007 off center	8	2	----	1736 347	1736 347
	.014 off center	8	2	----	1736 348	1736 348
	.021 off center	8	2	----	1736 353	1736 353
9-02-9	DOWEL, Cylinder Block to Bearing Cap, w/225 cu. in. Alum. Eng.	6	4	2268 241		
	DOWEL, Cylinder Block to No. 5 Bearing Cap, w/318 cu. in. Eng.	8	1	----	1408 853	
9-02-12	PLUG, Cylinder Block Oil Gallery, Front, w/Alum. Eng.	6	1	2121 718		
	Rear, w/Alum. Eng.	6	1	*1392 371		
9-02-13	SEAL, Cylinder Block Oil Gallery Rear Plug, w/Alum. Eng.	6	1	2128 962		
9-02-16	PLUG, Water Hole w/C.I. Eng. UP-TO Eng. Nos. T17-12/17, T22-12/17	6	3	*2121 198	*2121 198	
	AFTER Eng. Nos. T17-12/17, T22-12/17	6	3	E2406 356	E2406 356	
	UP-TO Eng. Nos. T36-9/26, T38-9/26, T41-9/26 AFTER Eng. Nos. T36-9/26, T38-9/26, T41-9/26	8	6	----	*2121 198	*2121 198
	Core Hole	8	6	----	E2406 356	E2406 356
	w/318 cu. in. Eng.	8	1	----	*2402 649	*2402 649
		8	6	----	*2406 356	
9-02-17	PLUG, Cylinder Block Oil Line, w/318 cu. in. Eng.	8	1	----	1324 464	
9-03-0 CYLINDER HEAD						
9-03-4	HEAD	6	1	2206 056	2206 056	
	w/318 cu. in. Eng.	8	2	----	2402 116	
	w/361, 383 and 413 cu. in. Eng., except the 426 and 413 cu. in. Eng. as used on TP2, TD2, TC2-300J	8	2	----	E2448 752	E2448 752
	TP2, TD2, w/426 cu. in. Eng.	8	2	----	2406 754	
	TC2-300J	8	2	----	----	2202 376
9-03-5	GASKET, w/C.I. Eng.	6	1	1947 578	1947 578	
	w/Alum. Eng.	6	1	2128 279		
	w/318 cu. in. Eng.	8	2	----	*2268 441	
	w/361, 383 and 413 cu. in. Eng., except 426 and 413 cu. in. Eng. as used on TP2, TD2, TC2-300J	8	2	----	1851 579	1851 579
	TP2, TD2, w/426 cu. in. Eng., TC2-300J	8	2	----	1859 429	1859 429
9-03-10	SCREW, w/C. I. Eng.	6	14	1947 687	1947 687	
	w/Alum. Eng.	6	14	1947 686		
	Short, w/318 cu. in. Eng.	8	10	----	1618 695	
	Long, w/318 cu. in. Eng.	8	10	----	1618 696	
	Short, w/o 318 cu. in. Eng.	8	24	----	1739 605	1739 605
	Long, w/o 318 cu. in. Eng.	8	10	----	1739 606	1739 606
9-03-12	WASHER, Cylinder Head Screw, w/426 cu. in. Eng.	8	32	----	2402 351	

★ Indicates use as required.

Numerals in parentheses () refer to notes.

Printed in U.S.A.

⊠ Indicates parts not listed in any previous parts book.

Prices and specifications subject to change without notice.

Jan. 3, 1964 Supersedes Dec. 14, 1962.

* Indicates change or addition.

CODE	PART NAME AND DESCRIPTION	CYL.	PER CAR	VALIANT DART	PLYMOUTH DODGE	CHRYSLER IMPERIAL
9-03-0 CYLINDER HEAD - Cont'd						
9-03-18	PLUG, Core Hole, except 318 and 426 cu. in. Eng. UP-TO Eng. see Note 1	8	4	----	*2402 270	*2402 270
	Except 318 and 426 cu. in. Eng. AFTER Eng. No. see Note 1	8	4	----	*2406 387	*2406 387
	w/426 cu. in. Eng.	8	4	----	*2406 387	
9-03-28	COVER, UP TO Eng. Nos. T17-1-25, T22-1-25	6	1	*2402 742	*2402 742	
	AFTER Eng. Nos. T17-1-25, T22-1-25	6	1	*2406 621	*2406 621	
	w/318 cu. in. Eng. Rt.	8	1	----	2202 812	
	w/318 cu. in. Eng. Lt.	8	1	----	2402 746	
	w/426 cu. in. Eng. UP TO Eng. Nos. TMP-426-12-4-62, TMP-HC426-12-4-62	8	2	----	*2402 813	
	w/426 cu. in. Eng. AFTER Eng. Nos. TMP-426-12-4-62, TMP-HC426-12-4-62	8	2	----	*2463 163	
	UP TO Eng. Nos. T36-2-28, T38-2-28, T41-2-28, C2-300J 12-17	8	2	----	*2402 813	*2402 813
	After Eng. Nos. T36-2-28, T38-2-28, T41-2-28, C2-300J 12-17, Right	8	1	----	*2463 365	*2463 365
	AFTER Eng. Nos. T36-2-28, T38-2-28, T41-2-28, C2-300J 12-17, Left	8	1	----	*2463 366	*2463 366
	WASHER, w/o 318 cu. in. Eng.	8	8	----	6022 181	6022 181
9-03-29	GASKET, UP TO Eng. Nos. T17-4-1, T22-4-1	6	1	*2121 244	*2121 244	
	AFTER Eng. Nos. T17-4-1, T22-4-1	6	1	*2406 625	*2406 625	
	w/318 cu. in. Eng.	8	2	----	2128 407	
	UP TO Eng. Nos. T36-1-11, T38-1-11, T41-1-11, C2-300J-2-15, TMP-426-2-15-06, TMP-HC-426-2-15-06	8	2	----	*2406 031	*2406 031
	AFTER Eng. Nos. T36-1-11, T38-1-11, T41-1-11, C2-300J-2-15, TMP-426-2-15-06, TMP-HC-426-2-15-06	8	2	----	*2463 168	*2463 168
NOTE 1: Engine No. T36-9-1 and Engine No. T38-9-1 and Engine No. T41-9-1.						
9-05-0 CYLINDER HEAD WATER OUTLET ELBOW						
9-05-5	ELBOW	6	1	2121 524	2121 524	
	w/Air Conditioning	6	1	*1855 605	*1855 605	
	3/4" neck angle	8	1	----	1855 393	1855 393
	2" neck angle	8	1	----	1855 605	1855 605
9-05-6	GASKET	6	1	1947 671	1947 671	
		8	1	50 082	50 082	50 082
9-07-0 CRANKSHAFT						
9-07-5	CRANKSHAFT, w/170 cu. in. Eng.	6	1	2264 173		
	w/225 cu. in. Eng.	6	1	2268 442	2268 442	
	w/318 cu. in. Eng.	8	1	----	2268 119	
	w/361 and 383 cu. in. Eng.	8	1	----	2268 114	2268 114
	w/426 cu. in. Eng.	8	1	----	2402 330	
	w/413 cu. in. Eng.	8	1	----	----	2264 354
9-07-8	SCREW, Crankshaft w/Air Conditioning	6	1	*1821 177	*1821 177	
	w/318 cu. in. Eng. 3/4" x 2 1/4"	8	1	----	*1821 414	
	w/318 cu. in. Eng. 3/4" x 1 1/4"	8	1	----	1821 177	
	Except 318 cu. in. Eng.	8	1	----	1731 525	1731 525
9-07-12	BUSHING, Crankshaft Transmission Drive Pinion Pilot		1	53 298	53 298	53 298
9-07-17	OIL SLINGER		1	1618 686	1618 686	1618 686
9-07-22	WASHER, Screw, w/Air Conditioning	6	1	*1855 561	*1855 561	
		8	1	----	*1855 561	*1855 561

★ Indicates use as required. Numerals in parentheses () refer to notes. Printed in U.S.A.
 ☐ Indicates parts not listed in any previous parts book. Prices and specifications subject to change without notice.
 * Indicates change or addition. Page 9-11 Jan. 3, 1964 Supersedes Dec. 14, 1962.

1963 PASSENGER CAR PARTS CATALOG

ENGINE

CODE	PART NAME AND DESCRIPTION	CYL	PER CAR	VALIANT DART	PLYMOUTH DODGE	CHRYSLER IMPERIAL
9-08-O CRANKSHAFT SPROCKET						
9-08-5	SPROCKET	6	1	2128 912	2128 912	
	w/318 cu. in. Eng.	8	1	-----	*1947 404	
	w/o 318 cu. in. Eng.	8	1	-----	2128 912	2128 912
	KEY		1	152 191	152 191	152 191

9-09-O CRANKSHAFT BEARING PACKAGE

NOTE: When .001 thicker wall crankshaft main bearings are used for engines in production an identification mark is stamped on the machined surface of the crankshaft center counterweight for six cylinder engines and No. 3 counterweight for V8 cylinder engines. When the thicker wall crankshaft bearings are used the crankshaft will be marked M1, M2, M3, M4 or M5 depending on which journal has the .001 thicker wall bearing.

NOTE: Crankshaft Bearing Packages consist of one upper and one lower bearing.

9-09-2	BEARING PACKAGE, No. 1 Std.	6	1	2240 368	2240 368	
	No. 3 Std.	6	1	2240 372	2240 372	
	Nos. 2 and 4 Std.	6	2	2240 376	2240 376	
	No. 1 .001 U/S	6	1	2240 369	2240 369	
	No. 3 .001 U/S	6	1	2240 373	2240 373	
	Nos. 2 and 4 .001 U/S	6	2	2240 377	2240 377	
	No. 1 .002 U/S	6	1	2240 370	2240 370	
	No. 3 .002 U/S	6	1	2240 374	2240 374	
	Nos. 2 and 4 .002 U/S	6	2	2240 378	2240 378	
	No. 1 .003 U/S	6	1	2275 381	2275 381	
	No. 3 .003 U/S	6	1	2275 385	2275 385	
	Nos. 2 and 4 .003 U/S	6	2	2275 383	2275 383	
	No. 1 .010 U/S	6	1	2240 371	2240 371	
	No. 3 .010 U/S	6	1	2240 375	2240 375	
	Nos. 2 and 4 .010 U/S	6	2	2240 379	2240 379	
	No. 1 .012 U/S	6	1	2275 382	2275 382	
	No. 3 .012 U/S	6	1	2275 386	2275 386	
	Nos. 2 and 4 .012 U/S	6	2	2275 384	2275 384	
	Nos. 1, 2 and 4 Std., w/318 cu. in. Eng.	8	3	-----	2084 005	
	No. 3 Std. w/318 cu. in. In. Eng.	8	1	-----	1879 627	
	No. 5 Std. w/318 cu. in. Eng.	8	1	-----	1643 151	
	Nos. 1, 2 and 4 .001 U/S w/318 cu. in. Eng.	8	3	-----	2084 006	
	No. 3 .001 U/S w/318 cu. in. Eng.	8	1	-----	1879 628	
	No. 5 .001 U/S w/318 cu. in. Eng.	8	1	-----	1643 152	
	Nos. 1, 2 and 4 .002 U/S w/318 cu. in. Eng.	8	3	-----	2084 007	
	No. 3 .002 U/S w/318 cu. in. Eng.	8	1	-----	1879 629	
	No. 5 .002 U/S w/318 cu. in. Eng.	8	1	-----	1643 153	
	Nos. 1, 2 and 4 .003 U/S w/318 cu. in. Eng.	8	3	-----	2275 387	
	No. 3 .003 U/S w/318 cu. in. Eng.	8	1	-----	2275 389	
	No. 5 .003 U/S w/318 cu. in. Eng.	8	1	-----	*1643 154	
	Nos. 1, 2 and 4 .010 U/S w/318 cu. in. Eng.	8	3	-----	2084 008	
	No. 3 .010 U/S w/318 cu. in. Eng.	8	1	-----	1879 630	
	No. 5 .010 U/S w/318 cu. in. Eng.	8	1	-----	1643 155	
	Nos. 1, 2 and 4 .012 U/S w/318 cu. in. Eng.	8	3	-----	2275 388	
	No. 3 .012 U/S w/318 cu. in. Eng.	8	1	-----	2275 390	
	No. 5 .012 U/S w/318 cu. in. Eng.	8	1	-----	1643 156	
	No. 1 Std. w/361 and 383 cu. in. Eng.	8	1	-----	2084 810	2084 810
	Nos. 2, 4 and 5 Std. w/361 and 383 cu. in. Eng.	8	3	-----	2084 833	2084 833
	No. 3 Std. w/361 and 383 cu. in. Eng.	8	1	-----	1818 524	1818 524
	No. 1 .001 U/S w/361 and 383 cu. in. Eng.	8	1	-----	2084 811	2084 811
	Nos. 2, 4 and 5 .001 U/S w/361 and 383 cu. in. Eng.	8	3	-----	2084 834	2084 834
	No. 3 .001 U/S w/361 and 383 cu. in. Eng.	8	1	-----	1818 525	1818 525
	No. 1 .002 U/S w/361 and 383 cu. in. Eng.	8	1	-----	2084 812	2084 812

* Indicates use as required.

Numerals in parentheses () refer to notes.

Printed in U.S.A.

⊠ Indicates parts not listed in any previous parts book.

Prices and specifications subject to change without notice.

Jan. 3, 1964 Supersedes Dec. 14, 1962.

Page 9-12

* Indicates change or addition.

CODE	PART NAME AND DESCRIPTION	CYL	PER CAR	VALIANT DART	PLYMOUTH DODGE	CHRYSLER IMPERIAL
9-09-0 CRANKSHAFT BEARING PACKAGE - Cont'd						
9-09-2	BEARING PACKAGE - Cont'd					
	Nos. 2, 4 and 5 .002 U/S w/361 and 383 cu. in. Eng.	8	3	----	2084 835	2084 835
	No. 3 .002 U/S w/361 and 383 cu. in. Eng.	8	1	----	1818 526	1818 526
	No. 1 .003 U/S w/361 and 383 cu. in. Eng.	8	1	----	2275 391	2275 391
	Nos. 2, 4 and 5 .003 U/S w/361 and 383 cu. in. Eng.	8	3	----	2275 393	2275 393
	No. 3 .003 U/S 3/361 and 383 cu. in. Eng.	8	1	----	1818 527	1818 527
	No. 1 .010 U/S w/361 and 383 cu. in. Eng.	8	1	----	2084 813	2084 813
	Nos. 2, 4 and 5 .010 U/S w/361 and 383 cu. in. Eng.	8	3	----	2084 836	2084 836
	No. 3 .010 U/S w/361 and 383 cu. in. Eng.	8	1	----	1818 528	1818 528
	No. 1 .012 U/S w/361 and 383 cu. in. Eng.	8	1	----	2275 392	2275 392
	Nos. 2, 4 and 5 .012 U/S w/361 and 383 cu. in. Eng.	8	3	----	2275 394	2275 394
	No. 3 .012 U/S w/361 and 383 cu. in. Eng.	8	1	----	1818 529	1818 529
	No. 1 Std. w/426 cu. in. Eng., TP2, TD2	8	1	----	2448 379	
	Nos. 2, 4 and 5 Std. w/426 cu. in. Eng., TP2, TD2	8	3	----	2448 380	
	No. 3 Std. w/426 cu. in. Eng., TP2, TD2	8	1	----	2448 381	
	No. 1 Std. w/413 cu. in. Eng.	8	1	----	----	2084 814
	Nos. 2, 4 and 5 Std. w/413 cu. in. Eng.	8	3	----	----	2084 829
	No. 3 Std. w/413 cu. in. Eng.	8	1	----	----	1879 378
	No. 1 .001 U/S w/413 cu. in. Eng.	8	1	----	----	2084 815
	Nos. 2, 4 and 5 .001 U/S w/413 cu. in. Eng.	8	3	----	----	2084 830
	No. 3 .001 U/S w/413 cu. in. Eng.	8	1	----	----	1879 379
	No. 1 .002 U/S w/413 cu. in. Eng.	8	1	----	----	2084 816
	Nos. 2, 4 and 5 .002 U/S w/413 cu. in. Eng.	8	3	----	----	2084 831
	No. 3 .002 U/S w/413 cu. in. Eng.	8	1	----	----	1879 380
	No. 1 .003 U/S w/413 cu. in. Eng.	8	1	----	----	2275 395
	Nos. 2, 4 and 5 .003 U/S w/413 cu. in. Eng.	8	3	----	----	2275 397
	No. 3 .003 U/S w/413 cu. in. Eng.	8	1	----	----	1879 381
	No. 1 .010 U/S w/413 cu. in. Eng.	8	1	----	----	2084 817
	Nos. 2, 4 and 5 .010 U/S w/413 cu. in. Eng.	8	3	----	----	2084 832
	No. 3 .010 U/S w/413 cu. in. Eng.	8	1	----	----	1879 382
	No. 1 .012 U/S w/413 cu. in. Eng.	8	1	----	----	2275 396
	Nos. 2, 4 and 5 .012 U/S w/413 cu. in. Eng.	8	3	----	----	2275 398
	No. 3 .012 U/S w/413 cu. in. Eng.	8	1	----	----	1879 383
9-10-0 CRANKSHAFT BEARING CAP						
9-10-2	OIL SEAL PACKAGE, Crankshaft Bearing No. 5 Cap w/318 cu. in. Eng.	8	1	----	1326 091	
9-10-5	SET, Crankshaft Bearing Cap, Nos. 1, 2, 3 and 4 w/225 cu. in. Alum. Eng.	6	1	2298 511		
	CAP Nos. 1 and 2 w/C.I. Eng.	6	2	2084 403	2084 403	
	CAP No. 3 w/C.I. Eng.	6	1	2084 405	2084 405	
	CAP No. 4 w/C.I. Eng.	6	1	2084 404	2084 404	
	CAP Nos. 1, 2 and 4 w/318 cu. in. Eng.	8	3	----	1632 519	
	CAP No. 3 w/318 cu. in. Eng.	8	1	----	1632 520	
	CAP No. 5 w/318 cu. in. Eng.	8	1	----	2275 446	
	CAP Nos. 1, 2 and 4 w/361 and 383 cu. in. Eng.	8	3	----	1852 914	1852 914
	CAP No. 3 w/361 and 383 cu. in. Eng.	8	1	----	1852 915	1852 915
	CAP No. 5 w/361 and 383 cu. in. Eng.	8	1	----	2206 315	2206 315
	CAP Nos. 1, 2 and 4 w/426 and 413 cu. in. Eng.	8	3	----	*1852 910	*1852 910
	CAP No. 3 w/426 and 413 cu. in. Eng.	8	1	----	*1852 911	*1852 911
	CAP No. 5 w/426 and 413 cu. in. Eng.	8	1	----	2206 316	2206 316
9-10-19	SCREW, w/225 cu. in. Alum. Eng.	6	8	2268 240		
	w/318 cu. in. Eng.	6	8	1408 867	1408 867	
	Except 318 cu. in. Eng.	8	10	----	1618 695	
		8	10	----	1408 867	1408 867

★ Indicates use as required. Numerals in parentheses () refer to notes. Printed in U.S.A.
 ☐ Indicates parts not listed in any previous parts book. Prices and specifications subject to change without notice.
 * Indicates change or addition. Jan. 3, 1964 Supersedes Dec. 14, 1962.

1963 PASSENGER CAR PARTS CATALOG

ENGINE

CODE	PART NAME AND DESCRIPTION	C Y L.	PER CAR	VALIANT DART	PLYMOUTH DODGE	CHRYSLER IMPERIAL
9-11-O CRANKSHAFT REAR BEARING OIL SEAL						
9-11-1	OIL SEAL PACKAGE, w/C.I. Eng.	6	1	2084 411	2084 411	
	w/225 cu. in. Alum. Eng.	6	1	2240 650		
	w/RETAINER, w/225 cu. in. Alum. Eng.	6	1	2240 651		
	w/318 cu. in. Eng.	8	1	----	1326 093	
	Except 318 cu. in. Eng.	8	1	----	2275 365	2275 365
9-11-7	RETAINER	6	1	1947 557	1947 557	
	Except 318 cu. in. Eng.	8	1	----	1945 473	1945 473
9-13-O CRANKSHAFT VIBRATION DAMPER						
9-13-5	DAMPER	6	1	2269 076	2269 076	
	w/Std. Trans. w/318 cu. in. Eng.	8	1	----	1947 235	
	w/Automatic Trans. w/318 cu. in. Eng.	8	1	----	2402 090	
	w/o 318 cu. in. Eng.	8	1	----	2275 897	2275 897
9-15-O CAMSHAFT						
9-15-1	CAMSHAFT	6	1	2264 105	2264 105	
	w/318 cu. in. Eng.	8	1	----	2268 990	
	TP2 w/361 cu. in. Eng. w/One Two Barrel Carburetor, TD2 w/383 cu. in. Eng. w/One Two Barrel Carburetor, TA3 w/361 and 383 cu. in. Eng. w/One Two Barrel Carburetor, TC1 w/361 cu. in. Eng. w/One Two Barrel Carburetor, TC2 w/383 cu. in. Eng. w/One Two Barrel Carburetor, TC3, TY1, w/413 cu. in. Eng. w/One Four Barrel Carburetor	8	1	----	2268 405	2268 405
	TP2, TD2, w/383 cu. in. Eng. w/One Four Barrel Carburetor, TC1, TC2, w/413 cu. in. Eng. w/One Four Barrel Carburetor	8	1	----	2129 203	2129 203
	CAMSHAFT PACKAGE, w/VALVE TAPPET Assembly TP2, TD2, w/426 cu. in. Eng.	8	1	----	22448 774	
	TP2, TD2, w/426-2 cu. in. Eng.	8	1	----	22495 055	
	TC2-300J	8	1	----	----	*2406 369
9-15-2	ECCENTRIC, w/318 cu. in. Eng.	8	1	----	1618 718	
9-15-6	PLATE, Sprocket Thrust w/318 cu. in. Eng.	8	1	----	1946 992	
9-15-10	WASHER, Sprocket Retaining Screw	6	1	1739 607	1739 607	
	w/318 cu. in. Eng.	8	1	----	1618 732	
	Except 318 cu. in. Eng.	8	1	----	1739 607	1739 607
9-16-O CAMSHAFT BEARING						
9-16-6	BEARING, No. 1 w/C.I. Eng.	6	1	2121 725	2121 725	
	No. 2 w/C.I. Eng.	6	1	1821 772	1821 772	
	No. 3 w/C.I. Eng.	6	1	2121 726	2121 726	
	No. 4 w/C.I. Eng.	6	1	2121 727	2121 727	
	No. 1 w/318 cu. in. Eng.	8	1	----	1632 522	
	No. 2 w/318 cu. in. Eng.	8	1	----	1632 523	
	No. 3 w/318 cu. in. Eng.	8	1	----	1632 524	
	No. 4 w/318 cu. in. Eng.	8	1	----	1632 525	
	No. 5 w/318 cu. in. Eng.	8	1	----	1632 526	
	No. 1 except 318 cu. in. Eng.	8	1	----	1821 771	1821 771
	No. 2 except 318 cu. in. Eng.	8	1	----	1821 772	1821 772
	No. 3 except 318 cu. in. Eng.	8	1	----	1821 773	1821 773
	No. 4 except 318 cu. in. Eng.	8	1	----	1821 774	1821 774
	No. 5 except 318 cu. in. Eng.	8	1	----	1821 775	1821 775
9-16-17	PLUG, Camshaft Rear Bearing, w/C.I. Eng.	6	1	2402 905	2402 905	
	w/Alum. Eng.	6	1	2264 165		
	w/318 cu. in. Eng.	8	1	----	1821 722	
	Except 318 cu. in. Eng.	8	1	----	2402 905	2402 905

★ Indicates use as required.

Numerals in parentheses () refer to notes.

Printed in U.S.A.

☐ Indicates parts not listed in any previous parts book.

Prices and specifications subject to change without notice.

Jan. 3, 1964 Supersedes Dec. 14, 1962.

* Indicates change or addition.

CODE	PART NAME AND DESCRIPTION	C Y L.	PER CAR	VALIANT DART	PLYMOUTH DODGE	CHRYSLER IMPERIAL
9-17-0 CAMSHAFT SPROCKET						
9-17-5	SPROCKET	6	1	1947 560	1947 560	
	w/318 cu. in. Eng.	8	1	----	1618 666	
	Except 318 cu. in. Eng.	8	1	----	1737 622	1737 622
9-20-0 TIMING CHAIN						
9-20-1	CHAIN	6	1	*2202 499	*2202 499	
	w/318 cu. in. Eng.	8	1	----	1618 736	
	w/361 and 383 cu. in. Eng. for TP2 and TD2, TA3	8	1	----	*2202 499	*2202 499
	w/426 cu. in. Eng., TP2, TD2	8	1	----	2202 499	
9-23-0 CHAIN CASE COVER						
9-23-5	COVER	6	1	2203 106	2203 106	
	w/318 cu. in. Eng.	8	1	----	1944 773	
	Except 318 cu. in. Eng.	8	1	----	2120 627	2120 627
	SCREW, w/WASHER		*	6022 226	6022 226	6022 226
9-23-10	SCREW, w/WASHER	6	6	* 180 077	* 180 077	
	UP TO Eng. Nos. T17-1-28 and T22-1-28	6	1	*2121 573	*2121 573	
	AFTER Eng. Nos. T17-1-28 and T22-1-28	6	1	*6024 246	*6024 246	
	w/318 cu. in. Eng.	8	3	----	180 122	
	w/318 cu. in. Eng.	8	1	----	180 137	
	Except 318 cu. in. Eng.	8	4	----	6022 226	6022 226
9-23-17	GASKET	6	1	1947 554	1947 554	
	w/318 cu. in. Eng.	8	1	----	2129 012	
	Except 318 cu. in. Eng.	8	1	----	2264 794	2264 794
9-23-18	OIL SEAL	6	1	1947 581	1947 581	
	w/318 cu. in. Eng.	8	1	----	1618 683	
	Except 318 cu. in. Eng.	8	1	----	1737 771	1737 771
9-23-40	INDICATOR, Timing	6	1	2269 078	2269 078	
	w/318 cu. in. Eng.	8	1	----	1947 236	

9-31-0 CONNECTING ROD

NOTE: Connecting Rod includes Bearing Cap, Bolt, Nut, Lockwasher and Bushing but does not include Bearing.

9-31-4	ROD, w/170 cu. in. Eng.	6	6	1947 165		
	w/225 cu. in. Eng.	6	6	*2406 657	*2406 657	
	w/318 cu. in. Eng.	8	8	----	1944 866	
	w/361 and 383 cu. in. Eng.	8	8	----	E2406 766	E2406 766
	w/413 cu. in. Eng. except TC2-300	8	8	----	----	1851 533
	w/426 cu. in. Eng., TP2, TD2 and TC2-300J	8	8	----	2406 394	2406 394
9-31-5	BOLT, Bearing Cap	6	12	1944 865	1944 865	
	w/318 cu. in. Eng.	8	16	----	1944 865	
	Except 318 cu. in. Eng.	8	16	----	1737 694	1737 694
9-31-7	NUT, Cap Bolt		*	1737 695	1737 695	1737 695
9-31-10	BUSHING, w/318 cu. in. Eng.	8	8	----	1618 701	

★ Indicates use as required.

Numerals in parentheses () refer to notes.

Printed in U.S.A.

□ Indicates parts not listed in any previous parts book.

Prices and specifications subject to change without notice.

* Indicates change or addition.

Jan. 3, 1964 Supersedes Dec. 14, 1962.

CODE	PART NAME AND DESCRIPTION	C Y L.	PER CAR	VALIANT DART	PLYMOUTH DODGE	CHRYSLER IMPERIAL
------	---------------------------	--------------	------------	-----------------	-------------------	----------------------

9-32-0 CONNECTING ROD BEARING PACKAGES

NOTE: When .001 thicker wall connecting rod bearings are used for engines in production an identification mark is stamped on the machined surface of the crankshaft center counterweight for six cylinder engines and No. 3 counterweight for V8 cylinder engines. When the thicker wall connecting rod bearings are used the crankshaft will be marked R1, R2, R3, R4 or R5 depending on which journal has the .001 thicker wall bearing.

NOTE: Connecting rod bearing packages consist of one upper and one lower bearing.

9-32-2	BEARING PACKAGE, Std.	6	6	B2421 356	B2421 356	
	.001 U/S	6	6	2084 381	2084 381	
	.002 U/S	6	6	2084 382	2084 382	
	.003 U/S	6	6	2275 411	2275 411	
	.010 U/S	6	6	*2421 360	*2421 360	
	.012 U/S	6	6	2275 412	2275 412	
	Std. w/318 cu. in. Eng.	8	8	----	1879 617	
	.001 U/S w/318 cu. in. Eng.	8	8	----	1879 618	
	.002 U/S w/318 cu. in. Eng.	8	8	----	1879 619	
	.003 U/S w/318 cu. in. Eng.	8	8	----	1879 620	
	.010 U/S w/318 cu. in. Eng.	8	8	----	1879 621	
	.012 U/S w/318 cu. in. Eng.	8	8	----	1879 622	
	Std. TP2, TD2, TA3, w/361 and 383 cu. in. Eng.	8	8	----	1818 698	1818 698
	.001 U/S TP2, TD2, TA3, w/361 and 383 cu. in. Eng.	8	8	----	1818 699	1818 699
	.002 U/S TP2, TD2, TA3, w/361 and 383 cu. in. Eng.	8	8	----	1818 700	1818 700
	.003 U/S TP2, TD2, TA3, w/361 and 383 cu. in. Eng.	8	8	----	1818 701	1818 701
	.010 U/S TP2, TD2, TA3, w/361 and 383 cu. in. Eng.	8	8	----	1818 702	1818 702
	.012 U/S TP2, TD2, TA3, w/361 and 383 cu. in. Eng.	8	8	----	1818 703	1818 703
	Std. w/426 cu. in. Eng., TP2, TD2	8	8	----	2448 330	

9-34-0 PISTON, W/PIN

NOTE: The following pistons include pin and pin retaining rings.

9-34-5	PISTON, Std., 3.40" Bore	6	6	2084 384	2084 384	
	.005 O/S from 3.40" Bore	6	6	2084 385	2084 385	
	.020 O/S from 3.40" Bore	6	6	2084 386	2084 386	
	.040 O/S from 3.40" Bore	6	6	2084 387	2084 387	
	Std., 3.40" Bore L.C. Exp.	6	6	2084 388	2084 388	
	.005 O/S from 3.40" Bore L.C. Exp.	6	6	2084 389	2084 389	
	.020 O/S from 3.40" Bore L.C. Exp.	6	6	2084 390	2084 390	
	Std. 3.91" Bore w/318 cu. in. Eng.	8	8	----	1843 004	
	.005 O/S from 3.91" Bore w/318 cu. in. Eng.	8	8	----	1843 005	
	.020 O/S from 3.91" Bore w/318 cu. in. Eng.	8	8	----	1843 006	
	.040 O/S from 3.91" Bore w/318 cu. in. Eng.	8	8	----	1843 007	
	Std. 3.91" Bore L.C. Exp.	8	8	----	1843 316	
	.005 O/S from 3.91" Bore L.C. Exp.	8	8	----	1843 317	
	.020 O/S from 3.91" Bore L.C. Exp.	8	8	----	1843 318	
	Std. 4.12" Bore w/361 cu. in. Eng.	8	8	----	2240 333	2240 333
	.005 O/S from 4.12" Bore w/361 cu. in. Eng.	8	8	----	2240 334	2240 334
	.020 O/S from 4.12" Bore w/361 cu. in. Eng.	8	8	----	2240 335	2240 335
	.040 O/S from 4.12" Bore w/361 cu. in. Eng.	8	8	----	2240 336	2240 336
	Std. 4.12" Bore w/361 cu. in. Eng. L.C. Exp.	8	8	----	2240 337	2240 337
	.005 O/S from 4.12" Bore w/361 cu. in. Eng. L.C. Exp.	8	8	----	2240 338	2240 338
	.020 O/S from 4.12" Bore w/361 cu. in. Eng. L.C. Exp.	8	8	----	2240 339	2240 339

★ Indicates use as required.

⊠ Indicates parts not listed in any previous parts book.

Jan. 3, 1964 Supersedes Dec. 14, 1962.

Numerals in parentheses () refer to notes.

Printed in U.S.A.

Prices and specifications subject to change without notice.

* Indicates change or addition.

CODE	PART NAME AND DESCRIPTION	CYL.	PER CAR	VALIANT DART	PLYMOUTH DODGE	CHRYSLER IMPERIAL
9-34-O PISTON, W/PIN - Cont'd						
9-34-5	PISTON - Cont'd					
	Std. 4.25" Bore w/383 cu. in. Eng.	8	8	----	1879 333	1879 333
	.005 O/S from 4.25" Bore w/383 cu. in. Eng. .	8	8	----	1879 334	1879 334
	.020 O/S from 4.25" Bore w/383 cu. in. Eng. .	8	8	----	1879 335	1879 335
	.040 O/S from 4.25" Bore w/383 cu. in. Eng. .	8	8	----	1879 336	1879 336
	Std. 4.25" Bore w/426 cu.in. Eng. w/11 to 1 Cylinder Head Compression Ratio	8	8	----	2448 700	
	.005 O/S from 4.25" Bore w/426 cu. in. Eng. w/11 to 1 Cylinder Head Compression Ratio . .	8	8	----	2448 701	
	Std. 4.25" Bore w/426 cu.in. Eng. w/13.56 to 1 Cylinder Head Compression Ratio	8	8	----	2448 703	
	.005 O/S from 4.25" Bore w/426 cu. in. Eng. w/13.56 to 1 Cylinder Head Compression Ratio	8	8	----	2448 704	
	.020 O/S from 4.18" Bore w/413 cu. in. Eng.					
	Std. 4.25" Bore w/383 cu. in. Eng., L.C. Exp. .	8	8	----	----	1879 648
	.005 O/S from 4.25" Bore w/383 cu. in. Eng. L.C. Exp.	8	8	----	----	1879 649
	.020 O/S from 4.25" Bore w/383 cu. in. Eng. L.C. Export	8	8	----	----	1879 650
	Std. 4.18" Bore w/413 cu. in. Eng.	8	8	----	----	1879 337
	.020 O/S from 4.18" Bore w/413 cu. in. Eng. .	8	8	----	----	1879 339
	.040 O/S from 4.18" Bore w/413 cu. in. Eng. .	8	8	----	----	1879 340
	Std. 4.18" Bore w/413 cu. in. Eng. L.C. Exp. .	8	8	----	----	1879 638
	.005 O/S from 4.18" Bore w/413 cu. in. Eng. L.C. Exp.	8	8	----	----	1879 639
	.020 O/S from 4.18" Bore w/413 cu. in. Eng. L.C. Exp.	8	8	----	----	1879 640
9-35-O PISTON RING SETS						
9-35-1	SET, Multi-Purpose Chrome, Std. to .009 O/S from 3.40" Bore, w/Alum. or C.I. Eng.	6	1	*2448 735	*2448 735	
	Chrome, .020 to .029 O/S from 3.40" Bore, w/Alum. or C.I. Eng.	6	1	2275 440	2275 440	
	Chrome, .040 to .049 O/S from 3.40" Bore, w/Alum. or C.I. Eng.	6	1	2275 441	2275 441	
	.020 to .029 O/S from 3.40" Bore, w/C.I. Eng.	6	1	2275 453	2275 453	
	Std. to .009 O/S from 3.91" Bore, w/318 cu. in. Eng.	8	1	----	*2421 703	
	.020 to .029 O/S from 3.91" Bore, w/318 cu. in. Eng.	8	1	----	----	*2421 704
	.040 to .049 O/S from 3.91" Bore, w/318 cu. in. Eng.	8	1	----	----	*2421 705
	Std. to .009 O/S from 4.12" Bore, w/361 cu. in. Eng.	8	1	----	1843 330	1843 330
	.020 to .029 O/S from 4.12" Bore, w/361 cu. in. Eng.	8	1	----	1843 331	1843 331
	.040 to .049 O/S from 4.12" Bore, w/361 cu. in. Eng.	8	1	----	1843 332	1843 332
	Std. to .009 O/S from 4.25" Bore, w/383 cu. in. Eng.	8	1	----	1881 693	1881 693
	.020 to .029 O/S from 4.25" Bore, w/383 cu. in. Eng.	8	1	----	1881 694	1881 694
	.040 to .049 O/S from 4.25" Bore, w/383 cu. in. Eng.	8	1	----	1881 695	1881 695
	Std. to .009 O/S from 4.25" Bore, w/426 cu.in. Eng.	8	1	----	2448 374	

★ Indicates use as required. Numerals in parentheses () refer to notes. Printed in U.S.A.
 ☐ Indicates parts not listed in any previous parts book. Prices and specifications subject to change without notice.
 * Indicates change or addition. Jan. 3, 1964 Supersedes Jan. 25, 1963.

1963 PASSENGER CAR PARTS CATALOG

ENGINE

CODE	PART NAME AND DESCRIPTION	CYL	PER CAR	VALIANT DART	PLYMOUTH DODGE	CHRYSLER IMPERIAL
9-35-O PISTON RING SETS - Cont'd						
9-35-1	SET - Cont'd					
	Std. to .009 O/S from 4.18" Bore, w/413 cu. in. Eng.	8	1			1881 699
	.020 to .029 O/S from 4.18" Bore, w/413 cu. in. Eng.	8	1			1881 700
	.040 to .049 O/S from 4.18" Bore, w/413 cu. in. Eng.	8	1			1881 701
9-36-O PISTON PIN						
9-36-5	PIN, Std. w/318 cu. in. Eng.	8	8	----	1618 738	
	.003 O/S w/318 cu. in. Eng.	8	8	----	1618 739	
	.008 O/S w/318 cu. in. Eng.	8	8	----	1618 740	
9-36-7	RING, Retaining w/318 cu. in. Eng.	8	16	----	1324 470	
9-39-O VALVE						
9-39-1	GASKET PACKAGE, Valve Grinding, except 225 cu. in. Alum. Eng. UP TO Eng. Nos. T17-4-1, T22-4-1	6	1	*2196 046	*2196 046	
	Except 225 cu. in. Alum. Eng. AFTER Eng. Nos. T17-4-1, T22-4-1	6	1	⊖2448 714	⊖2448 714	
	w/225 cu. in. Alum. Eng. UP TO Eng. No. T22-4-1	6	1	*2240 629		
	w/225 cu. in. Alum. Eng. AFTER Eng. No. T22-4-1	6	1	⊖2448 716		
	w/318 cu. in. Eng.	8	1	----	2196 086	
	361 cu. in. Eng. UP TO Eng. No. T36-1-11, 383 cu. in. Eng. UP TO Eng. No. T38-1-11	8	1	----	*1879 703	*1879 703
	361 cu. in. Eng. AFTER Eng. No. T36-1-11, 383 cu. in. Eng. AFTER Eng. No. T38-1-11	8	1	----	*2448 778	*2448 778
	UP TO 426 cu. in. Eng. Nos. TMP-426-2-15-06 and TMP-HC426-2-15-06	8	1	----	*2421 365	
	AFTER 426 cu. in. Eng. Nos. TMP-426-2-15-06 and TMP-HC426-2-15-06	8	1	----	*2448 784	
	413 cu. in. Eng. UP TO Eng. No. T41-1-11 except TC2-300J	8	1	----	----	*1879 704
	413 cu. in. Eng. AFTER Eng. No. T41-1-11 except TC2-300J	8	1	----	----	*2448 780
	TC2-300J UP TO Eng. No. C2-300J-2-15	8	1	----	----	*2421 397
	TC2-300J AFTER Eng. No. C2-300J-2-15	8	1	----	----	*2448 782
9-39-5	VALVE, Intake, Std.	6	6	1947 623	1947 623	
	.005 O/S	6	6	2121 578	2121 578	
	.015 O/S	6	6	2121 579	2121 579	
	.030 O/S	6	6	2121 580	2121 580	
	Std. w/318 cu. in. Eng.	8	8	----	1945 318	
	.005 O/S w/318 cu. in. Eng.	8	8	----	1945 319	
	.015 O/S w/318 cu. in. Eng.	8	8	----	1945 320	
	.030 O/S w/318 cu. in. Eng.	8	8	----	1945 321	
	Std. w/361 and 383 and 413 cu. in. Eng. except TP2, TD2, w/426 cu. in. Eng.	8	8	----	2206 103	2206 103
	.005 O/S w/361 and 383 and 413 cu. in. Eng. except TP2, TD2, w/426 cu. in. Eng.	8	8	----	2206 104	2206 104
	.015 O/S w/361 and 383 and 413 cu. in. Eng. except TP2, TD2, w/426 cu. in. Eng.	8	8	----	2206 105	2206 105
	.030 O/S w/361 and 383 and 413 cu. in. Eng. except TP2 and TD2, w/426 cu. in. Eng.	8	8	----	2206 106	2206 106
	Std. w/426 cu. in. Eng.	8	8	----	2402 318	
	.005 O/S w/426 cu. in. Eng.	8	8	----	2402 319	
	.015 O/S w/426 cu. in. Eng.	8	8	----	2402 320	
	.030 O/S w/426 cu. in. Eng.	8	8	----	2402 321	

★ Indicates use as required. Numerals in parentheses () refer to notes. Printed in U.S.A.
 ⊖ Indicates parts not listed in any previous parts book. Prices and specifications subject to change without notice.
 Jan. 3, 1964 Supersedes Dec. 14, 1962. Page 9-18 * Indicates change or addition.

CODE	PART NAME AND DESCRIPTION	C Y L.	PER CAR	VALIANT DART	PLYMOUTH DODGE	CHRYSLER IMPERIAL
9-39-O VALVE - Cont'd						
9-39-6	VALVE, Exhaust, Std.	6	6	1947 624	1947 624	
	.005 O/S	6	6	2121 581	2121 581	
	.015 O/S	6	6	2121 582	2121 582	
	.030 O/S	6	6	2121 583	2121 583	
	Std. w/318 cu. in. Eng.	8	8	----	1852 248	
	.005 O/S w/318 cu. in. Eng.	8	8	----	1637 563	
	.015 O/S w/318 cu. in. Eng.	8	8	----	1637 564	
	.030 O/S w/318 cu. in. Eng.	8	8	----	1637 565	
	Std., w/361 and 383 and 413 cu. in. Eng. except TP2, TD2, w/426 cu. in. Eng. and TC2-300J . . .	8	8	----	1737 698	1737 698
	.005 O/S w/361 and 383 and 413 cu. in. Eng. except TP2, TD2, w/426 cu. in. Eng. and TC2-300J	8	8	----	1739 612	1739 612
	.015 O/S w/361 and 383 and 413 cu. in. Eng. except TP2, TD2, w/426 cu. in. Eng. and TC2-300J	8	8	----	1739 613	1739 613
	.030 O/S w/361 and 383 and 413 cu. in. Eng. except TP2, TD2, w/426 cu. in. Eng. and TC2-300J	8	8	----	1739 614	1739 614
	Std. w/426 cu. in. Eng.	8	8	----	2402 322	
	.005 O/S w/426 cu. in. Eng.	8	8	----	2402 323	
	.015 O/S w/426 cu. in. Eng.	8	8	----	2402 324	
	.030 O/S w/426 cu. in. Eng.	8	8	----	2402 325	
	Std. TC2-300J	8	8	----	----	1851 771
	.005 O/S, TC2-300J	8	8	----	----	1851 772
	.015 O/S, TC2-300J	8	8	----	----	1851 773
	.030 O/S, TC2-300J	8	8	----	----	1851 774
9-39-11	OIL SEAL PACKAGE, Intake Valve Stem, TP2, TD2, w/426 cu. in. Eng.	8	1	----	2448 733	
9-39-14	SHIELD, Intake Valve Stem Oil	6	6	*2205 958	*2205 958	
	Exhaust Valve Stem Oil	6	6	*2205 959	*2205 959	
	Intake Valve Stem Oil w/318 cu. in. Eng.	8	8	----	*2205 958	
	Exhaust Valve Stem Oil w/318 cu. in. Eng.	8	8	----	*2205 959	
	Valve Stem Oil except 318 cu. in. Eng.	8	16	----	2121 686	2121 686
9-39-15	SPRING	6	12	1739 534	1739 534	
	w/318 cu. in. Eng.	8	16	----	1739 534	
	TP2, TD2, w/361 and 383 cu. in. Eng. w/One Four Barrel Carburetor, TC1, TC2, w/413 cu. in. Eng. w/One Four Barrel Carburetor	8	16	----	1855 042	1855 042
	TP2, TD2, w/361 cu. in. Eng. w/One Two Barrel Carburetor, TA3, TC1 w/361 cu. in. Eng. TC2 w/383 cu. in. Eng., TC3, TY1	8	16	----	1944 854	1944 854
	TC2-300J	8	16	----	----	2402 011
	w/DAMPER, w/426 cu. in. Eng.	8	16	----	2402 265	
	Inner w/426 cu. in. Eng.	8	16	----	2202 547	
9-39-16	RETAINER, Valve Spring	6	12	1619 636	1619 636	
	Except TP2, TD2, w/426 cu. in. Eng.	8	16	----	*1619 636	*1619 636
	w/426 cu. in. Eng., TP2, TD2	8	16	----	2202 546	
9-39-17	LOCK, Intake Valve Spring Retainer	6	12	381 875	381 875	
	Except TP2, TD2, w/426 cu. in. Eng.	8	16	----	381 875	381 875
	LOCK, Exhaust Valve Spring Retainer	6	12	1614 666	1614 666	
	Except TP2, TD2, w/426 cu. in. Eng.	8	16	----	1614 666	1614 666
	LOCK, Valve Spring Retainer, w/426 cu. in. Eng., TP2, TD2	8	32	----	2402 312	
9-39-21	SPACER, Valve Spring w/318 cu. in. Eng.	8	★	----	1639 947	
	Except 318 cu. in. Eng.	8	★	----	1859 144	1859 144

★ Indicates use as required.

Numerals in parentheses () refer to notes.

Printed in U.S.A.

☐ Indicates parts not listed in any previous parts book.

Prices and specifications subject to change without notice.

* Indicates change or addition.

Jan. 3, 1964 Supersedes Dec. 14, 1962.

1963 PASSENGER CAR PARTS CATALOG

ENGINE

CODE	PART NAME AND DESCRIPTION	C Y L.	PER CAR	VALIANT DART	PLYMOUTH DODGE	CHRYSLER IMPERIAL
9-41-O VALVE TAPPET						
9-41-1	SILENCER PACKAGE, Tappet Chamber, TP2, TD2, TA3, w/361 and 383 cu. in. Eng.	8	1	----	1879 747	1879 747
9-41-4	TAPPET, Std.	6	12	2203 250	2203 250	
	.001 O/S	6	12	*2203 252	*2203 252	
	.008 O/S	6	12	1739 358	1739 358	
	.030 O/S	6	12	1739 359	1739 359	
	Std. TP2, TD2, w/318 cu. in. Eng., TC2-300J w/413 cu. in. Eng.	8	16	----	2203 250	2203 250
	.001 O/S, TP2, TD2, w/318 cu. in. Eng., TC2-300J w/413 cu. in. Eng.	8	16	----	*2203 252	*2203 252
	.008 O/S TP2, TD2, w/318 cu. in. Eng., TC2-300J w/413 cu. in. Eng.	8	16	----	1739 358	1739 358
	.030 O/S TP2, TD2, w/318 cu. in. Eng., TC2-300J w/413 cu. in. Eng.	8	16	----	1739 359	1739 359
	Std., TP2, TD2, TA3, w/361 and 383 cu. in. Eng., TC1, TC2 except 300J, TC3, TY1	8	16	----	2084 029	2084 029
	.001 O/S TP2, TD2, TA3, w/361 and 383 cu. in. Eng., TC1, TC2 except 300J, TC3, TY1	8	16	----	2084 030	2084 030
	.008 O/S TP2, TD2, TA3, w/361 and 383 cu. in. Eng., TC1, TC2 except 300J, TC3, TY1	8	16	----	2084 031	2084 031
	.030 O/S TP2, TD2, TA3, w/361 and 383 cu. in. Eng., TC1, TC2 except 300J, TC3, TY1	8	16	----	2084 032	2084 032
	Std. w/426 cu. in. Eng.	8	16	----	2402 288	
	.001 O/S, w/426 cu. in. Eng.	8	16	----	2402 289	
	.008 O/S, w/426 cu. in. Eng.	8	16	----	2402 290	
	.030 O/S, w/426 cu. in. Eng.	8	16	----	2402 719	
9-42-O VALVE PUSH ROD						
9-42-1	ROD, w/170 cu. in. Eng.	6	12	1947 704		
	w/225 cu. in. Eng.	6	12	2120 514	2120 514	
	w/318 cu. in. Eng.	8	16	----	1637 721	
	w/361 and 383 cu. in. Eng.	8	16	----	1737 757	1737 757
	w/426 cu. in. Eng.	8	16	----	2402 326	
	w/413 cu. in. Eng., TC1, TC2 except 300J, TC3, TY1	8	16	----	----	1851 669
	w/413 cu. in. Eng. TC2-300J	8	16	----	----	2129 010
9-43-O VALVE ROCKER						
9-43-1	ROCKER	6	12	1947 594	1947 594	
	Intake Valve w/318 cu. in. Eng.	8	8	----	1859 919	
	Exhaust Valve w/318 cu. in. Eng.	8	8	----	1854 953	
	Right, TP2, TD2, TA3, w/361 and 383 cu. in. Eng., TC1, TC2 except 300J, TC3, TY1	8	8	----	1737 646	1737 646
	Left, TP2, TD2, TA3, w/361 and 383 cu. in. Eng., TC1, TC3 except 300J, TC3, TY1	8	8	----	1737 645	1737 645
	Right, w/Adjusting SCREW, TP2, TD2, w/426 cu. in. Eng., TC2-300J	8	8	----	2402 521	2402 521
	Left, w/Adjusting SCREW, TP2, TD2, w/426 cu. in. Eng., TC2-300J	8	8	----	2402 522	2402 522
9-43-3	SCREW, Adjusting	6	12	1855 238	1855 238	
	w/318 cu. in. Eng.	8	16	----	1855 238	
	TP2, TD2, w/426 cu. in. Eng., TC2-300J	8	16	----	2402 525	2402 525
	NUT, Lock, TP2, TD2, w/426 cu. in. Eng., TC2-300J	8	16	----	6023 587	6023 587
9-43-5	SPACER	6	6	2120 694	2120 694	
	TP2, TD2, TA3, w/361 and 383 cu. in. Eng., TC1, TC2 except 300J, TC3, TY1	8	8	----	1737 756	1737 756

★ Indicates use as required.

Numerals in parentheses () refer to notes.

Printed in U.S.A.

ⓑ Indicates parts not listed in any previous parts book.

Prices and specifications subject to change without notice.

Jan. 3, 1964 Supersedes Dec. 14, 1962.

* Indicates change or addition.

CODE	PART NAME AND DESCRIPTION	C Y L.	PER CAR	VALIANT DART	PLYMOUTH DODGE	CHRYSLER IMPERIAL
9-43-O VALVE ROCKER - Cont'd						
9-43-9	SHAFT	6	1	1947 614	1947 614	
	w/318 cu. in. Eng.	8	2	-----	1618 671	
	Except 318 cu. in. Eng.	8	2	-----	1821 393	1821 393
9-43-10	BRACKET, Shaft, End and Center TP2, TD2, TA3, w/361 and 383 cu. in. Eng., TC1, TC2 except 300J, TC3, TY1	8	6	-----	1739 594	1739 594
	TP2, TD2, w/426 cu. in. Eng., TC2-300J	8	6	-----	2202 551	2202 551
	BRACKET, Shaft, Intermediate TP2, TD2, TA3, w/361 and 383 cu. in. Eng., TC1, TC2 except 300J, TC3, TY1	8	4	-----	1739 595	1739 595
	TP2, TD2, w/426 cu. in. Eng., TC2-300J	8	4	-----	2202 556	2202 556
9-43-11	RETAINER, Shaft End and Intermediate	6	6	1947 616	1947 616	
	Retainer, Center	6	1	1947 617	1947 617	
9-43-14	SPRING, Shaft w/318 cu. in. Eng.	8	8	-----	1632 106	
	TP2, TD2, w/426 cu. in. Eng., TC2-300J	8	8	-----	2202 557	2202 557
9-43-19	PLUG, Shaft	6	2	1324 268	1324 268	
	w/318 cu. in. Eng.	8	4	-----	1858 802	
	Except 318 cu. in. Eng.	8	4	-----	1324 268	*1324 268
9-43-23	WASHER, Shaft Bracket Screw except 318 cu. in. Eng.	8	10	-----	1536 242	1536 242
9-43-26	PIN, Shaft Bracket Locating w/318 cu. in. Eng.	8	2	-----	1670 476	
9-45-O FLYWHEEL						
9-45-1	FLYWHEEL, w/Ring GEAR, Eng. No. w/o the Letter "R"	6	1	*2128 992	*2128 992	
	Eng. No. w/the Letter, "R"	6	1	*1947 561	*1947 561	
	Except 426 cu. in. Eng., TP2, TD2	8	1	-----	2264 597	
	TA3, TC1, TC2	8	1	-----	2264 653	2264 653
	w/426 cu. in. Eng., TP2, TD2	8	1	-----	2402 215	
	BOLT, except 318 cu. in. Eng.	8	6	-----	6023 145	6023 145
9-45-2	GEAR, Flywheel or Torque Converter Ring, Eng. No. w/o the Letter "R"	6	1	*2121 196	*2121 196	
	Eng. No. w/the Letter "R"	6	1	*2121 195	*2121 195	
	TP2, TD2	8	1	-----	1941 648	
	GEAR, Torque Converter Ring, TA3	8	1	-----	1941 648	1941 648
	GEAR, Flywheel Ring, TA3, TC1, TC2	8	1	-----	1673 646	1673 646
9-46-O TORQUE CONVERTER						
9-46-4	TORQUE CONVERTER, Eng. No. w/o the letter "R" Eng. No. w/the Letter "R"	6	1	*2204 403	*2204 403	
	Except TP2, TD2, w/426-2 cu. in. Eng.	6	1	*2125 000	*2125 000	
	TP2, TD2, w/426-2 cu. in. Eng.	8	1	-----	*2125 090	*2125 090
	TP2, TD2, w/426-2 cu. in. Eng.	8	1	---	*2464 314	
9-46-8	PLATE, Drive	6	1	1949 763	1949 763	
	Except TP2, TD2, w/426-2 cu. in. Eng.	8	1	-----	*2204 768	*2204 768
	TP2, TD2, w/426-2 cu. in. Eng.	8	1	-----	*2464 231	
9-46-21	SCREW, Drive Plate to Torque Converter, except TP2, TD2, w/426 cu. in. Eng.		4	*1949 765	*1949 765	*1949 765
	TP2, TD2, w/426 cu. in. Eng.	8	4	-----	*6024 318	
	SCREW, Drive Plate to Crankshaft, except TP2, TD2, w/426 cu. in. Eng.		6	*1949 424	*1949 424	*1949 424
	TP2, TD2, w/426 cu. in. Eng.	8	6	-----	*6024 293	
9-46-27	TUBE, Transmission Oil Cooler Inlet and Outlet, 25 foot roll		★	1843 253	1843 253	1843 253

★ Indicates use as required.

Numerals in parentheses () refer to notes.

Printed in U.S.A.

☐ Indicates parts not listed in any previous parts book.

Prices and specifications subject to change without notice.

* Indicates change or addition.

CODE	PART NAME AND DESCRIPTION	C Y L.	PER CAR	VALIANT DART	PLYMOUTH DODGE	CHRYSLER IMPERIAL
9-46-O TORQUE CONVERTER - Cont'd						
9-46-31	OIL COOLER, Radiator Core, except 413 and 426 cu. in. Eng. w/413 and 426 cu. in. Eng.	8	1 1	1903 792 ---- --	1903 792 1903 791	1903 792 1903 791
9-46-33	BRACKET, Transmission Oil Cooler Tube	8	1	---- --	1949 176	1949 176
9-46-40	ELBOW, Transmission Oil Cooler Tube Inlet CONNECTOR, Transmission Oil Cooler Tube, Radiator End and Transmission End	6	1 ★	2205 237 118 749	2205 237 118 749	118 749
9-46-43	NUT, Transmission Oil Cooler Tube Radiator End, Transmission End, Oil Filter End Sleeve, Transmission Oil Filter Tube Inlet		★ 1	1941 667 1316 669	1941 667 1316 669	1941 667 1316 669
9-46-78	CLIP, Transmission Oil Cooler Tube	6	1	2406 511	2406 511	
9-46-94	DOWEL, Cylinder Block to Clutch Housing or Torque Converter Transmission Housing Adjusting, Eccentric .007 Over Center Eccentric .014 Over Center Eccentric .021 Over Center		★ ★ ★	1736 347 1736 348 1736 353	1736 347 1736 348 1736 353	1736 347 1736 348 1736 353
9-46-130	OIL SEAL, Impeller Hub	6 8	1 1	2124 705 ---- --	2124 705 1942 020	1942 020
9-46-228	ROLLER, Overrunning Clutch	8		670 776	670 776	670 776
9-48-O MANIFOLD						
9-48-6	MANIFOLD, Exhaust Right, w/318 cu. in. Eng. Left, w/318 cu. in. Eng. Right, w/361 and 383 cu. in. Eng. TP2, TD2 Left, w/361 and 383 cu. in. Eng. TP2, TD2	6 8 8 8 8	1 1 1 1 1	2298 917 ---- -- ---- -- ---- -- ---- --	2298 917 2129 194 2268 127 2205 905 2203 091	
	Right, TA3, TC1, TC2 except TC2-300J, TC3, TY1 Left, TA3, TC1, TC2 except TC2-300J, TC3, TY1 Right, Header, TP2, TD2, w/426 cu. in. Eng. Left, Header, TP2, TD2, w/426 cu. in. Eng. Right, Header, TC2-300J Left, Header, TC2-300J	8 8 8 8 8 8	1 1 1 1 1 1	---- -- ---- -- ---- -- ---- -- ---- -- ---- --	1854 990 1739 600 2402 335 2402 337 ---- -- ---- --	1854 990 1739 600 2269 013 2269 093
	WASHER, Exhaust Manifold Support Bracket, TC2-300J	8	4	---- --	---- --	6022 185
9-48-7	MANIFOLD, Intake w/318 cu. in. Eng. w/361 and 383 cu. in. Eng. w/One Two Barrel Carburetor w/361 and 383 cu. in. Eng. w/One Four Barrel Carburetor TP2, TD2, w/426 cu. in. Eng. w/413 cu. in. Eng. w/One Four Barrel Carburetor except TC2-300J	6 8 8 8 8 8	1 1 1 1 1 1	2205 902 ---- -- ---- -- ---- -- ---- -- ---- --	2205 902 ---- -- 1859 299 1859 300 *2465 214 ---- --	B2448 316 1859 299 1859 300 1858 623
	SET, Intake Manifold w/Crossover, Right, w/Two Four Barrel Carburetors TC2-300J Left, w/Two Four Barrel Carburetors, TC2-300J SCREW, Intake to Exhaust Manifold SCREW, w/318 cu. in. Eng. SCREW, w/318 cu. in. Eng. WASHER, Intake to Exhaust Manifold WASHER, Intake Manifold Heat Pipe Flange Screw TC2-300J	8 8 6 8 8 6 8	1 1 2 8 8 1 16	---- -- ---- -- 6024 085 ---- -- ---- -- 6022 185 ---- --	---- -- ---- -- 6024 085 E9416 171 E9419 882 6022 185 ---- --	2421 368 2421 369 6022 185

★ Indicates use as required.

Numerals in parentheses () refer to notes.

Printed in U.S.A.

☐ Indicates parts not listed in any previous parts book.

Prices and specifications subject to change without notice.

Jan. 3, 1964 Supersedes Dec. 14, 1962.

Page 9-22

* Indicates change or addition.

CODE	PART NAME AND DESCRIPTION	C Y L.	PER CAR	VALIANT DART	PLYMOUTH DODGE	CHRYSLER IMPERIAL
9-48-0 MANIFOLD - Cont'd						
9-48-8	CONNECTOR, Vacuum Control		1	1858 955	1858 955	1858 955
9-48-9	PLUG, Intake Manifold Core Hole, TP2, TD2, w/426 cu. in. Eng.	8	4	----	2121 198	
	PLUG, Intake Manifold Screw Hole, TP2, TD2, w/426 cu. in. Eng.	8	6	----	1392 371	
9-48-12	STUD, Intake and Exhaust Manifold	6	★	2121 585	2121 585	
	STUD, Exhaust Manifold, w/426 cu. in. Eng. . . .	8	2	----	842 295	
	STUD, Exhaust Manifold Air Conditioning Compressor Bracket	8	1	----	842 295	842 295
9-48-13	PIPE, Intake Manifold Heat Inlet, Right, TC2-300J	8	1	----	----	2402 686
	Intake Manifold Heat Inlet, Left, TC2-300J . . .	8	1	----	----	2402 684
	Intake Manifold Heat Outlet, Right, TC2-300J . .	8	1	----	----	2402 641
	Intake Manifold Heat Outlet, Left, TC2-300J . . .	8	1	----	----	2402 643
	WASHER, TC2-300J	8	16	----	----	6022 185
9-48-14	WASHER, Intake and Exhaust Manifold Stud	6	★	*2121 223	*2121 223	
		6	★	*2206 416	*2206 416	
9-48-27	REINFORCEMENT, Intake Manifold Gasket End w/361 and 383 cu. in. Eng.	8	2	----	1859 332	1859 332
	w/413 cu. in. Eng.	8	2	----	----	1851 665
9-48-29	BRACKET, Exhaust Manifold Steady, Left, w/426 cu. in. Eng. TP2, TD2	8	1	----	*2465 263	
9-48-38	SEAL, Intake Manifold Screw Hole Plug w/426 cu. in. Eng.	8	6	----	2128 962	
9-48-43	STUD, Exhaust Manifold Flange w/318 cu. in. Eng.	8	1	----	1402 981	
	Exhaust Manifold, Lower w/318 cu. in. Eng. . .	8	8	----	1613 782	
	Exhaust Manifold except 318 cu. in. Eng.	8	12	----	1613 782	1613 782
9-48-44	NUT, Exhaust Manifold Upper End.	6	2	1947 753	1947 753	
	STUD, Long w/361 and 383 cu. in. Eng.	8	3	----	2268 282	
	TC2-300J	8	3	----	----	2268 282
		8	★	----	1737 695	1737 695
9-48-45	WASHER, Exhaust Manifold Stud Upper End . . .	6	2	1947 752	1947 752	
9-48-56	SHIELD, Intake Manifold Heat, w/318 cu. in. Eng.	8	1	----	1619 627	
	SHIELD, Exhaust Manifold Right Heat, except 318 cu. in. Eng.	8	1	----	*2463 531	
9-48-77	BRACKET, Exhaust Manifold Steady, TC2-300J . .	8		----	----	2202 426
9-48-86	SPACER, Exhaust Manifold Steady Bracket, TC2-300J	8	4	----	----	1947 751
9-48-151	TUBE, Intake Manifold Equalizer, TC2-300J. . . .	8	1	----	----	2206 153
9-48-152	COUPLING, Intake Manifold Equalizer Tube, TC2-300J	8	2	----	----	1947 403
9-48-153	CLAMP, Intake Manifold Equalizer Tube Coupling, TC2-300J	8	2	----	----	870 469
9-48-158	COVER, Exhaust Crossover, Right, TC2-300J . . .	8	1	----	----	2120 757
	Left, TC2-300J	8	1	----	----	2120 057

★ Indicates use as required.

Numerals in parentheses () refer to notes.

Printed in U.S.A.

□ Indicates parts not listed in any previous parts book.

Prices and specifications subject to change without notice.

* Indicates change or addition.

Page 9-23

Jan. 3, 1964 Supersedes Dec. 14, 1962.

CODE	PART NAME AND DESCRIPTION	C Y L.	PER CAR	VALIANT DART	PLYMOUTH DODGE	CHRYSLER IMPERIAL
9-50-0 MANIFOLD GASKETS						
9-50-1	GASKET SET, Intake and Exhaust Manifold	6	1	2084 416	2084 416	
	GASKET SET, Intake Manifold, w/318 cu. in. Eng.	8	1	---- --	E2525 090	
	GASKET SET, Intake Manifold, TP2, TD2, w/426 cu. in. Eng.	8	1	---- --	2421 363	
	GASKET PACKAGE, Exhaust Manifold TP2, TD2, w/426 cu. in. Eng., TC2-300J	8	1	---- --	*2448 791	*2448 791
9-50-3	GASKET, Intake to Exhaust Manifold	6	1	2268 264	2268 264	
9-50-4	GASKET, Intake Manifold Heat Pipe Flange Upper, TC2-300J	8	4	---- --	---- --	1947 429
9-50-5	GASKET, Exhaust Manifold, w/318 cu. in. Eng. .	8	2	---- --	1670 508	
9-50-6	GASKET, Intake Manifold, w/361 and 383 cu. in. Eng.	8	1	---- --	1737 709	1737 709
	w/413 cu. in. Eng.	8	1	---- --	---- --	1851 664
9-50-16	GASKET, Intake Manifold Heat Pipe Flange Upper, TC2-300J	8	4	---- --	---- --	1947 429
	Lower, TC2-300J	8	4	---- --	---- --	1947 428
9-58-0 MANIFOLD HEAT CONTROL VALVE THERMOSTAT						
9-58-1	PACKAGE, Manifold Heat Control	6	1	2084 797	*2084 797	
	w/318 cu. in. Eng.	8	1	---- --	2240 684	
	w/361 and 383 cu. in. Eng. except TA3	8	1	---- --	2279 887	
	TA3, TC1, TC2 except TC2-300J, TC3, TY1 . .	8	1	---- --	2084 794	2084 794
	RETAINER, Valve Shaft	2		148 148	148 148	148 148
9-58-5	THERMOSTAT	6	1	2121 554	2121 554	
	TP2, TD2, w/318 cu. in. Eng., TA3, TC1, TC2 except TC2-300J, TC3, TY1	8	1	---- --	960 003	960 003
	TP2, TD2, w/361 and 383 cu. in. Eng.	8	1	---- --	2128 933	
9-58-12	SHIELD	6	1	2121 430	2121 430	
	TP2, TD2, w/318 cu. in. Eng., TA3, TC1, TC2 except TC2-300J, TC3, TY1	8	1	---- --	1670 515	1670 515
	TP2, TD2, w/361 and 383 cu. in. Eng.	8	1	---- --	1944 616	
9-58-13	BOLT, Shield, except TC2-300J		1	1736 012	1736 012	1736 012
9-58-14	LOCK, Shield, except TC2-300J		1	1409 594	1409 594	1409 594
9-59-0 MANIFOLD HEAT CONTROL VALVE						
9-59-13	SPRING, except TC2-300J		1	1558 897	1558 897	1558 897
9-59-15	PIN, Spring, except TC2-300J		1	1639 597	1639 597	1639 597
9-62-0 MANIFOLD HEAT CONTROL VALVE STOP						
9-62-1	STOP	6	1	2121 455	2121 455	
	Except TC2-300J	8	1	---- --	683 057	683 057
9-64-0 ENGINE FRONT SUPPORT						
9-64-5	SUPPORT, Right, TA3, TC1, TC2, TC3	8	1	---- --	2120 238	2120 238
	Left, TA3, TC1, TC2, TC3	8	1	---- --	2120 237	2120 237
	Right, TY1	8	1	---- --	---- --	2128 572
	Left, TY1	8	1	---- --	---- --	2128 571
	WASHER, to Cylinder Block Bolt	8	6	---- --	---- --	6023 050

* Indicates use as required.

Numerals in parentheses () refer to notes.

Printed in U.S.A.

E Indicates parts not listed in any previous parts book.

Prices and specifications subject to change without notice.

Jan. 3, 1964 Supersedes Dec. 14, 1962.

Page 9-24

* Indicates change or addition.

CODE	PART NAME AND DESCRIPTION	C Y L.	PER CAR	VALIANT DART	PLYMOUTH DODGE	CHRYSLER IMPERIAL
9-64-0 ENGINE FRONT SUPPORT - Cont'd						
9-64-13	STUD, Engine Front Support to Frame, TA3 . . .	8	2	----	2128 773	2128 773
9-64-18	WASHER, Engine Front Support to Frame Bolt . .	6	2	2128 774	2128 774	
	WASHER, Engine Front Support to Frame Stud, TA3	8	2	----	2128 774	2128 774
9-64-22	SHIELD, Engine Front Support Heat, Right, TA3 .	8	1	----	2128 935	2128 935
	Left, TA3, TC1, TC2 except 300J, TC3, TY1 . .	8	1	----	2128 936	2128 936
	Left, TC2-300J	8	1	----	----	2406 371
9-64-24	BRACKET, Engine Front Support Insulator, Right.	6	1	2264 668		
	Left	6	1	2265 023		
	Right	6	1	----	2264 678	
	Left	6	1	----	2264 679	
	w/318 cu. in. Eng.	8	2	----	2402 185	
	Except 318 cu. in. Eng. Right, TP2, TD2	8	1	----	2268 220	
	Except 318 cu. in. Eng. Left, TP2, TD2	8	1	----	2268 216	
9-67-0 ENGINE FRONT SUPPORT INSULATOR						
9-67-4	INSULATOR, Right, except Cv. Cp.	6	1	2264 140		
	Left, except Cv. Cp.	6	1	2265 018		
	Right, Cv. Cp.	6	1	2406 708		
	Left, Cv. Cp.	6	1	2406 705		
	Right	6	1	----	2264 674	
	Left	6	1	----	2264 675	
	Right, TP2, TD2	8	1	----	2402 182	
	Left, TP2, TD2	8	1	----	2402 183	
	NUT, to Frame	6	2	6023 353	6023 353	
	NUT, to Frame TA3	8	2	----	6023 353	6023 353
	WASHER, to Block Bolt	8	6	----	6023 050	6023 050
9-69-0 FRAME ENGINE REAR SUPPORT CROSSMEMBER						
9-69-4	CROSSMEMBER	6	1	2260 287		
	TP1, TP2, TD1, TD2		1	----	*2265 423	
	w/426 cu. in. Eng. w/Std. Trans., also used w/Floor Mounting Trans.	8	1	----	2208 740	
	w/Std. Trans., TA3, TC1, TC2	8	1	----	2122 578	2122 578
	w/Automatic Trans., TA3, TC1, TC2, TC3	8	1	----	2265 408	2265 408
	TY1 except Cv. Cp.	8	1	----	----	2265 420
	TY1 Cv. Cp.	8	1	----	----	2265 418
9-69-6	BRACKET, Right, TY1 Cv. Cp.	8	1	----	----	1940 300
	Left, TY1 Cv. Cp.	8	1	----	----	1940 301
9-69-21	NUT, Conelok, Engine Rear Support, w/170, 225 and 318 cu. in. Eng.		2	2129 684	2129 684	
9-70-0 FRAME ENGINE REAR SUPPORT CROSSMEMBER BRACKET						
9-70-9	NUT, Frame Engine Rear Support Crossmember to Bracket Bolt, TA3, TC1, TC2, TC3	8	4	----	1946 141	1946 141
9-71-0 ENGINE REAR SUPPORT INSULATOR						
9-71-5	INSULATOR	6	1	2265 836		
	TP1, TP2, TD1, TD2		1	----	*2265 826	
	TP2, TD2, w/426 cu. in. Eng. w/Std. Trans. . .	8	1	----	*2401 653	
	w/Floor Mounted Four Speed Trans., TP2, TD2 .	8	1	----	2405 872	
	w/Automatic Trans., TA3, TC1, TC2, TC3	8	1	----	2201 990	2201 990
	w/Std. Trans. TA3, TC1, TC2	8	1	----	1734 529	1734 529

★ Indicates use as required.

Numerals in parentheses () refer to notes.

Printed in U.S.A.

☐ Indicates parts not listed in any previous parts book.

Prices and specifications subject to change without notice.

* Indicates change or addition.

1963 PASSENGER CAR PARTS CATALOG

ENGINE

CODE	PART NAME AND DESCRIPTION	CYL.	PER CAR	VALIANT DART	PLYMOUTH DODGE	CHRYSLER IMPERIAL
9-71-0 ENGINE REAR SUPPORT INSULATOR - Cont'd						
9-71-5	INSULATOR - Cont'd					
	TYI	8	1	----	----	2206 979
	BOLT, Frame, w/Std. Trans., TA3, TC1, TC2	8	2	----	6024 076	6024 076
	NUT, Stud, w/Std. Trans., TA3, TC1, TC2	8	1	----	6022 805	6022 805
	NUT, Bolt, to Frame TP1, TD1	6	2	*6023 353	*6023 353	
9-71-8	NUT, Engine Rear Support Insulator Stud		2	*2129 684	*2129 684	
9-71-15	BUMPER	6	1	2206 965		
	Stop, TA3, TC1, TC2, TC3	8	1	----	2201 989	2201 989
9-71-16	SPRING, w/Std. Trans., TA3, TC1, TC2	8	1	----	2122 278	2122 278
	w/Automatic Trans., TA3, TC1, TC2, TC3	8	1	----	2201 991	2201 991
9-71-17	PLATE, Spring, w/Std Trans., TA3, TC1, TC2	8	1	----	2203 897	2203 897
9-71-18	STUD, w/WASHER, w/Std. Trans., TA3, TC1, TC2	8	1	----	2122 275	2122 275
	w/Automatic Trans., TA3, TC1, TC2, TC3	8	1	----	2201 985	2201 985
9-17-19	WASHER, Stud, Upper, w/Std. Trans., TA3, TC1, TC2	8	1	----	2122 279	2122 279

NOTES

★ Indicates use as required.

☐ Indicates parts not listed in any previous parts book.

Jan. 3, 1964 Supersedes Sept. 4, 1962.

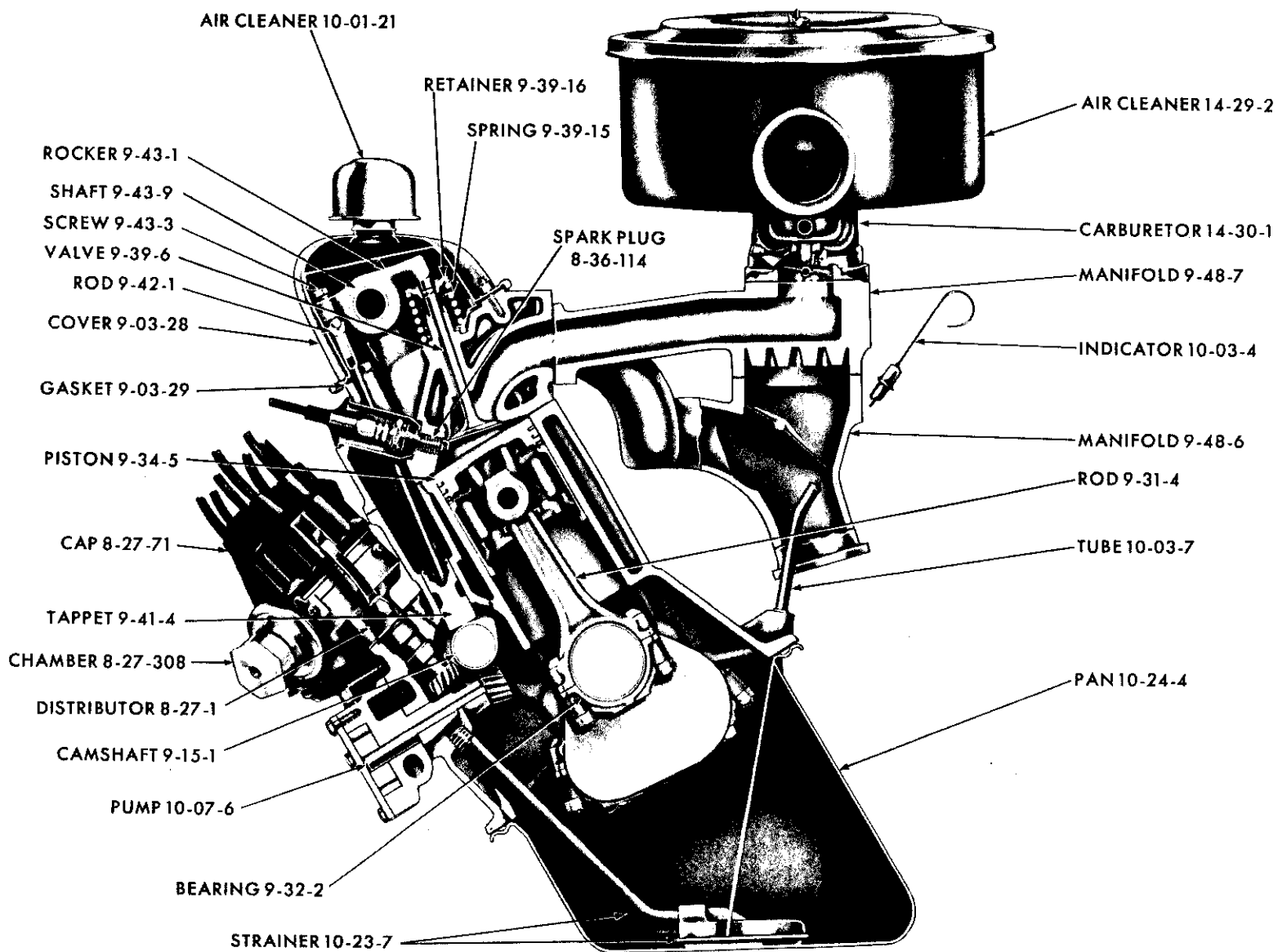
Numerals in parentheses () refer to notes.

Prices and specifications subject to change without notice.

* Indicates change or addition.

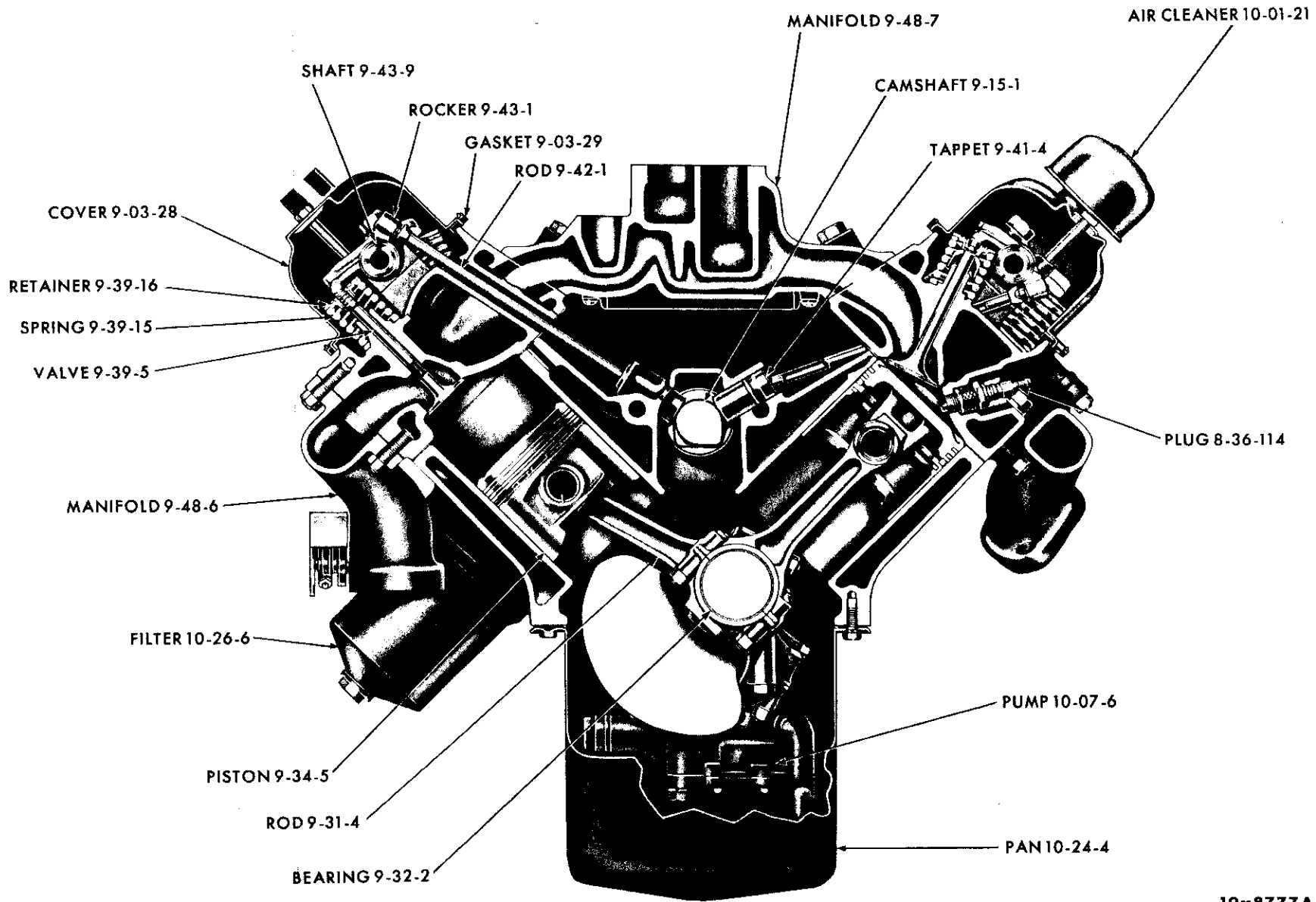
Printed in U.S.A.

GROUP 10 - ENGINE OILING



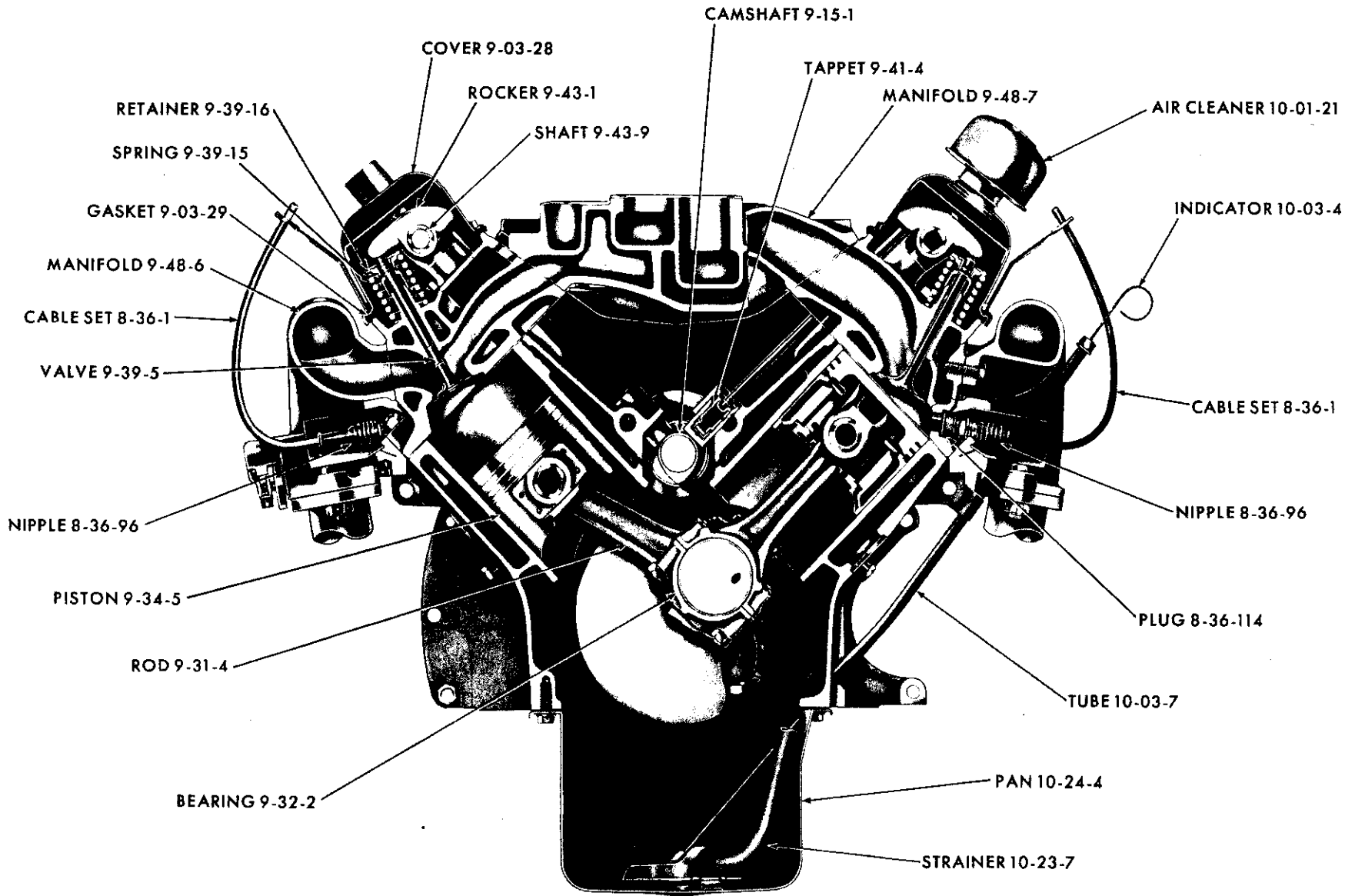
ENGINE OILING - 6 CYLINDER

19x8778



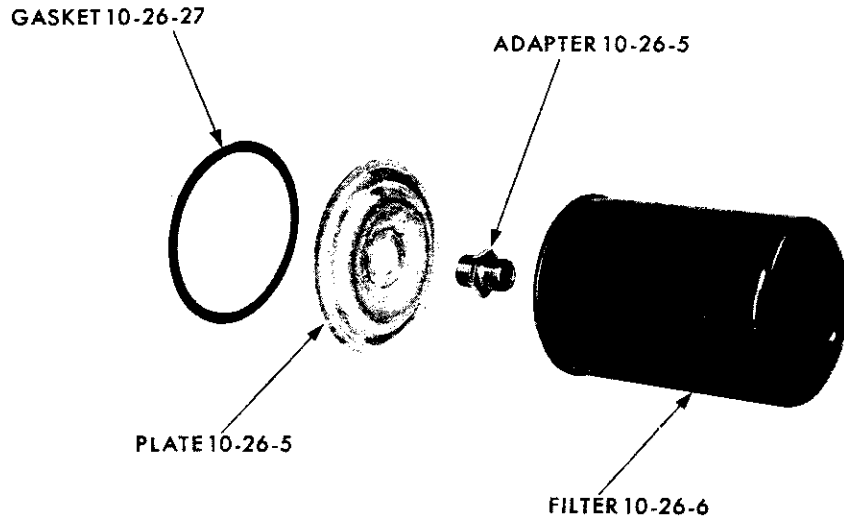
19x8777A

ENGINE OILING (V8 CYLINDER) - WITH 318 CU. IN. ENGINE



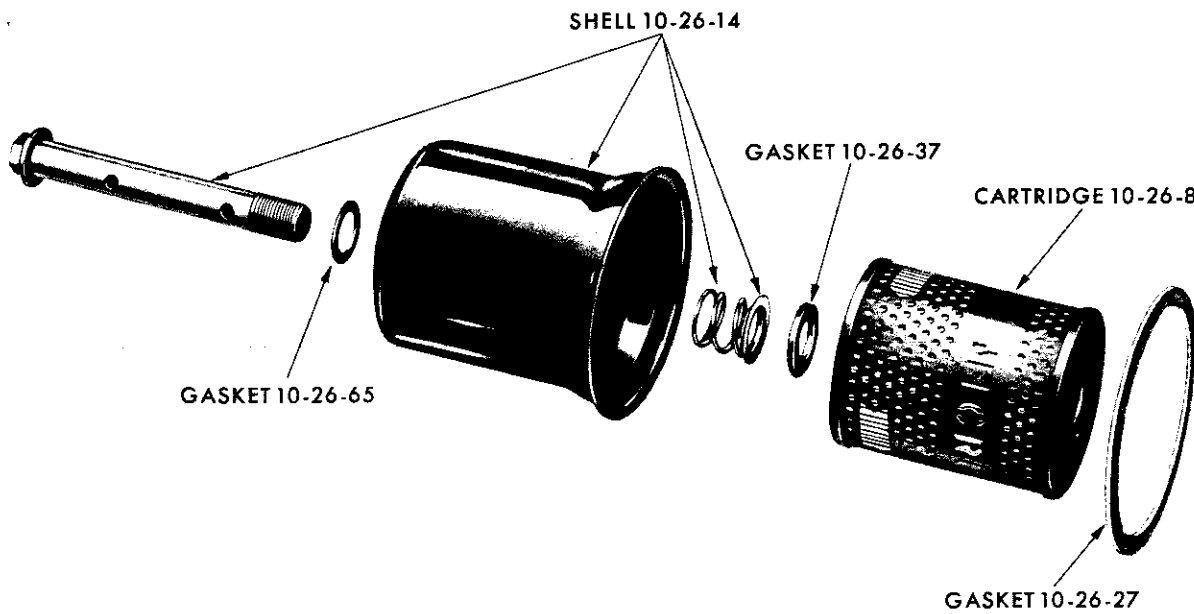
19x8776A

ENGINE OILING (V8 CYLINDER) - WITH 361, 383 AND 413 CU. IN. ENGINE



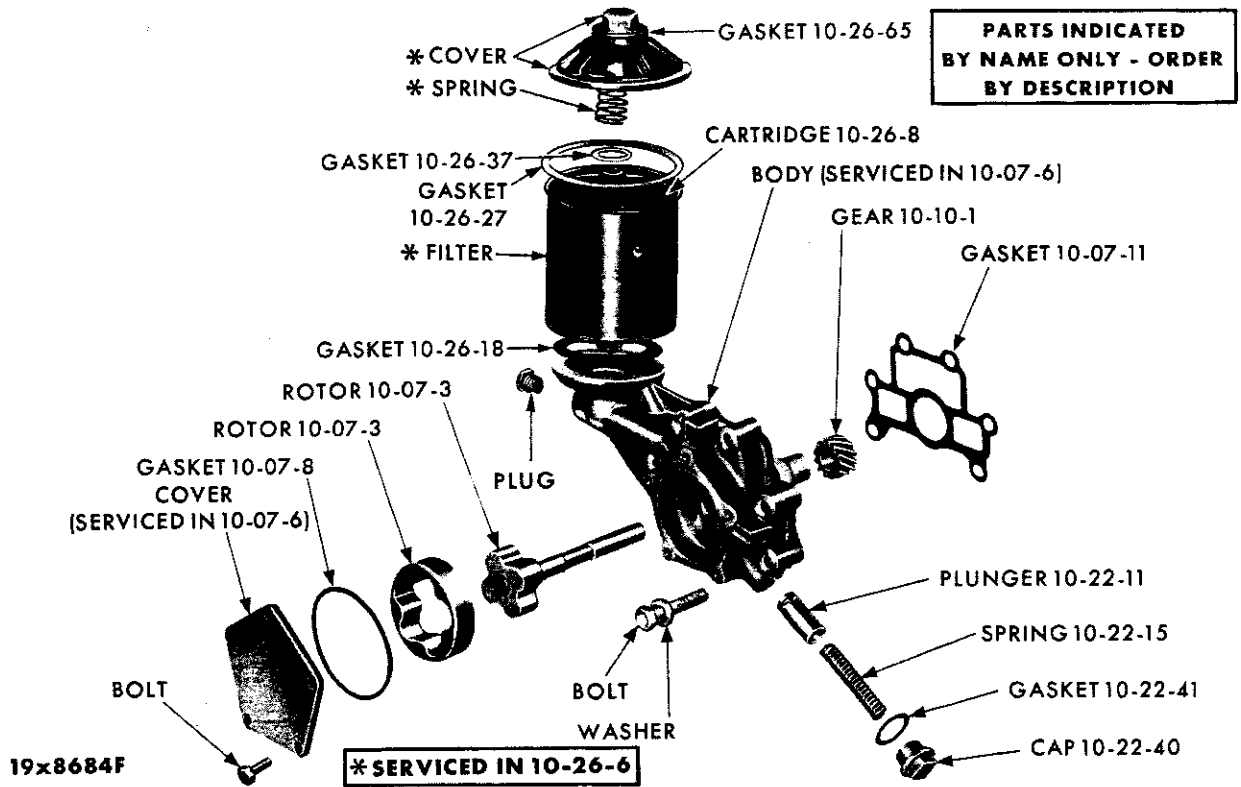
19x9489

OIL FILTER - 318 CU. IN. ENGINE

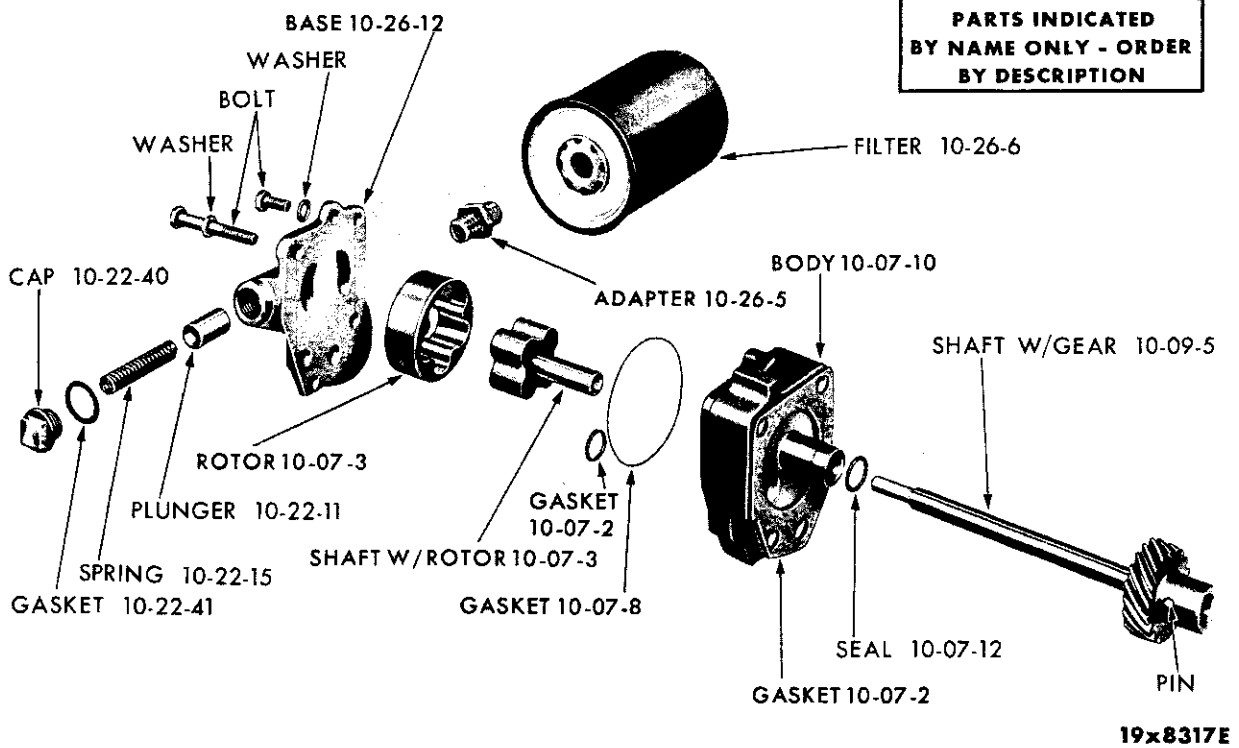


19x8591

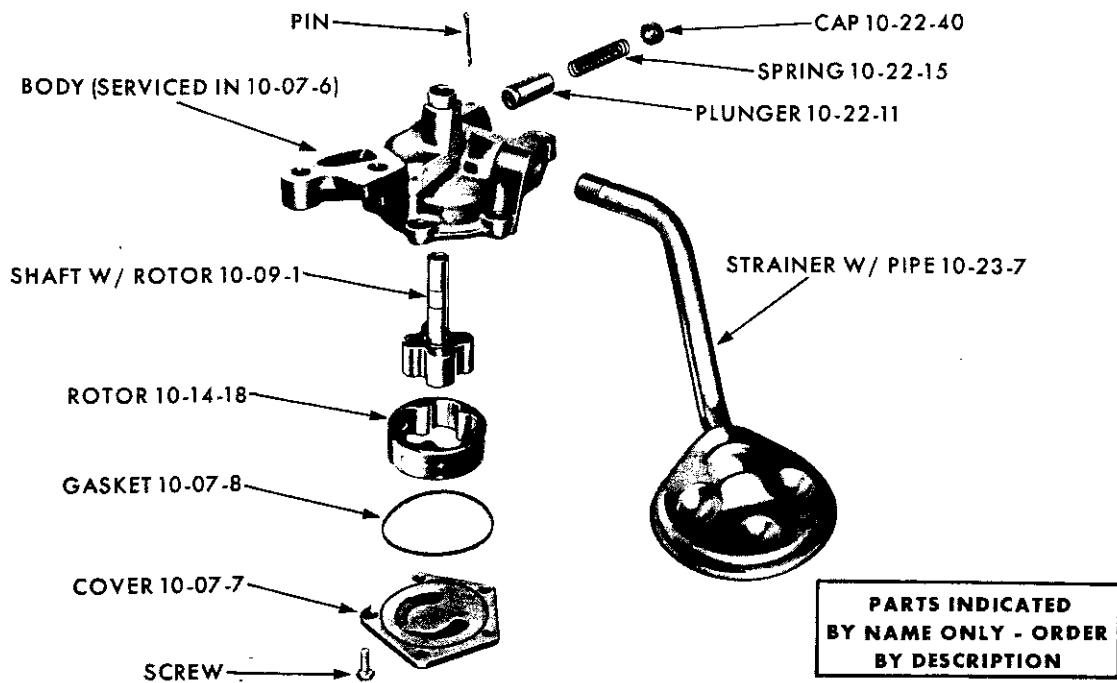
OIL FILTER - WITH 318 CU. IN. ENGINE (REPLACEABLE CARTRIDGE TYPE)



OIL PUMP AND FILTER - 6 CYLINDER

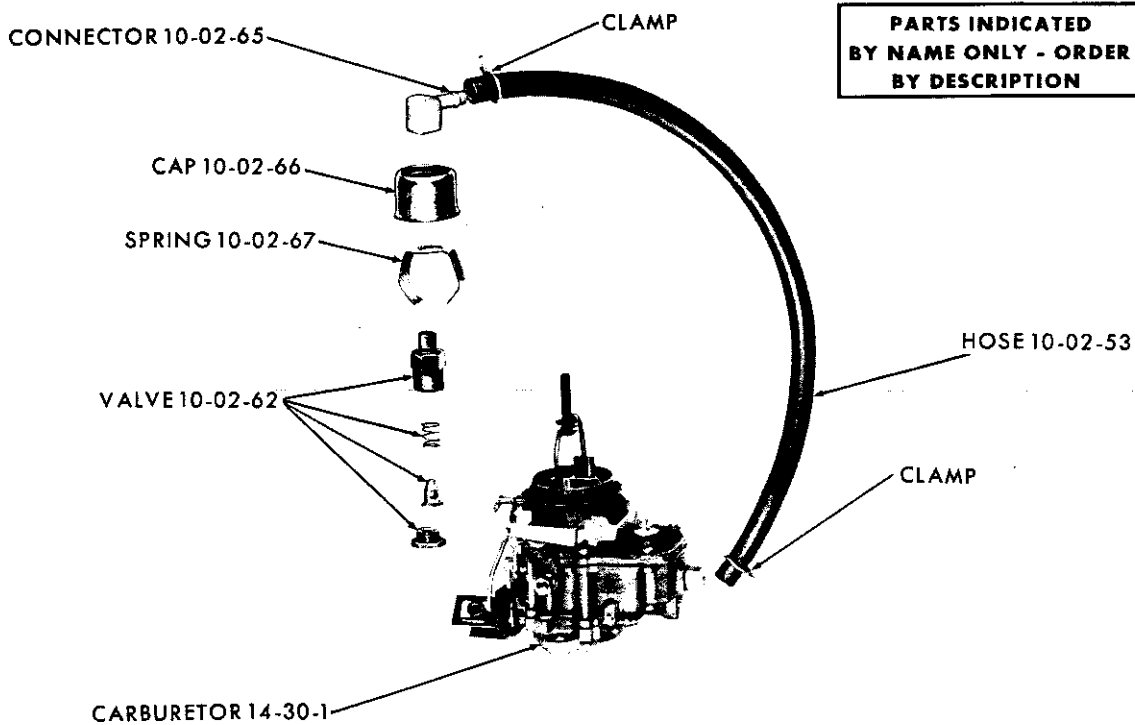


OIL PUMP - 361 CU. IN. ENGINE



19x9226

OIL PUMP - V8 CYLINDER



19x9077A

CRANKCASE - CLOSED VENT SYSTEM

CODE	PART NAME AND DESCRIPTION	CYL	PER CAR	VALIANT DART	PLYMOUTH DODGE	CHRYSLER IMPERIAL
10-01-O CRANKCASE VENT INLET AIR CLEANER						
10-01-21	AIR CLEANER, Crankcase Vent Inlet, Std.		1	2402 199	2402 199	2402 199
	Heavy Duty		1	2402 013	2402 013	2402 013
10-02-O CRANKCASE CLOSED VENT SYSTEM						
10-02-40	NIPPLE, Intake Manifold Equalizer Tube, TC2-300J	8	1	-----	-----	2206 151
10-02-53	HOSE, Crankcase Vent Valve to Carburetor (sold by the inch)		*	1064 541	1064 541	1064 541
10-02-62	VALVE, Vent, Crankcase use w/170 cu. in. Eng.	6	1	2448 743		
	Use w/225 cu. in. Eng.		1	2448 742	2448 742	2448 742
10-02-65	CONNECTOR, Crankcase Vent Valve		1	2203 118	2203 118	2203 118
10-02-66	CAP, Crankcase Vent Valve		1	2203 116	2203 116	2203 116
10-02-67	SPRING, Crankcase Vent Valve Cap		1	2203 117	2203 117	2203 117
10-03-O OIL LEVEL INDICATOR						
10-03-4	INDICATOR, w/170 cu.in.Eng., 20 3/8" approx. lgh.	6	1	*2121 569		
	w/170 cu.in.Eng., 15 1/8" approx. lgh.	6	1	*2402 836		
	w/170 cu.in.Eng., 18 1/8" approx. lgh.	6	1	E2463 443		
	w/225 cu.in.Eng., 20 15/16" approx. lgh.	6	1	*2206 319		
	w/225 cu.in.Eng., 15 11/16" approx. lgh.	6	1	*2402 837		
	w/225 cu.in.Eng., 18 11/16" approx. lgh.	6	1	*2463 444		
	TP1, TD1, 21 1/8" approx. lgh.	6	1	-----	*2264 092	
	TP1, TD1, 15 7/8" approx. lgh.	6	1	-----	*2402 838	
	TP1, TD1, 18 7/8" approx. lgh.	6	1	-----	E2463 445	
	w/318 cu.in. Eng.	8	1	-----	2402 839	
	w/361 and 383 cu.in. Eng., except TA3	8	1	-----	2402 840	
	w/426 cu.in.Eng., 24 25/32" approx. lgh.	8	1	-----	*2463 186	
	w/426 cu.in.Eng., 26 25/32" approx. lgh.	8	1	-----	*2465 257	
	TA3	8	1	-----	2402 841	2402 841
10-03-7	TUBE, 9 3/32" lgh.	6	1	1859 788	1859 788	
	3 7/8" lgh.	6	1	2406 366	2406 366	
	w/318 cu. in. Eng.	8	1	-----	1859 788	
	w/318 cu. in. Eng., use w/Leece Neville Alternator, w/o Air Conditioning	8	1	-----	2463 010	
	w/361 and 383 cu. in. Eng.	8	1	-----	1944 652	
	w/426 cu.in. Eng.	8	1	-----	2402 311	
		8	1	-----	-----	1944 652
10-07-O OIL PUMP						
10-07-2	GASKET and SEAL PACKAGE	8	1	-----	2084 355	2084 355
10-07-3	SHAFT and ROTOR PACKAGE	6	1	2084 415	2084 415	
	w/361, 383 and 426 cu.in. Eng.	8	1	-----	2084 354	
		8	1	-----	-----	2084 354
10-07-6	PUMP, UP TO Eng., T17-3-11 and T22-3-11	6	1	*1947 221	*1947 221	
	AFTER Eng., T17-3-11 and T22-3-11	6	1	*2463 382	*2463 382	
	w/318 cu.in.Eng.	8	1	-----	*2402 474	
	w/361 and 383 cu.in. Eng.	8	1	-----	2120 870	
	w/426 cu.in.Eng.	8	1	-----	*2465 092	
		8	1	-----	-----	2120 870
10-07-7	COVER, w/318 cu. in. Eng.	8	1	-----	2206 095	
10-07-8	GASKET, Cover		1	2268 921	2268 921	2268 921

★ Indicates use as required. Numerals in parentheses () refer to notes. Printed in U.S.A.
 □ Indicates parts not listed in any previous parts book. Prices and specifications subject to change without notice.
 * Indicates change or addition.

CODE	PART NAME AND DESCRIPTION	CYL.	PER CAR	VALIANT DART	PLYMOUTH DODGE	CHRYSLER IMPERIAL
10-07-0 OIL PUMP - Cont'd						
10-07-10	BODY, w/361 and 383 cu.in. Eng.	8	1	----	1737 718	
	w/426 cu.in. Eng.	8	1	----	2406 662	
		8	1	----	----	1737 718
10-07-11	GASKET, Body	6	1	2121 404	2121 404	
10-07-12	SEAL, Body, w/361, 383 and 426 cu.in. Eng. . . .	8	1	----	1855 328	
10-07-14	SHIELD, Oil Pump Body Splash	6	1	2269 072	2269 072	
10-09-0 OIL PUMP DRIVE SHAFT						
10-09-1	SHAFT, w/Inner Rotor, w/318 cu. in. Eng.	8	1	----	2121 530	
10-09-5	SHAFT, Oil Pump and Distributor Drive w/Gear, w/318 cu. in. Eng.	8	1	----	2121 535	
	w/361 and 383 cu. in. Eng.	8	1	----	1739 604	
	w/426 cu.in. Eng.	8	1	----	2402 639	
		8	1	----	----	1739 604
10-09-7	BUSHING	8	1	----	*1737 725	*1737 725
10-10-0 OIL PUMP DRIVE GEAR						
10-10-1	GEAR	6	1	1947 225	1947 225	
10-14-0 OIL PUMP ROTOR						
10-14-18	ROTOR, Outer w/318 cu. in. Eng.	8	1	----	2121 531	
10-18-0 OIL PUMP SUCTION PIPE						
10-18-4	PIPE, w/426 cu.in. Eng.	8	1	----	2406 679	
10-22-0 OIL PRESSURE RELIEF VALVE						
10-22-11	PLUNGER, UP TO Eng., T17-3-11 and T22-3-11 .	6	1	*2120 764	*2120 764	
	AFTER Eng., T17-3-11 and T22-3-11	6	1	*2406 580	*2406 580	
	TP2, TD2, w/318 cu.in. Eng.	8	1	----	*2120 764	
	TP2, TD2, TA3, w/361, 383 and 426 cu.in. Eng..	8	1	----	*2463 541	*2463 541
10-22-15	SPRING, Std., Red	6	1	1737 742	1737 742	
	Std., Red, w/318 cu. in. Eng.	8	1	----	2264 587	
	Std., Red, w/361 and 383 cu.in. Eng.	8	1	----	1737 742	1737 742
	w/426 cu.in. Eng., Color, Plain	8	1	----	*2406 677	
10-22-16	DAMPER, Spring, w/361, 383 and 426 cu.in. Eng.	8	1	----	2202 845	
		8	1	----	----	2202 845
10-22-40	CAP, Plunger	6	1	618 621	618 621	
	w/318 cu. in. Eng.	8	1	----	2264 586	
	w/361, 383 and 426 cu.in. Eng.	8	1	----	618 621	618 621
10-22-41	GASKET, Cap		1	618 622	618 622	618 622
10-23-0 OIL STRAINER						
10-23-7	STRAINER, w/PIPE, w/170 cu. in. Eng.	6	1	2121 702		
	w/PIPE, w/225 cu. in. Eng.	6	1	2206 317		
	w/PIPE	6	1	----	2206 261	
	w/PIPE, w/318 cu. in. Eng.	8	1	----	2206 381	
	w/PIPE, w/361 and 383 cu. in. Eng., except TA3	8	1	----	2206 458	
	w/o Pipe, w/426 cu.in. Eng.	8	1	----	2406 678	
	w/PIPE, TA3	8	1	----	1859 947	1859 947

★ Indicates use as required.

Numerals in parentheses () refer to notes.

Printed in U.S.A.

☐ Indicates parts not listed in any previous parts book.

Prices and specifications subject to change without notice.

Jan. 3, 1964 Supersedes Dec. 14, 1962.

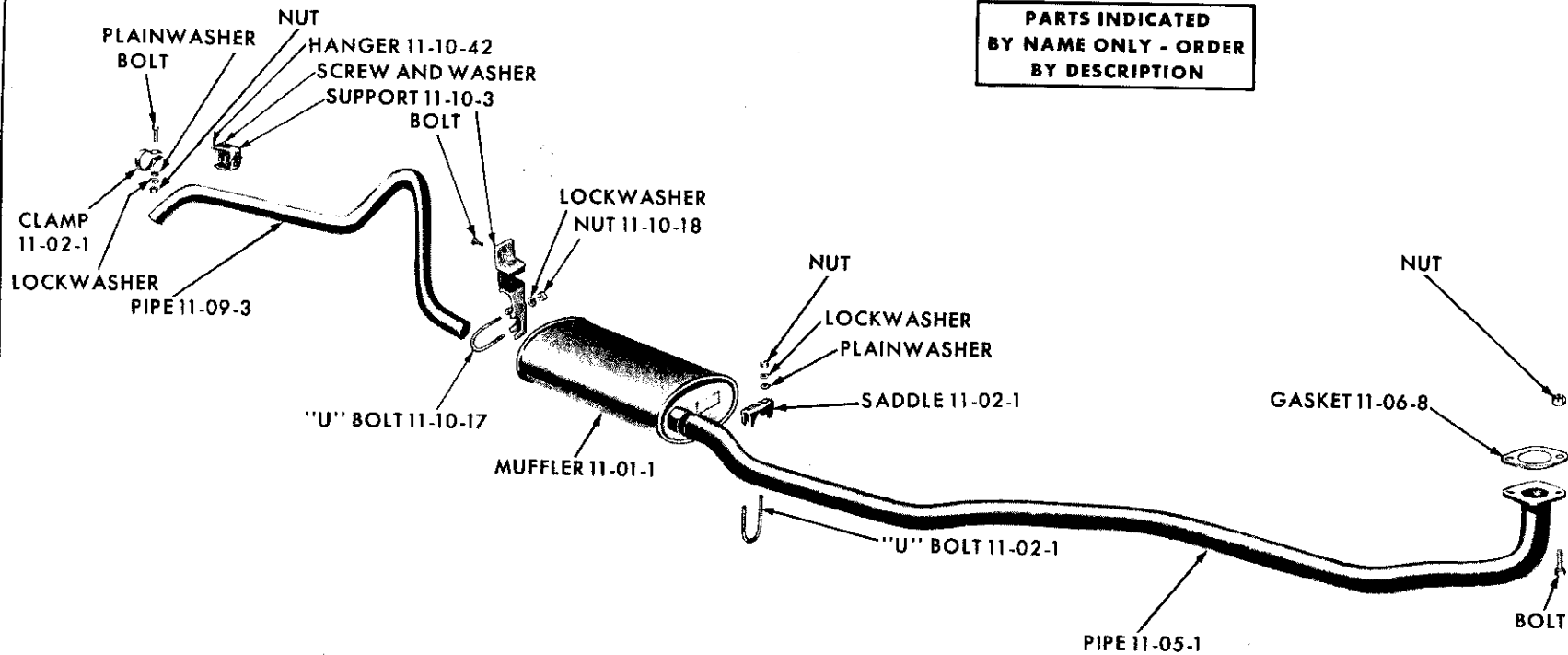
* Indicates change or addition.

CODE	PART NAME AND DESCRIPTION	CYL	PER CAR	VALIANT DART	PLYMOUTH DODGE	CHRYSLER IMPERIAL
10-24-O OIL PAN						
10-24-1	GASKET SET	6	1	2240 647	2240 647	
	w/318 cu. in. Eng.	8	1	---- --	1879 520	
10-24-4	PAN, w/Drain PLUG, w/170 cu. in. Eng.	6	1	2268 446		
	w/Drain PLUG, w/225 cu.in.Eng.	6	1	*2406 688		
	w/o Drain Plug	6	1	---- --	2206 463	
	w/Drain PLUG, w/318 cu. in. Eng.	8	1	---- --	2206 373	
	w/o Drain Plug, w/361 and 383 cu. in. Eng., except TA3	8	1	---- --	2206 455	
	w/o Drain Plug, w/426 cu.in. Eng.	8	1	---- --	2402 307	
	w/Drain PLUG, TA3	8	1	---- --	2268 459	2268 459
10-24-8	GASKET, w/361, 383 and 426 cu.in.Eng.	8	1	---- --	1737 770	1737 770
10-24-23	SCREW, w/WASHER, Pan Attaching, 5/16"-18 x 13/16"		★	*1947 953	*1947 953	*1947 953
	5/16"-18 x 1"	8	2	---- --	*1675 958	
	To Bearing Seal Retainer	6	2	1343 212	1343 212	
		8	2	---- --	2121 573	2121 573
10-24-37	PLUG, Drain, 1/2" -20 x 3/4"		1	2268 564	2268 564	2268 564
10-24-38	GASKET, Drain Plug, 1/2" I.D. -7/8" O.D.		1	2268 513	2268 513	2268 513
10-26-O OIL FILTER						
10-26-5	ADAPTER, Base to Filter	8	1	---- --	*1739 619	*1739 619
	Filter to Cylinder Block, w/318 cu. in. Eng. . .	8	1	---- --	2206 372	
	PLATE, Filter to Adapter, w/318 cu. in. Eng. . .	8	1	---- --	2402 103	
10-26-6	FILTER, Replaceable Cartridge Type, Including CARTRIDGE, Heavy Duty	6	1	*2128 548	*2128 548	
	Sealed Can Type, w/Built In Gasket		1	1851 658	1851 658	1851 658
10-26-8	CARTRIDGE		1	*2129 023	*2129 023	
10-26-12	BASE, w/361 and 383 cu.in. Eng.	8	1	---- --	2120 866	
	w/426 cu. in. Eng.	8	1	---- --	2406 684	
		8	1	---- --	---- --	2120 866
10-26-14	SHELL, Oil Filter, w/318 cu. in. Eng.	8	1	---- --	2448 371	
10-26-18	GASKET, Oil Filter Body	6	1	2268 870	2268 870	
10-26-27	GASKET, Cover	6	1	2129 024	2129 024	
	Adapter Plate	8	1	---- --	1557 575	
10-26-37	GASKET, Spring Retainer		1	*1557 584	*1557 584	
10-26-46	STANDPIPE, w/VALVE	6	1	2402 607	2402 607	
10-26-52	GASKET, Oil Filter Standpipe Valve Adapter . . .	6	1	2120 017	2120 017	
10-26-65	GASKET, Oil Filter Tube Cap	6	1	2202 435	2202 435	
	w/318 cu. in. Eng.	8	1	---- --	1557 581	

NOTES

★ Indicates use as required. Numerals in parentheses () refer to notes. Printed in U.S.A.
 ☐ Indicates parts not listed in any previous parts book. Price and specifications subject to change without notice.
 * Indicates change or addition. Jan. 3, 1964 Supersedes Dec. 14, 1962.

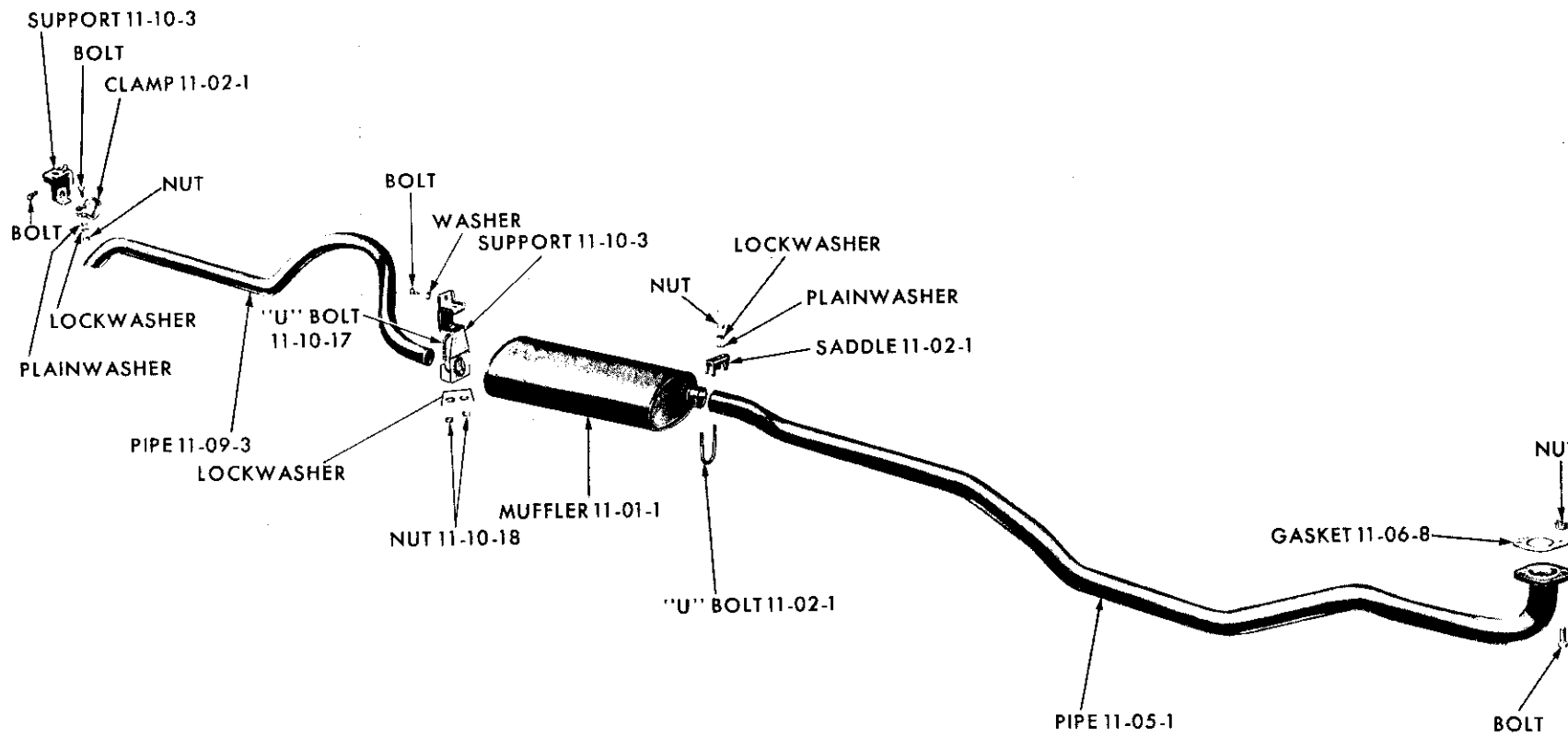
GROUP 11 - EXHAUST



PARTS INDICATED BY NAME ONLY - ORDER BY DESCRIPTION

19x8748C

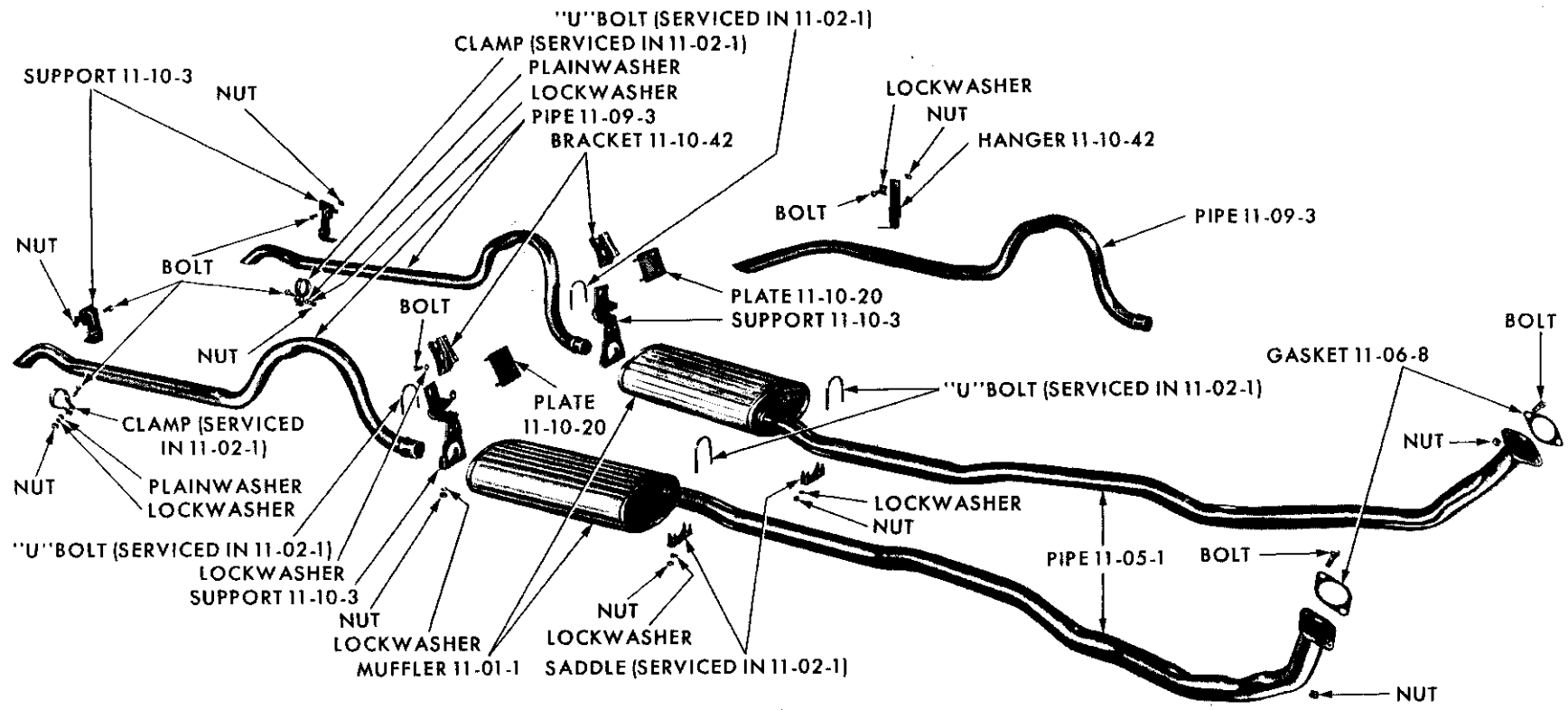
EXHAUST SYSTEM - VALIANT TV1 AND DART TL1



**PARTS INDICATED
BY NAME ONLY - ORDER
BY DESCRIPTION**

19x8644C

EXHAUST SYSTEM - PLYMOUTH TP1 AND DODGE TD1



**PARTS INDICATED
BY NAME ONLY - ORDER
BY DESCRIPTION**

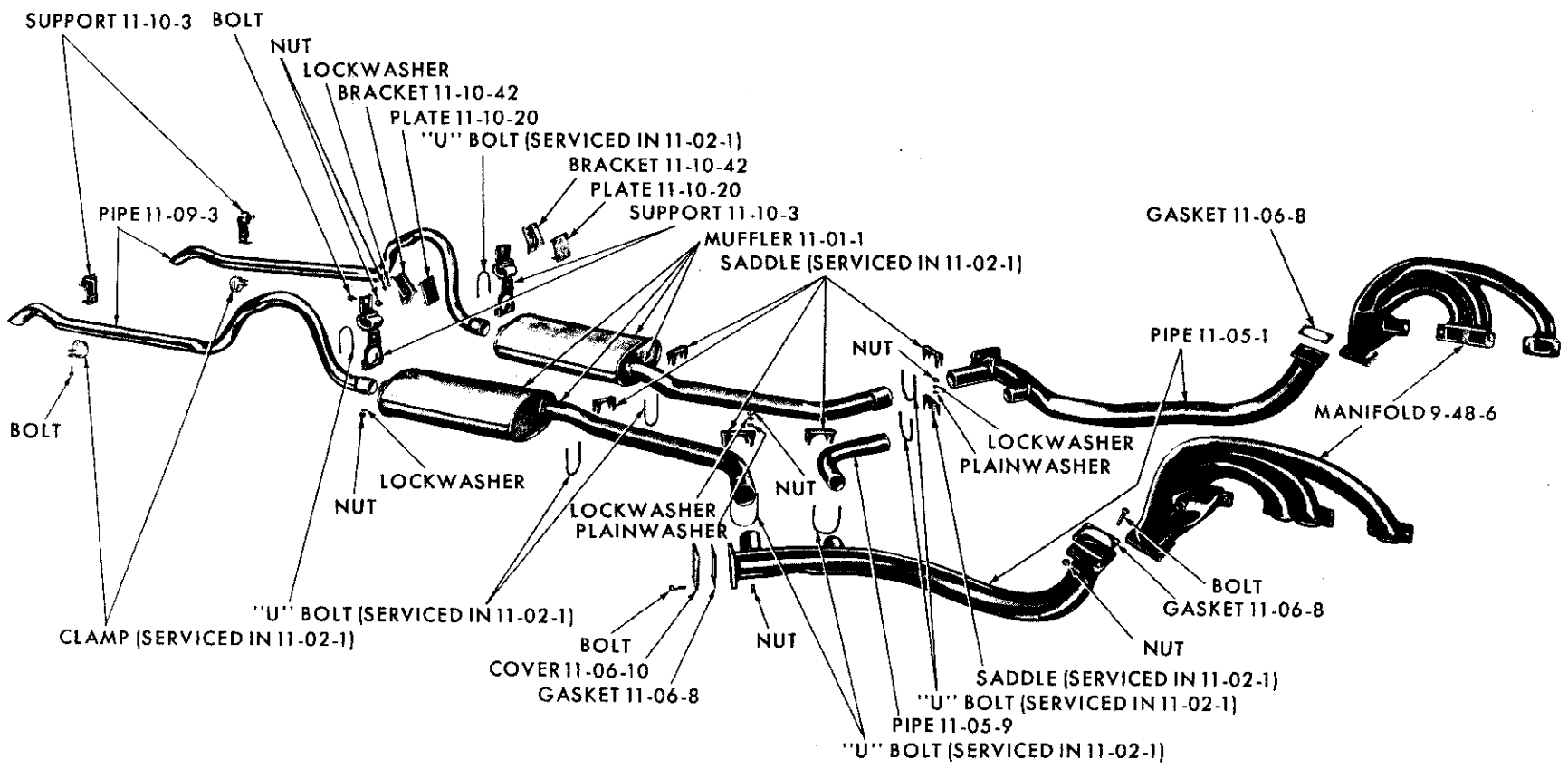
19x9678

DUAL EXHAUST SYSTEM (V8 CYLINDER) - PLYMOUTH TP2 AND DODGE TD2 ("B" ENGINE)

Jan. 3, 1964 Supersedes Jan. 25, 1963.

Page 11-2B

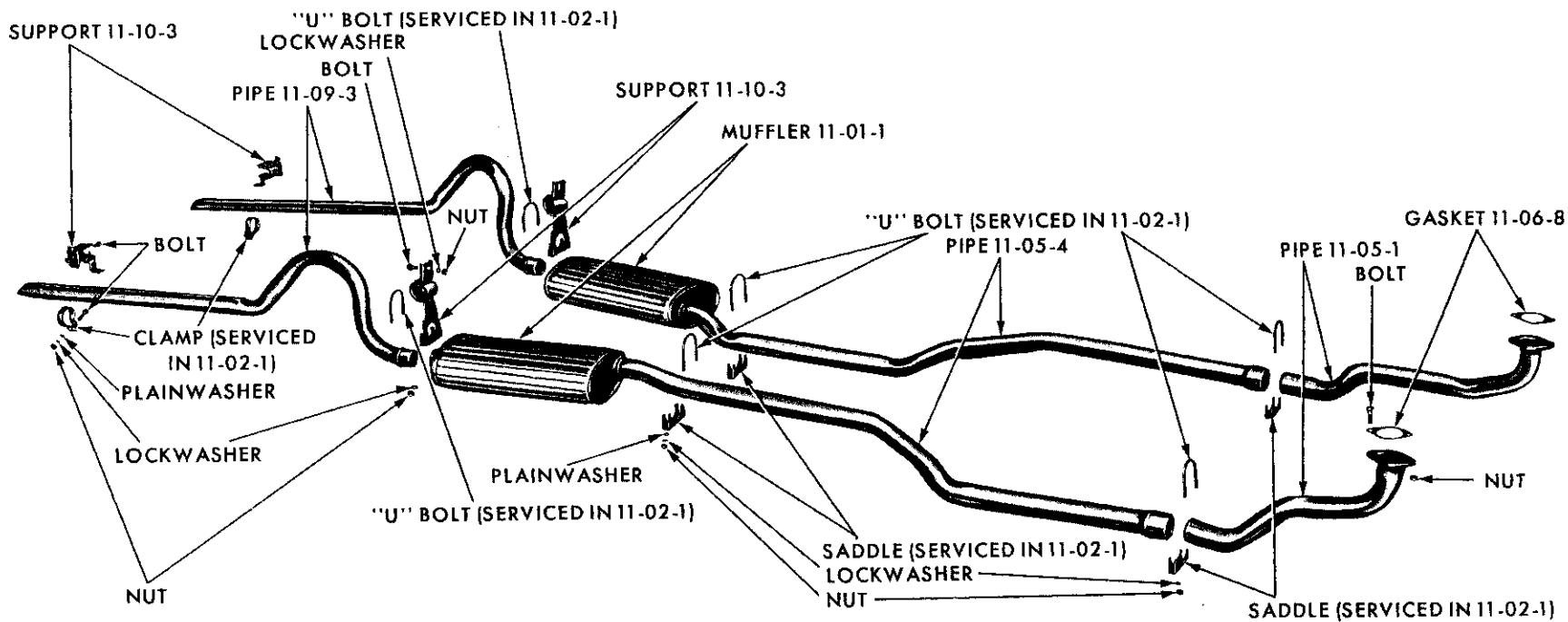
Printed in U.S.A.



**PARTS INDICATED
 BY NAME ONLY - ORDER
 BY DESCRIPTION**

19x9682

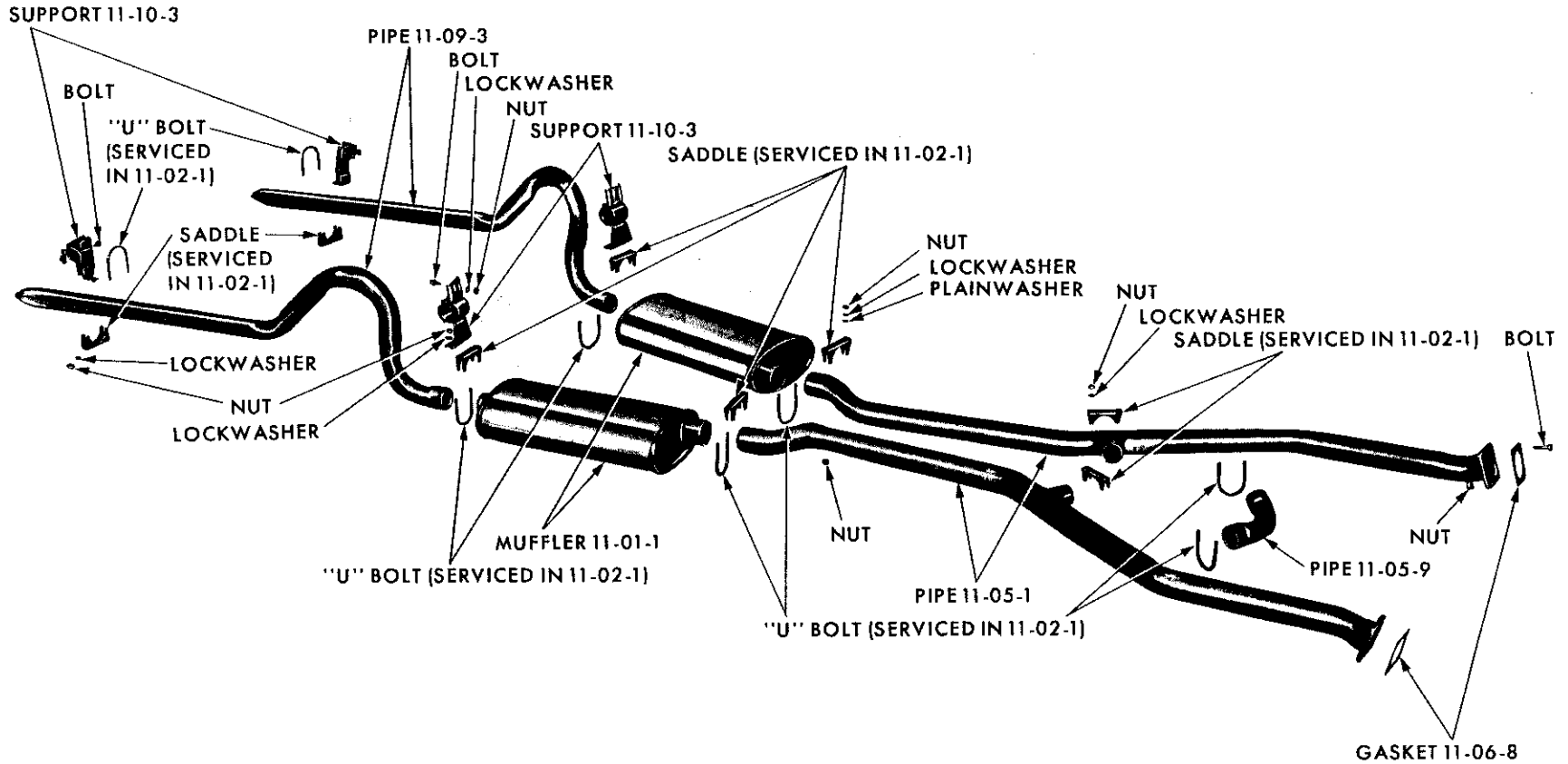
DUAL EXHAUST SYSTEM (V8 CYLINDER) - PLYMOUTH TP2 AND DODGE TD2 (WITH 426 CU. IN. ENGINE)



**PARTS INDICATED
BY NAME ONLY - ORDER
BY DESCRIPTION**

19x9680

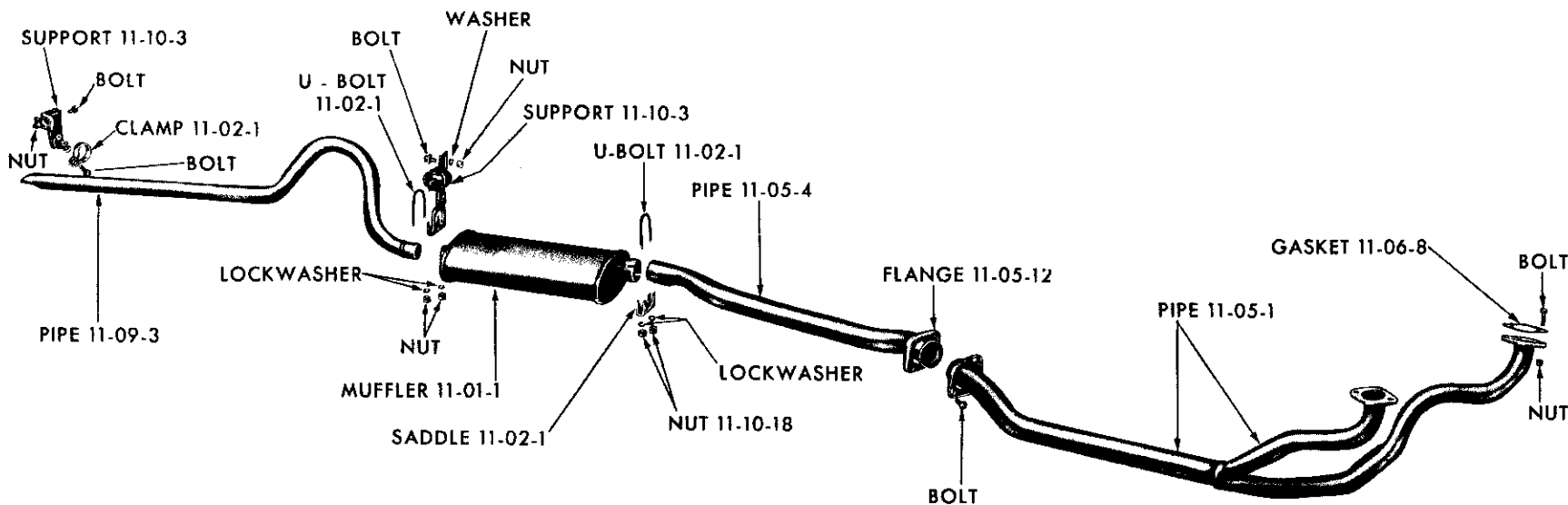
DUAL EXHAUST SYSTEM - DODGE TA3 AND CHRYSLER TC1 POLICE, CHRYSLER TC2 POWER PACK SEDAN



**PARTS INDICATED
BY NAME ONLY - ORDER
BY DESCRIPTION**

19x9679

DUAL EXHAUST SYSTEM - CHRYSLER TC2-300J

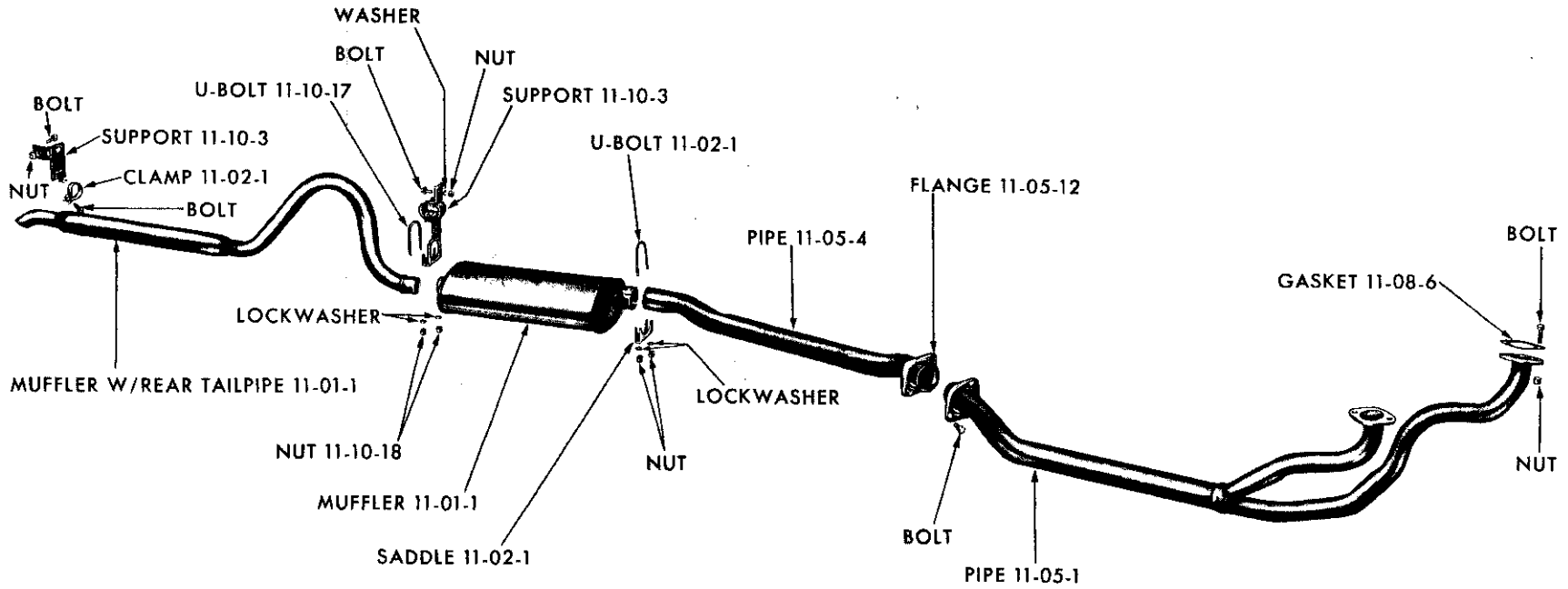


**PARTS INDICATED
BY NAME ONLY - ORDER
BY DESCRIPTION**

19x9954

SINGLE EXHAUST SYSTEM (UP TO JOBS) - DODGE TA3 AND CHRYSLER TC1-2

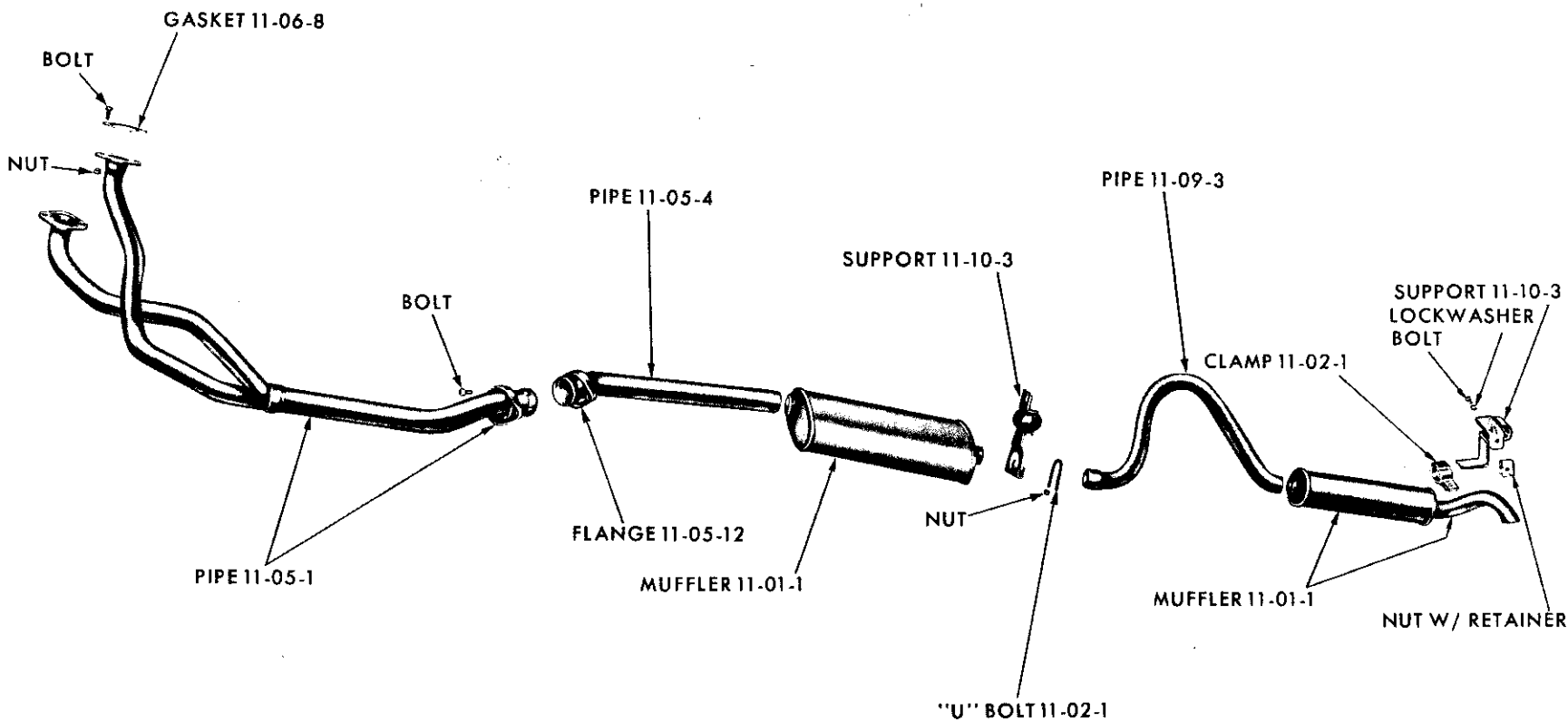
MyMopar.com



**PARTS INDICATED
BY NAME ONLY - ORDER
BY DESCRIPTION**

SINGLE EXHAUST SYSTEM (AFTER JOBS) - DODGE TA3 AND CHRYSLER TC1-2

19x9955

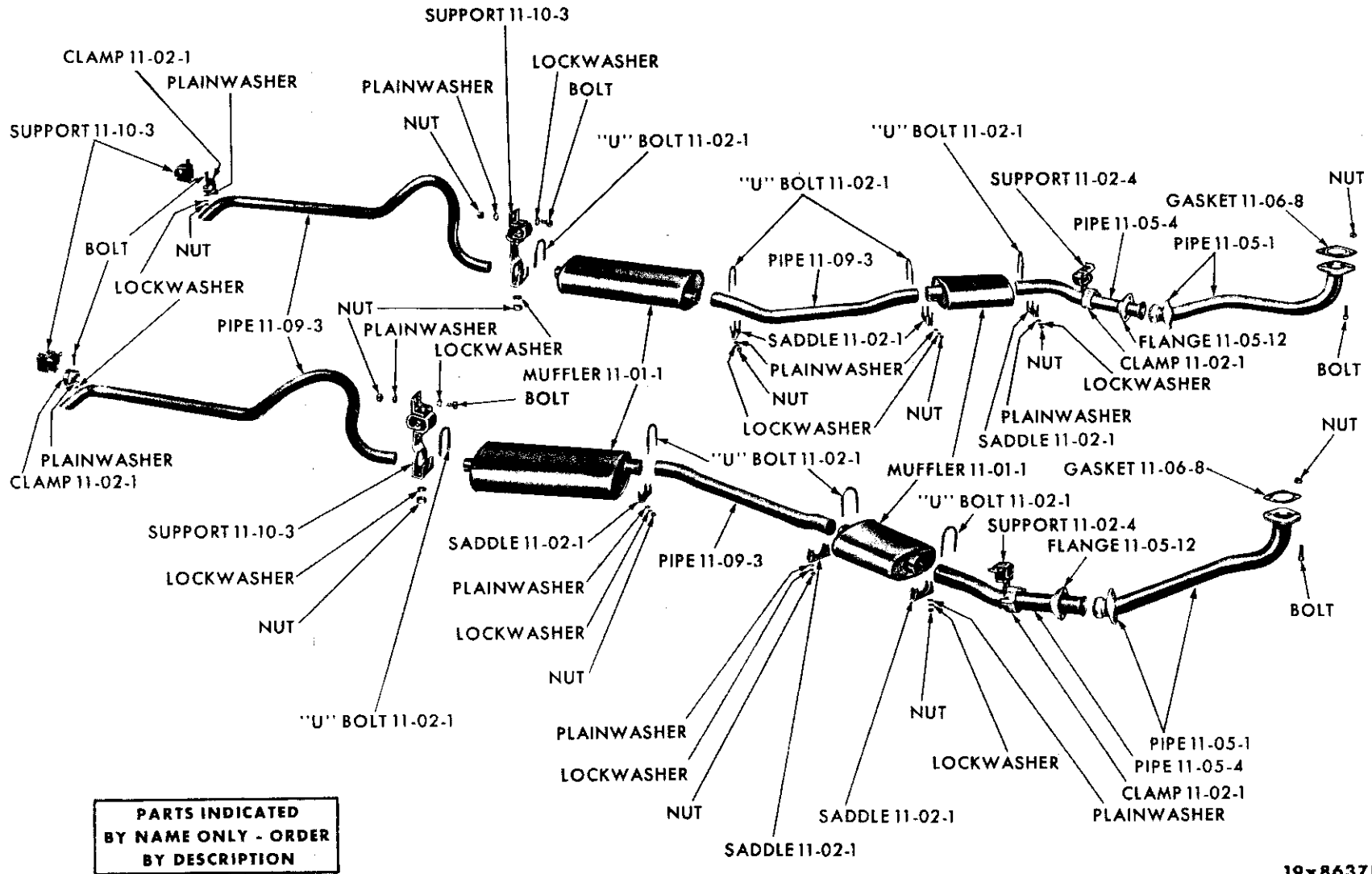


**PARTS INDICATED
BY NAME ONLY - ORDER
BY DESCRIPTION**

19x9098D

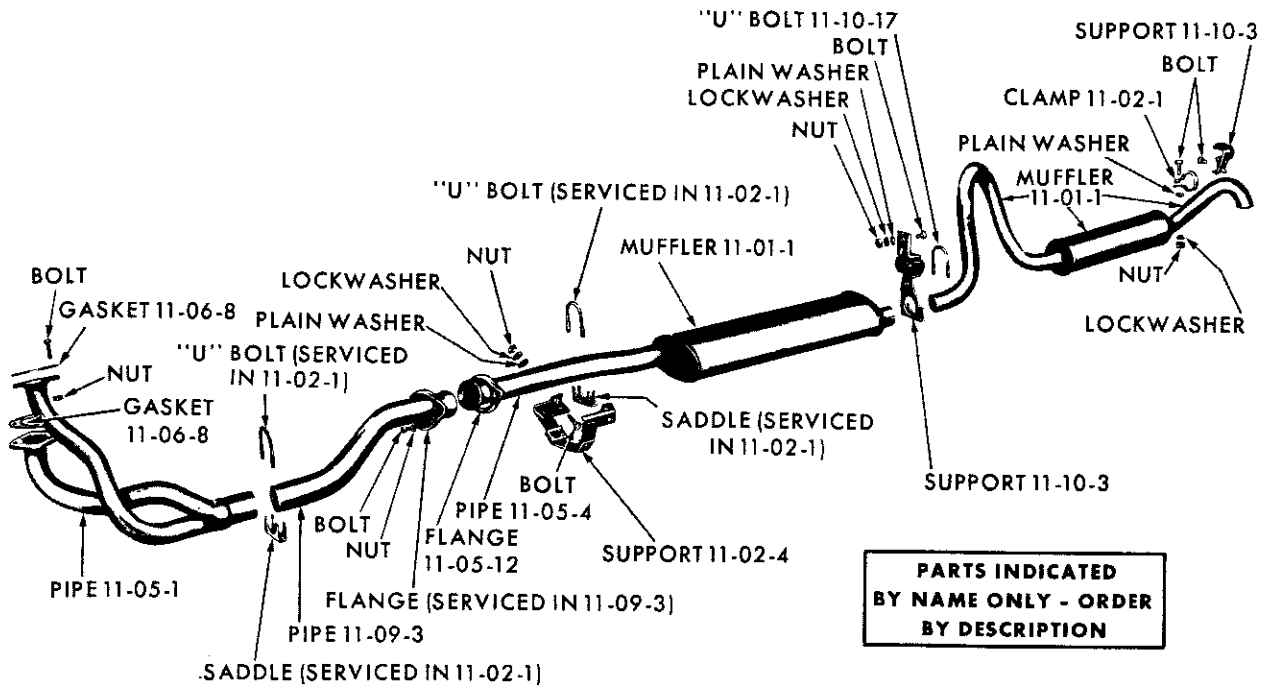
EXHAUST SYSTEM - CHRYSLER TC3 (EXCEPT SUBURBAN)

MyMopar.com



19x8637B

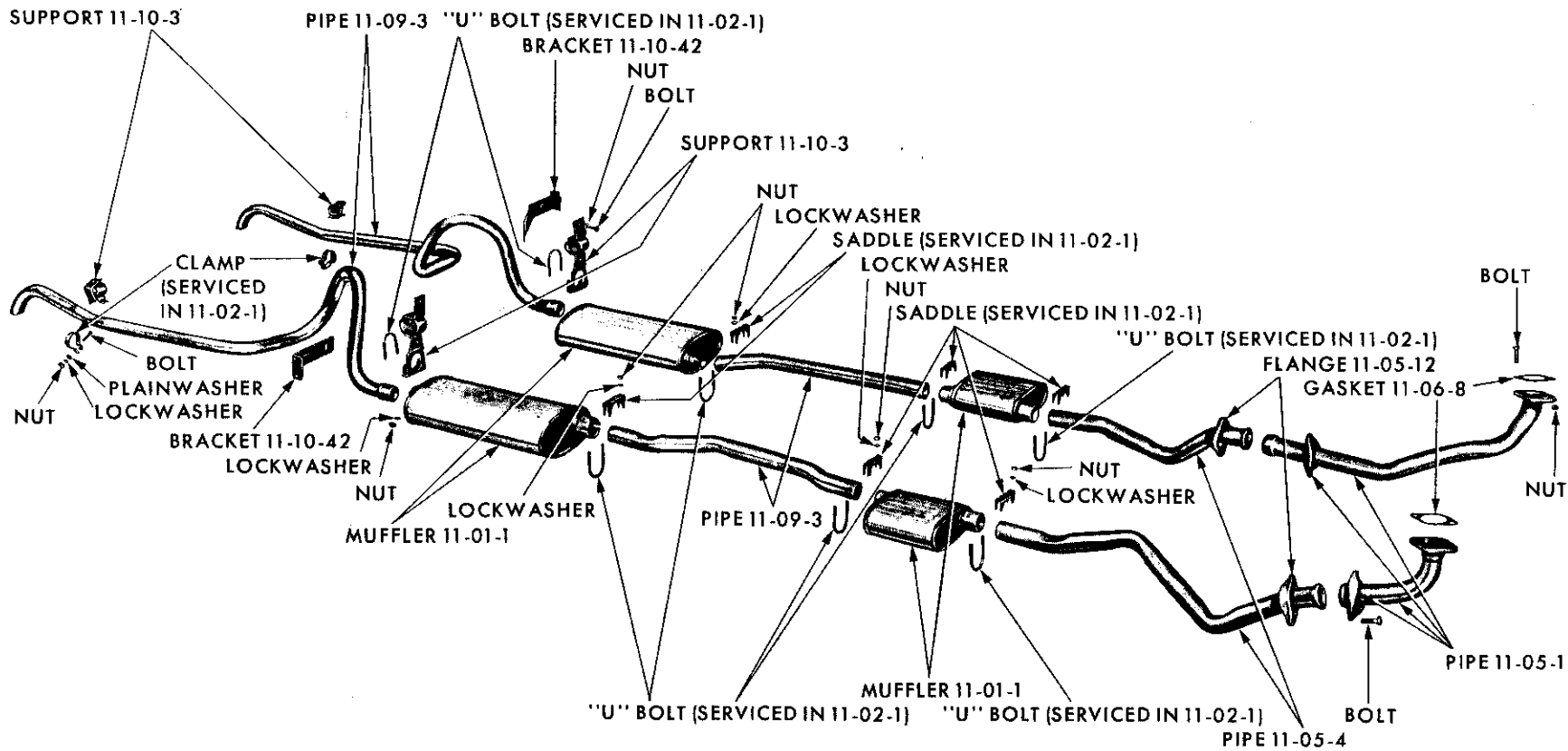
EXHAUST SYSTEM - DODGE TA3 AND CHRYSLER TC1-3 (SUBURBANS)



19x9169B

EXHAUST SYSTEM - IMPERIAL TY1

NOTES



**PARTS INDICATED
BY NAME ONLY - ORDER
BY DESCRIPTION**

19x9681

DUAL EXHAUST SYSTEM - IMPERIAL TY1 CONVERTIBLE COUPE

CODE	PART NAME AND DESCRIPTION	C Y L.	PER CAR	VALIANT DART	PLYMOUTH DODGE	CHRYSLER IMPERIAL
------	---------------------------	--------------	------------	-----------------	-------------------	----------------------

11-01-O MUFFLERSINGLE EXHAUST

11-01-1	MUFFLER, Aluminized	6	1	2409 125	2409 126	
	Zinc Coated	6	1	2208 370	2298 913	
	Aluminized, TP2, TD2	8	1	----	2409 127	
	Zinc Coated, TP2, TD2	8	1	----	2298 915	
	Aluminized, TA3, TC1, TC2	8	1	----	2409 128	2409 128
	Zinc Coated, TA3, TC1, TC2	8	1	----	2208 406	2208 406
	Rear, w/Rear Tail Pipes, except Sub., TA3, TC1, TC2, AFTER Jobs	8	1	----	*2405 342	*2405 342
	Aluminized, Front, TC3, except Sub.	8	1	----	----	2409 128
	Zinc Coated, Front, TC3, except Sub.	8	1	----	----	2208 406
	Aluminized, Rear, w/Rear Tail Pipe, TC3 except Sub.	8	1	----	----	2201 418
	Front, TY1 except Cv. Cp.	8	1	----	----	2409 129
	Rear, w/Front and Rear Tail Pipes, TY1 except Cv. Cp.	8	1	----	----	2265 964

DUAL EXHAUST

	Aluminized, except w/426 cu.in. Eng., TP2, TD2, Right	8	1	----	2409 130	
	Aluminized, except w/426 cu.in. Eng., TP2, TD2, Left	8	1	----	2409 127	
	Zinc Coated, except 426 cu.in. Eng., TP2, TD2	8	2	----	2298 915	
	Aluminized, w/426 cu.in. Eng., TP2, TD2	8	2	----	*2409 128	
	Zinc Coated, w/426 cu.in. Eng., TP2, TD2	8	2	----	*2208 406	
	Aluminized, w/413 cu.in. Eng., Right, TA3, TC1, Police 4D., TC2	8	1	----	2409 134	2409 134
	Aluminized, w/413 cu.in. Eng., Left, TA3, TC1, Police 4D., TC2	8	1	----	2409 133	2409 133
	Zinc Coated, w/413 cu.in. Eng., TA3, TC1, Police 4D., TC2	8	2	----	2208 405	2208 405
	TC2-300J	8	2	----	----	2405 985
	Front, TA3, TC1, Police Sub., TC3 Sub.	8	2	----	2405 331	2405 331
	Rear, TA3, TC1, Police Sub., TC3 Sub.	8	2	----	2409 136	2409 136
	Front, TY1 Cv.Cp.	8	2	----	----	2405 331
	Rear, TY1 Cv.Cp.	8	2	----	----	2405 335

11-02-O MUFFLER SUPPORTSINGLE EXHAUST

11-02-1	CLAMP PACKAGE, Tail Pipe Rear Support	6	1	2240 308	2240 311	
	TP2, TD2	8	1	----	2279 897	
	TA3	8	1	----	2240 312	2240 312
	Tail Pipe Front Support	6	1	----	1843 009	
	TP2, TD2	8	1	----	*2240 311	
	TA3	8	1	----	*2240 311	*2240 311
	Muffler to Exhaust Pipe	6	1	1843 009	1843 010	
	TP2, TD2	8	1	----	*2240 311	
	Muffler to Exhaust Extension, TP2, TD2	8	1	----	*2240 311	
	TA3	8	1	----	*1603 365	*1603 365
	Front Muffler Support, TY1	8	1	----	----	*1603 365
	Intermediate to Exhaust Pipe, TY1	8	1	----	----	*1603 365
	Exhaust to Extension, TP2, TD2	8	1	----	1603 364	
	Exhaust Pipe Brace, Taxi, Police	6	1	----	1843 010	

★ Indicates use as required.

Numerals in parentheses () refer to notes.

Printed in U.S.A.

☐ Indicates parts not listed in any previous parts book.

Prices and specifications subject to change without notice.

* Indicates change or addition.

CODE	PART NAME AND DESCRIPTION	C Y L.	PER CAR	VALIANT DART	PLYMOUTH DODGE	CHRYSLER IMPERIAL
------	---------------------------	--------------	------------	-----------------	-------------------	----------------------

11-02-0 MUFFLER SUPPORT - Cont'd

DUAL EXHAUST

11-02-1	CLAMP PACKAGE - Cont'd					
	Tail Pipe Rear Support, TP2, TD2, TC2-300J . . .	8	2	----	2279 897	1603 364
	w/426 cu.in. Eng., TP2, TD2	8	2	----	*2240 312	
	TA3, TC1, Police except Sub., TC2 w/413 cu.in. Eng.	8	2	----	2240 312	2240 312
	TA3, TC1, Police Sub., TC3 Sub., TY1 Cv.Cp. . .	8	2	----	2240 311	2240 311
	Tail Pipe Front Support, w/426 cu.in. Eng., except Sub., TP2, TD2	8	2	----	*2240 311	
	TA3, TC1, Police except Sub., TC2 w/413 cu.in. Eng.	8	2	----	*2240 311	*2240 311
	TA3, TC1, Police Sub., TC3 Sub.	8	2	----	1843 009	1843 009
	TC2-300J	8	2	----	----	1603 364
	TY1 Cv.Cp.	8	2	----	----	1843 009
	Front Muffler to Intermediate Tail Pipe, TA3, TC1, Police Sub., TC3 Sub., TY1 Cv.Cp.	8	2	----	*2240 311	*2240 311
	Front Muffler to Exhaust Extension, TA3, TC1, Police Sub., TC3 Sub.	8	2	----	2240 312	2240 312
	Muffler to Exhaust Extension, TP2, TD2, w/426 cu.in. Eng.	8	2	----	*1603 365	
	TA3, TC1, Police except Sub., TC2 w/413 cu.in. Eng.	8	2	----	1603 364	1603 364
	TY1 Cv.Cp.	8	2	----	----	*2240 311
	Muffler to Exhaust Pipe, w/361 and 383 cu.in. Eng., TP2, TD2	8	2	----	*2240 311	
	TC2-300J	8	2	----	----	*1603 365
	Exhaust to Crossover, w/426 cu.in. Eng., TP2, TD2	8	2	----	*2240 311	
	TC2-300J	8	2	----	----	*2240 311
11-02-4	SUPPORT, w/INSULATOR, Front Muffler, TA3, TC1, Police Sub., TC3 Sub., Right	8	1	----	2122 796	2122 796
	Left	8	1	----	1948 549	1948 549
	TY1 except Cv.Cp.	8	1	----	----	2265 968
	TY1, Cv.Cp., Right	8	1	----	----	1820 319
	Left	8	1	----	----	1820 318

11-05-0 EXHAUST PIPE

SINGLE EXHAUST

11-05-1	PIPE, w/170 cu.in. Eng., TV1	6	1	2208 420		
	w/225 cu.in. Eng., TV1	6	1	2208 440		
	w/170 cu.in. Eng., TL1 except Sub.	6	1	2401 550		
	w/225 cu.in. Eng., TL1 except Sub.	6	1	2401 556		
	w/170 cu.in. Eng., TL1 Sub.	6	1	2208 420		
	w/225 cu.in. Eng., TL1 Sub.	6	1	2208 440		
	TP1	6	1	----	2208 428	
	Police and Taxi, w/Auto. Trans., TP1 2D., 4D. and Sub., TD1 Sub.	6	1	----	*2409 148	
	Police and Taxi, Std. Trans., 2D. and 4D., TP1 . .	6	1	----	*2208 428	
	Police and Taxi, Std. Trans., 2D. and 4D., TD1 . .	6	1	----	*2267 007	
	Police and Taxi, w/Auto. Trans., 2D. and 4D., TD1	6	1	----	*2409 152	
	Except Sub., TD1	6	1	----	2267 007	
	Sub., TD1	6	1	----	2208 428	
	w/318 cu.in. Eng., TP2, TD2	8	1	----	2203 557	

★ Indicates use as required.

Numerals in parentheses () refer to notes.

Printed in U.S.A.

☐ Indicates parts not listed in any previous parts book.

Prices and specifications subject to change without notice.

Jan. 3, 1964 Supersedes Dec. 14, 1962.

Page 11-6

* Indicates change or addition.

CODE	PART NAME AND DESCRIPTION	C Y L.	PER CAR	VALIANT DART	PLYMOUTH DODGE	CHRYSLER IMPERIAL
------	---------------------------	--------------	------------	-----------------	-------------------	----------------------

11-05-0 EXHAUST PIPE - Cont'd

SINGLE EXHAUST - Cont'd

11-05-1	PIPE - Cont'd					
	TP2 w/361, 383 cu.in. Eng., TD2					
	w/383 cu.in. Eng.	8	1	----	2266 041	
	TA3, TC1, TC2	8	1	----	2404 953	2404 953
	TC3 except Sub.	8	1	----	----	2404 958
	TY1	8	1	----	----	2404 963

DUAL EXHAUST

	w/361 and 383 cu.in. Eng., TP2, Right	8	1	----	2208 434	
	w/361 and 383 cu.in. Eng., TP2, Left	8	1	----	2208 432	
	w/383 cu.in. Eng., TD2 except Sub., Right	8	1	----	2266 996	
	w/383 cu.in. Eng., TD2 except Sub., Left	8	1	----	2266 994	
	w/383 cu.in. Eng., TD2 Sub., Right	8	1	----	2208 434	
	w/383 cu.in. Eng., TD2 Sub., Left	8	1	----	2208 432	
	w/426 cu.in. Eng., Right, TP2, TD2	8	1	----	*2404 938	
	w/426 cu.in. Eng., Left, TP2, TD2	8	1	----	*2404 934	
	TA3, TC1, Police except Sub., TC2					
	w/413 cu.in. Eng., Right	8	1	----	2265 952	2265 952
	TA3, TC1, Police except Sub., TC2					
	w/413 cu.in. Eng., Left	8	1	----	2265 950	2265 950
	TA3, TC1, Police Sub., TC3 Sub., Right	8	1	----	2123 481	2123 481
	TA3, TC1, Police Sub., TC3 Sub., Left	8	1	----	2123 479	2123 479
	TC2-300J, Right	8	1	----	----	2401 602
	TC2-300J, Left	8	1	----	----	2401 600
	TY1 Cv. Cp., Right	8	1	----	----	1948 166
	TY1 Cv. Cp., Left	8	1	----	----	2265 975

SINGLE EXHAUST

11-05-4	PIPE, Exhaust Extension, w/318 cu.in. Eng., TP2	8	1	----	2203 563	
	w/318 cu.in. Eng., TD2 except Sub.	8	1	----	2265 999	
	w/318 cu.in. Eng., TD2 Sub.	8	1	----	2203 563	
	w/361, 383 cu.in. Eng., TP2	8	1	----	2266 046	
	w/383 cu.in. Eng., TD2 except Sub.	8	1	----	2267 003	
	w/383 cu.in. Eng., TD2 Sub.	8	1	----	2266 046	
	TA3, TC1, TC2, TC3 except Sub.	8	1	----	*2404 968	*2404 968
	TY1 except Cv. Cp.	8	1	----	----	2404 970
	Intermediate, TY1 except Cv. Cp.	8	1	----	----	2404 971

DUAL EXHAUST

	w/426 cu.in. Eng., Right, TP2	8	1	----	*2404 946	
	w/426 cu.in. Eng., Left, TP2	8	1	----	*2404 945	
	w/426 cu.in. Eng., Left, except Sub., TD2	8	1	----	2404 949	
	w/426 cu.in. Eng., Right, except Sub., TD2	8	1	----	2404 950	
	w/426 cu.in. Eng., Right, Sub., TD2	8	1	----	*2404 946	
	w/426 cu.in. Eng., Left, Sub., TD2	8	1	----	*2404 945	
	TA3, TC1, Police except Sub., TC2					
	w/413 cu.in. Eng., Right	8	1	----	2405 330	2405 330
	TA3, TC1, Police except Sub., TC2					
	w/413 cu.in. Eng., Left	8	1	----	2405 329	2405 329
	w/413 cu.in. Eng., TA3, TC1, Police Sub.,					
	TC3 Sub., Right	8	1	----	2405 349	2405 349
	w/413 cu.in. Eng., TA3, TC1, Police Sub.,					
	TC3 Sub., Left	8	1	----	2405 348	2405 348
	TY1 Cv. Cp., Right	8	1	----	----	1948 173
	TY1 Cv. Cp., Left	8	1	----	----	2265 977
11-05-9	PIPE, Exhaust Crossover, w/426 cu.in. Eng.,					
	except Sub., TP2, TD2	8	1	----	2404 942	
	TC2-300J	8	1	----	----	2401 604

★ Indicates use as required.

Numerals in parentheses () refer to notes.

Printed in U.S.A.

☐ Indicates parts not listed in any previous parts book.

Prices and specifications subject to change without notice.

* Indicates change or addition.

Page 11-7

Jan. 3, 1964 Supersedes Dec. 14, 1962.

CODE	PART NAME AND DESCRIPTION	C Y L.	PER CAR	VALIANT DART	PLYMOUTH DODGE	CHRYSLER IMPERIAL
------	---------------------------	--------------	------------	-----------------	-------------------	----------------------

11-05-O EXHAUST PIPE - Cont'd

DUAL EXHAUST - Cont'd

11-05-12	FLANGE, Extension Pipe Ball Joint, Single Exhaust, TA3	8	1	----	1946 639	1946 639
	TA3, TC1, Police Sub., TC3 Sub., TY1 Cv.Cp., Dual Exhaust	8	2	----	1946 637	1946 637

11-06-O EXHAUST PIPE FLANGE GASKET AND STUD

11-06-2	STUD, Exhaust Manifold Flange, TP2, TD2	8	1	----	1402 981	
11-06-3	NUT, Extension Pipe Ball Joint Flange, TA3	8	★	----	1946 648	1946 648
11-06-4	FLANGE, TC2-300J	8	2	----	----	579 396
11-06-8	GASKET, Exhaust Pipe Flange	6	1	2073 792	2073 792	
	w/318 cu.in. Eng., TP2, TD2	8	2	----	1636 570	
	TP2 w/361, 383 cu.in. Eng., TD2 w/383 cu.in. Eng. w/426 cu.in. Eng., TP2, TD2	8	2	----	1855 029	
	Flange Cover, w/426 cu.in. Eng., TP2, TD2	8	2	----	*2401 577	
	Except TC2-300J	8	2	----	*2401 577	
	TC2-300J	8	2	----	----	1855 029
	TA3	8	2	----	1855 029	683 051
11-06-10	COVER, Exhaust Pipe Flange, w/426 cu.in. Eng., TP2, TD2	8	2	----	*2404 941	

11-08-O EXHAUST PIPE SUPPORT AND CLAMP

11-08-5	BRACE, Police and Taxi, w/o 4 Speed Std. Trans., 2D. and 4D.	6	1	----	2203 638	
	Police and Taxi, w/4 Speed Std. Trans.	6	1	----	2409 155	

11-09-O TAIL PIPE

SINGLE EXHAUST

11-09-3	PIPE, Tail, except Sub.	6	1	2404 998	2404 921	
	Sub.	6	1	2404 999	2203 579	
	Except Sub., TP2, TD2	8	1	----	2404 923	
	Except Sub., TA3, TC1, TC2, UP TO Jobs.	8	1	----	*2401 569	*2401 569
	Sub., TP2, TD2	8	1	----	2203 583	
	Sub., TA3, TC1	8	1	----	1948 591	1948 591
	Front, except Sub., TC3	8	1	----	----	2404 975

DUAL EXHAUST

w/361 and 383 cu.in. Eng., except Sub., TP2, TD2, Right	8	1	----	2404 924	
w/361 and 383 cu.in. Eng., except Sub., TP2, TD2, Left	8	1	----	2404 923	
w/361 and 383 cu.in. Eng., Sub., TP2, TD2, Right	8	1	----	2203 584	
w/361 and 383 cu.in. Eng., Sub., TP2, TD2, Left w/426 cu.in. Eng., Right, except Sub., TP2, TD2	8	1	----	2203 583	
w/426 cu.in. Eng., Left, except Sub., TP2, TD2	8	1	----	2404 926	
				2404 925	
w/426 cu.in. Eng., Right, Sub., TP2, TD2	8	1	----	*2461 531	
w/426 cu.in. Eng., Left, Sub., TP2, TD2	8	1	----	*2461 530	
w/413 cu.in. Eng., Right, TA3, TC1, Police 4D., TC2	8	2	----	*2401 569	*2401 569
w/413 cu.in. Eng., Left, TA3, TC1, Police 4D., TC2	8	1	----	*2401 568	*2401 568
TA3, TC1, Police Sub., TC3 Sub., Right	8	1	----	1948 589	1948 589
TA3, TC3, Police Sub., TC3 Sub., Left	8	1	----	1948 588	1948 588

★ Indicates use as required.

Numerals in parentheses () refer to notes.

Printed in U.S.A.

☐ Indicates parts not listed in any previous parts book.

Prices and specifications subject to change without notice.

Jan. 3, 1964 Supersedes Dec. 14, 1962.

Page 11-8

* Indicates change or addition.

CODE	PART NAME AND DESCRIPTION	C Y L	PER CAR	VALIANT DART	PLYMOUTH DODGE	CHRYSLER IMPERIAL
------	---------------------------	-------------	------------	-----------------	-------------------	----------------------

11-09-O TAIL PIPE - Cont'dDUAL EXHAUST - Cont'd

11-09-3	PIPE - Cont'd					
	TC2-300J, Right	8	1	----	----	2401 608
	TC2-300J, Left	8	1	----	----	2401 607
	TY1 Cv.Cp., Right	8	1	----	----	1948 284
	TY1 Cv.Cp., Left	8	1	----	----	1948 283
	Intermediate, TA3, TC1, Police Sub., TC3, Sub., Right	8	1	----	2409 142	2409 142
	Intermediate, TA3, TC1, Police Sub., TC3 Sub., Left	8	1	----	2409 140	2409 140
	Intermediate, TY1 Cv.Cp., Right	8	1	----	----	1948 267
	Intermediate, TY1 Cv.Cp., Left	8	1	----	----	1948 266

11-10-O TAIL PIPE SUPPORTSINGLE EXHAUST

11-10-3	SUPPORT, w/INSULATOR, Front	6	1	2266 971	2203 677	
	Rear, except Sub.	6	1	2073 794	2401 562	
	Rear, Sub.	6	1	2073 794	2203 915	
	Front, TP2, TD2	8	1	----	2203 965	
	Rear, except Sub., TP2, TD2	8	1	----	2401 562	
	Rear, Sub., TP2, TD2	8	1	----	2203 915	
	Front, TA3, TC1, TC2, TC3 except Sub.	8	1	----	2123 440	2123 440
	Rear, except Sub., TA3, TC1, TC2, UP TO JOBS	8	1	----	*2203 680	*2203 680
	Rear, except Sub., TA3, TC1, TC2, AFTER JOBS	8	1	----	*2405 341	*2405 341
	Rear, except Sub., TC3	8	1	----	----	2404 977
	Rear, Sub., TA3, TC1	8	1	----	2208 394	2208 394
	Front, except Cv.Cp., TY1	8	1	----	----	2265 985
	Rear, except Cv.Cp., TY1	8	1	----	----	2265 972
	NUT, U-Bolt, Front		2	6022 838	6022 838	6022 838
	SCREW, Front Support		*	----	----	6022 226
	SCREW, Rear Support to Body	6	1	6025 089	----	

DUAL EXHAUST

	Front, TP2, TD2, Right	8	1	----	2203 966	
	Front, TP2, TD2, Left	8	1	----	2203 965	
	Rear, TP2, TD2, except Sub.	8	2	----	2401 562	
	Rear, Sub., TP2, TD2, Right	8	1	----	2203 916	
	Rear, Sub., TP2, TD2, Left	8	1	----	2203 915	
	Front, Right, w/426 cu.in. Eng., except Sub., TP2, TD2	8	1	----	2404 930	
	Front, Left, w/426 cu.in. Eng., except Sub., TP2, TD2	8	1	----	2404 929	
	Rear, w/426 cu.in. Eng., except Sub., TP2, TD2	8	2	----	2401 562	
	Front, TA3, TC1, Police 4D., TC2 w/413 cu.in. Eng.	8	2	----	2123 440	2123 440
	Rear, TA3, TC1, Police 4D., TC2 w/413 cu.in. Eng.	8	2	----	*2405 341	*2405 341
	Front, TA3, TC1, Police Sub., TC3 Sub.	8	2	----	2123 438	2123 438
	Rear, TA3, TC1, Police Sub., TC3 Sub., Right	8	1	----	2208 394	2208 394
	Rear, TA3, TC1, Police Sub., TC3 Sub., Left	8	1	----	2208 393	2208 393
	Front, TC2-300J	8	2	----	----	2401 611
	Rear, TC2-300J	8	2	----	----	2203 680
	Front, TY1 Cv.Cp.	8	2	----	----	2123 456
	Rear, TY1 Cv.Cp.	8	2	----	----	2208 396
	NUT, U-Bolt, Front	8	4	6022 838	6022 838	6022 838

★ Indicates use as required.

Numerals in parentheses () refer to notes.

Printed in U.S.A.

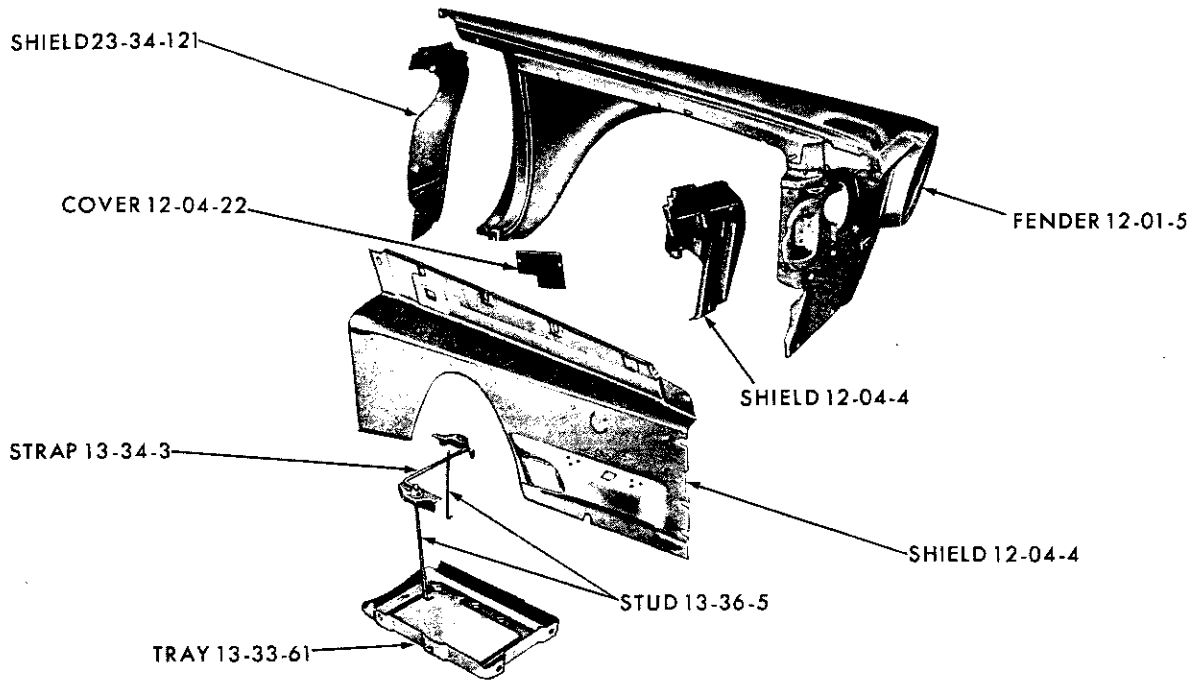
☐ Indicates parts not listed in any previous parts book.

Prices and specifications subject to change without notice.

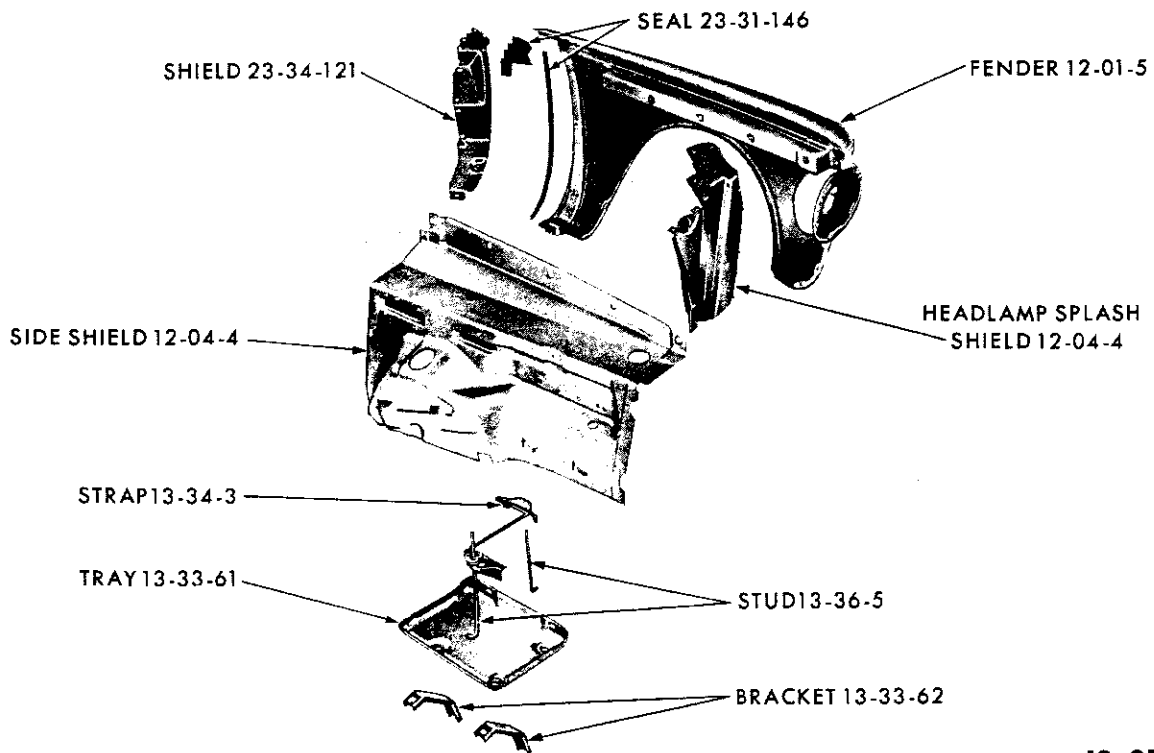
* Indicates change or addition.

Jan. 3, 1964 Supersedes Dec. 14, 1962.

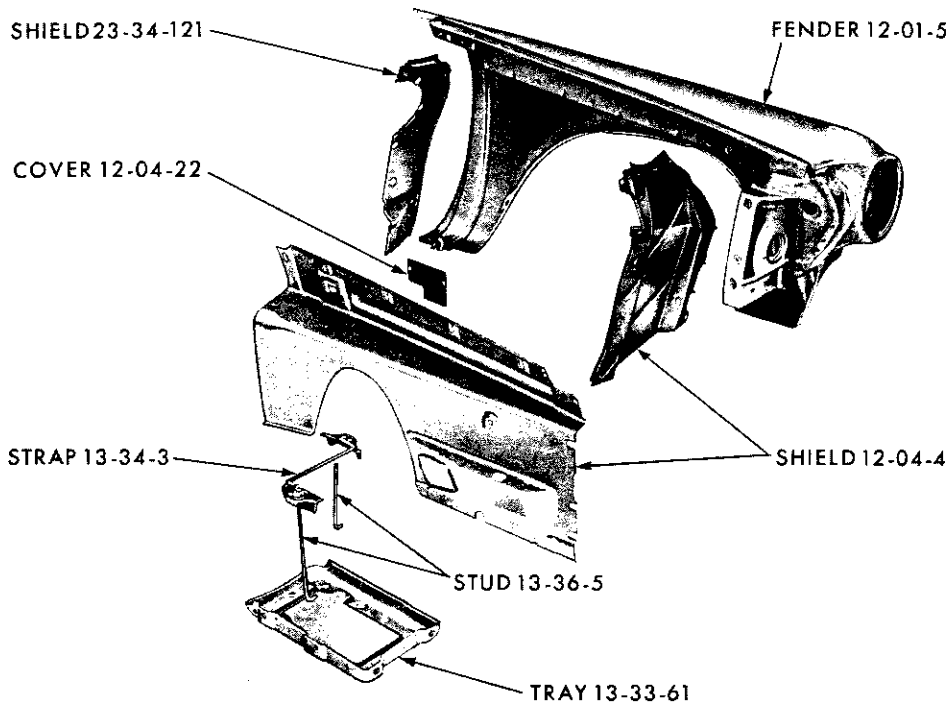
GROUP 12 - FENDERS AND SHEET METAL



FRONT FENDER - PLYMOUTH TP1-2

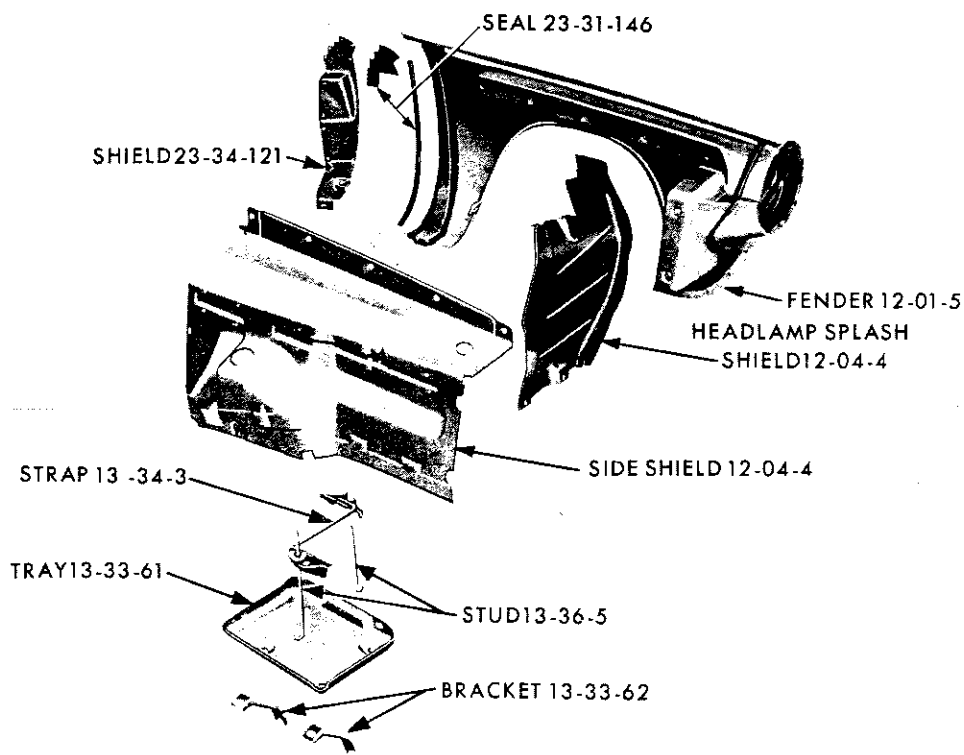


FRONT FENDER - VALIANT TV1



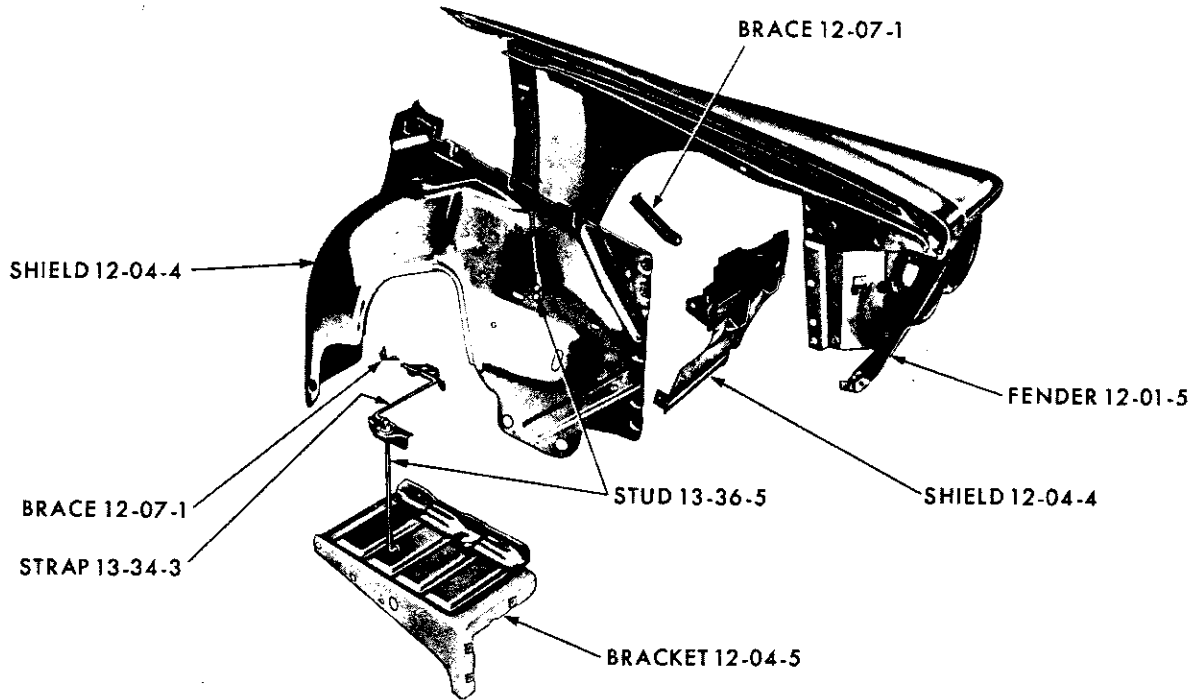
19x9536

FRONT FENDER - DODGE TD1-2



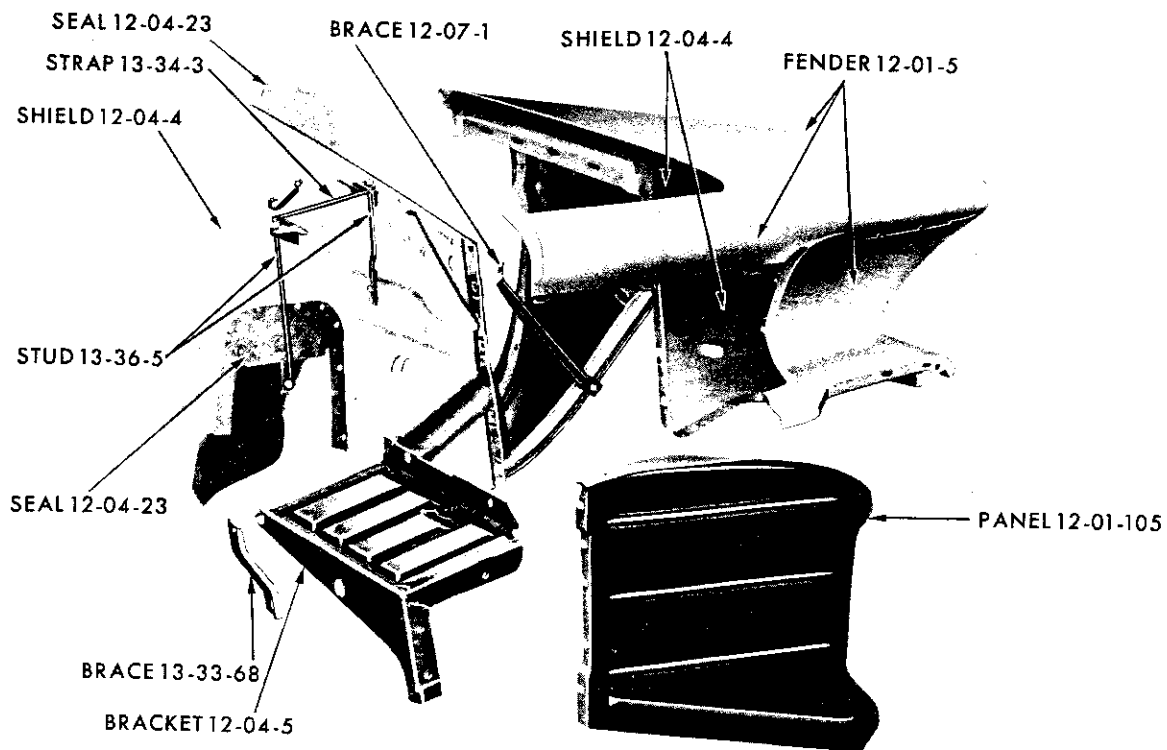
19x9542A

FRONT FENDER - DART TL1



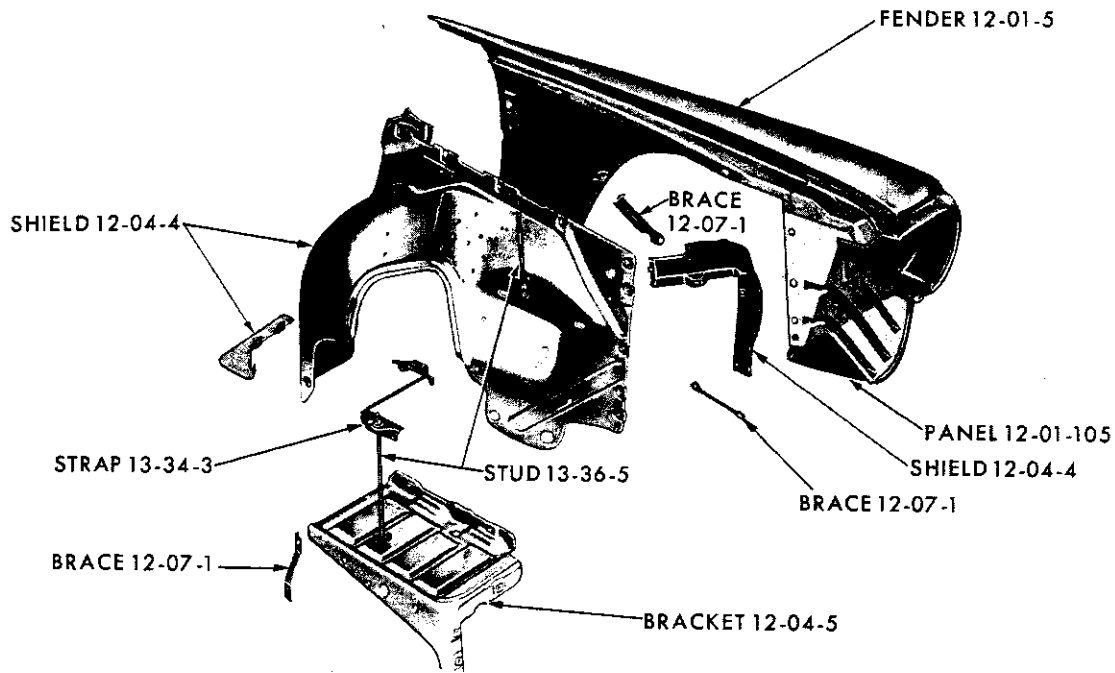
19x9523

FRONT FENDER - CHRYSLER TC1-2-3



19x8936B

FRONT FENDER - IMPERIAL TY1



19x9590A

FRONT FENDER - DODGE TA3

NOTES

CODE	PART NAME AND DESCRIPTION	C Y L	PER CAR	VALIANT DART	PLYMOUTH DODGE	CHRYSLER IMPERIAL
12-01-0 FRONT FENDERS						
12-01-5	FENDER, Right, TV1, TP1, TP2 (see Note below)		1	2253 504	2448 106	
	Left, TV1, TP1, TP2		1	2253 505	2448 107	
	Right, TL1, TD1, TD2 (see Note below)		1	2253 506	2448 108	
	Left, TL1, TD1, TD2		1	2253 507	2448 109	
	Right, TA3, TC1, TC2 except 300J, TC3 except Luxury New Yorker (see Note below)	8	1	----	2425 436	E2493 158
	Left, TA3, TC1, TC2 except 300J, TC3 except Luxury New Yorker	8	1	----	2425 437	2253 521
	Right, TC2-300J, TC3 Luxury New Yorker (see Note below)	8	1	----	----	E2493 158
	Left, TC2-300J, TC3 Luxury New Yorker	8	1	----	----	2425 647
	Right, TY1 (see Note below)	8	1	----	----	2425 268
	Left, TY1	8	1	----	----	2425 269
NOTE: Also specify one (1) 2445 182, Pentastar Medallion and 6000 049 Nut (code 12-15-21).						
12-01-7	PANEL, Front, Right, TD1, TD2		1	----	2276 192	
	Left, TD1, TD2		1	----	2276 193	
12-01-10	BRACKET, Fender to Pillar, TA3		2	----	*1686 914	*1686 914
12-01-12	STUD, to Fender Support	6	2	6022 016		
	To Side Shield		2	----	6022 016	
	To Cowl, TA3, TC1, TC2, TC3	8	4	----	6023 597	6023 597
	To Sill, TA3	8	★	*6022 016	6022 016	6022 016
	Fender Bracket to Pillar Support, TA3, TC1, TC2, TC3	8	2	----	6022 029	6022 029
	Headlamp Panel to Cross Bar, TC1, TC2, TC3	8	4	----	----	6022 802
	Headlamp Panel to Splash Shield, TC1, TC2, TC3	8	2	----	----	6022 802
	To Sill, TY1	8	2	----	----	6022 187
	Fender Bracket to Cowl, TY1	8	2	----	----	6022 009
12-01-15	NUT, to Grille Panel, TV1	6	★	6010 006		
	To Grille Panel	6	★	6023 167		
	Fender Flange to Pillar Support	6	★	6023 283		
	To Air Shield, TL1	6	★	6023 167		
	To Cowl, TP1, TP2, TD1, TD2	8	★	----	6023 170	
	To Cowl, TA3	8	★	----	6023 283	
	To Grille Panel, TA3	8	4	----	6023 168	
	To Dust Shield Brace, TC1, TC2, TC3	8	★	----	6023 168	6023 155
	To Sill Bracket, TY1	8	★	----	----	6023 171
	Top Panel to Grille Brace, TY1	8	★	----	----	6022 162
12-01-16	WASHER, to Sill		★	----	6022 784	
	Fender to Yoke to Side Shield, TP1, TP2		★	----	6022 784	
	Dash Panel to Side Shield		★	6023 291	6023 291	
	Fender Side Lower Sealing, TC1, TC2, TC3	8	★	----	----	6022 052
	To Sill, TY1	8	★	----	----	6022 187
	To Cowl, Upper, TC1, TC2, TC3	8	★	----	----	1903 478
12-01-92	REINFORCEMENT, Upper Flange, TY1	8	1	----	----	1904 180
12-01-105	EXTENSION, Fender Inner Front, Right, TP1, TP2		1	----	2276 336	
	Left, TP1, TP2		1	----	2276 337	
	PANEL, Fender Shear, Right, TA3, TY1	8	1	----	2417 292	1904 194
	Left, TA3, TY1	8	1	----	2417 293	1904 195

★ Indicates use as required. Numerals in parentheses () refer to notes. Printed in U.S.A.
 ☐ Indicates parts not listed in any previous parts book. Prices and specifications subject to change without notice.
 * Indicates change or addition. Jan. 3, 1964 Supersedes Jan. 25, 1963.

1963 PASSENGER CAR PARTS CATALOG

FENDERS AND SHEET METAL

CODE	PART NAME AND DESCRIPTION	CYL	PER CAR	VALIANT DART	PLYMOUTH DODGE	CHRYSLER IMPERIAL
12-02-0 FENDER SEAL OR SHIM						
12-02-5	SEAL, Fender to Pillar, Front, Lower, TA3. . . .	8	2	----	*2166 641	*2166 641
	Fender to Shear Panel, TY1	8	★	----	----	1242 974
	SHIM, to Pillar Support	6	★	6010 031		
	To Fender Support	6	★	6010 035		
	Fender Flange to Cowl	6	★	6010 031		
	To Sill, TY1		★	6023 257	6023 257	6010 031
	To Yoke Shield		★	----	6010 031	
	To Cowl, Front, TY1		★	----	2099 784	6010 037
	To Cowl, Rear		★	----	6010 031	
	To Cowl, Upper, Front, TA3, TC1, TC2, TC3 . .		★	----	1863 926	1863 926
	To Cowl, Upper, Rear, TA3, TC1, TC2, TC3 . .		★	----	6010 035	6010 035
	To Cowl, Lower, Rear TA3, TC1, TC2, TC3 . .		★	----	6010 031	6010 031
12-02-8	GASKET, to Stone Deflector, Right, TP1, TP2 . .		1	----	2276 624	
	Left, TP1, TP2		1	----	2276 625	
12-02-12	FASTENER, Splash Shield Seal		★	6006 104	6006 104	
12-04-0 FRONT FENDER SHIELD						
12-04-4	SIELD, Headlamp Splash, Right, TV1, TP1, TP2		1	2276 974	2276 736	
	Left, TV1, TP1, TP2		1	2276 975	2276 737	
	Right, TL1, TD1, TD2		1	2276 968	2276 972	
	Left, TL1, TD1, TD2		1	2276 969	2276 973	
	Right, TA3, TC1, TC2, TC3	8	1	----	2417 784	2276 902
	Left, TA3, TC1, TC2, TC3	8	1	----	2417 785	2276 903
	SIELD, Fender Side, Right, TP1, TP2, TD1, TD2.		1	2208 598	*2201 526	
	Left, TP1, TP2, TD1, TD2		1	2208 593	*2260 439	
	Right, TP2, TD2, w/426 cu.in.Engine	8	1	----	E2405 676	
	Right, TA3, TC1, TC2, TC3	8	1	----	*2208 580	2208 580
	Left, TA3, TC1, TC2, TC3	8	1	----	*2208 581	2208 581
	Right, TY1	8	1	----	----	1948 440
	Left, TY1	8	1	----	----	1948 441
	Side Shield Lower Rear Splash, Right, TA3,					
	TC1, TC2, TC3	8	1	----	*2405 684	*2405 684
	Left, TA3, TC1, TC2, TC3	8	1	----	*2405 685	*2405 685
12-04-5	BRACKET, Upper Support, w/Battery TRAY, TA3 .	8	1	----	1940 892	1940 892
12-04-10	PLUG, 1 3/4" dia., TP1, TP2, TD1, TD2		1	----	*2409 373	
12-04-12	STUD, Side Shield to Yoke, TC1, TC2, TC3 . . .	8	2	----	----	1863 760
	Splash Shield to Headlamp Panel, TC1, TC2, TC3.	8	4	----	----	*6024 156
	Side Shield Cover		★	----	6022 834	
	Dash Panel to Side Shield		★	6022 951	6022 951	
	Side Shield to Sill Cap, TA3	8	★	----	*6024 329	*6024 329
12-04-22	COVER, Side Shield		1	----	*2260 466	
	Right, TC2-300J	8	1	----	----	1948 434
	Left, TC2-300J	8	1	----	----	1948 435
12-04-23	SEAL, Fender Headlamp Splash Shield, Right, TA3	8	1	----	2417 506	
	Left, TA3	8	1	----	2417 507	
	Side Shield to Fender, TA3, TY1	8	2	----	2405 031	1940 859
	Side Shield to Upper Control Arm, Right, TA3,					
	TC1, TC2, TC3	8	1	----	*2405 682	*2405 682
	Left, TA3, TC1, TC2, TC3	8	1	----	*2405 683	*2405 683
	Right, TY1	8	1	----	----	E2405 688
	Left, TY1	8	1	----	----	E2405 689
12-04-24	CLIP, Seal, TA3	8	★	----	*2405 049	*2405 049

★ Indicates use as required. Numerals in parentheses () refer to notes. Printed in U.S.A.
 □ Indicates parts not listed in any previous parts book. Prices and specifications subject to change without notice.
 Jan. 3, 1964 Supersedes Dec. 14, 1962. * Indicates change or addition.

CODE	PART NAME AND DESCRIPTION	CYL	PER CAR	VALIANT DART	PLYMOUTH DODGE	CHRYSLER IMPERIAL
12-04-O FRONT FENDER SHIELD - Cont'd						
12-04-26	NUT, Headlamp Splash Shield		★	6023 167	6023 167	6023 167
	Side Shield to Hood Hinge Bracket		★	----	6023 170	
	Side Shield to Fender		★	6023 170	6023 170	6023 170
	Side Shield Brace to Dash Panel Brace, TA3	8	★	----	6023 171	6023 171
	Side Shield to Cover, TC2-300J	8	14	----	----	6023 170
	Side Shield to Yoke, TC1, TC2, TC3	8	2	----	----	6022 190

12-05-O FENDER PILLAR SUPPORT AND COWL BRACKET

12-05-2	BRACKET, Right, TY1	8	1	----	----	1863 328
	Left, TY1	8	1	----	----	1863 329

12-06-O FENDER BRACKET

12-06-3	BRACKET, Fender to Sill, TY1	8	2	----	----	1624 582
12-06-6	SCREW, Fender Bracket to Pillar Support	8	2	----	----	6023 995

12-07-O FENDER BRACE OR SUPPORT

12-07-1	BRACE, to Side Shield, Right, TA3, TC1, TC2, TC3	8	1	----	2405 052	2405 052
	Left, TA3, TC1, TC2, TC3	8	1	----	2405 053	2405 053
	To Side Shield, Lower, Right, TC1, TC2, TC3	8	1	----	----	2260 456
	Left, TC1, TC2, TC3	8	1	----	----	2260 457
	To Dust Shield, Right, TC1, TC2, TC3	8	1	----	----	2417 166
	Left, TC1, TC2, TC3	8	1	----	----	2417 167
	To Side Shield, Right, TY1	8	1	----	----	2405 050
	Left, TY1	8	1	----	----	2405 051
	Side Panel to Shear Panel, Right, TA3	8	1	----	2417 968	
	Left, TA3	8	1	----	2417 969	
12-07-2	NUT, Side Shield Brace to Fender Tab, TA3	8	2	----	6023 168	6023 168

12-15-O FENDER MOULDINGS, NAME PLATES AND ORNAMENTS

NOTE: See Exterior Moulding Illustrations in Front of Group 23 Body.

12-15-21	MEDALLION, Pentastar		1	2445 182	2445 182	2445 182
	NAME PLATE (golden commando power) TP2-P	8	2	----	E2099 696	
	NAME PLATE (golden commando 361) TP2	8	2	----	E2276 764	
	NUT		4	----	*6023 097	

NOTES

★ Indicates use as required. Numerals in parentheses () refer to notes. Printed in U.S.A.
 † Indicates parts not listed in any previous parts book. Prices and specifications subject to change without notice.
 * Indicates change or addition.

1963 PASSENGER CAR PARTS CATALOG

FENDERS AND
SHEET METAL

CODE	PART NAME AND DESCRIPTION	C Y L.	PER CAR	VALIANT DART	PLYMOUTH DODGE	CHRYSLER IMPERIAL
------	---------------------------	--------------	------------	-----------------	-------------------	----------------------

NOTES

A large section of the page is filled with horizontal lines, providing a space for handwritten notes.

★ Indicates use as required.

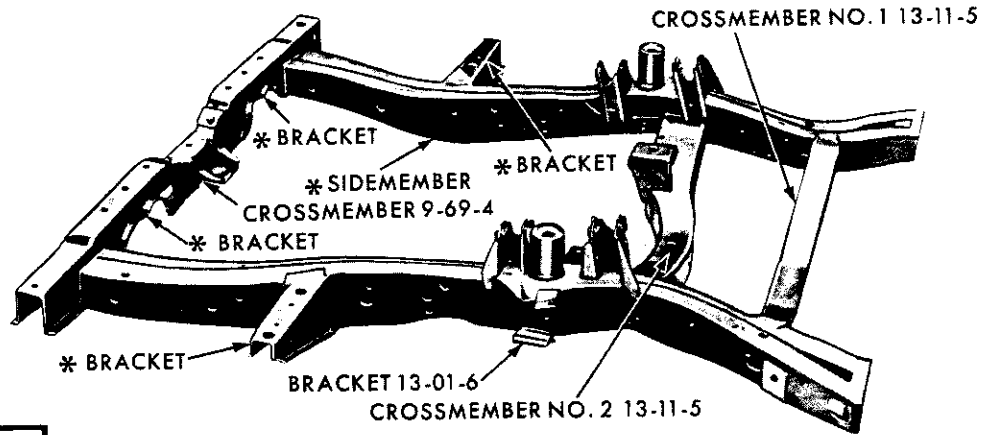
Numerals in parentheses () refer to notes.

Printed in U.S.A.

☐ Indicates parts not listed in any previous parts book.
September 4, 1962.

Prices and specifications subject to change without notice.

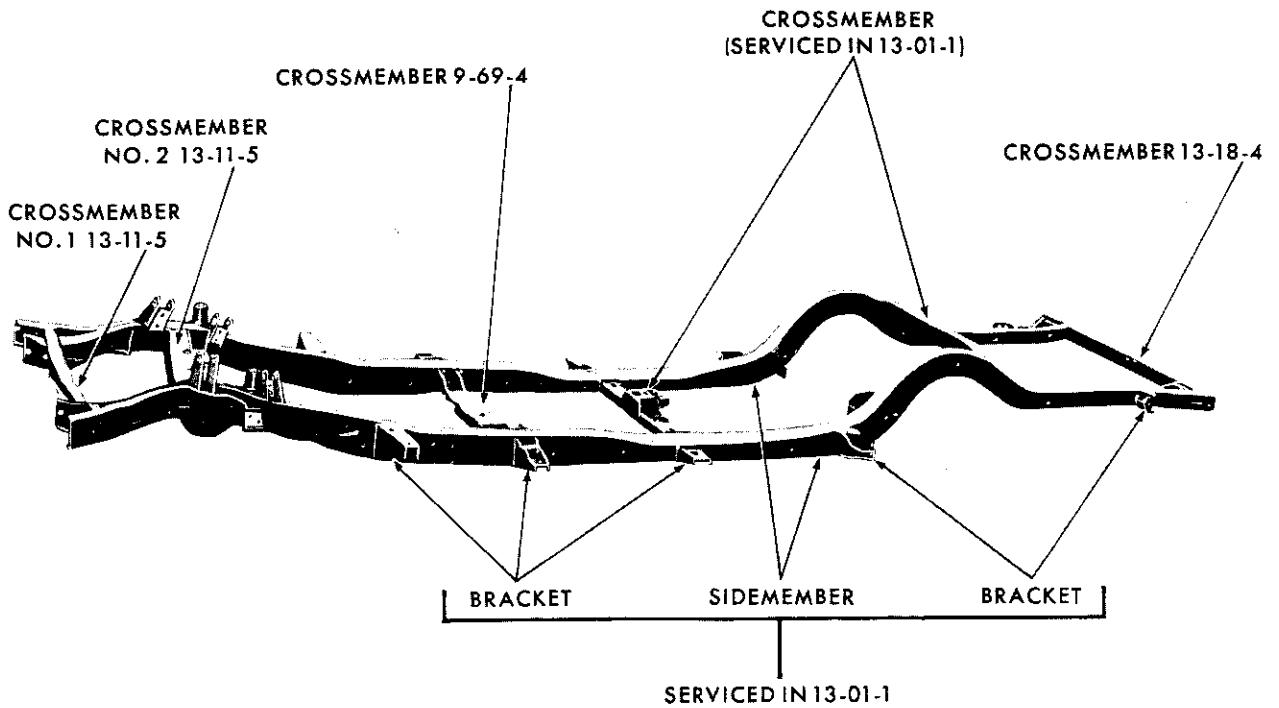
GROUP 13 - FRAME



* SERVICED IN 13-01-1

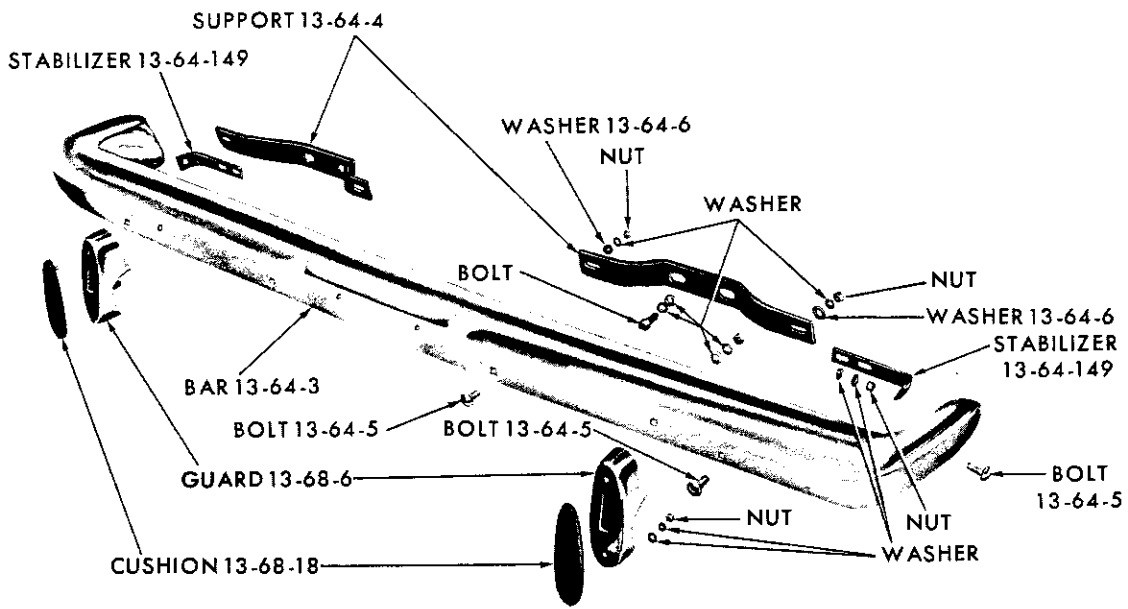
19x9053D

FRAME - DODGE TA3 AND CHRYSLER TC1-2-3



19x8824

FRAME (EXCEPT CONVERTIBLE COUPE) - IMPERIAL TY1

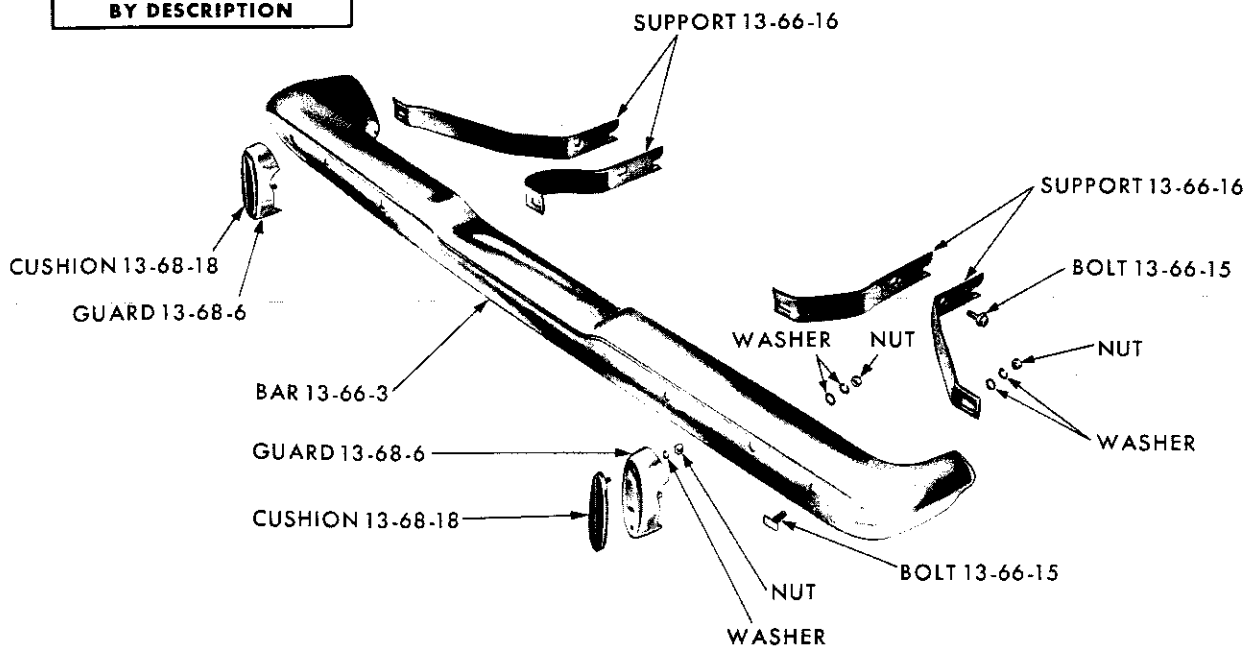


**PARTS INDICATED
BY NAME ONLY - ORDER
BY DESCRIPTION**

19x9451

FRONT BUMPER - PLYMOUTH TP1-2

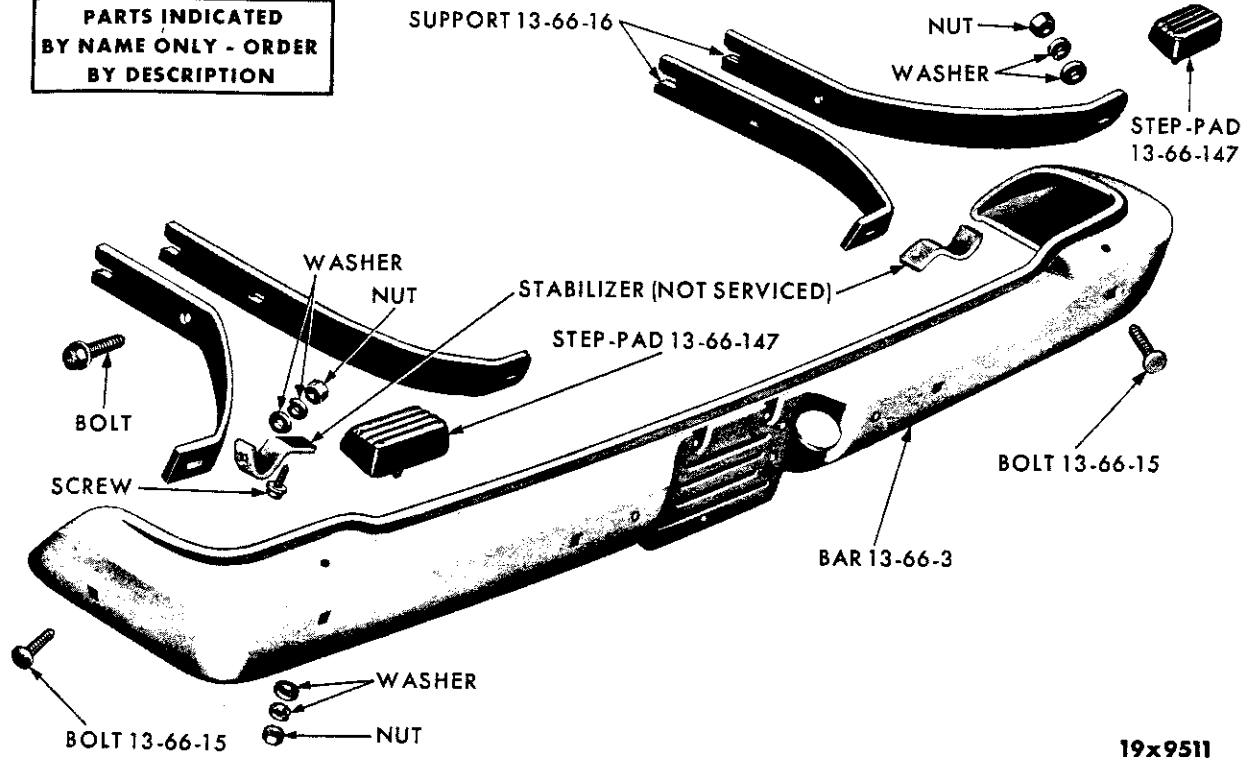
**PARTS INDICATED
BY NAME ONLY - ORDER
BY DESCRIPTION**



19x9531

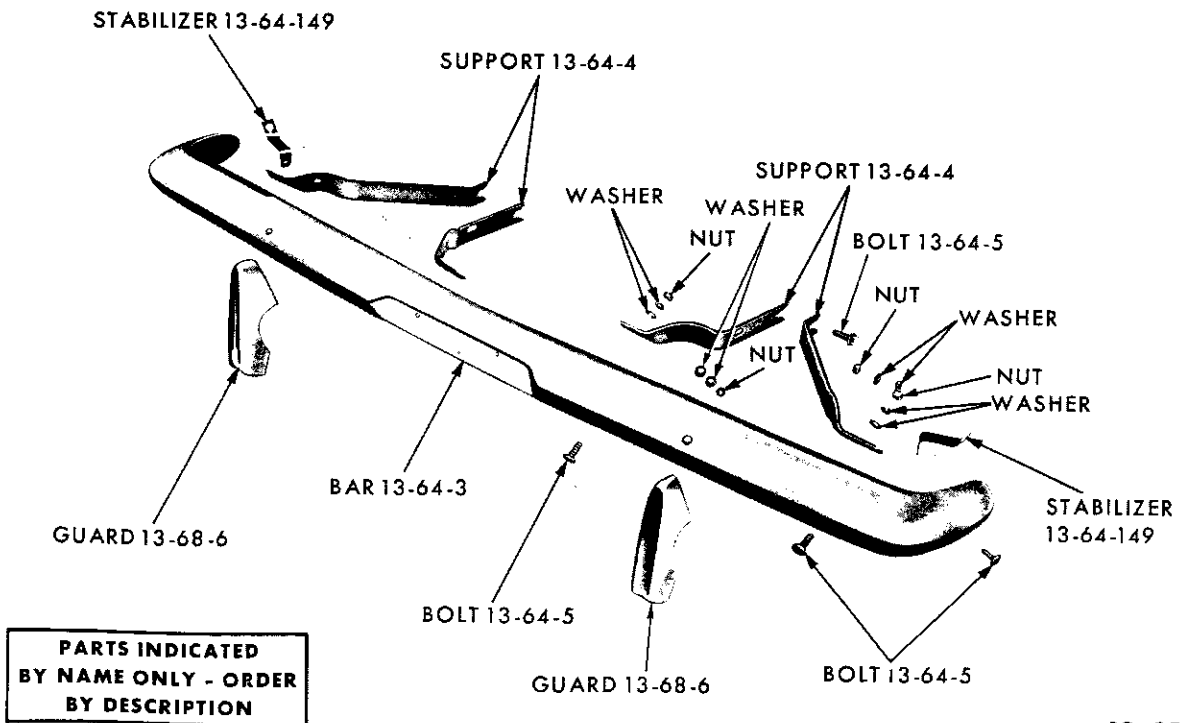
REAR BUMPER - PLYMOUTH TP1-2 (EXCEPT SUBURBAN)

PARTS INDICATED BY NAME ONLY - ORDER BY DESCRIPTION



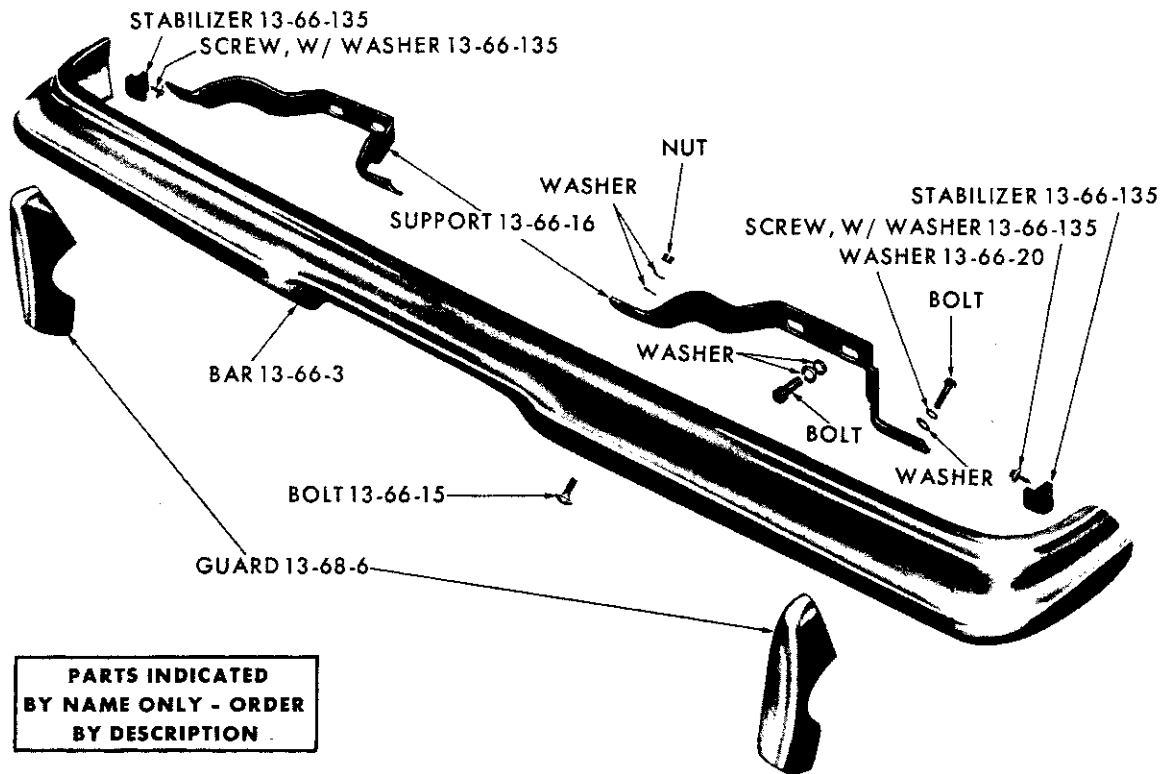
19x9511

REAR BUMPER - PLYMOUTH TP1-2 AND DODGE TD1-2 (SUBURBAN)



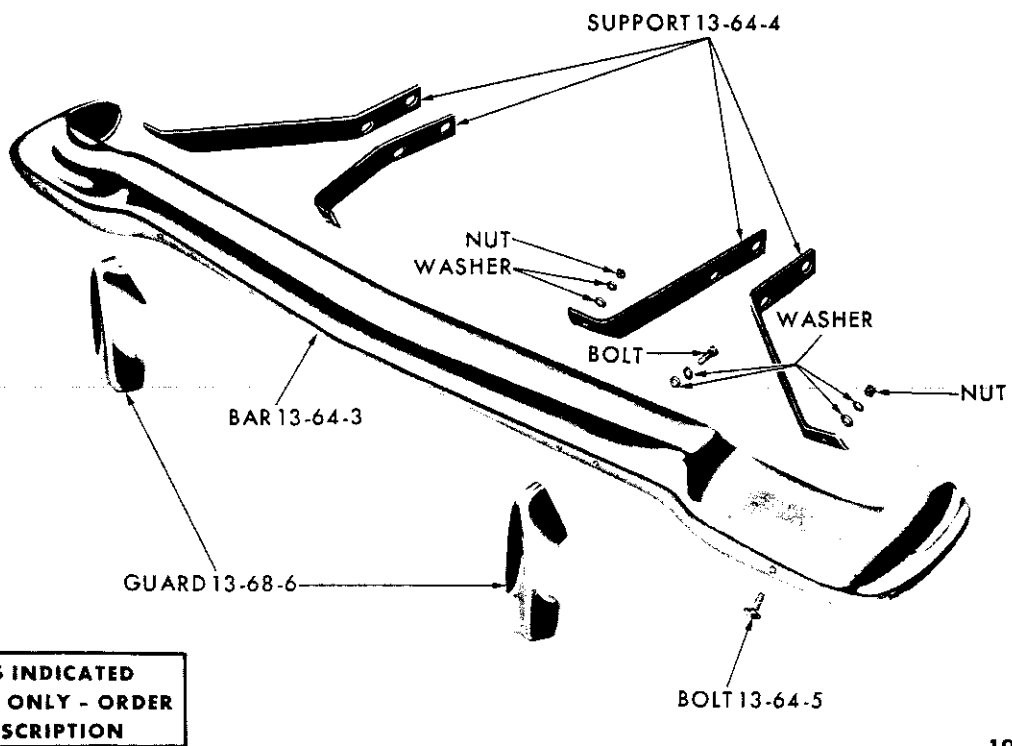
19x9516

FRONT BUMPER - VALIANT TV1



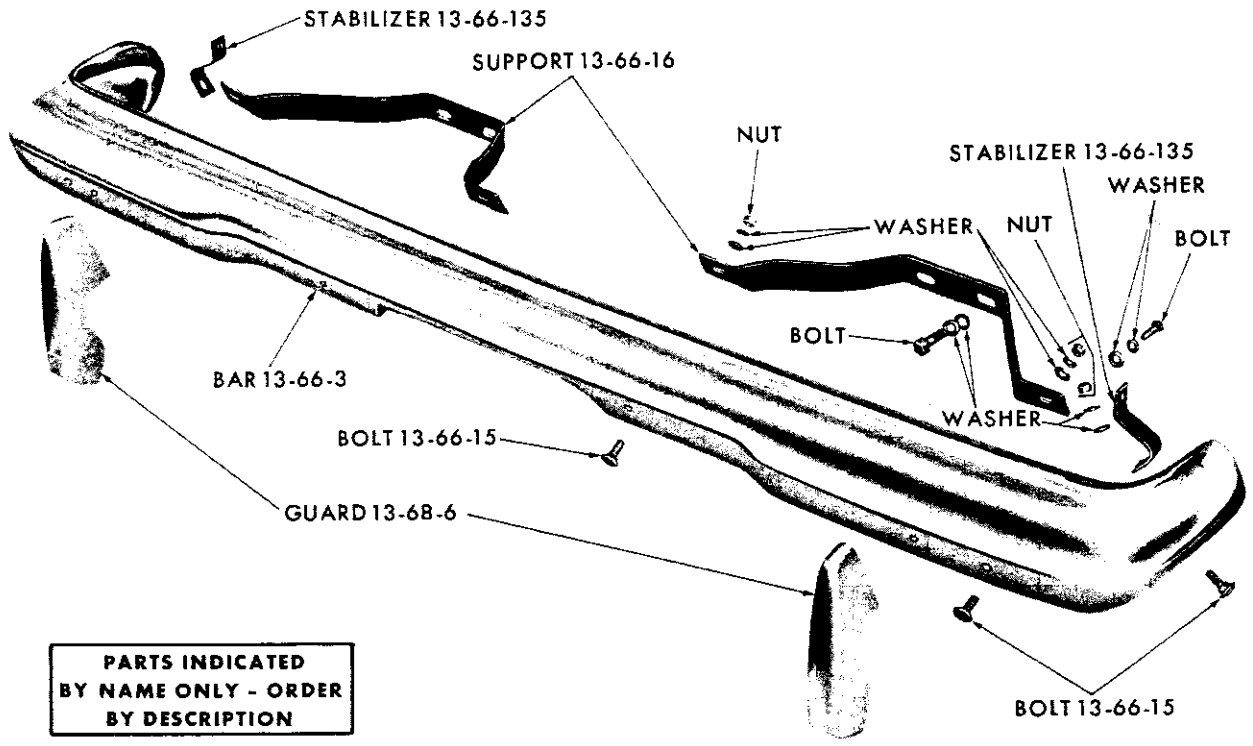
19x9493

REAR BUMPER - VALIANT TV1 (ALL) AND DART TL1 (SUBURBAN)



19x9452

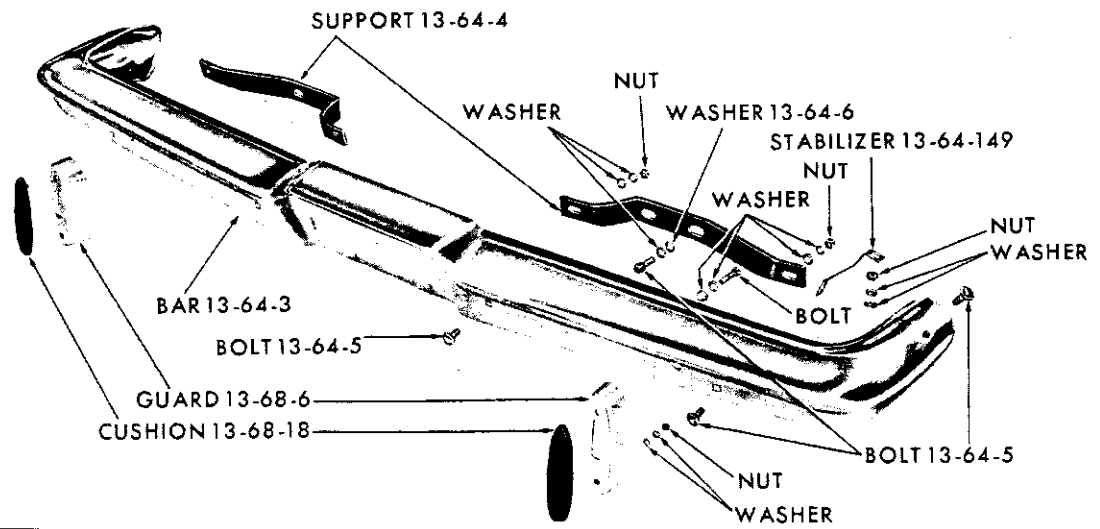
FRONT BUMPER - DART TL1



**PARTS INDICATED
BY NAME ONLY - ORDER
BY DESCRIPTION**

19x9494

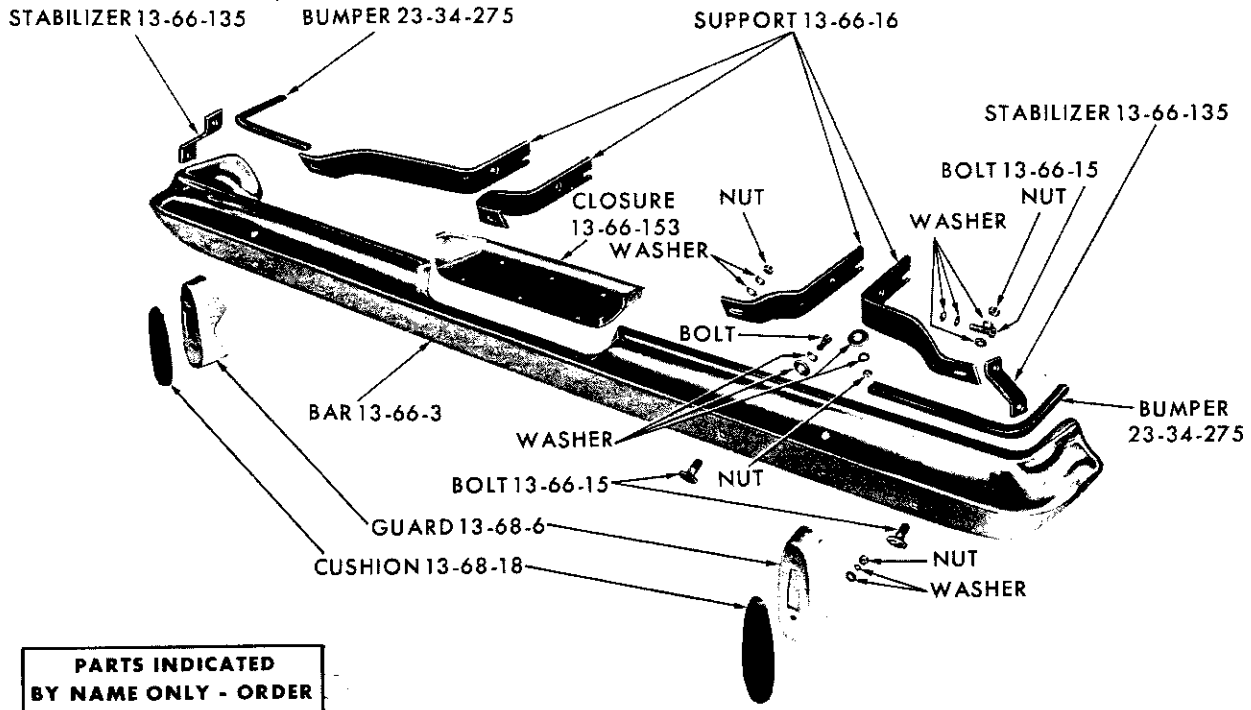
REAR BUMPER - DART TL1 (EXCEPT SUBURBAN)



**PARTS INDICATED
BY NAME ONLY - ORDER
BY DESCRIPTION**

19x9453

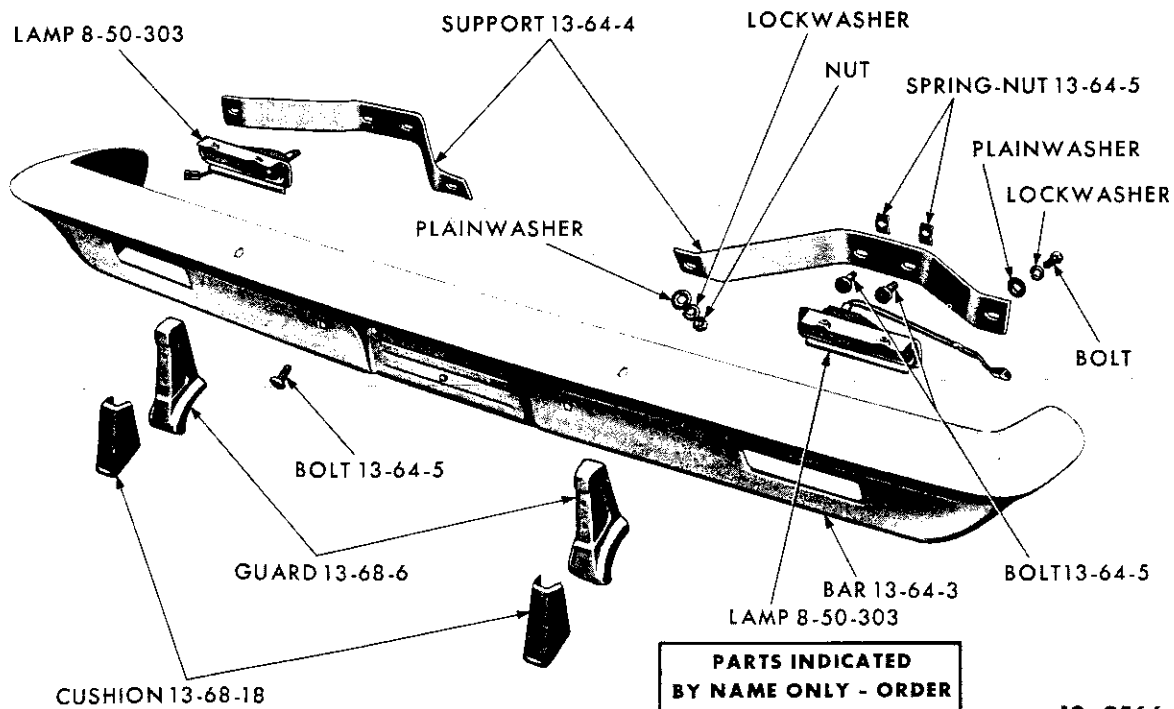
FRONT BUMPER - DODGE TD1-2



**PARTS INDICATED
BY NAME ONLY - ORDER
BY DESCRIPTION**

19x9465

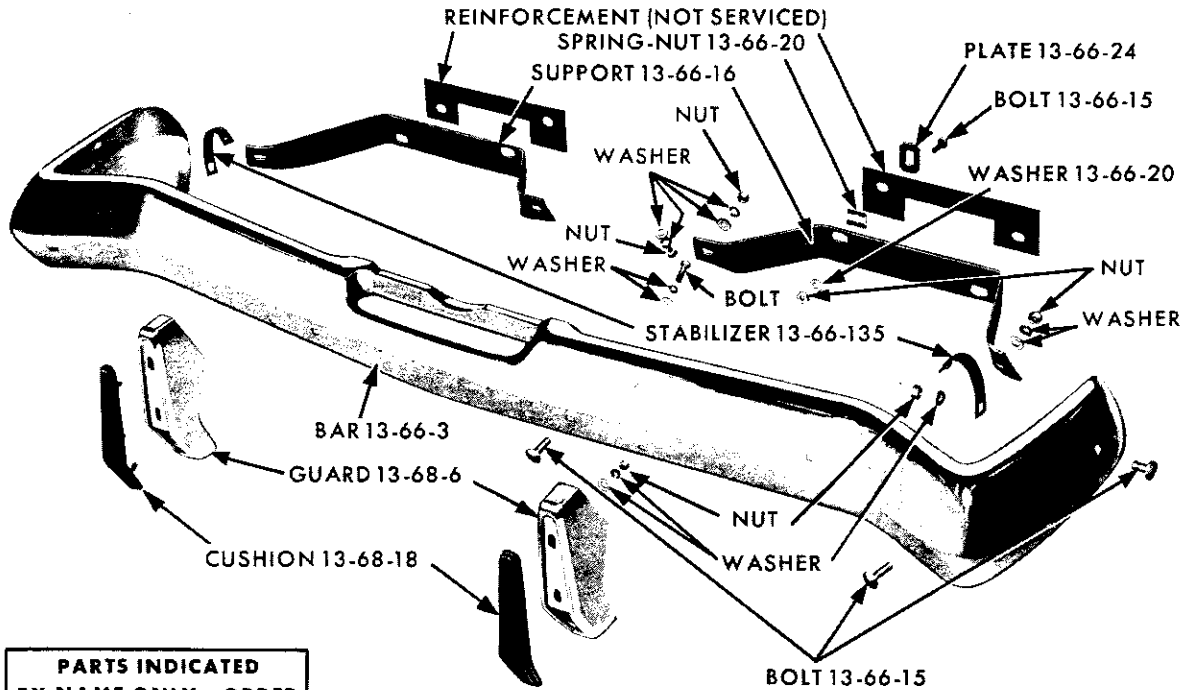
REAR BUMPER - DODGE TD1-2 (EXCEPT SUBURBAN)



**PARTS INDICATED
BY NAME ONLY - ORDER
BY DESCRIPTION**

19x9566

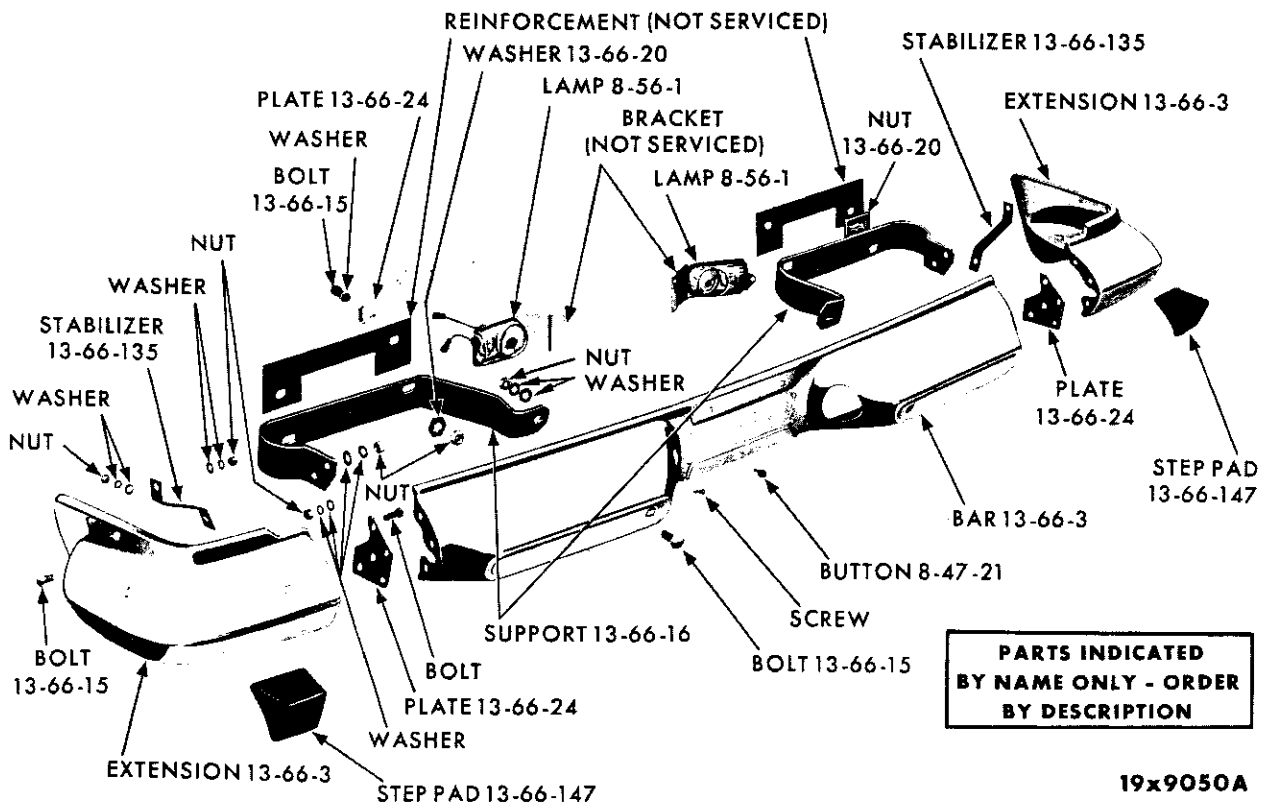
FRONT BUMPER - DODGE TA3



**PARTS INDICATED
BY NAME ONLY - ORDER
BY DESCRIPTION**

19x9209A

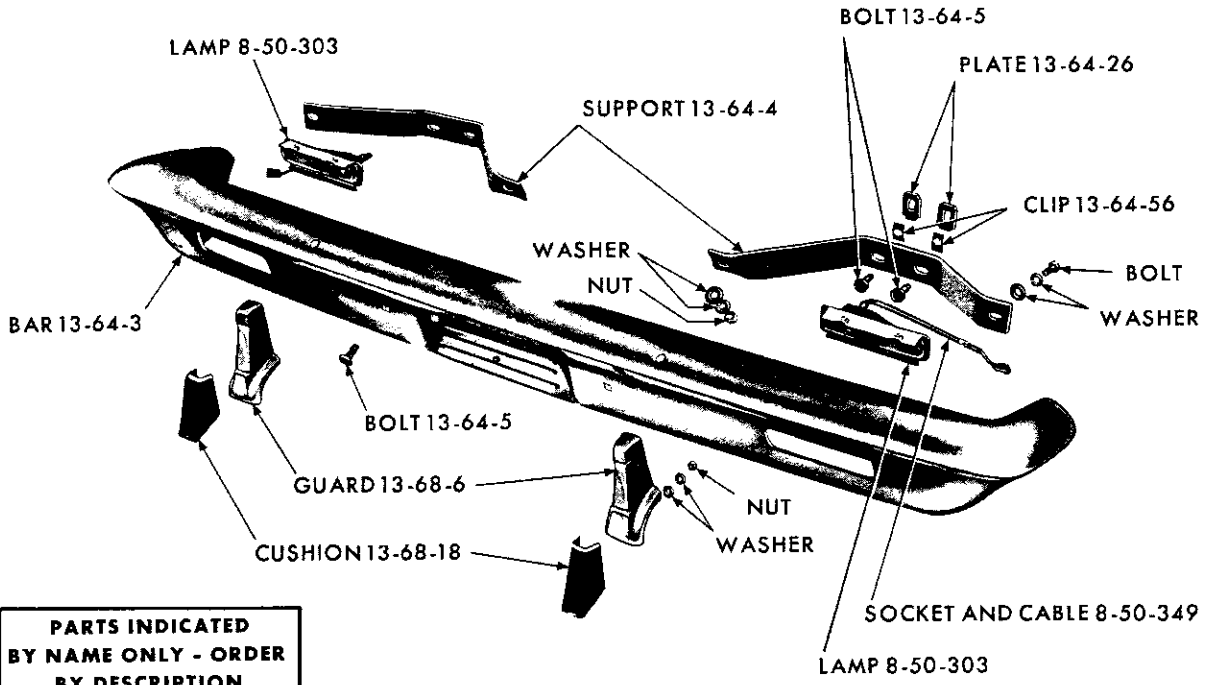
REAR BUMPER - DODGE TA3 (EXCEPT SUBURBAN)



**PARTS INDICATED
BY NAME ONLY - ORDER
BY DESCRIPTION**

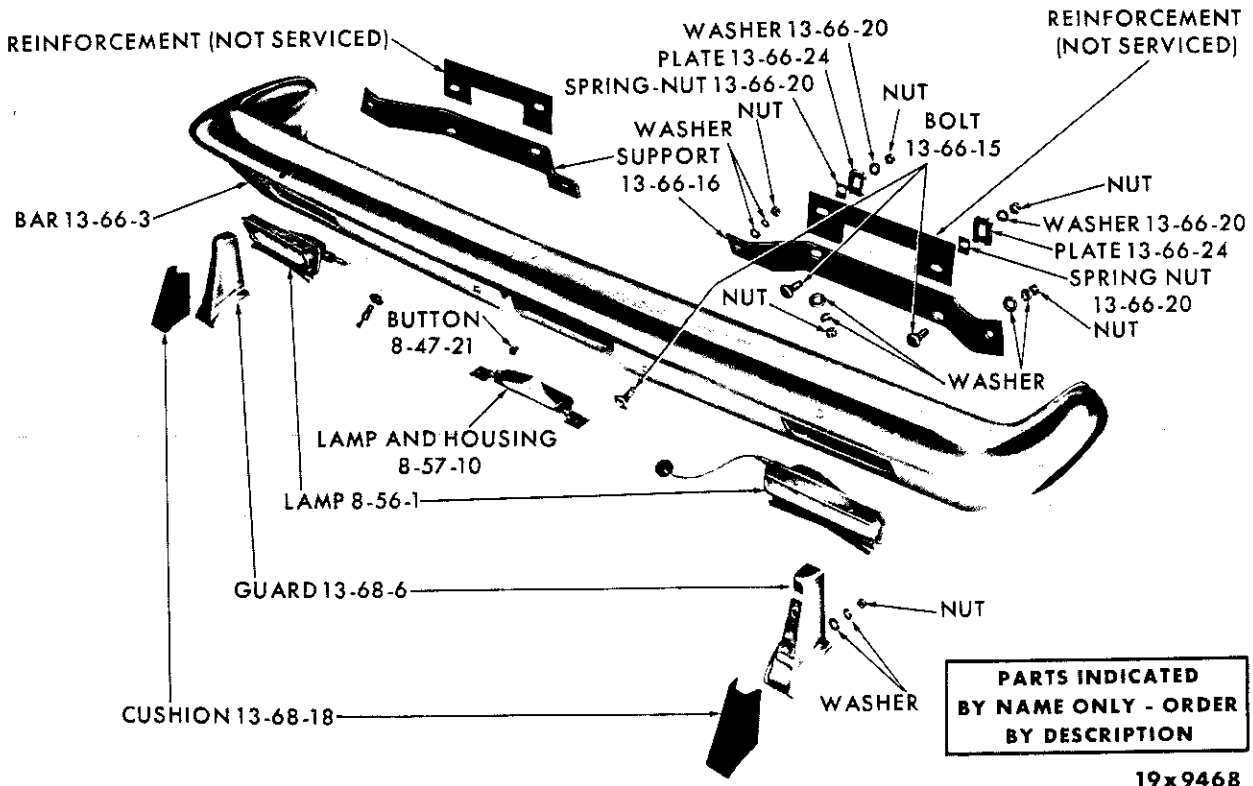
19x9050A

REAR BUMPER - DODGE TA3 AND CHRYSLER TC1-3 (SUBURBAN)



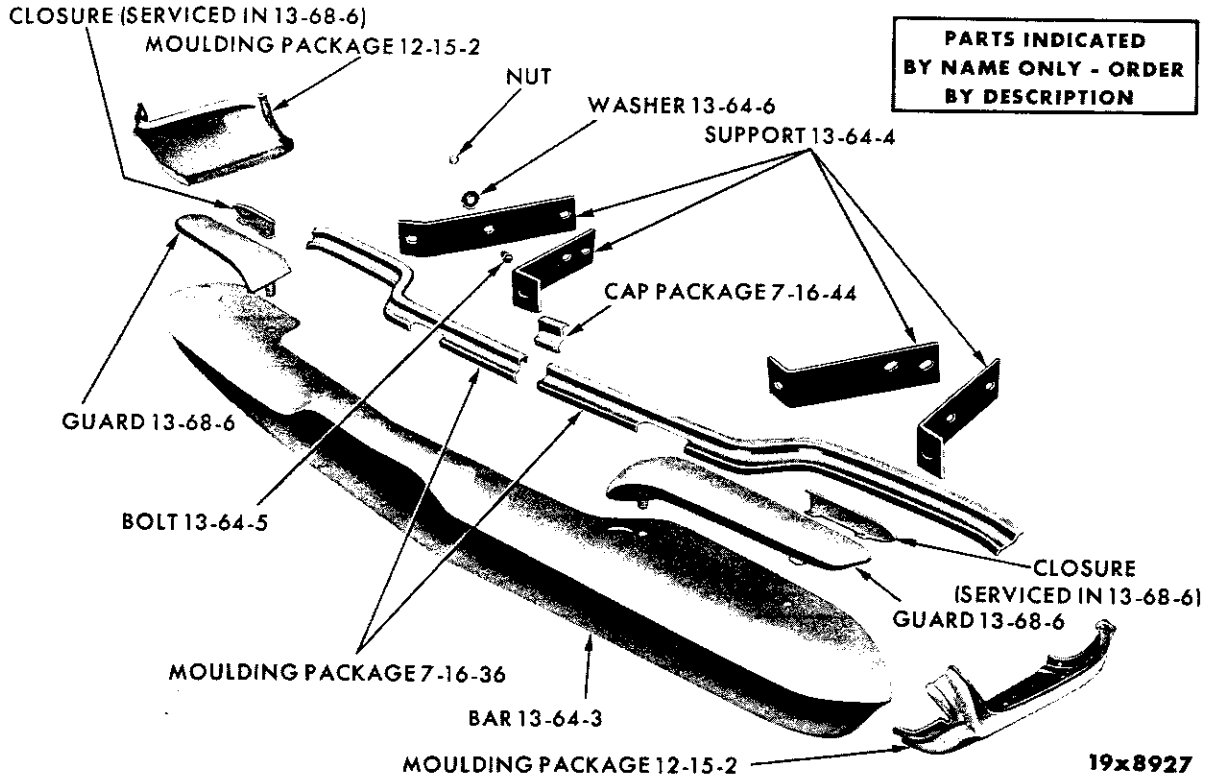
19x9464

FRONT BUMPER - CHRYSLER TC1-2-3

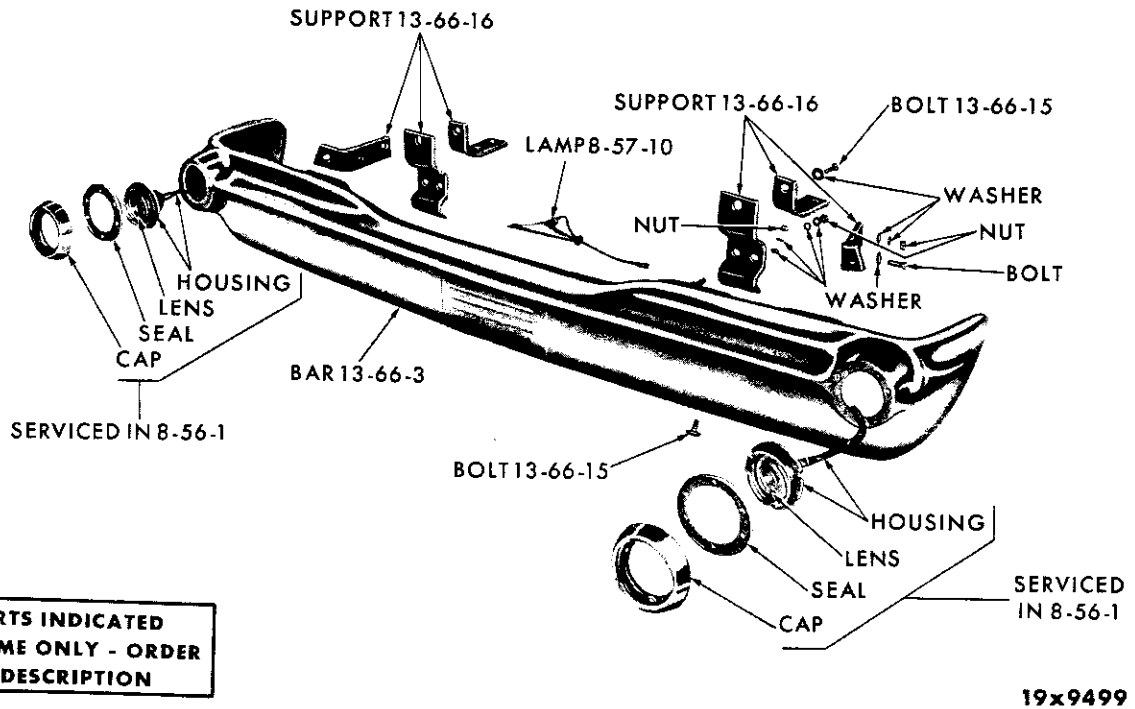


19x9468

REAR BUMPER - CHRYSLER TC1-2-3 (EXCEPT SUBURBAN)



FRONT BUMPER - IMPERIAL TY1



REAR BUMPER - IMPERIAL TY1

1963 PASSENGER CAR PARTS CATALOG

FRAME

CODE	PART NAME AND DESCRIPTION	CYL	PER CAR	VALIANT DART	PLYMOUTH DODGE	CHRYSLER IMPERIAL
------	---------------------------	-----	---------	--------------	----------------	-------------------

NOTES

★ Indicates use as required.

□ Indicates parts not listed in any previous parts book.

Numerals in parentheses () refer to notes.

Printed in U.S.A.

Prices and specifications subject to change without notice.

September 4, 1962.

CODE	PART NAME AND DESCRIPTION	C Y L	PER CAR	VALIANT DART	PLYMOUTH DODGE	CHRYSLER IMPERIAL
13-01-O FRAME ASSEMBLY						
13-01-1	FRAME, w/Auto. Trans., TA3, TC1, TC2, TC3 . . .	8	1	----	2409 076	2409 076
	w/Manual Trans., TA3, TC1, TC2	8	1	----	*2409 077	*2409 077
	Except Cv. Cp., TY1	8	1	----	----	2260 290
	Cv. Cp., TY1	8	1	----	----	2260 299
13-01-6	BRACKET, Front Control Arm Jounce and Rebound, Right, TA3, TC1, TC2, TC3	8	1	----	1734 526	1734 526
	Left, TA3, TC1, TC2, TC3	8	1	----	1734 527	1734 527
13-04-O FRAME SUB - SIDEMEMBER						
13-04-20	SHIELD, Front Sidemember Splash, TY1, Right . .	8	1	----	----	*2461 822
	Left	8	1	----	----	*2461 823
13-11-O FRAME FRONT CROSSMEMBER						
13-11-5	CROSSMEMBER, No. 1, TA3, TC1, TC2, TC3 . . .	8	1	----	1940 961	1940 961
	TY1	8	1	----	----	2200 801
	No. 2, TA3, TC1, TC2, TC3	8	1	----	2122 620	2122 620
	TY1	8	1	----	----	2122 621
13-18-O FRAME REAR CROSSMEMBER						
13-18-4	CROSSMEMBER, TY1	8	1	----	----	1944 407
13-18-32	CLIP, Sub-Sidemember Shield, TY1	8	1	----	----	*1674 082
13-33-O BATTERY SUPPORT TRAY						
13-33-61	TRAY, except TA3		1	2260 463	2201 536	
	TP2, TD2 w/426 cu.in. Eng., use w/Trunk Mounted Battery	8	1	----	*1796 450	
	BOLT, w/WASHER, to Fender Shield		2	----	6022 895	
13-33-62	BRACKET, Support	6	2	2208 591		
13-33-68	BRACE, Support, TY1	8	1	----	----	2260 435
	TC2-300J	8	1	----	----	2405 069
	NUT, w/RETAINER, to Upper Control Arm, TA3, TC1, TC2, TC3	8	1	----	6022 870	6022 870
	TY1	8	1	----	----	6022 869
	J-NUT, to Frame		1	----	6023 171	
	To Battery Tray		1	----	6023 171	6023 171
13-34-O BATTERY HOLD-DOWN STRAP						
13-34-3	STRAP		1	1828 352	1828 352	1828 352
	TP2, TD2 w/426 cu.in. Eng., use w/Trunk Mounted Battery	8	1	----	*2409 374	
13-35-O BATTERY HEAT SHIELD						
13-35-1	SHIELD, except TA3		1	----	2201 525	
	TA3, TC1, TC2	8	1	----	2122 198	2122 198
	J-CLIP, w/NUT		2	6023 167	6023 167	6023 167
13-36-O BATTERY HOLD-DOWN STUD						
13-36-5	STUD, Outer, except TA3		1	2074 090	2260 437	
	Outer, TA3	8	1	----	1408 915	1408 915
	TP2, TD2 w/426 cu.in. Eng., use w/Trunk Mounted Battery	8	2	----	*2409 362	
	Inner, except TA3		1	2074 089	2074 089	
	Inner, TA3	8	1	----	1408 918	1408 918
	WING NUT, except TA3		2	6023 523	6023 523	

★ Indicates use as required. Numerals in parentheses () refer to notes. Printed in U.S.A.
 □ Indicates parts not listed in any previous parts book. Prices and specifications subject to change without notice.
 * Indicates change or addition. Jan. 3, 1964 Supersedes Dec. 14, 1962.

1963 PASSENGER CAR PARTS CATALOG

CODE	PART NAME AND DESCRIPTION	C Y L.	PER CAR	VALIANT DART	PLYMOUTH DODGE	CHRYSLER IMPERIAL
13-54-O FRAME REAR SPRING HANGER						
13-54-4	HANGER, Front, except TA3, Std.		2	2403 187	2403 179	
	Heavy Duty, except TA3		2	----	2403 544	
	w/426 cu.in. Eng.	8	2	----	2403 544	
	Except Sub., TA3, TC1, TC2, TC3	8	2	----	1948 359	1948 359
	Sub., TA3, TC1, TC3	8	2	----	1948 867	1948 867
	TY1	8	2	----	----	2401 067
13-54-11	BOLT, Front Hanger, except TA3		8	2403 247	2403 247	
13-54-15	HANGER, Rear	6	2	2071 764		
	Except Sub., TA3, TC1, TC2, TC3	8	2	----	1948 354	1948 354
	Sub., TA3, TC1, TC3	8	2	----	1948 377	1948 377
	TY1	8	2	----	----	1735 128
13-64-O FRONT BUMPER FACE BAR						
13-64-3	BAR, Face, use w/o Guards, TV1	6	1	2266 600		
	Use w/Guards, TV1	6	1	2266 601		
	Use w/o Guards, TL1	6	1	2266 468		
	Use w/Guards, TL1	6	1	2266 469		
	Use w/o Guards, TP1, TP2		1	----	2266 456	
	Use w/Guards, TP1, TP2		1	----	2266 457	
	Use w/o Guards, TD1, TD2		1	----	2266 480	
	Use w/Guards, TD1, TD2		1	----	2266 481	
	TA3, TC1, TC2, TC3	8	1	----	*2266 491	*2266 491
	TY1	8	1	----	----	2123 800
13-64-4	SUPPORT, Inner, Right, TV1	6	1	2266 446		
	Inner, Left, TV1	6	1	2266 447		
	Outer, Right, TV1	6	1	2266 448		
	Outer, Left, TV1	6	1	2266 449		
	Inner, Right, TL1	6	1	2266 470		
	Inner, Left, TL1	6	1	2266 471		
	Outer, Right, TL1	6	1	2266 472		
	Outer, Left, TL1	6	1	2266 473		
	Right, TP1, TP2		1	----	2266 458	
	Left, TP1, TP2		1	----	2266 459	
	Right, TD1, TD2		1	----	2266 482	
	Left, TD1, TD2		1	----	2266 483	
	Right, TA3	8	1	----	2266 520	
	Left, TA3	8	1	----	2266 521	
	Right, TC1, TC2, TC3, UP TO Serial No. 131925	8	1	----	----	E2266 494
	Left, TC1, TC2, TC3, UP TO Serial No. 131925	8	1	----	----	E2266 495
	Right, TC1, TC2, TC3, AFTER Serial No. 131925	8	1	----	----	*2266 496
	Left, TC1, TC2, TC3, AFTER Serial No. 131925	8	1	----	----	*2266 497
	Inner, Right, TY1	8	1	----	----	2123 798
	Inner, Left, TY1	8	1	----	----	2123 799
	Outer, Right, TY1	8	1	----	----	2123 796
	Outer, Left, TY1	8	1	----	----	2123 797
	Crossmember, TA3, TC1, TC2, w/Std. Trans.	8	1	----	1944 399	1944 399
13-64-5	BOLT, Bumper to Support, except TA3		★	2074 225	1737 430	
	TA3, TC1, TC2, TC3	8	★	----	2123 898	2123 898
	Bumper to Stabilizer, TV1	6	2	2074 225		
	Except TA3		2	----	1737 430	
	Support to Frame, except TA3		4	6023 148	6023 148	
	TA3, TC1, TC2, TC3	8	4	----	6022 905	6022 902
	TY1	8	12	----	----	1948 970
	Bumper Bracket to Support, TY1	8	2	----	----	1551 766
	SPRING-NUT, Support to Crossmember, TA3, TC1, TC2, TC3	8	4	----	6023 850	6023 850
13-64-6	WASHER, Support to Frame, except TA3		★	----	574 812	
	TA3, TC1, TC2, TC3	8	★	----	6022 899	6022 899
	TY1	8	20	----	----	1948 969

★ Indicates use as required. Numerals in parentheses () refer to notes. Printed in U.S.A.
 □ Indicates parts not listed in any previous parts book. Prices and specifications subject to change without notice.
 Jan. 3, 1964 Supersedes Dec. 14, 1962. Page 13-12 * Indicates change or addition.

CODE	PART NAME AND DESCRIPTION	C Y L	PER CAR	VALIANT DART	PLYMOUTH DODGE	CHRYSLER IMPERIAL
13-64-O FRONT BUMPER FACE BAR - Cont'd						
13-64-6	WASHER - Cont'd Bumper Bracket to Support, TY1	8	6	----	----	6022 898
13-64-26	PLATE, Support to Frame Bolt, TA3, TC1, TC2, TC3	8	2	----	2123 938	2123 938
13-64-56	SPEED-NUT, Support to Frame Bolt, TA3, TC1, TC2, TC3	8	4	----	6023 850	6023 850
	Bumper Bracket to Support, TY1	8	2	----	----	6023 850
13-64-149	STABILIZER, Right, TV1	6	1	2266 512		
	Left, TV1	6	1	2266 513		
	Right, TP1, TP2	1	1	----	2266 594	
	Left, TP1, TP2	1	1	----	2266 595	
	TD1, TD2	2	2	----	2266 484	
	NUT, w/WASHER, TV1, TD1, TD2	2	2	6012 008	6012 008	
	SCREW, Shoulder	6	2	6023 977		
13-66-O REAR BUMPER FACE BAR						
13-66-3	BAR, Face, use w/o Guards, TV1	6	1	2266 602		
	Use w/Guards, TV1	6	1	2266 603		
	Use w/o Guards, except Sub., TL1	6	1	2266 534		
	Use w/Guards, except Sub., TL1	6	1	2266 535		
	Use w/o Guards, Sub., TL1	6	1	2266 602		
	Use w/Guards, Sub., TL1	6	1	2266 603		
	Use w/o Guards, except Sub., TP1, TP2	1	1	----	2266 562	
	Use w/Guards, except Sub., TP1, TP2	1	1	----	2266 563	
	Use w/o Guards, except Sub., TD1, TD2	1	1	----	2266 576	
	Use w/Guards, except Sub., TD1, TD2	1	1	----	2266 577	
	Use w/o Guards, except Sub., TA3	8	1	----	2123 792	
	Use w/Guards, except Sub., TA3	8	1	----	2203 815	
	Use w/o Step Pads, Sub., except TA3	1	1	----	2266 566	
	Use w/Step Pads, Sub., except TA3	1	1	----	2266 567	
	Use w/o Guards, w/o Back-Up Lights, except Sub., TC1, TC2	8	1	----	----	2266 588
	Use w/o Guards, w/Back-Up Lights, except Sub., TC1, TC2	8	1	----	----	2266 624
	Use w/Guards, w/Back-Up Lights, except Sub., TC1, TC2, TC3	8	1	----	----	2266 589
	TY1	8	1	----	----	2266 612
	Center, Sub., TA3, TC1, TC3	8	1	----	2123 860	2123 860
	EXTENSION, Sub., Right, TA3, TC1, TC3	8	1	----	2123 814	2123 814
	EXTENSION, Sub., Left, TA3, TC1, TC3	8	1	----	2123 813	2123 813
13-66-15	BOLT, Bumper to Support		★	2074 225	1737 430	1737 430
	TA3, TC1, TC2, TC3	8	4	----	*2123 898	*2123 898
	Bumper to Stabilizer, TL1	2	2	2074 225	1737 430	
	Support to Crossmember, TA3, TC1, TC2, TC3	8	4	----	*6022 902	*6022 902
	Stabilizer to Bumper, except Sub., TA3	8	2	----	*2123 898	
	Sub., TC1, TC3	8	2	----	----	2074 225
	Support to Frame, except TA3	4	4	----	6023 148	
	Bumper to Vertical Support, TY1	8	2	----	----	6023 011
	Vertical Support to Frame, TY1	8	4	----	----	1945 945
	PLUG, Step Pad Hole, Sub., TA3, TC1, TC3	8	2	----	6012 070	6012 070
13-66-16	SUPPORT, Right, except Sub., TV1	6	1	2266 530		
	Left, except Sub., TV1	6	1	2266 531		
	Right, except Sub., TL1	6	1	2266 536		
	Left, except Sub., TL1	6	1	2266 537		
	Right, Sub.	6	1	2266 542		
	Left, Sub.	6	1	2266 543		

★ Indicates use as required.

Numerals in parentheses () refer to notes.

Printed in U.S.A.

☐ Indicates parts not listed in any previous parts book.

Prices and specifications subject to change without notice.

* Indicates change or addition.

1963 PASSENGER CAR PARTS CATALOG

CODE	PART NAME AND DESCRIPTION	C Y L.	PER CAR	VALIANT DART	PLYMOUTH DODGE	CHRYSLER IMPERIAL
13-66-O REAR BUMPER FACE BAR - Cont'd						
13-66-16	SUPPORT - Cont'd					
	Right, Outer, except Sub., TP1, TP2		1	----	2266 568	
	Left, Outer, except Sub., TP1, TP2		1	----	2266 569	
	Right, Inner, except Sub., TP1, TP2		1	----	2266 570	
	Left, Inner, except Sub., TP1, TP2		1	----	2266 571	
	Right, Outer, except Sub., TD1, TD2		1	----	2266 580	
	Left, Outer, except Sub., TD1, TD2		1	----	2266 581	
	Right, Inner, except Sub., TD1, TD2		1	----	2266 578	
	Left, Inner, except Sub., TD1, TD2		1	----	2266 579	
	Right, Outer, Sub., except TA3		1	----	2266 572	
	Left, Outer, Sub., except TA3		1	----	2266 573	
	Right, Inner, Sub., except TA3		1	----	2266 574	
	Left, Inner, Sub., except TA3		1	----	2266 575	
	Right, except Sub., TA3, TC1, TC2, TC3	8	1	----	2123 834	2266 590
	Left, except Sub., TA3, TC1, TC2, TC3	8	1	----	2123 835	2266 591
	Right, Sub., TA3, TC1, TC3	8	1	----	2123 856	2123 856
	Left, Sub., TA3, TC1, TC3	8	1	----	2123 857	2123 857
	Right, Outer, TY1	8	1	----	----	2266 616
	Left, Outer, TY1	8	1	----	----	2266 617
	Vertical, TY1	8	2	----	----	2266 620
	Upper, TY1	8	2	----	----	2266 614
13-66-18	SHIM, Support to Frame, .06" thk., TY1	8	★	----	----	6010 025
13-66-20	WASHER, Support to Frame, TA3		4	6023 225	6022 899	6022 899
	SPRING-NUT, Support to Crossmember, TA3, TC1, TC2, TC3	8	4	----	6023 850	6023 850
13-66-24	PLATE, Bumper to Frame Support, TA3, TC1, TC2, TC3	8	4	----	2123 938	2123 938
	Bumper to Support, Sub., TA3, TC1, TC3	8	2	----	1948 015	1948 015
13-66-106	DEFLECTOR, Stone, except Sub., TL1	6	1	E2483 630		
	Except Sub., TP1, TP2		1	----	2255 670	
	Except Sub., TD1, TD2		1	----	2244 018	
	NOTE: For Valiant See Code 23-34-167					
	CLIP		14	----	6006 104	
13-66-116	SEAL, w/CLIP, Stone Deflector, TP1, TP2, except Sub.		1	----	2424 994	
13-66-123	FASTENER, Jacking Bracket Panel, TA3, TC1, TC3, Sub.	8	2	----	6006 456	6006 456
13-66-135	STABILIZER, TV1	6	2	2266 525		
	Except Sub., TL1	6	2	2266 547		
	Sub., TL1	6	2	2266 525		
	Except Sub., TD1, TD2		2	----	2266 586	
	Sub., TP1, TP2, TD1, TD2		2	----	E2266 608	
	Except Sub., TA3	8	2	----	2123 849	
	Sub., TA3, TC1, TC3, Right	8	1	----	2123 940	2123 940
	Sub., TA3, TC1, TC3, Left	8	1	----	2123 939	2123 939
	SCREW, w/WASHER		2	6022 320	6022 307	6022 339
13-66-147	STEP-PAD, Sub., except TA3		2	----	2266 623	2123 885
	TA3	8	2	----	2123 885	
13-66-153	CLOSURE, Center, except Sub., TD1, TD2		1	----	2266 585	
	NUT, w/WASHER		3	----	6025 002	

★ Indicates use as required. Numerals in parentheses () refer to notes. Printed in U.S.A.
 E Indicates parts not listed in any previous parts book. Prices and specifications subject to change without notice.
 Jan. 3, 1964 Supersedes Dec. 14, 1962. Page 13-14 * Indicates change or addition.

CODE	PART NAME AND DESCRIPTION	CYL.	PER CAR	VALIANT DART	PLYMOUTH DODGE	CHRYSLER IMPERIAL
13-68-O BUMPER GUARDS						
13-68-6	GUARD, Front, TV1	6	2	2266 450		
	Front, TL1	6	2	2266 476		
	Front, TP1, TP2		2	----	2266 464	
	Front, Right, TD1, TD2		1	----	2266 486	
	Front, Left, TD1, TD2		1	----	2266 487	
	Front, TA2, TC1, TC2, TC3	8	2	----	2266 500	2266 500
	Front, Right, TY1	8	1	----	----	2123 920
	Front, Left, TY1	8	1	----	----	2123 921
	Rear, TV1	6	2	2266 450		
	Rear, except Sub., TL1	6	2	2266 540		
	Rear, Sub., TL1	6	2	2266 450		
	Rear, except Sub., TP1, TP2		2	----	2266 606	
	Rear, except Sub., TD1, TD2		2	----	2266 582	
	Rear, except Sub., TA3, Right	8	1	----	2203 802	
	Rear, except Sub., TA3, Left	8	1	----	2203 803	
	Rear, except Sub., TC1, TC2, TC3	8	2	----	----	2266 500
13-68-18	CUSHION, Guard, Front, except TA3		2	----	2266 466	
	Front, TA3, TC1, TC2, TC3	8	2	----	2266 504	2266 504
	Rear, except Sub., TP1, TP2		2	----	2266 466	
	Rear, except Sub., TD1, TD2		2	----	2266 558	
	Rear, except Sub., TA3	8	2	----	2203 801	
	Rear, except Sub., TC1, TC2, TC3	8	2	----	----	2266 504
13-72-O BUMPER JACK						
13-72-1	JACK	6	1	2201 039		
13-72-2	JACK HANDLE, TC1, TC2, TC3		1	*2201 009	2201 009	2201 009
	TY1	8	1	----	----	2201 010
13-72-3	HOOK, Jack, except TA3		1	----	2266 627	
	TA3, TC1, TC2, TC3	8	1	----	2266 626	2266 626
	TY1	8	1	----	----	2266 340
13-72-4	BAR and BASE PACKAGE, Rack		1	----	2275 450	2275 450

NOTES

★ Indicates use as required.

Numerals in parentheses () refer to notes.

Printed in U.S.A.

☐ Indicates parts not listed in any previous parts book.

Prices and specifications subject to change without notice.

* Indicates change or addition.

1963 PASSENGER CAR PARTS CATALOG

FRAME

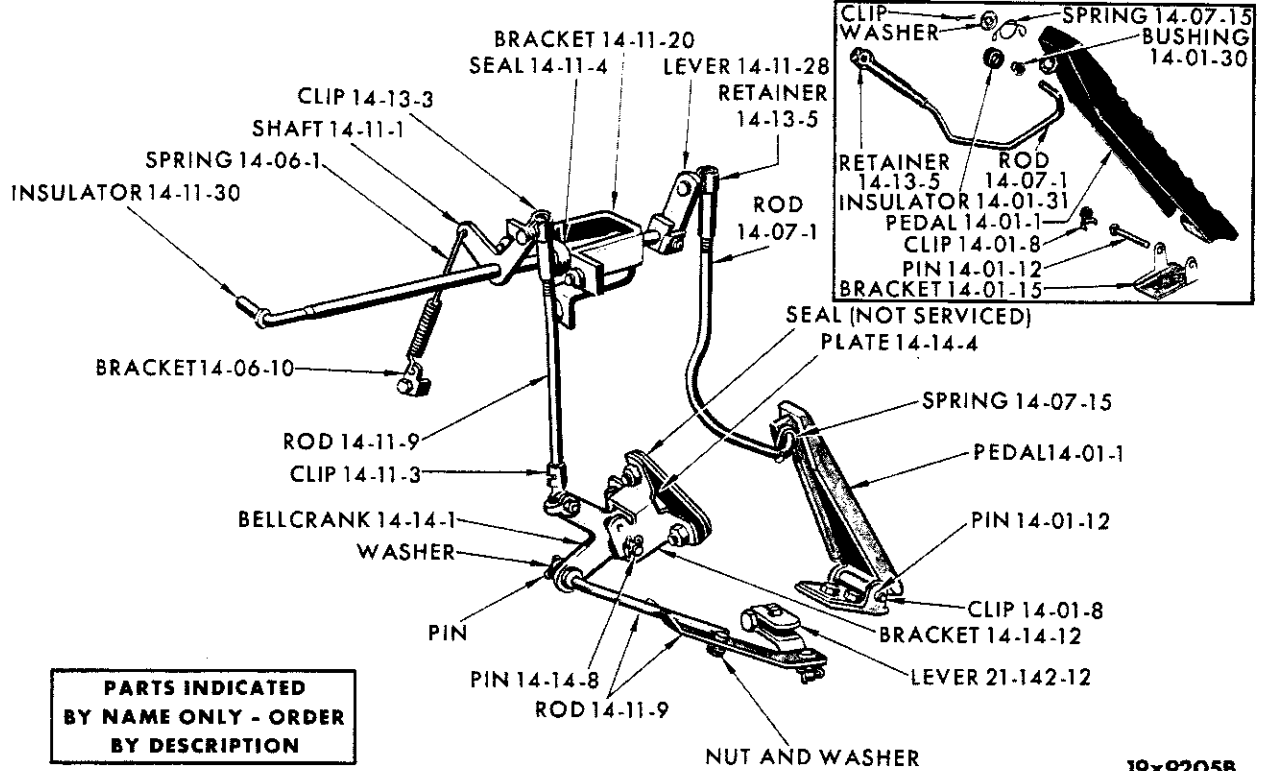
CODE	PART NAME AND DESCRIPTION	CY L	PER CAR	VALIANT DART	PLYMOUTH DODGE	CHRYSLER IMPERIAL
------	---------------------------	---------	------------	-----------------	-------------------	----------------------

NOTES

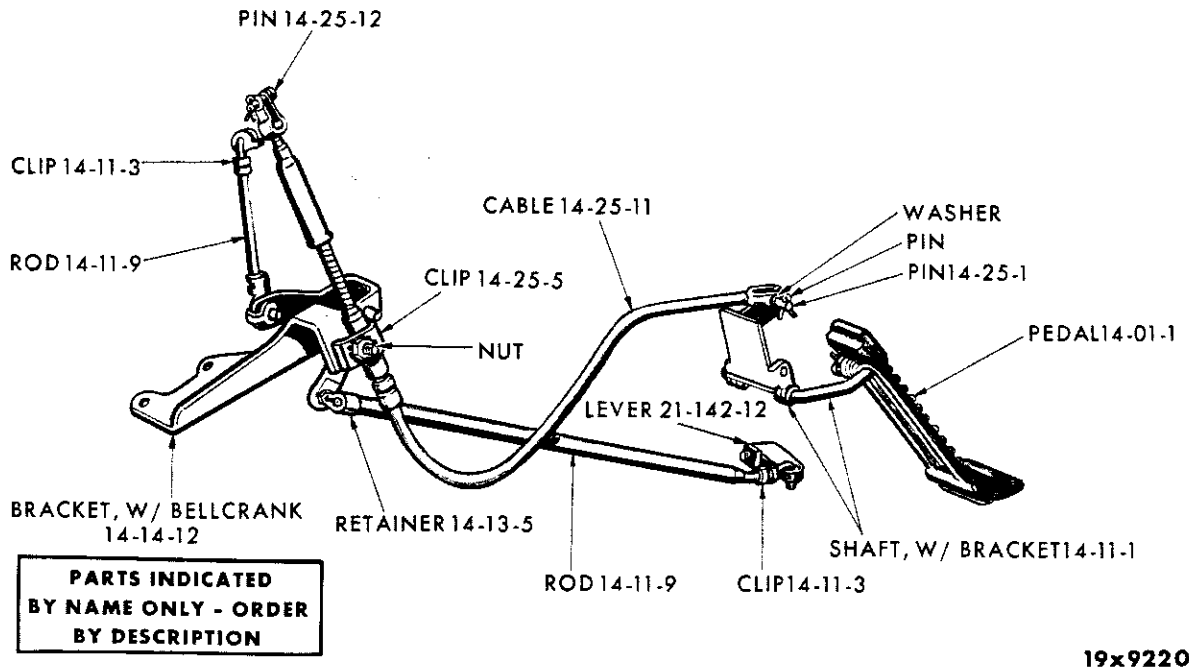
Lined area for writing notes, consisting of multiple horizontal lines.

★ Indicates use as required. Numerals in parentheses () refer to notes. Printed in U.S.A.
◻ Indicates parts not listed in any previous parts book. Prices and specifications subject to change without notice.
September 4, 1962.

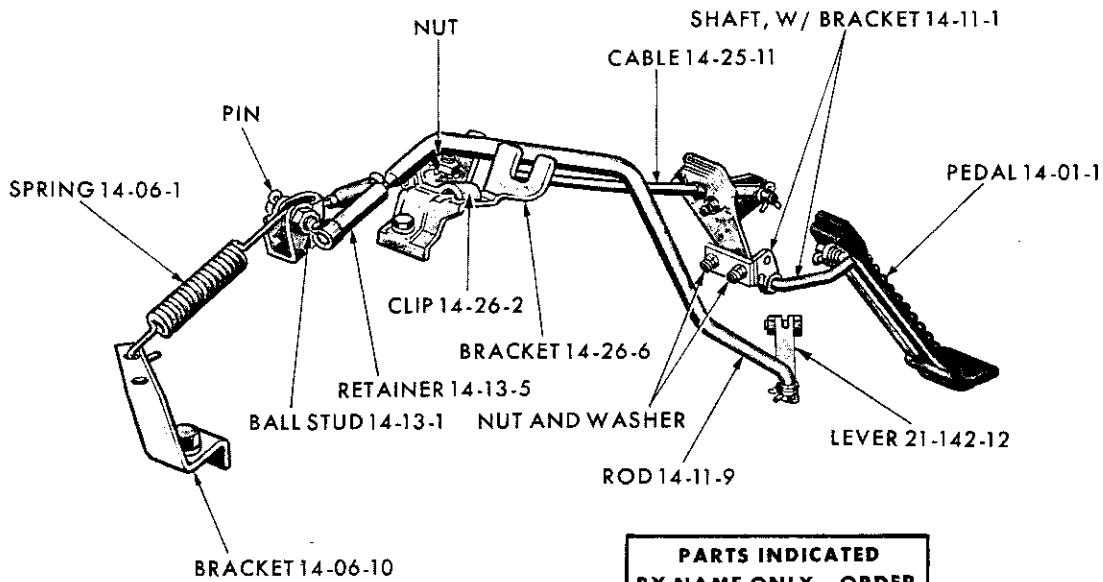
GROUP 14 - FUEL



THROTTLE LINKAGE (6 CYLINDER) AUTOMATIC TRANSMISSION - VALIANT TV1 AND DART TL1



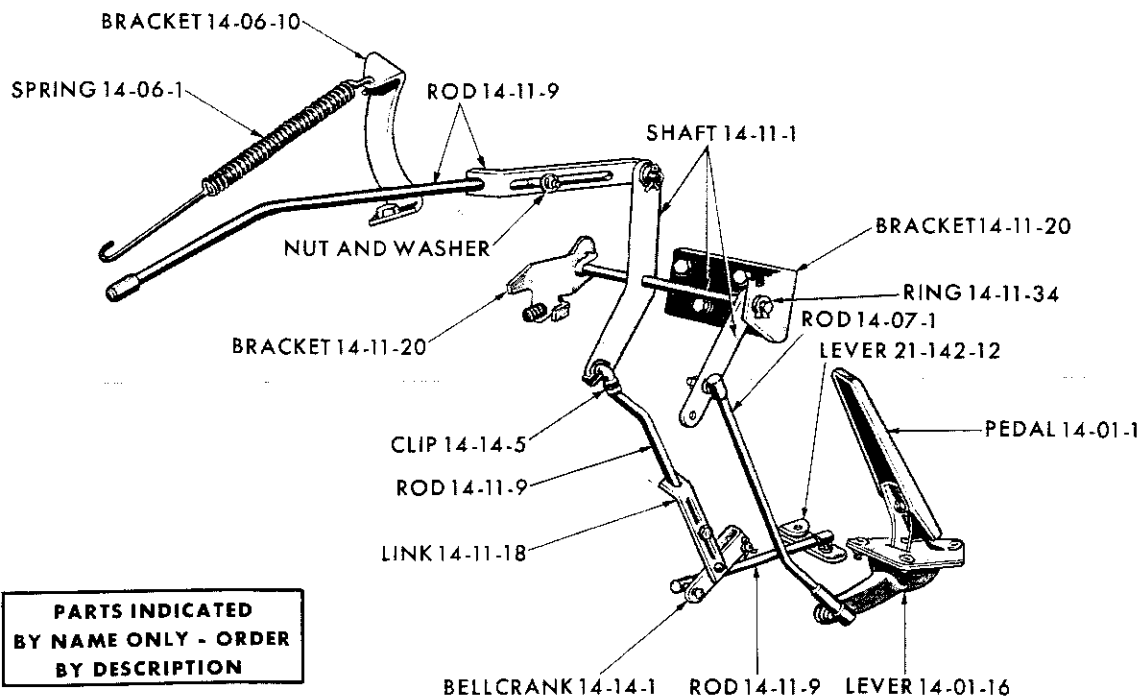
THROTTLE LINKAGE (AUTOMATIC TRANSMISSION) - PLYMOUTH TP1 AND DODGE TD1



**PARTS INDICATED
 BY NAME ONLY - ORDER
 BY DESCRIPTION**

19x9222

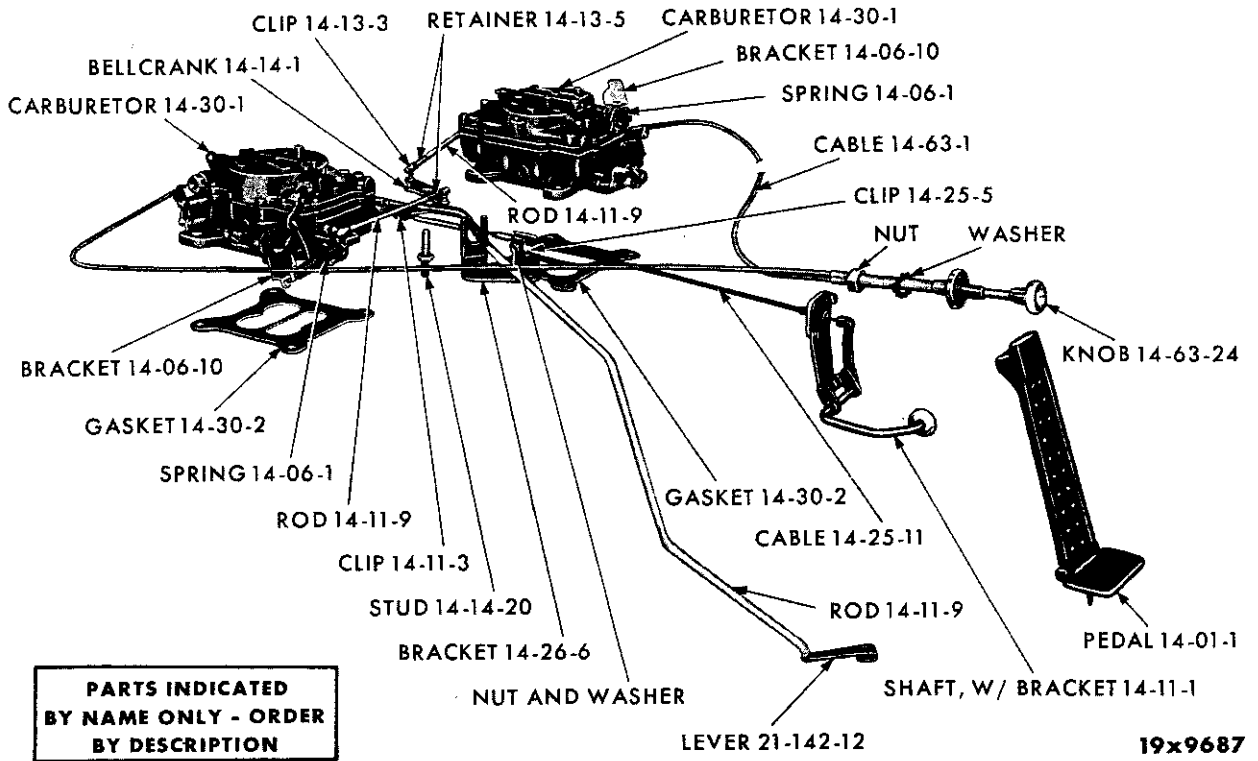
THROTTLE LINKAGE (AUTOMATIC TRANSMISSION) - PLYMOUTH TP2 AND DODGE TD2



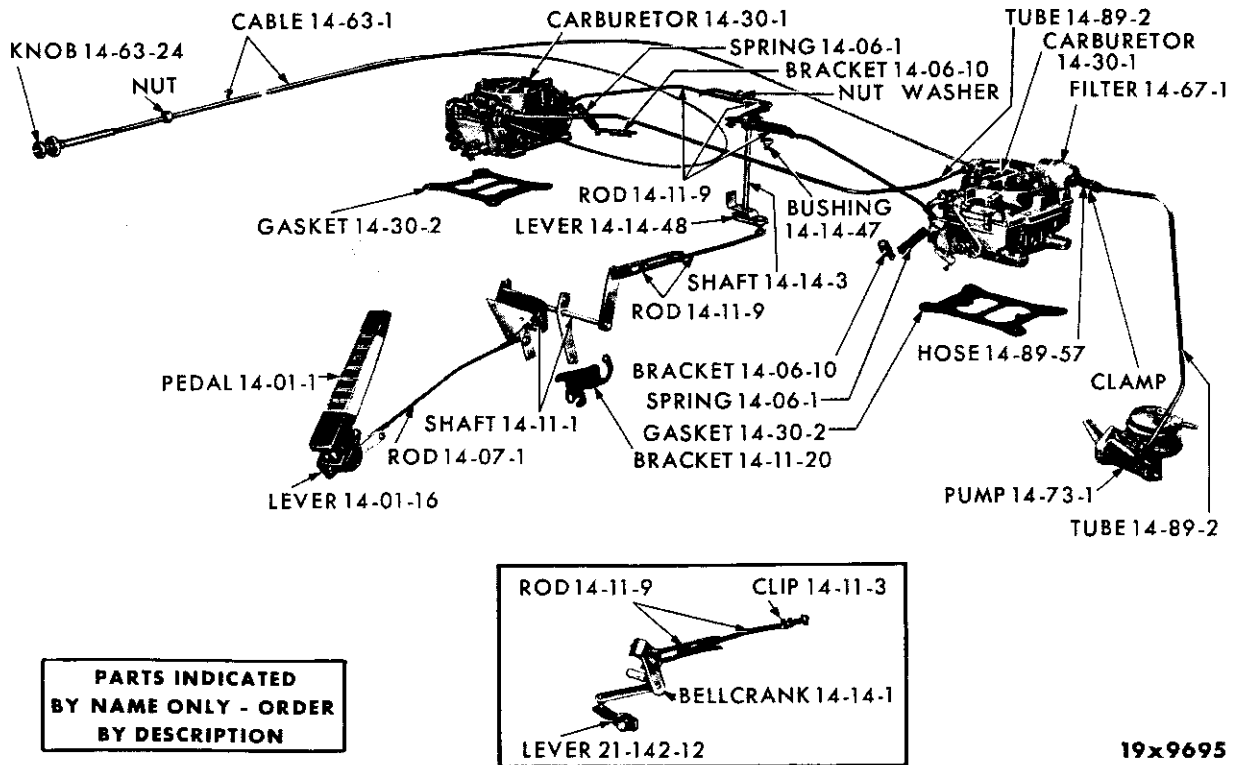
**PARTS INDICATED
 BY NAME ONLY - ORDER
 BY DESCRIPTION**

19x9219A

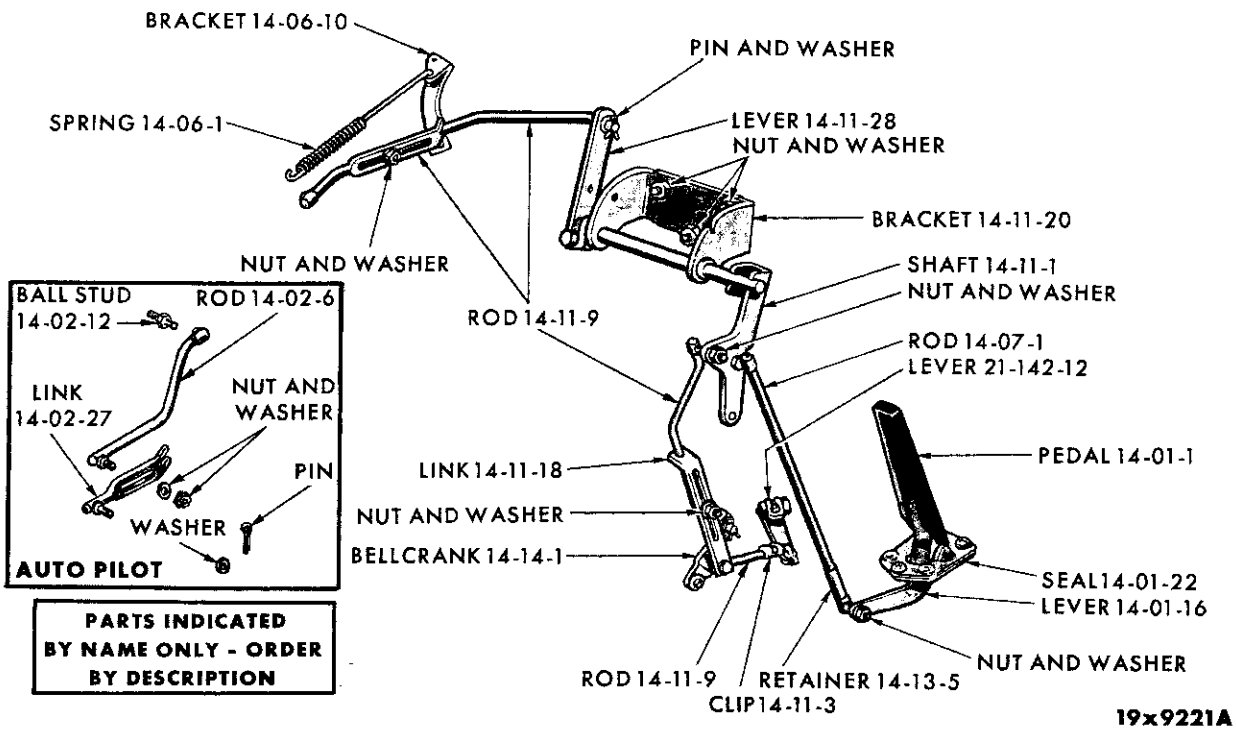
THROTTLE LINKAGE - CHRYSLER TC1-2-3



THROTTLE LINKAGE - CHRYSLER TC1-2-3 (HIGH PERFORMANCE)



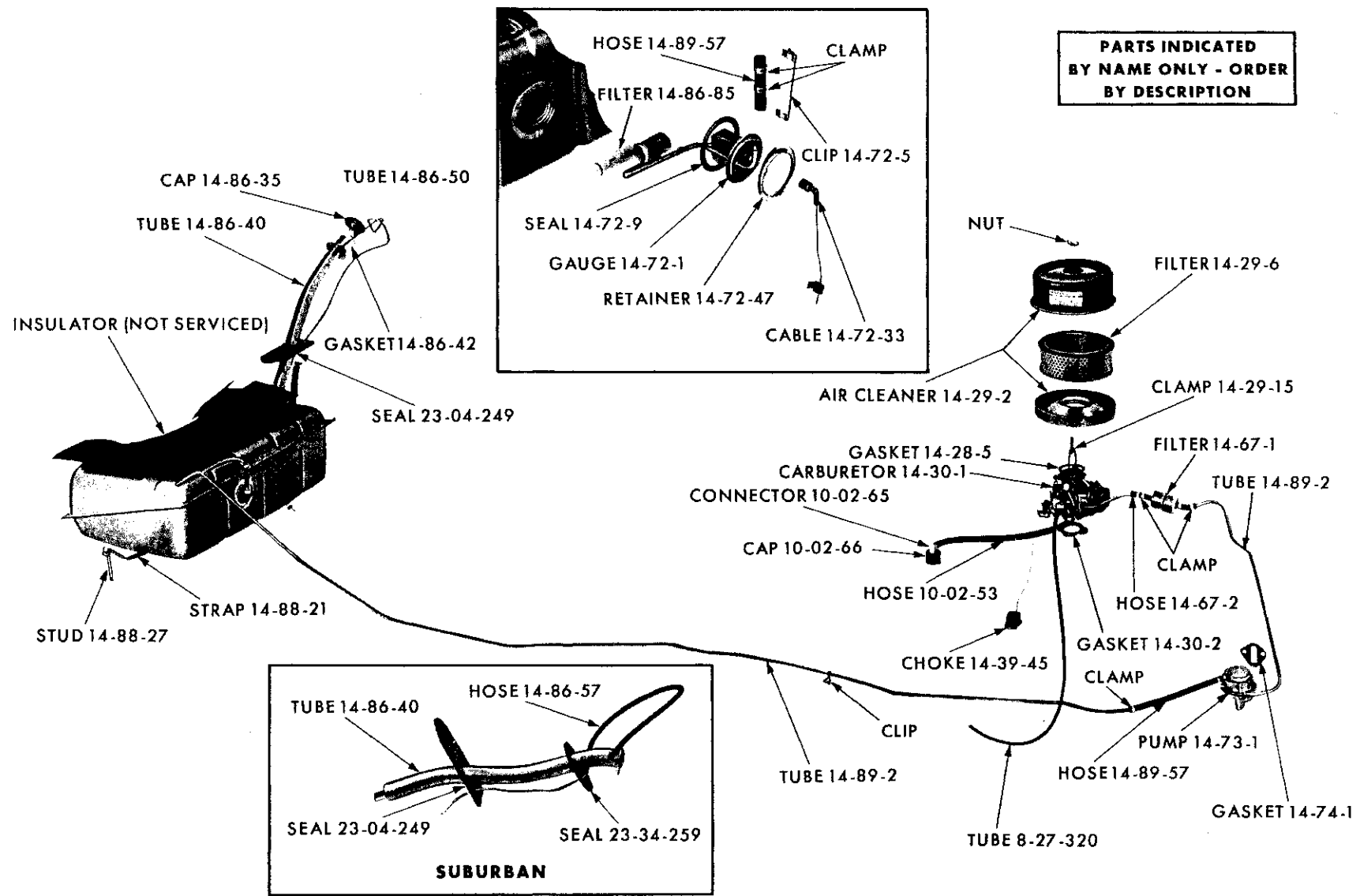
THROTTLE LINKAGE - CHRYSLER TC2-300J (WITH 413 CU. IN. ENGINE)



THROTTLE LINKAGE (WITH AUTOMATIC PILOT LINKAGE) - IMPERIAL TY1

NOTES

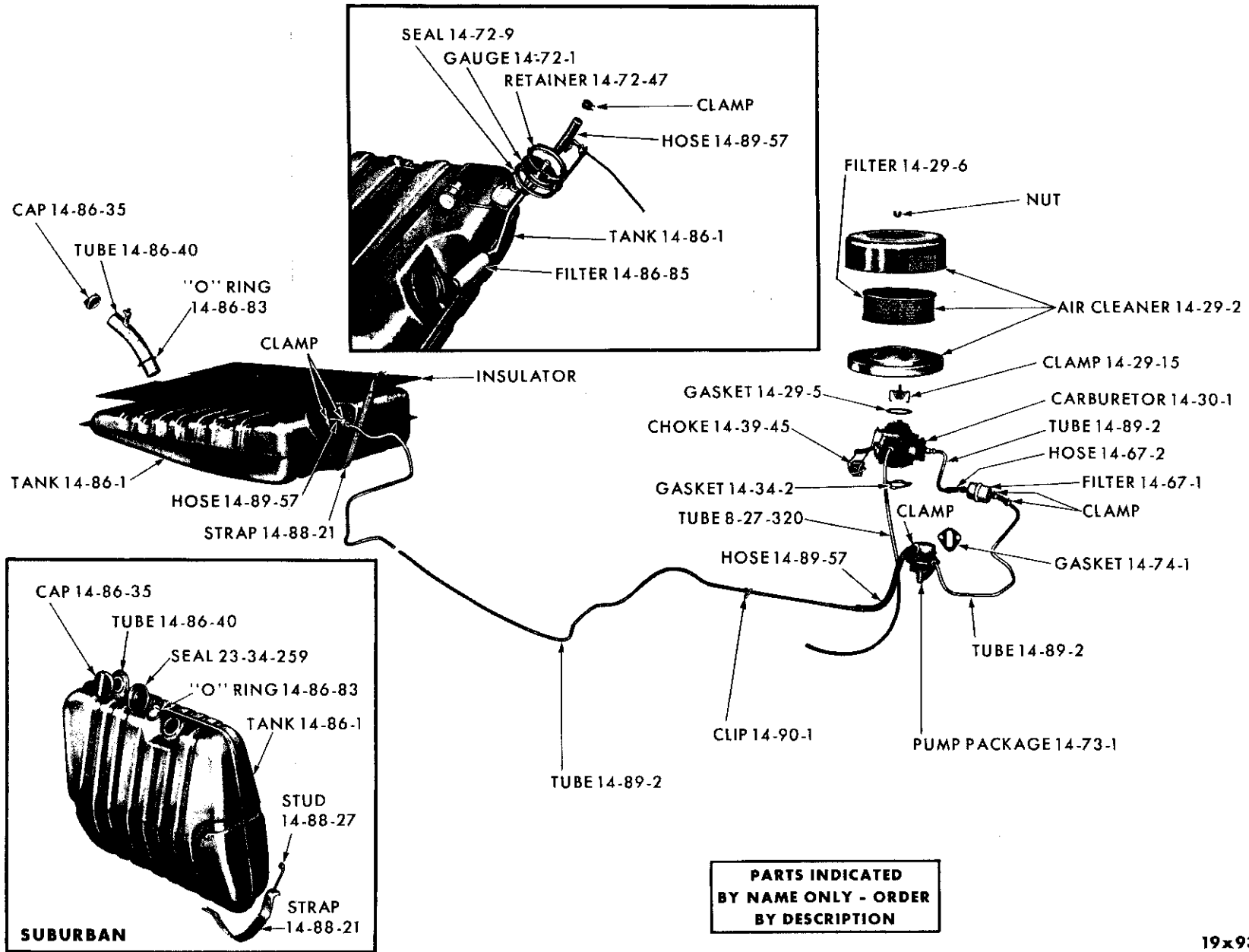
PARTS INDICATED BY NAME ONLY - ORDER BY DESCRIPTION



19x9689

FUEL SYSTEM - VALIANT TV1 AND DART TL1

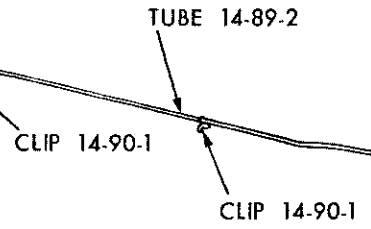
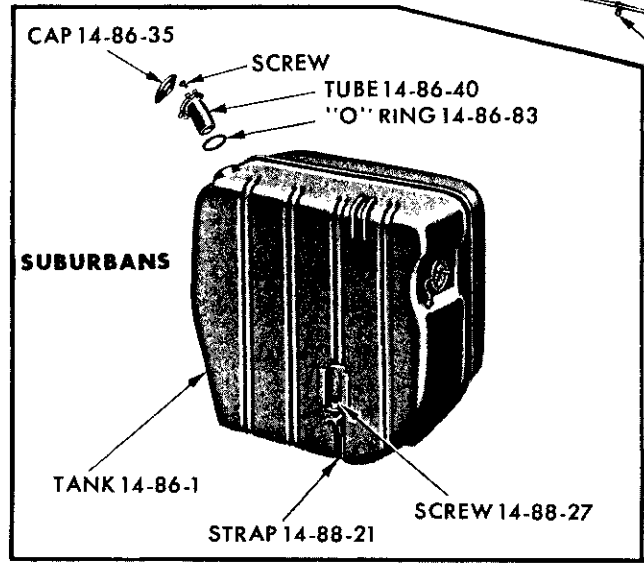
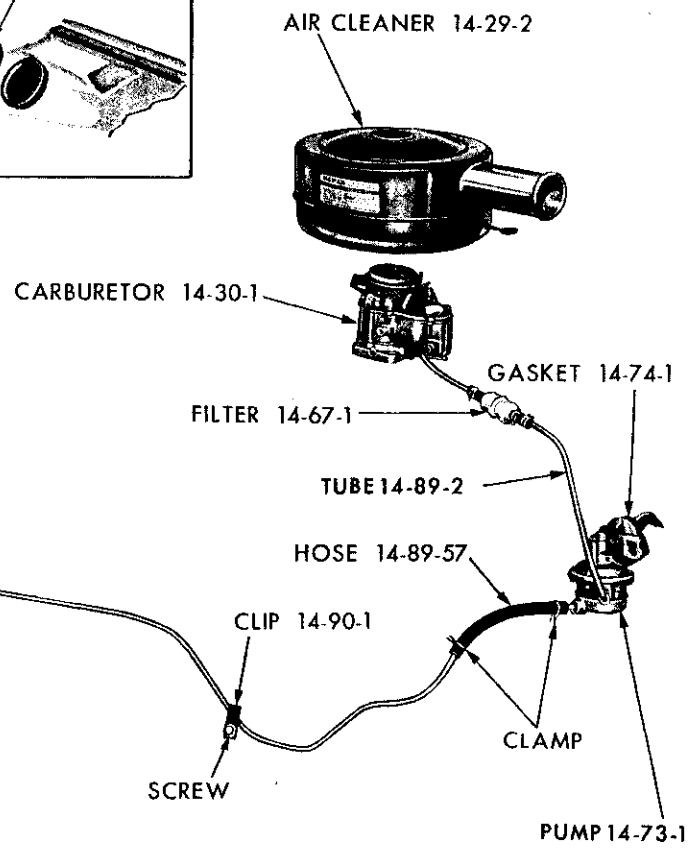
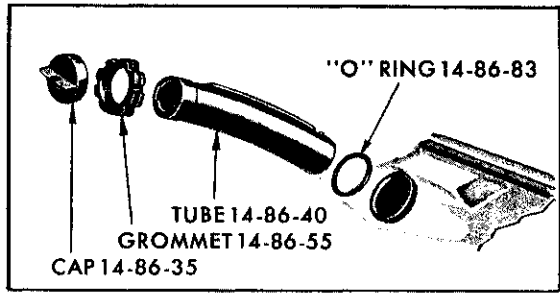
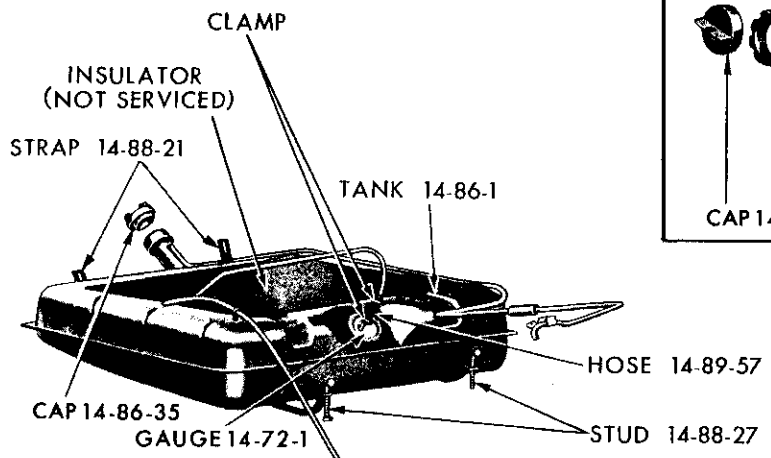
MyMopar.com



PARTS INDICATED BY NAME ONLY - ORDER BY DESCRIPTION

19x9383A

FUEL SYSTEM (6 CYLINDER) - PLYMOUTH TP1 AND DODGE TD1



**PARTS INDICATED
BY NAME ONLY - ORDER
BY DESCRIPTION**

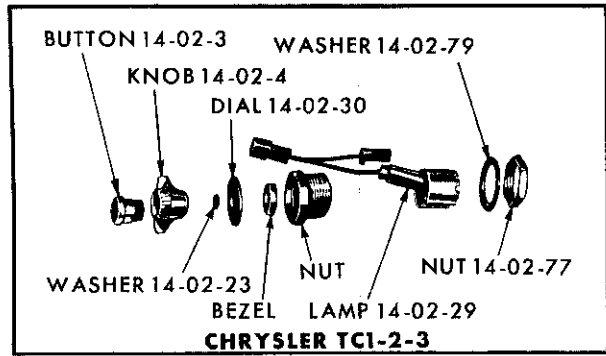
19x8321C

FUEL SYSTEM (V8 CYLINDER) - PLYMOUTH TP2, DODGE TD2, TA3, CHRYSLER TC1-2-3 AND IMPERIAL TY1

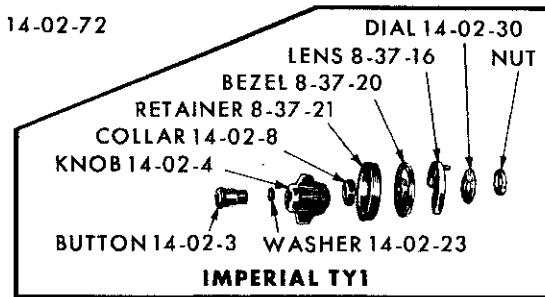
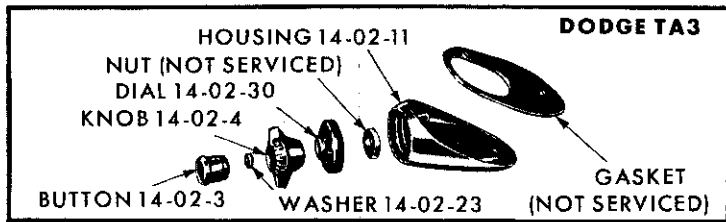
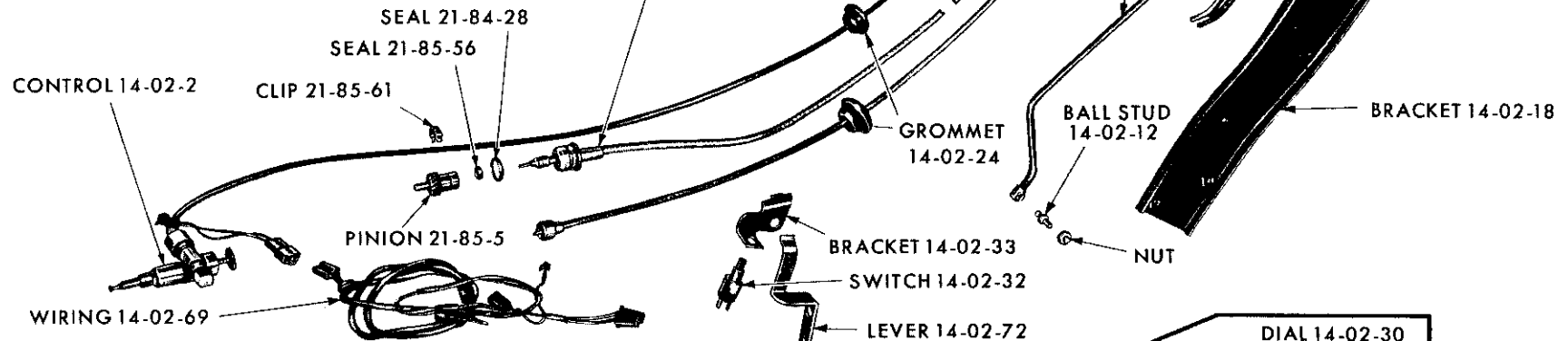
Jan. 25, 1963 Supersedes Dec. 14, 1962.

Page 14-4B

Printed in U.S.A.

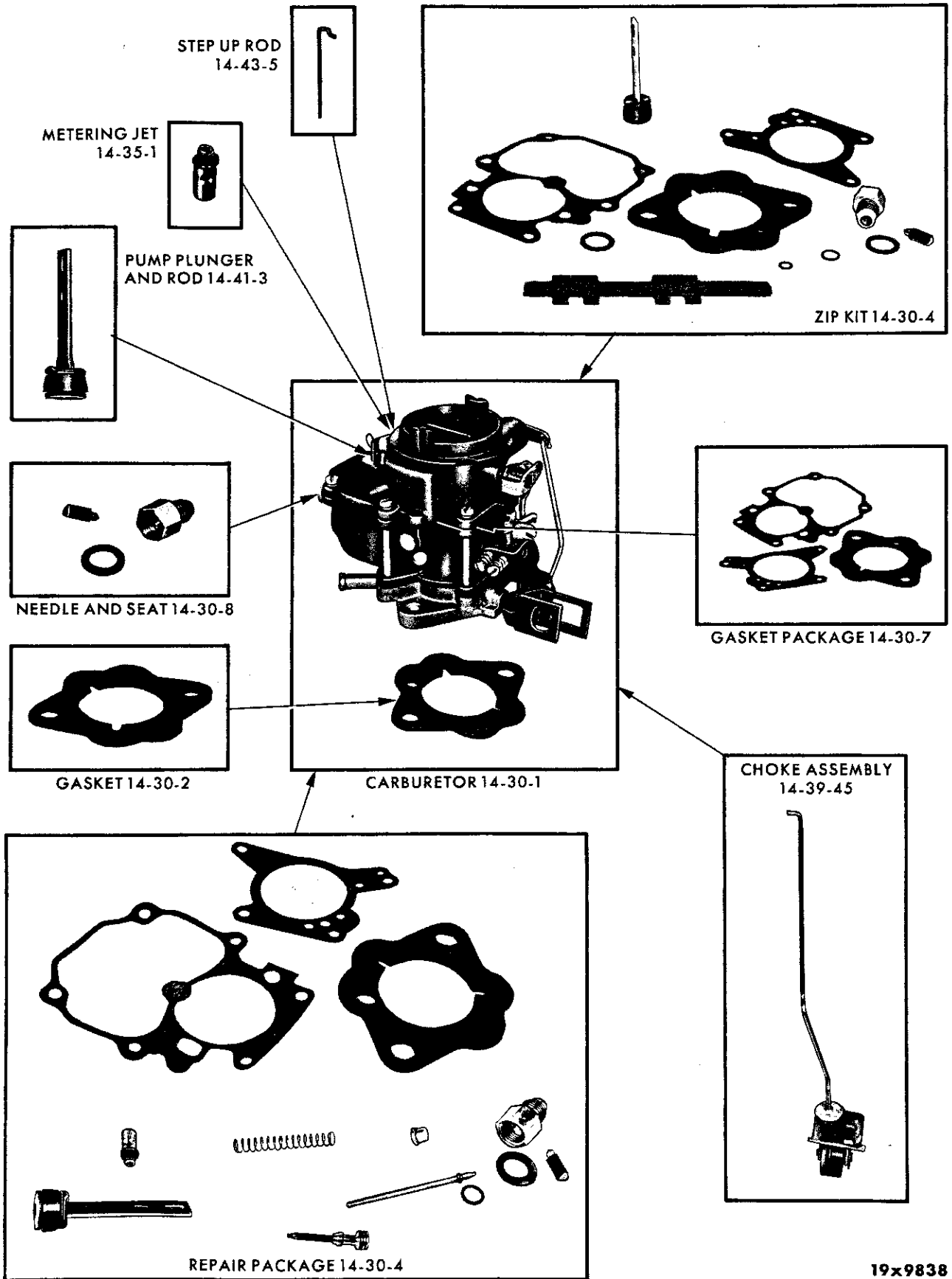


**PARTS INDICATED
BY NAME ONLY - ORDER
BY DESCRIPTION**

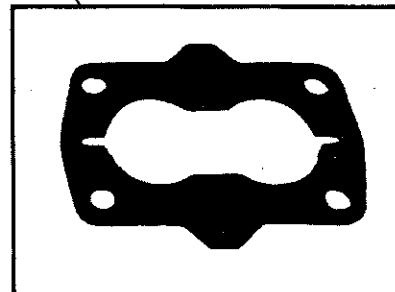
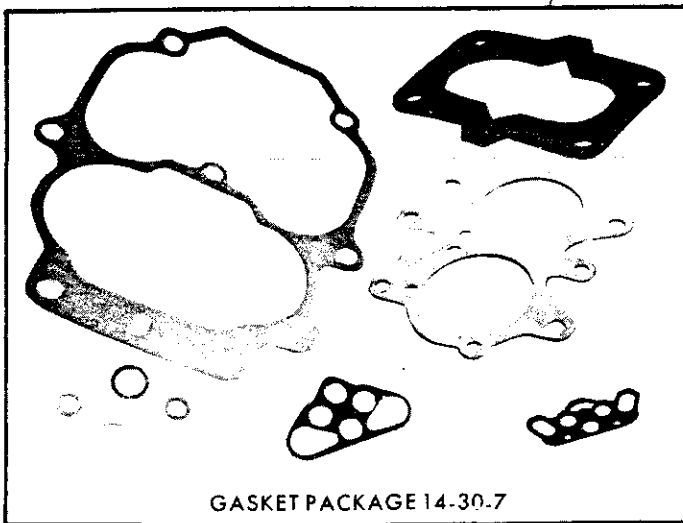
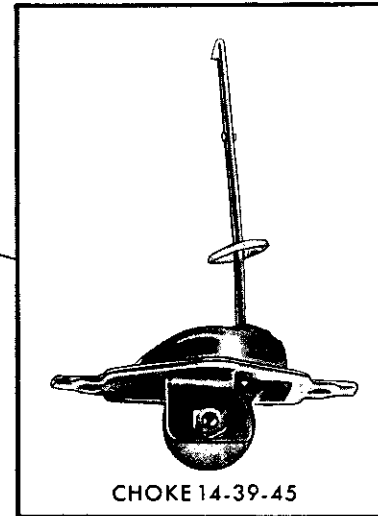
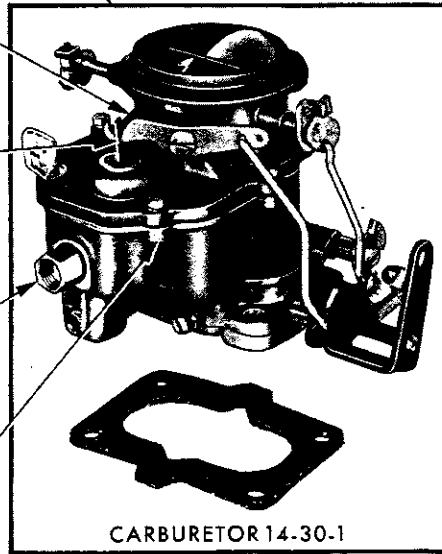
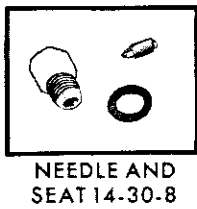
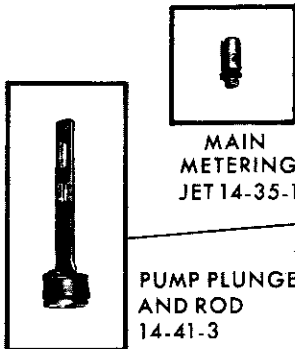
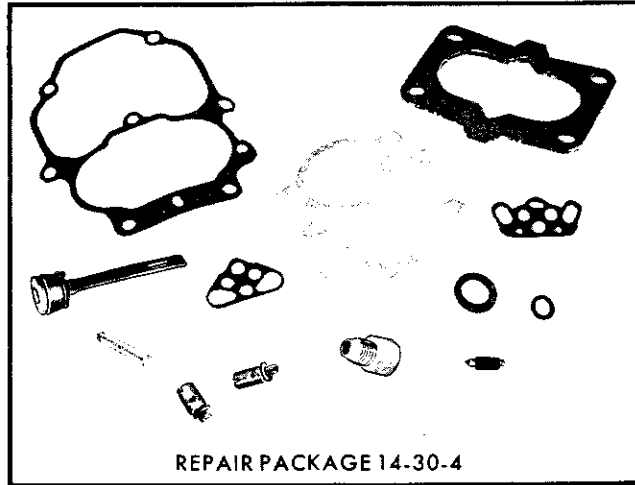
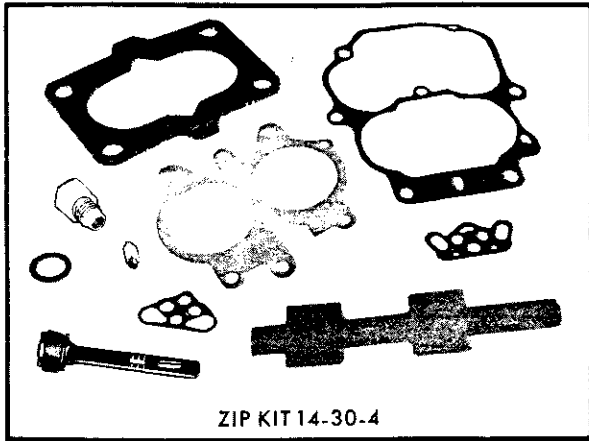


AUTO PILOT SYSTEM

19x9676

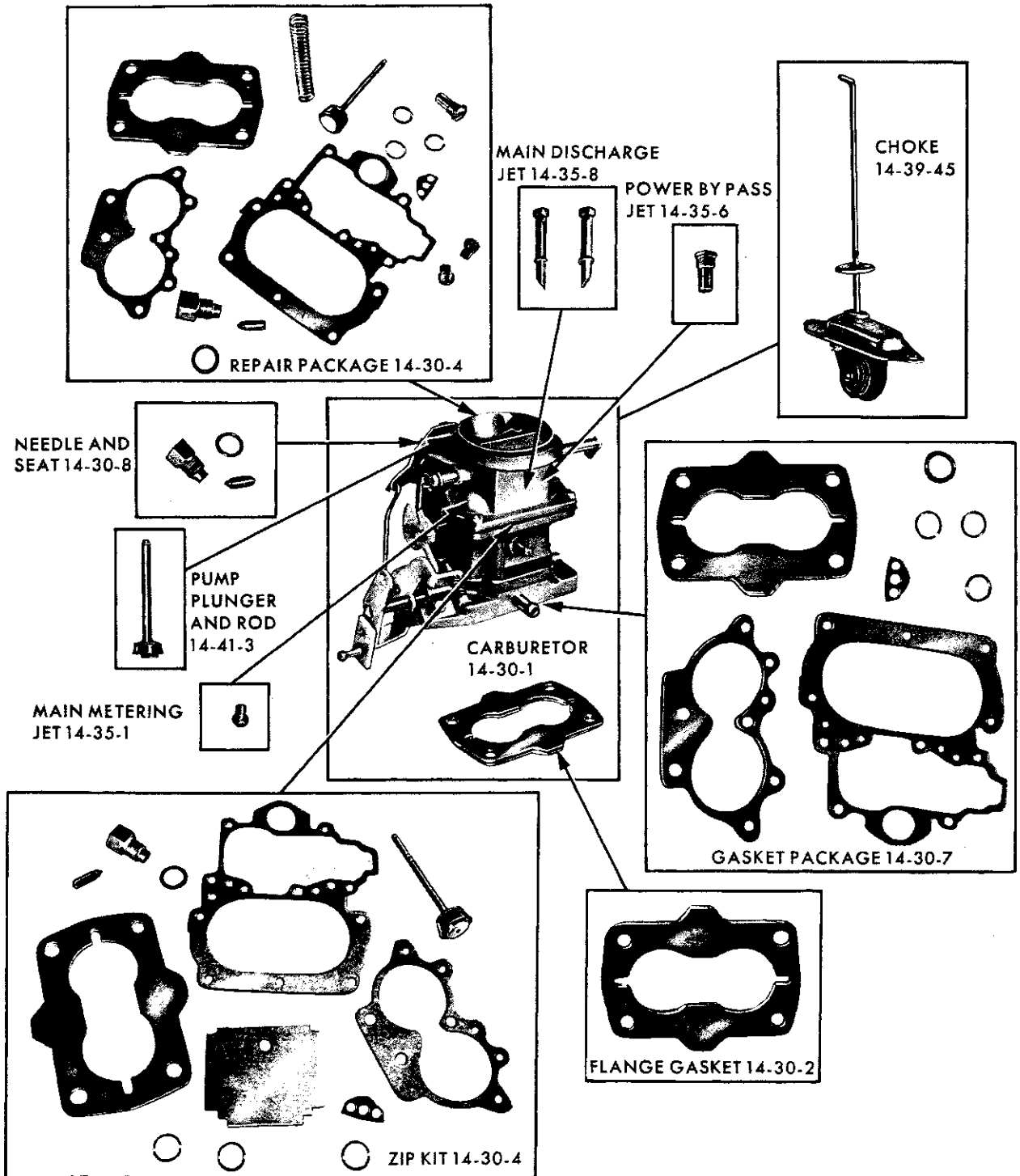


1 BARREL CARBURETOR, COMPONENTS AND PACKAGES -
CARTER 3462-S (CHRYSLER PART 2299 203)



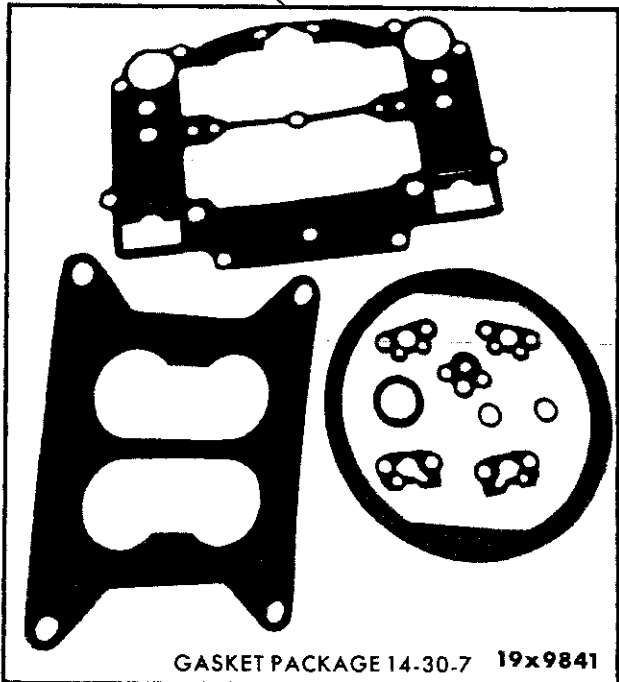
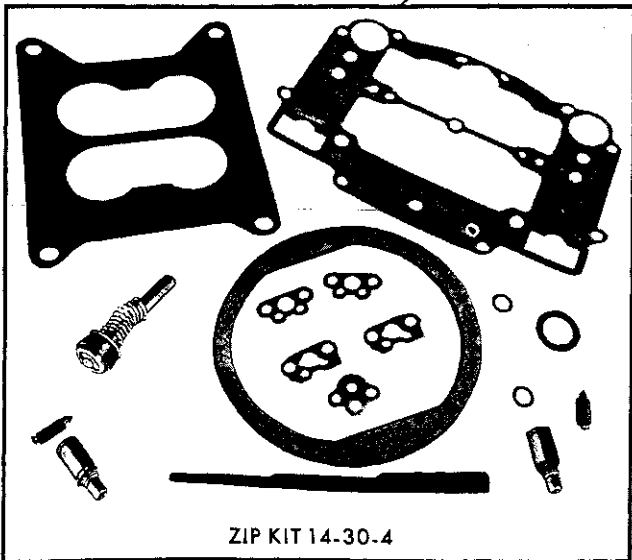
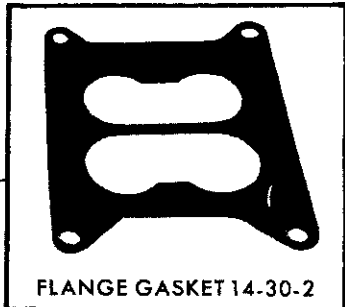
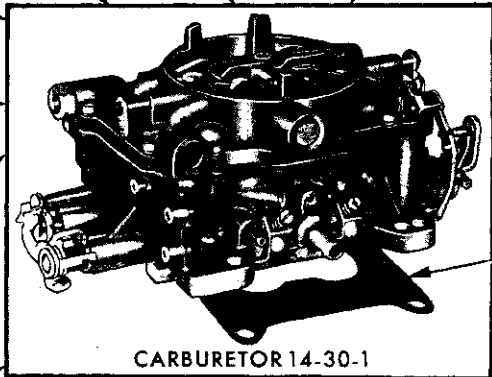
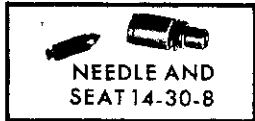
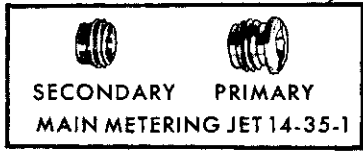
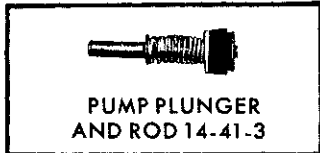
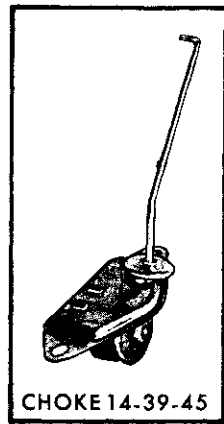
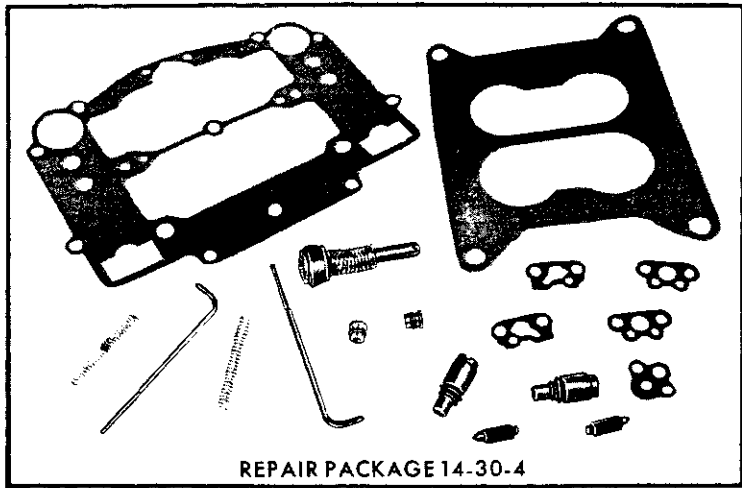
2 BARREL CARBURETOR, COMPONENTS AND PACKAGES - CARTER 3472-S (CHRYSLER PART 2402 508)

19x9840



19x9839

2 BARREL CARBURETOR, COMPONENTS AND PACKAGES -
BENDIX WW3-224 (CHRYSLER PART 2402 591)



4 BARREL CARBURETOR, COMPONENTS AND PACKAGES - CARTER 3437-S (CHRYSLER PART 2402 211)

CODE	PART NAME AND DESCRIPTION	CYL.	PER CAR	VALIANT DART	PLYMOUTH DODGE	CHRYSLER IMPERIAL
14-01-O ACCELERATOR PEDAL						
14-01-1	PEDAL, except TA3, TY1	8	1	E2463 799	2268 206	E2463 797
	TA3	8	1	-----	E2463 797	
	TY1	8	1	-----	-----	2128 664
	NUT		1	120 367	120 367	120 367
14-01-3	SHIELD, Pedal Lever, TC1 Police Car	8	1	-----	-----	2129 264
14-01-8	CLIP, Hinge Pin	6	1	1947 818		
14-01-12	PIN, Hinge	6	1	1947 817		
14-01-15	BRACKET, Pedal Hinge	6	1	1947 815		
	SCREW, w/WASHER	6	2	6022 777		
14-01-16	LEVER, Pedal, except TY1	8	1	-----	1947 311	1947 311
	TY1	8	1	-----	-----	2264 472
14-01-22	SEAL, Pedal Lever		1	-----	1947 415	1947 415
14-01-23	SCREW, Pedal Mounting		2	6025 097	2202 583	
14-01-25	PLATE, Pedal Floor Pan		1	2081 074	2255 583	
	Pedal Dash Panel		1	-----	2254 357	
14-01-30	BUSHING, Pedal		2	*1859 768	2406 334	
14-01-31	INSULATOR, Bracket	6	1	*1859 767		
14-02-O AUTOMATIC PILOT						
14-02-1	AUTOMATIC PILOT PACKAGE, TY1	8	1	-----	-----	2291 906
14-02-2	CONTROL, TA3, TC1, TC2, TC3	8	1	-----	2426 805	2426 805
	TY1	8	1	-----	-----	2426 806
14-02-3	BUTTON, Control Reset, TA3, TC1, TC2, TC3	8	1	-----	*1972 902	*1972 902
	TY1	8	1	-----	-----	2258 859
14-02-4	KNOB, Control, TA3, TC1, TC2, TC3	8	1	-----	1887 798	1887 798
	TY1	8	1	-----	-----	2258 858
14-02-6	ROD, Accelerator Shaft to Auto. Pilot, TA3	8	1	-----	2268 556	2268 556
14-02-8	COLLAR, Control Knob, TY1	8	1	-----	-----	2198 361
14-02-10	NUT, Brace Mounting, TA3	8	1	-----	2076 232	2076 232
14-02-11	HOUSING, Control, TA3	8	1	-----	2291 148	
14-02-12	BALL STUD, Accelerator Shaft Lever, TA3	8	1	-----	1858 936	1858 936
14-02-15	MECHANISM, Drive, TA3	8	1	-----	2426 280	2426 280
14-02-18	BRACKET, Mounting, TA3, TC1, TC2, TC3	8	1	-----	2123 513	2123 513
	TY1	8	1	-----	-----	2201 080
	BRACE, Mounting, TA3, TC1, TC2, TC3	8	1	-----	2123 515	2123 515
	TY1	8	1	-----	-----	2201 082
	SCREW, w/WASHER, Bracket	8	2	-----	6010 019	6010 019
	SCREW, w/WASHER, Brace to Fender Shield	8	4	-----	6012 068	6012 068
14-02-23	WASHER, Reset Button, TA3	8	1	-----	1972 906	1972 906
14-02-24	GROMMET, Control Cable, TA3	8	1	-----	2216 552	2216 552
14-02-26	NUT, Brake Switch Mounting, TA3	8	1	-----	1886 313	1886 313

★ Indicates use as required.

Numerals in parentheses () refer to notes.

Printed in U.S.A.

⊠ Indicates parts not listed in any previous parts book.

Prices and specifications subject to change without notice.

Jan. 3, 1964 Supersedes Sept. 4, 1962.

1963 PASSENGER CAR PARTS CATALOG

FUEL

CODE	PART NAME AND DESCRIPTION	C Y L.	PER CAR	VALIANT DART	PLYMOUTH DODGE	CHRYSLER IMPERIAL
14-02-0 AUTOMATIC PILOT - Cont'd						
14-02-27	LINK, Accelerator Shaft to Auto. Pilot Rod Adjusting, TA3	8	1	----	2268 557	2268 557
14-02-29	LAMP, Control, TA3	8	1	----	*2097 471	
	TC1, TC2, TC3	8	1	----	----	E2291 238
	TY1	8	1	----	----	2257 272
	NUT	8	1	----	6008 070	6008 070
14-02-30	DIAL, Control, TA3	8	1	----	1887 794	
	TY1	8	1	----	----	2197 156
14-02-32	SWITCH, Brake, TA3	8	1	----	1885 974	1885 974
14-02-33	BRACKET, Cutout Switch, TA3	8	1	----	2071 075	2071 075
14-02-34	CABLE, Drive Mechanism, TA3	8	1	----	2290 966	2290 966
14-02-39	CONTACT, Control Lamp, TA3, TC1, TC2, TC3 . .	8	1	----	*2256 966	*2256 966
14-02-40	SLEEVE, Control Cable, TA3	8	1	----	1881 965	1881 965
14-02-66	INSULATOR, Control Terminal, TA3	8	1	----	1843 226	1843 226
14-02-69	WIRING, Instrument Panel, TA3, TC1, TC2, TC3. .	8	1	----	2426 798	2291 384
	TY1	8	1	----	----	2291 951
14-02-70	SCREW, Control Dial, TA3, TC1, TC2, TC3	8	2	----	2256 702	2256 702
14-02-72	LEVER, Cutout Switch, TA3, TC1, TC2, TC3 . . .	8	1	----	2401 698	2401 698
	TY1	8	1	----	----	2071 076
14-02-73	NUT, Cutout Switch Lever, TA3	8	1	----	2122 266	2122 266
14-02-75	SHAFT, Cable Drive, TA3, TC1, TC2, TC3	8	1	----	1972 352	1972 352
	TY1	8	1	----	----	1887 657
14-02-79	WASHER, Control Bezel, except TY1	8	1	----	----	1534 697
14-06-0 ACCELERATOR PEDAL RETURN SPRING						
14-06-1	SPRING, TL1, TV1	6	1	2264 376		
	TL1, TV1, use w/Holley Carburetor	6	1	E2463 416		
	Except High Performance	8	1	----	2402 590	
	High Performance	8	1	----	2402 250	
	Maximum Performance	8	2	----	2265 027	
	TA3, TC1, TC2, TC3	8	1	----	2402 802	
	TC2, w/Ram Manifold	8	2	----	*2402 250	*2402 250
	TY1	8	1	----	----	1320 133
						1856 580
14-06-10	BRACKET	6	1	2128 776		
	w/o Governor	6	1	----	2264 686	
	w/Governor	6	1	----	2268 188	
	Except TA3	8	1	----	2402 315	
	TA3	8	1	----	1827 999	
	w/Power Package	8	1	----	2402 283	
	High Performance	8	1	----	2402 249	
	Maximum Performance	8	2	----	2402 470	
		8	1	----	----	1827 999
	w/Ram Manifold	8	2	----	----	2129 668
14-07-0 ACCELERATOR PEDAL TO ACCELERATOR SHAFT ROD						
14-07-1	ROD	6	1	2264 538		
	TA3, TC1, TC2, TC3	8	1	----	----	1859 396

★ Indicates use as required. Numerals in parentheses () refer to notes. Printed in U.S.A.
 † Indicates parts not listed in any previous parts book. Prices and specifications subject to change without notice.
 Jan. 3, 1964 Supersedes Sept. 4, 1962. * Indicates change or addition.

CODE	PART NAME AND DESCRIPTION	CYL.	PER CAR	VALIANT DART	PLYMOUTH DODGE	CHRYSLER IMPERIAL
14-07-0 ACCELERATOR PEDAL TO ACCELERATOR SHAFT ROD - Cont'd						
14-07-1	ROD - Cont'd					
	TY1	8	1	----	----	2264 474
	PIN, Cotter	6	1	103 373		
	WASHER	6	1	120 392		
14-07-15	SPRING, Accelerator Pedal to Accelerator Shaft Rod	6	1	2402 589		
14-11-0 ACCELERATOR SHAFT						
14-11-1	SHAFT, w/Std. Trans., w/o Governor	6	1	2203 237		
	w/Auto. Trans., w/o Governor	6	1	2264 552		
	w/Auto. Trans., w/Governor	6	1	2402 355		
	w/Std. or Auto. Trans.	6	1	----	2268 344	
	TA3, TC1, TC2, TC3	8	1	----	2264 333	2264 333
	w/Ram Manifold	8	1	----	----	2402 659
	TY1	8	1	----	----	1859 991
	PIN, Cotter		1	----	103 373	
14-11-3	CLIP, Accelerator Shaft to Bell Crank Rod	6	1	2120 878	----	666 790
	Bell Crank to Carburetor Rod, Upper	6	1	----	6008 144	
	Lower	6	1	----	1652 093	
	Bell Crank to Trans. Rod	6	1	----	667 774	667 774
14-11-4	SEAL, Shaft	6	1	2402 339		
14-11-9	ROD, Shaft to Bell Crank, w/Auto. Trans.	6	1	2402 384		
	Bell Crank to Trans., w/SLOT	6	1	2202 428		
	Bell Crank to Trans., w/STUD	6	1	2120 814		
	Bell Crank to Carburetor	6	1	----	2268 356	
	Bell Crank to Carburetor, Police and Taxi	6	1	----	*2406 763	
	Bell Crank to Trans., Police and Taxi	6	1	----	*2406 683	
	Bell Crank to Trans.	6	1	----	2268 358	
	Carburetor to Trans., TP2, TD2	8	1	----	2402 226	
	Bell Crank to Carburetor, Maximum Performance.	8	1	----	2402 468	
	Shaft to Carburetor, TA3, TC1, TC2, TC3, w/STUD	8	1	----	2120 968	2120 968
	Shaft to Bell Crank, TA3, TC1, TC2, TC3, w/STUD	8	1	----	2264 640	2264 640
	Bell Crank to Trans., TA3, TC1, TC2, TC3	8	1	----	2264 648	2264 648
	Shaft to Carburetor, TY1	8	1	----	----	2406 213
	Shaft to Carburetor, w/Auto. Pilot, TY1	8	1	----	----	1859 996
	Shaft to Carburetor, w/SLOT, TA3, TC1, TC2, TC3	8	1	----	2129 611	2129 611
	Shaft to Bell Crank, w/SLOT, TA3	8	1	----	2264 411	2264 411
	Bell Crank to Trans., Maximum Performance	8	1	----	2402 808	
	Shaft to Bell Crank, TY1, w/STUD	8	1	----	----	2264 413
	Bell Crank to Trans., TY1	8	1	----	----	2264 341
	Bell Crank to Carburetor, w/o Slot, w/Ram Manifold	8	1	----	----	2128 757
	Bell Crank to Carburetor, w/SLOT, w/Ram Manifold	8	1	----	----	2129 569
	Shaft to Throttle Shaft Lever, w/STUD, w/Ram Manifold	8	1	----	----	2121 159
	Shaft to Throttle Shaft Lever, w/SLOT, w/Ram Manifold	8	1	----	----	2129 611
	Shaft to Trans., w/Ram Manifold	8	1	----	----	2402 738
14-11-18	LINK, Bell Crank to Trans. Rod	6	1	2202 428		
	Shaft to Bell Crank, TA3	8	1	----	2264 411	2264 411
	Shaft to Carburetor, TA3	8	1	----	2129 611	2129 611
14-11-20	BRACKET, Shaft	6	1	2402 340		
	Shaft Body, TA3, TC1, TC2, TC3	8	1	----	2205 820	2205 820
	Shaft Engine, TA3, TC1, TC2, TC3	8	1	----	2264 800	2264 800

★ Indicates use as required.

☐ Indicates parts not listed in any previous parts book.

* Indicates change or addition.

Numerals in parentheses () refer to notes.

Prices and specifications subject to change without notice.

Jan. 3, 1964 Supersedes Sept. 4, 1962.

CODE	PART NAME AND DESCRIPTION	CYL	PER CAR	VALIANT DART	PLYMOUTH DODGE	CHRYSLER IMPERIAL
14-11-O ACCELERATOR SHAFT - Cont'd						
14-11-20	BRACKET - Cont'd					
	Shaft Engine, w/Ram Manifold	8	1	----	----	2205 797
	TY1	8	1	----	----	1734 030
	SCREW		4	----	*6023 976	*6023 976
14-11-25	PLATE, Shaft Bracket Stud Retainer, TY1	8	1	----	----	1734 028
14-11-28	LEVER, Shaft, TY1		1	2264 539	----	1859 994
	Shaft Intermediate	6	1	2128 778	----	
14-11-30	INSULATOR, Shaft Sound		★	2128 347	1859 767	1859 767
14-11-33	BUSHING, Shaft Seal	6	1	2120 525		
	Shaft Engine Bracket, TA3	8	1	----	2264 801	2264 801
	Shaft Lever		1	----	1859 768	1859 768
	Engine Bell Crank, TA3	8	1	----	1859 768	1859 768
14-11-34	RING, Shaft Retaining, Except TY1	8	1	----	----	1936 051
14-11-39	ROLLER, Shaft, Plastic		1	----	2268 346	
14-11-48	SEAL, Shaft Bracket, TY1	8	1	----	----	1827 773
14-13-O THROTTLE LINKAGE BALL STUD						
14-13-1	BALL STUD, Accelerator Shaft Lever, TA3		1	2128 636	1858 936	1858 936
	Accelerator Shaft	6	1	2128 636		
	Carburetor Lever	8	1	----	2268 420	1858 936
	Accelerator Pedal Lever, TA3	8	1	----	2128 636	2128 636
	Engine Bell Crank, except TY1	8	1	----	2128 636	2128 636
14-13-3	CLIP, Ball Stud Retainer		★	2121 571	2121 571	2121 571
14-13-5	RETAINER, Ball Stud, Threaded		★	2268 367	2268 367	2268 367
	Bell Crank to Trans., Maximum Performance	8	1	----	E2402 915	
14-14-O THROTTLE CONTROL BELL CRANK						
14-14-1	BELL CRANK	6	1	2203 239		
	TC1, TC2, TC3, TA3	8	1	----	2264 646	2264 646
	TC2, w/Ram Manifold	8	1	----	----	2402 724
	TY1	8	1	----	----	2264 415
	TP2, TD2, Maximum Performance	8	1	----	2402 464	
14-14-3	SHAFT, Intake Manifold Throttle, w/Ram Manifold	8	1	----	----	2121 745
14-14-4	PLATE, Bell Crank Tapping	6	1	2121 694		
14-14-8	PIN, Bell Crank	6	1	2120 811		
	Bell Crank to Cable	8	1	----	2402 806	
14-14-12	BRACKET, Bell Crank	6	1	2203 240		
	w/Bell Crank	6	1	----	2402 246	
14-14-13	NUT, Bell Crank Bracket	6	1	----	2073 205	
14-14-20	STUD, Bell Crank	6	1	----	2402 214	
	TA3	8	1	----	2264 480	2264 480
	TP2, TD2, Maximum Performance	8	1	----	2402 466	
14-14-42	SCREW, Tapping Plate	6	3	2202 583		
14-14-47	BUSHING, Intake Manifold Throttle Shaft, w/Ram Manifold, TC2	8	2	----	----	1947 542

★ Indicates use as required.

Numerals in parentheses () refer to notes.

Printed in U.S.A.

⊔ Indicates parts not listed in any previous parts book.

Prices and specifications subject to change without notice.

September 4, 1962.

CODE	PART NAME AND DESCRIPTION	C Y L.	PER CAR	VALIANT DART	PLYMOUTH DODGE	CHRYSLER IMPERIAL
14-14-0 THROTTLE CONTROL BELL CRANK - Cont'd						
14-14-48	LEVER, Intake Manifold Throttle Shaft, w/Ram Manifold, TC2	8	1	----	----	1947 544
14-14-49	EXTENSION, Intake Manifold Throttle Shaft Lever, w/Ram Manifold, TC2	8	1	----	----	2206 030
14-14-56	BUSHING, Bell Crank, TA3	8	1	----	1859 768	1859 768
14-14-57	INSULATOR, Bell Crank, TA3	8	1	----	1859 767	1859 767
14-24-0 FAST IDLE CABLE						
14-24-1	CABLE, TC1		1	----	917 248	917 248
	NUT		1	----	124 939	124 939
	WASHER, Lock		1	----	138 498	138 498
14-24-4	COLLAR, Cable, TC1		1	----	2268 677	2268 677
14-24-5	PIN, Cable, TC1		1	----	2268 679	2268 679
14-24-9	SWIVEL, Cable, TC1	8	1	----	----	639 173
14-24-11	CLIP, Swivel, TC1	8	1	----	----	639 174
14-25-0 THROTTLE CONTROL CABLE						
14-25-5	CLIP, Cable		1	----	2402 210	
14-25-11	CABLE, Control	6	1	----	2268 348	
	TP1, TD, Taxi and Police	6	1	----	*2406 789	
	TP2, TD2, Maximum Performance	8	1	----	2268 349	
		8	1	----	2402 803	
14-25-12	PIN, Cable		1	----	2264 706	
	CLIP		1	----	6023 285	
14-25-13	RING, Cable Retainer		1	----	1884 405	
14-26-0 THROTTLE CONTROL MOUNTING BRACKET						
14-26-2	CLIP, Bracket	8	1	----	2264 741	
14-26-3	STUD, Bracket	8	1	----	2402 214	
	NUT	8	1	----	120 367	
14-26-6	BRACKET PACKAGE, Cable	6	1	----	*2448 746	
	TP2, TD2	8	1	----	2402 257	
	TP2, TD2, w/Power Package	8	1	----	2402 207	
	TP2, TD2, Maximum Performance	8	1	----	2402 804	
	TP2, TD2, High Performance	8	1	----	2402 252	
14-29-0 CARBURETOR AIR CLEANER						
14-29-2	AIR CLEANER, TL1, TV1, TP1, TD1, w/o Governor, Dry Type	6	1	2279 891	2279 891	
	TL1, TV1, TP1, TD1, w/o Governor, Oil Bath	6	1	2128 805	2128 805	
	TL1, TV1, TP1, TD1, w/Governor, Oil Bath	6	1	1859 750	1859 750	
	TL1, TV1, TP1, TD1, High Performance, w/o Governor, Dry Type	6	1	*2279 891	*2279 891	
	TP2, PD2	8	1	----	2264 610	
	TP2, TD2, High Performance and Power Package	8	1	----	2402 672	
	TP2, TD2, Maximum Performance	8	2	----	2421 370	
	TA3	8	1	----	2402 672	2402 672
	TC2-C300J	8	2	----	----	2120 633

★ Indicates use as required.

Numerals in parentheses () refer to notes.

Printed in U.S.A.

⊠ Indicates parts not listed in any previous parts book.

Prices and specifications subject to change without notice.

* Indicates change or addition.

Jan. 3, 1964 Supersedes Sept. 4, 1962.

1963 PASSENGER CAR PARTS CATALOG

FUEL

CODE	PART NAME AND DESCRIPTION	C Y L	PER CAR	VALIANT DART	PLYMOUTH DODGE	CHRYSLER IMPERIAL
14-29-O CARBURETOR AIR CLEANER - Cont'd						
14-29-3	GASKET, Oil Chamber, Upper, w/Oil Bath Cleaner	6	1	2128 879	2128 879	
	Lower	6	1	1821 144	1821 144	
	Air Cleaner Adapter, w/Oil Bath Cleaner	8	1	----	*2128 661	
14-29-4	GASKET, Cover	8	1	----	*2402 129	
14-29-5	GASKET, Air Cleaner to Carburetor	6	1	1947 797	1947 797	
	w/2 Barrel Carburetor	8	1	----	1326 847	
	w/4 Barrel Carburetor	8	1	----	1821 170	1821 170
14-29-6	FILTER	6	1	2206 376	2206 376	
	w/2 Barrel Carburetor	8	1	----	1739 547	*1946 923
	w/4 Barrel Carburetor	8	1	----	1946 923	1946 923
	w/High Performance	8	1	----	2402 677	2402 677
	TP2, TD2, Maximum Performance	8	2	----	1851 493	
	TC2-300J, w/2-4 Barrel Carburetors	8	2	----	----	2120 634
14-29-10	ADAPTER, Cleaner to Carburetor, w/Oil Bath Cleaner	6	1	2129 000	2129 000	
14-29-12	BRACKET, Steady, w/Oil Bath Cleaner	6	1	2129 562	2129 562	
14-29-15	CLAMP, w/Dry Cleaner	6	1	2129 597	2402 707	
	w/Oil Bath Cleaner	6	1	2264 545	2264 545	
14-29-33	STUD, Cleaner to Carburetor	8	1	----	1826 286	1826 286
14-29-44	SPACER, Steady Bracket	6	1	2129 856	2129 856	

14-30-O CARBURETOR

MODEL	USE WITH TRANSMISSION	MANUFACTURERS NAME	CARBURETOR STAMPED	PART NUMBER
14-30-1 CARBURETOR ASSEMBLIES				
TL1, TV1, w/170 cu. in. Eng., w/or w/o Governor, PACKAGE	STANDARD	Carter	3462S	*2299 203
TL1, TV1, w/170 cu. in. Eng., w/or w/o Governor, PACKAGE	AUTOMATIC	Carter	3463S	*2299 205
TL1, TV1, High Performance, w/225 cu. in. Eng., PACKAGE	ALL	Carter	3464S	*2299 205
TL1, TV1, w/170 cu. in. Eng., w/o Governor	STANDARD	Holley	R2533A	2402 501
TL1, TV1, w/170 cu. in. Eng., w/o Governor	AUTOMATIC	Holley	R2534A	2402 502
TL1, TV1, High Performance, w/ 225 cu. in. Eng.	ALL	Holley	R2535A	2402 503
TL1, TV1, Taxi, w/170 cu. in. Eng., w/Governor	ALL	Carter	3287S	2206 230
TP1, TD1, w/225 cu. in. Eng., w/or w/o Governor	ALL	Carter	3466S	2299 205
TP1, TD1, w/225 cu. in. Eng., w/o Governor	ALL	Holley	R2537A	2402 505
TP1, TD1, w/225 cu. in. Eng., w/o Governor	AUTOMATIC	Bendix	WA3-219	2402 507
TP1, TD1, Taxi, Police	ALL	Carter	3236S	*2206 228
TP2, TD2, w/318 cu. in. Eng., 2 Barrel	ALL	Carter	3472S	2402 508
TP2, TD2, w/318 cu. in. Eng., 2 Barrel	ALL	Bendix	WW3-224	2402 591

★ Indicates use as required.

Numerals in parentheses () refer to notes.

Printed in U.S.A.

⊠ Indicates parts not listed in any previous parts book.
September 4, 1962.

Prices and specifications subject to change without notice.

14-30-0 CARBURETOR - Cont'd

MODEL	USE WITH TRANSMISSION	MANUFACTURERS NAME	CARBURETOR STAMPED	PART NUMBER
14-30-1 CARBURETOR ASSEMBLIES - Cont'd TP2, TD2, w/Power Package, TD2P, w/361 cu. in. Eng., 2 Barrel TP2, TD2, High Performance w/383 cu. in. Eng., 4 Barrel TP2, TD2, Police Car, w/383 cu. in. Eng., 4 Barrel	AUTOMATIC	Carter	3475S	2402 511
	ALL	Carter	3437S	2402 211
	ALL	Carter	3437S	2402 211
TP2, TD2, w/426 cu. in. Eng., 2 - 4 Barrel TA3, w/361 cu. in. Eng., 2 Barrel TA3, w/383 cu. in. Eng., 2 Barrel TC1, w/361 cu. in. Eng., 2 Barrel TC1 Police Car, w/413 cu. in. Eng., 4 Barrel TC2, w/383 cu. in. Eng., 2 Barrel	ALL	Carter	3447S	2402 359
	ALL	Bendix	WWC3-221	2402 545
	ALL	Carter	3438S	2402 512
	ALL	Bendix	WWC3-221	2402 545
	ALL	Carter	3478S	2402 515
TC2, w/Power Package, w/413 cu. in. Eng., 4 Barrel TC2-C300J, w/413 cu. in. Eng., w/Ram Manifold, 2-4 Barrel TC3, TY1, w/413 cu. in. Eng., 4 Barrel	AUTOMATIC	Carter	3438S	2402 512
	ALL	Carter	3478S	2402 515
	ALL	Carter	3505S	2402 727
	AUTOMATIC	Carter	3256S	2205 766

NOTE: For further Carburetor Service Parts see the following Charts.

PART TYPE CODE	SERVICE PARTS	CARBURETOR ASSEMBLIES						
		2206 228 3236S	2206 230 3287S	2402 211 3437S	2402 492 3462S	2402 493 3463S	2402 494 3464S	2402 495 3465S
14-30-2	GASKET, Flange	2205 582	2205 582	2121 952	2205 582	2205 582	2205 582	2205 582
14-30-4	REPAIR PACKAGE	2240 471	2240 471	*2299 233	2299 207	2299 021	2299 211	2299 021
	ZIP KIT	2299 073	2299 073	2299 080	2299 073	2299 072	2299 072	2299 072
14-30-7	GASKET PACKAGE	2240 472	2240 472	2196 212	2240 472	2240 470	2240 470	2240 470
14-30-8	NEEDLE, w/SEAT, Float	2240 401	2240 401	2196 207	2240 401	2240 401	2240 401	2240 401
14-30-27	STRAINER, Fuel Inlet	-----	-----	1826 864	-----	-----	-----	-----
14-30-28	NUT, Fuel Inlet Strainer	-----	-----	1826 863	-----	-----	-----	-----
14-35-1	JET, Main Metering	1618 157	1618 157	-----	2299 251	2299 005	2299 005	2299 005
	Primary	-----	-----	2240 464	-----	-----	-----	-----
	Secondary	-----	-----	2084 166	-----	-----	-----	-----
14-39-45	CHOKE	2402 527	2402 527	2402 201	2402 526	2402 526	2402 526	2402 526
14-41-3	PLUNGER, w/ROD, Pump	2196 214	2196 214	1826 369	2196 214	2196 214	2196 214	2196 214
14-43-5	ROD, Step-Up	1631 502	1631 502	2299 187	2299 112	2299 208	2299 113	2299 208

★ Indicates use as required. Numerals in parentheses () refer to notes. Printed in U.S.A.
 □ Indicates parts not listed in any previous parts book. Prices and specifications subject to change without notice.
 * Indicates change or addition. Jan. 3, 1964 Supersedes Sept. 4, 1962.

14-30-0 CARBURETOR - Cont'd

NOTE: For further Carburetor Service Parts see the following Charts.

PART TYPE CODE		CARBURETOR ASSEMBLIES						
		2402 496 3466S	2402 497 3468S	2402 501 R2533A	2402 502 R2534A	2402 503 R2535A	2402 504 R2536A	2402 505 R2537A
14-30-2	GASKET, Flange	2205 582	2205 582	2205 582	2205 582	2205 582	2205 582	2205 582
14-30-4	REPAIR PACKAGE	2299 211	2299 021	2299 036	2299 036	2299 036	2299 036	2299 036
	ZIP KIT	2299 072	2299 072	-----	-----	-----	-----	-----
14-30-7	GASKET PACKAGE	2240 470	2240 470	2299 037	2299 037	2299 037	2299 037	2299 037
14-30-8	NEEDLE, w/SEAT, Float	2240 401	2240 401	2299 042	2299 042	2299 042	2299 042	2299 042
14-35-1	JET, Main Metering	2299 005	2299 005	2299 248	2299 239	2299 242	2299 248	2299 245
14-35-33	STEM, Economizer	-----	-----	2299 040	2299 040	2299 040	2299 040	2299 040
14-35-39	WELL, Main	-----	-----	2299 241	2299 238	2299 241	2299 241	2299 244
14-39-45	CHOKE	*2406 764	*2406 764	2402 528	2402 528	2402 528	2402 528	2402 528
14-41-3	PLUNGER, w/ROD, Pump	2196 214	2196 214	2299 038	2299 038	2299 038	2299 038	2299 038
14-43-5	ROD, Step-Up	2299 113	2299 208	-----	-----	-----	-----	-----

NOTE: For further Carburetor Service Parts see the following Charts.

PART TYPE CODE	SERVICE PARTS	CARBURETOR ASSEMBLIES						
		2402 591 WW3-224	2402 506 R2538A	2402 507 WA3-219	2402 508 3472S	2402 509 3473S	2402 511 3475S	2402 512 3476S
14-30-2	GASKET, Flange	*2264 193	2205 582	2205 582	1634 701	1634 701	2264 193	2264 193
14-30-4	REPAIR PACKAGE	2299 255	2299 036	2299 278	2299 219	2299 219	-----	2299 226
	REPAIR PACKAGE, use w/3475S, 3475SA, 3475SB	-----	-----	-----	-----	-----	*2299 226	-----
	Use w/3475SC	-----	-----	-----	-----	-----	*2299 195	-----
	ZIP KIT or Minor REPAIR KIT	2299 083	-----	2299 280	2299 220	2299 220	-----	2299 074
	ZIP KIT, use w/3475S, 3475SA, 3475SB	-----	-----	-----	-----	-----	*2299 074	-----
	Use w/3475SC	-----	-----	-----	-----	-----	*2299 197	-----
14-30-7	GASKET PACKAGE	2299 163	2299 037	2299 279	1826 511	1826 511	-----	2299 227
	GASKET PACKAGE, use w/ 3475S, 3475SA, 3475SB	-----	-----	-----	-----	-----	*2299 227	-----
	Use w/3475SC	-----	-----	-----	-----	-----	*2299 196	-----
14-30-8	NEEDLE, w/SEAT, Float	2240 436	2299 042	2240 436	2240 410	2240 410	2240 410	2240 410
14-35-1	JET, Main Metering	2299 254	2299 041	2299 297	1618 220	1618 220	-----	2240 485
	JET, Main Metering, use w/ 3475S, 3475SA, 3475SB	-----	-----	-----	-----	-----	*2299 194	-----
	Use w/3475SC	-----	-----	-----	-----	-----	*2240 448	-----
14-35-6	JET, Power By-Pass	2299 253	-----	2299 276	-----	-----	-----	-----
14-35-8	JET, Main Discharge	1631 353	-----	2299 275	-----	-----	-----	-----
14-35-33	STEM, Economizer	-----	2299 040	-----	-----	-----	-----	-----
14-35-39	WELL, Main	-----	2299 039	-----	-----	-----	-----	-----
14-39-45	CHOKE	1852 020	2402 528	2463 271	1737 780	1737 780	2463 159	2463 159
14-41-3	PLUNGER, w/ROD, Pump	2084 733	2299 038	2299 274	2299 217	2299 217	1826 607	1826 607

★ Indicates use as required. Numerals in parentheses () refer to notes. Printed in U.S.A.
 ☐ Indicates parts not listed in any previous parts book. Prices and specifications subject to change without notice.
 Jan. 3, 1964 Supersedes Jan. 25, 1963. Page 14-12 * Indicates change or addition.

14-30-O CARBURETOR - Cont'd

NOTE: For further Carburetor Service Parts see the following Charts.

CARBURETOR ASSEMBLIES

PART TYPE CODE	SERVICE PARTS	2402 591 WW3-224	2402 506 R2538A	2402 507 WA3-219	2402 508 3472S	2402 509 3473S	2402 511 3475S	2402 512 3476S
14-43-5	ROD, Step-Up	-----	-----	-----	2299 218	2299 222	-----	2299 224
	ROD, Step-Up, use w/3475S, 3475SA, 3475SB	-----	-----	-----	-----	-----	*2299 116	-----
	Use w/3475SC	-----	-----	-----	-----	-----	*2299 115	-----

NOTE: For further Carburetor Service Parts see the following Charts.

CARBURETOR ASSEMBLIES

PART TYPE CODE	SERVICE PARTS	2402 359 3447S	2402 515 3478S	2402 541 WW3-222	2402 542 WW3-223	2402 545 WWC3-221	2402 727 3505S	2205 766 3256S	*2463 977 3705S
14-30-2	GASKET, Flange	1947 810	2121 952	1634 701	1634 701	2264 193	1947 810	2121 952	*2465 063
14-30-4	REPAIR PACKAGE	2299 181	2299 233	2299 255	2299 264	2299 258	2299 235	2299 186	*2495 950
	ZIP KIT	2299 184	2299 080	2299 083	2299 083	2299 260	2299 184	2299 080	*2495 952
14-30-7	GASKET PACKAGE	2299 182	2196 212	2299 163	2299 163	2299 259	2299 182	2196 212	*2495 951
14-30-8	NEEDLE, w/SEAT, Float	2196 207	2196 207	2240 436	2240 436	2240 436	2196 207	2196 207	*2196 207
14-30-27	STRAINER, Fuel Inlet	1826 864	1826 864	-----	-----	-----	1826 353	1826 864	-----
14-30-28	NUT, Inlet Strainer	1826 863	1826 863	-----	-----	-----	1826 863	1826 863	-----
14-35-1	JET, Main Metering	-----	-----	2299 254	2299 263	2299 257	-----	-----	-----
	Primary	-----	2240 464	-----	-----	-----	1400 857	2240 464	*2448 999
	Secondary	-----	2299 231	-----	-----	-----	-----	1676 692	*1631 356
14-35-6	JET, Power By-Pass	-----	-----	2299 253	2299 262	2275 262	-----	-----	-----
14-35-8	JET, Main Discharge	-----	-----	1631 353	1631 353	-----	-----	-----	-----
14-39-45	CHOKE	Manual	2402 201	1852 020	1852 020	1947 842	Manual	2264 580	*Manual
14-41-3	PLUNGER, w/Rod, Pump	1826 369	1826 369	2084 733	2084 733	2084 730	1826 369	1826 369	*2299 114
14-43-5	ROD, Step-Up	1826 861	2299 230	-----	-----	-----	2084 179	2240 473	*2448 998

CODE	PART NAME AND DESCRIPTION	C Y L.	PER CAR	VALIANT DART	PLYMOUTH DODGE	CHRYSLER IMPERIAL
------	---------------------------	--------------	------------	-----------------	-------------------	----------------------

14-50-O CARBURETOR ANTI-STALL DIAPHRAGM

14-50-25	DIAPHRAGM, w/BRACKET, TC2-300J, w/Ram Manifold	8	1	-----	-----	2128 762
	SCREW	8	1	-----	-----	180 016
	WASHER, Lock	8	1	-----	-----	120 380

★ Indicates use as required. Numerals in parentheses () refer to notes. Printed in U.S.A.
 ☐ Indicates parts not listed in any previous parts book. Prices and specifications subject to change without notice.
 * Indicates change or addition. Jan. 3, 1964 Supersedes Jan. 25, 1963.

1963 PASSENGER CAR PARTS CATALOG

FUEL

CODE	PART NAME AND DESCRIPTION	CYL.	PER CAR	VALIANT DART	PLYMOUTH DODGE	CHRYSLER IMPERIAL
14-63-O CHOKE CONTROL CABLE						
14-63-1	CABLE, TC2-300J	8	1	----	----	2402 883
	TP2, TD2, Maximum Performance	8	1	----	2402 883	
	NUT	8	1	----	124 934	124 934
	WASHER, Lock	8	1	----	135 629	135 629
14-63-19	GROMMET, Cable, TC2-300J	8	1	----	----	2216 552
	TP2, TD2, Maximum Performance	8	1	----	2216 552	
14-63-24	KNOB, Control Cable, TC2-300J	8	1	----	----	2402 885
	TP2, TD2, Maximum Performance	8	1	----	2402 885	

14-65-O AUTOMATIC CHOKE TO CARBURETOR ROD CLIP

14-65-4	CLIP, Stamped D-L		★	----	1639 182	1639 182
	Stamped D-R		★	1738 635	1738 635	1738 635

14-67-O FUEL FILTER

14-67-1	FILTER		1	2084 258	2084 258	2084 258
14-67-2	HOSE, Filter to Carburetor		★	1739 230	1739 230	1739 230
	CLAMP		★	274 461	274 461	274 461
14-67-29	TUBE, Fuel Pump to Fuel Filter Hose, TP2, TD2 w/361, 383 cu. in. Eng., w/2 Barrel Carb.	8	1	----	*2406 569	*2406 569
	Fuel Filter Hose to Carburetor, w/2 Barrel Carb., w/361 or 383 cu. in. Eng., TD2	8	1	----	*2406 572	
	Fuel Filter Hose to Carb., w/Bendix 2 Barrel Carb., w/361 or 383 cu. in. Eng., TD2	8	1	----	*2406 573	

14-68-O GOVERNOR

NOTE: To insure against delay in shipment of Governor DO NOT send orders to Chrysler Corporation. Enter orders direct to the following: Handy Division of King-Seeley Corporation, Ann Arbor, Michigan, U.S.A.

14-68-3	GASKET, Governor	6	1	2205 858	2205 858	
14-68-5	CONNECTOR, Vacuum Control Tube	6	1	2206 146	2206 146	
14-68-8	SPACER, Governor to Carburetor, w/Closed Vent. w/o Closed Vent	6	1	2205 857 1615 836	2205 857 1615 836	

14-72-O FUEL TANK GAUGE

14-72-1	GAUGE	6	1	2421 493		
	Except Sub.		1	----	2275 589	2240 547
	Sub.		1	----	2275 588	2240 548
	Except Sub., TA3 (880)	8	1	----	2240 547	
	Sub., TA3 (880)	8	1	----	2240 548	
14-72-5	CLIP, Gauge Grounding		1	2258 412	2258 412	2258 412
14-72-9	SEAL, Gauge		1	1948 757	1948 757	1948 757
14-72-12	PLUG, Gauge Cable, Sub., TA3	8	★	----	2093 981	2093 981
14-72-33	CABLE, w/TERMINAL and INSULATOR, Gauge		1	2257 444	2257 444	2257 444
14-72-47	RETAINER, Gauge		1	1730 095	1730 095	1730 095

★ Indicates use as required. Numerals in parentheses () refer to notes. Printed in U.S.A.
 ☐ Indicates parts not listed in any previous parts book. Prices and specifications subject to change without notice.
 Jan. 3, 1964 Supersedes Sept. 4, 1962. * Indicates change or addition.

CODE	PART NAME AND DESCRIPTION	C Y L.	PER CAR	VALIANT DART	PLYMOUTH DODGE	CHRYSLER IMPERIAL
14-73-O FUEL PUMP						
14-73-1	PUMP PACKAGE, w/170 cu. in. Eng.	6	1	*2084 859		
	Use w/225 cu. in. Eng.	6	1	*2279 914	*2279 914	
	TP2, TD2, w/o Air Cond.	8	1	----	1843 287	
	TP2, TD2, w/Air Cond.	8	1	----	2279 901	
	TP2, TD2, High Performance	8	1	----	2275 573	
	TP2, TD2, Maximum Performance	8	1	----	2421 466	
	TA3, TC1, TC2, TC3, TY1	8	1	----	2275 573	2275 573
	SCREW		2	6023 548	6023 548	6023 548
14-74-O FUEL PUMP MOUNTING GASKET						
14-74-1	GASKET		1	1400 185	1400 185	1400 185
14-77-O FUEL PUMP PUSH ROD						
14-77-17	ROD	8	1	----	1737 745	1737 745
14-85-O CARBURETOR FUEL LINE TEE						
14-85-31	TEE, w/Ram Manifold	8	1	----	----	2129 121
14-85-33	ADAPTER, Tee, w/Ram Manifold	8	1	----	----	862 072
14-86-O FUEL TANK						
14-86-1	TANK	6	1	2203 439		
	Except Sub.		1	----	2409 323	
	Except Sub., TA3, TC1, TC2, TC3	8	1	----	2203 432	2203 432
	Sub., TA3, TC1, TC2	8	1	----	1944 200	1944 200
	Sub., except TA3		1	----	2074 005	
	TY1	8	1	----	----	2123 623
14-86-13	PLUG, Drain		1	----	1739 194	1739 194
14-86-20	SPACER, Fuel Tank Wheelhouse, Sub., TA3	8	1	----	1960 602	1960 602
14-86-24	SEAL, Drain Plug		1	----	1739 196	1739 196
14-86-35	CAP, Filler Tube	6	1	2074 054		
	Except Sub.		1	----	2203 435	2203 435
	Sub., except TA3		1	----	2074 054	2240 235
	Sub., TA3	8	1	----	2240 235	
14-86-40	TUBE, Filler, except Sub.		1	2203 452	2203 427	
	Sub., except TA3		1	2203 426	2074 017	2203 429
	Sub., TA3	8	1	----	2203 429	
	TY1	8	1	----	----	2208 521
14-86-42	GASKET, Filler Tube Cam	6	1	2073 931		
14-86-55	GROMMET, Filler Tube, TY1	8	1	*2203 473	----	1948 741
14-86-57	HOSE, Vent Tube, except Sub.		1	1828 456	1828 456	1828 456
	Sub.	6	1	2074 063		
14-86-83	"O" RING, Filler Tube	6	1	2073 938		
	Except Sub.		1	----	1730 087	1730 087
	Sub.		1	----	2073 938	2073 938
14-86-85	FILTER, Inside of Tank		1	1670 694	1670 694	1670 694
14-87-O FUEL TANK STONE DEFLECTOR						
14-87-2	DEFLECTOR, Sub., except TA3		1	----	2217 480	
	Sub., TA3	8	1	----	1961 353	1961 353

★ Indicates use as required.

Numerals in parentheses () refer to notes.

Printed in U.S.A.

☐ Indicates parts not listed in any previous parts book.

Prices and specifications subject to change without notice.

* Indicates change or addition.

Jan. 3, 1964 Supersedes Sept. 4, 1962.

1963 PASSENGER CAR PARTS CATALOG

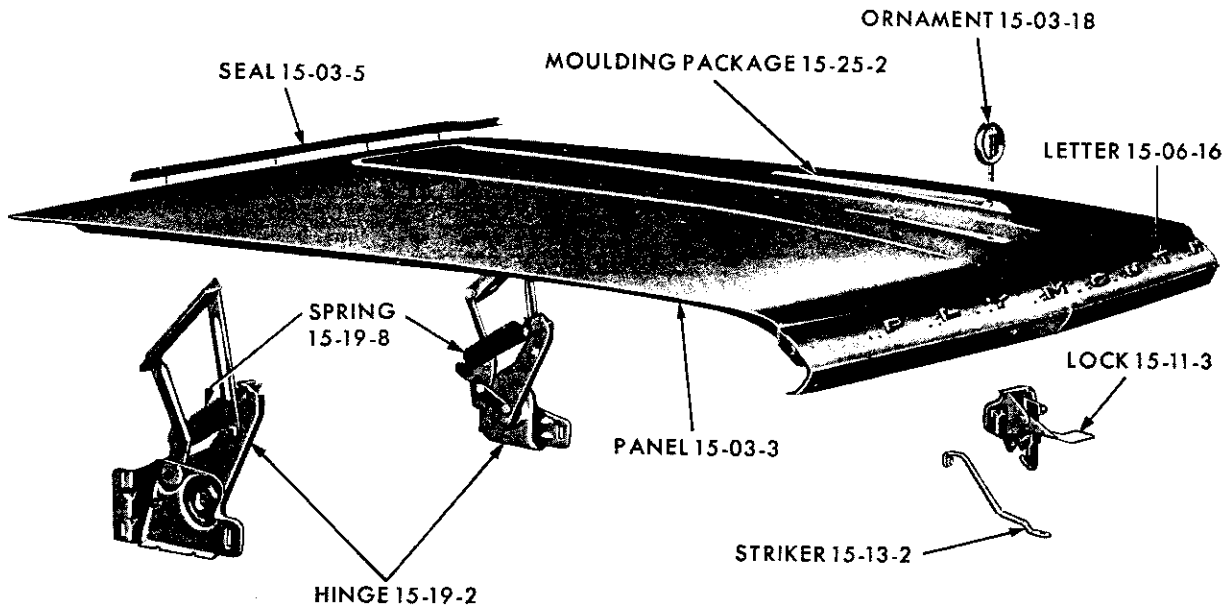
FUEL

CODE	PART NAME AND DESCRIPTION	C Y L	PER CAR	VALIANT DART	PLYMOUTH DODGE	CHRYSLER IMPERIAL
14-88-O FUEL TANK SUPPORT						
14-88-8	BRACKET, Support Strap, Sub., except TA3		1	----	2251 722	
	Support Strap, Inner, Sub., TA3	8	1	----	1878 264	*1878 264
	Support Strap, Outer, Sub., TA3	8	1	----	1878 263	1878 263
14-88-21	STRAP	6	1	2203 430		
	Except Sub.		1	----	2074 036	
	Except Sub., TA3, TC1, TC2, TC3	8	2	----	1944 194	1944 194
	Sub., except TA3		1	----	2074 015	
	Sub., TA3	8	1	----	1944 203	1944 203
	TY1	8	2	----	----	1944 177
14-88-27	STUD, Strap	6	1	1671 610		
	Except Sub., TP1, TP2, TD1, TD2		1	----	2074 032	
	Except Sub., TA3, TC1, TC2, TC3	8	2	----	1944 171	1944 171
	Sub.		1	----	1671 610	
	TY1	8	1	----	----	1671 610
	NUT		*	6023 397	6023 397	6023 397
14-88-36	REINFORCEMENT, Rear Floor Pan Fuel Tank, TA3, TC1, TC2, TC3, except Sub.	8	2	----	1878 169	1878 169
14-89-O FUEL LINE TUBE						
14-89-2	TUBING, 25 Ft. Roll, 5/16" O.D.		1	1843 253	1843 253	1843 253
14-89-57	HOSE, Tube		2	1739 230	1739 230	1739 230
	CLAMP		*	274 461	274 461	274 461
14-90-O FUEL LINE TUBE CLIP						
14-90-1	CLIP, except TY1		*	2123 341	2123 341	2123 341
	TY1	8	*	----	----	1119 423

NOTES

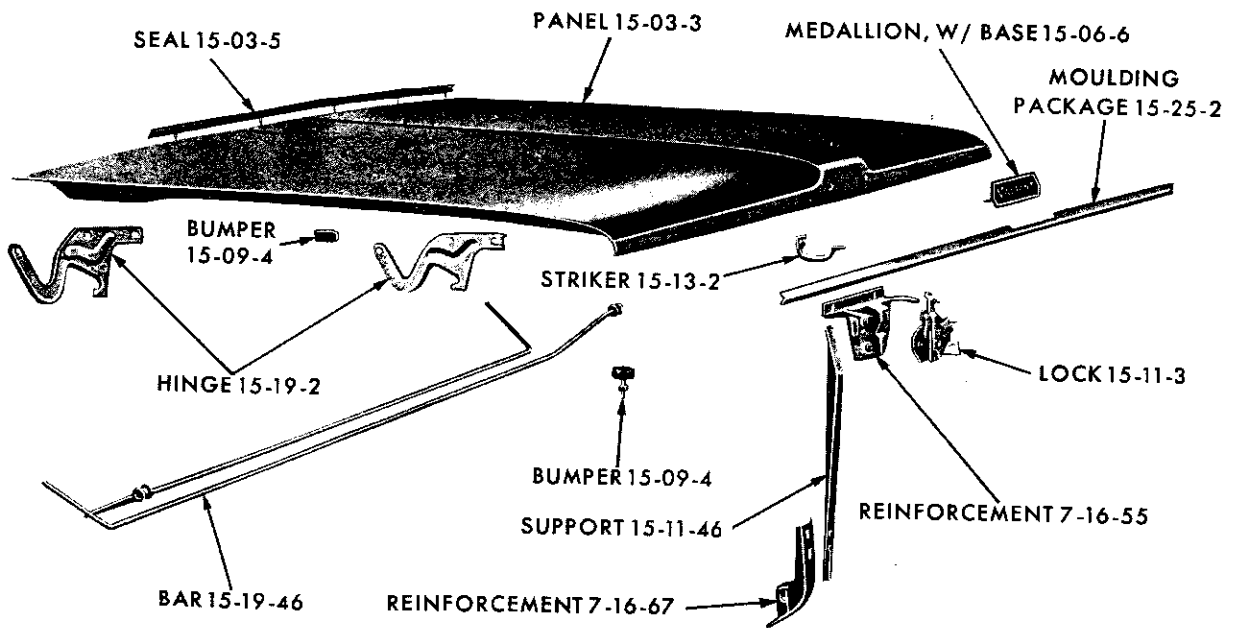
☆ Indicates use as required. Numerals in parentheses () refer to notes. Printed in U.S.A.
 ☐ Indicates parts not listed in any previous parts book. Prices and specifications subject to change without notice.
 Jan. 3, 1964 Supersedes Sept. 4, 1962. Page 14-16 * Indicates change or addition.

GROUP 15 - HOOD



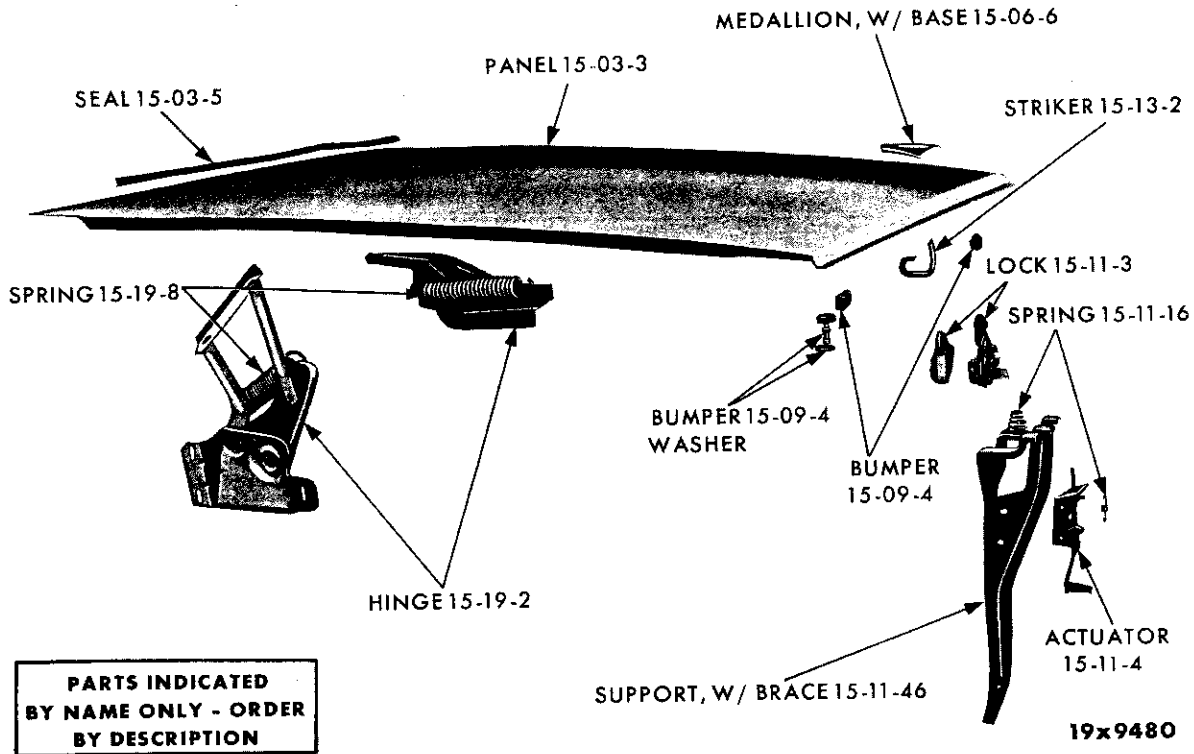
19x9503

HOOD - PLYMOUTH TP1-2

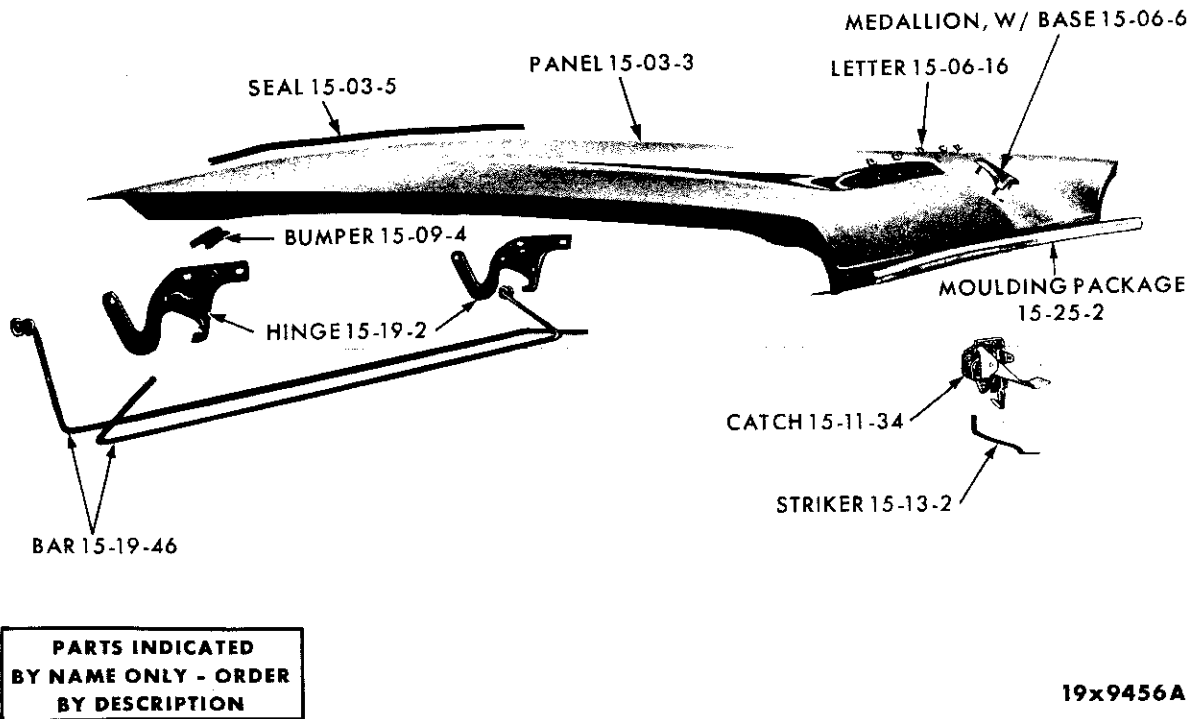


19x9502

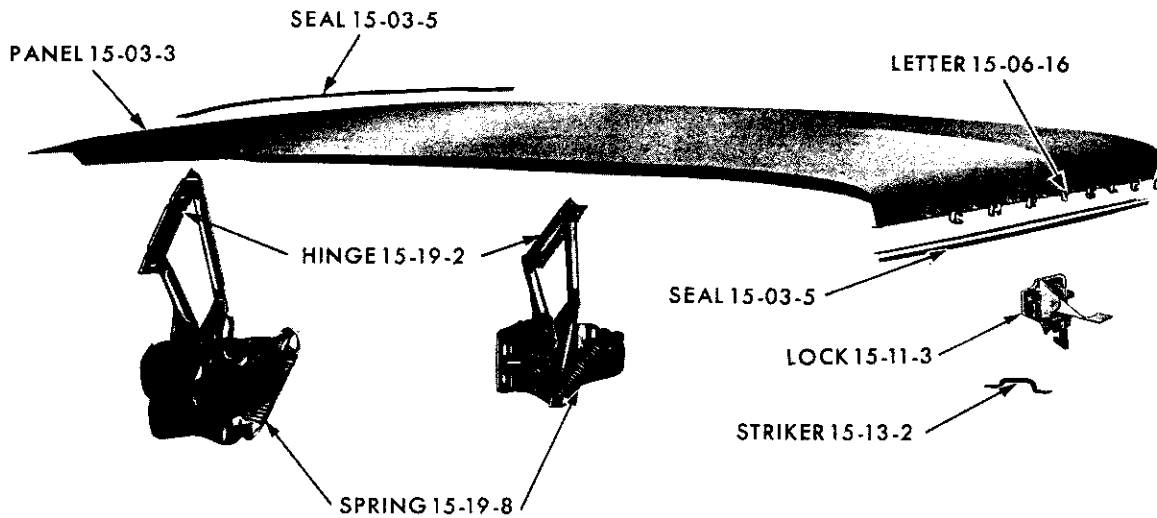
HOOD - VALIANT TV1



HOOD - DODGE TD1-2

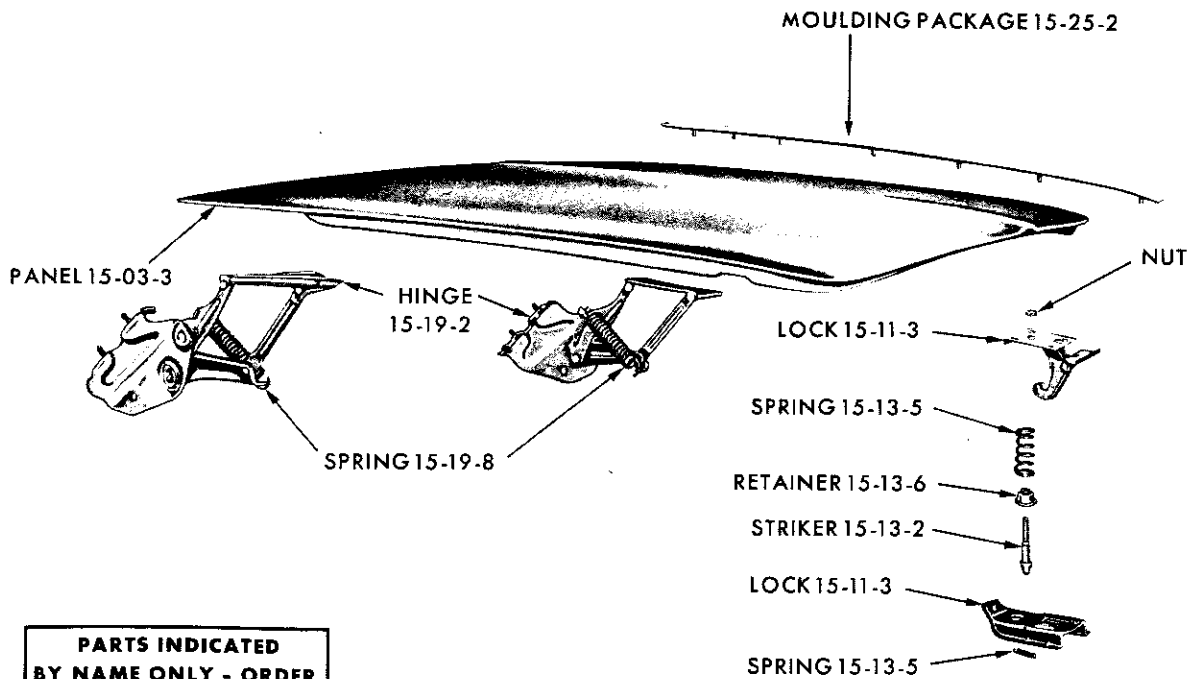


HOOD - DART TL1



19x9457A

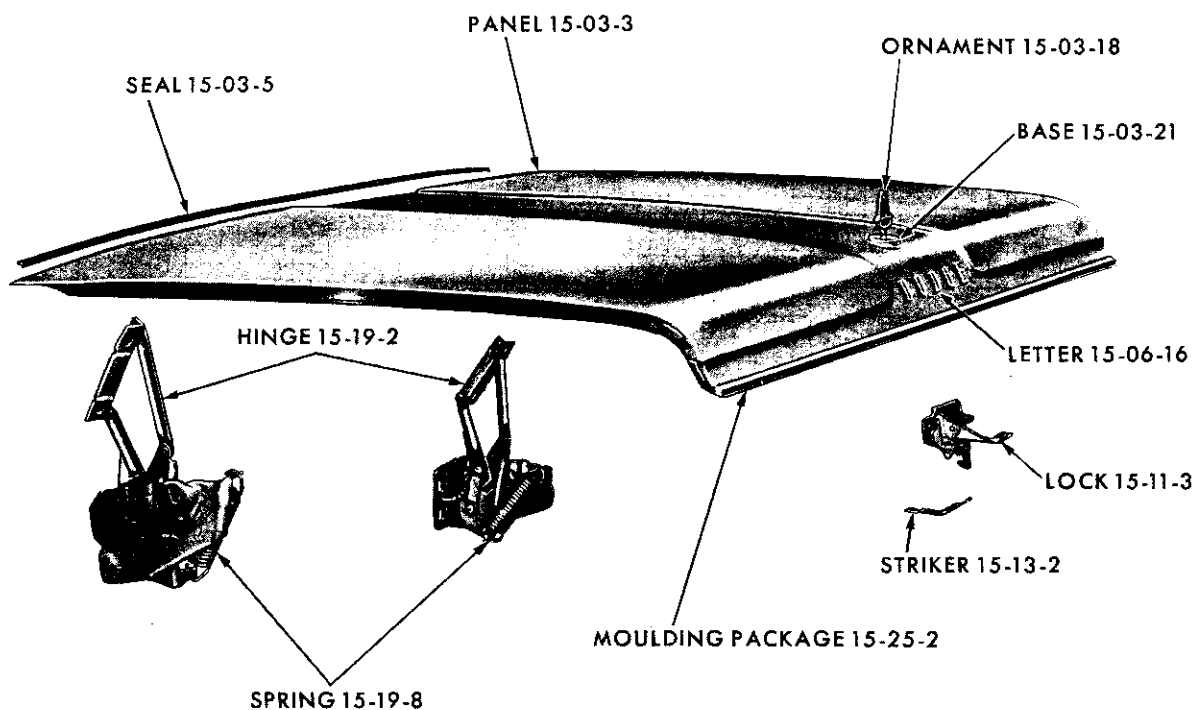
HOOD - CHRYSLER TC1-2-3



**PARTS INDICATED
BY NAME ONLY - ORDER
BY DESCRIPTION**

19x8938A

HOOD - IMPERIAL TY1



19x9606A

HOOD - DODGE TA3

NOTES

CODE	PART NAME AND DESCRIPTION	C Y L.	PER CAR	VALIANT DART	PLYMOUTH DODGE	CHRYSLER IMPERIAL
15-03-0 HOODTOP PANEL						
15-03-3	PANEL, TV1	6	1	2253 422		
	TL1	6	1	*2253 423		
	TP1, TP2		1	----	2253 460	
	TD1, TD2		1	----	2253 446	
	TA3	8	1	----	*2493 129	
	TC1, TC2, TC3	8	1	----	----	2253 430
	TY1	8	1	----	----	1904 054
15-03-5	SEAL, Hood to Cowl, w/FASTENER		1	2217 348	2217 348	
	TC1, TC2, TC3, TA3	8	1	----	2165 551	2165 551
	Panel to Yoke (specify 3 ft.)	8	1	----	1242 974	1242 974
	CLIP, to Inner Panel		*	----	6010 094	
	CLIP, to Yoke		*	----	6000 070	6000 070

15-03-18 ORNAMENT, Hood Top

NOTE: See Exterior Moulding Illustrations in Front of Group 23 Body.

15-03-60	SILENCER, except TA3		1	E2445 948	*2417 841	
	TA3, TC1, TC2, TC3	8	1	----	E2445 949	E2445 949
	TY1	8	1	----	----	2276 955
	CLIP		*	6000 932	6000 932	6000 932

15-06-0 HOOD NAME PLATE, MEDALLION AND LETTERS

NOTE: See Exterior Moulding Illustrations in Front of Group 23 Body.

15-09-0 HOOD BUMPER

15-09-4	BUMPER, Hood to Cowl	6	2	----	2417 139	
	Hood to Yoke (also specify 2-6023 531 Screw)		2	*2276 804	*2276 804	*2276 804
	Hood to Fender		2	2276 917	2276 916	2276 916
	Hood to Fender, TA3, for Spacing	8	4	----	2417 523	
	Hood to Fender, w/o Stud, TA3	8	2	----	2276 885	2276 885
	Hood to Fender, use for Spacing		2	----	2276 749	2276 749
	Hood to Fender, Front, TY1	8	4	----	----	1904 197
	Side, TY1	8	6	----	----	1904 198
	NUT		2	* 120 376	* 120 376	* 120 376
	WASHER		2	128 051	128 051	128 051

15-11-0 HOOD LOCK

15-11-3	LOCK, TL1, TP1, TP2, TC1, TC2, TC3, TA3		1	2428 050	2428 050	2428 050
	TV1, TD1, TD2		1	2428 070	2428 070	
	Upper Half, TY1	8	1	----	----	1904 143
	Lower Half, TY1	8	1	----	----	1904 175
	SCREW, w/WASHER, except TY1		4	6024 100	6024 100	6024 100
	SCREW, w/WASHER, TY1	8	2	----	----	* 180 020
15-11-4	ACTUATOR, w/Release Handle, Hood Lock Release, TD1, TD2		1	----	2299 546	
15-11-7	BRACE, Vertical Support to Dust Shield, TP1, TP2		1	----	2276 316	
	Lock Vertical, TP1, TP2, TC1, TC2, TC3		1	----	2276 505	2276 427
	Lock Vertical, TA3	8	1	----	2417 301	
	BRACE, Radiator Grille to Hood Lock Vertical Support, TD1, TD2		1	----	E2417 220	
	Lower Lock to Dust Shield, TY1	8	1	----	----	2099 801
	SCREW		*	----	* 180 020	* 180 020
15-11-16	SPRING, Hood Lock Release Handle, TV1, TD1, TD2		1	2299 838	2299 838	
	Hood Lock Pop-Up, TP1, TP2, TD1, TD2, TA3, TC1, TC2, TC3		1	----	*2299 599	*2299 599

★ Indicates use as required.

Numerals in parentheses () refer to notes.

Printed in U.S.A.

E Indicates parts not listed in any previous parts book.

Prices and specifications subject to change without notice.

* Indicates change or addition.

CODE	PART NAME AND DESCRIPTION	C Y L.	PER CAR	VALIANT DART	PLYMOUTH DODGE	CHRYSLER IMPERIAL
15-11-0 HOOD LOCK - Cont'd						
15-11-38	SPRING, Lock Latch to Pawl, except TY1		1	2428 125	2428 125	2428 125
	Lock Safety Catch		1	2428 120	2428 120	2428 120
15-11-40	DOUBLER or STRAINER, Hood Inner Panel, TA3, TC1, TC2, TC3	8	1	----	E2445 176	E2445 176
15-11-46	SUPPORT, Lock Vertical, TV1, TP1, TP2		1	2276 077	2276 313	
	TL1	6	1	2276 133		
	TD1, TD2		1	----	2253 891	
	TA3, TC1, TC2, TC3	8	1	----	2417 600	2417 600
	Lower Lock, TY1	8	1	----	----	1904 173
	SCREW, w/WASHER, Support to Crossmember .		2	* 180 020	* 180 020	
	SCREW, w/WASHER, Stone Deflector Brace to Lock		*	----	* 180 020	* 180 020
15-11-53	REINFORCEMENT, Lock Vertical Brace, TC1, TC2, TC3	8	1	----	----	2417 138
15-13-0 HOOD LOCK STRIKER						
15-13-2	STRIKER, TV1	6	1	2299 511		
	TL1	6	1	2299 541		
	TP1, TP2		1	----	*2520 274	
	TD1, TD2		1	----	2299 543	
	TA3	8	1	----	2428 273	
	TC1, TC2, TC3	8	1	----	----	2299 544
	TY1	8	1	----	----	1863 331
	SCREW		2	* 180 021	* 180 021	* 180 021
	NUT, TP1, TP2		1	----	* 120 375	
15-13-5	SPRING, Upper Lock Striker, TY1	8	1	----	----	1373 263
	Lower Lock Striker, TY1	8	1	----	----	1904 896
15-13-6	RETAINER, Striker Spring, TY1	8	1	----	----	1696 605
15-14-0 HOOD LOCK CONTROL						
15-14-1	CONTROL, on Instrument Panel, TY1	8	1	----	----	2217 195
	SCREW	8	2	----	----	148 034
15-14-12	STOP, Control Cable, TY1	8	1	----	----	932 143
15-14-13	SCREW, Cable Stop, TY1	8	1	----	----	988 098
15-14-20	GROMMET, Control Cable, TY1	8	1	----	----	2161 290
15-14-21	SLEEVE, Control Cable, TY1	8	1	----	----	2097 055
15-19-0 HOOD HINGE						
15-19-2	HINGE, Right, except TA3, TY1		1	2243 282	2486 196	1903 440
	Left, except TA3, TY1		1	2243 283	2486 197	1903 441
	Right, TA3	8	1	----	1903 440	
	Left, TA3	8	1	----	1903 441	
	Right, TY1	8	1	----	----	1904 160
	Left, TY1	8	1	----	----	1904 161
	NUT, Hinge to Body	6	2	6023 350	----	
	NUT, Hinge to Cowl, TY1	8	2	----	----	120 376
	SCREW, w/WASHER, Hinge to Hood		4	* 180 078	----	* 180 078
	SCREW, w/WASHER, Hinge Attaching		10	----	* 180 078	
	SCREW, w/WASHER, Hinge to Cowl	8	4	----	----	* 180 078
	SCREW, w/WASHER, Hinge to Stone Shield, TC1, TC2, TC3, TA3	8	2	----	*6022 031	6022 031
	SCREW, w/WASHER, Hinge to Hood, TY1	8	2	----	----	6022 270

★ Indicates use as required.

Numerals in parentheses () refer to notes.

Printed in U.S.A.

E Indicates parts not listed in any previous parts book.

Prices and specifications subject to change without notice.

Jan. 3, 1964 Supersedes Dec. 14, 1962.

Page 15-6

* Indicates change or addition.

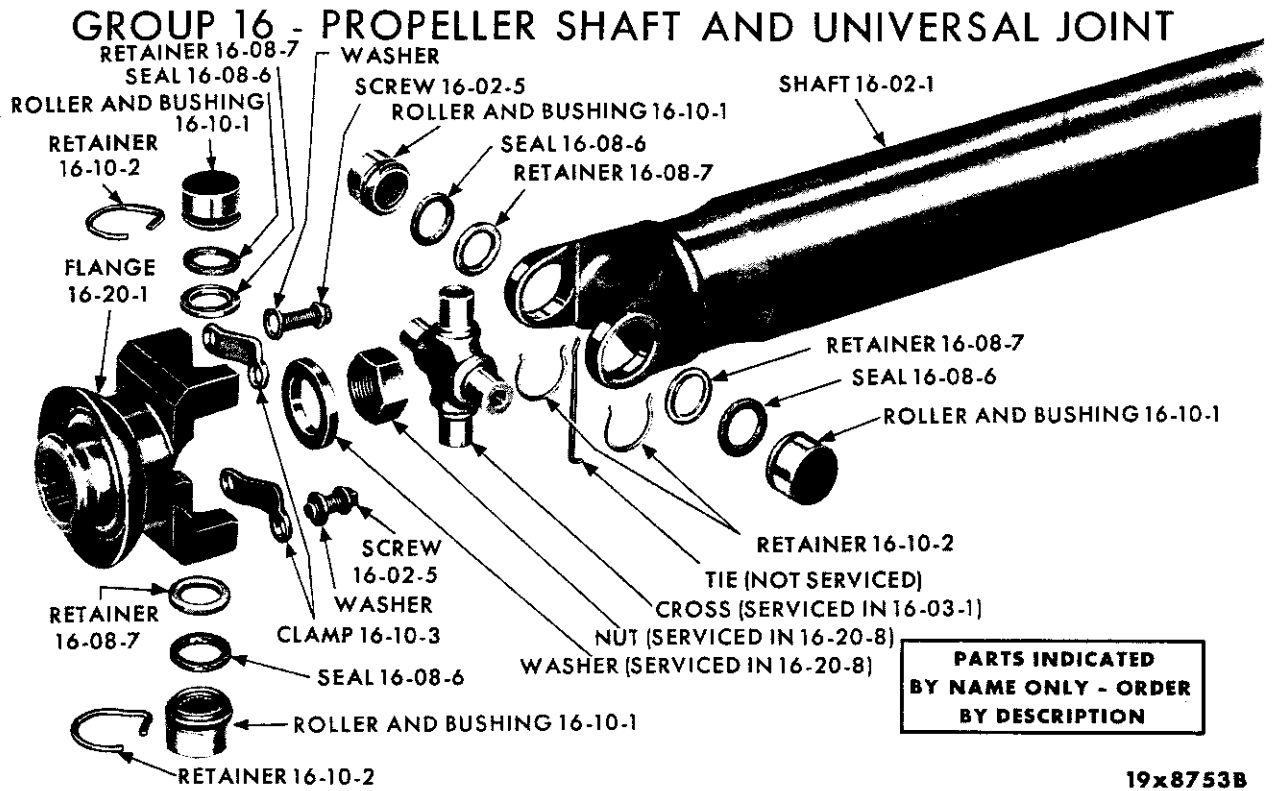
CODE	PART NAME AND DESCRIPTION	CYL.	PER CAR	VALIANT DART	PLYMOUTH DODGE	CHRYSLER IMPERIAL
15-19-0 HOOD HINGE - Cont'd						
15-19-2	HINGE - Cont'd					
	SCREW, w/WASHER, Hinge to Fender Bracket, TY1	8	2	-----	-----	* 180 079
	SCREW, w/WASHER, Hinge to Dash Panel, SCREW, w/WASHER, Hinge to Dash Panel, TY1	8	2	-----	-----	* 180 079
	SCREW, w/WASHER, Hinge to Cowl, Right Side, TY1	8	2	-----	-----	* 180 078
	STUD, Hinge to Cowl, Left Side, TY1	8	2	-----	-----	6023 484
	SHIM, Hinge to Hood, TY1	8	2	-----	-----	6010 031
	WASHER, Hinge to Cowl, Left Side, TY1	8	2	-----	-----	6022 187
15-19-3	SPACER, Hinge to Body	6	2	1706 470		
15-19-4	SCREW, w/WASHER, Hinge to Hood, Rear, TY1	8	2	-----	-----	1903 386
	STUD, Hinge to Cowl, Left Side, TY1	8	2	-----	-----	6023 484
15-19-8	SPRING, Hinge		2	-----	2486 190	
	TA3	8	2	-----	*2299 598	
	TC1, TC2, TC3	8	2	-----	-----	2299 598
	TY1	8	2	-----	-----	1754 236
15-19-46	BAR, Hood Hinge Torsion, Right, TV1	6	1	2299 600		
	Left, TV1	6	1	2299 601		
	Right, TL1	6	1	2428 148		
	Left, TL1	6	1	2428 149		
15-19-47	BRACKET, Torsion Bar Anti-Rattle	6	1	2217 124		

15-25-0 HOOD MOULDING

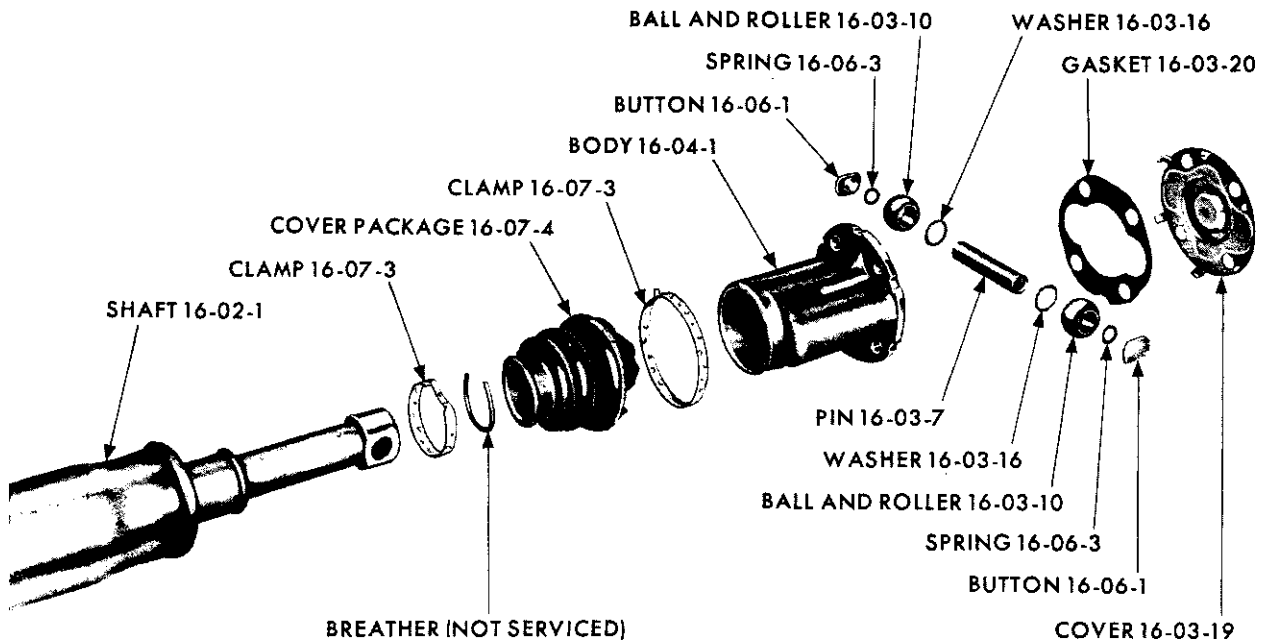
NOTE: See Exterior Moulding Illustrations in Front of Group 23 Body.

NOTES

★ Indicates use as required. Numerals in parentheses () refer to notes. Printed in U.S.A.
 ☐ Indicates parts not listed in any previous parts book. Prices and specifications subject to change without notice.
 * Indicates change or addition.

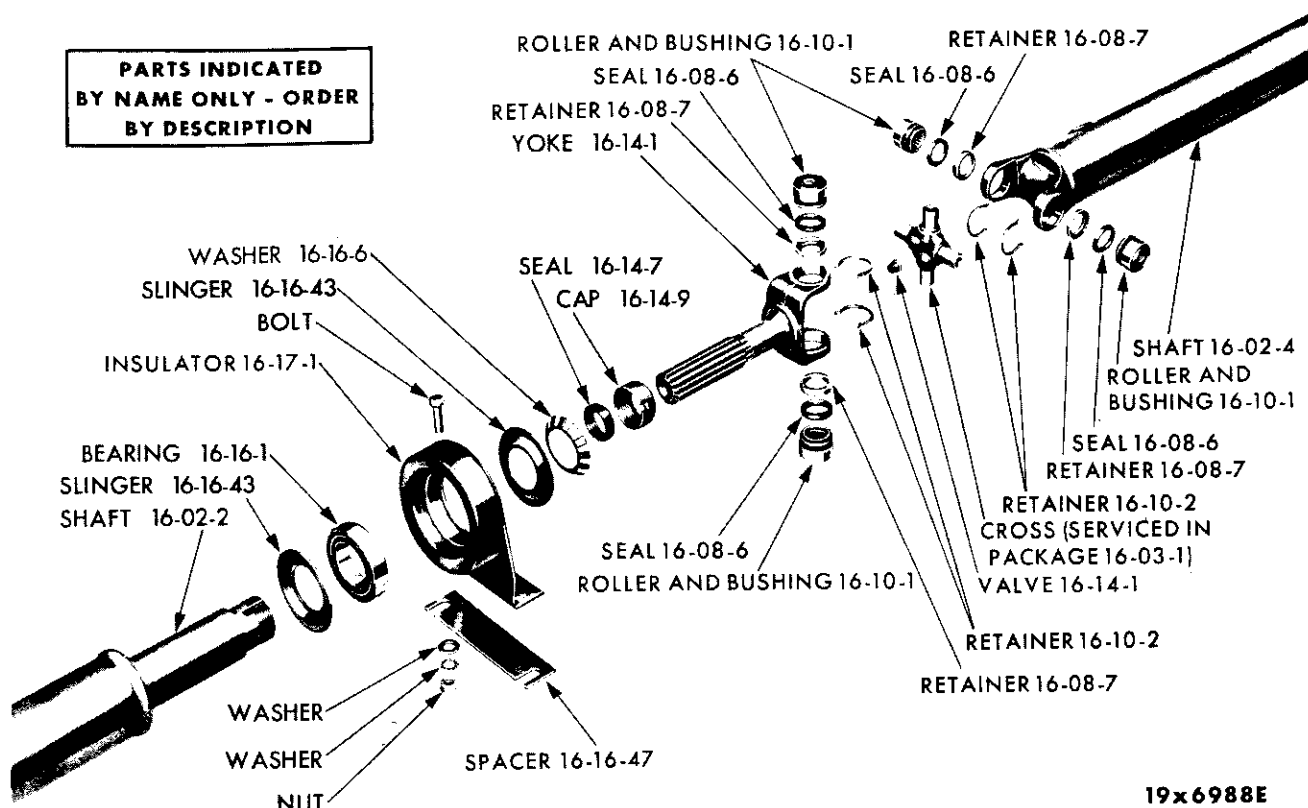


PROPELLER SHAFT - AXLE END



19x8752

PROPELLER SHAFT - TRANSMISSION END



PROPELLER SHAFT CENTER BEARING - IMPERIAL TY1

NOTES

NOTE: When it becomes necessary to service propeller shafts or front universal joints on cars equipped with the 426 Cubic Inch Maximum Performance engine and all V-8 engine Police Cars, it is recommended that the shaft be replaced as a complete assembly. Part numbers of the complete assemblies as follows:

MODEL	ENGINE	PROP. ASSY. PART NO.
TC1	361	2401 478
Police	413	2401 478
TA3	361	2401 478
Police	383	2401 478
TC2 Power Pack	413	2401 478
300 J	413	2401 478
TP2 All Police	318	2401 350
TD2 Sub. Police	318	2405 877
	383 w/Std. Trans.	2401 350
	383 w/Auto. Trans.	2405 877
TD2 All Police	318	2401 489
Exc. Sub.	318	2405 878
	383 w/Std. Trans.	2401 489
	383 w/Auto. Trans.	2405 878
TP2	426 w/Auto. Trans.	2405 877
	426 w/Std. Trans.	2401 668
TD2	426 w/Auto. Trans.	2405 878
	426 w/Std. Trans.	2401 670

CODE	PART NAME AND DESCRIPTION	C Y L.	PER CAR	VALIANT DART	PLYMOUTH DODGE	CHRYSLER IMPERIAL
16-02-0 PROPELLER SHAFT						
16-02-1	SHAFT, 53 13/32" lgh., 3 1/4" dia., w/Std. and 3 Speed Auto. Trans., w/170, 225 cu. in. Eng., TV1 All, TL1 Sub.	6	1	*2206 974		
	58 3/8" lgh., 2 3/4" dia., TL1, w/3 Speed Auto. Trans., except Sub.	6	1	*2405 881		
	58 13/32" lgh., 3" dia., 170, 225 cu. in. Eng. w/Std. and 3 Speed Auto. Trans., TL1, except Sub.	6	1	2401 462		
	55 3/4" lgh., 3" dia., w/Std. Trans., TP1 All, TD1 Sub.	6	1	----	2401 362	
	58 3/4" lgh., 3" dia., w/Std. and Std. Heavy Duty Trans., TD1, TD2, except Sub.	6	1	----	2401 485	
	56 5/8" lgh., 2 3/4" dia., w/3 Speed Auto. Trans., except Sub.	6	1	----	*2401 487	
	55 5/8" lgh., 2 3/4" dia., w/3 Speed Auto. Trans., TP1, All, TD1 Sub.	6	1	----	2401 359	
	53 5/8" lgh., 2 3/4" dia., w/3 Speed Auto. Trans., TP2, All, TD2 Sub.	8	1	----	2401 355	
	55 3/4" lgh., 3" dia. w/Std. Heavy Duty Trans., TP2 All, TD2 Sub.	8	1	----	2401 351	
	53 5/8" lgh., 3" dia., w/4 Speed Std. Trans., TP2 All, TD2 Sub.	8	1	----	2405 873	
	56 5/8" lgh., 3" dia., w/4 Speed Std. Trans., TD2, except Sub.	8	1	----	2405 874	
	56 5/8" lgh., 2 3/4" dia., w/3 Speed Auto. Trans., TD2, w/426, 361 cu. in. Eng., except Sub.	8	1	----	*2401 493	
	55 3/4" lgh., 3" dia., w/Std. Heavy Duty Trans., 318, 383 cu. in. Eng., includes U/JOINTS, TP2, All, TD2 Sub., Police Cars	8	1	----	2401 350	

★ Indicates use as required. Numerals in parentheses () refer to notes. Printed in U.S.A.
 ☐ Indicates parts not listed in any previous parts book. Prices and specifications subject to change without notice.
 * Indicates change or addition.

CODE	PART NAME AND DESCRIPTION	C Y L.	PER CAR	VALIANT DART	PLYMOUTH DODGE	CHRYSLER IMPERIAL
16-02-O PROPELLER SHAFT - Cont'd						
16-02-1	SHAFT - Cont'd					
	53 5/8" lgh., 2 3/4" dia., w/3 Speed Auto. Trans., 318, 383 cu. in. Eng., includes U/JOINTS, TP2 All, TD2 Sub., Police Cars, TP2 w/426 cu. in. Eng.	8	1	----	2405 877	
	58 3/4" lgh., 3" dia., w/Std. Heavy Duty Trans., 318, 383 cu. in. Eng., includes U/JOINTS, TD2, except Sub. Police Cars . . .	8	1	----	2401 489	
	56 3/4" lgh., 2 3/4" dia., w/3 Speed Auto. Trans., 318, 383 cu. in. Eng., includes U/JOINTS, TD2, except Sub., Police Cars, TD2 w/426 cu. in. Eng.	8	1	----	2405 878	
	54" lgh., 3" dia., w/Std. Heavy Duty Trans., 426 cu. in. Eng., includes U/JOINTS, TP2 . . .	8	1	----	2401 668	
	57 1/4" lgh., 3" dia., w/Std. Heavy Duty Trans., 426 cu. in. Eng., includes U/JOINTS, TD2	8	1	----	2401 670	
	58 7/8" lgh., 3" dia., w/Std. Heavy Duty Trans., TC1, 361 cu. in. Eng., TC1, w/413 cu. in. Eng., w/Heavy Duty and 3 Speed Auto. Trans., Police Cars, TA3 w/Heavy Duty and 3 Speed Auto. Trans., w/383, 413 cu. in. Eng., Police Cars, TA3 w/Heavy Duty Trans., 361 cu. in. Eng., TC2, 413 cu. in. Eng. includes U/JOINTS	8	1	----	2401 478	2401 478
	58 7/8" lgh., 3" dia., w/3 Speed Auto. Trans., 361, 383 cu. in. Eng. TA3, TC1, TC2, includes U/JOINTS	8	1	----	*2401 478	*2401 478
16-02-2	SHAFT, 25 13/16" lgh., 2 3/4" dia., Front, TY1 .	8	1	----		2200 527
16-02-4	SHAFT, 33 5/8" lgh., 2 3/4" dia., Rear, TY1 . .	8	1	----		1946 297
16-02-5	SCREW, Propeller Shaft Axle End, 9/16 lgh., 1/4" dia.		4	952 538	952 538	952 538
	Trans. Flange, 1 1/8" lgh., 3/8" dia.		4	1942 069	1942 069	1942 069
16-03-O UNIVERSAL JOINT						
16-03-1	JOINT PACKAGE, Ball and Pin Type	6	1	2298 940	2298 940	
	JOINT PACKAGE, Ball and Pin Type	8	1	----	2298 941	2298 941
	JOINT PACKAGE, Cross and Roller		1	1752 624	1752 624	1752 624
16-03-3	ROLLER PACKAGE		1	638 637	638 637	638 637
16-03-7	PIN, Universal Joint	6	1	579 445	579 445	
		8	1	----	1739 923	1739 923
16-03-10	BALL, w/ROLLER		2	1739 927	1739 927	1739 927
16-03-16	WASHER, Thrust		2	605 004	605 004	605 004
16-03-19	COVER, Grease	6	1	602 820	2266 923	
		8	1	----	2266 922	2266 922
16-03-20	GASKET, Universal Joint	6	1	1616 185	1616 185	
		8	1	----	1635 098	1635 098
16-04-O UNIVERSAL JOINT BODY						
16-04-1	BODY	6	1	1734 159	1734 159	
		8	1	----	1739 920	1739 920
16-06-O UNIVERSAL JOINT CENTERING BUTTON						
16-06-1	BUTTON	6	2	629 768	629 768	
		8	2	----	1739 924	1739 924

★ Indicates use as required. Numerals in parentheses () refer to notes. Printed in U.S.A.
 ☐ Indicates parts not listed in any previous parts book. Prices and specifications subject to change without notice.
 Jan. 25, 1963 Supersedes Dec. 14, 1962. * Indicates change or addition.

CODE	PART NAME AND DESCRIPTION	CYL.	PER CAR	VALIANT DART	PLYMOUTH DODGE	CHRYSLER IMPERIAL
16-06-0 UNIVERSAL JOINT CENTERING BUTTON - Cont'd						
16-06-3	SPRING, Centering Button		2	1739 926	1739 926	1739 926
16-07-0 UNIVERSAL JOINT COVER						
16-07-3	CLAMP, Cover, Large		1	870 539	870 539	870 539
	Small		1	870 540	870 540	870 540
	Long		1	*1532 943	1532 943	1532 943
16-07-4	DUST COVER PACKAGE	6 8	1 1	1603 397 -----	1603 397 *1450 448	 *1450 448
16-08-0 UNIVERSAL JOINT CROSS						
16-08-6	SEAL, Dust		★	857 999	857 999	857 999
16-08-7	RETAINER, Dust Seal		8	1739 912	1739 912	1739 912
16-10-0 UNIVERSAL CROSS ROLLER AND BUSHING						
16-10-1	ROLLER, w/BUSHING		4	1739 913	1739 913	1739 913
16-10-2	RETAINER, Roller Bushing		4	858 006	858 006	858 006
16-10-3	CLAMP, Roller Bushing		2	1828 824	1828 824	1828 824
16-14-0 PROPELLER SHAFT SPLINE OR SLIDING YOKE						
16-14-1	YOKE, TY1	8	1	-----	-----	1739 915
	VALVE, TY1	8	1	-----	-----	* 106 671
16-14-7	SEAL, Spline, TY1		8	-----	-----	1672 049
16-14-9	CAP, Spline Oil Seal		8	-----	-----	1672 050
16-16-0 PROPELLER SHAFT CENTER BEARING						
16-16-1	BEARING, Shaft Center, TY1	8	1	-----	-----	1672 051
16-16-6	WASHER, Center Bearing Lock, TY1	8	1	-----	-----	1638 151
16-16-25	RING, Shaft Bearing Snap, Outer, Thin, TY1	8	★	-----	-----	640 280
16-16-43	SLINGER, Bearing Dust, TY1	8	2	-----	-----	1672 053
16-16-47	SPACER, Insulator, except Cv. Cp., TY1	8	★	-----	-----	1945 836
	Cv. Cp., TY1	8	★	-----	-----	1856 944
16-17-0 PROPELLER SHAFT CENTER BEARING HOUSING INSULATOR						
16-17-1	INSULATION, Center Bearing, except Cv. Cp., TY1	8	1	-----	-----	1945 831
	Cv. Cp., TY1	8	1	-----	-----	1856 942
	BOLT, Insulator	8	2	-----	-----	181 643
	NUT, Insulator Bolt	8	2	-----	-----	120 369
	WASHER	8	2	-----	-----	138 489
16-20-0 PROPELLER SHAFT FLANGE						
16-20-1	FLANGE, Trans. End w/Std. and 3 Speed Auto. Trans.	6	1	2400 974		
	TP1, TD1, w/170 and 225 cu. in. Eng., w/3 Speed Auto. Trans.	6	1	-----	2400 975	
	TP1, TD1, w/Std. Trans., 225 cu. in. Eng.	6	1	-----	2400 976	
	TP1, TD1, w/170 and 225 cu. in. Eng., w/Std. Heavy Duty Trans., Taxi and Police Cars	6	1	-----	*2400 977	
	w/Std. Heavy Duty and 3 Speed Auto. Trans., except TY1, also w/4 Speed Trans.	8	1	-----	*2400 978	*2400 978
	TY1	8	1	-----	-----	2400 979
	TP1, TD1, w/A727 3 Speed Auto. Trans., Taxi and Police Cars	6	1	-----	2400 977	

★ Indicates use as required.

Numerals in parentheses () refer to notes.

Printed in U.S.A.

☐ Indicates parts not listed in any previous parts book.

Prices and specifications subject to change without notice.

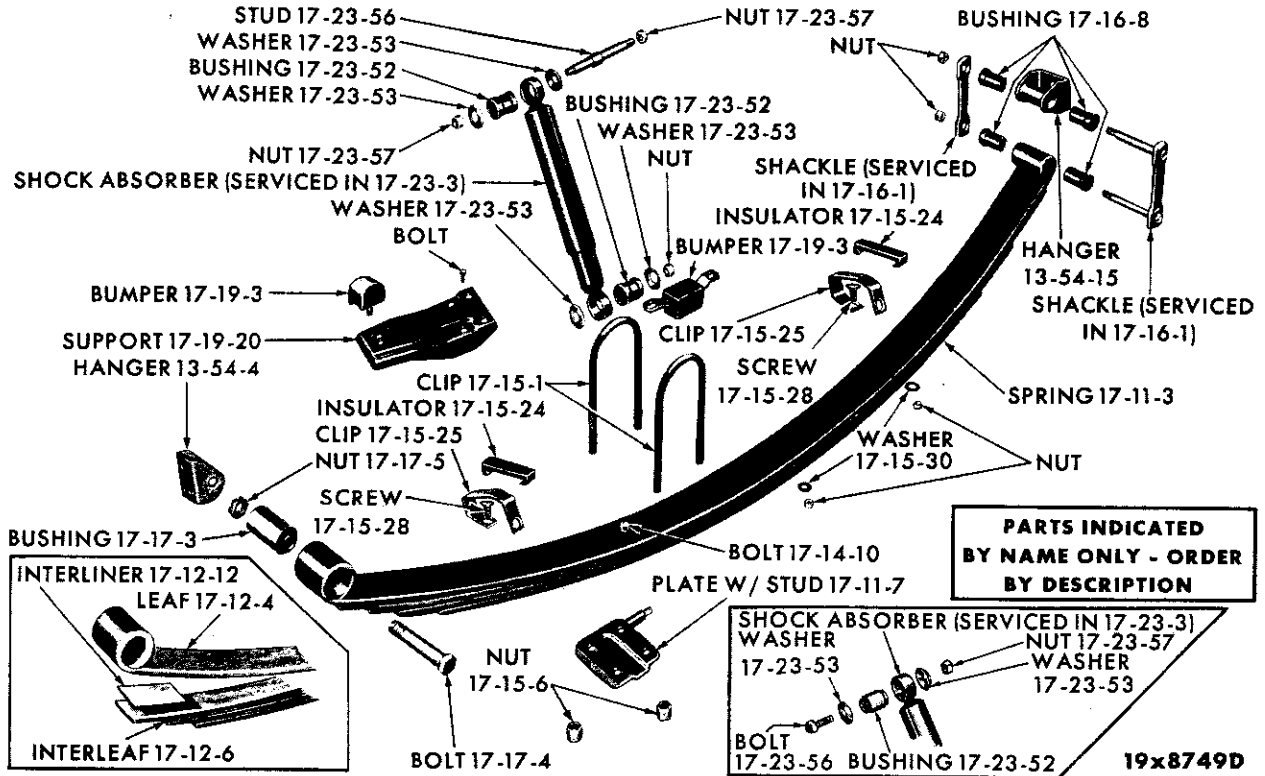
* Indicates change or addition.

CODE	PART NAME AND DESCRIPTION	CYCL.	PER CAR	VALIANT DART	PLYMOUTH DODGE	CHRYSLER IMPERIAL
16-20-0 PROPELLER SHAFT FLANGE - Cont'd						
16-20-1	FLANGE PACKAGE, Axle Drive Pinion	6	1	2240 614	2240 612	2240 612
	NUT	6	1	2070 118		
	WASHER	6	1	2070 117	----	2200 214
	ADAPTER, Flange, TY1	8	1	----		
16-20-2	WASHER, Drive Pinion Flange		1	2070 117	1556 556	1556 556
16-20-3	NUT, Axle Drive Pinion Flange		1	*2070 118	*1556 638	*1556 638
16-20-8	NUT and WASHER PACKAGE, Trans. End		1	2298 967	2298 967	2298 967

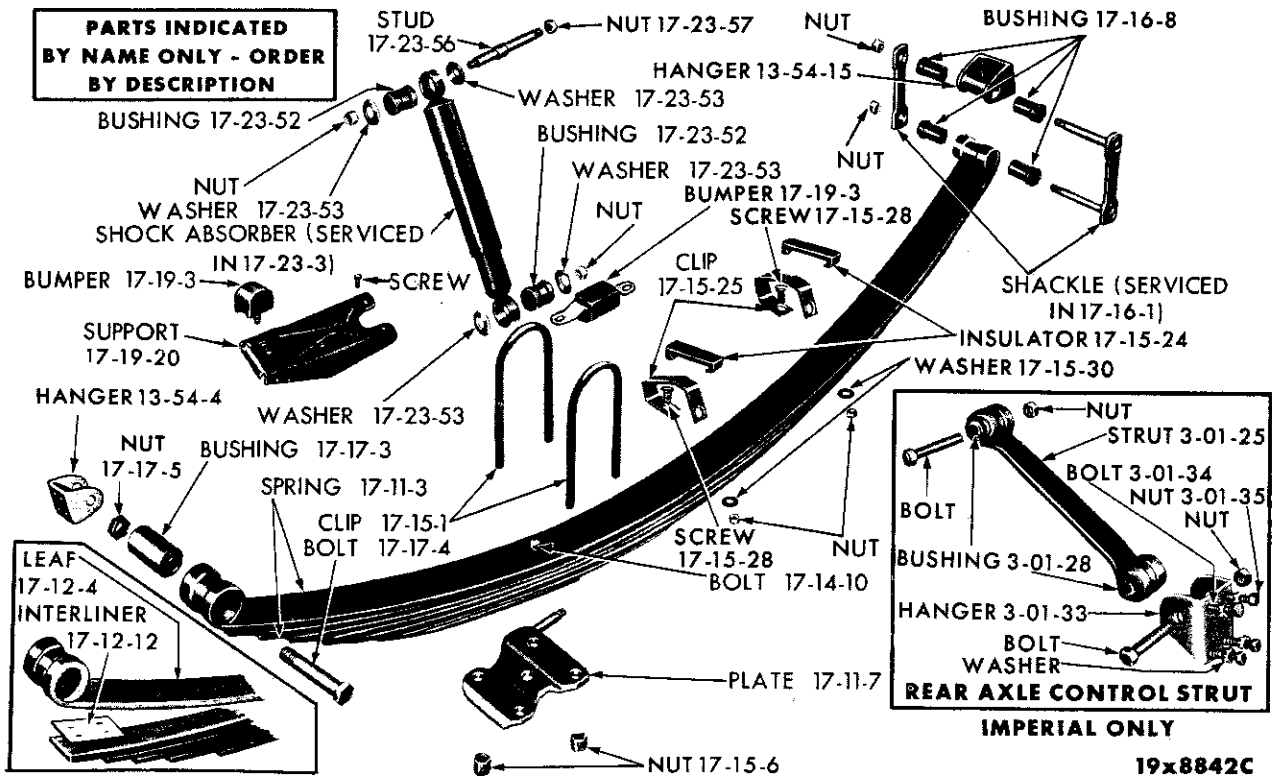
NOTES

★ Indicates use as required. Numerals in parentheses () refer to notes. Printed in U.S.A.
 ☐ Indicates parts not listed in any previous parts book. Prices and specifications subject to change without notice.
 Dec. 14, 1962 Supersedes Sept. 4, 1962. * Indicates change or addition.

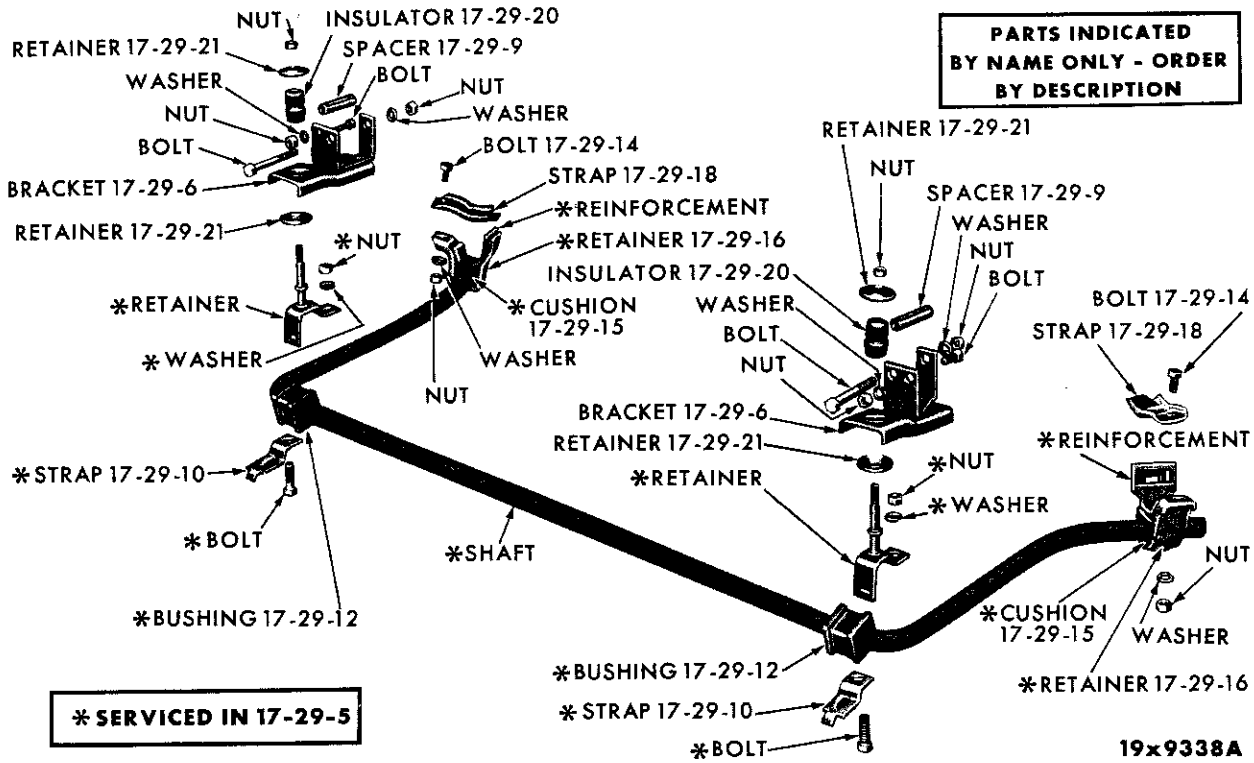
GROUP 17 - SPRINGS



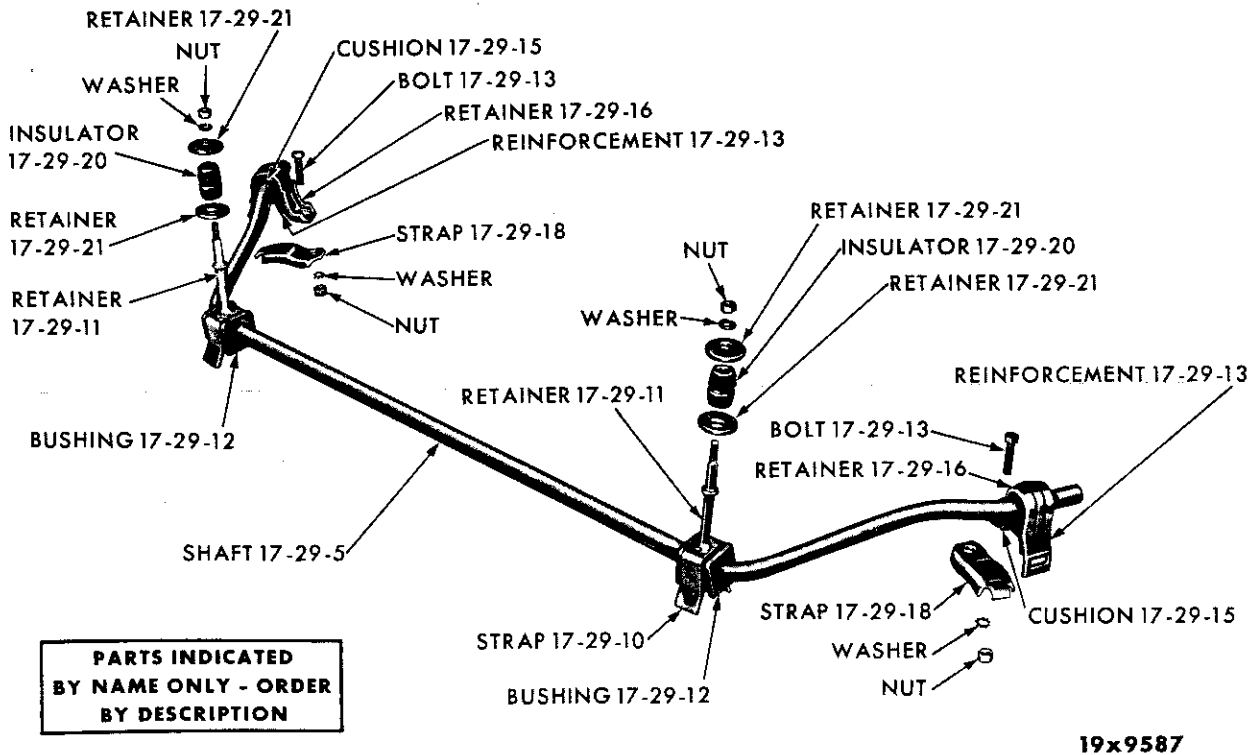
REAR SPRING - VALIANT TV1 - DART TL1 - PLYMOUTH TP1-2 AND DODGE TD1-2



REAR SPRING - DODGE TA3 - CHRYSLER TC1-2-3 AND IMPERIAL TY1



SWAY ELIMINATOR - PLYMOUTH TP1-2 AND DODGE TD1-2



SWAY ELIMINATOR - DODGE TA3 AND CHRYSLER TC1-2-3

CODE	PART NAME AND DESCRIPTION	C Y L.	PER CAR	VALIANT DART	PLYMOUTH DODGE	CHRYSLER IMPERIAL
17-11-O REAR SPRINGS						
17-11-3	SPRING, Std., except Sub., w/170 cu. in. Eng., Right, TV1	6	1	2421 761		
	Std., except Sub., w/170 cu. in. Eng., Left, TV1	6	1	2275 851		
	Std., except Sub., w/225 cu. in. Eng., Right, TV1	6	1	2421 739		
	Std., except Sub., w/225 cu. in. Eng., Left, TV1	6	1	2298 935		
	Std., except Sub., w/170 cu. in. Eng., Right, TL1	6	1	2275 851		
	Std., except Sub., w/170 cu. in. Eng., Left, TL1	6	1	2421 761		
	Std., except Sub., w/225 cu. in. Eng., Right, TL1	6	1	2298 935		
	Std., except Sub., w/225 cu. in. Eng., Left, TL1	6	1	2421 739		
	Std., Sub., Right	6	1	2275 853		
	Std., Sub., Left	6	1	2421 742		
	Heavy Duty, except Sub., Right	6	1	2298 513		
	Heavy Duty, except Sub., Left	6	1	2421 741		
	Heavy Duty, Sub., Right	6	1	2275 856		
	Heavy Duty, Sub., Left	6	1	2275 857		
	Std., 2D., Sp. Cl. Cp.	6	2	----	2275 858	
	Std., 4D., Sp. 4D.	6	2	----	2275 858	
	Std., Sub., Right	6	1	----	2275 863	
	Std., Sub., Left	6	1	----	2275 864	
	Heavy Duty, except Sub.	6	2	----	2448 340	
	Heavy Duty, Sub., Right	6	1	----	2275 866	
	Heavy Duty, Sub., Left	6	1	----	2275 867	
	Std., 2D., Sp. Cl. Cp., 4D., w/318 cu. in. Eng.	8	2	----	2275 858	
	Std., Cv. Cp., Sp. 4D., w/318 cu. in. Eng.	8	2	----	2275 859	
	Std., except Sub., w/361 cu. in. Eng., TP2, TD2	8	2	----	2298 929	
	Std., Sub., Right, TP2, TD2	8	1	----	2275 864	
	Std., Sub., Left, TP2, TD2	8	1	----	2275 865	
	Heavy Duty, 2D., Sp. Cl. Cp., w/318 cu. in. Eng.	8	2	----	2448 340	
	Heavy Duty, Cv. Cp., 4D., Sp. 4D., w/318 cu. in. Eng.	8	2	----	2448 341	
	Heavy Duty, w/361, 383, 426 cu. in. Eng.	8	2	----	2448 341	
	Heavy Duty, Sub., Right, TP2, TD2	8	1	----	2275 867	
	Heavy Duty, Sub., Left, TP2, TD2	8	1	----	2275 868	
	Std., except Sub., Right, TA3, TC1, TC2 except 300J	8	1	----	2448 300	2448 300
	Std., except Sub., Left, TA3, TC1, TC2 except 300J	8	1	----	2448 301	2448 301
	w/Dual Air Conditioning, except Sub., Right, TA3, TC1, TC2 except 300J	8	1	----	2448 301	2448 301
	w/Dual Air Conditioning, except Sub., Left, TA3, TC1, TC2 except 300J	8	1	----	2448 302	2448 302
	w/o Dual Air Conditioning, TC2 w/413 cu. in. Eng., except 300J	8	2	----	----	*2240 240
	w/Dual Air Conditioning, TC2 w/413 cu. in. Eng., except 300J, Right	8	1	----	----	2240 240
	w/Dual Air Conditioning, TC2 w/413 cu. in. Eng., except 300J, Left	8	1	----	----	2084 909
	TC2-300J	8	2	----	----	2448 306
	Std., except Sub., TC3	8	2	----	----	*2240 240
	w/Dual Air Conditioning, except Sub., Right, TC3	8	1	----	----	2240 240
	w/Dual Air Conditioning, except Sub., Left, TC3	8	1	----	----	2084 909
	Std., Sub., Right, TA3, TC1, TC3	8	1	----	2448 304	2448 304
	Std., Sub., Left, TA3, TC1, TC3	8	1	----	2448 305	2448 305
	Heavy Duty, except Sub., TA3, TC1, TC2 except 300J, TC3	8	2	----	2448 303	2448 303
	Heavy Duty, Sub., Right, TA3, TC1, TC3	8	1	----	2275 870	2275 870
	Heavy Duty, Sub., Left, TA3, TC1, TC3	8	1	----	2275 871	2275 871

★ Indicates use as required.

Numerals in parentheses () refer to notes.

Printed in U.S.A.

⊠ Indicates parts not listed in any previous parts book.

Prices and specifications subject to change without notice.

* Indicates change or addition.

CODE	PART NAME AND DESCRIPTION	C Y L.	PER CAR	VALIANT DART	PLYMOUTH DODGE	CHRYSLER IMPERIAL
17-11-O REAR SPRINGS - Cont'd						
17-11-3	SPRING - Cont'd					
	Std., Right, TY1	8	1	-----	-----	2421 757
	Std., Left, TY1	8	1	-----	-----	2421 758
	w/Dual Air Conditioning, Right, TY1	8	1	-----	-----	2421 756
	w/Dual Air Conditioning, Left, TY1	8	1	-----	-----	2448 399
	Heavy Duty, Right, TY1	8	1	-----	-----	2421 760
	Heavy Duty, Left, TY1	8	1	-----	-----	2421 762
17-11-7	PLATE, w/STUD, Right		1	2071 766	1856 346	1856 346
	Left		1	2071 767	1856 347	1856 347
17-12-O REAR SPRING LEAF						
17-12-3	BOOSTER PACKAGE, No. 2 Leaf except Sub., TA3, TC1, TC2	8	★	-----	E2403 790	E2403 790
17-12-4	LEAF, Main, Std., w/170 cu. in. Eng.	6	2	2448 351		
	Std., w/225 cu. in. Eng.	6	2	2448 350		
	Std., except TA3		2		2084 819	
	w/361 cu. in. Eng., TP2, TD2	8	2	-----	2298 918	
	Std., TA3, TC1, TC2	8	2	-----	*2084 825	*2084 825
	Std., or w/Dual Air Conditioning, except Sub., TC3	8	2	-----	-----	2084 823
	Std., Sub., TC3	8	2	-----	-----	2084 825
	TC2-300J	8	2	-----	-----	2448 352
	Std., or w/Dual Air Conditioning, TY1	8	2	-----	-----	2448 706
	Heavy Duty, except Sub., except TA3		2	2196 785	2084 818	
	Heavy Duty, Sub., except TA3		2	2196 786	2084 818	
	Heavy Duty or w/Dual Air Conditioning, except Sub., TA3, TC1, TC2	8	2	-----	2084 820	2084 820
	Heavy Duty, Sub., TA3, TC1	8	2	-----	2084 821	2084 821
	Heavy Duty, except Sub., TC3	8	2	-----	-----	2084 824
	Heavy Duty, Sub., TC3	8	2	-----	-----	2298 920
	Heavy Duty, TY1	8	2	-----	-----	2448 707
17-12-6	INTERLEAF, TY1	8	4	-----	-----	2123 781
17-12-12	INTERLINER	6	★	1948 396		
	2 1/2" x 2 1/2"		★	-----	2122 359	2122 359
	2 1/2" x 3 1/2"		★	-----	2123 785	2123 785
17-14-O REAR SPRING CENTER BOLT						
17-14-10	BOLT		2	1944 361	1944 361	1944 361
17-15-O REAR SPRING CLIP						
17-15-1	CLIP, 5 3/8" lgh.	6	4	2071 771		
	5 7/8" lgh.	6	4	2071 787		
	7" lgh.		4	-----	1489 747	1489 747
	7 3/8" lgh.		4	-----	1635 666	1635 666
17-15-6	NUT		8	6023 020	6023 021	6023 021
17-15-24	INSULATOR, Alignment Clip.		2	1829 929	1829 929	1829 929
17-15-25	CLIP, Alignment, 1" lgh.		2	1820 812	1820 812	1820 812
	1 1/4" lgh., TC1, TC2		2	1820 152	1820 152	1820 152
	1 1/2" lgh.		2	-----	1820 153	1820 153
	1 7/8" lgh., TY1	8	2	-----	-----	1820 813
17-15-28	SCREW, Alignment		4	1485 510	1485 510	1485 510
17-15-30	WASHER, Screw		4	1530 398	1530 398	1530 398

★ Indicates use as required. Numerals in parentheses () refer to notes. Printed in U.S.A.
 ☐ Indicates parts not listed in any previous parts book. Prices and specifications subject to change without notice.
 Jan. 3, 1964 Supersedes Dec. 14, 1962. Page 17-4 * Indicates change or addition.

CODE	PART NAME AND DESCRIPTION	C Y L.	PER CAR	VALIANT DART	PLYMOUTH DODGE	CHRYSLER IMPERIAL
17-16-O REAR SPRING SHACKLE						
17-16-1	SHACKLE and BUSHING PACKAGE	6	2	2196 010		
	Except Sub., except TA3		2	-----	1450 961	
	Except Sub., TA3	8	2	-----	1450 087	1450 087
	Sub., except TA3		2	-----	2275 543	
	Sub., TA3, TC1, TC3	8	2	-----	2084 236	2084 236
17-16-8	BUSHING, Shackle		8	1940 725	1400 269	1400 269
17-17-O REAR SPRING SILENT BLOCK						
17-17-3	BUSHING, Front Pivot, TC1, TC2, TC3		2	2071 763	1948 869	1948 869
	TY1	8	2	-----	-----	2403 245
17-17-4	BOLT		2	2071 761	1948 876	1948 876
	WASHER, Coned, except TA3		8	6022 191	6022 191	
17-17-5	NUT		2	2071 772	1948 877	1948 877
17-19-O REAR SPRING BUMPER						
17-19-3	BUMPER, Axle Drive Pinion Carrier, except TA3		1	2206 637	2206 637	
	TA3, TC1, TC2, TC3	8	1	-----	1948 338	1948 338
	TY1	8	1	-----	-----	2206 637
	w/426 cu.in. Eng.	8	1	-----	1948 338	
	Side Rail Rear Axle, except TA3		2	2206 940	2206 940	
	Std., TA3, TC1, TC2, TC3	8	2	-----	2206 884	2206 884
	Heavy Duty, TA3, TC1, TC2, TC3	8	2	-----	2206 939	2206 939
	Std., TY1	8	2	-----	-----	2206 941
	Heavy Duty, TY1	8	2	-----	-----	2206 942
17-19-4	BRACKET, Center Floor Pan Pinion Carrier . . .	6	1	2242 396		
17-19-6	NUT, Axle Drive Pinion Carrier Bumper Retainer,		1	-----	1943 997	1943 997
	TA3, TC1, TC2, TC3	8	1	-----		
17-19-10	PLATE, Side Rail Rear Axle Bumper, TC1,		2	2206 883	2206 883	2206 883
	TC2, TC3					
17-19-20	SUPPORT, Bumper, except TA3		1	*2403 901	*2403 903	
	TA3, TC1, TC2, TC3	8	1	-----	1948 351	1948 351
	w/426 cu.in. Eng., w/PLATE	8	1	-----	2403 265	
	REINFORCEMENT, Center Floor Pan Pinion		1	-----	2251 351	
	Carrier Bumper, except TA3	8	1	-----	-----	*2403 905
	TY1	8	1	-----	-----	
	WASHER	6	3	6022 185		
17-23-O SHOCK ABSORBERS						
17-23-3	ABSORBER PACKAGE, Front Shock, Std., except		2	2298 803	2448 337	
	TA3		2	-----	*2298 805	*2298 805
	Front, Std., TA3	8	2	-----	2275 883	
	Front, Heavy Duty, except TA3		2	2298 804	2298 807	2298 807
	Front, Heavy Duty, TA3	8	2	-----	2448 338	
	Rear, Std., except TA3		2	2240 317	2298 912	2298 912
	Rear, Std., except Sub., TA3, TC1, TC2, TC3 . .	8	2	-----	2240 358	2240 358
	Rear, Std., Sub., TA3, TC1, TC3	8	2	-----	-----	2298 900
	Rear, Std., TY1	8	2	-----	-----	
	Rear, Heavy Duty, except TA3		2	2298 912	2275 849	
	Rear, Heavy Duty, TA3	8	2	-----	2240 360	2240 360
	Rear, Heavy Duty, 1 3/8" dia., except TA3 . . .		2	-----	2275 848	
	Rear, Heavy Duty, 1 3/8" dia., TA3, TC1, TC2,		2	-----	-----	
	TC3	8	2	-----	2240 362	2240 362

★ Indicates use as required.

Numerals in parentheses () refer to notes.

Printed in U.S.A.

□ Indicates parts not listed in any previous parts book.

Prices and specifications subject to change without notice.

* Indicates change or addition.

CODE	PART NAME AND DESCRIPTION	C Y L.	PER CAR	VALIANT DART	PLYMOUTH DODGE	CHRYSLER IMPERIAL
17-23-O SHOCK ABSORBERS - Cont'd						
17-23-52	BUSHING, Front Shock Absorber Upper Mounting		2	2206 923	2206 923	2206 923
	Lower Mounting		2	1635 588	1635 588	1635 588
	Rear, Upper, except TA3		2	1319 902	2201 554	
	Rear, Upper, TA3	8	2	----	1319 902	1319 902
	Rear, Lower		2	1319 902	1319 902	1319 902
17-23-53	WASHER, Pivot Bushing Retainer Inner, Rear		4	1319 555	1319 555	1319 555
	Outer		4	1319 554	1319 554	1319 554
	Upper, Front		4	2206 925	2206 925	2206 925
17-23-56	STUD, Upper Mounting, Rear, TA3		2	2071 714	1948 884	1948 884
	BOLT, Upper Mounting, Rear, except TA3		2	----	182 785	
	BOLT, Lower Mounting, Front		2	6022 823	6022 823	6022 823
17-23-57	NUT, Upper Stud, Rear, TA3		2	*6023 890	*6023 890	*6023 890
	Upper Mounting Bolt, Rear, except TA3		2	----	1929 355	
	Lower Mounting Bolt, Front		2	6022 831	6022 831	6022 831
	WASHER, Rear Upper Stud	6	2	*6024 248		
17-24-O SHOCK ABSORBER BRACKET						
17-24-3	BRACKET, Rear, Right, except TA3		1	----	2188 050	
	Left		1	----	2188 051	
17-24-28	SUPPORT, Front Shock Absorber, TA3	8	2	----	1675 821	1675 821
17-29-O SWAY ELIMINATOR SHAFT						
17-29-5	SHAFT, except TA3		1	----	1857 906	
	TA3, TC1, TC2, TC3	8	1	----	1671 437	1671 437
	TY1	8	1	----	----	1672 964
17-29-6	BRACKET, Support, Right, except TA3		1	----	1858 100	
	Left, except TA3		1	----	1858 101	
	Frame, TA3, TC1, TC2, TC3	8	2	----	1824 879	1824 879
17-29-9	SPACER, Support Bracket, except TA3		2	----	1858 105	
17-29-10	STRAP, Bushing		2	----	1673 065	1673 065
17-29-11	RETAINER, Bushing, TA3	8	2	----	1673 060	1673 060
17-29-12	BUSHING, except TA3		2	----	1824 935	1824 936
	TA3	8	2	----	1824 936	
17-29-13	REINFORCEMENT, Cushion, TA3	8	2	----	1672 989	1672 989
17-29-14	BOLT, Cushion Strap, except TA3		2	----	6023 012	1824 934
	TA3	8	2	----	1824 934	
17-29-15	CUSHION, except TA3		2	----	1731 341	1673 090
	TA3	8	2	----	1673 090	
17-29-16	RETAINER, Cushion		2	----	1672 988	1672 988
17-29-18	STRAP, Cushion, except TA3		2	----	1857 911	2207 036
	TA3	8	2	----	2207 036	
17-29-20	INSULATOR, Link		2	----	1734 315	1734 315
17-29-21	RETAINER, Insulator		2	----	1558 352	1558 352

★ Indicates use as required.

Numerals in parentheses () refer to notes.

Printed in U.S.A.

E Indicates parts not listed in any previous parts book.

Prices and specifications subject to change without notice.

Jan. 3, 1964 Supersedes Sept. 4, 1962.

Page 17-6

* Indicates change or addition.

GROUP 18 - STANDARD PARTS

BALL - STEEL

The Standard Parts listed herein are furnished only in carton quantities, and should be ordered in these quantities or multiples thereof.

Plate 18-1



Diameter	Part No.	Ctn. Qty.	Diameter	Part No.	Ctn. Qty.
1/4	104 918	50	5/8	104 924	10
5/16	104 919	50	7/8	104 927	5
11/32	119 282	25			

BOLT - HEXAGON HEAD

National Coarse Thread

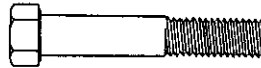


Plate 18-2

Length	Diameter & Thread									
	1/4-20		5/16-18		3/8-16		7/16-14		1/2-13	
	Part No.	Carton Qty.	Part No.	Carton Qty.	Part No.	Carton Qty.	Part No.	Carton Qty.	Part No.	Carton Qty.
1/2	180 016	50			180 116	25			180 166	25
5/8	180 018	100								
3/4	180 020	50	180 077	25						
1	180 022	50	180 079	25	180 122	25				
1-1/4	180 024	50	180 081	25	180 124	25			180 175	10
1-1/2	180 034	25			180 126	25	180 149	10		
1-3/4			181 094	25			180 151	10		
2					181 126	25			180 181	10
2-1/2	180 048	10					180 157	10		
3			180 113	10			180 160	10	180 190	10
3-3/4					186 284	10				
4			189 298	10	186 285	10	180 165	10		
5							272 406	50		

BOLT - HEXAGON HEAD

National Fine Thread



Plate 18-3

Length	Diameter & Thread											
	1/4-28		5/16-24		3/8-24		7/16-20		1/2-20		9/16-18	
	Part No.	Carton Qty.	Part No.	Carton Qty.	Part No.	Carton Qty.	Part No.	Carton Qty.	Part No.	Carton Qty.	Part No.	Carton Qty.
1/2	181 561	50			181 627	25			181 683	25		
5/8			181 593	25								
3/4			181 595	25								
1	181 568	50	181 608	25	181 637	25			181 696	25		
1-1/4			181 610	25	181 639	25	181 668	25	181 698	10		
1-1/2			181 614	25	181 643	25	181 670	10	181 700	10	181 727	10
1-3/4	181 577	25			181 646	25	181 672	10	660 378	10		
2	181 579	25	181 620	25			181 674	10	181 705	10	181 731	10
2-1/4											2228 700	10
2-1/2					181 650	10			181 709	10		
2-3/4			181 623	10								
3			182 703	10	181 652	10			181 711	10		
4					186 310	10	181 680	10	182 788	10		
4-1/4							181 682	10			181 747	10
							187 612	10				

BUSHING
Pipe Reducing

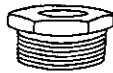


Plate 18-4

Ext. Thd.	Int. Thd.	Part No.	Carton Qty.
1/4	1/8	119 930	5
3/8	1/8	119 923	5
1/2	1/4	144 051	5
1/2	3/8	120 322	5

CONNECTOR
Flared Tube

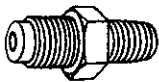


Plate 18-6

Diameter	Taper Thd.	Thread	Part No.	Carton Qty.
1/4	1/8	7/16-20	118 748	5
5/16	1/8	1/2-20	118 749	5
3/8	1/4	5/8-20	118 750	5
7/16	1/4	11/16-16	118 751	5
1/2	3/8	3/4-16	118 752	5

ELBOW
Ball, Sleeve Tubing



Plate 18-10

Diameter	Taper Thd.	Thread	Part No.	Carton Qty.
1/4	1/8	7/16-24	114 632	10
5/16	1/8	1/2-24	114 633	10
3/8	1/4	9/16-24	140 305	10

ELBOW
Inverted Flared Tube, 45 Degree

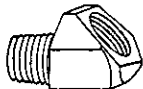


Plate 18-12

Diameter	Taper Thd.	Thread	Part No.	Carton Qty.
3/16	1/8	3/8-24	127 829	5
1/4	1/8	7/16-24	125 859	5
5/16	1/8	1/2-20	116 341	5
3/8	1/4	5/8-18	143 338	5

CONNECTOR
Ball Sleeve Tubing

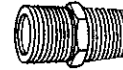


Plate 18-5

Tube Dia.	Taper Thd.	Thd. Size	Part No.	Carton Qty.
5/16	1/8	1/2-24	114 629	10

CONNECTOR
Inverted Flared Tube

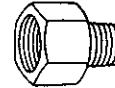


Plate 18-7

Diameter	Taper Thd.	Thread	Part No.	Carton Qty.
1/8	1/8	5/16-28	137 403	5
1/4	1/8	7/16-24	111 345	5
5/16	1/8	1/2-20	137 406	5
3/8	1/4	5/8-18	137 407	5
1/2	3/8	3/4-18	143 426	5

DRAIN COCK



Plate 18-9

Diameter	Part No.	Carton Qty.
1/4	103 647	5

ELBOW
Flared Tube



Plate 18-11

Diameter	Taper Thd.	Thread	Part No.	Carton Qty.
3/16	1/8	3/8-24	121 339	5

ELBOW
Inverted Flared Tube, 90 Degree



Plate 18-13

Diameter	Taper Thd.	Thread	Part No.	Carton Qty.
3/16	1/8	3/8-24	137 420	5
1/4	1/8	7/16-24	137 421	5
5/16	1/8	3/8-20	137 422	5
5/16	1/4	1/2-18	143 343	5
3/8	1/4	5/8-18	137 423	5
7/16	1/4	11/16-18	137 424	5
1/2	1/4		188 947	5

ELBOW

Pipe, 90 Degree



Plate 18-14

Diameter	Part No.	Carton Qty.
1/4	105 413	5

FITTING - LUBRICATING

Ball and Spring Type



Plate 18-17

Length	Diameter & Thread	Part No.	Carton Qty.
7/8	1/4-28	110 309	10
1	1/4-28	110 308	10

FITTING - LUBRICATING

Straight Type



Plate 18-19

Thread & Length	Part No.	Carton Qty.
1/8 x 43/64	9411 010	10

FITTING - LUBRICATING

Straight Type C



Plate 18-21

Length	Diameter & Thread	Part No.	Carton Qty.
1/2	1/4-20	110 347	10
11/16	1/4-20	111 595	10
1-1/8	1/4-20	128 274	5

GASKET

ANNULAR, TYPE A

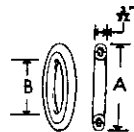


Plate 18-23

Dim. "A"	Dim. "B"	Part No.	Carton Qty.
1 1/8	.890	105 456	50

NIPPLE - PIPE



Plate 18-25

Diameter & Length	Part No.	Carton Qty.
1/4 x 1-1/2	144 596	5

FITTING - LUBRICATING



Plate 18-16

Thread & Length	Part No.	Carton Qty.
1/8 x 1-3/16	67-1/2° 109 365	5
1/8 x 1-13/16	90° 109 357	5

FITTING - LUBRICATING

Straight Drive Base



Plate 18-18

Diameter & Length	Part No.	Carton Qty.
.311 x 5/8	119 516	10

FITTING - LUBRICATING

Straight Type and Threaded Drive Type

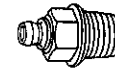


Plate 18-20

Diameter & Length	Part No.	Carton Qty.
1/8 x 23/32	9411 022	10

FITTING - LUBRICATING

Threaded Drive Type

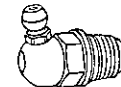


Plate 18-22

Length	Part No.	Carton Qty.
1	30° 145 434	10
47/64	85° 9411 025	10
25/32	67-1/2° 9411 024	10

GASKET

ANNULAR, TYPE C



Plate 18-24

Dim. "A"	Dim. "B"	Part No.	Carton Qty.
25/32	.561	150 189	100

NUT

Flared Tube

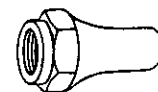


Plate 18-26

Tube Dia.	Thread	Part No.	Carton Qty.
5/16	1/2-20	118 538	5

NUT - HEXAGON



Plate 18-27

Diameter & Thread	Part No.	Carton Qty.
3/4-16	219 758	10

NUT - HEXAGON

Lock, Thin, Semi - Finished



Plate 18-29

Diameter & Thread	Part No.	Carton Qty.
5/8-18	145 013	10

NUT - HEXAGON

Ball Sleeve Tubing



Plate 18-31

Tube Dia.	Thread	Part No.	Carton Qty.
5/16	1/2-24	114 630	10
3/4	1-28	144 409	5

NUT - HEXAGON

Slotted, Standard Semi - Finished



Plate 18-33

Diameter & Thread	Part No.	Carton Qty.
3/8-24	125 233	50
7/16-20	128 014	50
9/16-18	128 178	25
5/8-18	128 027	25

NUT - HEXAGON

Standard, Semi-Finished National Fine Thread



Plate 18-35

Diameter & Thread	Part No.	Carton Qty.
1/4-28	120 367	50
5/16-24	120 368	50
3/8-24	114 547	25
3/8-24	120 369	50
7/16-20	271 506	50
1/2-20	120 371	50
9/16-18	124 634	25

NUT - HEXAGON



Plate 18-28

Diameter & Thread	Part No.	Carton Qty.
3/4-16	426 099	10

NUT - HEXAGON

Lock, Standard, Semi - Finished



Plate 18-30

Diameter & Thread	Part No.	Carton Qty.
7/16-14	126 012	50

NUT - HEXAGON

Common



Plate 18-32

Thread & Length	Part No.	Carton Qty.
No. 8-32	120 622	100
No. 10-24	116 000	100
No. 12-24	121 743	100

NUT - HEXAGON

Standard, Semi-Finished National Coarse Thread



Plate 18-34

Diameter & Thread	Part No.	Carton Qty.
1/4-20	120 375	50
5/16-18	120 376	50
3/8-16	120 377	50
7/16-14	271 501	50
1/2-13	120 378	50
9/16-12	124 583	25
5/8-11	124 589	25

NUT

Inverted Flared Tube



Plate 18-36

Tube Dia.	Thread	Part No.	Carton Qty.
3/16	3/8-24	137 396	50
1/4	7/16-24	137 397	50
5/16	1/2-20	137 398	25
3/8	5/8-18	137 399	25

NUT - HEXAGON
Tri-Slot, Semi-Finished



Plate 18-37

Diameter & Thread	Part No.	Carton Qty.
3/4-16	128 180	5

PIN - DOWEL

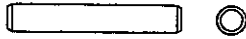


Plate 18-39

Diameter	Length	Part No.	Carton Qty.
1/4	2-1/4	141 210	10
5/16	2-1/4	141 232	10

PIN
Straight, Grooved

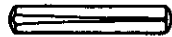


Plate 18-40

Diameter	Length	Part No.	Carton Qty.
1/4	1	142 520	10

PIN - COTTER
Split

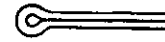


Plate 18-38

Length	Diameter	Part No.	Carton Qty.
3/4	3/32	103 373	100
1-1/8	3/32	108 636	100
1-5/8	1/8	119 209	100

PLUG - BUTTON

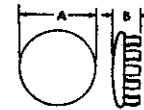


Plate 18-41

Dim. "A"	Dim. "B"	Part No.	Carton Qty.
1	19/64	142 093	10

PLUG - EXPANSION



Plate 18-42

Diameter	Part No.	Carton Qty.
5/8	103 891	25
3/4	103 892	25
13/16	105 602	25
7/8	103 893	25
15/16	117 919	25
1-1/16	117 920	10

Diameter	Part No.	Carton Qty.
1-3/16	140 690	10
1-3/16	117 921	10
1-1/4	179 380	10
1-3/8	117 923	10
1-1/2	103 896	10
1-5/8	117 924	10
1-5/8	140 802	10
1-3/4	103 897	10
1-7/8	114 564	10
2	140 089	10

PLUG - PIPE
Countersunk Headless



Plate 18-43

Diameter & Thread	Part No.	Carton Qty.
3/8-18	143 162	10

PLUG - PIPE
Square Head, Hollow

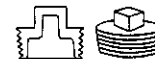


Plate 18-46

Diameter & Thread	Part No.	Carton Qty.
3/8-18	112 304	5
3/4-14	103 869	5

PLUG - PIPE
Slotted Headless



Plate 18-45

Diameter & Thread	Part No.	Carton Qty.
1/8-27	118 831	10

PLUG - PIPE
Square Head, Solid



Plate 18-47

Diameter & Thread	Part No.	Carton Qty.
1/8-27	143 932	25
1/4-18	143 933	25

RIVET - TUBULAR
Flat Head, Countersunk

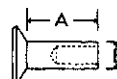


Plate 18-48

Dim. "A"	Dim. "B"	Part No.	Carton Qty.
9/32	9/64	121 573	100
13/32	3/16	114 518	100

RIVET
Solid, Round Head



Plate 18-50

Dim. "A"	Dim. "B"	Part No.	Carton Qty.
5/8	3/16	108 682	100

RIVET - TUBULAR
Oval Head, Drilled

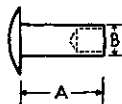


Plate 18-52

Dim. "A"	Dim. "B"	Part No.	Carton Qty.
9/64	1/4	118 140	100
3/16	3/32	131 284	100

SCREW - FILLISTER HEAD
Cross Recess, National Coarse Thread



Plate 18-54

Diameter & Thread	Length	Part No.	Carton Qty.
No. 10-24	7/16	153 241	100

SCREW - TAPPING
Cross Recess, National Coarse Thread

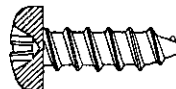


Plate 18-53

Diameter & Thread	Length	Part No.	Carton Qty.
No. 14-10	3/4	162 077	100

SCREW - FILLISTER HEAD
Cross Recess, National Fine Thread

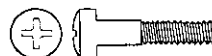


Plate 18-55

Diameter & Thread	Length	Part No.	Carton Qty.
No. 10-32	1-1/2	153 479	50

SCREW
Fillister Head, Slotted



Plate 18-56

Diameter & Thread	Length	Part No.	Carton Qty.
1/4-20	2-1/2	132 300	100

SCREW - FLAT HEAD

Cross Recess, National Coarse Thread

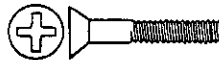


Plate 18-57

Length	Diameter & Thread									
	No. 6-32		No. 8-32		No. 10-24		No. 12-24		1/4-20	
	Part No.	Carton Qty.	Part No.	Carton Qty.	Part No.	Carton Qty.	Part No.	Carton Qty.	Part No.	Carton Qty.
3/16			155 868	100						
1/4	155 830	100					156 094	100		
1/2									156 250	100
5/8										
1					155 954	100				

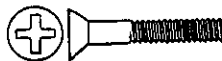
SCREW - FLAT HEAD
Cross Recess, National Fine Thread

Plate 18-58

Length	Diameter & Thread			
	No. 10-32		5/16-24	
	Part No.	Carton Qty.	Part No.	Carton Qty.
1/2	156 009	100		
1	156 033	100	178 837	50

SCREW - OVAL HEAD
Cross Recess, National Coarse Thread

Plate 18-59

Length	Diameter & Thread									
	No. 8-32		No. 10-24		No. 12-24		1/4-20		5/16-18	
	Part No.	Carton Qty.	Part No.	Carton Qty.	Part No.	Carton Qty.	Part No.	Carton Qty.	Part No.	Carton Qty.
7/16			148 034	100						
1/2	156 771	50	156 963	100	157 277	100	157 391	100		
5/8	147 762	50	148 109	100						
3/4	186 575	100					443 869	100		
1										
1-1/2	156 831	50								

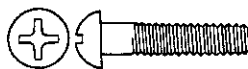
SCREW - ROUND HEAD
Cross Recess, National Coarse Thread

Plate 18-61

Length	Diameter & Thread											
	No. 4-40		No. 6-32		No. 8-32		No. 10-24		No. 12-24		1/4-20	
	Part No.	Carton Qty.	Part No.	Carton Qty.	Part No.	Carton Qty.	Part No.	Carton Qty.	Part No.	Carton Qty.	Part No.	Carton Qty.
1/4	154 921	100	154 959	100								
5/16					155 028	100						
1/2			154 987	100	9415 921	100	456 867	100				
3/4									155 278	100	155 348	100
1					188 764	25						

SCREW - ROUND HEAD
Cross Recess, National Fine Thread

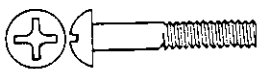


Plate 18-62

Diameter & Thread	Length	Part No.	Carton Qty.
No. 10-32	5/16	9416 993	100
No. 10-32	1/2	155 194	100

STUD



Plate 18-64

Stud End		Nut End		Length	Part No.	Ctn. Qty.
Dia. & Thread	Dia. & Thread	Dia. & Thread	Dia. & Thread			
3/8-16	3/8-24	3-5/16	103 203	5		
3/8-16	3/8-24	5-13/16	111 647	5		

WASHER - LOCK



Plate 18-66

Bolt Size	Part No.	Carton Qty.
1/4	120 380	100
5/16	120 214	100
3/8	120 382	100
1/2	120 384	100
9/16	120 898	50
5/8	121 574	50

WASHER - LOCK
External Teeth



Plate 18-68

Bolt Size	Part No.	Carton Qty.
1/4	121 753	100
5/16	138 485	100
3/8	138 489	100
7/16	136 857	50
1/2	135 629	100
9/16	138 498	50
5/8	138 502	50

SLEEVE

Ball Sleeve Tubing



Plate 18-63

Diameter	Part No.	Carton Qty.
3/8	114 624	25
3/4	125 654	25

WASHER - LOCK

Countersunk, External Tooth



Plate 18-65

Bolt Size	I. D.	Part No.	Carton Qty.
3/8	.398	138 617	100

WASHER - LOCK

External and Internal Teeth



Plate 18-67

Bolt Size	Part No.	Carton Qty.
1/4	174 916	50
5/16	178 532	50
7/16	178 571	50
9/16	178 612	25

WASHER - PLAIN

Small

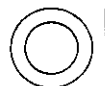


Plate 18-70

Bolt Size	Part No.	Carton Qty.
1/4	120 392	100
5/16	120 387	100
3/8	120 394	100
7/16	120 395	100
1/2	120 396	50
9/16	121 458	50
5/8	131 016	50

WASHER - PLAIN

Large

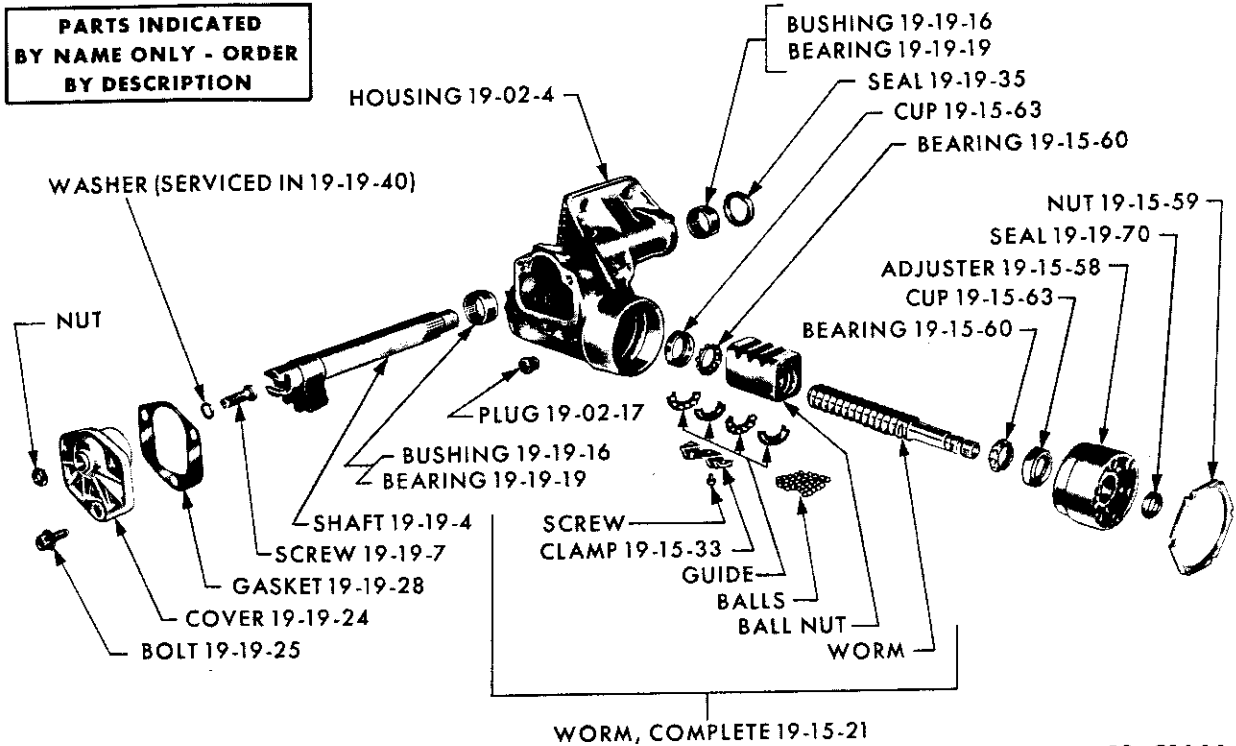


Plate 18-69

Bolt Size	Part No.	Carton Qty.
1/4	147 697	100
5/16	120 387	100
3/8	128 051	50
1/2	126 335	50

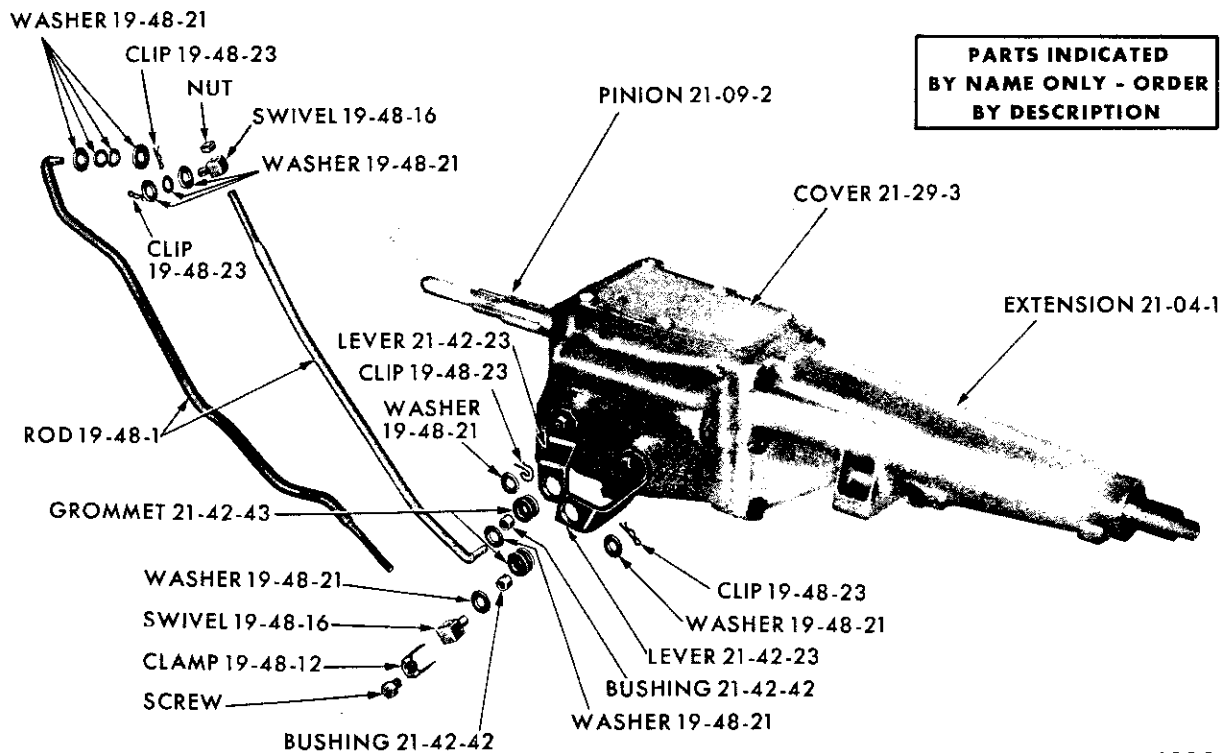
GROUP 19 - STEERING

PARTS INDICATED
BY NAME ONLY - ORDER
BY DESCRIPTION



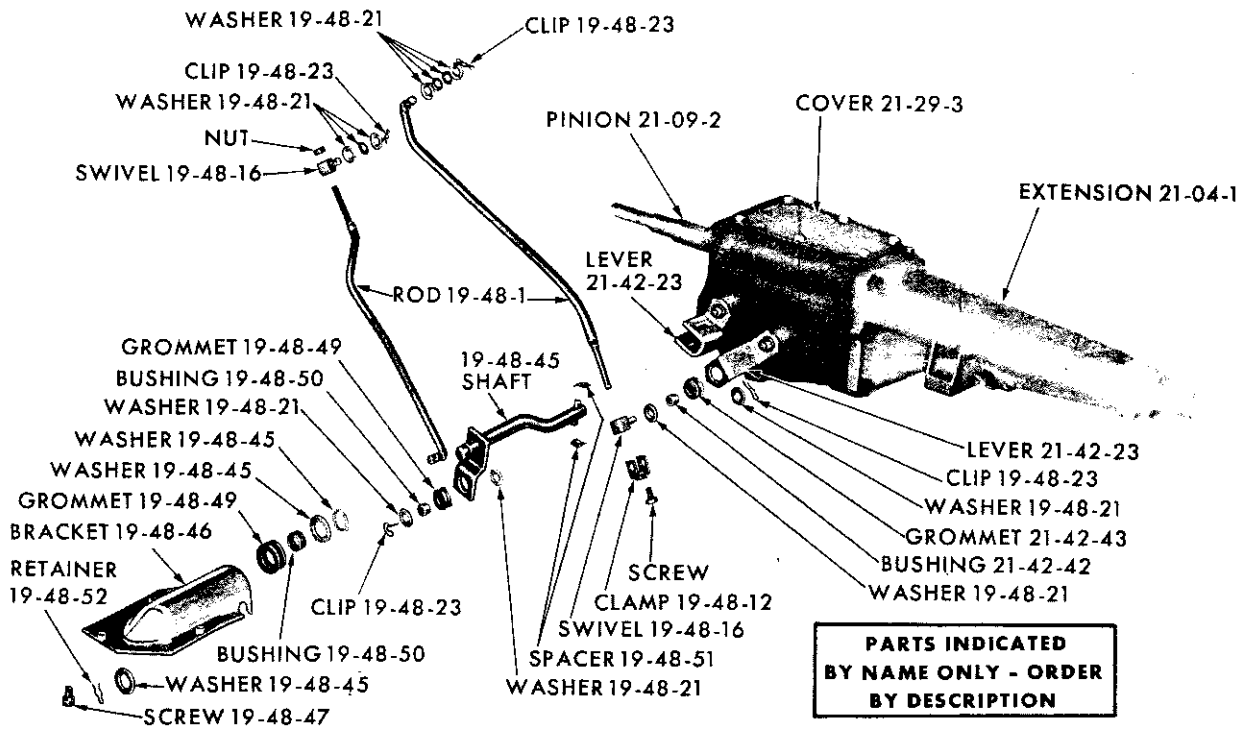
19x9164A

MANUAL STEERING GEAR - VALIANT TV1 - DART TL1 - PLYMOUTH TP1-2 AND DODGE TD1-2



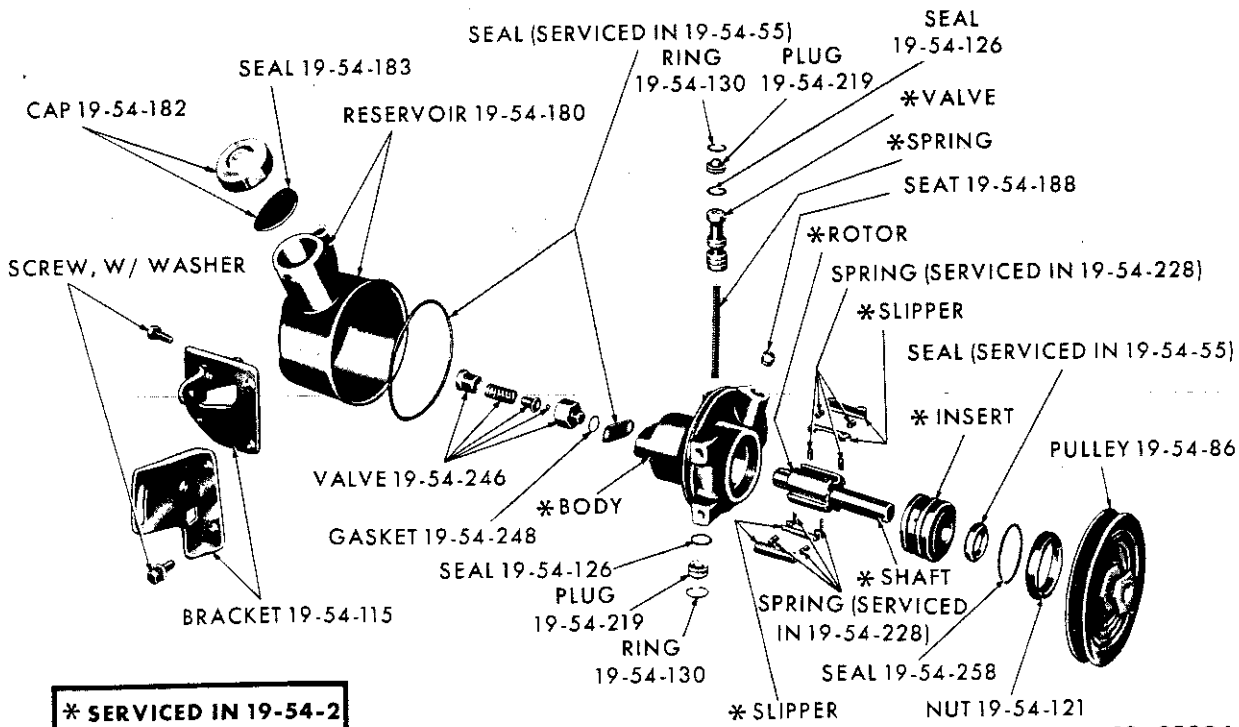
19x9320

GEARSHIFT CONTROLS (STANDARD TRANSMISSION) - VALIANT TV1 AND DART TL1



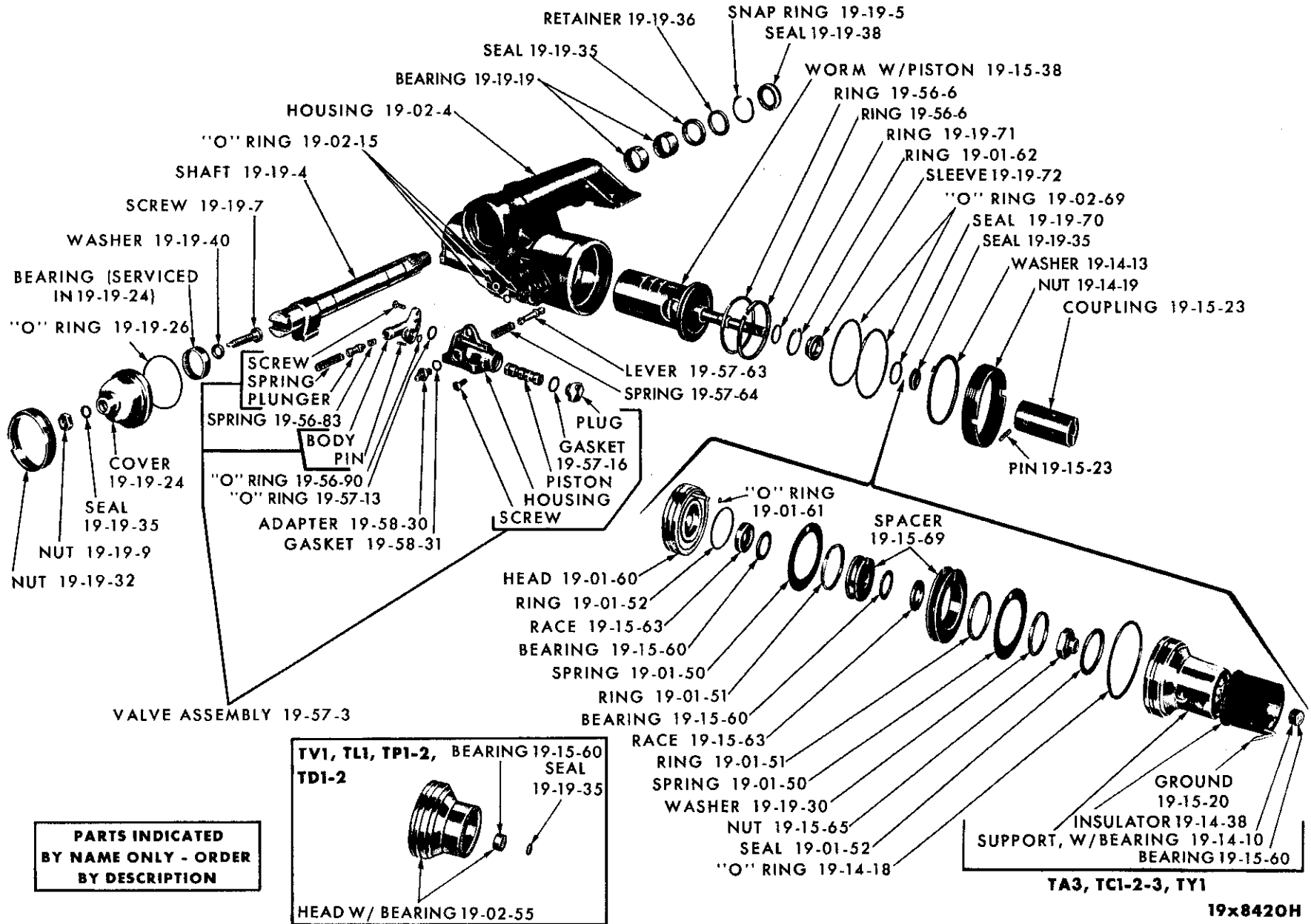
19x9319

GEARSHIFT CONTROLS (STANDARD TRANSMISSION) - PLYMOUTH TP1-2 AND DODGE TD1-2

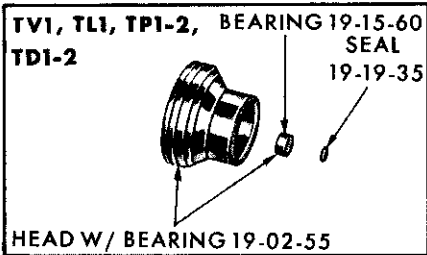


19x9339A

POWER STEERING PUMP



**PARTS INDICATED
BY NAME ONLY - ORDER
BY DESCRIPTION**

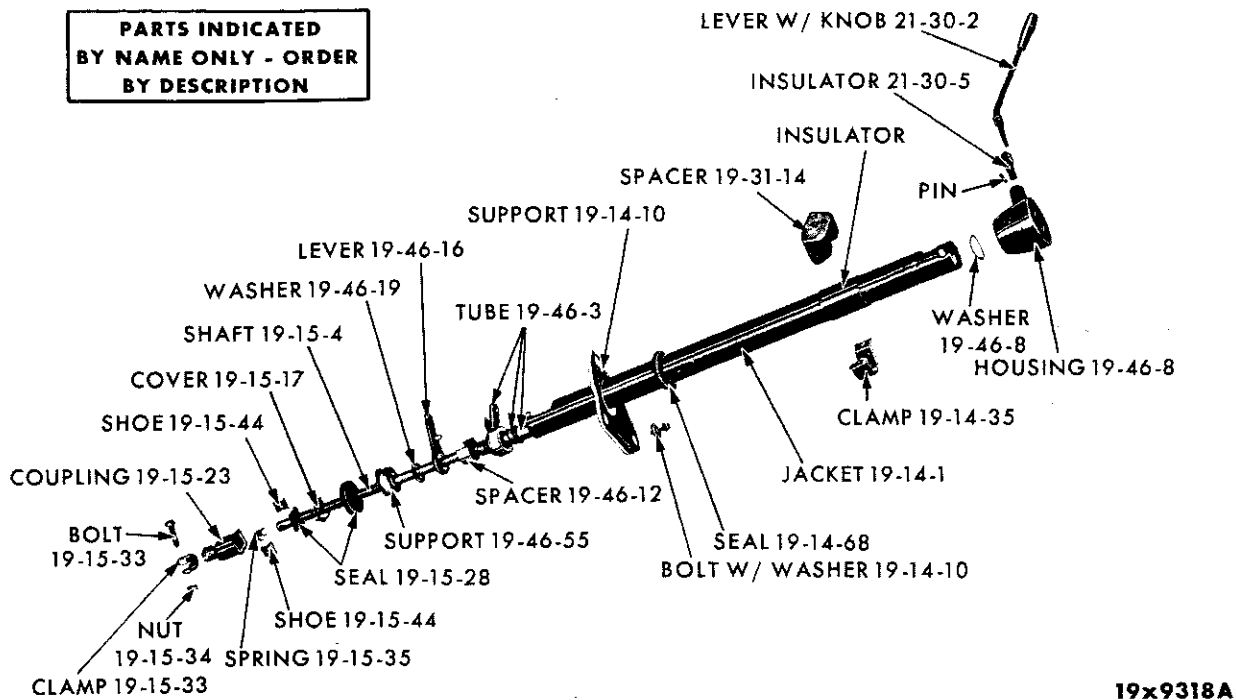


TA3, TC1-2-3, TY1
19x8420H

POWER STEERING GEAR

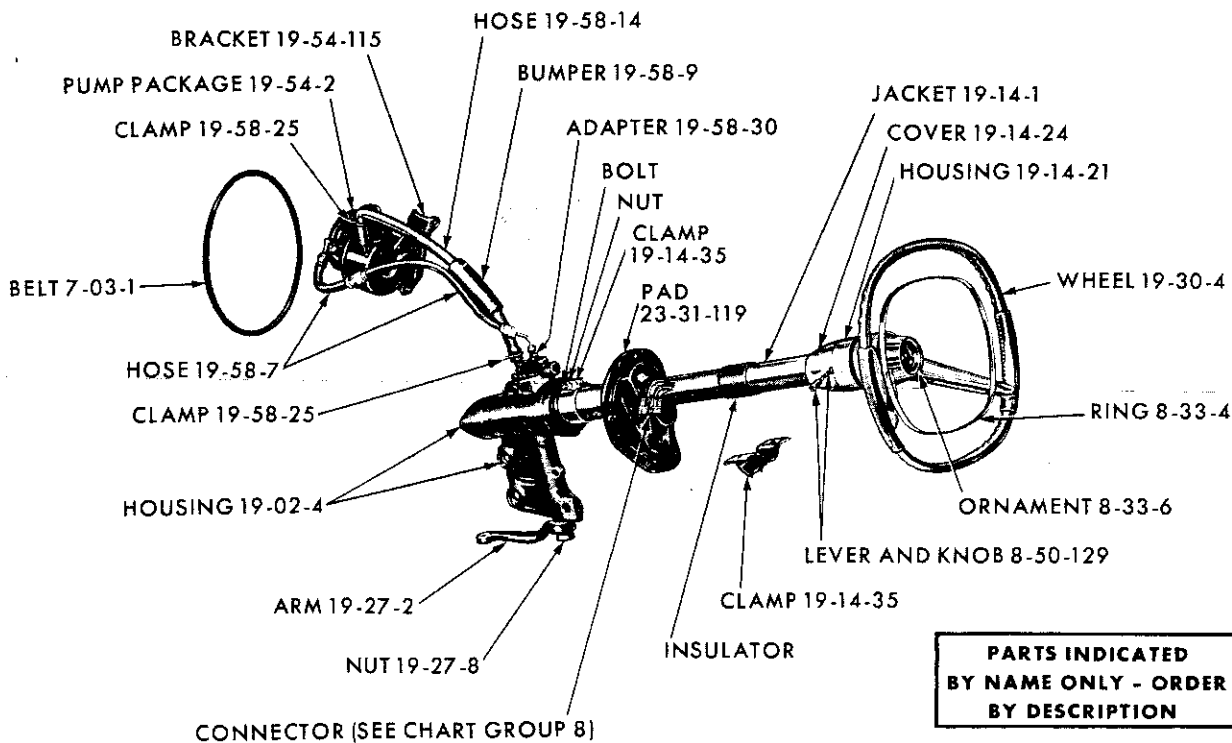
MyMopar.com

**PARTS INDICATED
BY NAME ONLY - ORDER
BY DESCRIPTION**



19x9318A

STEERING COLUMN TRANSMISSION SHIFT LINKAGE - VALIANT TV1,
DART TL1, PLYMOUTH TP1-2 AND DODGE TD1-2



**PARTS INDICATED
BY NAME ONLY - ORDER
BY DESCRIPTION**

19x9702

STEERING GEAR COLUMN AND SHAFT - HYDRAULIC SYSTEM

CODE	PART NAME AND DESCRIPTION	C Y L	PER CAR	VALIANT DART	PLYMOUTH DODGE	CHRYSLER IMPERIAL
STANDARD STEERING						
19-01-0 STEERING GEAR ASSEMBLY						
19-01-3	OVERHAUL PACKAGE, except TA3		1	2279 955	2279 954	
	TA3,TC1	8	1	----	2196 995	2196 995
19-01-8	CHUCK, except TA3		1	2267 160	2267 160	
	TA3,TC1	8	1	----	2201 622	2201 622
19-01-12	BOLT, Housing to Frame,					
	4 1/2" x 7/16", TA3,TC1	8	2	----	2201 621	2201 621
	4 5/8" x 7/16", TA3,TC1	8	1	----	2201 620	2201 620
19-01-24	SPACER, Frame Bolt, TA3,TC1	8	1	----	1733 218	1733 218
19-02-0 STEERING GEAR HOUSING						
19-02-4	HOUSING, except TA3		1	2127 099	2127 099	
	TA3, TC1	8	1	----	2200 719	2200 719
19-02-17	PLUG, Filler, TC1		1	1673 974	1673 974	1673 974
19-02-18	WASHER, Housing to Bracket Bolt Coned, except					
	TA3	3	1	1531 725	1531 725	
	Housing to Frame Bolt Plain, 17/8" dia., TA3	1	1	----	562 704	562 704
	1 1/4" dia., TA3	5	1	----	566 170	566 170
19-04-0 STEERING GEAR HOUSING COVER						
19-04-1	COVER, TA3,TC1	8	1	----	2201 237	2201 237
19-04-5	SCREW, Cover, TA3,TC1	8	4	----	1134 479	1134 479
19-04-13	SHIM, .003" thk., TA3,TC1	8	★	----	1123 313	1123 313
	.006" thk., TA3,TC1	8	★	----	620 180	620 180
	.011" thk., TA3,TC1	8	★	----	620 181	620 181
	.0275" thk., TA3,TC1	8	★	----	1856 992	1856 992
19-14-0 STEERING GEAR COLUMN JACKET						
19-14-1	JACKET, w/Auto. Trans., except TA3		1	2265 621	2265 621	
	w/Std. Trans., except TA3		1	2265 670	2265 670	
	TA3,TC1	8	1	----	2405 230	2266 752
	SCREW, w/WASHER, to Floor Seal, TA3,TC1,					
	TC2,TC3	8	★	----	6008 218	6008 218
19-14-4	BEARING, TC1		1	2265 656	2265 656	2265 656
19-14-10	SUPPORT, except TA3		1	2265 664	2265 693	
	SCREW, w/WASHER.		★	*6024 486	*6024 486	
19-14-16	SNAP RING, Bearing, Upper, TC1		1	6023 044	6023 044	6023 044
	Lower, TC1		1	6023 045	6023 045	6023 045
19-14-21	HOUSING, Shaft Bearing, TC1		1	*2265 653	*2265 653	*2265 653
	BOLT		2	6023 036	6023 036	6023 036
19-14-23	PLATE, Shaft Bearing Retainer, TC1		1	2265 654	2265 654	2265 654
	SCREW		3	6023 088	6023 088	6023 088
19-14-24	COVER, Bearing Housing, w/Auto. Trans., TC1		1	2265 622	2265 622	2265 622

★ Indicates use as required.

☐ Indicates parts not listed in any previous parts book.

* Indicates change or addition.

Numerals in parentheses () refer to notes.

Prices and specifications subject to change without notice.

Page 19-5

Printed in U.S.A.
Jan. 3, 1964 Supersedes Jan. 25, 1963.

CODE	PART NAME AND DESCRIPTION	CYL.	PER CAR	VALIANT DART	PLYMOUTH DODGE	CHRYSLER IMPERIAL
------	---------------------------	------	---------	--------------	----------------	-------------------

STANDARD STEERING

19-14-0 STEERING GEAR COLUMN JACKET - Cont'd

19-14-35	CLAMP, Column	6	1	2162 522		
	Column, TA3, TC1	8	1	----	2218 264	2292 027
	Jacket, TA3, TC1	8	1	----	*2200 738	*2200 738
	STUD, TA3, TC1	8	2	----	*6024 157	*6024 156
19-14-38	INSULATOR, Shaft Bearing, TC1		1	2265 658	2265 658	2265 658
19-14-42	BUSHING, Seal, TA3, TC1	8	2	----	2201 624	2201 624
19-14-68	SEAL, Jacket, except TA3		1	2265 697	2265 697	
	TA3, TC1	8	1	----	2201 234	2201 234

19-15-0 STEERING GEAR TUBE AND COUPLING

19-15-4	SHAFT, w/PIN, except TA3		1	2266 683	2266 681	
	SHAFT, w/HUB, TA3, TC1	8	1	----	2405 227	2401 226
	WORM, w/SHAFT, TA3, TC1	8	1	----	2127 017	2127 017
19-15-17	COVER, Column, Shaft Coupling, except TA3		1	2266 708	2266 708	
19-15-20	HORN GROUND, Coupling, TA3, TC1	8	1	----	2207 843	2207 843
19-15-21	WORM, w/Ball NUT, Complete, except TA3		1	2267 139	2267 139	
19-15-23	COUPLING, w/PLUG, Shaft, except TA3		1	2266 685	2266 685	
	BOLT		1	6023 246	6023 246	
19-15-28	SEAL, Shaft, except TA3		1	2266 738	2266 738	
	Shaft Coupling, except TA3		1	2266 707	2266 707	
19-15-30	NUT, Shaft Coupling Bolt, except TA3		1	6023 022	6023 022	
19-15-33	CLAMP, Shaft Coupling, except TA3		1	2265 613	2265 613	
19-15-35	SPRING, Shaft Coupling, except TA3		1	2266 737	2266 737	
19-15-44	SHOE, Shaft Coupling, except TA3		2	2266 736	2266 736	
19-15-47	OIL SEAL, Worm Shaft, TA3, TC1	8	1	----	2200 730	2200 730
19-15-48	HUB, Worm Shaft, TA3, TC1	8	1	----	2260 484	2260 484
19-15-58	ADJUSTER, Worm Thrust Bearing, except TA3		1	2127 146	2127 146	
19-15-59	NUT, Worm Shaft Adjuster Lock, except TA3		1	2267 192	2267 192	
19-15-60	BEARING, Worm Thrust, except TA3		2	2072 060	2072 060	
	Cage and Roller, TA3, TC1	8	2	----	640 086	640 086
19-15-63	CUP, Worm Thrust Bearing, except TA3		2	2127 097	2127 097	
	Lower, TA3, TC1	8	1	----	*2225 805	*2225 805
	Upper, TA3, TC1	8	1	----	376 751	376 751
19-15-109	COUPLING, Steering Column Shaft Flange, TA3, TC1	8	1	----	*2207 958	*2207 958
19-15-110	BOLT, Coupling, TA3, TC1	8	2	----	1857 003	1857 003
	Drive, TA3, TC1	8	2	----	1857 001	1857 001
19-15-111	PLATE, Flexible Joint, TA3, TC1	8	4	----	1857 004	1857 004

★ Indicates use as required.

Numerals in parentheses () refer to notes.

Printed in U.S.A.

⊞ Indicates parts not listed in any previous parts book.

Prices and specifications subject to change without notice.

Jan. 3, 1964 Supersedes Jan. 25, 1963.

* Indicates change or addition.

CODE	PART NAME AND DESCRIPTION	C Y L	PER CAR	VALIANT DART	PLYMOUTH DODGE	CHRYSLER IMPERIAL
STANDARD STEERING						
19-19-O STEERING GEAR SHAFT AND ROLLER TOOTH ASSEMBLY						
19-19-4	SHAFT, except TA3 w/Roller TOOTH, TA3, TC1	8	1	2127 104 ----	2127 104 2201 612	2201 612
19-19-5	SNAP RING, Shaft, TA3, TC1	8	1	----	2126 978	2126 978
19-19-7	SCREW, Shaft Adjusting, except TA3 TA3, TC1	8	1	2267 178 ----	2267 178 682 905	682 905
19-19-16	BUSHING, Shaft SNAP RING	6 6	2 1	2267 128 *6024 333		
19-19-19	BEARING, Shaft, except TA3 Lower, TA3, TC1 Upper, TA3, TC1 SNAP RING, TA3, TC1	8 8 8 8	3 1 1 1	---- ---- ---- ----	*2126 890 *2123 170 2123 169 *6034 333	2123 170 2123 169 *6024 333
19-19-24	COVER, Shaft, except TA3 TA3, TC1	8	1	2267 152 ----	2267 152 1829 128	1829 128
19-19-25	BOLT, w/WASHER, Shaft Cover, except TA3 TA3, TC1 Housing Cover, TA3, TC1	8 8 8	3 4 4	6025 063 ---- ----	6025 063 1188 668 1134 479	1188 668 1134 479
19-19-28	GASKET, Shaft Cover, except TA3 TA3, TC1	8	1	2127 108 ----	2127 108 1738 206	1738 206
19-19-35	OIL SEAL, Shaft, except TA3 TA3, TC1	8	1	2127 154 ----	2127 154 1730 985	1730 985
19-19-40	WASHER PACKAGE, Shaft Adjusting Screw, except TA3 WASHER, Shaft Thrust TA3, TC1	8	1	2279 961 ----	2279 961 1329 092	1329 092
19-19-70	SEAL, Worm Shaft, except TA3		1	2267 156	2267 156	
19-27-O STEERING GEAR ARM AND IDLER ARM						
19-27-2	ARM, Gear, except TA3 TA3, TC1	8	1	2072 573 ----	1858 017 1824 941	1824 941
19-27-8	NUT, Arm, TC1		1	1392 770	1392 770	1392 770
19-27-31	ARM, Idler, except TA3 TA3, TC1	8	1	2072 577 ----	1858 067 2208 080	2208 080
19-27-33	BRACKET, Idler Arm, except TA3 TA3, TC1	8	1	2401 053 ----	2401 051 2401 074	2401 074
19-27-40	SEAL, Idler Arm End, except TA3 Idler Arm Bracket Stud, except TA3		1 1	1857 748 1857 748	1670 299 1670 299	
19-27-45	BOLT, Idler Arm, TA3, TC1	8	1	----	6023 630	6023 630
19-27-50	LINK, Center, except TA3 TA3, TC1	8	1	2072 571 ----	1858 015 2208 086	2208 086
19-27-55	SEAL, Center Link, TA3, TC1	8	2	----	1670 299	1670 299
19-30-O STEERING WHEEL						
19-30-4	WHEEL, Blue Green, TV1 Gray, use w/Horn Button Red Tan	6 6 6 6 6	1 1 1 1 1	2401 235 2401 236 2401 237 2266 208 2401 238		

★ Indicates use as required.

□ Indicates parts not listed in any previous parts book.

* Indicates change or addition.

Numerals in parentheses () refer to notes.

Prices and specifications subject to change without notice.

Printed in U.S.A.

Jan. 3, 1964 Supersedes Jan. 25, 1963.

1963 PASSENGER CAR PARTS CATALOG

STEERING

CODE	PART NAME AND DESCRIPTION	C Y L.	PER CAR	VALIANT DART	PLYMOUTH DODGE	CHRYSLER IMPERIAL
------	---------------------------	--------------	------------	-----------------	-------------------	----------------------

STANDARD STEERING

19-30-O STEERING WHEEL - Cont'd

19-30-4	WHEEL - Cont'd					
	Turquoise, TL1	6	1	2401 239		
	Alabaster, Service Only	6	1	2405 012		
	Black, use w/Horn Button, TP1, TP2		1	----	2401 246	
	Black, use w/Partial Horn Ring, except TA3		1	----	2401 241	
	Blue, use w/Horn Button, TP1, TP2		1	----	2401 232	
	Blue, use w/Partial Horn Ring, except TA3		1	----	2401 240	
	Green, use w/Partial Horn Ring, TP1, TP2		1	----	2401 242	
	Red, use w/Partial Horn Ring		1	----	2401 244	
	Tan, use w/Horn Button, TP1, TP2		1	----	2401 233	
	Tan, use w/Partial Horn Ring, except TA3		1	----	2401 243	
	Turquoise, use w/Partial Horn Ring TD1, TD2		1	----	2401 245	
	Alabaster, Service Only, use w/Horn Button or Partial Horn Ring, except TA3		1	----	2405 011	
	White Pearl and Black, use w/Full Horn Ring, except TA3		1	----	2401 251	
	White Pearl and Blue, use w/Full Horn Ring, except TA3		1	----	2401 247	
	White Pearl and Blue, TA3	8	1	----	2405 233	
	White Pearl and Green, use w/Full Horn Ring, TP1, TP2		1	----	2401 262	
	White Pearl and Green, TA3	8	1	----	2405 235	
	White Pearl and Red, use w/Full Horn Ring		1	----	2401 250	
	White Pearl and Tan, use w/Full Horn Ring, except TA3		1	----	2401 249	
	White Pearl and Tan, TA3	8	1	----	2405 236	
	White Pearl and Turquoise, use w/Full Horn Ring, except TA3		1	----	2401 248	
	White Pearl and Turquoise, TA3	8	1	----	2405 234	
	Alabaster, use w/Full Horn Ring, except TA3, Service Only		1	----	2405 010	
	Tan, TA3, Std. 880	8	1	----	2409 018	
	Blue, TA3, Std. 880	8	1	----	2409 017	
	Black, Flat Rim, use w/Full Horn Ring, TC1	8	1	----	----	*4009TX9
	Black, Oval Rim, use w/Partial Horn Ring, TC1	8	1	----	----	*4008TX9
	Blue, Flat Rim, use w/Full Horn Ring, TC1	8	1	----	----	2401 715
	Blue, Oval Rim, use w/Partial Horn Ring, TC1	8	1	----	----	2401 709
	Green, Flat Rim, use w/Full Horn Ring, TC1	8	1	----	----	2401 716
	Green, Oval Rim, use w/Partial Horn Ring, TC1	8	1	----	----	2401 710
	Red, Flat Rim, use w/Full Horn Ring, TC1	8	1	----	----	2401 719
	Red, Oval Rim, use w/Partial Horn Ring, TC1	8	1	----	----	2401 713
	Tan, Flat Rim, use w/Full Horn Ring, TC1	8	1	----	----	2401 717
	Tan, Oval Rim, use w/Partial Horn Ring, TC1	8	1	----	----	2401 711
	Turquoise, Flat Rim, use w/Full Horn Ring, TC1	8	1	----	----	2401 720
	Turquoise, Oval Rim, use w/Partial Horn Ring, TC1	8	1	----	----	2401 714
	Alabaster, Flat Rim, use w/Full Horn Ring, Service Only, TC1	8	1	----	----	2405 015
	Alabaster, Oval Rim, use w/Partial Horn Ring, Service Only, TC1	8	1	----	----	2405 017
19-30-18	NUT, Wheel, TC1		1	145 032	145 032	145 032

19-31-O STEERING COLUMN BRACKET

19-31-1	BRACKET, Jacket, TA3, TC1	8	1	----	2260 992	2260 992
	Column, TA3	8	1	----	1839 984	

★ Indicates use as required.

Numerals in parentheses () refer to notes.

Printed in U.S.A.

⊠ Indicates parts not listed in any previous parts book.

Prices and specifications subject to change without notice.

Jan. 3, 1964 Supersedes Jan. 25, 1963.

Page 19-8

* Indicates change or addition.

CODE	PART NAME AND DESCRIPTION	CYL	PER CAR	VALIANT DART	PLYMOUTH DODGE	CHRYSLER IMPERIAL
------	---------------------------	-----	---------	--------------	----------------	-------------------

STANDARD STEERING

19-31-O STEERING COLUMN BRACKET - Cont'd

19-31-2	SUPPORT, w/CLAMP, TA3, TC1	8	★	----	2200 738	2200 738
	NUT, w/WASHER, Steering Column Clamp Stud to Steering Column Clamp, TC1, TC2, TC3	8	2	----	----	*120 375
19-31-14	SPACER, Column to Bracket, except TA3	8	★	----	2162 530	
	To Lower Reinforcement, TA3			----	2218 212	
19-31-15	NUT, w/WASHER, Column Bracket, TA3, TC1	8	2	----	2076 232	2076 232
19-31-19	STUD, Cap Attaching, TA3	8	2	----	6024 157	

19-46-O GEARSHIFT ROD OR TUBE

19-46-3	TUBE, w/Std. Trans., except TA3		1	2265 676	2265 676	
19-46-8	HOUSING, Gearshift, w/Std. Trans., except TA3		1	2265 651	2265 651	
19-46-12	SPACER, Tube Lever, w/Std. Trans., except TA3		1	2265 688	2265 688	
19-46-16	LEVER, Tube, w/Std. Trans., First and Reverse, except TA3		1	2265 682	2265 682	
19-46-19	WASHER, Tube Lever, w/Std. Trans., except TA3		1	2265 687	2265 687	
19-46-55	SUPPORT, Tube Lever, w/Std. Trans., except TA3		1	2265 689	2265 689	

19-48-O GEARSHIFT CONTROL RODS

19-48-1	ROD, First and Reverse, w/Std. Trans., Std.	6	1	2401 998	2208 153	
	First and Reverse, Heavy Duty	6	1	----	2208 171	
	First and Reverse, TP2, TD2	8	1	----	2208 171	
	Second and High, except TA3		1	2266 410	2208 154	
19-48-7	SMALL PARTS PACKAGE, w/Std. Trans., Std.	6	1	2421 772	2421 770	
	Heavy Duty	6	1	----	2421 771	
	Use w/Grommets in Transmission Levers, except TA3	8	1	----	2421 770	
	Use w/o Grommets in Transmission Levers, except TA3	8	1	----	2421 771	
19-48-12	CLAMP, Rod, First and Reverse, except TA3		1	2204 274	2204 274	
19-48-16	SWIVEL, Rod, First and Reverse, except TA3		1	2208 155	2208 155	
	Second and High, except TA3		1	2074 521	2074 521	
19-48-21	WASHER, Rod, Plain, Thin, except TA3		★	631 217	631 217	
	Plain, Thick, except TA3		★	----	1533 190	
	Spring, except TA3		★	2405 205	2405 205	
19-48-23	CLIP, Cotter		★	1137 669	1137 669	
	Spring		★	6025 071	6025 071	
19-48-45	SHAFT, Torque, Std.	6	1	----	2208 163	
	Heavy Duty	6	1	----	2208 166	
	Except TA3		1	----	2208 166	
	WASHER, Spring, except TA3		1	----	6023 086	
	WASHER, Plain, except TA3		2	----	6023 085	
19-48-46	BRACKET, Torque Shaft, except TA3		1	----	2208 156	
19-48-47	SCREW, Bracket, except TA3		3	----	* 180 018	
19-48-49	GROMMET, Bracket, except TA3		1	----	2208 158	
	Lever, except TA3		1	----	1941 699	

★ Indicates use as required. Numerals in parentheses () refer to notes. Printed in U.S.A.
 □ Indicates parts not listed in any previous parts book. Prices and specifications subject to change without notice.
 * Indicates change or addition.

CODE	PART NAME AND DESCRIPTION	C Y L.	PER CAR	VALIANT LANCER	PLYMOUTH DODGE	CHRYSLER IMPERIAL
19-48-0 GEARSHIFT CONTROL RODS - Cont'd						
19-48-50	BUSHING, Bracket Grommet, except TA3		1	----	2208 159	
	Lever Grommet, except TA3		1	----	1676 200	
19-48-51	SPACER, Torque Shaft, except TA3		2	----	2208 172	
19-48-52	RETAINER, Torque Shaft, except TA3		1	----	1671 569	

NOTES

Horizontal lines for notes.

★ Indicates use as required.
 ☐ Indicates parts not listed in any previous parts book.
 Jan. 25, 1963 Supersedes Sept. 4, 1962.

Numerals in parentheses () refer to notes.

Printed in U.S.A.

Prices and specifications subject to change without notice.

* Indicates change or addition.



CODE	PART NAME AND DESCRIPTION	CYL.	PER CAR	VALIANT DART	PLYMOUTH DODGE	CHRYSLER IMPERIAL
------	---------------------------	------	---------	--------------	----------------	-------------------

POWER STEERING

19-01-O STEERING GEAR ASSEMBLY

19-01-4	"O" RING and SEAL PACKAGE, except TA3	8	1	2448 311	2448 311	
	TA3, TC1, TC2, TC3	8	1	----	2448 309	2448 309
	TY1	8	1	----	----	2448 310
19-01-8	CHUCK, except TA3	8	1	2127 010	2127 010	
	TA3, TC1, TC2, TC3	8	1	----	1733 763	1733 763
	TY1			----	----	2122 032
19-01-12	BOLT, Housing to Frame, TA3	8	2	----	2201 620	2201 620
	Housing to Frame Wedge, TA3, TC1, TC2, TC3	8	1	----	2200 554	2200 554
	TY1	8	1	----	----	2200 556
19-01-24	SPACER, Frame Bolt, TA3, TC1, TC2, TC3	8	1	----	1733 218	1733 218
19-01-50	SPRING, Reaction, TC1, TC2, TC3		2	1822 134	1822 134	1822 134
	TY1	8	2	----	----	1822 953
19-01-51	RING, Reaction, TC1, TC2, TC3		2	1822 150	1822 150	1822 150
	TY1	8	2	----	----	1733 791
19-01-52	SEAL, Reaction, Upper, TC1, TC2, TC3		1	1822 151	1822 151	1822 151
	TY1	8	1	----	----	1733 593
	"O" RING, Lower, TC1, TC2, TC3		1	1822 149	1822 149	1822 149
	TY1	8	1	----	----	1823 091
19-01-60	HEAD, Cylinder, TC1, TC2, TC3		1	1823 157	1823 157	1823 157
	TY1	8	1	----	----	1823 161
19-01-61	"O" RING, Cylinder Head Ferrule		1	1486 205	1486 205	1486 205
19-01-62	SNAP RING, Cylinder Head		1	1822 321	1822 321	1822 321

19-02-O STEERING GEAR HOUSING

19-02-4	HOUSING, except TA3		1	2127 012	2127 012	
	HOUSING PACKAGE, TA3	8	1	----	*2240 602	*2240 602
19-02-15	"O" RING, Housing		1	1823 150	1823 150	1823 150
	Port		2	1556 385	1556 385	1556 385
19-02-18	WASHER, Housing to Frame Bolt, 1 1/4" dia.	8	5	----	----	566 170
	1 7/8" dia., TA3, TC1, TC2, TC3	8	1	----	562 704	562 704
19-02-20	SPACER, Housing to Frame, TA3	8	5	----	1671 586	1671 586
19-02-21	WEDGE, Housing to Frame, TA3	8	1	----	1671 587	1671 587
19-02-55	HEAD, Housing, except TA3		1	2126 946	2126 946	
19-02-69	"O" RING, Cylinder Head		2	1733 562	1733 562	1733 562

19-14-O STEERING GEAR COLUMN JACKET

19-14-1	JACKET, w/Auto. Trans., except TA3		1	2265 621	2265 621	
	w/Std. Trans., except TA3		1	2265 670	2265 670	
	TA3, TC1, TC2, TC3	8	1	----	2405 229	2266 753
	TY1	8	1	----	----	2123 730
	SCREW, w/WASHER, to Floor Seal, TA3, TC1, TC2, TC3	8	★	----	6008 218	6008 218
19-14-4	BEARING, TC1, TC2, TC3		1	2265 656	2265 656	2265 656
	TY1	8	1	----	----	1828 911
19-14-5	SPRING, Bearing, TY1	8	1	----	----	1828 566

★ Indicates use as required. Numerals in parentheses () refer to notes. Printed in U.S.A.
 □ Indicates parts not listed in any previous parts book. Prices and specifications subject to change without notice.
 * Indicates change or addition. Jan. 25, 1963 Supersedes Sept. 4, 1962.

CODE	PART NAME AND DESCRIPTION	C Y L.	PER CAR	VALIANT DART	PLYMOUTH DODGE	CHRYSLER IMPERIAL
------	---------------------------	--------------	------------	-----------------	-------------------	----------------------

POWER STEERING

19-14-O STEERING GEAR COLUMN JACKET - Cont'd

19-14-6	WASHER, Bearing, TY1	8	1	----	----	2260 099
19-14-10	SUPPORT, except TA3		1	----	2265 693	
	TA3, TC1, TC2, TC3	8	1	----	1823 155	1823 155
	TY1	8	1	----	----	1823 160
19-14-13	WASHER, Support Nut		1	1733 588	1733 588	1733 588
19-14-15	SPACER, Bearing, TY1	8	1	----	----	1316 772
19-14-16	SNAP RING, Bearing, TY1	8	2	----	----	1944 011
	Upper, TC1, TC2, TC3		1	6023 044	6023 044	6023 044
	Lower, TC1, TC2, TC3		1	6023 045	6023 045	6023 045
19-14-18	"O" RING, Support		1	1733 602	1733 602	1733 602
19-14-19	NUT, Support		1	1733 625	1733 625	1733 625
19-14-21	HOUSING, Shaft Bearing, TC1, TC2, TC3		1	2265 653	2265 653	2265 653
	BOLT		2	6023 036	6023 036	6023 036
19-14-23	PLATE, Shaft Bearing Retainer, TC1, TC2, TC3		1	2265 654	2265 654	2265 654
	SCREW		3	6023 088	6023 088	6023 088
19-14-24	COVER, Bearing Housing, w/Auto. Trans., TC1, TC2, TC3		1	2265 622	2265 622	2265 622
19-14-35	CLAMP	6	1	2162 522		
	TA3	8	1	----	1820 385	1820 385
	Column, TA3, TC1, TC2, TC3	8	1	----	2218 264	2292 027
	TY1	8	1	----	----	2161 160
	SCREW, Column Clamp, TA3, TC1, TC2, TC3	8	2	----	*6024 157	
	SCREW, w/WASHER, Steering Column Clamp TP1, TP2, TD1, TD2		2	----	6022 245	
	STUD, Steering Column Clamp to Lower Reinforcement, TC1, TC2, TC3	8	2	----	----	*6024 156
19-14-38	INSULATOR, Shaft Bearing, TC1, TC2, TC3		1	2265 658	2265 658	2265 658
	Jacket, TA3	8	1	----	1850 547	1850 547
	Column (specify 1 foot) TY1	8	1	----	----	1242 974
19-14-68	SEAL, Jacket, except TA3		1	2265 697	2265 697	

19-15-O STEERING GEAR TUBE AND COUPLING

19-15-4	SHAFT, w/PIN, except TA3		1	2266 684	2266 682	
	SHAFT, TA3, TC1, TC2, TC3	8	1	----	2405 225	2266 751
	TUBE, TY1	8	1	----	----	2123 722
19-15-10	INSULATOR, Shaft, TA3	8	1	----	1822 668	1822 668
19-15-11	INSERT, Shaft Insulator, TA3	8	2	----	1822 667	1822 667
19-15-17	COVER, Column Shaft Coupling, except TA3		1	2266 708	2266 708	
19-15-20	HORN GROUND, Column Shaft, TA3	8	1	----	*2405 594	*2405 594
	SCREW, Column Clamp, TA3, TC1, TC2, TC3	8	2	----	*6024 157	

★ Indicates use as required.

Numerals in parentheses () refer to notes.

Printed in U.S.A.

⊠ Indicates parts not listed in any previous parts book.

Prices and specifications subject to change without notice.

Jan. 3, 1964 Supersedes Jan. 25, 1963.

Page 19-12

* Indicates change or addition.

CODE	PART NAME AND DESCRIPTION	C Y L.	PER CAR	VALIANT DART	PLYMOUTH DODGE	CHRYSLER IMPERIAL
------	---------------------------	--------------	------------	-----------------	-------------------	----------------------

POWER STEERING

19-15-O STEERING GEAR TUBE AND COUPLING - Cont'd

19-15-23	COUPLING, w/PLUG, Shaft, except TA3		1	2266 686	2266 686	
	Worm, TA3	8	1	----	*1943 770	*1943 770
	BOLT, except TA3		1	6023 246	6023 246	
	PIN, Lower, TA3	8	1	----	274 744	274 744
	PIN, Upper, TA3	8	1	----	152 229	152 229
19-15-28	SEAL, Shaft, except TA3		1	2266 738	2266 738	
	Shaft Coupling, except TA3		1	2266 707	2266 707	
19-15-33	CLAMP, Shaft Coupling, except TA3		1	2266 687	2266 687	
19-15-35	SPRING, Shaft Coupling, except TA3		1	2266 737	2266 737	
19-15-38	WORM, w/PISTON, except TA3		1	2072 031	2072 031	
	TA3	8	1	----	1822 736	1822 736
19-15-39	SPRING PACKAGE, Ball Guide		1	2084 215	2084 215	2084 215
19-15-44	SHOE, Shaft Coupling, except TA3		2	2266 736	2266 736	
19-15-60	BEARING, Worm		1	2267 372	2267 372	2267 372
	Thrust		2	1822 158	1822 158	1822 158
19-15-63	RACE, Thrust Bearing Inner		1	1856 292	1856 292	1856 292
	Outer		1	1822 156	1822 156	1822 156
19-15-65	NUT, Thrust Bearing		1	1822 157	1822 157	1822 157
19-15-69	SPACER, w/Center Race		1	1822 390	1822 390	1822 390

19-19-O STEERING GEAR SHAFT AND ROLLER TOOTH ASSEMBLY

19-19-1	SEAL PACKAGE, Cross Shaft Cover		1	2279 986	2279 986	2279 986
19-19-4	SHAFT, except TA3		1	2127 117	2127 117	1733 577
	TA3	8	1	----	1733 577	
19-19-5	SNAP RING, Shaft Oil Seal, except TA3		1	2126 966	2126 966	2127 049
	TA3	8	1	----	2127 049	
19-19-7	SCREW, Shaft Adjusting		1	2267 173	2267 173	2267 173
19-19-9	NUT, Adjusting Screw		1	1822 204	1822 204	1822 204
19-19-19	BEARING, Shaft, except TA3		2	2126 890	2126 890	2126 760
	TA3	8	2	----	2126 760	
	SNAP RING, TA3, TC1, TC2, TC3.		1	*6024 333	*6024 333	*6024 333
19-19-24	COVER, Shaft		1	1733 604	1733 604	1733 604
19-19-26	"O" RING, Shaft Cover		1	1733 615	1733 615	1733 615
19-19-30	WASHER, Reaction Seal Upper		1	1733 790	1733 790	1733 790
19-19-32	NUT, Shaft Cover		1	1733 627	1733 627	1733 627
19-19-35	OIL SEAL, Shaft, except TA3		1	2126 956	2126 956	1730 985
	TA3	8	1	----	1730 985	
	Worm Shaft Upper		1	2267 129	2267 129	2267 129
	SEAL, Shaft Adjusting Screw		1	1822 203	1822 203	1822 203
19-19-36	RETAINER, Shaft Oil Seal, except TA3		1	2126 965	2126 965	
	TA3	8	1	----	1670 356	1670 356

* Indicates use as required.

Numerals in parentheses () refer to notes.

Printed in U.S.A.

ⓔ Indicates parts not listed in any previous parts book.

Prices and specifications subject to change without notice.

* Indicates change or addition.

1963 PASSENGER CAR PARTS CATALOG

STEERING

CODE	PART NAME AND DESCRIPTION	CYL.	PER CAR	VALIANT DART	PLYMOUTH DODGE	CHRYSLER IMPERIAL
------	---------------------------	------	---------	--------------	----------------	-------------------

POWER STEERING

19-19-O STEERING GEAR SHAFT AND ROLLER TOOTH ASSEMBLY - Cont'd

19-19-38	SEAL, Outer, Shaft Dust, except TA3. TA3	8	1 1	*2267 351 ---- --	*2267 351 2267 350	2267 350
19-19-40	WASHER, Adjusting Screw Thrust		1	1675 271	1675 271	1675 271
19-19-70	SEAL, Worm Sleeve		1	1822 324	1822 324	1822 324
19-19-71	RING, Worm Sealing		1	1822 406	1822 406	1822 406
19-19-72	SLEEVE, Worm		1	1822 320	1822 320	1822 320

19-27-O STEERING GEAR ARM AND IDLER ARM

19-27-2	ARM, Gear, except TA3 TA3, TC1, TC2, TC3 TY1	8 8 8	1 1 1	2072 573 ---- -- ---- --	1858 017 1731 414 ---- --	1731 414 1731 415
19-27-8	NUT, Arm		1	1392 770	1392 770	1392 770
19-27-31	ARM, Idler, except TA3 TA3, TC1, TC2, TC3 TY1	8 8 8	1 1 1	2072 577 ---- -- ---- --	1858 067 2208 080 ---- --	2208 080 2208 082
19-27-33	BRACKET, Idler Arm, except TA3 TA3, TC1, TC2, TC3 TY1	8 8 8	1 1 1	2401 053 ---- -- ---- --	2401 051 2401 074 ---- --	2401 074 2401 063
19-27-40	SEAL, Idler Arm End, except TA3 Idler Arm Bracket Stud, except TA3		1 1	1857 748 1857 748	1670 299 1670 299	
19-27-45	BOLT, Idler Arm, TA3	8	1	---- --	6023 630	6023 630
19-27-50	LINK, Center, except TA3 TA3, TC1, TC2, TC3 TY1	8 8 8	1 1 1	2072 571 ---- -- ---- --	1858 015 2208 086 ---- --	2208 086 *1672 980
19-27-55	SEAL, Center Link, TA3, TC1, TC2, TC3	8	2	---- --	1670 299	1670 299

19-30-O STEERING WHEEL

19-30-4	WHEEL, Blue Green, TV1 Gray, use w/Horn Button Red Tan Turquoise, TL1 Alabaster, Service Only	6 6 6 6 6 6 6	1 1 1 1 1 1 1	2401 235 2401 236 2401 237 2266 208 2401 238 2401 239 2405 012		
	Black, use w/Horn Button, TP1, TP2 Black, use w/Partial Horn Ring, except TA3 Blue, use w/Horn Button, TP1, TP2 Blue, use w/Partial Horn Ring, except TA3 Green, use w/Partial Horn Ring, TP1, TP2 Red, use w/Partial Horn Ring		1 1 1 1 1 1	---- -- ---- -- ---- -- ---- -- ---- -- ---- --	2401 246 2401 241 2401 232 2401 240 2401 242 2401 244	
	Tan, use w/Horn Button, TP1, TP2 Tan, use w/Partial Horn Ring, except TA3 Turquoise, use w/Partial Horn Ring, TD1, TD2 Alabaster, Service Only, use w/Horn Button or w/Partial Horn Ring, except TA3 White Pearl and Black, use w/Full Horn Ring, except TA3		1 1 1 1 1	---- -- ---- -- ---- -- ---- -- ---- --	2401 233 2401 243 2401 245 2405 011 2401 251	

★ Indicates use as required. Numerals in parentheses () refer to notes. Printed in U.S.A.
 ☐ Indicates parts not listed in any previous parts book. Prices and specifications subject to change without notice. * Indicates change or addition.
 Jan. 3, 1964 Supersedes Jan. 25, 1963. Page 19-14

CODE	PART NAME AND DESCRIPTION	C Y L.	PER CAR	VALIANT DART	PLYMOUTH DODGE	CHRYSLER IMPERIAL
------	---------------------------	--------------	------------	-----------------	-------------------	----------------------

POWER STEERING

19-30-0 STEERING WHEEL - Cont'd

19-30-4	WHEEL - Cont'd					
	White Pearl and Blue, use w/Full Horn Ring, except TA3		1	----	2401 247	
	White Pearl and Blue, TA3	8	1	----	2405 233	
	White Pearl and Green, use w/Full Horn Ring, TP1, TP2		1	----	2401 262	
	White Pearl and Green, TA3	8	1	----	2405 235	
	White Pearl and Red, use w/Full Horn Ring		1	----	2401 250	
	White Pearl and Tan, use w/Full Horn Ring, except TA3		1	----	2401 249	
	White Pearl and Tan, TA3	8	1	----	2405 236	
	White Pearl and Turquoise, use w/Full Horn Ring, TD1, TD2		1	----	2401 248	
	White Pearl and Turquoise, TA3	8	1	----	2405 234	
	Alabaster, use w/Full Horn Ring, except TA3, Service only		1	----	2405 010	
	Tan, TA3, Std. 880	8	1	----	2409 018	
	Blue, TA3, Std. 880	8	1	----	2409 017	
	Black, Flat Rim, use w/Full Horn Ring, TC1, TC2, TC3	8	1	----	----	*4009TX9
	Black, Oval Rim, use w/Partial Horn Ring, TC1, TC2, TC3	8	1	----	----	*4008TX9
	Blue, Flat Rim, use w/Full Horn Ring, TC1, TC2, TC3	8	1	----	----	2401 715
	Blue, Oval Rim, use w/Partial Horn Ring, TC1, TC2, TC3	8	1	----	----	2401 709
	Green, Flat Rim, use w/Full Horn Ring, TC1, TC2, TC3	8	1	----	----	2401 716
	Green, Oval Rim, use w/Partial Horn Ring, TC1, TC2, TC3	8	1	----	----	2401 710
	Red, Flat Rim, use w/Full Horn Ring, TC1, TC2, TC3	8	1	----	----	2401 719
	Red, Oval Rim, use w/Partial Horn Ring, TC1, TC2, TC3	8	1	----	----	2401 713
	Tan, Flat Rim, use w/Full Horn Ring, TC1, TC2, TC3	8	1	----	----	2401 717
	Tan, Oval Rim, use w/Partial Horn Ring, TC1, TC2, TC3	8	1	----	----	2401 711
	Turquoise, Flat Rim, use w/Full Horn Ring, TC1, TC2, TC3	8	1	----	----	2401 720
	Turquoise, Oval Rim, use w/Partial Horn Ring, TC1, TC2, TC3	8	1	----	----	2401 714
	Alabaster, Flat Rim, use w/Full Horn Ring, Service Only, TC1, TC2, TC3	8	1	----	----	2405 015
	Alabaster, Oval Rim, use w/Partial Horn Ring, Service Only, TC1, TC2, TC3	8	1	----	----	2405 017
	Blue, Flat Rim, TY1	8	1	----	----	2401 675
	Charcoal, Flat Rim, TY1	8	1	----	----	2401 679
	Gold, Flat Rim, TY1	8	1	----	----	2401 681
	Gray, Flat Rim, TY1	8	1	----	----	2401 677
	Red, Flat Rim, TY1	8	1	----	----	2401 678
	Tan, Flat Rim, TY1	8	1	----	----	2401 676
	Turquoise, Flat Rim, TY1	8	1	----	----	2401 680
	Alabaster, Flat Rim, Service Only, TY1	8	1	----	----	2405 013
19-30-18	NUT, Wheel, TC1, TC2, TC3		1	145 032	145 032	145 032
	TY1	8	1	----	----	2200 577

★ Indicates use as required.

Numerals in parentheses () refer to notes.

Printed in U.S.A.

☐ Indicates parts not listed in any previous parts book.

Prices and specifications subject to change without notice.

* Indicates change or addition.

1963 PASSENGER CAR PARTS CATALOG

STEERING

CODE	PART NAME AND DESCRIPTION	CYL.	PER CAR	VALIANT DART	PLYMOUTH DODGE	CHRYSLER IMPERIAL
------	---------------------------	------	---------	--------------	----------------	-------------------

POWER STEERING

19-31-O STEERING COLUMN BRACKET

19-31-7	BRACE, to Windshield Frame Upper, TY1	8	1	----	----	2217 845
	NUT, w/WASHER, Steering Column to Windshield Frame Lower Brace TY1	8	2	----	----	*6025 007
19-31-14	SPACER, Column to Bracket, except TA3		1	----	2162 530	
19-31-19	STUD, Cap Attaching, TA3	8	2	----	1901 587	
19-31-24	CAP, Column, TY1	8	1	----	----	2080 720

19-46-O GEARSHIFT ROD OR TUBE

19-46-3	TUBE, w/Std. Trans., except TA3		1	2265 676	2265 676	
19-46-8	HOUSING, Gearshift, w/Std. Trans., except TA3		1	*2265 651	*2265 651	
19-46-12	SPACER, Tube Lever, w/Std. Trans., except TA3		1	2265 688	2265 688	
19-46-16	LEVER, Tube, w/Std. Trans., First and Reverse, except TA3		1	2265 682	2265 682	
19-46-19	WASHER, Tube Lever, w/Std. Trans., except TA3		1	2265 687	2265 687	
19-46-55	SUPPORT, Tube Lever, w/Std. Trans., except TA3		1	2265 689	2265 689	

19-48-O GEARSHIFT CONTROL RODS

19-48-1	ROD, First and Reverse, w/Std. Trans., Std.	6	1	2401 998	2208 153	
	First and Reverse, Heavy Duty	6	1	----	2208 171	
	First and Reverse, TP2,TD2	8	1	----	2208 171	
	Second and High, except TA3		1	2266 410	2208 154	
19-48-7	SMALL PARTS PACKAGE, w/Std. Trans., Std.	6	1	2421 772	2421 770	
	Heavy Duty	6	1	----	2421 771	
	Use w/Grommets in Transmission Levers, except TA3	8	1	----	2421 770	
	Use w/o Grommets in Transmission Levers, except TA3	8	1	----	2421 771	
19-48-12	CLAMP, Rod, First and Reverse, except TA3		1	2204 274	2204 274	
19-48-16	SWIVEL, Rod, First and Reverse, except TA3		1	2208 155	2208 155	
	Second and High, except TA3		1	2074 521	2074 521	
19-48-21	WASHER, Rod, Plain, Thin, except TA3		★	631 217	631 217	
	Plain, Thick, except TA3		★	----	1533 190	
	Spring, except TA3		★	2405 205	2405 205	
19-48-23	CLIP, Cotter		★	1137 669	1137 669	
	Spring		★	6025 071	6025 071	
19-48-45	SHAFT, Torque, Std.	6	1	----	2208 163	
	Heavy Duty	6	1	----	2208 166	
	Except TA3	8	1	----	2208 166	
	WASHER, Spring		1	----	6023 086	
	WASHER, Plain		2	----	6023 085	
19-48-46	BRACKET, Torque Shaft, except TA3		1	----	2208 156	
19-48-47	SCREW, Bracket, except TA3		3	----	6022 201	
19-48-49	GROMMET, Bracket, except TA3		1	----	2208 158	
	Lever, except TA3		1	----	1941 699	

★ Indicates use as required. Numerals in parentheses () refer to notes. Printed in U.S.A.
 ☐ Indicates parts not listed in any previous parts book. Prices and specifications subject to change without notice.
 Jan. 25, 1963 Supersedes Sept. 4, 1962. * Indicates change or addition.

CODE	PART NAME AND DESCRIPTION	CYL	PER CAR	VALIANT DART	PLYMOUTH DODGE	CHRYSLER IMPERIAL
------	---------------------------	-----	---------	--------------	----------------	-------------------

POWER STEERING

19-48-O GEARSHIFT CONTROL RODS - Cont'd

19-48-50	BUSHING, Bracket Grommet, except TA3		1	----	2208 159	
	Lever Grommet, except TA3		1	----	1676 200	
19-48-51	SPACER, Torque Shaft, except TA3		2	----	2208 172	
19-48-52	RETAINER, Torque Shaft, except TA3		1	----	1671 569	

19-54-O POWER STEERING OIL PUMP

19-54-2	PUMP PACKAGE, except TA3		1	2240 620	2240 620	
	TA3	8	1	----	2196 082	2196 082

POWER STEERING OIL PUMP DETAIL PARTS

NOTE: Quantity 1 per vehicle unless otherwise indicated.

CODE	PART NAME	PUMP ASSEMBLIES		
		2240 620 TV1, TL1, TP1, TD1	2240 620 TP2, TD2	2196 082
19-54-55	SEAL PACKAGE, Pump	2279 997	2279 997	2279 998
19-54-60	FILTER, Pump	1851 957	1851 957	1851 957
19-54-86	PULLEY, w/o Air Conditioning	*2128 578		
	w/318 cu.in. Engine, w/Air Conditioning	2268 665	1733 488	
	w/361, 383 cu.in. Engine, w/o Air Conditioning	----	1826 056	
	w/361, 383 cu.in. Engine, w/Air Conditioning	----	1851 732	
	w/o Air Conditioning	----	----	2128 337
	w/Air Conditioning	----	----	2128 338
	PULLEY, Drive, see Part Type Code 7-06-1			
19-54-90	BELT, Pump, see Chart Part Type Code 7-03-1			
19-54-91	STRAP, Pump Bracket to Water Pump, w/Air Conditioning, TV1, TL1	2268 766		
	Screw, w/WASHER	6022 266		
19-54-115	BRACKET, Pump	2402 159	----	2128 323
	w/Air Conditioning, TV1, TL1	2129 916		
	Front, w/318 cu.in. Engine	----	1945 384	
	Rear, w/318 cu.in. Engine	----	1851 314	
	Front, w/361, 383 cu.in. Engine	----	1826 058	
	Rear, w/361, 383 cu.in. Engine	----	1826 057	
	Pump Engine, w/o Air Conditioning	2268 690		
	w/Air Conditioning, TV1, TL1	2202 846		
	w/Air Conditioning, TP1, TD1	2268 690		
	Adjusting	----	----	2128 324
19-54-121	NUT, Pump Front Insert	2127 189	2127 189	2120 012

★ Indicates use as required.

Numerals in parentheses () refer to notes.

Printed in U.S.A.

□ Indicates parts not listed in any previous parts book.

Prices and specifications subject to change without notice.

* Indicates change or addition.

Jan. 25, 1963 Supersedes Sept. 4, 1962.

POWER STEERING

19-54-0 POWER STEERING OIL PUMP - Cont'd

POWER STEERING OIL PUMP DETAIL PARTS

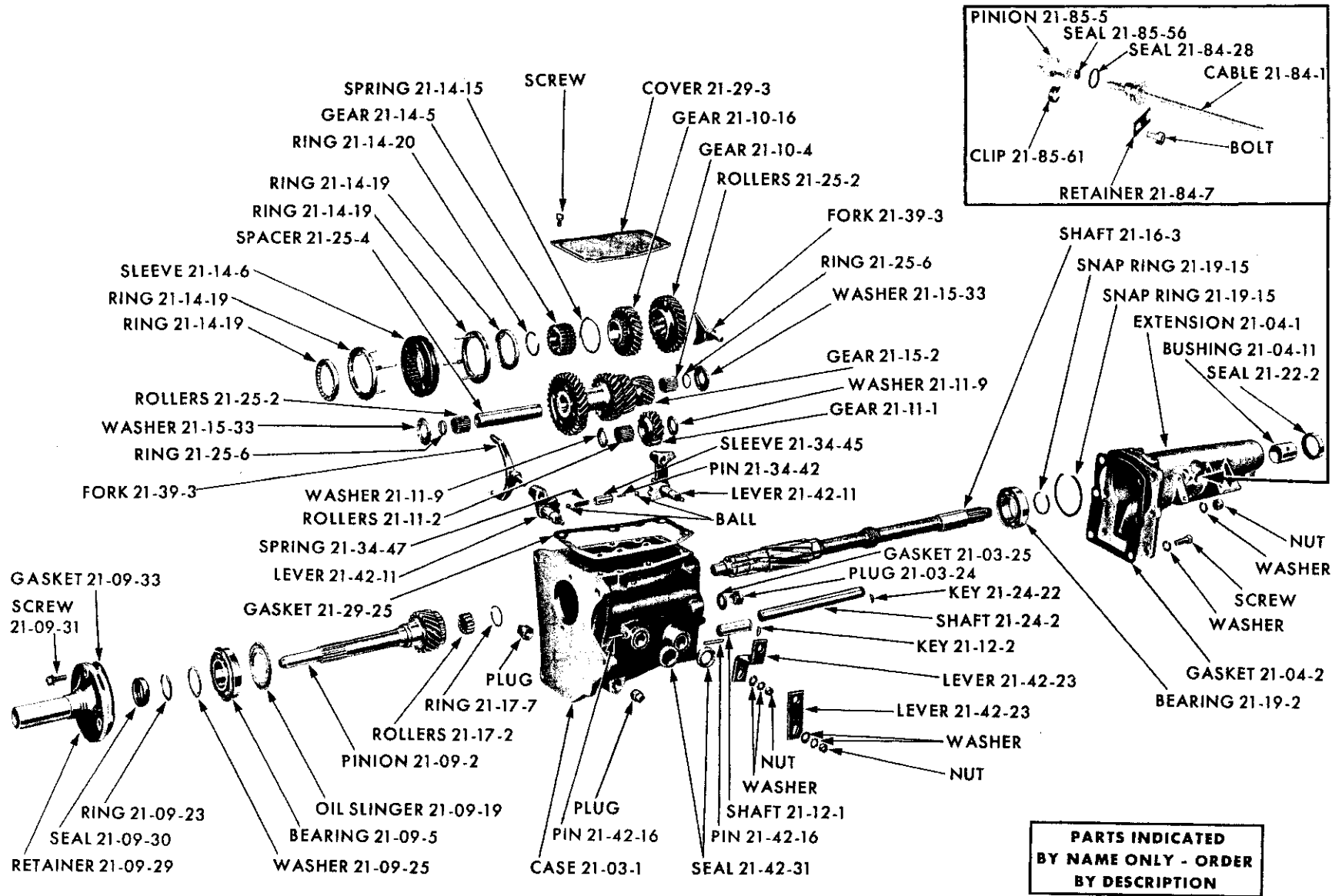
NOTE: Quantity 1 per vehicle unless otherwise indicated.

CODE	PART NAME	PUMP ASSEMBLIES		
		2240 620 TV1, TL1, TP1, TD1	2240 620 TP2, TD2	2196 082
19-54-123	BOLT, Pump Engine Bracket Swivel, w/o Air Conditioning	2402 285		
	w/Air Conditioning, TV1, TL1	2202 850		
	w/Air Conditioning TP1, TD1	2402 285		
19-54-126	SEAL, Flow Control Valve Bore	2120 017	2120 017	2120 017
19-54-130	SNAP RING, Flow Control Valve	1738 678	1738 678	1738 678
19-54-131	BUMPER, Pump Bracket	----	----	1940 147
19-54-132	NUT, Engine Bracket Swivel Bolt	2129 684	----	2129 684
19-54-133	PLATE, Engine Bracket, w/Air Conditioning, TP1, TD1	2264 872		
19-54-179	SPACER, Oil Reservoir Mounting	* 446 363	* 446 363	
19-54-180	RESERVOIR, w/FILLER	2127 174	2127 174	2127 196
19-54-181	OIL SEAL, Reservoir	1732 946	1732 946	2120 018
	SEAL, Reservoir Mounting	1738 662	1738 662	1738 662
19-54-182	CAP, w/SEAL, Reservoir Filler	2127 284	2127 284	2127 284
19-54-188	SEAT, Outlet	1738 683	1738 683	1738 683
19-54-219	PLUG, Flor Control Valve Bore	2120 016	2120 016	
19-54-228	SPRING REPAIR PACKAGE, Pump Slipper	2448 098	2448 098	2448 097
19-54-246	VALVE, Pressure Relief, TV1, TL1	2127 184	2127 185	
	TP1, TD1	2127 185		
	TA3, TC1, TC2, TC3	----	----	2121 600
	TY1	----	----	1944 792
19-54-248	GASKET, Valve	1852 920	1852 920	1852 920
19-54-258	OIL SEAL, Pump Front Insert	----	----	2128 275

★ Indicates use as required. Numerals in parentheses () refer to notes. Printed in U.S.A.
 ☐ Indicates parts not listed in any previous parts book. Prices and specifications subject to change without notice.
 Jan. 25, 1963 Supersedes Sept. 4, 1962. * Indicates change or addition.

CODE	PART NAME AND DESCRIPTION	CYL	PER CAR	VALIANT DART	PLYMOUTH DODGE	CHRYSLER IMPERIAL
POWER STEERING						
19-56-O POWER STEERING GEAR PISTON						
19-56-6	RING, Piston		1	1822 672	1822 672	1822 672
	"O" RING, Piston Ring		1	1822 671	1822 671	1822 671
19-56-83	SPRING, Pressure Control Valve, Lower		1	1822 442	1822 442	1822 442
19-56-90	"O" RING, Pressure Control Valve		1	1536 268	1536 268	1536 268
19-57-O POWER STEERING GEAR VALVE						
19-57-1	SEAL PACKAGE VALVE		1	2279 985	2279 985	2279 985
19-57-2	PISTON and SPRING PACKAGE, Pressure Control Valve		1	1879 509	1879 509	1879 509
19-57-3	VALVE		1	1823 148	1823 148	1823 148
19-57-13	"O" RING, Valve Housing		1	1733 612	1733 612	1733 612
19-57-16	GASKET, Valve Plug		1	1733 724	1733 724	1733 724
19-57-63	LEVER, Valve		1	1822 380	1822 380	1822 380
19-57-64	SPRING, Valve Lever		1	1823 151	1823 151	1823 151
19-58-O POWER STEERING GEAR HOSE						
19-58-7	HOSE, Pressure, except TA3		1	2127 211	2127 255	2201 764
	TA3	8	1	----	2201 764	
19-58-9	BUMPER, Pressure Hose, TP2, TD2, except w/318 cu. in. Engine, TC2-300J	8	1	----	*1637 502	*1637 502
	TA3, UP TO Serial No. 126443	8	1	----	*2127 337	*2127 337
19-58-14	HOSE, Return	6	1	2200 560	2200 560	
	TP2, TD2	8	1	----	2267 235	
	TA3, TC1, TC2, except 300J, TC3	8	1	----	*2127 375	*2127 375
	TY1	8	1	----	----	2127 376
	TC2-300J, Front	8	1	----	----	E2127 439
	TC2-300J, Rear	8	1	----	----	E2127 438
	TUBE, Pump Return, TC2-300J	8	1	----	----	E2127 440
19-58-22	SLEEVE, Return Hose, TA3, TC1, TC2 except 300J, TC3, TY1, AFTER Serial No. 126443	8	1	----	*2127 280	*2127 280
19-58-23	SIELD, Return Hose, Heat, except w/318 cu. in. Engine, TP2, TD2	8	1	----	2127 269	
19-58-25	CLAMP, Return Hose		2	870 469	870 469	870 469
	Heat Shield, except w/318 cu. in. Engine, TP2, TD2	8	2	----	870 469	
19-58-28	CLIP, Pump Pressure Hose TC2-300J	8	1	----	----	E2127 441
	CLIP, Pump Return Line, Rear TC2-300J	8	1	----	----	E2127 442
	CLIP, Pump Return Line, Front TC2-300J	8	1	----	----	E2127 443
19-58-30	ADAPTER, Pressure Hose		1	1618 610	1618 610	1618 610
19-58-31	GASKET, Adapter		1	1618 611	1618 611	1618 611

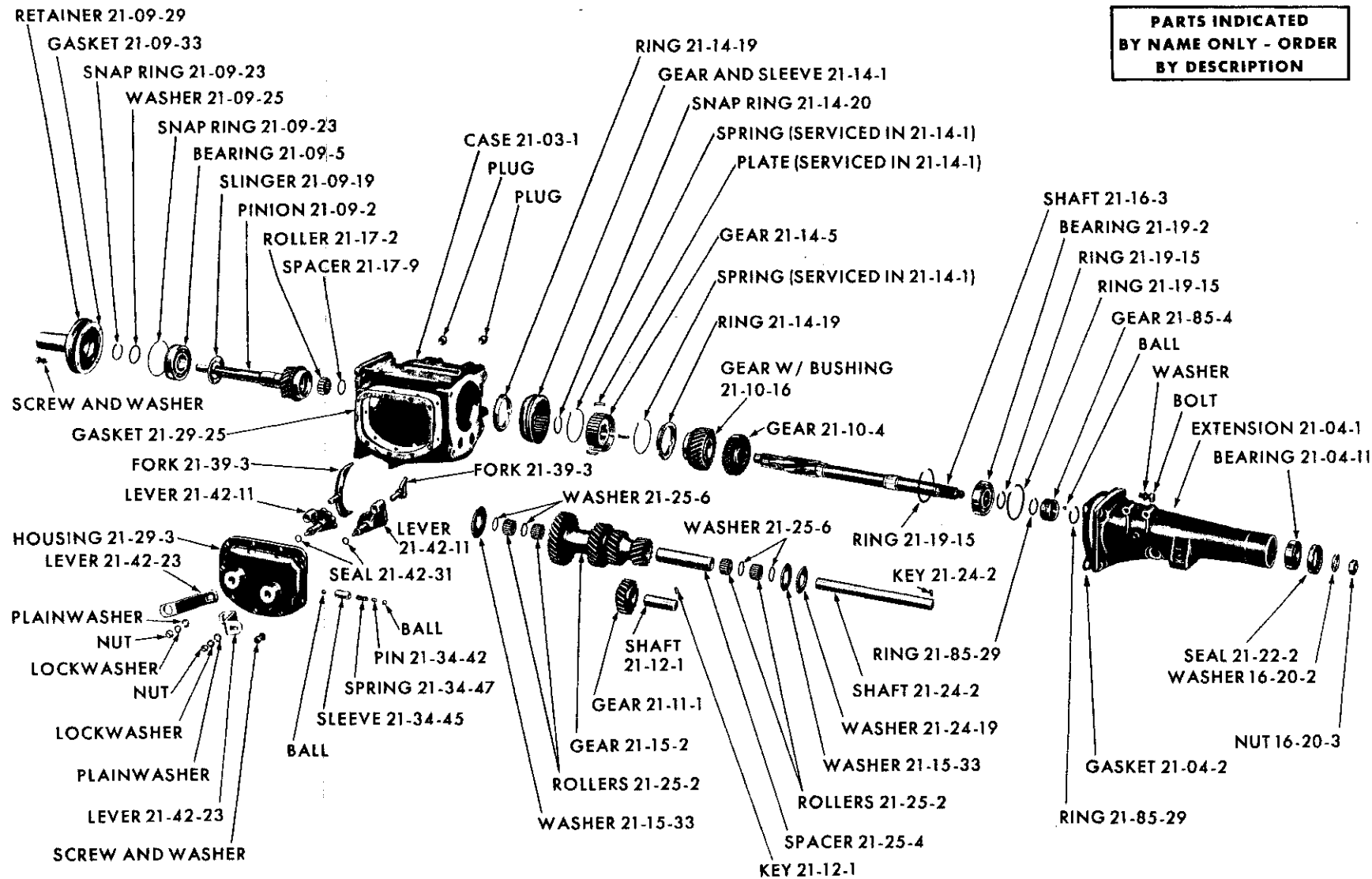
★ Indicates use as required. Numerals in parentheses () refer to notes. Printed in U.S.A.
 E Indicates parts not listed in any previous parts book. Prices and specifications subject to change without notice.
 * Indicates change or addition. Jan. 25, 1963 Supersedes Sept. 4, 1962.



**PARTS INDICATED
BY NAME ONLY - ORDER
BY DESCRIPTION**

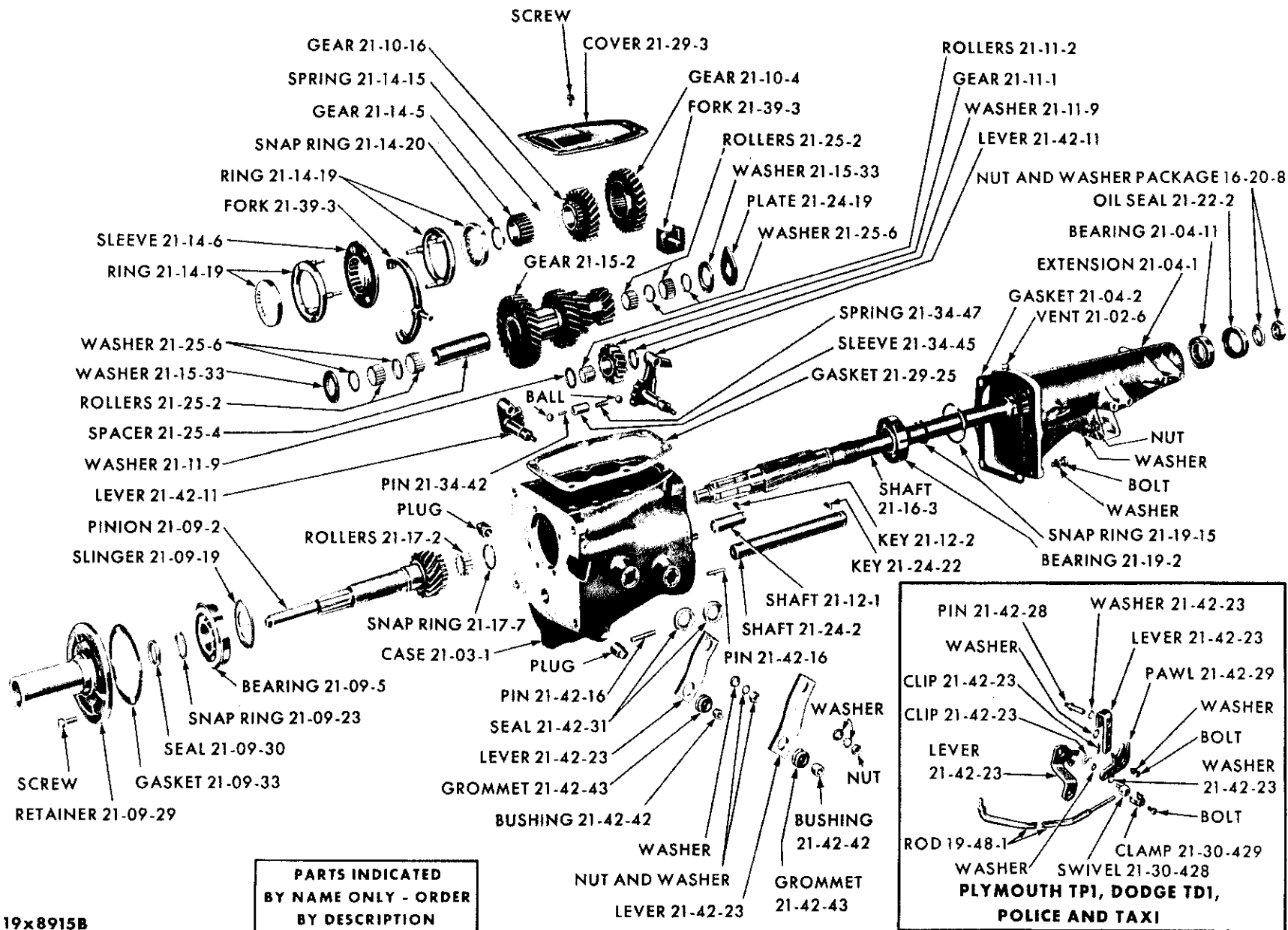
19x8774C

STANDARD TRANSMISSION - VALIANT TV1, DART TL1, PLYMOUTH TP1 AND DODGE TD1



19x8798B

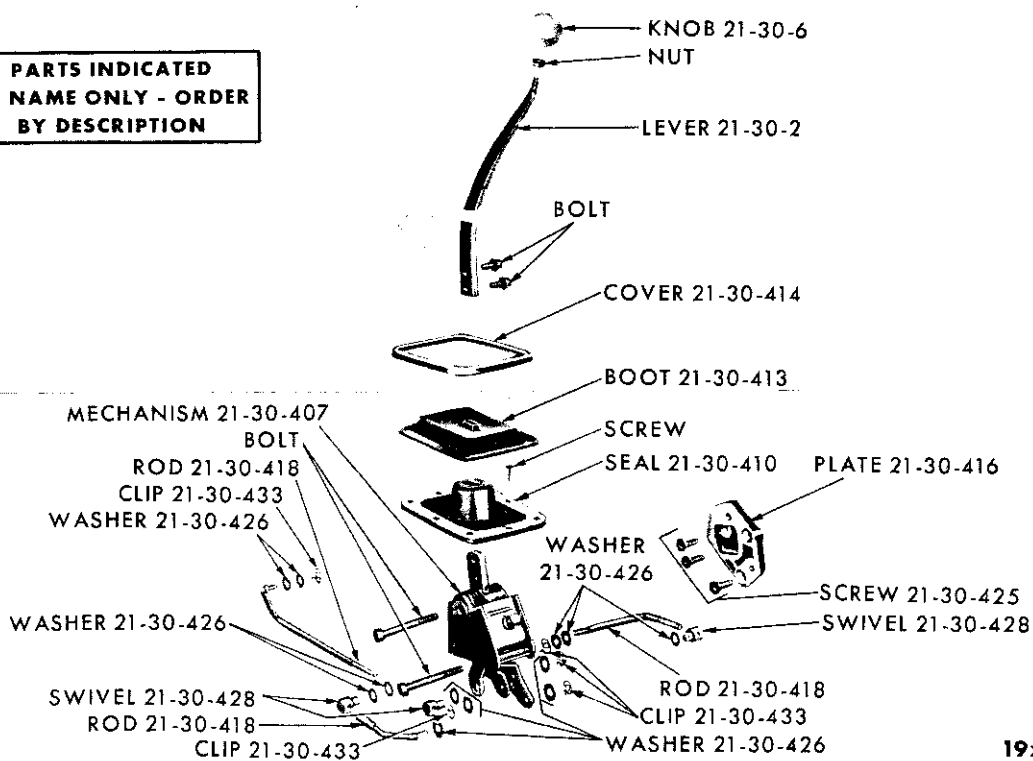
STANDARD TRANSMISSION - PLYMOUTH TP2 AND DODGE TD2 (WITH 426 CU. IN. ENGINE)



STANDARD TRANSMISSION (HEAVY DUTY) - PLYMOUTH TP1-2, DODGE TD1-2, TA3 AND CHRYSLER TC1-2

NOTES

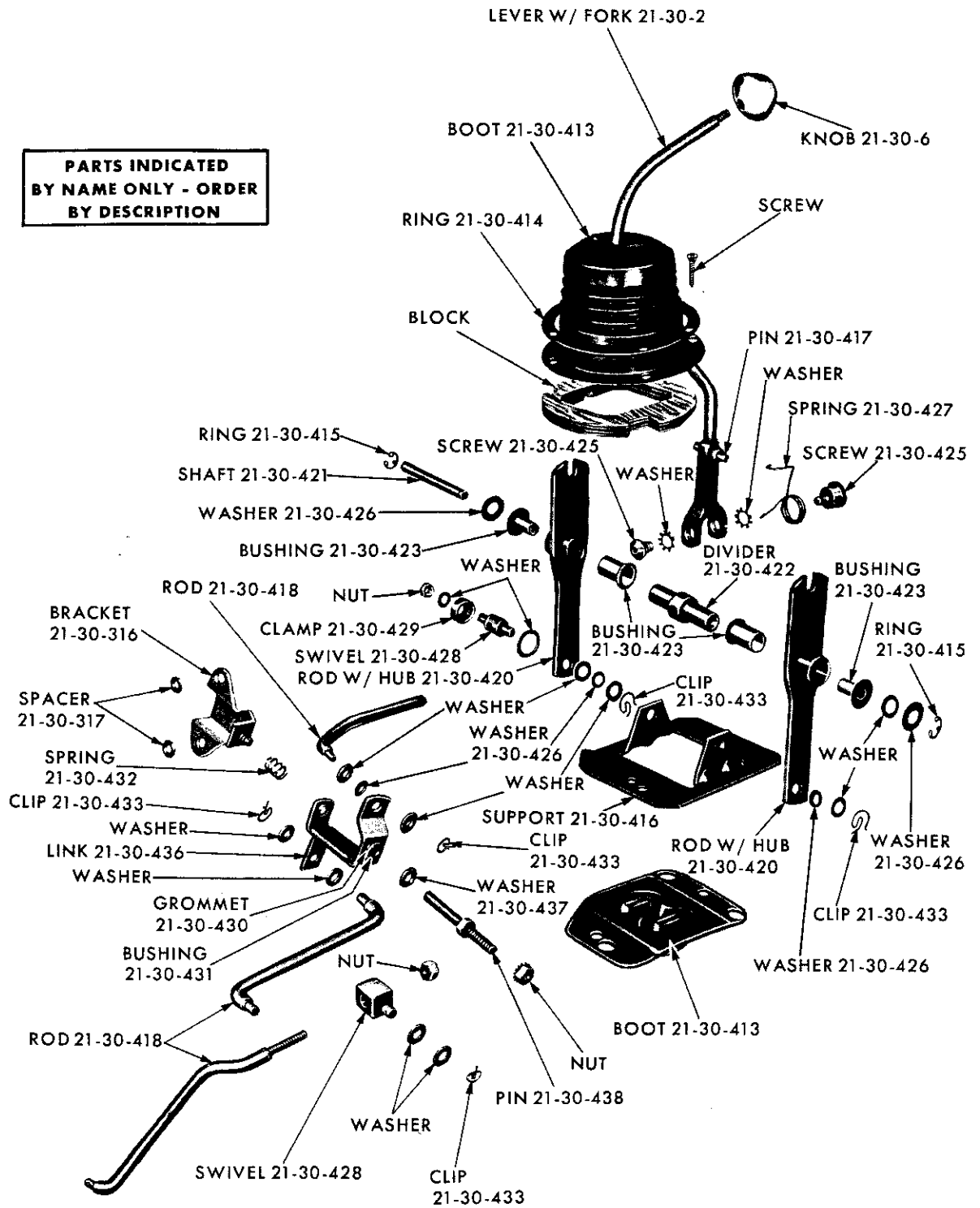
**PARTS INDICATED
BY NAME ONLY - ORDER
BY DESCRIPTION**



19x9677

GEARSHIFT CONTROLS (MANUAL) - PLYMOUTH TP2 AND DODGE TD2 (WITH 4 SPEED TRANSMISSION AND 426 CU. IN. ENGINE); CHRYSLER TC2-300J

**PARTS INDICATED
BY NAME ONLY - ORDER
BY DESCRIPTION**



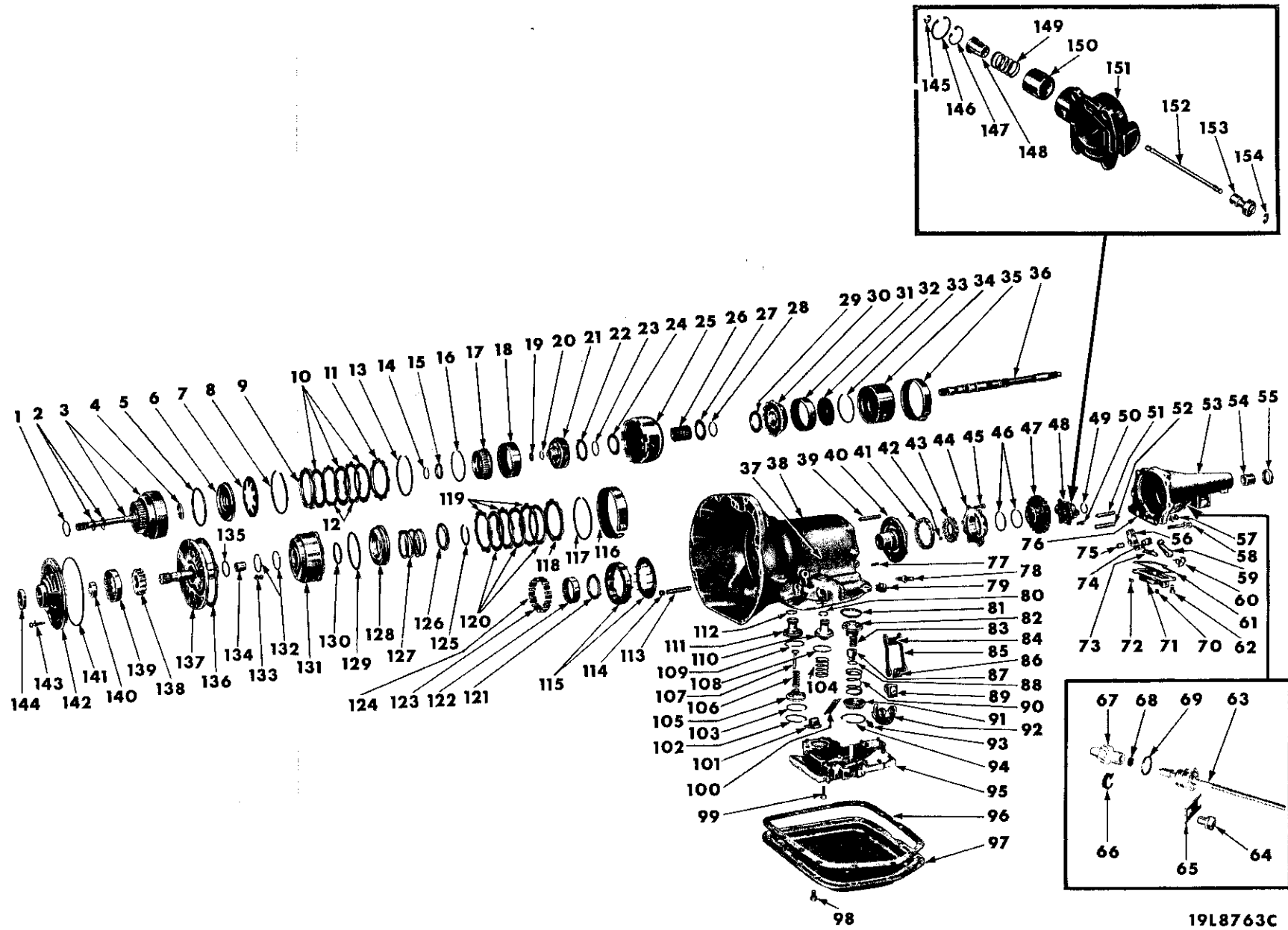
19x9342

STANDARD TRANSMISSION CONTROLS (FLOOR SHIFT) - DODGE TA3 AND CHRYSLER TC1-L - TC2-M

Printed in U.S.A.

Page 21-3

September 4, 1962



19L8763C

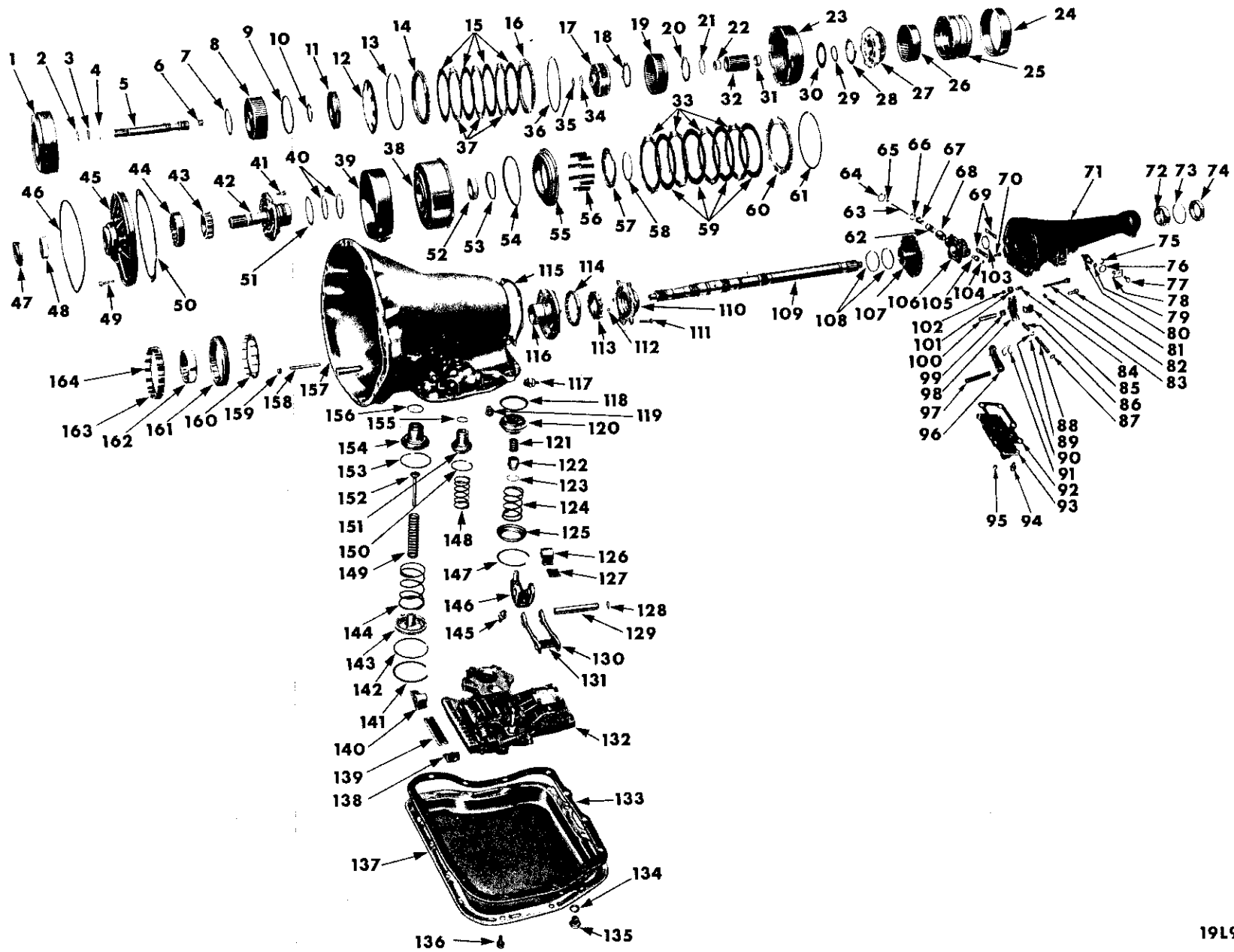
AUTOMATIC 3-SPEED TRANSMISSION - 6 CYLINDER

AUTOMATIC 3-SPEED TRANSMISSION - 6 CYLINDER

Ref. No.	Name	Part Type Code	Ref. No.	Name	Part Type Code
1	Washer	21-133-65	78	Screw	21-136-17
2	Ring	21-129-7	79	Switch	21-113-24
3	Shaft, Input	21-129-5	80	Ring	21-137-202
4	Seal	21-133-17	81	Seal	21-137-50
5	Seal	21-133-17	82	Piston, Reverse	21-137-35
6	Piston	21-133-15	83	Spring	21-137-41
7	Spring	21-133-20	84	Anchor	21-136-41
8	Snap Ring	21-133-25	85	Link	21-136-44
9	Plate	21-133-39	86	Strut	21-136-41
10	Disc	21-133-36	87	Plug	21-137-47
11	Plate	21-133-38	88	Snap Ring	21-137-44
12	Plate	21-133-39	89	Lever, Short	21-136-47
13	Snap Ring	21-133-43	90	Spring	21-137-53
14	Snap Ring	21-134-40	91	Retainer	21-137-56
15	Washer	21-134-45	92	Lever, w/Stem	21-136-47
16	Snap Ring	21-134-40	93	Screw	21-136-52
17	Support	21-134-36	94	Snap Ring	21-137-59
18	Gear	21-134-38	95	Body, w/Transfer Plate	21-139-4
19	Washer	21-05-35	96	Gasket	21-119-5
20	Snap Ring	21-05-19	97	Pan	21-119-3
21	Carrier, Front	21-134-5	98	Screw	21-119-3
22	Washer	21-133-48	99	Screw	
23	Ring	21-133-46	100	Strut	21-136-15
24	Plate	21-133-47	101	Lever	21-136-20
25	Shell	21-133-42	102	Snap Ring	21-137-19
26	Gear, Sun	21-133-40	103	Ring	21-137-8
27	Plate	21-133-47	104	Spring	21-137-205
28	Ring	21-133-46	105	Guide	21-137-13
29	Washer	21-133-48	106	Spring	21-137-22
30	Carrier, Rear	21-134-5	107	Rod	21-137-11
31	Gear	21-134-38	108	Ring	21-137-202
32	Support	21-134-36	109	Ring	21-137-8
33	Snap Ring	21-134-40	110	Piston, Accumulator	21-137-200
34	Drum, Reverse	21-136-65	111	Piston, Kickdown	21-137-5
35	Band, Reverse	21-136-30	112	Ring	21-137-8
36	Shaft, Output	21-05-1	113	Shaft	21-136-23
37	Seal	21-139-47	114	Plug	
38	Case	21-03-1	115	Retainer and Cam	21-136-228
39	Shaft	21-136-49	116	Band, Kickdown	21-136-5
40	Housing, Rear	21-118-40	117	Snap Ring	21-133-43
41	Rotor, Outer	21-118-7	118	Plate	21-133-39
42	Ball		119	Plate	21-133-38
43	Rotor, Inner (Serviced in 21-118-6)		120	Disc	21-133-36
44	Cover	21-118-53	121	Washer	21-136-237
45	Screw		122	Race	21-136-232
46	Ring	21-138-38	123	Spring	21-136-236
47	Support	21-138-10	124	Roller	21-136-235
48	Housing (Serviced in 21-138-2)		125	Snap Ring	21-133-43
49	Snap Ring	21-138-7	126	Retainer	21-133-22
50	Screw		127	Spring	21-133-20
51	Shaft	4-10-8	128	Piston	21-133-15
52	Bushing	4-10-12	129	Seal	21-133-17
53	Extension	21-04-1	130	Seal	21-133-17
54	Bushing	21-04-11	131	Retainer, Front	21-133-7
55	Oil Seal	21-05-12	132	Ring	21-129-13
56	Lever	4-10-7	133	Screw	
57	Screw		134	Bushing	21-129-23
58	Screw		135	Washer	21-133-65
59	Sprag	4-10-10	136	Gasket	21-129-24
60	Spring	4-10-11	137	Shaft, Reacting, w/Support	21-129-10
61	Gasket	4-10-16	138	Rotor, Inner (Serviced in 21-118-6)	
62	Screw		139	Rotor, Outer (Serviced in 21-118-6)	
63	Cable	21-84-1	140	Bushing	21-118-47
64	Screw		141	Oil Seal	21-118-45
65	Retainer	21-84-7	142	Housing, Front	21-118-40
66	Clip	21-85-61	143	Screw	21-118-55
67	Pinion	21-85-5	144	Oil Seal	21-118-42
68	Seal	21-85-56	145	Snap Ring	21-138-29
69	Seal	21-84-28	146	Snap Ring	21-138-19
70	Plug		147	Snap Ring	21-138-19
71	Cover	4-10-15	148	Weight	21-138-13
72	Plug		149	Spring	21-138-15
73	Adapter	4-10-2	150	Weight	21-138-13
74	Spacer	4-10-9	151	Body (Serviced in 21-138-2)	
75	Bearing	4-10-19	152	Shaft	21-138-26
76	Gasket	21-04-2	153	Valve	21-138-23
77	Pin		154	Snap Ring	21-138-29

PARTS INDICATED BY NAME ONLY - ORDER BY DESCRIPTION

19L9184C

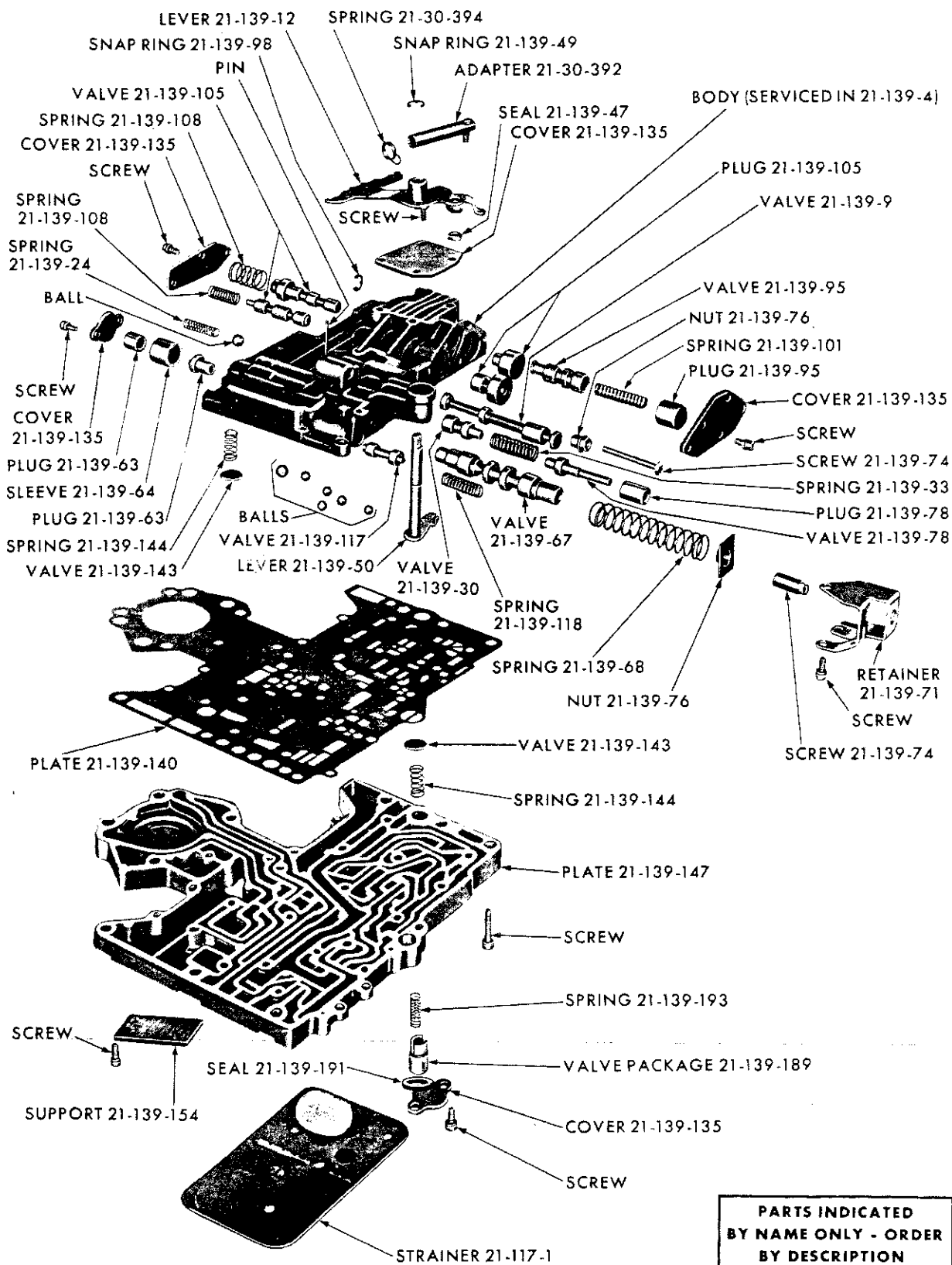


AUTOMATIC 3-SPEED TRANSMISSION - V8 CYLINDER

AUTOMATIC 3-SPEED TRANSMISSION - V8 CYLINDER

Ref. No.	Name	Part Type Code	Ref. No.	Name	Part Type Code
1	Retainer, Rear Clutch	21-133-7	83	Plug	
2	Ring	21-129-7	84	Shaft (Serviced in 4-10-7)	
3	Ring	21-129-7	85	Spacer	4-10-9
4	Ring	21-133-25	86	Spring	4-10-3
5	Shaft, Input	21-129-5	87	Spring	4-10-3
6	Bushing	21-129-6	88	Adapter	4-10-2
7	Washer	21-133-65	89	Pin	
8	Retainer, Rear Clutch Piston	21-133-7	90	Washer	4-10-4
9	Seal	21-133-17	91	Spring	4-10-11
10	Seal	21-133-17	92	Gasket	4-10-16
11	Piston	21-133-15	93	Cover	4-10-15
12	Spring	21-133-20	94	Screw	
13	Ring	21-133-25	95	Plug	
14	Plate	21-133-39	96	Sprag	4-10-10
15	Disc	21-133-36	97	Bushing	4-10-12
16	Plate	21-133-39	98	Lever	4-10-7
17	Carrier	21-134-5	99	Bearing (Serviced in 4-10-7)	
18	Washer	21-134-30	100	Shaft	4-10-8
19	Gear	21-134-38	101	Roller	4-10-17
20	Washer	21-133-48	102	Bearing	4-10-19
21	Ring	21-133-46	103	Ring	21-138-7
22	Bushing (Serviced in 21-133-40)		104	Ring	21-138-29
23	Shell	21-133-42	105	Valve	21-138-23
24	Band, Reverse	21-136-30	106	Housing (Serviced in 21-138-2)	
25	Drum, Reverse	21-136-65	107	Support	21-138-10
26	Gear	21-134-38	108	Ring	21-138-38
27	Carrier	21-134-5	109	Shaft, Output	21-05-1
28	Washer	21-134-30	110	Cover	21-118-53
29	Ring	21-133-46	111	Screw	
30	Plate	21-133-47	112	Ball	
31	Bushing (Serviced in 21-133-40)		113	Rotor (Serviced in 21-118-6)	
32	Gear	21-133-40	114	Rotor	21-118-7
33	Plate	21-133-38	115	Gasket	21-04-2
34	Ring	21-05-19	116	Housing	21-118-40
35	Washer	21-05-35	117	Switch	21-113-24
36	Ring	21-133-43	118	Ring	21-137-50
37	Plate	21-133-38	119	Screw	21-136-17
38	Retainer, Front Clutch	21-133-7	120	Piston	21-137-35
39	Band, Kickdown	21-136-5	121	Spring	21-137-41
40	Ring	21-129-13	122	Plug	21-137-47
41	Bolt		123	Ring	21-137-44
42	Shaft, Reaction	21-129-10	124	Spring	21-137-53
43	Rotor (Serviced in 21-118-6)		125	Retainer	21-137-56
44	Rotor (Serviced in 21-118-6)		126	Lever	21-136-47
45	Housing	21-118-40	127	Strut	21-136-41
46	Seal	21-118-45	128	Seal	21-136-55
47	Seal	21-118-42	129	Shaft	21-136-49
48	Bushing	21-118-47	130	Link	21-136-44
49	Bolt	21-118-55	131	Anchor	21-136-41
50	Gasket	21-118-54	132	Body, w/Plate	21-139-4
51	Washer	21-133-65	133	Gasket	21-119-5
52	Bushing	21-133-10	134	Gasket	21-119-12
53	Seal	21-133-17	135	Plug	21-119-11
54	Seal	21-133-17	136	Bolt	
55	Piston	21-133-15	137	Pan	21-119-3
56	Spring	21-133-20	138	Anchor	21-136-15
57	Retainer	21-133-22	139	Strut	21-136-15
58	Ring	21-133-43	140	Lever	21-136-20
59	Disc	21-133-36	141	Ring	21-137-19
60	Plate	21-133-39	142	Ring	21-137-8
61	Ring	21-133-43	143	Guide	21-137-13
62	Spring	21-138-15	144	Spring	21-137-22
63	Shaft	21-138-26	145	Screw	21-136-52
64	Ring	21-138-19	146	Lever	21-136-47
65	Ring	21-138-29	147	Ring	21-137-59
66	Ring	21-138-19	148	Spring	21-137-205
67	Weight	21-138-13	149	Spring	21-137-22
68	Weight	21-138-13	150	Ring	21-137-202
69	Lock	21-138-21	151	Piston	21-137-200
70	Bolt		152	Rod	21-137-11
71	Extension	21-04-1	153	Ring	21-137-8
72	Bearing	21-04-11	154	Piston	21-137-5
73	Ring	21-04-12	155	Ring	21-137-202
74	Seal	21-05-12	156	Ring	21-137-8
75	Clip	21-85-61	157	Case	21-03-1
76	Seal	21-84-28	158	Shaft	21-136-23
77	Bolt		159	Plug	
78	Clamp	21-84-7	160	Retainer	21-136-233
79	Seal	21-85-56	161	Cam	21-136-231
80	Pinion	21-85-5	162	Race	21-136-232
81	Screw	21-04-6	163	Spring	21-136-236
82	Screw	21-04-6	164	Roller	21-136-235

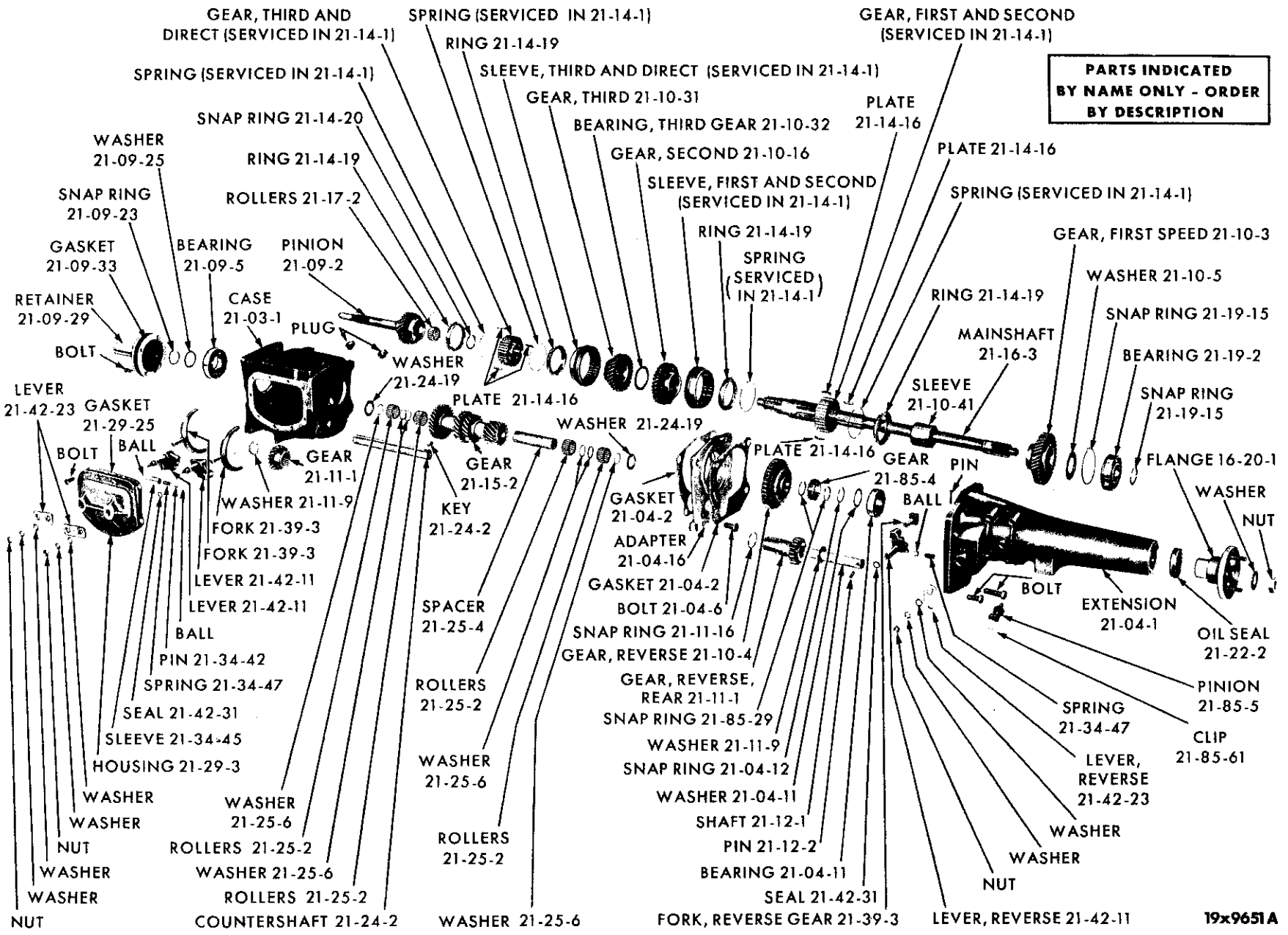
PARTS INDICATED BY NAME ONLY - ORDER BY DESCRIPTION



PARTS INDICATED
 BY NAME ONLY - ORDER
 BY DESCRIPTION

19x8761D

AUTOMATIC 3-SPEED TRANSMISSION VALVE BODY AND VALVES

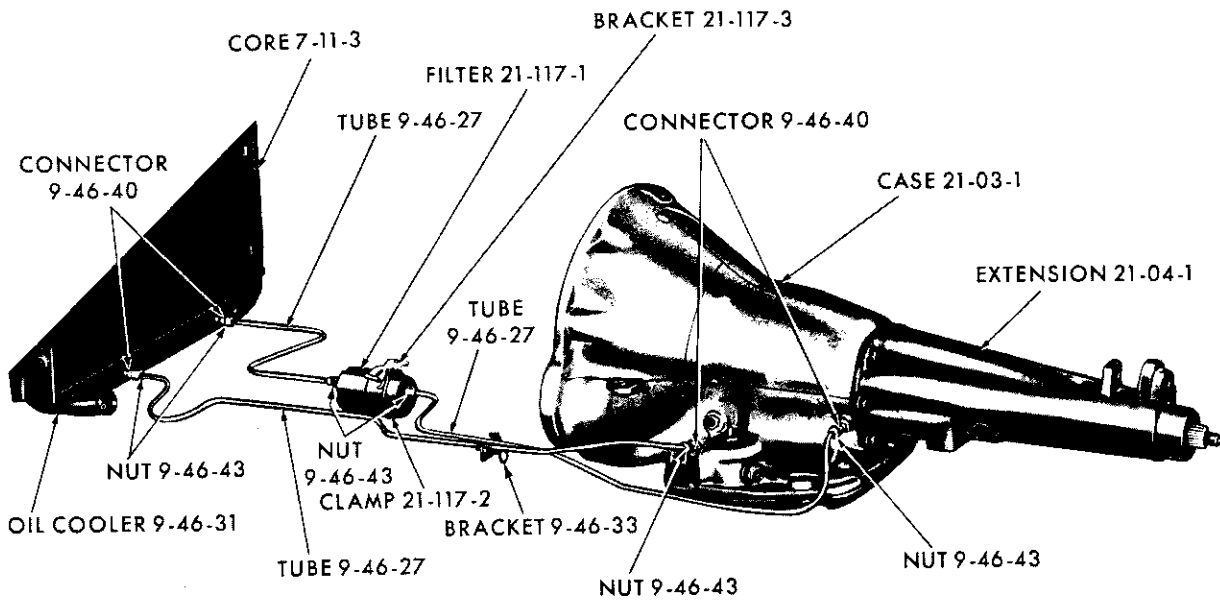


**PARTS INDICATED
BY NAME ONLY - ORDER
BY DESCRIPTION**

4 SPEED TRANSMISSION (WARNER GEAR T-10)

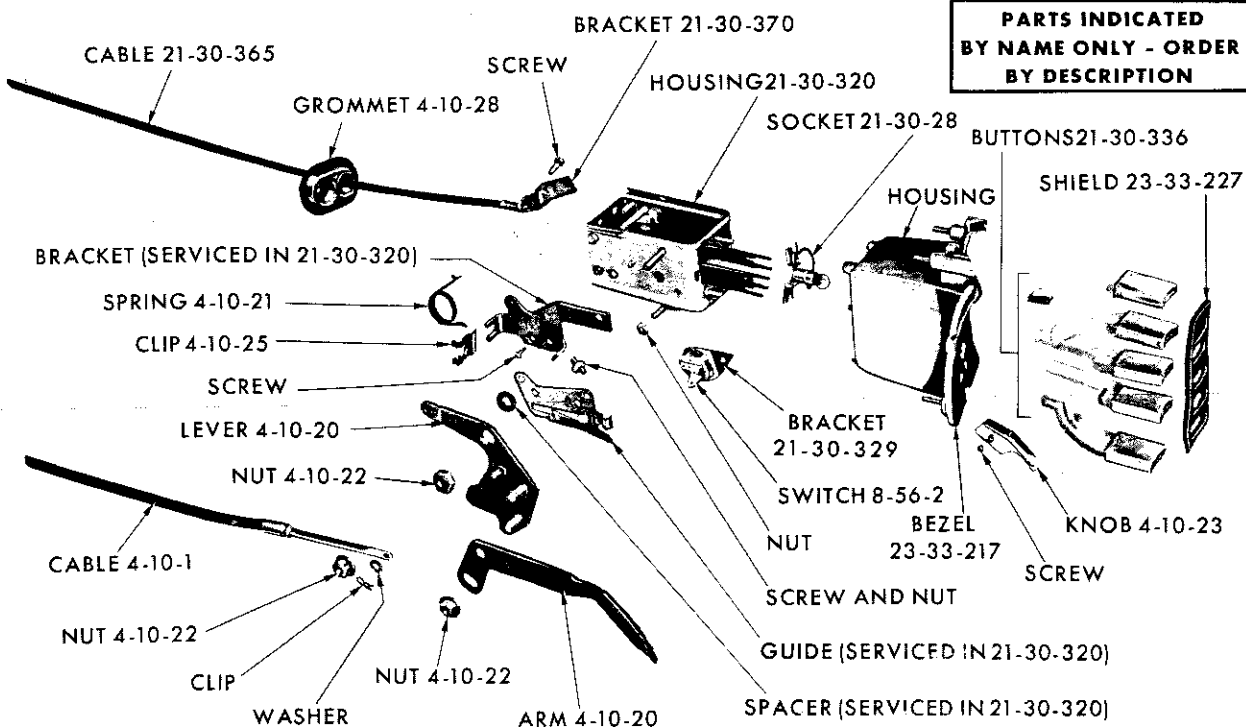
MyMopar.com

19x9651A



19x9340A

TRANSMISSION OIL COOLER SYSTEM



19x9656B

TRANSMISSION PUSH BUTTON CONTROLS

CODE	PART NAME AND DESCRIPTION	CYL.	PER CAR	VALIANT DART	PLYMOUTH DODGE	CHRYSLER IMPERIAL
------	---------------------------	------	---------	--------------	----------------	-------------------

STANDARD TRANSMISSION

NOTE: Standard Transmission parts listed as Heavy Duty are Standard Equipment on TP1, TD1, Police Cars and Taxis, TP2, TD2, TA3, TC1.

21-01-0 TRANSMISSION SETS OR PACKAGES

21-01-3	GASKET SET	6	1	2196 062	2275 896	
	Heavy Duty Trans., TP1, TP2, TD1, TD2		1	----	2275 893	
	TP2, TD2, w/426 cu. in. Engine	8	1	----	2084 243	
	TA3, TC1, TC2	8	1	----	2240 320	2240 320
	TP2, TD2, w/4 Speed	8	1	----	2448 370	

21-02-0 TRANSMISSION ASSEMBLY

21-02-1	TRANSMISSION, TV1, TL1, w/225 cu.in. Engine	6	1	*2408 104	*2408 139	
	w/170 cu. in. Engine, used UP TO date					
	10-10-62 stamped on Trans. Cover	6	1	*2408 104		
	w/170 cu. in. Engine, used AFTER date					
	10-10-62 stamped on Trans. Cover	6	1	E2408 150		
	Heavy Duty Trans., w/7 Tooth Speedometer					
	Gear, used UP TO date 11-9-62 stamped					
	on Trans. Cover	6	1	----	*2400 846	
	Heavy Duty Trans., w/8 Tooth Speedometer					
	Gear, used AFTER date 11-9-62 stamped					
	on Trans. Cover	6	1	----	E2464 094	
	TP2, TD2, w/7 Tooth Speedometer Gear, used					
	UP TO date 11-9-62 stamped on Trans. Cover.	8	1	----	*2400 801	
	TP2, TD2, w/8 Tooth Speedometer Gear, w/318					
	cu. in. Engine, used AFTER date 11-9-62					
	stamped on Trans. Cover.	8	1	----	E2464 094	
	TP2, TD2, w/8 Tooth Speedometer Gear, w/361					
	and 383 cu. in. Engine, used AFTER date					
	11-9-62 stamped on Trans. Cover.	8	1	----	E2464 098	
	TA3, TC1, TC2 except 300J, w/7 Tooth					
	Speedometer Gear, UP TO Serial No.148853	8	1	----	*2400 396	*2400 396
	TA3, TC1, TC2, except 300J, w/8 Tooth					
	Speedometer Gear, AFTER Serial No.148853	8	1	----	E2464 096	E2464 096
	TP2, TD2, w/426 cu. in. Engine	8	1	----	2400 690	
	TP2, TD2, 4 Speed, w/318 cu. in. Engine	8	1	----	2400 872	
	TP2, TD2, 4 Speed, w/361 and 383 cu. in.					
	Engine	8	1	----	2400 442	
	TC2-300J	8	1	----	----	2400 758
21-02-6	VENT, TC1, TC2		1	1139 204	1139 204	1139 204
	TP2, TD2, w/4 Speed	8	1	----	2408 099	

21-03-0 TRANSMISSION CASE

21-03-1	CASE	6	1	2400 569	2400 569	
	Heavy Duty Trans.	6	1	----	2400 829	
	TC1, TC2	8	1	----	2400 570	2400 570
	TP2, TD2, w/426 cu. in. Engine	8	1	----	2124 271	
	TP2, TD2, w/4 Speed	8	1	----	2408 078	
21-03-24	PLUG, Back-Up Light Switch Hole TC1, TC2		1	1139 153	1139 153	1139 153
21-03-25	GASKET, Plug, TC1, TC2		1	1302 807	1302 807	1302 807

21-04-0 TRANSMISSION CASE EXTENSION

21-04-1	EXTENSION	6	1	2400 738	2400 737	
	TP1, TP2, TD1, TD2, Heavy Duty Trans.		1	----	2400 627	

★ Indicates use as required. Numerals in parentheses () refer to notes. Printed in U.S.A.
 E Indicates parts not listed in any previous parts book. Prices and specifications subject to change without notice.
 * Indicates change or addition. Jan. 25, 1963 Supersedes Dec. 14, 1962.

CODE	PART NAME AND DESCRIPTION	C Y L.	PER CAR	VALIANT DART	PLYMOUTH DODGE	CHRYSLER IMPERIAL
------	---------------------------	--------------	------------	-----------------	-------------------	----------------------

STANDARD TRANSMISSION

21-04-0 TRANSMISSION CASE EXTENSION - Cont'd

21-04-1	EXTENSION - Cont'd					
	TP2, TD2, w/426 cu. in. Engine	8	1	----	*2400 700	
	TA3, TC1, TC2 except 300J	8	1	----	2400 414	2400 414
	TP2, TD2, w/4 Speed	8	1	----	2400 440	
21-04-2	GASKET	6	1	1949 361	1949 361	
	Heavy Duty Trans., TC1, TC2		1	----	2124 519	2124 519
	TP2, TD2, w/426 cu. in. Engine	8	1	----	1921 480	
	Adapter to Case, TP2, TD2, w/4 Speed	8	1	----	2408 112	
	Adapter to Extension, TP2, TD2, w/4 Speed	8	1	----	2408 111	
21-04-6	BOLT, Adapter to Trans. Case, TP2, TD2, w/4 Speed	8	1	----	2408 113	
	<hr/>					
21-04-11	BUSHING, Extension	6	1	2124 607	1941 887	
	BEARING, Heavy Duty Trans., TC1, TC2		1	----	1672 194	1672 194
	BEARING, TP2, TD2, w/426 cu. in. Engine	8	1	----	1672 194	
	BEARING, TP2, TD2, w/4 Speed	8	1	----	1672 194	
	WASHER, TP2, TD2, w/426 cu. in. Engine	8	1	----	6023 561	
21-04-12	SNAP RING, Extension Bearing, TP2, TD2, w/426 cu. in. Engine, TP2, TD2, w/4 Speed.	8	1	----	*6023 560	
	TP2, TD2, w/4 Speed	8	1	----	6023 560	
	<hr/>					
21-04-16	ADAPTER, Extension, TP2, TD2, w/4 Speed.	8	1	----	2408 109	

21-09-0 TRANSMISSION MAIN DRIVE PINION

21-09-2	PINION, 21T., 18T., 23 Splines, 10 1/2" lgh., w/170 cu. in. Engine, used UP TO date 10-10-62 stamped on Trans. Cover	6	1	*2204 944		
	20T., 17T., 23 Splines, 10 1/2" lgh., w/170 cu. in. Engine, used AFTER date 10-10-62 stamped on Trans. Cover	6	1	⊘2204 554		
	21T., 18T., 23 Splines, 10 1/2" lgh., TV1, TL1, w/225 cu. in. Engine	6	1	*2204 944	*2204 944	
	24T., 18T., 23 Splines, 10 17/32" lgh., w/7 Tooth Speedometer Gear, Heavy Duty Trans., used UP TO date 11-9-62 stamped on Trans. Cover	6	1	----	*2125 195	
	24T., 18T., 23 Splines, 10 17/32" lgh., w/8 Tooth Speedometer Gear, Heavy Duty Trans., used AFTER date 11-9-62 stamped on Trans. Cover.	6	1	----	⊘2408 147	
	<hr/>					
	24T., 20T., 23 Splines, 10 17/32" lgh., TP2, TD2, w/361 and 383 cu. in. Engine	8	1	----	*2124 937	
	24T., 20T., 23 Splines, 10 17/32" lgh., TP2, TD2, w/318 cu. in. Engine, w/7 Tooth Speedometer Gear, used UP TO date 11-9-62 stamped on Trans. Cover.	8	1	----	*2124 937	
	24T., 18T., 23 Splines, 10 17/32" lgh., TP2, TD2, w/318 cu. in. Engine, w/8 Tooth Speedometer Gear, used AFTER Date 11-9-62 stamped on Trans. Cover	8	1	----	⊘2408 147	
	23T., 36T., 21T., 11" lgh., TP2, TD2, w/426 cu. in. Engine	8	1	----	2400 694	

★ Indicates use as required. Numerals in parentheses () refer to notes. Printed in U.S.A.
 ⊘ Indicates parts not listed in any previous parts book. Prices and specifications subject to change without notice.
 Jan. 25, 1963 Supersedes Dec. 14, 1962. * Indicates change or addition.

CODE	PART NAME AND DESCRIPTION	C Y L	PER CAR	VALIANT DART	PLYMOUTH DODGE	CHRYSLER IMPERIAL
------	---------------------------	-------------	------------	-----------------	-------------------	----------------------

STANDARD TRANSMISSION

21-09-0 TRANSMISSION MAIN DRIVE PINION - Cont'd

21-09-2	PINION - Cont'd 25T., 36T., 23 Splines, 11" lgh., TP2, TD2, w/4 Speed, w/318 cu. in. Engine	8	1	----	2400 874	
	27T., 36T., 23 Splines, 11" lgh., TP2, TD2, w/4 Speed, w/361 and 383 cu. in. Engine	8	1	----	2400 436	
	24T., 20T., 24 Splines, 12 29/32" lgh., TA3, TC1, TC2 except 300J	8	1	----	2124 683	2124 683
	23T., 22T., 24T., 12 29/32" lgh., TC2-300J	8	1	----	----	2400 761
21-09-5	BEARING Heavy Duty Trans., TC1, TC2	6	1	1633 718	1633 718	2124 516
	TP2, TD2, w/426 cu. in. Engine	8	1	----	*2124 516	
	TP2, TD2, w/4 Speed	8	1	----	2124 517	
21-09-19	SLINGER, Bearing Oil, TC1, TC2 TP2, TD2, w/426 cu. in. Engine	8	1	1633 669	1633 669	1633 669
				----	1921 471	
21-09-23	SNAP RING, Bearing, .088" thk., TC1, TC2091" thk., TC1, TC2094" thk., TC1, TC2097" thk., TC1, TC2 Inner, TP2, TD2, w/426 cu. in. Engine Outer, TP2, TD2, w/426 cu. in. Engine Inner, TP2, TD2, w/4 Speed Outer, TP2, TD2, w/4 Speed			★ ★ ★ ★ 8 8 8 8	631 823 631 824 631 825 640 332 1921 472 1569 909 1921 472 1569 909	631 823 631 824 631 825 640 332
21-09-25	WASHER, Bearing TP2, TD2, w/426 cu. in. Engine TP2, TD2, w/4 Speed	6 8 8	1 1 1	631 877 ----	631 877 1921 473 1921 473	
21-09-29	RETAINER, Bearing Heavy Duty Trans., TP1, TP2, TD1, TD2 TP2, TD2, w/426 cu. in. Engine TA3, TC1, TC2 TP2, TD2, w/4 Speed	6 8 8 8 8	1 1 1 1 1	2204 491 ----	2204 491 2124 945 2400 438 2124 396 2400 438	2124 396
21-09-30	OIL SEAL, Pinion, TP1, TP2, TD1, TD2 TA3, TC1, TC2	8	1 1	1949 343 ----	1949 343 1949 933	1949 933
21-09-31	SCREW, Retainer		★	1920 101	1920 101	1920 101
21-09-33	GASKET, Bearing Retainer Heavy Duty Trans., TC1, TC2 TP2, TD2, w/426 cu. in. Engine TP2, TD2, w/4 Speed	6 8 8 8	1 1 1 1	672 709 ----	672 709 2124 499 1921 475 2408 098	2124 499

21-10-0 TRANSMISSION GEARS

21-10-3	GEAR, First Speed, TP2, TD2, w/4 Speed	8	1	----	2408 107	
21-10-4	GEAR, Sliding, First and Reverse, 29T., 32 Splines First and Reverse, 28T., 34 Splines, Heavy Duty Trans., TC1, TC2 First and Reverse, TP2, TD2, w/426 cu. in. Engine Reverse, TP2, TD2, w/4 Speed	6 8 8 8	1 1 1 1	2204 606 ----	2204 606 2124 561 2400 683 2408 092	2124 561
21-10-5	WASHER, First Speed Gear Thrust, TP2, TD2, w/4 Speed	8	1	----	2408 095	

★ Indicates use as required.

Numerals in parentheses () refer to notes.

Printed in U.S.A.

☐ Indicates parts not listed in any previous parts book.

Prices and specifications subject to change without notice.

* Indicates change or addition.

Page 21-11

Jan. 3, 1964 Supersedes Jan. 25, 1963.

CODE	PART NAME AND DESCRIPTION	CYL.	PER CAR	VALIANT DART	PLYMOUTH DODGE	CHRYSLER IMPERIAL
------	---------------------------	------	---------	--------------	----------------	-------------------

STANDARD TRANSMISSION

21-10-O TRANSMISSION GEARS - Cont'd

21-10-16	GEAR, Second Speed, 24T., 24T., w/170 cu. in. Engine, used UP TO date 10-10-62 stamped on Trans. Cover	6	1	2205 195		
	23T., 24T., w/170 cu. in. Engine, used AFTER date 10-10-62 stamped on Trans. Cover	6	1	2124 359		
	24T., 24T., TV1, TL1, w/225 cu. in. Engine	6	1	2205 195	2205 195	
	24T., 24T., Heavy Duty Trans., TC1, TC2 except 300J		1	----	2124 560	2124 560
	TP2, TD2, w/426 cu. in. Engine.	8	1	----	2400 692	
	30T., 36T., TP2, TD2, w/4 Speed	8	1	----	2408 103	
	24T., 25T., TC2-300J	8	1	----	----	2400 759
21-10-31	GEAR, Third Speed, 29T., 36T., TP2, TD2, w/4 Speed	8	1	----	*2408 102	
21-10-32	BEARING, Third Speed Gear Needle Thrust, TP2, TD2, w/4 Speed	8	1	----	2408 100	
21-10-41	<u>SLEEVE</u> , First Speed Gear, TP2, TD2, w/4 Speed	8	1	----	2408 108	

21-11-O TRANSMISSION REVERSE IDLER GEAR

21-11-1	GEAR, 15T.	6	1	1853 695	1853 695	
	14T., Heavy Duty Trans., TC1, TC2		1	----	2124 562	2124 562
	TP2, TD2, w/426 cu. in. Engine	8	1	----	1921 501	
	Front, 18T., 27 Splines, TP2, TD2, w/4 Speed	8	1	----	2408 084	
	Rear, w/BUSHING, 19T., 27 Splines, TP2, TD2, w/4 Speed	8	1	----	2408 083	
21-11-2	ROLLER, Bearing, TC1, TC2		22	666 927	666 927	666 927
	BUSHING, TP2, TD2, w/426 cu. in. Engine	8	1	----	1921 503	
21-11-9	WASHER	6	2	666 924	666 924	
	Heavy Duty Trans., TC1, TC2		2	----	2204 978	2204 978
	Thrust, Front, TP2, TD2, w/4 Speed	8	1	----	2408 089	
	Thrust, Rear, TP2, TD2, w/4 Speed	8	1	----	2408 080	
21-11-16	<u>SNAP RING</u> , Gear, Front, TP2, TD2, w/4 Speed	8	1	----	2408 087	

21-12-O TRANSMISSION REVERSE IDLER GEAR SHAFT

21-12-1	SHAFT, TC1, TC2		1	1635 290	1635 290	1635 290
	TP2, TD2, w/426 cu. in. Engine	8	1	----	1921 504	
	TP2, TD2, w/4 Speed	8	1	----	2408 088	
21-12-2	KEY, TC1, TC2		1	1635 293	1635 293	1635 293
	PIN, TP2, TD2, w/4 Speed	8	1	----	2408 091	

21-14-O TRANSMISSION CLUTCH GEAR

21-14-1	SYNCHRONIZER UNIT	6	1	2408 141	2408 141	
	Heavy Duty Trans., TC1, TC2		1	----	*2400 864	*2400 864
	TP2, TD2, w/426 cu. in. Engine.	8	1	----	*2408 096	
	First and Second, TP2, TD2, w/4 Speed	8	1	----	2408 105	
	Third and Direct, TP2, TD2, w/4 Speed	8	1	----	2408 096	
21-14-5	GEAR, 24T., 32T.	6	1	*2204 619	*2204 619	
	24T., 32T., Heavy Duty Trans., TC1, TC2		1	----	2204 666	2204 666
	TP2, TD2, w/426 cu. in. Engine.	8	1	----	1921 486	

★ Indicates use as required. Numerals in parentheses () refer to notes. Printed in U.S.A.
 ☐ Indicates parts not listed in any previous parts book. Prices and specifications subject to change without notice.
 Jan. 3, 1964 Supersedes Jan. 25, 1963. Page 21-12 * Indicates change or addition.

CODE	PART NAME AND DESCRIPTION	C Y L.	PER CAR	VALIANT DART	PLYMOUTH DODGE	CHRYSLER IMPERIAL
------	---------------------------	--------------	------------	-----------------	-------------------	----------------------

STANDARD TRANSMISSION

21-14-0 TRANSMISSION CLUTCH GEAR - Cont'd

21-14-6	SLEEVE Heavy Duty Trans., TC1, TC2	6	1 1	1676 197 ----	1676 197 2124 387	2124 387
21-14-15	SPRING, Synchronizer Stop Ring Heavy Duty Trans., TC1, TC2	6	1 1	1823 916 ----	1823 916 2205 061	2205 061
21-14-16	PLATE, Synchronizer Shifting, TP2, TD2, w/4 Speed	8	3	----	*1921 498	
21-14-19	RING, Synchronizer Stop, Outer Direct Speed Synchronizer Stop, Inner. 2nd Speed Synchronizer Stop, Inner Synchronizer Stop, Outer, Heavy Duty Trans., TC1, TC2 except 300J Outer, TC2-300J Inner, Heavy Duty Trans., TC1, TC2 TP2, TD2, w/426 cu. in. Engine. First and Second, TP2, TD2, w/4 Speed Third and Direct Blocker, TP2, TD2, w/4 Speed	6 6 6 8 8 8 8 8	2 1 1 2 2 2 2 2	2205 059 *2400 533 2400 533 ---- ---- ---- ---- ----	2205 059 *2400 533 2400 533 *2400 865 ---- 2124 472 1921 499 *1921 499 *1921 499	*2400 865 2400 865 2124 472
21-14-20	SNAP RING, TC1, TC2 Third and Direct Clutch Gear, TP2, TD2, w/4 Speed		★ 1	2205 192 ----	2205 192 1921 472	2205 192
21-14-21	SHIM, TC1, TC2		1	*2464 724	*2464 724	*2464 724

21-15-0 TRANSMISSION COUNTERSHAFT GEAR

21-15-2	GEAR, 33T., 24T., 18T., 14T., 6 53/64" lgh., w/170 cu. in. Engine, used UP TO date 10-10-62 stamped on Trans. Cover 34T., 25T., 18T., 14T., 6 53/64" lgh., w/170 cu. in. Engine, used AFTER date 10-10-62 stamped on Trans. Cover. 33T., 24T., 18T., 14T., 6 53/64" lgh., TV1, TL1, w/225 cu. in. Engine 33T., 25T., 17T., 13T., Heavy Duty Trans. 31T., 25T., 17T., 13T., TP2, TD2, w/361 and 383 cu. in. Engine, TA3 31T., 25T., 17T., 13T., TP1, TD2, w/318 cu.in. Engine, w/7 Tooth Speedometer Gear, used UP TO date 11-9-62 stamped on Trans. Cover. 33T., 25T., 17T., 13T., TP2, TD2, w/318 cu.in. Engine, w/8 Tooth Speedometer Gear, used AFTER date 11-9-62 stamped on Trans. Cover 31T., 25T., 17T., 13T., TC1, TC2 except 300J. 29T., 23T., 17T., 13T., TC2-300J 27T., 24T., 19T., 15T., 7 15/16" lgh., TP2, TD2, w/426 cu. in. Engine 30T., 23T., 19T., 17T., 8" lgh., TP2, TD2, w/4 Speed, w/318 cu. in. Engine 28T., 23T., 19T., 17T., 8" lgh., TP2, TD2, w/4 Speed, w/361 and 383 cu. in. Engine	6 6 6 6 6 8 8 8 8 8 8 8 8 8 8 8 8 8 8 8	1 1 1 1 1 1 1 1 1 1 1 1 1 1 1 1 1 1 1	2205 132 2204 555 2205 132 ---- ---- ---- ---- ---- ---- ---- ---- ---- ---- ---- ---- ---- ---- ---- ---- ----	2205 132 2124 386 2124 384 2124 384 2124 386 ---- ---- 2400 696 2408 079 2408 082	2124 384 2400 760
21-15-33	WASHER, Thrust, .057" thk.062" thk.057" thk., Heavy Duty Trans., TC1, TC2062" thk., Heavy Duty Trans., TC1, TC2 Front, TP2, TD2, w/426 cu. in. Engine. Rear, TP2, TD2, w/426 cu. in. Engine	6 6 6 6 8 8	★ ★ ★ ★ 1 1	1633 763 1633 762 ---- ---- ---- ----	1633 763 1633 762 2124 505 2124 504 1921 492 1921 493	2124 505 2124 504

★ Indicates use as required. Numerals in parentheses () refer to notes. Printed in U.S.A.
 B Indicates parts not listed in any previous parts book. Prices and specifications subject to change without notice.
 * Indicates change or addition. Jan. 3, 1964 Supersedes Jan. 25, 1963.

CODE	PART NAME AND DESCRIPTION	CYL.	PER CAR	VALIANT DART	PLYMOUTH DODGE	CHRYSLER IMPERIAL
------	---------------------------	------	---------	--------------	----------------	-------------------

STANDARD TRANSMISSION

21-16-0 TRANSMISSION MAIN SHAFT

21-16-3	SHAFT, 32, 32, 23, Splines, 22 1/4" lgh.	6	1	2400 390		
	32, 32, 23, Splines, 25 1/2" lgh., w/7 Tooth Speedometer Gear	6	1	-----	*2204 616	
	32, 34, 23, Splines, 25 1/4" lgh., TP1, TP2, TD1, TD2, Heavy Duty Trans., w/7 Tooth Speedometer Gear, used UP TO date 11-9-62 stamped on Trans. Cover		1	-----	*2408 009	
	32, 34, 23, Splines, 25 1/4" lgh., TP1, TP2, TD1, TD2, Heavy Duty Trans., w/8 Tooth Speedometer Gear, used AFTER date 11-9-62 stamped on Trans. Cover		1	-----	E2408 041	
	32, 34, 23, Splines, 25 1/4" lgh., w/7 Tooth Speedometer Gear, TA3, TC1, TC2 except 300J, UP TO Serial No. 148853	8	1	-----	*2408 009	*2408 009
	32, 34, 23, Splines, 25 1/4" lgh., w/8 Tooth Speedometer Gear, TA3, TC1, TC2 except 300J, AFTER Serial No. 148853	8	1	-----	E2408 041	E2408 041
	32, 34, 23, Splines, 25 1/4" lgh., w/7 Tooth Speedometer Gear, TC2-300J.	8	1	-----	-----	*2408 009
	6, 6, 23, Splines, 26 53/64" lgh., TP2, TD2, w/426 cu. in. Engine	8	1	-----	2400 697	
	6, 10, 6, 23, Splines, 27 3/8" lgh., TP2, TD2, w/4 Speed	8	1	-----	2400 439	

21-17-0 TRANSMISSION MAIN SHAFT PILOT BEARING

21-17-2	ROLLER, TC1, TC2	8	★	1949 834	1949 834	1949 834
	TP2, TD2, w/426 cu. in. Engine.	8	14	-----	1921 482	
	TP2, TD2, w/4 Speed	8	14	-----	2408 081	
21-17-7	SNAP RING, Roller	6	1	601 108	601 108	
	Heavy Duty Trans., TC1, TC2		1	-----	862 173	862 173
21-17-9	SPACER, Pilot Bearing Roller, TP2, TD2, w/426 cu. in. Engine.	8	1	-----	1923 509	

21-19-0 TRANSMISSION MAIN SHAFT BEARING

21-19-2	BEARING	6	1	1633 718	1633 718	
	Heavy Duty Trans., Frt., TC1, TC2		1	-----	620 521	620 521
	TP2, TD2, w/426 cu. in. Engine.	8	1	-----	620 521	
	TP2, TD2, w/4 Speed	8	1	-----	2124 517	
21-19-15	SNAP RING, Inner, .088" thk., TC1, TC2		★	631 823	631 823	631 823
	Inner, .091" thk., TC1, TC2		★	631 824	631 824	631 824
	Inner, .095" thk., TC1, TC2		★	631 825	631 825	631 825
	Inner, .097" thk., TC1, TC2		★	640 332	640 332	640 332
	Outer, .086" thk.	6	★	640 280	640 280	
	Outer, .089" thk.	6	★	631 809	631 809	
	Outer, .092" thk.	6	★	631 810	631 810	
	Outer, .095" thk.	6	★	640 331	640 331	
	Outer, .087" thk., Heavy Duty Trans., TC1, TC2		★	-----	2124 508	2124 508
	Outer, .090" thk., Heavy Duty Trans., TC1, TC2		★	-----	2124 509	2124 509
	Outer, .093" thk., Heavy Duty Trans., TC1, TC2		★	-----	2124 510	2124 510
	Outer, .096" thk., Heavy Duty Trans., TC1, TC2		★	-----	2124 511	2124 511
	Inner, TP2, TD2, w/426 cu. in. Engine.	8	1	-----	1921 472	
	Outer, TP2, TD2, w/426 cu. in. Engine.	8	2	-----	1921 481	
	Inner, TP2, TD2, w/4 Speed	8	1	-----	1921 472	
	Outer, TP2, TD2, w/4 Speed	8	1	-----	2408 094	
21-19-16	WASHER, TP2, TD2, w/4 Speed	8	1	-----	2408 095	

★ Indicates use as required.

Numerals in parentheses () refer to notes.

Printed in U.S.A.

☐ Indicates parts not listed in any previous parts book.

Prices and specifications subject to change without notice.

January 25, 1963.

* Indicates change or addition.

DE	PART NAME AND DESCRIPTION	C Y L.	PER CAR	VALIANT DART	PLYMOUTH DODGE	CHRYSLER IMPERIAL
----	---------------------------	--------------	------------	-----------------	-------------------	----------------------

STANDARD TRANSMISSION

24-O TRANSMISSION COUNTERSHAFT - Cont'd

4-19	PLATE or WASHER, Roller Thrust, Heavy Duty Trans., TC1, TC2		1	----	2124 474	2124 474
	Rear, TP2, TD2, w/426 cu. in. Engine	8	1	----	1921 494	
	WASHER, Thrust, TP2, TD2, w/4 Speed	8	2	----	2408 080	
4-22	KEY, TC1, TC2		1	1635 293	1635 293	1635 293

25-O TRANSMISSION COUNTERSHAFT BEARING

5-2	ROLLER	6	44	666 927	666 927	
	Heavy Duty Trans., TC1, TC2		88	----	2124 502	2124 502
	TP2, TD2, w/426 cu. in. Engine	8	80	----	1921 495	
	TP2, TD2, w/4 Speed	8	80	----	1921 495	
15-4	SPACER	6	1	697 812	697 812	
	Heavy Duty Trans., TC1, TC2		1	----	2124 473	2124 473
	TP2, TD2, w/426 cu. in. Engine	8	1	----	1921 496	
	TP2, TD2, w/4 Speed	8	1	----	1921 496	
25-6	WASHER or RING, Roller Thrust	6	2	1630 878	1630 878	
	Heavy Duty Trans., TC1, TC2		4	----	2124 506	2124 506
	TP2, TD2, w/426 cu. in. Engine	8	4	----	1921 497	
	TP2, TD2, w/4 Speed	8	6	----	1921 497	

-29-O TRANSMISSION CASE COVER OR HOUSING

29-3	COVER	6	1	1949 345	1949 345	
	Heavy Duty Trans., TC1, TC2		1	----	2124 465	2124 465
	HOUSING, TP2, TD2, w/426 cu. in. Engine	8	1	----	*2464 238	
	HOUSING, TP2, TD2, w/4 Speed	8	1	----	2408 118	
29-25	GASKET, Cover	6	1	1949 346	1949 346	
	Cover, Heavy Duty Trans., TC1, TC2		1	----	2124 466	2124 466
	Housing, TP2, TD2, w/426 cu. in. Engine	8	1	----	1921 507	
	Housing, TP2, TD2, w/4 Speed	8	1	----	1921 507	

-30-O TRANSMISSION GEARSHIFT LEVER AND RODS

-30-2	LEVER, w/KNOB, TP1, TP2, TD1, TD2		1	E2405 009	E2405 009	
	LEVER, TP2, TD2, w/426 cu. in. Engine, TC2-300J	8	1	----	2409 414	2409 414
	TP2, TD2, w/4 Speed Trans.	8	1	----	2409 414	
	LEVER, w/FORK, TA3, TC1, TC2, except 300J	8	1	----	2203 480	2203 480
1-30-5	INSULATOR		1	*2265 662	*2265 662	
1-30-6	KNOB, TA3, TC1, TC2 except 300J	8	1	----	2208 140	2208 140
	TP2, TD2, w/426 cu. in. Engine, TC2-300J	8	1	----	2405 486	2405 486
	TP2, TD2, w/4 Speed Trans.	8	1	----	2409 413	
1-30-315	PLATE, Control Bell Crank to Floor Pan Bracket, TA3, TC1, TC2 except 300J	8	1	----	2203 483	2203 483
1-30-316	BRACKET, Control Bell Crank to Extension, TA3, TC1, TC2 except 300J	8	1	----	2203 498	2203 498
	Control Bell Crank to Floor, TA3, TC1, TC2 except 300J	8	1	----	2208 189	2208 189
1-30-317	SPACER, Control Bell Crank to Extension, TA3, TC1, TC2 except 300J	8	2	----	6022 279	6022 279

★ Indicates use as required.

Numerals in parentheses () refer to notes.

Printed in U.S.A.

⊠ Indicates parts not listed in any previous parts book.

Prices and specifications subject to change without notice.

Jan. 3, 1964 Supersedes Dec. 14, 1962.

Page 21-14

* Indicates change or addition.

CODE	PART NAME AND DESCRIPTION	C Y L.	PER CAR	VALIANT DART	PLYMOUTH DODGE	CHRYSLER IMPERIAL
------	---------------------------	--------------	------------	-----------------	-------------------	----------------------

STANDARD TRANSMISSION

21-30-0 TRANSMISSION GEARSHIFT LEVER AND RODS - Cont'd

21-30-407	MECHANISM, Gearshift Control, TP2, TD2, w/4 Speed Trans.	8	1	----	2404 899	
	TP2, TD2, w/426 cu. in. Engine, TC2-300J . . .	8	1	----	2405 482	2405 482
	WASHER	8	1	----	6023 050	6023 050
21-30-410	SEAL, Control Lever Boot, TP2, TD2, w/426 cu. in. Engine	8	1	----	2405 498	
	TP2, TD2, w/4 Speed Trans.	8	1	----	2405 498	
21-30-411	RING, Selector Pivot Pin Retainer, TA3, TC2-300J .	8	2	----	2405 471	2405 471
21-30-413	BOOT, Control Lever, TP2, TD2, w/426 cu. in. Engine	8	1	----	2405 497	
	TP2, TD2, w/4 Speed Trans.	8	1	----	2405 497	
	Upper, TA3, TC1, TC2, except 300J	8	1	----	2260 856	2260 856
	Lower, TA3, TC1, TC2, except 300J	8	1	----	2074 506	2074 506
	w/SEAL, TC2-300J	8	1	----	----	2460 412
21-30-414	RING, Upper Boot, TA3, TC1, TC2 except 300J . .	8	1	----	2073 554	2073 554
	COVER, Boot, TP2, TD2, w/426 cu. in. Engine, TC2-300J.	8	1	----	2405 496	2460 414
	COVER, Boot, TP2, TD2, w/4 Speed Trans. . . .	8	1	----	2405 496	
21-30-415	RING, Shaft Lock, TA3, TC1, TC2 except 300J . .	8	1	----	1946 343	1946 343
21-30-416	SUPPORT, Gearshift Control Lever, TA3, TC1, TC2 except 300J	8	1	----	2208 188	2208 188
	SUPPORT, Floor Pan Gearshift Cover, w/T PLATE, TA3, TC1, TC2 except 300J	8	1	----	2245 047	2245 047
	PLATE, Gearshift Control Mechanism Mounting, TP2, TD2, w/4 Speed Trans.	8	1	----	2405 494	
	TP2, TD2, w/426 cu. in. Engine, TC2-300J . . .	8	1	----	2405 490	2405 491
21-30-417	PIN, Control Lever, TA3, TC1, TC2 except 300J .	8	1	----	2073 553	2073 553
21-30-418	ROD, Control, First and Reverse, TP2, TD2, w/426 cu. in. Engine	8	1	----	2405 489	
	Second and Third, TP2, TD2, w/426 cu. in. Engine	8	1	----	2405 488	
	First and Reverse, TA3, TC1, TC2 except 300J .	8	1	----	2203 493	2203 493
	Front, Second and Third, TA3, TC1, TC2 except 300J	8	1	----	2203 494	2203 494
	Rear, Second and Third, TA3, TC1, TC2 except 300J	8	1	----	2203 488	2203 488
	First and Reverse, TC2-300J	8	1	----	----	2405 493
	Second and Third, TC2-300J	8	1	----	----	2405 492
	First and Second, TP2, TD2, w/4 Speed Trans. .	8	1	----	2404 897	
	Third and Fourth, TP2, TD2, w/4 Speed Trans. .	8	1	----	2404 896	
	Reverse, TP2, TD2, w/4 Speed Trans.	8	1	----	2404 898	
21-30-420	LEVER, Control Rod, TA3, TC1, TC2 except 300J	8	2	----	2203 475	2203 475
21-30-421	SHAFT, Gearshift Control Lever, TA3, TC1, TC2 except 300J	8	1	----	2073 555	2073 555
21-30-422	DIVIDER, Lever Rod, TA3, TC1, TC2 except 300J	8	1	----	2073 557	2073 557
21-30-423	BUSHING, Lever Hub, TA3, TC1, TC2 except 300J	8	2	----	2073 558	2073 558
	Lever Shaft, TA3, TC1, TC2 except 300J	8	2	----	2073 556	2073 556

★ Indicates use as required.

Numerals in parentheses () refer to notes.

Printed in U.S.A.

☐ Indicates parts not listed in any previous parts book.

Prices and specifications subject to change without notice.

* Indicates change or addition.

Page 21-15

Jan. 3, 1964 Supersedes Dec. 14, 1962.

CODE	PART NAME AND DESCRIPTION	C Y L.	PER CAR	VALIANT DART	PLYMOUTH DODGE	CHRYSLER IMPERIAL
------	---------------------------	--------------	------------	-----------------	-------------------	----------------------

STANDARD TRANSMISSION

21-30-0 TRANSMISSION GEARSHIFT LEVER AND RODS - Cont'd

21-30-425	SCREW, Lever Pivot, Rear, TA3, TC1, TC2 except 300J	8	1	----	2074 526	2074 526
	Front, TA3, TC1, TC2 except 300J	8	1	----	2074 525	2074 525
	Bracket Stop, TP2, TD2, w/426 cu. in. Engine, TC2-300J.	8	2	----	2405 473	2405 473
	Gearshift Control Mechanism Mounting Plate, TP2, TD2, w/4 Speed Trans.	8	2	----	2409 404	
	Mechanism Mounting Plate, TP2, TD2, w/4 Speed Trans., TC2-300J	8	1	----	2409 402	2409 401
	Mechanism Mounting Plate, TP2, TD2, w/426 cu. in. Engine	8	1	----	2409 403	
21-30-426	WASHER, Lever Shaft, Plain, TA3, TC1, TC2 except 300J	8	2	----	2073 574	2073 574
	Control Rod, Plain, TP2, TD2, w/426 cu. in. Engine, TA3, TC1, TC2 except 300J	8	★	----	631 217	631 217
	Control Rod Swivel Spring, TA3, TC1, TC2, except 300J	8	★	----	391 888	391 888
	Control Rod Rear Swivel Clamp, Second and Third, TC1, TC2 except 300J	8	1	----	----	6022 691
	Control Rod, Plain, TP2, TD2, w/4 Speed Trans. Mechanism Mounting Plate, TP2, TD2, w/426 cu. in. Engine, TC2-300J	8	★	----	631 217	
	Rod Swivel, TC2-300J	8	1	----	6023 050	6023 050
		8	★	----	632 258	632 258
21-30-427	SPRING, Lever, TA3, TC1, TC2 except 300J . . .	8	1	----	2073 565	2073 565
21-30-428	SWIVEL, Rod, TP2, TD2, w/426 cu.in. Engine, TC2-300J	8	2	----	2409 408	2409 408
	TP2, TD2, w/4 Speed Trans.	8	2	----	2409 408	
	First and Reverse, TA3, TC1, TC2 except 300J Second and Third, TA3, TC1, TC2 except 300J .	8	1	----	2074 521	2074 521
	Interlock, Police and Taxi	8	1	----	2074 535	2074 535
		6	1	----	*2404 859	
21-30-429	CLAMP, Rear Swivel, Second and Third, TA3, TC1, TC2 except 300J	8	1	----	2074 543	2074 543
	Interlock, Taxi and Police	6	1	----	2204 274	
21-30-430	GROMMET, Gearshift Control Bell Crank Bushing, TA3, TC1, TC2 except 300J	8	1	----	2074 539	2074 539
21-30-431	BUSHING, Bell Crank, TA3, TC1, TC2 except 300J	8	1	----	2074 553	2074 553
21-30-432	SPRING, Control Bell Crank to Trans. Extension, TA3, TC1, TC2 except 300J	8	1	----	2074 534	2074 534
21-30-433	CLIP, Rod, TA3, TC1, TC2 except 300J	8	★	----	1137 669	1137 669
	TP2, TD2, w/426 cu. in. Engine, TC2-300J . . .	8	★	----	1137 669	1137 669
	TP2, TD2, w/4 Speed Trans.	8	★	----	1137 669	
21-30-435	STUD, Bell Crank to Trans. Extension Bracket, TA3, TC1, TC2 except 300J	8	1	----	2074 508	2074 508
21-30-436	LINK or BELL CRANK, Control, w/BUSHING, TA3, TC1, TC2 except 300J	8	1	----	2203 495	2203 495

★ Indicates use as required.

Numerals in parentheses () refer to notes.

Printed in U.S.A.

☐ Indicates parts not listed in any previous parts book.

Prices and specifications subject to change without notice.

Jan. 3, 1964 Supersedes Dec. 14, 1962.

Page 21-16

* Indicates change or addition.

CODE	PART NAME AND DESCRIPTION	CYL.	PER CAR	VALIANT DART	PLYMOUTH DODGE	CHRYSLER IMPERIAL
------	---------------------------	------	---------	--------------	----------------	-------------------

STANDARD TRANSMISSION

21-30-O TRANSMISSION GEARSHIFT LEVER AND RODS - Cont'd

21-30-437	WASHER, Bell Crank Bushing, TA3, TC1, TC2 except 300J	8	1	----	2074 554	2074 554
21-30-438	PIN, Bell Crank to Floor Pan Bracket, TA3, TC1, TC2 except 300J	8	1	----	2074 547	2074 547

21-34-O TRANSMISSION GEARSHIFT RAIL

21-34-42	PIN, Interlock, TC1, TC2		1	1949 356	1949 356	1949 356
	TP2, TD2, w/426 cu. in. Engine.	8	1	----	1921 522	
	TP2, TD2, w/4 Speed	8	1	----	1921 522	
21-34-45	SLEEVE, Interlock, TC1, TC2		1	1949 355	1949 355	1949 355
	Thin, TP2, TD2, w/426 cu. in. Engine	8	★	----	1921 518	
	Medium, TP2, TD2, w/426 cu. in. Engine	8	★	----	1921 519	
	Thick, TP2, TD2, w/426 cu. in. Engine.	8	★	----	1921 520	
	Extra Thick, TP2, TD2, w/426 cu. in. Engine	8	★	----	1921 521	
	Thin, TP2, TD2, w/4 Speed	8	★	----	1921 518	
	Medium, TP2, TD2, w/4 Speed	8	★	----	1921 519	
	Thick, TP2, TD2, w/4 Speed	8	★	----	1921 520	
	Extra Thick, TP2, TD2, w/4 Speed	8	★	----	1921 521	
21-34-47	SPRING, Interlock Ball, TC1, TC2		1	*2205 131	*2205 131	*2205 131
	TP2, TD2, w/426 cu. in. Engine.	8	1	----	1921 523	
	Reverse Lever Poppet Ball, TP2, TD2, w/4 Speed	8	1	----	2408 093	
	Gearshift Interlock Ball, TP2, TD2, w/4 Speed	8	1	----	1921 523	

21-39-O TRANSMISSION GEARSHIFT FORK

21-39-3	FORK, Low and Reverse	6	1	1949 351	1949 351	
	Second and Direct	6	1	2125 059	2125 059	
	Low and Reverse, Heavy Duty Trans., TC1, TC2		1	----	2124 463	2124 463
	Second and Direct, Heavy Duty Trans., TC1, TC2		1	----	2124 462	2124 462
	Low and Reverse, TP2, TD2, w/426 cu. in. Engine	8	1	----	1921 517	
	Second and Direct, TP2, TD2, w/426 cu. in. Engine	8	1	----	1921 516	
	First and Second, TP2, TD2, w/4 Speed	8	1	----	2408 117	
	Third and Direct, TP2, TD2, w/4 Speed	8	1	----	2408 117	
	Reverse, TP2, TD2, w/4 Speed	8	1	----	2408 122	

21-42-O TRANSMISSION REMOTE CONTROL GEARSHIFT

21-42-11	LEVER, Low and Reverse	6	1	1949 347	1949 347	
	Second and Direct	6	1	1949 352	1949 352	
	Low and Reverse, Heavy Duty Trans., TC1, TC2		1	----	2124 523	2124 523
	Second and Direct, Heavy Duty Trans., TC1, TC2		1	----	2124 494	2124 494
	Low and Reverse, TP2, TD2, w/426 cu. in. Engine	8	1	----	1923 508	
	Second and Direct, TP2, TD2, w/426 cu. in. Engine	8	1	----	1921 508	
	First and Second, TP2, TD2, w/4 Speed	8	1	----	2408 114	
	Third and Direct, TP2, TD2, w/4 Speed	8	1	----	2408 123	
	Reverse, TP2, TD2, w/4 Speed	8	1	----	2408 119	
21-42-16	PIN, TC1, TC2		2	6022 161	6022 161	6022 161
21-42-23	LEVER, Operating, Low and Reverse	6	1	2204 903	2204 907	
	Second and Direct	6	1	2204 904	2208 160	
	Interlock, Heavy Duty Trans., Low and Reverse Police and Taxi	6	1	----	2400 716	

★ Indicates use as required. Numerals in parentheses () refer to notes. Printed in U.S.A.
 ☐ Indicates parts not listed in any previous parts book. Prices and specifications subject to change without notice.
 * Indicates change or addition. Page 21-17 Jan. 3, 1964 Supersedes Dec. 14, 1962.

CODE	PART NAME AND DESCRIPTION	CYL.	PER CAR	VALIANT DART	PLYMOUTH DODGE	CHRYSLER IMPERIAL
------	---------------------------	------	---------	--------------	----------------	-------------------

STANDARD TRANSMISSION

21-42-0 TRANSMISSION REMOTE CONTROL GEARSHIFT - Cont'd

21-42-23	LEVER - Cont'd					
	Low and Reverse, Heavy Duty Trans., Police and Taxi, Connects w/Pawl.	6	1	----	*2400 562	
	Low and Reverse, TP2, TD2-L, TD2-M, TD2-H, w/318 cu.in. Engine	8	1	----	2204 907	
	Low and Reverse, TP2-L, TP2-M, TP2-H, TD2-L, TD2-M, TD2-H, Heavy Duty Trans., Police and Taxi, TP2-P w/361 cu.in. Engine, TD2-P	8	1	----	2204 932	
	Second and Direct, TP2, TD2	8	1	----	2208 160	
	Low and Reverse, TP2, TD2, w/426 cu.in. Engine	8	1	----	2408 155	
	Second and Direct, TP2, TD2, w/426 cu.in. Engine	8	1	----	2408 154	
	Low and Reverse, TA3, TC1, TC2 except 300J	8	1	----	2204 398	2204 398
	Second and Direct, TA3, TC1, TC2 except 300J	8	1	----	2204 397	2204 397
	Low and Reverse, TC2-300J	8	1	----	----	2408 157
	Second and Direct, TC2-300J	8	1	----	----	2408 156
	First and Second, TP2, TD2, w/4 Speed	8	1	----	2408 152	
	Third and Fourth, TP2, TD2, w/4 Speed	8	1	----	2408 151	
	Reverse, TP2, TD2, w/4 Speed	8	1	----	2408 153	
	CLIP, Interlock Lever, Heavy Duty Trans., Police and Taxi	6	1	----	6025 071	
	WASHER, Interlock Lever Spring, Heavy Duty Trans., Police and Taxi	6	1	----	6023 596	
21-42-28	PIN, Low and Reverse Interlock Lever Pivot, Heavy Duty Trans., Police and Taxi	6	1	----	2400 568	
21-42-29	PAWL, Low and Reverse, Interlock Lever, Heavy Duty Trans., Police and Taxi	6	1	----	2400 715	
21-42-31	SEAL, Gearshift Lever Shaft, TC1, TC2	2		1949 350	1949 350	1949 350
	TP2, TD2, w/426 cu. in. Engine, TP2, TD2, w/4 Speed	8	2	----	1921 513	
21-42-42	BUSHING, Operating Lever Grommet	2		1676 200	1676 200	
21-42-43	GROMMET, Operating Lever	2		1941 699	1941 699	

21-84-0 TRANSMISSION SPEEDOMETER CABLE SHAFT AND HOUSING

21-84-1	HOUSING, w/SHAFT, 58 43/64" lgh.	6	1	2426 163		
	78" lgh., TP1, TP2, TD1, TD2		1	----	2290 461	
	70" lgh., TA3	8	1	----	2257 840	2257 840
	78" lgh., TP2, TD2, w/3.91 ratio and Adapter (also specify 1 of 1370 460)	8	1	----	*1819 972	
21-84-4	SHAFT, 58 43/64" lgh.	6	1	2426 164		
	78" lgh., TP1, TP2, TD1, TD2		1	----	2290 471	
	64 43/64" lgh., TA3	8	1	----	2209 229	2209 229
	76" lgh., TP2, TD2, w/3.91 ratio and Adapter	8	1	----	E2257 143	
21-84-7	CLAMP, Cable	1		2204 942	2204 942	2204 942
21-84-28	SEAL, Speedometer Cable Adapter	1		1942 259	1942 259	1942 259

★ Indicates use as required.

Numerals in parentheses () refer to notes.

Printed in U.S.A.

☐ Indicates parts not listed in any previous parts book.

Prices and specifications subject to change without notice.

Jan. 3, 1964 Supersedes Dec. 14, 1962.

* Indicates change or addition.

CODE	PART NAME AND DESCRIPTION	CYL	PER CAR	VALIANT DART	PLYMOUTH DODGE	CHRYSLER IMPERIAL
------	---------------------------	-----	---------	--------------	----------------	-------------------

STANDARD TRANSMISSION

21-85-0 TRANSMISSION SPEEDOMETER PINION AND GEAR

21-85-4	GEAR, Speedometer Drive, TP2, TD2, w/426 cu. in. Engine	8	1	----	----	2400 437
	TP2, TD2, w/4 Speed	8	1	----	----	2408 023

21-85-5 PINION STANDARD TRANSMISSION - TV1, TL1, TP1, TD1 - A903

Tire Size	2.93 to 1 Ratio Pinion Teeth	3.23 to 1 Ratio Pinion Teeth	3.31 to 1 Ratio Pinion Teeth	3.55 to 1 Ratio Pinion Teeth	3.91 to 1 Ratio Pinion Teeth
6.50 x 13	2204 356 17 O	2204 358 19 DB	----	2204 359 20 G	2204 359 20 G
6.70 x 13	----	2204 356 17 O	----	2204 358 19 DB	2204 360 21 GR
7.00 x 14	----	*2204 357 18 DP	2204 357 18 DP	2204 358 19 DB	2204 360 21 GR
7.50 x 14	----	2204 356 17 O	2204 356 17 O	2204 358 19 DB	2204 360 21 GR
6.70 x 15	----	2204 356 17 O	2204 356 17 O	2204 357 18 DP	2204 359 20 G
6.40 x 15	----	2204 356 17 O	----	----	----

COLORS OF PINIONS

DB-DARK BLUE O-ORANGE DP-DARK PURPLE G-GREEN GR-GRAY

HEAVY DUTY STANDARD TRANSMISSION - TP1, TP2, TD1, TD2, TA3, TC1, TC2 - A745
w/7 TOOTH SPEEDOMETER GEAR USED UP TO DATE 11-9-62 STAMPED ON TRANS. COVER

Tire Size	3.23 to 1 Ratio Pinion Teeth	3.31 to 1 Ratio Pinion Teeth	3.55 to 1 Ratio Pinion Teeth	3.91 to 1 Ratio Pinion Teeth
7.00 x 14	1949 402 18 N	1949 402 18 N	1949 403 19 R	1949 405 21 LB
7.50 x 14	1949 401 17 LP	1949 401 17 LP	1949 403 19 R	1949 405 21 LB
8.00 x 14	1949 401 17 LP	----	----	----
8.50 x 14	1949 401 17 LP	----	----	----
6.70 x 15	1949 401 17 LP	1949 401 17 LP	1949 402 18 N	1949 404 20 B
7.10 x 15	1949 402 18 N	----	----	----
7.60 x 15	1949 401 17 LP	----	1949 402 18 N	1949 403 19 R
6.50 x 13	1949 403 19 R	----	1949 404 20 B	1949 406 22 Y

COLORS OF PINIONS

N-NATURAL LP-LIGHT PURPLE R-RED LB-LIGHT BLUE B-BLACK Y-YELLOW

HEAVY DUTY STANDARD TRANSMISSION-TP1, TP2, TD1, TD2, TA3, TC1, TC2 - A745, w/8 TOOTH
SPEEDOMETER GEAR USED AFTER DATE 11-9-62 STAMPED ON TRANS. COVER

Tire Size	2.93 to 1 Ratio Pinion Teeth	3.23 to 1 Ratio Pinion Teeth	3.31 to 1 Ratio Pinion Teeth	3.55 to 1 Ratio Pinion Teeth	3.91 to 1 Ratio Pinion Teeth
7.00 x 14	1949 402 18 N	1949 404 20 B	1949 405 21 LB	1949 406 22 Y	1949 406 22 Y(1)
7.50 x 14	1949 402 18 N	1949 403 19 R	1949 404 20 B	1949 405 21 LB	1949 405 21 LB(1)
8.00 x 14	----	1949 403 19 R	----	----	----
8.50 x 14	----	1949 403 19 R	----	----	----
6.70 x 15	1949 401 17 LP	1949 403 19 R	1949 404 20 B	1949 405 21 LB	1949 405 21 LB(1)
7.10 x 15	----	1949 403 19 R	----	----	----
7.60 x 15	----	1949 402 18 N	----	1949 404 20 B	1949 406 22 Y

COLOR OF PINIONS

N-NATURAL LP-LIGHT PURPLE R-RED LB-LIGHT BLUE B-BLACK Y-YELLOW

NOTE 1: USE WITH 2464 240 ADAPTER

* Indicates use as required. Numerals in parentheses () refer to notes. Printed in U.S.A.
 □ Indicates parts not listed in any previous parts book. Prices and specifications subject to change without notice.
 * Indicates change or addition.

STANDARD TRANSMISSION

21-85-O TRANSMISSION SPEEDOMETER PINION AND GEAR - Cont'd

21-85-5 PINION STANDARD TRANSMISSION - TP2, TD2 - w/426 cu. in. Engine - T85

3.91 to 1 Ratio
Pinion Teeth

7.50 x 14 2204 357 18 DP

COLOR OF PINION

DP-DARK PURPLE

4 SPEED-STANDARD TRANSMISSION TP2 - TD2 - T10

Tire Size	3.23 to 1 Ratio Pinion Teeth	3.55 to 1 Ratio Pinion Teeth
7.00 x 14	2204 357 18 DP	2204 359 20 G
7.50 x 14	2204 356 17 O	2204 358 19 DB

COLORS OF PINIONS

DB-DARK BLUE

O-ORANGE

G-GREEN

DP-DARK PURPLE

CODE	PART NAME AND DESCRIPTION	CYL.	PER CAR	VALIANT DART	PLYMOUTH DODGE	CHRYSLER IMPERIAL
21-85-9	ADAPTER, w/3.91 ratio	6	1	*2291 133		
	TA3, TC1, TC2	8	1	----	2291 140	2291 140
	TP2, TD2, w/8 Tooth Speedometer Gear		1	----	B2464 240	
21-85-22	SEAL, Adapter, TC1, TC2		1	*2426 332	2426 332	2426 332
21-85-29	SNAP RING, Speedometer Drive Gear, TP2, TD2, w/426 cu. in. Engine, TP2, TD2, w/4 Speed . .	8	2	----	6023 560	
21-85-56	SEAL, Pinion		1	2124 328	2124 328	2124 328
21-85-61	CLIP, Pinion		1	1942 174	1942 174	1942 174

NOTES

★ Indicates use as required. Numerals in parentheses () refer to notes. Printed in U.S.A.
 □ Indicates parts not listed in any previous parts book. Prices and specifications subject to change without notice.
 Jan. 3, 1964 Supersedes Jan. 25, 1963. * Indicates change or addition.

CODE	PART NAME AND DESCRIPTION	CYL	PER CAR	VALIANT DART	PLYMOUTH DODGE	CHRYSLER IMPERIAL
------	---------------------------	-----	---------	--------------	----------------	-------------------

AUTOMATIC 3-SPEED TRANSMISSION

21-01-O TRANSMISSION SETS OR PACKAGES

21-01-3	SEAL and GASKET PACKAGE	6	1	B2421 737	B2421 737	
	TP1, TD1, Taxi and Police, TP2, TD2, TA3 . . .		1	----	B2421 735	B2421 735

21-02-O TRANSMISSION ASSEMBLY

21-02-1	TRANSMISSION	6	1	2408 001		
	Heavy Duty	6	1	2408 002		
	w/225 cu.in. Engine	6	1	2408 002		
	TP2, TD2, w/318 cu. in. Engine.	6	1	----	2408 003	
	Taxi and Police.	8	1	----	2408 004	
	TP2, TD2, TA3, TC1, w/361 cu.in. Engine	6	1	----	2464 099	
	2 Barrel Carburetor, TC2, TC3, TY1	8	1	----	2408 005	2408 005
	TP2, TD2, w/383 cu.in. Engine, TA3, TC1, TC2,	8	1	----	2408 006	2408 006
	w/413 cu.in. Engine, 4 Barrel Carburetor	8	1	----	*2464 426	*2464 426
	TP2, TD2, w/426 cu. in. Engine, TC2-300J . . .	8	1	----		
21-02-8	BAFFLE, Vent, TP1, TD1, Taxi and Police, TP2,		1	----	2400 479	2400 479
	TD2, TA3					

21-03-O TRANSMISSION CASE

21-03-1	CASE	6	1	2400 099	2400 099	
	Taxi and Police.	6	1	----	2400 130	
	TP2, TD2, w/318 cu.in. Engine	8	1	----	2400 130	
	TP2, TD2, w/361, 383 and 426 cu. in. Engine . .	8	1	----	2400 131	
	TA3	8	1	----	2400 131	2400 131
21-03-2	PLATE ADAPTER, Taxi and Police	6	1	----	2125 013	
21-03-6	COVER, Case Torque Converter	6	1	1949 767	1949 767	
	TP2, TD2, w/318 cu.in. Engine	8	1	----	2125 057	
	TP2, TD2, w/361, 383 and 426 cu. in. Engine,	8	1	----	*1942 248	*1942 248
	TA3	8	1	----		
21-03-7	COVER, Torque Converter Drain, TP2, TD2,	8	1	----	2204 728	
	w/318 cu.in. Engine					
21-03-23	SCREW, Bracket to Cylinder Block	6	2	6023 143	6023 143	
	Bracket to Case	8	2	----	6023 143	
	Case to Cylinder Block		★	6023 187	6023 187	6023 187
	Cylinder Block to Transmission Case	6	1	2124 411	2124 411	
	Cylinder Block to Transmission Case		2	2124 410	2124 410	
	Cylinder Block to Transmission Case	8	2	----	6012 042	6012 042
	Plate to Trans., Taxi and Police	6	2	----	6012 042	
	Trans. to Plate, Taxi and Police	6	4	----	6023 187	
	Cylinder Block to Adapter, Taxi and Police . . .	6	2	----	2124 410	
	Cylinder Block to Adapter, Taxi and Police . . .	6	1	----	2124 411	
21-03-28	BRACKET or STRUT, Case to Cylinder Block,	6	1	1949 701	1949 701	
	Left Side		1	----	2204 707	
	Left Side, TP1, TD1, Taxi and Police, TP2, TD2		1	----	2204 702	
	Right Side, TP1, TD1, Taxi and Police, TP2, TD2					
21-03-40	PIN, Adapter Plate Dowel, Taxi and Police	6	2	----	1533 923	

★ Indicates use as required.

Numerals in parentheses () refer to notes.

Printed in U.S.A.

⊠ Indicates parts not listed in any previous parts book.

Prices and specifications subject to change without notice.

* Indicates change or addition.

CODE	PART NAME AND DESCRIPTION	CYL.	PER CAR	VALIANT DART	PLYMOUTH DODGE	CHRYSLER IMPERIAL
------	---------------------------	------	---------	--------------	----------------	-------------------

AUTOMATIC 3-SPEED TRANSMISSION

21-04-O TRANSMISSION CASE EXTENSION

21-04-1	EXTENSION	6	1	2400 134	2400 136	
	w/225 cu.in. Engine	6	1	2400 136		
	Heavy Duty	6	1	2400 136		
	TP1, TD1, Taxi and Police, TP2, TD2, TA3		1	----	2400 065	2400 065
21-04-2	GASKET	6	1	2205 322	2205 322	
	TP1, TD1, Taxi and Police, TP2, TD2, TA3		1	----	2400 064	2400 064
21-04-6	SCREW, Extension, w/WASHER, Short	5		*6023 514	*6023 514	*6023 514
	Long	1		*6023 945	*6023 945	*6023 945
21-04-11	BUSHING	6	1	2124 607	2124 607	
	BEARING, TP1, TD1, Taxi and Police, TP2, TD2, TA3		1	----	1672 194	1672 194
21-04-12	SNAP RING, Bearing, TP1, TD1, Taxi and Police, TP2, TD2, TA3		1	----	1736 432	1736 432

21-05-O TRANSMISSION OUTPUT SHAFT

21-05-1	SHAFT, w/PLUG	6	1	2421 270	2421 269	
	TP1, TD1, Taxi and Police, TP2, TD2, TA3		1	----	2400 990	2400 990
21-05-12	OIL SEAL, Output Shaft	6	1	1942 401	1942 401	
	TP1, TD1, Taxi and Police, TP2, TD2, TA3		1	----	2205 080	2205 080
21-05-19	SNAP RING, Output Shaft	6	1	6022 859	6022 859	
	TP1, TD1, Taxi and Police, TP2, TD2, TA3		1	----	6022 816	6022 816
21-05-35	WASHER, Output Shaft Thrust, .052" thk., Natural, Fiber	6	★	1942 454	1942 454	
	.068" thk., Red, Fiber	6	★	1942 455	1942 455	
	.083" thk., Black, Fiber	6	★	1942 456	1942 456	
	TP1, TD1, Taxi and Police, TP2, TD2, TA3		1	----	2125 104	2125 104

21-30-O TRANSMISSION GEARSHIFT BUTTON AND CABLE

21-30-28	SOCKET, Selector, w/CABLE	6	1	2291 907		
	TP1, TP2, TD1, TD2		1	----	*2291 689	
	TA3	8	1	----	*2257 275	
	TC1, TC2, TC3	8	1	----	----	2291 907
	TY1	8	1	----	----	2197 939
21-30-320	HOUSING, w/SLIDES		1	2401 985	2401 985	2401 985
21-30-324	INSULATOR, Housing, TA3		1	*2405 223	*2405 223	
21-30-329	BRACKET, Reverse Slide Light Switch		1	2123 249	2123 249	2123 249
21-30-336	BUTTON, w/COVER, Neutral	6	1	2266 417		
	Drive	6	1	2266 418		
	First	6	1	2266 420		
	Second	6	1	2266 419		
	Reverse	6	1	2266 416		
	BUTTON, w/COVER, Neutral, TP1, TP2		1	----	2401 988	
	Drive, TP1, TP2		1	----	2260 859	
	First, TP1, TP2		1	----	2260 861	
	Second, TP1, TP2		1	----	2260 860	
	Reverse, TP1, TP2		1	----	2260 857	

★ Indicates use as required.

Numerals in parentheses () refer to notes.

Printed in U.S.A.

☐ Indicates parts not listed in any previous parts book.

Prices and specifications subject to change without notice.

CODE	PART NAME AND DESCRIPTION	CYL	PER CAR	VALIANT DART	PLYMOUTH DODGE	CHRYSLER IMPERIAL
------	---------------------------	-----	---------	--------------	----------------	-------------------

AUTOMATIC 3-SPEED TRANSMISSION

21-30-O TRANSMISSION GEARSHIFT BUTTON AND CABLE - Cont'd

21-30-336	BUTTON, w/COVER, Neutral, TD1, TD2		1	----	2401 987	
	Drive, TD1, TD2		1	----	2208 184	
	First, TD1, TD2		1	----	2208 186	
	Second, TD1, TD2		1	----	2208 185	
	Reverse, TD1, TD2		1	----	2208 182	
	BUTTON, w/COVER, Neutral, TA3		1	----	2405 212	
	Drive, TA3		1	----	2405 213	
	First, TA3		1	----	2405 215	
	Second, TA3		1	----	2405 214	
	Reverse, TA3		1	----	2405 211	
	BUTTON, w/COVER, Neutral, TC1, TC2, TC3	8	1	----	----	2260 941
	Drive, TC1, TC2, TC3	8	1	----	----	2260 942
	First, TC1, TC2, TC3	8	1	----	----	2260 944
	Second, TC1, TC2, TC3	8	1	----	----	2260 943
	Reverse, TC1, TC2, TC3	8	1	----	----	2260 940
	BUTTON, w/COVER, Neutral, TY1	8	1	----	----	2401 281
	Drive, TY1	8	1	----	----	2401 282
	First, TY1	8	1	----	----	2401 284
	Second TY1	8	1	----	----	2401 283
	Reverse, TY1	8	1	----	----	2401 280
21-30-340	BUMPER, Slide		4	1731 143	1731 143	1731 143
21-30-345	SPRING, Slide		5	1639 970	1639 970	1639 970
21-30-365	CABLE, Control, 42" lgh., TD1, TD2, w/318 cu. in. Eng.		1	2266 403	2266 403	
	44" lgh., TP1, TP2, w/318 cu. in. Engine		1	----	2266 404	
	48" lgh., TP2, TD2, w/361, 383 and 426 cu. in. Engine.	8	1	----	*2266 405	
	59" lgh., TA3, TC1, TC2, TC3	8	1	----	2405 477	2405 477
	48" lgh., TY1	8	1	----	----	2266 405
	46" lgh., TY1	8	1	----	----	*2265 183
21-30-370	BRACKET, Cable, on Housing		1	1673 921	1673 921	1673 921
	TA3, TC1, TC2, TC3, on Strg. Housing	8	1	----	2405 476	2405 476
	TY1	8	1	----	----	2409 194
	CLIP.	6	1	⊠2409 452	----	----
21-30-375	FLANGE or WHEEL, Control Cable Adjusting		1	1856 492	1856 492	1856 492
21-30-390	SEAL, Cable, on Trans.		1	1316 813	1316 813	1316 813
21-30-392	ADAPTER, Control Cable, w/PIN		1	1941 636	1941 636	1941 636
21-30-394	SPRING, Control Cable Adapter		1	1673 184	1673 184	1673 184

21-84-O TRANSMISSION SPEEDOMETER CABLE SHAFT AND HOUSING

21-84-1	HOUSING, w/SHAFT, 58 43/64" lgh.	6	1	2426 163		
	78" lgh., TP1, TP2, TD1, TD2		1	----	2290 461	
	70" lgh., TA3	8	1	----	2257 840	2257 840
	31 3/8" lgh., w/Auto. Pilot, TA3	8	1	----	*1972 351	*1972 351
21-84-4	SHAFT, 58 43/64" lgh.	6	1	2426 164		
	78" lgh., TP1, TP2, TD1, TD2		1	----	2290 471	
	64 43/64" lgh., TA3	8	1	----	2209 229	2209 229
	w/Auto. Pilot, TA3, TC1, TC2, TC3	8	1	----	*1972 352	*1972 352
	28 5/32" lgh., w/Auto. Pilot, TY1	8	1	----	----	*1887 657
21-84-7	CLAMP, Cable		1	2204 942	2204 942	2204 942
21-84-28	SEAL, Cable Adapter		1	1942 259	1942 259	1942 259

★ Indicates use as required.

Numerals in parentheses () refer to notes.

Printed in U.S.A.

⊠ Indicates parts not listed in any previous parts book.

Prices and specifications subject to change without notice.

* Indicates change or addition.

Page 21-23

Jan. 3, 1964 Supersedes Dec. 14, 1962.

AUTOMATIC 3-SPEED TRANSMISSION

21-85-0 TRANSMISSION SPEEDOMETER PINION

21-85-5 PINION

6 CYLINDER CARS ONLY

A904

Tire Size	2.76 to 1 Ratio Pinion Teeth	2.93 to 1 Ratio Pinion Teeth	3.23 to 1 Ratio Pinion Teeth	3.31 to 1 Ratio Pinion Teeth	3.55 to 1 Ratio Pinion Teeth	3.91 to 1 Ratio Pinion Teeth
6.50 x 13	-----	2204 356 17 O	2204 358 19 DB	-----	2204 359 20 G	2204 360 21 GR
6.70 x 13	-----	2204 355 16 B	2204 356 17 O	-----	2204 358 19 DB	2204 360 21 GR
7.00 x 14	*2204 355 *16 B	2204 355 16 B	2204 357 18 DP	2204 357 18 DP	2204 358 19 DB	2204 360 21 GR
7.50 x 14	*2204 355 *16 B	2204 355 16 B	2204 356 17 O	2204 356 17 O	2204 358 19 DB	2204 360 21 GR
6.70 x 15	*2204 355 *16 B	2204 355 16 B	2204 356 17 O	2204 356 17 O	2204 357 18 DP	2204 359 20 G

*Use with 2291 278 Adapter

COLOR OF PINIONS

O-ORANGE B-BROWN DP-DARK PURPLE G-GREEN DB-DARK BLUE GR-GRAY

TP1, TD1, TAXI AND POLICE, TP2, TD2, TA3, TC1, TC2, TC3, TY1

A727

Tire Size	2.76 to 1 Ratio Pinion Teeth	2.93 to 1 Ratio Pinion Teeth	3.23 to 1 Ratio Pinion Teeth	3.55 to 1 Ratio Pinion Teeth	3.91 to 1 Ratio Pinion Teeth
7.00 x 14	2204 356 17 O	2204 357 18 DP	2204 359 20 G	*2204 359 *20 G	-----
7.50 x 14	2204 356 17 O	2204 357 18 DP	2204 358 19 DB	-----	*2204 360 *21 GR
8.00 x 14	2204 355 16 B	2204 356 17 O	2204 358 19 DB	-----	-----
8.50 x 14	2204 355 16 B	2204 356 17 O	2204 358 19 DB	-----	-----
9.00 x 14	-----	2204 355 16 B	2204 357 18 DP	-----	-----
6.70 x 15	2204 355 16 B	2204 356 17 O	2204 358 19 DB	-----	-----
7.10 x 15	-----	2204 356 17 O	2204 358 19 DB	-----	-----
7.60 x 15	-----	2204 355 16 B	2204 357 18 DP	2204 359 20 G	*2204 359 *20 G
7.50 x 15	-----	-----	-----	2204 358 19 DB	-----
8.20 x 15	-----	2204 355 16 B	-----	-----	-----

*Use with 2291 141 Adapter

COLOR OF PINIONS

O-ORANGE B-BROWN DP-DARK PURPLE G-GREEN DB-DARK BLUE GR-GRAY

CODE	PART NAME AND DESCRIPTION	C Y L.	PER CAR	VALIANT DART	PLYMOUTH DODGE	CHRYSLER IMPERIAL
21-85-9	ADAPTER, Drive Pinion, use w/2.76 ratio	6	1	-----	*2291 278	
21-85-22	SEAL, Drive Pinion Adapter	6	1	-----	2426 332	
	TP2, TD2, w/426 cu. in. Engine, TC2, 300J	8	1	-----	2426 332	2426 332
21-85-56	SEAL, Pinion		1	2124 328	2124 328	2124 328
21-85-61	CLIP, Pinion		1	1942 174	1942 174	1942 174

* Indicates use as required. Numerals in parentheses () refer to notes. Printed in U.S.A.
 □ Indicates parts not listed in any previous parts book. Prices and specifications subject to change without notice.
 Jan. 3, 1964 Supersedes Dec. 14, 1962. * Indicates change or addition.

CODE	PART NAME AND DESCRIPTION	CYL	PER CAR	VALIANT DART	PLYMOUTH DODGE	CHRYSLER IMPERIAL
------	---------------------------	-----	---------	--------------	----------------	-------------------

AUTOMATIC 3-SPEED TRANSMISSION

21-113-O TRANSMISSION NEUTRAL STARTER SWITCH

21-113-24	SWITCH PACKAGE, w/WASHER and "O" RING, on Trans.		1	1704 283	1704 283	1704 283
21-113-28	"O" RING, Mounting		1	1316 849	1316 849	1316 849
21-113-29	WASHER, Mounting		1	1704 482	1704 482	1704 482

21-117-O TRANSMISSION OIL PUMP STRAINER

NOTE: See Code 9-46-27 for Tubes

21-117-1	STRAINER		1	1949 964	1949 964	1949 964
	FILTER, Oil, Attached to Oil Pan		1	2400 124	2400 124	2400 124
21-117-2	CLAMP, Oil Filter		1	2268 908	2268 908	2268 908
21-117-3	BRACKET, Oil Filter	6	1	2400 126	2400 126	
	TP1, TD1, Taxi and Police, TP2, TD2, TA3.		1	----	2400 078	2400 078

21-118-O TRANSMISSION OIL PUMP

21-118-6	ROTOR PACKAGE, Front Pump	6	1	2240 302	2240 302	
	Rear Pump	6	1	2196 795	2196 795	
	Front Pump, TP1, TD1, Taxi and Police, TP2, TD2, TA3		1	----	2275 497	2275 497
	Rear Pump, TP1, TD1, Taxi and Police, TP2, TD2, TA3		1	----	2275 496	2275 496
21-118-40	HOUSING, Front Pump, w/BUSHING	6	1	2204 712	2204 712	
	Rear Pump	6	1	1942 463	1942 463	
	Front Pump, w/PLUGS, TP1, TD1, Taxi and Police, TP2, TD2, TA3.		1	----	2400 492	2400 492
	Rear Pump, TP1, TD1, Taxi and Police, TP2, TD2, TA3, UP TO Trans. No. 681153		1	----	*1942 105	*1942 105
	Rear Pump, TP1, TD1, Police and Taxi, TP2, TD2, TA3, AFTER Trans. No. 681153.		1	----	*2464 383	*2464 383
21-118-42	OIL SEAL, Front Pump Housing, 2 1/4" O.D.	6	1	2124 705	2124 705	
	Front Pump, 2 5/8" O.D., TP1, TD1, Taxi and Police, TP2, TD2, TA3.		1	----	1942 020	1942 020
21-118-45	OIL SEAL, Front Pump Housing, 8 17/64" O.D.	6	1	2204 709	2204 709	
	10" O.D., TP1, TD1, Taxi and Police, TP2, TD2, TA3		1	----	1942 021	1942 021
21-118-47	BUSHING, Front Pump Housing	6	1	2204 953	2204 953	
	TP1, TD1, Taxi and Police, TP2, TD2, TA3.		1	----	2205 041	2205 041
21-118-53	COVER, Rear Pump Housing		1	1942 107	1942 107	1942 107
21-118-54	GASKET, Front Pump Housing, TP1, TD1, Taxi and Police, TP2, TD2, TA3		1	----	2124 846	2124 846
21-118-55	SCREW, Front Oil Pump Housing, w/WASHER		★	2124 600	2124 600	2124 600
21-118-57	SHIELD, Front Pump Housing Vent, TP1, TD1, Taxi and Police, TP2, TD2, TA3		1	----	2204 993	2204 993

★ Indicates use as required.

Numerals in parentheses () refer to notes.

Printed in U.S.A.

□ Indicates parts not listed in any previous parts book.

Prices and specifications subject to change without notice.

* Indicates change or addition.

Jan. 3, 1964 Supersedes Dec. 14, 1962.

CODE	PART NAME AND DESCRIPTION	CYL	PER CAR	VALIANT DART	PLYMOUTH DODGE	CHRYSLER IMPERIAL
------	---------------------------	-----	---------	--------------	----------------	-------------------

AUTOMATIC 3-SPEED TRANSMISSION

21-119-O TRANSMISSION OIL PAN

21-119-3	PAN, Oil	6	1	E2464 413	E2464 413	
	TP1, TD1, Taxi and Police, TP2, TD2, TA3 . . .		1	----	E2464 312	E2464 312
	SCREW		14	6023 355	6023 355	6023 355
21-119-5	GASKET, Oil Pan	6	1	2205 299	2205 299	
	TP1, TD1, Taxi and Police, TP2, TD2, TA3 . . .		1	----	2124 867	2124 867
21-119-11	PLUG, Oil Pan Drain		1	2268 564	2268 564	2268 564
21-119-12	GASKET, Drain Plug		1	2400 863	2400 863	2400 863
21-119-15	TUBE, Oil Filler	6	1	2204 641	2204 641	
	TP2, TD2, w/318 cu. in. Engine		8	----	2204 788	
	TP2, TD2, w/361 and 383 cu. in. Engine		8	----	2204 716	
	TP2, TD2, w/426 cu. in. Engine, TC2-300J		8	----	2400 652	2204 716
	TA3, TC1, TC2 except 300J, TC3, TY1		8	----	2204 929	2204 929
	TP1, TD1, Taxi and Police		6	----	2204 788	
21-119-19	INDICATOR, Oil Level	6	1	2204 643	2204 643	
	TP1, TD1, Taxi and Police, TP2, TD2, TA3		1	----	2204 799	2204 799
	TP2, TD2, w/426 cu. in. Engine		8	----	2400 655	
21-119-25	SEAL, Oil Filler Tube		1	1316 815	1316 815	1316 815

21-129-O TRANSMISSION INPUT SHAFT AND TORQUE CONVERTER REACTION SHAFT

21-129-5	SHAFT, Input, w/Rear Clutch Piston RETAINER	6	1	2125 201	2125 201	
	SHAFT, Input	6	1	2125 200	2125 200	
	SHAFT, Input, w/BUSHING, TP1, TD1, Taxi and Police, TP2, TD2, TA3		1	----	2124 831	2124 831
21-129-6	BUSHING, Input Shaft, TP1, TD1, Taxi and Police, TP2, TD2, TA3		1	----	2205 242	2205 242
21-129-7	RING, Input Shaft Seal	6	2	1941 831	1941 831	
	TP1, TD1, Taxi and Police, TP2, TD2, TA3		2	----	1942 041	1942 041
	SNAP RING, Input Shaft		6	6022 859	6022 859	
21-129-10	SHAFT, Reaction, w/SUPPORT, 27T., 6 5/8" lgh.	6	1	1942 419	1942 419	
	27T., 6 5/8" lgh., TP1, TD1, Taxi and Police, TP2, TD2, TA3		1	----	2124 810	2124 810
21-129-13	RING, Reaction Shaft Support Seal	6	2	1942 389	1942 389	
	TP1, TD1, Taxi and Police, TP2, TD2, TA3		2	----	2124 813	2124 813
21-129-23	BUSHING, Reaction Shaft	6	1	2205 302	2205 302	
	TP1, TD1, Taxi and Police, TP2, TD2, TA3		1	----	2205 240	2205 240
21-129-24	GASKET, Reaction Shaft Support	6	1	1942 390	1942 390	

21-133-O TRANSMISSION CLUTCH

21-133-5	RETAINER, Front Clutch Piston, w/DISC, PISTON and SPRING	6	1	2205 326	2204 979	
	Front Clutch, w/225 cu.in. Engine	6	1	2204 979		
	Front Clutch, Heavy Duty	6	1	2204 979		
	TP1, TD1, Taxi and Police, TP2, TD2, TA3		1	----	2124 814	2124 814
	TP2, TD2, w/426 cu. in. Engine, TC2-300J		8	----	2400 724	2400 724

★ Indicates use as required.

Numerals in parentheses () refer to notes.

Printed in U.S.A.

E Indicates parts not listed in any previous parts book.

Prices and specifications subject to change without notice.

Jan. 3, 1964 Supersedes Dec. 14, 1962.

* Indicates change or addition.

CODE	PART NAME AND DESCRIPTION	C Y L.	PER CAR	VALIANT DART	PLYMOUTH DODGE	CHRYSLER IMPERIAL
------	---------------------------	--------------	------------	-----------------	-------------------	----------------------

AUTOMATIC 3 - SPEED TRANSMISSION

21-133-O TRANSMISSION CLUTCH - Cont'd

21-133-7	RETAINER, Front Clutch Piston, w/BUSHING . . .	6	1	2205 325	2204 980	
	Front Clutch, w/225 cu.in. Engine	6	1	2204 980		
	Front Clutch, Heavy Duty	6	1	2204 980		
	Front Clutch Piston, w/BUSHING, TP1, TD1, Taxi and Police, TP2, TD2, TA3		1	----	*2124 815	*2124 815
	Rear Clutch, Taxi and Police, w/3 Disc		1	----	*2204 976	
	Rear Clutch, w/318 cu. in. Engine	8	1	----	2204 976	
	Rear Clutch, TP2, TD2, w/361, 383 and 426 cu. in. Engine	8	1	----	2124 836	
	Rear Clutch, TA3	8	1	----	2124 836	2124 836
	Rear Clutch Piston, TP1, TD1, Taxi and Police, TP2, TD2, TA3, 28T., 62T.		1	----	2124 833	2124 833
	Rear Clutch, Police and Taxi, TP1, TD1, TP2, TD2, w/4 Disc		1	----	*2124 836	
21-133-10	BUSHING, Front Clutch Retainer	6	1	2205 303	2205 303	
	TP1, TD1, Taxi and Police, TP2, TD2, TA3 . . .		1	----	2205 241	2205 241
21-133-15	PISTON, Front Clutch	6	1	1942 395	1942 395	
	Rear Clutch	6	1	2125 198	2125 198	
	Front Clutch, TP1, TD1, Taxi and Police, TP2, TD2, TA3		1	----	2124 819	2124 819
	Rear Clutch, TP1, TD1, Taxi and Police, TP2, TD2, TA3		1	----	2204 645	2204 645
21-133-17	SEAL, Front Clutch Piston, Inner	6	1	1942 396	1942 396	
	Outer	6	1	1942 397	1942 397	
	Rear Clutch Piston, Inner	6	1	2125 187	2125 187	
	Outer	6	1	1942 397	1942 397	
	Front Clutch Piston, Inner, TP1, TD1, Taxi and Police, TP2, TD2, TA3		1	----	2124 820	2124 820
	Outer, TP1, TD1, Taxi and Police, TP2, TD2, TA3		1	----	2124 821	2124 821
	Rear Clutch Piston, Inner, TP1, TD1, Taxi and Police, TP2, TD2, TA3		1	----	1942 054	1942 054
	Outer, TP1, TD1, Taxi and Police, TP2, TD2, TA3		1	----	2124 835	2124 835
21-133-20	SPRING, Front Clutch Piston Return	6	1	2205 233	1942 467	
	Front Clutch, w/225 cu.in. Engine	6	1	1942 467		
	Front Clutch, Heavy Duty	6	1	1942 467		
	Rear Clutch	6	1	1942 414	1942 414	
	Front Clutch Piston, TP1, TD1, Taxi and Police, TP2, TD2, TA3		10	----	2124 822	2124 822
	Rear Clutch Piston, TP1, TD1, Taxi and Police, TP2, TD2, TA3		1	----	1942 015	1942 015
21-133-22	RETAINER, Front Clutch Piston Spring	6	1	1942 399	1942 399	
	TP1, TD1, Taxi and Police, TP2, TD2, TA3 . . .		1	----	2124 823	2124 823
21-133-25	SNAP RING, Rear Clutch Piston Spring, 5 27/64" O.D.	6	1	1942 415	1942 415	
	Rear Clutch Piston Retainer, TP1, TD1, Taxi and Police, TP2, TD2, TA3, 1 5/16" O.D. . . .		1	----	2124 872	2124 872
	Rear Clutch Piston Spring, TP1, TD1, Taxi and Police, TP2, TD2, TA3, 7 3/16" O.D.		1	----	1942 057	1942 057
21-133-36	DISC, Front Clutch Driving	6	★	2205 203	1942 404	
	Front Clutch Driving, w/225 cu.in. Engine . . .	6	4	1942 404		
	Front Clutch Driving, Heavy Duty	6	4	1942 404		
	Rear Clutch Driving	6	3	1942 418	1942 418	

★ Indicates use as required.

Numerals in parentheses () refer to notes.

Printed in U.S.A.

☐ Indicates parts not listed in any previous parts book.

Prices and specifications subject to change without notice.

* Indicates change or addition.

CODE	PART NAME AND DESCRIPTION	C Y L	PER CAR	VALIANT DART	PLYMOUTH DODGE	CHRYSLER IMPERIAL
------	---------------------------	-------------	------------	-----------------	-------------------	----------------------

AUTOMATIC 3-SPEED TRANSMISSION

21-133-O TRANSMISSION CLUTCH - Cont'd

21-133-36	DISC - Cont'd Front Clutch Driving, TP1, TD1, Taxi and Police, TP2, TD2, TA3	4	----		2124 827	2124 827
	Front Clutch Driving, TP2, TD2, w/426 cu. in. Engine, TC2-300J	8	4	----	2400 725	2400 725
	Rear Clutch Driving, TP1, TD1, Taxi and Police, TP2, TD2, TA3	★	----		2124 838	2124 838
21-133-38	PLATE, Front Clutch	6	★	1942 403	1942 403	
	Rear Clutch	6	2	1942 403	1942 403	
	Front Clutch, TP1, TD1, Taxi and Police, TP2, TD2, TA3	4	----		2124 826	2124 826
	Rear Clutch, TP1, TD1, Taxi and Police, TP2, TD2, TA3	★	----		2124 826	2124 826
21-133-39	PLATE, Front Clutch Pressure	6	1	1942 402	1942 402	
	Rear Clutch Pressure, Front	6	1	1949 930	1949 930	
	Rear Clutch Pressure, Rear	6	1	1942 402	1942 402	
	Front Clutch Pressure, TP1, TD1, Taxi and Police, TP2, TD2, TA3	1	----		2124 825	2124 825
	Rear Clutch Pressure, Front, TP1, TD1, Taxi and Police, TP2, TD2, TA3	1	----		2124 837	2124 837
	Rear Clutch Pressure, Rear, TP1, TD1, Taxi and Police, TP2, TD2, TA3	1	----		2124 825	2124 825
21-133-40	GEAR, Sun, w/BUSHING	6	1	1942 434	1942 434	
	TP1, TD1, Taxi and Police, TP2, TD2, TA3 . . .	1	----		1942 076	1942 076
21-133-42	SHELL, Sun Gear Driving	6	1	1942 438	1942 438	
	TP1, TD1, Taxi and Police, TP2, TD2, TA3 . . .	1	----		2124 847	2124 847
21-133-43	SNAP RING, Front Clutch, Outer, 5 1/4" O.D. . .	6	1	*1942 421	*1942 421	
	Front Clutch, Inner	6	1	1942 400	1942 400	
	Rear Clutch Retainer, .060" thk., 5 1/4" O.D. . .	6	★	*1942 421	*1942 421	
	Rear Clutch Retainer, .068" thk., 5 1/4" O.D. . .	6	★	*1942 422	*1942 422	
	Rear Clutch Retainer, .076" thk., 5 1/4" O.D. . .	6	★	*1942 423	*1942 423	
	Front Clutch, Inner, TP1, TD1, Taxi and Police, TP2, TD2, TA3, 3 1/4" O.D.	1	----		2124 824	2124 824
	Front Clutch, TP1, TD1, Taxi and Police, TP2, TD2, TA3, 7" O.D.	1	----		1942 063	1942 063
	Rear Clutch Retainer, TP1, TD1, Taxi and Police, TP2, TD2, TA3, .060" thk., 7" O.D. . .	★	----		1942 063	1942 063
	Rear Clutch Retainer, TP1, TD1, Taxi and Police, TP2, TD2, TA3, .074" thk., 7" O.D. . .	★	----		1942 064	1942 064
	Rear Clutch Retainer, TP1, TD1, Taxi and Police, TP2, TD2, TA3, .088" thk., 7" O.D. . .	★	----		1942 065	1942 065
21-133-46	RING, Sun Gear Driving Shell Lock	6	2	1942 439	1942 439	
	TP1, TD1, Taxi and Police, TP2, TD2, TA3 . . .	2	----		1736 521	1736 521
21-133-47	PLATE, Sun Gear Driving Shell Thrust	6	2	2124 258	2124 258	
	TP1, TD1, Taxi and Police, TP2, TD2, TA3 . . .	1	----		1942 080	1942 080
21-133-48	WASHER, Sun Gear Driving Shell Thrust	6	2	*2204 727	*2204 727	
	w/3 Tabs, TP1, TD1, Taxi and Police, TP2, TD2, TA3	1	----		1942 081	1942 081

★ Indicates use as required.

Numerals in parentheses () refer to notes.

Printed in U.S.A.

⊠ Indicates parts not listed in any previous parts book.

Prices and specifications subject to change without notice.

Jan. 3, 1964 Supersedes Dec. 14, 1962.

Page 21-28

* Indicates change or addition.

CODE	PART NAME AND DESCRIPTION	CYL	PER CAR	VALIANT DART	PLYMOUTH DODGE	CHRYSLER IMPERIAL
------	---------------------------	-----	---------	--------------	----------------	-------------------

AUTOMATIC 3-SPEED TRANSMISSION

21-133-O TRANSMISSION CLUTCH - Cont'd

21-133-65	WASHER, Front Clutch Thrust, Front and Rear, Plastic	6	2	2204 369	2204 369	
	Front Clutch Thrust, Front, TP1, TD1, Taxi and Police, TP2, TD2, TA3, Brown, .043" thk. . .		*	----	*2204 621	*2204 621
	Front Clutch Thrust, Front, TP1, TD1, Taxi and Police, TP2, TD2, TA3, Green, .061" thk. . .		*	----	2204 622	2204 622
	Front Clutch Thrust, Front, TP1, TD1, Taxi and Police, TP2, TD2, TA3, Red, .084" thk. . . .		*	----	2204 623	2204 623
	Front Clutch Thrust, Front, TP1, TD1, Taxi and Police, TP2, TD2, TA3, Yellow, .102" thk. . .		*	----	2400 284	2400 284
	Front Clutch Thrust, Rear, TP1, TD1, Taxi and Police, TP2, TD2, TA3, Green, .061" thk. . . .		1	----	2204 622	2204 622

21-134-O TRANSMISSION FRONT AND REAR PLANET PINION CARRIER AND COMPONENTS

21-134-5	CARRIER, w/PINIONS and WASHERS, Front. . . .	6	1	E2421 271	E2421 271	
	Rear	6	1	E2421 272	E2421 272	
	Front.		1	----	*2400 912	*2400 912
	Rear, TP1, TD1, Taxi and Police, TP2, TD2, TA3		1	----	*2400 913	*2400 913
21-134-30	WASHER, Front and Rear Planet Pinion Carrier Thrust, w/3 Tabs, TP1, TD1, Taxi and Police, TP2, TD2, TA3		2	----	1942 081	1942 081
21-134-36	SUPPORT, Front Annulus Gear	6	1	1942 446	1942 446	
	Rear Annulus Gear	6	1	1942 450	1942 450	
21-134-38	GEAR, Front and Rear Annulus	6	2	1942 443	1942 443	
	Front Annulus, TP1, TD1, Taxi and Police, TP2, TD2, TA3		1	----	2124 841	2124 841
	Rear Annulus, TP1, TD1, Taxi and Police, TP2, TD2, TA3		1	----	1942 086	1942 086
21-134-40	SNAP RING, Front and Rear Annulus Gear	6	2	1942 444	1942 444	
	Front Annulus Gear Support	6	1	1942 448	1942 448	
21-134-45	WASHER, Front Annulus Gear Support Thrust . .	6	1	1942 447	1942 447	

21-136-O TRANSMISSION BANDS

21-136-5	BAND, Kickdown	6	1	2204 792	2204 792	
	TP1, TD1, Taxi and Police, TP2, TD2, TA3, TC1, TC2 except 300J, TC3, TY1		1	----	2124 342	2124 342
	TP2, TD2, w/426 cu. in. Engine, TC2-300J . . .		8	----	2400 726	2400 726
21-136-15	STRUT, Kickdown Band	6	1	1630 896	1630 896	
	STRUT, Kickdown Band, TP1, TD1, Taxi and Police, TP2, TD2, TA3		1	----	2124 848	2124 848
	ANCHOR, Kickdown Band, TP1, TD1, Taxi and Police, TP2, TD2, TA3		1	----	1942 120	1942 120
21-136-17	SCREW, Kickdown Band Adjusting	6	1	1942 477	1942 477	
	TP1, TD1, Taxi and Police, TP2, TD2, TA3 . . .		1	----	2400 389	2400 389

★ Indicates use as required. Numerals in parentheses () refer to notes. Printed in U.S.A.
 E Indicates parts not listed in any previous parts book. Prices and specifications subject to change without notice.
 * Indicates change or addition. Jan. 3, 1964 Supersedes Dec. 14, 1962.

CODE	PART NAME AND DESCRIPTION	C Y L.	PER CAR	VALIANT DART	PLYMOUTH DODGE	CHRYSLER IMPERIAL
------	---------------------------	--------------	------------	-----------------	-------------------	----------------------

AUTOMATIC 3-SPEED TRANSMISSION

21-136-O TRANSMISSION BANDS - Cont'd						
21-136-20	LEVER, Kickdown Band	6	1	2204 952	2125 067	
	w/225 cu. in. Engine	6	1	2125 067		
	Heavy Duty	6	1	2125 067		
	TP2, TD2, w/318 cu. in. Engine.	8	1	----	2204 952	
	TP2, TD2, w/361 and 383 cu. in. Engine, TA3, TC1, TC2 except 300J, TC3, TY1	8	1	----	2125 067	2125 067
	TP1, TD1, Taxi and Police	6	1	----	2204 952	
	TP2, TD2, w/426 cu. in. Engine, TC2-300J	8	1	----	2124 579	2124 579
21-136-23	SHAFT, Kickdown Band Lever		1	1942 132	1942 132	1942 132
21-136-30	BAND, Reverse	6	1	1942 487	1942 487	
	TP1, TD1, Taxi and Police, TP2, TD2, TA3		1	----	1942 133	1942 133
21-136-41	ANCHOR, Reverse Band	6	1	1942 496	1942 496	
	STRUT, Reverse Band	6	1	1942 497	1942 497	
	STRUT, Reverse Band, TP1, TD1, Taxi and Police, TP2, TD2, TA3		1	----	2204 823	2204 823
21-136-44	LINK, Reverse Band	6	1	1942 494	1942 494	
	w/ANCHOR, TP1, TD1, Taxi and Police, TP2, TD2, TA3		1	----	2204 820	2204 820
21-136-47	LEVER, Reverse Band, w/STEM	6	1	1942 491	1942 491	
	Reverse Band, Short	6	1	1942 140	1942 140	
	w/STEM, TP1, TD1, Taxi and Police, TP2, TD2, TA3		1	----	1942 137	1942 137
	Short, TP1, TD1, Taxi and Police, TP2, TD2, TA3		1	----	2124 493	2124 493
21-136-49	SHAFT, Reverse Band Lever	6	1	1942 493	1942 493	
	TP1, TD1, Taxi and Police, TP2, TD2, TA3		1	----	2124 857	*2124 857
21-136-52	SCREW, Reverse Band Adjusting	6	1	1942 543	1942 543	
	TP1, TD1, Taxi and Police, TP2, TD2, TA3		1	----	1942 141	1942 141
21-136-55	SEAL, Reverse Band Lever Shaft, TP1, TD1, Taxi and Police, TP2, TD2, TA3		1	----	1550 711	1550 711
21-136-65	DRUM, Reverse	6	1	1942 451	1942 451	
	TP1, TD1, Taxi and Police, TP2, TD2, TA3		1	----	2124 843	2124 843
21-136-228	CAM and RETAINER PACKAGE, "O" Running Clutch	6	1	2279 960	2279 960	
21-136-229	WASHER, Cam Screw	6	5	1823 543	1823 543	
21-136-231	CAM, "O" Running Clutch, TP1, TD1, Taxi and Police, TP2, TD2, TA3		1	----	1942 095	1942 095
21-136-232	RACE, "O" Running Clutch	6	1	2400 365	2400 365	
	TP1, TD1, Taxi and Police, TP2, TD2, TA3		1	----	2124 844	2124 844
21-136-233	RETAINER, "O" Running Clutch Spring, TP1, TD1, Taxi and Police, TP2, TD2, TA3		1	----	1942 096	1942 096
21-136-235	ROLLER, "O" Running Clutch Cam	6	10	670 776	670 776	
	TP1, TD1, Taxi and Police, TP2, TD2, TA3		12	----	670 776	670 776

★ Indicates use as required.

Numerals in parentheses () refer to notes.

Printed in U.S.A.

☐ Indicates parts not listed in any previous parts book.

Prices and specifications subject to change without notice.

Jan. 3, 1964 Supersedes Dec. 14, 1962.

Page 21-30

* Indicates change or addition.

CODE	PART NAME AND DESCRIPTION	C Y L	PER CAR	VALIANT DART	PLYMOUTH DODGE	CHRYSLER IMPERIAL
------	---------------------------	-------------	------------	-----------------	-------------------	----------------------

AUTOMATIC 3-SPEED TRANSMISSION

21-136-O TRANSMISSION BANDS - Cont'd						
21-136-236	SPRING, "O" Running Clutch Cam Roller TP1, TD1, Taxi and Police, TP2, TD2, TA3	6	10 12	1942 187 ---- --	1942 187 *1942 187	*1942 187
21-136-237	WASHER, "O" Running Clutch Race Thrust	6	1	2400 528	2400 528	
21-137-O TRANSMISSION SERVOS						
21-137-5	PISTON, Kickdown Servo TP1, TD1, Taxi and Police, TP2, TD2, TA3	6	1 1	1942 478 ---- --	1942 478 *2124 850	*2124 850
21-137-8	RING, Kickdown Servo Piston Seal, Small Large Kickdown Servo Guide Seal Kickdown Servo Piston Seal, Small, TP1, TD1, Taxi and Police, TP2, TD2, TA3 Large, TP1, TD1, Taxi and Police, TP2, TD2, TA3 Kickdown Servo Guide Seal, TP1, TD1, Taxi and Police, TP2, TD2, TA3	6 6 6	1 1 1	1672 287 1636 470 1636 470	1672 287 1636 470 1636 470	
			1	----	*2124 851	*2124 851
			1	----	*1942 123	*1942 123
			1	----	*1942 123	*1942 123
21-137-11	ROD, Kickdown Servo Piston TP1, TD1, Taxi and Police, TP2, TD2, TA3	6	1 1	1942 482 ---- --	1942 482 *2124 853	*2124 853
21-137-13	GUIDE, Kickdown Servo TP1, TD1, Taxi and Police, TP2, TD2, TA3	6	1 1	1942 485 ---- --	1942 485 *2124 856	*2124 856
21-137-19	SNAP RING, Kickdown Servo Piston Rod Guide TP1, TD1, Taxi and Police, TP2, TD2, TA3	6	1 1	1942 486 ---- --	1942 486 *1942 130	*1942 130
21-137-22	SPRING, Kickdown Servo Piston Inner, TP1, TD1, Taxi and Police, TP2, TD2, TA3 Outer, TP1, TD1, Taxi and Police, TP2, TD2, TA3 Inner, TP2, TD2, w/426 cu.in.Engine. TC2-300J	6 1 1 8	1 1 1 1	1942 481 ---- -- ---- -- ---- --	1942 481 *2124 852 *2125 069 *2400 729	*2124 852 *2125 069 *2400 729
21-137-35	PISTON, Reverse Servo TP1, TD1, Taxi and Police, TP2, TD2, TA3	6	1 1	1942 498 ---- --	1942 498 *1942 147	*1942 147
21-137-41	SPRING, Reverse Servo Piston Cushion		1	1823 941	1823 941	1823 941
21-137-44	SNAP RING, Reverse Servo Piston Plug		1	1823 940	1823 940	1823 940
21-137-47	PLUG, Reverse Servo Piston		1	1942 152	1942 152	1942 152
21-137-50	RING, Reverse Servo Piston Seal, Rubber TP1, TD1, Taxi and Police, TP2, TD2, TA3	6	1 1	1942 499 ---- --	1942 499 *1942 148	*1942 148
21-137-53	SPRING, Reverse Servo Piston TP1, TD1, Taxi and Police, TP2, TD2, TA3	6	1 1	1942 458 ---- --	1942 458 *1942 149	*1942 149
21-137-56	RETAINER, Reverse Servo Piston Spring TP1, TD1, Taxi and Police, TP2, TD2, TA3	6	1 1	1942 501 ---- --	1942 501 *1942 150	*1942 150
21-137-59	SNAP RING, Reverse Servo Piston Spring Retainer TP1, TD1, Taxi and Police, TP2, TD2, TA3	6	1 1	1942 502 ---- --	1942 502 *1942 130	*1942 130
21-137-200	PISTON, Accumulator		1	1942 153	1942 153	1942 153
21-137-202	RING, Accumulator Piston Seal, Small Large		1 1	1941 831 2124 255	1941 831 2124 255	1941 831 2124 255

★ Indicates use as required.

Numerals in parentheses () refer to notes.

Printed in U.S.A.

☐ Indicates parts not listed in any previous parts book.

Prices and specifications subject to change without notice.

* Indicates change or addition.

December 14, 1962.

CODE	PART NAME AND DESCRIPTION	C Y L.	PER CAR	VALIANT DART	PLYMOUTH DODGE	CHRYSLER IMPERIAL
------	---------------------------	--------------	------------	-----------------	-------------------	----------------------

AUTOMATIC 3-SPEED TRANSMISSION

21-137-O TRANSMISSION SERVOS - Cont'd

21-137-205	SPRING, Accumulator Piston	6	1	1942 156	1942 156	
	w/225 cu. in. Engine	8	1	2125 109		2125 109
	Taxi and Police	6	1	----	2125 109	2125 109
				----	2464 076	

21-138-O TRANSMISSION GOVERNOR

21-138-2	REPAIR PACKAGE, Governor	6	1	2196 998	2196 998	
	TP1, TD1, Taxi and Police, TP2, TD2, TA3 . .		1	----	2275 498	2275 498
	TP2, TD2, w/383 cu. in. Engine, w/4 Barrel Carburetor	8	1	----	*2298 514	
	TA3, TC1, TC2 except 300J, w/413 cu. in. Engine	8	1	----	*2298 514	*2298 514
	TP2, TD2, w/426 cu. in. Engine, TC2-300J . . .	8	1	----	2421 377	2421 377
21-138-7	SNAP RING, Governor Body	6	1	6022 583	6022 583	
	TP1, TD1, Taxi and Police, TP2, TD2, TA3		1	----	6022 817	6022 817
21-138-10	SUPPORT, Governor	6	1	1942 466	1942 466	
	TP1, TD1, Taxi and Police, TP2, TD2, TA3 . . .		1	----	1942 108	1942 108
21-138-13	WEIGHT, Governor, Outer		1	1636 461	1636 461	1636 461
	Inner, TC1, TC2 except 300J, TC3, TY1		1	*1636 462	*1636 462	*1636 462
	TP2, TD2, w/426 cu. in. Engine, TC2-300J, Inner	8	1	----	*2400 705	*2400 705
21-138-15	SPRING, Governor Weight		1	2124 662	1949 858	1949 858
	w/225 cu. in. Engine	6	1	1949 858		
	Heavy Duty	6	1	1949 858		
	TP2, TD2, w/383 and 426 cu. in. Engine, TA3 w/413 cu. in. Engine, TC1 w/413 cu. in. Engine, TC2 w/413 cu. in. Engine	8	1	----	*1949 859	*1949 859
21-138-19	SNAP RING, Governor Weight, Outer		1	1636 465	1636 465	1636 465
	Inner		1	1636 464	1636 464	1636 464
21-138-21	LOCK, Body Bolt		2	2125 024	2125 024	2125 024
21-138-23	VALVE, Governor		1	2124 663	2124 663	2124 663
21-138-26	SHAFT, Governor Valve		1	1556 082	1556 082	1556 082
21-138-29	SNAP RING, Governor Valve Shaft		2	1638 461	1638 461	1638 461
21-138-38	RING, Governor Support Seal		2	1942 109	1942 109	1942 109

21-139-O TRANSMISSION VALVE BODY AND VALVES

21-139-4	BODY, w/Transfer PLATE, Complete	6	1	*2400 430	*2400 430	
	TP1, TD1, Taxi and Police, TP2, TD2, TA3 . . .		1	----	2400 431	2400 431
21-139-9	VALVE, Manual		1	1942 211	1942 211	1942 211
21-139-12	LEVER, Manual Valve		1	1942 223	1942 223	1942 223
21-139-24	SPRING, Manual Valve Lever Detent		1	1942 225	1942 225	1942 225
21-139-30	VALVE, Throttle		1	1636 423	1636 423	1636 423
21-139-33	SPRING, Throttle Valve		1	1949 847	1949 847	1949 847
21-139-47	SEAL, Throttle Lever Shaft		1	2205 300	2205 300	2205 300

★ Indicates use as required.

Numerals in parentheses () refer to notes.

Printed in U.S.A.

Ⓜ Indicates parts not listed in any previous parts book.

Prices and specifications subject to change without notice.

Jan. 3, 1964 Supersedes Dec. 14, 1962.

* Indicates change or addition.

CODE	PART NAME AND DESCRIPTION	C Y L.	PER CAR	VALIANT DART	PLYMOUTH DODGE	CHRYSLER IMPERIAL
------	---------------------------	--------------	------------	-----------------	-------------------	----------------------

AUTOMATIC 3-SPEED TRANSMISSION

21-139-O TRANSMISSION VALVE BODY AND VALVES - Cont'd

21-139-49	SNAP RING, Throttle Valve Lever Shaft	1	1539 430	1539 430	1539 430
21-139-50	LEVER, Throttle Valve	1	*2464 390	*2464 390	*2464 390
21-139-63	PLUG, Regulator Valve Throttle Pressure	1	1942 245	1942 245	1942 245
	Regulator Valve Line Pressure	1	1942 218	1942 218	1942 218
21-139-64	SLEEVE, Regulator Valve Line Pressure Plug	1	1942 213	1942 213	1942 213
21-139-67	VALVE, Regulator	1	2124 733	2124 733	2124 733
21-139-68	SPRING, Regulator Valve	1	2124 734	2124 734	2124 734
21-139-71	RETAINER, Regulator Valve Spring	1	2204 975	2204 975	2204 975
21-139-74	SCREW, Line Pressure Adjusting	1	2124 736	2124 736	2124 736
	Throttle Pressure Adjusting	1	6023 343	6023 343	6023 343
21-139-76	NUT, Line Pressure Adjusting Screw	1	2124 737	2124 737	2124 737
	Throttle Pressure Adjusting Screw Lock	1	1949 523	1949 523	1949 523
21-139-78	VALVE, Kickdown	1	1941 623	1941 623	1941 623
	PLUG, Kickdown Detent	1	1941 624	1941 624	1941 624
21-139-95	VALVE, Shuttle	1	1854 275	1854 275	1854 275
	PLUG, Shuttle Valve	1	1854 274	1854 274	1854 274
21-139-98	SNAP RING, Shuttle Valve	1	1539 430	1539 430	1539 430
21-139-101	SPRING, Shuttle Valve	1	2124 697	2124 697	2124 697
21-139-105	VALVE, 1-2 Shift	1	1941 602	1941 602	1941 602
	PLUG, 1-2 Shift Valve	1	1941 603	1941 603	1941 603
	VALVE, 2-3 Shift	1	1941 600	1941 600	1941 600
	PLUG, 2-3 Shift	1	1941 601	1941 601	1941 601
21-139-108	SPRING, 1-2 Shift Valve	1	2204 547	2204 547	2204 547
	2-3 Shift Valve	1	1942 231	1942 231	1942 231
21-139-117	VALVE, Torque Converter Control	1	2124 256	2124 256	2124 256
21-139-118	SPRING, Torque Converter Control Valve	1	2124 257	2124 257	2124 257
21-139-135	COVER, Regulator Valve	1	2205 034	2205 034	2205 034
	Shift Valve	1	1942 228	1942 228	1942 228
	Shift Valve Plug	1	1942 230	1942 230	1942 230
	Shuttle Valve	1	1942 227	1942 227	1942 227
	Reverse Blocker Valve	1	2205 034	2205 034	2205 034
21-139-140	PLATE, Valve Body	6	2205 053	2205 053	
	TP1, TD1, Taxi and Police, TP2, TD2, TA3	1	----	2204 576	2204 576
21-139-143	VALVE, Front and Rear Pump Check	2	*2204 599	*2204 599	*2204 599
21-139-144	SPRING, Front and Rear Pump Check Valve	2	1942 233	1942 233	1942 233
21-139-147	PLATE, Transfer	6	2400 339	2400 339	
	TP1, TD1, Taxi and Police, TP2, TD2, TA3	1	----	2400 340	2400 340

★ Indicates use as required.

Numerals in parentheses () refer to notes.

Printed in U.S.A.

⊠ Indicates parts not listed in any previous parts book.

Prices and specifications subject to change without notice.

* Indicates change or addition.

Jan. 3, 1964 Supersedes Dec. 14, 1962.

CODE	PART NAME AND DESCRIPTION	CYL	PER CAR	VALIANT DART	PLYMOUTH DODGE	CHRYSLER IMPERIAL
------	---------------------------	-----	---------	--------------	----------------	-------------------

AUTOMATIC 3 - SPEED TRANSMISSION

21-139-O TRANSMISSION VALVE BODY AND VALVES - Cont'd

21-139-154 SUPPORT, Transfer Plate		1	1942 237	1942 237	1942 237
21-139-189 VALVE PACKAGE, Reverse Blocker, w/SEAL and SPRING		1	2275 523	2275 523	2275 523
21-139-191 SEAL, Reverse Blocker Valve		1	2204 885	2204 885	2204 885
21-139-193 SPRING, Reverse Blocker		1	2204 890	2204 890	2204 890

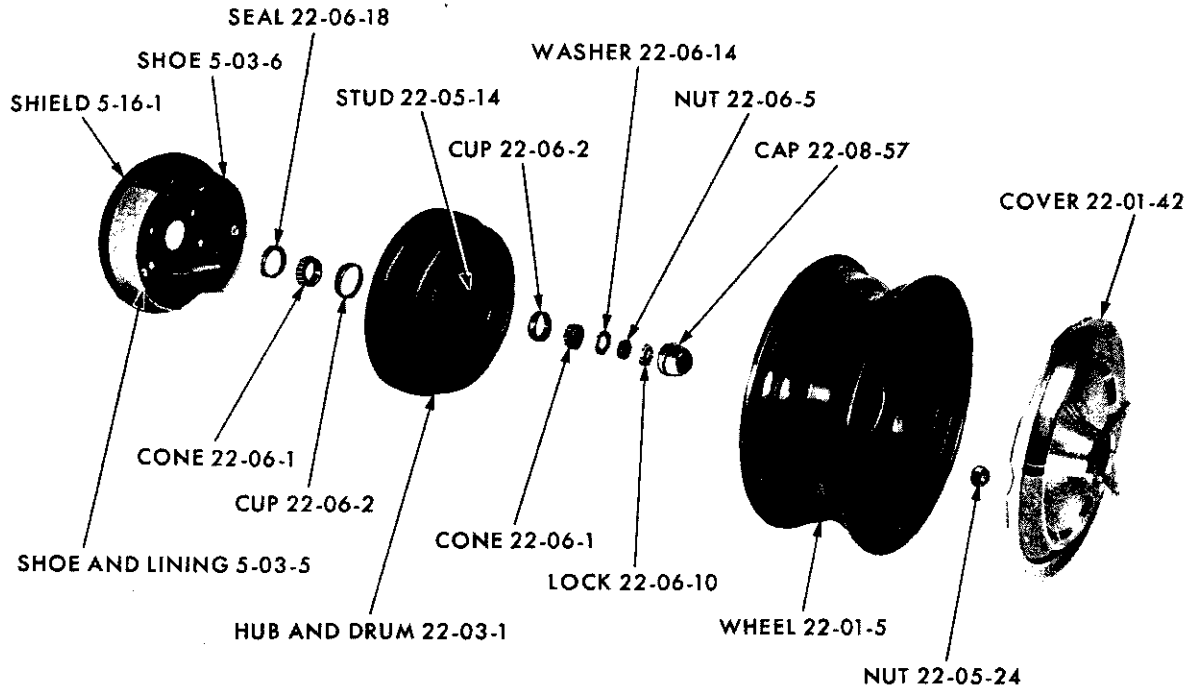
21-142-O TRANSMISSION CONTROL LEVERS

21-142-12 LEVER, Throttle Control	6	1	2120 817	2264 701	
TP1, TD1, Taxi and Police, TP2, TD2, TC1,		1	----	*2264 744	*2206 397
TC2, TC3		1	----	*2206 397	*2264 602
TA3, TY1	8	1			
21-142-20 INSULATOR, Throttle Control Lever Sound		1	1859 767	1859 767	1859 767
21-142-21 BUSHING, Throttle Control Lever		1	1859 768	1859 768	1859 768

NOTES

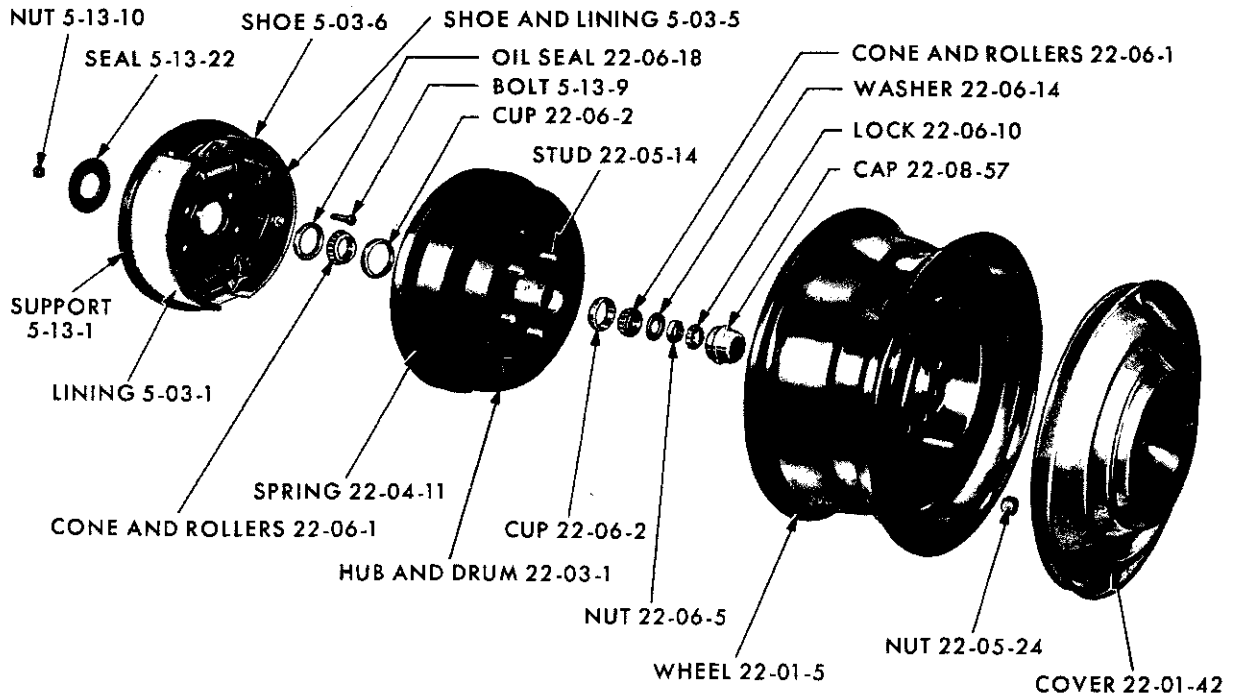
★ Indicates use as required. Numerals in parentheses () refer to notes. Printed in U.S.A.
 ☐ Indicates parts not listed in any previous parts book. Prices and specifications subject to change without notice.
 Jan. 3, 1964 Supersedes Dec. 14, 1962. * Indicates change or addition.

GROUP 22 - WHEELS



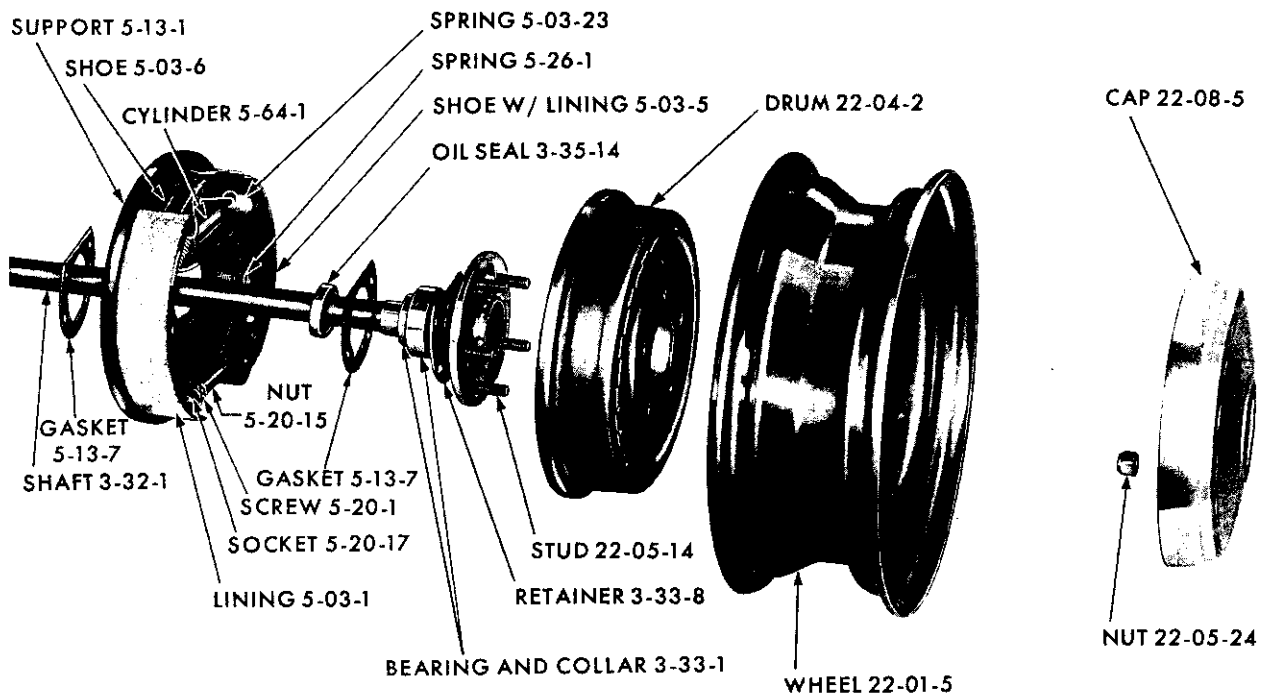
19x9589

FRONT WHEEL - VALIANT TV1, DART TL1, PLYMOUTH TP1-2 AND DODGE TD1-2



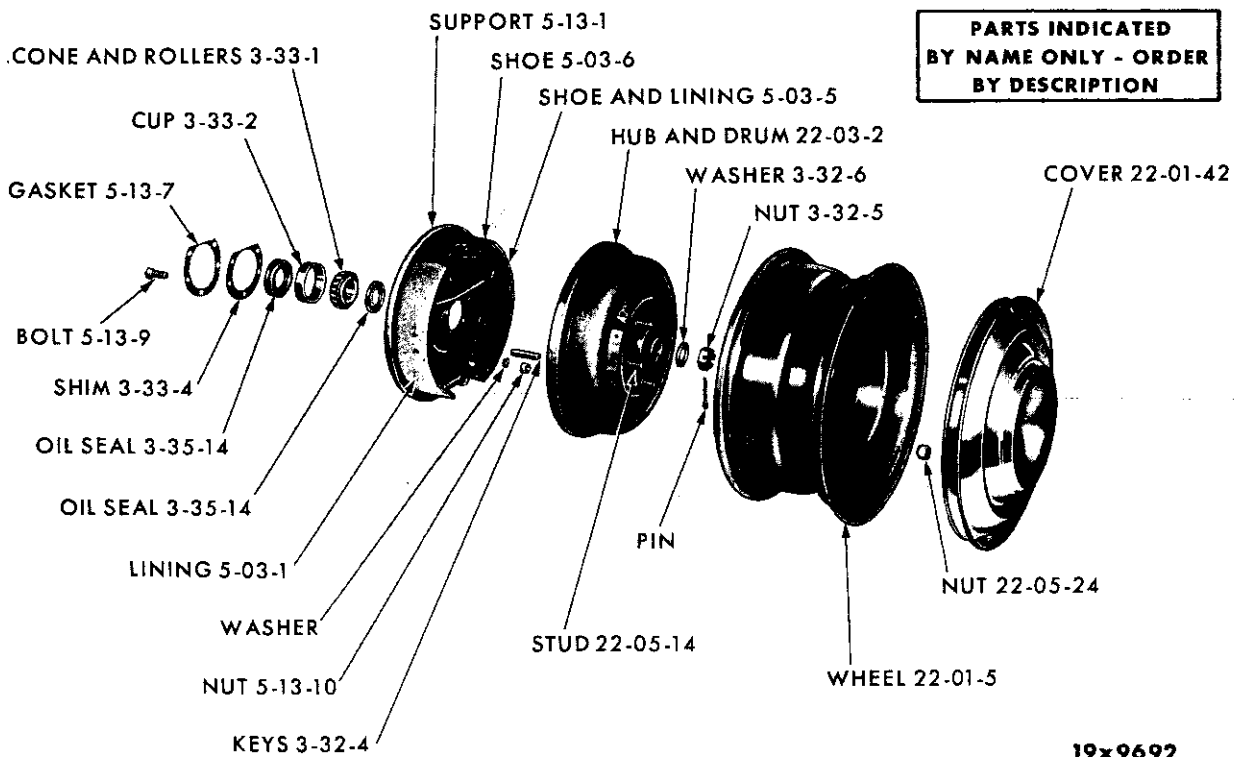
19x9691

FRONT WHEEL - DODGE TA3, CHRYSLER TC1-2-3 AND IMPERIAL TY1



19x8787C

REAR WHEEL - VALIANT TV1 AND DART TL1



19x9692

REAR WHEEL - EXCEPT VALIANT TV1 AND DART TL1

CODE	PART NAME AND DESCRIPTION	CYL.	PER CAR	VALIANT DART	PLYMOUTH DODGE	CHRYSLER IMPERIAL
------	---------------------------	------	---------	--------------	----------------	-------------------

TIRE CHART

22-01-0 WHEELS

Wheel Size	Tire Size
13 x 4.50	6.50 x 13
14 x 5.00	6.50 x 14 - 7.00 x 14 - 7.50 x 14
14 x 5.50	7.00 x 14 - 7.50 x 14 - 8.00 x 14
14 x 6.00	8.00 x 14 - 8.50 x 14
14 x 6.50	9.00 x 14
15 x 5.50	6.70 x 15
15 x 6.00	7.60 x 15
15 x 6.00	7.60 x 15 - 8.00 x 15 - 8.20 x 15

22-01-5	WHEEL, 13 x 4.50	6	5	2073 342		
	14 x 5.00, TP1, TP2, TD1, TD2, except Sub. . .		5	----	2298 522	
	14 x 5.50, TA3, TC1, except Sub., TP1, TP2, TD1, TD2		5	----	2298 523	2298 523
	14 x 6.00, TA3, TC1, TC2 except 300J, TC3 except Sub.		5	----	*2448 377	*2448 377
	14 x 6.50, TP2, TD2, w/426 cu.in. Engine . . .	8	5	----	2122 468	
	15 x 5.50, TP1, TP2, TD1, TD2, UP TO Type, w/Spring Clip Type Hub Cap		5	----	*1856 808	
	15 x 5.50, TP1, TP2, TD1, TD2, AFTER Type, w/Nubbing Cap.		5	----	*2409 855	
	15 x 5.50, TP1, TP2, TD1, TD2		5	----	1856 808	
	15 x 6.00, TA3, TC1, Police Cars, TC2-300J . .	8	5	----	2200 928	2200 928
	14 x 6.50, TA3, TC1, Sub., TC3	8	5	----	2122 468	2122 468
	15 x 6.00, TY1	8	5	----	----	1948 155
22-01-42	COVER, Wheel, TV1-L, TV1-H	6	4	2401 820		
	TV1-P	6	4	2401 821		
	TL1	6	4	2401 951		
	TP1, TP2-L, TP2-M, TP2-H		4	----	2421 367	
	TP2-P	8	4	----	2265 638	
	TD1, TD2-L, TD2-M, TD2-H, Plain		4	----	2401 959	
	Spinner Type		4	----	2266 834	
	TC1	8	4	----	----	*2401 966
	TC2-M except 300J, w/Lettering Chrysler, UP TO Serial No. 8233-188329	8	4	----	----	B2401 966
	TC2-M except 300J, Plain, AFTER Serial No. 8233-188329	8	4	----	----	B2409 514
	Black, TC3	8	4	----	----	2401 825
	White, TC3	8	4	----	----	2401 826
	Light Blue, TC3	8	4	----	----	2401 827
	Light Blue Metallic, TC3	8	4	----	----	2405 150
	Dark Blue Metallic, TC3	8	4	----	----	2405 151
	Light Green Metallic, TC3	8	4	----	----	2405 152
	Dark Green Metallic, TC3	8	4	----	----	2405 153
	Alabaster, TC3	8	4	----	----	2401 831
	Beige, TC3	8	4	----	----	2405 154
	Light Tan Metallic, TC3	8	4	----	----	2405 155
	Silver Metallic, TC3	8	4	----	----	2405 156
	Light Turquoise Metallic, TC3	8	4	----	----	2405 157
	Dark Turquoise Metallic, TC3	8	4	----	----	2405 158
	Red Metallic, TC3	8	4	----	----	2405 159
	15" Wheel, TC2-300J	8	4	----	----	2265 535
	15" Wheel, TC1, TA3, Police Cars	8	4	----	2260 160	2260 160
	TY1	8	4	----	----	2401 413
	TC3 Luxury, Beige Gold	8	4	----	----	2405 838

★ Indicates use as required. Numerals in parentheses () refer to notes. Printed in U.S.A.
 ☐ Indicates parts not listed in any previous parts book. Prices and specifications subject to change without notice.
 * Indicates change or addition. Jan. 3, 1964 Supersedes Dec. 14, 1962.

1963 PASSENGER CAR PARTS CATALOG

WHEELS

CODE	PART NAME AND DESCRIPTION	C Y L.	PER CAR	VALIANT DART	PLYMOUTH DODGE	CHRYSLER IMPERIAL
22-01-O WHEELS - Cont'd						
22-01-43	SPINNER, Cover Dome		4	----	2266 831	
	MEDALLION, Wheel Cover, TC2-300J	8	4	----	----	1828 420
	TC3 Luxury	8	4	----	----	2244 409
	NUT, Dome Mounting		24	----	B6024 291	
22-01-44	NUT, Medallion Push on, TC3 Luxury	8	8	----	----	6023 978
22-01-46	EXTENSION, 1 1/4" lgh., TV1, TY1		4	*2207 519	----	*2207 519
22-01-49	RETAINER, Cover Medallion, TC2-300J	8	4	----	----	1829 625
22-01-51	DOME, Wheel Cover		4	----	2266 832	
	TC2-300J	8	4	----	----	1829 624
	TY1	8	4	----	----	2265 531
22-01-56	SPACER, Medallion, TC3 Luxury	8	4	----	----	2405 825
22-03-O HUB AND BRAKE DRUM						
22-03-1	HUB and BRAKE DRUM, Front, 9" x 2 1/2" Brakes, Newark, St. Louis, and KDX Export Blt., Right	6	1	*2267 080		
	Left	6	1	2267 081		
	Front, 9" x 2 1/2" Brakes, Cal. Blt., Right.	6	1	*2072 794		
	Left	6	1	2072 795		
	Front, 9" x 2 1/2" Brakes, Detroit Blt., Right.	6	1	*2260 534		
	Left	6	1	2260 535		
	10" x 2 1/2" Brakes, Newark, St. Louis and KDX Export Blt., Right, TP1, TP2, TD1, TD2		1	----	*2405 828	
	Left		1	----	2266 383	
	10" x 2 1/2" Brakes, Cal. Blt., Right, TP1, TP2, TD1, TD2		1	----	2266 384	
	Left		1	----	2266 385	
	10" x 2 1/2" Brakes, Detroit Blt., Right, TP1, TP2, TD1, TD2		1	----	2266 386	
	Left		1	----	2266 387	
	11" x 3" Brakes, Right, TP1, TP2, TD1, TD2		1	----	2266 390	
	Left		1	----	2266 391	
	11" x 3" Brakes, Right, TA3, TC1, TC2, TC3	8	1	----	2266 896	2266 896
	Left	8	1	----	2266 897	2266 897
	11" x 3" Brakes, Right, TA3, TC1, Police Cars, TC2-300J	8	1	----	2401 548	2401 548
	Left	8	1	----	2401 549	2401 549
	Right, TY1	8	1	----	----	2401 546
	Left	8	1	----	----	2401 547
22-03-2	HUB and BRAKE DRUM, Rear, 10" x 2 1/2" Brakes, Right, Steel Encased, TP1, TP2, TD1, TD2		1	----	2260 904	
	Left, Steel Encased		1	----	2260 905	
	10" x 2 1/2" Brakes, Right, Cast Iron, TP1, TP2, TD1, TD2		1	----	2265 550	
	Left, Cast Iron		1	----	2265 551	
	11" x 2 1/2" Brakes, Right, TP1, TP2, TD1, TD2		1	----	2265 354	
	Left		1	----	2265 355	
	11" x 2 1/2" Brakes, Right, TA3, TC1, except Sub.	8	1	----	2401 962	2401 962
	Left	8	1	----	2401 963	2401 963
	11" x 3" Brakes, Right, TA3, TC1, Sub., TA3 w/383 cu. in. Engine, TA3 Police Cars, TC1 Police Cars, TC2, TC3	8	1	----	2401 426	2401 426
	Left	8	1	----	2401 427	2401 427
	11" x 3" Brakes, Right, TY1	8	1	----	----	2401 542
	Left	8	1	----	----	2401 543

★ Indicates use as required. Numerals in parentheses () refer to notes. Printed in U.S.A.
 ☒ Indicates parts not listed in any previous parts book. Prices and specifications subject to change without notice.
 Jan. 3, 1964 Supersedes Dec. 14, 1962. * Indicates change or addition.

CODE	PART NAME AND DESCRIPTION	C Y L.	PER CAR	VALIANT DART	PLYMOUTH DODGE	CHRYSLER IMPERIAL
22-04-O BRAKE DRUM						
22-04-2	DRUM, Rear, Steel Encased.	6	2	2267 083		
	Cast Iron	6	2	2260 538		
22-04-11	SPRING, Front Wheel Brake Drum Dampener . . .	6	2	2266 298		
	10" Brakes, Front and Rear, TP1, TP2, TD1, TD2		4	----	1142 316	
	11" x 2 1/2" Brakes, Rear, TP1, TP2, TD1, TD2 .		2	----	2266 877	
	11" x 2 1/2" Brakes, Rear, TA3, TC1, except Sub.	8	2	----	1142 259	1142 259
	11" x 3" Brakes, Front, TP1, TP2, TD1, TD2 . .		2	----	2266 877	
	11" x 3" Brakes, Front, and Rear, TA3	8	4	----	2266 877	2266 877
22-04-14	RETAINER, Drum to Axle Shaft	6	6	2072 676		
22-05-O WHEEL HUB						
22-05-14	STUD, Front Hub, Newark, St. Louis, and KDX					
	Export Blt., Right.	6	5	*2072 750		
	Left	6	5	2072 751		
	Front Hub, Cal. Blt., Right	6	5	2265 390		
	Left	6	5	2265 391		
	Front Hub, Detroit Blt., Right, Plain, UP TO					
	Type	6	5	*2260 542		
	Left, Plain, UP TO Type	6	5	*2260 543		
	Front Hub, Detroit Blt., Right, 35 Serrations,					
	AFTER Type.	6	5	*2409 808		
	Left, 35 Serrations, AFTER Type.	6	5	*2409 809		
	STUD, Rear Hub, Right	6	5	2070 158		
	Left	6	5	2070 159		
	STUD, Front Hub, 10" x 2 1/2" Brakes, Newark,					
	St. Louis and KDX Export Blt., Right, TP1,					
	TP2, TD1, TD2	5		----	*1633 050	
	Left	5		----	1633 051	
	STUD, Front Hub, 10" x 2 1/2" Brakes, Cal. Blt.,					
	Right, TP1, TP2, TD1, TD2, 1 9/16" lgh., 39					
	Serrations 1/8" lgh., UP TO Type	5		----	*2267 072	
	Left, UP TO Type	5		----	*2267 073	
	STUD, Front Hub, 10" x 2 1/2" Brakes, Cal.					
	Blt., Right, TP1, TP2, TD1, TD2, 1 53/64"					
	lgh., 39 Serrations 5/8" lgh., AFTER Type. . .	5		----	*2405 144	
	Left, AFTER Type	5		----	*2405 145	
	STUD, Front Hub, 10" x 2 1/2" Brakes, Detroit					
	Blt., Right, TP1, TP2, TD1, TD2, Plain, UP					
	TO Type	5		----	*2260 162	
	Left, UP TO Type	5		----	*2260 163	
	STUD, Front Hub, 10" x 2 1/2" Brakes, Detroit					
	Blt., Right, TP1, TP2, TD1, TD2, 40 Serrations,					
	AFTER Type.	5		----	*2409 798	
	Left, AFTER Type	5		----	*2409 799	
	STUD, Front Hub, 11" x 3" Brakes, Right,					
	TP1, TP2	5		----	1633 050	
	Left	5		----	1633 051	
	STUD, Front and Rear Hub, Right, TY1, Plain,					
	UP TO Type.	8	10	----	----	*1633 052
	Left, Plain, UP TO Type.	8	10	----	----	*1633 053
	STUD, Front and Rear Hub, Right, 42 Serrations,					
	AFTER Type, TY1	8	10	----	----	E2460 662
	Left, 42 Serrations, AFTER Type, TY1.	8	1	----	----	E2460 663
	STUD, Front Hub, 11" x 3" Brakes, Right, TD1,					
	TD2, TA3, TC1, TC2, TC3.		5	----	2405 144	2405 144
	Left		5	----	2405 145	2405 145
	STUD, Rear Hub, 11" x 2 1/2" Brakes, Right,					
	TP1, TP2, TD1, TD2		5	----	2405 146	
	Left		5	----	2405 147	

★ Indicates use as required.

☐ Indicates parts not listed in any previous parts book.

* Indicates change or addition.

Numerals in parentheses () refer to notes.

Prices and specifications subject to change without notice.

Jan. 3, 1964 Supersedes Dec. 14, 1962.

1963 PASSENGER CAR PARTS CATALOG

WHEELS

CODE	PART NAME AND DESCRIPTION	C Y L.	PER CAR	VALIANT DART	PLYMOUTH DODGE	CHRYSLER IMPERIAL
22-05-O WHEEL HUB - Cont'd						
22-05-14	STUD, Rear Hub, 11" x 2 1/2" Brakes, Right, TA3, TC1, except Sub., Plain, UP TO Type.	8	5	-----	*2260 162	*2260 162
	Left, Plain, UP TO Type.	8	5	-----	*2260 163	*2260 163
	STUD, Rear Hub, 11" x 2 1/2" Brakes, Right, TA3, TC1, except Sub., 40 Serrations, AFTER Type		5	-----	*2409 798	*2409 798
	Left, AFTER Type		5	-----	*2409 799	*2409 799
	STUD, Rear Hub, 10" x 2 1/2" Brakes, Right, TP1, TP2, TD1, TD2, Plain, UP TO Type		5	-----	*2260 162	
	Left, Plain, UP TO Type.		5	-----	*2260 163	
	TP1, TP2, TD1, TD2, 40 Serrations, AFTER Type		5	-----	*2409 798	
	Left, AFTER Type		5	-----	*2409 799	
	STUD, Rear Hub, 11" x 3" Brakes, Right, TA3, TC1, Sub., TA3 w/383 cu. in. Engine, TA3 Police Cars, TC1 Police Cars, TC2, TC3, UP TO Type.	8	5	-----	*1799 554	*1799 554
	Left, UP TO Type	8	5	-----	*1799 555	*1799 555
	STUD, Rear Hub, 11" x 3" Brakes, Right, TA3, TC1, Sub., TA3 w/383 cu. in. Engine, TA3 Police Cars, TC1 Police Cars, TC2, TC3, 40 Serrations, AFTER Type	8	5	-----	*2409 798	*2409 798
	Left, AFTER Type	8	5	-----	*2409 799	*2409 799
22-05-24	NUT, Wheel Mounting, Right.	6	10	2072 728		
	Left	6	10	2072 729		
	Right, TC1, TC2, TC3		10	-----	1139 316	1139 316
	Left		10	-----	1139 317	1139 317
	Right, TY1	8	10	-----	-----	1315 697
	Left	8	10	-----	-----	1315 698
22-06-O FRONT WHEEL BEARING						
22-06-1	CONE and ROLLER, Inner	6	2	2203 352		
	Outer.	6	2	2203 350		
	Inner, TC1, TC2, TC3		2	-----	1619 701	1619 701
	Outer, TC1, TC2, TC3		2	-----	1619 703	1619 703
	Inner, TY1.	8	2	-----	-----	1789 755
	Outer, TY1	8	2	-----	-----	1790 241
22-06-2	CUP, Inner	6	2	2203 353		
	Outer	6	2	2203 351		
	Inner, TC1, TC2, TC3		2	-----	1619 700	1619 700
	Outer, TC1, TC2, TC3		2	-----	1619 702	1619 702
	Inner, TY1.	8	2	-----	-----	1789 754
	Outer, TY1	8	2	-----	-----	1790 244
22-06-5	NUT, Bearing.	6	2	2072 731		
			2	-----	1732 300	1732 300
22-06-10	LOCK, Nut		2	1673 324	1673 324	1673 324
22-06-14	WASHER, Nut Thrust.	6	2	2072 733		
			2	-----	600 194	600 194
22-06-18	SEAL, Hub Dust	6	2	2072 707		
	TC1, TC2, TC3		2	-----	2266 378	2266 378
	TY1	8	2	-----	-----	2266 839

★ Indicates use as required.

Numerals in parentheses () refer to notes.

Printed in U.S.A.

☐ Indicates parts not listed in any previous parts book.

Prices and specifications subject to change without notice.

Jan. 3, 1964 Supersedes Dec. 14, 1962.

Page 22-6

* Indicates change or addition.

CODE	PART NAME AND DESCRIPTION	C Y L.	PER CAR	VALIANT DART	PLYMOUTH DODGE	CHRYSLER IMPERIAL
22-08-O HUB CAP						
22-08-5	CAP, TV1	6	4	2401 843		
	TL1, Plain	6	4	*2401 844		
	TL1, w/Painted Squares	6	1	*2409 523		
	14" Wheel, TC1		4	----	2401 956	2401 956
	15" Wheel, TC1		4	----	----	*1943 733
	15" Wheel, w/Spring Clip Type, UP TO		5	----	*1943 733	
	15" Wheel, w/Nubbing Cap Type, AFTER		5	----	*2401 956	
22-08-57	CAP, Grease	6	2	2072 718		
	TC1, TC2, TC3		2	----	1613 416	1613 416
	TY1	8	2	----	----	1671 341
22-09-O WHEEL BALANCE WEIGHT						
22-09-1	WEIGHT, 1/2 oz.		*	----	1615 349	1615 349
	1 oz.		*	----	1615 350	1615 350
	1 1/2 oz.		*	----	1615 351	1615 351
	2 oz.		*	----	1615 352	1615 352
	2 1/2 oz.		*	----	1615 353	1615 353
	3 oz.		*	----	1615 354	1615 354
22-20-O SPARE WHEEL CARRIER						
22-20-29	BRACKET, Anchor Bolt	6	1	*2083 190		
	TP1, TP2, TD1, TD2, except Sub. and Cv. Cp.		1	----	2424 802	
	TP1, TP2, TD1, TD2, Cv. Cp.		1	----	2254 646	
	TP1, TP2, TD1, TD2, Sub.		1	----	2254 644	
	TA3, TC1, TC3, Sp. Sub.	8	1	----	2093 980	2093 980
	TA3, TC1, TC2, TC3, Cv. Cp.	8	1	----	2094 624	2094 624
	TA3, TC1, TC2, TC3, except Cv. Cp. and Sub., TY1	8	1	----	*1695 319	*1695 319
	TA3, TC1, TC2, TC3, except Cv. Cp. and Sub., w/Air Conditioning	8	1	----	*2094 624	*2094 624
22-20-80	PLATE, Anchor Rod, TY1	8	1	----	----	1750 747
22-20-82	RETAINER, Anchor Bolt, TP2, TD2, Cv. Cp.	8	1	----	2206 925	
22-20-87	BOLT, Spare Wheel Anchor	6	1	6023 192		
	BOLT, TP1, TP2, TD1, TD2, except Cv. Cp. and Sub.		1	----	2424 803	
	BOLT, TP1, TP2, TD1, TD2, Sub.		1	----	*2252 177	
	BOLT, TP2, TD2, Cv. Cp., w/7.50 Tire, 8 1/4" lgh.	8	1	----	2252 176	
	BOLT, TP2, TD2, Cv. Cp., w/7.00 Tire, 7 3/4" lgh.	8	1	----	2252 177	
	ROD, TA3, TC1, TC2, TC3, except Cv. Cp.	8	1	----	1963 237	1963 237
	ROD, TA3, TC1, TC2, TC3, Cv. Cp., TY1	8	1	----	1963 236	1963 236
22-20-89	NUT, Anchor Rod Wing		1	6023 540	6023 540	6023 540

NOTES

★ Indicates use as required.

Numerals in parentheses () refer to notes.

Printed in U.S.A.

⊞ Indicates parts not listed in any previous parts book.

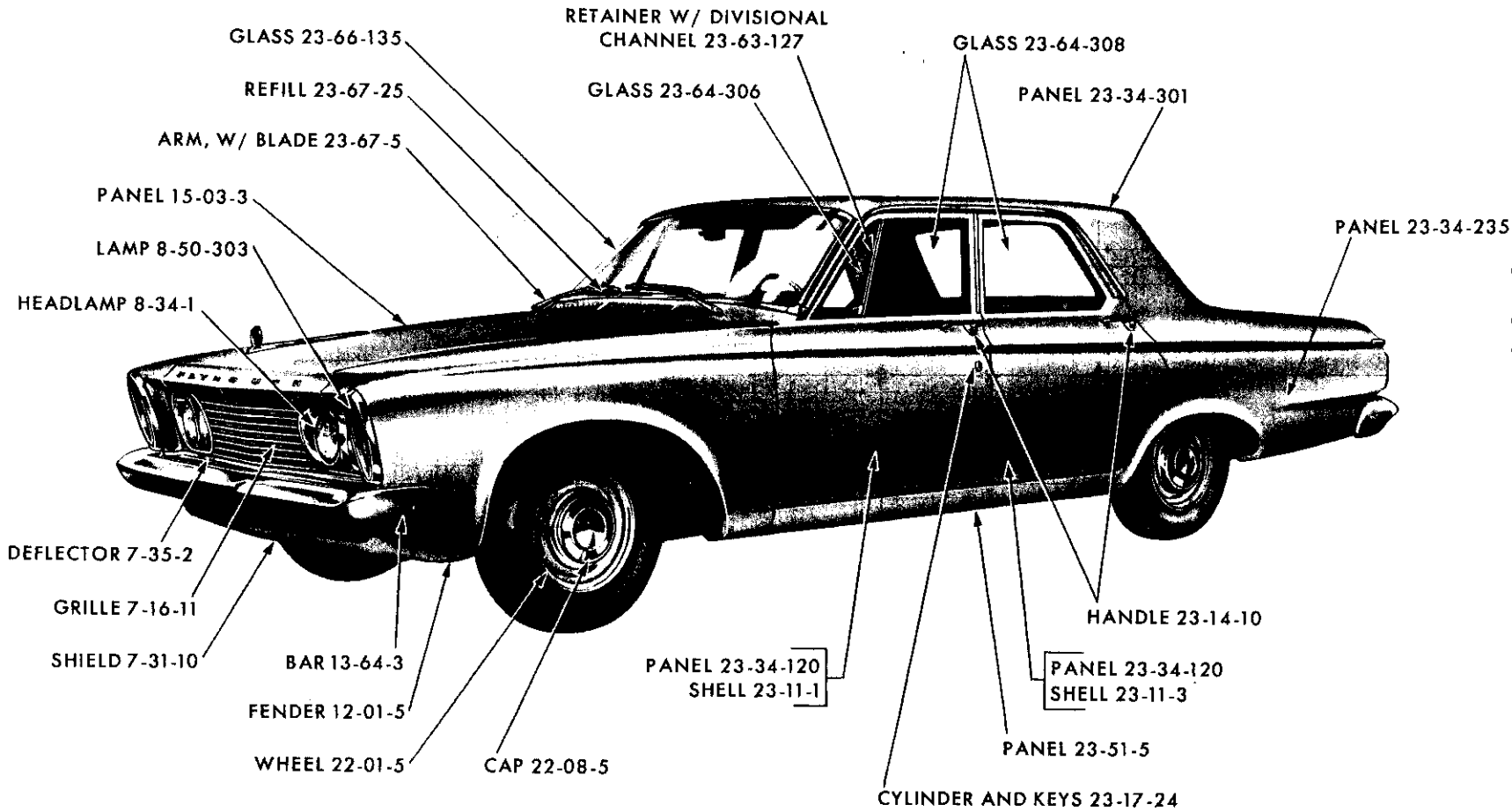
Prices and specifications subject to change without notice.

* Indicates change or addition.

January 3, 1964.

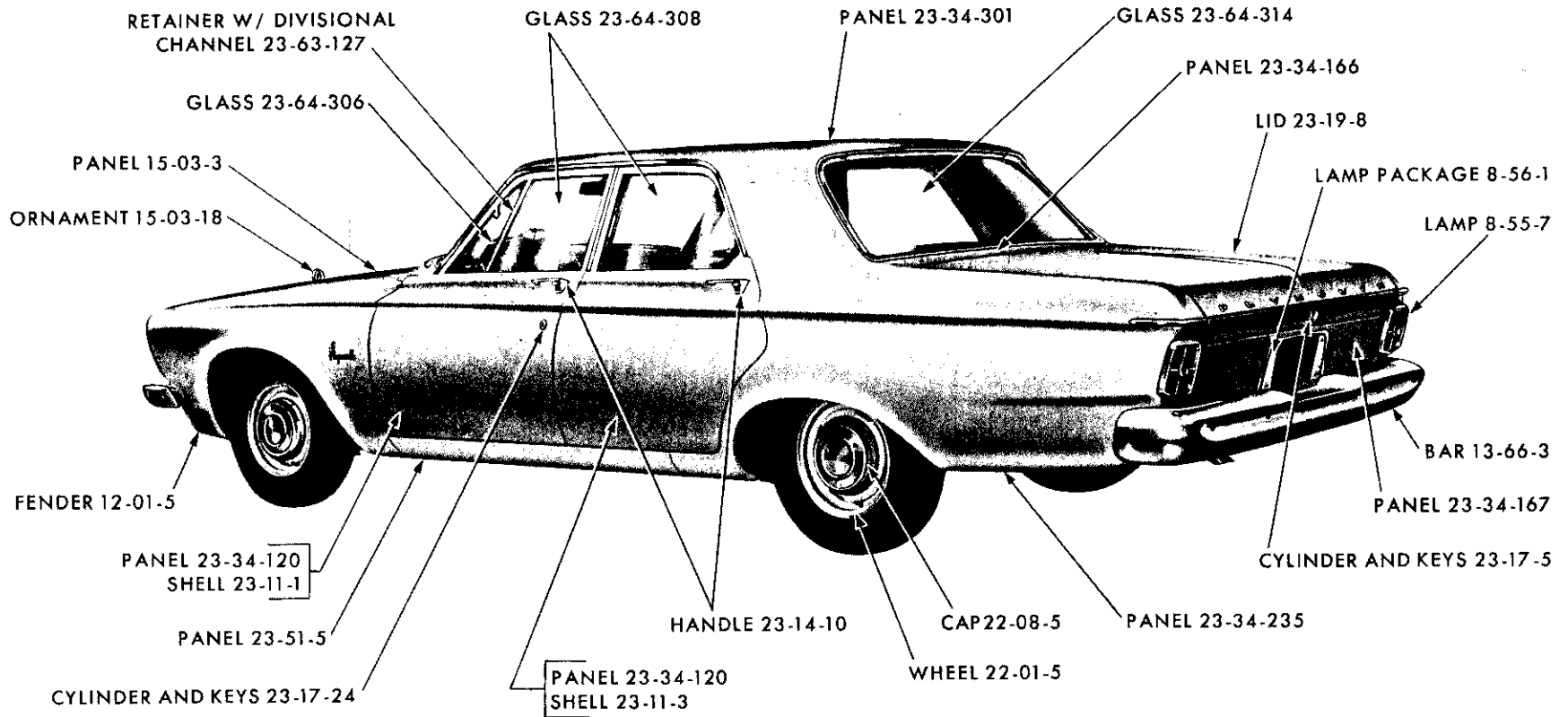
GROUP 23 - BODY

19x9591



**For Moulding Information
see Moulding Illustrations**

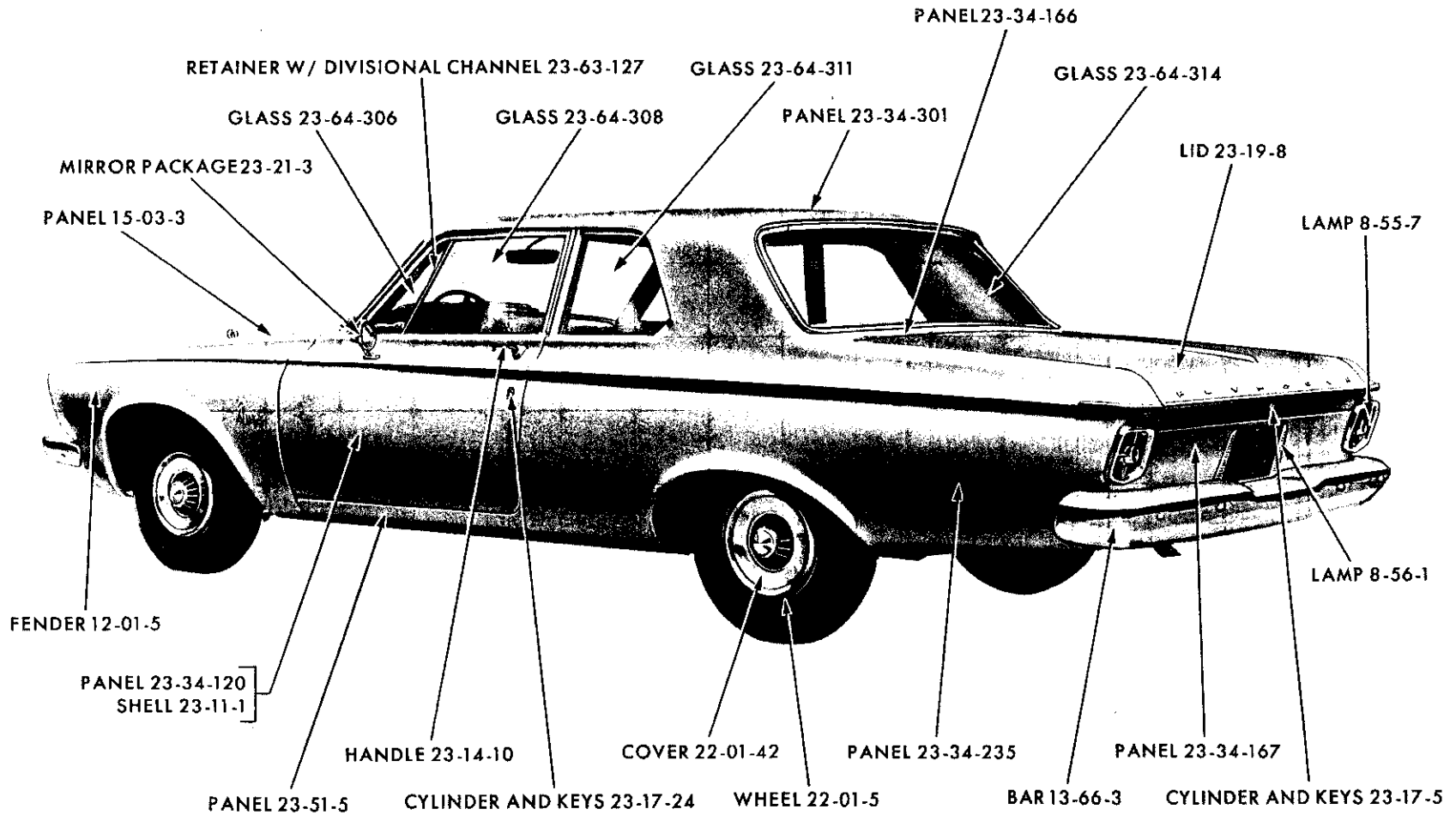
FRONT EXTERIOR - PLYMOUTH TP1-2 4 DOOR SEDAN



**For Moulding Information
see Moulding Illustrations**

19x9595

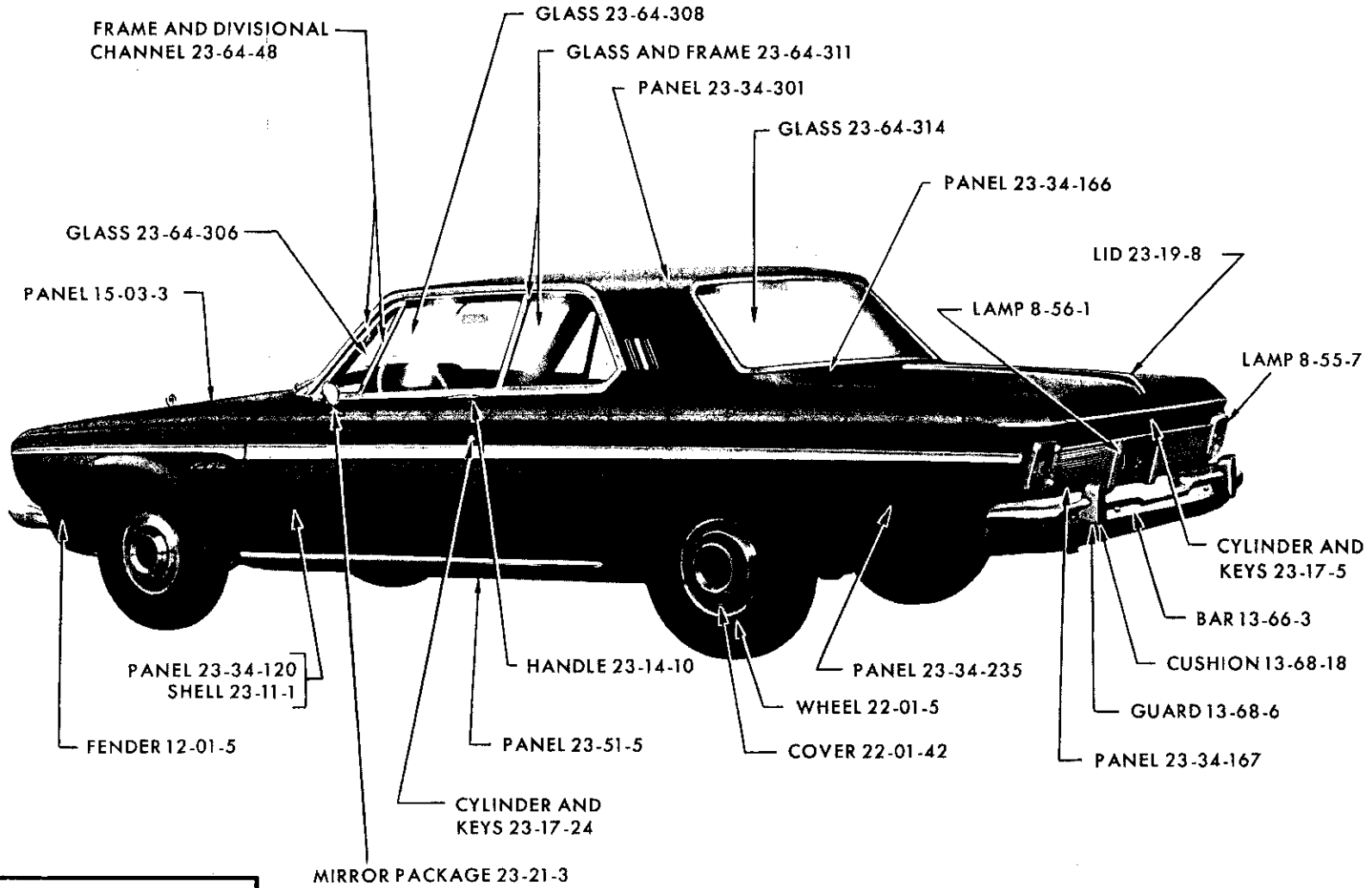
REAR EXTERIOR - PLYMOUTH TP1-2 4 DOOR SEDAN



**For Moulding Information
see Moulding Illustrations**

19x9627

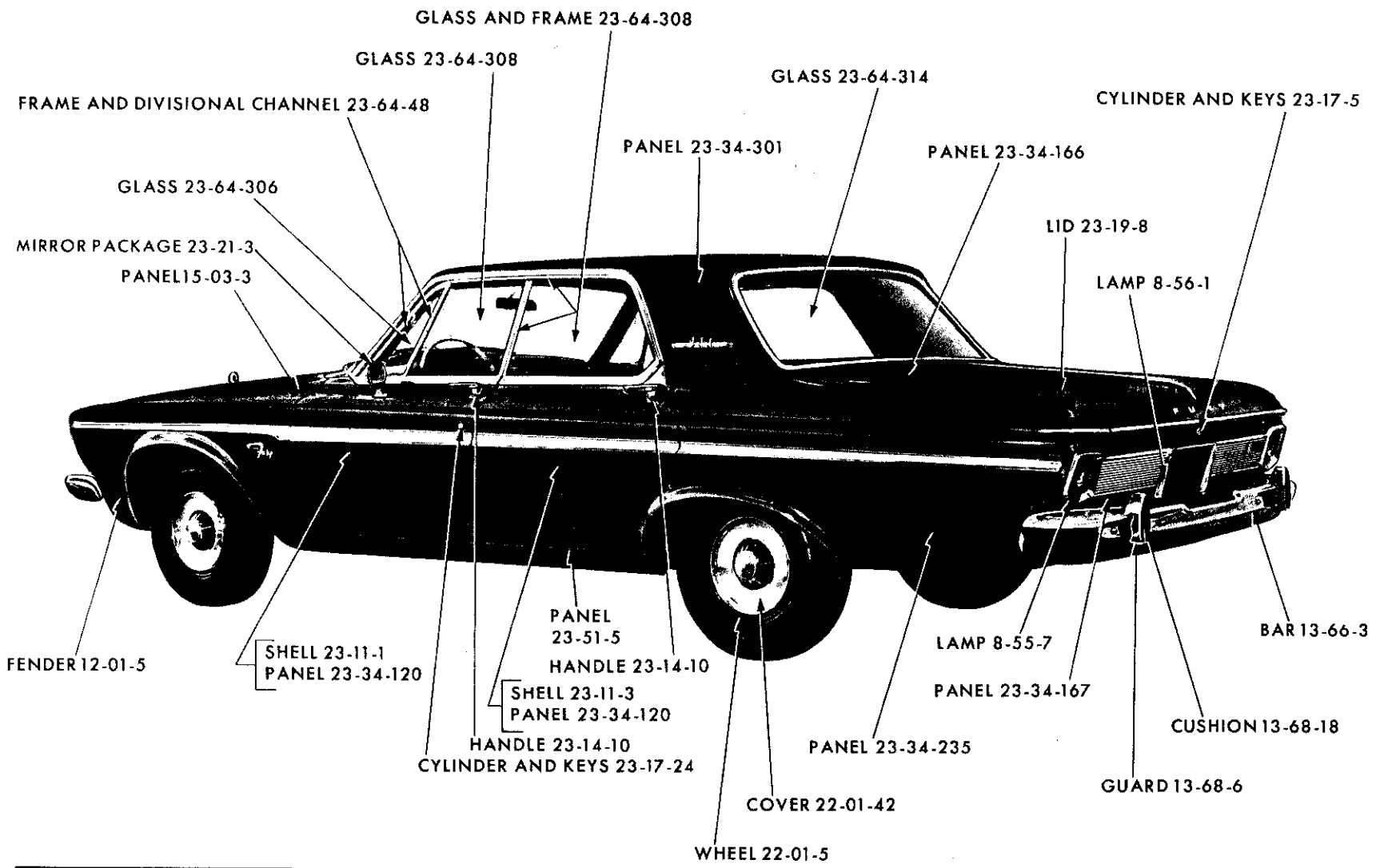
REAR EXTERIOR - PLYMOUTH TP1-2 2 DOOR SEDAN



**For Moulding Information
see Moulding Illustrations**

19x9486

REAR EXTERIOR - PLYMOUTH TP1-2 SPECIAL CLUB COUPE

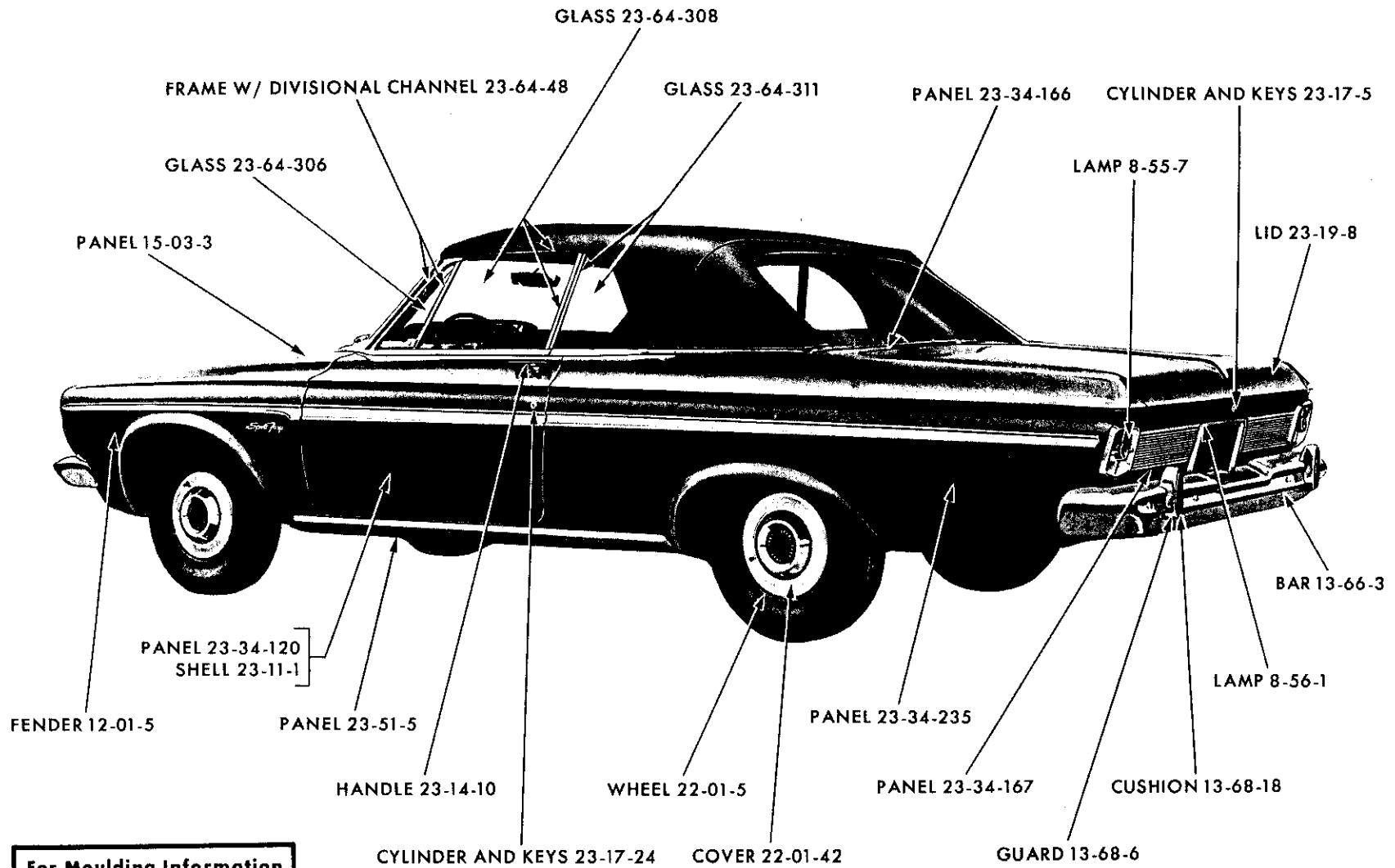


**For Moulding Information
see Moulding Illustrations**

19x9501

REAR EXTERIOR - PLYMOUTH TP2 SPECIAL 4 DOOR SEDAN

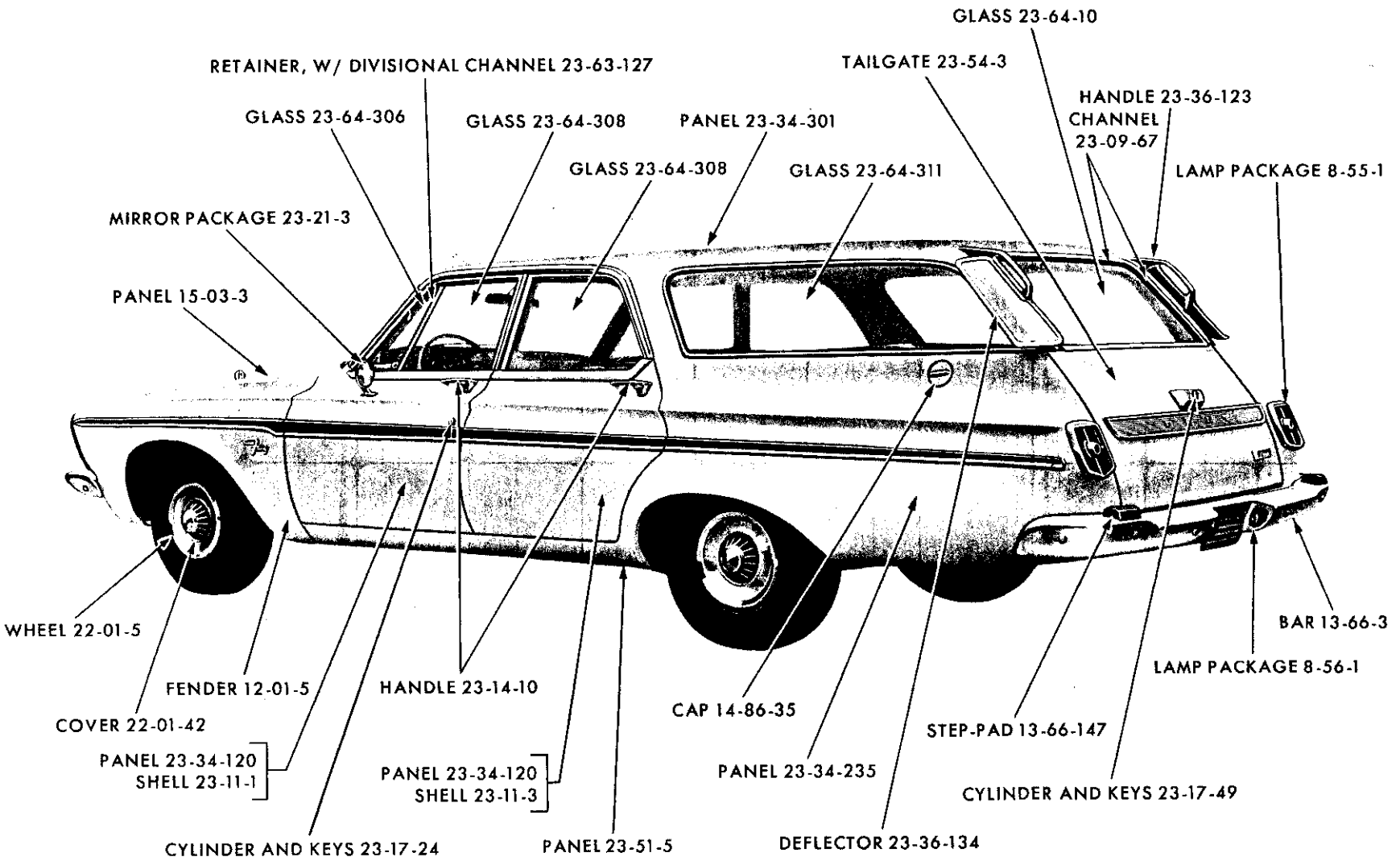
MyMopar.com



For Moulding Information
see Moulding Illustrations

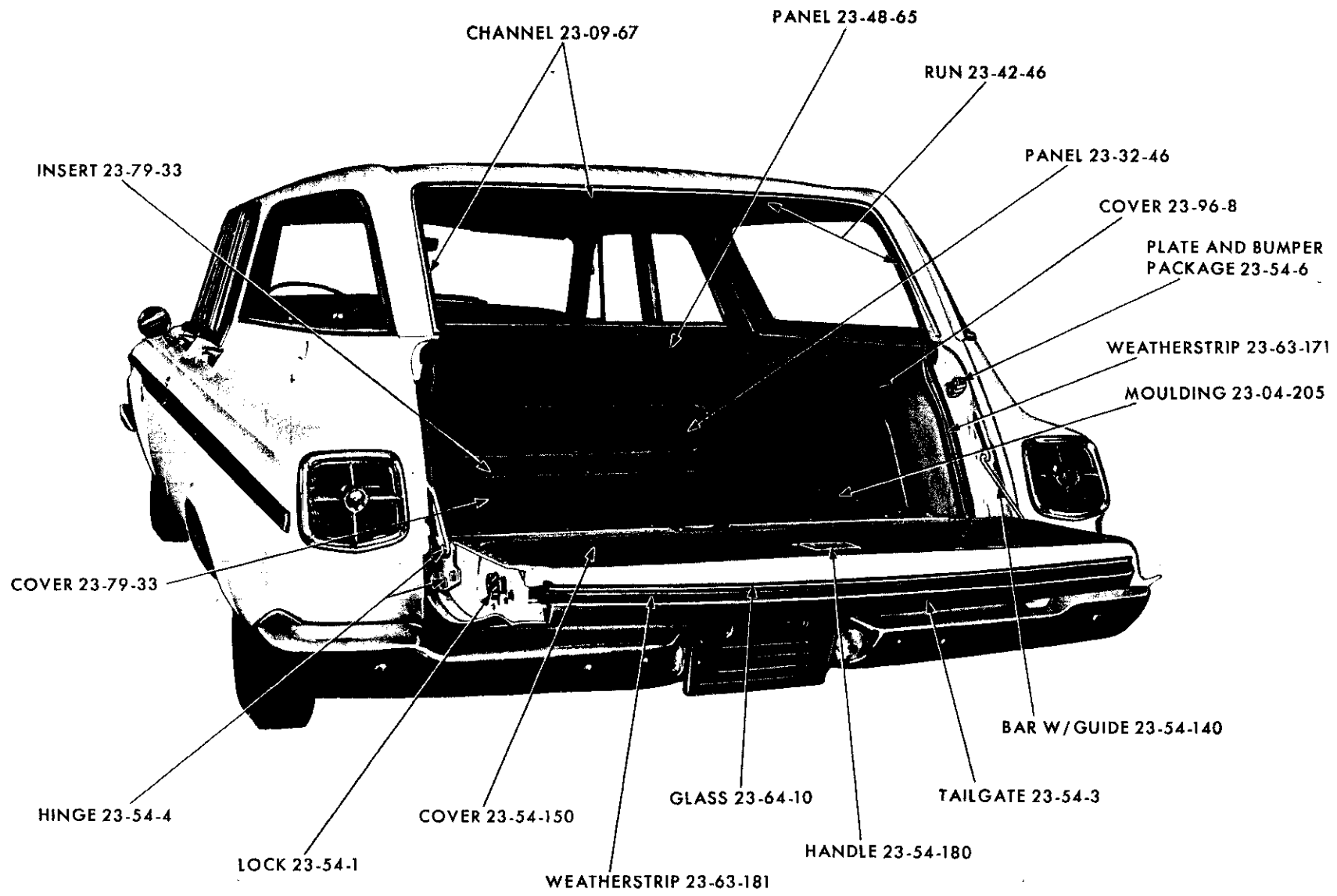
19x9580

REAR EXTERIOR - PLYMOUTH TP1-2 CONVERTIBLE COUPE



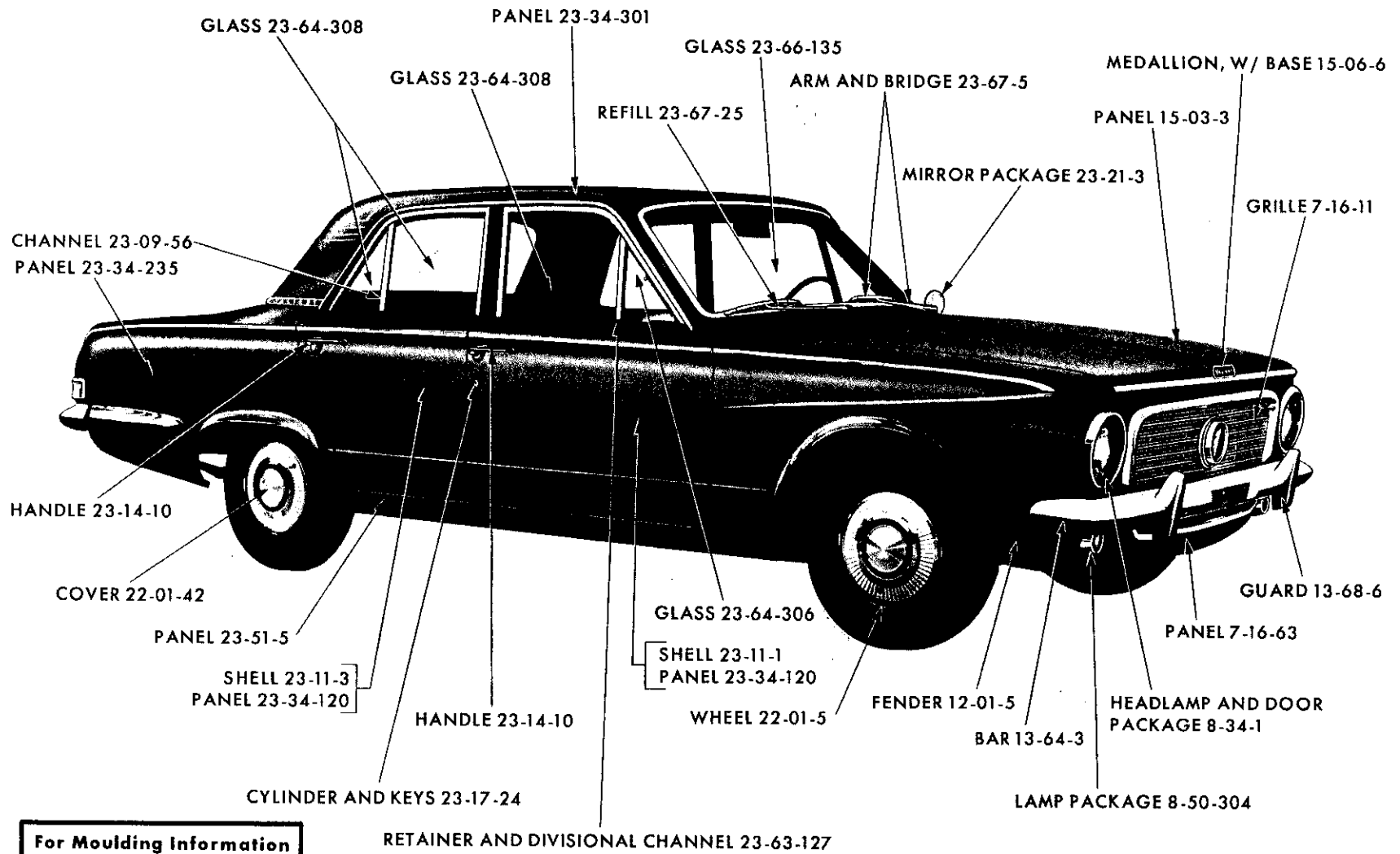
**For Moulding Information
see Moulding Illustrations**

19x9598A



19x9661

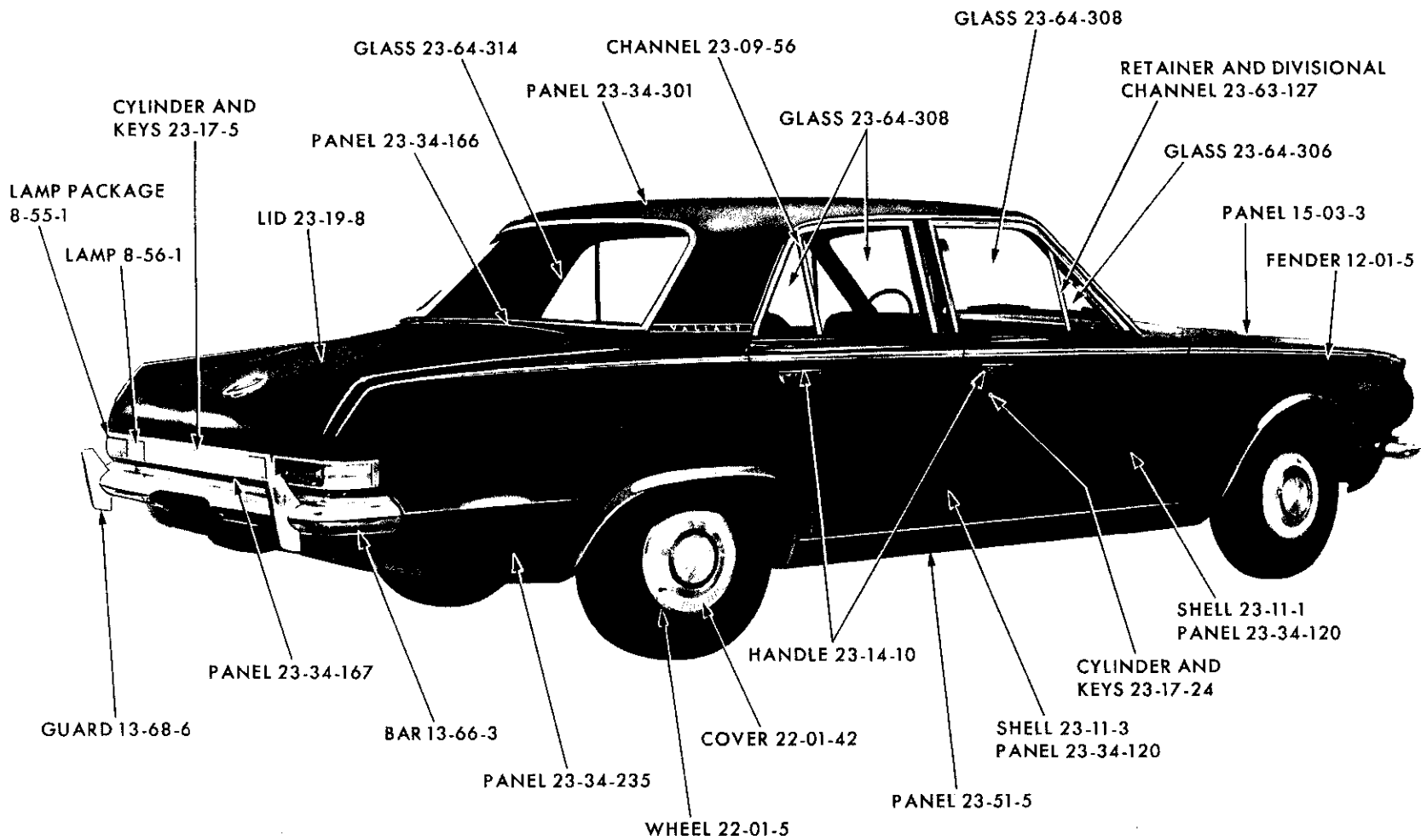
REAR INTERIOR VIEW - PLYMOUTH TP1-2 SUBURBAN



**For Moulding Information
see Moulding Illustrations**

RETAINER AND DIVISIONAL CHANNEL 23-63-127

19x9572A

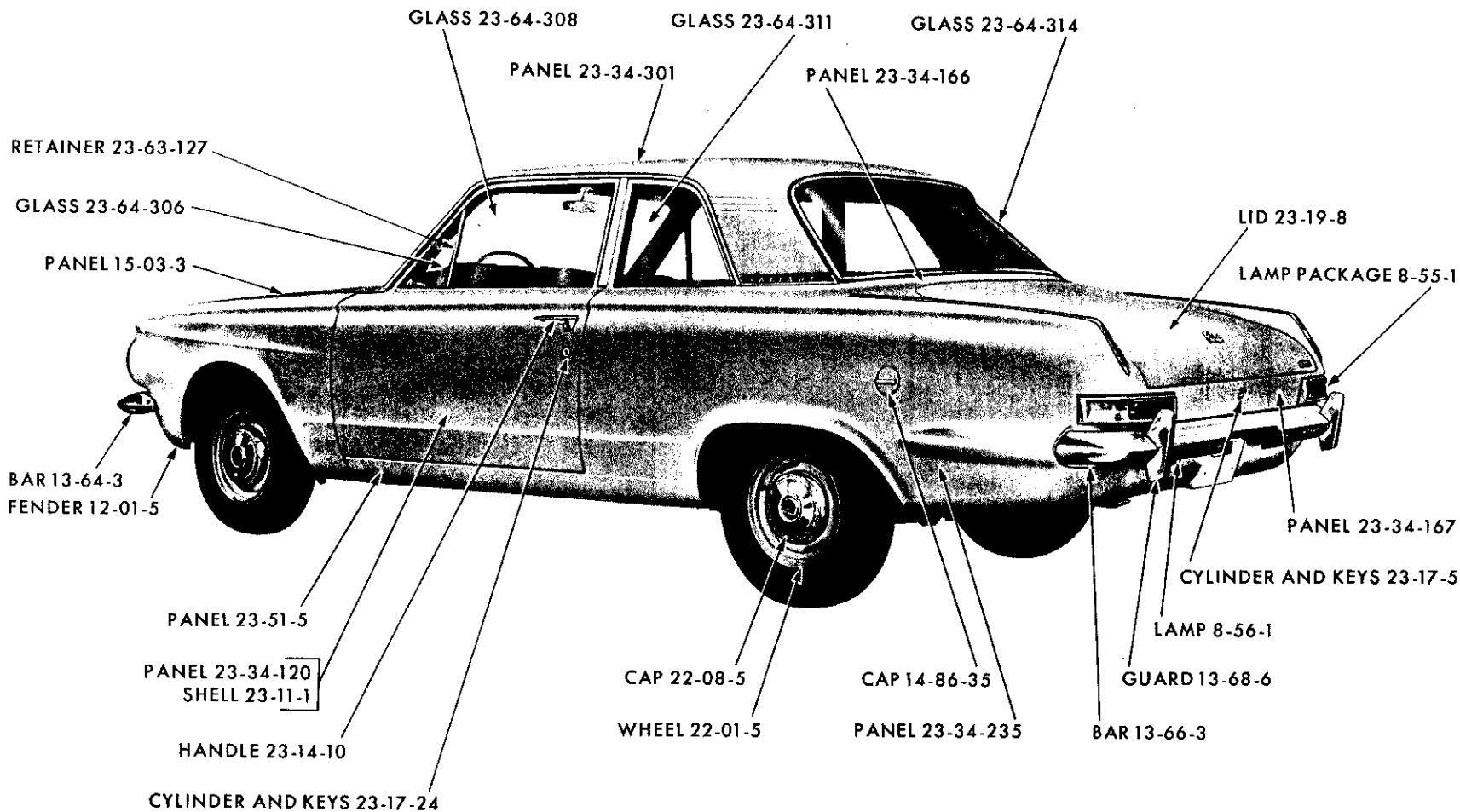


**For Moulding Information
see Moulding Illustrations**

19x9574

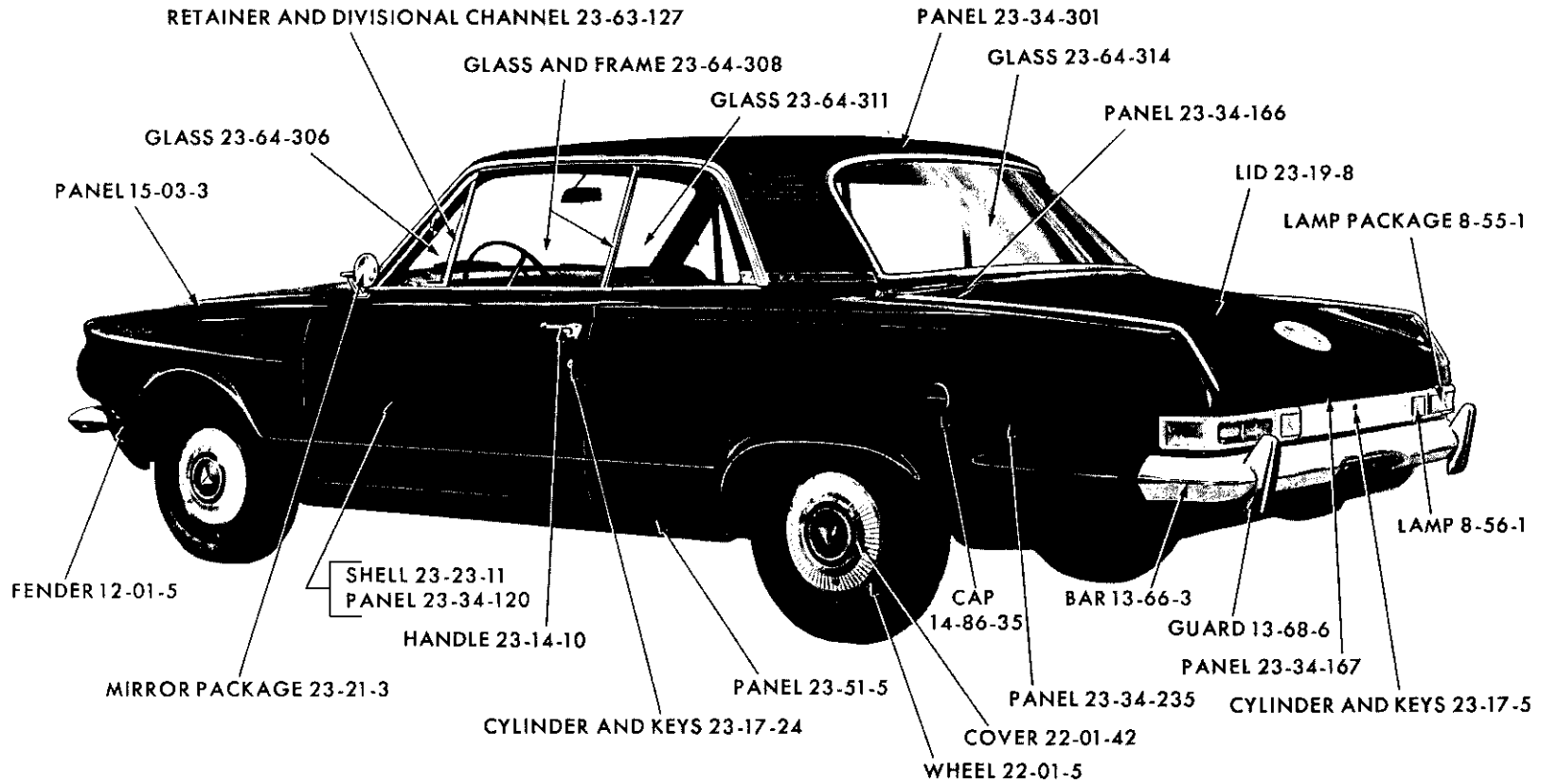
REAR EXTERIOR - VALIANT TV1 4 DOOR SEDAN

**For Moulding Information
see Moulding Illustrations**



REAR EXTERIOR - VALIANT TV1-2 DOOR SEDAN

19x9547

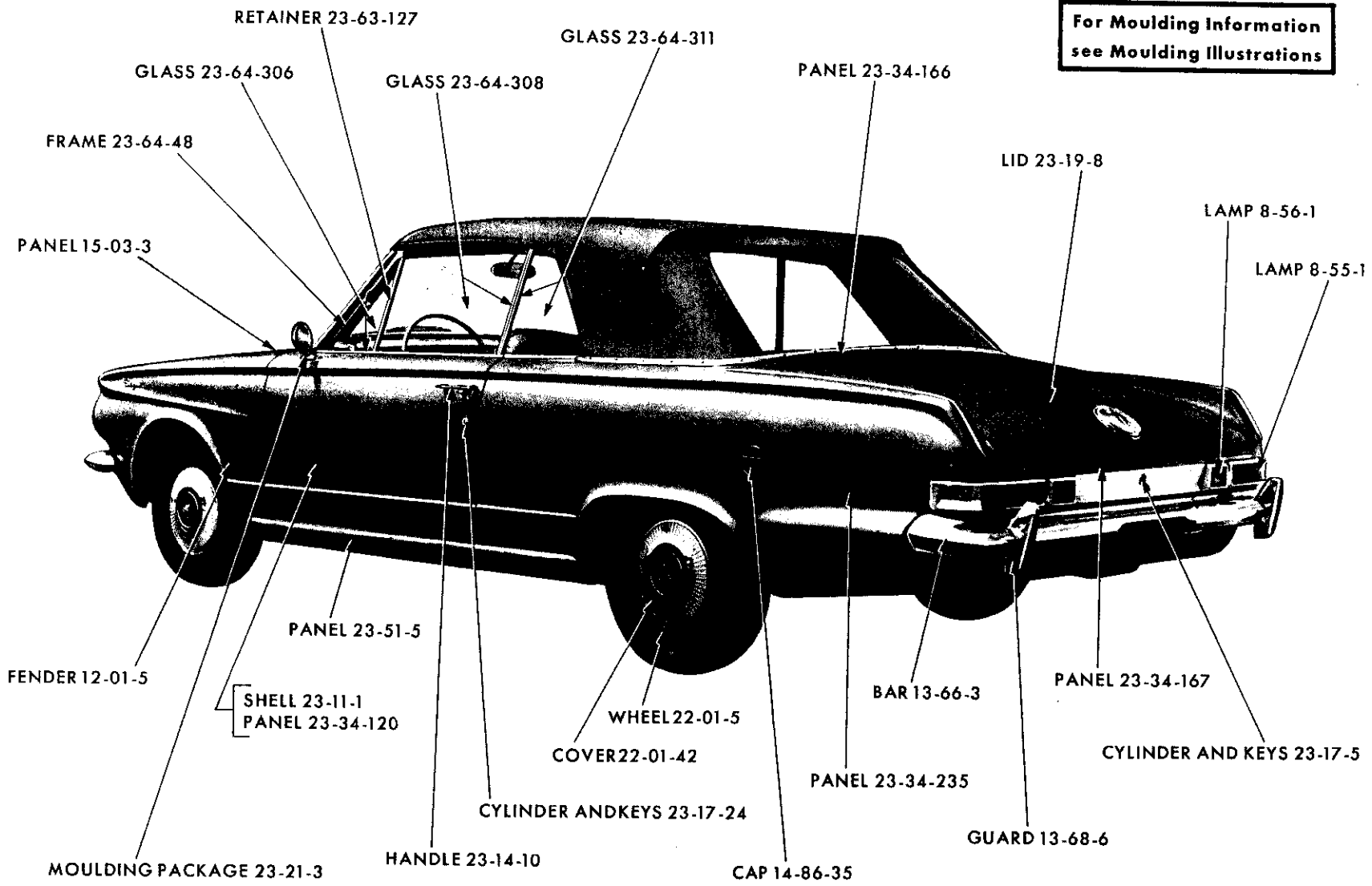


**For Moulding Information
see Moulding Illustrations**

19x9483

REAR EXTERIOR - VALIANT TV1 SPECIAL CLUB COUPE

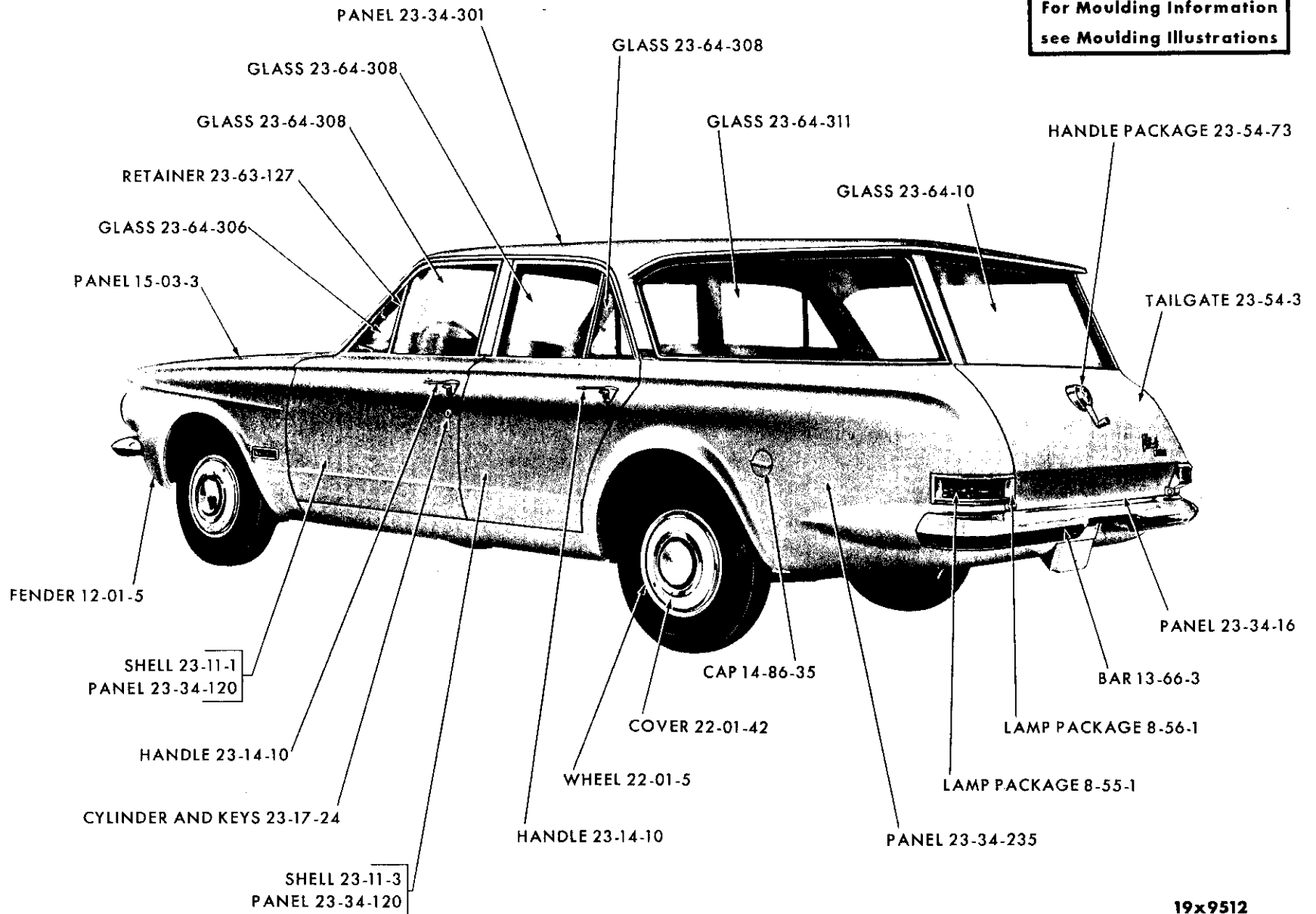
For Moulding Information
see Moulding Illustrations



19x9628

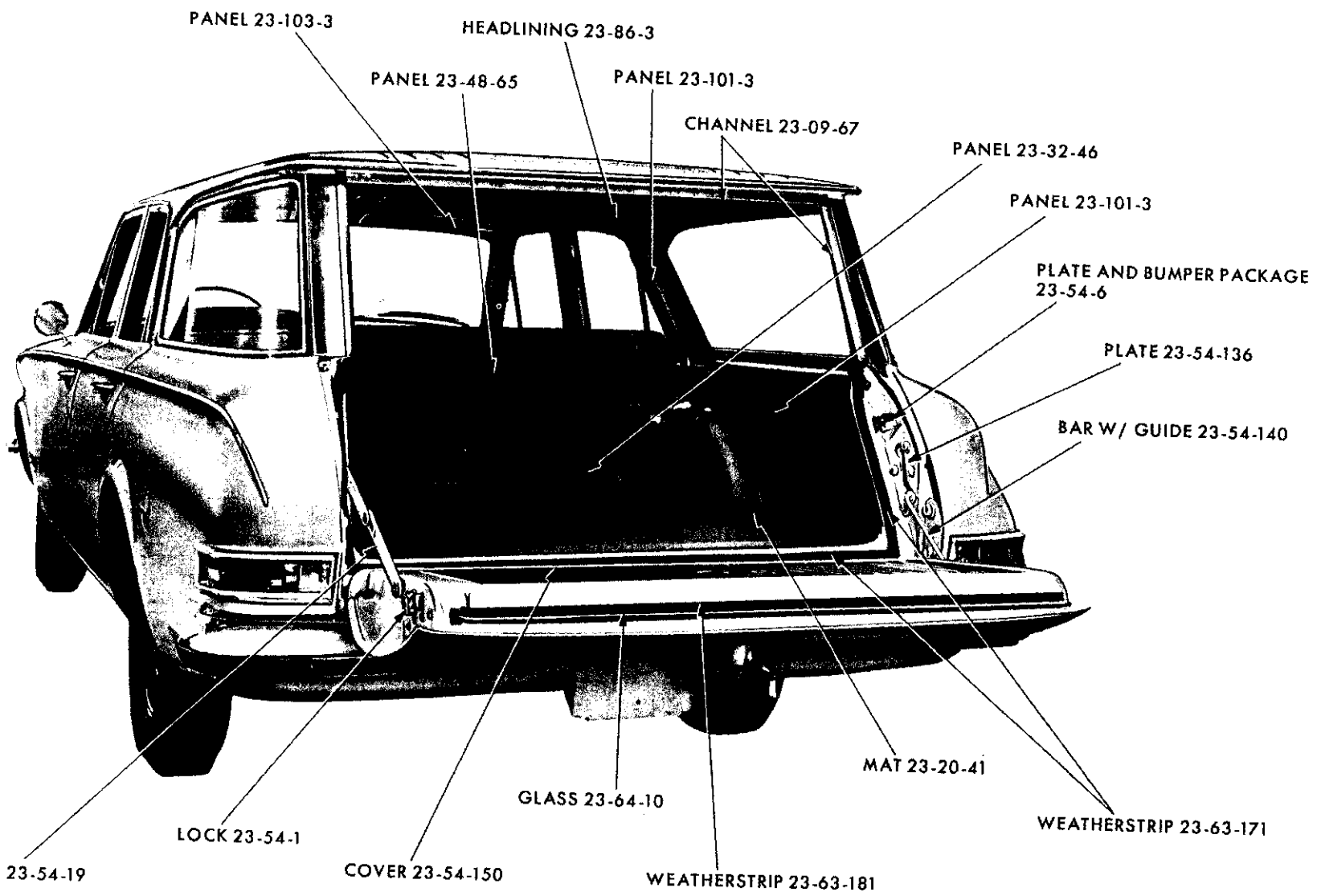
REAR EXTERIOR - VALIANT TV1 CONVERTIBLE COUPE

For Moulding Information
see Moulding Illustrations



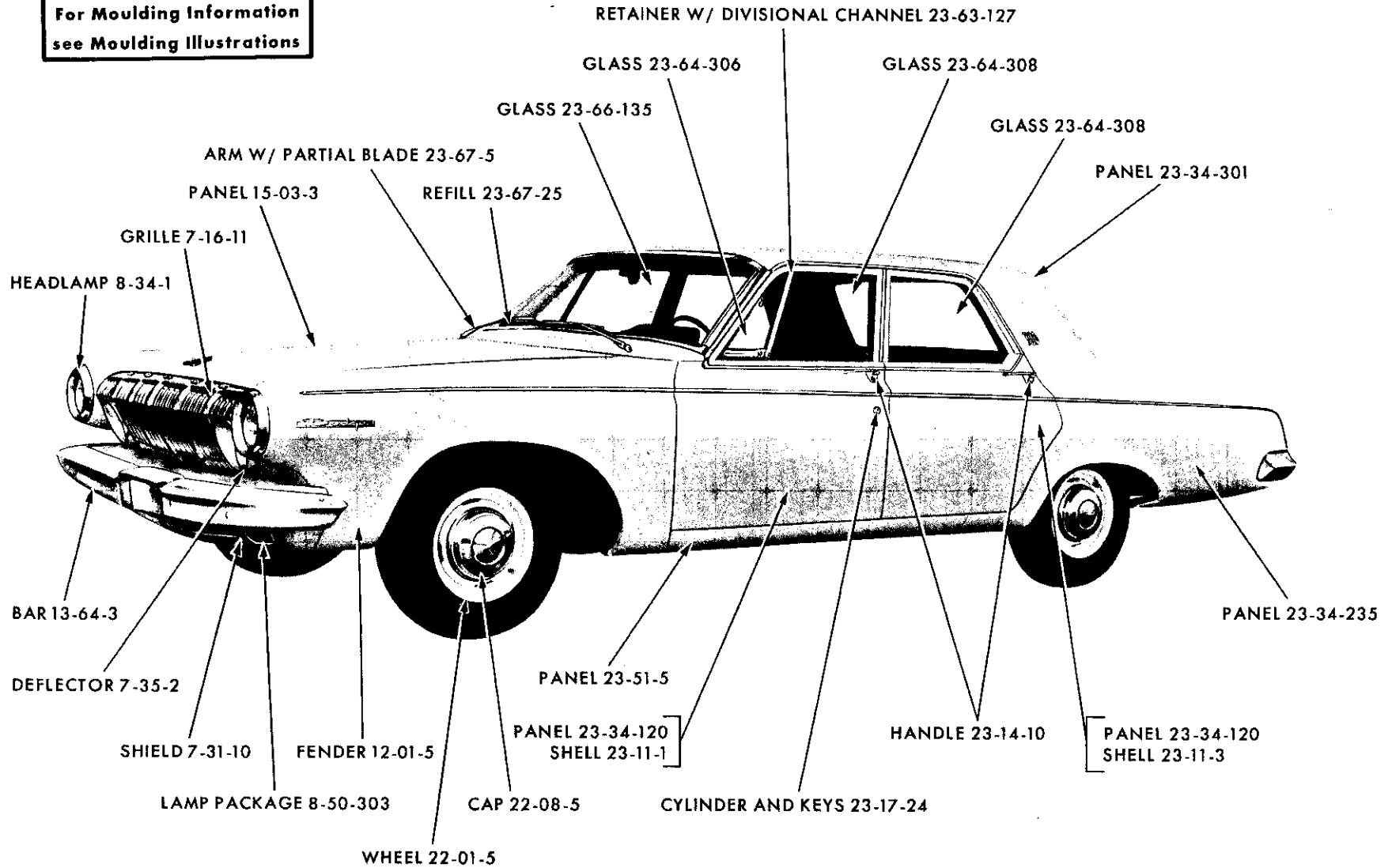
REAR EXTERIOR - VALIANT TV1 SUBURBAN

19x9512



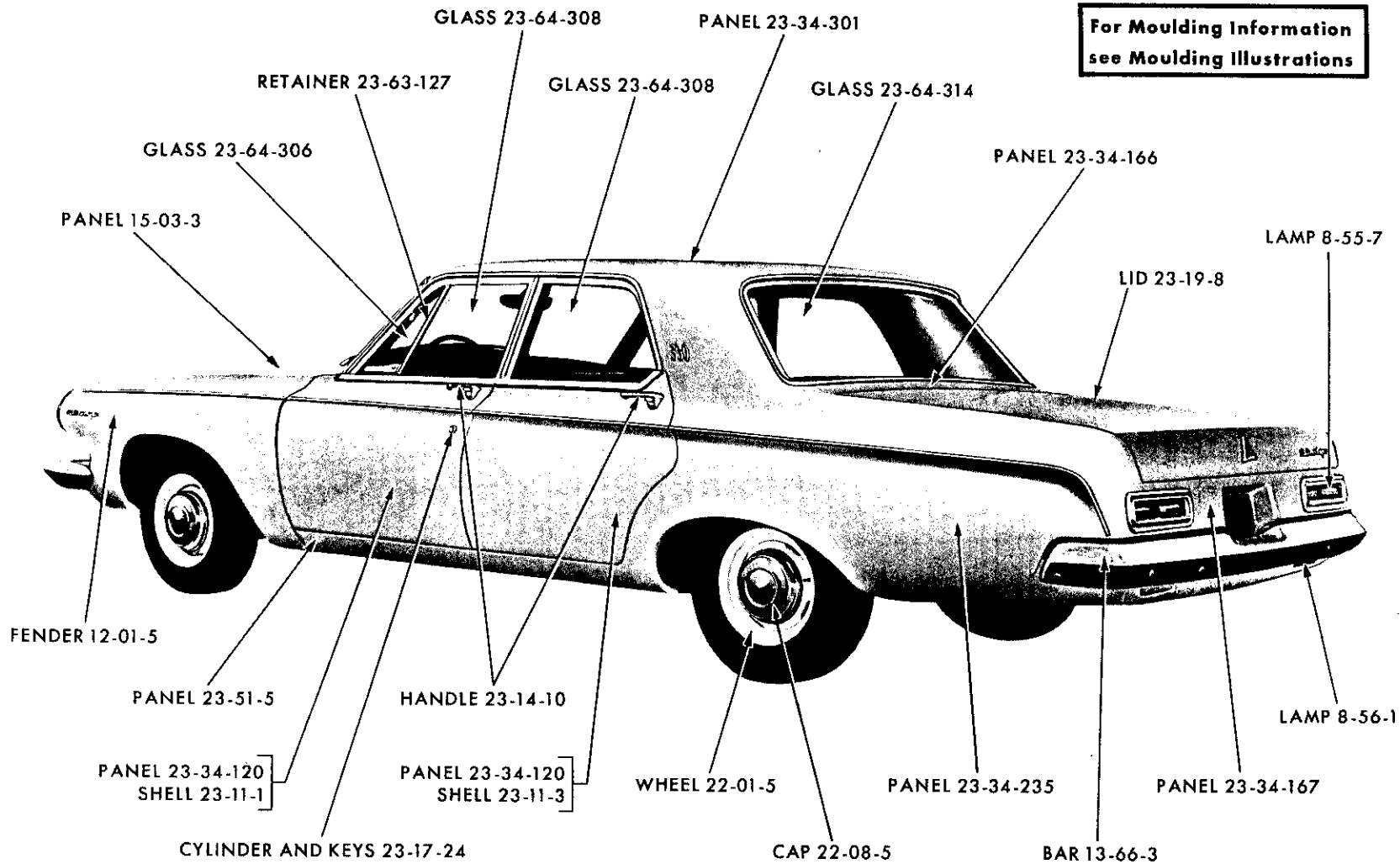
19x9671

For Moulding Information
see Moulding Illustrations



19x9573

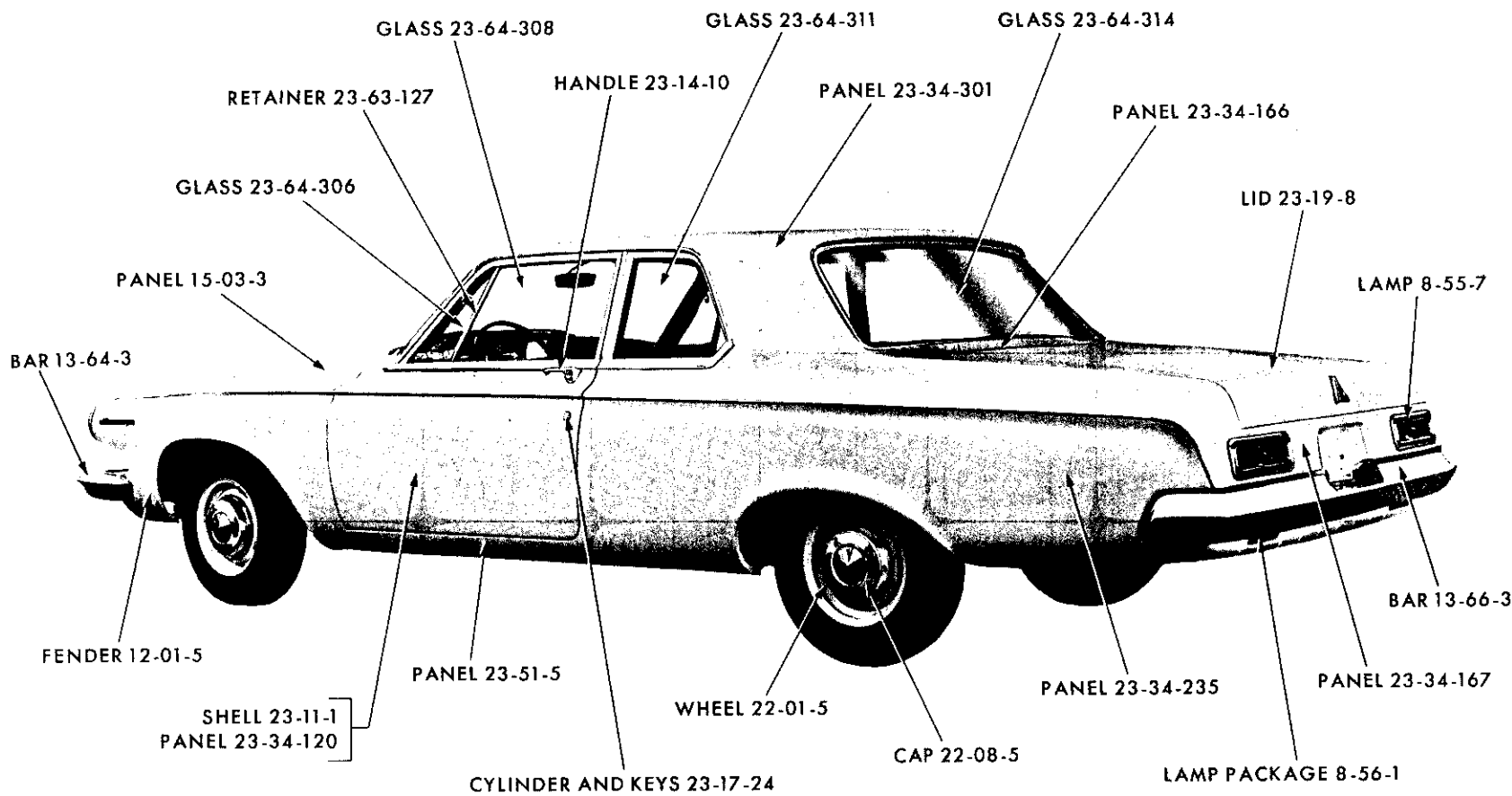
FRONT EXTERIOR - DODGE TD1-2 4 DOOR SEDAN



19x9575

REAR EXTERIOR - DODGE TD1-2 4 DOOR SEDAN

MyMopar.com

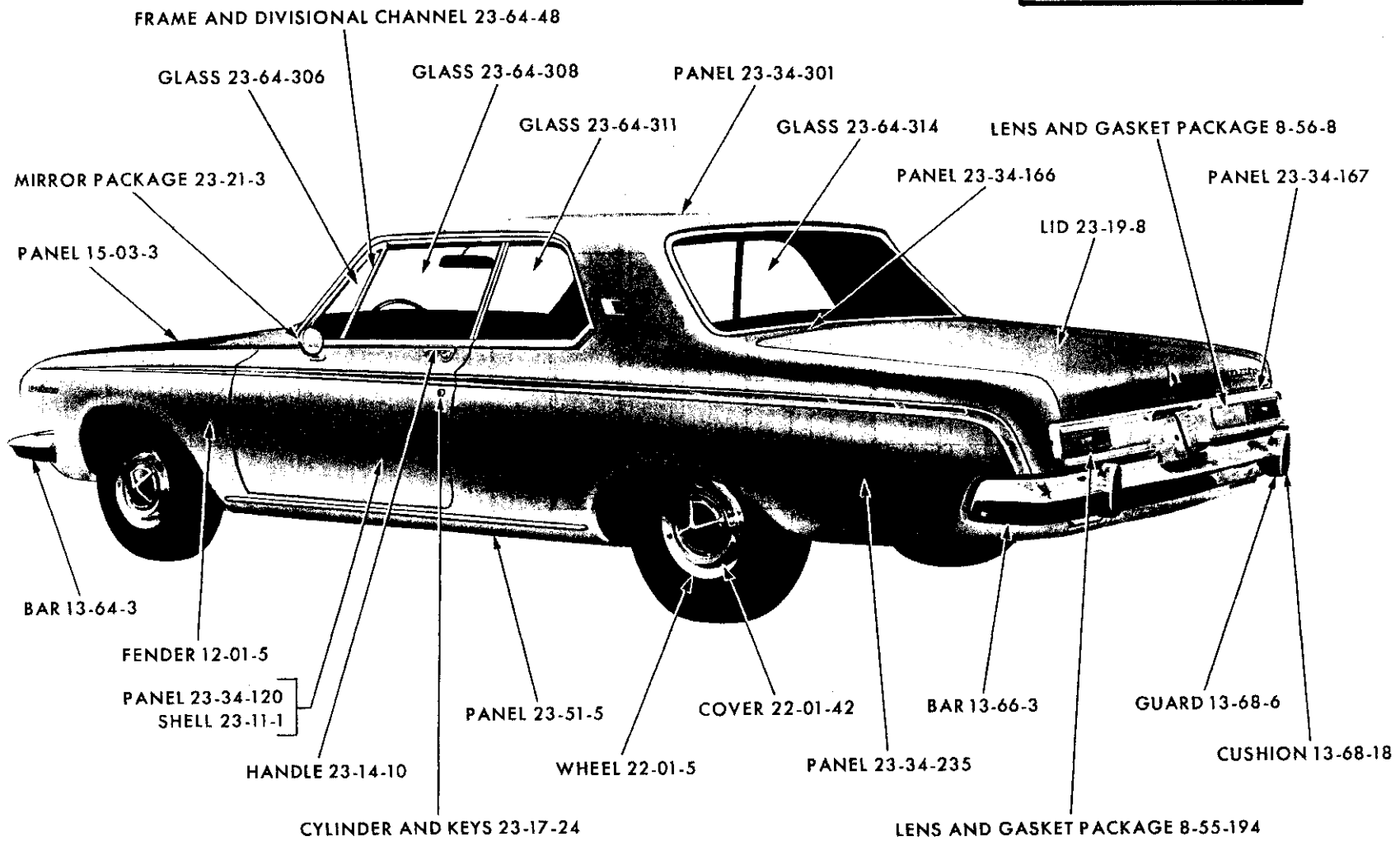


**For Moulding Information
see Moulding Illustrations**

REAR EXTERIOR - DODGE TD1-2 2 DOOR SEDAN

19x9548

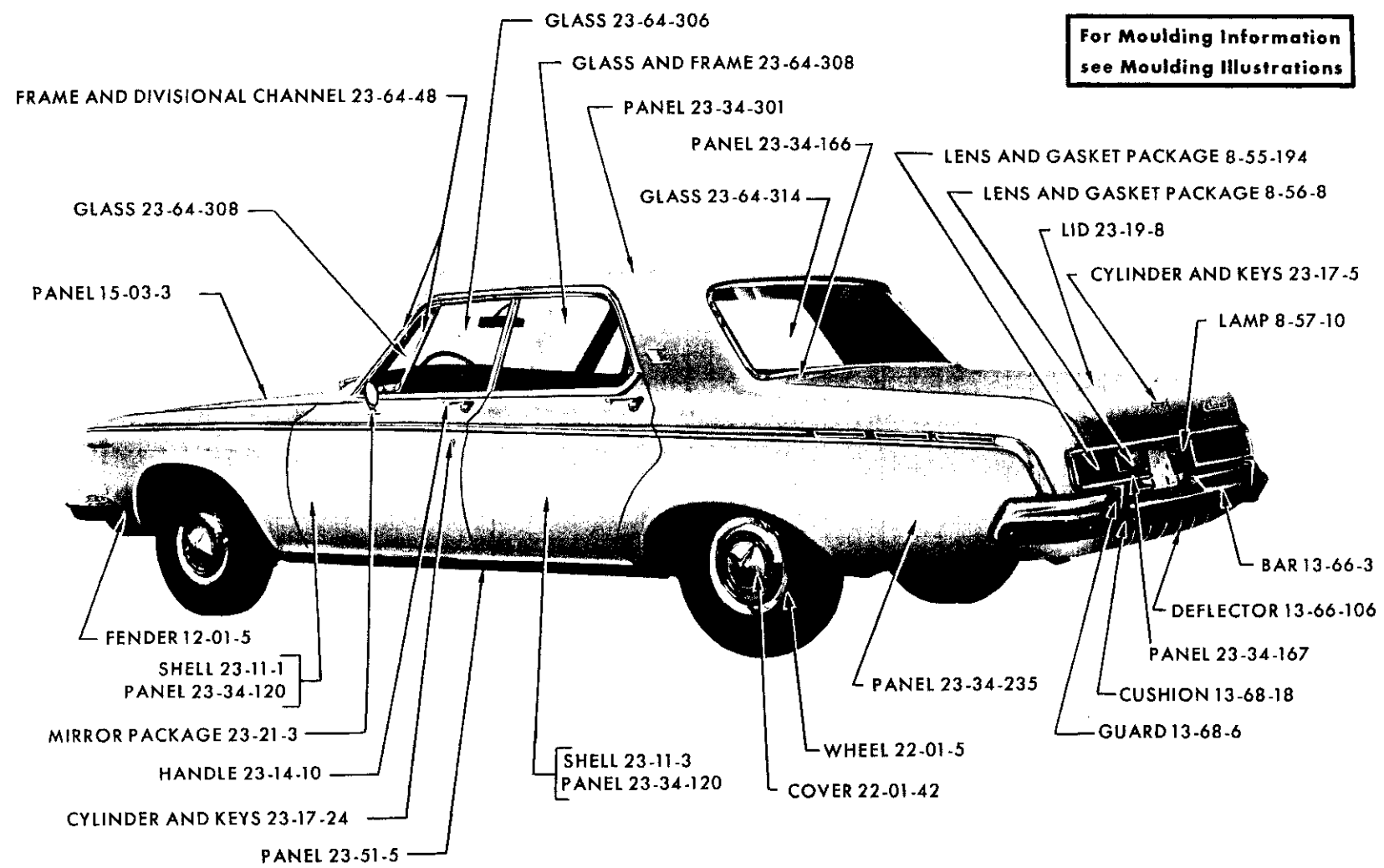
For Moulding Information
see Moulding Illustrations



REAR EXTERIOR - DODGE TD1-2 SPECIAL CLUB COUPE

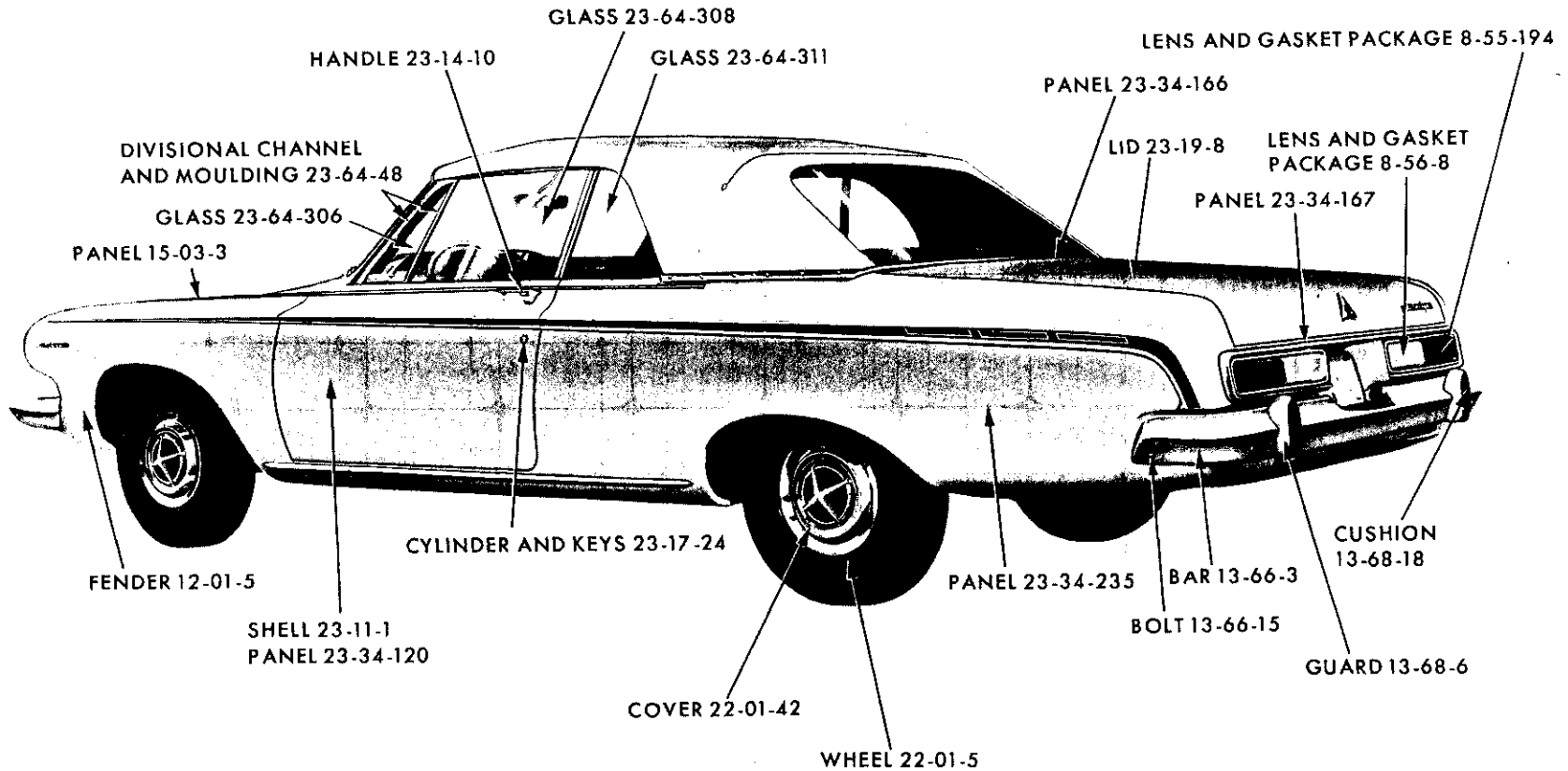
MyMopar.com

19x9586



19x9485

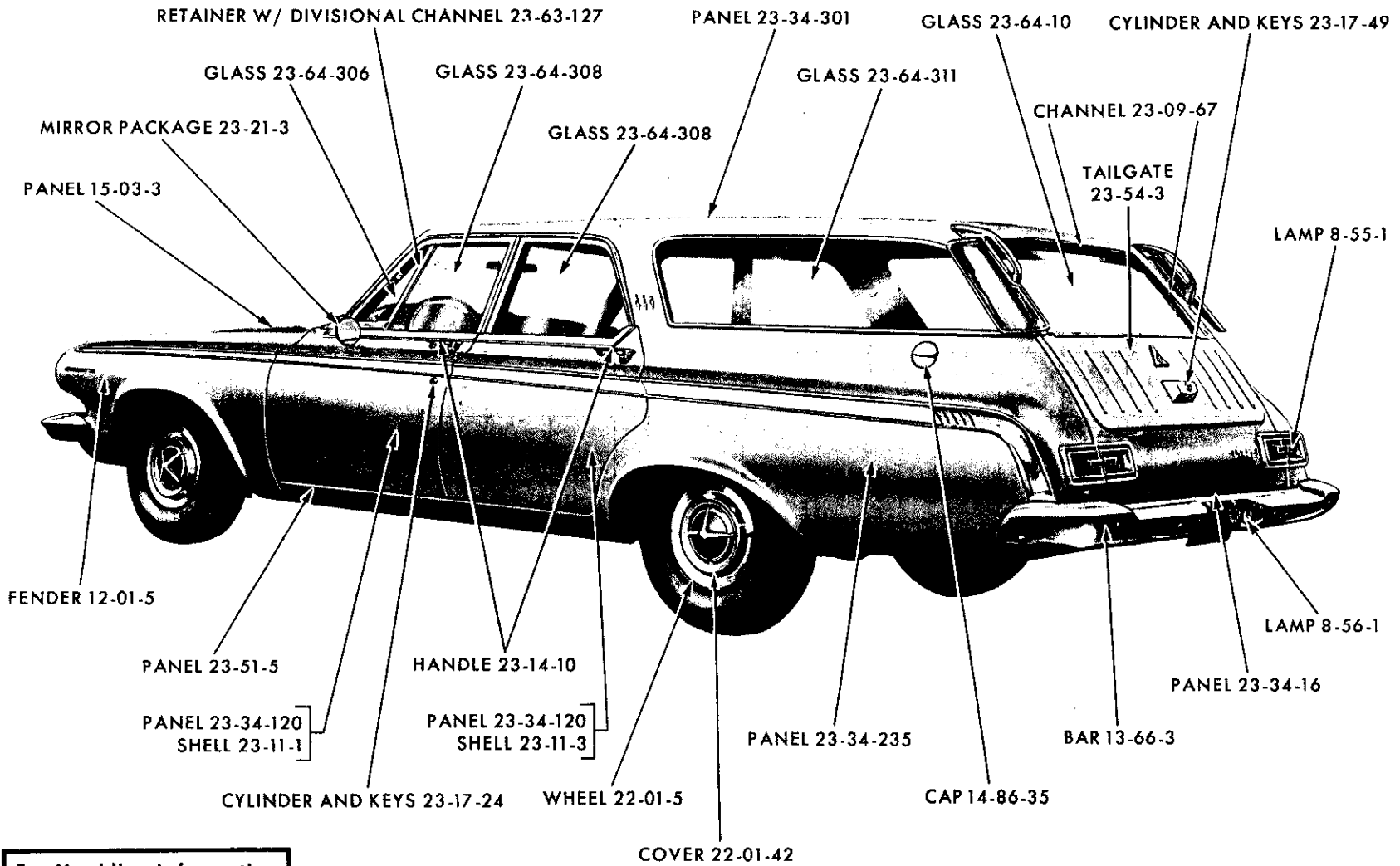
REAR EXTERIOR - DODGE TD2 SPECIAL 4 DOOR SEDAN



**For Moulding Information
see Moulding Illustrations**

REAR EXTERIOR - DODGE TD2 CONVERTIBLE COUPE

19x9507



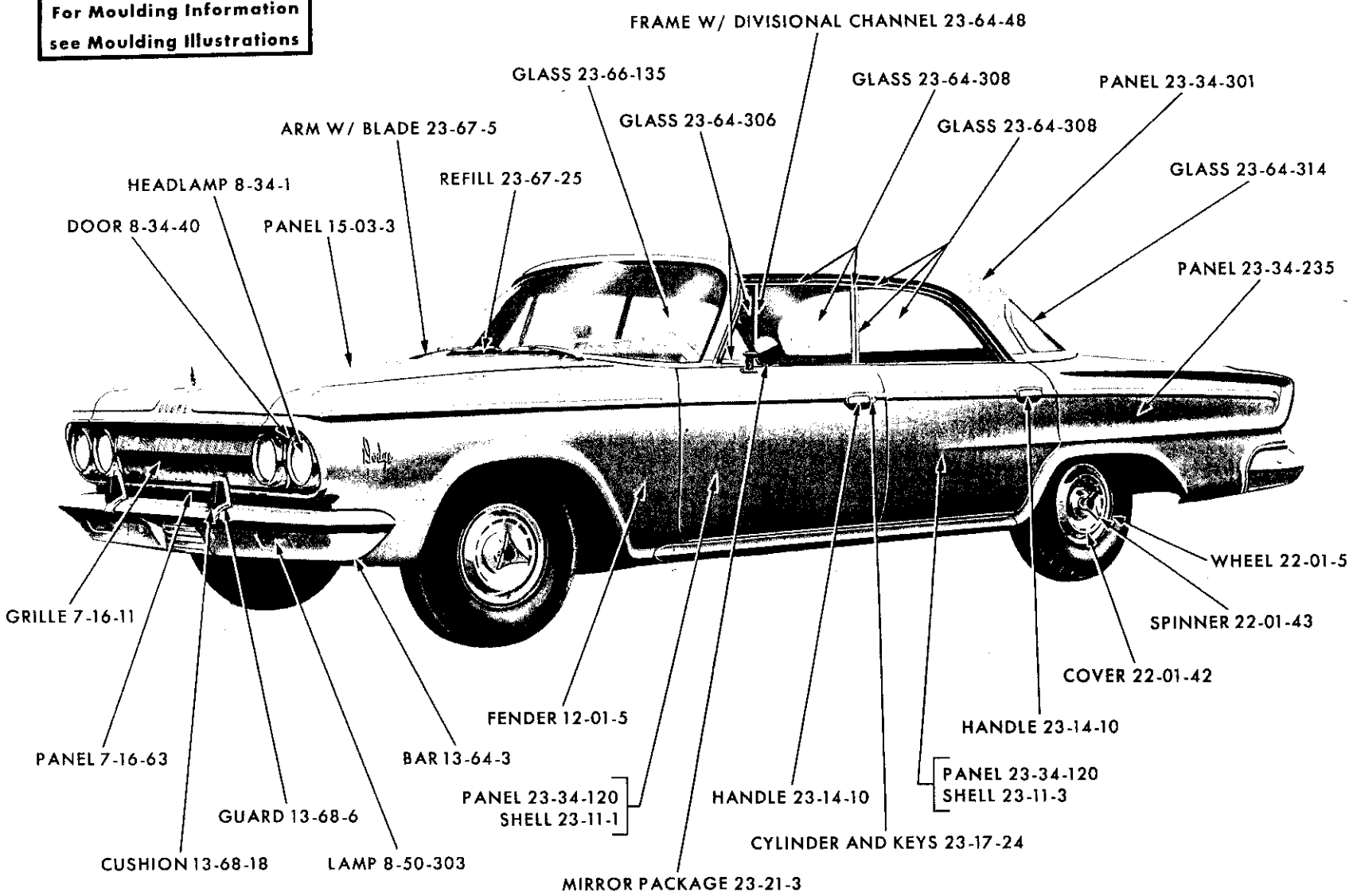
**For Moulding Information
see Moulding Illustrations**

19x9626A

REAR EXTERIOR - DODGE TD1 SUBURBAN

MyMopar.com

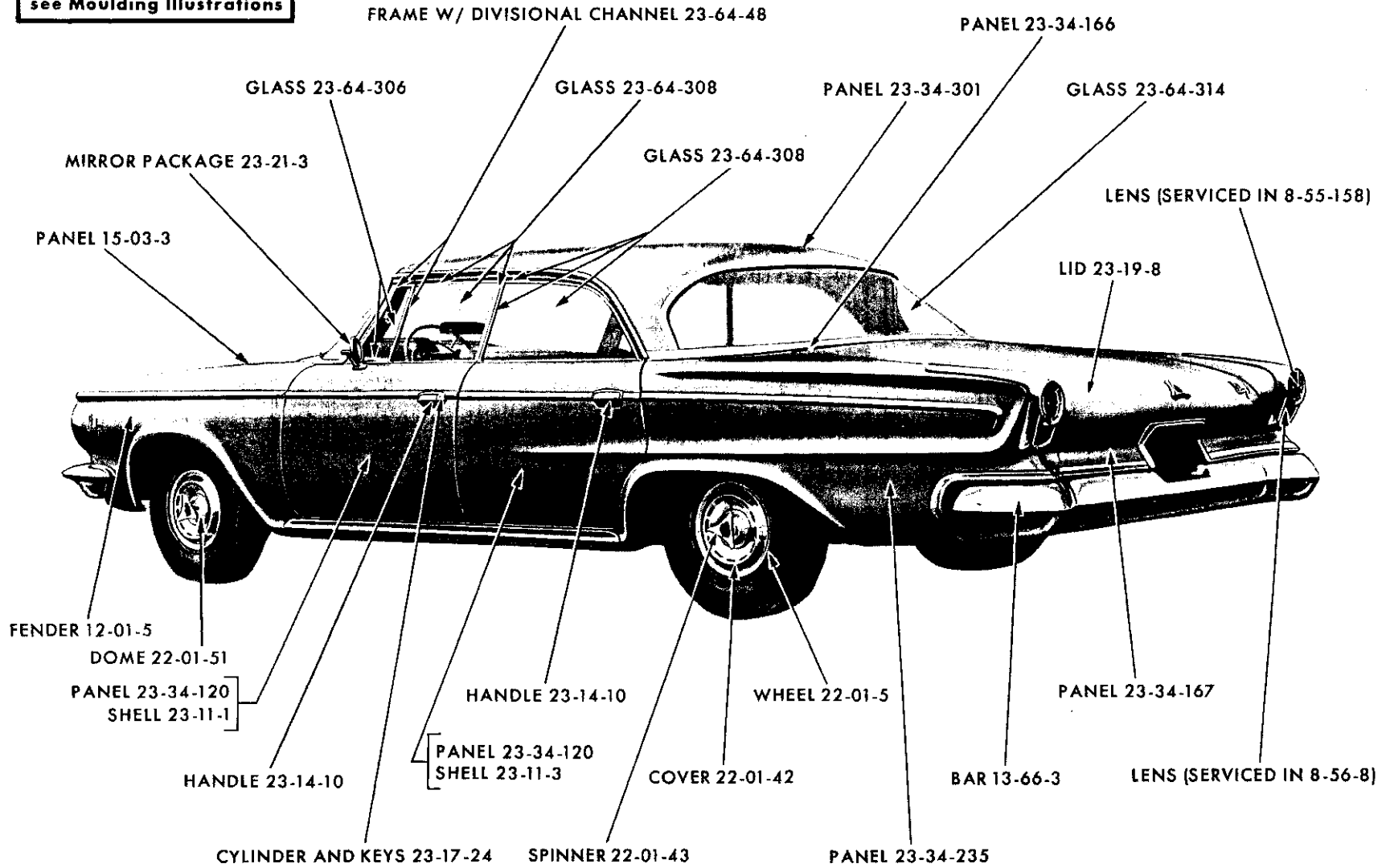
**For Moulding Information
see Moulding Illustrations**



19x9593

FRONT EXTERIOR - DODGE TA3 SPECIAL 4 DOOR SEDAN

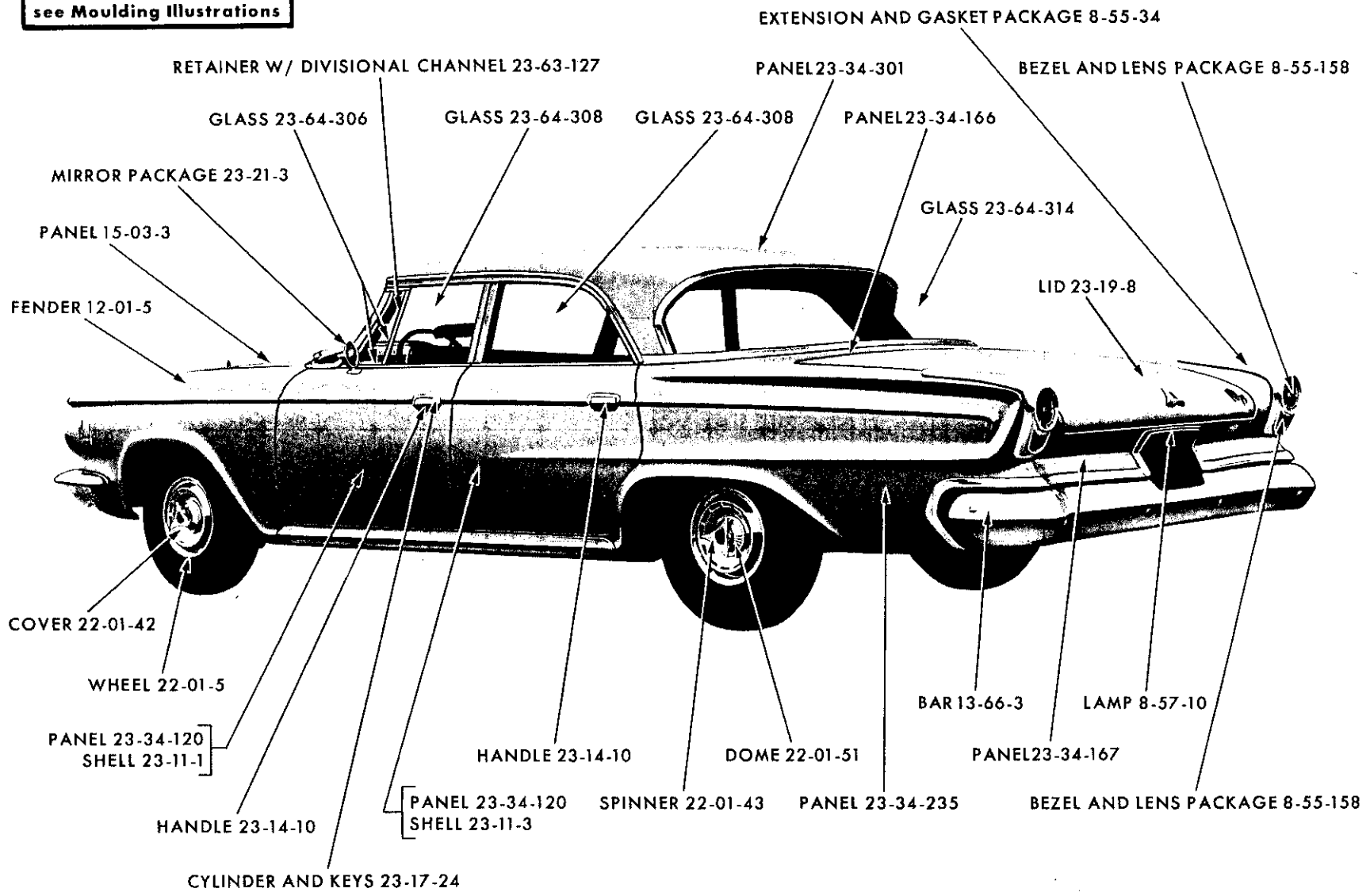
For Moulding Information
see Moulding Illustrations



19x9594

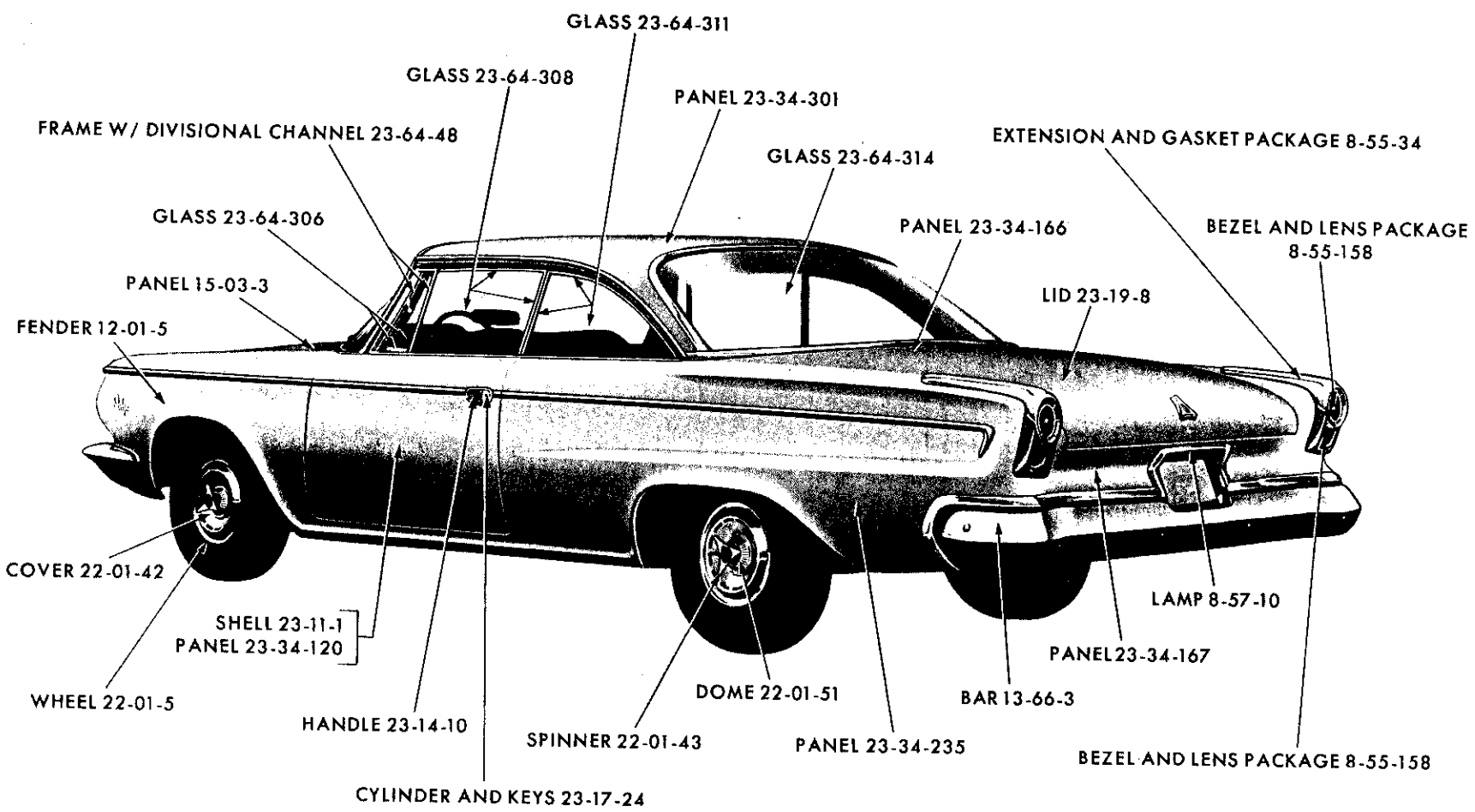
REAR EXTERIOR - DODGE TA3 SPECIAL 4 DOOR SEDAN

**For Moulding Information
see Moulding Illustrations**



19x9634

REAR EXTERIOR - DODGE TA3 4 DOOR SEDAN

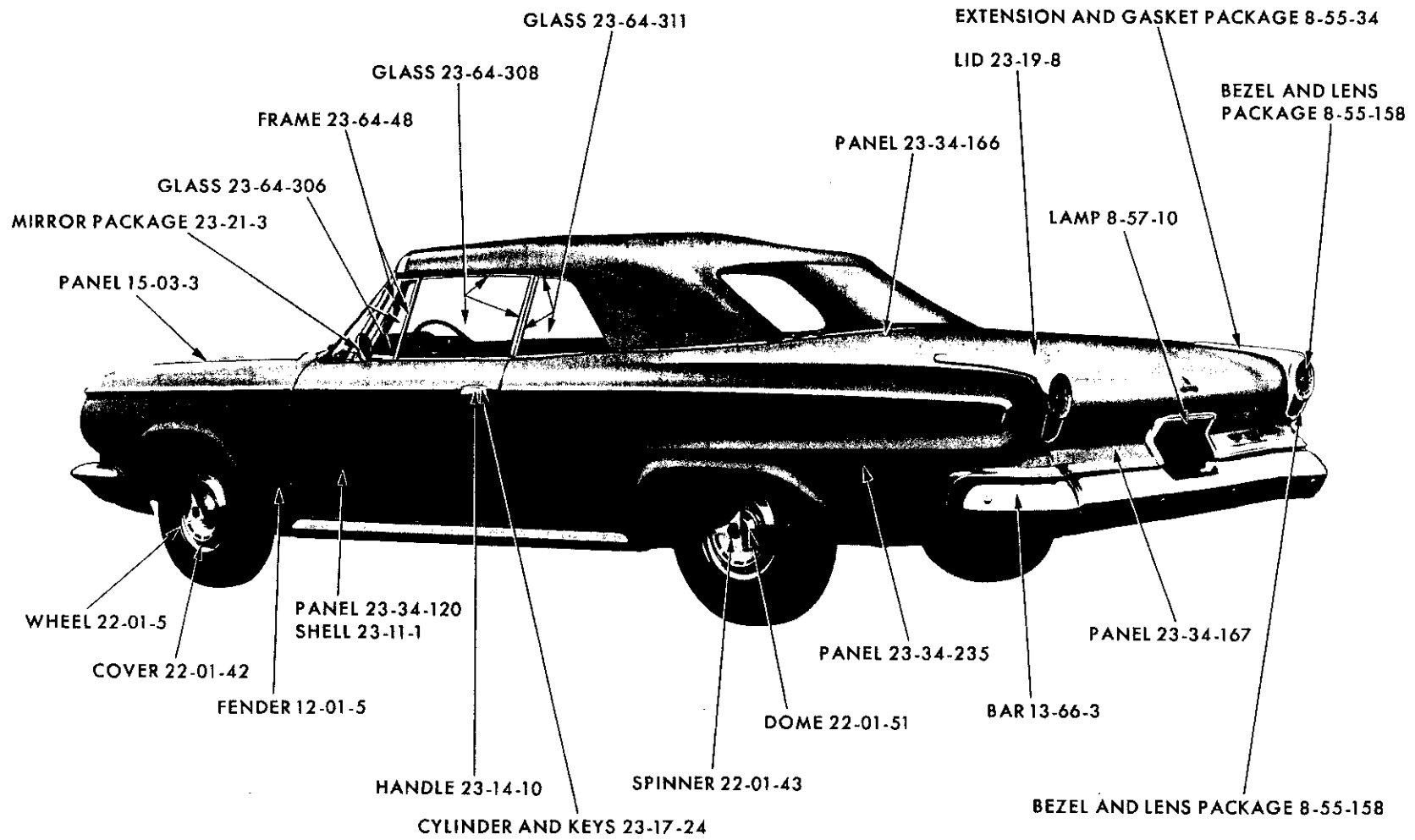


**For Moulding Information
see Moulding Illustrations**

19x9635

REAR EXTERIOR - DODGE TA3 SPECIAL CLUB COUPE

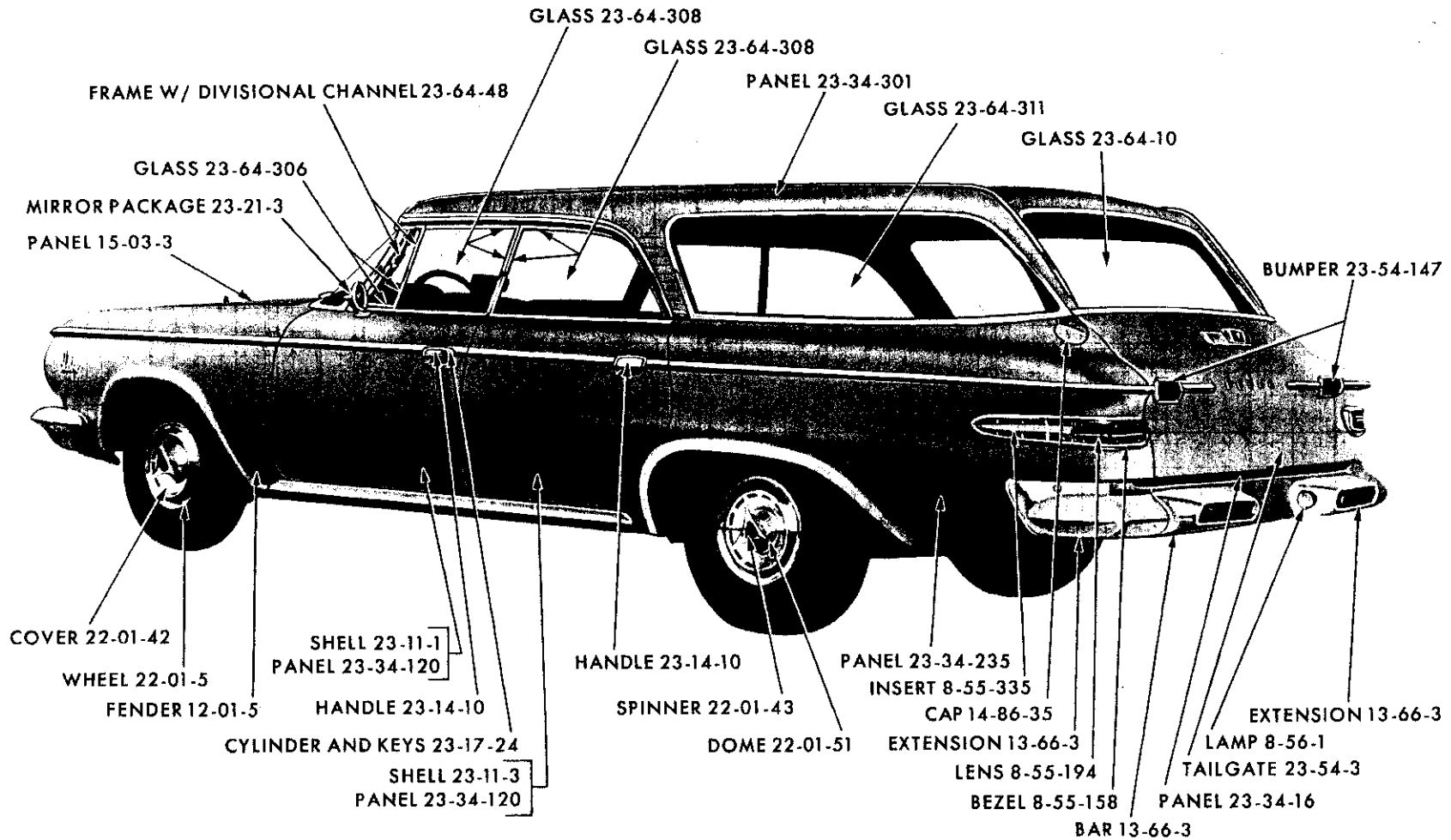
MyMopar.com



**For Moulding Information
see Moulding Illustrations**

19x9636

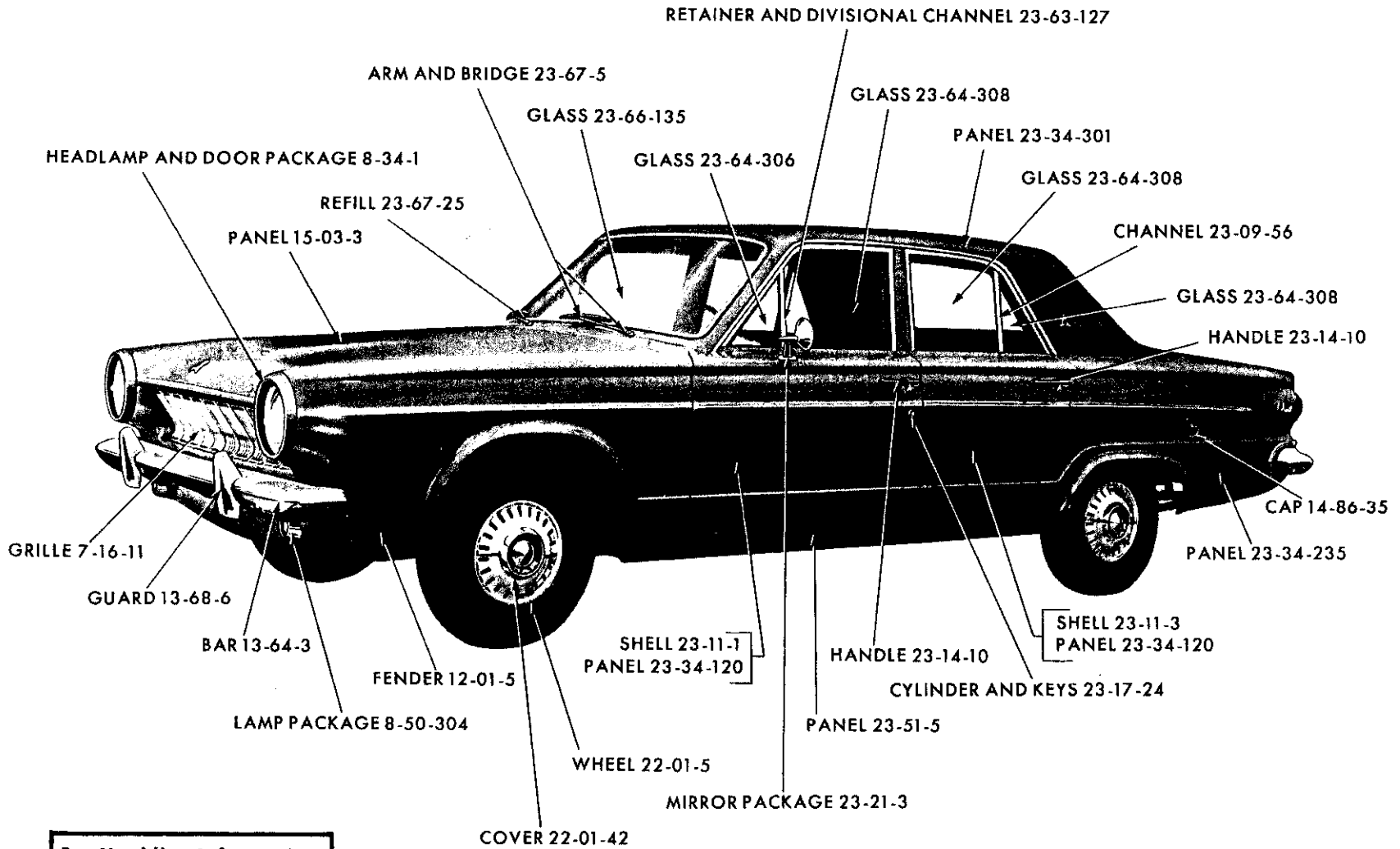
REAR EXTERIOR - DODGE TA3 CONVERTIBLE COUPE



**For Moulding Information
 see Moulding Illustrations**

19x9631

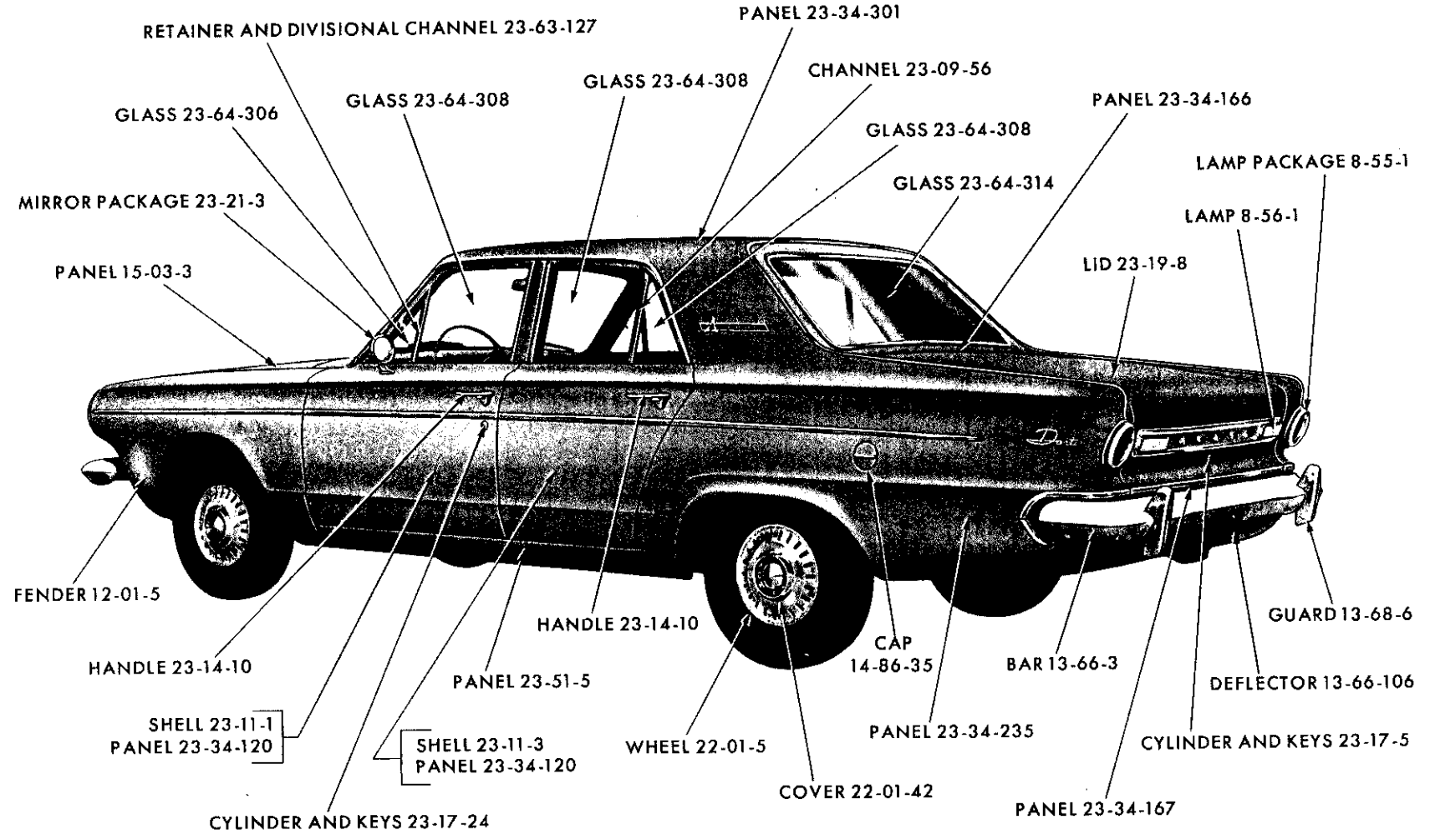
REAR EXTERIOR - DODGE TA3 SUBURBAN



**For Moulding Information
see Moulding Illustrations**

19x9481

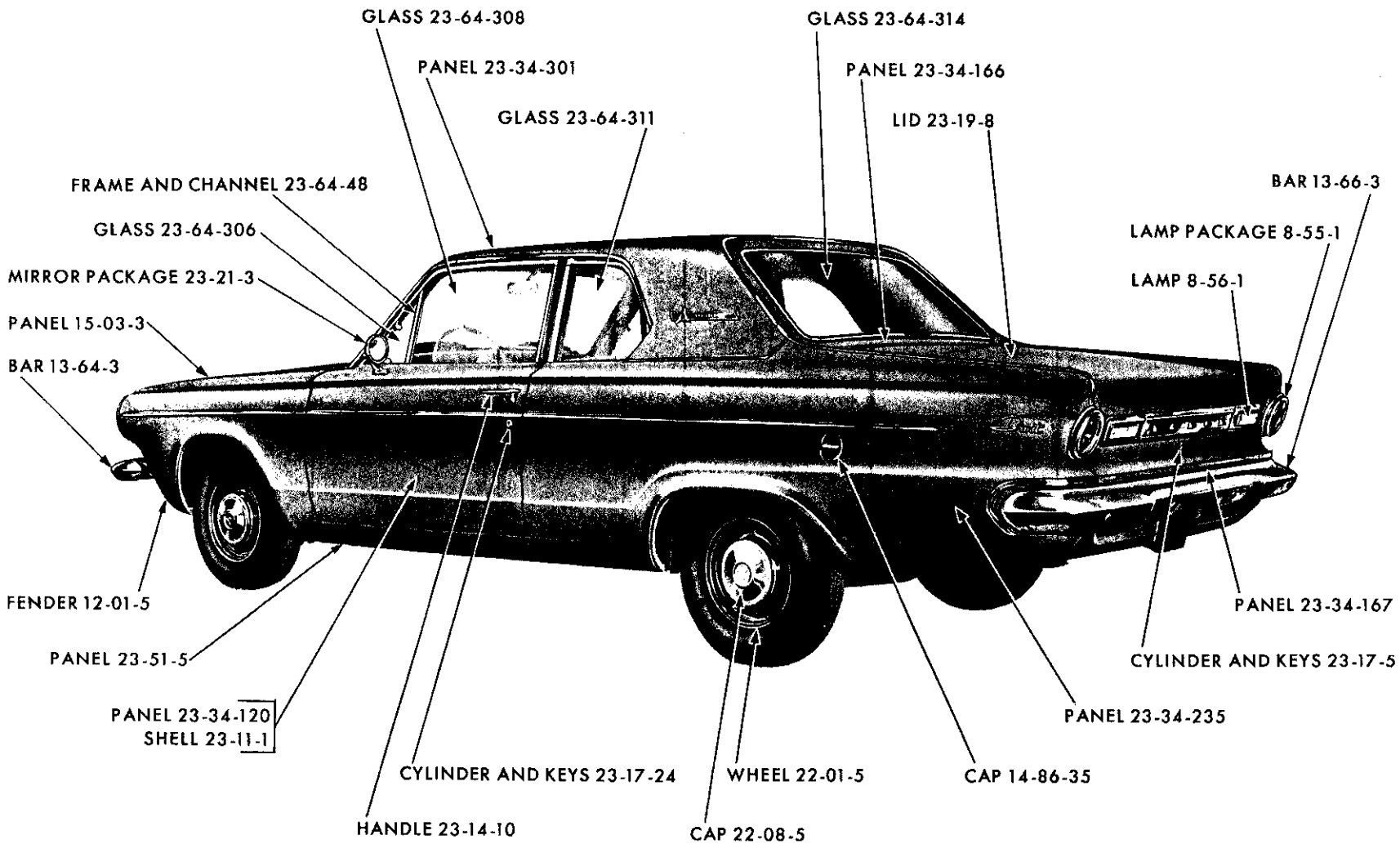
FRONT EXTERIOR - DART TL1 4 DOOR SEDAN



**For Moulding Information
see Moulding Illustrations**

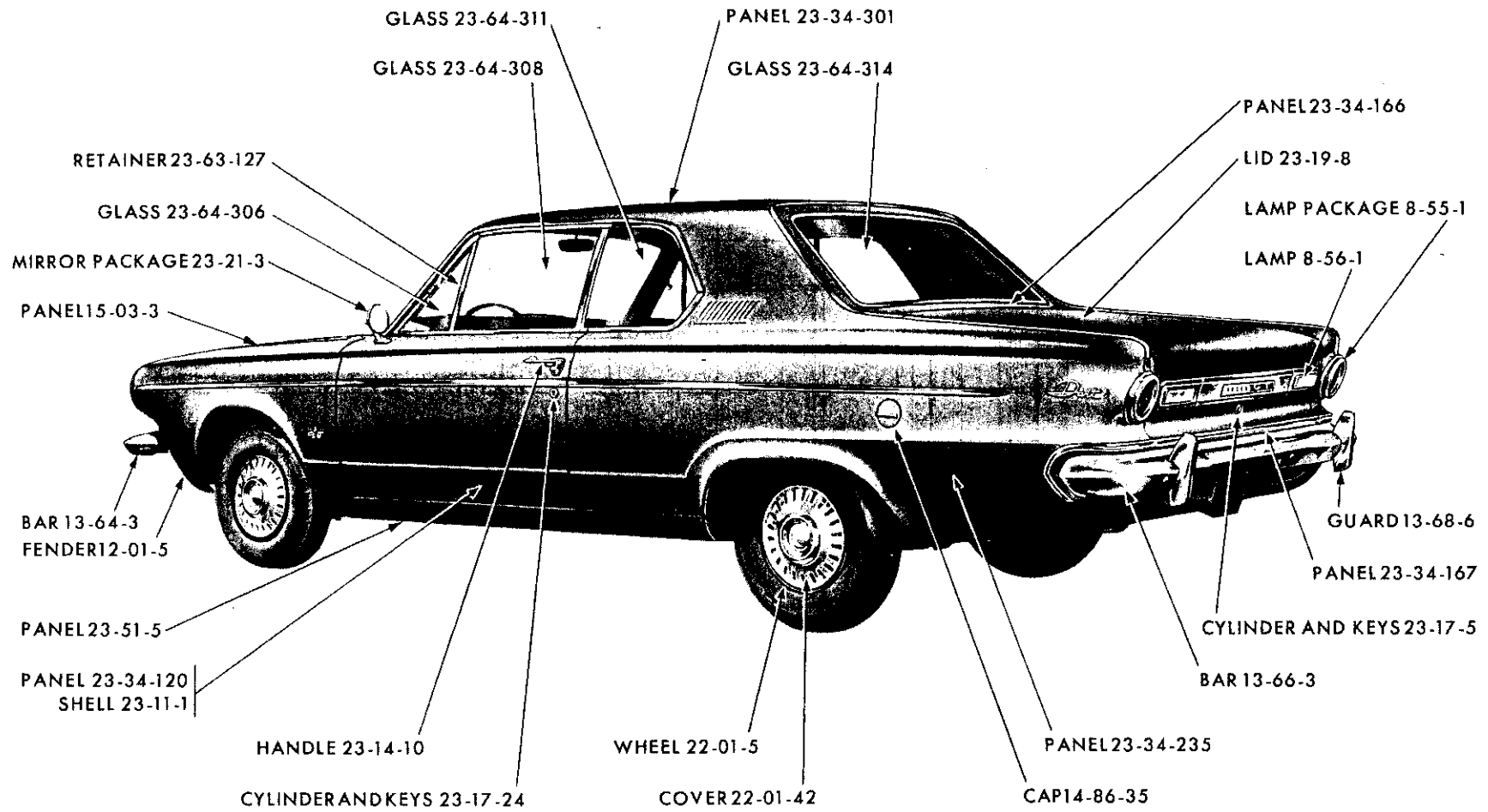
19x9482

REAR EXTERIOR - DART TL1 4 DOOR SEDAN



**For Moulding Information
see Moulding Illustrations**

REAR EXTERIOR - DART TL1 2 DOOR SEDAN

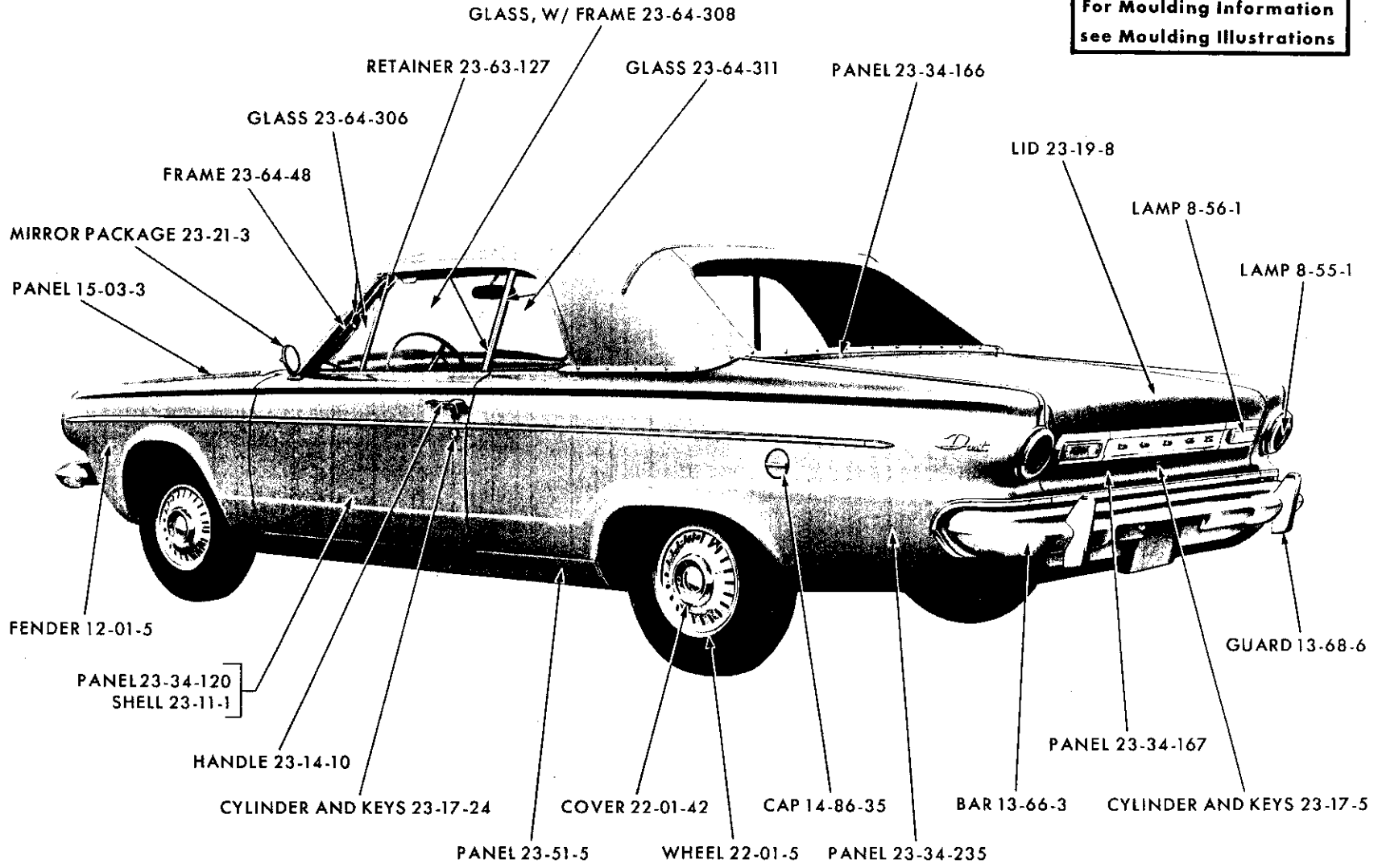


**For Moulding Information
see Moulding Illustrations**

REAR EXTERIOR - DART TL1 SPECIAL CLUB COUPE

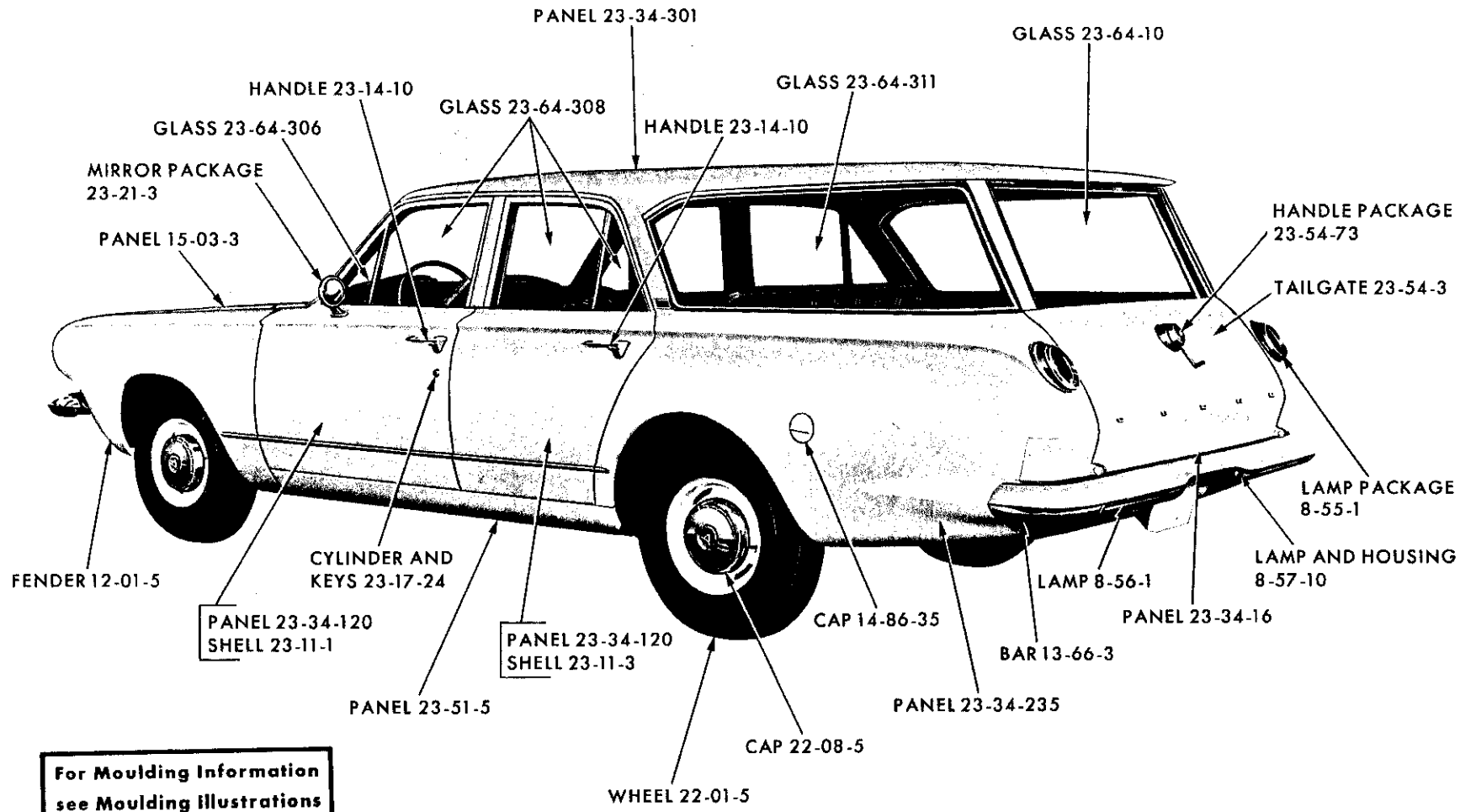
19x9545

For Moulding Information
see Moulding Illustrations



REAR EXTERIOR PARTS OF CONVERTIBLE COUPE

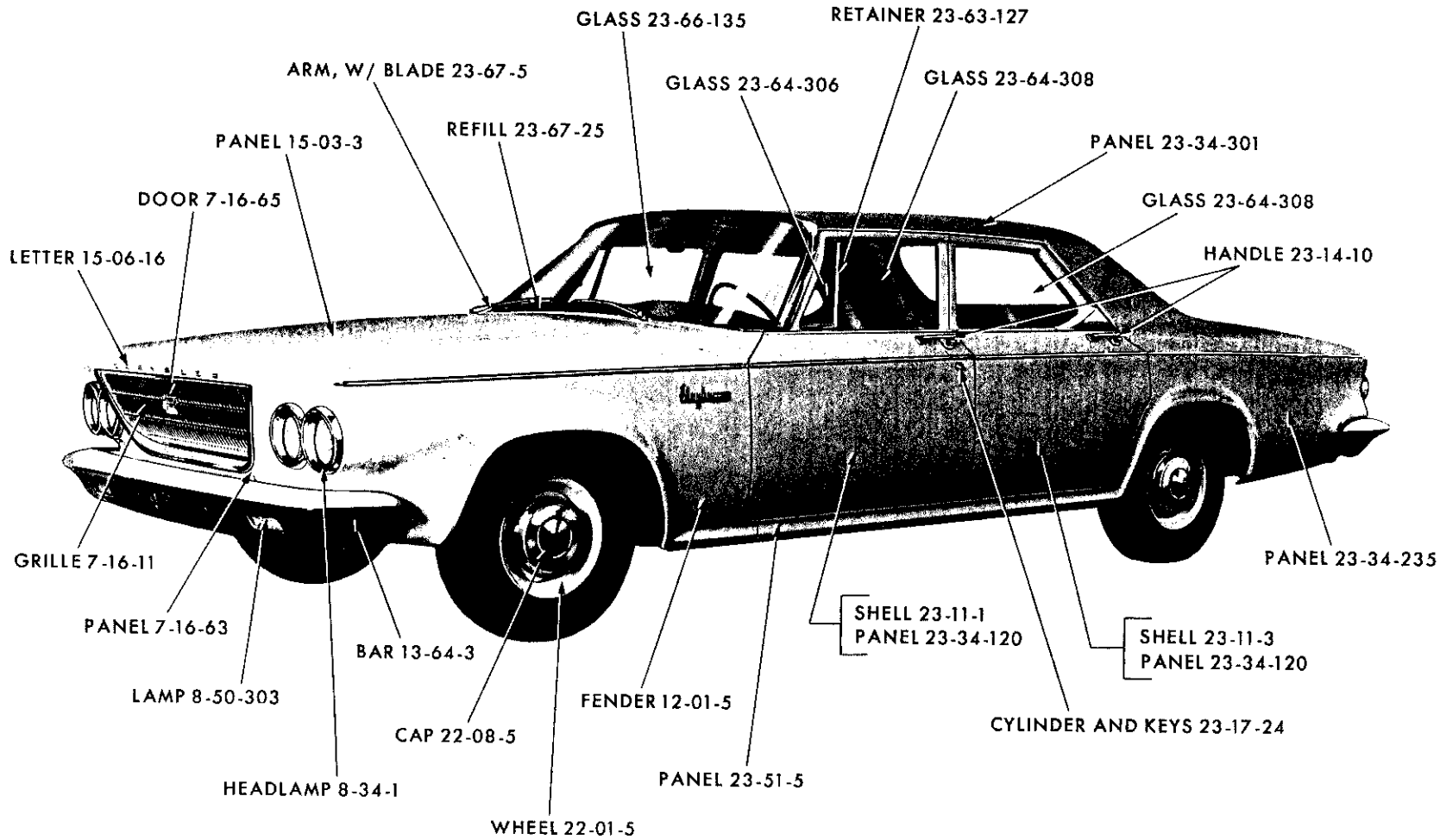
19x9629



**For Moulding Information
see Moulding illustrations**

19x9546

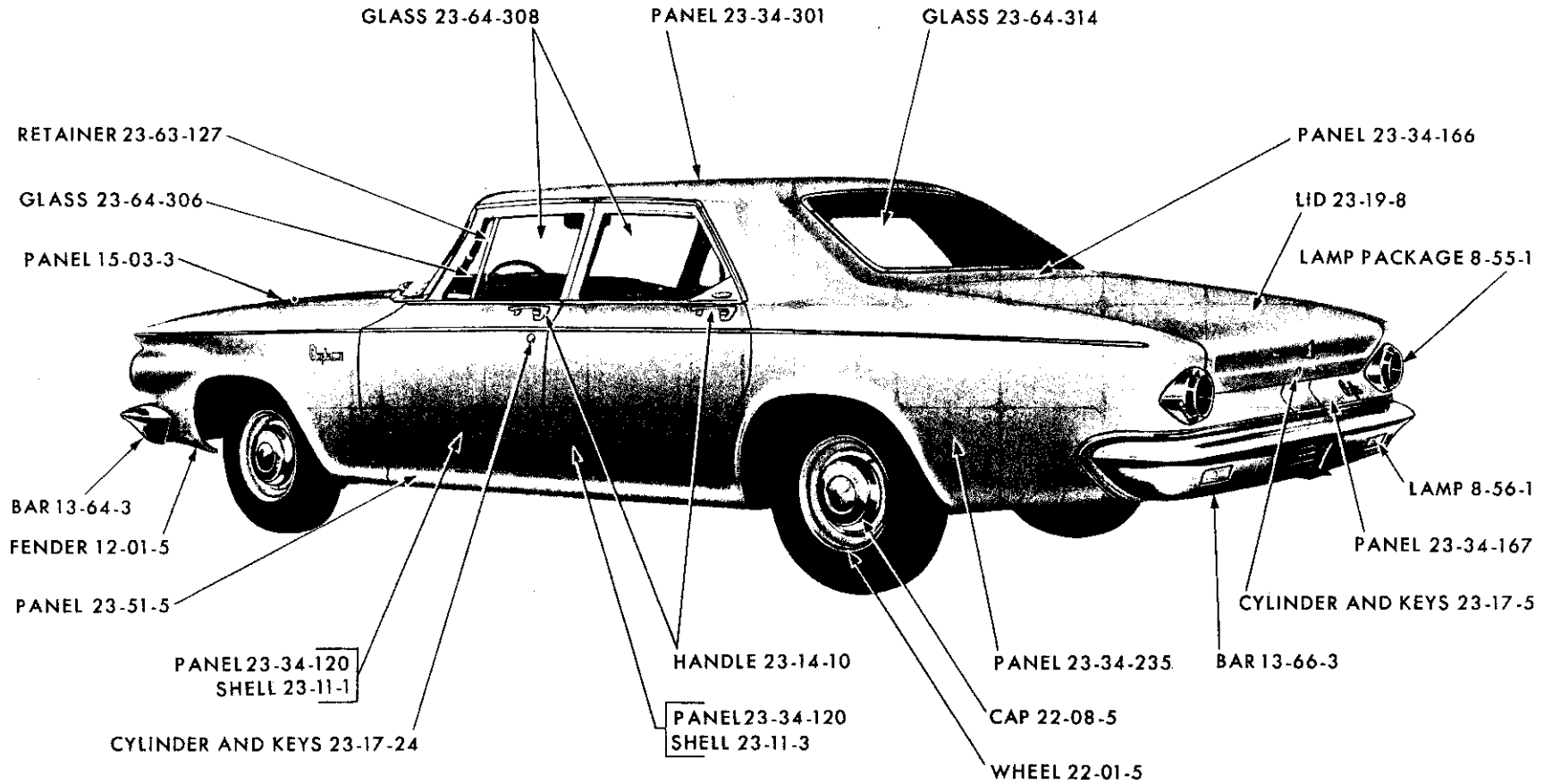
REAR EXTERIOR - DART TL1 SUBURBAN



**For Moulding Information
see Moulding Illustrations**

19x9549

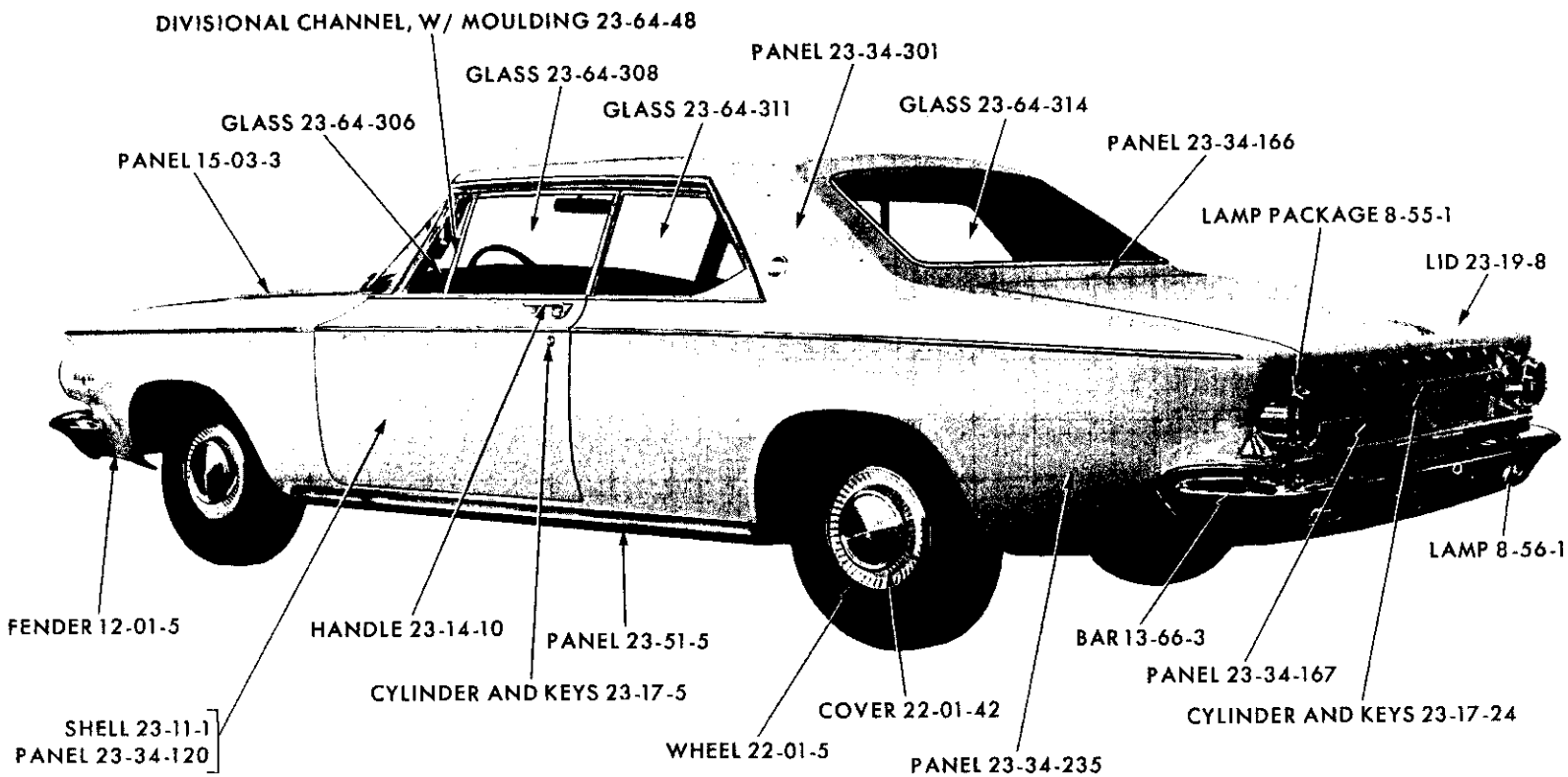
FRONT EXTERIOR - CHRYSLER TC1-3 4 DOOR SEDAN



**For Moulding Information
see Moulding Illustrations**

19x9550

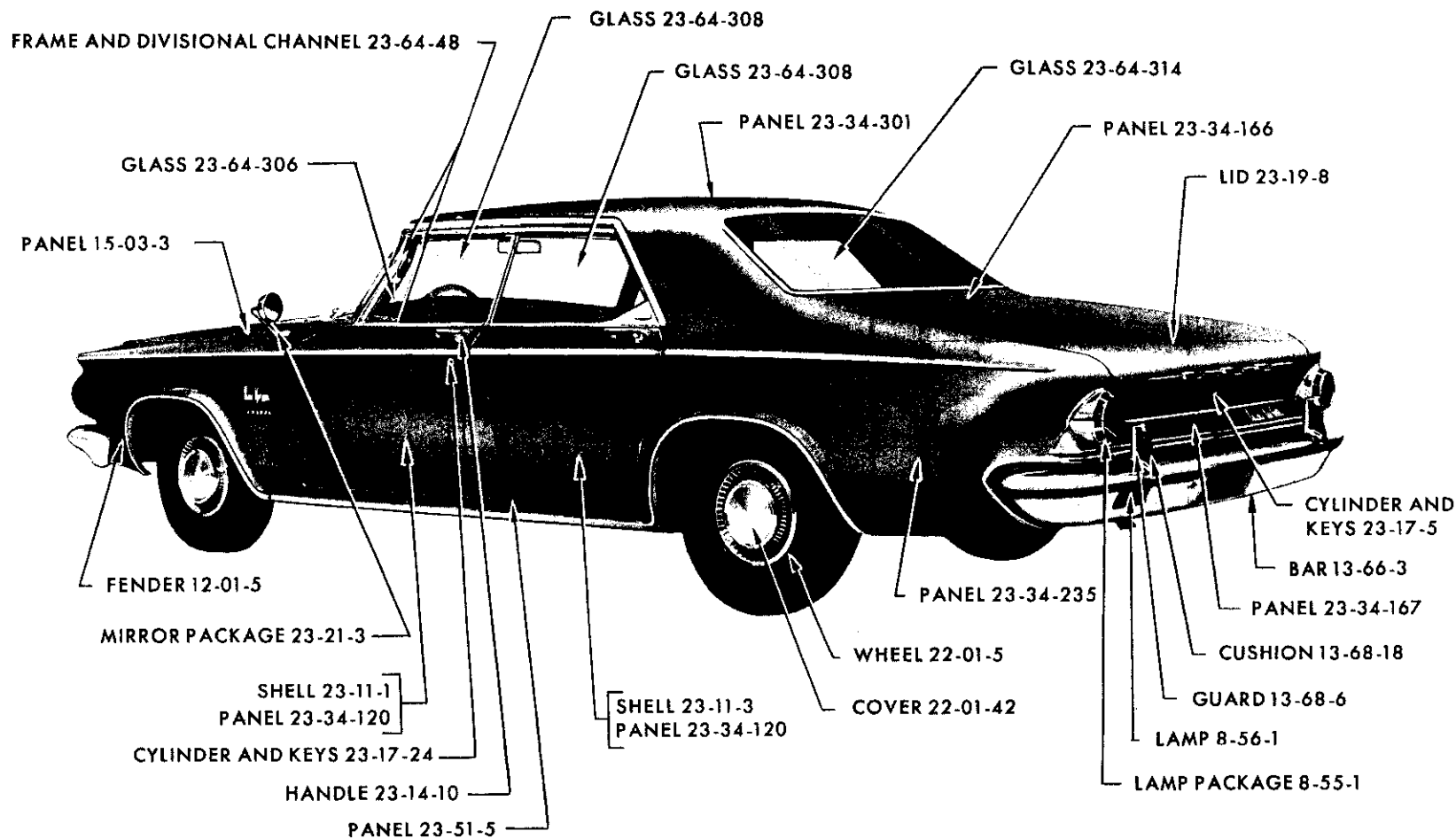
REAR EXTERIOR - CHRYSLER TC1-3 4 DOOR SEDAN



**For Moulding Information
see Moulding Illustrations**

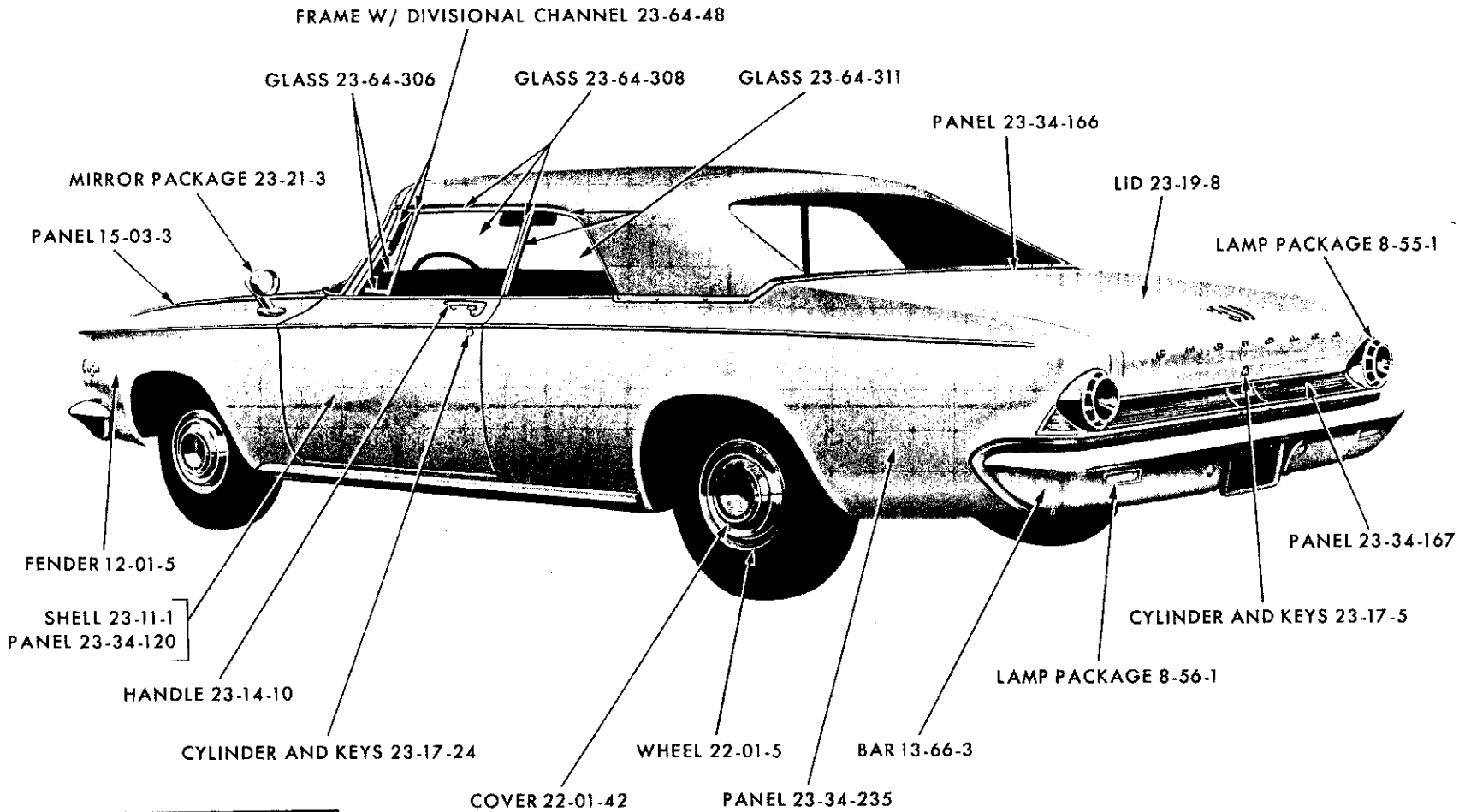
19x9577

REAR EXTERIOR - CHRYSLER TC1-2-3 SPECIAL CLUB COUPE



**For Moulding Information
see Moulding Illustrations**

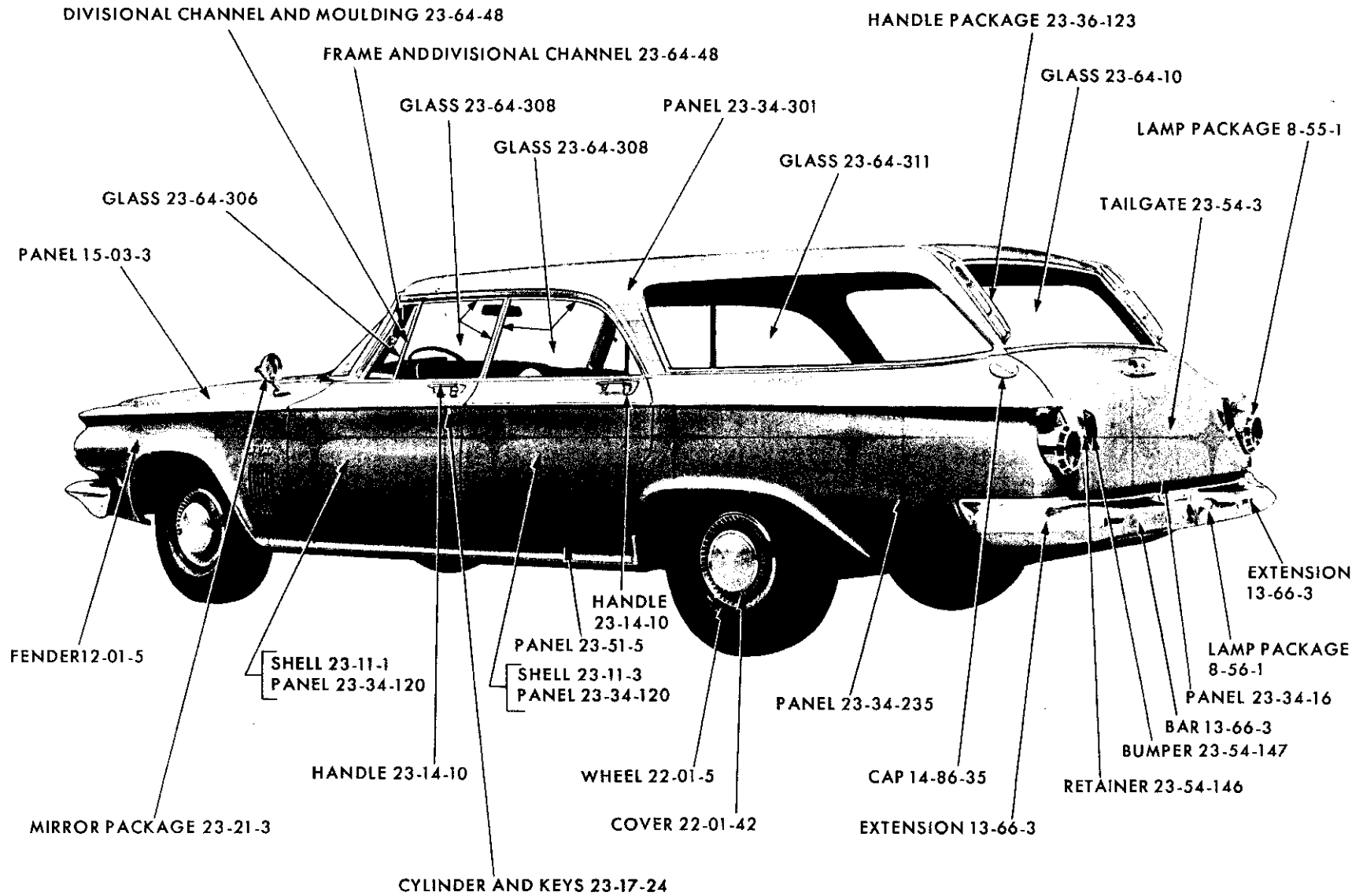
19x9487



**For Moulding Information
see Moulding Illustrations**

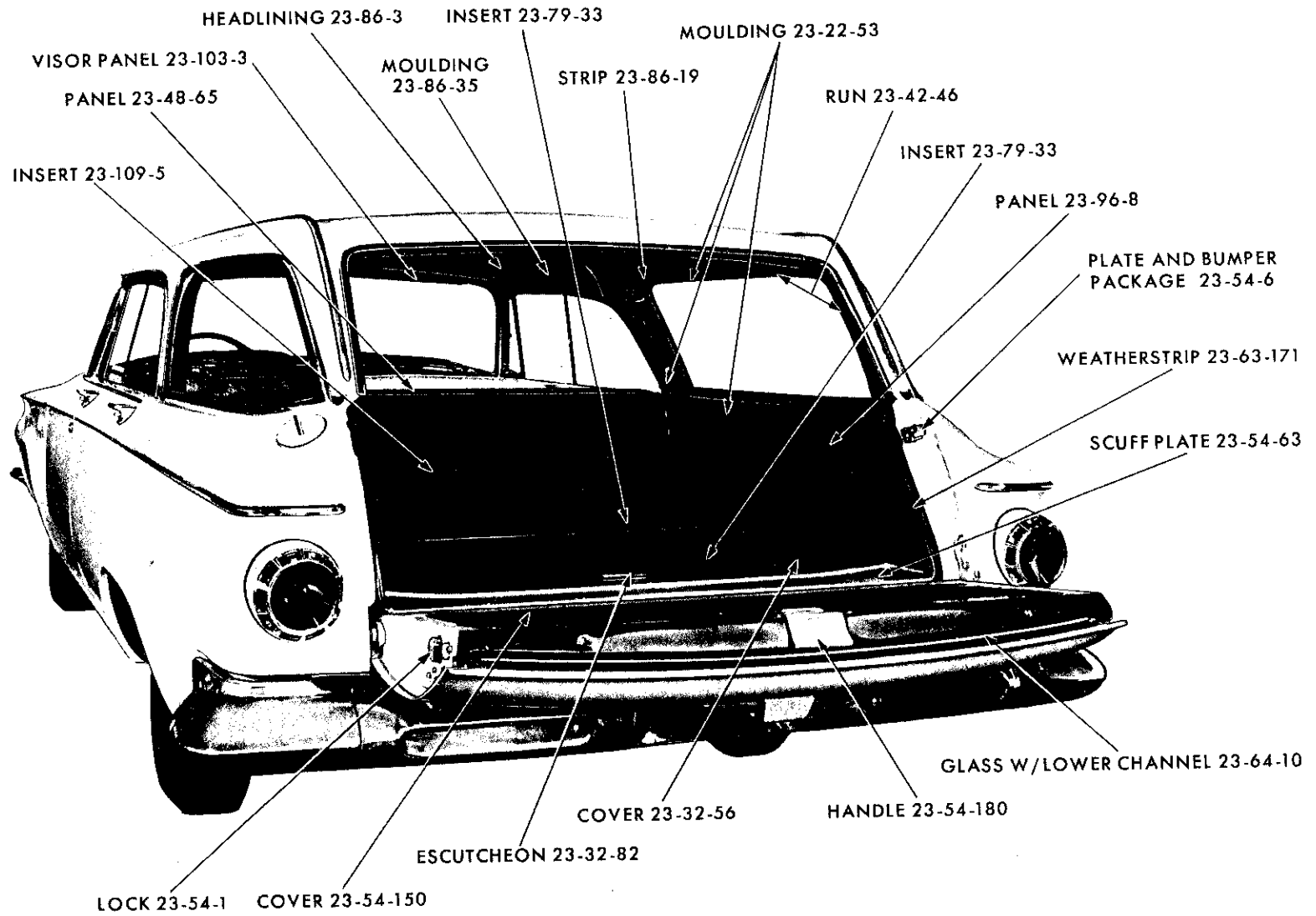
19x9592

REAR EXTERIOR - CHRYSLER TC1-2-3 CONVERTIBLE COUPE



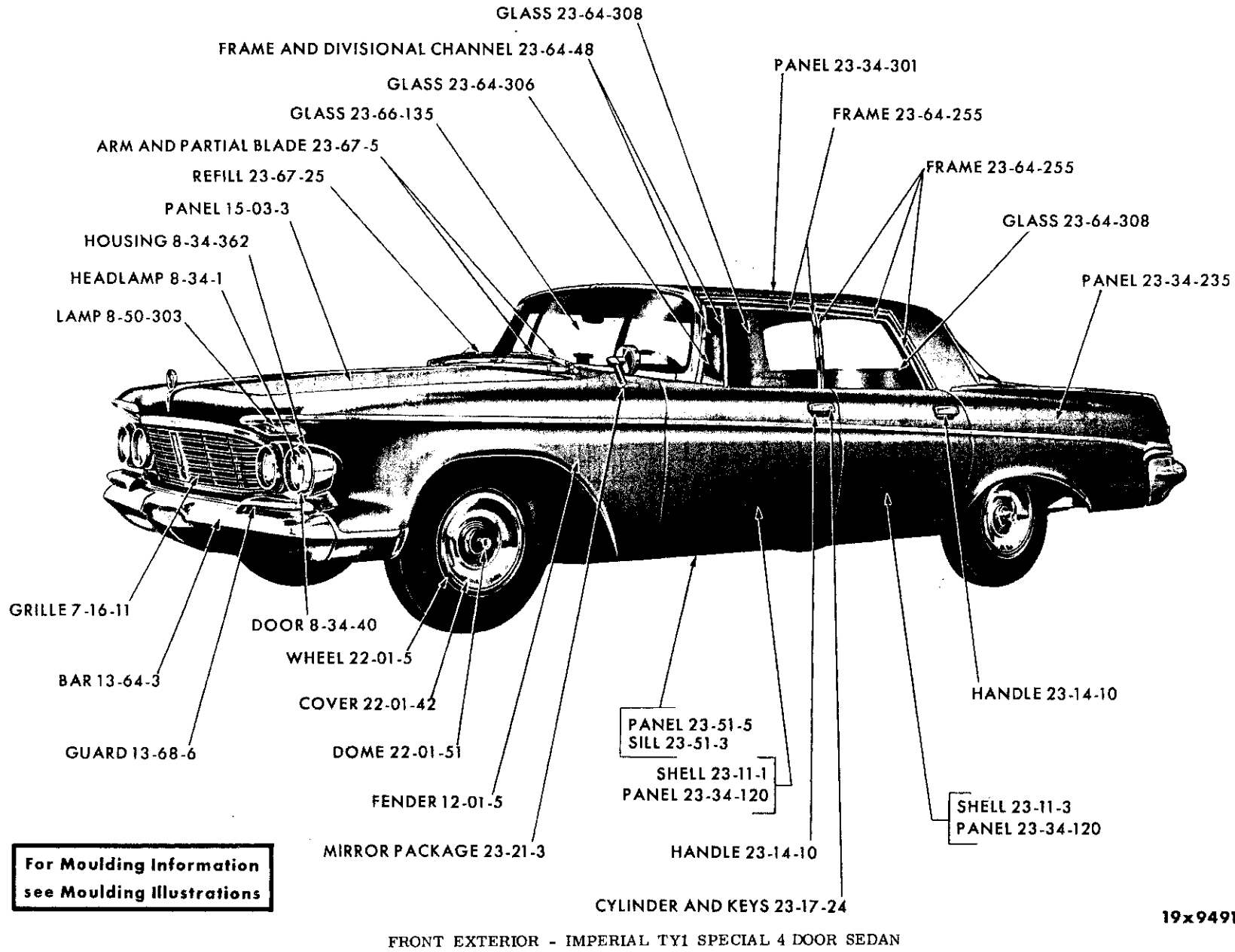
REAR EXTERIOR - CHRYSLER TC1-3 SUBURBAN

19x9508



REAR INTERIOR VIEW - CHRYSLER TC3 SUBURBAN

19x9662

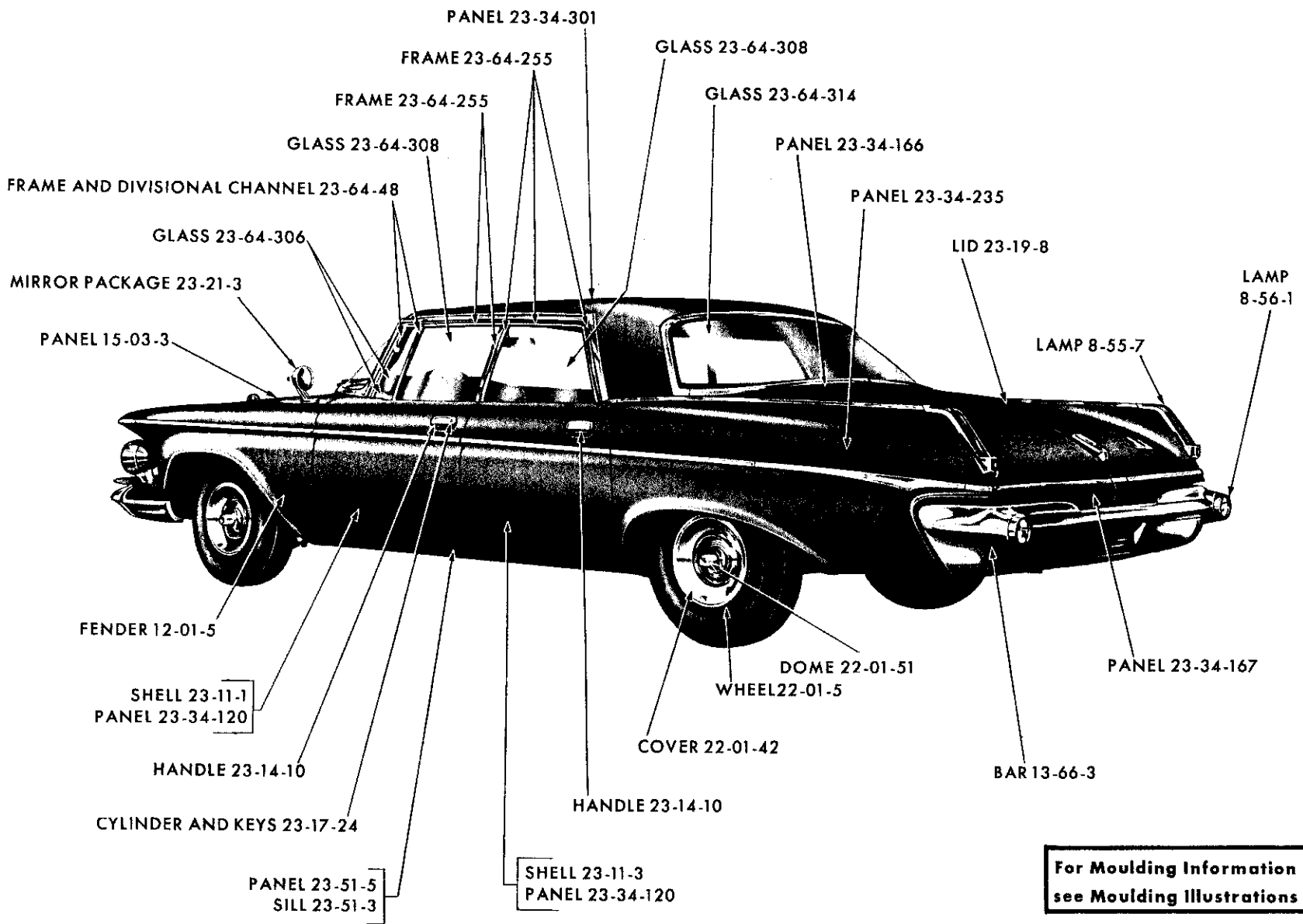


For Moulding Information see Moulding Illustrations

CYLINDER AND KEYS 23-17-24

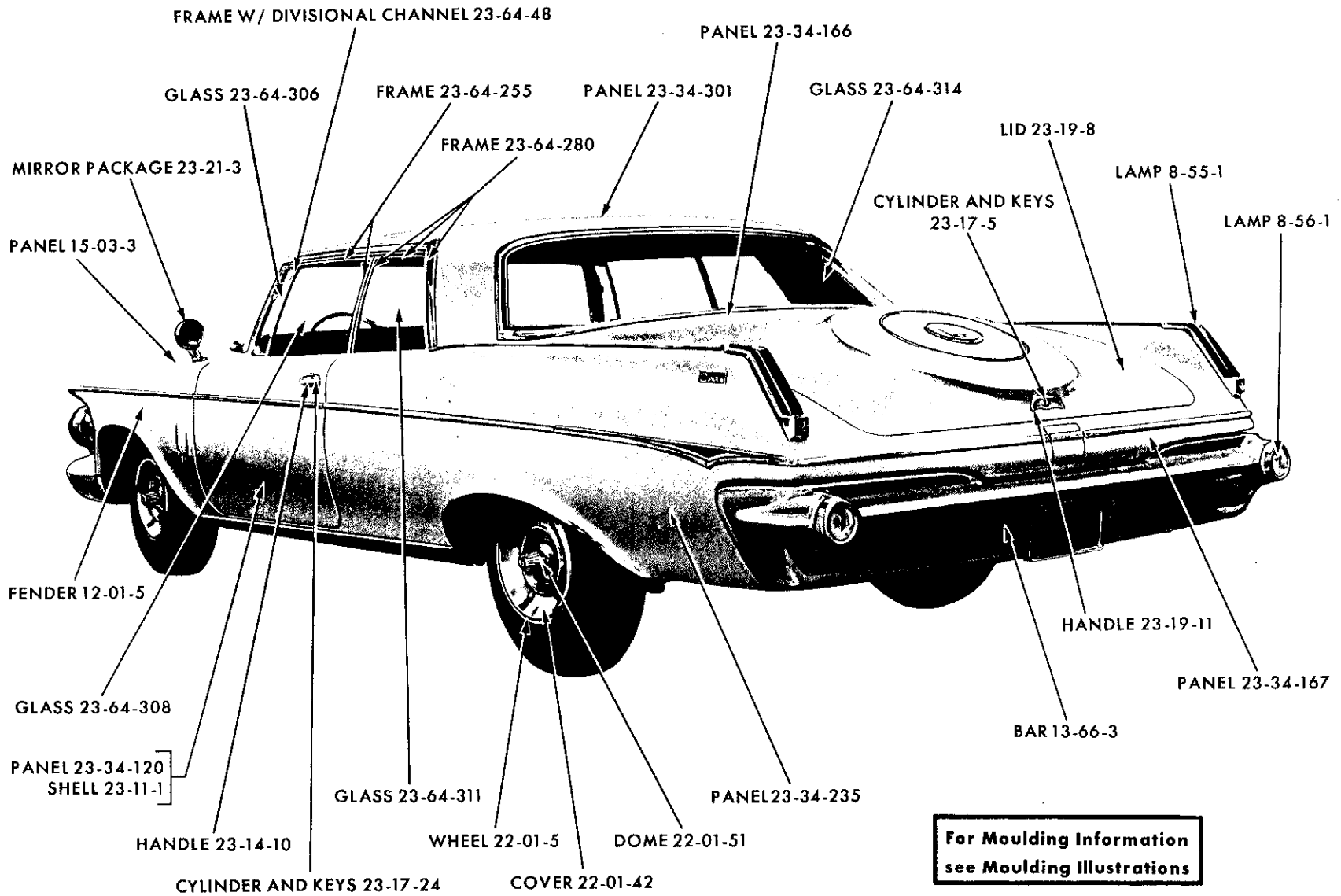
FRONT EXTERIOR - IMPERIAL TY1 SPECIAL 4 DOOR SEDAN

19x9491



REAR EXTERIOR - IMPERIAL TY1 SPECIAL 4 DOOR SEDAN

19x9496

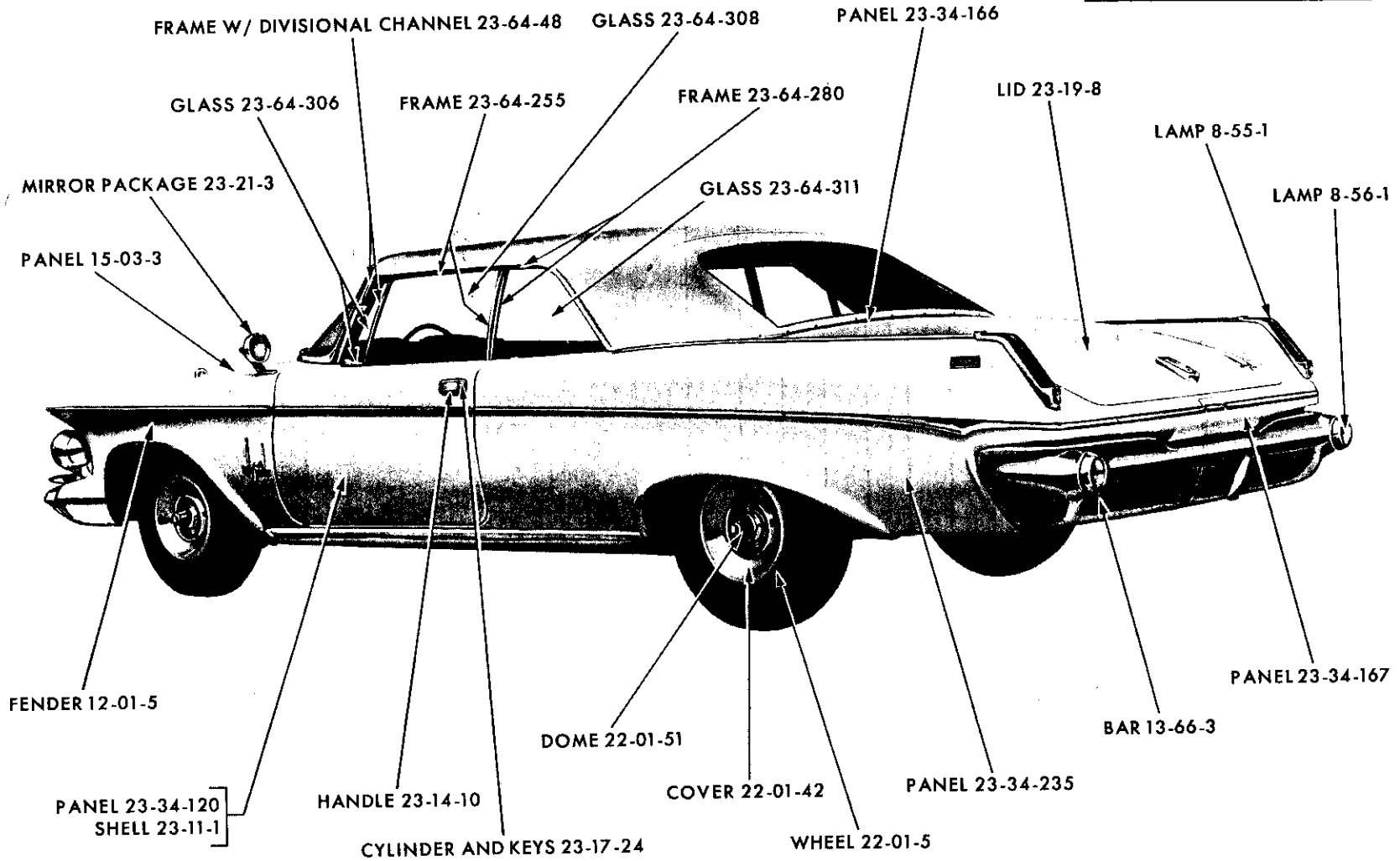


For Moulding Information
see Moulding Illustrations

19x9623A

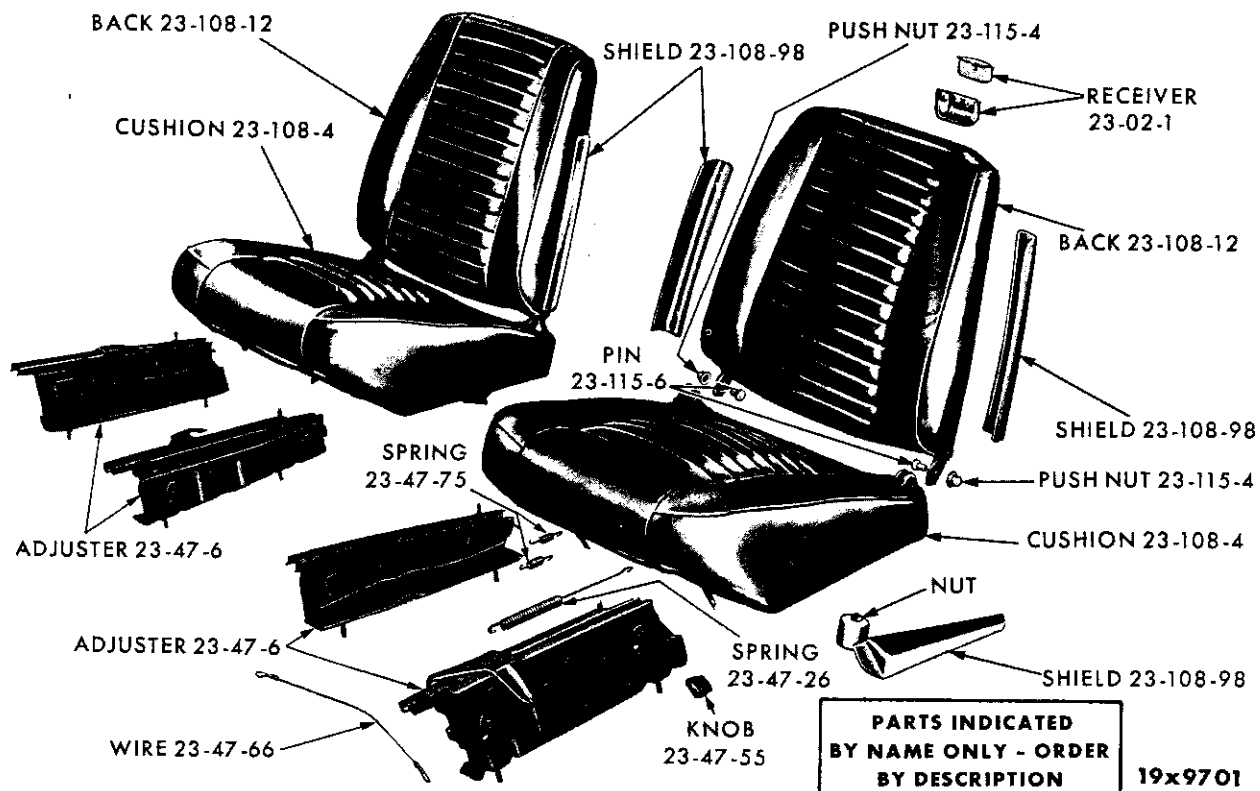
REAR EXTERIOR - IMPERIAL TY1 SPECIAL CLUB COUPE

For Moulding Information
see Moulding Illustrations



19x9624

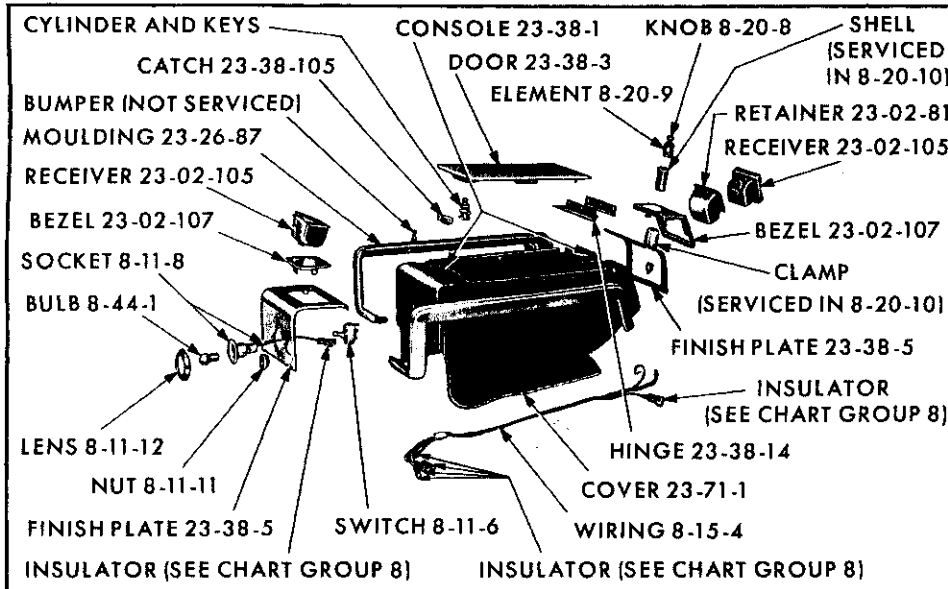
NOTES



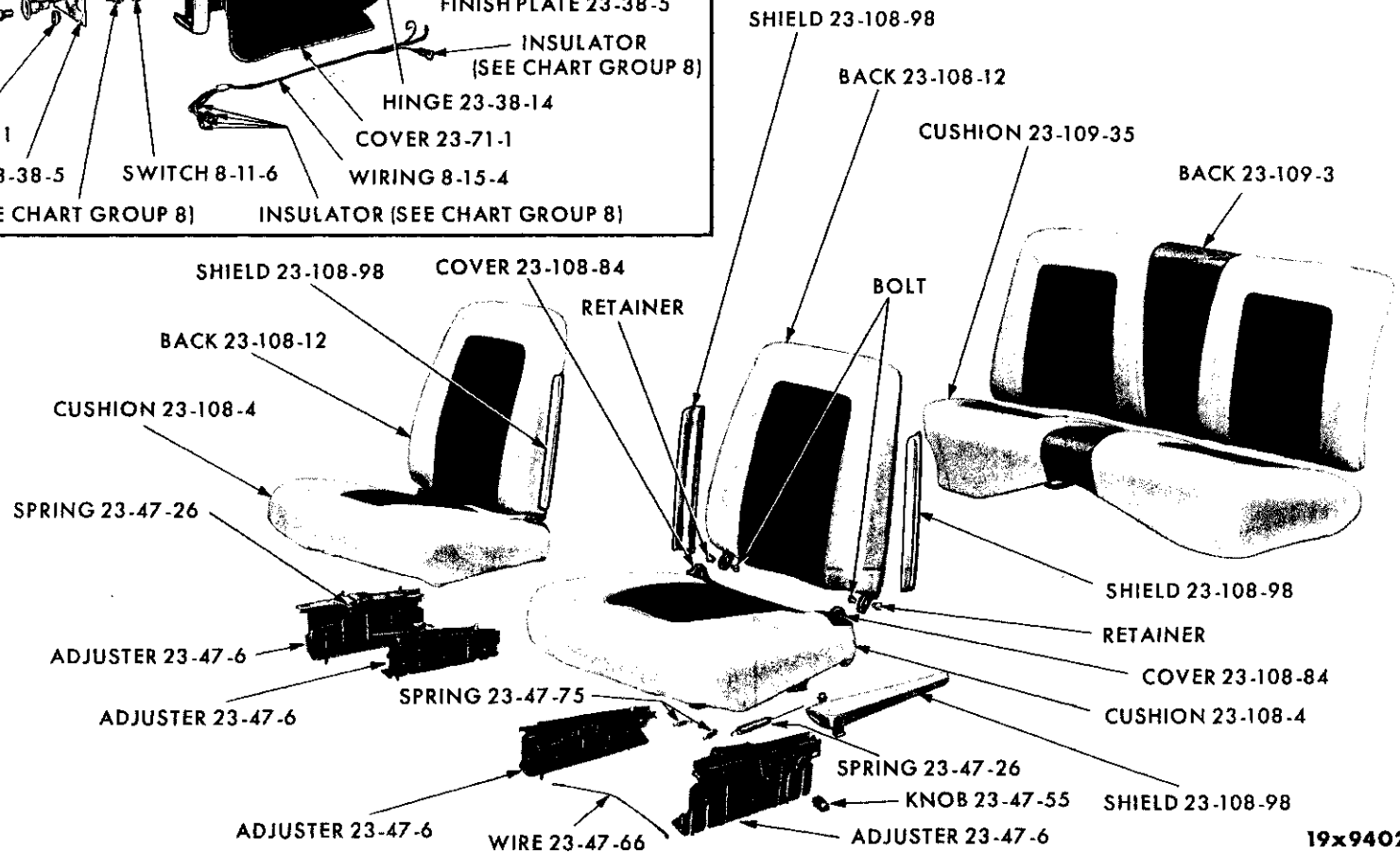
PARTS INDICATED BY NAME ONLY - ORDER BY DESCRIPTION

19x9701

BUCKET SEATS - VALIANT TV1 AND DART TL1

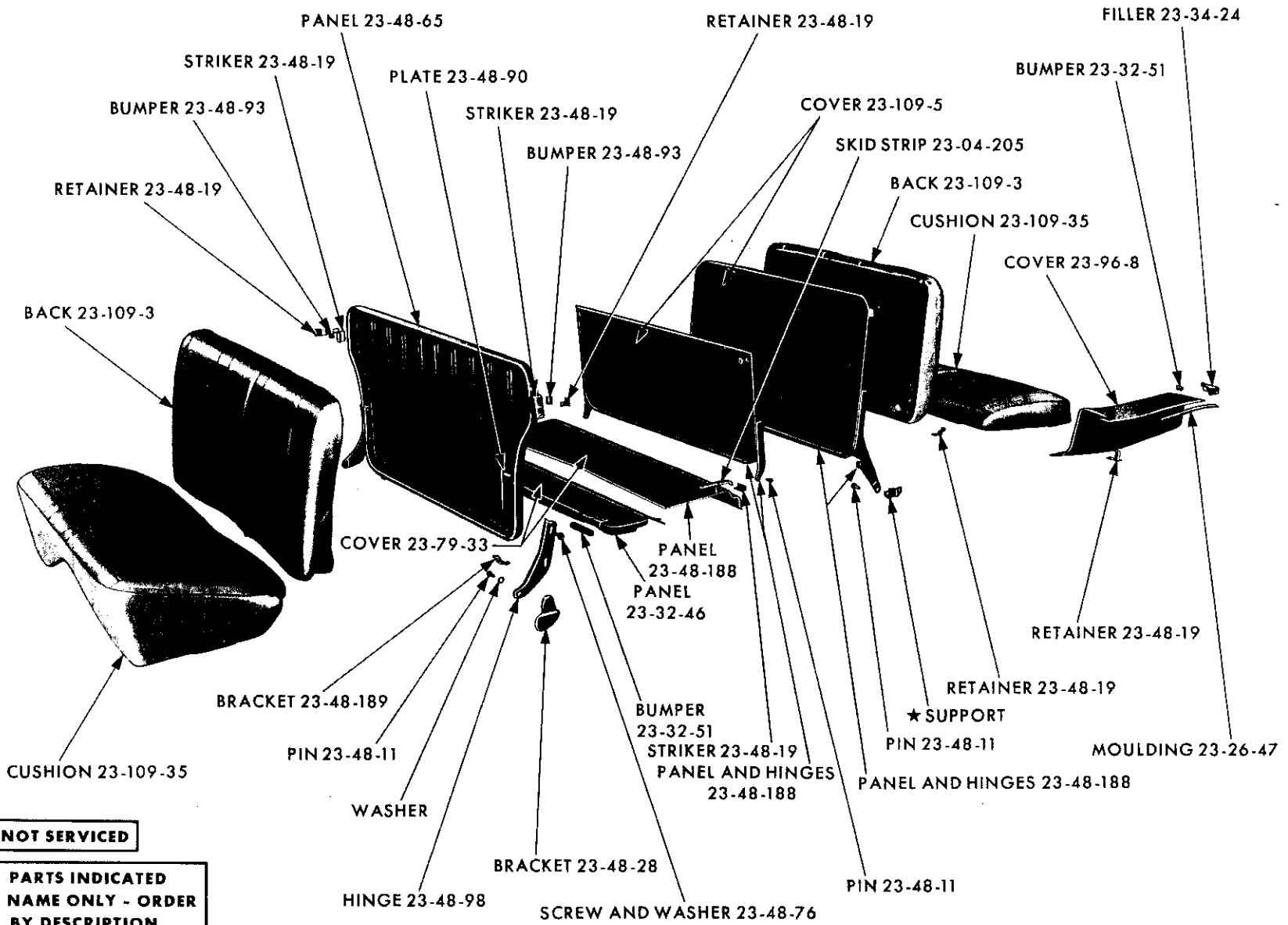


**PARTS INDICATED
 BY NAME ONLY - ORDER
 BY DESCRIPTION**



19x9402A

BUCKET SEATS - PLYMOUTH TP1-2 AND DODGE TD1-2 (MANUAL)

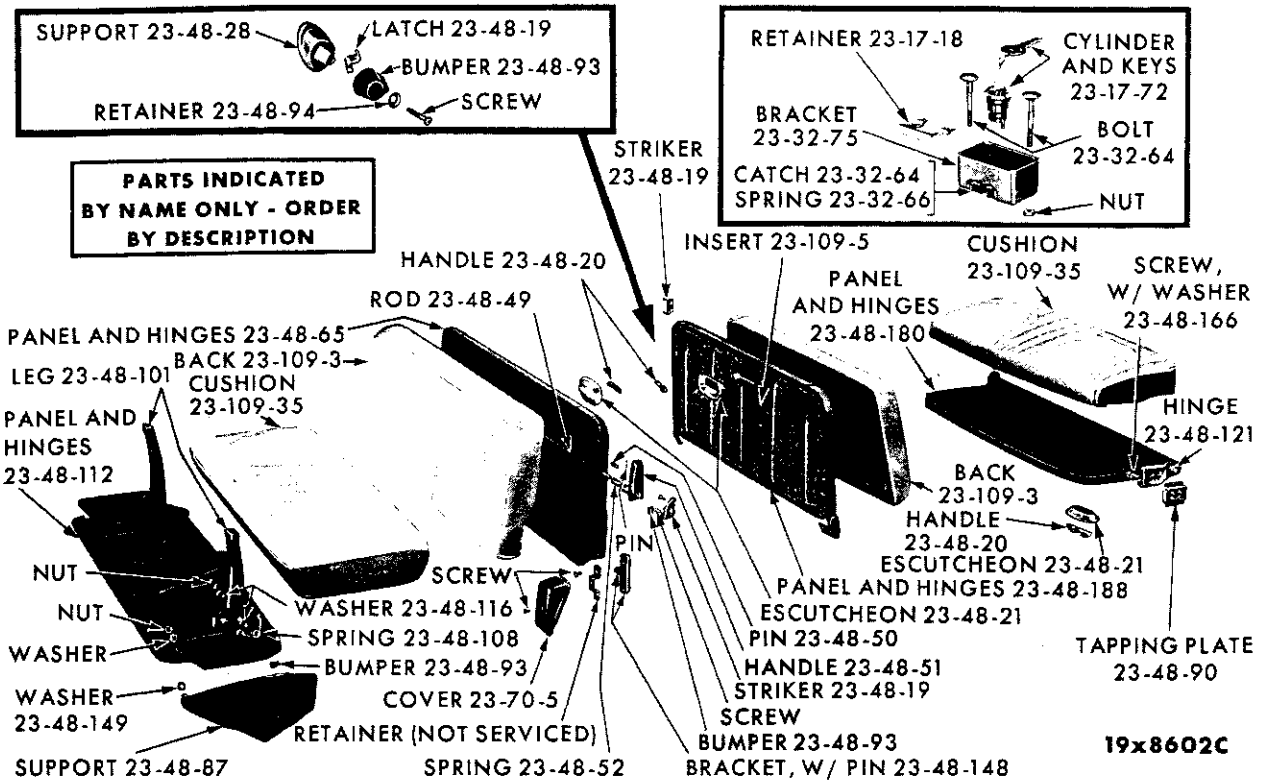


★ NOT SERVICED

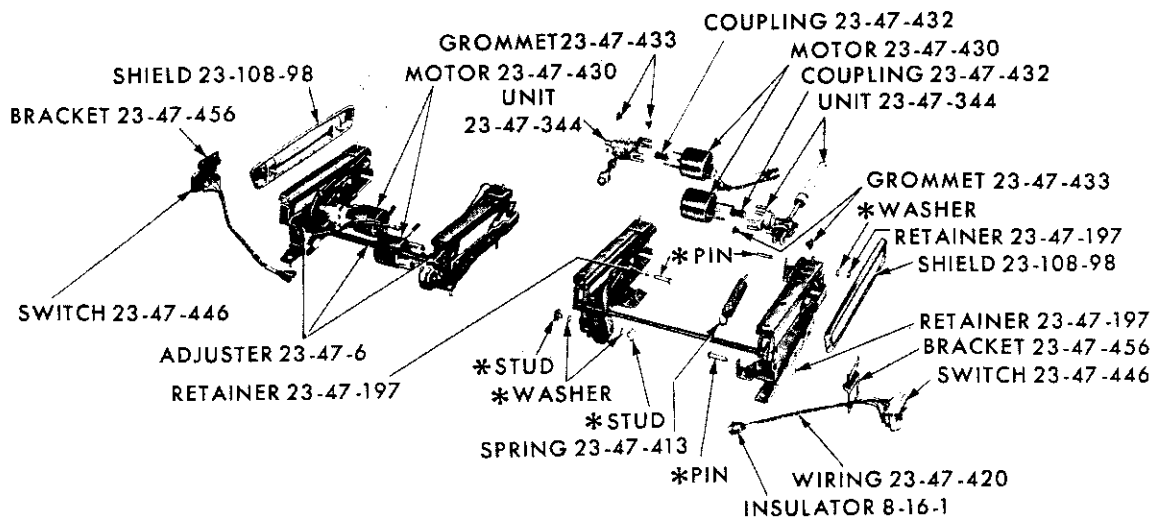
PARTS INDICATED BY NAME ONLY - ORDER BY DESCRIPTION

19x9416A

SUBURBAN SEATS - PLYMOUTH TP1-2 AND DODGE TD1-2



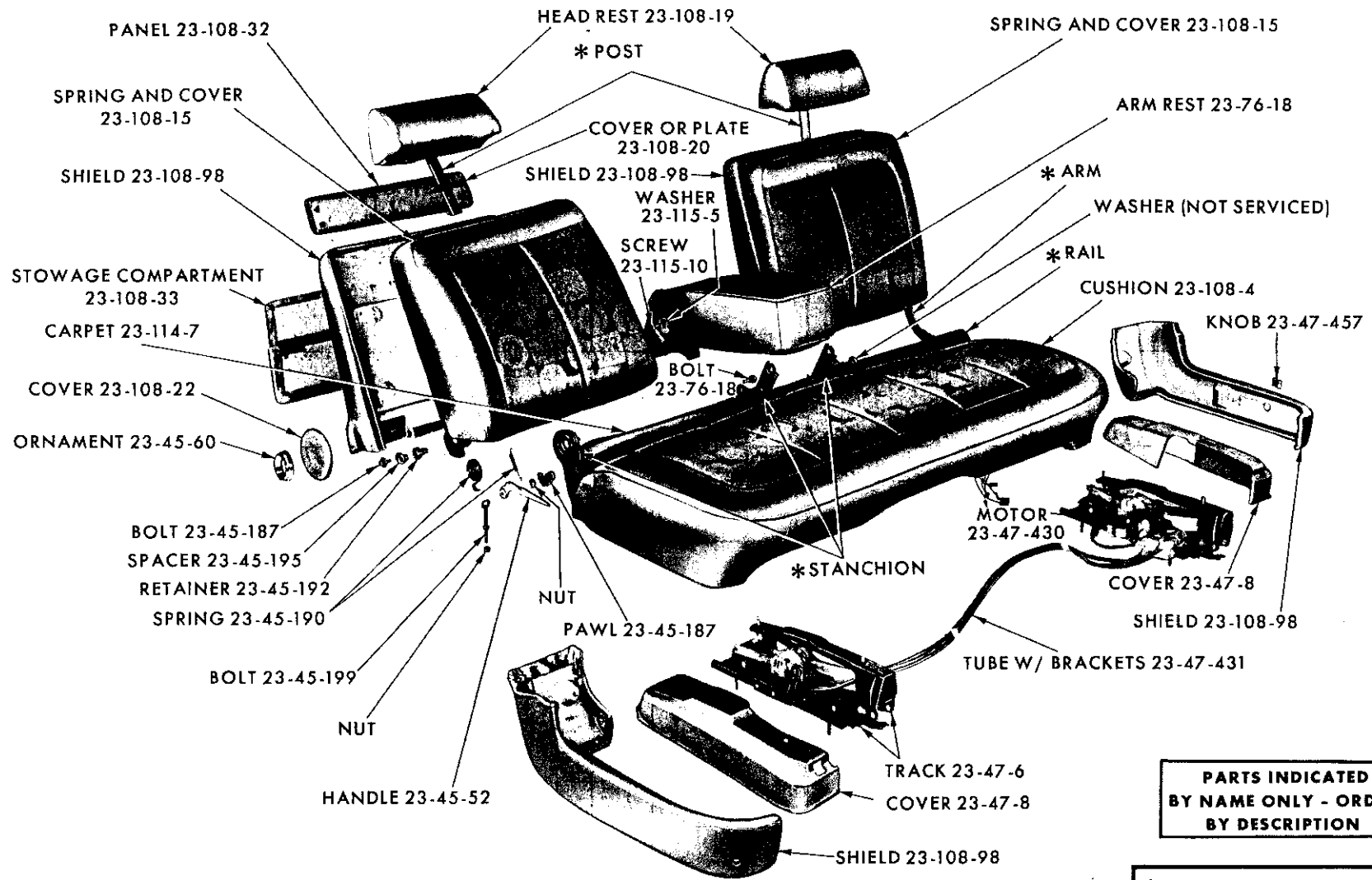
SUBURBAN SEATS - DODGE TA3 AND CHRYSLER TC1-3



*** SERVICED IN 23-47-6**

19x9710B

ELECTRIC SEAT ADJUSTER (BUCKET SEATS) - CHRYSLER TC2-3

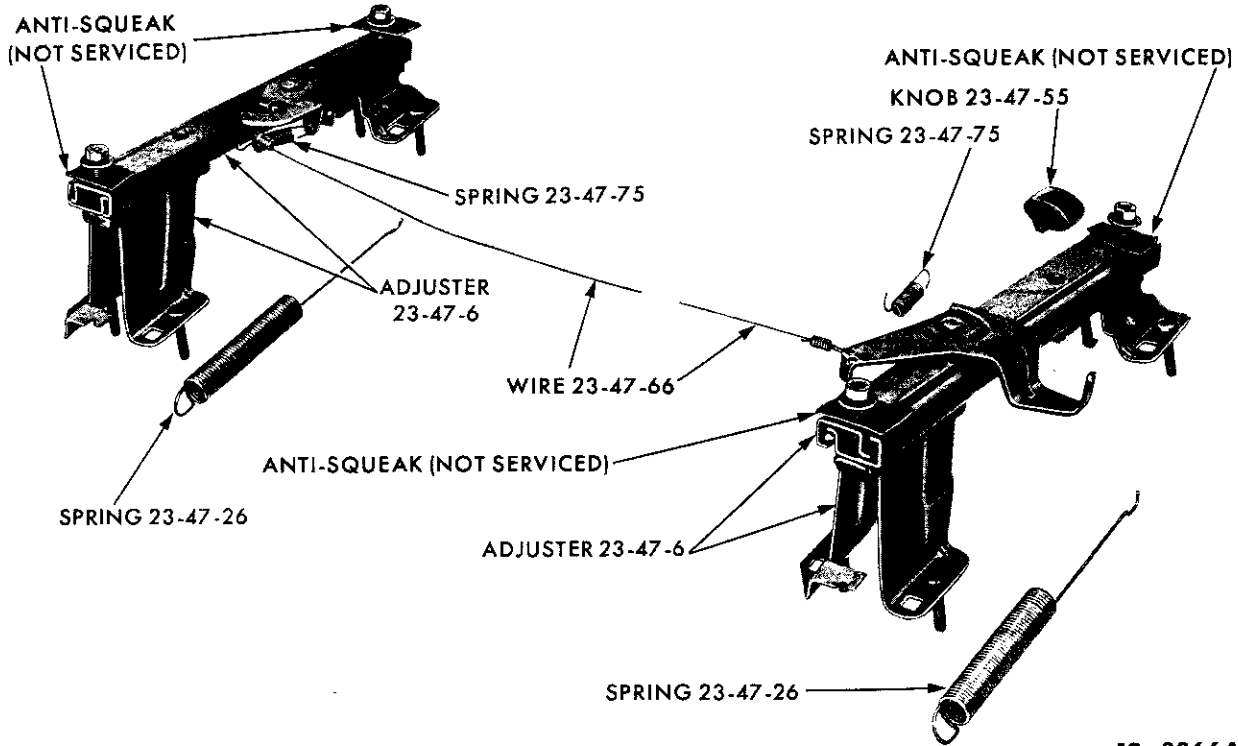


**PARTS INDICATED
BY NAME ONLY - ORDER
BY DESCRIPTION**

***ORDER BY DESCRIPTION**

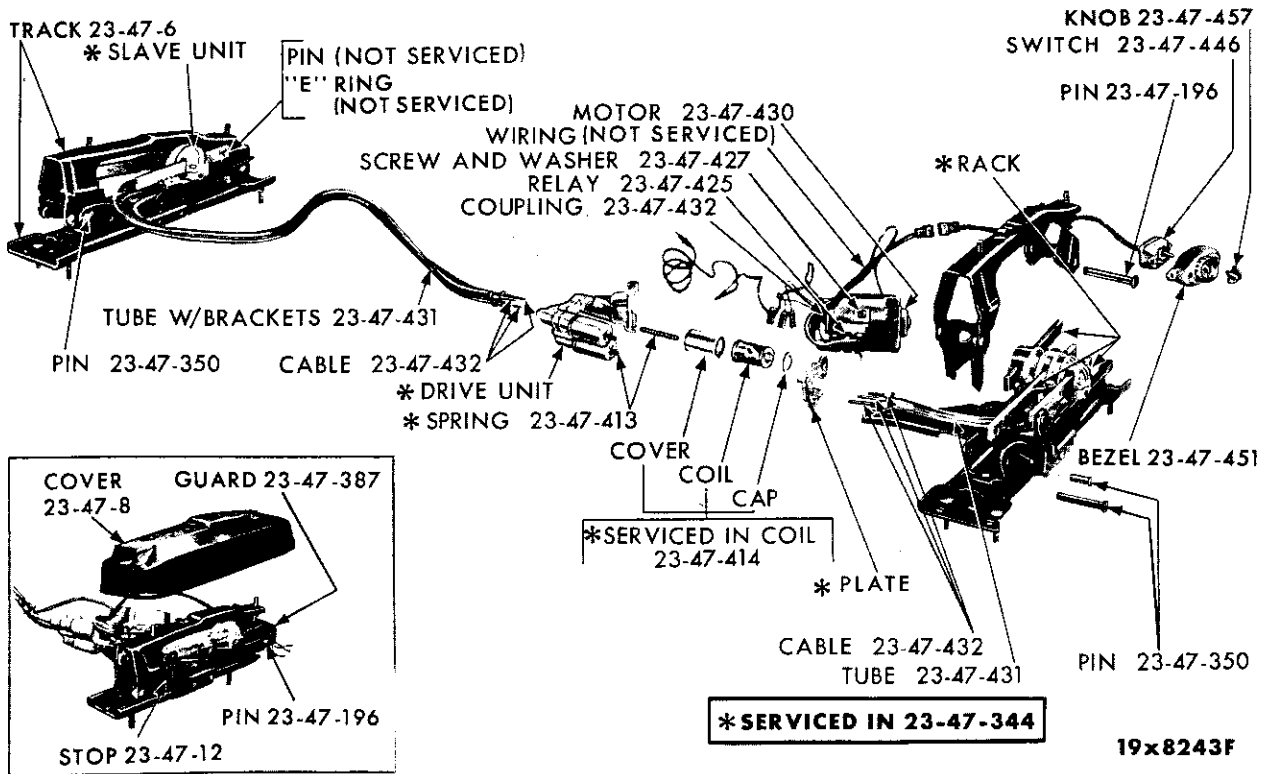
19x9751

RECLINING SEATS - CHRYSLER TC3 NEW YORKER SALON



19x8866A

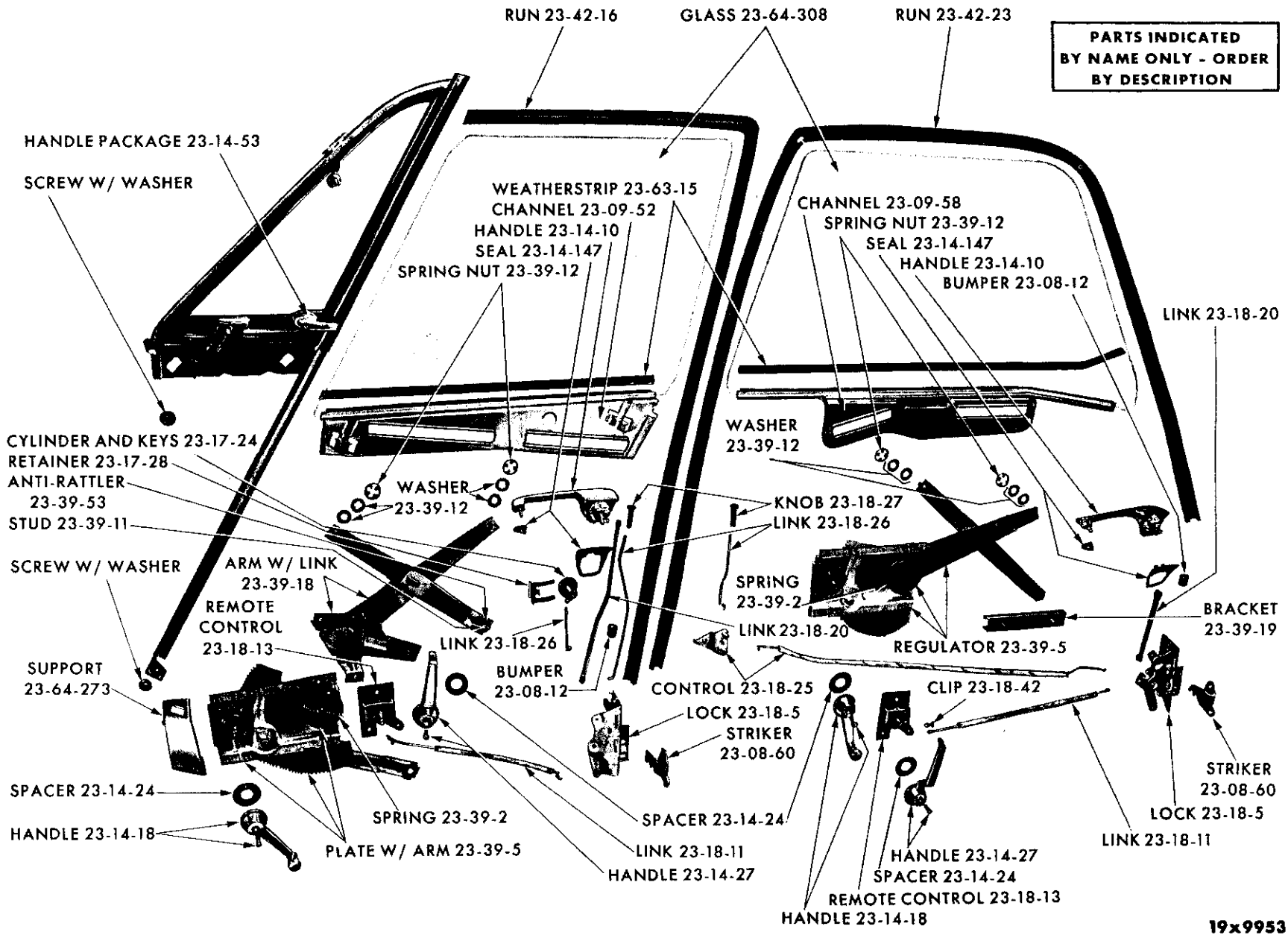
MANUAL SEAT ADJUSTER



19x8243F

ELECTRIC SEAT ADJUSTER

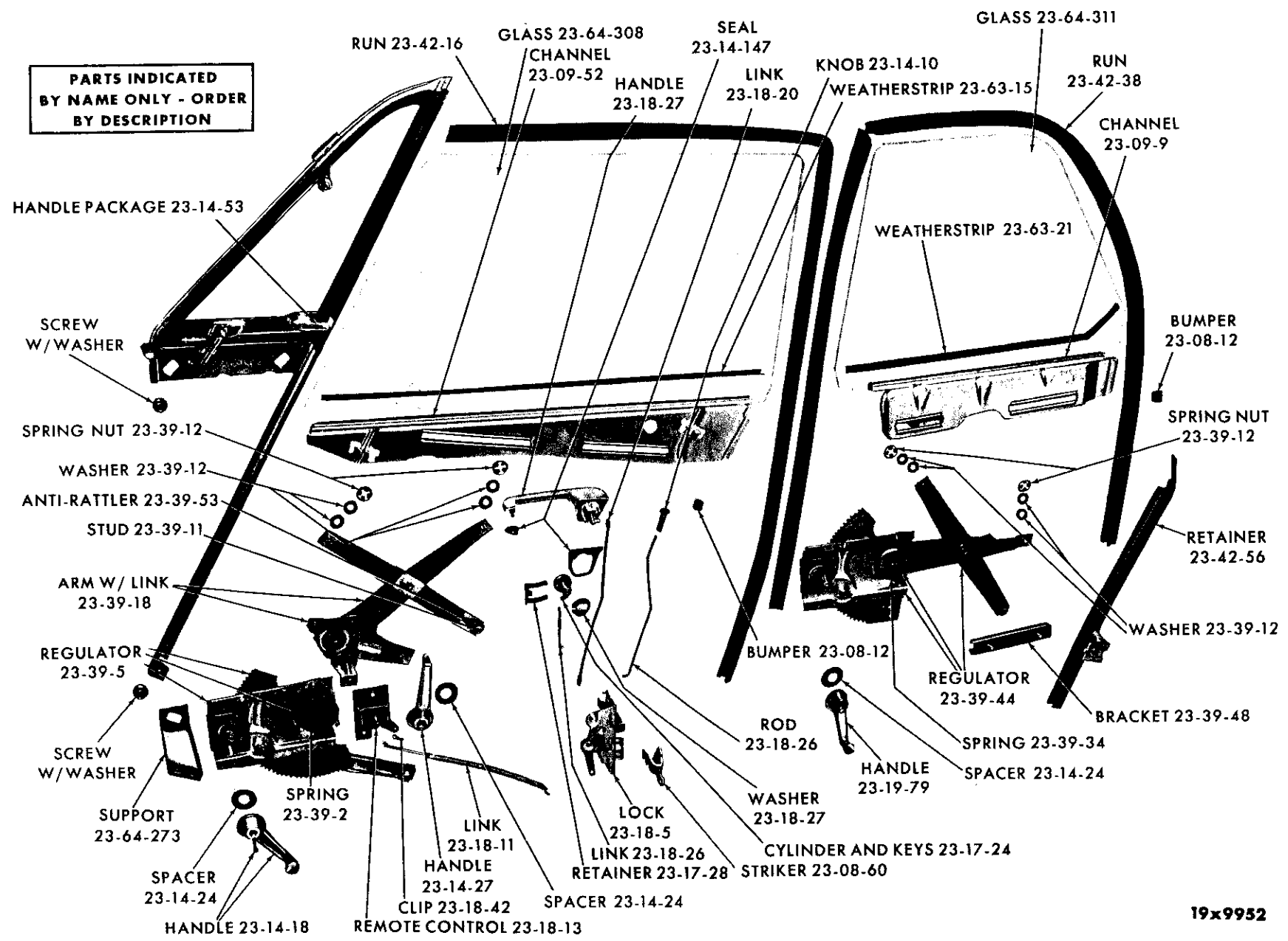
PARTS INDICATED BY NAME ONLY - ORDER BY DESCRIPTION



19x9953

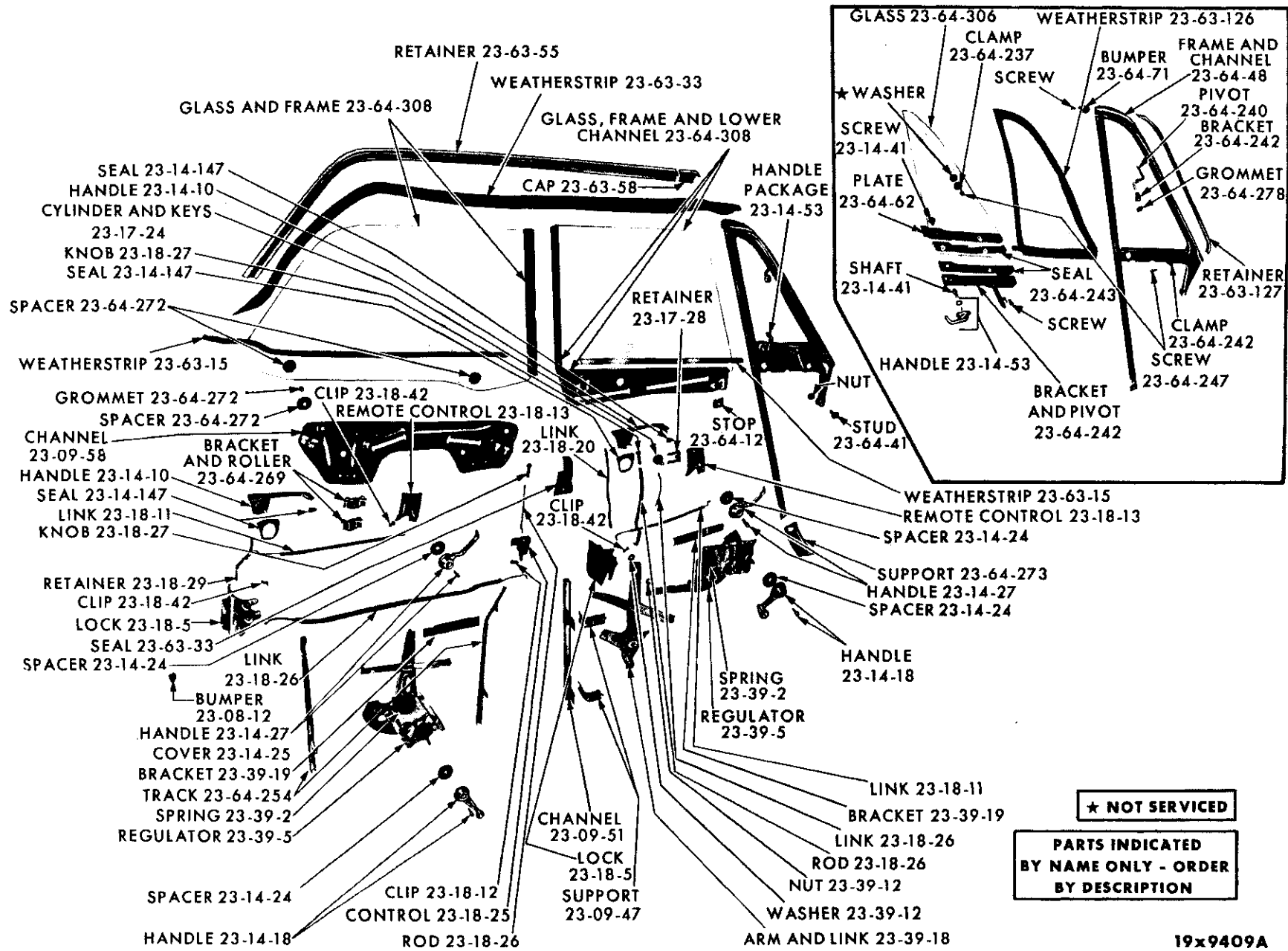
DOOR WINDOW REGULATORS AND RUNS - PLYMOUTH TP1-2 AND DODGE TD1-2 4 DOOR SEDAN AND SUBURBAN

**PARTS INDICATED
BY NAME ONLY - ORDER
BY DESCRIPTION**



DOOR WINDOW REGULATORS AND RUNS - PLYMOUTH TP1-2 AND DODGE TD1-2 SPECIAL CLUB COUPE

19x9952

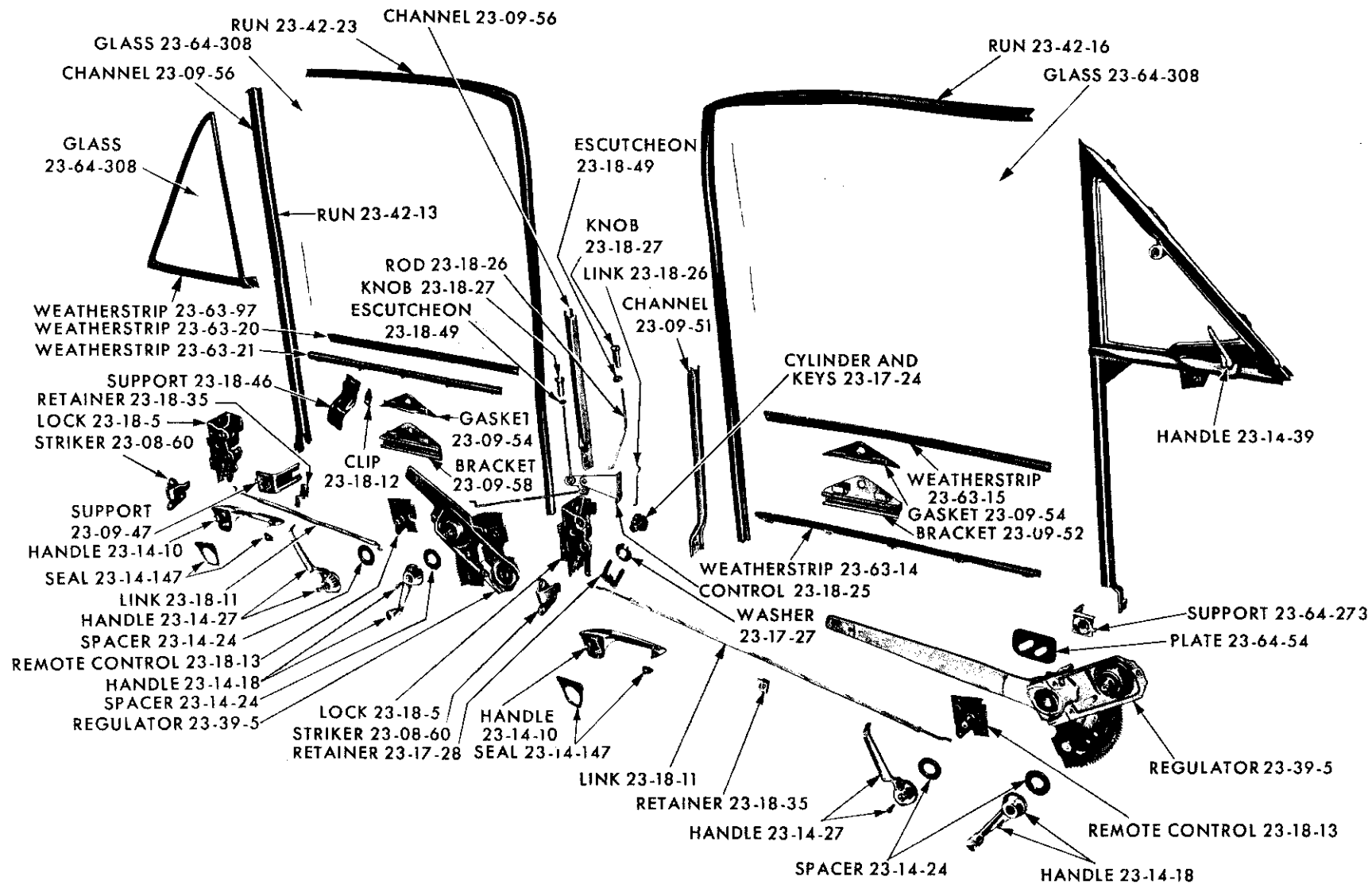


★ NOT SERVICED

PARTS INDICATED BY NAME ONLY - ORDER BY DESCRIPTION

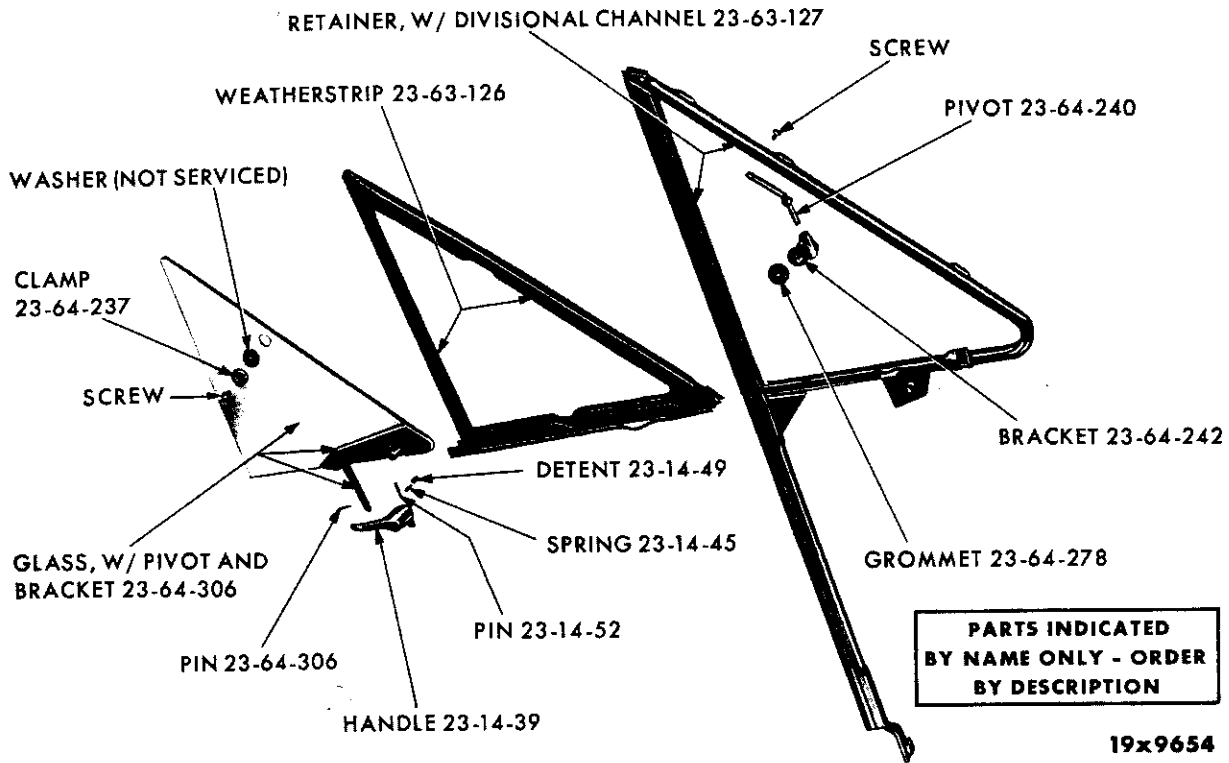
19x9409A

DOOR WINDOW REGULATORS AND RUNS - PLYMOUTH TP1-2 AND DODGE TD1-2 SPECIAL 4 DOOR SEDAN

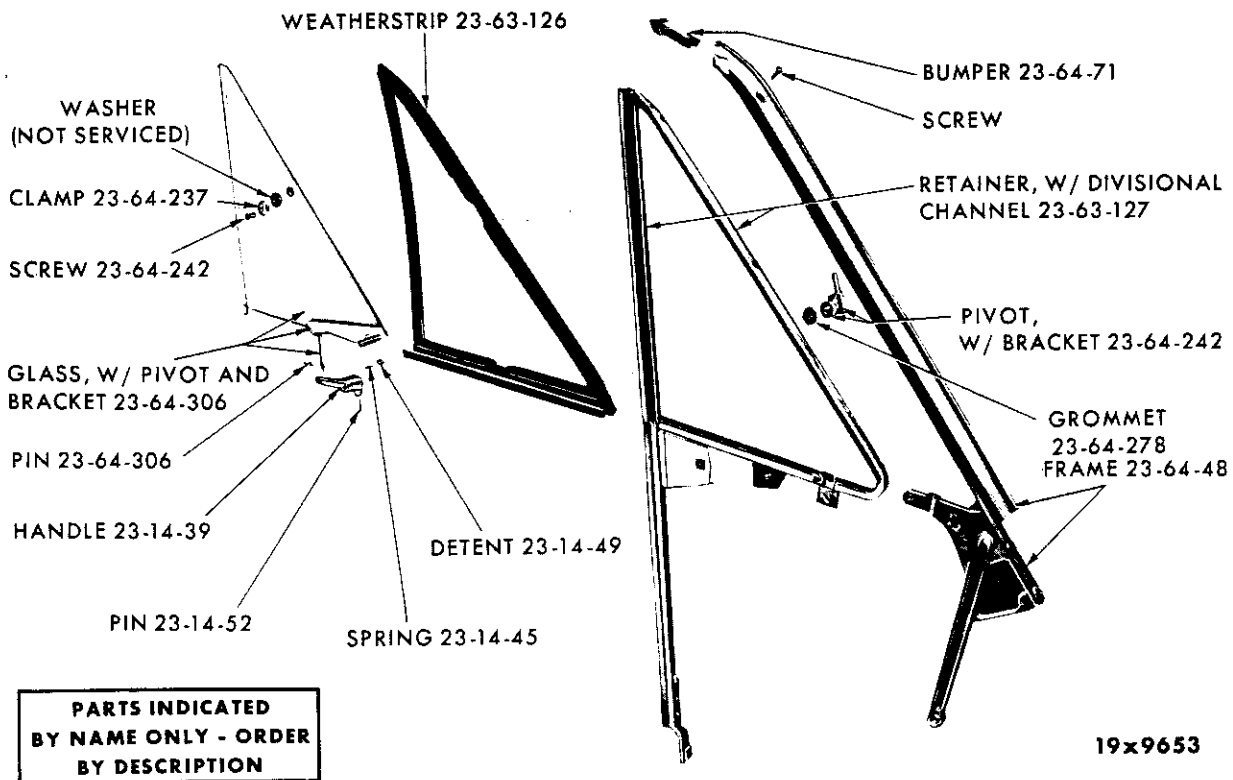


19x9647A

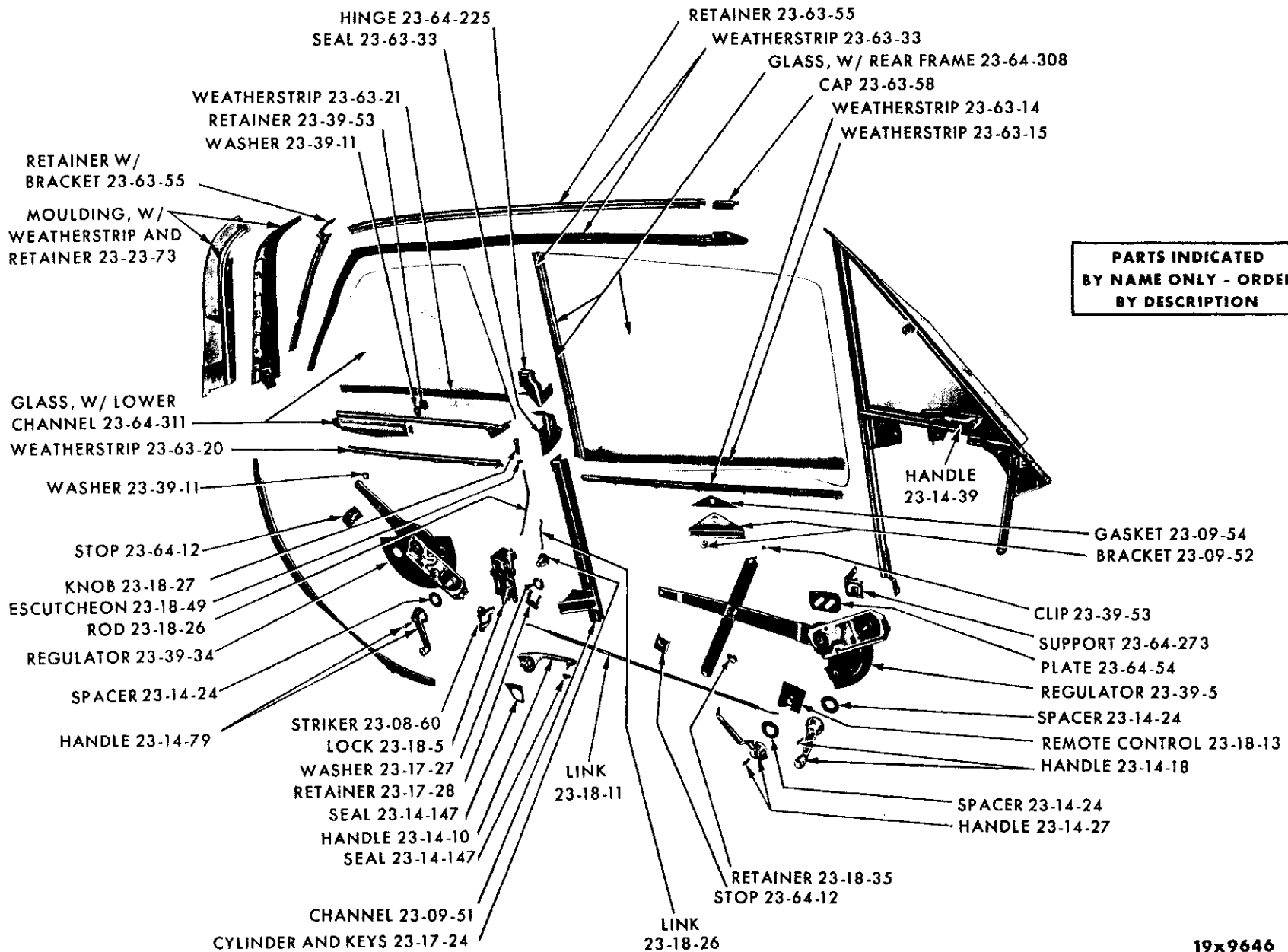
DOOR WINDOW REGULATORS AND RUNS - VALIANT TV1 AND DART TL1 4 DOOR SEDAN AND SUBURBAN



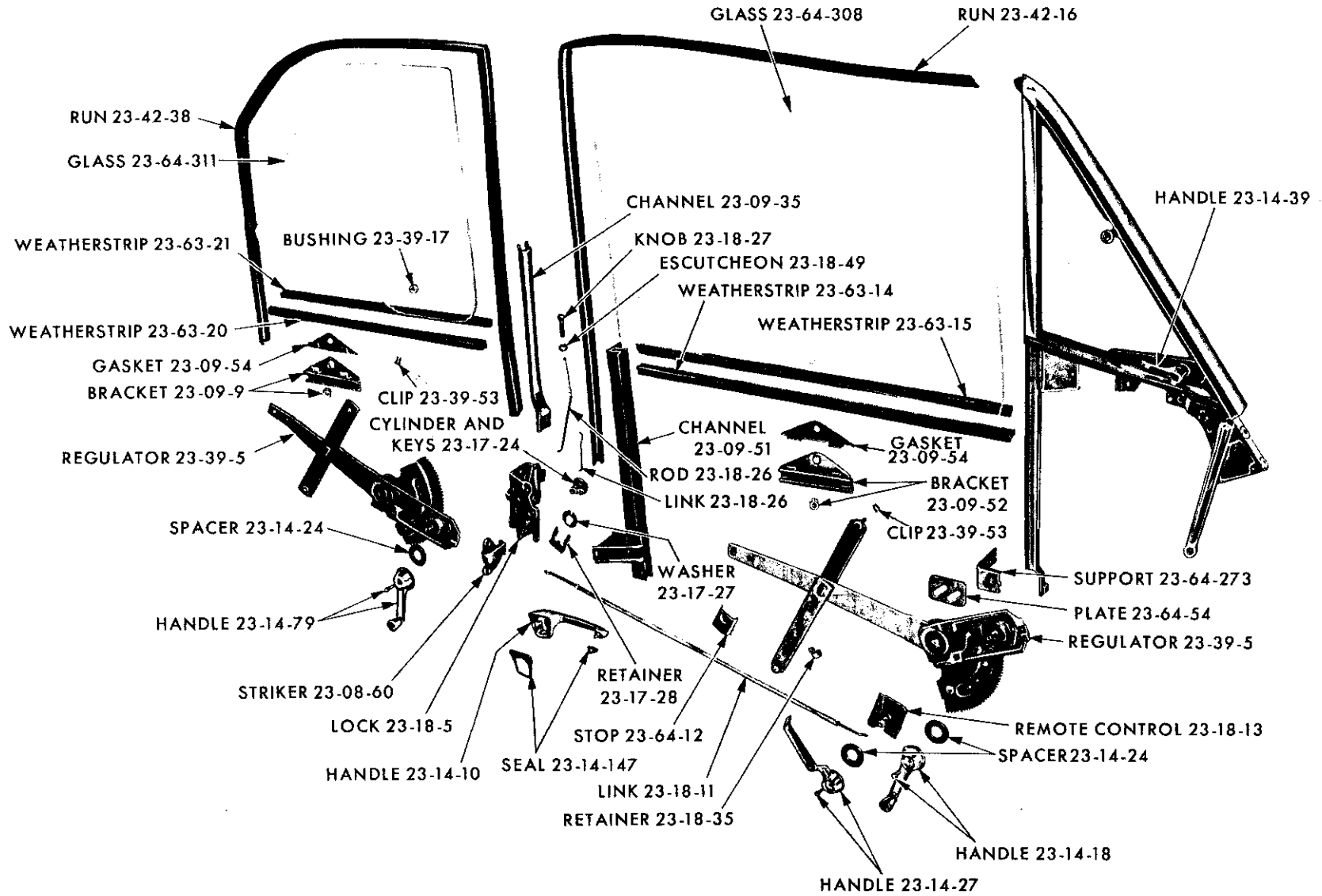
DOOR VENTILATOR AND GLASS - VALIANT TV1 AND DART TL1
4 DOOR SEDAN, 2 DOOR SEDAN AND SUBURBAN



DOOR VENTILATOR AND GLASS - VALIANT TV1 AND DART TL1
SPECIAL CLUB COUPE AND CONVERTIBLE COUPE

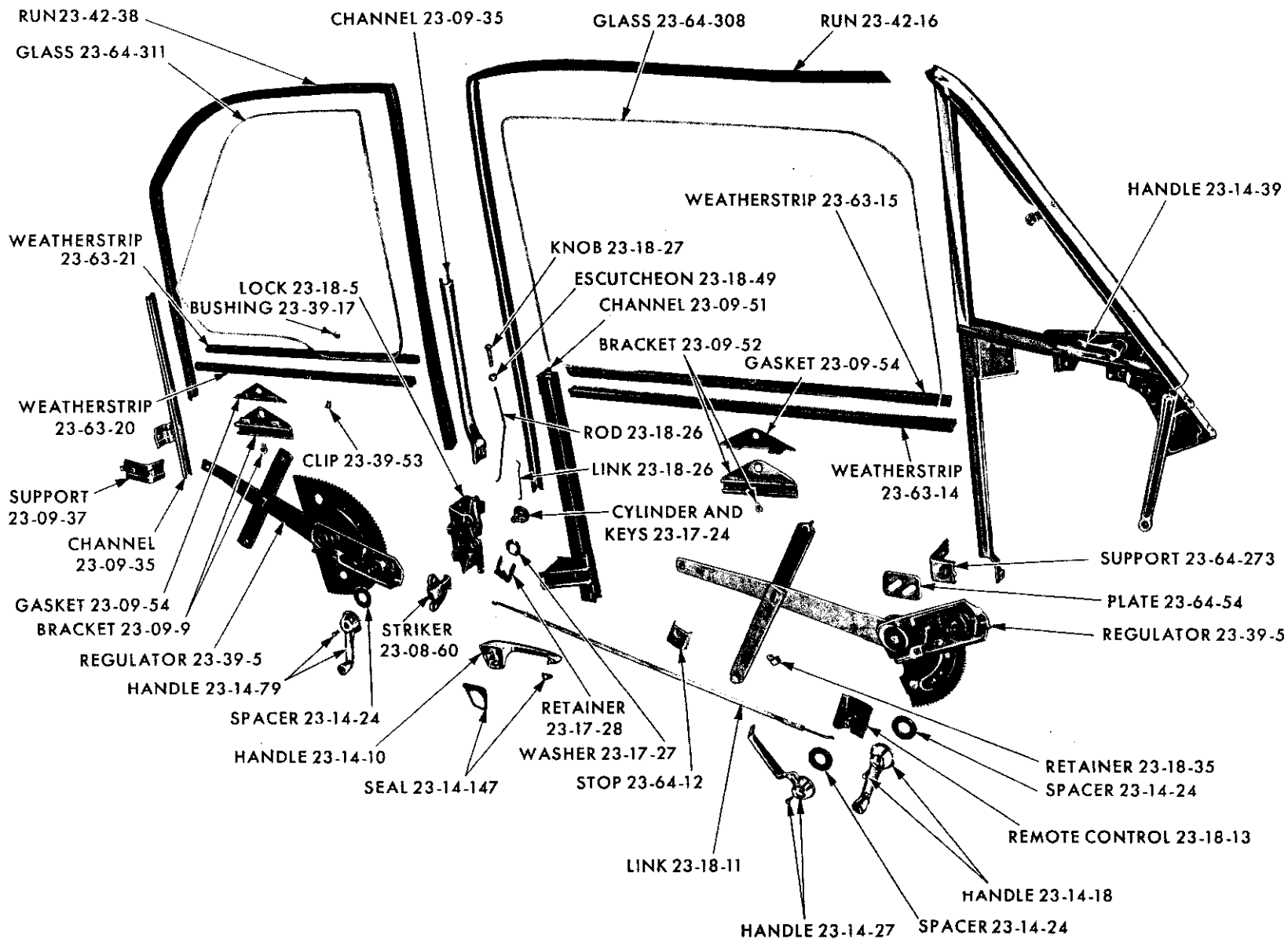


DOOR LOCK AND WINDOW REGULATORS - VALIANT TV1 SPECIAL CLUB COUPE



19x9648

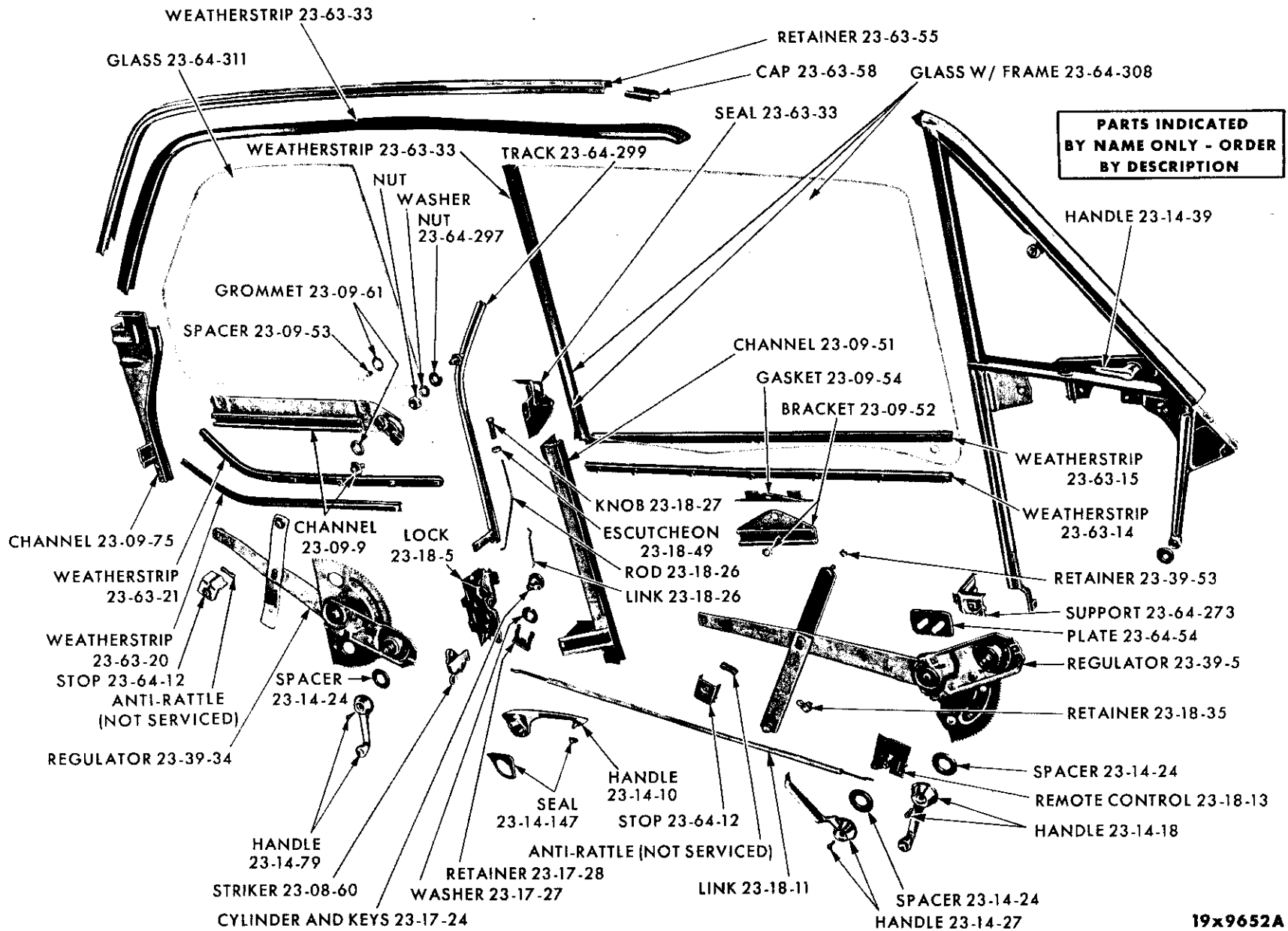
DOOR WINDOW REGULATORS AND RUNS - VALIANT TV1 2 DOOR SEDAN



19x9649

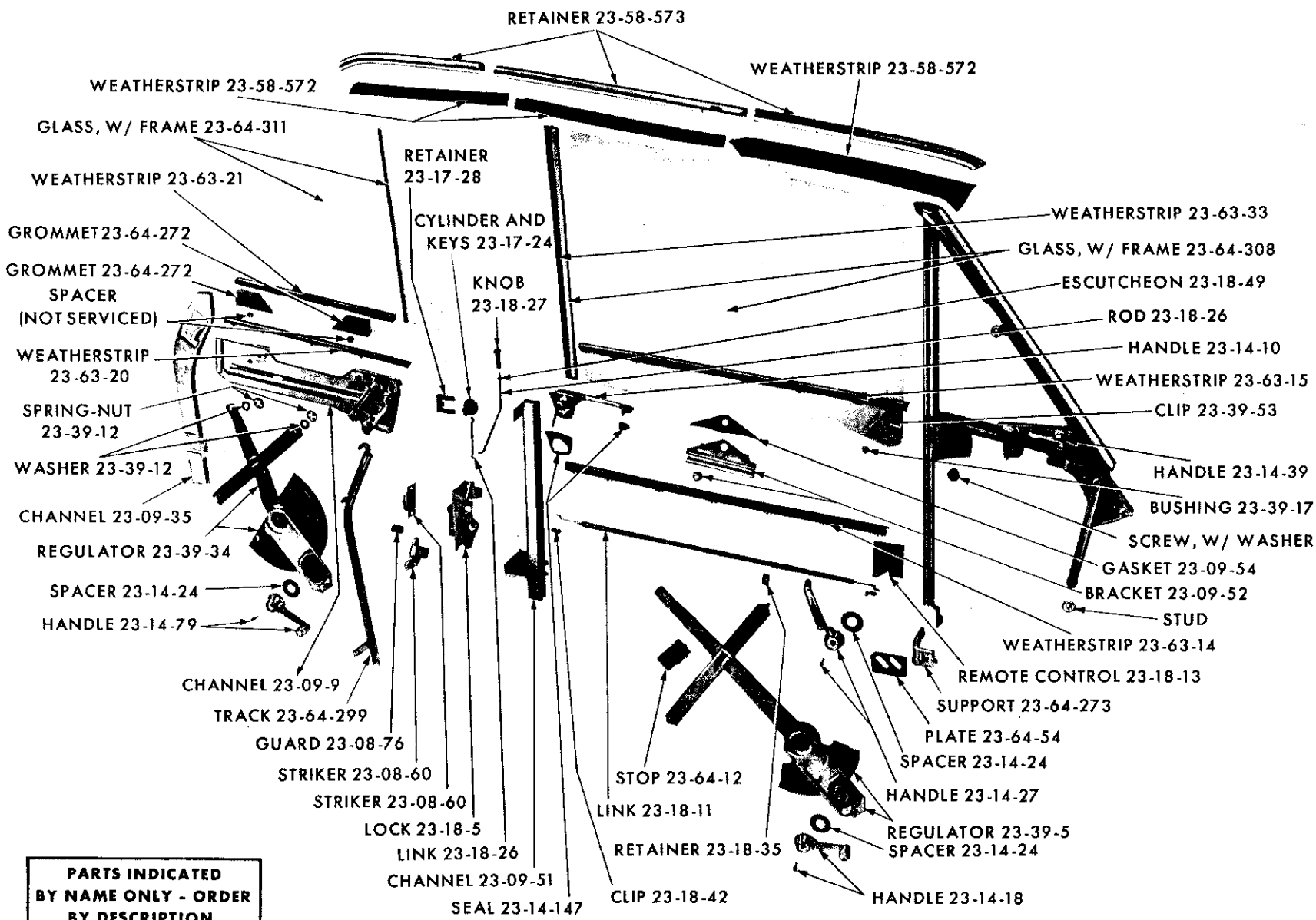
DOOR WINDOW REGULATORS AND RUNS - DART TL1 2 DOOR SEDAN

MyMopar.com



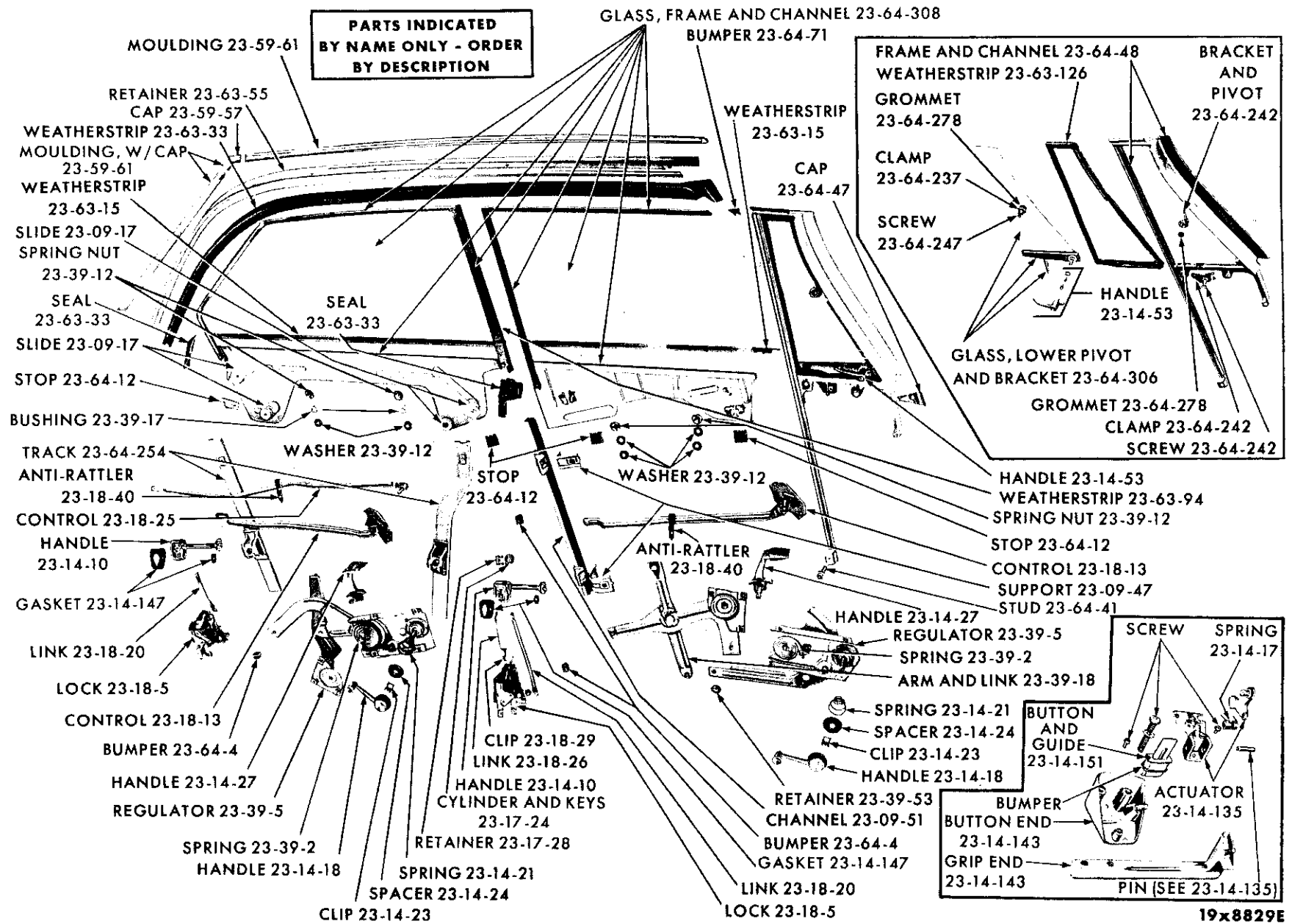
19x9652A

DOOR WINDOW REGULATORS AND RUNS - DART TL1 SPECIAL CLUB COUPE



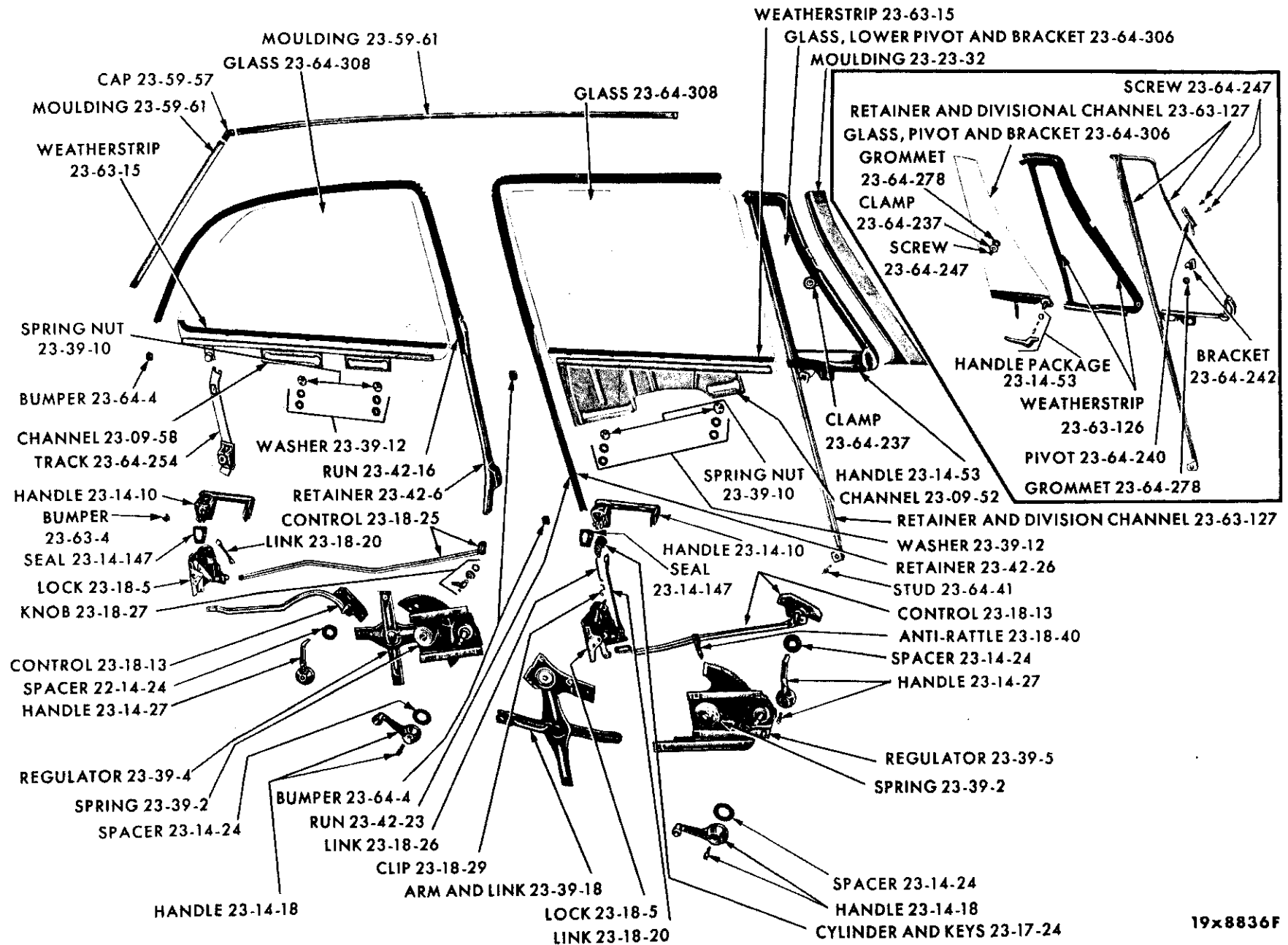
**PARTS INDICATED
BY NAME ONLY - ORDER
BY DESCRIPTION**

19x9703

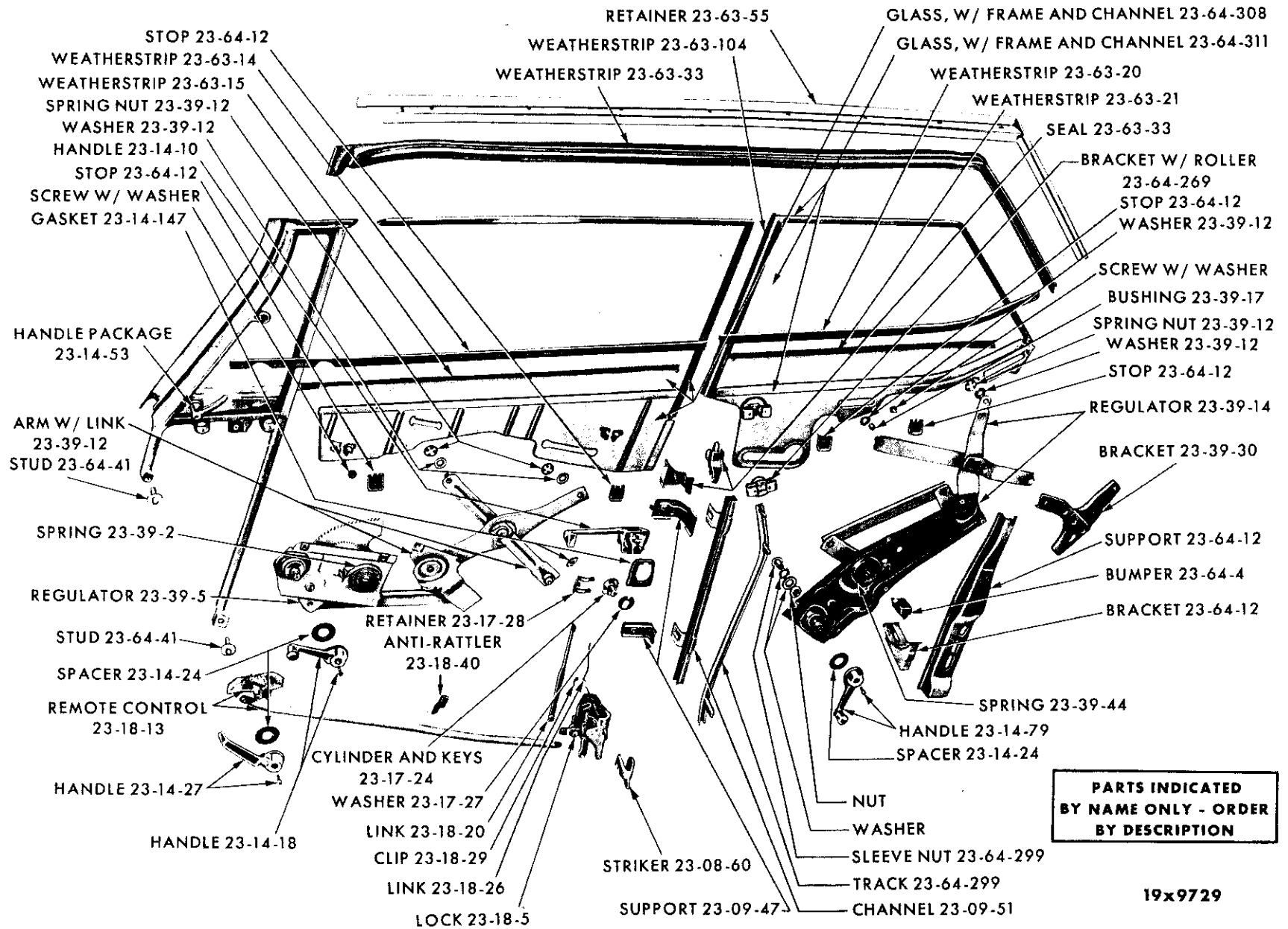


19x8829E

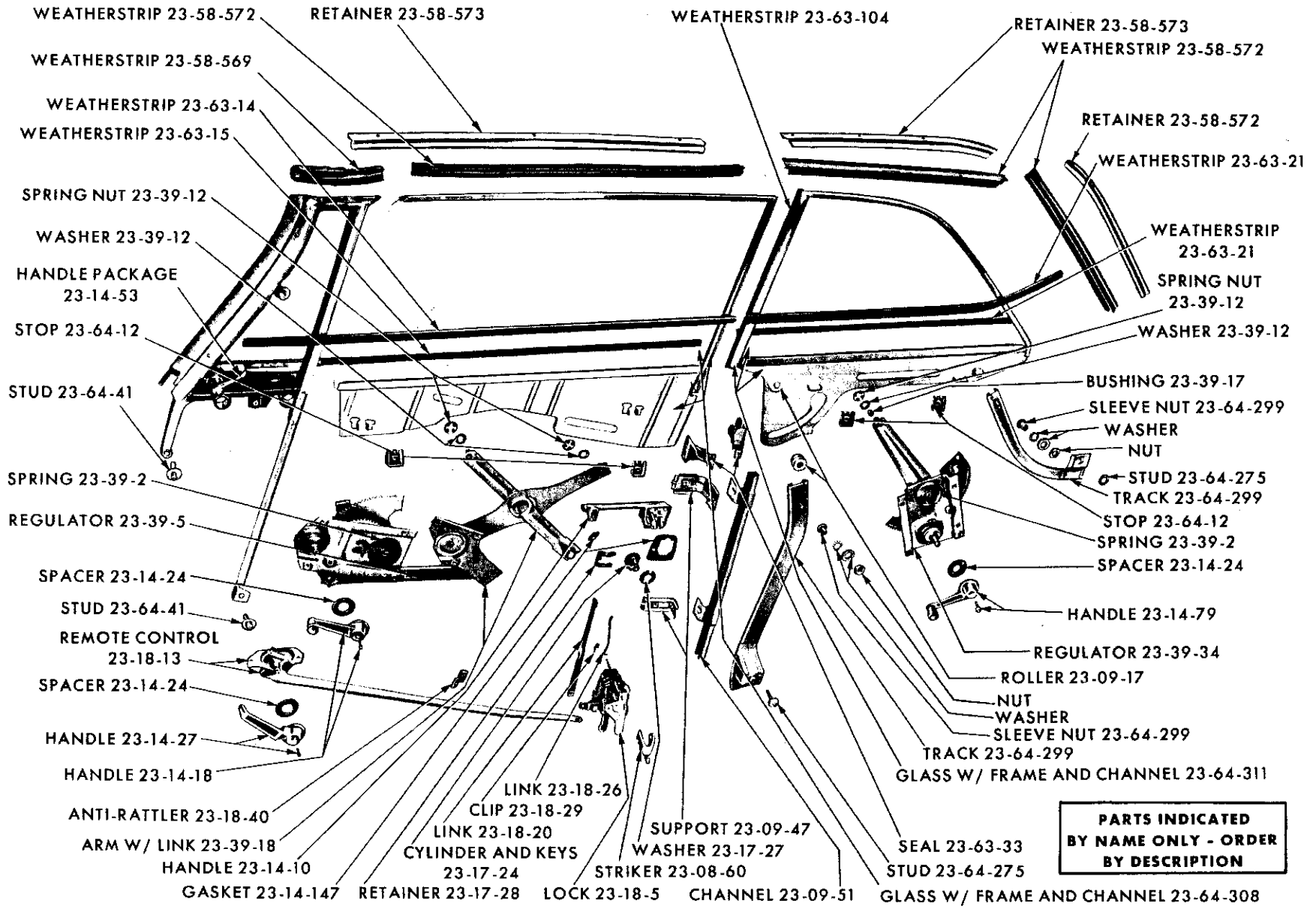
DOOR WINDOW REGULATORS AND RUNS - DODGE TA3(L), CHRYSLER TC1-2-3 SPECIAL 4 DOOR SEDAN AND SUBURBAN



DOOR WINDOW REGULATORS AND RUNS - DODGE TA3(E) SUBURBAN, DODGE TA3 AND CHRYSLER TC1-2-3 4 DOOR SEDAN



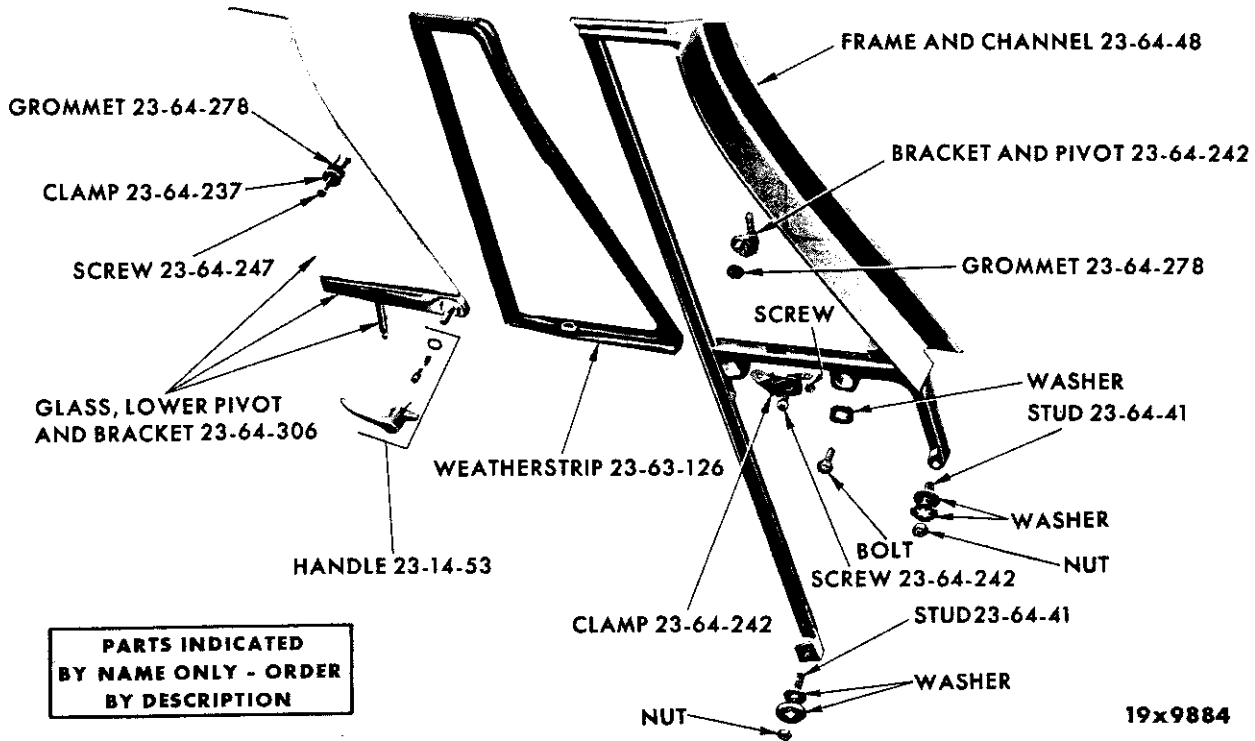
DOOR WINDOW REGULATORS AND RUNS - DODGE TA3 AND CHRYSLER TC1-2 SPECIAL CLUB COUPE



**PARTS INDICATED
 BY NAME ONLY - ORDER
 BY DESCRIPTION**

19x9726

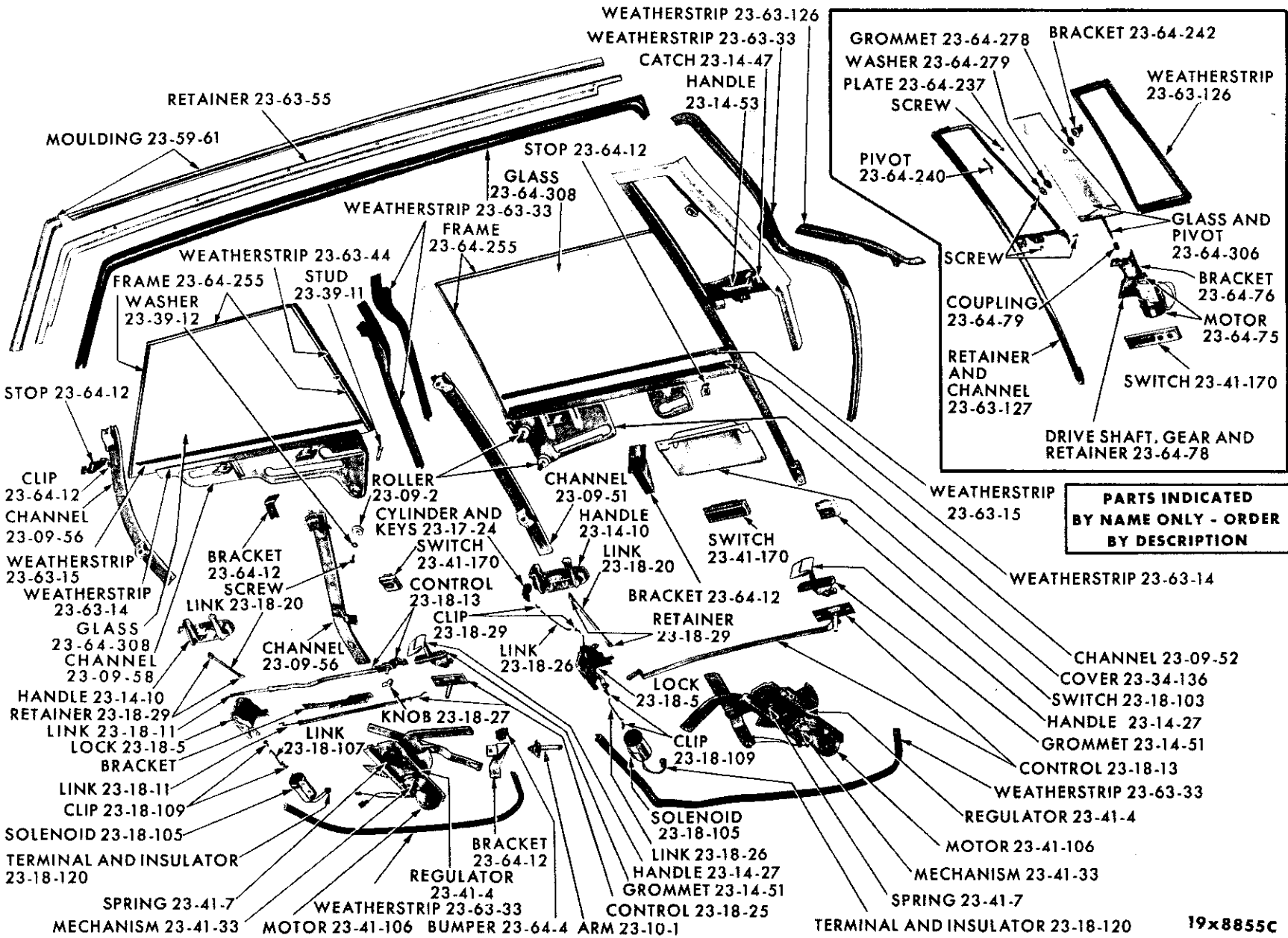
DOOR WINDOW REGULATORS AND RUNS - DODGE TA3 AND CHRYSLER TC1-2 CONVERTIBLE COUPE



DOOR VENT WING AND GLASS - DODGE TA3(L) AND CHRYSLER TC1-2-3
SPECIAL CLUB COUPE AND CONVERTIBLE COUPE

NOTES

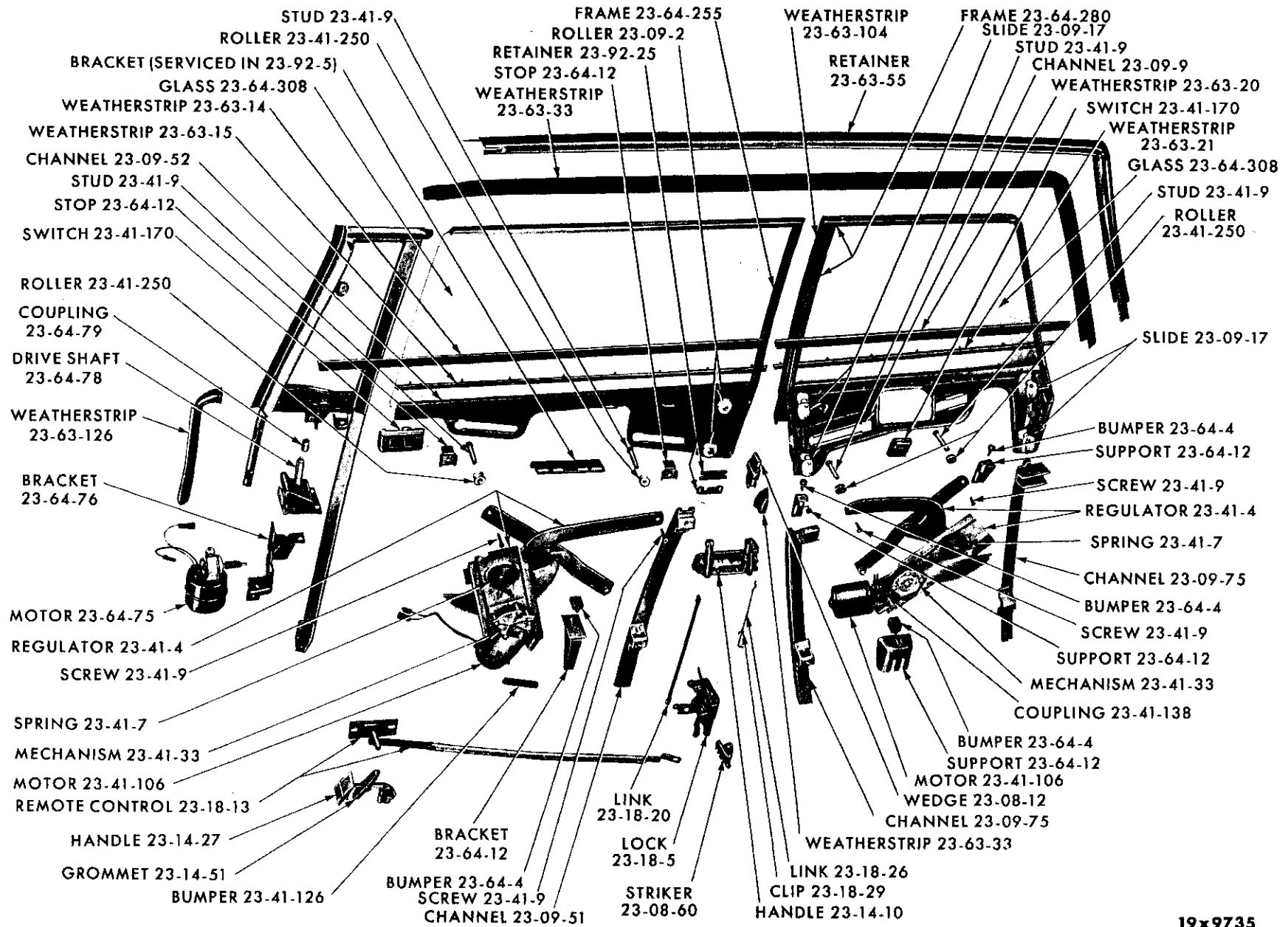
A series of horizontal lines provided for handwritten notes.



DOOR WINDOW REGULATORS AND RUNS - IMPERIAL TY1 SPECIAL 4 DOOR SEDAN

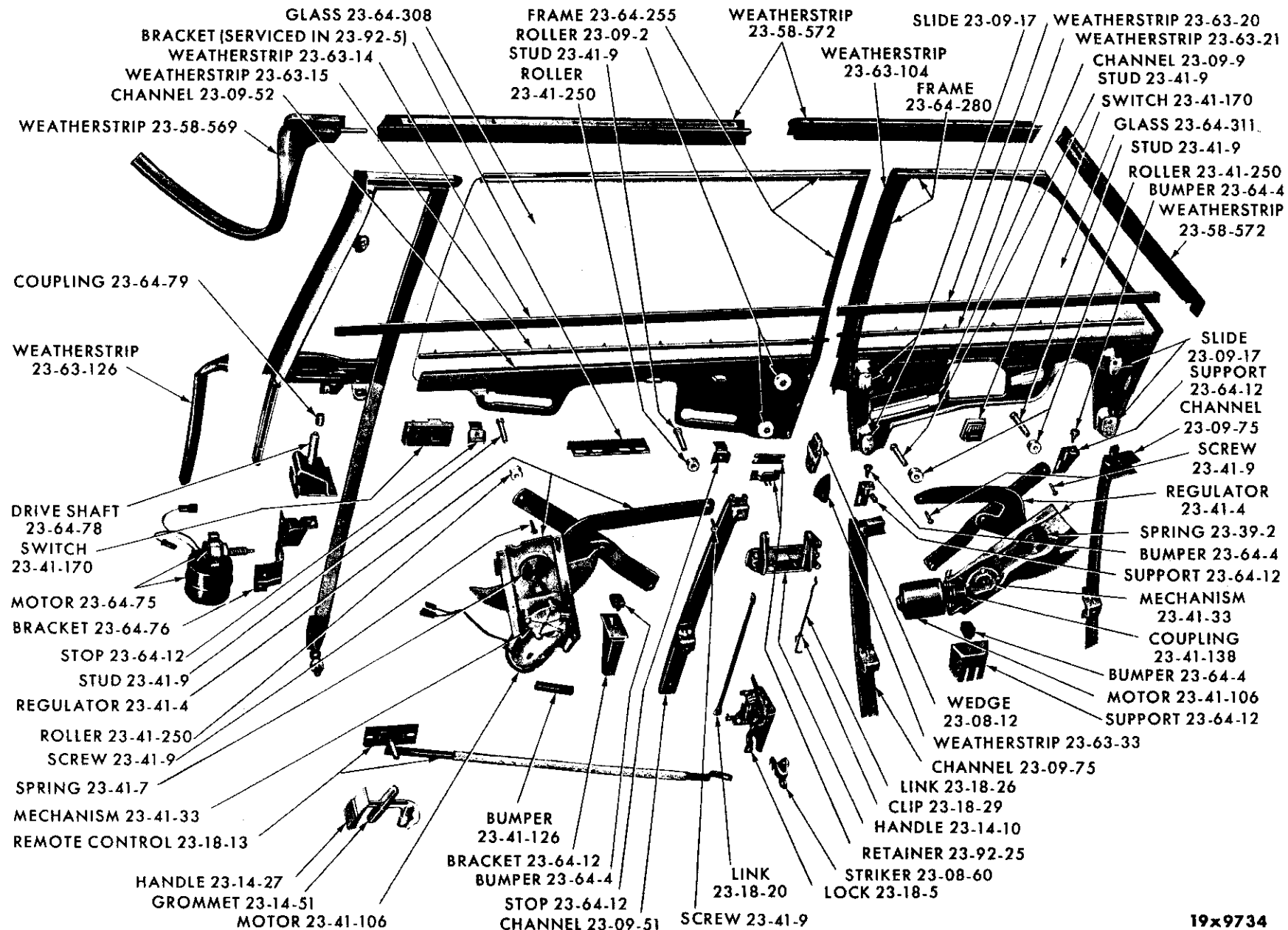
MyMopar.com

19x8855C



19x9735

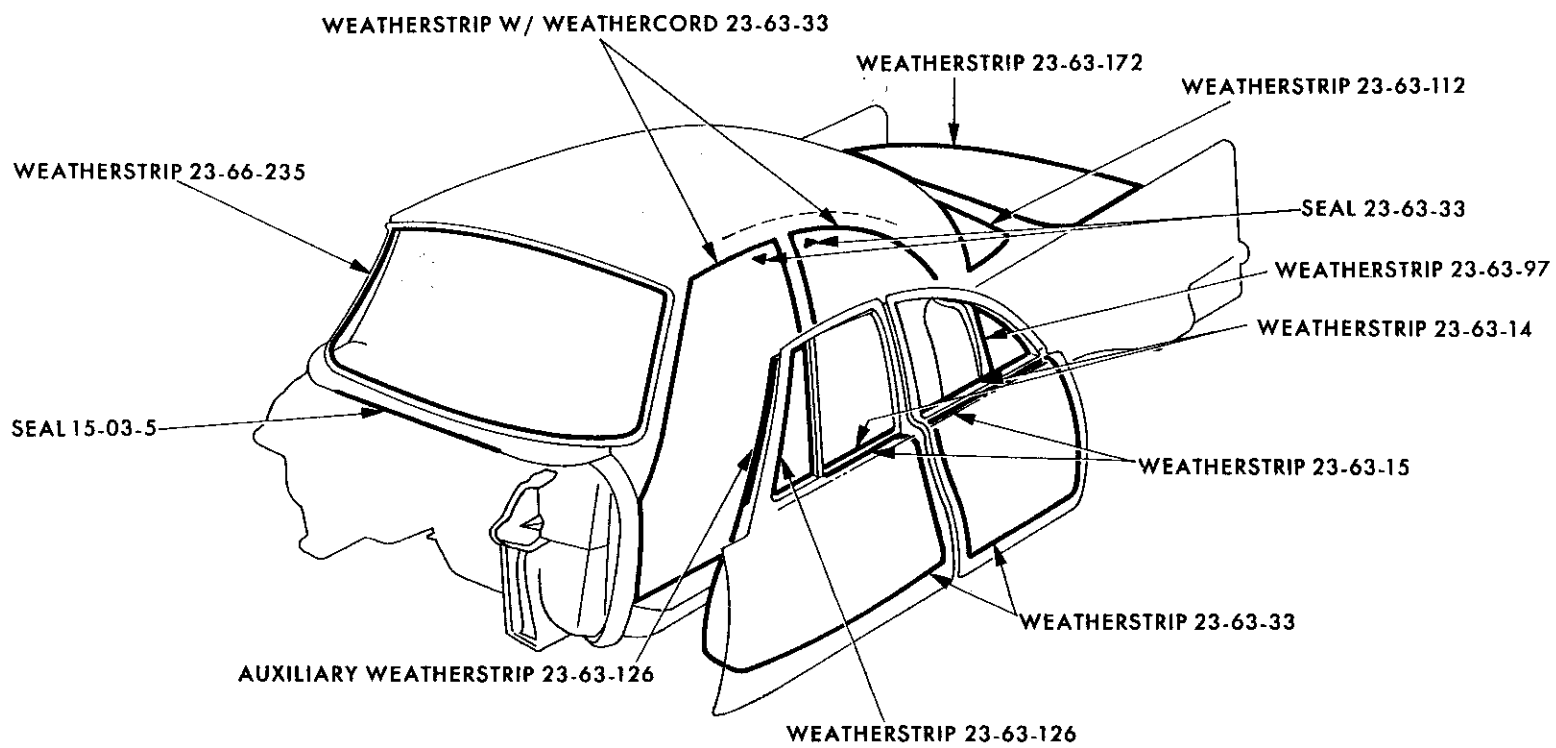
DOOR WINDOW REGULATORS AND RUNS - IMPERIAL TYI SPECIAL CLUB COUPE



19x9734

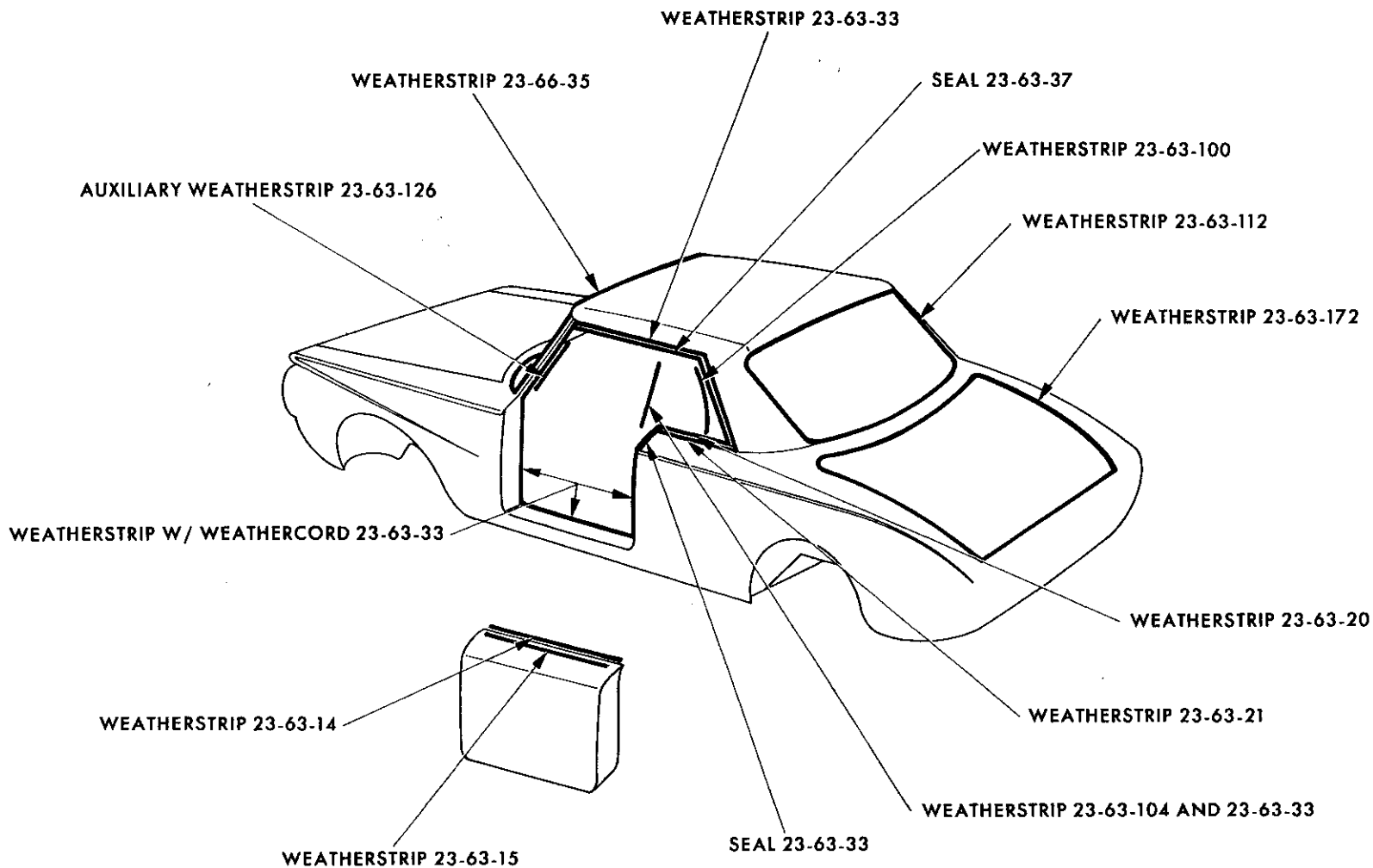
DOOR WINDOW REGULATORS AND RUNS - IMPERIAL TY1 CONVERTIBLE COUPE

MyMopar.com



WEATHERSTRIPS AND SEALS - TYPICAL OF 4 DOOR AND 2 DOOR SEDANS

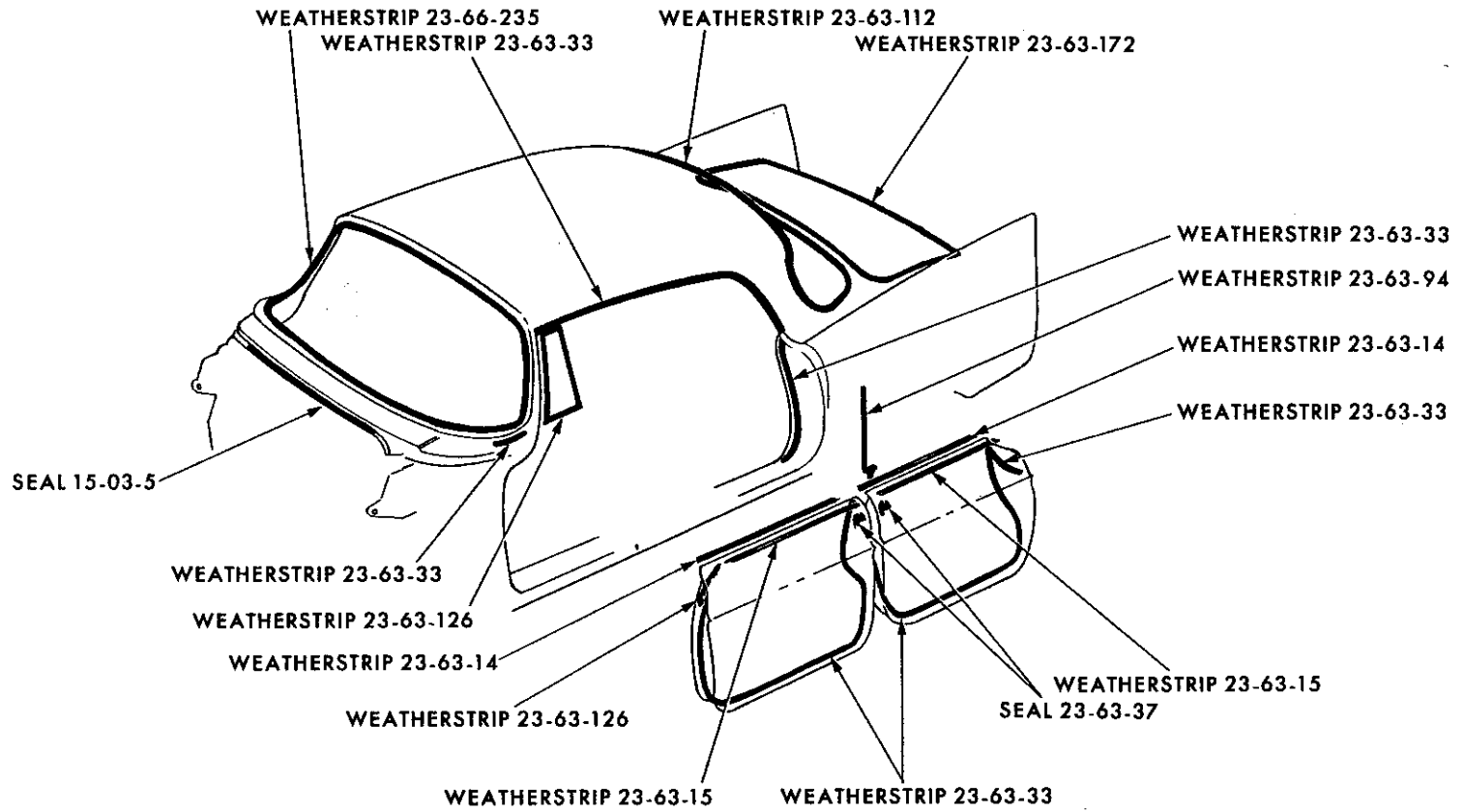
19x9836



19x9834

WEATHERSTRIPS AND SEALS - TYPICAL OF 2 DOOR HARDTOPS

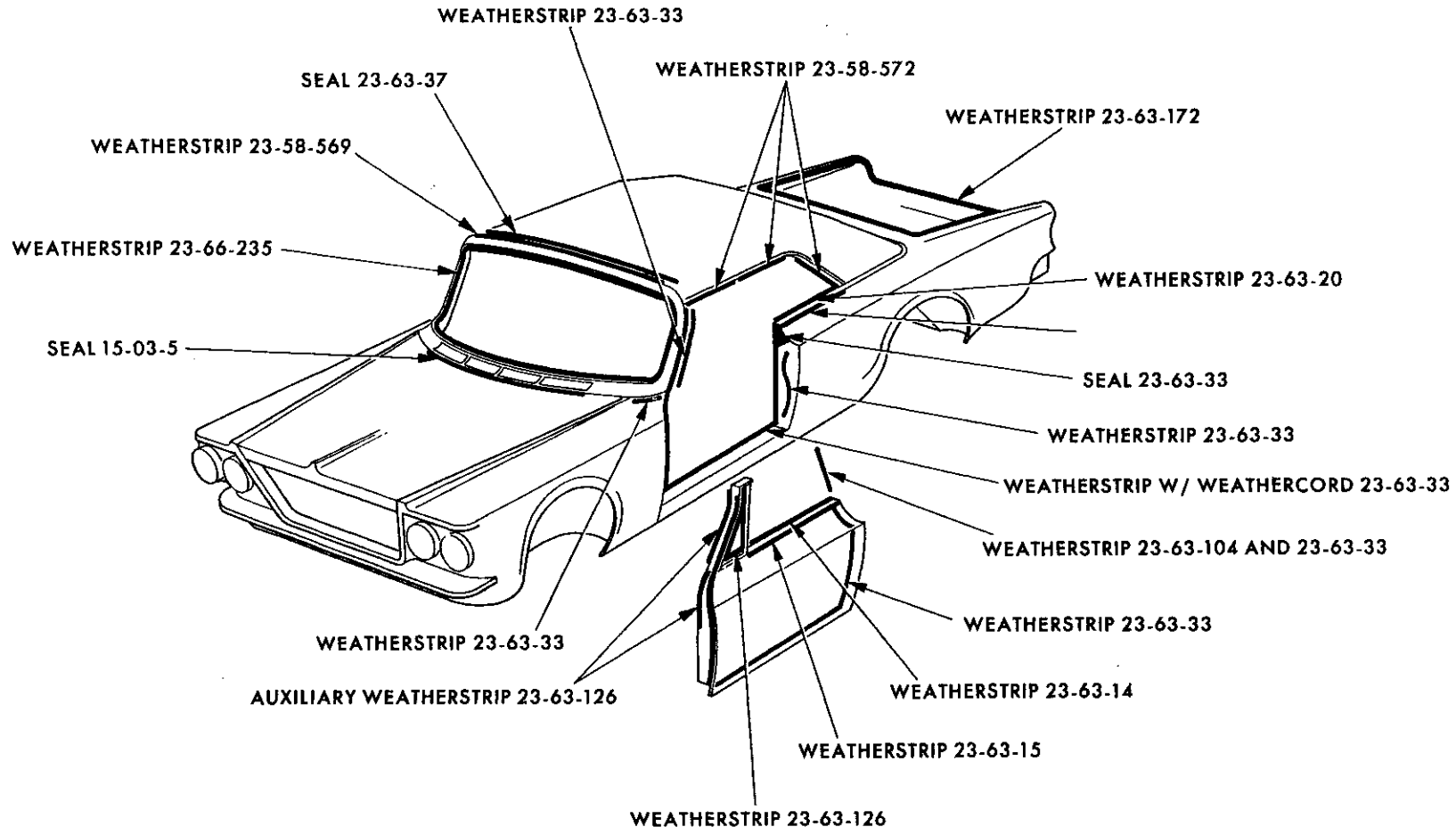
MyMopar.com



19x9835

WEATHERSTRIPS AND SEALS - TYPICAL OF 4 DOOR HARDTOPS

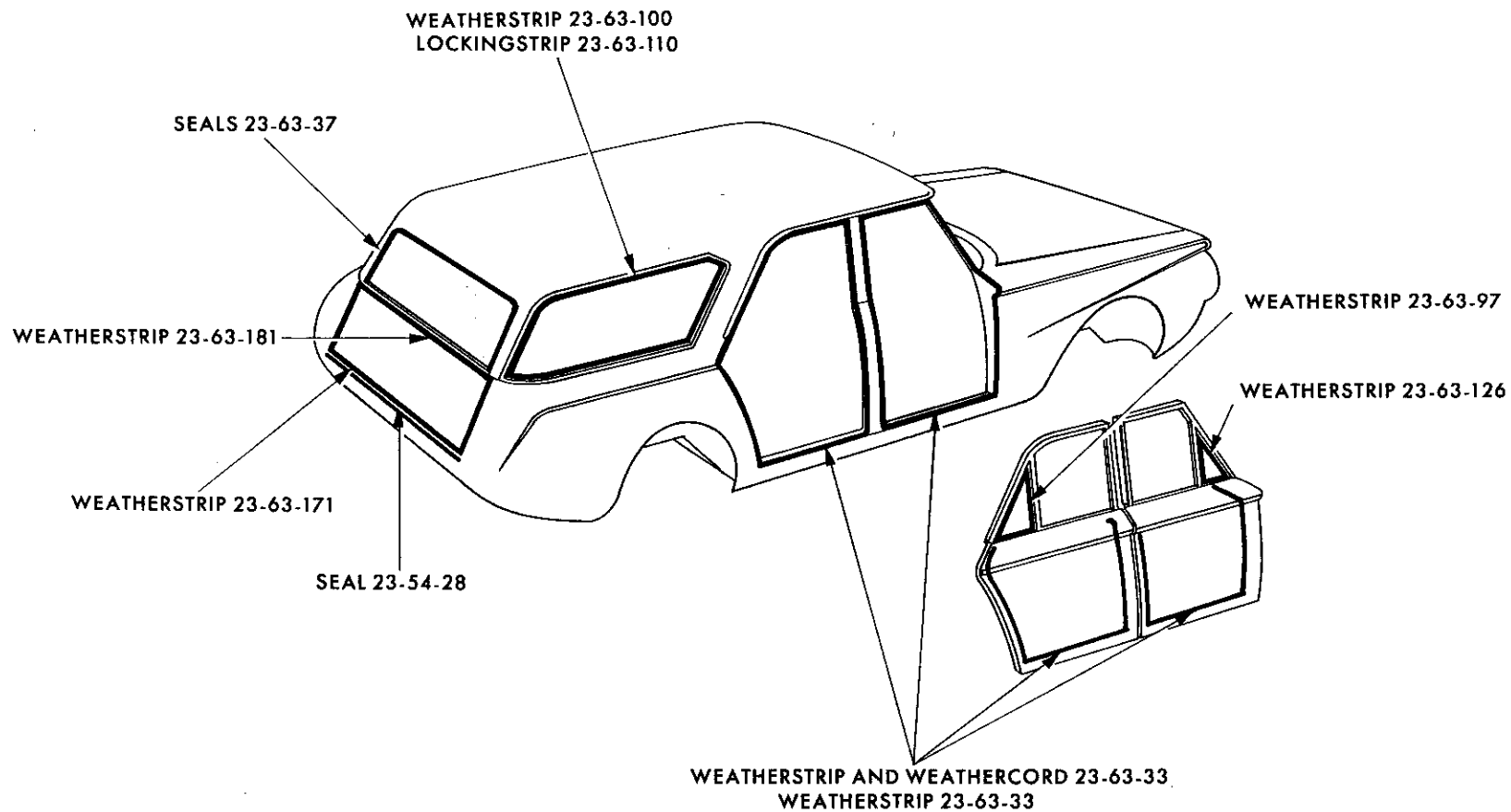




WEATHERSTRIPS AND SEALS - TYPICAL OF CONVERTIBLE COUPES

MyMopar.com

19x9833

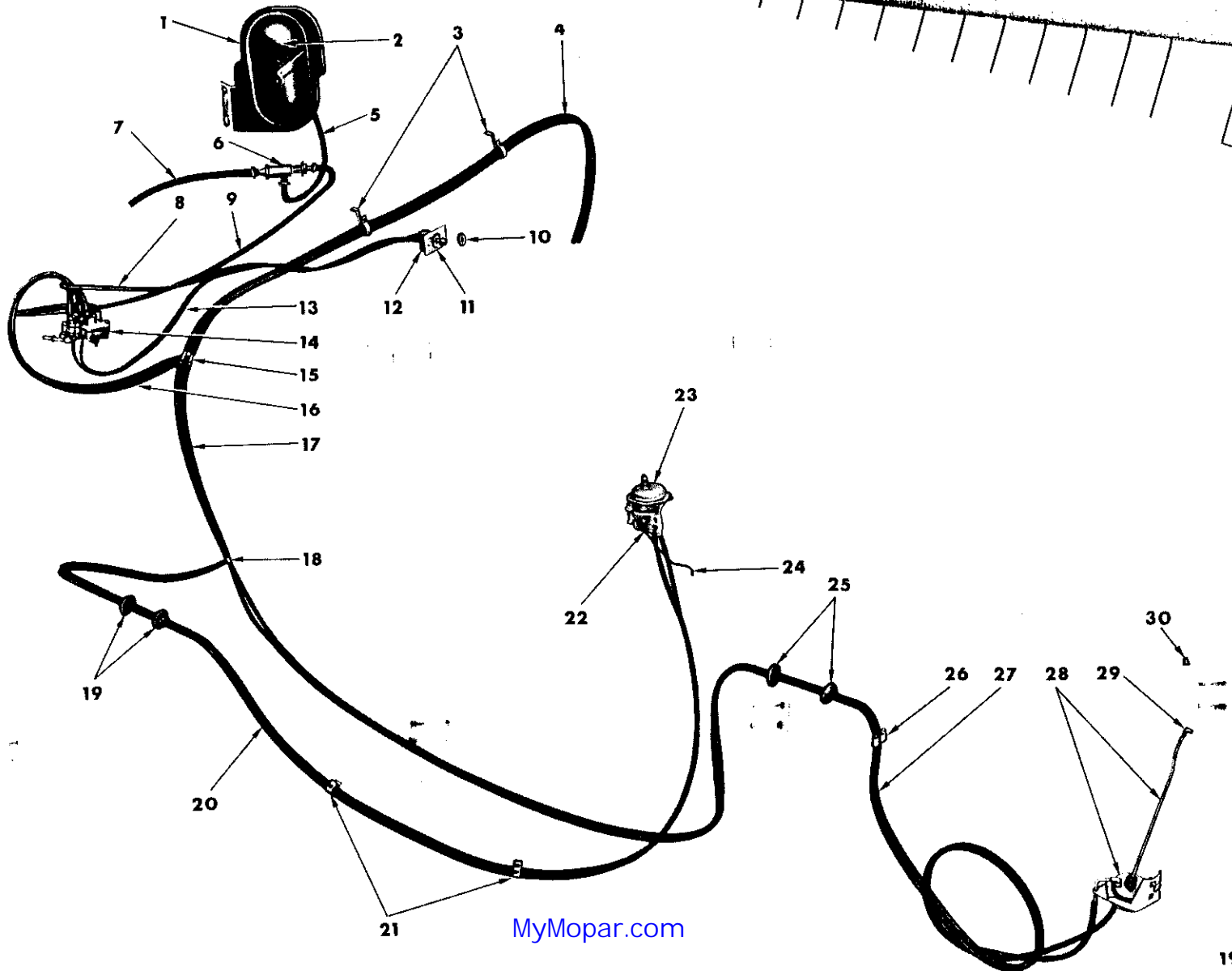


WEATHERSTRIPS AND SEALS - TYPICAL OF SUBURBANS

19x9837

Page 23-21N
CHRYSLER
IMPERIAL

PASSENGER CAR PARTS CATALOG



MyMopar.com

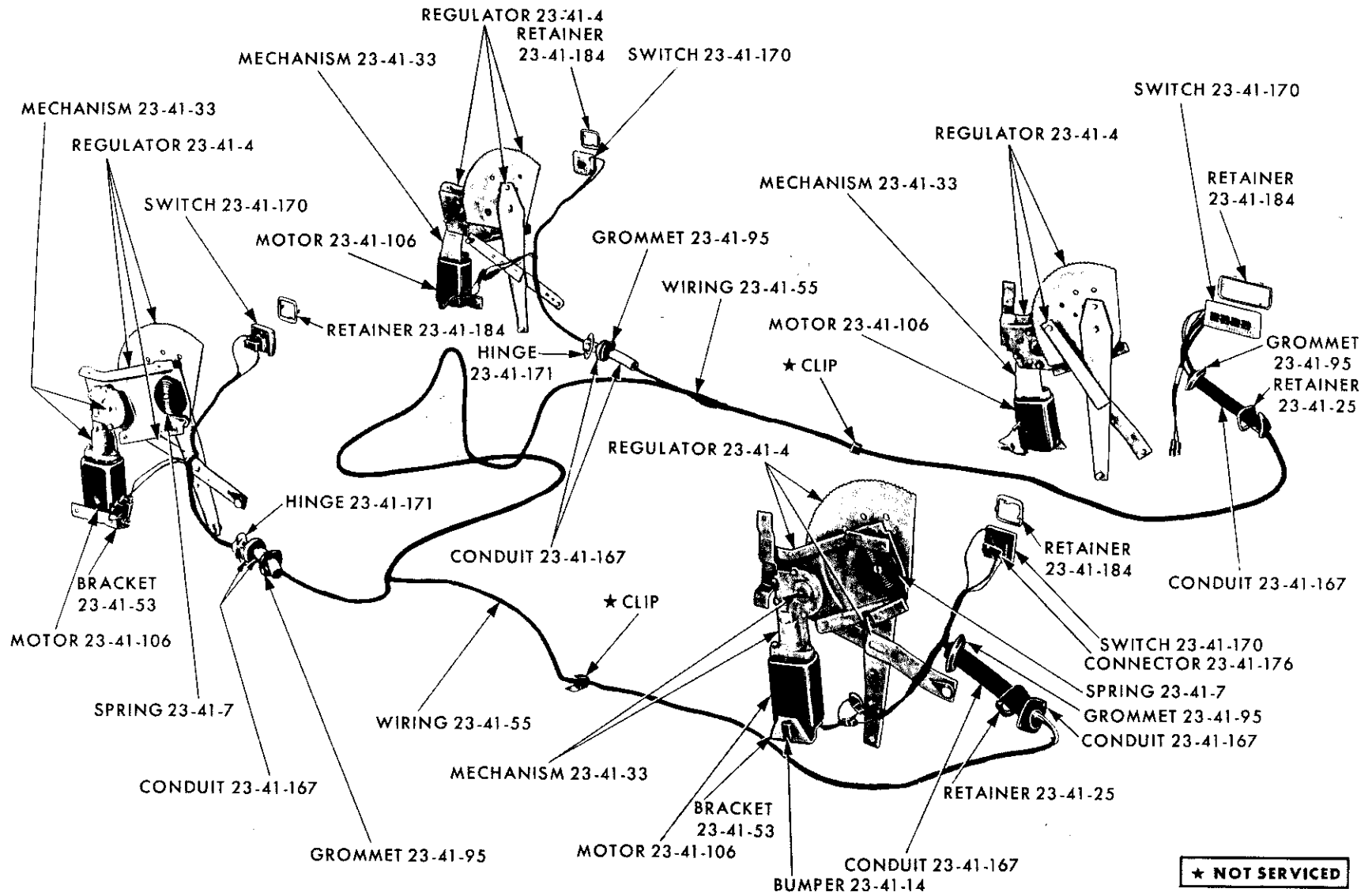
19L9019B

BO

VACUUM DOOR LOCK SYSTEM

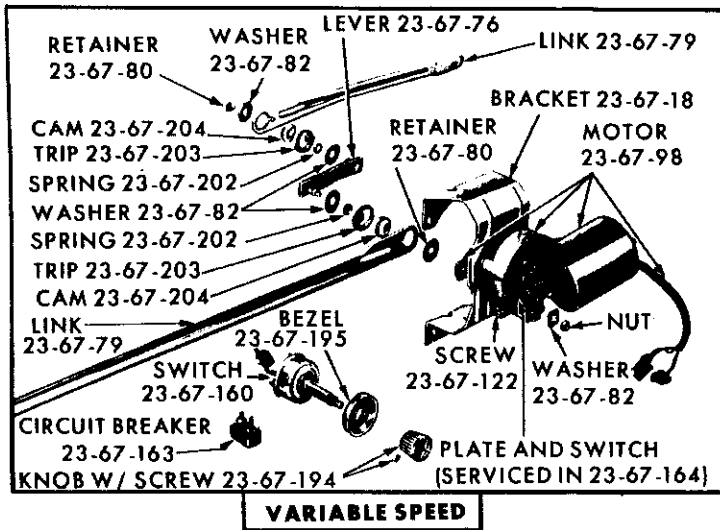
Ref. No.	Name	Part No.	Part Type Code
1	Connector, Tank Hose	2258 043	23-13-52
2	Tank, w/Bracket	2198 539	23-13-45
	Washer	2- 138 489	
	Nut	2- 120 377	
3	Clip	Not Serviced	
4	Tube, Floor Pan (see note)	2254 553	23-13-10
5	Tube, Check Valve to Tank (see note)	2254 553	23-13-10
6	Valve, Tank Check, w/Hose	2258 044	23-13-47
7	Tube, Check Valve to Manifold (see note)	2254 553	23-13-10
8	Tube, Instrument Panel Control to Valve (see note)	2254 554	23-13-10
9	Tube, Check Valve to Distributor Valve (see note)	2254 553	23-13-10
10	Nut, Control and Bezel Mounting	2096 490	23-13-36
11	Bezel, Instrument Panel Control	2096 488	23-13-35
12	Control, Instrument Panel (or Switch)	2096 487	23-13-31
13	Tube, Instrument Panel Control to Valve (see note)	2254 552	23-13-10
14	Valve, Distributor	2258 080	23-13-41
15	Tee, Main	2-1964 609	23-13-13
16	Tube, Distributor to Main Tee (see note)	2254 553	23-13-10
17	Tube, Main Tee to Side Tee (see note)	2254 553	23-13-10
18	Tee, Side	4-1964 610	23-13-13
19	Grommet, Front Door	2-2166 678	23-13-11
20	Tube, Front Door (see note)	2254 554	23-13-10
21	Clamp, Front Door	4-2165 090	23-13-25
		2-1963 960	23-13-25
22	Clip, Front Door	2-2218 199	23-13-17
23	Unit, Front Door Power TA3.	1963 196-7	23-13-6
		TC1, TC3, 4 D.	2217 594-5
		TC1, TC2, TC3, Sp. 4 D., Sub.	1-2217 644-5
24	Rod, Front Door Power Unit to Door Lock . . . TC1, TC2, TC3.	2-1963 673	23-13-20
		TA3.	2-1963 671
25	Grommet, Rear Door and Center Pillar	4-2166 678	23-13-11
26	Clamp, Rear Door	4-2165 090	23-13-25
		2-1963 960	23-13-25
27	Tube, Rear Door (see note)	2254 554	23-13-10
28	Unit, Rear Door Power, w/Rod	2491 098-9	23-13-6
29	Clip, Rear Door Rod End to Door Lock	6008 144-5	23-13-17
30	Knob, Rear Door Lock Locking Control	2-1964 394	23-13-37

NOTE: Tube sold by the inch.

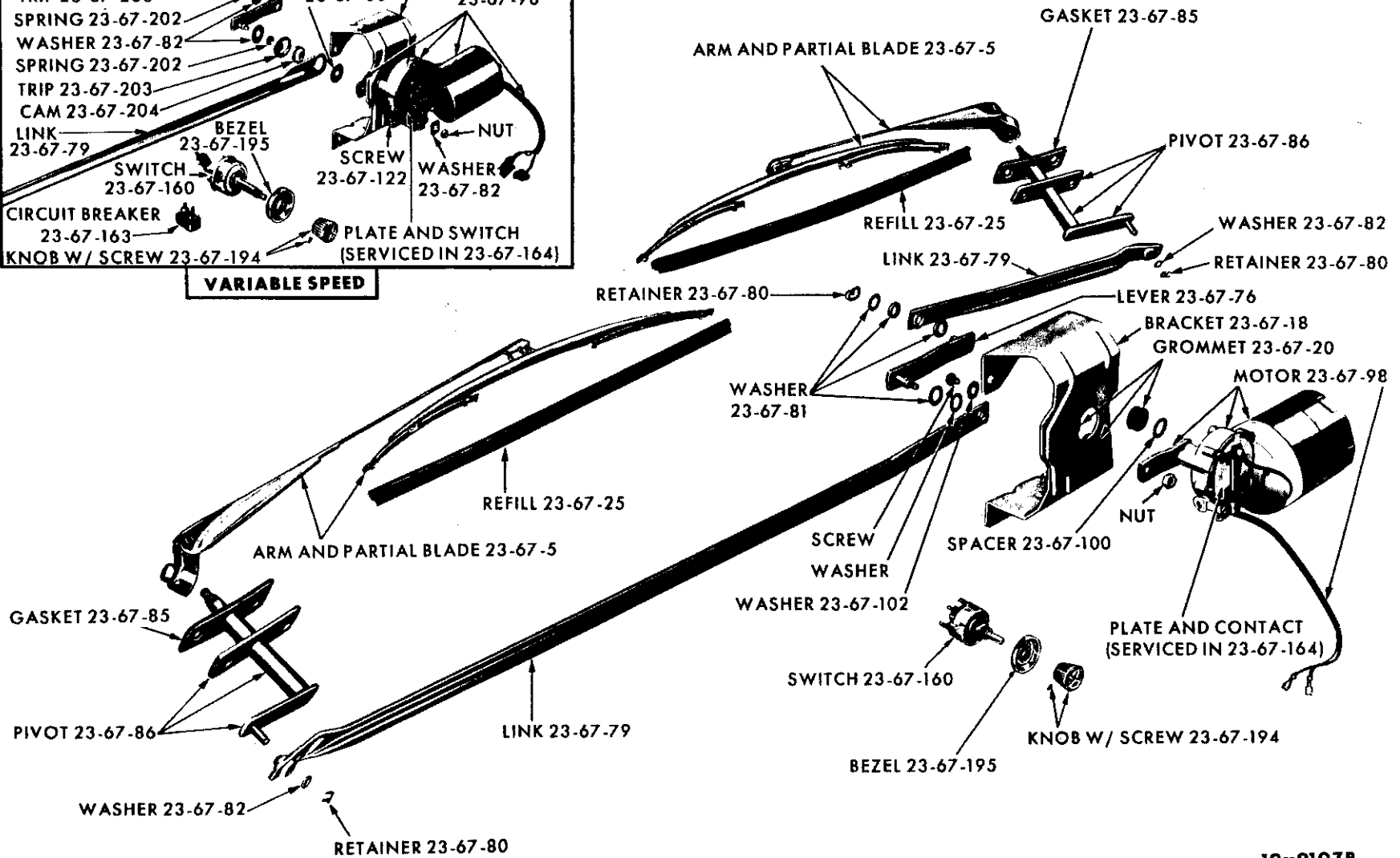


POWER WINDOWS

19x9411

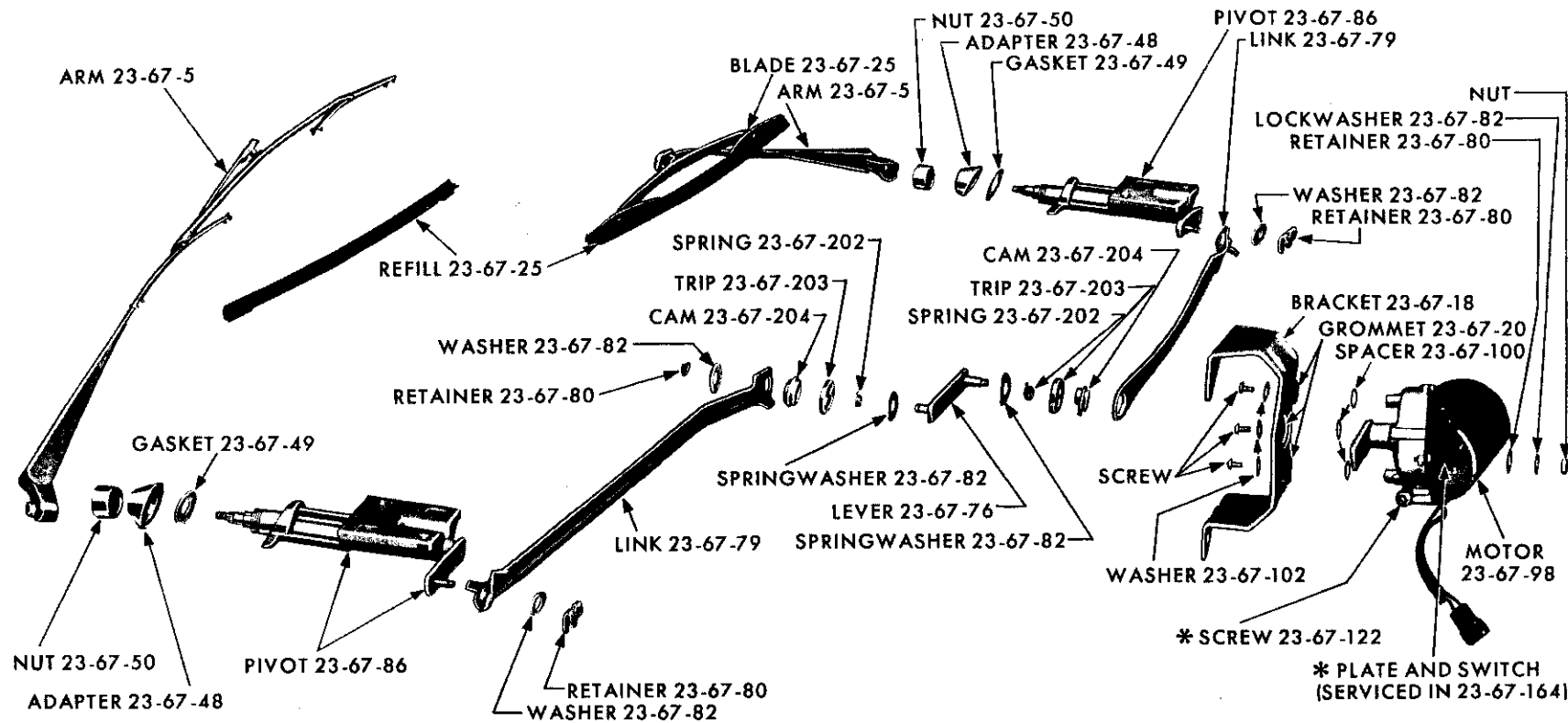


PARTS INDICATED BY NAME ONLY - ORDER BY DESCRIPTION



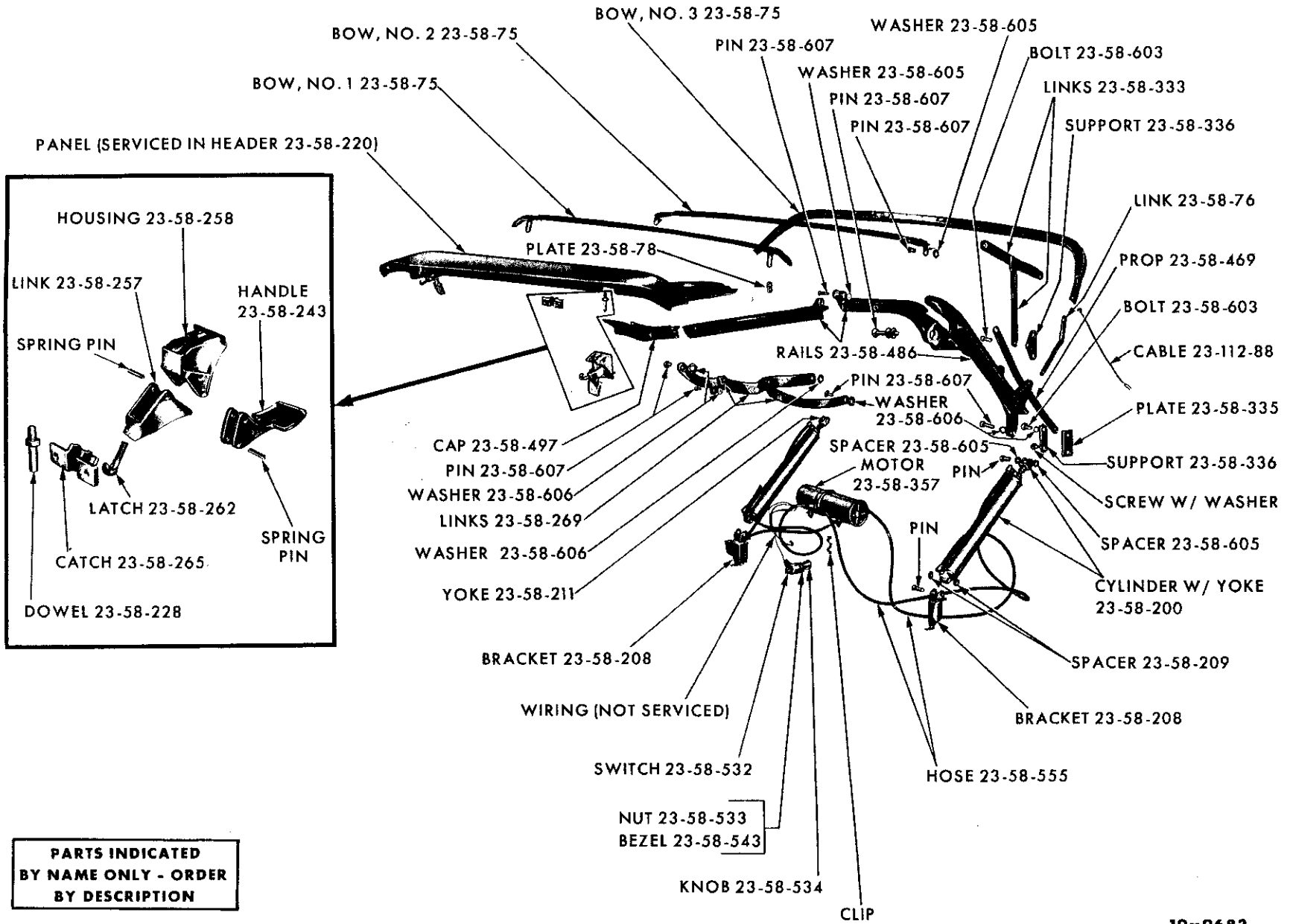
WINDSHIELD WIPER - PLYMOUTH TP1-2, DODGE TD1-2, TA3 AND CHRYSLER TC1-2-3

19x9107B



*** ALSO SERVICED IN 23-67-98**

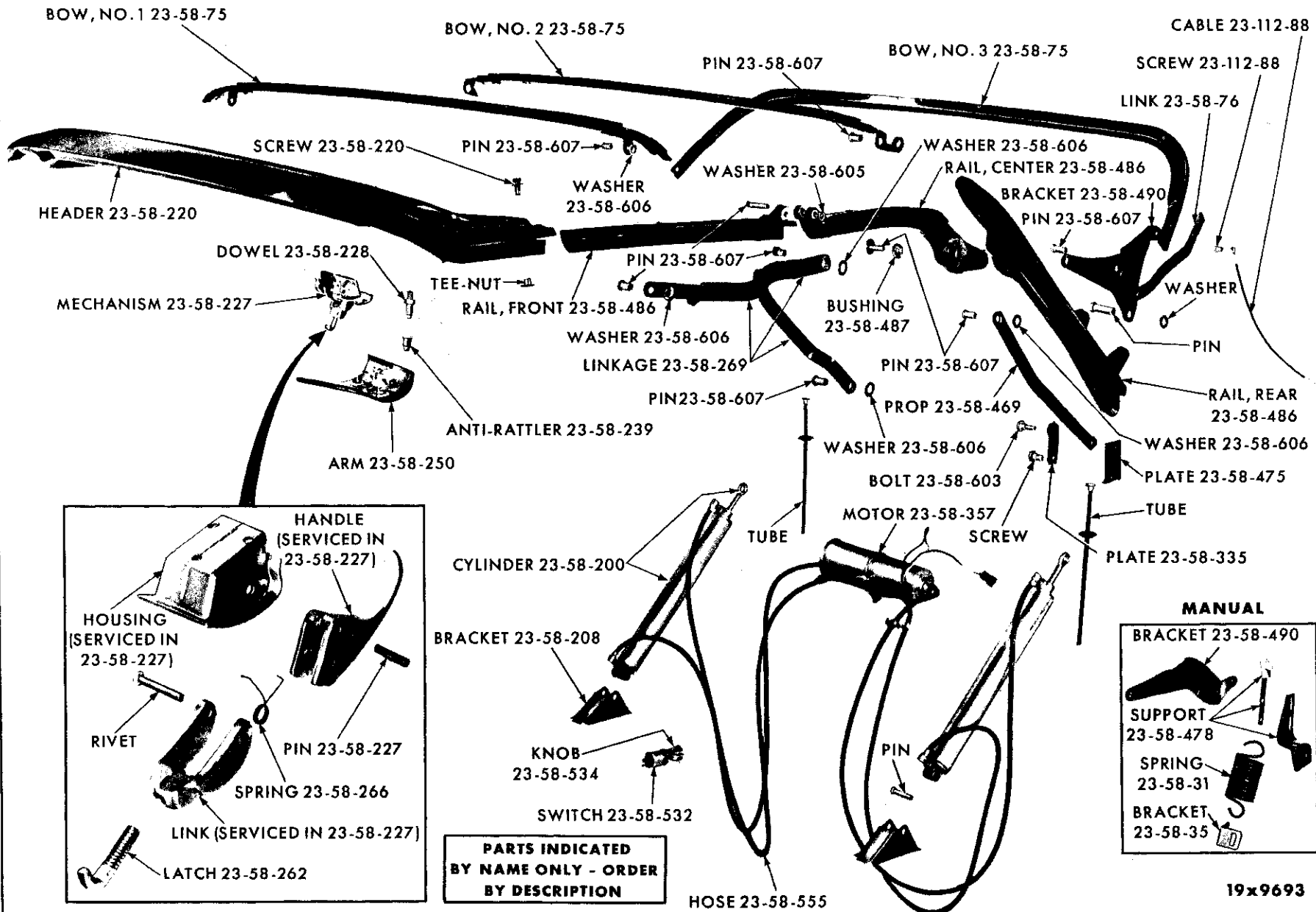
**PARTS INDICATED
BY NAME ONLY - ORDER
BY DESCRIPTION**



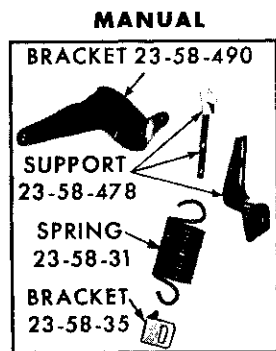
PARTS INDICATED BY NAME ONLY - ORDER BY DESCRIPTION

19x9683

FOLDING TOP - PLYMOUTH TP2 AND DODGE TD2

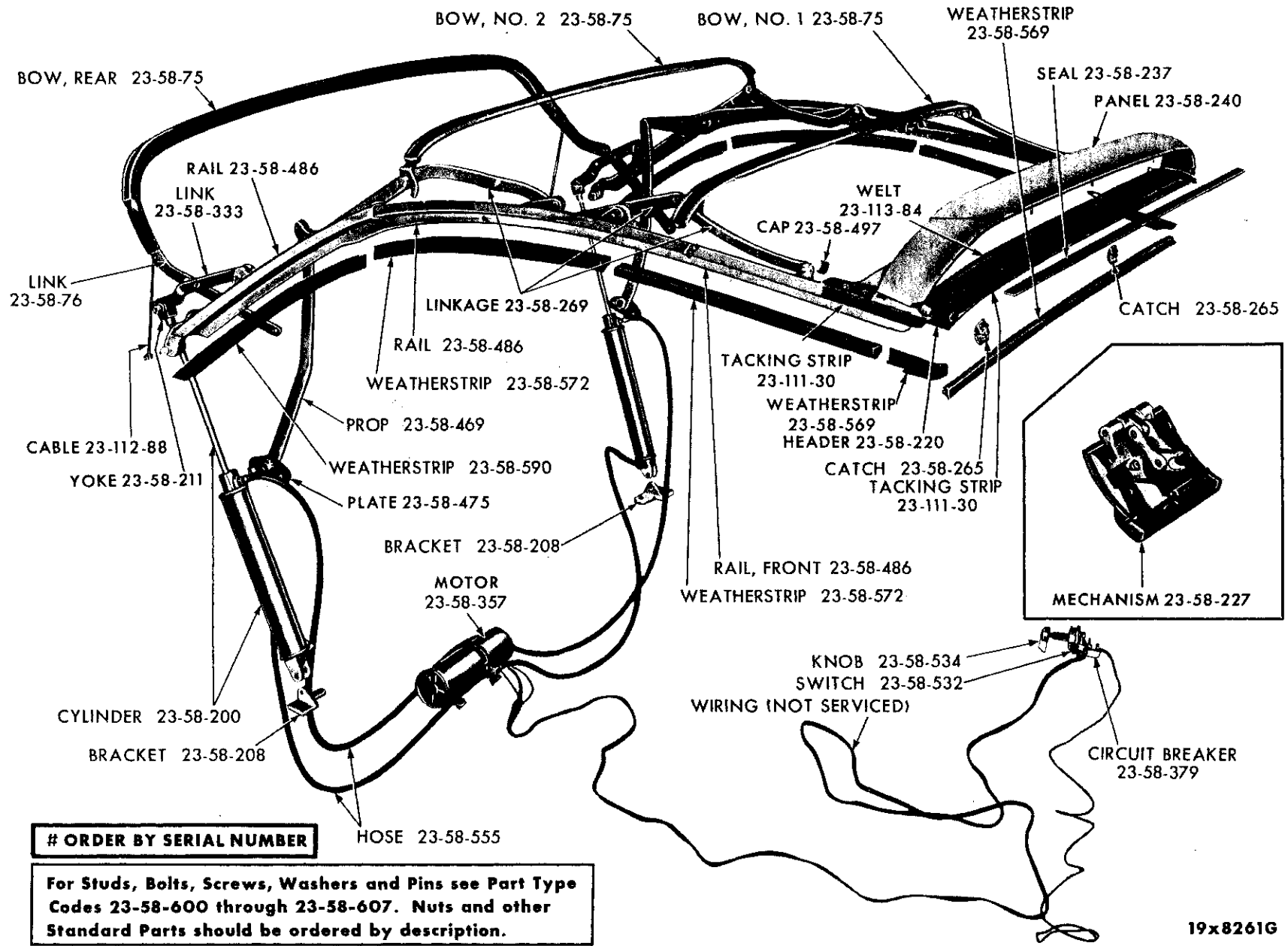


PARTS INDICATED BY NAME ONLY - ORDER BY DESCRIPTION



19x9693

FOLDING TOP - VALIANT TV1 AND DART TL1



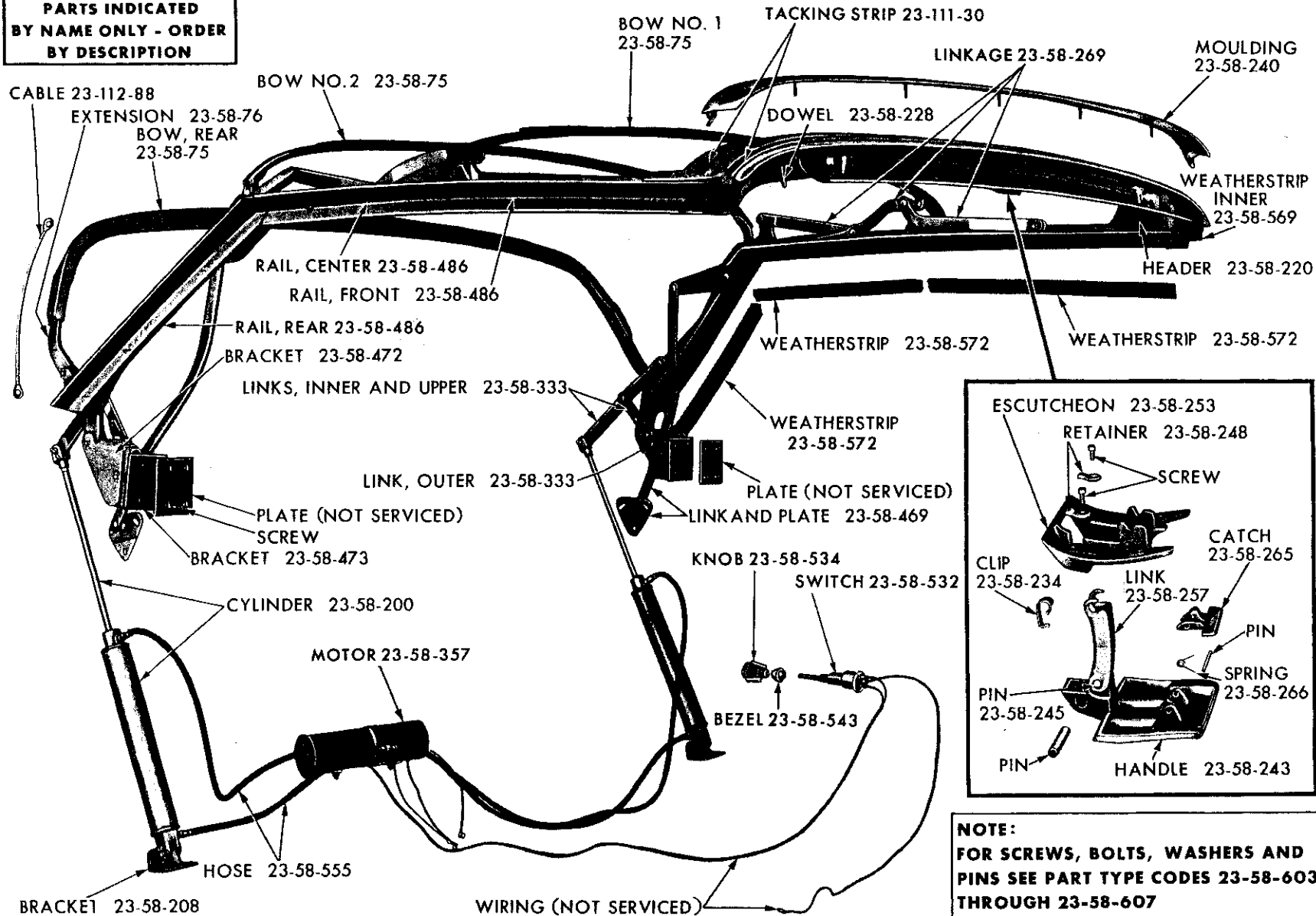
ORDER BY SERIAL NUMBER

For Studs, Bolts, Screws, Washers and Pins see Part Type Codes 23-58-600 through 23-58-607. Nuts and other Standard Parts should be ordered by description.

FOLDING TOP - DODGE TA3 AND CHRYSLER TC1-2

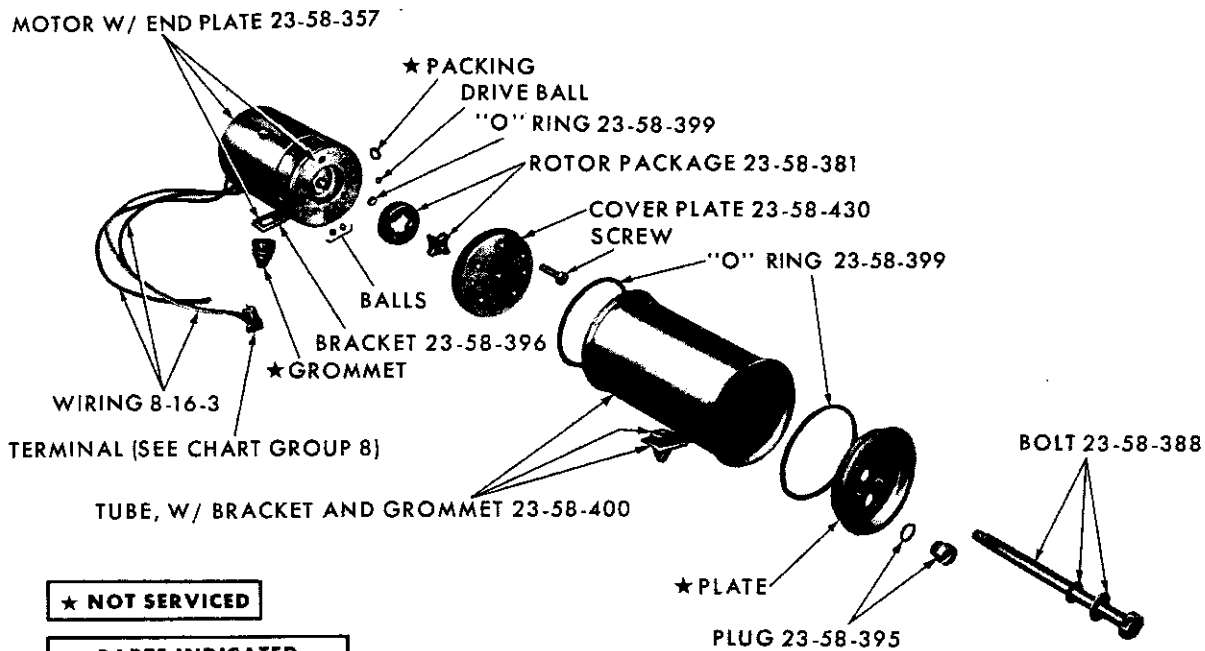
19x8261G

**PARTS INDICATED
BY NAME ONLY - ORDER
BY DESCRIPTION**



**NOTE:
FOR SCREWS, BOLTS, WASHERS AND
PINS SEE PART TYPE CODES 23-58-603
THROUGH 23-58-607**

19x8248F

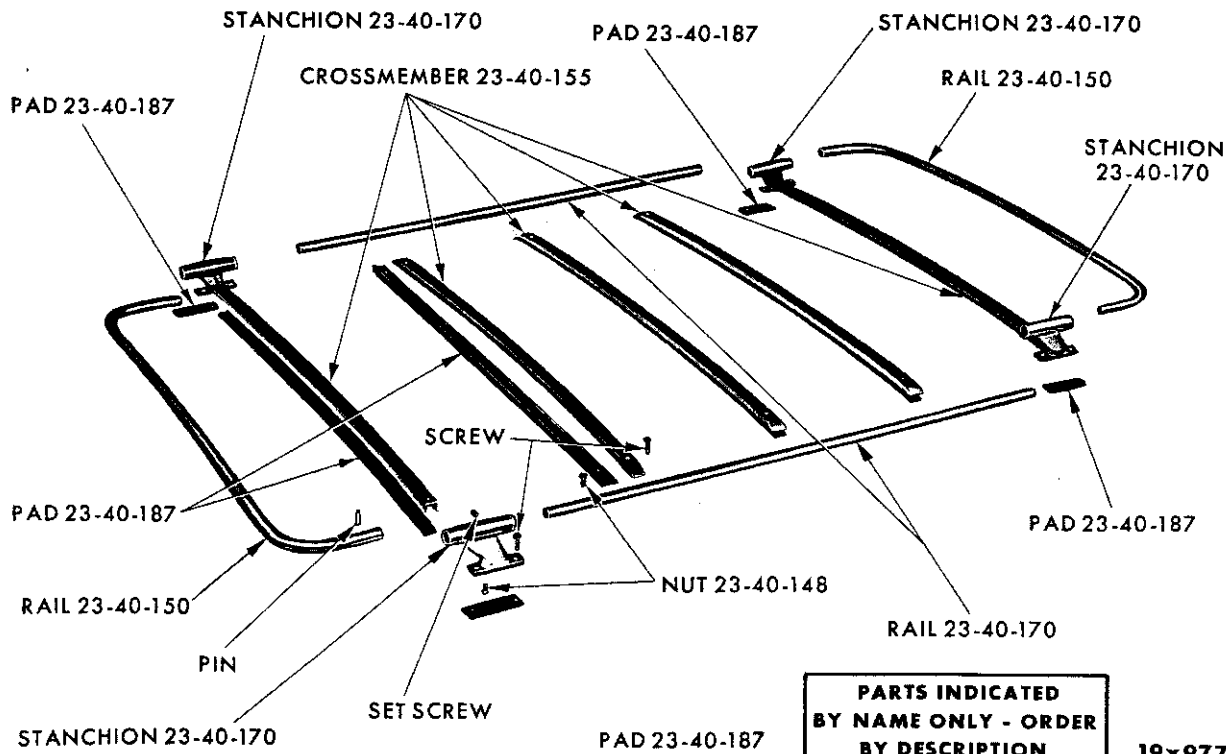


★ NOT SERVICED

PARTS INDICATED BY NAME ONLY - ORDER BY DESCRIPTION

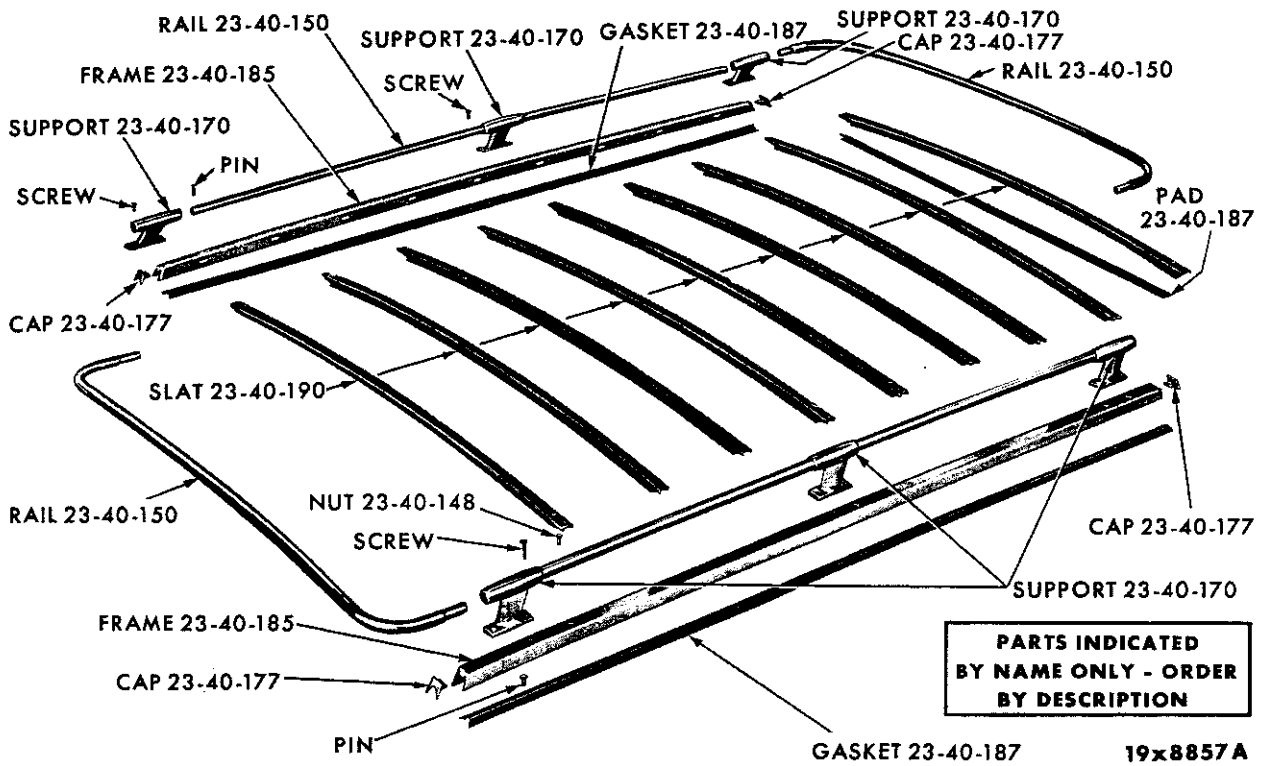
19x9685A

FOLDING TOP MOTOR

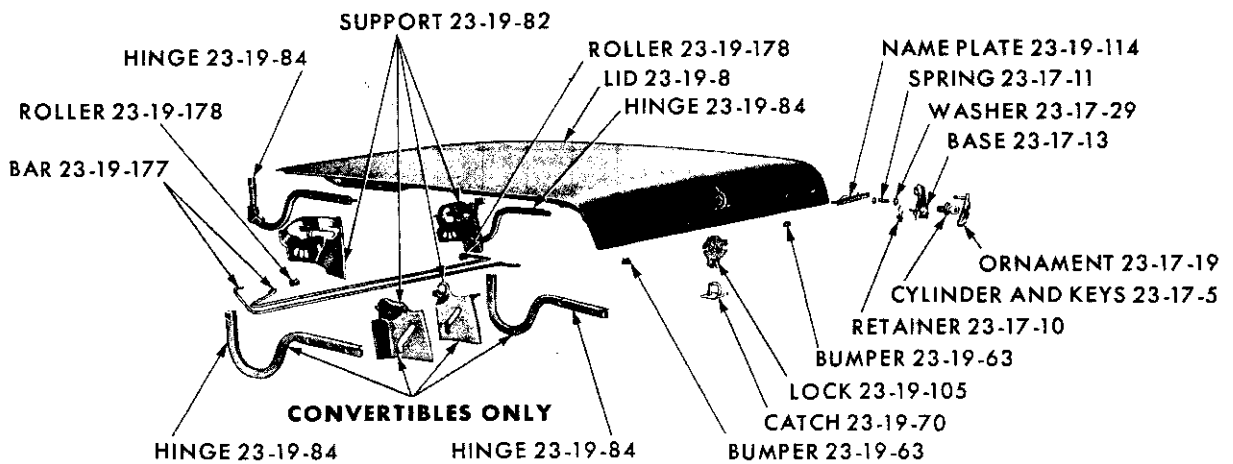


19x9771

ROOF LUGGAGE RACK - VALIANT TV1, DART TL1, PLYMOUTH TP1-2 AND DODGE TD1-2

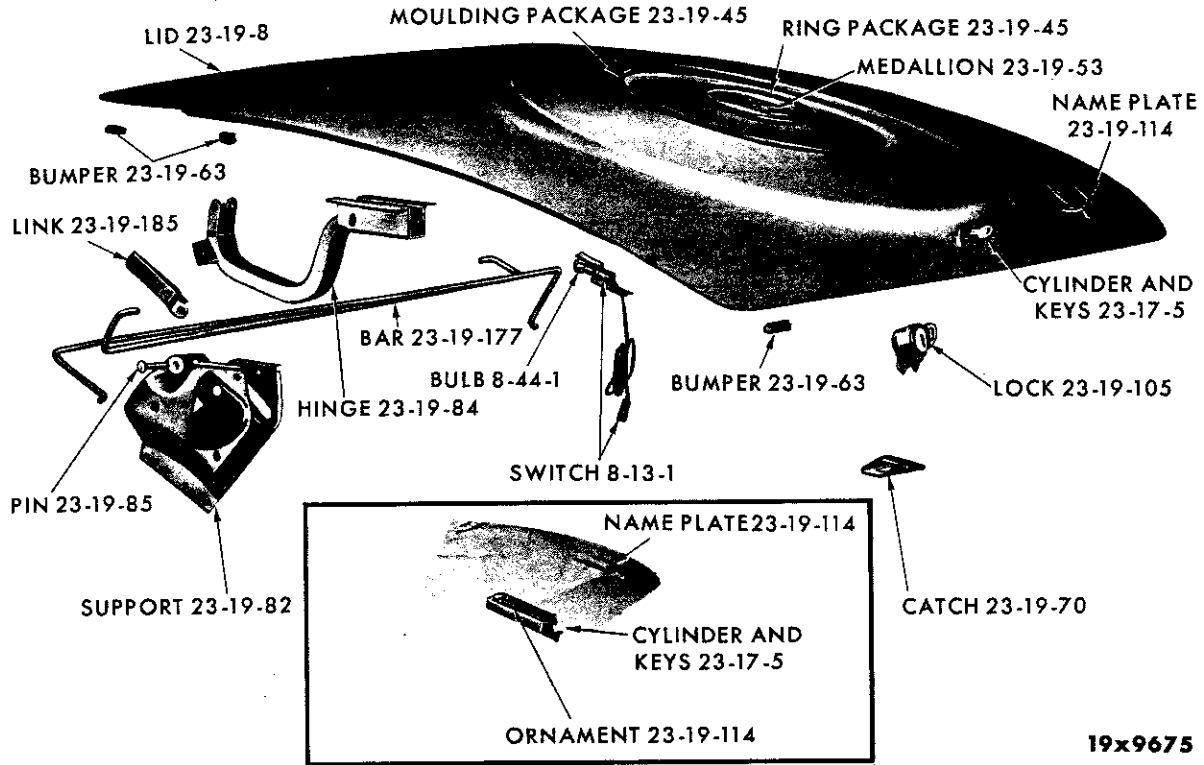


ROOF LUGGAGE RACK - DODGE TA3 AND CHRYSLER TC1-2-3

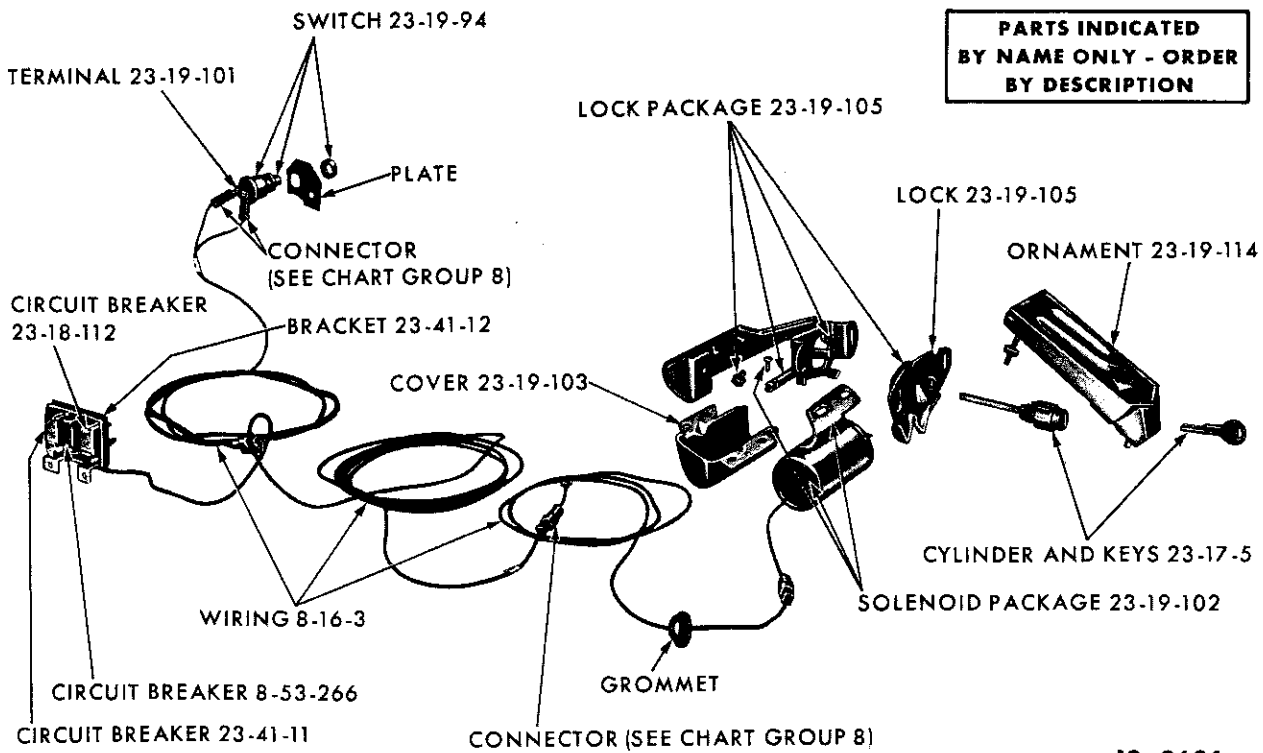


19x9711

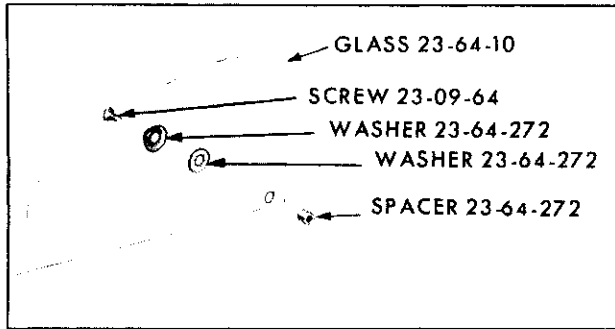
TRUNK LID AND HINGES - DODGE TD1-2



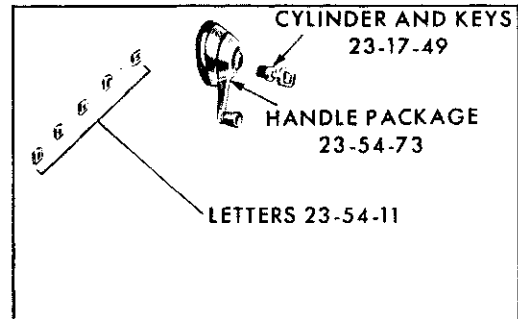
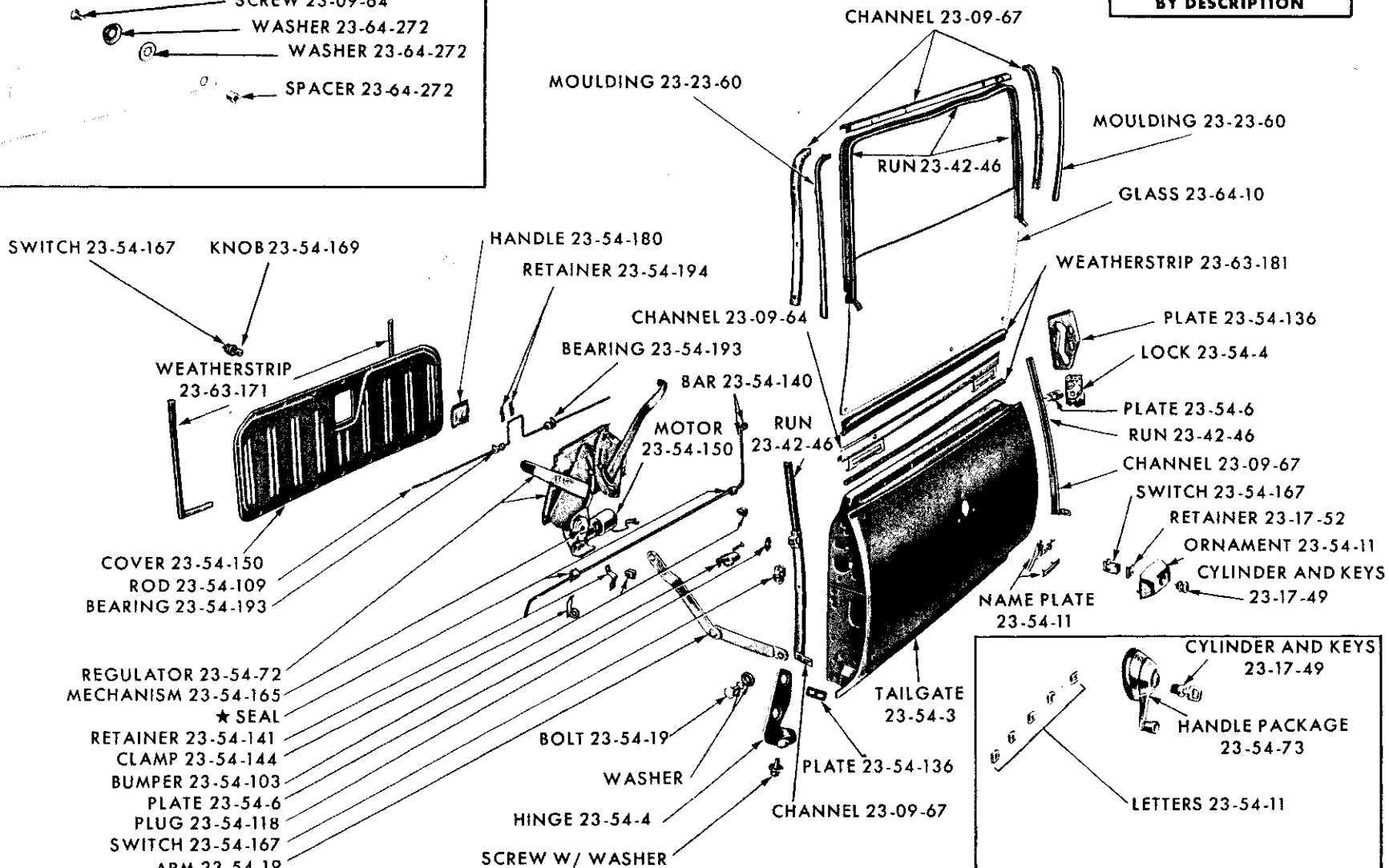
TRUNK LID AND HINGES - IMPERIAL TY1



ELECTRIC DECK LID LOCK - IMPERIAL TY1



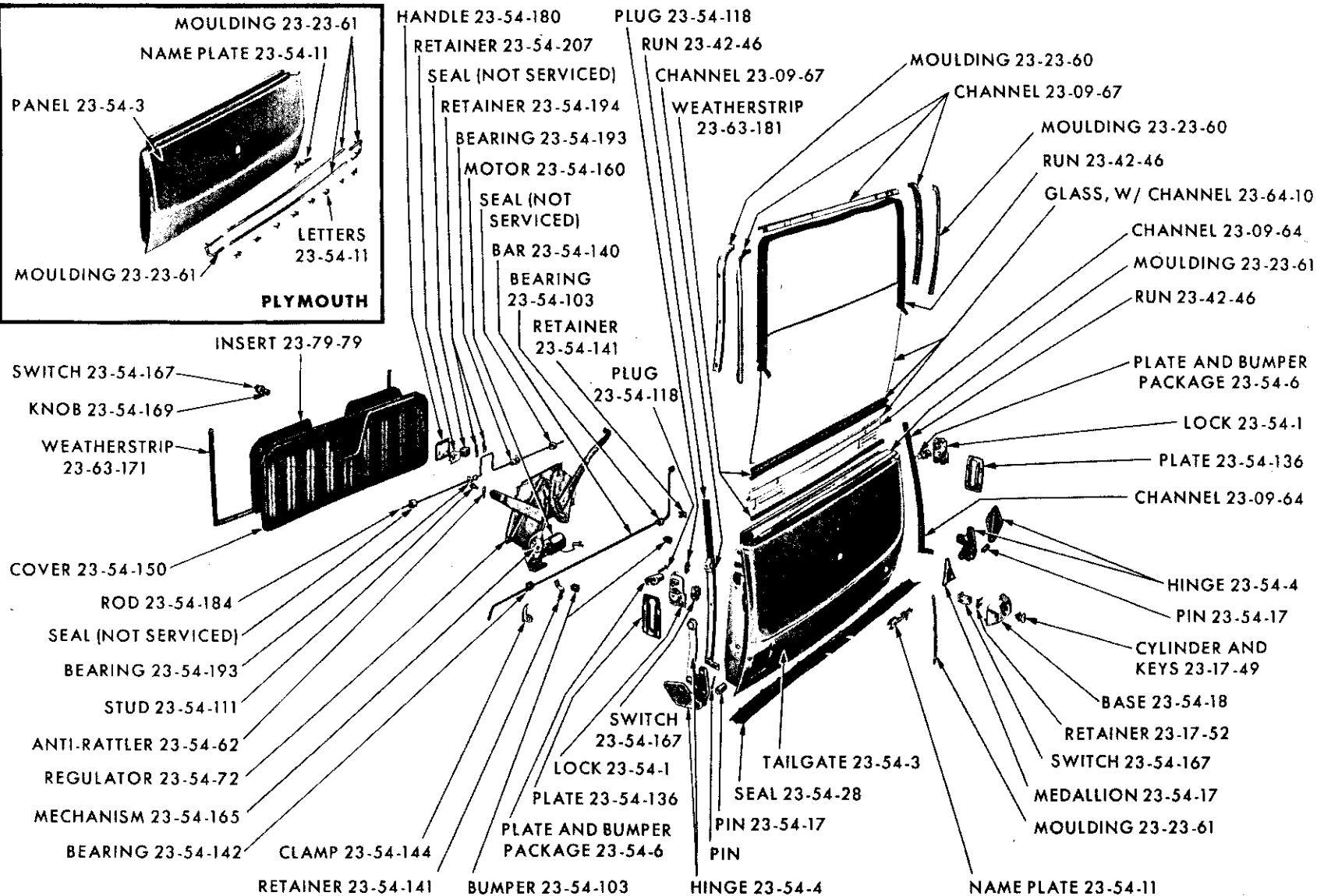
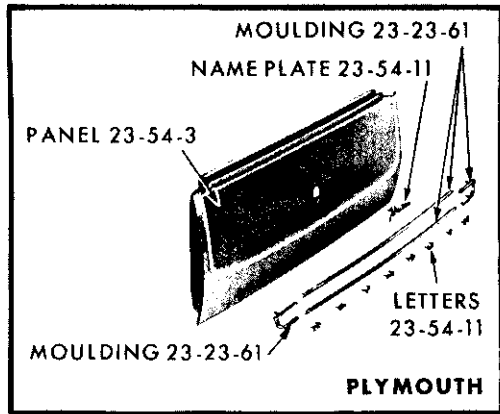
**PARTS INDICATED
BY NAME ONLY - ORDER
BY DESCRIPTION**



★ NOT SERVICED

19x9723

TAILGATE - VALIANT TV1 AND DART TL1

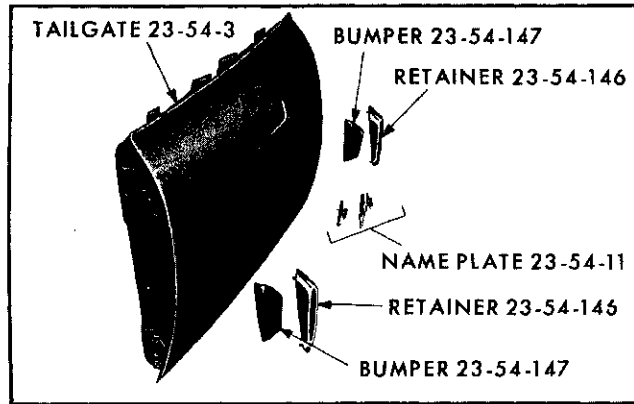


**PARTS INDICATED
BY NAME ONLY - ORDER
BY DESCRIPTION**

DODGE

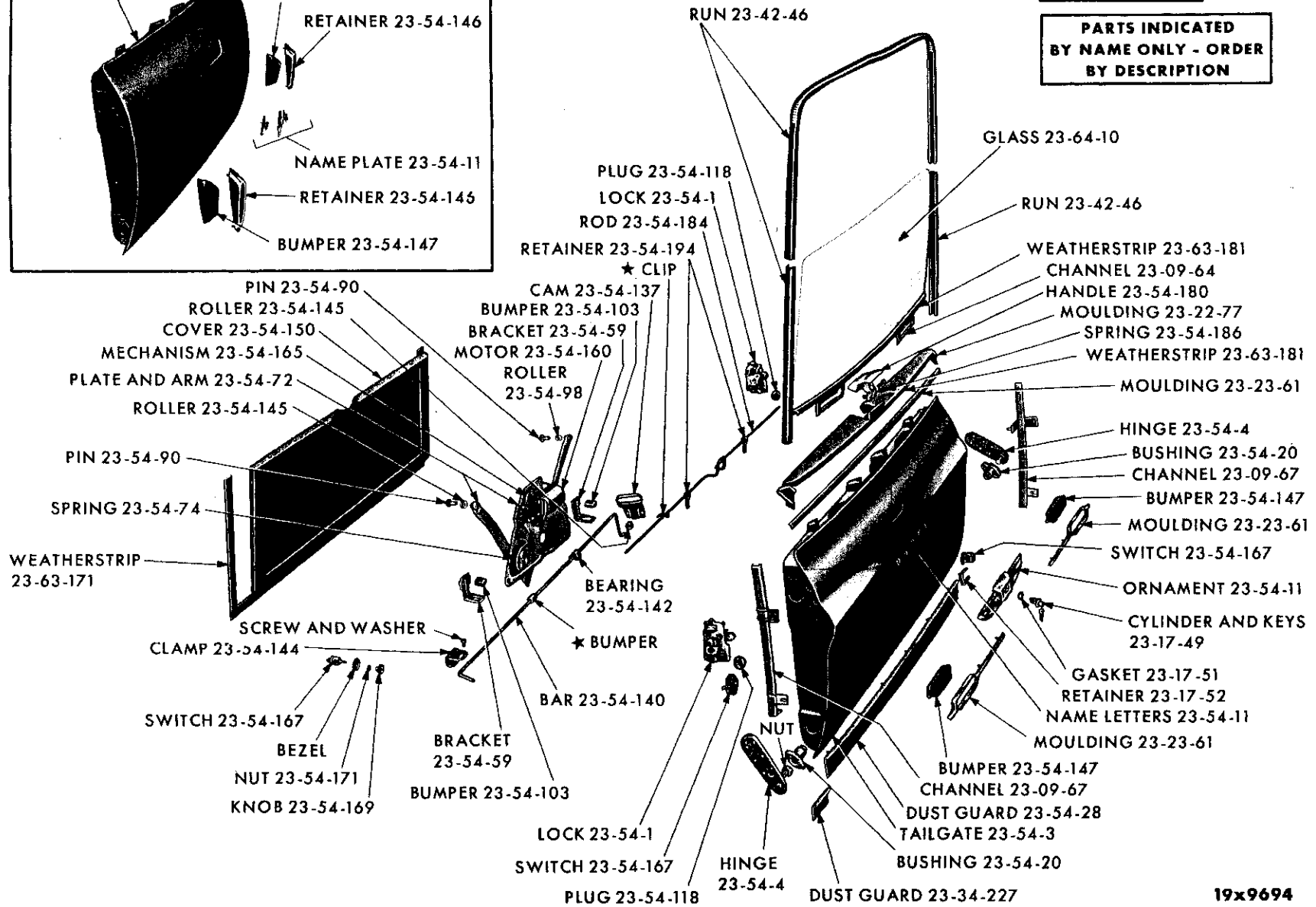
19x9688

TAILGATE - PLYMOUTH TP1-2 AND DODGE TD1-2



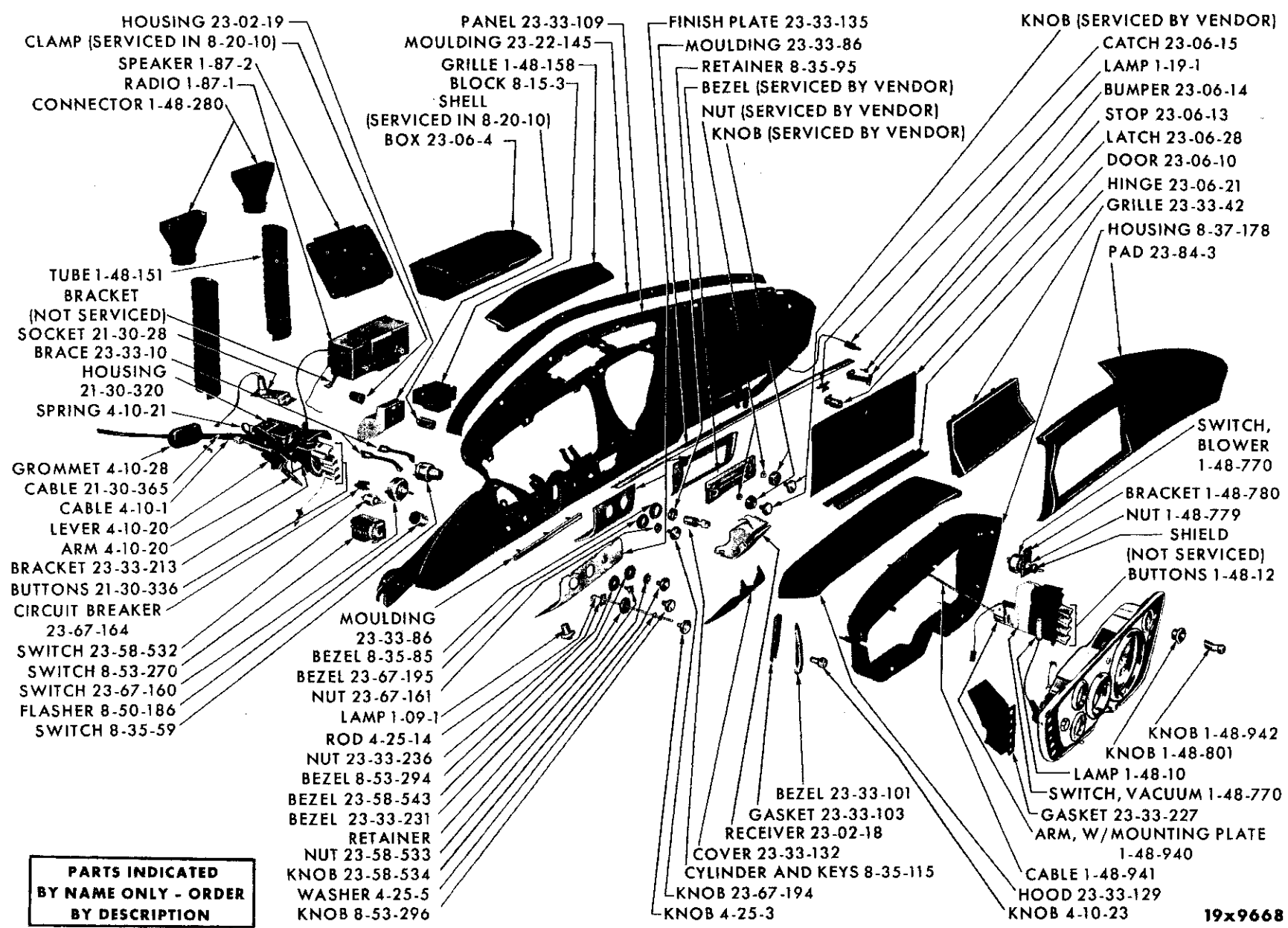
★ NOT SERVICED

PARTS INDICATED BY NAME ONLY - ORDER BY DESCRIPTION



TAILGATE - DODGE TA3 AND CHRYSLER TC1-3

19x9694



**PARTS INDICATED
BY NAME ONLY - ORDER
BY DESCRIPTION**

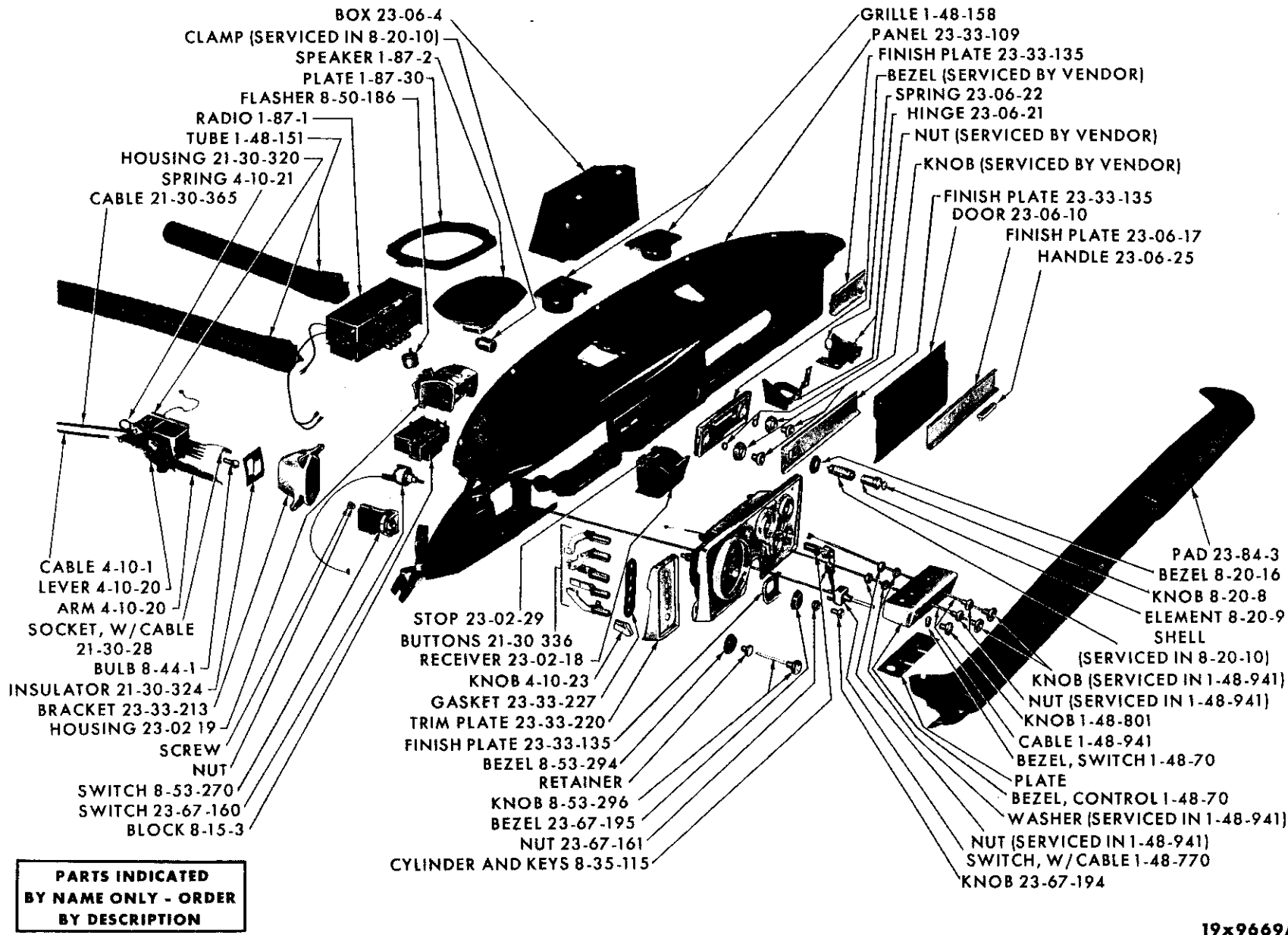
- HOUSING 23-02-19
- CLAMP (SERVICED IN 8-20-10)
- SPEAKER 1-87-2
- RADIO 1-87-1
- CONNECTOR 1-48-280
- TUBE 1-48-151
- BRACKET (NOT SERVICED)
- SOCKET 21-30-28
- BRACE 23-33-10
- HOUSING 21-30-320
- SPRING 4-10-21
- GROMMET 4-10-28
- CABLE 21-30-365
- CABLE 4-10-1
- LEVER 4-10-20
- ARM 4-10-20
- BRACKET 23-33-213
- BUTTONS 21-30-336
- CIRCUIT BREAKER 23-67-164
- SWITCH 23-58-532
- SWITCH 8-53-270
- SWITCH 23-67-160
- FLASHER 8-50-186
- SWITCH 8-35-59
- MOULDING 23-33-86
- BEZEL 8-35-85
- BEZEL 23-67-195
- NUT 23-67-161
- LAMP 1-09-1
- ROD 4-25-14
- NUT 23-33-236
- BEZEL 8-53-294
- BEZEL 23-58-543
- BEZEL 23-33-231
- RETAINER
- NUT 23-58-533
- KNOB 23-58-534
- WASHER 4-25-5
- KNOB 8-53-296
- PANEL 23-33-109
- MOULDING 23-22-145
- GRILLE 1-48-158
- BLOCK 8-15-3
- SHELL (SERVICED IN 8-20-10)
- BOX 23-06-4
- FINISH PLATE 23-33-135
- MOULDING 23-33-86
- RETAINER 8-35-95
- BEZEL (SERVICED BY VENDOR)
- NUT (SERVICED BY VENDOR)
- KNOB (SERVICED BY VENDOR)
- KNOB (SERVICED BY VENDOR)
- CATCH 23-06-15
- LAMP 1-19-1
- BUMPER 23-06-14
- STOP 23-06-13
- LATCH 23-06-28
- DOOR 23-06-10
- HINGE 23-06-21
- GRILLE 23-33-42
- HOUSING 8-37-178
- PAD 23-84-3
- SWITCH, BLOWER 1-48-770
- BRACKET 1-48-780
- NUT 1-48-779
- SHIELD (NOT SERVICED)
- BUTTONS 1-48-12
- BEZEL 23-33-101
- GASKET 23-33-103
- RECEIVER 23-02-18
- COVER 23-33-132
- CYLINDER AND KEYS 8-35-115
- KNOB 23-67-194
- KNOB 4-25-3
- KNOB 1-48-942
- KNOB 1-48-801
- LAMP 1-48-10
- SWITCH, VACUUM 1-48-770
- GASKET 23-33-227
- ARM, W/MOUNTING PLATE 1-48-940
- CABLE 1-48-941
- HOOD 23-33-129
- KNOB 4-10-23

19x9668

Printed in USA

Page 23-26A

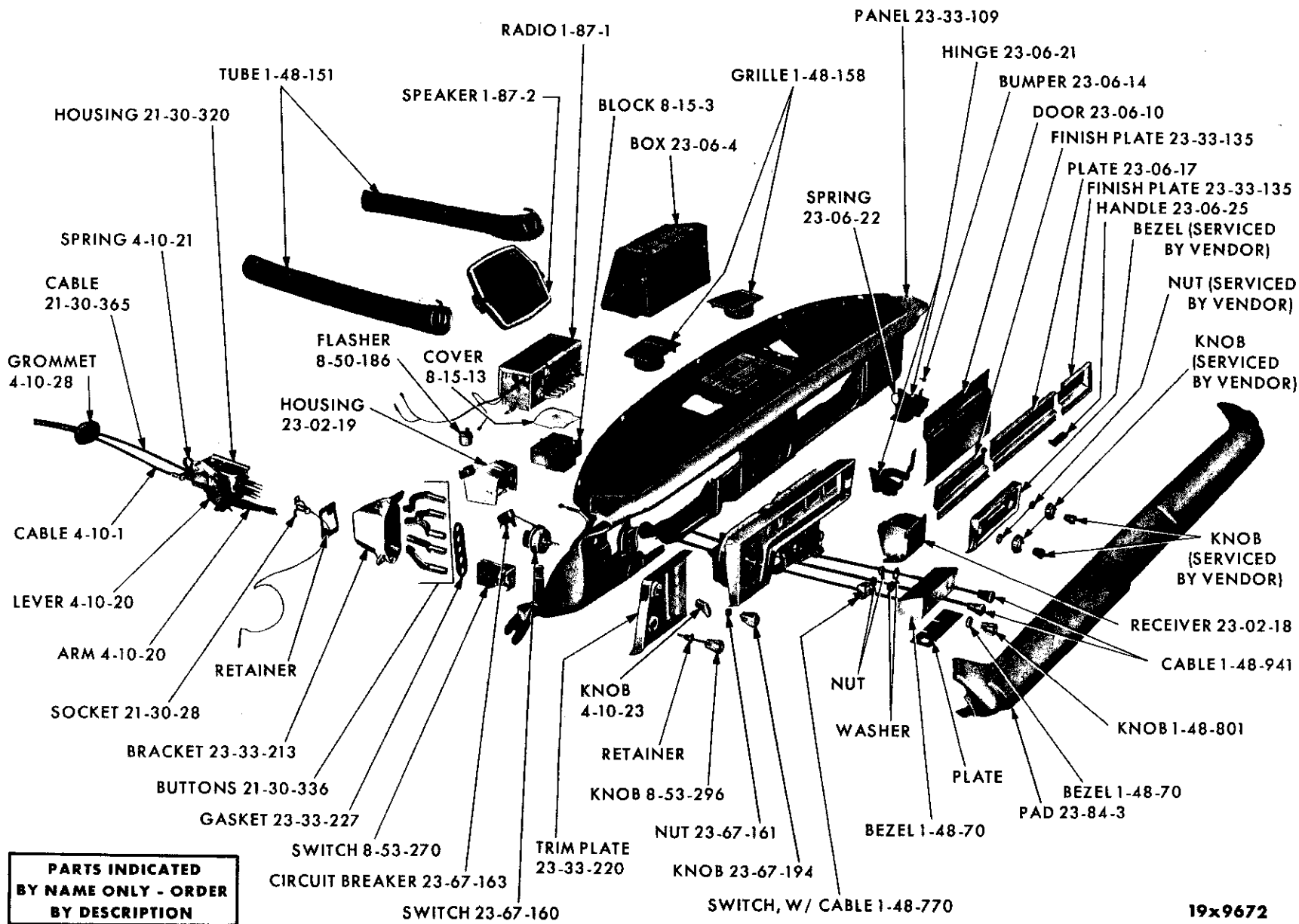
Jan. 25, 1963 Supersedes Sept. 21, 1962.



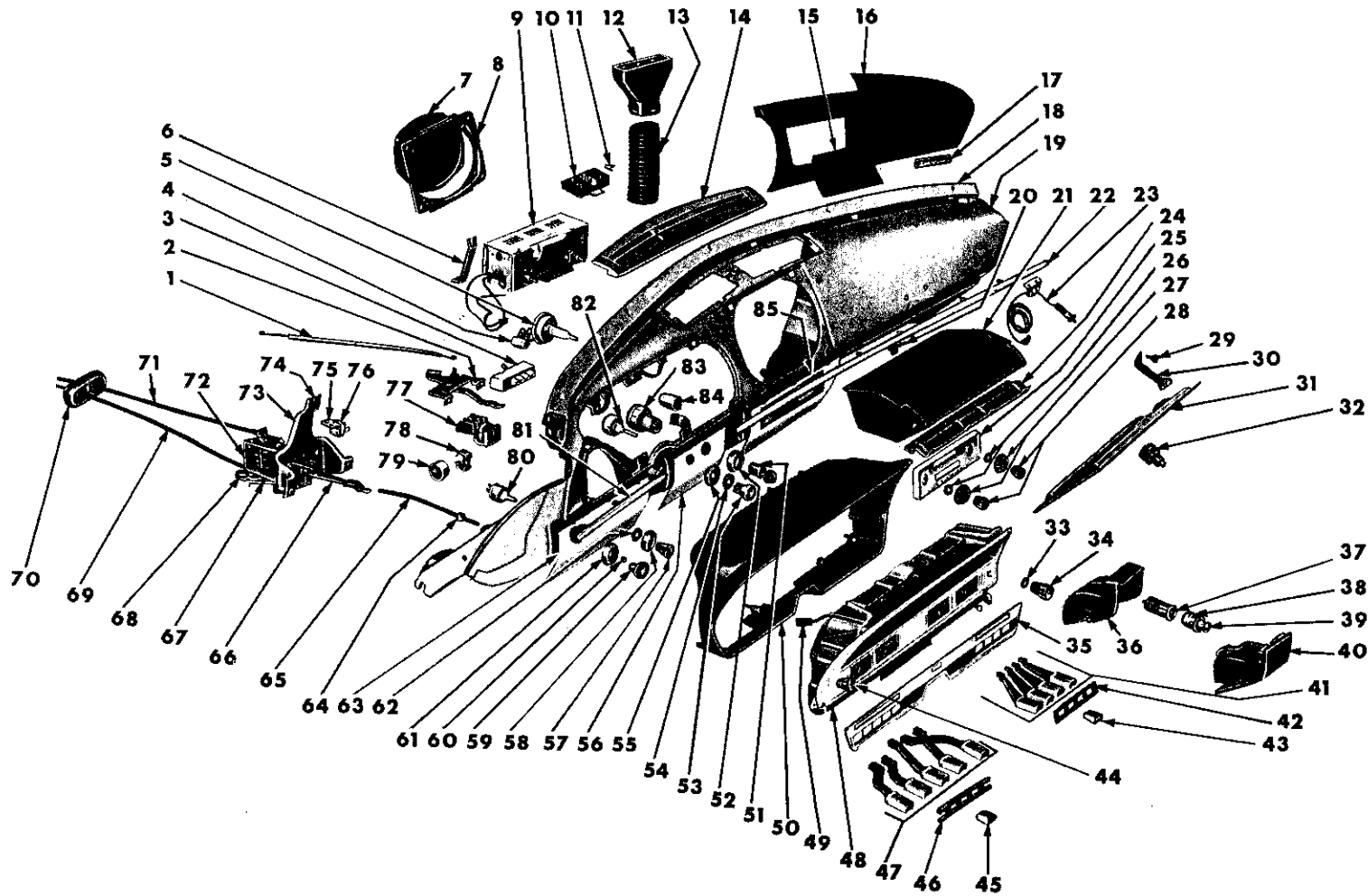
**PARTS INDICATED
BY NAME ONLY - ORDER
BY DESCRIPTION**

19x9669A

INSTRUMENT PANEL - VALIANT TV1



**PARTS INDICATED
BY NAME ONLY - ORDER
BY DESCRIPTION**



19L9372A

INSTRUMENT PANEL - DODGE TD1-2

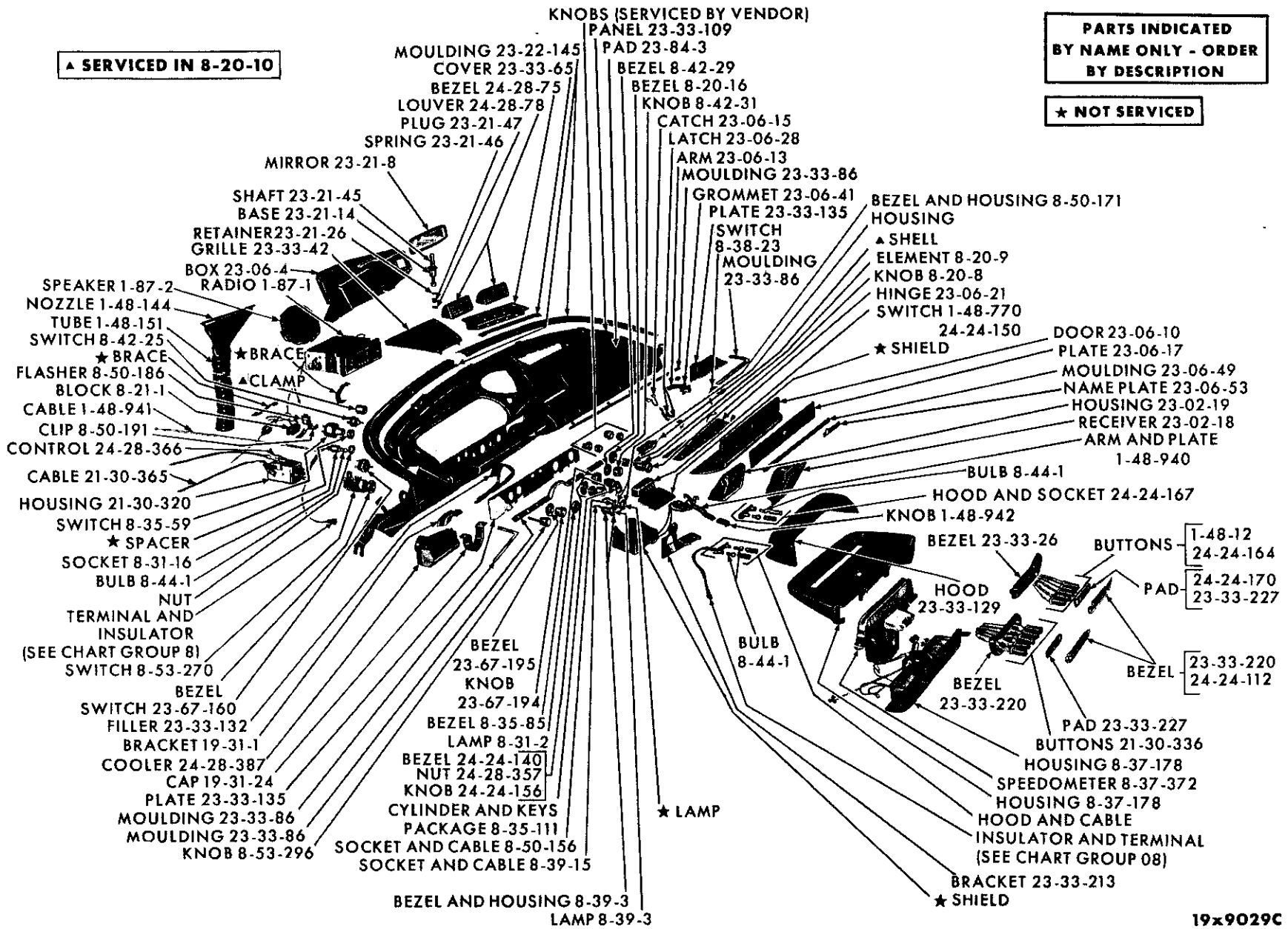
INSTRUMENT PANEL - DODGE TD1-2

Ref. No.	Name	Part Type Code	Ref. No.	Name	Part Type Code
1	Cable	1-48-941	44	Knob	8-53-296
2	Control	1-48-940	45	Knob	4-10-23
3	Switch	1-48-770	46	Gasket	23-33-227
4	Circuit Breaker	23-67-163	47	Buttons	21-30-336
5	Switch	23-67-160	48	Bezel	8-37-90
6	Bracket	Not Serviced	49	Terminal	8-16-1
7	Speaker	1-87-2	50	Housing	8-37-178
8	Plate (Serviced by Vendor)		51	Cylinder and Keys	8-35-115
9	Radio	1-87-1	52	Bezel	8-35-85
10	Block	8-15-3	53	Knob	1-48-801
11	Clip (Serviced in 8-15-3)		54	Decal	1-48-774
12	Connector	1-48-280	55	Bezel	1-48-70
13	Tube	1-48-151	56	Finish Plate	23-33-135
14	Bezel and Louver	1-48-237	57	Knob	23-54-169
15	Grille	23-33-42	58	Bezel	23-54-170
16	Pad	23-84-3	59	Knob	4-25-3
17	Name Plate	23-33-96	60	Washer	4-25-5
18	Moulding	23-22-145	61	Bezel	23-33-231
19	Panel	23-33-109	62	Nut	23-54-171
20	Catch	23-06-15	63	Finish Plate	23-33-135
21	Box	23-06-4	64	Nut	23-33-236
22	Moulding	23-33-86	65	Rod	4-25-14
23	Light	1-19-1	66	Arm	4-10-20
24	Hinge	23-06-21	67	Lever	4-10-20
25	Plate (Service Vendor)		68	Spring	4-10-3
26	Nut (Service Vendor)		69	Cable	4-10-1
27	Knob (Service Vendor)		70	Grommet	4-10-28
28	Knob (Service Vendor)		71	Cable	21-30-365
29	Bumper	23-06-14	72	Housing	21-30-320
30	Stop	23-06-13	73	Bracket	23-33-213
31	Door	23-06-10	74	Grommet	23-33-240
32	Latch	23-06-28	75	Bracket	21-30-329
33	Nut	23-67-161	76	Switch	8-56-2
34	Knob	23-67-194	77	Switch	8-53-270
35	Plate	23-33-220	78	Clip	8-50-191
36	Housing	23-02-19	79	Flasher	8-50-186
37	Shell (Serviced in 8-20-10)		80	Switch	23-54-167
38	Element	8-20-9	81	Moulding	23-33-86
39	Knob	8-20-8	82	Switch	1-48-770
40	Receiver	23-02-18	83	Switch	8-35-59
41	Buttons	1-48-12	84	Clamp (Serviced in 8-20-10)	
42	Pad	1-48-26	85	Finish Plate	23-33-135
43	Knob	1-48-942			

**PARTS INDICATED
BY NAME ONLY - ORDER
BY DESCRIPTION**

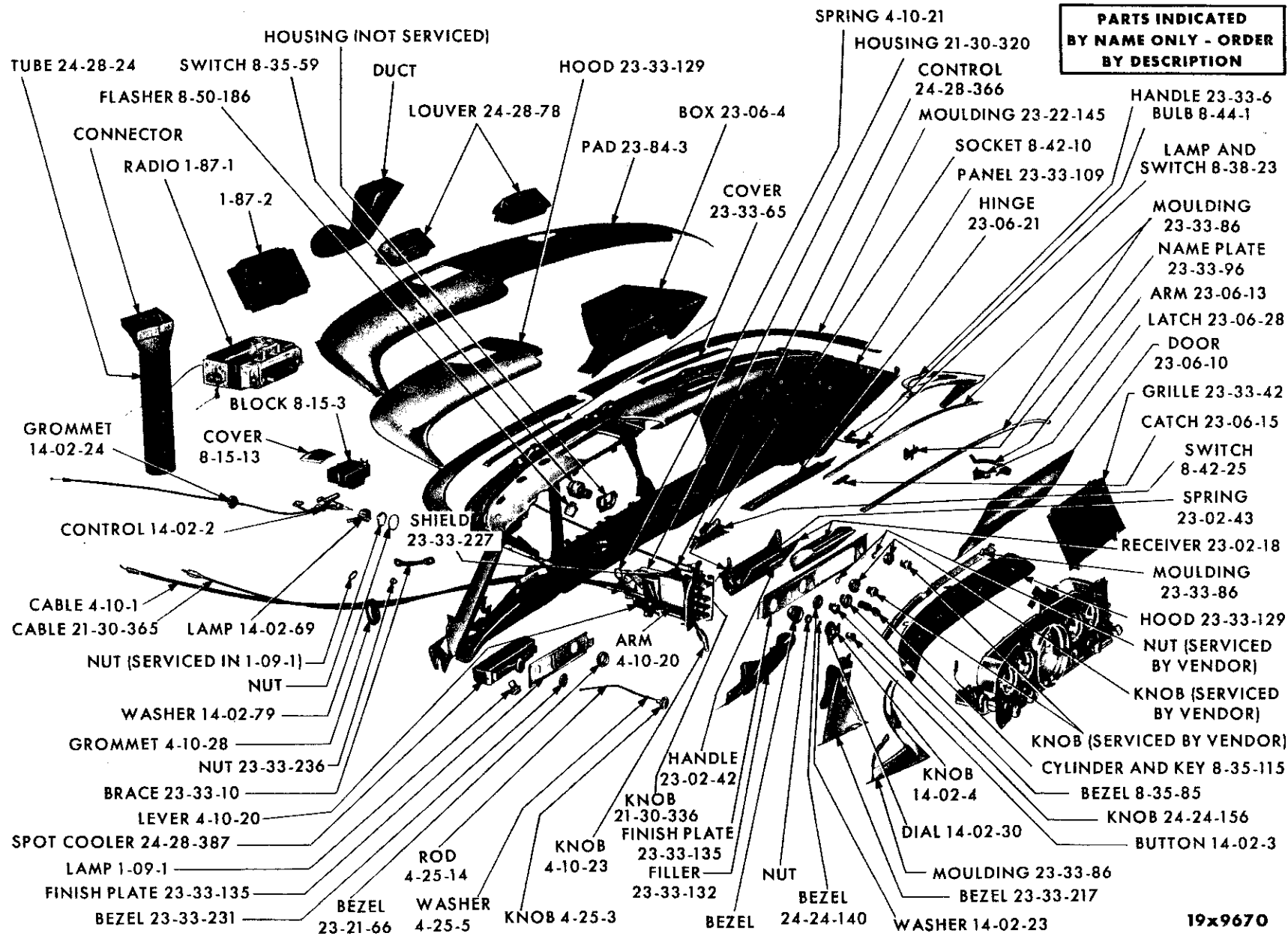
★ NOT SERVICED

▲ SERVICED IN 8-20-10

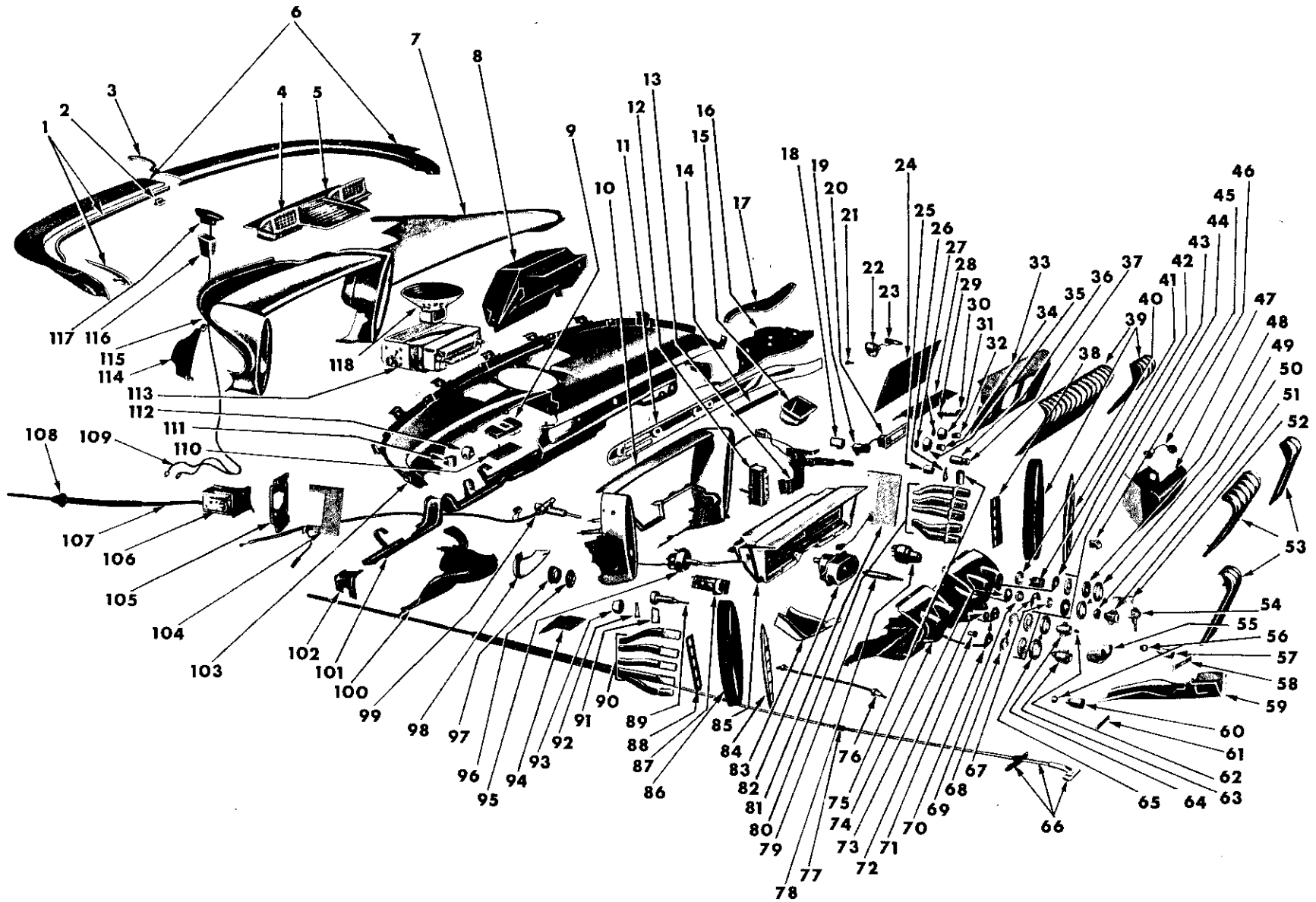


INSTRUMENT PANEL - DODGE TA3

19x9029C



INSTRUMENT PANEL - CHRYSLER TC1-2-3



19L9315A

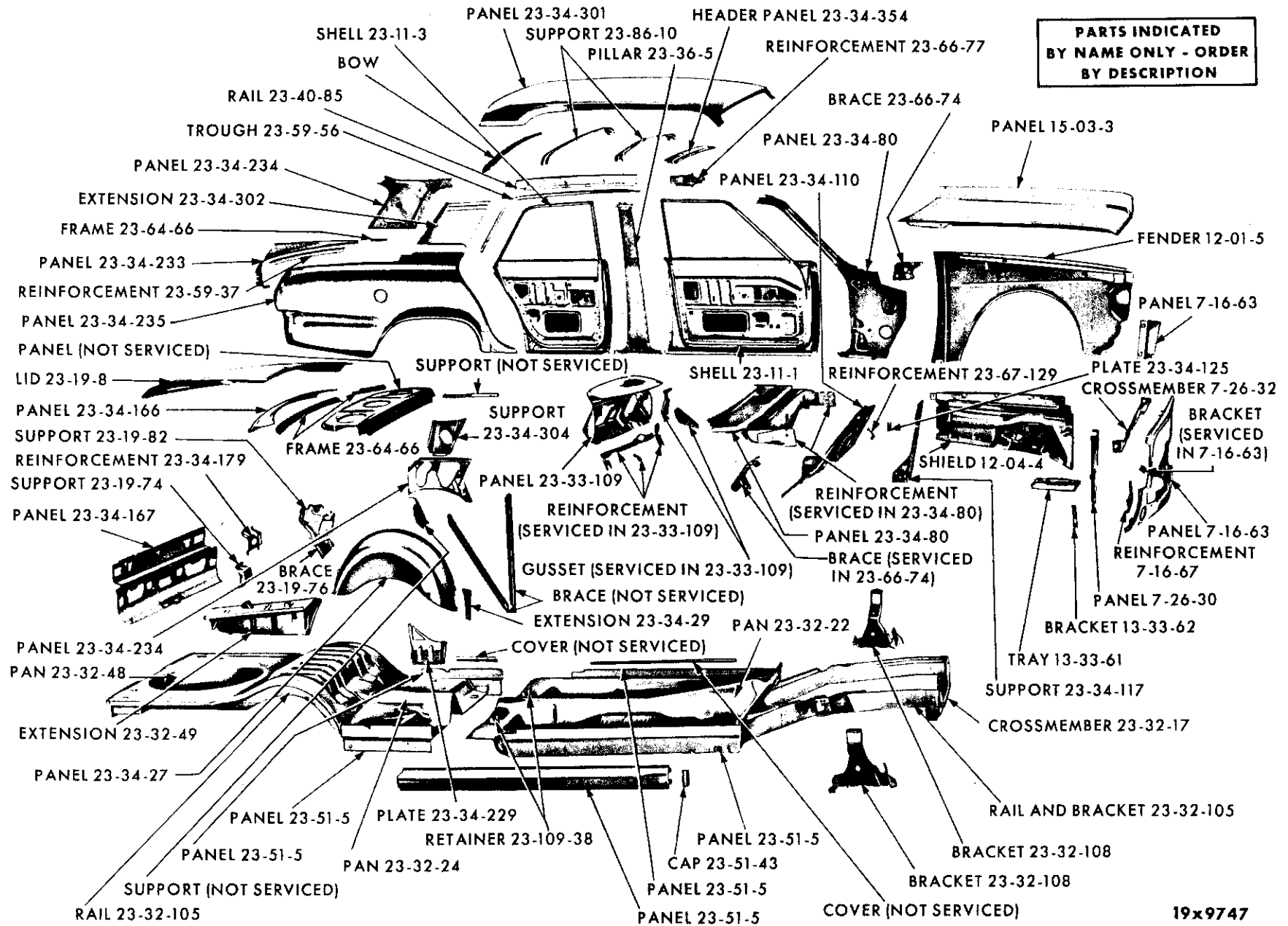
INSTRUMENT PANEL - IMPERIAL TY1

INSTRUMENT PANEL - IMPERIAL TY1

Ref. No.	Name	Part Type Code	Ref. No.	Name	Part Type Code
1	Plate	23-22-145	59	Cap	19-31-24
2	Ornament	23-22-160	60	Knob	24-24-20
3	Cover	23-22-148	61	Plate	24-24-13
4	Louver	24-28-78	62	Button	1-82-43
5	Grille	23-33-42	63	Knob	8-53-296
6	Moulding	23-22-145	64	Knob	23-67-194
7	Pad	23-84-3	65	Bezel	8-37-20
8	Box	23-06-4	66	Control	15-14-1
9	Circuit Breaker	8-15-3	67	Dial	14-02-30
10	Housing	8-37-178	68	Lens	
11	Plate	23-33-135	69	Nut	
12	Switch	1-48-770	70	Lamp	8-37-15
13	Arm and Bracket (Serviced in 1-48-4)		71	Knob	1-21-1
14	Plate	23-33-96	72	Nut	
15	Receiver	23-06-18	73	Lamp	14-02-29
16	Extension	23-33-109	74	Housing	8-37-178
17	Cover	23-33-147	75	Lens	
18	Clamp (Serviced in 8-20-10)		76	Cable	21-84-1
19	Shell (Serviced in 8-20-10)		77	Grommet	15-14-20
20	Switch	8-42-25	78	Switch	8-35-59
21	Catch	23-06-15	79	Control	24-28-366
22	Latch	23-06-28	80	Buttons	24-24-164
23	Bumper	23-06-14	81	Lamp and Cable	24-24-167
24	Plate	23-06-12	82	Clock (Serviced by Vendor)	
25	Housing		83	Brace	19-31-7
26	Gasket	Not Serviced	84	Bezel	23-33-217
27	Retainer	8-37-21	85	Cluster	8-37-371
28	Hinge	23-06-21	86	Pad	23-84-3
29	Grommet	23-06-41	87	Switch	8-53-270
30	Arm	23-06-13	88	Pad	23-33-227
31	Bezel	8-37-20	89	Switch	24-24-5
32	Knob	1-88-116	90	Buttons	21-30-336
33	Door	23-06-10	91	Lens	
34	Knob	8-42-31	92	Gasket	Not Serviced
35	Bezel	8-37-20	93	Housing	
36	Element	8-20-9	94	Bracket	4-25-2
37	Knob	8-20-8	95	Switch	23-67-160
38	Spacer	Not Serviced	96	Nut	23-21-74
39	Pad	23-84-3	97	Bezel	23-21-66
40	Ring	8-35-85	98	Plate	23-33-135
41	Bezel	1-48-70	99	Control	14-02-2
42	Cylinder (Serviced in 8-35-115)		100	Extension	23-33-109
43	Lamp	8-37-15	101	Reinforcement	23-07-168
44	Retainer	8-37-21	102	Bracket	23-07-169
45	Knob	1-48-942	103	Panel	23-33-109
46	Housing	8-19-83	104	Cable and Socket	21-30-28
47	Door and Housing	23-02-40	105	Bracket	23-33-213
48	Lens		106	Housing	21-30-320
49	Bezel	8-37-20	107	Cable	21-30-365
50	Collar	14-02-8	108	Grommet	8-30-1
51	Knob	14-02-4	109	Wiring (Serviced in 1-04-1)	
52	Key (Serviced in 8-35-115)		110	Cover	8-15-33
53	Pad	23-84-3	111	Circuit Breaker	23-67-163
54	Button	14-02-3	112	Flasher	8-50-186
55	Clamp	19-14-35	113	Radio	1-87-1
56	Bezel	24-24-140	114	Housing	23-33-104
57	Knob	24-24-156	115	Pad	23-84-3
58	Plate		116	Base	1-04-6
			117	Scanner	1-04-4
			118	Speaker	1-87-2

PARTS INDICATED BY NAME ONLY - ORDER BY DESCRIPTION

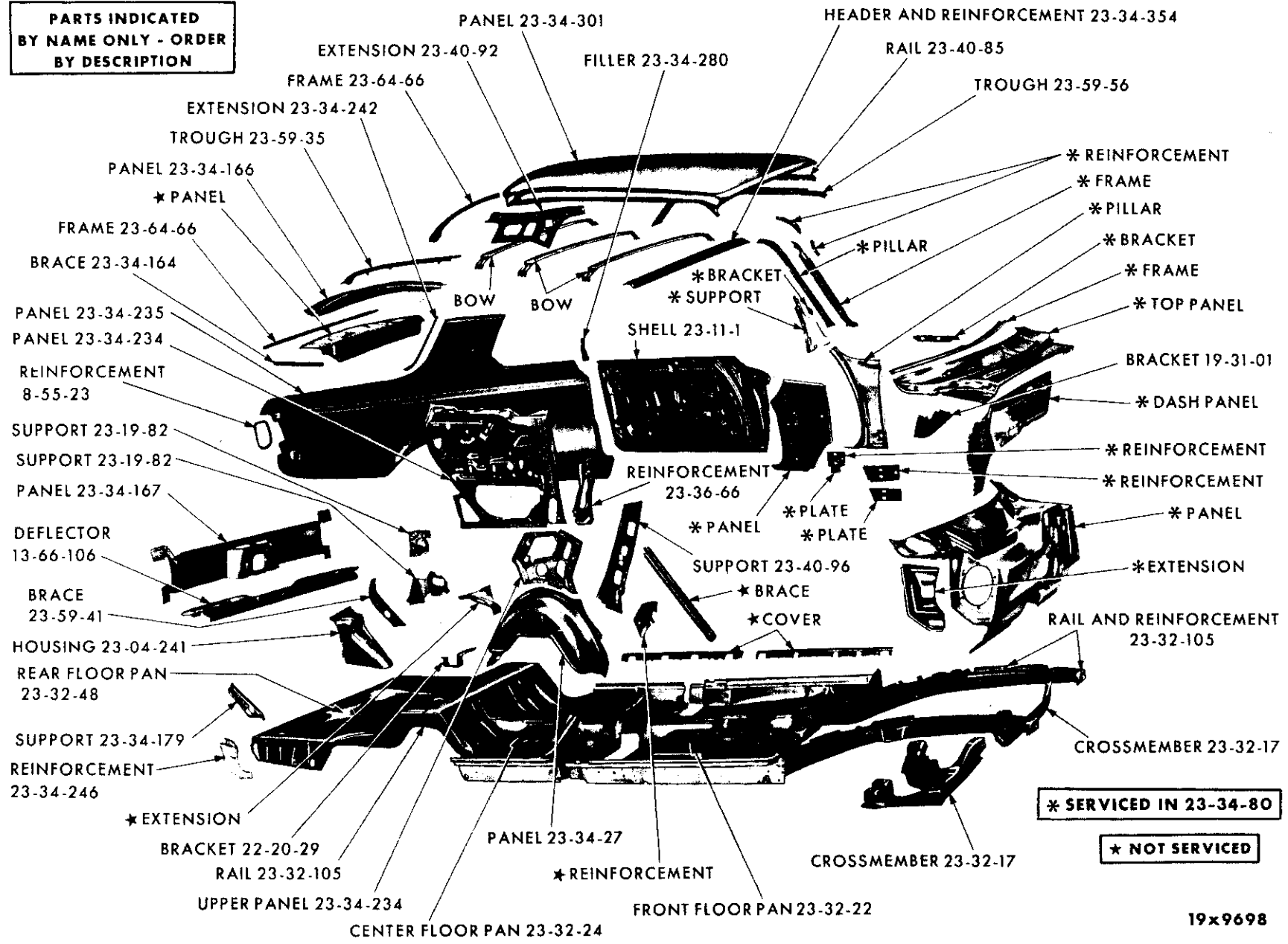
PARTS INDICATED BY NAME ONLY - ORDER BY DESCRIPTION



BODY - VALIANT TV1 4 DOOR SEDAN

19x9747

**PARTS INDICATED
BY NAME ONLY - ORDER
BY DESCRIPTION**



*** SERVICED IN 23-34-80**

*** NOT SERVICED**

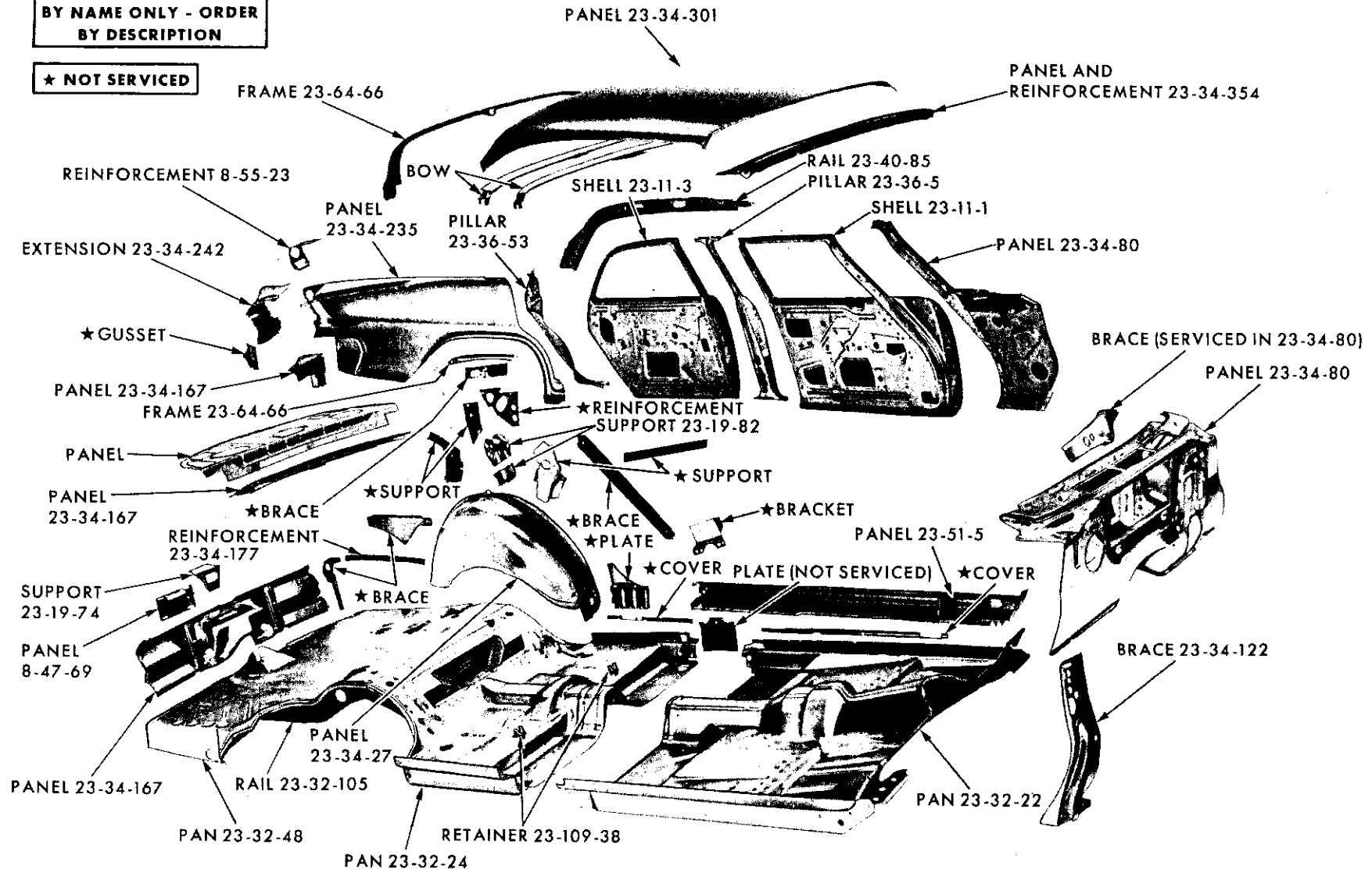
19x9698

BODY - PLYMOUTH TP1-2 SPECIAL CLUB COUPE

MyMopar.com

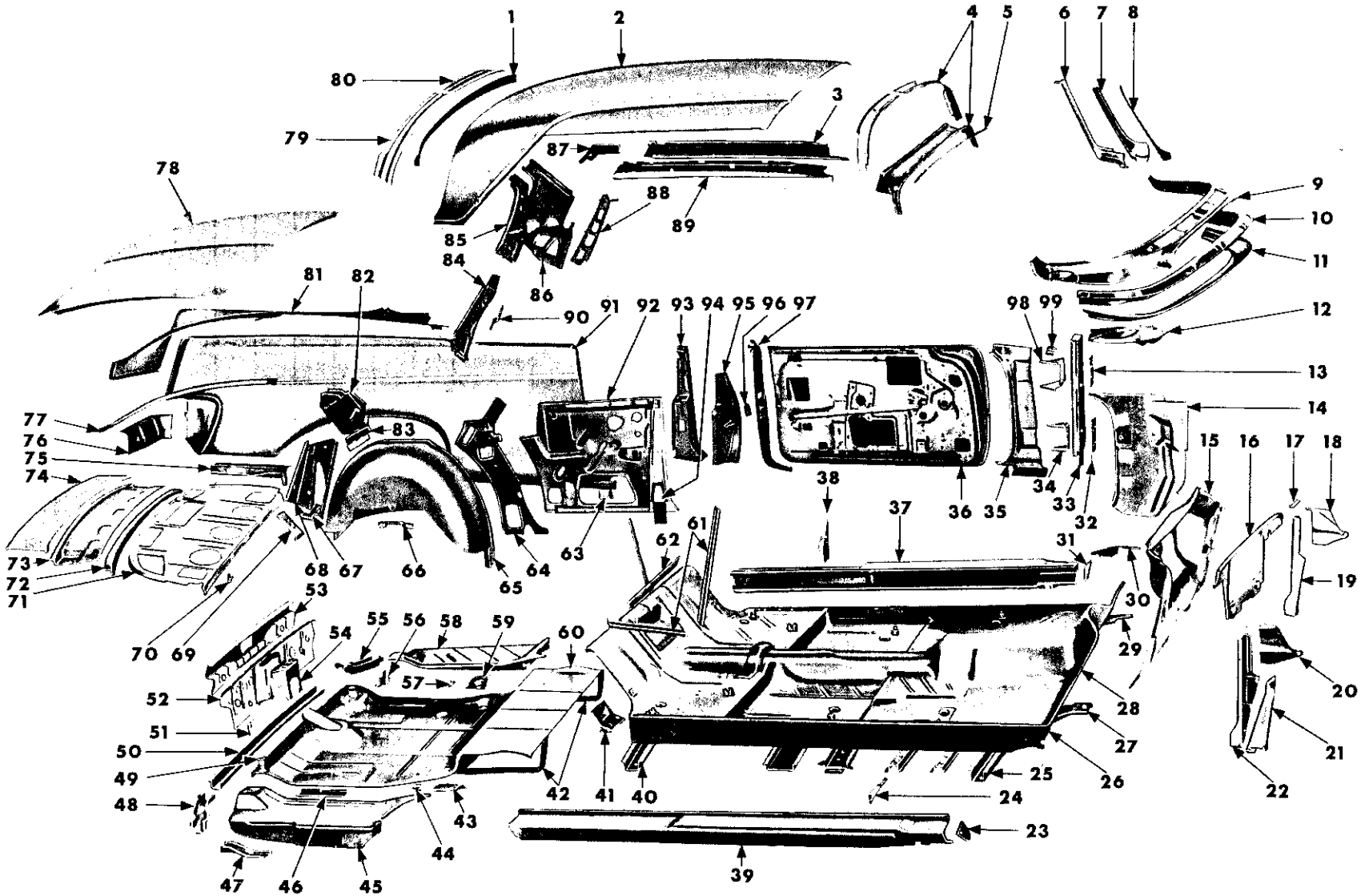
**PARTS INDICATED
BY NAME ONLY - ORDER
BY DESCRIPTION**

★ NOT SERVICED



19x9410A

BODY - DODGE TA3 4 DOOR SEDAN



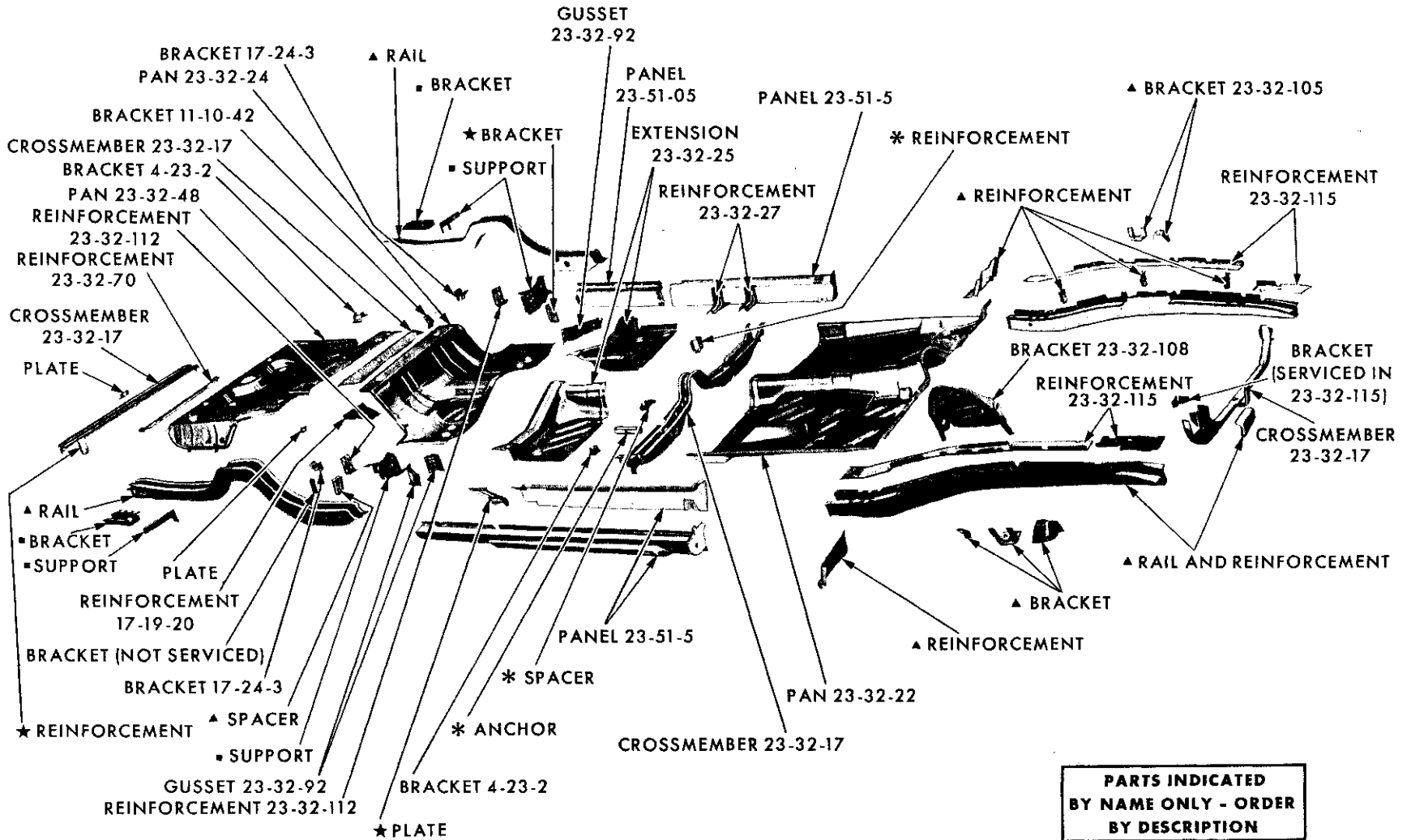
19L9739

BODY - IMPERIAL TY1 SPECIAL CLUB COUPE

BODY - IMPERIAL TY1 SPECIAL CLUB COUPE

Ref. No.	Name	Part Type Code	Ref. No.	Name	Part Type Code
1	Rear Window Opening Upper Frame.	23-64-66	49	No. 6 Body Bolt Reinforcement to Floor Pan Spacer	23-05-36
2	Roof Panel	23-34-301	50	No. 6 Body Bolt Floor Pan Reinforcement	Not Serviced
3	Roof Side Rail	23-40-85	51	Deck Opening Lower Panel Drain Trough Support	Not Serviced
4	Windshield Opening Upper Frame (Serviced in 23-34-80)		52	Deck Opening Lower Panel Reinforcement	23-34-179
5	Windshield Header Trim Retainer (Serviced in 23-34-80)		53	Deck Opening Lower Panel	23-34-167
6	Front Hinge Pillar Extension (Serviced in 23-34-80)		54	Deck Opening Lower Panel Lock Support.	23-19-74
7	Windshield Opening Side Frame (Serviced in 23-34-80)		55	No. 6 Body Bolt Floor Pan Reinforcement	Not Serviced
8	Cowl Top Panel Extension (Serviced in 23-34-80)		56	Rear Floor Pan Jack Stowage Bracket	Not Serviced
9	Cowl Top Panel (Serviced in 23-34-80)		57	Spare Wheel Anchor Stud Bracket	Not Serviced
10	Windshield Opening Lower Frame (Serviced in 23-34-80)		58	Extension	23-32-49
11	Windshield Opening Lower Frame Reinforcement (Serviced in 23-34-80)		59	No. 5 Body Bolt Floor Pan Reinforcement	Not Serviced
12	Front Pillar to Cowl Side Filler (Serviced in 23-34-80)		60	Rear Floor Pan	23-32-48
13	Front Pillar Door Hinge Tapping Plate	23-15-13	61	Shelf Panel to Floor Brace	Not Serviced
14	Cowl Side Panel	23-34-80	62	Shelf Panel to Floor Center Brace Support.	Not Serviced
15	Dash Panel	23-34-110	63	Quarter Window Lower Stop Support.	23-64-12
16	Dash Panel Air Duct Cover	23-34-116	64	Quarter Inside Panel to Wheelhouse Reinforcement	23-34-249
17	Cowl Top Panel Hood Seal Support (Serviced in 23-34-80)		65	Panel	23-34-27
18	Hood Hinge Support and Clinch Nut (Serviced in 23-34-80)		66	Deck Lid Hinge Support to Wheelhouse Bracket	23-19-76
19	Dash Panel No. 1 & 1A Body Bolt Brace and C/Nut.	23-34-122	67	Wheelhouse Jack Stowage Bracket Support	Not Serviced
20	Hood Hinge Support and Clinch Nut (Serviced in 23-34-80)		68	Shelf Panel to Wheelhouse Gusset	Not Serviced
21	Dash Panel No. 1 & 1A Body Bolt Brace and Clinch Nut Reinforcement	23-34-126	69	Rear Seat Back Hanger	Not Serviced
22	Dash Panel No. 1 & 1A Body Bolt Brace and Clinch Nut	23-34-122	70	Shelf Panel	Not Serviced
23	Body Side Sill Front End Cover	23-51-43	71	Belt Center Bar (Serviced in 23-34-166)	
24	Body Floor Seat Track Reinforcement	Not Serviced	72	Deck Opening Upper Panel Reinforcement (Serviced in 23-34-166)	
25	Floor Pan Reinforcement	Not Serviced	73	Deck Opening Upper Panel	23-34-166
26	Body Side Inner Sill	23-51-5	74	Belt Side Bar	23-51-41
27	No. 1 & 2 Body Bolt Strainer	Not Serviced	75	Extension	23-34-176
28	Front Floor Pan	Not Serviced	76	Reinforcement	23-59-37
29	No. 1 & No. 2 Body Bolt Strainer.	Not Serviced	77	Deck Lid	23-19-8
30	Dash Panel Hood Hinge Support to Front Cowl Filler Reinforcement	Not Serviced	78	Rear Window Upper Frame Reinforcement, Right	23-64-67
31	Body Side Sill End Cover	23-51-43	79	Rear Window Upper Frame Reinforcement, Left.	23-64-67
32	Front Pillar Door Hinge Tapping Plate	23-15-13	80	Panel	23-34-233
33	Front Pillar Front Half (Serviced in 23-34-80)		81	Deck Lid Hinge Body Bracket Support.	23-19-82
34	Front Pillar Lower Hinge Reinforcement (Serviced in 23-34-80)		82	Deck Lid Hinge Support to Wheelhouse Bracket	Not Serviced
35	Front Pillar Rear Half (Serviced in 23-34-80)		83	Roof Rear Rail Outer Extension.	23-40-92
36	Door Shell	23-11-1	84	Rear Window Side Frame Reinforcement	23-64-67
37	Body Side Sill Outer Panel	23-51-5	85	Rear Window Side Frame	23-64-66
38	Quarter Inside Panel to Seat Riser Brace	Not Serviced	86	Gusset	Not Serviced
39	Body Side Outer Sill	23-51-5	87	Roof Side Rear Inner Rail	Not Serviced
40	Body Floor Pan Reinforcement	Not Serviced	88	Roof Side Rail	23-40-85
41	Axle Drive Pinion Carrier Bumper Reinforcement	Not Serviced	89	Roof Side Rear Inner Rail to Roof Rail Outer Extension	23-40-92
42	Fuel Tank Rear Floor Pan Reinforcement	Not Serviced	90	Quarter Panel	23-34-235
43	No. 5 Body Bolt Floor Pan Reinforcement	Not Serviced	91	Quarter Inner Panel	23-34-234
44	Fuel Tank Hanger	Not Serviced	92	Quarter Inside Panel to Lock Pillar Extension.	Not Serviced
45	Rear Floor Pan Side Extension	23-32-49	93	Quarter Inside Panel to Outer Sill Reinforcement	23-51-6
46	Floor Pan Spare Wheel Bracket Reinforcement	Not Serviced	94	Body Lock Pillar Reinforcement	23-36-66
47	Fuel Tank Rear Floor Pan Reinforcement Extension.	Not Serviced	95	Door Lock Striker Tapping Plate	23-08-75
48	No. 6 Body Bolt Floor Pan Reinforcement Extension.	Not Serviced	96	Body Lock Pillar	23-36-53
			97	Front Pillar Upper Hinge Reinforcement (Serviced in 23-34-80)	
			98	Windshield Opening Lower Frame to Upper Strg. Column Bracket (Serviced in 23-34-80)	

PARTS INDICATED BY NAME ONLY - ORDER BY DESCRIPTION

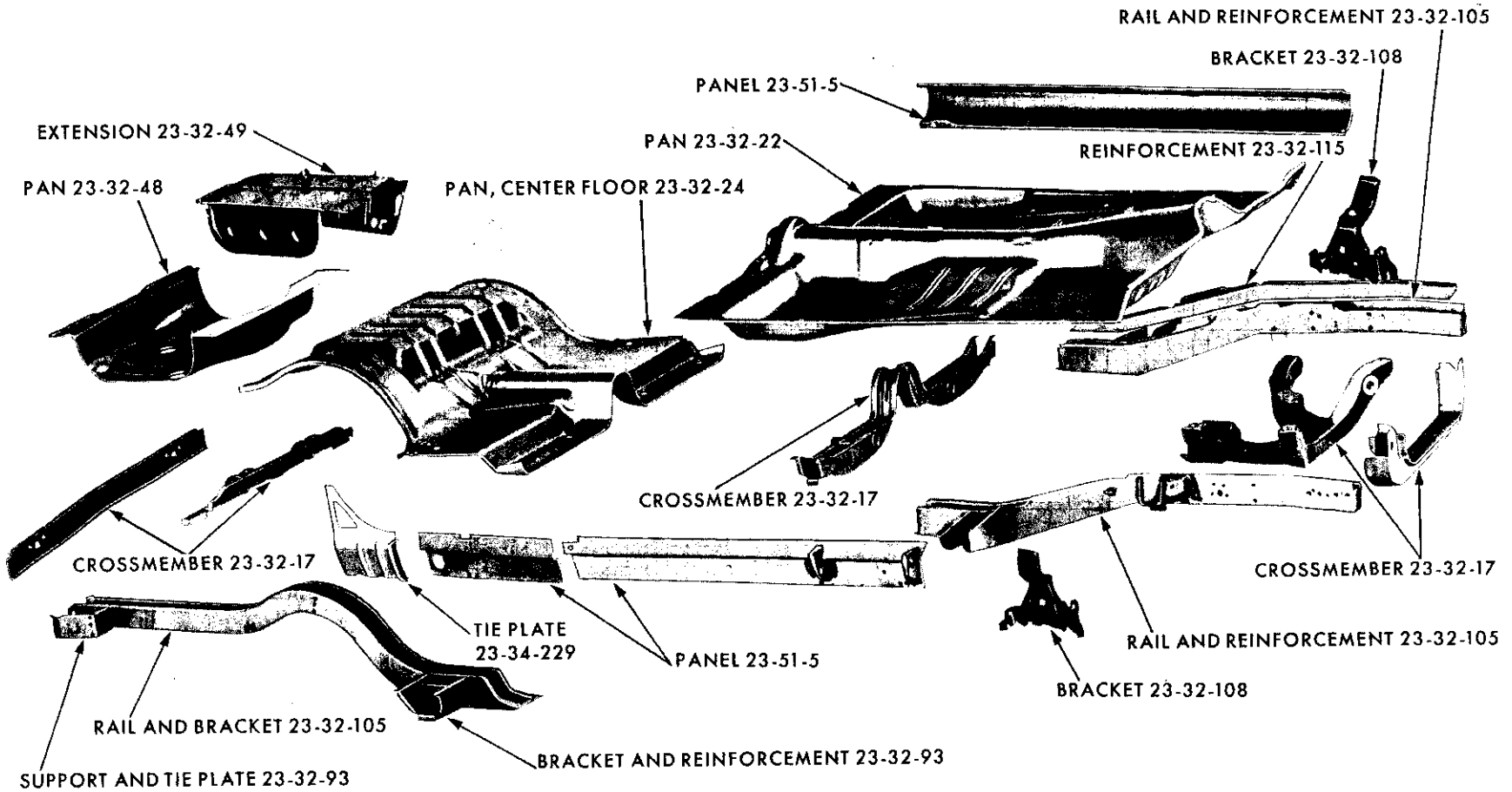


**PARTS INDICATED
BY NAME ONLY - ORDER
BY DESCRIPTION**

- ▲ SERVICED IN 23-32-105**
- * SERVICED IN 23-32-17**
- SERVICED IN 23-32-93**
- ★ NOT SERVICED**

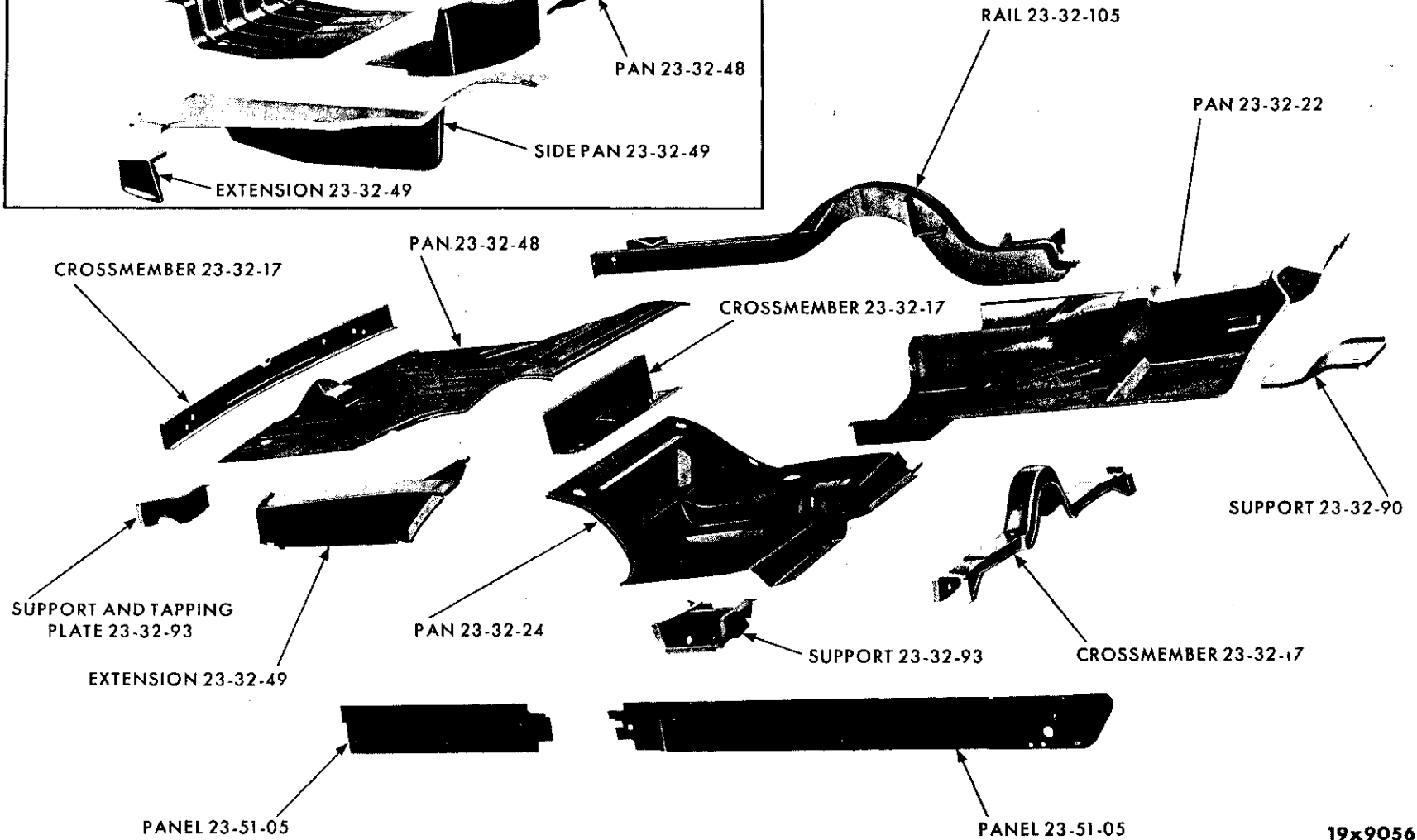
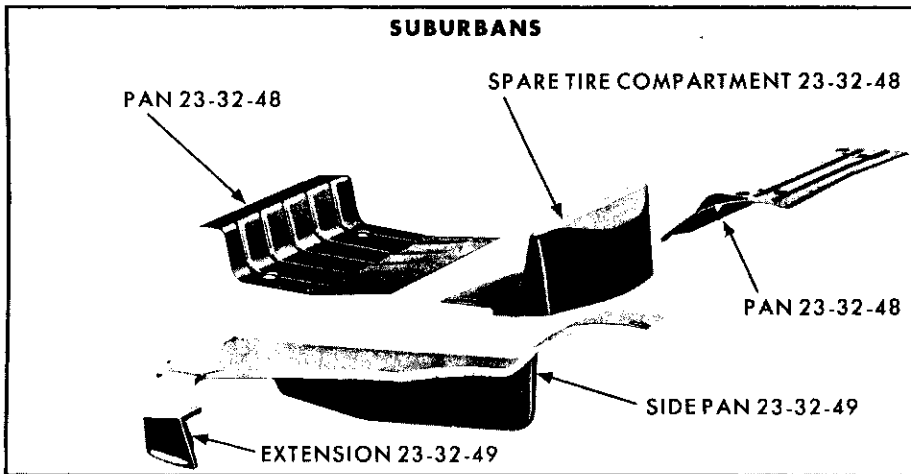
19x9408

UNDERBODY - PLYMOUTH TP1-2 AND DODGE TD1-2



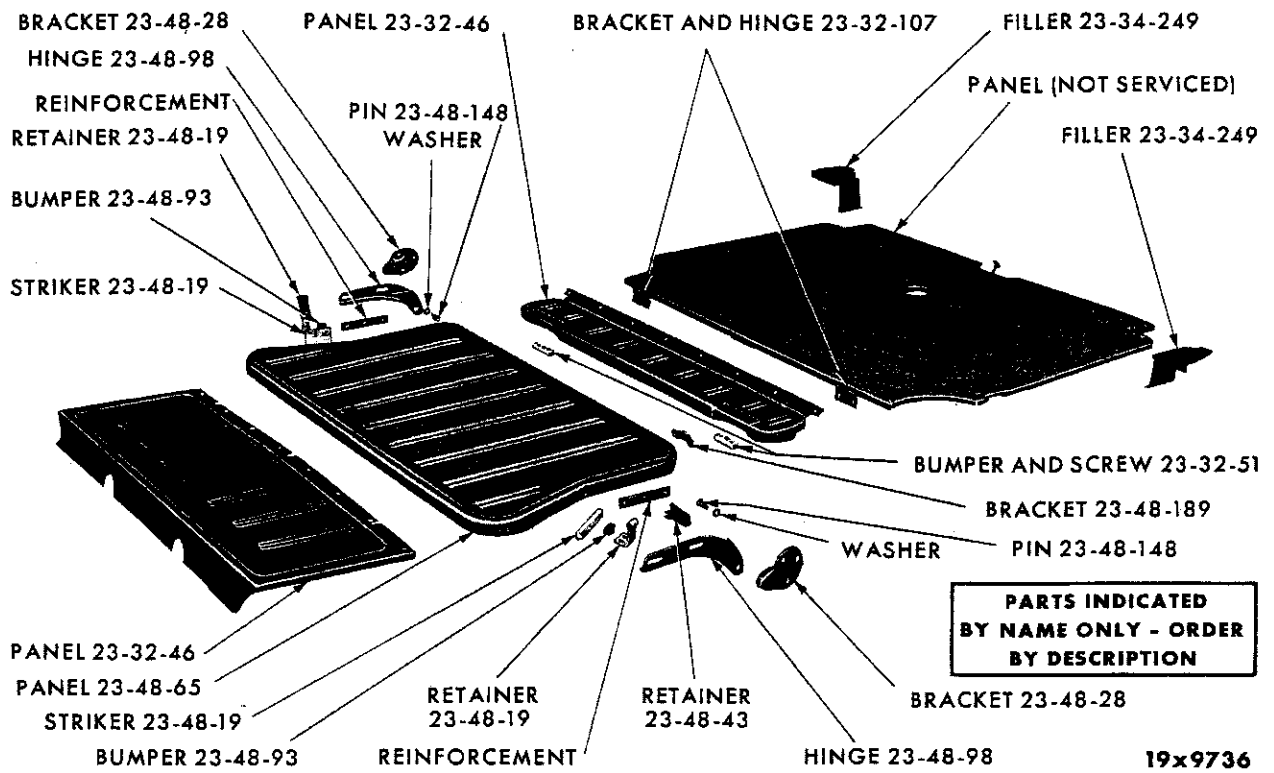
19x9052B

UNDERBODY - VALIANT TV1 AND DART TL1



19x9056

UNDERBODY - DODGE TA3 AND CHRYSLER TC1-2-3

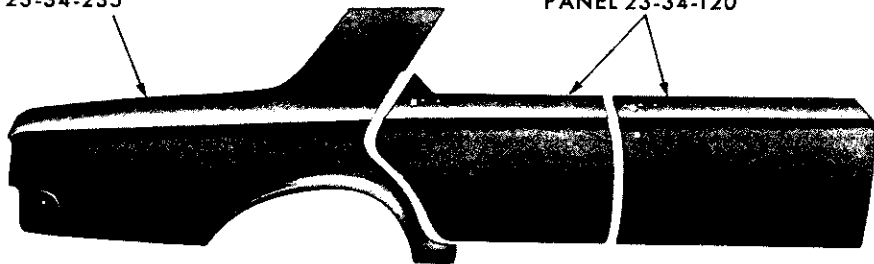


SUBURBAN FLOOR PANEL - VALIANT TV1 AND DART TL1

NOTES

PANEL 23-34-235

PANEL 23-34-120

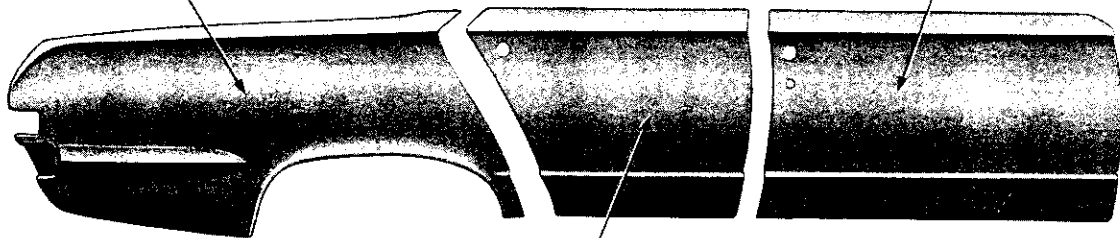


19x9556

REPAIR PANELS - PLYMOUTH TP1-2

PANEL 23-34-235

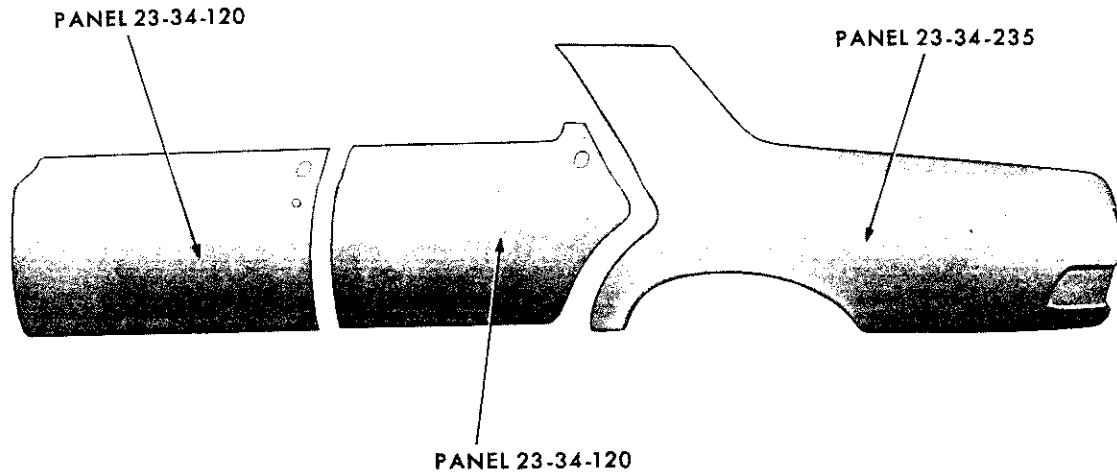
PANEL 23-34-120



PANEL 23-34-120

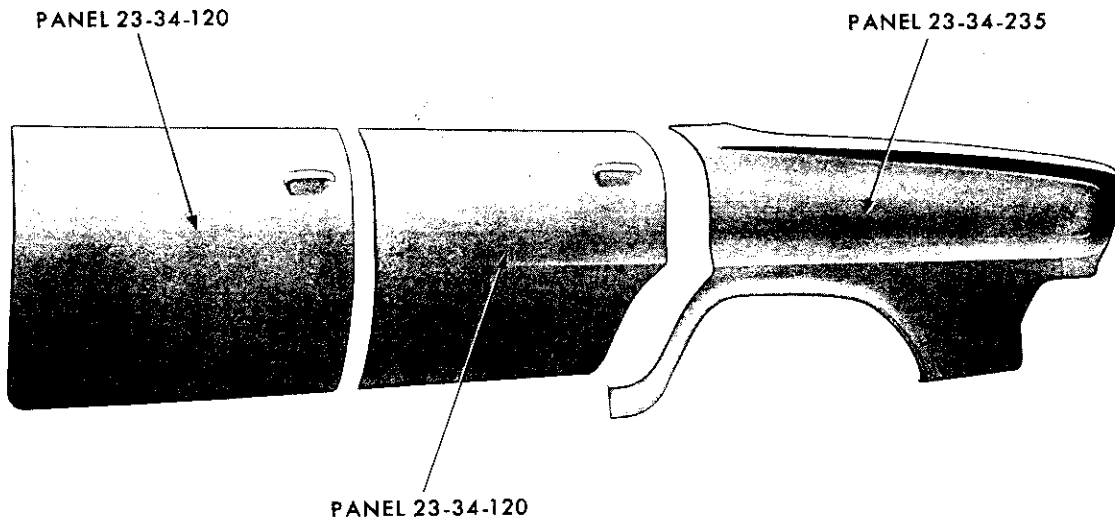
19x9555

REPAIR PANELS - VALIANT TV1



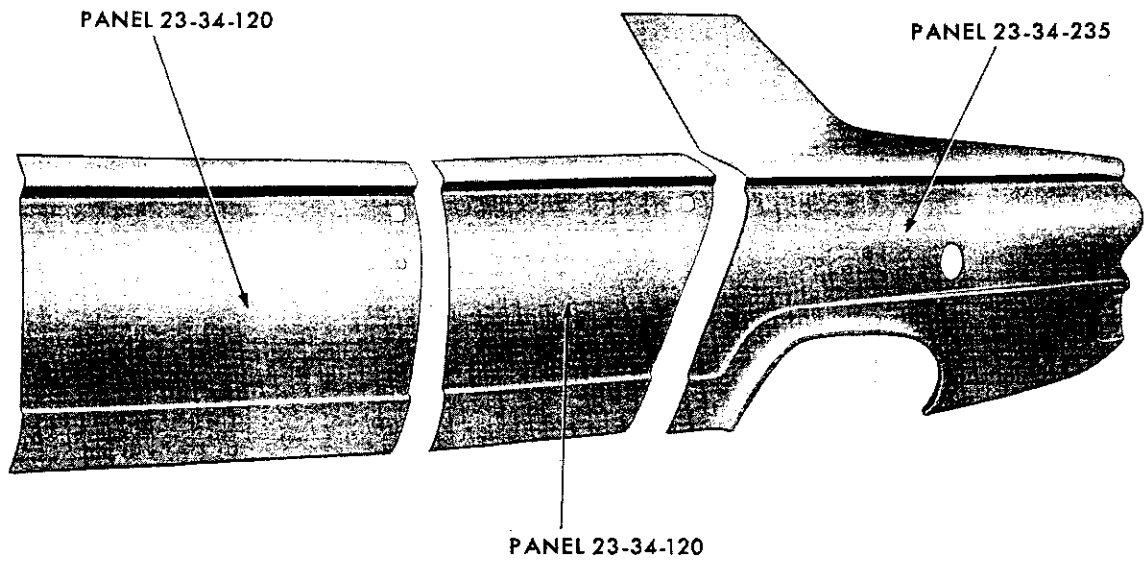
19x9558

REPAIR PANELS - DODGE TD1-2



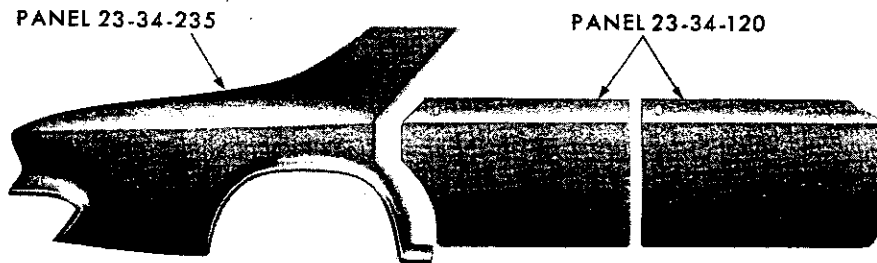
19x9561

REPAIR PANELS - DODGE TA3



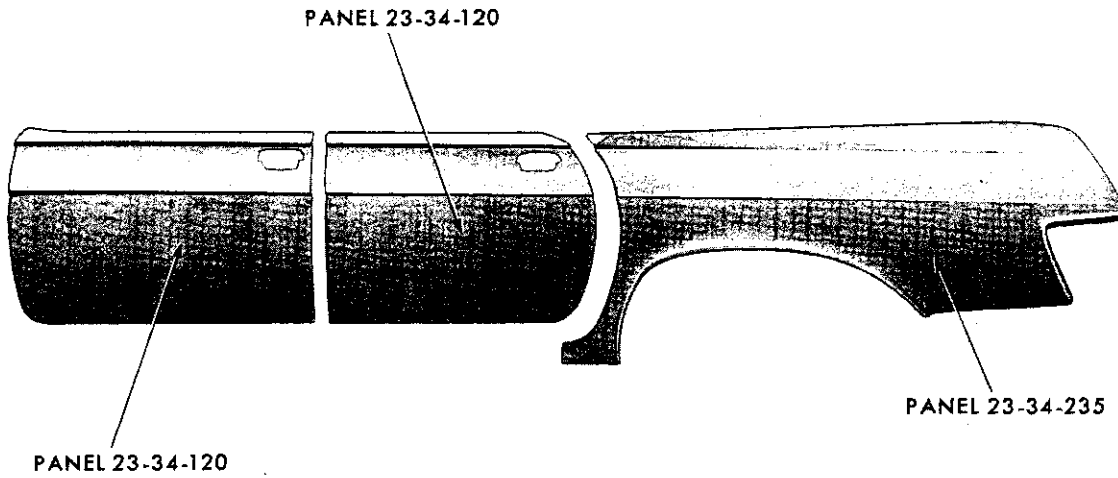
19x9557

REPAIR PANELS - DART TL1



19x9559

REPAIR PANELS - CHRYSLER TC1-2-3

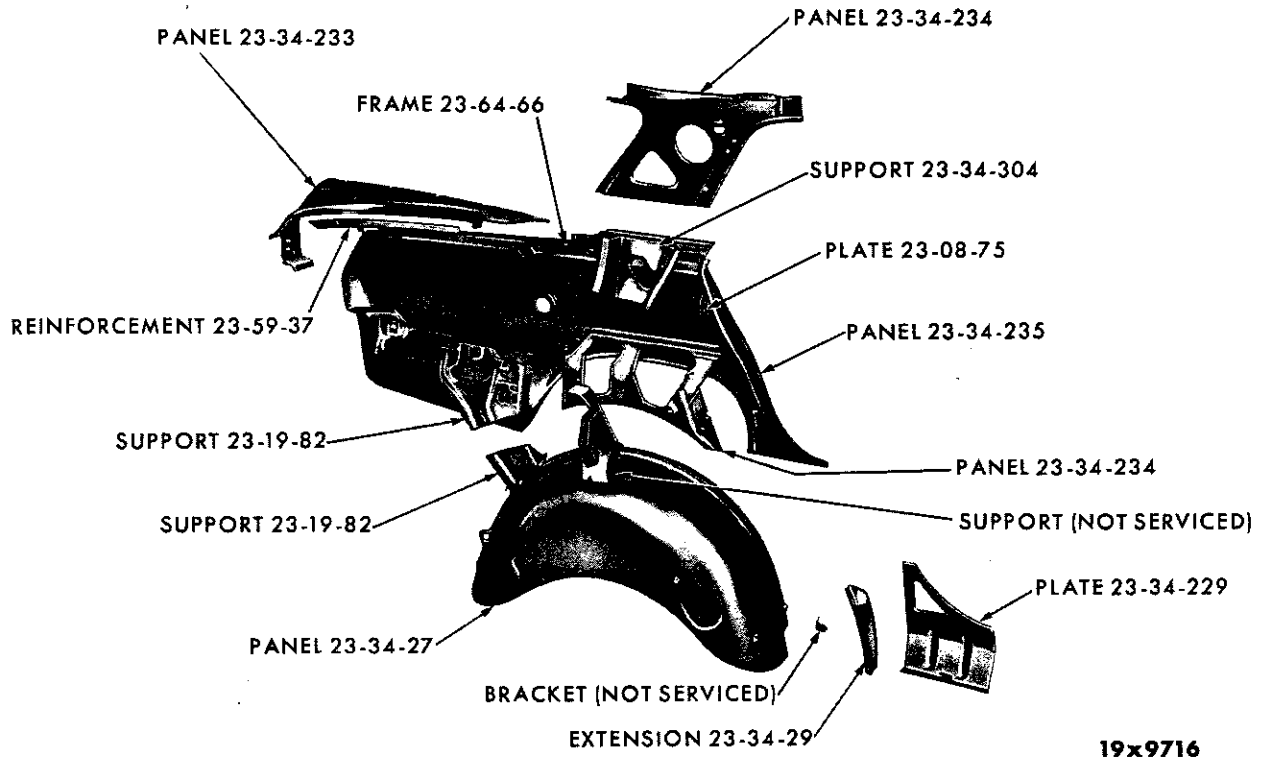


19x9560

REPAIR PANELS - IMPERIAL TY1

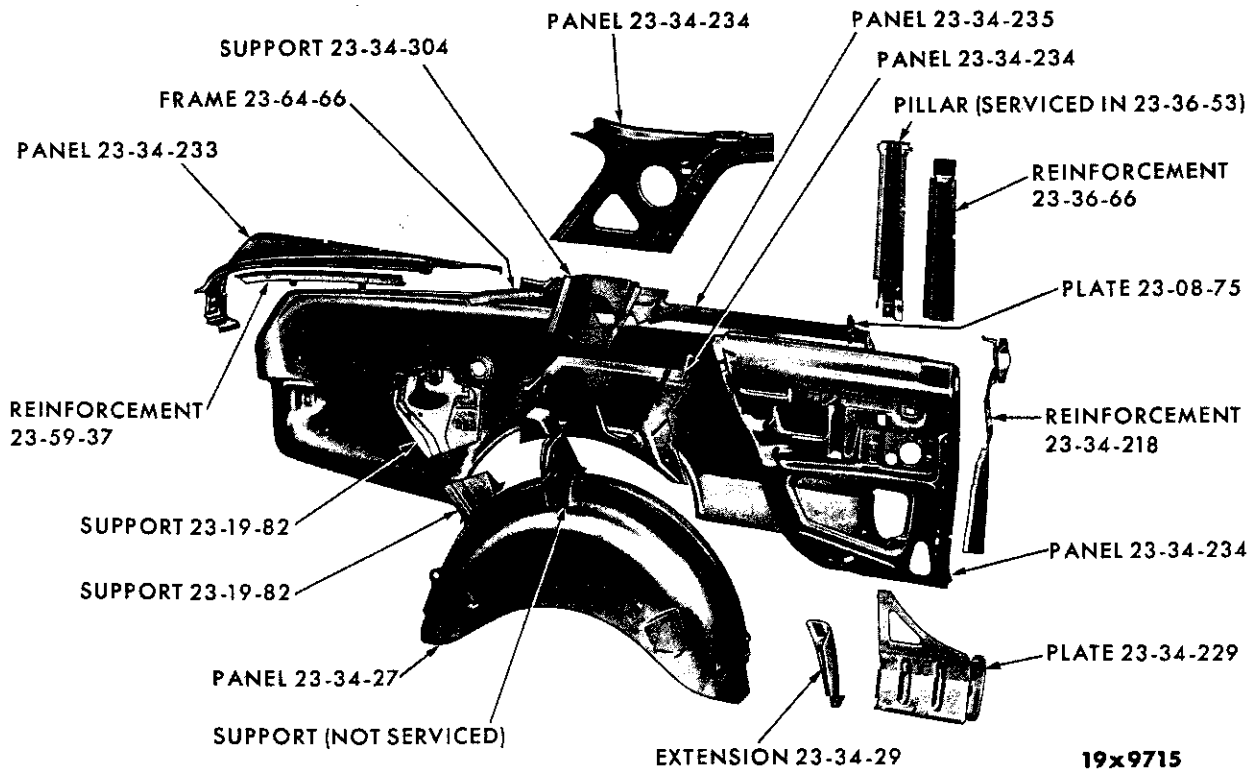
NOTES

A series of horizontal lines provided for handwritten notes, consisting of approximately 15 lines.



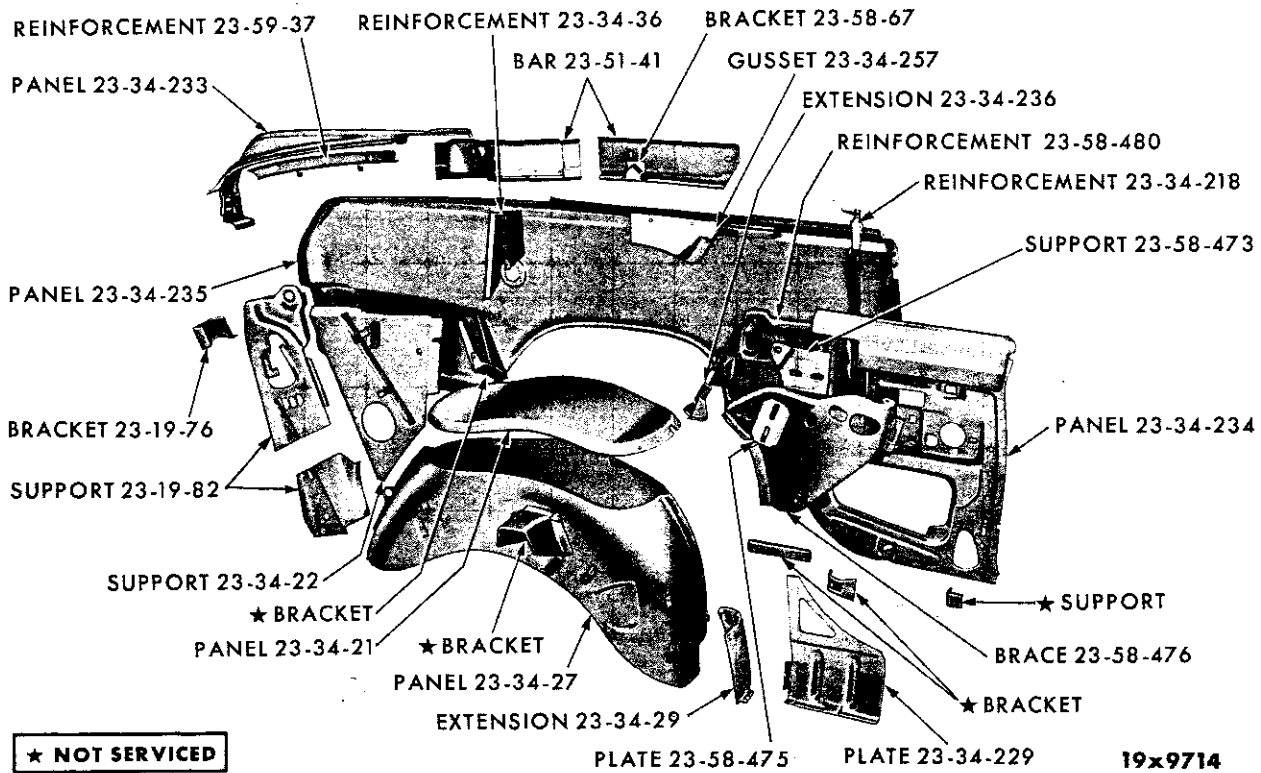
19x9716

REAR QUARTER PANEL - VALIANT TV1 4 DOOR SEDAN

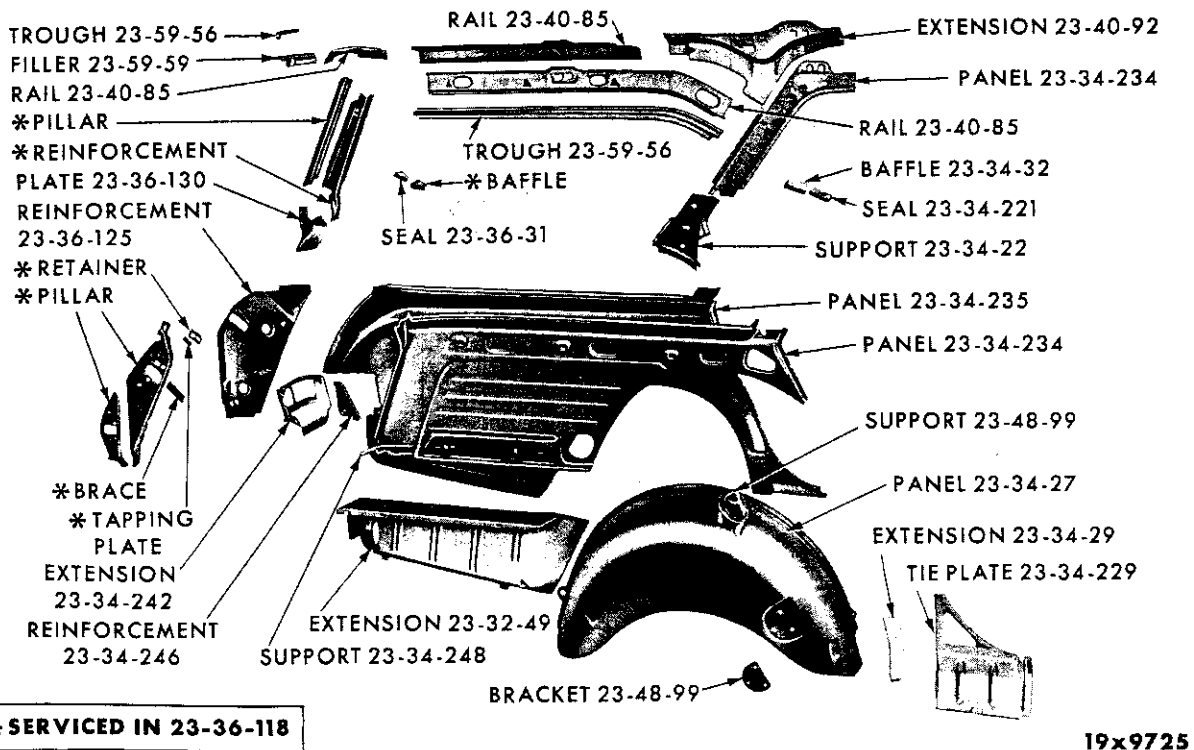


19x9715

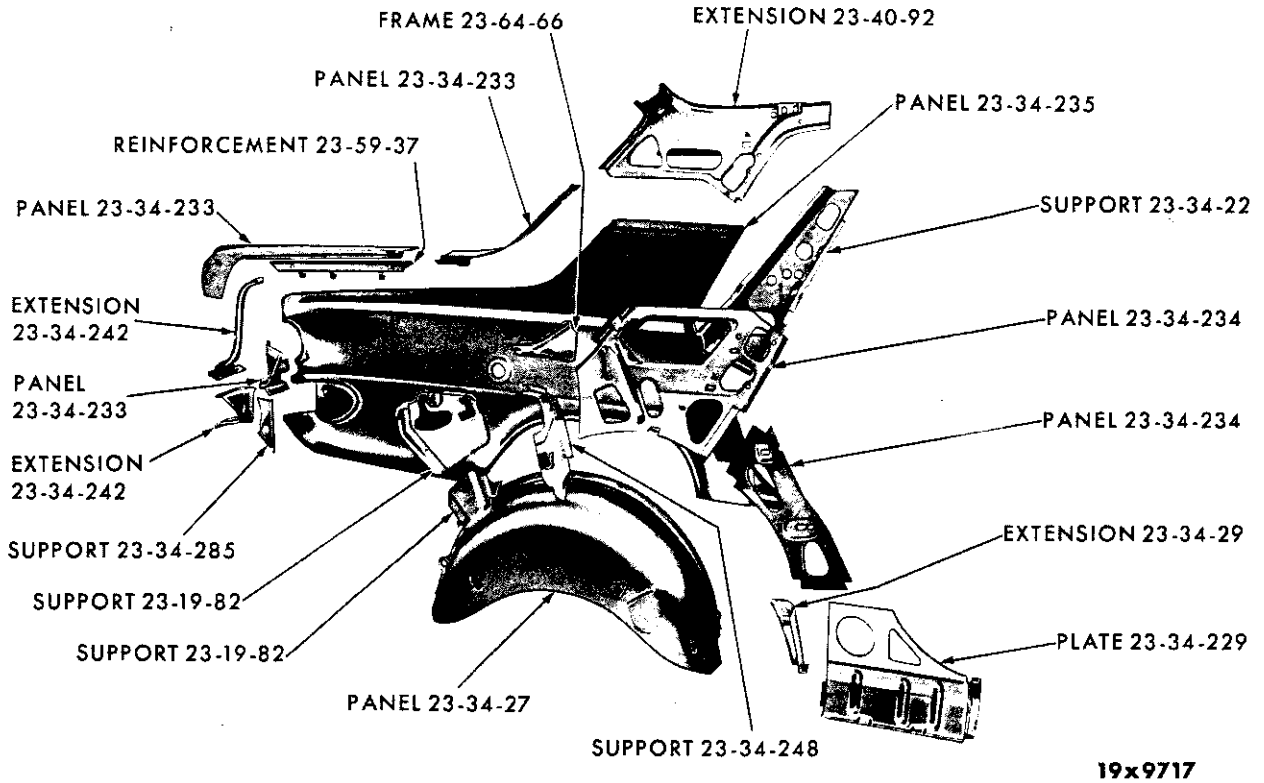
REAR QUARTER PANEL - VALIANT TV1 2 DOOR SEDAN AND SPECIAL CLUB COUPE



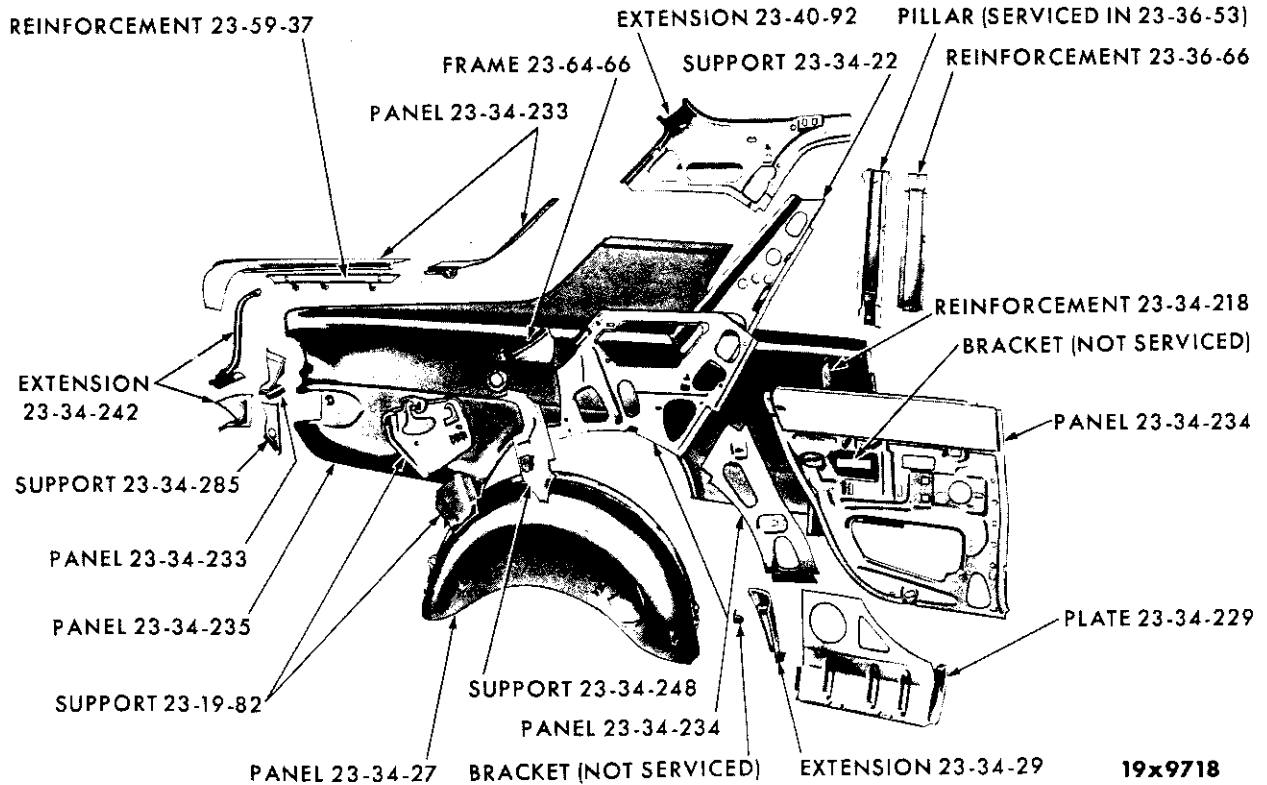
REAR QUARTER PANEL - VALIANT TV1 CONVERTIBLE COUPE



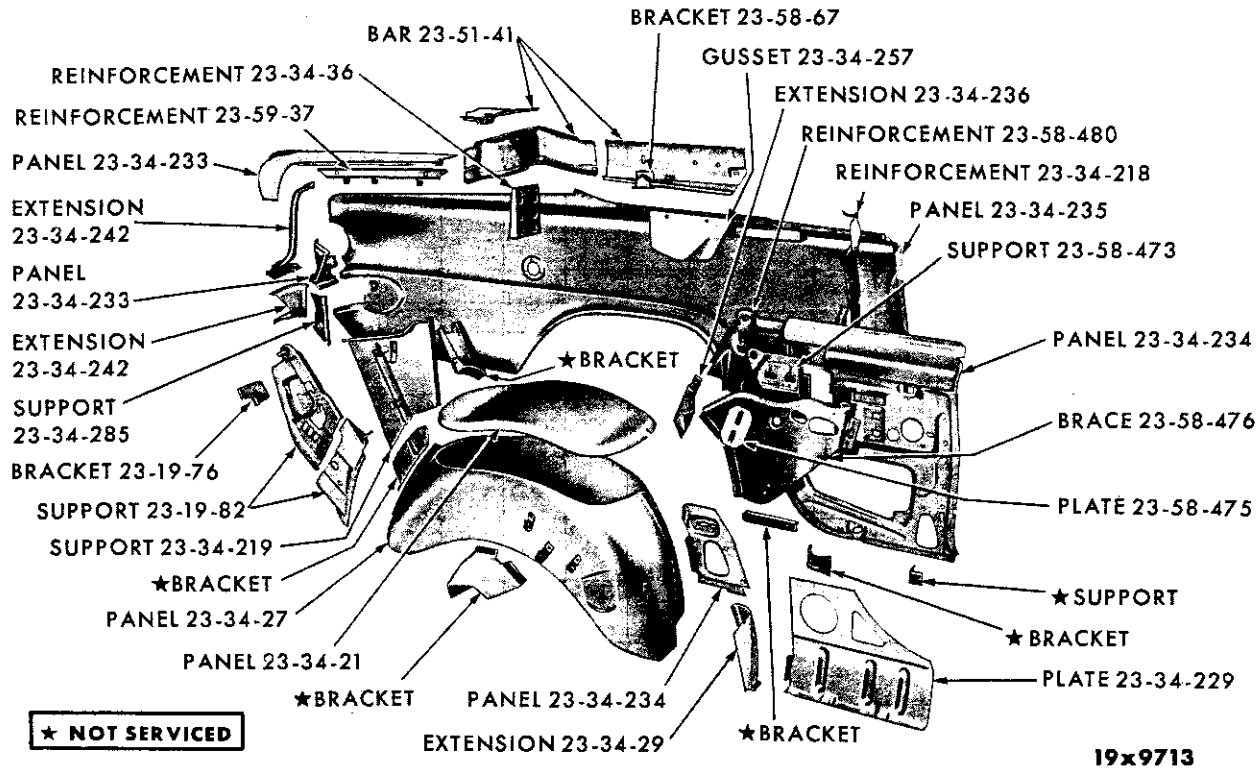
REAR QUARTER PANEL - VALIANT TV1 4 DOOR SUBURBAN



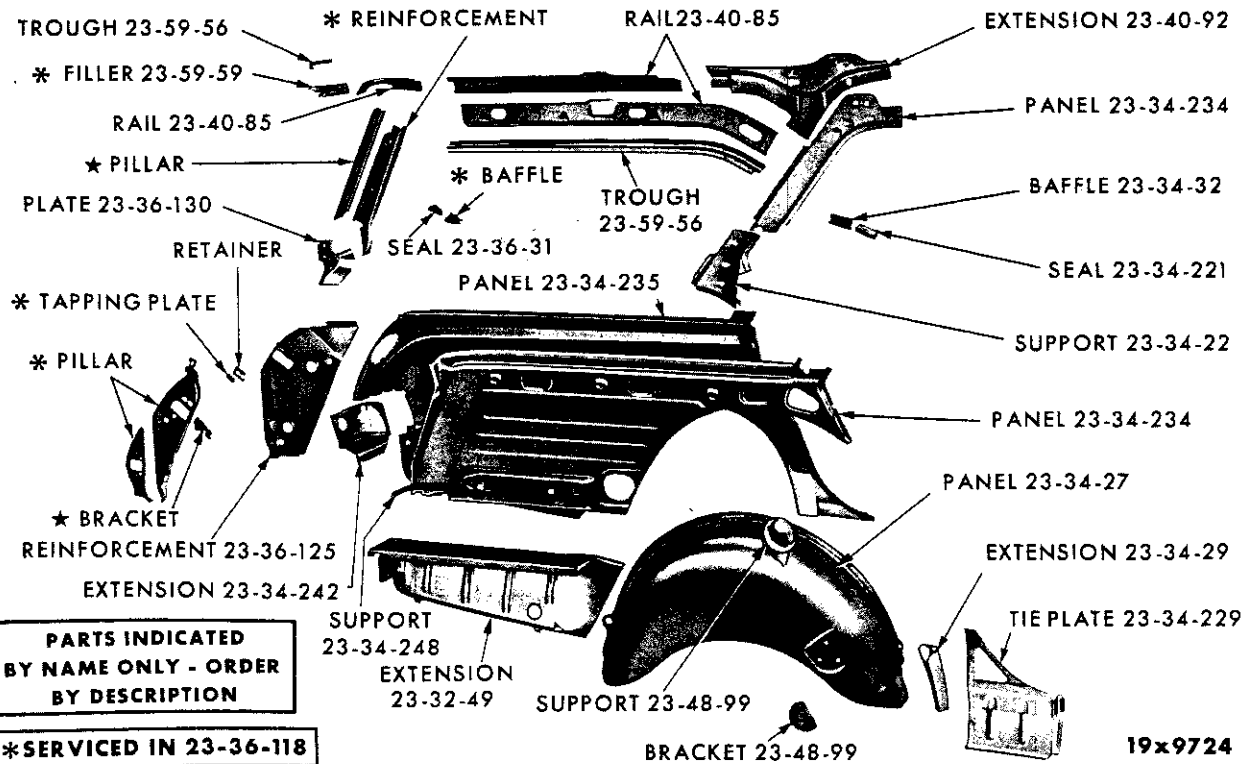
REAR QUARTER PANEL - DART TL1 4 DOOR SEDAN



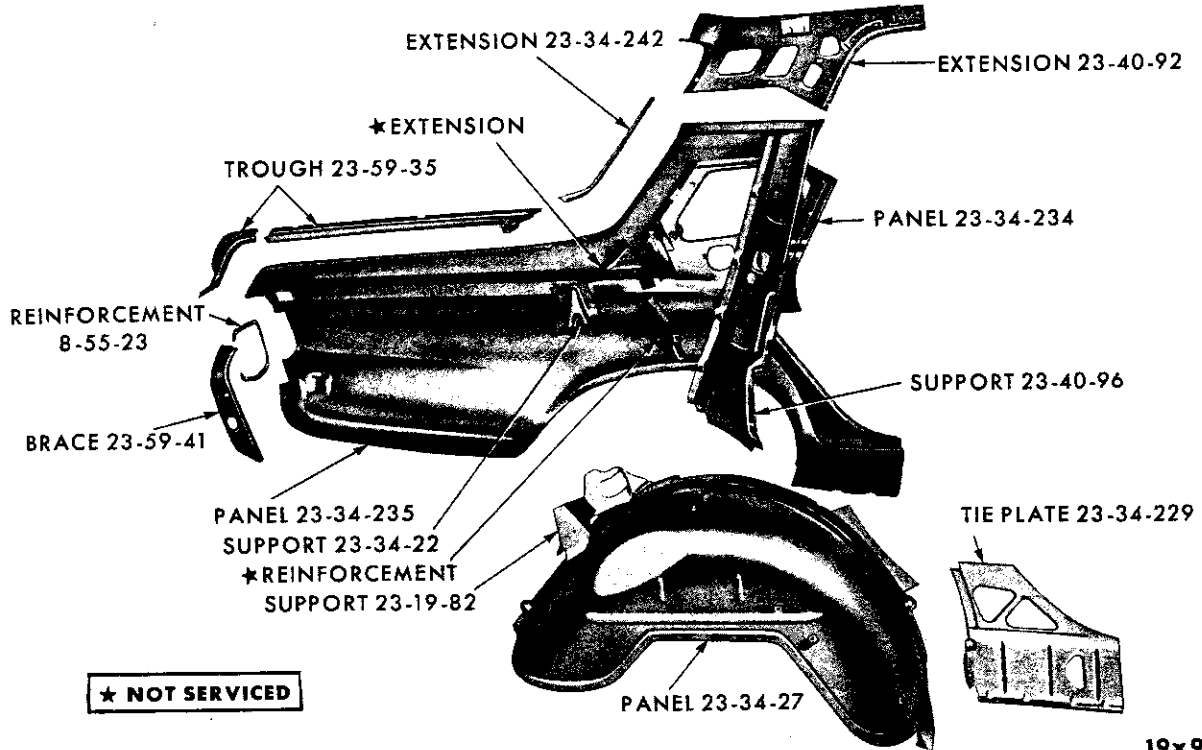
REAR QUARTER PANEL - DART TL1 2 DOOR SEDAN AND SPECIAL CLUB COUPE



REAR QUARTER PANEL - DART TL1 CONVERTIBLE COUPE

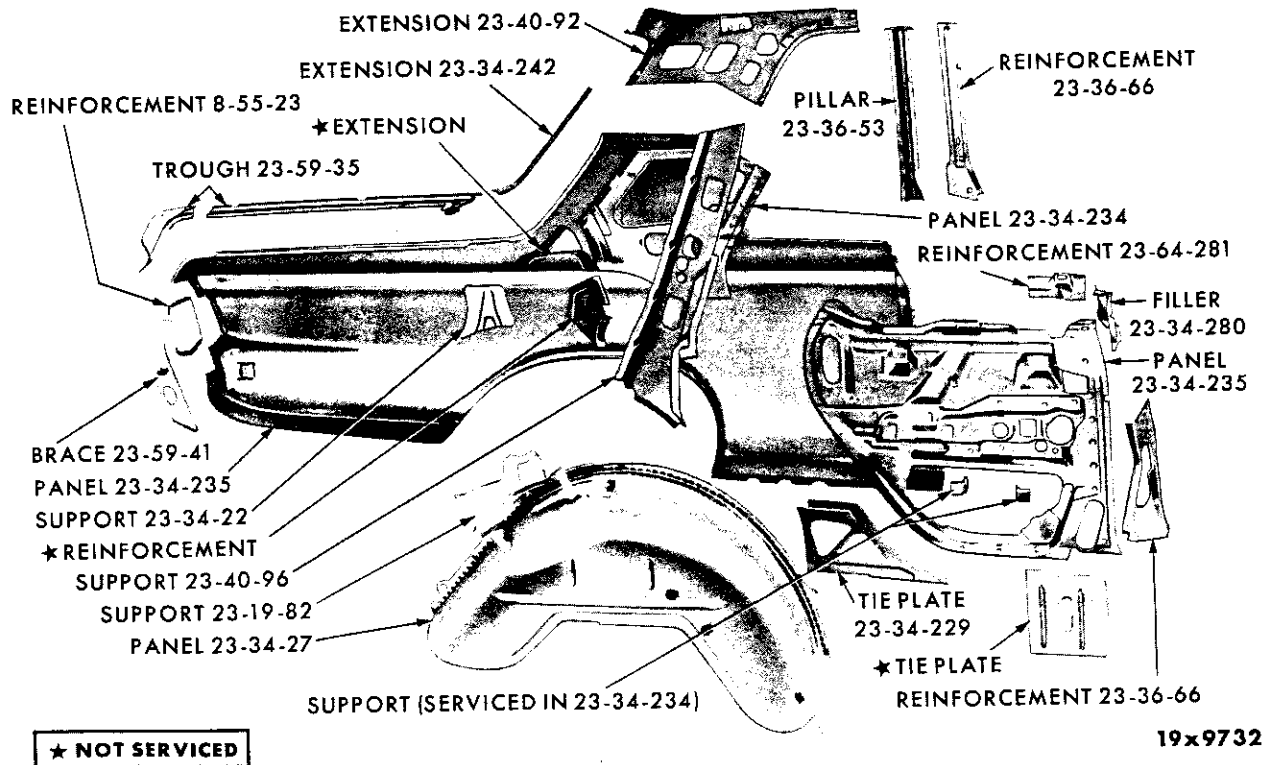


REAR QUARTER PANEL - DART TL1 4 DOOR SUBURBAN



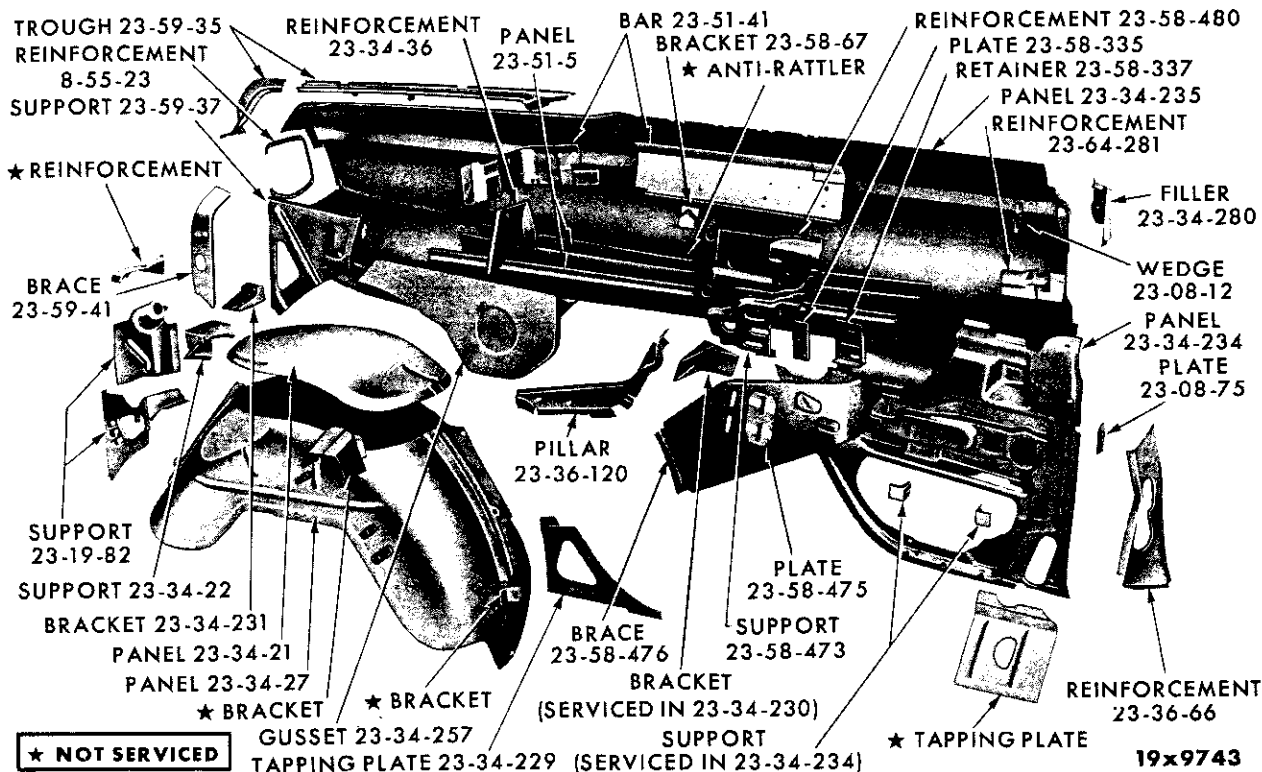
19x9733

REAR QUARTER PANEL - PLYMOUTH TP1-2 4 DOOR SEDAN AND SPECIAL 4 DOOR SEDAN

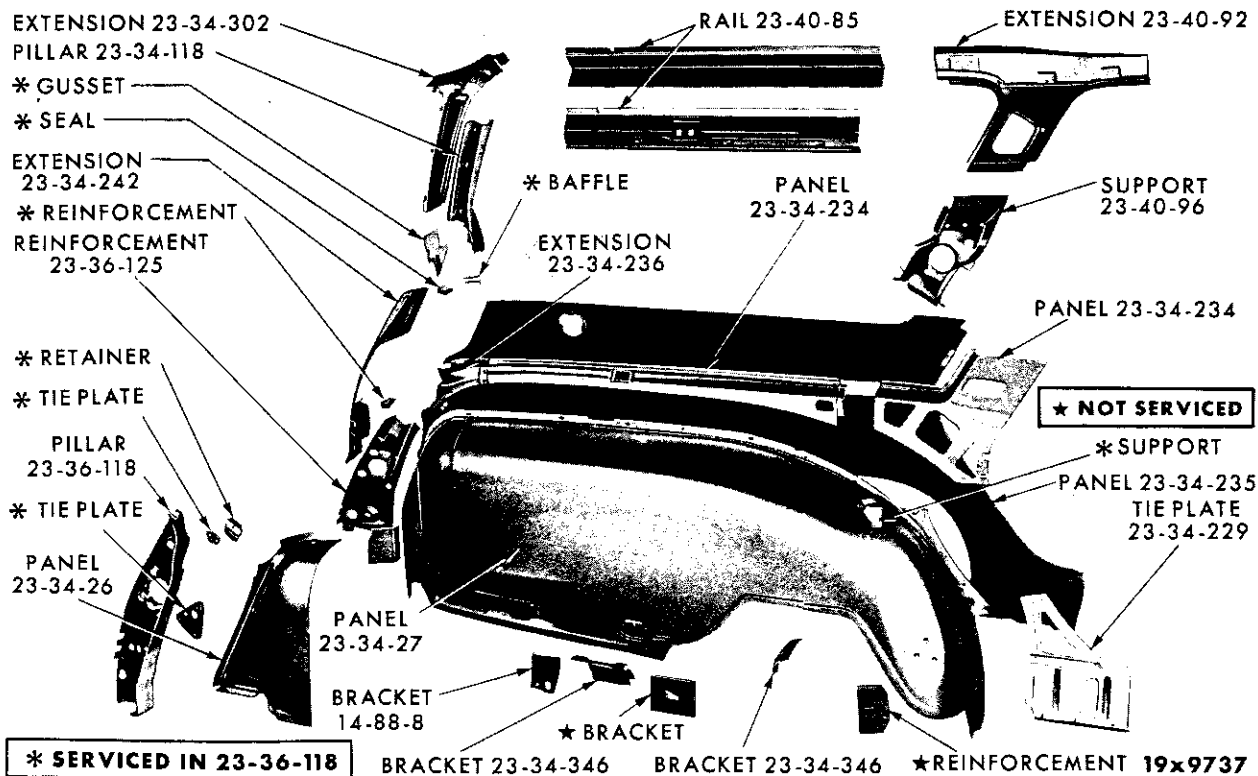


19x9732

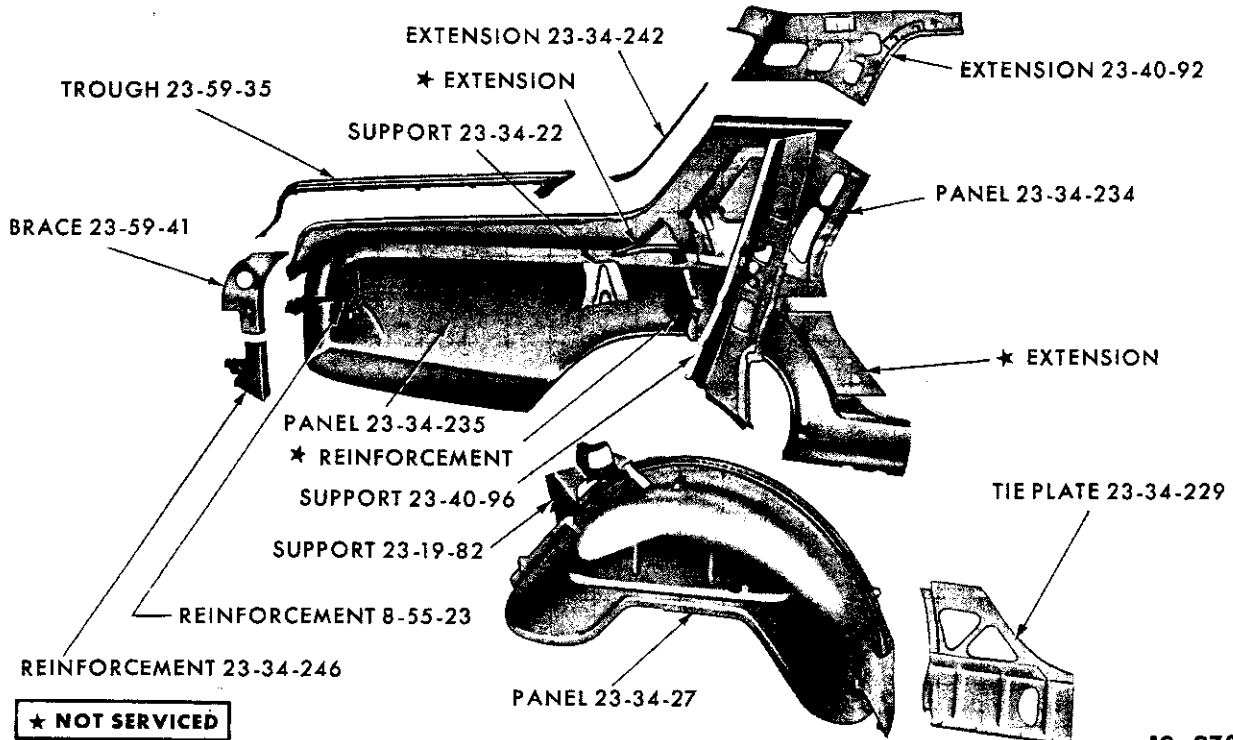
REAR QUARTER PANEL - PLYMOUTH TP1-2 2 DOOR SEDAN AND SPECIAL CLUB COUPE



REAR QUARTER PANEL - PLYMOUTH TP1-2 CONVERTIBLE COUPE

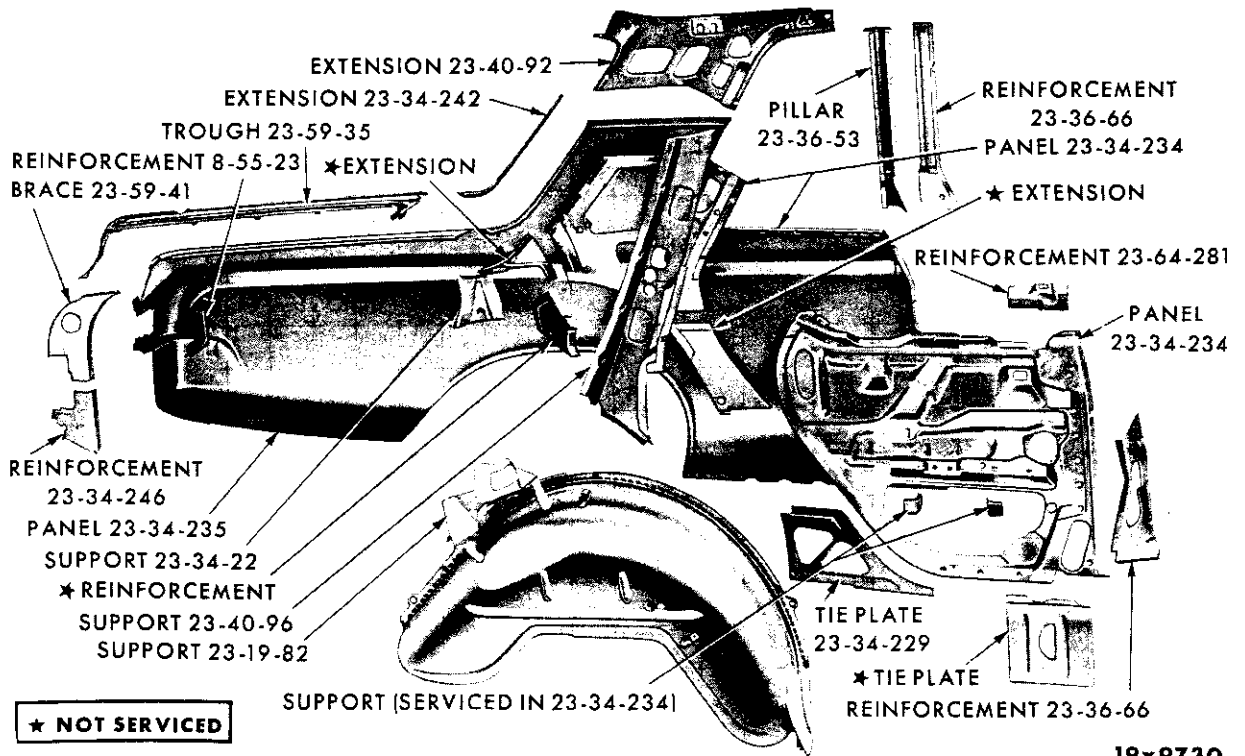


REAR QUARTER PANEL - PLYMOUTH TP1-2 4 DOOR SUBURBAN



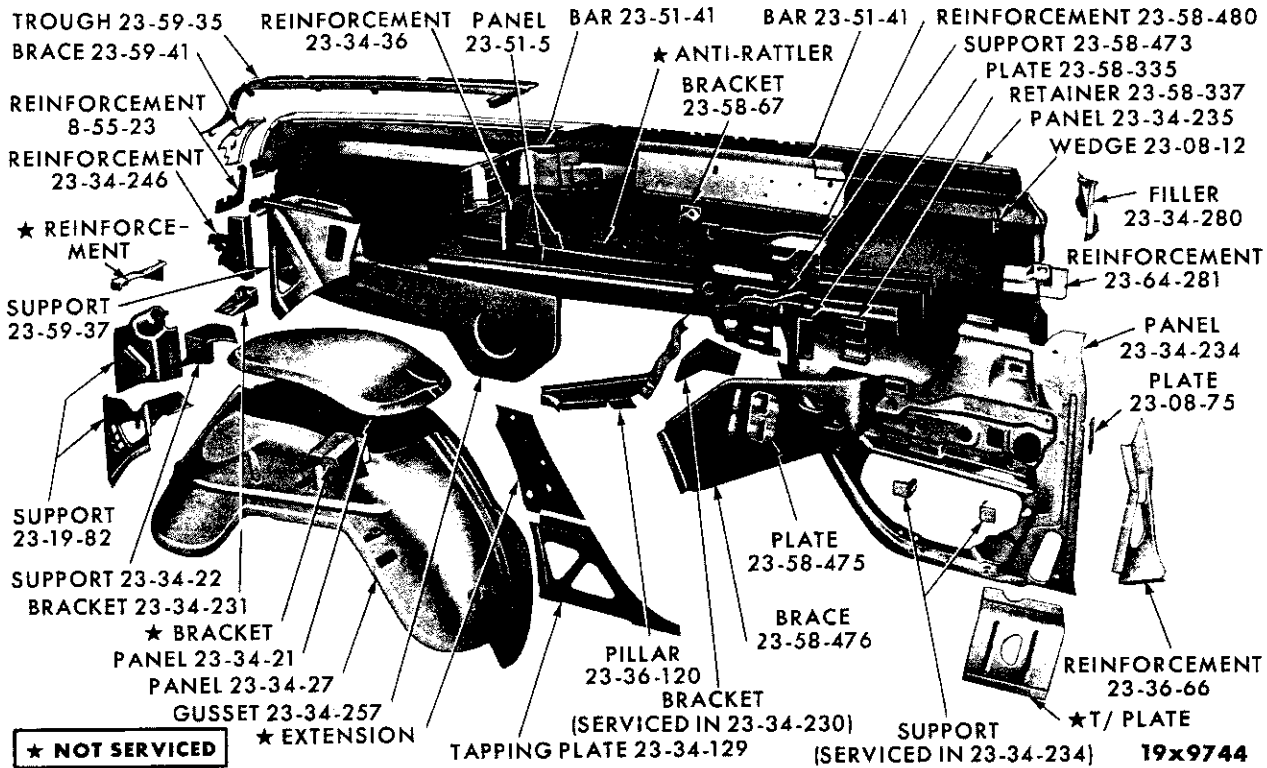
19x9731

REAR QUARTER PANEL - DODGE TD1-2 4 DOOR SEDAN AND SPECIAL 4 DOOR SEDAN

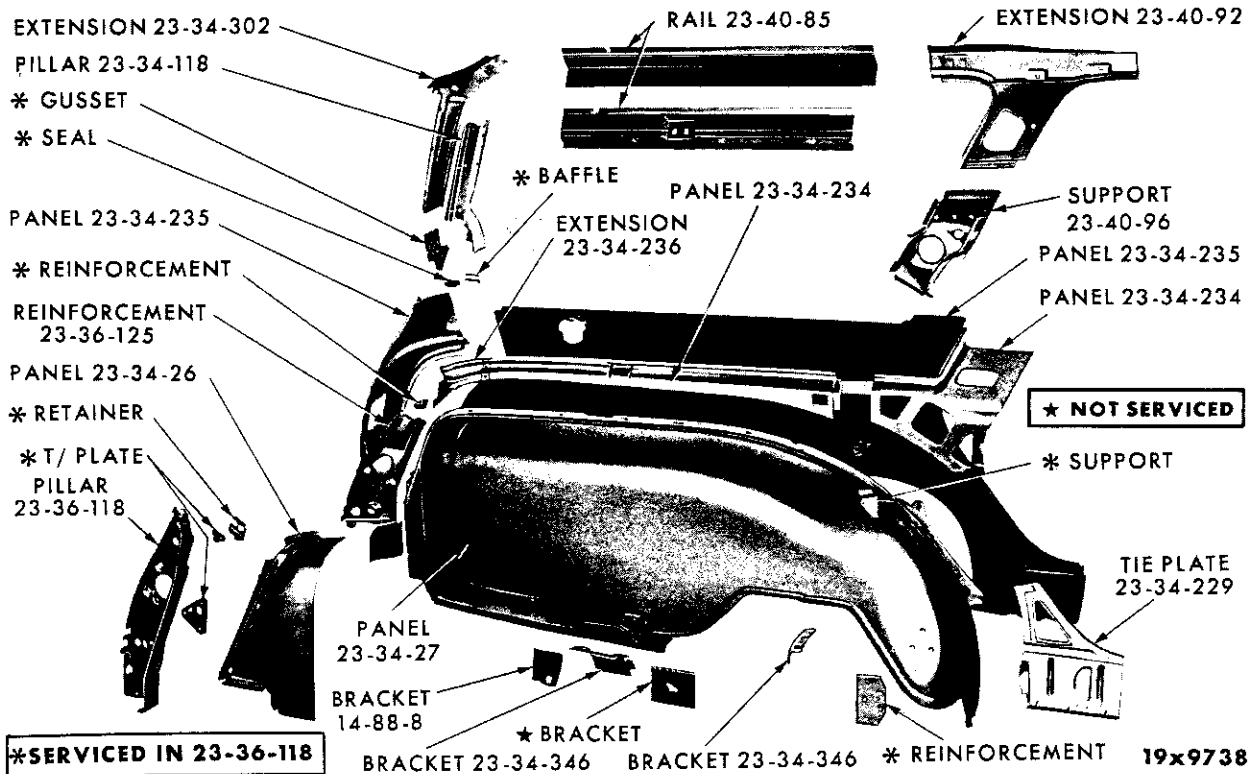


19x9730

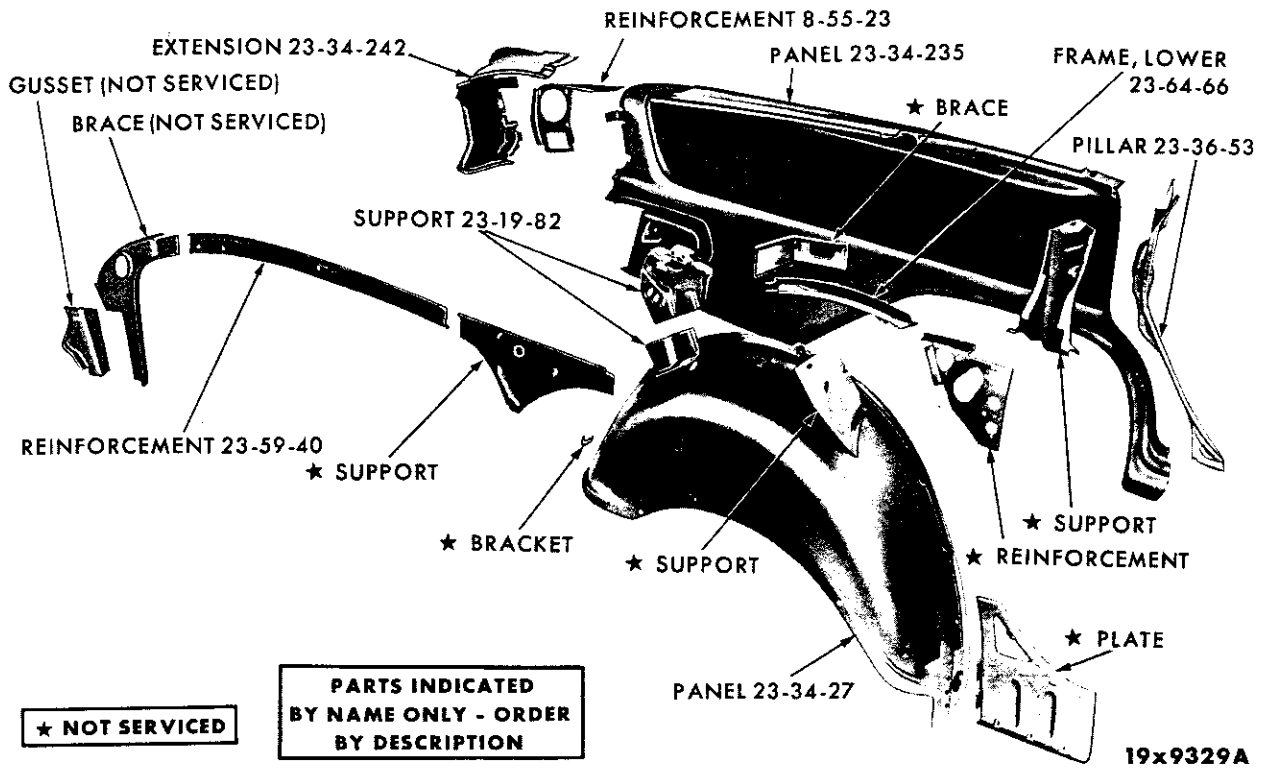
REAR QUARTER PANEL - DODGE TD1-2 2 DOOR SEDAN AND SPECIAL CLUB COUPE



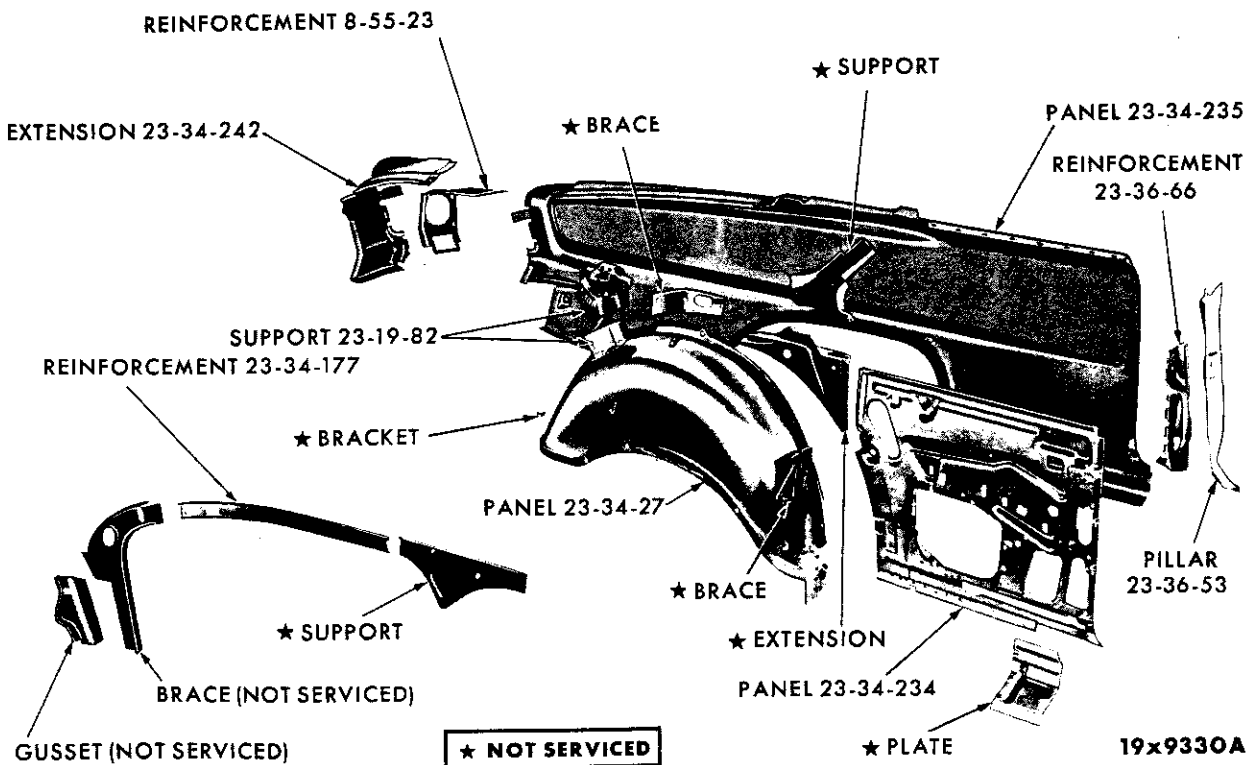
REAR QUARTER PANEL - DODGE TD1-2 CONVERTIBLE COUPE



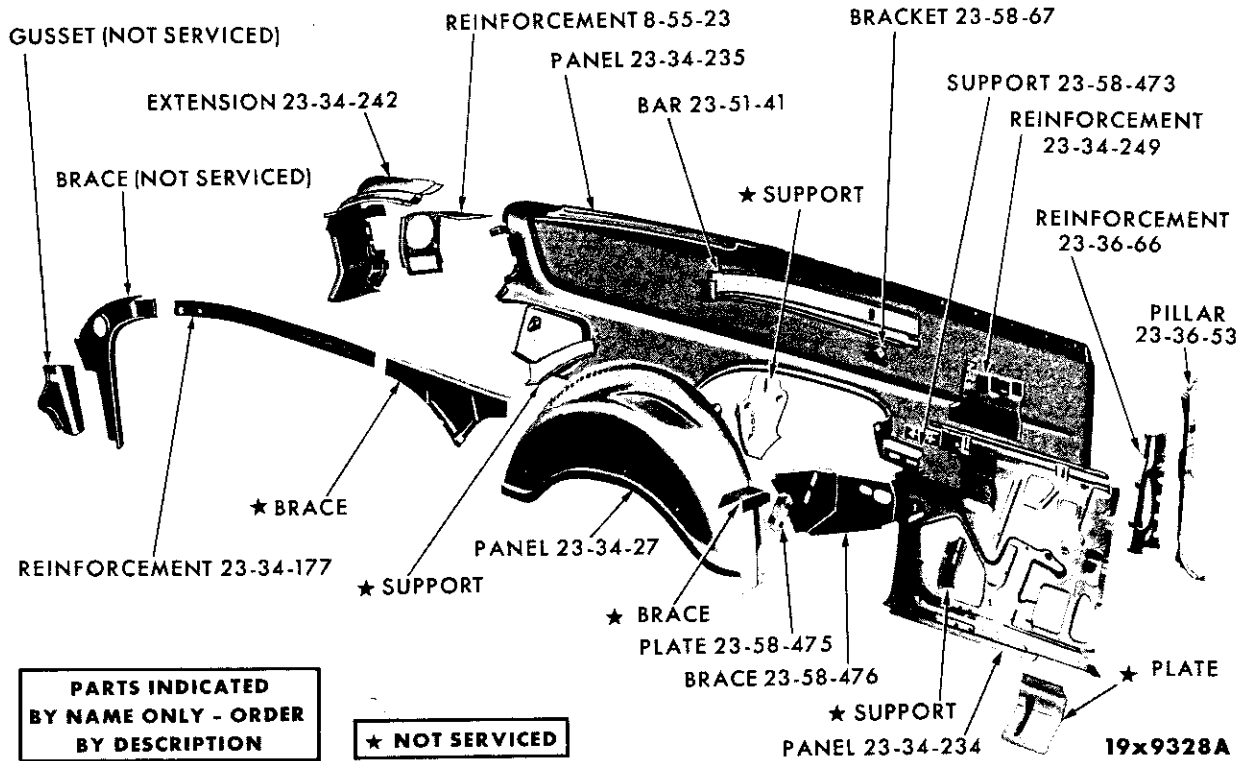
REAR QUARTER PANEL - DODGE TD1-2 4 DOOR SUBURBAN



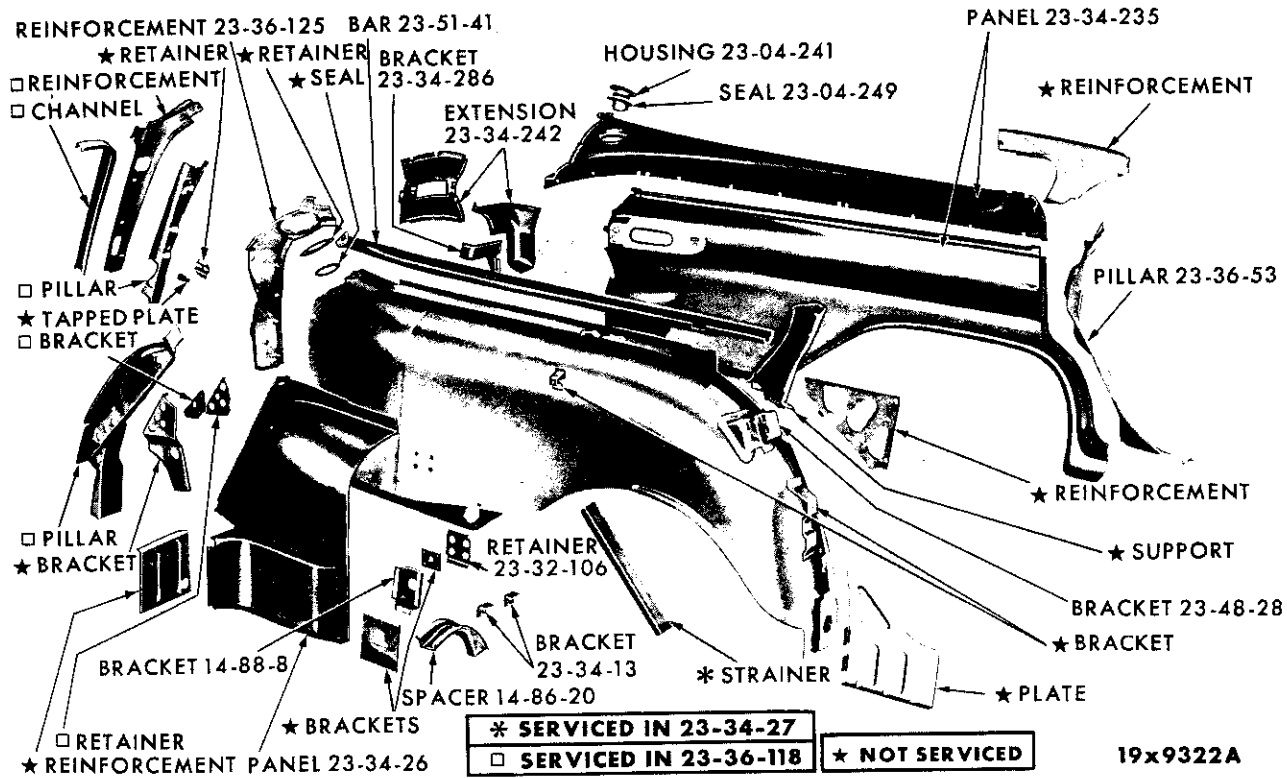
REAR QUARTER PANEL - DODGE TA3 4 DOOR SEDAN AND SPECIAL 4 DOOR SEDAN



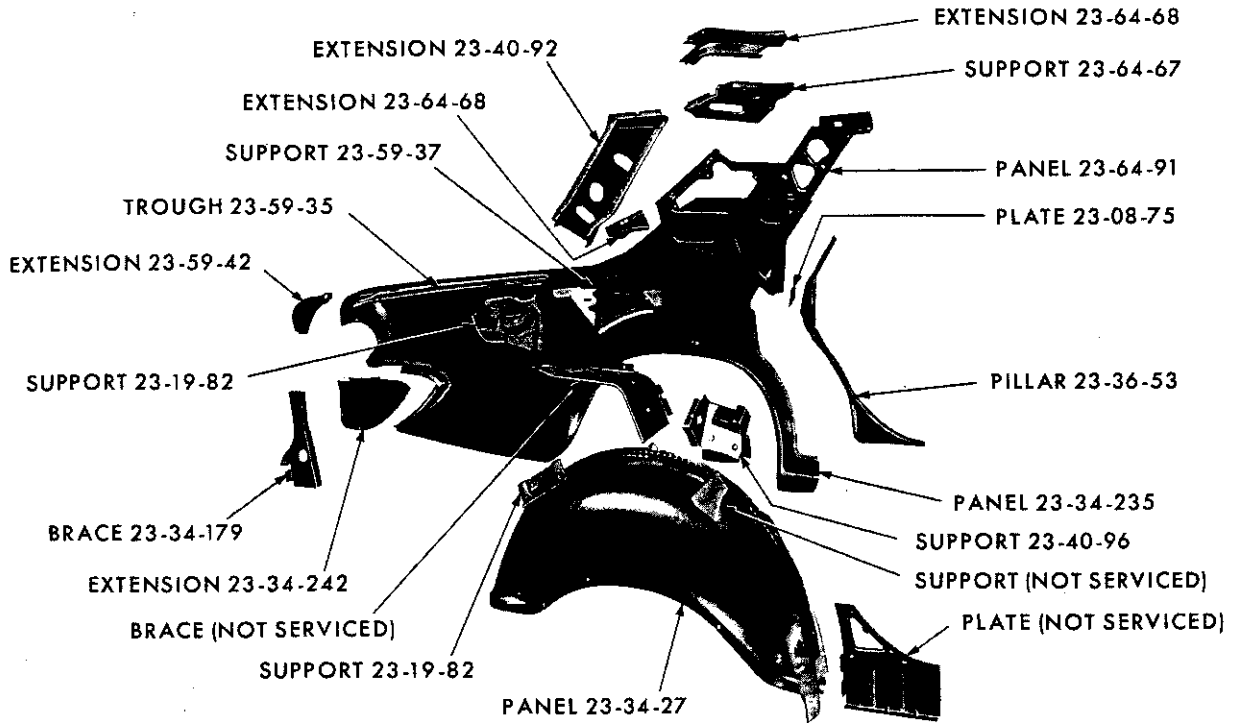
REAR QUARTER PANEL - DODGE TA3 SPECIAL CLUB COUPE



REAR QUARTER PANEL - DODGE TA3 CONVERTIBLE COUPE

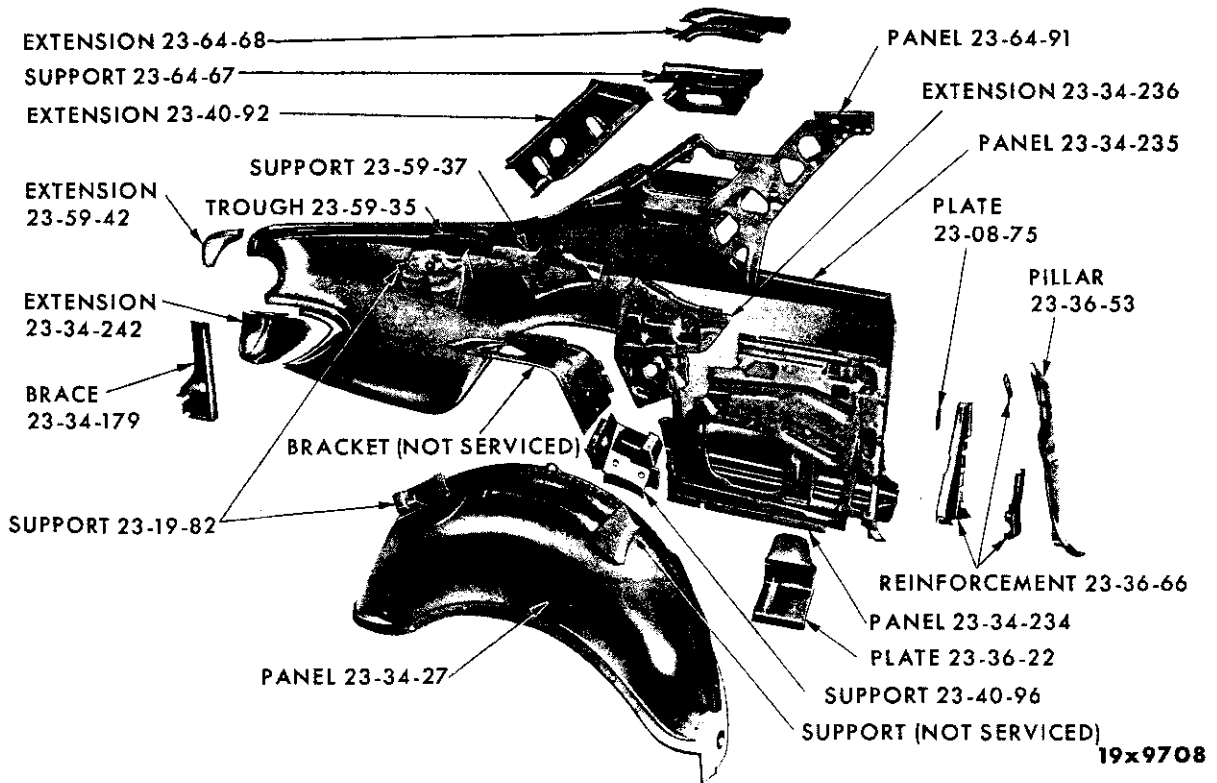


REAR QUARTER PANEL - DODGE TA3 SUBURBAN



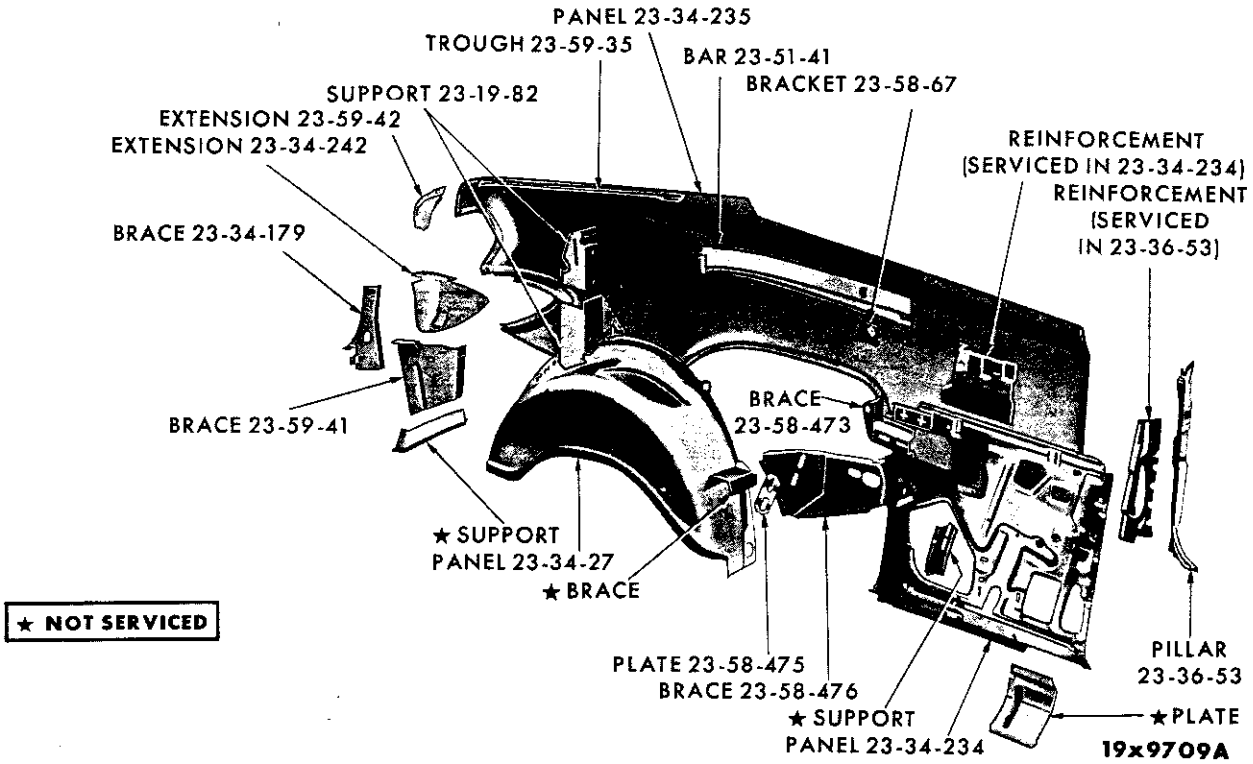
19x9707

REAR QUARTER PANEL - CHRYSLER TC1-2-3 4 DOOR SEDAN AND SPECIAL 4 DOOR SEDAN



19x9708

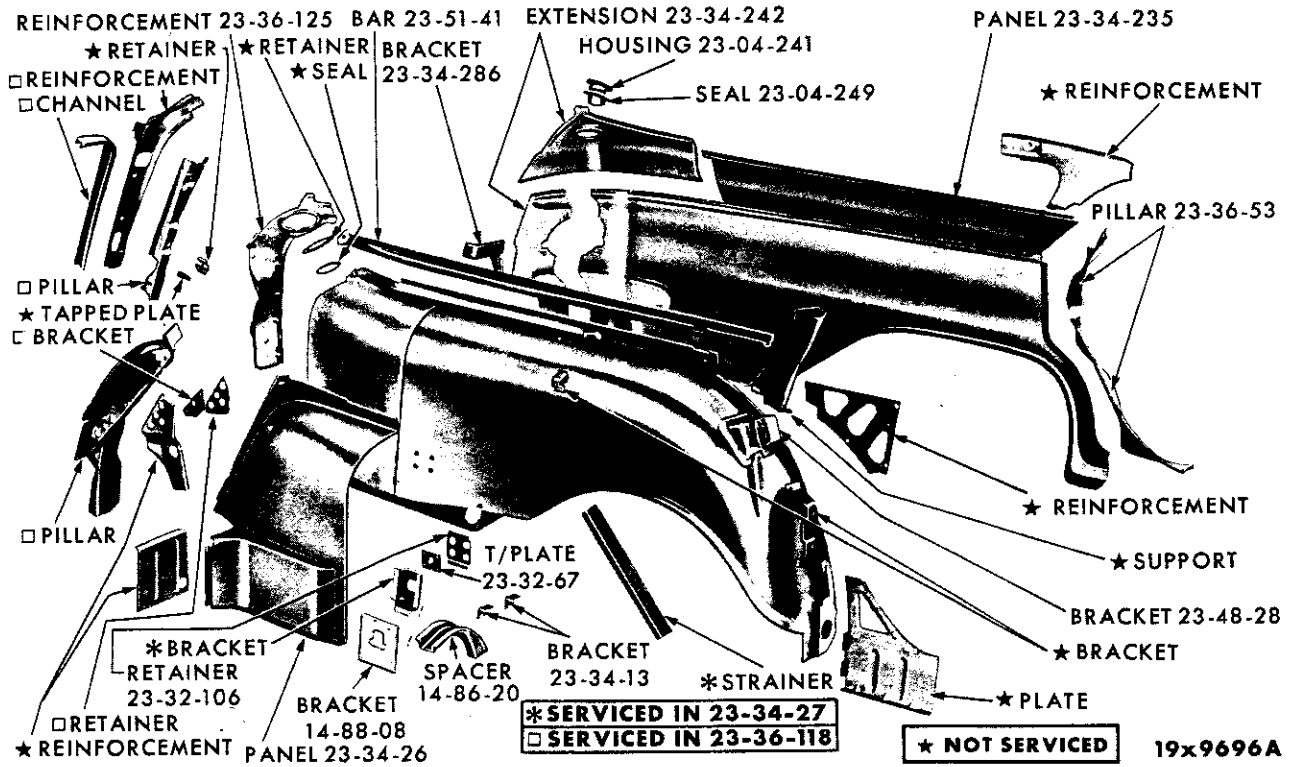
REAR QUARTER PANEL - CHRYSLER TC1-2-3 SPECIAL CLUB COUPE



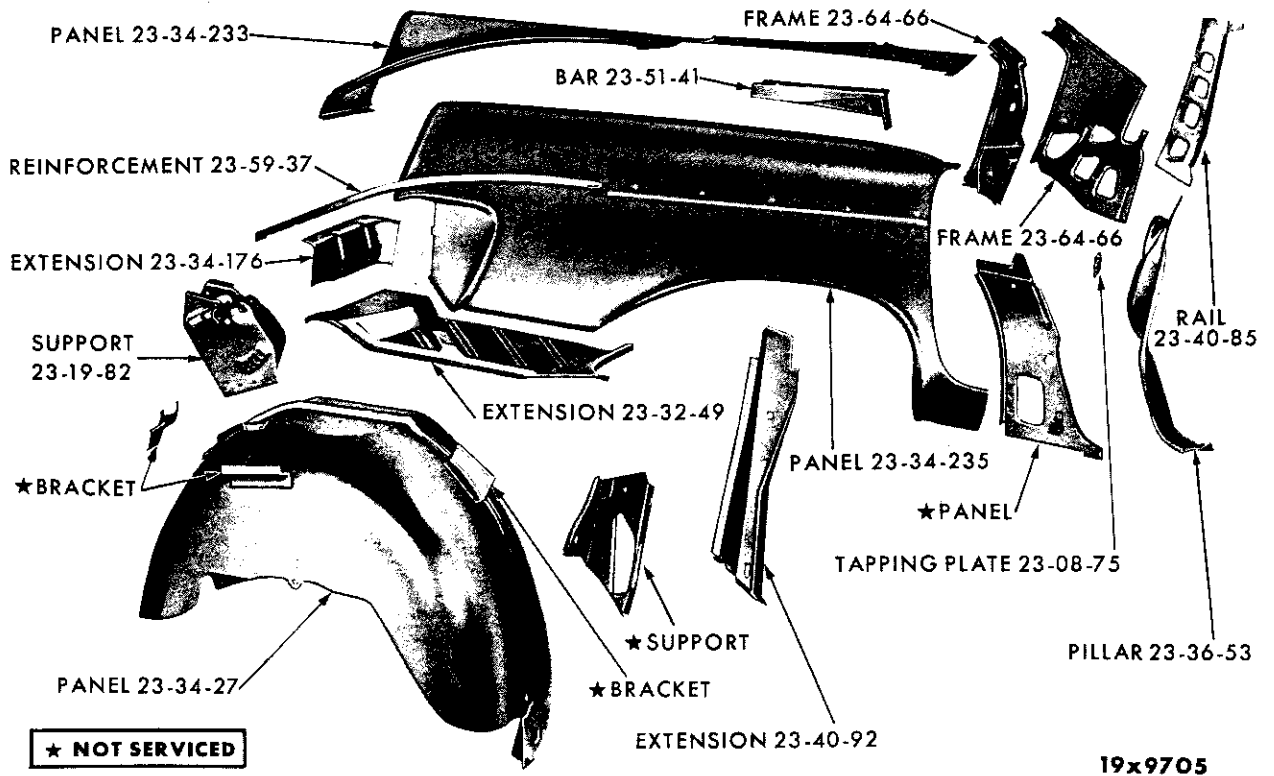
REAR QUARTER PANEL - CHRYSLER TC1-2-3 CONVERTIBLE COUPE

NOTES

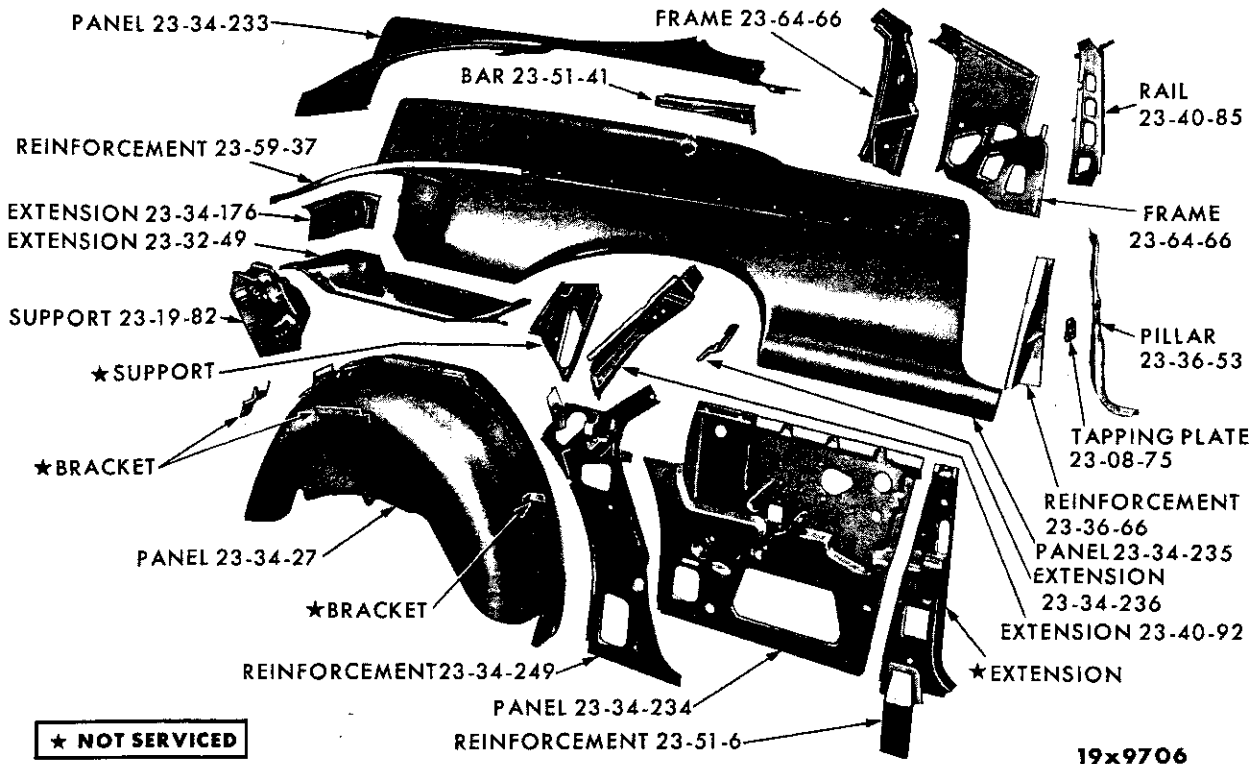
Blank lined area for notes, consisting of approximately 15 horizontal lines.



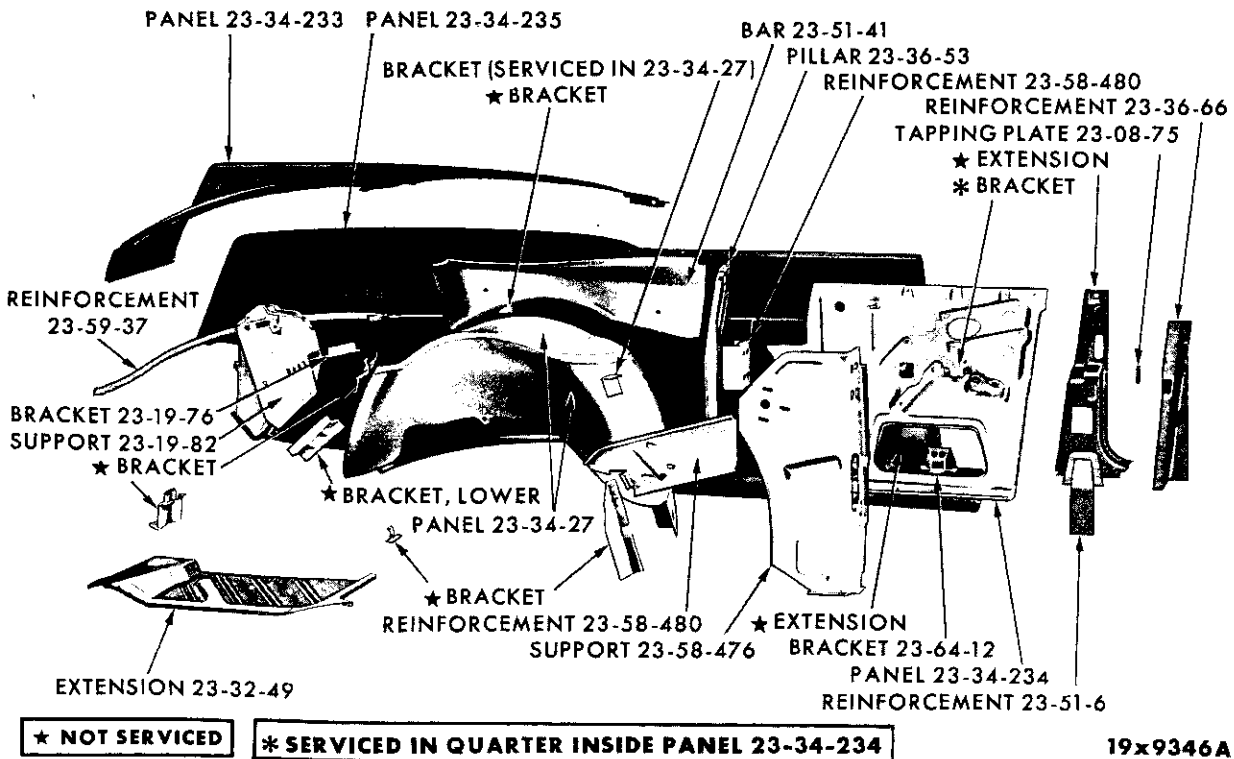
REAR QUARTER PANEL - CHRYSLER TC1-3 SPECIAL 4 DOOR SUBURBAN



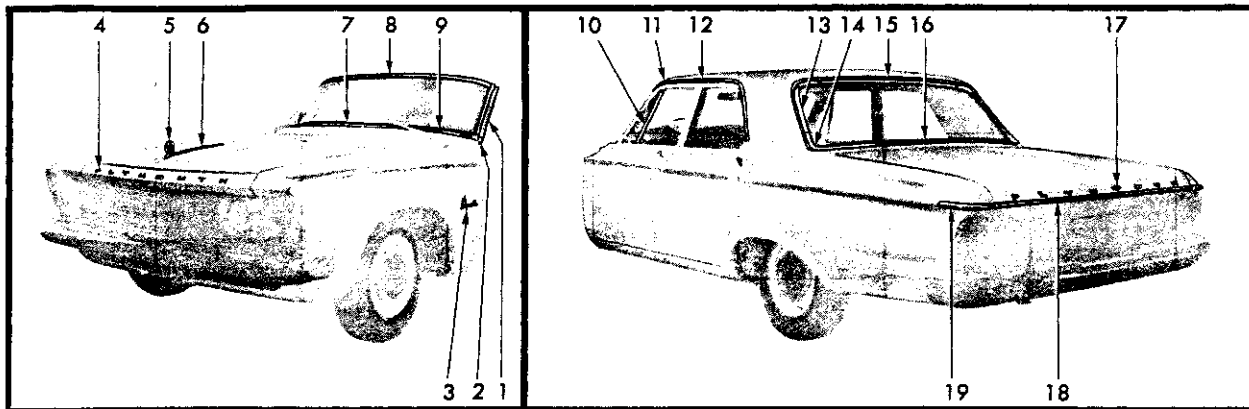
REAR QUARTER PANEL - IMPERIAL TY1 SPECIAL 4 DOOR SEDAN



REAR QUARTER PANEL - IMPERIAL TY1 SPECIAL CLUB COUPE



REAR QUARTER PANEL - IMPERIAL TY1 CONVERTIBLE COUPE



REF. NO.	QTY	PART NUMBER	DESCRIPTION
1	1	2166 966-7	MOULDING, Windshield Outside Finish Side (23-23-65)
2	1	2166 970-1	MOULDING, Windshield Outside Finish Lower End (23-23-65)
3	2	2417 375	NAME PLATE, Fender Side - Plymouth
	2	6001 254	Clip
	4	152 259	Nut
4	1	2417 367	LETTER, Hood Front Name, "P" (15-06-16)
	1	2417 368	"L"
	1	2417 369	"Y"
	1	2417 370	"M"
	1	2423 369	"O"
	1	2423 370	"U"
	1	2417 373	"T"
	1	2417 374	"H"
	16	9415 250	Nut
5	1	2276 334	ORNAMENT, Hood Top (15-03-18)
	1	6025 004	Nut
	1	6023 076	Stud
6	1	2421 232	MOULDING PACKAGE, Hood Top (15-25-2)
	5	9415 250	Nut
7	1	2254 524	COVER, Windshield Outside Finish Lower Moulding Joint (23-23-66)
8	1	2298 552	MOULDING PACKAGE, Windshield Outside Finish Upper (23-23-65)
	8	6000 966	Retainer
9	1	2298 571-2	MOULDING PACKAGE, Windshield Outside Finish Lower (23-23-65)
	10	6000 966	Retainer
10	4	2254 031	MOULDING, Front Door Vent Wing Division Channel (23-23-36)
11	1	2422 976-7	CAP, Roof Drain Trough Moulding Front End (23-59-61)

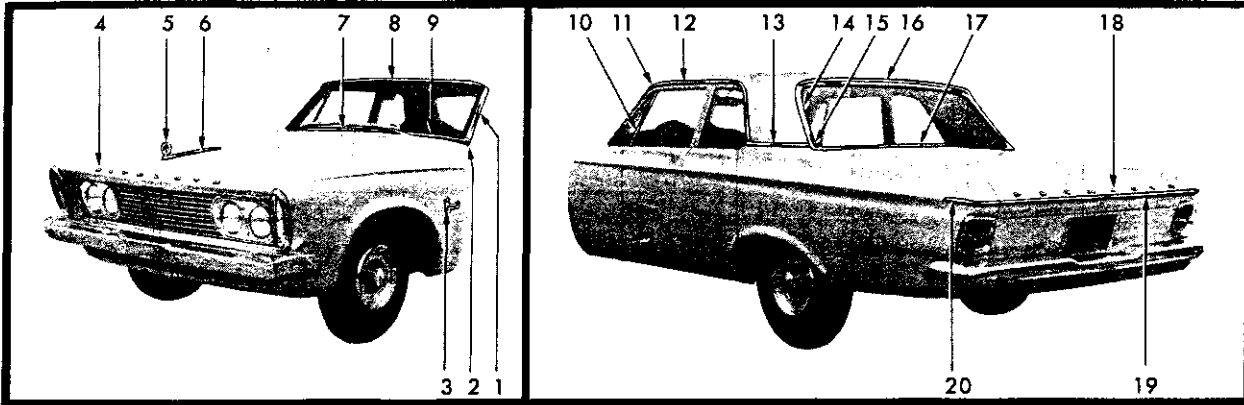
REF. NO.	QTY	PART NUMBER	DESCRIPTION
12	1	2423 596-7	MOULDING, Roof Drain Trough Side (23-59-61)
13	1	2424 558-9	MOULDING and SUPPORT, Rear Window Outside Side Upper (23-23-52)
	4	6023 693	Screw
14	1	2448 478-9	MOULDING PACKAGE, Rear Window Outside Side Lower (23-23-52)
	2	6023 693	Screw
	2	116 000	Nut
15	1	2424 557	MOULDING and SUPPORT, Rear Window Outside Upper (23-23-52)
	15	6023 693	Screw
16	1	2244 751	MOULDING, Rear Window Outside Lower (23-23-52)
	5	6024 117	Screw
17	1	2417 367	"P" Deck Lid Name Letter (23-19-114)
	1	2417 368	"L"
	1	2417 369	"Y"
	1	2417 370	"M"
	1	2423 369	"O"
	1	2423 370	"U"
	1	2417 373	"T"
	1	2417 374	"H"
	16	152 259	Nut
18	1	2448 179	MOULDING PACKAGE, Deck Lid (23-23-30)
	2	6001 433	Retainer
	1	2424 098-9	Spacer
	2	441 256	Nut
	6	6001 439	Retainer
	6	6006 264	Nut
19	1	2448 184-5	MOULDING PACKAGE, Quarter Panel (23-23-39)
	6	6001 112	Clip
	6	----	Nut

All Packages Include Attaching Parts

Part Type Code is Indicated in Parentheses

19x9609A

MOULDINGS - PLYMOUTH SAVOY TP1(L) 4 DOOR SEDAN



REF. NO.	QTY	PART NUMBER	DESCRIPTION
1	1	2166 966-7	MOULDING, Windshield Outside Finish Side (23-23-65)
2	1	2166 970-1	MOULDING, Windshield Outside Finish Lower End (23-23-65)
3	2	2417 375	NAME PLATE, Fender Side, Plymouth (12-15-21)
	2	6001 254	Clip
	4	152 259	Nut
4	1	2417 367	LETTER, Hood Front Name, "P" (15-06-16)
	1	2417 368	"L"
	1	2417 369	"Y"
	1	2417 370	"M"
	1	2423 369	"O"
	1	2423 370	"U"
	1	2417 373	"T"
	1	2417 374	"H"
16	1	9415 250	Nut
5	1	2276 334	ORNAMENT, Hood Top (15-03-18)
	1	6025 004	Nut
	1	6023 076	Stud
6	1	2421 232	MOULDING PACKAGE, Hood Top (15-25-2)
	5	9415 250	Nut
7	1	2254 524	COVER, Windshield Outside Finish Lower Moulding Joint (23-23-66)
8	1	2298 552	MOULDING PACKAGE, Windshield Outside Finish Upper (23-23-65)
	8	6000 966	Retainer
9	1	2298 571-2	MOULDING PACKAGE, Windshield Outside Finish Lower (23-23-65)
	10	6000 966	Retainer
10	4	2254 031	MOULDING, Door Vent Wing Division Channel (23-23-36)
11	1	2422 976-7	CAP, Roof Drain Trough Moulding Front End (23-59-57)
12	1	2423 596-7	MOULDING, Roof Drain Trough Side (23-59-61)

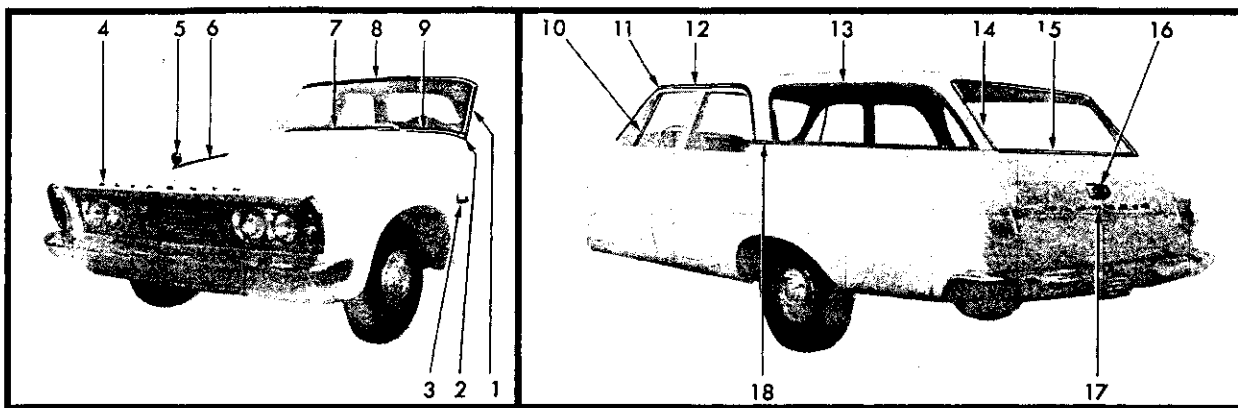
REF. NO.	QTY	PART NUMBER	DESCRIPTION
13	1	2448 150-1	MOULDING PACKAGE, Quarter Panel Belt (23-23-39)
	6	6001 030	Retainer
	6	152 259	Nut
14	1	2424 558-9	MOULDING and SUPPORT, Rear Window Outside Side Upper (23-23-52)
	4	6023 693	Screw
15	1	2448 478-9	MOULDING PACKAGE, Rear Window Outside Side Lower (23-23-52)
	2	6023 693	Screw
	2	----	Seal
	2	116 000	Nut
16	1	2424 557	MOULDING and SUPPORT, Rear Window Outside Upper (23-23-52)
	15	6023 693	Screw
17	1	2244 751	MOULDING, Rear Window Outside Lower (23-23-52)
	5	6024 117	Screw
18	1	2417 367	"P", Deck Lid Name Letter (23-19-114)
	1	2417 368	"L"
	1	2417 369	"Y"
	1	2417 370	"M"
	1	2423 369	"O"
	1	2423 370	"U"
	1	2417 373	"T"
	1	2417 374	"H"
	16	152 259	Nut
19	1	2448 179	MOULDING PACKAGE, Deck Lid (23-23-30)
	2	6001 433	Retainer
	1	2424 098-9	Spacer
	2	441 256	Nut
	6	6001 439	Retainer
	6	6006 264	Nut
20	1	2448 184-5	MOULDING PACKAGE, Quarter Panel (23-23-39)
	6	6001 112	Clip
	6	----	Nut

All Packages Include Attaching Parts

Part Type Code is Indicated in Parentheses

19x9617A

MOULDINGS - PLYMOUTH SAVOY TP1(L) 2 DOOR SEDAN



REF. NO.	QTY	PART NUMBER	DESCRIPTION
1	1	2166 966-7	MOULDING, Windshield Outside Finish Side (23-23-65)
2	1	2166 970-1	MOULDING, Windshield Outside Finish Lower End (23-23-65)
3	2	2417 375	NAME PLATE, Fender Side, Plymouth (12-15-21)
	2	6001 254	Clip
	4	152 259	Nut
4	1	2417 367	LETTER, Hood Front Name, "P" (15-06-16)
	1	2417 368	"L"
	1	2417 369	"Y"
	1	2417 370	"M"
	1	2423 369	"O"
	1	2423 370	"U"
	1	2417 373	"T"
	1	2417 374	"H"
	16	9415 250	Nut
5	1	2276 334	ORNAMENT, Hood Top (15-03-18)
	1	6025 004	Nut
	1	6023 076	Stud
6	1	2421 232	MOULDING PACKAGE, Hood Top (15-25-2)
	5	9415 250	Nut
7	1	2254 524	COVER, Windshield Outside Finish Lower Moulding Joint (23-23-66)
8	1	2298 552	MOULDING PACKAGE, Windshield Outside Finish Upper (23-23-65)
	8	6000 966	Retainer
9	1	2298 571-2	MOULDING PACKAGE, Windshield Outside Finish Lower (23-23-65)
	10	6000 966	Retainer

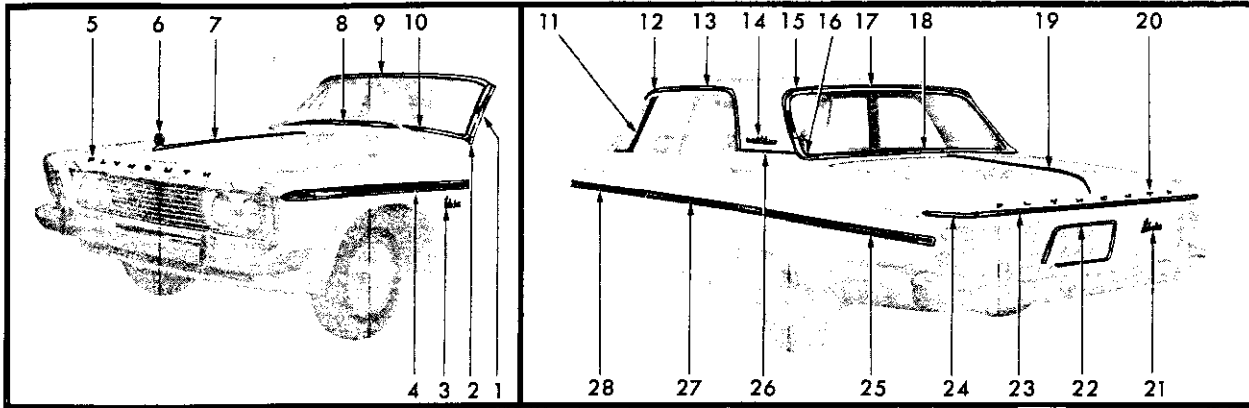
REF. NO.	QTY	PART NUMBER	DESCRIPTION
10	4	2254 031	MOULDING, Door Vent Wing Division Channel (23-23-36)
11	1	2422 976-7	CAP, Roof Drain Trough Moulding Front End (23-59-57)
12	1	2423 596-7	MOULDING, Roof Drain Trough Side (23-59-61)
13	2	2255 027	LOCKINGSTRIP, Quarter Window Glass Weatherstrip Rubber (23-63-110)
14	1	2251 802-3	MOULDING, Rear Upper Pillar Outside (23-23-60)
	8	9417 732	Screw
15	1	2448 488	MOULDING PACKAGE, Tailgate Outside Panel Belt (23-23-61)
	6	6001 435	Clip
	6	-----	Screw
16	1	2428 221	BASE, w/Stud, Electric Tailgate Window Regulator Outside (23-54-18)
	2	6025 004	Nut, w/Washer
17	1	2417 367	LETTER, Tailgate Outside "P"
	1	2417 368	"L"
	1	2417 369	"Y"
	1	2417 370	"M"
	1	2423 369	"O"
	1	2423 370	"U"
	1	2417 373	"T"
	1	2417 374	"H"
	16	6001 254	Clip
18	1	2299 374	MOULDING PACKAGE, Quarter Panel Belt, Right (23-23-39)
	1	2299 399	MOULDING PACKAGE, Quarter Panel Belt, Left
	4	6001 031	Clip

All Packages Include Attaching Parts

Part Type Code is Indicated in Parentheses

19x9643A

MOULDINGS - PLYMOUTH SAVOY TP2(L) SUBURBAN



REF. NO.	QTY	PART NUMBER	DESCRIPTION
1	1	2166 966-7	MOULDING, Windshield Outside Finish Side (23-23-65)
2	1	2166 970-1	MOULDING, Windshield Outside Finish Lower End (23-23-65)
3	2	2422 891	NAME PLATE, Fender Side, Belvedere (12-15-21)
	2	6001 254	Clip
	4	152 259	Nut
4	1	2421 983-4	MOULDING PACKAGE, Fender Side Front and Rear (12-15-2)
	8	6010 046	Clip
	8	-----	Nut
	14	6001 111	Retainer
5	1	2417 367	LETTER, Hood Front Name, "P" (15-06-16)
	1	2417 368	"L"
	1	2417 369	"Y"
	1	2417 370	"M"
	1	2423 369	"O"
	1	2423 370	"U"
	1	2417 373	"T"
	1	2417 374	"H"
	16	9415 250	Nut
6	1	2276 334	ORNAMENT, Hood Top (15-03-18)
	1	6025 004	Nut
	1	6023 076	Stud
7	1	2421 233	MOULDING PACKAGE, Hood Top (15-25-2)
	5	9415 250	Nut
8	1	2254 524	COVER, Windshield Outside Finish Lower Moulding Joint (23-23-66)
9	1	2298 552	MOULDING PACKAGE, Windshield Outside Finish Upper (23-23-65)
	8	6000 966	Retainer
10	1	2298 571-2	MOULDING PACKAGE, Windshield Outside Finish Lower (23-23-65)
	10	6000 966	Retainer
11	4	2254 031	MOULDING, Front Door Vent Wing Division Channel (23-23-36)
12	1	2422 976-7	CAP, Roof Drain Trough Moulding Front End (23-59-57)
13	1	2423 596-7	MOULDING, Roof Drain Trough Side (23-59-61)
14	2	2423 735	ORNAMENT, Quarter Outside Panel (23-34-334)
	6	6022 077	Washer
	6	6006 264	Nut
15	1	2424 558-9	MOULDING and SUPPORT, Rear Window Outside Upper (23-23-52)
	4	6023 693	Screw
16	1	2448 478-9	MOULDING PACKAGE, Rear Window Outside Side Lower (23-23-52)
	2	6023 693	Screw
	2	-----	Seal
	2	116 000	Nut
17	1	2424 557	MOULDING and SUPPORT, Rear Window Outside Upper (23-23-52)
	15	6023 693	Screw

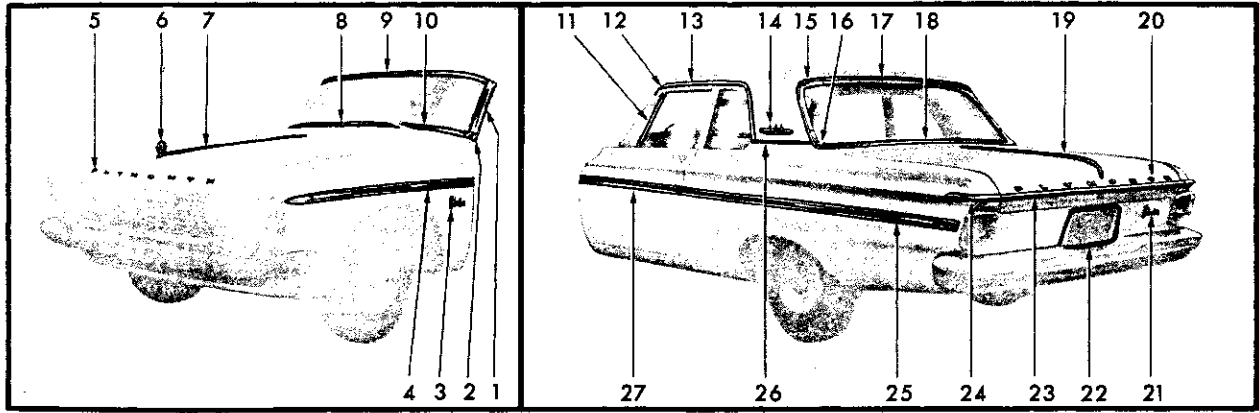
REF. NO.	QTY	PART NUMBER	DESCRIPTION
18	1	2244 751	MOULDING, Rear Window Outside Lower (23-23-52)
	5	6024 117	Screw
19	1	2448 180	MOULDING PACKAGE, Deck Lid Upper (23-23-30)
	6	6001 098	Retainer
	6	1839 995	Nut
20	1	2417 367	"P" Deck Lid Name Letter (23-19-114)
	1	2417 368	"L"
	1	2417 369	"Y"
	1	2417 370	"M"
	1	2423 369	"O"
	1	2423 370	"U"
	1	2417 371	"T"
	1	2417 374	"H"
	16	152 259	Nut
21	1	2422 891	NAME PLATE, Deck Opening Lower Panel Belvedere (23-34-184)
	3	6023 260	Nut and Seal
22	1	2448 178	MOULDING PACKAGE, Deck Lower Panel License Depression (23-23-23)
	3	6000 050	Clip
	4	1839 995	Nut
23	1	2448 179	MOULDING PACKAGE, Deck Lid Lower (23-23-30)
	2	6001 433	Retainer
	1	2424 098-9	Spacer
	2	441 256	Nut
	6	6001 439	Retainer
	6	6006 264	Nut
24	1	2448 184-5	MOULDING PACKAGE, Quarter Panel Upper Rear (23-23-39)
	6	6001 112	Clip
	6	-----	Nut
25	1	2448 156-7	MOULDING PACKAGE, Quarter Panel Lower (23-23-39)
	14	6001 111	Retainer
	2	6022 007	Washer
	2	6010 046	Clip
	2	116 000	Nut
	2	6023 241	Screw
26	1	2448 150-1	MOULDING PACKAGE, Quarter Panel Belt (23-23-39)
	6	6001 030	Retainer
	6	152 259	Nut
27	1	2448 190-1	MOULDING PACKAGE, Rear Door (23-23-33)
	2	6023 241	Screw
	10	6001 111	Retainer
28	1	2448 188-9	MOULDING PACKAGE, Front Door (23-23-32)
	4	6001 113	Retainer
	4	441 256	Nut
	10	6001 111	Retainer

All Packages Include Attaching Parts

Part Type Code is Indicated in Parentheses

19x9613A

MOULDINGS - PLYMOUTH BELVEDERE TP1(M) 4 DOOR SEDAN



REF. NO.	QTY	PART NUMBER	DESCRIPTION
1	1	2166 966-7	MOULDING, Windshield Outside Finish Side (23-23-65)
2	1	2166 970-1	MOULDING, Windshield Outside Finish Lower End (23-23-65)
3	2	2422 891	NAME PLATE, Fender Side, Belvedere (12-15-21)
	2	6001 254	Clip
	4	152 259	Nut
4	1	2421 983-4	MOULDING PACKAGE, Fender Side (12-15-2)
	14	6001 111	Retainer
	8	6010 046	Clip
	8	----	Nut
5	1	2417 367	LETTER, Hood Front Name, "P" (15-06-16)
	1	2417 368	"L"
	1	2417 369	"Y"
	1	2417 370	"M"
	1	2423 369	"O"
	1	2423 370	"U"
	1	2417 373	"T"
	1	2417 374	"H"
	16	9415 250	Nut
6	1	2276 334	ORNAMENT, Hood Top (15-03-18)
	1	6025 004	Nut
	1	6023 076	Stud
7	1	2421 233	MOULDING PACKAGE, Hood Top (15-25-2)
	5	9415 250	Nut
8	1	2254 524	COVER, Windshield Outside Finish Lower Moulding Joint (23-23-66)
9	1	2298 552	MOULDING PACKAGE, Windshield Outside Finish Upper (23-23-65)
	8	6000 966	Retainer
10	1	2298 571-2	MOULDING PACKAGE, Windshield Outside Finish Lower (23-23-65)
	10	6000 966	Retainer
11	4	2254 031	MOULDING, Door Vent Wing Division Channel (23-23-36)
12	1	2422 976-7	CAP, Roof Drain Trough Moulding Front End (23-59-57)
13	1	2423 596-7	MOULDING, Roof Drain Trough Side (23-59-61)
14	2	2423 735	ORNAMENT, Quarter Outside Panel (23-34-334)
	6	6022 077	Washer
	6	6006 264	Nut
15	1	2424 558-9	MOULDING and SUPPORT, Rear Window Outside Side Upper (23-23-52)
	4	6023 693	Screw
16	1	2448 478-9	MOULDING PACKAGE, Rear Window Outside Side Lower (23-23-52)
	2	6023 693	Screw
	2	----	Seal
	2	116 000	Nut

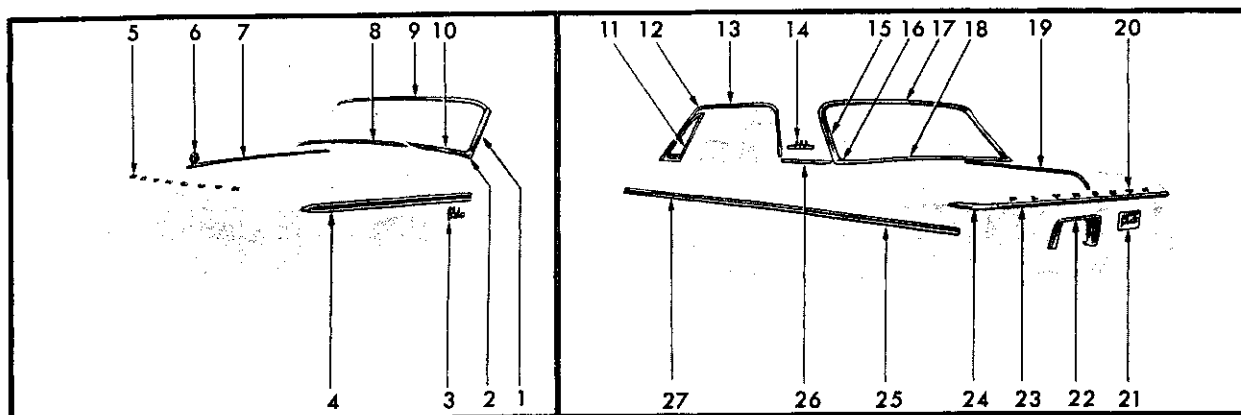
REF. NO.	QTY	PART NUMBER	DESCRIPTION
17	1	2424 557	MOULDING and SUPPORT, Rear Window Outside Upper (23-23-52)
	15	6023 693	Screw
18	1	2244 751	MOULDING, Rear Window Outside Lower (23-23-52)
	5	6024 117	Screw
19	1	2448 180	MOULDING PACKAGE, Deck Lid Upper (23-23-30)
	6	6001 098	Retainer
	6	1839 995	Nut
20	1	2417 367	"P", Deck Lid Name Letter (23-19-114)
	1	2417 368	"L"
	1	2417 369	"Y"
	1	2417 370	"M"
	1	2423 369	"O"
	1	2423 370	"U"
	1	2417 373	"T"
	1	2417 374	"H"
	16	152 259	Nut
21	1	2422 891	NAME PLATE, Deck Opening Lower Panel Belvedere (23-34-184)
	3	6023 260	Nut and Seal
22	1	2448 178	MOULDING PACKAGE, Deck Lower Panel License Depression (23-22-23)
	3	6000 050	Clip
	4	1839 995	Nut
23	1	2448 179	MOULDING PACKAGE, Deck Lid Lower (23-23-30)
	2	6001 433	Retainer
	1	2424 098-9	Spacer
	2	441 256	Nut
	6	6001 439	Retainer
	6	6006 264	Nut
24	1	2448 184-5	MOULDING PACKAGE, Quarter Panel Upper Rear (23-23-39)
	6	6001 112	Clip
	6	----	Nut
25	1	2448 154-5	MOULDING PACKAGE, Quarter Panel Lower (23-23-39)
	2	6010 046	Clip
	2	6022 007	Washer
	2	116 000	Nut
	22	6001 111	Retainer
26	1	2448 150-1	MOULDING PACKAGE, Quarter Panel Belt (23-23-39)
	6	6001 030	Retainer
	6	152 259	Nut
27	1	2448 186-7	MOULDING PACKAGE, Door (23-23-32)
	4	6001 113	Retainer
	4	441 256	Nut
	12	6001 111	Retainer

All Packages include Attaching Parts

Part Type Code is Indicated in Parentheses

19x9639B

MOULDINGS - PLYMOUTH BELVEDERE TP1-2(M) 2 DOOR SEDAN



REF. NO.	QTY	PART NUMBER	DESCRIPTION
1	1	2166 966-7	MOULDING, Windshield Outside Finish Side (23-23-65)
2	1	2166 970-1	MOULDING, Windshield Outside Finish Lower End (23-23-65)
3	2	2422 891	NAME PLATE, Fender Side, Belvedere (12-15-21)
	2	6001 254	Clip
	4	152 259	Nut
4	1	2421 983-4	MOULDING PACKAGE, Fender Side (12-15-2)
	14	6001 111	Retainer
	8	6010 046	Clip
	8	-----	Nut
5	1	2417 367	LETTER, Hood Front Name, "P" (15-06-16)
	1	2417 368	"L"
	1	2417 369	"Y"
	1	2417 370	"M"
	1	2423 369	"O"
	1	2423 370	"U"
	1	2417 373	"T"
	1	2417 374	"H"
	16	9415 250	Nut
6	1	2276 334	ORNAMENT, Hood Top (15-03-18)
	1	6025 004	Nut
	1	6023 076	Stud
7	1	2421 233	MOULDING PACKAGE, Hood Top (15-25-2)
	5	9415 250	Nut
8	1	2254 524	COVER, Windshield Outside Finish Lower Maulding Joint (23-23-66)
9	1	2298 552	MOULDING PACKAGE, Windshield Outside Finish Upper (23-23-65)
	8	6000 966	Retainer
10	1	2298 571-2	MOULDING PACKAGE, Windshield Outside Finish Lower (23-23-65)
	10	6000 966	Retainer
11	4	2254 031	MOULDING, Door Vent Wing Division Channel (23-23-36)
12	1	2422 976-7	CAP, Roof Drain Trough Moulding Front End (23-59-57)
13	1	2423 596-7	MOULDING, Roof Drain Trough Side (23-59-61)
14	2	2423 735	ORNAMENT, Quarter Outside Panel (23-34-334)
	6	6022 077	Washer
	6	6006 264	Nut
15	1	2424 558-9	MOULDING and SUPPORT, Rear Window Outside Upper (23-23-52)
	4	6023 693	Screw
16	1	2448 478-9	MOULDING PACKAGE, Rear Window Outside Side Lower (23-23-52)
	2	6023 693	Screw
	2	-----	Seal
	2	116 000	Nut

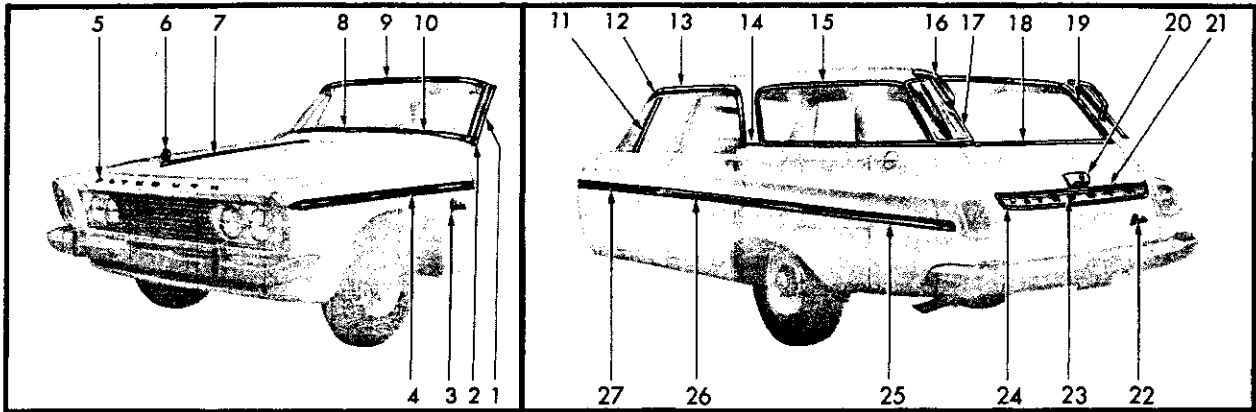
REF. NO.	QTY	PART NUMBER	DESCRIPTION
17	1	2424 557	MOULDING and SUPPORT, Rear Window Outside Upper (23-23-52)
	15	6023 693	Screw
18	1	2244 751	MOULDING, Rear Window Outside Lower (23-23-52)
	5	6024 117	Screw
19	1	2448 180	MOULDING PACKAGE, Deck Lid Upper (23-23-30)
	6	6001 098	Retainer
	6	1839 995	Nut
20	1	2417 367	"P", Deck Lid Name Letter (23-19-114)
	1	2417 368	"L"
	1	2417 369	"Y"
	1	2417 370	"M"
	1	2423 369	"O"
	1	2423 370	"U"
	1	2417 373	"T"
	1	2417 374	"H"
	16	152 259	Nut
21	1	2422 891	NAME PLATE, Deck Opening Lower Panel Belvedere (23-34-184)
	3	6023 260	Nut and Seal
22	1	2448 178	MOULDING PACKAGE, Deck Lower Panel License Depression (23-23-23)
	3	6000 050	Clip
	4	1839 995	Nut
23	1	2448 179	MOULDING PACKAGE, Deck Lid Lower (23-23-30)
	2	6001 433	Retainer
	1	2424 098-9	Spacer
	2	441 256	Nut
	6	6001 439	Retainer
	6	6006 264	Nut
24	1	2448 184-5	MOULDING PACKAGE, Quarter Panel Upper Rear (23-23-39)
	6	6001 112	Clip
	6	-----	Nut
25	1	2448 154-5	MOULDING PACKAGE, Quarter Panel Lower (23-23-39)
	2	6001 111	Retainer
	2	6010 046	Clip
	2	6022 007	Washer
	2	116 000	Nut
26	1	2448 150-1	MOULDING PACKAGE, Quarter Panel Belt (23-23-39)
	6	6001 030	Retainer
	6	152 259	Nut
27	1	2448 186-7	MOULDING PACKAGE, Door (23-23-32)
	4	6001 113	Retainer
	4	441 256	Nut
	12	6001 111	Retainer

All Packages include Attaching Parts

Part Type Code is Indicated in Parentheses

19x9632B

MOULDINGS - PLYMOUTH BELVEDERE TP1-2(M) SPECIAL CLUB COUPE



REF. NO.	QTY	PART NUMBER	DESCRIPTION
1	1	2166 966-7	MOULDING, Windshield Outside Finish Side (23-23-65)
2	1	2166 970-1	MOULDING, Windshield Outside Finish Lower End (23-23-65)
3	2	2422 891	NAME PLATE, Fender Side, Belvedere (12-15-21)
	2	6001 254	Clip
	4	152 259	Nut
4	1	2421 983-4	MOULDING PACKAGE, Fender Side (12-15-2)
	14	6001 111	Retainer
	8	6010 046	Clip
	8	----	Nut
5	1	2417 367	LETTER, Hood Front Name, "P" (15-06-16)
	1	2417 368	"L"
	1	2417 369	"Y"
	1	2417 370	"M"
	1	2423 369	"O"
	1	2423 370	"U"
	1	2417 373	"T"
	1	2417 374	"H"
16	1	9415 250	Nut
6	1	2276 334	ORNAMENT, Hood Top (15-03-18)
	1	6025 004	Nut
	1	6023 076	Stud
7	1	2421 233	MOULDING PACKAGE, Hood Top (15-25-2)
	5	9415 250	Nut
8	1	2254 524	COVER, Windshield Outside Finish Lower Moulding Joint (23-23-66)
9	1	2298 552	MOULDING PACKAGE, Windshield Outside Finish Upper (23-23-65)
	8	6000 966	Retainer
10	1	2298 571-2	MOULDING PACKAGE, Windshield Outside Finish Lower (23-23-65)
	10	6000 966	Retainer
11	4	2254 031	MOULDING, Door Vent Wing Division Channel (23-23-36)
12	1	2422 976-7	CAP, Roof Drain Trough Moulding Front End (23-59-57)
13	1	2423 596-7	MOULDING, Roof Drain Trough Side (23-59-61)
14	1	2299 374	MOULDING PACKAGE, Quarter Panel Belt, Right (23-23-39)
	1	2299 399	Moulding Package, Quarter Panel Belt, Left
	4	6001 031	Clip
15	2	2422 471	LOCKINGSTRIP, Quarter Window Glass Weatherstrip Mylar (23-63-110)

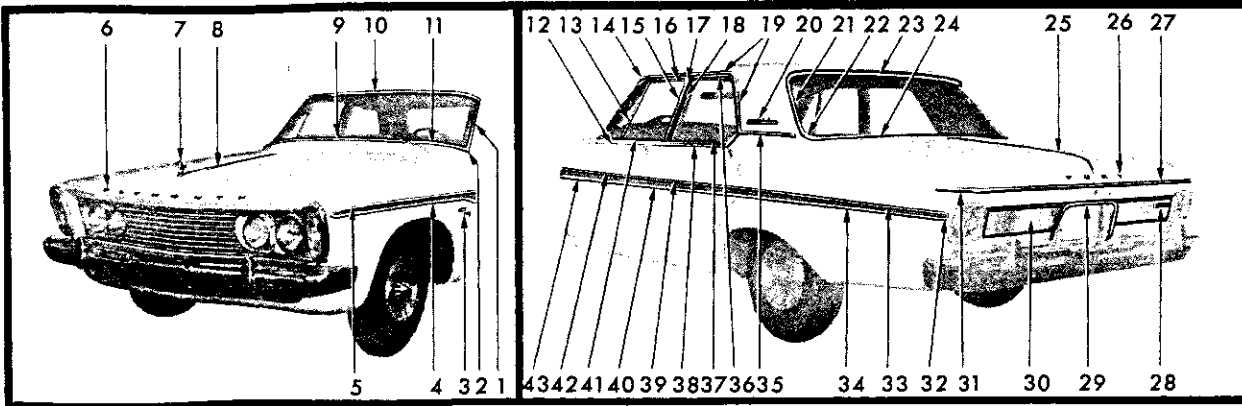
REF. NO.	QTY	PART NUMBER	DESCRIPTION
16	1	2424 096-7	HANDLE, Roof Panel Rear Pillar Outside Assist (23-36-123)
	4	6023 204	Nut and Washer
	1	2424 984-5	Seal
17	1	2252 254-5	DEFLECTOR, Roof Panel Outside Air (23-36-134)
	2	167 079	Screw
	4	9418 381	Screw
18	1	2448 488	MOULDING PACKAGE, Tailgate Outside Panel Belt (23-23-61)
	6	6001 435	Clip
	6	----	Screw
19	1	2251 802-3	MOULDING, Rear Upper Pillar Outside (23-23-60)
	8	9417 732	Screw
20	1	2428 221	BASE, w/Stud, Tailgate Electric Window Regulator Outside (23-54-18)
	2	6025 004	Nut, w/Washer
21	1	2448 400	MOULDING PACKAGE, Tailgate Outside Panel (23-23-61)
	7	6001 047	Retainer
22	1	2422 891	NAME PLATE, Tailgate Outside "Belvedere" (23-54-11)
23	1	2417 367	LETTER, Tailgate Outside Panel "P" (23-54-11)
	1	2417 368	"L"
	1	2417 369	"Y"
	1	2417 370	"M"
	1	2423 369	"O"
	1	2423 370	"U"
	1	2417 373	"T"
	1	2417 374	"H"
24	16	6001 254	Clip
	1	2448 198-9	MOULDING PACKAGE, Tailgate Outside Panel Upper and Lower End (23-23-61)
	4	----	Nut
25	1	2448 182-3	MOULDING PACKAGE, Quarter Panel Lower (23-23-39)
	2	6023 241	Screw
	16	6001 111	Retainer
	2	6010 046	Clip
	2	6022 007	Seal
	2	116 000	Nut
26	1	2448 190-1	MOULDING PACKAGE, Rear Door (23-23-33)
	2	6023 241	Screw
	10	6001 111	Retainer
27	1	2448 188-9	MOULDING PACKAGE, Front Door (23-23-32)
	4	6001 113	Retainer
	4	441 256	Nut
	10	6001 111	Retainer

All Packages Include Attaching Parts

Part Type Code is Indicated in Parentheses

19x9644A

MOULDINGS - PLYMOUTH BELVEDERE TP2(M) SUBURBAN



REF. NO.	QTY	PART NUMBER	DESCRIPTION
1	1	2166 966-7	MOULDING, Windshield Outside Finish Side (23-23-65)
2	1	2166 970-1	MOULDING, Windshield Outside Finish Lower End (23-23-65)
3	2	2417 200	NAME PLATE, Fender Side - Fury (12-15-21)
	6	152 259	Nut
4	1	2421 985-6	MOULDING PACKAGE, Fender Side Lower, w/Rear Extension (12-15-2)
	6	-----	Clip 8 ----- Nut
	2	6001 097	Clip 26 6001 107 Retainer
5	1	2421 987-8	MOULDING PACKAGE, Fender Side Upper, w/Front Cap (12-15-2)
	2	6001 494	Retainer 24 6001 107 Retainer
20	-----	-----	Nut 6 ----- Clip
6	1	2417 367	LETTER, Hood Front Name, "P" (15-06-16)
	1	2417 368	"L" 1 2423 370 "U"
	1	2417 369	"Y" 1 2417 373 "T"
	1	2417 370	"M" 1 2417 374 "H"
	1	2423 369	"O" 16 9415 250 Nut
7	1	2276 334	ORNAMENT, Hood Top (15-03-18)
	1	6025 004	Nut 1 6023 076 Stud
8	1	2421 233	MOULDING PACKAGE, Hood Top (15-25-2)
	5	9415 250	Nut
9	1	2254 524	COVER, Windshield Outside Finish Lower Moulding Joint (23-23-66)
10	1	2298 552	MOULDING PACKAGE, Windshield Outside Finish Upper (23-23-65)
	8	6000 966	Retainer
11	1	2298 571-2	MOULDING PACKAGE, Windshield Outside Finish Lower (23-23-65)
	10	6000 966	Retainer
12	1	2448 538-9	MOULDING PACKAGE, Front Door Belt Lower (23-23-32)
	4	6023 241	Screw 10 6001 086 Retainer
13	4	2254 031	MOULDING, Door Vent Wing Division Channel (23-23-36)
14	1	2255 240-1	MOULDING, Roof Side Drain Trough Front (23-59-61)
15	1	2167 998-9	MOULDING, Front Door Window Frame Rear (23-23-32)
16	1	2167 996-7	MOULDING, Front Door Window Frame Upper (23-23-32)
17	1	2216 356-7	PANEL, Center Pillar Upper Finish (23-23-16)
	4	6022 890	Screw
18	1	2167 998-9	MOULDING, Rear Door Window Frame Front (23-23-33)
19	1	2421 894-5	MOULDING PACKAGE, Roof Side Drain Trough Intermediate and Rear, Use w/o Two Tone Paint (23-59-61)
	8	2423 432	Clip 8 6023 559 Screw
	1	2421 896-7	MOULDING PACKAGE, Roof Side Drain Trough Intermediate and Rear, Use w/Two Tone Paint (23-59-61)
	8	2423 432	Clip 8 6023 559 Screw
20	2	2423 735	ORNAMENT, Quarter Outside Panel (23-34-334)
	6	6022 077	Washer 6 6006 264 Nut
21	1	2424 558-9	MOULDING and SUPPORT, Rear Window Outside Side Upper (23-23-52)
	4	6023 693	Screw
22	1	2448 478-9	MOULDING PACKAGE, Rear Window Outside Side Lower (23-23-52)
	2	6023 693	Screw 2 116 000 Nut
	2	-----	Seal

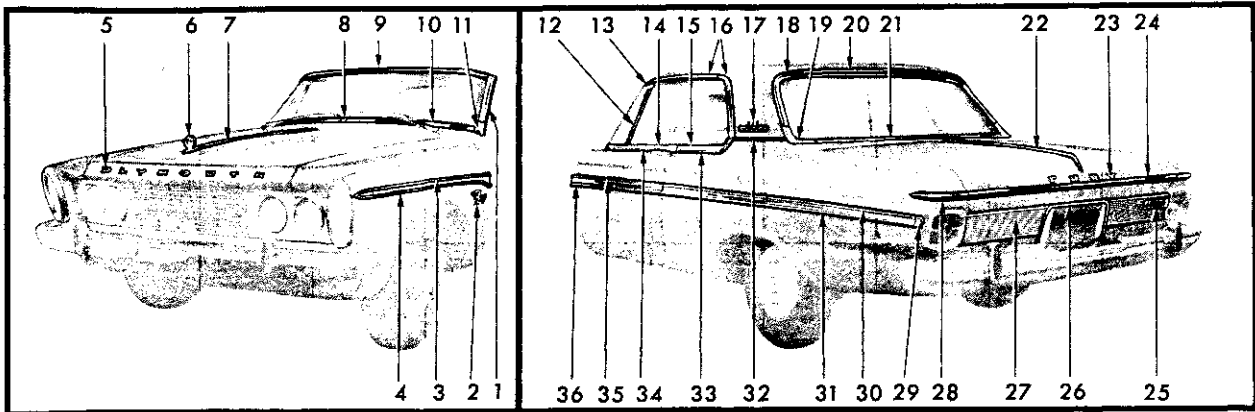
REF. NO.	QTY	PART NUMBER	DESCRIPTION
23	1	2424 557	MOULDING and SUPPORT, Rear Window Outside Upper (23-23-52)
	15	6023 693	Screw
24	1	2244 751	MOULDING, Rear Window Outside Lower (23-23-52)
	5	6024 117	Screw
25	1	2448 180	MOULDING PACKAGE, Deck Lid Upper (23-23-30)
	6	6001 098	Retainer 6 1839 995 Nut
26	1	2423 696	"F", Deck Lid Name Letter (23-19-114)
	1	2423 697	"U" 1 2423 699 "Y"
	1	2423 698	"R" 8 152 259 Nut
27	1	2448 179	MOULDING PACKAGE, Deck Lid Lower (23-23-30)
	2	6001 433	Retainer 6 6001 439 Retainer
	1	2424 098-9	Spacer 6 6006 264 Nut
	2	441 256	Nut
28	1	2423 563	NAME PLATE, Deck Opening Lower Panel Plymouth (23-34-184)
	2	6023 260	Nut and Seal
29	1	2448 178	MOULDING PACKAGE, Deck Lower Panel License Depression (23-23-23)
	3	6000 050	Clip 4 1839 995 Nut
30	1	2424 869	MOULDING, Deck Lower Panel Finish, Right (23-23-28)
	1	2423 759	MOULDING, Deck Lower Panel Finish, Left (23-23-28)
	12	6023 265	Nut
31	1	2448 184-5	MOULDING PACKAGE, Quarter Panel Rear (23-23-39)
	6	6001 112	Clip 6 ----- Nut
32	1	2448 162-3	MOULDING PACKAGE, Quarter Panel End (23-23-39)
	2	-----	Nut
33	1	2448 406-7	MOULDING PACKAGE, Quarter Panel Upper (23-23-39)
	2	6023 241	Screw 16 6001 047 Retainer
34	1	2448 402-3	MOULDING PACKAGE, Quarter Panel Lower (23-23-39)
	2	6623 241	Screw
35	1	2448 164-5	MOULDING PACKAGE, Quarter Panel Belt (23-23-39)
	6	-----	Nut
36	1	2216 036-7	MOULDING, Rear Door Window Frame Upper (23-23-33)
37	1	2424 344-5	MOULDING, Rear Door Upper (23-23-33)
38	1	2448 542-3	MOULDING PACKAGE, Rear Door Belt Lower (23-23-33)
	2	6001 433	Retainer 4 6023 241 Screw
	2	-----	Nut 10 6001 086 Retainer
39	1	2448 424-5	MOULDING PACKAGE, Rear Door Upper (23-23-33)
	12	6001 047	Retainer 2 9417 383 Nut
	2	6001 108	Retainer 2 6023 241 Screw
40	1	2448 426-7	MOULDING PACKAGE, Rear Door Lower (23-23-33)
	2	6001 109	Retainer 2 6023 241 Screw
	2	9417 383	Nut
41	1	2424 342-3	MOULDING, Front Door Belt Upper (23-23-32)
42	1	2448 416-7	MOULDING PACKAGE, Front Door Upper (23-23-32)
	4	6001 108	Retainer 10 6001 047 Retainer
	4	9417 383	Nut
43	1	2448 420-1	MOULDING PACKAGE, Front Door Lower (23-23-32)
	4	6001 109	Retainer 2 6023 265 Nut
	4	9417 383	Nut

All Packages Include Attaching Parts

Part Type Code is Indicated in Parentheses

19x9616B

MOULDINGS - PLYMOUTH FURY TP1-2(H) 4 DOOR SEDAN



REF. NO.	QTY	PART NUMBER	DESCRIPTION
1	1	2166 966-7	MOULDING, Windshield Outside Finish Side (23-23-65)
2	2	2417 200	NAME PLATE, Fender Side - Fury (12-15-21)
6	152	259	Nut
3	1	2421 987-8	MOULDING PACKAGE, Fender Side Upper, w/Front Cap (12-15-2)
2	6001	494	Retainer 16 ---- Clip
18	----	----	Nut 2 6000 709 Clip
13	6001	107	Retainer
4	1	2421 985-6	MOULDING PACKAGE, Fender Side Lower, w/Rear Extension (12-15-2)
6	----	----	Clip
2	6001	097	Clip
8	----	----	Nut
26	6001	107	Retainer
5	1	2417 367	LETTER, Hood Front Name, "P" (15-06-16)
1	2417	368	"L"
1	2417	369	"Y"
1	2417	370	"M"
1	2423	369	"O"
1	2423	370	"U"
1	2417	373	"T"
1	2417	374	"H"
16	9415	250	Nut
6	1	2276 334	ORNAMENT, Hood Top (15-03-18)
1	6025	004	Nut
1	6023	076	Stud
7	1	2421 233	MOULDING PACKAGE, Hood Top (15-25-2)
5	9415	250	Nut
8	1	2254 524	COVER, Windshield Outside Finish Lower Moulding Joint (23-23-66)
9	1	2298 552	MOULDING PACKAGE, Windshield Outside Finish Upper (23-23-65)
8	6000	966	Retainer
10	1	2298 571-2	MOULDING PACKAGE, Windshield Outside Lower (23-23-65)
10	6000	966	Retainer
11	1	2166 970-1	MOULDING, Windshield Outside Finish Lower End (23-23-65)
12	4	2254 031	MOULDING, Door Vent Wing Division Channel (23-23-36)
13	1	2255 240-1	MOULDING, Roof Side Drain Trough Front (23-59-61)
2	6023	241	Screw
14	1	2422 894-5	MOULDING, Door Belt Upper (23-23-32)
15	1	2422 908-9	MOULDING PACKAGE, Quarter Panel Belt Upper (23-23-39)
16	1	2423 004-5	MOULDING, Roof Side Drain Trough Intermediate and Rear (use w/o Two Tone Paint) (23-59-61)
1	2421	896-7	MOULDING PACKAGE, Roof Side Drain Trough Intermediate and Rear (use w/Two Tone Paint) (23-59-61)
8	6023	559	Screw
8	2423	432	Clip
4	6023	241	Screw
17	1	2423 735	ORNAMENT, Quarter Outside Panel (23-34-334)
6	6022	077	Washer
6	6006	264	Nut
18	1	2424 558-9	MOULDING and SUPPORT, Rear Window Outside Side Upper (23-23-52)
4	6023	693	Screw
19	1	2448 478-9	MOULDING PACKAGE, Rear Window Outside Side Lower (23-23-52)
2	6023	693	Screw
2	----	----	Seal
2	116	000	Nut

All Packages include Attaching Parts

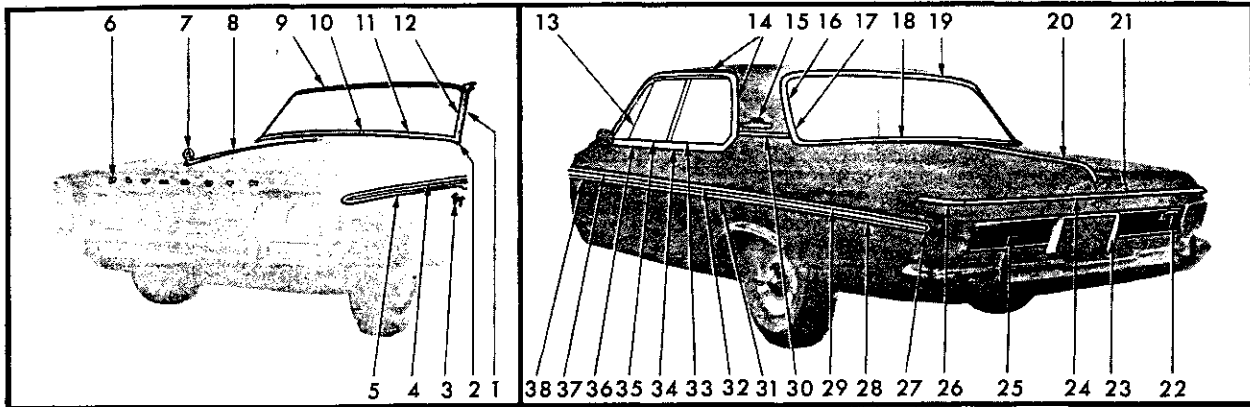
REF. NO.	QTY	PART NUMBER	DESCRIPTION
20	1	2424 557	MOULDING and SUPPORT, Rear Window Outside Upper (23-23-52)
15	6023	693	Screw
21	1	2244 751	MOULDING, Rear Window Outside Lower (23-23-52)
5	6024	117	Screw
22	1	2448 180	MOULDING PACKAGE, Deck Lid Upper (23-23-30)
6	6001	098	Retainer
6	1839	995	Nut
23	1	2423 696	"F" Deck Lid Name Letter (23-19-114)
1	2423	697	"L"
1	2423	698	"R"
1	2423	699q	"Y"
8	152	259	Nut
24	1	2448 179	MOULDING PACKAGE, Deck Lid Lower (23-23-30)
2	6001	433	Retainer
1	2424	098-9	Spacer
2	441	256	Nut
6	6001	439	Retainer
6	6006	264	Nut
25	1	2423 563	NAME PLATE, Deck Opening Lower Panel Plymouth (23-34-184)
2	6023	260	Nut and Seal
26	1	2448 178	MOULDING PACKAGE, Deck Lower Panel License Depression (23-23-23)
3	6000	050	Clip
4	1839	995	Nut
27	1	2424 869	PANEL, Deck Lower Panel Finish, Right (23-23-28)
1	2423	759	Panel, Deck Lower Panel Finish, Left
12	6023	265	Nut
28	1	2448 184-5	MOULDING PACKAGE, Quarter Panel Rear (23-23-39)
6	6001	112	Clip
6	----	----	Nut
29	1	2448 162-3	MOULDING PACKAGE, Quarter Panel End (23-23-39)
2	----	----	Nut
30	1	2448 408-9	MOULDING PACKAGE, Quarter Panel Upper (23-23-39)
26	6001	107	Retainer
8	6023	241	Screw
31	1	2448 404-5	MOULDING PACKAGE, Quarter Panel Lower (23-23-39)
26	6001	110	Retainer
4	6023	241	Screw
32	1	2448 164-5	MOULDING PACKAGE, Quarter Panel Upper (23-23-39)
6	----	----	Nut
33	1	2448 544-5	MOULDING PACKAGE, Quarter Panel Belt Lower
2	6001	433	Retainer 2 ---- Nut
4	6023	241	Screw 8 6001 086 Retainer
34	1	2448 540-1	MOULDING PACKAGE, Door Belt Lower (23-23-32)
4	6023	241	Screw
14	6001	086	Retainer
35	1	2448 418-9	MOULDING PACKAGE, Door Upper (23-23-32)
4	6001	108	Retainer
4	9417	383	Nut
8	6023	241	Screw
12	6001	107	Retainer
36	1	2448 422-3	MOULDING PACKAGE, Door Lower (23-23-32)
4	6001	109	Retainer
4	9417	383	Nut
8	6023	241	Screw
12	6001	110	Retainer

Part Type Code is Indicated in Parentheses

19x9610B

MOULDINGS - PLYMOUTH FURY TP1(H) SPECIAL CLUB COUPE

1963 PASSENGER CAR PARTS CATALOG



REF. NO.	QTY	PART NUMBER	DESCRIPTION
1	1	2255 240-1	Moulding, Roof Side Drain Trough Front (23-59-61)
2	1	2166 970-1	Moulding, Windshield Outside Finish Lower End (23-23-65)
3	2	2417 200	Name Plate, Fender Side, "Fury" (12-15-21)
6	152	259	Nut
4	1	2421 987-8	Moulding Package, Fender Side Upper, w/Clip (12-15-2)
2	6001	494	Retainer
20	---	---	Nut
16	---	---	Clip
24	6001	107	Retainer
2	6000	709	Clip
5	1	2421 985-6	Moulding Package, Fender Side Lower, w/Extension (12-15-2)
6	---	---	Clip
6	---	---	Nut
2	6001	097	Clip
26	6001	107	Retainer
6	1	2417 367	Letter, Hood Front Name "P" (15-06-16)
1	1	2417 368	"L"
1	1	2417 369	"Y"
1	1	2417 370	"M"
1	1	2423 369	"O"
1	1	2423 370	"U"
1	1	2417 373	"T"
1	1	2417 374	"H"
16	9415	250	Nut
7	1	2276 334	Ornament, Hood Top (15-03-18)
1	6025	004	Nut
1	6023	076	Stud
8	1	2421 233	Moulding Package, Hood Top (15-25-2)
5	9415	250	Nut
9	1	2298 552	Moulding Package, Windshield Outside Finish Upper (23-23-65)
8	6000	966	Retainer
10	1	2254 524	Cover, Windshield Outside Finish Lower Moulding Joint (23-23-66)
11	1	2298 571-2	Moulding Package, Windshield Outside Finish Lower (23-23-65)
10	6000	966	Retainer
12	1	2166 966-7	Moulding, Windshield Outside Finish Side (23-23-65)
13	4	2254 031	Moulding, Door Vent Wing Division Channel (23-23-36)
14	1	2421 894-5	Moulding Package, Roof Side Drain Trough Intermediate and Rear, Without Two-Tone Paint (23-59-61)
8	2423	432	Clip
8	6023	559	Screw
1	2421	896-7	Moulding Package, Roof Side Drain Trough Intermediate and Rear, With Two-Tone Paint
8	2423	432	Clip
8	6023	559	Screw
15	2	2423 735	Ornament, Quarter Outside Panel Red (23-34-334)
6	6022	077	Washer
6	6006	264	Nut
16	1	2424 558-9	Moulding and Support, Rear Window Outside Upper (23-23-52)
4	6023	693	Screw
17	1	2448 478-9	Moulding Package, Rear Window Outside Side Lower (23-23-52)
2	---	---	Clip and Stud
2	---	---	Seal
2	116	000	Nut
18	1	2244 751	Moulding, Rear Window Outside Lower (23-23-52)
5	6024	117	Screw

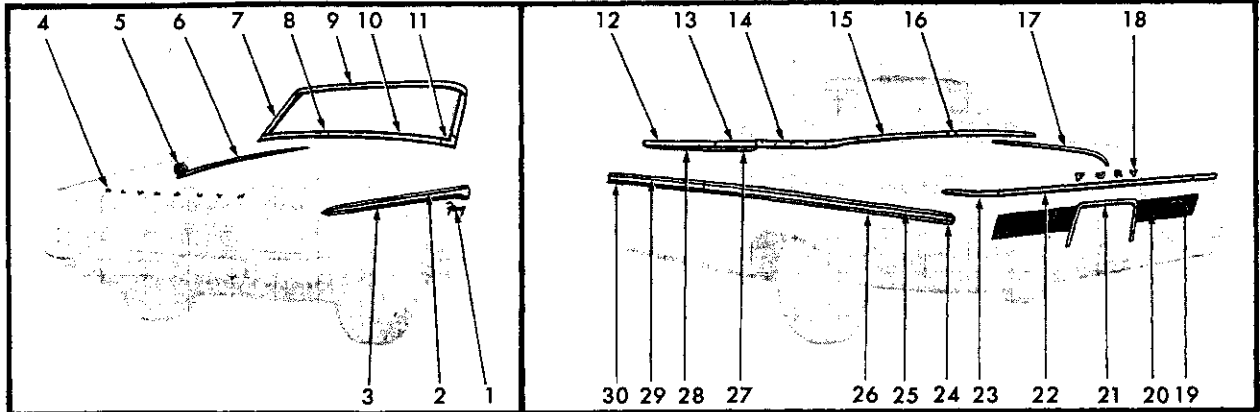
REF. NO.	QTY	PART NUMBER	DESCRIPTION
19	1	2424 557	Moulding and Support, Rear Window Outside Upper -23-52)
15	6023	693	Screw
20	1	2448 180	Moulding Package, Deck Lid Upper (23-23-30)
6	6001	098	Retainer
6	1839	995	Nut
21	1	2423 696	"F", Deck Lid Letter (23-19-114)
1	2423	697	"U"
1	2423	698	"R"
1	2423	699	"Y"
8	152	259	Nut
22	1	2423 563	Name Plate, Deck Opening Lower Panel (23-34-184)
2	6023	260	Nut and Seal
23	1	2448 178	Moulding Package, Deck Lower Panel License Depression (23-23-23)
4	1839	995	Nut
3	6000	050	Clip
24	1	2448 179	Moulding Package, Deck Lid Lower (23-23-30)
2	6001	433	Retainer
1	2424	098-9	Spacer
2	441	256	Nut
6	6001	439	Retainer
6	6006	264	Nut
25	1	2424 869	Panel, Deck Lower Panel Finish, Right (23-23-28)
1	2423	759	Panel, Deck Lower Panel Finish, Left (23-23-28)
12	6023	265	Nut
26	1	2448 184-5	Moulding Package, Quarter Panel Rear (23-23-39)
6	6001	112	Clip
6	---	---	Nut
27	1	2448 162-3	Moulding Package, Quarter Panel End (23-23-39)
2	---	---	Nut
28	1	2448 402-3	Moulding Package, Quarter Panel Lower (23-23-39)
16	---	---	Retainer
29	1	2448 406-7	Moulding Package, Quarter Panel Upper (23-23-39)
16	6001	047	Retainer
30	1	2448 164-5	Moulding Package, Quarter Panel Belt (23-23-39)
6	---	---	Nut
31	1	2448 426-7	Moulding Package, Rear Door Lower (23-23-33)
2	6001	109	Retainer
2	9417	383	Nut
2	6023	241	Screw
32	1	2448 424-5	Moulding Package, Rear Door Upper (23-23-33)
12	6001	047	Retainer
2	6001	108	Retainer
2	9417	383	Nut
2	6023	241	Screw
33	1	2422 902-3	Moulding, Rear Door Belt Upper (23-23-33)
4	6023	241	Screw
34	1	2448 542-3	Moulding Package, Rear Door Belt Lower (23-23-33)
10	6001	086	Retainer
4	6023	241	Screw
2	6001	433	Retainer
35	1	2422 898-9	Moulding, Front Door Belt Upper (23-23-32)
4	6023	241	Screw
36	1	2448 538-9	Moulding Package, Front Door Belt Lower (23-23-32)
10	6001	086	Retainer
4	6023	241	Screw
37	1	2448 416-7	Moulding Package, Front Door Upper (23-23-32)
4	6001	108	Retainer
4	9417	383	Nut
10	6001	047	Retainer
38	1	2448 420-1	Moulding Package, Front Door Lower (23-23-32)
4	6001	109	Retainer
4	9417	383	Nut
2	6023	265	Nut

All Packages Include Attaching Parts

Part Type Code is Indicated in Parentheses

19x9579B

MOULDINGS - PLYMOUTH FURY TP2(H) SPECIAL 4 DOOR SEDAN



REF. NO.	QTY	PART NUMBER	DESCRIPTION
1	2	2417 200	NAME PLATE, Fender Side - Fury (12-15-21)
	6	152 259	Nut
2	1	2421 987-8	MOULDING PACKAGE, Fender Side Upper (12-15-2)
	2	6001 494	Retainer
	16	-----	Clip 2 6000 709
	20	-----	Nut
	24	6001 107	Retainer
3	1	2421 985-6	MOULDING PACKAGE, Fender Side Lower (12-15-2)
	2	6000 963	Clip
	2	6001 097	Clip
	6	-----	Clip
	8	-----	Nut
	26	6001 107	Retainer
4	1	2417 367	LETTER, Hood Front Name, "P" (15-06-16)
	1	2417 368	"L" (15-06-16)
	1	2417 369	"Y" (15-06-16)
	1	2417 370	"M" (15-06-16)
	1	2423 369	"O" (15-06-16)
	1	2423 370	"U" (15-06-16)
	1	2417 373	"T" (15-06-16)
	1	2417 374	"H" (15-06-16)
	16	9415 250	Nut
5	1	2276 334	ORNAMENT, Hood Top (15-03-18)
	1	6025 004	Nut
	1	6023 076	Stud
6	1	2421 233	MOULDING PACKAGE, Hood Top (15-25-2)
	5	9415 250	Nut
7	1	2166 966-7	MOULDING, Windshield Outside Finish Side (23-23-65)
8	1	2254 524	COVER, Windshield Outside Finish Lower Moulding Joint (23-23-66)
9	1	2252 056-7	MOULDING and EXTENSION, Windshield Header Outside (23-23-65)
	7	274 109	Screw
	2	9413 197	Screw
10	1	2298 571-2	MOULDING PACKAGE, Windshield Outside Finish Lower (23-23-65)
	10	6000 966	Retainer
11	1	2166 970-1	MOULDING, Windshield Outside Finish Lower End (23-23-65)
12	1	2422 894-5	MOULDING, Door Belt Upper (23-23-32)
13	1	2423 548-9	MOULDING, Quarter Panel Belt Upper Front (23-23-39)
	2	6023 241	Screw
14	1	2422 914-5	MOULDING, Quarter Panel Belt Rear (23-23-39)
	14	2094 394	Fastener
15	1	2448 458-9	MOULDING PACKAGE, Deck Opening Upper Panel (23-23-31)
	10	2094 394	Fastener
16	1	2448 456	COVER PACKAGE, Deck Opening Upper Panel Moulding (23-23-41)
	1	2094 394	Fastener

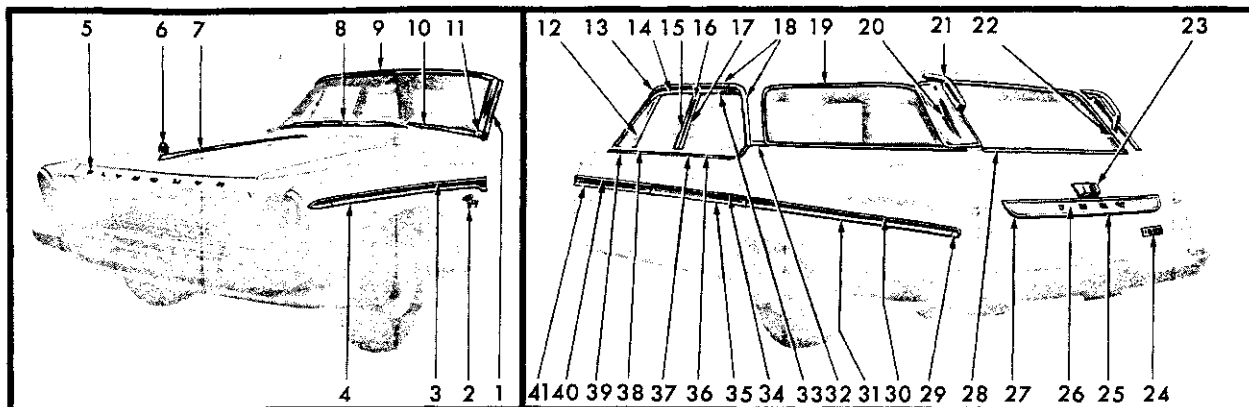
REF. NO.	QTY	PART NUMBER	DESCRIPTION
17	1	2448 180	MOULDING PACKAGE, Deck Lid Upper (23-23-30)
	6	6001 098	Retainer
	6	1839 995	Nut
18	1	2423 696	"F", Deck Lid Name Letter (23-19-114)
	1	2423 697	"U"
	1	2423 698	"R"
	1	2423 699	"Y"
	8	152 259	Nut
19	1	2423 563	NAME PLATE, Deck Opening Lower Panel Plymouth (23-34-184)
	2	6023 260	Nut and Seal
20	1	2424 869	PANEL, Deck Lower Panel Finish, Right (23-23-28)
	1	2423 759	PANEL, Deck Lower Panel Finish, Left (23-23-28)
	12	6023 265	Nut
21	1	2448 178	MOULDING PACKAGE, Quarter Panel License Depression (23-23-23)
	4	1839 995	Nut
	3	-----	Clip
22	1	2448 179	MOULDING PACKAGE, Deck Lid Lower (23-23-30)
	2	6001 433	Retainer
	1	2424 098-9	Spacer
	2	441 256	Nut
	6	6001 439	Retainer
	6	6006 264	Nut
23	1	2448 184-5	MOULDING PACKAGE, Quarter Panel Upper Rear (23-23-39)
	6	6001 112	Clip
	6	-----	Nut
24	1	2448 162-3	MOULDING PACKAGE, Quarter Panel End (23-23-39)
	2	-----	Nut
25	1	2448 408-9	MOULDING PACKAGE, Quarter Panel Upper (23-23-39)
	26	6001 107	Retainer
	8	6023 241	Screw
26	1	2448 404-5	MOULDING PACKAGE, Quarter Panel Lower (23-23-39)
	26	6001 110	Retainer
	8	6023 241	Screw
27	1	2448 414-5	MOULDING PACKAGE, Quarter Panel Belt Lower Front (23-23-39)
	6	6001 086	Retainer
28	1	2448 540-1	MOULDING PACKAGE, Door Belt Lower (23-23-32)
	14	6001 086	Retainer
	4	6023 241	Screw
29	1	2448 418-9	MOULDING PACKAGE, Door Upper (23-23-32)
	4	6001 108	Retainer
	4	9417 383	Nut
	8	6023 241	Screw
	6	6001 107	Retainer
30	1	2448 422-3	MOULDING PACKAGE, Door Lower (23-23-32)
	4	6001 109	Retainer
	4	9417 383	Nut
	8	6023 241	Screw
	12	6001 110	Retainer

All Packages Include Attaching Parts

Part Type Code is Indicated in Parentheses

19x9553B

MOULDINGS - PLYMOUTH FURY TP2(H) CONVERTIBLE COUPE



REF. NO.	QTY	PART NUMBER	DESCRIPTION
1	1	2166 966-7	MOULDING, Windshield Outside Finish Side (23-23-65)
2	2	2417 200	NAME PLATE, Fender Side, Fury (12-15-21)
	6	152 259	Nut
3	1	2421 987-8	MOULDING PACKAGE, Fender Side Upper (12-15-2)
	2	6001 494	Retainer
24	6001 107	Retainer	2 6000 709 Clip
20	---	---	Nut 2 --- --- Clip
4	1	2421 985-6	MOULDING PACKAGE, Fender Side Lower (12-15-2)
	6	---	Clip
	2	6001 097	Clip
26	6001 107	Retainer	
	8	---	Nut
5	1	2417 367	LETTER, Hood-Front Name, "P" (15-06-16)
	1	2417 368	"L"
	1	2417 369	"Y"
	1	2417 370	"M"
	1	2423 369	"O"
	1	2423 370	"U"
	1	2417 373	"T"
	1	2417 374	"H"
16	9415 250	Nut	
6	1	2276 334	ORNAMENT, Hood Top (15-03-18)
	1	6025 004	Nut
	1	6023 076	Stud
7	1	2421 233	MOULDING PACKAGE, Hood Top (15-25-2)
	5	9415 250	Nut
8	1	2254 524	COVER, Windshield Outside Finish Lower Moulding Joint (23-23-66)
9	1	2298 552	MOULDING PACKAGE, Windshield Outside Finish Upper (23-23-65)
	8	6000 966	Retainer
10	1	2298 571-2	MOULDING PACKAGE, Windshield Outside Finish Lower (23-23-65)
	10	6000 966	Retainer
11	1	2166 970-1	MOULDING, Windshield Outside Finish Lower End (23-23-65)
12	4	2254 031	MOULDING, Front Door Vent Wing Division Channel (23-23-36)
13	1	2255 240-1	MOULDING, Roof Side Drain Trough Front (23-59-61)
	2	6023 241	Screw
14	1	2167 996-7	MOULDING, Front Door Window Frame Upper (23-23-32)
15	1	2167 998-9	MOULDING, Front Door Window Frame Rear (23-23-32)
16	1	2216 356-7	PANEL, Center Pillar Upper Finish (23-23-16)
	4	6022 890	Screw
17	1	2167 998-9	MOULDING, Rear Door Window Frame Front (23-23-33)
18	1	2421 894-5	MOULDING, Roof Side Drain Trough Intermediate and Rear (23-59-61)
	8	6023 559	Screw
	8	2423 432	Clip
	4	6023 241	Screw
19	2	2422 471	LOCKINGSTRIP, Quarter Window Glass Weatherstrip Mylar (23-63-110)
20	1	2252 254-5	DEFLECTOR, Roof Panel Outside Air (23-36-134)
	2	167 079	Screw
	4	9418 381	Screw
21	1	2424 096-7	HANDLE, Roof Panel Rear Pillar Outside Assist (23-36-123)
	4	6023 204	Nut and Washer
	1	2424 984-5	Seal

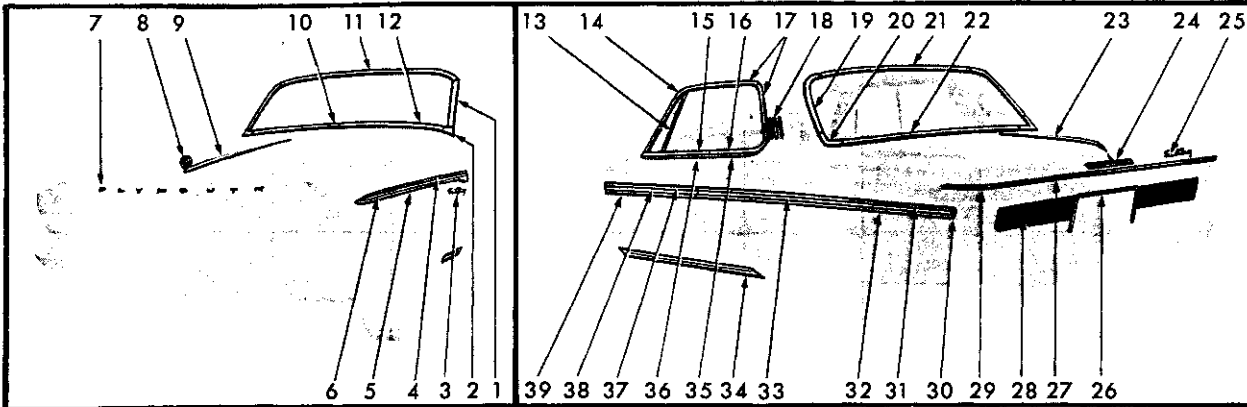
REF. NO.	QTY	PART NUMBER	DESCRIPTION
22	1	2251 802-3	MOULDING, Rear Upper Pillar Outside (23-23-60)
	8	9417 732	Screw
23	1	2428 221	BASE, w/Stud, Tailgate Electric Window Regulator Outside (23-54-18)
24	2	6025 004	Nut w/Washer
	1	2423 563	NAME PLATE, Tailgate Outside Panel ("Plymouth") (23-54-11)
	2	6001 254	Clip
25	1	2448 400	MOULDING PACKAGE, Tailgate Outside Panel (23-23-61)
	7	6001 047	Retainer
26	1	2423 725	FINISH PANEL and NAME LETTERS, Tailgate Outside (23-23-77)
	4	6001 438	Retainer
27	1	2448 198-9	MOULDING PACKAGE, Tailgate Outside Panel Upper and Lower End (23-23-61)
	4	---	Nut
28	1	2448 488	MOULDING PACKAGE, Tailgate Outside Panel Belt (23-23-61)
	6	6001 435	Clip
	6	---	Screw
29	1	2448 162-3	MOULDING PACKAGE, Quarter Panel End (23-23-39)
	2	---	Nut
30	1	2448 412-3	MOULDING PACKAGE, Quarter Panel Upper (23-23-39)
18	6001 047	Retainer	
31	1	2448 410-1	MOULDING PACKAGE, Quarter Panel Lower (23-23-39)
32	1	2448 554-5	MOULDING PACKAGE, Quarter Panel Belt (23-23-39)
	6	6001 071	Clip
33	1	2216 036-7	MOULDING, Rear Door Window Frame Upper (23-23-33)
34	1	2448 424-5	MOULDING PACKAGE, Rear Door Upper (23-23-33)
	12	6001 047	Retainer
	2	6001 108	Retainer
	2	9417 383	Nut
	2	6023 241	Screw
35	1	2448 426-7	MOULDING PACKAGE, Rear Door Lower (23-23-33)
	2	6001 109	Retainer
	2	9417 383	Nut
	2	6023 241	Screw
36	1	2424 344-5	MOULDING, Rear Door Belt Upper (23-23-33)
37	1	2448 542-3	MOULDING PACKAGE, Rear Door Belt Lower (23-23-33)
	2	6001 433	Retainer
	4	6023 241	Screw
	10	6001 086	Retainer
	2	---	Nut
38	1	2424 342-3	MOULDING PACKAGE, Front Door Belt Upper (23-23-32)
39	1	2448 538-9	MOULDING PACKAGE, Front Door Belt Lower (23-23-32)
	4	6023 241	Screw
	10	6001 086	Retainer
40	1	2448 416-7	MOULDING PACKAGE, Front Door Upper (23-23-32)
	4	6001 108	Retainer
	4	9417 383	Nut
	10	6001 047	Retainer
41	1	2448 420-1	MOULDING PACKAGE, Front Door Lower (23-23-32)
	4	6001 109	Retainer
	2	9417 383	Nut
	2	6023 265	Nut

All Packages Include Attaching Parts

Part Type Code is Indicated in Parentheses

19x9619B

MOULDINGS - PLYMOUTH FURY TP2(H) SUBURBAN



REF. NO.	QTY	PART NUMBER	DESCRIPTION
1	1	2166 966-7	MOULDING, Windshield Outside Finish Side (23-23-65)
2	1	2166 970-1	MOULDING, Windshield Outside Finish Lower End (23-23-65)
3	2	2422 955	NAME PLATE, Fender Side (Sport Fury) (12-15-21)
	8	152 259	Nut
4	1	2421 987-8	MOULDING PACKAGE, Fender Side Upper, w/Cop (12-15-2)
	2	6001 494	Retainer
	20	-----	Nut
	16	-----	Clip
	24	6001 107	Retainer 2 6000 709 Clip
5	1	2421 985-6	MOULDING PACKAGE, Fender Side Lower, w/Extension (12-15-2)
	2	-----	Clip
	16	-----	Clip
	20	-----	Nut
	2	6001 097	Clip
	24	6001 107	Retainer 2 6000 709 Clip
6	1	2417 224-5	PLATE, Fender Side Moulding Finish (12-15-4)
	8	6023 241	Screw
7	1	2417 367	NAME LETTER, Hood Front, "P" (15-06-16)
	1	2417 368	"L"
	1	2417 369	"V"
	1	2417 370	"M"
	1	2423 369	"O"
	1	2423 370	"J"
	1	2417 373	"H"
	1	2417 374	"H"
	16	9415 250	Nut
8	1	2276 334	ORNAMENT, Hood Top (15-03-18)
	1	6025 004	Nut
	1	6023 076	Stud
9	1	2421 233	MOULDING PACKAGE, Hood Top (15-25-2)
	5	9415 250	Nut
10	1	2254 524	COVER, Windshield Outside Finish Lower Moulding Joint (23-23-66)
11	1	2298 552	MOULDING PACKAGE, Windshield Outside Finish Upper (23-23-65)
	8	6000 966	Retainer
12	1	2298 571-2	MOULDING PACKAGE, Windshield Outside Finish Lower (23-23-65)
	10	6000 966	Retainer
13	4	2254 031	MOULDING, Door Vent Wing Division Channel (23-23-36)
14	1	2255 240-1	MOULDING, Roof Side Drain Trough Front (23-59-61)
15	1	2422 894-5	MOULDING, Door Belt Upper (23-23-32)
16	1	2422 908-9	MOULDING, Quarter Panel Belt (23-23-39)
17	1	2423 004-5	MOULDING, Roof Side Drain Trough Intermediate and Rear (23-59-61)
	8	2423 432	CLIP, Roof Side Drain Trough Intermediate Moulding (23-59-63)
18	1	2423 450-1	LOUVER, Quarter Outside Panel, Red, (23-34-334)
	1	2423 452-3	White
	1	2423 454-5	Blue
	12	6022 013	Washer
	12	6000 808	Clip
19	1	2424 558-9	MOULDING and SUPPORT, Rear Window Outside Side Upper (23-23-52)
	4	6023 693	Screw
20	1	2448 478-9	MOULDING PACKAGE, Rear Window Outside Side Lower (23-23-52)
	2	-----	Clip and Stud
	2	-----	Seal
	2	116 000	Nut

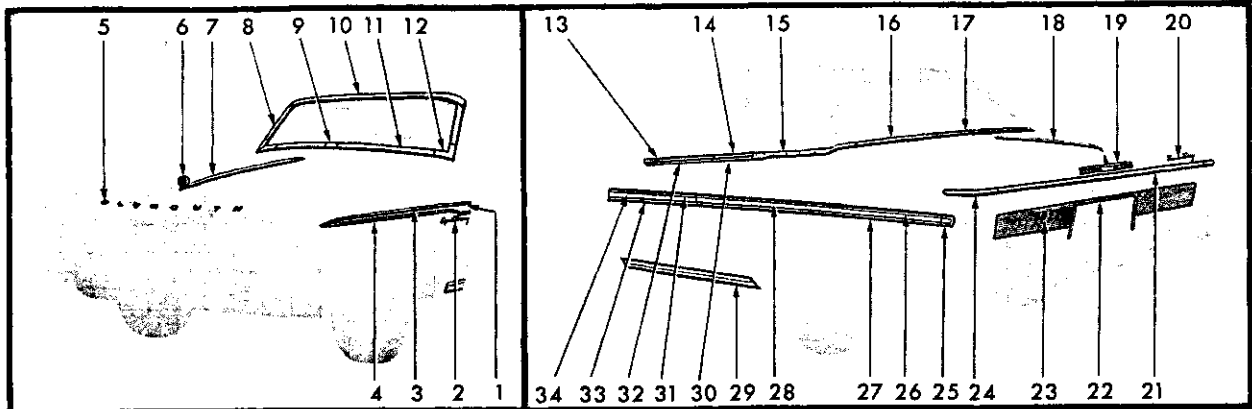
All Packages include Attaching Parts

REF. NO.	QTY	PART NUMBER	DESCRIPTION
21	1	2424 557	MOULDING and SUPPORT, Rear Window Outside Upper (23-23-52)
	15	6023 693	Screw
	1	2244 751	MOULDING, Rear Window Outside Lower (23-23-52)
	5	6024 117	Screw
23	1	2448 181	MOULDING PACKAGE, Deck Lid Upper (23-23-30)
	5	6001 098	Retainer
	5	1839 995	Nut
24	1	2422 951	ORNAMENT, Deck Lid (23-19-114)
	2	-----	Washer
	2	9414 977	Nut
25	1	2422 955	NAME PLATE, Deck Lid (23-19-114)
	3	152 259	Nut
	3	6001 254	Clip
26	1	2448 178	MOULDING PACKAGE, Deck Lower Panel License Depression (23-23-23)
	4	1839 995	Nut
	3	6000 050	Clip
27	1	2448 179	MOULDING PACKAGE, Deck Lid Lower (23-23-30)
	2	6001 433	Retainer
	1	2424 098-9	Spacer
	2	441 256	Nut
	6	6001 439	Retainer
	6	6006 264	Nut
28	1	2424 869	PANEL, Deck Lower Panel Finish, Right (23-23-28)
	1	2423 759	PANEL, Deck Lower Panel Finish, Left (23-23-28)
	12	6023 265	Nut
29	1	2448 184-5	MOULDING PACKAGE, Quarter Panel Rear (23-23-39)
	6	6001 112	Clip
	6	-----	Nut
30	1	2448 162-3	MOULDING PACKAGE, Quarter Panel End (23-23-39)
	2	6023 265	Nut
31	1	2448 408-9	MOULDING PACKAGE, Quarter Panel Upper (23-23-39)
	26	6001 107	Retainer
	8	6023 241	Screw
32	1	2448 404-5	MOULDING PACKAGE, Quarter Panel Lower (23-23-39)
	26	6001 110	Retainer
	8	6023 241	Screw
33	1	2422 992-3	PANEL, Quarter Outside Panel Finish (23-23-85)
34	1	2448 174-5	MOULDING PACKAGE, Body Side Sill (23-23-2)
	4	6023 331	Screw
	12	6001 431	Retainer
35	1	2448 544-5	MOULDING PACKAGE, Quarter Panel Belt Lower (23-23-39)
	8	6001 086	Retainer
	4	6023 241	Screw
36	1	2448 540-1	MOULDING PACKAGE, Door Belt Lower (23-23-39)
	14	6001 086	Retainer
	4	6023 241	Screw
37	1	2448 418-9	MOULDING PACKAGE, Door Upper (23-23-32)
	4	6001 108	Retainer
	4	9417 383	Nut
	8	6023 241	Screw
	12	-----	Retainer
38	1	2422 990-1	PANEL, Front Door Outside Finish (23-23-80)
39	1	2448 422-3	MOULDING PACKAGE, Door Lower (23-23-32)
	4	6001 109	Retainer
	4	9417 383	Nut
	8	6023 241	Screw
	12	6001 110	Retainer

Part Type Code is Indicated in Parentheses

19x9562B

MOULDINGS - PLYMOUTH SPORT FURY TP2(P) SPECIAL CLUB COUPE



REF. NO.	QTY	PART NUMBER	DESCRIPTION
1	1	2417 224-5	PLATE, Fender Side Moulding Finish (12-15-4)
8		6023 241	Screw
2	2	2422 955	NAME PLATE, Fender Side - Sport Fury (12-15-21)
8		152 259	Nut
3	1	2421 987-8	MOULDING PACKAGE, Fender Side Upper (12-15-2)
2		6001 494	Retainer 2 6000 709 Clip
16		----	Clip
20		----	Nut
24		6001 107	Retainer
4	1	2421 985-6	MOULDING PACKAGE, Fender Side Lower (12-15-2)
2		6000 963	Clip 2 6000 709 Clip
2		6001 097	Clip
20		----	Clip
24		----	Nut
13		6001 107	Retainer
5	1	2417 367	LETTER, Hood Front Name, "P" (15-06-16)
1		2417 368	"L" (15-06-16)
1		2417 369	"Y" (15-06-16)
1		2417 370	"M" (15-06-16)
1		2423 369	"O" (15-06-16)
1		2423 370	"U" (15-06-16)
1		2417 373	"T" (15-06-16)
1		2417 374	"H" (15-06-16)
16		9415 250	Nut
6	1	2276 334	ORNAMENT, Hood Top (15-03-18)
1		6025 004	Nut
1		6023 076	Stud
7	1	2421 233	MOULDING PACKAGE, Hood Top (15-25-2)
5		9415 250	Nut
8	1	2166 966-7	MOULDING, Windshield Outside Finish Side (23-23-65)
9	1	2254 524	COVER, Windshield Outside Finish Lower Moulding Joint (23-23-66)
10	1	2252 056-7	MOULDING and EXTENSION, Windshield Header Outside (23-23-65)
7		274 109	Screw
2		9413 197	Screw
11	1	2298 571-2	MOULDING PACKAGE, Windshield Outside Finish Lower (23-23-65)
10		6000 966	Retainer
12	1	2166 970-1	MOULDING, Windshield Outside Finish Lower End (23-23-65)
13	1	2422 894-5	MOULDING, Door Belt Upper (23-23-32)
14	1	2423 548-9	MOULDING, Quarter Panel Belt Upper Front (23-23-39)
2		6023 241	Screw
15	1	2422 914-5	MOULDING, Quarter Panel Belt Rear (23-23-39)
14		2094 394	Fastener
16	1	2448 458-9	MOULDING PACKAGE, Deck Upper Panel (23-23-31)
10		2094 394	Fastener
17	1	2448 456	COVER PACKAGE, Deck Opening Upper Panel Moulding (23-23-41)
1		2094 394	Fastener
18	1	2448 181	MOULDING PACKAGE, Deck Lid Center (23-23-30)
5		6001 098	Retainer
5		1839 995	Nut

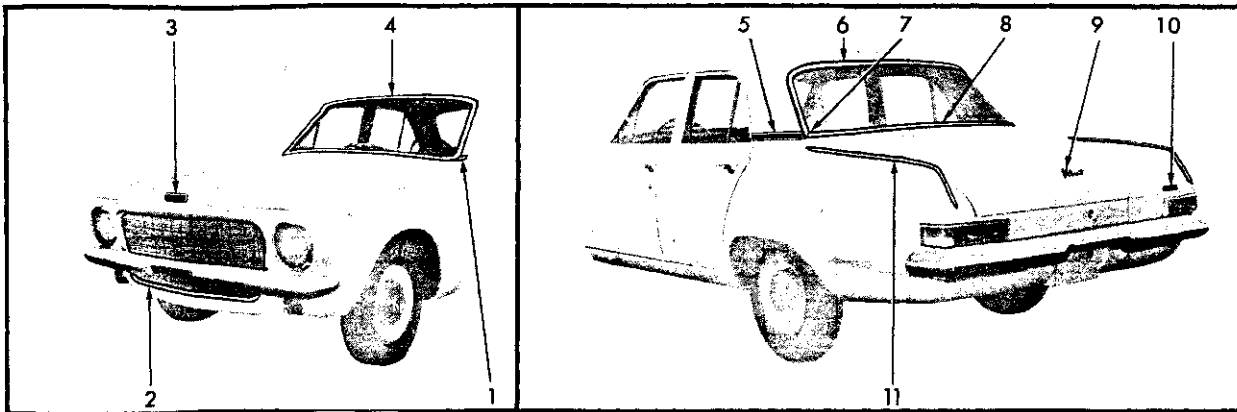
REF. NO.	QTY	PART NUMBER	DESCRIPTION
19	1	2422 951	ORNAMENT, Deck Lid (23-19-114)
1		6022 077	Seal
2		----	Seal
3		9414 977	Nut
20	1	2422 955	NAME PLATE, Deck Lid (23-19-114)
1		6001 254	Clip
3		152 259	Nut
21	1	2448 179	MOULDING PACKAGE, Deck Lid Lower (23-23-30)
2		6001 443	Retainer
1		2424 098-9	Spacer
2		441 256	Nut
6		6001 439	Retainer
6		6006 264	Nut
22	1	2448 178	MOULDING PACKAGE, Deck Lower Panel License Depression (23-23-23)
4		1839 995	Nut
3		6000 050	Clip
23	1	2424 869	PANEL, Deck Lower Panel Finish, Right (23-23-28)
1		2423 759	PANEL, Deck Lower Panel Finish, Left (23-23-28)
12		6023 265	Nut
24	1	2448 184-5	MOULDING PACKAGE, Quarter Panel Upper Rear (23-23-39)
6		6001 112	Clip
6		----	Nut
25	1	2448 162-3	MOULDING PACKAGE, Quarter Panel Lower End (23-23-39)
2		6023 265	Nut
26	1	2448 408-9	MOULDING PACKAGE, Quarter Panel Upper (23-23-39)
26		6001 107	Retainer
8		6023 241	Screw
27	1	2448 404-5	MOULDING PACKAGE, Quarter Panel Lower (23-23-39)
26		6001 110	Retainer
8		6023 241	Screw
28	1	2472 992-3	PANEL, Quarter Outside Panel Finish (23-23-85)
29	1	2448 174-5	MOULDING PACKAGE, Body Side Sill (23-23-2)
4		6023 331	Screw
12		6001 431	Retainer
30	1	2448 414-5	MOULDING PACKAGE, Quarter Panel Belt Lower Front (23-23-39)
6		6001 086	Retainer
31	1	2448 418-9	MOULDING PACKAGE, Door Upper (23-23-32)
4		6001 108	Retainer
4		9417 383	Nut
8		6023 241	Screw
12		6001 107	Retainer
32	1	2448 540-1	MOULDING PACKAGE, Door Belt Lower (23-23-32)
14		6001 086	Retainer
4		6023 241	Screw
33	1	2448 422-3	MOULDING PACKAGE, Door Lower (23-23-32)
4		6001 109	Retainer
4		9417 383	Nut
8		6023 241	Screw
12		6001 110	Retainer
34	1	2422 990-1	PANEL, Front Door Outside Panel Finish (23-23-80)

All Packages Include Attaching Parts

Part Type Code is Indicated in Parentheses

19x9564B

MOULDINGS - PLYMOUTH SPORT FURY TP2(P) CONVERTIBLE COUPE



REF. NO.	QTY	PART NUMBER	DESCRIPTION
1	1	2480 394-5	MOULDING, Front Upper Pillar (23-23-14)
	4	9419 261	Screw
2	1	2421 885	MOULDING PACKAGE, Radiator Grille Lower (7-16-36)
	2	6006 412	Clip
	2	116 000	Nut
	3	6001 510	Clip
3	1	2276 296	MEDALLION, w/Base, Hood Front (15-06-6)
	2	152 260	Nut
4	1	2082 278	LOCKINGSTRIP, Windshield Glass Weatherstrip (23-66-239)
5	1	2243 294-5	NAME PLATE, Roof Panel Extension (23-34-238)
	6	152 260	Nut and Seal

REF. NO.	QTY	PART NUMBER	DESCRIPTION
6	1	2424 426	LOCKINGSTRIP, Rear Window Glass Weatherstrip Upper (23-63-114)
7	2	2424 350	CAP, Rear Window Glass Weatherstrip Lockingstrip (23-63-117)
8	1	2424 426	LOCKINGSTRIP, Rear Window Glass Weatherstrip Lower (23-63-114)
9	1	2255 629	NAME PLATE, Deck Lid (23-19-114)
	3	152 259	Nut
10	1	2422 639	NAME PLATE, Deck Lid (by Plymouth) (23-19-114)
	2	6000 050	Clip
11	2	2421 996	MOULDING PACKAGE, Quarter Panel (23-23-39)
	12	6022 077	Seal
	12	116 000	Nut

All Packages Include Attaching Parts

Part Type Code is Indicated in Parentheses

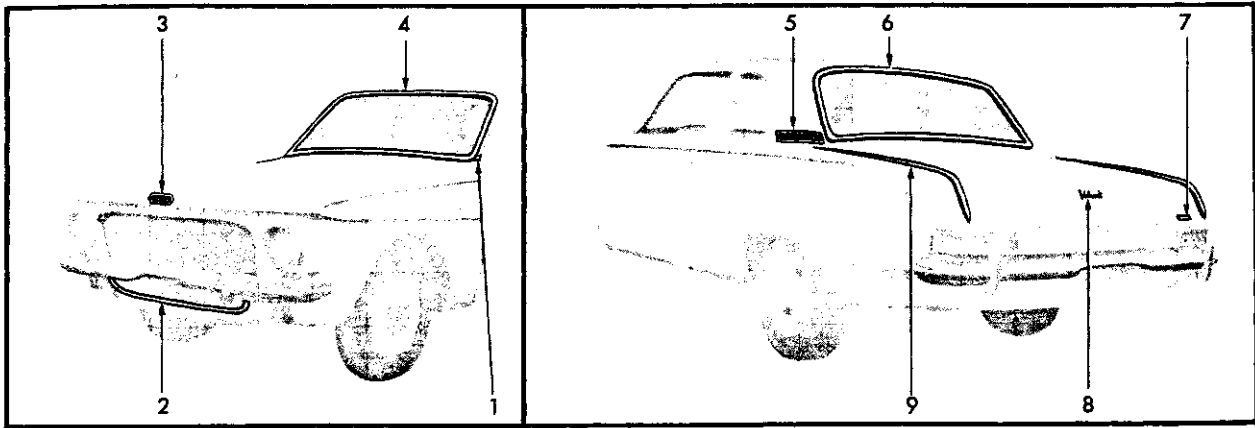
19x9517B

MOULDINGS - VALIANT V100 TV1(L) 4 DOOR SEDAN

Jan. 3, 1964 Supersedes Dec. 14, 1962.

Page 23-34

Printed in U.S.A.



REF. NO.	QTY	PART NUMBER	DESCRIPTION
1	1	2480 384-5	MOULDING, Front Upper Pillar (23-23-14)
	4	9419 261	Screw
2	1	2421 885	MOULDING PACKAGE, Radiator Grille Lower Panel (7-16-36)
	3	6001 510	Clip
	2	6006 412	Clip
	2	116 000	Nut
3	1	2276 296	MEDALLION, w/Base, Hood Front (15-06-6)
	2	6006 264	Nut
4	1	2082 278	LOCKINGSTRIP, Windshield Glass Weatherstrip (23-66-239)
5	1	2243 294-5	NAME PLATE, Roof Panel Extension (23-34-238)
	6	152 260	Nut and Seal

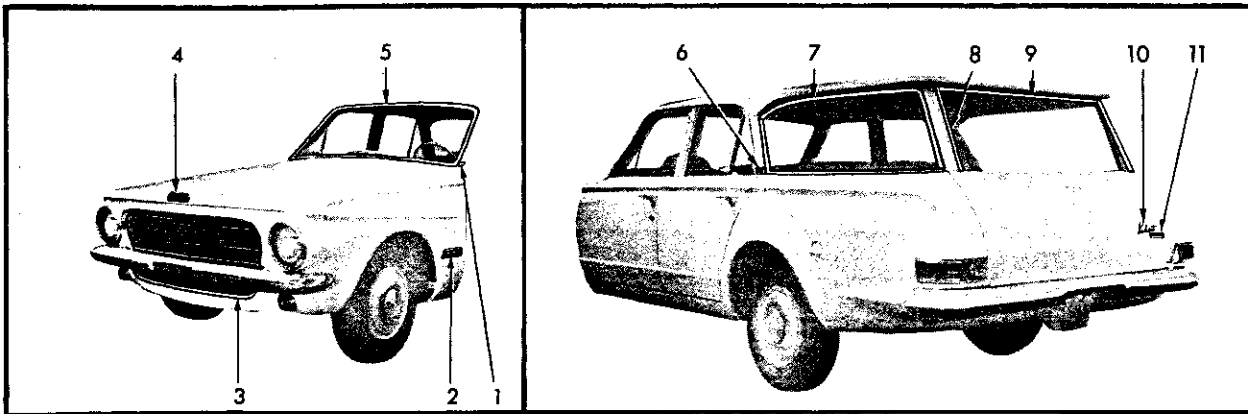
REF. NO.	QTY	PART NUMBER	DESCRIPTION
6	1	2082 278	LOCKINGSTRIP, Rear Window Glass Weatherstrip (23-63-114)
7	1	2422 639	NAME PLATE, Deck Lid (23-19-114)
	2	6000 050	Clip
8	1	2255 629	NAME PLATE, Deck Lid (23-19-114)
	3	152 259	Nut
9	2	2421 996	MOULDING PACKAGE, Quarter Panel Upper (23-23-39)
	12	6001 434	Retainer
	12	6022 077	Seal
	12	116 000	Nut

All Packages Include Attaching Parts

Part Type Code is Indicated in Parentheses

19x9538B

MOULDINGS - VALIANT V100 TV1(L) 2 DOOR SEDAN



REF. NO.	QTY	PART NUMBER	DESCRIPTION
1	1	2480 384-5	MOULDING, Front Pillar Upper (23-23-14)
4		9419 261	Screw
2	2	2276 630	DECAL, Front Fender Side (12-15-21)
4		6006 263	Nut
3	1	2421 885	MOULDING PACKAGE, Radiator Grille Panel Lower (7-16-36)
2		6006 412	Clip
2		116 000	Nut
3		6001 510	Clip
4	1	2276 296	MEDALLION, w/Base, Hood Front (15-06-6)
2		152 260	Nut
5	1	2082 278	LOCKINGSTRIP, Windshield Glass Weatherstrip (23-66-239)
6	1	2422 778-9	NAME PLATE, Roof Panel Extension (23-34-238)
6		152 260	Nut and Seal
7	1	2243 513	LOCKINGSTRIP, Quarter Window Glass Weatherstrip (23-63-110)

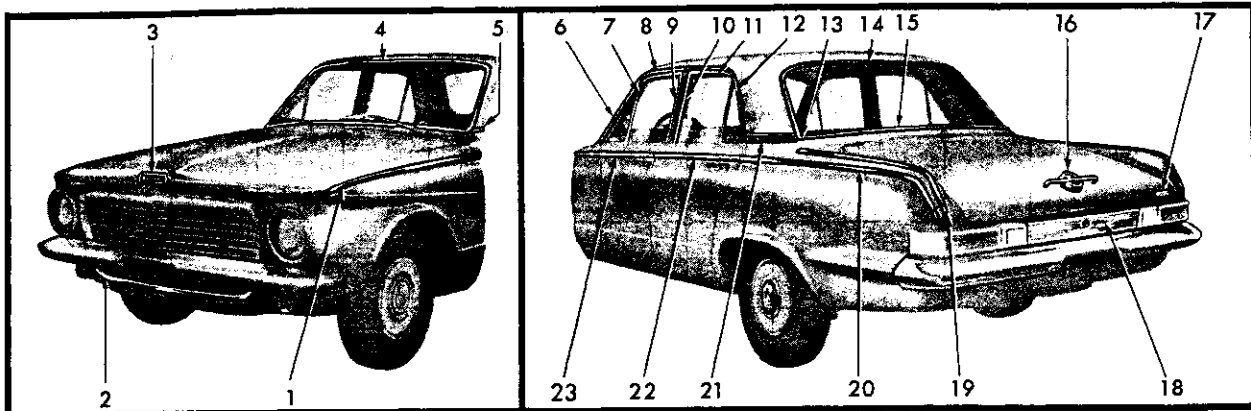
REF. NO.	QTY	PART NUMBER	DESCRIPTION
8	1	2421 577-8	MOULDING PACKAGE, Rear Upper Pillar Outside (23-23-60)
6		6001 076	Clip
4		6023 241	Screw
4		6001 077	Clip
9	1	2448 401	MOULDING PACKAGE, Tailgate Opening Upper (23-23-60)
5		6001 451	Clip
10	1	2255 629	NAME PLATE, Tailgate Outside Panel (Valiant) (23-54-11)
3		152 259	Nut
11	1	2422 639	NAME PLATE, Tailgate Outside Panel (by Plymouth) (23-54-11)
2		152 259	Nut

All Packages Include Attaching Parts

Part Type Code is Indicated in Parentheses

19x9519B

MOULDINGS - VALIANT V100 TV1(L) SUBURBAN



REF. NO.	QTY	PART NUMBER	DESCRIPTION
1	1	2421 889-90	MOULDING PACKAGE, Fender Side (12-15-2)
	2	6000 745	Clip
	8	6000 709	Clip
	16	6001 048	Retainer
	10	-----	Nut
2	1	2421 885	MOULDING PACKAGE, Grille Panel Lower (7-16-35)
	2	6006 412	Clip
	2	116 000	Nut
	3	6001 510	Clip
3	1	2276 296	MEDALLION, w/Base, Hood Front (15-06-6)
	2	6006 264	Nut
4	1	2082 278	LOCKINGSTRIP, Windshield Glass Weatherstrip (23-66-239)
5	1	2480 384-5	MOULDING, Front Pillar Upper (23-23-14)
	4	9419 261	Screw
6	1	2255 934-5	MOULDING, Roof Side Drain Trough Front (23-59-61)
7	1	2216 946-7	MOULDING, Front Door Window Frame Upper and Front (23-23-32)
8	2	2255 938	CAP, Roof Side Drain Trough Front and Rear Moulding Joint (23-59-57)
9	1	2216 950-1	MOULDING, Front Door Window Frame Rear (23-23-32)
10	1	2216 950-1	MOULDING, Rear Door Window Frame Front (23-23-33)
11	1	2217 014-5	MOULDING, Rear Door Window Frame Upper and Rear (23-23-33)
12	1	2255 936-7	MOULDING, Roof Side Drain Trough Rear (23-59-61)
13	2	2424 350	CAP, Rear Window Glass Weatherstrip Lockingstrip (23-63-117)
14	1	2424 426	LOCKINGSTRIP, Rear Window Glass Weatherstrip Upper (23-63-114)
15	1	2424 426	LOCKINGSTRIP, Rear Window Glass Weatherstrip Lower (23-63-114)

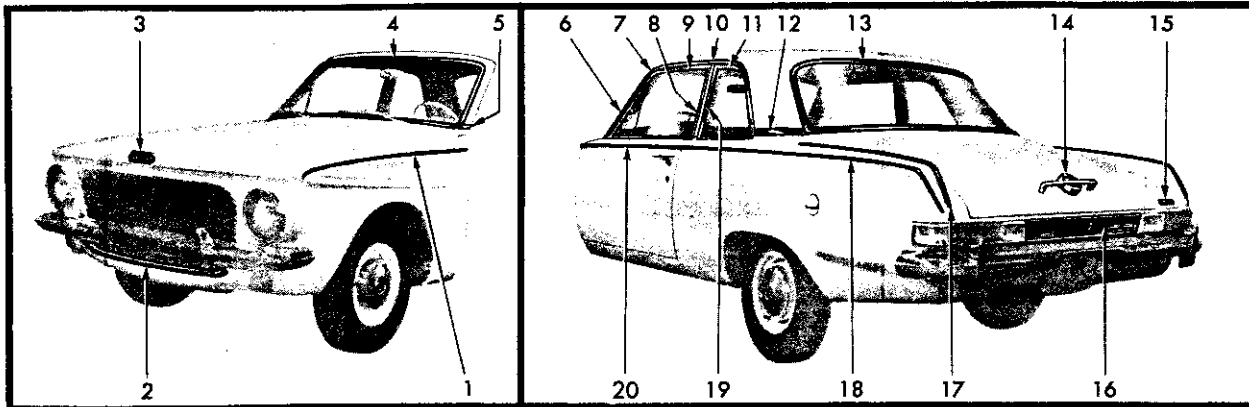
REF. NO.	QTY	PART NUMBER	DESCRIPTION
16	1	2255 526	MEDALLION, Deck Lid (23-19-114)
	4	-----	Nut
17	1	2422 639	NAME PLATE, Deck Lid (23-19-114)
	2	6000 050	Clip
18	1	2299 421	PANEL PACKAGE, Deck Lower Panel Finish (23-23-28)
	8	6006 438	Nut
19	2	2421 996	MOULDING PACKAGE, Quarter Panel Peak (23-23-39)
	12	6001 434	Retainer
	12	6022 077	Seal
	12	116 000	Nut
20	1	2448 442-3	MOULDING PACKAGE, Quarter Panel Lower (23-23-39)
	10	6001 048	Retainer
	2	6000 709	Clip
	2	6023 265	Nut
	12	6001 434	Retainer
	12	6022 077	Seal
	12	116 000	Nut
	4	6000 709	Retainer
	4	6023 265	Nut
21	1	2243 294-5	NAME PLATE, Roof Panel Extension (23-34-238)
	6	152 260	Nut & Seal
22	1	2448 438-9	MOULDING PACKAGE, Rear Door (23-23-33)
	4	6001 102	Clip
	4	446 618	Nut
	6	6001 048	Retainer
23	1	2448 436-7	MOULDING PACKAGE, Front Door (23-23-32)
	4	6001 102	Clip
	4	446 618	Nut
	8	6001 048	Retainer

All Packages Include Attaching Parts

Part Type Code is Indicated in Parentheses

19x9515B

MOULDINGS - VALIANT V200 TV1(H) 4 DOOR SEDAN



REF. NO.	QTY	PART NUMBER	DESCRIPTION
1	1	2421 889-90	MOULDING PACKAGE, Fender Side and Front (12-15-2)
	2	6000 745	Clip
	8	6010 093	Clip
	32	6001 048	Retainer
	10	----	Nut
2	1	2421 885	MOULDING PACKAGE, Radiator Grille Lower Panel (7-16-36)
	2	6006 464	Clip
	2	116 000	Nut
	3	6001 510	Clip
3	1	2276 296	MEDALLION, w/Base, Hood Front (15-06-6)
	2	6006 264	Nut
4	1	2082 278	LOCKINGSTRIP, Windshield Glass Weatherstrip (23-66-239)
5	1	2480 384-5	MOULDING, Front Upper Pillar (23-23-14)
	4	9419 261	Screw
6	1	2255 934-5	MOULDING, Roof Side Drain Trough Front (23-59-61)
7	2	2255 938	CAP, Roof Side Drain Trough Front and Rear Moulding (23-59-57)
8	1	2216 950-1	MOULDING, Door Window Frame Rear (23-23-32)
9	1	2216 944-5	MOULDING, Door Window Frame Upper (23-23-32)
10	1	2255 936-7	MOULDING, Roof Side Drain Trough Rear (23-59-61)
11	1	2244 374-5	MOULDING, Quarter Window Opening Frame Upper (23-23-73)
12	1	2243 294-5	NAME PLATE, Roof Panel (23-34-238)

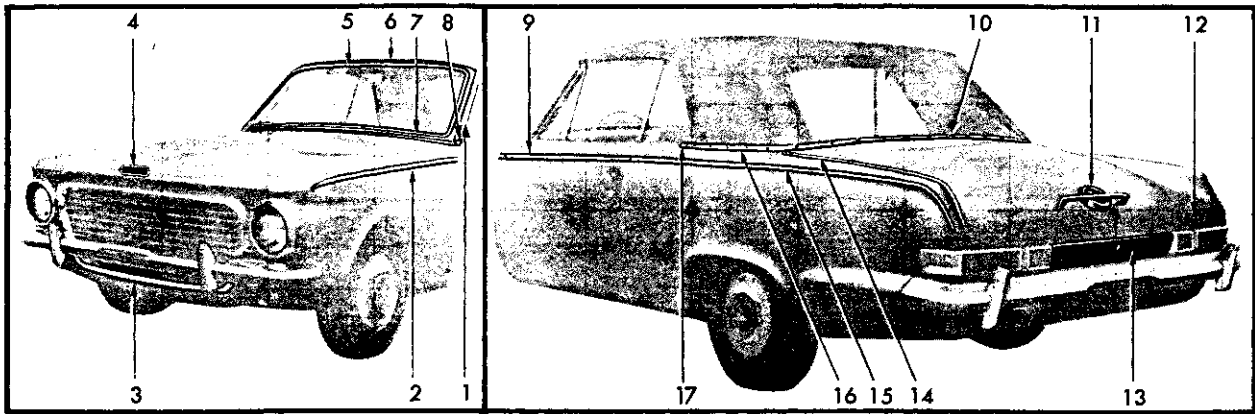
REF. NO.	QTY	PART NUMBER	DESCRIPTION
13	1	2082 278	LOCKINGSTRIP, Rear Window Glass Weatherstrip (23-63-114)
14	1	2255 526	MEDALLION, Deck Lid (23-19-114)
15	1	2422 639	NAME PLATE, Deck Lid (23-19-114)
	2	6000 050	Clip
16	1	2299 421	PANEL PACKAGE, Deck Lower Panel Finish (23-23-28)
	8	6006 438	Nut
17	2	2421 996	MOULDING PACKAGE, Quarter Panel Upper (23-23-39)
	12	6001 434	Retainer
	12	6022 077	Seal
	12	116 000	Nut
18	1	2448 440-1	MOULDING PACKAGE, Quarter Panel Lower (23-23-39)
	16	6001 048	Retainer
	2	6001 436	Retainer
	2	6023 265	Nut
	4	6001 453	Retainer
	4	6023 678	Nut
19	1	2216 950-1	MOULDING, Quarter Window Opening Frame Front (23-23-73)
20	1	2448 434-5	MOULDING PACKAGE, Door (23-23-32)
	4	6001 102	Clip
	4	446 618	Nut
	10	6001 048	Retainer

All Packages Include Attaching Parts

Part Type Code is Indicated in Parentheses

19x9601C

MOULDINGS - VALIANT V200 TV1(H) 2 DOOR SEDAN



REF. NO.	QTY	PART NUMBER	DESCRIPTION
1	1	2422 182-3	MOULDING, Windshield Opening Frame Outside Side (23-23-65)
	8	6022 890	Screw
2	1	2421 889-90	MOULDING PACKAGE, Fender Side and Front (12-15-2)
	2	6000 745	Clip
	8	6010 093	Clip
	32	6001 048	Retainer
	10	-----	Nut
3	1	2421 885	MOULDING PACKAGE, Radiator Grille Lower Panel (7-16-36)
	3	6001 510	Clip
	2	6006 412	Clip
	2	116 000	Nut
4	1	2276 296	MEDALLION, w/Base, Hood Front (15-06-6)
	2	6006 264	Nut
5	1	2422 180-1	MOULDING, Windshield Header Outside Upper (23-23-65)
	7	274 109	Screw
	7	2254 766	Seal
6	1	2082 278	LOCKINGSTRIP, Windshield Glass Weatherstrip (23-66-239)
7	1	2424 106	MOULDING, Windshield Outside Lower (23-23-65)
	7	9416 136	Screw
	7	6001 442	Retainer
8	1	2480 384-5	MOULDING, Front Upper Pillar (23-23-14)
	4	9419 261	Screw
9	1	2448 434-5	MOULDING PACKAGE, Door (23-23-32)
	4	6001 102	Clip
	4	446 618	Nut
	9	6001 048	Retainer

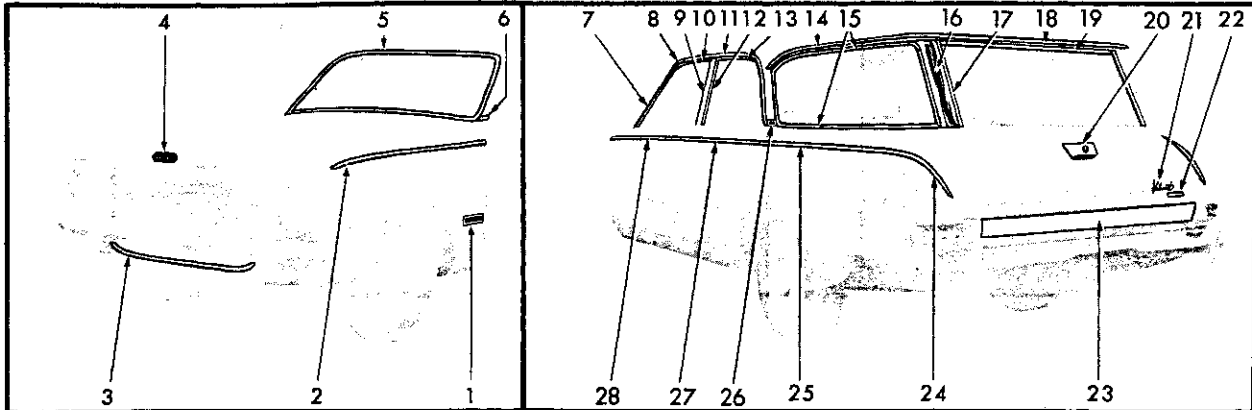
REF. NO.	QTY	PART NUMBER	DESCRIPTION
10	1	2424 105	COVER, Quarter Outside Panel Rear Belt Moulding Joint (23-23-41)
	1	2094 394	Fastener
11	1	2255 526	MEDALLION, Deck Lid (23-19-114)
	4	-----	Nut
12	1	2422 639	NAME PLATE, Deck Lid (23-19-114)
	2	6000 050	Clip
13	1	2299 421	PANEL, Deck Lower Panel Finish (23-23-28)
	8	6006 438	Nut
14	2	2421 996	MOULDING PACKAGE, Quarter Panel Upper (23-23-39)
	12	6001 434	Retainer
	12	6022 077	Seal
	12	116 000	Nut
15	1	2448 440-1	MOULDING PACKAGE, Quarter Panel Lower (23-23-39)
	16	6001 048	Retainer
	2	6001 436	Retainer
	2	6023 265	Nut
	4	6001 453	Retainer
	4	6023 678	Nut
16	1	2422 188-9	MOULDING, Quarter Panel Belt Rear (23-23-39)
	20	2094 394	Fastener
17	1	2424 164-5	MOULDING, Quarter Panel Belt Front (23-23-39)
	2	2094 394	Fastener
	2	188 973	Screw

All Packages include Attaching Parts

Part Type Code is Indicated in Parentheses

19x9625 B

MOULDINGS - VALIANT V200 TV1(H) CONVERTIBLE COUPE



REF. NO.	QTY	PART NUMBER	DESCRIPTION
1	2	2276 630	DECAL, Front Fender Side, w/Base (12-15-21)
	4	6006 263	Nut
2	1	2421 889-90	MOULDING PACKAGE, Fender Side and Front (12-15-2)
	2	6000 745	Clip
	8	6010 093	Clip
	32	6001 048	Retainer
	10	-----	Nut
3	1	2421 885	MOULDING PACKAGE, Radiator Grille Lower Panel (7-16-36)
	2	6006 412	Clip
	2	116 000	Nut
	3	6001 510	Clip
4	1	2276 296	MEDALLION, w/Base, Hood Front (15-06-6)
	2	6005 264	Nut
5	1	2032 278	LOCKINGSTRIP, Windshield Glass Weatherstrip (23-66-239)
6	1	2480 384-5	MOULDING, Front Upper Pillar (23-23-14)
	4	9419 261	Screw
7	1	2255 934-5	MOULDING, Roof Side Drain Trough Front (23-59-61)
8	2	2255 938	CAP, Roof Side Drain Trough Front and Rear Moulding (23-59-57)
9	1	2216 950-1	MOULDING, Front Door Window Frame Rear (23-23-32)
10	1	2216 946-7	MOULDING, Front Door Window Frame Upper (23-23-32)
11	1	2255 935-7	MOULDING, Roof Side Drain Trough Rear (23-59-61)
12	1	2216 950-1	MOULDING, Rear Door Window Frame Front (23-23-33)
13	1	2217 014-5	MOULDING, Rear Door Window Frame Upper (23-23-33)
14	1	2422 650-1	MOULDING, Roof Side Drain Trough (23-59-61)
15	1	2243 513	LOCKINGSTRIP, Quarter Window Glass Weatherstrip (23-63-110)

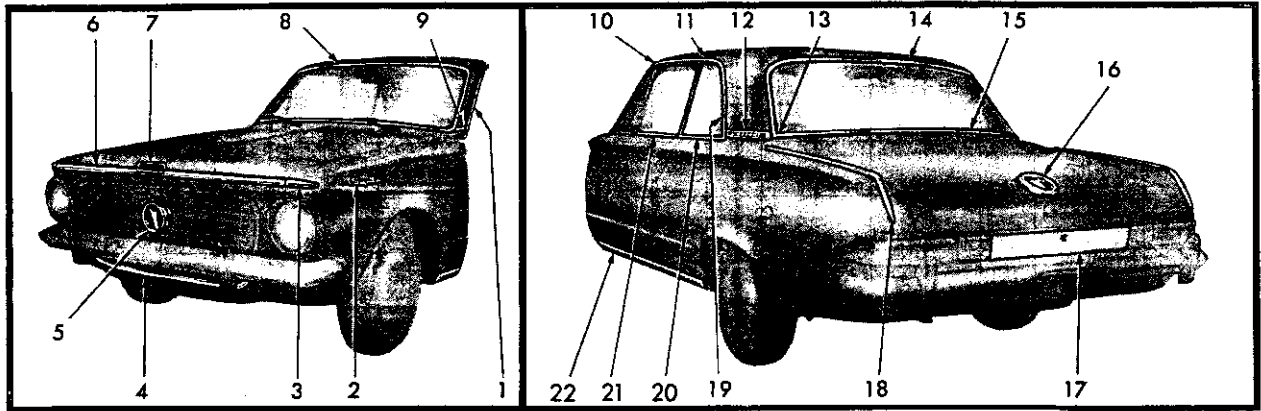
REF. NO.	QTY	PART NUMBER	DESCRIPTION
16	1	2421 579-80	MOULDING PACKAGE, Rear Upper Pillar Outside (23-23-60)
	4	6001 077	Clip
	4	6023 241	Clip
	2	167 039	Screw
17	1	2421 577-8	MOULDING PACKAGE, Rear Upper Pillar Outside (23-23-60)
	6	6001 076	Clip
	4	6023 241	Screw
	4	6001 077	Clip
18	1	2422 652-3	MOULDING, Roof Rear Drain Trough (23-59-61)
19	1	2448 401	MOULDING PACKAGE, Tailgate Opening Upper (23-23-60)
	5	6001 451	Clip
20	1	2299 752	ORNAMENT, w/Studs, Tailgate Outside Panel (23-54-11)
21	1	2255 629	NAME PLATE, Tailgate Outside Panel (Valiant) (23-54-11)
	2	152 259	Nut
22	1	2422 639	NAME PLATE, Tailgate Outside Panel (by Plymouth) (23-54-11)
	2	152 259	Nut
23	1	2424 903	PANEL, Tailgate Outside Finish (23-23-77)
	12	-----	Screw
24	1	2421 998-9	MOULDING PACKAGE, Quarter Panel Rear(23-23-39)
	2	6000 050	Clip
	2	6023 247	Screw
25	1	2421 994-5	MOULDING PACKAGE, Quarter Panel Front (23-23-39)
	16	6001 048	Retainer
26	1	2422 780-1	NAME PLATE, Roof Panel Extension (23-34-238)
	2	6001 105	Clip
27	1	2448 438-9	MOULDING PACKAGE, Rear Door (23-23-33)
	4	6001 102	Clip
	4	446 618	Nut
	6	6001 048	Retainer
28	1	2448 436-7	MOULDING PACKAGE, Front Door (23-23-32)
	4	6001 102	Clip

All Packages Include Attaching Parts

Part Type Code is Indicated in Parentheses

19x9526B

MOULDINGS - VALIANT V200 TV1(H) SUBURBAN



REF. NO.	QTY	PART NUMBER	DESCRIPTION
1	1	2255 934-5	MOULDING, Roof Side Drain Trough Front (23-59-61)
2	2	2417 164	NAME PLATE, Fender Side (12-15-21)
		8 152 259	Nut
3	1	2421 837-8	MOULDING PACKAGE, Fender Front (12-15-2)
		4 ----	Washer
		4 446 059	Nut
4	1	2421 885	MOULDING PACKAGE, Grille Lower Panel (7-16-36)
		2 6006 412	Clip
		2 116 000	Nut
		3 6001 510	Clip
5	1	2276 936	ORNAMENT, Radiator Grille (7-17-1)
		3 9411 618	Nut
6	1	2421 886	MOULDING PACKAGE, Hood Front (15-25-2)
		8 6001 080	Clip
		8 6013 114	Nut
7	1	2276 934	MEDALLION, w/Base, Hood Front (15-06-6)
		2 6005 264	Nut
8	1	2082 278	LOCKINGSTRIP, Windshield Glass Weatherstrip (23-66-235)
9	1	2480 384-5	MOULDING, Front Upper Pillar (23-23-14)
		4 9419 261	Screw
10	2	2255 938	CAP, Roof Side Drain Trough Front and Rear Moulding Joint (23-59-57)
11	1	2255 936-7	MOULDING, Roof Side Drain Trough Rear (23-59-61)
12	1	2243 294-5	NAME PLATE, Roof Panel Extension (23-34-238)
		6 152 260	Nut and Seal
13	2	2424 350	CAP, Rear Window Glass Weatherstrip Lockingstrip (23-63-117)

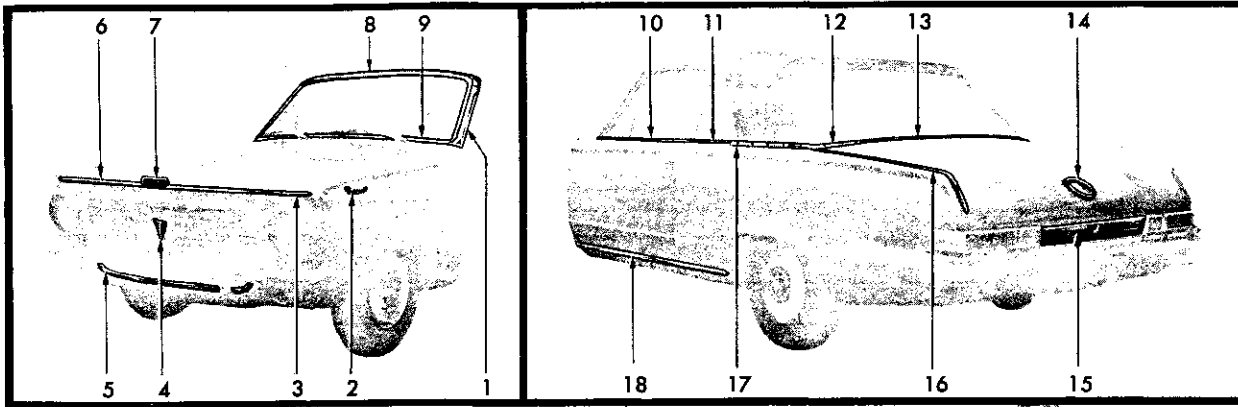
REF. NO.	QTY	PART NUMBER	DESCRIPTION
14	1	2424 426	LOCKINGSTRIP, Rear Window Glass Weatherstrip Upper (23-63-114)
15	1	2424 426	LOCKINGSTRIP, Rear Window Glass Weatherstrip Lower (23-63-114)
16	1	2422 631	MEDALLION, Deck Lid (23-19-114)
		4 ----	Nut
17	1	2299 421	PANEL PACKAGE, Deck Lower Panel Finish (23-23-28)
		8 6006 438	Nut
18	2	2421 996	MOULDING PACKAGE, Quarter Panel Peak (23-23-39)
		12 6001 434	Retainer
		12 6022 077	Seal
		12 116 000	Nut
19	1	2424 294-5	MOULDING and WEATHERSTRIP RETAINER, Quarter Window Outside (23-23-73)
		10 9413 272	Screw
20	1	2448 432-3	MOULDING PACKAGE, Quarter Panel Belt (23-23-39)
		6 6001 490	Retainer
		2 ----	Screw
21	1	2448 430-1	MOULDING PACKAGE, Door Belt (23-23-32)
		10 6001 490	Retainer
		2 6001 440	Retainer
		2 9415 312	Nut
22	2	2448 536	MOULDING PACKAGE, Body Side Sill (23-23-2)
		18 6001 244	Clip
		4 6023 331	Screw

All Packages Include Attaching Parts

Part Type Code is Indicated in Parentheses

19x9492B

MOULDINGS - VALIANT SIGNET 200 TV1(P) SPECIAL CLUB COUPE



REF. NO.	QTY	PART NUMBER	DESCRIPTION
1	1	2422 182-3	MOULDING, Windshield Opening Frame Outside (23-23-65)
	8	6022 890	Screw
2	2	2417 164	NAME PLATE, Fender Side, Signet 200 (12-15-21)
	8	152 259	Nut
3	1	2421 887-8	MOULDING PACKAGE, Fender Front (12-15-2)
	4	----	Washer
	4	446 059	Nut
4	1	2276 936	ORNAMENT, Radiator Grille, w/Ring (7-17-1)
	3	9411 618	Nut, to Grille
	3	446 059	Nut, Ornament to Ring
5	1	2421 885	MOULDING PACKAGE, Radiator Grille Lower Panel (7-16-36)
	2	6006 412	Clip
	2	116 000	Nut
	3	6001 510	Clip
6	1	2421 886	MOULDING PACKAGE, Hood Front (15-25-2)
	8	6001 080	Clip
	8	6013 114	Nut
7	1	2276 934	MEDALLION, w/Base, Hood Front (15-06-6)
	2	6006 264	Nut
8	1	2422 180-1	MOULDING, Windshield Header Outside Upper (23-23-65)
	7	274 109	Screw
	7	2254 766	Seal
9	1	2424 106	MOULDING, Windshield Outside Lower (23-23-65)
	7	9416 136	Screw
	7	6001 442	Retainer

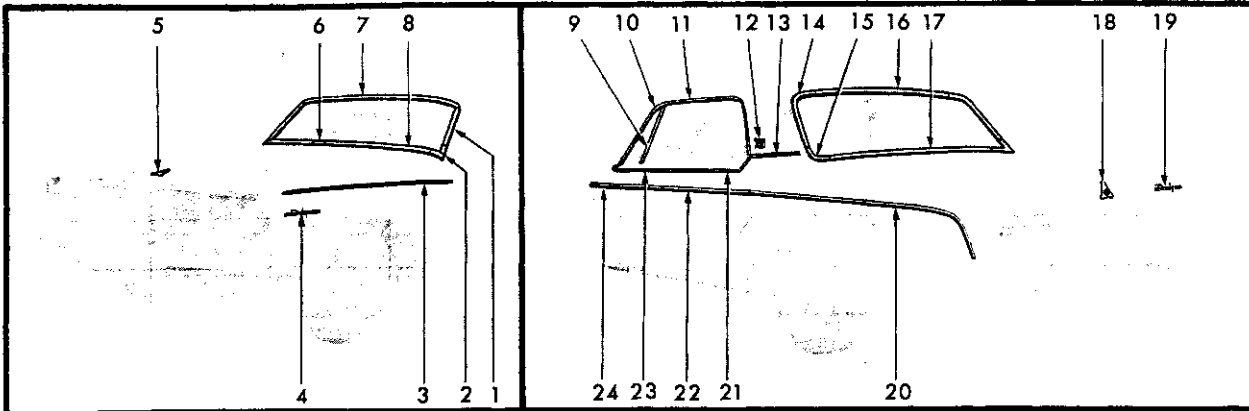
REF. NO.	QTY	PART NUMBER	DESCRIPTION
10	1	2448 430-1	MOULDING PACKAGE, Door Belt (23-23-32)
	10	6001 490	Retainer
	2	6001 440	Retainer
	2	9415 312	Nut
11	1	2448 452-3	MOULDING PACKAGE, Quarter Panel Belt Front (23-23-39)
	2	168 474	Screw
12	1	2422 188-9	MOULDING, Quarter Panel Belt Rear (23-23-39)
	20	2094 394	Fastener
13	1	2424 105	COVER, Quarter Outside Panel Rear Belt Moulding Joint (23-23-41)
	1	2094 394	Fastener
14	1	2422 631	MEDALLION, Deck Lid (23-19-114)
15	1	2299 421	PANEL PACKAGE, Deck Lower Panel Finish (23-23-28)
	8	6006 438	Nut
16	2	2421 996	MOULDING PACKAGE, Quarter Panel Upper (23-23-39)
	12	6001 434	Retainer
	12	6022 077	Seal
	12	116 000	Nut
17	1	2424 168-9	MOULDING, Quarter Panel Belt Intermediate (23-23-39)
	2	168 474	Screw
	2	2094 394	Fastener
18	2	2448 536	MOULDING PACKAGE, Body Side Sill (23-23-2)
	18	6001 244	Clip
	4	6023 331	Screw

All Packages Include Attaching Parts

Part Type Code is Indicated in Parentheses

19x9612B

MOULDINGS - VALIANT SIGNET 200 TV1(P) CONVERTIBLE COUPE



REF. NO.	QTY	PART NUMBER	DESCRIPTION
1	1	2166 966-7	MOULDING, Windshield Outside Finish Side (23-23-65)
2	1	2166 970-1	MOULDING, Windshield Outside Finish Lower End (23-23-65)
3	1	2421 971-2	MOULDING PACKAGE, Fender Side (12-15-2)
12		6001 496	Clip
2		6001 057	Clip
2		6001 030	Retainer
4		152 259	Nut
4	2	2417 218	NAME PLATE, Fender Side (12-15-21)
4		152 260	Nut
5	1	2276 188	MEDALLION, w/Base, Hood Front (15-06-6)
2		151 497	Nut
6	1	2254 524	COVER, Windshield Outside Finish Lower Moulding Joint (23-23-66)
7	1	2298 552	MOULDING PACKAGE, Windshield Outside Finish Upper (23-23-65)
8		6000 966	Retainer
8	1	2298 571-2	MOULDING PACKAGE, Windshield Outside Finish Lower (23-23-65)
10		6000 966	Retainer
9	4	2254 031	MOULDING, Front Door Vent Wing Division Channel (23-23-36)
10	1	2422 976-7	CAP, Roof Drain Trough Moulding Front End (23-59-57)
11	1	2423 596-7	MOULDING, Roof Drain Trough Side (23-59-61)
12	2	2423 516-7	"3", Quarter Outside Panel Numeral (23-34-238)
2		2423 518	"0"
12		6001 254	Clip
13	1	2448 150-1	MOULDING PACKAGE, Quarter Panel Belt (23-23-39)
6		6001 030	Retainer
6		152 259	Nut

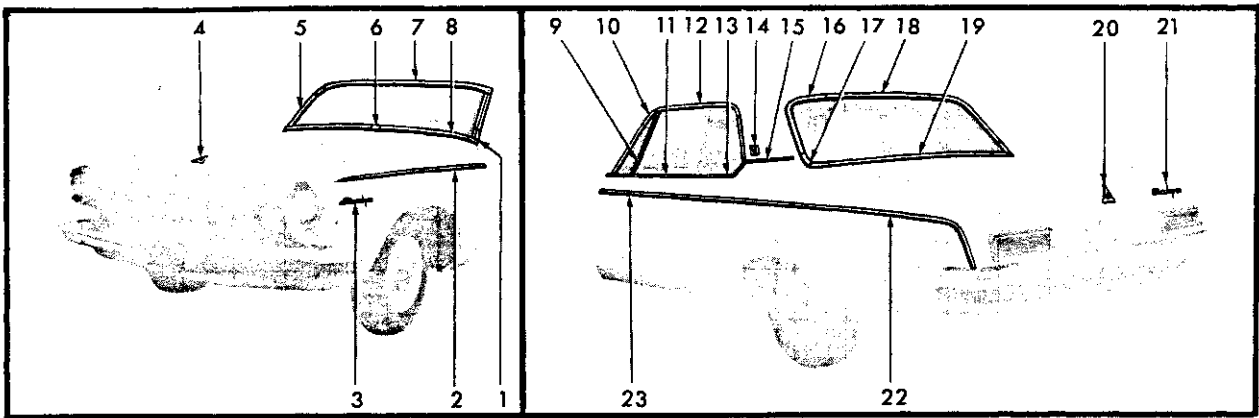
REF. NO.	QTY	PART NUMBER	DESCRIPTION
14	1	2424 558-9	MOULDING and SUPPORT, Rear Window Outside Side Upper (23-23-52)
4		6023 693	Screw
15	1	2448 478-9	MOULDING PACKAGE, Rear Window Outside Side Lower (23-23-52)
2		----	Clip and Stud
2		----	Seal
2		116 000	Nut
16	1	2424 557	MOULDING and SUPPORT, Rear Window Outside Upper (23-23-52)
15		6023 693	Screw
17	1	2244 751	MOULDING, Rear Window Outside Lower (23-23-52)
5		6024 117	Screw
18	1	2255 534	ORNAMENT, Deck Lid Lock Cylinder (23-17-19)
2		152 260	Nut
19	1	2255 090	NAME PLATE, Deck Lid (23-19-114)
2		152 260	Nut
20	1	2421 880-1	MOULDING PACKAGE, Quarter Panel Lower (23-23-39)
2		6023 241	Screw
10		6001 046	Retainer
8		6001 057	Retainer
8		6023 260	Nut
21	1	2421 874-5	MOULDING PACKAGE, Rear Door Belt (23-23-33)
14		6001 046	Retainer
22	1	2421 870-1	MOULDING PACKAGE, Rear Door Lower (23-23-33)
10		6001 046	Retainer
2		6001 044	Retainer
2		9418 539	Nut
23	1	2421 864-5	MOULDING PACKAGE, Front Door Belt (23-23-32)
2		----	Nut
8		6001 046	Retainer
24	1	2421 866-7	MOULDING PACKAGE, Front Door Lower (23-23-32)
8		6001 044	Retainer
8		----	Nut
10		6001 046	Retainer

All Packages include Attaching Parts

Part Type Code is Indicated in Parentheses

19x9563 B

MOULDINGS - DODGE 330 TD1-2(L) 4 DOOR SEDAN



REF. NO.	QTY	PART NUMBER	DESCRIPTION
1	1	2166 970-1	MOULDING, Windshield Outside Finish Lower End (23-23-65)
2	1	2421 971-2	MOULDING PACKAGE, Fender Side (12-15-2)
12		6001 496	Clip
2		6001 057	Clip
4		152 259	Nut
2		6001 030	Retainer
3	2	2417 218	NAME PLATE, Fender Side (12-15-21)
4		152 260	Nut
4	1	2276 188	MEDALLION, w/Base, Hood Front (15-06-6)
2		151 497	Nut
5	1	2166 966-7	MOULDING, Windshield Outside Finish Side (23-23-65)
6	1	2254 524	COVER, Windshield Outside Finish Lower Moulding Joint (23-23-66)
7	1	2298 552	MOULDING PACKAGE, Windshield Outside Finish Upper (23-23-65)
8		6000 966	Retainer
8	1	2298 571-2	MOULDING PACKAGE, Windshield Outside Finish Lower (23-23-65)
10		6000 966	Clip
9	4	2254 031	MOULDING, Door Vent Wing Division Channel (23-23-36)
10	1	2422 976-7	CAP, Roof Drain Trough Moulding Front End (23-59-57)
11	1	2421 850-1	MOULDING PACKAGE, Door Belt (23-23-32)
4		----	Nut
14		6001 046	Retainer
2		6001 044	Retainer
12	1	2423 596-7	MOULDING, Roof Drain Trough Side (23-59-61)
13	1	2448 508-9	MOULDING PACKAGE, Quarter Panel Belt (23-23-39)
8		6001 046	Retainer
2		6001 447	Retainer

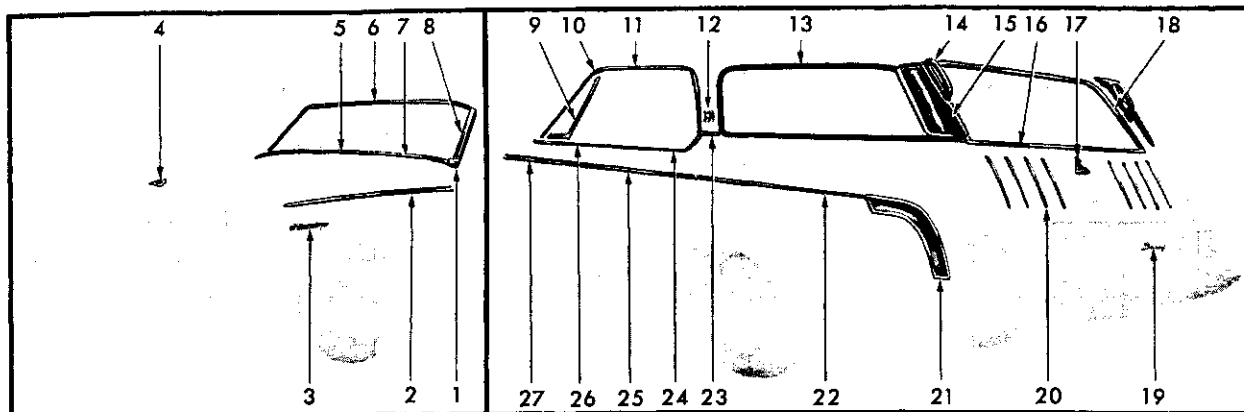
REF. NO.	QTY	PART NUMBER	DESCRIPTION
14	2	2423 516-7	3, Numeral, Quarter Outside Panel (23-34-238)
2		2423 518	0,
12		6001 254	Clip
15	1	2448 150-1	MOULDING PACKAGE, Quarter Panel Paint Break (23-23-39)
6		6001 030	Retainer
6		152 259	Nut
16	1	2424 558-9	MOULDING and SUPPORT, Rear Window Outside Side Upper (23-23-52)
4		6023 693	Screw
17	1	2448 478-9	MOULDING PACKAGE, Rear Window Outside Lower (23-23-52)
2		----	Clip and Stud
2		----	Seal
2		116 000	Nut
18	1	2424 557	MOULDING and SUPPORT, Rear Window Outside Upper (23-23-52)
15		6023 693	Screw
19	1	2244 751	MOULDING, Rear Window Outside Lower (23-23-52)
5		6024 117	Screw
20	1	2255 534	ORNAMENT, Deck Lid Lock Cylinder (23-17-19)
2		152 260	Nut
21	1	2255 090	NAME PLATE, Deck Lid (23-19-114)
2		152 260	Nut
22	1	2421 860-1	MOULDING PACKAGE, Quarter Panel Lower (23-23-39)
2		6023 241	Screw
18		6001 046	Retainer
8		6001 057	Retainer
8		6023 260	Nut
23	1	2421 852-3	MOULDING PACKAGE, Door Lower (23-23-32)
8		6001 044	Retainer
8		----	Nut
12		6001 046	Retainer

All Packages Include Attaching Parts

Part Type Code is Indicated in Parentheses

19x9565 B

MOULDINGS - DODGE 330 TD1-2(L) 2 DOOR SEDAN



REF. NO.	QTY	PART NUMBER	DESCRIPTION
1	1	2166 970-1	MOULDING, Windshield Outside Finish Lower End (23-23-65)
2	1	2421 971-2	MOULDING PACKAGE, Fender Side (12-15-2)
	12	6001 496	Clip
	2	6001 057	Clip
	2	6001 030	Retainer
	4	152 259	Nut
3	2	2417 218	NAME PLATE, Fender Side, Dodge (12-15-21)
	4	152 260	Nut
4	1	2276 188	MEDALLION, w/Base, Hood Front (15-06-6)
	2	151 497	Nut
5	1	2254 524	COVER, Windshield Outside Finish Lower Moulding Joint (23-23-66)
6	1	2298 552	MOULDING PACKAGE, Windshield Outside Finish Upper (23-23-65)
	8	6000 966	Retainer
7	1	2298 571-2	MOULDING PACKAGE, Windshield Outside Finish Lower (23-23-65)
	10	6000 966	Retainer
8	1	2166 966-7	MOULDING, Windshield Outside Finish Side (23-23-65)
9	4	2254 031	MOULDING, Door Vent Wing Division Channel (23-23-36)
10	1	2422 976-7	CAP, Roof Drain Trough Moulding Front End (23-59-57)
11	1	2423 596-7	MOULDING, Roof Drain Trough Side (23-59-61)
12	2	2423 514-7	NUMERAL "3", Quarter Outside Panel (23-34-238)
	2	2423 518	"O", Quarter Outside Panel
	12	6001 254	Clip
13	2	2255 027	LOCKINGSTRIP, Quarter Window Glass Weatherstrip (23-63-110)
14	1	2424 096-7	HANDLE, Roof Panel Rear Pillar Outside Assist (23-36-123)
	4	6023 204	Nut and Washer
	1	2424 984-5	Seal
15	1	2252 254-5	DEFLECTOR, Roof Panel Outside Air (23-36-134)
	2	167 079	Screw
	4	9418 381	Screw

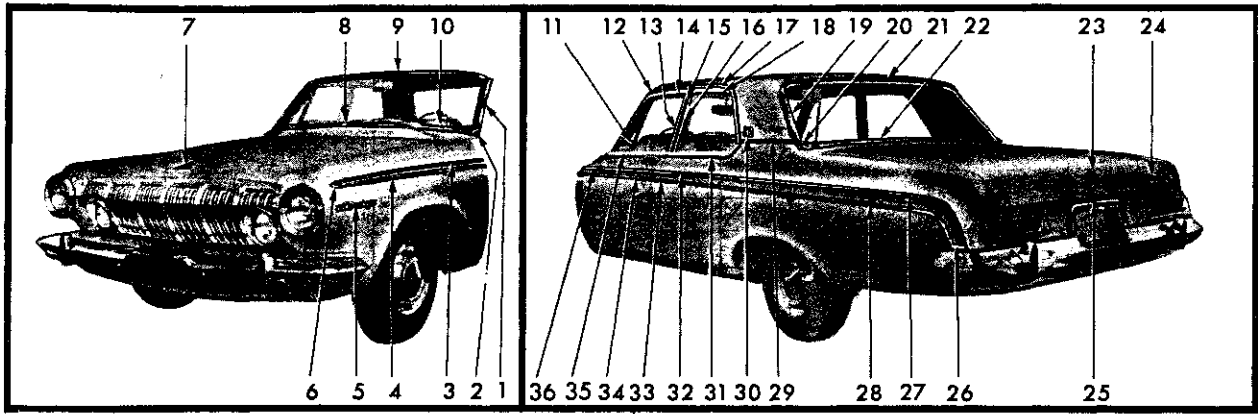
REF. NO.	QTY	PART NUMBER	DESCRIPTION
16	1	2448 488	MOULDING PACKAGE, Tailgate Outside Panel Belt (23-23-61)
	6	6001 436	Clip
	6	-----	Screw
17	1	2276 188	MEDALLION, Tailgate Outside (23-54-11)
	1	151 497	Nut
18	1	2251 802-3	MOULDING, Rear Upper Pillar Outside (23-23-60)
	8	9417 732	Screw
19	1	2423 384	NAME PLATE, Tailgate Outside Panel "Dodge" (23-54-11)
20	8	2421 925	MOULDING and RETAINER PACKAGE, Tailgate Outside Panel (23-23-61)
	16	6017 000	Retainer
	8	116 000	Nut
21	1	2448 472-3	MOULDING PACKAGE, Quarter Panel Rear (23-23-39)
	4	6023 686	Screw
	4	6000 960	Clip
	2	-----	Screw
22	1	2448 474-5	MOULDING PACKAGE, Quarter Panel Upper Front (23-23-39)
	16	6001 046	Retainer
	2	6023 241	Screw
23	1	2299 374	MOULDING PACKAGE, Quarter Panel Belt, Right (23-23-39)
	1	2299 399	Moulding Package, Quarter Panel Belt, Left
	4	6001 031	Clip
24	1	2421 874-5	MOULDING PACKAGE, Rear Door Belt (23-23-33)
	14	6001 046	Retainer
25	1	2421 870-1	MOULDING PACKAGE, Rear Door Upper (23-23-33)
	10	6001 046	Retainer
	2	6001 044	Retainer
	2	-----	Nut
26	1	2421 864-5	MOULDING PACKAGE, Front Door Belt (23-23-32)
	2	-----	Nut
	12	6001 046	Retainer
27	1	2421 866-7	MOULDING PACKAGE, Front Door Upper (23-23-32)
	8	6001 044	Retainer
	8	-----	Nut
	10	6001 046	Retainer

All Packages Include Attaching Parts

Part Type Code is Indicated in Parentheses

19x9630A

MOULDINGS - DODGE 330 TD1-2(L) SUBURBAN



REF. NO.	QTY	PART NUMBER	DESCRIPTION
1	1	2166 966-7	Moulding, Windshield Outside Finish Side (23-23-65)
2	1	2166 970-1	Moulding, Windshield Outside Finish Lower End (23-23-65)
3	1	2421 975-6	Moulding Package, Fender Side Upper (12-15-2)
	12	6001 496	Clip
	4	6001 057	Clip
	4	152 259	Nut
4	1	2421 977-8	Moulding Package, Fender Side Lower (12-15-2)
	12	6001 497	Clip
	4	6001 055	Clip
	4	152 259	Nut
5	2	2417 218	Name Plate, Fender Side (12-15-21)
	4	152 260	Nut
6	1	2421 226-7	Moulding Package, Fender Side Upper to Lower (12-15-2)
	2	152 259	Nut
7	1	2276 188	Medallion, Hood Front, w/Base (15-06-6)
	2	151 497	Nut
8	1	2254 524	Cover, Windshield Outside Finish Lower Moulding Joint (23-23-66)
9	1	2298 552	Moulding Package, Windshield Outside Finish Upper (23-23-65)
	8	6000 966	Retainer
10	1	2298 571-2	Moulding Package, Windshield Outside Finish Lower (23-23-65)
	10	6000 966	Retainer
11	4	2254 031	Moulding, Front Door Vent Wing Division Channel (23-23-36)
12	1	2422 976-7	Cap, Roof Drain Trough Moulding Front End (23-59-57)
13	1	2167 998-9	Moulding, Front Door Window Frame Rear (23-23-32)
14	1	2167 996-7	Moulding, Front Door Window Frame Upper (23-23-32)
15	1	2216 356-7	Panel, Center Pillar Upper Finish (23-23-16)
	4	6022 890	Screw
16	1	2167 998-9	Moulding, Rear Door Window Frame Front (23-23-33)
17	1	2423 596-7	Moulding, Roof Drain Trough Side (23-59-61)
18	1	2216 036-7	Moulding, Rear Door Window Frame Upper (23-23-33)
19	1	2424 558-9	Moulding and Support, Rear Window Outside Side Upper (23-23-52)
	4	6023 693	Screw
20	1	2448 478-9	Moulding Package, Rear Window Outside Side Lower (23-23-52)
	2	6023 693	Screw
	2	----	Seal
	2	116 000	Nut

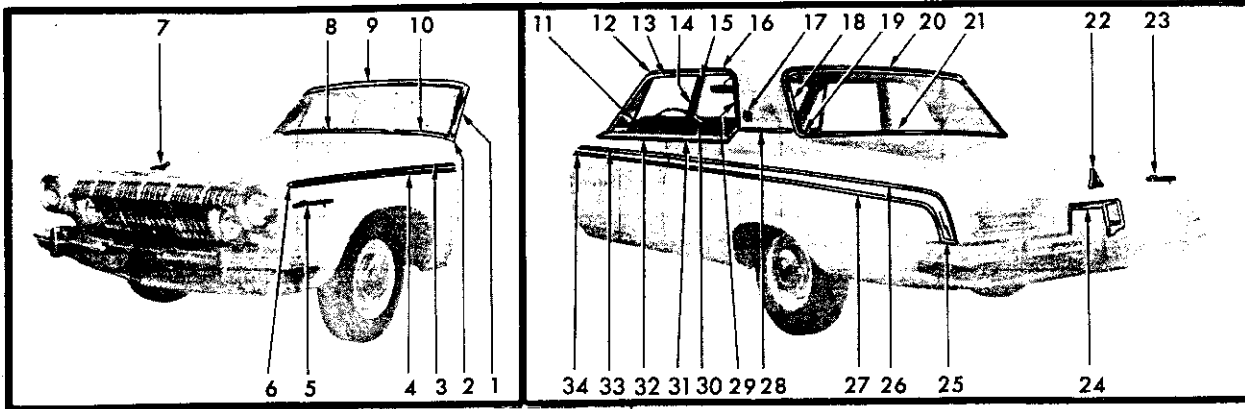
REF. NO.	QTY	PART NUMBER	DESCRIPTION
21	1	2424 557	Moulding and Support, Rear Window Outside Upper (23-23-52)
	15	6023 693	Screw
22	1	2244 751	Moulding, Rear Window Outside Lower (23-23-52)
	5	6024 117	Screw
23	1	2255 534	Ornament, Deck Lid Lock Cylinder (23-17-19)
	2	152 260	Nut
24	1	2255 090	Name Plate, Deck Lid (23-19-114)
	2	152 260	Nut
25	1	2244 810-11	Moulding, Deck Lower Panel License Depression (23-23-23)
	1	2255 992-3	Moulding, Deck Lower Panel License Depression, w/Back-Up Lamp Hole (23-23-23)
	7	6023 247	Screw
26	1	2421 882-3	Moulding Package, Quarter Panel Lower End (23-23-39)
	2	152 259	Nut
27	1	2421 878-9	Moulding Package, Quarter Panel Upper (23-23-39)
	2	6023 241	Screw
	12	6001 046	Retainer
	6	6001 057	Retainer
	6	6023 260	Nut
28	1	2421 876-7	Moulding Package, Quarter Panel Lower (23-23-39)
	12	6001 047	Retainer
	2	6001 056	Retainer
	2	----	Nut
	6	6001 055	Retainer
	6	6023 260	Nut
29	1	2448 150-1	Moulding Package, Quarter Panel Belt (23-23-39)
	6	6001 030	Retainer
	6	152 259	Nut
30	2	2423 522-3	Numeral "4", Quarter Outside Panel (23-34-238)
	2	2423 518	Numeral "0", Quarter Outside Panel (23-34-238)
	12	6001 254	Clip
31	1	2421 874-5	Moulding Package, Rear Door Belt (23-23-33)
	14	6001 046	Retainer
32	1	2421 870-1	Moulding Package, Rear Door Upper (23-23-33)
	10	6001 046	Retainer
	2	6001 044	Retainer
	2	9418 539	Nut
33	1	2421 872-3	Moulding Package, Rear Door Lower (23-23-33)
	10	6001 047	Retainer
	2	6001 056	Retainer
	2	9418 539	Nut
34	1	2421 868-9	Moulding Package, Front Door Lower (23-23-32)
	8	6001 056	Retainer
	8	9418 539	Nut
	10	6001 046	Retainer
35	1	2421 864-5	Moulding Package, Front Door Belt (23-23-32)
	2	----	Nut
	12	6001 046	Retainer
36	1	2421 866-7	Moulding Package, Front Door Upper (23-23-32)
	8	6001 044	Retainer
	8	----	Nut
	10	6001 047	Retainer

All Packages include Attaching Parts

Part Type Code is Indicated in Parentheses

19x9597C

MOULDINGS - DODGE 440 TD1-2(M) 4 DOOR SEDAN



REF. NO.	QTY	PART NUMBER	DESCRIPTION
1	1	2166 966-7	MOULDING, Windshield Outside Finish Side (23-23-65)
2	1	2166 970-1	MOULDING, Windshield Outside Finish Lower End (23-23-65)
3	1	2421 975-6	MOULDING PACKAGE, Fender Side Upper (12-15-2)
	12	6001 496	Clip
	4	6001 057	Clip
	4	152 259	Nut
4	1	2421 977-8	MOULDING PACKAGE, Fender Side Lower (12-15-2)
	12	6001 497	Clip
	4	6001 055	Clip
	4	152 259	Nut
5	2	2417 218	NAME PLATE, Fender Side, Dodge (12-15-21)
	4	152 260	Nut
6	1	2421 226-7	MOULDING PACKAGE, Fender Side Upper to Lower (12-15-2)
	2	152 259	Nut
7	1	2276 188	MEDALLION, w/Base, Hood Front (15-06-6)
	2	151 497	Nut
8	1	2254 524	COVER, Windshield Outside Finish Lower Moulding (23-23-66)
9	1	2298 552	MOULDING PACKAGE, Windshield Outside Finish Upper (23-23-65)
	8	6000 966	Retainer
10	1	2298 571-2	MOULDING PACKAGE, Windshield Outside Finish Lower (23-23-65)
	10	6000 966	Retainer
11	4	2254 031	MOULDING, Door Vent Wing Division Channel (23-23-36)
12	1	2422 976-7	CAP, Roof Drain Trough Moulding Front End (23-59-57)
13	1	2218 722-3	MOULDING, Door Window Frame Upper (23-23-32)
14	1	2218 724-5	MOULDING, Door Window Frame Rear (23-23-32)
15	1	2480 222-3	PANEL, Lock Pillar Upper Finish (23-23-16)
	4	6023 247	Screw
16	1	2423 596-7	MOULDING, Roof Drain Trough Side (23-59-61)
17	2	2423 522-3	NUMERAL "4", Quarter Outside Panel (23-34-238)
	2	2423 518	"O"
	12	6001 254	Clip
18	1	2424 558-9	MOULDING w/SUPPORT, Rear Window Outside Side Upper (23-23-52)
	4	6023 693	Screw
19	1	2448 478-9	MOULDING PACKAGE, Rear Window Outside Side Lower (23-23-52)
	2	6023 693	Screw
	2	-----	Seal
	2	116 000	Nut

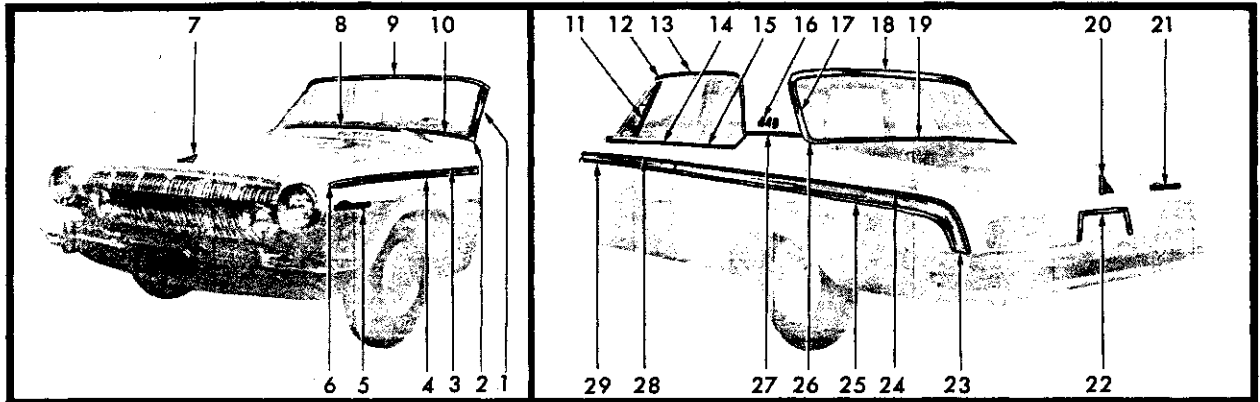
REF. NO.	QTY	PART NUMBER	DESCRIPTION
20	1	2424 557	MOULDING, w/Support, Rear Window Outside Upper (23-23-52)
	15	6023 693	Screw
21	1	2244 751	MOULDING, Rear Window Outside Lower (23-23-52)
	5	6024 117	Screw
22	1	2255 534	ORNAMENT, Deck Lid Lock Cylinder (23-17-19)
	2	152 260	Nut
23	1	2255 090	NAME PLATE, Deck Lid (23-19-114)
	2	152 260	Nut
24	1	2244 810-1	MOULDING, Deck Lower Panel License Depression (23-23-23)
	1	2255 992-3	MOULDING, Deck Lower Panel License Depression, w/Back-Up Lamp Hole (23-23-23)
	7	6023 247	Screw
25	1	2421 882-3	MOULDING PACKAGE, Quarter Panel End (23-23-39)
	2	152 259	Nut
26	1	2421 858-9	MOULDING PACKAGE, Quarter Panel Upper (23-23-39)
	2	6023 241	Screw
	20	6001 046	Retainer
	6	6001 057	Retainer
	6	6023 260	Nut
27	1	2421 862-3	MOULDING PACKAGE, Quarter Panel Lower (23-23-39)
	2	6023 241	Screw
	20	6001 047	Retainer
	6	6001 055	Retainer
	6	6023 260	Nut
28	1	2448 150-1	MOULDING PACKAGE, Quarter Panel Belt Upper (23-23-39)
	6	6001 030	Retainer
	6	152 259	Nut
29	1	2422 438-9	MOULDING, Quarter Window Opening Frame Outside Upper (23-23-73)
	2	2422 534	Retainer
30	1	2422 440-1	MOULDING, Quarter Window Opening Frame Outside Front (23-23-73)
31	1	2448 508-9	MOULDING PACKAGE, Quarter Panel Belt (23-23-39)
	8	6001 046	Retainer
	2	6001 447	Retainer
32	1	2421 850-1	MOULDING PACKAGE, Door Belt (23-23-32)
	4	-----	Nut
	14	6001 046	Retainer
	2	6001 044	Retainer
33	1	2421 852-3	MOULDING PACKAGE, Door Upper (23-23-32)
	8	6001 044	Retainer
	8	-----	Nut
	12	6001 046	Retainer
34	1	2421 854-5	MOULDING PACKAGE, Door Lower (23-23-32)
	8	6001 056	Retainer
	8	-----	Nut
	12	6001 047	Retainer

All Packages Include Attaching Parts

Part Type Code is Indicated in Parentheses

19x9605C

MOULDINGS - DODGE 440 TD1-2(M) 2 DOOR SEDAN



REF. NO.	QTY	PART NUMBER	DESCRIPTION
1	1	2166 966-7	MOULDING, Windshield Outside Finish Side (23-23-65)
	6	6023 247	Screw
2	1	2166 970	MOULDING, Windshield Outside Finish Lower End (23-23-65)
3	1	2421 975-6	MOULDING PACKAGE, Fender Side Upper (12-15-2)
	12	6001 496	Clip
	4	6001 057	Clip
	4	152 259	Nut
4	1	2421 977-8	MOULDING PACKAGE, Fender Side Lower (12-15-2)
	12	6001 497	Clip
	4	6001 055	Clip
	4	152 259	Nut
5	2	2417 218	NAME PLATE, Fender Side, Dodge (12-15-21)
	4	152 260	Nut
6	1	2421 226-7	MOULDING PACKAGE, Fender Side Upper to Lower (12-15-2)
	2	152 259	Nut
7	1	2276 188	MEDALLION, w/Base, Hood Front (15-06-6)
	2	151 497	Nut
8	1	2254 524	COVER, Windshield Outside Finish Lower Moulding Joint (23-23-66)
9	1	2298 552	MOULDING PACKAGE, Windshield Outside Finish Upper (23-23-65)
	8	6000 966	Retainer
10	1	2298 571-2	MOULDING PACKAGE, Windshield Outside Finish Lower (23-23-65)
	10	6000 966	Retainer
11	4	2254 031	MOULDING, Door Vent Wing Division Channel (23-23-36)
12	1	2422 976-7	CAP, Roof Drain Trough Moulding Front End (23-59-57)
13	1	2423 596-7	MOULDING, Roof Drain Trough Side (23-59-61)
14	1	2421 850-1	MOULDING PACKAGE, Door Belt (23-23-32)
	4	----	Nut
	14	6001 046	Retainer
	2	6001 044	Retainer
15	1	2448 508-9	MOULDING PACKAGE, Quarter Panel Belt (23-23-39)
	8	6001 046	Retainer
	2	6001 447	Retainer
16	2	2423 522-3	NUMERAL, Quarter Outside Panel "4" (23-34-238)
	2	2423 518	"0"

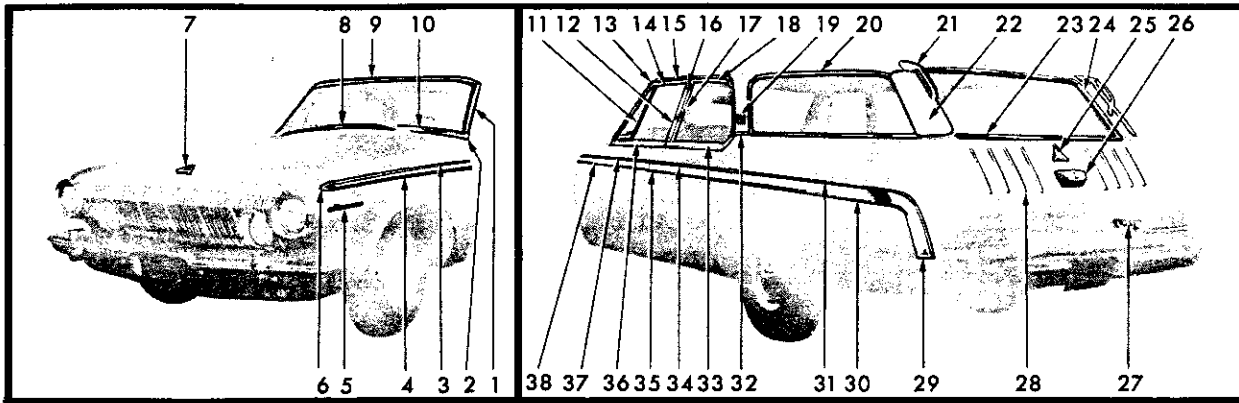
REF. NO.	QTY	PART NUMBER	DESCRIPTION
17	1	2424 558-9	MOULDING w/SUPPORT, Rear Window Outside Side Upper (23-23-52)
	4	6023 693	Screw
18	1	2424 557	MOULDING w/SUPPORT, Rear Window Outside Upper (23-23-52)
	15	6023 693	Screw
19	1	2244 751	MOULDING, Rear Window Outside Lower (23-23-52)
	5	6024 117	Screw
20	1	2255 534	ORNAMENT, Deck Lid Lock Cylinder (23-17-19)
	2	152 260	Nut
21	1	2255 090	NAME PLATE, Deck Lid (23-19-114)
	2	152 260	Nut
22	1	2244 810-1	MOULDING, Deck Lower Panel License Depression (23-23-23)
	7	6023 247	Screw
	1	2255 992-3	MOULDING, Deck Lower Panel License Depression, w/Back-Up Lamp Hole (23-23-23)
	6	6023 247	Screw
23	1	2421 882-3	MOULDING PACKAGE, Quarter Panel End (23-23-39)
	2	152 259	Nut
24	1	2421 858-9	MOULDING PACKAGE, Quarter Panel Upper (23-23-39)
	2	6023 241	Screw
	20	6001 046	Retainer
	6	6001 057	Retainer
	6	6023 260	Nut
25	1	2421 862-3	MOULDING PACKAGE, Quarter Panel Lower (23-23-39)
	2	6023 241	Screw
	20	6001 047	Retainer
	6	6001 055	Retainer
	6	6023 260	Nut
26	1	2448 478-9	MOULDING PACKAGE, Rear Window Outside Side Lower (23-23-52)
	12	6001 254	Clips
	1	2448 150-1	MOULDING PACKAGE, Quarter Panel Belt (23-23-39)
	6	6001 030	Retainer
	6	152 259	Nut
28	1	2421 852-3	MOULDING PACKAGE, Door Upper (23-23-32)
	8	----	Nut
	8	6001 044	Retainer
	12	6001 046	Retainer
29	1	2421 854-5	MOULDING PACKAGE, Door Lower (23-23-32)
	8	6001 056	Retainer
	8	----	Nut
	12	6001 047	Retainer

All Packages Include Attaching Parts

Part Type Code is Indicated in Parentheses

19x9607C

MOULDINGS - DODGE 440 TD1-2(M) SPECIAL CLUB COUPE



REF. NO.	QTY	PART NUMBER	DESCRIPTION
1	1	2166 966-7	MOULDING, Windshield Outside Finish Side (23-23-65)
2	1	2166 970-1	MOULDING, Windshield Outside Finish Lower End (23-23-65)
3	1	2421 975-6	MOULDING PACKAGE, Fender Side Upper (12-15-2)
12		6001 496	Clip
4	4	6001 057	Clip
4	4	152 259	Nut
4	1	2421 977-8	MOULDING PACKAGE, Fender Side Lower (12-15-2)
12		6001 497	Clip
4	4	6001 055	Clip
4	4	152 259	Nut
5	2	2417 218	NAME PLATE, Fender Side, Dodge (12-15-21)
4	4	152 260	Nut
6	1	2421 226-7	MOULDING PACKAGE, Fender Side Upper to Lower (12-15-2)
2	2	152 259	Nut
7	1	2276 188	MEDALLION, w/Base, Hood Front (15-06-6)
2	2	151 497	Nut
8	1	2254 524	COVER, Windshield Outside Finish Lower Moulding Joint (23-23-66)
9	1	2298 552	MOULDING PACKAGE, Windshield Outside Finish Upper (23-23-65)
8	6000 966	Retainer	
10	1	2298 571-2	MOULDING PACKAGE, Windshield Outside Finish Lower (23-23-65)
10	6000 966	Retainer	
11	4	2254 031	MOULDING, Front Door Vent Wing Division Channel (23-23-36)
12	1	2167 998-9	MOULDING, Front Door Window Frame Rear (23-23-32)
13	1	2422 976-7	CAP, Roof Drain Trough Moulding Front End (23-59-57)
14	1	2167 996-7	MOULDING, Front Door Window Frame Upper (23-23-32)
15	1	2423 596-7	MOULDING, Roof Drain Trough Side (23-59-61)
16	1	2216 356-7	PANEL, Center Pillar Upper Finish (23-23-16)
4	6022 890	Screw	
17	1	2167 998-9	MOULDING, Rear Door Window Frame Front (23-23-33)
18	1	2216 036-7	MOULDING, Rear Door Window Frame Upper (23-23-33)
19	2	2423 522-3	NUMERAL "4", Quarter Outside Panel (23-34-238)
2	2423 518	"O", Quarter Outside Panel	
12	6001 254	Clip	
20	2	2422 471	LOCKINGSTRIP, Quarter Window Glass Weatherstrip (23-63-110)
21	1	2424 096-7	HANDLE, Roof Panel Rear Pillar Outside Assist (23-36-123)
4	6023 204	Nut and Washer	
1	2424 984-5	Seal	

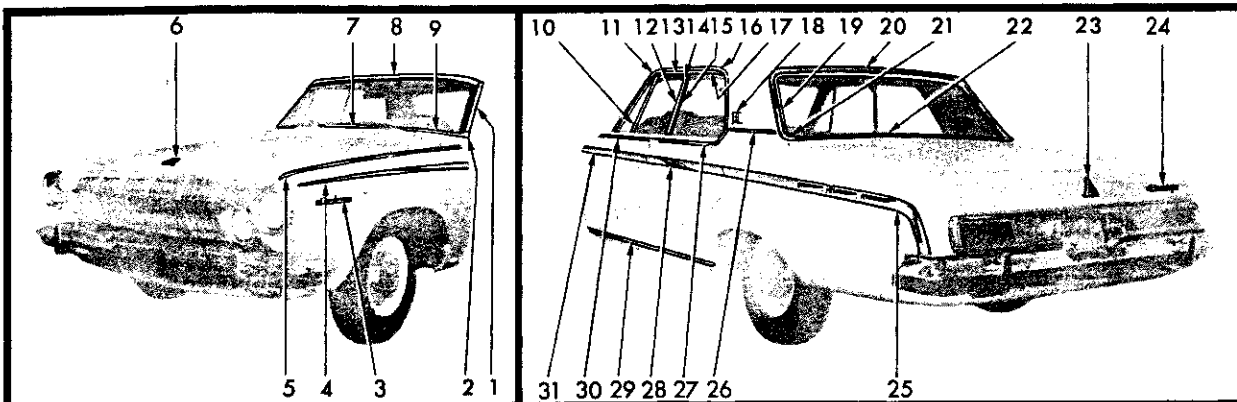
REF. NO.	QTY	PART NUMBER	DESCRIPTION
22	1	2252 254-5	DEFLECTOR, Roof Panel Outside Air (23-36-134)
2	167 079	Screw	
4	9418 381	Screw	
23	1	2448 488	MOULDING PACKAGE, Tailgate Outside Panel Belt (23-23-61)
6	6001 435	Clip	
6	---	---	Screw
24	1	2251 802-3	MOULDING, Rear Upper Pillar Outside (23-23-60)
8	9417 732	Screw	
25	1	2276 188	MEDALLION, Tailgate Outside Panel (23-54-11)
1	151 497	Nut	
26	1	2428 221	BASE, w/Stud, Electric Tailgate Window Regulator Outside (23-54-18)
27	1	2423 384	NAME PLATE, Tailgate Outside Panel "Dodge" (23-54-11)
3	6001 254	Clip	
28	8	2421 925	MOULDING and RETAINER PACKAGE, Tailgate Outside Panel (23-23-61)
16	6017 000	Retainer	
8	116 000	Nut	
29	1	2448 472-3	MOULDING PACKAGE, Quarter Panel Rear (23-23-39)
4	6023 686	Screw	
4	6000 960	Clip	
2	---	---	Screw
30	1	2448 476-7	MOULDING PACKAGE, Quarter Panel Lower Front (23-23-39)
18	6001 047	Retainer	
2	6023 241	Screw	
31	1	2448 474-5	MOULDING PACKAGE, Quarter Panel Upper Front (23-23-39)
16	6001 046	Retainer	
2	6023 241	Screw	
32	1	2299 374	MOULDING PACKAGE, Quarter Panel Belt, Right (23-23-39)
1	2299 399	MOULDING PACKAGE, Quarter Panel Belt, Left	
4	6001 031	Clip	
33	1	2421 874-5	MOULDING PACKAGE, Rear Door Belt (23-23-33)
14	6001 046	Retainer	
34	1	2421 870-1	MOULDING PACKAGE, Rear Door Upper (23-23-33)
10	6001 046	Retainer	
2	6001 044	Retainer	
2	---	---	Nut
35	1	2421 872-3	MOULDING PACKAGE, Rear Door Lower (23-23-33)
10	6001 047	Retainer	
2	6001 056	Retainer	
2	---	---	Nut
36	1	2421 864-5	MOULDING PACKAGE, Front Door Belt (23-23-32)
2	---	---	Nut
8	6001 046	Retainer	
37	1	2421 866-7	MOULDING PACKAGE, Front Door Upper (23-23-32)
8	6001 044	Retainer	
8	---	---	Nut
10	6001 046	Retainer	
38	1	2421 868-9	MOULDING PACKAGE, Front Door Lower (23-23-32)
8	6001 056	Retainer	
8	---	---	Nut
10	6001 047	Retainer	

All Packages include Attaching Parts

Part Type Code is Indicated in Parentheses

19x9645A

MOULDINGS - DODGE 440 TD2(M) SUBURBAN



REF. NO.	QTY	PART NUMBER	DESCRIPTION
1	1	2166 966-7	MOULDING, Windshield Outside Finish Side (23-23-65)
	6	6023 247	Screw
2	1	2166 970-1	MOULDING, Windshield Outside Finish Lower End (23-23-65)
	2	6023 247	Screw
3	2	2276 748	NAME PLATE, Fender Side (12-15-21)
	4	152 260	Nut
4	1	2421 979-80	MOULDING PACKAGE, Fender Side Lower (12-15-2)
	12	-----	Nut
5	1	2421 973-4	MOULDING PACKAGE, Fender Side Upper (12-15-2)
	14	6001 496	Clip
	4	6001 057	Clip
	4	152 259	Nut
6	1	2276 188	MEDALLION, Hood Front, w/Base (15-06-6)
	1	151 497	Nut
7	1	2254 524	COVER, Windshield Outside Finish Lower Moulding (23-23-66)
8	1	2298 552	MOULDING PACKAGE, Windshield Outside Finish Upper (23-23-65)
	8	6000 966	Retainer
9	1	2298 571-2	MOULDING PACKAGE, Windshield Outside Finish Lower (23-23-65)
	10	6000 966	Retainer
10	4	2254 031	MOULDING, Front Door Vent Wing Division Channel (23-23-36)
11	1	2422 976-7	CAP, Roof Drain Trough Moulding Front End (23-59-37)
12	1	2167 998-9	MOULDING, Front Door Window Frame Rear (23-23-32)
13	1	2167 996-7	MOULDING, Front Door Window Frame Upper (23-23-32)
14	1	2216 356-7	PANEL, Center Pillar Upper Finish (23-23-16)
	4	6022 890	Screw
15	1	2167 998-9	MOULDING, Rear Door Window Frame Front (23-23-33)
16	1	2423 596-7	MOULDING, Roof Drain Trough Side (23-59-61)
17	1	2216 036-7	MOULDING, Rear Door Window Frame Upper (23-23-33)
18	1	2423 528-9	ORNAMENT, Quarter Outside Panel (23-34-334)
	8	6001 254	Clip
	4	2423 737	Plug
19	1	2424 558-9	MOULDING w/SUPPORT, Rear Window Outside Side Upper (23-23-52)
	4	6023 693	Screw

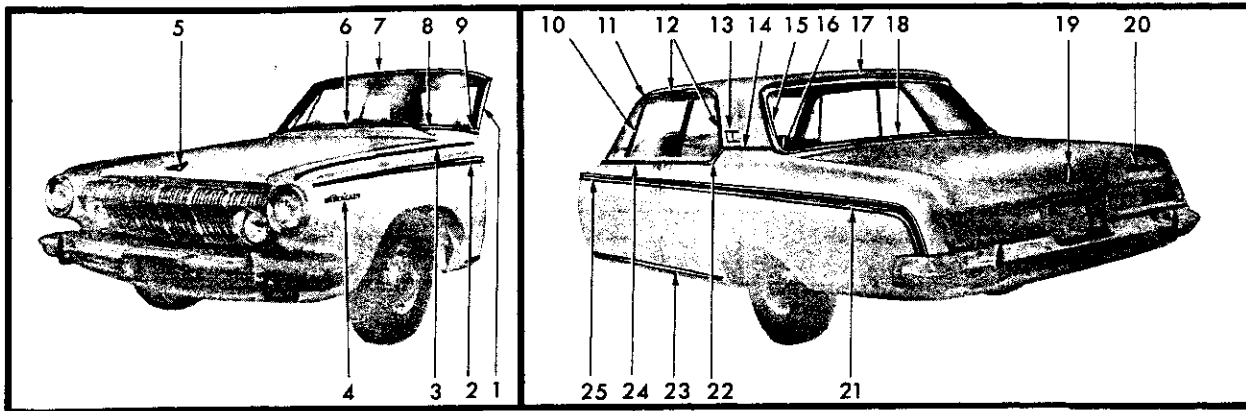
REF. NO.	QTY	PART NUMBER	DESCRIPTION
20	1	2424 557	MOULDING w/SUPPORT, Rear Window Outside Upper (23-23-52)
	15	6023 693	Screw
21	1	2448 478-9	MOULDING PACKAGE, Rear Window Outside Side Lower (23-23-52)
	2	6023 693	Screw
	2	-----	Seal
	2	116 000	Nut
22	1	2244 751	MOULDING, Rear Window Outside Lower (23-23-52)
	5	6024 117	Screw
23	1	2255 534	ORNAMENT, Deck Lid Deck Cylinder (23-12-19)
	2	152 260	Nut
24	1	2255 090	NAME PLATE, Deck Lid (23-19-114)
	2	152 260	Nut
25	1	2421 910-1	MOULDING PACKAGE, Quarter Panel Lower (23-23-39)
	2	6023 241	Screw
	2	6022 007	Washer
	2	-----	Nut
26	1	2448 150-1	MOULDING PACKAGE, Quarter Panel Belt (23-23-39)
	6	6001 030	Retainer
	6	152 259	Nut
27	1	2421 908-9	MOULDING PACKAGE, Rear Door Belt (23-23-33)
	10	6001 046	Retainer
	4	6006 515	Clip
28	1	2448 504-5	MOULDING PACKAGE, Rear Door Lower (23-23-33)
	4	6022 013	Washer
	2	-----	Retainer
	4	441 256	Nut
29	2	2421 912	MOULDING PACKAGE, Body Side Still (23-23-2)
	2	6023 681	Screw
	14	6001 083	Clip
30	1	2421 906-7	MOULDING PACKAGE, Front Door Belt (23-23-32)
	2	6001 044	Retainer
	2	-----	Nut
	12	6001 046	Retainer
31	1	2448 502-3	MOULDING PACKAGE, Front Door Lower (23-23-32)
	2	441 256	Nut
	2	6022 013	Washer
	2	9417 621	Nut

All Packages Include Attaching Parts

Part Type Code is Indicated in Parentheses

19x9604B

MOULDINGS - DODGE POLARA TD1-2(H) 4 DOOR SEDAN



REF. NO.	QTY	PART NUMBER	DESCRIPTION
1	1	2166 966-7	Moulding, Windshield Outside Finish Side (23-23-65)
2	1	2421 979-80	Moulding Package, Fender Side Lower (12-15-2)
	12	-----	Nut
3	1	2421 973-4	Moulding Package, Fender Side Upper (12-15-2)
14	4	6001 496	Clip
4	4	6001 057	Clip
4	4	152 259	Nut
4	2	2276 748	Name Plate, Fender Side (12-15-21)
4	4	152 260	Nut
5	1	2276 188	Medallion, Hood Front, w/Base (15-06-6)
1	1	151 497	Nut
6	1	2254 524	Cover, Windshield Outside Finish Lower Moulding Joint (23-23-66)
7	1	2298 552	Moulding Package, Windshield Outside Finish Upper (23-23-65)
8	6000	966	Retainer
8	1	2298 571-2	Moulding Package, Windshield Outside Finish Lower (23-23-65)
10	6000	966	Retainer
9	1	2166 970-1	Moulding, Windshield Outside Finish Lower End (23-23-65)
10	4	2254 031	Moulding, Door Vent Wing Division Channel (23-23-36)
11	1	2255 240-1	Moulding, Roof Side Drain Trough Front (23-59-61)
2	6023	241	Screw
12	1	2423 004-5	Moulding, Roof Side Drain Trough Intermediate and Rear (use w/o Two Tone Paint) (23-59-61)
4	6024	271	Screw
1	2421	896-7	Moulding Package, Roof Side Drain Trough Intermediate and Rear (use w/Two Tone Paint) (23-59-61)
4	6024	271	Screw
8	6023	559	Screw
8	2423	432	Clip
4	6023	241	Screw
13	1	2423 528-9	Ornament, Quarter Outside Panel (23-34-334)
4	2423	737	Sealing Plug
8	6001	254	Clip

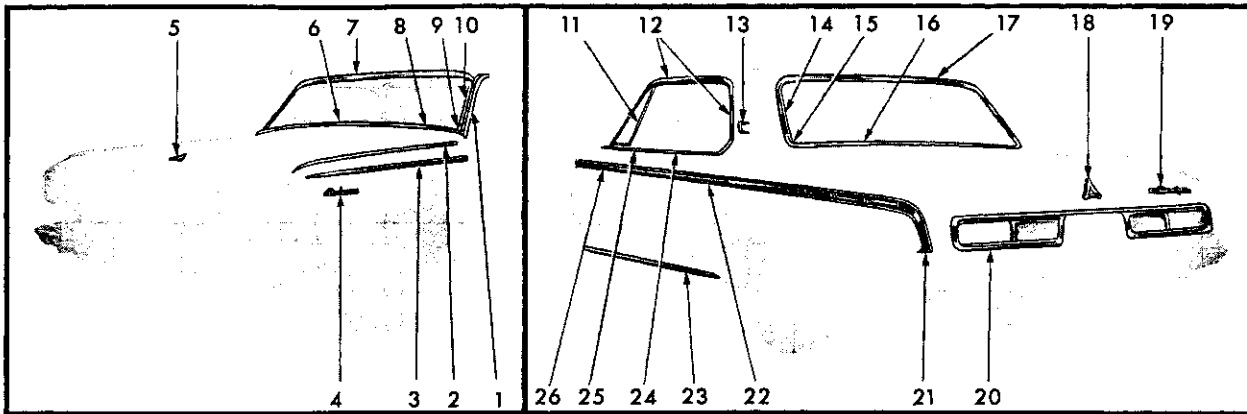
REF. NO.	QTY	PART NUMBER	DESCRIPTION
14	1	2448 164-5	Moulding Package, Quarter Panel Belt Rear (23-23-39)
6	-----	-----	Nut
15	1	2424 558-9	Moulding and Support, Rear Window Outside Side Upper (23-23-52)
4	6023	693	Screw
16	1	2448 478-9	Moulding Package, Rear Window Outside Side Lower (23-23-52)
2	6023	693	Screw
2	-----	-----	Seal
2	116	000	Nut
17	1	2424 557	Moulding and Support, Rear Window Outside Upper (23-23-52)
15	6023	693	Screw
18	1	2244 751	Moulding, Rear Window Outside Lower (23-23-57)
5	6024	117	Screw
19	1	2255 534	Ornament, Deck Lid Lock Cylinder (23-17-19)
2	152	260	Nut
20	1	2255 090	Name Plate, Deck Lid (23-19-114)
2	152	260	Nut
21	1	2421 904-5	Moulding Package, Quarter Panel Lower (23-23-39)
2	6024	271	Screw
8	6022	007	Washer
8	-----	-----	Nut
22	1	2421 902-3	Moulding Package, Quarter Panel Belt Front (23-23-39)
8	6001	046	Retainer
4	6006	515	Clip
23	2	2421 912	Moulding Package, Body Side Sill (23-23-2)
2	6023	681	Screw
14	6001	083	Clip
24	1	2421 900-1	Moulding Package, Door Belt (23-23-32)
4	6001	044	Retainer
4	-----	-----	Nut
14	6001	046	Retainer
25	1	2448 500-1	Moulding Package, Door Lower (23-23-32)
4	441	256	Nut

All Packages Include Attaching Parts

Part Type Code is Indicated in Parentheses

19x9600B

MOULDINGS - DODGE POLARA TD1-2(H) SPECIAL CLUB COUPE



REF. NO.	QTY	PART NUMBER	DESCRIPTION
1	1	2255 240-1	MOULDING, Roof Side Drain Trough Front (23-59-61)
2	1	2421 973-4	MOULDING PACKAGE, Fender Side Upper (12-15-2)
14	6001 496	Clip	
4	6001 057	Clip	
4	152 259	Nut	
3	1	2421 979-80	MOULDING PACKAGE, Fender Side Lower (12-15-2)
12	-----	Nut	
4	2	2276 748	NAME PLATE, Fender Side (12-15-21)
4	152 260	Nut	
5	1	2276 188	MEDALLION, w/Base, Hood (15-06-6)
2	151 497	Nut	
6	1	2254 524	COVER, Windshield Outside Finish Lower Moulding Joint (23-23-66)
7	1	2298 552	MOULDING PACKAGE, Windshield Outside Finish Upper (23-23-65)
8	6000 966	Retainer	
8	1	2298 571-2	MOULDING PACKAGE, Windshield Outside Finish Lower (23-23-65)
10	6000 966	Retainer	
9	1	2166 970-1	MOULDING, Windshield Outside Finish Lower End (23-23-65)
10	1	2166 966-7	MOULDING, Windshield Outside Finish Side (23-23-65)
11	4	2254 031	MOULDING, Front Door Vent Wing Division Channel (23-23-36)
12	1	2421 894-5	MOULDING PACKAGE, Roof Side Drain Trough Intermediate (23-59-61)
8	2423 432	Clip	
8	6023 559	Screw	
13	1	2423 528-9	ORNAMENT, Quarter Outside Panel (23-34-334)
4	2423 737	Sealing Plug	
8	6001 254	Clip	
14	1	2424 558-9	MOULDING and SUPPORT, Rear Window Outside Upper (23-23-52)
4	6023 693	Screw	

REF. NO.	QTY	PART NUMBER	DESCRIPTION
15	1	2448 478-9	MOULDING PACKAGE, Rear Window Outside Side Lower (23-23-52)
2	-----	Clip and Stud	
2	-----	Seal	
2	116 000	Nut	
16	1	2244 751	MOULDING, Rear Window Outside Lower (23-23-52)
5	6024 117	Screw	
17	1	2424 557	MOULDING and SUPPORT, Rear Window Outside Upper (23-23-52)
15	6023 693	Screw	
18	1	2255 534	ORNAMENT, Deck Lid Lock Cylinder (23-17-19)
19	1	2255 090	NAME PLATE, Deck Lid (23-19-114)
2	152 260	Nut	
20	1	2421 467-8	HOUSING PACKAGE, Tail, Stop, Turn Signal and Back-Up Lamp (8-55-136)
21	1	2421 910-1	MOULDING PACKAGE, Quarter Panel (23-23-39)
2	6023 241	Screw	
2	6022 007	Washer	
2	-----	Nut	
22	1	2448 504-5	MOULDING PACKAGE, Rear Door Lower (23-23-33)
2	-----	Retainer	
4	6022 013	Washer	
4	441 256	Nut	
23	2	2421 912	MOULDING PACKAGE, Body Side Sill (23-23-2)
2	6023 681	Screw	
14	6001 083	Clip	
24	1	2421 908-9	MOULDING PACKAGE, Rear Door Belt (23-23-33)
10	6001 046	Retainer	
4	6006 515	Clip	
25	1	2421 906-7	MOULDING PACKAGE, Front Door Belt (23-23-32)
2	6001 044	Retainer	
2	-----	Nut	
12	6001 046	Retainer	
26	1	2448 502-3	MOULDING PACKAGE, Front Door Lower (23-23-32)
4	441 256	Nut	
2	6022 013	Washer	
2	9417 621	Nut	

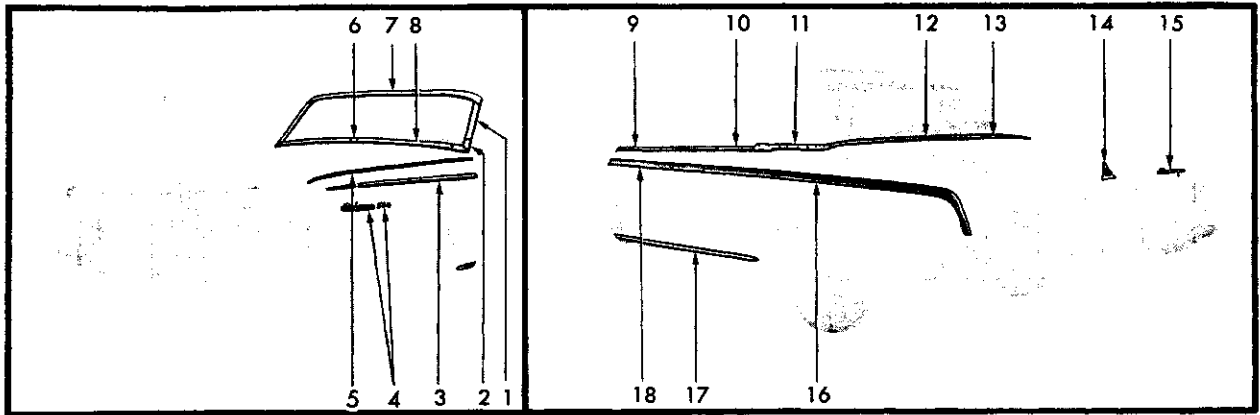
All Packages include Attaching Parts

Part Type Code is Indicated in Parentheses

19x9529B

MOULDINGS - DODGE POLARA TD2(H) SPECIAL 4 DOOR SEDAN

Jan. 3, 1964 Supersedes Dec. 14, 1962.



REF. NO.	QTY	PART NUMBER	DESCRIPTION
1	1	2166 966-7	MOULDING, Windshield Outside Finish Side (23-23-65)
2	1	2166 970-1	MOULDING, Windshield Outside Finish Lower End (23-23-65)
3	1	2421 979-80	MOULDING PACKAGE, Fender Side Lower (12-15-2)
		12	Nut
4	2	2276 748	NAME PLATE, Fender Side (12-15-21)
		4	152 260 Nut
		2	2423 538-9 NUMERAL "5", Fender Side (12-15-21)
		4	2423 518 NUMERAL "0", Fender Side (12-15-21)
		12	152 259 Nut
5	1	2421 973-4	MOULDING PACKAGE, Fender Side Upper (12-15-2)
		14	6001 496 Clip
		4	6001 057 Clip
		4	152 259 Nut
6	1	2254 524	COVER, Windshield Outside Finish Lower Moulding Joint (23-23-66)
7	1	2252 056-7	MOULDING and EXTENSION, Windshield Header Outside Finish (23-23-65)
		7	274 109 Screw
		2	9413 197 Screw
8	1	2298 571-2	MOULDING PACKAGE, Windshield Outside Finish Lower (23-23-65)
		10	6000 966 Retainer
9	1	2421 900-1	MOULDING PACKAGE, Door Belt (23-23-32)
		4	6001 044 Retainer
		4	Nut
		14	6001 046 Retainer

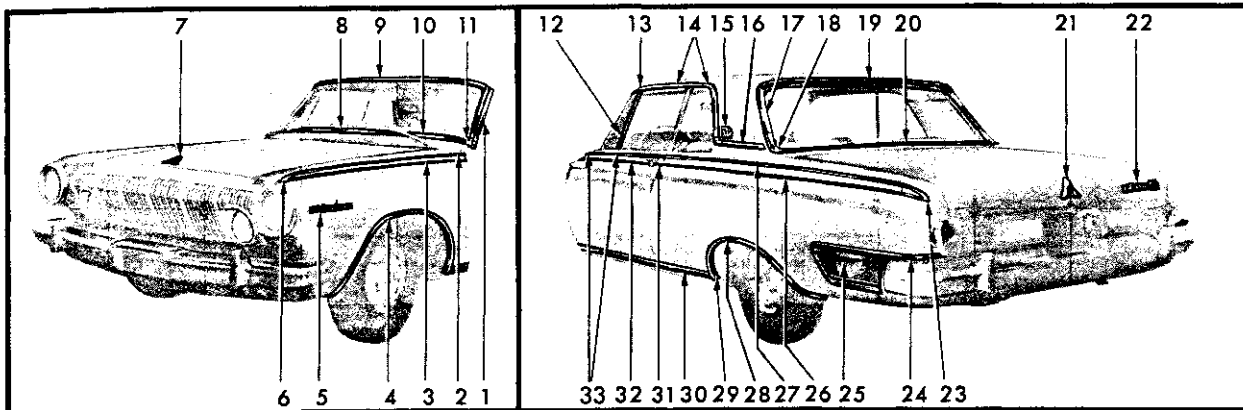
REF. NO.	QTY	PART NUMBER	DESCRIPTION
10	1	2448 454-5	MOULDING PACKAGE, Quarter Panel Belt Front (23-23-39)
		6	6001 046 Retainer
11	1	2448 462-3	MOULDING PACKAGE, Quarter Panel Belt Rear (23-23-39)
		10	6001 046 Retainer
		2	6001 057 Retainer
		2	152 259 Nut
12	1	2448 456	COVER PACKAGE, Deck Opening Upper Panel Moulding (23-23-41)
		1	2094 394 Fastener
13	1	2448 458-9	MOULDING PACKAGE, Deck Opening Upper Panel (23-23-31)
		10	2094 394 Fastener
14	1	2255 534	ORNAMENT, Deck Lid Lock Cylinder (23-17-19)
15	1	2255 090	NAME PLATE, Deck Lid (23-19-114)
		2	152 260 Nut
16	1	2421 904-5	MOULDING PACKAGE, Quarter Panel Lower (23-23-39)
		2	6023 241 Screw
		16	Retainer
		16	6022 007 Seal
		18	Nut
17	2	2421 912	MOULDING PACKAGE, Body Side Sill (23-23-2)
		2	6023 281 Screw
		14	6001 083 Clip
18	1	2448 500-1	MOULDING PACKAGE, Door Lower (23-23-32)
		2	Retainer
		4	441 256 Nut

All Packages Include Attaching Parts

Part Type Code is Indicated in Parentheses

19x9568B

MOULDINGS - DODGE POLARA TD2(H) CONVERTIBLE COUPE



REF. NO.	QTY	PART NUMBER	DESCRIPTION
1	1	2166 966-7	MOULDING, Windshield Outside Finish Side (23-23-65)
2	1	2421 967-8	MOULDING PACKAGE, Fender Side Upper (12-15-2)
4	1	152 259	Nut
4	1	6001 057	Clip
14	1	6001 496	Clip
3	1	2421 969-70	MOULDING PACKAGE, Fender Side Lower (12-15-2)
4	1	152 259	Nut
4	1	6001 057	Clip
14	1	6001 496	Clip
4	1	2276 956-7	MOULDING PACKAGE, Fender Wheel Opening (12-15-2)
16	1	9417 316	Screw
2	1	-----	Screw
5	2	2276 748	NAME PLATE, Fender Side - Polara (12-15-2)
4	1	152 260	Nut
6	1	2421 965-6	MOULDING PACKAGE, Fender Side Upper to Lower (12-15-2)
2	1	152 259	Nut
7	1	2276 188	MEDALLION, w/Base, Hood Front (15-06-6)
2	1	151 497	Nut
8	1	2254 524	COVER, Windshield Outside Finish Lower Moulding Joint (23-23-66)
9	1	2298 552	MOULDING PACKAGE, Windshield Outside Finish Upper (23-23-65)
8	1	6000 966	Retainer
10	1	2298 571-2	MOULDING PACKAGE, Windshield Outside Finish Lower (23-23-65)
10	1	6000 966	Retainer
11	1	2166 970-1	MOULDING, Windshield Outside Finish Lower End (23-23-65)
12	4	2254 031	MOULDING, Door Vent Wing Division Channel (23-23-36)
13	1	2255 240-1	MOULDING, Roof Side Drain Trough Front (23-59-61)
2	1	6023 241	Screw
14	1	2421 896-7	MOULDING PACKAGE, Roof Side Drain Trough Intermediate and Rear (23-59-61)
8	1	2423 432	Clip
8	1	6023 559	Screw
4	1	6023 241	Screw
15	1	2423 538-9	NUMERAL "5", Quarter Outside Panel (23-34-238)
4	1	2423 518	"O", Quarter Outside Panel
12	1	6001 254	Clip
16	1	2448 164-5	MOULDING PACKAGE, Quarter Panel Belt Upper (23-23-39)
6	1	-----	Nut
17	1	2424 558-9	MOULDING and SUPPORT, Rear Window Outside Side Upper (23-23-52)
4	1	6023 693	Screw
18	1	2448 478-9	MOULDING PACKAGE, Rear Window Outside Side Lower (23-23-52)
2	1	6023 693	Screw
2	1	-----	Seal
2	1	116 000	Nut
19	1	2424 557	MOULDING and SUPPORT, Rear Window Outside Upper (23-23-52)
15	1	6023 693	Screw

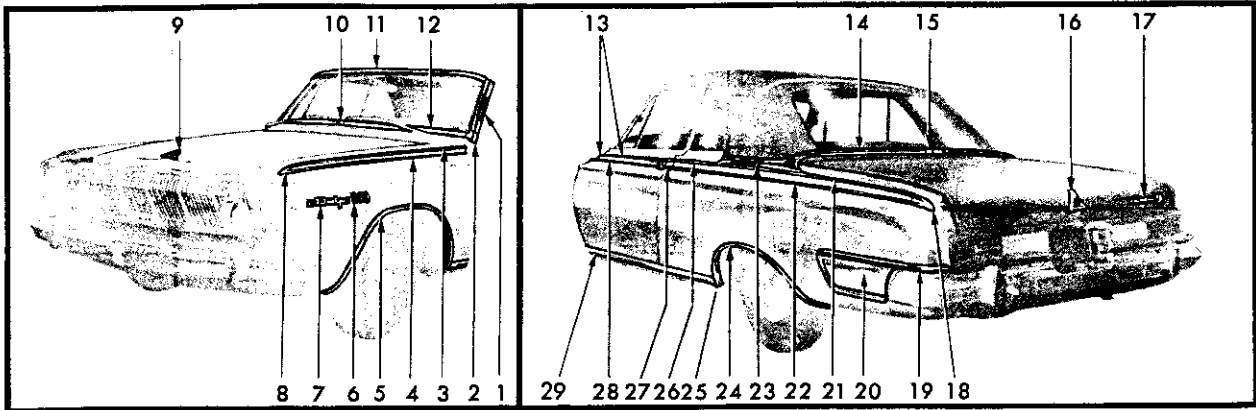
REF. NO.	QTY	PART NUMBER	DESCRIPTION
20	1	2244 751	MOULDING, Rear Window Outside Lower (23-23-52)
5	1	6024 117	Screw
21	1	2255 534	ORNAMENT, Deck Lid Lock Cylinder (23-17-19)
2	1	152 260	Nut
22	1	2255 628	NAME PLATE, Deck Lid (23-19-114)
23	1	2448 160-1	MOULDING PACKAGE, Quarter Panel End (23-23-39)
2	1	152 260	Nut
24	1	2448 158-9	EXTENSION PACKAGE, Quarter Outside Panel Ornament (23-34-334)
2	1	152 260	Nut
2	1	6023 642	Screw and Washer
25	1	2423 024-5	ORNAMENT and STUDS, Quarter Outside Panel (23-34-334)
10	1	6022 013	Washer
10	1	116 000	Nut
26	1	2448 152-3	MOULDING PACKAGE, Quarter Panel Lower (23-23-39)
30	1	6001 046	Retainer
2	1	6001 044	Retainer
2	1	-----	Nut
27	1	2448 168-9	MOULDING PACKAGE, Quarter Panel Belt (23-23-39)
2	1	6001 057	Retainer
2	1	152 259	Nut
30	1	6001 046	Retainer
28	1	2422 510-1	MOULDING, Quarter Panel Wheel Opening (23-23-39)
16	1	9417 316	Screw
29	1	2422 796-7	MOULDING, Quarter Panel Wheel Opening to Sill (23-23-39)
2	1	6023 627	Screw
30	1	2448 196-7	MOULDING PACKAGE, Body Side Sill (23-23-2)
16	1	6001 033	Retainer
2	1	6023 627	Screw
31	1	2448 194-5	MOULDING PACKAGE, Door Lower Rear (23-23-32)
2	1	-----	Nut
32	1	2448 166-7	MOULDING PACKAGE, Door Lower Front (23-23-32)
2	1	6001 044	Retainer
2	1	-----	Nut
12	1	6001 046	Retainer
33	1	2448 192	MOULDING PACKAGE, Door Belt Right (23-23-32)
2	1	6001 044	Retainer
2	1	-----	Nut
6	1	6001 046	Retainer
1	1	2421 993	MOULDING PACKAGE, Door Belt Front Left (23-23-32)
1	1	-----	Nut
1	1	2448 193	MOULDING PACKAGE, Door Belt Rear Left (23-23-32)
2	1	6001 044	Retainer
2	1	-----	Nut
6	1	6001 046	Retainer
1	1	2448 582	MOULDING PACKAGE, Door Belt Left (use w/o Mirror) (23-23-32)
7	1	6001 046	Retainer
1	1	6001 044	Retainer
1	1	6023 691	Nut

All Packages Include Attaching Parts

Part Type Code is Indicated in Parentheses

19x9622B

MOULDINGS - DODGE POLARA 500 TD2(P) SPECIAL CLUB COUPE



REF. NO.	QTY	PART NUMBER	DESCRIPTION
1	1	2166 966-7	MOULDING, Windshield Outside Finish Side (23-23-65)
2	1	2166 970-1	MOULDING, Windshield Outside Finish Lower End (23-23-65)
3	1	2421 967-8	MOULDING PACKAGE, Fender Side Upper (12-15-2)
14		6001 496	Clip
4		6001 057	Clip
4		152 259	Nut
4	1	2421 969-70	MOULDING PACKAGE, Fender Side Lower (12-15-2)
14		6001 496	Clip
4		6001 057	Clip
4		152 259	Nut
5	1	2276 956-7	MOULDING PACKAGE, Fender Wheel Opening (12-15-2)
16		9417 316	Screw
2		-----	Screw
6	2	2423 538-9	NUMERAL, Fender Side, "5" (12-15-21)
4		2423 518	"O"
12		152 259	Nut
7	2	2276 748	NAME PLATE, Fender Side, Polara (12-15-21)
4		152 260	Nut
8	1	2421 965-6	MOULDING PACKAGE, Fender Side Upper to Lower (12-15-2)
2		152 259	Nut
9	1	2276 188	MEDALLION, w/Base, Hood Front (15-06-6)
2		151 497	Nut
10	1	2254 524	COVER, Windshield Outside Finish Lower Moulding Joint (23-23-66)
11	1	2252 056-7	MOULDING and EXTENSION, Windshield Header Outside (23-23-65)
7		274 109	Screw
2		9413 197	Screw
12	1	2298 571-2	MOULDING PACKAGE, Windshield Outside Finish Lower (23-23-65)
10		6000 966	Retainer
13	1	2448 192	MOULDING PACKAGE, Door Belt Right (23-23-32)
2		6001 044	Retainer
2		-----	Nut
6		6001 046	Retainer
1		2421 993	MOULDING PACKAGE, Door Belt Front Left (23-23-32)
1		9418 539	Nut
1		2448 193	MOULDING PACKAGE, Door Belt Rear Left (23-23-32)
2		6001 044	Retainer
2		-----	Nut
6		6001 046	Retainer
1		2448 582	MOULDING PACKAGE, Door Belt Left (use w/o Mirror) (23-23-32)
7		6001 046	Retainer
1		6001 044	Retainer
1		6023 691	Nut
14	1	2448 458-9	MOULDING PACKAGE, Deck Opening Upper Panel (23-23-31)
10		2094 394	Fastener
15	1	2448 456	COVER PACKAGE, Deck Opening Upper Panel Moulding (23-23-41)
1		2094 394	Fastener

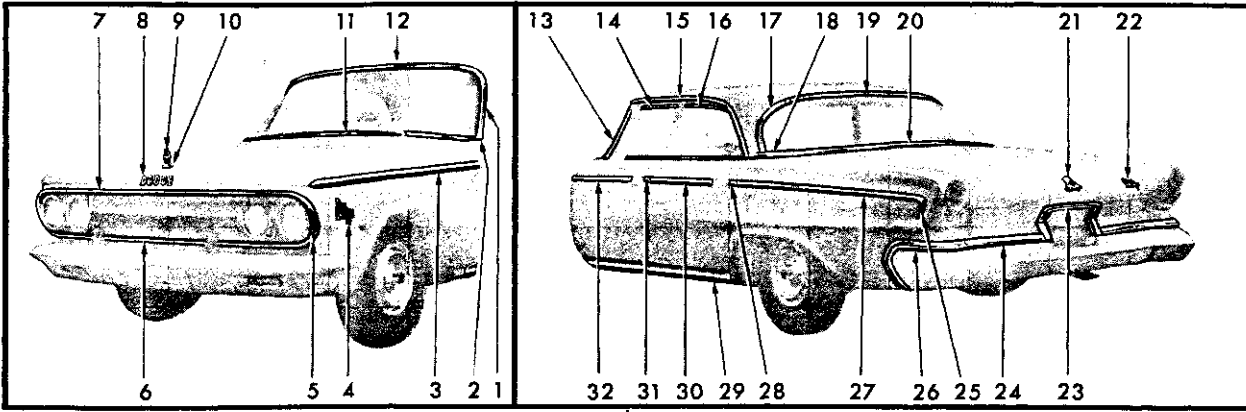
REF. NO.	QTY	PART NUMBER	DESCRIPTION
16	1	2255 534	ORNAMENT, Deck Lid Lock Cylinder (23-17-19)
2		152 260	Nut
17	1	2255 628	NAME PLATE, Deck Lid (23-19-14)
18	1	2448 160-1	MOULDING PACKAGE, Quarter Panel Lower End (23-23-39)
2		152 260	Nut
19	1	2448 158-9	EXTENSION PACKAGE, Quarter Outside Panel Ornament (23-34-334)
2		152 260	Nut
2		6023 642	Screw and Washer
20	1	2423 024-5	ORNAMENT and STUDS, Quarter Outside Panel (23-34-334)
10		6022 013	Washer
10		116 000	Nut
21	1	2448 172-3	MOULDING PACKAGE, Quarter Panel Belt Rear (23-23-39)
2		6001 057	Retainer
2		152 259	Nut
10		6001 046	Retainer
22	1	2448 152-3	MOULDING PACKAGE, Quarter Panel Lower (23-23-39)
30		6001 046	Retainer
2		6001 044	Retainer
2		-----	Nut
23	1	2448 460-1	MOULDING PACKAGE, Quarter Panel Belt Intermediate (23-23-39)
14		2094 394	Fastener
24	1	2422 510-1	MOULDING PACKAGE, Quarter Panel Wheel Opening (23-23-39)
16		9417 316	Screw
25	1	2422 796-7	MOULDING, Quarter Panel Wheel Opening to Sill (23-23-39)
2		6023 627	Screw
26	1	2448 170-1	MOULDING PACKAGE, Quarter Panel Belt Front (23-23-39)
8		6001 046	Retainer
2		152 259	Nut
2		6001 057	Retainer
27	1	2448 194-5	MOULDING PACKAGE, Door Lower Rear (23-23-32)
2		9418 539	Nut
28	1	2448 166-7	MOULDING PACKAGE, Door Lower Front (23-23-32)
2		6001 044	Retainer
2		-----	Nut
12		6001 046	Retainer
29	1	2448 196-7	MOULDING PACKAGE, Body Side Sill (23-23-2)
16		6001 083	Retainer
2		6023 627	Screw

All Packages Include Attaching Parts

Part Type Code is Indicated in Parentheses

19x9615B

MOULDINGS - DODGE POLARA 500 TD2(P) CONVERTIBLE COUPE



REF. NO.	QTY	PART NUMBER	DESCRIPTION
1	1	2240 769-70	MOULDING PACKAGE, Windshield Outside Finish Side (23-23-65)
	8	6000 009	Screw
2	1	2196 272-3	MOULDING PACKAGE, Windshield Outside Finish Lower End (23-23-65)
	2	274 411	Screw
	8	6022 010	Screw
3	1	2448 534-5	MOULDING PACKAGE, Fender Side (12-15-2)
	4	6001 461	Retainer
	12	6001 454	Retainer
	12	-----	Nut
4	2	2417 522	NAME PLATE, Fender Side, Dodge (12-15-21)
	10	152 259	Nut
5	1	2448 532-3	MOULDING PACKAGE, Fender Radiator Grille Opening (12-15-2)
	6	116 000	Nut
	2	6000 943	Nut
	2	167 106	Screw
6	1	2448 531	MOULDING PACKAGE, Radiator Grille Lower Panel (7-16-36)
	2	134 289	Screw
	2	6023 166	Nut
	6	6001 450	Retainer
7	1	2448 530	MOULDING PACKAGE, Hood Front (15-25-2)
	6	-----	Nut
	6	6001 472	Retainer
8	2	2424 905	LETTER, Hood Front, "D" (15-06-16)
	1	2424 906	"O"
	1	2424 907	"G"
	1	2424 908	"E"
	5	152 259	Nut
9	1	2417 499	ORNAMENT, Hood Top (15-03-18)
	1	120 375	Nut
10	1	2417 840	BASE, Hood Top Ornament (15-03-21)
11	1	2084 997	MOULDING PACKAGE, Windshield Outside Finish Lower Center (23-23-65)
	5	6000 685	Clip
12	1	2299 418	MOULDING PACKAGE, Windshield Outside Finish Upper (23-23-65)
	5	6000 927	Clip
	2	9414 754	Screw
13	1	2240 873-4	MOULDING PACKAGE, Front Door Window Frame Front (23-23-32)
	6	6023 098	Screw
14	1	2240 866-7	MOULDING PACKAGE, Front Door Window Frame Upper (23-23-32)
	6	6023 098	Screw
15	1	2093 648-9	MOULDING, Roof Drain Trough Side (23-59-61)
16	1	2240 868-9	MOULDING PACKAGE, Rear Door Window Frame Upper (23-23-33)
	4	6023 098	Screw
17	1	2196 282-3	MOULDING PACKAGE, Rear Window Outside Finish Upper and Side (23-23-52)
	10	6000 692	Clip

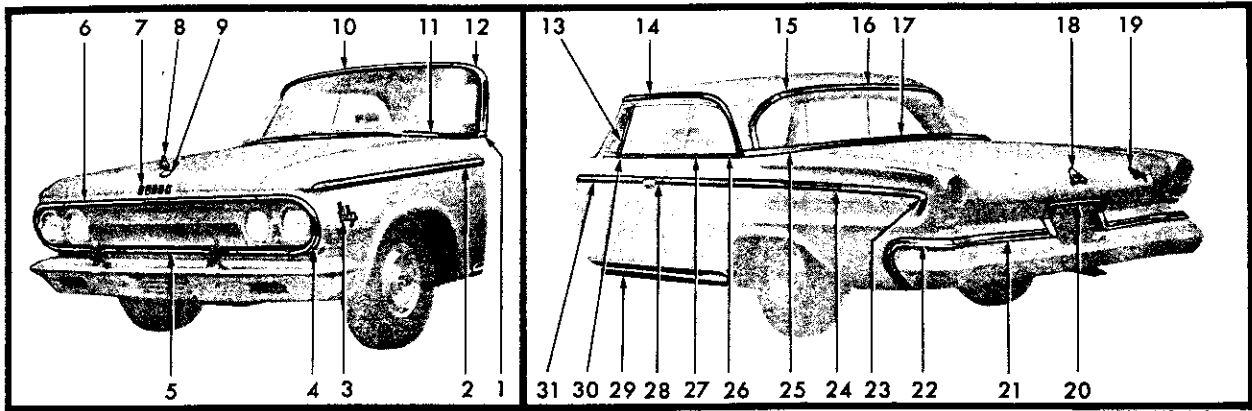
REF. NO.	QTY	PART NUMBER	DESCRIPTION
18	1	2275 025-6	MOULDING PACKAGE, Rear Window Outside Finish Lower End (23-23-52)
	2	6000 688	Clip
	2	6000 733	Clip
	2	-----	Screw
	2	9414 080	Screw
19	1	2093 479	CAP, Rear Window Outside Moulding Upper Center (23-23-41)
20	1	2196 292	MOULDING PACKAGE, Rear Window Outside Finish Lower Center (23-23-52)
	7	6000 689	Clip
21	1	2424 302	ORNAMENT, Deck Lid Lock Cylinder (23-17-19)
	1	6023 895	Screw
22	1	2424 268	NAME PLATE, Deck Lid (23-19-114)
	3	152 259	Nut
	1	6000 050	Clip
23	1	2275 994	MOULDING PACKAGE, Deck Lower Panel License Depression (23-23-23)
	4	6022 052	Washer
	4	9411 618	Nut
24	1	2275 909-10	MOULDING PACKAGE, Deck Lower Panel (23-23-23)
	8	6006 165	Washer
	8	6022 052	Washer
	8	9411 618	Nut
25	1	2448 526-7	MOULDING PACKAGE, Quarter Panel Lower Rear (23-23-39)
	4	6023 685	Nut
26	1	2275 911-2	MOULDING PACKAGE, Quarter Panel Bumper Depression (23-23-39)
	2	6006 165	Washer
	6	9411 618	Nut
	6	6022 052	Washer
	2	9413 272	Screw
27	1	2448 518-9	MOULDING PACKAGE, Quarter Panel Lower Front (23-23-39)
	14	6001 245	Clip
28	1	2448 520-1	MOULDING PACKAGE, Rear Door Lower Rear (23-23-33)
	2	6022 983	Seal
	2	6000 808	Clip
	2	-----	Nut
29	2	2421 588	MOULDING PACKAGE, Body Side Sill (23-23-2)
	8	6000 942	Clip
	8	9413 197	Screw
	4	9416 706	Screw
30	1	2448 514-5	MOULDING PACKAGE, Rear Door Lower Front (23-23-33)
	8	6001 245	Clip
	2	6000 745	Clip
	2	116 000	Nut
31	1	2448 524-5	MOULDING PACKAGE, Front Door Lower Rear (23-23-32)
	2	6022 013	Washer
	2	-----	Nut
32	1	2448 512-3	MOULDING PACKAGE, Front Door Lower Front (23-23-32)
	8	6001 245	Clip
	2	116 000	Nut
	2	6000 745	Clip

All Packages Include Attaching Parts

Part Type Code is Indicated in Parentheses

19x9637 A

MOULDINGS - DODGE CUSTOM 880 TA3(L) 4 DOOR SEDAN



REF. NO.	QTY	PART NUMBER	DESCRIPTION
1	1	2196 272-3	Moulding Package, Windshield Lower End (23-23-65)
	2	274 411	Screw
	8	6022 010	Screw
2	1	2448 534-5	Moulding Package, Fender Side (12-15-2)
	4	6001 461	Retainer
	12	6001 454	Retainer
	12	----	Nut
3	2	2417 522	Name Plate, Fender Side, Dodge (12-15-21)
	10	152 259	Nut
4	1	2448 532-3	Moulding Package, Fender Radiator Grille Opening (12-15-2)
	6	116 000	Nut
	2	6000 943	Nut
	2	167 106	Screw
5	1	2448 531	Moulding Package, Radiator Grille Lower Panel (7-16-36)
	2	134 289	Screw
	2	6023 166	Nut
	6	6001 450	Retainer
6	1	2448 530	Moulding Package, Hood Front (15-25-2)
	6	----	Nut
	6	6001 472	Retainer
7	2	2424 905	Letter, Hood Front Name, "D"(15-06-16)
	1	2424 906	"O"
	1	2424 907	"G"
	1	2424 908	"E"
	5	152 259	Nut
8	1	2417 499	Ornament, Hood Top (15-03-18)
	1	120 375	Nut
	1	2417 840	Base, Hood Top Ornament (15-03-21)
10	1	2299 418	Moulding Package, Windshield Upper (23-23-65)
	5	6000 927	Clip
	2	9414 754	Screw
11	1	2084 997	Moulding Package, Windshield Lower Center (23-23-65)
	5	6000 685	Clip
12	1	2240 769-70	Moulding Package, Windshield Side (23-23-65)
	8	6000 009	Screw
13	2	2254 627	Channel w/Moulding; Door Vent Wing Divisional (23-64-48)
14	1	2093 174-5	Moulding, Roof Drain Trough Side (23-59-61)
15	1	2196 808-9	Moulding Package, Rear Window Upper and Side (23-23-52)
	12	6000 692	Clip
16	1	2093 479	Cap, Rear Window Upper Center (23-23-41)
17	1	2196 812	Moulding Package, Rear Window Lower Center (23-23-52)
	6	6000 688	Clip
	2	145 417	Screw
18	1	2424 302	Ornament, Deck Lid Lock Cylinder (23-17-19)
	1	6023 895	Screw
19	1	2424 268	Name Plate, Deck Lid (23-19-114)
	3	152 259	Nut
	1	6000 050	Clip
20	1	2275 994	Moulding Package, Deck Lower Panel License Depression (23-23-23)
	4	6022 052	Washer
	4	9411 618	Nut

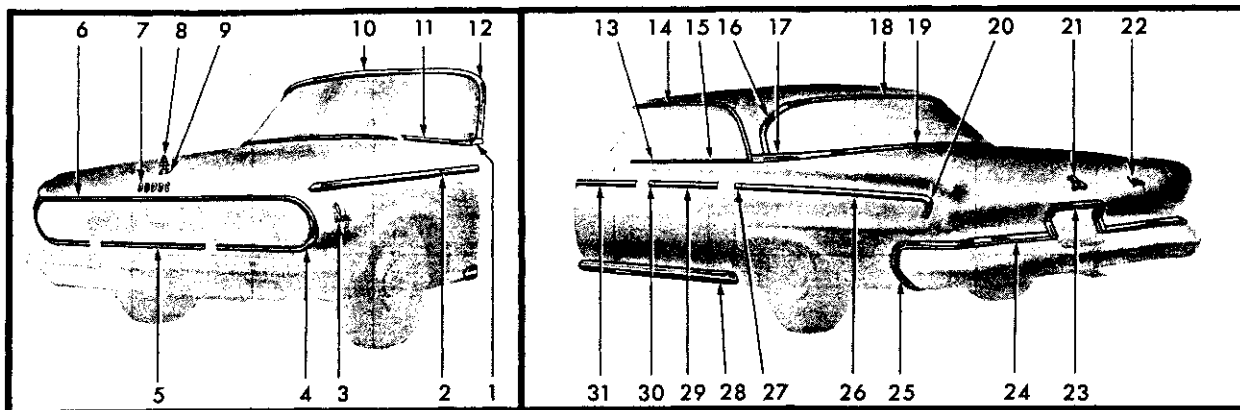
REF. NO.	QTY	PART NUMBER	DESCRIPTION
21	1	2275 909-10	Moulding Package, Deck Lower Panel (23-23-23)
	8	6006 464	Washer
	8	6022 052	Washer
	8	9411 618	Nut
22	1	2275 911-2	Moulding Package, Quarter Panel Bumper Depression (23-23-39)
	2	6006 165	Washer
	6	9411 618	Nut
	6	6022 052	Washer
	2	9413 272	Screw
23	1	2448 526-7	Moulding Package, Quarter Panel Lower Rear (23-23-39)
	4	6023 685	Nut
24	1	2448 516-7	Moulding Package, Quarter Panel Lower Front (23-23-39)
24	1	6001 245	Clip
25	1	2196 810-11	Moulding Package, Rear Window Lower Side (23-23-52)
	2	6000 688	Clip
	2	9414 042	Screw
26	1	2421 919-20	Moulding Package, Quarter Panel Belt Rear (23-23-39)
	10	6001 247	Clip
27	1	2421 921-2	Moulding Package, Quarter Panel Belt Front (23-23-39)
	10	6001 247	Clip
28	1	2448 522-3	Moulding Package, Door Lower Rear (23-23-32)
	2	9416 162	Screw
29	2	2421 588	Moulding Package, Body Side Stiff (23-23-2)
	8	6000 942	Clip
	8	9413 197	Screw
	4	9416 706	Screw
30	1	2298 612-3	Moulding Package, Door Belt (23-23-32)
	10	6001 247	Clip
31	1	2448 510-1	Moulding Package, Door Lower Front (23-23-32)
	10	6001 245	Clip
	2	6000 745	Clip
	2	116 000	Nut

All Packages Include Attaching Parts

Part Type Code is Indicated in Parentheses

19x9602B

MOULDINGS - DODGE CUSTOM 880 TA3(L) SPECIAL CLUB COUPE



REF. NO.	QTY	PART NUMBER	DESCRIPTION
1	1	2196 272-3	Moulding Package, Windshield Lower End (23-23-65)
	2	274 411	Screw
	8	6022 010	Screw
2	1	2448 534-5	Moulding Package, Fender Side (12-15-2)
	4	6001 461	Retainer
	12	6001 454	Retainer
	12	-----	Nut
3	2	2417 522	Name Plate, Fender Side - Dodge (12-15-21)
	10	152 259	Nut
4	1	2448 532-3	Moulding Package, Fender Radiator Grille Opening (12-15-2)
	6	116 000	Nut
	2	6000 943	Nut
	2	167 106	Screw
5	1	2448 531	Moulding Package, Radiator Grille Lower Panel (7-16-36)
	2	134 289	Screw
	2	6023 166	Nut
	6	6001 450	Retainer
6	1	2448 530	Moulding Package, Hood Front (15-25-2)
	6	-----	Nut
	6	6001 472	Retainer
7	2	2424 905	Letter, Hood Front Name "D" (15-06-16)
	1	2424 906	"O"
	1	2424 907	"G"
	1	2424 908	"E"
	5	152 259	Nut
8	1	2417 499	Ornament, Hood Top (15-03-18)
	1	120 375	Nut
9	1	2417 840	Base, Hood Top Ornament (15-03-21)
10	1	2299 418	Moulding Package, Windshield Upper (23-23-65)
	5	6000 927	Clip
	2	9414 754	Screw
11	1	2084 997	Moulding Package, Windshield Lower Center (23-23-65)
	5	6000 685	Clip
12	1	2240 769-70	Moulding Package, Windshield Side (23-23-65)
	8	6000 009	Screw
13	1	2298 610-11	Moulding Package, Front Door Belt (23-23-32)
	8	6001 247	Clip
14	1	2093 648-9	Moulding, Roof Drain Trough Side (23-59-61)
15	1	2298 616-7	Moulding Package, Rear Door Belt (23-23-33)
	10	6001 247	Clip
16	1	2196 282-3	Moulding Package, Rear Window Upper and Side (23-23-52)
	10	6000 692	Clip
17	1	2275 025-6	Moulding Package, Rear Window Lower End (23-23-52)
	2	6000 688	Clip
	2	6000 733	Clip
	2	-----	Screw
	2	9414 080	Screw

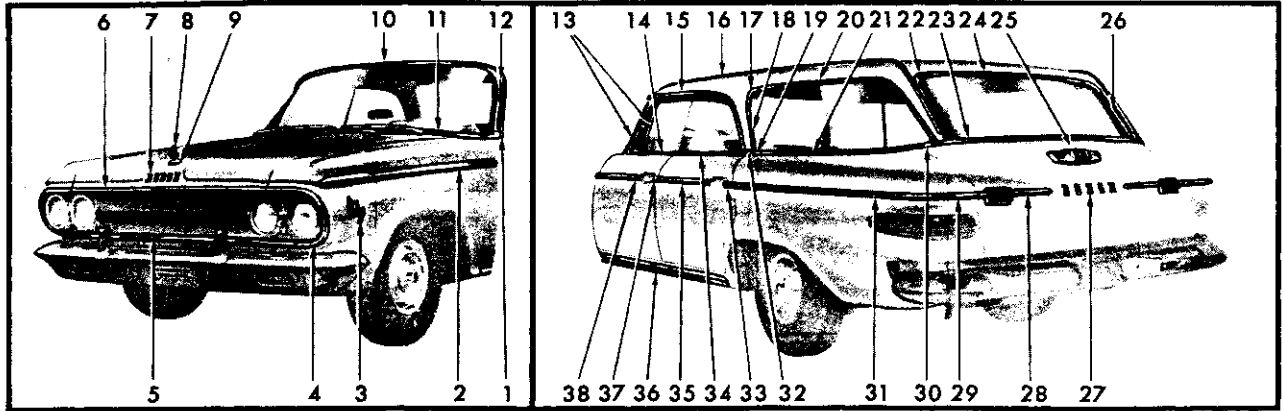
All Packages Include Attaching Parts

REF. NO.	QTY	PART NUMBER	DESCRIPTION
18	1	2093 479	Cap, Rear Window Upper Center (23-23-41)
19	1	2196 292	Moulding Package, Rear Window Lower Center (23-23-52)
	7	6000 689	Clip
20	1	2448 526-7	Moulding Package, Quarter Panel Lower Rear (23-23-39)
	4	6023 685	Nut
21	1	2424 302	Ornament, Deck Lid Cylinder (23-17-19)
	1	6023 895	Screw
22	1	2424 268	Name Plate, Deck Lid (23-19-114)
	3	152 259	Nut
	1	6000 050	Clip
23	1	2275 994	Moulding Package, Deck Lower Panel License Depression (23-23-23)
	4	6022 052	Washer
	4	9411 618	Nut
24	1	2275 909-10	Moulding Package, Deck Lower Panel (23-23-23)
	8	6006 165	Washer
	8	6022 052	Washer
	8	9411 618	Nut
25	1	2275 911-2	Moulding Package, Quarter Panel Bumper Depression (23-23-39)
	2	6006 165	Washer
	6	9411 618	Nut
	6	6022 052	Washer
	2	9413 272	Screw
26	1	2448 518-9	Moulding Package, Quarter Panel Lower Front (23-23-39)
	14	6001 245	Clip
27	1	2448 520-1	Moulding Package, Rear Door Lower Rear (23-23-33)
	2	6022 983	Seal
	2	6000 808	Clip
	2	-----	Nut
28	2	2421 588	Moulding Package, Body Side Sill (23-23-2)
	8	6000 942	Clip
	8	9413 197	Screw
	4	9416 706	Screw
29	1	2448 514-5	Moulding Package, Rear Door Lower Front (23-23-33)
	8	6001 245	Clip
	2	6000 745	Clip
	2	116 000	Nut
30	1	2448 524-5	Moulding Package, Front Door Lower Rear (23-23-32)
	2	6022 013	Washer
	2	-----	Nut
31	1	2448 512-3	Moulding Package, Front Door Lower Front (23-23-32)
	8	6001 245	Clip
	2	6000 745	Clip
	2	116 000	Nut

Part Type Code is Indicated in Parentheses

19x9603 A

MOULDINGS - DODGE CUSTOM 880 TA3(L) SPECIAL 4 DOOR SEDAN



REF. NO.	QTY	PART NUMBER	DESCRIPTION
1	1	2196 272-3	MOULDING PACKAGE, Windshield Lower End (23-23-65)
2		274 411	Screw
8		6022 010	Screw
2	1	2448 534-5	MOULDING PACKAGE, Fender Side (12-15-2)
4		6001 461	Retainer
12		6001 454	Retainer
12		-----	Nut
3	2	2417 522	NAME PLATE, Fender Side, Dodge (12-15-21)
10		152 259	Nut
4	1	2448 532-3	MOULDING PACKAGE, Fender Radiator Grille Opening (12-15-2)
6		116 000	Nut
2		6000 943	Nut
2		167 106	Screw
5	1	2448 531	MOULDING PACKAGE, Radiator Grille Lower Panel (7-16-36)
2		134 289	Screw
2		6023 166	Nut
6		6001 450	Retainer
6	1	2448 530	MOULDING PACKAGE, Hood Front (15-25-2)
6		-----	Nut
6		6001 472	Retainer
7	2	2424 905	LETTER, Hood Front Name, "D" (15-06-16)
1		2424 906	"O"
1		2424 907	"G"
1		2424 908	"E"
5		152 259	Nut
8	1	2417 499	ORNAMENT, Hood Top (15-03-18)
1		120 375	Nut
9	1	2417 840	BASE, Hood Top Ornament (15-03-21)
10	1	2299 418	MOULDING PACKAGE, windshield Upper (23-23-65)
5		6000 927	Clip
2		9414 754	Screw
11	1	2084 997	MOULDING PACKAGE, Windshield Lower Center (23-23-65)
5		6000 685	Clip
12	1	2240 769-70	MOULDING PACKAGE, Windshield Side (23-23-65)
8		6000 009	Screw
13	1	2254 484-5	FRAME, w/Channel, Front Door Vent Wing Division (23-64-48)
14	1	2298 610-1	MOULDING PACKAGE, Front Door Belt (23-23-32)
8		6001 247	Clip
15	1	2093 648-9	MOULDING, Roof Drain Trough Side (23-59-61)
16	2	2196 253	MOULDING PACKAGE, Roof Panel Outside Finish (23-23-42)
28		6006 301	Clip
17	1	2094 016-7	CAP, Quarter Window Outside Finish Upper, w/Retainer (23-23-74)
18	1	2094 018-9	MOULDING, Quarter Window Outside Finish Front (23-23-73)
19	1	1961 210	CAP, Quarter Window Outside Finish Front (23-23-74)
20	1	1961 212-3	MOULDING, Quarter Window Outside Finish Upper (23-23-73)
21	1	1961 214-5	MOULDING, Quarter Window Outside Finish Lower (23-23-73)
22	1	2196 464-5	CAP PACKAGE, Roof Rear Tailgate Opening Moulding (23-23-60)
2		6006 451	Clip

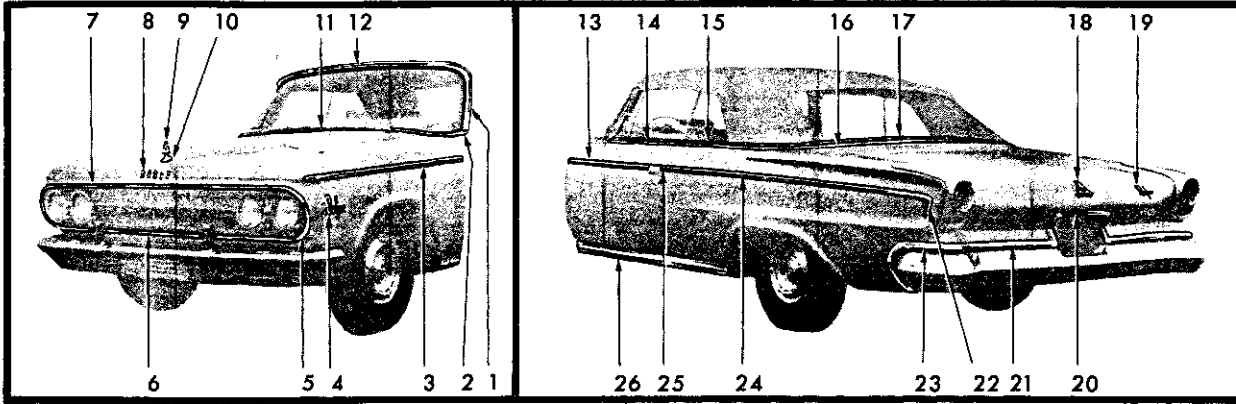
REF. NO.	QTY	PART NUMBER	DESCRIPTION
23	1	2196 460	MOULDING PACKAGE, Tailgate Outside Finish Belt (23-23-61)
2		6006 441	Clip
2		151 306	Screw
24	1	2196 466	MOULDING PACKAGE, Tailgate Opening Outside Finish Roof Rear (23-23-60)
7		6006 451	Clip
25	1	2188 389	ORNAMENT, Tailgate Outside Panel (23-54-11)
3		151 497	Nut, w/Washer
26	1	2196 462-3	MOULDING PACKAGE, Rear Pillar Outside Finish (23-23-60)
*		6006 451	Clip
27	2	2424 905	"D" Tailgate Name Letter (23-54-11)
1		2424 906	"O"
1		2424 907	"G"
1		2424 908	"E"
28	1	2275 031-2	MOULDING PACKAGE, Tailgate Outside Panel Bumper (23-23-61)
4		151 497	Nut
29	2	2448 507	MOULDING PACKAGE, Quarter Panel Rear (23-23-39)
2		9414 713	Screw
4		6000 820	Clip
30	1	2196 816-7	CAP PACKAGE, Quarter Window Outside Finish Lower Rear (23-23-74)
2		125 978	Screw
31	1	2448 528-9	MOULDING PACKAGE, Quarter Panel Front (23-23-39)
2		9416 042	Screw
12		6023 854	Washer
12		6000 505	Clip
2		9414 713	Screw
32	1	2299 430-1	MOULDING PACKAGE, Quarter Panel Belt (23-23-39)
2		9411 465	Screw
33	1	2448 520-1	MOULDING PACKAGE, Rear Door Lower Rear (23-23-33)
2		6022 983	Seal
2		-----	Nut
2		6000 808	Clip
34	1	2298 616-7	MOULDING PACKAGE, Rear Door Belt (23-23-33)
10		6001 247	Clip
35	1	2448 514-5	MOULDING PACKAGE, Rear Door Lower Front (23-23-33)
8		6001 245	Clip
2		6000 745	Clip
2		116 000	Nut
36	2	2421 588	MOULDING PACKAGE, Body Side Sill (23-23-2)
8		6000 942	Clip
8		9413 197	Clip
2		9416 706	Screw
37	1	2448 524-5	MOULDING PACKAGE, Front Door Lower Rear (23-23-32)
2		6022 013	Washer
2		-----	Nut
38	1	2448 512-3	MOULDING PACKAGE, Front Door Lower Front (23-23-32)
8		6001 245	Clip
2		116 000	Nut
2		6000 745	Clip

All Packages include Attaching Parts

Part Type Code is Indicated in Parentheses

19x9638 A

MOULDINGS - DODGE CUSTOM 880 TA3(L) SPECIAL 4 DOOR SUBURBAN



REF. NO.	QTY	PART NUMBER	DESCRIPTION
1	1	2084 998-9	MOULDING PACKAGE, Windshield Outside Finish Side, w/Extensions (23-23-65)
	2	274 109	Screw
2	1	2196 272-3	MOULDING PACKAGE, Windshield Outside Finish Lower End (23-23-65)
	2	274 411	Screw
	8	6022 D10	Screw
3	1	2448 534-5	MOULDING PACKAGE, Fender Side (12-15-2)
	4	6001 461	Retainer
	12	6001 454	Retainer
	12	-----	Nut
4	2	2417 522	NAME PLATE, Fender Side, Dodge (12-15-21)
	10	152 259	Nut
5	1	2448 532-3	MOULDING PACKAGE, Fender Radiator Grille Opening (12-15-2)
	6	116 000	Nut
	2	6000 943	Nut
	2	167 106	Screw
6	1	2448 531	MOULDING PACKAGE, Radiator Grille Lower Panel (7-16-36)
	6	6001 450	Retainer
	2	134 289	Screw
	2	6023 166	Nut
7	1	2448 530	MOULDING PACKAGE, Hood Front (15-25-2)
	6	-----	Nut
	6	6001 472	Retainer
8	2	2424 905	LETTER, Hood Front Name, "D" (15-06-16)
	1	2424 906	"O"
	1	2424 907	"G"
	1	2424 908	"E"
	5	152 259	Nut
9	1	2417 499	ORNAMENT, Hood Top (15-03-18)
	1	120 375	Nut
10	1	2417 840	BASE, Hood Top Ornament (15-03-21)
11	1	2084 997	MOULDING PACKAGE, Windshield Outside Finish Lower Center (23-23-65)
	5	6000 685	Clip
12	1	2196 119	PANEL PACKAGE, Windshield Header Outside Finish (23-23-64)
	5	274 109	Screw
13	1	2448 510-1	MOULDING PACKAGE, Door Lower Front (23-23-32)
	10	6001 245	Clip
	2	6000 745	Clip
	2	116 000	Nut

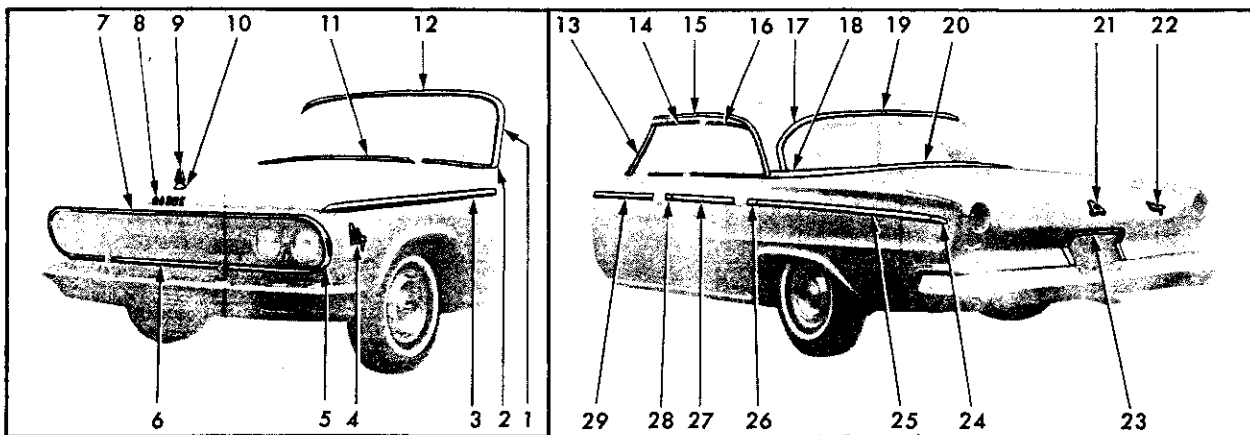
REF. NO.	QTY	PART NUMBER	DESCRIPTION
14	1	2298 612-3	MOULDING PACKAGE, Door Belt (23-23-32)
	10	6001 247	Clip
15	1	2298 590-1	MOULDING PACKAGE, Quarter Panel Belt (23-23-39)
	6	6001 247	Clip
16	1	2165 704-5	MOULDING, Folding Top Belt Outside (23-23-49)
	22	6000 433	Stud
17	1	1963 336	COVER, Folding Top Belt Bar Outside Finish Moulding (23-23-41)
	1	6000 433	Stud
18	1	2424 302	ORNAMENT, Deck Lid Lock Cylinder (23-17-19)
	1	6023 895	Screw
19	1	2424 268	NAME PLATE, Deck Lid (23-19-114)
	3	152 259	Nut
	1	6000 050	Clip
20	1	2275 994	MOULDING PACKAGE, Deck Lower Panel License Depression (23-23-23)
	4	6022 052	Washer
	4	9411 618	Nut
21	1	2275 909-10	MOULDING PACKAGE, Deck Lower Panel (23-23-23)
	8	6006 165	Washer
	8	6022 052	Washer
	8	9411 618	Nut
22	1	2448 526-7	MOULDING PACKAGE, Quarter Panel Lower Rear (23-23-39)
	4	6023 685	Nut
23	1	2275 911-2	MOULDING PACKAGE, Quarter Panel Bumper Depression (23-23-39)
	2	6006 165	Washer
	6	9411 618	Nut
	6	6022 052	Washer
	2	9413 272	Screw
24	1	2448 516-7	MOULDING PACKAGE, Quarter Panel Lower Front (23-23-39)
	24	6001 245	Clip
25	1	2448 522-3	MOULDING PACKAGE, Door Lower Rear (23-23-32)
	2	-----	Washer
	2	9416 162	Screw
26	2	2421 588	MOULDING PACKAGE, Body Side Sill (23-23-2)
	8	6000 942	Clip
	8	9413 197	Screw
	4	9416 706	Screw

All Packages Include Attaching Parts

Part Type Code is Indicated in Parentheses

19x9633A

MOULDINGS - DODGE CUSTOM 880 TA3(L) CONVERTIBLE COUPE



REF. NO.	QTY	PART NUMBER	DESCRIPTION
1	1	2240 769-70	MOULDING PACKAGE, Windshield Outside Finish Side (23-23-65)
	8	6000 009	Screw
2	1	2196 272-3	MOULDING PACKAGE, Windshield Outside Finish Lower End (23-23-65)
	2	274 411	Screw
	8	6022 010	Screw
3	1	2448 534-5	MOULDING PACKAGE, Fender Side (12-15-2)
	4	6001 461	Retainer
	12	6001 454	Retainer
	12	-----	Nut
4	2	2417 522	NAME PLATE, Fender Side, Dodge (12-15-21)
	10	152 259	Nut
5	1	2448 532-3	MOULDING PACKAGE, Fender Radiator Grille Opening (12-15-2)
	6	116 000	Nut
	2	6000 943	Nut
	2	167 106	Screw
6	1	2448 531	MOULDING PACKAGE, Radiator Grille Lower Panel (7-16-36)
	2	134 289	Screw
	2	6023 166	Nut
	6	6001 450	Retainer
7	1	2448 530	MOULDING PACKAGE, Hood Front (15-25-2)
	6	-----	Nut
	6	6001 472	Retainer
8	2	2424 905	LETTER, Hood Front, "D" (15-06-16)
	1	2424 906	"O"
	1	2424 907	"G"
	1	2424 908	"E"
	5	152 259	Nut
9	1	2417 499	ORNAMENT, Hood Top (15-03-18)
	1	120 375	Nut
10	1	2417 840	BASE, Hood Top Ornament (15-03-21)
11	1	2084 997	MOULDING PACKAGE, Windshield Outside Finish Lower Center (23-23-65)
	5	6000 685	Clip
12	1	2299 418	MOULDING PACKAGE, Windshield Outside Finish Upper (23-23-65)
	5	6000 927	Clip
	2	9414 754	Screw
13	1	2240 873-4	MOULDING PACKAGE, Front Door Window Frame Front (23-23-32)
	6	6023 098	Screw
14	1	2240 866-7	MOULDING PACKAGE, Front Door Window Frame Upper (23-23-32)
	6	6023 098	Screw
15	1	2093 648-9	MOULDING, Roof Drain Trough Side (23-59-61)
16	1	2240 868-9	MOULDING PACKAGE, Rear Door Window Frame Upper (23-23-33)
	4	6023 098	Screw

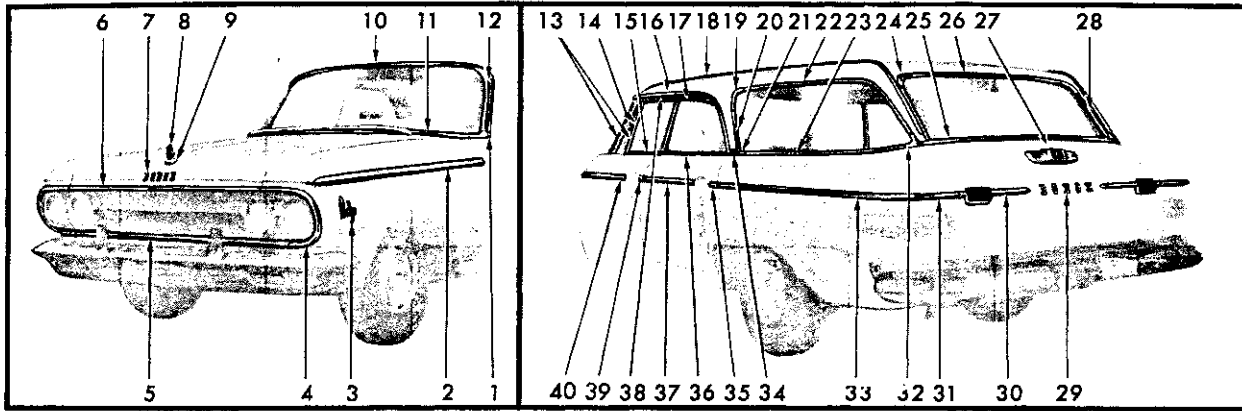
REF. NO.	QTY	PART NUMBER	DESCRIPTION
17	1	2196 282-3	MOULDING PACKAGE, Rear Window Outside Finish Upper and Side (23-23-52)
	10	6000 692	Clip
18	1	2275 025-6	MOULDING PACKAGE, Rear Window Outside Finish Lower End (23-23-52)
	2	6000 688	Clip
	2	6000 733	Clip
	2	-----	Screw
	2	9414 080	Screw
19	1	2093 479	CAP, Rear Window Outside Moulding Upper Center (23-23-41)
20	1	2196 292	MOULDING PACKAGE, Rear Window Outside Finish Lower Center (23-23-52)
	7	6000 689	Clip
21	1	2424 302	ORNAMENT, Deck Lid Lock Cylinder (23-17-19)
	1	6023 895	Screw
22	1	2424 268	NAME PLATE, Deck Lid (23-19-114)
	3	152 259	Nut
	1	6000 050	Clip
23	1	2240 987	MOULDING PACKAGE, Deck Lower Panel License Depression (23-23-23)
	4	6000 970	Clip
	4	152 255	Nut
24	1	2448 546-7	MOULDING PACKAGE, Quarter Panel Lower Rear (23-23-39)
	4	6023 685	Nut
25	1	2448 518-9	MOULDING PACKAGE, Quarter Panel Lower Front (23-23-39)
	14	6001 245	Clip
26	1	2448 520-1	MOULDING PACKAGE, Rear Door Lower Rear (23-23-33)
	2	6022 983	Seal
	2	6000 808	Clip
	2	-----	Nut
27	1	2448 514-5	MOULDING PACKAGE, Rear Door Lower Front (23-23-33)
	8	6001 245	Clip
	2	6000 745	Clip
	2	116 000	Nut
28	1	2448 524-5	MOULDING PACKAGE, Front Door Lower Rear (23-23-32)
	2	6022 013	Washer
	2	-----	Nut
29	1	2448 512-3	MOULDING PACKAGE, Front Door Lower Front (23-23-32)
	8	6001 245	Clip
	2	116 000	Nut
	2	6000 745	Clip

All Packages Include Attaching Parts

Part Type Code is Indicated in Parentheses

19x9697 A

MOULDINGS - DODGE CUSTOM 880 TA3(E) 4 DOOR SEDAN



REF. NO.	QTY	PART NUMBER	DESCRIPTION
1	1	2196 272-3	MOULDING PACKAGE, Windshield Lower End (23-23-65)
2		274 411	Screw
8		6022 010	Screw
2	1	2448 534-5	MOULDING PACKAGE, Fender Side (12-15-2)
4		6001 461	Retainer
12		6001 454	Retainer
12		-----	Nut
3	2	2417 522	NAME PLATE, Fender Side, Dodge (12-15-21)
10		152 259	Nut
4	1	2448 532-3	MOULDING PACKAGE, Fender Radiator Grille Opening (12-15-2)
6		116 000	Nut
2		6000 943	Nut
2		167 106	Screw
5	1	2448 531	MOULDING PACKAGE, Radiator Grille Lower Panel (7-16-36)
2		134 289	Screw
2		6023 166	Nut
6		6001 450	Retainer
6	1	2448 530	MOULDING PACKAGE, Hood Front (15-25-2)
6		-----	Nut
6		6001 472	Retainer
7	2	2424 905	LETTER, Hood Front Name, "D" (15-06-16)
1		2424 906	"O"
1		2424 907	"G"
1		2424 908	"E"
5		152 259	Nut
8	1	2417 499	ORNAMENT, Hood Top (15-03-18)
1		120 375	Nut
9	1	2417 840	BASE, Hood Top Ornament (15-03-21)
10	1	2299 418	MOULDING PACKAGE, windshield Upper (23-23-65)
5		6000 927	Clip
2		9414 754	Screw
11	1	2084 997	MOULDING PACKAGE, Windshield Lower Center (23-23-65)
5		6000 685	Clip
12	1	2240 769-70	MOULDING PACKAGE, Windshield Side (23-23-65)
8		6000 009	Screw
13	1	2254 484-5	FRAME, w/Channel, Frant Door Vent Wing Division (23-64-48)
14	1	2240 873-4	MOULDING PACKAGE, Frant Door Window Frame Front (23-23-32)
6		6023 098	Screw
15	1	2298 610-1	MOULDING PACKAGE, Front Door Belt (23-23-32)
8		6001 247	Clip
16	1	2093 648-9	MOULDING, Roof Drain Trough Side (23-59-61)
17	1	2240 868-9	MOULDING PACKAGE, Rear Door Window Frame Upper (23-23-33)
4		6023 098	Screw
18	2	2196 253	MOULDING PACKAGE, Roof Panel Outside Finish (23-23-42)
28		6006 301	Clip
19	1	2094 016-7	CAP, Quarter Window Outside Finish Upper, w/Retainer (23-23-74)
20	1	2094 018-9	MOULDING, Quarter Window Outside Finish Front (23-23-73)
21	2	1961 210	CAP, Quarter Window Outside Finish Front (23-23-74)
22	1	1961 212-3	MOULDING, Quarter Window Outside Finish Upper (23-23-73)
23	1	1961 214-5	MOULDING, Quarter Window Outside Finish Lower (23-23-73)
24	1	2196 464-5	CAP PACKAGE, Roof Rear Tailgate Opening Moulding (23-23-60)
2		6006 451	Clip

All Packages Include Attaching Parts

REF. NO.	QTY	PART NUMBER	DESCRIPTION
25	1	2196 460	MOULDING PACKAGE, Tailgate Outside Finish Belt (23-23-61)
2		6006 441	Clip
2		151 306	Screw
26	1	2196 466	MOULDING PACKAGE, Tailgate Opening Outside Finish Roof Rear (23-23-60)
7		6006 451	Clip
27	1	2188 389	ORNAMENT, Tailgate Outside Panel (23-54-11)
3		151 497	Nut, w/Washer
28	1	2196 462-3	MOULDING PACKAGE, Rear Pillar Outside Finish (23-23-60)
*		6006 451	Clip
29	2	2424 905	"D" Tailgate Name Letter (23-54-11)
1		2424 906	"O"
1		2424 907	"G"
1		2424 908	"E"
30	1	2275 031-2	MOULDING PACKAGE, Tailgate Outside Panel Bumper (23-23-61)
4		151 497	Nut
31	2	2448 507	MOULDING PACKAGE, Quarter Panel Rear (23-23-39)
2		9414 713	Screw
4		6000 820	Clip
32	1	2196 816-7	CAP PACKAGE, Quarter Window Outside Finish Lower Rear (23-23-74)
2		125 978	Screw
33	1	2448 528-9	MOULDING PACKAGE, Quarter Panel Front (23-23-39)
2		9416 042	Screw
12		6023 854	Washer
12		6000 505	Clip
2		9414 713	Screw
34	1	2299 430-1	MOULDING PACKAGE, Quarter Panel Belt (23-23-39)
2		9411 465	Screw
35	1	2448 520-1	MOULDING PACKAGE, Rear Door Lower Rear (23-23-33)
2		6022 983	Seal
2		-----	Nut
2		6000 808	Clip
36	1	2298 616-7	MOULDING PACKAGE, Rear Door Belt (23-23-33)
10		6001 247	Clip
37	1	2448 514-5	MOULDING PACKAGE, Rear Door Lower Front (23-23-33)
8		6001 245	Clip
2		6000 745	Clip
2		116 000	Nut
38	1	2240 866-7	MOULDING PACKAGE, Front Door Window Frame Upper (23-23-32)
6		6023 098	Screw
39	1	2448 524-5	MOULDING PACKAGE, Front Door Lower Rear (23-23-32)
2		6022 013	Washer
2		-----	Nut
40	1	2448 512-3	MOULDING PACKAGE, Front Door Lower Front (23-23-32)
8		6001 245	Clip
2		116 000	Nut
2		6000 745	Clip

Part Type Code is Indicated in Parentheses

19x9719 A

MOULDINGS - DODGE CUSTOM 880 TA3(E) SPECIAL 4 DOOR SUBURBAN

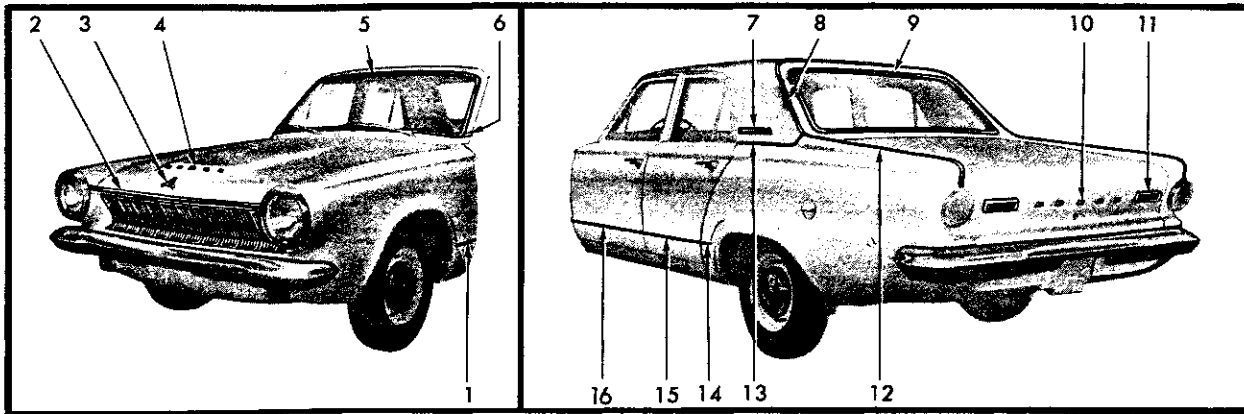
1963 PASSENGER CAR PARTS CATALOG

CODE	PART NAME AND DESCRIPTION	C Y L.	PER CAR	VALIANT DART	PLYMOUTH DODGE	CHRYSLER IMPERIAL
------	---------------------------	--------------	------------	-----------------	-------------------	----------------------

NOTES

Area with 30 horizontal lines for handwritten notes.

★ Indicates use as required. Numerals in parentheses () refer to notes. Printed in U.S.A.
 ☐ Indicates parts not listed in any previous parts book. Prices and specifications subject to change without notice.
 Page 23-43J January 25, 1963.



REF. NO.	QTY	PART NUMBER	DESCRIPTION
1	2	2421 898	MOULDING PACKAGE, Fender Side (12-15-2)
	2	6001 031	Clip
	2	6001 443	Retainer
	2	152 259	Nut
2	1	2421 899	MOULDING PACKAGE, Hood Front (15-25-2)
	8	116 000	Nut
	8	6001 063	Retainer
3	1	2276 943	MEDALLION, w/Base, Hood Front (15-06-6)
	2	152 260	Nut
4	2	2276 977	LETTER, Hood Front Name, "D" (15-06-16)
	1	2276 978	"O"
	1	2276 980	"G"
	1	2276 981	"E"
5	1	2082 278	LOCKINGSTRIP, Windshield Glass Weatherstrip (23-66-239)
6	1	2480 384-5	MOULDING, Front Upper Pillar (23-23-14)
	4	9419 261	Screw
7	1	2255 378-9	MEDALLION, Quarter Outside Panel (23-34-334)
	4	6022 007	Seal
	4	6006 264	Nut
8	1	2421 656-7	MOULDING PACKAGE, Roof Panel Outside Rear (23-23-42)
	16	6001 428	Retainer and Seal
9	1	2082 278	LOCKINGSTRIP, Rear Window Glass Weatherstrip (23-63-114)
10	2	2423 565	"D", Deck Lid Name Letter (23-19-114)
	1	2423 566	"O"
	1	2423 567	"G"
	1	2423 568	"E"

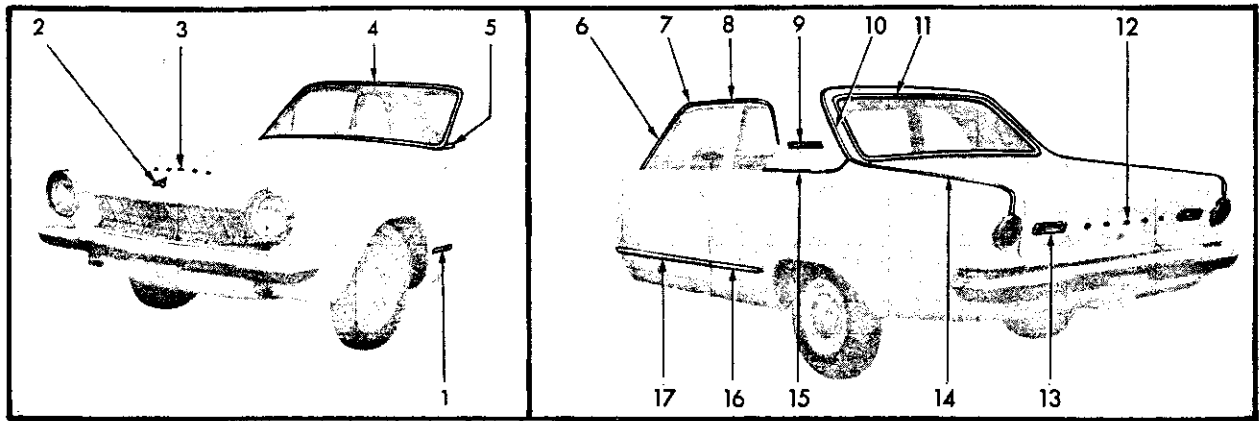
REF. NO.	QTY	PART NUMBER	DESCRIPTION
11	2	2423 201	COVER, Deck Lid Back Up Lamp Hole (23-19-180)
	4	-----	Screw
	4	120 522	Nut
12	2	2421 686	MOULDING PACKAGE, Quarter Panel Upper (23-23-39)
	18	6001 097	Retainer
	18	116 000	Nut
13	1	2421 674-5	MOULDING PACKAGE, Quarter Panel Belt (23-23-39)
	8	6001 030	Retainer
	8	6000 616	Nut
	6	6001 031	Clip
14	1	2421 678-9	MOULDING PACKAGE, Quarter Panel Lower (23-23-39)
	2	6001 031	Clip
	2	6001 030	Retainer
	2	6013 114	Nut
15	1	2421 676-7	MOULDING PACKAGE, Rear Door (23-23-33)
	8	6001 031	Clip
16	2	2421 673	MOULDING PACKAGE, Front Door (23-23-32)
	6	6001 044	Retainer
	6	-----	Nut
	12	6001 071	Clip

All Packages Include Attaching Parts

Part Type Code is Indicated in Parentheses

19x9518B

MOULDINGS - DART 170 FL1(L) 4 DOOR SEDAN



REF. NO.	QTY	PART NUMBER	DESCRIPTION
1	2	2421 898	MOULDING PACKAGE, Fender Side (12-15-2)
	2	6001 031	Clip
	2	6001 443	Retainer
	2	152 259	Nut
2	1	2276 943	MEDALLION, w/Base, Hood Front (15-06-6)
	2	152 260	Nut
3	2	2276 977	LETTER, Hood Front Name, "D" (15-06-16)
	1	2276 978	"O"
	1	2276 980	"G"
	1	2276 981	"E"
	2	9415 250	Nut
4	1	2082 278	LOCKINGSTRIP, Windshield Glass Weatherstrip (23-66-239)
5	1	2480 384-5	MOULDING, Front Upper Pillar (23-23-14)
	4	9419 261	Screw
6	1	2255 934-5	MOULDING, Roof Side Drain Trough Front (23-59-61)
7	2	2255 938	CAP, Roof Side Drain Trough Front and Rear (23-59-57)
8	1	2422 432-3	MOULDING, Roof Side Drain Trough Rear (23-59-61)
9	1	2255 378-9	MEDALLION, Quarter Outside Panel (23-34-334)
	4	6022 007	Seal
	4	6006 264	Nut
10	1	2421 656-7	MOULDING PACKAGE, Roof Panel Outside Rear (23-23-42)
	16	6001 428	Retainer and Seal
	2	----	Retainer

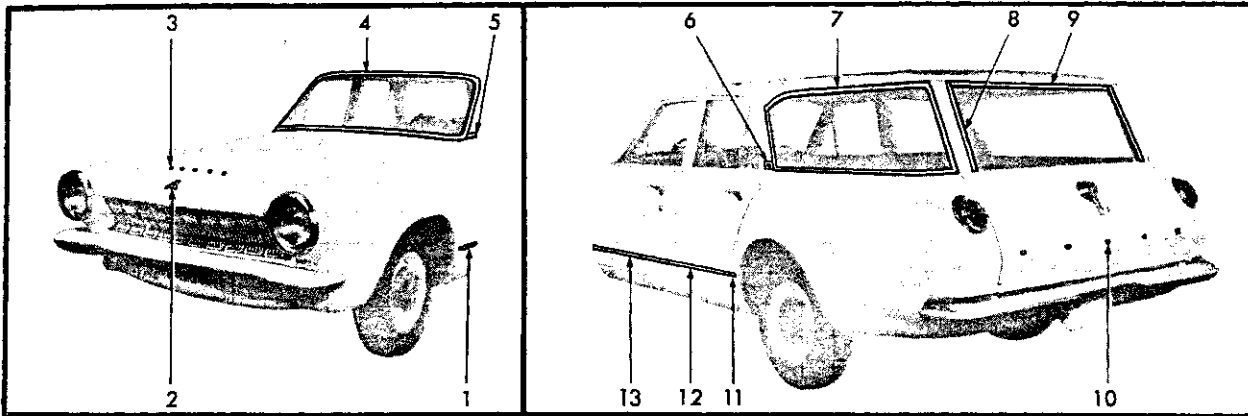
REF. NO.	QTY	PART NUMBER	DESCRIPTION
11	1	2082 278	LOCKINGSTRIP, Rear Window Glas Weatherstrip (23-63-114)
12	2	2423 565	"D", Deck Lid Name Letter (23-19-114)
	1	2423 566	"O"
	1	2423 567	"G"
	1	2423 568	"E"
13	2	2423 201	COVER, Deck Lid Back-Up Lamp Hole(23-19-180)
14	2	2421 686	MOULDING PACKAGE, Quarter Panel Upper (23-23-39)
	18	6001 097	Retainer
	18	116 000	Nut
15	1	2421 665-6	MOULDING PACKAGE, Quarter Panel Belt (23-23-39)
	8	6001 030	Retainer
	8	6000 616	Nut
	8	6001 031	Clip
16	2	2421 664	MOULDING PACKAGE, Quarter Panel Lower (23-23-39)
	8	6001 031	Clip
17	2	2421 663	MOULDING PACKAGE, Door (23-23-32)
	6	6001 044	Retainer
	6	----	Nut
	12	6001 071	Clip

All Packages Include Attaching Parts

Part Type Code is Indicated in Parentheses

19x9521A

MOULDINGS - DART 170 TL1(L) 2 DOOR SEDAN



REF. NO.	QTY	PART NUMBER	DESCRIPTION
1	2	2421 898	MOULDING PACKAGE, Front Fender Side Lower (12-15-2)
	2	6001 031	Clip
	2	6001 443	Retainer
	2	152 259	Nut
2	1	2276 943	MEDALLION, w/Base, Hood Front (15-06-6)
	2	152 260	Nut
3	2	2276 977	LETTER, Hood Front Name, "D" (15-06-16)
	1	2276 978	"O" (15-06-16)
	1	2276 980	"G" (15-06-16)
	1	2276 981	"E" (15-06-16)
	6	9415 250	Nut
4	1	2082 278	LOCKINGSTRIP, Windshield Glass Weatherstrip (23-66-239)
5	1	2480 384-5	MOULDING, Front Upper Pillar (23-23-14)
	4	9419 261	Screw
6	1	2422 782-3	NAME PLATE, Roof Panel Extension (23-34-233)
	2	6001 105	Clip
7	2	2243 513	LOCKINGSTRIP, Quarter Window Glass Weatherstrip (23-63-110)
8	1	2421 577-8	MOULDING PACKAGE, Rear Upper Pillar Outside (23-23-60)
	6	6001 076	Clip
	4	6023 241	Screw
	4	6001 077	Clip

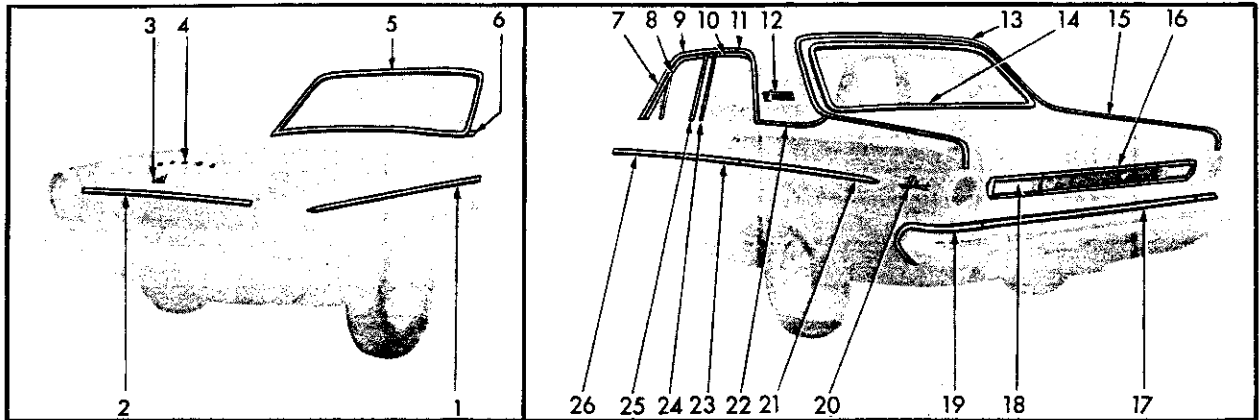
REF. NO.	QTY	PART NUMBER	DESCRIPTION
9	1	2448 401	MOULDING PACKAGE, Tailgate Opening Upper (23-23-60)
	5	6001 451	Clip
10	2	2255 112	LETTER "D", Tailgate Outside Panel (23-54-11)
	2	9415 250	Nut
	1	2255 113	LETTER "O", Tailgate Outside Panel (23-54-11)
	1	9415 250	Nut
	1	2255 114	LETTER "G", Tailgate Outside Panel (23-54-11)
	1	9415 250	Nut
	1	2255 115	LETTER "E", Tailgate Outside Panel (23-54-11)
	1	9415 250	Nut
11	1	2421 680-1	MOULDING PACKAGE, Quarter Panel (23-23-39)
	2	6001 031	Clip
	2	6001 030	Retainer
	2	6013 114	Nut
12	1	2421 676-7	MOULDING PACKAGE, Rear Door (23-23-33)
	8	6001 031	Clip
13	2	2421 673	MOULDING PACKAGE, Front Door (23-23-32)
	6	6001 044	Retainer
	6	---	Nut
	12	6001 071	Clip

All Packages Include Attaching Parts

Part Type Code is Indicated in Parentheses

19x9524B

MOULDINGS - DART 170 TL1(L) SUBURBAN



REF. NO.	QTY	PART NUMBER	DESCRIPTION
1	2	2421 923	MOULDING PACKAGE, Fender Side (12-15-2)
	4	6001 063	Retainer and Stud
	4	-----	Nut
	8	-----	Retainer
2	1	2421 899	MOULDING PACKAGE, Hood Front (15-25-2)
	8	116 000	Nut
	8	6001 063	Retainer
3	1	2276 945	MEDALLION, Hood Front (15-06-6)
	3	9415 250	Nut
4	2	2276 977	NAME LETTER, Hood Front, "D" (15-06-16)
	1	2276 978	"O"
	1	2276 980	"G"
	1	2276 981	"E"
	5	9415 250	Nut
5	1	2082 278	LOCKINGSTRIP, Windshield Glass Weatherstrip (23-66-239)
6	1	2480 384-5	MOULDING, Front Upper Pillar (23-23-14)
	4	9419 261	Screw
7	1	2255 934-5	MOULDING, Roof Side Drain Trough Front (23-59-61)
8	1	2216 946-7	MOULDING, Front Door Window Frame Upper and Front (23-23-32)
9	2	2255 938	CAP, Roof Side Drain Trough Front and Rear Moulding Joint (23-59-57)
10	1	2217 014-5	MOULDING, Rear Door Window Frame Upper and Rear (23-23-33)
11	1	2255 936-7	MOULDING, Roof Side Drain Trough Rear (23-59-61)
12	2	2255 380-1	MEDALLION, Quarter Outside Panel (23-34-334)
	4	6022 007	Seal
	4	6006 264	Nut
13	1	2421 656-7	MOULDING PACKAGE, Roof Panel Outside Rear (23-23-42)
	16	6001 428	Retainer and Seal
	2	-----	Retainer
14	1	2082 278	LOCKINGSTRIP, Rear Window Glass Weatherstrip (23-63-114)

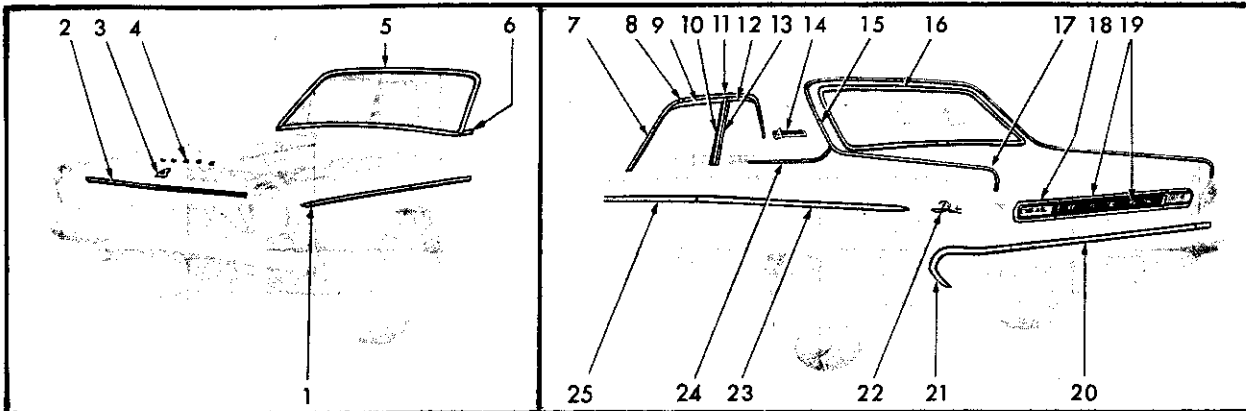
REF. NO.	QTY	PART NUMBER	DESCRIPTION
15	2	2421 686	MOULDING PACKAGE, Quarter Panel Upper (23-23-39)
	18	6001 097	Retainer
	18	116 000	Nut
16	1	2448 484	MOULDING PACKAGE, Deck Lid (23-23-30)
	4	-----	Nut
17	1	2421 587	MOULDING PACKAGE, Deck Lid Lower (23-23-30)
	7	6001 089	Retainer
	7	446 618	Nut
18	2	2423 460	EXTENSION, Deck Lid Moulding (23-23-30)
	2	-----	Nut
19	1	2421 667-8	MOULDING PACKAGE, Quarter Panel Lower Rear (23-23-39)
	2	6023 898	Screw
	6	6001 063	Retainer
	8	6023 265	Nut
20	2	2423 744	NAME PLATE, Quarter Outside Panel (23-34-238)
	6	152 259	Nut and Seal
21	1	2448 450-1	MOULDING PACKAGE, Quarter Panel Lower (approx. 47") (23-23-39)
	1	2495 156-7	MOULDING PACKAGE, Quarter Panel Lower (approx. 51") (23-23-39)
	*	-----	Retainer
	2	6023 265	Nut
	2	6023 241	Screw
	2	6001 063	Retainer
22	1	2421 674-5	MOULDING PACKAGE, Quarter Panel Belt (23-23-39)
	8	6001 030	Retainer
	8	6000 616	Nut
23	1	2421 671-2	MOULDING PACKAGE, Rear Door (23-23-33)
	4	6001 063	Retainer
	4	-----	Nut
	6	-----	Retainer
24	1	2216 950-1	MOULDING, Rear Door Window Frame Front (23-23-33)
25	1	2216 950-1	MOULDING, Front Door Window Frame Rear (23-23-32)
26	2	2421 669	MOULDING PACKAGE, Front Door (23-23-32)
	2	6001 063	Retainer
	2	446 618	Nut
	10	-----	Retainer

All Packages Include Attaching Parts

Part Type Code is Indicated in Parentheses

19x9527B

MOULDINGS - DART 270 TL1(H) 4 DOOR SEDAN



REF. NO.	QTY	PART NUMBER	DESCRIPTION
1	2	2421 923	MOULDING PACKAGE, Fender Side (12-15-2)
	8	-----	Retainer
	4	6001 063	Retainer and Stud
	4	-----	Nut
2	1	2421 899	MOULDING PACKAGE, Hood Front (15-25-2)
	8	1160 000	Nut
	8	6001 063	Retainer
3	1	2276 945	MEDALLION, w/Base, Hood Front (15-06-6)
	2	152 260	Nut
4	2	2276 977	LETTER, Hood Front Name, "D" (15-06-16)
	1	2276 978	"O" (15-06-16)
	1	2276 980	"G" (15-06-16)
	1	2276 981	"E" (15-06-16)
5	1	2082 278	LOCKINGSTRIP, Windshield Glass Weatherstrip (23-66-239)
6	1	2480 384-5	MOULDING, Front Upper Pillar (23-23-14)
	4	9419 261	Screw
7	1	2255 934-5	MOULDING, Roof Side Drain Trough Front(23-59-61)
8	2	2255 938	CAP, Roof Side Drain Trough Front and Rear (23-59-57)
9	1	2216 944-5	MOULDING, Door Window Opening Frame Upper (23-23-32)
10	1	2216 950-1	MOULDING, Door Window Opening Frame Rear (23-23-32)
11	1	2422 432-3	MOULDING, Roof Side Drain Trough Rear (23-59-61)
12	1	2244 376-7	MOULDING, Quarter Window Opening Frame Outside Upper (23-23-73)
13	1	2216 950-1	MOULDING, Quarter Window Opening Frame Outside Front (23-23-73)
14	1	2255 380-1	MEDALLION, Quarter Outside Panel (23-34-334)
	4	6022 007	Seal
	4	6006 264	Nut
15	1	2421 656-7	MOULDING PACKAGE, Roof Panel Outside Rear (23-23-42)
	16	6001 428	Retainer and Seal
	2	-----	Retainer

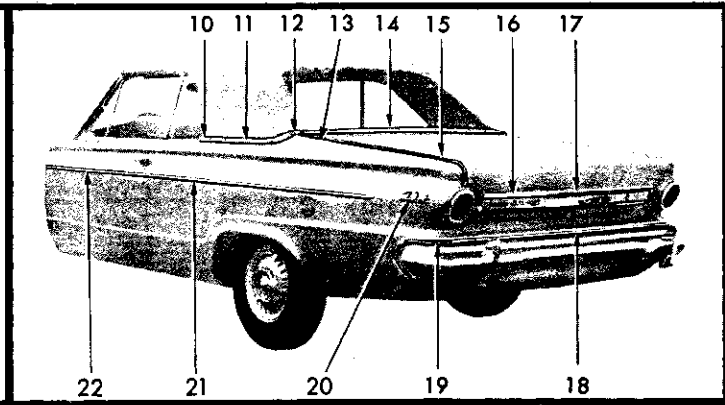
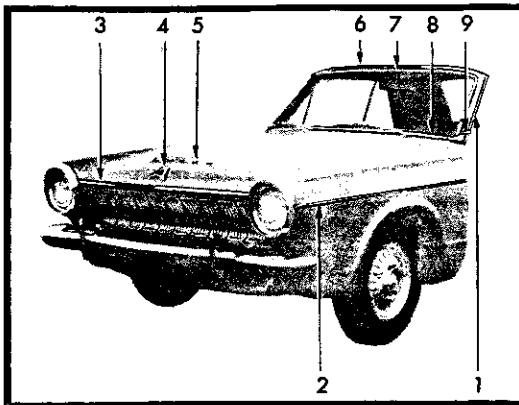
REF. NO.	QTY	PART NUMBER	DESCRIPTION
16	1	2082 278	LOCKINGSTRIP, Rear Window Glas Weatherstrip (23-63-114)
17	2	2421 686	MOULDING PACKAGE, Quarter Panel Upper (23-23-39)
	18	6001 097	Retainer
	18	116 000	Nut
18	2	2423 460	EXTENSION, Deck Lid Moulding (23-23-30)
	2	-----	Nut
19	1	2448 484	MOULDING PACKAGE, Deck Lid (23-23-30)
	4	-----	Nut
20	1	2421 587	MOULDING PACKAGE, Deck Lid (23-23-30)
	7	6001 089	Retainer
	7	446 618	Nut
21	1	2421 667-8	MOULDING PACKAGE, Quarter Panel Lower Rear (23-23-39)
	6	6001 063	Retainer
	8	6023 265	Nut
	2	6023 898	Screw
22	2	2423 744	NAME PLATE, Quarter Outside Panel Dart (23-34-238)
	6	152 259	Nut and Seal
23	2	2448 444	MOULDING PACKAGE, Quarter Panel Lower (approx. 70") (23-23-39)
	2	2495 154	MOULDING PACKAGE, Quarter Panel Lower Front (approx. 74") (23-23-39)
	*	-----	Retainer
	2	6023 265	Nut
	2	6023 241	Screw
	2	6001 063	Retainer
24	1	2421 665-6	MOULDING PACKAGE, Quarter Panel Belt (23-23-39)
	8	6001 030	Retainer
	8	6000 616	Nut
	8	6001 031	Clip
25	2	2421 659	MOULDING PACKAGE, Door (23-23-32)
	2	6001 063	Retainer
	2	446 618	Nut
	12	-----	Retainer

All Packages include Attaching Parts

Part Type Code is Indicated in Parentheses

19x9522B

MOULDINGS - DART 270 TL1(H) 2 DOOR SEDAN



REF. NO.	QTY	PART NUMBER	DESCRIPTION
1	1	2422 182-3	MOULDING, Windshield Opening Frame Outside Side (23-23-65)
	8	6022 890	Screw
2	2	2421 923	MOULDING PACKAGE, Fender Side (12-15-2)
	4	-----	Nut
	8	-----	Retainer
	4	6001 063	Retainer and Nut
3	1	2421 899	MOULDING PACKAGE, Hood Front (15-25-2)
	8	116 000	Nut
	8	6001 063	Retainer
4	1	2276 945	MEDALLION, w/Base, Hood Front (15-06-6)
	2	152 260	Nut
5	2	2276 977	LETTER, Hood Front Name, "D" (15-06-16)
	2	2276 978	"O"
	1	2276 980	"G"
	1	2276 981	"E"
	5	9415 250	Nut
6	1	2422 180-1	MOULDING, Windshield Header Outside Upper (23-23-65)
	7	274 109	Screw
	7	2254 766	Seal
7	1	2082 278	LOCKINGSTRIP, Windshield Glass Weatherstrip (23-66-239)
8	1	2424 106	MOULDING, Windshield Outside Lower (23-23-65)
	7	9416 136	Screw
	7	6001 442	Retainer
9	1	2480 384-5	MOULDING, Front Upper Pillar (23-23-14)
	4	9419 261	Screw
10	1	2424 170-1	MOULDING, Quarter Panel Belt Front (23-23-39)
	2	2084 394	Fastener
	2	188 973	Screw
11	1	2422 190-1	MOULDING, Quarter Panel Belt Rear (23-23-39)
	8	2084 394	Fastener
12	1	2424 116-7	COVER, Quarter Belt to Deck Opening Upper Panel Moulding Joint (23-23-41)
	2	-----	Nut and Seal
13	1	2495 750-1	MOULDING PACKAGE, Quarter Panel Upper Front (2 Piece Type) (23-23-39)
	4	6001 097	Retainer
	4	-----	Nut

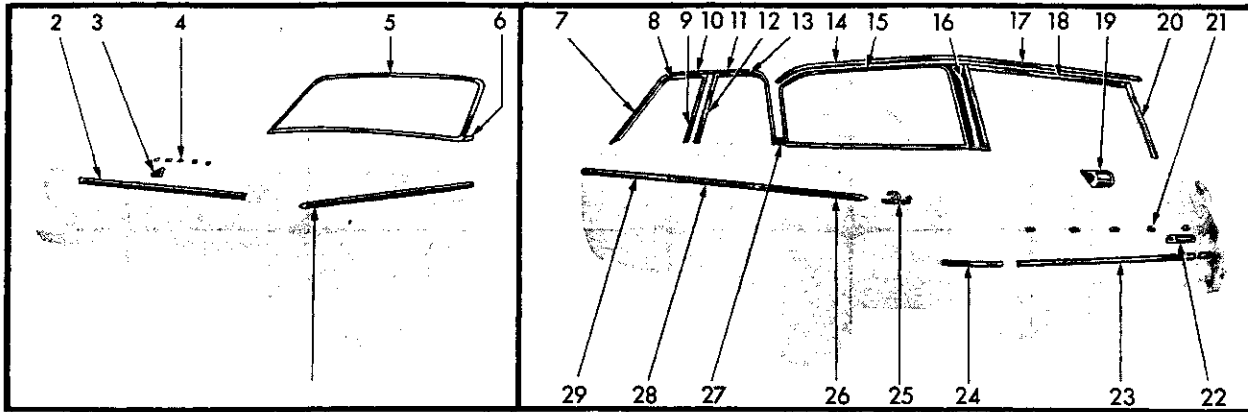
REF. NO.	QTY	PART NUMBER	DESCRIPTION
14	1	2255 948	MOULDING, Deck Upper Panel (23-23-31)
	9	2094 394	Fastener
15	2	2448 489	MOULDING PACKAGE, Quarter Panel Upper (1 Piece Type) (23-23-39)
	12	6001 097	Retainer
	12	116 000	Nut
	2	2421 686	MOULDING PACKAGE, Quarter Panel Upper Rear (2 Piece Type) (23-23-39)
	18	6001 097	Retainer
	18	-----	Nut
16	2	2423 460	EXTENSION, Deck Lid Moulding (23-23-30)
	2	-----	Nut
17	1	2448 484	MOULDING PACKAGE, Deck Lid (23-23-30)
	4	-----	Nut
18	1	2421 587	MOULDING PACKAGE, Deck Lid Lower (23-23-30)
	7	6001 089	Retainer
	7	446 618	Nut
19	1	2421 667-8	MOULDING PACKAGE, Quarter Panel Lower and Rear (23-23-39)
	6	6001 063	Retainer
	8	6023 265	Nut
	2	6023 898	Screw
20	2	2423 744	NAME PLATE, Quarter Outside Panel Dart (23-34-238)
	6	152 259	Nut and Seal
21	2	2448 444	MOULDING PACKAGE, Quarter Panel Lower Front (approx. 70") (23-23-39)
	2	2495 154	MOULDING PACKAGE, Quarter Panel Lower Front (approx. 74") (23-23-39)
	2	6023 265	Nut
	2	6023 241	Screw
	*	-----	Retainer
	2	6001 063	Retainer
22	2	2421 659	MOULDING PACKAGE, Door (23-23-32)
	2	6001 063	Retainer
	2	446 618	Nut
	12	-----	Retainer

All Packages Include Attaching Parts

Part Type Code is Indicated in Parentheses

19x9621B

MOULDINGS - DART 270 TL1(H) CONVERTIBLE COUPE



REF. NO.	QTY	PART NUMBER	DESCRIPTION
1	2	2421 923	MOULDING PACKAGE, Fender Side (12-15-2)
	4	6001 063	Retainer and Stud
	4	----	Nut
	8	----	Retainer
2	1	2421 899	MOULDING PACKAGE, Hood Front (15-25-2)
	8	116 000	Nut
	8	6001 063	Retainer
3	1	2276 945	MEDALLION, w/Base, Hood Front (15-06-6)
	2	152 260	Nut
4	2	2276 977	LETTER, Hood Front, "D" (15-06-16)
	1	2276 978	"O" (15-06-16)
	1	2276 980	"G" (15-06-16)
	1	2276 981	"E" (15-06-16)
	5	9415 250	Nut
5	1	2082 278	LOCKINGSTRIP, Windshield Glass Weatherstrip (23-66-239)
6	1	2480 384-5	MOULDING, Front Upper Pillar (23-23-14)
	4	9419 261	Screw
7	1	2255 934-5	MOULDING, Roof Side Drain Trough Front (23-59-61)
8	1	2216 946-7	MOULDING, Front Door Window Frame Upper (23-23-32)
9	1	2216 950-1	MOULDING, Front Door Window Frame Rear (23-23-32)
10	2	2255 938	CAP, Roof Side Drain Trough Front and Rear Moulding (23-59-57)
11	1	2255 936-7	MOULDING, Roof Side Drain Trough Rear (23-59-61)
12	1	2216 950-1	MOULDING, Rear Door Window Frame Front (23-23-33)
13	1	2217 014-5	MOULDING, Rear Door Window Frame Upper (23-23-33)
14	1	2422 650-1	MOULDING, Roof Side Drain Trough (23-59-61)
15	1	2243 513	LOCKINGSTRIP, Quarter Window Glass Weatherstrip (23-63-110)
16	1	2421 579-80	MOULDING PACKAGE, Rear Upper Pillar Outside (23-23-60)
	4	6001 077	Clip
	4	6023 241	Clip
	2	167 039	Screw
17	1	2422 652-3	MOULDING, Rear Drain Trough (23-59-61)
18	1	2448 401	MOULDING PACKAGE, Tailgate Opening Upper (23-23-60)
	5	6001 451	Clip
19	1	2299 752	ORNAMENT, w/Stud, Tailgate Electric Window Regulator Outside (23-54-11)

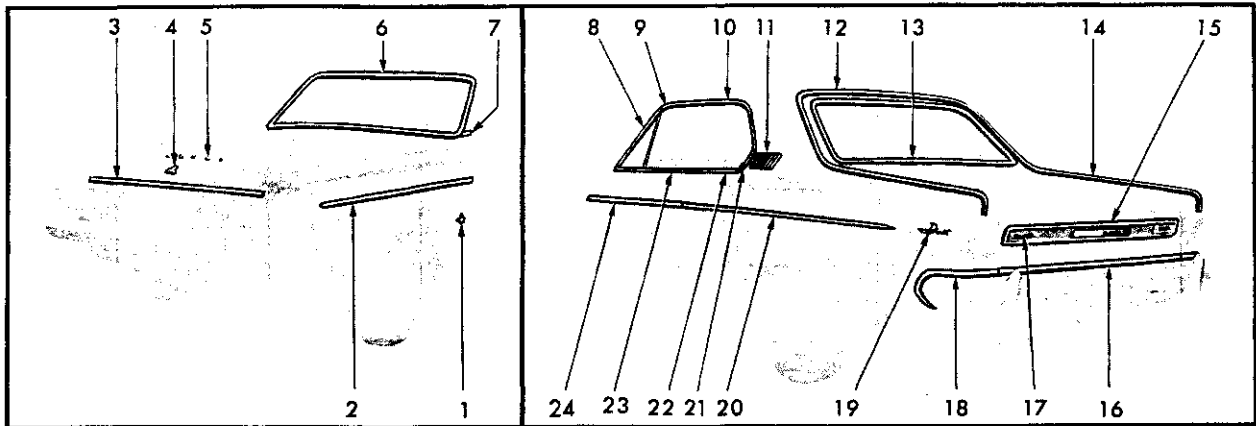
REF. NO.	QTY	PART NUMBER	DESCRIPTION
20	1	2421 577-8	MOULDING PACKAGE, Rear Upper Pillar Outside (23-23-60)
	6	6001 076	Clip
	4	6023 241	Clip
	4	6001 077	Screw
21	2	2255 112	LETTER "D", Tailgate Outside Panel (23-54-11)
	2	9415 250	Nut
	1	2255 113	LETTER "O", Tailgate Outside Panel (23-54-11)
	1	9415 250	Nut
	1	2255 114	LETTER "G", Tailgate Outside Panel (23-54-11)
	1	9415 250	Nut
	1	2255 115	LETTER "E", Tailgate Outside Panel (23-54-11)
	1	9415 250	Nut
22	1	2255 256	MEDALLION, Tailgate Outside Panel (270) (23-54-11)
	2	9411 618	Nut
23	1	2421 658	MOULDING PACKAGE, Tailgate Outside Panel (23-23-61)
	7	6000 709	Clip
	7	441 256	Nut
24	1	2421 682-3	MOULDING PACKAGE, Quarter Panel Lower Rear (23-23-39)
	6	6001 513	Clip
25	2	2423 746	NAME PLATE, Quarter Outside Panel Dart (23-34-238)
	6	152 259	Nut and Seal
26	1	2448 448-9	MOULDING PACKAGE, Quarter Panel (approx. 32 3/4") (23-23-39)
	1	2495 158-9	MOULDING PACKAGE, Quarter Panel (approx. 36 3/4") (23-23-39)
	2	6001 063	Retainer
	2	6001 488	Clip
	2	6023 241	Screw
	*	----	Retainer
	2	----	Nut
27	1	2422 784-5	NAME PLATE, Roof Panel Extension (23-34-238)
	2	6001 105	Clip
28	1	2421 671-2	MOULDING PACKAGE, Rear Door Lower (23-23-33)
	4	6001 063	Retainer
	4	----	Nut
	6	----	Retainer
29	2	2421 669	MOULDING PACKAGE, Front Door Lower (23-23-32)
	2	6001 063	Retainer
	2	446 618	Nut
	10	----	Retainer

All Packages Include Attaching Parts

Part Type Code is Indicated in Parentheses

19x9540B

MOULDINGS - DART 270 TL1(H) SUBURBAN



REF. NO.	QTY	PART NUMBER	DESCRIPTION
1	2	2255 116	MEDALLION, Fender Side (12-15-21)
	4	152 259	Nut
2	2	2495 912	MOULDING PACKAGE, Fender Side (12-15-2)
	4	6001 063	Retainer and Stud
	4	-----	Nut
	8	-----	Retainer
3	1	2421 899	MOULDING PACKAGE, Hood Front (15-25-2)
	8	116 000	Nut
	8	6001 063	Retainer
4	1	2276 947	MEDALLION, w/Base, Hood Front (15-06-6)
	2	152 260	Nut
5	2	2276 977	LETTER, Hood Front Name, "D" (15-06-16)
	1	2276 978	"O" (15-06-16)
	1	2276 980	"G" (15-06-16)
	1	2276 981	"E" (15-06-16)
10		9415 250	Nut
6	1	2082 278	LOCKINGSTRIP, Windshield Glass Weatherstrip (23-66-239)
7	1	2480 384-5	MOULDING, Front Upper Pillar (23-23-14)
	4	9419 261	Screw
8	1	2255 934-5	MOULDING, Roof Side Drain Trough Front (23-59-61)
9	2	2255 938	CAP, Roof Side Drain Trough Front and Rear Moulding Joint (23-59-57)
10	1	2422 432-3	MOULDING, Roof Side Drain Trough Rear (23-59-61)
11	1	2422 632-3	ORNAMENT, Quarter Outside Panel (23-34-334)
	8	152 260	Nut and Seal
12	1	2421 656-7	MOULDING PACKAGE, Roof Panel Outside Rear (23-23-42)
	16	6001 428	Retainer and Seal
	2	-----	Retainer
13	1	2082 278	LOCKINGSTRIP, Rear Window Glass Weatherstrip (23-63-114)
14	2	2421 686	MOULDING PACKAGE, Quarter Panel Upper (23-23-39)
	18	6001 097	Retainer
	18	116 000	Nut
15	1	2448 485	MOULDING PACKAGE, Deck Lid (23-23-30)
	4	-----	Nut

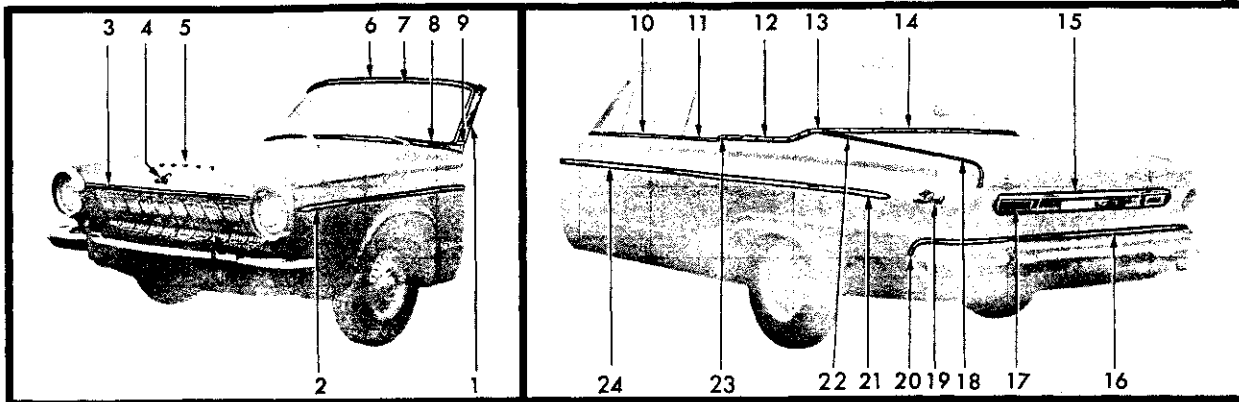
REF. NO.	QTY	PART NUMBER	DESCRIPTION
16	2	2421 587	MOULDING PACKAGE, Deck Lid Lower (23-23-30)
	14	6001 089	Retainer
	14	446 618	Nut
17	2	2423 460	EXTENSION, Deck Lid Moulding (23-23-30)
	2	-----	Nut
18	1	2421 667-8	MOULDING PACKAGE, Quarter Panel Lower Rear (23-23-39)
	6	6001 063	Retainer
	8	6023 265	Nut
	2	6023 898	Screw
19	2	2423 744	NAME PLATE, Quarter Outside Panel Dart (23-34-238)
	6	152 259	Nut and Seal
20	2	2448 446	MOULDING PACKAGE, Quarter Panel Lower (approx. 69 1/2") (23-23-39)
	2	2495 155	MOULDING PACKAGE, Quarter Panel Lower (approx. 73 1/2") (23-23-39)
	*	-----	Retainer
	2	6023 265	Nut
	2	6023 241	Screw
	2	6001 063	Retainer
21	1	2448 176-7	MOULDING PACKAGE, Quarter Panel Belt Rear (23-23-39)
	2	6024 135	Screw
	2	168 474	Screw
22	1	2448 452-3	MOULDING PACKAGE, Quarter Panel Belt Front (23-23-39)
	6	6001 490	Retainer
	2	168 474	Screw
23	1	2448 430-1	MOULDING PACKAGE, Door Belt (23-23-32)
	10	6001 490	Retainer
	2	6001 440	Retainer
	2	9415 312	Nut
24	2	2421 661	MOULDING PACKAGE, Door Lower (23-23-32)
	2	6001 063	Retainer
	2	446 618	Nut
	12	6001 046	Retainer

All Packages Include Attaching Parts

Part Type Code is Indicated in Parentheses

19x9539B

MOULDINGS - DART GT TL1(P) SPECIAL CLUB COUPE



REF. NO.	QTY	PART NUMBER	DESCRIPTION
1	1	2422 182-3	MOULDING, Windshield Opening Frame Outside Side (23-23-65)
	1	6022 890	Screw
2	2	2495 912	MOULDING PACKAGE, Fender Side (12-15-2)
	4	6001 063	Retainer and Stud
	4	-----	Nut
3	1	2421 899	MOULDING PACKAGE, Hood Front (15-25-2)
	8	116 000	Nut
	8	6001 063	Retainer
4	1	2276 947	MEDALLION, w/Base, Hood Front (15-06-6)
	2	152 260	Nut
5	2	2276 977	LETTER, Hood Front Name, "D" (15-06-16)
	1	2276 978	"O"
	1	2276 980	"G"
	1	2276 981	"E"
	5	9415 250	Nut
6	1	2422 180-1	MOULDING, Windshield Header Outside Upper (23-23-65)
	7	274 109	Screw
	7	2254 766	Seal
7	1	2082 278	LOCKINGSTRIP, Windshield Glass Weatherstrip (23-66-239)
8	1	2424 106	MOULDING, Windshield Outside Lower (23-23-65)
	7	9416 136	Screw
	7	6001 442	Retainer
9	1	2480 384-5	MOULDING, Front Upper Pillar (23-23-14)
	4	9419 261	Screw
10	1	2448 430-1	MOULDING PACKAGE, Door Belt (23-23-32)
	10	6001 490	Retainer
	2	6001 440	Retainer
	2	9415 312	Nut
11	1	2448 452-3	MOULDING PACKAGE, Quarter Panel Belt Front (23-23-39)
	2	168 474	Screw
12	1	2422 190-1	MOULDING, Quarter Panel Belt Rear (23-23-39)
	8	2094 394	Fastener

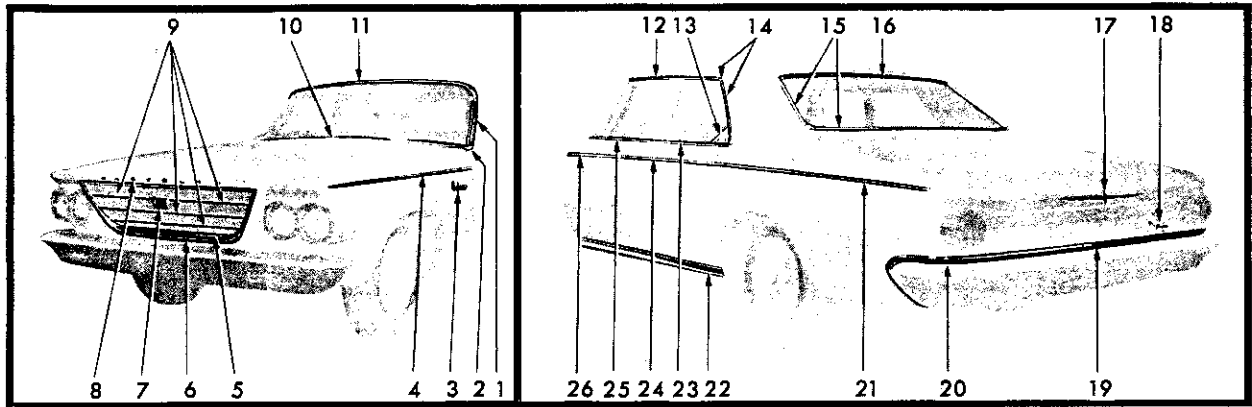
REF. NO.	QTY	PART NUMBER	DESCRIPTION
13	1	2424 116-7	COVER, Quarter Belt to Deck Opening Upper Panel Moulding Joint (23-23-41)
	2	-----	Nut and Seal
14	1	2255 948	MOULDING, Deck Upper Panel (23-23-31)
	9	2094 394	Fastener
15	1	2448 485	MOULDING PACKAGE, Deck Lid (23-23-30)
	4	-----	Nut
16	1	2421 587	MOULDING PACKAGE, Deck Lid Lower (23-23-30)
	14	6001 089	Retainer
	14	446 618	Nut
17	2	2423 460	EXTENSION, Deck Lid Moulding (23-23-30)
	2	-----	Nut
18	2	2448 489	MOULDING PACKAGE, Quarter Panel Upper (1 Piece Type) (23-23-39)
	2	2421 686	MOULDING PACKAGE, Quarter Panel Upper Rear (2 Piece Type) (23-23-39)
	18	6001 097	Retainer
	18	-----	Nut
19	2	2423 744	NAME PLATE, Quarter Outside Panel Dart (23-34-238)
	6	152 259	Nut and Seal
20	1	2421 667-8	MOULDING PACKAGE, Quarter Panel Lower Rear (23-23-39)
	6	6001 063	Retainer
	8	6023 265	Nut
	2	6023 898	Screw
21	2	2448 446	MOULDING PACKAGE, Quarter Panel Lower Front (approx. 69 1/2") (23-23-39)
	2	2495 155	MOULDING PACKAGE, Quarter Panel Lower Front (approx. 73 1/2") (23-23-39)
	2	6023 265	Nut
	2	6023 241	Screw
	*	-----	Retainer
	2	6010 063	Retainer
22	1	2495 750-1	MOULDING PACKAGE, Quarter Panel Upper Front (23-23-39)
	4	6001 097	Retainer
	4	-----	Nut
23	1	2424 174-5	MOULDING, Quarter Panel Belt Intermediate (23-23-39)
	2	2094 394	Fastener
	2	168 474	Screw
24	2	2421 661	MOULDING PACKAGE, Door Lower (23-23-32)
	2	6001 063	Retainer
	2	446 618	Nut
	12	6001 046	Retainer

All Packages Include Attaching Parts

Part Type Code is Indicated in Parentheses

19x9620B

MOULDINGS - DART GT TL1(P) CONVERTIBLE COUPE



REF. NO.	QTY	PART NUMBER	DESCRIPTION
1	1	2216 870-1	MOULDING, Windshield Outside Finish Side (23-23-65)
	8	6023 247	Screw
2	1	2242 886-7	MOULDING, Windshield Outside Finish Lower End (23-23-65)
	2	274 411	Screw
3	2	2276 694	NAME PLATE, Fender Side, w/Medallion (12-15-21)
	10	6001 254	Clip
4	2	2421 959	MOULDING PACKAGE, Fender Side (12-15-2)
	12	6001 048	Clip
	4	6001 059	Clip
	4	-----	Nut
5	1	2276 410	FRAME, Radiator Grille Opening (7-16-36)
6	1	2448 457	MOULDING PACKAGE, Radiator Grille Opening (7-16-36)
	2	892 569	Screw
	7	9415 921	Screw
	7	6001 070	Clip
	7	6023 284	Nut
7	1	2276 407	MEDALLION, Radiator Grille (7-17-1)
	2	9414 977	Nut
8	1	2276 440	LETTER, Hood Front Name, "C" (15-06-16)
	1	2276 441	"H" (15-06-16)
	2	2276 442	"R" (15-06-16)
	1	2276 443	"Y" (15-06-16)
	1	2276 444	"S" (15-06-16)
	1	2276 445	"L" (15-06-16)
	1	2276 446	"E" (15-06-16)
	8	9415 250	Nut
9	1	2448 580	MOULDING PACKAGE, Radiator Grille Upper, Right (7-16-36)
	3	6001 501	Retainer
	3	274 800	Nut
	3	120 391	Washer
	1	2448 581	MOULDING PACKAGE, Radiator Grille Upper, Left (7-16-36)
	3	6001 501	Retainer
	3	274 800	Nut
	3	120 391	Washer
	1	2448 578	MOULDING PACKAGE, Radiator Grille Intermediate (7-16-36)
	6	6001 501	Retainer
	6	274 800	Nut
	6	120 391	Washer
	1	2448 579	MOULDING PACKAGE, Radiator Grille Lower (7-16-36)
	6	6001 501	Retainer
	6	274 800	Nut
	6	120 391	Washer
10	1	2084 997	MOULDING PACKAGE, Windshield Outside Finish Lower Center (23-23-65)
	5	6000 685	Clip
11	1	2495 694	MOULDING PACKAGE, Windshield Outside Finish Upper Center (23-23-65)
	5	6000 927	Clip
	2	6023 277	Screw
12	1	2243 734-5	MOULDING, Roof Side Drain Trough Front (23-59-61)
13	1	2424 292-3	MOULDING, Rear Door Belt Rear (23-23-33)
14	1	2424 498-9	MOULDING, w/Cap, Roof Side Drain Trough Rear (23-59-61)
	8	6023 247	Screw
15	1	2244 546-7	MOULDING, Rear Window Outside Side and Rear (23-23-52)
	12	6001 084	Retainer

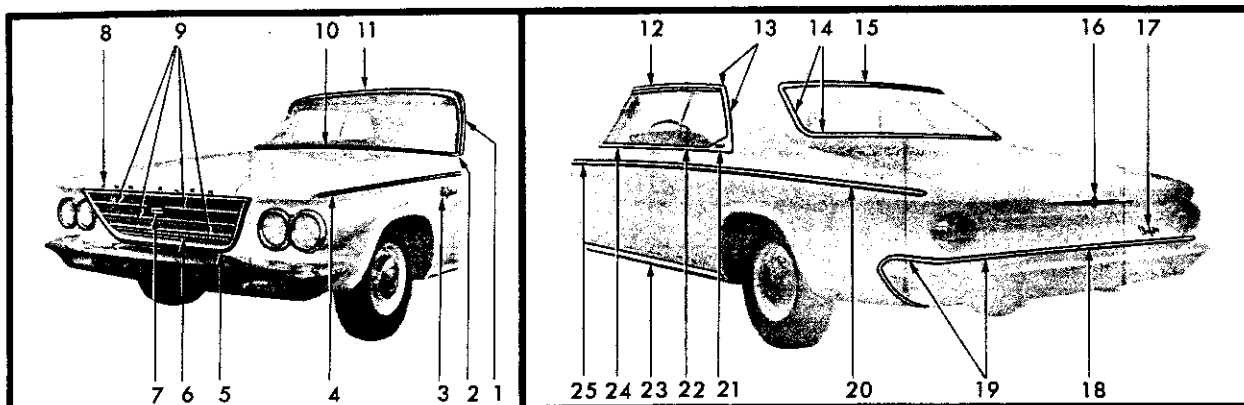
All Packages Include Attaching Parts

REF. NO.	QTY	PART NUMBER	DESCRIPTION
16	1	2244 548	MOULDING, Rear Window Outside Upper (23-23-52)
	7	6001 084	Retainer
17	1	2244 829	MEDALLION, Deck Lid (23-19-114)
	5	-----	Nut
18	1	2244 242	NAME PLATE, Deck Opening Lower Panel Chrysler (23-34-184)
	3	152 259	Nut
19	1	2421 448	MOULDING, Deck Lower Panel Fuel Filler Door (23-23-23)
	2	6001 099	Clip
	2	6023 678	Nut
20	1	2448 428-9	MOULDING PACKAGE, Quarter Panel Lower and Deck Opening Lower (23-23-39)
	10	6001 099	Retainer
	10	6023 678	Nut
	4	-----	Nut
	2	188 973	Screw
21	1	2421 567-8	MOULDING PACKAGE, Quarter Panel Upper (23-23-39)
	2	6010 093	Clip
	2	6023 265	Nut
	12	6001 048	Retainer
22	1	2421 571-2	MOULDING PACKAGE, Body Side Sill (23-23-2)
	14	6001 100	Retainer
	1	2422 574-5	Clip
	2	-----	Nut
	2	2422 576	Clip
	2	-----	Seal
23	1	2448 490-1	MOULDING PACKAGE, Rear Door Belt Front (23-23-33)
	6	6001 047	Retainer
24	1	2421 561-2	MOULDING PACKAGE, Rear Door Lower (23-23-33)
	2	446 618	Nut
	8	6001 058	Clip
	8	6001 048	Retainer
25	1	2421 563-4	MOULDING PACKAGE, Front Door Belt (Slanted End) (23-23-32)
	1	2448 552-3	MOULDING PACKAGE, Front Door Belt (Rounded End) (23-23-32)
	10	6001 047	Retainer
	2	6001 087	Retainer
	2	9417 621	Nut
26	2	2421 558	MOULDING PACKAGE, Front Door Lower (23-23-32)
	8	6001 058	Clip
	8	-----	Nut
	8	6001 048	Retainer

Part Type Code is Indicated in Parentheses

19x9544 B

MOULDINGS - CHRYSLER NEWPORT TC1(L) 4 DOOR SEDAN



REF. NO.	QTY	PART NUMBER	DESCRIPTION
1	1	2216 870-1	Moulding, Windshield Outside Finish Side (23-23-65)
	8	6023 247	Screw
2	1	2242 886-7	Moulding, Windshield Outside Finish Lower End (23-23-65)
	2	274 411	Screw
3	2	2276 694	Name Plate, Fender Side, w/Medallion (12-15-21)
	10	6001 254	Clip
4	2	2421 959	Moulding Package, Fender Side (12-15-2)
	12	6001 048	Clip
	4	6001 059	Clip
	4	-----	Nut
5	1	2448 457	Moulding Package, Radiator Grille Opening (7-16-36)
	2	892 569	Screw
	7	9415 921	Screw
	7	6001 070	Clip
	7	6023 284	Nut
6	1	2276 410	Frame, Radiator Grille Opening (7-16-36)
7	1	2276 407	Medallion, Radiator Grille (7-17-1)
	2	9414 977	Nut
8	1	2276 440	Letter, Hood Front Name "C" (15-06-16)
	1	2276 441	"H"
	2	2276 442	"R"
	1	2276 443	"Y"
	1	2276 444	"S"
	1	2276 445	"L"
	1	2276 446	"E"
	8	9415 250	Nut
9	1	2448 580	Moulding Package, Radiator Grille Upper, Right (7-16-36)
	3	6001 501	Retainer
	3	274 800	Nut
	3	120 391	Washer
	1	2448 581	Moulding Package, Radiator Grille Upper, Left (7-16-36)
	3	6001 501	Retainer
	3	274 800	Nut
	3	120 391	Washer
	1	2448 578	Moulding Package, Radiator Grille Intermediate (7-16-36)
	6	6001 501	Retainer
	6	274 800	Nut
	6	120 391	Washer
	1	2448 579	Moulding Package, Radiator Grille Lower (7-16-36)
	6	6001 501	Retainer
	6	274 800	Nut
	6	120 391	Washer
10	1	2084 997	Moulding Package, Windshield Outside Finish Lower Center (23-23-65)
	5	6000 685	Clip
11	1	2495 694	Moulding Package, Windshield Outside Finish Upper Center (23-23-65)
	5	6000 927	Clip
	2	6023 277	Screw
12	1	2243 734-5	Moulding, Drain Trough Front (23-59-61)
13	1	2424 498-9	Moulding, w/Cap, Drain Trough Rear (23-59-61)
	10	6023 247	Screw
14	1	2244 546-7	Moulding, Rear Window Outside Side and Lower (23-23-52)
	12	6001 084	Retainer

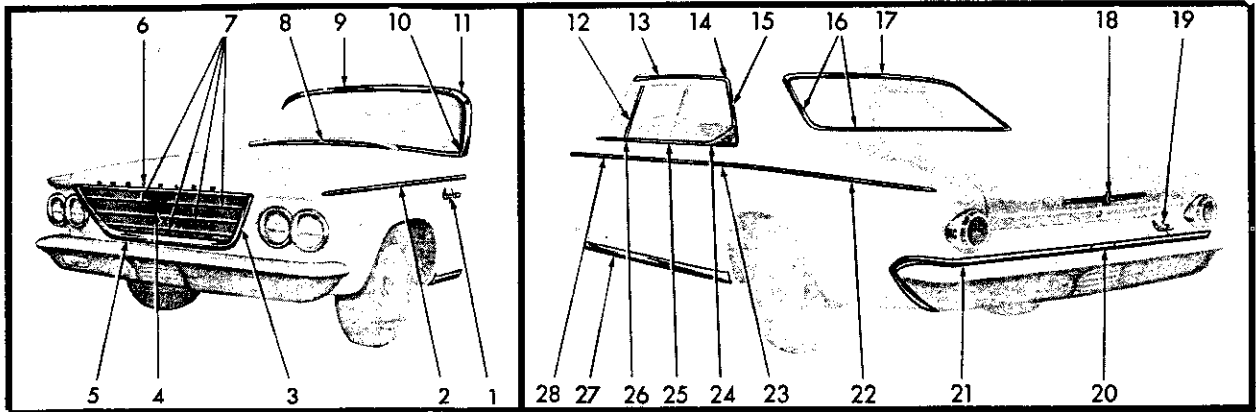
REF. NO.	QTY	PART NUMBER	DESCRIPTION
15	1	2244 548	Moulding, Rear Window Outside Upper (23-23-52)
	7	6001 084	Retainer
16	1	2244 829	Medallion, Deck Lid (23-19-114)
	5	-----	Nut
17	1	2244 242	Name Plate, Deck Opening Lower Panel, Chrysler (23-34-184)
	3	152 259	Nut
18	1	2421 448	Moulding Package, Deck Lower Panel Fuel Filler Door (23-23-23)
	2	6001 093	Clip
	2	6023 265	Nut
19	1	2448 428-9	Moulding Package, Quarter Panel Lower Rear and Deck Lower Panel (23-23-39)
	10	6023 678	Nut
	4	-----	Nut
	2	188 973	Screw
	10	6001 099	Retainer
20	1	2421 556-7	Moulding Package, Quarter Panel Lower (23-23-39)
	2	6023 265	Nut
	2	6010 093	Clip
	20	6001 048	Retainer
21	1	2424 290-1	Moulding, Quarter Panel Belt Rear (23-23-39)
	6	-----	Washer
	2	6000 960	Clip
	4	152 260	Nut
22	1	2448 492-3	Moulding Package, Quarter Panel Belt Front (23-23-39)
	8	6001 047	Retainer
23	1	2421 571-2	Moulding Package, Body Side Sill (23-23-2)
	14	6001 100	Retainer
	1	2422 574-5	Clip
	2	-----	Nut
	2	2422 576	Clip
	2	-----	Seal
24	1	2421 552-3	Moulding Package, Door Belt (Slanted End) (23-23-32)
	1	2448 550-1	Moulding Package, Door Belt (Rounded End) (23-23-32)
	10	6001 047	Retainer
	2	6001 087	Retainer
	2	9417 621	Nut
25	2	2421 449	Moulding Package, Door Lower (23-23-32)
	2	446 618	Nut
	4	6001 058	Clip
	12	6001 048	Retainer

All Packages Include Attaching Parts

Part Type Code is Indicated in Parentheses

19x9578B

MOULDINGS - CHRYSLER NEWPORT TC1(L) SPECIAL CLUB COUPE



REF. NO.	QTY	PART NUMBER	DESCRIPTION
1	2	2276 694	NAME PLATE, Fender Side, w/Medallion (12-15-21)
	10	6001 254	Clip
2	2	2421 959	MOULDING PACKAGE, Fender Side (12-15-2)
	12	6001 048	Clip
	4	6001 059	Clip
	4	-----	Nut
3	1	2448 457	MOULDING PACKAGE, Radiator Grille Opening (7-16-36)
4	1	2276 407	MEDALLION, Radiator Grille (7-17-1)
	2	9414 977	Nut
5	1	2276 410	FRAME, Radiator Grille Opening (7-16-36)
6	1	2276 440	LETTER, Hood Front Name, "C" (15-06-16)
	1	2276 441	"H" (15-06-16)
	2	2276 442	"R" (15-06-16)
	1	2276 443	"Y" (15-06-16)
	1	2276 444	"S" (15-06-16)
	1	2276 445	"L" (15-06-16)
	1	2276 446	"E" (15-06-16)
	8	9415 250	Nut
7	1	2448 580	MOULDING PACKAGE, Radiator Grille Upper, Right (7-16-36)
	3	6001 501	Retainer
	3	274 800	Nut
	3	120 391	Washer
	1	2448 581	MOULDING PACKAGE, Radiator Grille Upper, Left (7-16-36)
	3	6001 501	Retainer
	3	274 800	Nut
	3	120 391	Washer
	1	2448 578	MOULDING PACKAGE, Radiator Grille Intermediate (7-16-36)
	6	6001 501	Retainer
	6	274 800	Nut
	6	120 391	Washer
	1	2448 579	MOULDING PACKAGE, Radiator Grille Lower (7-16-36)
	6	6001 501	Retainer
	6	274 800	Nut
	6	120 391	Washer
8	1	2084 997	MOULDING PACKAGE, Windshield Outside Finish Lower Center (23-23-65)
	5	6000 685	Clip
9	1	2495 694	MOULDING PACKAGE, Windshield Outside Finish Upper Center (23-23-65)
	5	6000 927	Clip
	2	6023 277	Screw
10	1	2242 886-7	MOULDING, Windshield Outside Finish Lower End (23-23-65)
	2	274 411	Screw
11	1	2216 870-1	MOULDING, Windshield Outside Finish Side (23-23-65)
	8	6023 247	Screw
12	2	2254 627	MOULDING, w/Channel, Door Vent Wing Division (23-64-48)
13	1	2243 734-5	MOULDING, Roof Side Drain Trough Front (23-59-61)
14	1	2243 738-9	CAP, Roof Side Drain Trough Moulding Joint (23-59-57)
15	1	2424 498-9	MOULDING, w/Cap, Roof Side Drain Trough Rear (23-59-61)
	8	6023 247	Screw
16	1	2244 546-7	MOULDING, Rear Window Outside Side and Lower (23-23-52)
	12	6001 084	Retainer

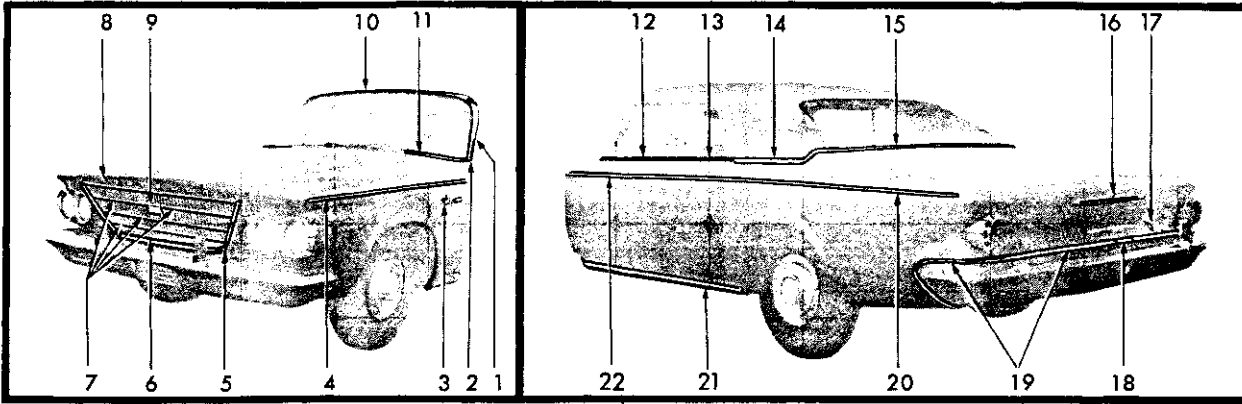
REF. NO.	QTY	PART NUMBER	DESCRIPTION
17	1	2244 548	MOULDING, Rear Window Outside Upper (23-23-52)
	7	6001 084	Retainer
18	1	2244 829	MEDALLION, Deck Lid (23-19-114)
	5	-----	Nut
19	1	2244 242	NAME PLATE, Deck Opening Lower Panel (23-34-184)
	3	152 259	Nut
20	1	2421 448	MOULDING PACKAGE, Deck Lower Panel Fuel Filler Door (23-23-23)
	2	6010 093	Clip
	2	6023 265	Nut
21	1	2448 428-9	MOULDING PACKAGE, Quarter and Deck Lower Panel (23-23-39)
	10	6001 099	Retainer
	10	6023 678	Nut
	4	-----	Nut
	2	188 973	Screw
22	1	2421 567-8	MOULDING PACKAGE, Quarter Panel (23-23-39)
	2	6010 093	Clip
	2	6023 265	Nut
	12	6001 048	Retainer
	1	2424 292-3	MOULDING, Rear Door Belt Rear (23-23-33)
23	1	2421 561-2	MOULDING PACKAGE, Rear Door Lower (23-23-33)
	2	446 618	Nut
	8	6001 058	Clip
	8	6001 048	Retainer
24	1	2424 292-3	MOULDING, Rear Door Belt Rear (23-23-33)
25	1	2448 490-1	MOULDING PACKAGE, Rear Door Belt Front (23-23-33)
	8	6001 047	Retainer
26	1	2421 563-4	MOULDING PACKAGE, Front Door Belt (Slanted End) (23-23-32)
	1	2448 552-3	MOULDING PACKAGE, Front Door Belt (Rounded End) (23-23-32)
	10	6001 047	Retainer
	2	6001 087	Retainer
	2	9417 621	Nut
27	1	2421 571-2	MOULDING PACKAGE, Body Side Sill (23-23-2)
	10	6001 049	Retainer
	8	6000 942	Clip
	8	9413 197	Screw
	1	2422 574-5	Clip
	2	-----	Nut
	4	-----	Clip
	4	6006 438	Washer
28	2	2421 558	MOULDING PACKAGE, Front Door Lower (23-23-32)
	8	-----	Nut
	8	6001 058	Clip
	8	6001 048	Retainer

All Packages Include Attaching Parts

Part Type Code is Indicated in Parentheses

19x9528B

MOULDINGS - CHRYSLER NEWPORT TC1(L) SPECIAL 4 DOOR SEDAN



REF. NO.	QTY	PART NUMBER	DESCRIPTION
1	1	2255 710-11	MOULDING and EXTENSION, Windshield Outside Finish Side (23-23-65)
	8	6023 247	Screw
2	1	2242 886-7	MOULDING, Windshield Outside Finish Lower End (23-23-65)
	2	274 411	Screw
3	2	2276 694	NAME PLATE, Fender Side, w/Medallion (12-15-21)
	10	6001 254	Clip
4	2	2421 959	MOULDING PACKAGE, Fender Side (12-15-2)
	12	6001 048	Clip
	4	6001 059	Clip
	4	-----	Nut
5	1	2448 457	MOULDING PACKAGE, Radiator Grille Opening (7-16-36)
	2	892 569	Screw
	7	9415 921	Screw
	7	6001 070	Clip
	7	6023 284	Nut
6	1	2276 410	FRAME, Radiator Grille Opening (7-16-36)
7	1	2448 580	MOULDING PACKAGE, Radiator Grille Upper, Right (7-16-36)
	3	6001 501	Retainer
	3	274 800	Nut
	3	120 391	Washer
	1	2448 581	MOULDING PACKAGE, Radiator Grille Upper, Left (7-16-36)
	3	6001 501	Retainer
	3	274 800	Nut
	3	120 391	Washer
	1	2448 578	MOULDING PACKAGE, Radiator Grille Intermediate (7-16-36)
	6	6001 501	Retainer
	6	274 800	Nut
	6	120 391	Washer
	1	2448 579	MOULDING PACKAGE, Radiator Grille Lower (7-16-36)
	6	6001 501	Retainer
	6	274 800	Nut
	6	120 391	Washer
8	1	2276 440	LETTER, Hood Front Name, "C" (15-06-16)
	1	2276 441	"H"
	2	2276 442	"R"
	1	2276 443	"Y"
	1	2276 444	"S"
	1	2276 445	"L"
	1	2276 446	"E"
	8	9415 250	Nut
9	1	2276 407	MEDALLION, Radiator Grille (7-17-1)
	2	9414 977	Nut
10	1	2196 119	PANEL PACKAGE, Windshield Header Outside Finish (23-23-64)
	5	274 109	Screw
11	1	2084 997	MOULDING PACKAGE, Windshield Outside Finish Lower Center (23-23-65)
	5	6000 685	Clip

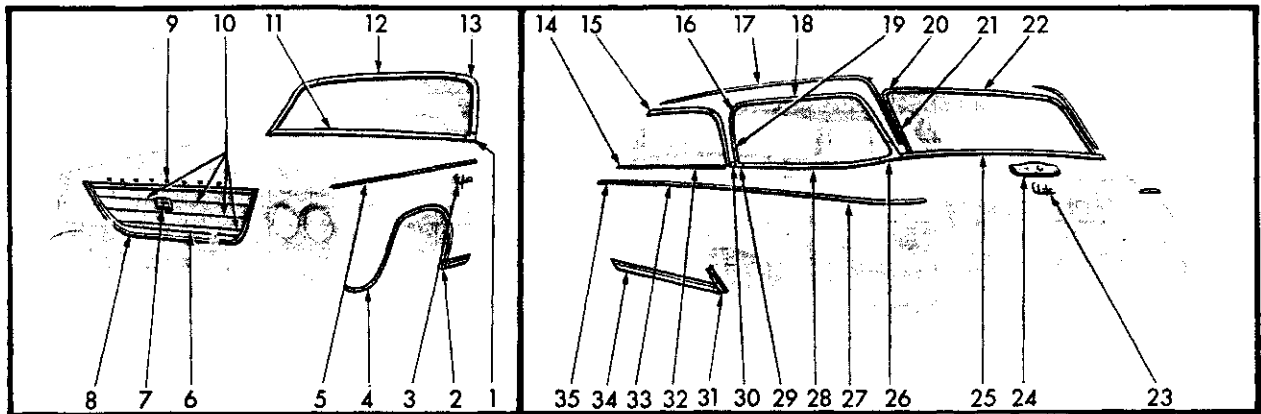
REF. NO.	QTY	PART NUMBER	DESCRIPTION
12	1	2421 552-3	MOULDING PACKAGE, Door Belt (Slanted End) (23-23-32)
	1	2448 550-1	MOULDING PACKAGE, Door Belt (Rounded End) (23-23-32)
	10	6001 047	Retainer
	2	6001 087	Retainer
	2	9417 261	Nut
13	1	2421 550-1	MOULDING PACKAGE, Quarter Panel Belt Front (23-23-39)
	6	6001 047	Retainer
14	1	2244 648-9	MOULDING PACKAGE, Quarter Panel Belt Rear (23-23-39)
15	1	2243 913	MOULDING, Deck Upper Panel (23-23-31)
16	1	2244 829	MEDALLION, Deck Lid (23-19-114)
	5	-----	Nut
17	1	2244 242	NAME PLATE, Deck Opening Lower Panel Chrysler (23-34-184)
	3	152 259	Nut
18	1	2421 448	MOULDING PACKAGE, Deck Lower Panel Filler Door (23-23-23)
	2	6001 093	Clip
	2	6023 265	Nut
19	1	2448 428-9	MOULDING PACKAGE, Quarter Panel and Deck Lower Panel (23-23-39)
	10	6001 099	Retainer
	10	6023 678	Nut
	4	-----	Nut
	2	188 973	Screw
20	1	2421 556-7	MOULDING PACKAGE, Quarter Panel Lower (23-23-39)
	2	6023 265	Nut
	2	6010 093	Clip
	4	6023 241	Screw
	20	6001 048	Retainer
21	1	2421 591-2	MOULDING PACKAGE, Body Side Sill (23-23-2)
	14	6001 100	Retainer
	1	2422 574-5	Clip
	2	-----	Nut
	2	2422 576	Clip
	2	-----	Seal
22	2	2421 449	MOULDING PACKAGE, Door Lower (23-23-32)
	2	446 618	Nut
	4	6001 058	Clip
	12	6001 048	Retainer

All Packages Include Attaching Parts

Part Type Code is Indicated in Parentheses

19x9618B

MOULDINGS - CHRYSLER NEWPORT TC1(L) CONVERTIBLE COUPE



REF. NO.	QTY	PART NUMBER	DESCRIPTION
1	1	2242 886-7	MOULDING, Windshield Outside Finish Lower End (23-23-65)
	2	274 411	Screw
2	1	2448 556-7	MOULDING PACKAGE, Fender Wheel Opening to Sill (12-15-2)
	2	----	Clip
	2	6006 438	Nut
	2	2276 694	NAME PLATE, Fender Side, w/Medallion (12-15-21)
3	10	6001 254	Clip
4	1	2276 470-1	MOULDING PACKAGE, Fender Wheel Opening (12-15-2)
	16	6023 247	Screw
5	2	2421 959	MOULDING PACKAGE, Fender Side (12-15-2)
	12	6001 048	Clip
	4	6001 059	Clip
	4	----	Nut
6	1	2276 410	FRAME, Radiator Grille Opening (7-16-36)
	9	6023 284	Nut
7	1	2276 407	MEDALLION, Radiator Grille (7-17-1)
	2	9414 977	Nut
8	1	2448 457	MOULDING PACKAGE, Radiator Grille Opening (7-16-36)
	2	188 923	Screw
	7	9415 921	Screw
9	1	2276 440	LETTER, Hood Front Name, "C" (15-06-16)
	1	2276 441	"H"
	2	2276 442	"R"
	1	2276 443	"Y"
	1	2276 444	"S"
	1	2276 445	"L"
	1	2276 446	"E"
	8	9415 250	Nut
10	1	2448 580	MOULDING PACKAGE, Radiator Grille Upper, Right (7-16-36)
	3	6001 501	Retainer
	3	274 800	Nut
	3	120 391	Washer
	1	2448 581	MOULDING PACKAGE, Radiator Grille Upper, Left (7-16-36)
	3	6001 501	Retainer
	3	274 800	Nut
	3	120 391	Washer
	1	2448 578	MOULDING PACKAGE, Radiator Grille Intermediate (7-16-36)
	6	6001 501	Retainer
	6	274 800	Nut
	6	120 391	Washer
	1	2448 579	MOULDING PACKAGE, Radiator Grille Lower (7-16-36)
	6	6001 501	Retainer
	6	274 800	Nut
	6	120 391	Washer
11	1	2084 997	MOULDING PACKAGE, Windshield Outside Finish Lower Center (23-23-65)
	5	6000 685	Clip
12	1	2299 418	MOULDING PACKAGE, Windshield Outside Finish Upper Center (23-23-65)
	5	6000 927	Clip
	2	9414 754	Screw
13	1	2480 458-9	MOULDING, Windshield Outside Finish Side Upper and Lower (23-23-65)
	8	6023 247	Screw
14	1	2421 563-4	MOULDING PACKAGE, Front Door Belt (Slanted Type) (23-23-32)
	1	2448 552-3	MOULDING PACKAGE, Front Door Belt (Rounded End) (23-23-32)
	10	6001 047	Retainer
	2	6001 037	Retainer
	2	9417 621	Nut

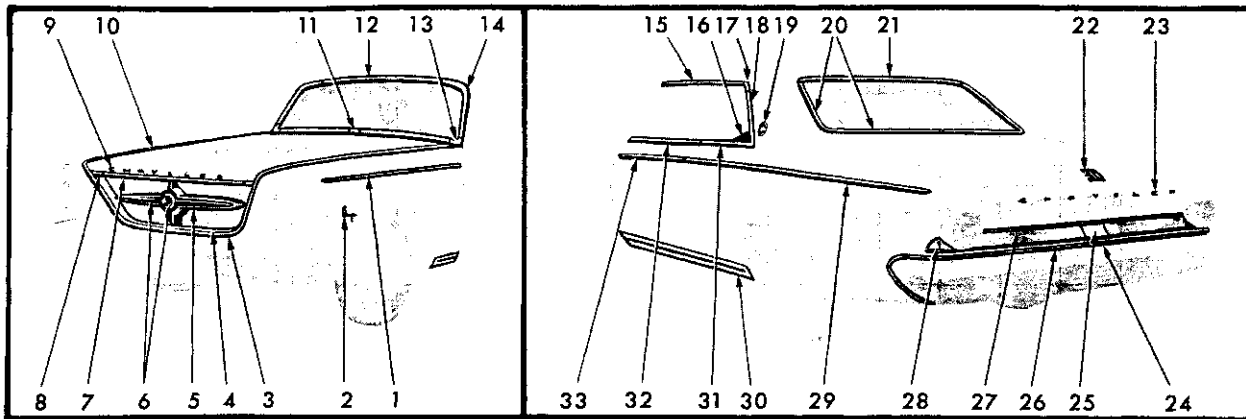
All Packages Include Attaching Parts

REF. NO.	QTY	PART NUMBER	DESCRIPTION
15	1	2093 648-9	MOULDING, Roof Drain Trough Side (23-59-61)
16	1	2094 016-7	CAP, Quarter Window Outside Finish Upper, w/Retainer (23-23-74)
17	1	2196 253	MOULDING PACKAGE, Roof Panel Outside Finish (23-23-42)
	28	6006 301	Clip
18	1	1961 212-3	MOULDING, Quarter Window Outside Finish Upper (23-23-73)
19	1	2094 018-9	MOULDING, Quarter Window Outside Finish Front (23-23-73)
20	1	2196 464-5	CAP PACKAGE, Roof Rear Tailgate Opening Moulding (23-23-60)
	2	6005 451	Clip
21	1	2196 462-3	MOULDING PACKAGE, Rear Pillar Outside Finish (23-23-60)
	2	6006 451	Clip
22	1	2196 466	MOULDING PACKAGE, Tailgate Opening Outside Finish Roof Rear (23-23-60)
	7	6006 451	Clip
23	1	2244 238	NAME PLATE, Tailgate Outside Panel (23-54-11)
	3	9415 250	Nut
24	1	2188 389	ORNAMENT, Tailgate Outside Panel Electric (23-54-11)
25	1	2196 460	MOULDING PACKAGE, Tailgate Outside Finish Belt (23-23-61)
	2	151 306	Screw
	2	6006 441	Clip
26	1	2196 816-7	CAP PACKAGE, Quarter Window Outside Finish Lower Rear (23-23-74)
	2	125 978	Screw
27	1	2421 569-70	MOULDING PACKAGE, Quarter Panel Lower (23-23-39)
	6	6001 059	Clip
	12	6001 048	Retainer
	6	----	Nut
	4	6023 241	Screw
28	1	1961 214-5	MOULDING, Quarter Window Outside Finish Lower (23-23-73)
29	2	1961 210	CAP, Quarter Window Outside Finish Lower (23-23-74)
30	1	2299 430-1	MOULDING PACKAGE, Quarter Panel Belt (23-23-39)
	2	9411 465	Screw
31	1	2422 446-7	STONE DEFLECTOR, Quarter Outside Panel Wheel Opening (23-34-240)
	4	9417 316	Screw
32	1	2421 565-6	MOULDING PACKAGE, Rear Door Belt (23-23-33)
	10	5001 047	Retainer
	2	6001 087	Retainer
	2	9417 621	Nut
33	1	2421 561-2	MOULDING PACKAGE, Rear Door Lower (23-23-33)
	2	446 618	Nut
	8	6001 058	Clip
	8	6001 048	Retainer
34	2	2448 537	MOULDING PACKAGE, Body Side Sill (23-23-2)
	18	6001 049	Retainer
35	2	2421 558	MOULDING PACKAGE, Front Door Lower (23-23-32)
	8	----	Nut
	8	6001 058	Clip
	8	6001 048	Retainer

Part Type Code is Indicated in Parentheses

19x9554B

MOULDINGS - CHRYSLER NEWPORT TC1(L) SUBURBAN



REF. NO.	QTY	PART NUMBER	DESCRIPTION
1	2	2421 959	MOULDING PACKAGE, Fender Side (12-15-2)
	12	6001 048	Clip
	4	6001 059	Clip
	4	-----	Nut
2	2	2276 474	NAME PLATE, Fender Side (12-15-21)
	8	152 259	Nut
3	1	2448 468	MOULDING PACKAGE, Radiator Grille Opening (7-16-36)
	9	9415 921	Screw
	9	6001 070	Clip
	9	6023 284	Nut
4	1	2276 410	FRAME, Radiator Grille Opening (7-16-36)
5	1	2276 412	BAR, Radiator Grille Center (7-16-47)
6	1	2276 411	MEDALLION, w/Base, Radiator Grille Center Bar (7-17-1)
7	1	2417 198	MOULDING, Hood Front (15-25-2)
	6	9414 714	Screw
8	1	2417 196-7	MOULDING PACKAGE, Fender Front (12-15-2)
	4	9414 714	Screw
9	1	2276 440	LETTER, Hood Front Name, "C" (15-06-16)
	1	2276 441	"H" (15-06-16)
	2	2276 442	"R" (15-06-16)
	1	2276 443	"Y" (15-06-16)
	1	2276 444	"S" (15-06-16)
	1	2276 445	"L" (15-06-16)
	1	2276 446	"E" (15-06-16)
	8	9415 250	Nut
10	1	2421 961-2	MOULDING PACKAGE, Fender Top (12-15-2)
	14	6001 049	Clip
	6	6001 099	Clip
	6	6023 678	Nut
11	1	2084 997	MOULDING PACKAGE, Windshield Outside Finish Lower Center (23-23-65)
	5	6000 685	Clip
12	1	2495 694	MOULDING PACKAGE, Windshield Outside Finish Upper Center (23-23-65)
	5	6000 927	Clip
	2	6023 277	Screw
13	1	2242 886-7	MOULDING, Windshield Outside Finish Lower End (23-23-65)
	2	274 411	Screw
14	1	2217 870-1	MOULDING, Windshield Outside Finish Side (23-23-65)
	8	6023 247	Screw
15	1	2243 734-5	MOULDING, Roof Side Drain Trough Front (23-59-61)
16	1	2424 564-5	MOULDING, Quarter Panel Belt Rear (23-23-39)
	6	-----	Washer
	2	6000 960	Clip
	4	152 260	Nut
17	1	2243 738-9	CAP, Roof Side Drain Trough Moulding Joint (23-59-57)
18	1	2424 496-7	MOULDING, w/Cap, Roof Side Drain Trough Rear (23-59-61)
	10	6023 247	Screw
19	2	2423 600	MEDALLION, Quarter Outside Panel 300 (23-34-334)
	2	2423 601	BASE, Quarter Outside Panel Medallion (23-34-340)
	2	9411 618	Nut
	2	6022 013	Seal
20	1	2244 546-7	MOULDING, Rear Window Outside Side and Lower (23-23-52)
	12	6001 084	Retainer

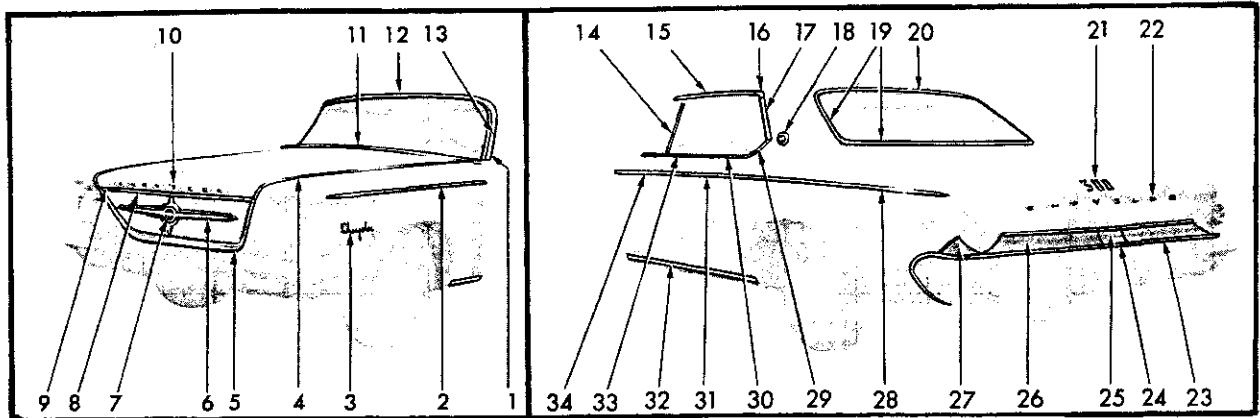
REF. NO.	QTY	PART NUMBER	DESCRIPTION
21	1	2244 548	MOULDING, Rear Window Outside Upper (23-23-52)
	7	6001 084	Retainer
22	1	2243 773	"3", Deck Lid Numeral (23-19-114)
	2	2243 774	"0"
	6	152 259	Nut
23	1	2423 504	"C", Deck Lid Name Letter (23-19-114)
	1	2423 505	"H"
	2	2423 506	"R"
	1	2423 507	"Y"
	1	2423 508	"S"
	1	2423 509	"L"
	1	2423 510	"E"
	8	152 259	Nut
24	1	2421 448	MOULDING, Deck Lower Panel Fuel Filler Door (23-23-23)
	2	6001 099	Clip
	2	6023 678	Nut
25	1	2423 256	PANEL, Deck Lower Panel Fuel Filler Door Finish (23-23-28)
	3	6023 685	Nut
26	1	2448 428-9	MOULDING PACKAGE, Quarter Panel Lower Rear and Deck Lower Panel (23-23-39)
	10	6001 099	Retainer
	10	6023 678	Nut
	4	-----	Nut
	2	188 973	Screw
27	1	2423 254-5	PANEL, Deck Lower Panel Finish (23-23-28)
	16	6023 685	Nut
28	1	2423 742-3	PANEL and STUD, Quarter Outside Panel Finish (23-23-85)
	2	6006 464	Washer
	2	273 292	Nut
29	1	2421 556-7	MOULDING PACKAGE, Quarter Panel Lower (23-23-39)
	20	6001 048	Retainer
	2	6010 093	Clip
	2	6023 265	Nut
30	1	2421 571-2	MOULDING PACKAGE, Body Side Sill (23-23-2)
	14	6001 100	Retainer
	1	2422 574-5	Clip
	2	-----	Nut
	2	2422 576	Clip
	2	-----	Seal
31	1	2448 492-3	MOULDING PACKAGE, Quarter Panel Belt Front (23-23-39)
	8	6001 047	Retainer
32	1	2421 552-3	MOULDING PACKAGE, Door Belt (23-23-32)
	10	6001 047	Retainer
	2	6001 087	Retainer
	2	9417 621	Nut
33	2	2421 449	MOULDING PACKAGE, Door Lower (23-23-32)
	4	6001 058	Clip
	2	446 618	Nut
	12	6001 048	Retainer

All Packages Include Attaching Parts

Part Type Code is Indicated in Parentheses

19x9551B

MOULDINGS - CHRYSLER 300 TC2(M) SPECIAL CLUB COUPE



REF. NO.	QTY	PART NUMBER	DESCRIPTION
1	1	2242 886-7	MOULDING, Windshield Outside Finish Lower End (23-23-65)
2	2	274 411	Screw
2	2	2421 959	MOULDING PACKAGE, Fender Side (12-15-2)
12	4	6001 048	Clip
4	4	6001 059	Clip
4	4	-----	Nut
3	2	2276 474	NAME PLATE, Fender Side (12-15-21)
8	8	152 259	Nut
4	1	2421 961-2	MOULDING PACKAGE, Fender Top (12-15-2)
14	6	6001 049	Clip
6	6	6001 099	Clip
6	6	6023 678	Nut
5	1	2448 468	MOULDING PACKAGE, Radiator Grille Opening (7-16-36)
9	9	6001 070	Clip
6	1	2276 412	BAR, Radiator Grille Center (7-16-47)
7	1	2276 411	MEDALLION, Radiator Grille, w/Base (7-17-1)
8	8	446 059	Nut
8	1	2417 198	MOULDING, Hood Frant (15-25-2)
8	8	9414 714	Screw
9	1	2417 196-7	MOULDING PACKAGE, Fender Front (12-15-2)
4	4	9414 714	Screw
10	1	2276 440	LETTER, Hood Front Name "C" (15-06-16)
1	1	2276 441	"H"
2	2	2276 442	"R"
1	1	2276 443	"Y"
1	1	2276 444	"S"
1	1	2276 445	"L"
1	1	2276 446	"E"
8	8	9415 250	Nut
11	1	2084 997	MOULDING PACKAGE, Windshield Outside Finish Lower Center (23-23-65)
5	5	6000 685	Clip
12	1	2495 694	MOULDING PACKAGE, Windshield Outside Finish Upper Center (23-23-65)
5	5	6000 927	Clip
2	2	6023 277	Screw
13	1	2216 870-1	MOULDING, Windshield Outside Finish Side (23-23-65)
8	8	6023 247	Screw
14	2	2254 627	CHANNEL, w/Moulding, Door Vent Wing Division (23-64-48)
15	1	2243 734-5	MOULDING, Roof Side Drain Trough Front (23-59-61)
16	1	2243 738-9	CAP, Roof Side Drain Trough Moulding Joint (23-59-57)
17	1	2424 498-9	MOULDING, w/Cap, Roof Side Drain Trough Rear (23-59-61)
8	8	6023 247	Screw
18	2	2423 600	MEDALLION, Quarter Outside Panel 300 (23-34-334)
2	2	2423 601	BASE, Quarter Outside Panel Medallion (23-34-340)
19	1	2244 546-7	MOULDING, Rear Window Outside Side and Lower (23-23-52)
12	12	6001 084	Retainer
20	1	2244 548	MOULDING, Rear Window Outside Upper (23-23-52)
7	7	6001 084	Retainer

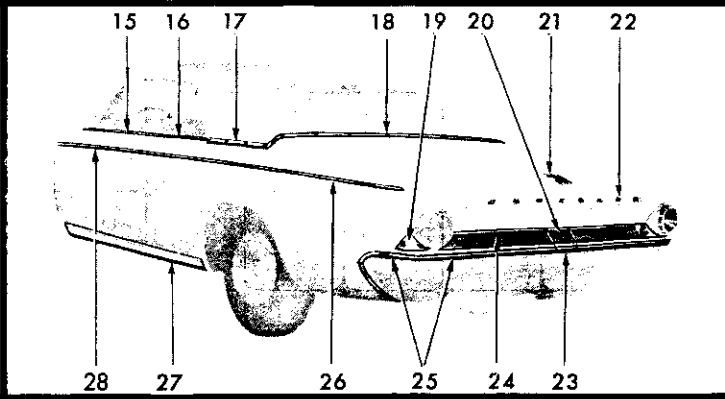
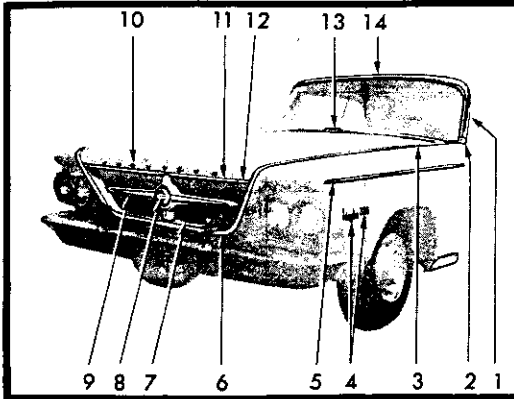
REF. NO.	QTY	PART NUMBER	DESCRIPTION
21	1	2243 773	"3", Deck Lid Number (23-19-114)
2	2	2243 774	"0"
6	6	152 259	Nut
22	1	2423 504	"C", Deck Lid Letter (23-19-114)
1	1	2423 505	"H"
2	2	2423 506	"R"
1	1	2423 507	"Y"
1	1	2423 508	"S"
1	1	2423 509	"L"
1	1	2423 510	"E"
8	8	152 259	Nut
23	1	2448 428-9	MOULDING PACKAGE, Quarter and Deck Lower Panel (23-23-39)
10	10	6001 099	Retainer
10	10	6023 678	Nut
4	4	-----	Nut
2	2	188 973	Screw
24	1	2421 448	MOULDING PACKAGE, Deck Lower Panel Fuel Filler Door (23-23-23)
2	2	6010 093	Clip
2	2	6023 265	Nut
25	1	2423 256	PANEL, Deck Lower Panel Fuel Filler Door Finish (23-23-18)
3	3	6023 685	Nut
26	1	2423 254-5	PANEL, Deck Lower Panel Finish (23-23-28)
16	16	6023 685	Nut
27	1	2423 742-3	PANEL and STUD, Quarter Outside Panel Finish (23-23-85)
2	2	6006 160	Washer
2	2	273 292	Nut
28	1	2421 567-8	MOULDING PACKAGE, Quarter Panel (23-23-39)
12	12	6001 048	Retainer
2	2	6010 093	Clip
2	2	6023 265	Nut
4	4	6023 241	Screw
29	1	2424 292-3	MOULDING, Rear Door Belt Rear (23-23-33)
1	1	2424 464-5	MOULDING, Rear Door Belt Rear, w/o Ornament (23-23-33)
30	1	2448 490-1	MOULDING PACKAGE, Rear Door Belt Front (23-23-33)
8	8	6001 047	Retainer
31	1	2421 561-2	MOULDING PACKAGE, Rear Door Lower (23-23-33)
8	8	6001 058	Clip
8	8	6001 048	Retainer
2	2	446 618	Nut
32	1	2421 571-2	MOULDING PACKAGE, Body Side Sill (23-23-2)
14	14	6001 100	Retainer
1	1	2422 574-5	Clip
2	2	-----	Nut
2	2	-----	Seal
33	1	2421 563-4	MOULDING PACKAGE, Front Door Belt (Slanted End) (23-23-32)
1	1	2448 552-3	MOULDING PACKAGE, Front Door Belt (Rounded End) (23-23-32)
10	10	6001 047	Retainer
2	2	6001 087	Retainer
2	2	9417 621	Nut
34	2	2421 558	MOULDING PACKAGE, Front Door Lower (23-23-32)
8	8	6001 058	Clip
8	8	6001 048	Retainer
8	8	-----	Nut

All Packages Include Attaching Parts

Part Type Code is Indicated in Parentheses

19x9504 B

MOULDINGS - CHRYSLER 300 TC2(M) SPECIAL 4 DOOR SEDAN



REF. NO.	QTY	PART NUMBER	DESCRIPTION
1	1	2255 710-1	MOULDING and EXTENSION, Windshield Outside Finish Side (23-23-65)
	8	6023 247	Screw
2	1	2242 886-7	MOULDING, Windshield Outside Finish Lower End (23-23-65)
	2	274 411	Screw
3	1	2421 961-2	MOULDING PACKAGE, Fender Top (12-15-2)
	14	6001 049	Clip
	6	6001 099	Clip
	6	6023 678	Nut
4	2	2276 474	NAME PLATE, Fender Side, Chrysler (12-15-21)
	8	152 259	Nut
	2	2423 600	MEDALLION, Fender Side (12-15-21)
	2	2423 601	BASE, Fender Side Medallion (12-15-21)
	2	9411 618	Nut
	2	6022 013	Seal
5	1	2421 959-60	MOULDING PACKAGE, Fender Side (12-15-2)
	12	6001 048	Clip
	4	6001 059	Clip
	4	-----	Nut
6	1	2448 468	MOULDING PACKAGE, Radiator Grille Opening (7-16-36)
	9	9415 921	Screw
	9	6001 070	Clip
	9	6023 284	Nut
7	1	2276 410	FRAME, Radiator Grille Opening (7-16-36)
8	1	2276 411	MEDALLION, Radiator Grille, w/Base (7-17-1)
	8	116 000	Nut
9	1	2276 412	BAR, Radiator Grille Center (7-16-47)
10	1	2276 440	LETTER, Hood Front Name, "C" (15-06-16)
	1	2276 441	"H"
	2	2276 442	"R"
	1	2276 443	"Y"
	1	2276 444	"S"
	1	2276 445	"L"
	1	2276 446	"E"
	8	9415 250	Nut
11	1	2417 198	MOULDING, Hood Front (15-25-2)
	6	9414 714	Screw
12	1	2417 196-7	MOULDING PACKAGE, Fender Front (12-15-2)
	4	9414 714	Screw
13	1	2084 997	MOULDING PACKAGE, Windshield Outside Finish Lower Center (23-23-65)
	5	6006 685	Clip
14	1	2196 119	PANEL PACKAGE, Windshield Header Outside Finish (23-23-64)
	5	274 109	Screw
15	1	2421 552-3	MOULDING PACKAGE, Door Belt (Slanted End) (23-23-32)
	1	2448 550-1	MOULDING PACKAGE, Door Belt (Rounded End) (23-23-32)
	10	6001 047	Retainer
	2	6001 087	Retainer
	2	9417 621	Nut
16	1	2421 550-1	MOULDING PACKAGE, Quarter Panel Belt Front (23-23-39)
	6	6001 047	Retainer

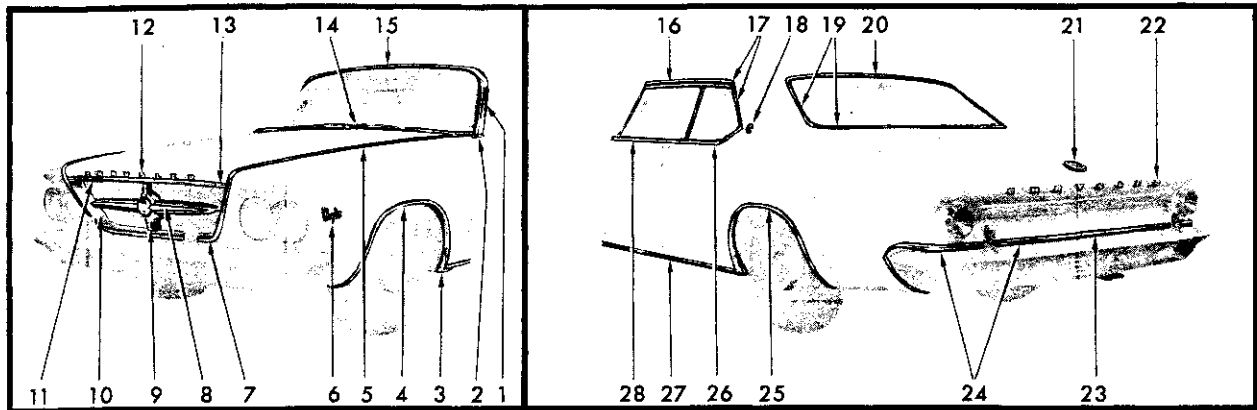
REF. NO.	QTY	PART NUMBER	DESCRIPTION
17	1	2244 648-9	MOULDING, Quarter Panel Belt Intermediate (23-23-39)
18	1	2243 913	MOULDING, Deck Upper Panel (23-23-31)
19	1	2423 742-3	FINISH PANEL and STUD, Quarter Outside Panel (23-23-85)
	2	6006 464	Washer
	2	273 292	Nut
20	1	2423 256	PANEL, Deck Lower Panel Fuel Filter Door Finish (23-23-28)
	2	6023 685	Nut
21	1	2243 773	"3", Deck Lid Numeral (23-19-114)
	2	2243 774	"O"
	6	152 259	Nut
22	1	2423 504	"C", Deck Lid Name Letter (23-19-114)
	1	2423 504	"H"
	2	2423 506	"R"
	1	2423 507	"Y"
	1	2423 508	"S"
	1	2423 509	"L"
	1	2423 510	"E"
	8	152 259	Nut
23	1	2421 448	MOULDING PACKAGE, Deck Lower Panel Fuel Filter Door (23-23-23)
	2	6001 093	Clip
	2	6023 265	Nut
24	1	2423 254-5	PANEL, Deck Lower Panel Finish (23-23-28)
	16	6023 685	Nut
25	1	2448 428-9	MOULDING PACKAGE, Quarter Panel and Deck Lower Panel (23-23-39)
	10	6001 099	Retainer
	10	6023 678	Nut
	4	-----	Nut
	2	188 973	Screw
26	1	2421 556-7	MOULDING PACKAGE, Quarter Panel Lower (23-23-39)
	2	6023 265	Nut
	2	6010 093	Clip
	4	6023 241	Screw
	10	6001 048	Retainer
27	1	2421 571-2	MOULDING PACKAGE, Body Side Sill (23-23-2)
	14	6001 100	Retainer
	1	2422 574-5	Clip
	2	-----	Nut
	2	-----	Seal
28	2	2421 449	MOULDING PACKAGE, Door Lower (23-23-32)
	2	446 618	Nut
	4	6001 058	Clip
	12	6001 048	Retainer

All Packages Include Attaching Parts

Part Type Code is Indicated in Parentheses

19x9611B

MOULDINGS - CHRYSLER 300 TC2(M) CONVERTIBLE COUPE



REF. NO.	QTY	PART NUMBER	DESCRIPTION
1	1	2216 870-1	MOULDING, Windshield Outside Finish Side (23-23-65)
	8	6023 247	Screw
2	1	2242 886-7	MOULDING, Windshield Outside Finish Lower End (23-23-65)
	2	274 411	Screw
3	1	2448 556-7	MOULDING PACKAGE, Wheel Opening to Sill (12-15-2)
	2	6001 062	Clip
	2	6006 438	Nut
	2	9416 049	Screw
4	1	2276 470-1	MOULDING PACKAGE, Wheel Opening (12-15-2)
	14	9416 049	Screw
5	1	2421 961-2	MOULDING PACKAGE, Fender Top (12-15-2)
	14	6001 049	Clip
	6	6001 099	Clip
	6	6023 678	Nut
6	2	2276 474	NAME PLATE, Fender Side (12-15-21)
	8	152 259	Nut
7	1	2448 468	MOULDING PACKAGE, Radiator Grille Opening (7-16-36)
	9	6001 070	Clip
	9	6023 284	Nut
	9	9415 921	Screw
8	1	2276 411	MEDALLION, w/Base, Radiator Grille (7-17-1)
	8	446 059	Nut
9	1	2276 412	BAR, Radiator Grille Center (7-16-47)
10	1	2276 410	FRAME, Radiator Grille Opening (7-16-36)
11	1	2417 198	MOULDING, Hood Front (15-25-2)
	6	9414 714	Nut
12	1	2276 440	LETTER, Hood Front Name, "C" (15-06-16)
	1	2276 441	"H"
	2	2276 442	"R"
	1	2276 413	"Y"
	1	2276 444	"S"
	1	2276 445	"L"
	1	2276 446	"E"
	8	2415 250	Nut
13	1	2417 196-7	MOULDING PACKAGE, Fender Front (12-15-2)
	4	9414 714	Screw
14	1	2084 997	MOULDING PACKAGE, Windshield Outside Finish Lower Center (23-23-65)
	5	6000 685	Clip
15	1	2495 694	MOULDING PACKAGE, Windshield Outside Finish Upper Center (23-23-65)
	5	6000 927	Clip
	2	6023 277	Screw
16	1	2243 734-5	MOULDING, Roof Side Drain Trough Front (23-59-61)
17	1	2245 014-5	MOULDING, w/Cap, Roof Side Drain Trough Rear (23-59-61)

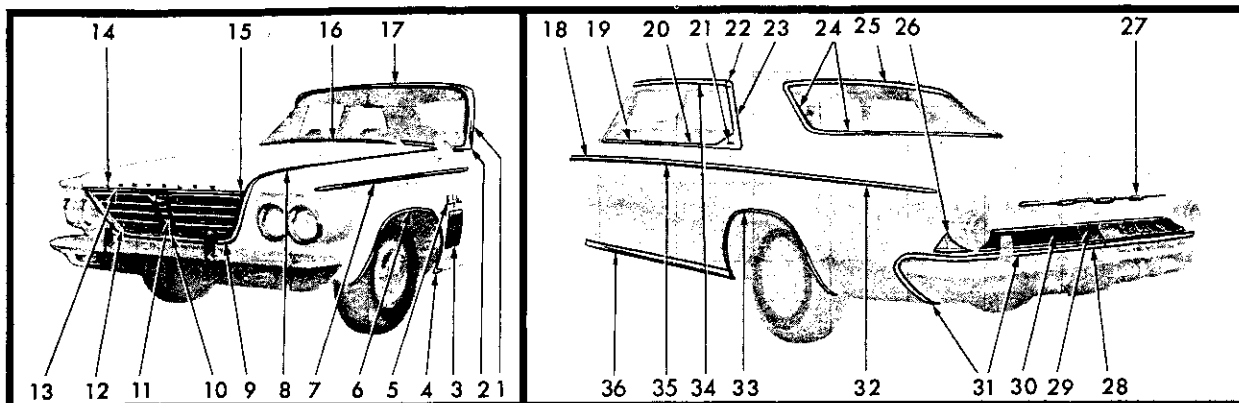
REF. NO.	QTY	PART NUMBER	DESCRIPTION
18	2	2423 261	MEDALLION, Quarter Outside Panel (23-34-334)
	2	441 239	Nut
	2	1946 415	Seal
19	1	2244 546-7	MOULDING, Rear Window Outside Side and Lower (23-23-52)
	12	6001 084	Retainer
	1	2244 548	MOULDING, Rear Window Outside Upper (23-23-52)
	7	6001 084	Retainer
21	1	2423 261	MEDALLION, Deck Lid (23-19-114)
	1	1946 415	Seal
	1	6022 013	Seal
	1	441 239	Nut
	1	2424 300	BEZEL, Deck Lid Medallion (23-19-121)
	3	152 260	Nut
22	1	2423 504	"C", Deck Lid LETTER (23-19-114)
	1	2423 505	"H"
	2	2423 506	"R"
	1	2423 507	"Y"
	1	2423 508	"S"
	1	2423 509	"L"
	1	2423 510	"E"
	8	152 259	Nut
23	1	2421 448	MOULDING PACKAGE, Deck Lower Panel Fuel Filler Door (23-23-23)
	2	6001 093	Clip
	2	6023 265	Nut
24	1	2448 428-9	MOULDING PACKAGE, Quarter Panel and Deck Lower Panel (23-23-39)
	10	6001 099	Retainer
	10	6023 678	Nut
	4	-----	Nut
	2	188 973	Screw
25	1	2423 740-1	MOULDING, Quarter Panel Wheel Opening (23-23-39)
	16	9417 316	Screw
	2	6022 052	Seal
	2	-----	Nut
26	1	2421 554-5	MOULDING PACKAGE, Quarter Panel Belt (23-23-39)
	8	6001 047	Retainer
27	1	2421 573-4	MOULDING PACKAGE, Body Side Sill, w/Cap (23-23-2)
	18	6001 049	Retainer
	2	6022 052	Seal
	2	-----	Nut
28	1	2421 552-3	MOULDING PACKAGE, Door Belt (23-23-32)
	10	6001 047	Retainer

All Packages Include Attaching Parts

Part Type Code is Indicated in Parentheses

19x9658A

MOULDINGS - CHRYSLER 300 TC2(J) SPECIAL CLUB COUPE



REF. NO.	QTY	PART NUMBER	DESCRIPTION
1	1	2216 870-1	Moulding, Windshield Outside Finish Side (23-23-65)
	8	6023 247	Screw
2	1	2242 886-7	Moulding, Windshield Outside Finish Lower End (23-23-65)
	2	274 411	Screw
3	12	2276 520	Louver, Fender Side (12-15-21)
	24	6000 808	Clip
	24	6022 052	Washer
4	1	2421 230-1	Moulding Package, Wheel Opening to Sill (12-15-2)
	2	-----	Clip
	2	6006 438	Nut
5	2	2255 082	Name Plate, Fender Side (New) (12-15-21)
	2	2255 083	Name Plate, Fender Side (Yorker)
	10	6001 254	Clip
6	1	2276 470-1	Moulding Package, Wheel Opening (12-15-2)
	14	9416 049	Screw
7	1	2421 959-60	Moulding Package, Fender Side (12-15-2)
	12	6001 048	Clip
	4	6001 059	Clip
	4	-----	Nut
8	1	2421 961-2	Moulding Package, Fender Top (12-15-2)
	14	6001 049	Clip
	6	6001 099	Clip
	6	6023 678	Nut
9	1	2448 468	Moulding Package, Radiator Grille Opening (7-16-36)
	9	9415 921	Screw
	9	6001 070	Clip
	9	6023 284	Nut
10	1	2276 410	Frame, Radiator Grille Opening (7-16-36)
11	1	2276 602	Medallion, Radiator Grille (7-17-1)
	4	9415 250	Nut
12	1	2276 524-5	Frame, Radiator Grille (7-16-36)
13	1	2417 198	Moulding, Hood Front (15-25-2)
	6	9414 714	Screw
14	1	2276 440	Letter, Hood Front Name, "C" (15-06-16)
	1	2276 441	"H"
	2	2276 442	"R"
	1	2276 443	"Y"
	1	2276 444	"S"
	1	2276 445	"L"
	1	2276 446	"E"
	8	9415 250	Nut
15	1	2417 196-7	Moulding Package, Fender Front (12-15-2)
	4	9414 714	Screw
16	1	2084 997	Moulding Package, Windshield Outside Finish Lower Center (23-23-65)
	5	6000 685	Clip
17	1	2495 694	Moulding Package, Windshield Outside Finish Upper Center (23-23-65)
	5	6000 927	Clip
	2	6023 277	Screw
18	2	2421 558	Moulding Package, Front Door Lower (23-23-32)
	8	-----	Nut
	8	6001 058	Clip
	8	6001 048	Retainer
19	1	2421 563-4	Moulding Package, Front Door Belt (Slanted End) (23-23-32)
	1	2448 552-3	Moulding Package, Front Door Belt (Rounded End) (23-23-32)
	10	6001 047	Retainer
	2	6001 087	Retainer
	2	9417 621	Nut
20	1	2448 490-1	Moulding Package, Rear Door Belt Front (23-23-33)
	6	6001 047	Retainer

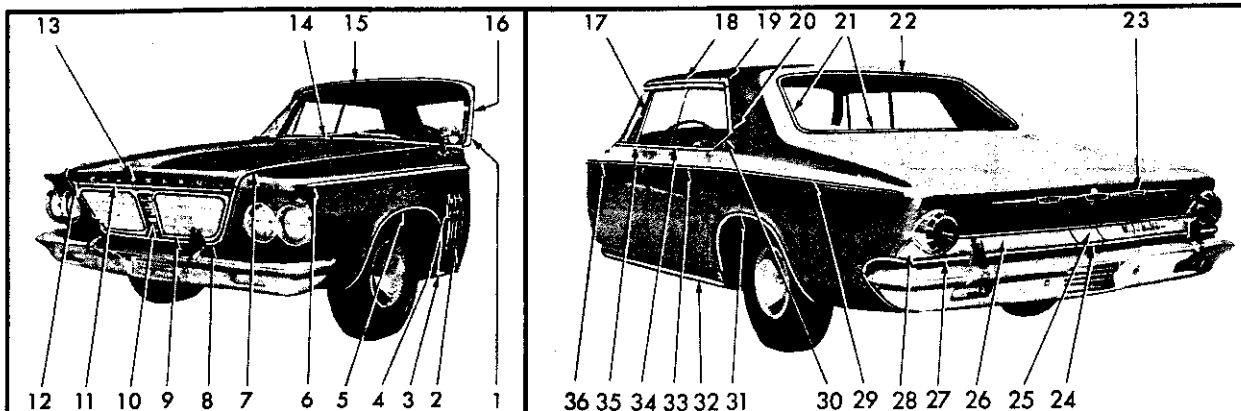
All Packages Include Attaching Parts

REF. NO.	QTY	PART NUMBER	DESCRIPTION
21	1	2424 292-3	Moulding, Rear Door Belt Rear (23-23-33)
	6	-----	Seal
	2	6000 960	Clip
	4	9415 312	Nut
22	1	2243 744-5	Cap, Roof Side Drain Trough Moulding Joint (23-59-57)
23	1	2424 286-7	Moulding, Roof Side Drain Trough Rear (23-59-61)
	8	6023 247	Screw
24	1	2244 546-7	Moulding, Rear Window Outside Side and Lower (23-23-52)
	12	6001 084	Retainer
25	1	2244 548	Moulding, Rear Window Outside Upper (23-23-52)
	7	6001 084	Retainer
26	1	2423 742-3	Panel and Stud, Quarter Outside Panel Finish (23-23-85)
	2	6006 464	Washer
	2	273 292	Nut
27	1	2244 281	Ornament, Deck Lid (23-19-114)
	6	-----	Nut
28	1	2421 448	Moulding Package, Deck Lower Panel Fuel Filler Door (23-23-23)
	2	6001 093	Clip
	2	6023 265	Nut
29	1	2423 256	Panel, Deck Lower Panel Fuel Filler Door Finish (23-23-28)
	3	6023 685	Nut
30	1	2423 628	Panel, Deck Lower Panel Finish, Right, w/Name Plate (23-23-28)
	1	2423 255	Panel, Deck Lower Panel Finish, Left
	16	6023 685	Nut
31	1	2448 428-9	Moulding Package, Quarter Panel Lower Rear and Deck Lower Panel (23-23-39)
	10	6001 099	Retainer
	10	6023 578	Nut
	4	-----	Nut
	2	188 973	Screw
32	1	2421 567-B	Moulding Package, Quarter Panel Lower (23-23-39)
	2	6010 093	Clip
	2	6023 265	Nut
	12	6001 048	Clip
	4	6024 271	Screw
33	1	2423 740-1	Moulding Package, Quarter Panel Wheel Opening (23-23-39)
	16	9417 316	Screw
	2	6022 052	Washer
	2	-----	Nut
34	1	2243 740-1	Moulding, Roof Side Drain Trough Front (23-59-61)
	12	2255 633	Clip
	12	6023 559	Screw
35	1	2421 561-2	Moulding Package, Rear Door Lower (23-23-33)
	2	446 618	Nut
	8	6001 058	Clip
	8	6001 048	Retainer
36	1	2421 573-4	Moulding Package, Body Side Sill, w/Cap (23-23-2)
	2	-----	Nut
	18	6001 049	Retainer
	2	6022 052	Seal

Part Type Code is Indicated in Parentheses

19x9576B

MOULDINGS - CHRYSLER NEW YORKER TC3(H) 4 DOOR SEDAN



REF. NO.	QTY	PART NUMBER	DESCRIPTION
1	1	2242 886-7	MOULDING, Windshield Outside Finish Lower End (23-23-65)
	2	274 411	Screw
2	12	2276 520	LOUVER, Fender Side (12-15-21)
	24	6000 808	Clip
	24	6022 052	Washer
3	1	2421 230-1	MOULDING PACKAGE, Wheel Opening to Sill (12-15-2)
	2	-----	Clip
	2	6006 438	Nut
4	2	2255 082	NAME PLATE, Fender Side (New) (12-15-21)
	2	2255 083	NAME PLATE, Fender Side (Yorker) (12-15-21)
	10	6001 254	Clip
5	1	2276 470-1	MOULDING PACKAGE, Wheel Opening (12-15-2)
	14	9416 049	Screw
6	2	2421 959	MOULDING PACKAGE, Fender Side (12-15-2)
	12	6001 048	Clip
	4	6001 059	Clip
	4	-----	Nut
7	1	2421 961-2	MOULDING PACKAGE, Fender Top (12-15-2)
	14	6001 049	Clip
	6	6001 099	Clip
	6	6023 678	Nut
8	1	2448 468	MOULDING PACKAGE, Radiator Grille Opening (7-16-36)
9	1	2276 524-5	FRAME, Radiator Grille (7-16-36)
10	1	2276 602	MEDALLION, Radiator Grille
	4	9415 250	Nut
11	1	2417 198	MOULDING, Hood Front (15-25-2)
	6	9414 714	Screw
12	1	2417 196-7	MOULDING PACKAGE, Fender Front (12-15-2)
	4	9414 714	Screw
13	1	2276 440	LETTER, Hood Front Name, "C" (15-06-16)
	1	2276 441	"H" (15-06-16)
	2	2276 442	"R" (15-06-16)
	1	2276 443	"Y" (15-06-16)
	1	2276 444	"S" (15-06-16)
	1	2276 445	"L" (15-06-16)
	1	2276 446	"E" (15-06-16)
	8	9415 250	Nut
14	1	2084 997	MOULDING PACKAGE, Windshield Outside Finish Lower Center (23-23-65)
	5	6000 685	Clip
15	1	2495 694	MOULDING PACKAGE, Windshield Outside Finish Upper Center (23-23-65)
	5	6000 927	Clip
	2	6023 277	Screw
16	1	2216 870-1	MOULDING, Windshield Outside Finish Side (23-23-65)
	8	6023 247	Screw
17	2	2254 627	CHANNEL, w/Moulding, Door Vent Wing (23-64-48)
18	1	2243 740-1	MOULDING, Roof Side Drain Trough Front (23-59-61)
	12	2255 633	Clip
	12	6023 559	Screw
19	2	2243 744	CAP, Roof Side Drain Trough Moulding Joint (23-59-57)
20	1	2424 286-7	MOULDING, Roof Side Drain Trough Rear (23-59-61)
	8	6023 247	Screw
21	1	2244 546-7	MOULDING, Rear Window Outside Side and Lower (23-23-52)
	12	6001 084	Retainer

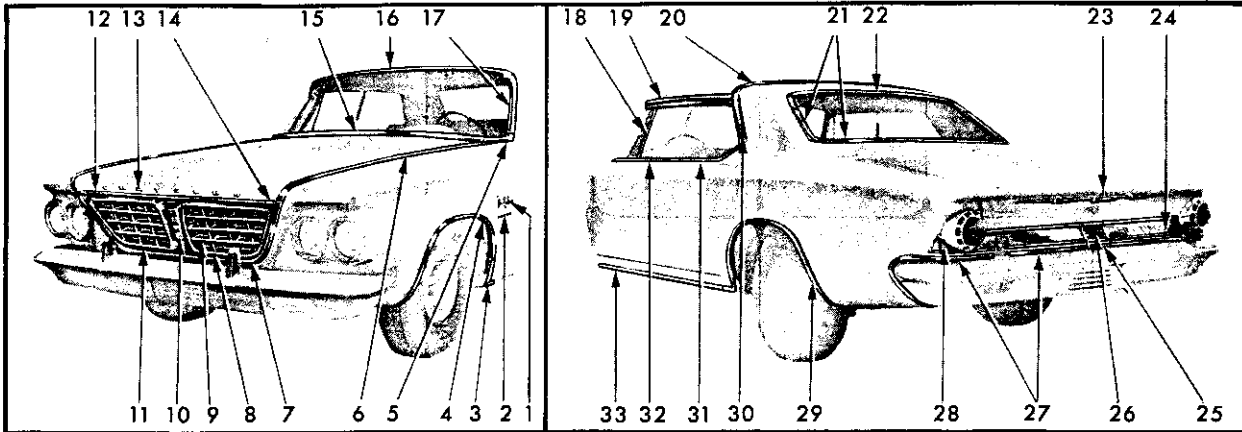
REF. NO.	QTY	PART NUMBER	DESCRIPTION
22	1	2244 548	MOULDING, Rear Window Outside Upper (23-23-52)
	7	6001 084	Retainer
23	1	2244 281	ORNAMENT, Deck Lid (23-19-114)
	6	-----	Nut
24	1	2421 448	MOULDING PACKAGE, Deck Lower Panel Fuel Filler Door (23-23-23)
	2	6010 093	Clip
	2	6023 265	Nut
25	1	2423 256	PANEL, Deck Lower Panel Finish (23-23-28)
	3	6023 685	Nut
26	1	2423 628	PANEL, Deck Lower Panel Finish, Right, w/Name Plate (23-23-28)
	1	2423 255	PANEL, Deck Lower Panel Finish, Left (23-23-28)
	16	6023 685	Nut
27	1	2448 428-9	MOULDING PACKAGE, Quarter and Deck Lower Panel (23-23-39)
	10	6001 099	Retainer
	10	6023 678	Nut
	4	-----	Nut
	2	188 973	Screw
28	1	2423 742-3	FINISH PANEL and STUD, Quarter Outside Panel (23-23-85)
	2	6006 160	Washer
	2	273 292	Nut
29	1	2421 567-8	MOULDING PACKAGE, Quarter Panel Upper (23-23-39)
	2	6001 093	Clip
	2	6023 265	Nut
	12	6001 048	Retainer
30	1	2424 292-3	MOULDING, Rear Door Belt Rear (23-23-33)
31	1	2423 740-1	MOULDING, Quarter Panel Wheel Opening (23-23-39)
	16	9417 316	Screw
	2	6022 052	Washer
	2	-----	Nut
32	1	2421 573-4	MOULDING PACKAGE, Body Side Sill, w/Cap (23-23-2)
	2	-----	Nut
	18	6001 049	Retainer
	2	6022 052	Seal
33	1	2421 561-2	MOULDING PACKAGE, Rear Door Lower (23-23-33)
	2	446 618	Nut
	8	6001 058	Clip
	8	6001 048	Retainer
34	1	2448 490-1	MOULDING PACKAGE, Rear Door Belt Front (23-23-33)
	8	6001 047	Retainer
35	1	2421 563-4	MOULDING PACKAGE, Front Door Belt (Slanted End) (23-23-32)
	1	2448 552-3	MOULDING PACKAGE, Front Door Belt (Rounded End) (23-23-32)
	10	6001 047	Retainer
	2	6001 087	Retainer
	2	9417 621	Nut
36	2	2421 558	MOULDING PACKAGE, Front Door Lower (23-23-32)
	8	-----	Nut
	8	6001 058	Clip
	8	6001 048	Retainer

All Packages Include Attaching Parts

Part Type Code is Indicated in Parentheses

19x9505B

MOULDINGS - CHRYSLER NEW YORKER TC3(H) SPECIAL 4 DOOR SEDAN



REF. NO.	QTY	PART NUMBER	DESCRIPTION
1	2	2255 082	NAME PLATE, Fender Side (New) (12-15-21)
	2	2255 083	NAME PLATE, Fender Side (Yorker) (12-15-21)
	10	6000 050	Clip
2	2	2445 042	NAME LETTER, Fender Side "S" (12-15-21)
	2	2445 043	"A"
	2	2445 044	"L"
	2	2445 045	"O"
	2	2445 046	"N"
	10	6000 050	Clip
3	1	2421 230-1	MOULDING PACKAGE, Wheel Opening to Sill (12-15-2)
	2	6006 438	Nut
4	1	2276 470-1	MOULDING PACKAGE, Wheel Opening (12-15-2)
	14	9416 049	Screw
5	1	2242 886-7	MOULDING, Windshield Outside Finish Lower End (23-23-65)
	2	274 411	Screw
6	1	2421 961-2	MOULDING PACKAGE, Fender Top (12-15-2)
	14	6001 049	Clip
	6	6001 099	Clip
	6	6023 678	Nut
7	1	2448 468	MOULDING PACKAGE, Radiator Grille Opening (7-16-36)
	9	9415 921	Screw
	9	6001 070	Clip
	9	6023 284	Nut
8	1	2276 524-5	FRAME, Radiator Grille (7-16-36)
	9	2276 418-9	GRILLE, Radiator (7-16-11)
10	1	2276 602	MEDALLION, Radiator Grille (7-17-1)
	4	9415 250	Nut
11	1	2276 410	FRAME, Radiator Grille Opening (7-16-36)
12	1	2417 198	MOULDING, Hood Front (15-25-2)
	6	9414 714	Screw
13	1	2276 440	LETTER, Hood Front Name "C" (15-06-16)
	1	2276 441	"H"
	2	2276 442	"R"
	1	2276 443	"Y"
	1	2276 444	"S"
	1	2276 445	"L"
	1	2276 446	"E"
	8	9415 250	Nut
14	1	2417 196-7	MOULDING PACKAGE, Fender Front (12-15-2)
	4	9414 714	Screw
15	1	2084 997	MOULDING PACKAGE, Windshield Outside Finish Lower Center (23-23-65)
	5	6000 685	Clip
16	1	2495 694	MOULDING PACKAGE, Windshield Outside Finish Upper Center (23-23-65)
	5	6000 927	Clip
	2	6023 277	Screw
17	1	2216 870-1	MOULDING, Windshield Outside Finish Side (23-23-65)
	8	6023 247	Screw

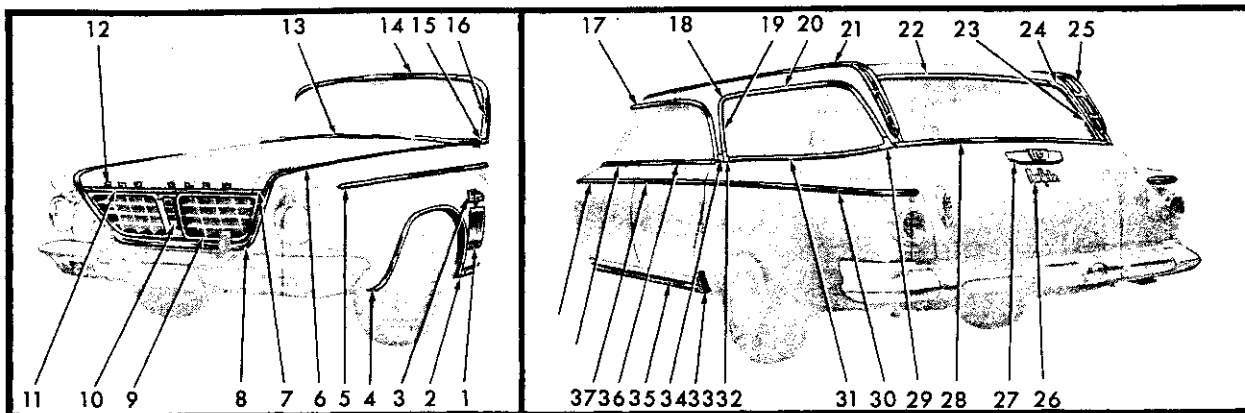
REF. NO.	QTY	PART NUMBER	DESCRIPTION
18	2	2254 627	CHANNEL, w/Moulding, Door Vent Wing (23-64-48)
19	1	2480 000-1	MOULDING, Roof Side Drain Trough (23-59-61)
	12	2480 004	Clip
20	1	2448 549	MOULDING PACKAGE, Roof Panel Outside Rear (23-23-42)
	4	6001 455	Clip and Seal
21	1	2244 546-7	MOULDING, Rear Window Outside Side and Lower (23-23-52)
	12	6001 084	Retainer
	1	2244 548	MOULDING, Rear Window Outside Upper (23-23-52)
	7	6001 084	Retainer
23	1	2244 281	ORNAMENT, Deck Lid (23-19-114)
	6	----	Nut
24	1	2423 628	PANEL, Deck Lower Panel Finish, w/Name Plate, Right (23-23-28)
	1	2423 255	PANEL, Deck Lower Panel Finish, Left (23-23-28)
	16	6023 685	Nut
25	1	2421 448	MOULDING PACKAGE, Deck Lower Panel Fuel Filler Door (23-23-23)
	2	6000 709	Clip
	2	6023 265	Nut
26	1	2423 256	PANEL, Deck Lower Panel Fuel Filler Door Finish (23-23-28)
	3	6023 685	Nut
27	1	2448 428-9	MOULDING PACKAGE, Quarter and Deck Lower Panel (23-23-39)
	10	6001 099	Retainer
	10	6023 678	Nut
	4	----	Nut
	2	188 973	Screw
28	1	2423 742-3	FINISH PANEL and STUD, Quarter Outside Panel (23-23-85)
	2	6006 464	Washer
	2	273 292	Nut
29	1	2423 740-1	MOULDING, Quarter Panel Wheel Opening (23-23-39)
	16	9417 316	Screw
	2	6022 052	Washer
	2	----	Nut
30	1	2424 066-7	MOULDING, Roof Panel Outside Side (23-23-42)
	8	6023 247	Screw and Washer
31	1	2421 559-60	MOULDING PACKAGE, Rear Door Belt (23-23-33)
	10	6001 047	Retainer
32	1	2448 552-3	MOULDING PACKAGE, Front Door Belt (23-23-32)
	8	6001 047	Retainer
	2	6001 087	Retainer
	2	9417 621	Nut
33	1	2421 573-4	MOULDING PACKAGE, Body Side Sill, w/Cap (23-23-2)
	2	----	Nut
	18	6001 049	Retainer
	2	6022 052	Seal

All Packages Include Attaching Parts

Part Type Code is Indicated in Parentheses

19x9722A

MOULDINGS - CHRYSLER NEW YORKER SALON TC3(H) SPECIAL 4 DOOR SEDAN



REF. NO.	QTY	PART NUMBER	DESCRIPTION
1	12	2276 520	LOUVER, Fender Side (12-15-21)
	24	6000 808	Clip
	24	6022 052	Washer
2	1	2421 230-1	MOULDING PACKAGE, Wheel Opening to Sill (12-15-2)
	2	---	Clip
	2	6006 438	Nut
3	2	2255 082	NAME PLATE, Fender Side (New) (12-15-21)
	4	6001 254	Clip
	2	2255 083	NAME PLATE, Fender Side (Yorker) (12-15-21)
	6	6001 254	Clip
4	1	2276 470-1	MOULDING PACKAGE, Fender Wheel Opening (12-15-2)
	14	9416 049	Screw
5	2	2421 959	MOULDING PACKAGE, Fender Side (12-15-2)
	12	6001 048	Clip
	4	6001 059	Clip
	4	---	Nut
6	1	2421 961-2	MOULDING PACKAGE, Fender Top (12-15-2)
	14	6001 049	Clip
	6	6001 099	Clip
	6	6023 678	Nut
7	1	2417 196-7	MOULDING PACKAGE, Fender Front (12-15-2)
	4	9414 714	Screw
8	1	2448 468	MOULDING PACKAGE, Radiator Grille Opening (7-16-36)
	9	6001 070	Clip
	9	9415 921	Screw
	9	6023 284	Nut
9	1	2276 524-5	FRAME, Radiator Grille (7-16-36)
	19	6025 004	Nut
10	1	2276 602	MEDALLION, Radiator Grille (7-17-1)
	4	9415 250	Nut
11	1	2417 198	MOULDING, Hood Front (15-25-2)
	6	9414 714	Nut
12	1	2276 440	LETTER, Hood Front Name, "C" (15-06-16)
	1	2276 441	"H"
	2	2276 442	"R"
	1	2276 443	"Y"
	1	2276 444	"S"
	1	2276 445	"L"
	1	2276 446	"E"
	8	9415 250	Nut
13	1	2084 997	MOULDING PACKAGE, Windshield Outside Finish Lower Center (23-23-65)
	5	6000 685	Clip
14	1	2299 418	MOULDING PACKAGE, Windshield Outside Finish Upper Center (23-23-65)
	5	6000 927	Clip
	2	9414 754	Screw
15	1	2242 886-7	MOULDING, Windshield Outside Finish Lower End (23-23-65)
	2	274 411	Screw
16	1	2216 870-1	MOULDING, Windshield Outside Finish Side (23-23-65)
	8	6023 247	Screw
17	1	2093 648-9	MOULDING, Roof Drain Side (23-59-61)
18	1	2094 016-7	CAP and RETAINER, Quarter Window Outside Front Upper (23-23-74)
19	1	2094 018-9	MOULDING, Quarter Window Front Outside Finish (23-23-73)

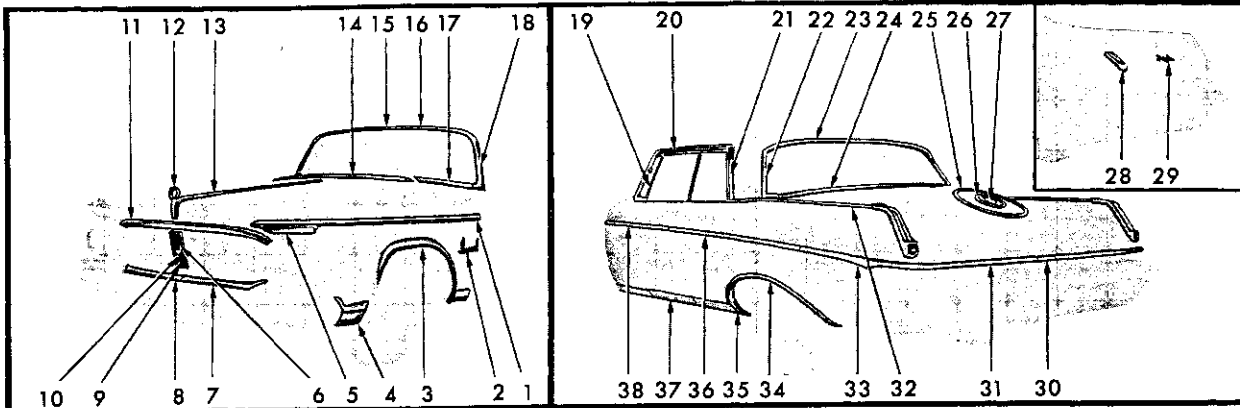
REF. NO.	QTY	PART NUMBER	DESCRIPTION
20	1	1961 212-3	MOULDING, Quarter Window Upper Outside Finish (23-23-73)
21	2	2196 252	MOULDING PACKAGE, Roof Top, used with Rear Pillar Assist Handle (23-23-42)
	20	6000 923	Clip
	2	2196 253	MOULDING PACKAGE, Roof Top, used w/o Rear Pillar Assist Handle (23-23-42)
28	6006 301	Clip	
22	1	2196 466	MOULDING PACKAGE, Roof Rear Tailgate Opening (23-23-60)
	7	6006 451	Clip
23	1	2196 462-3	MOULDING PACKAGE, Rear Pillar Tailgate Opening (23-23-60)
	4	6006 451	Clip
24	1	2196 464-5	CAP PACKAGE, Roof Rear Tailgate Opening Moulding (23-23-60)
	2	6006 451	Clip
25	2	2196 839	HANDLE PACKAGE, Roof Panel Rear Pillar Assist (23-36-123)
	8	6006 035	Nut
	2	681 135	Bolt
26	1	2255 083	NAMEPLATE, Tailgate Outside Panel (23-54-11)
	5	9415 250	Nut
27	1	2188 389	ORNAMENT, Tailgate Outside Panel (23-54-11)
28	1	2196 460	MOULDING PACKAGE, Tailgate Outside Finish Belt (23-23-61)
	2	6006 441	Clip
	2	151 306	Screw
29	1	2196 816-7	CAP PACKAGE, Quarter Window Outside Finish Lower Rear (23-23-74)
	2	125 978	Screw
30	1	2421 569-70	MOULDING PACKAGE, Quarter Panel Lower (23-23-39)
	6	6001 059	Clip
	4	6023 241	Screw
	6	---	Nut
	12	6001 048	Retainer
31	1	1961 214-5	MOULDING, Quarter Window Lower Outside Finish (23-23-73)
32	2	1961 210	CAP, Quarter Window Outside Finish Lower Front Moulding (23-23-74)
33	1	2422 446-7	STONE DEFLECTOR, Quarter Outside Panel Wheel Opening (23-34-240)
	4	9417 316	Screw
34	1	2299 430	MOULDING PACKAGE, Quarter Panel Belt (23-23-39)
	2	9411 465	Screw
35	2	2448 537	MOULDING PACKAGE, Body Side Sill (23-23-2)
	18	6001 049	Retainer
36	1	2421 565-6	MOULDING PACKAGE, Rear Door Belt (23-23-33)
	10	6001 047	Retainer
	2	6001 087	Retainer
	2	9417 621	Nut
37	1	2421 561-2	MOULDING PACKAGE, Rear Door Lower (23-23-33)
	8	6001 058	Clip
	2	446 618	Nut
	8	6001 048	Retainer
38	1	2421 563-4	MOULDING PACKAGE, Front Door Belt (23-23-32)
	1	2448 552-3	MOULDING PACKAGE, Front Door Belt (Rounded End) (23-23-32)
	10	6001 047	Retainer
	2	6001 087	Retainer
	2	9417 621	Nut
39	2	2421 558	MOULDING PACKAGE, Front Door Lower (23-23-2)
	8	6001 058	Clip
	8	6001 048	Retainer

All Packages include Attaching Parts

Part Type Code is Indicated in Parentheses

19x9530B

MOULDINGS - CHRYSLER NEW YORKER TC3(H) SUBURBAN



REF. NO.	QTY	PART NUMBER	DESCRIPTION
1	1	2448 486-7	MOULDING PACKAGE, Fender Side (12-15-2)
	14	6001 078	Retainer
	2	6001 115	Retainer
	2	-----	Seal
	2	2252 081	Spacer
	2	116 000	Nut
2	2	1904 366	NAME PLATE, Fender Side, Imperial (12-15-21)
	12	6000 050	Clip
3	1	2240 940-1	MOULDING PACKAGE, Fender Wheel Opening (12-15-2)
	14	9413 197	Screw
	2	-----	Screw
	2	120 622	Nut
4	1	2240 938-9	MOULDING PACKAGE, Fender Front Lower (12-15-2)
	2	1904 121	Clip
	6	6022 506	Screw
	8	120 375	Nut
5	1	2240 936-7	MOULDING PACKAGE, Fender Front Upper (12-15-2)
	8	116 000	Nut
6	1	2276 788	ORNAMENT, Radiator Grille, w/Medallion (7-17-1)
	3	6023 201	Nut
7	1	2275 922-3	MOULDING PACKAGE, Radiator Grille Lower Panel (7-16-36)
	10	6022 162	Nut
8	1	2275 192	CAP, Radiator Grille Lower Panel Moulding (7-16-44)
	1	6022 162	Nut
9	1	2276 787	FRAME and SCREEN, Radiator Grille Ornament (7-17-10)
	3	6023 202	Nut
10	1	2276 702	MEDALLION, Radiator Grille Ornament (7-17-1)
11	1	2276 606	FRAME, Radiator Grille (7-16-36)
12	1	2417 457	ORNAMENT and MEDALLION, Fender Top Panel (12-15-21)
	1	151 497	Nut
13	1	2448 469	MOULDING PACKAGE, Hood Top (15-25-2)
	7	9415 250	Nut
14	1	1692 191	CAP, Windshield Moulding Lower Center Joint (23-23-66)
15	1	1750 754	CAP, Windshield Upper Moulding Center Joint (23-23-66)
	1	1961 286	Washer
	1	-----	Nut
16	1	2298 550-1	MOULDING PACKAGE, Windshield Opening Upper (23-23-65)
	4	1961 286	Washer
	4	-----	Nut
	4	6001 253	Retainer
17	1	2196 477-8	MOULDING PACKAGE, Windshield Opening Lower (23-23-65)
	20	6006 200	Clip
18	1	2421 238-9	MOULDING PACKAGE, Windshield Opening Side (23-23-65)
	8	9416 049	Screw
19	2	1751 325	MOULDING, Door Vent Wing Division Channel Inner (23-23-36)
	2	1751 323	MOULDING, Door Vent Wing Division Channel Outer
20	1	2245 018-9	MOULDING, Roof Side Drain Trough Front (23-59-61)
	14	-----	Screw

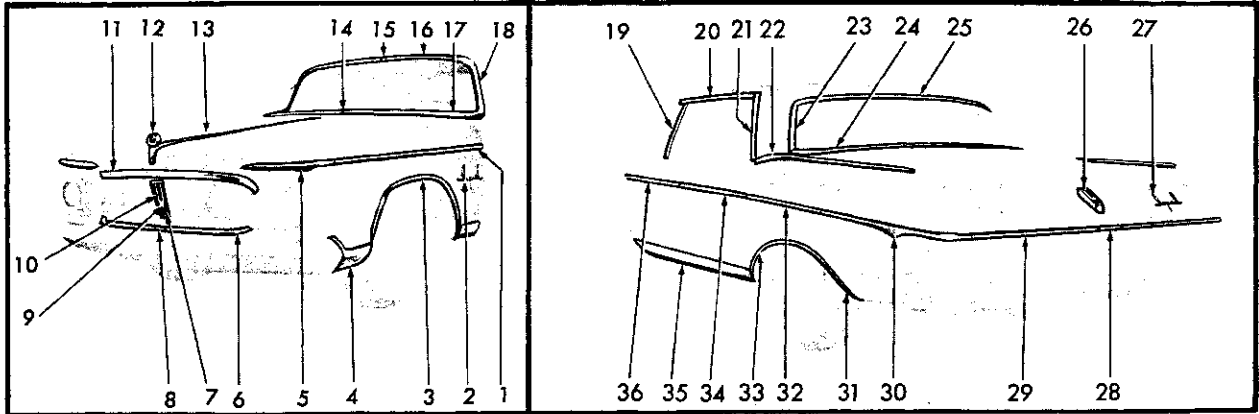
REF. NO.	QTY	PART NUMBER	DESCRIPTION
21	1	2448 464-5	MOULDING PACKAGE, Roof Side Drain Trough Rear (23-59-61)
	4	1961 286	Washer
	4	273 292	Nut
22	1	2421 929-30	MOULDING PACKAGE, Rear Window Outside Side (23-23-52)
	6	6001 093	Clip
	6	120 622	Nut
23	1	2421 926	MOULDING PACKAGE, Rear Window Outside Upper (23-23-52)
	5	6001 093	Clip
	5	120 622	Nut
24	1	2421 927-8	MOULDING PACKAGE, Rear Window Outside Lower (23-23-52)
	10	6001 093	Clip
	10	120 622	Nut
25	1	2196 494	MOULDING PACKAGE, Deck Lid (23-19-45)
	8	6006 520	Retainer
	8	6000 637	Nut
26	1	2196 493	RING PACKAGE, Deck Lid (23-19-45)
	6	152 259	Nut
27	1	2424 211	MEDALLION, Deck Lid (23-19-53)
28	1	2255 599	ORNAMENT and BASE, Deck Lid (Std. Equip.) (23-19-114)
	1	6023 413	Screw
	1	6023 202	Nut
29	1	2244 876	NAME PLATE, Deck Lid (Std. Equip.) (23-19-114)
	4	152 259	Nut
30	1	2421 891	MOULDING PACKAGE, Deck Lower Panel Filler Door (23-23-23)
	2	6001 092	Retainer
	2	9417 621	Nut
31	1	2421 892-3	MOULDING PACKAGE, Deck Lower Panel (23-23-23)
	1	2448 586-7	MOULDING PACKAGE, Deck Lower Panel Inner (2 Piece Type) (23-23-23)
	1	2448 588-9	MOULDING PACKAGE, Deck Lower Panel Outer (2 Piece Type) (23-23-23)
	*	-----	Seal
	*	116 000	Nut
	*	6001 091	Retainer
32	2	2421 958	MOULDING PACKAGE, Quarter Panel Upper (23-23-39)
	12	6022 983	Washer
	10	-----	Nut
	12	-----	Washer
	2	6023 542	Screw
33	1	2421 956-7	MOULDING PACKAGE, Quarter Panel Lower Rear (23-23-39)
	10	6022 052	Seal
	10	-----	Nut
34	1	2196 820-1	MOULDING PACKAGE, Quarter Panel Wheel Opening (23-23-39)
	10	9413 197	Screw
35	1	2196 818-9	STONE DEFLECTOR PACKAGE, Quarter Outside Panel (23-34-240)
	8	9413 197	Screw
36	1	2421 952-3	MOULDING PACKAGE, Quarter Panel Lower Front (23-23-39)
	2	6023 241	Screw
	10	6001 078	Retainer
37	1	2275 107-8	MOULDING PACKAGE, Body Side Sill (23-23-2)
	8	6000 938	Clip
	16	9414 586	Screw
	2	9417 515	Screw
38	2	2421 942	MOULDING PACKAGE, Door (23-23-32)
	2	6001 053	Retainer
	2	-----	Seal
	2	116 000	Nut
	10	6001 078	Retainer

All Packages Include Attaching Parts

Part Type Code is Indicated in Parentheses

19x9614B

MOULDINGS - IMPERIAL CUSTOM TY1(L) SPECIAL CLUB COUPE



REF. NO.	QTY	PART NUMBER	DESCRIPTION
1	1	2448 486-7	MOULDING PACKAGE, Fender Side (12-15-2)
14		6001 078	Retainer
2		-----	Seal
2		2252 081	Spacer
2		6001 115	Retainer
2		116 000	Nut
2		1904 366	NAME PLATE, Fender Side (12-15-21)
12		6000 050	Clip
3	1	2240 940-1	MOULDING PACKAGE, Wheel Opening (12-15-2)
2		-----	Screw
14		9413 197	Screw
2		120 622	Nut
4	1	2240 938-9	MOULDING PACKAGE, Fender Front Lower (12-15-2)
2		1904 121	Clip
6		6022 506	Screw
8		120 375	Nut
5	1	2240 936-7	MOULDING PACKAGE, Fender Front Upper (12-15-2)
8		116 000	Nut
6	1	2275 922-3	MOULDING PACKAGE, Radiator Grille Lower Panel (7-16-36)
10		6022 162	Nut
7	1	2276 787	FRAME and SCREEN, Radiator Grille Ornament (7-17-10)
3		6023 202	Nut
8	1	2275 192	CAP, Radiator Grille Lower Panel Moulding (7-16-44)
1		6022 162	Nut
9	1	2276 702	MEDALLION, Radiator Grille Ornament (7-17-1)
10	1	2276 788	ORNAMENT, Radiator Grille, w/Medallion (7-17-1)
3		6023 201	Nut
11	1	2276 606	FRAME, Radiator Grille (7-16-36)
14		6023 202	Nut
12	1	2417 457	ORNAMENT and MEDALLION, Fender Top Panel (12-15-21)
1		151 497	Nut
3	1	2448 469	MOULDING PACKAGE, Hood Top (15-25-2)
7		9415 250	Nut
14	1	1692 191	CAP, Windshield Moulding Lower Center Joint (23-23-66)
15	1	1750 754	CAP, Windshield Upper Moulding Center Joint (23-23-66)
1		1961 286	Washer
1		-----	Nut
16	1	2298 550-1	MOULDING PACKAGE, Windshield Opening Upper (23-23-65)
4		1961 286	Washer
4		-----	Nut
4		6001 253	Retainer
17	1	2196 477-8	MOULDING PACKAGE, Windshield Opening Lower (23-23-65)
20		6006 200	Clip
18	1	2421 238-9	MOULDING PACKAGE, Windshield Opening Side (23-23-65)
8		9416 049	Screw
19	2	1751 325	MOULDING, Front Door Vent Wing Division Channel inner (23-23-36)
2		1751 323	MOULDING, Front Door Vent Wing Division Channel Outer (23-23-36)
20	1	2245 018-9	MOULDING, Roof Side Drain Trough (23-59-61)
21	1	2448 466-7	MOULDING and STUD PACKAGE, Drain Trough Rear (23-59-61)

REF. NO.	QTY	PART NUMBER	DESCRIPTION
22	2	2421 958	MOULDING PACKAGE, Quarter Panel Upper (23-23-39)
12		6022 983	Washer
12		-----	Washer
10		-----	Nut
2		6023 542	Screw
23	1	2421 929-30	MOULDING PACKAGE, Rear Window Outside Side (23-23-52)
6		6001 093	Clip
6		120 622	Nut
24	1	2421 927-8	MOULDING PACKAGE, Rear Window Outside Lower (23-23-52)
10		6001 093	Clip
10		120 622	Nut
25	1	2421 926	MOULDING PACKAGE, Rear Window Outside Upper (23-23-52)
5		6001 093	Clip
5		120 622	Nut
26	1	2255 519	ORNAMENT, Deck Lid (23-19-114)
2		6023 202	Nut
1		6023 413	Screw
27	1	2244 876	NAME PLATE, Deck Lid (23-19-114)
4		152 259	Nut
28	1	2421 891	MOULDING PACKAGE, Deck Lower Panel Fuel Filler Door (23-23-23)
2		6001 092	Retainer
2		9417 621	Nut
29	1	2421 892-3	MOULDING PACKAGE, Deck Opening Lower Panel (23-23-23)
1		2448 586-7	MOULDING PACKAGE, Deck Lower Panel Inner (2 Piece Type) (23-23-23)
1		2448 588-9	MOULDING PACKAGE, Deck Lower Panel Outer (2 Piece Type) (23-23-23)
*		-----	Seal
*		116 000	Nut
*		6001 091	Retainer
30	1	2421 956-7	MOULDING PACKAGE, Quarter Panel Lower Rear (23-23-39)
10		6022 052	Seal
10		-----	Nut
31	1	2196 820-1	MOULDING PACKAGE, Quarter Panel Wheel Opening (23-23-39)
10		9413 197	Screw
32	1	2421 954-5	MOULDING PACKAGE, Quarter Panel Lower Front (23-23-39)
2		6023 241	Screw
4		6001 078	Retainer
33	1	2196 818-9	DEFLECTOR PACKAGE, Quarter Panel Stone (23-34-240)
6		9414 080	Screw
34	1	2421 950-1	MOULDING PACKAGE, Rear Door (23-23-33)
2		6001 053	Retainer
2		-----	Seal
2		6000 832	Retainer
2		-----	Nut
2		-----	Washer
6		6001 078	Retainer
2		9417 621	Nut
35	1	2275 107-8	MOULDING PACKAGE, Body Side (23-23-2)
8		6000 938	Clip
16		9414 586	Screw
2		9417 515	Screw
36	2	2421 943	MOULDING PACKAGE, Front Door (23-23-32)
2		6001 053	Retainer
2		-----	Seal
2		116 000	Nut
8		6001 078	Retainer

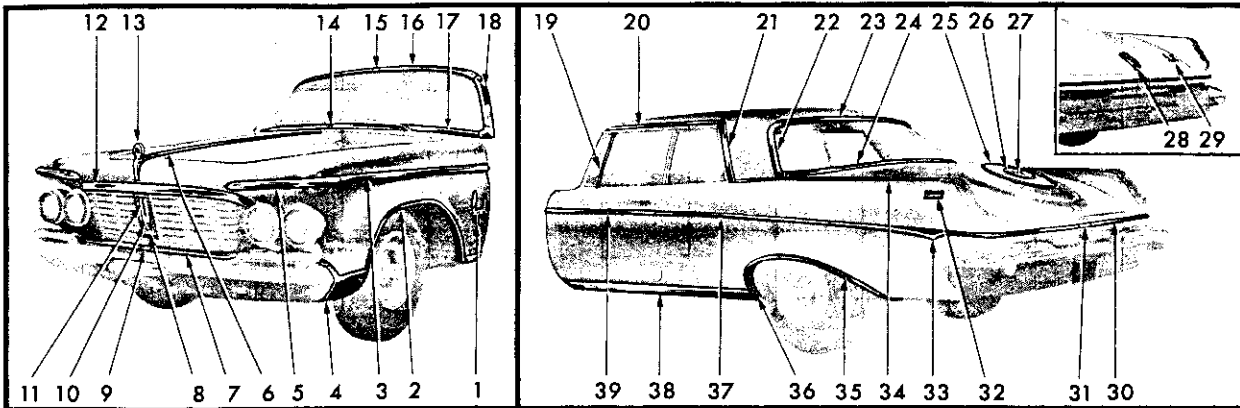
All Packages Include Attaching Parts

Part Type Code is Indicated in Parentheses

19x9525C

MOULDINGS - IMPERIAL CUSTOM TY1(L) SPECIAL 4 DOOR SEDAN

1963 PASSENGER CAR PARTS CATALOG



REF. NO.	QTY	PART NUMBER	DESCRIPTION
1	2	1904 366	NAME PLATE, Fender Side, Imperial (12-15-21)
12		6000 050	Clip
2	1	2240 940-1	MOULDING PACKAGE, Fender Wheel Opening (12-15-2)
14		9413 197	Screw
2	----	----	Screw
2		120 622	Nut
3	1	2448 486-7	MOULDING PACKAGE, Fender Side (12-15-2)
14		6001 078	Retainer
2		6001 115	Retainer
2	----	----	Seal
2		2252 081	Spacer
2		9415 250	Nut
4	1	2240 938-9	MOULDING PACKAGE, Fender Front Lower (12-15-2)
2		1904 121	Clip
6		6022 506	Screw
8		120 375	Nut
5	1	2240 936-7	MOULDING PACKAGE, Fender Front Upper (12-15-2)
8		116 000	Nut
6	1	2448 469	MOULDING PACKAGE, Hood Top (15-25-2)
7		9415 250	Nut
7	1	2275 922-3	MOULDING PACKAGE, Radiator Grille Lower Panel (7-16-36)
10		6022 162	Nut
8	1	2276 787	FRAME and SCREEN, Radiator Grille Ornament (7-17-10)
3		6023 202	Nut
9	1	2275 192	CAP, Radiator Grille Lower Panel Moulding (7-16-44)
1		6022 162	Nut
10	1	2276 702	MEDALLION, Radiator Grille Ornament (7-17-1)
11	1	2276 788	ORNAMENT, Radiator Grille, w/Medallion (7-17-1)
3		6023 201	Nut
12	1	2276 606	FRAME, Radiator Grille (7-16-36)
13	1	2417 457	ORNAMENT, Fender Top Panel, w/Medallion (12-15-21)
1		151 497	Nut
14	1	1692 191	CAP, Windshield Moulding Lower Center Joint (23-23-66)
15	1	1750 754	CAP, Windshield Upper Moulding Center Joint (23-23-66)
1		1961 286	Washer
1		273 329	Nut
16	1	2298 550-1	MOULDING PACKAGE, Windshield Opening Upper (23-23-65)
4		1961 286	Washer
4		273 329	Nut
4		6001 253	Retainer
17	1	2196 477-8	MOULDING PACKAGE, Windshield Opening Lower (23-23-65)
20		6006 200	Clip
18	1	2421 238-9	MOULDING PACKAGE, Windshield Opening Side (23-23-65)
8		9416 049	Screw
19	2	1751 325	MOULDING, Door Vent Wing Division Channel, Inner (23-23-36)
2		1751 323	MOULDING, Door Vent Wing Division Channel, Outer
20	1	2245 018-9	MOULDING, Roof Side Drain Trough Front (23-59-61)
14	----	----	Screw
21	1	2448 464-5	MOULDING PACKAGE, Roof Side Drain Trough Rear (23-59-61)
4		1961 286	Washer
4		273 292	Nut

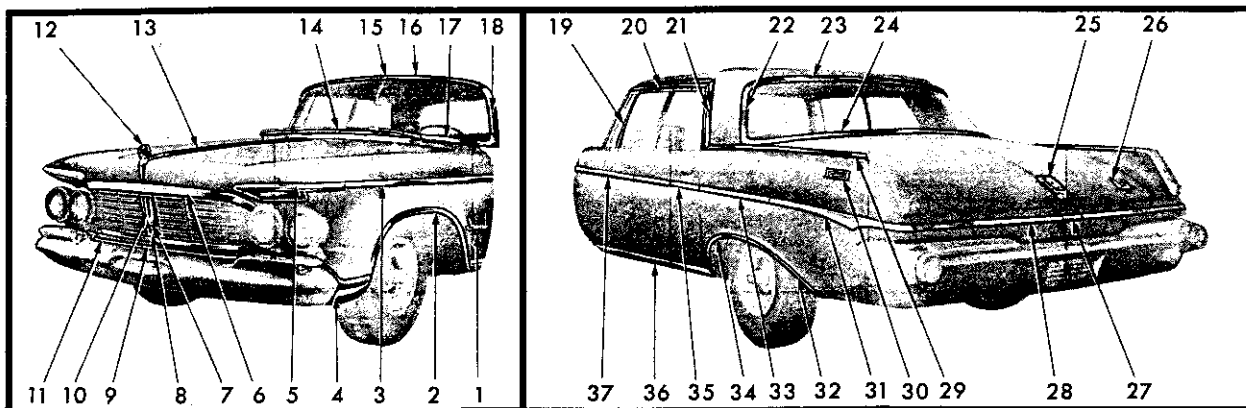
All Packages include Attaching Parts

REF. NO.	QTY	PART NUMBER	DESCRIPTION
22	1	2421 929-30	MOULDING PACKAGE, Rear Window Outside Side (23-23-52)
6		6001 093	Clip
6		120 622	Nut
23	1	2421 926	MOULDING PACKAGE, Rear Window Outside Upper (23-23-52)
5		6001 293	Clip
5		120 622	Nut
24	1	2421 927-8	MOULDING PACKAGE, Rear Window Outside Lower (23-23-52)
10		6001 093	Clip
10		120 622	Nut
25	1	2196 494	MOULDING PACKAGE, Deck Lid (23-19-45)
8		6006 520	Retainer
8		6000 637	Nut
26	1	2196 493	RING PACKAGE, Deck Lid (23-19-45)
6		152 259	Nut
27	1	2424 211	MEDALLION, Deck Lid (23-19-53)
28	1	2255 519	ORNAMENT, Deck Lid, w/Base (23-19-114)
1		6023 413	Screw
1		6023 202	Nut
29	1	2244 876	NAME PLATE, Deck Lid (23-19-114)
4		152 259	Nut
30	1	2421 892-3	MOULDING PACKAGE, Deck Lower Panel (23-23-23)
1		2448 586-7	MOULDING PACKAGE, Deck Lower Panel Inner (2 Piece Type) (23-23-23)
1		2448 588-9	MOULDING PACKAGE, Deck Lower Panel Outer (2 Piece Type) (23-23-23)
*	----	----	Seal
*	----	----	9415 250 Nut
31	1	2421 891	MOULDING PACKAGE, Deck Lower Panel License Depression (23-23-23)
2		6001 092	Retainer
2		2189 687	ORNAMENT, Quarter Outside Panel Crown (23-34-334)
4		152 260	Nut and Seal
33	1	2421 956-7	MOULDING PACKAGE, Quarter Panel Lower Rear (23-23-39)
10		6022 052	Seal
10	----	----	Nut
34	2	2421 958	MOULDING PACKAGE, Quarter Panel Upper (23-23-39)
12		6022 983	Seal
12	----	----	Washer
10	----	----	Nut
2		6023 542	Screw
35	1	2196 820-1	MOULDING PACKAGE, Quarter Panel Wheel Opening (23-23-39)
10		9413 197	Screw
36	1	2196 818-9	STONE DEFLECTOR PACKAGE, Quarter Outside Panel (23-34-240)
8		9413 197	Screw
37	1	2421 952-3	MOULDING PACKAGE, Quarter Panel Lower Front (23-23-39)
2		6023 241	Screw
38	1	2275 107-8	MOULDING PACKAGE, Body Side Sill (23-23-2)
8		6000 938	Clip
16		9414 586	Screw
2		9417 515	Screw
39	2	2421 942	MOULDING PACKAGE, Door (23-23-32)
2		6001 053	Retainer
2	----	----	Seal
2		9415 250	Nut
10		6001 078	Retainer

Part Type Code is Indicated in Parentheses

19x9640B

MOULDINGS - IMPERIAL CROWN TY1(M) SPECIAL CLUB COUPE



REF. NO.	QTY	PART NUMBER	DESCRIPTION
1	2	1904 366	NAME PLATE, Fender Side (12-15-21)
12		6000 050	Clip
2	1	2240 940-1	MOULDING PACKAGE, Fender Wheel Opening (12-15-2)
14		9413 197	Screw
2		-----	Screw
2		120 622	Nut
3	1	2448 486-7	MOULDING PACKAGE, Fender Side (12-15-2)
14		6001 078	Retainer
2		-----	Seal
2		2252 081	Spacer
2		-----	Retainer
2		116 000	Nut
4	1	2240 938-9	MOULDING PACKAGE, Fender Front Lower (12-15-2)
2		1904 121	Clip
6		6022 506	Screw
8		120 375	Nut
5	1	2240 936-7	MOULDING PACKAGE, Fender Front Upper (12-15-2)
8		116 000	Nut
6	1	2276 606	FRAME, Radiator Grille (7-16-36)
7	1	2276 702	MEDALLION, Radiator Grille Ornament (7-17-1)
8	1	2276 787	FRAME and SCREEN, Radiator Grille Ornament (7-17-10)
3		6023 202	Nut
9	1	2275 192	CAP, Radiator Grille Lower Panel Moulding (7-16-44)
1		6022 162	Nut
10	1	2276 788	ORNAMENT, Radiator Grille, w/Medallion (7-17-1)
3		6023 201	Nut
11	1	2275 922-3	MOULDING PACKAGE, Radiator Grille Lower Panel (7-16-36)
10		6022 162	Nut
12	1	2417 457	ORNAMENT and MEDALLION, Fender Top Panel (12-15-21)
1		151 497	Nut
13	1	2448 469	MOULDING PACKAGE, Hood Top (15-25-2)
7		9415 250	Nut
14	1	1692 191	CAP, Windshield Moulding Lower Center Joint (23-23-66)
15	1	1750 754	CAP, Windshield Upper Moulding Center Joint (23-23-66)
1		1961 286	Washer
1		-----	Nut
16	1	2298 550-1	MOULDING PACKAGE, Windshield Opening Upper (23-23-65)
4		1961 286	Washer
4		-----	Nut
4		6001 253	Retainer
17	1	2196 477-8	MOULDING PACKAGE, Windshield Opening Lower (23-23-65)
20		6006 200	Clip
18	1	2421 238-9	MOULDING PACKAGE, Windshield Opening Side (23-23-65)
8		9416 049	Screw
19	2	1751 325	MOULDING, Door Vent Wing Division Channel, Inner (23-23-36)
2		1751 323	MOULDING, Door Vent Wing Division Channel, Outer (23-23-36)
20	1	2245 018-9	MOULDING, Roof Side Drain Trough Front (23-59-61)
14		-----	Screw

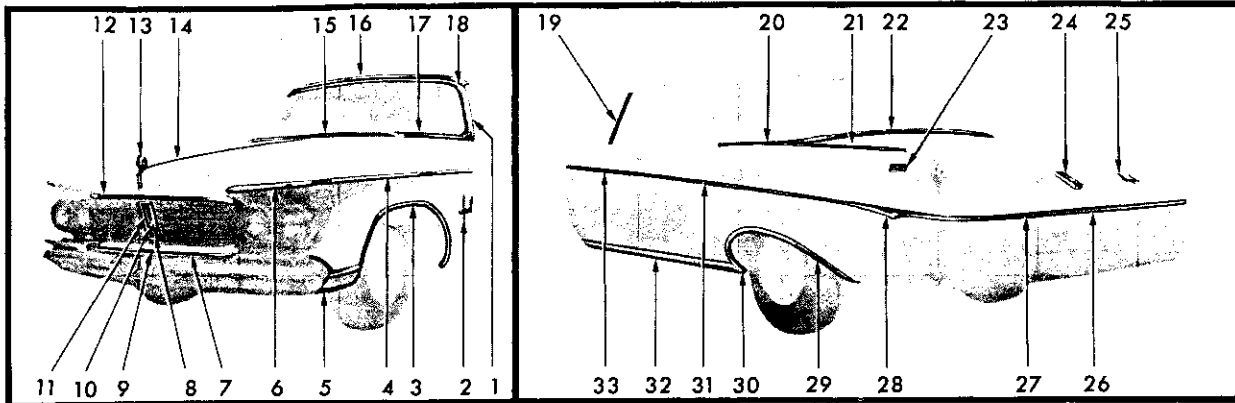
All Packages Include Attaching Parts

REF. NO.	QTY	PART NUMBER	DESCRIPTION
21	1	2448 466-7	MOULDING and STUD PACKAGE, Drain Trough Rear (23-59-61)
22	1	2421 929-30	MOULDING PACKAGE, Rear Window Outside Side (23-23-52)
6		6001 093	Clip
6		120 622	Nut
23	1	2421 926	MOULDING PACKAGE, Rear Window Outside Upper (23-23-52)
5		6001 093	Clip
5		120 622	Nut
24	1	2421 927-8	MOULDING PACKAGE, Rear Window Outside Lower (23-23-52)
10		6001 093	Clip
10		120 622	Nut
25	1	2255 519	ORNAMENT, Deck Lid (23-19-114)
1		6023 413	Screw
1		6022 202	Nut
26	1	2244 876	NAME PLATE, Deck Lid (23-19-114)
4		152 259	Nut
27	1	2421 891	MOULDING PACKAGE, Deck Lower Panel Filler Door (23-23-23)
2		6001 092	Retainer
2		9417 621	Nut
28	1	2421 892-3	MOULDING PACKAGE, Deck Lower Panel (23-23-23)
1		2448 586-7	MOULDING PACKAGE, Deck Lower Panel Inner (2 Piece Type) (23-23-23)
1		2448 588-9	MOULDING PACKAGE, Deck Lower Panel Outer (2 Piece Type) (23-23-23)
*		-----	Seal
*		116 000	Nut
*		6001 091	Retainer
29	2	2421 958	MOULDING PACKAGE, Quarter Panel Upper (23-23-39)
12		6022 983	Washer
10		-----	Nut
12		-----	Washer
2		6023 542	Screw
30	2	2189 687	ORNAMENT, Quarter Outside Panel Crown (23-34-334)
4		152 260	Nut and Seal
31	1	2421 956-7	MOULDING PACKAGE, Quarter Panel Lower Rear (23-23-39)
10		6022 052	Seal
10		-----	Nut
32	1	2196 820-1	MOULDING PACKAGE, Quarter Panel Wheel Opening (23-23-39)
10		9413 197	Screw
33	1	2421 954-5	MOULDING PACKAGE, Quarter Panel Lower Front (23-23-39)
2		6023 241	Screw
4		6001 078	Retainer
34	1	2196 818-9	DEFLECTOR PACKAGE, Quarter Panel Stone (23-34-240)
8		9413 197	Screw
35	1	2421 950-1	MOULDING PACKAGE, Rear Door (23-23-33)
2		6001 053	Retainer
2		-----	Seal
2		6000 832	Retainer
2		-----	Nut
2		-----	Washer
6		6001 078	Retainer
2		9417 621	Nut
36	1	2275 107-8	MOULDING PACKAGE, Body Side Still (23-23-2)
8		6000 938	Clip
36		9414 586	Screw
2		9417 515	Screw
37	2	2421 943	MOULDING PACKAGE, Front Door Lower (23-23-32)
2		6001 053	Retainer
2		-----	Seal
2		116 000	Nut
8		6001 078	Retainer

Part Type Code is Indicated in Parentheses

19x9541B

MOULDINGS - IMPERIAL CROWN TY1(M) SPECIAL 4 DOOR SEDAN



REF. NO.	QTY	PART NUMBER	DESCRIPTION
1	1	2196 481-2	MOULDING PACKAGE, Windshield Outside Finish Side (23-23-65)
	6	6000 000	Screw
	2	-----	Screw
2	2	1904 366	NAME PLATE, Fender Side, Imperial (12-15-21)
	12	6000 050	Clip
3	1	2240 940-1	MOULDING PACKAGE, Fender Wheel Opening (12-15-2)
	14	9413 197	Screw
	2	-----	Screw
	2	120 622	Nut
4	1	2448 486-7	MOULDING PACKAGE, Fender Side (12-15-2)
	14	6001 078	Retainer
	2	6001 115	Retainer
	2	-----	Seal
	2	2252 081	Spacer
	2	9415 250	Nut
5	1	2240 938-9	MOULDING PACKAGE, Fender Front Lower (12-15-2)
	2	1904 121	Clip
	6	6022 506	Screw
6	1	2240 936-7	MOULDING PACKAGE, Fender Front Upper (12-15-2)
	8	116 000	Nut
7	1	2275 922-3	MOULDING PACKAGE, Radiator Grille Lower Panel (7-16-36)
	10	6022 162	Nut
8	1	2276 787	FRAME and SCREEN, Radiator Grille Ornament (7-17-10)
	3	6023 202	Nut
9	1	2275 192	CAP, Radiator Grille Lower Panel Moulding (7-16-44)
	1	6022 162	Nut
10	1	2276 702	MEDALLION, Radiator Grille Ornament (7-17-1)
11	1	2276 788	ORNAMENT, Radiator Grille, w/Medallion (7-17-1)
	3	6023 201	Nut
12	1	2276 606	FRAME, Radiator Grille (7-16-36)
13	1	2417 457	ORNAMENT and MEDALLION, Fender Top Panel (12-15-21)
	1	151 497	Nut
14	1	2448 469	MOULDING PACKAGE, Hood Top (15-25-2)
	7	9415 250	Nut
15	1	1692 191	CAP, Windshield Moulding Lower Center Joint (23-23-66)
16	1	2196 749	MOULDING PACKAGE, Windshield Outside Finish Moulding Upper (23-23-65)
	10	6006 176	Stud
	10	6006 434	Retainer
17	1	2196 477-8	MOULDING PACKAGE, Windshield Outside Finish Lower (23-23-65)
	20	6006 200	Clip
18	1	2196 673-4	MOULDING PACKAGE, Windshield Header Upper Corner (23-23-65)
	4	-----	Screw
19	2	1751 325	MOULDING, Door Vent Wing Division Channel, Inner (23-23-36)
	2	1751 323	Moulding, Door Vent Wing Division Channel, Outer (23-23-36)

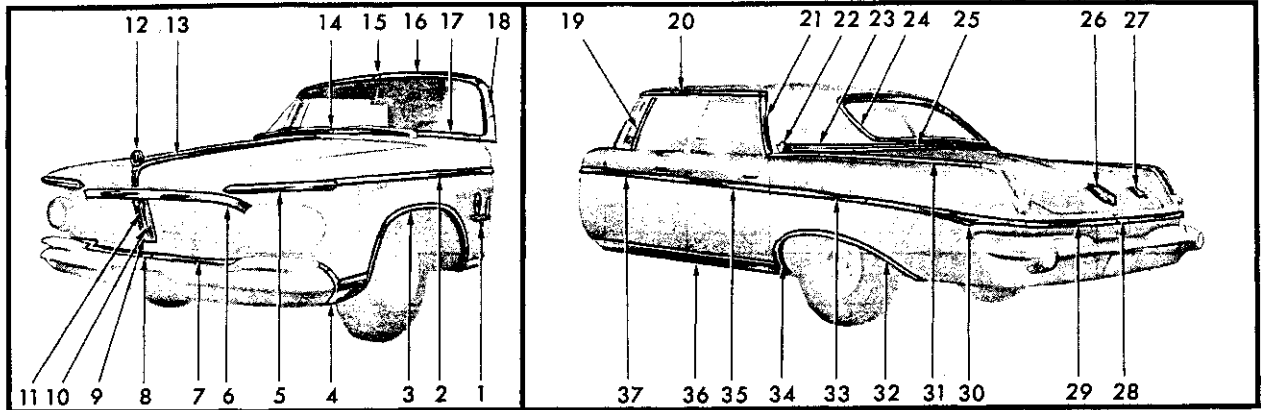
REF. NO.	QTY	PART NUMBER	DESCRIPTION
20	1	2196 682-3	CAP PACKAGE, Belt Moulding to Quarter Panel (23-23-41)
	2	-----	Screw
21	2	2421 958	MOULDING PACKAGE, Quarter Panel Upper (23-23-39)
	12	6022 983	Seal
	12	-----	Washer
	10	-----	Nut
	2	6023 542	Screw
22	1	2196 684-5	MOULDING PACKAGE, Folding Top Belt Outside Finish (23-23-49)
	20	2094 380	Fastener
23	2	2189 687	ORNAMENT, Quarter Outside Panel Crown (23-34-334)
	4	152 260	Nut and Seal
24	1	2255 519	ORNAMENT, Deck Lid, w/Base (23-19-114)
	1	6023 413	Screw
	1	6023 202	Nut
25	1	2244 876	NAME PLATE, Deck Lid (23-19-114)
	4	152 259	Nut
26	1	2421 891	MOULDING PACKAGE, Deck Lower Panel Filler Door (23-23-23)
	2	6001 092	Retainer
	2	9417 621	Nut
27	1	2421 892-3	MOULDING PACKAGE, Deck Lower Panel (23-23-23)
	1	2448 586-7	MOULDING PACKAGE, Deck Lower Panel Inner (2 Piece Type) (23-23-23)
	1	2448 588-9	MOULDING PACKAGE, Deck Lower Panel Outer (2 Piece Type) (23-23-23)
	*	-----	Seal
	*	9415 250	Nut
	*	6001 031	Retainer
28	1	2421 956-7	MOULDING PACKAGE, Quarter Panel Lower Rear (23-23-39)
	10	6022 052	Seal
	10	-----	Nut
29	1	2196 810-1	MOULDING PACKAGE, Quarter Panel Wheel Opening (23-23-39)
	10	9413 197	Screw
30	1	2196 818-9	STONE DEFLECTOR PACKAGE, Quarter Outside Panel (23-34-240)
	8	9413 197	Screw
31	1	2421 952-3	MOULDING PACKAGE, Quarter Panel Lower Front (23-23-39)
	2	6023 241	Screw
	10	6001 078	Retainer
32	1	2275 107-8	MOULDING PACKAGE, Body Side Sill (23-23-2)
	8	6000 938	Clip
	16	9414 586	Screw
	2	9417 515	Screw
33	2	2421 942	MOULDING PACKAGE, Door (23-23-32)
	2	6001 053	Retainer
	2	-----	Seal
	2	9415 250	Nut
	10	6001 078	Retainer

All Packages Include Attaching Parts

Part Type Code is Indicated in Parentheses

19x9642B

MOULDINGS - IMPERIAL CROWN TY1(M) CONVERTIBLE COUPE



REF. NO.	QTY	PART NUMBER	DESCRIPTION
1	2	1904 366	NAME PLATE, Fender Side, Imperial (12-15-21)
	12	6000 050	Clip
2	1	2448 486-7	MOULDING PACKAGE, Fender Side (12-15-2)
	14	6001 078	Retainer
	2	6001 115	Retainer
	2	-----	Seal
	2	2252 081	Spacer
	2	9415 250	Nut
3	1	2240 943-1	MOULDING PACKAGE, Fender Wheel Opening (12-15-2)
	14	9413 197	Screw
	2	-----	Screw
	2	120 622	Nut
4	1	2240 938-9	MOULDING PACKAGE, Fender Front Lower (12-15-2)
	2	1904 121	Clip
	6	6022 506	Screw
	8	120 375	Nut
5	1	2240 936-7	MOULDING PACKAGE, Fender Front Upper (12-15-2)
	8	116 000	Nut
6	1	2276 606	FRAME, Radiator Grille (7-16-36)
7	1	2275 922-3	MOULDING PACKAGE, Radiator Grille Lower Panel (7-16-36)
	10	6022 162	Nut
8	1	2275 192	CAP, Radiator Grille Lower Panel Moulding (7-16-44)
	1	6022 162	Nut
9	1	2276 787	FRAME and SCREEN, Radiator Grille Ornament (7-17-10)
	3	6023 202	Nut
10	1	2276 702	MEDALLION, Radiator Grille Ornament (7-17-1)
11	1	2276 788	ORNAMENT, Radiator Grille, w/Medallion (7-17-1)
	3	6023 201	Nut
12	1	2417 457	ORNAMENT and MEDALLION, Fender Top Panel (12-15-21)
	1	151 497	Nut
13	1	2448 469	MOULDING PACKAGE, Hood Top (15-25-2)
	7	9415 250	Nut
14	1	1692 191	CAP, Windshield Moulding Lower Center Joint (23-23-66)
15	1	1750 754	CAP, Windshield Upper Moulding Center Joint (23-23-66)
	1	1961 286	Washer
	1	273 329	Nut
16	1	2298 550-1	MOULDING PACKAGE, Windshield Opening Upper (23-23-65)
	4	1961 286	Washer
	4	273 329	Nut
	4	6001 253	Retainer
17	1	2196 477-8	MOULDING PACKAGE, Windshield Opening Lower (23-23-65)
	20	6006 200	Clip
18	1	2421 238-9	MOULDING PACKAGE, Windshield Opening Side (23-23-65)
	8	9416 049	Screw
19	2	1751 325	MOULDING, Front Door Vent Wing Division Channel, Inner (23-23-36)
	2	1751 323	Moulding, Front Door Vent Wing Division Channel, Outer (23-23-36)
20	1	2245 018-9	MOULDING, Roof Side Drain Trough Front (23-59-61)
	14	-----	Screw
21	1	2448 466-7	MOULDING PACKAGE, Roof Side Drain Trough Rear (23-59-61)
	4	1961 286	Washer
	4	273 292	Nut
22	2	2240 950	MEDALLION PACKAGE, Roof Panel Side (23-23-334)
	4	6022 052	Washer
	4	6000 829	Clip

All Packages include Attaching Parts

REF. NO.	QTY	PART NUMBER	DESCRIPTION
23	1	2275 312-3	EXTENSION MOULDING PACKAGE, Roof Outside Panel Belt (23-23-42)
	2	161 430	Screw
	2	152 260	Nut
24	1	1961 516-7	MOULDING, Rear Window Outside Finish (23-23-52)
25	1	2275 314-5	MOULDING PACKAGE, Roof Panel Outside Belt (23-23-42)
	2	6001 205	Retainer
	2	-----	Nut
	2	6022 850	Sealer
	4	6001 208	Clip
	2	152 260	Nut and Seal
	4	161 871	Screw
	2	161 430	Screw
	4	6022 862	Sealer
	8	6001 204	Clip and Seal
26	1	2255 519	ORNAMENT, Deck Lid, w/Base (23-19-114)
	1	6023 413	Screw
	1	6023 202	Nut
27	1	2196 484	NAME PLATE PACKAGE, Deck Lid "Le" (23-19-114)
	1	2196 485	Name Plate Package "Baron"
	5	6000 490	Nut
28	2	2421 891	MOULDING PACKAGE, Deck Lower Panel Filler Door (23-23-23)
	2	6001 092	Retainer
	2	9417 621	Nut
29	1	2421 892-3	MOULDING PACKAGE, Deck Lower Panel (23-23-23)
	1	2448 586-7	MOULDING PACKAGE, Deck Lower Panel Inner (2 Piece Type) (23-23-23)
	1	2448 588-9	MOULDING PACKAGE, Deck Lower Panel Outer (2 Piece Type) (23-23-23)
	*	-----	Seal * 9415 250 Nut
	*	6001 031	Retainer
30	1	2421 956-7	MOULDING PACKAGE, Quarter Panel Lower Rear (23-23-39)
	10	6022 052	Seal 10 ----- Nut
31	2	2421 958	MOULDING PACKAGE, Quarter Panel Upper (23-23-39)
	12	6023 983	Seal 10 ----- Nut
	12	-----	Washer 2 6023 542 Screw
32	1	2196 820-1	MOULDING PACKAGE, Quarter Panel Wheel Opening (23-23-39)
	10	9413 197	Screw
33	1	2421 954-5	MOULDING PACKAGE, Quarter Panel Lower Front (23-23-39)
	2	6023 241	Screw
	4	6001 078	Retainer
34	1	2196 818-9	STONE DEFLECTOR PACKAGE, Quarter Outside Panel (23-34-240)
	8	9413 197	Screw
35	1	2421 950-1	MOULDING PACKAGE, Rear Door (23-23-33)
	2	6010 053	Retainer
	2	-----	Seal 2 6000 832 Retainer
	2	-----	Nut 2 ----- Washer
	6	6001 078	Retainer 2 9417 621 Nut
36	1	2275 107-8	MOULDING PACKAGE, Body Side Sill (23-23-2)
	8	600 938	Clip
	16	9414 586	Screw
	2	9417 515	Screw
37	2	2421 943	MOULDING PACKAGE, Front Door (23-23-32)
	2	6001 053	Retainer
	2	-----	Seal
	2	9415 250	Nut
	8	6001 078	Retainer

Part Type Code is indicated in Parentheses

19x9641B

MOULDINGS - IMPERIAL LE BARON TY1(H) SPECIAL 4 DOOR SEDAN

1963 PASSENGER CAR PARTS CATALOG

BODY

CODE	PART NAME AND DESCRIPTION	PER CAR	VALIANT DART	PLYMOUTH DODGE	CHRYSLER IMPERIAL
------	---------------------------	---------	-----------------	-------------------	----------------------

NOTES

* Indicates use as required.
 † Indicates parts not listed in any previous parts book.
 September 4, 1962.

Printed in U.S.A.

Prices and specifications subject to change without notice.

CODE	PART NAME AND DESCRIPTION	PER CAR	VALIANT DART	PLYMOUTH DODGE	CHRYSLER IMPERIAL
23-02-O ASH RECEIVERS					
23-02-1	RECEIVER, Front Seat Back Ash TC2, TC3	★	2162 566	----	2162 566
	Complete	★	2162 596	----	2162 596
	TP1, TP2, TD1, TD2 w/Face PLATE	1	----	2086 611	
	TA3, TC1, TC2 Use w/o Lighter	1	----	*2080 184	*2080 184
	TA3, TC1, TC2 Complete, use w/o Lighter	1	----	2419 836	2419 836
	TC3 Use w/Lighter	1	----	----	2080 181
23-02-6	BUMPER, Front Seat Back Ash Receiver TA3, TC1, TC2, TC3 Housing	2	----	2419 620	2419 620
	Spring	★	----	2419 621	2419 621
23-02-11	HOUSING, Front Seat Back Ash Receiver Except TA3	1	----	1902 375	
	w/Screw Holes	1	----	E2494 015	
	SCREW 4 D., Sp. 4 D., TC3 Use w/Lighter	2	----	E9416 043	
		1	----	----	2419 626
23-02-12	SNUFFER, Seat Back Ash Receiver All Front	1	----	1902 374	
	Sub., TA3 Third	1	----	*1902 374	*1902 374
23-02-18	RECEIVER, Instrument Panel Ash TP1-H, TP2-H, TP2-P, TD1-H, TD2-H, TD2-P Except TP1-H, TP2-H, TP2-P, TD1-H, TD2-H TD2-P, TA3	1	*2218 864	*2216 895	
	TA3, TC1, TC2, TC3	1	----	2162 721	
	TC1, TC2, TC3 Complete	1	----	1901 938	2217 106
	TYL, TYM, TYH	1	----	----	2292 018
		1	----	----	1901 826
23-02-19	HOUSING, Instrument Panel Ash Receiver Except TA3	1	2292 183	2162 685	
	TA3	1	----	1901 944	
23-02-22	PLATE, Front Seat Back Ash Receiver Mounting 4 D., Sp. 4 D. Use w/Lighter	1	----	----	2419 592
23-02-23	COVER, Front Seat Back Ash Receiver Housing Except TA3	1	----	E2440 914	
23-02-26	FASTENER, Front Seat Back Ash Receiver Attaching TVP, TLP Sp. 4 D., Sp. Cl. Cp., Cv. Cp., Sub., TC2, TC3	2	2410 849	----	2410 849
23-02-29	STOP and BUTTON, Instrument Panel Ash Receiver All	1	*2218 847		
23-02-38	BUMPER, Instrument Panel Ash Receiver Door TYL, TYM, TYH	2	----	----	*2218 683
23-02-40	DOOR and HOUSING, Instrument Panel Ash Receiver TYL, TYM, TYH	1	----	----	1900 878
23-02-42	HANDLE, Instrument Panel Ash Receiver TC1, TC2, TC3	1	2217 107	----	2217 107
	SCREW	2	*9418 471	----	*9418 471
23-02-43	SPRING, Instrument Panel Ash Receiver Door TYL, TYM, TYH	1	----	----	1901 844-5
	TC1, TC2, TC3 Right	1	----	----	2080 234
	Left	1	----	----	*2080 898

★ Indicates use as required.

⊠ Indicates parts not listed in any previous parts book.

Right and left part numbers are on same line,
first number is right, second number is left.

* Indicates change or addition.

Printed in U.S.A.

Prices and specifications subject to change without notice.

Jan. 3, 1964 Supersedes Jan. 25, 1963.

1963 PASSENGER CAR PARTS CATALOG

BODY

CODE	PART NAME AND DESCRIPTION	PER CAR	VALIANT DART	PLYMOUTH DODGE	CHRYSLER IMPERIAL
23-02-0 ASH RECEIVERS - Cont'd					
23-02-78	RECEIVER, Rear Door and Quarter Arm Rest Ash TYL, TYM, TYH	2	----	----	2080 413
	RECEIVER, Rear Door Ash Sp. 4 D., TC3 Luxury	2	----	----	*2440 270
23-02-79	RECEIVER, Folding Top Pocket Panel Ash, w/LID, Cv. Cp. Zinc Die Cast Lid	2	*1607 897		
	Chrome Plate Lid	2	*2490 481		
23-02-80	HOUSING, Rear Door Ash Receiver Sp. 4 D., TC3 Luxury	2	----	----	*2440 271
23-02-81	RETAINER, Rear Floor Console Ash Receiver All	1	----	2086 114	2086 114
23-02-82	SPRING, Folding Top Panel Ash Receiver Cv. Cp.	2	2292 503		
	SPRING, Floor Console Front Ash Receiver All	1	----	2292 503	
	SPRING, Rear Door and Quarter Arm Rest Ash Receiver Lid TYL, TYM, TYH	2	----	----	2085 485
	SPRING, Rear Door Ash Receiver Lid Sp. 4 D., TC3 Luxury	2	----	----	*2440 386
23-02-84	BUMPER, Rear Door Ash Receiver Cover Sp. 4 D., TC3 Luxury	2	----	----	*2490 491
23-02-89	BEZEL and LID, Rear Door and Quarter Arm Rest Ash Receiver TYL, TYM, TYH	1	----	----	2085 514-5
	COVER and LID, Rear Door Ash Receiver Sp. 4 D., TC3 Luxury	1	----	----	*2440 382-3
23-02-105	RECEIVER, Floor Console Ash All	1	----	----	2161 028
	Front, Zinc Die Cast Lid	2	----	*1607 897	
	Chrome Plate Lid	2	----	*2490 481	
	w/Inner COVER	1	----	----	*2490 126
	w/Face PLATE, Rear	1	----	2161 115	2161 115
23-02-107	BEZEL, Folding Top Panel Ash Receiver Cv. Cp.	2	1623 104		
	BEZEL, Floor Console Ash Receiver All	1	----	1623 104	
	Front	1	----	2161 035	2161 035
	Rear	1	----		
23-02-145	RECEIVER, Third Seat Ash Sub., TA3	1	----	2086 611	2086 611
23-02-149	BRACKET, Third Seat Ash Receiver Mounting Sub., TA3	1	----	2080 596	2080 596
23-02-150	HOUSING, Third Seat Ash Receiver Sub., TA3	1	----	1902 375	1902 375
23-04-0 FLOOR BOARDS					
23-04-2	COVER, Floor Pan Steering Column Opening TYL, TYM, TYH	1	----	----	1878 145
23-04-117	BOLT and RETAINER, Steering Column Opening Cover TYL, TYM, TYH	3	----	----	1475 900

★ Indicates use as required.
 ☐ Indicates parts not listed in any previous parts book.
 Jan. 3, 1964 Supersedes Dec. 14, 1962.

Printed in U.S.A.
 Prices and specifications subject to change without notice.
 Right and left part numbers are on same line,
 first number is right, second number is left.
 * Indicates change or addition.

CODE	PART NAME AND DESCRIPTION	PER CAR	VALIANT DART	PLYMOUTH DODGE	CHRYSLER IMPERIAL
23-04-0 FLOOR BOARDS - Cont'd					
23-04-205	SKID STRIP, Center Floor Pan Third Seat Back Sub., except TA3 Plastic	2	----	*2251 868	
	MOULDING, Rear Floor Pan Cover Panel Sub., except TA3 Prime	1	----	*2254 668	
	MOULDING, Spare Tire Compartment Floor Mat Sub., Except TA3	1	----	2419 781	
	Sub., TA3	1	----	*2440 273	*2440 273
23-04-229	COVER, Floor Pan Spare Tire, Hard Board 4D., Sp. Cl. Cp., Cl. Sed. COVER, Spare Tire, Plastic Sub. Paint as Required	1	2419 361		
	PANEL, Spare Tire TYL, TYM, TYH	1	----	*4318 TX8	*4318 TX8
		1	----	----	1708 248
23-04-241	HOUSING, Fuel Tank Filler Tube TP1, TP2, Except Sub. TD1, TD2, TA3, TC1, TC2, TC3, Except Sub. Use w/2482 869 Door	1	----	2425 394	
	Sub., TA3 TYL, TYM, TYH	1	----	2244 123	2244 215
		1	----	----	*2482 859
		1	----	1960 501	2243 889
		1	----	----	1877 354
		1	----	----	1877 353
23-04-249	SEAL, Fuel Tank Filler Tube All Sub., TA3 TYL, TYM, TYH	1	2242 359		
	Housing	1	----	1833 900	1833 900
	To Door Housing	1	----	----	1877 488
		1	----	----	1877 516
23-04-250	RETAINER, Fuel Tank Filler Tube Seal TYL, TYM, TYH	1	----	----	1877 355
23-06-0 GLOVE BOX					
23-06-4	BOX, Glove TC1, TC2, TC3, except TA3 Except TA3 Use w/Air Cond.	1	2162 515	E2218 933	2292 010
	TA3, TYL, TYM, TYH	1	----	2162 682	
		1	----	2161 268	1901 808
23-06-10	DOOR, Glove Box TC1, TC2, TC3, Except TA3 TA3, TYL, TYM, TYH	1	2162 513	2162 683	2216 939
		1	----	1901 931	1839 569
23-06-12	PLATE, Glove Box Door Inner TYL, TYM, TYH	1	----	----	1839 568
23-06-13	ARM or STOP, Glove Box Door Check TC1, TC2, TC3, Except TA3 TA3, TYL, TYM, TYH	1	----	2162 693	2292 011
		1	----	1901 790	1902 176-7
23-06-14	BUMPER, Glove Box Door TC1, TC2, TC3 All Hinge	2	1698 868	2080 201	2080 201
	TA3, TC1, TC2, TC3 w/o Light	2	2292 257		
	TA3, TYL, TYM, TYH	1	----	*1298 930	*1298 930
		*	----	729 152	2080 480
23-06-15	CATCH, Glove Box Door Lock TC1, TC2, TC3, Except TA3 SCREW TA3 CATCH PACKAGE, Glove Box Door Lock TYL, TYM, TYH	1	----	2162 692	2217 277
	Consists of: 1 - ---- Catch 2 - ---- Spacers 2 - 181 561 Bolt	2	----	125 591	6024 000
		1	----	2161 217	
		1	----	----	2298 698

★ Indicates use as required.
 □ Indicates parts not listed in any previous parts book.
 Right and left part numbers are on same line,
 first number is right, second number is left.
 * Indicates change or addition.

1963 PASSENGER CAR PARTS CATALOG

CODE	PART NAME AND DESCRIPTION	PER CAR	VALIANT DART	PLYMOUTH DODGE	CHRYSLER IMPERIAL
23-06-0 GLOVE BOX - Cont'd					
23-06-17	FINISH PLATE, Glove Box Door TV-H, TV-P TL-H, TL-P Dull Finish	1	2292 152		
	Bright Finish	1	*2217 580		
	TA3	1	E2491 672	2218 202	
		1	----		
23-06-21	HINGE, Glove Box Door TC1, TC2, TC3, Except TA3 TA3, TYL, TYM, TYH	1	2292 246-7	2162 886	2216 957
		1	----	2161 621	1902 201
23-06-22	SPRING, Glove Box Door Hinge All Right	1	2217 175		
23-06-25	HANDLE, Glove Box Door All SCREW	1	1698 140		
		2	* 456 867		
23-06-28	LATCH, Glove Box Door TYL, TYM, TYH, Except TA3 w/Lock	1	----	1830 415	2086 051
	TA3, TC1, TC2, TC3 w/Lock	1	----	2080 321	1830 415
23-06-41	GROMMET, Glove Box Door Check Arm TA3	*	----	2080 488	2080 488
23-06-49	MOULDING, Glove Box Door TA3 NUT	1	----	1902 313	
		3	----	6008 128	
23-06-53	NAME PLATE, Glove Box Door TA3-L "Custom 880"	1	----	2218 283	
	TA3-E "880"	1	----	2218 810	
23-07-0 BRACKETS AND REINFORCEMENTS					
23-07-168	REINFORCEMENT, Instrument Panel Lower TYL, TYM, TYH	1	----	----	1839 570
23-07-169	BRACKET, Instrument Panel Lower Reinforcement to Pillar TYL, TYM, TYH	1	----	----	2080 652-3
23-08-0 BUMPERS AND STRIKERS					
23-08-12	BUMPER or WEDGE, Door Sp. Cl. Cp., Cv. Cp. Door	2	----	989 513	989 513
	Body	2	----	1544 841	1544 841
	Except TA3	*	*2255 231	*2255 231	
	4 D., Sp. 4 D., Sub., TA3, TC1, TC2, TC3	*	----	1883 740	*1954 393
	Sp. Cl. Cp., Cv. Cp., TA3, TC1, TC2	4	----	1954 393	1954 393
	Sp. 4 D., TYL, TYM, TYH				
	Front	4	----	----	2188 470
	Rear	4	----	----	2093 950
	Sp. Cl. Cp., Cv. Cp., TYL, TYM	4	----	----	2093 950
	WEDGE, Door Sliding Cv. Cp.	2	2428 191		
23-08-13	STOP, Front Door Trim Panel Bumper Sp. 4 D., TYL, TYM, TYH Chrome	4	----	----	2080 982
	SCREW	4	----	----	161 378
23-08-54	SPACER, Door Lock Striker All Thin	*	1954 717	1954 717	1954 717

★ Indicates use as required.
 E Indicates parts not listed in any previous parts book.
 Jan. 3, 1964 Supersedes Dec. 14, 1962.

Printed in U.S.A.
 Prices and specifications subject to change without notice.
 Right and left part numbers are on same line,
 first number is right, second number is left.
 * Indicates change or addition.

CODE	PART NAME AND DESCRIPTION	PER CAR	VALIANT DART	PLYMOUTH DODGE	CHRYSLER IMPERIAL
23-08-O BUMPERS AND STRIKERS - Cont'd					
23-08-60	STRIKER, Door Lock All	★	1954 234-5	1954 234-5	1954 234-5
	STRIKER, Door Sliding Wedge Cv. Cp.	1	2428 186-7		
23-08-75	PLATE, Door Lock Striker Tapping All	★	*2252 631	*2252 631	*2252 631
23-08-76	GUARD, Door Lock Striker Sp. Cl. Cp., Cv. Cp., Cl. Sed.	2	2428 292		
	4D., Sp. 4D., Sub., except TA3 Rear	2	2428 292	2428 292	
	4D., Sp. 4D., Sub., except TA3 Front	2	---- --	2428 166	
23-09-O GLASS CHANNELS					
23-09-2	ROLLER, Door Glass Lower Channel 4 D., TA3 Rear	2	---- --	*1697 607	*1697 607
	Sub., TA3-E Rear	2	---- --	*1697 607	
	TYL, TYM, TYH	★	---- --	---- --	*1750 490
	SCREW	★	---- --	---- --	*6006 172
23-09-9	BRACKET, Quarter Window Glass Lift Cl. Sed.	2	2217 369		
	RIVET	2	6023 546		
	CHANNEL, Quarter Window Glass Lower				
	Cv. Cp., TYL, TYM	1	*2422 422-3	---- --	*1691 086-7
	Sp. Cl. Cp., TL	1	2245 092-3		
	SCREW and WASHER	4	6023 553		
	Cl. Sed.	1	---- --	2245 002-3	
	Sp. Cl. Cp., Cv. Cp., Except TA3	1	---- --	2244 902-3	
	Sp. Cl. Cp., TYL, TYM	1	---- --	---- --	2422 212-3
23-09-15	BRACKET, Quarter Window Guide Channel Upper Rear Sp. Cl. Cp., TYL, TYM	2	---- --	---- --	1750 660
23-09-17	ROLLER, Quarter Window Glass Lower Channel and Track Sp. Cl. Cp., Cv. Cp., TA3, TC1, TC2 Double	★	---- --	*2165 992	2165 992
	Cv. Cp., TA3, TC1, TC2 Single	2	---- --	1697 607	1697 607
	ROLLER, Rear Door Window Glass Lower Channel and Track Sp. 4 D., Sub., TA3, TC1, TC2, TC3 Double	6	---- --	2165 992	2165 992
	Slide, Quarter Window Glass Lower Channel Guide, Nylon				
	Sp. Cl. Cp., Cv. Cp., TYL, TYM	8	---- --	---- --	1690 950
23-09-35	CHANNEL, Quarter Window Glass Run, w/BRACKET Cl. Sed. Front	2	2216 506		
	Cl. Sed., TL Rear	1	2255 542-3		
	Cv. Cp.	1	2424 970-1		
23-09-37	SUPPORT, Quarter Window Glass Rear Run Channel Sp. Cl. Cp., Cv. Cp., Cl. Sed., TL	2	2243 035		
23-09-47	SUPPORT, Door Glass Rear Run Channel Sp. 4 D., Sp. Cl. Cp., Cv. Cp., Except TA3 Front, Upper	2	---- --	2216 485	
	Lower	2	---- --	2216 111	

NOTE: For models not listed see Part Type Code 23-64-311.

★ Indicates use as required.

⊔ Indicates parts not listed in any previous parts book.
Right and left part numbers are on same line,
first number is right, second number is left.

* Indicates change or addition.

1963 PASSENGER CAR PARTS CATALOG

BODY

CODE	PART NAME AND DESCRIPTION	PER CAR	VALIANT DART	PLYMOUTH DODGE	CHRYSLER IMPERIAL
23-09-0 GLASS CHANNELS - Cont'd					
23-09-47	SUPPORT - Cont'd TA3, TC1, TC2, TC3, Except 4 D.				
	Front, Upper	2	----	1963 732	1963 732
	Lower	2	----	1954 446	1954 446
	4 D., Sub. Rear, Lower	2	2216 673		
23-09-51	CHANNEL, Front Door Window Glass Rear Run 4 D., Cl. Sed., Sub. Sp. Cl. Cp., Cv. Cp. Sp. 4 D., Sp. Cl. Cp., Cv. Cp., Except TA3 TA3, TC1, TC2, TC3, Except 4 D. TYL, TYM, TYH	2 1 1 1 1	2216 506 2217 530-1 ---- ---- ----	2166 936-7 1950 812-3 ----	1950 812-3 1961 382-3
23-09-52	BRACKET, Front Door Glass Lift 4 D., Cl. Sed., Sub. RIVET Sp. Cl. Cp., Cv. Cp. RIVET	2 2 2 2	2217 369 6023 546 2217 429 6023 546		
	CHANNEL, Front Door Glass Lower NOTE: For models not listed see Part Type Code 23-64-308.				
	Sub., TA3-E	1	----	2165 712-3	
	4 D., Sub., Except TA3	1	----	2167 780-1	
	Cl. Sed.	1	----	2166 916-7	
	4 D., TA3, TC1, TC2, TC3	1	----	2165 712-3	2165 712-3
	Sp. 4 D., TYL, TYM, TYH	1	----	----	1750 578-9
	Sp. Cl. Cp., Cv. Cp., TYL, TYM	1	----	----	1751 056-7
23-09-53	SPACER, Quarter Window Glass Lower Channel Sp. Cl. Cp., TL	4	2216 544		
23-09-54	GASKET, Door and Quarter Window Glass Lift Bracket All	★	2217 351		
23-09-56	CHANNEL, Rear Door Window Glass Run 4 D., Sub. Front Rear 4 D., TC1, TC2, TC3 Front Sp. 4 D., TYL, TYM, TYH Front Rear	1 2 1 1 1 1	2216 818-9 2216 844 ---- ---- ----		*2216 928-9 1961 378-9 1961 380-1
23-09-58	BRACKET, Rear Door Glass Lift All RIVET	2 2	2217 369 6023 546		
	CHANNEL, Rear Door Window Glass Lower NOTE: For models not listed see Part Type Code 23-64-308.				
	4 D., Sub., Except TA3	1	----	2421 215-6	
	Sp. 4 D., TYL, TYM, TYH, Except TA3	1	----	2217 208-9	1692 152-3
	4D., TA3, TC1, TC3	1	----	1950 648-9	2216 900-1
	Sub., TA3-E	1	----	1950 648-9	
23-09-61	GROMMET, Quarter Window Glass Lower Channel Sp. Cl. Cp., TL	8	2216 546		
23-09-64	CHANNEL, Tailgate Glass Lower Sub., Except TA3 RIVET Sub., TA3 SCREW	1 2 1 ★	---- ---- 2423 575 133 781	2217 511 6023 695 2423 555 133 781	2423 555 133 781
23-09-65	BRACKET, Tail Gate Glass Run Lower Channel Upper Sub., TA3, TC1, TC3	2	----	E2493 685	E2493 685

★ Indicates use as required.

☐ Indicates parts not listed in any previous parts book.

Jan. 3, 1964 Supersedes Jan. 25, 1963.

Printed in U.S.A.
Prices and specifications subject to change without notice.
Right and left part numbers are on same line,
first number is right, second number is left.

* Indicates change or addition.

CODE	PART NAME AND DESCRIPTION	PER CAR	VALIANT DART	PLYMOUTH DODGE	CHRYSLER IMPERIAL
23-09-0 GLASS CHANNELS - Cont'd					
23-09-67	CHANNEL, Tailgate Glass Run				
	Sub., Except TA3				
	Upper	1	2244 889	2251 801	
	Side Upper	1	2480 274-5	2251 772-3	
	Side Lower	1	2423 492-3	2252 152-3	2189 354-5
	Sub., TA3	1	----	2189 354-5	
23-09-75	CHANNEL, Quarter Window Guide				
	Sp. Cl. Cp., TV	1	2244 192-3		
	Sp. Cl. Cp., TL	1	2255 414-5		
	Sp. Cl. Cp., Cv. Cp., TYL, TYM				
	Front	1	----	----	1961 392-3
	Rear	1	----	----	1961 394-5
23-10-0 DOOR CHECK					
23-10-1	ARM, Door Check				
	TYL, TYM, TYH Front, w/RIVET	★	----	----	E2520 341
	RIVET	★	----	----	* 104 102
	TYL, TYM, TYH Rear	2	----	----	1860 829
23-10-2	BRACKET, Rear Door Check Arm				
	TYL, TYM, TYH	2	----	----	1750 686
23-10-17	GUIDE, Rear Door Check Arm				
	TYL, TYM, TYH	2	----	----	1476 900
23-10-18	SPRING, Front Door Check Arm Tension				
	TYL, TYM, TYH	2	----	----	1691 275
23-11-0 DOORS					
23-11-1	SHELL, Front Door				
	Cl. Sed.	1	2253 836-7	2425 092-3	
	4 D., Sub., Except TA3	1	2253 834-5	2425 088-9	
	Sp. 4 D., TYL, TYM, TYH, Except TA3	1	----	2425 090-1	1961 374-5
	4 D., TA3, TC1, TC3	1	----	1964 118-9	2253 540-1
	Sp. 4D., Sub., TA3-L, TC1, TC2, TC3	1	----	2165 326-7	2425 700-1
	Sp. Cl. Cp., Cv. Cp., TC1, TC2, except TA3	1	2253 838-9	2425 094-5	2425 696-7
	Sp. Cl. Cp., Cv. Cp., TA3, TYL, TYM	1	----	1964 124-5	1961 370-1
	Sub., TA3-E	1	----	1964 118-9	
23-11-2	DOOR, Front, Trimmed, Includes HARDWARE and GLASS, All Codes				
	NOTE: Door assemblies complete, will no longer be listed by part number in the parts books. Door assemblies complete will be available during the production run of the car model and will be furnished on special order only. The vehicle SERIAL NUMBER must be noted on the order.				
23-11-3	SHELL, Rear Door				
	4 D., Sub., Except TA3	1	2425 166-7	2425 108-9	
	Sp. 4 D., TYL, TYM, TYH, Except TA3	1	----	2425 110-1	1961 404-5
	4D., TA3, TC1, TC3	1	----	1964 130-1	2425 150-1
	Sp. 4D., TA3-L, TC1, TC2, TC3	1	----	1964 136-7	2425 704-5
	Sub., TA3-L	1	----	1964 136-7	2425 154-5
	Sub., TA3-E	1	----	1964 130-1	
23-11-4	DOOR, Rear, Trimmed Includes HARDWARE and GLASS, All Codes				
	NOTE: Door assemblies complete, will no longer be listed by part number in the parts books. Door assemblies complete will be available during the production run of the car model and will be furnished on special order only. The vehicle SERIAL NUMBER must be noted on the order.				

★ Indicates use as required.
 □ Indicates parts not listed in any previous parts book.
 Right and left part numbers are on same line, first number is right, second number is left.
 * Indicates change or addition.

1963 PASSENGER CAR PARTS CATALOG

BODY

CODE	PART NAME AND DESCRIPTION	PER CAR	VALIANT DART	PLYMOUTH DODGE	CHRYSLER IMPERIAL
23-11-0	DOORS - Cont'd				
23-11-19	COVER, Rear Door Inside Panel Upper Front Sp. 4 D., except TA3	1	-----	*2217 352-3	
23-11-21	MEDALLION and NAME PLATE, Door				
NOTE: See Exterior Moulding Illustration in Front of Group 23 Body.					

23-13-0 SAFE-T-MATIC DOOR LOCKS

NOTE: See Illustration in Front of Group 23 Body.

23-14-0 DOOR REGULATORS AND REMOTE CONTROL HANDLES

23-14-10	HANDLE, Door Outside TC1, TC2, TC3, Except TA3				
	Front	1	2242 848-9	2167 408-9	2299 550-1
	Rear	1	2242 988-9	2167 408-9	2299 550-1
	NUT TA3, TYL, TYM, TYH	★	*6023 204	*6023 204	120 375
	Front	1	-----	1961 600-1	1961 600-1
	Rear	1	-----	1961 606-7	1961 606-7
23-14-17	SPRING, Door Outside Handle Actuator TC1, TC2, TC3	★	-----	-----	2428 118
23-14-18	HANDLE, Door Window Regulator TC1, TC2, TC3	★	2299 928	2299 928	2299 928
	SCREW	★	6023 538	6023 538	6023 538
23-14-21	SPRING, Front Door Window Regular Handle TA3	2	-----	*1695 431	
23-14-24	SPACER, Regulator and Remote Control Handle TC1, TC2, TC3	★	2428 012	2428 012	2428 012
23-14-27	HANDLE, Door Remote Control TC1, TC2	★	2299 973	2299 973	2299 973
	SCREW	★	6023 538	6023 538	6023 538
	TC3	★	-----	-----	1900 860-1
	TYL, TYM, TYH	★	-----	-----	1900 856-7
23-14-39	HANDLE, Door Vent Wing All	1	2216 618-9		
23-14-41	SHAFT, Front Door Vent Wing Handle Except TA3	2	-----	2167 634	
	WASHER	2	-----	6022 858	
	SCREW	2	-----	6022 988	
23-14-45	SPRING, Front Door Vent Handle All	2	2217 039		
23-14-47	CATCH, Front Door Vent Wing Handle TYL, TYM	1	-----	-----	2093 828-9
23-14-49	DETENT, Front Door Vent Wing Handle All	2	2217 044		
23-14-51	GROMMET, Door Remote Control Handle, w/CLIP TC3	★	-----	-----	2085 899
	TYL, TYM, TYH	★	-----	-----	2085 862
23-14-52	PIN, Front Door Vent Wing Handle	2	9409 639	-----	6000 116
23-14-53	HANDLE PACKAGE, Front Door Vent Wing TC1, TC2, TC3, Except TA3	1	-----	2299 433-4	2167 916-7
	TA3, TYL, TYM	1	-----	2167 916-7	1954 110-1

★ Indicates use as required.

⊔ Indicates parts not listed in any previous parts book.

Jan. 3, 1964 Supersedes Jan. 25, 1963.

Page 23-68

Printed in U.S.A.
Prices and specifications subject to change without notice.Right and left part numbers are on same line,
first number is right, second number is left.

* Indicates change or addition.

CODE	PART NAME AND DESCRIPTION	PER CAR	VALIANT DART	PLYMOUTH DODGE	CHRYSLER IMPERIAL	
23-14-0 DOOR REGULATORS AND REMOTE CONTROL HANDLES - Cont'd						
23-14-79	HANDLE, Quarter Window Regulator Sp. Cl. Cp., Cv. Cp., Cl. Sed., TC1, TC2 SCREW	2 2	2299 928 6023 538	2299 928 6023 538	2299 928 6023 538	
23-14-135	ACTUATOR, Door Outside Handle TC1, TC2, TC3 PIN	★ ★	----- -----	----- -----	2299 636-7 9417 374	
23-14-143	BUTTON END, Door Outside Handle, w/STUD TC1, TC2, TC3 GRIP END, Door Outside Handle, w/STUD TC1, TC2, TC3	★ ★	----- -----	----- -----	2428 276-7 2428 252-3	
23-14-147	GASKET or SEAL, Door Outside Handle Except TA3 TC1, TC2, TC3	To Front To Rear Button End Grip End	★ ★ ★ ★	2216 289 2252 040-1 ----- -----	2216 289 2252 040-1 ----- -----	
23-14-151	BUTTON and GUIDE, Door Outside Handle Push TC1, TC2, TC3	★	-----	-----	2299 610	
23-14-153	BUMPER, Door Outside Handle TA3, TYL, TYH, TYM Center	★ ★	----- -----	1651 493 1707 384	1651 493 1707 384	
23-15-0 DOOR HINGE						
23-15-1	HINGE, Door Upper All Except TA3 TA3, TC1, TC2, TC3, Front 4 D., TA3, TC1, TC2, TC3 Sub., TA3-E Sp. 4D., Sub., TA3-L, TC1, TC2, TC3 TYL, TYM, TYH	Front Rear Front Rear Front Rear Rear Front Rear, Right Left	2 1 1 1 1 1 1 1 1 1	2298 649 2254 258-9 ----- ----- ----- ----- ----- ----- ----- -----	2216 458-9 2299 698-9 1882 028-9 *1950 610-1 1950 610-1 ----- 1882 400-1 ----- ----- -----	1882 028-9 1950 610-1 ----- 1882 400-1 *2520 338-9 1651 400 1750 565
23-15-3	HINGE, Door Lower TYL, TYM, TYH, Except TA3 TA3, TC1, TC2, TC3 4 D., TA3, TC1, TC3 Sp. 4 D., Sub., TA3, TC1, TC2, TC3 TYL, TYM, TYH	Front Rear Front Rear Rear, Right Left	1 1 1 1 1 1	2254 226-7 2254 680-1 ----- ----- ----- -----	2188 554-5 2299 694-5 1882 048-9 2166 452-3 2166 466-7 ----- -----	1651 396-7 ----- 1882 048-9 2166 452-3 2166 466-7 *1651 400 *1750 565
23-15-6	ROLLER, Door Hinge Integral Check All TC1, TC2, TC3, Except TA3 TA3	Front Lower Front Upper Rear Lower Front Upper Rear Lower	2 2 2 2 2	2254 688 ----- *2216 443 ----- -----	----- 2216 443 2216 443 1883 802 1882 967	1883 802 1882 967
23-15-7	SHIM, Rear Door Upper Hinge TA3, TC1, TC2, TC3 TYL, TYM, TYH	★ ★	----- -----	1950 670 -----	1950 670 2189 408	

★ Indicates use as required.
 □ Indicates parts not listed in any previous parts book.
 Right and left part numbers are on same line,
 first number is right, second number is left.
 * Indicates change or addition.

1963 PASSENGER CAR PARTS CATALOG

BODY

CODE	PART NAME AND DESCRIPTION	PER CAR	VALIANT DART	PLYMOUTH DODGE	CHRYSLER IMPERIAL
23-15-0 DOOR HINGE - Cont'd					
23-15-9	PIN, Door Hinge TC1, TC2, TC3 Front Lower	2	6022 891	6000 209	6000 209
	TC1, TC2, TC3, except TA3 Front Upper	2	*6023 576	*6022 891	*1882 054
	TC1, TC2, TC3 Rear Lower	2	6022 891	6022 891	1882 965
	TC1, TC2, TC3, except TA3 Rear Upper	2	*6023 576	*6000 209	*6000 282
	TA3 Front Upper	2	----	1882 054	
	Rear Upper	2	----	6000 282	
	TYL, TYM, TYH Front	4	----	----	*6006 043
	Rear	4	----	----	*6006 047
23-15-11	RING, Door Hinge Integral Check Roller Retainer TA3, TC1, TC2, TC3 Front	2	----	1884 405	1884 405
	Rear	2	----	1882 961	1882 961
23-15-13	PLATE, Rear Door Hinge Tapping Except TA3 Upper	2	2254 242	2217 349	
	Lower	2	2252 607		
	PLATE, Front Pillar Door Hinge Tapping TYL, TYM, TYH	4	----	----	6006 086
23-15-14	SPRING, Door Hinge Integral Check Pin TA3, TC1, TC2, TC3 Front	2	----	1882 055	1882 055
	Rear	2	----	2166 462	2166 462
23-15-17	SPACER, Front Door Upper Hinge Spring TA3, TC1, TC2, TC3	4	----	*1909 975	*1909 975
	SPACER, Rear Door Lower Hinge Pin TA3, TC1, TC2, TC3	2	----	*1950 559	*1950 559
23-15-21	RETAINER, Center Pillar Rear Door Hinge Tapping Plate TYL, TYM, TYH Upper	1	----	----	1750 602-3
	Lower	2	----	----	1750 484
23-15-21	RETAINER, Center Pillar Rear Door Upper Hinge Seal Except TA3	2	----	2254 799	
23-15-22	SEAL, Front Door Hinge TYL, TYM, TYH	4	----	----	1961 262
23-15-30	BAR, Door Lower Hinge Integral Check Torsion All Front	2	2254 686		
	Rear	2	2254 687		
23-15-32	RETAINER, Door Hinge Torsion Bar Roller Grease All Front Lower	2	2428 179		
	Except TA3 Rear Lower	2	2428 179	2428 179	
	Except TA3 Front Upper	2	----	2428 179	
23-17-0 LOCK CYLINDER AND KEYS					
NOTE: For Glove Box see Part Type Code 23-06-28.					
23-17-2	CYLINDER and KEYS, Door and Ignition Lock TC1, TC2, TC3, Except TA3	1	2161 192	2161 192	2161 192
	TA3, TYL, TYM, TYH	1	----	2161 503	2161 503
	Taxi and Police, except TA3	1	----	2162 503	2162 503
	CYLINDER and KEYS, Door, Ignition and Tailgate Lock Sub., Except TA3 Manual	1	2419 183	2162 531	
	Sub., TA3 Electric	1	----	2291 411	2427 116
23-17-4	CYLINDER and KEYS, Deck Lid, Glove Box and Center Arm Rest Sp. 4 D., TC3 Luxury	1	----	----	*2490 169

★ Indicates use as required.

☐ Indicates parts not listed in any previous parts book.

Jan. 3, 1964 Supersedes Jan. 25, 1963.

Printed in U.S.A.
Prices and specifications subject to change without notice.

Right and left part numbers are on same line,
first number is right, second number is left.

* Indicates change or addition.

CODE	PART NAME AND DESCRIPTION	PER CAR	VALIANT DART	PLYMOUTH DODGE	CHRYSLER IMPERIAL
23-17-0 LOCK CYLINDER AND KEYS - Cont'd					
23-17-5	CYLINDER and KEYS, Deck Lid Lock Taxi and Police w/o Key	1	----	2428 245	
	TP1, TP2, TYL, TYM, TYH	1	*2162 613	2440 019	2086 050
	TD1, TD2	1	----	2440 020	
	TA3, TC1, TC2, TC3	1	----	*2162 613	*2162 613
23-17-9	GASKET, Deck Lid Lock Cylinder TC1, TC2, TC3	1	2162 610	2162 610	2162 610
	TD1, TD2, TA3 Ornament	1	----	*2255 709	
23-17-10	RETAINER, Deck Lid Lock Cylinder TC1, TC2, TC3, except TP1, TP2	1	2162 605	2162 605	2162 605
	TP1, TP2	1	----	2428 175	
23-17-11	SPRING, Deck Lid Lock Cylinder Ornament TD1, TD2, TA3, TYL, TYM, TYH	1	----	2255 653	2188 687
23-17-13	COVER, Deck Lid Lock Cylinder TYL, TYM, TYH	1	----	----	2255 607
	BASE, Deck Lid Lock Cylinder Ornament TD1, TD2	1	----	2422 591	
	TA3	1	----	2424 795	
23-17-18	RETAINER, Rear Floor Pan Cover Lock Cylinder Sub., TA3	1	----	1866 686	1866 686
23-17-19	ORNAMENT, Deck Lid Lock Cylinder NOTE: See Exterior Moulding Illustration in Front of Group 23 Body.				
23-17-24	CYLINDER and KEYS, Door Lock (consists of 2 cylinders and 2 keys) TC1, TC2, TC3, except TA3	1	2161 356	2161 356	2161 356
	TA3, TYL, TYM, TYH	1	----	2086 048	2086 048
23-17-27	WASHER, Front Door Lock Cylinder Sealing TC1, TC2, TC3, except TA3	2	*1819 316	*1819 316	*1819 316
23-17-28	RETAINER, Door Lock Cylinder TC1, TC2, TC3	1	2162 351	2162 351	2162 351
23-17-33	LATCH, Front Seat Center Arm Rest Sp. 4 D., TC3 Luxury	1	----	----	*2490 108
23-17-34	CATCH, Front Seat Center Arm Rest Latch Sp. 4 D., TC3 Luxury	1	----	----	*2446 670
23-17-38	CYLINDER and KEYS, Floor Console All	1	----	2419 717	2419 706
23-17-39	BEZEL, Lock Cylinder TC2 Floor Console	1	----	----	*2419 986
	Sp. 4 D., TC3 Luxury, Center Arm Rest	1	----	----	*2419 986
23-17-45	CYLINDER and KEYS, Manual Tailgate, Tire Well and Glove Box Lock Sub., TA3-E	1	----	2440 399	
23-17-49	CYLINDER and KEYS, Tailgate Lock Sub., except TA3 Manual	1	*2419 271	*2162 536	
	Sub. Electric	1	*2161 423	*2161 423	*2161 423
	Sub., TA3-E Manual	1	----	*2161 599	
23-17-51	GASKET, Electric Tailgate Lock Cylinder Mounting Sub.	1	*2486 493	*2486 493	*2486 493

★ Indicates use as required.

⊔ Indicates parts not listed in any previous parts book.

Right and left part numbers are on same line,

first number is right, second number is left.

* Indicates change or addition.

1963 PASSENGER CAR PARTS CATALOG

BODY

CODE	PART NAME AND DESCRIPTION	PER CAR	VALIANT DART	PLYMOUTH DODGE	CHRYSLER IMPERIAL
23-17-0 LOCK CYLINDER AND KEYS - Cont'd					
23-17-52	RETAINER, Electric Tailgate Lock Cylinder Mounting Sub.	1	1819 317	1819 317	1819 317
23-17-66	KEY, Deck Lid and Glove Box Lock Cylinder Blank TYL, TYM, TYH	1	-----	-----	1520 798
23-17-72	CYLINDER and KEYS, Tirewell Cover Lock	1	-----	2292 051	2161 615
	Sub., Except TA3 Sub., TA3	1	-----	2161 615	
23-18-0 DOOR LOCKS AND REMOTE CONTROLS					
23-18-5	LOCK, Door TC1, TC2, TC3, Except TA3				
	Front	1	2242 852-3	2167 446-7	2166 694-5
	Rear	1	2242 862-3	2167 544-5	1954 058-9
	TA3, TC1, TC2, TC3, use w/Safe-T-Matic				
	Front	1	-----	*2428 164-5	*2428 164-5
	Rear	1	-----	2166 694-5	2188 902-3
23-18-11	LINK, Door Lock Remote Control 4 D., Sp. 4 D., Sub., TYL, TYM, TYH, Except TA3				
	Front Rear Sp. Cl. Cp., Cv. Cp., Cl. Sed., Except TA3	2 2 2	2428 212 2428 211 2428 210	2252 044 2299 839 2252 046	1961 717
23-18-12	CLIP, Rear Door Lock Locking Control Cable All	4	6015 143		
23-18-13	REMOTE CONTROL, Door Lock TC3, except TA3				
	Front	1	2299 516-7	2428 052-3	2165 224-5
	Rear	1	2299 516-7	2428 052-3	2165 232-3
	4D., Sp. 4D., Sub., TA3, TC1, TC2				
	Front	1	-----	2428 110-1	2428 110-1
	Rear	1	-----	2428 112-3	2428 112-3
	Sp. Cl. Cp., Cv. Cp., TA3, TC1, TC2	1	-----	2428 092-3	2428 092-3
	Sp. 4 D., TYL, TYM, TYH				
	Front	1	-----	-----	1961 748-9
	Rear	1	-----	-----	1961 704-5
23-18-20	LINK, Door Outside Handle to Lock 4 D., Sp. 4 D., Sub., TC1, TC2, TC3, Except TA3				
Front	★	-----	2299 848-9	2299 667	
Rear	2	-----	2299 631	2299 666	
Sp. Cl. Cp., Cv. Cp., Cl. Sed., except TA3	2	-----	*2299 622		
TA3					
Front	2	-----	1963 638		
Rear	2	-----	1954 910		
Sp. Cl. Cp., Cv. Cp., TC1, TC2					
Length 9.80"	2	-----	-----	*2299 668	
9.98"	2	-----	-----	*2299 667	
Sp. 4 D., TYL, TYM, TYH					
Front	2	-----	-----	1961 752	
Rear	2	-----	-----	1961 736	
Sp. Cl. Cp., Cv. Cp., TYL, TYM	2	-----	-----	1961 753	
23-18-21	SPRING, Door Lock Remote Control Lever Except TA3 TA3	★ ★	----- -----	2167 643 849 517	849 517

★ Indicates use as required.
 ☐ Indicates parts not listed in any previous parts book.
 Jan. 3, 1964 Supersedes Jan. 25, 1963.

Printed in U.S.A.
 Prices and specifications subject to change without notice.
 Right and left part numbers are on same line,
 first number is right, second number is left.

* Indicates change or addition.

CODE	PART NAME AND DESCRIPTION	PER CAR	VALIANT DART	PLYMOUTH DODGE	CHRYSLER IMPERIAL
23-18-0 DOOR LOCKS AND REMOTE CONTROLS - Cont'd					
23-18-25	CONTROL, Rear Door Lock Locking	2	*2299 764		
	All Cable Type	1	E2486 466-7		
	w/RODS	4	E9420 442		
	SCREW				
	Except TA3	1	----	*2486 036-7	
	TA3, TC1, TC2, TC3	1	----	1884 488-9	1884 488-9
	TYL, TYM, TYH	1	----	----	2428 256-7
23-18-26	LINK or ROD, Front Door Lock to Lock Cylinder				
	TA3	1	2243 348-9	1954 818-9	
	4 D., Sp. 4 D., Sub., TC1, TC2, TC3, Except TA3	1	----	2299 634-5	2428 242-3
	Sp. Cl. Cp., Cv. Cp., Cl. Sed., TC1, TC2, Except TA3	1	----	2299 628-9	2428 240-1
	Sp. 4 D., TYL, TYM, TYH				
	Right	1	----	----	1961 862
	Left	1	----	----	2093 412
	Sp. Cl. Cp., Cv. Cp., TYL, TYM				
	Right	1	----	----	1961 863
	Left	1	----	----	2093 413
ROD, Door Lock Locking Control Push	All Front	1	2299 674-5		
	4 D., Sp. 4 D., Sub., Except TA3				
	Front	1	----	2251 836-7	
	Rear, Bent End	2	----	*2486 034	
	Hook End	2	----	E2486 216	
	Sp. Cl. Cp., Cv. Cp., Cl. Sed., Except TA3	1	----	2252 054-5	
	LINK, Rear Door Lock Locking Control				
	Except TA3	1	----	2486 041-2	
	TA3, TC1, TC2, TC3	1	----	2486 202-3	2486 202-3
	23-18-27	KNOB, Door Lock Locking Control			
Except TA3 Chrome		★	2428 399	2428 399	
Black		★	2413 772	2413 772	
Blue		★	----	E2432 442	
Green		★	----	E2432 443	
Tan		★	----	E2432 444	
Red		★	----	E2432 445	
Alabaster		★	----	E2432 446	
Turquoise		★	----	E2432 447	
TD1, TD2 Chrome		★	----	E2486 581	E2486 581
TA3		2	----	E2486 581	E2486 581
SCREW	2	----	* 158 414	* 158 414	
23-18-28	SPRING, Door Lock Actuator TA3, TC1, TC2, TC3	★	----	*1458 246-7	*1458 246-7
23-18-29	RETAINER, Door Outside Handle to Lock				
	All	★	----	1954 851	1954 851
	CLIP, Front Door Lock Cylinder to Locking Lever				
	Except TA3	2	2251 812	2251 812	2166 622
	TA3	2	----	2166 622	
	CLIP, Rear Door Lock Locking Control Knob				
Except TA3	2	2216 276	2216 276		
CLIP, Rear Door Lock Locking Control Link to Lever					
Except TA3	2	----	2486 040		
CLIP, Rear Door Lock Locking Control Push Rod					
Except VA3	2	----	*2251 949		
23-18-35	RETAINER, Door Lock Remote Control Link to Inside Panel				
	4 D., Sub.	4	2428 087		
	Sp. Cl. Cp., Cv. Cp., Cl. Sed., Except TA3	2	2428 086	2428 163	
23-18-37	WASHER, Rear Door Lock Locking Control Knob TA3, TC1, TC2, TC3	2	----	*1952 603	*1952 603

★ Indicates use as required.

E Indicates parts not listed in any previous parts book.

Right and left part numbers are on same line, first number is right, second number is left.

* Indicates change or addition.

Printed in U.S.A.

Prices and specifications subject to change without notice.

Jan. 3, 1964 Supersedes Jan. 25, 1963.

1963 PASSENGER CAR PARTS CATALOG

BODY

CODE	PART NAME AND DESCRIPTION	PER CAR	VALIANT DART	PLYMOUTH DODGE	CHRYSLER IMPERIAL
23-18-0 DOOR LOCKS AND REMOTE CONTROLS - Cont'd					
23-18-40	ANTI-RATTLER, Door Lock Remote Control Link TA3, TC1, TC2, TC3 TY1	★ ★	---- ----	*1952 778 -----	*1952 778 2428 251
23-18-42	CLIP, Door Lock to Remote Control Link Except TA3 TY1	★ ★	2251 949 -----	2251 949 -----	6006 506
23-18-46	SUPPORT, Rear Door Lock Locking Control Cable 4D., Sub. CLAMP, Rear Door Lock Locking Control Cable All	2 4	2217 927 2428 062		
23-18-49	ESCUTCHEON, Door Lock Locking Control All Chrome	★	*2428 178		
23-18-54	GROMMET, Door Lock Locking Lever Except TA3 Black Clear	★ ★	---- ----	2241 916 2440 177	
23-18-102	RETAINER, Electric Door Lock Switch and Bezel TYL, TYM, TYH	2	----	----	1971 478
23-18-103	SWITCH, Electric Door Lock, w/BEZEL TYL, TYM, TYH	2	----	----	2096 398
23-18-106	RELAY, Electric Door Lock TYL, TYM, TYH	1	----	----	2257 703
23-18-107	LINK, Electric Door Lock Solenoid to Lock Sp. 4 D., TYL, TYM, TYH Front Rear Sp. Cl. Cp., Cv. Cp., SYL, SYM	2 2 2	---- ---- ----	---- ---- ----	1972 952 2258 898 1972 954
23-18-112	CIRCUIT BREAKER, Electric Door Lock TYL, TYM, TYH	1	----	----	1566 038
23-18-115	SOLENOID, Electric Door Lock, w/BRACKET Sp. 4 D., TYL, TYM, TYH Front Rear Sp. Cl. Cp., Cv. Cp., TYL, TYM	2 1 1	---- ---- ----	---- ---- ----	1972 940 1972 938-9 1972 942-3
23-18-116	SCREW and WASHER, Electric Door Lock Solenoid Mounting TYL, TYM, TYH	★	----	----	2096 129
23-19-0 DECK LID					
23-19-8	LID, Deck TL-L w/o Back-Up Lamp Holes . . . TV, TP1, TP2 TL, TD1, TD2, TC1, TC2, TC3 TA3, TYL, TYM, TYH TYL, TYM, TYH w/False Panel	1 1 1 1 1	2425 616 2253 436 2253 591 ---- ----	2425 236 2253 736 2253 270 ----	2253 487 2425 297 1877 585
23-19-11	HANDLE PACKAGE, Deck Lid Lift TYL, TYM, TYH Use w/False Panel NUT	1 2	---- ----	---- ----	2196 805 * 116 000
23-19-17	SEAL, Deck Lid Back-Up Lamp Hole Cover TL	2	2252 282		

★ Indicates use as required.

□ Indicates parts not listed in any previous parts book.

Jan. 3, 1964 Supersedes Jan. 25, 1963.

Page 23-74

Prices and specifications subject to change without notice.
Right and left part numbers are on same line,
first number is right, second number is left.

* Indicates change or addition.

Printed in U.S.A.

CODE	PART NAME AND DESCRIPTION	PER CAR	VALIANT DART	PLYMOUTH DODGE	CHRYSLER IMPERIAL
23-19-0 DECK LID - Cont'd					
23-19-21	PLUG, Deck Lid Drain Hole TC1, TC2, TC3	1	----	*1878 752	*1878 752
23-19-22	GASKET, Deck Lid Lift Handle TYL, TYM, TYH	1	----	----	1877 749
23-19-58	GASKET, Deck Lid False Panel Cover Medallion Retaining Ring TYL, TYM, TYH	1	----	----	2094 658
23-19-59	SPACER, Deck Lid Inside Panel to Deck Upper Panel Cv. Cp., except TA3	2	----	2480 387	
	SPACER, Deck Lid Hinge Cv. Cp., TC1, TC2	2	----	----	*1706 470
23-19-63	BUMPER, Deck Lid TC1, TC2, TC3, except TA3	2	1954 763	1964 563	1954 763
	TA3	2	----	1954 763	
	TYL, TYM TYH Upper Corner	2	----	----	1961 737
	Side Upper	2	----	----	1960 714
	Lower	2	----	----	1960 624
23-19-70	CATCH, Deck Lid Lock TC1, TC2, TC3, Except TA3	1	2244 149	2244 149	2244 149
	TA3, TYL, TYM, TYH	1	----	1867 661	1867 661
23-19-74	SUPPORT, Deck Lid Lower Panel Lock TV, TC1, TC2, TC3	1	2425 106	----	2425 042
	TL, TD1, TD2, TYL, TYM, TYH	1	2425 041	2425 146	1960 149
	TA3	1	----	2094 029	
23-19-75	PLATE, Deck Lid Lock Mounting TYL, TYM, TYH	1	----	----	*1960 560
23-19-76	BRACKET or BRACE, Deck Lid Hinge Support to Wheelhouse TV, except Cv. Cp.	1	*2243 222-3		
	TL, TYL, TYM, TYH, Except Cv. Cp.	1	2243 594	----	1750 991
	Cv. Cp., TV, TYM	1	2423 650-1	----	1751 130-1
	Cv. Cp., TL	1	2423 652-3		
	BRACKET, Deck Lid Hinge Stop TC1, TC2, TC3	2	----	----	2244 644
23-19-82	SUPPORT, Deck Lid Hinge TV, Except Cv. Cp.	1	2243 546-7		
	TL, Except Cv. Cp.	1	2245 098-9		
	TP1, TP2, TC1, TC2, TC3, Except Cv. Cp.				
	Upper	1	----	2255 384-5	2244 584-5
	Lower	*	----	2255 782-3	2242 690
	TD1, TD2, Except Cv. Cp.				
	Upper	1	----	2255 384-5	
	Lower	1	----	2244 022-3	
	TA3, Except Cv. Cp. Lower	1	----	1884 636-7	
	Cv. Cp., TV, TC1, TC2, except TA3				
	Upper	1	2424 396-7	2422 844-5	2245 036-7
	Cv. Cp., TL Upper	1	2424 398-9		
	Cv. Cp., TV, TP2, TC1, TC2				
	Lower	1	2255 978-9	2255 696-7	2242 630-1
	Cv. Cp., TL, TD2 Lower	1	*2422 622-3	*2255 770-1	
	TA3, Except Cv. Cp. Upper	1	----	1909 410-1	
	TYL, TYM, TYH, Except Cv. Cp.	1	----	----	1961 078-9
	Cv. Cp., TYL, TYM	1	----	----	1961 080-1

★ Indicates use as required.

⊠ Indicates parts not listed in any previous parts book.

Right and left part numbers are on same line,
first number is right, second number is left.

* Indicates change or addition.

1963 PASSENGER CAR PARTS CATALOG

BODY

CODE	PART NAME AND DESCRIPTION	PER CAR	VALIANT DART	PLYMOUTH DODGE	CHRYSLER IMPERIAL
23-19-0 DECK LID - Cont'd					
23-19-84	HINGE, Deck Lid TC1, TC2, TC3, Except Cv. Cp., TA3	2	2243 598	2253 988	2244 948
	Cv. Cp., TV, Except TA3	2	2424 340	2255 527	
	Cv. Cp., TL	2	2424 341		
	TA3, Except Cv. Cp.	1	----	2424 632-3	
	Cv. Cp., TA3, TC1, TC2	1	----	2165 572-3	2244 522-3
	TYL, TYM, TYH	2	----	----	2093 530
23-19-85	PIN, Deck Lid Hinge TYL, TYM, TYH	2	----	----	1691 899
23-19-92	SPRING, Deck Lid Hinge Cv. Cp., TA3	4	----	2165 590	
23-19-94	SWITCH, Electric Deck Lid Lock Release TYL, TYM, TYH	1	----	----	2426 836
23-19-99	TAPPING PLATE, Deck Lid Hinge TC1, TC2, TC3	2	2243 327	2243 327	2243 327
23-19-101	TERMINAL, Electric Deck Lid Release Switch TYL, TYM, TYH	1	----	----	1770 660
23-19-102	SOLENOID and MOUNTING BRACKET PACKAGE, Electric Deck Lid Lock TYL, TYM, TYH Consists of: 1 - ---- Solenoid, w/Bracket 1 - ---- Rivet	1	----	----	2448 622
23-19-103	COVER, Electric Deck Lid Lock Solenoid TYL, TYM, TYH SCREW	1 4	----	----	2440 368 E9416 049
23-19-105	LOCK, Deck Lid TC1, TC2, TC3, Except TA3 TA3, TYL, TYM, TYH LOCK PACKAGE, Electric Deck Lid TYL, TYM, TYH Consists of: 1 - 2428 026 Lock 1 - ---- Bracket, Mounting 1 - ---- Lever, Actuating 1 - ---- Rod, Solenoid Extension 2 - ---- Rivet 1 - ---- Rivet 1 - ---- Rivet 2 - 181 055 Bolt 2 - 6022 181 Washer	1 1 1	2167 260 ---- ----	2167 260 2428 026 ----	2167 260 2428 026 2448 506
23-19-114	NAME PLATE, Medallion or Ornament Deck Lid NOTE: See Exterior Moulding Illustration in Front of Group 23 Body.				
23-19-121	BEZEL, Deck Lid Medallion 300-J TC2	1	----	----	2424 300
23-19-123	GASKET, Deck Lid Ornament TYL, TYM, TYH	1	----	----	2255 606
23-19-177	BAR, Deck Lid Hinge Torsion Cv. Cp., TL, TC1, TC2 TL, TP1, TP2, TC1, TC2, TC3, Except Cv. Cp. TV, TD1, TD2, Except Cv. Cp. Cv. Cp., TV, Except TA3 TA3, except Cv. Cp. TYL, TYM, TYH	1 1 1 1 1 1	2424 216-7 2243 804-5 2242 534-5 2424 214-5 ---- ----	---- 2244 118-9 2244 118-9 2255 722-3 1964 512-3 ----	2244 582-3 2242 698-9 1877 540-1

★ Indicates use as required.

☐ Indicates parts not listed in any previous parts book.

Jan. 3, 1964 Supersedes Jan. 25, 1963.

Prices and specifications subject to change without notice.

Right and left part numbers are on same line,
first number is right, second number is left.

* Indicates change or addition.

Printed in U.S.A.

CODE	PART NAME AND DESCRIPTION	PER CAR	VALIANT DART	PLYMOUTH DODGE	CHRYSLER IMPERIAL
23-19-0 DECK LID - Cont'd					
23-19-178	ROLLER, Deck Lid Hinge Torsion Bar End				
	TV	2	*2244 882		
	Cv. Cp., TC1, TC2	2	----	----	*2244 633
	All RETAINER, Center	1	----	6000 594	6000 594
	TYL, TYM, TYH Plate	2	----	----	6006 243
	SLIDE, Deck Lid Hinge Torsion Bar End, Plastic				
	Cv. Cp., TV.	2	2480 646		
	TC1, TC2, TC3, except Cv. Cp.	2	*2480 230	*2480 230	*2480 230
	Cv. Cp., TL., TA3, TC1, TC2	2	*2480 230	*2480 231	*2480 231
23-19-180	COVER, Deck Lid Back-Up Lamp Hole				
	TL	2	2423 201		
23-19-185	LINK, Deck Lid Hinge to Torsion Bar				
	Sp. 4 D., Sp. Cl. Cp., TYL, TYM, TYH	2	----	----	1877 521
	Cv. Cp., TYM	2	----	----	1877 520
23-19-188	STOP, Center Belt Bar Deck Lid Hinge Torsion Bar				
	Cv. Cp., TC1, TC2	2	----	2423 784	2423 785
23-20-0 FLOOR MATS					
23-20-8	MAT, Front Floor				
	TL-L				
	Blue	1	2297 427		
	Tan	1	2297 428		
	Red	1	2297 429		
	Turquoise	1	2297 430		
	Black	1	2297 431		
	TV, TL, Except TA3				
	Heavy Duty Black	1	2297 433	2413 732	
	TP1-L, TP2-L Charcoal	1	----	2413 728	
	TD1-L, TD2-L Black and Red	1	----	2413 729	
	Turquoise	1	----	2413 730	
	TP1-L, TP2-L, TD1-L, TD2-L				
	Blue	1	----	2413 726	
	Tan	1	----	2413 727	
	Black	1	----	2413 731	
	4D., Sub., TA3, TC1 Use w/Std. Trans.				
	Heavy Duty Black	1	----	2179 550	2179 550
	4D., Sub., TA3-E, TC1, Use w/Auto. Trans.				
	Heavy Duty Black	1	----	2179 551	2179 551
23-20-11	MAT, Intermediate Floor				
	Sub., TV-L, TL-L				
	Black	1	*2413 017		
	Blue	1	2413 014		
	Turquoise	1	2432 152		
	Red	1	2413 016		
	Tan	1	2413 088		
	Sub., TP1-L, TP2-L Charcoal	1	----	2413 735	
	Sub., TP1-L, TP2-L, TD1-L, TD2-L				
	Black	1	----	2413 738	
	Blue	1	----	2413 733	
	Tan	1	----	2413 734	
	Sub., TD1-L, TD2-L Black and Red	1	----	2413 736	
	Turquoise	1	----	2413 737	
	Sub., TA3-E, TC1 Heavy Duty Black	1	----	2179 553	2179 553
23-20-14	PLATE, Door Sill Inner Scuff				
	4 D., Sp. 4 D., Sub., Except TA3				
	Front	1	2292 054-5	2251 404-5	
	Rear	1	2292 056-7	2251 490-1	

★ Indicates use as required.
 □ Indicates parts not listed in any previous parts book.
 Right and left part numbers are on same line,
 first number is right, second number is left.
 * Indicates change or addition.

1963 PASSENGER CAR PARTS CATALOG

BODY

CODE	PART NAME AND DESCRIPTION	PER CAR	VALIANT DART	PLYMOUTH DODGE	CHRYSLER IMPERIAL
23-20-0 FLOOR MATS - Cont'd					
23-20-14	PLATE - Cont'd				
	SP. Cl. Cp., Cl. Sed., TC1, TC2, except TA3	1	2292 052-3	2251 328-9	1882 900-1
	Cv. Cp., TC1, TC2, except TA3	1	2292 052-3	2251 332-3	1882 900-1
	4 D., TA3, TC1, TC3 Front	1	----	1882 888-9	1882 892-3
	Sp. 4D., Sub., TA3-L, TC1, TC2, TC3				
	Front	1	----	1884 422-3	1884 426-7
	Rear	1	----	1884 456-7	1884 456-7
	Sp. 4 D., TYL, TYM, TYH				
	Front	1	----	----	2162 136-7
	Rear	1	----	----	2162 138-9
	Sp. Cl. Cp., Cv. Cp., TA3, TYL, TYM	1	----	1882 896-7	2162 140-1
	Sub., TA3-E				
	Front	1	----	1882 888-9	
	Rear	1	----	1884 454-5	
	4D., TA3, TC1, TC3, Rear	1	----	1884 454-5	1884 454-5
	PLATE, Door Sill Outer Scuff				
	4 D., Sp. 4 D., Sub., except TA3				
	SCREW	2	*2419 664	*2419 667	
	Front	8	6023 247		
	Rear	2	2419 665	2419 668	
	SCREW	4	6023 247		
	Sp. Cl. Cp., Cv. Cp., Cl. Sed., Except TA3	2	2419 663	2419 666	
	SCREW	10	6023 247		
23-20-16	INSERT, Front Floor Carpet Heel Pad	6	----	----	1766 986
	Sp. Cl. Cp., TC2				
	INSERT, Door Sill Scuff Plate Tread	*	----	----	1839 956
	TYL, TYM, TYH				
23-20-19	SUPPORT, Door Sill Scuff Plate				
	4 D., Sp. 4 D., Sub., TA3, TC1, TC2, TC3				
	Front	1	----	1954 286-7	1954 286-7
	Rear	1	----	1954 288-9	1954 288-9
	Sp. Cl. Cp., Cv. Cp., TA3, TC1, TC2	1	----	1954 316-7	1954 316-7
	Sp. 4 D., TYL, TYM, TYH				
	Front	2	----	----	1692 173
	Rear, Right	1	----	----	1692 172
	Left	1	----	----	1810 910
	Sp. Cl. Cp., Cv. Cp., TYL, TYM	2	----	----	1690 742
23-20-20	EXTENSION, Rear Door Sill Scuff Plate Support				
	Sub., TA3	1	----	*1963 380-1	*1963 380-1
23-20-24	EXTENSION, Door Sill Scuff Plate				
	Sub., TA3				
	Rear	1	----	1963 378-9	1963 378-9
	w/Air Conditioning, Rear	1	----	2094 276-7	2094 276-7
	4 D., Sp. 4 D., TA3, TC1, TC2, TC3				
	Rear	1	----	1963 308-9	1963 308-9
	Sp. Cl. Cp., TA3, TC1, TC2	1	----	2166 024-5	1963 352-3
	Cv. Cp., TA3, TC1, TC2	1	----	2166 024-5	2166 024-5
23-20-29	MAT, Rear Deck Floor				
	TP1, TP2, Except Cv. Cp.				
	Gray	1	*1613 TA7	*2413 640	
	Cv. Cp., TP2	1	E2413 999	2413 641	
	TD1, TD2, Except Cv. Cp.				
	Gray	1	----	2429 086	
	Cv. Cp., TD2	1	----	2429 087	
	Cv. Cp., TC1, TC2	1	----	----	2249 552
	Cv. Cp., TA3	1	----	2181 441	
	TA3, TC1, TC2, except Cv. Cp.				
	Black	1	----	2181 442	2181 444
	TC1, TC2, TC3, use w/Dual Air Conditioning				
	Black	1	----	----	2180 972

★ Indicates use as required.

☐ Indicates parts not listed in any previous parts book.

Jan. 3, 1964 Supersedes Jan. 25, 1963.

Printed in U.S.A.

Prices and specifications subject to change without notice.

Right and left part numbers are on same line, first number is right, second number is left.

* Indicates change or addition.

CODE	PART NAME AND DESCRIPTION	PER CAR	VALIANT DART	PLYMOUTH DODGE	CHRYSLER IMPERIAL
23-20-0 FLOOR MATS - Cont'd					
23-20-32	RETAINER, Floor Mat and Carpet Except TA3	★	----	2419 931	
23-20-41	MAT, Rear Floor				
	TV-L Black	1	2413 017		
	TL-L Blue	1	2297 442		
	TL Black	1	2297 446		
	TL Heavy Duty Black	1	2297 447		
	Sub., TV-L, TL-L Cargo, Black	1	2413 790		
	Sub., TV-H, TL-H Cargo, Blue	1	2413 791		
	Tan	1	2413 792		
	Red	1	2413 793		
	TV-H Cargo, Green	1	2413 795		
	TL-H Cargo, Turquoise	1	2413 794		
	TL-L Tan	1	2297 443		
	Red	1	2297 444		
	Turquoise	1	2297 445		
	TP1-L, TP2-L Charcoal	1	----	2413 735	
	Black	1	----	2413 738	
	Blue	1	----	2413 733	
	Tan	1	----	2413 734	
	Heavy Duty Black	1	----	2413 739	
	TD1-L, TD2-L Tan	1	----	2428 843	
	Blue	1	----	2428 842	
	Black	1	----	2428 846	
	Turquoise	1	----	2428 845	
	Heavy Duty Black	1	----	2428 847	
	Black and Red	1	----	2428 844	
	Sub., except TA3 3rd. Seat Well, Back	1	----	2413 643	2179 538
	2 Seat, Jute	1	----	2413 642	
	Sub., TA3 3rd. Seat Well, Black	1	----	2179 538	
	4D., TA3-E, TC1 Heavy Duty Black	1	----	2179 552	2179 552
23-20-65	PLATE, Center Pillar Scuff				
	4 D., Sub.	2	2292 274		
	Sp. 4D., Sub., TA3-L, TC1, TC2, TC3	1	----	1954 650-1	1954 650-1
	4 D., TA3, TC1, TC2, TC3	2	----	1954 648	1954 648
	Sub., TA3-E	2	----	1954 648	
23-21-0 MIRRORS					
23-21-3	MIRROR PACKAGE, Rear View				
	Taxi and Police Outside, Clear	1	2292 194	2292 194	2292 194
	Non-Glare	1	2292 195	2292 195	2292 195
	Consists of:				
	1 - ---- Mirror				
	1 - ---- Gasket				
	1 - ---- Set Screw				
	1 - ---- Clip				
	All, Replaceable Glass Type				
	Outside	★	2299 574	2299 574	
	Consists of:				
	1 - ---- Mirror				
	1 - ---- Gasket				
	2 - 9417 530 Screw				
	All Drivers Side	1	----	----	*2421 990
	Consists of:				
	1 - ---- Mirror				
	1 - 2161 931 Anti-Squeak				
	2 - 9411 860 Screw				

★ Indicates use as required.

□ Indicates parts not listed in any previous parts book.

Right and left part numbers are on same line,

first number is right, second number is left.

* Indicates change or addition.

Printed in U.S.A.

Prices and specifications subject to change without notice.

Jan. 3, 1964 Supersedes Jan. 25, 1963.

1963 PASSENGER CAR PARTS CATALOG

BODY

CODE	PART NAME AND DESCRIPTION	PER CAR	VALIANT DART	PLYMOUTH DODGE	CHRYSLER IMPERIAL
23-21-0 MIRRORS - Cont'd					
23-21-3	MIRROR PACKAGE - Cont'd				
	All Passenger Side	1	-----	-----	2275 015
	Consists of:				
	1 - ---- --- Mirror				
	1 - 2161 931 Anti-Squeak				
	2 - 9411 860 Screw				
	TA3, TC1, TC2, TC3 Remote Control	1	-----	*2421 989	*2421 989
	Consists of:				
	1 - ---- --- Mirror				
	1 - 2161 931 Anti-Squeak				
	2 - 9411 860 Screw				
	1 - 2080 541 Nut				
	1 - ---- --- Bracket				
	2 - ---- --- Screw				
	TC1, TC2, TC3 Passenger Side	1	-----	-----	*2495 121
	Consists of:				
	1 - ---- --- Mirror				
	1 - ---- --- Anti-Squeak				
	2 - 9419 409 Screws				
	1 - ---- --- Adapter, Right				
23-21-5	GLASS and RETAINER SPRING PACKAGE, Rear View Outside				
	All Use w/2299 574	1	2299 575	2299 575	
	Consists of:				
	1 - ---- --- Glass				
	1 - ---- --- Spring, Retainer				
23-21-8	MIRROR, Rear View Inside				
	TA3 Chrome	1	-----	*1876 331	
	TC1, TC2, TC3, Except TA3 S.S.	1	2428 246	2428 246	2428 246
	TC1, TC2, TC3, Except TA3 Prismatic	1	2299 846	2299 846	2299 846
	SCREW TA3, TYL, TYM, TYH	1	E9417 534	E9417 534	E9417 534
	Prismatic, S.S.	1	-----	*2421 208	*2421 208
23-21-14	BASE or BRACKET, Rear View Inside Mirror TC1, TC2, TC3, Except Cv. Cp., TA3				
	Chrome	1	2299 817	2299 672	2299 672
	SCREW Cv. Cp., TYL, TYM, Except TA3	3	-----	456 744	456 744
	Chrome	1	2428 235	2292 241	2080 897
	SCREW	3	-----	9414 767	9414 327
	TA3 Chrome	1	-----	2086 275	
	Cv. Cp., TC1, TC2	1	-----	*2299 547	2299 547
	SCREW	3	-----	*9414 765	9414 765
	TYL, TYM, TYH, Except Cv. Cp. Chrome	1	-----	-----	2080 774
	SCREW	3	-----	-----	*9416 684
23-21-15	MIRROR, Rear View Outside Remote Control TYL, TYM, TYH	1	-----	-----	2299 985
23-21-18	ANTI-SQUEAK or GASKET, Rear View Outside Remote Control Mirror Base TYL, TYM, TYH	1	E2486 363	E2486 363	*2161 931

★ Indicates use as required.

☐ Indicates parts not listed in any previous parts book.

Jan. 3, 1964 Supersedes Jan. 25, 1963.

Page 23-79A

Printed in U.S.A.

Prices and specifications subject to change without notice.

Right and left part numbers are on same line,
first number is right, second number is left.

* Indicates change or addition.

CODE	PART NAME AND DESCRIPTION	PER CAR	VALIANT LANCER	PLYMOUTH DODGE	CHRYSLER IMPERIAL
23-21-O MIRRORS - Cont'd					
23-21-24	ADAPTER and GASKET PACKAGE, Rear View Outside Remote Control Mirror NOTE: Right Side not Available TC1, TC2, TC3 Consists of: 1 - ---- Adapter, Left 1 - ---- Gasket	1	----	----	*2421 247
23-21-26	RETAINER, Rear View Inside Mirror Base or Bracket TA3, TYL, TYM, TYH	1	----	*1839 965	*2080 776
23-21-30	PLATE, Windshield Opening Upper Frame Mirror Mounting Cv. Cp.	1	*2423 997		
23-21-32	HANDLE or KNOB, Rear View Outside Remote Control Mirror TC1, TC2, TC3 TYL, TYM, TYH	1 1	---- ----	---- ----	*2162 165 2161 428
23-21-45	SHAFT, Rear View Inside Mirror TA3, TYL, TYM, TYH	1	----	2080 874	2161 329
23-21-46	SPRING, Rear View Inside Mirror Base TA3	1	----	1839 966	
23-21-47	PLUG, Rear View Inside Mirror Base TA3	1	----	1839 967	
23-21-48	REINFORCEMENT, Rear View Inside Mirror Base TA3	1	----	2161 788	
23-21-66	BEZEL, Rear View Outside Mirror Remote Control Handle TC1, TC2, TC3 TYL, TYM, TYH	1 1	E2486 556 ----	E2486 366 ----	2299 967 2299 892
23-21-74	NUT, Rear View Outside Remote Control Mirror Attaching TYL, TYM, TYH	1	----	*2080 541	*2161 432
23-22-O GARNISH MOULDINGS					
23-22-7	MOULDING, Door Garnish 4D., TA3-L, TC1, TC3 Prime, Front Rear 4D., Sub., TA3-E Front Rear	1 1 1 1	---- ---- ---- ----	1883 148-9 1883 168-9 1883 148-9 1883 168-9	1883 156-7 2216 696-7
23-22-53	MOULDING, Quarter Window Garnish Sp. 4 D., Sp. Cl. Cp., TC2, TC3 Chrome 4 D., Sp. 4 D., Sp. Cl. Cp., TC1, TC2, TC3 Prime Sp. 4 D., TA3 Prime Sp. Cl. Cp., TA3 Sp. 4 D., TYL, TYM, TYH Sp. 4D., TYH Rear Sp. Cl. Cp., TYL, TYM	1 1 1 1 1 1 1 1 1	---- ---- ---- ---- ---- ---- ---- ---- ----	---- 1884 828-9 2080 314-5 ---- ---- ---- ---- ----	2244 776-7 2244 712-3 2422 230-1 2080 858-9 2255 196-7

★ Indicates use as required.
 E Indicates parts not listed in any previous parts book.
 Right and left part numbers are on same line,
 first number is right, second number is left.
 * Indicates change or addition.

1963 PASSENGER CAR PARTS CATALOG

BODY

CODE	PART NAME AND DESCRIPTION	PER CAR	VALIANT DART	PLYMOUTH DODGE	CHRYSLER IMPERIAL
23-22-O GARNISH MOULDINGS - Cont'd					
23-22-53	MOULDING - Cont'd				
	Sub., TA3-E Front to Roof Rail	1	----	1902 304-5	
	Sub., TA3-L Front to Roof Rail	1	----	1902 306-7	1902 306-7
	Sub., TA3 Front	1	----	1839 926-7	1839 926-7
	Upper Center	1	----	1839 928-9	1839 928-9
	Upper Rear	1	----	1839 932-3	1839 932-3
	Lower Center	1	----	1839 930-1	1839 930-1
	Lower Rear	1	----	1839 934-5	1839 934-5
	Sub., Except TA3 2 Seat	1	----	2424 402-3	
23-22-74	CAP, Quarter Belt Garnish Moulding				
	4 D., TC1, TC2, TC3 Prime	1	----	----	2244 716-7
	Sp. 4 D., TC1, TC2, TC3				
	Prime	1	----	----	2244 718-9
	Chrome	1	----	----	2244 772-3
	Sp. Cl. Cp., TC1, TC2 Prime	1	----	----	2244 714-5
	Chrome	1	----	----	2245 038-9
23-22-77	MOULDING, Tailgate Belt Garnish				
	Sub., TA3	1	----	1839 977	1839 977
23-22-78	MOULDING, Tailgate Opening Garnish				
	Sub., Except TA3 Paint as Required, Upper . . .	1	----	2249 810-1	
	Sub., Except TA3 Lower	1	----	2480 924-5	
	Sub., TA3 Upper	1	----	1839 976	1839 976
23-22-80	SPACER, Tailgate Belt Garnish Moulding				
	Sub., TA3 Outer	2	----	2094 449	2094 449
	Inner	2	----	2094 448	2094 448
23-22-81	SEAL, Tailgate Garnish Moulding End				
	Sub., TA3	2	----	2162 547	2162 547
23-22-85	CAP or COVER, Rear Window Garnish Moulding Joint				
	Except TA3 Prime, Lower Corner	1	----	2422 764-5	
	Sp. 4 D., Sp. Cl. Cp., Except TA3				
	Chrome, Lower End	1	----	*2422 998-9	
	TA3	1	----	*2086 168	
	TYL, TYM, TYH Chrome, Lower	1	----	----	1901 991
23-22-86	MOULDING, Rear Window Garnish				
	Except TA3 Prime, Side and Upper	1	----	2422 760-1	
	Sp. 4 D., Sp. Cl. Cp., Except TA3				
	Chrome, Side and Upper	1	----	2422 996-7	
	4 D., Sp. 4 D., TA3 Prime, Upper	1	----	1882 955	
	Side	1	----	1883 002-3	
	Sp. Cl. Cp., TA3 Upper, Prime	1	----	*1839 940-1	
	Chrome	1	----	*2086 056-7	
	TC1, TC2, TC3 Prime, Upper	1	----	----	2244 614
	Side	1	----	----	2244 612-3
	Lower Corner	1	----	----	2244 710-1
	Sp. 4 D., Sp. Cl. Cp., TC2, TC3				
	Chrome, Upper	1	----	----	2244 757
	Side	1	----	----	2244 760-1
	Lower Corner	1	----	----	2244 764-5
	TYL, TYM Upper	1	----	----	2255 181
	Side	1	----	----	2255 156-7
	Lower	1	----	----	1901 969-70
	Lower Corner	1	----	----	2255 158-9
	TYH Upper	1	----	----	2080 860
	Lower	1	----	----	2080 910
23-22-145	MOULDING, Windshield Garnish				
	Sp. Cl. Cp. Prime, Side	1	2217 118-9		
	Cv. Cp. Chrome, Upper	1	2422 428		
	Side	1	2424 108-9		
	Except Cv. Cp., TA3, Prime, Upper	1	----	2167 025	

★ Indicates use as required.

⊠ Indicates parts not listed in any previous parts book.

Jan. 3, 1964 Supersedes Jan. 25, 1963.

Page 23-80

Printed in U.S.A.

Prices and specifications subject to change without notice.

Right and left part numbers are on same line,

first number is right, second number is left.

* Indicates change or addition.

CODE	PART NAME AND DESCRIPTION	PER CAR	VALIANT DART	PLYMOUTH DODGE	CHRYSLER IMPERIAL
------	---------------------------	---------	--------------	----------------	-------------------

23-22-0 GARNISH MOULDINGS - Cont'd

23-22-145	MOULDING - Cont'd CLIP	4	----	6000 967	
	Side	1	----	2167 028-9	
	RETAINER	4	----	6001 036	
	Except TA3	1	----	2161 898	
	Sp. 4D., Sp. Cl. Cp., except TA3				
	Prime, Lower	1	----		
	Prime, Upper Corner	1	----	2216 158-9	
	4D., Cl. Sed., Sub., except TA3				
	Prime, Upper Corner	1	----	2216 160-1	
	Sp. 4D., Sp. Cl. Cp., except TA3				
	Chrome, Upper	1	----	2216 897	
	Upper Corner	1	----	2216 898-9	
	Sp. 4D., Sp. Cl. Cp., Cv. Cp., except TA3				
	Chrome, Lower	1	----	2217 092	
	Side	1	----	2252 042-3	
	Cv. Cp., except TA3, Chrome, Upper	1	----	2251 422	
	Cv. Cp., TA3, TC1, TC2				
	Chrome, Upper	1	----	1954 048	2244 305
	Side	1	----	1963 346-7	1963 346-7
	TA3, TC1, TC2, TC3, except Cv. Cp.				
	Prime, Upper	1	----	2165 504	2165 504
	Side	1	----	2165 498-9	2165 498-9
	TA3, TC1, TC2, TC3				
	Lower	1	----	*1839 546-7	
	Sp. 4 D., Sp. Cl. Cp., Sub., TC2, TC3				
	Chrome, Upper	1	----		2165 500
	Side	1	----		2165 494-5
	Cv. Cp., TC1, TC2				2244 304
	Sp. 4 D., Sp. Cl. Cp., TYL, TYM, TYH				
	Chrome, Upper	1	----		2080 782-3
	Upper Corner	1	----		1901 974-5
	Side	1	----		1901 996-7
	Cv. Cp., TYM				2093 619
	Upper	1	----		1901 998-9
	Side	1	----		1839 566-7
	TYL, TYM, TYH				2080 306-7
	Prime, Lower	1	----		1902 274-5
	TYL, TYM, TYH				
	Plate, Inner	1	----		
	Outer	1	----		
23-22-148	COVER, Windshield Garnish Moulding Center Joint				
	TYL, TYM, TYH				
	Prime, Lower	1	----		2080 125
	Chrome, Inner Plate	1	----		*2080 284
23-22-151	SUPPORT, Windshield Garnish Moulding				
	TA3, TC1, TC2, TC3	*	----	1963 956	1963 956
	Cv. Cp., TA3	1	----	1964 348	
23-22-152	SPACER, Windshield Upper Garnish Moulding				
	Sp. 4 D., Sp. Cl. Cp., TYL, TYM, TYH	6	----		1901 973
23-22-160	ORNAMENT, Windshield Lower Garnish Moulding				
	TYL, TYM, TYH				
	NUT	6	----		2080 285
		6	----		6008 032

NOTES

★ Indicates use as required.
 ☐ Indicates parts not listed in any previous parts book.
 Right and left part numbers are on same line,
 first number is right, second number is left.
 * Indicates change or addition.

CODE	PART NAME AND DESCRIPTION	PER CAR	VALIANT DART	PLYMOUTH DODGE	CHRYSLER IMPERIAL
------	---------------------------	---------	--------------	----------------	-------------------

23-23-0 OUTSIDE FINISH MOULDINGS

23-23-2	MOULDING, Body Side Sill Outside Finish NOTE: See Exterior Moulding Illustration in Front of Group 23 Body.				
23-23-7	MOULDING, Cowl Outside Finish NOTE: See Exterior Moulding Illustration in Front of Group 23 Body.				
23-23-14	MOULDING, Front Pillar Face Cv. Cp., TYM	1	----	----	2093 136-7
23-23-16	PANEL, Center Pillar Upper Finish NOTE: See Exterior Moulding Illustration in Front of Group 23 Body.				
23-23-23	MOULDING, Deck Opening Lower Panel Finish NOTE: See Exterior Moulding Illustration in Front of Group 23 Body.				
23-23-28	PANEL, Deck Opening Lower Panel Finish NOTE: See Exterior Moulding Illustration in Front of Group 23 Body.				
23-23-30	MOULDING, Deck Lid NOTE: See Exterior Moulding Illustration in Front of Group 23 Body.				
23-23-31	MOULDING, Deck Opening Upper Panel Finish NOTE: See Exterior Moulding Illustration in Front of Group 23 Body.				
23-23-32	MOULDING, Front Door Outside Finish NOTE: See Exterior Moulding Illustration in Front of Group 23 Body.				
23-23-33	MOULDING, Rear Door Outside Finish NOTE: See Exterior Moulding Illustration in Front of Group 23 Body.				
23-23-36	MOULDING, Front Door Vent Wing Division Channel NOTE: See Exterior Moulding Illustration in Front of Group 23 Body.				
23-23-39	MOULDING, Quarter Panel Outside Finish NOTE: See Exterior Moulding Illustration in Front of Group 23 Body.				

NOTES

★ Indicates use as required.
 B Indicates parts not listed in any previous parts book.
 Jan. 3, 1964 Supersedes Dec. 14, 1962.

Printed in U.S.A.
 Prices and specifications subject to change without notice.
 Right and left part numbers are on same line,
 first number is right, second number is left.
 * Indicates change or addition.

CODE	PART NAME AND DESCRIPTION	PER CAR	VALIANT DART	PLYMOUTH DODGE	CHRYSLER IMPERIAL
23-23-0 OUTSIDE FINISH MOULDINGS - Cont'd					
23-23-41	CAP or COVER, Body Outside Finish Moulding Joint NOTE: See Exterior Moulding Illustrations in Front of Group 23 Body.				
23-23-42	MOULDING, Roof Panel Outside Finish NOTE: See Exterior Moulding Illustrations in Front of Group 23 Body.				
23-23-49	MOULDING, Folding Top Outside Finish NOTE: See Exterior Moulding Illustrations in Front of Group 23 Body.				
23-23-52	MOULDING, Rear Window Outside Finish NOTE: See Exterior Moulding Illustrations in Front of Group 23 Body.				
23-23-60	MOULDING, Tailgate Opening Outside Finish NOTE: See Exterior Moulding Illustrations in Front of Group 23 Body.				
23-23-61	MOULDING PACKAGE, Tailgate Outside Finish NOTE: See Exterior Moulding Illustrations in Front of Group 23 Body.				
23-23-65	MOULDING, Windshield Outside Finish NOTE: See Exterior Moulding Illustrations in Front of Group 23 Body.				
23-23-66	CAP, Windshield Outside Finish Moulding Joint NOTE: See Exterior Moulding Illustrations in Front of Group 23 Body.				
23-23-73	MOULDING, Quarter Window Outside Finish NOTE: See Exterior Moulding Illustrations in Front of Group 23 Body.				
23-23-74	CAP, Quarter Window Outside Finish NOTE: See Exterior Moulding Illustrations in Front of Group 23 Body.				
23-23-75	SEAL, Windshield Outside Finish Moulding to Windshield Opening Upper Frame Reinforcement Cv. Cp.	1	-----	2254 525	
23-23-77	PANEL and NAME LETTERS, Tailgate Outside Finish NOTE: See Exterior Moulding Illustrations in Front of Group 23 Body.				
23-23-80	PANEL, Front Door Outside Panel Finish NOTE: See Exterior Moulding Illustrations in Front of Group 23 Body.				
23-23-85	PANEL, Quarter Outside Panel Finish NOTE: See Exterior Moulding Illustrations in Front of Group 23 Body.				

★ Indicates use as required.
 ☐ Indicates parts not listed in any previous parts book.
 Right and left part numbers are on same line,
 first number is right, second number is left.

1963 PASSENGER CAR PARTS CATALOG

CODE	PART NAME AND DESCRIPTION	PER CAR	VALIANT DART	PLYMOUTH DODGE	CHRYSLER IMPERIAL
23-26-O TRIM FINISH MOULDINGS					
23-26-16	EXTENSION, Rear Body Lock Pillar Inside Moulding Support Sp. 4 D., TC1, TC2, TC3	1	-----	-----	2254 718-9
23-26-18	PANEL, Body Lock Pillar Inside Finish Cl. Sed., TP1, TP2, TD1, TD2 Prime	1	-----	*2216 448-9	
23-26-23	MOULDING, Door Trim Panel Cl. Sed., Cv. Cp., TV1-L, TV1-H, TV1-P, TL1 Upper Sp. Cl. Cp., Cv. Cp., TV1-P, TL1 Upper 4 D., Sub., TV1-L, TV1-H, TL1 Front Upper	1 1 1 1	2292 736-7 2292 736-7 2292 744-5		
	4 D., Sub., TV1-L, TV1-H, TL1 Rear Upper Cl. Sed., Cv. Cp., TL1-H Sp. Cl. Cp., Cv. Cp., TV1-P Sp. Cl. Cp., Cv. Cp., TL1-P 4 D., TL1-L Front 4 D., Sub., TL1-H Front 4 D., TL1-L Rear 4 D., Sub., TL1-H Rear	1 2 2 2 2 2 1 1	2292 742-3 2292 752 2419 214 2419 310 2292 748 2292 748 2292 750-1 2292 750-1		
	Sp. Cl. Cp., Cv. Cp., TD1-H, TD2-H Upper 4 D., Sp. 4 D., Sub., TD1-H, TD2-H Rear Lower 4 D., Sub., TD1-M, TD2-M Rear Lower 4 D., Sp. 4 D., Sub., TD1-H, TD2-H Front Lower 4 D., Sub., TD1-M, TD2-M Front Lower Cl. Sed., Sp. Cl. Cp., TD1-M, TD2-M Lower	1 1 1 1 1 1 2	----- ----- ----- ----- ----- ----- -----	2292 910-11 2292 924-5 2292 924-5 2292 926-7 2292 926-7 2292 921	
	Sp. Cl. Cp., Cv. Cp., TD1-H, TD2-H Lower 4 D., TA3 Front, Upper Sp. Cl. Cp., Cv. Cp., TD2-P Upper 4 D., TA3 Rear Upper 4 D., TA3, Front Lower Sp. Cl. Cp., Cv. Cp., TA3 Lower Sp. 4 D., Sub., TA3, Front Lower	2 2 1 2 2 2 1	----- ----- ----- ----- ----- ----- -----	2292 921 *2419 388 2419 292-3 E2419 391 E2440 110 E2440 111 E2440 112-3	
	4 D., Sp. 4 D., Sub., TA3 Rear, Lower Sp. 4 D., TC3 Luxury Front, Upper Sp. 4 D., TC3 Luxury Rear, Upper Sp. 4 D., TC3 Luxury Front, Intermediate Sp. 4 D., TC3 Luxury Rear, Intermediate SP. 4 D., TC3 Luxury Front Lower Front Sp. 4 D., TC3 Luxury Front Lower Rear Sp. 4 D., TC3 Luxury Rear Lower Front	1 2 1 1 1 2 1 1	----- ----- ----- ----- ----- ----- ----- -----	E2440 114-5 ----- ----- ----- ----- ----- ----- -----	*2440 247 *2440 248-9 *2440 250-1 *2440 252-3 *2440 254 *2440 256-7 *2440 262-3

★ Indicates use as required.
 E Indicates parts not listed in any previous parts book.
 Jan. 3, 1964 Supersedes Jan. 25, 1963.

Printed in U.S.A.
 Prices and specifications subject to change without notice.
 Right and left part numbers are on same line,
 first number is right, second number is left.
 * Indicates change or addition.

CODE	PART NAME AND DESCRIPTION	PER CAR	VALIANT DART	PLYMOUTH DODGE	CHRYSLER IMPERIAL
23-26-0 TRIM FINISH MOULDINGS - Cont'd					
23-26-23	MOULDING - Cont'd				
	Sp. 4 D., TC3 Luxury Rear				
	Lower Rear	1	----	----	*2440 264-5
	Sp. 4 D., TC3 Luxury Rear, Finish Plate	1	----	----	2440 260-1
	Sp. 4 D., TC3 Luxury Front, Finish Plate	1	----	----	2440 258-9
	Sp. Cl. Cp., Cv. Cp., Sp. 4 D., TC2	2	----	----	2292 786
	4 D., Sp. 4 D., TC1 Rear Lower	2	----	----	2419 393
	Sp. 4 D., TC2 Rear Lower	2	----	----	2419 393
	4 D., TC1, TC3 Front Upper	1	----	----	2292 758-9
	4 D., Sub., TC1, TC3				
	Front Upper	1	----	----	2292 908-9
	4 D., Sp. 4 D., Sub., TC1, TC3				
	Rear Upper	2	----	----	2419 050
	Sp. Cl. Cp., Cv. Cp., TC1				
	Upper	1	----	----	2292 756-7
	4 D., Sp. 4 D., TC2 Rear	1	----	----	2292 788-9
	Sp. Cl. Cp., Cv. Cp., Sp. 4 D., Front Recess, TY1	1	----	----	2241 082-3
	Sp. 4 D., Rear Recess, TY1	1	----	----	2241 084-5
	Sp. 4D., TY1-H Rear Recess Finish Plate	1	----	----	2419 200-1
	Sp. 4D., TY1-M Rear Recess Finish Plate	1	----	----	2419 196-7
	Sp. 4D., TY1-L Rear Recess Finish Plate	1	----	----	2419 208-9
	Sp. Cl. Cp., Cv. Cp., Sp. 4D., TY1-M				
	Front Recess Finish Plate	1	----	----	2419 194-5
	Sp. 4D., TY1-H Front Recess Finish Plate	1	----	----	2419 198-9
	Sp. Cl. Cp., Sp. 4D., TY1-L				
	Front Recess Finish Plate	1	----	----	2419 206-7
23-26-41	MOULDING, Roof Side Rail Inside Finish				
	Sp. Cl. Cp., TV Prime	1	2243 870-1		
	Sp. Cl. Cp., TL Prime	1	2244 180-1		
	Sp. Cl. Cp., TP1-H, TP2-H, TP2-P, TD1-H, TD2-H, TD2-P				
	Chrome	1	----	2423 664-5	
	Sp. Cl. Cp., TP1-M, TP2-M, TP1-H, TP2-H, TD1-M, TD2-M, TD1-H, TD2-H				
	Prime	1	----	2423 660-1	
	Sp. 4 D., TP1, TP2, TD1, TD2				
	Chrome	1	----	2424 570-1	
	Sp. Cl. Cp., TC2 Front, Chrome	1	----	----	2244 262-3
	Sp. 4 D., TC2, TC3 Front, Chrome	1	----	----	2244 262-3
	Sp. Cl. Cp., Sp. 4 D., TC1				
	Front, Prime	1	----	----	2244 258-9
	Sp. Cl. Cp., TC2 Front, Prime	1	----	----	2244 258-9
	Sp. 4 D., TC2, TC3 Front, Prime	1	----	----	2244 258-9
	Sp. Cl. Cp., Sp. 4 D., TC1				
	Rear, Prime	1	----	----	2244 264-5
	Sp. Cl. Cp., TC2 Rear, Prime	1	----	----	2244 264-5
	Sp. 4 D., TC2, TC3 Rear, Prime	1	----	----	2244 264-5
	Sp. Cl. Cp., TC2 Rear, Chrome	1	----	----	2244 268-9
	Sp. 4 D., TC2, TC3 Rear, Chrome	1	----	----	2244 268-9
	Sub., TA3-L, TC1, TC3				
	Prime	1	----	*1882 946-7	*1882 946-7
	Sub., TA3-E Prime	1	----	*1902 308-9	
	Sp. Cl. Cp., TA3 Prime	1	----	1839 936-7	
	Sp. Cl. Cp., Sp. 4 D., TY1				
	Rear, Chrome	1	----	----	2217 434-5
	Sp. Cl. Cp., Sp. 4 D., TY1				
	Front, Chrome	1	----	----	1901 978-9

★ Indicates use as required.

⊠ Indicates parts not listed in any previous parts book.

Right and left part numbers are on same line, first number is right, second number is left.

* Indicates change or addition.

Printed in U.S.A.

Prices and specifications subject to change without notice.

Jan. 3, 1964 Supersedes Jan. 25, 1963.

1963 PASSENGER CAR PARTS CATALOG

BODY

CODE	PART NAME AND DESCRIPTION	PER CAR	VALIANT DART	PLYMOUTH DODGE	CHRYSLER IMPERIAL
23-26-O TRIM FINISH MOULDINGS - Cont'd					
23-26-41	EXTENSION, Roof Side Rail Inside Finish Moulding Sp. Cl. Cp., Sp. 4 D., TA3, TC1				
	Front, Prime	1	----	1952 880-1	1952 880-1
	Sp. Cl. Cp., Sp. 4 D., TC2, TC3				
	Front, Stainless S.	1	----	----	1952 896-7
	Sub., TA3-L, TC1, TC3				
	Front, Prime	1	----	*1952 880-1	*1952 880-1
	Sub., TA3-E	1	----	*1902 348-9	
23-26-42	COVER, Roof Side Rail Inside Moulding Joint Sp. Cl. Cp., Sp. 4 D., TC1, TC2, TC3				
	Prime	2	----	----	2255 203
	Chrome	2	----	----	2255 073
23-26-44	SUPPORT, Roof Rail Inside Moulding Sub., TA3-L, TC1, TC3	1	----	*1869 564-5	*1869 564-5
	Sp. Cl. Cp., TA3	1	----	1878 440-1	
	Sp. 4 D., Sub., TA3	1	----	1869 564-5	
	Sp. Cl. Cp., Sp. 4 D., TC1, TC2, TC3	1	----	----	*2254 716-7
23-26-45	MOULDING, Front Seat Side Shield Sp. 4 D., TY1-M	1	----	----	2080 382-3
	Sp. Cl. Cp., Cv. Cp., TY1-M				
	Upper	1	----	----	2080 384-5
	Sp. Cl. Cp., Cv. Cp., TY1-M				
	Lower	1	----	----	2080 386-7
	Sp. 4 D., TY1-H	1	----	----	2419 728-9
23-26-46	PANEL, Quarter Inside Finish Cl. Sed., Sp. Cl. Cp., TL1				
	Prime	1	2244 416-7		
	Sp. Cl. Cp., TV1	1	2422 462-3		
	Cl. Sed., TV1	1	2422 458-9		
	Sub., TV1, TL1	1	2292 488-9		
	FINISH PLATE, Front Seat Side Shield Moulding Sp. 4 D., TY1-H	1	----	----	2419 740-1
23-26-47	MOULDING, Rear Quarter Trim Panel Finish Cl. Sed., Sp. Cl. Cp., TV1-L, TV1-H, TV1-P, Upper	1	2292 738-9		
	Cl. Sed., Sp. Cl. Cp., TL, Upper	1	2292 738-9		
	Sp. Cl. Cp., TV1-P	2	2419 215		
	Sp. Cl. Cp., TL1-P	2	2419 311		
	Cl. Sed., TL1-H	2	2292 753		
	Cv. Cp., TV1-P	1	B2440 060-1		
	Cv. Cp., TL1-H	1	B2440 062-3		
	Cv. Cp., TL1-P	1	B2440 064-5		
	Cv. Cp., TD2-H	1	----	B2440 376-7	
	Cv. Cp., TD2-H	2	----	B2440 398	
	Cv. Cp., TD2-P	1	----	2440 378-9	
	Sp. Cl. Cp., TD2-P	1	----	*2419 296-7	
	Sp. Cl. Cp., TP2-P	2	----	2419 287	
	Cl. Sed., Sp. Cl. Cp., TD1-M, TD2-M				
	Lower	2	----	2292 922	
	Sp. Cl. Cp., TD1-H, TD2-H				
	Upper	1	----	2292 912-3	
	Sp. Cl. Cp., TD1-H, TD2-H				
	Lower	2	----	2292 922	
	Sub., Wheelhouse and Lower Quarter Trim Cover and Extension Joint	1	----	2419 516-7	
	Sub., TA3, TC1, TC3, Wheelhouse Front Upper	1	----	2080 644-5	2080 644-5
	Sub., TA3, TC1, TC3, Wheelhouse Front Lower	1	----	2080 438-9	2080 438-9

★ Indicates use as required.

☐ Indicates parts not listed in any previous parts book.

Jan. 3, 1964 Supersedes Jan. 25, 1963.

Printed in U.S.A.

Prices and specifications subject to change without notice.

Right and left part numbers are on same line,

first number is right, second number is left.

* Indicates change or addition.

CODE	PART NAME AND DESCRIPTION	PER CAR	VALIANT DART	PLYMOUTH DODGE	CHRYSLER IMPERIAL
23-26-0 TRIM FINISH MOULDINGS - Cont'd					
23-26-47	MOULDING - Cont'd				
	Cv. Cp., TA3 Upper	2	----	2419 397	
	Sp. Cl. Cp., TA3 Upper	2	----	⊕2419 398	
	Cv. Cp., TA3 Lower	1	----	⊕2440 116-7	
	Sp. Cl. Cp., TA3 Lower	2	----	2440 118	
	Cv. Cp., TC1 Upper	2	----	----	2419 048
	Sp. Cl. Cp., TC1 Upper	2	----	----	2419 047
	Sp. Cl. Cp., TCL	1	----	----	2419 030-1
	Sp. Cl. Cp., TC2	1	----	----	2419 030-1
23-26-49	CUP WASHER, Front Seat Side Shield Moulding to Shield Sp. 4 D., TY1	4	----	----	*2080 881
23-26-53	SPACER, Roof Rail Inside Finish Moulding Sp. Cl. Cp., Sp. 4 D.	12	----	2423 670	
23-26-58	CAP, Center Pillar Finish Sp. 4 D., TY1 SCREW	1 6	----	----	2161 610-11 6024 190
23-26-62	CAP, Rear Door Trim Panel Finish Rear Sp. 4 D., TC1, TC2, TC3 Sp. 4 D., TY1 Sub., TC1, TC3 Sp. 4 D., Sub., TA3	1 1 1 1	----	----	2419 166-7 1830 498-9 2241 494-5
23-26-64	PLATE, Center Pillar Upper Finish Sp. 4 D. Prime	2	----	2217 177	
23-26-80	NAME PLATE, Front Door Trim Panel Cl. Sed., Sp. Cl. Cp., 4 D., Sub., TP1-M, TP2-M Cl. Sed., Cv. Cp., 4 D., Sp. 4 D., Sub., TP1-H, TP2-H Sp. Cl. Cp., Cv. Cp., TP2-P 4 D., Sp. 4 D., Sub., "NEW YORKER"	2 2 2 2	----	2292 755 2292 754 2419 419 ----	2292 563
	NAME PLATE, Door Garnish Cv. Cp., TV-H "VALIANT Two Hundred" . . . Cv. Cp., Sp. Cl. Cp., TV-P "SIGNET Two Hundred" Cv. Cp., TL-H "DART 270" Cv. Cp., Sp. Cl. Cp., TL-P "DART GT"	2 2 2 2	2218 192 2217 483 2218 194 2218 196		
	MEDALLION, Door Trim Panel Sp. Cl. Cp., Cv. Cp., TD2-P TA3 Sp. Cl. Cp., Sp. 4 D., TY1-L Front	4 2 2	----	2292 452 2292 452 ----	⊕2419 168
	NUMERAL, Front Door Trim Panel Sp. Cl. Cp., Cv. Cp., Sp. 4 D., TC2 "3" "0"	2 4	----	----	1840 998 1840 999
23-26-85	MOULDING, Folding Top Pocket Panel Finish Cv. Cp., TV1, TL1 Upper Cv. Cp., TL1-P Lower	1 1	2440 006-7 2440 008-9		
23-26-87	MOULDING, Floor Console Sp. Cl. Cp., Cv. Cp., TP2-P, TD2-P Sp. Cl. Cp., Cv. Cp., Sp. 4 D., TC2 Front Sp. Cl. Cp., Cv. Cp., Sp. 4 D., TC2 Rear	1 2 1	----	2292 458-9 ----	2419 488 2419 489

★ Indicates use as required.

⊕ Indicates parts not listed in any previous parts book.

Right and left part numbers are on same line, first number is right, second number is left.

* Indicates change or addition.

Printed in U.S.A.

Prices and specifications subject to change without notice.

Jan. 3, 1964 Supersedes Jan. 25, 1963.

1963 PASSENGER CAR PARTS CATALOG

BODY

CODE	PART NAME AND DESCRIPTION	PER CAR	VALIANT DART	PLYMOUTH DODGE	CHRYSLER IMPERIAL
------	---------------------------	---------	--------------	----------------	-------------------

23-31-O PADS, LINERS, INSULATORS, SEALS, ANTI-SQUEAK

23-31-33	LINER, Dash All w/or w/o Heater, Right. Left Center TY1 w/or w/o Heater, Black TA3, TC1, TC2, TC3, w/or w/o Heater.	1 1 1 1 1	2216 816 2216 815 ---- ---- ----	2241 944 2241 945 2241 943 ---- 2241 592	2217 651 2241 592
23-31-116	COVER, Front Floor Pan Gearshift Filler Except Sub., TP2, TD2 413 cu. in. Eng., w/Std. Trans., Black	1	----	2249 907	
23-31-119	PAD, Steering Column to Floor Finish TC1 w/o Power Steering, w/Std. Trans., w/LINER. TC1, TC2 w/Power Steering, w/Std. Trans., w/LINER. TC1 w/o Power Steering, w/Auto. Trans. PAD, Dash Panel to Steering Column Seal Finish Sp. 4 D., TC3 Luxury TY1	1 1 1	---- ---- ----	---- ---- ----	2162 293 2162 545 2080 936 1773 635
23-31-124	SEAL, Steering Column to Floor TA3, TC1 w/o Power Steering, w/Std. Trans. TA3, TC1 w/o Power Steering, w/Auto. Trans. TA3, TC1, TC2 w/Power Steering, w/Std. Trans. TA3, TC1, TC2 w/Power Steering, w/Auto. Trans. TC3 w/Power Steering, w/Auto. Trans. TY1	1 1 1 1 1 1	---- ---- ---- ---- ---- ----	2162 290 2080 766 2162 544 2080 768 ---- ----	2162 290 2080 766 2162 544 2080 768 2080 767 1830 452
23-31-125	SILENCER, Steering Column Opening Cover TY1	1	----	----	1767 102
23-31-145	WEATHERSTRIP, Cowl to Hood TY1	1	----	----	1751 182
23-31-146	SEAL, Dash Panel to Fender Splash w/FASTENER Upper	2 2 2	2216 790 2216 742 ----	2217 315 2216 998	
23-31-157	SEAL, Instrument Panel Gear Selector Housing Light All, TC1, TC2, TC3, Upper All, TC1, TC2, TC3, Lower	1 1	---- ----	---- ----	2218 175 2218 174
23-31-205	SILENCER, Roof Panel All, 1/2" x 25 1/2" x 67"	★	1774 621	1774 621	1774 621

23-32-O PANS, PLUGS AND BODY BUMPERS

23-32-15	PLUG or BUTTON, Floor Pan 1/2" Hole, TC1, TC2, TC3 1" Hole, TC1, TC2, TC3 7/8" Hole, TA3, TC1, TC2, TC3 1 3/4" Hole 2 1/2" Hole 2 1/2" Hole, TY1 1/2" Hole 2 1/2" Hole, TA3, TC1, TC2, TC3	★ ★ ★ ★ ★ ★ ★ ★	2094 984 2094 985 ---- 2424 864 *2483 571 ---- ---- ----	2094 984 2094 985 2094 631 2424 864 *2483 571 ---- ---- 2083 111	2094 984 2094 985 2094 631 2424 864 *2483 571 1869 582 *2093 945 2083 111
----------	--	--------------------------------------	---	---	--

★ Indicates use as required.
 ☐ Indicates parts not listed in any previous parts book.
 Jan. 3, 1964 Supersedes Dec. 14, 1962.

Printed in U.S.A.
 Prices and specifications subject to change without notice.
 Right and left part numbers are on same line,
 first number is right, second number is left.
 * Indicates change or addition.

CODE	PART NAME AND DESCRIPTION	PER CAR	VALIANT DART	PLYMOUTH DODGE	CHRYSLER IMPERIAL
23-32-0 PANS, PLUGS AND BODY BUMPERS - Cont'd					
23-32-17	CROSSMEMBER, Front Suspension TP1, TD1 Complete.	1	2260 609	2204 199	
	TP2, TD2 Complete.	1	-----	2401 057	
	CROSSMEMBER, Rear Floor Pan Rear Center	1	2423 719	2166 051	
	CROSSMEMBER, Front Side Rail Front Complete.	1	-----	2204 167	
	CROSSMEMBER, Rear Floor Pan Rear Shock Absorber TP1, TP2, TD1, TD2, TC1, TC2, TC3 TA3	1	-----	2188 048	1883 342
	CROSSMEMBER, Center Floor Pan Pinion Carrier Bumper TA3, TC1, TC2, TC3	1	-----	1919 129	1919 129
	CROSSMEMBER, Rear Floor Pan Rear Center	1	*2081 016		
	CROSSMEMBER and SPACER, Front Floor Pan Transmission Mounting All	1	2425 278		
	CROSSMEMBER, Front Side Rail Front All	1	*2081 018		
	CROSSMEMBER, Front Floor Pan Transmission Mounting TA3, TC1, TC2, TC3	1	-----	2244 908	2244 908
	CROSSMEMBER and REINFORCEMENT, Rear Floor Pan Rear TA3, TC1, TC2, TC3, except Sub.	1	-----	1960 180	2243 516
	CROSSMEMBER, Front Floor Pan Rear All, TY1	1	-----	-----	1861 264
	CROSSMEMBER, Rear Floor Pan Rear Sub., TC1, TC3 All, TA3	1	-----	-----	1878 475
	CROSSMEMBER AND UPPER STUD, Rear Floor Pan Rear Shock Absorber TA3, TC1, TC2, TC3	1	-----	2253 586	2253 586
	CROSSMEMBER, Front Rail Torsion Bar Anchor TP1, TP2, TD1, TD2, Complete.	1	-----	2253 384	
	CROSSMEMBER, SHOCK ABSORBER and REINFORCEMENT, Floor Pan Rear Center Pan All	1	2253 665		
23-32-18	BOLT, Front Suspension Crossmember 1 7/8" Length	4	2074 393	2074 393	
	1 1/4" Length	★	2074 394	2074 394	
23-32-20	WASHER, Front Suspension Crossmember Bolt Lock	4	2074 386	2074 386	
23-32-22	PAN, Front Floor All, TV	1	2243 345	B2481 746	
	TL, except Sub.	1	2243 550		
	Sub., TL	1	2243 345		
	TA3, TC1, TC2, TC3	1	-----	2244 907	2244 907
23-32-24	PAN, Center Floor All, TP1, TP2, TD1, TD2, TC1, TC2, TC3 All, TA3	1	2243 508	2165 811	1861 001
		1	-----	1861 001	
23-32-25	EXTENSION, Center Floor Pan Cl. Sed., Sp. Cl. Cp., Cv. Cp., 4D., TL TD1, TD2, except Sub.	1	2244 618-9	2244 170-1	
	Sub., TD1, TD2	1	-----	2422 850-1	
	All, TP1, TP2	1	-----	2422 850-1	

★ Indicates use as required.

E Indicates parts not listed in any previous parts book.

Right and left part numbers are on same line,

first number is right, second number is left.

* Indicates change or addition.

Printed in U.S.A.

Prices and specifications subject to change without notice.

Jan. 3, 1964 Supersedes Dec. 14, 1962.

1963 PASSENGER CAR PARTS CATALOG

BODY

CODE	PART NAME AND DESCRIPTION	PER CAR	VALIANT DART	PLYMOUTH DODGE	CHRYSLER IMPERIAL
23-32-0 PANS, PLUGS AND BODY BUMPERS - Cont'd					
23-32-27	REINFORCEMENT, Front Floor Pan Seat Guide				
	All Front	1	2081 808-9	2166 082-3	
	Rear	1	2081 810-1	2166 084-5	
	REINFORCEMENT, Front Floor Pan Seat Attaching Bucket Seat				
	TC2, TC3 Rear	1	----	----	*2424 472-3
	REINFORCEMENT, Front Floor Pan Seat Attaching Sp. Cl. Cp., Cv. Cp., TP2-P, TD2-P, TC2				
	Front	1	----	2252 284-5	2252 294-5
	Rear	★	----	2252 286-7	2252 296
	REINFORCEMENT, Floor Pan Seat Track				
	TA3, TC1, TC2, TC3, Front	1	----	1960 198-9	1960 198-9
	Rear	1	----	1960 200-1	1960 200-1
23-32-29	FILLER, Front Floor Pan Gear Shift TP2, TD2, w/426 cu. in. Eng.	1	----	B2480 346	
23-32-30	REINFORCEMENT, Front Floor Pan Transmission Filler TP2, TD2, w/413 cu. in. Eng.	1	----	2422 450	
23-32-31	BRACE, Front Crossmember to Front Suspension Crossmember All	1	2401 036	2401 041	
23-32-33	BRACKET, Floor Pan Diagonal Brace Cl. Sed., Sp. Cl. Cp., 4D., TL Cl. Sed., Sp. Cl. Cp., 4D., Sp. 4D., TD1, TD2	1 1	2422 960 ----	2243 931	
23-32-36	COVER, Fuel Gauge Inspection Hole Sub., TA3, TC1, TC3	1	----	1846 668	1846 668
23-32-39	T/PLATE, Center Floor Pan Cover Panel Hinge Sub.	1	----	2423 540	
23-32-40	BRACKET, Rear Floor Pan Seat Back Attaching Cv. Cp., TL1, TD1, TD2 Cv. Cp., TP2	2 2	2255 822 ----	2244 411 2254 097	
	BRACKET, Center Floor Pan Rear Suspension Front Hanger Bracket Support and Second Seat Fastening Sub., TA3, TC1, TC3	1	----	1960 084-5	1960 084-5
23-32-46	PANEL, Center Floor Pan Cover Sub. Front Rear Sub. Center	1 1 1	2243 886 2243 323 ----	2251 902	
	PANEL, Rear and Center Floor Pan Insert Sub.	1	----	2254 676	
	PANEL, 2nd Seat Back to Rear Floor Pan Cover, w/HINGE	1	----	*2254 677	
	Sub., TA3, TC1, TC3, Prime	1	----	1878 636	1878 636
23-32-48	PAN, Rear Floor All, TY1 Sub., TP1, TP2, TD1, TD2 Except Sub., TP1, TP2, TD1, TD2 Sub., TA3, TC1, TC3 Center, Front Sub., TA3, TC1, TC3 Center, Rear Sub., TA3, TC1, TC3, Center Except Sub., TA3, TC1, TC2, TC3 Sub., TA3, TC1, TC3, Spare Tire Compartment . . .	1 1 1 1 1 1 1 1	2423 718 ---- ---- ---- ---- ---- ---- ----	---- 2166 065 2423 562 2093 702 2093 703 1861 041 *1861 002 *1973 211	1877 346 2093 702 2093 703 1861 041 *1861 002 1973 211
23-32-49	EXTENSION, Rear Floor Pan Side Sub., TA3, TC1, TC3 TA3, TC1, TC2, TC3, except Sub.	1 1	---- ----	*2251 526 2242 550-1	*1960 080-1 2242 550-1

★ Indicates use as required.
 ☐ Indicates parts not listed in any previous parts book.
 Jan. 3, 1964 Supersedes Jan. 25, 1963.

Printed in U.S.A.
 Prices and specifications subject to change without notice.
 Right and left part numbers are on same line, first number is right, second number is left.
 * Indicates change or addition.

CODE	PART NAME AND DESCRIPTION	PER CAR	VALIANT DART	PLYMOUTH DODGE	CHRYSLER IMPERIAL
23-32-O PANS, PLUGS AND BODY BUMPERS - Cont'd					
23-32-49	EXTENSION - Cont'd TD1, TD2, except Sub. to Quarter Outside Panel . . .	1	----	2244 540-1	
	All, TY1	1	----	----	1877 762-3
	PAN, Rear Floor Side Sub., TA3, TC1, TC3	1	----	1877 830-1	1877 830-1
	Except Sub., TA3	1	----	1861 048-9	
	EXTENSION and CROSSMEMBER, Rear Floor Pan Side Outer Sub.	1	2425 288-9		
	TV, except Sub.	1	2425 272-3		
	EXTENSION and CROSSMEMBER, Quarter Panel to Rear Floor Pan Rear Outer TL, except Sub.	1	2425 274-5		
23-32-50	BRACE, Rear Floor Pan Cover Panel at Tailgate Opening Sill Reinforcement Sub. 2 Seater	2	----	2254 666	
23-32-51	BUMPER, Second Seat Back Center Floor Pan Cover Panel Frame Sub.	2	2482 908		
	BUMPER, Center Floor Pan Front Cover Panel Reinforcement Sub.	2	2482 908		
	BUMPER, Tailgate Opening Sill Panel to Rear Floor Pan Cover Sub. 2 Seater	2	----	2254 661	1380 060
	BUMPER, Tailgate Opening Sill Panel to Third Seat Bottom Sub. 3 Seater	2	----	----	1380 060
	BUMPER, Wheelhouse Rear Floor Pan Support to Rear Floor Pan Cover Sub.	2	----	----	1380 060
	BUMPER, Tailgate Opening Sill Reinforcement Floor Pan Cover Sub.	2	----	2255 231	
	BUMPER, Floor Pan Cover Panel Second Seat Back Sub.	★	*2482 908	*2482 908	
23-32-53	REINFORCEMENT, Rear Floor Pan Extension Sub.	1	----	2252 332-3	
23-32-56	COVER, Rear Floor Pan Sub., TA3, TC1, TC3, 2 Seater, Prime	1	----	1878 889	1878 889
23-32-58	STRIKER, Rear Floor Pan Cover Panel Sub. w/Locked Spare Tire Cover. . .	1	----	2254 667	
	STRIKER, Rear Floor Pan Cover Lock Latch Sub., TA3, TC1, TC2, 2 Seater	1	----	1960 476	1960 476
23-32-64	LATCH, Rear Floor Pan Cover Lock Sub., 2 Seater, TA3, TC1, TC3	1	----	1866 685	1866 685
23-32-65	HINGE, Rear Floor Pan Cover Panel Sub. 2 Seater	1	----	2254 675	
	HINGE, Center Floor Pan Front Cover Panel Sub.	1	2243 320		
	HINGE, Rear Floor Pan Cover Panel Sub., 2 Seater, TA3, TC1, TC3 Body Half	1	----	1878 170-1	1878 170-1

★ Indicates use as required.
 □ Indicates parts not listed in any previous parts book.
 Right and left part numbers are on same line,
 first number is right, second number is left.
 * Indicates change or addition.

1963 PASSENGER CAR PARTS CATALOG

BODY

CODE	PART NAME AND DESCRIPTION	PER CAR	VALIANT DART	PLYMOUTH DODGE	CHRYSLER IMPERIAL
23-32-0 PANS, PLUGS AND BODY BUMPERS - Cont'd					
23-32-66	SPRING, Rear Floor Pan Cover Lock Latch Sub., 2 Seater, TA3, TC1, TC3	1	----	1866 682	1866 682
23-32-67	SUPPORT, Wheelhouse Rear Floor Pan Cover Sub., TA3, TC1, TC3, 2 Seater	2	----	1878 014	1878 014
23-32-69	T/PLATE, Center Floor Pan Rear Cover Panel Hinge Sub.	1	----	2423 540	
	T/PLATE, Wheelhouse Rear Floor Pan Cover Support Sub., TA3, TC1, TC3	2	----	2189 290	2189 290
23-32-70	SUPPORT and WELD NUTS, Center Floor Pan Rear Cover Panel Sub.	1	2243 526		
	REINFORCEMENT, Rear Floor Pan Cover Panel Side to Floor Pan Sub. 2 Seater	1	----	2254 664-5	
	REINFORCEMENT, Rear Floor Pan Rear Center Except Sub.	1	----	2166 935	
	REINFORCEMENT, Rear Floor Pan to Center Pan Sub., TA3, TC1, TC3	1	----	1961 325	1961 325
	REINFORCEMENT, Front Floor Pan to Center Floor Pan TA3, TC1, TC2, TC3	1	----	2422 849	2422 849
23-32-73	PIN, Rear Floor Pan Cover Hinge Sub., TA3, TC1, TC3, 2 Seater, Body Half	2	----	1960 627	1960 627
	PIN, Rear Floor Pan Cover Panel Prop Rod Sub. 2 Seater	1	----	B6000 130	
23-32-75	BRACKET, Rear Floor Pan Cover Lock Latch Sub., 2 Seater, TA3, TC1, TC3	1	----	1866 683	1866 683
23-32-77	BOLT, Rear Floor Pan Cover Lock Latch Bracket Sub., 2 Seater, TA3, TC1, TC3	2	----	1883 654	1883 654
23-32-79	BRACKET, Rear Floor Pan Cover Panel Release Rod Sub. w/Locked Luggage Compartment .	1	----	2251 433	
	BRACKET and RETAINER, Rear Floor Pan Cover Panel Prop Rod Sub., TP1, TP2, TD1, TD2, TC1, TC3 2 Seater	1	----	2254 810	1960 689
	Sub., TA3	1	----	1960 689	
	BRACKET, Rear Floor Pan Cover Prop Rod Pivot Sub., TA3, TC1, TC3, 2 Seater	1	----	1432 929	1432 929
23-32-80	HANDLE, Rear Floor Pan Cover Panel Release Sub. 2 Seater, w/Locked Compartment	1	----	2251 680	
	PIN	1	----	*6023 039	
	Sub., TA3, TC1, TC3, 2 Seater, Chrome	1	----	1833 596	1833 596
23-32-82	ESCUTCHEON, Rear Floor Pan Cover Lift Handle Sub., 2 Seater, TA3, TC1, TC3 Chrome	1	----	*1833 597	1833 597
	BEZEL, Rear Floor Pan Cover Panel Grip Sub. 2 Seater, w/Locked Luggage Compartment	1	----	2252 183	
23-32-87	SPRING, Rear Floor Pan Cover Panel Release Sub. 2 Seater, w/Locked Luggage Compartment	1	----	2251 676	
	SPRING, Center Floor Pan Cover Panel Hinge Sub.	3	2423 448	2423 449	

★ Indicates use as required.
 ☐ Indicates parts not listed in any previous parts book.
 Jan. 3, 1964 Supersedes Jan. 25, 1963.

Printed in U.S.A.
 Prices and specifications subject to change without notice.
 Right and left part numbers are on same line,
 first number is right, second number is left.
 * Indicates change or addition.

CODE	PART NAME AND DESCRIPTION	PER CAR	VALIANT DART	PLYMOUTH DODGE	CHRYSLER IMPERIAL
23-32-0 PANS, PLUGS AND BODY BUMPERS - Cont'd					
23-32-88	ROD, Rear Floor Pan Cover Prop Sub., TP1, TP2, TD1, TD2, TA3, TC1, TC3	1	----	1960 061	1960 061
23-32-90	SUPPORT, Front Floor Pan No. 1 and No. 1A Body Hold-Down Brace Bolt TA3, TC1, TC2, TC3	1	----	1878 136-7	1878 136-7
23-32-92	GUSSET, Center Floor Pan Rear Suspension Front Hanger Bracket Support to Rail All	1	----	2251 688-9	
	GUSSET, Center Floor Pan Rear Suspension Front Hanger Bracket Support to Sill All	1	----	2251 686-7	
23-32-93	SUPPORT and T/PLATE, Rear Floor Pan Rear Suspension Front Hanger Bracket All	1	2081 004-5		
	SUPPORT, Center Floor Pan Rear Suspension Front Hanger Bracket All, TP1, TP2, TD1, TD2, TC1, TC2, TC3	1	----	2251 684-5	1883 320-1
	TA3	1	----	1883 320-1	
	BRACKET and SUPPORT, Rear Floor Pan Rear Suspension Rear Hanger Sub.	1	----	2253 108-9	
	Except Sub.	1	----	2253 106-7	
	SUPPORT and T/PLATE, Rear Floor Pan Rear Suspension Rear Hanger Bracket TA3, TC1, TC2, TC3	1	----	1878 236-7	1878 236-7
23-32-98	PLUG, Cowl Top Panel	2	2254 626		
	PLUG, Dash Panel Heater Hose Hole	2	2094 985	2094 985	
	PLUG, Dash Panel to Fender Splash Shield	2	----	2216 765	
	PLUG, Dash Panel Extension	1	----	2254 626	
23-32-99	SNAP RING, Rear Floor Pan Cover Panel Release Sub. w/Locked Compartment.	1	----	1322 503	
23-32-105	RAIL and SPACERS, Floor Pan Rear Side Except Sub.	1	----	2253 084-5	
	Sub.	1	----	2253 096-7	
	RAIL and Front Bumper Attaching REINFORCEMENT, Front Floor Pan Side All	1	----	2253 372-3	
	RAILS, Rear Floor Pan Inner and Outer Side Sub., TA3, TC1, TC3	1	----	2425 350-1	2425 350-1
	TA3, TC1, TC2, TC3, except Sub.	1	----	1973 304-5	2425 350-1
	RAIL and Front Hanger GUSSET, Rear Floor Pan Side All	1	2253 644-5		
	RAIL and Brake Tube BRACKET, Front Floor Pan Front Side All (also specify 1 of 2242460-1 Reinf.)	1	2425 414-5		
23-32-106	RETAINER, Rear Floor Pan Spare Tire Cover Panel All Prime	1	2259 173		
	RETAINER, Wheelhouse Inner Rear Floor Pan Cover Support T/Plate Sub., TA3, TC1, TC3	2	----	1960 496	1960 496
23-32-107	BRACKET and HINGE, Rear Floor Pan Cover Panel Sub.	2	2259 380		
23-32-108	BRACKET, Front Side Rail Front Suspension Upper Control Arm Mounting	1	2081 840-1	2204 184-5	

★ Indicates use as required.

☐ Indicates parts not listed in any previous parts book.

Right and left part numbers are on same line,
first number is right, second number is left.

* Indicates change or addition.

CODE	PART NAME AND DESCRIPTION	PER CAR	VALIANT DART	PLYMOUTH DODGE	CHRYSLER IMPERIAL
23-32-O PANS, PLUGS AND BODY BUMPERS - Cont'd					
23-32-110	SIELD, Front Suspension Crossmember to Front Side Rail Splash All Left	1	2260 469		
		1		2260 472-3	
	SIELD, Front Rail Lower Splash TP1, TP2, TD1, TD2, Prime, Lt.	1	----	2405 041	
23-32-112	REINFORCEMENT, Center Floor Pan and Inner Sill to Rear Side Rail and Spring Hanger Bracket Cv. Cp.	1	----	2254 618-9	
	REINFORCEMENT, Center Floor Pan to Inner Sill and Rear Rail and Spring Hanger Support Cv. Cp.	1	*2422 568-9		
	REINFORCEMENT, Front Floor Pan to Inner Sill Front Reinforcement to Front Side Rail Cv. Cp.	1	2422 564-5		
	REINFORCEMENT, Center Floor Pan Rear Suspension Front Hanger Bracket Support All	1	----	2252 302-3	
23-32-113	CLIP, Front Side Rail Splash Shield TV, TL, TP1, TD1, TA3, TC1, TC2, TC3	★	*2405 049	*2405 049	*2405 049
23-32-114	BRACKET, Front Floor Pan to Inner Sill and Front Reinforcement to Front Side Rail Cv. Cp.	1	----	2254 620-1	
23-32-115	REINFORCEMENT, Front Side Rail All	1	2081 058-9	2204 170-1	
	w/Radiator Yoke BRACKET . .	1	----	2253 382-3	
	REINFORCEMENT, Front Side Side Rail to Side Sill Inner All	1	2242 460-1		
23-33-O INSTRUMENT PANEL					
23-33-6	HANDLE, Instrument Panel Assist TC1, TC2, TC3	1	----	----	2216 916
23-33-10	BRACE, Instrument Panel Lower Reinforcement to Steering Column Clamp	1	----	2216 933	
	BRACE, Instrument Panel Lower Reinforcement to Windshield Frame TA3, TC1, TC2, TC3	1	----	2080 899	2080 679
	BRACE, Instrument Panel Lower Reinforcement to Windshield Wiper Motor Mounting Bracket TC1, TC2, TC3	1	----	2162 538	2292 023
	BRACE, Instrument Panel Lower Reinforcement to Pedal Bracket TC1, TC2, TC3	1	----	----	2217 302
	BRACE, Instrument Panel Lower Reinforcement to Windshield Wiper Motor Mounting Bracket TY1	1	----	----	2292 327
23-33-12	COVER, Instrument Panel Radio Opening Except TA3	1	2161 973	2162 369	
	TA3	1	----	1901 789	
	TY1	1	----	----	1901 811
	TY Knob Hole Cover.	2	----	----	2080 058
	STUD	2	----	----	6010 020
	FILLER, Instrument Panel Radio Opening TC1, TC2, TC3	1	----	----	*2218 734

★ Indicates use as required.

□ Indicates parts not listed in any previous parts book.

Jan. 3, 1964 Supersedes Jan. 25, 1963.

Page 23-92

Printed in U.S.A.
Prices and specifications subject to change without notice.
Right and left part numbers are on same line,
first number is right, second number is left.

* Indicates change or addition.

CODE	PART NAME AND DESCRIPTION	PER CAR	VALIANT DART	PLYMOUTH DODGE	CHRYSLER IMPERIAL
23-33-O INSTRUMENT PANEL - Cont'd					
23-33-20	COVER, Instrument Panel Clock Hole TP1, TP2 TD1, TD2 TC1, TC2	1 1 1	---- ---- ----	2290 594 2291 569 ----	2291 478
23-33-26	BEZEL, Instrument Panel Fresh Air Door Control TA3 Prime	1	----	2161 135	
23-33-42	GRILLE, Instrument Panel Radio Speaker All, except TA3 Black Except TA3 Medium Tan Except TA3 Medium Blue Except TA3 Red TP1-M, TP2-M, TP1-H, TP2-H Medium Green	1 1 1 1 1	---- ---- ---- ---- ----	2297 072 2428 941 2273 040 2428 942 2428 940	
	TD1, TD2 Medium Turquoise. TP1, TP2, use w/Trim Pad Medium Blue TP1, TP2, use w/Trim Pad Medium Green TP1, TP2, use w/Trim Pad Medium Tan TP1, TP2, use w/Trim Pad Red TP1, TP2, use w/Trim Pad Black TD1, TD2, use w/Trim Pad Medium Blue TD1, TD2, use w/Trim Pad Medium Tan	1 1 1 1 1 1 1 1 1 1 1 1	---- ---- ---- ---- ---- ---- ---- ---- ---- ---- ---- ----	2428 943 E2432 485 E2432 486 E2432 487 E2432 488 E2432 489 E2432 490 E2432 491	
	TD1, TD2, use w/Trim Pad Red TD1, TD2, use w/Trim Pad Black TD1, TD2, use w/Trim Pad Medium Turquoise TA3 Blue TA3 Green TA3 Tan TA3 Red TA3 Turquoise TA3 Black TC1, TC2, TC3 Prime TY1 w/Air Conditioning TY1 w/o Air Conditioning	1 1 1 1 1 1 1 1 1 1 1 1 1 1 1	---- ---- ---- ---- ---- ---- ---- ---- ---- ---- ---- ---- ---- ---- ----	E2432 492 E2432 493 E2432 494 2180 188 2181 436 2181 437 2181 438 2181 439 2181 440 ---- ---- ---- ----	2218 639 2161 616 2161 162
23-33-44	NAME PLATE, Dummy Switch TY1	1	----	----	2197 511
23-33-65	COVER, Instrument Panel Defroster Opening TA3, TC1, TC2, TC3	2	----	2080 238	2080 238
23-33-86	MOULDING, Instrument Panel TP1-M, TP2-M, TP1-H, TP2-H, TP2-P, TD1-M, TD2-M, TD1-H, TD2-H, TD2-P, Horizontal TA3 Finish Plate, Horizontal, End. TA3 Trim Pad TA3 Finish Plate, Horizontal TC1, TC2, TC3 Horizontal, Lower, Rt. TC1, TC2, TC3 Horizontal, Upper. TC1, TC2, TC3 Intermediate, Left TC1, TC2, TC3 Instruments Hood	1 1 1 1 1 1 1 1	---- ---- ---- ---- ---- ---- ---- ----	2161 910-11 1902 310-11 2218 295 2217 656 ---- ---- ---- ----	2218 336 2218 335 2292 317 2217 054

★ Indicates use as required.
 E Indicates parts not listed in any previous parts book.
 Right and left part numbers are on same line,
 first number is right, second number is left.
 * Indicates change or addition.

Printed in U.S.A.
 Prices and specifications subject to change without notice.
 Jan. 3, 1964 Supersedes Dec. 14, 1962.

1963 PASSENGER CAR PARTS CATALOG

BODY

CODE	PART NAME AND DESCRIPTION	PER CAR	VALIANT DART	PLYMOUTH DODGE	CHRYSLER IMPERIAL
23-33-0 INSTRUMENT PANEL - Cont'd					
23-33-89	CAP, Instrument Panel End Finish				
	Blue Metallic	1	2432 692-3		
	Green Metallic	1	2432 694-5		
	Tan Metallic	1	2432 698-9		
	Gray Metallic	1	2432 696-7		
	Red	1	2432 700-1		
	Turquoise Metallic	1	2432 702-3		
23-33-96	NAME PLATE, Instrument Panel				
	TL1-H Dart 270	1	2217 936		
	Polara	1	----	2217 840	
	Polara 500	1	----	2217 399	
	Dodge 330	1	----	2217 848	
	Dodge 440	1	----	2217 849	
	TC1 Newport	1	----	----	2217 276
	All Chrysler	1	----	----	2217 275
	MEDALLION, Instrument Panel Pace Car				
	Sp. Cl. Cp., Cv. Cp., Sp. 4 D., TC2	1	----	----	B2491 875
	TY1-L, TY1-M Imperial	1	----	----	2161 174
	TY1-H LeBaron	1	----	----	2161 175
	NUT	3	----	----	6010 226
23-33-97	BASE, Instrument Panel Medallion Pace Car				
	Sp. Cl. Cp., Cv. Cp., Sp. 4 D., TC2	1	----	----	B2492 114
23-33-101	BEZEL, Instrument Panel Parking Sprag Control				
	TP1, TP2	1	----	2162 776	
23-33-102	COVER, Instrument Panel Parking Sprag Control				
	TP1, TP2	1	----	2162 777	
23-33-103	GASKET, Instrument Panel Parking Sprag Control				
	Cover or Bezel				
	TP1, TP2	1	----	2162 802	
23-33-104	HOUSING, Instrument Panel Parking Sprag Control				
	TY1 Prime	1	----	----	2217 060
23-33-109	PANEL, Instrument				
	TV1, w/Manual Trans.	1	*2292 325		
	TV1, w/Auto. Trans.	1	B2217 329		
	TL1	1	2216 523		
	TP1, TP2	1	----	2216 862	
	TD1, TD2	1	----	2217 832	
	TC1, TC2, TC3 w/or w/o Air Conditioning . . .	1	----	----	2253 530
	TA3	1	----	2218 663	
	TY1	1	----	----	2425 282
	EXTENSION, Instrument Panel End				
	TY1 Right	1	----	----	2080 940
	Left	1	----	----	2217 062
	TY1, Instrument Panel Lower w/REINF. and Wiring CLIPS	1	----	----	2425 281
23-33-129	HOOD, Instrument Panel Instrument				
	TA3 Prime	1	----	2080 704	
	TC1, TC2, TC3 Lower, Prime	1	----	----	2217 078
	TC1, TC2, TC3 Upper, w/Padded PANEL, w/Air Conditioning, Prime	1	----	----	2217 318
	TC1, TC2, TC3 Upper, w/o Padded Panel, w/o Air Conditioning, Prime	1	----	----	2217 072

★ Indicates use as required.

Ⓔ Indicates parts not listed in any previous parts book.

Jan. 3, 1964 Supersedes Dec. 14, 1962.

Printed in U.S.A.

Prices and specifications subject to change without notice.

Right and left part numbers are on same line, first number is right, second number is left.

* Indicates change or addition.

CODE	PART NAME AND DESCRIPTION	PER CAR	VALIANT DART	PLYMOUTH DODGE	CHRYSLER IMPERIAL
23-33-O INSTRUMENT PANEL - Cont'd					
23-33-129	HOOD, Instrument Panel Housing				
	TP1, TP2 Dark Blue	1	----	2413 876	
	TP1, TP2 Dark Green	1	----	2413 877	
	TP1, TP2 Dark Tan.	1	----	2413 878	
	TP1, TP2 Red	1	----	2413 879	
	TP1, TP2 Black	1	----	2413 880	
23-33-132	FILLER, Steering Column Opening				
	TA3, TC1, TC2, TC3, Prime	1	----	2218 265	2217 052
	TA3 Upper	1	----	1902 399	
	COVER, Instrument Panel Steering Column Opening				
	All Gray	1	----	2273 320	
	All Black.	1	----	2297 070	
	All Blue	1	----	2273 317	
	TD1, TD2 Turquoise	1	----	2428 947	
	TP1, TP2 Medium Green.	1	----	2428 944	
	All Medium Tan	1	----	2428 945	
	All Red	1	----	2428 946	
23-33-135	FINISH PLATE, Instrument Panel				
	TL1-H, TL1-P Dull Finish Right	1	*2218 140		
	TL1-H, TL1-P Left	1	E2491 674		
	TL1-H, TL1-P, Bright Finish				
	Right	1	E2491 673		
	TV1-H Right.	1	2292 150		
	TV1-P Right.	1	2218 138		
	TV1-H, TV1-P w/Auto. Trans., Left	1	2217 086		
	TV1-H, TV1-P w/o Auto. Trans., Left	1	2292 151		
	TV1-H, TV1-P w/o Rear Window Lift, Center	1	2292 149		
	TP1-H, TP2-H, TP2-P				
	Controls	1	----	2292 066-7	
	TP1-H, TP2-H, TP2-P				
	Center, w/Radio	1	----	2292 343	
	TP1-H, TP2-H, TP2-P				
	Center, w/o Radio.	1	----	2292 072	
	TD1-H, TD2-H, TD2-P				
	Controls	1	----	2292 064-5	
	TD1-H, TD2-H, TD2-P				
	Center, w/Radio.	1	----	2292 342	
	TD1-H, TD2-H, TD2-P				
	Center, w/o Radio.	1	----	2292 070	
	TC1, TC2, TC3 Controls, w/Radio, Right	1	----	----	2292 320
	TC1, TC2, TC3 Controls, Left	1	----	----	2292 319
	TC1, TC2, TC3 Controls, w/o Radio, w/STUD	1	----	----	2217 066
	TC3 Luxury, Controls	1	----	----	2218 732-3
	TA3 Fresh Air Door, w/o Heater	1	----	2161 493	
	TY1 Right.	1	----	----	2161 489
	TY1 Left	1	----	----	2216 999
	TA3 Right.	1	----	2218 204	
	TA3 Left	1	----	2218 203	
23-33-147	COVER, Instrument Panel Right End Extension				
	TY1	1	----	----	2080 942
23-33-209	SLEEVE NUT, Instrument Panel Gear Selector				
	Mounting Bracket				
	w/Auto. 3 Speed Trans.	★	----	2217 097	2162 495
23-33-213	BRACKET, Transmission Control Box Mounting				
	w/Auto. Trans.	1	2426 734		
	w/Auto. Trans., w/SOCKET	1	*2427 735		
	SCREW and WASHER	3	6023 884		

★ Indicates use as required.

⊠ Indicates parts not listed in any previous parts book.

Right and left part numbers are on same line, first number is right, second number is left.

* Indicates change or addition.

Printed in U.S.A. Prices and specifications subject to change without notice.

Jan. 3, 1964 Supersedes Dec. 14, 1962.

1963 PASSENGER CAR PARTS CATALOG

BODY

CODE	PART NAME AND DESCRIPTION	PER CAR	VALIANT DART	PLYMOUTH DODGE	CHRYSLER IMPERIAL
23-33-O INSTRUMENT PANEL - Cont'd					
23-33-213	BRACKET, Instrument Panel Gear Selector Mounting TA3 TY1 TP1, TP2 TD1, TD2	1 1 1 1	---- ---- ---- ----	2217 926 ---- 2162 488 2162 489	2292 336
23-33-216	COVER, Instrument Panel Map Light Opening TA3, TC1, TC2, TC3 Prime	1	----	2080 152	2217 282
23-33-217	BEZEL, Instrument Panel Gear Selector TC1, TC2, TC3 Dark Blue TC1, TC3 Dark Green TC1, TC2, TC3 Dark Brown TC1, TC2, TC3 Red TC1, TC2, TC3 Dark Turquoise	1 1 1 1 1	---- ---- ---- ---- ----	---- ---- ---- ---- ----	2181 481 2181 482 2181 483 2181 484 2181 485
	TC1, TC2, TC3 Alabaster TC1, TC2, TC3 Black TC3 Luxury, Sp. 4 D. Blue TC3 Luxury, Sp. 4 D. Beige TY1	1 1 1 1 1	---- ---- ---- ---- ----	---- ---- ---- ---- ----	2181 486 2181 487 2181 488 2181 489 2161 156
23-33-220	TRIM PLATE, Transmission Push Button Control TV1 w/Auto. Trans. TRIM PLATE, Instrument Cluster TL1 w/Auto. Trans. TL1 w/Std. Trans.	1 1 1 1	2291 241	2291 676 2291 677	
	PLATE, Instrument Cluster Trim TD1, TD2 w/Std. Trans., w/Heater or Air Conditioner TD1, TD2 w/Auto. Trans, w/Heater or Air Conditioner TD1, TD2 w/Std. Trans., w/o Heater or Air Conditioner TD1, TD2 w/Auto. Trans., w/o Heater or Air Conditioner	1 1 1 1	---- ---- ---- ----	2290 175 2290 173 2290 176 2290 174	
	FINISH PLATE, Instrument Panel Gear Selector TA3 w/Std. Trans. TA3 w/Heater. COVER, Instrument Panel Gear Selector Opening TC1, TC2 w/Std. Trans., Floor Mounted, Prime FINISH PLATE, Instrument Panel Gear Selector TA3 w/Auto. Trans., 5 Button. BEZEL, instrument Panel Gear Selector TA3	1 1 1 1 1 1	---- ---- ---- ---- ---- ----	2161 492 2161 518 ---- 2161 519 *2161 134	*2218 385
23-33-227	GASKET, Gearshift Control Slide Button Cover TD1, TD2 GASKET, Transmission Push Button TP1, TP2	1 1	2266 424	2208 187 2291 829	
	SIELD, Instrument Panel Transmission Controls Lamp TC1, TC2, TC3 w/Auto. Trans., Felt PAD, Instrument Panel Push Button Control TA3 Heater Side TA3 Trans. Side PAD, Instrument Panel Gear Selector TY1	1 1 1 1 1	---- ---- ---- ---- ----	---- 2161 606 2161 606 ----	2217 568 2161 707

★ Indicates use as required.

□ Indicates parts not listed in any previous parts book.

Jan. 3, 1964 Supersedes Dec. 14, 1962.

Page 23-96

Printed in U.S.A.
Prices and specifications subject to change without notice.
Right and left part numbers are on same line,
first number is right, second number is left.

* Indicates change or addition.

CODE	PART NAME AND DESCRIPTION	PER CAR	VALIANT DART	PLYMOUTH DODGE	CHRYSLER IMPERIAL
23-33-O INSTRUMENT PANEL - Cont'd					
23-33-231	BEZEL, Parking Brake Lever Release Rod TP1, TP2	1	----	2071 159	2290 700
	TD1, TD2	1	----	2256 616	
	TC1, TC2, TC3	1	----	-----	
	TA3	1	----	1887 789	
	BEZEL, Parking Brake Indicator Lamp Dummy TA3	1	----	1972 836	
23-33-236	NUT, Parking Brake Lever Release Rod TP1, TP2	1	----	2401 314	2401 325
	TD1, TD2, TA3	1	----	2071 146	
	TC1, TC2, TC3	1	----	-----	
23-33-237	DECAL, Parking Brake Lever Release Rod Bezel TA3, TC1, TC2, TC3	1	----	2291 065	2291 065
23-33-240	GROMMET, Instrument Panel Gear Selector Housing to Instrument Panel w/Auto. Trans.	★	----	2161 522	2161 522
	GROMMET, Instrument Panel Gear Selector Support Mounting Bracket w/Auto. Trans.	★	----	2161 522	2161 522
23-34-O BODY PANELS					
23-34-10	COVER, Tailgate Sill Panel Latch Opening Sub. Prime	1	----	2254 801	
23-34-13	BRACKET, Wheelhouse Inner and Outer to Fuel Tank Stone Deflector Sub., TA3, TC1, TC3	2	----	1961 131	1961 131
23-34-16	PANEL, Tailgate Opening Sill Sub., TP1, TP2, TD1, TD2, TC1, TC3	1	----	2251 477	1877 833
	Sub. w/EXTENSIONS	1	2425 441		
	Sub., TA3	1	----	1877 833	
23-34-17	REINFORCEMENT and FILLER, Tailgate Opening Sill Panel Sub., TP1, TP2, TD1, TD2, TC1, TC3	1	----	2253 175	1877 834
	Sub., TA3	1	----	1877 834	
23-34-20	DEFLECTOR, Quarter Inside Panel Reinforcement Water Cv. Cp., TV1-H, TV1-P	2	2480 416		
	Cv. Cp., TL1-H, TL1-P	2	2480 417		
	DEFLECTOR, Quarter Panel Rear Inner Water Cv. Cp., TA3, TC1, TC2	1	----	2165 406-7	2165 406-7
23-34-21	PANEL, Wheelhouse Cap Cv. Cp., TV1, TL1	1	2423 266-7	*2422 040-1	
23-34-22	SUPPORT, Wheelhouse to Quarter Panel Cl. Sed., Sp. Cl. Cp., 4 D., TL1	1	2243 582-3		
	SUPPORT, Quarter Outside Panel to Wheelhouse Outer Panel Sub.	1	*2242 792-3		
	SUPPORT, Quarter Outside Panel to Wheelhouse Cv. Cp., TV1	1	2423 646-7		
	Cl. Sed., Sp. Cl. Cp., 4 D., Sp. 4 D., TP1, TP2	1	----	2255 790-1	
	Cl. Sed., Sp. Cl. Cp., 4 D., Sp. 4 D., TD1, TD2	1	----	2423 544-5	
	SUPPORT and WELD NUTS, Wheelhouse Panel to Quarter Outside Panel Strainer Bracket Cv. Cp., Cl. Sed., Sp. Cl. Cp.	1	----	2424 466-7	
23-34-24	FILLER, Wheelhouse to Rear Pillar Panel Sub.	1	----	2251 830-1	

★ Indicates use as required.

⊠ Indicates parts not listed in any previous parts book.

Right and left part numbers are on same line,
first number is right, second number is left.

* Indicates change or addition.

1963 PASSENGER CAR PARTS CATALOG

BODY

CODE	PART NAME AND DESCRIPTION	PER CAR	VALIANT DART	PLYMOUTH DODGE	CHRYSLER IMPERIAL
23-34-O BODY PANELS - Cont'd					
23-34-26	PANEL, Wheelhouse to Rear Pillar	1	----	2251 586-7	
	Sub., Except TA3	1	----	1960 090-1	1960 090-1
	Sub., TA3, TC1, TC3				
23-34-27	PANEL, Wheelhouse				
	Cv. Cp., TV1 Outer.	1	2255 958-9		
	Cv. Cp., TL1 Outer.	1	2255 960-1		
	Cv. Cp. Inner.	1	2255 968-9		
	Sub. Inner.	1	2243 494-5		
	Sub. Outer.	1	2242 468-9		
	Cl. Sed., Sp. Cl. Cp., 4 D., TV1				
	Outer.	1	2422 610-11		
	Cl. Sed., Sp. Cl. Cp., 4 D., TL1				
	Outer.	1	2243 564-5		
	Cl. Sed., Sp. Cl. Cp., 4 D.				
	Inner, Right	1	2244 942		
	Cl. Sed., Sp. Cl. Cp., 4 D.				
	Inner, Left	1	2081 163		
	Sub., TA3 Inner.	1	----	1861 062-3	
	Cv. Cp., TA3 Outer.	1	----	1950 348-9	
	Sp. Cl. Cp., 4 D., Sp. 4 D., TA3				
	Inner.	1	----	1869 748-9	
	Sp. Cl. Cp., 4 D., Sp. 4 D., TA3				
	Outer.	1	----	1869 744-5	
	Cv. Cp., TP1, TP2 Outer.	1	----	2422 570-1	
	Cv. Cp., TD1, TD2 Outer.	1	----	2243 960-1	
	Cv. Cp. Inner.	1	----	2166 258-9	
	Sub., TP1, TP2, TD1, TD2, TC1, TC3				
	Inner.	1	----	2165 832-3	1861 062-3
	Sub. Outer.	1	----	2217 382-3	
	Cl. Sed., Sp. Cl. Cp., 4 D., Sp. 4 D., TP1, TP2				
	Outer.	1	----	2255 656-7	
	Cl. Sed., Sp. Cl. Cp., 4 D., Sp. 4 D., TD1, TD2				
	Outer.	1	----	2243 996-7	
	Cl. Sed., Sp. Cl. Cp., 4 D., Sp. 4 D., TC1, TC2, TC3				
	Inner.	1	----	2165 828-9	1869 748-9
	Sp. Cl. Cp., 4 D., Sp. 4 D., TC1, TC2, TC3				
	Outer.	1	----	----	B2242 572-3
	Cv. Cp., TA3, TC1, TC2				
	Inner.	1	----	1869 752-3	2243 608-9
	Cv. Cp., TC1, TC2 Outer.	1	----	----	2254 514-5
	Sub., TC1, TC3 Outer, Right.	1	----	----	1861 056
	Sub., TA3, TC1, TC3, Outer, Left	1	----	2188 769	2188 769
	Cv. Cp., TY1 Complete	1	----	----	2084 528-9
	Sp. Cl. Cp., Sp. 4 D., TY1				
	Complete.	1	----	----	2084 526-7
	Cv. Cp., Sp. Cl. Cp., Sp. 4 D., TY1				
	Inner.	1	----	----	*1651 300-1
23-34-29	EXTENSION, Wheelhouse Outer Panel				
	Sub.	1	2242 928-9		
	Cv. Cp., Cl. Sed., Sp. Cl. Cp., 4 D., TL1	1	*2243 802-3		
	Cl. Sed., Sp. Cl. Cp., Cv. Cp., 4 D., TV1	1	2422 612-3		
34-32	BAFFLE, Quarter Inside Upper Panel to Roof Panel				
	Side Extension				
	Sub.	2	2243 832		
36	REINFORCEMENT, Wheelhouse Panel to Belt Lower				
	Bar				
	Cv. Cp., TV1, TP2	1	2423 642-3	2422 840-1	
	Cv. Cp., TL1, TD1, TD2	*	2423 644	2422 838-9	

se as required.
 rts not listed in any previous parts book.
 4 Supercedes Jan. 25, 1963.

Printed in U.S.A.
 Prices and specifications subject to change without notice.
 Right and left part numbers are on same line,
 first number is right, second number is left.
 * Indicates change or addition.

CODE	PART NAME AND DESCRIPTION	PER CAR	VALIANT DART	PLYMOUTH DODGE	CHRYSLER IMPERIAL
23-34-0 BODY PANELS - Cont'd					
23-34-40	PLUG, Quarter Panel Tailgate Window Switch Hole Sub.	1	----	2254 795	
23-34-80	PANEL, Cowl Top and Plenum Chamber All	1	*2493 684		
	PANEL, Cowl Top and Dash TA3 Complete	1	----	*2253 805	
	TP1, TP2, TD1, TD2, TC1, TC2, TC3 Complete	1	----	*2421 693	*2253 805
	PANEL, Cowl Side All, TY1 Less Extension	1	----	----	*2275 907-8
	Cv. Cp. Complete.	1	2425 416-7		
	Except Cv. Cp. Complete.	1	2425 164-5		
	Cv. Cp., TP1, TP2, TD1, TD2, TC1, TC2 Complete.	1	----	2253 072-3	2425 122-3
	TP1, TP2, TD1, TD2, TC1, TC2, TC3, except Cv. Cp. Complete	1	----	2253 070-1	2425 104-5
	Except Cv. Cp., TA3, Complete.	1	----	2425 104-5	
	Cv. Cp., TA3 Complete.	1	----	2425 122-3	
	FRAME, Windshield Cv. Cp., TY1 Complete.	1	----	----	2084 539
	Except Cv. Cp. Complete.	1	----	----	2084 538
23-34-85	COVER PACKAGE, Cowl Upper Panel to Front Pillar Joint TY1 SCREW	1 2	----	----	2196 479-80 9413 268
23-34-100	FILLER, Cowl Side to Door at Belt TY1	1	----	----	2188 416-7
23-34-110	PANEL, Dash TY1	1	2216 549	----	2216 675
23-34-116	COVER, Dash Panel Heater Motor Opening w/o Heater.	1	2242 439		
	COVER, Dash Panel Air Duct Drain Hole All, TA3	2	----	1810 565	1810 565
	COVER, Dash Panel Air Duct All, TA3 w/o Heater.	1	----	1750 445	1750 445
	TY1 w/Heater.	1	----	----	2216 902
23-34-117	SUPPORT, Dash Panel to Fender Side Shield All SUPPORT, Dash Panel to Fender Side Shield and Hood Hinge Upper TP2, TD2, w/426 cu. in. Eng. Right	1 1	2242 426-7 ----		
		1	----	*2492 651	
23-34-119	GASKET, Dash Panel Heater Motor Opening Cover w/o Heater.	1	2242 425		
23-34-120	PANEL, Front Door Outside Repair Cl. Sed. Sp. Cl. Cp., Cv. Cp. 4 D., Sub., TP1, TP2, TD1, TD2 Sp. 4 D., TP1, TP2, TD1, TD2 Sp. Cl. Cp., Cv. Cp., TP1, TP2, TD1, TD2, TC1, TC2 Sp. 4 D., Sp. 4 D. Sub., TC1, TC2, TC3 Sp. 4 D., TY1 Right Left	1 1 1 1 1 1 1	2253 842-3 *2253 844-5 2253 840-1 ---- ---- ---- ----	2425 100-1 2425 096-7 2425 098-9 2425 102-3 ---- ----	2425 670-1 *2425 850-1 1877 284 1961 389

★ Indicates use as required.
 □ Indicates parts not listed in any previous parts book.
 Right and left part numbers are on same line, first number is right, second number is left.
 * Indicates change or addition.

1963 PASSENGER CAR PARTS CATALOG

BODY

CODE	PART NAME AND DESCRIPTION	PER CAR	VALIANT DART	PLYMOUTH DODGE	CHRYSLER IMPERIAL
23-34-O BODY PANELS - Cont'd					
23-34-120	PANEL - Cont'd				
	Sp. Cl. Cp., Cv. Cp., TA3, TY1	1	----	1884 680-1	*1961 384-5
	4D., TA3, TC1, TC2, TC3	1	----	2253 344-5	2425 346-7
	Sp. 4 D., Sub., TA3	1	----	2165 320-1	
	PANEL, Rear Door Outside Repair				
	4 D., Sub., TP1, TP2, TD1, TD2	1	2425 168-9	2425 112-3	
	Sp. 4 D., TP1, TP2, TD1, TD2, TC1, TC2, TC3	1	----	2425 114-5	2254 290-1
	Sub., TC1, TC3	1	----	-----	2255 810-1
	Sp. 4 D., TA3	1	----	1950 636-7	
	Sp. 4 D., TY1 Right	1	----	-----	1961 412
	Left	1	----	-----	1877 287
	4 D., TC1, TC2, TC3	1	----	-----	2425 508-9
	Sub., TA3	1	----	1950 636-7	
	4 D., TA3 Right	1	----	2253 346	
	4 D., TA3 Left	1	----	2253 347	
23-34-121	SHIELD, Dash Panel to Front Fender				
	All	1	2242 442-3	2254 804-5	
23-34-122	BRACE and C/NUT, Dash Panel No. 1 and No. 1A				
	Body Hold-Down				
	TY1 Right	1	----	-----	2189 128
	Left	1	----	-----	2217 681
	BRACE, Dash Panel Body Front Hold-Down				
	TA3, TC1, TC2, TC3	1	----	1909 326-7	1909 326-7
23-34-123	PLUG, Dash Panel				
	All w/o Heater	3	----	1777 881	
	PLUG, Dash Panel Auto. Trans. and Parking Sprag Control				
	TA3, TC1	1	----	*2082 962	*2082 962
23-34-125	T/PLATE, Dash Panel Accelerator Linkage Bracket				
		1	2217 287		
23-34-126	REINFORCEMENT, Dash Panel No. 1 and No. 1A				
	Body Hold-Down Bolt Brace				
	TY1	1	----	-----	1861 248-9
23-34-136	COVER, Door Inside Panel Access Hole Cover				
	TY1, Front Door Upper	2	----	-----	*1751 033
23-34-164	BRACE, Deck Opening Upper Panel				
	Cl. Sed., Sp. Cl. Cp., 4 D., Sp. 4 D.	2	----	2244 027	
23-34-166	PANEL, Deck Opening Upper				
	Cl. Sed., Sp. Cl. Cp., 4 D., TV1	1	2242 493		
	Cl. Sed., Sp. Cl. Cp., 4 D., TL1	1	2243 579		
	Cv. Cp., TV, TC1, TC2, Except TA3	1	2255 860	2243 939	2242 596
	Cv. Cp., TA3, TL, TY1	1	2255 861	1869 636	1961 443
	4 D., Sp. 4 D., TA3	1	----	1909 316	
	Cl. Sed., Sp. Cl. Cp., 4 D., Sp. 4 D., Except TA3	1	----	2244 016	
	Sp. Cl. Cp., TA3	1	----	2189 298	
	Sp. Cl. Cp., 4 D., Sp. 4 D., TC1, TC2, TC3	1	----	-----	2242 594
	Sp. Cl. Cp., Sp. 4 D., TY1	1	----	-----	1961 444
23-34-167	PANEL, Deck Opening Lower				
	TV, except Sub.	1	2242 494		
	TL, except Sub.	1	2243 589		
	TD1-L, TD2-L, TD1-M, TD2-M, except Sub.				
	w/License Plate Insert Panel,				
	w/Back-Up Lamp	1	----	2425 379	
	w/o Back-Up Lamp	1	----	2425 147	

★ Indicates use as required.

☐ Indicates parts not listed in any previous parts book.

Jan. 3, 1964 Supersedes Jan. 25, 1963.

Printed in U.S.A.
Prices and specifications subject to change without notice.
Right and left part numbers are on same line,
first number is right, second number is left.

* Indicates change or addition.

CODE	PART NAME AND DESCRIPTION	PER CAR	VALIANT DART	PLYMOUTH DODGE	CHRYSLER IMPERIAL
23-34-O BODY PANELS - Cont'd					
23-34-167	PANEL - Cont'd TD1-H, TD2-H, TD1-P, TD2-P, except Sub. w/License Plate Insert Panel .	1	----	2425 375	
	TP1, TP2, except Sub. w/License Plate Insert Panel .	1	----	2425 261	
	TA3, except Sub.	1	----	1919 066	
	End, TA3	1	----	2189 492-3	
	TC1, TC2, TC3, except Sub.	1	----	----	2423 790-1
	All, TY1	1	----	----	2189 875
23-34-176	EXTENSION, Deck Opening Lower Panel TY1	1	----	----	1877 350-1
23-34-177	REINFORCEMENT, Quarter Panel Deck Opening Side Flange TA3, except Sub.	1	----	1964 340-1	
23-34-179	REINFORCEMENT, Deck Opening Upper or Lower Panel Cv. Cp., TC1, TC2 Upper	1	----	----	2242 597
	TV1, TC1, TC2, TC3, except Sub. Lower	1	2243 626-7	----	2423 630
	All, TY1 Lower	1	----	----	2093 925
	Cv. Cp., TA3 Upper	1	----	1882 393	
	Sp. Cl. Cp., TA3 Upper	1	----	2189 299	
	SUPPORT, Deck Opening Lower Panel TL, TP1, TP2, except Sub.	2	2243 596	2255 788	
	BRACE, Deck Opening Lower Panel to Floor Pan TD1, TD2, except Sub.	2	----	B2244 024	
	TC1, TC2, TC3, except Sub.	1	----	----	2423 634-5
	REINFORCEMENT, Deck Opening Upper or Lower Panel Cv. Cp., TC1, TC2 Upper	1	----	----	2242 597
	All, TY1 Lower	1	----	----	2093 925
	Cv. Cp., TA3 Upper	1	----	1882 393	
	Sp. Cl. Cp., TA3 Upper	1	----	2189 299	
23-34-184	LETTER, NAME PLATE or MEDALLION, Deck Opening Lower Panel NOTE: See Exterior Moulding Illustrations in Front of Group 23 Body.				
23-34-218	REINFORCEMENT, Quarter Outside Panel Lock Face Sp. Cl. Cp., Cv. Cp.	1	2243 664-5		
23-34-219	SUPPORT, Quarter Outside Inner Upper Panel to Brace Cv. Cp., TL1	1	2423 648-9		
23-34-221	SEAL, Quarter Inside Upper Panel to Roof Panel Side Extension Baffle Sub.	2	2243 834		
23-34-225	COVER, Quarter Inside Panel Access Hole Sp. Cl. Cp., Cv. Cp., TY1	2	----	----	1691 107
23-34-227	GUARD, Quarter Panel Rear Lower Dust Sub., TA3, TC1, TC3	2	----	2252 212	2252 212
23-34-228	RETAINER, Quarter Panel Rear Lower Dust Guard Sub., TA3, TC1, TC3	2	----	2188 745	2188 745

★ Indicates use as required.
 ☐ Indicates parts not listed in any previous parts book.
 Right and left part numbers are on same line,
 first number is right, second number is left.
 * Indicates change or addition.

1963 PASSENGER CAR PARTS CATALOG

BODY

CODE	PART NAME AND DESCRIPTION	PER CAR	VALIANT DART	PLYMOUTH DODGE	CHRYSLER IMPERIAL
23-34-O BODY PANELS - Cont'd					
23-34-229	TIE PLATE, Quarter Panel to Wheelhouse to Side Sill Outer Panel				
	Cl. Sed., Sp. Cl. Cp., Cv. Cp., 4 D., TL	1	2243 566-7		
	All, TV1	1	2242 470-1		
	Sub., TL1	1	2242 470-1		
	TIE PLATE, Body Side Sill to Wheelhouse				
	Sub., TP1, TP2, TD1, TD2	1	---- --	2167 180-1	
	4 D., Sp. 4 D., TP1, TP2	1	---- --	2167 180-1	
	4 D., Sp. 4 D., TD1, TD2	1	---- --	2243 998-9	
	TIE PLATE, Quarter Inside Panel to Wheelhouse				
	Cl. Sed., Sp. Cl. Cp., Cv. Cp., TD1, TD2	1	---- --	2244 098-9	
	Cl. Sed., Sp. Cl. Cp., Cv. Cp., TP1, TP2	1	---- --	2422 578-9	
23-34-230	STRAINER and BRACKET, Quarter Outside Panel				
	Cv. Cp., TP2	1	---- --	2424 388-9	
	Cv. Cp., TD2	1	---- --	2424 390-1	
23-34-231	BRACKET, Quarter Outside Panel Strainer to Wheelhouse Support				
	Cv. Cp., TP2, TD2	2	---- --	2424 386	
	Cl. Sed., Sp. Cl. Cp., TD1, TD2	2	---- --	2424 386	
23-34-232	PLUG, Quarter Inside Panel to Wheelhouse Tie Plate				
	Cl. Sed., Sp. Cl. Cp., Cv. Cp., TD1, TD2	4	---- --	2255 358	
	PLUG, Quarter Panel to Wheelhouse to Side Sill Outer Panel Tie Plate				
	Cl. Sed., Sp. Cl. Cp., Cv. Cp., TL	2	*2423 815		
23-34-233	PANEL, Quarter Outside Inner				
	Cl. Sed., Sp. Cl. Cp., 4 D. Sed., Cv. Cp., TL1				
	Center	1	2243 646-7		
	Cl. Sed., Sp. Cl. Cp., 4 D., TL1				
	Upper	1	2244 250-1		
	Cl. Sed., Sp. Cl. Cp., 4 D., TV	1	2422 608-9		
	Cv. Cp., TV1	1	2423 482-3		
	Cl. Sed., Sp. Cl. Cp., 4 D., Cv. Cp., TL1				
	Lower	1	2243 648-9		
	Upper	1	2255 986-7		
	Cv. Cp., TL1	1	---- --		2244 458-9
Cv. Cp., TY1	1	---- --		2244 456-7	
Sp. Cl. Cp., TY1	1	---- --		2244 460-1	
Sp. 4 D., TY1	1	---- --			
23-34-234	PANEL, Quarter Inside				
	Cl. Sed., Sp. Cl. Cp., 4 D., TV1				
	Lower	1	2242 464-5		
	Cl. Sed., Sp. Cl. Cp., 4 D., Cv. Cp., TL1				
	Lower	1	2243 568-9		
	Cl. Sed., Sp. Cl. Cp., 4 D., TL1				
	Upper	1	2243 580-1		
	Cv. Cp. Front	1	*2255 984-5		
	Cl. Sed. Front	1	2242 736-7		
	Sp. Cl. Cp. Front	1	2243 000-1		
	Sub. w/Upper Rear Extension, Lower .	1	2425 196-7		
	Cv. Cp., TL1 Rear	1	2424 000-1		
	Sub. Upper	1	*2242 740-1		
Cl. Sed., Sp. Cl. Cp., 4 D., Sp. 4 D., TV1, TP1, TP2					
Upper	1	*2242 868-9	*2255 792-3		
Cl. Sed., Sp. Cl. Cp., 4 D., Sp. 4 D., TD1, TD2					
Upper	1	---- --	2244 092-3		

★ Indicates use as required.
 ☐ Indicates parts not listed in any previous parts book.
 Jan. 3, 1964 Supersedes Dec. 14, 1962.

Printed in U.S.A.
 Prices and specifications subject to change without notice.
 Right and left part numbers are on same line,
 first number is right, second number is left.

* Indicates change or addition.

CODE	PART NAME AND DESCRIPTION	PER CAR	VALIANT DART	PLYMOUTH DODGE	CHRYSLER IMPERIAL
23-34-0 BODY PANELS - Cont'd					
23-34-234	PANEL - Cont'd				
	Cl. Sed., TP1, TP2, TD1, TD2	1	----	*2244 880-1	
	Cv. Cp., TP2, TD2, TC1, TC2	1	----	2244 224-5	1964 182-3
	Sp. Cl. Cp., TP1, TP2, TD1, TD2	1	----	*2244 000-1	
	Sub. Front	1	----	2166 182-3	
	Sub. Rear	1	----	2166 184-5	
	Sp. Cl. Cp., TC1, TC2	1	----	----	2425 232-3
	Cv. Cp., TA3, TY1	1	----	1964 186-7	1751 002-3
	Sp. Cl. Cp., TA3, TY1	1	----	1963 740-1	*1751 002-3
23-34-235	PANEL, Quarter Outside Repair				
	Sp. Cl. Cp., TV1	1	2424 034-5		
	Sp. Cl. Cp., TL1	1	2424 048-9		
	Sub., TV1	1	2242 748-9		
	Sub., TL1	1	2242 894-5		
	Cl. Sed., TV1	1	2424 032-3		
	Cl. Sed., TL1	1	2424 046-7		
	4 D., TV1	1	2424 038-9		
	4 D., TL1	1	2424 052-3		
	Cv. Cp., TL1	1	2424 050-1		
	Cv. Cp., TV1	1	2424 036-7		
	Sp. Cl. Cp., TA3	1	----	2423 762-3	
	4 D., Sp. 4 D., TA3	1	----	2423 766-7	
	Cl. Sed., TP1, TP2	1	----	B2424 444-5	
	Cl. Sed., TD1, TD2	1	----	2424 138-9	
	Sp. Cl. Cp., TP1, TP2	1	----	B2483 172-3	
	Sp. Cl. Cp., TD1, TD2, TC1, TC2	1	----	2424 140-1	2242 560-1
	4 D., Sp. 4 D., TP1, TP2, TC1, TC2, TC3	1	----	B2483 176-7	2242 564-5
	4 D., Sp. 4 D., TD1, TD2	1	----	2424 142-3	
	Cv. Cp., TP2	1	----	2424 448-9	
	Cv. Cp., TD1, TD2, TC1, TC2	1	----	2255 750-1	2255 814-5
	Sub., TD1, TD2 Front, w/Weld Nut	1	----	2217 642-3	
	Sub., TD1, TD2 Rear	1	----	2217 380-1	
	Sub., TP1, TP2, TC1, TC3	1	----	2217 374-5	2422 540-1
	Cv. Cp., TA3	1	----	2423 764-5	
	Sp. Cl. Cp., Cv. Cp., TY1	1	----	----	2422 790-1
	Sp. 4 D., TY1	1	----	----	2422 792-3
	Sub., TA3 Lower	1	----	2424 790-1	
	Sub., TA3 Upper	1	----	2424 476-7	
23-34-236	EXTENSION, Quarter Inside Panel				
	Sub. Lower Panel Upper Rear	1	2244 900-1		
	Sub. to Rear Upper Pillar	1	----	2254 608-9	
	Cv. Cp., TV Reinf. to Wheelhouse	1	2424 100-1		
	Cv. Cp., TL Reinf. to Wheelhouse	1	2424 102-3		
	Sp. Cl. Cp., TC1, TC2	1	----	----	2242 622-3
	Sp. Cl. Cp., to Rear Window Side Frame, TY1	1	----	----	2244 496-7
	Cv. Cp., TY1 Upper	1	----	----	1750 188-9
	Sp. Cl. Cp., TY1 Upper	1	----	----	2422 208-9
23-34-237	PLUG, Quarter Inside Lower Panel				
	Sub.	2	*2423 829		
23-34-238	NAME PLATE, Quarter Panel Outside				
	NOTE: See Exterior Moulding Illustrations in Front of Group 23 Body.				
23-34-240	DEFLECTOR PACKAGE, Quarter Panel Stone				
	NOTE: See Exterior Moulding Illustrations in Front of Group 23 Body.				

★ Indicates use as required.

⊠ Indicates parts not listed in any previous parts book. Right and left part numbers are on same line, first number is right, second number is left.

* Indicates change or addition.

Printed in U.S.A.
Prices and specifications subject to change without notice.
Jan. 3, 1964 Supersedes Jan. 25, 1963.

1963 PASSENGER CAR PARTS CATALOG

BODY

CODE	PART NAME AND DESCRIPTION	PER CAR	VALIANT DART	PLYMOUTH DODGE	CHRYSLER IMPERIAL
23-34-O BODY PANELS - Cont'd					
23-34-242	EXTENSION, Quarter Outside Panel				
	Sub., TL, TP1, TP2	1	2422 988-9	2217 376-7	
	Sub., TV	1	2243 636-7		
	TL1, TA3, except Sub.				
	Lower Rear	1	2244 406-7	2423 768-9	
	Cl. Sed., Sp. Cl. Cp., 4 D., Sp. 4 D.				
	to Rear Window Side Frame . .	1	---- --	2244 526-7	
	Cv. Cp., Cl. Sed., Sp. Cl. Cp., 4 D., TL				
	Inner Center Panel	1	*2244 252-3		
	Cv. Cp., Cl. Sed., Sp. Cl. Cp., 4 D., TL				
	to Deck Opening Lower Panel .	1	*2244 406-7		
	Sub., TA3	1	---- --	2189 848-9	
	Sub., TA3	1	---- --	2093 776-7	
	TC1, TC2, TC3, except Sub.				
	Lower	1	---- --	---- --	2244 372-3
	Sub., TC1, TC3	1	---- --	---- --	2422 542-3
	Sub., TC1, TC3	1	---- --	---- --	2252 624-5
23-34-246	REINFORCEMENT, Quarter Outside Panel Extension				
	Jacking				
	Sub., TV	2	2243 638		
	REINFORCEMENT, Quarter Outside Panel at Belt				
	Cl. Sed., Sp. Cl. Cp., TV	1	2243 672-3		
	Cv. Cp., TV	1	2422 128-9		
	Cv. Cp., TL	1	2422 130-1		
	REINFORCEMENT, Quarter Outside Panel to Floor Pan				
	TD1, TD2, except Sub.	1	---- --	2422 738-9	
	TP1, TP2, except Sub.	1	---- --	2255 776-7	
	REINFORCEMENT, Quarter Outside Panel to Belt Bar				
	Side Upper				
	Cv. Cp.	1	---- --	2423 594-5	
23-34-248	SUPPORT, Quarter Inside Panel to Shelf Panel				
	Cl. Sed., Sp. Cl. Cp., 4 D., TL	1	2243 572-3		
	SUPPORT, Quarter Inside Panel Rear to Rear Floor				
	Pan Filler				
	Sub.	1	2243 838-9		
23-34-249	FILLER, Quarter Inside Panel Rear to Rear Floor Pan				
	Sub.	1	2243 530-1		
	REINFORCEMENT, Quarter Inside Panel Extension to				
	Inside Panel				
	Sp. Cl. Cp., TC1, TC2	1	---- --	---- --	2423 726-7
	REINFORCEMENT, Quarter Inside Panel to Wheelhouse				
	Sp. Cl. Cp., TY1	1	---- --	---- --	2255 152-3
	REINFORCEMENT, Quarter Inside Panel to Folding Top				
	Folding Pillar Support				
	Cv. Cp., TA3	1	---- --	1954 094-5	
23-34-253	DOOR, Fuel Tank Filler				
	TY1	1	---- --	---- --	2480 418
	TC1, TC2, TC3	1	---- --	---- --	2243 226
	TC1, TC2, TC3, w/HINGE	1	---- --	---- --	*2482 869
23-34-255	SPRING, Fuel Tank Filler Opening Door				
	TC1, TC2, TC3	1	---- --	---- --	1877 486
	TY1	1	---- --	---- --	1877 486
23-34-256	PIN, Deck Opening Lower Panel Fuel Filler Door Hinge				
	TC1, TC2, TC3, except Sub.	1	---- --	---- --	2243 643

★ Indicates use as required.

⊠ Indicates parts not listed in any previous parts book.

Jan. 3, 1964 Supersedes Dec. 14, 1962.

Printed in U.S.A.
 Prices and specifications subject to change without notice.
 Right and left part numbers are on same line,
 first number is right, second number is left.

* Indicates change or addition.

CODE	PART NAME AND DESCRIPTION	PER CAR	VALIANT DART	PLYMOUTH DODGE	CHRYSLER IMPERIAL
23-34-O BODY PANELS - Cont'd					
23-34-257	GUSSET, Quarter Belt Bar to Wheelhouse to Rear Quarter Pillar Cv. Cp., TV1 Cv. Cp., TL1 Cv. Cp., TP1, TP2 Cv. Cp., TD1, TD2	1 1 1 1	2255 988-9 2255 990-1 ---- ----	2255 718-9 2243 944-5	
23-34-259	SEAL, Quarter Panel Fuel Tank Filler Tube Sub.	1	2242 360	2123 656	
23-34-260	HINGE, Deck Opening Lower Panel Fuel Filler Door TC1, TC2, TC3, except Sub. TY1	1 1	---- ----	---- ----	2243 227 2189 678-9
23-34-262	STUD and RETAINER, Rear Floor Pan Fuel Filler Hinge Except Sub.	2	----	2082 987	
23-34-270	BUMPER, Deck Opening Lower Panel Fuel Filler Door Sp. Cl. Cp., 4 D., Sp. 4 D., TC1, TC2, TC3 BUMPER, Fuel Tank Filler Door TY1	1 1	---- ----	---- ----	2255 344 1882 429
23-34-273	BRACKET, Deck Opening Lower Panel Fuel Tank Filler Door Sp. Cl. Cp., Cv. Cp., Sp. 4 D., TY1	1	----	----	2480 894
23-34-275	BUMPER, Quarter Outside Panel Jack Sub. Cl. Sed., Sp. Cl. Cp., Cv. Cp., 4 D., TL TD1, TD2, except Sub. TV1, TA3, except Sub. BUMPER, Deck Opening Lower Panel Jack TC1, TC2, TC3, except Sub.	1 1 1 1 1	2244 130-1 2243 800-1 ---- 2243 220-1 ----	2255 604-5 2189 694-5	2243 624-5
23-34-279	BRACKET, Rear Stone Deflector to Rear Floor Pan Attaching Sub.	1	----	2252 111	
23-34-280	FILLER, Quarter Outside Panel to Rear Lower Pillar Sub. FILLER, Quarter Outside Panel Front Upper Corner Sp. Cl. Cp., Cv. Cp., TP1, TP2, TD1, TD2	1 1	2244 350-1 ----	2244 706-7	
23-34-285	SUPPORT, Quarter Outside Inner Panel Jacking Cl. Sed., Sp. Cl. Cp., Cv. Cp., 4 D., TL	1	2244 904-5		
23-34-286	BRACKET, Rear Bumper Support Bar Jacking Sub., TA3, TC1, TC3	1	----	1961 022-3	1961 022-3
23-34-301	PANEL, Roof Cl. Sed., Sp. Cl. Cp., 4 D., TL Cl. Sed., Sp. Cl. Cp., 4 D., TV Sub., TV, TL Except Sub., TP1, TP2, TD1, TD2, TC1, TC2, TC3 Sub., TP1, TP2, TD1, TD2, TC1, TC3 Sub., TA3 Sp. Cl. Cp., TA3 4 D., Sp. 4 D., TA3 Sp. Cl. Cp., Sp. 4 D., TY1-L, TY1-M Sp. 4 D., TY1-H	1 1 1 1 1 1 1 1 1 1	2244 500 2242 519 2242 780 ---- ---- ---- ---- ---- ---- ----	2244 006 2165 836 2188 713 1861 118 1867 873	2242 603 2188 713 2244 474 2244 476

★ Indicates use as required.
 ☐ Indicates parts not listed in any previous parts book.
 Right and left part numbers are on same line,
 first number is right, second number is left.

* Indicates change or addition.

Printed in U.S.A.
 Prices and specifications subject to change without notice.

1963 PASSENGER CAR PARTS CATALOG

BODY

CODE	PART NAME AND DESCRIPTION	PER CAR	VALIANT DART	PLYMOUTH DODGE	CHRYSLER IMPERIAL
23-34-O BODY PANELS - Cont'd					
23-34-302	EXTENSION, Roof Panel Side Sub. Cl. Sed., Sp. Cl. Cp., 4 D., TV Sub., TA3, TC1, TC3 Sp. Cl. Cp., TA3 Lower Sub., TP1, TP2, TD1, TD2 Rear Sub., TP1, TP2, TD1, TD2 Side TP1, TP2, TD1, TD2, except Sub. to Rear Window Opening Upper Frame	1 1 1 1 1 1 1 1	*2242 776-7 2242 548-9 ---- ---- ---- ---- ---- ----	1861 222-3 1878 444-5 2217 384-5 2217 534-5 2244 415	1861 222-3
23-34-304	SUPPORT, Roof Panel Extension to Wheelhouse Quarter Panel Cl. Sed., Sp. Cl. Cp., 4 D., TV REINFORCEMENT, Roof Panel to Quarter Outside Panel Joint Cl. Sed., Sp. Cl. Cp., 4 D., TL Except Sub. Sp. Cl. Cp., 4 D., Sp. 4 D., TC1, TC2, TC3 REINFORCEMENT, Roof Rear Extension Panel Sp. 4 D., TY1-H Lower Sp. 4 D., TY1-H Upper	1 1 1 1 1 1 1	2242 528-9 2422 816-7 ---- ---- ---- ---- ----	2422 818-9 ---- ---- ----	2422 820-1 1961 513 2189 370-1
23-34-333	PLUG, Quarter Outside Panel Ornament Sealing 2 D. H. T., 4 D., 4 D. H. T., TD1-H, TD2-H	4	----	B2423 737	
23-34-334	MEDALLION, ORNAMENT or LOUVER, Quarter Panel NOTE: See Exterior Moulding Illustrations in Front of Group 23 Body.				
23-34-340	BASE, Quarter Outside Panel Medallion NOTE: See Exterior Moulding Illustrations in Front of Group 23 Body.				
23-34-346	BRACKET, Wheelhouse to Fuel Tank Stone Deflector Sub.	1	----	2251 724	
23-34-354	PANEL, Windshield Header Cl. Sed., Sp. Cl. Cp., 4 D., Sub. Cv. Cp., TC1, TC2 TP1, TP2, TD1, TD2, TC1, TC2, TC3, except Cv. Cp. w/REINFORCEMENT TA3, TC1, TC2, TC3, except Cv. Cp. End TA3, except Cv. Cp. Cv. Cp., TA3	1 1 1 1 1 1	2253 956 ---- ---- ---- ---- ----	---- 1919 590 *1883 524-5 2253 804 2253 675	2253 675 2253 804 *1883 524-5
23-34-356	REINFORCEMENT, Windshield Header Panel Cv. Cp., except TA3	1	----	*2251 184	
23-36-O PILLARS					
23-36-5	PILLAR, Body Center 4 D., Sub., Except TA3 Sp. 4 D., Sub., TA3, TC1, TC2, TC3 4 D., TA3, TC1, TC3 Sp. 4 D., TY1 Sp. 4 D., TY1 Inner	1 1 1 1 1	2253 450-1 ---- ---- ---- ----	2167 918-9 1952 204-5 2253 512-3 2167 936-7 ----	1952 204-5 2253 512-3 1973 290-1 1861 286-7

★ Indicates use as required.
 ☐ Indicates parts not listed in any previous parts book.
 Jan. 3, 1964 Supersedes Dec. 14, 1962.

Printed in U.S.A.
 Prices and specifications subject to change without notice.
 Right and left part numbers are on same line,
 first number is right, second number is left.
 * Indicates change or addition.

CODE	PART NAME AND DESCRIPTION	PER CAR	VALIANT DART	PLYMOUTH DODGE	CHRYSLER IMPERIAL
23-36-O PILLARS - Cont'd					
23-36-6	PANEL, Center Pillar Trim 4 D., Sub., TP1, TP2, TD1, TD2 Prime	1	----	2241 790-1	
	4 D., TA3, TC1, TC2, TC3 Prime	1	----	*1882 884-5	*1882 884-5
	Sub., TA3-E Prime	1	----	*1882 884-5	
23-36-14	EXTENSION, Front Hinge Pillar Cv. Cp., TY1 Sp. Cl. Cp., Sp. 4 D., TY1	1 1	---- ----	---- ----	1960 726-7 1877 318-9
23-36-21	COVER, Center Pillar Hinge 4 D., Sub. Lower Sp. 4 D., TY1	2 4	2217 218 ----	---- ----	1751 793
23-36-22	PLATE, Body Center Pillar Tapping 4 D., Sub. Lower Hinge 4 D., Sub. Upper Hinge 4 D., Sp. 4 D., Sp. Cl. Cp., Sub., TC1, TC2, TC3 Center Front Pillar Sp. 4 D., TY1 TIE PLATE, Body Lock Pillar to Body Side Sill Inner Panel Sp. Cl. Cp., TC1, TC2	2 2 2 2 1	2254 270 2254 271 ---- ---- ----	---- ---- *2252 631 ---- ----	---- ---- *2252 631 *2252 631 2424 054-5
23-36-30	BUMPER, Pillar Rear Lower Sub.	1	2423 001		
23-36-31	SEAL, Rear Upper Pillar to Rear Upper Pillar Reinforcement Baffle Sub. SEAL, Rear Upper Pillar Sub. SEAL, Body Center Pillar Top Sp. 4 D.	2 2 1	2243 835 ---- ----	2251 905 2254 132-3	
23-36-53	PILLAR, Rear Body Lock All Upper Cl. Sed. Cv. Cp., Sp. Cl. Cp., TC1, TC2 Sub., TA3, TC1, TC3 Cv. Cp., TA3 Sp. 4 D., TY1 Sp. Cl. Cp., Cv. Cp., TY1 4 D., Sp. 4 D., TA3, TC1, TC2, TC3 Sp. Cl. Cp., TA3	1 1 1 1 1 1 1 1	2425 396-7 ---- ---- ---- ---- ---- ---- ----	2252 370-1 ---- 1964 496-7 1954 676-7 ---- ---- 1964 496-7 1869 772-3	2242 558-9 2243 828-9 1877 310-11 *1919 024-5 2242 608-9
23-36-66	REINFORCEMENT, Body Lock Pillar Cl. Sed., Upper Cv. Cp., TC1, TC2 Sp. Cl. Cp., TC1, TC2 Sp. Cl. Cp., Cv. Cp., TY1 Rear Sp. Cl. Cp., Cv. Cp., TA3 Cv. Cp., TV to Outer Sill Sp. Cl. Cp., Cv. Cp., TL, TC1, TC2 to Outer Sill Cl. Sed., TV Upper	1 1 1 1 1 1 1 1 1	---- ---- ---- ---- ---- 2423 810-11 2423 810-11 *2242 764-5	*2166 230-1 ---- ---- ---- 1950 220-1 ---- ----	2243 610-11 2424 056-7 1690 440-1 2423 808-9
	REINFORCEMENT and TAPPING PLATE Cl. Sed., Sp. Cl. Cp., Cv. Cp. Rear Lower	1	----	2425 212-3	

★ Indicates use as required.
 ☐ Indicates parts not listed in any previous parts book.
 Right and left part numbers are on same line,
 first number is right, second number is left.
 * Indicates change or addition.

1963 PASSENGER CAR PARTS CATALOG

BODY

CODE	PART NAME AND DESCRIPTION	PER CAR	VALIANT DART	PLYMOUTH DODGE	CHRYSLER IMPERIAL
23-36-O PILLARS - Cont'd					
23-36-66	REINFORCEMENT, Rear Body Lock Pillar Belt Sp. Cl. Cp., Cv. Cp., TC1, TC2	1	----	----	2244 418-9
23-36-73	COVER, Body Lock Pillar Hole Edge Sp. Cl. Cp., Cv. Cp., TY1				
	Inner	1	----	----	1810 446-7
	Outer	1	----	----	1810 586-7
23-36-118	PILLAR, Body Rear Sub., TP1, TP2, TD1, TD2				
	Upper	1	2425 174-5	2425 326-7	
	Lower	1	2425 210-1	*2253 210-11	
	Sub., TA3, TC1, TC3 Complete	1	----	1973 174-5	1973 174-5
23-36-120	PILLAR, Rear Quarter Cv. Cp., TP2 Cv. Cp., TD2 Cv. Cp., TA3, TC1, TC2				
	Upper	1	----	2255 720-1	
		1	----	2244 560-1	
	Upper	1	----	1884 524-5	2242 638-9
23-36-121	PANEL, Rear Pillar Roof Rail Joint Cover Sub., TA3, TC1, TC3	1	----	1878 254-5	1878 254-5
23-36-123	HANDLE, Roof Panel Rear Pillar Outside Assist Sub. NUT and WASHER SEAL Upper SEAL Lower Sub., TA3, TC1, TC3, PKG. NUT BOLT	1 4 1 1 2 8 2	---- ---- ---- ---- ---- ---- ----	E2481 346-7 6023 204 E2482 916-7 *2424 984-5 *2196 839 *6006 035 * 681 135	2196 839 6006 035 681 135
23-36-125	REINFORCEMENT, Rear Lower Pillar to Quarter Inside Panel Sub. REINFORCEMENT, Rear Pillar Lower Corner Sub. REINFORCEMENT, Rear Pillar to Wheelhouse Sub., TA3, TC1, TC3 Sub., TP1, TP2, TD1, TD2	1 1 1 1	2242 768-9 ---- ---- ----	2252 300-1 1877 840-1 *2251 588-9	1877 840-1
23-36-130	PLATE, Rear Pillar to Quarter Panel at Belt Sub.	1	2243 258-9		
23-36-134	DEFLECTOR, Roof Panel Outside Air Sub., except TA3 SCREW SCREW	1 2 4	---- ---- ----	*2252 254-5 167 079 9418 381	
23-36-138	SEAL, Roof Panel Outside Assist Handle Sub. Lower Sub. Upper	1 1	---- ----	*2424 984-5 E2482 916-7	
23-38-O FLOOR TUNNEL CONSOLE					
23-38-1	CONSOLE, Floor TP2-P, TD2-P, TC2-M	1	----	*2292 537	E2419 997
23-38-3	DOOR, Floor Console TP2-P Complete TD2-P Complete LID, Floor Tunnel Console Compartment TC2 w/Tapping PLATE	1 1 1 1	---- ---- ---- ----	2419 450 2292 454 -----	2440 045

★ Indicates use as required.

E Indicates parts not listed in any previous parts book.

Jan. 3, 1964 Supersedes Dec. 14, 1962.

Page 23-106B

Printed in U.S.A.
Prices and specifications subject to change without notice.
Right and left part numbers are on same line,
first number is right, second number is left.

* Indicates change or addition.

CODE	PART NAME AND DESCRIPTION	PER CAR	VALIANT DART	PLYMOUTH DODGE	CHRYSLER IMPERIAL
23-38-0 FLOOR TUNNEL CONSOLE -Cont'd					
23-38-5	FINISH PLATE, Floor Console				
	TP2-P Front	1	----	2419 449	
	TP2-P Rear	1	----	2419 448	
	TD2-P Front	1	----	2292 484	
	TD2-P Rear	1	----	2292 485	
	TC2-M Front	1	----	----	2419 486
	TC2-M Rear	1	----	----	2419 487
23-38-6	STOP, Floor Console Door TP2-P, TD2-P	1	----	2419 269	
23-38-9	FILLER, Floor Tunnel Console to Instrument Panel TC2	1	----	----	2419 479
23-38-12	BASE, Floor Console Lid Medallion Sp. Cl. Cp., Cv. Cp., TC2 Pace Car	1	----	----	E2492 114
23-38-13	MEDALLION, Floor Console Lid Sp. Cl. Cp., Cv. Cp., TC2 Pace Car	1	----	----	E2491 875
23-38-14	HINGE, Floor Console Door TP2-P, TD2-P	1	----	2292 456	
	HINGE, Floor Tunnel Console Compartment Lid TC2-M	1	----	----	2419 482
23-38-15	CATCH, Floor Console Lock TP2-P, TD2-P	1	----	2292 499	
	CATCH, Floor Tunnel Console Compartment TC2-M	1	----	----	2298 698
23-38-16	REINFORCEMENT, Front Floor Carpet Heel Pad Finish Plate Sp. Cl. Cp., TC2	2	----	----	2086 461
23-38-17	PLATE, Floor Console Door Hinge Reinforcement TP2-P, TD2-P	1	----	2292 481	
	PLATE, Front Floor Carpet Heel Pad Sp. Cl. Cp., TC2	2	----	----	2292 544
23-38-22	T/PLATE, Floor Tunnel Console Compartment Lid Catch TC2-M	1	----	----	2419 500
	PLATE, Floor Tunnel Console Compartment Lid Hinge TC2-M	1	----	----	2217 523
23-38-27	BRACKET, Floor Tunnel Console and Radio Support Sp. Cl. Cp., Cv. Cp., Sp. 4 D., TC2	1	----	----	2440 171
	BRACKET, Floor Tunnel Console to Floor Mounting TC2 Front	1	----	----	*2490 119
	Rear	1	----	----	*2490 121
23-38-28	STRIP, Floor Tunnel Console Compartment Side Bend Over TC2	2	----	----	2419 987
	STRIP, Floor Tunnel Console Compartment Lid Front Bend Over TC2	1	----	----	2419 984
	STRIP, Floor Tunnel Console Compartment Lid Side Bend Over TC2	2	----	----	2419 983

★ Indicates use as required.
 E Indicates parts not listed in any previous parts book.
 Right and left part numbers are on same line,
 first number is right, second number is left.
 * Indicates change or addition.

Printed in U.S.A.
 Prices and specifications subject to change without notice.
 January 3, 1964.

CODE	PART NAME AND DESCRIPTION	PER CAR	VALIANT DART	PLYMOUTH DODGE	CHRYSLER IMPERIAL
23-39-0 WINDOW LIFT (MANUAL)					
23-39-2	SPRING, Door Manual Window Regulator Assist 4 D., 4 D. Sub., Sp. 4 D. Sub., TP1, TP2, TD1, TD2 Front	2	2299 755	2166 851	
	Sp. Cl. Cp., Cv. Cp., Cl. Sed., TP1, TP2, TD1, TD2 Front	2	2299 819	2216 173	
	TA3, TC1, TC2, TC3, All Front	2	----	1256 337	1256 337
	4 D., 4 D. Sub., TP1, TP2, TD1, TD2 Rear	2	2299 693	2166 851	
	4 D., TA3, TC1, TC2, TC3 Rear	2	----	1256 337	2251 930
	Sp. 4 D., Sp. 4 D. Sub., TA3, TC1, TC2, TC3 Rear	2	----	1690 329	1690 329
	Sub., TA3E Rear	2	----	1256 337	
23-39-5	REGULATOR or PLATE and ARM, Door Manual Window 4 D., Sp. 4 D., Sub., TP1, TP2, TD1, TD2, TC1, TC2, TC3 Front	1	2242 854-5	2428 016-7	2428 056-7
	4 D., Sp. 4 D., Sub., TA3 Front	1	----	2428 056-7	
	Cv. Cp., Sp. Cl. Cp., TP1, TP2, TD1, TD2, TC1, TC2 Front	1	2299 560-1	2428 014-5	2428 054-5
	Sp. Cl. Cp., Cv. Cp., TA3 Front	1	----	2428 054-5	
	Cl. Sed. Front	1	2299 820-1	2428 014-5	
	4 D., TP1, TP2, TD1, TD2, TC1, TC2, TC3 Rear	1	2242 866-7	2299 564-5	2299 562-3
	4 D., TA3 Rear	1	----	2428 262-3	
	Sub., TA3E Rear	1	----	2428 262-3	
	Sp. 4 D., Sub., TP1, TP2, TD1, TD2, TC1, TC2, TC3 Rear	1	2242 866-7	2299 564-5	2428 058-9
	Sp. 4 D., Sp. 4 D. Sub., TA3 Rear	1	----	2428 058-9	
23-39-11	STUD, Window Regulator Pivot Arm TC1, TC2, TC3	★	6000 211	6000 211	6000 211
23-39-12	WASHER, Window Regulator Arm to Glass Lower Channel Leather	★	6000 141	6000 141	6000 141
	SPRINGWASHER, Window Regulator Arm to Connecting Link		----	1954 125	1954 125
	SPRING NUT, Regulator Pivot Arm Stud	★	6000 305	6000 305	6000 305
23-39-15	STOP, Manual Window Regulator Down Position on Regulator TC1, TC2, TC3 Front	2	----	1909 918	1909 918
	Sp. 4 D., Sub. Rear	2	----	1909 918	
	4 D., TC1, TC2, TC3, Rear	2	----	1909 918	1909 918
	Sp. Cl. Cp., Cv. Cp., Cl. Sed., TC1, TC2 Quarter	2	----	1909 918	1909 918
23-39-17	BUSHING, Window Regulator Arm Stud to Glass TA3, TC1, TC2, TC3, Doors	★	----	2166 511	2166 511
	TA3, TC1, TC2 Quarter	★	----	2166 511	2166 511
	Sp. Cl. Cp., Cv. Cp., Door	★	2299 809		
	Cl. Sed. Quarter	★	2299 809		
23-39-18	ARM and LINK, Door Manual Window Regulator TA3, TC1, TC2, TC3, Front	1	----	1954 342-3	1954 342-3
	TP1, TP2, TD1, TD2, Front	1	----	2216 152-3	

★ Indicates use as required.
 □ Indicates parts not listed in any previous parts book.
 Right and left part numbers are on same line,
 first number is right, second number is left.
 * Indicates change or addition.

1963 PASSENGER CAR PARTS CATALOG

BODY

CODE	PART NAME AND DESCRIPTION	PER CAR	VALIANT DART	PLYMOUTH DODGE	CHRYSLER IMPERIAL
23-39-O WINDOW LIFT (MANUAL) - Cont'd					
23-39-19	BRACKET, Door Manual Window Regulator Pivot Arm				
	TA3,TC1,TC2,TC3, Front	2	----	1245 581	1245 581
	TP1,TP2,TD1,TD2, Front	2	----	2167 318	
	4 D., Sp. 4 D., Sub., TP1,TP2				
	Rear	2	----	*2217 294	
	4 D., Sp. 4 D., TD1,TD2				
	Rear	2	----	2217 294	
	Sub., TD1, TD2	1	----	*2217 294	
23-39-30	BRACKET, Window Regulator Adjusting, includes Pivot BRACKET				
	Sp. Cl. Cp., TC1,TC2,Quarter	1	----	----	2244 532-3
	Sp. 4 D., TY1 Rear	1	----	----	2218 684-5
23-39-34	REGULATOR, Manual Quarter Window				
	Sp. Cl. Cp., TV1,TP1,TP2,TD1,TD2,TC1,TC2	1	2299 570-1	2299 974-5	2243 446-7
	Sp. Cl. Cp., TL1, TA3	1	2299 572-3	2428 254-5	
	Cv. Cp., TP2,TD2,TC1,TC2	1	2428 208-9	2299 974-5	2428 060-1
	Cv. Cp., TA3	1	----	2428 060-1	
	Cl. Sed., TV1	1	2242 762-3	2299 974-5	
	Cl. Sed., TL1	1	2299 844-5		
23-39-44	SPRING, Manual Quarter Window Regulator Assist				
	Sp. Cl. Cp., TV1,TP1,TP2,TD1,TD2	2	2299 843	2216 172	
	Sp. Cl. Cp., TL1,TA3,TC1,TC2	2	2299 901	1690 329	2166 851
	Cv. Cp., TP2,TD2	2	2299 693	2216 172	
	Cv. Cp., TA3,TC1,TC2	2	----	1256 337	1256 337
	Cl. Sed.	2	2299 901	2216 172	
23-39-48	BRACKET, Quarter Window Regulator Pivot Arm				
	Sp. Cl. Cp., Cv. Cp., Cl. Sed., TP1,TP2,TD1,TD2	2	----	2422 449	
23-39-53	CLIP, Quarter Window Regulator Link to Glass				
	Cl. Sed.	2	2243 390		
	CLIP, Door Window Regulator Link to Glass Pin				
	Sp. Cl. Cp., Cv. Cp.	2	2243 390		
	RETAINER, Window Regulator Arm Stud to Glass Lower Frame	★	6000 305	6000 305	6000 305
23-40-O ROOF RAIL AND LUGGAGE RACK					
23-40-82	SUPPORT, Rear Window Frame to Headlining Bow				
	4 D., Sub., TV1 Length 8.16"	2	2082 226		
	4 D., Sp. Cl. Cp., Cl. Sed., TL1				
	Length 2.54"	2	2419 334		
	Sub., TL1 Length 8.16"	2	2082 226		
	Sp. 4 D., Sp. Cl. Cp., TY1	2	----	----	2419 538
	SUPPORT, Rear Window Frame to Rear Headlining Wire				
	4 D., Sp. 4 D., Sp. Cl. Cp., Cl. Sed., TP1,TP2,TD1,TD2,TC1,TC2,TC3	2	----	2419 770	2419 725
	4 D., Sp. 4 D., TA3	2	----	1952 803	
23-40-85	RAIL, Roof Side				
	4 D., Sub., Sp. Cl. Cp., Cl. Sed.	1	2242 520-1		
	Sub., Sp. Cl. Cp. Outer	1	2244 652-3		
	Sub. Rear Inner	1	2242 784-5		
	Sub. Rear Outer	1	2242 782-3		
	Except Cv. Cp., TP1,TP2,TD1,TD2				
	Inner	1	----	2166 298-9	
	Sp. 4 D., Sub., Sp. Cl. Cp., TP1,TP2,TD1,TD2				
	Outer	1	----	2166 310-1	
	Sub., TP1,TP2,TD1,TD2				
	Rear Inner	1	----	2166 304-5	
	Sub., TP1,TP2,TD1,TD2				
	Rear Outer	1	----	2166 302-3	

★ Indicates use as required.

□ Indicates parts not listed in any previous parts book.
Jan. 3, 1964 Supersedes Dec. 14, 1962.

Printed in U.S.A.
Prices and specifications subject to change without notice.
Right and left part numbers are on same line,
first number is right, second number is left.

* Indicates change or addition.

CODE	PART NAME AND DESCRIPTION	C Y L.	PER CAR	VALIANT DART	PLYMOUTH DODGE	CHRYSLER IMPERIAL
23-40-0 ROOF RAIL AND LUGGAGE RACK - Cont'd						
23-40-85	RAIL - Cont'd					
	4 D., TA3	1	----	----	1959 570-1	
	Sp. 4 D., Sub., TA3-L	1	----	----	E1869 548-9	
	Sub., TC1, TC3	1	----	----	----	E1869 548-9
	4 D., TC1, TC2, TC3, Front	1	----	----	----	2242 606-7
	Sp. Cl. Cp., TA3	1	----	----	1961 618-9	
	Sp. 4 D., Sp. Cl. Cp., TC1, TC2, TC3					
	Front	1	----	----	----	2243 644-5
	Rear	1	----	----	----	2244 052-3
	Sub., TA3, TC1, TC3, Rear	1	----	----	1961 468-9	1961 468-9
	Sp. 4 D., Sp. Cl. Cp., TY1					
	Front Inner	1	----	----	----	1961 064-5
	Front Outer	1	----	----	----	1960 540-1
	Rear Outer	1	----	----	----	2422 226-7
	RAIL, Roof Rear					
	Sub., TA3	1	----	----	1960 636	1960 636
	Sub., TP1, TP2, TD1, TD2					
	Inner	1	2242 790	2166 308		
	Outer	1	2242 781	2166 306		
	Inner Corner	1	2242 788-9			
	Outer Corner	1	2242 786-7			
	Corner	1	----	2251 584-5		
23-40-86	REINFORCEMENT, Roof Side Rail					
	4 D., Sp. 4 D., TA3, TC1, TC2, TC3	1	----	----	1869 556-7	2242 612-3
	Sub., TC1, TC3, TA3	1	----	----	1869 556-7	1869 556-7
	Sub., TA3, TC1, TC3					
	Rear	1	----	----	1861 128-9	1861 128-9
	Sp. Cl. Cp., TA3, TC1, TC2	1	----	----	1878 338-9	2242 612-3
	Sp. Cl. Cp., TA3 Rear	1	----	----	1878 340-1	
	REINFORCEMENT, Roof Side Outer Rail to Roof Side					
	Outer Rail Extension					
	Sub., TP1, TP2, TD1, TD2	1	----	----	2252 298-9	
	EXTENSION, Roof Side Rail Reinforcement					
	Sub., TA3, TC1, TC3	1	----	----	1960 064-5	1960 064-5
	4 D., Sp. 4 D., TA3	1	----	----	1882 134-5	
23-40-92	EXTENSION, Roof Side Rail					
	Sub., TA3	1	2243 256-7	1961 422-3		1961 422-3
	4 D., Sp. Cl. Cp., Cl. Sed., TL1	1	2243 840-1			
	4 D., Sp. 4 D., TA3	1	----	1884 868-9		
	4 D., Sp. 4 D., Sp. Cl. Cp., Cl. Sed., TP1, TP2, TD1, TD2					
	Inner	1	----	2244 114-5		
	Sp. 4 D., Sp. Cl. Cp., TD1, TD2					
	Outer	1	----	2244 704-5		
	Sp. Cl. Cp. Outer	1	2243 842-3			
	Sub., TP1, TP2, TD1, TD2					
	Inner	1	----	2251 582-3		
	Sub., TP1, TP2, TD1, TD2					
	Outer	1	----	2251 572-3		
	4 D., Sp. 4 D., Sp. Cl. Cp., TC1, TC2, TC3					
	To Wheelhouse	1	----	----		2242 618-9
	Sub., TA3, TC1, TC3, To Front Frame	1	----	1961 018-9		1961 018-9
	Sp. Cl. Cp., TY1 Rear Inner Rail To Roof Outer Rail	1	----	----		2255 182-3
	EXTENSION, Roof Rear Rail					
	Sp. 4 D., Sp. Cl. Cp., TY1					
	Outer	1	----	----		2422 228-9

★ Indicates use as required.
 ☐ Indicates parts not listed in any previous parts book.
 Right and left part numbers are on same line,
 first number is right, second number is left.
 * Indicates change or addition.

Printed in U.S.A.
 Prices and specifications subject to change without notice.
 Jan. 3, 1964 Supersedes Dec. 14, 1962.

1963 PASSENGER CAR PARTS CATALOG

BODY

CODE	PART NAME AND DESCRIPTION	PER CAR	VALIANT DART	PLYMOUTH DODGE	CHRYSLER IMPERIAL
23-40-O ROOFRAIL AND LUGGAGE RACK - Cont'd					
23-40-96	SUPPORT, Roof Side Rail to Wheelhouse 4 D., Sp. 4 D., Sp. Cl. Cp., Cl. Sed., TP1, TP2	1	----	2255 688-9	
	4 D., Sp. 4 D., Sp. Cl. Cp., Cl. Sed., TD1, TD2	1	----	2244 700-1	
	4 D., Sp. 4 D., Sp. Cl. Cp., TC1, TC2, TC3	1	----		
	Extension	1	----	----	2244 074-5
23-40-100	GUSSET, Roof Rail to Rear Window Upper Frame to Wheelhouse Support Inner 4 D., Sp. 4 D., Sp. Cl. Cp., Cl. Sed., TP1, TP2	1	----	2166 952-3	
23-40-103	BRACKET, Roof Side Rail Bow Attaching Sp. 4 D., Sp. Cl. Cp., TY1				
	Front	2	----	----	2422 273
	Rear	2	----	----	2422 274
23-40-148	NUT, Roof Luggage Rack Slats or Crossmembers Sub.	★	2094 869	2094 869	2094 869
23-40-150	RAIL, Roof Luggage Rack Sub., TP1, TP2, TD1, TD2				
	Front	1	*2243 472	*2243 472	
	Side	2	2243 470	2243 470	
	Rear	1	*2243 472	*2243 472	
	Sub., TA3				
	Front	2	----	2093 388	2093 388
	Side	2	----	2093 387	2093 387
	Rear	2	----	2093 388	2093 388
23-40-155	CROSSMEMBER, Roof Luggage Rack Sub., TP1, TP2, TD1, TD2				
	Front	1	*2243 476	*2243 476	
	Center	3	2243 477	2243 477	
	Rear	1	*2243 476	*2243 476	
23-40-170	STANCHION, Roof Luggage Rack Rail Sub., TP1, TP2, TD1, TD2	2	2255 354-5	2255 354-5	
	Sub., TA3	3	----	2093 390-1	2093 390-1
23-40-177	CAP, Roof Luggage Rack Slats Frame Front and Rear Sub., TA3	2	----	2093 382-3	2093 382-3
23-40-185	FRAME, Roof Luggage Rack Slats Sub., TA3	1	----	2093 380-1	2093 380-1
23-40-187	GASKET, Roof Luggage Rack Slats Frame Sub., TA3	2	----	2093 394	2093 394
	PAD, Roof Luggage Rack Slats Sub., TA3	9	----	2094 874	2094 874
	PAD, Roof Luggage Rack Crossmember Sub., TP1, TP2, TD1, TD2				
	Front	1	*2094 874	*2094 874	
	Center	3	2094 874	2094 874	
	Rear	1	*2094 874	*2094 874	
	To Stanchion	4	2243 473	2243 473	
23-40-190	SLAT, Roof Luggage Rack Sub., TA3	9	----	2093 386	2093 386
23-41-O WINDOW LIFT (ELECTRIC)					
23-41-4	REGULATOR, Electric Window 4 D., Sp. 4 D., Sub., TP1, TP2, TD1, TD2, TC1, TC2, TC3	1	----	⊠2299 678-9	1964 364-5
	Sp. Cl. Cp., Cv. Cp., TP1, TP2, TD1, TD2, TC1, TC2	1	----	⊠2299 680-1	1964 360-1

★ Indicates use as required.
 ⊠ Indicates parts not listed in any previous parts book.
 Jan. 3, 1964 Supersedes Sept. 4, 1962.

Printed in U.S.A.
 Prices and specifications subject to change without notice.
 Right and left part numbers are on same line,
 first number is right, second number is left.
 * Indicates change or addition.

CODE	PART NAME AND DESCRIPTION	PER CAR	VALIANT DART	PLYMOUTH DODGE	CHRYSLER IMPERIAL
23-41-O WINDOW LIFT (ELECTRIC)- Cont'd					
23-41-4	REGULATOR - Cont'd				
	Sp. Cl. Cp., TP1, TP2, TD1, TD2, TC1, TC2 Quarter	1	----	2428 230-1	2428 232-3
	Cv. Cp., TP2, TD2, TC1, TC2 Quarter	1	----	2428 230-1	1964 354-5
	4 D., TP1, TP2, TD1, TD2, TC1, TC2, TC3 Rear	1	----	2428 226-7	2428 228-9
	Sp. 4 D., Sub., TP1, TP2, TD1, TD2, TC1, TC2, TC3 Rear	1	----	2428 226-7	1964 352-3
	4 D., Sub., TA3 Front	1	----	1964 364-5	
	Sp. 4 D., TA3, TY1, Front	1	----	1964 364-5	2094 322-3
	Sp. Cl. Cp., Cv. Cp., TA3, TY1 Front	1	----	1964 360-1	1860 962-3
	Sp. Cl. Cp., Cv. Cp., TY1 Quarter	1	----	----	1753 706-7
	Sp. 4 D., TY1 Rear	1	----	----	1860 962-3
	Sp. 4 D., Sp. 4 D. Sub., TA3 Rear	1	----	1964 352-3	
	Sub., TA3E Rear	1	----	1964 362-3	
	4 D., TA3 Rear	1	----	1964 362-3	
	Sp. Cl. Cp., TA3 Quarter	1	----	1964 356-7	
	Cv. Cp., TA3 Quarter	1	----	1964 354-5	
	REGULATOR, Electric Window (used in Dura Type assembly)				
	4 D., Sp. 4 D., Sp. 4 D. Sub., TA3, TC1, TC2, TC3 Front	1	----	1964 596-7	1964 596-7
	Sp. Cl. Cp., Cv. Cp., TA3, TC1, TC2 Front	1	----	1964 598-9	1964 598-9
	4 D., TA3 Rear	1	----	1964 594-5	
	Sub., TA3E Rear	1	----	1964 594-5	
23-41-5	BUS BAR, Electric Window Lift Circuit Breaker TY1	1	----	----	1498 776
23-41-7	SPRING, Electric Window Regulator Assist				
	TA3, TC1, TC2, TC3, Front	2	----	1964 289	1964 289
	TY1, Front	2	----	----	1440 596
	4 D., Sp. 4 D., Sub., TP1, TP2, TD1, TD2 Front	2	----	2251 930	
	Sp. Cl. Cp., Cv. Cp., TP1, TP2, TD1, TD2 Front	2	----	2251 939	
	4 D., TP1, TP2, TD1, TD2, TC1, TC2, TC3 Rear	2	----	2166 851	2251 930
	4 D., Sp. 4 D., Sub., TA3 Rear	2	----	1964 289	
	Sp. 4 D., Sub., TP1, TP2, TD1, TD2, TC1, TC2, TC3 Rear	2	----	2166 851	1964 289
	Sp. 4 D., TY1 Rear	2	----	----	1440 596
	Sp. Cl. Cp., TA3, TC1, TC2 Quarter	2	----	2216 172	2216 172
	Sp. Cl. Cp., Cv. Cp., TP1, TP2, TD1, TD2, TY1 Quarter	2	----	2216 172	1440 596
	Cv. Cp., TA3, TC1, TC2 Quarter	2	----	1964 289	1964 289
	SPRING, Electric Window Regulator Counterbalance (used in Dura Type assembly)				
	TA3, TC1, TC2, TC3, Front	2	----	2165 768	2165 768
	Cv. Cp., TA3, TC1, TC2 Quarter	2	----	2165 768	2165 768
	4 D., TA3 Rear	2	----	2165 768	

★ Indicates use as required.

☐ Indicates parts not listed in any previous parts book.

Right and left part numbers are on same line,
first number is right, second number is left.

* Indicates change or addition.

Printed in U.S.A.

Prices and specifications subject to change without notice.

Jan. 3, 1964 Supersedes Dec. 14, 1962.

1963 PASSENGER CAR PARTS CATALOG

CODE	PART NAME AND DESCRIPTION	PER CAR	VALIANT DART	PLYMOUTH DODGE	CHRYSLER IMPERIAL
23-41-O WINDOW LIFT (ELECTRIC)- Cont'd					
23-41-9	BOLT and WASHER, Electric Window Regulator to Plate Attaching TA3, TC1, TC1, TC3	★	----	1963 851	1963 851
	BOLT and WASHER, Electric Window Regulator Motor to Mounting Bracket TA3, TC1, TC2, TC3	★	----	1963 949	1963 949
	STUD, Electric Window Regulator Pivot Arm TC1, TC2, TC3	★	----	6000 211	6000 211
	TY1 To Glass	★	----	----	1691 100
	SCREW, Electric Window Regulator Pivot Arm Stud, TY1	★	----	----	*6006 172
23-41-11	CIRCUIT BREAKER, Electric Window Lift TC1, TC2, TC3 30 Amps TY1 30 Amps	1 1	----	2291 728 ----	2291 728 1689 022
23-41-12	BRACKET, Electric Window Lift Circuit Breaker Mounting TY1	1	----	----	*1479 060
23-41-14	BUMPER, Electric Window Regulator Motor Mounting Bracket TP1, TP2, TD1, TD2, Front	2	----	2251 981	
23-41-25	RETAINER, Electric Window Lift Wiring Conduit TA3, TC1, TC2, TC3, Front TP1, TP2, TD1, TD2, Front	2 2	----	1886 949 2290 048	1886 949
23-41-27	RELAY, Electric Window Lift Safety	1	----	*2427 743	*2427 743
23-41-33	MECHANISM, Electric Window Lift TP1, TP2, TD1, TD2, TC1, TC2, TC3 Front Right Left TA3 Front TY1 Front, with Worm Shaft Gear, Length 2.50" TY1 Front, with Worm Shaft Gear, Length 2.375"	1 1 2 1 1	----	2252 048 2252 049 1963 827 ----	1963 827 1963 827 2299 802-3 2428 000-1
	4 D., TP1, TP2, TD1, TD2, TC1, TC2, TC3 Rear Sp. 4 D., Sub., TP1, TP2, TD1, TD2, TC1, TC2, TC3 Rear Right Left 4 D., Sp. 4 D., Sub., TA3 Rear Sp. 4 D., TY1 Rear, with Worm Shaft Gear, Length 2.50" Sp. 4 D., TY1 Rear, with Worm Shaft Gear, Length 2.375"	1 1 1 2 1 1	----	2252 050-1 2252 050 2252 051 1963 828 ----	2252 050-1 1963 828 1963 828 2299 802-3 2428 000-1
	Sp. Cl. Cp., Cv. Cp., TP1, TP2, TD1, TD2, TC1, TC2 Quarter, Right Left Sp. Cl. Cp., Cv. Cp., TA3, TY1 Quarter, Right Left	1 1 1 1	----	2252 050 2252 051 1963 828 1963 828	1963 828 1963 828 1604 889 1604 890
23-41-34	REPAIR PACKAGE, Electric Window Lift Regulator Mechanism TA3, TC1, TC2, TC3 Used for 1963 827 Mechanism. Used for 1963 828 Mechanism.	1 1	----	2275 142 2275 143	2275 142 2275 143

★ Indicates use as required.

⊠ Indicates parts not listed in any previous parts book.
Jan. 3, 1964 Supersedes Dec. 14, 1962.

Printed in U.S.A.

Prices and specifications subject to change without notice.
Right and left part numbers are on same line,
first number is right, second number is left.

* Indicates change or addition.

CODE	PART NAME AND DESCRIPTION	PER CAR	VALIANT DART	PLYMOUTH DODGE	CHRYSLER IMPERIAL
23-41-0 WINDOW LIFT (ELECTRIC)- Cont'd					
23-41-53	BRACKET, Electric Window Regulator Motor Mounting 4 D., Sp. 4 D., Sub., TP1, TP2, TD1, TD2 Front	2	----	2251 982	
	4 D., Sp. 4 D., Sub., TA3, TC1, TC2, TC3 Front	1	----	1963 874-5	1963 874-5
	Sp. Cl. Cp., Cv. Cp., TP1, TP2, TD1, TD2 Front	2	----	2251 982	
	Sp. 4 D., Sp. 4 D. Sub., TA3, TC1, TC2, TC3 Rear	1	----	1964 818-9	1964 818-9
	4 D., TP1, TP2, TD1, TD2, TC1, TC2, TC3 Rear	1	----	2251 954-5	2251 954-5
	Sp. 4 D., TP1, TP2, TD1, TD2 Rear	1	----	2251 954-5	
	4 D. Sub., TP1, TP2, Rear	1	----	2251 954-5	
23-41-55	WIRING, Electric Window Lift 4 D., Sp. 4 D., Sub., except TA3 Sp. Cl. Cp., Cv. Cp., TP1, TP2, TD1, TD2 4 D., Sp. 4 D., Sub., TA3, TC1, TC2, TC3 Sp. Cl. Cp., Cv. Cp., TA3, TC1, TC2 Sp. 4 D., TY1 Sp. Cl. Cp., Cv. Cp., TY1	1 1 1 1 1 1	---- ---- ---- ---- ---- ----	*2291 736 2291 735 2291 370 2291 368 ---- ----	 2291 370 2291 368 2291 530 2291 529
	WIRING, Electric Window Lift and Power Vent Sp. 4 D., TY1 Sp. Cl. Cp., Cv. Cp., TY1	1 1	---- ----	---- ----	2291 530 2291 529
	WIRING, Electric Window Lift and Door Lock Sp. 4 D., TY1 Sp. Cl. Cp., Cv. Cp., TY1	1 1	---- ----	---- ----	2291 530 2291 529
	WIRING, Electric Window Lift, Power Vent and Door Lock Sp. 4 D., TY1 Sp. Cl. Cp., TY1 CLIP, Wiring, TA3, TC1, TC2, TC3	1 1 1 1	---- ---- ---- ----	---- ---- ---- *6015 288	2291 530 2291 529 2291 529 *6015 288
23-41-95	GROMMET, Electric Window Lift Wiring Conduit TC1, TC2, TC3 Front TA3, TC1, TC2, TC3, Rear TP1, TP2, TD1, TD2, TY1 Rear	2 2 2	---- ---- ----	2257 299 2257 744 2258 361	2257 299 2257 744 1753 681
23-41-106	MOTOR, Electric Window Lift TA3, TC1, TC2, TC3, Front TP1, TP2, TD1, TD2, TY1 Front 4 D., TA3, TC1, TC2, TC3 Rear	2 2 2 2	---- ---- ---- ----	2084 445 2252 001 2084 445	2084 445 2299 804 2252 001
	4 D., TP1, TP2, TD1, TD2 Rear	2	----	2252 001	
	Sp. 4 D., Sp. 4 D. Sub., TA3, TC1, TC2, TC3 Rear	2	----	2084 445	2084 445
	Sp. 4 D., Sub., TP1, TP2, TD1, TD2, TY1 Rear	2	----	2252 001	2299 805
	Sp. Cl. Cp., TA3, TC1, TC2 Quarter	2	----	2084 445	2084 444
	Cv. Cp., TA3, TC1, TC2 Quarter	2	----	2084 446	2084 446
	Sp. Cl. Cp., Cv. Cp., TP1, TP2, TD1, TD2, TY1 Quarter	2	----	2252 001	2084 849

★ Indicates use as required.
 □ Indicates parts not listed in any previous parts book.
 Right and left part numbers are on same line,
 first number is right, second number is left.
 * Indicates change or addition.

1963 PASSENGER CAR PARTS CATALOG

CODE	PART NAME AND DESCRIPTION	PER CAR	VALIANT DART	PLYMOUTH DODGE	CHRYSLER IMPERIAL
23-41-O WINDOW LIFT (ELECTRIC)- Cont'd					
23-41-106	MOTOR, Electric Window Lift (used in Dura Type assembly) TA3, TC1, TC2, TC3, Front	2	----	2196 343	2196 343
	Cv. Cp., TA3, TC1, TC2 Quarter	2	----	2196 343	2196 343
	4 D., TA3 Rear	2	----	2196 343	
	Sub., TA3E Rear	2	----	2196 343	
23-41-126	BUMPER, Electric Window Regulator Motor Mounting TY1 Front and Rear	2	----	----	1860 619
23-41-128	GROMMET, Electric Window Regulator Motor Coupling Sp. Cl. Cp., Cv. Cp., TY1 Quarter	★	----	----	1383 351
23-41-138	COUPLING, Electric Window Lift Motor to Mechanism TP1, TP2, TD1, TD2, Front	2	----	1778 955	1440 489
	Rear	2	----	1778 955	1688 919
	Quarter	2	----	1778 955	1440 489
	TA3 Front	2	----	1440 489	
	Rear	2	----	1688 919	
	Quarter	2	----	1440 489	
	COUPLING and DRIVE CABLE, Electric Window Lift Motor to Mechanism (used in Dura Type assembly) TA3, TC1, TC2, TC3, Front	2	----	1810 641	1810 641
	Cv. Cp., TA3, TC1, TC2 Quarter	2	----	1810 641	1810 641
	4 D., TA3 Rear	2	----	1810 641	
23-41-139	SHIELD, Electric Window Lift Motor Drive Shaft Plastic	★	----	1689 167	1689 167
23-41-167	CONDUIT, Electric Window Lift Wiring TP1, TP2, TD1, TD2, TC1, TC2, TC3 Front	2	----	2290 047	1971 326
	TA3, TY1 Front, Right	1	----	1971 326	2426 151
	Left	1	----	1971 326	2426 161
	TP1, TP2, TD1, TD2, TC1, TC2, TC3 Rear	2	----	2291 976	1971 314
	TA3, TY1 Rear	2	----	1971 314	1972 092
23-41-170	SWITCH, Electric Window Lift TC1, TC2, TC3 Single, includes BEZEL	3	----	2096 399	2096 399
	TC3 Luxury Rear, Right	1	----	----	2427 144
	Left	1	----	----	2427 814
	TY1	3	----	----	2096 765
	TC1, TC2, TC3 4 Gang, includes BEZEL	1	----	2096 089	2096 089
	TY1	1	----	----	2096 090
	SWITCH, Electric Window Lift and Vent Wing TY1 2 Gang, includes BEZEL	1	----	----	2096 177
	6 Gang, includes BEZEL	1	----	----	2096 176
	SWITCH, Electric Window Lift Safety Toggle Type	1	2197 405	2197 405	2197 405
23-41-171	HINGE, Electric Window Lift Wiring Conduit to Door Rear	2	----	2291 984	
23-41-174	SPRING, Electric Window Lift Switch Retaining	★	----	2096 169	2096 169
23-41-176	CONNECTOR, Electric Window Lift Switch Single, Right Front, Right Rear, Left Rear	3	----	*2096 905	*2096 905
	Single, Left Front, for Power Vent	2	----	----	*2096 905

★ Indicates use as required.
 B Indicates parts not listed in any previous parts book.
 Jan. 3, 1964 Supersedes Jan. 25, 1963.

Printed in U.S.A.
 Prices and specifications subject to change without notice.
 Right and left part numbers are on same line,
 first number is right, second number is left.
 * Indicates change or addition.

CODE	PART NAME AND DESCRIPTION	PER CAR	VALIANT DART	PLYMOUTH DODGE	CHRYSLER IMPERIAL
23-41-O WINDOW LIFT (ELECTRIC) - Cont'd					
23-41-176	CONNECTOR - Cont'd				
	Single, Right Front, for Power Vent	1	----	----	*2096 905
	4-Way, Left Front Down	1	----	*2096 908	*2096 908
	5-Way, Left Front Up	1	----	*2096 911	*2096 911
23-41-184	RETAINER, Electric Window Lift Switch and Bezel				
	Single	3	----	1971 478	1971 478
	4 Way	1	----	B2427 324	B2427 324
23-41-250	ROLLER, Electric Window Regulator Guide Arm Plate				
	TY1 Length 1.03", Rear	6	----	----	2094 112
	ROLLER, Electric Window Regulator to Glass				
	TY1 Length .58"	4	----	----	1690 937
23-41-270	HOUSING, PINION and CABLE PACKAGE, Electric Window Regulator (used in Dura Type assembly)				
	TA3, TC1, TC2, TC3, Front	1	----	2166 926-7	2166 926-7
	Cv. Cp., TA3, TC1, TC2				
	Quarter	1	----	2166 926-7	2166 926-7
	4 D., TA3 Rear	1	----	2166 926-7	
	Sub., TA3E Rear	1	----	2166 926-7	
23-41-273	BUSHING, Electric Window Lift Mechanism Gear Shaft (used in Dura Type assembly)				
	TA3, TC1, TC2, TC3 Front	2	----	1810 635	1810 635
	Cv. Cp., TA3, TC1, TC2				
	Quarter	2	----	1810 648	1810 648
	BEARING				
	4 D., TA3 Rear	2	----	1810 635	
	Sub., TA3E Rear	2	----	1810 635	
23-41-281	BRACE, Front Door Inside Panel Electric Window Regulator Lower				
	4 D., Sp. 4 D., Sub., TA3, TC1, TC2, TC3	2	----	1964 823	1964 823
	Sp. Cl. Cp., Cv. Cp., TA3, TC1, TC2	2	----	1964 821	1964 821
	REINFORCEMENT, Rear Door Inside Panel Electric Window Regulator				
	4 D., TA3 Upper	1	----	1964 690-1	
	4 D., TA3 Front	1	----	1964 696-7	
	Sub., TA3E Front	1	----	1964 696-7	
	Sub., TA3E Rear	1	----	1964 690-1	
23-41-286	SEAL, Electric Window Regulator Mechanism				
	TP1, TP2, TD1, TD2, Front	2	----	2252 029	
	TP1, TP2, TD1, TD2, Quarter	2	----	2252 029	
	Sp. 4 D., Sub., TP1, TP2, TD1, TD2				
	Rear	2	----	2252 029	
	4 D., TP1, TP2, TD1, TD2, TC1, TC2, TC3				
	Rear	2	----	2252 029	2252 029
23-42-O WINDOW GLASS RUN					
23-42-13	RUN, Front Door Vent Wing Divisional Chamel Glass				
	TY1	2	----	----	2218 400
	RUN, Door Vent Wing Divisional Channel Drop Glass				
	4 D., 4 D. Sub., Cl. Sed.				
	Front Door	2	*2216 645		
	Sp. Cl. Cp., Cv. Cp. Front Door	2	*2217 420		
	4 D., 4 D. Sub. Rear Door	2	*2216 645		
23-42-16	RUN, Front Door Window Glass				
	4 D., TA3, TC1, TC2, TC3	2	2254 934	2216 406	2216 406
	4 D., 4 D. Sub., TP1, TP2, TD1, TD2	2	2254 934	2167 622	
	Cl. Sed.	2	2254 932	2167 620	
	Sub., TA3E	2	----	2216 406	

★ Indicates use as required.

Ⓜ Indicates parts not listed in any previous parts book.

Right and left part numbers are on same line, first number is right, second number is left.

* Indicates change or addition.

1963 PASSENGER CAR PARTS CATALOG

BODY

CODE	PART NAME AND DESCRIPTION	PER CAR	VALIANT DART	PLYMOUTH DODGE	CHRYSLER IMPERIAL
23-42-O WINDOW GLASS RUN - Cont'd					
23-42-23	RUN, Rear Door Window Glass				
	4 D., TP1, TP2, TD1, TD2, TC1, TC2, TC3	2	2216 780	2218 134	2216 938
	4 D. Sub., TP1, TP2, TD1, TD2	2	2216 780	2218 134	
	4 D., TA3	2	----	2216 404	
23-42-26	RETAINER, Front Door Window Glass Run				
	4 D., TA3, TC1, TC2, TC3	1	----	1952 378-9	1952 378-9
	Sub., TA3E	1	----	1952 378-9	
	RETAINER, Rear Door Window Glass Run				
	4 D., TA3	1	----	1954 144-5	
	Sub., TA3E	1	----	1954 144-5	
23-42-38	RUN, Quarter Window Glass				
	Cl. Sed.	2	2245 091	2167 196	
	RUN, Quarter Window Glass Guide Rear Channel				
	Sp. Cl. Cp., TL1 Inner	1	2244 742-3		
	Outer, Right	1	2244 743		
	Left	1	2244 742		
23-42-46	RUN, Tailgate Window Glass				
	Sub., TP1, TP2, TD1, TD2				
	Upper	1	2423 720	2251 475	2189 351
	Lower	2	2423 456	2189 353	2189 353
	Sub., TA3				
	Upper	1	----	2189 351	
	Lower	2	----	2189 353	
23-42-48	SPACER, Tailgate Glass Run on Rear Pillar				
	TA3	1	----	*2483 798	*2483 798
	STOP, Tailgate Glass Run on Roof Rail				
	TA3	1	----	*2483 798	*2483 798
23-42-51	INSERT, Tailgate Window Glass Run				
	Sub., TA3	2	----	2255 333	2255 333
23-42-56	RETAINER, Quarter Window Glass Run				
	Cl. Sed. Rear	1	----	2424 132-3	
23-42-59	SUPPORT, Quarter Window Glass Run Retainer				
	Cl. Sed. Rear	2	----	2216 415	
23-45-O FRONT SEAT					
23-45-29	PLATE, Front Seat Back Hinge Stop				
	Cl. Sed., Cv. Cp.	2	*2160 502		
23-45-30	BUMPER, Front Seat Back Stop				
	Cl. Sed., Cv. Cp.	2	*2160 500		
	Cl. Sed. w/Heavy Duty Springs	2	----	2270 579	
	Sp. Cl. Cp., Cv. Cp., Cl. Sed.	2	----	1815 328	1815 328
23-45-33	BRACKET, Front Seat Outer Hinge Arm Cover				
		2	2080 944-5	2080 944-5	
23-45-46	PUSH NUT, Front Seat Back to Cushion Hinge Pin				
		2	2160 648	2160 648	2160 648
23-45-52	HANDLE, Reclining Seat Actuator				
	TC3 Luxury	1	----	----	2440 951
23-45-60	ORNAMENT, w/STUD, Front Seat Side Shield				
	TC3 Luxury	1	----	----	2490 049
23-45-187	PAWL, Front Reclining Seat Back Release				
	TC3 Luxury	1	----	----	B2446 742
	BOLT, Return	1	----	----	6024 145
	PIN, Pawl Stop	2	----	----	9419 570

* Indicates use as required.
 B Indicates parts not listed in any previous parts book.
 Jan. 3, 1964 Supersedes Jan. 25, 1963.

Printed in U.S.A.
 Prices and specifications subject to change without notice.
 Right and left part numbers are on same line,
 first number is right, second number is left.
 * Indicates change or addition.

CODE	PART NAME AND DESCRIPTION	PER CAR	VALIANT DART	PLYMOUTH DODGE	CHRYSLER IMPERIAL
23-45-O FRONT SEAT - Cont'd					
23-45-188	STOP, Reclining Seat Back Forward Tilt TC3 Luxury	2	----	----	*2494 509
23-45-190	SPRING, Front Reclining Seat Back Return TC3 Luxury	1	----	----	2446 039
	SPRING, Front Reclining Seat Pawl Return TC3 Luxury	1	----	----	2446 068
23-45-192	RETAINER, Front Reclining Seat Back Return Spring TC3 Luxury	1	----	----	2446 064
	RETAINER, Front Reclining Seat Cushion Arch	1	----	----	2446 074
23-45-195	SPACER, Front Reclining Seat Back to Cushion Mounting TC3 Luxury	1	----	----	2446 066
23-45-197	SUPPORT, Front Reclining Seat Return Spring Adjuster TC3 Luxury Right	1	----	----	2446 028
23-45-199	BOLT, Front Reclining Seat Return Spring Adjuster TC3 Luxury	1	----	----	2446 137
23-47-O FRONT SEAT ADJUSTER					
23-47-6	ADJUSTER, Manual Seat w/o Bucket Seats, Right	1	2259 250		
	Left	1	2082 686		
	ADJUSTER, Front Seat Manual w/Bucket Seats, Outer Right	1	*2428 094	*2428 048	*2428 100
	Left	1	2428 095	2428 049	2428 101
	Inner Right	1	2428 096	2428 042	2428 098
	Left	1	2428 097	2428 043	2428 099
	ADJUSTER, Front Seat Electric w/Bucket Seats	1	----	----	B2520 154-5
	TRACK and SUPPORT, Manual Seat Adjuster w/o Bucket Seats, Upper Right	1	----	2189 900	2189 900
	TP1, TP2, TD1, TD2, Left	1	----	2162 307	2189 901
	TA3 Left	1	----	2189 901	
	TP1, TP2, TD1, TD2, TA3 Lower	1	----	2251 966-7	2251 966-7
	GUIDE or TRACK, Electric Seat Adjuster w/o Bucket Seats Right	1	----	2080 828	2080 828
	Left	1	----	2080 827	2080 827
23-47-8	COVER, Seat Adjuster Track, w/o Bucket Seats, Electric	1	----	*2708 VT6	*2709 VT6
	w/Bucket Seats, Electric Seat Adjuster, Black, Outer	1	----	----	2182 048-9
	Inner	1	----	----	2182 058-9
	Blue, Outer	1	----	----	2182 042-3
	Inner	1	----	----	2182 052-3
	Red, Outer	1	----	----	2182 046-7
	Inner	1	----	----	2182 056-7
	Tan, Outer	1	----	----	2182 044-5
	Inner	1	----	----	2182 054-5
	Turquoise, Outer	1	----	----	2182 050-1
	Inner	1	----	----	2182 060-1
23-47-9	STUD, Electric Seat Adjuster to Floor	8	----	6008 111	6008 111
	BOLT and WASHER, Manual Seat Adjuster Support	4	----	6008 220	6008 220
23-47-12	STOP, Electric Seat Adjuster Track Horizontal	1	----	1830 236-7	1830 236-7

★ Indicates use as required.

□ Indicates parts not listed in any previous parts book.

Right and left part numbers are on same line,
first number is right, second number is left.

* Indicates change or addition.

1963 PASSENGER CAR PARTS CATALOG

CODE	PART NAME AND DESCRIPTION	PER CAR	VALIANT DART	PLYMOUTH DODGE	CHRYSLER IMPERIAL
23-47-O FRONT SEAT ADJUSTER - Cont'd					
23-47-15	SPACER, Front Seat Electric Adjuster Base to Floor Right, w/Bucket Seats	1	-----	-----	*2428 362
23-47-16	NUT, Manual Seat Adjuster Support Front	★	2080 951	2080 951	2080 951
23-47-22	ROLLER, Front Seat Electric Adjuster Track Guide w/Bucket Seats	4	-----	-----	1520 675
23-47-26	SPRING, Manual Seat Guide Tension w/Bucket Seats	2	2299 980	2299 980	2299 980
	w/o Bucket Seats	2	1902 350	1902 350	1902 350
23-47-35	NUT and WASHER, Manual Seat Adjuster to Floor Pan TC1,TC2,TC3	★	6008 243	6008 243	6008 243
	Electric Seat Adjuster to Floor	8	-----	6022 056	6022 056
23-47-55	KNOB, Manual Seat Adjuster Latch Control	1	2161 291	2161 291	2161 291
23-47-64	CLIP, Manual Seat Guide Latch Connecting Wire Except TA3 TA3	1	-----	1969 366	2410 070
		1	-----	2410 070	
23-47-66	WIRE, Manual Seat Guide Latch Connecting w/Bucket Seats Except TA3 w/o Bucket Seats TA3 w/o Bucket Seats	2	2299 661	2299 661	2299 661
		1	2082 545	2270 067	1592 654
		1	-----	1969 367	
23-47-75	SPRING, Manual Seat Guide Latch	2	2428 388	2428 388	2428 388
23-47-196	PIN, Electric Seat Adjuster Track Rear Lever Front Lever	2	-----	6008 216	6008 216
		2	-----	6008 050	6008 050
23-47-197	RETAINER, Front Seat Electric Vertical Adjusting Lever Pin w/Bucket Seats	4	-----	-----	1539 430
23-47-344	UNIT or MECHANISM, Electric Seat Adjuster w/o Bucket Seats Drive Slave, Right Left	1	-----	*1819 228	*1819 228
		1	-----	1819 240	1819 240
		1	-----	1819 239	1819 239
	UNIT, Electric Seat Adjuster Drive, w/Bucket Seats, Horizontal Vertical	★	-----	-----	B2520 157
		★	-----	-----	B2520 156
23-47-350	PIN, Electric Seat Adjuster Drive Unit Dowel	2	-----	6008 051	6008 051
23-47-352	SCREW, Electric Seat Adjuster Drive Unit SCREW, Electric Seat Adjuster Slave Unit Cap or Cover	6	-----	6008 126	6008 126
		★	-----	6008 027	6008 027
23-47-353	LEVER and SHAFT, Electric Seat Adjuster Drive Unit Gear Selector	3	-----	1830 289	1830 289
23-47-375	STUD, Electric Seat Adjuster Stabilizer to Floor Bracket	1	-----	2080 456	2080 456
23-47-383	PIVOT END, Electric Seat Adjuster Stabilizer Strut	2	-----	2080 329	2080 329
23-47-384	STRUT, Electric Seat Adjuster Stabilizer Female Male	2	-----	2080 330	2080 330
		2	-----	2080 331	2080 331
23-47-385	STUD, Electric Seat Adjuster Stabilizer Pivot End to Floor Bracket	1	-----	2080 456	2080 456

★ Indicates use as required.
 B Indicates parts not listed in any previous parts book.
 Jan. 3, 1964 Supersedes Jan. 25, 1963.

Printed in U.S.A.
 Prices and specifications subject to change without notice.
 Right and left part numbers are on same line,
 first number is right, second number is left.
 * Indicates change or addition.

CODE	PART NAME AND DESCRIPTION	PER CAR	VALIANT DART	PLYMOUTH DODGE	CHRYSLER IMPERIAL
23-47-0 FRONT SEAT ADJUSTER - Cont'd					
23-47-386	WASHER, Electric Seat Adjuster Stabilizer Pivot End	2	----	2080 466	2080 466
23-47-387	GUARD, Electric Seat Adjuster Track Rear Lever	2	----	2080 478	2080 478
23-47-413	SPRING, Electric Seat Adjuster Drive Unit Gear Selector Lever and Shaft, w/o Bucket Seats	3	----	*1819 230	*1819 230
	SPRING, Electric Horizontal Adjuster Assist, w/Bucket Seats	2	----	----	*2486 173
23-47-414	COIL PACKAGE, Electric Seat Adjuster Drive Unit Solenoid	3	----	1830 290	1830 290
23-47-420	WIRING, Electric Seat Adjuster, w/Bucket Seats, 4 Way	★	----	----	2426 961
23-47-423	CIRCUIT BREAKER, Electric Seat Adjuster TC1, TC2, TC3 30 Amps	1	----	2291 728	2291 728
	TY1 30 Amps	1	----	----	1689 022
23-47-425	RELAY, Electric Seat Adjuster Motor	1	----	2291 927	2291 927
23-47-427	SCREW and WASHER, Electric Seat Adjuster Motor Relay Mounting	2	----	6008 110	6008 110
23-47-430	MOTOR, Electric Seat Adjuster w/o Bucket Seats	1	----	2448 625	2448 625
	w/Bucket Seats	★	----	----	2428 372
23-47-431	TUBE, Electric Seat Adjuster Drive Unit to Slave Unit Cable				
	Front Control, Left, Short . . .	1	----	1830 216	1830 216
	Rear Control, Left, Short . . .	1	----	1830 217	1830 217
	Horizontal Control, Left, Short	1	----	1830 218	1830 218
Except TA3	w/BRACKETS, Right, Long . .	1	----	2162 390	2486 296
TA3	w/BRACKETS, Right, Long. . .	1	----	2486 296	
23-47-432	COUPLING, Electric Seat Adjuster Motor to Mechanism or Drive Unit, w/o Bucket Seats	1	----	*1594 834	*1594 834
	COUPLING, Electric Adjuster Transmission, w/Bucket Seats	4	----	----	*2428 377
	CABLE, Electric Seat Adjuster Drive Unit to Slave Unit Except TA3				
	Front Control, Long	1	----	2162 391	
	Short	1	----	1830 345	
	Rear Control, Long	1	----	2162 392	
	Short	1	----	1830 347	
	Horizontal Control, Long	1	----	2162 393	
	Short	1	----	1830 349	
TA3	Front Control, Long	1	----	2486 300	2486 300
	Short	1	----	1830 345	1830 345
	Rear Control, Long	1	----	2486 301	2486 301
	Short	1	----	1830 347	1830 347
	Horizontal Control, Long	1	----	2486 302	2486 302
	Short	1	----	1830 349	1830 349
23-47-433	GROMMET, Electric Seat Adjuster Transmission Attaching w/Bucket Seats	4	----	----	*2428 459
23-47-446	SWITCH, Electric Seat Adjuster w/o Bucket Seats	1	----	2426 138	*2426 138
	w/Bucket Seats	1	----	----	2096 177
23-47-451	BEZEL PACKAGE, Electric Seat Adjuster Switch	1	----	2421 142	

★ Indicates use as required.
 ☐ Indicates parts not listed in any previous parts book.
 Right and left part numbers are on same line, first number is right, second number is left.
 * Indicates change or addition.

Printed in U.S.A.
 Prices and specifications subject to change without notice.
 Jan. 3, 1964 Supersedes Jan. 25, 1963.

1963 PASSENGER CAR PARTS CATALOG

BODY

CODE	PART NAME AND DESCRIPTION	PER CAR	VALIANT DART	PLYMOUTH DODGE	CHRYSLER IMPERIAL
23-47-O FRONT SEAT ADJUSTER -Cont'd					
23-47-454	BRUSH and SPRING PACKAGE, Electric Seat Adjuster Motor	1	----	1297 879	1297 879
23-47-456	PLATE, Electric Seat Adjuster Switch Mounting TC3 Luxury	1	----	----	2490 086
	BRACKET, Electric Seat Adjuster Switch Mounting, w/ Bucket Seats, TC2, TC3	1	----	----	2440 212
23-47-457	KNOB, Electric Seat Adjuster Switch	1	----	2096 022	2096 022
23-47-460	CLAMP and SPACER, Electric Seat Adjuster Switch Except TA3	2	----	2440 001	
23-47-462	ADAPTER, Electric Seat Adjuster Switch to Seat Frame Except TA3	1	----	2419 932	
23-48-O SECOND AND THIRD SEAT					
23-48-6	SPACER, Seat Back to Cushion Down Position Sub., TA3	2	----	1884 737	1884 737
23-48-11	PIN, Third Seat Back Support Hinge Sub., TP1, TP2, TD1, TD2	2	----	6022 839	
	Sub., TA3	2	----	1960 627	1960 627
23-48-19	STRIKER, Third Seat Back Support Sub., except TA3	2	----	2251 539	
	STRIKER, Seat Back Latch Sub., TA3 Second Seat	1	2422 516-7	1961 438-9	1961 438-9
	Sub., TP1, TP2, TD1, TD2 Second Seat	1	----	2423 560-1	
	Sub., TP1, TP2, TD1, TD2 Third Seat	2	----	2251 678	1960 503
	Sub., TA3 Third Seat	2	----	1960 503	
	RETAINER, Second Seat Back-Up Position on Wheelhouse Sub., TP1, TP2, TD1, TD2				
	Right	1	2255 617	1961 488	
	Left	1	2422 519	*2422 519	
	LATCH, Third Seat Back Retainer Sub., TA3	2	----	1775 440	1775 440
23-48-20	HANDLE, Third Seat Back Release Sub., TP1, TP2, TD1, TD2	1	----	*2251 325	
	HANDLE, Seat Back and Bottom Lift Sub., TA3 Chrome	2	----	1833 596	1833 596
23-48-21	ESCUTCHEON, Seat Back and Bottom Lift Handle Sub., TA3 Chrome	2	----	1833 597	1833 597
	White	2	----	1775 814	1775 814
23-48-22	SPRING, Third Seat Back Release Handle Sub., TP1, TP2, TD1, TD2	1	----	2251 676	
23-48-24	BRACKET, Third Seat Back Release Handle Sub., TP1, TP2, TD1, TD2	1	----	2251 433	
23-48-28	BRACKET, Second Seat Back-Up Position on Wheelhouse Sub., TP1, TP2, TD1, TD2				
	Right	1	2243 322	2251 548	1961 230
	Left	1	2243 322	2251 548	1961 231
	Sub., TA3			1961 230-1	
	SUPPORT, Seat Back-Up Position on Wheelhouse Latch Sub., TA3 Third Seat	2	----	1878 641	1878 641

★ Indicates use as required.
 ☒ Indicates parts not listed in any previous parts book.
 Jan. 3, 1964 Supersedes Dec. 14, 1962.

Printed in U.S.A.
 Prices and specifications subject to change without notice.
 Right and left part numbers are on same line,
 first number is right, second number is left.

* Indicates change or addition.

CODE	PART NAME AND DESCRIPTION	PER CAR	VALIANT DART	PLYMOUTH DODGE	CHRYSLER IMPERIAL
23-48-0 SECOND AND THIRD SEAT - Cont'd					
23-48-43	RETAINER, Second Seat Back Spring End Sub., TP1, TP2, TD1, TD2	2	2254 575	2254 575	
23-48-49	ROD, Second Seat Back Latch Actuating Sub., TA3	1	----	1961 091	1961 091
23-48-50	PIN, Second Seat Back Latch Handle Stop Sub., TA3	2	----	1961 085	1961 085
	PIN, Third Seat Back Release Handle Clevis Sub., TP1, TP2, TD1, TD2	1	----	6023 039	
23-48-51	HANDLE, Second Seat Back Latch Sub., TA3	1	----	1961 436-7	1961 436-7
23-48-52	SPRING, Second Seat Back Latch Handle Retaining Sub., TA3	1	----	1961 692-3	1961 692-3
23-48-55	SNAP RING, Third Seat Back Release Handle Clevis Pin Sub., TP1, TP2, TD1, TD2	1	----	1322 503	
23-48-65	PANEL, Second Seat Back Sub., TP1, TP2, TD1, TD2	1	2423 825	2423 180	1878 652
	Sub., TA3	1	----	1878 652	
23-48-76	SCREW, Second Seat Back Hinge Sub., TP1, TP2, TD1, TD2	4	----	6023 227	
	SCREW and WASHER, Third Seat Bottom Hinge Sub., TA3	8	----	1964 747	1964 747
23-48-84	RETAINER, Third Seat Bottom Hinge Tapping Plate Sub., TA3	2	----	1960 496	1960 496
23-48-87	SUPPORT and PIN, Second Seat Bottom Hinge Sub., TA3	1	----	1877 926-7	1877 926-7
23-48-90	TAPPING PLATE, Seat Hinge Support Sub., TP1, TP2, TD1, TD2				
	Sub., TP1, TP2, TD1, TD2	2	----	2423 174	
	Sub., TA3	2	----	2423 541	
	Sub., TA3	2	----	2189 290	2189 290
23-48-93	BUMPER, Third Seat Back Support Upper Frame Sub., TP1, TP2, TD1, TD2	2	----	2252 184	
	BUMPER, Seat Back-Up Position, on Wheelhouse Sub., TP1, TP2, TD1, TD2				
	Sub., TA3	2	1960 719	1960 719	2094 592
	Sub., TA3	2	----	1835 109	1835 109
	Sub., TA3	2	----	2094 592	
23-48-94	BUMPER, Second Seat Bottom Hinge Support Sub., TA3	2	----	1380 060	1380 060
23-48-94	RETAINER, Third Seat Back-Up Position Latch and Bumper Mounting Bolt Sub., TA3	2	----	6000 177	6000 177
	HINGE, Second Seat Back Panel Sub., TP1, TP2, TD1, TD2	1	2243 312-3	2423 176-7	
23-48-98	HINGE and BEARING, Second Seat Bottom Seat Half Sub., TA3	1	----	1878 910-1	1878 910-1
	SUPPORT, Seat Back Hinge on Wheelhouse Sub., TA3	1	2255 400-1		
23-48-99	Sub., TP1, TP2, TD1, TD2	1	----		
	Sub., TP1, TP2, TD1, TD2	2	----	2255 627	

★ Indicates use as required.
 ☐ Indicates parts not listed in any previous parts book.
 Right and left part numbers are on same line,
 first number is right, second number is left.
 * Indicates change or addition.

Printed in U.S.A.
 Prices and specifications subject to change without notice.
 Jan. 3, 1964 Supersedes Jan. 25, 1963.

1963 PASSENGER CAR PARTS CATALOG

BODY

CODE	PART NAME AND DESCRIPTION	PER CAR	VALIANT DART	PLYMOUTH DODGE	CHRYSLER IMPERIAL
23-48-O SECOND AND THIRD SEAT - Cont'd					
23-48-99	BRACKET, Second Seat Back Hinge on Wheelhouse Sub., except TA3	2	*2483 637	*2483 639	
	REINFORCEMENT, Second Seat Back Hinge on Wheelhouse Bracket	2	*2244 150		
23-48-101	LEG, Second Seat Bottom Sub., TA3	1	----	2093 236-7	2093 236-7
	SPRING WASHER, to Pivot Bolt	2	----	6022 153	6022 153
23-48-105	SPACER, Second Seat Bottom Hinge Support to Floor Pan Sub., TA3	2	----	2188 616	2188 616
23-48-108	SPRING, Second Seat Bottom Leg Sub., TA3	1	----	2093 646-7	2093 646-7
23-48-112	PANEL and HINGES, Second Seat Bottom Sub., TA3	1	----	1878 769	1878 769
23-48-116	WASHER, Second Seat Bottom Hinge and Leg Pivot Bolt Sub., TA3	2	----	617 115	617 115
	SPRING WASHER, Sub., TA3	2	----	6022 153	6022 153
23-48-121	HINGE, Third Seat Bottom Sub., TA3 Body Half	1	----	2094 130-1	2094 130-1
	HINGE, Third Seat Back Sub., TA3 Body Half	1	----	1878 170-1	1878 170-1
23-48-148	PIN, Second Seat Back Hinge Sub., except TA3	2	*2251 544	*2251 544	
	Sub., TA3 Includes BRACKET	1	----	1878 600-1	1878 600-1
23-48-149	WASHER, Second Seat Bottom Hinge Support Pivot Pin Sub., TA3	2	----	6022 968	6022 968
23-48-166	SCREW and WASHER, Third Seat Back Hinge Sub., TA3 Body Half	4	----	* 180 081	* 180 081
23-48-180	PANEL and HINGES, Third Seat Cushion Bottom Sub., TA3	1	----	1878 755	1878 755
23-48-188	PANEL, Third Seat Back Sub., TP1, TP2, TD1, TD2	1	----	2253 240	
	Sub., TA3	1	----	1878 592	1878 592
	PANEL, Third Seat Back Support Sub., TP1, TP2, TD1, TD2	1	----	2253 239	
23-48-189	BRACKET, Second Seat Back Panel Sub., TP1, TP2, TD1, TD2	2	2251 534	2251 534	
23-51-O SIDE SILL AND BELT BAR					
23-51-3	SILL, Body Side TY1 Inner	1	----	----	2189 314-5
23-51-5	PANEL, Body Side Sill Outer				
	4 D., TV1, TP1, TP2, TC1, TC2, TC3	1	2242 452-3	2255 676-7	2425 306-7
	4 D., TL1, TD1, TD2	1	2243 556-7	2243 986-7	
	4 D., TA3	1	----	2425 306-7	
	4 D. Sub., TV1, TP1, TP2	1	2242 452-3	2255 676-7	
	4 D. Sub., TL1, TD1, TD2	1	2242 452-3	2255 676-7	

★ Indicates use as required.
 ☐ Indicates parts not listed in any previous parts book.
 Jan. 3, 1964 Supersedes Dec. 14, 1962.

Printed in U.S.A.
 Prices and specifications subject to change without notice.
 Right and left part numbers are on same line,
 first number is right, second number is left.
 * Indicates change or addition.

CODE	PART NAME AND DESCRIPTION	PER CAR	VALIANT DART	PLYMOUTH DODGE	CHRYSLER IMPERIAL
23-51-O SIDE SILL AND BELT BAR - Cont'd					
23-51-5	PANEL - Cont'd				
	Sp. Cl. Cp., TV1, TP1, TP2, TC1, TC2	1	2242 452-3	2255 674-5	2425 310-1
	Sp. Cl. Cp., TL1, TD1, TD2, TY1	1	2243 556-7	2243 984-5	2255 450-1
	Sp. Cl. Cp., TA3	1	----	2425 310-1	
	Cv. Cp., TV1, TP2, TC1, TC2	1	2255 836-7	2422 528-9	2425 312-3
	Cv. Cp., TL1, TD2, TY1	1	2255 838-9	2255 562-3	2255 450-1
	Cv. Cp., TA3	1	----	2425 312-3	
	Cl. Sed., TV1, TP1, TP2	1	2242 452-3	2255 674-5	
	Cl. Sed., TL1, TD1, TD2	1	2243 556-7	2243 984-5	
	Sp. 4 D., TP1, TP2	1	----	2255 676-7	
	Sp. 4 D., TD1, TD2, TY1	1	----	2243 986-7	2255 452-3
	Sp. 4 D., Sp. 4 D. Sub., TA3, TC1, TC2, TC3	1	----	2425 308-9	2425 308-9
	Sub., TA3	1	----	2425 306-7	
	PANEL, Body Side Sill Inner TP1, TP2, TD1, TD2, TC1, TC2, TC3				
	Front	1	*2483 198-9	*2483 184-5	1961 066-7
	TA3 Front	1	----	1961 066-7	
	TV1, TP1, TP2 Rear	1	2242 390-1	2166 070-1	
	Except Sub., TL1, TD1, TD2				
	Rear	1	2243 552-3	2243 932-3	
	Sub., TL1, TD1, TD2, Rear	1	2242 390-1	2166 070-1	
	TA3, TC1, TC2, TC3, Rear	1	----	1861 014-5	1861 014-5
23-51-6	REINFORCEMENT, Body Side Sill Outer Panel				
	Sp. 4 D., TP2, TD2	1	----	2254 020-1	
	Cv. Cp., TP2, TD2	1	2425 428-9	2424 030-1	
	Cv. Cp. To Cowl Side Inner	1	2255 946-7		
	REINFORCEMENT, Body Side Sill Inner Panel				
	Except Cv. Cp.	1	2242 394-5		
	Cv. Cp., TP2, TD2	1	----	2254 612-3	
	REINFORCEMENT, Body Side Sill Outer Panel				
	Sp. 4 D., TY1 Right	1	----	----	1878 031
	Left	1	----	----	1878 227
	Sp. Cl. Cp., Cv. Cp., TY1				
	Right	1	----	----	1861 418
	Left	1	----	----	1878 228
	Sp. 4 D., TY1, At No. 3 and No. 3A Hold-Down Bolt				
	Front	1	----	----	1878 556-7
	Sp. Cl. Cp., Cv. Cp., TY1, At No. 2 and No. 2A				
	Hold-Down Bolt, Right	1	----	----	1861 416
	Left	1	----	----	1878 226
	Sp. 4 D., Sp. Cl. Cp., Cv. Cp., TY1, At No. 3 and No. 3A				
	Hold-Down Bolt Rear	1	----	----	1861 274-5
	REINFORCEMENT, Quarter Inside Panel to Outer Sill				
	Sp. Cl. Cp., Cv. Cp., TY1	2	----	----	1861 386
23-51-12	PLATE, Body Side Sill to Center Pillar Tie				
	Sp. 4 D., except TA3	1	----	2254 120-1	
	PLATE, Body Side Sill to Wheelhouse Tie,				
	except TA3	1	----	2167 180-1	
23-51-19	GUSSET, Body Side Sill Outside Panel				
	Sp. 4 D., TP2, TD2, Front	1	----	2254 014-5	
	Rear	1	----	2254 016-7	
	Rear Intermediate	1	----	2254 018-9	
	Front and Center Intermediate	1	----	2254 126-7	
	Sp. Cl. Cp., TL1	1	2423 812-3		
23-51-41	BAR, Belt Side				
	Sp. 4 D., Sp. Cl. Cp., TY1	1	----	----	2244 466-7
	Sp. 4 D. Sub., TA3	1	----	1878 238-9	1878 238-9

★ Indicates use as required.
 □ Indicates parts not listed in any previous parts book.
 Right and left part numbers are on same line,
 first number is right, second number is left.
 * Indicates change or addition.

Printed in U.S.A.
 Prices and specifications subject to change without notice.
 Jan. 3, 1964 Supersedes Dec. 14, 1962.

1963 PASSENGER CAR PARTS CATALOG

BODY

CODE	PART NAME AND DESCRIPTION	PER CAR	VALIANT DART	PLYMOUTH DODGE	CHRYSLER IMPERIAL
23-51-O SIDE SILL AND BELT BAR - Cont'd					
23-51-41	BAR - Cont'd				
	Sp. Cl. Cp., TA3	1	----	1878 428-9	
	Cv. Cp., TY1	1	----	----	1877 494-5
	BAR, Center Belt				
	Sp. Cl. Cp., TA3	1	----	1877 975	
	BAR, Quarter Panel Belt Side				
	Cv. Cp., TA3	1	----	1964 626-7	
	Cv. Cp., TA3 Lower	1	----	1963 996-7	
	Cv. Cp., TV1 Front	1	2255 954-5		
	Cv. Cp., TL1 Front	1	2423 778-9		
	BAR, Quarter Panel Belt Side to Center Upper and Lower				
	Cv. Cp., TP2, TD2	1	----	2422 866-7	
	BAR, Quarter Panel Belt Side Upper and Lower				
	Cv. Cp., TV1, TP2, TD2, TC1, TC2	1	2480 150-1	2422 748-9	2255 204-5
	Cv. Cp., TL1	1	2480 152-3		
	BAR, Rear Belt				
	Cv. Cp., TA3	1	----	1950 584	
	BAR, Deck Opening Belt Center				
	Cv. Cp., TV1, TP2, TD2				
	Upper	1	2255 862	2243 938	
	Cv. Cp., TL1	1	2255 863		
	Cv. Cp., TV1, TP2, TD2				
	Lower	1	2255 864	2243 942	
	Cv. Cp., TL1	1	2255 865		
	Cv. Cp., TC1, TC2, Upper and Lower	1	----	----	2255 202
23-51-43	CAP, Body Side Sill Panel Front End				
	Cv. Cp., TP2, TD2, TY1	1	2423 654-5	2254 428-9	1861 270-1
	Except Cv. Cp., TP1, TP2, TD1, TD2, TY1	1	2242 414-5	2254 428-9	1861 270-1
	TA3, TC1, TC2, TC3	1	----	*2484 470-1	*2484 470-1
23-51-45	PLUG, Body Side Sill Panel Front Cap				
	TC1, TC2, TC3	2	2094 985	2094 985	2094 985
	PLUG, Belt Side Bar Sealing				
	Sub., TA3	3	----	2093 981	2093 981
23-54-O TAILGATE					
23-54-1	LOCK, Tailgate				
	Sub., TP1, TP2, TD1, TD2	1	2251 466-7	2251 466-7	2189 116-7
	Sub., TA3	1	----	2189 116-7	
	SCREW	6	6023 365	6023 365	6023 365
23-54-3	TAILGATE				
	Sub., TP1, TP2				
	Manual	1	2425 411	2425 296	
	Electric	1	2425 412	2425 296	
	Sub., TD1, TD2				
	Manual	1	----	2425 337	
	Electric	1	----	2425 337	
	Sub., TA3				
	Electric	1	----	2425 420	2425 592
	Sub., TA3E				
	Manual	1	----	2425 758	
23-54-4	HINGE, Tailgate				
	Sub., TA3	1	2242 818-9	2188 934-5	2188 934-5
	Sub., TP1, TP2, TD1, TD2				
	Body Half, Right	1	----	2251 304	
	Left	1	----	2251 304	
	Tailgate Half, Right	1	----	2251 302	
	Left	1	----	2251 300	
23-54-6	PLATE and BUMPER PACKAGE, Tailgate Lock Striker				
	Sub.	1	2299 448-9	2299 448-9	2299 448-9

★ Indicates use as required.
 ☐ Indicates parts not listed in any previous parts book.
 Jan. 3, 1964 Supersedes Dec. 14, 1962.

Printed in U.S.A.
 Prices and specifications subject to change without notice.
 Right and left part numbers are on same line,
 first number is right, second number is left.

* Indicates change or addition.

CODE	PART NAME AND DESCRIPTION	PER CAR	VALIANT DART	PLYMOUTH DODGE	CHRYSLER IMPERIAL
23-54-O TAILGATE - Cont'd					
23-54-11	NAMEPLATES, NAMELETTERS, ORNAMENTS and MEDALLIONS, Tailgate				
	NOTE: See Exterior Moulding Illustrations in Front of Group 23 - Body.				
23-54-17	PIN, Tailgate Hinge Sub., TP1, TP2, TD1, TD2				
	Right	1	----	2251 738	
	Left	1	----	2251 737	
23-54-18	BASE, Tailgate Electric Window Regulator Outside Panel Ornament Sub., TP1, TP2, TD1, TD2	1	----	2428 221	
23-54-19	ARM, Tailgate Support Sub. BOLT	1 1	2243 343 6023 363		
23-54-20	BUSHING, Tailgate Hinge Mounting Sub., TA3				
	Right	1	----	2188 836	2188 836
	Left	1	----	2188 628	2188 628
23-54-27	SHIM, Tailgate Lock Striker	★	----	1777 926	1777 926
23-54-28	DUST GUARD, Tailgate Lower Sub., TA3 SEAL, Tailgate Sill Panel to Rear Bumper Sub., Except TA3	1 1	----	2188 504 2252 169	2188 504
23-54-29	FASTENER, Tailgate Lower Dust Guard Sub., TA3 CLIP, Tailgate Sill Panel to Rear Bumper Seal Sub., TP1, TP2, TD1, TD2 CLIP, Quarter Window Outside Moulding and Weatherstrip Retainer at Quarter Panel Belt Flange Sp. Cl. Cp., TV1	10 11 2	----	6006 104 2252 170 2252 170	6006 104
23-54-30	SPACER, Tailgate Hinge Body Half	2	1706 470		
23-54-31	SPRING, Tailgate Lock Lever Sub., TP1, TP2, TD1, TD2 Sub., TA3	2 2	2299 984	2299 984 1777 458	1777 458
23-54-46	STOP, Roof Rail Tailgate Glass Sub., TA3 Length 50"	1	----	2252 380	2252 380
23-54-50	BUMPER, Tailgate Inside Panel Sub. BUMPER, Tailgate Opening Sill Panel to Rear Floor Pan Cover Sub., TA3 PLUG, Tailgate Lock Adjusting Lower Access Hole Button Sub., TA3	1 2 2	2423 001 ----	1380 060 1882 735	1380 060 1882 735
23-54-53	SEAL, Tailgate Insert Panel to Tailgate Inner Panel Sub., TP1, TP2, TD1, TD2 Sub., TA3	1 1	2254 763 ----	2254 763 2241 219	2241 219
23-54-59	BRACKET, Tailgate Window Glass Down Position Stop Sub., TP1, TP2, TD1, TD2 Sub., TA3	2 2	----	2255 067 2423 557	2423 557

★ Indicates use as required.
 ☐ Indicates parts not listed in any previous parts book.
 Right and left part numbers are on same line, first number is right, second number is left.
 * Indicates change or addition.

1963 PASSENGER CAR PARTS CATALOG

BODY

CODE	PART NAME AND DESCRIPTION	PER CAR	VALIANT DART	PLYMOUTH DODGE	CHRYSLER IMPERIAL
23-54-O TAILGATE - Cont'd					
23-54-62	ANTI-RATTLER, Tailgate Window Regulator Arm Stud Sub., except TA3	2	----	1336 419	
23-54-63	SCUFF PLATE, Tailgate Opening Sill Sub., TP1, TP2, TD1, TD2 Sub., TA3	2 1	----	2162 499 2080 012	2080 012
23-54-72	REGULATOR or PLATE and ARM, Tailgate Window Sub., TP1, TP2, TD1, TD2 Manual Electric Sub., TA3 Electric Sub., TA3E Manual	1 1 1 1	2243 338 2299 761 ---- ----	2251 270 2428 132 2188 767 1878 450	2188 767
23-54-73	HANDLE, Tailgate Manual Window Regulator Outside Sub., TP1, TP2, TD1, TD2 TA3E HANDLE PACKAGE, Tailgate Manual Window Regulator Outside Sub. GASKET NUT and WASHER	1 1 1 3	---- 2299 444 2299 715 * 116 000	2428 234 1960 493	
23-54-74	SPRING, Tailgate Window Regulator Counterbalance Sub., TP1, TP2, TD1, TD2 Manual Sub., TP1, TP2, TD1, TD2 Electric Sub., TA3	1 1 1	2082 989 2082 989 ----	2251 358 2251 358 1779 645	1779 645
23-54-75	FLAP, Tailgate Handle Sub., TA3	1	----	2080 673	2080 673
23-54-77	RING, Tailgate Window Regulator Outside Handle Interlocking Sub., TP1, TP2, TD1, TD2 TA3E	1 1	2428 071 ----	2428 071 1961 317	
23-54-79	RETAINER, Tailgate Manual Window Regulator Outside Handle Knob Sub., TP1, TP2, TD1, TD2 TA3E	1 1	----	1775 164 1775 164	
23-54-90	PIN, Tailgate Window Regulator Pivot Arm Roller Sub., TA3	2	----	1960 969	1960 969
23-54-92	GASKET, Tailgate Window Regulator Outside Handle or Ornament Base Sub. Manual Electric	1 1	2299 715 *2486 181		
23-54-98	ROLLER, Tailgate Window Regulator Arm to Glass Lower Channel Sub., TA3	2	----	1878 310	1878 310
23-54-100	HOUSING, Tailgate Window Regulator Outside Handle Shaft, except TA3	1	*2299 746	*2299 746	
23-54-103	BUMPER, Tailgate Window Glass Down Position Stop Sub., TP1, TP2, TD1, TD2 Manual Sub., TP1, TP2, TD1, TD2 Electric Sub., TA3	2 2 2	2244 581 2244 581 ----	2255 207 2255 206 2423 519	2423 519

★ Indicates use as required.
 ☐ Indicates parts not listed in any previous parts book.
 Jan. 3, 1964 Supersedes Jan. 25, 1963.

Printed in U.S.A.
 Prices and specifications subject to change without notice.
 Right and left part numbers are on same line,
 first number is right, second number is left.
 * Indicates change or addition.

CODE	PART NAME AND DESCRIPTION	PER CAR	VALIANT DART	PLYMOUTH DODGE	CHRYSLER IMPERIAL
23-54-O TAILGATE - Cont'd					
23-54-107	PLATE, Tailgate Window Regulator Mounting Sub., TP1, TP2, TD1, TD2	1	----	2251 710-1	
23-54-109	ROD, Tailgate Inside Handle Lock Actuating Sub.	1	2242 827		
23-54-111	BOLT, Tailgate Window Regulator Arm Roller Tee Sub., TA3	2	----	1960 968	1960 968
	STUD, Tailgate Window Regulator Arm to Glass Sub., except TA3	2	----	2251 790	
23-54-118	PLUG, Tailgate Inside Panel Access Hole	1	1652 067		
	PLUG, Button Sub.	2	----	1882 735	1882 735
23-54-125	SPACER, Tailgate Electric Window Lift Switch Mounting Sub., TL1, TD1, TD2	1	2290 270	2290 270	
23-54-127	BRACKET, Tailgate Electric Window Regulator Support to Inside Panel Sub., TP1, TP2, TD1, TD2	1	----	2428 075	
23-54-128	CLIP, Tailgate Manual Window Regulator Handle Lock Pawl Spring Retainer Sub., TP1, TP2, TD1, TD2	1	1961 318	1961 318	
	TA3E Sub.	1	----	1961 318	
23-54-131	SCREW and WASHER, Tailgate Hinge Torsion Bar Attaching Sub.	*	----	----	6022 530
23-54-136	PLATE, Tailgate Torsion Bar Guide Sub.	1	2243 346		
	Sub., TP1, TP2, TD1, TD2	2	----	2251 269	
	PLATE, Tailgate Hinge Tapped Sub.	2	2243 336		
23-54-137	CAM, Tailgate Hinge Torsion Bar Sub., TA3	1	----	1960 197	1960 197
23-54-140	BAR, Tailgate Torsion Sub., TA3	1	----	1960 194	1960 194
	BAR and GUIDE, Tailgate Torsion Sub., TP1, TP2, TD1, TD2	1	2299 608	2251 795	
23-54-141	RETAINER, Tailgate Torsion Bar Sub.	2	2242 825		
	RETAINER, Tailgate Torsion Bar Bearing Sub., TP1, TP2, TD1, TD2	1	----	2251 694	
	End	1	----	2251 372	
23-54-142	BEARING, Tailgate Torsion Bar Sub., TA3	1	----	1960 187	1960 187
	Sub., TP1, TP2, TD1, TD2	1	----	2251 695	
	End	1	----	2251 293	
23-54-144	CLAMP, Tailgate Torsion Bar Sub., TP1, TP2, TD1, TD2	1	2242 810	2299 811	1960 195
	Sub., TA3	1	----	1960 195	
23-54-145	ROLLER, Tailgate Hinge Torsion Bar Sub., TA3	1	----	1960 196	1960 196

★ Indicates use as required.
 ☐ Indicates parts not listed in any previous parts book.
 Right and left part numbers are on same line, first number is right, second number is left.
 * Indicates change or addition.

1963 PASSENGER CAR PARTS CATALOG

BODY

CODE	PART NAME AND DESCRIPTION	PER CAR	VALIANT DART	PLYMOUTH DODGE	CHRYSLER IMPERIAL
23-54-0 TAILGATE - Cont'd					
23-54-146	RETAINER, Tailgate Bumper Sub.	2	----	----	2196 467
23-54-147	BUMPER, Tailgate Outside Panel Sub., TA3	1	----	2188 466	1877 931
	Right	1	----	2188 467	1877 931
23-54-150	COVER, Tailgate Inside Panel Regulator Access Hole Sub., TP1, TP2, TD1, TD2	1	2242 812	2251 312	1877 855
	Sub., TA3	1		1877 855	
23-54-152	COUPLING, Tailgate Electric Window Lift Motor to Mechanism Sub., Except TA3	1	1778 955	2486 072	1778 955
	TA3	1	----	1778 955	
23-54-159	RELAY, Tailgate Electric Window Lift Safety	1	*2427 743	*2427 743	*2427 743
23-54-160	MOTOR, Tailgate Electric Window Lift Sub., except TA3	1	*2448 639	2448 640	2448 639
	TA3	1		2448 639	
23-54-165	MECHANISM, Tailgate Electric Window Lift Sub., TP1, TP2, TD1, TD2	1	2188 735	2486 071	
	Sub., TA3	1	----	2188 735	2188 735
23-54-167	SWITCH, Tailgate Electric Window Lift Sub.	1	1972 316	1972 316	1972 316
	On Instrument Panel	1	2196 313	2196 313	2196 313
	Lock, on Tailgate	1	2291 430	2291 430	2291 430
	Limit, on Tailgate	1			
	Sub., TP1, TP2, TD1, TD2	1	----	2290 109	
	Sub., TA3	1	----	2097 626	2097 626
23-54-169	KNOB, Tailgate Electric Window Lift Instrument Panel Switch Sub., TV1, TP1, TP2	1	2291 282	2291 282	
	Sub., TL1, TD1, TD2	1	2256 626	2256 626	
	Sub., TA3, TC1, TC2, TC3	1	----	2197 379	2197 075
23-54-170	BEZEL, Tailgate Electric Window Lift Instrument Panel Switch Sub., TV1, TP1, TP2	1	1972 898	1972 898	
	Sub., TD1, TD2	1	----	*2256 616	
	Sub., TA3	1	----	2197 500	2290 700
	DECAL, Tailgate Electric Window Lift Instrument Panel Switch Sub.	1	----	----	2290 865
23-54-171	NUT, Tailgate Electric Window Lift Instrument Panel Switch Mounting Sub., TV1, TP1, TP2	1	1887 603	1887 603	
	Sub., TL1, TA3	1	1972 548	1972 548	
23-54-176	CIRCUIT BREAKER, Tailgate Electric Window Lift Sub. 30 Amps	1	2291 728	2291 728	2291 728
23-54-178	WIRING, Tailgate Window Lift Sub., TV1, TP1, TP2, TD1, TD2				
	Switch	1	2291 061	2258 099	
	Sub. Body	1	2290 976		
	Sub., TL1 Switch	1	2427 501		

★ Indicates use as required.

⊠ Indicates parts not listed in any previous parts book.

Jan. 3, 1964 Supersedes Dec. 14, 1962.

Printed in U.S.A.

Prices and specifications subject to change without notice.

Right and left part numbers are on same line, first number is right, second number is left.

* Indicates change or addition.

CODE	PART NAME AND DESCRIPTION	PER CAR	VALIANT DART	PLYMOUTH DODGE	CHRYSLER IMPERIAL
23-54-0 TAILGATE - Cont'd					
23-54-178	WIRING - Cont'd				
	Sub., TP1, TP2, TD1, TD2				
	Tailgate	1	2291 099	2291 865	
	Sub., TA3	1	----	2198 213	2198 213
	Switch	1	----	*2427 504	*2427 503
23-54-180	HANDLE, Tailgate Lock Remote Control				
	Sub., TP1, TP2, TD1, TD2	1	2251 344	2251 344	1902 406
	Sub., TA3	1	----	1902 406	
23-54-184	ROD, Tailgate Lock Remote Control Handle Actuating				
	Sub., TP1, TP2, TD1, TD2	1	----	2251 345	2189 074
	Sub., TA3	1	----	2189 074	
23-54-186	SPRING, Tailgate Lock Remote Control Handle Return				
	Sub., TA3	1	----	1902 409	1902 409
23-54-190	PIN, Tailgate Lock Remote Control Handle Mounting				
	Sub., TA3	1	----	1902 410	1902 410
23-54-191	RING, Tailgate Lock Remote Control Handle Mounting				
	Pin Retainer				
	Sub., TA3	1	----	1626 749	1626 749
23-54-193	BEARING, Tailgate Lock Remote Control Handle				
	Actuating Rod				
	Sub., TP1, TP2, TD1, TD2	2	2242 800	2251 360	2189 067
	Sub., TA3	2	----	2189 067	
23-54-194	RETAINER, Tailgate Lock Remote Control Handle				
	Actuating Rod Bearing				
	Sub., TP1, TP2, TD1, TD2	2	2243 337	2251 746	1961 119
	Sub., TA3	2	----	1961 119	
23-54-195	SCREW, Tailgate Lock Remote Control Handle to Latch				
	Pin				
	Sub., TA3	2	----	1902 297	1902 297
23-54-204	GASKET, Tailgate Electric Window Lift Switch				
	Sub., TP1, TP2, TD1, TD2				
	On Headliner	1	----	2290 110	
23-54-205	BUMPER, Tailgate Lock Remote Control Handle				
	Sub., TP1, TP2, TD1, TD2	2	----	2251 461	
23-54-207	RETAINER, Tailgate Lock Remote Control Handle				
	Sub., TP1, TP2, TD1, TD2	1	----	2251 747	
23-54-208	GROMMET, Tailgate Electric Window Lift Wiring				
	Sub.	1	2291 672		
23-58-0 FOLDING TOP					
23-58-3	TOP, Folding				
	Cv. Cp.				
	Manual	1	2255 900		
	Power	1	2422 679		
	Cv. Cp., TP2, TD2, TC1, TC2	1	----	2251 173	2255 213
	Cv. Cp., TA3, TY1	1	----	1952 312	2094 745
NOTE: Above Assemblies less Lift Mechanism and Trim.					
23-58-31	SPRING, Folding Top Counter Balance				
	Manual Lift	2	2424 079		

★ Indicates use as required.
 ☐ Indicates parts not listed in any previous parts book.
 Right and left part numbers are on same line,
 first number is right, second number is left.
 * Indicates change or addition.

1963 PASSENGER CAR PARTS CATALOG

BODY

CODE	PART NAME AND DESCRIPTION	PER CAR	VALIANT DART	PLYMOUTH DODGE	CHRYSLER IMPERIAL
23-58-0 FOLDING TOP - Cont'd					
23-58-35	BRACKET, Folding Top Counter Balance Spring Anchor Manual Lift	2	2424 078		
23-58-66	BOLT or SCREW, Folding Top Rear Bow to Wheelhouse Tension Cable Bracket Cv. Cp.	2	---- --	6022 169	6022 169
23-58-67	BRACKET, Folding Top Rear Bow to Quarter Belt Bar Tension Cable Cv. Cp., TC1, TC2 TY1	2 2	1954 604 ---- --	1954 604 ---- --	1954 604 E2483 026
23-58-75	BOW, Folding Top Cv. Cp., TP2, TD2, TC1, TC2 No. 1 No. 2 No. 3 Cv. Cp., TA3, TY1 No. 1 No. 2 No. 3	1 1 1 1 1 1 1	2422 173 2422 174 2255 866 ---- -- ---- -- ---- --	2189 744 2189 745 *2481 237 1964 078 1964 073 1952 195	*1964 078 1964 073 2243 605 1691 415 1691 397 1691 400
23-58-76	LINK, Folding Top Rear Bow Cv. Cp., TP2, TD2, TC1, TC2 Cv. Cp., TA3 EXTENSION, Folding Top Rear Bow Cv. Cp., TY1	1 1 1	2255 888-9 ---- -- ---- --	2251 128-9 1950 500-1 ---- --	2243 606-7 1691 902-3
23-58-78	PLATE, Folding Top Number One Bow Bracket to Link Adjusting Cv. Cp., TC1, TC2	2	---- --	1909 914	1909 914
23-58-80	BUMPER, Folding Top Front Bow Cv. Cp., TY1	2	---- --	---- --	2424 042
23-58-82	RETAINER, Folding Top Front Bow Bumper Cv. Cp., TY1	2	---- --	---- --	2424 043
23-58-84	BRACKET, Folding Top Number One Bow Cv. Cp.	2	2255 876		
23-58-85	BRACKET, Folding Top Rear Bow Down Stop Cv. Cp., TA3	2	---- --	*2165 669	
23-58-189	WIRING, Folding Top Lift Switch Cv. Cp., TV1 WIRING, Folding Top Lift and Pocket Panel Lamp Cv. Cp., TP2, TD2, TY1	1 1	2291 061 ---- --	2291 739	2291 142
23-58-200	CYLINDER and YOKE, Folding Top Lift Operating Cv. Cp., TC1, TC2 Cv. Cp., TY1	2 1	2422 142 ---- --	1952 938 ---- --	1952 938 1770 552-3
23-58-208	BRACKET, Folding Top Lift Cylinder Mounting Floor Pan Cv. Cp., TV1, TP2, TC1, TC2 Right Left Cv. Cp., TL1, TD2, TY1 Right Left Cv. Cp., TA3	1 1 1 1 2	2424 092 2424 092 2424 094 2424 094 ---- --	2253 024 2253 025 2425 190 2425 191 1952 939	1952 939 1952 939 1861 392 1861 392
23-58-209	SPACER, Folding Top Lift Cylinder Mounting Bracket Cv. Cp., TC1, TC2	4	---- --	1249 332	1249 332

★ Indicates use as required.
 ☐ Indicates parts not listed in any previous parts book.
 Jan. 3, 1964 Supersedes Dec. 14, 1962.

Printed in U.S.A.
 Prices and specifications subject to change without notice.
 Right and left part numbers are on same line,
 first number is right, second number is left.
 * Indicates change or addition.

CODE	PART NAME AND DESCRIPTION	PER CAR	VALIANT DART	PLYMOUTH DODGE	CHRYSLER IMPERIAL
23-58-0 FOLDING TOP - Cont'd					
23-58-211	YOKE, Folding Top Lift Cylinder to Power Link Cv. Cp., TC1, TC2	2	----	*1249 525	1249 525
23-58-220	HEADER, Folding Top Cv. Cp., TA3, TC1, TC2	1	2424 659	2166 338	2166 338
	Cv. Cp., TP2, TD2, TY1	1	----	2251 980	*2480 824
	SCREW, to Side Rail, except TA3	2	* 180 075	* 180 075	
23-58-227	MECHANISM, Folding Top Header Locking Cv. Cp., TA3, TC1, TC2	1	----	2166 049	2166 049
	Cv. Cp.	2	1950 413		
	PIN	2	6000 321		
23-58-228	DOWEL, Folding Top Header Cv. Cp., TC1, TC2	2	1758 839	2251 647	2251 647
	Cv. Cp., TY1	2	----	----	6006 235
23-58-229	RETAINER, Folding Top Header Dowel Lock Nut Cv. Cp., TY1	2	----	----	1691 911
23-58-232	COVER, Folding Top Header Lock Mechanism Access Hole Cv. Cp., TY1 6 7/16" long	2	----	----	1750 777
	COVER, Folding Top Header Lock Access Cv. Cp., TY1 7 3/8" long	1	----	----	1750 854-5
23-58-234	CLIP, Folding Top Header Lock Handle Torsion Bar to Link Cv. Cp., TY1	1	----	----	6006 221
23-58-236	SCREW, Folding Top Header Lock Adjusting Bracket Cv. Cp., TA3, TC1, TC2	2	----	1964 896	1964 896
23-58-237	SEAL, Windshield Header Cv. Cp., TA3 Length 60"	1	----	2094 559	2094 559
23-58-239	ANTI-RATTLER, Folding Top Lock Catch Dowel Cv. Cp.	2	2424 260		
23-58-240	PANEL, Folding Top Header Outside Finish Cv. Cp., TA3, TC1, TC2	1	----	1954 020	1954 020
	MOULDING PACKAGE, Folding Top Header Outside Finish Cv. Cp., TY1	1	----	----	2196 483
	SCREW	11	----	----	274 831
23-58-242	CLIP, Folding Top Header Outside Finish Panel Cv. Cp., TA3, TC1, TC2	5	----	6000 680	6000 680
	End	2	----	6000 681	6000 681
	Folding Top Header End Weatherstrip Retainer Except TA3	2	----	1643 721	
23-58-243	HANDLE, Folding Top Header Lock Cv. Cp., TP2, TD2	2	----	2251 116	
	Cv. Cp., TY1	1	----	----	1751 156
23-58-245	PIN, Folding Top Header Lock Handle to Link Cv. Cp., TY1	1	----	----	6006 222
23-58-248	RETAINER, Folding Top Header Lock Handle Escutcheon Pin Cv. Cp., TY1	2	----	----	1750 724

★ Indicates use as required.

☐ Indicates parts not listed in any previous parts book.

Right and left part numbers are on same line,
first number is right, second number is left.

Indicates change or addition.

Printed in U.S.A.

Prices and specifications subject to change without notice.

Jan. 3, 1964 Supersedes Jan. 25, 1963.

1963 PASSENGER CAR PARTS CATALOG

BODY

CODE	PART NAME AND DESCRIPTION	PER CAR	VALIANT DART	PLYMOUTH DODGE	CHRYSLER IMPERIAL
23-58-0 FOLDING TOP - Cont'd					
23-58-250	ARM, w/Anti-Rattler and Lock Catch, Windshield Header Folding Top Cv. Cp.	1	2424 470-1		
	SCREW, 1/4-20 x 3/4", Lock	4	6023 857		
	SCREW, 1/4-20 x 1", Lock	2	6023 858		
23-58-253	ESCUTCHEON, Folding Top Header Lock Handle Cv. Cp., TY1	1	----	----	1751 173
23-58-257	LINK, Folding Top Header Lock Handle Cv. Cp., TP2, TD2 Cv. Cp., TY1	2 1	---- ----	2251 118 ----	1750 619
23-58-258	HOUSING, Folding Top Header Locking Mechanism Handle Cv. Cp., TP2, TD2	2	----	2251 115	
23-58-262	LATCH, Folding Top Header Locking Mechanism Cv. Cp., TP2, TD2	2	2251 117	2251 117	
23-58-265	CATCH, Folding Top Header Locking Latch Cv. Cp., except TA3 Cv. Cp., TA3, TC1, TC2 Cv. Cp., TY1	2 2 1	*1950 412 ---- ----	*2189 690 *1964 895 ----	*1964 895 1751 264
23-58-266	SPRING, Folding Top Header Lock Safety Catch to Handle Cv. Cp., TY1 SPRING, Folding Top Locking Mechanism Cv. Cp.	1 2	---- 1759 368	----	1751 262
23-58-269	LINKAGE, Folding Top Side Rail Cv. Cp., TP2, TD2, TC1, TC2 Cv. Cp., TA3, TY1	1 1	*2483 578-9 ----	2251 856-7 1964 076-7	1964 074-5 1751 206-7
23-58-333	LINK, Folding Top Power Guide Cv. Cp., TP2, TD2 w/o Pin w/PIN Cv. Cp., TA3, TC1, TC2 Includes Power LINK Cv. Cp., TY1 Inner Outer RIVET, TY1	2 2 1 1 1 1	---- ---- ---- ---- ---- ----	*2251 858 B2482 974 2166 610-1 ---- ---- ----	2166 612-3 1751 210 1750 400 B6006 236
23-58-335	TAPPING PLATE, Folding Top Power Guide Link Support Cv. Cp., TC1, TC2 TAPPING PLATE, Folding Top Control Prop Support Cv. Cp., TC1, TC2	2 2	2189 735 ----	2254 714 2189 735	6000 388 6000 388
23-58-336	SUPPORT, Folding Top Power Guide Link Cv. Cp., TP2, TD2 SUPPORT, Power Guide Link and Prop TA3, TC1, TC2 SUPPORT, Folding Top Control Prop Cv. Cp., TC1, TC2	2 4 2	---- ---- 1708 914 1708 914	2254 712 1708 914 1708 914	1708 914 1708 914
23-58-337	RETAINER, Folding Top Power Guide Link Support Tapped Plate, on Inside Quarter Panel Cv. Cp., TD2, TP2	2	----	2254 715	
23-58-357	MOTOR, Folding Top Lift Cv. Cp.	1	*2480 447	*2094 107	*2094 107

★ Indicates use as required.
 ☐ Indicates parts not listed in any previous parts book.
 Jan. 3, 1964 Supersedes Jan. 25, 1963.

Printed in U.S.A.
 Prices and specifications subject to change without notice.
 Right and left part numbers are on same line,
 first number is right, second number is left.
 * Indicates change or addition.

CODE	PART NAME AND DESCRIPTION	PER CAR	VALIANT DART	PLYMOUTH DODGE	CHRYSLER IMPERIAL
23-58-O FOLDING TOP - Cont'd					
23-58-364	VALVE, Drain Cv. Cp.	1	----	*2094 244	*2094 244
	PLUG, Folding Top Well Drain Valve Cv. Cp., TY1	1	----	----	1977 449
23-58-365	RETAINER, Folding Top Well Drain Valve Plug Cv. Cp.	1	----	1977 448	1977 448
23-58-379	CIRCUIT BREAKER, Folding Top Lift Cv. Cp., TC1, TC2 30 Amps	1	2291 728	2291 728	2291 728
	Cv. Cp., TY1 30 Amps	1	----	----	1689 022
23-58-380	BRUSH and SPRING PACKAGE, Folding Top Lift Motor Cv. Cp.	1	----	1752 518	1752 518
23-58-381	ROTOR PACKAGE, Folding Top Lift Motor Pump Cv. Cp.	1	2480 448	1641 650	1641 650
23-58-388	BOLT PACKAGE, Top Lift Reservoir	1	2480 444		
23-58-393	SUPPORT, Folding Top Lift Motor and Pump Floor Pan Cv. Cp., TY1	1	----	----	1878 112
23-58-395	PLUG, Folding Top Lift Motor and Pump Reservoir Cv. Cp., TC1, TC2	1	1641 579	1641 579	1641 579
23-58-396	BRACKET, Folding Top Lift Motor Mounting Cv. Cp.	1	1641 578	1641 578	1641 578
23-58-399	"O" RING, Top Lift Pump Rotor Motor Pump Reservoir Tube	1 2	2480 451 *1605 298	*1641 590 *1605 298	*1641 590 *1605 298
23-58-400	TUBE, w/BRACKET and GROMMET, Reservoir	1	2480 445		
23-58-430	PLATE, Folding Top Lift Pump Cover Cv. Cp. Includes Valve Rocker ARM . .	1	2480 453	1641 592	1641 592
	PLATE, Folding Top Lift Pump Cover End Cv. Cp. Includes BUSHING	1	----	1641 586	1641 586
23-58-469	PROP, Folding Top Main Control Cv. Cp., TP2, TD2 Cv. Cp., TA3	1 1	2255 894-5 ----	2251 142-3 1884 580-1	
	LINK, Folding Top Main Control Cv. Cp., TY1 Includes Adjusting PLATE . . .	1	----	----	1751 208-9
23-58-472	BRACKET, Folding Top Folding Rail Pivot Cv. Cp., TY1	1	----	----	1691 948-9
23-58-473	SUPPORT, Folding Top Folding Rear Rail to Body Cv. Cp., TP2, TD2, TC1, TC2 Cv. Cp., TA3	1 1	----	2244 228-9 1884 608-9	1884 608-9
	SUPPORT, Folding Top Rear Side Rail to Quarter Inside Panel Reinforcement	1	2255 966-7		
	BRACKET, Folding Top Folding Rail Pivot Bracket to Body Mounting Support Cv. Cp., TY1	1	----	----	1750 406-7
23-58-475	PLATE, Folding Top Main Control Prop Support Adjustment Cv. Cp., TP2, TD2, TC1, TC2 Cv. Cp., TA3	2 2	2189 711 ----	2189 711 1954 824	1954 824

★ Indicates use as required.
 ☐ Indicates parts not listed in any previous parts book.
 Right and left part numbers are on same line,
 first number is right, second number is left.
 * Indicates change or addition.

Printed in U.S.A.
 Prices and specifications subject to change without notice.
 Jan. 3, 1964 Supersedes Jan. 25, 1963.

1963 PASSENGER CAR PARTS CATALOG

BODY

CODE	PART NAME AND DESCRIPTION	PER CAR	VALIANT DART	PLYMOUTH DODGE	CHRYSLER IMPERIAL
23-58-0 FOLDING TOP - Cont'd					
23-58-476	BRACE, Folding Top Main Control Prop Body				
	Cv. Cp., TV1, TP2, TC1, TC2	1	2255 956-7	2422 572-3	1884 508-9
	Cv. Cp., TL1, TD2	1	2423 728-9	2244 230-1	
	Cv. Cp., TA3	1	---- --	1884 506-7	
	SUPPORT, Folding Top Main Control Link and Pivot				
	Bracket Mounting Bracket Body				
	Cv. Cp., TY1	1	---- --	---- --	1961 088-9
23-58-478	SUPPORT, w/CATCH, Quarter Panel Prop Brace, Folding Top	1	2424 492-3		
23-58-480	REINFORCEMENT, Folding Top Rear Side Rail to Inside Panel Support				
	Cv. Cp., TP2, TD2, TC1, TC2	1	2255 962-3	2244 226-7	2243 612-3
	REINFORCEMENT, Folding Top Main Control Link Adjustment Plate Body				
	Cv. Cp., TY1	1	---- --	---- --	1751 806-7
	REINFORCEMENT, Folding Top Folding Rail Pivot Bracket Mounting Bracket to Body Mounting				
	Cv. Cp., TY1	2	---- --	---- --	1751 810
23-58-486	RAIL, Folding Top Side				
	Cv. Cp., TP2, TD2, TC1, TC2				
	Front	1	2422 178-9	2189 742-3	1884 592-3
	Center	1	2424 158-9		
	Center, w/BUSHING	1	---- --	*2189 736-7	*1884 594-5
	Center, w/o Bushing	1	---- --	⊠2482 960-1	*2482 940-1
	Rear, Right	1	*2255 868	*2189 758(1)	*1884 586(5)
	Rear, Right	1	---- --	⊠2482 926(2)	*2482 934(6)
	Rear, Left	1	*2255 869	*2189 869(3)	*2244 609(7)
	Rear, Left	1	---- --	⊠2482 927(4)	*2482 935(8)
	Cv. Cp., TA3, TY1				
	Front	1	---- --	1884 588-9	2094 466-7
	Center	1	---- --	---- --	*2094 472-3
	Center, w/BUSHING	1	---- --	*1884 590-1	
	Center, w/o Bushing	1	---- --	*2483 076-7	
	Rear, Right	1	---- --	*1884 584(9)	*1691 946
	Rear, Right	1	---- --	*2483 074(10)	
	Rear, Left	1	---- --	*1884 585(11)	*1691 947
	Rear, Left	1	---- --	*2483 075(12)	

- NOTE 1: Casting Stamped 2251 136
- NOTE 2: Casting Stamped 2482 924
- NOTE 3: Casting Stamped 2251 137
- NOTE 4: Casting Stamped 2482 925
- NOTE 5: Casting Stamped 1884 586
- NOTE 6: Casting Stamped 2482 934
- NOTE 7: Casting Stamped 1884 587
- NOTE 8: Casting Stamped 2482 935
- NOTE 9: Casting Stamped 1884 584
- NOTE 10: Casting Stamped 2483 074
- NOTE 11: Casting Stamped 1884 585
- NOTE 12: Casting Stamped 2483 075

★ Indicates use as required.
 ⊠ Indicates parts not listed in any previous parts book.
 Jan. 3, 1964 Supersedes Dec. 14, 1962.

Printed in U.S.A.

Prices and specifications subject to change without notice.
 Right and left part numbers are on same line,
 first number is right, second number is left.
 * Indicates change or addition.

CODE	PART NAME AND DESCRIPTION	PER CAR	VALIANT DART	PLYMOUTH DODGE	CHRYSLER IMPERIAL
23-58-0 FOLDING TOP - Cont'd					
23-58-487	BUSHING, Folding Top Center and Rear Side Rail TP2, TD2 Plastic	2	*2481 718	*2481 718	
	BUSHING, Folding Top Control Link and Center Side Rail Pivot Plastic Cv. Cp., TY1 Length 7/8"	*	----	----	1750 647
	BUSHING, Folding Top Power Link and Body Bracket Pivot Plastic Cv. Cp., TY1 Length 3/8"	*	----	----	1750 648
	BUSHING, Folding Top Rear Side Rail Pivot Bracket Plastic Cv. Cp., TY1 Length 7/32"	*	----	----	1810 440
23-58-490	BRACKET, Folding Top Side Rail Manual Power	1 1	2480 722-3 2480 720-1		
23-58-497	CAP, Folding Top Header End Cv. Cp., TP2, TD2 CAP, Folding Top Side Rail to Header Joint Cv. Cp., TA3, TC1, TC2	1 2	---- ----	2189 964-5 1950 486	 1950 486
23-58-532	SWITCH, Folding Top Lift Cv. Cp., TC1, TC2 Cv. Cp., TY1	1 1	1972 316 ----	1972 316 ----	1972 316 2197 415
23-58-533	NUT, Folding Top Lift Switch Mounting Cv. Cp., TV1, TP2 Cv. Cp., TL1, TA3	1 1	1887 603 1972 548	1887 603 1972 548	
23-58-534	KNOB, Folding Top Lift Switch Cv. Cp., TV1, TP2, TC1, TC2 Cv. Cp., TL1, TD2, TY1 Cv. Cp., TA3	1 1 1	2291 282 2256 614 ----	2291 282 2256 614 2197 379	2197 075 1887 935
23-58-543	BEZEL, Folding Top Lift Switch Mounting Cv. Cp., TL1, TD2, TC1, TC2 Cv. Cp., TA3, TY1 DECAL, Folding Top Lift Switch Title Cv. Cp., TC1, TC2	1 1 1	2256 616 ---- ----	2256 616 2197 501 ----	2290 700 2197 389 2290 867
23-58-546	SPACER, Folding Top Lift Switch Mounting Cv. Cp., TL1, TD2	1	*2290 270	*2290 270	
23-58-552	NAMEPLATE, Folding Top Lift Switch Cv. Cp., TY1	1	----	----	2197 508
23-58-555	HOSE, Folding Top Lift Pump to Cylinder Cv. Cp. Upper Cv. Cp., TC1, TC2 Lower Cv. Cp., TY1 Lower	2 2 1	*2422 143 *2422 143 ----	*1964 402 *1964 402 ----	*1964 402 *1964 402 2094 119
23-58-569	WEATHERSTRIP, Folding Top Header Cv. Cp., TP2, TD2 Cv. Cp., TA3, TC1, TC2 End Center Inner Outer Upper Corner Moulding	1 1 1 1 1 1	2422 416 ---- ---- ---- ----	2251 174 2166 960-1 2166 958 ---- ----	 2166 960-1 2166 958 1751 733 1860 995 1861 334-5

★ Indicates use as required.
 ☐ Indicates parts not listed in any previous parts book.
 Right and left part numbers are on same line,
 first number is right, second number is left.
 * Indicates change or addition.

Printed in U.S.A.
 Prices and specifications subject to change without notice.
 Jan. 3, 1964 Supersedes Jan. 25, 1963.

1963 PASSENGER CAR PARTS CATALOG

BODY

CODE	PART NAME AND DESCRIPTION	PER CAR	VALIANT DART	PLYMOUTH DODGE	CHRYSLER IMPERIAL
23-58-0 FOLDING TOP - Cont'd					
23-58-570	RETAINER, Folding Top Header Weatherstrip Cv. Cp., TP2, TD2, Center Cv. Cp. End	1 2	2422 401 2480 260	2251 899	
23-58-571	SEAL, Folding Top Header Windshield Retainer	1	*2484 159		
23-58-572	WEATHERSTRIP, Folding Top Side Rail Cv. Cp., TP2, TC1, TC2 Front Center Rear Cv. Cp., TD2, TY1, Front Center Rear Cv. Cp., TA3 Front Rear	1 1 1 1 1 1 1 1	2422 408-9 2422 410-1 2422 412-3 ---- ---- ---- ----	2189 798-9 2189 800-1 2244 234-5 2189 798-9 2189 800-1 2244 234-5 1950 844-5 1950 848	1950 846-7 1950 850-1 1950 854-5 1810 002-3 1810 004-5 1810 006-7
23-58-573	RETAINER, Folding Top Side Rail Weatherstrip Cv. Cp., TP2, TD2, TC1, TC2 Front, Right Left Center Rear Cv. Cp., TA3 Front Center Rear	1 1 1 1 2 1 1	2422 196 2422 197 2422 194-5 2422 192-3 ---- ---- ----	2251 156 2251 157 2251 154-5 2251 152-3 1954 942 1954 938-9 1954 934-5	1954 944 1954 944 1954 940-1 1954 936-7
23-58-590	WEATHERSTRIP, Folding Top Folding Pillar TA3	1	----	1950 852-3	
23-58-600	FASTENER, Folding Top Rear Bow Stud TC1, TC2	1	6000 432	6000 432	6000 432
23-58-601	SET-SCREW, Folding Top Side Rail TC1, TC2 SET-SCREW, Folding Top Power Guide Link TP2, TD2, TC1, TC2 SET-SCREW, Folding Top Control Prop Support TP2, TD2	★ ★ ★	*1964 260 ---- ----	*1964 260 6000 182 6000 182	*1964 260 6000 182
23-58-603	BOLT, Folding Top Main Control Prop and Guide Link TP2, TD2 TA3 BOLT, Prop Link to Quarter Panel Tapping Plate BOLT, Folding Top Link to Rear Bow and Tension Cable Upper TP2, TD2 BOLT, Folding Top Power Guide Link Shoulder TP2, TD2 BOLT, Folding Top Rear Side Rail Bracket Power Top. BOLT, Folding Top Adjusting Plate Shoulder TY1 SCREW, Folding Top Lock Handle Torsion Bar Adjusting TY1	★ ★ 2 2 2 2 2 2 2	---- ---- 6024 218 ---- ---- 6023 996 ---- ----	6001 010 1954 765 6022 169 6001 010 ---- ---- ----	6006 224 1750 726
23-58-605	SPACER, Folding Top Power Guide Link to Power Link TP2, TD2 Folding Top Lift Switch Mounting TL1, TD1, TD2 Folding Top Lift Cylinder Yoke to Power Link TP2, TD2 Folding Top Link to Side Rail TA3, TC1, TC2	2 1 4 6	---- 2290 270 ---- ----	1706 470 2290 270 2251 617 1706 470	1706 470

★ Indicates use as required.
 ☐ Indicates parts not listed in any previous parts book.
 Jan. 3, 1964 Supersedes Dec. 14, 1962.

Printed in U.S.A.
 Prices and specifications subject to change without notice.
 Right and left part numbers are on same line,
 first number is right, second number is left.
 * Indicates change or addition.

CODE	PART NAME AND DESCRIPTION	PER CAR	VALIANT DART	PLYMOUTH DODGE	CHRYSLER IMPERIAL
23-58-0 FOLDING TOP - Cont'd					
23-58-605	SPACER - Cont'd				
	Folding Top Link				
	TC1, TC2	4	1952 983	1952 983	1952 983
	Folding Top Rear Rail Bracket	2	*1706 470		
	Folding Top Lift Motor Pump and Cylinder	4	----	----	6006 204
	Folding Top Operating Cylinder Mounting Bracket				
	TY1	4	----	----	6000 141
	WASHER, Folding Top Header Dowel Coned	2	----	6022 696	
	WASHER, Folding Top No. 1 Bow Bracket				
	TP2, TD2, TC1, TC2	2	----	6000 106	6000 106
	Power Links to Side Rear Rail, TP2, TD2	2	----	B6024 296	
	Folding Top Side Rear Rail				
	TC1, TC2	2	----	----	6000 320
	Folding Top Rear Bow Side Rail Pivot				
	TY1	2	----	----	6006 052
	Folding Top Front and Center Side Rail				
	TP2, TD2	2	6000 320	6000 320	
	PUSH-NUT, Side Rear Rail to Power Links Pin,				
	TP2, TD2	2	----	*6024 128	
	X-WASHER, Folding Top Rear Bow Side Rail Pivot				
	TY1	2	----	----	6006 052
23-58-606	SPRING WASHER, Folding Top				
	TC1, TC2	★	6022 989	6022 117	6022 117
	TY1	★	----	----	6006 216
23-58-607	PIN, Folding Top				
	TV1, TL1				
	No. 1 Bow Bracket to Front				
	Side Rail	2	2251 600		
	No. 2 Bow Bracket	2	2251 600		
	Front Side Rail and Center				
	Control to Center Side Rail . .	2	2251 600		
	Main Control Prop to Side				
	Rear Rail	2	2251 600		
	Rear Side Rail to Prop	2	2480 636		
	Rear Bow to Rear Side Rail . .	2	2480 637		
	Center and Rear Side Rail . .	2	2481 732		
	Front and Center Side Rail . .	2	6000 319	6000 319	
	Center and Rear Side Rail . . .	2	----	1952 779	
	Rear Rail Power Link	2	----	1952 482	
	Mechanism	12	----	2251 600	
	No. 1 Bow Bracket	2	----	1950 897	
	Main Control Prop to Side				
	Rear Rail	2	2251 600		
	Rear Side Rail to Prop	2	2480 636		
	Rear Bow to Rear Side Rail . .	2	2480 637		
	Center and Rear Side Rail . .	2	2481 732		
	Front and Center Side Rail . .	2	6000 319	6000 319	
	Center and Rear Side Rail . . .	2	----	1952 779	
	Rear Rail Power Link	2	----	1952 482	
	Mechanism	12	----	2251 600	
	No. 1 Bow Bracket	2	----	1950 897	
TA3, TC1, TC2	No. 1 Bow Bracket	2	----	1950 897	1950 897
	No. 1 Bow to Front Side Rail				
	Link	2	----	1952 315	1952 315
	No. 1 Bow Bracket to Rear Side				
	Rail Link	2	----	1952 315	1952 315
	Side Rail Front Rear Control				
	Link	2	----	1952 315	1952 315
	Main Control Prop	2	----	1952 315	1952 315
	Folding Pillar	2	----	1952 482	1952 482
	Side Rear Rail	2	----	1952 779	1952 779
	Rear Bow Link	2	----	1952 984	1952 984
	Motor Pump and Cylinder . . .	2	----	1952 936	1952 936
TY1	Control Link to Front Rail . . .	2	----	----	6006 205
	Control Link to Center Side Rail	2	----	----	6006 230
	Center Bow to Rear Side Rail .	2	----	----	6006 230
	Control Center Link to Rear Side				
	Rail	2	----	----	6006 230

★ Indicates use as required.

⊖ Indicates parts not listed in any previous parts book.
 Right and left part numbers are on same line,
 first number is right, second number is left.

* Indicates change or addition.

1963 PASSENGER CAR PARTS CATALOG

BODY

CODE	PART NAME AND DESCRIPTION	PER CAR	VALIANT DART	PLYMOUTH DODGE	CHRYSLER IMPERIAL
23-58-0 FOLDING TOP - Cont'd					
23-58-607	PIN - Cont'd				
	TY1 Main Control Link to Bow	2	----	----	6006 205
	Control Rear Link	2	----	----	6006 223
	Control Link to Center Rail . .	2	----	----	
	Rear Side Rail to Body	2	----	----	6006 226
	Bracket	2	----	----	6006 227
	Power Link to Rear Rail	2	----	----	
	Power Link to Body Bracket	2	----	----	6006 228
	Pivot	2	----	----	6006 229
	Front to Center Side Rail Pivot	2	----	----	
	Cylinder Mounting Bracket	2	----	----	6006 093
	Clevis	2	----	----	6006 237
	Rear Bow to Rear Rail	2	----	----	
	Center Bow to Rear Side Rail	2	----	----	6006 231
	Pivot	2	----	----	
23-59-0 DRAIN TROUGH					
23-59-26	PLATE, Folding Top Well Drain Tube to Well Attaching	2	1691 887		
23-59-35	TROUGH, Quarter Panel Deck Drain				
	4 D., Sp. 4 D., Sp. Cl. Cp., Cv. Cp., Cl. Sed., TD1, TD2	1	----	2244 088-9	
	4 D., Sp. 4 D., Sp. Cl. Cp., Cv. Cp., Cl. Sed., TP1, TP2	1	----	*2255 682-3	
	Upper	1	----	2422 580-1	
	Lower	1	----		
	4 D., Sp. 4 D., Sp. Cl. Cp., Cv. Cp., TC1, TC2, TC3	1	----		2242 648-9
	Side	1	----		
	TROUGH, Deck Opening Panel Drain				
	Sp. 4 D., TY1-H	1	----	----	2189 382
23-59-37	REINFORCEMENT, Quarter Panel Deck Drain Trough				
	4 D., Sp. Cl. Cp., Cv. Cp., Cl. Sed., TV1	1	2422 444-5		
	4 D., Sp. Cl. Cp., Cv. Cp., Cl. Sed., TL1	2	2422 443		
	REINFORCEMENT, Deck Opening Side Drain Trough				
	TY1	1	----	----	1877 472-3
	SUPPORT, Quarter Panel Deck Drain Trough to Wheelhouse				
	Cv. Cp., TP2	1	----	2423 780-1	
	Cv. Cp., TD2	1	----	2422 702-3	
	4 D., Sp. 4 D., Sp. Cl. Cp., TC1, TC2, TC3	1	----	----	2242 646-7
	SUPPORT, Roof Drain Trough to Wheelhouse Quarter Panel				
	4 D., Sub., TP1, TP2, TD1, TD2	1	----	2217 536-7	
23-59-41	BRACE, Quarter Panel Deck Drain Trough to Floor Pan Reinforcement				
	4 D., Sp. 4 D., Sp. Cl. Cp., Cv. Cp., Cl. Sed., TP1, TP2	1	----	2422 626-7	
	4 D., Sp. 4 D., Sp. Cl. Cp., Cv. Cp., Cl. Sed., TD1, TD2	1	----	2422 628-9	
	BRACE, Quarter Panel Deck Opening Side Drain Trough to Wheelhouse Inner Panel Support				
	Cv. Cp., TC1, TC2	1	----	----	2244 342-3
23-59-42	EXTENSION, Quarter Panel Deck Opening Drain Trough				
	Cv. Cp., TD2 Upper Corner	1	----	2244 088-9	
	4 D., Sp. 4 D., Sp. Cl. Cp., Cv. Cp., TC1, TC2, TC3	1	----	----	2244 620-1
	Side	1	----	----	
23-59-56	TROUGH, Roof Side Drain				
	4 D., 4 D. Sub., Sp. 4 D., TP1, TP2, TD1, TD2	1	2242 530-1	2244 962-3	
	Sp. Cl. Cp., TV1, TP1, TD1, TD2	1	2243 822-3	2244 958-9	
	Sp. Cl. Cp., TL1	1	2244 312-3		

★ Indicates use as required.
 ☐ Indicates parts not listed in any previous parts book.
 Jan. 3, 1964 Supersedes Dec. 14, 1962.

Printed in U.S.A.
 Prices and specifications subject to change without notice.
 Right and left part numbers are on same line,
 first number is right, second number is left.
 * Indicates change or addition.

CODE	PART NAME AND DESCRIPTION	PER CAR	VALIANT DART	PLYMOUTH DODGE	CHRYSLER IMPERIAL
23-59-O DRAIN TROUGH - Cont'd					
23-59-56	TROUGH - Cont'd				
	Cl. Sed., TV1, TP1, TP2, TD1, TD2	1	2243 820-1	2244 958-9	
	Cl. Sed., TL1	1	2244 310-1		
	4 D. Sub. Rear	1	2242 796-7		
	TROUGH, Roof Rear Drain				
	Sub., TA3	1	2243 274	2094 134	2094 134
	4 D. Sub. Corner	1	2243 240-1		
	TROUGH, Roof Side Drain				
	Except TA3 On Body Front Pillar	1	----	*2167 786-7	
23-59-57	CAP or COVER, Roof Side Drain Trough Moulding				
	NOTE: See Exterior Moulding Illustrations in Front of Group 23 - Body.				
	COVER, Roof Drain Trough Joint				
	Cl. Sed., 4 D., Sub., except TA3	2	2166 909	2166 909	
23-59-59	FILLER, Roof Rear Corner Drain Trough				
	4 D., Sub.	1	2243 242-3		
23-59-61	MOULDING, Roof Side Drain Trough				
	NOTE: See Exterior Moulding Illustrations in Front of Group 23 - Body.				
23-59-63	CLIP, Roof Side Drain Trough				
	Sp. 4 D., TC3	12	----	----	2480 004
	CLIP, Roof Side Drain Trough Front Moulding				
	4 D., Sp. 4 D., TC3	12	----	----	2255 633
	Intermediate Moulding				
	4 D., Sp. 4 D., Sp. Cl. Cp., Except TA3	8	----	2423 432	
23-61-O COWL VENT OR AIR INTAKE					
23-61-39	EXTENSION, Dash Panel Cowl Air Intake Water Deflector Panel				
	TY1 (sold by the inch)	1	----	----	1242 974
	DEFLECTOR, Dash Panel Cowl Air Intake Water				
	TY1	1	----	----	1810 453
23-61-99	CLIP, Cowl Ventilator Grille Cap				
	TY1	*	----	----	6006 261
23-61-103	GRILLE, Cowl Ventilator				
	TY1	1	----	----	2093 580-1
23-61-104	CAP, Cowl Ventilator Grille				
	TY1	1	----	----	2189 985
23-61-116	PANEL, Cowl Top Fresh Air Opening Insert				
	TA3, TC1, TC2, TC3	1	----	2166 657	2166 657
23-63-O WEATHERSTRIP					
23-63-14	WEATHERSTRIP, Front Door Window Belt Inner				
	4 D., 4 D. Sub., TP1, TP2, TD1, TD2	2	2254 956	2241 784	
	4 D., TA3, TC1, TC2, TC3				
	Right	1	----	*1883 500	*2419 842
	Left	1	----	*1883 500	*2419 843
	Sub., TA3E	2	----	*1883 500	
	Sp. 4 D., TP2, TD2, TY1				
	Right	1	----	2419 618	2085 780
	Left	1	----	2419 618	2085 781
	Sp. 4 D., Sp. 4 D. Sub., TA3, TC1, TC2, TC3	1	----	2085 712-3	2085 712-3

★ Indicates use as required.
 ☐ Indicates parts not listed in any previous parts book.
 Right and left part numbers are on same line,
 first number is right, second number is left.
 * Indicates change or addition.

Printed in U.S.A.
 Prices and specifications subject to change without notice.
 Jan. 3, 1964 Supersedes Dec. 14, 1962.

1963 PASSENGER CAR PARTS CATALOG

BODY

CODE	PART NAME AND DESCRIPTION	PER CAR	VALIANT DART	PLYMOUTH DODGE	CHRYSLER IMPERIAL
23-63-O WEATHERSTRIP - Cont'd					
23-63-14	WEATHERSTRIP - Cont'd				
	Sp. Cl. Cp., Cv. Cp., TP1, TP2, TD1, TD2, TY1				
	Right	1	2254 960	2419 618	2085 780
	Left	1	2254 961	2419 618	2085 781
	Sp. Cl. Cp., Cv. Cp., TA3, TC1, TC2	1	-----	2085 722-3	2085 722-3
	Cl. Sed.	2	2254 952	2241 784	
	WEATHERSTRIP, Rear Door Window Belt Inner				
	4 D., 4 D. Sub., TP1, TP2, TD1, TD2				
	Right	1	2254 866	2292 588	
	Left	1	2254 866	2292 589	
	4 D., TC1, TC2, TC3	1	-----	-----	2292 470-1
	Sp. 4 D., TP2, TD2, TY1				
	Right	1	-----	2292 590	1767 247
	Left	1	-----	2292 591	1767 247
	Sp. 4 D., TA3, TC1, TC2, TC3	2	-----	2085 482	2292 472-3
	Sp. 4 D. Sub., TA3, TC1, TC2, TC3	2	-----	2085 482	2085 482
23-63-15	WEATHERSTRIP, Front Door Window Belt Outer				
	4 D., 4 D. Sub., TP1, TP2, TD1, TD2	1	-----	2216 372-3	
	4 D., TA3, TC1, TC2, TC3	2	2254 956	1883 500	1954 775
	Sub., TA3E	2	-----	1883 500	
	Sp. 4 D., TP2, TD2, TY1				
	Right	1	-----	2216 372	1751 708
	Left	1	-----	2216 373	1751 707
	Sp. 4 D., Sp. 4 D. Sub., TA3, TC1, TC2, TC3	1	-----	2166 558-9	2166 558-9
	Sp. Cl. Cp., Cv. Cp., TP1, TP2, TD1, TD2, TY1	1	2254 954-5	2167 686-7	1751 708-9
	Sp. Cl. Cp., Cv. Cp., TA3, TC1, TC2	1	-----	2166 554-5	2166 554-5
	Cl. Sed.				
	Right	1	2254 952	2216 374	
	Left	1	2254 952	2216 375	
	WEATHERSTRIP, Rear Door Window Belt Outer				
	4 D., 4 D. Sub., TP1, TP2, TD1, TD2				
	Right	1	2254 866	2218 306	
	Left	1	2254 866	2218 307	
	4 D., TA3, TC1, TC2, TC3	1	-----	1883 512-3	2254 860-1
	Sub., TA3E	1	-----	1883 512-3	
	Sp. 4 D., TP2, TD2, TY1	1	-----	2218 308-9	1751 724-5
	Sp. 4 D., TA3, TC1, TC2, TC3	1	-----	2166 516-7	2254 858-9
	Sp. 4 D. Sub., TA3, TC1, TC2, TC3	1	-----	2166 516-7	2166 516-7
23-63-16	CLIP, Front Door Window Belt Weatherstrip				
	TC1, TC2, TC3 Outer	*	1775 089	1775 089	1775 089
	TY1 Outer	*	-----	-----	1643 721
	CLIP, Weatherstrip Retainer				
	Inner	*	2217 508		
	Outer	*	2217 508		
	CLIP, Rear Door Window Belt Weatherstrip				
	TC1, TC2, TC3 Outer	*	1775 089	1775 089	1775 089
	CLIP, Weatherstrip Retainer				
	Inner	*	2217 508		
	Outer	*	2217 508		
23-63-20	WEATHERSTRIP, Quarter Window Belt Inner				
	Sp. Cl. Cp., TV1, TP1, TP2, TD1, TD2, TY1				
	Right	1	2423 010	2292 772	2292 774
	Left	1	2423 011	2292 773	2292 774
	Sp. Cl. Cp., TL1, TA3, TC1, TC2, TC3				
	Right	1	2245 080	2085 482	E2292 598
	Left	1	2245 081	2085 482	E2292 599
	Cv. Cp., TP2, TD2, TY1				
	Right	1	2424 484	2167 674	2419 341
	Left	1	2424 485	2167 674	2419 341
	Cv. Cp., TA3, TC1, TC2	2	-----	2085 482	2085 482

† Indicates use as required.

} Indicates parts not listed in any previous parts book.

Jan. 3, 1964 Supersedes Jan. 25, 1963.

Printed in U.S.A.
Prices and specifications subject to change without notice.Right and left part numbers are on same line,
first number is right, second number is left.

* Indicates change or addition.

CODE	PART NAME AND DESCRIPTION	PER CAR	VALIANT DART	PLYMOUTH DODGE	CHRYSLER IMPERIAL
23-63-0 WEATHERSTRIP - Cont'd					
23-63-20	WEATHERSTRIP - Cont'd				
	Cl. Sed., TV1, TP1, TP2				
	Right	1	2243 830	2292 790	
	Left	1	2243 830	2292 791	
	Cl. Sed., TL1, TD1, TD2	1	2423 008-9	2292 790-1	
23-63-21	WEATHERSTRIP, Quarter Window Belt Outer				
	Sp. Cl. Cp., TV1, TP1, TP2, TD1, TD2, TY1	1	2423 012-3	2423 584-5	2255 198-9
	Sp. Cl. Cp., TL1, TA3, TC1, TC2	1	2245 082-3	2093 546-7	2423 776-7
	Cv. Cp., TP2, TD2, TY1	1	2422 406-7	2423 586-7	2094 648-9
	Cv. Cp., TA3, TC1, TC2	1	----	2166 572-3	2480 570-1
	Cl. Sed., TV1, TP1, TP2				
	Right	1	2243 830	2423 582	
	Left	1	2243 830	2423 583	
	Cl. Sed., TL1, TD1, TD2	1	2423 008-9	2423 582-3	
23-63-22	CLIP, Quarter Window Belt Weatherstrip				
	Inner	★	2217 508		
	Outer	★	2217 508	1775 089	1775 089
23-63-33	WEATHERSTRIP, w/WEATHERCORD, Front Door				
	4 D., 4 D. Sub., Except TA3				
	Alabaster	2	----	2413 656	
	Black	2	----	2413 652	
	Blue	2	2413 646	2413 646	
	Gray	2	2413 614	2413 614	
	Green	2	2413 648	2413 648	
	Red	2	2413 615	2413 615	
	Tan	2	2413 650	2413 650	
	Turquoise	2	2413 660	2413 660	
	Sp. 4 D., TP2, TD2,				
	Alabaster	2	----	2413 706	
	Black	2	----	E2432 472	
	Blue	2	----	2413 702	
	Green	2	----	2413 703	
	Red	2	----	2413 705	
	Tan	2	----	2413 704	
	Turquoise	2	----	2413 707	
	Cl. Sed.				
	Alabaster	2	----	*2413 656	
	Black	2	----	*2413 652	
	Blue	2	2413 646	2413 646	
	Gray	2	2413 614	2413 614	
	Green	2	2413 648	2413 648	
	Red	2	2413 615	2413 615	
	Tan	2	2413 650	2413 650	
	Turquoise	2	2413 660	2413 660	
	Sp. Cl. Cp., Except TA3				
	Alabaster	2	----	2413 696	
	Black	2	----	2413 692	
	Blue	2	2432 134	2432 134	
	Green	2	----	2432 135	
	Red	2	2413 638	2413 638	
	Tan	2	2432 136	2432 136	
	Turquoise	2	2432 137	2432 137	
	Cv. Cp., Except TA3,				
	Alabaster	1	----	2413 722-3	
	Black	1	----	2413 718-9	
	Blue	1	2432 920-1	2413 714-5	
	Red	1	E1530-1 TR6	2413 720-1	
	Tan	1	2432 922-3	2413 716-7	
	Turquoise	1	2432 926-7	2413 724-5	

★ Indicates use as required.
 E Indicates parts not listed in any previous parts book.
 Right and left part numbers are on same line,
 first number is right, second number is left.
 * Indicates change or addition.

Printed in U.S.A.
 Prices and specifications subject to change without notice.
 Jan. 3, 1964 Supersedes Jan. 25, 1963.

1963 PASSENGER CAR PARTS CATALOG

BODY

CODE	PART NAME AND DESCRIPTION	PER CAR	VALIANT DART	PLYMOUTH DODGE	CHRYSLER IMPERIAL
23-63 -O WEATHERSTRIP - Cont'd					
23-63-33	WEATHERSTRIP - Cont'd Rear Door 4 D., 4 D. Sub., Except TA3				
	Alabaster	2	----	2413 696	
	Black	2	----	2413 692	
	Blue	2	2432 134	2413 686	
	Gray	2	2413 636	2413 636	
	Green	2	2432 135	2413 688	
	Red	2	2413 638	2413 638	
	Tan	2	2432 136	2413 690	
	Turquoise	2	2432 137	2413 700	
	Sp. 4 D., TP2, TD2, Alabaster	2	----	2413 706	
	Blue	2	----	2413 702	
	Gray	2	----	2413 636	
	Green	2	----	2413 703	
	Red	2	----	2413 705	
	Tan	2	----	2413 704	
	Turquoise	2	----	2413 707	
	WEATHERSTRIP, Door 4 D., TA3, TC1, TC2, TC3				
	Front.	2	----	1883 504	1883 504
	Sub., TA3E Front.	2	----	1883 504	
	Sp. 4 D., Sp. 4 D. Sub., TA3, TC1, TC2, TC3 Front.	1	----	2165 304-5	2165 304-5
	Sp. Cl. Cp., Cv. Cp., TA3, TC1, TC2 Front.	1	----	1952 852-3	2218 122-3
	Sp. Cl. Cp., Cv. Cp., TY1 Front.	1	----	----	2217 688-9
	Sp. 4 D., TY1 Front, Right (also specify 1 of 2491 878 Seal)	1	----	----	2491 898
	Sp. 4 D., TY1 Front, Left (also specify 1 of 2491 879 Seal)	1	----	----	2491 899
	4 D., TA3, TC1, TC2, TC3 Rear, Right	1	----	2218 305	2218 305
	Rear, Left	1	----	1883 520	1883 520
	Sub., TA3E Rear, Right	1	----	2218 305	2218 305
	Rear, Left	1	----	1883 520	1883 520
	Sp. 4 D., Sp. 4 D. Sub., TA3 Rear	1	----	2165 488-9	
	Sp. 4 D., TC1, TC2, TC3 Rear	2	----	----	2217 828
	Sub., TC1, TC3 Rear	1	----	----	2165 488-9
	Sp. 4 D., TY1 Rear, Right (also specify 1 of 2491 880 Seal)	1	----	----	2491 900
	Sp. 4 D., TY1 Rear, Left (also specify 1 of 2491 881 Seal)	1	----	----	2491 901
	Sp. 4 D., Sp. 4 D. Sub., Upper Hinge Side, TA3, TC1, TC2, TC3 Rear	1	----	*2165 484-5	*2165 484-5
	Sp. Cl. Cp., Cv. Cp., Door Lock Pillar Upper, TY1 Rear	1	----	----	*1810 014-5
	WEATHERSTRIP, Roof Side Rail				
	Sp. Cl. Cp., TV1	1	2243 874-5		
	Sp. Cl. Cp., TL1	1	2244 244-5		
	Sp. 4 D., except TA3	1	----	2254 384-5	
	Sp. Cl. Cp., except TA3	1	----	2254 382-3	
	Sp. 4 D., Sp. 4 D. Sub., Sp. Cl. Cp., TA3	1	----	2094 484-5	
	Sp. 4 D., TC1, TC2, TC3	1	----	----	2244 270-1
	Sp. Cl. Cp., TC1, TC2, TC3	1	----	----	E2484 456-7
	Sub., TC1, TC3	1	----	----	2094 484-5
	Sp. 4 D., TY1	1	----	----	2422 284-5
	Sp. Cl. Cp., TY1	1	----	----	2422 216-7
	WEATHERSTRIP, Door Glass Rear Frame				
	Sp. Cl. Cp., Cv. Cp.	1	2217 128-9		

★ Indicates use as required.
 B Indicates parts not listed in any previous parts book.
 Jan. 3, 1964 Supersedes Jan. 25, 1963.

Printed in U.S.A.
 Prices and specifications subject to change without notice.
 Right and left part numbers are on same line,
 first number is right, second number is left.
 * Indicates change or addition.

CODE	PART NAME AND DESCRIPTION	PER CAR	VALIANT DART	PLYMOUTH DODGE	CHRYSLER IMPERIAL
23-63-0 WEATHERSTRIP - Cont'd					
23-63-33	WEATHERSTRIP, Body Front Pillar to Vent Wing Upper Corner				
	Cv. Cp., TP2, TD2	1	----	2189 918-9	
	Cv. Cp., TA3, TC1, TC2	1	----	1954 718-9	1954 718-9
	WEATHERSTRIP, Front Door Opening				
	Sp. 4 D., except TA3, On Center Pillar	1	----	*2254 706-7	
	WEATHERSTRIP, Rear Door Opening				
	Sp. 4 D., except TA3, On Center Pillar	1	----	*2254 706-7	
	WEATHERSTRIP, Lock Pillar to Lock Pillar Angle				
	Sp. 4 D., TY1	2	----	----	1690 874
	SEAL, Rear Door Upper Corner Lock Side				
	Sp. 4 D., TP2, TD2, TC1, TC2, TC3	1	----	2254 124-5	2217 672-3
	SEAL, Rear Door Opening Upper Corner				
	4 D., 4 D. Sub., TP1, TP2, TD1, TD2	2	2082 974	2082 974	
	SEAL, Quarter Outside Panel Lock Face Belt				
	Sp. Cl. Cp., Cv. Cp., TP1, TP2, TD1, TD2	1	2422 846-7	2167 198-9	
	Sp. Cl. Cp., Cv. Cp., TA3, TC1, TC2	1	----	1954 618-9	2255 566-7
	SEAL, Front Door Upper Corner Lock Side				
	Sp. Cl. Cp., Cv. Cp., TA3, TC1, TC2	1	----	2217 906-7	2217 906-7
	SEAL, Front Door Outside Panel at Vent Wing Face				
	4 D., TA3, TC1, TC2, TC3	4	----	E2492 960	E2492 960
	Sub., TA3-E	4	----	E2492 960	E2492 960
	SEAL, Front Door Outside Panel Upper Front and Rear Corner				
	4 D., TA3, TC1, TC2, TC3	4	----	E2492 960	E2492 960
	Sub., TA3-E	4	----	E2492 960	
23-63-37	SEAL, Roof Side Rail Weatherstrip Retainer to Drain Trough				
	Sp. Cl. Cp.	2	2244 321		
	SEAL, Windshield Opening Upper Frame Reinforcement				
	Cv. Cp.	1	2254 766		
	SEAL, Rear Upper Pillar Tailgate Glass Run Channel				
	Sub.	2	2254 767		
	SEAL, Roof Rear Rail Tailgate Glass Run Channel				
	Sub.	1	2254 766		
	SEAL, Roof Rear Rail to Rear Upper Pillar to Tailgate Glass Run Channel				
	Sub., except TA3	2	----	2254 767	
	SEAL, Roof Rail Weatherstrip Retainer to Roof Rail				
	Sp. Cl. Cp., Sp. 4 D., TP2, TD2	2	----	2254 766	
	Sp. Cl. Cp., TA3, TC1, TC2	2	----	2424 674	2424 675
	Sp. 4 D., Sub., TA3, TC1, TC2	2	----	----	2424 675
	Sp. Cl. Cp., Sp. 4 D., TY1	2	----	----	2189 860
	SEAL, Front Door Lock Pillar Upper				
	Sp. 4 D., TY1	1	----	----	2491 878-9
	SEAL, Rear Door Hinge Pillar Upper				
	Sp. 4 D., TY1	1	----	----	2491 880-1
23-63-55	RETAINER, Roof Side Rail Weatherstrip				
	Sp. Cl. Cp., TV1	1	2243 876-7		
	Sp. Cl. Cp., TL1, TP1, TP2, TD1, TD2	1	2480 286-7	2167 226-7	
	Sp. 4 D., TP2, TD2, TY1	1	----	2167 216-7	2422 316-7
	Sp. 4 D., TA3 PKG.	1	----	2196 671-2	
	SCREW	32	----	125 978	
	Sp. 4 D. Sub., TA3, TC1, TC3				
	PKG.	1	----	2196 671-2	2196 671-2
	SCREW	32	----	125 978	125 978
	Sp. Cl. Cp., TA3 PKG., Right	1	----	2196 669	
	Left	1	----	2196 670	
	SCREW	24	----	125 978	

★ Indicates use as required.
 E Indicates parts not listed in any previous parts book.
 Right and left part numbers are on same line,
 first number is right, second number is left.
 Indicates change or addition.

Printed in U.S.A.
 Prices and specifications subject to change without notice.
 Jan. 3, 1964 Supersedes Dec. 21, 1962.

1963 PASSENGER CAR PARTS CATALOG

BODY

CODE	PART NAME AND DESCRIPTION	PER CAR	VALIANT DART	PLYMOUTH DODGE	CHRYSLER IMPERIAL
23-63-O WEATHERSTRIP - Cont'd					
23-63-55	RETAINER - Cont'd				
	Sp. 4 D., TC1, TC2, TC3				
	Front and Rear	1	----	----	2423 694-5
	Sp. Cl. Cp., TC1, TC2				
	Front and Rear	1	----	----	2423 692-3
	RETAINER, Roof Side Rail Quarter Window Glass				
	Weatherstrip				
	Sp. Cl. Cp., TY1 Inner	1	----	----	2217 488-9
	RETAINER and BRACKET, Roof Side Rail Quarter Window Glass Weatherstrip				
	Sp. Cl. Cvp., TV1 Inner	1	2424 670-1		
23-63-58	CAP, Roof Side Rail Weatherstrip Retainer				
	Sp. Cl. Cp.	1	2423 624-5	2252 608-9	
	Sp. 4 D.	1	----	2252 608-9	
	COVER, Roof Side Rail Weatherstrip Retainer Joint				
	Sp. 4 D., Sp. Cl. Cp., TC1, TC2, TC3				
	Sp. Cl. Cp.	1	2423 624-5	2252 608-9	
	Sp. 4 D.	1	----	2252 608-9	
23-63-61	SUPPORT, Roof Side Rail Quarter Window Weatherstrip and Headlining Retainer				
	Sp. Cl. Cp., TV1	1	*2255 634-5		
23-63-94	WEATHERSTRIP, Rear Door Window Glass Front Frame				
	Sp. 4 D., TP2, TD2, TY1	1	----	2166 964-5	2218 830-1
	Sp. 4 D., Sp. 4 D. Sub., TA3, TC1, TC2, TC3	1	----	1954 544-5	2217 544-5
23-63-97	WEATHERSTRIP, Rear Door Rear Glass Stationary				
	4 D., Sub.	2	*2217 250		
23-63-100	WEATHERSTRIP, Quarter Window Glass				
	Sub., TP1, TP2, TD1, TD2	1	2255 726-7	2251 320-1	
	Sub., TA3, TC1, TC2, TC3	1	----	2259 417-8	2259 417-8
	WEATHERSTRIP, Quarter Window Glass Vertical Outer				
	Sp. Cl. Cp., TV1	1	2243 882-3		
23-63-104	WEATHERSTRIP, Quarter Window Glass Front Frame				
	Sp. Cl. Cp., Cv. Cp., TP1, TP2, TD1, TD2, TY1	1	----	2166 964-5	2217 896-7
	Sp. Cl. Cp., Cv. Cp., TA3, TC1, TC2	1	----	2217 544-5	2217 544-5
23-63-110	LOCKINGSTRIP, Quarter Window Glass Weatherstrip				
	Sub., TP1, TP2, TD1, TD2				
	Rubber	2	----	2255 027	
	Sub., TP1, TP2, TD1, TD2				
	Mylar	2	2243 513	2422 471	
23-63-112	WEATHERSTRIP, Rear Window Glass				
	TV1	1	2242 532		
	TP1L, TP2L	1	----	2244 083	
	TD1L, TD2L, Police, Taxi	1	----	2244 083	
	TP1M-H-P, TP2H-M-P, TD1, TD2	1	----	2422 759	
	4 D., Cl. Sed., TL1	1	2243 799		
	Sp. Cl. Cp., TL1				
	Alabaster	1	2432 232		
	Blue	1	2432 231		
	Turquoise	1	2432 233		
	4 D., Sp. 4 D., TA3, TC1, TC2, TC3	1	----	1963 684	2480 642
	Sp. Cl. Cp., TA3, TC1, TC2	1	----	2093 652	2480 642
	Sp. 4 D., Sp. Cl. Cp., TY1-L, TY1-M	1	----	----	2422 224
	Sp. 4 D., TY1-H	1	----	----	2189 934
	SEAL, Rear Window Opening				
	4 D., Sp. 4 D., Sp. Cl. Cp., TC1, TC2, TC3	2	----	----	2480 647

★ Indicates use as required.
 ☐ Indicates parts not listed in any previous parts book.
 Jan. 3, 1964 Supersedes Dec. 14, 1962.

Printed in U.S.A.
 Prices and specifications subject to change without notice.
 Right and left part numbers are on same line,
 first number is right, second number is left.
 * Indicates change or addition.

CODE	PART NAME AND DESCRIPTION	PER CAR	VALIANT DART	PLYMOUTH DODGE	CHRYSLER IMPERIAL
23-63-O WEATHERSTRIP - Cont'd					
23-63-114	LOCKINGSTRIP, Rear Window Glass Weatherstrip				
	TL1	1	2082 278		
	TV1 Upper	1	2424 426		
	TV1 Lower	1	2424 426		
23-63-117	CAP, Rear Window Glass Weatherstrip Lockingstrip				
	TV1	2	2424 350		
	CAP, Quarter Window Glass Upper Front Lockingstrip				
	Sub.	2	2424 625		
	Lower, Rear				
	Sub., Except TA3	2	2424 624	2424 626	
23-63-126	WEATHERSTRIP, Front Door Vent Wing				
	4 D., 4 D. Sub., Cl. Sed.	1	2216 638-9		
	Sp. Cl. Cp., Cv. Cp.	1	2217 404-5		
	4 D., 4 D. Sub., Cl. Sed., TP1, TP2, TD1, TD2	1	----	2167 680-1	
	Sp. 4 D., Sp. Cl. Cp., Cv. Cp., TP1, TP2, TD1, TD2	1	----	2254 586-7	
	4 D., TA3, TC1, TC2, TC3	1	----	1950 594-5	1950 594-5
	Sub., TA3E	1	----	1950 594-5	
	Sp. 4 D., Sp. 4 D. Sub., Sp. Cl. Cp., Cv. Cp., TA3, TC1, TC2, TC3	1	----	1950 592-3	1950 592-3
	Sp. 4 D., Sp. Cl. Cp., Cv. Cp., TY1	1	----	----	2218 244-5
	WEATHERSTRIP, Front Door Vent Wing Auxiliary				
	TP1, TP2, TD1, TD2	2	2218 671	2217 908	
	TY1	1	----	----	*1751 570-1
23-63-127	RETAINER and DIVISIONAL CHANNEL, Front Door				
	Vent Wing Weatherstrip				
	4 D., 4 D. Sub., Cl. Sed.	1	2216 658-9		
	Sp. Cl. Cp., Cv. Cp. (also specify 1 of 6006 244 Screw)	1	*2492 122-3		
	4 D., 4 D. Sub., Cl. Sed., TP1, TP2, TD1, TD2	1	----	2167 340-1	
	4 D., TA3, TC1, TC2, TC3	1	----	2254 474-5	2254 474-5
	Sub., TA3E	1	----	2254 474-5	
	RETAINER, Front Door Vent Wing Upper Weatherstrip				
	Sp. 4 D., Sp. Cl. Cp., Cv. Cp., TP1, TP2, TD1, TD2	1	----	2216 240-1	
23-63-171	WEATHERSTRIP, Tailgate Opening Lower				
	Sub., TP1, TP2, TD1, TD2	1	2242 836	2251 458	
	Sub., TA3	1	----	2189 350	2189 350
23-63-172	WEATHERSTRIP, Deck Lid Opening				
	TV1, TP1, TP2	1	2244 100	2422 531	
	TL1, TD1, TD2, TY1	1	2244 100	2244 100	2252 396
	TA3, TC1, TC2, TC3	1	----	2252 396	2244 408
23-63-173	RETAINER, Deck Lid Opening Lower Panel Weatherstrip				
	TA3	1	----	1964 506	
23-63-181	WEATHERSTRIP, Tailgate Glass				
	Sub., TP1, TP2, TD1, TD2				
	Inner	1	2242 837	2251 452	
	Outer	1	2423 533	2217 518	
	Sub., TA3				
	Inner	1	----	1878 650	1878 650
	Outer	1	----	2423 558	2423 558
23-63-183	CLIP, Tailgate Glass Inner Belt Weatherstrip				
	Sub., TP1, TP2, TD1, TD2	★	2217 508	2217 508	

★ Indicates use as required.
 □ Indicates parts not listed in any previous parts book.
 Right and left part numbers are on same line,
 first number is right, second number is left.
 * Indicates change or addition.

Printed in U.S.A.
 Prices and specifications subject to change without notice.
 Jan. 3, 1964 Supersedes Jan. 25, 1963.

1963 PASSENGER CAR PARTS CATALOG

BODY

CODE	PART NAME AND DESCRIPTION	PER CAR	VALIANT DART	PLYMOUTH DODGE	CHRYSLER IMPERIAL
------	---------------------------	---------	--------------	----------------	-------------------

23-64-0 WINDOW AND VENT WING

NOTE 1: PLACE ORDERS DIRECT WITH:

- A. YOUR USUAL SOURCE OF SUPPLY FOR MOPAR PARTS
- B. CHRYSLER "SAFEGUARD" DISTRIBUTOR
- C. CENTER LINE PARTS PLANT

NOTE 2: PLACE ORDERS DIRECT WITH YOUR CHRYSLER "SAFEGUARD" DISTRIBUTOR.

NOTE 3: PLACE ORDERS DIRECT WITH YOUR LOCAL GLASS SOURCE.

23-64-4	BUMPER, Door and Quarter Window Glass Down Position Stop				
	TC1, TC2, TC3 w/Electric Window Lift	★	----	1954 083	1954 083
	BUMPER, Window Glass Lower Channel Stop Bracket Lower				
	TY1 Front and Quarter	2	----	----	*1381 435
	TY1 Rear	2	----	----	1680 109
23-64-10	BUMPER, Quarter Window Arm Guide Plate Stop TY1	4	----	----	985 563
	GLASS, w/Lower CHANNEL, Tailgate Window (see note 1) Sub. except TA3 Clear	1	----	2217 509	
	Tinted	1	----	2217 510	
	GLASS, Tailgate Window (see Note 1) TA3 Clear	1	2242 813	2423 428	2423 428
	Tinted	1	2242 814	2423 429	2423 429

NOTE: See Part Type Code 23-09-64 for Tailgate Glass Lower Channel

23-64-12	STOP, Front Door Window Glass Up Position Sp. 4 D., Sp. 4 D. Sub., Sp. Cl. Cp., Cv. Cp., TC1, TC2, TC3	2	2216 827	1909 529	1909 529	
	Sp. 4 D., Sp. Cl. Cp., Cv. Cp., TY1	2	----	----	1750 609	
	STOP, Rear Door Window Glass Up Position Sp. 4 D., Sp. 4 D. Sub., TA3, TC1, TC2, TC3					
	Front	2	----	1909 529	1909 529	
	Rear	2	----	1909 530	1909 530	
	STOP, Rear Door Window Glass Up Position, on Rear Track TY1	1	----	----	1751 692-3	
	STOP, Rear Door Window Glass Up Position on Door TY1	2	----	----	1751 698-9	
	STOP, Quarter Window Glass Up Position Sp. Cl. Cp., TV1	2	2255 228			
	Sp. Cl. Cp., TL1	2	2255 339			
	Sp. Cl. Cp., Cv. Cp., TP1, TP2, TD1, TD2	2	----	2255 345		
Sp. Cl. Cp., TA3, TC1, TC2						
Front	2	----	1963 222	1963 222		
Sp. Cl. Cp., TA3, TC1, TC2						
Rear	2	----	1909 530	1963 222		
w/NUT, Cv. Cp., TA3, TC1, TC2	2	----	2491 040	2491 040		
BRACKET, Front Door Glass Down Position Stop	TP1, TP2, TD1, TD2, TY1	2	----	2217 193	1475 487	
	TA3, TC1, TC2, TC3	2	----	1963 393	1963 393	
	BRACKET, Rear Door Glass Down Position Stop	TP1, TP2, TD1, TD2, TY1	2	----	2217 193	1750 606
		TA3, TC1, TC2, TC3	2	----	1963 393	1963 393

★ Indicates use as required.
 □ Indicates parts not listed in any previous parts book.
 Jan. 3, 1964 Supersedes Dec. 14, 1962.

Printed in U.S.A.
 Prices and specifications subject to change without notice.
 Right and left part numbers are on same line,
 first number is right, second number is left.
 * Indicates change or addition.

CODE	PART NAME AND DESCRIPTION	PER CAR	VALIANT DART	PLYMOUTH DODGE	CHRYSLER IMPERIAL
23-64-O WINDOW AND VENT WING - Cont'd					
23-64-12	BRACKET, Quarter Window Glass Down Position Sp. Cl. Cp., Cv. Cp., TC1, TC2	2	----	1963 393	1963 393
	Sp. Cl. Cp., Cv. Cp., TY1	2	----	----	1750 806
	SUPPORT, Front Door Glass Electric Window Lift Down Position Stop TP1, TP2, TD1, TD2	1	----	2217 182-3	
	SUPPORT, Rear Door Glass Electric Window Lift Down Position Stop Bracket TP1, TP2, TD1, TD2	2	----	2217 203	
	4 D., TC1, TC2, TC3	1	----	----	2217 002-3
	Sp. 4 D., Sp. 4 D. Sub., TA3, TC1, TC2, TC3	2	----	1963 392	2217 067
	SUPPORT, Quarter Window Glass Electric Window Lift Down Position Stop Bracket Sp. Cl. Cp., Cv. Cp., TP1, TP2, TD1, TD2	2	----	2216 296	
	Sp. Cl. Cp., TA3, TC1, TC2	1	----	1963 428	2423 732
	Right	1	----	1963 428	2423 733
	Left	1	----		
	SUPPORT, Quarter Window Glass Lower Stop Sp. Cl. Cp., Cv. Cp., TY1	2	----	----	1750 537
	SUPPORT, Quarter Window Glass Up Position Stop Bumper, on Glass Lower Channel Sp. Cl. Cp., Cv. Cp., TY1	1	----	----	1750 658-9
	Front	1	----	----	1691 104-5
	Rear	1	----	----	
23-64-13	CLIP, Rear Door Glass Channel Stop Upper Rear to Channel Fastening Sp. 4 D., TY1	2	----	----	*1904 121
23-64-41	STUD, Front Door Vent Wing Division Channel to Inside Panel Lower Support TA3, TC1, TC2, TC3	2	----	1950 830	1950 830
	TY1	2	----	----	B6006 408
23-64-46	NUT, Door Vent Wing Frame Lower Corner Cap Sp. 4 D., Sp. 4 D. Sub., Sp. Cl. Cp., Cv. Cp., TA3, TC1, TC2, TC3	2	----	2165 703	2165 703
23-64-47	CAP, Door Vent Wing Frame Lower Corner Sp. 4 D., Sp. 4 D. Sub., Sp. Cl. Cp., Cv. Cp., TA3, TC1, TC2, TC3	1	----	2165 996-7	2165 996-7
23-64-48	FRAME, Door Vent Wing Sp. Cl. Cp.	1	2216 640-1		
	Cv. Cp.	1	2217 416-7		
	STUD, Adjusting, Sp. Cl. Cp.	2	*6023 264		
	DIVISIONAL CHANNEL and MOULDING, Door Vent Wing Sp. 4 D., Sp. Cl. Cp., Cv. Cp., TP1, TP2, TD1, TD2	2	----	2252 602	
	4 D., 4 D. Sub., Cl. Sed., TP1, TP2, TD1, TD2	2	----	2252 603	
	Sp. 4 D., Sp. 4 D. Sub., Sp. Cl. Cp., Cv. Cp., TA3, TC1, TC2, TC3	2	----	2254 627	2254 627
	FRAME and DIVISIONAL CHANNEL, Door Vent Wing Sp. 4 D., Sp. Cl. Cp., TP1, TP2, TD1, TD2	1	----	2254 028-9	
	Cv. Cp., TP2, TD2	1	----	2189 936-7	
	Sp. 4 D., Sp. 4 D. Sub., Sp. Cl. Cp., Cv. Cp., TA3, TC1, TC2, TC3	1	----	2254 484-5	2254 484-5
	Sp. 4 D., Sp. Cl. Cp., Cv. Cp., TY1	1	----	----	2218 262-3
	w/o Power Vent	1	----	----	2218 252-3
	w/Power Vent	1	----	----	

★ Indicates use as required.
 □ Indicates parts not listed in any previous parts book.
 Right and left part numbers are on same line,
 first number is right, second number is left.
 Indicates change or addition.

Printed in U.S.A.
 Prices and specifications subject to change without notice.
 Jan. 3, 1964 Supersedes Jan. 25, 1963.

1963 PASSENGER CAR PARTS CATALOG

BODY

CODE	PART NAME AND DESCRIPTION	PER CAR	VALIANT DART	PLYMOUTH DODGE	CHRYSLER IMPERIAL
23-64-0 WINDOW AND VENT WING - Cont'd					
23-64-54	PLATE, Front Door Inside Panel Vent Wing Division Channel Attaching Bracket	2	2217 663		
23-64-62	PLATE, Door Vent Wing Glass Outer Lower 4 D., 4 D. Sub., Sp. 4 D., Sp. Cl. Cp., Cl. Sed., TP1, TP2, TD1, TD2 SCREW	1 2	---- ----	2216 210-1 6022 988	
23-64-66	FRAME, Rear Window Opening Upper 4 D., Cl. Sed., Sp. Cl. Cp., TV1 4 D. Cl. Sed., Sp. Cl. Cp., TL1 4 D., Sp. 4 D., Sp. Cl. Cp., Cl. Sed., TP1, TP2, TD1, TD2 4 D., Sp. 4 D., TA3, TC1, TC2, TC3 Sp. Cl. Cp., TA3, TC1, TC2 Sp. 4 D., Sp. Cl. Cp., TY1 4 D., TA3 End	1 1 1 1 1 1 1	2242 514 B2243 576 ---- ---- ---- ---- ----	2244 026 1909 322 1909 323 ---- 1954 668-9	2242 669 2242 669 2244 477
	Sp. 4 D., TA3, TY1-H End Center	1 1	---- ----	1954 668-9 ----	2244 486-7 2244 485
	FRAME, Rear Window Opening Side 4 D., Sp. 4 D., TA3 Sp. Cl. Cp., TA3 Sp. 4 D., TY1 Sp. Cl. Cp., TY1	1 1 1 1	---- ---- ---- ----	1882 020-1 1861 142-3 ---- ----	2244 480-1 2244 498-9
	FRAME, Rear Window Opening Lower 4 D., Sp. Cl. Cp., Cl. Sed., TV1 4 D., Sp. Cl. Cp., Cl. Sed., TL1 4 D., Sp. 4 D., Sp. Cl. Cp., Cl. Sed., TP1, TP2, TD1, TD2 4 D., Sp. Cl. Cp., Cl. Sed., TV1 End Sp. 4 D., TY1H 4 D., Sp. Cl. Cp., Cl. Sed., TL1 End 4 D., Sp. 4 D., TA3, End	1 1 1 1 1 1 1 1	2242 515 2243 577 ---- *2242 516-7 ---- 2243 806-7 ----	2244 007 ---- ---- 1954 668-9	*1961 513
23-64-67	REINFORCEMENT, Rear Window Frame Sp. 4 D., Sp. Cl. Cp., TY1 Upper SUPPORT, Rear Window Upper Frame to Side Roof Rail Extension Panel 4 D., Sp. 4 D., Sp. Cl. Cp., TC1, TC2, TC3	1 1	---- ----	---- ----	2244 478 B2242 680-1
23-64-68	EXTENSION, Rear Window Opening Frame 4 D., Sp. 4 D., Sp. Cl. Cp., TC1, TC2, TC3 EXTENSION, Rear Window Opening Upper Frame to Roof Side Rail Reinforcement 4 D., Sp. 4 D., Sp. Cl. Cp., TC1, TC2, TC3	1 1	---- ----	---- ----	2242 672-3 B2244 076-7
23-64-71	BUMPER or PLUG, Door Glass Upper Corner, on Divisional Channel Sp. Cl. Cp. Cv. Cp. Sp. 4 D., Sp. Cl. Cp., Cv. Cp., TP1, TP2, TD1, TD2 Sp. 4 D., Sp. 4 D. Sub., Sp. Cl. Cp., Cv. Cp., TA3 TC1, TC2, TC3 Sp. 4 D., Sp. Cl. Cp., Cv. Cp., TY1	1 1 1 1 2	2216 654-5 2217 572-3 ---- ---- ----	2167 326-7 1964 228-9 ----	1964 228-9 2217 670

★ Indicates use as required.
 B Indicates parts not listed in any previous parts book.
 Jan. 3, 1964 Supersedes Dec. 21, 1962.

Printed in U.S.A.
 Prices and specifications subject to change without notice.
 Right and left part numbers are on same line,
 first number is right, second number is left.
 * Indicates change or addition.

CODE	PART NAME AND DESCRIPTION	PER CAR	VALIANT DART	PLYMOUTH DODGE	CHRYSLER IMPERIAL
23-64-O WINDOW AND VENT WING - Cont'd					
23-64-74	SEAL, Door Vent Wing Glass Upper 4 D., 4 D. Sub., Cl. Sed.	2	2216 631		
	SEAL, Door Vent Wing to Door Inner Panel Sp. 4 D., Sp. 4 D. Sub., Sp. Cl. Cp., Cv. Cp., TA3, TC1, TC2, TC3	2	----	2165 519	2165 519
23-64-75	MOTOR and TRANSMISSION, Electric Vent Wing TY1	1	----	----	2093 030-1
23-64-76	BRACKET, Electric Vent Wing Motor Mounting TY1	1	----	----	1961 802-3
23-64-78	DRIVE SHAFT, Gear and Retainer, Electric Vent Wing TY1	1	----	----	2093 048-9
23-64-79	COUPLING, Electric Vent Wing Drive Shaft to Pivot TY1	2	----	----	1961 977
23-64-83	SHIM, Electric Vent Wing Motor Mounting Bracket to Door TY1	★	----	----	6006 512
23-64-91	PANEL, Rear Window Frame to Roof Rail Extension 4 D., Sp. 4 D., Sp. Cl. Cp., TC1, TC2, TC3	1	----	----	2243 976-7
23-64-197	GUIDE, Quarter Window Glass Lower Frame Stabilizer Channel Sp. Cl. Cp., TA3, TC1, TC2	4	----	1961 681	1961 681
23-64-198	CHANNEL, Quarter Window Glass Lower Frame Stabilizer Sp. Cl. Cp., TA3, TC1, TC2	1	----	2252 136-7	2244 388-9
23-64-225	HINGE, Quarter Window Glass Pivot Sp. Cl. Cp., TV1	1	*2482 872-3		
23-64-233	PLATE, Door Inside Panel to Vent Wing Bracket Upper Attaching Sp. Cl. Cp., Cv. Cp.	2	2218 801		
23-64-237	CLAMP, Door Vent Wing Upper Pivot to Glass Inner TC1, TC2, TC3	2	1708 998	1708 998	1708 998
	PLATE, Door Vent Wing Upper Pivot to Glass Base Anchor Inner TY1	2	----	----	1755 366
23-64-240	PIVOT, Door Vent Wing Upper 4 D., 4 D. Sub., Cl. Sed., TP1, TP2, TD1, TD2 Sp. 4 D., Sp. 4 D. Sub., Sp. Cl. Cp., Cv. Cp., TP1, TP2, TD1, TD2	1	2216 626-7	2167 472-3	
	PIVOT PACKAGE, Door Vent Wing Upper 4 D., TA3, TC1, TC2, TC3	1	----	2216 344-5	2216 344-5
	Sub., TA3E	1	----	2216 344-5	
23-64-242	BRACKET, Door Vent Wing Upper Pivot 4 D., 4 D. Sub., Cl. Sed. Sp. Cl. Cp., Cv. Cp. TA3, TC1, TC2, TC3 TP1, TP2, TD1, TD2, TY1	1 1 1 1	2216 620-1 2217 408-9 ---- ----	1950 292-3 2167 310-1	1950 292-3 2094 464-5
	BRACKET, Front Door Inside Panel Vent Wing Upper Attaching Sp. Cl. Cp., Cv. Cp.	1	2218 806-7		

★ Indicates use as required.

⊠ Indicates parts not listed in any previous parts book.

Right and left part numbers are on same line,
first number is right, second number is left.

* Indicates change or addition.

1963 PASSENGER CAR PARTS CATALOG

BODY

CODE	PART NAME AND DESCRIPTION	PER CAR	VALIANT DART	PLYMOUTH DODGE	CHRYSLER IMPERIAL
23-64-O WINDOW AND VENT WING - Cont'd					
23-64-242	BRACKET and PIVOT, Door Vent Wing Upper Sp. Cl. Cp., Cv. Cp. Sp. 4 D., Sp. 4 D. Sub., Sp. Cl. Cp., Cv. Cp., TA3, TC1, TC2, TC3 TY1	1	2217 548-9		
	SCREW	1	6000 374	2166 680-1	2166 680-1
	BRACKET, Door Vent Wing Lower Pivot and Handle Shaft Inner	1		2094 462-3	2094 462-3
	TP1, TP2, TD1, TD2	1		2167 628-9	
	CLAMP, Door Vent Wing Lower Pivot Tension	1		2167 364-5	
	TP1, TP2, TD1, TD2	1		1776 504-5	1776 504-5
	TA3, TC1, TC2, TC3	1			
23-64-243	SEAL, Door Vent Wing Lower Handle Bracket to Glass TP1, TP2, TD1, TD2, Inner Outer	2 2	----	2216 220 2216 221	
23-64-246	SPACER, Door Vent Wing Upper Pivot 4 D., 4 D. Sub., Cl. Sed., TP1, TP2, TD1, TD2 SHIM, Door Vent Wing Frame to Door TY1	2 ★	----	2216 208 ----	1349 190
23-64-247	SCREW, Door Vent Wing Upper Pivot Clamp to Bracket SCREW, Door Vent Wing Lower Pivot Tension Clamp	2 2	6000 374 6006 244	6000 374 6006 244	6000 374 6006 244
23-64-254	TRACK, Rear Door Window Roller 4 D., TA3, TC1, TC2, TC3 Sub. TA3E Sp. 4 D., TP2, TD2 Front. Sp. 4 D., Sp. 4 D. Sub., TA3, TC1, TC2, TC3 Front. Sp. 4 D., TP2, TD2, TC1, TC2, TC3 Rear Sp. 4 D., TA3 Rear Sub., TA3L Rear	1 1 1 1 1 2 2 2	----	2253 914-5 2253 914-5 2253 974-5 2253 942-3 2253 970 *2253 921 *2253 921	2253 946-7 2253 942-3 2253 937 *2253 921 *2253 921
23-64-255	FRAME, Front Door Window Glass Sp. 4 D., TY1 Sp. Cl. Cp., Cv. Cp., TY1 FRAME, Rear Door Window Glass Sp. 4 D., TY1 Front Top and Rear	1 1 1 1	----	----	2217 874-5 1751 092-3 2422 282-3 2217 574-5
23-64-269	BRACKET and ROLLER, Window Roller Track Sp. 4 D., TP2, TD2, Rear Sp. Cl. Cp., Cv. Cp., TP1, TP2, TD1, TD2 Quarter Cv. Cp. Quarter Sp. Cl. Cp., TC1, TC2 Quarter	6 6 2 2	----	2217 156 2167 853 2255 973 ----	2167 853
23-64-272	SPACER, Window Glass to Lower Frame or Channel, Rubber Sp. 4 D., TP2, TD2, Rear Sp. Cl. Cp., Cv. Cp., TP1, TP2, TD1, TD2 Quarter Sub., TA3 Tailgate GROMMET, Window Glass to Lower Frame or Channel, Rubber Sp. 4 D., TP2, TD2, Rear Sp. Cl. Cp., TL1, Quarter Cv. Cp. Quarter Sp. Cl. Cp., Cv. Cp., TP1, TP2, TD1, TD2 Cv. Cp. Quarter Quarter	4 4 4 4 4 4 4 4 4	----	2167 856 2167 856 2167 856 2167 857 2216 546 2424 650 2424 650 2167 857	

★ Indicates use as required.

⊠ Indicates parts not listed in any previous parts book.
Jan. 3, 1964 Supersedes Dec. 21, 1962.

Printed in U.S.A.
Prices and specifications subject to change without notice.
Right and left part numbers are on same line,
first number is right, second number is left.

* Indicates change or addition.

CODE	PART NAME AND DESCRIPTION	PER CAR	VALIANT DART	PLYMOUTH DODGE	CHRYSLER IMPERIAL
23-64-0 WINDOW AND VENT WING - Cont'd					
23-64-272	GROMMET - Cont'd Sub., TP1, TP2, TD1, TD2				
	Tailgate	4	----	6023 695	
	WASHER, Window Glass to Lower Frame or Channel				
	Sub., TA3 Tailgate, Steel	4	2423 534	2423 534	2423 534
	Sub., TA3 Tailgate, Rubber	4	2423 535	2423 535	2423 535
23-64-273	SUPPORT, Door Vent Wing Division Channel to Inside Panel Lower TP1, TP2, TD1, TD2, TC1, TC2, TC3				
	Right	1	2216 673	2167 880	1909 856
	Left	1	2216 673	2167 881	1909 856
	TA3	2	----	1909 856	
23-64-275	STUD, Window Roller Track Adjusting TC1, TC2, TC3 Length 1 3/8" TC1, TC2, TC3 Length 2"	★ ★	*6023 006 ----	*6023 006 ----	*6023 006 1954 674
23-64-278	GROMMET, Door Vent Wing Upper Pivot to Glass Outer TC1, TC2, TC3 TY1	2 2	1909 917 ----	1909 917 ----	1909 917 1751 492
23-64-279	WASHER or INSULATOR, Door Vent Wing Upper Pivot Bracket to Glass Inner TY1	2	----	----	1751 489
23-64-280	FRAME, Quarter Window Glass Sp. Cl. Cp., Cv. Cp., TY1				
	Front	1	----	----	2218 070-1
	Upper and Rear	1	----	----	2422 318-9
	Cv. Cp., TY1 Upper and Rear	1	----	----	*2422 318-9
	Sp. Cl. Cp., TY1 Upper and Rear	1	----	----	2255 162-3
	FRAME, Quarter Window Opening Sub., TA3, TC1, TC3				
	Front	1	----	1960 066-7	1960 066-7
	Cl. Sed.	1	2243 012-3	2423 686-7	
23-64-281	REINFORCEMENT, Quarter Inside Panel Front Roller Track Sp. Cl. Cp., Cv. Cp., TP1, TP2, TD1, TD2	1	----	2255 214-5	
23-64-289	CLAMP and STUD, Window Glass to Lower Frame Sp. 4 D., TP2, TD2, Rear Sp. Cl. Cp., Cv. Cp., TP1, TP2, TD1, TD2	4 4	----	2167 855 2167 855	
23-64-297	SLEEVE NUT, Window Roller Track TC1, TC2, TC3	★	2216 371	2216 371	2216 371
23-64-299	TRACK, Quarter Window Roller Cv. Cp.	1	2425 916-7		
	Sp. Cl. Cp., TL1, TP1, TP2, TD1, TD2				
	Front	1	2253 954-5	2253 964-5	
	Sp. Cl. Cp., TA3, TC1, TC2				
	Front, Right	1	----	2252 128	2253 950
	Left	1	----	2252 128	2253 951
	Cv. Cp., TP2, TD2, Front	1	----	2253 964-5	
	Cv. Cp., TA3, TC1, TC2				
	Front	1	----	2253 926-7	2253 926-7
	Sp. Cl. Cp., Cv. Cp., TP1, TP2, TD1, TD2				
	Rear	2	----	2253 959	
	Cv. Cp., TA3, TC1, TC2				
	Rear	1	----	2252 138-9	2252 138-9
	STUD, Adjusting, Front Track	2	----	----	*6023 006
	STUD, Adjusting, Rear Track	2	----	----	*1954 674

★ Indicates use as required.
 □ Indicates parts not listed in any previous parts book.
 Right and left part numbers are on same line,
 first number is right, second number is left.
 * Indicates change or addition.

1963 PASSENGER CAR PARTS CATALOG

BODY

CODE	PART NAME AND DESCRIPTION	PER CAR	VALIANT DART	PLYMOUTH DODGE	CHRYSLER IMPERIAL
23-64-O WINDOW AND VENT WING - Cont'd					
23-64-300	SUPPORT, Quarter Inside Quarter Roller Track Cv. Cp.	2	2424 553		
23-64-306	GLASS, Door Vent Wing (see Note 1) TP1, TP2, TD1, TD2 Clear	2	----	2166 902	
	Tinted	2	----	2166 903	
	GLASS, w/Lower PIVOT and BRACKET, Door Vent Wing (see Note 1) 4 D., 4 D. Sub., Cl Sed.				
	Clear	1	2216 660-1		
	Tinted	1	2216 662-3		
	Sp. Cl. Cp., Cv. Cp. Clear	1	2217 478-9		
	Tinted	1	2217 476-7		
	PIN, Lower Pivot 4 D., TA3, TC1, TC2, TC3	1	9409 639		
	Clear	1	----	1954 104-5	1954 104-5
	Tinted	1	----	1954 106-7	1954 106-7
	Sub., TA3E Clear	1	----	1954 104-5	
	Tinted	1	----	1954 106-7	
	Sp. 4 D., Sp. 4 D. Sub., Sp. Cl. Cp., Cv. Cp., TA3 TC1, TC2, TC3				
	Clear	1	----	1954 100-1	1954 100-1
	Tinted	1	----	1954 102-3	1954 102-3
	TY1 w/o Power Vent, Clear	1	----	----	2218 218-9
	Tinted	1	----	----	2218 220-1
	w/Power Vent, Clear	1	----	----	2218 226-7
	Tinted	1	----	----	2218 228-9
23-64-308	GLASS, Front Door Window (see Note 1) 4 D., 4 D. Sub., TP1, TP2, TD1, TD2				
	Clear	2	2254 232	2167 766	
	Tinted	2	2254 233	2167 767	
	Cl. Sed., TP1, TP2, TD1, TD2				
	Clear	2	2254 229	2166 888	
	Tinted	2	2254 230	2166 889	
	4 D., TA3, TC1, TC2, TC3				
	Clear	2	----	1883 268	1883 268
	Tinted	2	----	1883 269	1883 269
	Sub., TA3E Clear	2	----	*1883 268	
	Tinted	2	----	*1883 269	
	GLASS, Front Door Window (see Note 3) Sp. Cl. Cp., Cv. Cp., TY1				
	Clear	1	----	----	1691 076-7
	Tinted	1	----	----	1691 078-9
	Sp. 4 D., TY1 Clear	1	----	----	2217 850-1
	Tinted	1	----	----	2217 852-3
	GLASS, Rear Door Window (see Note 1) 4 D., 4 D. Sub.				
	Clear	2	2254 260		
	Tinted	2	2254 261		
	Stationary, Clear	2	2254 264		
	Tinted	2	2254 265		
	4 D., 4 D. Sub., TP1, TP2, TD1, TD2				
	Clear	2	----	2167 817	
	Tinted	2	----	2167 818	
	4D., TA3, TC1, TC2, TC3				
	Clear	2	----	1883 271	2254 842
	Tinted	2	----	1883 272	2254 843
	Sub., TA3E Clear	2	----	*1883 271	
	Tinted	2	----	*1883 272	
	GLASS, Rear Door Window (see Note 3) Sp. 4 D., TY1				
	Clear	1	----	----	2217 854-5
	Tinted	1	----	----	2217 856-7

★ Indicates use as required.

⊠ Indicates parts not listed in any previous parts book.

Jan. 3, 1964 Supersedes Dec. 14, 1962.

Prices and specifications subject to change without notice.

Right and left part numbers are on same line,
first number is right, second number is left.

* Indicates change or addition.

Printed in U.S.A.

CODE	PART NAME AND DESCRIPTION	PER CAR	VALIANT DART	PLYMOUTH DODGE	CHRYSLER IMPERIAL
23-64-0 WINDOW AND VENT WING - Cont'd					
23-64-308	GLASS, FRAME and Lower CHANNEL, Front Door Window (see Note 1)				
	Sp. 4 D., TP2, TD2, Clear	1	----	2166 714-5	
	Tinted	1	----	2166 716-7	
	Sp. 4 D., Sp. 4 D. Sub., TA3, TC1, TC2, TC3				
	Clear	1	----	1909 694-5	1909 694-5
	Tinted	1	----	1909 696-7	1909 696-7
	Sp. Cl. Cp., Cv. Cp., TP1, TP2, TD1, TD2				
	Clear	1	----	2167 844-5	
	Tinted	1	----	2167 846-7	
	Sp. Cl. Cp., TA3, TC1, TC2				
	Clear	1	----	1909 710-1	1909 710-1
	Tinted	1	----	1909 712-3	1909 712-3
	Cv. Cp., TA3, TC1, TC3				
	Clear	1	----	1909 302-3	1909 710-1
	Tinted	1	----	1909 304-5	1909 712-3
	GLASS and FRAME, Front Door Window (see Note 1)				
	Sp. Cl. Cp., Cv. Cp., Clear	1	2217 264-5		
	Tinted	1	2217 262-3		
	GLASS, w/Front FRAME, Rear Door Window (see Note 1)				
	Sp. 4 D., TP2, TD2, Clear	1	----	*2217 212-3	
	Tinted	1	----	*2217 214-5	
	Sp. 4 D., TA3, TC1, TC2, TC3				
	Clear	1	----	1909 698-9	2254 822-3
	Tinted	1	----	1909 700-1	2254 824-5
	Sp. 4 D. Sub., TA3, TC1, TC3				
	Clear	1	----	1909 698-9	1909 698-9
	Tinted	1	----	1909 700-1	1909 700-1
23-64-311	GLASS, Quarter Window (see Note 1)				
	Sub., TP1, TP2, TD1, TD2				
	Clear	1	*2243 236-7	*2251 220-1	
	Tinted	1	2243 238-9	2251 222-3	
	Sub., TA3, TC1, TC3				
	Clear	1	----	*1878 180-1	*1878 180-1
	Tinted	1	----	1878 184-5	1878 184-5
	Cl. Sed.				
	Clear	2	2242 734	2244 101	
	Tinted	2	2242 735	2244 102	
	Sp. Cl. Cp., TL1				
	Clear	2	*2243 788		
	Tinted	2	*2243 789		
	GLASS, Quarter Window (see Note 3)				
	Sp. Cl. Cp., TY1				
	Clear	1	----	----	2255 160-1
	Tinted	1	----	----	2255 186-7
	Cv. Cp., TY1				
	Clear	1	----	----	1691 238-9
	Tinted	1	----	----	1691 240-1
	GLASS, w/Lower CHANNEL, Quarter Window (see Note 1)				

NOTE: See Part Type Code 23-09-58 for Lower Channel.

GLASS, w/FRAME and Lower CHANNEL, Rear Door Window (see Note 1)

★ Indicates use as required.
 □ Indicates parts not listed in any previous parts book.
 Right and left part numbers are on same line, first number is right, second number is left.
 * Indicates change or addition.

Printed in U.S.A.
 Prices and specifications subject to change without notice.
 Jan. 3, 1964 Supersedes Dec. 14, 1962.

1963 PASSENGER CAR PARTS CATALOG

BODY

CODE	PART NAME AND DESCRIPTION	PER CAR	VALIANT DART	PLYMOUTH DODGE	CHRYSLER IMPERIAL
23-64-0 WINDOW AND VENT WING - Cont'd					
23-64-311	GLASS, w/Front FRAME, Quarter Window (see Note 1)				
	Cv. Cp. Clear	2	*2424 656		
	Tinted	2	*2424 657		
	Cv. Cp., except TA3, Clear	1	----	*2245 048-9	
	Tinted	1	----	*2245 050-1	
	Sp. Cl. Cp., except TA3				
	Clear	1	----	*2245 008-9	
	Tinted	1	----	*2245 010-1	
<hr/>					
	GLASS, w/FRAME and Lower CHANNEL, Quarter Window (see Note 1)				
	Sp. Cl. Cp., TA3, TC1, TC2				
	Clear	1	----	*2424 432-3	*2243 810-1
	Tinted	1	----	*2424 434-5	*2243 812-3
	Cv. Cp., TA3, TC1, TC2				
	Clear	1	----	*2422 856-7	*2480 582-3
	Tinted	1	----	*2422 858-9	*2480 584-5
<hr/>					
23-64-314	GLASS, Rear Window (see Note 2)				
	4 D., Sp. Cl. Cp., Cl. Sed., TV1				
	Clear	1	2242 370		
	Tinted	1	2242 371		
	4 D., Sp. Cl. Cp., Cl. Sed., TL1				
	Clear	1	2243 584		
	Tinted	1	2244 325		
	4 D., Sp. 4 D., Sp. Cl. Cp., Cl. Sed., TP1, TP2, TD1, TD2				
	Clear	1	----	2244 011	
	Tinted	1	----	2244 032	
	4 D., Sp. 4 D., TA3, TC1, TC2, TC3				
	Clear	1	----	1869 630	2242 616
	Tinted	1	----	1954 217	2242 617
<hr/>					
	Sp. Cl. Cp., TA3, TC1, TC2				
	Clear	1	----	1877 958	2242 616
	Tinted	1	----	1878 161	2242 617
	GLASS, Rear Window (see Note 3)				
	Sp. 4 D., Sp. Cl. Cp., TY1-L, TY1-M				
	Clear	1	----	----	2244 488
	Tinted	1	----	----	2244 491
	Sp. 4 D., TY1-H				
	Clear	1	----	----	1961 508
	Tinted	1	----	----	1961 646
<hr/>					
23-64-319	CLIP, w/PLATE, Quarter Window Roller Track Support				
	Cv. Cp.	2	2424 556		

23-66-0 WINDSHIELD

NOTE 2: PLACE ORDERS DIRECT WITH YOUR CHRYSLER "SAFEGUARD" DISTRIBUTOR.

NOTE 3: PLACE ORDERS DIRECT WITH YOUR LOCAL GLASS SOURCE.

23-66-65	FRAME and Tapping PLATE, Windshield Opening Upper				
	Cv. Cp., TP2, TD2	1	E2255 832	2253 539	
	4 D., Sp. 4 D., Sub., Sp. Cl. Cp., TP1, TP2, TD1, TD2	1	----	*2253 156-7	

★ Indicates use as required.

⊠ Indicates parts not listed in any previous parts book.

Jan. 3, 1964 Supersedes Dec. 14, 1962.

Printed in U.S.A.
Prices and specifications subject to change without notice.

Right and left part numbers are on same line,
first number is right, second number is left.

* Indicates change or addition.

CODE	PART NAME AND DESCRIPTION	PER CAR	VALIANT DART	PLYMOUTH DODGE	CHRYSLER IMPERIAL
23-66-O WINDSHIELD - Cont'd					
23-66-74	BRACE, Windshield Lower Frame to Instrument Lower Reinforcement	1	2425 279		
23-66-77	REINFORCEMENT and Tapped PLATE, Windshield Opening Upper Frame to Front Upper Pillar	1	2425 176-7		
	REINFORCEMENT, Windshield Opening Upper Frame	1	2255 823		
	Cv. Cp.	1	----	----	2217 261
	Sp. 4 D., Sp. Cl. Cp., TY1	1	----	----	
23-66-135	GLASS, Windshield (see Note 2)				
	TP1, TP2, TD1, TD2				
	Clear	1	2242 368	2166 114	
	Tinted	1	2242 369	2167 733	
	4 D., Sp. 4 D., Sp. Cl. Cp., Sub., TA3,				
	TC1, TC2, TC3	1	----	2165 418	2165 418
	Clear	1	----	2165 419	2165 419
	Tinted	1	----		
	Cv. Cp., TA3, TC1, TC2				
	Clear	1	----	1869 627	1869 627
	Tinted	1	----	1954 216	1954 216
	GLASS, Windshield (see Note 3)				
	TY1				
	Clear	1	----	----	1651 431
	Tinted	1	----	----	1690 871
23-66-235	WEATHERSTRIP, Windshield Glass				
	TP1, TP2, TD1, TD2, TY1	1	----	2167 048	2093 638
	Except Cv. Cp.	1	2242 450		
	Cv. Cp., TA3, TC1, TC2	1	2424 392	1882 146	1882 146
	4 D., Sp. 4 D., Sp. 4 D. Sub., Sp. Cl. Cp.,				
	TA3, TC1, TC2, TC3	1	----	2166 675	2166 675
23-66-239	LOCKINGSTRIP, Windshield Glass Weatherstrip	1	2082 278		
23-67-O WINDSHIELD WIPER					
23-67-2	CAM PACKAGE, Windshield Wiper Motor Parking				
	Variable Speed	1	2421 485		
23-67-5	ARM, w/Partial BLADE,				
	Except TA3				
	Right	1	2426 814	2426 830	
	Left	1	2426 814	2426 831	
	TA3, TC1	1	----	2426 826-7	2426 826-7
	Single Speed	1	----	2426 828-9	2426 828-9
	TA3, TC1, TC2, TC3,	1	----	----	2426 824-5
	Variable Speed	1	----	----	
	TY1	1	----	----	
23-67-10	GEAR and GASKET PACKAGE, Windshield Wiper				
	Motor	1	2448 282		
	TA3	1	----	1879 598	1879 598
	Variable Speed	1	----		
	GEAR and COVER PACKAGE				
	Except TA3	1	----	2448 264	
	Single Speed	1	----	2448 267	
	Except TA3	1	----	2448 608	2448 608
	Variable Speed	1	----		
	TA3	1	----		
	Single Speed	1	----		
	Variable Speed	1	----		
23-67-16	BRUSH and SPRING PACKAGE, Windshield Wiper				
	Motor	1	1752 518		
	Except TA3	1	----	2084 269	
	Single Speed	1	----	2448 265	
	Variable Speed	1	----	2448 606	2448 606
	TA3	1	----	1627 273	1627 273
	Single Speed	1	----		
	Variable Speed	1	----		
23-67-18	BRACKET, Windshield Wiper Motor Mounting				
	Except TA3	1	----	2258 552	
	Single Speed	1	----	2258 562	
	Except TA3	1	----	1838 293	1838 293
	Variable Speed	1	----	1838 289	1838 289
	TA3	1	----		
	Single Speed	1	----		
	Variable Speed	1	----		

★ Indicates use as required.
 ☐ Indicates parts not listed in any previous parts book.
 Right and left part numbers are on same line,
 first number is right, second number is left.
 * Indicates change or addition.

Printed in U.S.A.
 Prices and specifications subject to change without notice.
 January 3, 1964.

1963 PASSENGER CAR PARTS CATALOG

BODY

CODE	PART NAME AND DESCRIPTION	PER CAR	VALIANT DART	PLYMOUTH DODGE	CHRYSLER IMPERIAL
23-67-O WINDSHIELD WIPER - Cont'd					
23-67-20	GROMMET, Windshield Wiper Motor Mounting GROMMET and SPACER PACKAGE, Windshield Wiper Motor Mounting	3	----	1594 992	1594 992
		1	2421 482		
23-67-25	REFILL, Windshield Wiper Blade Except TA3 TA3	2	2291 909	2426 255	
		2	----	1818 892	1818 892
23-67-48	ADAPTER, Windshield Wiper Motor Mounting TY1	1	----	----	1704 062-3
23-67-49	GASKET, Windshield Wiper Pivot Adapter Mounting TY1 Pivot Sealing TY1	1	----	----	1704 066
		1	----	----	1704 066
23-67-50	NUT, Windshield Wiper Pivot Adapter Mounting TY1	2	----	----	1770 140
23-67-76	ARM, Windshield Wiper Crank Except TA3 Except TA3 TA3, TC1 TA3	1	----	2258 556	
		1	----	2258 566	
		1	----	1838 936	1838 936
		1	----	1838 292	1838 292
23-67-79	LINK, Windshield Wiper Drive LINK, Windshield Wiper Pivot Connecting LINK, Windshield Wiper Except TA3 TA3, TC1, except Cv. Cp. TA3, TC1, Cv. Cp. Except TA3 TA3, TC1, TC2, TC3, except Cv. Cp. TA3, TC1, TC2, TC3, Cv. Cp. TY1	1	2291 900		
		1	2290 378		
		1	----	2258 554	
		1	----	2258 555	
		1	----	2198 363	2198 363
		1	----	2258 459	2258 459
		1	----	1838 934	1838 934
		1	----	*2258 458	2258 458
		1	----	2258 564	
		1	----	2258 565	
		1	----	2198 348	2198 348
		1	----	2257 849	2257 849
1	----	1842 407	1842 407		
1	----	2258 457	2258 457		
1	----	----	1841 679		
1	----	----	2198 099		
23-67-80	RETAINER, Windshield Wiper Link To Pivot To Crank Arm Variable Speed, Mounting	2	1605 299	1605 299	1605 299
		★	1642 029	1642 029	1642 029
		1	----	1886 202	1886 202
23-67-82	WASHER, Windshield Wiper Link to Pivot Brass Link to Motor Link to Crank Lever SPRING WASHER	2	1605 604	1605 604	1605 604
		1	----	1622 352	1622 352
		1	*1770 289	*1770 289	*1770 289
		2	1770 290	1770 290	1770 290
23-67-85	GASKET, Windshield Wiper Pivot Mounting Except TA3 TA3, TC1, TC2, TC3, except Cv. Cp. TA3, TC1, TC2, TC3, Cv. Cp.	2	2258 455	2258 455	
		2	----	2198 407	2198 407
		2	----	1838 242	1838 242

★ Indicates use as required.
 ☐ Indicates parts not listed in any previous parts book.
 January 3, 1964.

Printed in U.S.A.
 Prices and specifications subject to change without notice.
 Right and left part numbers are on same line,
 first number is right, second number is left.
 * Indicates change or addition.

CODE	PART NAME AND DESCRIPTION	PER CAR	VALIANT DART	PLYMOUTH DODGE	CHRYSLER IMPERIAL
23-67-0 WINDSHIELD WIPER - Cont'd					
23-67-86	PIVOT, Windshield Wiper				
	Except TA3				
	Right	1	2421 480	2275 596	
	Left	1	2421 481	2275 596	
	TA3, TC1, TC2, TC3, except Cv. Cp.	1	-----	2240 526-7	2240 526-7
	TA3, TC1, TC2, TC3, Cv. Cp.	2	-----	1841 191	1841 191
	TY1				
	Right	1	-----	-----	*1841 682
	Left	1	-----	-----	*2427 549
23-67-91	SCREW, w/WASHER, Windshield Wiper Pivot				
	TY1	4	-----	-----	1704 061
23-67-98	MOTOR, Windshield Wiper				
	Except TA3				
	Single Speed	1	2421 479	2275 595	
	Except TA3				
	Variable Speed	1	2421 478	2275 594	
	TA3, TC1				
	Single Speed	1	-----	1879 583	1879 583
	TA3				
	Variable Speed	1	-----	1842 964	1842 964
23-67-100	SPACER, Windshield Wiper Motor to Bracket	3	-----	1594 995	1594 995
23-67-102	WASHER, Windshield Wiper Motor to Bracket	3	-----	1594 993	1594 993
23-67-119	HOLDER, Windshield Wiper Motor Brush				
	Except TA3				
	TA3				
	Use w/Single Speed Motor . . .	1	-----	1495 160	
		1	-----	2448 609	2448 609
23-67-129	REINFORCEMENT, Windshield Wiper Motor Mounting				
	TA3	1	*2216 595	1846 350	1846 350
23-67-132	BUSHING, Windshield Wiper Drive Link to Motor End				
	Single Speed	1	2291 853		
23-67-160	SWITCH, Windshield Wiper				
	Single Speed	1	2421 195	2421 195	2421 195
	TP1, TP2				
	Variable Speed	1	2290 851	2096 988	
	TD1, TD2, TC1, TC2,				
	Variable Speed	1	-----	2256 514	2256 514
	TC1, use w/Washer				
	Single Speed	1	-----	-----	2426 136
	TA3, TC1, TC2, TC3, use w/Washer				
	Variable Speed	1	-----	2426 133	2426 133
	TY1				
		1	-----	-----	2426 129
23-67-161	NUT, Windshield Wiper Switch Mounting				
	TP1, TP2				
	TD1, TD2				
	TY1				
		1	1887 603	1887 603	
		1	-----	2427 119	
		1	-----	-----	*6008 060
23-67-163	CIRCUIT BREAKER, Windshield Wiper Switch	1	1642 384	1642 384	1642 384
23-67-164	PLATE and GASKET PACKAGE, Windshield Wiper				
	Motor Switch				
	Except TA3				
	Single Speed	1	2448 283	2448 263	
	Variable Speed	1	2448 284	2448 266	
	TA3				
	Single Speed	1	-----	2448 607	2448 607
	Variable Speed	1	-----	*2298 876	*2298 876
23-67-166	TERMINAL, Windshield Wiper Switch Circuit				
	Breaker Feed				
	Variable Speed	1	1770 660	1770 660	1770 660
23-67-194	KNOB, Windshield Wiper Switch				
	TV1, TP1, TP2				
	TL1, TD1, TD2				
	TA3, TC1, TC2				
	TA3, TC1, TC2, TC3				
	Use w/Washers				
	TY1				
		1	2291 282	2291 282	
		1	2290 396	2290 396	
		1	-----	2197 379	2197 075
		1	-----	2067 339	1887 989
		1	-----	-----	2256 282

★ Indicates use as required.

⊠ Indicates parts not listed in any previous parts book.
 Right and left part numbers are on same line,
 first number is right, second number is left.

* Indicates change or addition.

Printed in U.S.A.
 Prices and specifications subject to change without notice.
 January 3, 1964.

1963 PASSENGER CAR PARTS CATALOG

BODY

CODE	PART NAME AND DESCRIPTION	PER CAR	VALIANT DART	PLYMOUTH DODGE	CHRYSLER IMPERIAL
23-67-O WINDSHIELD WIPER - Cont'd					
23-67-195	BEZEL, Windshield Wiper Switch TV1, TP1, TP2 TA3, TC1, TC2, TC3	1	1887 602	1887 602	
		1	-----	1887 789	2290 721
23-67-202	SPRING, Windshield Wiper Parking Variable Speed	2	-----	1605 602	1605 602
23-67-203	TRIP, Windshield Wiper Parking Spring	2	-----	1753 712	1753 712
23-67-204	CAM, Windshield Wiper Parking	2	-----	1753 711	1753 711

NOTES

★ Indicates use as required.
 ☐ Indicates parts not listed in any previous parts book.
 January 3, 1964.

Printed in U.S.A.
 Prices and specifications subject to change without notice.
 Right and left part numbers are on same line,
 first number is right, second number is left.
 * Indicates change or addition.

1963 CHRYSLER 1963 IMPERIAL

INTERIOR TRIM

HOW TO USE INTERIOR TRIM ILLUSTRATIONS

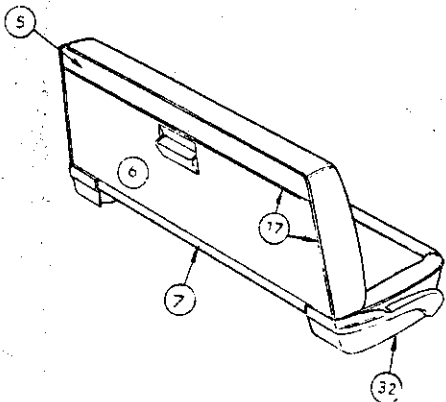
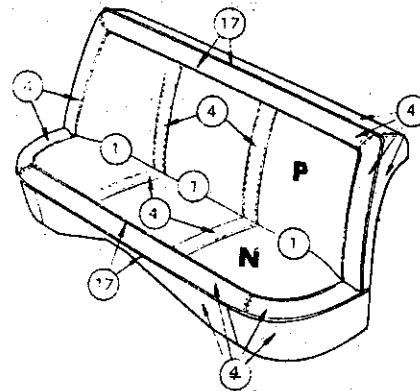
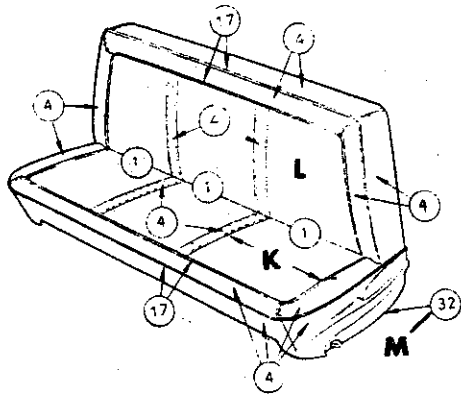
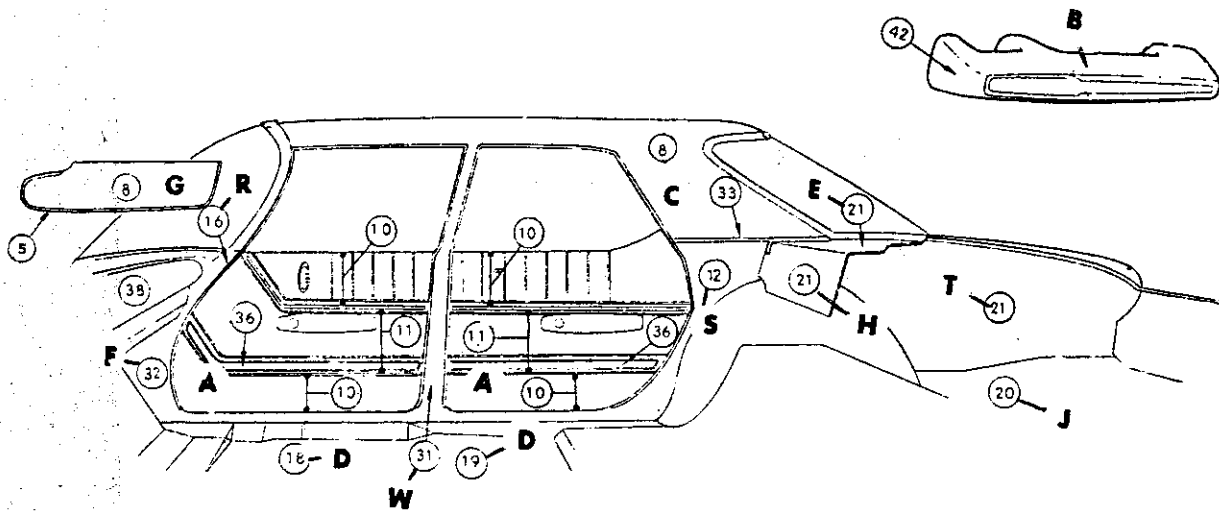
The illustrations in this section are actual and each body style showing the Interior Trim is included.

The letters shown on the illustration indicate the description of the part and the part type code when referred to the legend which appears preceding the listing of the parts. The letters are consistent throughout the illustrations as "A" is always a Door Trim Panel, Code 23-92-5.

The numbers on the illustration indicate the distribution of material and type of material used. The numbers may vary with each illustration. The legend appears on the illustration.

For complete information on "How to Order" Trim Parts, see Mopar Parts Price List.

1963 CHRYSLER - T SERIES



DISTRIBUTION OF MATERIAL

- | | | |
|----|------------------------------------|------------|
| 1 | BODY CLOTH | 1 |
| 4 | IMITATION LEATHER | 28-AM-22 |
| 5 | IMITATION LEATHER | 19-C-22 |
| 6 | IMITATION LEATHER | 19A-C-22 |
| 7 | IMITATION LEATHER | 28A-AM-22 |
| 8 | IMITATION LEATHER | 15, 5-C-81 |
| 10 | IMITATION LEATHER | 19-DJ-22 |
| 11 | IMITATION LEATHER | 19A-DJ-22 |
| 12 | IMITATION LEATHER | 19C-C-22 |
| 16 | LACE | |
| 17 | EXTRUDED VINYL | |
| 18 | FLOOR COVERING-FRONT-CARPET | |
| 19 | FLOOR COVERING-REAR-CARPET | |
| 20 | FLOOR COVERING-LUGG. COMPT. RUBBER | |
| 21 | EMBOSSED CARDBOARD | |
| 30 | PLASTIC | |
| 31 | PAINT | |
| 32 | METAL | |
| 33 | MOULDING | |
| 34 | SHEETING | |
| 35 | POLYETHYLENE | |
| 36 | MYLAR | |
| 38 | MOULDED RESIN | |
| 42 | PLASTISOL | |

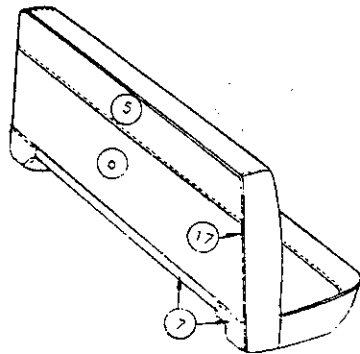
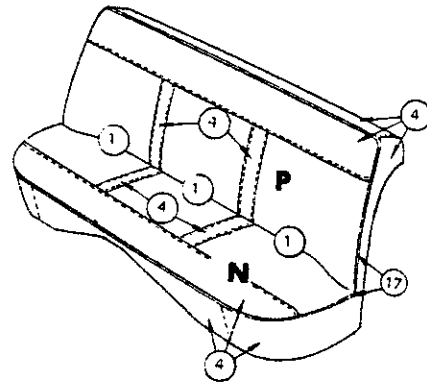
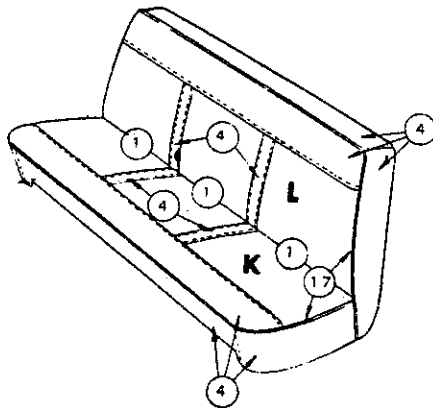
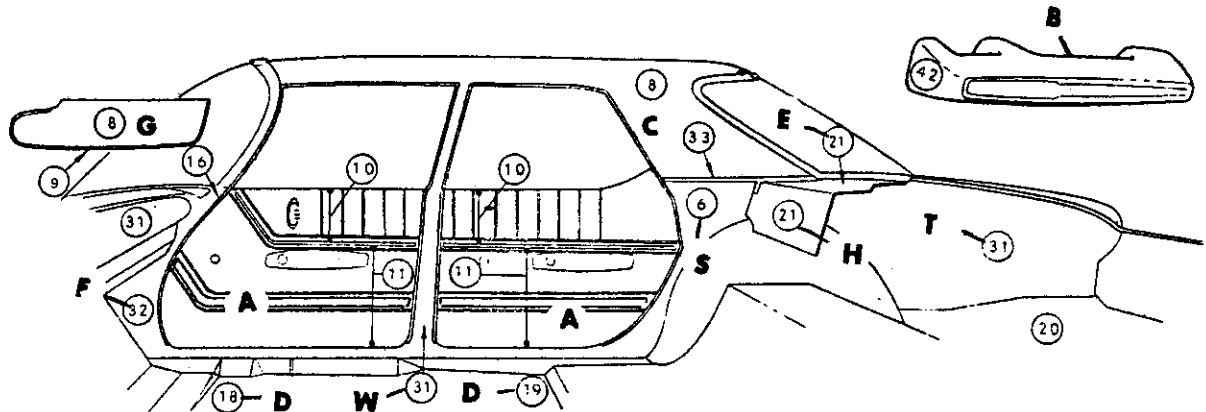
Distribution Drawing Legend Page Appears Following Illustration Section

Codes 101, 102, 103, 105, 108

TCL-411

1963 CHRYSLER TC1-L 4 DOOR SEDAN
CLOTH & IMITATION LEATHER TRIM

1963 CHRYSLER - T SERIES



DISTRIBUTION OF MATERIAL

- 1 BODY CLOTH
- 4 IMITATION LEATHER
- 5 IMITATION LEATHER
- 6 IMITATION LEATHER
- 7 IMITATION LEATHER
- 8 IMITATION LEATHER
- 10 IMITATION LEATHER
- 11 IMITATION LEATHER
- 16 LACE
- 17 EXTRUDED VINYL
- 18 FLOOR COVERING-FRONT-RUBBER
- 19 FLOOR COVERING-REAR-RUBBER
- 20 FLOOR COVERING-LUGG. COMPT. RUBBER
- 21 EMBOSSSED CARDBOARD
- 30 PLASTIC
- 31 PAINT
- 32 METAL
- 36 MYLAR
- 38 MOULDED RESIN
- 42 PLASTISOL
- 28-AM-22
- 19-C-22
- 19A-C-22
- 28A-AM-22
- 15, 5-C-81
- 19-DJ-22
- 19A-DJ-22

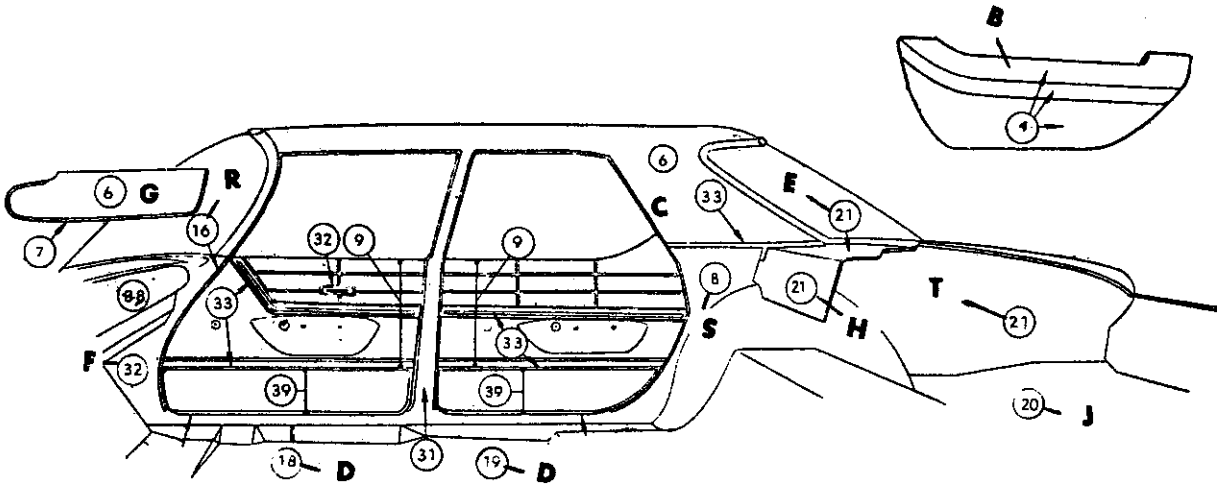
Distribution Drawing Legend Page Appears Following Illustration Section

Code 104

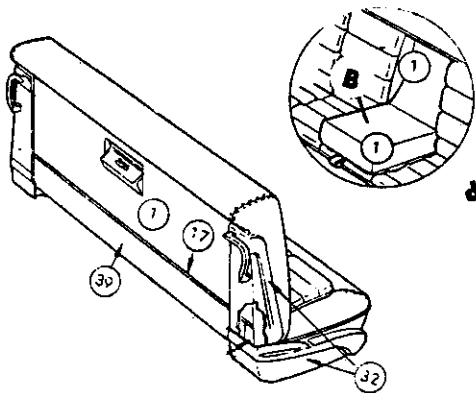
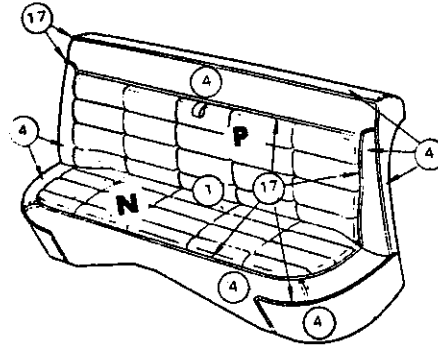
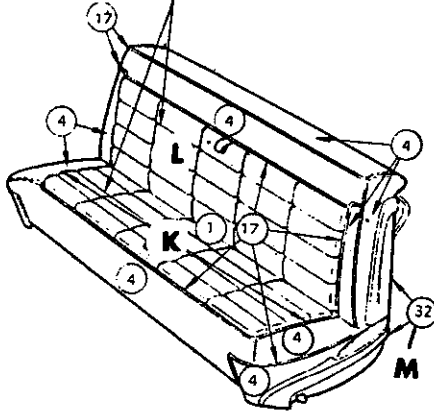
TCL-411A

1963 CHRYSLER TC1-L 4 DOOR SEDAN
CLOTH & IMITATION LEATHER TRIM

1963 CHRYSLER - T SERIES



VULC & STITCHED DESIGN



DISTRIBUTION OF MATERIAL

- 1 BODY CLOTH 1
- 4 IMITATION LEATHER 28-AM-22
- 5 IMITATION LEATHER 19-C-22
- 6 IMITATION LEATHER 15, 5-C-81
- 8 IMITATION LEATHER 19B-C-22
- 9 IMITATION LEATHER 19-DJ-22
- 16 LACE
- 17 EXTRUDED VINYL
- 18 FLOOR COVERING-FRONT-CARPET
- 19 FLOOR COVERING-REAR-CARPET
- 20 FLOOR COVERING-LUGG. COMPT. CARPET
- 21 EMBOSSED CARDBOARD
- 30 PLASTIC
- 31 PAINT
- 32 METAL
- 33 MOULDING
- 35 POLYETHYLENE
- 36 MYLAR
- 38 MOULDED RESIN
- 39 CARPET

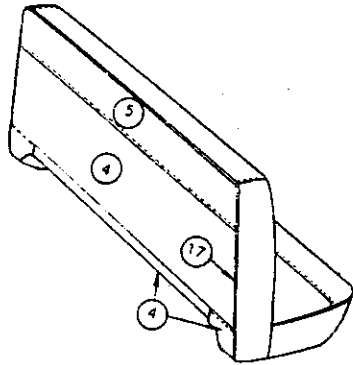
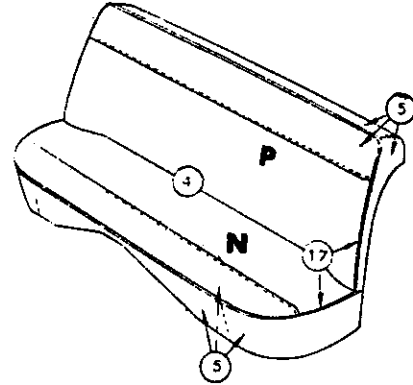
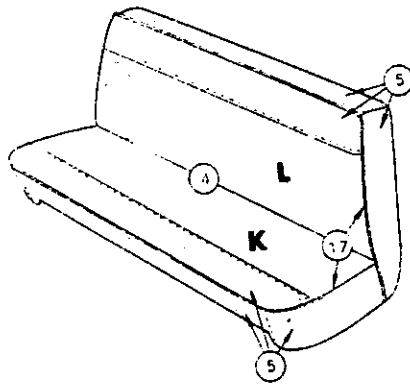
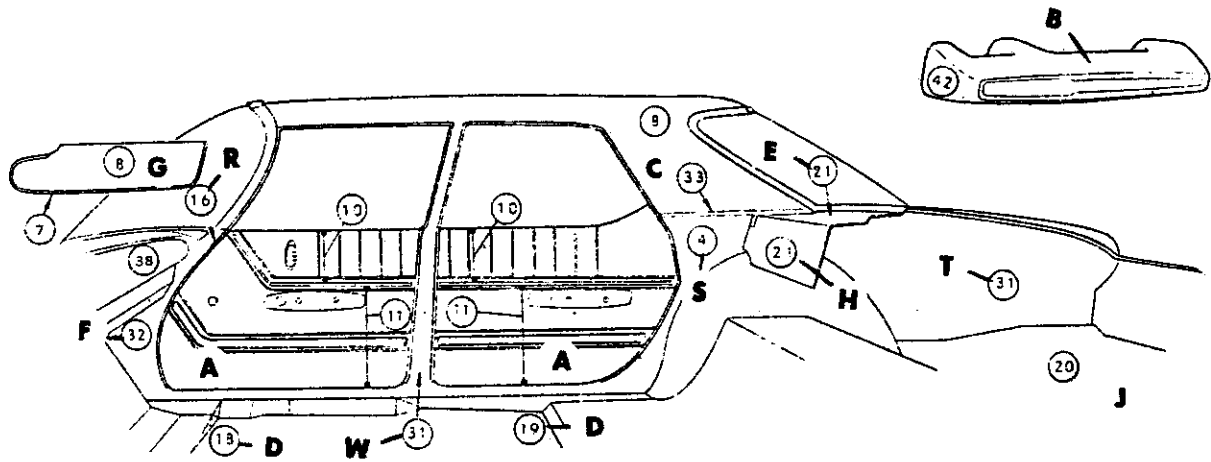
Distribution Drawing Legend Page Appears Following Illustration Section

Codes 141, 142, 143, 144, 148

TCH-411

1963 CHRYSLER TC3-H 4 DOOR SEDAN
CLOTH & IMITATION LEATHER TRIM

1963 CHRYSLER - T SERIES



DISTRIBUTION OF MATERIAL

- 4 IMITATION LEATHER 37-CX-22
- 5 IMITATION LEATHER 37A-CX-22
- 7 IMITATION LEATHER 19-C-22
- 8 IMITATION LEATHER 15, 5-C-81
- 10 IMITATION LEATHER 19-DJ-22
- 11 IMITATION LEATHER 19A-DJ-22
- 16 LACE
- 17 EXTRUDED VINYL
- 18 FLOOR COVERING-FRONT-RUBBER
- 19 FLOOR COVERING-REAR-RUBBER
- 20 FLOOR COVERING-LUGG, COMPT, RUBBER
- 21 EMBOSSED CARDBOARD
- 30 PLASTIC
- 31 PAINT
- 32 METAL
- 33 MOULDING
- 36 MYLAR
- 38 MOULDED RESIN
- 42 PLASTISOL

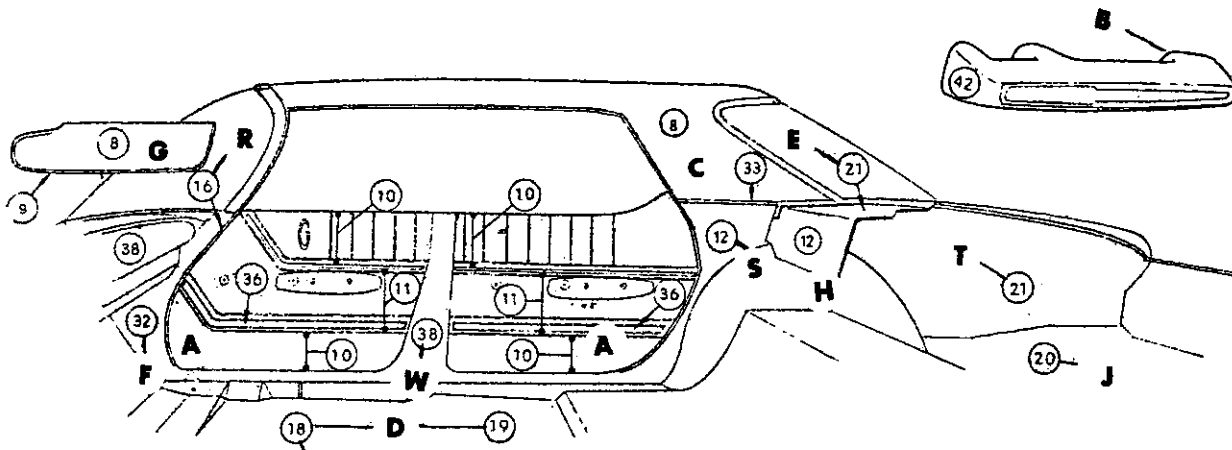
Distribution Drawing Legend Page Appears Following Illustration Section

Code 204

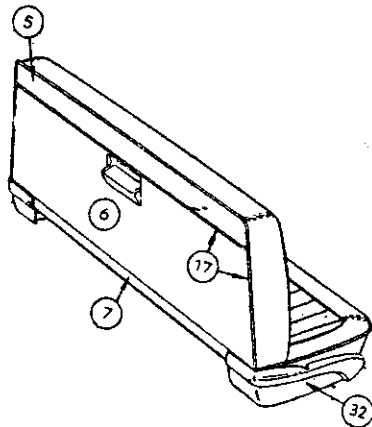
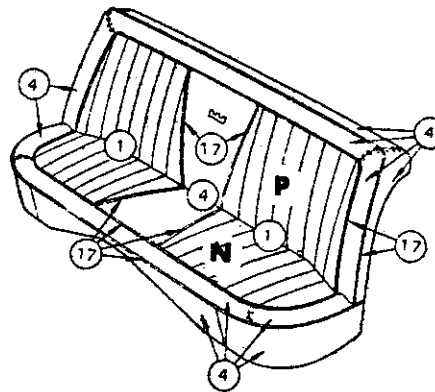
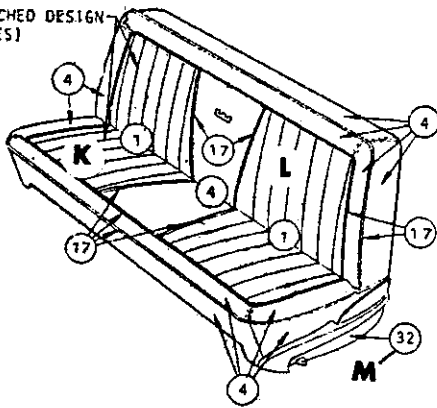
TCL-414

1963 CHRYSLER TC1-L 4 DOOR SEDAN
IMITATION LEATHER TRIM

1963 CHRYSLER - T SERIES



STITCHED DESIGN
(FALES)



DISTRIBUTION OF MATERIAL

- 1 BODY CLOTH 1
- 4 IMITATION LEATHER 28-AM-22
- 5 IMITATION LEATHER 19-C-22
- 6 IMITATION LEATHER 19A-C-22
- 7 IMITATION LEATHER 28A-AM-22
- 8 IMITATION LEATHER 15, 5-C-81
- 10 IMITATION LEATHER 19-DJ-22
- 11 IMITATION LEATHER 19A-DJ-22
- 12 IMITATION LEATHER 19C-C-22
- 16 LACE
- 17 EXTRUDED VINYL
- 18 FLOOR COVERING-FRONT-CARPET
- 19 FLOOR COVERING-REAR-CARPET
- 20 FLOOR COVERING-LUGG. COMPT. RUBBER
- 21 EMBOSSED CARDBOARD
- 30 PLASTIC
- 31 PAINT
- 32 METAL
- 33 MOULDING
- 35 POLYETHYLENE
- 36 MYLAR
- 38 MOULDED RESIN
- 42 PLASTISOL

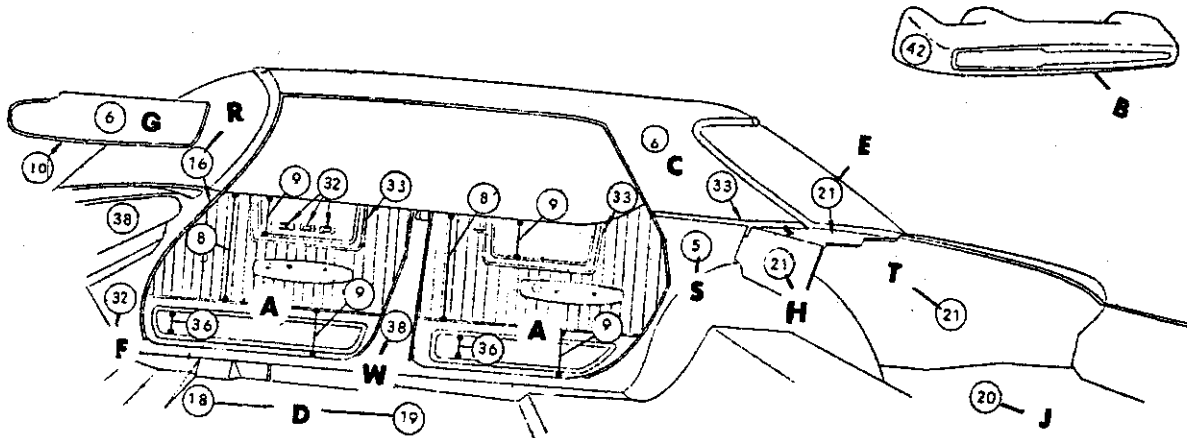
Distribution Drawing Legend Page Appears Following Illustration Section

Codes 111, 112, 113, 115

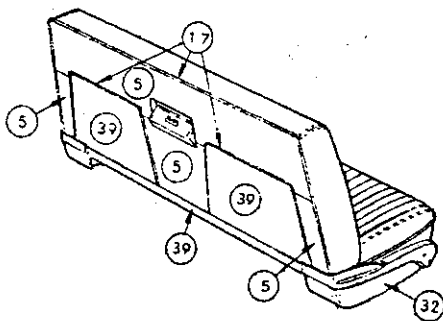
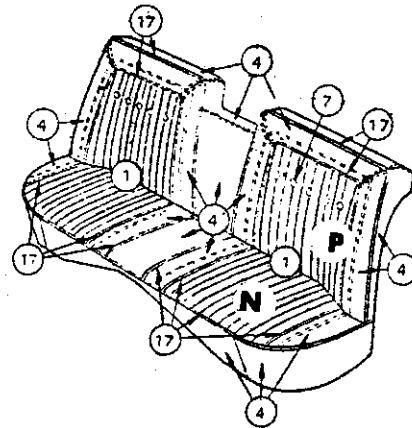
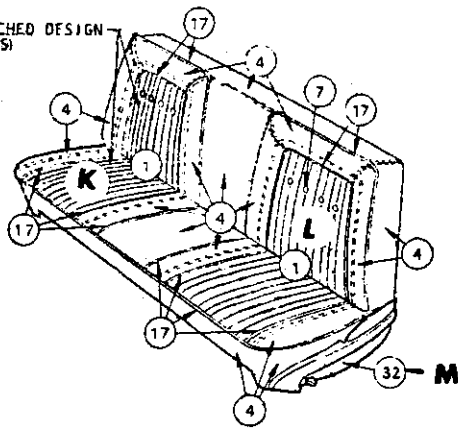
TCL-431

1963 CHRYSLER TC1-L 4 DOOR HARDTOP
CLOTH & IMITATION LEATHER TRIM

1963 CHRYSLER - T SERIES



STITCHED DESIGN
(FALES)



DISTRIBUTION OF MATERIAL

- 1 BODY CLOTH
- 4 IMITATION LEATHER
- 5 IMITATION LEATHER
- 6 IMITATION LEATHER
- 7 IMITATION LEATHER
- 8 IMITATION LEATHER
- 9 IMITATION LEATHER
- 16 LACE
- 17 EXTRUDED VINYL
- 18 FLOOR COVERING-FRONT-CARPET
- 19 FLOOR COVERING-REAR-CARPET
- 20 FLOOR COVERING-LUGG. COMPT. RUBBER
- 21 EMBOSSED CARDBOARD
- 30 PLASTIC
- 31 PAINT
- 32 METAL
- 33 MOULDING
- 35 POLYETHYLENE
- 36 MYLAR
- 38 MOULDED RESIN
- 39 CARPET
- 42 PLASTISOL
- 28-AM-22
- 19-C-22
- 15, 5-C-B1
- 19A-C-22
- 19-DJ-22
- 19A-DJ-22

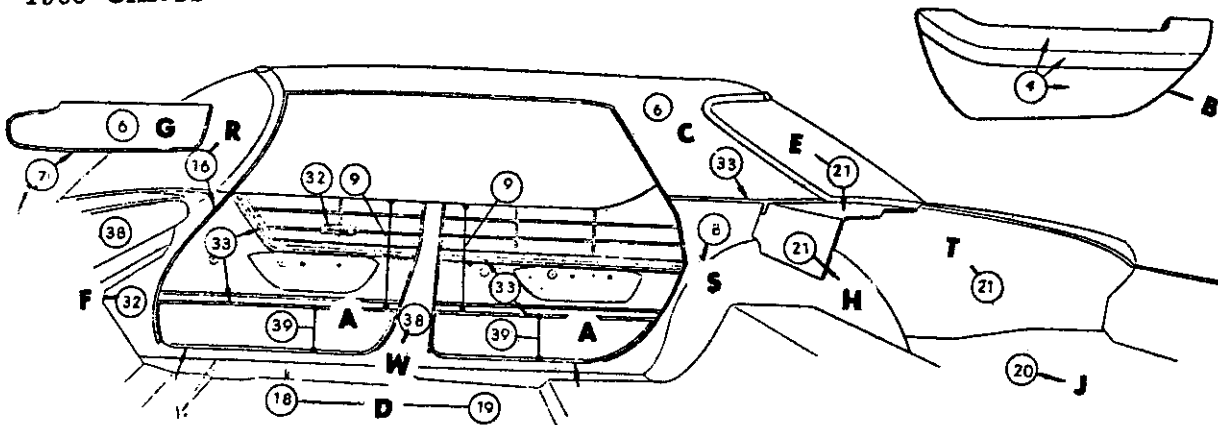
Distribution Drawing Legend Page Appears Following Illustration Section

Codes 121, 123, 125, 126

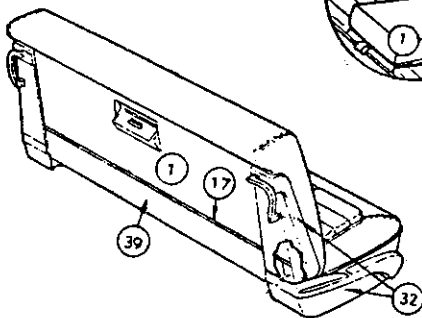
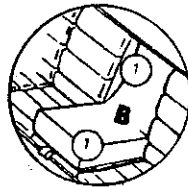
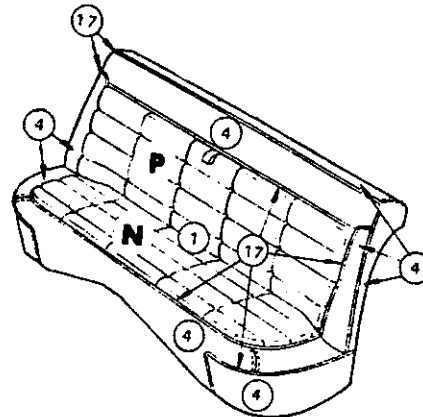
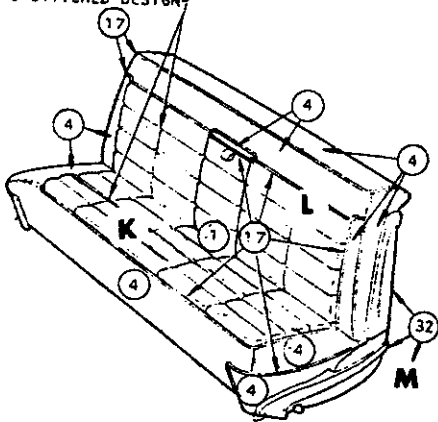
TCM-431

1963 CHRYSLER TC2-M 4 DOOR HARDTOP
CLOTH & IMITATION LEATHER TRIM

1963 CHRYSLER - T SERIES



VULC. & STITCHED DESIGN



DISTRIBUTION OF MATERIAL

- 1 BODY CLOTH
- 4 IMITATION LEATHER
- 5 IMITATION LEATHER
- 6 IMITATION LEATHER
- 8 IMITATION LEATHER
- 9 IMITATION LEATHER
- 16 LACE
- 17 EXTRUDED VINYL
- 18 FLOOR COVERING-FRONT-CARPET
- 19 FLOOR COVERING-REAR-CARPET
- 20 FLOOR COVERING-LUGG. COMPT. CARPET
- 21 EMBOSSSED CARDBOARD
- 30 PLASTIC
- 31 PAINT
- 32 METAL
- 33 MOULDING
- 35 POLYETHYLENE
- 36 MYLAR
- 38 MOULDED RESIN
- 39 CARPET

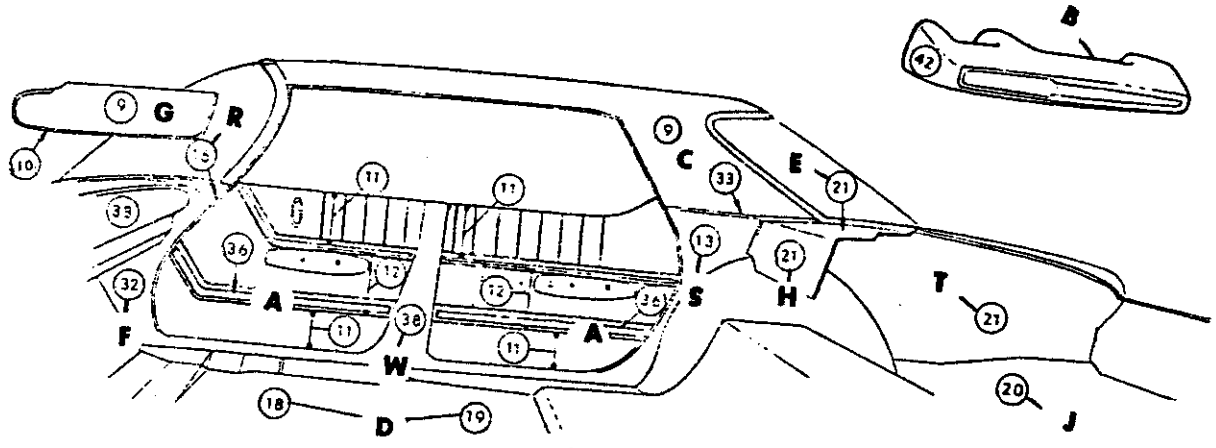
Distribution Drawing Legend Page Appears Following Illustration Section

Codes 141, 142, 143, 144, 148

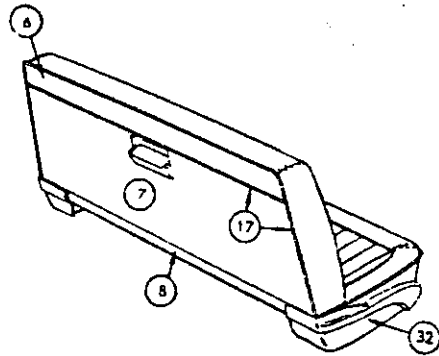
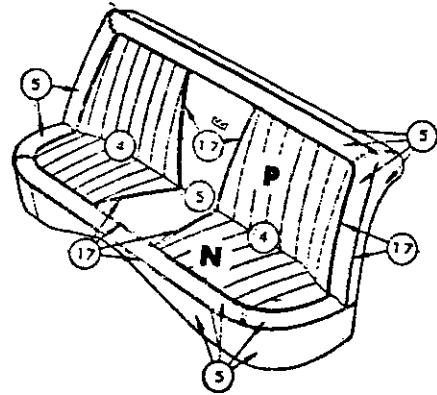
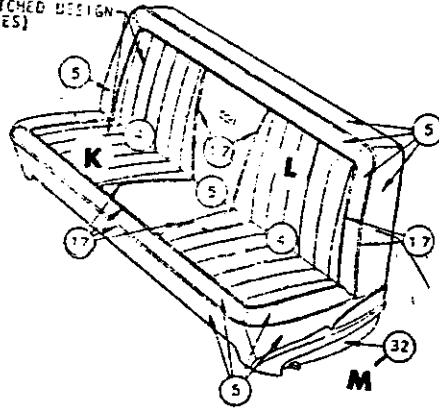
TCH-431

1963 CHRYSLER TC3-H 4 DOOR HARDTOP
CLOTH & IMITATION LEATHER TRIM

1963 CHRYSLER - T SERIES



(FITTED DESIGN
-ALES)



DISTRIBUTION OF MATERIAL

4	IMITATION LEATHER	25-DV-78
5	IMITATION LEATHER	28-AM-22
6	IMITATION LEATHER	19-C-22
7	IMITATION LEATHER	19A-C-22
8	IMITATION LEATHER	28A-AM-22
9	IMITATION LEATHER	15, 5-C-81
11	IMITATION LEATHER	19-DJ-22
12	IMITATION LEATHER	19A-DJ-22
13	IMITATION LEATHER	19D-C-22
16	LACE	
17	EXTRUDED VINYL	
18	FLOOR COVERING-FRONT-CARPET	
19	FLOOR COVERING-REAR-CARPET	
20	FLOOR COVERING-LUGG. COMPT. RUBBER	
21	EMBOSSED CARDBOARD	
30	PLASTIC	
31	PAINT	
32	METAL	
33	MOULDING	
35	POLYETHYLENE	
36	MYLAR	
38	MOULDED RESIN	
42	PLASTISOL	

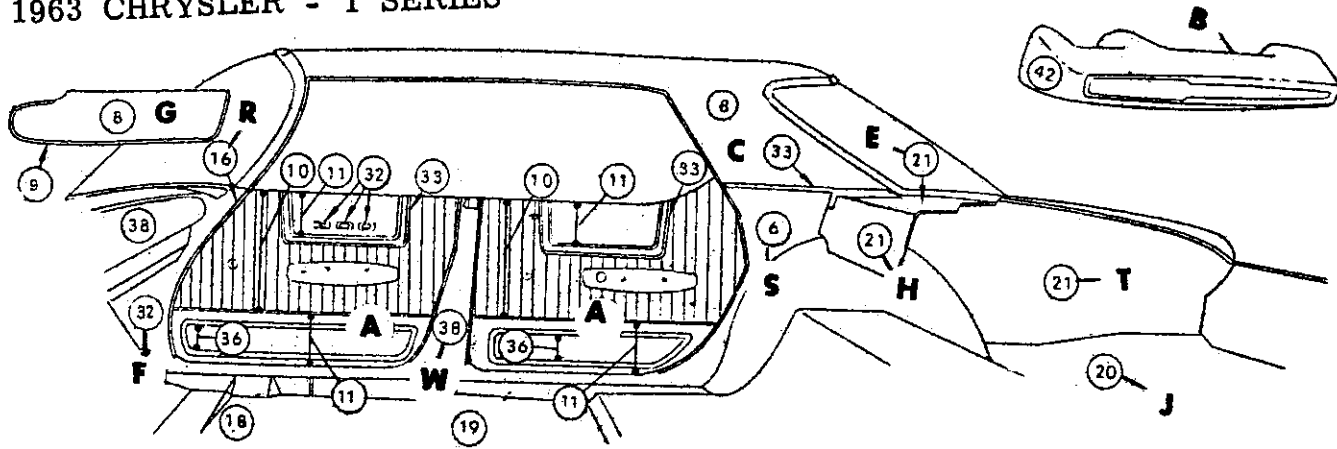
Distribution Drawing Legend Page Appears Following Illustration Section

Codes 201, 203, 205, 206, 208

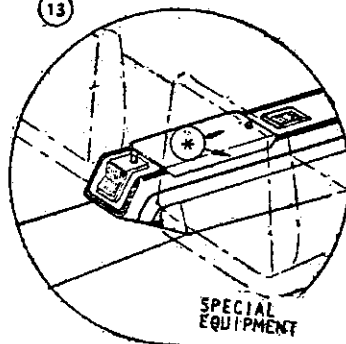
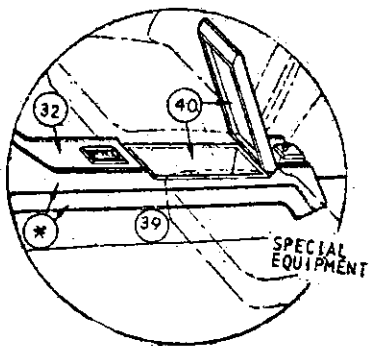
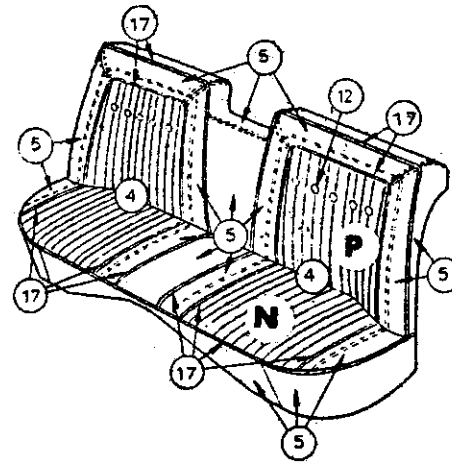
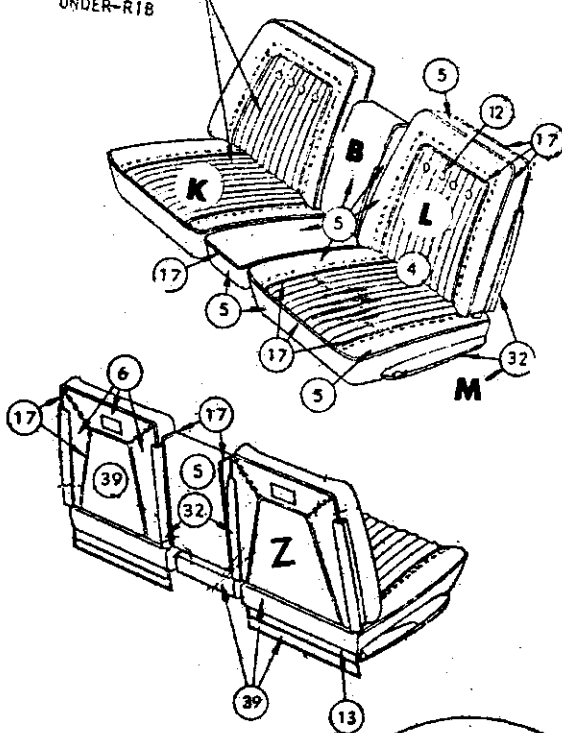
TCL-434

1963 CHRYSLER TC1-L 4 DOOR HARDTOP
IMITATION LEATHER TRIM

1963 CHRYSLER - T SERIES



STITCHED DESIGN
UNDER-RIB



DISTRIBUTION OF MATERIAL

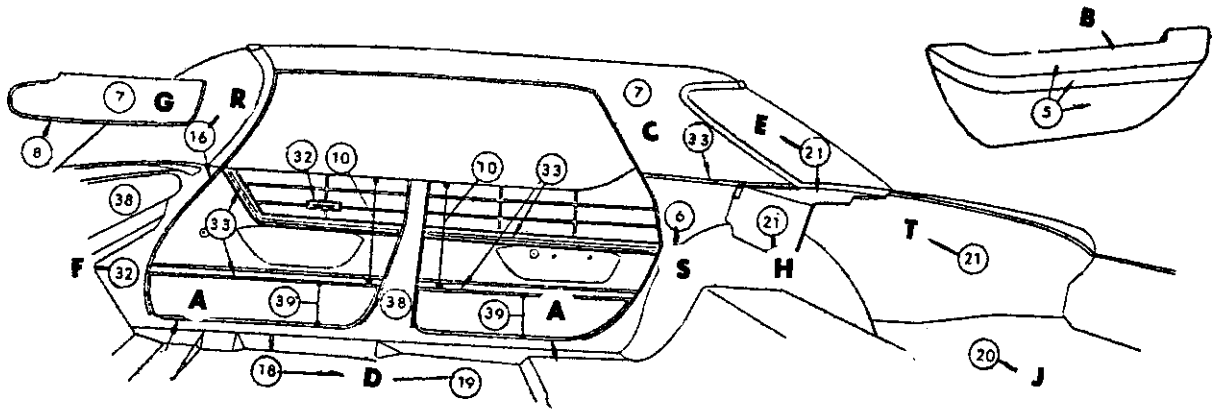
4	IMITATION LEATHER	34-DV-78
5	IMITATION LEATHER	28-AM-22
6	IMITATION LEATHER	19-C-22
8	IMITATION LEATHER	15, 5-C-81
10	IMITATION LEATHER	19-DJ-22
11	IMITATION LEATHER	19A-DJ-22
12	IMITATION LEATHER	19D-C-22
13	IMITATION LEATHER	28A-AM-22
16	LACE	
17	EXTRUDED VINYL	
18	FLOOR COVERING-FRONT-CARPET	
19	FLOOR COVERING-REAR-CARPET	
20	FLOOR COVERING-LUGG. COMPT. RUBBER	
21	EMBOSSED GARDBOARD	
30	PLASTIC	
31	PAINT	
32	METAL	
33	MOULDING	
35	POLYETHLENE	
36	MYLAR	
38	MOULDED RESIN	
39	CARPET	
40	FAN FLOCK	
42	PLASTISOL	

Distribution Drawing Legend Page Appears Following Illustration Section

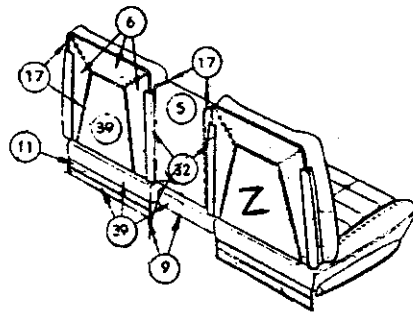
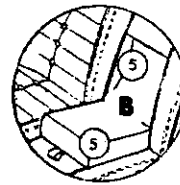
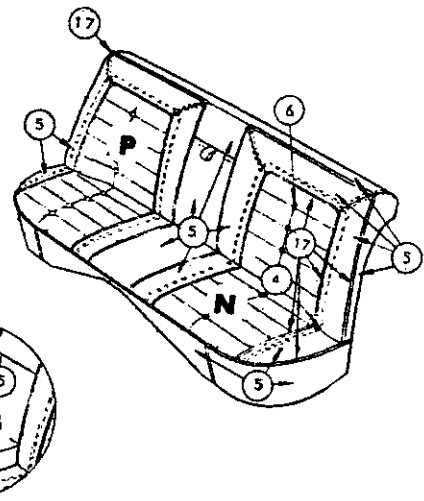
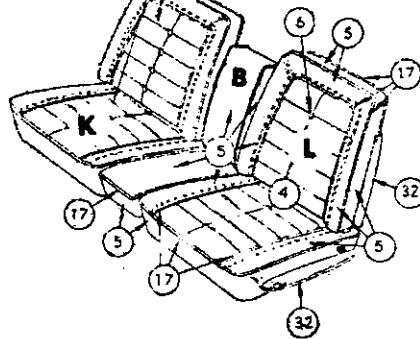
Codes 221, 223, 225, 227, 228

TCM-434

1963 CHRYSLER TC2-M 4 DOOR HARDTOP
IMITATION LEATHER TRIM



VULC. & STITCHED DESIGN



DISTRIBUTION OF MATERIAL

- | | | |
|----|------------------------------------|------------|
| 4 | IMITATION LEATHER | 34-DV-78 |
| 5 | IMITATION LEATHER | 28-AM-22 |
| 6 | IMITATION LEATHER | 19-C-22 |
| 7 | IMITATION LEATHER | 15, 5-C-81 |
| 9 | IMITATION LEATHER | 19B-C-22 |
| 10 | IMITATION LEATHER | 19-DJ-22 |
| 11 | IMITATION LEATHER | 28A-AM-22 |
| 16 | LACE | |
| 17 | EXTRUDED VINYL | |
| 18 | FLOOR COVERING-FRONT-CARPET | |
| 19 | FLOOR COVERING-REAR-CARPET | |
| 20 | FLOOR COVERING-LUGG. COMPT. CARPET | |
| 21 | EMBOSSED CARDBOARD | |
| 30 | PLASTIC | |
| 31 | PAINT | |
| 32 | METAL | |
| 33 | MOULDING | |
| 35 | POLYETHYLENE | |
| 36 | MYLAR | |
| 38 | MOULDED RESIN | |
| 39 | CARPET | |

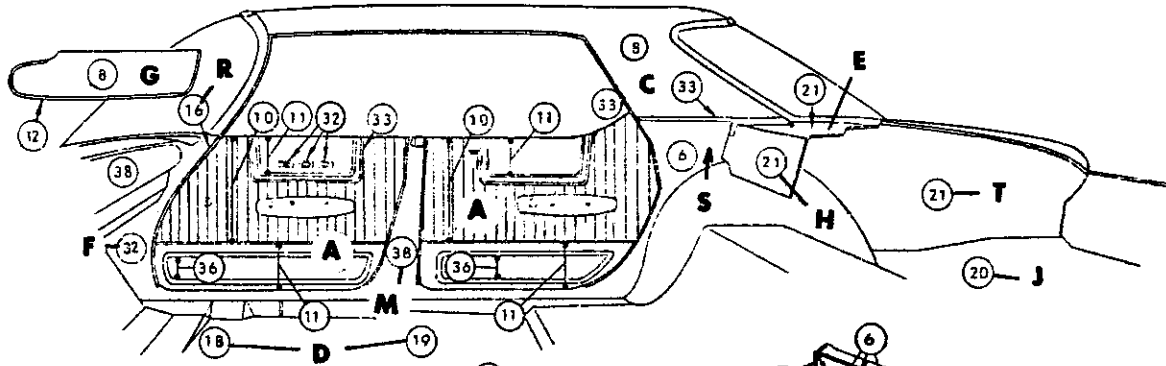
Distribution Drawing Legend Page Appears Following Illustration Section

Codes 231, 233, 235, 236, 238

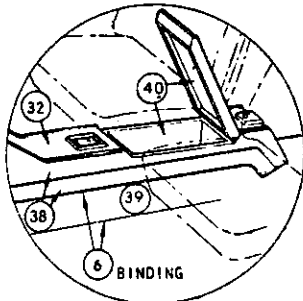
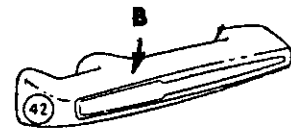
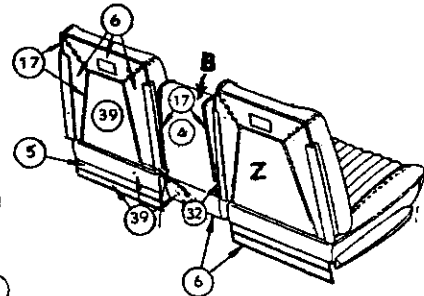
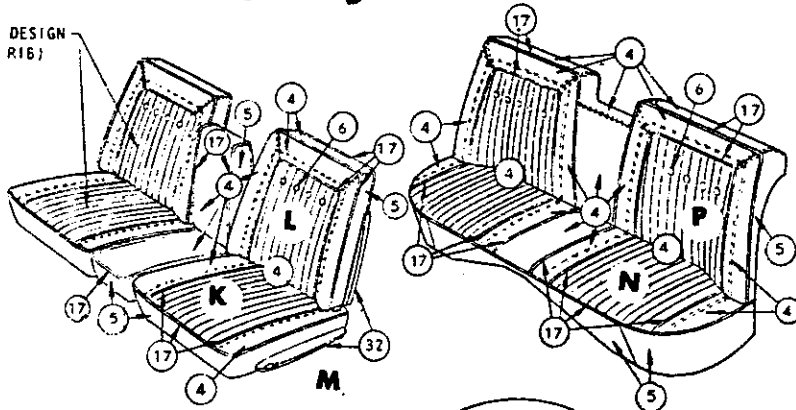
TCH-434

1963 CHRYSLER TC3-H 4 DOOR HARDTOP
IMITATION LEATHER TRIM

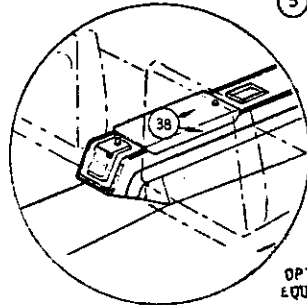
1963 CHRYSLER - T SERIES



STITCHED DESIGN
(UNDER RIB)



OPTIONAL
EQUIPMENT



OPTIONAL
EQUIPMENT

DISTRIBUTION OF MATERIAL

- | | | |
|----|------------------------------------|------------|
| 4 | LEATHER | 28-AM-22 |
| 5 | IMITATION LEATHER | 19-C-22 |
| 6 | IMITATION LEATHER | 15, 5-C-81 |
| 8 | IMITATION LEATHER | 19-D-J-22 |
| 10 | IMITATION LEATHER | 19A-DJ-22 |
| 11 | IMITATION LEATHER | 19A-C-22 |
| 12 | IMITATION LEATHER | 19A-C-22 |
| 16 | LACE | |
| 17 | EXTRUDED VINYL | |
| 18 | FLOOR COVERING-FRONT | CARPET |
| 19 | FLOOR COVERING-REAR | CARPET |
| 20 | FLOOR COVERING-LUGG. COMPT, RUBBER | |
| 21 | EMBOSSED CARDBOARD | |
| 30 | PLASTIC | |
| 31 | PAINT | |
| 32 | METAL | |
| 33 | MOULDING | |
| 35 | POLYETHYLENE | |
| 36 | MYLAR | |
| 38 | MOULDED RESIN | |
| 39 | CARPET | |
| 40 | FAN FLOCK | |
| 42 | PLASTISOL | |

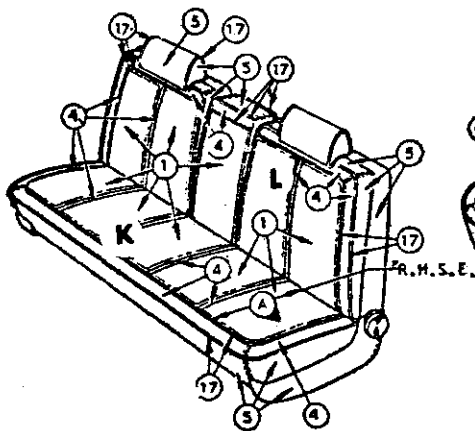
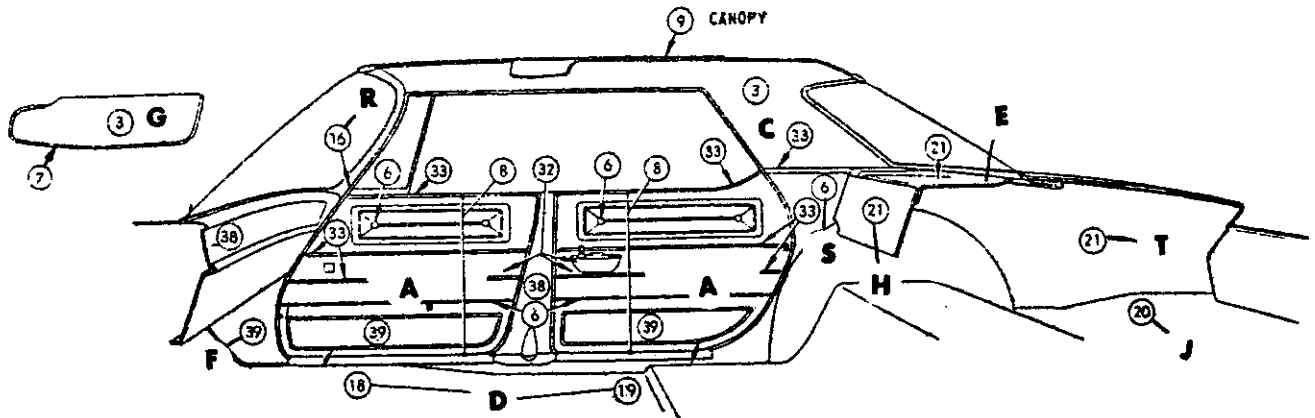
Distribution Drawing Legend Page Appears Following Illustration Section

Code 245

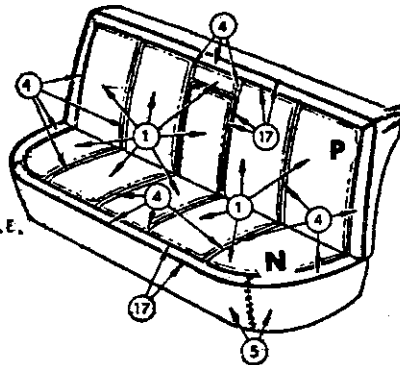
TCM-433

1963 CHRYSLER TC2-M 4 DOOR HARDTOP
GENUINE LEATHER TRIM

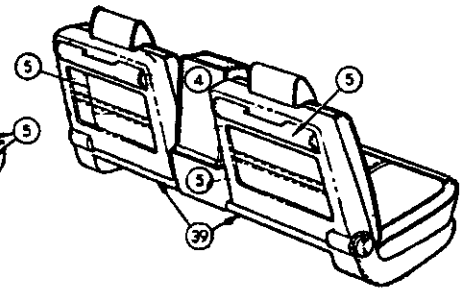
1963 CHRYSLER - T SERIES



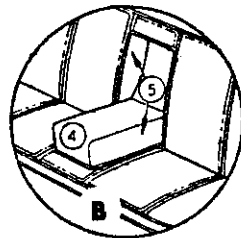
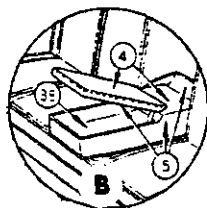
FRONT SEAT CENTER ARM REST



REAR SEAT CENTER ARM REST



FRONT & REAR DOOR ARM REST



DISTRIBUTION OF MATERIAL

- 1 BODY CLOTH I
- 3 HEADLINING
- 4 GENUINE LEATHER
- 5 IMITATION LEATHER 38-DZ-22
- 6 IMITATION LEATHER 19-C-22
- 7 IMITATION LEATHER 19A-C-22
- 8 IMITATION LEATHER 30-AR-22
- 9 IMITATION LEATHER 37-DX-85
- 16 LACE
- 17 EXTRUDED VINYL
- 18 FLOOR COVERING-FRONT CARPET
- 19 FLOOR COVERING-REAR CARPET
- 20 FLOOR COVERING-LUGG. COMPT. CARPET
- 21 EMBOSSED CARDBOARD
- 30 PLASTIC
- 31 PAINT
- 32 METAL
- 33 MOULDING
- 36 MYLAR
- 38 MOULDED RESIN
- 39 CARPET

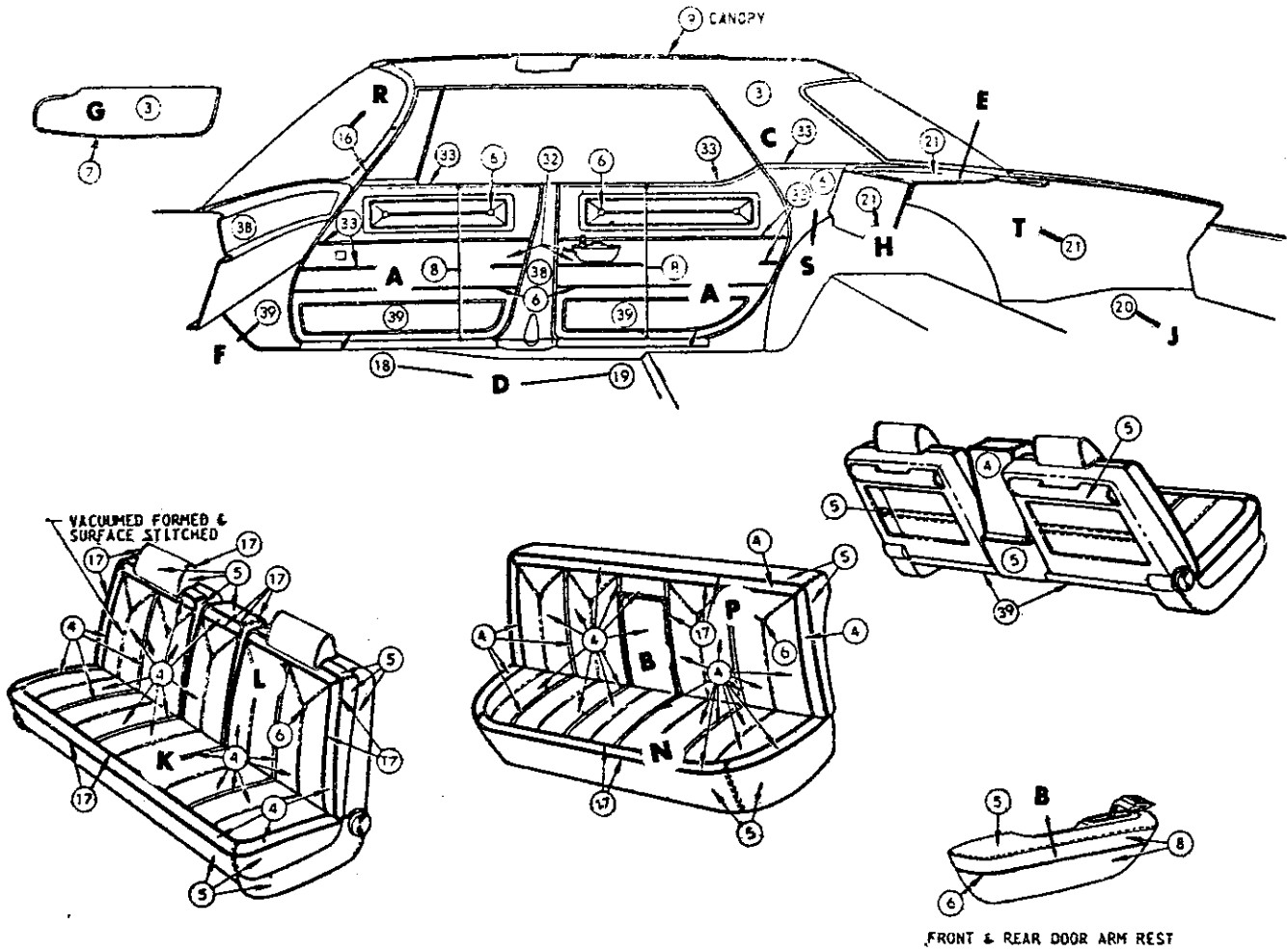
Distribution Drawing Legend Page Appears Following Illustration Section

Codes 151, 153

TCH-435

1963 CHRYSLER TC3-H 4 DOOR HARD TOP
CLOTH & LEATHER TRIM COMB.

1963 CHRYSLER - T SERIES



DISTRIBUTION OF MATERIAL

- 3 HEADLINING
- 4 GENUINE LEATHER
- 5 IMITATION LEATHER 38-OZ-22
- 6 IMITATION LEATHER 19-C-22
- 7 IMITATION LEATHER 19A-C-22
- 8 IMITATION LEATHER 30-AR-22
- 9 IMITATION LEATHER 37-OX-85
- 16 LACE
- 17 EXTRUDED VINYL
- 18 FLOOR COVERING-FRONT CARPET
- 19 FLOOR COVERING-REAR CARPET
- 20 FLOOR COVERING-LUGG, COMPT. CARPET
- 21 EMBOSSED CARDBOARD
- 30 PLASTIC
- 31 PAINT
- 32 METAL
- 33 MOULDING
- 36 MYLAR
- 38 MOULDED RESIN
- 39 CARPET

FRONT SEAT CENTER ARM REST

REAR SEAT CENTER ARM REST

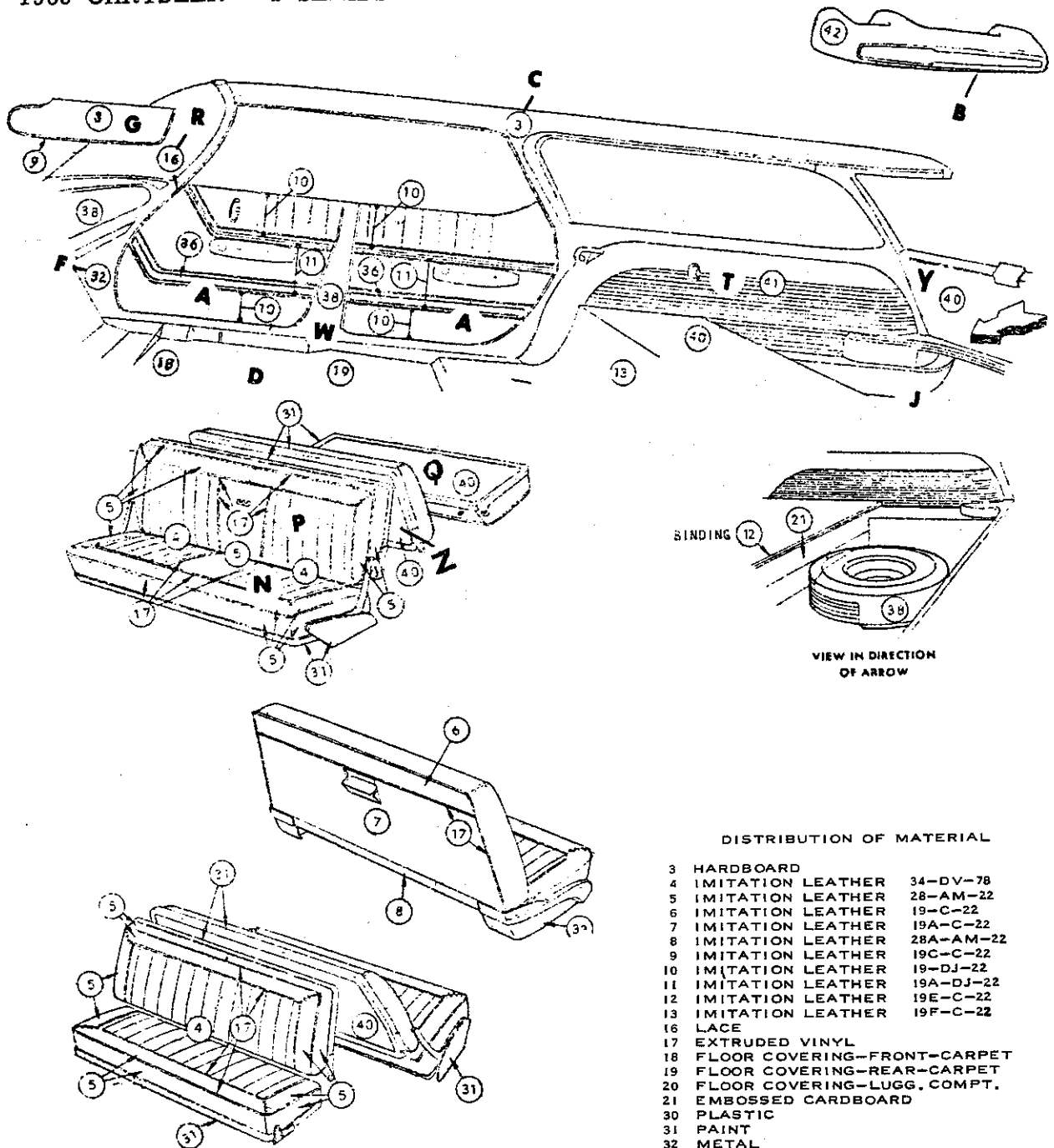
Distribution Drawing Legend Page Appears Following Illustration Section

Codes 251, 253

TCH-433

1963 CHRYSLER TC3-H 4 DOOR HARD TOP
LEATHER TRIM

1963 CHRYSLER - T SERIES



DISTRIBUTION OF MATERIAL

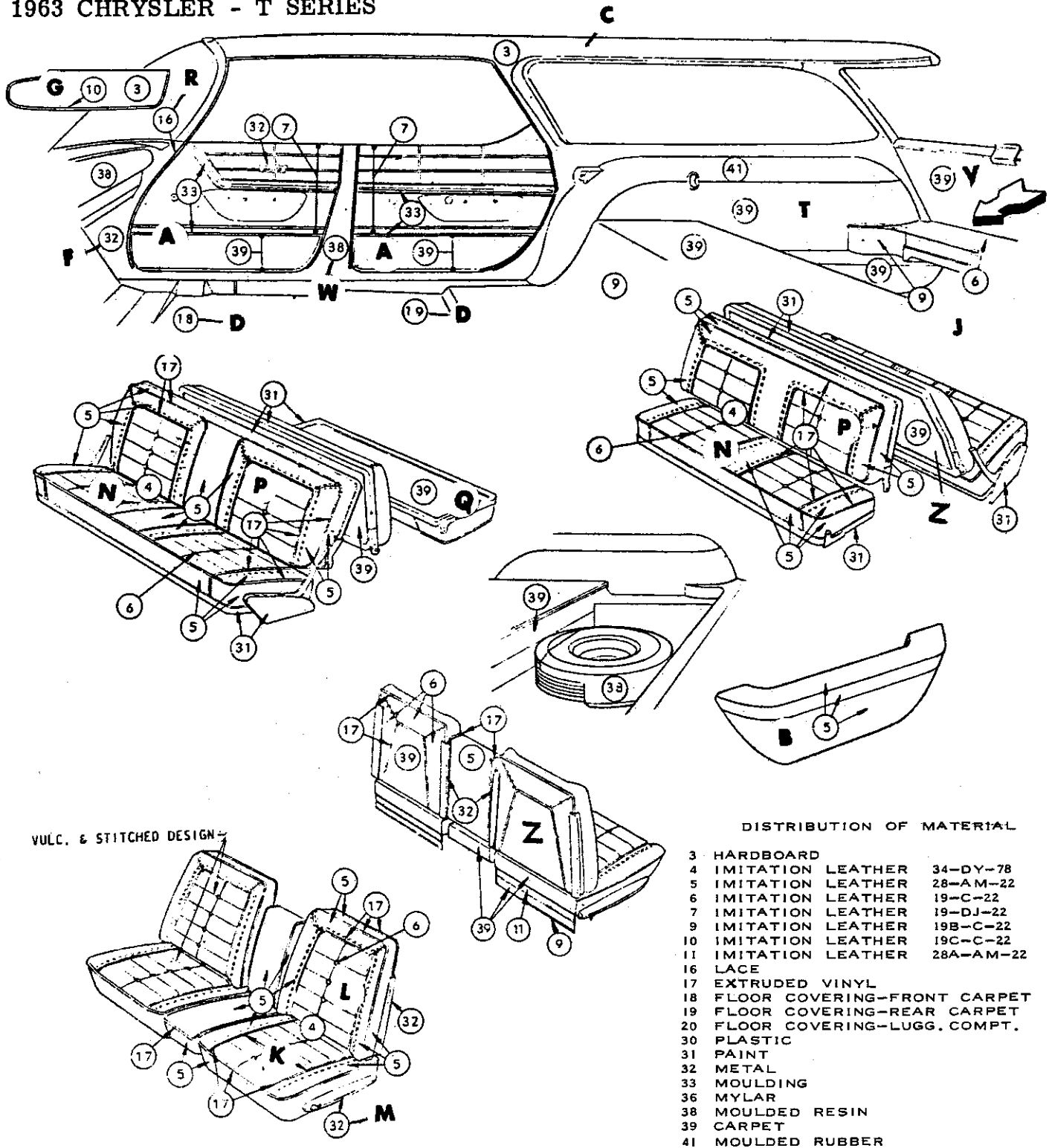
3	HARDBOARD	34-DV-78
4	IMITATION LEATHER	28-AM-22
5	IMITATION LEATHER	19-C-22
6	IMITATION LEATHER	19A-C-22
7	IMITATION LEATHER	19C-C-22
8	IMITATION LEATHER	28A-AM-22
9	IMITATION LEATHER	19C-C-22
10	IMITATION LEATHER	19-DJ-22
11	IMITATION LEATHER	19A-DJ-22
12	IMITATION LEATHER	19E-C-22
13	IMITATION LEATHER	19F-C-22
16	LACE	
17	EXTRUDED VINYL	
18	FLOOR COVERING-FRONT-CARPET	
19	FLOOR COVERING-REAR-CARPET	
20	FLOOR COVERING-LUGG. COMPT.	
21	EMBOSSED CARDBOARD	
30	PLASTIC	
31	PAINT	
32	METAL	
36	MYLAR	
38	MOULDED RESIN	
40	VINOLEUM	
41	MOULDED RUBBER	
42	PLASTISOL	

Distribution Drawing Legend Page Appears Following Illustration Section

Codes 201, 203, 205, 206, 208

TCL-464 1963 CHRYSLER TC1-L 4 DOOR HARDTOP SUBURBAN
IMITATION LEATHER TRIM

1963 CHRYSLER - T SERIES



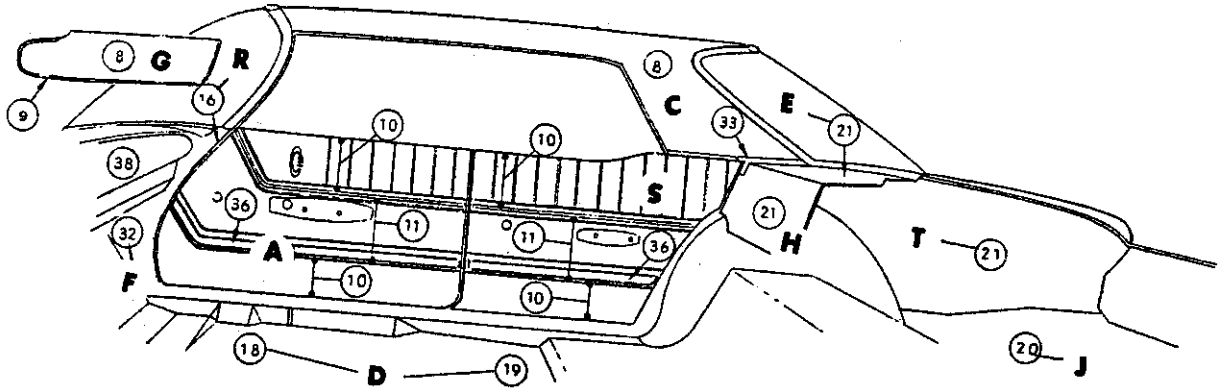
Distribution Drawing Legend Page Appears Following Illustration Section

Codes 231, 233, 235, 236, 238

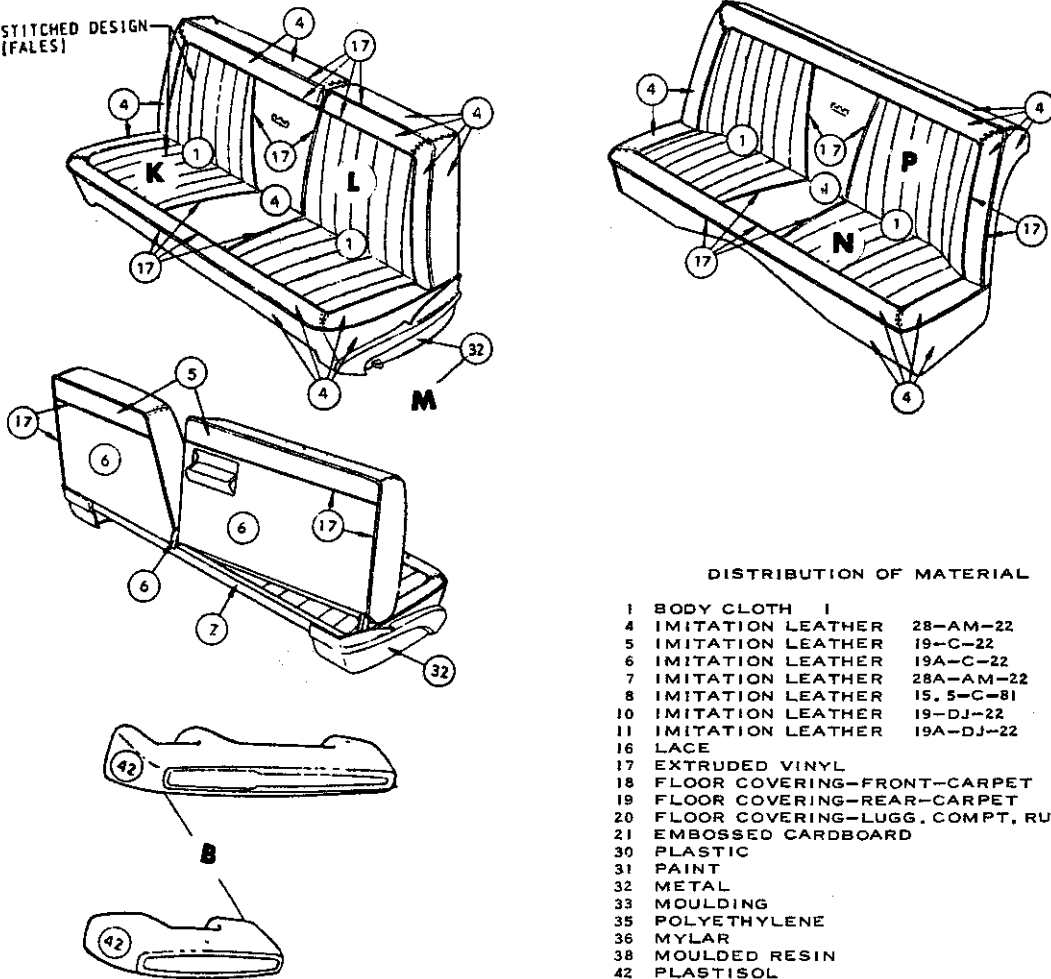
TCH-464

1963 CHRYSLER TC3-H 4 DOOR HARD TOP
STATION WAGON
IMITATION LEATHER TRIM

1963 CHRYSLER - T SERIES



STITCHED DESIGN
(FALES)



DISTRIBUTION OF MATERIAL

- 1 BODY CLOTH I
- 4 IMITATION LEATHER 28-AM-22
- 5 IMITATION LEATHER 19-C-22
- 6 IMITATION LEATHER 19A-C-22
- 7 IMITATION LEATHER 28A-AM-22
- 8 IMITATION LEATHER 15, 5-C-81
- 10 IMITATION LEATHER 19-DJ-22
- 11 IMITATION LEATHER 19A-DJ-22
- 16 LACE
- 17 EXTRUDED VINYL
- 18 FLOOR COVERING-FRONT-CARPET
- 19 FLOOR COVERING-REAR-CARPET
- 20 FLOOR COVERING-LUGG. COMPT. RUBBER
- 21 EMBOSSSED CARDBOARD
- 30 PLASTIC
- 31 PAINT
- 32 METAL
- 33 MOULDING
- 35 POLYETHYLENE
- 36 MYLAR
- 38 MOULDED RESIN
- 42 PLASTISOL

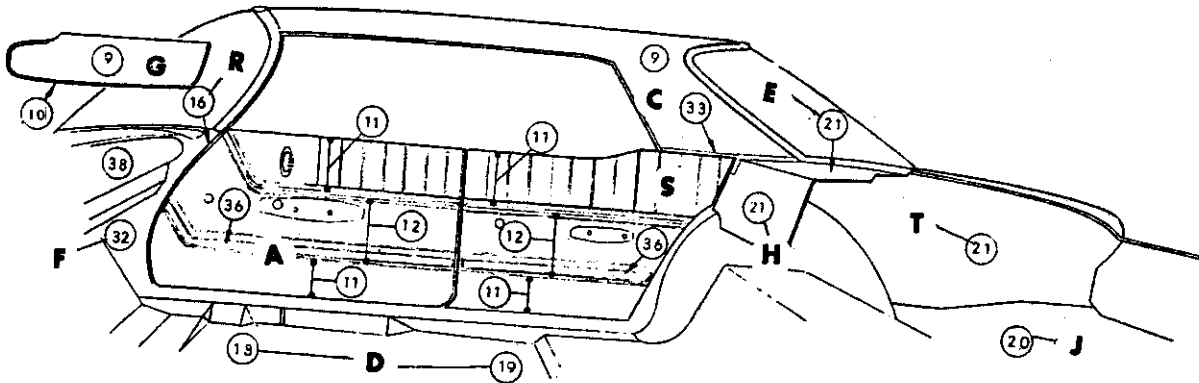
Distribution Drawing Legend Page Appears Following Illustration Section

Codes 111, 112, 113, 115

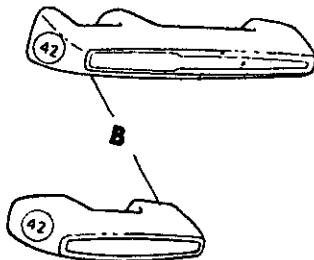
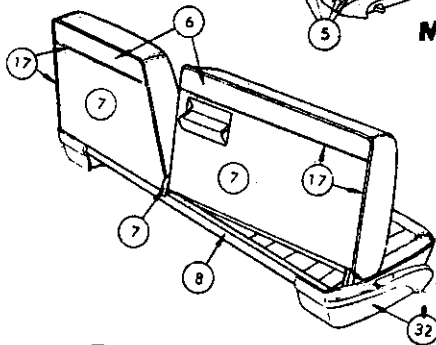
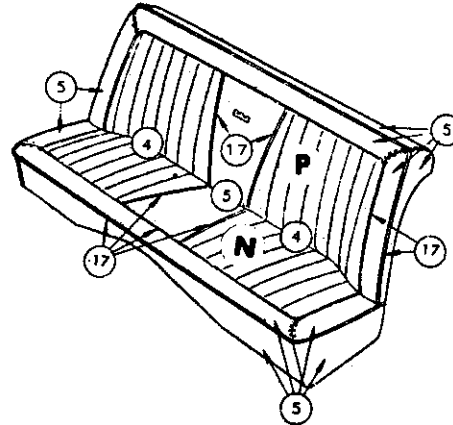
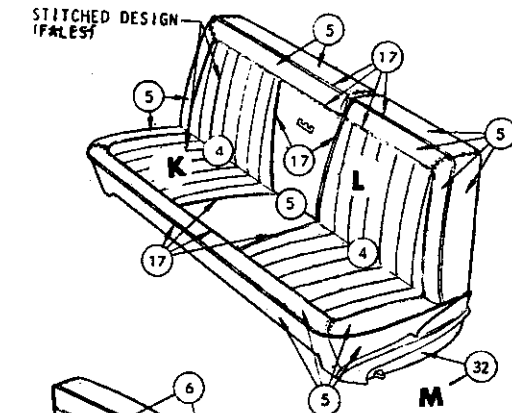
TCL-231

1963 CHRYSLER TC1-L 2 DOOR HARDTOP
CLOTH & IMITATION LEATHER TRIM

1963 CHRYSLER - T SERIES



STITCHED DESIGN
(IF APPLICABLE)



DISTRIBUTION OF MATERIAL

4	IMITATION LEATHER	34-DV-78
5	IMITATION LEATHER	28-AM-22
6	IMITATION LEATHER	19-C-22
7	IMITATION LEATHER	19A-C-22
8	IMITATION LEATHER	28A-AM-22
9	IMITATION LEATHER	15, 5-C-81
11	IMITATION LEATHER	19-DJ-22
12	IMITATION LEATHER	19A-DJ-22
16	LACE	
17	EXTRUDED VINYL	
18	FLOOR COVERING-FRONT-CARPET	
19	FLOOR COVERING-REAR-CARPET	
20	FLOOR COVERING-LUGG. COMPT. RUBBER	
21	EMBOSSED CARDBOARD	
30	PLASTIC	
31	PAINT	
32	METAL	
35	POLYETHYLENE	
36	MYLAR	
38	MOULDED RESIN	
42	PLASTISOL	

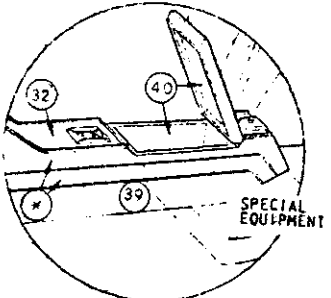
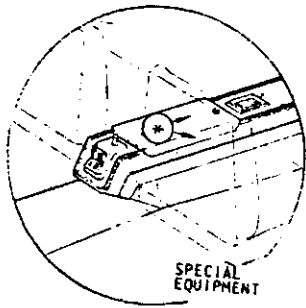
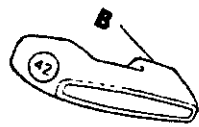
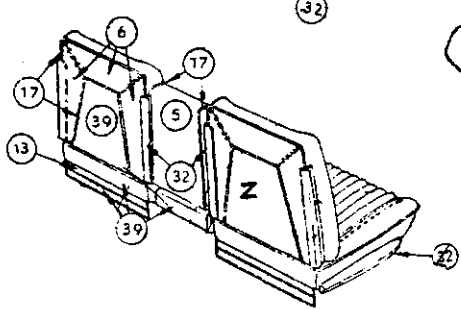
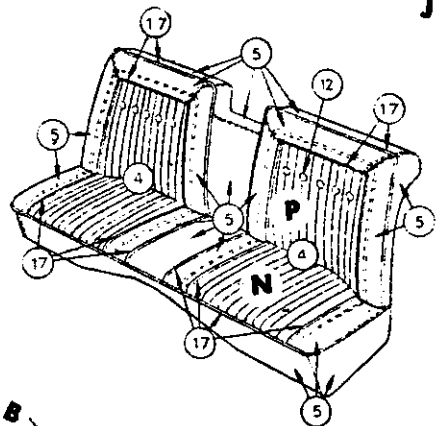
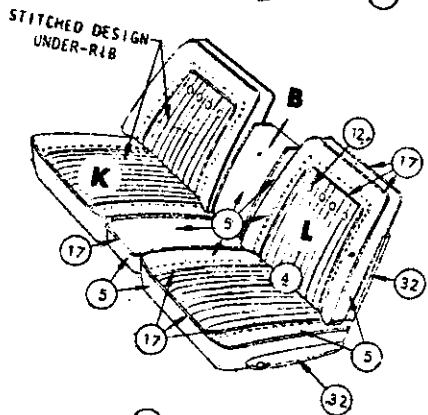
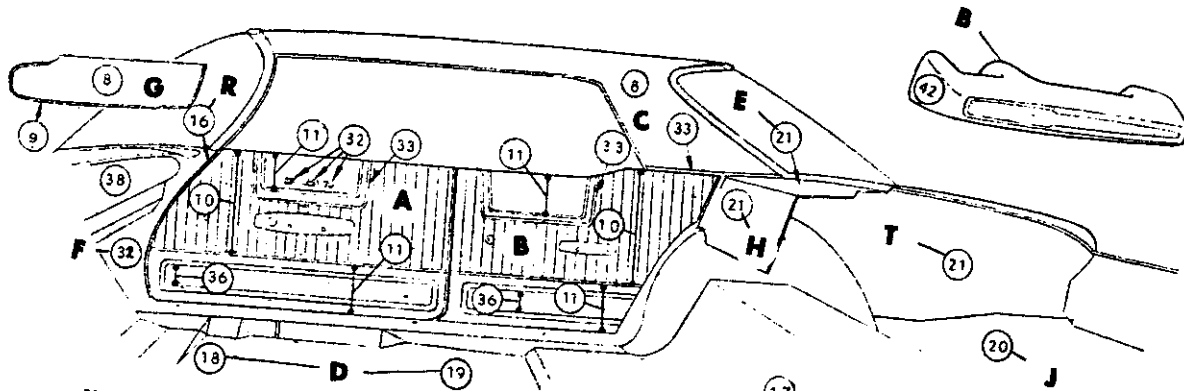
Distribution Drawing Legend Page Appears Following Illustration Section

Codes 201, 203, 205, 206, 208

TCL-234

1963 CHRYSLER TC1-L 2 DOOR HARDTOP
IMITATION LEATHER TRIM

1953 CHRYSLER - T SERIES



DISTRIBUTION OF MATERIAL

4	IMITATION LEATHER	34-DY-78
5	IMITATION LEATHER	28-AM-22
6	IMITATION LEATHER	19-C-22
8	IMITATION LEATHER	15, 5-C-81
9	IMITATION LEATHER	19B-C-22
10	IMITATION LEATHER	19-DJ-22
11	IMITATION LEATHER	19A-DJ-22
12	IMITATION LEATHER	19D-C-22
13	IMITATION LEATHER	28A-AM-22
16	LACE	
17	EXTRUDED VINYL	
18	FLOOR COVERING-FRONT-CARPET	
19	FLOOR COVERING-REAR-CARPET	
20	FLOOR COVERING-LUGG.COMPT.-RUBBER	
21	EMBOSSED CARDBOARD	
30	PLASTIC	
31	PAINT	
32	METAL	
35	POLYETHYLENE	
36	MYLAR	
38	MOULDED RESIN	
39	CARPET	
40	FAN FLOCK	
42	PLASTISOL	

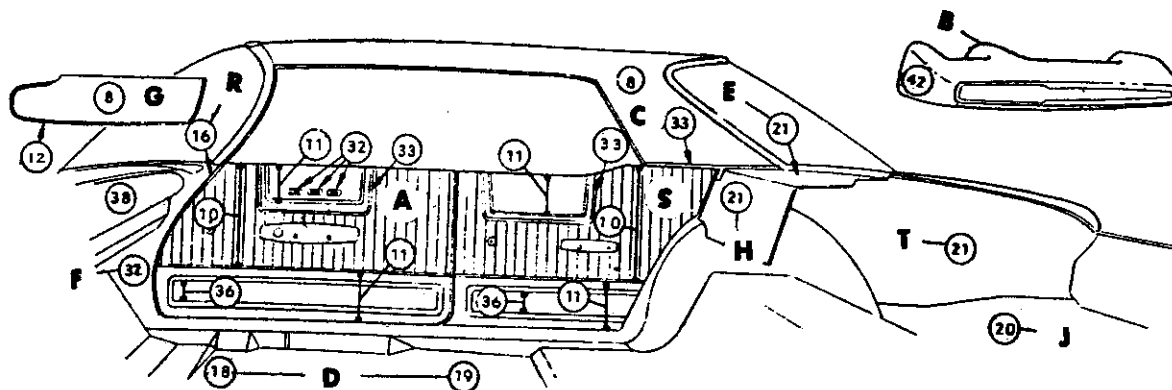
Distribution Drawing Legend Page Appears Following Illustration Section

Codes 221, 223, 225, 227, 228

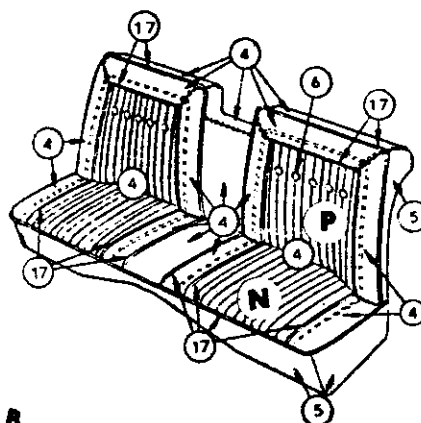
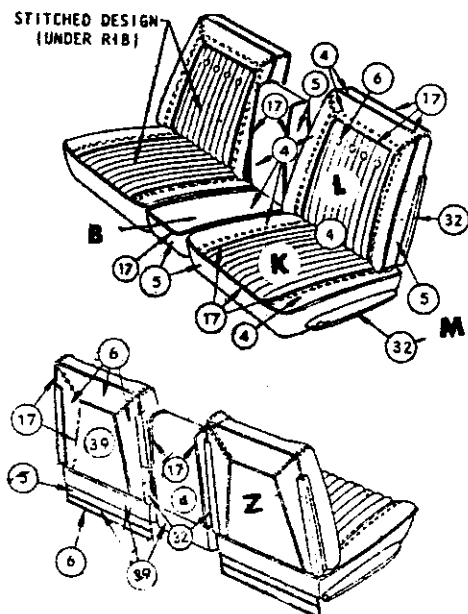
TCM-234

1963 CHRYSLER TC2-M 2 DOOR HARDTOP
IMITATION LEATHER TRIM

1963 CHRYSLER - T SERIES

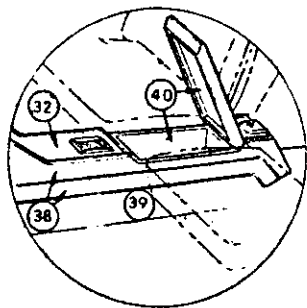


STITCHED DESIGN
(UNDER RIB)

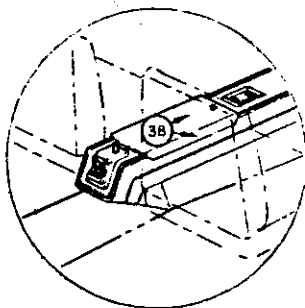


DISTRIBUTION OF MATERIAL

- 4 LEATHER
- 5 IMITATION LEATHER 28-AM-22
- 6 IMITATION LEATHER 19-C-22
- 8 IMITATION LEATHER 15, 5-C-81
- 10 IMITATION LEATHER 19-DJ-22
- 11 IMITATION LEATHER 19A-DJ-22
- 16 LACE
- 17 EXTRUDED VINYL
- 18 FLOOR COVERING-FRONT-CARPET
- 19 FLOOR COVERING-REAR-CARPET
- 20 FLOOR COVERING-LUGG. COMPT. RUBBER
- 21 EMBOSSED CARDBOARD
- 30 PLASTIC
- 31 PAINT
- 32 METAL
- 33 MOULDING
- 35 POLYETHYLENE
- 36 MYLAR
- 38 MOULDED RESIN
- 39 CARPET
- 40 FAN FLOCK
- 42 PLASTISOL
- 46 CARPET (300J ONLY)



OPTIONAL EQUIPMENT



OPTIONAL EQUIPMENT

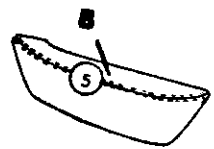
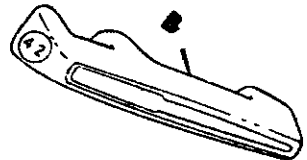
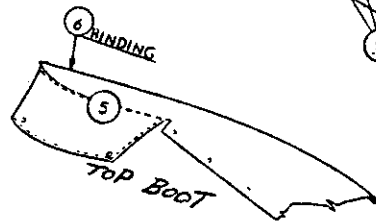
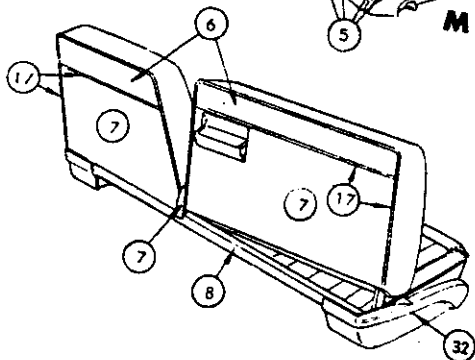
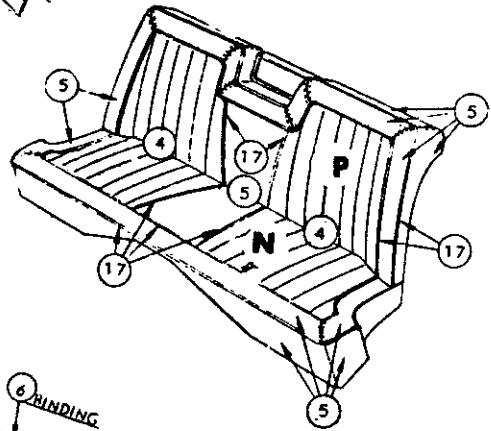
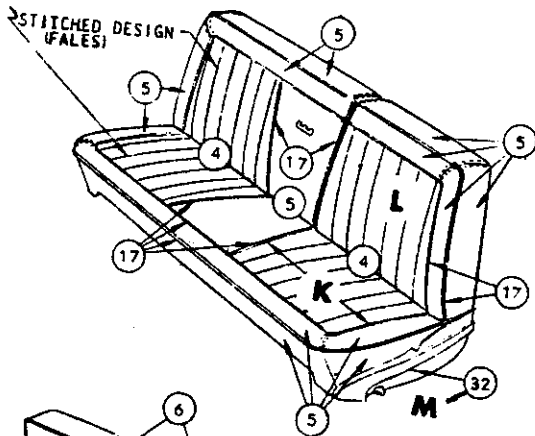
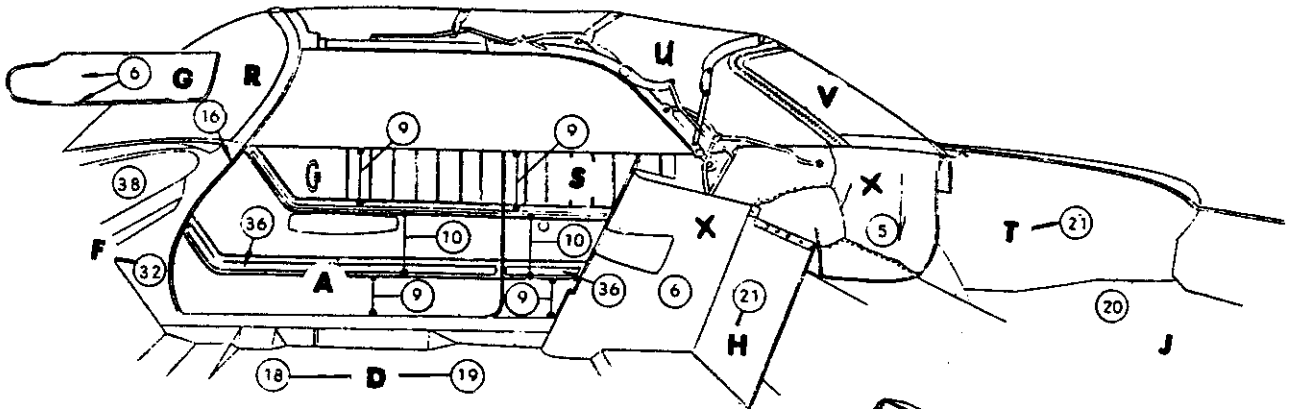
Distribution Drawing Legend Page Appears Following Illustration Section

Code 245

TCM-233

1963 CHRYSLER TC2-M 2 DOOR HARDTOP
GENUINE LEATHER TRIM

1963 CHRYSLER - T SERIES



DISTRIBUTION OF MATERIAL

4	IMITATION LEATHER	25-DV-78
5	IMITATION LEATHER	28-AM-22
6	IMITATION LEATHER	19-C-22
7	IMITATION LEATHER	19A-C-22
8	IMITATION LEATHER	28A-AM-22
9	IMITATION LEATHER	19-DJ-22
10	IMITATION LEATHER	19A-DJ-22
16	LACE	
17	EXTRUDED VINYL	
18	FLOOR COVERING-FRONT-CARPET	
19	FLOOR COVERING-REAR-CARPET	
20	FLOOR COVERING-LUGG. COMPT. RUBBER	
21	EMBOSSED CARDBOARD	
30	PLASTIC	
31	PAINT	
32	METAL	
33	MOULDING	
35	POLYETHYLENE	
36	MYLAR	
38	MOULDED RESIN	
42	PLASTISOL	

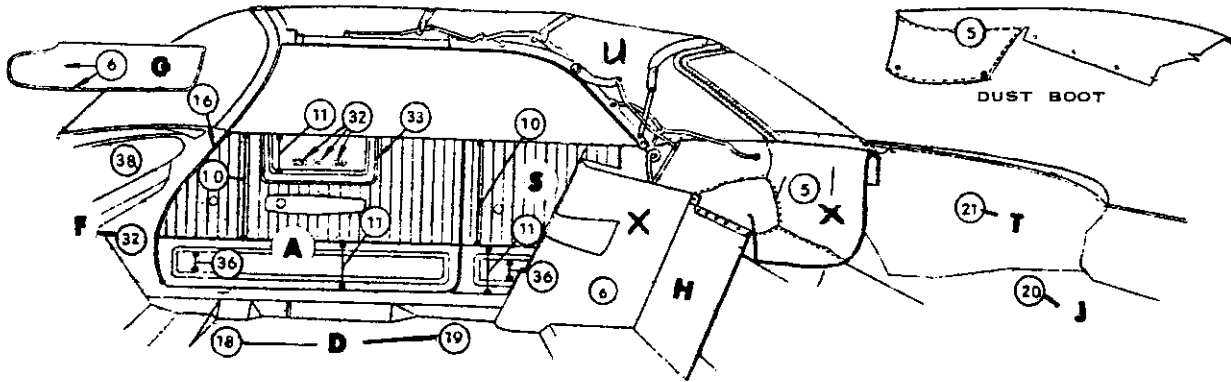
Distribution Drawing Legend Page Appears Following Illustration Section

Codes 201, 203, 205, 206, 208

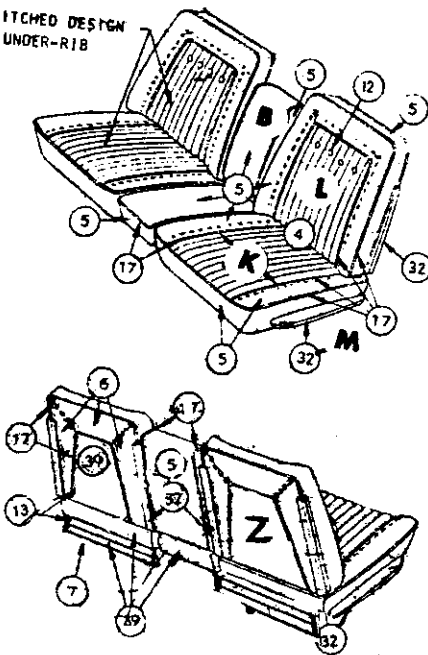
TCL-274

1963 CHRYSLER TC1-L CONVERTIBLE COUPE
IMITATION LEATHER TRIM

1963 CHRYSLER - T SERIES

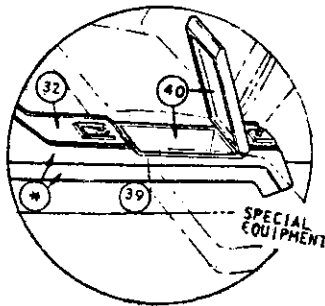
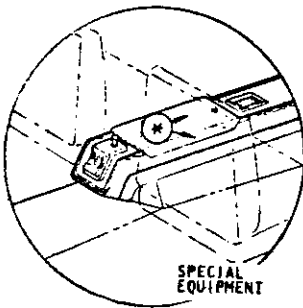


STITCHED DESIGN
UNDER-RIB



DISTRIBUTION OF MATERIAL

4	IMITATION LEATHER	34-DV-78
5	IMITATION LEATHER	28-AM-22
6	IMITATION LEATHER	19-C-22
7	IMITATION LEATHER	19A-C-22
10	IMITATION LEATHER	19-DJ-22
11	IMITATION LEATHER	19A-DJ-22
12	IMITATION LEATHER	19D-C-22
13	IMITATION LEATHER	28A-AM-22
16	LACE	
17	EXTRUDED VINYL	
18	FLOOR COVERING-FRONT-CARPET	
19	FLOOR COVERING-REAR-CARPET	
20	FLOOR COVERING-LUGG.COMPT.RUBBER	
21	EMBOSSED CARDBOARD	
30	PLASTIC	
31	PAINT	
32	METAL	
33	MOULDING	
35	POLYETHLENE	
36	MYLAR	
38	MOULDED RESIN	
39	CARPET	
40	FAN FLOCK	
42	PLASTISOL	



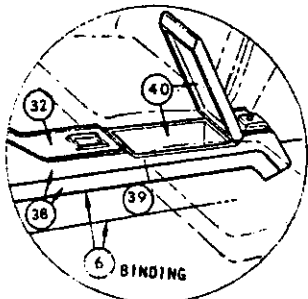
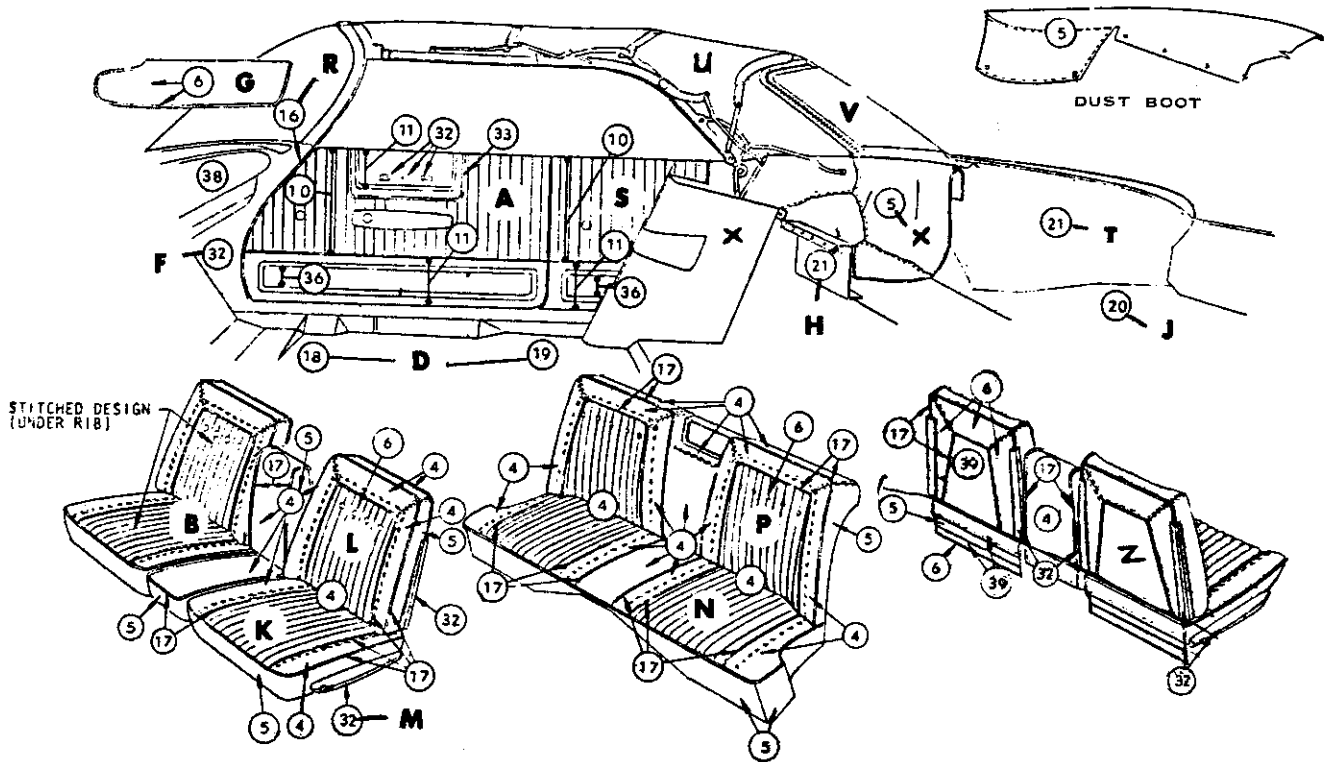
Distribution Drawing Legend Page Appears Following Illustration Section

Codes 221, 223, 225, 227, 228

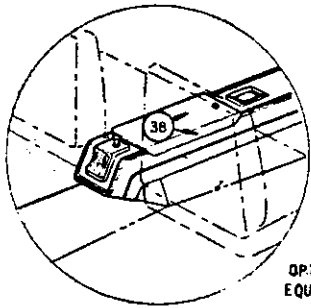
TCM-274

1963 CHRYSLER TC2-M CONVERTIBLE COUPE
IMITATION LEATHER TRIM

1963 CHRYSLER - T SERIES



OPTIONAL EQUIPMENT



OPTIONAL EQUIPMENT



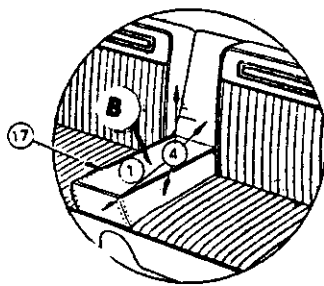
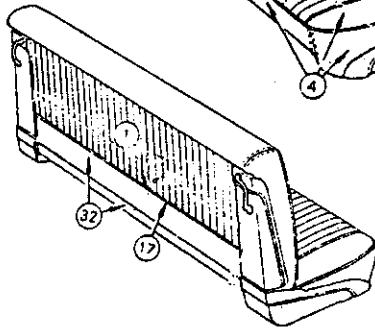
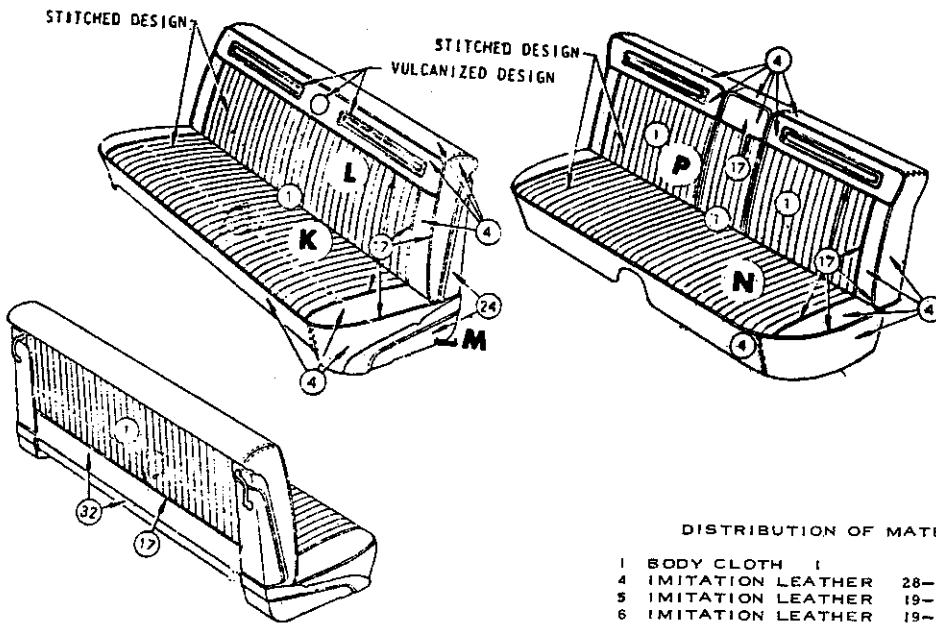
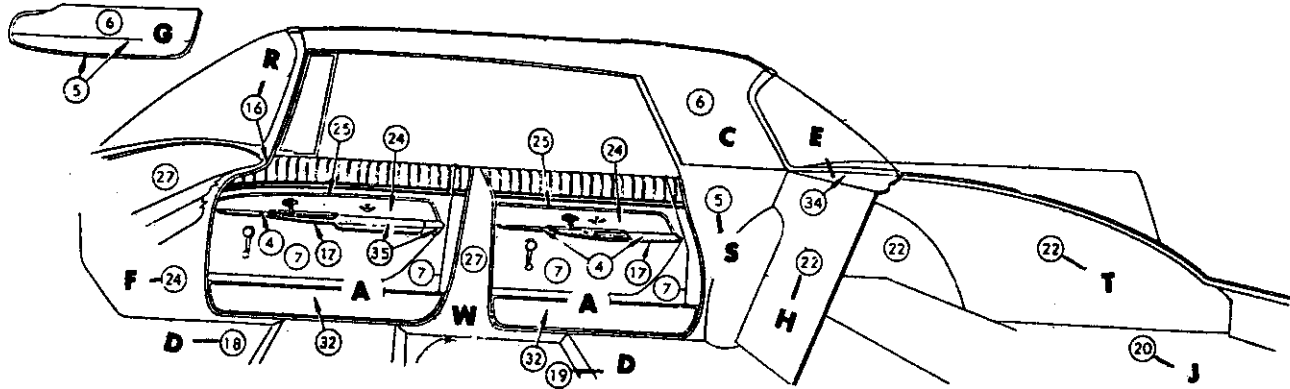
DISTRIBUTION OF MATERIAL

- 4 LEATHER
- 5 IMITATION LEATHER 28-AM-22
- 6 IMITATION LEATHER 19-C-22
- 10 IMITATION LEATHER 19-DJ-22
- 11 IMITATION LEATHER 19A-DJ-22
- 16 LACE
- 17 EXTRUDED VINYL
- 18 FLOOR COVERING-FRONT CARPET
- 19 FLOOR COVERING-REAR CARPET
- 20 FLOOR COVERING-LUGG. COMPT. RUBBER
- 21 EMBOSSED CARDBOARD
- 30 PLASTIC
- 31 PAINT
- 32 METAL
- 33 MOULDING
- 35 POLYETHYLENE
- 36 MYLAR
- 38 MOULDED RESIN
- 39 CARPET
- 40 FAN FLOCK
- 42 PLASTISOL

Distribution Drawing Legend Page Appears Following Illustration Section
Code 245

TCM-273 1963 CHRYSLER TC2-M CONVERTIBLE COUPE
GENUINE LEATHER TRIM

1963 CHRYSLER - T SERIES



DISTRIBUTION OF MATERIAL

- 1 BODY CLOTH
- 4 IMITATION LEATHER
- 5 IMITATION LEATHER
- 6 IMITATION LEATHER
- 7 IMITATION LEATHER
- 8 IMITATION LEATHER
- 16 LACE
- 17 EXTRUDED VINYL
- 18 FLOOR COVERING-FRONT-CARPET
- 19 FLOOR COVERING-REAR-CARPET
- 20 FLOOR COVERING-LUGG. COMPT. CARPET
- 21 CARDBOARD
- 22 EMBOSSSED CARDBOARD
- 23 PAINT
- 24 METAL
- 25 MOULDING
- 26 MYLAR
- 27 MOULDED RESIN
- 28 MOULDED RUBBER
- 29 MOULDED VINYL
- 32 CARPET
- 33 PLASTIC
- 34 WOVEN PAPER
- 35 PLASTISOL

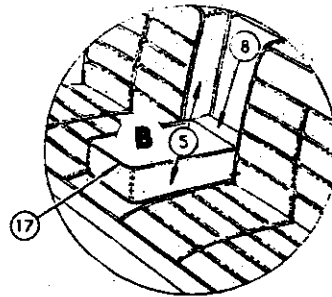
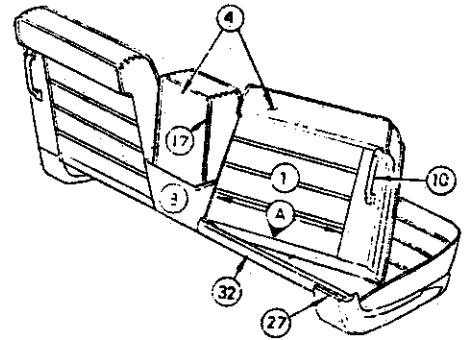
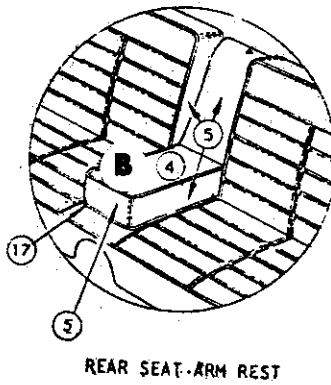
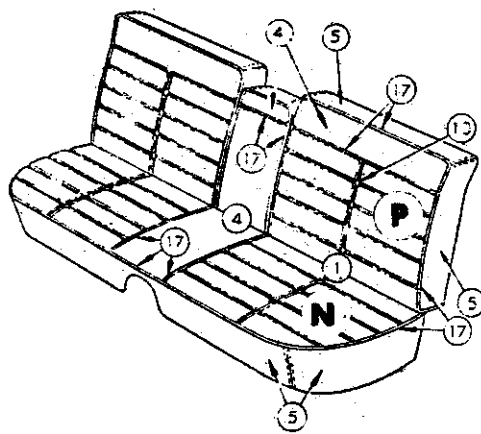
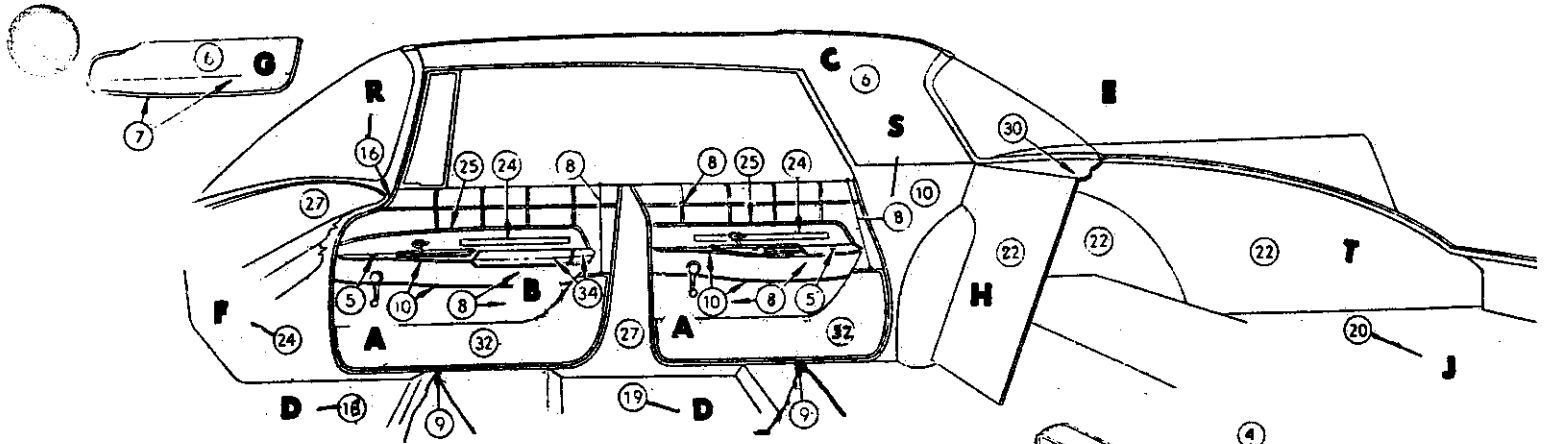
Distribution Drawing Legend Page Appears Following Illustration Section

Codes 901, 903, 904, 908, 909

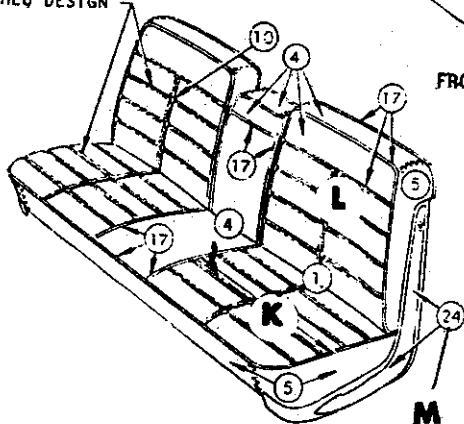
TYL-431

1963 IMPERIAL TY1-L 4 DOOR HARDTOP
CLOTH & IMITATION LEATHER

1963 IMPERIAL - T SERIES



VULCANTZED & STITCHEQ DESIGN



DISTRIBUTION OF MATERIAL

- 1 BODY CLOTH I
- 4 GENUINE LEATHER
- 5 IMITATION LEATHER 28-AM-22
- 6 IMITATION LEATHER 19-C-5
- 7 IMITATION LEATHER 19-C-22
- 8 IMITATION LEATHER 22-AR-22
- 9 IMITATION LEATHER 19A-C-22
- 10 IMITATION LEATHER 19B-C-22
- 16 LACE
- 17 EXTRUDED VINYL
- 18 FLOOR COVERING-FRONT CARPET
- 19 FLOOR COVERING-REAR CARPET
- 20 FLOOR COVERING-LUGG. COMPT. CARPET
- 22 EMBOSSED CARDBOARD
- 23 PAINT
- 24 METAL
- 25 MOULDING
- 26 MYLAR
- 27 MOULDED RESIN
- 28 MOULDED RUBBER
- 29 MOULDED VINYL
- 32 CARPET
- 33 PLASTIC
- 34 PLASTISOL

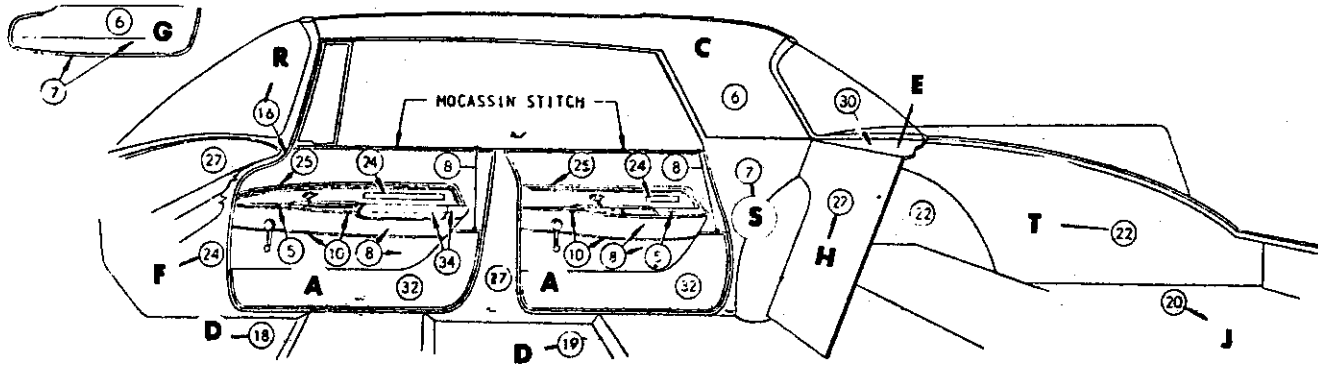
Distribution Drawing Legend Page Appears Following Illustration Section

Codes 921, 923, 924, 925, 928, 929

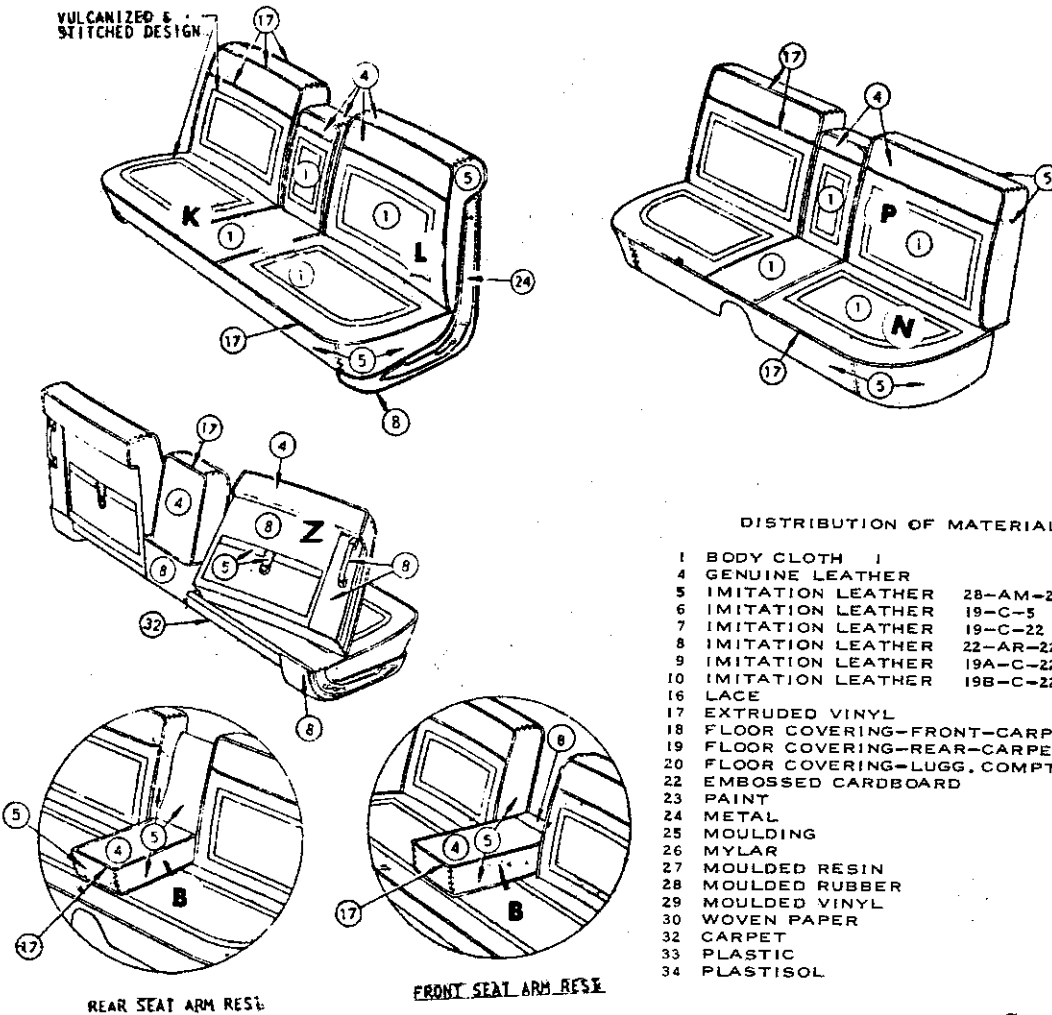
TYM-435

1963 IMPERIAL TY1-M 4 DOOR HARD TOP
CLOTH & LEATHER TRIM

1963 CHRYSLER - T SERIES



VULCANIZED & STITCHED DESIGN.



DISTRIBUTION OF MATERIAL

- 1 BODY CLOTH
- 4 GENUINE LEATHER
- 5 IMITATION LEATHER 28-AM-22
- 6 IMITATION LEATHER 19-C-5
- 7 IMITATION LEATHER 19-C-22
- 8 IMITATION LEATHER 22-AR-22
- 9 IMITATION LEATHER 19A-C-22
- 10 IMITATION LEATHER 19B-C-22
- 16 LACE
- 17 EXTRUDED VINYL
- 18 FLOOR COVERING-FRONT-CARPET
- 19 FLOOR COVERING-REAR-CARPET
- 20 FLOOR COVERING-LUGG. COMPT. CARPET
- 22 EMBOSSED CARDBOARD
- 23 PAINT
- 24 METAL
- 25 MOULDING
- 26 MYLAR
- 27 MOULDED RESIN
- 28 MOULDED RUBBER
- 29 MOULDED VINYL
- 30 WOVEN PAPER
- 32 CARPET
- 33 PLASTIC
- 34 PLASTISOL

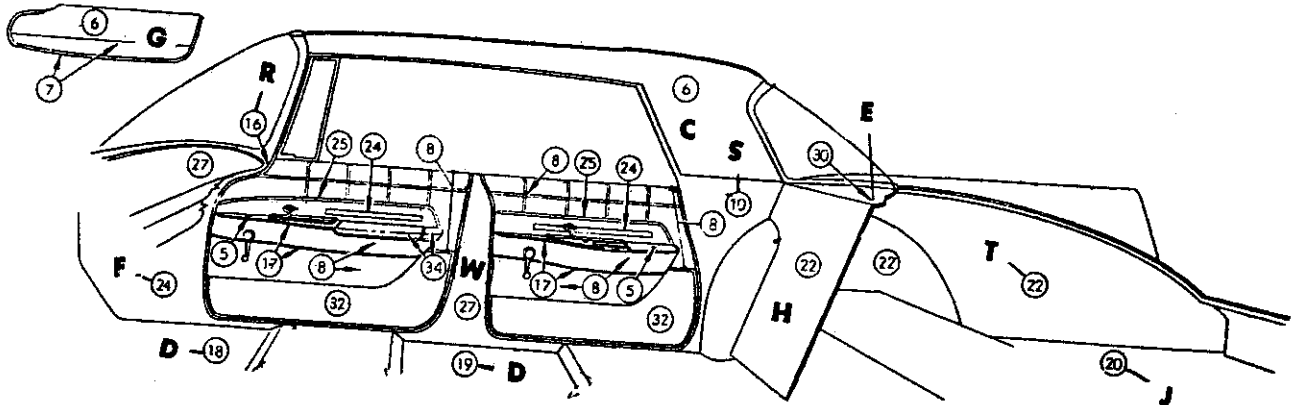
Distribution Drawing Legend Page Appears Following Illustration Section

Codes 941, 943, 944, 949

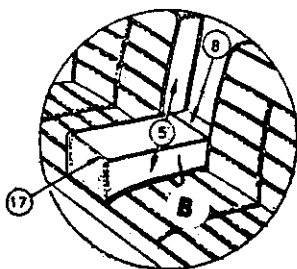
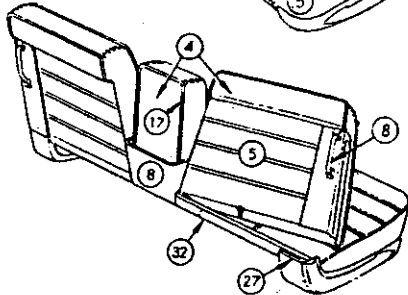
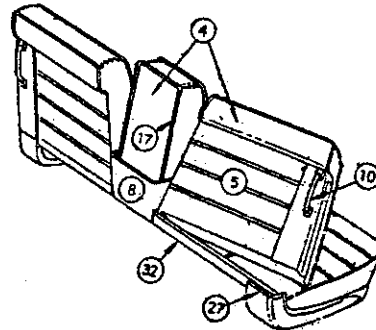
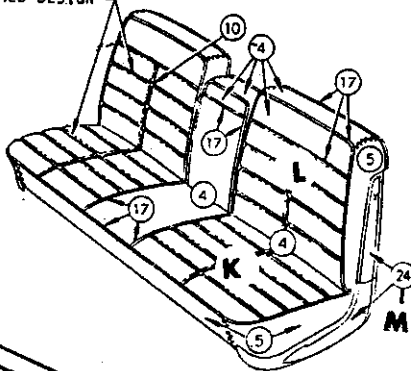
TYH-435

1963 IMPERIAL TY1-H 4 DOOR HARDTOP
CLOTH & LEATHER TRIM

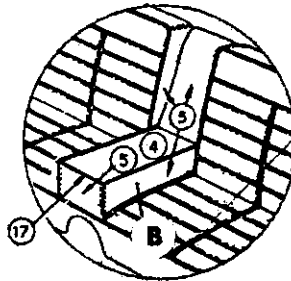
1963 CHRYSLER - T SERIES



VULCANIZED & STITCHED DESIGN



FRONT SEAT ARM REST



REAR SEAT-ARM REST

DISTRIBUTION OF MATERIAL

- 4 GENUINE LEATHER
- 5 IMITATION LEATHER
- 6 IMITATION LEATHER
- 7 IMITATION LEATHER
- 8 IMITATION LEATHER
- 9 IMITATION LEATHER
- 10 IMITATION LEATHER
- 16 LACE
- 17 EXTRUDED VINYL
- 18 FLOOR COVERING-FRONT-CARPET
- 19 FLOOR COVERING-REAR-CARPET
- 20 FLOOR COVERING-LUGG. COMPT. CARPET
- 22 EMBOSSED CARDBOARD
- 23 PAINT
- 24 METAL
- 25 MOULDING
- 26 MYLAR
- 27 MOULDED RESIN
- 28 MOULDED RUBBER
- 30 WOVEN PAPER
- 32 CARPET
- 33 PLASTIC
- 34 PLASTISOL

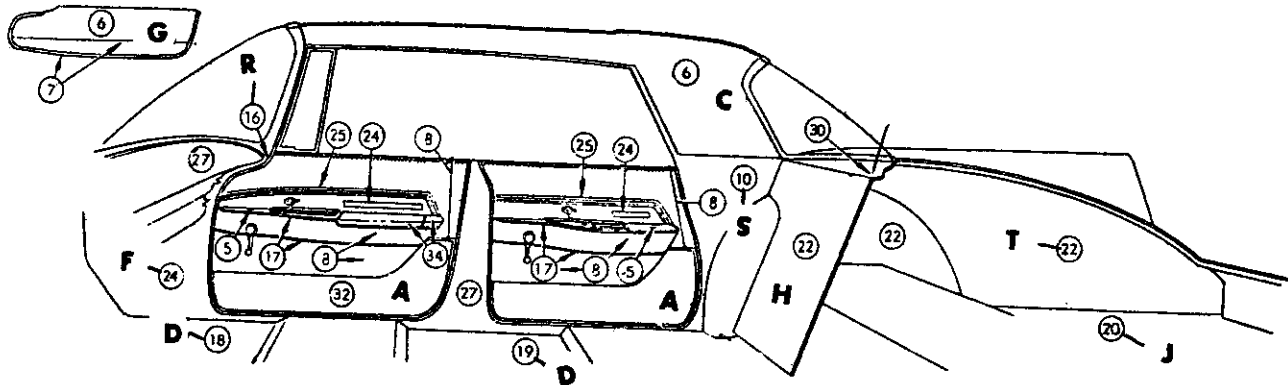
Distribution Drawing Legend Page Appears Following Illustration Section

Codes 951, 955, 956, 957

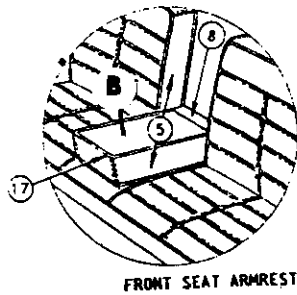
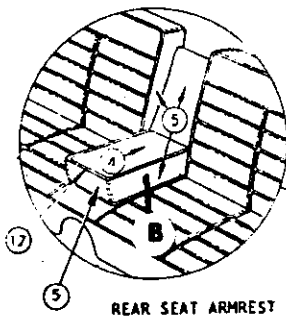
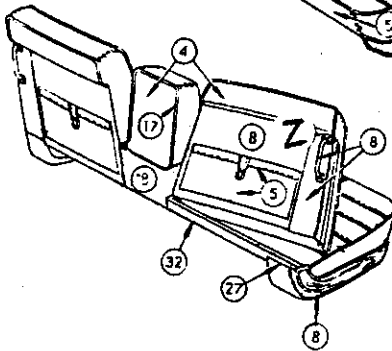
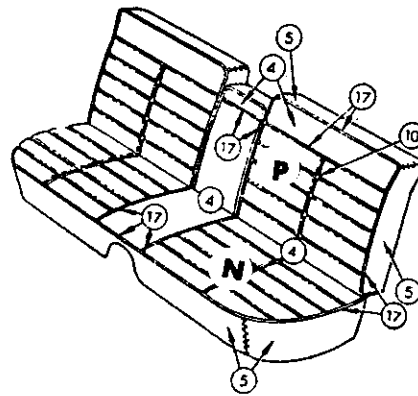
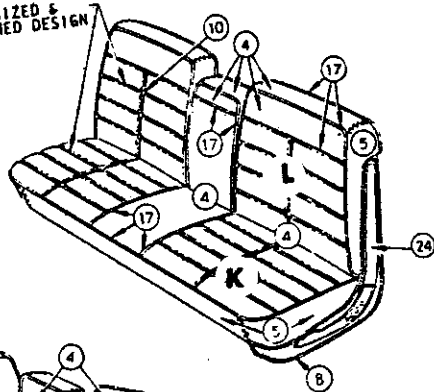
TYM-433

1963 IMPERIAL TY1-M 4 DOOR HARDTOP
LEATHER TRIM

1963 CHRYSLER - T SERIES



VULCANIZED & STITCHED DESIGN



DISTRIBUTION OF MATERIAL

- 4 GENUINE LEATHER
- 5 IMITATION LEATHER
- 6 IMITATION LEATHER
- 7 IMITATION LEATHER
- 8 IMITATION LEATHER
- 9 IMITATION LEATHER
- 10 IMITATION LEATHER
- 16 LACE
- 17 EXTRUDED VINYL
- 18 FLOOR COVERING-FRONT-CARPET
- 19 FLOOR COVERING-REAR-CARPET
- 20 FLOOR COVERING-LUGG, COMPT, CARPET
- 22 EMBOSSED CARDBOARD
- 23 PAINT
- 24 METAL
- 25 MOULDING
- 26 MYLAR
- 27 MOULDED RESIN
- 28 MOULDED RUBBER
- 29 MOULDED VINYL
- 30 WOVEN PAPER
- 32 CARPET
- 33 PLASTIC
- 34 PLASTISOL

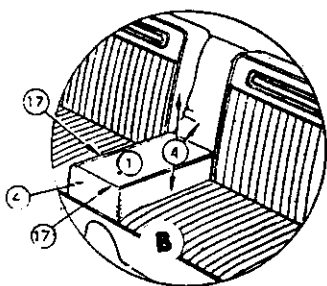
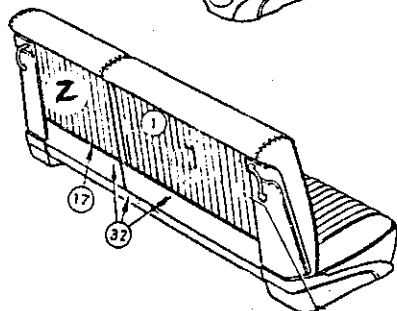
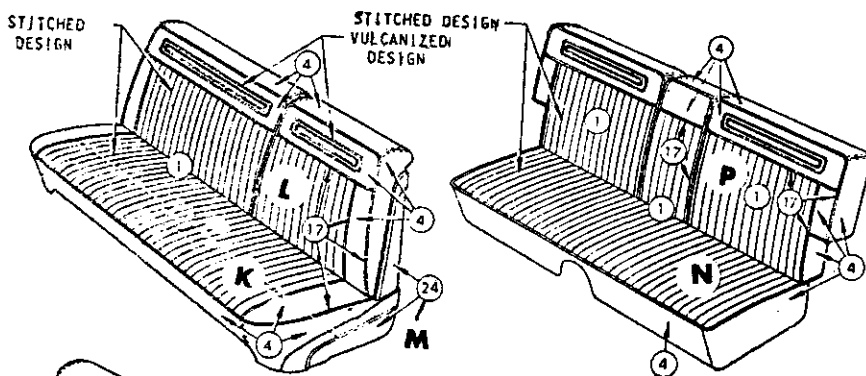
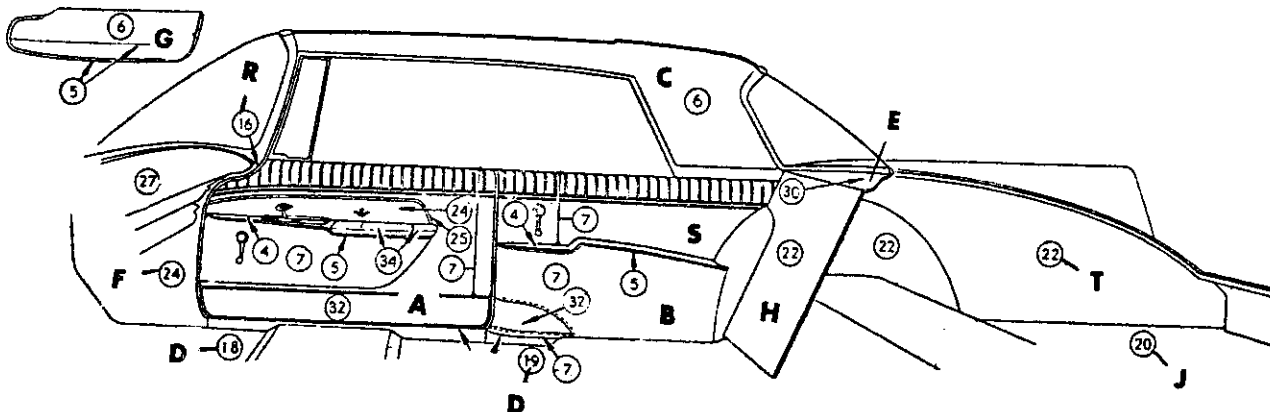
Distribution Drawing Legend Page Appears Following Illustration Section

Codes 975, 977

TYH-433

1963 IMPERIAL TY1-H 4 DOOR HARDTOP
LEATHER TRIM

1963 CHRYSLER - T SERIES



DISTRIBUTION OF MATERIAL

- 1 BODY CLOTH
- 4 IMITATION LEATHER
- 5 IMITATION LEATHER
- 6 IMITATION LEATHER
- 7 IMITATION LEATHER
- 8 IMITATION LEATHER
- 16 LACE
- 17 EXTRUDED VINYL
- 18 FLOOR COVERING-FRONT-CARPET
- 19 FLOOR COVERING-REAR-CARPET
- 20 FLOOR COVERING-LUGG. COMPT. CARPET
- 22 EMBOSSED CARDBOARD
- 23 PAINT
- 24 METAL
- 25 MOULDING
- 26 MYLAR
- 27 MOULDED RESIN
- 28 MOULDED RUBBER
- 29 MOULDED VINYL
- 30 WOVEN PAPER
- 32 CARPET
- 33 PLASTIC
- 34 PLASTISOL

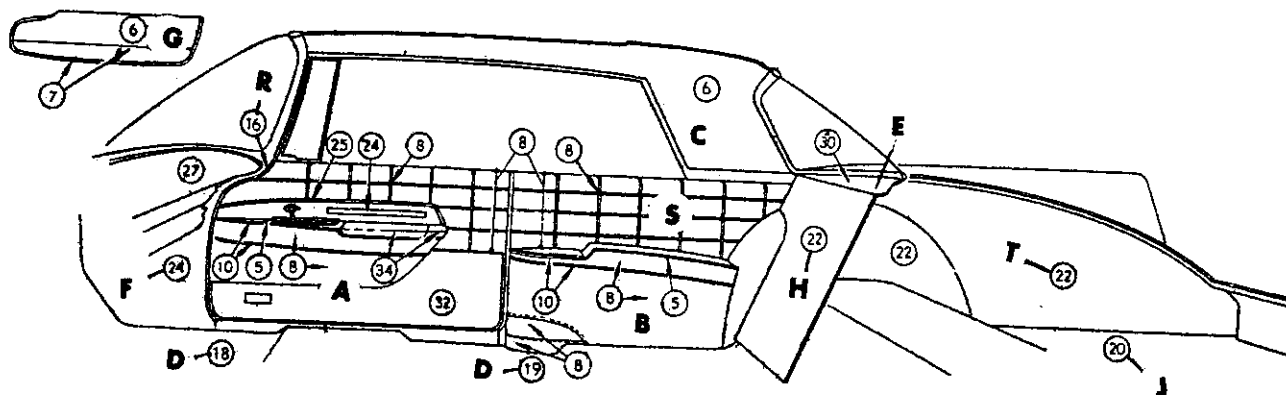
Distribution Drawing Legend Page Appears Following Illustration Section

Codes 901, 903, 904, 908, 909

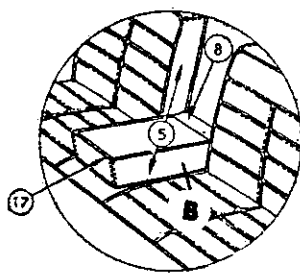
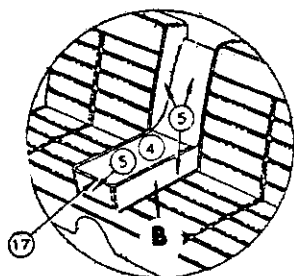
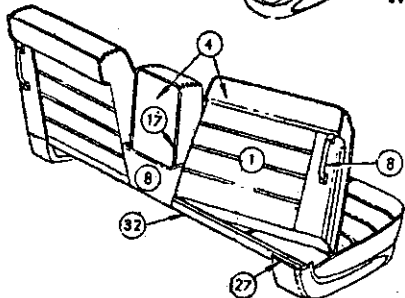
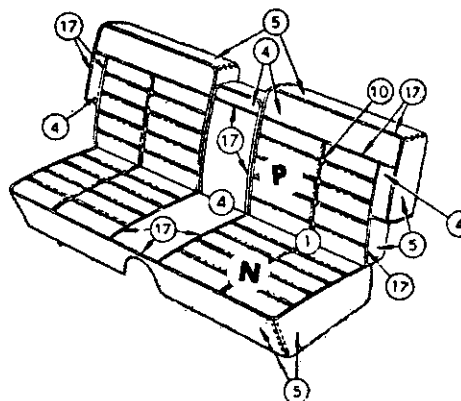
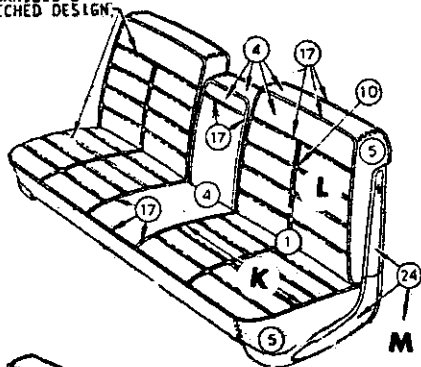
TYL-231

1963 IMPERIAL TY1-L 2 DOOR HARDTOP
CLOTH & IMITATION LEATHER

1963 CHRYSLER - T SERIES



VULCANIZED & STITCHED DESIGN



REAR SEAT ARM REST

FRONT SEAT ARM REST

DISTRIBUTION OF MATERIAL

- 1 BODY CLOTH
- 4 GENUINE LEATHER
- 5 IMITATION LEATHER
- 6 IMITATION LEATHER
- 7 IMITATION LEATHER
- 8 IMITATION LEATHER
- 9 IMITATION LEATHER
- 10 IMITATION LEATHER
- 16 LACE
- 17 EXTRUDED VINYL
- 18 FLOOR COVERING-FRONT-CARPET
- 19 FLOOR COVERING-REAR-CARPET
- 20 FLOOR COVERING-LUGG. COMPT. CARPET
- 22 EMBOSSED CARDBOARD
- 23 PAINT
- 24 METAL
- 25 MOULDING
- 26 MYLAR
- 27 MOULDED RESIN
- 28 MOULDED RUBBER
- 29 MOULDED VINYL
- 30 WOVEN PAPER
- 32 CARPET
- 33 PLASTIC
- 34 PLASTISOL

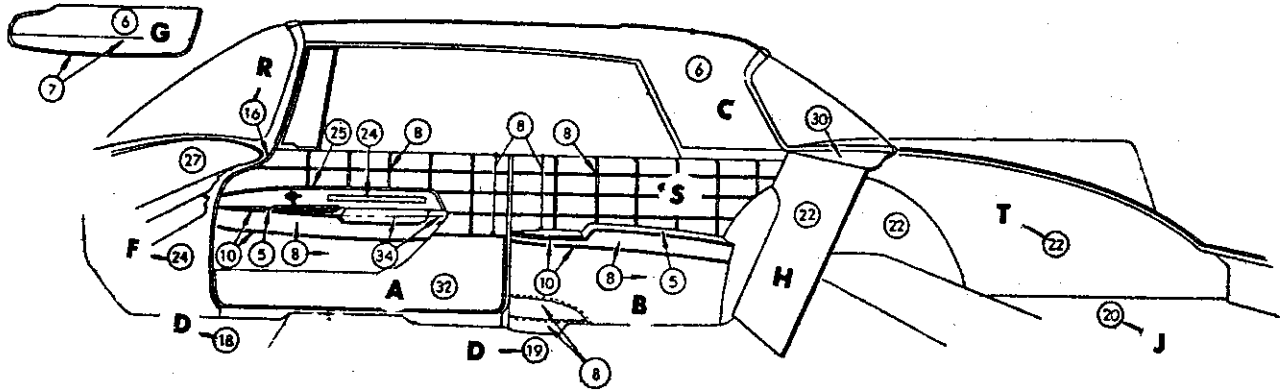
Distribution Drawing Legend Page Appears Following Illustration Section

Codes 921, 923, 924, 925, 928, 929

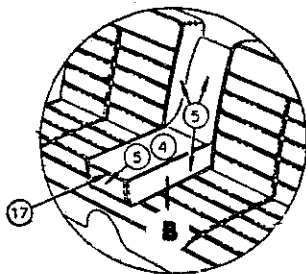
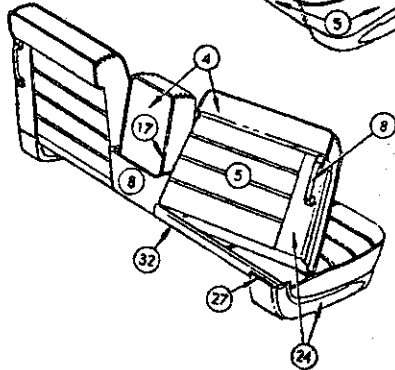
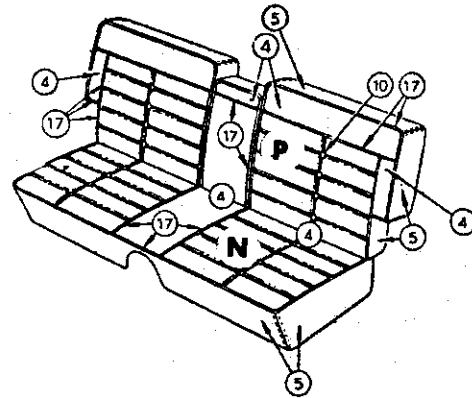
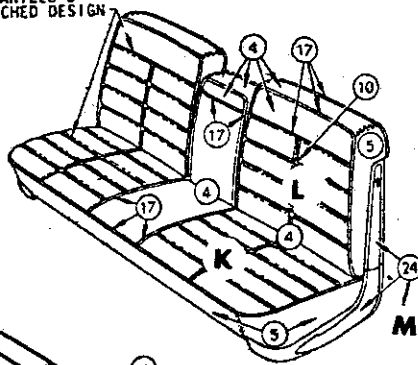
TYM-235

1963 IMPERIAL TY1-M 2 DOOR HARDTOP
CLOTH & LEATHER TRIM

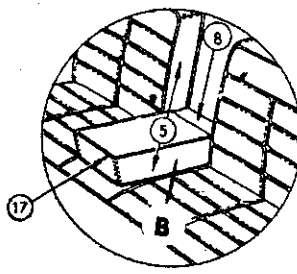
1963 CHRYSLER - T SERIES



VULCANIZED & STITCHED DESIGN



REAR SEAT ARM REST



FRONT SEAT ARM REST

DISTRIBUTION OF MATERIAL

- 4 GENUINE LEATHER
- 5 IMITATION LEATHER
- 6 IMITATION LEATHER
- 7 IMITATION LEATHER
- 8 IMITATION LEATHER
- 9 IMITATION LEATHER
- 10 IMITATION LEATHER
- 16 LACE
- 17 EXTRUDED VINYL
- 18 FLOOR COVERING-FRONT-CARPET
- 19 FLOOR COVERING-REAR-CARPET
- 20 FLOOR COVERING-LUGG. COMPT. CARPET
- 22 EMBOSSED CARDBOARD
- 24 METAL
- 25 MOULDING
- 26 MYLAR
- 27 MOULDED RESIN
- 28 MOULDED RUBBER
- 29 MOULDED VINYL
- 30 WOVEN PAPER
- 32 CARPET
- 33 PLASTIC
- 34 PLASTISOL
- 28-AM-22
- 19-C-5
- 19-C-22
- 22-AR-22
- 19A-C-22
- 19B-C-22

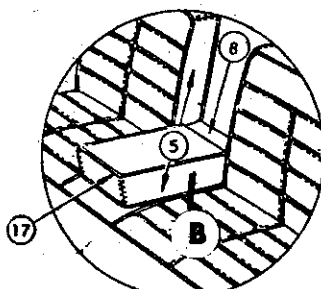
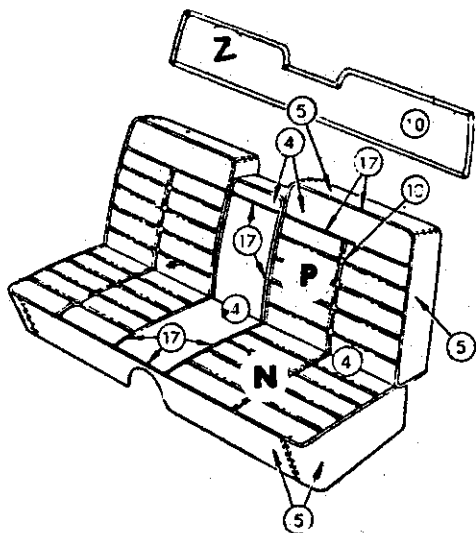
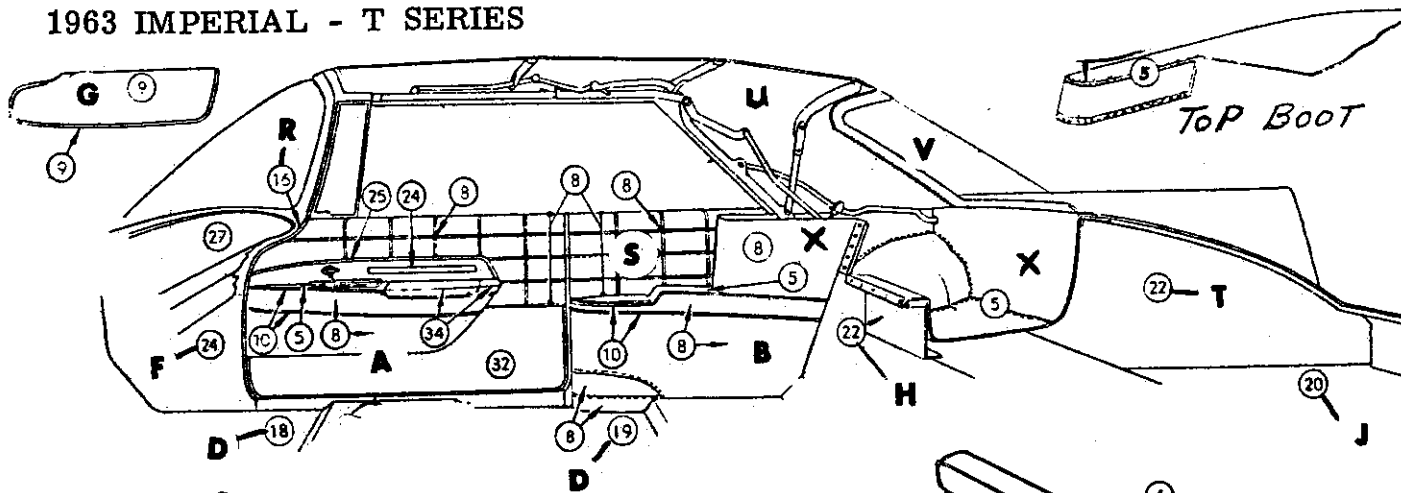
Distribution Drawing Legend Page Appears Following Illustration Section

Codes 951, 955, 956, 957

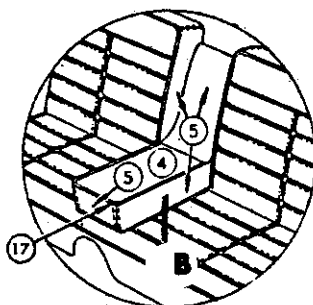
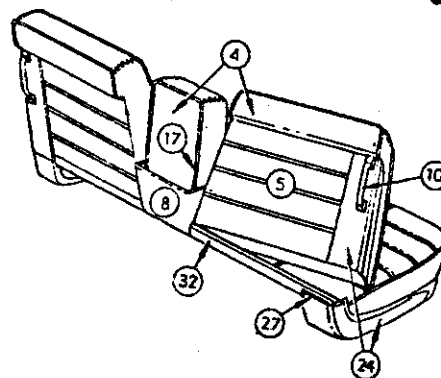
TYM-233

1963 IMPERIAL TY1-M 2 DOOR HARDTOP
LEATHER TRIM

1963 IMPERIAL - T SERIES

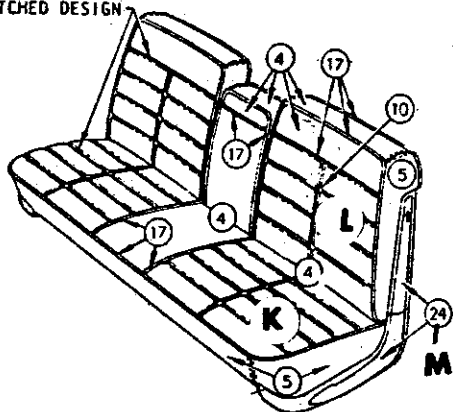


FRONT SEAT ARM REST



REAR SEAT ARM REST

VULCANIZED & STITCHED DESIGN



DISTRIBUTION OF MATERIAL

- 4 GENUINE LEATHER
- 5 IMITATION LEATHER 28-AM-22
- 8 IMITATION LEATHER 22-AR-22
- 9 IMITATION LEATHER 19A-C-22
- 10 IMITATION LEATHER 19B-C-22
- 16 LACE
- 17 EXTRUDED VINYL
- 18 FLOOR COVERING-FRONT CARPET
- 19 FLOOR COVERING-REAR CARPET
- 20 FLOOR COVERING-LUGG. COMPT. CARPET
- 22 EMBOSSED CARDBOARD
- 23 PAINT
- 24 METAL
- 25 MOULDING
- 26 MYLAR
- 27 MOULDED RESIN
- 28 MOULDED RUBBER
- 29 MOULDED VINYL
- 32 CARPET
- 33 PLASTIC
- 34 PLASTISOL

Distribution Drawing Legend Page Appears Following Illustration Section

Codes 951, 955, 956, 957

TYM-273

1963 IMPERIAL TY1-M CONVERTIBLE COUPE
LEATHER TRIM

1963 CHRYSLER - T SERIES

Distribution Drawing Legend

See Illustrations For Letter Identification

Letter	Description	Code
A	Panel, Door Trim	23-92-5
B	Arm Rest, Door, Front	23-76-3
	Center, Front Seat	23-76-34
	Door, Rear	23-76-59
	Quarter Panel	23-76-66
C	Headlining	23-86-3
D	Floor Cover, Front, Carpet	23-79-3
	Rubber	23-20-8
	Rear, Carpet	23-79-33
	Rubber	23-20-41
E	Panel, Shelf Trim	23-102-3
F	Panel, Cowl Trim	23-91-6
G	Panel, Visor	23-103-3
H	Panel, Luggage Compartment, Front	23-96-3
J	Cover, Luggage Compartment Floor	23-20-29
K	Cover, Front Seat Cushion	23-108-5
L	Cover, Front Seat Back	23-108-16
M	Cover, Front Seat Hinge	23-108-84
N	Cover, Rear Seat Cushion	23-109-36
P	Cover, Rear Seat Back	23-109-4
Q	Cover, Rear Seat Cushion Bottom Panel	23-109-40
R	Weathercord, Door	23-113-2
	Hinge Pillar	23-113-25
	Lock Pillar	23-113-30
S	Panel, Quarter Trim	23-101-3
T	Cover, Wheelhouse	23-96-8
U	Top Deck and Side Quarter	23-112-108
V	Curtain, Folding Top Back	23-112-45
W	Cover, Center Pillar	23-99-4
X	Well, Pocket Panel, Pocket Panel Cover, Pocket Shelf Panel, Folding Top	23-112-153
Y	Cover, Tailgate Inside Panel	23-79-79
Z	Cover, Rear Seat Back Panel	23-109-5
	Cover, Front Seat Back Panel	23-108-32

BODY CODE	COLUMN LEGEND
NEWPORT (TC1-L)	
812 (23)	2 D. Hard Top
813 (41)	4 D. Sedan
814 (43)	4 D. Hard Top
815 (27)	Convertible
858 (46A)	Suburban (6 Pass.)
859 (46B)	Suburban (9 Pass.)
893 (41)	4 D. Sedan (Police)
898 (45A)	Suburban (6 Pass.) (Police)
NEWPORT (300) (TC2-M)	
822 (23)	2 D. Hard Top
824 (43)	4 D. Hard Top
825 (27)	Convertible
NEWPORT (300) (TC2-M) (PACE CAR)	
802 (23)	2 D. Hard Top
805 (27)	Convertible
NEW YORKER (300-J) (TC2-M)	
842 (23)	2 D. Hard Top
NEW YORKER (TC3-H)	
833 (41)	4 D. Sedan
834 (43)	4 D. Hard Top
878 (46)	Suburban (6 Pass.)
879 (46)	Suburban (9 Pass.)
884 (41)	4 D. Limousine
884 (43)	2 D. Hard Top
NEW YORKER (LUXURY) (TC3-H)	
IMPERIAL (TY1-L)	
912 (23)	2 D. Hard Top
914 (43)	4 D. Hard Top
CROWN IMPERIAL (TY1-M)	
922 (23)	2 D. Hard Top
924 (43)	4 D. Hard Top
925 (27)	Convertible
LE BARON (TY1-H)	
934 (43)	4 D. Hard Top

CONVERTIBLE TOP COLOR LEGEND

6 Black

7 White

9 Special

STARTING SERIAL NUMBERS

	Detroit Built	
TC1-L	(Newport)	8133-100001
TC1-L	(Newport Suburban)	8533-100001
TC2-M	(300)	8233-100001
TC2-M	(300) (Pace Car)	8033-100001
TC2-M	(C300-H)	8433-100001
TC3-H	(New Yorker)	8333-100001
TC3-H	(New Yorker Suburban)	8733-100001
TY1-L	(Imperial Custom)	9133-100001
TY1-M	(Imperial Crown)	9233-100001
TY1-H	(Imperial LeBaron)	9333-100001

★ Indicates use as required.

☐ Indicates parts not listed in any previous parts book.

Jan. 3, 1964 Supersedes Jan. 25, 1963.

Page IT-188

Printed in U.S.A.
Prices and specifications subject to change without notice.Right and left part numbers are on same line,
first number is right, second number is left.

* Indicates change or addition.

TRIM CODE	MODEL	MATERIAL			COLOR	SED.	SP. 4D.	SUB.	SP. CL. CP.	CV. CP.
		Cloth	Vinyl	Leather						
101	C1-L	★	★	-	Blue	★	-	-	-	-
102	C1-L	★	★	-	Green	★	-	-	-	-
103	C1-L	★	★	-	Tan	★	-	-	-	-
105	C1-L	★	★	-	Claret	★	-	-	-	-
108	C1-L	★	★	-	Turquoise	★	-	-	-	-
104	C1-L - Police	★	★	-	Gray	★	-	-	-	-
204	C1-L - Police	-	★	-	Gray	★	-	-	-	-
111	C1-L	-	★	-	Blue	-	★	-	★	-
112	C1-L	-	★	-	Green	-	★	-	★	-
113	C1-L	-	★	-	Tan	-	★	-	★	-
115	C1-L	-	★	-	Claret	-	★	-	★	-
201	C1-L	-	★	-	Blue	-	★	-	★	★
203	C1-L	-	★	-	Tan	-	-	★	★	★
205	C1-L	-	★	-	Claret	-	-	★	★	★
206	C1-L	-	★	-	Black	-	★	★	★	★
208	C1-L	-	★	-	Turquoise	-	★	-	★	★
121	C2-M	★	★	-	Blue	-	★	-	-	-
123	C2-M	★	★	-	Tan	-	★	-	-	-
125	C2-M	★	★	-	Claret	-	★	-	-	-
126	C2-M	★	★	-	Black & Alabaster	-	★	-	-	-
221	C2-M	-	★	-	Blue	-	★	-	★	★
223	C2-M	-	★	-	Tan	-	★	-	★	★
225	C2-M	-	★	-	Claret	-	★	-	★	★
227	C2-M	-	★	-	Alabaster	-	★	-	★	★
228	C2-M	-	★	-	Turquoise	-	★	-	★	★
245	C2-M	-	★	-	Claret	-	★	-	★	★
141	C3-H	★	★	-	Blue	★	★	-	-	-
142	C3-H	★	★	-	Green	★	★	-	-	-
143	C3-H	★	★	-	Tan	★	★	-	-	-
144	C3-H	★	★	-	Gray	★	★	-	-	-
148	C3-H	★	★	-	Turquoise	★	★	-	-	-
151	C3-H - Luxury	★	-	★	Blue	-	★	-	-	-
153	C3-H - Luxury	★	-	★	Beige	-	★	-	-	-
251	C3-H - Luxury	-	-	★	Blue	-	★	-	-	-
253	C3-H - Luxury	-	-	★	Beige	-	★	-	-	-
231	C3-H	-	★	-	Blue	-	★	★	-	-
233	C3-H	-	★	-	Tan	-	-	★	-	-
235	C3-H	-	★	-	Claret	-	★	★	-	-
236	C3-H	-	★	-	Black	-	★	★	-	-
901	Y1-L	★	★	-	Blue	-	★	-	★	-
903	Y1-L	★	★	-	Tan	-	★	-	★	-
904	Y1-L	★	★	-	Gray	-	★	-	★	-
908	Y1-L	★	★	-	Turquoise	-	★	-	★	-
909	Y1-L	★	★	-	Gold	-	★	-	★	-
921	Y1-M	★	-	★	Blue	-	★	-	★	-
923	Y1-M	★	-	★	Tan	-	★	-	★	-
924	Y1-M	★	-	★	Gray	-	★	-	★	-
925	Y1-M	★	-	★	Red	-	★	-	★	-
928	Y1-M	★	-	★	Turquoise	-	★	-	★	-
929, 939	Y1-M	★	-	★	Gold	-	★	-	★	-
951	Y1-M	-	-	★	Blue	-	★	-	★	★
955	Y1-M	-	-	★	Red	-	★	-	★	★
956	Y1-M	-	-	★	Black	-	★	-	★	★
957	Y1-M	-	-	★	Alabaster	-	★	-	★	★
941	Y1-H	★	-	★	Blue	-	★	-	-	-
943	Y1-H	★	-	★	Tan	-	★	-	-	-
944	Y1-H	★	-	★	Gray	-	★	-	-	-
949	Y1-H	★	-	★	Gold	-	★	-	-	-
975	Y1-H	-	-	★	Red	-	★	-	-	-
976	Y1-H	-	-	★	Black	-	★	-	-	-
977	Y1-H	-	-	★	White	-	★	-	-	-

★ Indicates use as required.
 ☐ Indicates parts not listed in any previous parts book.
 Right and left part numbers are on same line,
 first number is right, second number is left.
 * Indicates change or addition.

Printed in U.S.A.
 Prices and specifications subject to change without notice.
 Jan. 3, 1964 Supersedes Jan. 25, 1963.

1963 PASSENGER CAR PARTS CATALOG

INTERIOR TRIM

CODE	REMARKS	PER CAR	SED.	SP. 4 D.	SUB.	SP. CL. CP.	CV. CP.
NOTE: RIGHT HAND AND LEFT HAND PARTS LISTED ON THE SAME LINE. Whenever right and left hand parts are identified by consecutive part numbers, they will be listed as in the following example: PANEL, Door Trim 2083 344-5							
Interpreted, this indicates that Panel, right is Part No. 2083 344 and Panel, left is Part No. 2083 345.							
23-70-5	COVER, Wheelhouse 2nd. Seat Back Hinge Bracket C1-L, C3-H (codes 201, 231) (blue) (codes 203, 233) (tan) (codes 205, 235) (red) (codes 206, 236) (black)	1 1 1 1	---- ---- ---- ----	---- ---- ---- ----	2180 202-3 2180 098-9 E2181 370-1 E2028-9 TX8		
23-70-6	COVER, 2nd Seat Back Hinge C1	1	----	----	2094 882-3		
23-70-7	WASHER, 2nd Seat Back Hinge Cover Attaching	2	----	----	*2490 517		
23-71-1	CARPET and FOUNDATION, Floor Console Side C2-M (code 221) Rt. (code 223) Rt. (code 225, 245) Rt. (code 227) Rt. (code 228) Rt. (fastener) Lt.	1 1 1 1 1 1 16	---- ---- ---- ---- ---- ----	2181 008 2181 013 2181 009 2181 014 2181 010 2181 015 2181 011 2181 016 2181 012 2181 017 975 633	---- ---- ---- ---- ---- ---- ---- ---- ---- ---- ----	2181 008 2181 013 2181 009 2181 014 2181 010 2181 015 2181 011 2181 016 2181 012 2181 017 975 633	2181 008 2181 013 2181 009 2181 014 2181 010 2181 015 2181 011 2181 016 2181 012 2181 017 975 633
23-71-4	RETAINER, Floor Tunnel Console Lid Pad C2-M	1	----	E2490 458	----	E2490 458	E2490 458
23-71-5	PAD, Floor Tunnel Console Trim C2-M (code 221) (blue) (code 223) (tan) (codes 225, 245) (red) (code 227) (alabaster) (code 228) (turquoise)	1 1 1 1 1	---- ---- ---- ---- ----	E2180 866-7 E2180 158-9 E2180 160-1 E2180 164-5 E2180 166-7	---- ---- ---- ---- ----	E2180 866-7 E2180 158-9 E2180 160-1 E2180 164-5 E2180 166-7	E2180 866-7 E2180 158-9 E2180 160-1 E2180 164-5 E2180 166-7
23-76-3	ARM REST, Front Door C1, C2, C3 (codes 101, 111, 201) (blue) (codes 121, 221) (blue) (codes 102, 112) (green) (codes 103, 113, 123, 203, 223, 233) (tan) (codes 105, 115, 125, 205, 225, 245) (red) (codes 106, 208, 228) (turquoise) (codes 126, 127) (alabaster) (codes 104, 204, 206) (black) (code 206) (codes 151, 251) (blue) (codes 153, 253) (beige)	1 1 1 1 1 1 1 1 1 1 1 1 1	2428 970-1 ---- 2428 972-3 2428 974-5 2428 984-5 2428 986-7 ---- 2428 986-7 2428 978-9 2181 024-5 ---- 2182 154-5 ----	2428 970-1 2180 856-7 2428 972-3 2428 974-5 2428 984-5 2428 986-7 ---- 2428 986-7 2428 978-9 2181 024-5 E2428 982-3 2182 154-5 2182 156-7	2428 970-1 ---- ---- 2428 974-5 2428 984-5 2428 986-7 ---- 2428 986-7 ---- 2181 024-5 E2428 982-3 2182 154-5 2182 156-7	2428 970-1 2180 856-7 2428 972-3 2428 974-5 2428 984-5 2428 986-7 2428 978-9 2181 024-5 E2428 982-3 2181 024-5 E2428 982-3 2182 154-5 2182 156-7	2428 970-1 2180 856-7 2428 972-3 2428 974-5 2428 984-5 2428 986-7 2428 978-9 2181 024-5 E2428 982-3 2181 024-5 E2428 982-3 2182 154-5 2182 156-7

★ Indicates use as required.

E Indicates parts not listed in any previous parts book.

Jan. 3, 1964 Supersedes Jan. 25, 1963.

Printed in U.S.A.

Prices and specifications subject to change without notice.

Right and left part numbers are on same line,

first number is right, second number is left.

* Indicates change or addition.

CODE	REMARKS	PER CAR	SED.	SP. 4 D.	SUB.	SP. CL. CP.	CV. CP.
23-76-3	ARM REST, Front Door - Cont'd C3-H (codes 141, 231) (code 142) (codes 143, 233) (code 144) (code 148) (code 235) (code 236)	1 1 1 1 1 1 1	E2182 298-9 E2182 300-1 E2182 302-3 E2182 304-5 E2182 306-7 ---- ----	E2182 298-9 E2182 300-1 E2182 302-3 E2182 304-5 E2182 306-7 E2182 308-9 E2182 310-1	E2182 298-9 E2182 302-3 E2182 304-5 E2182 308-9 E2182 310-1		
23-76-4	LID, Front Door Arm Rest Storage Compartment Y1-L, Y1-M, Y1-H (codes 901, 921, 941, 951) (blue) (codes 902, 923, 943) (tan) (codes 904, 924, 944) (gray) (codes 925, 955, 975) (red) (codes 908, 928) (turquoise) (codes 909, 929, 939, 949) (gold) (code 956) (charcoal) (codes 957, 976, 977) (alabaster) (attaching screw)(lid to hinge)	1 1 1 1 1 6	---- ---- ---- ---- ---- ----	2180 470-1 2180 472-3 2180 474-5 2180 480-1 2180 476-7 2180 478-9 2180 482-3 2180 484-5 9418 297	---- ---- ---- ---- ---- ----	2180 470-1 2180 472-3 2180 474-5 2180 480-1 2180 476-7 2180 478-9 2180 482-3 2180 484-5 9418 297	E2180 470-1 2180 480-1 2180 482-3 2180 484-5 9418 297
23-76-5	PULL, Door Arm Rest C3-H Y1 (cup)	1 1	2080 114-5 ----	2080 114-5 2085 660-1	*2080 114-5 ----	2085 660-1	2085 660-1
23-76-6	BOX, Front Door Arm Rest Storage Compartment Y1 (gray)	2	----	2180 502	----	2180 502	2180 502
23-76-7	BRACKET, Door Arm Rest Support C3-H Screw	4 ★	*2086 210 274 888	*2086 210 274 888	*2086 210 274 888		
23-76-11	PAD, Front Door Arm Rest Y1-L, Y1-M, Y1-H (codes 901, 921, 941, 951) (blue) (codes 903, 923, 943) (tan) (codes 904, 924, 944) (gray) (codes 925, 955, 975) (red) (codes 908, 928) (turquoise) (codes 909, 929, 939, 949) (gold) (code 956) (charcoal) (codes 957, 976, 977) (alabaster) Rt. Lt.	1 1 1 1 1 1 1 1 1 1	---- ---- ---- ---- ---- ---- ---- ---- ---- ----	2180 486-7 2180 488-9 2180 490-1 2180 496-7 2180 492-3 2180 494-5 2180 498-9 2180 500 2180 501	---- ---- ---- ---- ---- ---- ---- ---- ---- ----	2180 486-7 2180 488-9 2180 490-1 2180 496-7 2180 492-3 2180 494-5 2180 498-9 2180 500 2180 501	2180 486-7 2180 496-7 2180 494-5 2180 498-9 2180 500 2180 501
23-76-16	NUT, Arm Rest Support Bracket C3-H (door) (quarter arm rest to quarter panel)	4 4	*1280 134 ----	*1280 134 ----	*1280 134 ----	*1280 134 1280 134	*1280 134

★ Indicates use as required.

☐ Indicates parts not listed in any previous parts book.

Right and left part numbers are on same line,
first number is right, second number is left.

* Indicates change or addition.

Printed in U.S.A.

Prices and specifications subject to change without notice.

Jan. 3, 1964 Supersedes Jan. 25, 1963.

1963 PASSENGER CAR PARTS CATALOG

INTERIOR TRIM

CODE	REMARKS	PER CAR	SED.	SP. 4 D.	SUB.	SP. CL. CP.	CV. CP.
23-76-17	HINGE, Front Seat Back Center Arm Rest C3-H	1	2270 274-5	2270 274-5			
	(pin retaining ring)	2	----	1626 749			
	(rivet)	2	----	6024 289			
	(washer)	2	----	6024 290			
	(screw w/washer) (hinge to lid)	4	----	6024 281			
	Y1 (door arm rest)	2	----	*2292 716	----	*2292 716	*2292 716
23-76-18	ARM REST, Front Seat Back Center C2-M						
	(code 221)	1	----	2134 812	----	2134 812	2134 812
	(code 223)	1	----	2134 291	----	2134 291	2134 291
	(code 225)	1	----	2133 632	----	2133 632	2133 632
	(code 227)	1	----	2133 634	----	2133 634	2133 634
	(code 228)	1	----	2133 635	----	2133 635	2133 635
	(code 245)	1	----	2134 645	----	2134 645	2134 645
	C3-H						
	(code 231)	1	----	2134 871	2134 871		
	(code 233)	1	----	2133 631	2133 631		
	(code 235)	1	----	2133 632	2133 632		
	(code 236)	1	----	2133 633	2133 633		
	(code 141)	1	2134 550	2134 550			
	(code 142)	1	2134 551	2134 551			
	(code 143)	1	2134 552	2134 552			
	(code 144)	1	2134 553	2134 553			
	(code 148)	1	2134 554	2134 554			
	(code 151)	1	----	B2434 268			
	(code 251)	1	----	B2434 274			
	(code 153)	1	----	B2434 299			
	(code 253)	1	----	B2434 275			
	(rivet)	2	----	B6024 289			
	Washer (hinge to bracket)	2	----	B6024 290			
	Y1-M (short)						
	(code 921)	1	----	2430 072	----	2430 072	
	(code 923)	1	----	2430 073	----	2430 073	
	(code 924)	1	----	2430 074	----	2430 074	
	(code 925)	1	----	2430 075	----	2430 075	
	(code 928)	1	----	2430 078	----	2430 078	
	(codes 929, 939)	1	----	2430 079	----	2430 079	
	(code 951)	1	----	2430 072	----	2430 072	2430 072
	(code 955)	1	----	2430 075	----	2430 075	2430 075
	(code 956)	1	----	2430 076	----	2430 076	2430 076
	(code 957)	1	----	2430 077	----	2430 077	2430 077
	Y1-M (long)						
	(code 921)	1	----	2430 456			
	(code 923)	1	----	2430 457			
	(code 924)	1	----	2430 458			
	(code 925)	1	----	2430 459			
	(code 928)	1	----	2430 462			
	(codes 929, 939)	1	----	2430 463			
	(code 951)	1	----	2430 456			
	(code 955)	1	----	2430 459			
	(code 956)	1	----	2430 460			
	(code 957)	1	----	2430 461			
	Nut (frame)	★	6010 006	6010 006			
	Screw & Washer (to bracket & board)	★	6023 543	6023 543			
	Bolt (back to cushion)	1	----	*6024 148			

★ Indicates use as required.

⊠ Indicates parts not listed in any previous parts book.
Jan. 3, 1964 Supersedes Dec. 14, 1962.

Printed in U.S.A.

Prices and specifications subject to change without notice.
Right and left part numbers are on same line,
first number is right, second number is left.

* Indicates change or addition.

CODE	REMARKS	PER CAR	SED.	SP. 4 D.	SUB.	SP. CL. CP.	CV. CP.
23-76-18	ARM REST, Front Seat Back Center - Cont'd Y1-H (short)						
	(code 941)	1	----	2430 084			
	(code 943)	1	----	2430 085			
	(code 944)	1	----	2430 086			
	(code 949)	1	----	2430 087			
	(code 975)	1	----	2430 075			
	(code 976)	1	----	2430 076			
	(code 977)	1	----	2430 077			
	Y1-H (long)						
	(code 941)	1	----	2430 436			
	(code 943)	1	----	2430 437			
	(code 944)	1	----	2430 438			
	(code 949)	1	----	2430 439			
	(code 975)	1	----	2430 459			
	(code 976)	1	----	2430 460			
	(code 977)	1	----	2430 461			
23-76-19	FLAP, Front Seat Back Center Arm Rest C3-H						
	(code 141)	1	2134 560	2134 560			
	(code 142)	1	2134 561	2134 561			
	(code 143)	1	2134 562	2134 562			
	(code 144)	1	2134 563	2134 563			
	(code 148)	1	2134 564	2134 564			
23-76-26	SPRING, Front Door Arm Rest Storage Compartment Lid Hinge Y1	2	----	2419 556	----	2419 556	2419 556
23-76-27	RETAINER, Front Seat Center Arm Rest Frame Hook C2, C3, Y1	1	1918 568	1918 568	1918 568	1918 568	1918 568
23-76-28	LOCK BAR, Front Seat Center Arm Rest Frame C3H, Y1	1	----	2410 033	----	2410 033	2410 033
23-76-31	LINER, Front Seat Center Arm Rest Lid C3-H						
	(codes 151,251)	1	----	2182 179			
	(codes 153,253)	1	----	2182 180			
	Screw (liner attaching)	2	----	⊕9418 246			
23-76-34	COVER, Front Seat Back Center Arm Rest C3-H						
	(code 141)	1	2134 555	2134 555			
	(code 142)	1	2134 556	2134 556			
	(code 143)	1	2134 557	2134 557			
	(code 144)	1	2134 558	2134 558			
	(code 148)	1	2134 559	2134 559			
	C3-H (body cloth)						
	(code 141)	1	⊕2434 296	⊕2434 296			
	(code 143)	1	⊕2434 297	⊕2434 297			
	(code 148)	1	⊕2434 298	⊕2434 298			
	(code 221)	1	----	2134 813	----	2134 813	2134 813
	(code 223)	1	----	2134 292	----	2134 292	2134 292
	(code 231)	1	----	2134 872	2134 872		
	(code 233)	1	----	----	2133 636		

★ Indicates use as required.

⊕ Indicates parts not listed in any previous parts book.

Right and left part numbers are on same line,
first number is right, second number is left.

* Indicates change or addition.

Printed in U.S.A.

Prices and specifications subject to change without notice.

Jan. 3, 1964 Supersedes Jan. 25, 1963.

1963 PASSENGER CAR PARTS CATALOG

INTERIOR TRIM

CODE	REMARKS	PER CAR	SED.	SP. 4 D.	SUB.	SP. CL. CP.	CV. CP.
23-76-34	COVER, Front Seat Back Center Arm Rest - Cont'd C3-H						
	(codes 225, 235)	1	----	2133 637	2133 637	2133 637	2133 637
	(code 236)	1	----	2133 638	2133 638	2133 638	2133 638
	(code 227)	1	----	2133 639	----	2133 639	2133 639
	(code 228)	1	----	2133 640	----	2133 640	2133 640
	(code 245)	1	----	2134 646	----	2134 646	2134 646
	(storage compt. type arm rest)						
	(code 151)	1	----	2434 016			
	(code 153)	1	----	2434 017			
	(code 251)	1	----	2434 058			
	(code 253)	1	----	2434 059			
	(liner and cover)						
	(codes 151, 251) (blue)	1	----	2182 278			
	(luxury model, full arm rest type)						
	(code 151)	1	----	2434 270			
	(code 153)	1	----	2434 271			
	(code 251)	1	----	2434 276			
	(code 253)	1	----	2434 277			
	(lid cover)						
	(codes 151, 251)	2	----	2434 222			
	(codes 153, 253)	2	----	2434 223			
	Y1-M (for short arm rest)						
	(code 921)	1	----	2430 064	----	2430 064	
	(code 923)	1	----	2430 065	----	2430 065	
	(code 924)	1	----	2430 066	----	2430 066	
	(code 925)	1	----	2430 067	----	2430 067	
	(code 928)	1	----	2430 070	----	2430 070	
	(code 929)	1	----	2430 071	----	2430 071	
	(code 951)	1	----	2430 064	----	2430 064	2430 064
	(code 955)	1	----	2430 067	----	2430 067	2430 067
	(code 956)	1	----	2430 068	----	2430 068	2430 068
	(code 957)	1	----	2430 069	----	2430 069	2430 069
	Y1-M (for long arm rest)						
	(code 921)	1	----	2430 448			
	(code 923)	1	----	2430 449			
	(code 924)	1	----	2430 450			
	(code 925)	1	----	2430 451			
	(code 928)	1	----	2430 454			
	(codes 929, 939)	1	----	2430 455			
	(code 951)	1	----	2430 448			
	(code 955)	1	----	2430 451			
	(code 956)	1	----	2430 452			
	(code 957)	1	----	2430 453			
	Y1-H (for short arm rest)						
	(code 941)	1	----	2430 080			
	(code 943)	1	----	2430 081			
	(code 944)	1	----	2430 082			
	(code 949)	1	----	2430 083			
	(code 975)	1	----	2430 067			
	(code 976)	1	----	2430 068			
	(code 977)	1	----	2430 069			
	Y1-H (for long arm rest)						
	(code 941)	1	----	2430 432			
	(code 943)	1	----	2430 433			
	(code 944)	1	----	2430 434			
	(code 949)	1	----	2430 435			
	(code 975)	1	----	2430 451			
	(code 976)	1	----	2430 452			
	(code 977)	1	----	2430 433			

★ Indicates use as required.

⊠ Indicates parts not listed in any previous parts book.
Jan. 3, 1964 Supersedes Jan. 25, 1963.

Printed in U.S.A.

Prices and specifications subject to change without notice.

Right and left part numbers are on same line,
first number is right, second number is left.

* Indicates change or addition.

CODE	REMARKS	PER CAR	SED.	SP. 4 D.	SUB.	SP. CL. CP.	CV. CP.	
23-76-35	PANEL, Front Seat Back Center Arm Rest Lower C3-H							
	(codes 151, 251)	1	----	2434 142				
	(codes 153, 253)	1	----	2434 143				
	Y1							
	(codes 921, 941, 951)	1	----	2430 096	----	2430 096	2430 096	
	(codes 923, 943)	1	----	2430 097	----	2430 097	2430 097	
	(codes 924, 944)	1	----	2430 098	----	2430 098	2430 098	
	(codes 925, 955, 975)	1	----	2430 099	----	2430 099	2430 099	
	(codes 956, 976)	1	----	2430 100	----	2430 100	2430 100	
	(codes 957, 977)	1	----	2430 101	----	2430 101	2430 101	
	(code 928)	1	----	2430 102	----	2430 102	2430 102	
	(codes 929, 939, 949)	1	----	2430 103	----	2430 103	----	
	23-76-37	COVER, Front Seat Back Center Arm Rest Lower Panel C3-H						
		(codes 151, 251)	1	----	2434 144			
(codes 153, 253)		1	----	2434 145				
Y1								
(codes 921, 941, 951)		1	----	2430 088	----	2430 088	2430 088	
(codes 923, 943)		1	----	2430 089	----	2430 089	2430 089	
(codes 924, 944)		1	----	2430 090	----	2430 090	2430 090	
(codes 925, 955, 975)		1	----	2430 091	----	2430 091	2430 091	
(code 928)		1	----	2430 094	----	2430 094	2430 094	
(codes 929, 939, 949)		1	----	2430 095	----	2430 095	2430 095	
(code 956)		1	----	2430 092	----	2430 092	2430 092	
(codes 957, 977)		1	----	2430 093	----	2430 093	2430 093	
23-76-40		ARM REST, Rear Seat Back Center C3-H						
		(code 141)	1	2133 980	2133 980			
	(code 142)	1	2133 981	2133 981				
	(code 143)	1	2133 982	2133 982				
	(code 144)	1	2133 983	2133 983				
	(code 148)	1	2133 984	2133 984				
	(code 151)	1	----	2434 030				
	(code 251)	1	----	2434 072				
	(code 153)	1	----	2434 031				
	(code 253)	1	----	2434 073				
	(code 231)	1	----	2134 880				
	(code 235)	1	----	2134 128				
	(code 236)	1	----	2134 129				
	Y1-L (short)							
	(code 901)	1	----	2295 806	----	2295 806		
	(code 903)	1	----	2295 807	----	2295 807		
	(code 904)	1	----	2295 808	----	2295 808		
	(code 908)	1	----	2295 809	----	2295 809		
	Y1-L (long)							
	(code 901)	1	----	2430 403				
	(code 903)	1	----	2430 404				
	(code 904)	1	----	2430 405				
	(code 908)	1	----	2430 406				
	(code 909)	1	----	2430 407				
	Y1-M (short)							
	(code 921)	1	----	2295 751	----	2295 751		
	(code 923)	1	----	2295 752	----	2295 752		
	(code 924)	1	----	2295 753	----	2295 753		
(code 925)	1	----	2295 754	----	2295 754			
(code 928)	1	----	2295 757	----	2295 757			
(codes 929, 939)	1	----	2295 758	----	2295 758			

★ Indicates use as required.

☐ Indicates parts not listed in any previous parts book.

Right and left part numbers are on same line,

first number is right, second number is left.

* Indicates change or addition.

Printed in U.S.A.

Prices and specifications subject to change without notice.

Jan. 3, 1964 Supersedes Jan. 25, 1963.

CODE	REMARKS	PER CAR	SED.	SP. 4 D.	SUB.	SP. CL. CP.	CV. CP.
23-76-40	ARM REST, Rear Seat Back Center - Cont'd Y1-M (short)						
	(code 951)	1	----	2295 751	----	2295 751	2430 174
	(code 955)	1	----	2295 754	----	2295 754	2430 175
	(code 956)	1	----	2295 755	----	2295 755	2430 176
	(code 957)	1	----	2295 756	----	2295 756	2430 177
	Y1-M (long)						
	(code 921)	1	----	2430 424			
	(code 923)	1	----	2430 425			
	(code 924)	1	----	2430 426			
	(code 925)	1	----	2430 427			
	(code 928)	1	----	2430 430			
	(code 929)	1	----	2430 431			
	(code 951)	1	----	2430 424			
	(code 955)	1	----	2430 427			
	(code 956)	1	----	2430 428			
	(code 957)	1	----	2430 429			
	Bolt (frame)	★	* 180 022	* 180 022	----	* 180 022	* 180 022
	Y1-H (short)						
	(code 941)	1	----	2295 773			
	(code 943)	1	----	2295 774			
	(code 944)	1	----	2295 775			
	(code 949)	1	----	2295 776			
	(code 975)	1	----	2295 754			
	(code 976)	1	----	2295 755			
	(code 977)	1	----	2295 756			
	Y1-H (long)						
	(code 941)	1	----	2430 412			
	(code 943)	1	----	2430 413			
	(code 944)	1	----	2430 414			
	(code 949)	1	----	2430 415			
	(code 975)	1	----	2430 427			
	(code 976)	1	----	2430 428			
	(code 977)	1	----	2430 429			
23-76-45	COVER, Rear Seat Back Center Arm Rest C3-H						
	(code 141)	1	2133 985	2133 985			
	(code 142)	1	2133 986	2133 986			
	(code 143)	1	2133 987	2133 987			
	(code 144)	1	2133 988	2133 988			
	(code 148)	1	2133 989	2133 989			
	C3-H (body cloth)						
	(code 141)	1	⊠2434 320	⊠2434 320			
	(code 143)	1	⊠2434 321	⊠2434 321			
	(code 148)	1	⊠2434 322	⊠2434 322			
	(code 151)	1	----	2434 032			
	(code 251)	1	----	2434 074			
	(code 153)	1	----	2434 033			
	(code 253)	1	----	2434 075			
	(code 231)	1	----	2134 881			
	(code 235)	1	----	2134 131			
	(code 236)	1	----	2134 132			
	Y1-L (for short arm rest)						
	(code 901)	1	----	2295 801	----	2295 801	
	(code 903)	1	----	2295 802	----	2295 802	
	(code 904)	1	----	2295 803	----	2295 803	
	(code 908)	1	----	2295 804	----	2295 804	
	(code 909)	1	----	2295 805	----	2295 805	

★ Indicates use as required.

⊠ Indicates parts not listed in any previous parts book.
Jan. 3, 1964 Supersedes Jan. 25, 1963.Printed in U.S.A.
Prices and specifications subject to change without notice.
Right and left part numbers are on same line,
first number is right, second number is left.

* Indicates change or addition.

CODE	REMARKS	PER CAR	SED.	SP. 4 D.	SUB.	SP. CL. CP.	CV. CP.
23-76-45	COVER, Rear Seat Back Center Arm Rest - Cont'd						
	Y1-L (for long arm rest)						
	(code 901)	1	----	2430 398			
	(code 903)	1	----	2430 399			
	(code 904)	1	----	2430 400			
	(code 908)	1	----	2430 401			
	(code 909)	1	----	2430 402			
	Y1-M (for short arm rest)						
	(code 921)	1	----	2295 743	----	2295 743	
	(code 923)	1	----	2295 744	----	2295 744	
	(code 924)	1	----	2295 745	----	2295 745	
	(code 925)	1	----	2295 746	----	2295 746	
	(code 928)	1	----	2295 749	----	2295 749	
	(code 929, 939)	1	----	2295 750	----	2295 750	
	(code 951)	1	----	2295 743	----	2295 743	2430 170
	(code 955)	1	----	2295 746	----	2295 746	2430 171
	(code 956)	1	----	2295 747	----	2295 747	2430 172
	(code 957)	1	----	2295 748	----	2295 748	2430 173
	Y1-M (for long arm rest)						
	(code 921)	1	----	2430 416			
	(code 923)	1	----	2430 417			
	(code 924)	1	----	2430 418			
	(code 925)	1	----	2430 419			
	(code 928)	1	----	2430 422			
	(codes 929, 939)	1	----	2430 423			
	(code 951)	1	----	2430 416			
	(code 955)	1	----	2430 419			
	(code 956)	1	----	2430 420			
	(code 957)	1	----	2430 421			
	Y1-H (for short arm rest)						
	(code 941)	1	----	2295 769			
	(code 943)	1	----	2295 770			
	(code 944)	1	----	2295 771			
	(code 949)	1	----	2295 772			
	(code 975)	1	----	2295 746			
	(code 976)	1	----	2295 747			
	(code 977)	1	----	2295 748			
	Y1-H (for long arm rest)						
	(code 941)	1	----	2430 408			
	(code 943)	1	----	2430 409			
	(code 944)	1	----	2430 410			
	(code 949)	1	----	2430 411			
	(code 975)	1	----	2430 419			
	(code 976)	1	----	2430 420			
	(code 977)	1	----	2430 421			
23-76-53	FLAP, Rear Seat Back Center Arm Rest						
	C3-H						
	(code 141)	1	2133 990	2133 990			
	(code 142)	1	2133 991	2133 991			
	(code 143)	1	2133 992	2133 992			
	(code 144)	1	2133 993	2133 993			
	(code 148)	1	2133 994	2133 994			
	(code 231)	1	----	2134 882			
	(code 235)	1	----	2134 134			
	(code 236)	1	----	2134 135			

★ Indicates use as required.
 ☐ Indicates parts not listed in any previous parts book.
 Right and left part numbers are on same line,
 first number is right, second number is left.
 * Indicates change or addition.

Printed in U.S.A.
 Prices and specifications subject to change without notice.
 Jan. 3, 1964 Supersedes Jan. 25, 1963.

1963 PASSENGER CAR PARTS CATALOG

INTERIOR TRIM

CODE	REMARKS	PER CAR	SED.	SP. 4 D.	SUB.	SP. CL. CP.	CV. CP.
23-76-53	FLAP, Rear Seat Back Center Arm Rest - Cont'd						
	Y1-L						
	(code 901)	1	----	2295 735	----	2295 735	
	(code 903)	1	----	2295 736	----	2295 736	
	(code 904)	1	----	2295 737	----	2295 737	
	(code 908)	1	----	2295 741	----	2295 741	
	(code 909)	1	----	2295 742	----	2295 742	
	Y1-M						
	(code 921)	1	----	2295 735	----	2295 735	
	(code 923)	1	----	2295 736	----	2295 736	
	(code 924)	1	----	2295 737	----	2295 737	
	(code 925)	1	----	2295 738	----	2295 738	
	(code 928)	1	----	2295 741	----	2295 741	
	(codes 929, 939)	1	----	2295 742	----	2295 742	
	(code 951)	1	----	2295 735	----	2295 735	2430 166
	(code 955)	1	----	2295 738	----	2295 738	2430 167
	(code 956)	1	----	2295 739	----	2295 739	2430 168
	(code 957)	1	----	2295 740	----	2295 740	2430 169
	Y1-H						
	(code 941)	1	----	2295 735	----	2295 735	
	(code 943)	1	----	2295 736	----	2295 736	
	(code 944)	1	----	2295 737	----	2295 737	
	(code 949)	1	----	2295 742	----	2295 742	
	(code 975)	1	----	2295 738	----	2295 738	
	(code 976)	1	----	2295 739	----	2295 739	
	(code 977)	1	----	2295 740	----	2295 740	
23-76-57	FRAME, Rear Seat Back Center Arm Rest C3-H, Y1	1	2160 640	2160 640	----	2160 640	2410 041
23-76-59	ARM REST, Rear Door C1, C2, C3						
	(codes 101, 111, 201)						
	(blue)	1	2428 970-1	2428 970-1	2428 970-1		
	(codes 121, 221) (blue)	1	----	2180 856-7			
	(codes 102, 112) (green)	1	2428 972-3	2428 972-3			
	(codes 113, 123, 203, 223) (tan)	1	----	2428 974-5	2428 974-5		
	(codes 104, 204, 206) (black)	1	*2428 982-3	*2428 982-3	*2428 982-3		
	(codes 105, 115, 125, 205, 225, 245) (red)	1	2428 984-5	2428 984-5	2428 984-5		
	(codes 106, 208, 228) (turquoise)	1	2428 986-7	2428 986-7	2428 986-7		
	(codes 126, 227) (alabaster)	1	----	2428 978-9			
	(codes 204, 206) (black)	1	----	*2428 982-3	*2428 982-3		
	(codes 151, 251) (blue)	1	----	2182 154-5			
	C3-H						
	(codes 141, 231) (blue)	1	E2182 298-9	E2182 298-9	E2182 298-9		
	(code 142) (green)	1	E2182 300-1	E2182 300-1			
	(codes 143, 233) (tan)	1	E2182 302-3	E2182 302-3	E2182 302-3		
	(code 144) (gray)	1	E2182 304-5	E2182 304-5			
	(code 148) (turquoise)	1	E2182 306-7	E2182 306-7			
	(code 235) (red)	1	----	E2182 308-9	E2182 308-9		
	(code 236) (black)	1	----	E2182 310-1	E2182 310-1		
23-76-64	SUPPORT & BRACKET, Rear Door Arm Rest Y1	1	----	2241 234-5			

★ Indicates use as required.

E Indicates parts not listed in any previous parts book.
Jan. 3, 1964 Supersedes Jan. 25, 1963.

Printed in U.S.A.

Prices and specifications subject to change without notice.
Right and left part numbers are on same line,
first number is right, second number is left.

* Indicates change or addition.

CODE	REMARKS	PER CAR	SED.	SP. 4 D.	SUB.	SP. CL. CP.	CV. CP.
23-76-66	ARM REST, Rear Quarter C1-L						
	(code 111) (blue)	2	----	----	----	2413 934	
	(code 112) (green)	2	----	----	----	2413 935	
	(code 113) (tan)	2	----	----	----	2413 936	
	(code 115) (red)	2	----	----	----	2413 942	
	(code 201)	1	----	----	----	2413 934	2136 900-1
	(code 203)	1	----	----	----	2413 936	2136 902-3
	(code 205)	1	----	----	----	2413 942	2136 904-5
	(code 206)	1	----	----	----	2413 941	2136 906-7
	(code 208)	1	----	----	----	2413 943	2136 908-9
	C2-M						
	(code 221)	1	----	----	----	2180 858	2136 910-1
	(code 223)	1	----	----	----	2413 936	2136 902-3
	(code 225)	1	----	----	----	2413 942	2136 904-5
	(code 227)	1	----	----	----	2413 940	2136 906-7
	(code 228)	1	----	----	----	2413 943	2136 912-3
	(code 245)	1	----	----	----	2413 942	2136 904-5
	(fastener)	★	----	----	----	975 633	975 633
	Y1-L						
	(code 901)	1	----	----	----	2295 386-7	
	(code 903)	1	----	----	----	2295 388-9	
	(code 904)	1	----	----	----	2295 390-1	
	(code 908)	1	----	----	----	2295 392-3	
	(code 909)	1	----	----	----	2295 394-5	
	Y1-M						
	(code 921)	1	----	----	----	2295 412-3	
	(code 923)	1	----	----	----	2295 414-5	
	(code 924)	1	----	----	----	2295 416-7	
	(code 925)	1	----	----	----	2295 418-9	
	(code 928)	1	----	----	----	2295 424-5	
	(codes 929, 939)	1	----	----	----	2295 426-7	
	(code 951)	1	----	----	----	2295 412-3	2295 436-7
	(code 955)	1	----	----	----	2295 418-9	2295 438-9
	(code 956)	1	----	----	----	2295 420-1	2295 440-1
	(code 957)	1	----	----	----	2295 422-3	2295 442-3
23-76-79	SUPPORT, Quarter Arm Rest and Weathercord Y1	1	----	----	----	1751 534-5	1751 534-5
23-76-81	NUT, Quarter Arm Rest to Quarter Panel C1, C2	4	----	----	----	1280 134	
23-76-86	COVER, Rear Quarter Arm Rest C1-L						
	(code 201)	1	----	----	----	----	2136 914-5
	(code 203)	1	----	----	----	----	2136 916-7
	(code 205)	1	----	----	----	----	2136 918-9
	(code 206)	1	----	----	----	----	2136 920-1
	(code 208)	1	----	----	----	----	2136 922-3
	C2-M						
	(code 221)	1	----	----	----	----	2136 924-5
	(code 223)	1	----	----	----	----	2136 916-7
	(code 225)	1	----	----	----	----	2136 918-9
	(code 227)	1	----	----	----	----	2136 920-1
	(code 228)	1	----	----	----	----	2136 926-7
	(code 245)	1	----	----	----	----	2136 918-9

★ Indicates use as required.
 B Indicates parts not listed in any previous parts book.
 Right and left part numbers are on same line,
 first number is right, second number is left.
 * Indicates change or addition.

Printed in U.S.A.
 Prices and specifications subject to change without notice.
 Jan. 3, 1964 Supersedes Jan. 25, 1963.

1963 PASSENGER CAR PARTS CATALOG

INTERIOR TRIM

CODE	REMARKS	PER CAR	SED.	SP. 4 D.	SUB.	SP. CL. CP.	CV. CP.
23-76-86	COVER, Rear Quarter Arm Rest - Cont'd Y1-L (code 901) (code 903) (code 904) (code 908) (code 909)	1 1 1 1 1	---- ---- ---- ---- ----	---- ---- ---- ---- ----	---- ---- ---- ---- ----	2295 376-7 2295 378-9 2295 380-1 2295 382-3 2295 384-5	
	Y1-M (code 921) (code 923) (code 924) (code 925) (code 928) (code 929) (code 951) (code 955) (code 956) (code 957)	1 1 1 1 1 1 1 1 1 1	---- ---- ---- ---- ---- ---- ---- ---- ---- ----	---- ---- ---- ---- ---- ---- ---- ---- ---- ----	---- ---- ---- ---- ---- ---- ---- ---- ---- ----	2295 396-7 2295 398-9 2295 400-1 2295 402-3 2295 408-9 2295 410-1 2295 396-7 2295 402-3 2295 404-5 2295 406-7	2295 428-9 2295 430-1 2295 432-3 2295 434-5
23-78-2	BUTTON or MEDALLION, Tufting C1-L (chrome) (seat back) Y1-M (luggage compt. side) (gray)	1 2	---- ----	2410 817 ----	2410 817 ----	2410 817 ----	2410 817 2178 999
23-79-3	CARPET, Front Floor C1, C2, C3 (codes 101, 111, 121, 141, 201, 221, 231) (blue) (codes 102, 112, 142) (green) (codes 103, 113, 123, 143, 203, 223, 233) (tan) (codes 105, 115, 125, 205, 225, 235) (red) (codes 108, 148, 208, 228) (turquoise) (codes 126, 144, 206, 226, 227, 236) (black) (code 245) (red) (codes 151, 251) (blue) (codes 153, 253) (beige)	1 1 1 1 1 1 1 1 1 1	2299 491 2299 492 2299 493 2299 494 *2299 495 2299 496 ---- 2182 143 2182 144	2299 491 2299 492 2299 493 2299 494 *2299 495 2299 496 *2299 499 2182 143 2182 144	*2299 491 ---- *2299 493 *2299 494 ---- *2299 496 ---- ---- ----	2299 491 2299 492 2299 493 2299 494 *2299 495 2299 496 2299 499	2299 493 2299 494 *2299 495 2299 496 *2299 499
	C1, C2, C3 (std. transmission) (codes 101, 111, 121, 201, 221, 231) (blue) (codes 102, 112) (green) (codes 103, 113, 123, 203, 223) (tan) (codes 105, 115, 125, 205, 225, 245) (red) (codes 108, 208, 228) (turquoise) (codes 126, 206, 227) (black)	1 1 1 1 1 1	⊠2179 433 ⊠2179 434 ⊠2179 435 ⊠2179 436 ⊠2179 437 ----	⊠2179 433 ⊠2179 434 ⊠2179 435 ⊠2179 436 ⊠2179 437 ⊠2179 438	⊠2179 433 ---- ⊠2179 435 ⊠2179 436 ---- ⊠2179 438	⊠2179 433 ⊠2179 434 ⊠2179 435 ⊠2179 436 ⊠2179 437 ⊠2179 438	⊠2179 433 ⊠2179 435 ⊠2179 436 ⊠2179 437 ⊠2179 438
	Y1-L (code 901) (blue) (code 903) (tan) (code 904) (gray) (code 908) (turquoise) (code 909) (gold)	1 1 1 1 1	---- ---- ---- ---- ----	2421 501 2421 502 2421 503 2421 504 2421 505	---- ---- ---- ---- ----	2421 501 2421 502 2421 503 2421 504 2421 505	

★ Indicates use as required.

⊠ Indicates parts not listed in any previous parts book.

Right and left part numbers are on same line,
first number is right, second number is left.

* Indicates change or addition.

Printed in U.S.A.

Prices and specifications subject to change without notice.

Jan. 3, 1964 Supersedes Jan. 25, 1963.

1963 PASSENGER CAR PARTS CATALOG

INTERIOR TRIM

CODE	REMARKS	PER CAR	SED.	SP. 4 D.	SUB.	SP. CL. CP.	CV. CP.
23-79-33	CARPET, Rear Floor - Cont'd C1, C3 (vinoleum) (2nd. seat to rear floor pan insert) (vinoleum)						
	(code 201) (blue)	1	----	----	*2180 835		
	(codes 203, 206) (black)	1	----	----	*1818 TX8		
	(code 205) (red)	1	----	----	*2179 520		
	(2nd. seat back to rear floor pan insert)						
	(code 231) (blue)	1	----	----	2180 874		
	(code 233) (tan)	1	----	----	2179 502		
	(code 235) (red)	1	----	----	2179 503		
	(code 236) (black)	1	----	----	2179 504		
	(3rd. seat or spare tire well riser) (carpet)						
	(code 231) (blue)	1	----	----	2180 884-5		
	(code 233) (tan)	1	----	----	2180 104-5		
	(code 235) (red)	1	----	----	2180 106-7		
	(code 236) (black)	1	----	----	2180 108-9		
	(3rd. seat or spare tire compartment floor carpet)						
	(code 231) (blue)	1	----	----	2180 877		
	(code 233) (tan)	1	----	----	2180 092		
	(code 235) (red)	1	----	----	2180 093		
	(code 236) (black)	1	----	----	2180 094		
Y1-L	(code 901) (blue)	1	----	2421 507	----	2421 512	
	(code 903) (tan)	1	----	2421 508	----	2421 513	
	(code 904) (gray)	1	----	2421 509	----	2421 514	
	(code 908) (turquoise)	1	----	2421 510	----	2421 515	
	(code 909) (gold)	1	----	2421 511	----	2421 516	
Y1-M, Y1-H	(codes 921, 941, 951)(blue)	1	----	2179 653	----	2179 660	2179 667
	(codes 923, 943) (tan)	1	----	2179 654	----	2179 661	
	(codes 924, 944) (gray)	1	----	2179 655	----	2179 662	
	(codes 925, 955, 975)(red)	1	----	2179 656	----	2179 663	2179 668
	(code 928) (turquoise)	1	----	2179 657	----	2179 664	
	(codes 929, 939, 949)(gold)	1	----	2179 658	----	2179 665	
	(codes 956, 957, 976, 977) (charcoal)	1	----	2179 659	----	2179 666	2179 669
23-79-62	INSERT, Second Seat Cushion Panel C1-L (vinoleum)						
	(code 201) (blue)	1	----	----	2180 831		
	(codes 203, 206) (black)	1	----	----	1814 TX8		
	(code 205) (red)	1	----	----	2179 512		
	C3-H						
	(code 231) (blue)	1	----	----	2180 870		
	(code 233) (tan)	1	----	----	2179 490		
	(code 235) (red)	1	----	----	2179 491		
	(code 236) (black)	1	----	----	2179 492		
23-79-64	CARPET, Luggage Compartment Floor C3-H						
	(codes 141, 142, 143, 144, 148) (w/o spare tire bracket holes)	1	2134 853	2134 853	----	2134 853	
	(codes 151, 251, 153, 253) (spare tire cover)	1	----	2295 583			
	(w/dual air cond.)	1	----	*2434 213			
	(w/o dual air cond.)	1	----	2434 247			
Y1	Rt.	1	----	2430 321	----	2430 321	
	Lt.	1	----	2295 581	----	2295 581	

★ Indicates use as required.

⊠ Indicates parts not listed in any previous parts book.
Jan. 3, 1964 Supersedes Jan. 25, 1963.

Printed in U.S.A.

Prices and specifications subject to change without notice.

Right and left part numbers are on same line,
first number is right, second number is left.

* Indicates change or addition.

CODE	REMARKS	PER CAR	SED.	SP. 4 D.	SUB.	SP. CL. CP.	CV. CP.
23-79-79	INSERT, Tailgate Inside Panel C1-L (vinoleum)						
	(code 201) (blue)	1	----	----	2180 837		
	(codes 203, 206) (black)	1	----	----	*1820 TX8		
	(code 205) (red)	1	----	----	2179 524		
	C3-H (carpet)						
	(code 231) (blue)	1	----	----	2180 876		
	(code 233) (tan)	1	----	----	2179 508		
	(code 235) (red)	1	----	----	2179 509		
	(code 236) (black)	1	----	----	2179 510		
23-82-14	HANDLE, Front Seat Back Grab C3-H, Y1 Screw (attaching)	2 4	1575 953 B9419 613	1575 953 B9419 613	----	1575 953 B9419 613	1575 953 B9419 613
23-82-20	ESCUTCHEON, Front Seat Back Grab Handle Mounting Y1 (lower) (upper)	2 2	----	2292 798 2292 800	----	2292 798 2292 800	2292 798 2292 800
23-82-30	HOOK, Coat Hanger C1, C2, C3 Y1	2 2	2165 837 ----	2165 837 1520 791	2165 837 ----	2165 837 1520 791	
23-84-3	PAD, Instrument Panel Trim C1, C2, C3 (codes 101, 111, 121, 141, 151, 201, 221, 231, 251)(blue)						
	(w/air conditioning)(upper)	1	2178 434	2178 434	*2178 434	2178 434	
	(w/o air conditioning)(upper)	1	2178 428	2178 428	*2178 428	2178 428	
	(lower)	1	2178 440	2178 440	*2178 440	2178 440	
	(codes 102, 112, 142) (green)						
	(w/air conditioning) (upper)	1	2178 435	2178 435	----	2178 435	
	(w/o air conditioning) (upper)	1	2178 429	2178 429	----	2178 429	
	(lower)	1	2178 441	2178 441	----	2178 441	
	(codes 103, 113, 123, 143, 203, 223, 233) (tan)						
	(w/air conditioning) (upper)	1	2178 436	2178 436	2178 436	2178 436	2178 436
	(w/o air conditioning)(upper)	1	2178 430	2178 430	2178 430	2178 430	2178 430
	(lower)	1	2178 442	2178 442	2178 442	2178 442	2178 442
	(codes 105, 115, 125, 205, 225, 235, 245) (red)						
	(w/air conditioning) (upper)	1	2178 437	2178 437	2178 437	2178 437	2178 437
	(w/o air conditioning)(upper)	1	2178 431	2178 431	2178 431	2178 431	2178 431
	(lower)	1	2178 443	2178 443	2178 443	2178 443	2178 443
	(codes 108, 148, 208, 228) (turquoise)						
	(w/air conditioning) (upper)	1	2178 438	2178 438	----	2178 438	2178 438
	(w/o air conditioning)(upper)	1	2178 432	2178 432	----	2178 432	2178 432
	(lower)	1	2178 444	2178 444	----	2178 444	2178 444
	(codes 104, 126, 144, 204, 206, 227, 236) (black)						
	(w/air conditioning) (upper)	1	2178 439	2178 439	2178 439	2178 439	2178 439
	(w/o air conditioning)(upper)	1	2178 433	2178 433	2178 433	2178 433	2178 433
	(lower)	1	2178 445	2178 445	2178 445	2178 445	2178 445
	(codes 153, 253) (gold)						
	(upper)	1	----	2182 096			
	(lower)	1	----	2182 097			
	(lower pad attaching clip)	7	6008 193	6008 193	6008 193	6008 193	6008 193
	(fastener) (upper panel)	7	6008 222	6008 222	6008 222	6008 222	6008 222
	Y1 (codes 901, 921, 941, 951) (blue)						
	(upper)	1	----	2178 877	----	2178 877	2178 877

★ Indicates use as required.

⊠ Indicates parts not listed in any previous parts book.
Right and left part numbers are on same line,
first number is right, second number is left.

* Indicates change or addition.

Printed in U.S.A.
Prices and specifications subject to change without notice.
Jan. 3, 1964 Supersedes Jan. 25, 1963.

1963 PASSENGER CAR PARTS CATALOG

INTERIOR TRIM

CODE	REMARKS	PER CAR	SED.	SP. 4 D.	SUB.	SP. CL. CP.	CV. CP.
23-84-3	PAD, Instrument Panel Trim - Cont'd Y1 (codes 901, 921, 941, 951) (blue)						
	(lower center)	1	----	2179 712	----	2179 712	2179 712
	(lower right)	1	----	2179 726	----	2179 726	2179 726
	(glove box door)	1	----	2179 747	----	2179 747	2179 747
	(instruments housing)	1	----	2179 761	----	2179 761	2179 761
	(ash receiver door)	1	----	2179 775	----	2179 775	2179 775
	(heater control housing)	1	----	2179 789	----	2179 789	2179 789
	(gear selector housing)	1	----	2179 803	----	2179 803	2179 803
	(codes 903, 923, 943)(tan) (upper)	1	----	2178 878	----	2178 878	
	(lower center)	1	----	2179 713	----	2179 713	
	(lower right)	1	----	2179 727	----	2179 727	
	(glove box door)	1	----	2179 748	----	2179 748	
	(instruments housing)	1	----	2179 762	----	2179 762	
	(ash receiver door)	1	----	2179 776	----	2179 776	
	(heater control housing)	1	----	2179 790	----	2179 790	
	(gear selector housing)	1	----	2179 804	----	2179 804	
	(codes 904, 924, 944)(gray) (upper)	1	----	2178 879	----	2178 879	
	(lower center)	1	----	2179 714	----	2179 714	
	(lower right)	1	----	2179 728	----	2179 728	
	(glove box door)	1	----	2179 749	----	2179 749	
	(instruments housing)	1	----	2179 763	----	2179 763	
	(ash receiver door)	1	----	2179 777	----	2179 777	
	(heater control housing)	1	----	2179 791	----	2179 791	
	(gear selector housing)	1	----	2179 805	----	2179 805	
	(codes 908, 928) (turquoise) (upper)	1	----	2178 880	----	2178 880	
	(lower center)	1	----	2179 715	----	2179 715	
	(lower right)	1	----	2179 729	----	2179 729	
	(glove box door)	1	----	2179 750	----	2179 750	
	(instruments housing)	1	----	2179 764	----	2179 764	
	(ash receiver door)	1	----	2179 778	----	2179 778	
	(heater control housing)	1	----	2179 792	----	2179 792	
	(gear selector housing)	1	----	2179 806	----	2179 806	
	(codes 909, 929, 939, 949) (upper)	1	----	2178 881	----	2178 881	
	(lower center)	1	----	2179 718	----	2179 716	
	(lower right)	1	----	2179 730	----	2179 730	
	(glove box door)	1	----	2179 751	----	2179 751	
	(instruments housing)	1	----	2179 765	----	2179 765	
	(ash receiver door)	1	----	2179 779	----	2179 779	
	(heater control housing)	1	----	2179 793	----	2179 793	
	(gear selector housing)	1	----	2179 807	----	2179 807	
	(codes 925, 955, 975)(red) (upper)	1	----	2178 882	----	2178 882	2178 882
	(lower center)	1	----	2179 717	----	2179 717	2179 717
	(lower right)	1	----	2179 731	----	2179 731	2179 731
	(glove box door)	1	----	2179 752	----	2179 752	2179 752
	(instruments housing)	1	----	2179 766	----	2179 766	2179 766
	(ash receiver door)	1	----	2179 780	----	2179 780	2179 780
	(heater control housing)	1	----	2179 794	----	2179 794	2179 794
	(gear selector housing)	1	----	2179 808	----	2179 808	2179 808
	(codes 956, 957, 976, 977) (upper) (charcoal)	1	----	2178 883	----	2178 883	2178 883
	(lower center)	1	----	2179 718	----	2179 718	2179 718
	(lower right)	1	----	2179 732	----	2179 732	2179 732
	(glove box door)	1	----	2179 753	----	2179 753	2179 753

★ Indicates use as required.

⊠ Indicates parts not listed in any previous parts book.
Jan. 3, 1964 Supersedes Jan. 25, 1963.

Printed in U.S.A.

Prices and specifications subject to change without notice.
Right and left part numbers are on same line,
first number is right, second number is left.

* Indicates change or addition.

CODE	REMARKS	PER CAR	SED.	SP. 4 D.	SUB.	SP. CL. CP.	CV. CP.
23-84-3	PAD, Instrument Panel Trim - Cont'd Y1 (codes 956, 957, 976, 977)						
	(instruments housing)	1	----	2179 767	----	2179 767	2179 767
	(ash receiver door)	1	----	2179 781	----	2179 781	2179 781
	(heater control housing)	1	----	2179 795	----	2179 795	2179 795
	(gear selector housing)	1	----	2179 809	----	2179 809	2179 809
23-84-5	SPACER, Instrument Panel Trim Pad Y1 (base)	3 1	----	2491 097 B2401 230	----	2491 097 B2401 230	2491 097 B2401 230
23-84-30	CUSHION, Steering Wheel Y1						
	(blue)	1	----	2401 682	----	2401 682	2401 682
	(tan)	1	----	2401 683	----	2401 683	2401 683
	(gray)	1	----	2401 684	----	2401 684	2401 684
	(red)	1	----	2401 685	----	2401 685	2401 685
	(charcoal)	1	----	2401 686	----	2401 686	2401 686
	(turquoise)	1	----	2401 687	----	2401 687	2401 687
	(gold)	1	----	2401 688	----	2401 688	2401 688
23-84-31	ORNAMENT, Steering Wheel Cushion Y1	1	----	2401 231	----	2401 231	2401 231
23-86-2	COVER, Top of Roof Outside C3-H (black)	1	----	2182 098			
23-86-3	HEADLINING and LISTING C1-L						
	(code 101)	1		2133 005			
	(code 102)	1		2133 006			
	(codes 103, 105) (alabaster)	1		*2133 007			
	(beige)	1		2134 147			
	(code 108)	1		2133 008			
	(codes 104, 204) (police)	1		2133 009			
	(code 111)	1	----	2133 158	----	2133 158	
	(code 112)	1	----	2133 159	----	2133 159	
	(codes 113, 115) (alabaster)	1	----	*2133 160	----	*2133 160	
	(beige)	1	----	2134 213	----	2134 213	
	(code 201)	1	----	2133 158	----	2133 158	
	(codes 205, 206) (alabaster)	1	----	*2133 160	----	*2133 160	
	(beige)	1	----	2134 213	----	2134 213	
	(code 208) (turquoise)	1	----	2133 162	----	2133 162	
	C2-M						
	(codes 121, 221)	1	----	2133 158	----	2133 158	
	(codes 123, 125, 126, 223, 225, 227, 245) (alabaster)	1	----	*2133 160	----	*2133 160	
	(codes 125, 225, 245) (beige)	1	----	*2134 213	----	*2134 213	
	(code 228)	1	----	2133 162	----	2133 162	
	C3-H						
	(code 141)	1		2133 005		2133 158	
	(code 142)	1		2133 006		2133 159	
	(code 143)	1		2133 007		2133 160	
	(code 144)	1		2133 009		2133 161	
	(code 148)	1		2133 008		2133 162	
	(codes 151, 251)	1	-----			2434 086	
	(codes 153, 253)	1	----			2434 087	
	(code 231)	1	----			2133 158	
	(code 235) (alabaster)	1	----			2133 160	
	(beige)	1	----			2134 213	
	(code 236)	1	----			2133 161	

* Indicates use as required.

B Indicates parts not listed in any previous parts book.

Right and left part numbers are on same line, first number is right, second number is left.

* Indicates change or addition.

Printed in U.S.A.
Prices and specifications subject to change without notice.

Jan. 3, 1964 Supersedes Jan. 25, 1963.

CODE	REMARKS	PER CAR	SED.	SP. 4 D.	SUB.	SP. CL. CP.	CV. CP.
23-86-3	HEADLINING and LISTING - Cont'd C1, C3 (codes 201, 203, 205, 206, 231, 233, 235, 236)(white)						
	(No. 1)	1	----	----	2180 950		
	(No. 2)	1	----	----	2176 826		
	(No. 3)	1	----	----	2180 840		
	(No. 4)	1	----	----	2176 828		
	(No. 5)	1	----	----	2176 829		
	(No. 6)	1	----	----	2176 830		
	(No. 7)	1	----	----	2176 831		
	(attaching clip)	★	----	----	6000 373		
	Y1-L, Y1-M (codes 901, 921, 951)	1	----	2430 246	----	2430 246	
	(codes 903, 923)	1	----	2430 247	----	2430 247	
	(codes 904, 924)	1	----	2430 248	----	2430 248	
	(codes 908, 928)	1	----	2430 250	----	2430 250	
	(codes 956, 957)	1	----	2430 249	----	2430 249	
	(codes 925, 955) (up to serial No. 9233-100154) (alabaster)	1	----	2430 249	----	2430 249	
	(after) (beige)	1	----	2430 393	----	2430 393	
	(codes 909, 929, 939)	1	----	2430 251	----	2430 251	
	Y1-H (code 941)	1	----	2430 306			
	(code 943)	1	----	2430 307			
	(code 944)	1	----	2430 308			
	(code 949)	1	----	2430 309			
	(codes 976, 977)	1	----	2430 310			
	(code 975) (up to serial No. 9233-100154) (alabaster)	1	----	2430 310	----	2430 310	
	(after) (beige)	1	----	2430 395	----	2430 395	
23-86-8	RETAINER, Roof Panel Cover C3-H (side)	1	----	*2480 204-5			
	(rear)	1	----	*2480 002			
	Y1 (side front)	1	----	*2483 788-9	----	*2483 788-9	
	(side rear)	1	----	*2483 790-1	----	*2483 790-1	
23-86-10	SUPPORT, Roof Bow C1, C2, C3 (steel)						
	(No. 1)	1	----	----	1954 682		
	(No. 2)	1	----	----	1961 243		
	(No. 3 & 4)	1	----	----	1961 244		
	Y1 (front & rear panel)	2	----	2422 238	----	2422 238	
23-86-13	FILLER, Air Conditioning Roof Evaporating Unit Trim C1, C3	1	----	----	1914 582		
23-86-14	PAD, Air Conditioning Evaporating Unit Trim C1, C3 (paint as required)	1	----	----	2171 580		
23-86-15	PANEL, Under Rear Window Y1-H (code 941)	1	----	2430 316			
	(code 943)	1	----	2430 317			
	(code 944)	1	----	2430 318			
	(code 949)	1	----	2430 319			
	(codes 975, 976, 977)						
	(alabaster)	1	----	2430 320			
	(code 975) (beige)	1	----	2430 397			

★ Indicates use as required.

⊔ Indicates parts not listed in any previous parts book.

Jan. 3, 1964 Supersedes Jan. 25, 1963.

Printed in U.S.A.

Prices and specifications subject to change without notice.

Right and left part numbers are on same line,
first number is right, second number is left.

* Indicates change or addition.

CODE	REMARKS	PER CAR	SED.	SP. 4 D.	SUB.	SP. CL. CP.	CV. CP.
23-86-19	STRIP, Roof Headlining Retaining						
	C1, C2, C3 Front	1	2244 428-9				
	Rear	1	2244 430-1				
	(fastener)	18	6000 922				
Y1	(shelf panel)	2	----	2217 910	----	2217 910	
	(screw)(to rear window	1	----	2080 958-9	----	2080 958-9	
	side frame and roof						
	side rail)	★	----	6023 497	----	6023 497	
	(fastener)	★	6000 922	6000 922	----	6000 922	
23-86-24	RETAINER, Roof Inside Finish						
	Panel						
	C1, C2, C3						
	(roof headlining to roof						
	moulding)	1	----	2419 619	----	2419 619	
	(No. 1)	1	----	----	2086 143		
	(No. 2)	1	----	----	2086 142		
(No. 3)	1	----	----	2086 145			
(Nos. 4 & 5)	1	----	----	2086 146			
(No. 6)	1	----	----	2086 148			
Y1	(header trim)	1	----	*2188 680-1	----	*2188 680-1	
23-86-35	MOULDING, Roof Inside						
	Finish Panel						
	C1, C3 (finish panel) (plastic)						
	(chrome) (Nos. 1, 2, 3, 4, 6)	1	----	----	1905 449		
	(No. 5)	1	----	----	1759 686		
	(No. 1)	1	----	2419 531	----	2419 531	
(No. 2)	1	----	2419 532	----	2419 532		
(No. 3)	1	----	2419 533	----	2419 533		
23-86-36	CAP, Roof Inside Finish Moulding						
	C1, C3 (chrome)	12	----	----	1759 636		
23-91-6	PANEL, Cowl Trim						
	C1, C2, C3 (paint as required)	1	2086 612-3	2086 612-3	2086 612-3	2086 612-3	2086 612-3
	C3-H						
	(codes 151, 251) (blue)	1	----	⊠2182 364-5			
	(codes 153, 253) (beige)	1	----	⊠2182 366-7			
Y1		1	----	2241 520-1	----	2241 520-1	2241 520-1
23-92-5	PANEL, Door Trim						
	C1-L						
	(code 101) Front	1	2178 452-3				
	Rear	1	2178 454-5				
	(code 102) Front	1	2178 456-7				
	Rear	1	2178 458-9				
	(code 103) Front	1	2178 462-3				
	Rear	1	2178 464-5				
	(code 105) Front	1	2178 466-7				
	Rear	1	2178 468-9				
	(code 108) Front	1	2178 472-3				
	Rear	1	2178 474-5				
	(codes 104, 204) (police)						
	Front	1	2179 546-7				
	Rear	1	⊠2179 548-9				
	(codes 111, 201) Front	1	----	2178 476-7	2178 476-7	2178 518-9	2178 518-9
	Rear	1	----	2178 478-9	2180 226-7		
(code 112) Front	1	----	2178 482-3	----	2178 522-3	2178 522-3	
Rear	1	----	2178 484-5	----	----	----	
(codes 113, 203) Front	1	----	2178 486-7	2178 486-7	2178 526-7	2178 526-7	
Rear	1	----	2178 488-9	2178 506-7			

★ Indicates use as required.

⊠ Indicates parts not listed in any previous parts book.

Right and left part numbers are on same line, first number is right, second number is left.

* Indicates change or addition.

Printed in U.S.A.

Prices and specifications subject to change without notice.

Jan. 3, 1964 Supersedes Jan. 25, 1963.

1963 PASSENGER CAR PARTS CATALOG

INTERIOR TRIM

CODE	REMARKS	PER CAR	SED.	SP. 4 D.	SUB.	SP. CL. CP.	CV. CP.
23-92-5	PANEL, Door Trim - Cont'd						
	C1-L						
	(codes 115,205) Front	1	----	2178 492-3	2178 492-3	2178 530-1	2178 530-1
	Rear	1	----	2178 494-5	2178 508-9		
	(code 206) Front	1	----	2178 496-7	2178 496-7	2178 536-7	2178 536-7
	Rear	1	----	2178 498-9	2178 510-1		
	(code 208) Front	1	----	2178 502-3	----	2178 540-1	2178 540-1
	Rear	1	----	2178 504-5			
	C2-M						
	(codes 121,221) Front	1	----	2180 214-5	----	2180 818-9	2180 818-9
	Rear	1	----	2180 216-7			
	(codes 123,223) Front	1	----	2179 006-7	----	2179 032-3	2179 032-3
	Rear	1	----	2179 008-9			
	(codes 125,225) Front	1	----	2179 012-3	----	2179 036-7	2179 036-7
	Rear	1	----	2179 014-5			
	(code 126) Front	1	----	2179 016-7			
	Rear	1	----	2179 018-9			
	(code 227) Front	1	----	2179 016-7	----	2179 046-7	2179 046-7
	Rear	1	----	2179 018-9			
	(code 228) Front	1	----	2179 026-7	----	2179 052-3	2179 052-3
	Rear	1	----	2179 028-9			
	(code 245) Front	1	----	2179 012-3	----		2179 036-7
	Rear	1	----	2179 014-5			
	C3-H						
	(codes 141,231) Front	1	2179 282-3	2179 308-9			
	Rear	1	2179 284-5	2179 310-1			
	(code 142) Front	1	2179 286-7	2179 312-3			
	Rear	1	2179 288-9	2179 314-5			
	(codes 143,233) Front	1	2179 290-1	2179 316-7			
	Rear	1	2179 292-3	2179 318-9			
	(code 144) Front	1	2179 294-5	2179 320-1			
	Rear	1	2179 296-7	2179 322-3			
	(code 148) Front	1	2179 298-9	2179 324-5			
	Rear	1	2179 300-1	2179 326-7			
	(codes 151,251) Front	1	----	2182 100-1			
	Rear	1	----	2182 102-3			
	(codes 153,253) Front	1	----	2182 106-7			
	Rear	1	----	2182 108-9			
	(code 231) Front	1	----	----	2179 308-9		
	Rear	1	----	----	2180 854-5		
	(code 233) Front	1	----	----	2179 316-7		
	Rear	1	----	----	2179 340-1		
	(code 235) Front	1	----	2179 328-9	2179 328-9		
	Rear	1	----	2179 330-1	2179 342-3		
	(code 236) Front	1	----	2179 332-3	2179 332-3		
	Rear	1	----	2179 334-5	2179 344-5		
	(code 238) Front	1	----	2179 324-5			
	Rear	1	----	2179 326-7			
	(screw w/washer)	4	6023 476	6023 476	6023 476	6023 476	6023 476
	Y1-L						
	(code 901) Front	1	----	2179 076-7	----	2179 194-5	
	Rear	1	----	2179 078-9			
	(code 903) Front	1	----	2179 080-1	----	2179 198-9	
	Rear	1	----	2179 082-3			
	(code 904) Front	1	----	2179 084-5	----	2179 202-3	
	Rear	1	----	2179 086-7			
	(code 908) Front	1	----	2179 088-9	----	2179 206-7	
	Rear	1	----	2179 090-1			
	(code 909) Front	1	----	2179 092-3	----	2179 210-1	
	Rear	1	----	2179 094-5			
	(fastener)	★	975 633	975 633	----	975 633	975 633
	(screw w/washer)	★	6023 476				

★ Indicates use as required.

⊠ Indicates parts not listed in any previous parts book.
Jan. 3, 1964 Supersedes Jan. 25, 1963.

Printed in U.S.A.

Prices and specifications subject to change without notice.

Right and left part numbers are on same line,
first number is right, second number is left.

* Indicates change or addition.

CODE	REMARKS	PER CAR	SED.	SP. 4 D.	SUB.	SP. CL. CP.	CV. CP.
23-92-5	PANEL, Door Trim - Cont'd Y1-M						
	(code 921) Front	1	----	2179 112-3	----	2179 222-3	
	Rear	1	----	2179 114-5			
	(code 923) Front	1	----	2179 116-7	----	2179 226-7	
	Rear	1	----	2179 118-9			
	(code 924) Front	1	----	2179 120-1	----	2179 230-1	
	Rear	1	----	2179 122-3			
	(code 925) Front	1	----	2179 124-5	----	2179 234-5	
	Rear	1	----	2179 126-7			
	(code 928) Front	1	----	2179 128-9	----	2179 238-9	
	Rear	1	----	2179 130-1			
	(codes 929, 939) Front	1	----	2179 132-3	----	2179 242-3	
	Rear	1	----	2179 134-5			
	(code 951) Front	1	----	2179 112-3	----	2179 222-3	2179 222-3
	Rear	1	----	2179 114-5			
	(code 955) Front	1	----	2179 124-5	----	2179 234-5	2179 234-5
	Rear	1	----	2179 126-7			
	(code 956) Front	1	----	2179 150-1	----	2179 246-7	2179 246-7
	Rear	1	----	2179 152-3			
	(code 957) Front	1	----	2179 154-5	----	2179 250-1	2179 250-1
	Rear	1	----	2179 156-7			
	Y1-H						
	(code 941) Front	1	----	2179 162-3			
	Rear	1	----	2179 164-5			
	(code 943) Front	1	----	2179 166-7			
	Rear	1	----	2179 168-9			
	(code 944) Front	1	----	2179 170-1			
	Rear	1	----	2179 172-3			
	(code 949) Front	1	----	2179 174-5			
	Rear	1	----	2179 176-7			
	(code 975) Front	1	----	2179 180-1			
	Rear	1	----	2179 182-3			
	(code 977) Front	1	----	2179 184-5			
	Rear	1	----	2179 186-7			
	(code 976) Front	1	----	2180 792-3			
	Rear	1	----	2180 794-5			
	Fastener	★	6000 365	6000 365	6000 365	6000 365	6000 365
	Screw & Washer	★	6023 476	6023 476	6023 476	6023 476	6000 106
	Screw (door trim panel at belt retainer)	★	----	9413 197	----	9413 197	
23-92-8	FASTENER, Quarter Trim Panel C1, C2, Y1	★	975 633	975 633	----	975 633	975 633
23-92-25	RETAINER, Door Trim Panel at Belt Y1	4	----	2161 879	----	2161 879	2161 879
23-96-3	PANEL, Luggage Compartment Front Lining C1, C2, C3 Y1	1 1	2180 880 ----	2180 880 2178 193	----	2180 880 2178 193	E2180 973 2175 373
23-96-8	PANEL or COVER, Luggage Compartment Side C1, C2, C3 (paint as required) (codes 151, 251, 153, 253) (code 201) (code 203) (code 205) (code 206)	1 1 1 1 1	2180 882-3 ----	2180 882-3 2434 214-5 ----	----	2180 882-3	2180 976-7
					2180 200-1		
					2180 110-1		
					2180 112-3		
					2180 114-5		

★ Indicates use as required.

⊠ Indicates parts not listed in any previous parts book.
Right and left part numbers are on same line,
first number is right, second number is left.

* Indicates change or addition.

Printed in U.S.A.
Prices and specifications subject to change without notice.
Jan. 3, 1964 Supersedes Jan. 25, 1963.

1963 PASSENGER CAR PARTS CATALOG

INTERIOR TRIM

CODE	REMARKS	PER CAR	SED.	SP. 4 D.	SUB.	SP. CL. CP.	CV. CP.
23-96-8	PANEL or COVER, Luggage Compartment Side - Cont'd C1, C2, C3 (rear sill cover)(vinyl)						
	(codes 201, 231)	1	----	----	*2434 206		
	(codes 203, 233)	1	----	----	2434 207		
	(codes 205, 235)	1	----	----	2434 208		
	(codes 206, 236)	1	----	----	2434 209		
	C3-H (w/ledge cover)						
	(code 231)	1	----	----	2134 900-1		
	(code 233)	1	----	----	2134 902-3		
	(code 235)	1	----	----	2134 904-5		
	(code 236)	1	----	----	2134 906-7		
	(panel)						
	(code 231)	1	----	----	*2180 212-3		
	(code 233)	1	----	----	2180 128-9		
	(code 235)	1	----	----	2180 130-1		
	(code 236)	1	----	----	2180 132-3		
	Y1 (paint as required)(gray)	1	----	2180 700-1	----	2180 700-1	2180 702-3
23-96-10	COVER, Luggage Compartment Deck Opening Lower Y1	1	----	B2295 582	----	B2295 582	B2295 582
23-99-4	COVER, Center Pillar Trim C1, C2, C3 (paint as required) Y1 (paint as required)	1 1	----	*2802-3 VT8 2179 910-1	*2802-3 VT8 ----	*2802-3 VT8 2179 910-1	*2802-3 VT8 2179 910-1
23-99-41	COVER, Center Pillar Trim Retainer Y1 (sold by the inch)						
	(codes 901, 921, 941, 951) (blue)	★	----	2181 796			
	(codes 903, 923, 943) (tan)	★	----	2181 797			
	(codes 904, 924, 944) (gray)	★	----	2181 798			
	(codes 908, 928) (turquoise)	★	----	2181 799			
	(codes 909, 929, 939, 949) (gold)	★	----	2181 800			
	(codes 925, 955, 975) (red)	★	----	2181 801			
	(codes 956, 976) (black)	★	----	2181 802			
	(codes 957, 977) (alabaster)	★	----	2181 803			
23-101-3	PANEL, Rear Quarter Trim C1-L						
	(code 101)	1	2134 530-1				
	(code 102)	1	2134 532-3				
	(code 103)	1	2134 534-5				
	(code 105)	1	2134 536-7				
	(code 108)	1	2134 538-9				
	(code 104) (police)	1	2134 506-7				
	(code 204) (police)	1	2133 716-7				
	(code 111)	1	----	2134 992-3	----	2178 520-1	
	(code 112)	1	----	2134 994-5	----	2178 524-5	
	(code 113)	1	----	2134 996-7	----	2178 528-9	
	(code 115)	1	----	2134 988-9	----	2178 532-3	
	(code 201)	1	----	2134 942-3	----	2178 520-1	2180 196-7
	(code 203)	1	----	----	----	----	2180 198-9
	(code 205)	1	----	2134 988-9	----	2178 532-3	2178 548-9
	(code 206)	1	----	2134 618-9	----	2178 538-9	2178 550-1
	(code 208)	1	----	2134 990-1	----	2178 542-3	2178 552-3
	C2-M						
	(code 121)	1	----	2134 620-1	----	----	----
	(code 123)	1	----	2134 622-3	----	----	----

★ Indicates use as required.
 B Indicates parts not listed in any previous parts book.
 Jan. 3, 1964 Supersedes Jan. 25, 1963.

Printed in U.S.A.
 Prices and specifications subject to change without notice.
 Right and left part numbers are on same line,
 first number is right, second number is left.
 * Indicates change or addition.

CODE	REMARKS	PER CAR	SED.	SP. 4 D.	SUB.	SP. CL. CP.	CV. CP.
23-101-3	PANEL, Rear Quarter Trim - Cont'd C2-M						
	(code 125)	1	----	2134 988-9	----	----	----
	(code 126)	1	----	2134 618-9	----	----	----
	(code 221)	1	----	2134 620-1	----	*2180 820-1	2180 822-3
	(code 223)	1	----	2134 622-3	----	2179 034-5	2179 060-1
	(codes 225, 245)	1	----	2134 988-9	----	2179 038-9	2179 062-3
	(code 227)	1	----	2134 618-9	----	2179 048-9	2179 066-7
	(code 228)	1	----	2134 990-1	----	2179 054-5	2179 068-9
	C3-H						
	(code 141)	1	2134 500-1	2134 992-3			
	(code 142)	1	2134 502-3	2134 994-5			
	(code 143)	1	2134 504-5	2134 996-7			
	(code 144)	1	2134 506-7	2134 998-9			
	(code 148)	1	2134 508-9	2134 990-1			
	(codes 151, 251) (upper)	1	----	2434 152-3			
	(lower)	1	----	2434 136-7			
	(codes 153, 253) (upper)	1	----	2434 154-5			
	(code 231)	1	----	2134 992-3			
	(lower)	1	----	2434 138-9			
	(code 233)	1	----	2134 996-7			
	(code 235)	1	----	2134 988-9			
	(code 236)	1	----	2134 624-5			
	(screw w/washer)	★	6023 476	6023 476	----	6023 476	6023 476
	Y1-L						
	(code 901)	1	----	2295 360-1	----	2179 196-7	
	(code 903)	1	----	2295 362-3	----	2179 200-1	
	(code 904)	1	----	2295 364-5	----	2179 204-5	
	(code 908)	1	----	2295 372-3	----	2179 208-9	
	(code 909)	1	----	2295 374-5	----	2179 212-3	
	Y1-M						
	(code 921)	1	----	2295 360-1	----	2179 224-5	
	(code 923)	1	----	2295 362-3	----	2179 228-9	
	(code 924)	1	----	2295 364-5	----	2179 232-3	
	(code 925)	1	----	2295 366-7	----	2179 236-7	
	(code 928)	1	----	2295 372-3	----	2179 240-1	
	(codes 929, 939)	1	----	2295 374-5	----	2179 244-5	
	(code 951)	1	----	2295 360-1	----	2179 224-5	2179 258-9
	(code 955)	1	----	2295 366-7	----	2179 236-7	2179 260-1
	(code 956)	1	----	2295 368-9	----	2179 248-9	2179 262-3
	(code 957)	1	----	2295 370-1	----	2179 252-3	2179 264-5
	(fastener)	★	----	975 633	----	975 633	975 633
	Y1-H						
	(code 941)	1	----	2295 360-1			
	(code 943)	1	----	2295 362-3			
	(code 944)	1	----	2295 364-5			
	(code 949)	1	----	2295 374-5			
	(code 975)	1	----	2295 366-7			
	(code 976)	1	----	2295 368-9			
	(code 977)	1	----	2295 370-1			
	(fastener)	★	6000 365	----	----	6000 365	6000 365
23-102-3	PANEL, Shelf Trim C1, C2, C3						
	(paint as required)						
	(black)	1	2179 274	2179 274	----	2179 274	
	Y1 (paint as required)						
	(charcoal)	1	----	2180 689	----	2180 689	
	(fastener)	★	6000 903	6000 903	----	6000 903	

★ Indicates use as required.

⊔ Indicates parts not listed in any previous parts book.
Right and left part numbers are on same line,
first number is right, second number is left.

* Indicates change or addition.

Printed in U.S.A.

Prices and specifications subject to change without notice.

1963 PASSENGER CAR PARTS CATALOG

INTERIOR TRIM

CODE	REMARKS	PER CAR	SED.	SP. 4 D.	SUB.	SP. CL. CP.	CV. CP.
23-103-3	PANEL, Visor Trim C1, C2, C3 (codes 101, 111, 121, 141, 201, 221, 231) (blue)	2	⊖2182 213	⊖2182 213	----	⊖2182 213	
	(codes 102, 112, 142)(green)	2	⊖2182 214	⊖2182 214	----	⊖2182 214	
	(codes 104, 144, 204, 206, 236)(gray)	2	2178 586	2178 586			
	(codes 103, 105, 113, 115, 123, 125, 126, 143, 205, 206, 223, 225, 227, 235, 245) (alabaster)	2	⊖2182 215	⊖2182 215	----	⊖2182 215	
	(codes 105, 115, 125, 205, 225, 235, 245) (beige)	2	⊖2182 218	⊖2182 218	----	⊖2182 218	
	(codes 108, 148, 208, 228) (turquoise)	2	⊖2182 216	⊖2182 216	----	⊖2182 216	
	(codes 151, 251) (blue)	2	----	2182 140			
	(codes 153, 253) (beige)	2	----	2182 141			
	(codes 201, 203, 205, 206, 231, 233, 235, 236, 245)(white) (w/inst. panel mounted mirror) (white)	2	----	----	2180 075		
	(code 201) (blue)	2	----	----	2179 401		
	(code 203) (tan)	2	----	----	----	----	2180 863
	(code 221) (blue)	2	----	----	----	----	2180 862
							2180 860
	(code 223)(up to serial No. 218920) (tan)	2	----	----	----	----	*2178 564
	(after) (tan)	2	----	----	----	----	*2180 862
	(codes 205, 225, 245) (red)	2	----	----	----	----	2178 566
	(code 206) (black)	2	----	----	----	----	2178 568
	(code 227) (alabaster)	2	----	----	----	----	2178 572
	(codes 208, 228) (turquoise)	2	----	----	----	----	2178 570
	(padded) (white)	2	2178 557	2178 557	2212 272	2178 557	
	Y1-L, Y1-M (codes 901, 921, 951)(blue)	2	----	2179 834	----	2179 834	
	(codes 903, 923) (tan)	2	----	2179 835	----	2179 835	
	(codes 904, 924) (gray)	2	----	2179 836	----	2179 836	
	(codes 956, 957) (alabaster)	2	----	2179 839	----	2179 839	
	(codes 908, 928) (turquoise)	2	----	2179 837	----	2179 837	
	(codes 909, 929) (gold)	2	----	2179 838	----	2179 838	
	Y1-M (code 951) (blue)	2	----	----	----	----	2179 855
	(code 955) (red)	2	----	----	----	----	2179 856
	(codes 956, 957) (charcoal)	2	----	----	----	----	2179 857
	Y1-H (code 941) (blue)	2	----	2179 834	----		
	(code 943) (tan)	2	----	2179 835	----		
	(code 944) (gray)	2	----	2179 836	----		
	(codes 939, 949) (gold)	2	----	2179 838	----		
	(codes 977) (alabaster)	2	----	2179 839	----		
	Y1-L, Y1-M, Y1-H (codes 925, 955, 975) (up to serial No. 9233-100154) (alabaster)	2	----	2179 839	----	2179 839	
	(after) (beige)	2	----	2178 175	----	2178 175	

★ Indicates use as required.

⊖ Indicates parts not listed in any previous parts book.
Jan. 3, 1964 Supersedes Jan. 25, 1963.

Printed in U.S.A.

Prices and specifications subject to change without notice.

Right and left part numbers are on same line,
first number is right, second number is left.

* Indicates change or addition.

CODE	REMARKS	PER CAR	SED.	SP. 4 D.	SUB.	SP. CL. CP.	CV. CP.
23-103-10	ARM and BRACKET, Visor C1, C2, C3 (chrome) (tension spring washer) (w/dual air cond.) Y1	1	2292 946-7	2292 946-7	2292 946-7	2292 946-7	1954 926-7
		2	6000 106	6000 106	6000 106	6000 106	6000 106
		2	----	----	*2292 108-9	----	----
		1	----	2085 242-3	----	2085 242-3	2161 588-9
23-103-34	SPRING, w/HOOK, Windshield Upper Garnish Moulding Visor Y1	2	----	1900 776	----	1900 776	2161 810
23-103-37	SPACER, Visor Support Hook C1, C3 Screw (attaching)	1	----	----	2165 039	----	----
		1	----	----	* 274 109	----	----
23-103-48	SUPPORT, Visor Inner C1, C2, C3 (for padded visor) (long) Y1-M	2	2162 628	2162 628	2162 628	2162 628	2162 628
		2	----	----	2193 096	----	----
		2	----	2161 687	----	2161 687	2241 382
23-108-4	CUSHION, Front Seat C1-L (code 101) (w/airfoam pad) (6 way elec.) (6 way elec. w/airfoam pad) (code 102) (w/airfoam pad) (6 way elec.) (6 way elec. w/airfoam pad)	1	2133 052	----	----	----	----
		1	2133 137	----	----	----	----
		1	2133 122	----	----	----	----
		1	2133 147	----	----	----	----
		1	2133 053	----	----	----	----
		1	2133 138	----	----	----	----
		1	2133 123	----	----	----	----
		1	2133 148	----	----	----	----
		1	2133 054	----	----	----	----
		1	2133 139	----	----	----	----
		1	2133 124	----	----	----	----
		1	2133 149	----	----	----	----
		1	2133 055	----	----	----	----
23-108-4	(code 103) (w/airfoam pad) (6 way elec.) (6 way elec. w/airfoam pad) (code 105) (w/airfoam pad) (6 way elec.) (6 way elec. w/airfoam pad)	1	2133 056	----	----	----	----
		1	2133 141	----	----	----	----
		1	2133 126	----	----	----	----
		1	2133 151	----	----	----	----
		1	2133 065	----	----	----	----
		1	2133 549	----	----	----	----
		1	2134 373	----	----	----	----
		1	2134 374	----	----	----	----
		1	2134 375	----	----	----	----
		1	2134 376	----	----	----	----
23-108-4	(code 108) (w/airfoam pad) (6 way elec.) (6 way elec. w/airfoam pad) (code 104) (code 204) (police) (code 101) (code 102) (code 103) (code 105) (code 108)	1	2134 377	----	----	----	----
		1	----	2133 206	----	2133 334	----
		1	----	2133 286	----	2133 390	----
		1	----	2133 274	----	2133 378	----
		1	----	2133 294	----	2133 398	----
		1	----	2133 207	----	2133 335	----
		1	----	2133 287	----	2133 391	----
		1	----	2133 275	----	2133 379	----
		1	----	2133 295	----	2133 399	----
		1	----	2133 208	----	2133 336	----
23-108-4	(code 111) (w/airfoam pad) (6 way elec.) (6 way elec. w/airfoam pad) (code 112) (w/airfoam pad) (6 way elec.) (6 way elec. w/airfoam pad)	1	----	2133 288	----	2133 392	----
		1	----	2133 276	----	2133 380	----
		1	----	2133 296	----	2133 400	----
		1	----	2133 296	----	2133 400	----

★ Indicates use as required.

☐ Indicates parts not listed in any previous parts book.

Right and left part numbers are on same line,
first number is right, second number is left.

* Indicates change or addition.

Printed in U.S.A.
Prices and specifications subject to change without notice.

Jan. 3, 1964 Supersedes Jan. 25, 1963.

CODE	REMARKS	PER CAR	SED.	SP. 4 D.	SUB.	SP. CL. CP.	CV. CP.
23-108-4	CUSHION, Front Seat - Cont'd C1-L						
	(code 115)	1	----	2133 209	----	2133 337	
	(w/airfoam pad)	1	----	2133 289	----	2133 393	
	(6 way elec.)	1	----	2133 277	----	2133 381	
	(6 way elec. w/airfoam pad)	1	----	2133 297	----	2133 401	
	(code 201)	1	----	2134 689	2134 689	2134 677	2134 677
	(6 way elec.)	1	----	----	2134 706		
	(police and ambulance)	1	----	----	2134 762		
	(code 203)	1	----	2133 422	----	----	2134 678
	(police and ambulance)	1	----	----	2134 228		
	(6 way electric)	1	----	2133 466			
	(code 205)	1	----	2133 423	----	2133 540	2133 540
	(police and ambulance)	1	----	----	2134 229		
	(6 way elec.)	1	----	2133 467	----	2133 575	2133 575
	(code 206)	1	----	2133 424	----	2133 541	2133 541
	(police and ambulance)	1	----	----	2134 230		
	(6 way elec.)	1	----	2133 468	----	2133 712	2133 712
	(code 208)	1	----	2133 425	----	2133 542	2133 542
	(6 way elec.)	1	----	2133 469	----	2133 713	2133 713
	C2-M						
	(code 121)	1	----	2134 654			
	(6 way elec.)	1	----	2134 670			
	(code 123)	1	----	2133 847			
	(6 way elec.)	1	----	2133 868			
	(code 125)	1	----	2133 848			
	(6 way elec.)	1	----	2133 869			
	(code 126)	1	----	2133 849			
	(6 way elec.)	1	----	2133 870			
	(code 221)	2	----	2134 814	----	2134 814	2134 814
	Center	1	----	2134 816	----	2134 816	2134 816
	(code 223)	2	----	2133 642	----	2133 642	2133 642
	Center	1	----	2134 293	----	2134 293	2134 293
	(code 225)	2	----	2133 643	----	2133 643	2133 643
	Center	1	----	2133 663	----	2133 663	2133 663
	(code 227)	2	----	2133 645	----	2133 645	2133 645
	Center	1	----	2133 665	----	2133 665	2133 665
	(code 228)	2	----	2133 646	----	2133 646	2133 646
	Center	1	----	2133 666	----	2133 666	2133 666
	(code 245)	2	----	2134 927	----	2134 927	2134 927
	Center	1	----	2134 647	----	2134 647	2134 647
	SCREW & WASHER (center cushion to mounting bracket)	★	----	* 180 077	----	* 180 077	* 180 077
	C3-H						
	(code 141)	1	2133 955	2133 955			
	(6 way elec.)	1	2134 035	2134 035			
	(code 142)	1	2133 956	2133 956			
	(6 way elec.)	1	2134 036	2134 036			
	(code 143)	1	2133 957	2133 957			
	(6 way elec.)	1	2134 037	2134 037			
	(code 144)	1	2133 958	2133 958			
	(6 way elec.)	1	2134 038	2134 038			
	(code 148)	1	2133 959	2133 959			
	(6 way elec.)	1	2134 039	2134 039			
	(code 151)	1	----	2434 020			
	(code 251)	1	----	2434 021			
	(code 153)	1	----	2434 062			
	(code 253)	1	----	2434 063			
	(code 231)	2	----	2134 873	2134 873		
	(code 233)	1	----	2134 875	2134 875		
	Center	2	----	----	2133 888		
	Center	1	----	----	2133 662		

★ Indicates use as required.

ⓑ Indicates parts not listed in any previous parts book.

Jan. 3, 1964 Supersedes Jan. 25, 1963.

* Indicates change or addition.

Printed in U.S.A.

Prices and specifications subject to change without notice.

Right and left part numbers are on same line,
first number is right, second number is left.

CODE	REMARKS	PER CAR	SED.	SP. 4 D.	SUB.	SP. CL. CP.	CV. CP.
23-108-4	CUSHION, Front Seat - Cont'd						
	C3-H						
	(code 235)	2	----	2133 889	2133 889		
	Center	1	----	2133 663	2133 663		
	(code 236)	2	----	2133 890	2133 890		
	Center	1	----	2133 664	2133 664		
	Y1-L						
	(code 901)	1	----	2295 821	----	2295 836	
	(6 way elec.)	1	----	2295 826	----	2295 841	
	(code 903)	1	----	2295 822	----	2295 837	
	(6 way elec.)	1	----	2295 827	----	2295 842	
	(code 904)	1	----	2295 823	----	2295 838	
	(6 way elec.)	1	----	2295 828	----	2295 843	
	(code 908)	1	----	2295 824	----	2295 839	
	(6 way elec.)	1	----	2295 829	----	2295 844	
	(code 909)	1	----	2295 825	----	2295 840	
	(6 way elec.)	1	----	2295 830	----	2295 845	
	Y1-M						
	(code 921)	1	----	2430 140	----	2430 140	
	(code 923)	1	----	2430 141	----	2430 141	
	(code 924)	1	----	2430 142	----	2430 142	
	(code 925)	1	----	2430 143	----	2430 143	
	(code 928)	1	----	2430 144	----	2430 144	
	(code 929)	1	----	2430 145	----	2430 145	
	(code 939)	1	----	2430 358	----	2430 358	
	(code 951)	1	----	2430 150	----	2430 150	2430 150
	(code 955)	1	----	2430 151	----	2430 151	2430 151
	(code 956)	1	----	2430 152	----	2430 152	2430 152
	(code 957)	1	----	2430 153	----	2430 153	2430 153
	Y1-H						
	(code 941)	1	----	2430 060			
	(code 943)	1	----	2430 061			
	(code 944)	1	----	2430 062			
	(code 949)	1	----	2430 063			
	(code 975)	1	----	2430 151			
	(code 976)	1	----	2430 152			
	(code 977)	1	----	2430 153			
23-108-5	COVER, Front Seat Cushion						
	C1-L						
	(code 101)	1	2133 057				
	(code 102)	1	2133 058				
	(code 103)	1	2133 059				
	(code 105)	1	2133 060				
	(code 108)	1	2133 061				
	(code 104) (police)	1	2133 066				
	(code 204) (police)	1	2133 550				
	(code 111)	1	----	2133 210	----	2133 338	
	(code 112)	1	----	2133 211	----	2133 339	
	(code 113)	1	----	2133 212	----	2133 340	
	(code 115)	1	----	2133 213	----	2133 341	
	C1-L, C2-M						
	(code 201)	1	----	*2134 690	*2134 690	*2134 746	*2134 746
	(code 203)	1	----	----	2133 426	----	2134 747
	(code 205)	1	----	2133 427	2133 427	2133 543	2133 543
	(code 206)	1	----	2133 428	2133 428	2133 544	2133 544
	(code 208)	1	----	2133 429	----	2133 545	2133 545
	(code 121)	1	----	2134 655			
	(code 123)	1	----	2133 850			
	(code 125)	1	----	2133 851			
	(code 126)	1	----	2133 852			

★ Indicates use as required.
 B Indicates parts not listed in any previous parts book.
 Right and left part numbers are on same line,
 first number is right, second number is left.
 * Indicates change or addition.

Printed in U.S.A.
 Prices and specifications subject to change without notice.
 Jan. 3, 1964 Supersedes Jan. 25, 1963.

CODE	REMARKS	PER CAR	SED.	SP. 4 D.	SUB.	SP. CL. CP.	CV. CP.
23-108-5	COVER, Front Seat Cushion - Cont'd						
	C1-L, C2M						
	(code 221)	2	----	2134 815	----	2134 815	2134 815
	Center	1	----	2134 817	----	2134 817	2134 817
	(code 223)	2	----	2133 647	----	2133 647	2133 647
	Center	1	----	2134 294	----	2134 294	2134 294
	(code 225)	2	----	2133 648	----	2133 648	2133 648
	Center	1	----	2133 668	----	2133 668	2133 668
	(code 227)	2	----	2133 650	----	2133 650	2133 650
	Center	1	----	2133 670	----	2133 670	2133 670
	(code 228)	2	----	2133 651	----	2133 651	2133 651
	Center	1	----	2133 671	----	2133 671	2133 671
	(code 245)	2	----	2134 928	----	2134 928	2134 928
	Center	1	----	2134 648	----	2134 648	2134 648
	C3-H						
	(code 141)	1	2133 960	2133 960			
	(code 142)	1	2133 961	2133 961			
	(code 143)	1	2133 962	2133 962			
	(code 144)	1	2133 963	2133 963			
	(code 148)	1	2133 964	2133 964			
	(code 151)	1	----	2434 022			
	(code 153)	1	----	2434 023			
	(code 251)	1	----	2434 064			
	(code 253)	1	----	2434 065			
	(code 231)	2	----	2134 874	2134 874		
	Center	1	----	2134 876	2134 876		
	(code 233)	2	----	----	2133 892		
	Center	1	----	----	2133 667		
	(code 235)	2	----	2133 893	2133 893		
	Center	1	----	2133 668	2133 668		
	(code 236)	2	----	2133 894	2133 894		
	Center	1	----	2133 669	2133 669		
	C3-H (body cloth)						
	(code 141)	1	B2434 305	B2434 305			
	(code 143)	1	B2434 306	B2434 306			
	(code 148)	1	B2434 307	B2434 307			
	Y1-L						
	(code 901)	1	----	2295 816	----	2295 831	
	(code 903)	1	----	2295 817	----	2295 832	
	(code 904)	1	----	2295 818	----	2295 833	
	(code 908)	1	----	2295 819	----	2295 834	
	(code 909)	1	----	2295 820	----	2295 835	
	Y1-M						
	(code 921)	1	----	2430 134	----	2430 134	
	(code 923)	1	----	2430 135	----	2430 135	
	(code 924)	1	----	2430 136	----	2430 136	
	(code 925)	1	----	2430 137	----	2430 137	
	(code 928)	1	----	2430 138	----	2430 138	
	(code 929)	1	----	2430 139	----	2430 139	
	(code 939)	1	----	2430 359	----	2430 359	
	(code 951)	1	----	2430 146	----	2430 146	2430 146
	(code 955)	1	----	2430 147	----	2430 147	2430 147
	(code 956)	1	----	2430 148	----	2430 148	2430 148
	(code 957)	1	----	2430 149	----	2430 149	2430 149
	Y1-H						
	(code 941)	1	----	2430 056			
	(code 943)	1	----	2430 057			
	(code 944)	1	----	2430 058			
	(code 949)	1	----	2430 059			

★ Indicates use as required.

⊠ Indicates parts not listed in any previous parts book.

Jan. 3, 1964 Supersedes Jan. 25, 1963.

Printed in U.S.A.

Prices and specifications subject to change without notice.

Right and left part numbers are on same line,
first number is right, second number is left.

* Indicates change or addition.

CODE	REMARKS	PER CAR	SED.	SP. 4 D.	SUB.	SP. CL. CP.	CV. CP.
23-108-5	COVER, Front Seat Cushion - Cont'd Y1-H						
	(code 975)	1	----	2430 147			
	(code 976)	1	----	2430 148			
	(code 977)	1	----	2430 149			
23-108-6	FLAP, Back of Front Seat Cushion C2, C3						
	(codes 221, 231)	2	----	2434 250	2434 250	2434 250	2434 250
	(codes 223, 233)	2	----	2434 251	2434 251	2434 251	2434 251
	(codes 225, 235, 245)	2	----	2434 252	2434 252	2434 252	2434 252
	(codes 227, 236)	2	----	2434 253	2434 253	2434 253	2434 253
	(code 228)	2	----	2434 254	2434 254	2434 254	2434 254
23-108-12	BACK, Front Seat (less cushion) C1-L						
	(police)						
	(code 103)	1	2134	370			
	(code 105)	1	2134	371			
	(code 108)	1	2134	372			
	(code 101)	1	2133	037			
	(code 102)	1	2133	038			
	(code 103)	1	2133	039			
	(code 105)	1	2133	040			
	(code 108)	1	2133	041			
	(code 104) (police)	1	2133	063			
	(code 204) (police)	1	2133	547			
	(code 111)	1	----	2133 189	----	2133 318-9	
	(code 112)	1	----	2133 190	----	2133 320-1	
	(code 113)	1	----	2133 191	----	2133 322-3	
	(code 115)	1	----	2133 192	----	2133 324-5	
	(code 201)	1	----	2134 685	2134 685	2134 730-1	2134 730-1
	(police and ambulance)	1	----	----	2134 761		
	(code 203)	1	----	----	2133 406	----	2134 732-3
	(police and ambulance)	1	----	----	2134 219		
	(code 205)	1	----	2133 407	2133 407	2133 528-9	2133 528-9
	(police and ambulance)	1	----	----	2134 220		
	(code 206)	1	----	2133 408	2133 408	2133 530-1	2133 530-1
	(police and ambulance)	1	----	----	2134 221		
	(code 208)	1	----	2133 409	----	2133 532-3	2133 532-3
	C2-M						
	(code 121)	1	----	2134 651			
	(code 123)	1	----	2133 503			
	(code 125)	1	----	2133 504			
	(code 126)	1	----	2133 505			
23-108-14	PAD, Front Seat Back Corner Stuffing C3-H	2	----	B2494 565			
23-108-15	SPRING and COVER, Front Seat Back C3-H						
	(code 141)	1	2133	940	2133 940		
	(code 142)	1	2133	941	2133 941		
	(code 143)	1	2133	942	2133 942		
	(code 144)	1	2133	943	2133 943		
	(code 148)	1	2133	944	2133 944		
	(code 151)	1	----	----	2434 006-7		
	(code 251)	1	----	----	2434 048-9		
	(code 153)	1	----	----	2434 008-9		
	(code 253)	1	----	----	2434 050-1		
	(code 233)	2	----	----	----	2134 099	
	(code 235)	2	----	----	2134 100	2134 100	
	(code 236)	2	----	----	2134 101	2134 101	

★ Indicates use as required.
 B Indicates parts not listed in any previous parts book.
 Right and left part numbers are on same line,
 first number is right, second number is left.
 * Indicates change or addition.

Printed in U.S.A.
 Prices and specifications subject to change without notice.
 Jan. 3, 1964 Supersedes Jan. 25, 1963.

1963 PASSENGER CAR PARTS CATALOG

INTERIOR TRIM

CODE	REMARKS	PER CAR	SED.	SP. 4 D.	SUB.	SP. CL. CP.	CV. CP.
23-108-15	SPRING and COVER, Front Seat Back - Cont'd						
	C2-M						
	(code 221)	2	----	2134 807	----	2134 807	2134 807
	(code 223)	2	----	2133 606	----	2133 606	2133 606
	(code 225)	2	----	2133 607	----	2133 607	2133 607
	(code 227)	2	----	2133 609	----	2133 609	2133 609
	(code 228)	2	----	2133 610	----	2133 610	2133 610
	(code 245)	2	----	2134 923	----	2134 923	2134 923
	C3-H						
	(code 231)	2	----	2134 867	2134 867		
	(code 233)	2	----	----	2134 099		
	(code 235)	2	----	2134 100	2134 100		
	(code 236)	2	----	2134 101	2134 101		
	Y1-L						
	(code 901)	Rt. 1	----	2295 907	----	2430 114	
		Lt. 1	----	----	----	2430 119	
	(code 903)	Rt. 1	----	2295 908	----	2430 115	
		Lt. 1	----	----	----	2430 120	
	(code 904)	Rt. 1	----	2295 909	----	E2430 116	
		Lt. 1	----	----	----	2430 121	
	(code 908)	Rt. 1	----	2295 910	----	2430 117	
		Lt. 1	----	----	----	2430 122	
	(code 909)	Rt. 1	----	2295 911	----	2430 118	
		Lt. 1	----	----	----	2430 123	
	Y1-M						
	(code 921)	Rt. 1	----	2295 874	----	2295 874	
		Lt. 1	----	2295 880	----	2295 880	
	(code 923)	Rt. 1	----	2295 875	----	2295 875	
		Lt. 1	----	2295 881	----	2295 881	
	(code 924)	Rt. 1	----	2295 876	----	2295 876	
		Lt. 1	----	E2295 882	----	2295 882	
	(code 925)	Rt. 1	----	2295 877	----	2295 877	
		Lt. 1	----	2295 883	----	2295 883	
	(code 928)	Rt. 1	----	2295 878	----	2295 878	
		Lt. 1	----	2295 884	----	2295 884	
	(code 929)	Rt. 1	----	2295 879	----	2295 879	
		Lt. 1	----	2295 885	----	2295 885	
	(code 939)	1	----	2430 356-7	----	2430 356-7	
	(code 951)	Rt. 1	----	2295 886	----	2295 886	2295 886
		Lt. 1	----	2295 890	----	2295 890	2295 890
	(code 955)	Rt. 1	----	2295 887	----	2295 887	2295 887
		Lt. 1	----	2295 891	----	2295 891	2295 891
	(code 956)	Rt. 1	----	2295 888	----	2295 888	E2295 888
		Lt. 1	----	2295 892	----	2295 892	2295 892
	(code 957)	Rt. 1	----	E2295 889	----	2295 889	E2295 889
		Lt. 1	----	2295 893	----	2295 893	2295 893
	Y1-H						
	(code 941)	Rt. 1	----	2295 894			
		Lt. 1	----	2295 898			
	(code 943)	Rt. 1	----	2295 895			
		Lt. 1	----	2295 899			
	(code 944)	Rt. 1	----	2295 896			
		Lt. 1	----	2295 900			
	(code 949)	Rt. 1	----	2295 897			
		Lt. 1	----	2295 901			
	(code 975)	Rt. 1	----	2295 887			
		Lt. 1	----	2295 891			
	(code 976)	Rt. 1	----	2295 888			
		Lt. 1	----	2295 892			
	(code 977)	Rt. 1	----	2295 889			
		Lt. 1	----	2295 893			

★ Indicates use as required.

□ Indicates parts not listed in any previous parts book.

Right and left part numbers are on same line,
first number is right, second number is left.

* Indicates change or addition.

Printed in U.S.A.

Prices and specifications subject to change without notice.

Jan. 3, 1964 Supersedes Jan. 25, 1963.

CODE	REMARKS	PER CAR	SED.	SP. 4 D.	SUB.	SP. CL. CP.	CV. CP.
23-108-16	COVER, Front Seat Back						
	C1-L						
	(code 101)	1	2133 042				
	(code 102)	1	2133 043				
	(code 103)	1	2133 044				
	(code 105)	1	2133 045				
	(code 108)	1	2133 046				
	(code 104) (police)	1	2133 064				
	(code 204) (police)	1	2133 548				
	(code 111)	1	----	2133 193	----	2133 326-7	
	(code 112)	1	----	2133 194	----	2133 328-9	
	(code 113)	1	----	2133 195	----	2133 330-1	
	(code 115)	1	----	2133 196	----	2133 332-3	
	(code 201)	1	----	2134 686	2134 686	2134 734-5	2134 734-5
	(code 203)	1	----	----	2133 410	----	2134 736-7
	(code 205)	1	----	2133 411	2133 411	2133 534-5	2133 534-5
	(code 206)	1	----	2133 412	2133 412	2133 536-7	2133 536-7
	(code 208)	1	----	2133 413	----	2133 538-9	2133 538-9
	C2-M						
	(code 121)	1	----	2134 652			
	(code 123)	1	----	2133 515			
	(code 125)	1	----	2133 516			
	(code 126)	1	----	2133 517			
	(code 221)	2	----	2134 808	----	2134 808	2134 808
	(code 223)	2	----	2133 611	----	2133 611	2133 611
	(code 225)	2	----	2133 612	----	2133 612	2133 612
	(code 227)	2	----	2133 614	----	2133 614	2133 614
	(code 228)	2	----	2133 615	----	2133 615	2133 615
	(code 245)	2	----	2134 924	----	2134 924	2134 924
	C3-H						
	(code 141)	1	2134 945	2134 945			
	(code 142)	1	2134 946	2134 946			
	(code 143)	1	2134 947	2134 947			
	(code 144)	1	2134 948	2134 948			
	(code 148)	1	2134 949	2134 949			
	(code 151)	1	----	2434 010-1			
	(code 153) Rt.	1	----	2434 012			
	Lt.	1	----	2434 013			
	(code 251)	1	----	2434 052-3			
	(code 253)	1	----	2434 054-5			
	(code 231)	2	----	2134 868	2134 868		
	(code 233)	2	----	*2134 103	2134 103		
	(code 235)	2	----	*2134 104	2134 104		
	(code 236)	2	----	*2134 105	2134 105		
	C3-H (body cloth)						
	(code 141)	1	⊖2434 290	⊖2434 290			
	(code 143)	1	⊖2434 291	⊖2434 291			
	(code 148)	1	⊖2434 292	⊖2434 292			
	Y1-L						
	(code 901) Rt.	1	----	2295 902	----	2430 104	
	Lt.	1	----	----	----	2430 109	
	(code 903) Rt.	1	----	2295 903	----	2430 105	
	Lt.	1	----	----	----	2430 110	
	(code 904) Rt.	1	----	2295 904	----	2430 106	
	Lt.	1	----	----	----	2430 111	
	(code 908) Rt.	1	----	2295 905	----	2430 107	
	Lt.	1	----	----	----	2430 112	
	(code 909) Rt.	1	----	2295 906	----	2430 108	
	Lt.	1	----	----	----	2430 113	

★ Indicates use as required.

⊖ Indicates parts not listed in any previous parts book.

Right and left part numbers are on same line, first number is right, second number is left.

* Indicates change or addition.

Printed in U.S.A.

Prices and specifications subject to change without notice.

Jan. 3, 1964 Supersedes Jan. 25, 1963.

CODE	REMARKS	PER CAR	SED.	SP. 4 D.	SUB.	SP. CL. CP.	CV. CP.
23-108-16	COVER, Front Seat Back - Cont'd Y1-M						
	(code 921) Rt.	1	----	2295 846	----	2295 846	
	Lt.	1	----	2295 852	----	2295 852	
	(code 923) Rt.	1	----	2295 847	----	2295 847	
	Lt.	1	----	2295 853	----	2295 853	
	(code 924) Rt.	1	----	2295 848	----	2295 848	
	Lt.	1	----	2295 854	----	2295 854	
	(code 925) Rt.	1	----	2295 849	----	2295 849	
	Lt.	1	----	2295 855	----	2295 855	
	(code 928) Rt.	1	----	2295 850	----	2295 850	
	Lt.	1	----	2295 856	----	2295 856	
	(code 929) Rt.	1	----	2295 851	----	2295 851	
	Lt.	1	----	2295 857	----	2295 857	
	(code 939)	1	----	2430 360-1	----	2430 360-1	
	(code 951) Rt.	1	----	2295 858	----	2295 858	2295 858
	Lt.	1	----	2295 862	----	2295 862	2295 862
	(code 955) Rt.	1	----	2295 859	----	2295 859	2295 859
	Lt.	1	----	2295 863	----	2295 863	2295 863
	(code 956) Rt.	1	----	2295 860	----	2295 860	2295 860
	Lt.	1	----	2295 864	----	2295 864	2295 864
	(code 957) Rt.	1	----	2295 861	----	2295 861	
	Lt.	1	----	2295 865	----	2295 865	
	(code 975) Rt.	1	----	2295 859			
	Lt.	1	----	2295 863			
	(code 977) Rt.	1	----	2295 861			
	Lt.	1	----	2295 865			
	Y1-H						
	(code 941) Rt.	1	----	2295 866			
	Lt.	1	----	2295 870			
	(code 943) Rt.	1	----	2295 867			
	Lt.	1	----	2295 871			
	(code 944) Rt.	1	----	2295 868			
	Lt.	1	----	2295 872			
	(code 949) Rt.	1	----	2295 869			
	Lt.	1	----	2295 873			
	(code 975) Rt.	1	----	2295 859			
	Lt.	1	----	2295 863			
	(code 976) Rt.	1	----	2295 860			
	Lt.	1	----	2295 864			
	(code 977) Rt.	1	----	2295 861			
	Lt.	1	----	2295 865			
23-108-18	CASING, Front Seat Back Headrest C3-H	2	----	*2446 657			
23-108-19	HEAD REST, Front Seat Back C3-H						
	(codes 151, 251)	2	----	2434 216			
	(codes 153, 253)	2	----	2434 217			
23-108-20	COVER, Front Seat Back Head Rest Finish C3-H						
	(codes 151, 251)	2	----	*2182 162			
	(codes 153, 253)	2	----	*4345 TL4			
23-108-21	TAPE, Head Rest Closure Hook C3-H (sold by the inch)						
	(black)	★	----	*1934 TX8			
	(loop) (black)	★	----	*1933 TX8			

★ Indicates use as required.

E Indicates parts not listed in any previous parts book.
Jan. 3, 1964 Supersedes Jan. 25, 1963.

Printed in U.S.A.

Prices and specifications subject to change without notice.

Right and left part numbers are on same line,
first number is right, second number is left.

* Indicates change or addition.

CODE	REMARKS	PER CAR	SED.	SP. 4 D.	SUB.	SP. CL. CP.	CV. CP.
23-108-22	COVER, Front Seat Reclining Mechanism C3-H (codes 151, 251) (codes 153, 253)	1 1	----	*2182 260 *2703 TL4			
23-108-27	SPRING, Front Seat Cushion to Back Retarder C1, C2	2	----	----	----	*2092 242	*2092 242
23-108-32	PANEL or COVER, Back of Front Seat Back C2-M (for console jobs) (panel) (code 221) (code 223) (codes 225, 245) (code 227) (code 228) (panel) (code 231) (code 233) (code 236) (code 235) (fastener)	2 2 2 2 2 2 2 2 2 2 14	----	2434 261 2434 262 *2434 263 2434 264 2434 265 2434 244 2434 245 2434 246 *2434 263 *6000 365	----	2434 261 2434 262 *2434 263 2434 264 2434 265 2434 244 2434 245 2434 246 *2434 263 *6000 365	2434 261 2434 262 *2434 263 2434 264 2434 265
	C3-H (panel) (code 141) (code 142) (code 143) (code 144) (code 148) (panel) (upper) (codes 151, 251) (codes 153, 253)	1 1 1 1 1 2 2	2180 136 2180 137 2180 138 2180 139 2180 140 ----	2180 136 2180 137 2180 138 2180 139 2180 140 H2434 258 H2434 259			
	Y1-L (panel) (code 901) (code 903) (code 904) (code 908) (code 909)	Rt. 1 Lt. 1 Rt. 1 Lt. 1 Rt. 1 Lt. 1 Rt. 1 Lt. 1	----	2295 589 ---- 2295 590 ---- 2295 591 ---- 2295 592 ---- 2295 593 ----	----	2295 589 ---- 2295 590 ---- 2295 591 ---- 2295 592 ---- 2295 593 ----	2295 599 2295 609 2295 600 2295 610 2295 601 2295 611 2295 602 2295 612 2295 603 2295 613
	Y1-M (code 921) (code 923) (code 924) (code 925) (code 928) (code 929) (panel assy) (less fasteners)	Rt. 1 Lt. 1 Rt. 1 Lt. 1 Rt. 1 Lt. 1 Rt. 1 Lt. 1 1	----	2430 000 2430 006 2430 001 2430 007 2430 002 2430 008 2430 003 2430 009 2430 004 2430 010 2430 005 2430 011 2430 366-7	----	2430 000 2430 006 2430 001 2430 007 2430 002 2430 008 2430 003 2430 009 2430 004 2430 010 2430 005 2430 011 2430 366-7	

★ Indicates use as required.
 ☐ Indicates parts not listed in any previous parts book.
 Right and left part numbers are on same line,
 first number is right, second number is left.
 * Indicates change or addition.

Printed in U.S.A.
 Prices and specifications subject to change without notice.
 Jan. 3, 1964 Supersedes Jan. 25, 1963.

1963 PASSENGER CAR PARTS CATALOG

INTERIOR TRIM

CODE	REMARKS	PER CAR	SED.	SP. 4 D.	SUB.	SP. CL. CP.	CV. CP.
23-108-32	PANEL, or COVER, Back of Front Seat Back - Cont'd Y1-H						
	(code 941) (blue)	1	----	2180 606-7			
	(code 943) (tan)	1	----	2180 608-9			
	(code 944) (gray)	1	----	2180 610-1			
	(code 949) (gold)	1	----	2180 612-3			
	(code 975) (red)	1	----	2180 614-5			
	(code 976) (charcoal)	1	----	2180 796-7			
	(code 977) (alabaster)	1	----	2180 616-7			
	Y1-M						
	(code 951) Rt.	1	----	⊘2430 040	----	⊘2430 040	⊘2430 040
	Lt.	1	----	⊘2430 044	----	⊘2430 044	⊘2430 044
	(code 955) Rt.	1	----	⊘2430 041	----	⊘2430 041	⊘2430 041
	Lt.	1	----	⊘2430 045	----	⊘2430 045	⊘2430 045
	(code 956) Rt.	1	----	⊘2430 042	----	⊘2430 042	⊘2430 042
	Lt.	1	----	⊘2430 046	----	⊘2430 046	⊘2430 046
	(code 957) Rt.	1	----	⊘2430 043	----	⊘2430 043	⊘2430 043
	Lt.	1	----	⊘2430 047	----	⊘2430 047	⊘2430 047
23-108-33	COMPARTMENT, Back of Front Seat Back Storage C3-H						
	(code 151)	1	----	2182 264-5			
	(code 251)	1	----	2182 268-9			
	(code 153)	1	----	2182 266-7			
	(code 253)	1	----	2182 270-1			
23-108-66	COVER, Front Seat Center Arm Rest Stanchion C3-H (black)	1	----	*4388-9 TX8	*4388-9 TX8		
23-108-71	BRACKET, Front Seat Center Cushion Frame Mounting Side C2, C3	2	----	2410 066	2410 066	2410 065	2410 066
23-108-98	SHIELD, Front Seat Side C3-H, Y1-L						
	(upper) (anodized)	1	2292 820-1	2292 820-1			
	C1, C2, C3, Y1-L (cushion)(manual and power) (anodized) Rt.	1	2080 732	2080 732	2080 732	2080 732	2080 732
	(cushion)(power) (anodized) Lt.	1	2080 733	2080 733	2080 733	2080 733	2080 733
	(cushion)(manual) (anodized) Lt.	1	2080 737	2080 737	2080 737	2080 737	2080 737
	C2, C3 (bucket seats) (cushion) (anodized)	1	----	2292 492-3	2292 492-3	2292 492-3	2292 492-3
	(back) (anodized)	2	----	2161 236-7	2161 236-7	2161 236-7	2161 236-7
	C3-H (cushion shield) (codes 151,251)	1	----	2182 256-7			
	(codes 153,253) (back shield)	1	----	2182 258-9			
	(codes 151,251)	1	----	2182 272-3			
	(codes 153,253)	1	----	2182 274-5			
	Y1-M						
	(upper) (primed)	1	----	2292 862-3			
	(lower) (primed)	1	----	----	----	2292 864-5	2292 864-5
	Screw (lower shield to seat frame)	4	* 161 928	* 161 928	* 161 928	2080 516-7	2080 516-7

★ Indicates use as required.

⊘ Indicates parts not listed in any previous parts book.

Jan. 3, 1964 Supersedes Jan. 25, 1963.

Printed in U.S.A.

Prices and specifications subject to change without notice.

Right and left part numbers are on same line,

first number is right, second number is left.

* Indicates change or addition.

CODE	REMARKS	PER CAR	SED.	SP. 4 D.	SUB.	SP. CL. CP.	CV. CP.	
23-108-98	SHIELD, Front Seat Side - Cont'd Y1-H (code 941) (blue) (code 943) (tan) (code 944) (gray) (code 949) (gold) (code 975) (red) (code 976) (charcoal) (code 977) (alabaster) (screw) (to seat frame) (spacer clip) (nut & washer)	1 1 1 1 1 1 1 4 2 4	---- ---- ---- ---- ---- ---- ---- ---- 6008 217 ----	2180 504-5 2180 506-7 2180 508-9 2180 510-1 2180 512-3 2180 798-9 2180 514-5 ---- 6008 217 6023 201	---- ---- ---- ---- ---- ---- ---- ---- 6008 217 6023 201	---- ---- ---- ---- ---- ---- ---- ---- 6008 217 6023 201	6000 471 6008 217 6023 201	6000 471 6008 217 6023 201
23-108-99	COVER, Front Seat Side Shield Protector C3-H (cushion) (codes 151, 251) (codes 153, 253) (back) (codes 151, 251) (codes 153, 253)	1 1 1 1	---- ---- ---- ----	*2434 224-5 2434 226-7 2434 232-3 2434 234-5				
	Y1-M (black)	1	----	----	----	2176 472-3	2176 472-3	
	Y1-H (code 941) (code 943) (code 944) (code 949) (code 975) (code 977) (code 976)	1 1 1 1 1 1 1	---- ---- ---- ---- ---- ---- ----	2430 154-5 2430 156-7 2430 158-9 2430 164-5 2430 160-1 *2430 162-3 E2430 464-5				
23-108-142	BRACKET, Front Seat Cushion Side Shield Support C2, C3	2	----	2292 475	2292 475	2292 475	2292 475	
23-109-3	BACK, Rear Seat C1-L (police) (code 101) (code 102) (code 103) (code 105) (code 108) (code 101) (code 102) (code 103)	1 1 1 1 1 1 1 1 1	2134 378 2134 379 2134 380 2134 381 2134 382 2133 067 2133 068 2133 069					
	(code 105) (code 108) (code 104) (police) (code 204) (police) (code 111) (code 112) (code 113) (code 115)	1 1 1 1 1 1 1 1	2133 070 2133 071 2133 077 2133 596 ---- ---- ---- ----	2133 222 2133 223 2133 224 2133 225	---- ---- ---- ----	2133 222 2133 223 2133 224 2133 225		
	(code 201) (2nd seat) (code 203) (2nd seat) (code 205) (2nd seat) (code 206) (2nd seat) (code 208) (3rd seat)	1 1 1 1 1	---- ---- ---- ---- ----	2134 693 ---- 2133 438 2133 439 2133 440	2134 710 2134 718 2133 470 2133 494 2133 471 2133 495 2133 472 2133 496 ----	2134 693 ---- 2133 438 2133 439 2133 440	2137 272 2137 273 2137 274 2137 275 2137 276	

★ Indicates use as required.

E Indicates parts not listed in any previous parts book.

Right and left part numbers are on same line, first number is right, second number is left.

* Indicates change or addition.

Printed in U.S.A.

Prices and specifications subject to change without notice.

Jan. 3, 1964 Supersedes Jan. 25, 1963.

* Indicates change or addition.

1963 PASSENGER CAR PARTS CATALOG

INTERIOR TRIM

CODE	REMARKS	PER CAR	SED.	SP. 4 D.	SUB.	SP. CL. CP.	CV. CP.
23-109-3	BACK, Rear Seat - Cont'd						
	C2-M						
	(code 121)	1	----	2137 375			
	(code 123)	1	----	2137 376			
	(code 125)	1	----	2137 377			
	(code 126)	1	----	2137 378			
	(code 221)	1	----	2137 379	----	2137 379	2137 778
	(code 223)	1	----	2137 380	----	2137 380	2137 779
	(code 225)	1	----	2137 381	----	2137 381	2137 780
	(code 227)	1	----	2137 382	----	2137 382	2137 781
	(code 228)	1	----	2137 383	----	2137 383	2137 782
	(code 245)	1	----	2137 107	----	2137 107	2136 999
	C3-H (spring and cover)						
	(code 141)	1	2133 970	2133 970			
	(code 142)	1	2133 971	2133 971			
	(code 143)	1	2133 972	2133 972			
	(code 144)	1	2133 973	2133 973			
	(code 148)	1	2133 974	2133 974			
	(code 151)	1	----	2434 026			
	(code 251)	1	----	2434 068			
	(code 153)	1	----	2434 027			
	(code 253)	1	----	2434 069			
	C3-H						
	(code 231) (2nd seat)	1	----	----	2134 888		
	(code 231) (3rd seat)	1	----	----	2134 892		
	(code 233) (2nd seat)	1	----	----	2134 153		
	(code 233) (3rd seat)	1	----	----	2134 165		
	(code 235) (2nd seat)	1	----	----	2134 154		
	(code 235) (3rd seat)	1	----	----	2134 166		
	(code 236) (2nd seat)	1	----	----	2134 155		
	(code 236) (3rd seat)	1	----	----	2134 167		
	(attaching nut)	3	----	----	6000 234		
	C3-H (spring and cover)						
	(code 231)	1	----	2134 878			
	(code 235)	1	----	2134 122			
	(code 236)	1	----	2134 123			
	Y1-L (spring and cover)						
	(code 901)	1	----	2295 692	----	2295 922	
	(code 903)	1	----	2295 693	----	2295 923	
	(code 904)	1	----	2295 694	----	2295 924	
	(code 908)	1	----	2295 695	----	2295 925	
	(code 909)	1	----	2295 696	----	2295 926	
	Y1-M (spring and cover)						
	(code 921)	1	----	2295 717	----	2295 944	
	(code 923)	1	----	2295 718	----	2295 945	
	(code 924)	1	----	2295 719	----	2295 946	
	(code 925)	1	----	2295 720	----	2295 947	
	(code 928)	1	----	2295 721	----	2295 948	
	(code 929)	1	----	2295 722	----	2295 949	
	(code 951)	1	----	2295 731	----	2295 964	2430 186
	(code 955)	1	----	2295 732	----	2295 965	2430 187
	(code 956)	1	----	2295 733	----	2295 966	2430 188
	(code 957)	1	----	2295 734	----	2295 967	2430 189
	Y1-H (spring and cover)						
	(code 941)	1	----	2295 793			
	(code 943)	1	----	2295 794			
	(code 944)	1	----	2295 795			
	(code 949)	1	----	2295 796			
	(code 975)	1	----	2295 781			
	(code 976)	1	----	2430 392			
	(code 977)	1	----	2295 782			

★ Indicates use as required.

⊠ Indicates parts not listed in any previous parts book.

Jan. 3, 1964 Supersedes Jan. 25, 1963.

Printed in U.S.A.

Prices and specifications subject to change without notice.

Right and left part numbers are on same line, first number is right, second number is left.

* Indicates change or addition.

CODE	REMARKS	PER CAR	SED.	SP. 4 D.	SUB.	SP. CL. CP.	CV. CP.
23-109-4	COVER, Rear Seat Back C1-L						
	(code 101)	1	2133 072				
	(code 102)	1	2133 073				
	(code 103)	1	2133 074				
	(code 105)	1	2133 075				
	(code 108)	1	2133 076				
	(code 104) (police)	1	2133 078				
	(code 204) (police)	1	2133 597				
	(code 111)	1	----	2133 226	----	2133 226	
	(code 112)	1	----	2133 227	----	2133 227	
	(code 113)	1	----	2133 228	----	2133 228	
	(code 115)	1	----	2133 229	----	2133 229	
	(code 201) (2nd seat)	1	----	2134 694	2134 711	2134 694	2134 772
	(code 203) (3rd seat)	1	----	----	2134 719	----	2134 773
	(code 205) (2nd seat)	1	----	----	2133 473	----	2133 564
	(code 206) (3rd seat)	1	----	----	2133 497	----	2133 564
	(code 208) (2nd seat)	1	----	2133 441	2133 474	2133 441	2133 564
		1	----	----	2133 498	----	2133 565
	(code 206) (2nd seat)	1	----	2133 442	2133 475	2133 442	2133 565
	(code 208) (3rd seat)	1	----	----	2133 499	----	2133 566
	(code 208) (2nd seat)	1	----	2133 443	----	2133 443	2133 566
	C2-M						
	(code 121)	1	----	2134 659			
	(code 123)	1	----	2133 856			
	(code 125)	1	----	2133 857			
	(code 126)	1	----	2133 858			
	(code 221)	1	----	2134 819	----	2134 819	2134 847
	(code 223)	1	----	2133 677	----	2133 677	2133 833
	(code 225)	1	----	2133 678	----	2133 678	2133 834
	(code 227)	1	----	2133 680	----	2133 680	2133 836
	(code 228)	1	----	2133 681	----	2133 681	2133 837
	(code 245)	1	----	2134 930	----	2134 930	2134 937
	C3-H						
	(code 141)	1	2133 975	2133 975			
	(code 142)	1	2133 976	2133 976			
	(code 143)	1	2133 977	2133 977			
	(code 144)	1	2133 978	2133 978			
	(code 148)	1	2133 979	2133 979			
	(code 151)	1	----	2434 028			
	(code 153)	1	----	2434 029			
	(code 251)	1	----	2434 070			
	(code 253)	1	----	2434 071			
	(code 231) (2nd seat)	1	----	2134 879	2134 889		
	(code 233) (3rd seat)	1	----	----	2134 893		
	(code 235) (2nd seat)	1	----	----	2134 156		
	(code 236) (3rd seat)	1	----	----	2134 168		
	(code 235) (2nd seat)	1	----	2134 125	2134 157		
	(code 236) (3rd seat)	1	----	----	2134 169		
	(code 236) (2nd seat)	1	----	2134 126	2134 158		
	(code 236) (3rd seat)	1	----	----	2134 170		
	C3-H (body cloth)						
	(code 141)	1	⊕2434 314	⊕2434 314			
	(code 143)	1	⊕2434 315	⊕2434 315			
	(code 148)	1	⊕2434 316	⊕2434 316			
	Y1-L						
	(code 901) Rt.	1	----	2295 682	----	2295 912	
	(code 901) Lt.	1	----	2295 687	----	2295 917	

★ Indicates use as required.
 ⊕ Indicates parts not listed in any previous parts book.
 Right and left part numbers are on same line,
 first number is right, second number is left.
 * Indicates change or addition.

Printed in U.S.A.
 Prices and specifications subject to change without notice.
 Jan. 3, 1964 Supersedes Jan. 25, 1963.

1963 PASSENGER CAR PARTS CATALOG

INTERIOR TRIM

CODE	REMARKS	PER CAR	SED.	SP. 4 D.	SUB.	SP. CL. CP.	CV. CP.
23-109-4	COVER, Rear Seat Back - Cont'd						
	Y1-L						
	(code 903) Rt.	1	----	2295 683	----	2295 913	
	Lt.	1	----	2295 688	----	2295 918	
	(code 904) Rt.	1	----	2295 684	----	2295 914	
	Lt.	1	----	2295 689	----	2295 919	
	(code 908) Rt.	1	----	2295 685	----	2295 915	
	Lt.	1	----	2295 690	----	2295 920	
	(code 909) Rt.	1	----	2295 686	----	2295 916	
	Lt.	1	----	2295 691	----	2295 921	
	Y1-M						
	(code 921) Rt.	1	----	2295 705	----	2295 932	
	Lt.	1	----	2295 711	----	2295 938	
	(code 923) Rt.	1	----	2295 706	----	2295 933	
	Lt.	1	----	2295 712	----	2295 939	
	(code 924) Rt.	1	----	2295 707	----	2295 934	
	Lt.	1	----	2295 713	----	2295 940	
	(code 925) Rt.	1	----	2295 708	----	2295 935	
	Lt.	1	----	2295 714	----	2295 941	
	(code 928) Rt.	1	----	2295 709	----	2295 936	
	Lt.	1	----	2295 715	----	2295 942	
	(code 929) Rt.	1	----	2295 710	----	2295 937	
	Lt.	1	----	2295 716	----	2295 943	
	(code 939)	1	----	2430 374-5	----	⊠2430 376-7	
	(code 951) Rt.	1	----	2295 723	----	2295 956	2430 178
	Lt.	1	----	2295 727	----	2295 960	2430 182
	(code 955) Rt.	1	----	2295 724	----	2295 957	2430 179
	Lt.	1	----	2295 728	----	2295 961	2430 183
	(code 956) Rt.	1	----	2295 725	----	2295 958	2430 180
	Lt.	1	----	2295 729	----	2295 962	2430 184
	(code 957) Rt.	1	----	2295 726	----	2295 959	2430 181
	Lt.	1	----	2295 730	----	2295 963	2430 185
	Y1-H						
	(code 941) Rt.	1	----	2295 785			
	Lt.	1	----	2295 789			
	(code 943) Rt.	1	----	2295 786			
	Lt.	1	----	2295 790			
	(code 944) Rt.	1	----	2295 787			
	Lt.	1	----	2295 791			
	(code 949) Rt.	1	----	2295 788			
	Lt.	1	----	2295 792			
	(code 975) Rt.	1	----	2295 777			
	Lt.	1	----	2295 779			
	(code 976)	1	----	2430 390-1			
	(code 977) Rt.	1	----	2295 778			
	Lt.	1	----	2295 780			
23-109-5	INSERT or COVER, Rear Seat Back Rear Panel						
	C1-L (insert)						
	(code 201) (2nd seat)	1	----	----	2180 832		
	(3rd seat)	1	----	----	2180 834		
	(code 203) (2nd seat)	1	----	----	*1816 TX4		
	(3rd seat)	1	----	----	*1815 TX8		
	(code 205) (2nd seat)	1	----	----	2179 514		
	(3rd seat)	1	----	----	2179 518		
	(code 206) (2nd seat)	1	----	----	*1816 TX8		
	(3rd seat)	1	----	----	*1815 TX8		

★ Indicates use as required.

⊠ Indicates parts not listed in any previous parts book.
Jan. 3, 1964 Supersedes Jan. 25, 1963.

Printed in U.S.A.

Prices and specifications subject to change without notice.

Right and left part numbers are on same line,
first number is right, second number is left.

* Indicates change or addition.

CODE	REMARKS	PER CAR	SED.	SP. 4 D.	SUB.	SP. CL. CP.	CV. CP.
23-109-5	INSERT or COVER, Rear Seat Back Rear Panel - Cont'd C3-H (insert)						
	(code 231) (2nd seat)	1	----	----	2180 871		
	(3rd seat)	1	----	----	2180 873		
	(code 233) (2nd seat)	1	----	----	2179 493		
	(3rd seat)	1	----	----	2179 499		
	(code 235) (2nd seat)	1	----	----	2179 494		
	(3rd seat)	1	----	----	2179 500		
	(code 236) (2nd seat)	1	----	----	2179 495		
	(3rd seat)	1	----	----	2179 501		
	Y1-M						
	(code 951)	1	----	----	----	----	2295 996
	(code 955)	1	----	----	----	----	2295 997
	(code 956)	1	----	----	----	----	2295 998
	(code 957)	1	----	----	----	----	2295 999
	(fastener)	★	----	6000 365	----	6000 365	6000 365
23-109-16	COVER, Rear Seat Back Radio Speaker C1, C2						
	(code 201)	1	----	----	----	----	2434 187
	(code 221)	1	----	----	----	----	2434 192
	(codes 203, 223)	1	----	----	----	----	2434 188
	(codes 205, 225, 245)	1	----	----	----	----	2434 189
	(codes 206, 227)	1	----	----	----	----	2434 190
	(code 208)	1	----	----	----	----	2434 191
	(code 228)	1	----	----	----	----	2434 193
23-109-19	PLATE and COVER, Rear Back Radio Speaker Grille C1, C2						
	(code 201)	1	----	----	----	----	2434 180
	(code 221)	1	----	----	----	----	2434 185
	(codes 203, 223)	1	----	----	----	----	2434 181
	(codes 205, 225, 245)	1	----	----	----	----	2434 182
	(codes 206, 227)	1	----	----	----	----	2434 183
	(code 208)	1	----	----	----	----	2434 184
23-109-35	CUSHION, Rear Seat C1-L						
	(police)						
	(code 101)	1	2134 383				
	(code 102)	1	2134 384				
	(code 103)	1	2134 385				
	(code 105)	1	2134 386				
	(code 108)	1	2134 387				
	(code 101)	1	2133 082				
	(w/airfoam pad)	1	2133 127				
	(code 102)	1	2133 083				
	(w/airfoam pad)	1	2133 128				
	(code 103)	1	2133 084				
	(w/airfoam pad)	1	2133 129				
	(code 105)	1	2133 085				
	(w/airfoam pad)	1	2133 130				
	(code 108)	1	2133 086				
	(w/airfoam pad)	1	2133 131				
	(code 104)	1	2133 079				
	(w/airfoam pad)	1	2133 620				
	(w/airfoam pad and heavy duty spring)	1	2133 197				
	(code 204)	1	2133 598				
	(w/airfoam pad)	1	2133 620				

★ Indicates use as required.
 □ Indicates parts not listed in any previous parts book.
 Right and left part numbers are on same line,
 first number is right, second number is left.
 * Indicates change or addition.

Printed in U.S.A.
 Prices and specifications subject to change without notice.
 Jan. 3, 1964 Supersedes Jan. 25, 1963.

1963 PASSENGER CAR PARTS CATALOG

INTERIOR TRIM

CODE	REMARKS	PER CAR	SED.	SP. 4 D.	SUB.	SP. CL. CP.	CV. CP.
23-109-35	CUSHION, Rear Seat - Cont'd						
	C1-L						
	(code 111)	1	----	2133 238	----	2133 350	
	(w/airfoam pad)	1	----	2133 278	----	2133 382	
	(code 112)	1	----	2133 239	----	2133 351	
	(w/airfoam pad)	1	----	2133 279	----	2133 383	
	(code 113)	1	----	2133 240	----	2133 352	
	(w/airfoam pad)	1	----	2133 280	----	2133 384	
	(code 115)	1	----	2133 241	----	2133 353	
	(w/airfoam pad)	1	----	2133 281	----	2133 385	
	(code 201)	1	----	2134 698	2134 721	2134 752	2134 778
	(code 203)	1	----	----	2133 482	----	2134 779
	(3rd seat)	1	----	----	2133 506		
	(code 205)	1	----	2133 450	2133 483	2133 552	2133 567
	(2nd seat)	1	----	----	2133 507		
	(code 206)	1	----	2133 451	2133 484	2133 553	2133 568
	(3rd seat)	1	----	----	2133 508		
	(code 208)	1	----	2133 452	----	2133 554	2133 569
	(spring attach. nut)	3	----	----	6000 234		
	C2-M						
	(code 121)	1	----	2134 661			
	(code 123)	1	----	2133 859			
	(code 125)	1	----	2133 860			
	(code 126)	1	----	2133 861			
	(code 221)	1	----	2134 820	----	2134 836	2134 848
	(code 223)	1	----	2133 682	----	2134 580	2134 590
	(code 225)	1	----	2133 683	----	2134 581	2134 591
	(code 227)	1	----	2133 685	----	2134 583	2134 593
	(code 228)	1	----	2133 686	----	2134 584	2134 594
	(code 245)	1	----	2134 931	----	2134 940	2134 938
	C3-H						
	(code 141)	1	2134 000	2134 000			
	(code 142)	1	2134 001	2134 001			
	(code 143)	1	2134 002	2134 002			
	(code 144)	1	2134 003	2134 003			
	(code 148)	1	2134 004	2134 004			
	(code 151)	1	----	2434 034			
	(code 251)	1	----	2434 076			
	(code 153)	1	----	2434 035			
	(code 253)	1	----	2434 077			
	(code 231)	1	----	2134 884	2134 890		
	(3rd seat)	1	----	----	2134 894		
	(code 233)	1	----	----	2134 159		
	(2nd seat)	1	----	----	2134 171		
	(code 235)	1	----	2134 140	2134 160		
	(3rd seat)	1	----	----	2134 172		
	(3rd seat)	1	----	----	2134 173		
	Y1-L						
	(code 901)	1	----	2295 619	----	2295 657	
	(code 903)	1	----	2295 620	----	2295 658	
	(code 904)	1	----	2295 621	----	2295 659	
	(code 908)	1	----	2295 622	----	2295 660	
	(code 909)	1	----	2295 623	----	2295 661	
	Y1-M						
	(code 921)	1	----	2295 630	----	2295 668	
	(code 923)	1	----	2295 631	----	2295 669	
	(code 924)	1	----	2295 632	----	2295 670	
	(code 925)	1	----	2295 633	----	2295 671	
	(code 928)	1	----	2295 634	----	2295 672	
	(code 929)	1	----	2295 635	----	2295 673	

★ Indicates use as required.

☐ Indicates parts not listed in any previous parts book.

Jan. 3, 1964 Supersedes Jan. 25, 1963.

Printed in U.S.A.

Prices and specifications subject to change without notice.

Right and left part numbers are on same line,

first number is right, second number is left.

* Indicates change or addition.

CODE	REMARKS	PER CAR	SED.	SP. 4 D.	SUB.	SP. CL. CP.	CV. CP.
23-109-35	CUSHION, Rear Seat - Cont'd						
	Y1-M						
	(code 939)	1	----	2430 372	----	2430 373	
	(code 951)	1	----	2295 640	----	2295 678	2295 701
	(code 955)	1	----	2295 641	----	2295 679	2295 702
	(code 956)	1	----	2295 642	----	2295 680	2295 703
	(code 957)	1	----	2295 643	----	2295 681	2295 704
	Y1-H						
	(code 941)	1	----	2295 648			
	(code 943)	1	----	2295 649			
	(code 944)	1	----	2295 650			
	(code 949)	1	----	2295 651			
	(code 975)	1	----	2295 641			
	(code 976)	1	----	2295 642			
	(code 977)	1	----	2295 643			
23-109-36	COVER, Rear Seat Cushion						
	C1-L						
	(code 101)	1	2133 087				
	(code 102)	1	2133 088				
	(code 103)	1	2133 089				
	(code 105)	1	2133 090				
	(code 108)	1	2133 091				
	(code 104) (police)	1	2133 080				
	(code 204) (police)	1	2133 599				
	(code 111)	1	----	2133 242	----	2133 354	
	(code 112)	1	----	2133 243	----	2133 355	
	(code 113)	1	----	2133 244	----	2133 356	
	(code 115)	1	----	2133 245	2134 715	2133 357	
	(code 201) (2nd seat)	1	----	2134 699	2134 715	2134 753	2134 780
	(code 201) (3rd seat)	1	----	----	2134 722		
	(code 203) (2nd seat)	1	----	----	2133 485	----	2134 781
	(code 203) (3rd seat)	1	----	----	2133 509		
	(code 205) (2nd seat)	1	----	2133 453	2133 486	2133 555	2133 570
	(code 205) (3rd seat)	1	----	----	2133 510		
	(code 206) (2nd seat)	1	----	2133 454	2133 487	2133 556	2133 571
	(code 206) (3rd seat)	1	----	----	2133 511		
	(code 208)	1	----	2133 455	----	2133 557	2133 572
	C2-M						
	(code 121)	1	----	2134 662			
	(code 123)	1	----	2133 862			
	(code 125)	1	----	2133 863			
	(code 126)	1	----	2133 864			
	(code 221)	1	----	2134 821	----	2134 837	2134 849
	(code 223)	1	----	2133 687	----	2134 585	2134 595
	(code 225)	1	----	2133 688	----	2134 586	2134 596
	(code 227)	1	----	2133 690	----	2134 588	2134 598
	(code 228)	1	----	2133 691	----	2134 589	2134 599
	(code 245)	1	----	2134 932	----	2134 941	2134 939
	C3-H						
	(code 141)	1	2134 005	2134 005			
	(code 142)	1	2134 006	2134 006			
	(code 143)	1	2134 007	2134 007			
	(code 144)	1	*2134 008	*2134 008			
	(codes 145, 148)	1	*2134 009	*2134 009			
	(code 151)	1	----	2434 036			
	(code 251)	1	----	2434 078			
	(code 153)	1	----	2434 037			
	(code 253)	1	----	2434 079			
	(code 231) (2nd seat)	1	----	2134 885	2134 891		
	(code 231) (3rd seat)	1	----	----	2134 895		

★ Indicates use as required.

☐ Indicates parts not listed in any previous parts book.

Right and left part numbers are on same line, first number is right, second number is left.

* Indicates change or addition.

Printed in U.S.A.
Prices and specifications subject to change without notice.
Jan. 3, 1964 Supersedes Jan. 25, 1963.

1963 PASSENGER CAR PARTS CATALOG

INTERIOR TRIM

CODE	REMARKS	PER CAR	SED.	SP. 4 D.	SUB.	SP. CL. CP.	CV. CP.
23-109-36	COVER, Rear Seat Cushion - Cont'd C3-H						
	(code 233) (2nd seat)	1	----	----	2134 162		
	(code 233) (3rd seat)	1	----	----	2134 174		
	(code 235) (2nd seat)	1	----	2134 143	2134 163		
	(code 235) (3rd seat)	1	----	----	2134 175		
	(code 236) (2nd seat)	1	----	2134 144	2134 164		
	(code 236) (3rd seat)	1	----	----	2134 176		
	C3-H (body cloth)						
	(code 141)	1	⊠2434 329	⊠2434 329			
	(code 143)	1	⊠2434 330	⊠2434 330			
	(code 148)	1	⊠2434 331	⊠2434 331			
	Y1-L						
	(code 901)	1	----	2295 614	----	2295 652	
	(code 903)	1	----	2295 615	----	2295 653	
	(code 904)	1	----	2295 616	----	2295 654	
	(code 908)	1	----	2295 617	----	2295 655	
	(code 909)	1	----	2295 618	----	2295 656	
	Y1-M						
	(code 921)	1	----	2295 624	----	2295 662	
	(code 923)	1	----	2295 625	----	2295 663	
	(code 924)	1	----	2295 626	----	2295 664	
	(code 925)	1	----	2295 627	----	2295 665	
	(code 928)	1	----	2295 628	----	2295 666	
	(code 929)	1	----	2295 629	----	2295 667	
	(code 939)	1	----	2430 378	----	2430 379	
	(code 951)	1	----	2295 636	----	2295 674	2295 697
	(code 955)	1	----	2295 637	----	2295 675	2295 698
	(code 956)	1	----	2295 638	----	2295 676	2295 699
	(code 957)	1	----	2295 639	----	2295 677	2295 700
	Y1-H						
	(code 941)	1	----	2295 644	----		
	(code 943)	1	----	2295 645	----		
	(code 944)	1	----	2295 646	----		
	(code 949)	1	----	2295 647	----		
	(code 975)	1	----	2295 637	----		
	(code 976)	1	----	*2295 638	----		
	(code 977)	1	----	2295 639	----		
23-109-38	RETAINER, Center Floor Pan Rear Seat Cushion C1, C2, C3, Y1	2	1810 037	1810 037	----	1810 037	1810 037
23-109-40	INSERT, Rear Seat Cushion Bottom Panel C1-L						
	(code 201) (blue)	1	----	----	2180 833		
	(codes 203, 206) (black)	1	----	----	*1817 TX8		
	(code 205) (red)	1	----	----	2179 516		
	C3-H						
	(code 231) (blue)	1	----	----	2180 872		
	(code 233) (tan)	1	----	----	2179 496		
	(code 235) (red)	1	----	----	2179 497		
	(code 236) (black)	1	----	----	2179 498		
23-111-10	STRIP, Front Pillar Upper Tacking Y1	2	----	1878 174	----	1878 174	1878 174

★ Indicates use as required.

⊠ Indicates parts not listed in any previous parts book.
Jan. 3, 1964 Supersedes Jan. 25, 1963.

Printed in U.S.A.

Prices and specifications subject to change without notice.
Right and left part numbers are on same line,
first number is right, second number is left.
* Indicates change or addition.

CODE	REMARKS	PER CAR	SED.	SP. 4 D.	SUB.	SP. CL. CP.	CV. CP.
23-111-30	STRIP, Folding Top Header Tacking						
	Y1 (side)	2	----	----	----	----	1691 923
	(front)	1	----	----	----	----	1750 628
23-111-31	RETAINER, Folding Top Header Outer Panel C1, C2	1	----	----	----	----	1952 194
23-111-37	STRIP, Folding Top Bow C1, C2 (No. 1 Bow)	2	----	----	----	----	1950 509
	(No. 2 Bow)	2	----	----	----	----	1950 509
	(rear Bow)	1	----	----	----	----	*2424 607
	Y1	4	----	----	----	----	1691 901
23-112-12	DUST BOOT, Folding Top C1-L						
	(code 201) (blue)	1	----	----	----	----	E2182 062
	(code 203) (tan)	1	----	----	----	----	E2182 063
	(code 205) (red)	1	----	----	----	----	E2182 064
	(code 206) (alabaster)	1	----	----	----	----	E2182 065
	(code 208) (turquoise)	1	----	----	----	----	2180 905
	C2-M						
	(code 221) (blue)	1	----	----	----	----	E2182 067
	(code 223) (tan)	1	----	----	----	----	E2182 063
	(code 225) (red)	1	----	----	----	----	E2182 064
(code 227) (alabaster)	1	----	----	----	----	E2182 065	
(code 228) (turquoise)	1	----	----	----	----	2180 907	
(code 245) (red)	1	----	----	----	----	E2182 064	
Y1-M	(code 951) (blue)	1	----	----	----	----	E2181 809
	(code 955) (red)	1	----	----	----	----	E2181 810
	(code 956) (charcoal)	1	----	----	----	----	E2181 811
	(code 957) (alabaster)	1	----	----	----	----	E2181 812
	(attaching fastener)	2	----	----	----	----	2094 394
	(cap, fastener)	*	----	----	----	----	6000 434
23-112-18	RETAINER, Rear Seat Back Dust Boot Channel C1, C2	1	----	----	----	----	2270 929
	Y1	1	----	----	----	----	2410 046
23-112-45	CURTAIN, Folding Top Rear C1, C2						
	(up to serial No. 231593)						
	(blue)	1	----	----	----	----	*2180 943
	(after) (blue)	1	----	----	----	----	E2182 289
	(up to serial No. 224502)						
	(black)	1	----	----	----	----	*2180 944
	(after) (black)	1	----	----	----	----	E2182 297
	(up to serial No. 223156)						
	(white)	1	----	----	----	----	*2180 945
	(after) (white)	1	----	----	----	----	E2182 263
	(up to serial No. 218445)						
	(alabaster)	1	----	----	----	----	E2182 318
	(after) (alabaster)	1	----	----	----	----	E2182 369
Screw (to rear rail)	2	----	----	----	----	E9414 742	
(back light) (black)	1	----	----	----	----	2180 985	
Y1 (white)	1	----	----	----	----	2177 530	
(black)	1	----	----	----	----	2180 365	
(cap fastener)	1	----	----	----	----	6000 434	
(socket)	1	----	----	----	----	141 998	

★ Indicates use as required.

3 Indicates parts not listed in any previous parts book.

Right and left part numbers are on same line,

first number is right, second number is left.

* Indicates change or addition.

Printed in U.S.A.
Prices and specifications subject to change without notice.

Jan. 3, 1964 Supersedes Dec. 14, 1962.

CODE	REMARKS	PER CAR	SED.	SP. 4 D.	SUB.	SP. CL. CP.	CV. CP.
23-112-46	ZIPPER, Folding Top Rear Curtain (alabaster)	1	----	----	----	----	⊕2182 314
	C1, C2 (black)	1	----	----	----	----	2180 947
	Y1 (black)	1	----	----	----	----	⊕2172 107
23-112-50	TAPE, Folding Top Back Curtain Side Closure Loop (sold by the inch)						
	C1, C2 (black) (quarter stay closure hook)	★	----	----	----	----	*1933 TX8
	(black)	★	----	----	----	----	*1934 TX8
23-112-70	RETAINER, Folding Top to Belt Bar C1, C2 (center)	1	----	----	----	----	2243 924
	(side)	1	----	----	----	----	2243 922-3
	(side rear)	1	----	----	----	----	2244 426-7
	(end)	1	----	----	----	----	2424 348
	(inner)	1	----	----	----	----	2216 421
	Y1-M	2	----	----	----	----	2094 354
		1	----	----	----	----	1877 746-7
23-112-75	TIP, Folding Top Wire-on Bending End C1, C2, Y1-M	1	----	----	----	----	1158 976-7
23-112-88	CABLE, Folding Top Rear Bow Tension C1, C2 (white)	2	----	----	----	----	*2166 659
	(black)	2	----	----	----	----	*2480 819
	(side front cover)	2	----	----	----	----	*2490 182
	Y1	2	----	----	----	----	2166 660
	Y1-M (side front cover)	2	----	----	----	----	⊕2490 183
23-112-96	SPACER, Folding Top Side Rear Rail Tension Cable and Spring Y1-M	2	----	----	----	----	⊕2490 289
	Screw (spring attaching)	2	----	----	----	----	⊕9414 742
23-112-108	DECK and SIDE QUARTER, Folding Top C1, C2 (alabaster)	1	----	----	----	----	⊕2182 313
	(blue)	1	----	----	----	----	2180 937
	(black)	1	----	----	----	----	2180 938
	(white)	1	----	----	----	----	2180 939
	Y1-M (black)	1	----	----	----	----	2180 354
	(white)	1	----	----	----	----	2177 534
	(screw)(deck to front header)	2	----	----	----	----	6000 238
23-112-112	PAD, Folding Top Side Quarter Stay C1, C2 (alabaster)	1	----	----	----	----	⊕2182 316-17
	(black)	1	----	----	----	----	2180 940-1
	Y1 (black)	1	----	----	----	----	2180 728-9
23-112-153	WELL, Pocket Panel, Pocket Panel Cover, Pocket Shelf Panel, Folding Top C1-L, C2-M (pocket shelf panel)						
	(code 201) (blue)	1	----	----	----	----	2134 576-7
	(code 221) (blue)	1	----	----	----	----	2133 788-9
	(codes 203, 223) (tan)	1	----	----	----	----	2133 790-1
	(codes 205, 225) (red)	1	----	----	----	----	2133 792-3

★ Indicates use as required.

⊕ Indicates parts not listed in any previous parts book.

Jan. 3, 1964 Supersedes Sept. 4, 1962.

Printed in U.S.A.

Prices and specifications subject to change without notice.

Right and left part numbers are on same line,
first number is right, second number is left.

* Indicates change or addition.

CODE	REMARKS	PER CAR	SED.	SP. 4 D.	SUB.	SP. CL. CP.	CV. CP.
23-112-153	WELL, Pocket Panel, Pocket Panel Cover, Pocket Shelf Panel, Folding Top - Cont'd						
	C1-L, C2-M						
	(codes 206, 227) (black)	1	----	----	----	----	2133 794-5
	(code 208) (turquoise)	1	----	----	----	----	2134 578-9
	(code 228) (turquoise)	1	----	----	----	----	2133 796-7
	C1-L (pocket panel)						
	(code 201)	1	----	----	----	----	2134 980-1
	(code 203)	1	----	----	----	----	2133 810-1
	(code 205)	1	----	----	----	----	2133 812-3
	(code 206)	1	----	----	----	----	2133 814-5
	(code 208)	1	----	----	----	----	2134 982-3
	(pocket panel cover)						
	(code 201)	1	----	----	----	----	2134 984-5
	(code 203)	1	----	----	----	----	2133 820-1
	(code 205)	1	----	----	----	----	2133 823-4
	(code 206)	1	----	----	----	----	2133 825-6
	(code 208)	1	----	----	----	----	2134 986-7
	C2-M (pocket panel)						
	(code 221)	1	----	----	----	----	2133 808-9
	(code 223)	1	----	----	----	----	2133 810-1
	(codes 225, 245)	1	----	----	----	----	2133 812-3
	(code 227)	1	----	----	----	----	2133 814-5
	(code 228)	1	----	----	----	----	2133 816-7
	(pocket panel cover)						
	(code 221)	1	----	----	----	----	2133 818-9
	(code 223)	1	----	----	----	----	2133 820-1
	(codes 225, 245)	1	----	----	----	----	2133 822-3
	(code 227)	1	----	----	----	----	2133 824-5
	(code 228)	1	----	----	----	----	2133 826-7
	C1-L						
	(folding top well)						
	(code 201) (blue)	1	----	----	----	----	2180 892
	(code 203) (tan)	1	----	----	----	----	2180 893
	(code 205) (red)	1	----	----	----	----	2180 894
	(code 206) (alabaster)	1	----	----	----	----	2180 895
	(code 208) (turquoise)	1	----	----	----	----	2180 896
	C2-M						
	(folding top well)						
	(code 221) (blue)	1	----	----	----	----	2180 897
	(code 223) (tan)	1	----	----	----	----	2180 893
	(code 225) (red)	1	----	----	----	----	2180 894
	(code 227) (alabaster)	1	----	----	----	----	2180 895
	(code 228) (turquoise)	1	----	----	----	----	2180 898
	(code 245) (red)	1	----	----	----	----	2180 894
	(well cover fastener cap)	★	----	----	----	----	6000 434
	Y1-M						
	(folding top well)						
	(code 951) (blue)	1	----	----	----	----	2180 356
	(code 955) (red)	1	----	----	----	----	2180 357
	(code 956) (charcoal)	1	----	----	----	----	2180 358
	(code 957) (alabaster)	1	----	----	----	----	2180 359
	(well cover fastener cap)	★	----	----	----	----	6000 434
	Y1-M (pocket panel)						
	(code 951)	1	----	----	----	----	2295 452-3
	(code 955)	1	----	----	----	----	2295 454-5
	(code 956)	1	----	----	----	----	2295 456-7
	(code 957)	1	----	----	----	----	2295 458-9
	(fastener, to dust boot)	2	----	----	----	----	2094 380

★ Indicates use as required.

⊠ Indicates parts not listed in any previous parts book.

Right and left part numbers are on same line,

first number is right, second number is left.

* Indicates change or addition.

Printed in U.S.A.

Prices and specifications subject to change without notice.

Jan. 3, 1964 Supersedes Dec. 14, 1962.

1963 PASSENGER CAR PARTS CATALOG

INTERIOR TRIM

CODE	REMARKS	PER CAR	SED.	SP. 4 D.	SUB.	SP. CL. CP.	CV. CP.
23-112-153	WELL, Pocket Panel, Pocket Panel Cover, Pocket Shelf Panel, Folding Top - Cont'd Y1-M (pocket panel cover)						
	(code 951)	1	----	----	----	----	2295 444-5
	(code 955)	1	----	----	----	----	2295 446-7
	(code 956)	1	----	----	----	----	2295 448-9
	(code 957)	1	----	----	----	----	2295 450-1
23-113-2	WEATHERCORD, Door C1, C2, C3 (sold by the inch) (codes 101, 111, 121, 141, 201, 221, 231) (blue) (codes 102, 112, 142) (green) (codes 103, 113, 123, 143, 203, 223, 233) (tan) (codes 104, 204, 206, 236) (black) (codes 105, 115, 125, 205, 225, 235, 245) (red) (codes 126, 206, 227) (alabaster) (codes 108, 148, 208, 228) (turquoise) (code 144) (gray) (codes 151, 251) (blue) (codes 153, 253) (beige)						
		★	2182 165	2182 165	2182 165	2182 165	2182 165
		★	2182 166	2182 166	2182 166	2182 166	2182 166
		★	2182 167	2182 167	2182 167	2182 167	2182 167
		★	2182 164	2182 164	2182 164	2182 164	2182 164
		★	2182 168	2182 168	2182 168	2182 168	2182 168
		★	2182 170	2182 170	2182 170	2182 170	2182 170
		★	2182 169	2182 169	2182 169	2182 169	2182 169
		★	2182 171	2182 171			
		★	----	2182 177			
		★	----	2182 178			
NOTE: For Chrysler Hinge Pillar and Lock Pillar Weathercords see Part Type Code 23-113-2.							
NOTE: For Rear Door Hinge Pillar Weathercord for Imperial Sp. 4 D., see Part Type Code 23-99-41.							
23-113-25	WEATHERCORD, Front Door Hinge Pillar Y1						
	(codes 901, 921, 941, 951) (blue)	2	----	2179 702	----	2179 702	2179 702
	(codes 903, 923, 943) (tan)	2	----	2179 703	----	2179 703	
	(codes 904, 924, 944) (gray)	2	----	2179 704	----	2179 704	
	(codes 908, 928) (turquoise)	2	----	2179 705	----	2179 705	
	(codes 909, 929, 939, 949) (gold)	2	----	2179 706	----	2179 706	
	(codes 925, 955, 975) (red)	2	----	2179 707	----	2179 707	2179 707
	(code 956) (charcoal)	2	----	2179 708	----	2179 708	2179 708
	(codes 957, 976, 977) (alabaster)	2	----	2179 709	----	2179 709	2179 709
23-113-30	WEATHERCORD, Door Lock Pillar Y1						
	(codes 901, 921, 951) (blue)	2	----	----	----	2179 608	2179 608
	(codes 903, 923) (tan)	2	----	----	----	2179 609	2179 609
	(codes 904, 924) (gray)	2	----	----	----	2179 610	
	(codes 908, 928) (turquoise)	2	----	----	----	2179 611	
	(codes 909, 929, 939) (gold)	2	----	----	----	2179 612	
	(codes 925, 955) (red)	2	----	----	----	2179 613	2179 613
	(code 956) (charcoal)	2	----	----	----	2179 614	2179 614
	(code 977) (alabaster)	2	----	----	----	2179 615	2179 615
23-113-36	FILLER, Folding Top Front Bow Y1	1	----	----	----	----	1246 543
23-113-50	WELT, Windshield Side Garnish Moulding to Instrument Panel C1, C2, C3 (paint as required)	2	1758 241	1758 241	1758 241	1758 241	1758 241

★ Indicates use as required.

⊠ Indicates parts not listed in any previous parts book.

Jan. 3, 1964 Supersedes Dec. 14, 1962.

Printed in U.S.A.

Prices and specifications subject to change without notice.

Right and left part numbers are on same line,

first number is right, second number is left.

* Indicates change or addition.

CODE	REMARKS	PER CAR	SED.	SP. 4 D.	SUB.	SP. CL. CP.	CV. CP.
23-113-50	WELT, Windshield Side Garnish Moulding to Instrument Panel - Cont'd Y1 (paint as required) (gray)	1	----	2180 666-7	----	2180 666-7	2180 666-7
23-113-84	WELT, Folding Top Header C1, C2 (black) (alabaster) Y1 (black)	2 2 1	----	----	----	----	2179 386 E2182 320 2192 739
23-114-2	MATERIAL, Seat Cloth Trim C1-L (54" wide) (code 101) (blue) (code 102) (green) (code 103) (tan) (code 105) (red) (code 108) (turquoise) (code 104) (gray)	★ ★ ★ ★ ★ ★	2185 906 2185 907 2185 908 2185 909 2185 910 2186 238				
	C2-M (70" wide) (code 121) (blue) (code 123) (tan) (code 125) (red) (code 126) (black)	★ ★ ★ ★	---- 2186 187 2185 917 2185 918 2185 919				
	C3-H (58" wide) (code 141) (blue) (code 142) (green) (code 143) (tan) (code 144) (gray) (code 148) (turquoise) (code 151) (blue) (code 153) (beige)	★ ★ ★ ★ ★ ★ ★	2185 924 2185 925 2185 926 2185 927 2185 928 2186 294 2186 295	2185 924 2185 925 2185 926 2185 927 2185 928			
23-114-10	BINDING (5/8" wire on) C1, C2, Y1-M (paint as required) (white) (black) (blue) (alabaster)	1 1 1 1	----	----	----	----	2177 529 E2181 851 E2180 948 E2182 319
23-114-14	HIDE, Leather C2-M (code 245) (codes 151, 251) (blue) (codes 153, 253) (beige)	★ ★ ★	---- 2185 966 2186 300 2186 301	2185 966	----	2185 966	2185 966
	Y1-M, Y1-H (codes 921, 941, 951) (blue) (codes 923, 943) (tan) (codes 924, 944) (gray) (codes 925, 955, 975) (red) (code 928) (turquoise) (codes 929, 939) (gold) (code 956) (charcoal) (codes 957, 976, 977) (alabaster)	★ ★ ★ ★ ★ ★ ★ ★	---- 2185 963 2185 964 2185 965 *2185 966 2185 967 2185 968 2186 041 2186 040	2185 963 2185 964 2185 965 *2185 966 2185 967 2185 968 2186 041 2186 040	----	2185 963 2185 964 2185 965 *2185 966 2185 967 2185 968 2186 041 2186 040	2185 963 2185 964 2185 965 *2185 966 2185 967 2185 968 2186 041 2186 040
23-114-15	MATERIAL, Leather (imitation) C1-L, C2-M, C3-H (codes 101, 111, 141) (28A-AM-22)(50") (1602 blue) (code 111) (1601 blue) (28-AM-22)(50") (1601 blue)	★ ★ ★	2185 647 ---- 2185 615	2185 647 2185 615 2185 615	----	2185 647 2185 615	

★ Indicates use as required.

□ Indicates parts not listed in any previous parts book.

Right and left part numbers are on same line, first number is right, second number is left.

* Indicates change or addition.

Printed in U.S.A.
Prices and specifications subject to change without notice.
Jan. 3, 1964 Supersedes Jan. 25, 1963.

1963 PASSENGER CAR PARTS CATALOG

INTERIOR TRIM

CODE	REMARKS	PER CAR	SED.	SP. 4D.	SUB.	SP. CL. CP.	CV. CP.
23-114-15	MATERIAL, Leather (imitation) - Cont'd						
	C1-L, C2-M, C3-H						
	(code 111) (1600 blue)	★	----	2185 778	----	2185 778	
	(19A-C-22)(54") (1602 blue)	★	2185 625				
	(1602 blue)	★	----	2185 620	----	2185 620	
	(19A-DJ-22)(54") (1601 blue)	★	2185 798				
	(1600 blue)	★	----	2186 097	----	2186 097	
	(19B-C-22)(54") (1601 blue)	★	2185 620	2185 620			
	(19C-C-22) (54") (1602 blue)	★	2185 625				
	(1601 blue)	★	----	2185 620	----	2185 620	
	(19-C-22) (54") (1601 blue)	★	2185 620				
	(code 141) (1602 blue)	★	2185 625	2185 625			
	(code 101) (1600 blue)	★	2186 097				
	(1602 blue)	★	2185 798	2185 798	----	2185 798	
	(codes 151, 251) (38-DZ-22)						
	(54") (1691-1 blue)	★	----	2186 296			
	(codes 153, 253)						
	(38-DZ-22) (54")						
	(1690-1 blue)	★	----	2186 302			
	C1, C2, C3						
	(codes 121, 221, 231)						
	(19-C-22) (54") (1680 blue)	★	----	*2186 191	----	*2186 191	*2186 191
	(19A-DJ-22) (54") (1602 blue)	★	----	⊕2185 761	----	⊕2185 761	⊕2185 761
	(28-AM-22) (50") (1680 blue)	★	----	2186 190	⊕2185 778	2186 190	2186 190
	(34-DV-78) (45) (1678 blue)	★	----	2186 184	----	2186 184	2186 184
	(codes 102, 112, 142)						
	(28-AM-22) (50") (1604 green)	★	2185 616	2185 616	----	2185 616	
	(34-DV-78) (45")						
	(1649 turq. antique)	★	----	----	----	⊕2186 177	----
	(code 112) (1603 green)	★	----	2186 133	----	2186 133	
	(19A-C-22) (54") (1605 green)	★	2185 626				
	(code 112) (1604 green)	★	----	2185 621	----	2185 621	
	(19A-DJ-22) (54") (1604 green)	★	2185 799				
	(code 112) (1603 green)	★	----	2186 136	----	2186 136	
	(19B-C-22) (54") (1604 green)	★	----	2185 621	----	2185 621	
	(19C-C-22) (54") (1605 green)	★	2185 626				
	(1604 green)	★	----	2185 621	----	2185 621	
	C1-L, C3-H						
	(19-C-22) (54") (1604 green)	★	2185 621				
	(1603 green)	★	----	2185 737	----	2185 737	
	(code 142) (1605 green)	★	2185 626	2185 626			
	(1604 green)	★	2185 799	2185 799	----	2185 799	
	C1-L, C2-M, C3-H						
	(codes 103, 113, 123, 143, 203, 223, 233)						
	(28A-AM-22) (50") (1608 tan)	★	2185 649				
	(1607 tan)	★	----	*2185 779	*2185 779	*2185 779	*2185 779
	(28-AM-22) (50") (1606 tan)	★	*2185 779	*2185 779	*2185 779		
	(codes 113, 123, 203, 223)						
	(1606 tan)	★	----	2185 622	2185 622	2185 622	2185 622
	(34-DY-78) (45") (1648 tan)	★	----	2186 176	2186 176	2186 176	2186 176
	(19A-C-22) (54") (1608 tan)	★	2185 627	2185 627			
	(codes 113, 123, 203, 223)						
	(1607 tan)	★	*2185 738	*2185 738	*2185 738	*2185 738	*2185 738
	(19A-DJ-22) (54") (1607 tan)	★	2185 800				
	(codes 113, 203) (1606 tan)	★	----	2186 098	2186 098	2186 098	2186 098
	(codes 123, 223) (1608 tan)	★	----	2185 672	----	2185 672	2185 672
	(19B-C-22) (54") (1608 tan)	★	----	2185 627	2185 627		
	(19C-C-22) (54") (1608 tan)	★	2185 627	2185 627	----	2185 627	2185 627
	(code 113) (1607 tan)	★	----	2185 622	----	2185 622	

★ Indicates use as required.

⊕ Indicates parts not listed in any previous parts book.

Jan. 3, 1964 Supersedes Jan. 25, 1963.

Printed in U.S.A.

Prices and specifications subject to change without notice.

Right and left part numbers are on same line,
first number is right, second number is left.

* Indicates change or addition.

CODE	REMARKS	PER CAR	SED.	SP. 4 D.	SUB.	SP. CL. CP.	CV. CP.
23-114-15	MATERIAL, Leather (imitation) - Cont'd C1-L, C2-M, C3-H (codes 151, 251, 153, 253)						
	(37-DX-85) (54") (1624 black)	★	----	*2186 299			
	(37-DZ-22) (54") (1690-1 beige)	★	----	*2186 302			
	(code 203) (1516 white)	★	----	----	2185 329		
	(code 233) (1617 alabaster)	★	----	----	2185 631		
	(19-C-22) (54") (1607 tan)	★	2185 622	2185 622	2185 622		
	(codes 113, 123, 203, 223) (1605 tan)	★	----	2185 738	2185 738	2185 738	2185 738
	(code 143) (1608 tan)	★	2185 627	2185 627			
	(19-DJ-22) (54") (1607 tan)	★	2185 800	2185 800	2185 800	2185 800	2185 800
	(code 103) (1608 tan)	★	2185 762				
	(codes 123, 223) (1606 tan)	★	----	2186 098			
	(codes 104, 144, 204)						
	(37A-CX-22) (50") (1609 gray)	★	2186 095				
	(37-CX-22) (50") (1610 gray)	★	2186 094				
	(28A-AM-22) (50") (1610 gray)	★	2185 633				
	(28-AM-22) (50") (1609 gray)	★	2185 780				
	(code 144) (1610 gray)	★	2185 633	2185 633			
	(19A-C-22) (54") (1610 gray)	★	2185 834				
	(19A-DJ-22) (54") (1610 gray)	★	2185 835				
	(19B-C-22) (54") (1610 gray)	★	2185 834	2185 834			
	(code 144) (1624 black)	★	2185 632	2185 632			
	(19-DJ-22) (54") (1609 gray)	★	2186 083				
	(1610 gray)	★	2185 835	2185 835			
	(codes 105, 115, 125, 205, 225, 235) (28A-AM-22) (50")						
	(1616 red)	★	2185 650	2185 650	2185 650	2185 650	2185 650
	(28-AM-22) (50") (1615 red)	★	2185 618	2185 618	2185 618	2185 618	2185 618
	(25-DV-78) (45") (1652 red)	★	----	2186 180	2186 180	2186 180	2186 180
	(19A-C-22) (54") (1616 red)	★	2185 628	2185 628	2185 628	2185 628	2185 628
	(code 125) (1615-1 red)	★	2185 623				
	(code 225) (1615-1 red)	★	----	2185 623	----	2185 623	2185 623
	(19A-DJ-22) (54") (1616 red)	★	2185 809	2185 809	2185 809	2185 809	2185 809
	(19B-C-22) (54") (1615-1 red)	★	----	2185 623	2185 623		
	(19C-C-22) (54") (1615-1 red)	★	2185 623	2185 623	----	----	2185 623
	(code 235) (1617 alabaster)	★	----	2185 631	2185 631		
	(code 205) (1516 white)	★	*2185 329	2185 329	2185 329	2185 329	2185 329
	(19D-C-22) (54") (1615-1 red)	★	----	2185 623			
	(19-C-22) (54") (1615-1 red)	★	2185 623	2185 623	2185 623	2185 623	2185 623
	(19-DJ-22) (54") (1615-1 red)	★	2185 808	2185 808	2185 808	2185 808	2185 808
	(codes 126, 206, 236)						
	(28A-AM-22) (50") (1624 black)	★	----	2185 659	2185 659	2185 659	2185 659
	(28-AM-22) (50") (1617 alabaster)	★	----	2185 630	2185 630	2185 630	2185 630
	(codes 206, 236) (1624 black)	★	----	*2185 659	----	*2185 659	
	(25-DV-78) (45") (1651 gray)	★	----	2186 244	2186 244	2186 244	2186 244
	(19A-C-22) (54") (1624 black)	★	----	2185 632	2185 632	2185 632	2185 632
	(19A-DJ-22) (54") (1624 black)	★	----	2185 763	2185 763	2185 763	2185 763
	(19B-C-22) (54") (1624 black)	★	----	2185 632	2185 632		
	(19C-C-22) (54") (1516 white)	★	----	2185 329	2185 329	2185 329	2185 329
	(code 236) (1617 alabaster)	★	----	2185 631	2185 631		
	(19D-C-22) (54") (1617 alabaster)	★	----	2185 631			
	(code 226) (1624 black)	★	----	2185 632	----	2185 632	2185 632
	(19E-C-22) (54") (1624 black)	★	----	----	2185 632		
	(19F-C-22) (54") (1624 black)	★	----	2185 632	2185 632	2185 632	2185 632
	(19-C-22) (54") (1617 alabaster)	★	----	2185 631	2185 631	2185 631	2185 631

★ Indicates use as required.

⊔ Indicates parts not listed in any previous parts book.

Right and left part numbers are on same line,

first number is right, second number is left.

* Indicates change or addition.

Printed in U.S.A.

Prices and specifications subject to change without notice.

Jan. 3, 1964 Supersedes Dec. 14, 1962.

1963 PASSENGER CAR PARTS CATALOG

INTERIOR TRIM

CODE	REMARKS	PER CAR	SED.	SP. 4 D.	SUB.	SP. CL. CP.	CV. CP.
23-114-15	MATERIAL, Leather (imitation) - Cont'd C1-L, C2-M, C3-H						
	(code 236) (1624 black)	★	----	2185 632	2185 632		
	(19-D-J-22)(54") (1617 alabaster)	★	----	2185 802	2185 802	2185 802	2185 802
	(code 236) (1624 black)	★	----	2185 763	2185 763		
	C2-M (code 227) (28-AM-22)(54") (1617 alabaster)	★	----	*2185 630	----	*2185 630	*2185 630
	(25-DV-78)(45") (1650 alabaster)	★	----	2186 178	----	2186 178	2186 178
	(19A-C-22)(54") (1624 black)	★	----	2185 632	----	2185 632	2185 632
	(19A-DJ-22)(54") (1624 black)	★	----	2185 763	----	2185 763	2185 763
	(19C-C-22)(54") (1624 black)	★	----	2185 632	----	2185 632	2185 632
	(19D-C-22)(54") (1617 alabaster)	★	----	2185 631	----	2185 631	2185 631
	(19-C-22)(54") (1617 alabaster)	★	----	2185 631	----	2185 631	2185 631
	(19-DJ-22)(54") (1617 alabaster)	★	----	2185 802	----	2185 802	2185 802
	C1-L, C2-M, C3-H (codes 108, 148, 208, 228) (28A-AM-22)(50") (1613 turquoise)	★	2185 619	2185 619	2185 619	2185 619	2185 619
	(code 228) (1614 turquoise)	★	----	*2185 651	----	*2185 651	*2185 651
	(28-AM-22)(50") (1613 turquoise)	★	2185 619	2185 619			
	(code 208) (1612 turquoise)	★	----	2185 781	2185 781	2185 781	2185 781
	(25-DV-78)(45") (1649 turquoise)	★	----	2186 177	2186 177	2186 177	2186 177
	(19A-C-22)(54") (1613 turquoise)	★	----	2185 624	2185 624	2185 624	2185 624
	(codes 108, 228) (1614 turquoise)	★	2185 629	2185 629	----	2185 629	2185 629
	(19A-DJ-22) (54") (1612 turquoise)	★	----	2186 163	2186 163	2186 163	2186 163
	(1613 turquoise)	★	2185 806				
	(code 228) (1614 turquoise)	★	----	2185 807	----	2185 807	2185 807
	(19B-C-22)(54") (1613 turquoise)	★	2185 624	2185 624			
	(19C-C-22)(54") (1614 turquoise)	★	2185 629	2185 629	----	2185 629	2185 629
	(19D-C-22)(54") (1613 turquoise)	★	----	2185 624	----	2185 624	2185 624
	(19-C-22)(54") (1613 turquoise)	★	2185 624	2185 624	----	2185 624	2185 624
	(code 208) (1612 turquoise)	★	----	2185 739	2185 739	2185 739	2185 739
	(code 148) (1614 turquoise)	★	2185 629	2185 629			
	(19-DL-22) (54") (1614 turquoise)	★	2185 807				
	(codes 148, 208, 228) (1613 turquoise)	★	2185 806	2185 806	2185 806	2185 806	2185 806
	(codes 151, 153, 251, 253) (37-DX-85) (54")						
	(1624 black)	★	----	2136 299			
	Y1-L, Y1-M, Y1-H (codes 901, 921, 941, 951) (28-AM-22) (50") (1600 blue)	★	----	2185 778	----	2185 778	2185 778
	(22-AR-22) (54") (1600 blue)	★	----	2185 844	----	2185 844	2185 844
	(19A-C-22) (54") (1601 blue)	★	----	2185 620	----	2185 620	2185 620

★ Indicates use as required.

⊠ Indicates parts not listed in any previous parts book.

Jan. 3, 1964 Supersedes Sept. 4, 1962.

Printed in U.S.A.

Prices and specifications subject to change without notice.

Right and left part numbers are on same line,
first number is right, second number is left.

* Indicates change or addition.

CODE	REMARKS	PER CAR	SED.	SP. 4 D.	SUB.	SP. CL. CP.	CV. CP.
23-114-15	MATERIAL, Leather (imitation) Cont'd Y1-L, Y1-M, Y1-H						
	(code 901) (1602 blue)	★	----	2185 625			
	(19B-C-22) (54") (1600 blue)	★	----	2185 736	----	2185 736	2185 736
	(19-C-22) (54") (1600 blue)	★	----	2185 736	----	2185 736	2185 736
	(codes 903, 923, 943)						
	(28-AM-22) (54") (1606 tan)	★	----	2185 779	----	2185 779	
	(22-AR-22) (54") (1606 tan)	★	----	2185 845	----	2185 845	
	(19A-C-22) (54") (1608 tan)	★	----	2185 627	----	2185 627	
	(codes 923, 943) (1607 tan)	★	----	2185 622	----	2185 622	
	(19B-C-22) (54") (1606 tan)	★	----	2185 738	----	2185 738	
	(19-C-22) (54") (1606 tan)	★	----	2185 738	----	2185 738	
	(code 924) (1609 gray)	★	----	2185 780	----	2185 780	
	(22-AR-22) (54") (1606 tan)	★	----	2185 846	----	2185 846	
	(19A-C-22) (54") (1611 gray)	★	----	2185 849	----	2185 849	
	(codes 924, 944) (1609 gray)	★	----	2185 834	----	2185 834	
	(19B-C-22) (54") (1609 gray)	★	----	2185 740	----		
	(19-C-22) (54") (1609 gray)	★	----	2185 740	----	2185 740	
	(codes 925, 955, 975)						
	(28-AM-22) (50") (1615-1 red)	★	----	2185 618	----	2185 618	2185 618
	(22-AR-22) (54") (1615-1 red)	★	----	2185 861	----	2185 861	2185 861
	(19A-C-22) (54") (1615-1 red)	★	----	2185 623	----	2185 623	2185 623
	(19B-C-22) (54") (1615-1 red)	★	----	2185 623	----	2185 623	2185 623
	(19-C-22) (54") (1617 alabaster)	★	----	2185 631	----	2185 631	2185 631
	(codes 956, 976)						
	(28-AM-22) (50") (1623 charcoal)	★	----	2185 783	----	2185 783	2185 783
	(22-AR-22) (54") (1623 charcoal)	★	----	2185 923	----	2185 923	2185 923
	(19-C-22) (54") (1617 alabaster)	★	----	2185 631	----	2185 631	
	(codes 957, 977)						
	(28-AM-22) (50") (1617 alabaster)	★	----	2185 630	----	2185 630	2185 630
	(22-AR-22) (54") (1617 alabaster)	★	----	2185 921	----	2185 921	2185 921
	(19B-C-22) (54") (1617 alabaster)	★	----	2185 631	----	2185 631	2185 631
	(19-C-22) (54") (1617 alabaster)	★	----	2185 631	----	2185 631	
	(codes 908, 928)						
	(28-AM-22) (50") (1612 turquoise)	★	----	2185 781	----	2185 781	
	(22-AR-22) (54") (1612 turquoise)	★	----	2185 847	----	2185 847	
	(19A-C-22) (54") (1614 turquoise)	★	----	2185 629	----	2185 629	
	(code 928) (1612 turquoise)	★	----	2185 624	----	2185 624	
	(19B-C-22) (54") (1612 turquoise)	★	----	2185 739	----		
	(19-C-22) (54") (1612 turquoise)	★	----	2185 739	----	2185 739	
	(codes 909, 929, 939, 949)						
	(28-AM-22) (50") (1635 gold)	★	----	2185 782	----	2185 782	
	(22-AR-22) (54") (1635 gold)	★	----	2185 848	----	2185 848	
	(19A-C-22) (54") (1636 gold)	★	----	2185 850	----	2185 850	
	(19B-C-22) (54") (1635 gold)	★	----	2185 843	----		
	(19-C-22) (54") (1635 gold)	★	----	2185 843	----	2185 843	

★ Indicates use as required.

□ Indicates parts not listed in any previous parts book.

Right and left part numbers are on same line,

first number is right, second number is left.

* Indicates change or addition.

Printed in U.S.A.

Prices and specifications subject to change without notice.

Jan. 3, 1964 Supersedes Dec. 14, 1962.

1963 PASSENGER CAR PARTS CATALOG

INTERIOR TRIM

CODE	REMARKS	PER CAR	SED.	SP. 4 D.	SUB.	SP. CL. CP.	CV. CP.
23-115-4	NUT, Front Seat Back to Cushion Mounting C2, C3	4	----	2410 102	2410 102	2410 102	2410 102
23-115-5	WASHER, Front Seat Center Arm Rest C2, C3, Y1	2	----	1918 299	1918 299	1918 299	1918 299
23-115-6	PIN, Front Seat Back to Cushion Mounting C2, C3	4	----	2410 054	2410 054	2410 054	2410 054
23-115-10	SCREW, Front Seat Center Arm Rest to Center Cushion C2, C3, Y1	2	----	2092 212	2092 212	2092 212	2092 212

NOTES

★ Indicates use as required.
 ☒ Indicates parts not listed in any previous parts book.
 Jan. 3, 1964 Supersedes Sept. 4, 1962.

Printed in U.S.A.
 Prices and specifications subject to change without notice.
 Right and left part numbers are on same line,
 first number is right, second number is left.
 * Indicates change or addition.

1963 DODGE
1963 DART**INTERIOR TRIM****HOW TO USE INTERIOR TRIM ILLUSTRATIONS**

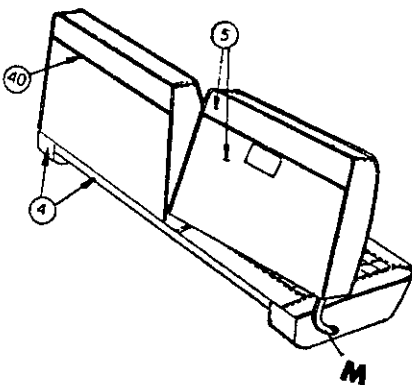
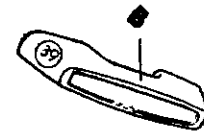
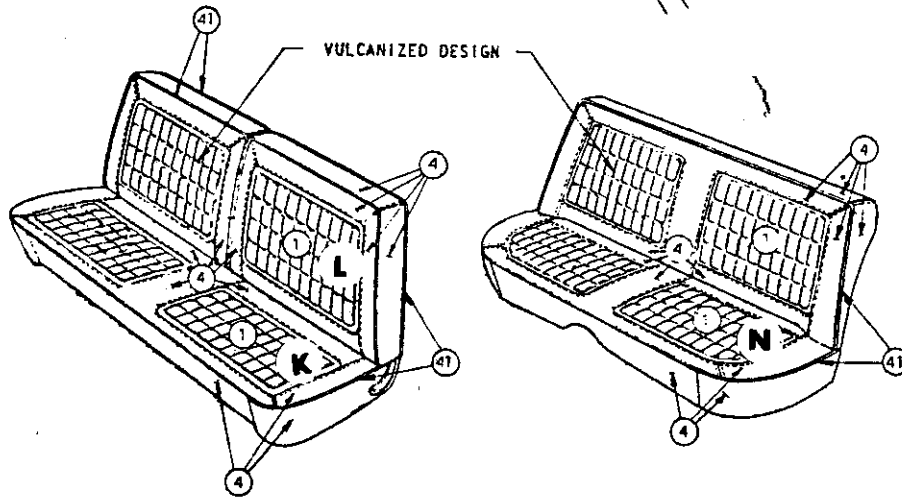
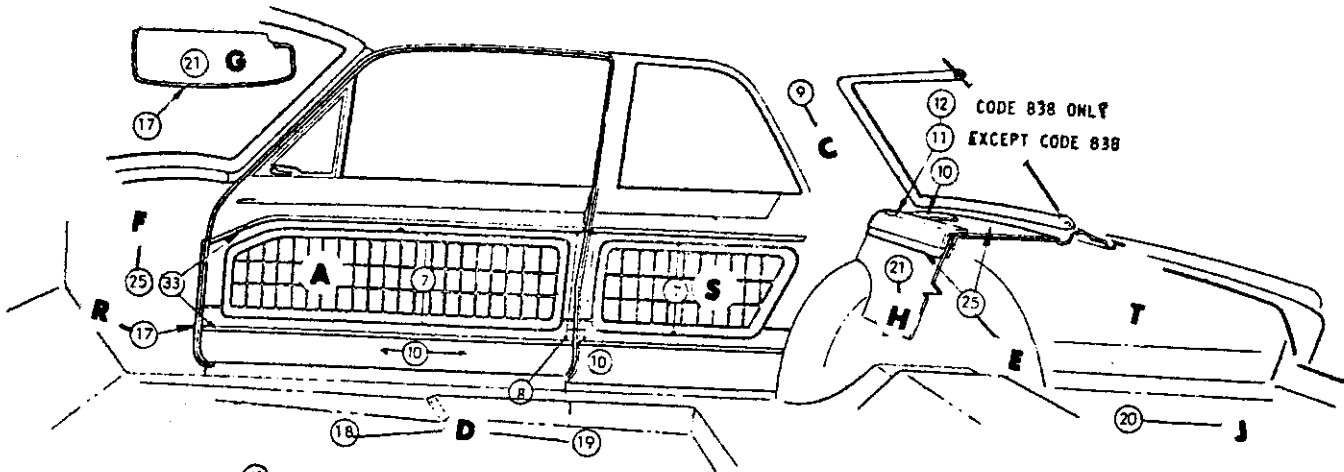
The illustrations in this section are actual and each body style showing the Interior Trim is included.

The letters shown on the illustration indicate the description of the part and the part type code when referred to the legend which appears preceding the listing of the parts. The letters are consistent throughout the illustrations as "A" is always a Door Trim Panel, Code 23-92-5.

The numbers on the illustration indicate the distribution of material and type of material used. The numbers may vary with each illustration. The legend appears on the illustration.

For complete information on "How to Order" Trim Parts, see Mopar Parts Price List.

1963 DODGE - T SERIES



DISTRIBUTION OF MATERIAL

- 1 BODY CLOTH I
- 4 IMITATION LEATHER 32-CH-22
- 5 IMITATION LEATHER 34-DA-22
- 7 IMITATION LEATHER 18-DN-22
- 8 IMITATION LEATHER 012-L-22
- 9 IMITATION LEATHER 17-C-81 OPT 15, 5-C-81
- 10 IMITATION LEATHER 19-C-22
- 11 IMITATION LEATHER 28-AM-22
- 12 IMITATION LEATHER 32A-CH-22
- 16 LACE
- 17 EXTRUDED VINYL
- 18 FLOOR COVERING-FRONT-CARPET
- 19 FLOOR COVERING-REAR-CARPET
- 20 FLOOR COVERING-LUGG. COMPT. PRINTED JUTE
- 21 EMBOSSED CARDBOARD
- 24 FACING FABRIC
- 25 HARDBOARD
- 30 PLASTIC
- 31 PAINT
- 32 METAL
- 33 MOULDING
- 36 MYLAR
- 38 MOULDED RESIN
- 39 PLASTISOL
- 40 EXTRUDED VINYL NO. 2
- 41 EXTRUDED VINYL NO. 1

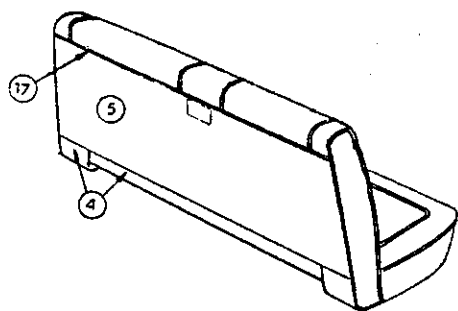
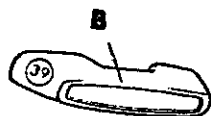
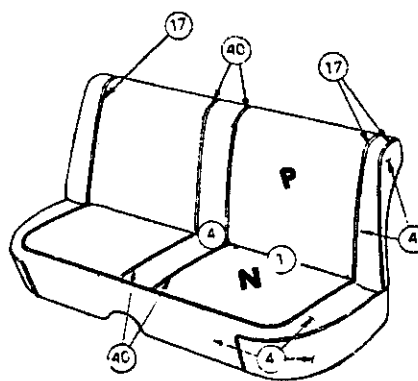
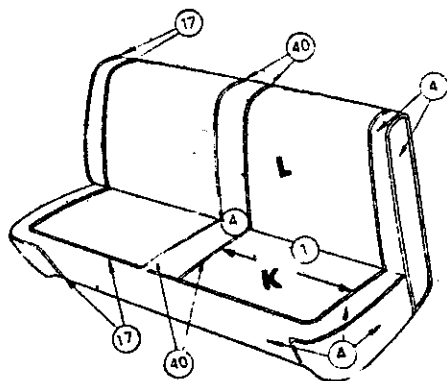
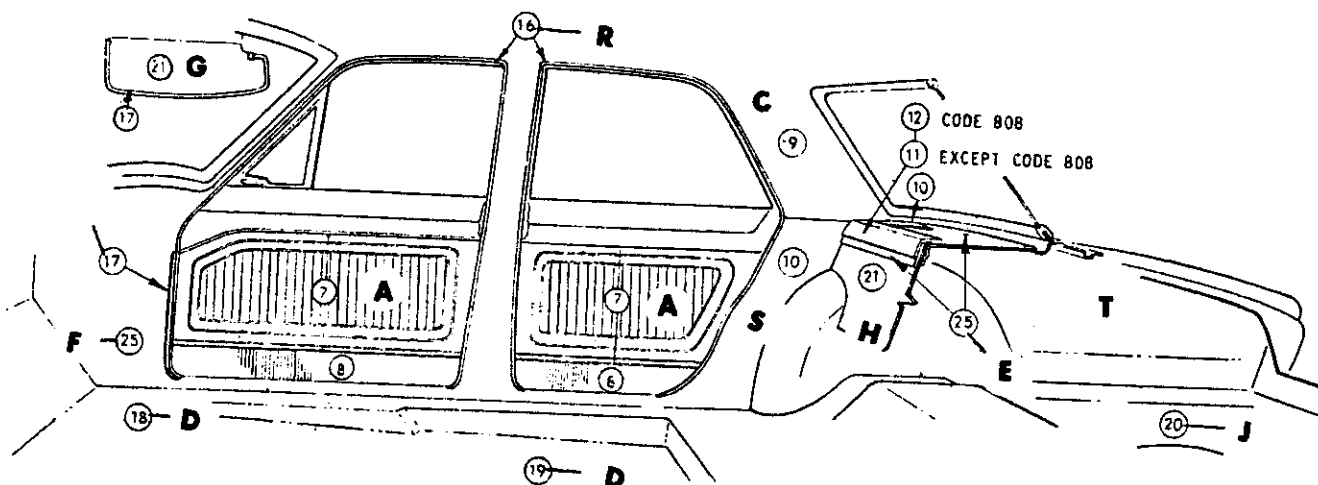
Distribution Drawing Legend Page Appears Following Illustration Section

Codes 831, 833, 835, 838

TLH-211

1963 DODGE TL1-H 2 DOOR SEDAN
CLOTH & IMITATION LEATHER

1963 DODGE - T SERIES



DISTRIBUTION OF MATERIAL

- 1 BODY CLOTH 1
- 4 IMITATION LEATHER 32-CH-22
- 5 IMITATION LEATHER 34-DA-22
- 7 IMITATION LEATHER 012-L-22
- 8 IMITATION LEATHER 012A-L-22
- 9 IMITATION LEATHER 17-C-81 OPT 15, 5-C-81
- 10 IMITATION LEATHER 19-C-22
- 11 IMITATION LEATHER 28-AM-22
- 12 IMITATION LEATHER 32A-CH-22
- 16 LACE
- 17 EXTRUDED VINYL
- 18 FLOOR COVERING-FRONT-RUBBER
- 19 FLOOR COVERING-REAR-RUBBER
- 20 FLOOR COVERING-LUGG. COMPT. PRINTED JUTE
- 21 EMBOSSED CARDBOARD
- 25 HARDBOARD
- 30 PLASTIC
- 31 PAINT
- 32 METAL
- 33 MOULDING
- 36 MYLAR
- 38 MOULDED RESIN
- 39 PLASTISOL
- 40 EXTRUDED FINYL MYLAR INSERT

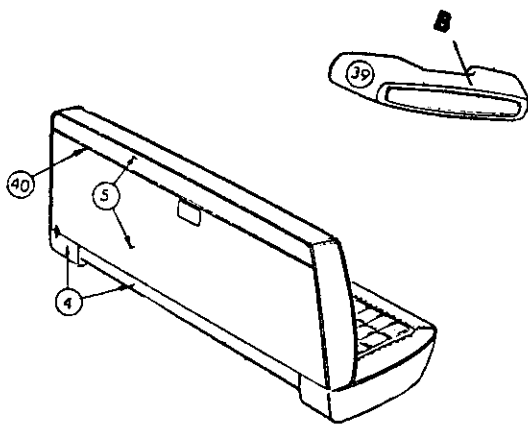
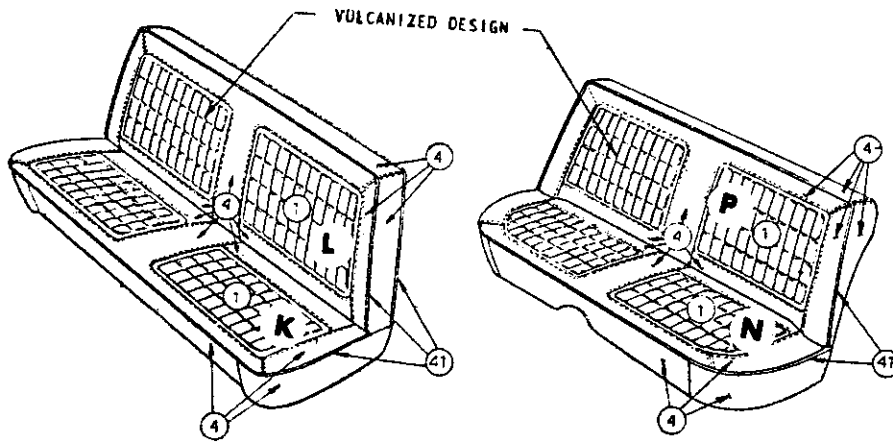
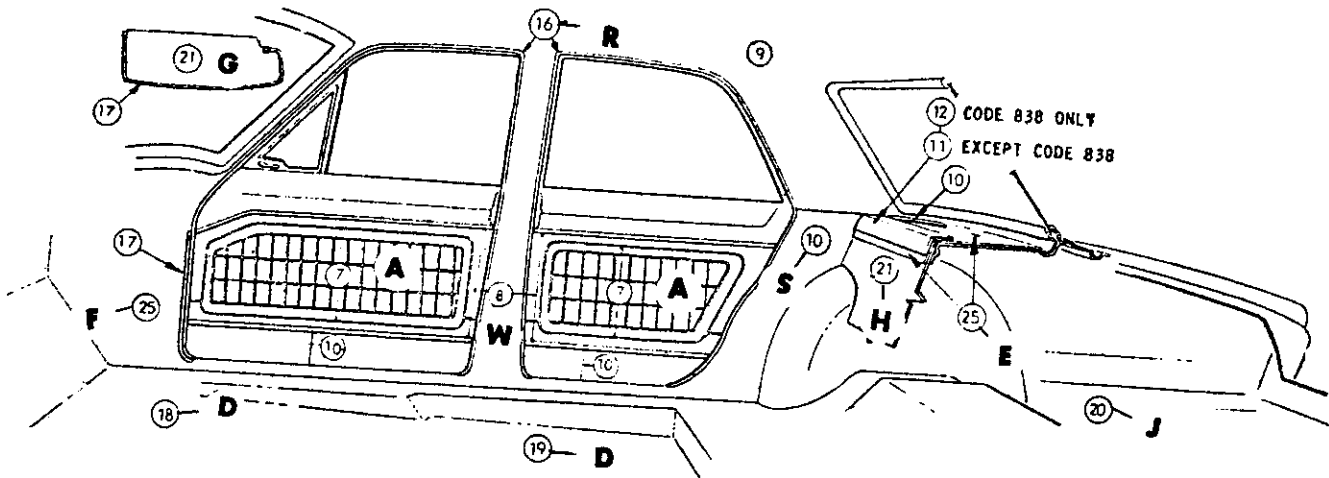
Distribution Drawing Legend Page Appears Following Illustration Section

Codes 801, 803, 805, 808

TLL-411

1963 DODGE TL1-L 4 DOOR SEDAN
CLOTH & IMITATION LEATHER COMBINATION

1963 DODGE - T SERIES



DISTRIBUTING OF MATERIAL

- | | | |
|----|--|------------------------|
| 1 | BODY CLOTH | 1 |
| 4 | IMITATION LEATHER | 32-CH-22 |
| 5 | IMITATION LEATHER | 34-DA-22 |
| 7 | IMITATION LEATHER | 18-DN-22 |
| 8 | IMITATION LEATHER | 012-L-22 |
| 9 | IMITATION LEATHER | 17-C-81 OPT 15, 5-C-81 |
| 10 | IMITATION LEATHER | 19-C-22 |
| 11 | IMITATION LEATHER | 28-AM-22 |
| 12 | IMITATION LEATHER | 32A-CH-22 |
| 16 | LACE | |
| 17 | EXTRUDED VINYL | |
| 18 | FLOOR COVERING-FRONT-CARPET | |
| 19 | FLOOR COVERING-REAR-CARPET | |
| 20 | FLOOR COVERING-LUGG. COMPT. PRINTED JUTE | |
| 21 | EMBOSSED CARDBOARD | |
| 25 | HARDBOARD | |
| 30 | PLASTIC | |
| 31 | PAINT | |
| 32 | METAL | |
| 33 | MOULDING | |
| 36 | MYLAR | |
| 38 | MOULDED RESIN | |
| 39 | PLASTISOL | |
| 40 | EXTRUDED VINYL NO. 2 | |
| 41 | EXTRUDED VINYL NO. 1 | |

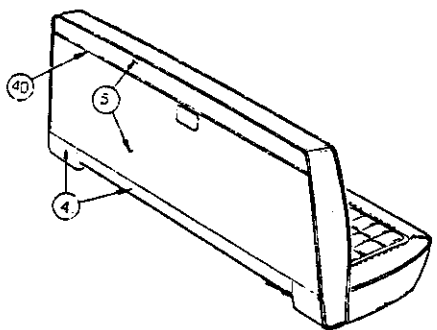
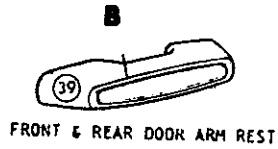
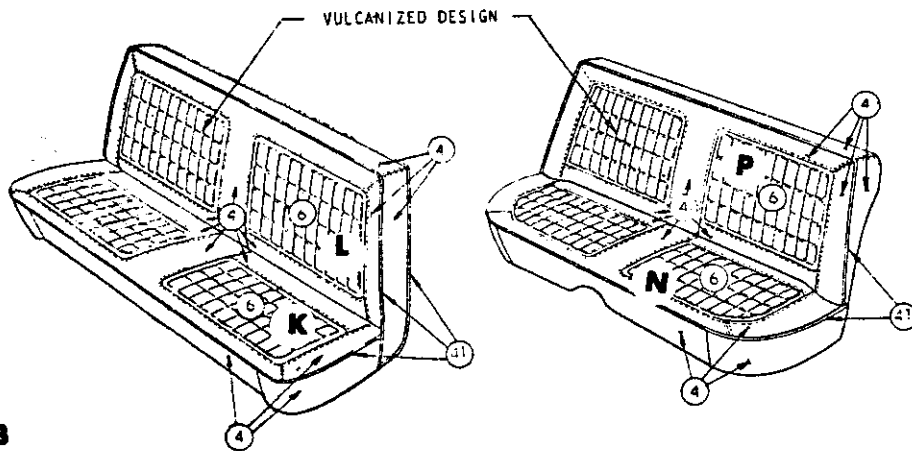
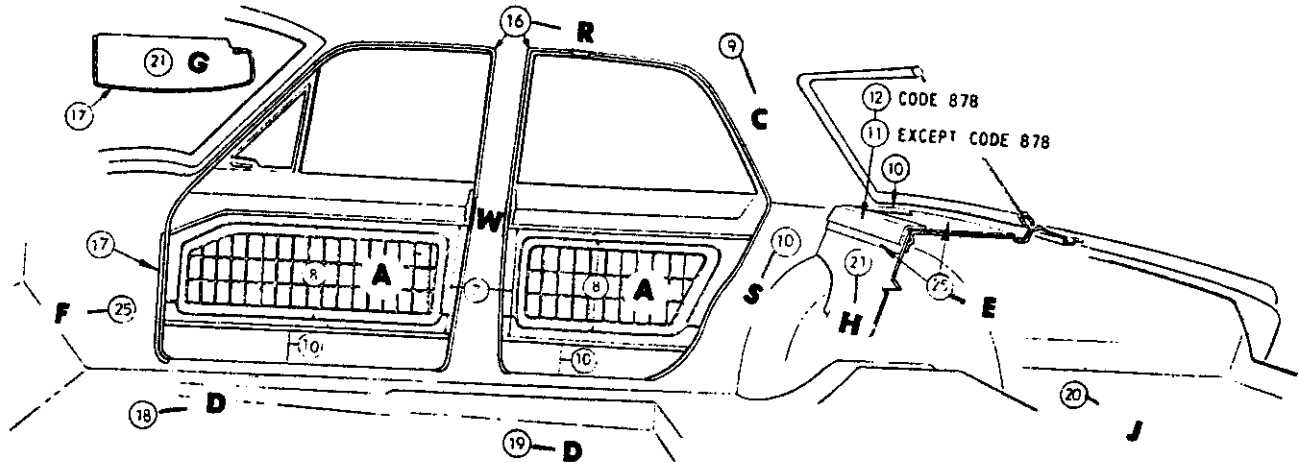
Distribution Drawing Legend Page Appears Following Illustration Section

Codes 831, 833, 835, 838

TLH-411

1963 DODGE TL1-H 4 DOOR SEDAN
CLOTH & IMITATION LEATHER COMBINATION

1963 DODGE - T SERIES



DISTRIBUTION OF MATERIAL

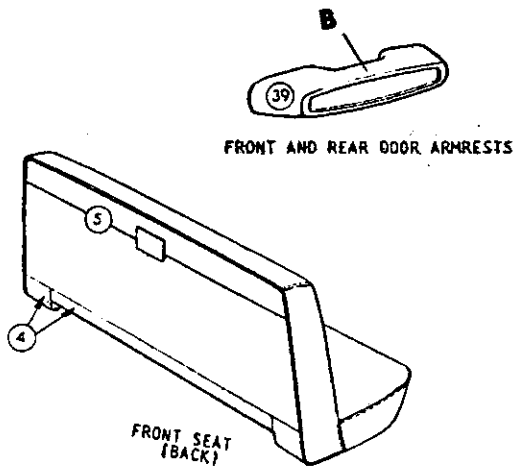
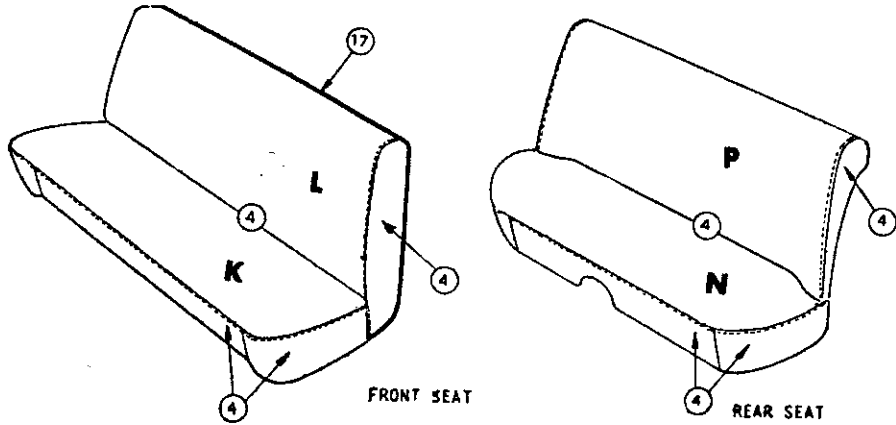
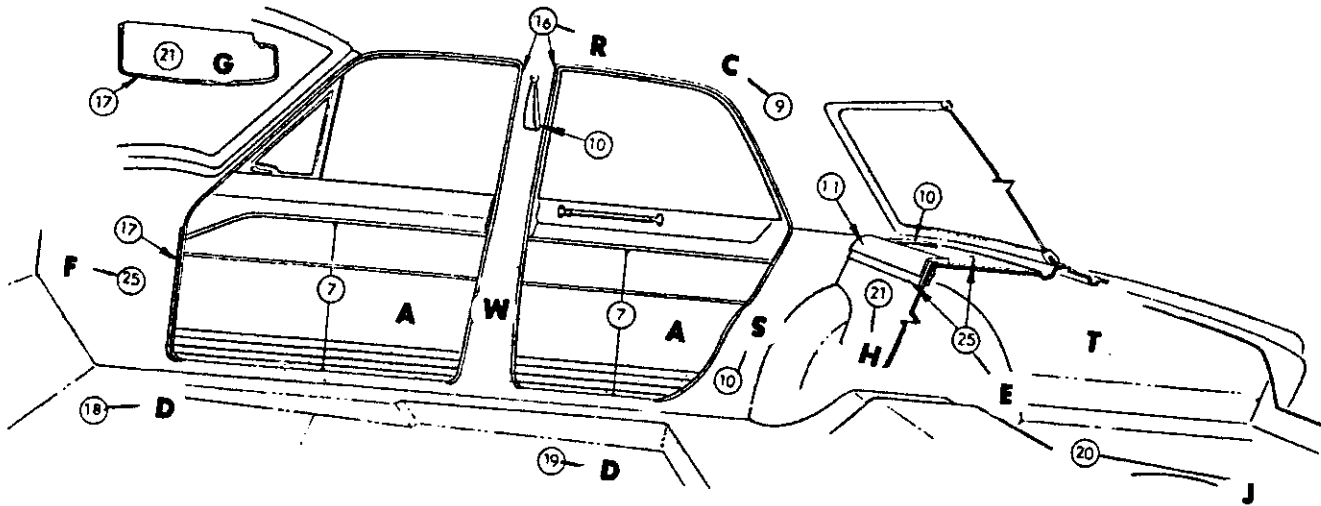
4	IMITATION LEATHER	32-CH-22
5	IMITATION LEATHER	34-DA-22
6	IMITATION LEATHER	29-DP-77
7	IMITATION LEATHER	012-L-22
8	IMITATION LEATHER	18-DN-22
9	IMITATION LEATHER	17-C-81 OPT 15, 5-C-81
10	IMITATION LEATHER	19-C-22
11	IMITATION LEATHER	28-AM-22
12	IMITATION LEATHER	32A-CH-22
16	LACE	
17	EXTRUDED VINYL	
18	FLOOR COVERING-FRONT-CARPET	
19	FLOOR COVERING-REAR-CARPET	
20	FLOOR COVERING-LUGG. COMPT, PRINTED JUTE	
21	EMBOSSED CARDBOARD	
25	HARDBOARD	
30	PLASTIC	
31	PAINT	
32	METAL	
33	MOULDING	
36	MYLAR	
38	MOULDED RESIN	
39	PLASTISOL	
40	EXTRUDED VINYL NO. 2	
41	EXTRUDED VINYL NO. 1	

Distribution Drawing Legend Page Appears Following Illustration Section
Codes 871, 873, 875

TLH-414

1963 DODGE TL1-L, H 4 DOOR SEDAN
IMITATION LEATHER COMBINATION

1963 DODGE - T SERIES



DISTRIBUTION OF MATERIAL

4	IMITATION LEATHER	32-CH-22
5	IMITATION LEATHER	34-DA-22
7	IMITATION LEATHER	21-CM-22
9	IMITATION LEATHER	17-C-81 OPT 15, 5-C-81
10	IMITATION LEATHER	19-C-22
11	IMITATION LEATHER	28-AM-22
16	LACE	
17	EXTRUDED VINYL	
18	FLOOR COVERING-FRONT-RUBBER	
19	FLOOR COVERING-REAR-RUBBER	
20	FLOOR COVERING-LUGG. COMPT. PRINTED JUTE	
21	EMBOSSED CARDBOARD	
25	HARDBOARD	
30	PLASTIC	
31	PAINT	
32	METAL	
33	MOULDING	
36	MYLAR	
38	MOULDED RESIN	
39	PLASTISOL	

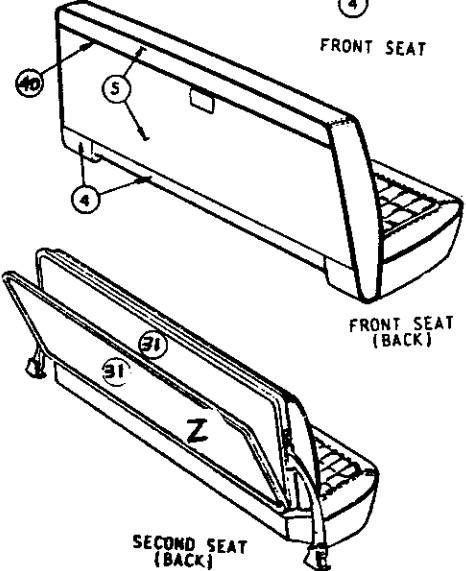
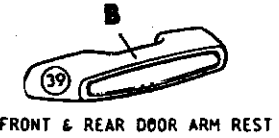
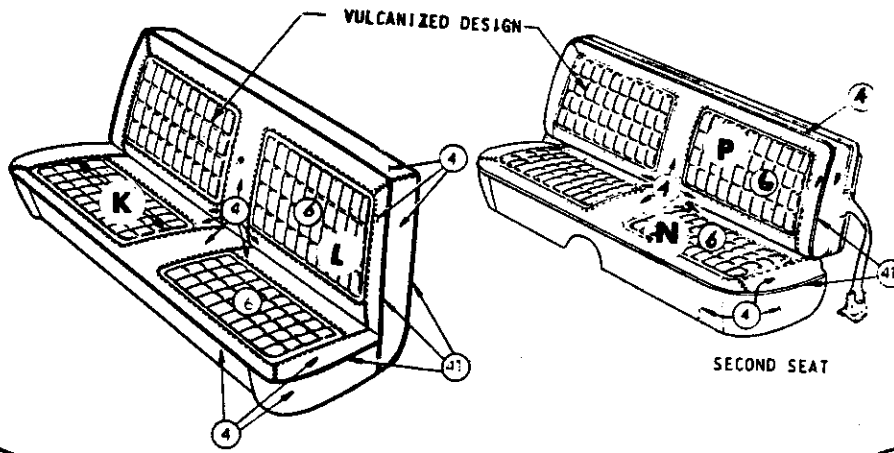
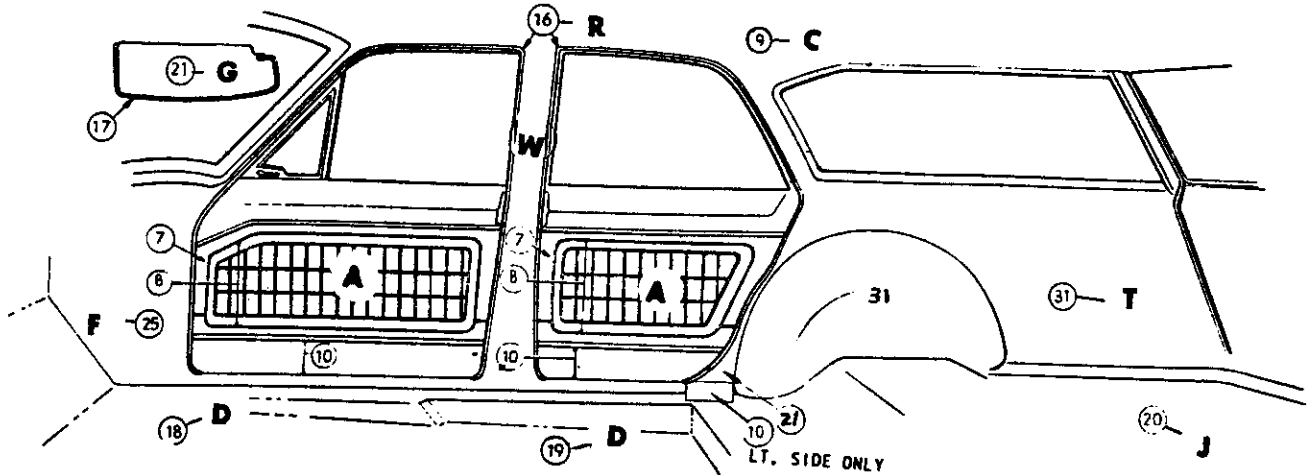
Distribution Drawing Legend Page Appears Following Illustration Section

Code 894

TLL-414A

1963 DODGE TL1-L 4 DOOR SEDAN
IMITATION LEATHER COMBINATION

1963 DODGE - T SERIES



DISTRIBUTION OF MATERIAL

4	IMITATION LEATHER	32-CH-22
5	IMITATION LEATHER	34-DA-22
6	IMITATION LEATHER	29-DP-77
7	IMITATION LEATHER	012-L-22
8	IMITATION LEATHER	18-DN-22
9	IMITATION LEATHER	17-C-81 OPT 15, 5-C-81
10	IMITATION LEATHER	19-C-22
16	LACE	
17	EXTRUDED VINYL	
18	FLOOR COVERING-FRONT-CARPET	
19	FLOOR COVERING-REAR-CARPET	
20	FLOOR COVERING-LUGG. COMPT. RUBBER	
21	EMBOSSED CARDBOARD	
25	HARDBOARD	
30	PLASTIC	
31	PAINT	
32	METAL	
33	MOULDING	
36	MYLAR	
38	MOULDED RESIN	
39	PLASTISOL	
40	EXTRUDED VINYL NO. 2	
41	EXTRUDED VINYL NO. 1	

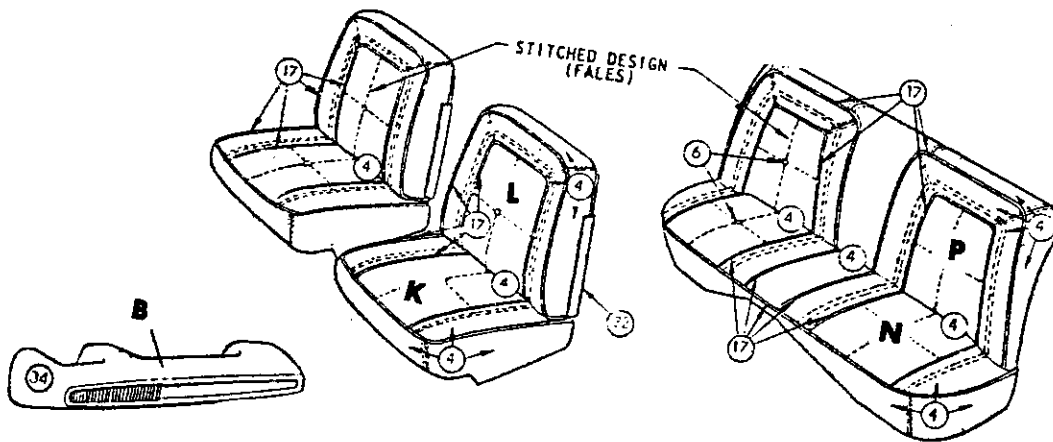
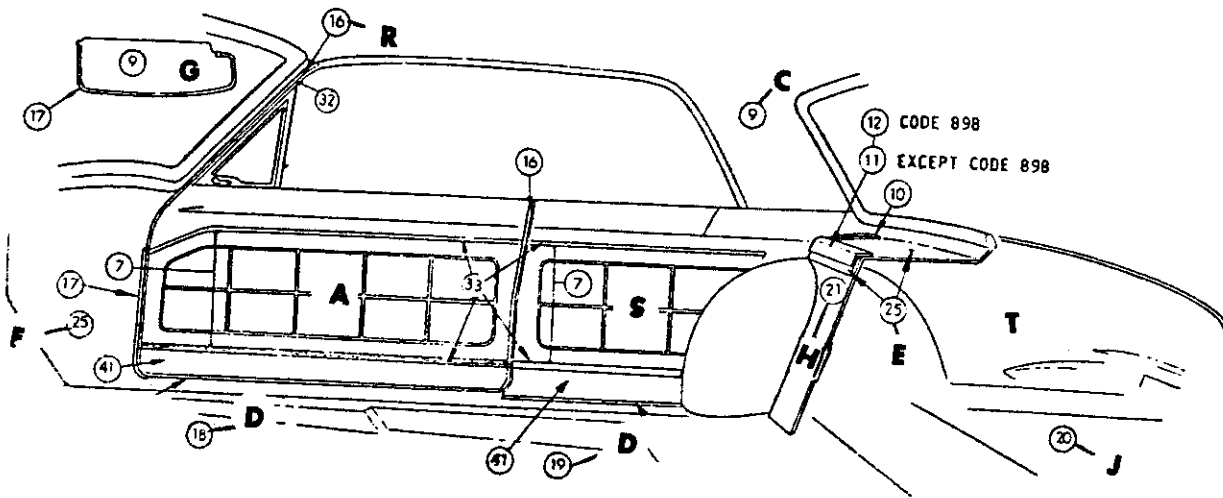
Distribution Drawing Legend Page Appears Following Illustration Section

Codes 871, 873, 875, 878

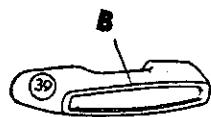
TLH-454

1963 DODGE TL1-H 4 DOOR SUBURBAN
IMITATION LEATHER COMBINATION

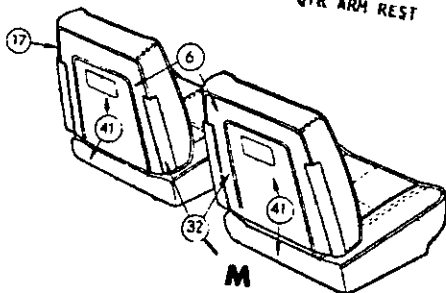
1963 DODGE - T SERIES



DOOR ARMREST



QTR ARM REST



DISTRIBUTION OF MATERIAL

4	IMITATION LEATHER	32-CH-22
6	IMITATION LEATHER	19-C-22
7	IMITATION LEATHER	012-L-22
9	IMITATION LEATHER	17-C-81 OPT 15, 5-C-81
10	IMITATION LEATHER	19A-C-22
11	IMITATION LEATHER	28A-AM-22
12	IMITATION LEATHER	32A-CH-22
16	LACE	
17	EXTRUDED VINYL	
18	FLOOR COVERING-FRONT-CARPET	
19	FLOOR COVERING-REAR-CARPET	
20	FLOOR COVERING-LUGG. PRINTED JUTE	
21	EMBOSSED CARDBOARD	
25	HARDBOARD	
30	PLASTIC	
31	PAINT	
32	METAL	
33	MOULDING	
36	MYLAR	
38	MOULDED RESIN	
39	PLASTISOL	
41	CARPET	

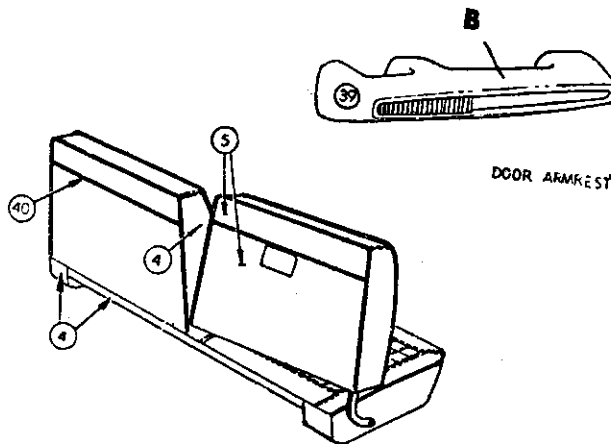
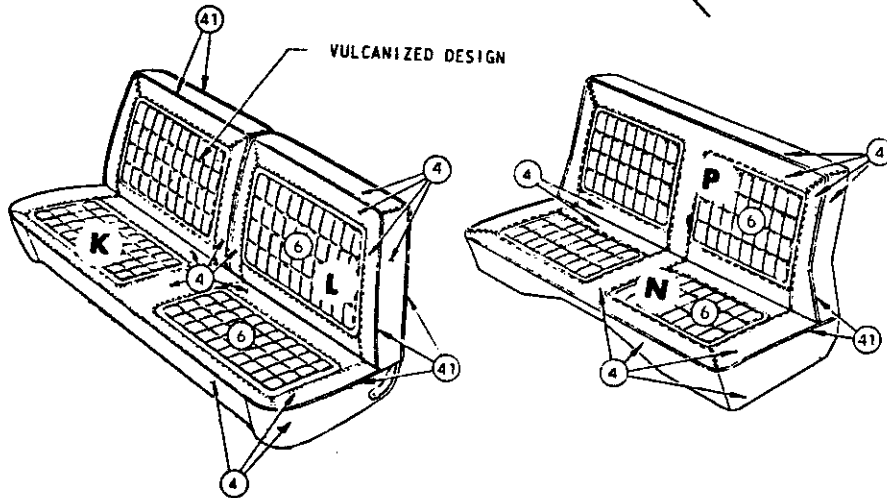
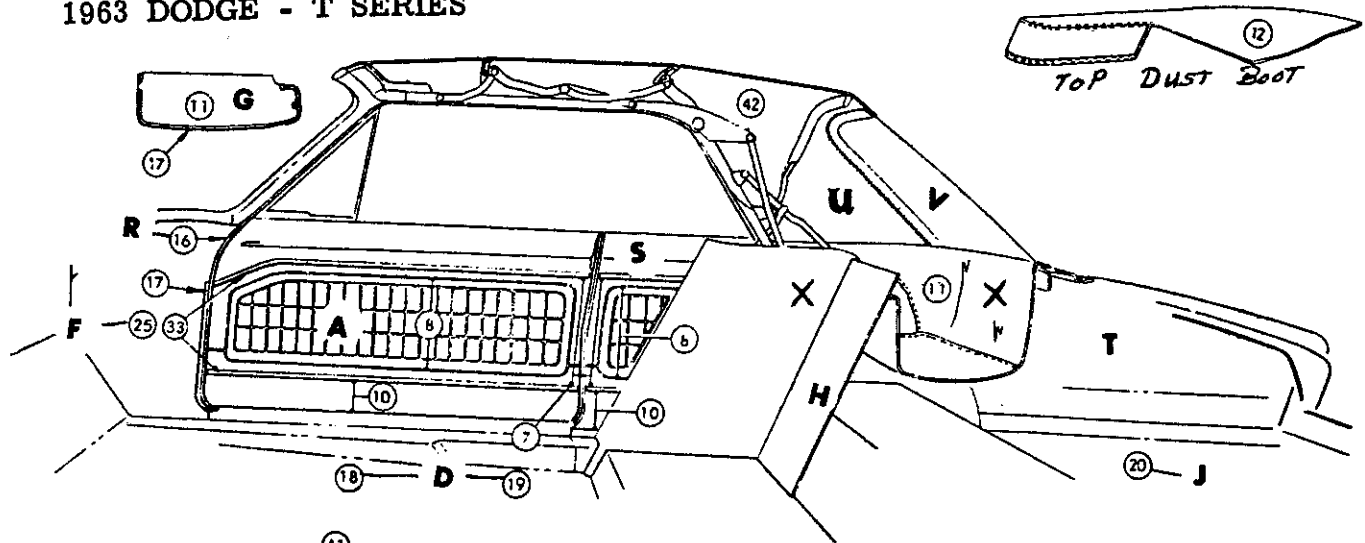
Distribution Drawing Legend Page Appears Following Illustration Section

Codes 891, 893, 895, 898

TLP-234

1963 DODGE TL1-P 2 DOOR HARDTOP
IMITATION LEATHER

1963 DODGE - T SERIES



DISTRIBUTION OF MATERIAL

4	IMITATION LEATHER	32-CH-22
5	IMITATION LEATHER	34-DA-22
6	IMITATION LEATHER	29-DP-77
7	IMITATION LEATHER	.012-L-22
8	IMITATION LEATHER	18-DN-22
10	IMITATION LEATHER	19-C-22
11	IMITATION LEATHER	19A-C-22
12	IMITATION LEATHER	28-AM-22
16	LACE	
17	EXTRUDED VINYL	
18	FLOOR COVERING-FRONT-CARPET	
19	FLOOR COVERING-REAR-CARPET	
20	FLOOR COVERING-LUGG. PRINTED JUTE	
21	EMBOSSED CARDBOARD	
25	HARDBOARD	
26	FELT	
30	PLASTIC	
31	PAINT	
32	METAL	
33	MOULDING	
36	MYLAR	
38	MOULDED RESIN	
39	PLASTISOL	
40	EXTRUDED VINYL NO. 2	
41	EXTRUDED VINYL NO. 1	
42	TOP MATERIAL	

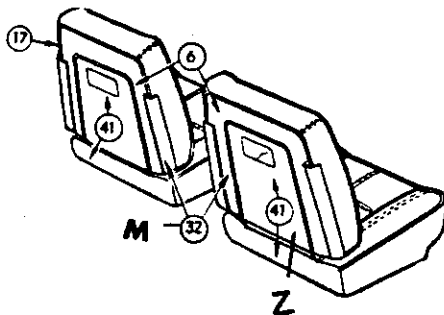
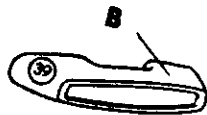
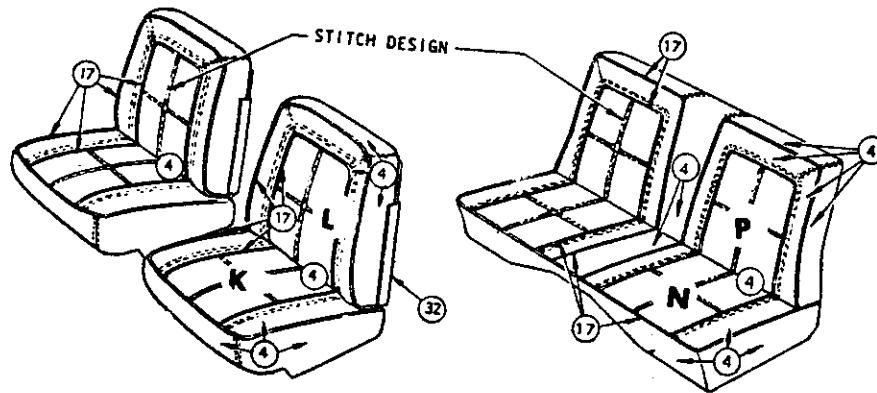
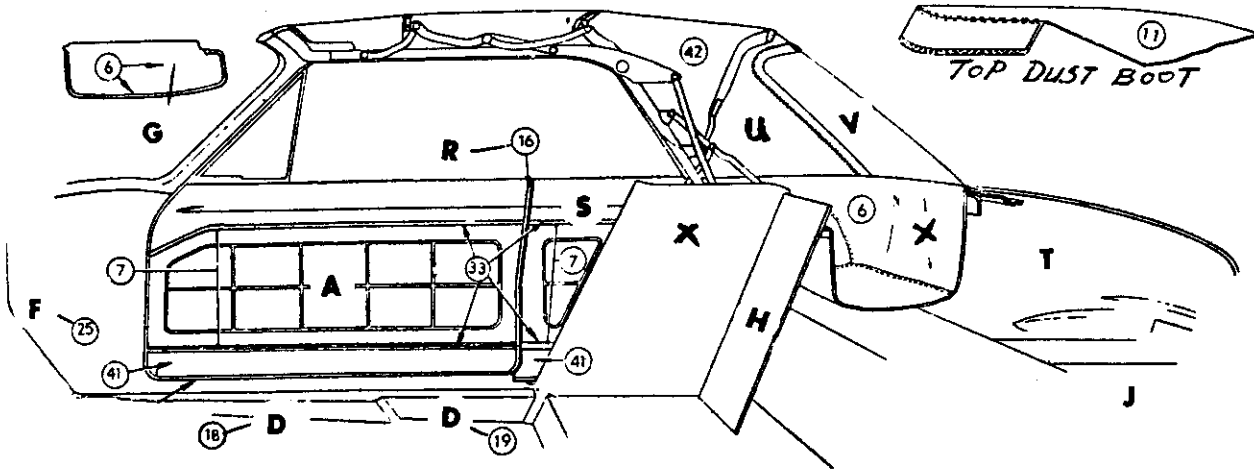
Distribution Drawing Legend Page Appears Following Illustration Section

Codes 871, 873, 875, 878

TLH-274

1963 DODGE TL1-H CONVERTIBLE COUPE
IMITATION LEATHER

1963 DODGE - T SERIES



DISTRIBUTION OF MATERIAL

4	IMITATION LEATHER	32-CH-22
6	IMITATION LEATHER	19-C-22
7	IMITATION LEATHER	.012-L-22
9	IMITATION LEATHER	12-Y-71
10	IMITATION LEATHER	19A-C-22
11	IMITATION LEATHER	28-AM-22
16	LACE	
17	EXTRUDED VINYL	
18	FLOOR COVERING-FRONT-CARPET	
19	FLOOR COVERING-REAR-CARPET	
20	FLOOR COVERING-LUGG. PRINTED JUTE	
21	EMBOSSSED CARDBOARD	
25	HARDBOARD	
26	FELT	
30	PLASTIC	
31	PAINT	
32	METAL	
33	MOULDING	
36	MYLAR	
38	MOULDED RESIN	
39	PLASTISOL	
41	CARPET	
42	TOP MATERIAL	

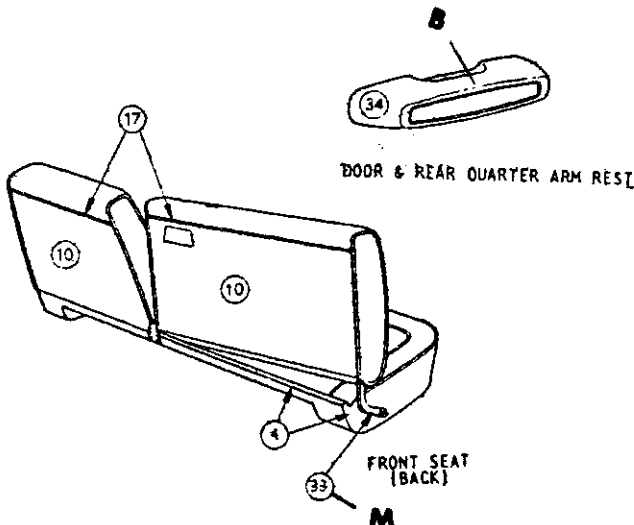
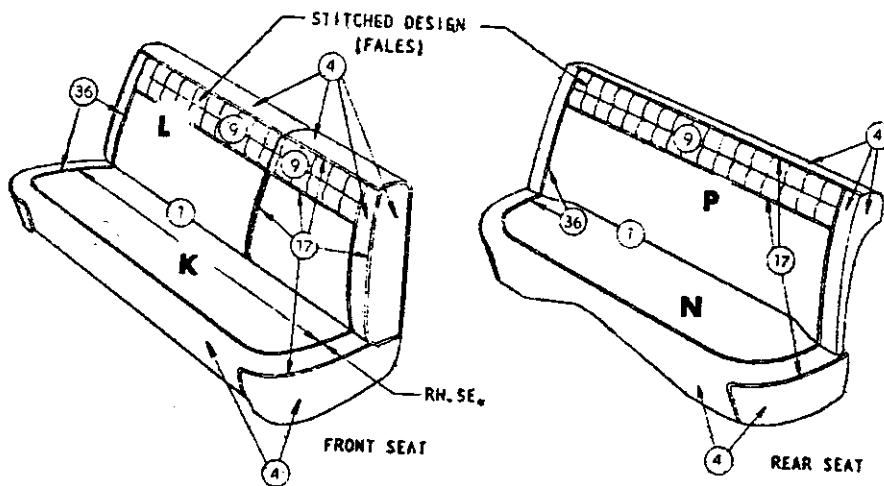
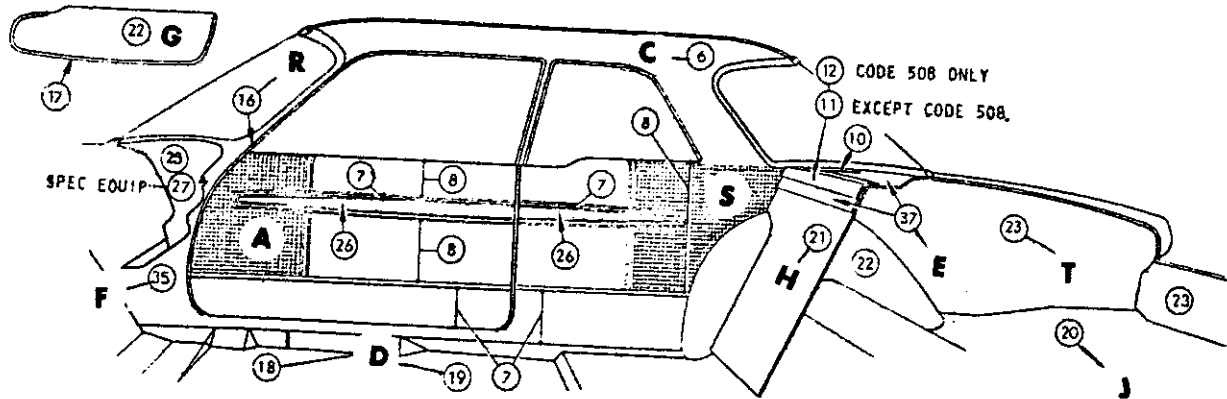
Distribution Drawing Legend Page Appears Following Illustration Section

Codes 891, 893, 895, 898

TLP-274

1963 DODGE TL1-P CONVERTIBLE COUPE
IMITATION LEATHER

1963 DODGE - T SERIES



DISTRIBUTION OF MATERIAL

- 1 BODY CLOTH I
- 4 IMITATION LEATHER 28-AM-22
- 6 IMITATION LEATHER 17-C-81 OPT 15, 5-C-81
- 7 IMITATION LEATHER 18-DN-22
- 8 IMITATION LEATHER 19-DJ-22
- 9 IMITATION LEATHER 28A-AM-22
- 10 IMITATION LEATHER 19A-C-22
- 11 IMITATION LEATHER 28B-AM-22
- 12 IMITATION LEATHER 32-CH-22
- 16 LACE
- 17 EXTRUDED VINYL
- 18 FLOOR COVERING-FRONT-RUBBER
- 19 FLOOR COVERING-REAR-RUBBER
- 20 FLOOR COVERING-LUGG. COMPT. RUBBER
- 21 CARDBOARD
- 22 EMBOSSSED CARDBOARD
- 23 PAINT
- 24 METAL
- 25 MOULDING
- 26 MYLAR
- 27 MOULDED RESIN
- 28 MOULDED RUBBER
- 29 MOULDED VINYL
- 32 CARPET
- 33 PLASTIC
- 34 PLASTISOL
- 35 POLYETHYLENE
- 36 EXTRUDED VINYL-MYLAR FILLER
- 37 HARDBOARD

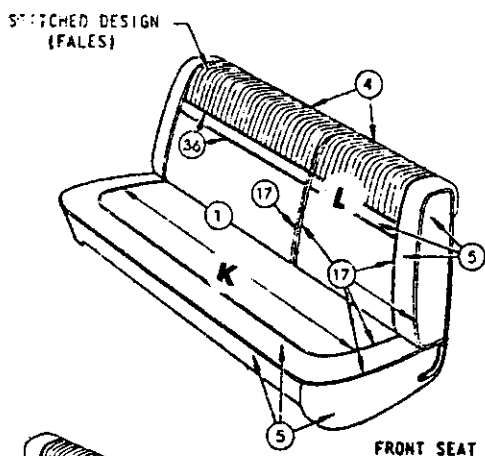
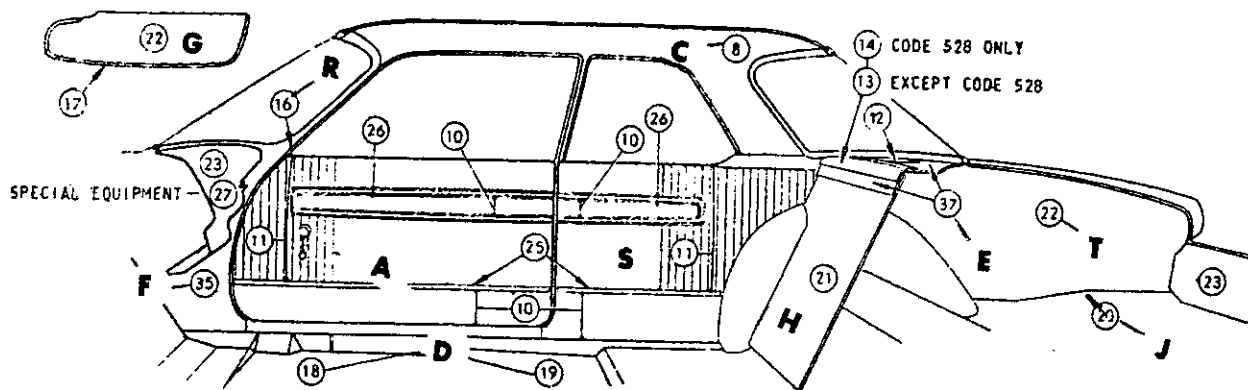
Distribution Drawing Legend Page Appears Following Illustration Section

Codes 501, 503, 505, 508

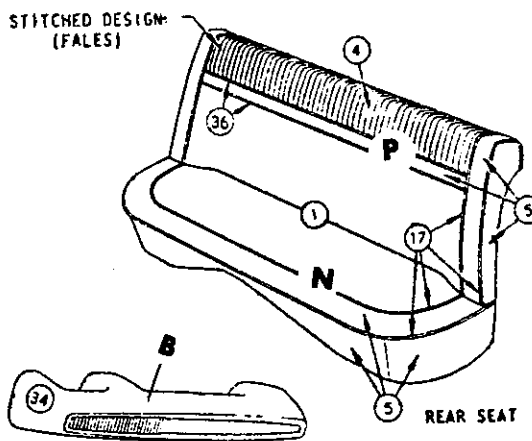
TDL-211

1963 DODGE TD1 & 2-L 2 DOOR SEDAN
CLOTH & IMITATION LEATHER COMBINATION

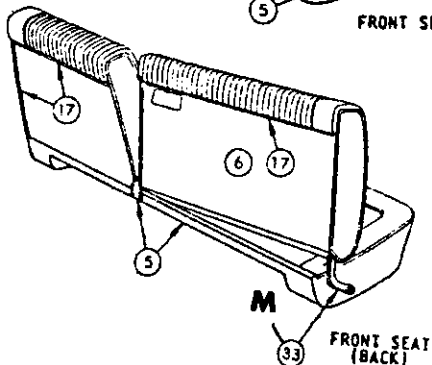
1963 DODGE - T SERIES



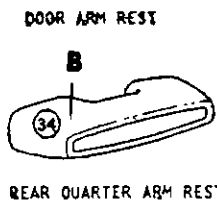
FRONT SEAT



REAR SEAT



FRONT SEAT (BACK)



DOOR ARM REST

REAR QUARTER ARM REST

DISTRIBUTION OF MATERIAL

- 1 BODY CLOTH I
- 4 IMITATION LEATHER 28-AM-22
- 5 IMITATION LEATHER 28A-AM-22
- 6 IMITATION LEATHER 19-C-22
- 8 IMITATION LEATHER 17-C-81 OPT 15, 5-C-81
- 10 IMITATION LEATHER 21-CM-22
- 11 IMITATION LEATHER 19-DJ-22
- 12 IMITATION LEATHER 19B-C-22
- 13 IMITATION LEATHER 28B-AM-22
- 14 IMITATION LEATHER 32-CH-22
- 16 LACE
- 17 EXTRUDED VINYL
- 18 FLOOR COVERING-FRONT-CARPET
- 19 FLOOR COVERING-REAR-CARPET
- 20 FLOOR COVERING-LUGG. COMPT, RUBBER
- 21 CARDBOARD
- 22 EMBOSSED CARDBOARD
- 23 PAINT
- 24 METAL
- 25 MOULDING
- 26 MYLAR
- 27 MOULDED RESIN
- 28 MOULDED RUBBER
- 29 MOULDED VINYL
- 32 CARPET
- 33 PLASTIC
- 34 PLASTISOL
- 35 POLYETHLENE
- 36 EXTRUDED VINYL-MYLAR FILLER
- 37 CARDBOARD

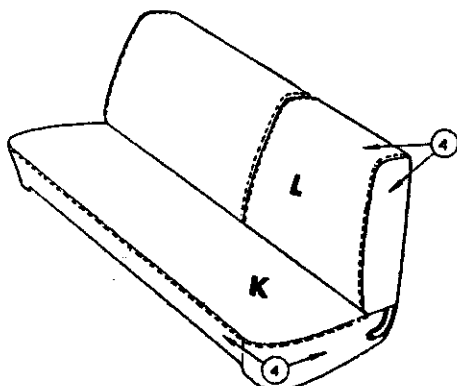
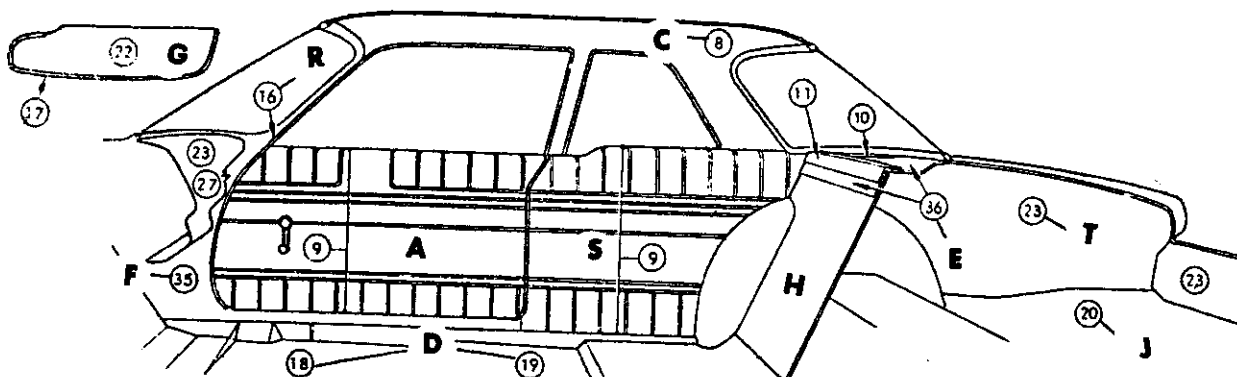
Distribution Drawing Legend Page Appears Following Illustration Section

Codes 521, 523, 525, 526, 528

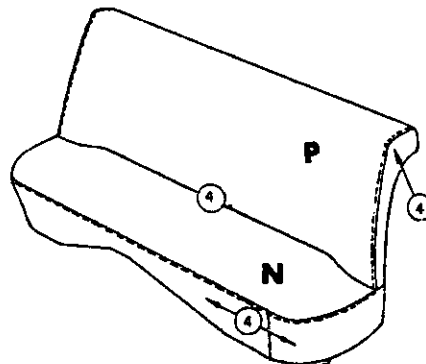
TDM-211

1963 DODGE TD1 & 2-M 2 DOOR SEDAN
CLOTH & IMITATION LEATHER COMBINATION

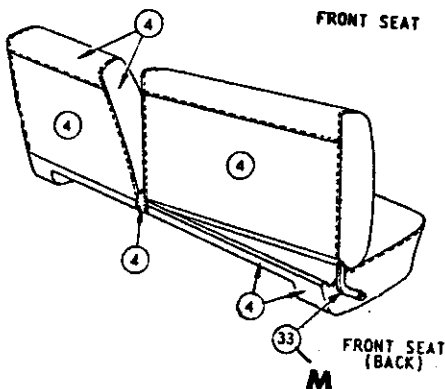
1963 DODGE - T SERIES



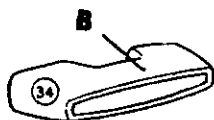
FRONT SEAT



REAR SEAT



FRONT SEAT (BACK)



FRONT DOOR ARM RESTS

DISTRIBUTION OF MATERIAL

4	IMITATION LEATHER	37-CX-22
8	IMITATION LEATHER	17-C-81 OPT 15, 5-C-81
9	IMITATION LEATHER	19-DJ-22
10	IMITATION LEATHER	19A-C-22
11	IMITATION LEATHER	28-AM-22
16	LACE	
17	EXTRUDED VINYL	
18	FLOOR COVERING-FRONT-RUBBER	
19	FLOOR COVERING-REAR-RUBBER	
20	FLOOR COVERING-LUGG. COMPT, RUBBER	
23	PAINT	
24	METAL	
25	MOULDING	
26	MYLAR	
27	MOULDED RESIN	
28	MOULDED RUBBER	
29	MOULDED VINYL	
32	CARPET	
33	PLASTIC	
34	PLASTISOL	
35	POLYETHYLENE	
36	HARDBOARD	

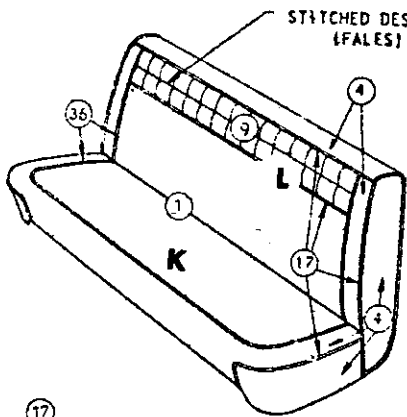
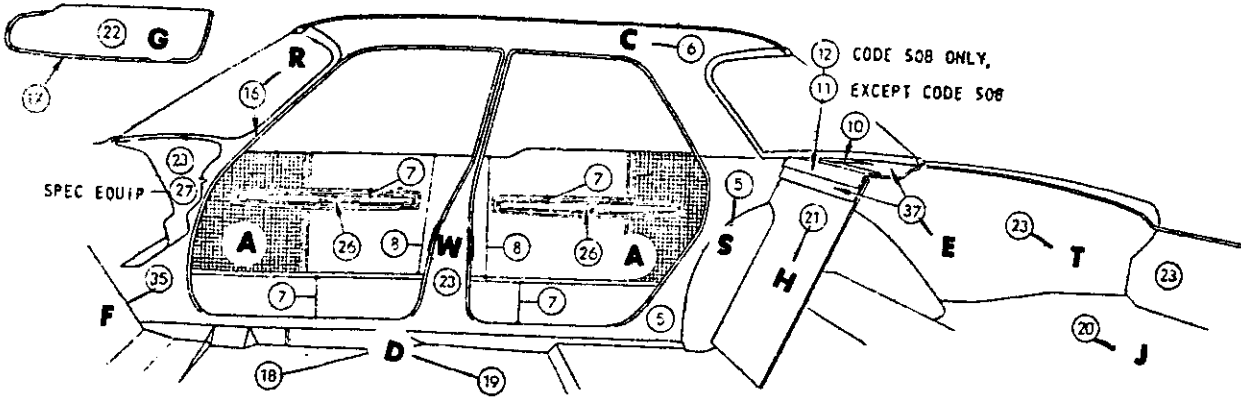
Distribution Drawing Legend Page Appears Following Illustration Section

Code 694

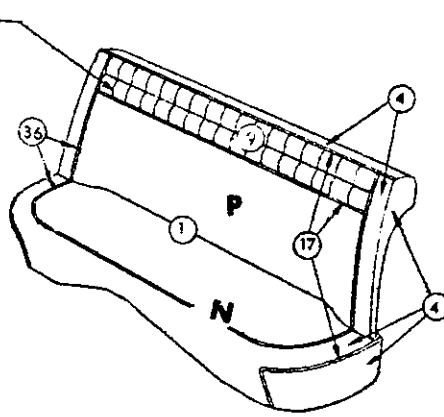
TDL-214A

1963 DODGE TD1 & 2-L 2 DOOR SEDAN
IMITATION LEATHER

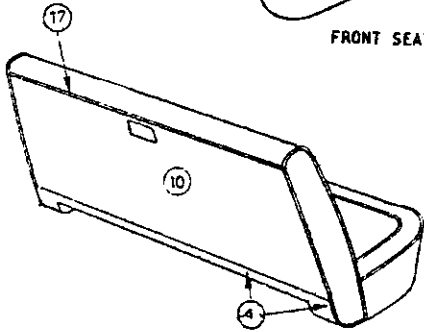
1963 DODGE - T SERIES



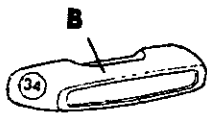
FRONT SEAT



REAR SEAT



FRONT SEAT (BACK)



FRONT & REAR DOOR ARM REST

DISTRIBUTION OF MATERIAL

- 1 BODY CLOTH
- 4 IMITATION LEATHER
- 5 IMITATION LEATHER
- 6 IMITATION LEATHER
- 7 IMITATION LEATHER
- 8 IMITATION LEATHER
- 9 IMITATION LEATHER
- 10 IMITATION LEATHER
- 11 IMITATION LEATHER
- 12 IMITATION LEATHER
- 16 LACE
- 17 EXTRUDED VINYL
- 18 FLOOR COVERING-FRONT-RUBBER
- 19 FLOOR COVERING-REAR-RUBBER
- 20 FLOOR COVERING-LUGG, COMPT. RUBBER
- 21 CARDBOARD
- 22 EMBOSSED CARDBOARD
- 23 PAINT
- 24 METAL
- 25 MOULDING
- 26 MYLAR
- 27 MOULDED RESIN
- 28 MOULDED RUBBER
- 29 MOULDED VINYL
- 32 CARPET
- 33 PLASTIC
- 34 PLASTISOL
- 35 POLYETHYLENE
- 36 EXTRUDED VINYL-MYLAR FILLER
- 37 HARDBOARD

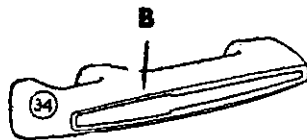
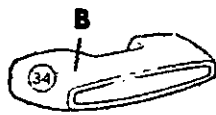
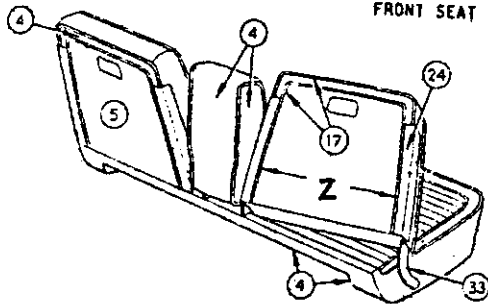
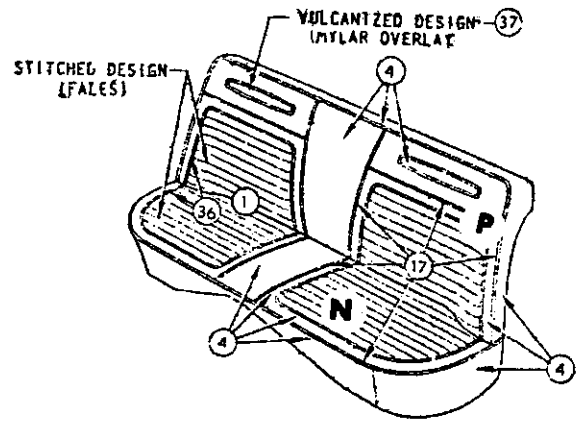
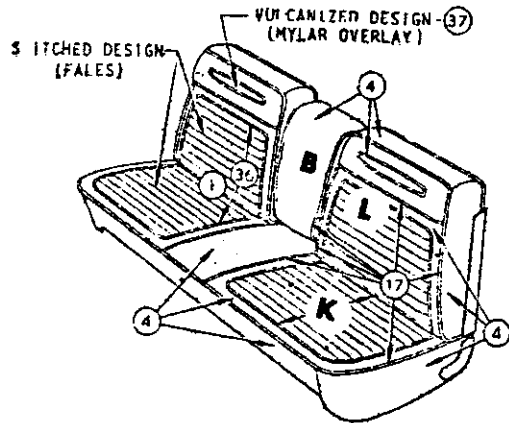
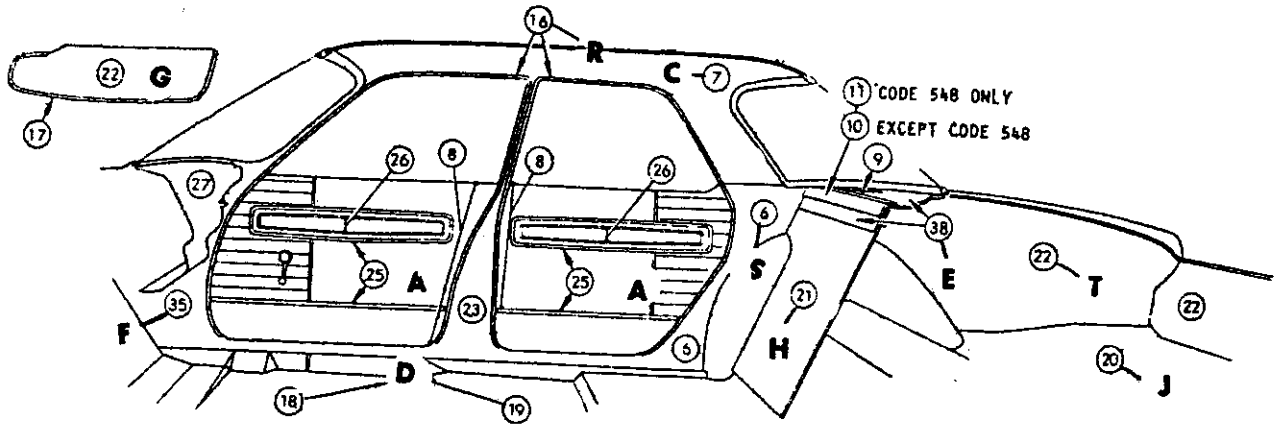
Distribution Drawing Legend Page Appears Following Illustration Section

Codes 501, 503, 505, 508

TDL-411

1963 DODGE TD1 & 2-L 4 DOOR SEDAN
CLOTH & IMITATION LEATHER COMBINATION

1963 DODGE - T SERIES



DISTRIBUTION OF MATERIAL

- 1 BODY CLOTH 1
- 4 IMITATION LEATHER 28-AM-22
- 5 IMITATION LEATHER 20-DT-77
- 6 IMITATION LEATHER 19-C-22
- 7 IMITATION LEATHER 17-C-81 OPT 15, 5-C-81
- 8 IMITATION LEATHER 19-DJ-22
- 9 IMITATION LEATHER 19A-C-22
- 10 IMITATION LEATHER 28A-AM-22
- 11 IMITATION LEATHER 32-CH-22
- 16 LACE
- 17 EXTRUDED VINYL
- 18 FLOOR COVERING-FRONT-CARPET
- 19 FLOOR COVERING-REAR-CARPET
- 20 FLOOR COVERING-LUGG. COMPT. RUBBER
- 21 CARDBOARD
- 22 EMBOSSED CARDBOARD
- 23 PAINT
- 24 METAL
- 25 MOULDING
- 26 MYLAR NO. 1
- 27 MOULDED RESIN
- 28 MOULDED RUBBER
- 29 MOULDED VINYL
- 32 CARPET
- 33 PLASTIC
- 34 PLASTISOL
- 35 POLYETHYLENE
- 36 EXTRUDED VINYL-MYLAR FILLER
- 37 MYLAR NO. 2
- 38 HARDBOARD

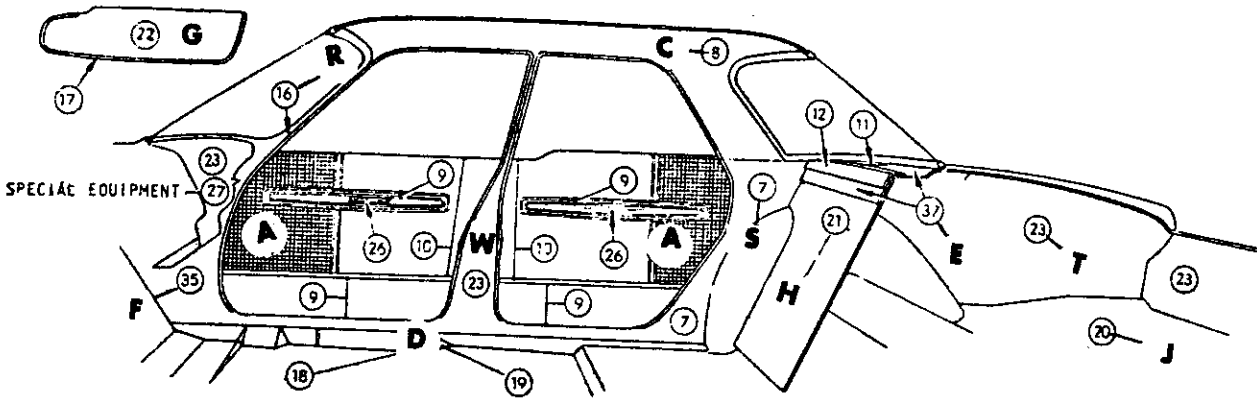
Distribution Drawing Legend Page Appears Following Illustration Section

Codes 521, 523, 525, 526, 528

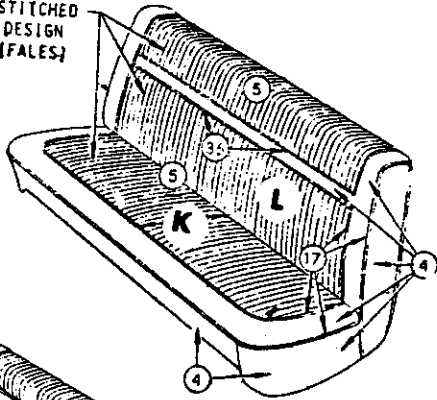
TDH-411

1963 DODGE TD1 & TD2-H 4 DOOR SEDAN
CLOTH & IMITATION LEATHER COMBINATION

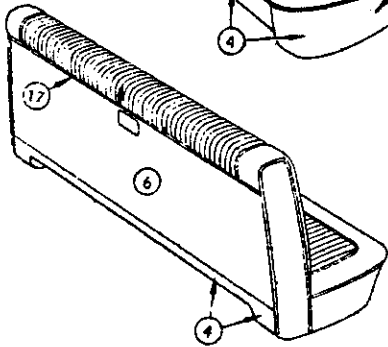
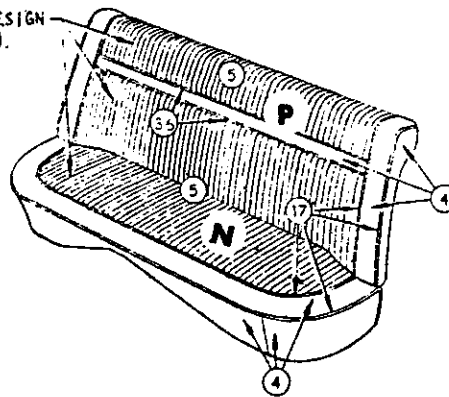
1963 DODGE - T SERIES



STITCHED DESIGN (FALES)

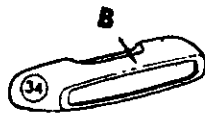


STITCHED DESIGN (FALES)



DISTRIBUTION OF MATERIAL

4	IMITATION LEATHER	28-AM-22
5	IMITATION LEATHER	32-DD-74
6	IMITATION LEATHER	19-C-22
7	IMITATION LEATHER	19A-C-22
8	IMITATION LEATHER	17-C-81 OPT. 15, 5-C-81
9	IMITATION LEATHER	18-DN-22
10	IMITATION LEATHER	19-DJ-22
11	IMITATION LEATHER	19B-C-22
12	IMITATION LEATHER	28A-AM-22
16	LACE	
17	EXTRUDED VINYL	
18	FLOOR COVERING-FRONT-RUBBER	
19	FLOOR COVERING-REAR-RUBBER	
20	FLOOR COVERING-LUGG, COMPT, RUBBER	
21	CARDBOARD	
23	PAINT	
24	METAL	
25	MOULDING	
26	MYLAR	
27	MOULDED RESIN	
28	MOULDED RUBBER	
29	MOULDED VINYL	
32	CARPET	
33	PLASTIC	
34	PLASTISOL	
35	POLYETHYLENE	
36	EXTRUDED VINYL-MYLAR FILLER	
37	HARDBOARD	



FRONT & REAR DOOR ARM REST

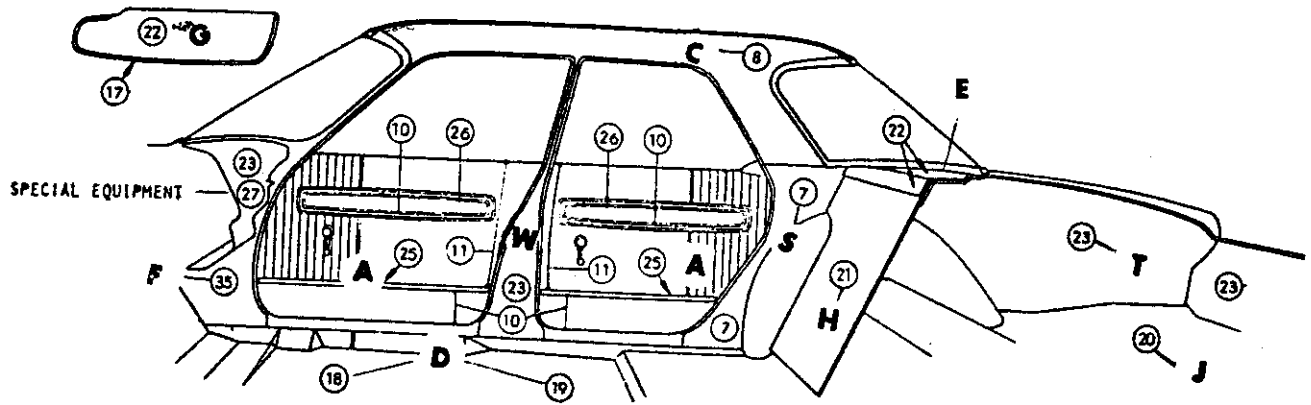
Distribution Drawing Legend Page Appears Following Illustration Section

Codes 611, 613

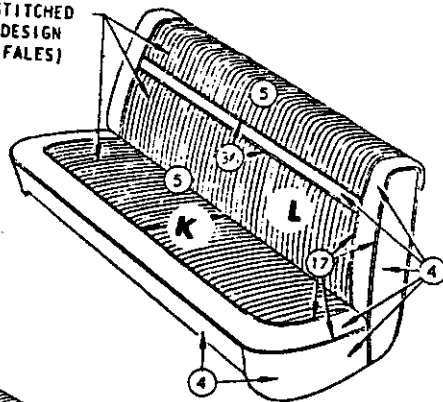
TDL-414

1963 DODGE TD1 & 2-L 4 DOOR SEDAN
IMITATION LEATHER TRIM

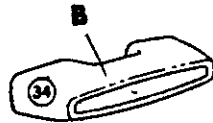
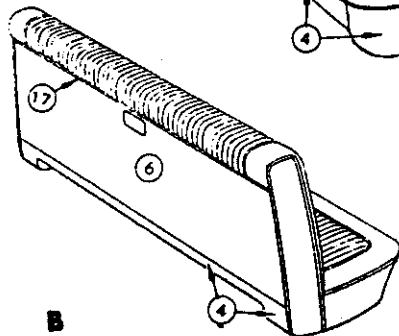
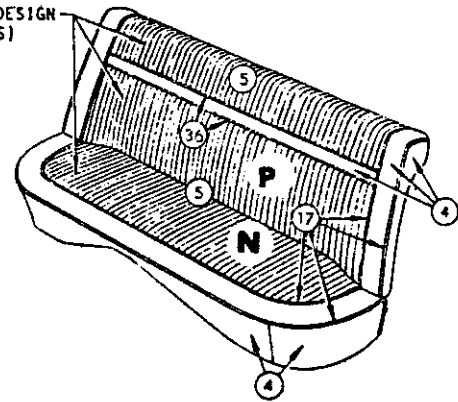
1963 DODGE - T SERIES



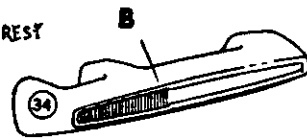
STITCHED DESIGN (FALES)



STITCHED DESIGN (FALES)



REAR DOOR ARM REST



FRONT DOOR ARM REST

DISTRIBUTION OF MATERIAL

4	IMITATION LEATHER	28-AM-22
5	IMITATION LEATHER	32-DD-74
6	IMITATION LEATHER	19-C-22
7	IMITATION LEATHER	19A-C-22
8	IMITATION LEATHER	17-C-81 OPT 15, 5-C-81
10	IMITATION LEATHER	21-CM-22
11	IMITATION LEATHER	19-DJ-22
16	LACE	
17	EXTRUDED VINYL	
18	FLOOR COVERING-FRONT-CARPET	
19	FLOOR COVERING-REAR-CARPET	
20	FLOOR COVERING-LUGG. COMPT, RUBBER	
21	CARDBOARD	
22	EMBOSSED CARDBOARD	
23	PAINT	
24	METAL	
25	MOULDING	
26	MYLAR	
27	MOULDED RESIN	
28	MOULDED RUBBER	
29	MOULDED VINYL	
32	CARPET	
33	PLASTIC	
34	PLASTISOL	
35	POLYETHYLENE	
36	EXTRUDED VINYL-MYLAR FILLER	

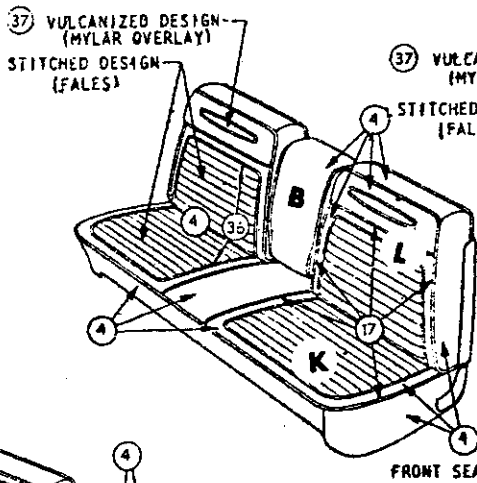
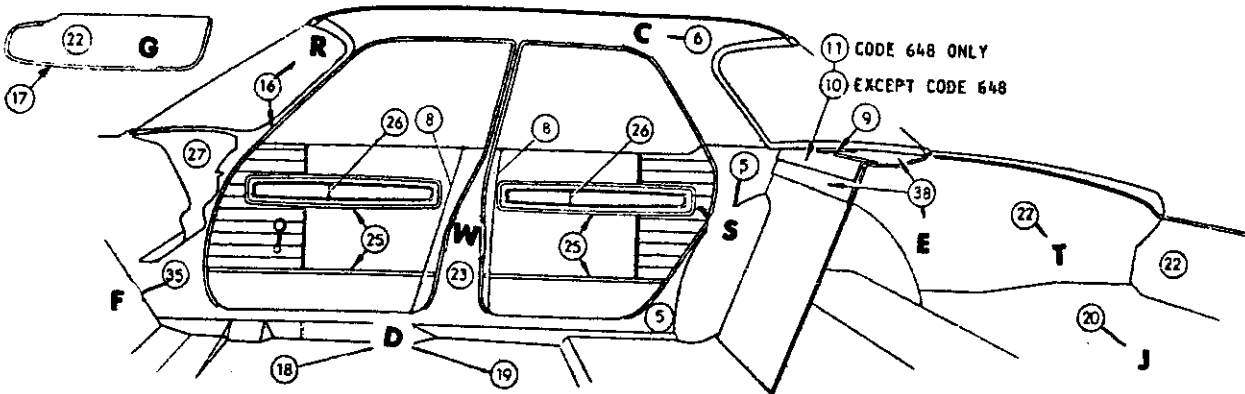
Distribution Drawing Legend Page Appears Following Illustration Section

Codes 621, 623

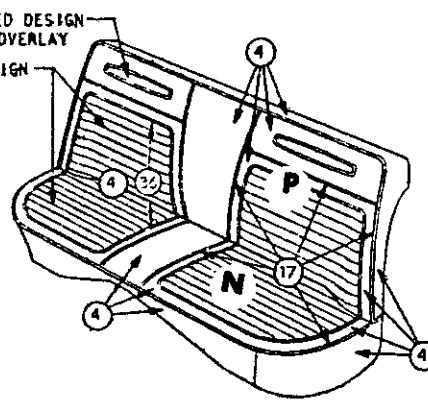
TDM-414

1963 DODGE TD1 & 2-M 4 DOOR SEDAN
IMITATION LEATHER COMBINATION

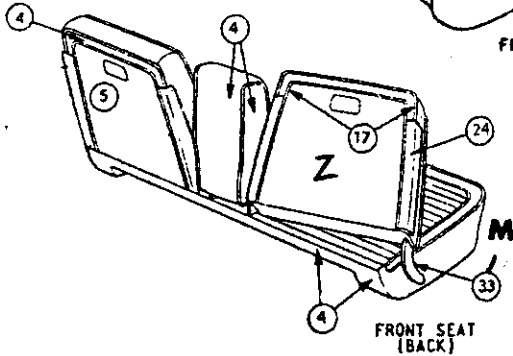
1963 DODGE - T SERIES



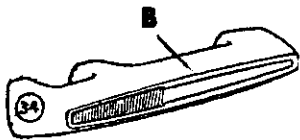
FRONT SEAT



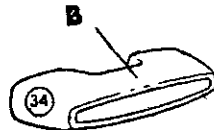
REAR SEAT



FRONT SEAT (BACK)



FRONT DOOR ARM REST



REAR DOOR ARM REST

DISTRIBUTION OF MATERIAL

4	IMITATION LEATHER	28-AM-22
5	IMITATION LEATHER	19-C-22
6	IMITATION LEATHER	17-C-81 OPT 15, 5-C-81
8	IMITATION LEATHER	19-DJ-22
9	IMITATION LEATHER	19B-C-22
10	IMITATION LEATHER	28A-AM-22
11	IMITATION LEATHER	32-CH-22
16	LACE	
17	EXTRUDED VINYL	
18	FLOOR COVERING-FRONT-CARPET	
19	FLOOR COVERING-REAR-CARPET	
20	FLOOR COVERING-LUGG. COMPT. RUBBER	
22	EMBOSSED CARDBOARD	
23	PAINT	
24	METAL	
25	MOULDING	
26	MYLAR NO. 1	
27	MOULDED RESIN	
28	MOULDED RUBBER	
29	MOULDED VINYL	
32	CARPET	
33	PLASTIC	
34	PLASTISOL	
35	POLYETHYLENE	
36	EXTRUDED VINYL-MYLAR FILLER	
37	MYLAR NO. 2	
38	HARDBOARD	

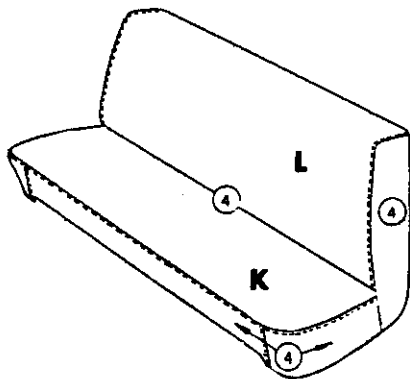
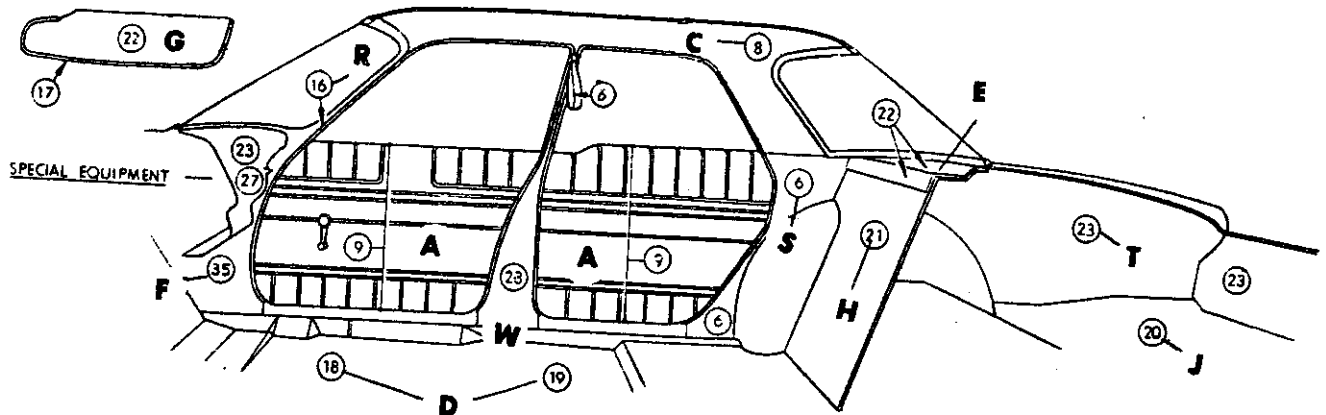
Distribution Drawing Legend Page Appears Following Illustration Section

Codes 641, 643, 645, 646, 648

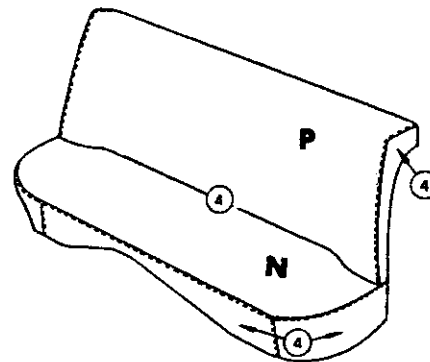
TDH-414

1963 DODGE TD1 & 2-H 4 DOOR SEDAN
IMITATION LEATHER COMBINATION

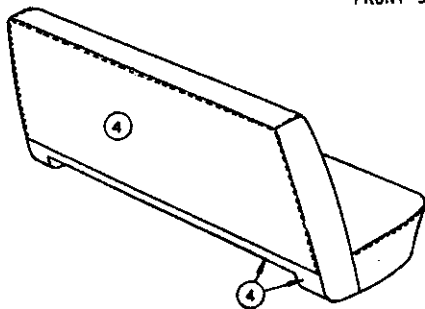
1963 DODGE - T SERIES



FRONT SEAT



REAR SEAT



FRONT SEAT BACK



FRONT & REAR DOOR ARM RESTS

DISTRIBUTION OF MATERIAL

- 4 IMITATION LEATHER 37-CX-22
- 6 IMITATION LEATHER 19-C-22
- 8 IMITATION LEATHER 17-C-81 OPT 15, 5-C-81
- 9 IMITATION LEATHER 19-DJ-22
- 16 LACE
- 17 EXTRUDED VINYL
- 18 FLOOR COVERING-FRONT-RUBBER
- 19 FLOOR COVERING-REAR-RUBBER
- 20 FLOOR COVERING-LUGG. COMPT. RUBBER
- 21 CARDBOARD
- 22 EMBOSSED CARDBOARD
- 23 PAINT
- 24 METAL
- 25 MOULDING
- 26 MYLAR
- 27 MOULDED RESIN
- 28 MOULDED RUBBER
- 29 MOULDED VINYL
- 32 CARPET
- 33 PLASTIC
- 34 PLASTISOL
- 35 POLYETHLENE

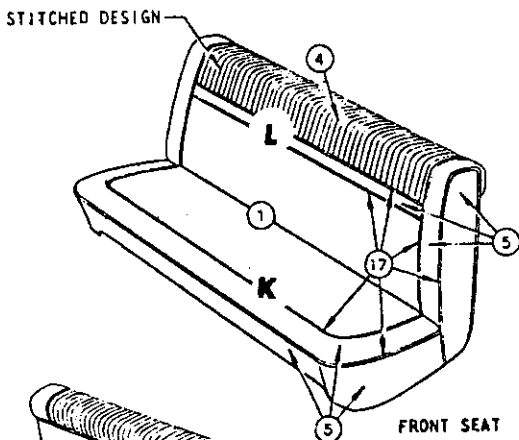
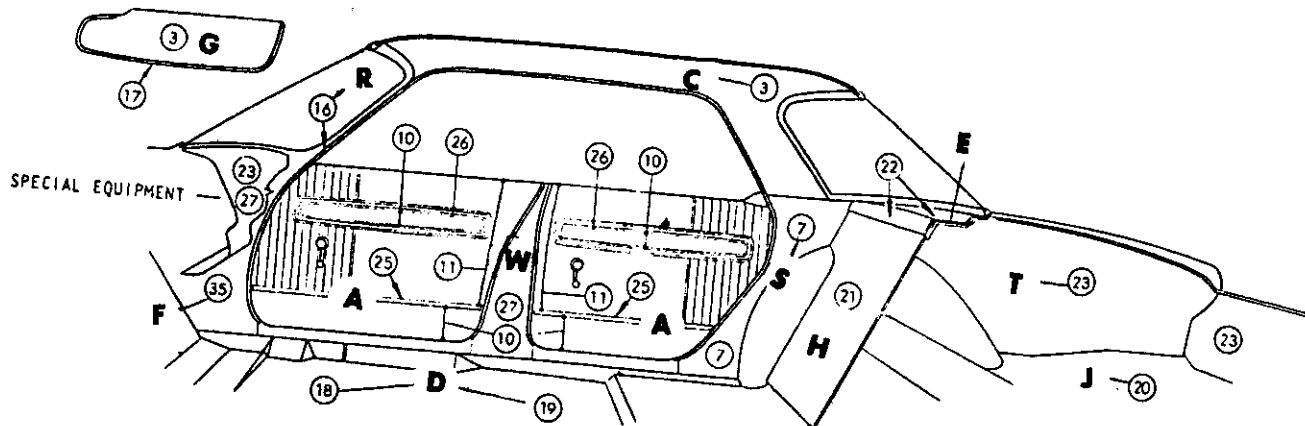
Distribution Drawing Legend Page Appears Following Illustration Section

Code 694

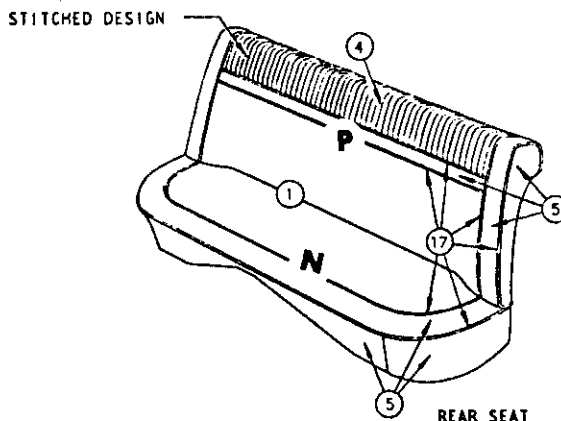
TDL-414A

1963 DODGE TD1 & 2-L 4 DOOR SEDAN
IMITATION LEATHER

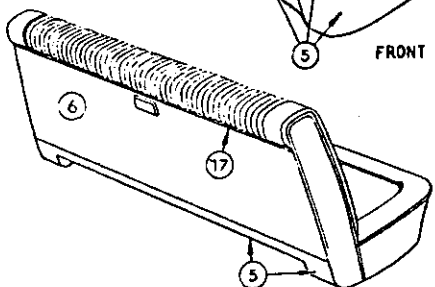
1963 DODGE - T SERIES



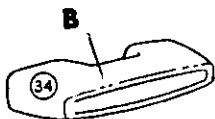
FRONT SEAT



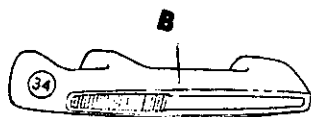
REAR SEAT



FRONT SEAT (BACK)



REAR DOOR ARM REST



FRONT DOOR ARM REST

DISTRIBUTION OF MATERIAL

1	BODY CLOTH	I
3	HEADLINING	HARDBOARD
4	IMITATION LEATHER	28-AM-22
5	IMITATION LEATHER	28A-AM-22
6	IMITATION LEATHER	19-C-22
7	IMITATION LEATHER	19A-C-22
10	IMITATION LEATHER	21-CM-22
11	IMITATION LEATHER	19-DJ-22
16	LACE	
17	EXTRUDED VINYL	
18	FLOOR COVERING-FRONT-CARPET	
19	FLOOR COVERING-REAR-CARPET	
20	FLOOR COVERING-LUGG. COMPT. RUBBER	
21	CARDBOARD	
22	EMBOSSED CARDBOARD	
23	PAINT	
24	METAL	
25	MOULDING	
26	MYLAR	
27	MOULDED RESIN	
28	MOULDED RUBBER	
29	MOULDED VINYL	
32	CARPET	
33	PLASTIC	
34	PLASTISOL	
35	POLYETHLENE	

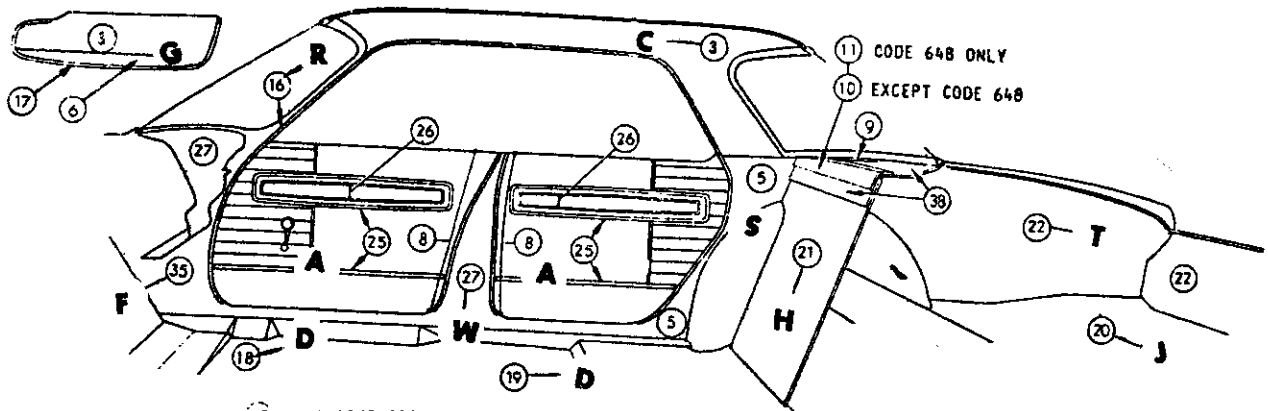
Distribution Drawing Legend Page Appears Following Illustration Section

Codes 521, 523, 525, 526, 528

TDM-431

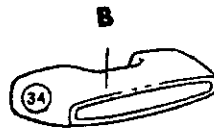
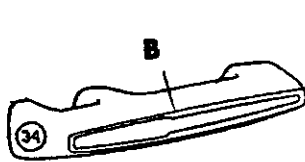
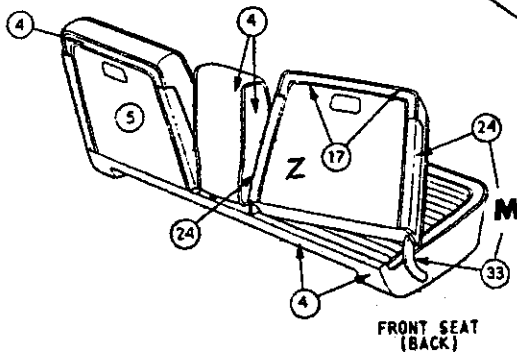
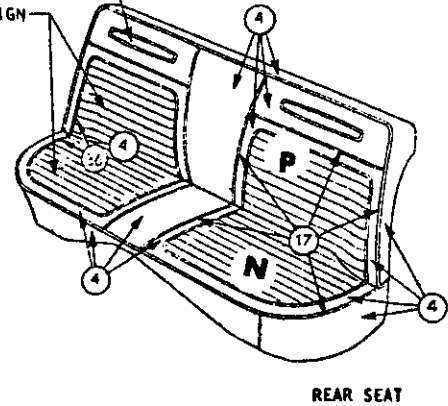
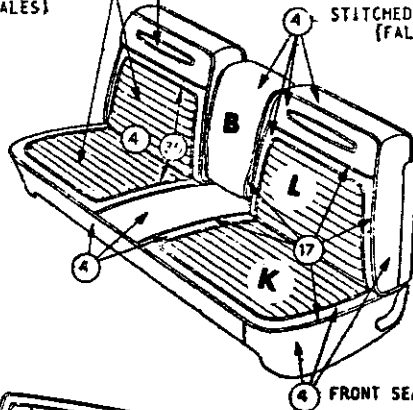
1963 DODGE TD1 & 2-M SPECIAL 4 DOOR SEDAN
CLOTH & IMITATION LEATHER COMBINATION

1963 DODGE - T SERIES



7 VULCANIZED DESIGN (MYLAR OVERLAY)
STITCHED DESIGN (FALES)

37 VULCANIZED DESIGN (MYLAR OVERLAY)
STITCHED DESIGN (FALES)



DISTRIBUTION OF MATERIAL

3	HEADLINING	POLYURETHANE
4	IMITATION LEATHER	28-AM-22
5	IMITATION LEATHER	19-C-22
6	IMITATION LEATHER	19A-C-22
8	IMITATION LEATHER	19-DJ-22
9	IMITATION LEATHER	19B-C-22
10	IMITATION LEATHER	28A-AM-22
11	IMITATION LEATHER	32-CH-22
16	LACE	
17	EXTRUDED VINYL	
18	FLOOR COVERING-FRONT-CARPET	
19	FLOOR COVERING-REAR-CARPET	
20	FLOOR COVERING-LUGG. COMPT. RUBBER	
21	CARDBOARD	
23	PAINT	
24	METAL	
25	MOULDING	
26	MYLAR NO. 1	
27	MOULDED RESIN	
28	MOULDED RUBBER	
29	MOULDED VINYL	
32	CARPET	
33	PLASTIC	
34	PLASTISOL	
35	POLYETHYLENE	
36	EXTRUDED VINYL-MYLAR FILLER	
37	MYLAR NO. 2	
38	HARDBOARD	

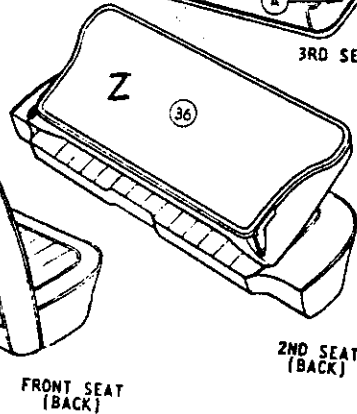
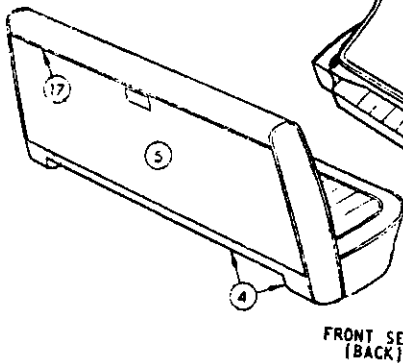
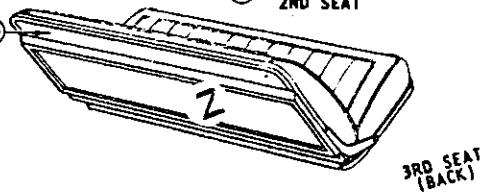
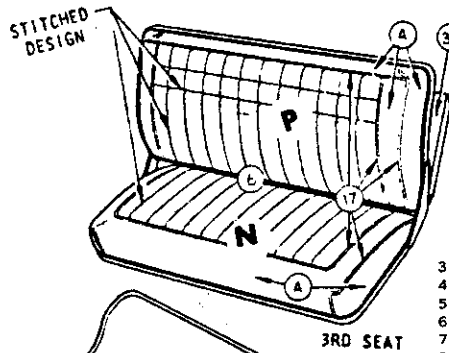
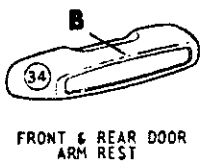
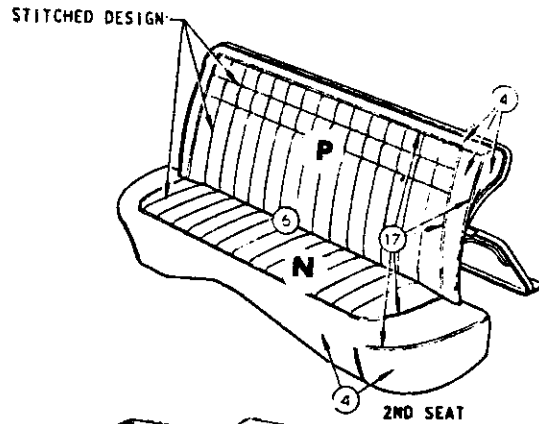
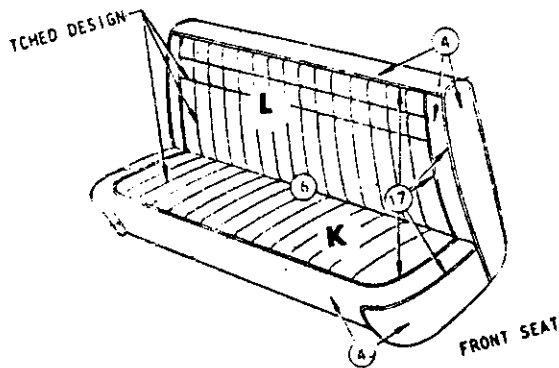
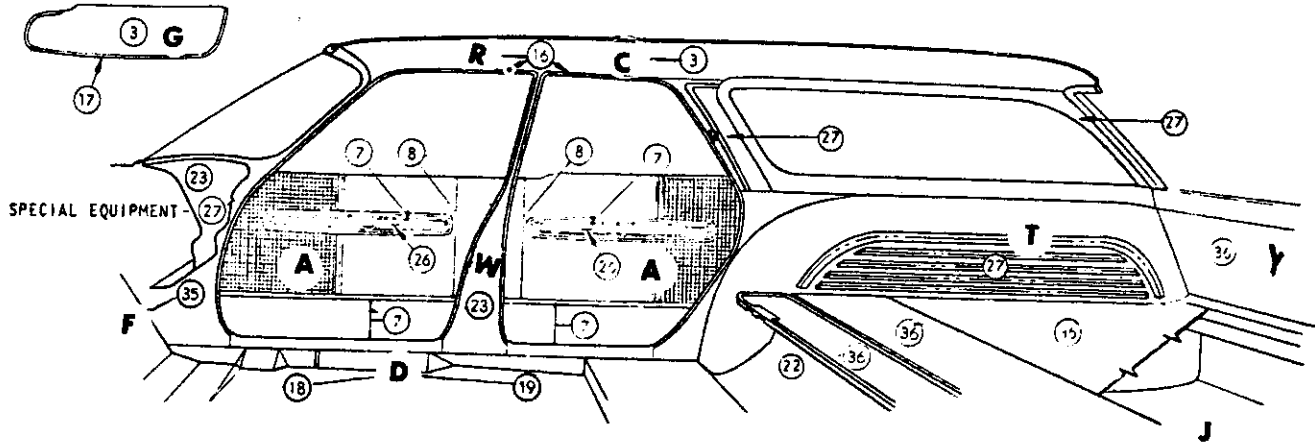
Distribution Drawing Legend Page Appears Following Illustration Section

Codes 641, 643, 645, 648

TDH-434

1963 DODGE TD1 & 2-H SPECIAL 4 DOOR SEDAN
IMITATION LEATHER COMBINATION

1963 DODGE - T SERIES



DISTRIBUTION OF MATERIAL

3	HEADLINING	HARDBOARD
4	IMITATION LEATHER	28-AM-22
5	IMITATION LEATHER	19-C-22
6	IMITATION LEATHER	31-DU-80
7	IMITATION LEATHER	18-DN-22
8	IMITATION LEATHER	19-DJ-22
16	LACE	
17	EXTRUDED VINYL	
18	FLOOR COVERING-FRONT-RUBBER	
19	FLOOR COVERING-REAR-RUBBER	
20	FLOOR COVERING-LUGG. COMPT. RUBBER	
22	EMBOSSED CARDBOARD	
23	PAIN	
24	METAL	
25	MOULDING	
26	MYLAR	
27	MOULDED RESIN	
28	MOULDED RUBBER	
29	MOULDED VINYL	
32	CARPET	
33	PLASTIC	
34	PLASTISOL	
35	POLYETHLENE	
36	VINOLEUM	

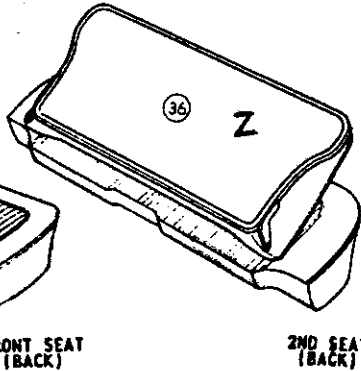
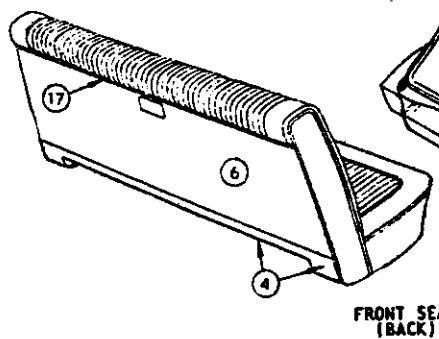
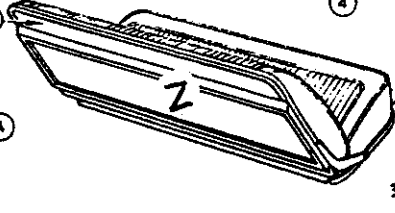
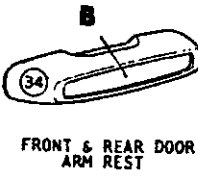
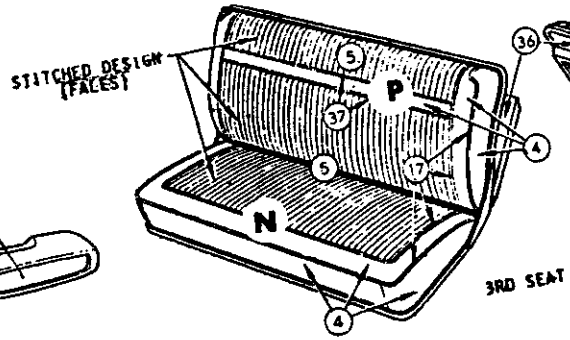
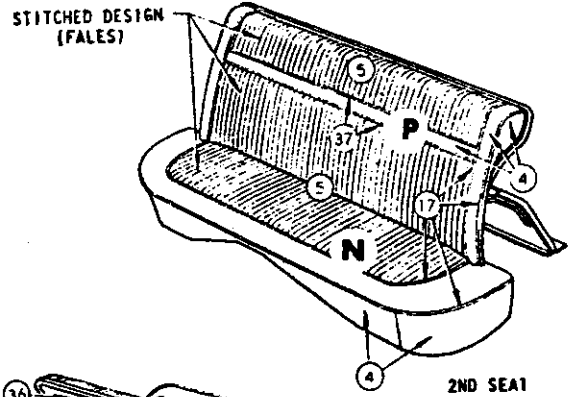
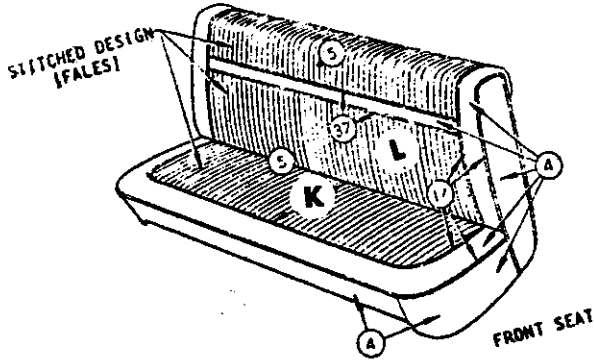
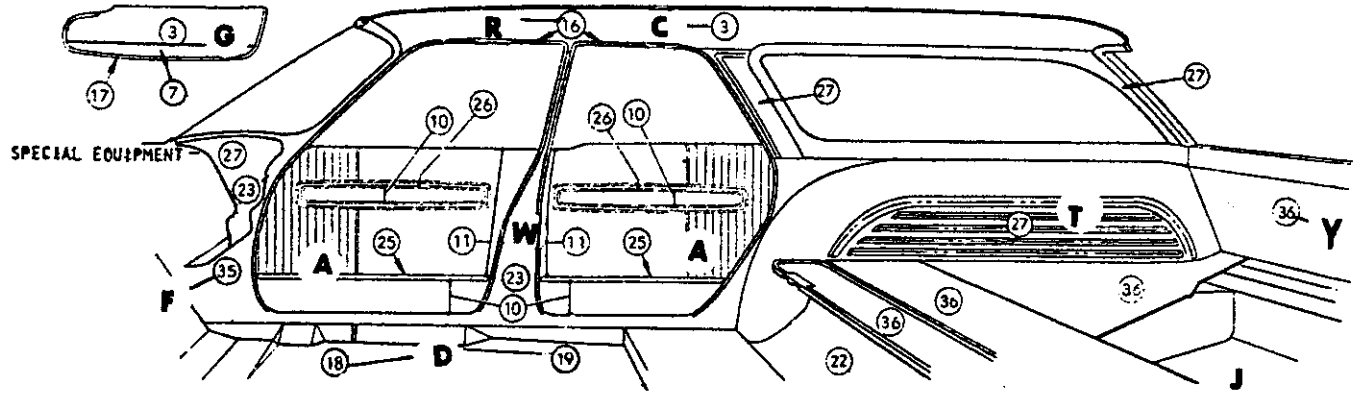
Distribution Drawing Legend Page Appears Following Illustration Section

Codes 601, 603, 605, 608

TDL-454

1963 DODGE TD1 & 2-L 4 DOOR SUBURBAN
IMITATION LEATHER COMBINATION TRIM

1963 DODGE - T SERIES



DISTRIBUTION OF MATERIAL

3	HEADLINING	POLYURETHANE
4	IMITATION LEATHER	28-AM-22
5	IMITATION LEATHER	32-DD-74
6	IMITATION LEATHER	19-C-22
7	IMITATION LEATHER	19B-C-22
10	IMITATION LEATHER	21-CM-22
11	IMITATION LEATHER	19-DJ-22
16	LACE	
17	EXTRUDED VINYL	
18	FLOOR COVERING-FRONT-CARPET	
19	FLOOR COVERING-REAR-CARPET	
20	FLOOR COVERING-LUGG. COMPT.	
23	PAINT	
24	METAL	
25	MOULDING	
26	MYLAR	
27	MOULDED RESIN	
28	MOULDED RUBBER	
29	MOULDED VINYL	
32	CARPET	
33	PLASTIC	
34	PLASTISOL	
35	POLYETHLENE	
36	VINOLEUM	
37	EXTRUDED VINYL-MYLAR FILLER	

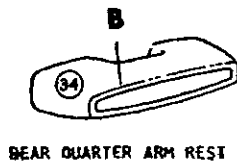
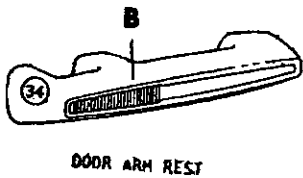
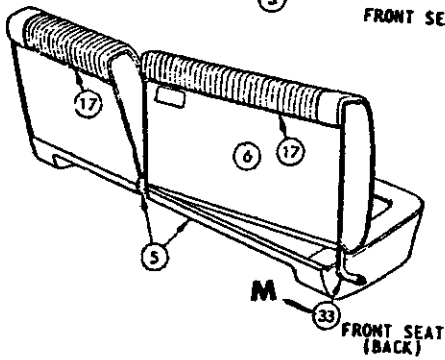
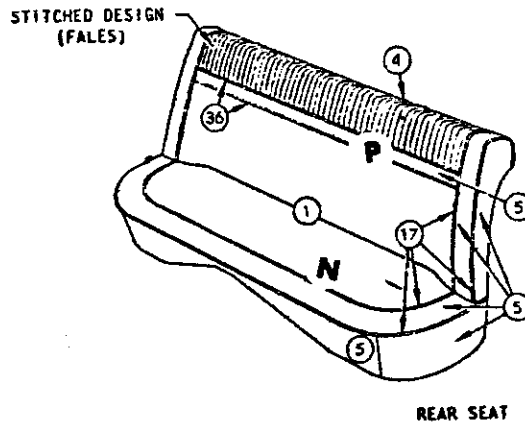
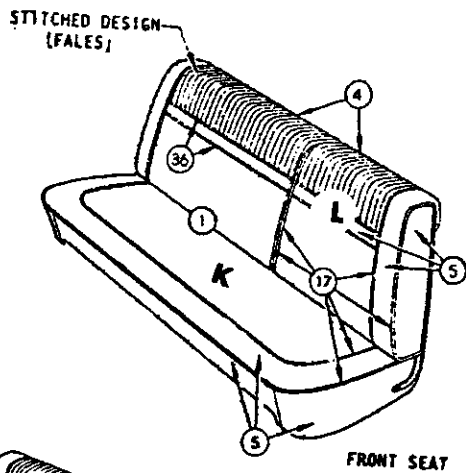
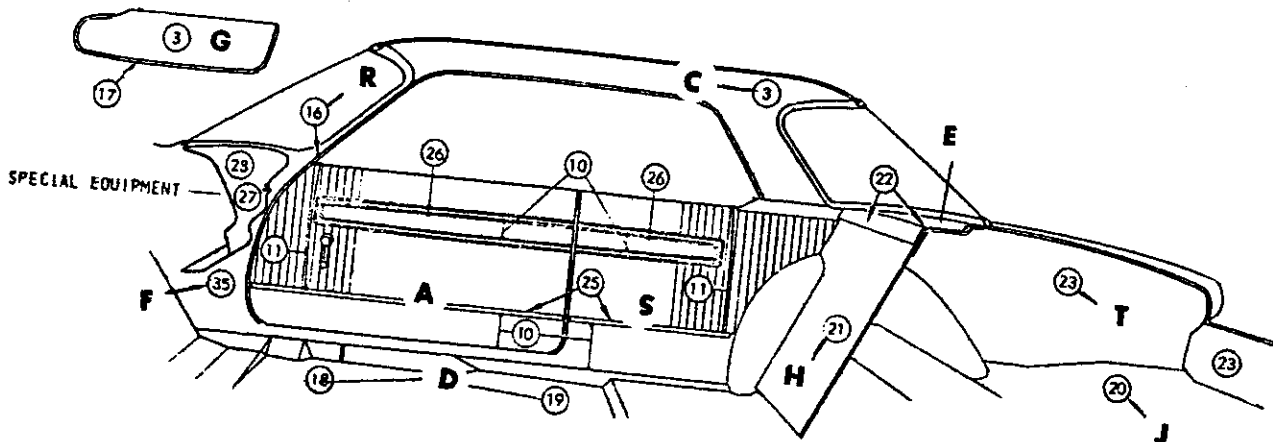
Distribution Drawing Legend Page Appears Following Illustration Section

Codes 621, 623, 625, 626, 628

TDM-454

1963 DODGE TD1 & TD2-M 4 DOOR SUBURBAN
IMITATION LEATHER COMBINATION

1963 DODGE - T SERIES



DISTRIBUTION OF MATERIAL

1	BODY CLOTH	I
3	HEADLINING	HARDBOARD
4	IMITATION LEATHER	28-AM-22
5	IMITATION LEATHER	28A-AM-22
6	IMITATION LEATHER	19-C-22
10	IMITATION LEATHER	21-CM-22
11	IMITATION LEATHER	19-DJ-22
16	LACE	
17	EXTRUDED VINYL	
18	FLOOR COVERING-FRONT-CARPET	
19	FLOOR COVERING-REAR-CARPET	
20	FLOOR COVERING-LUGG. COMPT. RUBBER	
21	CARDBOARD	
22	EMBOSSED CARDBOARD	
23	PAIN	
24	METAL	
25	MOULDING	
26	MYLAR	
27	MOULDED RESIN	
28	MOULDED RUBBER	
29	MOULDED VINYL	
32	CARPET	
33	PLASTIC	
34	PLASTISOL	
35	POLYETHLENE	
36	EXTRUDED VINYL-MYLAR FILLER	

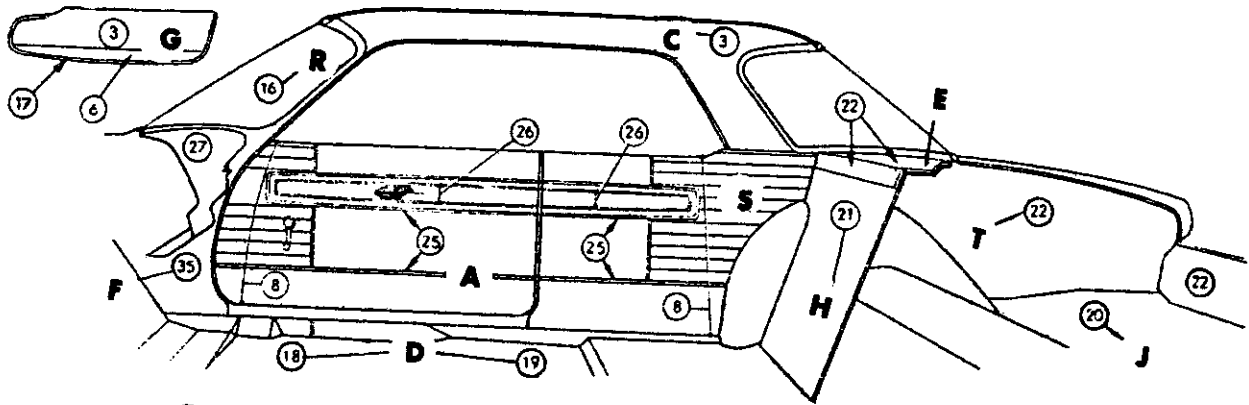
Distribution Drawing Legend Page Appears Following Illustration Section

Codes 521, 523, 525, 526, 528

TDM-231

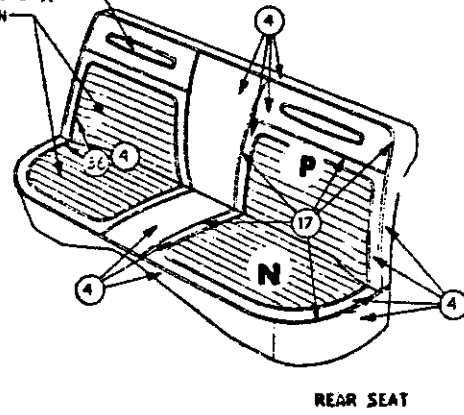
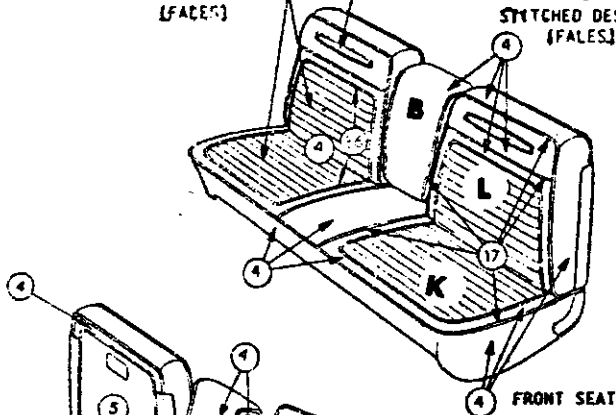
1963 DODGE TD1 & 2-L SPECIAL CLUB COUPE
CLOTH & IMITATION LEATHER COMBINATION

1963 DODGE - T SERIES



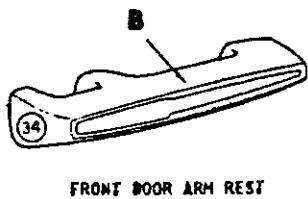
37 VULCANIZED DESIGN (MYLAR OVERLAY) STITCHED DESIGN (FACE)

37 VULCANIZED DESIGN (MYLAR OVERLAY) STITCHED DESIGN (FALES)

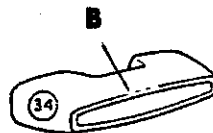


DISTRIBUTION OF MATERIAL

- 3 HEADLINING POLYURETHANE
- 4 IMITATION LEATHER 28-AM-22
- 5 IMITATION LEATHER 19-C-22
- 6 IMITATION LEATHER 19A-C-22
- 8 IMITATION LEATHER 19-DJ-22
- 16 LACE
- 17 EXTRUDED VINYL
- 18 FLOOR COVERING-FRONT-CARPET
- 19 FLOOR COVERING-REAR-CARPET
- 20 FLOOR COVERING-LUGG. COMPT. RUBBER
- 21 CARDBOARD
- 22 EMBOSSED CARDBOARD
- 23 PAINT
- 24 METAL
- 25 MOULDING
- 26 MYLAR NO. 1
- 27 MOULDED RESIN
- 28 MOULDED RUBBER
- 29 MOULDED VINYL
- 32 CARPET
- 33 PLASTIC
- 34 PLASTISOL
- 35 POLYETHYLENE
- 36 EXTRUDED VINYL-MYLAR FILLER
- 37 MYLAR NO. 2



FRONT DOOR ARM REST



REAR QUARTER ARM REST

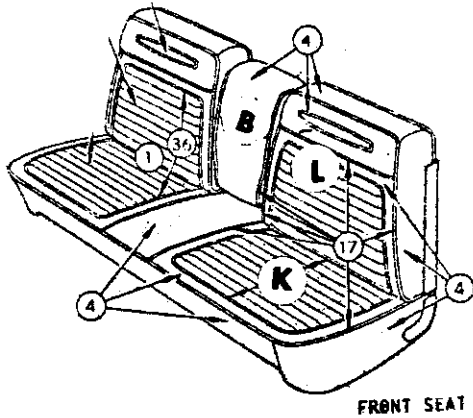
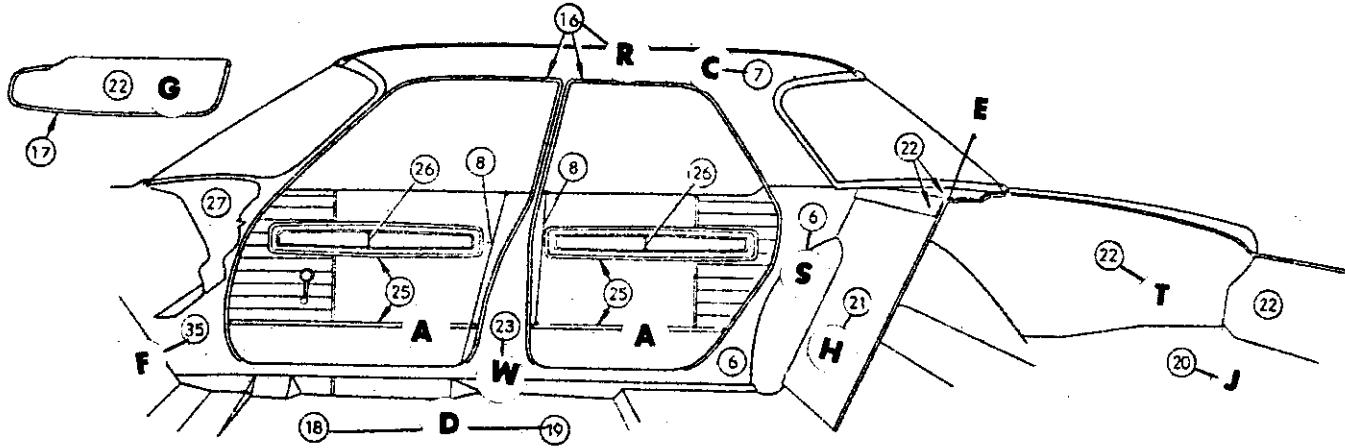
Distribution Drawing Legend Page Appears Following Illustration Section

Codes 641, 643, 645, 646, 648

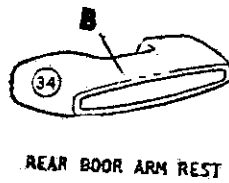
TDH-234

1963 DODGE TD1 & 2-H SPECIAL CLUB COUPE
IMITATION LEATHER COMBINATION

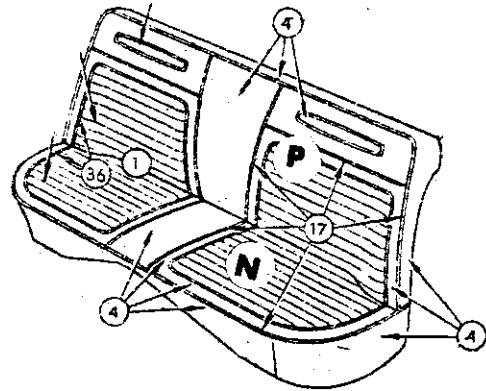
1963 DODGE - T SERIES



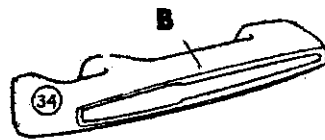
FRONT SEAT



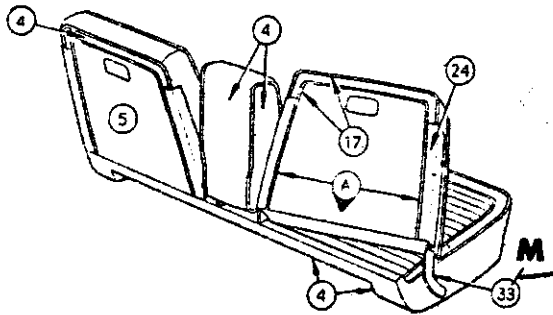
REAR DOOR ARM REST



REAR SEAT



FRONT DOOR ARM REST



FRONT SEAT (BACK)

DISTRIBUTION OF MATERIAL

- 3 HEADLINING
- 4 IMITATION LEATHER 28-AM-22
- 5 IMITATION LEATHER 20-DT-77
- 6 IMITATION LEATHER 19-C-22
- 7 IMITATION LEATHER 17-C-81 OPT 15, 5-C-81
- 8 IMITATION LEATHER 19-DJ-22
- 17 EXTRUDED VINYL
- 18 FLOOR COVERING-FRONT CARPET
- 19 FLOOR COVERING-REAR CARPET
- 21 CARBOARD
- 22 EMBOSSED CARDBOARD
- 32 CARPET
- 33 PLASTIC
- 34 PLASTISOL
- 35 POLYETHLENE
- 36 EXTRUDED VINYL-MYLAR FILLER

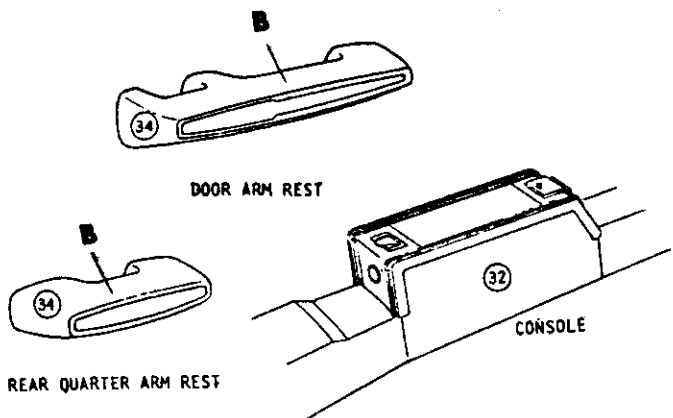
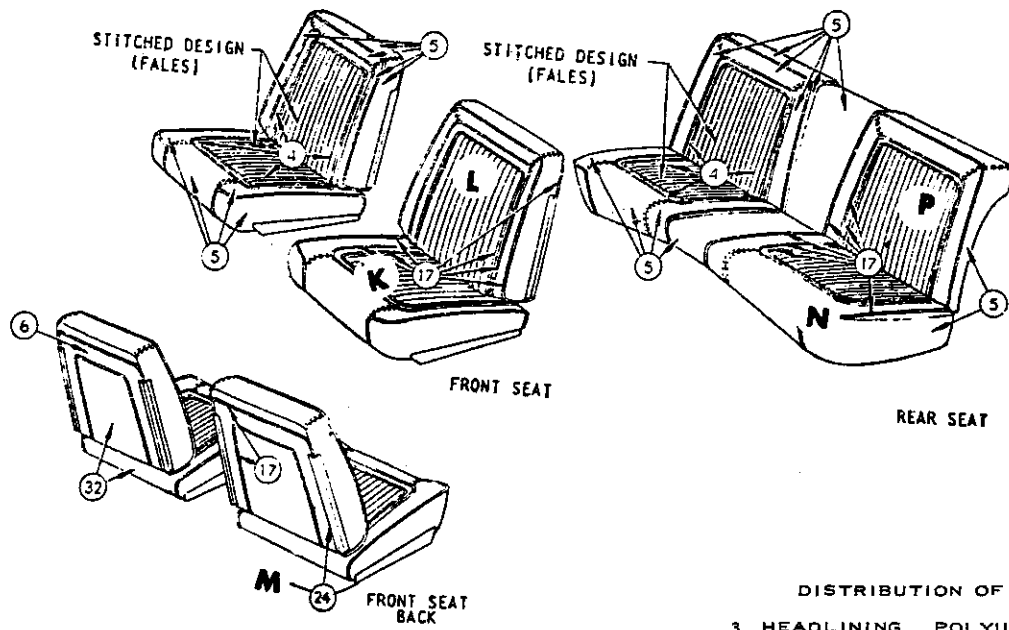
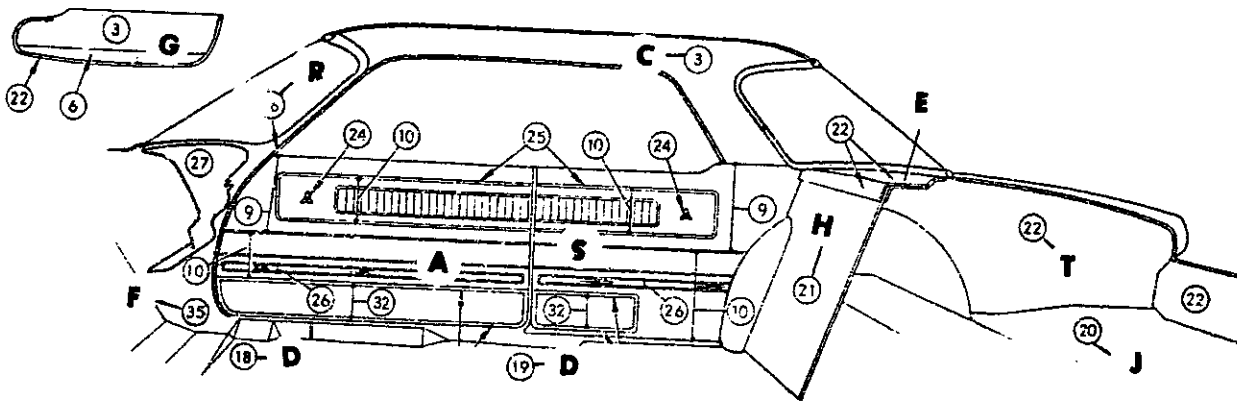
Distribution Drawing Legend Page Appears Following Illustration Section

Codes 541, 543, 545, 546, 548

TDH-411

1963 DODGE TD1-H, TD2-H 4 DOOR SEDAN
CLOTH & VINYL

1963 DODGE - T SERIES



DISTRIBUTION OF MATERIAL

- 3 HEADLINING POLYURETHANE
- 4 IMITATION LEATHER 28-AM-22
- 5 IMITATION LEATHER 28A-AM-22
- 6 IMITATION LEATHER 19-C-22
- 8 IMITATION LEATHER 19B-C-22
- 9 IMITATION LEATHER 19-DJ-22
- 10 IMITATION LEATHER .012-L-22
- 16 LACE
- 17 EXTRUDED VINYL
- 18 FLOOR COVERING-FRONT-CARPET
- 19 FLOOR COVERING-REAR-CARPET
- 20 FLOOR COVERING-LUGG. COMPT. RUBBER
- 21 CARDBOARD
- 22 EMBOSSED CARDBOARD
- 23 PAINT
- 24 METAL
- 25 MOULDING
- 26 MYLAR
- 27 MOULDED RESIN
- 28 MOULDED RUBBER
- 29 MOULDED VINYL
- 32 CARPET
- 33 PLASTIC
- 34 PLASTISOL
- 35 POLYETHLENE

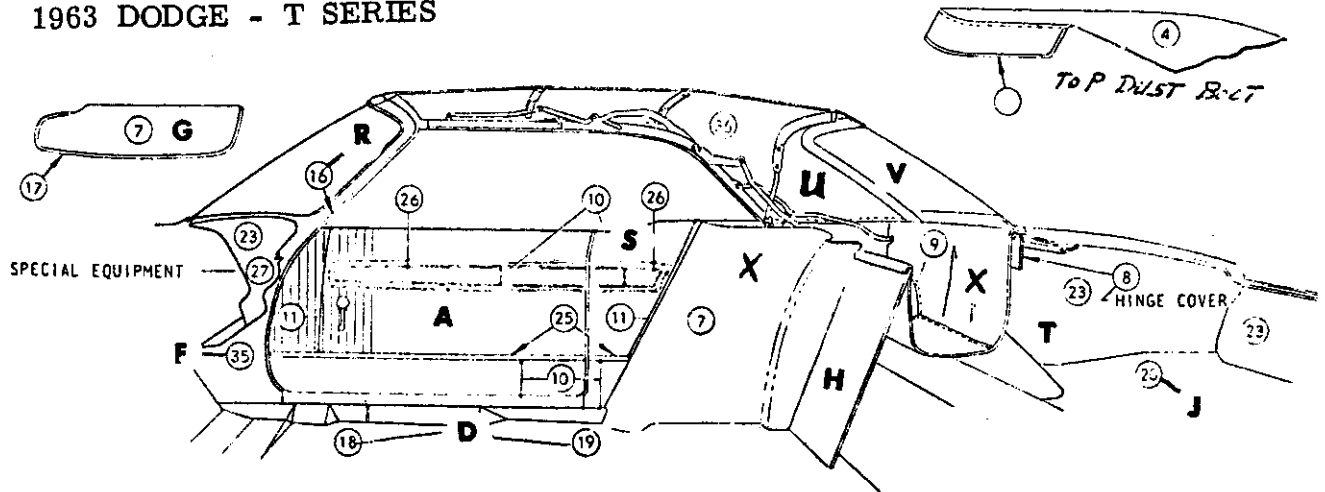
Distribution Drawing Legend Page Appears Following Illustration Section

Codes 651, 653, 655, 656, 658

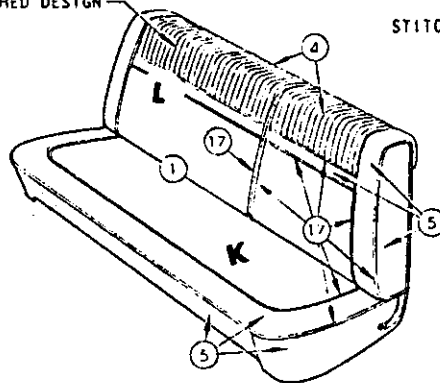
TDP-234

1963 DODGE TD2-P SPECIAL CLUB COUPE
IMITATION LEATHER TRIM

1963 DODGE - T SERIES

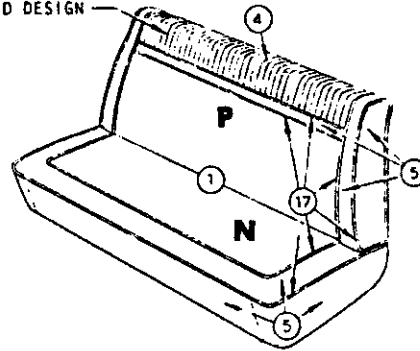


STITCHED DESIGN

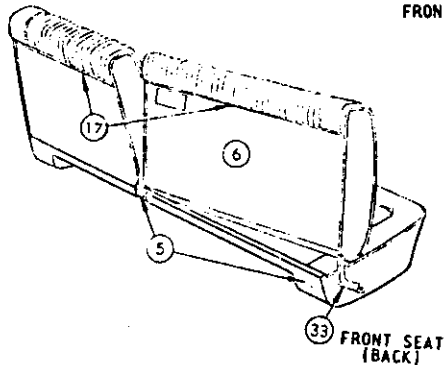


FRONT SEAT

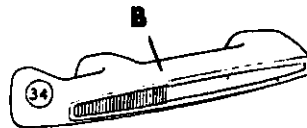
STITCHED DESIGN



REAR SEAT



FRONT SEAT (BACK)



DOOR ARM REST

DISTRIBUTION OF MATERIAL

1	BODY CLOTH	I
4	IMITATION LEATHER	28-AM-22
5	IMITATION LEATHER	28A-AM-22
6	IMITATION LEATHER	19-C-22
7	IMITATION LEATHER	19A-C-22
8	IMITATION LEATHER	19B-C-22
9	IMITATION LEATHER	19C-C-22
10	IMITATION LEATHER	21-CM-22
11	IMITATION LEATHER	19-DJ-22
16	LACE	
17	EXTRUDED VINYL	
18	FLOOR COVERING-FRONT-CARPET	
19	FLOOR COVERING-REAR-CARPET	
20	FLOOR COVERING-LUGG. COMPT. RUBBER	
23	PAINT	
24	METAL	
25	MOULDING	
26	MYLAR	
27	MOULDED RESIN	
28	MOULDED RUBBER	
29	MOULDED VINYL	
32	CARPET	
33	PLASTIC	
34	PLASTISOL	
35	POLYETHYLENE	
36	TOP MATERIAL	

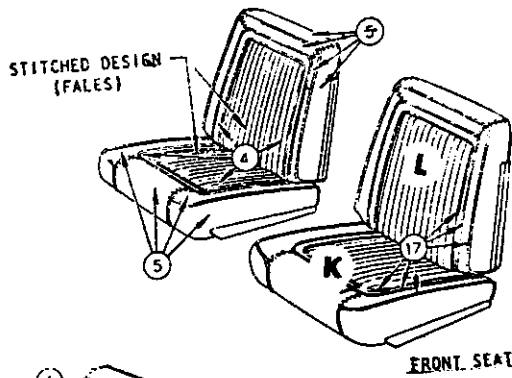
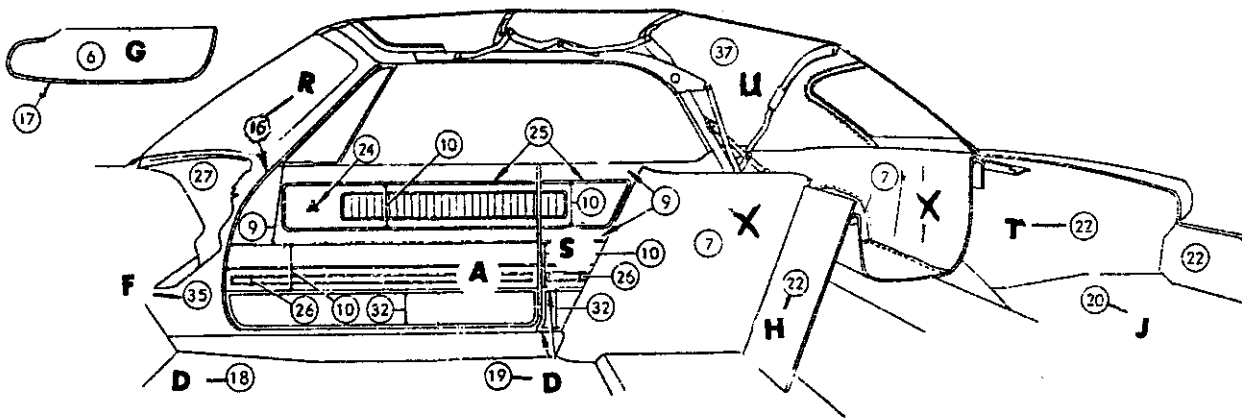
Distribution Drawing Legend Page Appears Following Illustration Section

Codes 521, 523, 525, 526, 528

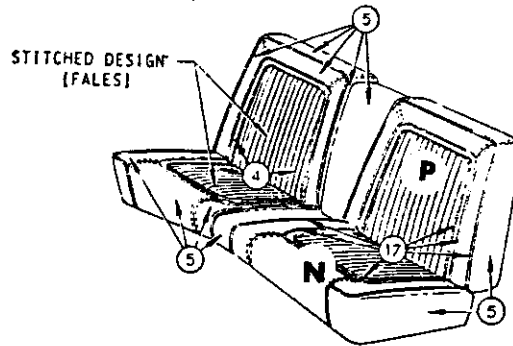
TDM-271

1963 DODGE TD 2-M CONVERTIBLE COUPE
CLOTH & IMITATION LEATHER COMBINATION

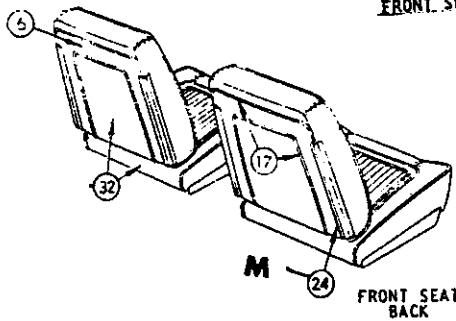
1963 DODGE - T SERIES



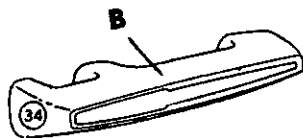
FRONT SEAT



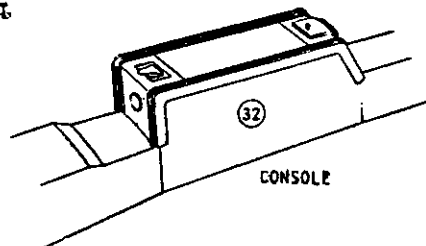
REAR SEAT



FRONT SEAT BACK



DOOR ARM REST



CONSOLE

DISTRIBUTION OF MATERIAL

4	IMITATION LEATHER	28-AM-22
5	IMITATION LEATHER	28A-AM-22
6	IMITATION LEATHER	19-C-22
7	IMITATION LEATHER	19A-C-22
8	IMITATION LEATHER	19B-C-22
9	IMITATION LEATHER	19-DJ-22
10	IMITATION LEATHER	.012-L-22
16	LACE	
17	EXTRUDED VINYL	
18	FLOOR COVERING-FRONT-CARPET	
19	FLOOR COVERING-REAR-CARPET	
20	FLOOR COVERING-LUGG. COMPT. RUBBER	
22	EMBOSSED CARDBOARD	
23	PAINT	
24	METAL	
25	MOULDING	
26	MYLAR	
27	MOULDED RESIN	
28	MOULDED RUBBER	
29	MOULDED VINYL	
32	CARPET	
33	PLASTIC	
34	PLASTISOL	
35	POLYETHYLENE	
37	TOP MATERIAL	

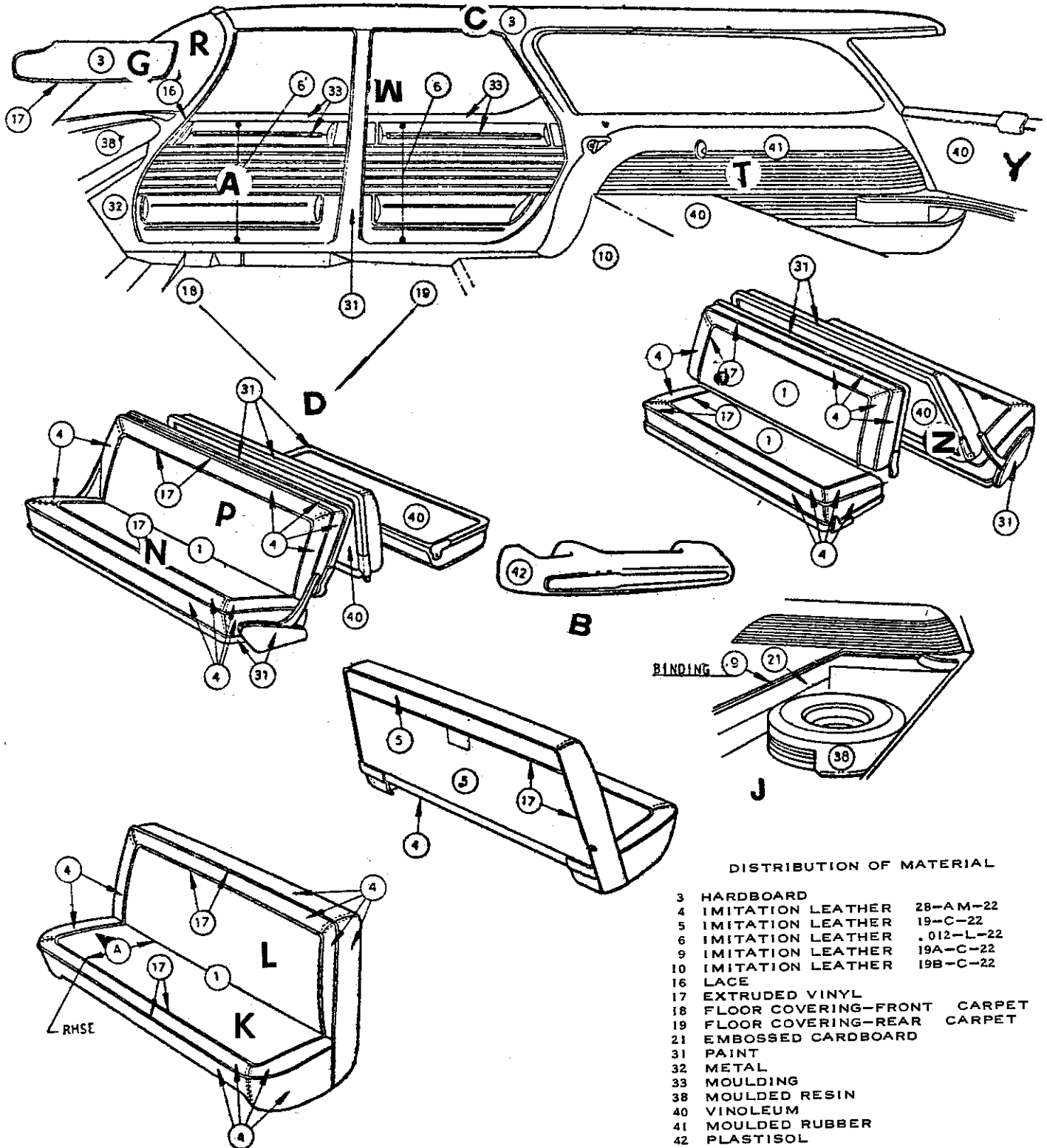
Distribution Drawing Legend Page Appears Following Illustration Section

Codes 651, 653, 655, 656, 658

TDP-274

1963 DODGE TD2-P CONVERTIBLE COUPE
IMITATION LEATHER TRIM

1963 DODGE - T SERIES



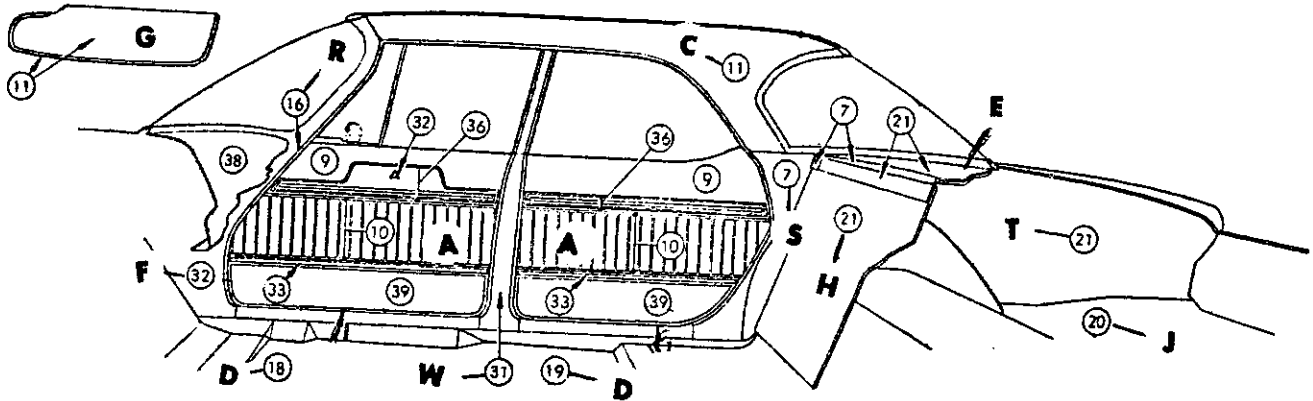
Distribution Drawing Legend Page Appears Following Illustration Section

Codes 561, 563, 565, 568

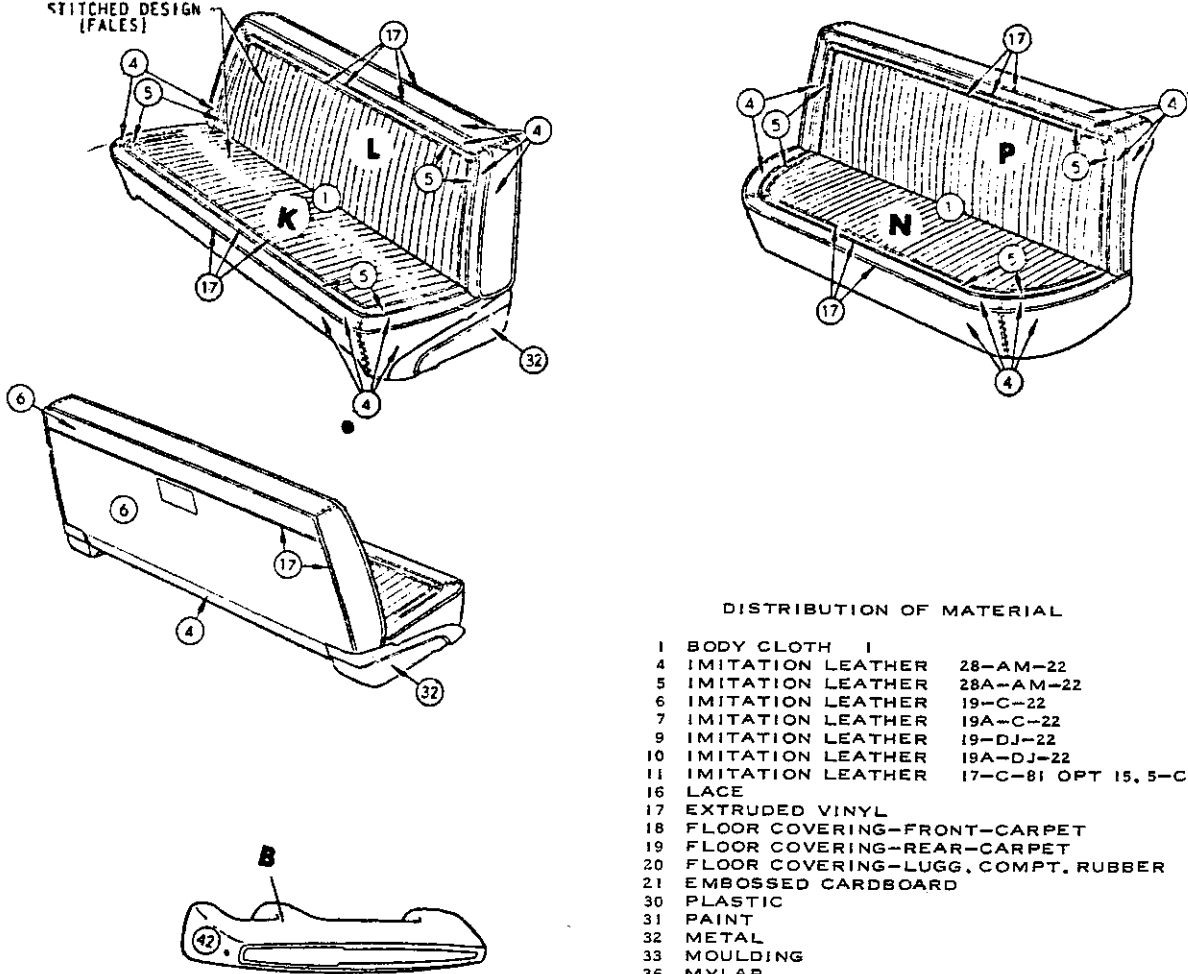
TAE-451

1963 DODGE TA3-E 4 DOOR STATION WAGON
CLOTH & IMITATION LEATHER TRIM

1963 DODGE - T SERIES



STITCHED DESIGN
(FALES)



DISTRIBUTION OF MATERIAL

- | | | |
|----|------------------------------------|------------------------|
| 1 | BODY CLOTH | 1 |
| 4 | IMITATION LEATHER | 28-AM-22 |
| 5 | IMITATION LEATHER | 28A-AM-22 |
| 6 | IMITATION LEATHER | 19-C-22 |
| 7 | IMITATION LEATHER | 19A-C-22 |
| 9 | IMITATION LEATHER | 19-DJ-22 |
| 10 | IMITATION LEATHER | 19A-DJ-22 |
| 11 | IMITATION LEATHER | 17-C-81 OPT 15, 5-C-81 |
| 16 | LACE | |
| 17 | EXTRUDED VINYL | |
| 18 | FLOOR COVERING-FRONT-CARPET | |
| 19 | FLOOR COVERING-REAR-CARPET | |
| 20 | FLOOR COVERING-LUGG. COMPT. RUBBER | |
| 21 | EMBOSSED CARDBOARD | |
| 30 | PLASTIC | |
| 31 | PAINT | |
| 32 | METAL | |
| 33 | MOULDING | |
| 36 | MYLAR | |
| 38 | MOULDED RESIN | |
| 39 | CARPET | |
| 42 | PLASTISOL | |

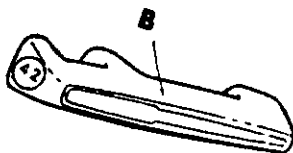
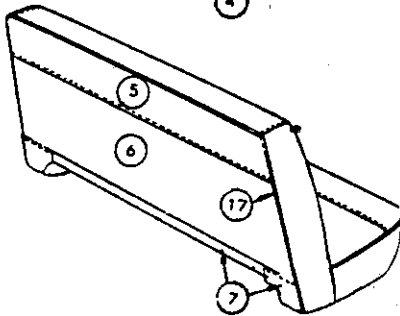
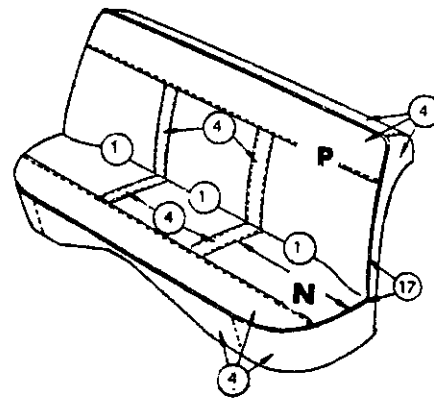
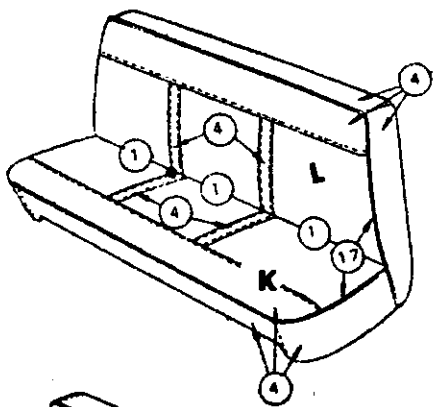
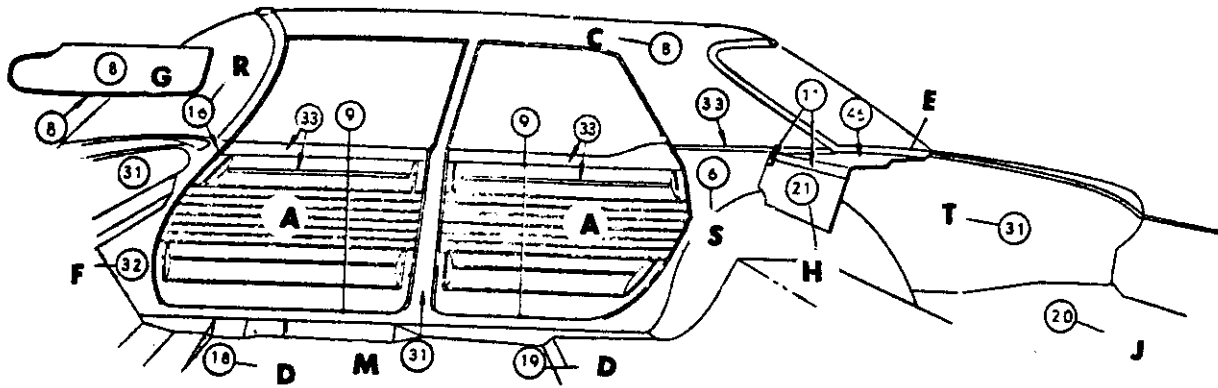
Distribution Drawing Legend Page Appears Following Illustration Section

Codes 571, 572, 573, 575, 578

TAL-411

1963 DODGE TA3-L 4 DOOR SEDAN
CLOTH & IMITATION LEATHER TRIM

1963 DODGE - T SERIES



DISTRIBUTION OF MATERIAL

- 1 BODY CLOTH, I
- 4 IMITATION LEATHER 28-AM-22
- 5 IMITATION LEATHER 19-C-22
- 6 IMITATION LEATHER 19A-C-22
- 7 IMITATION LEATHER 28A-AM-22
- 8 IMITATION LEATHER 15, 5-C-81
- 9 IMITATION LEATHER .012-L-22
- 11 IMITATION LEATHER 28B-AM-22
- 16 LACE
- 17 EXTRUDED VINYL
- 18 FLOOR COVERING-FRONT-RUBBER
- 19 FLOOR COVERING-REAR-RUBBER
- 20 FLOOR COVERING-LUGG. COMPT. RUBBER
- 21 EMBOSSED CARDBOARD
- 30 PLASTIC
- 31 PAINT
- 32 METAL
- 33 MOULDING
- 36 MYLAR
- 38 MOULDED RESIN
- 42 PLASTISOL
- 46 HARDBOARD

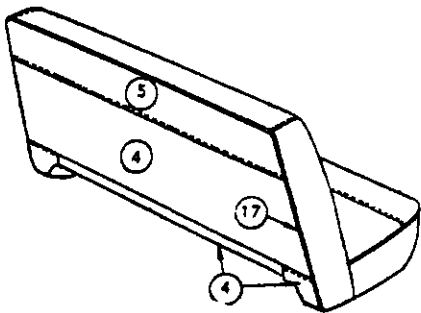
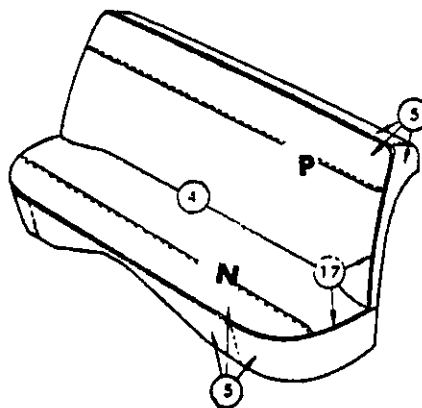
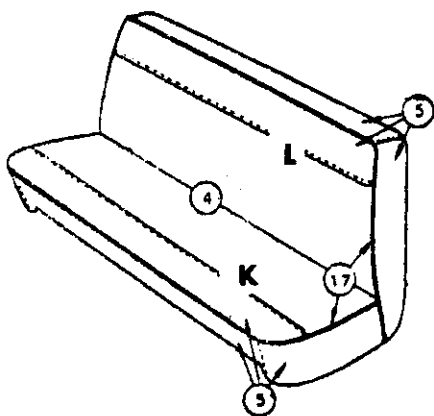
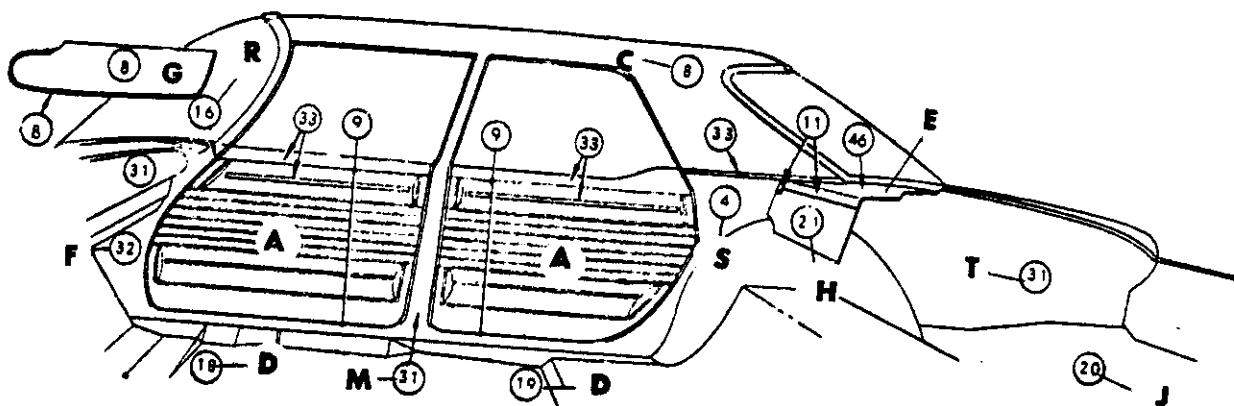
Distribution Drawing Legend Page Appears Following Illustration Section

Code 584

TAL-411A

1963 DODGE TA3-L 4 DOOR SEDAN
CLOTH & IMITATION LEATHER TRIM

1963 DODGE - T SERIES



DISTRIBUTION OF MATERIAL

- 4 IMITATION LEATHER 37-CX-22
- 5 IMITATION LEATHER 37A-CX-22
- 7 IMITATION LEATHER 19-C-22
- 8 IMITATION LEATHER 15, 5-C-81
- 9 IMITATION LEATHER .012-L-22
- 11 IMITATION LEATHER 28-AM-22
- 16 LACE
- 17 EXTRUDED VINYL
- 18 FLOOR COVERING-FRONT-RUBBER
- 19 FLOOR COVERING-REAR-RUBBER
- 20 FLOOR COVERING-LUGG. COMPT. RUBBER
- 21 EMBOSSED CARDBOARD
- 30 PLASTIC
- 31 PAINT
- 32 METAL
- 33 MOULDING
- 36 MYLAR
- 38 MOULDED RESIN
- 42 PLASTISOL
- 46 HARDBOARD

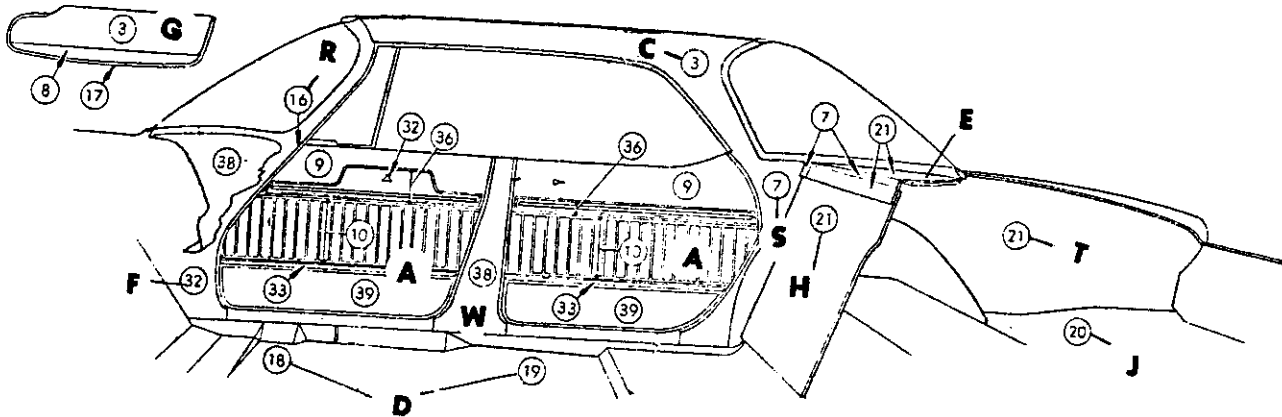
Distribution Drawing Legend Page Appears Following Illustration Section

Code 684

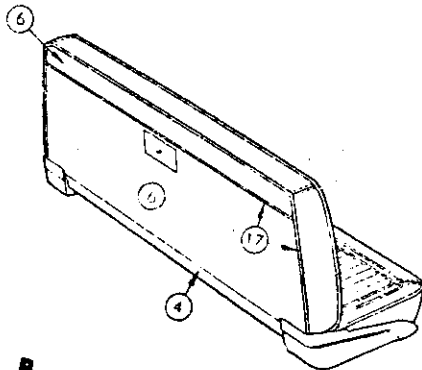
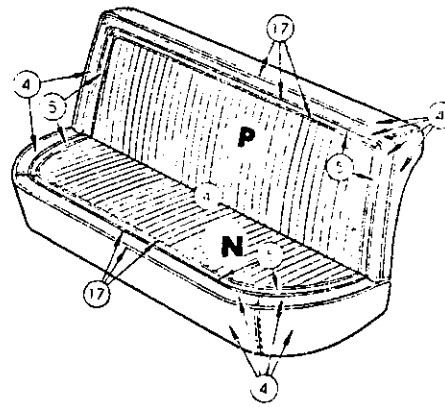
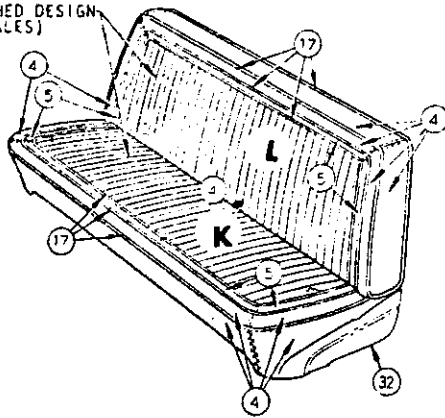
TAL-414

1963 DODGE TA3-L 4 DOOR SEDAN
IMITATION LEATHER TRIM

1963 DODGE - T SERIES



STITCHED DESIGN (FACES)



DISTRIBUTION OF MATERIAL

- 3 HEADLINING POLYURETHANE
- 4 IMITATION LEATHER 28-AM-22
- 5 IMITATION LEATHER 28A-AM-22
- 6 IMITATION LEATHER 19-C-22
- 7 IMITATION LEATHER 19A-C-22
- 8 IMITATION LEATHER 19B-C-22
- 9 IMITATION LEATHER 19-DJ-22
- 10 IMITATION LEATHER 19A-DJ-22
- 16 LACE
- 17 EXTRUDED VINYL
- 18 FLOOR COVERING-FRONT-CARPET
- 19 FLOOR COVERING-REAR-CARPET
- 20 FLOOR COVERING-LUGG. COMPT, RUBBER
- 21 EMBOSSED CARDBOARD
- 30 PLASTIC
- 31 PAINT
- 32 METAL
- 33 MOULDING
- 36 MYLAR
- 38 MOULDED RESIN
- 39 CARPET
- 42 PLASTISOL

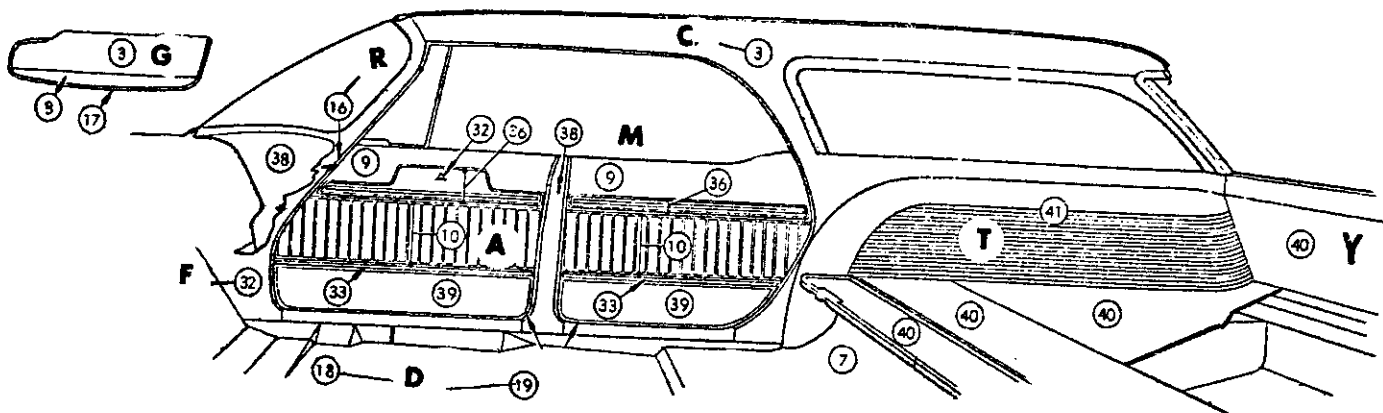
Distribution Drawing Legend Page Appears Following Illustration Section

Codes 671, 672, 673, 675, 678

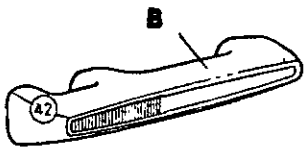
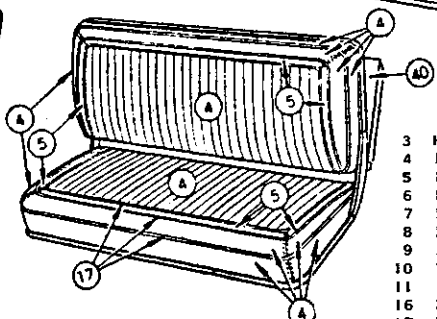
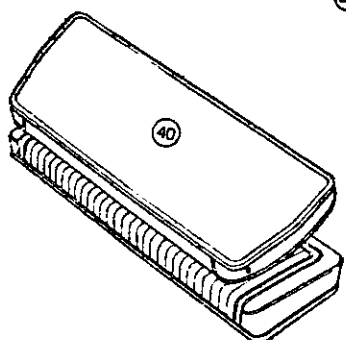
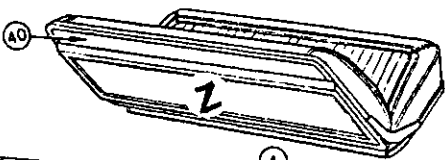
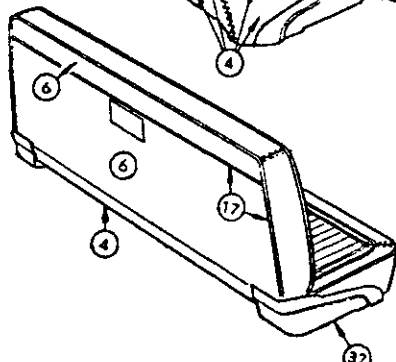
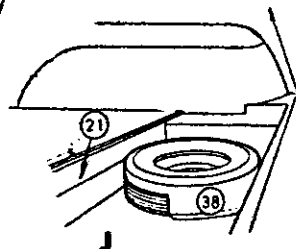
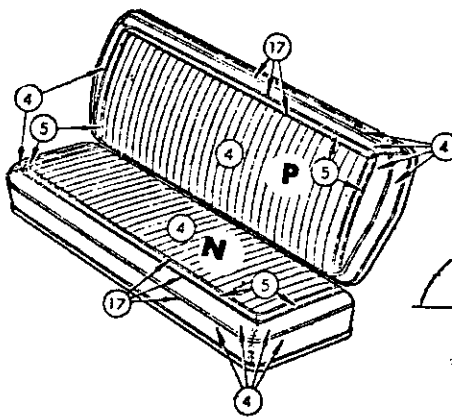
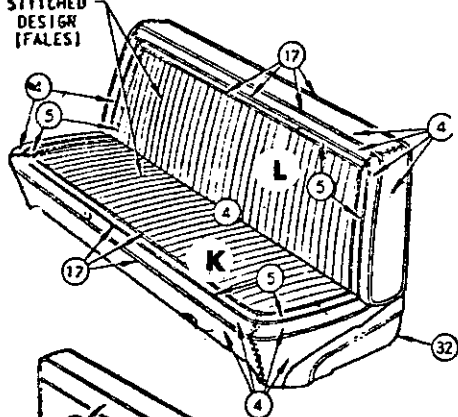
TAL-434

1963 DODGE TA3-L 4 DOOR HARDTOP
IMITATION LEATHER TRIM

1963 DODGE - T SERIES



STITCHED DESIGN (FALES)



DISTRIBUTING OF MATERIAL

3	HEADLINING	POLYURETHANE
4	IMITATION LEATHER	28-AM-22
5	IMITATION LEATHER	28A-AM-22
6	IMITATION LEATHER	19-C-22
7	IMITATION LEATHER	19A-C-22
8	IMITATION LEATHER	19B-C-22
9	IMITATION LEATHER	19-DJ-22
10	IMITATION LEATHER	19A-DJ-22
11	IMITATION LEATHER	19C-C-22
16	LACE	
17	EXTRUDED VINYL	
18	FLOOR COVERING-FRONT-CARPET	
19	FLOOR COVERING-REAR-CARPET	
21	EMBOSSED CARDBOARD	
32	METAL	
33	MOULDING	
36	MYLAR	
38	MOULDED RESIN	
39	CARPET	
40	VINOLEUM	
42	PLASTISOL	

FRONT & REAR DOOR ARM REST

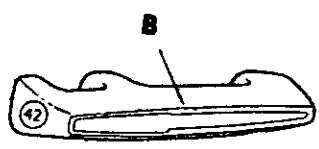
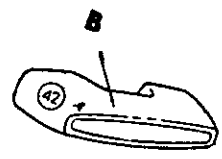
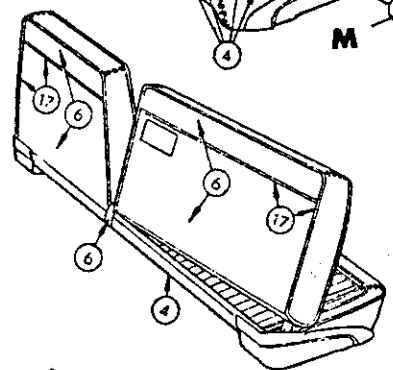
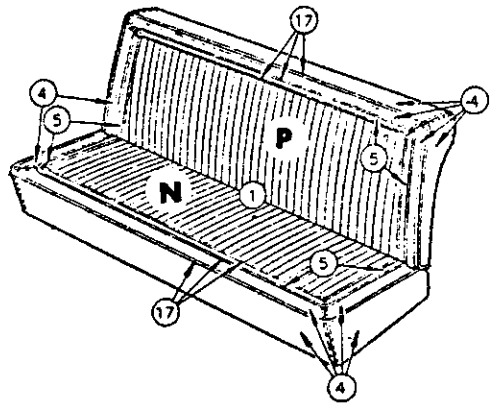
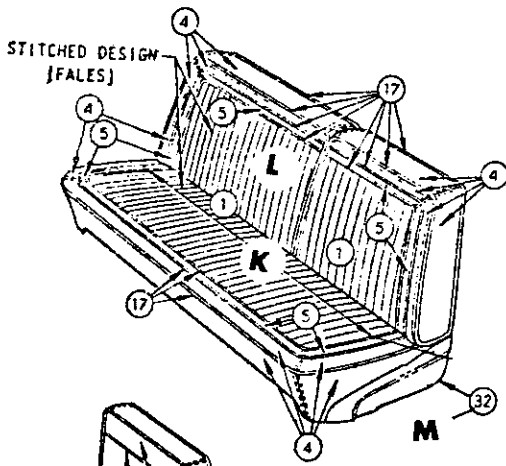
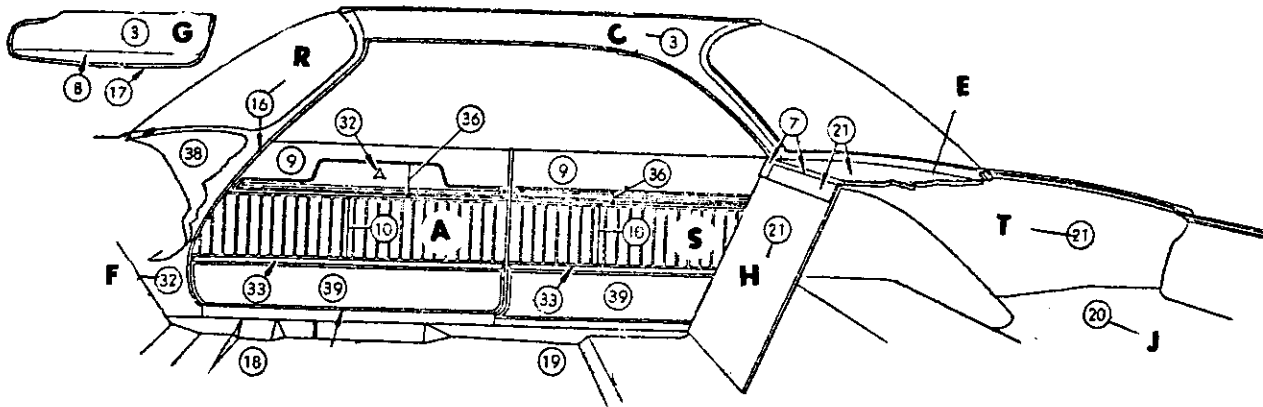
Distribution Drawing Legend Page Appears Following Illustration Section

Codes 671, 672, 673, 675, 678

TAL-464

1963 DODGE TA3-L 4 DOOR HARDTOP SUBURBAN
IMITATION LEATHER TRIM

1963 DODGE - T SERIES



DISTRIBUTION OF MATERIAL

- 1 BODY CLOTH I
- 3 HEADLINING POLYURETHANE
- 4 IMITATION LEATHER 28-AM-22
- 5 IMITATION LEATHER 28A-AM-22
- 6 IMITATION LEATHER 19-C-22
- 7 IMITATION LEATHER 19A-C-22
- 8 IMITATION LEATHER 19B-C-22
- 9 IMITATION LEATHER 19-DJ-22
- 10 IMITATION LEATHER 19A-DJ-22
- 16 LACE
- 17 EXTRUDED VINYL
- 18 FLOOR COVERING-FRONT-CARPET
- 19 FLOOR COVERING-REAR-CARPET
- 20 FLOOR COVERING-LUGG. COMPT. RUBBER
- 21 EMBOSSED CARDBOARD
- 32 METAL
- 33 MOULDING
- 36 MYLAR
- 38 MOULDED RESIN
- 39 CARPET
- 42 PLASTISOL

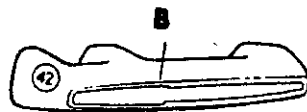
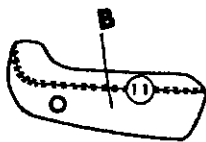
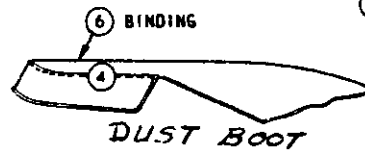
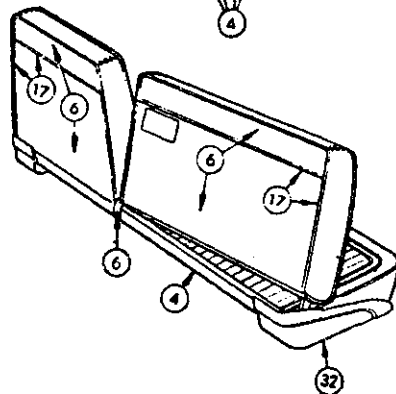
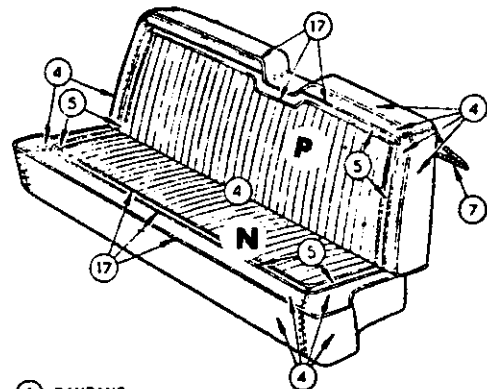
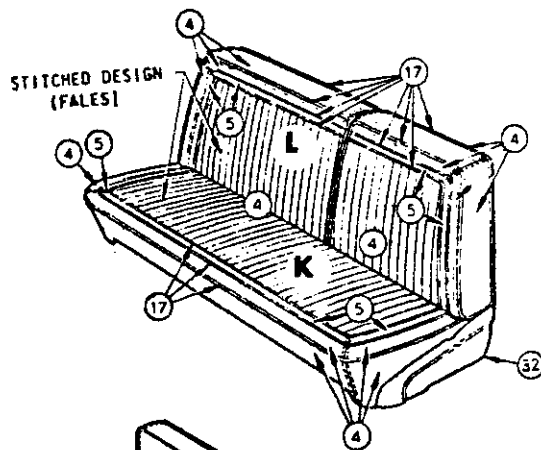
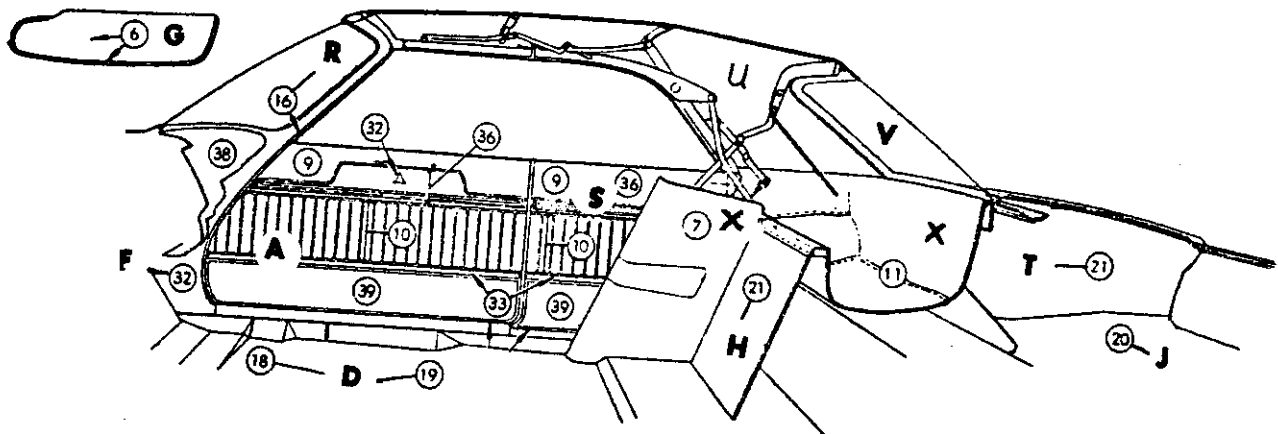
Distribution Drawing Legend Page Appears Following Illustration Section

Codes 571, 572, 573, 575, 578

TAL-231

1963 DODGE TA3-L 2 DOOR HARDTOP
CLOTH & IMITATION LEATHER TRIM

1963 DODGE - T SERIES



DISTRIBUTION OF MATERIAL

4	IMITATION LEATHER	28-AM-22
5	IMITATION LEATHER	28A-AM-22
6	IMITATION LEATHER	19-C-22
7	IMITATION LEATHER	19A-C-22
9	IMITATION LEATHER	19-DJ-22
10	IMITATION LEATHER	19A-DJ-22
11	IMITATION LEATHER	28B-AM-22
16	LACE	
17	EXTRUDED VINYL	
18	FLOOR COVERING-FRONT-CARPET	
19	FLOOR COVERING-REAR-CARPET	
20	FLOOR COVERING-LUGG. COMPT. RUBBER	
21	EMBOSSED CARDBOARD	
32	METAL	
33	MOULDING	
36	MOULDED RESIN	
39	CARPET	
42	PLASTISOL	

Distribution Drawing Legend Page Appears Following Illustration Section

Codes 671, 672, 673, 675, 678

TAL-274

1963 DODGE TA3-L CONVERTIBLE COUPE
IMITATION LEATHER TRIM

1963 DODGE AND DART - T SERIES

Distribution Drawing Legend

See Illustrations For Letter Identification

Letter	Description	Code
A	Panel, Door Trim	23-92-5
B	Arm Rest, Door, Front	23-76-3
	Center, Front Seat	23-76-34
	Door, Rear	23-76-59
	Quarter Panel	23-76-66
C	Headlining	23-86-3
D	Floor Cover, Front, Carpet	23-79-3
	Rubber	23-20-8
	Rear, Carpet	23-79-33
	Rubber	23-20-41
E	Panel, Shelf Trim	23-102-3
F	Panel, Cowl Trim	23-91-6
G	Visor	23-103-3
H	Panel, Luggage Compartment Front	23-96-3
J	Cover, Luggage Compartment Floor	23-20-29
K	Cover, Front Seat Cushion	23-108-5
L	Cover, Front Seat Back	23-108-16
M	Cover, Front Seat Hinge	23-108-84
N	Cover, Rear Seat Cushion	23-109-36
P	Cover, Rear Seat Back	23-109-4
Q	Cover, Rear Seat Cushion Bottom Panel	23-109-40
R	Weathercord, Door	23-113-2
	Hinge Pillar	23-113-25
	Lock Pillar	23-113-30
	w/Weatherstrip	23-66-33
S	Panel, Quarter Trim	23-101-3
T	Cover, Wheelhouse	23-96-8
U	Top Deck and Side Quarter	23-112-108
V	Curtain, Folding Top Back	23-112-45
W	Cover, Center Pillar	23-99-4
X	Panel, Folding Top Well Pocket	23-112-153
Y	Cover, Tailgate Inside Panel	23-79-79
Z	Cover, Rear Seat Back Panel	23-109-5

1963 DART - DODGE T SERIES

BODY CODE	COLUMN LEGEND
TL1-L (170)	
711 (21)	2 D. Sedan
713 (41)	4 D. Sedan
756 (45A)	4 D. Wagon (2 Seat)
TL1-H (770)	
731 (21)	2 D. Sedan
753 (41)	4 D. Sedan
735 (27)	Convertible
776 (45A)	4 D. Wagon (2 Seat)
TL1-P (GT)	
742 (23)	2 D. Hard Top
745 (27)	Convertible
TD1-L	
401 (21)	2 D. Sedan (Fleet)
403 (41)	4 D. Sedan (Fleet)
411 (21)	2 D. Sedan
413 (41)	4 D. Sedan
456 (45A)	4 D. Wagon (2 Seat)
457 (45B)	4 D. Wagon (3 Seat)
483 (41)	4 D. Sedan (Taxi)
491 (21)	2 D. Sedan (Police)
493 (41)	4 D. Sedan (Police)
496 (45A)	4 D. Wagon (Police) (2 Seat)
TD2-L	
601 (21)	2 D. Sedan (Fleet)
603 (41)	4 D. Sedan (Fleet)
611 (21)	2 D. Sedan
613 (41)	4 D. Sedan
656 (45A)	4 D. Wagon (2 Seat)
657 (45B)	4 D. Wagon (3 Seat)
683 (41)	4 D. Sedan (Taxi)
691 (21)	2 D. Sedan (Police)
693 (41)	4 D. Sedan (Police)
696 (45A)	4 D. Sedan (Police) (2 Seat)
TD1-M (440)	
421 (21)	2 D. Sedan
422 (23)	2 D. Hard Top
423 (41)	4 D. Sedan
TD2-M (440)	
621 (21)	2 D. Sedan
622 (23)	2 D. Hard Top
623 (41)	4 D. Sedan
666 (45A)	4 D. Wagon (2 Seat)
667 (45B)	4 D. Wagon (3 Seat)

★ Indicates use as required.

☐ Indicates parts not listed in any previous parts book.
 Right and left part numbers are on same line,
 first number is right, second number is left.

Printed in U.S.A.
 Prices and specifications subject to change without notice.
 September 4, 1962.

BODY CODE COLUMN LEGEND

TD1-H (440)

432 (23)	2 D. Hard Top
433 (41)	4 D. Sedan

POLARA TD2-H

632 (23)	2 D. Hard Top
633 (41)	4 D. Sedan
634 (43)	4 D. Hard Top
635 (27)	Convertible

POLARA TD2-P (500)

642 (23)	2 D. Hard Top
645 (27)	Convertible

TA3-E (880)

503 (41)	4 D. Sedan
556 (45A)	4 D. Wagon (2 Seat)
557 (45B)	4 D. Wagon (3 Seat)
593 (41)	4 D. Sedan (Police)
596 (45A)	4 D. Wagon (2 Seat)

TA3-L (880)

512 (23)	2 D. Hard Top
513 (41)	4 D. Sedan
514 (43)	4 D. Hard Top
515 (27)	Convertible
558 (46A)	4 D. Wagon (2 Seat)
559 (46B)	4 D. Wagon (3 Seat)

CONVERTIBLE TOP COLOR LEGEND

TD2-H	6 Black	7 White
TD2-P	6 Black	8 Beige

STARTING SERIAL NUMBERS

		Detroit Built	St. Louis Built	Newark Built	Los Angeles Built
TL1-L	(Dart 170)	7132-500001	7137-100001	7136-100001	7135-100001
TL1-L	(Dart Sub. 170)	7532-500001	7537-100001	7536-100001	7535-100001
TL1-H	(Dart 770)	7332-100001	7337-100001	7336-100001	7335-100001
TL1-H	(Dart Sub. 770)	7732-100001	7737-100001	7736-100001	7735-100001
TL1-P	(G. T.)	7432-100001	7437-100001	7436-100001	7435-100001
TD1-L	(Dodge)	4132-100001	4137-100001	4136-100001	4135-100001
TD1-L	(Dodge Sub.)	4532-100001	4537-100001	4536-100001	4535-100001
TD1-M	(Dodge 330)	4232-100001	4237-100001	4236-100001	4235-100001
TD1-M	(Dodge 330 Sub.)	4632-100001	4637-100001	4636-100001	4635-100001
TD1-H	(Dodge 440)	4332-100001	4337-100001	4336-100001	4335-100001
TD2-L	(Dodge)	6132-100001	6137-100001	6136-100001	6135-100001
TD2-L	(Dodge Sub.)	6532-100001	6537-100001	6536-100001	6535-100001
TD2-M	(Dodge 330)	6232-100001	6237-100001	6236-100001	6235-100001
TD2-M	(Dodge 330 Sub.)	6632-100001	6637-100001	6636-100001	6635-100001
TD2-H	(Dodge 440)	6332-100001	6337-100001	6336-100001	6335-100001
TD2-H	(Dodge 440 Sub.)	6732-100001	6737-100001	6736-100001	6735-100001
TD2-P	(Polar 500)	6432-100001			
TA3-E	(Custom 880)	5133-100001			
TA3-L	(Custom 880)	5133-100001			

★ Indicates use as required.

⊠ Indicates parts not listed in any previous parts book.

Dec. 14, 1962 Supersedes Sept. 4, 1962.

Printed in U.S.A.

Prices and specifications subject to change without notice.

Right and left part numbers are on same line,
first number is right, second number is left.

* Indicates change or addition.

TRIM CODE	MODEL	MATERIAL			COLOR	SED.	4D.	SUB.	SP. CL. CP.	CV. CP.
		Cloth	Vinyl	Leather						
801	L1-L	★	★	-	Blue	★	-	-	-	-
803	L1-L	★	★	-	Tan	★	-	-	-	-
805	L1-L	★	★	-	Red	★	-	-	-	-
898	L1-L	★	★	-	Turquoise	★	-	-	-	-
851	L1-L	-	★	-	Blue	-	-	★	-	-
853	L1-L	-	★	-	Tan	-	-	★	-	-
855	L1-L	-	★	-	Red	-	-	★	-	-
858	L1-L	-	★	-	Turquoise	-	-	★	-	-
871	L1-L	-	★	-	Blue	★	-	-	-	-
873	L1-L	-	★	-	Tan	★	-	-	-	-
875	L1-L	-	★	-	Red	★	-	-	-	-
894	L1-L	-	★	-	Gray	★	-	-	-	-
831	L1-H	★	★	-	Blue	★	-	-	-	-
833	L1-H	★	★	-	Tan	★	-	-	-	-
835	L1-H	★	★	-	Red	★	-	-	-	-
838	L1-H	★	★	-	Turquoise	★	-	-	-	-
871	L1-H	-	★	-	Blue	★	-	★	-	★
873	L1-H	-	★	-	Tan	★	-	★	-	★
875	L1-H	-	★	-	Red	★	-	★	-	★
878	L1-H	-	★	-	Turquoise	-	-	★	-	★
891	L1-P	-	★	-	Blue	-	-	-	★	★
893	L1-P	-	★	-	Tan	-	-	-	★	★
895	L1-P	-	★	-	Red	-	-	-	★	★
898	L1-P	-	★	-	Turquoise	-	-	-	★	★
501	D1-L, D2-L	★	★	-	Blue	★	-	-	-	-
503	D1-L, D2-L	★	★	-	Tan	★	-	-	-	-
505	D1-L, D2-L	★	★	-	Red	★	-	-	-	-
508	D1-L, D2-L	★	★	-	Turquoise	★	-	-	-	-
601	D1-L, D2-L	-	★	-	Blue	-	-	★	-	-
603	D1-L, D2-L	-	★	-	Tan	-	-	★	-	-
605	D1-L, D2-L	-	★	-	Red	-	-	★	-	-
608	D1-L, D2-L	-	★	-	Turquoise	-	-	★	-	-
611	D1-L, D2-L	-	★	-	Blue	★	-	-	-	-
613	D1-L, D2-L	-	★	-	Tan	★	-	-	-	-
694	D1-L, D2-L	-	★	-	Gray	★	-	-	-	-
521	D1-M, D2-M	★	★	-	Blue	★	★	-	★	★
523	D1-M, D2-M	★	★	-	Tan	★	★	-	★	★
525	D1-M, D2-M	★	★	-	Red	★	★	-	★	★
526	D1-M, D2-M	★	★	-	Alabaster & Black	★	★	-	★	★
528	D1-M, D2-M	★	★	-	Turquoise	★	★	-	★	★
621	D1-M, D2-M	-	★	-	Blue	★	-	★	-	-
623	D1-M, D2-M	-	★	-	Tan	-	-	★	-	-
625	D1-M, D2-M	-	★	-	Red	-	-	★	-	-
626	D1-M, D2-M	-	★	-	Alabaster & Black	-	-	★	-	-
628	D1-M, D2-M	-	★	-	Turquoise	-	-	★	-	-
541	D1-H, D2-H	★	★	-	Blue	★	-	-	-	-
543	D1-H, D2-H	★	★	-	Tan	★	-	-	-	-
545	D1-H, D2-H	★	★	-	Red	★	-	-	-	-
546	D1-H, D2-H	★	★	-	Alabaster & Black	★	-	-	-	-
548	D1-H, D2-H	★	★	-	Turquoise	★	-	-	-	-
641	D1-H, D2-H	-	★	-	Blue	★	★	-	★	-
643	D1-H, D2-H	-	★	-	Tan	★	★	-	★	-
645	D1-H, D2-H	-	★	-	Red	★	★	-	★	-
646	D1-H, D2-H	-	★	-	Alabaster & Black	★	★	-	★	-
648	D1-H, D2-H	-	★	-	Turquoise	★	★	-	★	-

★ Indicates use as required.

☐ Indicates parts not listed in any previous parts book.
 Right and left part numbers are on same line,
 first number is right, second number is left.

Printed in U.S.A.
 Prices and specifications subject to change without notice.
 September 4, 1962.

1963 PASSENGER CAR PARTS CATALOG

TRIM CODE	MODEL	MATERIAL			COLOR	SED.	4D.	SUB.	SP. CL. CP.	CV. CP.
		Cloth	Vinyl	Leather						
651	D2-P	-	★	-	Blue	-	-	-	★	★
653	D2-P	-	★	-	Tan	-	-	-	★	★
655	D2-P	-	★	-	Red	-	-	-	★	★
656	D2-P	-	★	-	Alabaster & Black	-	-	-	★	★
658	D2-P	-	★	-	Turquoise	-	-	-	★	★
694	D1, D2	-	★	-	Gray	★	★	-	-	-
561	A3-E	★	★	-	Blue	★	-	★	-	-
563	A3-E	★	★	-	Tan	★	-	★	-	-
565	A3-E	★	★	-	Red	★	-	★	-	-
568	A3-E	★	★	-	Turquoise	★	-	★	-	-
571	A3-L	★	★	-	Blue	-	-	-	★	-
572	A3-L	★	★	-	Green	-	-	-	★	-
573	A3-L	★	★	-	Tan	-	-	-	★	-
575	A3-L	★	★	-	Red	-	-	-	★	-
578	A3-L	★	★	-	Turquoise	-	-	-	★	-
584	A3-L	★	★	-	Gray	★	-	-	-	-
671	A3-L	-	★	-	Blue	-	★	★	-	★
672	A3-L	-	★	-	Green	-	★	★	-	★
673	A3-L	-	★	-	Tan	-	★	★	-	★
675	A3-L	-	★	-	Red	-	★	★	-	★
678	A3-L	-	★	-	Turquoise	-	★	★	-	★
684	A3-L	-	★	-	Gray	★	-	-	-	-

NOTES

★ Indicates use as required.
 □ Indicates parts not listed in any previous parts book.
 Jan. 3, 1964 Supersedes Jan. 25, 1963.

Printed in U.S.A.
 Prices and specifications subject to change without notice.
 Right and left part numbers are on same line,
 first number is right, second number is left.
 * Indicates change or addition.

CODE	REMARKS	PER CAR	SED.	SP. 4 D.	SUB.	SP. CL. CP.	CV. CP.
<p>NOTE: RIGHT HAND AND LEFT HAND PARTS LISTED ON THE SAME LINE. Whenever right and left hand parts are identified by consecutive part numbers, they will be listed as in the following example: PANEL, Door Trim 2083 344-5 Interpreted, this indicates that Panel, right is Part No. 2083 344 and Panel, left is Part No. 2083 345.</p>							
23-70-5	COVER, Wheelhouse Second Seat Back Hinge Bracket A3E, A3L (codes 561, 671) (blue) (codes 563-673) (tan)	1 1	----	----	*2180 202-3 2180 098-9		
	COVER, Second Seat Back Hinge Bracket A3-L (code 671) (code 672) (code 673) A3-L (codes 565, 675) (codes 568, 678)	1 1 1 1 1	----	----	*2180 202-3 E2181 368-9 *2180 098-9 E2181 370-1 E2181 372-3		
23-70-6	COVER, Second Seat Back Hinge (paint as required) A3-L	1	----	----	2094 882-3		
23-71-1	COVER, Front Console (carpet) D2-P (code 651) (code 653) (code 655) (code 656) (code 658)	1 1 1 1 1	----	----	----	2431 970-1 2431 972-3 2431 974-5 2431 976-7 2431 978-9	2431 970-1 2431 972-3 2431 974-5 2431 976-7 2431 978-9
23-76-3	ARM REST, Front Door L1-L, L1-H (codes 801, 831, 851, 871) (blue) (codes 803, 833, 853, 873) (tan) (codes 805, 835, 855, 875) (red) (codes 808, 838, 858, 878) (turquoise) (code 891) (blue) (code 899) (gray)	2 2 2 2 1 2	2413 934 2413 936 2413 938 2413 939 ----	----	2413 934 2413 936 2413 938 2413 939 ----	2428 970-1 2428 974-5 2428 976-7 2428 978-9 2428 970-1	2413 934 2413 936 2413 938 2413 939 2428 970-1
	D1, D2 (codes 501, 601, 611) (small) (blue) (codes 521, 541, 621, 641, 651) (large) (blue) (codes 523, 543, 623, 643, 653) (tan) (codes 525, 545, 625, 645, 655) (red) (codes 526, 546, 626, 646, 656) (alabaster)	2 1 1 1 1	2413 934 2428 970-1 2428 974-5 2428 976-7 2428 978-9	----	2413 934 2428 970-1 2428 974-5 2428 976-7 2428 978-9	2428 970-1 2428 970-1 2428 974-5 2428 976-7 2428 978-9	2428 970-1 2428 970-1 2428 974-5 2428 976-7 2428 978-9
	(codes 528, 548, 628, 648, 658, 899) (large) (turquoise) (codes 508, 608) (small) (turquoise) (code 656) (black) (codes 503, 603, 613) (tan) (codes 505, 605) (red) (codes 594, 694, 699) (gray)	1 2 1 2 2	2428 980-1 2413 939 2413 936 2413 938 2413 944	2428 980-1 ----	2428 980-1 2413 939 2413 936 2413 938	2428 980-1 ----	2428 980-1 2413 939 2428 982-3

★ Indicates use as required.
 □ Indicates parts not listed in any previous parts book.
 Right and left part numbers are on some line, first number is right, second number is left.
 * Indicates change or addition.

Printed in U.S.A.
 Prices and specifications subject to change without notice.
 Jan. 3, 1964 Supersedes Jan. 25, 1963.

1963 PASSENGER CAR PARTS CATALOG

INTERIOR TRIM

CODE	REMARKS	PER CAR	SED.	SP. 4 D.	SUB.	SP. CL. CP.	CV. CP.
23-76-3	ARM REST, Front Door - Cont'd A3E						
	(code 561) (blue)	2	*2413 934	----	2413 934		
	(code 563) (tan)	2	*2413 936	----	2413 936		
	(codes 584, 684) (gray)	2	2413 937				
	(code 565) (red)	2	2413 938	----	2413 938		
	A3-L						
	(codes 571, 671) (blue)	1	2181 252-3	2181 252-3	2181 252-3	2181 252-3	2181 252-3
	(code 572) (green)	1	----	----	----	----	*2428 972-3
	(codes 573, 673) (tan)	1	2181 254-5	2181 254-5	2181 254-5	2181 254-5	2181 254-5
	(codes 575, 675) (red)	1	2428 976-7	2428 976-7	2428 976-7	2428 976-7	2428 976-7
	(codes 578, 678) (turquoise)	1	2181 256-7	2181 256-7	2181 256-7	2181 256-7	2181 256-7
	(codes 584, 684) (gray)	1	2181 024-5				
23-76-16	NUT, Arm Rest to Panel L1, D1, D2, A3-L	4	1280 134	1280 134	1280 134	1280 134	1280 134
23-76-18	ARM REST, Front Seat Back Center D1, D2						
	(codes 541, 641)	1	2414 359	2414 359	----	2414 359	2414 359
	(codes 543, 643)	1	2414 361	2414 361	----	2414 361	2414 361
	(codes 545, 645)	1	2414 362	2414 362	----	2414 362	2414 362
	(codes 546, 646)	1	2414 363	2414 363	----	2414 363	2414 363
	(codes 548, 648)	1	2431 097	2431 097	----	2431 097	2431 097
23-76-27	HOOK, Front Seat Center Arm Rest Retainer L1-P, D1, D2	1	1918 568	1918 568	1918 568	1918 568	1918 568
23-76-28	BAR, Front Seat Center Arm Rest Lock D1-H, D2-H	1	2270 102	2270 102	2270 102	2270 102	2270 102
23-76-34	COVER, Front Seat Back Center Arm Rest D1, D2						
	(codes 541, 641)	1	2414 354	2414 354	----	2414 354	2414 354
	(codes 543, 643)	1	2414 356	2414 356	----	2414 356	2414 356
	(codes 545, 645)	1	2414 357	2414 357	----	2414 357	2414 357
	(codes 546, 646)	1	2414 358	2414 358	----	2414 358	2414 358
	(codes 548, 648)	1	2431 096	2431 096	----	2431 096	2431 096
23-76-59	ARM REST, Rear Door L1-L, L1-H						
	(codes 801, 831, 851, 871) (blue)	2	2413 934	----	2413 934		
	(codes 803, 833, 853, 873)(tan)	2	2413 936	----	2413 936		
	(codes 805, 835, 855, 875)(red)	2	2413 938	----	2413 938		
	(codes 808, 838, 858, 878) (turquoise)	2	2413 939	----	2413 939		
	(codes 894, 899) (gray)	2	2413 944				
	D1, D2						
	(codes 501, 521, 601, 611, 621) (small) (blue)	2	2413 934	----	2413 934		
	(codes 541, 641) (large) (blue)	2	2428 970-1	2428 970-1			
	(codes 503, 523, 603, 613, 623) (small) (tan)	2	2413 936	----	2413 936		
	(codes 505, 525, 605, 625)(red)	2	2413 938	----	2413 938		
	(codes 508, 528, 608, 628) (small) (turquoise)	2	2413 939	----	2413 939		
	(codes 526, 626) (small) (alabaster)	2	2413 940	----	2413 940		

★ Indicates use as required.

⊠ Indicates parts not listed in any previous parts book.

Jan. 3, 1964 Supersedes Dec. 14, 1962.

Printed in U.S.A.

Prices and specifications subject to change without notice.

Right and left part numbers are on same line,

first number is right, second number is left.

* Indicates change or addition.

CODE	REMARKS	PER CAR	SED.	SP. 4 D.	SUB.	SP. CL. CP.	CV. CP.
23-76-59	ARM REST, Rear Door - Cont'd D1, D2 (codes 543, 643) (large) (tan)	2	2428 974-5	----	2428 974-5		
	(codes 546, 646) (large) (alabaster)	2	2428 978-9	2428 978-9			
	(codes 545, 645) (large) (red)	2	2428 976-7	2428 976-7			
	(codes 548, 648) (large) (turquoise)	2	2428 980-1	2428 980-1			
	(codes 594, 694, 699) (gray)	2	2413 944				
A3-E	(blue)	2	*2413 934	----	*2413 934		
	(tan)	2	*2413 936	----	*2413 936		
	(red)	2	*2413 938	----	*2413 938		
	(turquoise)	2	*2413 943	----	*2413 943		
A3-L	(blue)	1	*2428 976-7	----	*2428 976-7		
	(green)	1	*2428 972-3	*2428 972-3	*2428 972-3		
	(tan)	1	*2428 974-5	----	*2428 974-5		
	(red)	1	*2428 976-7	*2428 976-7	*2428 976-7		
23-76-66	ARM REST, Rear Quarter L1-L, L1-H (codes 801, 831, 891) (blue)	2	2413 934	----		2413 934	
	(codes 803, 833, 893) (tan)	2	2413 936	----		2413 936	
	(codes 805, 835, 895) (red)	2	2413 938	----		2413 938	
	(codes 808, 838, 898) (turquoise)	2	2413 939	----		2413 939	
D1, D2	(codes 501, 521, 641, 651)(blue)	2	2413 934	----		2413 934	
	(codes 503, 523, 643, 653)(tan)	2	2413 936	----		2413 936	
	(codes 505, 525, 645, 655)(red)	2	2413 938	----		2413 938	
	(code 526) (alabaster)	2	2413 940	----		2413 940	
	(codes 508, 528, 648, 658) (turquoise)	2	2413 939	----		2413 939	
	(code 656) (black)	2	----	----		2413 941	
	(codes 594, 694) (gray)	2	2413 944				
A3	(blue)	2	*2413 934	----	*2413 934	*2181 248	E2137 636-7
	(green)	2	*2413 935	----			E2137 638-9
	(tan)	2	*2413 936	----	*2413 936	*2181 249	E2137 640-1
	(red)	2	*2413 938	----	*2413 938	*2413 938	E2137 988-9
	(turquoise)	2	*2413 943	----	*2413 943	*2181 250	E2137 642-3
23-76-80	NUT, Quarter Arm Rest to Panel L1, D1, A3-L	4	1280 134	----		1280 134	
23-79-3	CARPET, Front Floor L1 (codes 801, 831, 851, 871)(blue)	1	2299 451	----	2299 451		
	(codes 803, 833, 853, 873)(tan)	1	2299 452	----	2299 452		
	(codes 805, 835, 855, 875)(red)	1	2299 453	----	2299 453		
	(codes 808, 838, 858, 878) (blue green)	1	2299 454	----	2299 454	----	*2299 454
L1-P	(code 891) (blue)	1	----	----	----	2421 534	*2421 534
	(code 893) (tan)	1	----	----	----	2421 535	*2421 535
	(code 895) (red)	1	----	----	----	2421 536	*2421 536
	(code 898) (turquoise)	1	----	----	----	2421 537	*2421 537
D1, D2	(blue)	1	*2299 473	*2299 473	*2299 473	*2299 473	*2299 473
	(tan)	1	*2299 475	*2299 475	*2299 475	*2299 475	*2299 475

★ Indicates use as required.

E Indicates parts not listed in any previous parts book.

Right and left part numbers are on same line,

first number is right, second number is left.

* Indicates change or addition.

Printed in U.S.A.
Prices and specifications subject to change without notice.

Jan. 3, 1964 Supersedes Jan. 25, 1963.

1963 PASSENGER CAR PARTS CATALOG

CODE	REMARKS	PER CAR	SED.	SP. 4 D.	SUB.	SP. CL. CP.	CV. CP.
23-79-3	CARPET, Front Floor - Cont'd						
	D1, D2						
	(red)	1	*2299 476	*2299 476	*2299 476	*2299 476	*2299 476
	(black)	1	*2299 477	*2299 477	*2299 477	*2299 477	*2299 477
	(turquoise)	1	*2299 478	*2299 478	*2299 478	*2299 478	*2299 478
	D2 (use with floor mounted shift)						
	(blue)	1	2448 239	2448 239	2448 239	2448 239	2448 239
	(tan)	1	2448 241	2448 241	2448 241	2448 241	2448 241
	(red)	1	2448 242	2448 242	2448 242	2448 242	2448 242
	(black)	1	2448 243	2448 243	2448 243	2448 243	2448 243
	(turquoise)	1	2448 244	2448 244	2448 244	2448 244	2448 244
	A3						
	(blue)	1	2299 491	2299 491	2299 491	2299 491	2299 491
	(green)	1	2299 492	2299 492	2299 492	2299 492	2299 492
(tan)	1	2299 493	2299 493	2299 493	2299 493	2299 493	
(red)	1	2299 494	2299 494	2299 494	2299 494	2299 494	
(turquoise)	1	2299 495	2299 495	2299 495	2299 495	2299 495	
A3 (use with floor mounted shift)							
(blue)	1	*2179 433	*2179 433	*2179 433	*2179 433	*2179 433	
(green)	1	*2179 434	*2179 434	*2179 434	*2179 434	*2179 434	
(tan)	1	*2179 435	*2179 435	*2179 435	*2179 435	*2179 435	
(red)	1	*2181 261	*2181 261	*2181 261	*2181 261	*2181 261	
(turquoise)	1	*2179 437	*2179 437	*2179 437	*2179 437	*2179 437	
23-79-33	CARPET, Rear Floor						
	(blue)	1	2299 456	----	2299 456	2448 119	*2448 119
	(tan)	1	2299 457	----	2299 457	2448 120	*2448 120
	(red)	1	2299 458	----	2299 458	2448 121	*2448 121
	(turquoise)	1	2299 459	----	2299 459	2448 122	*2448 122
	D1, D2						
	(blue)	1	2299 479	2299 479	----	2299 479	2299 479
	(tan)	1	2299 480	2299 480	----	2299 480	2299 480
	(red)	1	2299 481	2299 481	----	2299 481	2299 481
	(turquoise)	1	2299 483	2299 483	----	2299 483	2299 483
	(black)	1	2299 482	2299 482	----	2299 482	2299 482
	(blue)	1	----	----	2299 484		
	(tan)	1	----	----	2299 486		
	(red)	1	----	----	2299 487		
(black)	1	----	----	2299 488			
(turquoise)	1	----	----	2299 489			
(axle kick-up front trim panel) (embossed hardboard) (paint as required) (black)	1	----	----	2413 413			
(rear floor pan insert) (vinoleum) (codes 601, 621)							
(blue)	1	----	----	2297 579			
(codes 603, 623) (tan)	1	----	----	2297 580			
(codes 605, 625) (red)	1	----	----	⊠1801 TR6			
(code 626) (black)	1	----	----	2297 582			
(codes 608, 628) (turquoise)	1	----	----	2297 583			
(rear floor pan cover insert) (vinoleum) (codes 601, 621)							
(blue)	1	----	----	2297 585			
(codes 602, 623) (tan)	1	----	----	2297 586			
(codes 605, 625) (red)	1	----	----	⊠1802 TR6			
(code 626) (black)	1	----	----	2297 588			
(codes 608, 628) (turquoise)	1	----	----	2297 589			
(center floor pan cover insert) (vinoleum) (codes 601, 621)							
(blue)	1	----	----	2297 573			
(codes 603, 623) (tan)	1	----	----	2297 574			
(codes 605, 625) (red)	1	----	----	⊠1800 TR6			
(code 626) (black)	1	----	----	2297 576			
(codes 608, 628) (turquoise)	1	----	----	2297 577			

★ Indicates use as required.

⊠ Indicates parts not listed in any previous parts book.

Jan. 3, 1964 Supersedes Jan. 25, 1963.

Printed in U.S.A.

Prices and specifications subject to change without notice.

Right and left part numbers are on same line,
first number is right, second number is left.

* Indicates change or addition.

CODE	REMARKS	PER CAR	SED.	SP. 4 D.	SUB.	SP. CL. CP.	CV. CP.
23-79-33	CARPET, Rear Floor-Cont'd A3						
	(blue)	1	*2421 522	*2421 522	*2421 617	*2421 522	*2421 522
	(green)	1	*2421 523	*2421 523	E2448 234	*2421 523	*2421 523
	(tan)	1	*2421 524	*2421 524	*2421 518	*2421 524	*2421 524
	(red)	1	*2421 525	*2421 525	*2421 519	*2421 525	*2421 525
	(turquoise)	1	*2421 526	*2421 526	E2448 235	*2421 526	*2421 526
	(under body axle kick-up rear trim panel carpet) (codes 561, 563, 565, 568, 671, 672, 673, 675, 678) (black)	1	-----	-----	*2179 533		
	A3-L (second seat back to rear floor pan insert)(vinoleum) (codes 561, 671) (blue)	1	-----	-----	E2180 835		
	(code 672) (green)	1	-----	-----	2181 377		
	(codes 563, 673) (tan)	1	-----	-----	*2181 378		
	(codes 565, 675) (red)	1	-----	-----	*2181 379		
	(codes 568, 678) (turquoise)	1	-----	-----	*2181 380		
	(rear floor pan cover insert) (vinoleum) (codes 561, 671)						
	(blue)	1	-----	-----	*2180 836		
	(code 672) (green)	1	-----	-----	2181 361		
	(codes 563, 673) (tan)	1	-----	-----	*2181 374		
	(code 565, 675) (red)	1	-----	-----	*2181 375		
	(codes 568, 678) (turquoise)	1	-----	-----	*2181 376		
23-79-62	INSERT, Second Seat Cushion Panel A3 (vinoleum)						
	(codes 561, 671)	1	-----	-----	2180 831		
	(code 672)	1	-----	-----	2181 385		
	(codes 563, 673)	1	-----	-----	2181 386		
	(codes 565, 675)	1	-----	-----	2181 387		
	(codes 568, 678)	1	-----	-----	2181 388		
23-79-79	INSERT, Tailgate Panel Cover D1, D2 (vinoleum)						
	(codes 601, 621) (blue)	1	-----	-----	*2297 555		
	(codes 603, 623) (tan)	1	-----	-----	2297 556		
	(codes 605, 625) (red)	1	-----	-----	E1803 TR6		
	(code 626) (black)	1	-----	-----	2297 558		
	(codes 608, 628) (turquoise)	1	-----	-----	2297 559		
	A3 (vinoleum)						
	(codes 561, 671)	1	-----	-----	2180 837		
	(code 672)	1	-----	-----	2181 381		
	(codes 563, 673)	1	-----	-----	2181 382		
	(codes 565, 675)	1	-----	-----	2181 383		
	(codes 568, 678)	1	-----	-----	2181 384		
23-81-3	HANDLE, Rear Door Pull-To D1, D2	1	1697 413				
23-81-8	SPACER, Rear Door Pull-To D1, D2	2	1964 579				
23-82-30	HOOK, Coat Hanger L1, D1, D2, A3 Screw	2 ★	2165 837 148 095	2165 837 148 095	2165 837 148 095	2165 837 148 095	
23-82-39	BRACKET, Coat Hook Support L1, D1, D2 A3	2 2	*2481 175 1964 072	*2481 175 1963 287	*2481 175 -----	*2481 175 1963 287	
23-84-3	PAD, Instrument Panel Trim L1-L, L1-H, L1-P (codes 801, 831, 851, 871, 891) (blue)	1	2432 682	-----	2432 682	2432 682	2432 682

★ Indicates use as required.
 E Indicates parts not listed in any previous parts book.
 Right and left part numbers are on same line,
 first number is right, second number is left.
 * Indicates change or addition.

Printed in U.S.A.
 Prices and specifications subject to change without notice.
 Jan. 3, 1964 Supersedes Jan. 25, 1963.

1963 PASSENGER CAR PARTS CATALOG

INTERIOR TRIM

CODE	REMARKS	PER CAR	SED.	SP. 4 D.	SUB.	SP. CL. CP.	CV. CP.
23-84-3	PAD, Instrument Panel Trim - Cont'd L1-L, L1-H, L1-P (codes 803, 833, 853, 873, 893) (tan)	1	2432 685	----	2432 685	2432 685	2432 685
	(codes 805, 835, 855, 875, 895) (red)	1	2413 028	----	2413 028	2413 028	
	(code 899) (gray)	1	2432 684				
	(codes 808, 838, 858, 878, 898) (turquoise)	1	2432 686	----	2432 686	2432 686	2432 686
	D1, D2, LHD. (codes 501, 521, 541, 601, 611, 621, 641, 651) (blue)	1	2432 141	2432 141	2432 141	2432 141	2432 141
	(codes 503, 523, 543, 603, 613, 623, 643, 653) (tan)	1	2432 142	2432 142	2432 142	2432 142	2432 142
	(codes 505, 525, 545, 605, 625, 645, 655) (red)	1	2432 143	2432 143	2432 143	2432 143	2432 143
	(codes 508, 528, 548, 608, 628, 648, 658) (turquoise)	1	2432 145	2432 145	2432 145	2432 145	2432 145
	(codes 526, 546, 626, 646, 656, 694) (black)	1	*2432 144	2432 144	*2432 144	*2432 144	*2432 144
A3	(blue)	1	2180 988	2180 988	2180 988	2180 988	2180 988
	(tan)	1	2180 990	2180 990	2180 990	2180 990	2180 990
	(red)	1	2180 991	2180 991	2180 991	2180 991	2180 991
	(green)	1	2180 989	2180 989	2180 989	2180 989	2180 989
	(turquoise)	1	2180 992	2180 992	2180 992	2180 992	2180 992
	(black)	1	2181 007				
	(fastener)	7	6008 222	6008 222	6008 222	6008 222	6008 222
23-86-3	HEADLINING and LISTINGS L1 (codes 801, 831, 851, 871, 891) (blue)	1	2431 289	----	2429 343	2431 289	
	(codes 803, 805, 833, 835, 853, 855, 873, 875, 893, 895) (alabaster)	1	2431 290	----	2429 346	2431 290	
	(codes 808, 838, 858, 878, 898) (turquoise)	1	2431 291	----	2429 347	2431 291	
	D1, D2 (codes 501, 521, 541, 611, 621, 641) (blue)	1	2429 506	----	----	2429 506	
	(codes 503, 505, 523, 525, 526, 543, 545, 546, 613, 623, 643, 645, 646) (alabaster)	1	2429 507	----	----	2429 507	
	(codes 508, 528, 548, 648) (turquoise)	1	2429 510	----	----	2429 510	
	(codes 594, 694) (gray)	1	2429 508	----	----	2429 508	
	D1-L, D2-L (No. 1)	1	----	----	2273 461		
	(No. 2)	1	----	----	2413 905		
	(No. 3)	1	----	----	2273 463		
	(No. 4)	1	----	----	2273 464		
	(No. 5)	1	----	----	2273 465		
	(No. 6)	1	----	----	2273 466		
	(No. 7)	1	----	----	2273 467		
	D1-M, D2-M (No. 1)	1	----	----	2428 948		
	(No. 2)	1	----	----	2428 949		
	(No. 3)	1	----	----	2428 950		
	(No. 4)	1	----	----	2428 951		
	(No. 5)	1	----	----	2428 952		
	(No. 6)	1	----	----	2428 953		
	(No. 7)	1	----	----	2428 954		

★ Indicates use as required.

⊔ Indicates parts not listed in any previous parts book.

Jan. 3, 1964 Supersedes Dec. 14, 1962.

Prices and specifications subject to change without notice.

Right and left part numbers are on same line,
first number is right, second number is left.

* Indicates change or addition.

Printed in U.S.A.

CODE	REMARKS	PER CAR	SED.	SP. 4 D.	SUB.	SP. CL. CP.	CV. CP.
23-86-3	HEADLINING and LISTINGS-Cont'd D1-H, D2-H, D2-P						
	(No. 1)	1	----	2429 078	----	2429 078	
	(No. 2)	1	----	2429 079	----	2429 079	
	(No. 3)	1	----	2429 080	----	2429 080	
	(No. 4)	1	----	2429 081	----	2429 081	
	(No. 5)	1	----	2429 082	----	2429 082	
	(extension) (w/Mldg.)	1	----	*2429 084-5	----	*2429 084-5	
	(w/o Mldg.)	1	----	2432 292-3	----	2432 292-3	

NOTE: When Ordering the Following White Headlining Panels Please Include Sample.

A3-E (white)							
(code 561)	1	2137 606					
(codes 563, 565)	1	*2137 608					
(code 568)	1	2137 609					
(codes 561, 563, 565, 568)							
(No. 1)	1	----	----	2181 524			
(No. 2)	1	----	----	2181 525			
(No. 3)	1	----	----	2181 526			
(No. 4)	1	----	----	2176 828			
(No. 5)	1	----	----	2176 829			
(No. 6)	1	----	----	2176 830			
(No. 7)	1	----	----	2176 831			
A3-L (white)							
(codes 571, 578, 671, 678)							
(No. 1)	1	----	*2181 062	----		*2181 062	
(No. 2)	1	----	2181 064	----		2181 064	
(No. 3)	1	----	2181 066	----		2181 066	
(No. 4)	1	----	2181 068	----		2181 072	
(No. 4 extension)	1	----	----	----		2181 074-5	
(No. 5)	1	----	2181 070	----			
(codes 571, 572, 573, 575, 578, 671, 672, 673, 675, 678)							
(No. 1)	1	----	*2181 063	----		*2181 063	
(No. 2)	1	----	2181 065	----		2181 065	
(No. 3)	1	----	2181 067	----		2181 067	
(No. 4)	1	----	2181 069	----		2181 073	
(No. 4 extension)	1	----	----	----		2181 078-9	
(No. 5)	1	----	2181 071	----			
A3-L							
(code 571) (blue)	1	*2137 606					
(code 572) (green)	1	*2137 607					
(codes 573, 575) (alabaster)	1	*2137 608					
(code 578) (turquoise)	1	*2137 609					
(codes 584, 684) (gray)	1	*2137 662					

A3-L (white)

NOTE: When Ordering the Following White Headlining Panels Please Include Sample.

(codes 671, 678)							
(No. 1)	1	----	----	2181 080			
(No. 2)	1	----	----	2181 082			
(No. 3)	1	----	----	2181 084			
(No. 4)	1	----	----	2181 086			
(No. 5)	1	----	----	*2181 090			
(No. 6)	1	----	----	*2181 088			
(No. 7)	1	----	----	2181 092			

★ Indicates use as required.
 ☐ Indicates parts not listed in any previous parts book.
 Right and left part numbers are on same line,
 first number is right, second number is left.
 * Indicates change or addition.

CODE	REMARKS	PER CAR	SED.	SP. 4 D.	SUB.	SP. CL. CP.	CV. CP.
23-86-3	HEADLINING and LISTINGS-Cont'd A3-L (white)						
	NOTE: When Ordering the Following White Headlining Panels Please include Sample)						
	(codes 671, 672, 673, 675, 678)						
	(No. 1)	1	----	----		*2181 081	
	(No. 2)	1	----	----		2181 083	
	(No. 3)	1	----	----		2181 085	
	(No. 4)	1	----	----		2181 087	
	(No. 5)	1	----	----		*2181 091	
	(No. 6)	1	----	----		*2181 089	
	(No. 7)	1	----	----		2181 093	
23-86-10	BOW, Roof Support						
	L1	3	----	----		*2243 251	
	(Nos. 1 and 2)	2	*2242 504	----		*2242 504	
	D1, D2						
	(No. 1)	1	2166 267	2166 267		2166 267	2166 267
	(No. 2)	1	----	----		*2166 268	
	(Nos. 2 and 3)	2	*2166 268	*2166 268		----	*2166 268
	(Nos. 3 and 4)	1	----	----		2166 269	
	A3						
	(No. 1)	1	1954 682	1954 682		1954 682	1954 682
	(No. 2)(w/dome lamp hsg.)	1	1963 606	1963 606		1961 243	
	(No. 3)	1	----	----		1961 244	
	(No. 4)	1	----	----		1961 244	
23-86-13	FILLER, Air Conditioning Roof Evaporator Unit Trim						
	A3	1	----	----		1914 582	
23-86-14	PAD, Air Conditioning Roof Evaporator Unit Trim						
	A3	1	----	----		2171 580	
23-86-16	SUPPORT, Roof Inside Finish Panel on Roof Rail						
	D1, D2, A3	14	----	*2216 461		----	*2216 461
	(to rear window frame)	3	----	*2419 925		----	*2419 925
	(fastener)	12	----	6000 922		----	6000 922
23-86-19	STRIP, Headlining Retaining						
	L1 Front	1	2242 996-7	----		2423 636-7	
	Rear	1	2244 348-9	----		2423 638-9	2244 346-7
	D1, D2						
	Front	1	2167 228-9	*2167 228-9		----	*2167 228-9
	Rear	1	2255 430-1	----		----	
	Side Front	1	----	----		2251 806-7	
	Side Rear	1	----	----		2251 446-7	
	Rear	1	----	----		2251 448	
	Corner Rear	1	----	----		2251 444-5	
	A3	1	1954 804-5	----		----	
23-86-24	RETAINER, Roof Inside Finish Moulding						
	D1, D2						
	(No. 1)	1	----	2419 561		2292 162	2419 561
	(No. 2)	1	----	*2419 563		2292 163	*2419 563
	(No. 3)	1	----	2419 563		2292 164	2419 563
	(No. 4)	1	----	2419 564		2292 165	2419 564
	(No. 5)	1	----	----		2292 166	
	(No. 6)	1	----	----		2292 167	
	(Extension)	2	----	2419 545		----	2419 545

★ Indicates use as required.

☐ Indicates parts not listed in any previous parts book.

Jan. 3, 1964 Supersedes Dec. 14, 1962.

Printed in U.S.A.

Prices and specifications subject to change without notice.

Right and left part numbers are on same line,

first number is right, second number is left.

* Indicates change or addition.

CODE	REMARKS	PER CAR	SED.	SP. 4 D.	SUB.	SP. CL. CP.	CV. CP.
23-86-24	RETAINER, Roof Inside Finish Moulding - Cont'd A3 (No. 1) (No. 2) (No. 3) (No. 4) (No. 5) (No. 6)	1 1 1 1 1 1	----- ----- ----- ----- ----- -----	*2440 093 2440 093 2440 093 2440 094 ----- -----	*2086 143 2086 142 2086 145 2086 146 2086 146 2086 148	*2440 093 2440 093 2440 093 2440 094 ----- -----	
23-86-35	MOULDING, Roof Inside Finish Panel D1-L, D2-L, D1-M, D2-M D1-H, D2-H, D2-P (No. 1) (No. 2) (No. 3) (No. 4 thru No. 6) (Extension) A3 (No. 1 thru No. 6)	* 1 1 1 1 1 *	----- ----- ----- ----- ----- ----- E2440 144	----- 2292 372 2292 374 2292 376 ----- 2419 856-7 -----	2292 377 E2440 144 E2440 144 E2440 144 E2440 144 ----- E2440 144	2292 377 2292 372 2292 374 2292 376 E2440 144 E2440 144 2419 856-7 E2440 144	
23-86-36	CAP, Roof Inside Finish Moulding D1-L, D2-L, D1-M, D2-M D1-H, D2-H D1, D2 (side retainer) A3-L	12 12 1 * 1 6	----- ----- ----- ----- ----- -----	----- ----- ----- 1759 636 1905 450-1 2440 150-1	1759 635 1759 636 2251 808-9 1759 636 1759 636	----- ----- ----- 1759 636 -----	
23-86-37	COVER, Roof Inside Finish Panel Joint (white) (alabaster)	2 2	----- -----	----- -----	----- -----	*2181 076 *2181 077	
23-91-6	PANEL, Cowl Trim (paint as required) L1-L, L1-H, L1-P D1, D2 (codes 501, 521, 541, 601, 611, 621, 641, 651) (blue) (codes 503, 523, 541, 603, 613, 623, 643, 653) (tan) (codes 526, 546, 626, 646) (alabaster) (codes 505, 525, 545, 605, 625, 645, 655) (red) (codes 508, 528, 548, 608, 628, 648, 658) (turquoise) (codes 656, 694) (black) A3 (prime)	1 1 1 1 1 1 1 1 1 1 1	2297 410-1 ----- 2413 000-1 2413 004-5 2413 008-9 2413 010-1 2413 012-3 2413 006-7 2086 612-3	----- ----- 2413 000-1 2413 004-5 2413 008-9 2413 010-1 2413 012-3 2413 006-7 2086 612-3	2297 410-1 ----- 2413 000-1 2413 004-5 2413 008-9 2413 010-1 2413 012-3 2413 006-7 2086 612-3	----- ----- 2413 000-1 2413 004-5 2413 008-9 2413 010-1 2413 012-3 2413 006-7 2086 612-3	2297 410-1 ----- 2413 000-1 2413 004-5 2413 008-9 2413 010-1 2413 012-3 2413 006-7 2086 612-3
23-92-5	PANEL, Door Trim L1-L (2 D.) (code 801) (code 803) (code 805) (code 808) L1-L (4 D.) (codes 801, 851) Front Rear (codes 803, 853) Front Rear (codes 805, 855) Front Rear	1 1 1 1 1 1 1 1 1 1 1 1 1 1	2297 468-9 2297 470-1 2297 472-3 2297 474-5 ----- 2297 476-7 2297 484-5 2297 478-9 2297 486-7 2297 480-1 2297 488-9	----- ----- ----- ----- ----- ----- ----- ----- ----- ----- ----- ----- ----- -----	----- ----- ----- ----- ----- 2297 476-7 2297 484-5 2297 478-9 2297 486-7 2297 480-1 2297 488-9	----- ----- ----- ----- ----- ----- ----- ----- ----- ----- ----- ----- ----- -----	

★ Indicates use as required.
 ☐ Indicates parts not listed in any previous parts book.
 Right and left part numbers are on same line, first number is right, second number is left.
 * Indicates change or addition.

Printed in U.S.A.
 Prices and specifications subject to change without notice.
 Jan. 3, 1964 Supersedes Dec. 14, 1962.

1963 PASSENGER CAR PARTS CATALOG

INTERIOR TRIM

CODE	REMARKS	PER CAR	SED.	SP. 4 D.	SUB.	SP. CL. CP.	CV. CP.
23-92-5	PANEL, Door Trim-Cont'd						
	L1-L (4 D.)						
	(codes 808, 858) Front	1	2297 482-3	----	2297 482-3		
	Rear	1	2297 490-1	----	2297 490-1		
	(code 871) Front	1	2297 654-5				
	Rear	1	2297 662-3				
	(code 873) Front	1	2297 656-7				
	Rear	1	2297 664-5				
	(code 875) Front	1	2297 658-9				
	Rear	1	2297 666-7				
	L1-H (4 D.)						
	(code 871) Front	1	2297 654-5	----	2297 654-5		
	Rear	1	2297 662-3	----	2297 662-3		
	(code 873) Front	1	2297 656-7	----	2297 656-7		
	Rear	1	2297 664-5	----	2297 664-5		
	(code 875) Front	1	2297 658-9	----	2297 658-9		
	Rear	1	2297 666-7	----	2297 666-7		
	(code 878) Front	1	----	----	2297 660-1		
	Rear	1	----	----	2297 668-9		
	L1-H (2 D.)						
	(codes 831, 871)	1	*2297 634-5	----	----	----	*2297 634-5
	(codes 833, 873)	1	*2297 636-7	----	----	----	*2297 636-7
	(codes 835, 875)	1	*2297 638-9	----	----	----	*2297 638-9
	(codes 838, 878)	1	*2297 640-1	----	----	----	*2297 640-1
	L1-H (4 D.)						
	(code 831) Front	1	2297 654-5				
	Rear	1	2297 662-3				
	(code 833) Front	1	2297 656-7				
	Rear	1	2297 664-5				
	(code 835) Front	1	2297 658-9				
	Rear	1	2297 666-7				
	(code 838) Front	1	2297 660-1				
	Rear	1	2297 668-9				
	L1-P						
	(code 891)	1	----	----	----	2428 630-1	2428 630-1
	(code 893)	1	----	----	----	2428 632-3	2428 632-3
	(code 895)	1	----	----	----	2428 634-5	2428 634-5
	(code 898)	1	----	----	----	2428 636-7	2428 636-7
	D1-L, D2-L (2 D.)						
	(code 501)	1	2297 938-9				
	(code 503)	1	2297 940-1				
	(code 505)	1	2297 942-3				
	(code 508)	1	2297 944-5				
	(codes 594, 694)	1	2413 768-9				
	D1-L, D2-L (4 D.)						
	(codes 501, 601, 611) Front	1	2297 858-9	----	2297 858-9		
	Rear	1	2297 866-7	----	2297 866-7		
	(codes 503, 603) Front	1	2297 860-1	----	2297 860-1		
	Rear	1	2297 868-9	----	2297 868-9		
	(codes 505, 605) Front	1	2297 862-3	----	2297 862-3		
	Rear	1	2297 870-1	----	2297 870-1		
	(codes 508, 608) Front	1	2297 864-5	----	2297 864-5		
	Rear	1	2297 872-3	----	2297 872-3		
	(codes 594, 694) Front	1	2413 762-3				
	Rear	1	2413 764-5				
	D1-M, D2-M (2 D.)						
	(code 521)	1	2297 970-1	----	----	2428 600-1	
	(code 523)	1	2297 972-3	----	----	2428 602-3	
	(code 525)	1	2297 974-5	----	----	2428 604-5	
	(code 526)	1	2297 976-7	----	----	2428 606-7	
	(code 528)	1	2297 978-9	----	----	2428 608-9	

★ Indicates use as required.

B Indicates parts not listed in any previous parts book.
Jan. 3, 1964 Supersedes Jan. 25, 1963.

Page IT-130

Printed in U.S.A.
Prices and specifications subject to change without notice.
Right and left part numbers are on same line,
first number is right, second number is left.

* Indicates change or addition.

CODE	REMARKS	PER CAR	SED.	SP. 4 D.	SUB.	SP. CL. CP.	CV. CP.
23-92-5	PANEL, Door Trim-Cont'd D1-M, D2-M (4 D.)						
	(codes 521, 621) Front	1	2297 824-5	----	2297 824-5		
	Rear	1	2297 834-5	----	2297 834-5		
	(codes 523, 623) Front	1	2297 826-7	----	2297 826-7		
	Rear	1	2297 836-7	----	2297 836-7		
	(codes 525, 625) Front	1	2297 828-9	----	2297 828-9		
	Rear	1	2297 838-9	----	2297 838-9		
	(codes 526, 626) Front	1	2297 830-1	----	2297 830-1		
	Rear	1	2297 840-1	----	2297 840-1		
	(codes 528, 628) Front	1	2297 832-3	----	2297 832-3		
	Rear	1	2297 842-3	----	2297 842-3		
	D1-H, D2-H						
	(codes 541, 641) Front	1	2428 702-3	2428 722-3	----	2428 742-3	2428 742-3
	Rear	1	2428 712-3	2428 732-3	----		
	(codes 543, 643) Front	1	2428 704-5	2428 724-5	----	2428 744-5	2428 744-5
	Rear	1	2428 714-5	2428 734-5	----		
	(codes 545, 645) Front	1	2428 706-7	2428 726-7	----	2428 746-7	2428 746-7
	Rear	1	2428 716-7	2428 736-7	----		
	(codes 546, 646) Front	1	2428 708-9	2428 728-9	----	2428 748-9	2428 748-9
	Rear	1	2428 718-9	2428 738-9	----		
	(codes 548, 648) Front	1	2428 710-1	2428 730-1	----	2428 750-1	2428 750-1
	Rear	1	2428 720-1	2428 740-1	----		
	D2-P						
	(code 651)	1	----	----	----	2428 776-7	2428 776-7
	(code 653)	1	----	----	----	2428 778-9	2428 778-9
	(code 655)	1	----	----	----	2428 780-1	2428 780-1
	(code 656)	1	----	----	----	2428 782-3	2428 782-3
	(code 658)	1	----	----	----	2428 784-5	2428 784-5
	A3-E (4 D.)						
	(code 561) Front	1	2181 506-7	----	2181 506-7		
	Rear	1	2181 508-9	----	2181 508-9		
	(code 563) Front	1	2181 510-1	----	2181 510-1		
	Rear	1	2181 512-3	----	2181 512-3		
	(code 565) Front	1	2181 516-7	----	2181 516-7		
	Rear	1	2181 518-9	----	2181 518-9		
	(code 568) Front	1	2181 520-1	----	2181 520-1		
	Rear	1	2181 522-3	----	2181 522-3		
	A3-L (2 D.)						
	(codes 571, 671)	1	----	----	----	2181 152-3	2181 152-3
	(codes 572, 672)	1	----	----	----	2181 156-7	2181 156-7
	(codes 573, 673)	1	----	----	----	2181 160-1	2181 160-1
	(codes 575, 675)	1	----	----	----	2181 164-5	2181 164-5
	(codes 578, 678)	1	----	----	----	2181 168-9	2181 168-9
	A3-L (4 D.)						
	(codes 571, 671) Front	1	2181 102-3	2181 126-7	2181 126-7		
	Rear	1	2181 104-5	2181 128-9	2181 128-9		
	(codes 572, 672) Front	1	2181 106-7	2181 130-1	2181 130-1		
	Rear	1	2181 108-9	2181 132-3	2181 132-3		
	(codes 573, 673) Front	1	2181 110-1	2181 134-5	2181 134-5		
	Rear	1	2181 112-3	2181 136-7	2181 136-7		
	(codes 575, 675) Front	1	2181 114-5	2181 138-9	2181 138-9		
	Rear	1	2181 116-7	2181 140-1	2181 140-1		
	(codes 578, 678) Front	1	2181 118-9	2181 142-3	2181 142-3		
	Rear	1	2181 120-1	2181 144-5	2181 144-5		
	(codes 584, 684) Front	1	2181 194-5				
	Rear	1	2181 196-7				
23-92-8	FASTENER, Quarter, Front or Rear Trim Panel L1, D1, D2, A3-L	★	975 633	975 633	----	975 633	975 633

★ Indicates use as required.
 ☐ Indicates parts not listed in any previous parts book.
 Right and left part numbers are on same line,
 first number is right, second number is left.
 * Indicates change or addition.

Printed in U.S.A.
 Prices and specifications subject to change without notice.
 Jan. 3, 1964 Supersedes Dec. 14, 1962.

CODE	REMARKS	PER CAR	SED.	SP. 4 D.	SUB.	SP. CL. CP.	CV. CP.
23-96-3	PANEL, Luggage Compartment Front Lining						
	L1	1	2419 639	-----	-----	2419 639	*2440 956
	D1, D2	1	2162 831	2162 831	-----	2162 831	
	A3-L (2 D.)	1	-----	-----	-----	2181 357	2181 358
	A3 (4 D.)	1	2181 356	2181 356	-----		
	FILLER, Luggage Compartment Floor to Quarter						
	D1, D2	1	E2419 866-7				
23-96-8	COVER, Wheelhouse and Lower Quarter Trim (paint as required)						
	D1, D2 (2 seat) Rt.	1	-----	-----	*2297 516		
	Lt.	1	-----	-----	*2432 313		
	(3 seat) Rt.	1	-----	-----	E2432 394		
	Lt.	1	-----	-----	E2432 395		
	A3						
	(codes 561, 671)	1	-----	-----	2180 200-1		
	(code 672)	1	-----	-----	2181 362-3		
	(codes 563, 673)	1	-----	-----	2180 110-1		
	(codes 565, 675)	1	-----	-----	2181 364-5		
	(codes 568, 678)	1	-----	-----	2181 366-7		
	COVER, Rear Sill						
	A3						
	(codes 561, 671)	1	-----	-----	E2434 206		
	(code 672)	1	-----	-----	E2434 212		
	(codes 563, 673)	1	-----	-----	E2434 207		
	(codes 565, 675)	1	-----	-----	E2434 210		
	(codes 568, 678)	1	-----	-----	E2434 211		
	PANEL, Luggage Compartment Side Lining						
	D1, D2	1	2428 988-9	2428 988-9	2428 988-9	2428 988-9	
	A3-L	1	2177 901-2	2177 901-2	-----	2177 901-2	2177 907-8
	EXTENSION, Wheelhouse and Lower Quarter Trim Cover, Rear						
	D1, D2	1	-----	-----	2432 636-7		
23-96-9	CLIP, Luggage Compartment Side Lining Panel						
	A3	6	2165 272	2165 272	-----	2165 272	
23-96-41	RETAINER, Wheelhouse and Lower Quarter Trim Cover (paint as required)						
	D1, D2 Plastic	8	-----	-----	2273 453		
23-99-4	COVER, Center Pillar Trim						
	D1, D2						
	(code 641)	1	-----	2428 646-7			
	(code 643)	1	-----	2428 650-1			
	(code 645)	1	-----	2428 652-3			
	(code 646)	1	-----	2428 654-5			
	(code 648)	1	-----	2428 656-7			
	A3-L						
	(code 671)	1	-----	2179 478-9			
	(code 672)	1	-----	2179 480-1			
	(code 673)	1	-----	2179 482-3			
	(code 675)	1	-----	*2802-3 VT8			
	(code 678)	1	-----	2179 488-9			

★ Indicates use as required.

☐ Indicates parts not listed in any previous parts book.
Jan. 3, 1964 Supersedes Jan. 25, 1963.

Printed in U.S.A.

Prices and specifications subject to change without notice.

Right and left part numbers are on same line,
first number is right, second number is left.

* Indicates change or addition.

CODE	REMARKS	PER CAR	SED.	SP. 4 D.	SUB.	SP. CL. CP.	CV. CP.
23-99-9	RETAINER, Body Rear Lock Pillar Quarter Trim D1, D2	1	----	----	2162 508-9		
23-99-38	PANEL, Rear Upper Pillar Reinforcement L1-L, L1-H (codes 851, 871) (codes 853, 873) (codes 855, 875) (codes 858, 878)	1 1 1 1	----	----	2432 836-7 2432 840-1 *2016-7 TR6 2432 846-7		
23-101-3	PANEL, Rear Quarter Trim L1-L (2 D.) (code 801) (code 803) (code 805) (code 808)	1 1 1 1	2297 460-1 2297 462-3 2297 464-5 2297 466-7				
	(paint as required) L1-L (4 D.) (codes 851, 853, 855, 858) Upper Lower, Right Lower, Left	1 1 1	----	----	2432 710-1 *2012 VT8 2413 747		
	L1-H (2 D.) (code 831) (code 833) (code 835) (code 838)	1 1 1 1	2297 642-3 2297 644-5 2297 646-7 2297 648-9				
	L1 (codes 801, 831, 871) (codes 803, 833, 873) (codes 805, 835, 875) (codes 808, 838)	1 1 1 1	2431 686-7 2431 688-9 2431 690-1 2431 692-3				
	L1-H (code 871) (code 873) (code 875) (code 878)	1 1 1 1	----	----	----	----	2432 172-3 2432 174-5 2432 176-7 2432 178-9
	L1-P (code 891) (code 893) (code 895) (code 898)	1 1 1 1	----	----	----	----	*2428 638-9 2432 160-1 *2428 640 2432 162-3 *2428 642-3 2432 164-5 *2428 644-5 2432 166-7
	D1-L, D2-L (2 D.) (code 501) (code 503) (code 505) (code 508) (code 694)	1 1 1 1 1	2297 946-7 2297 948-9 2297 950-1 2297 952-3 2428 856-7				
	D1-M, D2-M (2 D.) (code 521) (code 523) (code 525) (code 526) (code 528)	1 1 1 1 1	2297 980-1 2297 982-3 2297 984-5 2297 986-7 2297 988-9	----	----	2428 610-1 2428 612-3 2428 614-5 2428 616-7 2428 618-9	
	D1, D2 (4 D.) (codes 501, 521, 541, 611, 621, 641) (codes 503, 523, 543, 613, 623, 643) (codes 505, 525, 545, 645)	1 1 1	2431 910-1 2431 912-3 2431 914-5	*2431 910-1 *2431 912-3 *2431 914-5	----	2428 610-1 2428 612-3 2428 614-5	

★ Indicates use as required.

☐ Indicates parts not listed in any previous parts book.

Right and left part numbers are on same line,
first number is right, second number is left.

* Indicates change or addition.

Printed in U.S.A.
Prices and specifications subject to change without notice.
Jan. 3, 1964 Supersedes Jan. 25, 1963.

1963 PASSENGER CAR PARTS CATALOG

INTERIOR TRIM

CODE	REMARKS	PER CAR	SED.	SP. 4 D.	SUB.	SP. CL. CP.	CV. CP.
23-101-3	PANEL, Rear Quarter Trim-Cont'd D1, D2 (4 D.) (codes 526, 546, 646) (codes 508, 528, 548, 648) (code 694)	1 1 1	2431 916-7 2431 918-9 2431 920-1	*2431 916-7 *2431 918-9	---- ----	2428 616-7 2428 618-9	
	D1-H, D2-H (codes 641, 651) (code 643) (code 645) (code 646) (code 648)	1 1 1 1 1	---- ---- ---- ---- ----	---- ---- ---- ---- ----	---- ---- ---- ---- ----	2428 752-3 2428 754-5 2428 756-7 2428 758-9 2428 760-1	
	D2-P (use w/o courtesy lamp) (code 651) (code 653) (code 655) (code 656) (code 658)	1 1 1 1 1	---- ---- ---- ---- ----	---- ---- ---- ---- ----	---- ---- ---- ---- ----	*2428 786-7 2428 788-9 2428 790-1 2428 792-3 2428 794-5	*2428 801-2 2428 803-4 2428 805-6 2428 807-8 2428 809-10
	D2-H (use w/o courtesy lamp) (code 641) (code 643) (code 645) (code 646) (code 648) (attaching screw and washer)(2D.) ★	1 1 1 1 1	---- ---- ---- ---- ---- 6023 381	---- ---- ---- ---- ---- ----	---- ---- ---- ---- ---- ----	---- ---- ---- ---- ---- 6023 381	*2432 112-3 2432 114-5 2432 116-7 2432 118-9 2432 120-1 6023 381
	D2-H (use w/courtesy lamp) (code 641) (code 643) (code 645) (code 646) (code 648)	1 1 1 1 1	---- ---- ---- ---- ----	---- ---- ---- ---- ----	---- ---- ---- ---- ----	---- ---- ---- ---- ----	E2432 338-9 E2432 340-1 E2432 342-3 E2432 344-5 E2432 346-7
	D2-P (use w/courtesy lamp) (code 651) (code 653) (code 655) (code 656) (code 658)	1 1 1 1 1	---- ---- ---- ---- ----	---- ---- ---- ---- ----	---- ---- ---- ---- ----	---- ---- ---- ---- ----	*2432 354-5 2432 356-7 2432 358-9 2432 360-1 2432 362-3
	A3-E (code 561) (code 563) (code 565) (code 568) A3-L (code 571) (code 572) (code 573) (code 575) (code 578) (code 584)	1 1 1 1 1 1 1 1 1 1	2137 962-3 2137 964-5 *2137 632-3 2137 968-9 2137 626-7 2137 628-9 2137 630-1 2137 632-3 2137 634-5 2137 694-5	---- ---- ---- ---- ---- ---- ---- ---- ---- ----	---- ---- ---- ---- ---- ---- ---- ---- ---- ----	2181 154-5 2181 158-9 2181 162-3 2181 166-7 2181 170-1	
	(code 671) (code 672) (code 673) (code 675) (code 678) (code 684)	1 1 1 1 1 1	---- ---- ---- ---- ---- 2137 768-9	2137 716-7 2137 718-9 2137 720-1 2137 722-3 2137 724-5	---- ---- ---- ---- ---- ----	---- ---- ---- ---- ---- ----	2181 176-7 2181 178-9 2181 180-1 2181 182-3 2181 184-5
23-101-14	COVER, Upper Quarter Front Trim (paint as required) D1, D2	1	----	----	2297 504-5		

★ Indicates use as required.

E Indicates parts not listed in any previous parts book.

Jan. 3, 1964 Supersedes Jan. 25, 1963.

Page IT-134

Printed in U.S.A.
Prices and specifications subject to change without notice.
Right and left part numbers are on same line,
first number is right, second number is left.

* Indicates change or addition.

CODE	REMARKS	PER CAR	SED.	SP. 4 D.	SUB.	SP. CL. CP.	CV. CP.
23-101-33	BRACKET, Quarter Trim Panel Support D2	2	----	----	----	----	E2490 484
23-102-3	PANEL, Shelf Trim L1						
	(blue)	1	2428 998	----	----	2428 998	
	(tan)	1	2428 999	----	----	2428 999	
	(red)	1	2429 000	----	----	2429 000	
	(turquoise)	1	2429 001	----	----	2429 001	
	D1, D2						
	(blue)	1	2429 060	2429 060	----	2429 060	
	(tan)	1	2429 061	2429 061	----	2429 061	
	(red)	1	2429 062	2429 062	----	2429 062	
	(turquoise)	1	2429 064	2429 064	----	2429 064	
	(black)	1	2429 063	2429 063	----	2429 063	
	(fastener)	★	6000 903	6000 903	----	6000 903	
	A3 (w/extension)						
	(blue)	1	2181 447	2181 447	----	2181 453	
	(green)	1	2181 448	2181 448	----	2181 454	
	(tan)	1	2181 449	2181 449	----	2181 455	
	(red)	1	2181 450	2181 450	----	2181 456	
	(turquoise)	1	2181 451	2181 451	----	2181 457	
	(black)	1	2181 452				
23-103-3	PANEL, Visor Trim L1-L, L1-H						
	(codes 801, 831, 851, 871)(blue)	2	2413 805	----	2413 805		
	(codes 803, 805, 833, 835, 853, 855, 873, 875, 893, 895)						
	(alabaster)	2	2297 598	----	2297 598	2413 442	
	(codes 808, 838, 858, 878)						
	(turquoise)	2	2413 807	----	2413 807		
	L1-H, L1-P						
	(codes 871, 891)	2	----	----	----	2413 441	2432 222
	(codes 873, 893)	2	----	----	----	2413 442	2432 223
	(codes 875, 895)	2	----	----	----	*2413 442	2432 224
	(codes 878, 898)	2	----	----	----	*2413 443	2432 225
	D1, D2						
	(codes 501, 521, 541, 611, 621, 641) (blue)	2	2413 812	2413 812	----	2413 812	
	(codes 503, 505, 523, 525, 526, 543, 545, 546, 613, 623, 643, 645, 646) (alabaster)	2	2413 421	2413 421	----	2413 421	
	(codes 508, 528, 548, 648) (turquoise)	2	2413 814	2413 814	----	2413 814	
	(codes 601, 603, 605, 608) (white)	2	----	2273 286	2273 286	2273 286	
	(codes 621, 623, 625, 626, 628, 641, 643, 645, 646, 648, 651, 653, 655, 656, 658)(white)	2	----	2297 803	2297 803	2297 803	
	(codes 684, 699) (gray)	2	E1118 TA2				
	(codes 808, 838, 858, 878) (turquoise)	2	2413 807	----	2413 807		
	D1, D2						
	(code 523)	2	----	----	----	----	2413 425
	(code 641)	2	----	----	----	----	2413 424
	(code 645)	2	----	----	----	----	2413 426
	(codes 646, 651, 653, 655, 656, 658)	2	----	----	----	----	2413 427
	(code 648)	2	----	----	----	----	2413 428

★ Indicates use as required.

☐ Indicates parts not listed in any previous parts book.

Right and left part numbers are on same line, first number is right, second number is left.

* Indicates change or addition.

Printed in U.S.A.

Prices and specifications subject to change without notice.

Jan. 3, 1964 Supersedes Dec. 14, 1962.

1963 PASSENGER CAR PARTS CATALOG

INTERIOR TRIM

CODE	REMARKS	PER CAR	SED.	SP. 4 D.	SUB.	SP. CL. CP.	CV. CP.
23-103-3	PANEL, Visor Trim - Cont'd A3-L						
	(code 671) (blue)	2	----	----	----	----	*2181 424
	(codes 671, 678) (white)	2	----	----	*2181 490	----	
	(code 672) (green)	2	----	----	----	----	*2181 425
	(code 673) (tan)	2	----	----	----	----	*2181 426
	(code 675) (red)	2	----	----	----	----	*2181 427
	(code 678) (turquoise)	2	----	----	----	----	*2181 428
	A3-E						
	(codes 561, 571, 671) (blue)	2	*2181 419				
	(short)	2	2181 431				
	(codes 571, 578, 678) (white)	2	----	*2181 429	*2181 429	*2181 429	
	(codes 572, 573, 575, 672, 673, 675) (white)	2	----	2181 430	2181 430	2181 430	
	(code 572) (green)	2	2181 420				
	(code 572) (green)(short)	2	2181 432				
	(codes 565, 573, 575)(alabaster)	2	*2181 421				
	(short)	2	2181 433				
	(code 578) (turquoise)	2	*2181 422				
	(short)	2	2181 434				
	(codes 584, 684) (gray)	2	2181 423				
	(short)	2	2181 435				
23-103-10	ARM and BRACKET, Visor L1-L, L1-H	1	2292 580	----	2292 580	2292 580	
	L1-P (chrome)	1	----	----	----	2292 580-1	
	ARM, Visor (anti-rattler and lock catch)	1	----	----	----	----	2424 470-1
	D1, D2 (chrome)	1	2292 894-5	2292 894-5	2292 894-5	2292 894-5	2162 686-7
	A3 (painted) Rt.	1	2292 380	2292 380			
	Lt.	1	*2082 677	*2082 677			
	A3 (chrome)	1	2292 108-9	2292 108-9	2292 108-9	----	1954 926-7
23-103-18	WASHER, Visor Arm Tension L1, D1, D2, A3	2	6000 106	6000 106	6000 106	6000 106	6000 106
23-103-34	HOOK, Windshield Visor Support A3	1	1964 262	1964 262	1964 262	1964 262	1964 332
23-103-37	SPACER, Windshield Visor Support Hook A3	2	2165 039	2165 039	2165 039	2165 039	
23-103-48	SUPPORT, Visor Inner D1, D2	2	2162 628	2162 628	2162 628	2162 628	2162 628
	A3	2	*2193 096	2193 096	*2193 096	2193 096	2193 096
23-108-4	CUSHION, Front Seat L1-L (2 D.)						
	(code 801)	1	2296 704				
	(w/airfoam pad)	1	2296 708				
	(w/heavy duty spring)	1	2296 712				
	(w/pad and spring)	1	2296 716				
	(code 803)	1	2296 705				
	(w/airfoam pad)	1	2296 709				
	(w/heavy duty spring)	1	2296 713				
	(w/pad and spring)	1	2296 717				
	(code 805)	1	2296 706				
	(w/airfoam pad)	1	2296 710				
	(w/heavy duty spring)	1	2296 714				
	(w/pad and spring)	1	2296 718				

★ Indicates use as required.

⊠ Indicates parts not listed in any previous parts book.

Jan. 3, 1964 Supersedes Dec. 14, 1962.

Printed in U.S.A.

Prices and specifications subject to change without notice.

Right and left part numbers are on same line,

first number is right, second number is left.

* Indicates change or addition

CODE	REMARKS	PER CAR	SED.	SP. 4 D.	SUB.	SP. CL. CP.	CV. CP.
23-108-4	CUSHION, Front Seat - Cont'd						
	L1-L (2 D.)						
	(code 808)	1	2296 707				
	(w/airfoam pad)	1	2296 711				
	(w/heavy duty spring)	1	2296 715				
	(w/pad and spring)	1	2296 719				
	L1-L (4 D.)						
	(codes 801, 851)	1	2296 796	----	2296 844		
	(w/airfoam pad)	1	2296 800	----	2296 852		
	(w/heavy duty spring)	1	2296 804	----	2296 848		
	(w/pad and spring)	1	2296 808	----	2296 856		
	(codes 803, 853)	1	2296 797	----	2296 845		
	(w/airfoam pad)	1	2296 801	----	2296 853		
	(w/heavy duty spring)	1	2296 805	----	2296 849		
	(w/pad and spring)	1	2296 809	----	2296 857		
	(codes 805, 855)	1	2296 798	----	2296 846		
	(w/airfoam pad)	1	2296 806	----	2296 854		
	(w/heavy duty spring)	1	2296 802	----	2296 850		
	(w/pad and spring)	1	2296 810	----	2296 858		
	(code 808)	1	2296 799	----	2296 847		
	(w/airfoam pad)	1	2296 803	----	2296 855		
	(w/heavy duty spring)	1	2296 807	----	2296 851		
	(w/pad and spring)	1	2296 811	----	2296 859		
	(code 871)	1	2415 310	----	2415 310		
	(w/airfoam pad)	1	2415 314	----	2415 314		
	(code 873)	1	2415 311	----	2415 311		
	(w/airfoam pad)	1	2415 315	----	2415 315		
	(code 875)	1	2415 312	----	2415 312		
	(w/airfoam pad)	1	2415 316	----	2415 316		
	(code 878)	1	2415 313	----	2415 313		
	(w/airfoam pad)	1	2415 317	----	2415 317		
	(code 891)	1	----	----	----	2415 718-9	2415 718-9
	(code 893)	1	----	----	----	2415 720-1	2415 720-1
	(code 894)	1	2411 209	----	----		
	(code 895)	1	----	----	----	2415 722-3	2415 722-3
	(code 898)	1	----	----	----	2415 724-5	2415 724-5

NOTE: On Items Marked Light or Dark Include Sample With Order.

LI-H (2 D.)							
(codes 831, 871) (light)	1	*2292 676	----	----	----		*2433 009
(w/airfoam pad)	1	2296 680	----	----	----		2433 013
(code 831) (dark)	1	E2433 366					
(w/airfoam pad)	1	E2433 368					
(codes 833, 873)	1	2296 677	----	----	----		2433 010
(w/airfoam pad)	1	2296 681	----	----	----		2433 014
(codes 835, 875)	1	2296 678	----	----	----		2433 011
(w/airfoam pad)	1	2296 682	----	----	----		2433 015
(codes 838, 878) (light)	1	*2296 679	----	----	----		*2433 012
(w/airfoam pad)	1	2296 683	----	----	----		2433 016
(code 838) (dark)	1	E2433 367					
(w/airfoam pad)	1	E2433 369					
LI-H (4 D.)							
(code 831) (light)	1	*2296 948					
(w/airfoam pad)	1	2296 952					
(code 831) (dark)	1	E2433 404					
(w/airfoam pad)	1	E2433 406					
(code 833)	1	2296 949					
(w/airfoam pad)	1	2296 953					
(code 835)	1	2296 950					
(w/airfoam pad)	1	2296 954					
(code 838) (light)	1	*2296 951					
(w/airfoam pad)	1	2296 955					

★ Indicates use as required.

☐ Indicates parts not listed in any previous parts book.

Right and left part numbers are on same line, first number is right, second number is left.

* Indicates change or addition.

Printed in U.S.A.
Prices and specifications subject to change without notice.

Jan. 3, 1964 Supersedes Dec. 14, 1962.

1963 PASSENGER CAR PARTS CATALOG

INTERIOR TRIM

CODE	REMARKS	PER CAR	SED.	SP. 4 D.	SUB.	SP. CL. CP.	CV. CP.
23-108-4	CUSHION, Front Seat-Cont'd						
	L1-H (4 D.)						
	(code 838) (dark)	1	E2433 405				
	(w/airfoam pad)	1	E2433 407				
	D1, D2 (2 D.)						
	(code 501)	1	E2433 106				
	(w/airfoam pad)	1	E2433 110				
	(w/heavy duty spring and airfoam pad)	1	*2433 114				
	D1, D2 (4 D.)						
	(code 501)	1	2415 262				
	(w/airfoam pad)	1	2415 266				
	(w/heavy duty spring and airfoam pad)	1	2415 270				
	D1, D2 (2 D.)						
	(code 503)	1	E2433 107				
	(w/airfoam pad)	1	E2433 111				
	(w/heavy duty spring and airfoam pad)	1	E2433 115				
	D1, D2 (4 D.)						
	(code 503)	1	2415 263				
	(w/airfoam pad)	1	2415 267				
	(w/heavy duty spring and airfoam pad)	1	2415 271				
	D1, D2 (2 D.)						
	(code 505)	1	E2433 108				
	(w/airfoam pad)	1	E2433 112				
	(w/heavy duty spring and airfoam pad)	1	E2433 116				
	D1, D2 (4 D.)						
	(code 505)	1	2415 264				
	(w/airfoam pad)	1	2415 268				
	(w/heavy duty spring and airfoam pad)	1	2415 272				
	D1, D2 (2 D.)						
	(code 508)	1	E2433 109				
	(w/airfoam pad)	1	E2433 113				
	(w/heavy duty spring and airfoam pad)	1	E2433 117				
	D1, D2 (4 D.)						
	(code 508)	1	2415 265				
	(w/airfoam pad)	1	2415 269				
	(w/heavy duty spring and airfoam pad)	1	2415 273				
	D1, D2 (2 D.)						
	(code 521)	1	E2433 185	----	----	E2433 185	
	(w/heavy duty spring)	1	E2433 190	----	----	E2433 190	
	(code 523)	1	E2433 186	----	----	E2433 186	
	(w/heavy duty spring)	1	E2433 191	----	----	E2433 191	
	(code 525)	1	E2433 187	----	----	E2433 187	
	(w/heavy duty spring)	1	E2433 192	----	----	E2433 192	
	(code 526)	1	E2433 188	----	----	E2433 188	
	(w/heavy duty spring)	1	E2433 193	----	----	E2433 193	
	(code 528)	1	E2433 189	----	----	E2433 189	
	(w/heavy duty spring)	1	E2433 194	----	----	E2433 194	
	D1, D2 (4 D.)						
	(code 521)	1	E2433 235				
	(w/heavy duty spring)	1	E2433 240				
	(code 523)	1	E2433 236				
	(w/heavy duty spring)	1	E2433 241				

★ Indicates use as required.

E Indicates parts not listed in any previous parts book.

Jan. 3, 1964 Supersedes Dec. 14, 1962.

Page IT-138

Printed in U.S.A.
Prices and specifications subject to change without notice.Right and left part numbers are on same line,
first number is right, second number is left.

* Indicates change or addition.

CODE	REMARKS	PER CAR	SED.	SP. 4 D.	SUB.	SP. CL. CP.	CV. CP.
23-108-4	CUSHION, Front Seat-Cont'd						
	D1, D2 (4 D.)						
	(code 525)	1	E2433 237				
	(w/heavy duty spring)	1	E2433 242				
	(code 526)	1	E2433 238				
	(w/heavy duty spring)	1	E2433 243				
	(code 528)	1	E2433 239				
	(w/heavy duty spring)	1	E2433 244				
	(code 541)	1	2431 320				
	(w/elec. seat 6 way)	1	2431 325				
	(code 543)	1	2431 321				
	(w/elect. seat 6 way)	1	2431 326				
	(code 545)	1	2431 322				
	(w/elect. seat 6 way)	1	2431 327				
	(code 546)	1	2431 323				
	(w/elect. seat 6 way)	1	2431 328				
	(code 548)	1	2431 324				
	(w/elect. seat 6 way)	1	2431 329				
A3-E							
	(code 561)	1	2137 828	----		2137 828	
	(w/elect. seat)	1	2137 873	----		2137 873	
	(w/airfoam pad)	1	2137 885	----		2137 885	
	(w/elect. seat and air-foam pad)	1	2137 893	----		2137 893	
	(police and ambulance)	1	2137 938	----		2137 938	
	(code 563)	1	2137 829	----		2137 829	
	(w/elect. seat)	1	2137 874	----		2137 874	
	(w/airfoam pad)	1	2137 886	----		2137 886	
	(w/elect. seat and air-foam pad)	1	2137 894	----		2137 894	
	(police and ambulance)	1	2137 939	----		2137 939	
	(code 565)	1	2137 830	----		2137 830	
	(w/elect. seat)	1	2137 875	----		2137 875	
	(w/airfoam pad)	1	2137 887	----		2137 887	
	(w/elect. seat and air-foam pad)	1	2137 895	----		2137 895	
	(police and ambulance)	1	2137 940	----		2137 940	
	(code 568)	1	2137 831	----		2137 831	
	(w/elect. seat)	1	2137 876	----		2137 876	
	(w/airfoam pad)	1	2137 888	----		2137 888	
	(code 568)						
	(w/elect. seat and air-foam pad)	1	2137 896	----		2137 896	
	(police and ambulance)	1	2137 941	----		2137 941	
	(code 584)	1	2133 065				
	(code 684)	1	2133 549				
	(code 694)	1	E2429 895				
A3-L							
	(code 571)	1	2136 969	----	----	2137 164	
	(w/elec. seat 6 way)	1	2137 041	----	----	2137 229	
	(w/airfoam pad)	1	2137 239	----	----	2137 542	
	(w/elect. seat 6 way and airfoam pad)	1	2137 244	----	----	2137 552	
	(police)	1	2137 582				
	(code 572)	1	2136 970	----	----	2137 165	
	(w/elect. seat 6 way)	1	2137 042	----	----	2137 230	
	(w/airfoam pad)	1	*2137 240	----	----	2137 543	
	(w/elect. seat 6 way and airfoam pad)	1	2137 245	----	----	2137 553	
	(police)	1	2137 583				

★ Indicates use as required.

☐ Indicates parts not listed in any previous parts book.

Right and left part numbers are on same line, first number is right, second number is left.

* Indicates change or addition.

Printed in U.S.A.
Prices and specifications subject to change without notice.
Jan. 3, 1964 Supersedes Dec. 14, 1962.

1963 PASSENGER CAR PARTS CATALOG

INTERIOR TRIM

CODE	REMARKS	PER CAR	SED.	SP. 4 D.	SUB.	SP. CL. CP.	CV. CP.
23-108-4	CUSHION, Front Seat-Cont'd A3-L						
	(code 573)	1	2136 971	----	----	2137 166	
	(w/elect. seat 6 way)	1	2137 043	----	----	2137 231	
	(w/airfoam pad)	1	2137 241	----	----	2137 544	
	(w/elect. seat 6 way and airfoam pad)	1	2137 246	----	----	2137 554	
	(police)	1	2137 584	----	----		
	(code 575)	1	2136 972	----	----	2137 167	
	(w/elect. seat 6 way)	1	2137 044	----	----	2137 232	
	(w/airfoam pad)	1	2137 242	----	----	2137 545	
	(w/elect. seat 6 way and airfoam pad)	1	2137 247	----	----	2137 555	
	(police)	1	2137 585	----	----		
	(code 578)	1	2136 973	----	----	2137 168	
	(w/elect. 6 way seat)	1	2137 045	----	----	2137 233	
	(w/airfoam pad)	1	2137 243	----	----	2137 546	
	(w/elect. seat 6 way and airfoam pad)	1	2137 248	----	----	2137 556	
	(police)	1	2137 586	----	----		
	D1, D2 (2 D.)						
	(code 594)	1	2429 843				
	(4 D.)	1	2429 830				
	D1, D2						
	(code 601)	1	----	----	2415 378		
	(w/airfoam pad)	1	----	----	2415 382		
	(w/heavy duty spring)	1	----	----	2415 386		
	(w/heavy duty spring and airfoam pad)	1	----	----	2415 390		
	(code 603)	1	----	----	2415 379		
	(w/airfoam pad)	1	----	----	2415 383		
	(w/heavy duty spring)	1	----	----	2415 387		
	(w/heavy duty spring and airfoam pad)	1	----	----	2415 391		
	(code 605)	1	----	----	2415 380		
	(w/airfoam pad)	1	----	----	2415 384		
	(w/heavy duty spring)	1	----	----	2415 388		
	(w/heavy duty spring and airfoam pad)	1	----	----	2415 392		
	(code 608)	1	----	----	2415 381		
	(w/airfoam pad)	1	----	----	2415 385		
	(w/heavy duty spring)	1	----	----	2415 389		
	(w/heavy duty spring and airfoam pad)	1	----	----	2415 393		
	D1, D2 (4 D.)						
	(codes 611, 621)	1	E2433 260				
	(w/heavy duty spring)	1	E2433 265	----	E2433 265		
	(codes 613, 623)	1	E2433 261				
	(w/heavy duty spring)	1	E2433 266	----	E2433 266		
	(code 625)	1	----	----	E2433 262		
	(w/heavy duty spring)	1	----	----	E2433 267		
	(code 626)	1	----	----	E2433 263		
	(w/heavy duty spring)	1	----	----	E2433 268		
	(code 628)	1	----	----	E2433 264		
	(w/heavy duty spring)	1	----	----	E2433 269		
	D1, D2 (2 D.)						
	(code 641)	1	----	----	----	2431 610	2431 610
	(w/elect. seat 6 way)	1	----	----	----	2431 615	2431 615

★ Indicates use as required.

⊠ Indicates parts not listed in any previous parts book.

Jan. 3, 1964 Supersedes Dec. 14, 1962.

Printed in U.S.A.

Prices and specifications subject to change without notice.

Right and left part numbers are on same line,
first number is right, second number is left.

* Indicates change or addition.

CODE	REMARKS	PER CAR	SED.	SP. 4 D.	SUB.	SP. CL. CP.	CV. CP.
23-108-4	CUSHION, Front Seat-Cont'd						
	D1, D2 (2 D.)						
	(code 643)	1	----	----	----	2431 611	2431 611
	(w/elect. seat 6 way)	1	----	----	----	2431 616	2431 616
	(code 645)	1	----	----	----	2431 612	2431 612
	(w/elect. seat 6 way)	1	----	----	----	2431 617	2431 617
	(code 646)	1	----	----	----	2431 613	2431 613
	(w/elect. seat 6 way)	1	----	----	----	2431 618	2431 618
	(code 648)	1	----	----	----	2431 614	2431 614
	(w/elect. seat 6 way)	1	----	----	----	2431 619	2431 619
	(code 651)	2	----	----	----	*2431 770	*2431 770
	(code 653)	2	----	----	----	*2431 771	*2431 771
	(code 655)	2	----	----	----	*2431 772	*2431 772
	(code 656)	2	----	----	----	*2431 773	*2431 773
	(code 658)	2	----	----	----	*2431 774	*2431 774
	D1, D2 (4 D.)						
	(code 641)	1	2431 565	2431 565			
	(w/elect. seat 6 way)	1	2431 570	2431 570			
	(code 643)	1	2431 566	2431 566			
	(w/elect. seat 6 way)	1	2431 571	2431 571			
	(code 645)	1	2431 567	2431 567			
	(w/elect. seat 6 way)	1	2431 572	2431 572			
	(code 646)	1	2431 568	2431 568			
	(w/elect. seat 6 way)	1	2431 573	2431 573			
	(code 648)	1	2431 569	2431 569			
	(w/elect. seat 6 way)	1	2431 574	2431 574			
	A3-L						
	(code 671)	1	----	2137 305	2137 305	----	2137 422
	(w/airfoam pad)	1	----	2137 472	2137 472	----	2137 477
	(police and ambulance)	1	----	----	2137 567	----	
	(code 672)	1	----	2137 306	2137 306	----	2137 423
	(w/airfoam pad)	1	----	----	----	----	2137 478
	(w/elect. seat 6 way)	1	----	2137 473	2137 473	----	
	(police and ambulance)	1	----	----	2137 568	----	
	(code 673)	1	----	2137 307	2137 307	----	2137 424
	(w/airfoam pad)	1	----	----	----	----	2137 479
	(w/elect. seat 6 way)	1	----	2137 474	2137 474	----	
	(police and ambulance)	1	----	----	2137 569	----	
	(code 675)	1	----	2137 308	2137 308	----	2137 425
	(w/airfoam pad)	1	----	----	----	----	2137 480
	(w/elect. seat 6 way)	1	----	2137 475	2137 475	----	
	(police and ambulance)	1	----	----	2137 570	----	
	(code 678)	1	----	2137 309	2137 309	----	2137 426
	(w/airfoam pad)	1	----	----	----	----	2137 481
	(w/elect. seat 6 way)	1	----	2137 476	2137 476	----	
	(police and ambulance)	1	----	----	2137 571	----	
23-108-5	COVER, Front Seat Cushion						
	L1-L (2 D.)						
	(code 801)	1	2296 700				
	(code 803)	1	2296 701				
	(code 805)	1	2296 702				
	(code 808)	1	2296 703				
	L1-H (2 D.)						
	(code 831)	1	*2433 360				
	(code 833)	1	2296 673				
	(code 835)	1	2296 674				
	(code 838)	1	⊠2433 361				
	(code 871)	1	----	----	----	----	2433 005
	(code 873)	1	----	----	----	----	2433 006
	(code 875)	1	----	----	----	----	2433 007
	(code 878)	1	----	----	----	----	2433 008

★ Indicates use as required.
 ⊠ Indicates parts not listed in any previous parts book.
 Right and left part numbers are on same line,
 first number is right, second number is left.
 * Indicates change or addition.

Printed in U.S.A.
 Prices and specifications subject to change without notice.
 Jan. 3, 1964 Supersedes Dec. 14, 1962.

CODE	REMARKS	PER CAR	SED.	SP. 4 D.	SUB.	SP. CL. CP.	CV. CP.
23-108-5	COVER, Front Seat Cushion - Cont'd						
	L1-L (4 D.)						
	(codes 801, 851)	1	2296 792	----	2296 840		
	(codes 803, 853)	1	2296 793	----	2296 841		
	(codes 805, 855)	1	2296 794	----	2296 842		
	(codes 808, 858)	1	2296 795	----	2296 843		
	(code 871)	1	2415 298				
	(code 873)	1	2415 299				
	(code 875)	1	2415 300				
	(code 878)	1	2415 301				
	(code 894)	1	2274 324				
	L1-H (4 D.)						
	(code 831)	1	E2433 402				
	(code 833)	1	2296 937				
	(code 835)	1	2296 938				
	(code 838)	1	E2433 403				
	(code 871)	1	2415 298	----	2415 298		
	(code 873)	1	2415 299	----	2415 299		
	(code 875)	1	2415 300	----	2415 300		
	(code 878)	1	2415 301	----	2415 301		
	L1-P						
	(code 891)	2	----	----	----	2415 714	2415 714
	(code 893)	2	----	----	----	2415 715	2415 715
	(code 895)	2	----	----	----	2415 716	2415 716
	(code 898)	2	----	----	----	2415 717	2415 717
	D1-L, D2-L (2 D.)						
	(code 501)	1	2415 159				
	(code 503)	1	2415 160				
	(code 505)	1	2415 161				
	(code 508)	1	2415 162				
	(code 594)	1	2429 842				
	D1-L, D2-L (4 D.)						
	(codes 501, 601)	1	2415 258	----	2415 370		
	(codes 503, 603)	1	2415 259	----	2415 371		
	(codes 505, 605)	1	2415 260	----	2415 372		
	(codes 508, 608)	1	2415 261	----	2415 373		
	(code 594)	1	2429 829				
	(code 611)	1	E2433 255				
	(code 613)	1	E2433 256				
	D1-M, D2-M (2 D.)						
	(code 521)	1	E2433 180	----	----	E2433 180	E2433 180
	(code 523)	1	E2433 181	----	----	E2433 181	E2433 181
	(code 525)	1	E2433 182	----	----	E2433 182	E2433 182
	(code 526)	1	E2433 183	----	----	E2433 183	E2433 183
	(code 528)	1	E2433 184	----	----	E2433 184	E2433 184
	D1-M, D2-M (4 D.)						
	(code 521)	1	E2433 230	E2433 230			
	(code 523)	1	E2433 231	E2433 231			
	(code 525)	1	E2433 232	E2433 232			
	(code 526)	1	E2433 233	E2433 233			
	(code 528)	1	E2433 234	E2433 234			
	(code 621)	1	E2433 256	----	E2433 256		
	(code 623)	1	E2433 256	----	E2433 256		
	(code 625)	1	----	----	E2433 257		
	(code 626)	1	----	----	E2433 258		
	(code 628)	1	----	----	E2433 259		
	D1-H, D2-H (4 D.)						
	(code 541)	1	2431 305				
	(code 543)	1	2431 306				
	(code 545)	1	2431 307				

★ Indicates use as required.

⊠ Indicates parts not listed in any previous parts book.
 Jan. 3, 1964 Supersedes Dec. 14, 1962.

Printed in U.S.A.

Prices and specifications subject to change without notice.
 Right and left part numbers are on same line,
 first number is right, second number is left.

* Indicates change or addition.

CODE	REMARKS	PER CAR	SED.	SP. 4 D.	SUB.	SP. CL. CP.	CV. CP.
23-108-5	COVER, Front Seat - Cont'd						
	D1-H, D2-H (4 D.)						
	(code 546)	1	2431 308				
	(code 548)	1	2431 309				
	D2-P						
	(code 651)	2	-----	-----	-----	2431 765	2431 765
	(code 653)	2	-----	-----	-----	2431 766	2431 766
	(code 655)	2	-----	-----	-----	2431 767	2431 767
	(code 656)	2	-----	-----	-----	2431 768	2431 768
	(code 658)	2	-----	-----	-----	2431 769	2431 769
	(code 694)	1	E2429 895				
	D1-H, D2-H						
	(code 641)	1	2431 560	2431 560	-----	2431 560	2431 560
	(code 643)	1	2431 561	2431 561	-----	2431 561	2431 561
	(code 645)	1	2431 562	2431 562	-----	2431 562	2431 562
	(code 646)	1	2431 563	2431 563	-----	2431 563	2431 563
	(code 648)	1	2431 564	2431 564	-----	2431 564	2431 564
	A3-E						
	(code 561)	1	E2137 832	-----	E2137 832		
	(code 563)	1	E2137 833	-----	E2137 833		
	(code 565)	1	E2137 834	-----	E2137 834		
	(code 568)	1	E2137 835	-----	E2137 835		
	(code 584)	1	*2133 066				
	(code 684)	1	*2133 550				
	A3-L						
	(code 571)	1	2136 974	-----	-----	2137 169	
	(code 572)	1	2136 975	-----	-----	2137 170	
	(code 573)	1	2136 976	-----	-----	2137 171	
	(code 575)	1	2136 977	-----	-----	2137 172	
	(code 578)	1	2136 978	-----	-----	2137 173	
	(code 671)	1	-----	2137 310	2137 310	-----	2137 427
	(code 672)	1	-----	2137 311	2137 311	-----	2137 428
	(code 673)	1	-----	2137 312	2137 312	-----	2137 429
	(code 675)	1	-----	2137 313	2137 313	-----	2137 430
	(code 678)	1	-----	2137 314	2137 314	-----	2137 431
23-108-12	BACK, Front Seat						
	L1 (2 D.)						
	(code 801)	1	*2296 728-9				
	(w/airfoam pad and heavy duty spring)	1	2296 736-7				
	(code 803)	1	2296 730-1				
	(w/airfoam pad and heavy duty spring)	1	2296 738-9				
	(code 805)	1	2296 732-3				
	(w/airfoam pad and heavy duty spring)	1	2296 740-1				
	(code 808)	1	2296 734-5				
	(w/airfoam pad and heavy duty spring)	1	2296 742-3				
	L1 (2 D.)						
	(code 831)	1	2296 692-3				
	(code 833)	1	2296 694-5				
	(code 835)	1	2296 696-7				
	(code 838)	1	2296 698-9				
	L1 (4 D.)						
	(codes 801, 851)	1	2296 816	-----	2296 864		
	(w/airfoam pad and heavy duty spring)	1	2296 820	-----	2296 868		
	(codes 803, 853)	1	2296 817	-----	2296 865		
	(w/airfoam pad and heavy duty spring)	1	2296 821	-----	2296 869		

★ Indicates use as required.
 □ Indicates parts not listed in any previous parts book.
 Right and left part numbers are on same line, first number is right, second number is left.
 * Indicates change or addition.

Printed in U.S.A.
 Prices and specifications subject to change without notice.
 Jan. 3, 1964 Supersedes Dec. 14, 1962.

1963 PASSENGER CAR PARTS CATALOG

INTERIOR TRIM

CODE	REMARKS	PER CAR	SED.	SP. 4 D.	SUB.	SP. CL. CP.	CV. CP.
23-108-12	BACK, Front Seat - Cont'd						
	L1 (4 D.)						
	(codes 805, 855)	1	2296 818	----	2296 866		
	(w/airfoam pad and heavy duty spring)	1	2296 822	----	2296 870		
	(codes 808, 858)	1	2296 819	----	2296 867		
	(w/airfoam pad and heavy duty spring)	1	2296 823	----	2296 871		
	L1-H (4 D.)						
	(code 831)	1	2296 968				
	(code 833)	1	2296 969				
	(code 835)	1	2296 970				
	(code 838)	1	2296 971				
	L1 (4 D.)						
	(code 871)	1	2415 330	----	2415 330	----	2433 026-7
	(code 873)	1	2415 331	----	2415 331	----	2433 028-9
	(code 875)	1	2415 332	----	2415 332	----	2433 030-1
	(code 878)	1	2415 333	----	2415 333	----	2433 032-3
	(code 894)	1	----	----	2414 809		
	D1, D2 (2 D.)						
	(code 501)	1	E2433 118-9				
	(w/heavy duty spring)	1	E2433 126-7				
	(code 503)	1	E2433 120-1				
	(w/heavy duty spring)	1	E2433 128-9				
	(code 505)	1	E2433 122-3				
	(w/heavy duty spring)	1	E2433 130-1				
	(code 508)	1	E2433 124-5				
	(w/heavy duty spring)	1	E2433 132-3				
	(code 521)	1	2431 210-1	----	----	2431 210-1	
	(w/heavy duty spring)	1	2431 220-1	----	----	2431 220-1	
	(code 523)	1	2431 212-3	----	----	2431 212-3	
	(w/heavy duty spring)	1	2431 222-3	----	----	2431 222-3	
	(code 525)	1	2431 214-5	----	----	2431 214-5	
	(w/heavy duty spring)	1	2431 224-5	----	----	2431 224-5	
	(code 526)	1	2431 216-7	----	----	2431 216-7	
	(w/heavy duty spring)	1	2431 226-7	----	----	2431 226-7	
	(code 528)	1	2431 218-9	----	----	2431 218-9	
	(w/heavy duty spring)	1	2431 228-9	----	----	2431 228-9	
	(code 594)	1	2429 848-9				
	(w/ash receiver)(rt. only)	1	2429 850				
	(code 694) (2 D.)	1	E2429 898-9				
	(w/ash receiver) Rt.	1	E2429 900				
	(w/heavy duty spring) Rt.	1	E2429 909				
	(w/air foam pad and heavy duty spring)	1	E2429 901-2				
	D1, D2 (4 D.)						
	(code 501)	1	2415 278				
	(w/heavy duty spring)	1	2415 282				
	(code 503)	1	2415 279				
	(w/heavy duty spring)	1	2415 283				
	(code 505)	1	2415 280				
	(w/heavy duty spring)	1	2415 284				
	(code 508)	1	2415 281				
	(w/heavy duty spring)	1	2415 285				
	(code 521)	1	2431 120				
	(w/heavy duty spring)	1	2431 125				
	(code 523)	1	2431 121				
	(w/heavy duty spring)	1	2431 126				
	(code 525)	1	2431 122				
	(w/heavy duty spring)	1	2431 127				

★ Indicates use as required.

☐ Indicates parts not listed in any previous parts book.

Jan. 3, 1964 Supersedes Dec. 14, 1962.

Printed in U.S.A.

Prices and specifications subject to change without notice.

Right and left part numbers are on same line,

first number is right, second number is left.

* Indicates change or addition.

CODE	REMARKS	PER CAR	SED.	SP. 4 D.	SUB.	SP. CL. CP.	CV. CP.
23-108-12	BACK, Front Seat - Cont'd						
	D1, D2 (4 D.)						
	(code 526)	1	*2431 123				
	(w/heavy duty spring)	1	2431 128				
	(code 528)	1	2431 124				
	(w/heavy duty spring)	1	2431 129				
	(code 541)	1	2431 350-1				
	(code 543)	1	2431 352-3				
	(code 545)	1	2431 354-5				
	(code 546)	1	2431 356-7				
	(code 548)	1	2431 358-9				
	(code 594)	1	2429 833				
	(code 601)	1	----	----	2415 402		
	(w/heavy duty spring)	1	----	----	2415 406		
	(code 603)	1	----	----	2415 403		
	(w/heavy duty spring)	1	----	----	2415 407		
	(code 605)	1	----	----	2415 404		
	(w/heavy duty spring)	1	----	----	2415 408		
	(code 608)	1	----	----	2415 405		
	(w/heavy duty spring)	1	----	----	2415 409		
	(codes 611, 621)	1	2415 975	----	2415 975		
	(w/heavy duty spring)	1	2415 980	----	2415 980		
	(codes 613, 623)	1	2415 976	----	2415 976		
	(w/heavy duty spring)	1	2415 981	----	2415 981		
	(code 625)	1	----	----	2415 977		
	(w/heavy duty spring)	1	----	----	2415 982		
	(code 626)	1	----	----	2415 978		
	(w/heavy duty spring)	1	----	----	2415 983		
	(code 628)	1	----	----	2415 979		
	(w/heavy duty spring)	1	----	----	2415 984		
	D1, D2 (2 D.)						
	(code 641)	1	----	----	----	2431 620-1	
	(code 643)	1	----	----	----	2431 622-3	
	(code 645)	1	----	----	----	2431 624-5	
	(code 646)	1	----	----	----	2431 626-7	
	(code 648)	1	----	----	----	2431 628-9	
	D1, D2 (4 D.)						
	(code 641)	1	2431 590-1	2431 590-1			
	(code 643)	1	2431 592-3	2431 592-3			
	(code 645)	1	2431 594-5	2431 594-5			
	(code 646)	1	2431 596-7	2431 596-7			
	(code 648)	1	2431 598-9	2431 598-9			
	(code 694)	1	2415 141				
	(w/ash receiver)	1	2415 142				
	(w/airfoam pad and heavy duty spring)	1	2415 143				
	A3-E (4 D.)						
	(code 561)	1	2137 820	----	2137 820		
	(police and ambulance)	1	2137 934	----	2137 934		
	(code 563)	1	2137 821	----	2137 821		
	(police and ambulance)	1	2137 937	----	2137 937		
	(code 565)	1	2137 822	----	2137 822		
	(police and ambulance)	1	2137 938	----	2137 938		
	(code 568)	1	2137 823	----	2137 823		
	(police and ambulance)	1	2137 939	----	2137 939		
	A3-L (2 D.)						
	(code 571)	1	----	----	----	2137 134-5	
	(code 572)	1	----	----	----	2137 136-7	
	(code 573)	1	----	----	----	2137 138-9	
	(code 575)	1	----	----	----	2137 140-1	
	(code 578)	1	----	----	----	2137 142-3	

★ Indicates use as required.
 □ Indicates parts not listed in any previous parts book.
 Right and left part numbers are on same line,
 first number is right, second number is left.
 * Indicates change or addition.

Printed in U.S.A.
 Prices and specifications subject to change without notice.
 Jan. 3, 1964 Supersedes Dec. 14, 1962.

1963 PASSENGER CAR PARTS CATALOG

INTERIOR TRIM

CODE	REMARKS	PER CAR	SED.	SP. 4 D.	SUB.	SP. CL. CP.	CV. CP.
23-108-12	BACK, Front Seat - Cont'd						
	A3 (4 D.)						
	(code 571)	1	2136 954				
	(code 572)	1	2136 955				
	(code 573)	1	2136 956				
	(code 575)	1	2136 957				
	(code 578)	1	2136 958				
	(code 584)	1	2133 063				
	(code 684)	1	2133 547				
	A3-L						
	(code 671)	1	----	2137 290	2137 290		
	(code 672)	1	----	2137 291	2137 291	----	2137 394-5
	(code 673)	1	----	2137 292	2137 292	----	2137 396-7
	(code 675)	1	----	2137 293	2137 293	----	2137 398-9
	(code 678)	1	----	*2137 294	*2137 294	----	E2137 400-1
23-108-15	SPRING and COVER, Front Seat Back						
	L1-P						
	(code 891)	2	----	----	----	2415 734	2415 734
	(code 893)	2	----	----	----	2415 735	2415 735
	(code 895)	2	----	----	----	2415 736	2415 736
	(code 898)	2	----	----	----	2415 737	2415 737
	D2-P						
	(code 651)	1	----	----	----	2431 785	2431 785
	(code 653)	1	----	----	----	2431 786	2431 786
	(code 655)	1	----	----	----	2431 787	2431 787
	(code 656)	1	----	----	----	2431 788	2431 788
	(code 658)	1	----	----	----	2431 789	2431 789
23-108-16	COVER, Front Seat Back						
	L1 (2 D.)						
	(code 801)	1	2296 720-1				
	(code 803)	1	2296 722-3				
	(code 805)	1	2296 724-5				
	(code 808)	1	2296 726-7				
	(code 831)	1	E2433 370-1				
	(code 833)	1	2296 686-7				
	(code 835)	1	2296 688-9				
	(code 838)	1	*2433 372-3				
	L1 (4 D.)						
	(codes 801, 851)	1	2296 812	----	2296 860		
	(codes 803, 853)	1	2296 813	----	2296 861		
	(codes 805, 855)	1	2296 814	----	2296 862		
	(codes 808, 858)	1	2296 815	----	2296 863		
	(code 831)	1	E2433 408				
	(code 833)	1	2296 957				
	(code 835)	1	2296 958				
	(code 838)	1	E2433 409				
	(code 871)	1	2415 318	----	2415 318	----	2433 017-8
	(code 873)	1	2415 319	----	2415 319	----	2433 019-20
	(code 875)	1	2415 320	----	2415 320	----	2433 021-2
	(code 878)	1	----	----	2415 321	----	2433 023-4
	L1-P						
	(code 891)	2	----	----	----	2415 730	2415 730
	(code 893)	2	----	----	----	2415 731	2415 731
	(code 895)	2	----	----	----	2415 732	2415 732
	(code 898)	2	----	----	----	2415 733	2415 733

★ Indicates use as required.

☐ Indicates parts not listed in any previous parts book.
Jan. 3, 1964 Supersedes Jan. 25, 1963.

Printed in U.S.A.

Prices and specifications subject to change without notice.

Right and left part numbers are on same line,
first number is right, second number is left.

* Indicates change or addition.

CODE	REMARKS	PER CAR	SED.	SP. 4 D.	SUB.	SP. CL. CP.	CV. CP.
23-108-16	COVER, Front Seat Back-Cont'd						
	D1, D2 (2 D.)						
	(code 501)	1	2415 176-7				
	(code 503)	1	2415 178-9				
	(code 505)	1	2415 180-1				
	(code 508)	1	2415 182-3				
	(code 521)	1	2431 180-1	----	----	2431 180-1	2431 180-1
	(code 523)	1	2431 182-3	----	----	2431 182-3	2431 182-3
	(code 525)	1	2431 184-5	----	----	2431 184-5	2431 184-5
	(code 526)	1	2431 186-7	----	----	2431 186-7	2431 186-7
	(code 528)	1	2431 188-9	----	----	2431 188-9	
	D1, D2 (4 D.)						
	(codes 501, 601)	1	2415 274	----	2415 394		
	(codes 503, 603)	1	2415 275	----	2415 395		
	(codes 505, 605)	1	2415 276	----	2415 396		
	(codes 508, 608)	1	2415 277	----	2415 397		
	(code 521)	1	2431 115	2431 115			
	(code 523)	1	2431 116	2431 116			
	(code 525)	1	2431 117	2431 117			
	(code 526)	1	2431 118				
	(code 528)	1	2431 119				
	(code 541)	1	2431 330-1				
	(code 543)	1	2431 332-3				
	(code 545)	1	2431 334-5				
	(code 546)	1	2431 336-7				
	(code 548)	1	2431 338-9				
	D1-L, D2-L						
	(code 594) (2 D.)	1	2429 846-7				
	(4 D.)	1	2429 832				
	(code 694) (2 D.)	1	⊠2293 654-5				
	(4 D.)	1	*2415 140				
	D1-L, D2-M						
	(codes 611, 621)	1	2415 955	----	2415 955		
	(codes 613, 623)	1	2415 956	----	2415 956		
	(code 625)	1	----	----	2415 957		
	(code 626)	1	----	----	2415 958		
	(code 628)	1	----	----	2415 959		
	D1-H, D2-H						
	(code 641)	1	2431 580-1	2431 580-1	----	2431 580-1	2431 580-1
	(code 643)	1	2431 582-3	2431 582-3	----	2431 582-3	2431 582-3
	(code 645)	1	2431 584-5	2431 584-5	----	2431 584-5	2431 584-5
	(code 646)	1	2431 586-7	2431 586-7	----	2431 586-7	2431 586-7
	(code 648)	1	2431 588-9	2431 588-9	----	2431 588-9	2431 588-9
	D2-P						
	(code 651)	2	----	----	----	2431 780	2431 780
	(code 653)	2	----	----	----	2431 781	2431 781
	(code 655)	2	----	----	----	2431 782	2431 782
	(code 656)	2	----	----	----	2431 783	2431 783
	(code 658)	2	----	----	----	2431 784	2431 784
	A3-E						
	(code 561)	1	2137 824	----	2137 824		
	(code 563)	1	2137 825	----	2137 825		
	(code 565)	1	2137 826	----	2137 826		
	(code 568)	1	2137 827	----	2137 827		
	(code 584)	1	2133 064				
	(code 684)	1	2133 548				
	A3-L						
	(code 571)	1	2136 959	----	----	2137 144-5	
	(code 572)	1	2136 960	----	----	2137 146-7	
	(code 573)	1	2136 961	----	----	2137 148-9	
	(code 575)	1	2136 962	----	----	2137 150-1	
	(code 578)	1	2136 963	----	----	2137 152-3	

★ Indicates use as required.
 ⊠ Indicates parts not listed in any previous parts book.
 Right and left part numbers are on same line,
 first number is right, second number is left.
 * Indicates change or addition.

Printed in U.S.A.
 Prices and specifications subject to change without notice.
 Jan. 3, 1964 Supersedes Dec. 14, 1962.

CODE	REMARKS	PER CAR	SED.	SP. 4 D.	SUB.	SP. CL. CP.	CV. CP.
23-108-16	COVER, Front Seat Back-Cont'd A3-L						
	(code 671)	1	----	2137 295	2137 295	----	2137 402-3
	(code 672)	1	----	2137 296	2137 296	----	2137 404-5
	(code 673)	1	----	2137 297	2137 297	----	2137 406-7
	(code 675)	1	----	2137 298	2137 298	----	2137 408-9
	(code 678)	1	----	2137 299	2137 299	----	2137 410-1
23-108-32	PANEL or COVER, Back of Front Seat Back						
	L1-P						
	(code 891)	2	----	----	----	2415 742	2415 742
	(code 893)	2	----	----	----	2415 743	2415 743
	(code 895)	2	----	----	----	2415 744	2415 744
	(code 898)	2	----	----	----	2415 745	2415 745
	D2-P						
	(code 651)	2	----	----	----	2431 795	2431 795
	(code 653)	2	----	----	----	2431 796	2431 796
	(code 655)	2	----	----	----	2431 797	2431 797
	(code 656)	2	----	----	----	2431 798	2431 798
	(code 658)	2	----	----	----	2431 799	2431 799
23-108-57	NUT, Front Seat Cushion Bumper to Rear Rail						
	D1, D2 (2 D.)	4	2094 869				
23-108-84	COVER, Front Seat Back Outer Hinge Arm						
	L1 (paint as required) (chrome)	1	*4326 7TZ1	----	----	----	*4326 7TZ1
	D1, D2 (chrome)	1	2413 568-9	2413 568-9	2413 568-9	2413 568-9	
	(2 D.) (alabaster) (plastic)	1	*2413 568-9	----	----	*2413 568-9	
	(clip)	★	E6008 221	E6008 221	E6008 221	E6008 221	
23-108-98	SHIELD, Front Seat Side						
	D1-M, D2-M, D1-H, D2-H						
	(cushion) (manual and power) Rt.	1	2419 412	2419 412	----	2419 412	2419 412
	(cushion) (manual) Lt.	1	2419 413	2419 413	----	2419 413	2419 413
	(cushion) (power) Lt.	1	2419 969	2419 969	----	2419 969	2419 969
	L1, D1-H, D2-H, D2-P						
	(back) (diecast)	2	*2440 152-3	*2440 152-3	----	*2440 152-3	*2440 152-3
	(stamping)	4	*2440 219	*2440 219	----	*2440 219	*2440 219
	L1, D2-P						
	(cushion) (diecast)	1	----	----	----	*2292 492-3	*2292 492-3
	(stamping)	2	*2440 340	*2440 340	----	*2440 340	*2440 340
	A3-L						
	(cushion) (manual and power) Rt.	1	2080 732	2080 732	2080 732	2080 732	2080 732
	(cushion) (power) Lt.	1	2080 733	2080 733	2080 733	2080 733	2080 733
	(cushion) (manual) Lt.	1	2080 737	2080 737	2080 737	2080 737	2080 737
23-108-100	CUP WASHER, Front Seat Side						
	D1, D2						
	Shield to Seat Frame						
	D1, D2	2	2419 974	2419 974	2419 974	2419 974	2419 974
23-108-142	BRACKET, Front Seat Cushion Side Shield Support						
	L1-P, D1-P, D2-P	2	----	----	----	2292 475	2292 475
	Front Seat Side Shield to Seat Frame						
	D1, D2	2	2419 957	2419 957	2419 957	2419 957	2419 957

★ Indicates use as required.

⊠ Indicates parts not listed in any previous parts book.
Jan. 3, 1964 Supersedes Dec. 14, 1962.

Printed in U.S.A.

Prices and specifications subject to change without notice.
Right and left part numbers are on same line,
first number is right, second number is left.

* Indicates change or addition.

CODE	REMARKS	PER CAR	SED.	SP. 4 D.	SUB.	SP. CL. CP.	CV. CP.
23-109-3	BACK, Rear Seat						
	L1						
	(code 801)	1	2296 784				
	(w/heavy duty spring)	1	2296 788				
	(code 803)	1	2296 785				
	(w/heavy duty spring)	1	2296 789				
	(code 805)	1	2296 786				
	(w/heavy duty spring)	1	2296 790				
	(code 808)	1	2296 787				
	(w/heavy duty spring)	1	2296 791				
	L1 (sub. 2nd. seat)						
	(code 851)	1	----	----	2296 900		
	(code 853)	1	----	----	2296 901		
	(code 855)	1	----	----	2296 902		
	(code 858)	1	----	----	2296 903		
	(code 894) (4 D.)	1	2296 671				
	L1-H						
	(code 831)	1	2415 028				
	(code 833)	1	2415 029				
	(code 835)	1	2415 030				
	(code 838)	1	2415 031				
	L1-L, L1-H						
	(code 871)	1	2415 706	----	2415 366	----	2433 070
	(code 873)	1	2415 707	----	2415 367	----	2433 071
	(code 875)	1	2415 708	----	2415 368	----	2433 072
	(code 878)	1	----	----	2415 369	----	2433 073
	L1-P						
	(code 891)	1	----	----	----	2415 786	2433 102
	(code 893)	1	----	----	----	2415 787	2433 103
	(code 895)	1	----	----	----	2415 788	2433 104
	(code 898)	1	----	----	----	2415 789	2433 105
	D1-L, D2-L						
	(code 501)	1	2415 244				
	(w/heavy duty spring)	1	2415 248				
	(code 503)	1	2415 245				
	(w/heavy duty spring)	1	2415 249				
	(code 505)	1	2415 246				
	(w/heavy duty spring)	1	2415 250				
	(code 508)	1	2415 247				
	(w/heavy duty spring)	1	2415 251				
	(code 561) (Sub. 2nd seat)	1	2137 836	----	2137 898		
	(police)(Sub. 3rd seat)	1	2137 942	----	2137 914		
	(code 563)	1	2137 837				
	(code 694)	1	2415 157				
	(w/heavy duty spring)	1	2415 158				
	D1-M, D2-M						
	(code 521)	1	2431 160	----	----	2431 160	
	(w/heavy duty spring)	1	2431 165	----	----	2431 165	
	(code 523)	1	2431 161	----	----	2431 161	
	(w/heavy duty spring)	1	2431 166	----	----	2431 166	
	(code 525)	1	2431 162	----	----	2431 162	
	(w/heavy duty spring)	1	2431 167	----	----	2431 167	
	(code 526)	1	2431 163	----	----	2431 163	
	(w/heavy duty spring)	1	2431 168	----	----	2431 168	
	(code 528)	1	2431 164	----	----	2431 164	
	(w/heavy duty spring)	1	2431 169	----	----	2431 169	
	D1-H, D2-H						
	(code 541)	1	2431 420				
	(code 543)	1	2431 421				
	(code 545)	1	2431 422				

★ Indicates use as required.

⊠ Indicates parts not listed in any previous parts book.

Right and left part numbers are on same line, first number is right, second number is left.

* Indicates change or addition.

Printed in U.S.A.

Prices and specifications subject to change without notice.

Jan. 3, 1964 Supersedes Dec. 14, 1962.

CODE	REMARKS	PER CAR	SED.	SP. 4 D.	SUB.	SP. CL. CP.	CV. CP.
23-109-3	BACK, Rear Seat-Cont'd						
	D1-H, D2-H						
	(code 546)	1	2431 423				
	(code 548)	1	2431 424				
	(code 594)	1	2433 004				
	(code 684)	1	2137 669				
	A3-L						
	(code 571)	1	2136 984	-----	-----	2137 174	
	(code 572)	1	2136 985	-----	-----	2137 175	
	(code 573)	1	2136 986	-----	-----	2137 176	
	(code 575)	1	2136 987	-----	-----	2137 177	
	(code 578)	1	2136 988	-----	-----	2137 178	
	A3 (2nd. seat)						
	(code 563)	1	*2137 837	-----	E2137 899		
	(code 565)	1	E2137 838	-----	E2137 900		
	(code 568)	1	E2137 839	-----	E2137 901		
	(police)						
	(code 563)	1	E2137 943				
	(code 565)	1	E2137 944				
	(code 568)	1	E2137 945				
	(code 584)	1	E2137 663				
	(3rd. seat)						
	(code 563)	1	-----	-----	E2137 915		
	(code 565)	1	-----	-----	E2137 916		
	(code 568)	1	-----	-----	E2137 917		
	D1-L, D2-L (spring and cover)						
	(code 601) (2nd. seat)	1	-----	-----	2415 446		
	(code 601) (3rd. seat)	1	-----	-----	2415 478		
	(code 603) (2nd. seat)	1	-----	-----	2415 447		
	(code 603) (3rd. seat)	1	-----	-----	2415 479		
	(code 605) (2nd. seat)	1	-----	-----	2415 448		
	(code 605) (3rd. seat)	1	-----	-----	2415 480		
	(code 608) (2nd. seat)	1	-----	-----	2415 449		
	(code 608) (3rd. seat)	1	-----	-----	2415 481		
	D1-L, D2-L, D1-M, D2-M						
	(codes 611, 621)	1	2415 528				
	(w/heavy duty spring)	1	2415 922				
	(codes 613, 623)	1	2415 529				
	(w/heavy duty spring)	1	2415 923				
	D1-M, D2-M (spring and cover)						
	(code 621) (2nd. seat)	1	-----	-----	2431 036		
	(code 621) (3rd. seat)	1	-----	-----	2431 082		
	(code 623) (2nd. seat)	1	-----	-----	2431 037		
	(code 623) (3rd. seat)	1	-----	-----	2431 083		
	(code 625) (2nd. seat)	1	-----	-----	2431 038		
	(code 625) (3rd. seat)	1	-----	-----	2431 084		
	(code 626) (2nd. seat)	1	-----	-----	2431 039		
	(code 626) (3rd. seat)	1	-----	-----	2431 085		
	(code 628) (2nd. seat)	1	-----	-----	2431 040		
	(code 628) (3rd. seat)	1	-----	-----	2431 086		
	D1-H, D2-H						
	(code 641)	1	2431 680	2431 680	-----	2431 680	2431 865
	(code 643)	1	2431 681	2431 681	-----	2431 681	2431 866
	(code 645)	1	2431 682	2431 682	-----	2431 682	2431 867
	(code 646)	1	2431 683	2431 683	-----	2431 683	2431 868
	(code 648)	1	2431 684	2431 684	-----	2431 684	2431 869
	D2-P						
	(code 651)	1	-----	-----	-----	2431 845	2431 875
	(code 653)	1	-----	-----	-----	2431 846	2431 876
	(code 655)	1	-----	-----	-----	2431 847	2431 877
	(code 656)	1	-----	-----	-----	2431 848	2431 878
	(code 658)	1	-----	-----	-----	2431 849	2431 879

★ Indicates use as required.

E Indicates parts not listed in any previous parts book.
Jan. 3, 1964 Supersedes Dec. 14, 1962.

Printed in U.S.A.

Prices and specifications subject to change without notice.
Right and left part numbers are on same line,
first number is right, second number is left.

* Indicates change or addition.

CODE	REMARKS	PER CAR	SED.	SP. 4D.	SUB.	SP. CL. CP.	CV. CP.
23-109-3	BACK, Rear Seat-Cont'd A3-L						
	(code 671)	1	----	2137 320	----	----	2137 783
	(code 672)	1	----	2137 321	----	----	2137 784
	(code 673)	1	----	2137 322	----	----	2137 785
	(code 675)	1	----	2137 323	----	----	2137 786
	(code 678)	1	----	2137 324	----	----	2137 787
	(code 671) (2nd. seat)	1	----	----	2137 482		
	(code 671) (3rd. seat)	1	----	----	2137 512		
	(code 672) (2nd. seat)	1	----	----	2137 483		
	(code 672) (3rd. seat)	1	----	----	2137 513		
	(code 673) (2nd. seat)	1	----	----	2137 484		
	(code 673) (3rd. seat)	1	----	----	2137 514		
	(code 675) (2nd. seat)	1	----	----	2137 485		
	(code 675) (3rd. seat)	1	----	----	2137 515		
	(code 678) (2nd. seat)	1	----	----	2137 486		
	(code 678) (3rd. seat)	1	----	----	2137 516		
	(second seat back spring attaching nut)	3	----	----	6000 234		
23-109-4	COVER, Rear Seat Back L1						
	(code 801)	1	2296 780				
	(code 803)	1	2296 781				
	(code 805)	1	2296 782				
	(code 808)	1	2296 783				
	(code 831)	1	2415 016				
	(code 833)	1	2415 017				
	(code 835)	1	2415 018				
	(code 838)	1	2415 019				
	L1 (Sub., 2nd seat)						
	(code 851)	1	----	----	2296 896		
	(code 853)	1	----	----	2296 897		
	(code 855)	1	----	----	2296 898		
	(code 858)	1	----	----	2296 899		
	(code 871)	1	----	----	2415 358		
	(code 873)	1	----	----	2415 359		
	(code 875)	1	----	----	2415 360		
	(code 878)	1	----	----	2415 361		
	L1-L, L1-H						
	(code 871)	1	2415 696	----	----	----	2433 058
	(code 873)	1	2415 697	----	----	----	2433 059
	(code 875)	1	2415 698	----	----	----	2433 060
	(code 878)	1	----	----	----	----	2433 061
	L1-P						
	(code 891)	1	----	----	----	2415 782	2433 098
	(code 893)	1	----	----	----	2415 783	2433 099
	(code 895)	1	----	----	----	2415 784	2433 100
	(code 898)	1	----	----	----	2415 785	2433 101
	D1, D2						
	(code 501)	1	2415 236				
	(code 503)	1	2415 237				
	(code 505)	1	2415 238				
	(code 508)	1	2415 239				
	(code 521)	1	2431 155	2431 155	----	2431 155	
	(code 523)	1	2431 156	2431 156	----	2431 156	
	(code 525)	1	2431 157	2431 157	----	2431 157	
	(code 526)	1	2431 158	2431 158	----	2431 158	
	(code 528)	1	2431 159	2431 159	----	2431 159	

★ Indicates use as required.
 ☐ Indicates parts not listed in any previous parts book.
 Right and left part numbers are on same line,
 first number is right, second number is left.
 * Indicates change or addition.

Printed in U.S.A.
 Prices and specifications subject to change without notice.
 Jan. 3, 1964 Supersedes Dec. 14, 1962.

1963 PASSENGER CAR PARTS CATALOG

CODE	REMARKS	PER CAR	SED.	SP. 4 D.	SUB.	SP. CL. CP.	CV. CP.
23-109-4	COVER, Rear Seat Back-Cont'd						
	D1-L, D2-L						
	(code 594)	1	2433 003				
	(codes 611, 621) (4 D.)	1	2415 088				
	(codes 613, 623) (4 D.)	1	2415 089				
	(code 694)	1	2415 156				
	D1-H, D2-H						
	(code 541)	1	2431 395				
	(code 543)	1	2431 396				
	(code 545)	1	2431 397				
	(code 546)	1	2431 398				
	(code 548)	1	2431 399				
	D1, D2 (Sub. 2nd. seat)						
	(code 601)	1	----	----	2415 438		
	(code 621)	1	----	----	2431 015		
	(code 623)	1	----	----	2431 016		
	(code 625)	1	----	----	2431 017		
	(code 626)	1	----	----	2431 018		
	(code 628)	1	----	----	2431 019		
	D1, D2 (Sub. 3rd. seat)						
	(code 621)	1	----	----	2431 061		
	(code 623)	1	----	----	2431 062		
	(code 625)	1	----	----	2431 063		
	(code 626)	1	----	----	2431 064		
	(code 628)	1	----	----	2431 065		
	D1-L, D2-L						
	(code 601) (2nd. seat)	1	----	----	2415 438		
	(code 601) (3rd. seat)	1	----	----	2415 470		
	(code 603) (2nd. seat)	1	----	----	2415 439		
	(code 603) (3rd. seat)	1	----	----	2415 471		
	(code 605) (2nd. seat)	1	----	----	2415 440		
	(code 605) (3rd. seat)	1	----	----	2415 472		
	(code 608) (2nd. seat)	1	----	----	2415 441		
	(code 608) (3rd. seat)	1	----	----	2415 473		
	D1-H, D2-H						
	(code 641)	1	2431 665	----	----	2431 665	2431 825
	(code 643)	1	2431 666	----	----	2431 666	2431 826
	(code 645)	1	2431 667	----	----	2431 667	2431 827
	(code 646)	1	2431 668	----	----	2431 668	2431 828
	(code 648)	1	2431 669	----	----	2431 669	2431 829
	D2-P						
	(code 651)	1	----	----	----	2431 840	2431 870
	(code 653)	1	----	----	----	2431 841	2431 871
	(code 655)	1	----	----	----	2431 842	2431 872
	(code 656)	1	----	----	----	2431 843	2431 873
	(code 658)	1	----	----	----	2431 844	2431 874
	A3-E						
	(code 561) (2nd. seat)	1	2137 840	----	2137 902		
	(code 561) (3rd. seat)	1	----	----	2137 918		
	(code 563) (2nd. seat)	1	2137 841	----	2137 903		
	(code 563) (3rd. seat)	1	----	----	2137 919		
	(code 565) (2nd. seat)	1	2137 842	----	2137 904		
	(code 565) (3rd. seat)	1	----	----	2137 920		
	(code 568) (2nd. seat)	1	2137 843	----	2137 905		
	(code 568) (3rd. seat)	1	----	----	2137 921		
	A3-L						
	(code 571)	1	2136 989	----	----	2137 179	
	(code 572)	1	2136 990	----	----	2137 180	
	(code 573)	1	2136 991	----	----	2137 181	
	(code 575)	1	2136 992	----	----	2137 182	
	(code 578)	1	2136 993	----	----	2137 183	
	(code 584)	1	2137 664	----	----		

★ Indicates use as required.
 ☐ Indicates parts not listed in any previous parts book.
 Jan. 3, 1964 Supersedes Dec. 14, 1962.

Printed in U.S.A.
 Prices and specifications subject to change without notice.
 Right and left part numbers are on same line,
 first number is right, second number is left.

* Indicates change or addition.

CODE	REMARKS	PER CAR	SED.	SP. 4 D.	SUB.	SP. CL. CP.	CV. CP.
23-109-4	COVER, Rear Seat Back - Cont'd A3-L						
	(code 671) (2nd. seat)	1	----	2137 325	2137 487	----	2137 442
	(3rd. seat)	1	----	----	2137 517	----	
	(code 672) (2nd. seat)	1	----	2137 326	2137 488	----	2137 443
	(3rd. seat)	1	----	----	2137 518	----	
	(code 673) (2nd. seat)	1	----	2137 327	2137 489	----	2137 444
	(3rd. seat)	1	----	----	2137 519	----	
	(code 675) (2nd. seat)	1	----	2137 328	2137 490	----	2137 445
	(3rd. seat)	1	----	----	2137 520	----	
	(code 678) (2nd. seat)	1	----	2137 329	2137 491	----	2137 446
	(3rd. seat)	1	----	----	2137 521	----	
	(code 684) (2nd. seat)	1	2137 670				
23-109-5	INSERT or COVER, Rear Seat Back Rear Panel						
	D1, D2 (Sub. 2nd. seat)						
	(codes 601, 621) (blue)	1	----	----	2297 561		
	(codes 603, 623) (tan)	1	----	----	2297 562		
	(codes 605, 625) (red)	1	----	----	E1804 TR6		
	(codes 608, 628) (turquoise)	1	----	----	2297 565		
	(code 626) (black)	1	----	----	2297 564		
	D1, D2 (Sub. 3rd. seat)						
	(codes 601, 621) (blue)	1	----	----	2297 567		
	(codes 603, 623) (tan)	1	----	----	2297 568		
	(codes 605, 625) (red)	1	----	----	E1805 TR6		
	(codes 608, 628) (turquoise)	1	----	----	2297 571		
	(code 626) (black)	1	----	----	2297 570		
	D1, D2 (Sub. 3rd. seat) (back support panel)						
	(codes 601, 621) (blue)	1	----	----	2297 591		
	(codes 603, 623) (tan)	1	----	----	2297 592		
	(codes 605, 625) (red)	1	----	----	2297 593		
	(codes 608, 628) (turquoise)	1	----	----	2297 595		
	(code 626) (black)	1	----	----	2297 594		
	D2-P (upper panel) (paint as required)	1	----	----	----	----	2413 817
	A3 (Sub. 2nd. seat)						
	(codes 561, 671) (blue)	1	----	----	2180 832		
	(code 672) (green)	1	----	----	2181 389		
	(codes 563, 673) (tan)	1	----	----	2181 390		
	(codes 565, 675) (red)	1	----	----	2181 391		
	(codes 568, 678) (turquoise)	1	----	----	2181 392		
	A3 (Sub. 3rd. seat)						
	(codes 561, 671) (blue)	1	----	----	2180 834		
	(code 672) (green)	1	----	----	2181 397		
	(codes 563, 673) (tan)	1	----	----	2181 398		
	(codes 565, 675) (red)	1	----	----	2181 399		
	(codes 568, 678) (turquoise)	1	----	----	2181 400		
23-109-35	CUSHION, Rear Seat L1-L						
	(code 801)	1	2296 764				
	(w/airfoam pad)	1	*2296 772				
	(code 803)	1	2296 765				
	(w/heavy duty spring)	1	2296 773				
	(code 805)	1	2296 766				
	(w/heavy duty spring)	1	2296 774				
	(code 808)	1	2296 767				
	(w/heavy duty spring)	1	2296 775				

★ Indicates use as required.
 □ Indicates parts not listed in any previous parts book.
 Right and left part numbers are on same line,
 first number is right, second number is left.
 * Indicates change or addition.

Printed in U.S.A.
 Prices and specifications subject to change without notice.
 Jan. 3, 1964 Supersedes Jan. 25, 1963.

1963 PASSENGER CAR PARTS CATALOG

INTERIOR TRIM

CODE	REMARKS	PER CAR	SED.	SP. 4 D.	SUB.	SP. CL. CP.	CV. CP.
23-109-35	CUSHION, Rear Seat - Cont'd						
	L1 (Sub. 2nd. seat)						
	(code 851)	1	----	----	2296 892		
	(code 853)	1	----	----	2296 893		
	(code 855)	1	----	----	2296 894		
	(code 858)	1	----	----	2296 895		
	(code 894) (4 D.)	1	2296 669				
	L1-H						
	(code 831)	1	2415 012				
	(code 833)	1	2415 013				
	(code 835)	1	2415 014				
	(code 838)	1	2415 015				
	L1-L, L1-H						
	(code 871)	1	2415 693				
	(code 873)	1	2415 694				
	(code 875)	1	2415 695				
	L1-H						
	(code 871)	1	----	----	----	----	2433 050
	(code 873)	1	----	----	----	----	2433 051
	(code 875)	1	----	----	----	----	2433 052
	(code 878)	1	----	----	----	----	2433 053
	L1-H (spring and cover)						
	(code 871) (2nd. seat)	1	----	----	2415 354		
	(code 873) (2nd. seat)	1	----	----	2415 355		
	(code 875) (2nd. seat)	1	----	----	2415 356		
	(code 878) (2nd. seat)	1	----	----	2415 357		
	L1-P						
	(code 891)	1	----	----	----	2415 770	2433 086
	(code 893)	1	----	----	----	2415 771	2433 087
	(code 895)	1	----	----	----	2415 772	2433 088
	(code 898)	1	----	----	----	2415 773	2433 089
	(w/airfoam pad)	1	----	----	----	2431 095	
	D1-L, D2-L						
	(code 501)	1	2415 228				
	(w/heavy duty spring)	1	2415 232				
	(code 503)	1	2415 229				
	(w/heavy duty spring)	1	2415 233				
	(code 505)	1	2415 230				
	(w/heavy duty spring)	1	2415 234				
	(code 508)	1	2415 231				
	(w/heavy duty spring)	1	2415 235				
	(code 594)	1	2433 001				
	(w/airfoam pad)	1	2433 002				
	(code 611)	1	E2433 304				
	(w/airfoam pad)	1	2433 306				
	(w/heavy duty spring)	1	E2433 308				
	(code 613)	1	E2433 305				
	(w/heavy duty spring)	1	E2433 309				
	(code 694)	1	2415 152				
	(w/airfoam pad)	1	2415 153				
	(w/heavy duty spring and airfoam pad)	1	2415 155				
	(w/heavy duty spring)	1	2415 154				
	D1-M, D2-M						
	(code 521)	1	E2433 215	----	----	E2433 215	
	(w/airfoam pad)	1	2433 220	----	----	2433 220	
	(w/heavy duty spring)	1	E2433 225	----	----	E2433 225	
	(code 523)	1	E2433 216	----	----	E2433 216	
	(w/airfoam pad)	1	2433 221	----	----	2433 221	
	(w/heavy duty spring)	1	E2433 226	----	----	E2433 226	

★ Indicates use as required.

E Indicates parts not listed in any previous parts book.
Jan. 3, 1964 Supersedes Dec. 14, 1962.Prices and specifications subject to change without notice.
Right and left part numbers are on same line,
first number is right, second number is left.

* Indicates change or addition.

CODE	REMARKS	PER CAR	SED.	SP. 4 D.	SUB.	SP. CL. CP.	CV. CP.
23-109-35	CUSHION, Rear Seat-Cont'd						
	D1-M, D2-M						
	(code 525)	1	E2433 217	----	----	E2433 217	
	(w/airfoam pad)	1	2433 222	----	----	2433 222	
	(w/heavy duty spring)	1	E2433 227	----	----	E2433 227	
	(code 526)	1	E2433 218	----	----	E2433 218	
	(w/airfoam pad)	1	2433 223	----	----	2433 223	
	(w/heavy duty spring)	1	E2433 228	----	----	E2433 228	
	(code 528)	1	E2433 219	----	----	E2433 219	
	(w/airfoam pad)	1	2433 224	----	----	2433 224	
	(w/heavy duty spring)	1	E2433 229	----	----	E2433 229	
	D1-H, D2-H						
	(code 541)	1	2431 385				
	(w/airfoam pad)	1	2431 390				
	(code 543)	1	2431 386				
	(w/airfoam pad)	1	2431 391				
	(code 545)	1	2431 387				
	(w/airfoam pad)	1	2431 392				
	(code 546)	1	2431 388				
	(w/airfoam pad)	1	2431 393				
	(code 548)	1	2431 389				
	(w/airfoam pad)	1	2431 394				
	D1-L, D2-L						
	(code 601) (2nd. seat)	1	----	----	2415 434		
	(3rd. seat)	1	----	----	2415 466		
	(code 603) (2nd. seat)	1	----	----	2415 435		
	(3rd. seat)	1	----	----	2415 467		
	(code 605) (2nd. seat)	1	----	----	2415 436		
	(3rd. seat)	1	----	----	2415 468		
	(code 608) (2nd. seat)	1	----	----	2415 437		
	(3rd. seat)	1	----	----	2415 469		
	D1-M, D2-M						
	(code 621) (2nd. seat)	1	----	----	E2433 285		
	(w/airfoam pad)	1	2433 306				
	(w/heavy duty spring)	1	E2433 308				
	(3rd. seat)	1	----	----	E2433 295		
	(code 623) (2nd. seat)	1	E2433 304	----	E2433 286		
	(w/heavy duty spring)	1	E2433 309				
	(3rd. seat)	1	----	----	E2433 296		
	(code 625) (2nd. seat)	1	----	----	E2433 287		
	(3rd. seat)	1	----	----	E2433 297		
	(code 626) (2nd. seat)	1	----	----	E2433 288		
	(3rd. seat)	1	----	----	E2433 298		
	(code 628) (2nd. seat)	1	----	----	E2433 289		
	(3rd. seat)	1	----	----	E2433 299		
	(code 641)	1	2431 655	2431 655	----	2431 655	2431 805
	D1-H, D2-H						
	(w/airfoam pad)	1	2431 660	2431 660	----	2431 660	2431 820
	(code 643)	1	2431 656	2431 656	----	2431 656	2431 806
	(w/airfoam pad)	1	2431 661	2431 661	----	2431 661	2431 821
	(code 645)	1	2431 657	2431 657	----	2431 657	2431 807
	(w/airfoam pad)	1	2431 662	2431 662	----	2431 662	2431 822
	(code 646)	1	2431 658	2431 658	----	2431 658	2431 808
	(w/airfoam pad)	1	2431 663	2431 663	----	2431 663	2431 823
	(code 648)	1	2431 659	2431 659	----	2431 659	2431 809
	(w/airfoam pad)	1	2431 664	2431 664	----	2431 664	2431 824
	D2-P						
	(code 651)	1	----	----	----	2431 835	2431 860
	(code 653)	1	----	----	----	2431 836	2431 861
	(code 655)	1	----	----	----	2431 837	2431 862
	(code 656)	1	----	----	----	2431 838	2431 863
	(code 658)	1	----	----	----	2431 839	2431 864

★ Indicates use as required.

E Indicates parts not listed in any previous parts book.

Right and left part numbers are on same line, first number is right, second number is left.

* Indicates change or addition.

Printed in U.S.A.
Prices and specifications subject to change without notice.
Jan. 3, 1964 Supersedes Jan. 25, 1963.

1963 PASSENGER CAR PARTS CATALOG

INTERIOR TRIM

CODE	REMARKS	PER CAR	SED.	SP. 4 D.	SUB.	SP. CL. CP.	CV. CP.
23-109-35	CUSHION, Rear Seat-Cont'd A3-E						
	(code 561) (2nd. seat)	1	2137 844	----	2137 906		
	(w/airfoam pad)	1	2137 877				
	(w/heavy duty spring and rubber pad)	1	2137 970				
	(police)	1	2137 984				
	(3rd. seat)	1	----	----	2137 922		
	(code 563) (2nd. seat)	1	2137 845	----	2137 907		
	(w/airfoam pad)	1	2137 878				
	(w/heavy duty spring and rubber pad)	1	2137 971				
	(police)	1	2137 985				
	(3rd. seat)	1	----	----	2137 923		
	(code 565) (2nd. seat)	1	2137 846	----	2137 908		
	(w/airfoam pad)	1	2137 879				
	(w/heavy duty spring and rubber pad)	1	2137 972				
	(police)	1	2137 986				
	(3rd. seat)	1	----	----	2137 924		
	(code 568) (2nd. seat)	1	2137 847	----	2137 909		
	(w/airfoam pad)	1	2137 880				
	(w/heavy duty spring and rubber pad)	1	2137 973				
	(police)	1	2137 987				
	(3rd. seat)	1	----	----	E2137 925		
	(code 584)	1	2137 665				
	(w/airfoam pad)	1	2137 667				
	(code 684)	1	2137 671				
	(w/airfoam pad)	1	2137 696				
A3-L							
	(code 571)	1	2137 000	----	----	2137 189	
	(w/airfoam pad)	1	2137 046	----	----	2137 234	
	(w/heavy duty spring and airfoam pad)	1	2137 597				
	(police)	1	2137 592				
	(code 572)	1	2137 001	----	----	2137 190	
	(w/airfoam pad)	1	2137 047	----	----	2137 235	
	(w/heavy duty spring and airfoam pad)	1	2137 598				
	(police)	1	2137 593				
	(code 573)	1	2137 002	----	----	2137 191	
	(w/airfoam pad)	1	2137 048	----	----	2137 236	
	(w/heavy duty spring and airfoam pad)	1	2137 599				
	(police)	1	2137 594				
	(code 575)	1	2137 003	----	----	2137 192	
	(w/airfoam pad)	1	2137 049	----	----	2137 237	
	(w/heavy duty spring and airfoam pad)	1	2137 600				
	(police)	1	2137 595				
	(code 578)	1	2137 004	----	----	2137 193	
	(w/airfoam pad)	1	2137 050	----	----	2137 238	
	(w/heavy duty spring and airfoam pad)	1	2137 601				
	(police)	1	2137 596				
	(code 671) (2nd. seat)	1	----	2137 335	2137 497	----	2137 452
	(3rd. seat)	1	----	----	2137 527		
	(code 672) (2nd. seat)	1	----	2137 336	2137 498	----	2137 453
	(3rd. seat)	1	----	----	2137 528		
	(code 673) (2nd. seat)	1	----	2137 337	2137 499	----	2137 454
	(3rd. seat)	1	----	----	2137 529		

★ Indicates use as required.

☐ Indicates parts not listed in any previous parts book.
Jan. 3, 1964 Supersedes Dec. 14, 1962.

Printed in U.S.A.

Prices and specifications subject to change without notice.

Right and left part numbers are on same line,
first number is right, second number is left.

* Indicates change or addition.

CODE	REMARKS	PER CAR	SED.	SP. 4D.	SUB.	SP. CL. CP.	CV. CP.
23-109-35	CUSHION, Rear Seat - Cont'd A3-L						
	(code 675) (2nd. seat)	1	----	2137 338	2137 500	----	2137 455
	(code 678) (3rd. seat)	1	----	----	2137 530	----	
	(code 678) (2nd. seat)	1	----	2137 339	2137 501	----	2137 456
	(code 678) (3rd. seat)	1	----	----	2137 531	----	
23-109-36	COVER, Rear Seat Cushion L1						
	(code 801)	1	2296 760				
	(code 803)	1	2296 761				
	(code 805)	1	2296 762				
	(code 808)	1	2296 763				
	(code 831)	1	⊠2433 386				
	(code 833)	1	2415 001				
	(code 835)	1	2415 002				
	(code 838)	1	2415 003				
	(code 851)	1	----	----	2296 888		
	(code 853)	1	----	----	2296 889		
	(code 855)	1	----	----	2296 890		
	(code 858)	1	----	----	2296 891		
	(code 871)	1	2415 690	----	2415 342	----	2433 042
	(code 873)	1	*2415 691	----	2415 343	----	2433 043
	(code 875)	1	*2415 692	----	2415 344	----	2433 044
	(code 878)	1	----	----	2415 345	----	2433 045
	L1-P						
	(code 891)	1	----	----	----	2415 766	2433 082
	(code 893)	1	----	----	----	2415 767	2433 083
	(code 895)	1	----	----	----	2415 768	2433 084
	(code 898)	1	----	----	----	2415 769	2433 085
	D1-H, D2-H						
	(code 541)	1	2431 380				
	(code 543)	1	2431 381				
	(code 545)	1	2431 382				
	(code 546)	1	2431 383				
	(code 548)	1	2431 384				
	D1, D2						
	(code 501)	1	2415 224				
	(code 503)	1	2415 225				
	(code 505)	1	2415 226				
	(code 508)	1	2415 227				
	(code 521)	1	⊠2433 205	⊠2433 205	----	⊠2433 205	
	(w/airfoam pad)	1	2433 210	----	----	2433 210	
	(code 523)	1	⊠2433 206	⊠2433 206	----	⊠2433 206	
	(w/airfoam pad)	1	2433 211	----	----	2433 211	
	(code 525)	1	⊠2433 207	⊠2433 207	----	⊠2433 207	
	(w/airfoam pad)	1	2433 212	----	----	2433 212	
	(code 526)	1	⊠2433 208	⊠2433 208	----	⊠2433 208	
	(w/airfoam pad)	1	2433 213	----	----	2433 213	
	(code 528)	1	⊠2433 209	⊠2433 209	----	⊠2433 209	
	(w/airfoam pad)	1	2433 214	----	----	2433 214	
	(code 594)	1	2433 000				
	(code 601) (2nd. seat)	1	----	----	2415 426		
	(code 601) (3rd. seat)	1	----	----	2415 458		
	(code 603) (2nd. seat)	1	----	----	2415 427		
	(code 603) (3rd. seat)	1	----	----	2415 459		
	(code 605) (2nd. seat)	1	----	----	2415 428		
	(code 605) (3rd. seat)	1	----	----	2415 460		
	(code 608) (2nd. seat)	1	----	----	2415 429		
	(code 608) (3rd. seat)	1	----	----	2415 461		

★ Indicates use as required.

⊠ Indicates parts not listed in any previous parts book.
Right and left part numbers are on same line,
first number is right, second number is left.

* Indicates change or addition.

Printed in U.S.A.

Prices and specifications subject to change without notice.

CODE	REMARKS	PER CAR	SED.	SP. 4 D.	SUB.	SP. CL. CP.	CV. CP.
23-109-36	COVER, Rear Seat Cushion-Cont'd D1, D2						
	(codes 611, 621) (2nd. seat)	1	2415 522	----	E2433 280		
	(w/airfoam pad)	1	2433 302				
	(3rd. seat)	1	----	----	E2433 290		
	(codes 613, 623) (2nd. seat)	1	2415 523	----	E2433 281		
	(w/airfoam pad)	1	2433 303				
	(3rd. seat)	1	----	----	E2433 291		
	(code 625) (2nd. seat)	1	----	----	E2433 282		
	(3rd. seat)	1	----	----	E2433 292		
	(code 626) (2nd. seat)	1	----	----	E2433 283		
	(3rd. seat)	1	----	----	E2433 293		
	(code 628) (2nd. seat)	1	----	----	E2433 284		
	(3rd. seat)	1	----	----	E2433 294		
	(code 694)	1	2415 151	----	2415 151		
	D1-H, D2-H						
	(code 641)	1	2431 650	2431 650	----	2431 650	2431 760
	(code 643)	1	2431 651	2431 651	----	2431 651	2431 761
	(code 645)	1	2431 652	2431 652	----	2431 652	2431 762
	(code 646)	1	2431 653	2431 653	----	2431 653	2431 763
	(code 648)	1	2431 654	2431 654	----	2431 654	2431 764
	D2-P						
	(code 651)	1	----	----	----	2431 830	2431 855
	(code 653)	1	----	----	----	2431 831	2431 856
	(code 655)	1	----	----	----	2431 832	2431 857
	(code 656)	1	----	----	----	2431 833	2431 858
	(code 658)	1	----	----	----	2431 834	2431 859
	A3-E						
	(code 561) (2nd. seat)	1	2137 848	----	2137 910		
	(3rd. seat)	1	----	----	2137 926		
	(code 563) (2nd. seat)	1	2137 849	----	2137 911		
	(3rd. seat)	1	----	----	2137 927		
	(code 565) (2nd. seat)	1	2137 850	----	2137 912		
	(3rd. seat)	1	----	----	2137 928		
	(code 568) (2nd. seat)	1	2137 851	----	2137 913		
	(3rd. seat)	1	----	----	2137 929		
	A3-L						
	(code 571)	1	2137 005	----	----	2137 194	
	(code 572)	1	2137 006	----	----	2137 195	
	(code 573)	1	2137 007	----	----	2137 196	
	(code 575)	1	2137 008	----	----	2137 197	
	(code 578)	1	2137 009	----	----	2137 198	
	(code 671) (2nd. seat)	1	----	2137 340	2137 502	----	2137 457
	(3rd. seat)	1	----	----	2137 532	----	
	(code 672) (2nd. seat)	1	----	2137 341	2137 503	----	2137 458
	(3rd. seat)	1	----	----	2137 533	----	
	(code 673) (2nd. seat)	1	----	2137 342	2137 504	----	2137 459
	(3rd. seat)	1	----	----	2137 534	----	
	(code 675) (2nd. seat)	1	----	2137 343	2137 505	----	2137 460
	(3rd. seat)	1	----	----	2137 535	----	
	(code 678) (2nd. seat)	1	----	2137 344	2137 506	----	2137 461
	(3rd. seat)	1	----	----	2137 536	----	
	(3rd. seat cushion spring attaching nut)	3	----	----	6000 234		
	(code 584)	1	2137 666				
	(code 684)	1	2137 672				
23-109-38	CATCH, 3rd. seat Cushion D1, D2	2	----	----	2270 834		

★ Indicates use as required.

☐ Indicates parts not listed in any previous parts book.

Jan. 3, 1964 Supersedes Dec. 14, 1962.

Page IT-156B

Printed in U.S.A.
Prices and specifications subject to change without notice.Right and left part numbers are on same line,
first number is right, second number is left.

* Indicates change or addition.

CODE	REMARKS	PER CAR	SED.	SP. 4 D.	SUB.	SP. CL. CP.	CV. CP.
23-109-38	RETAINER, Center Floor Pan D1, D2 Rear Seat Cushion Rear Floor Pan 3rd. Seat Cushion, Front Rear	2 2 2	1810 037	1810 037	2422 981	1810 037	1810 037
23-109-40	INSERT, 3rd. Seat Cushion Panel A3 (codes 561, 671) (code 672) (codes 563, 673) (codes 565, 675) (codes 568, 678)	1 1 1 1 1	----	----	2180 833 2181 393 2181 394 2181 395 2181 396		
23-111-31	RETAINER, Folding Top Header Outer Panel Tacking Strip A3-L	1	----	----	----	----	1952 194
23-111-37	STRIP, Folding Top Bow Tacking L1 D1, D2, A3 (No. 1 and No. 2 bow) (No. 3 bow)	2 1 1	----	----	----	----	*2424 591 *1950 509 *2424 607
23-112-4	RETAINER, Folding Top Header Top Material L1 (in white)	1	----	----	----	----	2424 262-3
23-112-12	BOOT, Folding Top Dust L1 (codes 871, 891) (blue) (codes 873, 893) (tan) (codes 875, 895) (red) (codes 878, 898) (turquoise)	1 1 1 1	----	----	----	----	2432 364 2432 365 2432 366 2432 367
	D2-H, D2-P (w/4 pocket panel fasteners) (code 641, 651) (blue) (code 643, 653) (tan) (code 645, 655) (red) (code 646) (alabaster) (code 648, 658) (turquoise) (code 656) (black)	1 1 1 1 1 1	----	----	----	----	E2432 952 E2432 953 E2432 954 E2432 955 E2432 956 *2432 957
	D2-H, D2-P (w/8 pocket panel fasteners) (codes 641, 651) (codes 643, 653) (codes 645, 655) (code 646) (codes 648, 658) (code 656)	1 1 1 1 1 1	----	----	----	----	E2432 990 E2432 991 E2432 992 E2432 993 E2432 994 E2432 995
	A3-L (code 671) (code 672) (code 673) (code 675) (code 678) (cap fastener)	1 1 1 1 1 1	----	----	----	----	E2182 069 E2182 070 E2182 071 E2182 072 E2182 073 *6000 434
23-112-18	RETAINER, Channel Rear Seat Back Dust Boot L1 D1, D2 A3-L	1 1 1	----	----	----	----	2410 047 2410 006 2270 929

★ Indicates use as required.

⊠ Indicates parts not listed in any previous parts book.
Right and left part numbers are on same line,
first number is right, second number is left.

* Indicates change or addition.

1963 PASSENGER CAR PARTS CATALOG

INTERIOR TRIM

CODE	REMARKS	PER CAR	SED.	SP. 4 D.	SUB.	SP. CL. CP.	CV. CP.
23-112-23	COVER, Folding Top Rear Bow to Link Joint L1	2	----	----	----	----	*2483 740
23-112-45	CURTAIN, Folding Top Back L1						
	(black)	1	----	----	----	----	2432 227
	(white)	1	----	----	----	----	2432 290
	D2-H (black)	1	----	----	----	----	2429 746
	D2-P (black)	1	----	----	----	----	2431 696
	D2-H (white)	1	----	----	----	----	2433 638
	D2-P (white)	1	----	----	----	----	2431 697
	A3						
	(blue)	1	----	----	----	----	2181 465
	(white)	1	----	----	----	----	2181 464
	(black)	1	----	----	----	----	2181 463
	BACK LIGHT						
	L1	1	----	----	----	----	2432 228
	D2	1	----	----	----	----	2429 827
	(cap fastener)	1	----	----	----	----	*6000 484
23-112-46	ZIPPER, Folding Top Rear Curtain						
	L1	1	----	----	----	----	*1920 TX8
	D2	1	----	----	----	----	*1923 TX8
	A3	1	----	----	----	----	2181 462
23-112-50	TAPE, Folding Top Back Curtain Quarter Stay Closure Hook (service by the inch) L1, D2	★	----	----	----	----	*1934 TX8
	Side Closure Loop (service by the inch)	★	----	----	----	----	*1933 TX8
23-112-70	RETAINER, Folding Top to Belt Bar L1						
	(center)	1	----	----	----	----	2448 103
	(side)	1	----	----	----	----	2448 104-5
	(rear)	1	----	----	----	----	2421 939
	A3-L						
	(inner)	2	----	----	----	----	2252 610
	D2						
	(galvanized) (center)	1	----	----	----	----	2189 748
	(galvanized) (side)	1	----	----	----	----	2189 852-3
	(center)	1	----	----	----	----	2421 694
	(side)	1	----	----	----	----	2421 944-5
	(rear)	1	----	----	----	----	2421 939
23-112-75	END, Wire-on Binding End D2, A3	1	----	----	----	----	*1158 976-7
23-112-88	CABLE, Folding Top Rear Bow Tension L1, D2	2	----	----	----	----	2166 660
	A3-L	2	----	----	----	----	2480 818
	L1 (side)	2	----	----	----	----	*2490 179
23-112-108	DECK and SIDE QUARTER, Folding Top L1						
	(white)	1	----	----	----	----	2432 229
	(black)	1	----	----	----	----	2432 230

★ Indicates use as required.

⊠ Indicates parts not listed in any previous parts book.
Jan. 3, 1964 Supersedes Jan. 25, 1963.

Page IT-156D

Printed in U.S.A.
Prices and specifications subject to change without notice.
Right and left part numbers are on same line,
first number is right, second number is left.

* Indicates change or addition.

CODE	REMARKS	PER CAR	SED.	SP. 4D.	SUB.	SP. CL. CP.	CV. CP.
23-112-108 DECK and SIDE QUARTER Folding Top - Cont'd							
D2-H	(white)	1	----	----	----	----	2429 749
	(black)	1	----	----	----	----	2429 748
D2-P	(w/alabaster interior)						
	(white)	1	----	----	----	----	*2431 694
	(w/alabaster interior)						
	(black)	1	----	----	----	----	*2431 695
A3-L	(white)	1	----	----	----	----	2178 405
	(black)	1	----	----	----	----	2181 460
	(blue)	1	----	----	----	----	2181 461
23-112-112 PAD, Folding Top Side Quarter Stay							
L1		1	----	----	----	----	2432 826-7
D2-P	(black)	1	----	----	----	----	E2429 750-1
	(alabaster)	1	----	----	----	----	*2431 698-9
A3-L		1	----	----	----	----	2181 458-9
23-112-153 PANEL or COVER, Folding Top Pocket							
L1	(well lining cover)						
	(codes 871, 891)	1	----	----	----	----	2431 025
	(codes 873, 893)	1	----	----	----	----	2431 071
	(codes 875, 895)	1	----	----	----	----	2431 098
	(codes 878, 898)	1	----	----	----	----	2431 099
	(pocket panel cover)						
	(blue)	1	----	----	----	----	2432 796-7
	(tan)	1	----	----	----	----	2432 798-9
	(red)	1	----	----	----	----	2432 800-1
	(turquoise)	1	----	----	----	----	2432 802-3
	(upper, inner cover)						
	(blue)	1	----	----	----	----	2432 238-9
	(tan)	1	----	----	----	----	2432 240-1
	(red)	1	----	----	----	----	2432 242-3
	(turquoise)	1	----	----	----	----	2432 244-5
	(pocket panel) (paint as required)	1	----	----	----	----	2432 246-7
D2-H, D2-P (panel) w/o arm rest							
	(codes 641, 651)	1	----	----	----	----	*2431 900-1
	(codes 643, 653)	1	----	----	----	----	2431 902-3
	(codes 645, 655)	1	----	----	----	----	2431 904-5
	(code 646)	1	----	----	----	----	2431 906-7
	(code 656)	1	----	----	----	----	2431 936-7
	(codes 648, 658)	1	----	----	----	----	2431 908-9
	(panel and reinforcement)						
	(paint as required) (use w/pad code 23-112-160)	1	----	----	----	----	E2432 470-1
	(cover)						
	(codes 641, 651)	1	----	----	----	----	2431 890-1
	(codes 643, 653)	1	----	----	----	----	2431 892-3
	(codes 645, 655)	1	----	----	----	----	2431 894-5
	(code 646)	1	----	----	----	----	2431 896-7
	(code 656)	1	----	----	----	----	2431 934-5
	(codes 648, 658)	1	----	----	----	----	2431 898-9
	(well lining panel cover)						
	(codes 641, 651)	1	----	----	----	----	2431 425
	(codes 643, 653)	1	----	----	----	----	2431 426
	(codes 645, 655)	1	----	----	----	----	2431 427

★ Indicates use as required.

☐ Indicates parts not listed in any previous parts book. Right and left part numbers are on same line, first number is right, second number is left.

* Indicates change or addition.

1963 PASSENGER CAR PARTS CATALOG

INTERIOR TRIM

CODE	REMARKS	PER CAR	SED.	SP. 4 D.	SUB.	SP. CL. CP.	CV. CP.	
112-153	PANEL or COVER, Folding Top Pocket - Cont'd							
	D2H, D2P (well lining cover) (codes 646, 656)	1	----	----	----	----	2431 428	
	(codes 648, 658) (well cover to quarter belt bar retainer screw)	1	----	----	----	----	2431 429	
		2	----	----	----	----	6023 381	
A3-L (shelf panel)	(code 671)	1	----	----	----	----	2137 726-7	
	(code 672)	1	----	----	----	----	2137 728-9	
	(code 673)	1	----	----	----	----	2137 730-1	
	(code 675)	1	----	----	----	----	2137 732-3	
	(code 678)	1	----	----	----	----	2137 734-5	
(cover)	(code 671)	1	----	----	----	----	2137 756-7	
	(code 672)	1	----	----	----	----	2137 758-9	
	(code 673)	1	----	----	----	----	2137 760-1	
	(code 675)	1	----	----	----	----	2137 762-3	
	(code 678)	1	----	----	----	----	2137 764-5	
(rear quarter top pocket panel)	(code 671)	1	----	----	----	----	2137 746-7	
	(code 672)	1	----	----	----	----	2137 748-9	
	(code 673)	1	----	----	----	----	2137 750-1	
	(code 675)	1	----	----	----	----	2137 752-3	
	(code 678)	1	----	----	----	----	2137 754-5	
WELL, Folding Top A3-L	(code 671)	1	----	----	----	----	E2181 466	
	(code 672)	1	----	----	----	----	E2181 467	
	(code 673)	1	----	----	----	----	E2181 468	
	(code 675)	1	----	----	----	----	E2181 469	
	(code 678)	1	----	----	----	----	E2181 470	
112-160 PAD, Folding Top Pocket Panel Arm Rest	L1	(codes 871, 891) (blue)	1	----	----	----	E2432 804-5	
		(codes 873, 893) (tan)	1	----	----	----	E2432 806-7	
		(codes 875, 895) (red)	1	----	----	----	E2432 808-9	
		(codes 878, 898) (turquoise)	1	----	----	----	E2432 810-1	
	D2	(codes 641, 651)	1	----	----	----	----	*2432 874-5
		(codes 643, 653)	1	----	----	----	----	*2432 876-7
		(codes 645, 655)	1	----	----	----	----	*2432 878-9
		(code 646)	1	----	----	----	----	*2432 880-1
		(code 658)	1	----	----	----	----	*2432 882-3
	(code 656)	1	----	----	----	----	E2432 884-5	
	113-2 WEATHERCORD, Door A3 (sold by the inch)	(code 561) (blue)	★	*2182 165	*2182 165	*2182 165	*2182 165	*2182 165
		(codes 571, 671) (blue)	★	E2182 174	E2182 174	E2182 174	E2182 174	E2182 174
		(code 572) (green)	★	E2182 175	E2182 175	E2182 175	E2182 175	E2182 175
(code 563) (tan)		★	*2182 167	*2182 167	*2182 167	*2182 167	*2182 167	
(codes 573, 673) (tan)		★	E2182 176	E2182 176	E2182 176	E2182 176	E2182 176	
(codes 565, 575, 675) (red)		★	E2182 172	E2182 172	E2182 172	E2182 172	E2182 172	
(code 568) (turquoise)		★	*2182 169	*2182 169	*2182 169	*2182 169	*2182 169	
(codes 578, 678) (turquoise)		★	E2182 173	E2182 173	E2182 173	E2182 173	E2182 173	
(black)		★	*2182 164	*2182 164	*2182 164	*2182 164	*2182 164	

Part numbers use as required.
 Part numbers not listed in any previous parts book.
 3, 1964 Supersedes Dec. 14, 1962.

Printed in U.S.A.
 Prices and specifications subject to change without notice.
 Right and left part numbers are on same line,
 first number is right, second number is left.

* Indicates change or addition.

CODE	REMARKS	PER CAR	SED.	SP. 4 D.	SUB.	SP. CL. CP.	CV. CP.
23-113-45	WEATHERCORD, Quarter Window Opening L1 (2 D.) (codes 801, 831) (codes 803, 833) (codes 805, 835) (codes 808, 838)	1 1 1 1	E2432 944 E2432 930 *1515 TR6 2432 942				
	D1, D2 (2 D.) (codes 501, 521) (blue) (codes 503, 523) (tan) (codes 505, 525) (red) (codes 508, 528) (turquoise) (code 526) (alabaster) (code 694) (gray)	1 1 1 1 1 1	E2432 944 E2432 930-1 *1515 TR6 *2432 942-3 2413 404-5 2413 366				
23-113-50	WELT, Windshield Garnish Moulding to Instrument Panel Pad D1, D2, A3 (paint as required)	2	1758 241	1758 241	1758 241	1758 241	1758 241
23-113-52	STRIP, Windshield Weatherstrip Lower Inside Trim L1 (blue) (tan) (turquoise)	1 1 1	---- ---- ----	---- ---- ----	---- ---- ----	2432 716 2432 717 2432 719	2432 716 2432 717 2432 719
23-113-56	WEATHERCORD, Folding Top Header L1 (white) (black)	1 1	---- ----	---- ----	---- ----	---- ----	2432 958 2432 959
23-113-84	WELT, Folding Top Header L1 (black) D2-P (alabaster) (codes 651, 653, 655, 656, 658) A3-L (codes 671, 672, 673, 675, 678) (black)	1 1 1 2	---- ---- ---- ----	---- ---- ---- ----	---- ---- ---- ----	---- ---- ---- ----	2432 150 2432 151 2179 386
23-114-2	MATERIAL, Body Cloth Trim L1-L (63" wide) (code 801) (blue) (code 803) (tan) (code 805) (red) (code 808) (turquoise)	★ ★ ★ ★	2185 890 2185 891 2185 892 2185 893				
	D1-L, D2-L (54" wide) (code 501) (blue) (code 503) (tan) (code 505) (red) (code 508) (turquoise)	★ ★ ★ ★	2185 870 2185 871 2185 872 2185 873				
	D1-M, D2-M (54" wide) (code 521) (blue) (code 523) (tan) (code 525) (red) (code 526) (alabaster) (code 528) (turquoise)	★ ★ ★ ★ ★	2185 874 2185 875 2185 876 2185 877 2185 878	2185 874 2185 875 2185 876 2185 877 2185 878	---- ---- ---- ---- ----	2185 874 2185 875 2185 876 2185 877 2185 878	2185 874 2185 875 2185 876 2185 877 2185 878
	D1-H (4 D.) (50" wide) (code 541) (blue) (code 543) (tan) (code 545) (red) (code 546) (alabaster) (code 548) (turquoise)	★ ★ ★ ★ ★	2185 879 2185 880 2185 881 2185 882 2185 883				

★ Indicates use as required.

E Indicates parts not listed in any previous parts book.
Right and left part numbers are on same line,
first number is right, second number is left.

* Indicates change or addition.

CODE	REMARKS	PER CAR	SED.	SP. 4 D.	SUB.	SP. CL. CP.	CV. CP.
23-114-2	MATERIAL, Body Cloth Trim - Cont'd						
	A3 (63" wide)						
	(code 571)	1	2186 224	----	----	2186 224	
	(code 572)	1	2186 225	----	----	2186 225	
	(code 573)	1	2186 226	----	----	2186 226	
	(code 575)	1	2186 227	----	----	2186 227	
	(code 578)	1	2186 228	----	----	2186 228	
	A3-E (62" wide)						
	(code 561)	1	2186 264	----	2186 264		
	(code 563)	1	2186 265	----	2186 265		
	(code 565)	1	2186 266	----	2186 266		
	(code 568)	1	2186 267	----	2186 267		
23-114-10	BINDING, 5/8" Wire, Black						
	D2	1	----	----	----	----	E2181 851
	D2, A3 (white)	1	----	----	----	----	*2177 529
23-114-15	MATERIAL, Leather (Imitation)						
	L1 (white)						
	(for padded sun visors)	★	*2185 329	*2185 329	*2185 329	*2185 329	*2185 329
	L1-L						
	(codes 801, 851, 871)						
	(34-DA-22) (54") (1601 blue)	★	*2185 666	----	*2185 666	----	*2185 666
	(34-DA-22) (54") (1602 blue)	★	2185 681	----	2185 681		
	(32-CH-22) (54") (1602 Blue)	★	2185 680	----	2185 680		
	(32-CH-22) (54") (1600 blue)						
	(code 871) (4 D.)	★	2185 663				
	(26-DS-75) (43.5")(1601-1 blue)						
	(code 851)	★	----	----	2185 820		
	(19-C-22) (54") (1602 blue)						
	(codes 801, 851, 871) (4 D.)	★	2185 625	----	2185 625		
	(codes 803, 853)						
	(34-DA-22) (54") (1608 tan)	★	2185 683	----	2185 683		
	(34-DA-22) (54") (1607 tan)						
	(codes 833, 873) (4 D.)	★	2185 673				
	(32-CH-22) (54") (1608 tan)						
	(codes 803, 853)	★	2185 682	----	2185 682		
	(32-CH-22) (54") (1606 tan)						
	(code 873) (4 D.)	★	2185 742				
	(19-C-22) (54") (1608 tan)						
	(codes 803, 853, 873) (4 D.)	★	2185 627				
	(34-DA-22) (54") (1621 red)						
	(codes 805, 855, 875)	★	2185 668	----	2185 668		
	(32-CH-22) (54") (1621 red)						
	(codes 805, 855, 875)	★	2185 665	----	2185 665		
	(26-DS-75) (43.5") (1621 red)						
	(code 855)	★	----	----	2185 822		
	(19-C-22) (54") (1621 red)						
	(codes 805, 855, 875) (4 D.)	★	2185 723	----	2185 723		
	(codes 808, 858)						
	(34-DA-22) (54")						
	(1620 turquoise)	★	2185 710	----	2185 710		
	(32-CH-22) (54")						
	(1620 turquoise)	★	2185 709	----	2185 709		
	(19-C-22) (54")						
	(1620 turquoise)	★	----	----	2185 749		
	(code 858)						
	(26-DS-75) (43.5")						
	(1619-1 turquoise)	★	----	----	2185 823		
	(codes 808, 858)						
	(34-DA-22) (54")						
	(1620 turquoise)	★	2185 710	----	2185 710		

★ Indicates use as required.

☐ Indicates parts not listed in any previous parts book.
Jan. 3, 1964 Supersedes Dec. 14, 1962.

Page IT-156H

Prices and specifications subject to change without notice.
Right and left part numbers are on same line,
first number is right, second number is left.

* Indicates change or addition.

CODE	REMARKS	PER CAR	SED.	SP. 4 D.	SUB.	SP. CL. CP.	CV. CP.
23-114-15	MATERIAL, Leather (Imitation)-Cont'd						
	L1-L						
	(codes 838, 878)						
	(34-DA-22) (54")						
	(1619 turquoise)	★	2185 675	----	2185 675	----	2185 675
	(codes 808, 858)						
	(32-CH-22) (54")						
	(1620 turquoise)	★	2185 709	----	2185 709	----	2185 709
	(code 898)						
	(32-CH-22) (54")						
	(1619 turquoise)	★	2185 674	----		----	
	(codes 838, 878)						
	(32-CH-22) (54")						
	(1618 turquoise)	★	2186 087	----	2186 087	----	2186 087
	L1-H						
	(34-DA-22) (54") (1601 red)						
	(codes 831, 871)	★	2185 666	----	2185 666	----	2185 666
	(32-CH-22) (54") (1600 blue)						
	(codes 831, 871)	★	2185 663	----	2185 663	----	2185 663
	(32-CH-22) (54") (1601 blue)	★	2185 660	----	2185 660	----	
	(19-C-22) (54") (1602 blue)						
	(codes 831, 871)	★	2185 625	----	2185 625	----	
	(34-DA-22) (54") (1607 tan)						
	(codes 833, 873)	★	2185 673	----	2185 673	----	2185 673
	(32-CH-22) (54") (1606 tan)						
	(codes 833, 873)	★	2185 742	----	2185 742	----	2185 742
	(34-DA-22) (54") (1607 tan)						
	(codes 833, 873)	★	2185 673	----	2185 673	----	2185 673
	(19-C-22) (54") (1608 tan)						
	(codes 833, 873)	★	2185 627	----	2185 627	----	2185 627
	(codes 835, 875)						
	(34-DA-22) (54") (1621 red)	★	2185 668	----	2185 668	----	2185 668
	(32-CH-22) (54") (1621 red)	★	2185 665	----	2185 665	----	2185 665
	(19-C-22) (54") (1621 red)	★	2185 723	----	2185 723	----	2185 723
	(codes 838, 878)						
	(34-DA-22) (54")						
	(1619 turquoise)	★	2185 675	----	2185 675	----	2185 675
	(32-CH-22) (54")						
	(1618 turquoise)	★	2186 087	----	2186 087	----	2186 087
	(19-C-22) (54")						
	(1620 turquoise)	★	2185 749	----	2185 749	----	2185 749
	L1-P						
	(code 891)						
	(19-C-22) (54") (1601 blue)	★	----	----	----	2185 620	
	(code 893)						
	(19-C-22) (54") (1607 tan)	★	----	----	----	2185 622	
	(code 895)						
	(32-CH-22) (54") (1621 red)	★	----	----	----	2185 665	
	(19-C-22) (54") (1621 red)	★	----	----	----	2185 723	
	(code 898)						
	(32-CH-22) (54")						
	(1619 turquoise)	★	----	----	----	2185 674	
	(19-C-22) (54")						
	(1619 turquoise)	★	----	----	----	2185 724	
	D1, D2						
	(codes 501, 521, 541, 601, 611, 621, 641, 651)						
	(32-DD-74) (58") (1601 blue)	★	2185 744	----	2185 744		
	(31-DU-80) (55") (1601-1 blue)	★	----	----	2186 013		
	(28-AM-22) (50") (1601 blue)	★	2185 615	2185 615	2185 615	2185 615	2185 615
	(28A-AM-22) (50") (1600 blue)	★	2185 778	----	2185 778		

★ Indicates use as required.

☐ Indicates parts not listed in any previous parts book.
Right and left part numbers are on same line,
first number is right, second number is left.

* Indicates change or addition.

1963 PASSENGER CAR PARTS CATALOG

INTERIOR TRIM

CODE	REMARKS	PER CAR	SED.	SP. 4 D.	SUB.	SP. CL. CP.	CV. CP.
23-114-15	MATERIAL, Leather (Imitation) -Cont'd D1, D2						
	(20-DT-77) (56") (1600 blue)	★	2185 855				
	(19-BC-22) (54") (1600 blue)	★	2185 736	2185 736	2185 736	2185 736	2185 736
	(19-C-22) (54") (1602 blue)	★	2185 625	-----	2185 625		
	(19-C-22) (54") (1601 blue)	★	2185 620	2185 620	-----	2185 620	2185 620
	(19-DJ-22) (54") (1601 blue)	★	2185 798	2185 798	2185 798	2185 798	
	(codes 503, 523, 543, 603, 613, 623, 643, 653)						
	(32-DD-74) (58") (1607 tan)	★	2185 745	-----	2185 745		
	(31-DU-80) (55") (1607 tan)	★	-----	-----	2186 014		
	(28-AM-22) (50") (1607 tan)	★	2185 617	2185 617	2185 617	2185 617	2185 617
	(28A-AM-22) (50") (1606 tan)	★	2185 779	-----	2185 779		
	(20-DT-77) (56") (1607 tan)	★	2185 856				
	(codes 508, 528, 548, 608, 628, 648)						
	(32-DD-74) (54") (1619 turquoise)	★	-----	-----	2185 747		
	(31-DU-80) (55") (1619 turquoise)	★	-----	-----	2186 016		
	(28-AM-22) (50") (1618 turquoise)	★	2186 132	*2185 722	2186 132	*2185 722	*2185 722
	(20-DT-77) (56") (1619 turquoise)	★	2185 859				
	(19-C-22) (54") (1619 turquoise)	★	2185 724	2185 724	-----	2185 724	2185 724
	(19B-C-22) (54") (1620 turquoise)	★	2185 749				
	(19-DJ-22) (54") (1619 turquoise)	★	2185 815	2185 815	2185 815	2185 815	
	(19-C-22) (54") (1620 turquoise)	★	-----	-----	2185 749		
	(19-C-22) (code 526) (54") (black)	★	-----	-----	-----	-----	2185 632
	(19-C-22) (54") (1607 tan)	★	2185 622	2185 622	2185 622	2185 622	2185 622
	(19-DJ-22) (54") (1607 tan)	★	2185 800	2185 800	2185 800	2185 800	
	(19-BC-22) (54") (1606 tan)	★	2185 738	2185 738	-----	2185 738	2185 738
	(19-C-22) (54") (1608 tan)	★	2185 627	-----	2185 627		
	(codes 505, 525, 545, 605, 625, 645, 655)						
	(32-DD-74) (58") (1621 red)	★	-----	-----	2185 746		
	(31-DU-80) (55") (1621 red)	★	-----	-----	2186 015		
	(20-DT-77) (56") (1621 red)	★	2185 857				
	(19C-C-22) (54") (1621 red)	★	2185 723	2185 723	2185 723	2185 723	2185 723
	(19-DJ-22) (54") (1621 red)	★	2185 801	2185 801	2185 801	2185 801	2185 801
	(codes 526, 546, 621, 623, 625, 626, 628, 641, 643, 645, 646, 648)						
	(32-DD-74) (58") (1617 alabaster)	★	-----	-----	2185 833		
	28A-AM-22) (50") (1617) alabaster)	★	*2185 630	*2185 630	*2185 630	*2185 630	*2185 630
	(20-DT-77) (56") (1617 alabaster)	★	2185 858				
	(19-C-22) (54") (1617 alabaster)	★	2185 631	2185 631	2185 631	2185 631	2185 631
	(19-DJ-22) (54") (1617 alabaster)	★	2185 802	2185 802	2185 802	2185 802	2185 802

★ Indicates use as required.

⊠ Indicates parts not listed in any previous parts book.
Jan. 3, 1964 Supersedes Dec. 14, 1962.

Page IT-156J

Printed in U.S.A.
Prices and specifications subject to change without notice.
Right and left part numbers are on same line,
first number is right, second number is left.

* Indicates change or addition.

CODE	REMARKS	PER CAR	SED.	SP. 4 D.	SUB.	SP. CL. CP.	CV. CP.
23-114-15	MATERIAL, Leather (Imitation)-Cont'd D2-P (code 651) (19A-C-22) (54") (1601 blue) (19B-C-22) (54") (1602 blue) (code 653) (19A-C-22) (54") (1607 tan) (19B-C-22) (54") (1608 tan) (code 655) (19A-C-22) (54") (1621 red)	★ ★ ★ ★ ★	----	----	----	----	2185 620 2185 625 2185 622 2185 627 2185 723
	(code 658) (28-AM-22) (50") (1619 turquoise) (19-AC-22) (54") (1619 turquoise) (19B-C-22) (54") (1620 turquoise) (codes 651, 653, 655, 658) (19-C-22) (54") (1617 alabaster) (19-DJ-22) (54") (1617 alabaster) (19B-C-22) (54") (1624 black)	★ ★ ★ ★ ★ ★ ★	----	----	----	2185 722 2185 724 2185 749 2185 631 2185 802 2185 632	2185 722 2185 724 2185 749 2185 631 2185 802 2185 632
	A3-E (codes 561, 563, 565, 568) (19-AC-22) (54") (1624 black) (code 584) (28A-AM-22)(50")(1610 gray)	★ ★	2185 632	----	2185 632		
	A3-L (codes 571, 671) (19-C-22) (54") (1600 blue) (28A-AM-22)(50")(1602 blue) (codes 572, 672) (19-C-22) (54") (1603 green) (codes 575, 675) (28A-AM-22)(50")(1619 red) (codes 584, 684) (19-C-22) (54") (1609 gray) (codes 671, 672, 673, 675, 678) (19C-C-22)(54") (1624 black)	★ ★ ★ ★ ★ ★ ★	2185 736 2185 647 2185 737 2186 242 2185 740 ----	2185 736 2185 647 2185 737 2186 242 ----	2185 736 2185 647 2185 737 2186 242 2185 632	2185 736 2185 647 2185 737 2186 242 2185 740 2185 632	
23-115-4	PUSH NUT, Front Seat Back to Cushion Mounting D2-P (1/2") (3/8") 3rd. Seat Hinge Support Stud	4 4 2	----	----	----	*2410 102 *2160 648	*2410 102 *2160 648
23-115-5	WASHER, Front Seat Center Arm Rest Trim D2-H	2	1918 299	1918 299	1918 299	1918 299	1918 299
23-115-6	PIN, Seat Back Frame to Cushion Mounting L1, D2-P FASTENER, Deck Opening Upper Panel Belt L1, D2	4 8	----	----	----	2410 054 ----	2410 054 2094 394

★ Indicates use as required.
 □ Indicates parts not listed in any previous parts book.
 Right and left part numbers are on same line,
 first number is right, second number is left.
 * Indicates change or addition.

Printed in U.S.A.
 Prices and specifications subject to change without notice.
 January 3, 1964.

1963 PLYMOUTH

INTERIOR TRIM

HOW TO USE INTERIOR TRIM ILLUSTRATIONS

The illustrations in this section are actual and each body style showing the Interior Trim is included.

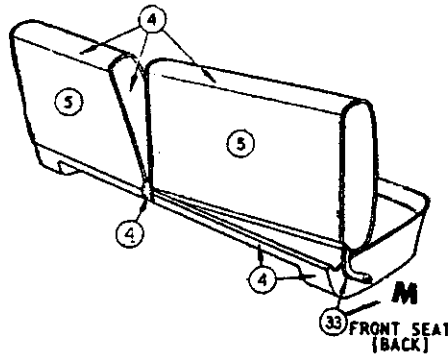
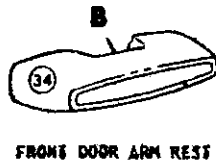
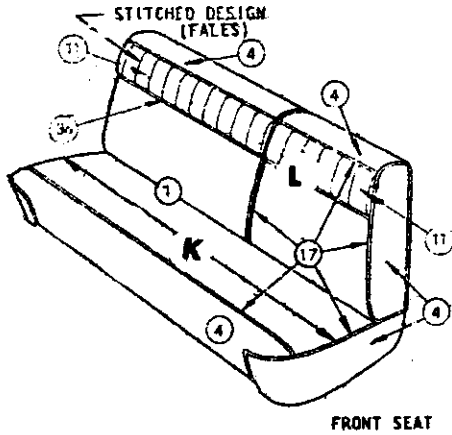
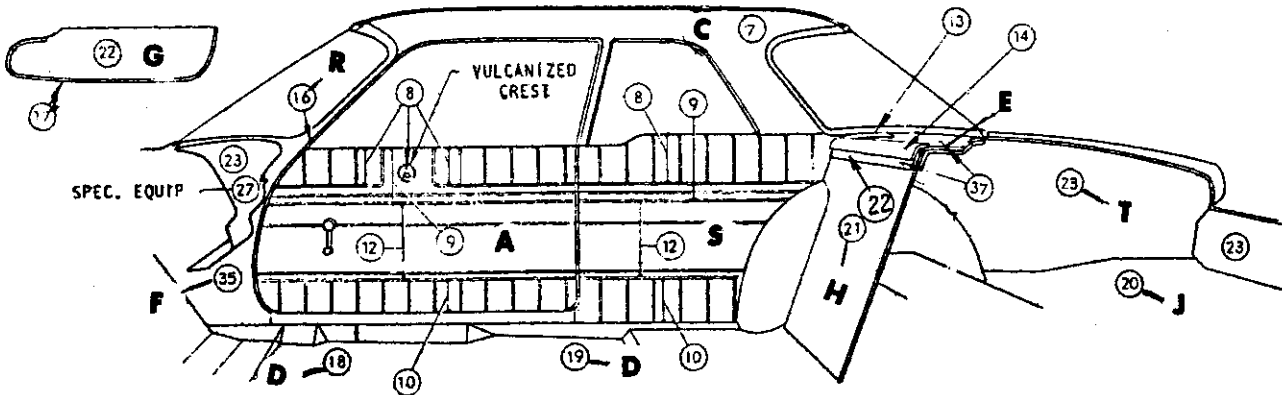
The letters shown on the illustration indicate the description of the part and the part type code when referred to the legend which appears preceding the listing of the parts. The letters are consistent throughout the illustrations as "A" is always a Door Trim Panel, Code 23-92-5.

The numbers on the illustration indicate the distribution of material and type of material used. The numbers may vary with each illustration. The legend appears on the illustration.

For complete information on "How to Order" Trim Parts, see Mopar Parts Price List.

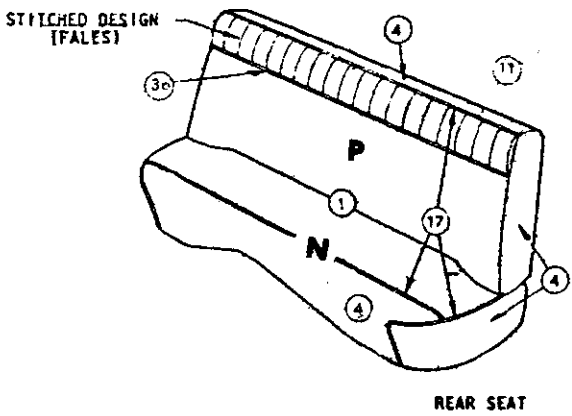
P
L
Y
M
O
U
T
H

1963 PLYMOUTH - T SERIES



DISTRIBUTION OF MATERIAL

1	BODY CLOTH	1
4	IMITATION LEATHER	28-AM-22
5	IMITATION LEATHER	21-DK-72
7	IMITATION LEATHER	17-C-81 OPT 15.5-C-81
8	IMITATION LEATHER	19-DJ-22
9	IMITATION LEATHER	18-DN-22
10	IMITATION LEATHER	.012 -L-22
11	IMITATION LEATHER	28A-AM-22
12	IMITATION LEATHER	.012A-L-22
13	IMITATION LEATHER	19A-C-22
14	IMITATION LEATHER	28B-AM-22
16	LACE	
17	EXTRUDED VINYL	
18	FLOOR COVERING-FRONT RUBBER	
19	FLOOR COVERING-REAR RUBBER	
20	FLOOR COVERING-LUGG. COMPT. RUBBER	
21	CARDBOARD	
23	PAINT	
24	METAL	
25	MOULDING	
26	MYLAR	
27	MOULDED RESIN	
28	MOULDED RUBBER	
29	MOULDED VINYL	
30	WOVEN PAPER	
32	CARPET	
33	PLASTIC	
34	PLASTISOL	
35	POLYETHLENE	
36	EXTRUDED VINYL MYLAR FILLER	
37	HARDBOARD	



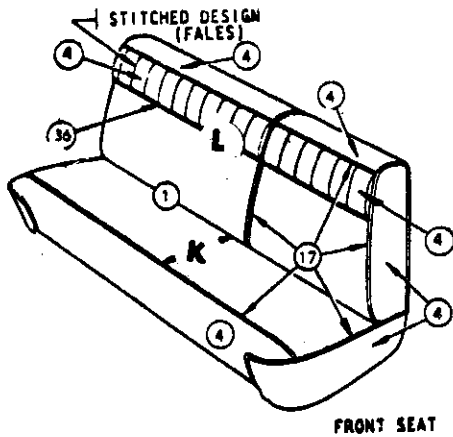
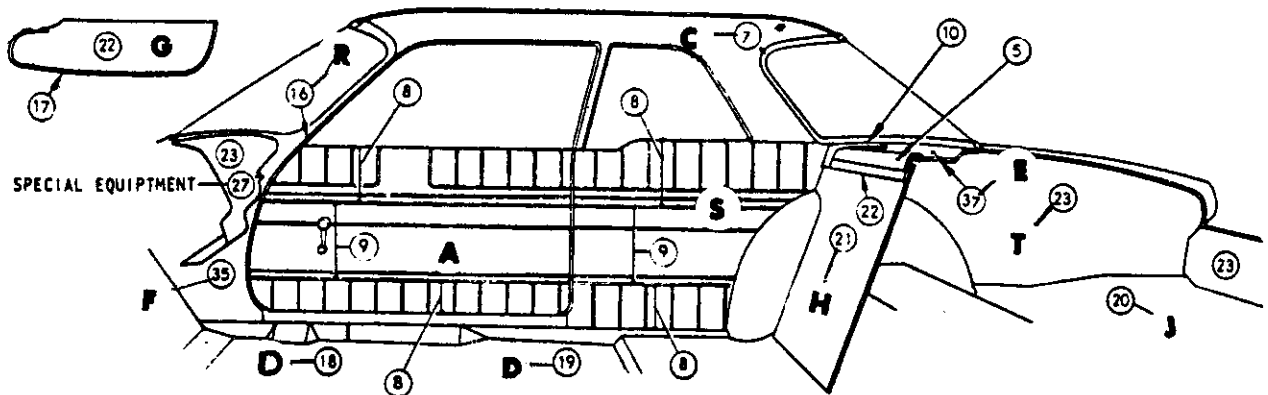
Distribution Drawing Legend Page Appears Following Illustration Section

Codes 301, 303, 306

TPL-211

1963 PLYMOUTH TP1-L, TP2-L 2 DOOR SEDAN
CLOTH AND IMITATION LEATHER COMBINATION

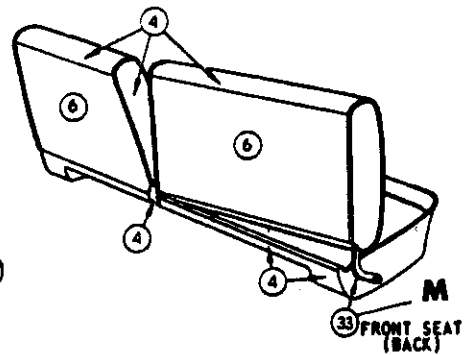
1963 PLYMOUTH - T SERIES



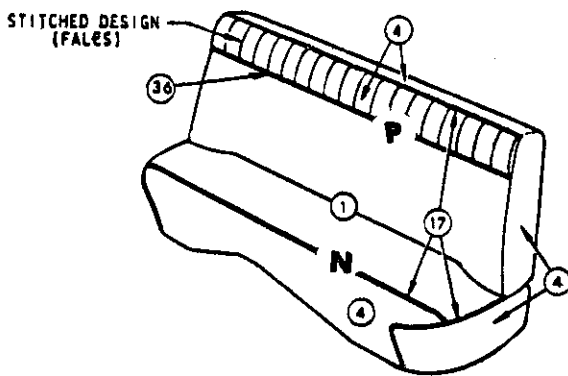
FRONT SEAT



FRONT DOOR ARM REST



REAR SEAT (BACK)



REAR SEAT

DISTRIBUTION OF MATERIAL

1	BODY CLOTH	1
4	IMITATION LEATHER	28-AM-22
5	IMITATION LEATHER	28A-AM-22
6	IMITATION LEATHER	19-C-22
7	IMITATION LEATHER	17-C-81 OPT 15, 5-C-81
8	IMITATION LEATHER	19-DJ-22
9	IMITATION LEATHER	21-CM-22
10	IMITATION LEATHER	19A-C-22
16	LACE	
17	EXTRUDED VINYL	
18	FLOOR COVERING-FRONT RUBBER	
19	FLOOR COVERING-REAR RUBBER	
20	FLOOR COVERING-LUGG. COMPT. RUBBER	
21	CARDBOARD	
22	EMBOSSED CARDBOARD	
23	PAINT	
24	METAL	
25	MOULDING	
26	MYLAR	
27	MOULDED RESIN	
28	MOULDED RUBBER	
29	MOULDED VINYL	
32	CARPET	
33	PLASTIC	
34	PLASTISOL	
35	POLYETHYLENE	
36	EXTRUDED VINYL MYLAR FILLER	
37	HARDBOARD	

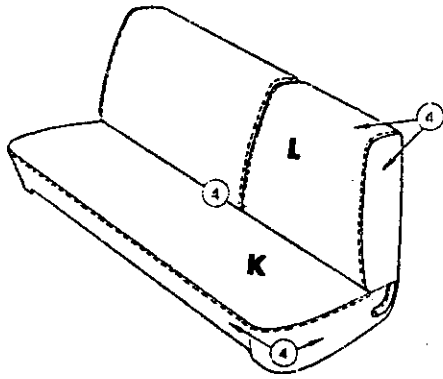
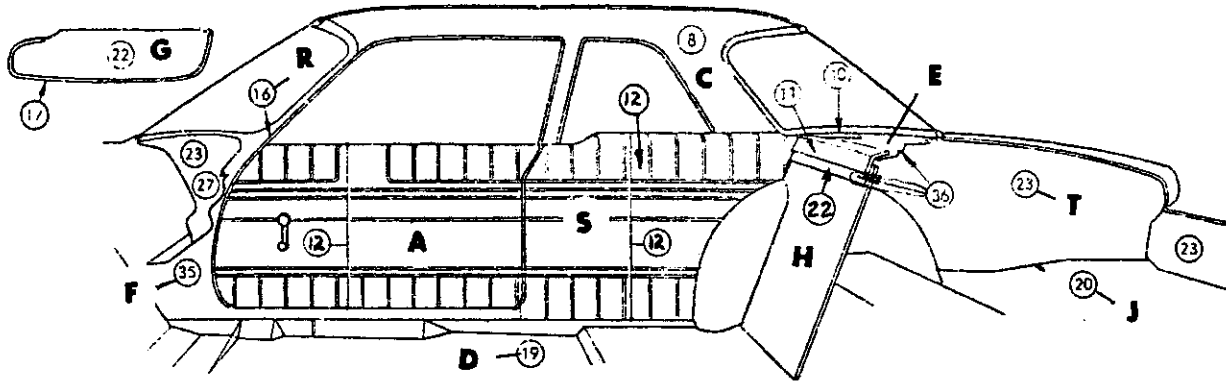
Distribution Drawing Legend Page Appears Following Illustration Section

Code 394

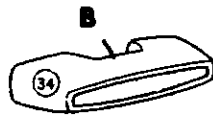
TPL-211A

1963 PLYMOUTH TP1-L, TP2-L 2 DOOR SEDAN
CLOTH AND IMITATION LEATHER COMBINATION

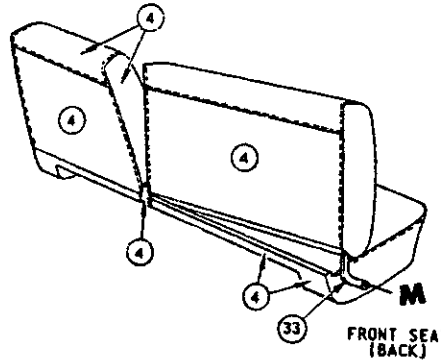
1963 PLYMOUTH - T SERIES



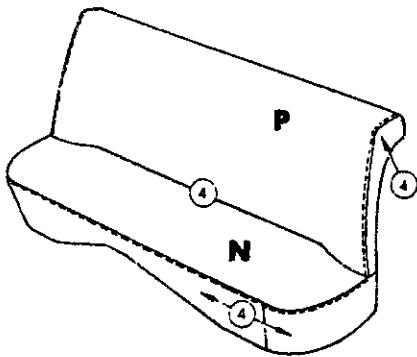
FRONT SEAT



FRONT DOOR ARM RESTS



FRONT SEAT (BACK)



REAR SEAT

DISTRIBUTION OF MATERIAL

4	IMITATION LEATHER	37-CX-22
8	IMITATION LEATHER	17-C-81 OPT 15, 5-C-81
9	IMITATION LEATHER	19-DJ-22
10	IMITATION LEATHER	19A-C-22
11	IMITATION LEATHER	28-AM-22
16	LACE	
17	EXTRUDED VINYL	
18	FLOOR COVERING-FRONT RUBBER	
19	FLOOR COVERING-REAR RUBBER	
20	FLOOR COVERING-LUGG. COMPT. RUBBER	
21	CARDBOARD	
22	EMBOSSED CARDBOARD	
23	PAINT	
24	METAL	
25	MOULDING	
26	MYLAR	
27	MOULDED RESIN	
28	MOULDED RUBBER	
29	MOULDED VINYL	
32	CARPET	
33	PLASTIC	
34	PLASTISOL	
35	POLYETHLENE	
36	HARDBOARD	

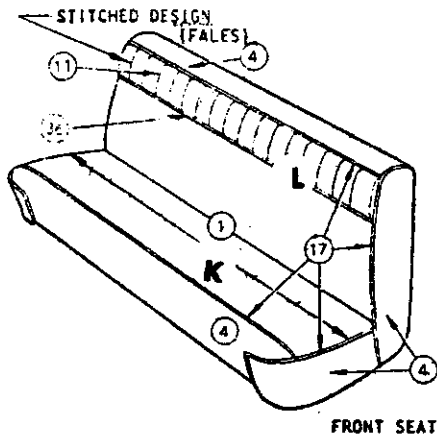
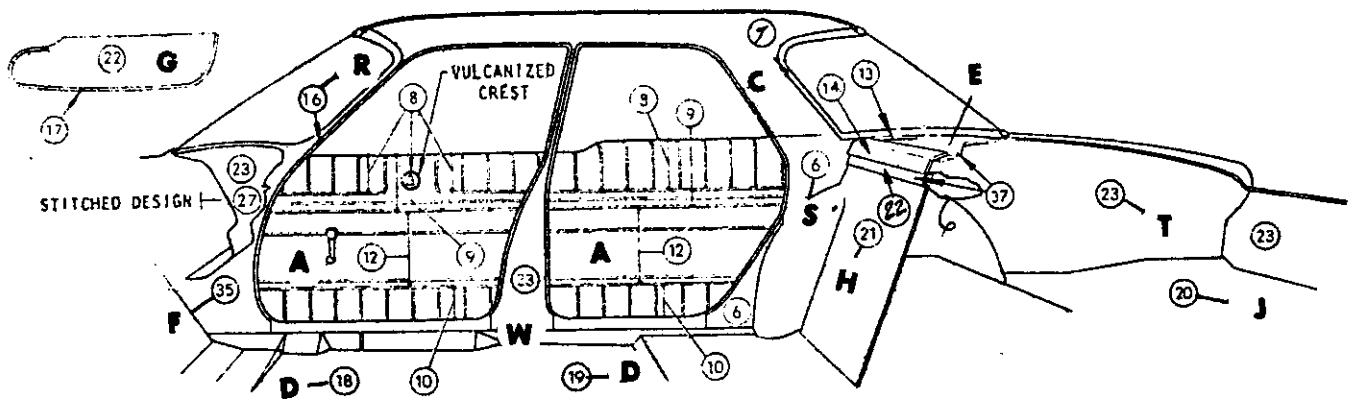
Distribution Drawing Legend Page Appears Following Illustration Section

Code 494

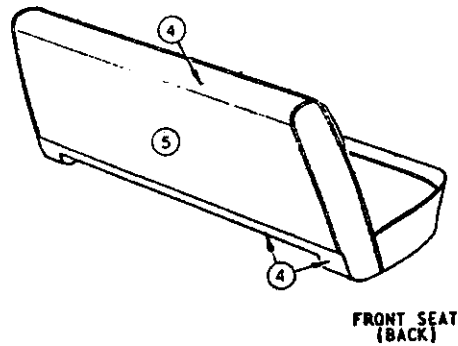
TPL-214A

1963 PLYMOUTH TP1-L, TP2-L 2 DOOR SEDAN
IMITATION LEATHER

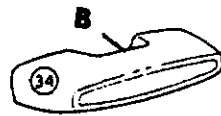
1963 PLYMOUTH - T SERIES



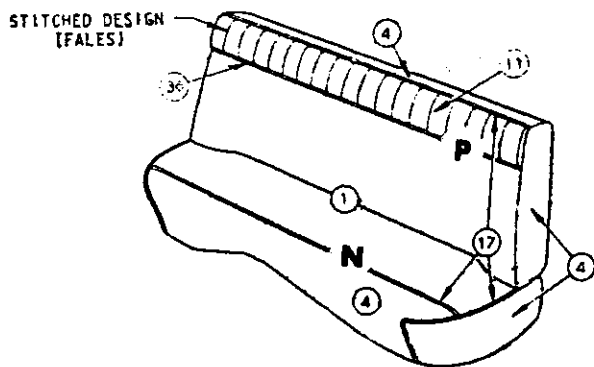
FRONT SEAT



FRONT SEAT (BACK)



FRONT DOOR ARM REST



REAR SEAT

DISTRIBUTION OF MATERIAL

1	BODY CLOTH	1
4	IMITATION LEATHER	28-AM-22
5	IMITATION LEATHER	21-DK-72
6	IMITATION LEATHER	19-C-22
7	IMITATION LEATHER	17-C-81 OPT 15, 5-C-81
8	IMITATION LEATHER	19-DJ-22
9	IMITATION LEATHER	18-DN-22
10	IMITATION LEATHER	.012-L-22
11	IMITATION LEATHER	28A-AM-22
12	IMITATION LEATHER	.012A-L-22
13	IMITATION LEATHER	19A-C-22
14	IMITATION LEATHER	28B-AM-22
16	LACE	
17	EXTRUDED VINYL	
18	FLOOR COVERING-FRONT RUBBER	
19	FLOOR COVERING-REAR RUBBER	
20	FLOOR COVERING-LUGG. COMPT, RUBBER	
21	CARDBOARD	
22	EMBOSSED CARDBOARD	
23	PAINT	
24	METAL	
25	MOULDING	
26	MYLAR	
27	MOULDED RESIN	
28	MOULDED RUBBER	
29	MOULDED VINYL	
32	CARPET	
33	PLASTIC	
34	PLASTISOL	
35	POLYETHLENE	
36	EXTRUDED VINYL MYLAR FILLER	
37	HARDBOARD	

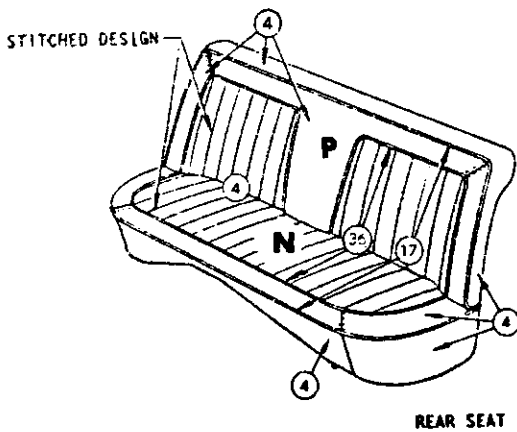
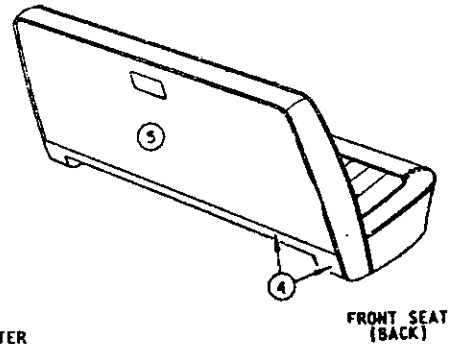
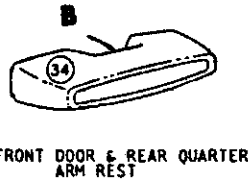
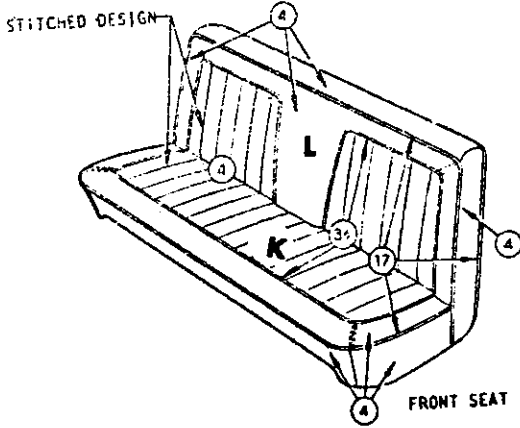
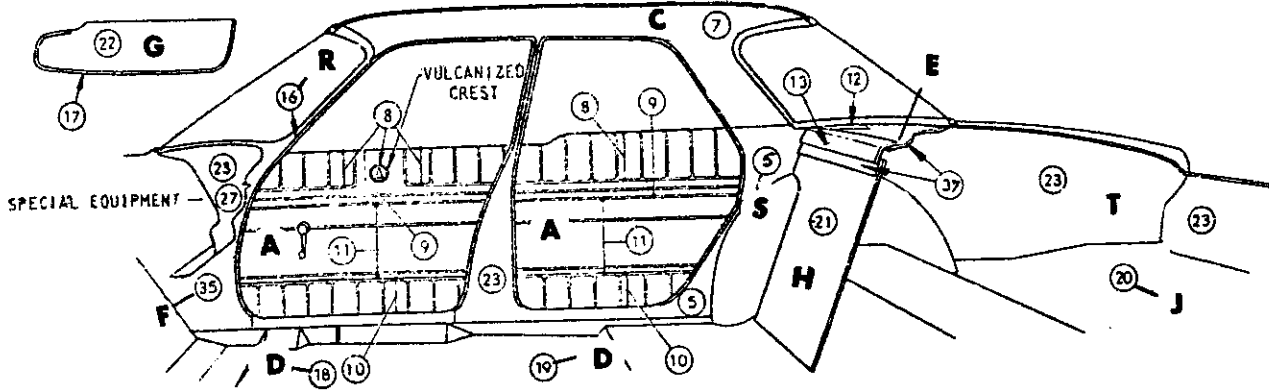
Distribution Drawing Legend Page Appears Following Illustration Section

Codes 301, 303, 306

TPL-411

1963 PLYMOUTH TP1-L, TP2-L 4 DOOR SEDAN
CLOTH AND IMITATION LEATHER COMBINATION

1963 PLYMOUTH - T SERIES



DISTRIBUTION OF MATERIAL

4	IMITATION LEATHER	28-AM-22
5	IMITATION LEATHER	19-C-22
7	IMITATION LEATHER	17-C-81 OPT 15.5-C-81
8	IMITATION LEATHER	19-DJ-22
9	IMITATION LEATHER	18-DN-22
10	IMITATION LEATHER	.012-L-22
11	IMITATION LEATHER	.012A-L-22
12	IMITATION LEATHER	19A-C-22
13	IMITATION LEATHER	28A-AM-22
16	LACE	
17	EXTRUDED VINYL	
18	FLOOR COVERING-FRONT RUBBER	
19	FLOOR COVERING-REAR RUBBER	
20	FLOOR COVERING-LUGG. COMPT. RUBBER	
21	CARDBOARD	
22	EMBOSSED CARDBOARD	
23	PAINT	
24	METAL	
25	MOULDING	
26	MYLAR	
27	MOULDED RESIN	
28	MOULDED RUBBER	
29	MOULDED VINYL	
32	CARPET	
33	PLASTIC	
34	PLASTISOL	
35	POLYETHLENE	
36	EXTRUDED VINYL MYLAR FILLER	
37	HARDBOARD	

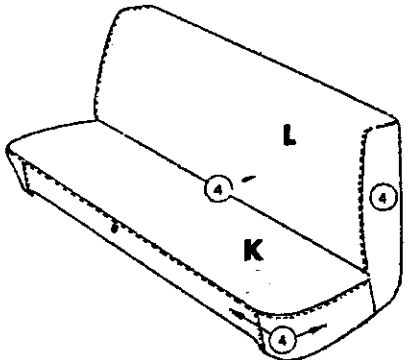
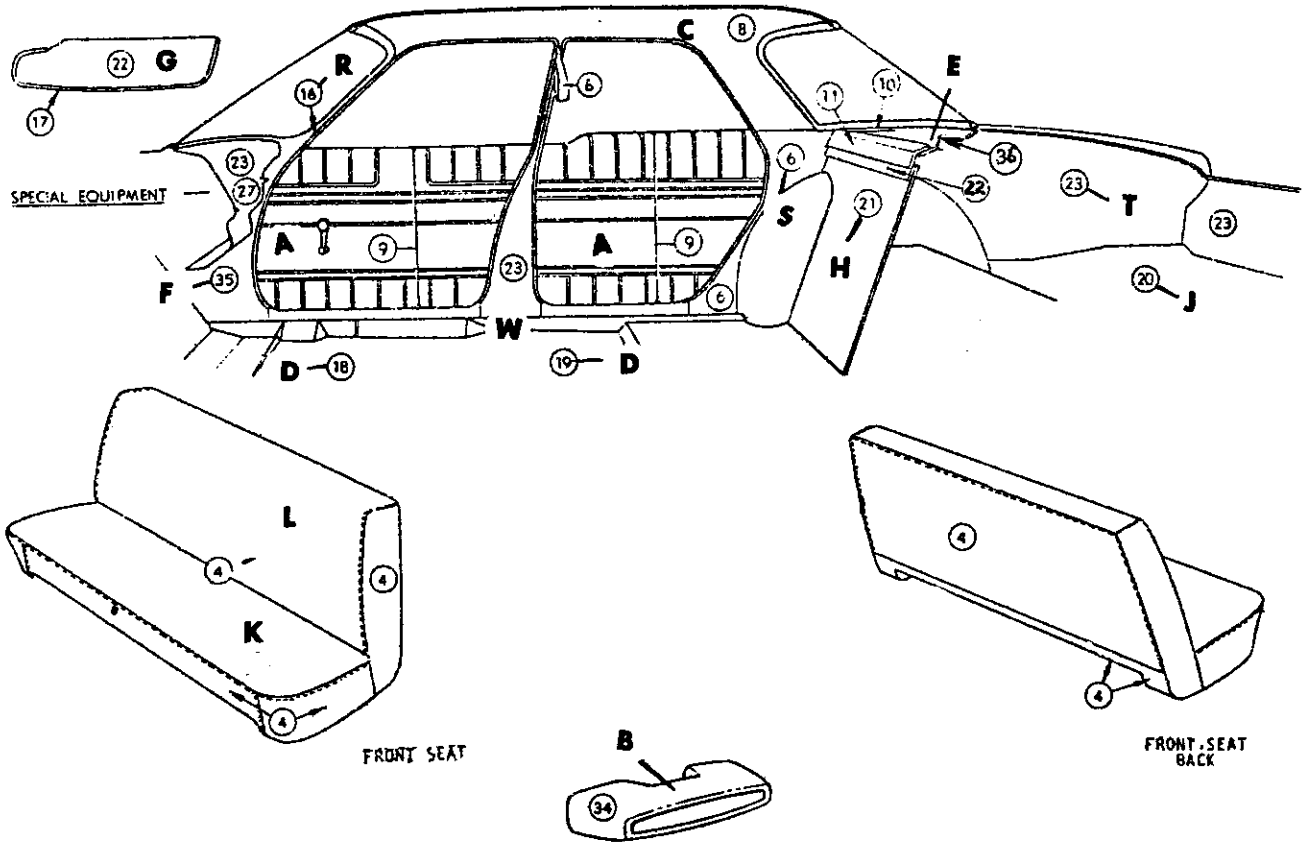
Distribution Drawing Legend Page Appears Following Illustration Section

Codes 411, 413

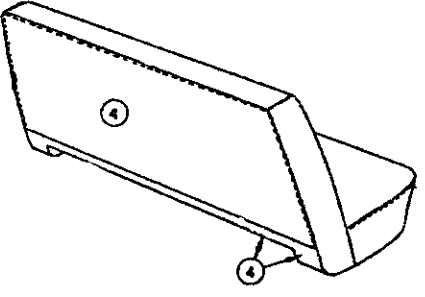
TPL-414

1963 PLYMOUTH TP1-L, TP2-L 4 DOOR SEDAN
IMITATION LEATHER COMBINATION

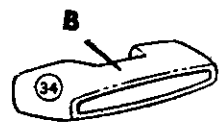
1963 PLYMOUTH - T SERIES



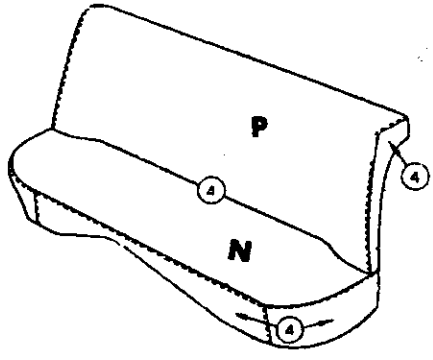
FRONT SEAT



FRONT SEAT BACK



FRONT & REAR DOOR ARM RESTS



REAR SEAT

DISTRIBUTION OF MATERIAL

- 4 IMITATION LEATHER 37-CX-22
- 6 IMITATION LEATHER 19-C-22
- 8 IMITATION LEATHER 17-C-81 OPT 15.5-C-81
- 9 IMITATION LEATHER 19-DJ-22
- 10 IMITATION LEATHER 19A-C-22
- 11 IMITATION LEATHER 28-AM-22
- 16 LACE
- 17 EXTRUDED VINYL
- 18 FLOOR COVERING-FRONT RUBBER
- 19 FLOOR COVERING-REAR RUBBER
- 20 FLOOR COVERING-LUGG. COMPT. RUBBER
- 21 CARDBOARD
- 22 EMBOSSED CARDBOARD
- 23 PAINT
- 24 METAL
- 25 MOULDING
- 26 MYLAR
- 27 MOULDED RESIN
- 28 MOULDED RUBBER
- 29 MOULDED VINYL
- 32 CARPET
- 33 PLASTIC
- 34 PLASTISOL
- 35 POLYETHYLENE
- 36 HARDBOARD

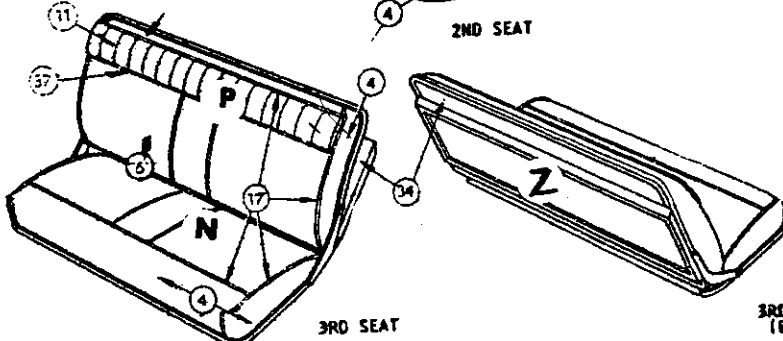
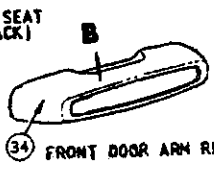
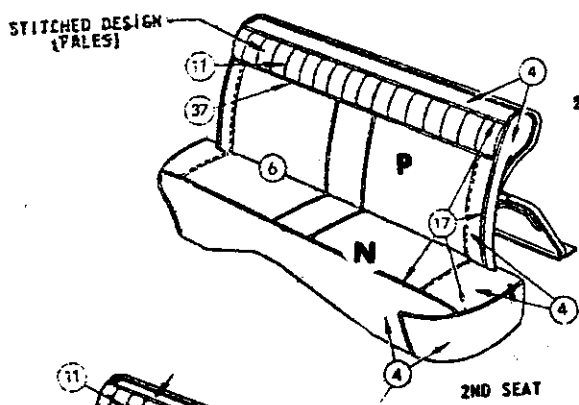
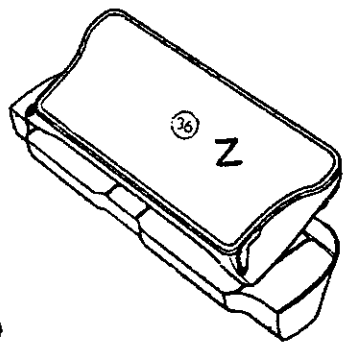
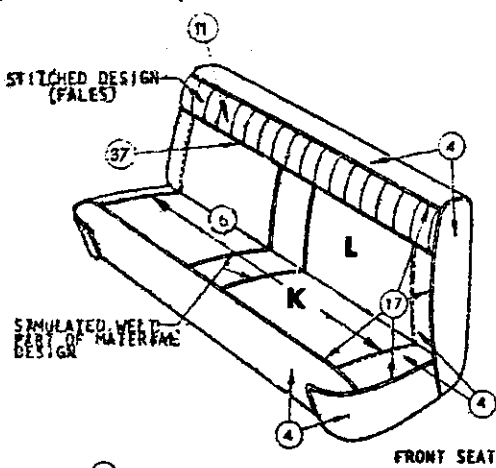
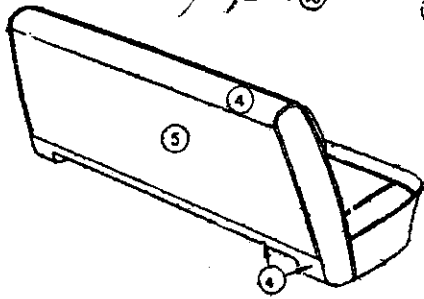
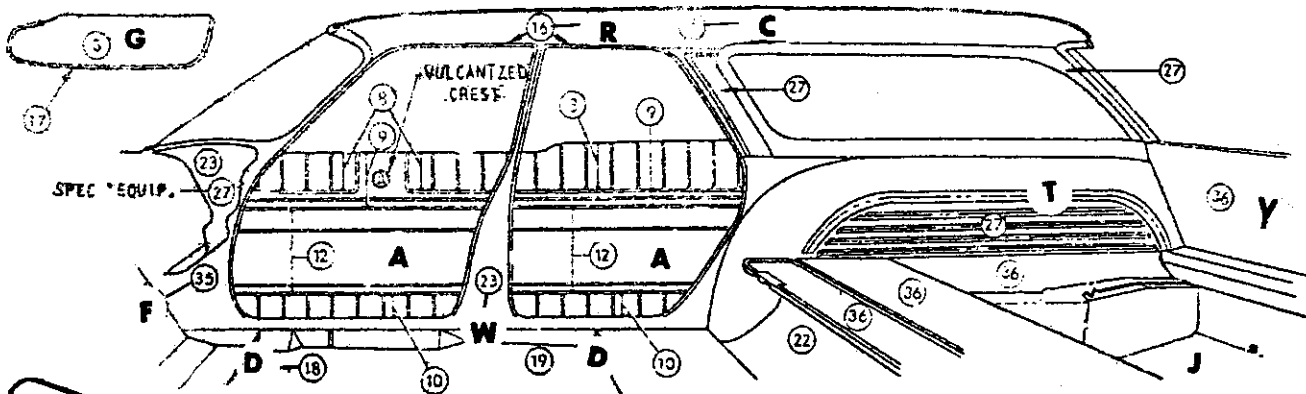
Distribution Drawing Legend Page Appears Following Illustration Section

Code 494

TPL-414A

1963 PLYMOUTH TP1-L, TP2-L 4 DOOR SEDAN
IMITATION LEATHER

1963 PLYMOUTH - T SERIES



DISTRIBUTION OF MATERIAL

3	HEADLINING	HARDBOARD
4	IMITATION LEATHER	28-AM-22
5	IMITATION LEATHER	19-C-22
6	IMITATION LEATHER	26-DL-73
8	IMITATION LEATHER	19-DJ-22
9	IMITATION LEATHER	18-DN-22
10	IMITATION LEATHER	.012-L-22
11	IMITATION LEATHER	28A-AM-22
12	IMITATION LEATHER	.012A-L-22
16	LACE	
17	EXTRUDED VINYL	
18	FLOOR COVERING-FRONT RUBBER	
19	FLOOR COVERING-REAR RUBBER	
20	FLOOR COVERING-LUGG.COMPT.	
21	CARDBOARD	
22	EMBOSSED CARDBOARD	
23	PAINT	
24	METAL	
25	MOULDING	
26	MYLAR	
27	MOULDED RESIN	
28	MOULDED RUBBER	
29	MOULDED VINYL	
32	CARPET	
33	PLASTIC	
34	PLASTISOL	
35	POLYETHLENE	
36	VINOLEUM	
37	EXTRUDED VINYL MYLAR FILLER	

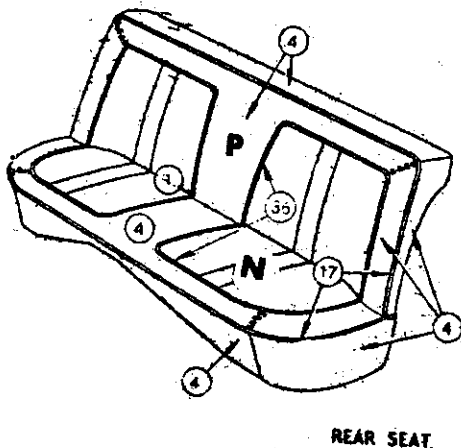
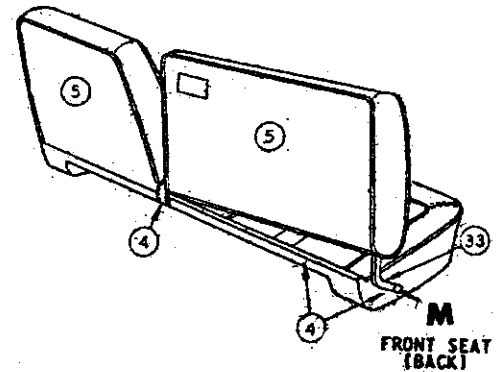
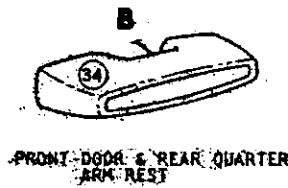
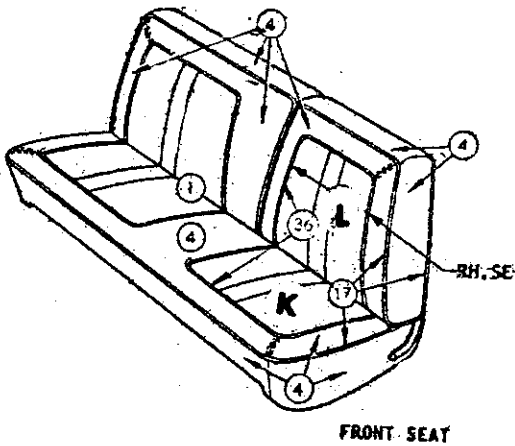
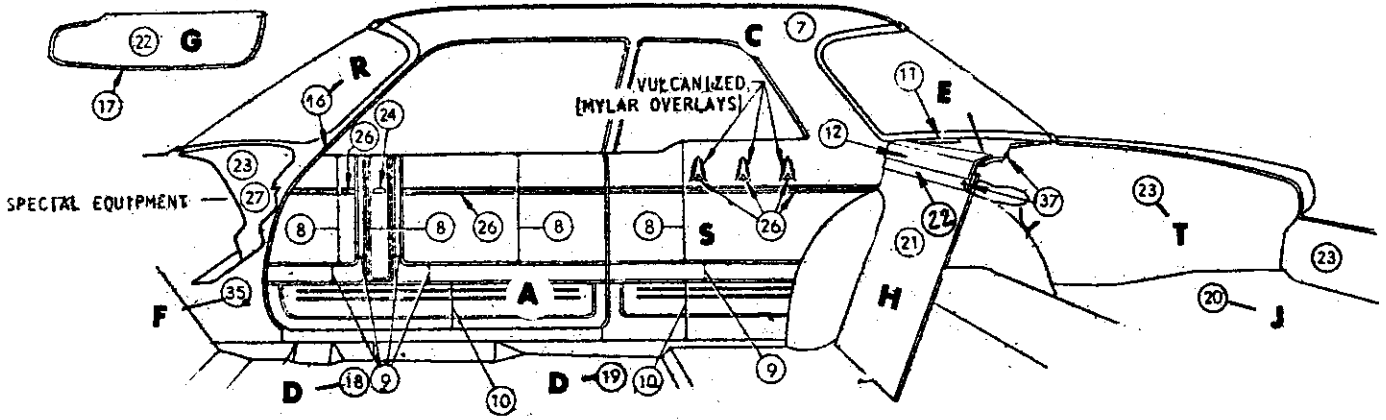
Distribution Drawing Legend Page Appears Following Illustration Section

Codes 401, 403, 406

TPL-454

1963 PLYMOUTH TP1-L, TP2-L 4 DOOR SUBURBAN
IMITATION LEATHER

1963 PLYMOUTH - T SERIES



DISTRIBUTION OF MATERIAL

- | | | |
|----|------------------------------------|------------------------|
| 1 | BODY CLOTH | I |
| 4 | IMITATION LEATHER | 28-AM-22 |
| 5 | IMITATION LEATHER | 21-DK-72 |
| 7 | IMITATION LEATHER | 17-C-81 OPT 15, 5-C-81 |
| 8 | IMITATION LEATHER | 19-DJ-22 |
| 9 | IMITATION LEATHER | 18-DN-22 |
| 10 | IMITATION LEATHER | .012-L-22 |
| 11 | IMITATION LEATHER | 19A-C-22 |
| 12 | IMITATION LEATHER | 28A-AM-22 |
| 16 | LACE | |
| 17 | EXTRUDED VINYL | |
| 18 | FLOOR COVERING-FRONT CARPET | |
| 19 | FLOOR COVERING-REAR CARPET | |
| 20 | FLOOR COVERING-LUGG. COMPT, RUBBER | |
| 21 | CARDBOARD | |
| 23 | PAINT | |
| 24 | METAL | |
| 25 | MOULDING | |
| 26 | MYLAR | |
| 27 | MOULDED RESIN | |
| 28 | MOULDED RUBBER | |
| 29 | MOULDED VINYL | |
| 32 | CARPET | |
| 33 | PLASTIC | |
| 34 | PLASTISOL | |
| 35 | POLYETHLENE | |
| 36 | EXTRUDED VINYL MYLAR FILLER | |
| 37 | HARDBOARD | |

Distribution Drawing Legend Page Appears Following Illustration Section

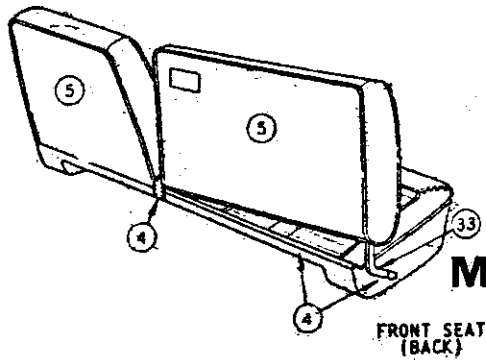
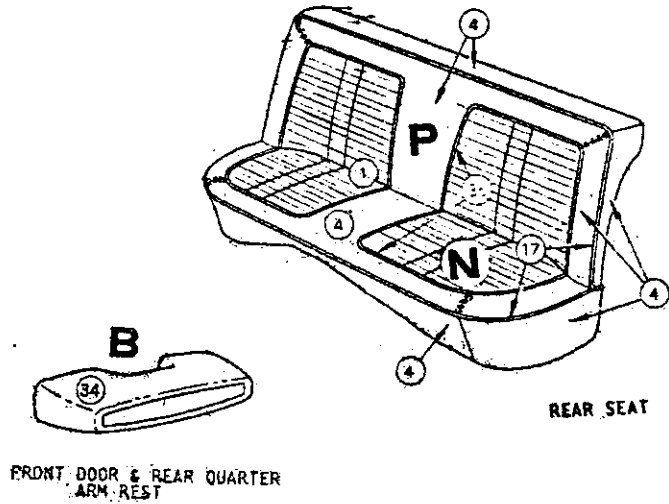
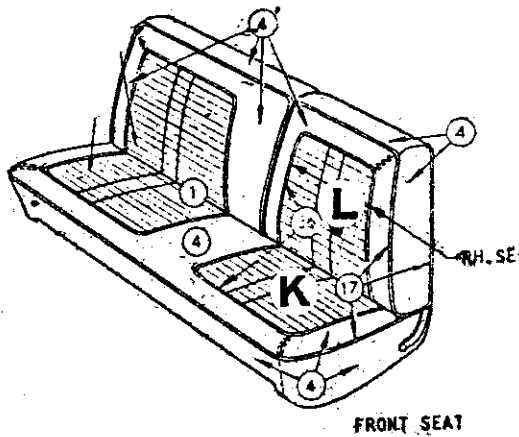
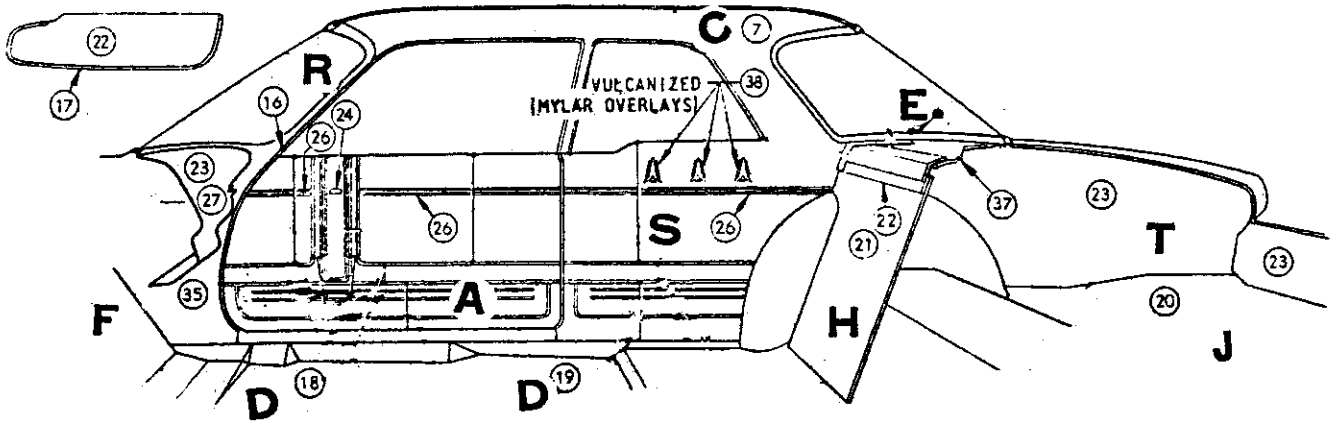
Plain Design

Codes 321, 322, 323, 325, 326

TPM-211

1963 PLYMOUTH TP1-M, TP2-M 2 DOOR SEDAN
CLOTH AND IMITATION LEATHER COMBINATION

1963 PLYMOUTH - T SERIES



DISTRIBUTION OF MATERIAL

- 1 BODY CLOTH I
- 4 IMITATION LEATHER 28-AM-22
- 5 IMITATION LEATHER 21-DK-72
- 16 LACE
- 17 EXTRUDED VINYL
- 18 FLOOR COVERING-FRONT CARPET
- 19 FLOOR COVERING-REAR CARPET
- 20 FLOOR COVERING-LUGG. COMPT. RUBBER
- 21 CARDBOARD
- 22 EMBOSSED CARDBOARD
- 23 PAINT
- 24 METAL
- 25 MOULDING
- 26 MYLAR NO. 1
- 27 MOULDED RESIN
- 28 MOULDED RUBBER
- 29 MOULDED VINYL
- 32 CARPET
- 33 PLASTIC
- 34 PLASTISOL
- 35 POLYETHYLENE
- 36 EXTRUDED VINYL MYLAR FILLER
- 37 HARDBOARD
- 38 MYLAR NO. 2

Distribution Drawing Legend Page Appears Following Illustration Section

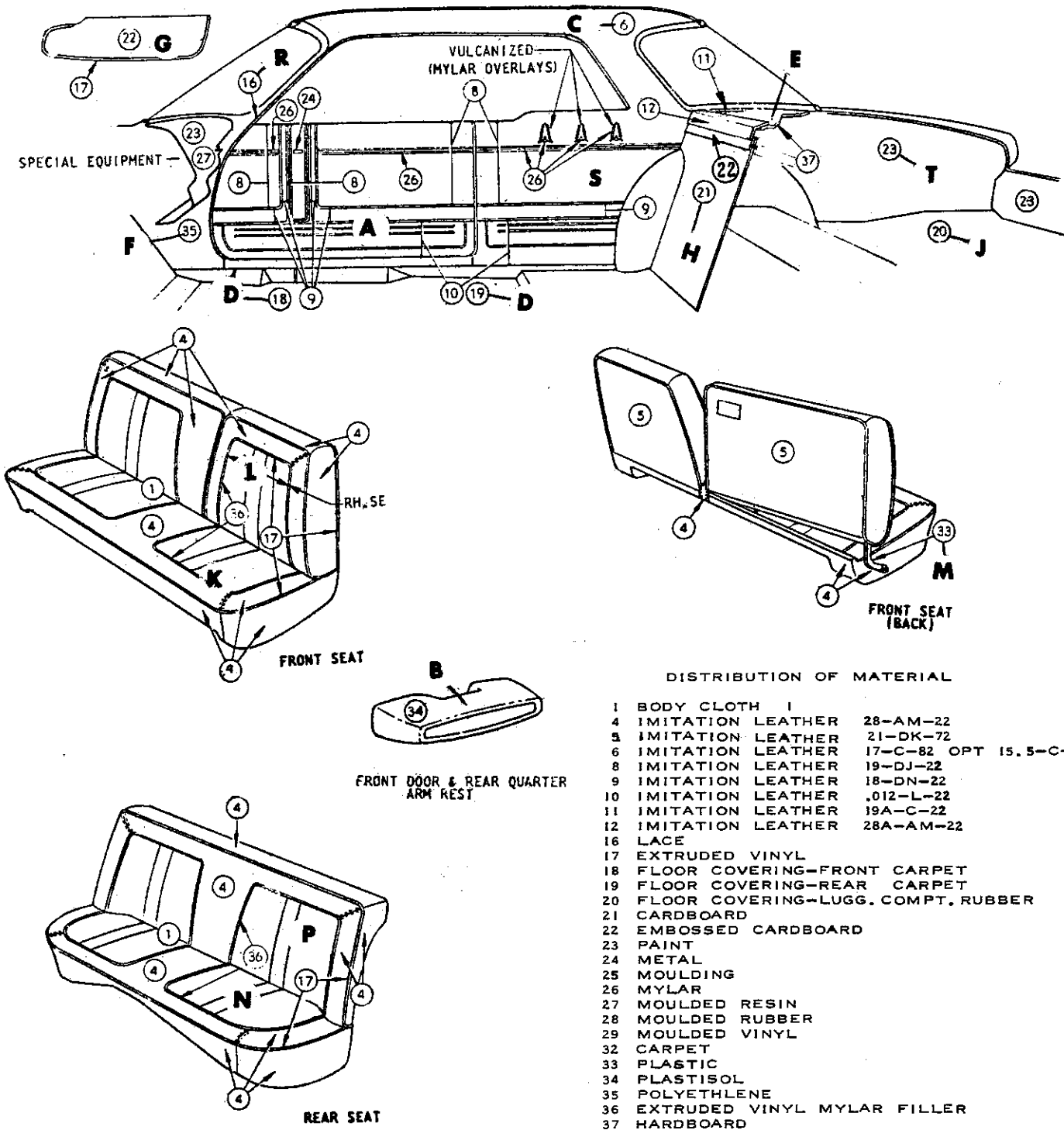
Stitched Design

Codes 321, 322, 323, 325, 326

TPM-211

1963 PLYMOUTH TP1-M, TP2-M 2 DOOR SEDAN
CLOTH & IMITATION LEATHER COMBINATION

1963 PLYMOUTH - T SERIES

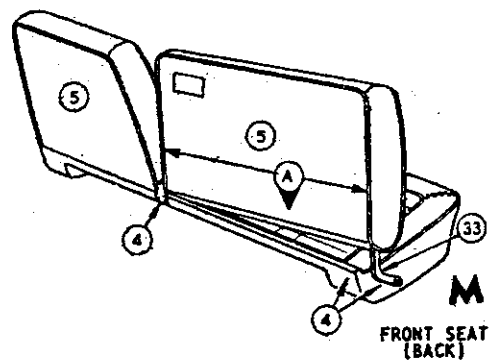
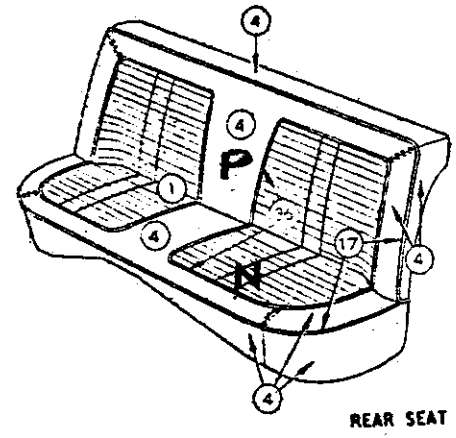
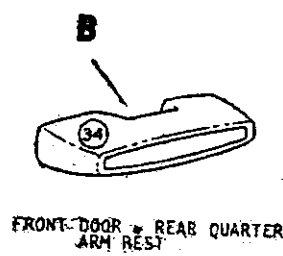
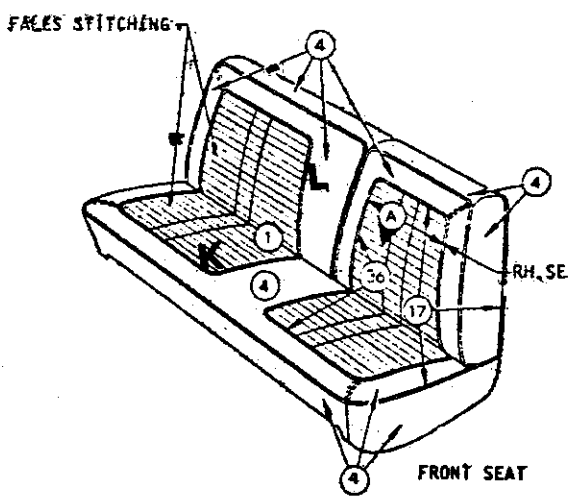
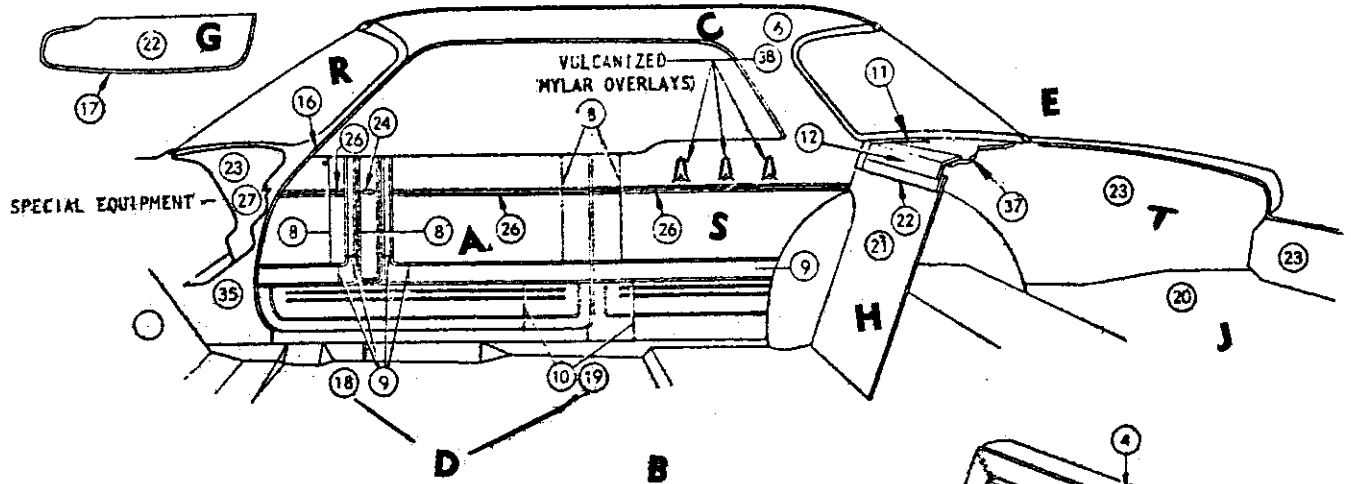


Distribution Drawing Legend Page Appears Following Illustration Section Plain Design

Codes 321, 323, 325, 326

TPM-231 1963 PLYMOUTH TP1-M, TP2-M SPECIAL CLUB COUPE CLOTH AND IMITATION LEATHER COMBINATION

1963 PLYMOUTH - T SERIES



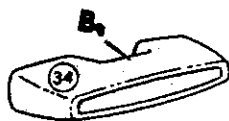
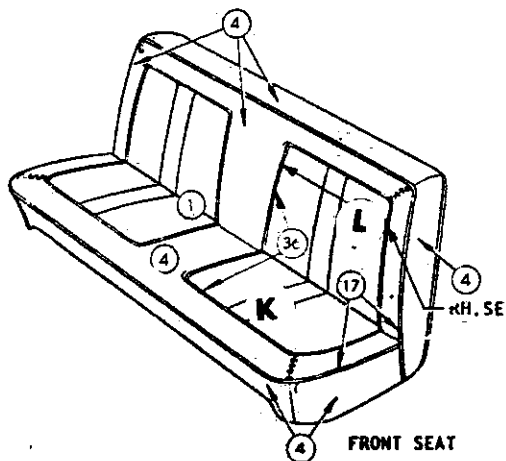
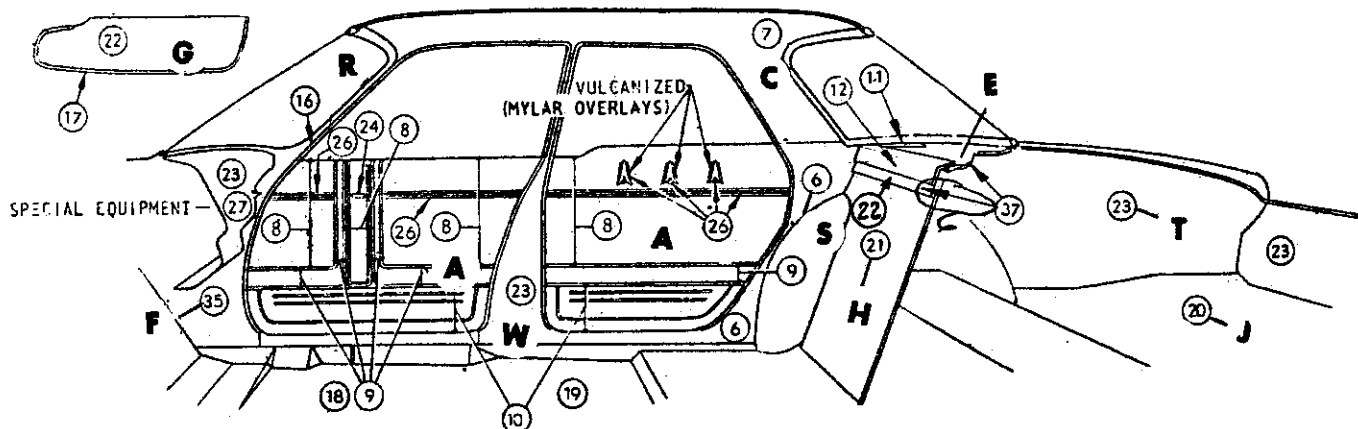
DISTRIBUTION OF MATERIAL

1	BODY CLOTH	1
4	IMITATION LEATHER	28-AM-22
5	IMITATION LEATHER	21-DK-72
6	IMITATION LEATHER	15, 5-C-81
7	IMITATION LEATHER	
8	IMITATION LEATHER	19-DJ-22
9	IMITATION LEATHER	18-DN-22
10	IMITATION LEATHER	. 012-L-22
11	IMITATION LEATHER	19A-C-22
12	IMITATION LEATHER	28A-AM-22
16	LACE	
17	EXTRUDED VINYL	
18	FLOOR COVERING-FRONT CARPET	
19	FLOOR COVERING-REAR CARPET	
20	FLOOR COVERING-LUGG. COMPT. RUBBER	
21	CARDBOARD	
22	EMBOSSED CARDBOARD	
23	PAINT	
24	METAL	
25	MOULDING	
26	MYLAR NO. 1	
27	MOULDED RESIN	
28	MOULDED RUBBER	
29	MOULDED VINYL	
32	CARPET	
33	PLASTIC	
34	PLASTISOL	
35	POLYETHYLENE	
36	EXTRUDED VINYL MYLAR FILLER	
37	HARDBOARD	
38	MYLAR NO. 2	

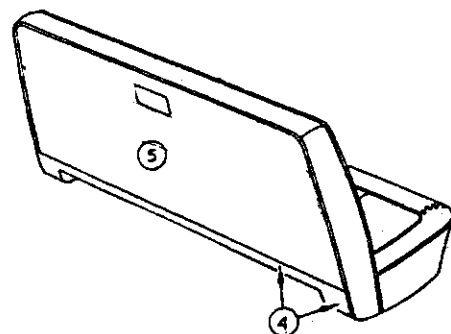
Distribution Drawing Legend Page Appears Following Illustration Section
 Stitched Design Codes 321, 323, 325, 326

TPM-231 1963 PLYMOUTH TP1-M, TP2-M SPECIAL CLUB COUPE
 CLOTH & IMITATION LEATHER COMBINATION

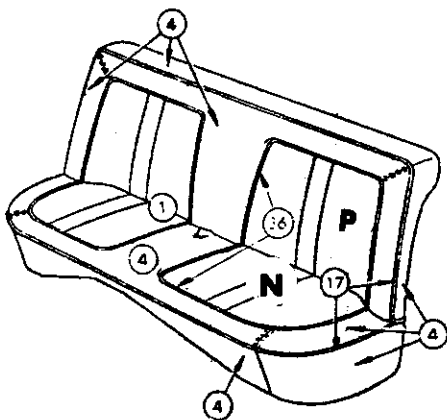
1963 PLYMOUTH - T SERIES



FRONT DOOR & REAR QUARTER ARM REST



FRONT SEAT (BACK)



REAR SEAT

DISTRIBUTION OF MATERIAL

1	BODY CLOTH	1
4	IMITATION LEATHER	28-AM-22
5	IMITATION LEATHER	21-DK-72
6	IMITATION LEATHER	19-C-22
7	IMITATION LEATHER	17-C-81 OPT 15, 5-C-81
8	IMITATION LEATHER	19-DJ-22
9	IMITATION LEATHER	18-DN-22
10	IMITATION LEATHER	.012-L-22
11	IMITATION LEATHER	19A-C-22
12	IMITATION LEATHER	28A-AM-22
16	LACE	
17	EXTRUDED VINYL	
18	FLOOR COVERING-FRONT CARPET	
19	FLOOR COVERING-REAR CARPET	
20	FLOOR COVERING-LUGG. COMPT. RUBBER	
21	CARDBOARD	
22	EMBOSSSED CARDBOARD	
23	PAINT	
24	METAL	
25	MOULDING	
26	MYLAR	
27	MOULDED RESIN	
28	MOULDED RUBBER	
29	MOULDED VINYL	
32	CARPET	
33	PLASTIC	
34	PLASTISOL	
35	POLYETHLENE	
36	EXTRUDED VINYL MYLAR FILLER	
37	HARDBOARD	

Distribution Drawing Legend Page Appears Following Illustration Section

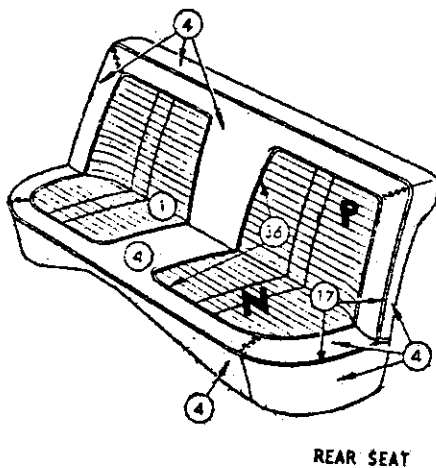
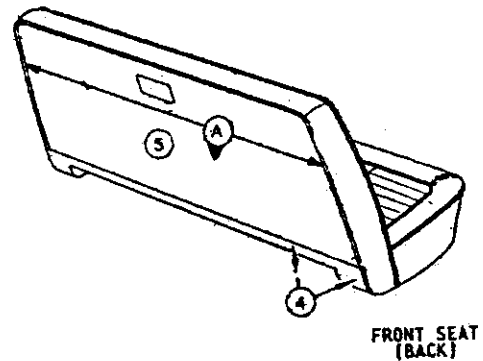
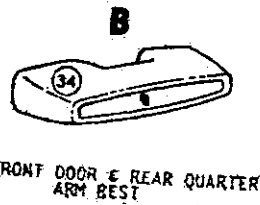
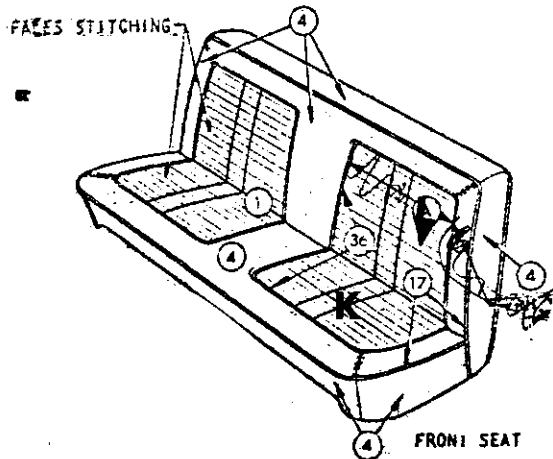
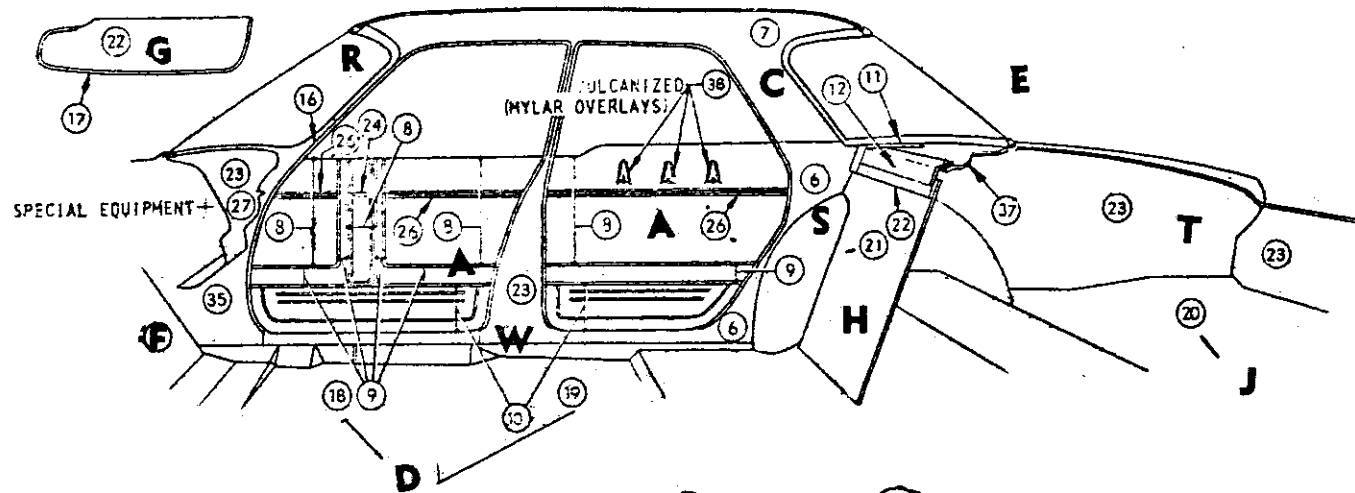
Plain Design

Codes 321, 322, 323, 325, 326

TPM-411

1963 PLYMOUTH TP1-M, TP2-M 4 DOOR SEDAN
CLOTH AND IMITATION LEATHER COMBINATION

1963 PLYMOUTH - T SERIES



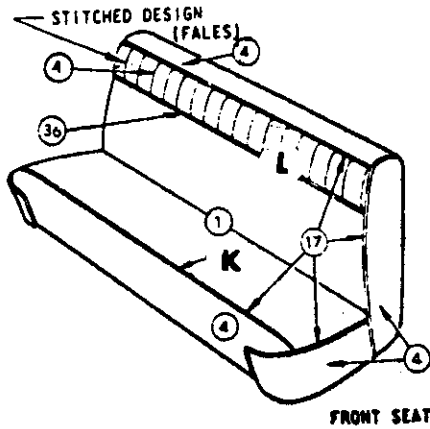
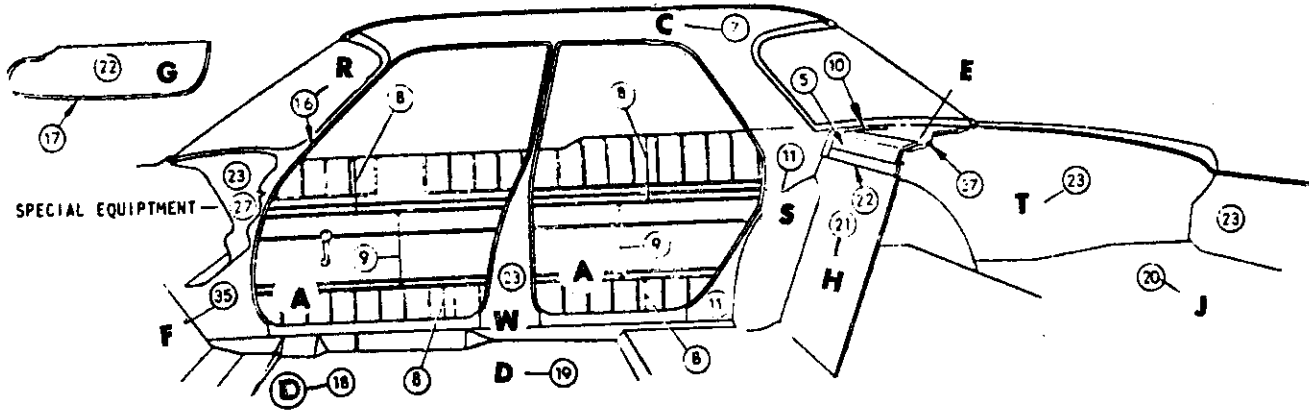
DISTRIBUTION OF MATERIAL

- 1 BODY CLOTH I
- 4 IMITATION LEATHER 28-AM-22
- 5 IMITATION LEATHER 21-DK-72
- 6 IMITATION LEATHER 19-C-22
- 7 IMITATION LEATHER 15.5-C-81
- 8 IMITATION LEATHER 19-DJ-22
- 9 IMITATION LEATHER 18-DN-22
- 10 IMITATION LEATHER .012-L-22
- 11 IMITATION LEATHER 19A-C-22
- 12 IMITATION LEATHER 28A-AM-22
- 16 LACE
- 17 EXTRUDED VINYL
- 18 FLOOR COVERING-FRONT CARPET
- 19 FLOOR COVERING-REAR CARPET
- 20 FLOOR COVERING-LUGG. COMPT. RUBBER
- 21 CARDBOARD
- 22 EMBOSSED CARDBOARD
- 23 PAINT
- 24 METAL
- 25 MOULDING
- 26 MYLAR
- 27 MOULDED RESIN
- 28 MOULDED RUBBER
- 29 MOULDED VINYL
- 32 CARPET
- 33 PLASTIC
- 34 PLASTISOL
- 35 POLYETHYLENE
- 36 EXTRUDED VINYL MYLAR FILLER
- 37 HARDBOARD
- 38 MYLAR NO. 2

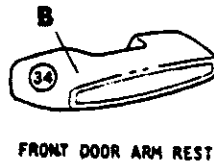
Distribution Drawing Legend Page Appears Following Illustration Section
 Stitched Design Codes 321, 322, 323, 325, 326

TPM-411 1963 PLYMOUTH TP1-M, TP2-M 4 DOOR SEDAN
 CLOTH & IMITATION LEATHER COMBINATION

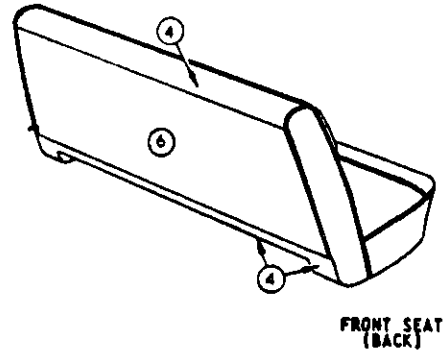
1963 PLYMOUTH - T SERIES



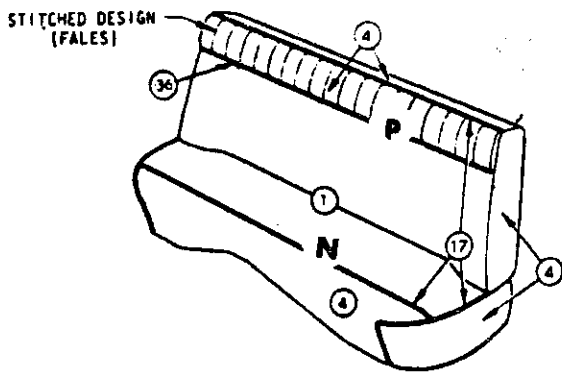
FRONT SEAT



FRONT DOOR ARM REST



FRONT SEAT (BACK)



REAR SEAT

DISTRIBUTION OF MATERIAL

- 1 BODY CLOTH
- 4 IMITATION LEATHER
- 5 IMITATION LEATHER
- 6 IMITATION LEATHER
- 7 IMITATION LEATHER
- 8 IMITATION LEATHER
- 9 IMITATION LEATHER
- 10 IMITATION LEATHER
- 11 IMITATION LEATHER
- 16 LACE
- 17 EXTRUDED VINYL
- 18 FLOOR COVERING-FRONT RUBBER
- 19 FLOOR COVERING-REAR RUBBER
- 20 FLOOR COVERING-LUGG. COMPT. RUBBER
- 21 CARDBOARD
- 22 EMBOSSED CARDBOARD
- 23 PAINT
- 24 METAL
- 25 MOULDING
- 26 MYLAR
- 27 MOULDED RESIN
- 28 MOULDED RUBBER
- 29 MOULDED VINYL
- 32 CARPET
- 33 PLASTIC
- 34 PLASTISOL
- 35 POLYETHLENE
- 36 EXTRUDED VINYL MYLAR FILLER
- 37 HARDBOARD
- 28-AM-22
- 28A-AM-22
- 19-C-22
- 17-C-81 OPT 15.5-C-81
- 19-DJ-22
- 21-CM-22
- 19A-C-22
- 19B-C-22

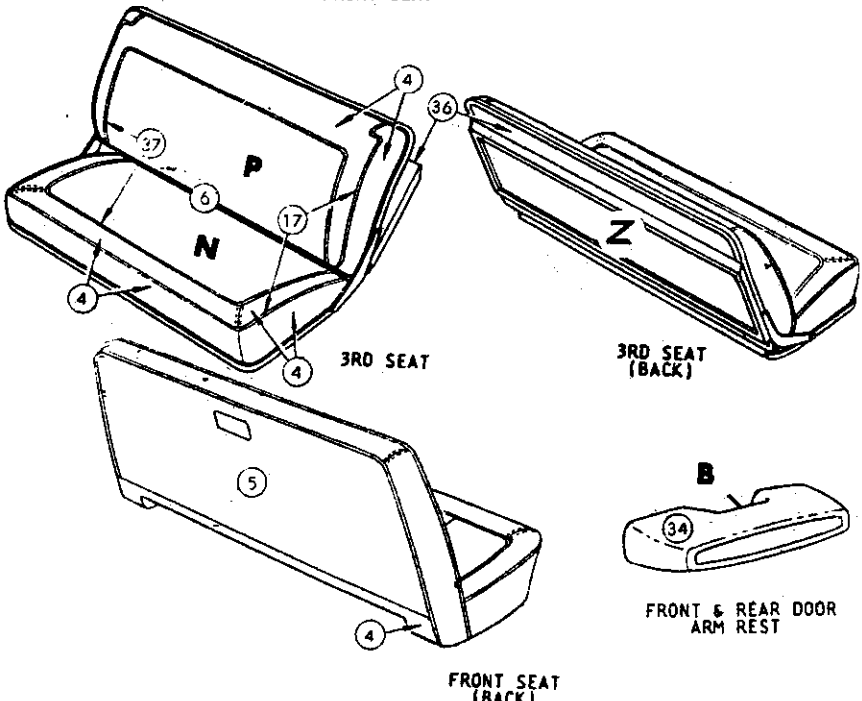
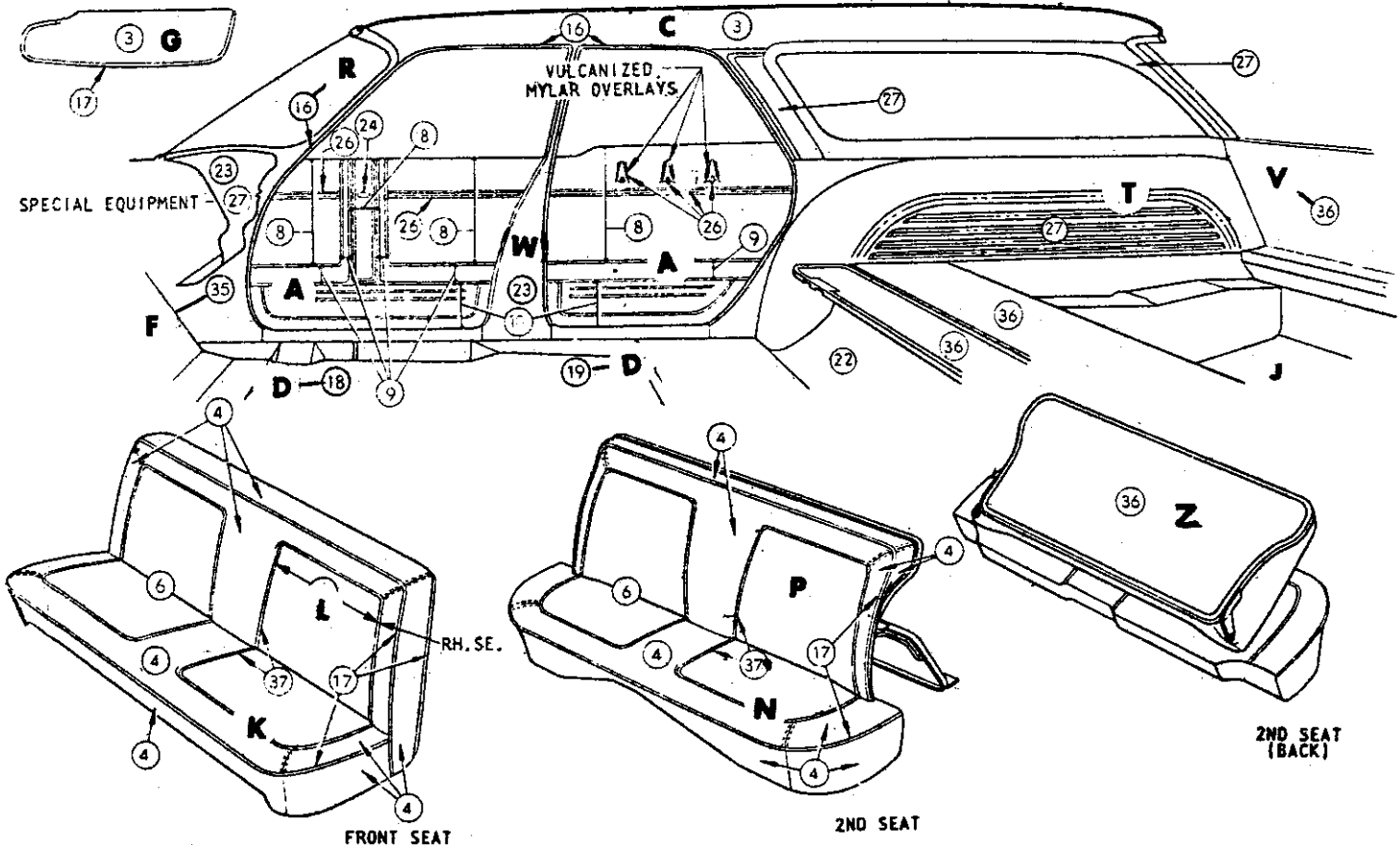
Distribution Drawing Legend Page Appears Following Illustration Section

Code 394

TPL-411A

1963 PLYMOUTH TP1-L, TP2-L 4 DOOR SEDAN
CLOTH AND IMITATION LEATHER COMBINATION

1963 PLYMOUTH - T SERIES



DISTRIBUTION OF MATERIAL

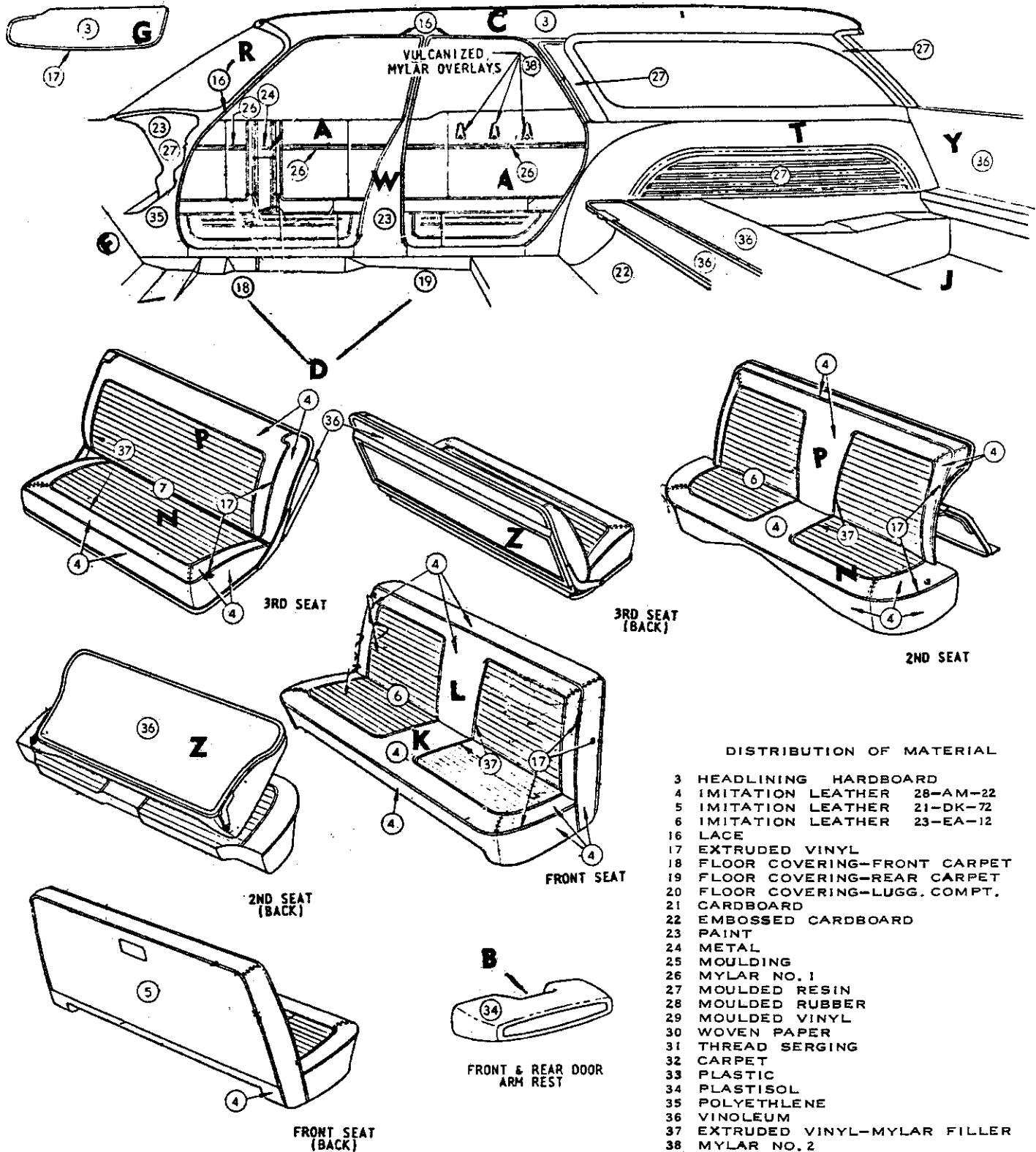
3	HEADLINING	HARDBOARD
4	IMITATION LEATHER	28-AM-22
5	IMITATION LEATHER	19-DK-72
6	IMITATION LEATHER	24-DM-12
8	IMITATION LEATHER	19-DJ-22
9	IMITATION LEATHER	18-DN-22
10	IMITATION LEATHER	.012-L-22
16	LACE	
17	EXTRUDED VINYL	
18	FLOOR COVERING-FRONT CARPET	
19	FLOOR COVERING-REAR CARPET	
20	FLOOR COVERING LUGG. COMPT.	
21	CARDBOARD	
22	EMBOSSED CARDBOARD	
23	PAINT	
24	METAL	
25	MOULDING	
26	MYLAR	
27	MOULDED RESIN	
28	MOULDED RUBBER	
29	MOULDED VINYL	
32	CARPET	
33	PLASTIC	
34	PLASTISOL	
35	POLYETHLENE	
36	VINOLEUM	
37	EXTRUDED VINYL MYLAR FILLER	

Distribution Drawing Legend Page Appears Following Illustration Section Plain Design

Codes 421, 423, 425, 426

TPM-454 1963 PLYMOUTH TP1- M, TP2- M 4 DOOR SUBURBAN IMITATION LEATHER TRIM

1963 PLYMOUTH - T SERIES

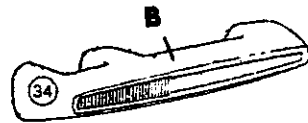
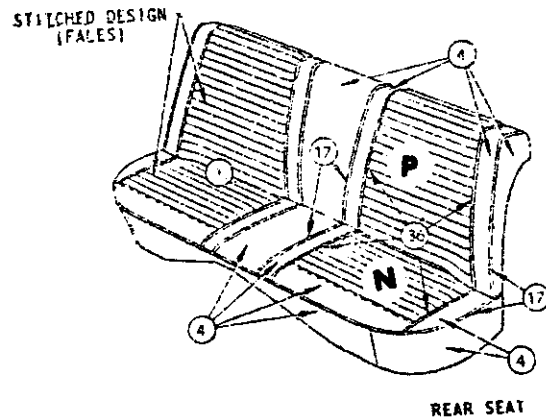
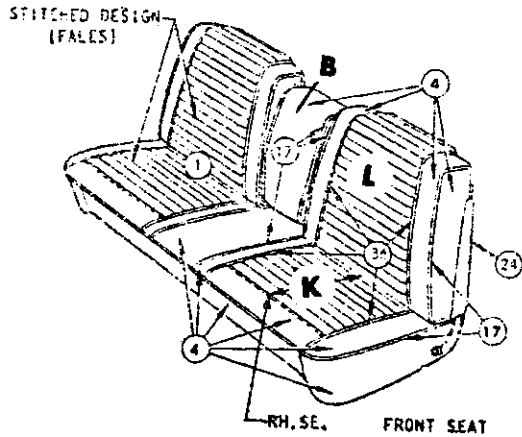
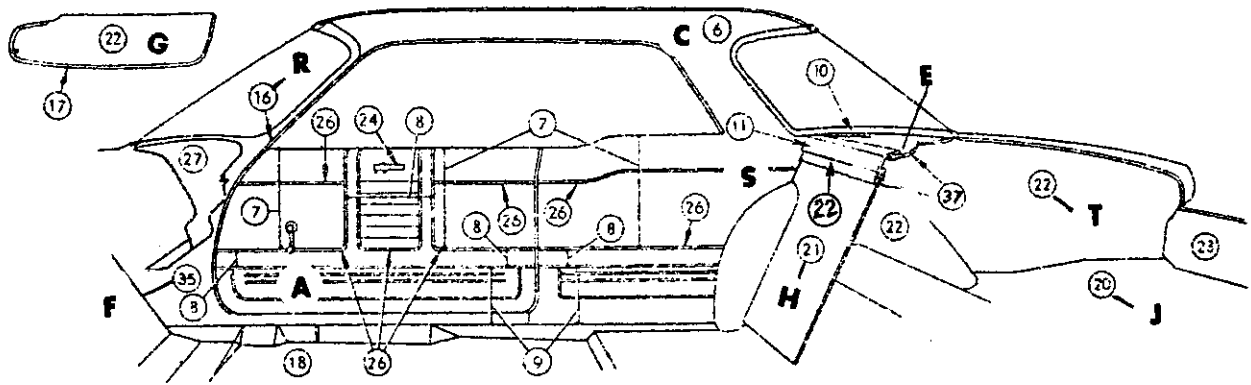


Distribution Drawing Legend Page Appears Following Illustration Section
 Stitched Design

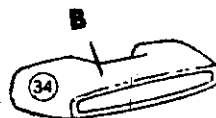
Codes 421, 423, 425, 426

TPM-454 1963 PLYMOUTH TP1-M, TP2-M 4 DOOR STATION WAGON
 IMITATION LEATHER TRIM

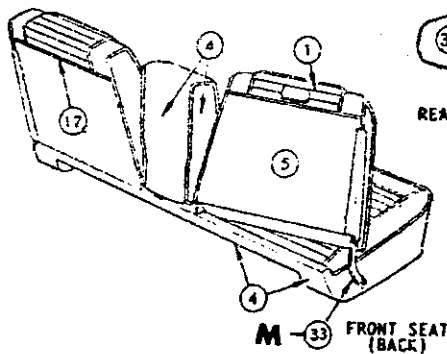
1963 PLYMOUTH - T SERIES



DOOR ARM REST



REAR QUARTER ARM REST



FRONT SEAT (BACK)

DISTRIBUTION OF MATERIAL

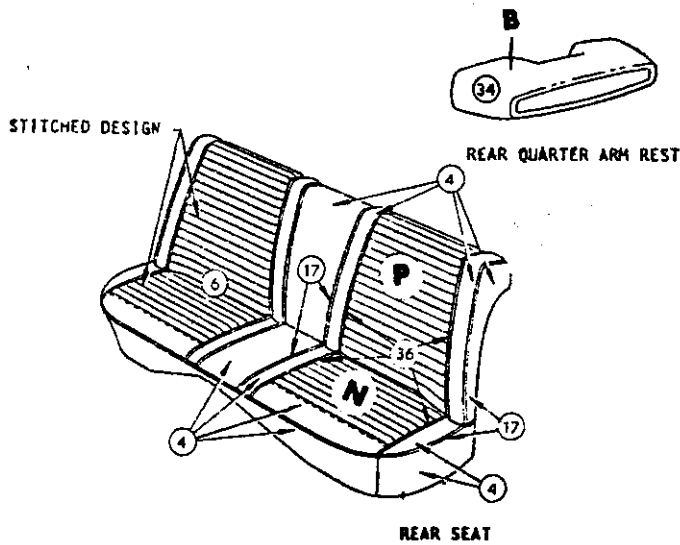
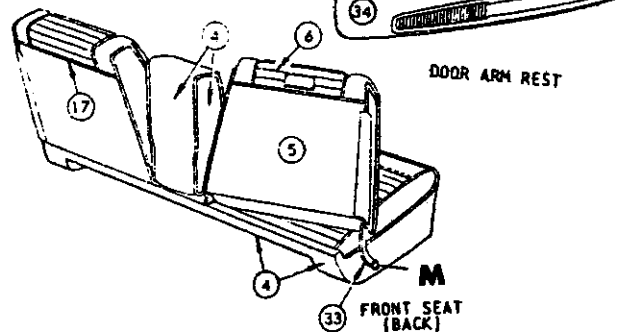
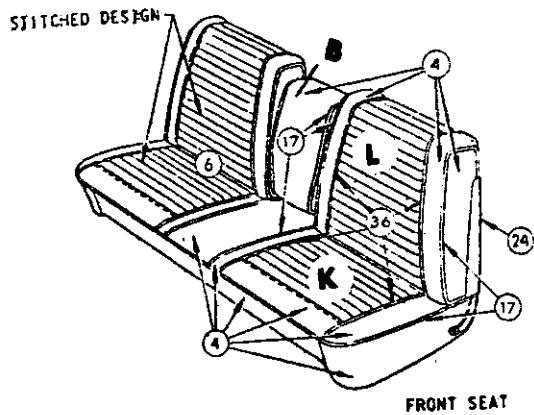
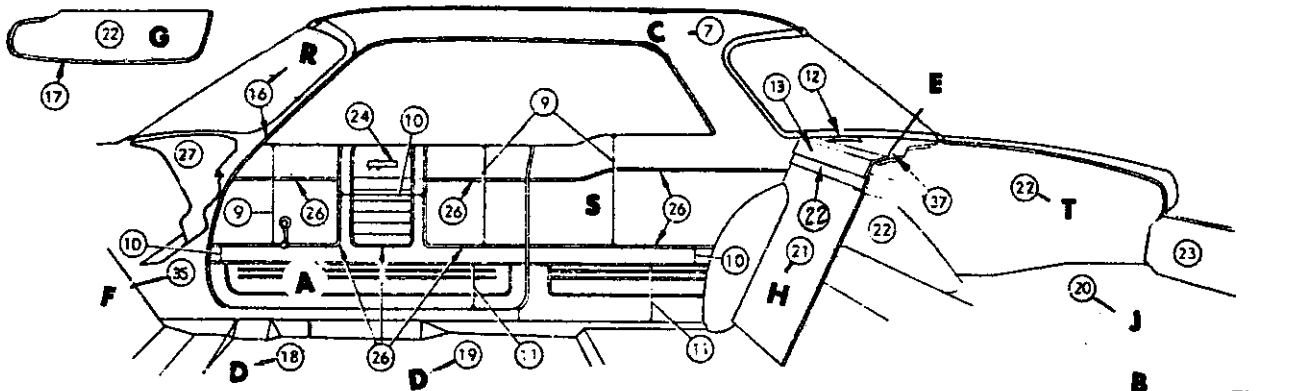
1	BODY CLOTH	1
4	IMITATION LEATHER	28-AM-22
5	IMITATION LEATHER	19-C-22
6	IMITATION LEATHER	17-C-81 OPT 15, 5-C-81
7	IMITATION LEATHER	19-DJ-22
8	IMITATION LEATHER	18-DN-79
9	IMITATION LEATHER	.012-L-22
10	IMITATION LEATHER	19A-C-22
11	IMITATION LEATHER	28A-AM-22
16	LACE	
17	EXTRUDED VINYL	
18	FLOOR COVERING-FRONT CARPET	
19	FLOOR COVERING-REAR CARPET	
20	FLOOR COVERING-LUGG. COMPT. RUBBER	
21	CARDBOARD	
22	EMBOSSED CARDBOARD	
23	PAINT	
24	METAL	
25	MOULDING	
26	MYLAR	
27	MOULDED RESIN	
28	MOULDED RUBBER	
29	MOULDED VINYL	
32	CARPET	
33	PLASTIC	
34	PLASTISOL	
35	POLYETHLENE	
36	EXTRUDED VINYL MYLAR FILLER	
37	HARDBOARD	

Distribution Drawing Legend Page Appears Following Illustration Section

Codes 341, 342, 343, 345; 346

TPH-231 1963 PLYMOUTH TP1-H, TP2-H SPECIAL CLUB COUPE
CLOTH AND IMITATION LEATHER COMBINATION

1963 PLYMOUTH - T SERIES



DISTRIBUTION OF MATERIAL

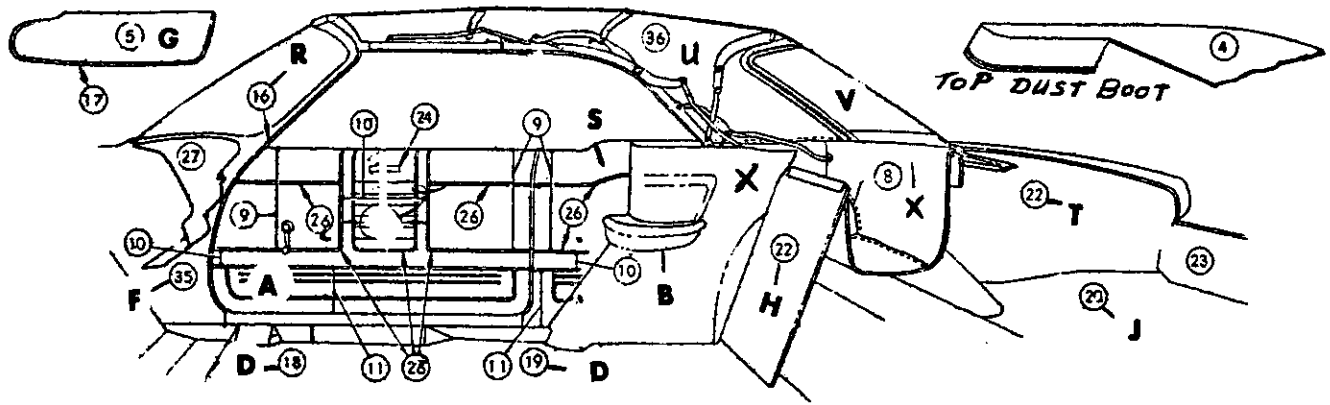
4	IMITATION LEATHER	28-AM-22	
5	IMITATION LEATHER	19-C-22	
6	IMITATION LEATHER	23-DW-79	
7	IMITATION LEATHER	17-C-81	OPT 15, 5-C-81
9	IMITATION LEATHER	19-DJ-22	
10	IMITATION LEATHER	18-DN-79	
11	IMITATION LEATHER	.012-L-22	
12	IMITATION LEATHER	19A-C-22	
13	IMITATION LEATHER	28A-AM-22	
16	LACE		
17	EXTRUDED VINYL		
18	FLOOR COVERING-FRONT CARPET		
19	FLOOR COVERING-REAR CARPET		
20	FLOOR COVERING-LUGG. COMPT. RUBBER		
21	CARDBOARD		
22	EMBOSSED CARDBOARD		
23	PAINT		
24	METAL		
25	MOULDING		
26	MYLAR		
27	MOULDED RESIN		
28	MOULDED RUBBER		
29	MOULDED VINYL		
32	CARPET		
33	PLASTIC		
34	PLASTISOL		
35	POLYETHYLENE		
36	EXTRUDED VINYL MYLAR FILLER		
37	HARDBOARD		

Distribution Drawing Legend Page Appears Following Illustration Section

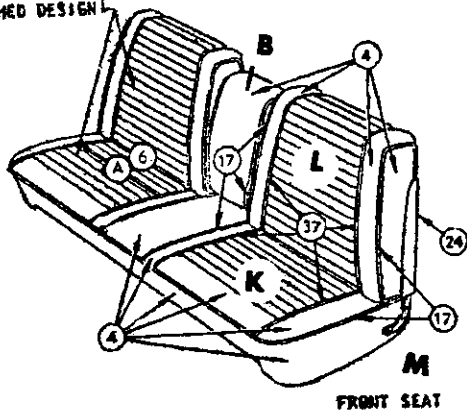
Codes 441, 443, 445

TPH-234 1963 PLYMOUTH TP1-H, TP2-H SPECIAL CLUB COUPE
IMITATION LEATHER COMBINATION

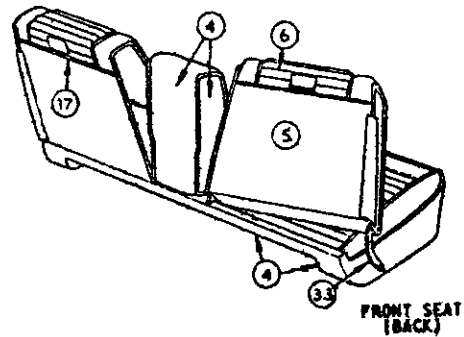
1963 PLYMOUTH - T SERIES



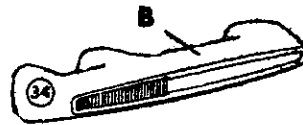
STITCHED DESIGN



FRONT SEAT

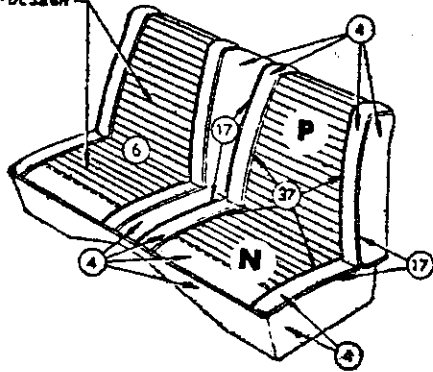


FRONT SEAT (BACK)



DOOR ARM REST

STITCHED-DESIGN



REAR SEAT

DISTRIBUTION OF MATERIAL

4	IMITATION LEATHER	28-AM-22
5	IMITATION LEATHER	19-C-22
6	IMITATION LEATHER	23-DW-79
8	IMITATION LEATHER	19B-C-22
9	IMITATION LEATHER	19-DJ-22
10	IMITATION LEATHER	18-DN-79
11	IMITATION LEATHER	.012-L-22
16	LACE	
17	EXTRUDED VINYL	
18	FLOOR COVERING-FRONT CARPET	
19	FLOOR COVERING-REAR CARPET	
20	FLOOR COVERING-LUGG. COMPT. RUBBER	
21	CARDBOARD	
22	EMBOSSED CARDBOARD	
23	PAINT	
24	METAL	
25	MOULDING	
26	MYLAR	
27	MOULDED RESIN	
28	MOULDED RUBBER	
29	MOULDED VINYL	
32	CARPET	
33	PLASTIC	
34	PLASTISOL	
35	POLYETHLENE	
36	TOP MATERIAL	
37	EXTRUDED VINYL MYLAR FILLER	

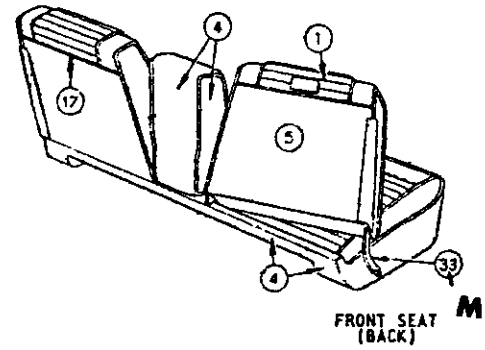
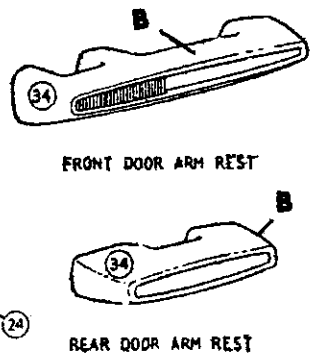
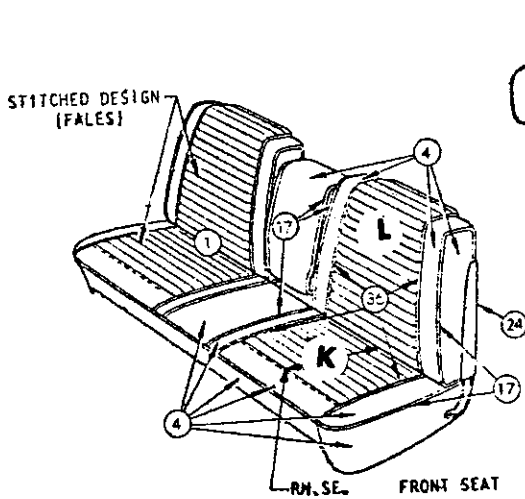
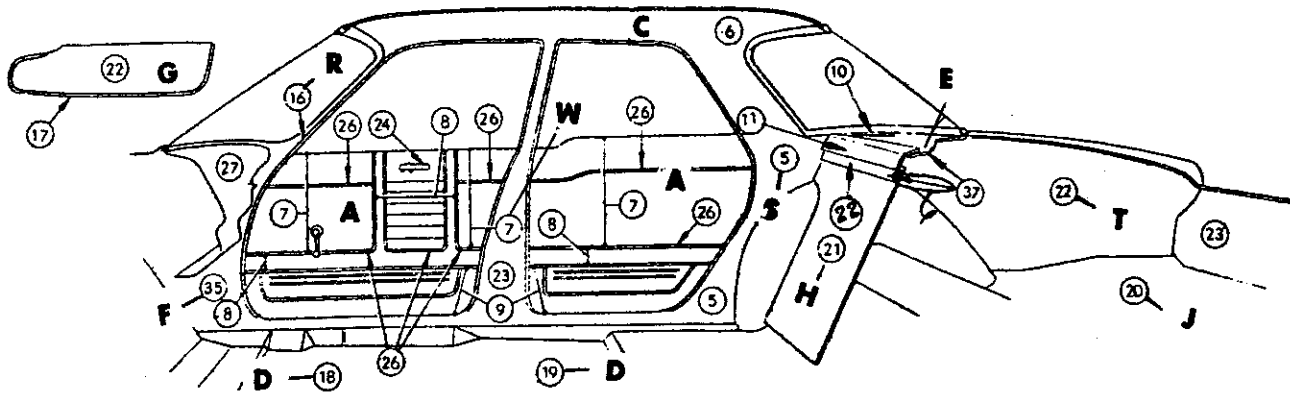
Distribution Drawing Legend Page Appears Following Illustration Section

Codes 441, 443, 445, 446

TPH-274

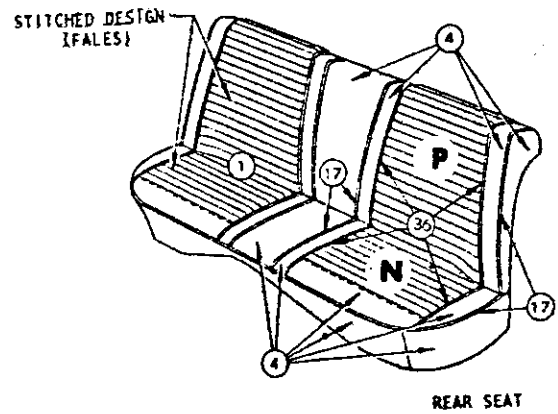
1963 PLYMOUTH TP2-H CONVERTIBLE COUPE
IMITATION LEATHER TRIM

1963 PLYMOUTH - T SERIES



DISTRIBUTION OF MATERIAL

- 1 BODY CLOTH
- 4 IMITATION LEATHER 28-AM-22
- 5 IMITATION LEATHER 19-C-22
- 6 IMITATION LEATHER 17-C-81 OPT 15, 5-C-81
- 7 IMITATION LEATHER 19-DJ-22
- 8 IMITATION LEATHER 18-DN-79
- 9 IMITATION LEATHER .012-L-22
- 10 IMITATION LEATHER 19A-C-22
- 11 IMITATION LEATHER 28A-AM-22
- 16 LACE
- 17 EXTRUDED VINYL
- 18 FLOOR COVERING-FRONT CARPET
- 19 FLOOR COVERING-REAR CARPET
- 20 FLOOR COVERING-LUGG. COMPT. RUBBER
- 21 CARDBOARD
- 22 EMBOSSED CARDBOARD
- 23 PAINT
- 24 METAL
- 25 MOULDING
- 26 MYLAR
- 27 MOULDED RESIN
- 28 MOULDED RUBBER
- 29 MOULDED VINYL
- 32 CARPET
- 33 PLASTIC
- 34 PLASTISOL
- 35 POLYETHLENE
- 36 EXTRUDED VINYL MYLAR FILLER
- 37 HARDBOARD



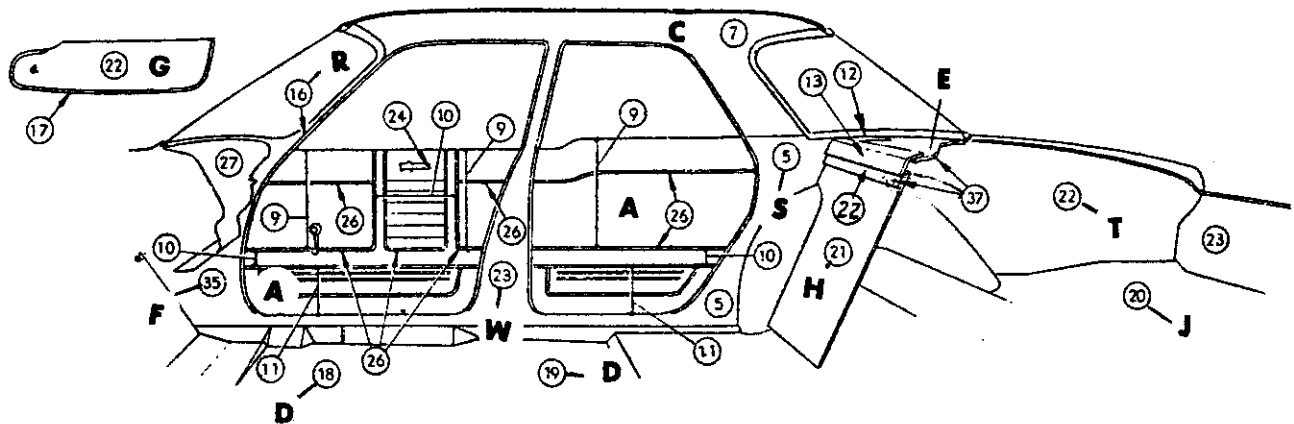
Distribution Drawing Legend Page Appears Following Illustration Section

Codes 341, 342, 343, 345, 346

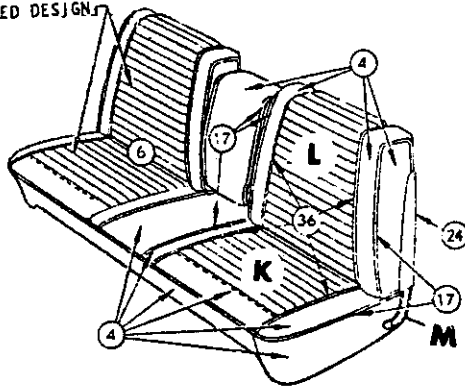
TPH-411

1963 PLYMOUTH TP1-H, TP2-H 4 DOOR SEDAN
CLOTH AND IMITATION LEATHER COMBINATION

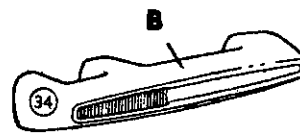
1963 PLYMOUTH - T SERIES



STITCHED DESIGN



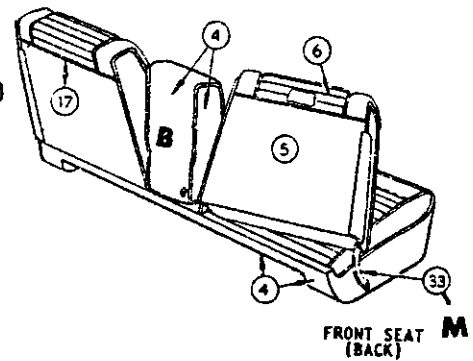
FRONT SEAT



FRONT DOOR ARM REST

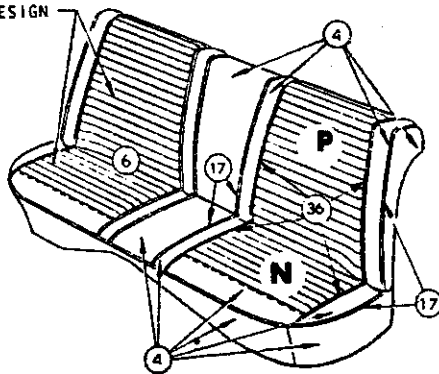


REAR DOOR ARM REST



FRONT SEAT (BACK)

STITCHED DESIGN



REAR SEAT

DISTRIBUTION OF MATERIAL

4	IMITATION LEATHER	28-AM-22
5	IMITATION LEATHER	19-C-22
6	IMITATION LEATHER	23-DW-79
7	IMITATION LEATHER	17-C-81 OPT 15, 5-C-81
9	IMITATION LEATHER	19-DJ-22
10	IMITATION LEATHER	18-DN-79
11	IMITATION LEATHER	.012-L-22
12	IMITATION LEATHER	19A-C-22
13	IMITATION LEATHER	28A-AM-22
16	LACE	
17	EXTRUDED VINYL	
18	FLOOR COVERING-FRONT CARPET	
19	FLOOR COVERING-REAR CARPET	
20	FLOOR COVERING-LUGG. COMPT., RUBBER	
21	CARDBOARD	
22	EMBOSSED CARDBOARD	
23	PAINT	
24	METAL	
25	MOULDING	
26	MYLAR	
27	MOULDED RESIN	
28	MOULDED RUBBER	
29	MOULDED VINYL	
32	CARPET	
33	PLASTIC	
34	PLASTISOL	
35	POLYETHYLENE	
36	EXTRUDED VINYL MYLAR FILLER	
37	HARDBOARD	

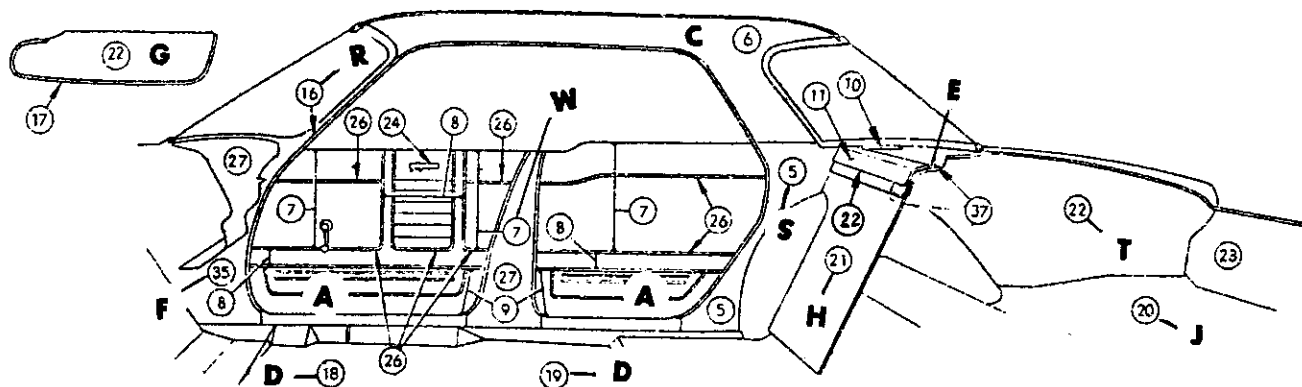
Distribution Drawing Legend Page Appears Following Illustration Section

Codes 441, 443, 445

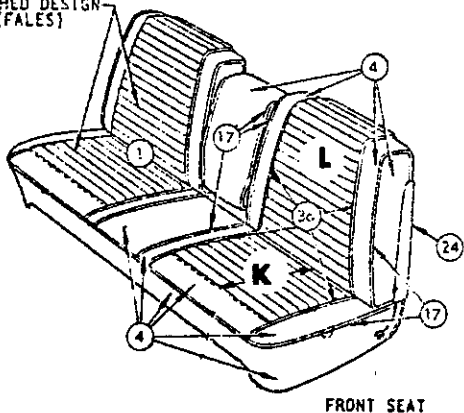
TPH-414

1963 PLYMOUTH TP1-H, TP2-H 4 DOOR SEDAN
IMITATION LEATHER COMBINATION

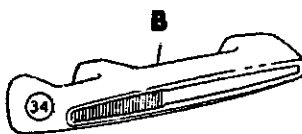
1963 PLYMOUTH - T SERIES



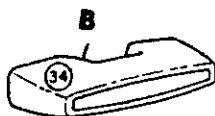
STITCHED DESIGN (FALES)



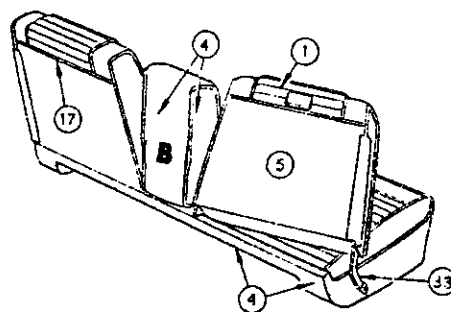
FRONT SEAT



FRONT DOOR ARM REST



REAR DOOR ARM REST

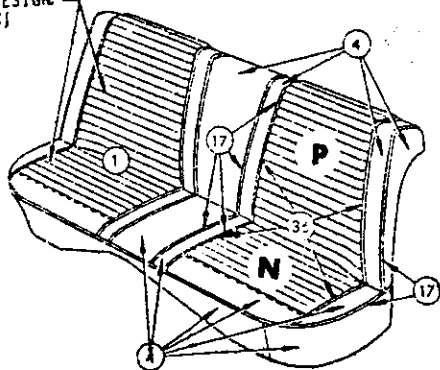


FRONT SEAT (BACK)

DISTRIBUTION OF MATERIAL

- 1 BODY CLOTH
- 4 IMITATION LEATHER
- 5 IMITATION LEATHER
- 6 IMITATION LEATHER
- 7 IMITATION LEATHER
- 8 IMITATION LEATHER
- 9 IMITATION LEATHER
- 10 IMITATION LEATHER
- 11 IMITATION LEATHER
- 16 LACE
- 17 EXTRUDED VINYL
- 18 FLOOR COVERING-FRONT CARPET
- 19 FLOOR COVERING-REAR CARPET
- 20 FLOOR COVERING-LUGG. COMPT. RUBBER
- 21 CARDBOARD
- 22 EMBOSSED CARDBOARD
- 23 PAINT
- 24 METAL
- 25 MOULDING
- 26 MYLAR
- 27 MOULDED RESIN
- 28 MOULDED RUBBER
- 29 MOULDED VINYL
- 32 CARPET
- 33 PLASTIC
- 34 PLASTISOL
- 35 POLYETHYLENE
- 36 EXTRUDED VINYL MYLAR FILLER
- 37 HARDBOARD
- 28-AM-22
- 19-C-22
- 17-C-81 OPT 15.5-C-81
- 19-DJ-22
- 18-DN-79
- .012-L-22
- 19A-C-22
- 28A-AM-22

STITCHED DESIGN (FALES)



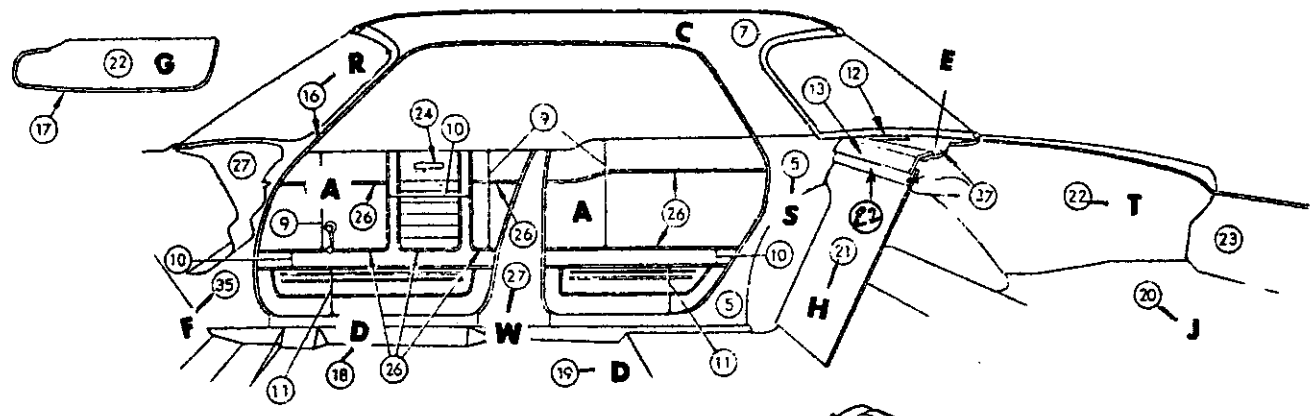
REAR SEAT

Distribution Drawing Legend Page Appears Following Illustration Section

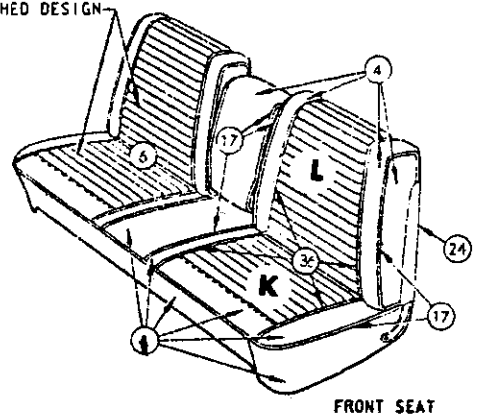
Codes 341, 342, 343, 345, 346

TPH-433 1963 PLYMOUTH TP1-H, TP2-H SPECIAL 4 DOOR SEDAN
CLOTH AND IMITATION LEATHER COMBINATION

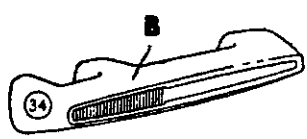
1963 PLYMOUTH-T SERIES



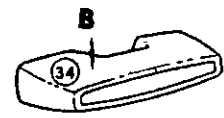
STITCHED DESIGN



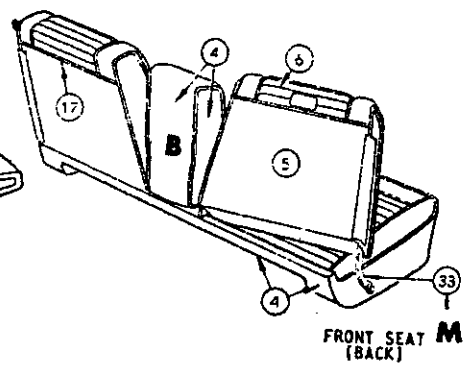
FRONT SEAT



FRONT DOOR ARM REST

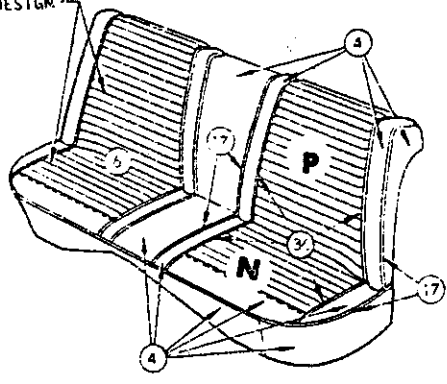


REAR DOOR ARM REST



FRONT SEAT (BACK)

STITCHED DESIGN



REAR SEAT

DISTRIBUTION OF MATERIAL

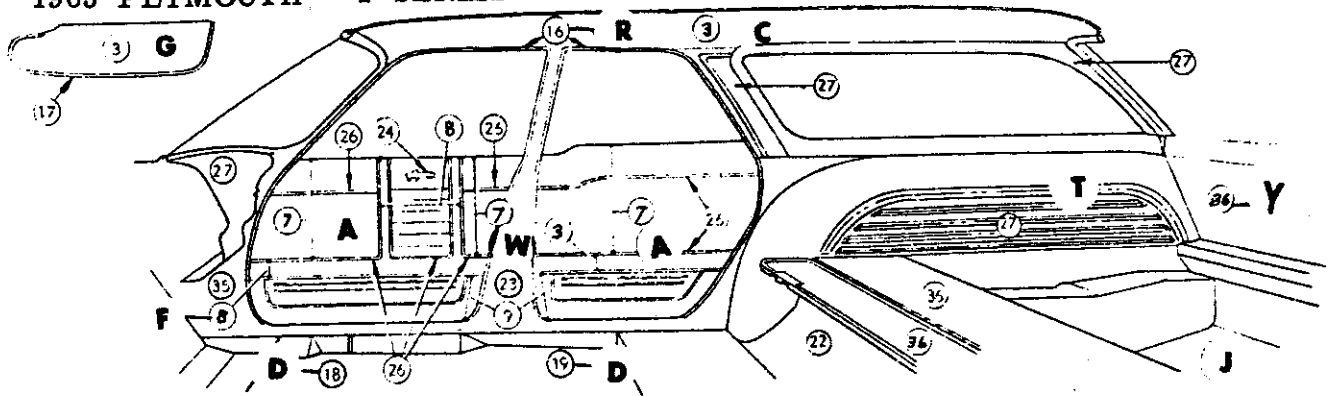
- 4 IMITATION LEATHER 28-AM-22
- 5 IMITATION LEATHER 19-C-22
- 6 IMITATION LEATHER 23-DW-79
- 7 IMITATION LEATHER 17-C-81 OPT 15.5-C-81
- 9 IMITATION LEATHER 19-DJ-22
- 10 IMITATION LEATHER 18-DN-79
- 11 IMITATION LEATHER .012-L-22
- 12 IMITATION LEATHER 19A-C-22
- 13 IMITATION LEATHER 28A-AM-22
- 16 LACE
- 17 EXTRUDED VINYL
- 18 FLOOR COVERING-FRONT CARPET
- 19 FLOOR COVERING-REAR CARPET
- 20 FLOOR COVERING-LUGG. COMPT. RUBBER
- 21 CARDBOARD
- 22 EMBOSSED CARDBOARD
- 23 PAINT
- 24 METAL
- 25 MOULDING
- 26 MYLAR
- 27 MOULDED RESIN
- 28 MOULDED RUBBER
- 29 MOULDED VINYL
- 32 CARPET
- 33 PLASTIC
- 34 PLASTISOL
- 35 POLYETHYLENE
- 36 EXTRUDED VINYL MYLAR FILLER
- 37 HARDBOARD

Distribution Drawing Legend Page Appears Following Illustration Section

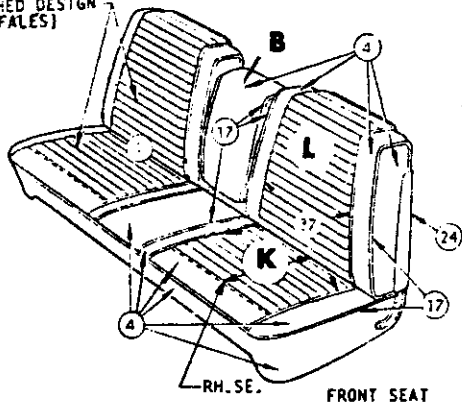
Codes 441, 443, 445, 446

TPH-434 1963 PLYMOUTH TP1-H, TP2-H SPECIAL 4 DOOR SEDAN IMITATION LEATHER COMBINATION

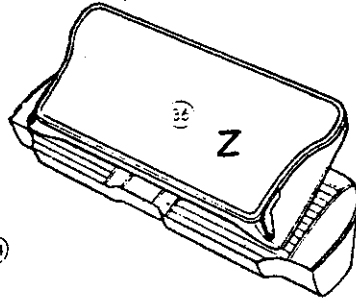
1963 PLYMOUTH - T SERIES



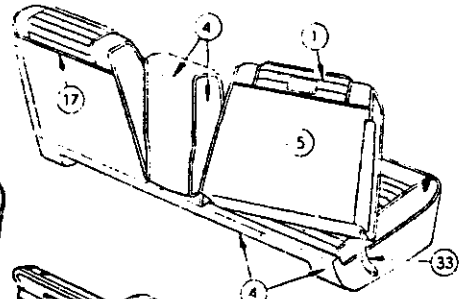
STITCHED DESIGN (FALES)



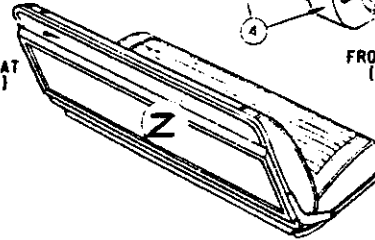
RH. SE. FRONT SEAT



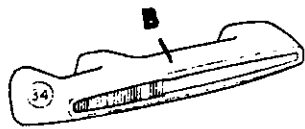
2ND SEAT (BACK)



FRONT SEAT (BACK)

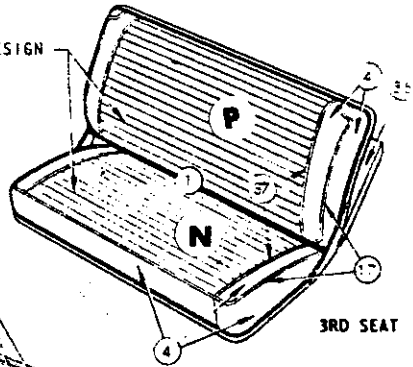


3RD SEAT (BACK)



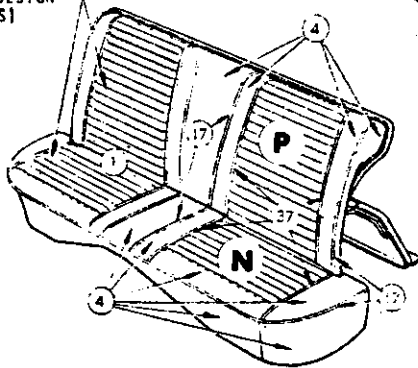
FRONT DOOR ARM REST

STITCHED DESIGN

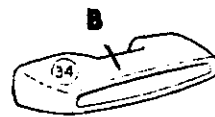


3RD SEAT

STITCHED DESIGN (FALES)



2ND SEAT



REAR DOOR ARM REST

DISTRIBUTION OF MATERIAL

- 1 BODY CLOTH
- 3 HEADLINING
- 4 IMITATION LEATHER
- 5 IMITATION LEATHER
- 7 IMITATION LEATHER
- 8 IMITATION LEATHER
- 9 IMITATION LEATHER
- 16 LACE
- 17 EXTRUDED VINYL
- 18 FLOOR COVERING-FRONT CARPET
- 19 FLOOR COVERING-REAR CARPET
- 20 FLOOR COVERING-LUGG. COMPT.
- 21 CARDBOARD
- 22 EMBOSSED CARDBOARD
- 23 PAINT
- 24 METAL
- 25 MOULDING
- 26 MYLAR
- 27 MOULDED RESIN
- 28 MOULDED RUBBER
- 29 MOULDED VINYL
- 32 CARPET
- 33 PLASTIC
- 34 PLASTISOL
- 35 POLYETHLENE
- 36 VINOLEUM
- 37 EXTRUDED VINYL MYLAR FILLER
- 1 HEADLINING
- 28-AM-22 HARDBOARD
- 19-C-22
- 19-DJ-22
- 18-DN-79
- .012-L-22

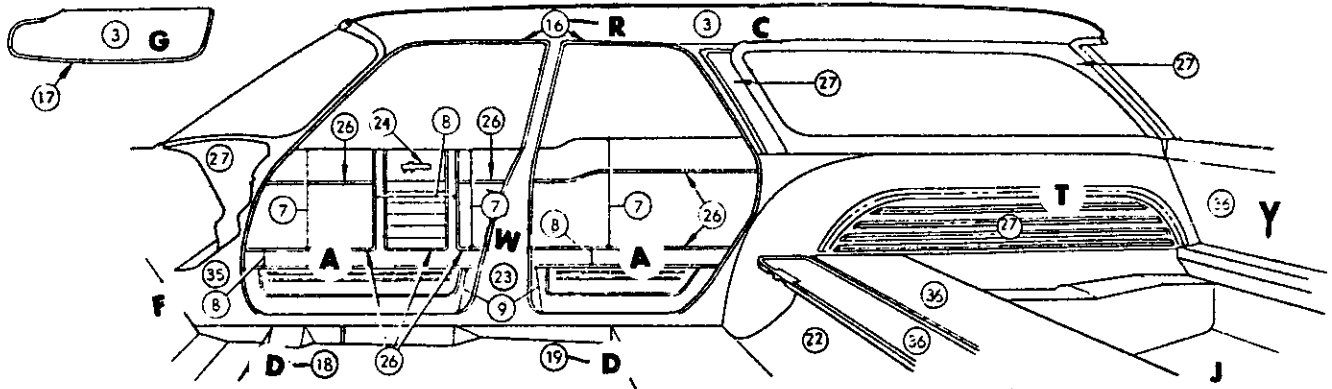
Distribution Drawing Legend Page Appears Following Illustration Section

Codes 341, 342, 343, 345, 346

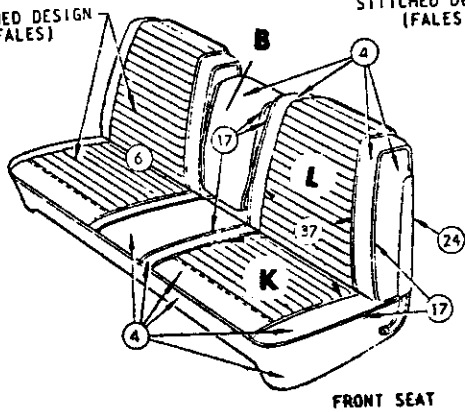
TPH-451

1963 PLYMOUTH TP1-H, TP2-H 4 DOOR SUBURBAN
CLOTH AND IMITATION LEATHER COMBINATION

1963 PLYMOUTH - T SERIES

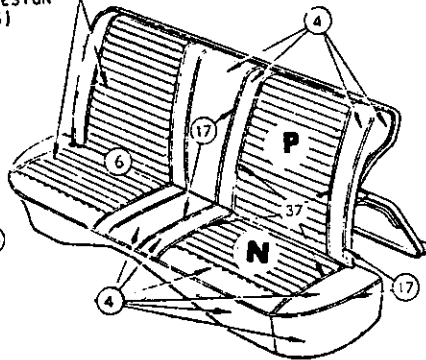


STITCHED DESIGN (FALES)

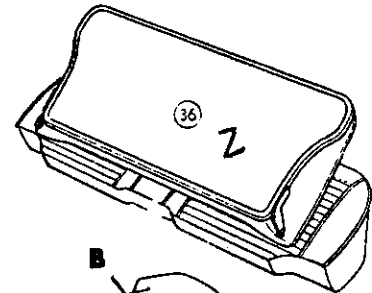


FRONT SEAT

STITCHED DESIGN (FALES)

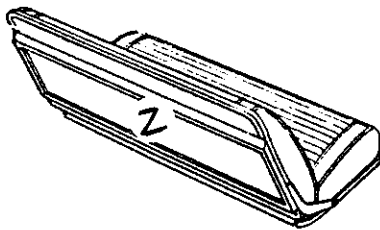


2ND SEAT

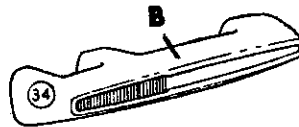


REAR DOOR ARM REST

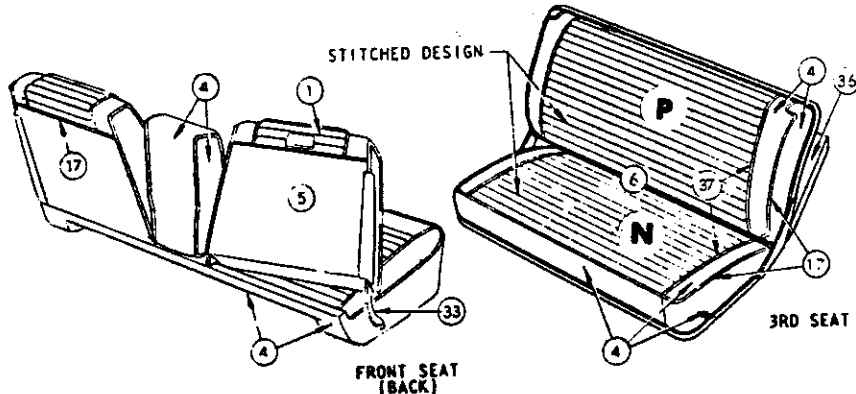
2ND SEAT (BACK)



3RD SEAT (BACK)



FRONT DOOR ARM REST



FRONT SEAT (BACK)

3RD SEAT

DISTRIBUTION OF MATERIAL

3	HEADLINING	HARDBOARD
4	IMITATION LEATHER	28-AM-22
5	IMITATION LEATHER	19-C-22
6	IMITATION LEATHER	23-DW-79
7	IMITATION LEATHER	19-DJ-22
8	IMITATION LEATHER	18-DN-79
9	IMITATION LEATHER	.012-L-22
16	LACE	
17	EXTRUDED VINYL	
18	FLOOR COVERING-FRONT CARPET	
19	FLOOR COVERING-REAR CARPET	
20	FLOOR COVERING-LUGG. COMPT.	
22	EMBOSSED CARDBOARD	
23	PAINT	
24	METAL	
25	MOULDING	
26	MYLAR	
27	MOULDED RESIN	
28	MOULDED RUBBER	
29	MOULDED VINYL	
32	CARPET	
33	PLASTIC	
34	PLASTISOL	
35	POLYETHYLENE	
36	VINOLEUM	
37	EXTRUDED VINYL MYLAR FILLER	

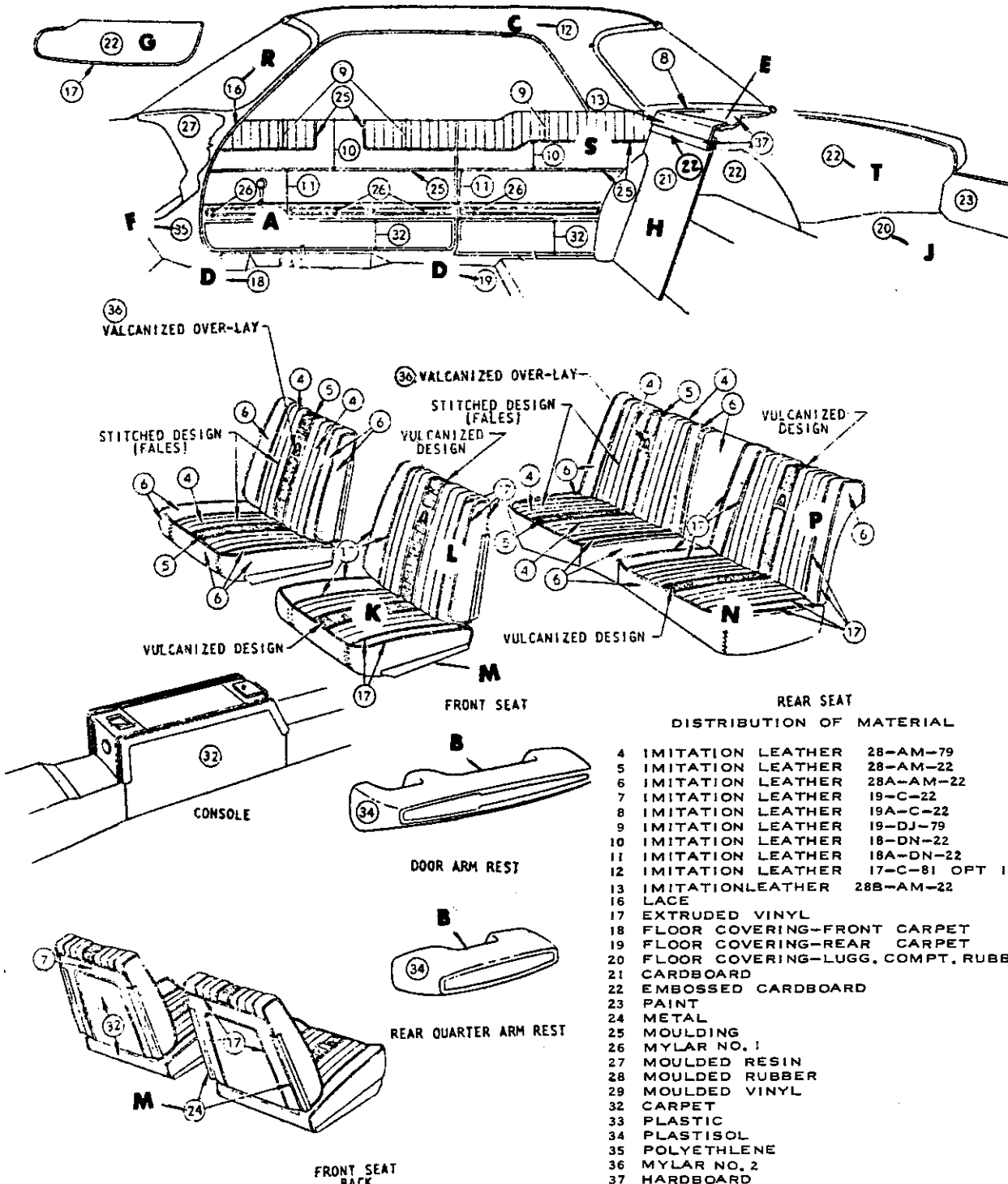
Distribution Drawing Legend Page Appears Following Illustration Section

Codes 441, 442, 443, 445, 446, 447

TPH-454

1963 PLYMOUTH TP1-H, TP2-H 4 DOOR SUBURBAN
IMITATION LEATHER COMBINATION

1963 PLYMOUTH -T SERIES



REAR SEAT
DISTRIBUTION OF MATERIAL

4	IMITATION LEATHER	28-AM-79
5	IMITATION LEATHER	28-AM-22
6	IMITATION LEATHER	28A-AM-22
7	IMITATION LEATHER	19-C-22
8	IMITATION LEATHER	19A-C-22
9	IMITATION LEATHER	19-DJ-79
10	IMITATION LEATHER	18-DN-22
11	IMITATION LEATHER	18A-DN-22
12	IMITATION LEATHER	17-C-81 OPT 15.5-C-81.
13	IMITATION LEATHER	28B-AM-22
16	LACE	
17	EXTRUDED VINYL	
18	FLOOR COVERING-FRONT CARPET	
19	FLOOR COVERING-REAR CARPET	
20	FLOOR COVERING-LUGG. COMPT. RUBBER	
21	CARDBOARD	
22	EMBOSSED CARDBOARD	
23	PAINT	
24	METAL	
25	MOULDING	
26	MYLAR NO. 1	
27	MOULDED RESIN	
28	MOULDED RUBBER	
29	MOULDED VINYL	
32	CARPET	
33	PLASTIC	
34	PLASTISOL	
35	POLYETHLENE	
36	MYLAR NO. 2	
37	HARDBOARD	

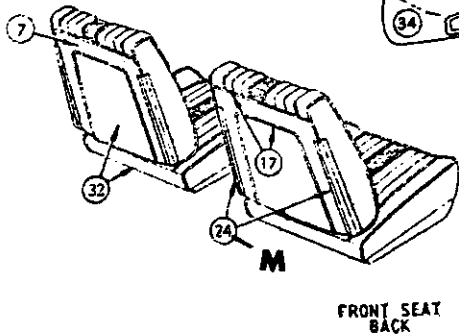
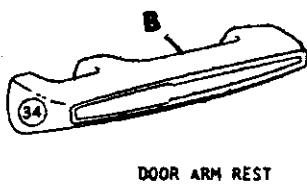
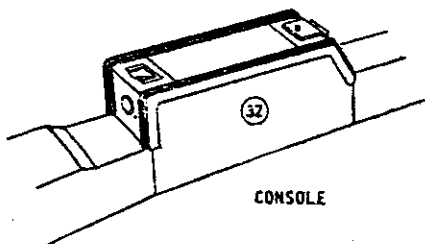
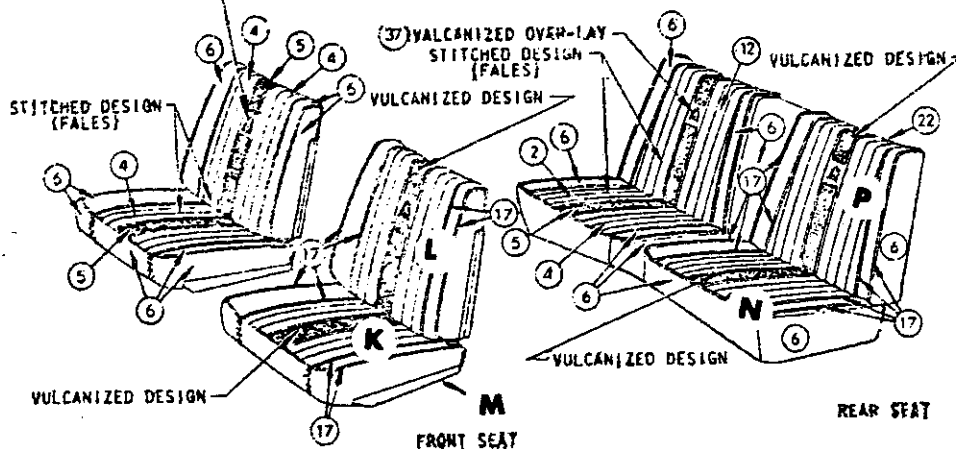
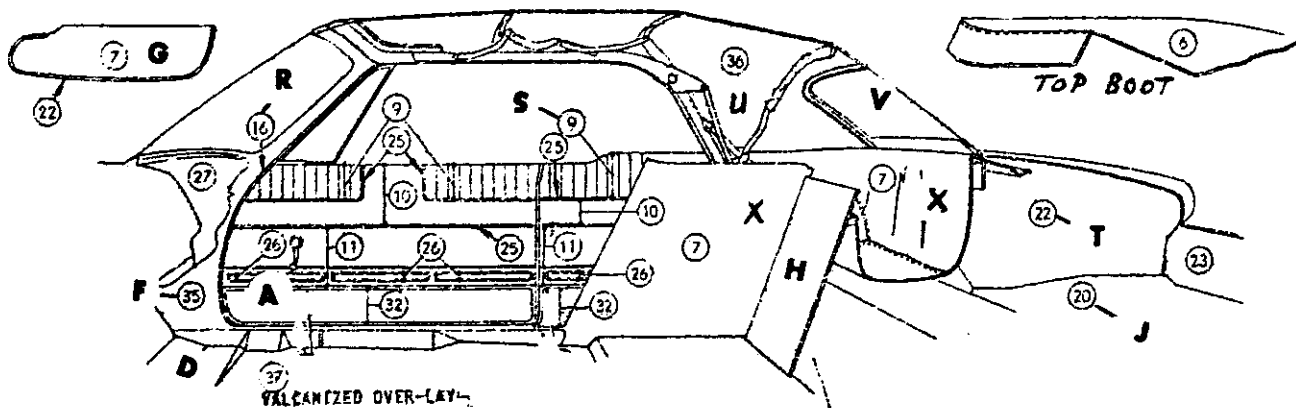
Distribution Drawing Legend Page Appears Following Illustration Section

Codes 451, 455, 459

TPP-234

1963 PLYMOUTH TP2-P SPECIAL CLUB COUPE
IMITATION LEATHER COMBINATION

1963 PLYMOUTH - T SERIES



DISTRIBUTION OF MATERIAL

4	IMITATION LEATHER	28-AM-79
5	IMITATION LEATHER	28-AM-22
6	IMITATION LEATHER	28A-AM-22
7	IMITATION LEATHER	19-C-22
8	IMITATION LEATHER	19A-C-22
9	IMITATION LEATHER	19-DJ-79
10	IMITATION LEATHER	18-DN-22
11	IMITATION LEATHER	18A-DN-22
12	IMITATION LEATHER	23-DW-79
16	LACE	
17	EXTRUDED VINYL	
18	FLOOR COVERING-FRONT CARPET	
19	FLOOR COVERING-REAR CARPET	
20	FLOOR COVERING-LUGG. COMPT. RUBBER	
21	CARDBOARD	
22	EMBOSSED CARDBOARD	
23	PAINT	
24	METAL	
25	MOULDING	
26	MYLAR NO. 1	
27	MOULDED RESIN	
28	MOULDED RUBBER	
29	MOULDED VINYL	
32	CARPET	
33	PLASTIC	
34	PLASTISOL	
35	POLYETHYLENE	
36	TOP MATERIAL	
37	MYLAR NO. 2	

Distribution Drawing Legend Page Appears Following Illustration Section

Codes 451, 455, 459

TPP-274

1963 PLYMOUTH TP2-P CONVERTIBLE COUPE
IMITATION LEATHER COMBINATION

1963 PLYMOUTH - T SERIES

Distribution Drawing Legend

See Illustrations For Letter Identification

Letter	Description	Code
A	Panel, Door Trim	23-92-5
B	Arm Rest, Door, Front	23-76-3
	Center, Front Seat	23-76-34
	Door, Rear	23-76-59
	Quarter Panel	23-76-66
C	Headlining	23-86-3
D	Floor Cover, Front, Carpet	23-79-3
	Rubber	23-20-8
	Rear. Carpet	23-79-33
	Rubber	23-20-41
E	Panel, Shelf Trim	23-102-3
F	Panel, Cowl Trim	23-91-6
G	Visor	23-103-3
H	Panel, Luggage Compartment Front	23-96-3
J	Cover, Luggage Compartment Floor	23-20-29
K	Cover, Front Seat Cushion	23-108-5
L	Cover, Front Seat Back	23-108-16
M	Cover, Front Seat Hinge	23-108-84
N	Cover, Rear Seat Cushion	23-109-36
P	Cover, Rear Seat Back	23-109-4
Q	Cover, Rear Seat Cushion Bottom Panel	23-109-40
R	Weathercord, Door	23-113-2
	Hinge Pillar	23-113-25
	Lock Pillar	23-113-30
	w/Weatherstrip	23-66-33
S	Panel, Quarter Trim	23-101-3
T	Cover, Wheelhouse	23-96-8
U	Top Deck and Side Quarter	23-112-108
V	Curtain, Folding Top Back	23-112-45
W	Cover, Center Pillar	23-99-4
X	Panel, Folding Top Well Pocket	23-112-153
Y	Cover, Tailgate Inside Panel	23-79-79
Z	Cover, Rear Seat Back Panel	23-109-5

BODY CODE

COLUMN LEGEND

SAVOY (TP1-L)

201 (21)	2 D. Sedan (Fleet)
203 (41)	4 D. Sedan (Fleet)
211 (21)	2 D. Sedan
213 (41)	4 D. Sedan
256 (45A)	4 D. Wagon (2 Seat)
257 (45B)	4 D. Wagon (3 Seat)
283 (41)	4 D. Sedan (Taxi)
291 (21)	2 D. Sedan (Police)
293 (41)	4 D. Sedan (Police)
296 (45A)	4 D. Wagon (Police-2 Seat)

BELVEDERE (TP1-M)

221 (21)	2 D. Sedan
222 (23)	2 D. Hard Top
223 (41)	4 D. Sedan

FURY (TP1-H)

232 (23)	2 D. Hard Top
233 (41)	4 D. Sedan

SAVOY (TP2-L)

301 (21)	2 D. Sedan (Fleet)
303 (41)	4 D. Sedan (Fleet)
311 (21)	2 D. Sedan
313 (41)	4 D. Sedan
356 (45A)	4 D. Wagon (2 Seat)
357 (45B)	4 D. Wagon (3 Seat)
383 (41)	4 D. Sedan (Taxi)
391 (21)	2 D. Sedan (Police)
393 (41)	4 D. Sedan (Police)
396 (45A)	4 D. Wagon (Police-2 Seat)

BELVEDERE (TP2-M)

321 (21)	2 D. Sedan
322 (23)	2 D. Hard Top
323 (41)	4 D. Sedan
366 (45A)	4 D. Wagon (2 Seat)
367 (45B)	4 D. Wagon (3 Seat)

FURY (TP2-H)

332 (23)	2 D. Hard Top
333 (41)	4 D. Sedan
334 (43)	4 D. Hard Top
335 (27)	Convertible
376 (45A)	4 D. Wagon (2 Seat)
377 (45B)	4 D. Wagon (3 Seat)

SPORT FURY (TP2-P)

342 (23)	2 D. Hard Top
345 (27)	Convertible

★ Indicates use as required.

☐ Indicates parts not listed in any previous parts book.
Right and left part numbers are on same line,
first number is right, second number is left.

Printed in U.S.A.
Prices and specifications subject to change without notice.
September 4, 1962.

CONVERTIBLE TOP COLOR LEGEND

6 Black

7 White

9 Special

STARTING SERIAL NUMBERS

		Detroit Built	St. Louis Built	Newark Built	Los Angeles Built
TP1-L	(Savoy	2131-100001	2137-100001	2136-100001	2135-100001
TP1-L	(Savoy Sub.)	2531-100001	2537-100001	2536-100001	2535-100001
TP1-M	(Belvedere)	2231-100001	2237-100001	2236-100001	2235-100001
TP1-M	(Belvedere Sub.)	2631-100001	2637-100001	2636-100001	2635-100001
TP1-H	(Fury)	2331-100001	2337-100001	2336-100001	2335-100001
TP2-L	(Savoy)	3131-100001	3137-100001	3136-100001	3135-100001
TP2-L	(Savoy Sub.)	3531-100001	3537-100001	3536-100001	3535-100001
TP2-M	(Belvedere)	3231-100001	3237-100001	3236-100001	3235-100001
TP2-M	(Belvedere Sub.)	3631-100001	3637-100001	3636-100001	3635-100001
TP2-H	(Fury)	3331-100001	3337-100001	3336-100001	3335-100001
TP2-H	(Fury Sub.)	3731-100001	3737-100001	3736-100001	3735-100001
TP2-P	(Fury Sport)	3431-100001	3437-100001	3436-100001	3435-100001

TRIM CODE	MODEL	MATERIAL			COLOR	SED.	SP. 4D.	SUB.	SP. CL. CP.	CV. CP.
		Cloth	Vinyl	Leather						
301	P1-L, P2-L	★	★	-	Blue	★	-	-	-	-
303	P1-L, P2-L	★	★	-	Tan	★	-	-	-	-
306	P1-L, P2-L	★	★	-	Alabaster & Black	★	-	-	-	-
394	P1-L, P2-L	★	★	-	Gray	★	-	-	-	-
401	P1-L, P2-L	-	★	-	Blue	-	-	★	-	-
403	P1-L, P2-L	-	★	-	Tan	-	-	★	-	-
406	P1-L, P2-L	-	★	-	Alabaster & Black	-	-	★	-	-
411	P1-L, P2-L	-	★	-	Blue	★	-	-	-	-
413	P1-L, P2-L	-	★	-	Tan	★	-	-	-	-
494	P1-L, P2-L	-	★	-	Gray	★	-	-	-	-
321	P1-M, P2-M	★	★	-	Blue	★	-	-	★	-
322	P1-M, P2-M	★	★	-	Green	★	-	-	★	-
323	P1-M, P2-M	★	★	-	Tan	★	-	-	★	-
325	P1-M, P2-M	★	★	-	Alabaster & Black	★	-	-	★	-
326	P1-M, P2-M	★	★	-	Red	★	-	-	★	-
421	P1-M, P2-M	-	★	-	Blue	-	-	★	-	-
423	P1-M, P2-M	-	★	-	Alabaster & Black	-	-	★	-	-
425	P1-M, P2-M	-	★	-	Red	-	-	★	-	-
426	P1-M, P2-M	-	★	-	Alabaster & Black	-	-	★	-	-
431	P1-M, P2-M	-	★	-	Blue	★	-	-	-	-
433	P1-M, P2-M	-	★	-	Tan	★	-	-	-	-
341	P1-H, P2-H	★	★	-	Blue	★	★	-	★	-
342	P1-H, P2-H	★	★	-	Green	★	★	-	★	-
343	P1-H, P2-H	★	★	-	Tan	★	★	-	★	-
345	P1-H, P2-H	★	★	-	Red	★	★	-	★	-
346	P1-H, P2-H	★	★	-	Alabaster & Black	★	★	-	★	-
441	P1-H, P2-H	-	★	-	Blue	★	★	-	★	-
442	P1-H, P2-H	-	★	-	Green	-	-	★	-	-
443	P1-H, P2-H	-	★	-	Tan	★	★	-	★	-
445	P1-H, P2-H	-	★	-	Red	★	★	-	★	-
446	P1-H, P2-H	-	★	-	Alabaster & Black	-	-	-	-	★
447	P1-H, P2-H	-	★	-	Alabaster & Black	-	-	★	-	-
451	P1-P, P2-P	-	★	-	Blue	-	-	-	★	★
455	P1-P, P2-P	-	★	-	Red	-	-	-	★	★
459	P1-P, P2-P	-	★	-	Copper & Black	-	-	-	★	★

★ Indicates use as required.

⊠ Indicates parts not listed in any previous parts book.
September 4, 1962.

Printed in U.S.A.

Prices and specifications subject to change without notice.
Right and left part numbers are on same line,
first number is right, second number is left.

CODE	REMARKS	PER CAR	SED.	SP. 4 D.	SUB.	SP. CL. CP.	CV. CP.
NOTE: RIGHT HAND AND LEFT HAND PARTS LISTED ON THE SAME LINE. Whenever right and left hand parts are identified by consecutive part numbers they will be listed as in the following example: PANEL, Door Trim 2083 344-5 Interpreted, this indicates that Panel, right is Part No. 2083 344 and Panel, left is Part No. 2083 345.							
23-71-1	COVER, Front Console P2-P (code 451) (code 455) (code 459)	1 1 1	---- ---- ----	---- ---- ----	---- ---- ----	E2431 970-1 E2431 974-5 E2431 976-7	E2431 970-1 E2431 974-5 E2431 976-7
23-76-3	ARM REST, Front Door P1, P2 (codes 301, 321, 401, 411, 421, 431)(small) (blue) (codes 306, 326, 406, 426) (alabaster) (codes 341, 441, 451)(large) (blue) (codes 343, 443)(large) (tan) (code 342) (green)	2 1 1 1 1	2413 934 2413 940 2428 970-1 2428 974-5 2428 972-3	---- ---- 2428 970-1 2428 974-5 2428 972-3	2413 934 2413 940 2428 970-1 2428 974-5 2428 972-3	2413 934 2413 940 2428 970-1 2428 974-5 2428 972-3	2428 970-1 2428 974-5
	(codes 325, 425)(small) (red) (codes 345, 445, 455) (large) (red) (codes 346, 446, 447) (large) (alabaster)	2 1 1	2413 938 2428 976-7 2428 978-9	---- 2428 976-7 2428 978-9	2413 938 2428 976-7 2428 978-9	2413 938 2428 976-7 2428 978-9	2428 976-7 2428 978-9
	(code 459) (black) (codes 394, 494, 499) (gray) (codes 342, 442) (large) (green) Screw (code 322)(small) (green) (codes 303, 323, 403, 413, 423, 433)(small) (tan)	1 2 1 4 2 2	---- 2413 944 2428 972-3 162 090 2413 935 2413 936	---- ---- 2428 972-3 162 090 ---- ----	---- ---- 2428 972-3 162 090 2413 936 2413 936	2428 982-3 162 090	2428 982-3 162 090
23-76-16	NUT, Arm Rest to Panel P1, P2	4	1280 134	1280 134	1280 134	1280 134	1280 134
23-76-18	ARM REST, Front Seat Back Center P1, P2 (codes 341, 441) (codes 342, 442) (codes 343, 443) (codes 345, 445) (codes 346, 446, 447)	1 1 1 1 1	2414 359 2414 360 2414 361 2414 362 2414 363	2414 359 2414 360 2414 361 2414 362 2414 363	2414 359 2414 360 2414 361 2414 362 2414 363	2414 359 2414 360 2414 361 2414 362 2414 363	2414 359 2414 361 2414 362 2414 363
23-76-27	HOOK, Front Seat Arm Rest Frame Retainer P1-H, P2-H	1	1918 568	1918 568	1918 568	1918 568	1918 568
23-76-28	BAR, Front Seat Center Arm Rest Frame Lock	1	2270 102	2270 102	2270 102	2270 102	2270 102
23-76-34	COVER, Front Seat Back Center Arm Rest P1, P2 (codes 341, 441) (codes 342, 442) (codes 343, 443) (codes 345, 445) (codes 346, 446, 447)	1 1 1 1 1	2414 354 2414 355 2414 356 2414 357 2414 358	2414 354 2414 355 2414 356 2414 357 2414 358	2414 354 2414 355 2414 356 2414 357 2414 358	2414 354 2414 355 2414 356 2414 357 2414 358	2414 354 2414 355 2414 356 2414 357 2414 358

★ Indicates use as required.
 E Indicates parts not listed in any previous parts book.
 Right and left part numbers are on same line,
 first number is right, second number is left.
 * Indicates change or addition.

Printed in U.S.A.
 Prices and specifications subject to change without notice.
 Jan. 3, 1964 Supersedes Dec. 14, 1962.

1963 PASSENGER CAR PARTS CATALOG

INTERIOR TRIM

CODE	REMARKS	PER CAR	SED.	SP. 4 D.	SUB.	SP. CL. CP.	CV. CP.
23-76-59	ARM REST, Rear Door P1, P2 (codes 301, 321, 341, 401, 411, 421, 431, 441) (blue)	2	2413 934	2413 934	2413 934		
	(codes 303, 323, 343, 403, 413, 423, 433, 443) (tan)	2	2413 936	*2413 936	2413 936	2413 936	
	(codes 325, 345, 425, 445) (red)	2	2413 938	2413 938	2413 938		
	(codes 306, 326, 346, 406, 426, 447) (alabaster)	2	2413 940	----	2413 940		
	(codes 322, 342, 442) (green)	2	2413 935	2413 935	2413 935		
	(code 494) (gray)	2	2413 944				
	(door arm rest to door nut)	4	1280 134	1280 134	1280 134		
23-76-66	ARM REST, Rear Quarter (codes 301, 321, 341, 441, 451) (blue)	2	2413 934	*2413 934	----	2413 934	
	(codes 303, 323, 343, 443) (tan)	2	2413 936	*2413 936	----	2413 936	
	(codes 322, 342) (green)	2	2413 935	----	----	2413 935	
	(codes 325, 345, 445, 455) (red)	2	2413 938	*2413 938			
	(code 459) (black)	2	----	----	----	2413 941	
	(code 494) (gray)	2	2413 944				
23-76-80	NUT, Quarter Arm Rest to Panel P1, P2	4	1280 134	----	----	1280 134	
23-77-3	STRAP, Assist P1, P2 (center pillar)	2	2274 841				
23-77-17	SPACER, Center Pillar Assist Strap to Garnish Moulding P1, P2	2	2292 201				
23-79-3	CARPET, Front Floor P1-M, P2-M, P1-H, P2-H, P2-P (blue)	1	2299 473	2299 473	2299 473	2299 473	2299 473
	(green)	1	2299 474	2299 474	2299 474	2299 474	
	(tan)	1	2299 475	2299 475	2299 475	2299 475	2299 475
	(red)	1	2299 476	2299 476	2299 476	2299 476	2299 476
	(black)	1	2299 477	2299 477	2299 477	2299 477	2299 477
	P2-M, P2-H, P2-P (use with floor mounted shift) (blue)	1	2448 239	2448 239	2448 239	2448 239	2448 239
	(green)	1	2448 240	2448 240	2448 240	2448 240	
	(tan)	1	2448 241	2448 241	2448 241	2448 241	2448 241
	(red)	1	2448 242	2448 242	2448 242	2448 242	2448 242
	(black)	1	2448 243	2448 243	2448 243	2448 243	2448 243
	23-79-33	CARPET, Rear Floor P1-M, P2-M, P1-H, P2-H, P2-P (blue)	1	2299 484	2299 484	2299 484	2299 484
(green)		1	2299 485	2299 485	2299 485	2299 485	
(tan)		1	2299 486	2299 486	2299 486	2299 486	2299 486
(red)		1	2299 487	2299 487	2299 487	2299 487	2299 487
(black)		1	2299 488	2299 488	2299 488	2299 488	2299 488
(front center floor pan cover panel insert) (vinoleum) (codes 341, 401, 421) (blue)		1	----	----	*2297 573		
(codes 342, 422, 442) (green)		1	----	----	2297 578		
(codes 343, 403, 423) (tan)		1	----	----	2297 574		

★ Indicates use as required.

☐ Indicates parts not listed in any previous parts book.

Jan. 3, 1964 Supersedes Dec. 14, 1962.

Printed in U.S.A.

Prices and specifications subject to change without notice.

Right and left part numbers are on same line,
first number is right, second number is left.

* Indicates change or addition.

CODE	REMARKS	PER CAR	SED.	SP. 4 D.	SUB.	SP. CL. CP.	CV. CP.	
23-79-33	CARPET, Rear Floor - Cont'd							
	P1-M, P2-M, P1-H,							
	P2-H, P2-P							
	(codes 344, 425 (red)	1	----	----	E1800 TR6			
	(codes 346, 406, 426,							
	447) (black)	1	----	----	2297 576			
	(rear floor pan insert)							
	(vinoleum)							
	(codes 401, 421) (blue)	1	----	----	2297 579			
	(code 442) (green)	1	----	----	2297 584			
	(codes 403, 423, 443)							
	(tan)	1	----	----	2297 580			
	(codes 425, 445) (red)	1	----	----	E1801 TR6			
	(codes 406, 426, 447)							
(black)	1	----	----	2297 582				
(rear floor pan cover insert)	(vinoleum)							
	(codes 401, 421, 441)							
	(blue)	1	----	----	2297 585			
	(codes 403, 423, 443)							
	(tan)	1	----	----	2297 586			
	(codes 425, 445) (red)	1	----	----	E1802 TR6			
	(codes 406, 426, 447)							
	(black)	1	----	----	2297 588			
	(code 442) (green)	1	----	----	2297 590			
	(floor pan axle kick-up front trim panel)(paint as required)	1	----	----	2413 413			
23-79-79	COVER, Tailgate Inside Panel							
	P1, P2 (vinoleum)							
	(codes 401, 421, 441)							
	(blue)	1	----	----	2297 555			
	(codes 403, 423, 443)							
	(tan)	1	----	----	2297 556			
	(codes 406, 426, 447)							
	(black)	1	----	----	2297 558			
	(codes 425, 445) (red)	1	----	----	E1803 TR6			
	(code 442) (green)	1	----	----	2297 560			
	(access hole cover)	(codes 341, 401, 421)						
		(blue)	1	----	----	2297 555		
		(codes 343, 403, 423)						
		(tan)	1	----	----	2297 556		
(codes 345, 425) (red)		1	----	----	E1803 TR6			
(codes 346, 406, 426)								
(black)	1	----	----	2297 558				
(code 342) (green)	1	----	----	2297 560				
23-81-3	HANDLE, Rear Door Pull-To							
	P1-L, P2-L	1	1697 413					
23-81-8	SPACER, Rear Door Pull-To							
	Handle							
23-82-30	P1-L, P2-L	2	1964 579					
	HOOK, Coat Hanger							
23-82-39	P1, P2	2	2165 837	2165 837	2165 837	2165 837		
	Screw	★	148 095	148 095	148 095	148 095		
23-82-39	BRACKET, Coat Hook Support							
	P1, P2	2	*2481 175	*2481 175	*2481 175	*2481 175		

★ Indicates use as required.
 E Indicates parts not listed in any previous parts book.
 Right and left part numbers are on same line,
 first number is right, second number is left.
 * Indicates change or addition.

Printed in U.S.A.
 Prices and specifications subject to change without notice.
 Jan. 3, 1964 Supersedes Sept. 4, 1962.

CODE	REMARKS	PER CAR	SED.	SP. 4 D.	SUB.	SP. CL. CP.	CV. CP.
23-84-3	PAD, Instrument Panel Trim P1, P2						
	(codes 301, 321, 341, 411, 421, 431, 441, 451) (blue)	1	2432 728	2432 728	2432 728	2432 728	2432 728
	(codes 303, 323, 343, 403, 413, 423, 433, 443) (tan)	1	2432 730	2432 730	2432 730	2432 730	2432 730
	(codes 306, 326, 346, 394, 406, 426, 446, 447, 459, 494) (black)	1	2432 732	2432 732	2432 732	2432 732	2432 732
	(codes 322, 342, 442) (green)	1	2432 729	2432 729	2432 729	2432 729	2432 729
	(codes 325, 345, 425, 445, 455) (red)	1	2432 731	2432 731	2432 731	2432 731	2432 731
	(attaching clip) (lower) (attaching clip)	2 ★	6008 193 6008 222	6008 193 6008 222	6008 193 6008 222	6008 193 6008 222	6008 193 6008 222
23-86-3	HEADLINING and LISTINGS P1-L, P2-L						
	(codes 301, 321, 341, 411, 441, 451)	1	2429 506	2429 506	----	2429 506	
	(codes 303, 306, 323, 325, 326, 343, 345, 346, 413, 443, 445, 455, 459)	1	2429 507	2429 507	----	2429 507	
	(codes 322, 342)	1	2429 509	*2409 509	----	2429 509	
	(codes 394, 494)	1	2429 508				
	P1, P2 (perf. hardboard)						
	(No. 1)	1	----	----	2273 461		
(No. 2)	1	----	----	2413 905			
(No. 3)	1	----	----	2273 463			
(No. 4)	1	----	----	2273 464			
(No. 5)	1	----	----	2273 465			
(No. 6)	1	----	----	2273 466			
(No. 7)	1	----	----	2273 467			
23-86-10	BOW, Roof Support P1, P2 (No. 1)	1	*2166 267	*2166 267	*2166 267	*2166 267	
	(No. 2)	1	2166 268	2166 268	2166 268	2166 268	
	(Nos. 3 and 4)	1	----	----	2166 269		
23-86-16	SUPPORT, Roof Inside Finish Panel on Roof Rail P1, P2	12	----	2216 461	----	2216 461	
	(fastener)	12	----	6000 922	----	6000 922	
23-86-19	STRIP, Headlining Retaining P1, P2						
	Rear	1	2255 430-1				
	Side Front	1	----	----	2251 806-7		
	Side Rear	1	----	----	2251 446-7		
	Rear	1	----	----	2251 448		
Corner Rear	1	----	----	2251 444-5			
23-86-24	RETAINER, Roof Inside Finish Moulding P1, P2 (No. 1)	1	----	----	*2292 162		
	(No. 2)	1	----	----	2292 163		
	(No. 3)	1	----	----	2292 164		
	(No. 4)	1	----	----	2292 165		
	(No. 5)	1	----	----	2292 166		
	(No. 6)	1	----	----	2292 167		
23-86-35	MOULDING, Roof Inside Finish Panel P1-M, P2-M						
	(No. 1)	1	----	----	2292 377	2292 373	
	(No. 2)	1	----	----	2292 377	2292 375	
	(No. 3)	1	----	----	2292 377	2292 377	
(No. 4 thru No. 6)	1	----	----	2292 377			

★ Indicates use as required.

☐ Indicates parts not listed in any previous parts book.

Jan. 3, 1964 Supersedes Sept. 4, 1962.

Page IT-32

Printed in U.S.A.

Prices and specifications subject to change without notice.

Right and left part numbers are on same line,

first number is right, second number is left.

* Indicates change or addition.

1963 PASSENGER CAR PARTS CATALOG

INTERIOR TRIM

CODE	REMARKS	PER CAR	SED.	SP. 4 D.	SUB.	SP. CL. CP.	CV. CP.
23-92-5	PANEL, Door Trim - Cont'd P1-H, P2-H (2 D.) (codes 341, 441) (code 342) (codes 343, 443) (codes 345, 445) (codes 346, 446)	1 1 1 1 1	---- ---- ---- ---- ----	---- ---- ---- ---- ----	---- ---- ---- ---- ----	2413 208-9 2413 210-1 2413 212-3 2413 214-5 2413 216-7	2413 208-9 2413 212-3 2413 214-5 2413 216-7
	P1-H, P2-H (4 D.) (codes 341, 441) Front Rear (codes 342, 442) Front Rear (codes 343, 443) Front Rear	1 1 1 1 1 1	2413 278-9 2413 288-9 2413 280-1 2413 290-1 2413 282-3 2413 292-3	2413 304-5 2413 314-5 2413 306-7 2413 316-7 2413 308-9 2413 318-9	2413 278-9 2413 288-9 2413 280-1 2413 290-1 2413 282-3 2413 292-3		
	(codes 345, 445) Front Rear (code 346) Front Rear (code 447) Front Rear	1 1 1 1 1 1	2413 284-5 2413 294-5 2413 286-7 2413 296-7 ---- ----	2413 310-1 2413 320-1 2413 312-3 2413 322-3 ---- ----	2413 284-5 2413 294-5 2413 950-1 2413 952-3		
	P2-P (code 451) (code 455) (code 459)	1 1 1	---- ---- ----	---- ---- ----	---- ---- ----	2413 842-3 2413 844-5 2413 846-7	2413 842-3 2413 844-5 2413 846-7
23-92-8	FASTENER, Quarter Trim Panel P1, P2	★	975 633	975 633	----	975 633	975 633
23-96-3	PANEL, Luggage Compartment Front Lining P1, P2 (side to quarter) (filler)	1 1	2162 831 2292 876-7	2162 831 ----	---- ----	2162 831 2292 876-7	
23-96-8	PANEL, Luggage Compartment Side Lining P1, P2 (gray) Wheelhouse and Lower Quarter Trim Cover (paint as required) P1, P2 (2 seat) Right Left (3 seat) Right Left (extension)	1 1 1 1 1 1 1	2432 720-1 ---- ---- ---- ---- ----	2432 720-1 ---- ---- ---- ---- ----	---- ---- ---- ---- ---- ---- 2432 636-7	2432 720-1 E2432 722-3	
23-96-10	PANEL, Luggage Compartment Lower Deck Opening P1-H, P2-H, P2-P (4 D.)	1	E2432 986-7	E2432 986-7	----	E2432 986-7	E2432 986-7
23-96-41	RETAINER, Wheelhouse and Lower Quarter Trim Cover (paint as required) P1, P2 Plastic	6	----	----	2273 453		
23-99-4	COVER, Center Pillar Trim P1, P2 (codes 341, 441) (code 342) (codes 343, 443) (codes 345, 445) (code 346)	1 1 1 1 1	---- ---- ---- ---- ----	2428 646-7 2428 648-9 2428 650-1 2428 652-3 2428 654-5			
23-99-9	RETAINER, Body Rear Lock Pillar Quarter Trim P1, P2	1	----	----	2162 508-9		

★ Indicates use as required.

E Indicates parts not listed in any previous parts book.

Jan. 3, 1964 Supersedes Jan. 25, 1963.

Page IT-34

Printed in U.S.A.
Prices and specifications subject to change without notice.Right and left part numbers are on same line,
first number is right, second number is left.

* Indicates change or addition.

CODE	REMARKS	PER CAR	SED.	SP. 4 D.	SUB.	SP. CL. CP.	CV. CP.
23-101-3	PANEL, Rear Quarter Trim P1-L, P2-L (2 D.)						
	(code 301)	1	2413 168-9				
	(code 303)	1	2413 170-1				
	(code 306)	1	2413 172-3				
	(codes 394, 494)	1	2413 770-1				
	P1-M, P2-M (2 D.)						
	(code 321)	1	2413 336-7	----	----	2413 356-7	
	(code 322)	1	2413 338-9				
	(code 323)	1	2413 340-1	----	----	2413 360-1	
	(code 325)	1	2413 782-3	----	----	2413 776-7	
	(code 326)	1	2413 342-3	----	----	2413 362-3	
	P1, P2 (4 D.)						
	(codes 301, 321, 341, 411, 431, 441) (upper)	1	2429 768-9	2429 768-9			
	(lower)	1	2429 796-7	2429 796-7			
	(codes 303, 323, 343, 413, 433, 443) (upper)	1	2429 772-3	2429 772-3			
	(lower)	1	2429 800-1	2429 800-1			
(code 306) (upper)	1	2429 778-9					
(lower)	1	2429 806-7					
(codes 322, 342) (upper)	1	2429 770-1					
(lower)	1	2429 798-9					
(codes 326, 346) (upper)	1	2429 780-1					
(lower)	1	2429 808-9					
(codes 325, 345, 445) (upper)	1	2429 776-7					
(lower)	1	2429 804-5					
(codes 394, 494) (upper)	1	2429 774-5					
(lower)	1	2429 802-3					
P1-H, P2-H							
(codes 341, 441)	1	----	----	----	2413 218-9	2413 232-3	
(code 342)	1	----	----	----	2413 220-1		
(codes 343, 443)	1	----	----	----	2413 222-3	2413 234-5	
(codes 345, 445)	1	----	----	----	2413 224-5	2413 236-7	
(code 346)	1	----	----	----	2413 226-7	2413 238-9	
P2-P (2 D.)							
(code 451)	1	----	----	----	2413 848-9	2413 858-9	
(code 455)	1	----	----	----	2413 850-1	2413 860-1	
(code 459)	1	----	----	----	2413 852-3	2413 862	
(attaching screw & washer) (2 D.)	★	6023 381	----	----	6023 381	6023 381	
23-101-14	COVER, Upper Quarter Front Trim (paint as required) P1, P2	1	----	----	2297 504-5		
23-101-33	BRACKET, Quarter Trim Panel Support	2	----	----	----		E2490 484
23-102-3	PANEL, Shelf Trim P1, P2						
	(codes 301, 321, 341, 411, 431, 441, 451) (blue)	1	2413 994	2413 994	----	2413 994	
	(codes 322, 342) (green)	1	2413 995	2413 995	----	2413 995	
	(codes 303, 323, 343, 413, 433, 443) (tan)	1	2413 996	2413 996	----	2413 996	
	(codes 306, 326, 346, 459, 494) (black)	1	2413 998	2413 998	----	2413 998	
	(codes 325, 344, 445, 455) (fastener)	1	2413 997	2413 997	----	2413 997	
		★	6000 903	6000 903	----	6000 903	

★ Indicates use as required.

□ Indicates parts not listed in any previous parts book.
Right and left part numbers are on same line,
first number is right, second number is left.

* Indicates change or addition.

Printed in U.S.A.

Prices and specifications subject to change without notice.

CODE	REMARKS	PER CAR	SED.	SP. 4 D.	SUB.	SP. CL. CP.	CV. CP.
23-103-3	PANEL, Visor Trim P1, P2 (codes 301, 321, 341, 411, 431, 441, 451) (blue) (codes 303, 306, 322, 323, 325, 326, 343, 345, 346, 413, 443, 445, 455, 459) (alabaster) (codes 322, 342) (green)	2 2 2	2413 812	2413 812	----	2413 812	
	(codes 401, 403, 406, 421, 423, 425, 426, 441, 442, 443, 445, 447) (white) (codes 441, 451) (blue) (code 443) (tan) (codes 445, 455) (red) (code 446) (alabaster) (code 459) (black) (code 494) (gray)	2 2 2 2 2 2 2	----- ----- ----- ----- ----- ----- E1118 TA2	2273 286 ----- ----- ----- ----- ----- -----	2273 286 ----- ----- ----- ----- ----- -----	2273 286 ----- ----- ----- ----- ----- -----	2413 424 2413 425 2413 426 2413 427 2413 450
23-103-10	ARM and BRACKET, Visor P1, P2 (chrome)	1	2292 894-5	2292 894-5	2292 894-5	2292 894-5	2162 686-7
23-103-18	WASHER, Visor Arm Tension P1, P2	2	6000 106	6000 106	6000 106	6000 106	6000 106
23-103-48	SUPPORT, Visor Inner P1, P2 (3 1/8")	2	2162 628	2162 628	2162 628	2162 628	2162 628
23-108-4	CUSHION, Front Seat P1-L, P2-L (2 D.) (code 301) (w/airfoam pad) (w/heavy duty spring and airfoam pad)	1 1 1	2411 301 2411 304 2411 307				
	(code 303) (w/airfoam pad) (w/heavy duty spring and airfoam pad) (code 306) (w/airfoam pad) (w/heavy duty spring and airfoam pad) (code 394) (police)	1 1 1 1 1 1	2411 302 2411 305 2411 308 2411 303 2411 306 2411 309 2429 843				
	P1-L, P2-L (4 D.) (code 301) (w/airfoam pad) (w/heavy duty and airfoam pad)	1 1 1	2411 232 2411 238 2411 235				
	(code 303) (w/airfoam pad) (w/heavy duty spring and airfoam pad) (code 306) (w/airfoam pad) (w/heavy duty spring and airfoam pad) (code 394) (police)	1 1 1 1 1 1 1	2411 233 2411 239 2411 236 2411 234 2411 240 2411 237 2429 830				

★ Indicates use as required.

☐ Indicates parts not listed in any previous parts book.

Jan. 3, 1964 Supersedes Dec. 14, 1962.

Printed in U.S.A.

Prices and specifications subject to change without notice.

Right and left part numbers are on same line,
first number is right, second number is left.

* Indicates change or addition.

CODE	REMARKS	PER CAR	SED.	SP. 4D.	SUB.	SP. CL. CP.	CV. CP.
23-108-4	CUSHION, Front Seat - Cont'd						
	P1-M, P2-M (2D.) (plain design) (code 321)	1	E2429 955	---	---	E2429 955	
	(w/heavy duty spring and airfoam pad)	1	E2429 960	---	---	E2429 960	
	(code 322)	1	E2429 956	---	---		
	(w/heavy duty spring and airfoam pad)	1	E2429 961	---	---	E2429 957	
	(code 323)	1	E2429 957	---	---		
	(w/heavy duty spring and airfoam pad)	1	E2429 962	---	---	E2429 962	
	(code 326)	1	E2429 958	---	---	E2429 958	
	(w/heavy duty spring and airfoam pad)	1	E2429 963	---	---	E2429 963	
	(code 325)	1	E2429 959	---	---	E2429 959	
	(w/heavy duty spring)	1	E2429 964	---	---	E2429 964	
	(code 394)	1	2429 843	---	---		
	P1-M, P2-M (2 D.) (stitched design) (code 321)	1	E2433 798	---	---	E2433 798	
	(w/heavy duty spring and airfoam pad)	1	E2433 803	---	---	E2433 803	
	(code 322)	1	E2433 799	---	---	E2433 799	
	(w/heavy duty spring and airfoam pad)	1	E2433 804	---	---	E2433 800	
	(code 323)	1	E2433 800	---	---		
	(w/heavy duty spring and airfoam pad)	1	E2433 805	---	---	E2433 805	
	(code 325)	1	E2433 801	---	---	E2433 801	
	(w/heavy duty spring and airfoam pad)	1	E2433 806	---	---	E2433 806	
	(code 326)	1	E2433 802	---	---	E2433 802	
	(w/heavy duty spring and airfoam pad)	1	E2433 807	---	---	E2433 807	
	P1-M, P2-M (4 D.) (plain design) (codes 321, 421)	1	*2411 447	---	*2411 579		
	(w/heavy duty spring and airfoam pad)	1	2411 451	---	2411 583		
	(code 322)	1	2411 448	---			
	(w/heavy duty spring and airfoam pad)	1	2411 452	---			
	(codes 323, 423)	1	2411 449	---	2411 581		
	(w/heavy duty spring and airfoam pad)	1	2411 453	---	2411 585		
	(codes 325, 425)	1	E2429 281	---	*2429 291	E2414 777	
	(w/heavy duty spring and airfoam pad)	1	E2429 282	---	2429 292	E2414 815	E2414 815
	(codes 326, 426)	1	2411 450	---	2411 582		
	(w/heavy duty spring and airfoam pad)	1	2411 454	---	2411 586		
	(code 325)	1	2429 281	---	---	2414 777	
	P1-M, P2-M (stitched design) (codes 321, 421)	1	E2433 673	---	E2433 870		
	(w/heavy duty spring and airfoam pad)	1	E2433 688	---	E2433 874		
	(code 322)	1	E2433 674	---			
	(w/heavy duty spring and airfoam pad)	1	E2433 689	---			
	(codes 323, 423)	1	E2433 675	---	E2433 871		
	(w/heavy duty spring and airfoam pad)	1	E2433 690	---	E2433 875		
	(codes 325, 425)	1	E2433 676	---	E2433 872		
	(w/heavy duty spring and airfoam pad)	1	E2433 691	---	E2433 876		

★ Indicates use as required.
 □ Indicates parts not listed in any previous parts book.
 Right and left part numbers are on same line,
 first number is right, second number is left.
 * Indicates change or addition.

1963 PASSENGER CAR PARTS CATALOG

INTERIOR TRIM

CODE	REMARKS	PER CAR	SED.	SP. 4 D.	SUB.	SP. CL. CP.	CV. CP.
23-108-4	CUSHION, Front Seat - Cont'd						
	P1-M, P2-M (stitched design)	1	⊕2433 677	----	⊕2433 873		
	(codes 326, 426)						
	(w/heavy duty spring and	1	⊕2433 692	----	⊕2433 877		
	airfoam pad)						
	P1, P2 (4 D.)						
	(code 401)	1	----	----	2411 358		
	(w/airfoam pad)	1	----	----	2411 361		
	(w/heavy duty spring and						
	airfoam pad)	1	----	----	2411 364		
	(code 403)	1	----	----	2411 359		
	(w/airfoam pad)	1	----	----	2411 362		
	(w/heavy duty spring and						
	airfoam pad)	1	----	----	2411 365		
	(code 406)	1	----	----	2411 360		
	(w/airfoam pad)	1	----	----	2411 363		
	(w/heavy duty spring and						
	airfoam pad)	1	----	----	2411 366		
	P1-M, P2-M						
	(code 341)	1	2414 319	2414 319	----	2429 250	
	(6 way elec.)	1	2414 324	2414 324	----	2429 255	
	(code 342)	1	2414 320	2414 320	----	2429 251	
	(6 way elec.)	1	2414 325	2414 325	----	2429 256	
	(code 343)	1	2414 321	2414 321	----	2429 252	
	(6 way elec.)	1	2414 326	2414 326	----	2429 257	
	(code 345)	1	2414 322	2414 322	----	2429 253	
	(6 way elec.)	1	2414 327	2414 327	----	2429 258	
	(code 346)	1	2414 323	2414 323	----	2429 254	
	(6 way elec.)	1	2414 328	2414 328	----	2429 259	
	P1-L, P2-L						
	(code 411)	1	2414 800				
	(w/airfoam pad)	1	2414 775				
	(code 413)	1	2414 801				
	(w/airfoam pad)	1	2414 776				
	(code 494) (fleet)	1	2293 636				
	(w/airfoam pad)	1	2293 826				
	(w/heavy duty spring and						
	airfoam pad)(fleet, taxi						
	and police)	1	2293 637				
	P1-H, P2-H						
	(code 441)	1	2429 260	2429 260	2429 260	2414 538	2414 538
	(6 way elec.)	1	2429 263	2429 263	2429 263	2414 542	2414 542
	(code 442)	1	----	----	2429 532		
	(6 way elec.)	1	----	----	2429 534		
	(code 443)	1	2429 261	2429 261	2429 261	2414 539	2414 539
	(6 way elec.)	1	2429 264	2429 264	2429 264	2414 543	2414 543
	(code 445)	1	2429 262	2429 262	2429 262	2414 540	2414 540
	(6 way elec.)	1	2429 265	2429 265	2429 265	2414 544	2414 544
	(code 446)	1	----	----	----	----	2414 541
	(6 way elec.)	1	----	----	----	----	2414 545
	(code 447)	1	----	----	2429 533		
	(6 way elec.)	1	----	----	2429 535		
	P2-P						
	(code 451)	1	----	----	----	2429 130-1	2429 130-1
	(code 455)	1	----	----	----	2429 132-3	2429 132-3
	(code 459)	1	----	----	----	2429 134-5	2429 134-5
	P1-M, P2-M						
	(code 431)	1	2414 775				
	(code 433)	1	2414 776				

★ Indicates use as required.

⊕ Indicates parts not listed in any previous parts book.

Jan. 3, 1964 Supersedes Dec. 14, 1962.

Printed in U.S.A.

Prices and specifications subject to change without notice.

Right and left part numbers are on same line,
first number is right, second number is left.

* Indicates change or addition.

CODE	REMARKS	PER CAR	SED.	SP. 4 D.	SUB.	SP. CL. CP.	CV. CP.
23-108-5	COVER, Front Seat Cushion P1-L, P2-L (2 D.)						
	(code 301)	1	2411 298				
	(code 303)	1	2411 299				
	(code 306)	1	2411 300				
	(code 394) (police)	1	2429 842				
	P1-L, P2-L (4 D.)						
	(code 301)	1	2411 229				
	(code 303)	1	2411 230				
	(code 306)	1	2411 231				
	(code 394)	1	2429 829				
	(code 401)	1	----	----		2411 355	
	(code 403)	1	----	----		2411 356	
	(code 406)	1	----	----		2411 357	
	(code 411)	1	2414 773				
	(code 413)	1	2414 774				
	(code 494) (fleet, taxi and police)	1	2293 635				
	P1-M, P2-M (2 D.) (plain design)						
	(code 321)	1	*2411 515	----	----	*2411 515	
	(code 322)	1	2411 516	----	----	2411 516	
	(code 323)	1	2411 517	----	----	2411 517	
	(code 325)	1	2414 617	----	----	2414 617	
	(code 326)	1	2411 518	----	----	2411 518	
	P1-M, P2-M (2 D.) (stitched design)						
	(code 321)	1	B2433 783	----	----	B2433 783	
	(code 322)	1	B2433 784	----	----	B2433 784	
	(code 323)	1	B2433 785	----	----	B2433 785	
	(code 325)	1	B2433 786	----	----	B2433 786	
	(code 326)	1	B2433 787	----	----	B2433 787	
	P1-M, P2-M (4 D.) (plain design)						
	(code 321)	1	*2411 439				
	(code 322)	1	2411 440				
	(code 323)	1	2411 441				
	(code 325)	1	2429 280				
	(code 326)	1	2411 442				
	(code 421)	1	----	----		2411 571	
	(code 423)	1	----	----		2411 573	
	(code 425)	1	----	----		2429 290	
	(code 426)	1	----	----		2411 574	
	P1-M, P2-M (4 D.) (stitched design)						
	(code 321)	1	B2433 668				
	(code 322)	1	B2433 669				
	(code 323)	1	B2433 670				
	(code 325)	1	B2433 671				
	(code 326)	1	B2433 672				
	(code 421)	1	----	----		B2433 858	
	(code 423)	1	----	----		B2433 859	
	(code 425)	1	----	----		B2433 860	
	(code 426)	1	----	----		B2433 861	
	P1-M, P2-M						
	(code 431)	1	2414 773				
	(code 433)	1	2414 774				
	P1-H, P2-H						
	(code 341)	1	2414 314	2414 314	----	2414 314	
	(code 342)	1	2414 315	2414 315	----	2414 315	
	(code 343)	1	2414 316	2414 316	----	2414 316	

★ Indicates use as required.
 □ Indicates parts not listed in any previous parts book.
 Right and left part numbers are on same line,
 first number is right, second number is left.
 * Indicates change or addition.

Printed in U.S.A.
 Prices and specifications subject to change without notice.
 Jan. 3, 1964 Supersedes Dec. 14, 1962.

1963 PASSENGER CAR PARTS CATALOG

INTERIOR TRIM

CODE	REMARKS	PER CAR	SED.	SP. 4 D.	SUB.	SP. CL. CP.	CV. CP.
23-108-5	COVER, Front Seat Cushion - Cont'd P1-H, P2-H						
	(code 345)	1	2414 317	2414 317	----	2414 317	
	(code 346)	1	2414 318	2414 318	----	2414 318	
	(code 441)	1	2414 510	2414 510	2414 510	2414 510	2414 510
	(code 442)	1	----	----	2429 541		
	(code 443)	1	2414 511	2414 511	2414 511	2414 511	2414 511
	(code 445)	1	2414 512	2414 512	2414 512	2414 512	2414 512
	(code 446)	1	----	----		----	2414 513
	(code 447)	1	----	----	2429 687		
	P2-P						
	(code 451)	1	----	----	----	2429 121	2429 121
	(code 455)	1	----	----	----	2429 122	2429 122
	(code 459)	1	----	----	----	2429 123	2429 123
23-108-12	BACK, Front Seat P1-L, P2-L (2 D.)						
	(code 301)	1	*2411 322-3				
	(w/ash receiver) Right	1	2411 334				
	(w/airfoam pad and heavy duty spring)	1	2411 328-9				
	(heavy duty springs, less airfoam)	1	2414 936				
	(code 303)	1	2411 324-5				
	(w/ash receiver) Right	1	2411 335				
	(w/airfoam pad and heavy duty spring)	1	2411 330-1				
	(heavy duty springs, less airfoam)	1	2414 937				
	(code 306)	1	2411 326-7				
	(w/ash receiver) Right	1	2411 336				
	(w/airfoam pad and heavy duty spring)	1	2411 332-3				
	(heavy duty springs, less airfoam)	1	2414 938				
	P1-L, P2-L (4 D.)						
	(codes 301, 401)	1	2411 247	----	2411 370		
	(w/ash receiver)	1	2411 250	----	2411 373		
	(w/heavy duty spring and airfoam pad)	1	2411 253	----	2411 376		
	(codes 303, 403)	1	2411 248	----	2411 371		
	(w/ash receiver)	1	2411 251	----	2411 374		
	(w/heavy duty spring and airfoam pad)	1	2411 254	----	2411 377		
	(code 306, 406)	1	2411 249	----	2411 372		
	(w/ash receiver)	1	2411 252	----	2411 375		
	(w/heavy duty spring and airfoam pad)	1	2411 255	----	2411 378		
	P1-M, P2-M (2D.) (plain design)						
	(code 321)	1	*2411 547-8	----	----	*2411 547-8	
	(w/airfoam pad and heavy duty spring)	1	2411 555-6	----	----	2411 555-6	
	(code 322)	1	2411 549-50	----	----	2411 549-50	
	(w/airfoam pad and heavy duty spring)	1	2411 557-8	----	----	2411 557-8	
	(code 323)	1	2411 551-2	----	----	2411 551-2	
	(w/airfoam pad and heavy duty spring)	1	2411 559-60	----	----	2411 559-60	
	(code 325)	1	2429 184-5	----	----	2429 184-5	
	(code 326)	1	2411 553-4	----	----	2411 553-4	
	(w/airfoam pad and heavy duty spring)	1	2411 561-2	----	----	2411 561-2	
	(w/heavy duty spring)	1	2429 186-7	----	----	2429 186-7	

★ Indicates use as required.

☐ Indicates parts not listed in any previous parts book.
Jan. 3, 1964 Supersedes Sept. 4, 1962.

* Indicates change or addition.

Printed in U.S.A.

Prices and specifications subject to change without notice.
Right and left part numbers are on same line,
first number is right, second number is left.

CODE	REMARKS	PER CAR	SED.	SP. 4 D.	SUB.	SP. CL. CP.	CV. CP.
23-108-12	BACK, Front Seat - Cont'd P1-M, P2-M (2 D.) (stitched design)						
	(code 321) (w/airfoam pad and heavy duty spring)	1	E2433 828-9	----	----	E2433 828-9	
	(code 322) (w/airfoam pad and heavy duty spring)	1	E2433 838-9	----	----	E2433 838-9	
	(code 323) (w/airfoam pad and heavy duty spring)	1	E2433 840-1	----	----		
	(code 325) (w/airfoam pad and heavy duty spring)	1	E2433 832-3	----	----		
	(code 326) (w/airfoam pad and heavy duty spring)	1	E2433 842	----	----	E2433 842	
	(code 394) (ash receiver and standard spring)	1	E2433 834-5	----	----	E2433 834-5	
		1	E2433 844-5	----	----	E2433 844-5	
		1	E2433 836-7	----	----	E2433 836-7	
		1	E2433 846-7	----	----	E2433 846-7	
		1	2429 848-9	----	----		
		1	2429 850	----	----		
	P1-M, P2-M (4D.) (plain design)						
	(codes 321, 421) (w/airfoam pad and heavy duty spring)	1	*2411 463	----	*2411 595		
	(code 322) (w/airfoam pad and heavy duty spring)	1	2411 467	----	2411 599		
	(code 326) (w/airfoam pad and heavy duty spring)	1	2411 464	----			
	(codes 323, 423) (w/airfoam pad and heavy duty spring)	1	2411 468	----	2411 597		
	(code 325) (w/heavy duty spring)	1	2411 465	----	2411 601		
	(code 326) (w/airfoam pad and heavy duty spring)	1	2411 469	----	2411 602		
	(code 425) (w/heavy duty spring)	1	2429 284	----	2429 294		
		1	2429 285	----	2429 295		
		1	2411 466	----			
		1	2411 470	----			
		1	----	----			
		1	----	----			
	P1-M, P2-M (stitched design)						
	(codes 321, 421) (w/airfoam pad and heavy duty spring)	1	E2433 708	----	E2433 890		
	(code 322) (w/airfoam pad and heavy duty spring)	1	E2433 713	----	E2433 894		
	(codes 323, 423) (w/airfoam pad and heavy duty spring)	1	E2433 709	----	E2433 891		
	(codes 325, 425) (w/heavy duty spring and airfoam pad)	1	E2433 714	----	E2433 895		
	(code 326) (w/airfoam pad and heavy duty spring)	1	E2433 710	----	E2433 895		
	(code 425) (w/heavy duty spring and airfoam pad)	1	E2433 715	----	E2433 892		
	(code 394) (w/heavy duty spring and airfoam pad)	1	E2433 711	----	E2433 896		
		1	E2433 716	----	E2433 893		
		1	E2433 712	----	E2433 897		
		1	E2433 717	----			
	P1-L, P2-L (plain design)						
	(code 411)	1	*2414 784				
	(code 413)	1	2414 785				
	(code 394)	1	2429 833				
	P1-M, P2-M (plain design)						
	(code 431)	1	*2414 784				
	(code 433)	1	2414 785				

★ Indicates use as required.
 E Indicates parts not listed in any previous parts book.
 Right and left part numbers are on same line,
 first number is right, second number is left.
 * Indicates change or addition.

Printed in U.S.A.
 Prices and specifications subject to change without notice.
 Jan. 3, 1964 Supersedes Sept. 4, 1962.

1963 PASSENGER CAR PARTS CATALOG

INTERIOR TRIM

CODE	REMARKS	PER CAR	SED.	SP. 4 D.	SUB.	SP. CL. CP.	CV. CP.
23-108-12	BACK, Front Seat - Cont'd P1, P2 (stitched design) (codes 411, 431) (codes 413, 433) (code 494) (2 D.) (w/ash receiver) Rt. (w/heavy duty spring and airfoam pad)	1 1 1 1 1	⊕2433 976 ⊕2433 977 ⊕2429 898-9 ⊕2429 900 ⊕2429 901-2				
	P1-H, P2-H (4 D.) (code 341) (code 342) (code 343) (code 345) (code 346)	1 1 1 1 1	2414 344-5 2414 346-7 2414 348-9 2414 350-1 2414 352-3	2414 344-5 2414 346-7 2414 348-9 2414 350-1 2414 352-3	---- ---- ---- ---- ----	2429 240-1 2429 242-3 2429 244-5 2429 246-7 2429 248-9	
	P1-H, P2-H (code 441) (code 442) (code 443) (code 445) (code 446) (code 447)	1 1 1 1 1 1	2429 266-7 ---- 2429 268-9 2429 270-1 ---- ----	2429 266-7 ---- 2429 268-9 2429 270-1 ---- ----	2429 266-7 2429 528-9 2429 268-9 2429 270-1 ---- 2429 530-1	2414 574-5 ---- 2414 576-7 2414 578-9 ---- ----	2414 574-5 ---- 2414 576-7 2414 578-9 2414 580-1 ----
	P1-L, P2-L (code 494)(police) (heavy duty spring and airfoam pad) (w/ash receiver and standard spring) (back to cushion wedge spring adjusting screw)	1 1 1 2	2415 141 2415 143 2415 142 ----	---- ---- ---- ----	---- ---- ---- ----	6016 005 ---- ---- ----	6016 005 ---- ---- ----
23-108-15	SPRING and COVER, Front Seat P2-P (code 451) (code 455) (code 459)	1 1 1	---- ---- ----	---- ---- ----	---- ---- ----	2429 148 2429 149 2429 150	2429 148 2429 149 2429 150
23-108-16	COVER, Front Seat Back P1, P2 (2 D.) (code 301) (code 303) (code 306) P1, P2 (plain design) (code 321) (code 322) (code 323) (code 325) (code 326) P1, P2 (2 D.)(stitched design) (code 321) (code 322) (code 323) (code 325) (code 326) P1, P2 (code 341) (code 342) (code 343) (code 345) (code 346) (code 394)	1 1 1 1 1 1 1 1 1 1 1 1 1 1 1 1 1 1 1	2411 310-1 2411 312-3 2411 314-5 *2411 531-2 2411 533-4 2411 535-6 2429 182-3 2411 537-8 ⊕2433 808-9 ⊕2433 810-1 ⊕2433 812-3 ⊕2433 814-5 ⊕2433 816-7 ---- ---- ---- ---- ---- 2429 846-7	---- ---- ---- ---- ---- ---- ---- ---- ---- ---- ---- ---- ---- ---- ---- ---- ---- ----	---- ---- ---- ---- ---- ---- ---- ---- ---- ---- ---- ---- ---- ---- ---- ---- ---- ----	2411 531-2 2411 535-6 2429 182-3 2411 537-8 ⊕2433 808-9 ⊕2433 812-3 ⊕2433 814-5 ⊕2433 816-7 *2414 334-5 2414 336-7 2414 338-9 2414 340-1 2414 342-3	

★ Indicates use as required.

⊕ Indicates parts not listed in any previous parts book.
Jan. 3, 1964 Supersedes Jan. 25, 1963.

Page IT-42

Printed in U.S.A.
Prices and specifications subject to change without notice.
Right and left part numbers are on same line,
first number is right, second number is left.

* Indicates change or addition.

CODE	REMARKS	PER CAR	SED.	SP. 4 D.	SUB.	SP. CL. CP.	CV. CP.	
23-108-16	COVER, Front Seat Back - Cont'd P1, P2 (4 D.) (plain design) (codes 301, 401) (codes 303, 403) (codes 306, 406) (codes 321, 421) (code 322) (codes 323, 423) (code 325) (codes 326, 426)	1 1 1 1 1 1 1 1	*2411 241 2411 242 2411 243 2411 455 2411 456 2411 457 2429 283 2411 458	---- ---- ---- ---- ---- ---- ---- ----		*2411 367 2411 368 2411 369 2411 587 2411 589 2411 589 2411 589 2411 589		
	P1, P2 (4 D.) (stitched design) (codes 321, 421) (code 322) (codes 323, 423) (codes 325, 425) (codes 326, 426)	1 1 1 1 1	2433 693 2433 694 2433 695 2433 696 2433 697	---- ---- ---- ---- ----		2433 878 2433 879 2433 880 2433 881		
	P1, P2 (code 341) (codes 342, 442) (code 343) (code 345) (code 346) (code 394) (code 425) (code 447) (code 494)	1 1 1 1 1 1 1 1 1	*2414 334-5 2414 336-7 2414 338-9 2414 340-1 2414 342-3 2429 832 ---- ---- 2415 140	*2414 334-5 2414 336-7 2414 338-9 2414 340-1 2414 342-3 ---- ---- ----		2429 522-3 2429 293 2429 702-3		
	P1-L, P2-L (plain design) (code 411) (code 413) P1-M, P2-M (plain design) (code 431) (code 433) P1, P2 (stitched design) (codes 411, 431) (codes 413, 433)	1 1 1 1 1 1	*2414 782 2414 783 *2414 782 2414 783 2433 974 2433 975					
	P1-H, P2-H (code 441) (code 443) (code 445) (code 446) P2-P (code 451) (code 455) (code 459)	1 1 1 1 2 2 2	2414 546-7 2414 548-9 2414 550-1 ---- ---- ---- ----	2414 546-7 2414 548-9 2414 550-1 ---- ---- ---- ----	2414 546-7 2414 548-9 2414 550-1 ---- ---- ---- ----	2414 546-7 2414 548-9 2414 550-1 ---- 2429 136 2429 137 2429 138	2414 546-7 2414 548-9 2414 550-1 2414 552-3 2429 136 2429 137 2429 138	
23-108-32	PANEL or COVER, Back of Front Seat Back P2-P (code 451) (code 455) (code 459)	1 1 1	---- ---- ----	---- ---- ----	---- ---- ----	2429 154 2429 155 2429 156	2429 154 2429 155 2429 156	
23-108-57	NUT, Front Seat Cushion Bumper to Rear Rail P1, P2 (2 D.)	4	2094 869					

★ Indicates use as required.
 ☐ Indicates parts not listed in any previous parts book.
 Right and left part numbers are on same line,
 first number is right, second number is left.
 * Indicates change or addition.

Printed in U.S.A.
 Prices and specifications subject to change without notice.
 Jan. 3, 1964 Supersedes Jan. 25, 1963.

CODE	REMARKS	PER CAR	SED.	SP. 4 D.	SUB.	SP. CL. CP.	CV. CP.
23-108-84	COVER, Front Seat Back Outer Hinge Arm P1, P2 (plastic) (chrome)	1	2413 568-9	2413 568-9	2413 568-9	2413 568-9	2413 568-9
23-108-98	SHIELD, Front Seat Side P1, P2 P2-P (stamping) (cushion) (die cast) (cushion) (back)	1 2 1 1	----- ----- ----- 2440 152-3	----- ----- ----- 2440 152-3	----- ----- ----- 2440 152-3	2440 152-3 *2440 340 *2292 492-3 2440 152-3	2440 152-3 *2440 340 *2292 492-3 2440 152-3
23-108-100	CUP WASHER, Front Seat Side Shield to Seat Frame, D1-H, D2-H	2	2419 974	2419 974	2419 974	2419 974	2419 974
23-109-3	BACK, Rear Seat P1, P2 (code 301) (w/heavy duty spring) (code 303) (w/heavy duty spring) (code 306) (w/heavy duty spring)	1 1 1 1 1 1	2411 292 2411 295 2411 293 2411 296 2411 294 2411 297				
	P1, P2 (plain design) (code 321) (w/heavy duty spring) (code 322) (w/heavy duty spring) (code 323) (w/heavy duty spring) (code 325) (w/heavy duty spring) (code 326) (w/heavy duty spring) (code 394)	1 1 1 1 1 1 1 1 1 1	*2411 507 2411 511 2411 508 2411 512 2411 509 2411 513 2429 194 2429 195 2411 510 2411 514 2429 841	----- ----- ----- ----- ----- ----- ----- ----- ----- -----	----- ----- ----- ----- ----- ----- ----- ----- ----- -----	*2411 507 2411 511 2411 509 2411 513 2429 194 2429 195 2411 510 2411 514	
	P1, P2 (stitched design) (code 321) (w/heavy duty spring) (code 322) (w/heavy duty spring) (code 323) (w/heavy duty spring) (code 325) (w/heavy duty spring) (code 326) (w/heavy duty spring)	1 1 1 1 1 1 1 1 1 1	⊕2433 773 ⊕2433 778 ⊕2433 774 ⊕2433 779 ⊕2433 775 ⊕2433 780 ⊕2433 776 ⊕2433 781 ⊕2433 777 ⊕2433 782	----- ----- ----- ----- ----- ----- ----- ----- ----- -----	----- ----- ----- ----- ----- ----- ----- ----- ----- -----	⊕2433 773 ⊕2433 778 ⊕2433 775 ⊕2433 780 ⊕2433 776 ⊕2433 781 ⊕2433 777 ⊕2433 782	
	P1-L, P2-L (plain design) (code 411) (code 413) (code 494) (w/heavy duty spring) (police)	1 1 1 1	*2414 796 2414 799 2414 947 2414 948				
	P1-M, P2-M (plain design) (code 431) (code 433)	1 1	*2414 797 2414 799				
	P1, P2 (stitched design) (codes 411, 431) (codes 413, 433)	1 1	⊕2433 986 ⊕2433 987				
	P2-H (code 441) (2nd. seat) (3rd. seat)	1 1	2414 699 -----	2414 699 -----	2429 622 2429 677	2414 699	2414 650

★ Indicates use as required.

⊕ Indicates parts not listed in any previous parts book.
Jan. 3, 1964 Supersedes Jan. 25, 1963.

Page IT-44

Printed in U.S.A.
Prices and specifications subject to change without notice.
Right and left part numbers are on same line,
first number is right, second number is left.
* Indicates change or addition.

CODE	REMARKS	PER CAR	SED.	SP. 4 D.	SUB.	SP. CL. CP.	CV. CP.
23-109-3	BACK, Rear Seat - Cont'd						
	P2-H						
	(code 442) (2nd. seat)	1	----	----		2429 623	
	(code 442) (3rd. seat)	1	----	----		2429 678	
	(code 443) (2nd. seat)	1	2414 700	2414 700		2429 624	2414 651
	(code 443) (3rd. seat)	1	----	----		2429 679	
	(code 445) (2nd. seat)	1	2414 701	2414 701		2429 625	2414 652
	(code 445) (3rd. seat)	1	----	----		2429 680	
	(code 446)	1	----	----		----	2414 653
	(code 447) (2nd. seat)	1	----	----		2429 626	
	(code 447) (3rd. seat)	1	----	----		2429 681	
	P2-P						
	(code 451)	1	----	----		2429 396	2429 432
	(code 455)	1	----	----		2429 397	2429 433
	(code 459)	1	----	----		2429 398	2429 434
	P1, P2 (4 D.)						
	(code 341)	1	2414 409	2414 409		2414 409	
	(code 342)	1	2414 410	2414 410		2414 410	
	(code 343)	1	2414 411	2414 411		2414 411	
	(code 345)	1	2414 412	2414 412		2414 412	
	(code 346)	1	2414 413	2414 413		2414 413	
	P1, P2 (sub. 2nd. seat)						
	(code 401)	1	----	----		2411 409	
	(code 403)	1	----	----		2411 410	
	(code 406)	1	----	----		2411 411	
	P1, P2 (plain design)						
	(code 421)	1	----	----		*2411 631	
	(code 423)	1	----	----		2411 633	
	(code 425)	1	----	----		2429 301	
	(code 426)	1	----	----		2411 634	
	P1, P2 (stitched design)						
	(code 421)	1	----	----		E2433 934	
	(code 423)	1	----	----		E2433 935	
	(code 425)	1	----	----		E2433 936	
	(code 426)	1	----	----		E2433 937	
	P1, P2 (sub. 3 rd. seat)						
	(code 401)	1	----	----		2411 430	
	(code 403)	1	----	----		2411 431	
	(code 406)	1	----	----		2411 432	
	P1, P2 (plain design)						
	(code 421)	1	----	----		*2411 659	
	(code 423)	1	----	----		2411 661	
	(code 425)	1	----	----		2429 308	
	(code 426)	1	----	----		2411 662	
	P1, P2 (stitched design)						
	(code 421)	1	----	----		E2433 962	
	(code 423)	1	----	----		E2433 963	
	(code 425)	1	----	----		E2433 964	
	(code 426)	1	----	----		E2433 965	
23-109-4	COVER, Rear Seat Back						
	P1, P2						
	(code 301)	1	2411 286				
	(code 303)	1	2411 287				
	(code 306)	1	2411 288				
	P1, P2 (plain design)						
	(code 321)	1	*2411 499	----	----	*2411 499	
	(code 322)	1	2411 500				

★ Indicates use as required.

⊠ Indicates parts not listed in any previous parts book.

Right and left part numbers are on same line, first number is right, second number is left.

* Indicates change or addition.

Printed in U.S.A.
Prices and specifications subject to change without notice.
Jan. 3, 1964 Supersedes Sept. 4, 1962.

1963 PASSENGER CAR PARTS CATALOG

INTERIOR TRIM

CODE	REMARKS	PER CAR	SED.	SP. 4 D.	SUB.	SP. CL. CP.	CV. CP.
23-109-4	COVER, Rear Seat Back - Cont'd P1, P2 (plain design)						
	(code 323)	1	2411 501	----	----	2411 501	
	(code 325)	1	2429 193	----	----	2429 193	
	(code 326)	1	2411 502	----	----	2411 502	
	P1, P2 (stitched design)						
	(code 321)	1	E2433 768	----	----	E2433 768	
	(code 322)	1	E2433 769	----	----	E2433 769	
	(code 323)	1	E2433 770	----	----	E2433 770	
	(code 325)	1	E2433 771	----	----	E2433 771	
	(code 326)	1	E2433 772	----	----	E2433 772	
	P1, P2						
	(code 341) (4 D.)	1	2414 399	2414 399	----	2414 399	
	(code 342)	1	2414 400	2414 400	----	2414 400	
	(code 343)	1	2414 401	2414 401	----	2414 401	
	(code 345)	1	2414 402	2414 402	----	2414 402	
	(code 346)	1	2414 403	2414 403	----	2414 403	
	(code 394) (police) (2 D. & 4 D.)	1	2429 840				
	P1, P2						
	(code 441)	1	2414 681	2414 681	----	2414 681	2414 586
	(code 443)	1	2414 682	2414 682	----	2414 682	2414 587
	(code 445) (2nd. seat)	1	2414 683	2414 683	2429 590	2414 683	2414 588
	(code 446)	1	----	----	----	----	2414 589
	(code 447) (2nd. seat)	1	----	----	2429 591	----	
	(code 451)	1	----	----	----	2429 393	2429 429
	(code 455)	1	----	----	----	2429 394	2429 430
	(code 459)	1	----	----	----	2429 395	2429 431
	P1, P2 (sub. 2nd. seat)						
	(code 401)	1	----	----	2411 406		
	(code 403)	1	----	----	2411 407		
	(code 406)	1	----	----	2411 408		
	P1, P2 (plain design)						
	(code 421)	1	----	----	*2411 623		
	(code 422)	1	----	----	2411 624		
	(code 423)	1	----	----	2411 625		
	(code 425)	1	----	----	2429 300		
	(code 426)	1	----	----	2411 626		
	P1, P2 (stitched design)						
	(code 421)	1	----	----	E2433 922		
	(code 423)	1	----	----	E2433 923		
	(code 425)	1	----	----	E2433 924		
	(code 426)	1	----	----	E2433 925		
	(code 441)	1	----	----	2429 587		
	(code 442)	1	----	----	2429 588		
	(code 443)	1	----	----	2429 589		
	P1, P2 (sub. 3rd. seat)						
	(code 401)	1	----	----	2411 424		
	(code 403)	1	----	----	2411 425		
	(code 406)	1	----	----	2411 426		
	P1, P2 (plain design)						
	(code 421)	1	----	----	*2411 651		
	(code 423)	1	----	----	2411 653		
	(code 425)	1	----	----	2429 307		
	(code 426)	1	----	----	2411 654		

★ Indicates use as required.

E Indicates parts not listed in any previous parts book.
Jan. 3, 1964 Supersedes Sept. 4, 1962.

Printed in U.S.A.

Prices and specifications subject to change without notice.
Right and left part numbers are on same line,
first number is right, second number is left.

* Indicates change or addition.

CODE	REMARKS	N PER CAR	SED.	SP. 4 D.	SUB.	SP. CL. CP.	CV. CP.
23-109-4	COVER, Rear Seat Back-Cont'd P1, P2 (stitched design)						
	(code 421)	1	----	----	E2433 954		
	(code 423)	1	----	----	E2433 955		
	(code 425)	1	----	----	E2433 956		
	(code 426)	1	----	----	E2433 957		
	(code 441)	1	----	----	2429 657		
	(code 442)	1	----	----	2429 658		
	(code 443)	1	----	----	2429 659		
	(code 445)	1	----	----	2429 660		
	(code 447)	1	----	----	2429 661		
	P1-L (plain design)						
	(code 411)	1	*2414 796				
	(code 413)	1	2414 797				
	P2-M (plain design)						
	(code 431)	1	*2414 796				
	(code 433)	1	2414 797				
	P1, P2 (stitched design)						
	(codes 411, 431)	1	E2433 984				
	(codes 413, 433)	1	E2433 985				
	P1-L, P2-L						
	(code 494)	1	2414 946				
	(seat back spring attaching screw)	3	----	----	6000 234		
23-109-5	INSERT or COVER, Rear Seat Back Rear Panel						
	P1, P2 (sub. 2nd. seat)						
	(codes 401, 421, 441)						
	(blue)	1	----	----	2297 561		
	(codes 403, 423, 443)						
	(tan)	1	----	----	2297 562		
	(codes 406, 425, 447)						
	(black)	1	----	----	2297 564		
	(codes 425, 445) (red)	1	----	----	E1804 TR6		
	(code 442) (green)	1	----	----	2297 566		
	P1, P2 (sub. 3 rd. seat)						
	(codes 401, 421, 441)						
	(blue)	1	----	----	2297 567		
	(codes 403, 423, 443)						
	(tan)	1	----	----	2297 568		
	(codes 406, 426, 447)						
	(black)	1	----	----	2297 570		
	(codes 425, 445) (red)	1	----	----	E1805 TR6		
	(code 442) (green)	1	----	----	2297 572		
	(back support panel)						
	(codes 401, 421, 441)						
	(blue)	1	----	----	2297 591		
	(codes 403, 423, 443)						
	(tan)	1	----	----	2297 592		
	(codes 406, 426, 447)						
	(black)	1	----	----	2297 594		
	(codes 425, 445) (red)	1	----	----	2297 593		
	(code 442) (green)	1	----	----	2297 596		
	P2 (upper panel)						
	(paint as required)	1	----	----	----	----	2413 817

★ Indicates use as required.

E Indicates parts not listed in any previous parts book.

Right and left part numbers are on same line,
first number is right, second number is left.

* Indicates change or addition.

Printed in U.S.A.

Prices and specifications subject to change without notice.

Jan. 3, 1964 Supersedes Dec. 14, 1962.

1963 PASSENGER CAR PARTS CATALOG

INTERIOR TRIM

CODE	REMARKS	PER CAR	SED.	SP. 4 D.	SUB.	SP. CL. CP.	CV. CP.
23-109-35	CUSHION, Rear Seat						
	P1, P2						
	(code 301)	1	2411 277				
	(w/heavy duty spring)	1	2411 280				
	(w/airfoam pad and heavy duty spring)	1	2411 283				
	(code 303)	1	2411 278				
	(w/heavy duty spring)	1	2411 281				
	(w/airfoam pad and heavy duty spring)	1	2411 284				
	(code 306)	1	2411 279				
	(w/heavy duty spring)	1	2411 285				
	(w/airfoam pad and heavy duty spring)	1	2411 282				
	(code 325)	1	2429 189	----	----	2429 189	
	(w/heavy duty spring and airfoam pad)	1	2429 191	----	----	2429 191	
	(w/heavy duty spring)	1	2429 190	----	----	2429 190	
	(code 394)	1	2429 837				
	(w/airfoam pad)	1	2429 838				
	P1, P2 (plain design)						
	(code 321)	1	*2411 487	----	----	*2411 487	
	(w/heavy duty spring)	1	2411 491	----	----	2411 491	
	(w/airfoam pad and heavy duty spring)	1	2411 495	----	----	2411 495	
	(code 322)	1	2411 488				
	(w/heavy duty spring)	1	2411 492				
	(w/airfoam pad and heavy duty spring)	1	2411 496				
	(code 323)	1	2411 489	----	----	2411 489	
	(w/heavy duty spring)	1	2411 493	----	----	2411 493	
	(w/airfoam pad and heavy duty spring)	1	2411 497	----	----	2411 497	
	(code 326)	1	2411 490	----	----	2411 490	
	(w/heavy duty spring)	1	2411 494	----	----	2411 494	
	(w/airfoam pad and heavy duty spring)	1	2411 498	----	----	2411 498	
	P1, P2 (stitched design)						
	(code 321)	1	E2433 743	----	----	E2433 743	
	(w/heavy duty spring)	1	E2433 748	----	----	E2433 748	
	(w/airfoam pad and heavy duty spring)	1	E2433 753	----	----	E2433 753	
	(code 322)	1	E2433 744	----	----	E2433 744	
	(w/heavy duty spring)	1	E2433 749	----	----	E2433 749	
	(w/airfoam pad and heavy duty spring)	1	E2433 754	----	----	E2433 754	
	(code 323)	1	E2433 745	----	----	E2433 745	
	(w/heavy duty spring)	1	E2433 750	----	----	E2433 750	
	(w/airfoam pad and heavy duty spring)	1	E2433 755	----	----	E2433 755	
	(code 325)	1	E2433 746	----	----	E2433 746	
	(w/heavy duty spring)	1	E2433 751	----	----	E2433 751	
	(w/airfoam pad and heavy duty spring)	1	E2433 756	----	----	E2433 756	
	(code 326)	1	E2433 747	----	----	E2433 747	
	(w/heavy duty spring)	1	E2433 752	----	----	E2433 752	
	(w/airfoam pad and heavy duty spring)	1	E2433 757	----	----	E2433 757	
	P1, P2 (4 D.)						
	(code 341)	1	2414 389	2414 389	----	2414 389	
	(w/airfoam pad)	1	2414 394	2414 394	----	2414 394	

★ Indicates use as required.

E Indicates parts not listed in any previous parts book.

Jan. 3, 1964 Supersedes Dec. 14, 1962.

Page IT-48

Printed in U.S.A.

Prices and specifications subject to change without notice.

Right and left part numbers are on same line, first number is right, second number is left.

* Indicates change or addition.

CODE	REMARKS	PER CAR	SED.	SP. 4 D.	SUB.	SP. CL. CP.	CV. CP.
23-109-35	CUSHION, Rear Seat - Cont'd						
	P1, P2 (4 D.)						
	(code 342)	1	2414 390	2414 390	----	2414 390	
	(w/airfoam pad)	1	2414 395	2414 395	----	2414 395	
	(code 343)	1	2414 391	2414 391	----	2414 391	
	(w/airfoam pad)	1	2414 396	2414 396	----	2414 396	
	(code 345)	1	2414 392	2414 392	----	2414 392	
	(w/airfoam pad)	1	2414 397	2414 397	----	2414 397	
	(code 346)	1	2414 393	2414 393	----	2414 393	
	(w/airfoam pad)	1	2414 398	2414 398	----	2414 398	
	P1-L						
	(code 411)	1	2414 792				
	(code 413)	1	2414 793				
	P2-M						
	(code 431)	1	2414 792				
	(code 433)	1	2414 793				
	(code 401)	1	----	----	2411 400		
	(2nd. seat)	1	----	----	2411 421		
	(3rd. seat)	1	----	----	2411 401		
	(code 403)	1	----	----	2411 422		
	(2nd. seat)	1	----	----	2411 402		
	(3rd. seat)	1	----	----	2411 423		
	P2-M (plain design)						
	(code 421)	1	----	----	*2411 619		
	(2nd. seat)	1	----	----	2411 647		
	(3rd. seat)	1	----	----	2411 621		
	(code 423)	1	----	----	2411 649		
	(2nd. seat)	1	----	----	2429 299		
	(3rd. seat)	1	----	----	2429 306		
	(code 425)	1	----	----	2411 622		
	(2nd. seat)	1	----	----	2411 650		
	(3rd. seat)	1	----	----			
	P2-M (2nd. seat)(stitched design)						
	(code 421)	1	----	----	⊕2433 918		
	(code 423)	1	----	----	⊕2433 919		
	(code 425)	1	----	----	⊕2433 920		
	(code 426)	1	----	----	⊕2433 921		
	P2-M (3rd. seat)(stitched design)						
	(code 421)	1	----	----	⊕2433 950		
	(code 423)	1	----	----	⊕2433 951		
	(code 425)	1	----	----	⊕2433 952		
	(code 426)	1	----	----	⊕2433 953		
	P1-H, P2-H						
	(code 441)	1	2414 675	2414 675	2429 577	2414 675	2414 626
	(w/airfoam pad)	1	2414 678	2414 678	2429 582	2414 678	2414 630
	(3rd. seat)	1	----	----	2429 652		
	(code 442)	1	----	----	2429 578		
	(w/airfoam pad)	1	----	----	2429 583		
	(3rd. seat)	1	----	----	2429 653		
	(code 443)	1	2414 676	2414 676	2429 579	2414 676	2414 627
	(w/airfoam pad)	1	2414 679	2414 679	2429 584	2414 679	2414 631
	(3rd. seat)	1	----	----	2429 654		
	(code 445)	1	2414 677	2414 677	2429 580	2414 677	2414 628
	(w/airfoam pad)	1	2414 680	2414 680	2429 585	2414 680	2414 632
	(3rd. seat)	1	----	----	2429 655		
	(code 446)	1	----	----	----	----	2414 629
	(w/airfoam pad)	1	----	----	----	----	2414 633
	(code 447)	1	----	----	2429 581		
	(w/airfoam pad)	1	----	----	2429 586		
	(3rd. seat)	1	----	----	2429 656		

★ Indicates use as required.

⊕ Indicates parts not listed in any previous parts book.

Right and left part numbers are on same line, first number is right, second number is left.

* Indicates change or addition.

Printed in U.S.A.
Prices and specifications subject to change without notice.
Jan. 3, 1964 Supersedes Jan. 25, 1963.

CODE	REMARKS	PER CAR	SED.	SP. 4 D.	SUB.	SP. CL. CP.	CV. CP.
23-109-35	CUSHION, Rear Seat - Cont'd P2-P						
	(code 451)	1	----	----	----	2429 381	2429 414
	(code 455)	1	----	----	----	2429 382	2429 415
	(code 459)	1	----	----	----	2429 383	2429 416
	(third seat cushion spring attaching screw)	3	----	----	----	----	6000 234
23-109-36	COVER, Rear Seat Cushion P1, P2						
	(code 301)	1	2411 274				
	(code 303)	1	2411 275				
	(code 306)	1	2411 276				
	P1, P2 (plain design)						
	(code 321)	1	*2411 479	----	----	*2411 479	
	(code 322)	1	2411 480				
	(code 323)	1	2411 481			2411 481	
	(code 325)	1	2429 188			2429 188	
	(code 326)	1	2411 482			2411 482	
	P1, P2 (stitched design)						
	(code 321)	1	⊠2433 738	----	----	⊠2433 738	
	(code 322)	1	⊠2433 739	----	----	⊠2433 739	
	(code 323)	1	⊠2433 740	----	----	⊠2433 740	
	(code 325)	1	⊠2433 741	----	----	⊠2433 741	
	(code 326)	1	⊠2433 742	----	----	⊠2433 742	
	P1, P2						
	(code 341) (4 D.)	1	2414 384	2414 384	----	2414 384	
	(code 342)	1	2414 385	2414 385	----	2414 385	
	(code 343)	1	2414 386	2414 386	----	2414 386	
	(code 345)	1	2414 387	2414 387	----	2414 387	
	(code 346)	1	2414 388	2414 388	----	2414 388	
	(code 394)	1	2429 836	----	----	----	
	P1, P2						
	(code 401) (sub. 2nd. seat)	1	----	----	2411 397		
	(sub. 3rd. seat)	1	----	----	2411 418		
	(code 403) (sub. 2nd. seat)	1	----	----	2411 398		
	(sub. 3rd. seat)	1	----	----	2411 419		
	(code 406) (sub. 2nd. seat)	1	----	----	2411 399		
	(sub. 3rd. seat)	1	----	----	2411 420		
	P1, P2 (plain design)						
	(code 421) (sub. 2nd. seat)	1	----	----	*2411 611		
	(sub. 3rd. seat)	1	----	----	2411 639		
	(code 423) (sub. 2nd. seat)	1	----	----	2411 613		
	(sub. 3rd. seat)	1	----	----	2411 641		
	(code 426) (sub. 2nd. seat)	1	----	----	2411 614		
	P1, P2 (2nd. seat)(stitched design)						
	(code 421)	1	----	----	⊠2433 906		
	(code 423)	1	----	----	⊠2433 907		
	(code 425)	1	----	----	⊠2433 908		
	(code 426)	1	----	----	⊠2433 909		
	P1, P2 (3rd. seat)(stitched design)						
	(code 421)	1	----	----	⊠2433 942		
	(code 423)	1	----	----	⊠2433 943		
	(code 425)	1	----	----	⊠2433 944		
	(code 426)	1	----	----	⊠2433 945		

★ Indicates use as required.

⊠ Indicates parts not listed in any previous parts book.

Jan. 3, 1964 Supersedes Jan. 25, 1963.

Printed in U.S.A.

Prices and specifications subject to change without notice.

Right and left part numbers are on same line,
first number is right, second number is left.

* Indicates change or addition.

CODE	REMARKS	PER CAR	SED.	SP. 4D.	SUB.	SP. CL. CP.	CV. CP.
23-109-36	COVER, Rear Seat Cushion - Cont'd P1, P2						
	(code 441) (sub. 2nd. seat)	1	*2414 672	*2414 672	*2429 572	*2414 672	*2414 598
	(3rd. seat)	1	----	----	2429 632		
	(code 442) (2nd. seat)	1	----	----	2429 573		
	(3rd. seat)	1	----	----	2429 633		
	(code 443) (sub. 2nd. seat)	1	2414 673	2414 673	2429 574	2414 673	2414 599
	(3rd. seat)	1	----	----	2429 634		
	(code 445) (2nd. seat)	1	2414 674	2414 674	2429 575	2414 674	2414 600
	(3rd. seat)	1	----	----	2429 635		
	(code 446)	1	----	----	----	----	2414 601
	(code 447) (sub. 2nd. seat)	1	----	----	2429 576		
	(3rd. seat)	1	----	----	2429 636		
	(code 425) (2nd. seat)	1	----	----	2429 298		
	(3rd. seat)	1	----	----	2429 305		
	P1-L, P2-L						
	(code 411)	1	2414 790				
	(code 413)	1	2414 791				
	P1-M, P2-M						
	(code 431)	1	2414 790				
	(code 433)	1	2414 791				
	(code 451)	1	----	----	----	2429 378	2429 411
	(code 455)	1	----	----	----	2429 379	2429 412
	(code 459)	1	----	----	----	2429 380	2429 413
23-109-38	RETAINER, Rear Seat Cushion P1, P2	2	1810 037	1810 037	1810 037	1810 037	1810 037
	(rear floor pan 3rd. seat cushion rear)	2	----	----	2422 981		
23-111-37	STRIP, Folding Top Bow Tacking P2-H (No. 1 and No. 2) (No. 3)	1	----	----	----	----	1950 509
		1	----	----	----	----	*2424 607
23-112-12	BOOT, Folding Top Dust P2 (w/4 pocket panel fasteners)						
	(codes 441,451)	1	----	----	----	----	B2432 952
	(code 443)	1	----	----	----	----	B2432 953
	(codes 445,455)	1	----	----	----	----	B2432 954
	(code 446)	1	----	----	----	----	B2432 955
	(code 459)	1	----	----	----	----	*2432 957
	P2 (w/8 pocket panel fasteners)						
	(codes 441,451)	1	----	----	----	----	B2432 990
	(code 443)	1	----	----	----	----	B2432 991
	(codes 445,455)	1	----	----	----	----	B2432 992
	(code 446)	1	----	----	----	----	B2432 993
	(code 459)	1	----	----	----	----	B2432 995
23-112-18	RETAINER, Channel Rear Seat Back Dust Boot P2-H, P2-P	1	----	----	----	----	2270 167
23-112-19	INSERT, Rear Seat Back Dust Boot Cover P2-H, P2-P (vinyl)	1	----	----	----	----	2160 328
23-112-45	CURTAIN, Folding Top P2 (black) (white) (check strap to bow cap)	1	----	----	----	----	2429 746
		1	----	----	----	----	2433 638
		1	----	----	----	----	6000 434
	BACK LIGHT, Folding Top P2	1	----	----	----	----	2429 827

★ Indicates use as required.
 □ Indicates parts not listed in any previous parts book.
 Right and left part numbers are on same line,
 first number is right, second number is left.
 * Indicates change or addition.

Printed in U.S.A.
 Prices and specifications subject to change without notice.
 Jan. 3, 1964 Supersedes Dec. 14, 1962.

1963 PASSENGER CAR PARTS CATALOG

INTERIOR TRIM

CODE	REMARKS	PER CAR	SED.	SP. 4 D.	SUB.	SP. CL. CP.	CV. CP.
23-112-46	ZIPPER, Folding Top Curtain P2-H, P2-P (black)	1	-----	-----	-----	-----	2273 435
23-112-50	TAPE, Folding Top Back Curtain Quarter Stay Closure Hook (service by the inch) P2 Side Closure Loop (service by the inch) P2	★ ★	----- -----	----- -----	----- -----	----- -----	*1934 TX8 *1933 TX8
23-112-70	RETAINER, Folding Top Belt Bar P2 (center) (galvanized) (side) (galvanized) (center) (side) (rear)	1 1 1 1 1	----- ----- ----- ----- -----	----- ----- ----- ----- -----	----- ----- ----- ----- -----	----- ----- ----- ----- -----	2189 748 2189 852-3 2421 694 2421 944-5 2421 939
23-112-75	END, Folding Top Wire on Binding P2	1	-----	-----	-----	-----	1158 976-7
23-112-88	CABLE, Folding Top Rear Bow Tension P2	2	-----	-----	-----	-----	2166 660
23-112-108	TOP DECK and SIDE QUARTER P2 (black) (white)	1 1	----- -----	----- -----	----- -----	----- -----	2429 748 2429 749
23-112-112	PAD, Folding Top Side Quarter Stay P2 (black)	1	-----	-----	-----	-----	B2429 750-1
23-112-153	PANEL or COVER, Rear Quarter Pocket P2 (panel) (w/o arm rest) (codes 441, 451) (code 443) (codes 445, 455) (code 446) (code 459) (panel and reinforcement) (paint as required) (used w/arm rest pad, code 23-112-160)	1 1 1 1 1 1	----- ----- ----- ----- ----- -----	----- ----- ----- ----- ----- -----	----- ----- ----- ----- ----- -----	----- ----- ----- ----- ----- -----	*2429 758-9 2429 760-1 2429 762-3 2429 764-5 2429 766-7 B2432 468-9
	P2 (cover) (codes 441, 451) (code 443) (codes 445, 455) (code 446) (code 459) (well cover) (codes 441, 451) (code 443) (codes 445, 455) (codes 446, 459) (well cover to quarter belt bar screw)	1 1 1 1 1 1 1 1 1 2	----- ----- ----- ----- ----- ----- ----- ----- ----- -----	----- ----- ----- ----- ----- ----- ----- ----- ----- -----	----- ----- ----- ----- ----- ----- ----- ----- ----- -----	----- ----- ----- ----- ----- ----- ----- ----- ----- -----	2431 890-1 2431 892-3 2431 894-5 2431 896-7 2431 934-5 2429 709 2429 710 2429 711 2429 712 6023 381
23-112-160	PAD, Folding Top Pocket Panel Arm Rest P2 (codes 441, 461) (code 443)	1 1	----- -----	----- -----	----- -----	----- -----	2432 874-5 2432 876-7

★ Indicates use as required.

B Indicates parts not listed in any previous parts book.
Jan. 3, 1964 Supersedes Sept. 4, 1962.

Printed in U.S.A.

Prices and specifications subject to change without notice.

Right and left part numbers are on same line,
first number is right, second number is left.

* Indicates change or addition.

CODE	REMARKS	PER CAR	SED.	SP. 4 D.	SUB.	SP. CL. CP.	CV. CP.
23-112-160	PAD, Folding Top Pocket Panel Arm Rest - Cont'd P2 (codes 445, 455) (code 446) (code 459)	1 1 1	----- ----- -----	----- ----- -----	----- ----- -----	----- ----- -----	2432 878-9 2432 880-1 2432 882-3
23-113-45	WEATHERCORD, Quarter Window Opening P1, P2 (2 D.) (codes 301, 321) (blue) (code 322) (codes 303, 323) (tan) (code 306) (black) (code 325) (red) (code 326) (alabaster) (code 494) (gray)	2 1 1 1 2 1 ★	⊠2432 944 ⊠2432 945 ⊠2432 930-1 ⊠1512-3 TX8 *1515 TR6 2413 404-5 2413 366				
23-113-84	WELT, Folding Top Header P2 (black)	1	-----	-----	-----	-----	*2432 150
23-113-87	WELT, Quarter Panel Flange Cover P1, P2 (rubber)	★	2292 592	2292 592	-----	2292 592	2292 592
23-114-2	MATERIAL, Seat Cloth Trim P1-L, P2-L (62" wide) (code 301) (blue) (code 303) (tan) (code 306) (alabaster) P1-M, P2-M (23" wide) (code 321) (blue) (code 322) (green) (code 323) (tan) (code 325) (red) (code 326) (alabaster) P1-H, P2-H (63" wide) (code 341) (blue) (code 342) (green) (code 343) (tan) (code 345) (red) (code 346) (alabaster)	★ ★ ★ ★ ★ ★ ★ ★ ★ ★ ★ ★ ★	*2185 862 2185 863 2185 864 *2185 976 2185 977 2185 978 2186 085 2185 979 *2185 865 2185 866 2185 867 2185 868 2185 869	----- ----- ----- ----- ----- ----- ----- ----- ----- *2185 865 2185 866 2185 867 2185 868 2185 869	----- ----- ----- ----- ----- ----- ----- ----- ----- *2185 865 2185 866 2185 867 2185 868 2185 869	*2185 976 2185 977 2185 978 2186 085 2185 979 *2185 865 2185 866 2185 867 2185 868 2185 869	
23-114-10	BINDING (5/8" wire on) P2 (black) (white)	★ ★	----- -----	----- -----	----- -----	----- -----	2171 884 2177 529
23-114-15	MATERIAL, Leather (Imitation) P1, P2 (codes 301, 401) (28-AM-22) (50") (1602 blue) (28A-AM-22) (50") (1600 blue) (codes 321, 341, 411, 421, 431, 441) (28-AM-22) (50") (1604 blue) (code 401) (26-DL-73) (47") (1601-1 blue) (code 421) (23-EA-12) (44") (1601 medium blue) (code 441) (23-DW-79) (40") (1663 dark blue)	★ ★ ★ ★ ★ ★ ★ ★	2185 647 2185 778 2185 615 ----- ----- ----- ----- ⊠2186 193	----- ----- ----- ----- ----- ----- ----- ----- ⊠2186 193	2185 647 2185 778 2185 615 2185 700 ⊠2186 323 ⊠2186 193	2185 615 2185 615 2185 615 ⊠2186 193	2185 615

★ Indicates use as required.
 ⊠ Indicates parts not listed in any previous parts book.
 Right and left part numbers are on same line,
 first number is right, second number is left.
 * Indicates change or addition.

Printed in U.S.A.
 Prices and specifications subject to change without notice.
 January 3, 1964.

CODE	REMARKS	PER CAR	SED.	SP. 4 D.	SUB.	SP. CL. CP.	CV. CP.
23-114-15	MATERIAL, Leather (Imitation) - Cont'd P1, P2 (codes 301, 401, 411) (19-DJ-22) (54") (1600 light blue)	★	*2186 097	----	*2186 097		
	(codes 321, 341, 421, 431, 441) (19-DJ-22) (54") (1601 medium blue)	★	*2185 798	*2185 798	*2185 798	*2185 798	*2185 798
	(codes 341, 441) (19-DJ-79) (54") (1663 dark blue gloss)	★	*2185 853	*2185 853	*2185 853	*2185 853	*2185 853
	(codes 321, 421, 431, 451) (18-DN-22) (54") (1657 pale blue)	★	*2186 061	----	*2186 061	*2186 061	*2186 061
	(code 421) (22-DM-12) (42") (1601 blue)	★	----	----	*2185 715		
	(codes 301, 321, 421) (19-DK-72) (55") (1601 blue)	★	2185 697	----	----	2185 697	
	(codes 301, 321, 341, 401, 411, 441, 451) (19-BC-22) (54") (1601 blue)	★	----	*2185 620	*2185 620	*2185 620	*2185 620
	(codes 303, 323, 343, 403, 413, 423, 433, 443) (28-AM-22) (50") (1607 tan)	★	*2185 617	*2185 617	*2185 617	*2185 617	*2185 617
	(code 403) (26-DL-73) (47") (1607-1 tan)	★	----	----	2185 701		
	(code 443) (23-DW-79) (40") (1664 dark tan)	★	⊠2186 194	⊠2186 194	⊠2186 194	⊠2186 194	⊠2186 194
	(codes 303, 403, 413) (19-DJ-22) (54") (1606 light tan)	★	*2186 098	----	*2186 098		
	(codes 323, 343, 423, 433, 443) (19-DJ-22) (54") (1607 medium tan)	★	*2185 800	*2185 800	*2185 800	*2185 800	*2185 800
	(codes 343, 443) (19-DJ-79) (54") (1664 dark tan gloss)	★	*2185 854	*2185 854	*2185 854	*2185 854	*2185 854
	(code 423) (22-DM-12) (42") (1607 tan)	★	----	----	⊠2185 717		
	(code 443) (19-C-22) (54") (1607 tan)	★	*2185 622	*2185 622	*2185 622	*2185 622	*2185 622
	(codes 303, 323, 423) (19-DK-72) (55") (1607 tan)	★	2185 698	----	2185 698	2185 698	
	(codes 322, 342, 442) (28A-AM-22) (50") (1605 dark green)	★	*2185 648	*2185 648	----	*2185 648	
	(28-AM-22) (50") (1604 green)	★	2185 616	2185 616	2185 616	2185 616	
	(19-C-22) (54") (1604 green)	★	2185 621	2185 621	2185 621	2185 621	
	(19-DJ-22) (54") (1604 green)	★	2185 799	2185 799	2185 799	2185 799	
	(codes 322, 342) (19-DK-72) (55") (1604 green)	★	*2185 708				
	(19-AC-22) (54") (1605 green)	★	*2185 626	*2185 626	----	*2185 626	
	(codes 306, 406) (28A-AM-22) (50") (1617 alabaster)	★	2185 630	----	2185 630		
	(26-DL-73) (47") (1617 alabaster)	★	----	----	2185 702		

★ Indicates use as required.

⊠ Indicates parts not listed in any previous parts book.

January 3, 1964.

Printed in U.S.A.

Prices and specifications subject to change without notice.

Right and left part numbers are on same line,
first number is right, second number is left.

* Indicates change or addition.

CODE	REMARKS	PER CAR	SED.	SP. 4D.	SUB.	SP. CL. CP.	CV. CP.
23-114-15	MATERIAL, Leather (imitation) - Cont'd P1, P2 (codes 306, 326, 346, 406, 426, 446, 447) (28-AM-22) (50") (1617 alabaster)	★	*2185 630	*2185 630	*2185 630	*2185 630	*2185 630
	(codes 426, 446) (24-DM-12) (42") (1617 alabaster) (23-DW-79) (40") (1617 alabaster)	★	----	----	2185 718	----	2186 196
	(codes 306, 326, 426) (19-DK-72) (55") (1617 alabaster)	★	2185 699	----	2185 699	2185 699	
	P1, P2 (codes 325, 345, 425, 445, 455) (28-AM-22) (50") (1621 red) (code 425) (24-DM-12) (42") (1621 red) (code 445) (23-DW-79) (40") (1621 red) (codes 325, 425) (19-DK-72) (55") (1621 red) (codes 325, 345, 445) (19-C-22) (54") (1621 red)	★	*2185 721	*2185 721	----	*2185 721	*2185 721
		★	----	----	2186 091	----	
		★	2185 195	2185 195	----	2185 195	2185 195
		★	2186 086	----	2186 086	2186 086	
		★	2185 723	2185 723	2185 723	2185 723	2185 723
	(codes 326, 346, 406, 446) (19-C-22) (54") (1617 alabaster) (codes 302, 326, 346, 406, 426, 446) (19-DJ-22) (54") (1627 alabaster) (codes 323, 325, 423, 425, 433) (18-DN-22) (54") (1617 alabaster)	★	2185 631	2185 631	2185 631	2185 631	2185 631
		★	2185 802	2185 802	2185 802	2185 802	2185 802
		★	2185 765	----	2185 765	2185 765	2185 765
	(code 451) (19-DJ-79) (54") (1601 blue)	★	----	----	----	2186 058	2186 058
	(19-AC-22) (54") (1602 blue)	★	----	----	----	2185 625	2185 625
	(18-DN-22) (54") (1657 blue) (code 455)	★	----	----	----	2186 061	2186 061
	(19-C-22) (54") (1621 red)	★	----	----	----	2185 723	2185 723
	(19-AC-22) (54") (1621 red)	★	----	----	----	2185 723	2185 723
	(19-DJ-79) (54") (1621 red) (codes 445, 455) (23-DW-79) (40") (1621 red)	★	----	----	2186 195	2186 059	2186 059
	(codes 325, 345, 425, 445) (19-DJ-22) (54") (1621 red) (codes 326, 346, 394, 459) (28A-AM-22) (54") (1624 black) (codes 447, 459) (23-DW-79) (40") (1624 black) (code 459) (19-AC-22) (54") (1624 black) (19-DJ-79) (54") (1624 black) (18-DN-22) (54") (1668-1 copper metal)	★	*2185 801	*2185 801	*2185 801	*2185 801	*2185 801
		★	*2185 659	*2185 659	----	*2185 659	*2185 659
		★	----	----	2186 197	----	2186 197
		★	----	----	----	2185 632	2185 632
		★	----	----	----	2186 060	2186 060
		★	----	----	----	2186 062	2186 062
	(code 494) (37-CX-22) (50") (902 gray) (code 394) (28-AM-22) (50") (1609 gray)	★	2185 119				
		★	*2185 780				

★ Indicates use as required.
 B Indicates parts not listed in any previous parts book.
 Right and left part numbers are on same line,
 first number is right, second number is left.
 * Indicates change or addition.

Printed in U.S.A.
 Prices and specifications subject to change without notice.
 January 3, 1964.

1963 PASSENGER CAR PARTS CATALOG

INTERIOR TRIM

CODE	REMARKS	PER CAR	SED.	SP. 4 D.	SUB.	SP. CL. CP.	CV. CP.
23-114-15	MATERIAL, Leather (Imitation) - Cont'd P1, P2 (codes 394, 494) (19-DJ-22) (54") (902 gray) (code 494) (19-C-22) (54") (902 gray) (codes 441, 443, 445, 446, 451, 455, 459) (18 ounce) (54") (1538 white)	★	B2185 599				
		★	B2185 001				
		★	----	----	----	----	B2185 326
23-115-4	PUSH NUT, Front Seat Back to Cushion Mounting P2-P	4	----	----	----	2410 102	2410 102
23-115-6	PIN, Seat Back Frame to Cushion Mounting P1-P	★	----	----	----	2410 054	2410 054
	FASTENER, Belt Mldg. Co.	6	----	----	----	----	2094 394
23-115-10	SCREW, Front Seat Center Arm Rest	2	2092 212	2092 212	2092 212	2092 212	2092 212

NOTES

★ Indicates use as required.
 ☐ Indicates parts not listed in any previous parts book.
 January 3, 1964.

Printed in U.S.A.
 Prices and specifications subject to change without notice.
 Right and left part numbers are on same line,
 first number is right, second number is left.
 * Indicates change or addition.

1963 VALIANT

INTERIOR TRIM

HOW TO USE INTERIOR TRIM ILLUSTRATIONS

The illustrations in this section are actual and each body style showing the Interior Trim is included.

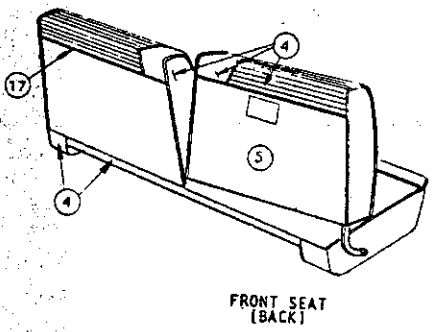
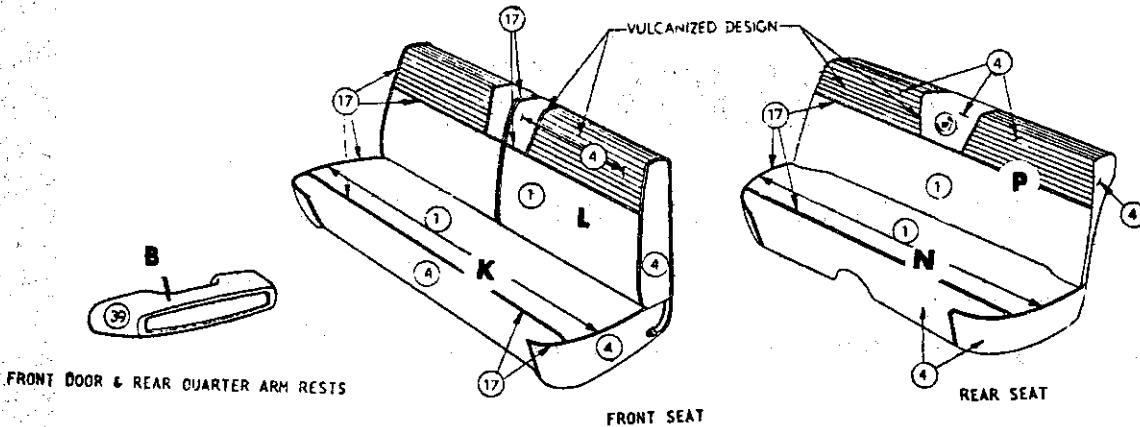
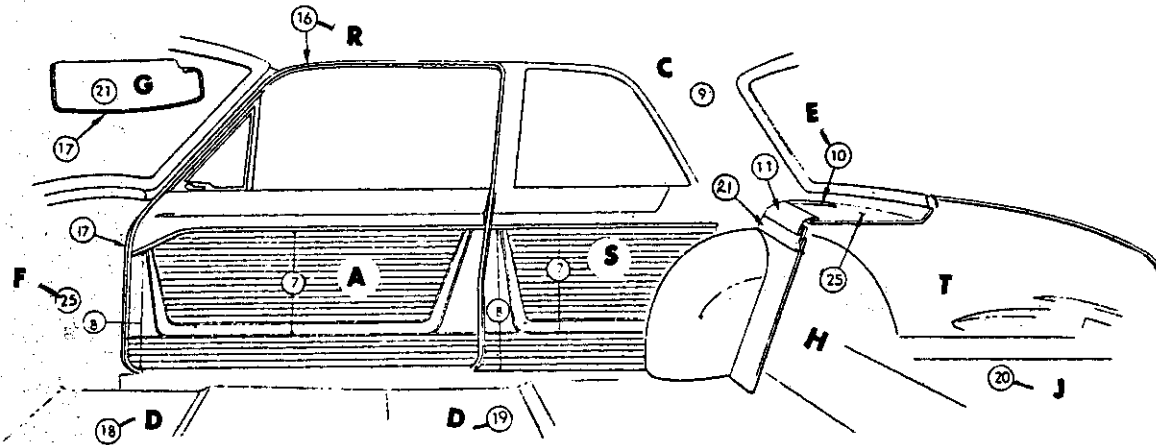
The letters shown on the illustration indicate the description of the part and the part type code when referred to the legend which appears preceding the listing of the parts. The letters are consistent throughout the illustrations as "A" is always a Door Trim Panel, Code 23-92-5.

The numbers on the illustration indicate the distribution of material and type of material used. The numbers may vary with each illustration. The legend appears on the illustration.

For complete information on "How to Order" Trim Parts, see Mopar Parts Price List.

V
A
L
I
A
N
T

1963 VALIANT - T SERIES



DISTRIBUTION OF MATERIAL

- 1 BODY CLOTH 1
- 4 IMITATION LEATHER 32-CH-22
- 5 IMITATION LEATHER 34-DA-72
- 7 IMITATION LEATHER 18-DN-22
- 8 IMITATION LEATHER .012-L-22
- 9 IMITATION LEATHER 17-C-81 OPT 15, 5-C-81
- 10 IMITATION LEATHER 19-C-22
- 11 IMITATION LEATHER 28-AM-22
- 16 LACE
- 17 EXTRUDED VINYL
- 18 FLOOR COVERING - FRONT RUBBER
- 19 FLOOR COVERING - REAR RUBBER
- 20 FLOOR COVERING - LUGG. COMPT. PRINTED JUTE
- 25 HARDBOARD
- 26 FELT
- 30 PLASTIC
- 31 PAINT
- 32 METAL
- 33 MOULDING
- 35 THREE PLY JUTE CORD
- 36 MYLAR
- 38 MOULDED RESIN
- 39 PLASTISOL

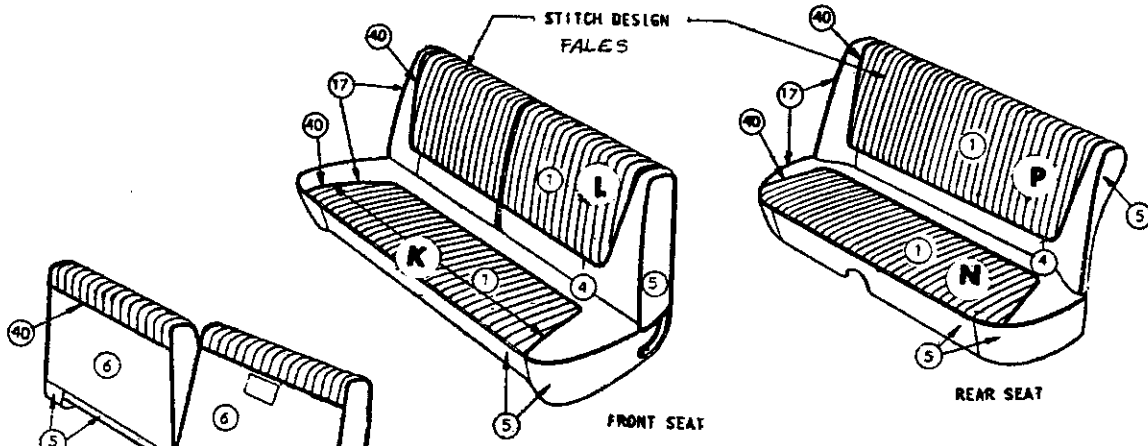
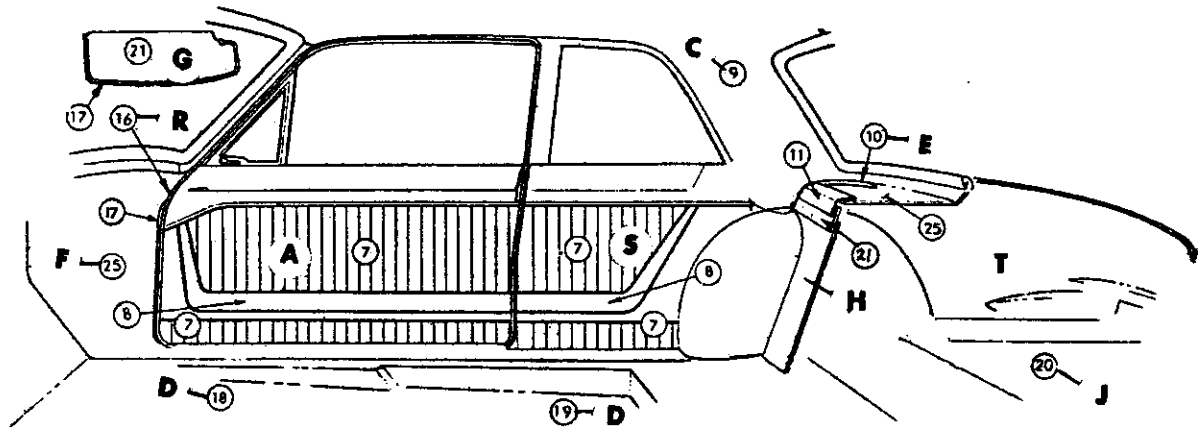
Distribution Drawing Legend Page Appears Following Illustration Section

Codes 701, 702, 704

TVL-211

1963 VALIANT TV1-L 2 DOOR SEDAN
CLOTH AND IMITATION LEATHER COMBINATION

1963 VALIANT - T SERIES



DISTRIBUTION OF MATERIAL

- 1 BODY CLOTH I
- 4 IMITATION LEATHER 32-CH-22
- 5 IMITATION LEATHER 32A-CH-22
- 6 IMITATION LEATHER 34-DA-22
- 7 IMITATION LEATHER .012-L-22
- 8 IMITATION LEATHER 18-DN-22
- 9 IMITATION LEATHER 17-C-81-OPT 15, 5-C-81
- 10 IMITATION LEATHER 19-C-22
- 11 IMITATION LEATHER 28-AM-22
- 16 LACE
- 17 EXTRUDED VINYL
- 18 FLOOR COVERING-FRONT RUBBER
- 19 FLOOR COVERING-REAR RUBBER
- 20 FLOOR COVERING-LUGG. COMPT. PRINTED JUTE
- 25 HARDBOARD
- 26 FELT
- 30 PLASTIC
- 31 PAINT
- 32 METAL
- 33 MOULDING
- 36 MYLAR
- 38 MOULDED RESIN
- 39 PLASTISOL
- 40 EXTRUDED VINYL MYLAR FILLER

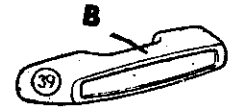
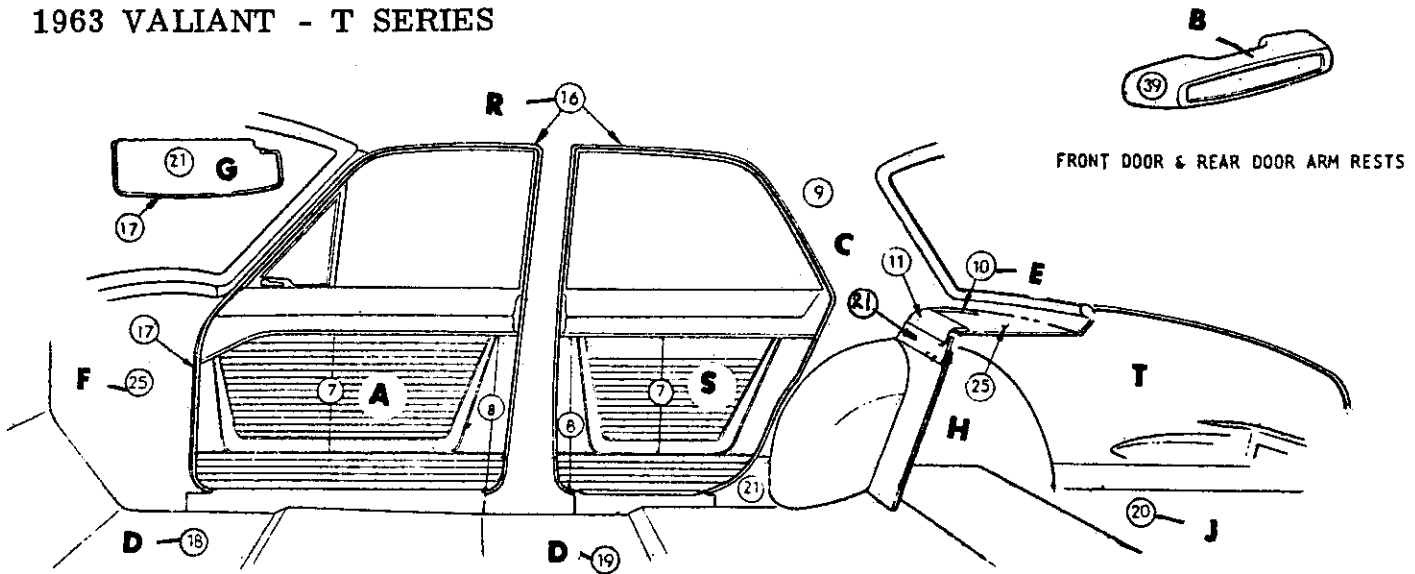
Distribution Drawing Legend Page Appears Following Illustration Section

Codes 721, 722, 725

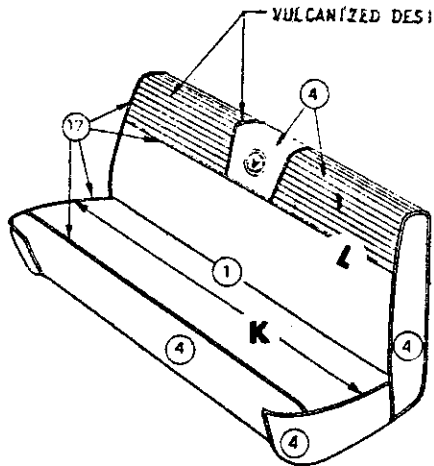
TVH-211

1963 VALIANT TV1-H 2 DOOR SEDAN
CLOTH AND IMITATION LEATHER COMBINATION

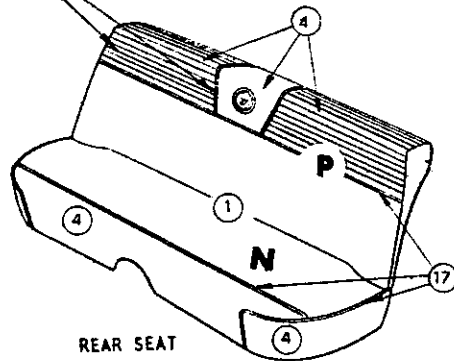
1963 VALIANT - T SERIES



FRONT DOOR & REAR DOOR ARM RESTS



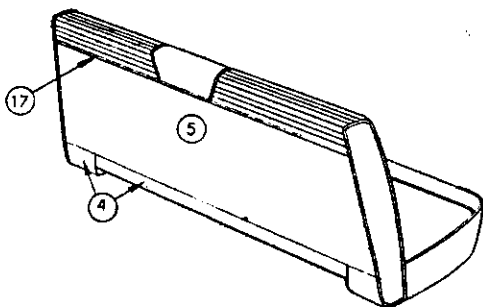
FRONT SEAT



REAR SEAT

DISTRIBUTION OF MATERIAL

- 1 BODY CLOTH 1
- 4 IMITATION LEATHER 32-CH-22
- 5 IMITATION LEATHER 34-DA-72
- 7 IMITATION LEATHER 18-DN-22
- 8 IMITATION LEATHER .012-L-22
- 9 IMITATION LEATHER 15.5-C-81
- 10 IMITATION LEATHER 19-C-22
- 11 IMITATION LEATHER 28-AM-22
- 16 LACE
- 17 EXTRUDED VINYL
- 18 FLOOR COVERING-FRONT RUBBER
- 19 FLOOR COVERING-REAR RUBBER
- 20 FLOOR COVERING-LUGG. COMPT. PRINTED JUTE
- 21 EMBOSSED CARDBOARD
- 25 HARDBOARD
- 26 FELT
- 30 PLASTIC
- 31 PAINT
- 32 METAL
- 33 MOULDING
- 36 MYLAR
- 38 MOULDED RESIN
- 39 PLASTISOL



FRONT SEAT (BACK)

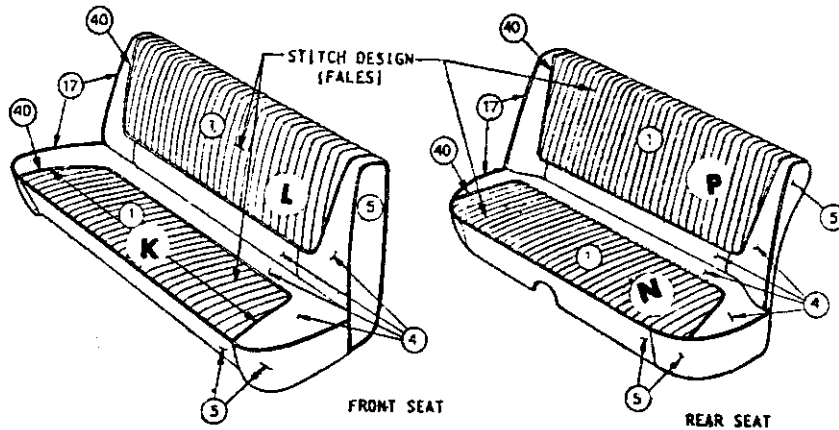
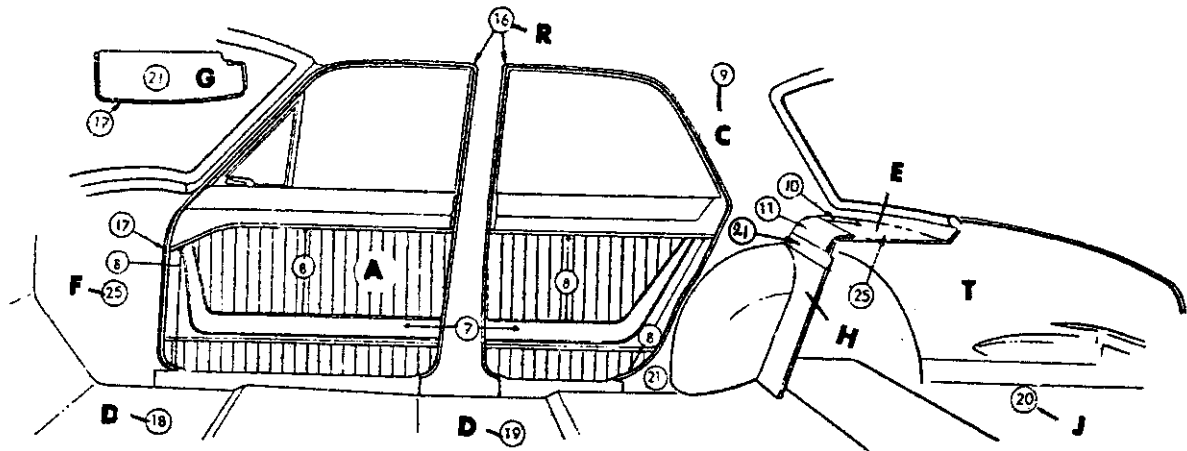
Distribution Drawing Legend Page Appears Following Illustration Section

Codes 701, 702, 704

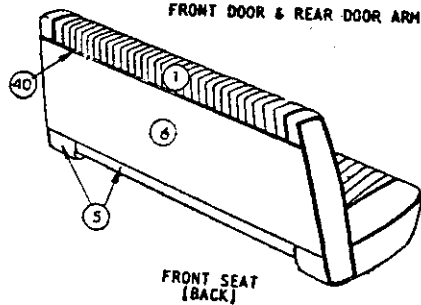
TVL-411

1963 VALIANT TV1-L 4 DOOR SEDAN
CLOTH & IMITATION LEATHER COMBINATION

1963 VALIANT - T SERIES



FRONT DOOR & REAR DOOR ARM RESTS



FRONT SEAT (BACK)

DISTRIBUTION OF MATERIAL

- 1 BODY CLOTH
- 4 IMITATION LEATHER
- 5 IMITATION LEATHER
- 6 IMITATION LEATHER
- 7 IMITATION LEATHER
- 8 IMITATION LEATHER
- 9 IMITATION LEATHER
- 10 IMITATION LEATHER
- 11 IMITATION LEATHER
- 16 LACE
- 17 EXTRUDED VINYL
- 18 FLOOR COVERING-FRONT RUBBER
- 19 FLOOR COVERING-REAR RUBBER
- 20 FLOOR COVERING-LUGG. COMPT, PRINTED JUTE
- 21 EMBOSSED CARDBOARD
- 25 HARDBOARD
- 30 PLASTIC
- 31 PAINT
- 32 METAL
- 33 MOULDING
- 36 MYLAR
- 38 MOULDED RESIN
- 39 PLASTISOL
- 40 EXTRUDED VINYL MYLAR FILLER
- 32-CH-22
- 32A-CH-22
- 34-DA-22
- 18-DN-22
- .012-L-22
- 17-C-81 OPT 15.5-C-81
- 19-C-22
- 28-AM-22

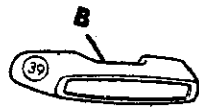
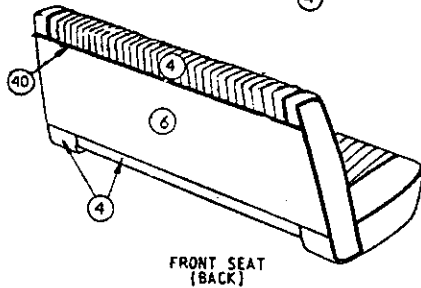
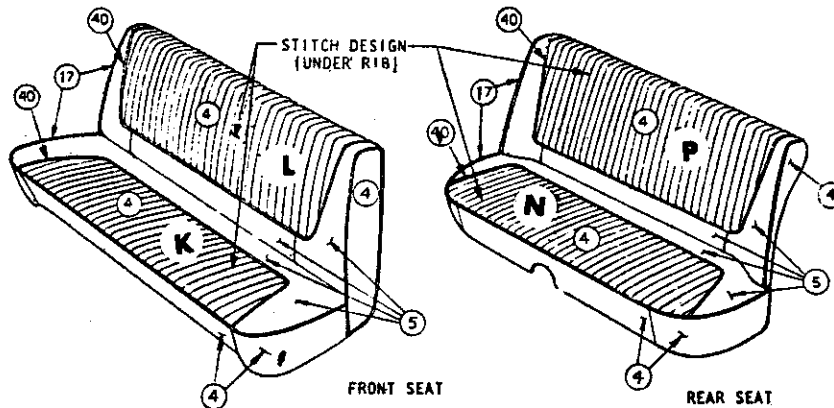
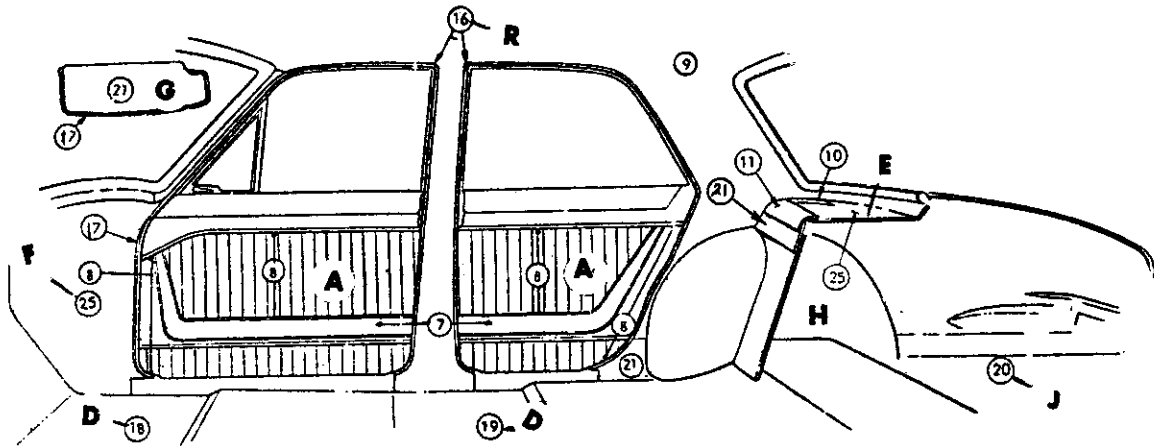
Distribution Drawing Legend Page Appears Following Illustration Section

Codes 721, 722, 725

TVH-411

1963 VALIANT TV1-H 4 DOOR SEDAN
CLOTH AND IMITATION LEATHER COMBINATION

1963 VALIANT - T SERIES



DISTRIBUTION OF MATERIAL

4	IMITATION LEATHER	32-CH-22
5	IMITATION LEATHER	32A-CH-22
6	IMITATION LEATHER	34-DA-22
7	IMITATION LEATHER	18-DN-22
8	IMITATION LEATHER	.012-L-22
9	IMITATION LEATHER	15, 5-C-81
10	IMITATION LEATHER	19-C-22
11	IMITATION LEATHER	28-AM-22
16	LACE	
17	EXTRUDED VINYL	
18	FLOOR COVERING-FRONT RUBBER	
19	FLOOR COVERING-REAR RUBBER	
20	FLOOR COVERING-LUGG. COMPT. PRINTED JUTE	
21	EMBOSSED CARDBOARD	
25	HARDBOARD	
30	PLASTIC	
31	PAINT	
32	METAL	
33	MOULDING	
36	MYLAR	
38	MOULDED RESIN	
39	PLASTISOL	
40	EXTRUDED VINYL MYLAR FILLER	

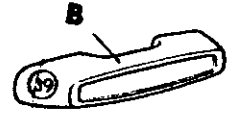
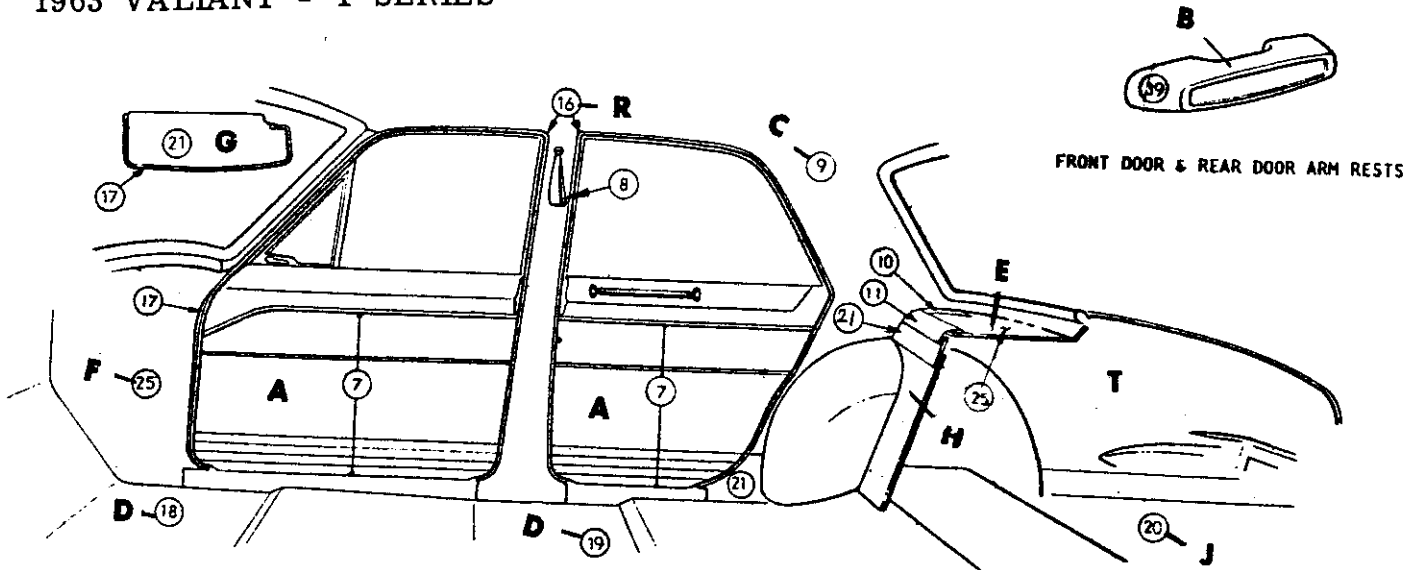
Distribution Drawing Legend Page Appears Following Illustration Section

Codes 771, 773, 775

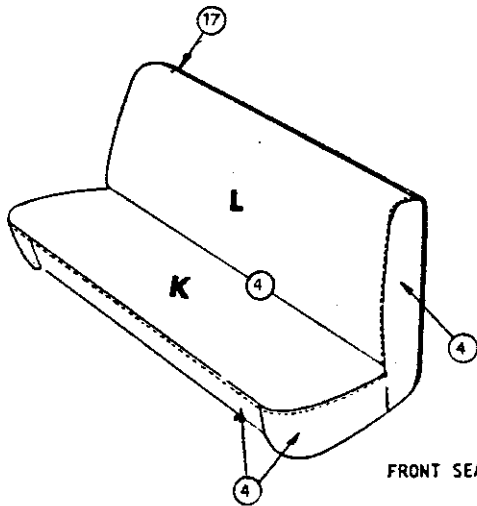
TVH-414

1963 VALIANT TV1-H 4 DOOR SEDAN
IMITATION LEATHER COMBINATION

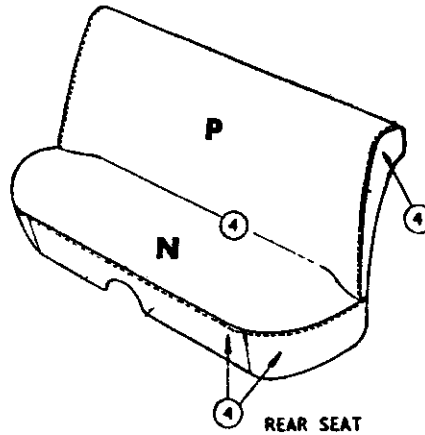
1963 VALIANT - T SERIES



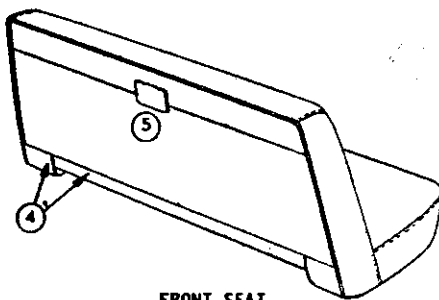
FRONT DOOR & REAR DOOR ARM RESTS



FRONT SEAT



REAR SEAT



FRONT SEAT (BACK)

DISTRIBUTION OF MATERIAL

4	IMITATION LEATHER	32-CH-22
5	IMITATION LEATHER	34-DA-22
7	IMITATION LEATHER	21-CM-22
8	IMITATION LEATHER	19A-C-22
9	IMITATION LEATHER	15.5-C-81
10	IMITATION LEATHER	19-C-22
11	IMITATION LEATHER	28-AM-22
16	LACE	
17	EXTRUDED VINYL	
18	FLOOR COVERING-FRONT	RUBBER
19	FLOOR COVERING-REAR	RUBBER
20	FLOOR COVERING-LUGG. COMPT.	PRINTED JUTE
21	EMBOSSED CARDBOARD	
25	HARDBOARD	
30	PLASTIC	
31	PAINT	
32	METAL	
33	MOULDING	
36	MYLAR	
38	MOULDED RESIN	
39	PLASTISOL	

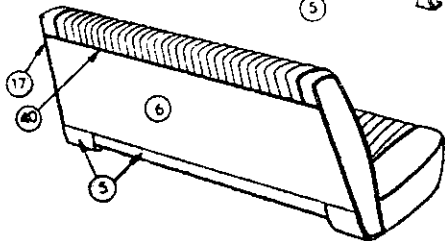
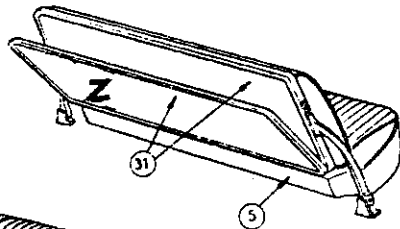
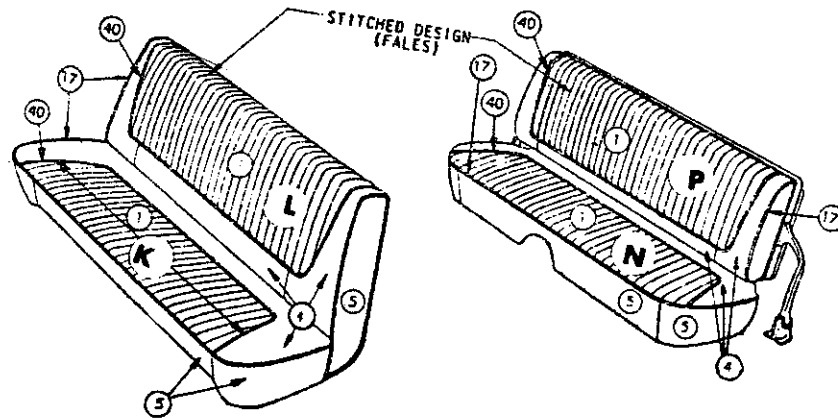
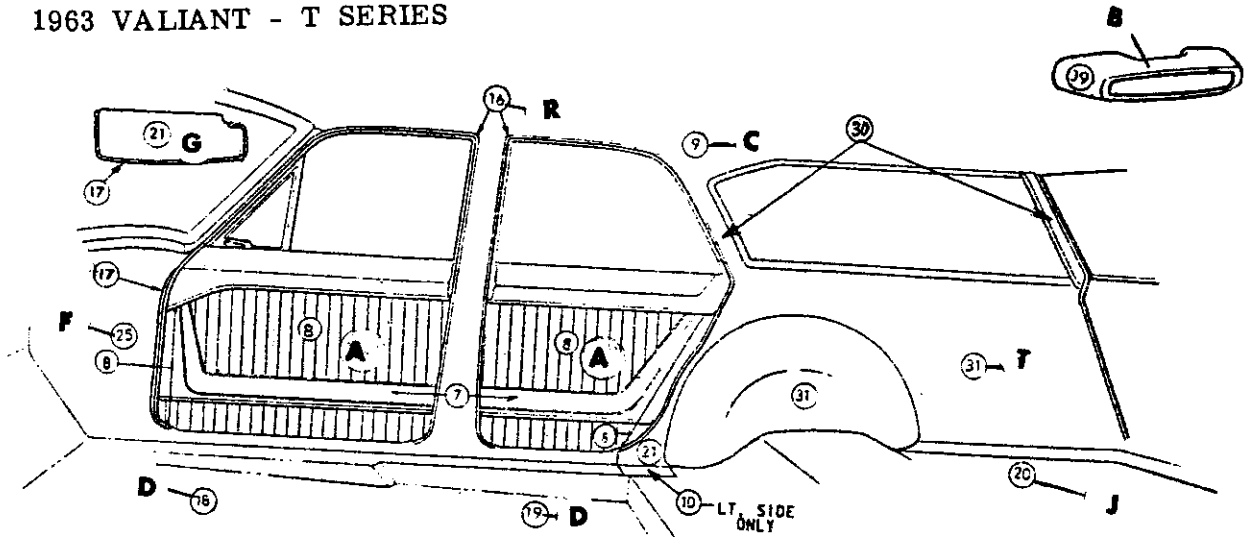
Distribution Drawing Legend Page Appears Following Illustration Section

Code 794

TVL-414A

1963 VALIANT TV1-L 4 DOOR SEDAN
IMITATION LEATHER COMBINATION

1963 VALIANT - T SERIES



DISTRIBUTION OF MATERIAL

- 1 BODY CLOTH
- 4 IMITATION LEATHER
- 5 IMITATION LEATHER
- 6 IMITATION LEATHER
- 7 IMITATION LEATHER
- 8 IMITATION LEATHER
- 9 IMITATION LEATHER
- 10 IMITATION LEATHER
- 16 LACE
- 17 EXTRUDED VINYL
- 18 FLOOR COVERING-FRONT RUBBER
- 19 FLOOR COVERING-REAR RUBBER
- 20 FLOOR COVERING-LUGG. COMPT. RUBBER
- 21 EMBOSSSED CARDBOARD
- 25 HARDBOARD
- 30 PLASTIC
- 31 PAINT
- 32 METAL
- 33 MOULDING
- 36 MYLAR
- 38 MOULDED RESIN
- 39 PLASTISOL
- 40 EXTRUDED VINYL MYLAR FILLER
- 45 POLYETHELENE
- 32-CH-22
- 32A-CH-22
- 34-DA-22
- 18-DN-22
- .012-L-22
- 15.5-C-81
- 19-C-22

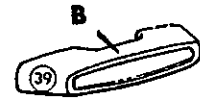
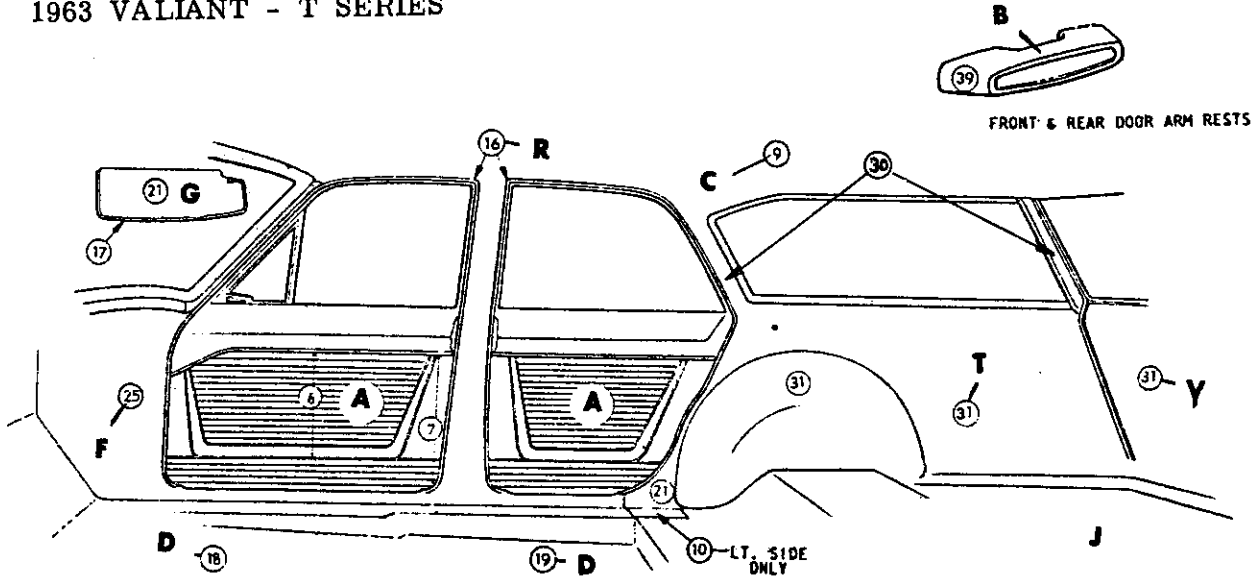
Distribution Drawing Legend Page Appears Following Illustration Section

Codes 721, 722, 725

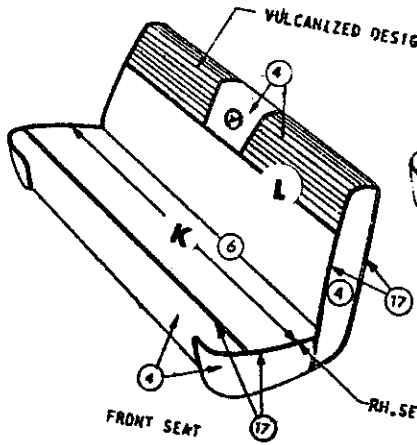
TVH-451

1963 VALIANT TV1-H 4 DOOR SUBURBAN
CLOTH AND IMITATION LEATHER COMBINATION

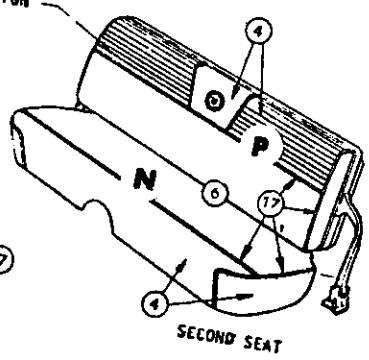
1963 VALIANT - T SERIES



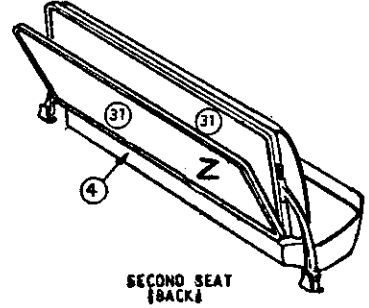
FRONT & REAR DOOR ARM RESTS



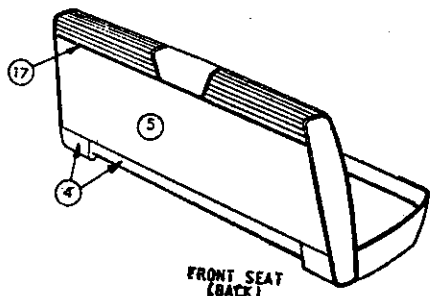
FRONT SEAT



SECOND SEAT



SECOND SEAT (BACK)



FRONT SEAT (BACK)

DISTRIBUTION OF MATERIAL

4	IMITATION LEATHER	32-CH-22
5	IMITATION LEATHER	34-DA-22
6	IMITATION LEATHER	34-DR-76
7	IMITATION LEATHER	.012-L-22
8	IMITATION LEATHER	18-DN-22
9	IMITATION LEATHER	15.5-C-81
10	IMITATION LEATHER	19-C-22
16	LACE	
17	EXTRUDED VINYL	
18	FLOOR COVERING-FRONT RUBBER	
19	FLOOR COVERING-REAR RUBBER	
20	FLOOR COVERING-LUGG. COMPT. RUBBER	
21	EMBOSSED CARDBOARD	
25	HARDBOARD	
30	PLASTIC	
31	PAINT	
32	METAL	
33	MOULDING	
36	MYLAR	
38	MOULDED RESIN	
39	PLASTISOL	

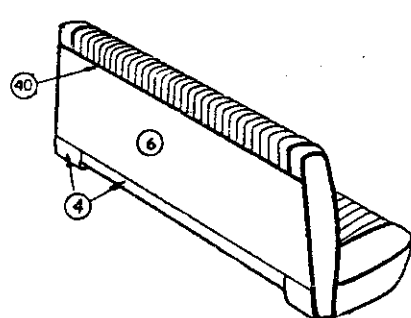
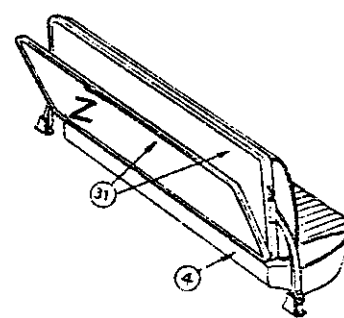
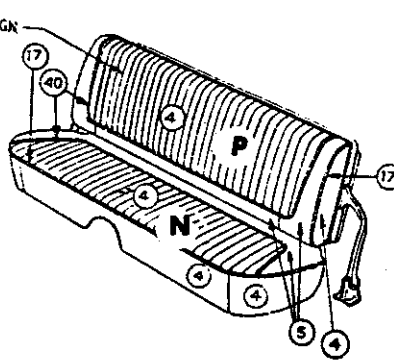
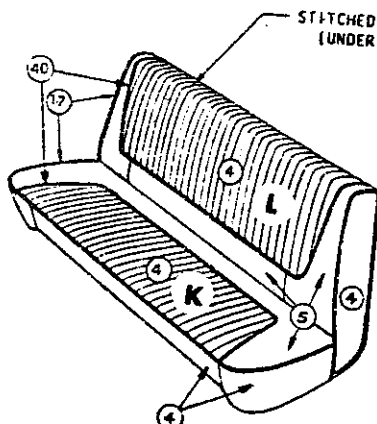
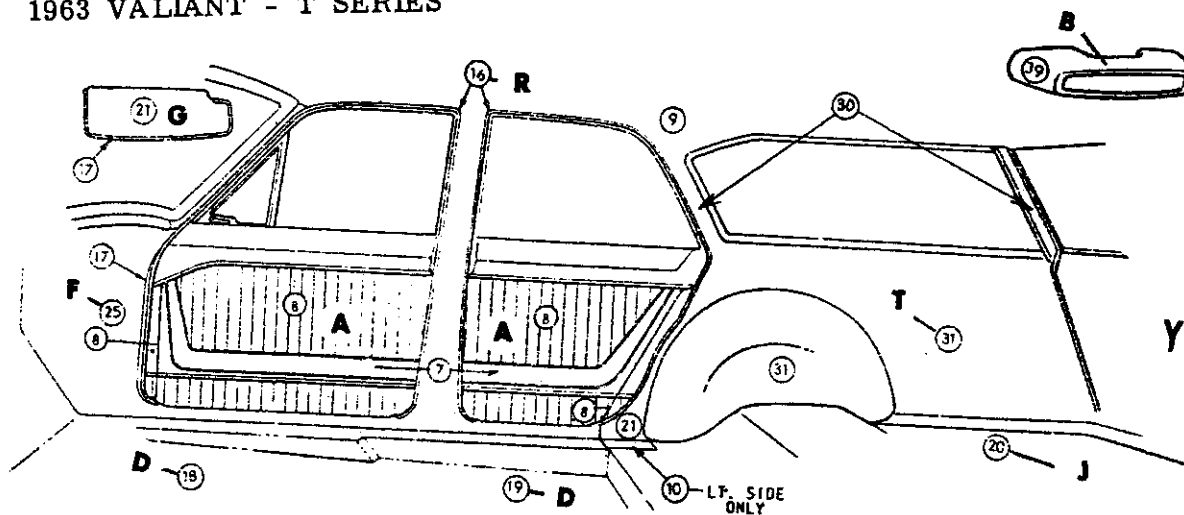
Distribution Drawing Legend Page Appears Following Illustration Section

Codes 751, 752, 754

TVL-454

1963 VALIANT TV1-L 4 DOOR SUBURBAN
IMITATION LEATHER COMBINATION

1963 VALIANT - T SERIES



DISTRIBUTION OF MATERIAL

4	IMITATION LEATHER	32-CH-22
5	IMITATION LEATHER	32A-CH-22
6	IMITATION LEATHER	34-DA-22
7	IMITATION LEATHER	18-DN-22
8	IMITATION LEATHER	.012-L-22
9	IMITATION LEATHER	15, 5-C-81
10	IMITATION LEATHER	19-C-22
16	LACE	
17	EXTRUDED VINYL	
18	FLOOR COVERING-FRONT RUBBER	
19	FLOOR COVERING-REAR RUBBER	
20	FLOOR COVERING-LUGG. COMPT. PRINTED JUTE	
21	EMBOSSED CARDBOARD	
25	HARDBOARD	
30	PLASTIC	
31	PAINT	
32	METAL	
33	MOULDING	
36	MYLAR	
38	MOULDED RESIN	
39	PLASTISOL	
40	EXTRUDED VINYL MYLAR FILLER	
45	POLYETHELENE	

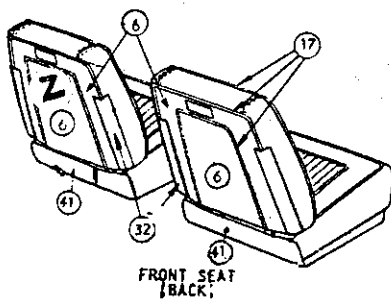
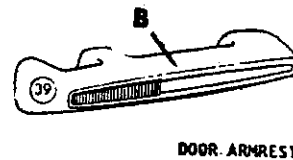
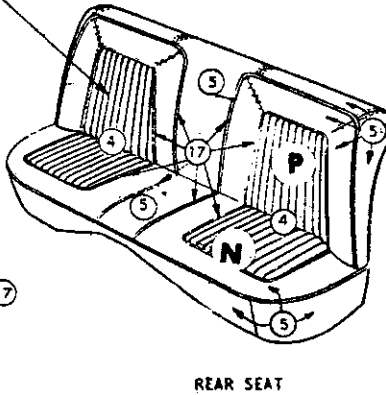
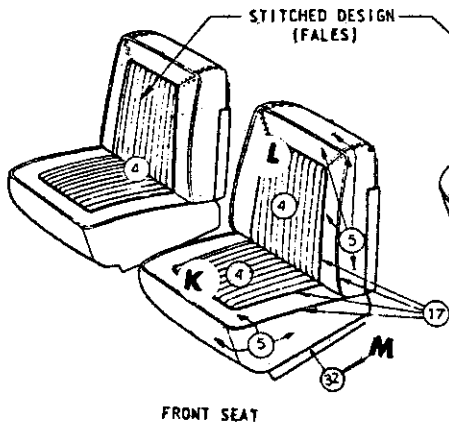
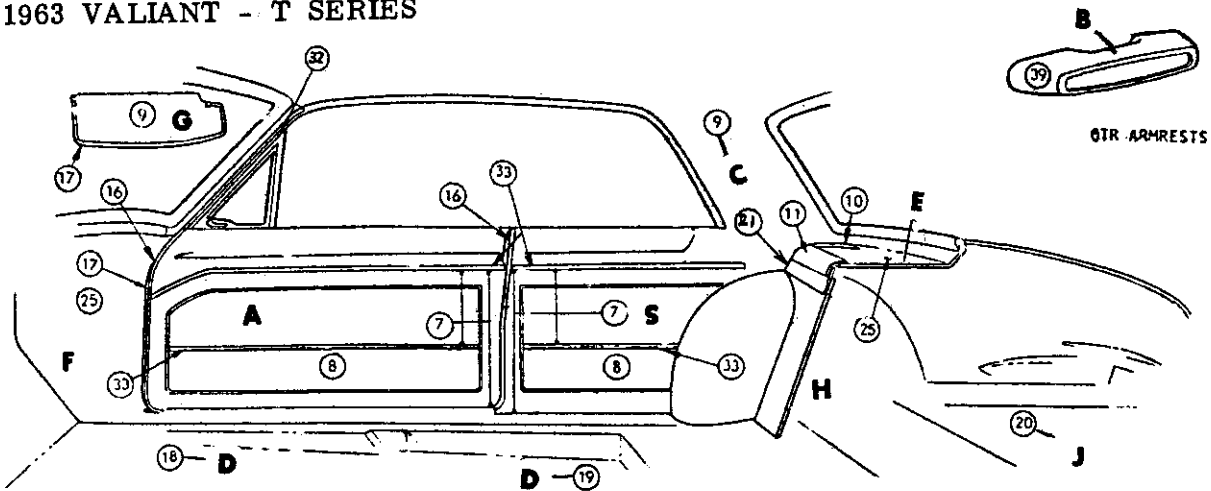
Distribution Drawing Legend Page Appears Following Illustration Section

Codes 771, 773, 775

TVH-454

1963 VALIANT TV1-H 4 DOOR SUBURBAN
IMITATION LEATHER COMBINATION

1963 VALIANT - T SERIES



DISTRIBUTION OF MATERIAL

4	IMITATION LEATHER	23-DW-79
5	IMITATION LEATHER	32-CH-22
6	IMITATION LEATHER	19-C-22
7	IMITATION LEATHER	19-DJ-22
8	IMITATION LEATHER	19-DJ-79
9	IMITATION LEATHER	15-S-C-81
10	IMITATION LEATHER	19A-C-22
11	IMITATION LEATHER	28A-AM-22
16	LACE	
17	EXTRUDED VINYL	
18	FLOOR COVERING-FRONT CARPET	
19	FLOOR COVERING-REAR CARPET	
20	FLOOR COVERING-LUGG. COMPT, PRINTED JUTE	
25	HARDBOARD	
26	FELT	
27	SEAMING TAPE	
30	PLASTIC	
31	PAINT	
32	METAL	
33	MOULDING	
36	MYLAR	
38	MOULDED RESIN	
39	PLASTISOL	
41	CARPET	

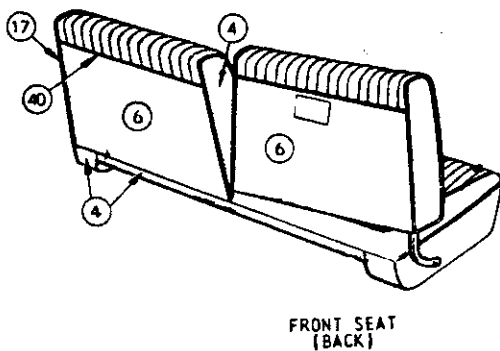
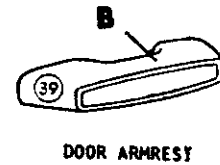
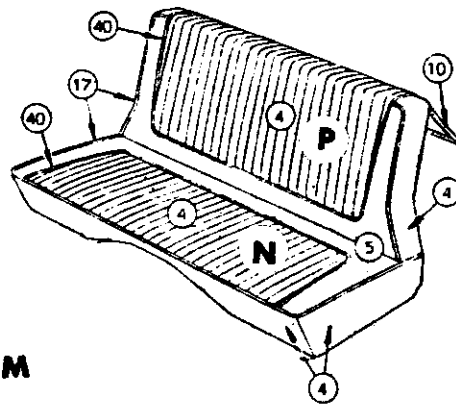
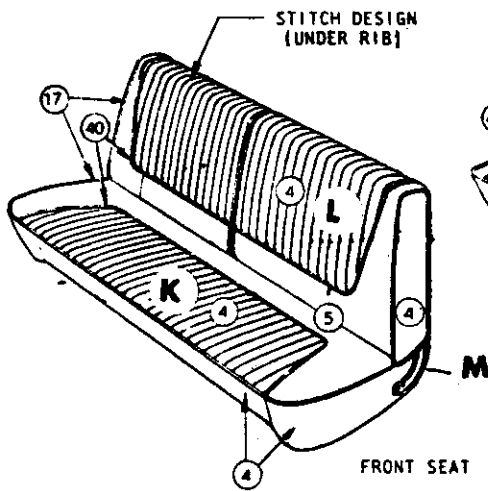
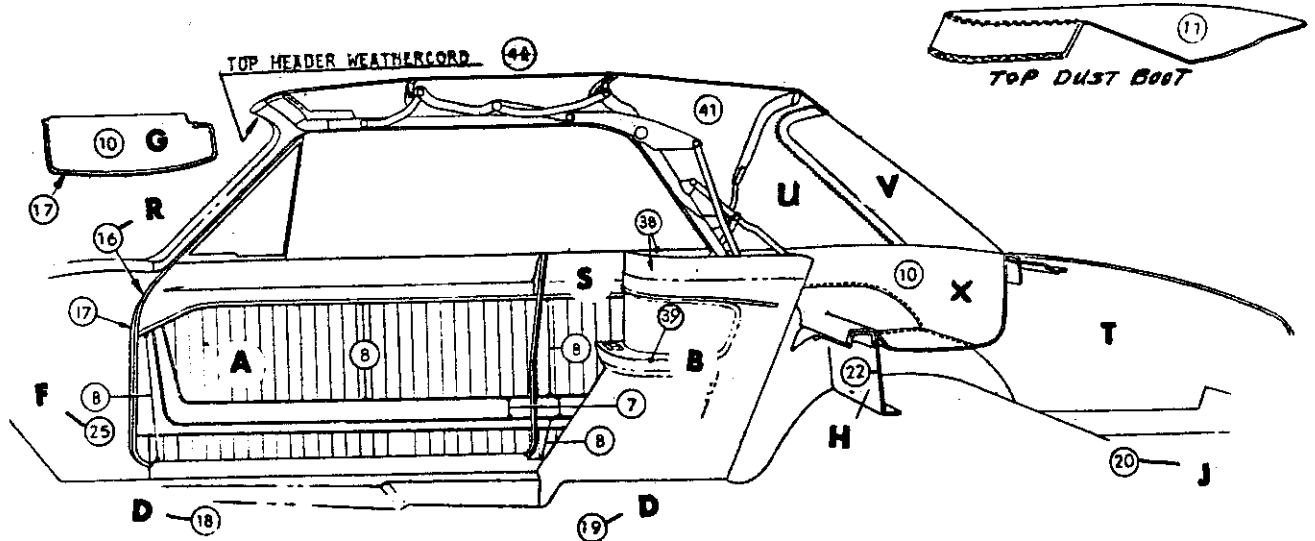
Distribution Drawing Legend Page Appears Following Illustration Section

Codes 791, 793, 795

TVP-234

1963 VALIANT TV1-P SPECIAL CLUB COUPE
IMITATION LEATHER

1963 VALIANT - T SERIES



DISTRIBUTION OF MATERIAL

4	IMITATION LEATHER	32-CH-22
5	IMITATION LEATHER	32A-CH-22
6	IMITATION LEATHER	34-DA-22
7	IMITATION LEATHER	18-DN-22
8	IMITATION LEATHER	.012-L-22
10	IMITATION LEATHER	19A-C-22
11	IMITATION LEATHER	32-EB-22
16	LACE	
17	EXTRUDED VINYL	
18	FLOOR COVERING-FRONT	CARPET
19	FLOOR COVERING-REAR	CARPET
20	FLOOR COVERING-LUGG.	PRINTED JUTE
25	HARDBOARD	
30	PLASTIC	
31	PAINT	
32	METAL	
33	MOULDING	
36	MYLAR	
38	MOULDED RESIN	
39	PLASTISOL	
40	EXTRUDED VINYL-MYLAR FILLER	
41	TOP MATERIAL	

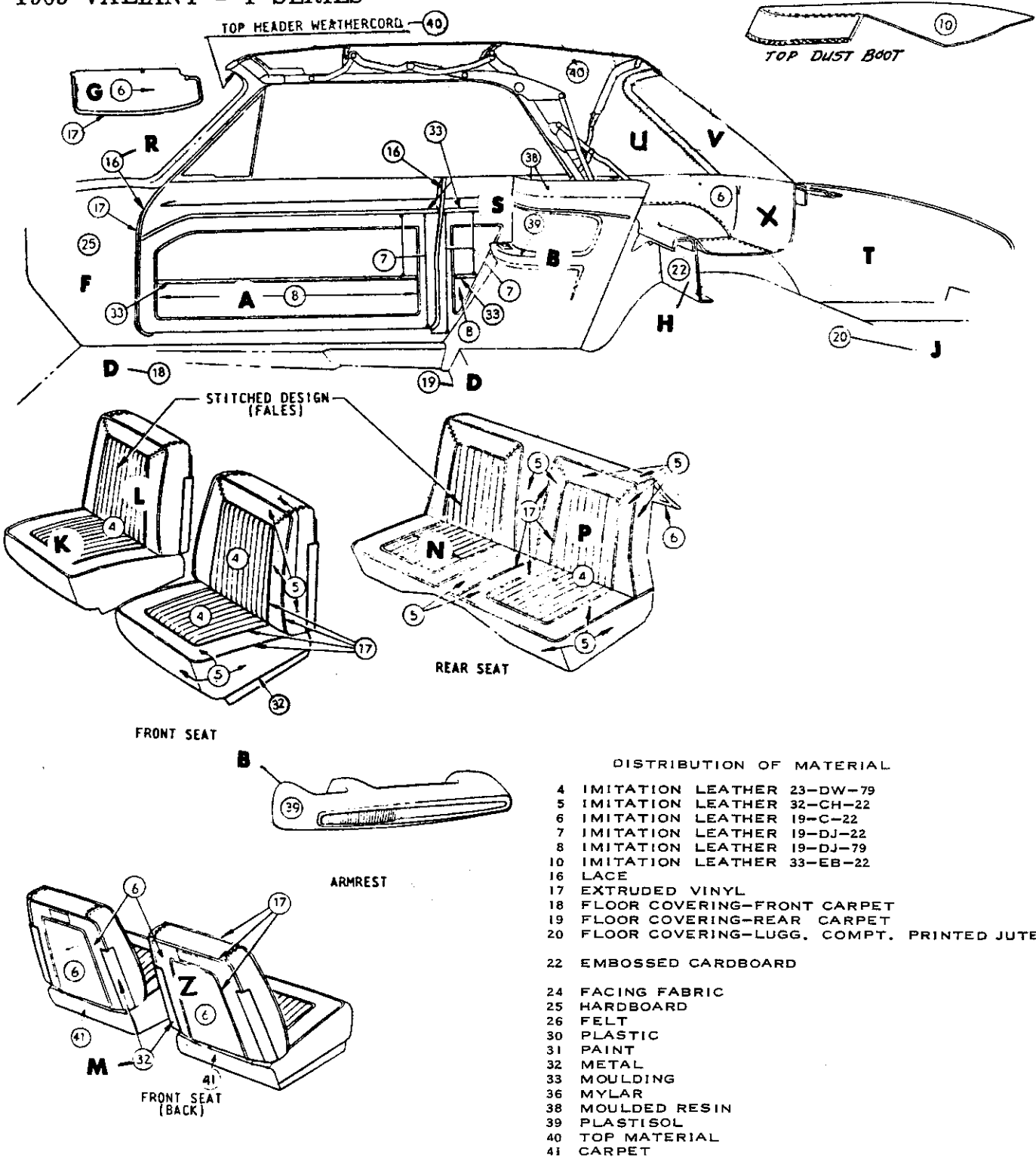
Distribution Drawing Legend Page Appears Following Illustration Section

Codes 771, 773, 775

TVH-274

1963 VALIANT TV1-H CONVERTIBLE COUPE
IMITATION LEATHER

1963 VALIANT - T SERIES



Distribution Drawing Legend Page Appears Following Illustration Section

Codes 791, 793, 795

TVP-274 1963 VALIANT TV1-P CONVERTIBLE COUPE
IMITATION LEATHER

1963 VALIANT - T SERIES

Distribution Drawing Legend

See Illustrations For Letter Identification

Letter	Description	Code
A	Panel, Door Trim	23-92-5
B	Arm Rest, Door, Front	23-76-3
	Center, Front Seat	23-76-34
	Door, Rear	23-76-59
	Quarter Panel	23-76-66
C	Headlining	23-86-3
D	Floor Cover, Front, Carpet	23-79-3
	Rubber	23-20-8
	Rear, Carpet	23-79-33
	Rubber	23-20-41
E	Panel, Shelf Trim	23-102-3
F	Panel, Cowl Trim	23-91-6
G	Visor	23-103-3
H	Panel, Luggage Compartment Front	23-96-3
J	Cover, Luggage Compartment Floor	23-20-29
K	Cover, Front Seat Cushion	23-108-5
L	Cover, Front Seat Back	23-108-16
M	Cover, Front Seat Hinge	23-108-84
N	Cover, Rear Seat Cushion	23-109-36
P	Cover, Rear Seat Back	23-109-4
Q	Cover, Rear Seat Cushion Bottom Panel	23-109-40
R	Weathercord, Door	23-113-2
	Hinge Pillar	23-113-25
	Lock Pillar	23-113-30
	w/Weatherstrip	23-66-33
S	Panel, Quarter Trim	23-101-3
T	Cover, Wheelhouse	23-96-8
U	Top Deck and Side Quarter	23-112-108
V	Curtain, Folding Top Back	23-112-45
W	Cover, Center Pillar	23-99-4
X	Well, Pocket Panel, Pocket Panel	
	Cover, Pocket Shelf Panel,	
	Folding Top	23-112-153
Y	Cover, Tailgate Inside Panel	23-79-79
Z	Cover, Rear Seat Back Panel	23-109-5
	Cover, Front Seat Back Panel	23-108-32

1963 PASSENGER CAR PARTS CATALOG

BODY CODE

COLUMN LEGEND

TV1-L (V-100)

111 (21)	2 D. Sedan
113 (41)	4 D. Sedan
156 (45A)	Suburban (6 Pass.)

TV1-H (V-200)

131 (21)	2 D. Sedan
133 (41)	4 D. Sedan
135 (27)	Convertible
176 (45A)	Suburban (6 Pass.)

TV1-P (V-200)

142 (25)	2 D. Hard Top
145 (27)	Convertible

STARTING SERIAL NUMBERS

		Detroit Built	St. Louis Built	Newark Built	Los Angeles Built
TV1-L	(V100)	1132-100001	1137-100001	1136-100001	1135-100001
TV1-L	(V100 Suburban)	1532-100001	1537-100001	1536-100001	1535-100001
TV1-H	(V200)	1332-100001	1337-100001	1336-100001	1335-100001
TV1-H	(V200 Suburban)	1732-100001	1737-100001	1736-100001	1735-100001
TV1-P	(Signet 200)	1432-100001	1437-100001	1436-100001	1435-100001

TRIM CODE	MODEL	MATERIAL			COLOR	SED.	SP. 4D.	SUB.	SP. CL. CP.	CV. CP.
		Cloth	Vinyl	Leather						
701	V1-L	*	*	-	Blue	*	-	-	-	-
702	V1-L	*	*	-	Green	*	-	-	-	-
704	V1-L	*	*	-	Gray	*	-	-	-	-
751	V1-L	-	*	-	Blue	-	-	*	-	-
752	V1-L	-	*	-	Green	-	-	*	-	-
754	V1-L	-	*	-	Gray	-	-	*	-	-
761	V1-L	-	*	-	Blue	*	-	-	-	-
721	V1-H	*	*	-	Blue	*	-	*	-	-
722	V1-H	*	*	-	Green	*	-	*	-	-
725	V1-H	*	*	-	Red	*	-	*	-	-
771	V1-H	-	*	-	Blue	*	-	*	-	*
773	V1-H	-	*	-	Tan	*	-	*	-	*
775	V1-H	-	*	-	Red	*	-	*	-	*
791	V1-P	-	*	-	Blue	-	-	*	-	*
793	V1-P	-	*	-	Tan	-	-	*	-	*
795	V1-P	-	*	-	Red	-	-	*	-	*

★ Indicates use as required.
 ☐ Indicates parts not listed in any previous parts book.
 September 4, 1962.

Printed in U.S.A.
 Prices and specifications subject to change without notice.
 Right and left part numbers are on same line,
 first number is right, second number is left.

CODE	REMARKS	PER CAR	SED.	SP. 4 D.	SUB.	SP. CL. CP.	CV. CP.
------	---------	---------	------	----------	------	-------------	---------

NOTE: RIGHT HAND AND LEFT HAND PARTS LISTED ON THE SAME LINE. Whenever right and left hand parts are identified by consecutive part numbers, they will be listed as in the following example:
 PANEL, Door Trim 2083 344-5
 Interpreted, this indicates that Panel, right is Part No. 2083 344 and Panel, left is Part No. 2083 345.

23-76-3	ARM REST, Front Door V1-L						
	(code 701) (blue)	2	2413 934				
	(code 702) (green)	2	2413 935				
	(code 704) (gray)	2	2413 937				
	(code 751) (blue)	2	----	----	2413 934		
	(code 752) (green)	2	----	----	2413 935		
	(code 754) (gray)	2	----	----	2413 937		
	(code 761) (blue)	2	2413 934				
	V1-H						
	(code 721) (blue)	2	2413 934	----	2413 934		
	(code 722) (green)	2	2413 935	----	2413 935		
	(code 725) (red)	2	2413 938	----	2413 938		
	(code 771) (blue)	2	2413 934	----	2413 934	----	2413 934
	(code 773) (green)	2	2413 936	----	2413 936	----	2413 936
	(code 775) (red)	2	2413 938	----	2413 938	----	2413 938
	V1-P						
	(code 791) (blue)	1	----	----	----	2428 970-1	2428 970-1
	(code 793) (tan)	1	----	----	----	2428 974-5	2428 974-5
	(code 795) (red)	1	----	----	----	2428 976-7	2428 976-7
23-76-16	NUT, Door and Quarter Arm Rest V1 (door arm rest to door and quarter arm rest to quarter panel)	★	1280 134	----	1280 134	1280 134	
23-76-59	ARM REST, Rear Door V1-L						
	(code 701) (blue)	2	2413 934				
	(code 702) (green)	2	2413 935				
	(code 704) (gray)	2	2413 937				
	(code 751) (blue)	2	----	----	2413 934		
	(code 752) (green)	2	----	----	2413 935		
	(code 754) (gray)	2	----	----	2413 937		
	(code 761) (blue)	2	2413 934				
	V1-H						
	(code 721) (blue)	2	2413 934	----	2413 934		
	(code 722) (green)	2	2413 935	----	2413 935		
	(code 725) (red)	2	2413 938	----	2413 938		
	(code 771) (blue)	2	2413 934	----	2413 934	----	2413 934
	(code 773) (tan)	2	2413 936	----	2413 936	----	2413 936
	(code 775) (red)	2	2413 938	----	2413 938	----	2413 938
	(code 799) (gray)	2	*2413 944				
23-76-66	ARM REST, Rear Quarter V1-L (2 D.)						
	(code 701) (blue)	2	2413 934				
	(code 702) (green)	2	2413 935				
	(code 704) (gray)	2	2413 937				
	V1-H						
	(code 721) (blue)	2	2413 934				
	(code 722) (green)	2	2413 935				
	(code 725) (red)	2	2413 938				
	(code 771) (blue)	2	----	----	----	----	2413 934
	(code 773) (tan)	2	----	----	----	----	2413 936
	(code 775) (red)	2	----	----	----	----	2413 938

★ Indicates use as required.
 ☐ Indicates parts not listed in any previous parts book.
 Right and left part numbers are on same line, first number is right, second number is left.
 * Indicates change or addition.

Printed in U.S.A.
 Prices and specifications subject to change without notice.
 Jan. 3, 1964 Supersedes Sept. 4, 1962.

1963 PASSENGER CAR PARTS CATALOG

INTERIOR TRIM

CODE	REMARKS	PER CAR	SED.	SP. 4 D.	SUB.	SP. CL. CP.	CV. CP.
23-76-66	ARM REST, REAR QUARTER - Cont'd VI-P						
	(code 791)	2	----	----	----	2413 934	
	(code 793)	2	----	----	----	2413 936	
	(code 795)	2	----	----	----	2413 938	
23-77-3	STRAP, Assist VI	2	2274 841				
	(attaching screw)	2	6022 072				
23-79-3	CARPET, Front Floor VI-H						
	(code 721) (blue)	1	2299 451	----	2299 451		
	(code 722) (green)	1	2299 455	----	2299 455		
	(code 725) (red)	1	2299 453	----	2299 453		
	(code 771) (blue)	1	2299 451	----	2299 451	----	2299 451
	(code 773) (tan)	1	2299 452	----	2299 452	----	2299 452
	(code 775) (red)	1	2299 453	----	2299 453	----	2299 453
	VI-P						
	(code 791) (blue)	1	----	----	----	2421 534	*2421 534
	(code 793) (tan)	1	----	----	----	2421 535	*2421 535
	(code 795) (red)	1	----	----	----	2421 536	*2421 536
23-79-33	CARPET, Rear Floor VI-H						
	(code 721) (blue)	1	2299 460	----	2299 460		
	(code 722) (green)	1	2299 461	----	2299 461		
	(code 725) (red)	1	2299 462	----	2299 462		
	(code 771) (blue)	1	2299 460	----	2299 460	----	2299 460
	(code 773) (tan)	1	2299 463	----	2299 463	----	2299 463
	(code 775) (red)	1	2299 462	----	2299 462	----	2299 462
	(axle kick-up front panel)		----	----	2413 582		
	VI-P (paint as required)						
	(code 791) (blue)	1	----	----	----	2448 115	2448 115
	(code 793) (tan)	1	----	----	----	2448 116	2448 116
	(code 795) (red)	1	----	----	----	2448 117	2448 117
23-82-30	HOOK, Coat Hanger VI	2	2165 837	----	2165 837	2165 837	2165 837
23-82-39	BRACKET, Coat Hook Support VI	1	2481 175	----	2481 175	2481 175	
23-84-3	PAD, Instrument Panel Trim (codes 701, 721, 751, 761, 771, 791)	1	2432 682	----	2432 682	2432 682	2432 682
	(code 702, 722, 752)(green)	1	2432 683	----	2432 683	----	2432 683
	(codes 704, 754, 799)(gray)	1	2432 684	----	2432 684	2432 684	2432 684
	(codes 725, 775, 795) (red)	1	2413 028	----	2413 028	2413 028	2413 028
	(codes 773, 793) (tan)	1	2432 685	----	2432 685	2432 685	2432 685
	Nut (attaching)	5	* 116 000	----	* 116 000	* 116 000	* 116 000
23-86-3	HEADLINING & LISTINGS VI-L, VI-H (2 D.)						
	(codes 701, 721)	1	2429 171				
	(codes 702, 722)	1	2429 333				
	(code 704)	1	2429 169				
	(code 725)	1	2429 170	----	----	2429 170	
	VI-L (code 761)	1	2429 171				

★ Indicates use as required.

☐ Indicates parts not listed in any previous parts book.
Jan. 3, 1964 Supersedes Jan. 25, 1963.

Printed in U.S.A.

Prices and specifications subject to change without notice.

Right and left part numbers are on same line,
first number is right, second number is left.

* Indicates change or addition.

CODE	REMARKS	PER CAR	SED.	SP. 4 D.	SUB.	SP. CL. CP.	CV. CP.
23-86-3	HEADLINING & LISTINGS - Cont'd						
	V1-H						
	(codes 771, 791)	1	2429 171	----	----	2429 171	
	(codes 773, 775, 793, 795)	1	2429 170	----	----	2429 170	
	V1-L, V1-H						
	(codes 721, 751, 771)	1	----	----	2429 343		
	(codes 722, 752)	1	----	----	2429 344		
	(code 754)	1	----	----	2429 345		
	(codes 725, 773, 775)	1	----	----	2429 346		
23-86-8	RETAINER, Roof Panel Cover						
	V1-P						
	(side front)	1	----	----	----	*2483 780-1	
	(side rear)	1	----	----	----	*2484 164-5	
23-86-10	SUPPORT, Roof Bow						
	V1	1	*2242 504				
		3	----	----	2243 251		
23-86-19	STRIP, Headlining Retaining						
	V1						
	(2 D.)	1	2243 668-9				
	(4 D.) (front)	1	2242 996-7	----	2423 636-7		
	(rear)	1	2243 224-5	----	2423 638-9		
	(fastener)	★	6000 922	----	6000 922	6000 922	
23-91-6	PANEL, Cowl Side Trim						
	V1 (paint as required)	1	2297 410-1	----	2297 410-1	2297 410-1	2297 410-1
	(screw)	4	6000 348	----	6000 348	6000 348	6000 348
23-92-5	PANEL, Door Trim						
	V1-L (2 D.)						
	(code 701)	1	2413 094-5				
	(code 702)	1	2413 096-7				
	(code 704)	1	2413 098-9				
	V1-H						
	(code 721)	1	2413 126-7	----	----	----	2413 126-7
	(code 722)	1	2413 128-9	----	----	----	2413 128-9
	(code 725)	1	2413 130-1	----	----	----	2413 130-1
	V1-L (4 D.)						
	(codes 701, 751, 761) Front	1	2413 110-1	----	2413 110-1		
	Rear	1	2413 116-7	----	2413 116-7		
	(codes 702, 752) Front	1	2413 112-3	----	2413 112-3		
	Rear	1	2413 118-9	----	2413 118-9		
	(codes 704, 754) Front	1	2413 114-5	----	2413 114-5		
	Rear	1	2413 120-1	----	2413 120-1		
	V1-H						
	(codes 721, 771) Front	1	2413 142-3	----	2413 142-3	*2413 126-7	*2413 126-7
	Rear	1	2413 150-1	----	2413 150-1		
	(code 722) Front	1	2413 144-5	----	2413 144-5		
	Rear	1	2413 152-3	----	2413 152-3		
	(code 733) Front	1	2413 146-7	----	2413 146-7	*2413 128-9	*2413 128-9
	Rear	1	2413 154-5	----	2413 154-5		
	(codes 725, 775) Front	1	2413 148-9	----	2413 148-9		
	Rear	1	2413 156-7	----	2413 156-7	*2413 130-1	*2413 130-1
	V1-P						
	(code 791)	1	----	----	----	2413 516-7	
	(code 793)	1	----	----	----	2413 518-9	
	(code 795)	1	----	----	----	2413 520-1	
	(fastener)	★	----	----	----	6000 365	6000 365
23-92-8	FASTENER, Quarter Trim Panel						
	V1	★	975 633	----	----	975 633	

★ Indicates use as required.
 □ Indicates parts not listed in any previous parts book.
 Right and left part numbers are on same line,
 first number is right, second number is left.
 * Indicates change or addition.

Printed in U.S.A.
 Prices and specifications subject to change without notice.
 Jan. 3, 1964 Supersedes Dec. 14, 1962.

CODE	REMARKS	PER CAR	SED.	SP. 4 D.	SUB.	SP. CL. CP.	CV. CP.
23-96-3	PANEL, Luggage Compartment, Front						
	V1	1	2419 102	----	----	2419 102	
	(fastener)	2	*6000 903	----	----	*6000 903	
	Screw (to floor)	2	*6024 229	----	----	*6024 229	
23-99-38	PANEL, Rear Upper Pillar Reinforcing Trim						
	V1-L, V1-H						
	(codes 721, 751, 771)	1	----	----	2432 836-7		
	(codes 722, 752)	1	----	----	2432 838-9		
	(code 754)	1	----	----	2016-7 TA5		
	(codes 725, 775) Right	1	----	----	*2016 TR6		
Left	1	----	----	*2017 TR6			
(code 773)	1	----	----	2432 840-1			
23-101-3	PANEL, Rear Quarter Trim						
	V1-L (2 D.)						
	(code 701)	1	2413 100-1				
	(code 702)	1	2413 102-3				
	(code 704)	1	2413 104-5				
	(4 D.) (paint as required)(lower)						
	Right	1	*2012 VT8	----		*2012 VT8	
	Left	1	*2413 747	----		*2413 747	
	(upper)	1	----	----		2432 710-1	
	V1-P						
(code 791)	1	----	----	----	2413 522-3	2432 760-1	
(code 793)	1	----	----	----	2413 524-5	2432 762-3	
(code 795)	1	----	----	----	2413 526-7	2432 764-5	
V1-H							
(code 771)	1	----	----	----	----	2432 750-1	
(code 773)	1	----	----	----	----	2432 752-3	
(code 775)	1	----	----	----	----	2432 754-5	
23-102-3	PANEL, Shelf Trim						
	(codes 701, 721, 761, 771, 791) (blue)	1	2413 970	----	----	2413 970	
	(codes 702, 722) (green)	1	2413 971	----	----	2413 971	
	(code 704) (gray)	1	2413 972	----	----	2413 972	
	(codes 725, 775, 795)(red)	1	2413 974	----	----	2413 974	
	(codes 773, 793) (tan)	1	2413 973	----	----	2413 973	
	(fastener)	★	6000 903	----	----	6000 903	
	V1-H (2 D.)						
	(code 721)	1	2413 132-3				
	(code 722)	1	2413 134-5				
(code 725)	1	2413 136-7					
V1-H (4 D.)							
(codes 721, 722, 725)							
(upper)	1	----	----		2432 710-1		
(lower) Right	1	*2012 VT8	----		*2012 VT8		
Left	1	*2413 747	----		*2413 747		
V1-L (upper)(paint as required)							
(codes 751, 752, 753)	1	----	----		*2432 710-1		
(lower)							
(codes 751, 752, 754) Right	1	----	----		*2012 VT8		
Left	1	----	----		2413 747		
(fastener)	★	----	----		----	6000 365	
23-102-3	PANEL, Shelf Trim						
	(codes 701, 721, 761, 771, 791) (blue)	1	2413 970	----	----	2413 970	
	(codes 702, 722) (green)	1	2413 971	----	----	2413 971	
	(code 704) (gray)	1	2413 972	----	----	2413 972	
	(codes 725, 775, 795)(red)	1	2413 974	----	----	2413 974	
	(codes 773, 793) (tan)	1	2413 973	----	----	2413 973	
(fastener)	★	6000 903	----	----	6000 903		
23-103-3	PANEL, Visor Trim						
	V1-L, V1-H (embossed cardboard) (codes 701, 721, 751, 761, 771) (blue)	2	2413 805	----		2413 805	

★ Indicates use as required.

☐ Indicates parts not listed in any previous parts book.
Jan. 3, 1964 Supersedes Jan. 25, 1963.Printed in U.S.A.
Prices and specifications subject to change without notice.Right and left part numbers are on same line,
first number is right, second number is left.

* Indicates change or addition.

CODE	REMARKS	PER CAR	SED.	SP. 4 D.	SUB.	SP. CL. CP.	CV. CP.
23-103-3	PANEL, Visor Trim - Cont'd V1-L, V1-H (embossed cardboard) (codes 702, 722, 752)(green)	2	2413 806	----	2413 806		
	(codes 704, 754) (gray)	2	*2297 597	----	*2297 597		
	(codes 725, 773, 775)(alabaster)	2	2297 598	----	2297 598		
	V1-H, V1-P (vinyl covered) (codes 771, 791) (blue)	2	----	----	----	2413 441	2432 222
	(codes 773, 793) (tan)	2	----	----	----	2413 442	2432 223
	(codes 775, 795) (red)	2	----	----	----	----	2432 224
	(codes 793, 795) (alabaster)	2	----	----	----	2413 442	
	V1 (padded) (white)	2	2413 446	----	2413 446	2413 446	2413 446
23-103-10	ARM and BRACKET, Visor V1 (header folding top visor arm anti-rattler and lock catch)	1	2292 580-1	----	2292 580-1	2292 580-1	2292 580-1
	(tension spring washer)	2	6000 106	----	6000 106	6000 106	2424 470-1 6000 106
23-103-48	SUPPORT, Visor Inner V1	2	----	----	----	----	2162 628
23-108-4	CUSHION, Front Seat V1-L (2 D.) (code 701)	1	2411 748				
	(w/airfoam pad)	1	2411 751				
	(w/heavy duty spring)	1	2411 754				
	(w/heavy duty spring and airfoam pad)	1	2411 757				
	(code 702)	1	2411 749				
	(w/airfoam pad)	1	2411 752				
	(w/heavy duty spring)	1	2411 755				
	(w/heavy duty spring and airfoam pad)	1	2411 758				
	(code 704)	1	2411 750				
	(w/airfoam pad)	1	2411 752				
	(w/heavy duty spring)	1	2411 756				
	(w/heavy duty spring and airfoam pad)	1	2411 759				
	V1-L (4 D.) (code 701)	1	2411 673				
	(w/airfoam pad)	1	2411 676				
	(w/heavy duty spring)	1	2411 679				
	(w/heavy duty spring and airfoam pad)	1	2411 682				
	(code 702)	1	2411 674				
	(w/airfoam pad)	1	2411 677				
	(w/heavy duty spring)	1	2411 680				
	(w/heavy duty spring and airfoam pad)	1	2411 683				
	(code 704)	1	2411 675				
	(w/airfoam pad)	1	2411 678				
	(w/heavy duty spring)	1	2411 681				
	(w/heavy duty spring and airfoam pad)	1	2411 684				
	V1-H (2 D.) (code 721)	1	2411 929				
	(w/airfoam pad)	1	2411 932				
	(code 722)	1	2411 930				
	(w/airfoam pad)	1	2411 933				
	(code 725)	1	2411 931				
	(w/airfoam pad)	1	2411 934				

★ Indicates use as required.

☐ Indicates parts not listed in any previous parts book.

Right and left part numbers are on same line,
first number is right, second number is left.

* Indicates change or addition.

Printed in U.S.A.

Prices and specifications subject to change without notice.

Jan. 3, 1964 Supersedes Dec. 14, 1962.

1963 PASSENGER CAR PARTS CATALOG

INTERIOR TRIM

CODE	REMARKS	PER CAR	SED.	SP. 4 D.	SUB.	SP. CL. CP.	CV. CP.
23-108-4	CUSHION, Front Seat - Cont'd						
	V1-H (4 D.)						
	(code 721)	1	2411 884	----	2411 884		
	(w/airfoam pad)	1	2411 887	----	2411 887		
	(code 722)	1	2411 885	----	2411 885		
	(w/airfoam pad)	1	2411 888	----	2411 888		
	(code 725)	1	2411 886	----	2411 886		
	(w/airfoam pad)	1	2411 889	----	2411 889		
	V1-L						
	(code 761)	1	2414 714				
	(w/airfoam pad)	1	2414 717				
	(w/heavy duty spring)	1	2433 624				
	(w/heavy duty spring and airfoam pad)	1	2433 625				
	V1-L						
	(code 751)	1	----	----	2411 811		
	(w/airfoam pad)	1	----	----	2411 814		
	(w/heavy duty spring)	1	----	----	2411 817		
	(w/heavy duty spring and airfoam pad)	1	----	----	2411 820		
	(code 752)	1	----	----	2411 812		
	(w/airfoam pad)	1	----	----	2411 815		
	(w/heavy duty spring)	1	----	----	2411 818		
	(w/heavy duty spring and airfoam pad)	1	----	----	2411 821		
	(code 754)	1	----	----	2411 813		
	(w/airfoam pad)	1	----	----	2411 816		
	(w/heavy duty spring)	1	----	----	2411 819		
	(w/heavy duty spring and airfoam pad)	1	----	----	2411 822		
	V1-H						
	(code 721)	1	----	----	2411 884		
	(w/airfoam pad)	1	----	----	2411 887		
	(code 722)	1	----	----	2411 885		
	(w/airfoam pad)	1	----	----	2411 888		
	(code 725)	1	----	----	2411 886		
	(w/airfoam pad)	1	----	----	2411 889		
	(code 771)	1	2414 714	----	2414 714	----	2429 716
	(w/airfoam pad)	1	2414 717	----	2414 717	----	2429 719
	(code 773)	1	2414 715	----	2414 715	----	2429 717
	(w/airfoam pad)	1	2414 718	----	2414 718	----	2429 720
	(code 775)	1	2414 716	----	2414 716	----	2429 718
	(w/airfoam pad)	1	2414 719	----	2414 719	----	2429 721
	V1-P						
	(code 791)	1	----	----	----	2414 966-7	2414 966-7
	(code 793)	1	----	----	----	2414 968-9	2414 968-9
	(code 795)	1	----	----	----	2414 970-1	2414 970-1
23-108-5	COVER, Front Seat Cushion						
	V1-L (2 D.)						
	(code 701)	1	2411 745				
	(code 702)	1	2411 746				
	(code 704)	1	2411 747				
	V1-L (4 D.)						
	(code 701)	1	2411 670				
	(code 702)	1	2411 671				
	(code 704)	1	2411 672				

★ Indicates use as required.

⊠ Indicates parts not listed in any previous parts book.

Dec. 14, 1962 Supersedes Sept. 4, 1962.

Printed in U.S.A.

Prices and specifications subject to change without notice.

Right and left part numbers are on same line, first number is right, second number is left.

* Indicates change or addition.

CODE	REMARKS	PER CAR	SED.	SP. 4 D.	SUB.	SP. CL. CP.	CV. CP.
23-108-5	COVER, Front Seat Cushion - Cont'd						
	V1-H (2 D.)						
	(code 721)	1	2411 923				
	(code 722)	1	2411 924				
	(code 725)	1	2411 925				
	V1-L						
	(code 761)	1	2414 711				
	V1-H (4 D.)						
	(code 721)	1	*2411 878	----	2411 878		
	(code 722)	1	*2411 879	----	2411 879		
	(code 725)	1	*2411 880	----	2411 880		
	V1-L (4 D.)						
	(code 751)	1	----	----	2411 808		
	(code 752)	1	----	----	2411 809		
	(code 754)	1	----	----	2411 810		
	V1-H						
	(code 771)	1	2414 711	----	2414 711	----	E2429 713
	(code 773)	1	2414 712	----	2414 712	----	E2429 714
	(code 775)	1	2414 713	----	2414 713	----	E2429 715
	V1-P						
	(code 791)	2	----	----	----	2414 614	2414 614
	(code 793)	2	----	----	----	2414 615	2414 615
	(code 795)	2	----	----	----	2414 616	2414 616
23-108-12	BACK, Front Seat (less cushion)						
	V1-L (2 D.)						
	(code 701)	1	2411 772-3				
	(w/heavy duty springs)	1	2411 778-9				
	(code 702)	1	2411 774-5				
	(w/heavy duty springs)	1	2411 780-1				
	(code 704)	1	2411 776-7				
	(w/heavy duty springs)	1	2411 782-3				
	V1-L (4 D.)						
	(code 701) (w/ash receiver)	1	2411 691				
	(w/heavy duty spring)	1	2411 694				
	(code 702) (w/ash receiver)	1	2411 692				
	(w/heavy duty spring)	1	2411 695				
	(code 704) (w/ash receiver)	1	2411 693				
	(w/heavy duty spring)	1	2411 696				
	V1-L						
	(code 751) (w/ash receiver)	1	----	----	2411 829		
	(w/heavy duty spring)	1	----	----	2411 832		
	(code 752) (w/ash receiver)	1	----	----	2411 830		
	(w/heavy duty spring)	1	----	----	2411 833		
	(code 754) (w/ash receiver)	1	----	----	2411 831		
	(w/heavy duty spring)	1	----	----	2411 834		
	V1-H (2 D.)						
	(code 721)	1	2411 950-1				
	(code 722)	1	2411 952-3				
	(code 725)	1	2411 954-5				
	(4 D.)						
	(code 721)	1	2411 896	----	2411 896		
	(code 722)	1	2411 897	----	2411 897		
	(code 725)	1	2411 898	----	2411 898		
	V1-L						
	(code 761)	1	2414 726				
	(w/heavy duty spring)	1	2433 626				
	V1-H						
	(code 771)	1	2414 726	----	2414 726	----	2429 734-5
	(code 773)	1	2414 727	----	2414 727	----	2429 736-7
	(code 775)	1	2414 728	----	2414 728	----	2429 738-9

★ Indicates use as required.

☐ Indicates parts not listed in any previous parts book.

Right and left part numbers are on same line,
first number is right, second number is left.

* Indicates change or addition.

Printed in U.S.A.
Prices and specifications subject to change without notice.
Jan. 3, 1964 Supersedes Dec. 14, 1962.

1963 PASSENGER CAR PARTS CATALOG

INTERIOR TRIM

CODE	REMARKS	PER CAR	SED.	SP. 4 D.	SUB.	SP. CL. CP.	CV. CP.
23-108-15	SPRING and COVER, Front Seat Back V1-P						
	(code 791)	2	----	----	----	2414 975	2414 975
	(code 793)	2	----	----	----	2414 976	2414 976
	(code 795)	2	----	----	----	2414 977	2414 977
23-108-16	COVER, Front Seat Back V1-L (2 D.)						
	(code 701)	1	2411 760-1				
	(code 702)	1	2411 762-3				
	(code 704)	1	2411 764-5				
	V1-L (4 D.)						
	(code 701)	1	2411 685				
	(code 702)	1	2411 686				
	(code 704)	1	2411 687				
	V1-H (2 D.)						
	(code 721)	1	2411 938-9				
	(code 722)	1	2411 940-1				
	(code 725)	1	2411 942-3				
	V1-H						
	(code 721)	1	2411 890	----	2411 890		
	(code 722)	1	2411 891	----	2411 891		
	(code 725)	1	2411 892	----	2411 892		
	V1-L						
	(code 751)	1	----	----	2411 823		
	(code 752) (2nd. seat)	1	----	----	2411 865		
	(code 754) (2nd. seat)	1	----	----	2411 824		
	(code 754) (2nd. seat)	1	----	----	2411 866		
	(code 761) (2nd. seat)	1	----	----	2411 825		
	(code 761)	1	2414 723	----	2411 867		
	V1-H						
	(code 771)	1	2414 723	----	2414 723	----	2429 722-3
	(code 773)	1	2414 724	----	2414 724	----	2429 724-5
	(code 775)	1	2414 725	----	2414 725	----	2429 726-7
	V1-P						
	(code 791)	2	----	----	----	2414 972	2414 972
	(code 793)	2	----	----	----	2414 973	2414 973
	(code 795)	2	----	----	----	2414 974	2414 974
23-108-27	SPRING, Front Seat Cushion to Back Retarder V1-P	2	----	----	----	*2092 242	*2092 242
23-108-32	PANEL or COVER, Back of Front Seat Back V1-P						
	(code 791)	2	----	----	----	2414 987	2414 987
	(code 793)	2	----	----	----	2414 988	2414 988
	(code 795)	2	----	----	----	2414 989	2414 989
23-108-84	COVER, Front Seat Back Outer Hinge Arm V1-L, V1-H (chrome)	1	*4326 TZ1	----	----	----	*4326 TZ1
		1	*4327 TZ1	----	----	----	*4327 TZ1
23-108-98	SHIELD, Front Seat Side V1-P (back frame)	2	----	----	----	*2440 219	*2440 219
	(cushion)	1	----	----	----	2292 492-3	2292 492-3
	(nut & washer)	4	----	----	----	6023 201	6023 201

★ Indicates use as required.

☐ Indicates parts not listed in any previous parts book.
Jan. 3, 1964 Supersedes Dec. 14, 1962.

Page IT-76

Printed in U.S.A.
Prices and specifications subject to change without notice.
Right and left part numbers are on same line,
first number is right, second number is left.

* Indicates change or addition.

CODE	REMARKS	PER CAR	SED.	SP. 4 D.	SUB.	SP. CL. CP.	CV. CP.
23-109-3	BACK, Rear Seat V1-L						
	(code 701)	1	2411 739				
	(w/heavy duty springs)	1	2411 742				
	(code 702)	1	2411 740				
	(w/heavy duty springs)	1	2411 743				
	(code 704)	1	2411 741				
	(w/heavy duty springs)	1	2411 744				
	(code 751) (2nd. seat)	1	----	----		2411 871	
	(code 752) (2nd. seat)	1	----	----		2411 872	
	(code 754) (2nd. seat)	1	----	----		2411 873	
	(code 761)	1	2414 750				
	(w/heavy duty spring)	1	2433 634				
	V1-H (2 D.)						
	(code 721)	1	2411 920				
	(code 722)	1	2411 921				
	(code 725)	1	2411 922				
	V1-H (2nd seat)						
	(code 721)	1	----	----		2411 926	
	(code 722)	1	----	----		2411 927	
	(code 725)	1	----	----		2411 928	
	(code 771)	1	2414 750	----		2414 768	2429 859
	(code 773)	1	2414 751	----		2414 769	2429 860
	(code 775)	1	2414 752	----		2414 770	2429 861
	(attaching nut)	3	----	----		6000 234	
	V1-P						
	(code 791)	1	----	----		E2429 118	2429 868
	(code 793)	1	----	----		E2429 119	2429 869
	(code 795)	1	----	----		E2429 120	2429 870
23-109-4	COVER, Rear Seat Back V1-L						
	(code 701)	1	2411 736				
	(code 702)	1	2411 737				
	(code 704)	1	2411 738				
	V1-H (2 D.)						
	(code 721) (2nd. seat)	1	2411 914	----		2411 968	
	(code 722) (2nd. seat)	1	2411 915	----		2411 969	
	(code 725) (2nd. seat)	1	2411 916	----		2411 970	
	V1-L						
	(code 751) (2nd. seat)	1	----	----		2411 865	
	(code 752) (2nd. seat)	1	----	----		2411 866	
	(code 754) (2nd. seat)	1	----	----		2411 867	
	(code 761)	1	2414 747				
	V1-P						
	(code 791)	1	----	----		2429 109	2429 865
	(code 793)	1	----	----		2429 110	2429 866
	(code 795)	1	----	----		2429 111	2429 867
	V1-H						
	(code 771) (2nd. seat)	1	2414 747	----		2414 762	2429 856
	(code 773) (2nd. seat)	1	2414 748	----		2414 763	2429 857
	(code 775) (2nd. seat)	1	2414 749	----		2414 764	2429 858
23-109-35	CUSHION, Rear Seat V1-L						
	(code 701)	1	2411 724				
	(w/airfoam pad)	1	2411 727				
	(w/heavy duty springs)	1	2411 730				
	(w/heavy duty springs and airfoam pad)	1	2411 733				

★ Indicates use as required.

⊠ Indicates parts not listed in any previous parts book.
Right and left part numbers are on same line,
first number is right, second number is left.

* Indicates change or addition.

Printed in U.S.A.
Prices and specifications subject to change without notice.
Jan. 3, 1964 Supersedes Dec. 14, 1962.

1963 PASSENGER CAR PARTS CATALOG

INTERIOR TRIM

CODE	REMARKS	PER CAR	SED.	SP. 4 D.	SUB.	SP. CL. CP.	CV. CP.
23-109-35	CUSHION, Rear Seat - Cont'd						
	V1-L						
	(code 702)	1	2411 725				
	(w/heavy duty springs)	1	2411 731				
	(w/heavy duty springs and airfoam pad)	1	2411 734				
	(code 704)	1	2411 726				
	(w/heavy duty springs)	1	2411 732				
	(w/heavy duty springs and airfoam pad)	1	2411 735				
	V1-H						
	(code 721)	1	*2411 911				
	(w/airfoam pad)	1	2433 635				
	(code 722)	1	2411 912				
	(w/airfoam pad)	1	2433 636				
	(code 725)	1	2411 913				
	(w/airfoam pad)	1	2433 637				
	V1-H						
	(code 721) (2nd. seat)	1	----	----	2411 965		
	(code 722) (2nd. seat)	1	----	----	2411 966		
	(code 725) (2nd. seat)	1	----	----	2411 967		
	V1-P						
	(code 791)	1	----	----	----	2429 330	2429 877
	(w/airfoam pad)	1	----	----	----	----	2429 880
	(code 793)	1	----	----	----	2429 331	2429 878
	(w/airfoam pad)	1	----	----	----	----	2429 881
	(code 795)	1	----	----	----	2429 332	2429 879
	(w/airfoam pad)	1	----	----	----	----	2429 882
	V1-L						
	(code 751) (2nd. seat)	1	----	----	2411 862		
	(code 752) (2nd. seat)	1	----	----	2411 863		
	(code 754) (2nd. seat)	1	----	----	2411 864		
	(code 761)	1	2414 741				
	(w/airfoam pad)	1	2433 629				
	(w/heavy duty spring)	1	2433 632				
	(w/heavy duty spring and airfoam pad)	1	2433 633				
	V1-H						
	(code 771) (2nd. seat)	1	2414 741	----	2414 759	----	2429 889
	(w/airfoam pad)	1	2433 629	----	----	----	2429 892
	(code 773) (2nd. seat)	1	2414 742	----	2414 760	----	2429 890
	(w/airfoam pad)	1	2433 630	----	----	----	2429 893
	(code 775) (2nd. seat)	1	2414 743	----	2414 761	----	2429 891
	(w/airfoam pad)	1	2433 631	----	----	----	2429 894
	(screw and washer) (2nd. seat to floor pan)	2	----	----	6023 545		
	(retainer) (center floor pan)	2	1810 037	----	1810 037		
23-109-36	COVER, Rear Seat Cushion						
	V1-L						
	(code 701)	1	2411 721				
	(code 702)	1	2411 722				
	(code 704)	1	2411 723				
	(code 751) (2nd. seat)	1	----	----	2411 959		
	(code 752) (2nd. seat)	1	----	----	2411 960		
	(code 754) (2nd. seat)	1	----	----	2411 961		
	(code 761)	1	2414 738				
	V1-H						
	(code 721) (2nd. seat)	1	2411 905	----	2411 959		
	(code 722) (2nd. seat)	1	2411 906	----	2411 960		
	(code 725) (2nd. seat)	1	2411 907	----	2411 961		

★ Indicates use as required.

☐ Indicates parts not listed in any previous parts book.
Jan. 3, 1964 Supersedes Dec. 14, 1962.

Printed in U.S.A.

Prices and specifications subject to change without notice.
Right and left part numbers are on same line,
first number is right, second number is left.

* Indicates change or addition.

CODE	REMARKS	PER CAR	SED.	SP. 4 D.	SUB.	SP. CL. CP.	CV. CP.
23-109-36	COVER, Rear Seat Cushion - Cont'd						
	V1-H						
	(code 771) (2nd. seat)	1	2414 738	----	2414 753	----	2429 886
	(code 773) (2nd. seat)	1	2414 739	----	2414 754	----	2429 887
	(code 775) (2nd. seat)	1	2414 740	----	2414 755	----	2429 888
	V1-P						
	(code 791)	1	----	----	----	2414 996	2429 874
	(code 793)	1	----	----	----	2414 997	2429 875
	(code 795)	1	----	----	----	2414 998	2429 876
23-109-38	RETAINER, Center Floor Pan Rear Seat Cushion	2	1810 037	----	----	1810 037	1810 037
23-111-37	STRIP, Folding Top Rear Bow	★	----	----	----	----	*2424 607
23-112-4	RETAINER, Folding Top Header Top Material	1	----	----	----	----	2424 262-3
23-112-12	BOOT, Folding Top Dust						
	V1						
	(codes 771,791)	1	----	----	----	----	E2432 378
	(codes 773,793)	1	----	----	----	----	E2432 379
	(codes 775,795)	1	----	----	----	----	E2432 380
23-112-18	RETAINER, Channel Rear Seat Back Dust Boot	1	----	----	----	----	2410 047
23-112-23	COVER, Folding Top Rear Bow to Link Joint	2	----	----	----	----	*2483 740
23-112-45	CURTAIN, Folding Top Back						
	V1 (white)	1	----	----	----	----	2432 833
	(black)	1	----	----	----	----	2432 824
	(backlight)	1	----	----	----	----	2432 825
23-112-46	ZIPPER, Folding Top Rear Curtain	1	----	----	----	----	*1920 TX8
	V1 (black)						
23-112-50	TAPE, Folding Top Cover						
	V1 (sold by the inch)						
	(side rear closure loop)	★	----	----	----	----	*1933 TX8
	(stay pad closure hook)	★	----	----	----	----	*1934 TX8
23-112-70	RETAINER, Folding Top to Belt Bar						
	V1 (side)	1	----	----	----	----	2448 101-2
	(center)	1	----	----	----	----	2448 100
23-112-75	TIP, Folding Top Wire - on Binding End	1	----	----	----	----	1158 976-7
23-112-88	CABLE, Folding Top Rear Bow Tension						
	V1	2	----	----	----	----	2166 660
	(cover cable w/spring)	2	----	----	----	----	*2490 179
	Screw	2	----	----	----	----	*6022 169
23-112-108	DECK and SIDE QUARTER, Folding Top						
	V1 (white)	1	----	----	----	----	2432 828
	(black)	1	----	----	----	----	2432 829

★ Indicates use as required.

E Indicates parts not listed in any previous parts book.
Right and left part numbers are on same line,
first number is right, second number is left.

* Indicates change or addition.

Printed in U.S.A.
Prices and specifications subject to change without notice.
Jan. 3, 1964 Supersedes Dec. 14, 1962.

1963 PASSENGER CAR PARTS CATALOG

CODE	REMARKS	PER CAR	SED.	SP. 4 D.	SUB.	SP. CL. CP.	CV. CP.
23-112-112	PAD, Folding Top Side Quarter Stay V1 (black)	1	---	---	---	---	2432 826-7
23-112-153	COVER, Folding Top Well Lining Panel V1-H, V1-P (codes 771, 791) (codes 773, 793) (codes 775, 795)	1 1 1	---	---	---	---	2429 824 2429 825 2429 826
	(pocket panel) (cut to fit)(paint as required) (pocket panel cover) (blue) (tan) (red)	1 1 1 1	---	---	---	---	2432 246-7 2432 796-7 2432 798-9 2432 800-1
	(pocket panel cover, upper inner) (blue) (tan) (red)	1 1 1	---	---	---	---	2432 238-9 2432 240-1 2432 242-3
	Screw (to quarter belt bar)	2	---	---	---	---	*6000 434
23-112-160	PAD, Folding Top Pocket Panel Arm Rest V1-P (blue) (tan) (red) (attaching nut)	1 1 1 6	---	---	---	---	2432 804-5 2432 806-7 2432 808-9 120 622
23-113-45	WEATHERCORD, Quarter Window Opening V1 (2 D.) (codes 701, 721) (blue) (codes 702, 722) (green) (code 704) (code 725) (red)	2 2 2 2	⊕2432 944 ⊕2432 945 2413 366 2413 367				
23-113-52	STRIP, Windshield Lower Inside Trim V1-P (codes 771, 791) (blue) (codes 773, 793) (tan)	1 1	---	---	---	2432 716 2432 717	*2432 716 *2432 717
23-113-56	WEATHERCORD, Folding Top Header V1-H, V1-P (top material)(black) (top material)(white)	1 1	---	---	---	---	2432 959 2432 958
23-114-2	MATERIAL, Seat Cloth Trim V1-L (59") (code 701) (blue) (code 702) (green) (code 704) (gray)	★ ★ ★	2185 884 2185 885 2185 886				
23-114-10	BINDING, 5/8" Wire-on V1	1	---	---	---	---	2177 529
23-114-15	MATERIAL, Leather (Imitation) V1 (codes 701, 721, 751, 761, 771, 791)(34-DA-76) (54") (1601-1 blue) (34-DA-72) (54") (1601 blue) (34-DR-22)(54") (1601 blue)	★ ★ ★	---	---	2185 794 *2185 666	---	*2185 666

★ Indicates use as required.
⊕ Indicates parts not listed in any previous parts book.
Jan. 3, 1964 Supersedes Dec. 14, 1962.

Printed in U.S.A.
Prices and specifications subject to change without notice.
Right and left part numbers are on same line,
first number is right, second number is left.
* Indicates change or addition.

CODE	REMARKS	PER CAR	SED.	SP. 4 D.	SUB.	SP. CL. CP.	CV. CP.
23-114-15 MATERIAL, Leather (Imitation) - Cont'd							
VI							
	(32A-CH-22)(54") (1601 blue)	★	2185 660	----	2185 660		
	(codes 761, 771) (1600 blue)	★	2185 663	----	2185 663	----	2185 663
	(32-CH-22)(54") (1600 blue)	★	2185 663	----	2185 663		
	(codes 761, 771, 791)						
	(1601 blue)	★	2185 660	----	2185 660	2185 660	2185 660
	(28A-AM-22)(50") (1602 blue)	★	2185 647	----	2185 647	----	2185 647
	(28-AM-22)(50") (1602 blue)	★	2185 647	----	2185 647		
	(code 771) (1601 blue)	★	2185 615	----	2185 615	----	2185 615
	(19A-C-22)(54") (1602 blue)	★	2185 625	----	----	----	2185 625
	(code 771)	★	2185 620	----	2185 620	----	2185 620
	(19-C-22)(54") (1602 blue)	★	2185 625	----	2185 625	----	2185 625
	(code 791) (1601 blue)	★	----	----	----	2185 620	2185 620
	(23-DW-79) (1663 blue)	★	----	----	----	*2186 193	*2186 193
	(19-DJ-79)(54") (1663 blue)	★	----	----	----	2185 853	2185 853
	(19-DJ-22)(54") (1601 blue)	★	----	----	----	2185 798	2185 798
	(codes 702, 722, 752)						
	(34-DA-72)(54") (1604 green)	★	2185 695	----			
	(34-DR-76)(54") (1604-1 green)	★	----	----	2185 796		
	(codes 702, 722, 752)						
	(34-DA-22)(54") (1604 green)	★	2185 667	----	2185 667		
	(32-CH-22)(54") (1603 green)	★	2185 664	----	2185 664		
	(28-AM-22)(50") (1605 green)	★	2185 648	----	2185 648		
	(19-C-22)(54") (1605 green)	★	2185 626	----	2185 626		
	(codes 773, 793)						
	(34-DA-22)(54") (1607 tan)	★	2185 673	----	2185 673	----	2185 673
	(32A-CH-22)(54") (1606 tan)	★	2185 742	----	2185 742	----	2185 742
	(32-CH-22)(54") (1607 tan)	★	2185 672	----	2185 672	2185 672	2185 672
	(28A-AM-22)(50") (1608 tan)	★	----	----	----	2185 649	2185 649
	(28-AM-22)(50") (1607 tan)	★	2185 617	----	2185 617	2185 617	2185 617
	(19A-C-22)(54") (1602 blue)	★	----	----	----	2185 627	
	(code 773) (1607 tan)	★	2185 622	----	2185 622	----	2185 622
	(19-C-22)(54") (1608 tan)	★	2185 627	----	2185 627	----	2185 627
	(code 793) (1607 tan)	★	----	----	----	2185 622	2185 622
	(19-DJ-79)(54") (1607 tan)	★	----	----	----	2185 854	2185 854
	(19-DJ-22)(54") (1607 tan)	★	----	----	----	2185 800	2185 800
	(codes 704, 754)						
	(34-DR-76)(54") (1610-1 gray)	★	----	----	2185 795		
	(34-DA-72)(54") (1610 gray)	★	2185 696	----			
	(34-DA-22)(54") (1610 gray)	★	----	----	2185 679		
	(code 794) (902 gray)	★	⊠2185 336	----			
	(32-CH-22)(54") (1609 gray)	★	2186 092	----	2186 092		
	(28-AM-22)(50") (1611 gray)	★	2186 203	----			
	(19-C-22)(54") (1611 gray)	★	2185 849	----	2185 849		
	(21-CM-22)(54") (902 gray)	★	⊠2185 000	----			
	(codes 725, 775, 795)						
	(34-DA-22)(54") (1621 red)	★	2185 668	----	2185 668	----	2185 668
	(32A-CH-22)(54") (1621 red)	★	2185 665	----	2185 665	----	2185 665
	(32-CH-22)(54") (1621 red)	★	2185 665	----	2185 665	2185 665	2185 665
	(28A-AM-22)(54") (1621 red)	★	2185 721	----	2185 721	2185 721	2185 721
	(19A-C-22)(54") (1621 red)	★	----	----	----	----	2185 723
	(19-C-22)(54") (1621 red)	★	2185 723	----	2185 723	2185 723	2185 723
	(19-DJ-79)(54") (1669 red)	★	----	----	----	2185 930	2185 930
	(19-DJ-22)(54") (1621 red)	★	----	----	----	2185 801	2185 801
	(code 791, 793, 795)						
	(37-DX-84)(54") (1689 White)	★	----	----	----	2186 253	
	(1624 Black)	★	----	----	----	2186 254	
	VI-P						

★ Indicates use as required.

⊠ Indicates parts not listed in any previous parts book. Right and left part numbers are on same line, first number is right, second number is left.

* Indicates change or addition.

Printed in U.S.A.

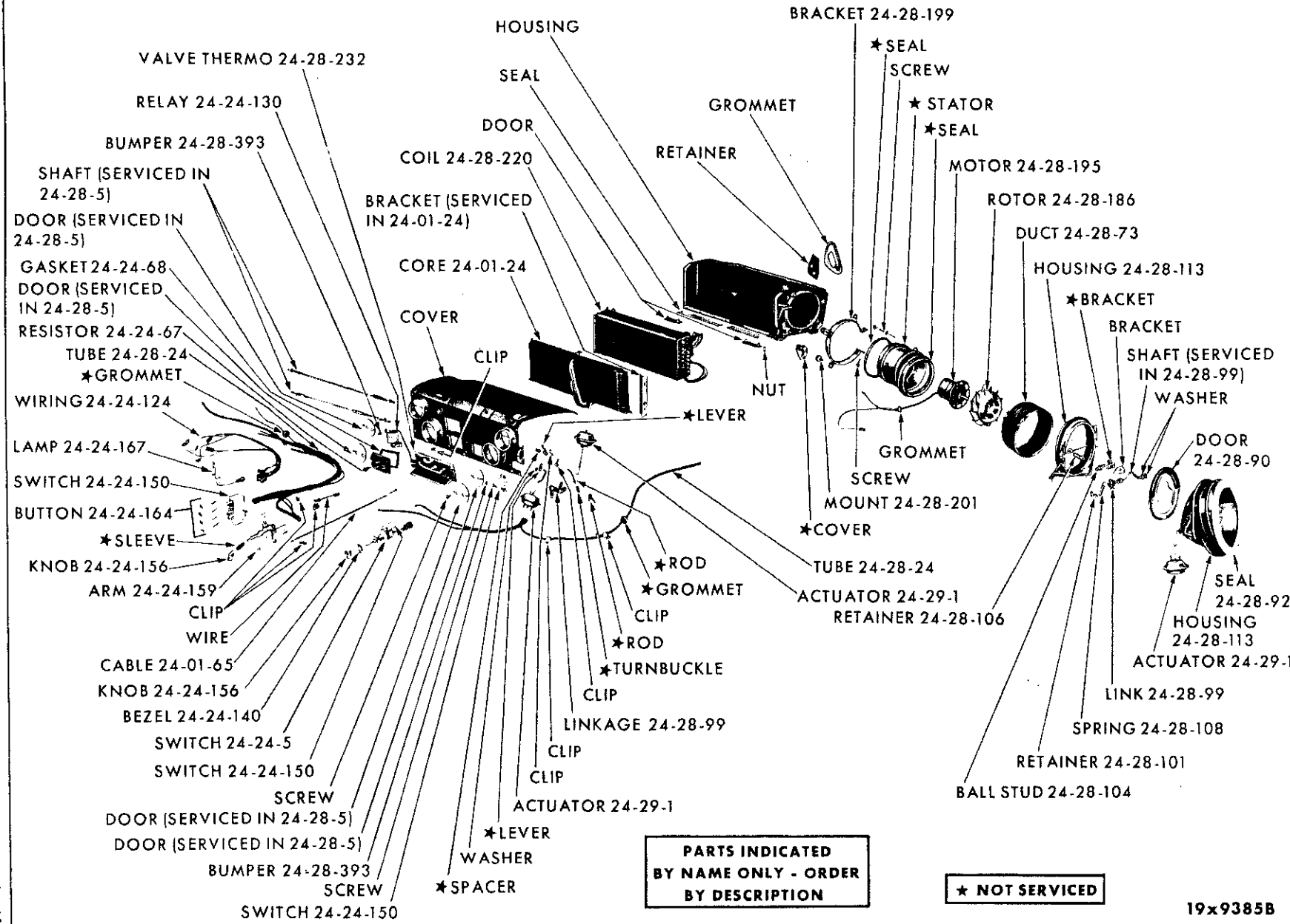
Prices and specifications subject to change without notice.

GROUP 24 - AIR CONDITIONING

Printed in U.S.A.

Page 24-1

Jan. 3, 1964 Supersedes Sept. 4, 1962.

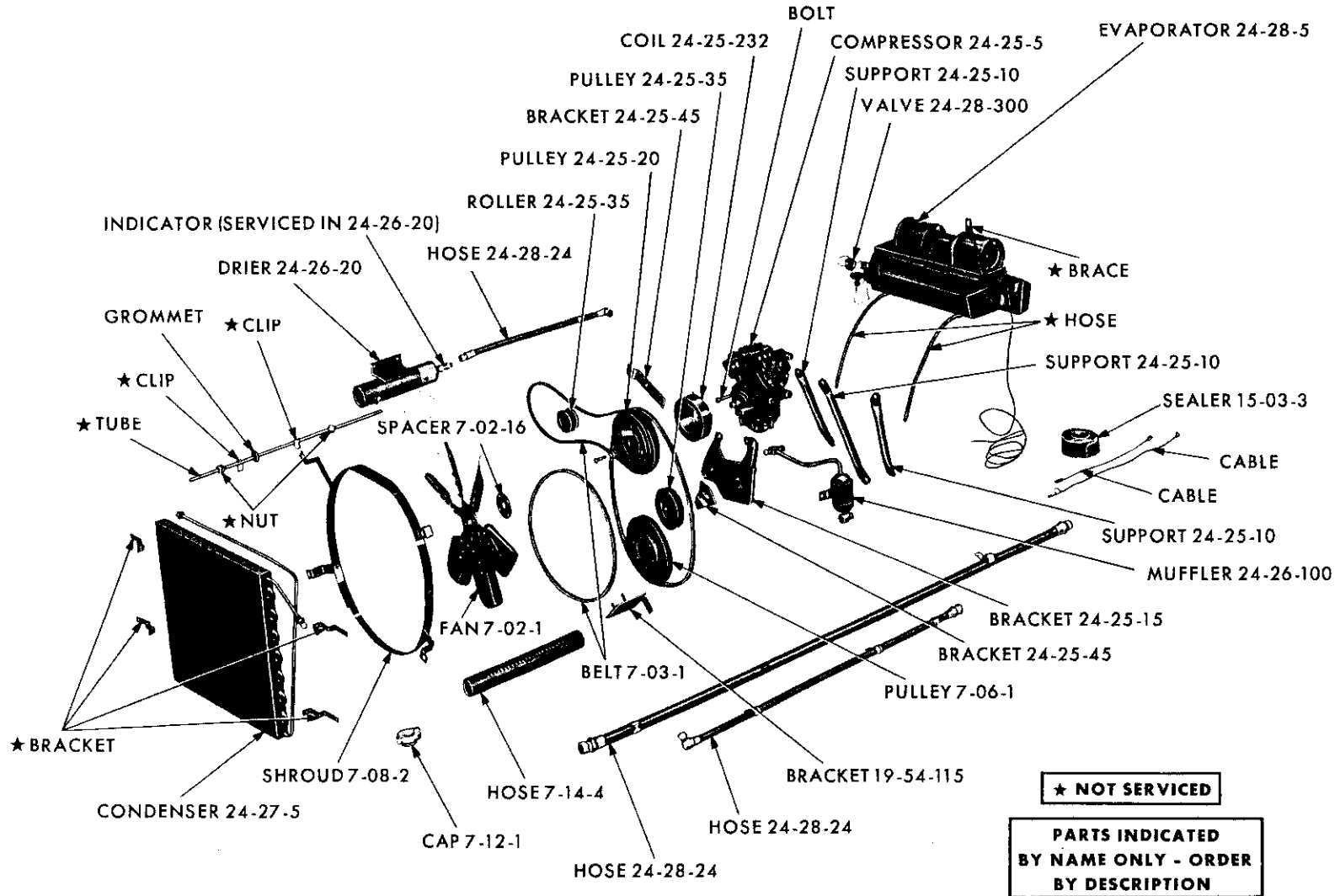


PARTS INDICATED
BY NAME ONLY - ORDER
BY DESCRIPTION

* NOT SERVICED

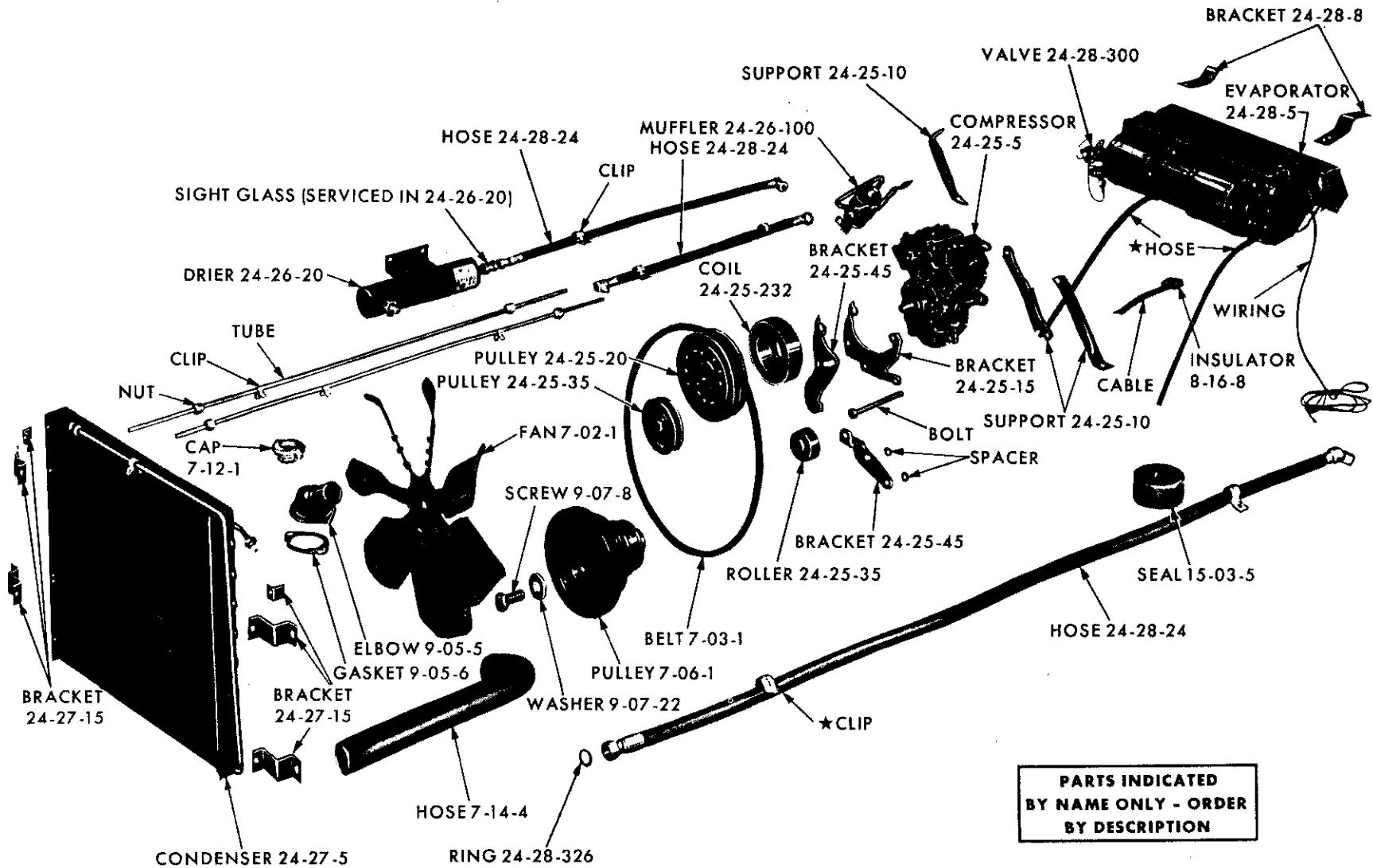
19x9385B

AIR CONDITIONING SYSTEM - COWL TYPE

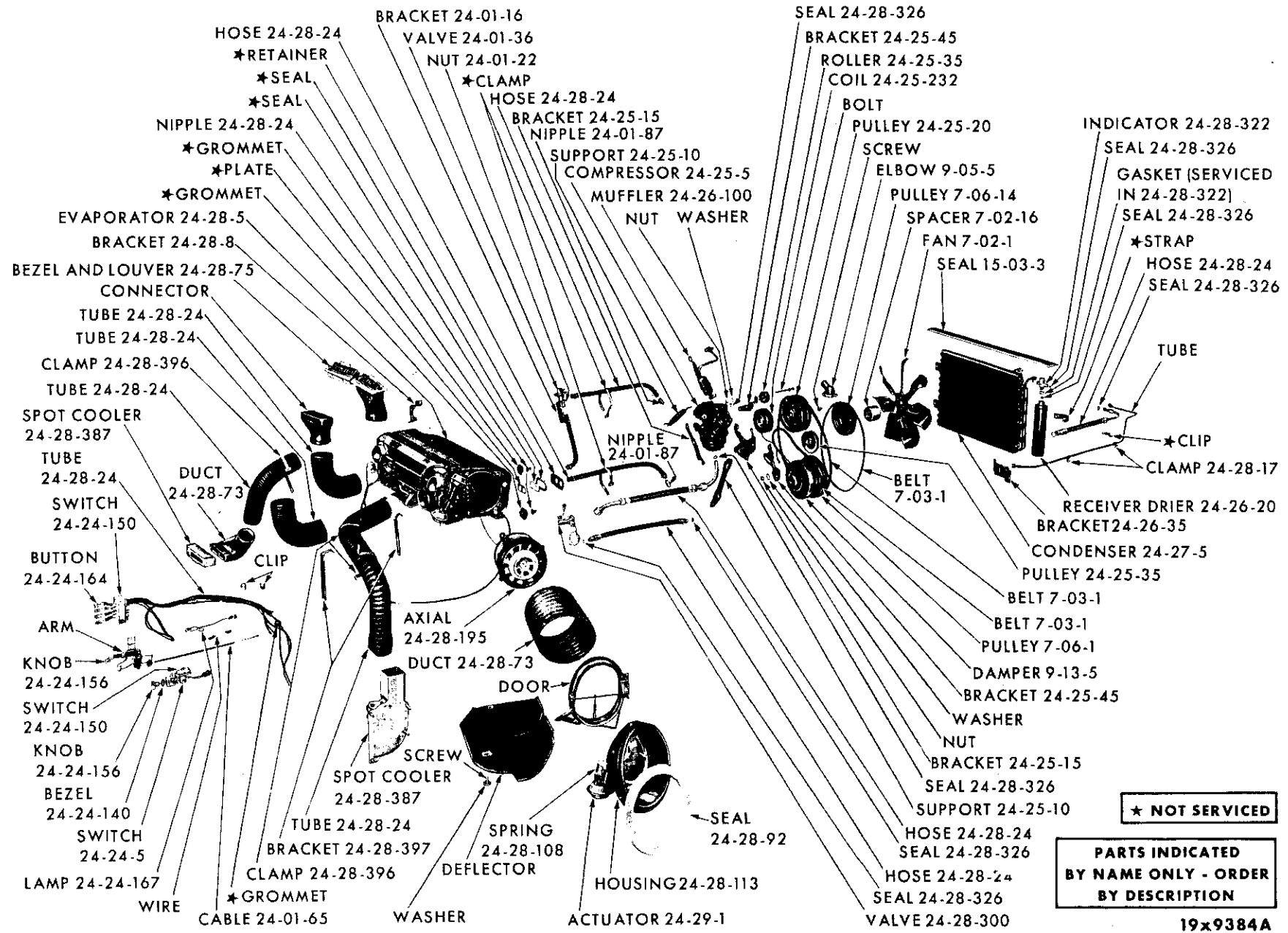


19x9358B

AIR CONDITIONING SYSTEM (6 CYLINDER) - MOPAR MODEL H



AIR CONDITIONING SYSTEM (V8 CYLINDER) - MOPAR MODEL H



* NOT SERVICED

PARTS INDICATED BY NAME ONLY - ORDER BY DESCRIPTION

19x9384A

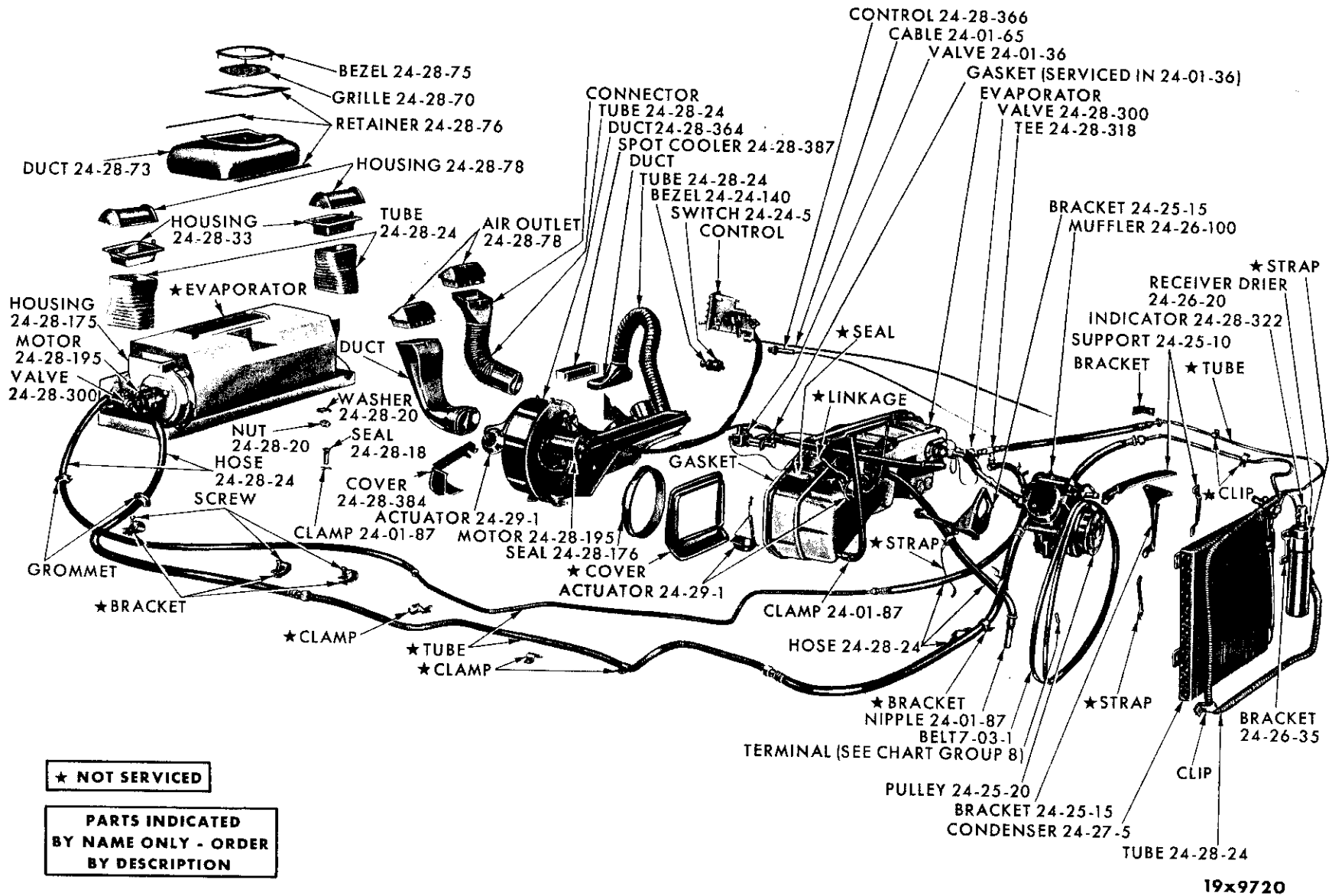
AIR CONDITIONING SYSTEM - PLYMOUTH TP1-2 AND DODGE TD1-2



Printed in U.S.A.

Page 24-1D

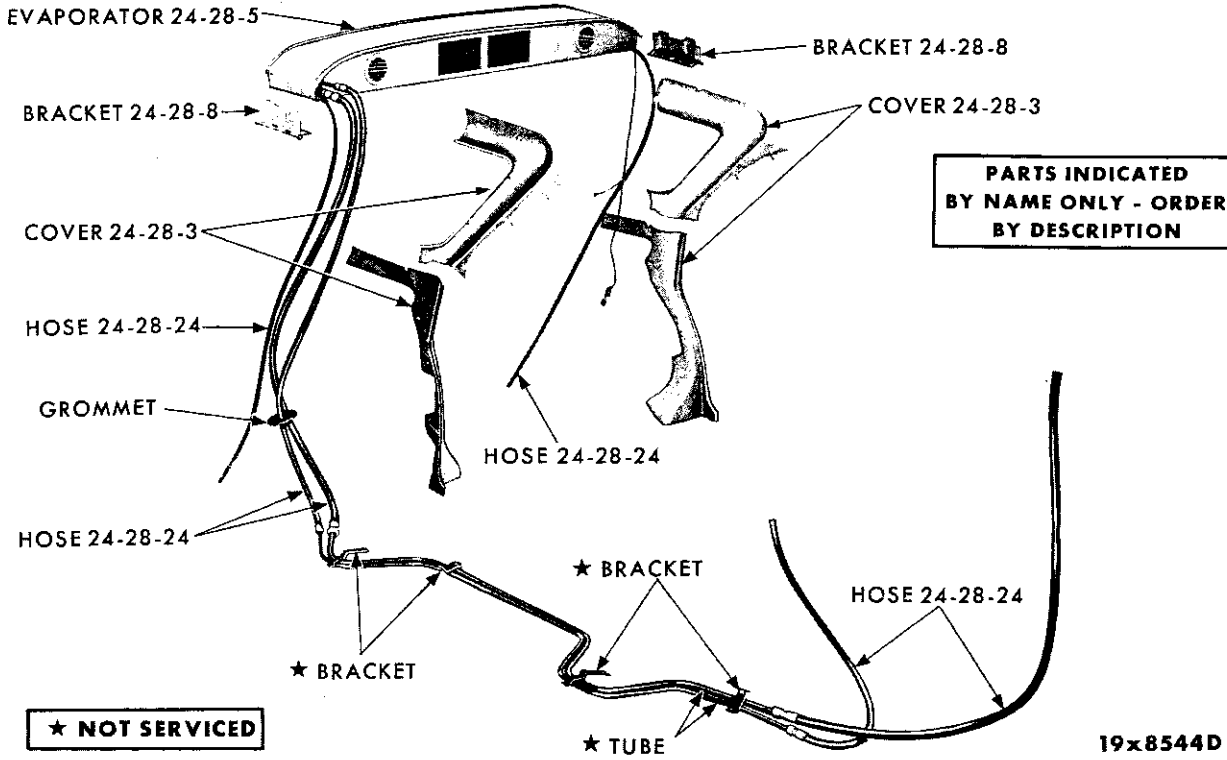
Jan. 25, 1963 Supersedes Dec. 14, 1962.



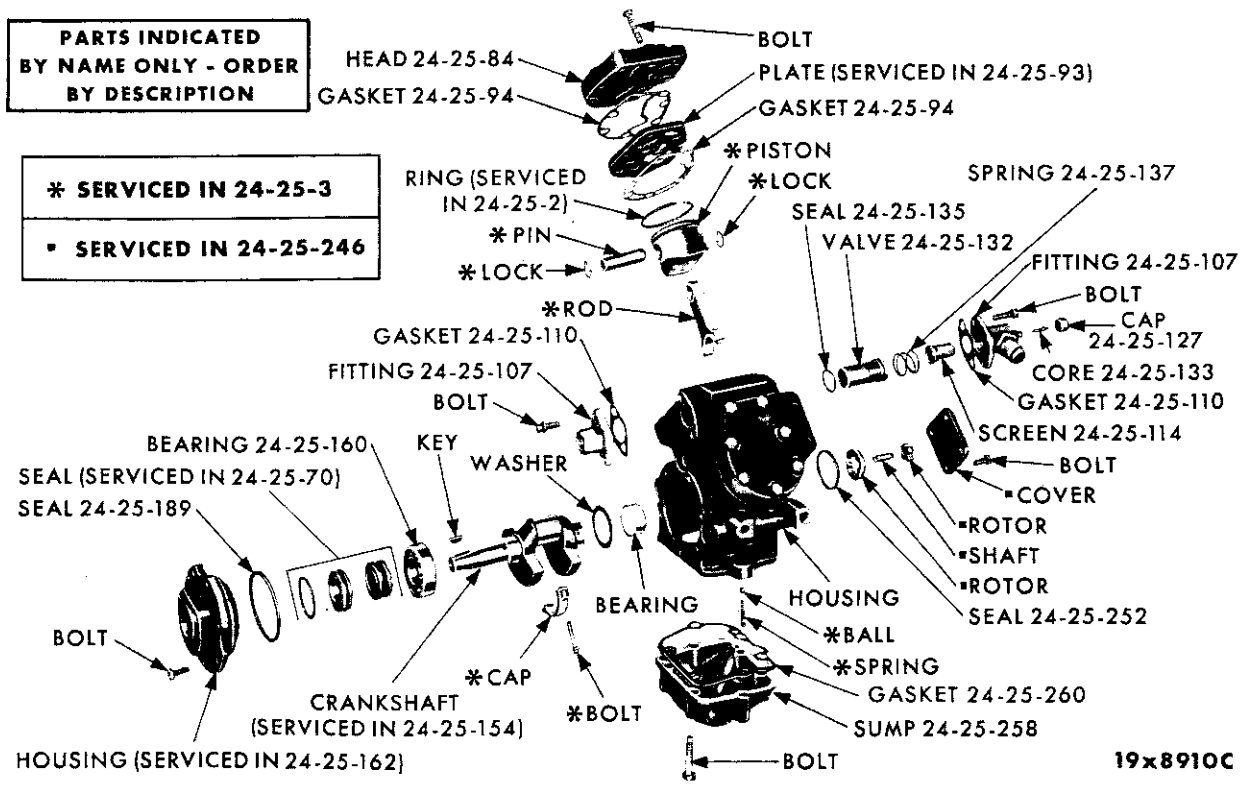
★ NOT SERVICED

PARTS INDICATED
BY NAME ONLY - ORDER
BY DESCRIPTION

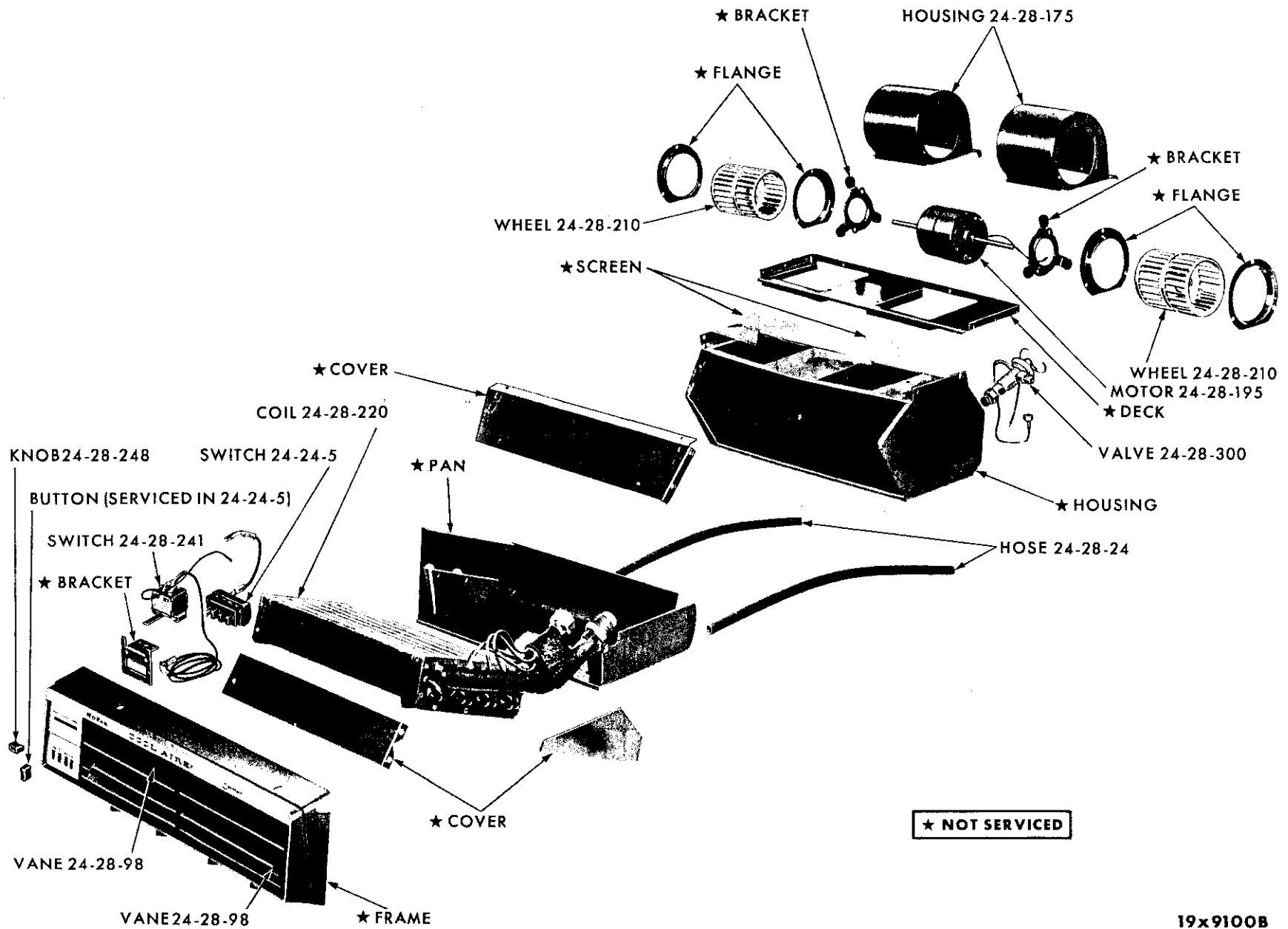
AIR CONDITIONING SYSTEM - TRUNK TYPE (DUAL)



AIR CONDITIONING SYSTEM - SUBURBAN

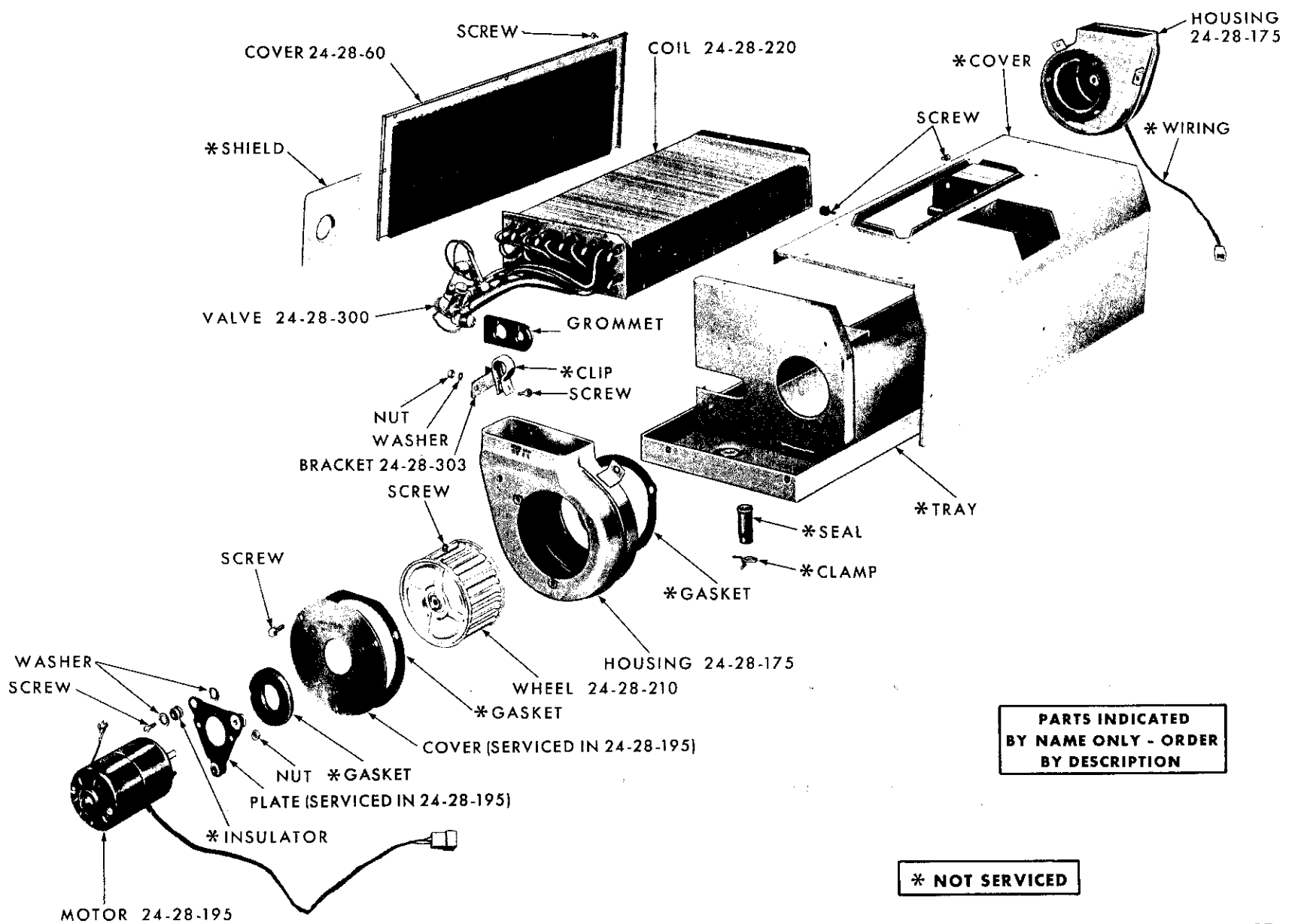


AIR CONDITIONING COMPRESSOR



AIR CONDITIONING EVAPORATOR - MOPAR MODEL H

19x9100B

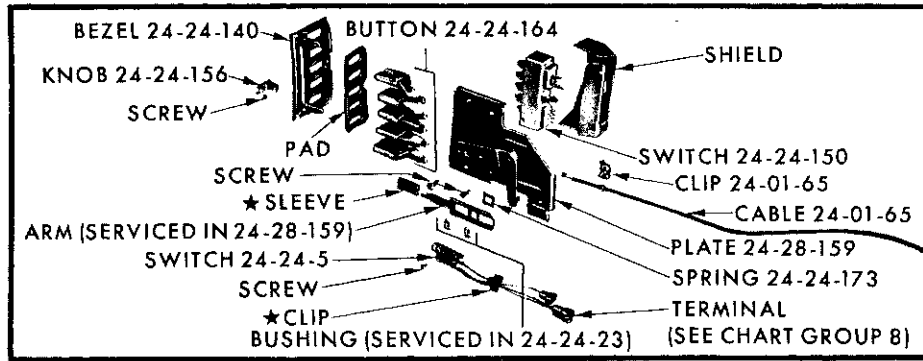


PARTS INDICATED
BY NAME ONLY - ORDER
BY DESCRIPTION

* NOT SERVICED

19x8368D

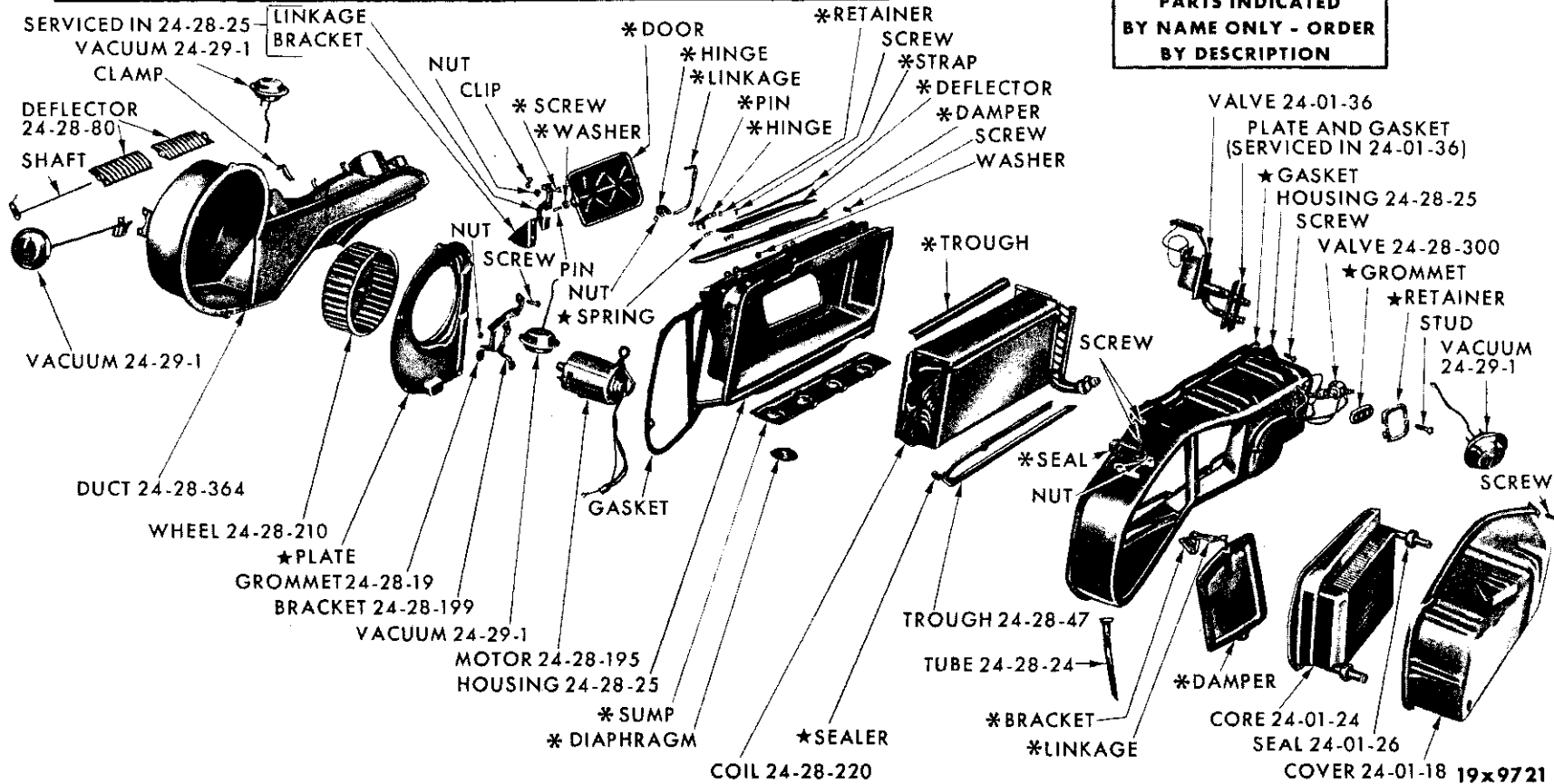
AIR CONDITIONING EVAPORATOR - TRUNK TYPE















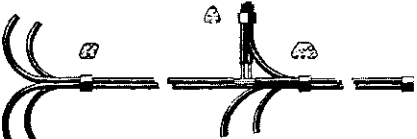
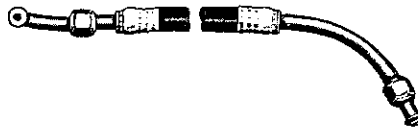
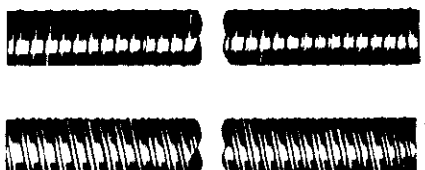




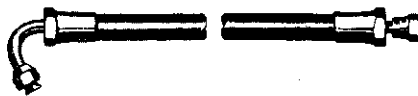



* NOT SERVICED

* SERVICED IN 24-28-25

PARTS INDICATED BY NAME ONLY - ORDER BY DESCRIPTION



AIR CONDITIONING EVAPORATOR - COWL TYPE

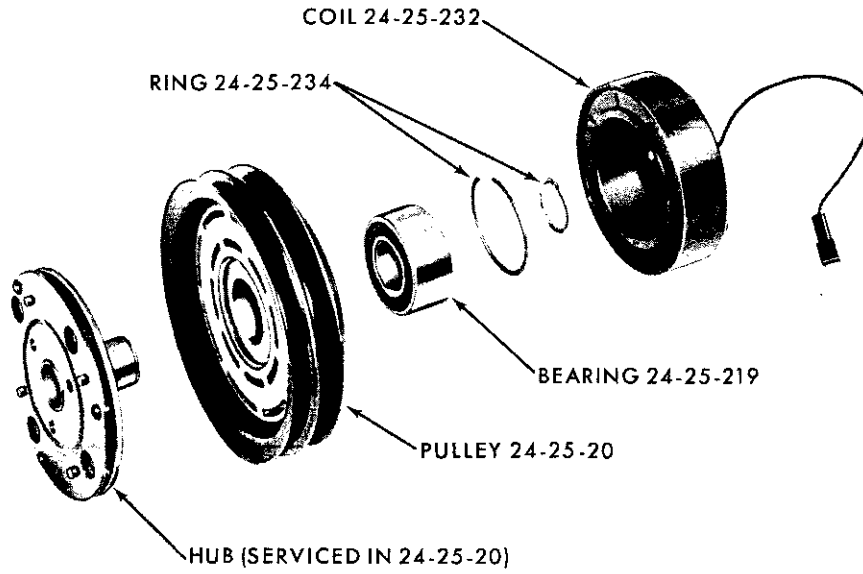
A		L	
B		M	
C		N	
D		O	
E		P	
F		Q	
G		R	
H		S	
I		T	
J		U	
K		V	
		W	

19L9673

AIR CONDITIONING HOSE CHART

AIR CONDITIONING HOSE CHART

TYPE	PART NUMBER	LENGTH	HOSE OUTSIDE DIA.	THREAD DIAMETER	LOCATION
A	2277 431	23 in.	7/8 in.	3/4-16	Muffler to Discharge Tube, TP1, TD1, w/225 Cu.In. Eng., TP2, TD2 w/361 Cu. In. Eng.
	2277 646	19 in.	3/4 in.	5/8-18	Liquid Tube to Expansion Valve, TP1, TD2, w/225 Cu.In. Eng., TP2, TD2, w/318, 361 Cu. In. Eng.
	2219 174	20 in.	3/4 in.	3/4-16	Liquid Tube to Expansion Valve, TC1, TC2, TC3, TY1, TA3
	2097 052	80 in.	3/4 in.	5/8-18	Liquid Underbody Tube to Rear Evaporator, TC1, TC2, TC3, TY1
	1887 254	68 1/2 in.	1 in.	7/8-14	Suction, Underbody Tube to Rear Evaporator, TC1, TC2, TC3
	2277 878	68 1/2 in.	1 in.	7/8-14	Suction Underbody Tube to Muffler, w/Tee, TY1
	1704 447	94 in.	1 in.	7/8-14	Suction, Underbody to Rear Evaporator Tube, TC1, TA3, TC3 Sub.
	2219 174	20 in.	3/4 in.	3/4-16	Liquid Tube to Liquid Tee, TC1, TC2, TC3, TY1, TA3
	1658 029	38 in.	3/4 in.	5/8-18	Liquid Hose to Underbody Tube, TC2, TY1
	1658 031	36 in.	1 in.	7/8-14	Suction, Rear Evaporator to Underbody Tube, TY1
B	2009 256	21 in.	3/8 in.	3/4-16	Discharge, Muffler to Condenser, w/318 Cu. In. Eng.
C	2277 872	48 in.	1 in.	7/8-14	Muffler to Underbody Tube, w/Tee, TC1, TC2, TC3
D	2277 425	50 in.	1 in.	-	Heater to Pump, TP1, TD1, w/225 Cu. In. Eng.
	1779 885	12 in.	1 in.	-	Heater to Valve, TP1, TD1, w/225 Cu. In. Eng., TP2, TD2 w/225 Cu. In. Eng.
	1595 160	29 in.	1 in.	-	Eng. to Valve, TP2, TD2, w/318 Cu. In. Eng.
	2096 932	46 in.	1 in.	-	Heater Core to Pump, TP2, TD2, w/318, 361 Cu. In. Eng.
	1595 160	29 in.	1 in.	-	Heater Core to Valve, TC1, TC2, TC3, TY1
1595 160	29 in.	1 in.	-	Heater Core to Pump, TC1, TC2, TC3, TA3, TY1	
E	2006 358	28 in.	3/8 in.	5/8-18	Liquid, TP1, TD1, TP2, TD2, TA3, TC1, TC2, TC3, TY1, Model "H"
F	2277 881	15 in.	7/8 in.	3/4-16	Discharge, Muffler to Tube, TC1, TC2, TC3, TY1, TA3
G	2426 139	-	1/4 in.	-	Vacuum Control, w/Tee and Connector, TP1, TD1, TP2, TD2
	2257 198	-	1/4 in.	-	Vacuum Control, w/Tee and Connector, TA3
	2291 598	-	1/4 in.	-	Vacuum Control, w/Tee and Connector, TC1, TC2, TC3
	2291 878	-	1/4 in.	-	Vacuum Control, w/Tee and Connector, TY1
	2277 228	-	1/4 in.	-	Vacuum Control, to Vacuum Selector Switch (4 Hose) TP1, TP2, TD1, TD2
H	1689 312	36 in.	2 1/4 in.	-	Distribution Duct to Spot Cooler, TA3
	2277 901	13 in.	2 3/4 in.	-	Air Outlet, Evaporator Unit to Connector, TP1, TP2, TD1, TD2
	2277 415	36 in.	3 in.	-	Spot Cooler, Right, TP1, TD1, TP2, TD2
	1658 630	33 in.	3 in.	-	Spot Cooler, Left, TP1, TD1, TP2, TD2
	1689 313	52 in.	2 1/4 in.	-	Spot Cooler to Distribution Duct, TA3, TC1, TC2, TC3, TV1, TL1
	2197 020	18 in.	3 1/4 in.	-	Distribution Duct Outlet, TC1, TC2, TC3
	1689 313	52 in.	2 1/4 in.	-	Spot Cooler Outlet, TC1
	2279 917	12 1/4 in.	3 1/4 in.	-	Air Outlet, Right, TY1
2096 988	21 in.	2 5/8 in.	-	Defroster Outlet, TA3	
2197 020	18 in.	3 1/4 in.	-	Distribution Duct to Connector, Left, TY1	
I	2219 214	42 in.	3/4 in.	5/8-18	Liquid Tee to Underbody Tube, TC1, TC2, TC3, TA3
	2219 406	51 in.	3/4 in.	-	Liquid, Front Tee to Underbody Tube, TY1
J	2277 429	33 1/2 in.	1 in.	7/8-14	Suction, Evaporator to Compressor, TP1, TD2, w/225 Cu. In. Eng., TP2, TD2 w/361 Cu. In. Eng., TP2, TD2, w/318 Cu. In. Eng.
K	2277 778	-	-	-	Liquid Tube to Indicator, w/Fins, TC1, TC2, TC3, TA3
	2219 302	-	-	-	Liquid Tube to Indicator, w/Fins, TY1
L	2004 790	70 in.	5/8 in.	7/8-14	Suction, TP2, TD2, TC1, TC2, TC3, TY1, Model "H"
	2013 036	33 3/4 in.	3/8 in.	3/4-16	Discharge, TV1, TL1, Model "H"
M	2485 228	18 1/8 in.	1 in.	7/8-14	Suction, Evaporator to Muffler, TC2-300J
N	2277 869	21 1/2 in.	1 in.	7/8-14	Evaporator to Muffler, TC1, TC2, TC3, TY1
O	1315 466	50 ft.	1 in.	-	Valve to Heater, Heater to Pump (50 ft. Roll)
	2277 831	18 in.	5/8 in.	-	Vacuum Control Tee to Connector, Single Tube, TP1, TP2, TD1, TD2
	2219 706	6 3/4 in.	5/8 in.	-	Evaporator Drain, TV1, TL1
	2097 131	62 in.	5/8 in.	-	Evaporator Drain Roof Unit Sub. TC1, TC3
P	2485 009	46 in.	7/16 in.	-	Evaporator to Compressor, TV1, TL1
	2485 009	46 in.	1 in.	7/8-14	Suction, Evaporator to Compressor
Q	1998 625	66 in.	5/8 in.	7/8-14	Suction, TP1, TD1, Model "H"
	2006 357	72 in.	5/8 in.	7/8-14	Suction, TC3, TY1, Model "H"
	2009 251	43 in.	3/8 in.	5/8-18	Discharge, TP1, TD1, TP2, TD2, TA3, TC1, TC2, TC3, TY1, Model "H"
R	2277 903	46 3/8 in.	1 in.	7/8-14	Suction, Evaporator to Compressor, w/318 Cu. In. Eng., TP2, TD2
	2277 331	18 1/8 in.	1 in.	-	Suction, Evaporator to Compressor
S	2277 665	4 1/2 in.	1 in.	3/4-16	Expansion Valve to Unit, w/Insulation, TP1, TD1
T	2277 957	35 3/4 in.	1 in.	3/4-16	Discharge, Muffler to Condenser, TV1, TL1
U	2277 916	19 1/8 in.	1 in.	3/4-16	Discharge, Muffler to Condenser, w/318 Cu. In. Eng., TP2, TD2
	2277 957	36 in.	7/8 in.	3/4-16	Discharge, Muffler to Condenser, TV1, TL1
	2277 955	25 1/2 in.	3/4 in.	5/8-18	Liquid, Receiver Drier to Expansion Valve
	2277 955	25 in.	3/8 in.	5/8-18	Liquid, Receiver Drier to Expansion Valve, Model "H"
V	2277 470	3/4 in.	7/16 in.	-	Evaporator Drain, TP1, TD1, TP2, TD2
W	1971 913	6 3/4 in.	-	-	Evaporator Drain, TV1, TL1, TA3, TC1, TC2, TC3, TY1



19x9359

AIR CONDITIONING CLUTCH - 6 CYLINDER

NOTES

CODE	PART NAME AND DESCRIPTION	C Y L.	PER CAR	VALIANT DART	PLYMOUTH DODGE	CHRYSLER IMPERIAL
24-01-0 AIR CONDITIONING						
24-01-1	AIR CONDITIONING PACKAGE, Complete, Model H	6	1	*2495 500		
24-01-5	ADAPTER PACKAGE, Model H	6	1	-----	2448 279	
	w/318 cu.in. Eng., Model H	8	1	-----	2448 276	
	w/413 cu.in. Eng., Model H	8	1	-----	2448 278	2448 278
24-01-6	CONVERSION PACKAGE, to Complete Installation of Package 2448274 on 1961, 1962 Valiant and Lancer, w/Power Steering	6	1	2448 280		
	CONVERSION PACKAGE, to Complete Installation of Package 2448274 on 1961, 1962 Valiant and Lancer, w/o Power Steering	6	1	2448 623		
24-01-8	SCREW, Core Cover Mtg., TD3	8	5	-----	9414 037	9414 037
24-01-16	BRACKET, Water Valve		1	-----	2277 207	
24-01-18	COVER, Heater Core, TA3	8	1	-----	2097 373	2097 373
24-01-22	NUT, Water Valve Mtg. to Bracket		1	-----	2277 216	
24-01-24	CORE, Heater, w/SEALS, except TA3	8	1	-----	2277 193	
	TA3	8	1	-----	1879 904	1879 904
24-01-26	SEAL, Heater Core Tube, TA3	8	1	-----	1604 116	1604 116
24-01-33	RETAINER, Air Outlet Louver Roof Unit, Sub.	8	1	-----	1689 670	1689 670
24-01-36	VALVE, Water, except TA3		1	-----	2277 123	
	TA3, TC1, TC2, TC3	8	1	-----	1972 779	1972 779
	TY1	8	1	-----	-----	1972 781
24-01-65	CABLE, Temperature Control, except TA3, TY1	8	1	-----	2291 605	2426 142
	TA3, TY1	8	1	-----	-----	2291 604
	CLIP, Temperature Control Cable	8	1	-----	6015 143	6015 143
24-01-87	NIPPLE, Heater Hose Return		1	-----	1971 061	1779 257
	Heater Hose Inlet		1	-----	1971 061	1971 061
24-24-0 CONTROL						
24-24-5	SWITCH, Blower Motor, Model H	6	1	1998 598	1998 598	1998 598
	Rear Unit, except TY1	8	1	-----	2256 478	
	TY1	8	1	-----	2291 095	2291 095
	SWITCH, Blower, w/CABLE, on Control Arm, TA3	8	1	-----	2097 970	2097 970
	NUT, Switch Mtg. Roof Unit, Sub.	8	1	-----	-----	*6008 060
24-24-6	BRACKET, Blower Switch Mtg., TP1, TP2		1	-----	2290 061	
24-24-8	NUT, Blower Motor Switch Mtg., Rear Unit	8	1	-----	*6008 060	*6008 060
24-24-10	CAM, Vacuum Switch Control		1	-----	2258 093	
24-24-20	KNOB, Blower Switch, Model H	6	1	1997 553		
	TP1, TP2		1	-----	2291 286	
	TD1, TD2		1	-----	2256 483	
	Rear Unit, except TY1	8	1	-----	2197 075	2197 075
	TY1	8	1	-----	-----	1887 935
24-24-23	BLOWER SWITCH ADAPTER PACKAGE, Front Unit, TA3	8	1	-----	2196 336	2196 336
24-24-27	COVER, Floor Air Damper Control Mtg. Hole, except TY1	8	1	-----	-----	*2198 082

★ Indicates use as required.

☐ Indicates parts not listed in any previous parts book.

* Indicates change or addition.

Printed in U.S.A.

Prices and specifications subject to change without notice.

Jan. 3, 1964 Supersedes Dec. 14, 1962.

CODE	PART NAME AND DESCRIPTION	C Y L.	PER CAR	VALIANT DART	PLYMOUTH DODGE	CHRYSLER IMPERIAL
24-24-0 CONTROL - Cont'd						
24-24-29	DECAL, Blower Switch, TP1, TP2		1	----	2258 263	
	TD1, TD2		1	----	2258 625	
	TC1, TC2, TC3, Rear Unit, Rear Air		1	----	----	*2290 864
24-24-32	CLIP, Vacuum Hose Retaining		1	----	2257 848	
24-24-67	RESISTOR, Blower Motor		1	----	2277 187	
	SCREW, Resistor Mtg.		3	----	9414 711	
24-24-68	GASKET, Blower Motor Resistor		1	----	2277 454	
24-24-85	BLOCK, Resistor, w/o Bracket, TA3	8	1	----	1972 049	1972 049
	w/BRACKET, TA3	8	1	----	2258 815	2258 815
24-24-112	BEZEL, Control, except TY1	8	1	----	----	*2426 533
24-24-124	WIRING, Harness, TP1, TP2, use w/Relay.		1	----	*2427 359	
	TD1, TD2, use w/Relay		1	----	*2427 360	
	TP1, TP2, use w/o Relay		1	----	B2291 615	
	TD1, TD2, use w/o Relay		1	----	B2291 616	
	TC1, TC2, TC3	8	1	----	----	2291 386
	TY1	8	1	----	----	2291 552
24-24-137	NUT, Blower Switch Mtg.		1	----	1339 711	
24-24-140	BEZEL, Blower Motor Switch Front Unit, TD1, TD2	8	1	----	2256 616	
	Control and Turn Signal, TY1	8	1	----	----	2197 663
	Rear Unit, TC1, TC2, TC3	8	1	----	----	*2290 700
	TY1	8	1	----	----	2197 389
	BEZEL, Floor Damper Control, TC1, TC2, TC3	8	1	----	----	*2290 700
	TY1	8	1	----	----	2197 389
	TA3	8	1	----	2197 498	
	BEZEL, Control, except TY1, Alabaster	8	1	----	----	2426 593
	Black	8	1	----	----	2426 533
	Blue, Dark	8	1	----	----	2426 534
	Brown	8	1	----	----	2426 536
	Green	8	1	----	----	2426 535
	Red	8	1	----	----	2426 538
	Turquoise	8	1	----	----	2426 537
	Beige, TC3	8	1	----	----	2427 122
	Blue, TC3	8	1	----	----	2427 123
24-24-150	SWITCH, Auxiliary, Vacuum, on Electric Switch, w/4 Leads, Less Bracket.		1	----	2257 452	
	Auxiliary Vacuum, on Electric Switch, w/4 Leads, w/BRACKET		1	----	2258 096	
	Temperature Selector, on Evaporator, w/3 Leads SCREW, Selector Switch Mtg.		1	----	2485 167	
	SWITCH, Push Button Vacuum		2	----	6023 391	
	TA3	8	1	----	2427 409	
					2096 084	2096 084
24-24-156	KNOB, Temperature Control, TP1, TP2		1	----	2258 166	
	TD1, TD2		1	----	2258 359	
	TA3	8	1	----	2197 623	
	TC1, TC2, TC3	8	1	----	----	*2290 809
	TY1	8	1	----	----	2291 686
	KNOB, Floor Damper Control, except TY1	8	1	----	----	2197 075
	TY1	8	1	----	----	1887 935
	TA3	8	1	----	*2197 379	
24-24-158	SCREW, Vacuum Switch		1	----	B6006 036	B6006 036

★ Indicates use as required.

B Indicates parts not listed in any previous parts book.

Jan. 3, 1964 Supersedes Dec. 14, 1962.

Page 24-8

Prices and specifications subject to change without notice.

* Indicates change or addition.

CODE	PART NAME AND DESCRIPTION	CYL.	PER CAR	VALIANT DART	PLYMOUTH DODGE	CHRYSLER IMPERIAL
24-24-0 CONTROL - Cont'd						
24-24-159	PLATE, Temperature Control Mtg., TD1, TD2 . . .		1	----	2258 342	
	TA3	8	1	----	2197 466	
	TC1, TC2, TC3	8	1	----	----	2290 782
	TY1	8	1	----	----	2197 839
	TP1, TP2		1	----	2258 161	
24-24-164	EXTENSION, Push Button					
	TP1, TP2 Off		1	----	2258 171	
	TP1, TP2 Heat		1	----	2258 172	
	TP1, TP2 Defroster		1	----	2258 173	
	TP1, TP2 Cool		1	----	2258 174	
	TD1, TD2 Off		1	----	2258 348	
	TD1, TD2 Heat		1	----	2258 349	
	TD1, TD2 Defroster		1	----	2258 350	
	TD1, TD2 Cool		1	----	2258 351	
	TA3 Off	8	1	----	2197 468	
	TA3 Heat	8	1	----	2197 475	
	TA3 Defroster	8	1	----	2197 471	
	TA3 Max. Cool	8	1	----	2197 473	
	TA3 Fresh Cool	8	1	----	2197 474	
	TC1, TC2, TC3 Off	8	1	----	----	2290 788
	TC1, TC2, TC3 Heat	8	1	----	----	2290 795
	TC1, TC2, TC3 Defroster	8	1	----	----	2290 791
	TC1, TC2, TC3 Max. Cool	8	1	----	----	2290 793
	TC1, TC2, TC3 Fresh Cool	8	1	----	----	2290 794
	TY1 Off	8	1	----	----	2197 846
	TY1 Heat	8	1	----	----	2197 853
	TY1 Defroster	8	1	----	----	2197 849
	TY1 Max. Cool	8	1	----	----	2197 851
	TY1 Fresh Cool	8	1	----	----	2197 852
24-24-167	LAMP, Control		1	----	2258 168	
	TC1, TC2, TC3, TA3	8	1	----	2197 463	2197 463
	TY1	8	1	----	----	2197 832
24-24-173	SPRING, Control Arm		1	----	B2196 336	B2196 336

24-25-0 COMPRESSOR

NOTE: For Compressor and Generator Belt see Part Type Code 7-03-1.

24-25-2	PISTON RING PACKAGE		1	2275 207	2275 207	2275 207
24-25-3	PISTON and CONNECTING ROD PACKAGE		1	2275 203	2275 203	2275 203
25-25-5	COMPRESSOR		1	2002 768	2002 768	2002 768
	WASHER, Compressor Mtg.		3	6023 050	6023 050	6023 050
24-25-10	SUPPORT, Compressor, Right, w/225 cu. in. Eng.	6	1	2264 867	2264 867	
	Right, w/170 cu. in. Eng.	6	1	2264 866		
	Rear, w/225 cu. in. Eng.	6	1	2264 868	2264 868	
	Left, w/318 cu. in. Eng.	8	1	----	2264 218	
	Right, w/318 cu. in. Eng.	8	1	----	2264 219	
	Front, w/361, 413 cu. in. Eng.	8	1	----	1947 657	1947 657
	Left, Rear w/361, 383 cu. in. Eng.	8	1	----	2402 239	2402 239
	Right, Rear w/413 cu. in. Eng.	8	1	----	----	2402 352
	Right, TP1, TD1, Model H	6	1	----	2264 867	
	Left, TP2, TD2, TA3, TC1, TC2, TC3, TY1					
	Model H	8	1	----	1993 725	1993 725
	Rear, TP1, TD1	6	1	----	*2264 868	
	Right, Rear, w/361, 383 cu. in. Eng.	8	1	----	2463 038	2463 038

★ Indicates use as required.

⊠ Indicates parts not listed in any previous parts book.

* Indicates change or addition.

Printed in U.S.A.

Prices and specifications subject to change without notice.

Jan. 3, 1964 Supersedes Jan. 25, 1963.

1963 PASSENGER CAR PARTS CATALOG

AIR CONDITIONING

CODE	PART NAME AND DESCRIPTION	C Y L.	PER CAR	VALIANT DART	PLYMOUTH DODGE	CHRYSLER IMPERIAL
24-25-0 COMPRESSOR - Cont'd						
24-25-10	SCREW, Right Support 3/8" x 7/8"		★	6022 254	6022 254	6022 254
	WASHER, Rear Support	6	1	6023 050	6023 050	
	SCREW, w/WASHER, Compressor Rear Support	6	1	---- --	6024 023	
	SCREW, w/WASHER, Compressor Rear Support, Right		1	6022 254	6022 254	
24-25-13	SPACER, Rear Left Support	8	1	---- --	1947 685	
	SPACER, Idler Roller Bracket	8	1	---- --	1945 384	
24-25-14	STUD, Steady Bracket	8	1	---- --	842 295	842 295
24-25-15	BRACKET, Compressor Mtg., Front, w/170, 225 cu. in. Eng.	6	1	2264 865	2264 865	
	Front, w/318 cu. in. Eng.	8	1	---- --	2264 215	
	Rear, w/318 cu. in. Eng.	8	1	---- --	2264 217	
	w/361 and 383 cu. in. Eng.	8	1	---- --	1852 932	1852 932
	w/413 cu. in. Eng.	8	1	---- --	1858 622	1858 622
	Front Mtg., TP1, TD1, Model H	6	1	---- --	2264 865	
	w/361 cu.in.Eng., Model H	8	1	---- --	1999 185	1999 185
	TC3, TY1, Model H	8	1	---- --	---- --	2003 103
	Front Mtg., TV1, TL1, Model H	6	1	2003 062	---- --	
	Compressor, Steady, Model H	8	1	---- --	---- --	2003 104
	BRACKET, Steady Side, w/318 and 361 cu.in.Eng. w/413 cu. in. Eng.	8	1	---- --	2128 969	2128 969
	w/361 cu.in.Eng., TP2, TD2, TA3, TC1, TC2, TA3 Model H	8	1	---- --	2128 970	2128 970
	TC3, TY1, Model H	8	1	---- --	2003 056	2003 056
	TC3, TY1, Model H	8	1	---- --	2003 104	2003 104
24-25-20	PULLEY, Compressor, Includes HUB, Double Groove, w/170, 225 cu. in. Eng., 6 1/8" O.D. Single Groove, w/318 cu. in. Eng., 7 1/4" O.D. Double Groove, w/361, 413, 383 cu. in. Eng., 6 1/4" dia.	6	1	2219 613	2219 613	
	Double Groove, w/HUB and BEARING, Model H . Single Groove, w/HUB and BEARING, TC3, TY1, Model H	8	1	---- --	2277 790	
	Double Groove, w/HUB and BEARING, Model H . Single Groove, w/HUB and BEARING, TC3, TY1, Model H	8	1	---- --	2097 106	2097 106
	Double Groove, w/HUB and BEARING, Model H . Single Groove, w/HUB and BEARING, TC3, TY1, Model H	8	1	2013 018	2013 018	
	Model H	8	1	---- --	---- --	2003 058
24-25-35	PULLEY, Compressor Idler, TP1, TD1, TP2, TD2, w/318 cu. in. Eng.		1	2203 031	2203 031	
	Model H	8	1	---- --	*2204 766	*2004 766
	TV1, TL1, Model H	6	1	2203 031	---- --	
	ROLLER, Compressor Idler, TP1, TD1, w/225 cu. in. Eng., TP2, TD2, w/318 cu. in. Eng., except TA3		1	---- --	2206 022	
	TP2, TD2, w/318 cu.in.Eng., Model H	8	1	---- --	2006 374	
24-25-45	BRACKET, Idler Pulley Adjusting, TP1, TD1, w/225 cu.in.Eng.	6	1	2203 035	2203 035	
	TP2, TD2, w/318 cu. in. Eng.	8	1	---- --	2264 221	
	BRACKET, Idler Pulley Adjusting, TP2, TD2, TC1, TC2 w/361 cu.in.Eng., TC3, TY1, Model H TV1, TL1, Model H	8	1	---- --	2004 767	2004 767
	BRACKET, Idler Pulley Mtg., w/361 cu.in.Eng., Model H	6	1	2003 060	---- --	
	BRACKET, Idler Pulley Mtg., w/361 cu.in.Eng., Model H		1	---- --	1999 182	1999 182
	BRACKET, Idler Roller, TP1, TD1, w/225 cu. in. Eng.	6	1	---- --	2406 052	
	TP2, TD2, w/318 cu. in. Eng.	8	1	---- --	2264 555	

★ Indicates use as required.
 □ Indicates parts not listed in any previous parts book.
 Jan. 3, 1964 Supersedes Jan. 25, 1963.

Printed in U.S.A.
 Prices and specifications subject to change without notice.
 * Indicates change or addition.

CODE	PART NAME AND DESCRIPTION	CYL	PER CAR	VALIANT DART	PLYMOUTH DODGE	CHRYSLER IMPERIAL
24-25-0 COMPRESSOR - Cont'd						
24-25-45	SCREW, w/WASHER, Roller Bracket to Water Pump	6	1	----	*6022 226	
	SPACER, Roller Bearing	6	1	----	*6024 096	
24-25-46	NUT, Idler Pulley Adjusting Bracket, w/WASHER, Model H		1	----	1740 972	1740 972
24-25-53	WASHER, Suction Muffler to Compressor, TA3	8	1	----	2096 887	2096 887
24-25-70	SEAL PACKAGE, Crankshaft Gas		1	1426 501	1426 501	1426 501
24-25-84	HEAD, Compressor, Left		1	1999 502	1999 502	1999 502
	Right		1	2000 083	2000 083	2000 083
24-25-93	VALVE PLATE PACKAGE, Right		1	2275 204	2275 204	2275 204
	Left		1	2275 205	2275 205	2275 205
24-25-94	GASKET, Cylinder Head		2	1990 584	1990 584	1990 584
	Valve Plate		2	1990 598	1990 598	1990 598
24-25-107	FITTING, Discharge, for Compressor 2264 824, 2264 825		1	----	2002 740	
	For Compressor 2264 823, 2002 778, 2402 076		1	----	1997 449	1997 449
	For Compressor 2402 230		1	----	2007 168	2007 168
	FITTING PACKAGE, Discharge, for Compressor 2264 823, 2002 772, 2402 176, 2402 160		1	2421 812	----	2421 812
	FITTING PACKAGE, Discharge, for Compressor 2264 824, 2264 825		1	----	2421 813	
	FITTING, Suction, for Compressor 2264 824, 2264 825, 2402 230		1	----	2002 739	2002 739
	For Compressor 2264 823		1	----	----	1997 448
	For Compressor 2402 076		1	----	2007 102	
	For Compressor 2002 772		1	2003 099	2003 099	2003 099
24-25-110	GASKET, Suction Fitting		1	1997 446	1997 446	1997 446
	Discharge Fitting		1	1994 406	1994 406	1994 406
24-25-114	SCREEN, Suction		1	1996 845	1996 845	1996 845
24-25-127	CAP, Compressor Shut-Off Valve		1	1989 202	1989 202	1989 202
24-25-131	SPACER, Idler Roller Bracket	8	1	----	1945 384	
24-25-132	VALVE, Pressure Regulator, use with Compressor 2264 823, 2264 824, 2264 825, 2402 160, 2402 230.		1	----	2275 202	2275 202
24-25-133	CORE, Pressure Regulator		1	1992 947	1992 947	1992 947
24-25-135	SEAL, Pressure Regulator Valve		1	1994 410	1994 410	1994 410
24-25-154	CRANKSHAFT PACKAGE		1	2275 206	2275 206	2275 206
24-25-156	SCREW, Compressor Pulley Mtg.		1	1658 638	1658 638	1658 638
	TP1, TD1, TV1, TL1, Model H	6	1	2013 016	2013 016	
	TP2, TD2, w/318 cu.in. Eng. Model H	8	1	----	2013 016	
24-25-157	WASHER, Pulley Screw		1	2097 102	2097 102	2097 102
	TP1, TD1, TP2, TD2, TV1, TL1, Model H		1	2006 397	2006 397	
24-25-160	BEARING, Crankshaft, Front, Ball		1	1854 829	1854 829	1854 829
24-25-162	HOUSING PACKAGE, Crankshaft Bearing		1	2196 315	2196 315	2196 315

★ Indicates use as required.
 □ Indicates parts not listed in any previous parts book.
 * Indicates change or addition.

Printed in U.S.A.
 Prices and specifications subject to change without notice.
 Jan. 25, 1963 Supersedes Dec. 14, 1962.

1963 PASSENGER CAR PARTS CATALOG

AIR CONDITIONING

CODE	PART NAME AND DESCRIPTION	C Y L.	PER CAR	VALIANT DART	PLYMOUTH DODGE	CHRYSLER IMPERIAL
24-25-O COMPRESSOR - Cont'd						
24-25-189	SEAL, Crankshaft Bearing Housing		1	1377 831	1377 831	1377 831
24-25-219	BEARING, Compressor Clutch		1	1769 318	1769 318	1769 318
24-25-232	COIL, Clutch Field		1	2097 105	2097 105	2097 105
	TP1, TD1, All, TP2, TD2, w/318 cu.in. Eng., TV1, TL1, Model H		1	2013 017	2013 017	
24-25-234	RING, Clutch, External		1	2097 101	2097 101	2097 101
	Internal		1	2097 103	2097 103	2097 103
24-25-246	OIL PUMP PACKAGE		1	2196 306	2196 306	2196 306
24-25-252	SEAL, Oil Pump Cover.		1	1747 988	1747 988	1747 988
24-25-258	SUMP, Oil		1	1747 962	1747 962	1747 962
24-25-260	GASKET, Oil Sump.		1	1377 825	1377 825	1377 825
24-26-O RECEIVER DRIER						
24-26-20	RECEIVER DRIER, Includes Sight, GLASS, except TA3, TV1, TL1, Model 911		1	2013 015	2277 688	
	RECEIVER DRIER PACKAGE, TA3	8	1	----	1880 658	1880 658
	RECEIVER DRIER, Model H		1	2013 015	2009 249	2009 249
24-26-22	SCREW, Receiver Drier Mtg., Model H		2	----	1740 029	1740 029
24-26-26	PLUG, Receiver Drier Fusible		1	*1998 645	*1998 645	*1998 645
24-26-35	BRACKET, Drier Mtg., TA3 except TP1, TD1, TP2, TD2		1	2219 155	2219 155	2219 155
24-26-100	MUFFLER, Compressor Suction, TP1, TD1, TP2, TD2, w/361 cu.in. Eng.		1	----	2277 792	
	TP1, TD1, TV1, TL1, Model H	6	1	2004 756	2004 756	
	TP2, TD2, w/361 cu. in. Eng., Model H	8	1	----	*2277 868	
	TP2, TD2, w/318 cu. in. Eng., Model H	8	1	----	2004 773	
	TC1, TC2, TC3, TY1, Model H	8	1	----	*2277 868	*2277 868
	Discharge, TP1, TD1, w/225 cu. in. Eng., TP2, TD2, w/361,383 cu. in. Eng.		1	----	*2277 844	
	TV1, TL1, TP1, TD1	6	1	2004 756	2004 756	
	Discharge, w/318 cu. in. Eng., TP2, TD2	8	1	----	2277 826	
	Suction, w/318 cu. in. Eng., TP2, TD2	8	1	----	2277 797	
	Suction, w/Dual Air Conditioning, TA3	8	1	----	2277 875	2277 875
	Suction, w/Front Single Air Conditioning, TA3	8	1	----	2277 874	2277 874
	Discharge, w/Single and Dual Air Conditioning, TA3	8	1	----	2277 868	2277 868
	SCREW, w/WASHER, Suction Muffler, TA3	8	1	----	6022 254	6022 254
24-27-O CONDENSER						
24-27-5	CONDENSER, Coil except TA3		1	*2277 964	E2485 930	E2277 913
	TA3	8	1	----	E2277 913	
	Model H		1	2010 204	2010 211	2010 211
	SCREW, Condenser to Yoke, except TA3		4	----	6022 226	
	J/NUT, Condenser to Yoke, except TA3		4	----	6023 171	
	NUT, TA3		4	----	6010 006	6010 006
24-27-15	BRACKET, Condenser Mtg. and Tube Support, TP2, TD2, w/361 cu.in. Eng., Model H		8	----	2013 035	
	BRACKET, Condenser Mtg., and Tube Support, Model H		8	----	----	2013 033
	NUT, Condenser Mtg.		4	*6023 568	----	*6023 568

★ Indicates use as required.

Numerals in parentheses () refer to notes.

Printed in U.S.A.

⊠ Indicates parts not listed in any previous parts book.

Prices and specifications subject to change without notice.

Jan. 3, 1964 Supersedes Jan. 25, 1963.

* Indicates change or addition.

CODE	PART NAME AND DESCRIPTION	C Y L.	PER CAR	VALIANT DART	PLYMOUTH DODGE	CHRYSLER IMPERIAL
24-28-0 EVAPORATOR						
24-28-3	COVER, Lock Pillar Hose, Sub., Upper, Right, Black	8	1	----	----	2179 393
	Upper, Right, Red	8	1	----	----	2179 391
	Upper, Right, TA3, Blue	8	1	----	2180 204	2180 204
	Upper, Right, TA3, Tan	8	1	----	2179 389	2179 389
	Upper, Right, TA3, Red	8	1	----	2182 032	
	Upper, Right, TA3, Green	8	1	----	2182 030	
	Upper, Right, TA3, Turquoise	8	1	----	2182 034	
	Upper, Left, Black	8	1	----	----	2179 394
	Upper, Left, Red	8	1	----	----	2179 392
	Upper, Left, TA3, Blue	8	1	----	2180 205	2180 205
	Upper, Left, TA3, Tan	8	1	----	2179 390	2179 390
	Upper, Left, TA3, Red	8	1	----	2182 033	
	Upper, Left, TA3, Green	8	1	----	2182 031	
	Upper, Left, TA3, Turquoise	8	1	----	2182 035	
	Lower, Right, Black	8	1	----	----	2179 399
	Lower, Right, Red	8	1	----	----	2179 397
	Lower, Right, TA3, Tan	8	1	----	2179 395	2179 395
	Lower, Right, TA3, Blue	8	1	----	2180 206	2180 206
	Lower, Right, TA3, Red	8	1	----	*2182 038	
	Lower, Right, TA3, Turquoise	8	1	----	*2182 040	
	Lower, Right, TA3, Green	8	1	----	*2182 036	
	Lower, Left, Black	8	1	----	----	2179 400
	Lower, Left, Red	8	1	----	----	2179 398
	Lower, Left, TA3, Tan	8	1	----	2179 396	2179 396
	Lower, Left, TA3, Blue	8	1	----	2180 207	2180 207
	Lower, Left, TA3, Red	8	1	----	2182 039	
	Lower, Left, TA3, Turquoise	8	1	----	*2182 041	
	Lower, Left, TA3, Green	8	1	----	*2182 037	
24-28-5	EVAPORATOR UNIT, Front Unit		1	2277 972		
	EVAPORATOR, Model H		1	2011 432	2011 426	2011 426
	EVAPORATOR UNIT, w/RELAY		1	----	*2219 826	
	EVAPORATOR UNIT, less Relay		1	----	2485 235	
	STUD, Evaporator Housing		2	----	6024 089	
	SCREW, Evaporator Mtg.	6	4	6023 776		
	WASHER, Evaporator Mtg. TA3	8	2	----	6024 089	
24-28-8	BRACKET, Evaporator Mtg., Front Unit, except TA3 TA3, also to Complete Package 2448275 for 62 Cars		1	----	2277 209	
	BRACKET, Evaporator Mtg., Model H	8	1	----	2013 028	
	BRACKET, Evaporator Bracket Mtg. Bracket	6	1	2277 947		
	BRACKET, Evaporator Mtg., Conversion for Mopar Unit Model H to 1962 Cars	6	2	2277 953		
	BRACKET, Evaporator Mtg., to Complete Package 2448275, on 1961 Plymouth	8	1	----	----	2003 102
	BRACKET, Evaporator, Left, Model H		1	----	2013 000	
	BRACKET, Evaporator, Right, Model H		1	----	2003 063	
	BRACKET, Evaporator, Mtg., except TY1, Model H		1	----	2003 095	
	BRACKET, Evaporator Mtg., TY1, Model H	8	1	----	----	2011 431
	Roof Unit, TA3	8	1	----	1971 956	2011 449
		8	1	----		1971 956
24-28-17	CLAMP, Discharge Tube to Yoke		1	----	2277 430	
	GROMMET, 3/8" I.D.		★	----	2006 394	
	Evaporator Suction Tube, Rear Unit		1	----	----	1658 766
	Blower Motor Mtg., TA3	8	3	----	1879 827	1879 827
24-28-22	SCREW, Blower Motor Mtg.	6	6	1983 786		
	SCREW, Compressor Tubing Clip		7	----	1740 029	1740 029

★ Indicates use as required.

□ Indicates parts not listed in any previous parts book.

* Indicates change or addition.

Printed in U.S.A.

Prices and specifications subject to change without notice.

CODE	PART NAME AND DESCRIPTION	C Y L.	PER CAR	VALIANT DART	PLYMOUTH DODGE	CHRYSLER IMPERIAL
24-28-0 EVAPORATOR - Cont'd						
24-28-24	TUBE, Air Outlet to Flange, Rear Unit	8	2	----	----	1648 407
	TUBE, Evaporator Liquid Roof Unit, Formed 9 11/16" lgh., TA3	8	1	----	1886 241	1886 241
	NUT, Discharge to Condenser TA3	8	2	----	6006 403	6006 403
24-28-25	HOUSING, Evaporator Coil, w/LINKAGE, Front Unit, Rear, TA3	8	1	----	2097 376	2097 376
	HOUSING, Evaporator Coil, w/LINKAGE, Front Unit, Center, TA3	8	1	----	2096 259	2096 259
24-28-26	CONNECTOR, Dual, Control Tube, Plastic		1	----	*2277 713	
	Discharge Hose and Inlet Tube, TY1, TL1, Model H		1	1748 066	----	1748 066
24-28-31	GASKET, Evaporator to Dash		1	*1887 257	*1887 257	*1887 257
24-28-33	FLANGE, Air Outlet Housing Mtg., w/GASKET, Rear Unit, except Sub.	8	2	----	----	2096 681
24-28-36	WASHER, Sealing, Suction Hose, Copper		1	2196 341	2196 341	2196 341
24-28-47	TROUGH, Evaporator Drain, TA3	8	1	----	2096 182	2096 182
24-28-48	LEVER, Defroster Door, Includes SWIVEL, TA3	8	1	----	1972 789	1972 789
24-28-55	CONNECTOR, 3" width, 4 5/8 dia., Rubber	8	1	----	*2279 917	*2279 917
	CONNECTOR, Air Outlet, 5 1/2" width, 5" lgh., Defroster Outlet, TA3		1	----	1972 324	
24-28-59	SCREW, Shoulder Recirculating Door Link, TA3	8	1	----	1885 835	1885 835
24-28-60	COVER, Evaporator Rear Unit, Rear, except Sub.	8	1	----	1648 380	1648 380
24-28-63	GASKET, Heater Core Cover, TA3	8	1	----	1879 861	1879 861
24-28-64	VACUUM TUBE REPAIR KIT		★	----	2448 621	2448 621
	VACUUM TUBE REPAIR KIT		★	----	2448 620	2448 620
24-28-70	GRILLE, Inlet, Rear Unit, except TY1 and Sub., Paint as Required	8	1	----	----	1887 501
	TY1, Paint as required	8	1	----	----	1885 901
	TY1, Black	8	1	----	----	2485 181
24-28-72	CLIP, Fresh Air Door Link, TA3	8	1	----	666 790	666 790
	CLIP, Outlet Grille, Rear Unit, except TY1 and Sub.	8	4	*1331 850	----	*1331 850
24-28-73	DUCT, Fresh Air Intake		1	----	2277 342	
	Rear Unit, except TY1 and Sub.	8	1	----	----	1972 360
	TY1	8	1	----	----	1648 430
	Air Outlet, Front Unit, TA3	8	1	----	2219 010	
	Spot Cooler, Outlet		1	----	2219 924	
24-28-75	BEZEL, Air Outlet, includes LOUVER, Front Unit, Right, except TY1	8	1	----	----	2277 824
	Left	8	1	----	----	2277 823
	BEZEL, Air Outlet, except TA3, includes LOUVER TA3	8	1	----	2219 396	
	TA3	8	1	----	2219 004	
	Inlet Grille, Rear Unit, except TY1 and Sub.	8	1	----	----	1819 014

★ Indicates use as required.

☐ Indicates parts not listed in any previous parts book.

Jan. 3, 1964 Supersedes Jan. 25, 1963.

Page 24-14

Printed in U.S.A.
Prices and specifications subject to change without notice.

* Indicates change or addition.

CODE	PART NAME AND DESCRIPTION	C Y L	PER CAR	VALIANT DART	PLYMOUTH DODGE	CHRYSLER IMPERIAL
24-28-O EVAPORATOR - Cont'd						
24-28-76	RETAINER, Inlet Duct to Evaporator, Rear Unit, except TY1 and Sub.	8	1	----	----	1886 025
	TY1	8	1	----	----	1648 460
	Inlet Duct to Shelf, Rear Unit, except TY1.	8	1	----	----	2097 010
24-28-78	LOUVER, Air Outlet, w/BEZEL, Front Unit, Right, except TY1.	8	1	----	----	2277 824
	Left	8	1	----	----	2277 823
	LOUVER, Air Outlet, includes BEZEL, except TA3		1	----	2219 396	
	LOUVER, Air Outlet, Front Unit, Right, TY1	8	1	----	----	2277 858
	Left, TY1	8	1	----	----	2277 857
	TA3, Right	8	1	----	2277 858	
	Left	8	1	----	2277 857	
	Air Outlet, Rear Unit, except Sub.	8	2	----	----	2197 038
	Roof Unit, Sub., TA3	8	4	----	1838 380	1838 380
24-28-79	SCREEN, Inlet Grille, Rear Unit, TY1	8	1	----	----	1570 956
24-28-80	DEFLECTOR, Floor Air, Left, TA3	8	1	----	1886 413	1886 413
24-28-84	ADAPTER, Outlet Louver, Roof Unit, Sub., TA3	8	2	----	1753 579	1753 579
24-28-90	DOOR, Fresh Air, w/SEAL		1	----	2162 418	
24-28-91	NUT, Defroster Door Shaft, TA3	8	1	----	1829 825	1829 825
24-28-92	SEAL, Fresh Air Door Housing to Dash		6	----	2162 245	
24-28-93	CONNECTOR, Air Outlet, Right, TY1	8	1	----	----	*2219 019
	Left, TY1	8	1	----	----	2279 917
24-28-98	VANE, Evaporator Grille, Horizontal Control, Model H		1	*2011 419	*2011 419	*2011 419
	VANE, Evaporator Grille, Horizontal, Model H		1	*2011 418	*2011 418	*2011 418
	VANE, Evaporator Grille, Vertical, Model H		1	*2011 420	*2011 420	*2011 420
	VANE, Evaporator Grille, Vertical Control, Model H		1	*2011 421	*2011 421	*2011 421
24-28-99	LINKAGE, Heater and Defroster Control.		1	----	2277 124	
	LINK, Fresh Air Door, except TA3, includes SHAFT CLIP, Link Mtg., Left		1	----	*2162 525	
			2	----	6008 145	
24-28-101	RETAINER, Fresh Air Door Shaft		1	----	2162 360	
24-28-104	STUD, Recirculating Door, Ball.		1	----	1858 936	
24-28-106	RETAINER, Recirculating Door Linkage, Ball Joint		1	----	*1945 197	
24-28-108	SPRING, Fresh Air Door over Center		1	----	2277 262	
24-28-113	HOUSING, Fresh Air Door, except TA3		1	----	2162 239	
24-28-175	HOUSING, Blower, Rear Unit, except Sub.	8	1	----	----	1648 394
	Roof Unit, Sub., CW, TA3	8	1	----	1887 299	1887 299
	Roof Unit, Sub., CCW, TA3	8	1	----	1887 300	1887 300
24-28-176	SEAL, Distribution Duct Inlet to Dash, 8 3/4" O.D.	8	1	----	----	1887 757
24-28-186	ROTOR, Axial Blower Motor		1	----	2219 103	
	SCREW, Blower Motor Ground.		1	----	6023 286	
	SCREW, Blower Motor to Stator		4	----	6023 146	
	NUT, Blower Mtg.		4	----	6023 204	

★ Indicates use as required.

☐ Indicates parts not listed in any previous parts book.

* Indicates change or addition.

Printed in U.S.A.

Prices and specifications subject to change without notice.

CODE	PART NAME AND DESCRIPTION	CYL.	PER CAR	VALIANT DART	PLYMOUTH DODGE	CHRYSLER IMPERIAL
24-28-0 EVAPORATOR - Cont'd						
24-28-195	MOTOR, Axial Blower, except TA3		1	----	2277 418	
	Blower, Model H	6	1	1985 536	1985 536	1985 536
	Blower, Front Unit, TA3	8	1	----	1879 579	1879 579
	Blower, Rear Unit, except Sub.	8	2	----	----	1887 401
	Blower, Roof Unit, Sub., TA3	8	2	----	1886 266	1886 266
	WASHER, Blower Motor Mtg., Front Unit	8	★	----	----	6006 065
24-28-199	BRACKET, Axial Blower Mtg., Includes RING. . .		1	----	2277 585	
	Blower Motor Mtg., TA3		1	----	1880 211	1880 211
24-28-200	SPACER, Blower Motor Mtg., Rear Unit, TA3. . .	8	1	----	1605 271	1605 271
24-28-201	MOUNT, Axial Blower to Unit.		3	----	2277 596	
24-28-205	CLIP, Axial Balance, 3/4" lgh., 1/4" width		1	----	*2277 884	
	1" lgh., 1/4" width		1	----	*2277 885	
	1 1/2" lgh., 1/4" width		1	----	*2277 886	
	1 9/16" lgh., 1/4" width		1	----	*2277 887	
	2" lgh.		1	----	2277 888	
	1 1/8" lgh., 1/4" width		★	----	2277 247	
	1 1/8" lgh., 13/16" width		★	----	2277 249	
	1 1/8" lgh., 17/64" width		★	----	2277 670	
24-28-209	DEFLECTOR, Blower Sound		1	----	*2485 038	
24-28-210	WHEEL, Blower Motor, Right, Model H	6	1	1985 539	1985 539	1985 539
	Left, Model H	6	1	1985 537	1985 537	1985 537
	Front Unit, TA3	8	1	----	1880 442	1880 442
	Rear Unit	8	2	----	----	1235 644
	Roof Unit, Sub., CCW, TA3	8	2	----	1886 263	1886 263
	CW, TA3	8	2	----	1886 265	1886 265
24-28-220	COIL, Evaporator, Front Unit, except TA3		1	2003 074	2219 837	
	TA3	8	1	----	2096 253	2096 253
	Rear Unit except Sub. TA3	8	1	----	1880 642	1880 642
	Sub. TA3	8	1	----	1886 249	1886 249
	Model H		1	*2003 074	*2003 074	*2003 074
	Model H		1	2003 074	2003 074	2003 074
	STUD, Coil Drain, 3/8" lgh, 3/8" Head		2	----	6024 097	
	STUD, Coil Drain, 3/8" lgh, 1/2" Head		2	----	6024 098	
24-28-230	RING, Snap, Defroster Damper TA3	8	1	----	1539 430	
24-28-232	VALVE, Thermo., w/PLATE		1	----	2219 639	
24-28-235	NUT, Evaporator Feed and Suction Tube, TA3. . .	8	1	----	1605 267	1605 267
24-28-236	TEE, Suction Hose to Compressor	8	1	----	----	1886 011
24-28-241	SWITCH, Thermostat, Model H	6	1	1997 564	1997 564	1997 564
24-28-248	KNOB, Thermostat Control, Model H		★	1997 553	1997 553	1997 553
24-28-300	VALVE, Expansion, except TA3		1	1999 149	2275 584	
	TA3	8	1	----	1879 580	1879 580
	Roof Unit, Sub.	8	1	----	1887 364	1887 364
	Model H		1	----	1991 619	1991 619
24-28-301	SHIELD, Expansion Valve, Rear Unit.	8	1	----	----	1648 398
24-28-303	BRACKET, Expansion Valve to Housing, Rear Unit	8	1	----	----	1648 442
24-28-305	CLIP, Suction Tube, to Center Bracket, TY1 . . .	8	1	----	----	2277 668

★ Indicates use as required.
 ☐ Indicates parts not listed in any previous parts book.
 Jan. 3, 1964 Supersedes Jan. 25, 1963.

CODE	PART NAME AND DESCRIPTION	C Y L.	PER CAR	VALIANT DART	PLYMOUTH DODGE	CHRYSLER IMPERIAL
24-28-0 EVAPORATOR - Cont'd						
24-28-318	TEE, Liquid Hose to Expansion Valve, Rear Unit . Vacuum Hose Control, except TY1, Plastic	8	1 ★	----	1885 692 ----	1885 692 1886 109
24-28-322	INDICATOR, Liquid Sight Glass, Includes GASKET, except TA3 TA3	8 8	1 1	----	2277 688 1880 657	1880 657
24-28-326	SEAL, "O" Ring, 1/4" O.D., Rubber SEAL, "O" Ring, 3/8" O.D., Rubber SEAL, "O" Ring, 1/2" O.D., Rubber SEAL, "O" Ring, 5/8" O.D., Rubber		★ ★ ★ ★	----	2277 190 2219 383 2219 384 2219 385	2277 190 2219 383 2219 384 2219 385
24-28-357	NUT, Floor Damper Control, TA3 Floor Damper Bezel, TA3	8 8	1 1	----	1339 711 1972 548	1339 711 1972 548
24-28-358	NAME PLATE, Blower Switch, Rear Unit, TY1 . . Floor Damper Control, TY1	8 8	1 1	----	----	2197 509 2197 510
24-28-359	SHAFT, Floor Deflector, w/LEVER, TA3	8	1	----	1972 817	
24-28-361	CLIP, Temperature Control Cable		1	----	6015 143	6015 143
24-28-363	KNOB, Floor Deflector Control, except TY1	8	1	----	----	2197 075
24-28-364	DUCT, Distribution, TA3	8	1	----	1972 594	1972 594
24-28-366	CONTROL, Floor Damper, except TY1 TY1 TA3	8 8 8	1 1 1	----	---- ---- 2426 481	2291 532 2198 024
24-28-368	WASHER, Defroster Door Shaft, TA3	8	1	----	1971 463	1971 463
24-28-370	BRACKET, Defroster Nozzle, TA3	8	1	----	1971 842	
24-28-379	DOOR PACKAGE, Defroster, TA3 CLIP, Defroster Door Rod, TA3 CLIP, Defroster Door Rod, TA3 CLIP, Defroster Door, TA3	8 8 8 8	1 1 1 1	----	2084 295 6008 144 6008 145 6006 104	
24-28-382	BEZEL, Floor Deflector Control, except TY1 . . . TA3	8 8	1 1	----	---- 2197 498	2290 700
24-28-384	COVER, Deflector Lever, TA3	8	1	----	2097 152	2097 152
24-28-387	SPOT COOLER, Right Left Except TY1 w/o Spacer, TY1, TA3 w/SPACER, TY1		1 1 8 8 8	----	2277 412 2219 736 ---- *1972 372 ----	2219 736 1972 372 2197 885
24-28-393	BUMPER, Spot Cooler Damper, Stop, except TA3 .		2	----	2080 201	
24-28-396	CLAMP, Spot Cooler Tube Mtg., except TA3 . . .		2	----	2277 426	
24-28-397	BRACKET, Spot Cooler Tube Mtg., Out Board . . In Board		1 1	----	2277 428 2277 427	
24-28-398	DECAL, Floor Damper Control Bezel, except TY1	8	1	----	----	2290 866
24-29-0 ACTUATOR						
24-29-1	ACTUATOR, Spot Cooler Defroster, except TA3 Fresh Air Door, except TA3 Defroster, TA3 Recirculating Door, TA3 Deflector, TA3 By-Pass Door, TA3		1 1 1 8 8 8 8	----	2219 915 2219 916 2277 923 2277 051 2277 052 2277 053 2277 054	2277 051 2277 052 2277 053 2277 054

★ Indicates use as required.
 □ Indicates parts not listed in any previous parts book.
 * Indicates change or addition.

Printed in U.S.A.
 Prices and specifications subject to change without notice.
 Jan. 3, 1964 Supersedes Jan. 25, 1963.

PART NAME	CODE	PART NAME	CODE
-----------	------	-----------	------

ALPHABETICAL INDEX

A

Absorber, shock	17-23-3 to 17-23-57	Arm, standard steering gear idler . .	19-27-2 to 19-27-55
Absorber, shock (load leveler)	1-07-1	Arm, steering linkage knuckle	2-05-4
Accelerator pedal	14-01-1 to 14-01-31	Arm and bracket, visor	23-103-10 to 23-103-48
Accelerator pedal return spring	14-06-1 to 14-06-10	Arm rest, front door	23-76-3 to 23-76-86
Accelerator pedal to accelerator shaft rod	14-07-1 to 14-07-15	Ash receiver	23-02-1 to 23-02-150
Accelerator shaft	14-11-1 to 14-11-48	Assist strap	23-77-3 to 23-77-17
Actuator	24-29-1 to 24-29-15	Automatic choke to carburetor rod clip	14-65-4
Adjuster, front seat	23-47-6 to 23-47-462	Automatic door lamp switch	8-12-2 to 8-12-17
Adjuster, wheel brake	5-20-1 to 5-20-20	Automatic headlamp dimmer	1-04-4 to 1-04-18
Air cleaner, carburetor	14-29-2 to 14-29-44	Automatic pilot	1-26-1 14-02-1 to 14-02-79
Air cleaner, crankcase vent inlet	10-01-21	Automatic 3 speed transmission	21-02-1 to 21-02-8
Air cleaner, power brake	5-113-17	Automatic 3 speed transmission band	21-136-5 to 21-136-237
Air conditioning	24-01-1 to 24-01-87	Automatic 3 speed transmission case	21-03-1 to 21-03-40
Air conditioning control	24-24-5 to 24-24-173	Automatic 3 speed transmission case extension	21-04-1 to 21-04-12
Air intake	23-61-39 to 23-61-116	Automatic 3 speed transmission clutch	21-133-5 to 21-133-65
Alternator	8-28-3 to 8-28-292	Automatic 3 speed transmission control lever	21-142-12 to 21-142-21
Alternator component parts	8-29-17 to 8-29-208	Automatic 3 speed transmission front and rear planet pinion carrier and components	21-134-5 to 21-134-45
Antenna, radio	1-88-1 to 1-88-205	Automatic 3 speed transmission gear- shift button and cable	21-30-28 to 21-30-394
Anti-squeak, body	23-31-33 to 23-31-205	Automatic 3 speed transmission governor	21-138-2 to 21-138-38
Arm, front wheel lower control	2-10-6 to 2-10-76	Automatic 3 speed transmission input shaft	21-129-5 to 21-129-24
Arm, power steering gear	19-27-2 to 19-27-55		
Arm, power steering gear idler	19-27-2 to 19-27-55		
Arm, standard steering gear	19-27-2 to 19-27-55		

1963 PASSENGER CAR PARTS CATALOG

ALPHABETICAL INDEX

PART NAME	CODE	PART NAME	CODE
Automatic 3 speed transmission neutral starter switch	21-113-24 to 21-113-29	Bar, rear bumper face	13-66-3 to 13-66-153
Automatic 3 speed transmission neutral starter switch package . . .	21-113-24	Battery and cable	8-01-4 to 8-01-23
Automatic 3 speed transmission oil pan	21-119-3 to 21-119-25	Battery heat shield	13-35-1
Automatic 3 speed transmission oil pump	21-118-6 to 21-118-57	Battery hold-down strap	13-34-3
Automatic 3 speed transmission oil pump strainer	21-117-1 to 21-117-3	Battery hold-down stud	13-36-5
Automatic 3 speed transmission output shaft	21-05-1 to 21-05-35	Battery support tray	13-33-61 to 13-33-68
Automatic 3 speed transmission package	21-01-3	Bearing, camshaft	9-16-6 to 9-16-17
Automatic 3 speed transmission servos	21-137-5 to 21-137-205	Bearing, clutch release	6-19-2 to 6-19-3
Automatic 3 speed transmission set	21-01-3	Bearing, differential	3-11-1 to 3-11-14
Automatic 3 speed transmission speedometer cable shaft and housing	21-84-1 to 21-84-28	Bearing, drive pinion	3-22-24 to 3-22-45
Automatic 3 speed transmission speedometer pinion	21-55-5 to 21-85-61	Bearing, drive shaft	3-33-1 to 3-33-8
Automatic 3 speed transmission torque converter reaction shaft	21-129-5 to 21-129-24	Bearing, front wheel	22-06-1 to 22-06-18
Automatic 3 speed transmission valve body and valves	21-139-4 to 21-139-193	Bearing, propeller shaft center	16-16-1 to 16-16-47
Auxiliary vacuum switch	24-24-150	Bearing, standard transmission countershaft	21-25-2 to 21-25-6
B		Bearing, Standard transmission main shaft	21-19-2 to 21-19-16
Back, rear seat	23-109-3 to 23-109-40	Bearing, Standard transmission main shaft pilot	21-17-2 to 21-17-9
Back-up lamp	1-10-1 8-56-1 to 8-56-74	Bearing package, connecting rod	9-32-2
Back-up lamp switch	8-56-2	Bearing package, crankshaft	9-09-2
Band, automatic 3 speed transmission	21-136-5 to 21-136-237	Belt, fan and related drive	7-03-1
Bar, belt	23-51-3 to 23-51-45	Belt, safety	1-67-1 to 1-67-6
Bar, front bumper face	13-64-3 to 13-64-149	Belt bar	23-51-3 to 23-51-45
Bar, radiator cross	7-33-1 to 7-33-12	Belt package	1-67-1 to 1-67-9
		Block, cylinder	9-02-5 to 9-02-17
		Block, rear spring silent	17-17-3 to 17-17-5
		Blower motor switch	24-24-5
		Blower motor switch w/cable	24-24-5
		Board, floor	23-04-117 to 23-04-250
		Body, universal joint	16-04-1

PART NAME	CODE	PART NAME	CODE
Body anti-squeak	23-31-33	Bracket, frame engine rear support crossmember	9-70-9
	to	Bracket, power unit mounting	5-101-1
Body bracket	23-31-205		to
	23-07-168	Bracket, shock absorber	5-101-6
	to		17-24-3
Body bumper	23-07-169		to
	23-08-12	Bracket, throttle control mounting . .	17-24-28
	to		14-26-2
	23-08-76		to
	23-32-15	Bracket and arm, visor	14-26-6
	to		23-103-10
Body insulator	23-32-115		to
	23-31-33	Brake, power	23-103-48
	to	Brake drum	1-42-1
Body liner	23-31-205		22-04-2
	23-31-33		to
	to	Brake flexible hose	22-04-14
Body pad	23-31-205		5-62-1
	23-31-33		to
	to	Brake fluid	5-62-20
Body pan	23-31-205	Brake pedal and bushing	5-01-1
	23-32-15		5-27-1
	to		to
	23-32-115	Brake pedal bracket	5-27-21
Body panel	23-34-10		5-31-11
	to		to
	23-34-356	Brake pedal pad	5-31-15
Body pillar	23-36-5		5-28-8
	to	Brake pedal return spring	5-34-1
	23-36-138		to
Body plug	23-32-15		5-34-6
	to	Brake pedal shaft	5-29-1
	23-32-115	Brake pedal stop	5-30-12
Body reinforcement	23-07-168	Brake shoe guide	5-25-9
	to	Brake switch	14-02-32
	23-07-169	Brake tube bracket	5-57-2
Body seal	23-31-33	Brake tube clip	5-56-2
	to	Brake tube tee	5-58-1
	23-31-205		to
Body side sill	23-51-3	Brake tubing and cover	5-58-2
	to		5-53-3
	23-51-45		to
Body striker	23-08-12	Bulb	5-53-6
	to	Bumper, body	8-44-1
	23-08-76		23-08-12
Bolt, drive gear	3-20-1		to
Bolt, rear spring center	17-14-10		23-08-76
Boot, folding top dust	23-112-12		23-32-15
	to		to
	23-112-160	Bumper, hood	23-32-115
Boot, master cylinder	5-40-1	Bumper, rear spring	15-09-4
Boot, wheel cylinder	5-69-1		17-19-3
Box, glove	23-06-4		to
	to	Bumper guard	17-19-20
	23-06-53		1-01-1
Brace, fender	12-07-1		13-68-6
	to	Bumper jack	to
	12-07-3		13-68-18
Bracket, body	23-07-168		13-72-1
	to	Bushing and pedal, brake	to
	23-07-169		13-72-4
Bracket, brake pedal	5-31-11	Bushing and roller, universal cross .	5-27-1
	to		to
	5-31-15		5-27-21
Bracket, brake tube	5-57-2	Button, tufting	16-10-1
Bracket, fender	12-06-3		to
	to		16-10-3
	12-06-6		23-78-2
Bracket, fender pillar support and cowl	12-05-2		

PART NAME	CODE	PART NAME	CODE
Button, universal joint centering . . .	16-06-1 to 16-06-3	Carpet and foundation floor console side Carrier, spare wheel	23-71-1 22-20-29 to 22-20-89
Button and cable, automatic 3 speed transmission gearshift	21-30-28 to 21-30-394	Carrier and components, automatic 3 speed transmission front and rear planet pinion	21-134-5 to 21-134-45
C		Case, automatic 3 speed transmission	21-03-1 to 21-03-40
Cable, choke control	14-63-1 to 14-63-24	Case, differential	3-04-6 to 3-04-10
Cable, fast idle	14-24-1 to 14-24-11	Case, standard transmission	21-03-1 to 21-03-25
Cable, parking brake	4-23-1 to 4-23-46	Center pillar trim cover	23-99-4 to 23-99-41
Cable, throttle control	14-25-5 to 14-25-13	Chain, timing	9-20-1
Cable and button automatic 3 speed transmission gearshift.	21-30-28 to 21-30-394	Chain case cover	9-23-5 to 9-23-40
Cable and connection	8-16-1 to 8-16-10	Channel, glass	23-09-2 to 23-09-75
Camshaft	9-15-1 to 9-15-10	Chassis and body wiring compartment	8-15-2 to 8-15-53
Camshaft bearing	9-16-6 to 9-16-17	Check, door	23-10-1 to 23-10-18
Camshaft sprocket	9-17-5	Choke control cable	14-63-1 to 14-63-24
Cap, crankshaft bearing	9-10-2 to 9-10-19	Cigar lighter	8-20-3 to 8-20-16
Cap, fuel tank locking:	1-39-2	Clamp, power brake hose	5-112-1
Cap, hub	22-08-5 to 22-08-57	Clamp and support, exhaust pipe. . .	11-08-5
Cap, radiator filler	7-12-1	Clip, automatic choke to carburetor rod	14-65-4
Carburetor	14-30-1	Clip, fuel line tube	14-90-1
Carburetor air cleaner	14-29-2 to 14-29-44	Clip, rear spring	17-15-1 to 17-15-30
Carburetor anti-stall diaphragm . . .	14-50-25	Clock	1-21-1 to 1-21-24
Carburetor assemblies and service parts	14-30-2 14-30-4 14-30-7 14-30-8 14-30-27 14-30-28 14-35-1 14-35-6 14-35-8 14-35-33 14-35-39 14-39-45 14-41-3 14-43-5 14-85-31	Clutch	6-01-3
Carburetor fuel line tee	23-79-3	Clutch, automatic 3 speed transmission	21-133-5 to 21-133-65
Carpet, front floor	23-79-33	Clutch cover and pressure plate . . .	6-14-1 to 6-14-10
Carpet, rear floor	23-79-33 to 23-79-79	Clutch disc	6-13-1 to 6-13-8
		Clutch housing	6-09-1 to 6-09-11
		Clutch housing pan	6-10-2 to 6-10-31

PART NAME	CODE	PART NAME	CODE
Clutch parts, differential	3-09-1 to 3-09-3	Control, door lock and remote	23-18-5 to 23-18-116
Clutch pedal	6-38-1 to 6-38-23	Control, hood lock	15-14-1 to 15-14-21
Clutch pedal pad	6-39-2	Control, manifold heat	9-59-13 to 9-59-15
Clutch pedal shaft	6-43-7 to 6-43-13	Converter, torque	9-46-4 to 9-46-228
Clutch pedal rod	6-50-1 to 6-50-10	Core, radiator	7-11-3 to 7-11-4
Clutch pressure spring	6-16-1	Countershaft, Standard transmission	21-24-2 to 21-24-22
Clutch release bearing	6-19-2 to 6-19-3	Courtesy lamp	1-14-4 to 1-14-6
Clutch release bearing return spring	6-20-14		8-11-6 to 8-11-19
Clutch release center spring	6-35-1 to 6-35-17	Cover, center pillar trim	23-99-4 to 23-99-41
Clutch release fork	6-22-1 to 6-22-19	Cover, chain case	9-23-5 to 9-23-40
Clutch release fork return spring	6-27-5	Cover, front console	23-71-1
Clutch release lever	6-17-3	Cover, second seat back hinge	23-70-5 to 23-70-6
Clutch release rod	6-24-1 to 6-24-14	Cover, standard transmission case	21-29-3 to 21-29-25
Clutch torque shaft	6-52-1 to 6-52-17	Cover, universal joint	16-07-3 to 16-07-4
Coat hanger hook	23-82-30 to 23-82-39	Cover, wheelhouse second seat back hinge bracket	23-70-5 to 23-70-6
Compartment, chassis and body wiring	8-15-2 to 8-15-53	Cover and tubing, brake	5-53-6
Components and carrier, automatic 3 speed transmission front and rear planet pinion	21-134-5 to 21-134-45	Cowl trim panel	23-91-6
Components and heater	1-48-1 to 1-48-942	Cowl vent	23-61-39 to 23-61-116
Compressor	24-25-2 to 24-25-260	Crank, throttle control bell	14-14-1 to 14-14-57
Condenser	24-27-5 to 24-27-15	Crankcase vent inlet air cleaner	10-02-40 to 10-02-67
Conditioning, air	24-01-1 to 24-01-87	Crankshaft	9-07-5 to 9-07-22
Connecting rod	9-31-4 to 9-31-10	Crankshaft bearing cap	9-10-2 to 9-10-19
Connecting rod bearing package	9-32-2	Crankshaft bearing package	9-09-2
Connection and cable	8-16-1 to 8-16-10	Crankshaft rear bearing oil seal	9-11-1 to 9-11-7
Connector, power brake tube	5-110-18	Crankshaft sprocket	9-08-5
Console, floor tunnel	23-38-1 to 23-38-28	Crankshaft vibration damper	9-13-5
Control, air conditioning	24-24-5 to 24-24-173		

PART NAME	CODE	PART NAME	CODE
Cross, universal joint	16-08-6 to 16-08-7	Differential pinion shaft.	3-08-1 to 3-08-2
Crossmember, frame engine rear support	9-69-4 to 9-69-21	Differential side gear	3-06-5 to 3-06-8
Crossmember, frame front.	13-11-5	Dimmer, automatic headlamp.	1-04-4 to 1-04-18
Crossmember, frame rear	13-18-4 to 13-18-32	Disc, clutch	6-13-1 to 6-13-8
Cup, wheel cylinder piston	5-71-1 to 5-71-2	Distributor, ignition	8-27-1 to 8-27-352
Cushion, front seat	23-108-4 to 23-108-142	Dome lamp and switch	8-05-6 to 8-05-32
Cylinder, master	5-39-1 to 5-39-24	Dome lamp switch	8-05-14
Cylinder, wheel brake.	5-64-1 to 5-64-2	Door	23-11-1 to 23-11-21
Cylinder and key, lock	23-17-2 to 23-17-72	Door check	23-10-1 to 23-10-18
Cylinder block	9-02-5 to 9-02-17	Door edge protector.	1-135-1
Cylinder head	9-03-4 to 9-03-29	Door hinge	23-15-1 to 23-15-32
Cylinder head water outlet elbow . .	9-05-5 to 9-05-6	Door lock and remote control	23-18-5 to 23-18-116
D		Door regulator.	23-14-10 to 23-14-153
Damper, crankshaft vibration	9-13-5	Door remote control handle	23-14-10 to 23-14-153
Deck lid	23-19-8 to 23-19-188	Door trim panel	23-92-5 to 23-92-25
Deflector, fuel tank stone	14-87-2	Drain cock, radiator	7-13-2
Deflector, radiator stone	7-35-2 to 7-35-13	Drain trough	23-59-26 to 23-59-63
Defogger, rear window	1-47-1 to 1-47-19	Drier, receiver	24-26-20 to 24-26-100
Diaphragm, carburetor anti-stall . .	14-50-25	Drive gear and pinion set	3-19-1
Differential and carrier, rear axle . .	3-03-1 to 3-03-36	Drive gear bolt	3-20-1
Differential bearing	3-11-1 to 3-11-14	Drive pinion bearing	3-22-24 to 3-22-45
Differential case	3-04-6 to 3-04-10	Drive shaft	3-32-1 to 3-32-9
Differential clutch parts	3-09-1 to 3-09-3	Drive shaft bearing	3-33-1 to 3-33-8
Differential pinion	3-07-1 to 3-07-2	Drive shaft oil seal.	3-35-14
		Drum, brake.	22-04-2 to 22-04-14
		Drum, hub and brake	22-03-1 to 22-03-2

PART NAME	CODE	PART NAME	CODE
E		Fender bracket	12-06-3 to 12-06-6
Elbow, cylinder head water outlet . .	9-05-5 to 9-05-6	Fender moulding	12-15-21
Elbow, water pump	7-48-22	Fender name plate	12-15-21
Electric door lock switch	23-18-103	Fender pillar support and cowl bracket	12-05-2
Electric seat adjuster switch.	23-47-446	Fender seal	12-02-5 to 12-02-12
Electric window lift and vent wing switch	23-41-170	Fender shim	12-02-5 to 12-02-12
Electric window lift safety switch package	1-50-1	Fender support	12-07-1 to 12-07-3
Electric window lift switch	23-41-170	Filter, oil	10-26-5 to 10-26-65
Emergency flasher light	1-06-2 to 1-06-11	Filter, fuel.	14-67-1 to 14-67-2
Emergency flasher light switch	1-06-3	Flange propeller shaft	16-20-1 to 16-20-8
Engine	9-01-5 to 9-01-24	Floor board	23-04-2 to 23-04-250
Engine front support	9-64-5 to 9-64-24	Floor console side carpet and foundation	23-71-1
Engine front support insulator	9-67-4	Floor mat	23-20-8 to 23-20-65
Engine rear support insulator	9-71-5 to 9-71-19	Floor tunnel console	23-38-1 to 23-38-28
Evaporator	24-28-3 to 24-28-398	Fluid, brake	5-01-1
Exhaust pipe.	11-05-1 to 11-05-12	Flywheel	9-45-1 to 9-45-2
Exhaust pipe flange gasket and stud .	11-06-8 to 11-06-10	Folding top	23-58-3 to 23-58-607
Exhaust pipe support and clamp . . .	11-08-5	Folding top bow tacking strip	23-111-10 to 23-111-37
Exhaust valve	9-39-6 to 9-39-21	Folding top dust boot	23-112-12 to 23-112-160
Extension, automatic 3 speed transmission case	21-04-1 to 21-04-12	Folding top header top material retainer	23-112-4 to 23-112-160
Extension, standard transmission case	21-04-1 to 21-04-16	Folding top lift switch	23-58-532
F		Foot control switch	1-87-5
Fan	7-02-1 to 7-02-16	Foot dimmer switch	8-53-150
Fan and alternator idler pulley . . .	7-04-1 to 7-04-16	Fork, clutch release	6-22-1 to 6-22-19
Fan and related drive belts	7-03-1	Fork, standard transmission gearshift	21-39-3
Fan drive and driven pulley	7-06-1 to 7-06-14	Frame	13-01-1 to 13-01-6
Fan fluid drive unit.	7-07-1	Frame engine rear support cross- member	9-69-4 to 9-69-21
Fan pulley hub	7-05-1	Frame engine rear support cross- member bracket	9-70-9
Fast idle cable	14-24-1 to 14-24-11		
Fender, front	12-01-5 to 12-01-105		

PART NAME	CODE	PART NAME	CODE
Governor	14-68-3	Hood medallion	15-06-0
	to	Hood moulding	15-25-0
	14-68-8	Hood name plate	15-06-0
Governor, automatic 3 speed		Hood top panel	15-03-3
transmission	21-138-2		to
	to		15-03-60
	21-138-38	Hook, coat hanger	23-82-30
Grille, radiator	7-16-11		to
	to		23-82-39
	7-16-82	Horn	8-32-2
Grille guard	1-01-1		to
Guard, bumper	1-01-1		8-32-18
	13-68-6	Horn control	8-33-4
	to		to
	13-68-18		8-33-164
Guard, grille	1-01-1	Hose, brake flexible	5-62-1
Guide, brake shoe	5-25-9		to
Guide, wheel brake shoe	5-26-1		5-62-20
	to	Hose, power brake vacuum	5-111-17
	5-26-5	Hose, radiator	7-14-4
			to
			7-14-31
		Housing, clutch	6-09-1
			to
			6-09-11
		Housing, rear axle	3-02-1
			to
			3-02-20
		Housing, standard transmission case	21-29-3
			to
			21-29-25
		Housing, water pump	7-43-1
			to
			7-43-8
		Housing and shaft, standard trans-	
		mission speedometer cable	21-84-1
			to
			21-84-28
		Hub, fan pulley	7-05-1
		Hub, wheel	22-05-14
			to
			22-05-24
		Hub and brake drum	22-03-1
			to
			22-03-2
		Hub cap	22-08-5
			to
			22-08-57
H		I	
Handle, door remote control	23-14-10	Ignition	8-36-1
	to		to
	23-14-153		8-36-141
Handle, front seat back grab	23-82-14	Ignition coil	8-35-4
Handle, rear door pull-to	23-81-3		to
	to		8-35-115
	23-81-8	Ignition distributor	8-27-1
Hanger, frame rear spring	13-54-4		to
	to		8-27-352
	13-54-15	Ignition lamp	8-40-16
Head, cylinder	9-03-4	Ignition switch and lock cylinder	8-35-4
	to		to
	9-03-29		8-35-115
Headlamp	8-34-1	Impeller and shaft, water pump	7-45-31
	to	Indicator, oil level	10-03-4
	8-34-374		to
Headlamp beam indicator light	8-39-15		10-03-7
	to	Instrument lamp switch	8-53-270
	8-39-17		
Headlamp switch	8-53-270		
Headlining and listing	23-86-2		
	to		
	23-86-37		
Heater and components	1-48-1		
	to		
	1-48-942		
Hinge, door	23-15-1		
	to		
	23-15-32		
Hinge, hood	15-19-2		
	to		
	15-19-47		
Hood bumper	15-09-4		
Hood hinge	15-19-2		
	to		
	15-19-47		
Hood letters	15-06-0		
Hood lock	15-11-3		
	to		
	15-11-53		
Hood lock control	15-14-1		
	to		
	15-14-21		
Hood lock striker	15-13-2		
	to		
	15-13-6		

1963 PASSENGER CAR PARTS CATALOG

PART NAME	CODE	PART NAME	CODE
Instrument panel	23-33-6 to 23-33-240	Lamp, parking brake signal	1-09-1 8-31-2 to 8-31-18
Instrument panel instruments	8-37-1 to 8-37-517	Lamp, trunk compartment	1-30-1
Instrument panel lamp	8-41-36 to 8-41-39	Lamp, underhood	1-13-1
Instrument panel trim pad	23-84-3 to 23-84-31	Lamp and switch, glove box	8-38-23 1-13-10 17-12-3 to 17-12-12
Instrument panel wiring	8-19-2 to 8-19-87	Leaf, rear spring	15-06-0
Instruments, instrument panel	8-37-1 to 8-37-517	Letters, hood	21-142-21
Insulator, body	23-31-33 to 23-31-205	Lever, automatic 3 speed transmission control	6-17-3
Insulator, engine front support	9-67-4	Lever, clutch release	4-25-1
Insulator, engine rear support	9-71-5 to 9-71-19	Lever, parking brake (foot operated)	4-25-28
Insulator, propeller shaft center bearing housing	16-17-1	Lever, parking brake (hand operated)	4-08-1 to 4-08-36
Intake, air	23-61-39 to 23-61-116	Lever, parking brake operating	4-26-1 to 4-26-27
Intake valve	9-39-1 to 9-39-5	Lever and rod, standard transmission gearshift	21-30-2 to 21-30-438
J		License lamp	8-57-7 to 8-57-89
Jack, bumper	13-72-1 to 13-72-4	License mounting parts	8-47-8 to 8-47-131
Joint, universal	16-03-1 to 16-03-20	Lid, deck	23-19-8 to 23-19-188
K		Lift, window	23-39-2 to 23-39-53
Knuckle, steering	2-03-2	Lift, window (electric window)	23-41-4 to 23-41-286
L		Light, emergency flasher	1-06-2 to 1-06-11
Lamp, back-up	1-10-1 8-56-1 to 8-56-74	Lighter, cigar	1-12-1
Lamp, courtesy	1-14-4 to 1-14-6	Liner, body	23-31-33 to 23-31-205
Lamp, glove box	1-19-1	Listing and headlining	23-86-3 to 23-86-37
Lamp, instrument panel	8-41-36 to 8-41-39	Lock, hood	15-11-3 to 15-11-53
Lamp, map	1-14-4 to 1-14-6	Lock, rear door safety	1-72-5
Lamp, map and courtesy	8-42-2 to 8-42-29	Lock, safe-T-matic door	23-13-0
		Lock, transmission parking	4-10-1 to 4-10-28
		Lock cylinder and key	23-17-2 to 23-17-72
		Low oil pressure switch	8-53-327
		Luggage compartment front lining panel	23-96-3 to 23-96-41

PART NAME	CODE	PART NAME	CODE
M		O	
Manifold	9-48-6 to 9-48-158	Oil filter	10-26-5 to 10-26-65
Manifold gasket	9-50-1 to 9-50-16	Oil level indicator	10-03-4 to 10-03-7
Manifold heat control valve	9-59-13 to 9-59-15	Oil pan	10-24-1 to 10-24-38
Manifold heat control valve stop	9-62-1	Oil pressure relief valve	10-22-11 to 10-22-41
Manifold heat control valve thermostat	9-58-1 to 9-58-14	Oil pump	10-07-2 to 10-07-14
Map and courtesy lamp	8-42-2 to 8-42-29	Oil pump drive gear	10-10-1
Map lamp	1-14-4 to 1-14-6	Oil pump drive shaft	10-09-1 to 10-09-7
Master cylinder	5-39-1 to 5-39-24	Oil pump rotor	10-14-18
Master cylinder boot	5-40-1	Oil pump suction pipe	10-18-4
Master cylinder brake tube	5-52-3 to 5-52-62	Oil strainer	10-23-7
Master cylinder piston	5-44-8 to 5-44-9	Ornament, radiator grille	7-17-0
Master cylinder piston push rod	5-47-4 to 5-47-8	Outside finish moulding	23-23-2 to 23-23-85
Master cylinder piston return spring	5-46-1		
Mat, floor	23-20-8 to 23-20-65	P	
Material, seat cloth trim	23-114-2 to 23-114-15	Package, automatic 3 speed trans- mission	21-01-3
Medallion, hood	15-06-0	Package, bearing connecting rod	9-32-2
Medallion, radiator grille	7-17-0	Package, belt	1-67-1 to 1-67-9
Mirror	1-76-1 to 1-76-3	Package, standard transmission	2-01-3
	23-21-3 to 23-21-74	Package, wheel cylinder service	5-63-1 to 5-63-3
Moulding, fender	12-15-21	Pad, body	23-31-33 to 23-31-205
Moulding, garnish	23-22-7 to 23-22-160	Pad, brake pedal	5-28-8
Moulding, hood	15-25-0	Pad, clutch pedal	6-39-1
Moulding, outside finish	23-23-2 to 23-23-85	Pad, instrument panel trim	23-84-3 to 23-84-31
Moulding, trim finish	23-26-16 to 23-26-87	Pan, automatic 3 speed transmission oil	21-119-3 to 21-119-25
Muffler	11-01-1	Pan, body	23-32-15 to 23-32-115
Muffler support	11-02-1 to 11-02-4	Pan, clutch housing	6-10-2 to 6-10-31
		Pan, oil	10-24-1 to 10-24-38
N		Panel, body	23-34-10 to 23-34-356
Name plate, fender	12-15-21	Panel, cowl trim	23-91-6
Name plate, hood	15-06-0	Panel, door trim	23-92-5 to 23-92-25
Nipple, water pump	7-48-22		

PART NAME	CODE	PART NAME	CODE
Panel, hood top	15-03-3 to 15-03-60	Pinion and gear, standard transmission speedometer	21-85-4 to 21-85-61
Panel, instrument	23-33-6 to 23-33-240	Pipe, exhaust	11-05-1 to 11-05-12
Panel, luggage compartment lining	23-96-3 to 23-96-41	Pipe, oil pump suction	10-18-4
Panel, rear quarter trim	23-101-3 to 23-101-33	Pipe, tail	11-09-3
Panel, rear upper pillar	23-99-38	Piston, master cylinder	5-44-8 to 5-44-9
Panel, shelf trim	23-102-3	Piston, w/pin	9-34-5
Panel, visor trim	23-103-3 to 23-103-48	Piston, wheel cylinder	5-70-1
Parking brake cable	4-23-1 to 4-23-46	Piston pin	9-36-5 to 9-36-7
Parking brake lever (foot operated)	4-25-1 to 4-25-28	Piston ring set	9-35-1
Parking brake lever (hand operated)	4-08-1 to 4-08-36	Plate, clutch cover and pressure plate	6-14-1 to 6-14-10
Parking brake lever pawl	4-13-6	Plate, clutch pressure	6-15-1
Parking brake lever return spring	4-19-1	Plug, body	23-32-15 to 23-32-115
Parking brake operating lever	4-26-1 to 4-26-27	Power brake	1-42-1
Parking brake signal lamp	1-09-1 8-31-2 to 8-31-18	Power brake air cleaner	5-113-17
Parking lamp	8-50-82 to 8-50-354	Power brake hose clamp	5-112-1
Pawl, parking brake lever	4-13-6	Power brake power unit	5-100-1 to 5-100-304
Pedal, accelerator	14-01-1 to 14-01-31	Power brake tube connector	5-110-18
Pedal, clutch	6-38-1 to 6-38-23	Power brake vacuum check valve	5-105-1 to 5-105-10
Pedal and bushing, brake	5-27-1 to 5-27-21	Power brake vacuum hose	5-111-17
Pillar, body	23-36-5 to 23-36-138	Power brake vacuum tank	5-102-2 to 5-102-11
Pilot, automatic	1-26-1 14-02-1 to 14-02-79	Power steering column bracket	19-31-7 to 19-31-24
Pin, piston	9-36-5 to 9-36-7	Power steering gear	19-01-4 to 19-01-62
Pinion, automatic 3 speed transmission speedometer	21-85-5 to 21-85-61	Power steering gear arm	19-27-2 to 19-27-55
Pinion, differential	3-07-1 to 3-07-2	Power steering gear arm and idler arm	19-27-2 to 19-27-55
Pinion, standard transmission main drive	21-09-2 to 21-09-33	Power steering gear column jacket	19-14-1 to 19-14-68
		Power steering gear hose	19-58-7 to 19-58-31
		Power steering gear housing	19-02-4 to 19-02-69
		Power steering gear idler arm	19-27-2 to 19-27-55
		Power steering gear piston	19-56-6 to 19-56-90

PART NAME	CODE	PART NAME	CODE
Power steering gear shaft and roller tooth	19-19-1 to 19-19-72		
Power steering gear tube and coupling	19-15-4 to 19-15-69		
Power steering gear valve	19-57-1 to 19-57-64		
Power steering gearshift control rod .	19-48-1 to 19-48-52		
Power steering gearshift rod	19-46-3 to 19-46-55		
Power steering gearshift tube	19-46-3 to 19-46-55		
Power steering oil pump	19-54-2 to 19-54-258		
Power steering wheel	19-30-4 to 19-30-18		
Power unit mounting bracket	5-101-1 to 5-101-6		
Propeller shaft	16-02-1 to 16-02-5		
Propeller shaft center bearing	16-16-1 to 16-16-47		
Propeller shaft center bearing housing insulator	16-17-1		
Propeller shaft flange	16-20-1 to 16-20-8		
Propeller shaft sliding yoke	6-14-1 to 6-14-9		
Propeller shaft spline	6-14-1 to 6-14-9		
Protector, door edge	1-135-1		
Pulley, fan and alternator idler	7-04-1 to 7-04-16		
Pulley, fan drive and driven	7-06-1 to 7-06-14		
Pump, automatic 3 speed transmission oil	21-118-6 to 21-118-57		
Pump, fuel	14-73-1		
Pump, oil	10-07-2 to 10-07-14		
Pump, water	7-42-1 to 7-42-4		
Push button blower motor switch	1-48-770 to 1-48-942		
Push button vacuum switch	24-24-150		
Push nut, front seat back to cushion .	23-115-4 to 23-115-10		
		Q	
		Quarter lamp	8-11-6 to 8-11-19
		Quarter window opening weathercord .	23-113-25 to 23-113-87
		R	
		Rack, roof luggage	1-74-1
		Rack, roof rail and luggage	23-40-82 to 23-40-190
		Radiator core	7-11-3 to 7-11-4
		Radiator core fan shroud	7-08-2
		Radiator cross bar	7-33-1 to 7-33-12
		Radiator drain cock	7-13-2
		Radiator dust shield	7-31-10 to 7-31-45
		Radiator filler cap	7-12-1
		Radiator grille	7-16-11 to 7-16-82
		Radiator grille medallion	7-17-0
		Radiator grille ornament	7-17-0
		Radiator hose	7-14-4 to 7-14-31
		Radiator stone deflector	7-35-2 to 7-35-13
		Radiator yoke	7-26-2 to 7-26-37
		Radio	1-87-1 to 1-87-406
		Radio antenna	1-88-1 to 1-88-205
		Radio power antenna switch	1-88-205
		Rail, standard transmission gearshift	21-34-42 to 21-34-47
		Rear axle control strut	3-01-25 to 3-01-34
		Rear axle differential and carrier	3-03-1 to 3-03-36
		Rear axle housing	3-02-1 to 3-02-20
		Rear bumper face bar	13-66-3 to 13-66-153
		Rear door safety lock	1-72-5
		Rear door pull-to handle	23-81-3 to 23-81-8
		Rear quarter trim panel	23-101-3 to 23-101-33

PART NAME	CODE	PART NAME	CODE
Rear seat back	23-109-3 to 23-109-40	Rod, steering knuckle, tie	2-07-1 to 2-07-41
Rear speaker switch	1-87-239	Rod, valve push	9-42-1
Rear spring	17-11-3 to 17-11-7	Rod, wheel cylinder piston push	5-12-1
Rear spring bumper	17-19-3 to 17-19-20	Rod and lever, standard transmission gearshift	21-30-2 to 21-30-438
Rear spring center bolt	17-14-10	Roller and bushing, universal cross	16-10-1 to 16-10-3
Rear spring clip	17-15-1 to 17-15-30	Roof luggage rack	1-74-1
Rear spring leaf	17-12-3 to 17-12-12	Roof rail and luggage rack	23-40-82 to 23-40-190
Rear spring shackle	17-16-1 to 17-16-8	Rotor, oil pump	10-14-18
Rear spring silent block	17-17-3 to 17-17-5	Run, window glass	23-42-13 to 23-42-59
Rear upper pillar panel	23-99-38	S	
Rear window defogger	1-47-1 to 1-47-19	SAFE-T-MATIC Door Lock	23-13-0
Receiver, ash	23-02-1 to 23-02-150	Safety belt	1-67-1 to 1-67-6
Receiver drier	24-26-20 to 24-26-100	Screen, tailgate window	1-08-1
Regulator, door	23-14-10 to 23-14-153	Screw, front seat center arm	23-115-10
Reinforcement, body	23-07-168 to 23-07-169	Screw, wheel cylinder bleeder	5-67-1
Retainer, folding top header top material	23-112-4 to 23-112-160	Seal, body	23-31-33 to 23-31-205
Rocker, valve	9-43-1 to 9-43-26	Seal, crankshaft rear bearing oil	9-11-1 to 9-11-7
Rod, accelerator pedal to accelerator shaft	14-07-1 to 14-07-15	Seal, drive shaft oil	3-35-14
Rod, clutch pedal	6-50-1 to 6-50-10	Seal, fender	12-02-5 to 12-02-12
Rod, clutch release	6-24-1 to 6-24-14	Seal, standard transmission main shaft bearing oil	21-22-2 to 7-46-1
Rod, connecting	9-31-4 to 9-31-10	Seal, water pump	23-45-29
Rod, fuel pump push	14-77-17	Seat, front	23-45-199 to 23-45-6
Rod, master cylinder piston push	5-47-4 to 5-47-8	Seat, second and third	23-48-6 to 23-48-189
Rod, power steering gearshift	19-46-3 to 19-46-55	Seat cloth trim material	23-114-2 to 23-114-15
Rod, power steering gearshift control	19-48-1 to 19-48-52	Second and third seat	23-48-6 to 23-48-189
		Second seat back hinge cover	23-70-5 to 23-70-6
		Service parts and carburetor assemblies	14-30-2 to 14-30-4 14-30-7 14-30-8 14-30-27 14-30-28 14-35-1 14-35-6 14-35-8 14-35-33 14-35-39 14-39-45 14-41-3 14-43-5

PART NAME	CODE	PART NAME	CODE
Servos, automatic 3 speed transmission	21-137-5	Shield, front fender	12-04-4
	to		to
	21-137-205		12-04-26
Set, automatic 3 speed transmission .	21-01-3	Shield, radiator dust	7-31-10
Set, drive gear and pinion	3-19-1		to
Set, piston ring	9-35-1		7-31-45
Set, standard transmission	21-01-3	Shim, fender	12-02-5
Shackle, rear spring	17-16-1		to
	to		12-02-12
	17-16-8	Shock absorber	17-23-3
Shaft, accelerator	14-11-1		to
	to		17-23-57
	14-11-48	Shock absorber bracket	17-24-3
Shaft, automatic 3 speed transmission	21-05-1		to
	to		17-24-28
	21-05-35	Shock absorber (load leveler)	1-07-1
Shaft, automatic 3 speed transmission	21-129-5	Shoe and lining, wheel brake	5-03-1
input	to		to
	21-129-24		5-03-23
Shaft, automatic 3 speed transmission	21-129-5	Shroud, radiator core fan	7-08-2
torque converter reaction	to	Sill, body side	23-51-3
	21-129-24		to
	5-29-1	Solenoid switch	23-51-45
Shaft, brake pedal	6-43-7	Spare wheel carrier	8-52-330
Shaft, clutch pedal	to		22-20-29
	6-43-13		to
	6-52-1	Spline, propeller shaft	22-20-89
Shaft, clutch torque	to		16-14-1
	6-52-17		to
	3-08-1	Spotlight	16-14-9
Shaft, differential pinion	to		1-108-1
	3-08-2		to
	3-32-1	Spring, accelerator pedal return . . .	1-108-49
	to		14-06-1
	3-32-9		to
Shaft, oil pump drive	10-09-1	Spring, brake pedal return	14-06-10
	to		5-34-1
	10-09-7		to
Shaft, propeller	16-02-1	Spring, clutch pressure	5-34-6
	to	Spring, clutch release bearing return.	6-16-1
	16-02-5	Spring, clutch release center	6-20-14
Shaft, standard transmission	21-16-2		6-35-1
Shaft, standard transmission reverse			to
idler gear	21-12-1	Spring, clutch release fork return . .	6-35-17
	to	Spring, master cylinder piston return	6-27-5
	21-12-2	Spring, parking brake lever return . .	5-46-1
Shaft, sway eliminator	17-29-5	Spring, rear	4-19-1
	to		17-11-3
	17-29-21		to
Shaft and housing, automatic 3 speed	21-84-1	Spring, wheel brake shoe hold-down .	17-11-7
transmission speedometer cable . .	to		5-26-1
	21-84-28		to
	21-84-1	Sprocket, camshaft	5-26-5
	to	Sprocket, crankshaft	9-17-5
	21-84-28	Standard steering column bracket . .	9-08-5
Shaft and housing, standard	7-45-31		19-31-1
transmission cable	to		to
	19-19-1	Standard steering gear	19-31-19
	to		19-01-3
	19-19-72		to
Shaft and impeller, water pump . . .	19-19-4	Standard steering gear arm	19-01-24
Shaft and roller tooth, power steering	to		19-27-2
gear	19-19-70		to
	23-102-3	Standard steering gear arm and idler	19-27-55
Shaft and roller tooth, standard	13-35-1	arm	19-27-2
steering gear			to
			19-27-55
Shelf trim panel			
Shield, battery heat			

PART NAME	CODE	PART NAME	CODE
Standard steering gear column jacket .	19-14-1 to 19-14-68	Standard transmission gearshift lever and rod	21-30-2 to 21-30-438
Standard steering gear idler arm . . .	19-27-2 to 19-27-55	Standard transmission gearshift rail .	21-34-42 to 21-34-47
Standard steering gear housing	19-02-4 to 19-02-18	Standard transmission main drive pinion	21-09-2 to 21-09-33
Standard steering gear housing cover .	19-04-1 to 19-04-13	Standard transmission main shaft . .	21-16-3
Standard steering gear shaft and roller tooth	19-19-4 to 19-19-70	Standard transmission main shaft bearing	21-19-2 to 21-19-16
Standard steering gear tube and coupling	19-15-4 to 19-15-111	Standard transmission main shaft bearing oil seal	21-22-2
Standard steering gearshift control rod	19-48-1 to 19-48-52	Standard transmission main shaft pilot bearing	21-17-2 to 21-17-9
Standard steering gearshift rod . . .	19-46-3 to 19-46-55	Standard transmission package	21-01-3
Standard steering gearshift tube . . .	19-46-3 to 19-46-55	Standard transmission remote control gearshift	21-42-11 to 21-42-43
Standard steering wheel	19-30-4 to 19-30-18	Standard transmission reverse idler gear	21-11-1 to 21-11-16
Standard transmission	21-02-1 to 21-02-6	Standard transmission reverse idler gear shaft	21-12-1 to 21-12-2
Standard transmission cable shaft and housing	21-84-1 to 21-84-28	Standard transmission set	21-01-3
Standard transmission case	21-03-1 to 21-03-25	Standard transmission speedometer pinion and gear	21-85-4 to 21-85-61
Standard transmission case cover . .	21-29-3 to 21-29-25	Starting motor	8-52-4 to 8-52-389
Standard transmission case extension.	21-04-1 to 21-04-16	Steering knuckle	2-03-3
Standard transmission case housing .	21-29-3 to 21-29-25	Steering knuckle tie rod	2-07-1 to 2-07-41
Standard transmission clutch gear . .	21-14-1 to 21-14-21	Steering linkage knuckle arm	2-05-4
Standard transmission countershaft .	21-24-2 to 21-24-22	Stop, brake pedal	5-30-12
Standard transmission countershaft bearing	21-25-2 to 21-25-6	Stop, manifold heat control valve . .	9-62-1
Standard transmission countershaft gear	21-15-2 to 21-15-33	Stop and turn signal lamp	8-55-1 to 8-55-335
Standard transmission gear	21-10-3 to 21-10-41	Stop lamp	8-58-60
Standard transmission gearshift fork .	21-39-3	Strainer, automatic 3 speed transmission oil pump	21-117-1 to 21-117-3
		Strainer, oil	10-23-7
		Strap, assist	23-77-3 to 23-77-17
		Strap, battery hold-down	13-34-3
		Striker, body	23-08-12 to 23-08-76
		Striker, hood lock	15-13-2 to 15-13-6

1963 PASSENGER CAR PARTS CATALOG

PART NAME	CODE	PART NAME	CODE
Throttle control bell crank	14-14-1 to 14-14-57	Unit, power brake power	5-100-1 to 5-100-304
Throttle control cable	14-25-5 to 14-25-13	Universal cross roller and bushing . .	16-10-1 to 16-10-3
Throttle control mounting bracket . .	14-26-2 to 14-26-6	Universal joint	16-03-1 to 16-03-20
Throttle linkage ball stud	14-13-1 to 14-13-5	Universal joint body	16-04-1
Timing chain	9-20-1	Universal joint centering button . . .	16-06-1 to 16-06-3
Top, folding	23-58-3 to 23-58-607	Universal joint cover	16-07-3 to 16-07-4
Torque convertor	9-46-4 to 9-46-228	Universal joint cross	16-08-6 to 16-08-7
Torsion parts, front suspension . . .	2-14-1 to 2-14-25	V	
Transmission, automatic 3 speed . . .	21-02-1 to 21-02-8	Valve, exhaust	9-39-6 to 9-39-2
Transmission, standard	21-02-1 to 21-02-6	Valve, intake	9-39-1 to 9-39-5
Transmission parking lock	4-10-1 to 4-10-28	Valve, oil pressure relief	10-22-11 to 10-22-41
Tray, battery support	13-33-61 to 13-33-68	Valve, power brake vacuum check . .	5-105-1 to 5-105-10
Trim finish moulding	23-26-16 to 23-26-87	Valve, power steering gear	19-57-1 to 19-57-64
Trough, drain	23-59-26 to 23-59-63	Valve body and valves, automatic 3 speed transmission	21-139-4 to 21-139-193
Trunk compartment lamp	1-30-1 to 1-30-3	Valve push rod	9-42-1
Trunk compartment lamp switch . . .	1-30-3	Valve rocker	9-43-1 to 9-43-26
Trunk lamp	8-13-1 to 8-13-6	Valve tappet	9-41-1 to 9-41-4
Tube, fuel line	14-89-2 to 14-89-57	Valves and valve body, automatic 3 speed transmission	21-139-4 to 21-139-193
Tube, master cylinder brake	5-52-3 to 5-52-62	Vent, cowl	23-61-39 to 23-61-116
Tube, power steering gearshift	19-46-2 to 19-46-55	Vent system, crankcase closed	10-02-53 to 10-02-40
Tubing and cover, brake	5-53-3 to 5-53-6	Vent wing	23-64-4 to 23-64-314
Tufting button	23-78-2	Visor	1-32-2
Turn signal lamp	8-50-82 to 8-50-354	Visor, arm and bracket	23-103-10 to 23-103-48
U		Visor, bracket and arm	23-103-10 to 23-103-48
Underhood lamp	1-13-1 to 1-13-10	Visor trim panel	23-103-3 to 23-103-48
Underhood lamp switch	1-13-10		
Unit, fan fluid drive	7-07-1		

PART NAME	CODE	PART NAME	CODE
W			
Washer, windshield	1-82-2 to 1-82-48	Wheel cylinder bleeder screw	5-67-1
Water pump	7-42-1 to 7-42-4	Wheel cylinder boot	5-69-1
Water pump elbow	7-48-22	Wheel cylinder piston	5-70-1
Water pump gasket	7-44-3 to 7-44-4	Wheel cylinder piston cup	5-71-1
Water pump housing	7-43-1 to 7-43-8	Wheel cylinder piston push rod	5-71-2
Water pump nipple	7-48-22	Wheel cylinder service package	5-12-1
Water pump seal	7-46-1	Wheel cylinder service package	5-63-1
Water pump shaft and impeller	7-45-31	Wheel cylinder service package	to 5-63-3
Weathercord	23-113-2 to 23-113-87	Wheel hub	22-05-14
Weatherstrip	23-63-14 to 23-63-183	Wheel hub	to 22-05-24
Weight, wheel balance	22-09-1	Wheelhouse second seat back hinge bracket cover	23-70-5
Wheel	22-01-5 to 22-01-56	Window	23-70-6
Wheel, power steering	19-30-4 to 19-30-18	Window	23-64-4
Wheel, standard steering	19-30-4 to 19-30-18	Window glass run	to 23-64-119
Wheel balance weight	22-09-1	Window glass run	23-42-13
Wheel brake adjuster	5-20-1 to 5-20-20	Window lift (electric window)	to 23-42-59
Wheel brake cylinder	5-64-1 to 5-64-2	Window lift (electric window)	23-41-4
Wheel brake shoe and lining	5-03-1 to 5-03-23	Window lift (manual)	to 23-41-286
Wheel brake shoe guide	5-26-1 to 5-26-5	Window lift (manual)	23-39-2
Wheel brake shoe hold-down spring	5-26-1 to 5-26-5	Window safety switch	23-39-53
Wheel brake support	5-13-1 to 5-13-35	Window safety switch	1-50-1
		Windshield	23-66-65
		Windshield	to 23-66-239
		Windshield washer	1-82-2
		Windshield washer	to 1-82-48
		Windshield washer switch	1-82-14
		Windshield wiper	23-67-2
		Windshield wiper	to 23-67-204
		Wing, vent	23-64-4
		Wing, vent	to 23-64-314
		Wiper, windshield	23-67-2
		Wiper, windshield	to 23-67-204
		Y	
		Yoke, propeller shaft sliding yoke	6-14-1
		Yoke, propeller shaft sliding yoke	to 6-14-9
		Yoke, radiator	7-26-2
		Yoke, radiator	to 7-26-37

NOTES

PART NUMBER	CODE	PART NUMBER	CODE	PART NUMBER	CODE	PART NUMBER	CODE	PART NUMBER	CODE
NUMERICAL INDEX									
Standard Parts not listed in this index.		151 579. . . . 8-44-1		620 181. . . 19-04-13		698 404. . . . 3-11-1		1138 526. . . 8-52-11	
50 082. . . . 9-05-6		152 229. . . . 3-08-2		620 521. . . 21-19-2		729 152. . . 23-06-14		1139 153. . . 21-03-24	
50 652. . . . 3-32-6		152 240. . . . 8-44-1	19-15-23	623 207. . . 8-27-114		842 295. . . 9-48-12		1139 204. . . 21-02-6	
53 298. . . . 9-07-12		152 244. . . . 8-44-1		629 768. . . 16-06-1		24-25-14		1139 316. . . 22-05-24	
53 553. . . . 3-32-5		152 280. . . . 8-44-1		631 217. . . . 6-24-7				1139 317. . . 22-05-24	
106 650. . . . 8-17-2		162 090. . . 23-76-3		19-48-21		849 517. . . 23-18-21			
		180 018. . . 19-48-47		21-30-426		852 750. . . 10-26-27		1142 259. . . 22-04-11	
106 652. . . . 8-17-2		180 020. . . 12-07-3				855 521. . . . 6-16-1		1142 316. . . 22-04-11	
113 238. . . . 8-44-1		180 075. . . 23-58-220		631 809. . . 21-19-15		857 999. . . 16-08-6		1152 315. . . 1-48-394	
115 273. . . . 8-44-1				631 810. . . 21-19-15		858 006. . . 16-10-2		1158 976. . . 23-112-75	
116 000. . . 23-54-73				631 823. . . 21-09-23				1158 977. . . 23-112-75	
23-84-3		180 077. . . 9-23-10		21-14-20		859 882. . . . 6-13-4			
117 142. . . . 8-17-2		12-04-6		21-19-15		862 072. . . 14-85-33		1188 668. . . 19-19-25	
120 075. . . 19-31-2		180 081. . . 23-48-166		631 824. . . 21-09-23		862 173. . . 21-17-7		1188 715. . . . 3-33-2	
120 114. . . . 8-17-2		271 506. . . . 8-52-6		21-14-20		864 397. . . . 6-16-1		1191 144. . . 5-100-31	
120 151. . . . 8-17-2		272 314. . . 5-13-10		21-19-15		866 591. . . . 6-16-1		1191 159. . . 5-100-53	
120 622. . . 23-112-160				631 825. . . 21-09-23				1193 106. . . 5-39-12	
		273 503. . . . 4-08-8		21-14-20		870 469. . . 9-48-153			
125 978. . . 23-63-55		273 703. . . . 3-32-9		21-19-15		19-58-25		1193 701. . . 5-100-154	
126 049. . . . 8-17-2		273 705. . . 2-08-68				870 539. . . 16-07-3		1235 644. . . 24-28-210	
127 934. . . . 8-44-1		274 004. . . . 8-44-1		631 877. . . 21-09-25		870 540. . . 16-07-3		1239 241. . . 1-47-16	
128 027. . . 2-10-68		274 020. . . . 8-44-1		632 258. . . 21-30-426		870 821. . . . 8-16-4		1239 344. . . 1-108-49	
5-13-10				633 238. . . 6-22-15		892 569. . . 8-55-159		1242 974. . . 12-02-5	
131 282. . . . 8-44-1		274 109. . . 23-103-37		638 637. . . 16-03-3		903 895. . . . 8-16-4		15-03-5	
142 303. . . . 8-44-1		274 148. . . . 8-44-1		639 173. . . 14-24-9		917 248. . . 14-24-1		19-14-38	
142 304. . . . 8-44-1		274 461. . . 14-67-2				923 355. . . 4-23-33		23-59-39	
142 306. . . . 8-44-1		14-89-57		639 174. . . 14-24-11		930 304. . . . 8-16-5			
142 307. . . . 8-44-1		274 744. . . 19-15-23		640 086. . . 19-15-60				1245 581. . . 23-39-19	
				640 280. . . 16-16-25		932 143. . . 15-14-12		1246 543. . . 23-113-36	
142 308. . . . 8-44-1		274 831. . . 23-58-240		21-19-15		952 538. . . 16-02-5		1249 332. . . 23-58-209	
142 311. . . . 8-44-1		307 555. . . 6-14-10		640 331. . . 21-19-15		953 717. . . 8-27-100		1249 525. . . 23-58-211	
142 312. . . . 8-44-1		308 247. . . 3-11-14				960 003. . . . 9-58-5		1256 337. . . 23-39-2	
142 446. . . . 8-44-1		314 926. . . 6-14-10		640 332. . . 21-09-23		973 633. . . 23-92-8		23-39-44	
142 447. . . . 8-44-1		314 948. . . . 3-03-8		21-14-20				1264 933. . . . 8-16-5	
				21-19-15		975 633. . . 23-71-1		1267 503. . . 5-100-4	
142 449. . . . 8-44-1		376 751. . . 19-15-63		643 899. . . 8-27-296		23-76-66		1267 509. . . 5-100-33	
142 450. . . . 8-44-1		381 875. . . 9-39-17		658 998. . . . 6-19-3		23-92-5		1267 510. . . 5-100-43	
142 451. . . . 8-44-1		391 888. . . 21-30-426				23-92-8		1280 134. . . 23-76-16	
142 452. . . . 8-44-1		445 365. . . . 8-17-2		660 146. . . . 6-13-8		23-101-3		23-76-59	
142 453. . . . 8-44-1		446 363. . . 19-54-179		663 480. . . . 3-08-1		23-115-6		23-76-80	
				665 151. . . . 8-16-10				23-76-81	
142 454. . . . 8-44-1		455 107. . . . 8-17-2		666 790. . . 14-11-3		985 563. . . 23-64-4			
142 455. . . . 8-44-1		456 098. . . 8-52-50		24-28-72		988 098. . . 15-14-13		1297 879. . . 23-47-454	
142 456. . . . 8-44-1		456 744. . . 23-21-14				989 513. . . 23-08-12		1298 930. . . 23-06-14	
142 457. . . . 8-44-1		456 867. . . 23-06-25		666 924. . . 21-11-9		1064 541. . . 5-111-17		1300 528. . . 8-20-12	
142 864. . . . 8-17-2		562 704. . . 19-02-18		666 927. . . 21-11-2		10-02-53		1302 783. . . 1-48-559	
				21-25-2				4-10-25	
145 032. . . 19-30-18		566 170. . . 19-02-18		667 774. . . 14-11-3		1064 754. . . . 8-16-3			
145 416. . . . 8-44-1		574 812. . . 13-64-6		670 776. . . 9-46-228		1067 037. . . . 6-16-1		1302 807. . . 8-56-46	
145 511. . . . 8-17-2		579 396. . . 11-06-4		21-136-235		1118 149. . . . 3-32-4		21-03-25	
147 683. . . . 8-17-2		579 445. . . 16-03-7				1118 161. . . . 5-58-1		1313 312. . . . 6-13-8	
147 684. . . . 8-17-2		600 194. . . 22-06-14		671 915. . . 6-20-14		1119 423. . . . 5-56-2		1314 619. . . 8-42-10	
				672 709. . . 21-09-33		14-90-1		1315 466. . . 1-48-555	
147 686. . . . 8-17-2		601 014. . . 5-13-10		681 135. . . 23-36-123				7-14-9	
148 086. . . . 8-17-2		601 108. . . 21-17-7		682 905. . . 19-19-7		1122 532. . . . 9-02-7		1315 697. . . 22-05-24	
148 511. . . . 8-17-2		601 864. . . 3-11-13		683 051. . . 11-06-8		1123 152. . . 10-26-1		1315 698. . . 22-05-24	
148 559. . . . 8-17-2		602 820. . . 16-03-19				1123 313. . . 19-04-13		1316 669. . . 9-46-43	
150 866. . . . 8-17-2		605 004. . . 16-03-16		683 057. . . 9-62-1		1134 479. . . 19-04-5		1316 772. . . 19-14-15	
				688 900. . . 11-10-26		19-19-25		1316 813. . . 21-30-390	
151 559. . . . 8-44-1		611 898. . . . 8-16-8		697 812. . . 21-25-4		1135 197. . . 3-03-26			
151 567. . . . 8-44-1		617 115. . . 23-48-116		698 399. . . . 3-33-2		1135 625. . . 19-51-17		1316 815. . . 21-119-25	
151 576. . . . 8-44-1		618 621. . . 10-22-40		698 400. . . . 3-33-1		1137 669. . . 4-25-15		1316 849. . . 21-113-28	
151 577. . . . 8-44-1		618 622. . . 10-22-41				19-48-23		1319 554. . . 17-23-53	
151 578. . . . 8-44-1		620 180. . . 19-04-13		698 403. . . . 3-11-2		21-30-433			

1963 PASSENGER CAR PARTS CATALOG

NUMERICAL INDEX

PART		PART		PART		PART		PART	
NUMBER	CODE	NUMBER	CODE	NUMBER	CODE	NUMBER	CODE	NUMBER	CODE
1319 555. . .	17-23-53	1402 981. . .	9-48-43	1536 359. . .	10-22-8	1615 352. . .	22-09-1	1633 052. . .	22-05-14
1319 902. . .	17-23-52		11-06-2	1539 430. . .	21-139-49	1615 353. . .	22-09-1	1633 053. . .	22-05-14
		1404 472. . .	3-22-24		21-139-98	1615 354. . .	22-09-1	1633 214. . .	19-51-16
					23-47-197			1633 217. . .	19-51-10
1320 133. . .	14-06-1				24-28-230	1615 836. . .	14-68-8	1633 669. . .	21-09-19
1320 517. . .	10-26-49	1405 522. . .	4-13-10			1616 185. . .	16-03-20		
1322 503. . .	23-32-99	1405 523. . .	4-08-25	1544 841. . .	23-08-12	1618 157. . .	14-35-1	1633 718. . .	21-09-5
	23-48-55	1405 526. . .	4-13-6	1550 358. . .	10-22-17	1618 220. . .	14-35-1		21-19-2
1322 765. . .	21-10-16	1405 532. . .	4-08-27	1550 359. . .	10-22-46	1618 610. . .	19-58-30	1633 762. . .	21-15-33
		1405 533. . .	4-13-6	1550 711. . .	21-136-55			1633 763. . .	21-15-33
1323 881. . .	10-26-26			1551 766. . .	13-64-5	1618 611. . .	19-58-31	1633 928. . .	3-08-1
1323 882. . .	10-26-30	1406 504. . .	6-16-1			1618 666. . .	9-17-5		
1323 883. . .	10-26-16	1406 748. . .	5-62-7	1554 593. . .	6-13-4	1618 671. . .	9-43-9	1633 937. . .	3-08-2
1323 884. . .	10-26-28	1407 347. . .	6-24-3	1556 082. . .	21-138-26	1618 683. . .	9-23-18	1633 959. . .	3-07-1
1324 090. . .	6-22-17	1408 853. . .	9-02-9	1556 385. . .	19-02-15	1618 686. . .	9-07-17	1633 960. . .	3-06-6
		1408 867. . .	9-10-19	1556 675. . .	5-39-21			1633 961. . .	3-07-2
1324 268. . .	9-43-19			1556 693. . .	4-19-1	1618 695. . .	9-03-10	1634 508. . .	6-24-6
1324 464. . .	9-02-17	1408 915. . .	13-36-5				9-10-19		
1324 470. . .	9-36-7	1408 918. . .	13-36-5	1557 575. . .	10-26-27	1618 696. . .	9-03-10	1634 619. . .	2-07-2
1324 963. . .	7-03-1	1409 594. . .	9-58-14	1557 581. . .	10-26-65	1618 701. . .	9-31-10	1634 701. . .	14-30-2
1325 906. . .	8-33-40	1426 501. . .	24-25-70	1557 584. . .	10-26-37	1618 718. . .	9-15-2	1634 984. . .	3-03-3
		1432 929. . .	23-32-79	1558 058. . .	7-03-1			1635 098. . .	16-03-20
1326 091. . .	9-10-2			1558 352. . .	17-29-21	1618 732. . .	9-15-10	1635 282. . .	21-24-2
1326 093. . .	9-11-1	1440 489. . .	23-41-138			1618 736. . .	9-20-1		
1326 219. . .	3-07-1	1440 596. . .	23-41-7	1558 897. . .	9-59-13	1618 738. . .	9-36-5	1635 290. . .	21-12-1
1326 835. . .	8-27-26	1450 087. . .	17-16-1	1559 753. . .	5-39-18	1618 739. . .	9-36-5	1635 293. . .	21-12-2
1326 836. . .	8-27-4	1450 500. . .	7-14-10	1566 038. . .	23-18-112	1618 740. . .	9-36-5		21-24-22
		1450 961. . .	17-16-1	1569 909. . .	21-09-23			1635 588. . .	17-23-52
1326 847. . .	14-29-5			1570 956. . .	24-28-79	1618 848. . .	6-22-1	1635 600. . .	3-01-28
1327 471. . .	7-03-1	1458 246. . .	23-18-28			1619 627. . .	9-48-56		
1327 847. . .	3-22-25	1458 247. . .	23-18-28	1571 028. . .	1-82-30	1619 636. . .	9-39-16	1635 666. . .	17-15-1
1327 986. . .	11-10-8	1475 487. . .	23-64-12	1575 953. . .	23-82-14	1619 700. . .	22-06-2	1636 010. . .	2-10-76
1329 092. . .	19-19-40	1475 900. . .	23-04-117	1592 654. . .	23-47-66	1619 701. . .	22-06-1	1636 017. . .	2-10-76
		1476 900. . .	23-10-17	1594 834. . .	23-47-432			1636 423. . .	21-139-30
1331 850. . .	24-28-72			1594 992. . .	23-67-20	1619 702. . .	22-06-2	1636 461. . .	21-138-13
1336 419. . .	23-54-62	1479 060. . .	23-41-12			1619 703. . .	22-06-1		
1339 711. . .	1-48-779	1484 356. . .	8-36-141	1594 993. . .	23-67-102	1622 064. . .	1-48-24	1636 462. . .	21-138-13
	23-67-161	1485 066. . .	3-03-31	1594 995. . .	23-67-100	1622 352. . .	23-67-82	1636 464. . .	21-138-19
	24-24-137	1485 510. . .	17-15-28	1595 160. . .	1-48-555	1622 535. . .	8-01-11	1636 465. . .	21-138-19
	24-28-357	1486 205. . .	19-01-61	1598 388. . .	8-55-233		8-01-20	1636 470. . .	21-137-8
1343 212. . .	10-24-23	1489 747. . .	17-15-1	1603 364. . .	11-02-1	1622 536. . .	8-01-12	1636 570. . .	11-06-8
1345 871. . .	8-16-8	1495 160. . .	23-67-119				8-01-21		
1349 190. . .	23-64-246	1498 776. . .	23-41-5	1603 365. . .	11-02-1			1637 502. . .	19-58-9
1370 460. . .	4-10-28	1502 556. . .	5-100-19	1603 397. . .	16-07-4	1623 104. . .	23-02-107	1637 563. . .	9-39-6
	8-01-4	1502 557. . .	5-100-17	1604 053. . .	1-82-22	1623 132. . .	8-11-12	1637 564. . .	9-39-6
	8-37-508			1604 116. . .	1-48-90	1624 506. . .	7-08-7	1637 565. . .	9-39-6
		1502 559. . .	5-100-304		24-01-26			1637 721. . .	9-42-1
1373 263. . .	15-13-5	1502 565. . .	5-100-242	1604 889. . .	23-14-33	1624 582. . .	12-06-3		
1377 825. . .	24-25-260	1502 566. . .	5-100-242	1604 890. . .	23-14-33	1626 749. . .	23-54-191	1637 779. . .	5-27-2
1377 831. . .	24-25-189	1506 248. . .	5-100-299	1604 921. . .	8-33-118		23-76-17		6-38-3
1380 060. . .	23-32-51	1520 675. . .	23-47-22	1605 267. . .	24-28-235	1627 125. . .	1-87-404	1637 782. . .	5-29-1
	23-48-93			1605 271. . .	1-48-688	1627 273. . .	23-67-16	1638 151. . .	16-16-6
	23-54-50	1520 791. . .	23-82-30		24-28-200	1630 878. . .	21-25-6	1638 461. . .	21-138-29
		1520 798. . .	23-17-66	1605 298. . .	23-58-399	1630 896. . .	21-136-15	1639 171. . .	2-14-15
1381 435. . .	23-64-4	1523 160. . .	1-82-8	1605 299. . .	23-67-80	1631 353. . .	14-35-8	1639 182. . .	14-65-4
1383 351. . .	23-41-128	1530 398. . .	17-15-30	1605 602. . .	23-67-202	1631 356. . .	14-35-1	1639 597. . .	9-59-15
1383 958. . .	8-27-205	1531 725. . .	19-02-18	1605 604. . .	23-67-82	1631 502. . .	14-43-5	1639 947. . .	9-39-21
1392 371. . .	3-03-35			1607 897. . .	23-02-79			1639 970. . .	21-30-345
	9-02-12	1532 943. . .	16-07-3		23-02-105	1632 106. . .	9-43-14		
	9-48-9	1533 121. . .	7-03-1	1613 388. . .	2-14-13	1632 519. . .	9-10-5	1641 511. . .	1-108-28
		1533 190. . .	19-48-21	1613 416. . .	22-08-57	1632 520. . .	9-10-5	1641 578. . .	23-58-396
1392 770. . .	19-27-8	1533 532. . .	7-03-1	1613 782. . .	9-48-43	1632 522. . .	9-16-6	1641 579. . .	23-58-395
1400 185. . .	14-74-1	1533 923. . .	21-03-40	1614 666. . .	9-39-17	1632 523. . .	9-16-6	1641 586. . .	23-58-430
1400 269. . .	17-16-8			1615 349. . .	22-09-1			1641 590. . .	23-58-399
1400 857. . .	14-35-1	1534 697. . .	14-02-79			1632 524. . .	9-16-6		
1401 808. . .	3-22-24	1536 242. . .	8-01-10	1615 350. . .	22-09-1	1632 525. . .	9-16-6	1641 592. . .	23-58-430
			9-43-23	1615 351. . .	22-09-1	1632 526. . .	9-16-6	1641 650. . .	23-58-381
1401 809. . .	3-22-24	1536 268. . .	4-10-27			1633 050. . .	22-05-14	1641 903. . .	7-08-15
1401 810. . .	3-22-25		19-56-90			1633 051. . .	22-05-14		

PART NUMBER	CODE	PART NUMBER	CODE	PART NUMBER	CODE	PART NUMBER	CODE	PART NUMBER	CODE
1642 029.	. . . 23-67-80	1672 194.	. . . 21-04-11	1691 076.	. . . 23-64-308	1708 998.	. . . 23-64-237	1736 521.	. . . 21-133-46
1642 384.	. . . 23-67-163	1672 287.	. . . 21-137-8	1691 077.	. . . 23-64-308	1730 009. 5-29-1	1737 430.	. . . 13-64-5
		1672 960.	. . . 2-08-62	1691 078.	. . . 23-64-308	1730 019.	. . . 6-43-13		13-66-15
1642 477.	. . . 8-53-266		2-10-67	1691 079.	. . . 23-64-308	1730 087.	. . . 14-86-63	1737 622.	. . . 9-17-5
1643 151.	. . . 9-09-2	1672 964.	. . . 17-29-5	1691 086.	. . . 23-09-9	1730 095.	. . . 14-72-47	1737 645.	. . . 9-43-1
1643 152.	. . . 9-09-2	1672 980.	. . . 19-27-50	1691 087.	. . . 23-09-9	1730 155.	. . . 7-02-16	1737 646.	. . . 9-43-1
1643 153.	. . . 9-09-2	1672 988.	. . . 17-29-16	1691 100.	. . . 23-41-9	1730 160.	. . . 3-01-25	1737 694.	. . . 9-31-5
1643 154.	. . . 9-09-2	1672 989.	. . . 17-29-13	1691 104.	. . . 23-64-12	1730 366.	. . . 7-14-9	1737 695.	. . . 9-31-7
		1673 060.	. . . 17-29-11	1691 105.	. . . 23-64-12				9-48-44
1643 155.	. . . 9-09-2	1673 065.	. . . 17-29-10	1691 107.	. . . 23-34-225	1730 978.	. . . 8-33-19	1737 698.	. . . 9-39-6
1643 156.	. . . 9-09-2	1673 090.	. . . 17-29-15	1691 238.	. . . 23-64-311	1730 985.	. . . 19-19-35	1737 705.	. . . 7-44-3
1643 721.	. . . 23-58-242	1673 184.	. . . 4-10-3	1691 239.	. . . 23-64-311	1731 143.	. . . 21-30-340	1737 709.	. . . 9-50-6
	23-63-16		21-30-394	1691 240.	. . . 23-64-311	1731 228.	. . . 5-28-8	1737 718.	. . . 10-07-10
1648 380.	. . . 24-28-60	1673 324.	. . . 22-06-10	1691 241.	. . . 23-64-311		6-39-2	1737 725.	. . . 10-09-7
				1691 275.	. . . 23-10-18	1731 341.	. . . 17-29-15	1737 742.	. . . 10-22-15
1648 394.	. . . 24-28-175	1673 367.	. . . 3-03-25	1691 397.	. . . 23-58-75	1731 414.	. . . 19-27-2		
1648 398.	. . . 24-28-301	1673 375.	. . . 3-33-1	1691 400.	. . . 23-58-75	1731 415.	. . . 19-27-2	1737 745.	. . . 14-77-17
1648 407.	. . . 24-28-24	1673 646.	. . . 9-45-2	1691 415.	. . . 23-58-75	1731 525.	. . . 9-07-8	1737 756.	. . . 9-43-3
1648 430.	. . . 24-28-73	1673 649.	. . . 7-03-1	1691 887.	. . . 23-59-26	1731 769.	. . . 3-01-30	1737 757.	. . . 9-42-1
1648 442.	. . . 24-28-303	1673 650.	. . . 7-03-1	1691 899.	. . . 23-19-85			1737 761.	. . . 7-44-4
				1691 901.	. . . 23-111-37	1732 198.	. . . 4-08-35	1737 770.	. . . 10-24-8
1648 460.	. . . 24-28-76	1673 921.	. . . 21-30-370	1691 902.	. . . 23-58-76	1732 300.	. . . 22-06-5		
1651 300.	. . . 23-34-27	1673 974.	. . . 19-02-17	1691 903.	. . . 23-58-76	1732 946.	. . . 19-54-181	1737 771.	. . . 9-23-18
1651 301.	. . . 23-34-27	1674 082.	. . . 13-18-32	1691 911.	. . . 23-58-229	1733 218.	. . . 19-01-24	1737 780.	. . . 14-39-45
1651 396.	. . . 23-15-3	1675 246.	. . . 6-24-1	1691 923.	. . . 23-111-30	1733 488.	. . . 19-54-86	1737 925.	. . . 7-03-1
1651 397.	. . . 23-15-3	1675 271.	. . . 19-19-40	1691 946.	. . . 23-58-486			1738 206.	. . . 19-19-28
				1691 947.	. . . 23-58-486	1733 562.	. . . 19-02-69	1738 268.	. . . 5-46-1
1651 400.	. . . 23-15-1	1675 448.	. . . 3-32-1	1691 948.	. . . 23-58-472	1733 577.	. . . 19-19-4		
	23-15-3	1675 449.	. . . 3-32-1	1691 949.	. . . 23-58-472	1733 588.	. . . 19-14-13	1738 635.	. . . 14-65-4
1651 431.	. . . 23-66-135	1675 485.	. . . 3-20-1	1692 172.	. . . 23-20-19	1733 593.	. . . 19-01-52	1738 662.	. . . 19-54-181
1651 493.	. . . 7-16-82	1675 821.	. . . 17-24-28	1692 173.	. . . 23-20-19	1733 602.	. . . 19-14-18	1738 678.	. . . 19-54-130
	23-14-153	1675 958.	. . . 8-27-27	1692 678.	. . . 8-20-9	1733 604.	. . . 19-19-24	1738 683.	. . . 19-54-188
			10-24-23	1695 319.	. . . 22-20-29	1733 612.	. . . 19-57-13	1738 794.	. . . 3-22-27
1652 067.	. . . 23-54-118	1676 197.	. . . 21-14-6	1695 431.	. . . 23-14-21	1733 615.	. . . 19-19-26	1738 795.	. . . 3-22-27
1652 093.	. . . 14-11-3	1676 200.	. . . 19-48-50	1696 605.	. . . 15-13-6	1733 625.	. . . 19-14-19	1738 796.	. . . 3-22-27
1658 534.	. . . 8-27-71		21-42-42	1697 413.	. . . 23-81-3	1733 627.	. . . 19-19-32	1738 797.	. . . 3-22-27
1658 535.	. . . 8-27-300	1676 692.	. . . 14-35-1	1697 607.	. . . 23-09-2			1738 798.	. . . 3-22-27
1658 638.	. . . 24-25-156	1680 109.	. . . 23-64-4		23-09-17	1733 724.	. . . 19-57-16	1738 799.	. . . 3-22-27
				1698 140.	. . . 23-02-42	1733 763.	. . . 19-01-8		
1658 660.	. . . 8-34-178	1686 107.	. . . 7-12-1	1698 868.	. . . 23-06-14	1733 790.	. . . 19-19-30	1738 800.	. . . 3-22-27
1658 766.	. . . 24-28-17	1686 198.	. . . 7-13-2	1704 061.	. . . 23-67-91	1733 791.	. . . 19-01-51	1738 801.	. . . 3-22-27
1661 046.	. . . 1-108-17	1686 412.	. . . 7-08-2	1704 062.	. . . 23-67-48	1733 799.	. . . 19-19-30	1738 802.	. . . 3-22-27
1664 564.	. . . 5-13-35	1686 414.	. . . 7-08-2	1704 063.	. . . 23-67-48	1733 791.	. . . 19-01-51	1738 805.	. . . 3-22-28
1669 337.	. . . 5-71-1	1686 451.	. . . 7-08-13	1704 066.	. . . 23-67-49	1733 805.	. . . 7-06-3	1738 806.	. . . 3-22-28
				1704 283.	. . . 21-113-24			1738 807.	. . . 3-22-28
1670 299.	. . . 19-27-33	1686 453.	. . . 7-08-13	1704 067.	. . . 8-42-10	1734 028.	. . . 14-11-25	1738 812.	. . . 3-22-27
	19-27-40	1686 463.	. . . 7-08-2	1704 482.	. . . 21-113-29	1734 030.	. . . 14-11-20	1738 818.	. . . 3-22-27
	19-27-55	1686 914.	. . . 12-01-10	1704 689.	. . . 8-33-90	1734 159.	. . . 16-04-1	1738 813.	. . . 3-22-27
1670 356.	. . . 19-19-36	1688 207.	. . . 8-35-41	1704 875.	. . . 8-05-12	1734 315.	. . . 17-29-20	1738 815.	. . . 3-22-27
1670 476.	. . . 9-43-26	1688 919.	. . . 23-41-138		8-11-8	1734 321.	. . . 2-10-59	1738 817.	. . . 3-22-27
		1689 022.	. . . 23-41-11	1706 470.	. . . 15-19-3			1738 818.	. . . 3-22-27
1670 508.	. . . 9-50-5		23-47-423		23-19-59	1734 327.	. . . 19-27-34	1738 819.	. . . 3-22-27
1670 515.	. . . 9-58-12	1689 167.	. . . 23-41-139	1704 467.	. . . 8-42-10	1734 341.	. . . 2-10-60	1738 815.	. . . 3-22-27
1670 694.	. . . 14-86-85	1689 670.	. . . 24-01-33	1704 482.	. . . 21-113-29	1734 526.	. . . 13-01-6	1738 816.	. . . 3-22-27
1671 341.	. . . 22-08-57			1704 689.	. . . 8-33-90	1734 527.	. . . 13-01-6	1738 817.	. . . 3-22-27
1671 405.	. . . 2-10-68	1689 692.	. . . 1-48-46	1704 875.	. . . 8-05-12	1734 529.	. . . 9-71-5	1738 818.	. . . 3-22-27
		1690 329.	. . . 23-39-2		8-11-8			1738 819.	. . . 3-22-27
		1690 440.	. . . 23-36-66	1707 384.	. . . 23-14-153	1735 011.	. . . 7-41-4	1738 820.	. . . 3-22-27
1671 610.	. . . 14-88-27	1690 441.	. . . 23-36-66	1708 248.	. . . 23-04-229	1735 128.	. . . 13-54-15	1738 822.	. . . 3-19-1
1671 650.	. . . 5-111-17	1690 742.	. . . 23-20-19	1708 914.	. . . 23-58-336	1735 941.	. . . 7-02-1	1738 823.	. . . 3-19-1
1672 049.	. . . 16-14-7					1736 012.	. . . 9-58-13	1738 824.	. . . 3-19-1
1672 050.	. . . 16-14-9	1690 871.	. . . 23-66-135			1736 347.	. . . 9-02-7	1738 826.	. . . 3-22-26
1672 051.	. . . 16-16-1	1690 874.	. . . 23-63-33				9-46-94		
		1690 937.	. . . 23-41-250			1736 348.	. . . 9-02-7	1738 831.	. . . 3-22-45
1672 053.	. . . 16-16-43	1690 950.	. . . 23-09-17				9-46-94	1739 194.	. . . 14-86-13
							9-46-94	1739 196.	. . . 14-86-24
						1736 432.	. . . 21-04-12	1739 215.	. . . 5-62-1

1963 PASSENGER CAR PARTS CATALOG

NUMERICAL INDEX

PART NUMBER	CODE	PART NUMBER	CODE	PART NUMBER	CODE	PART NUMBER	CODE	PART NUMBER	CODE
1739 226.	5-52-3	1750 660.	23-09-15	1753 632.	8-12-3	1810 003.	23-58-572	1820 454.	6-13-4
		1750 686.	23-10-2		8-31-16	1810 006.	23-58-572		
1739 230.	5-53-6	1750 724.	23-58-248		8-37-88	1810 007.	23-58-572	1820 551.	3-22-25
	14-67-2	1750 726.	23-68-603		8-41-36	1810 014.	23-63-33	1820 552.	3-22-24
	14-89-57			1753 681.	23-41-95	1810 015.	23-63-33	1820 698.	3-03-1
1739 248.	5-57-2	1750 747.	22-20-80	1753 711.	23-67-204				3-03-3
1739 249.	5-62-1	1750 777.	23-58-232	1753 712.	23-67-203	1810 037.	23-109-35	1820 703.	3-22-28
		1750 806.	23-64-12	1754 236.	15-19-8		23-109-38		
1739 355.	8-36-4	1750 854.	23-58-232	1755 366.	23-64-237	1810 440.	23-58-487	1820 704.	3-22-28
1739 358.	9-41-4	1750 855.	23-58-232			1810 446.	23-36-73	1820 705.	3-22-28
1739 359.	9-41-4			1758 241.	23-113-50	1810 447.	23-36-73	1820 706.	3-22-28
1739 534.	9-39-15	1750 991.	23-19-76	1758 839.	23-58-228			1820 812.	17-15-25
1739 547.	14-29-6	1751 002.	23-34-234	1759 368.	23-58-266	1810 453.	23-61-39	1820 813.	17-15-25
		1751 003.	23-34-234	1759 635.	23-86-36	1810 565.	23-34-116		
1739 594.	9-43-10	1751 033.	23-34-136	1759 636.	23-86-36	1810 586.	23-36-73	1821 138.	7-03-1
1739 595.	9-43-10	1751 056.	23-09-52			1810 587.	23-36-73	1821 144.	14-29-3
1739 600.	9-48-6			1759 686.	23-86-35	1810 635.	23-41-273	1821 170.	14-29-5
1739 604.	10-09-5	1751 057.	23-09-52	1766 986.	23-20-16			1821 177.	9-07-8
1739 605.	9-03-10	1751 092.	23-64-255	1767 102.	23-31-125	1810 641.	23-41-138	1821 393.	9-43-9
		1751 093.	23-64-255	1767 247.	23-63-14	1810 648.	23-41-273		
1739 606.	9-03-10	1751 130.	23-19-76	1769 318.	24-25-219	1810 910.	23-20-19	1821 394.	8-36-124
1739 607.	9-15-10	1751 131.	23-19-76			1815 328.	23-45-30	1821 411.	7-06-1
1739 612.	9-39-6			1769 430.	1-87-404	1818 524.	9-09-2	1821 414.	9-07-8
1739 613.	9-39-6	1751 156.	23-58-243	1770 140.	23-67-50			1821 449.	7-06-1
1739 614.	9-39-6	1751 173.	23-58-253	1770 289.	23-67-82	1818 525.	9-09-2	1821 452.	7-06-14
		1751 182.	23-31-145	1770 290.	23-67-82	1818 526.	9-09-2		
1739 616.	6-10-2	1751 206.	23-58-269	1770 552.	23-28-200	1818 527.	9-09-2	1821 552.	10-26-8
1739 619.	10-26-5	1751 207.	23-58-269			1818 528.	9-09-2	1821 684.	7-03-1
1739 912.	16-08-7			1770 553.	23-28-200	1818 529.	9-09-2	1821 722.	9-16-17
1739 913.	16-10-1	1751 208.	23-58-469	1770 660.	8-16-4			1821 771.	9-16-6
1739 915.	16-14-1	1751 209.	23-58-469		23-19-101	1818 574.	8-27-250	1821 772.	9-16-6
		1751 210.	23-58-333		23-67-166	1818 698.	9-32-2		
1739 920.	16-04-1	1751 262.	23-58-266	1770 786.	8-13-1	1818 699.	9-32-2	1821 773.	9-16-6
1739 923.	16-03-7	1751 264.	23-58-265			1818 700.	9-32-2	1821 774.	9-16-6
1739 924.	16-06-1			1773 071.	1-76-1	1818 701.	9-32-2	1821 775.	9-16-6
1739 926.	16-06-3	1751 489.	23-64-279	1773 635.	23-31-119			1822 134.	19-01-50
1739 927.	16-03-10	1751 492.	23-64-278	1774 621.	23-31-205	1818 702.	9-32-2	1822 149.	19-01-52
		1751 534.	23-76-79	1775 089.	23-63-22	1818 703.	9-32-2		
1740 029.	24-28-22	1751 535.	23-76-79		23-63-16	1818 757.	8-27-190	1822 150.	19-01-51
1740 972.	24-25-46	1751 570.	23-63-127	1775 164.	23-54-79	1818 830.	8-53-327	1822 151.	19-01-52
1747 962.	24-25-258			1775 440.	23-48-19	1818 892.	23-67-25	1822 156.	19-15-63
1747 988.	24-25-252	1751 571.	23-63-127	1775 814.	23-48-21			1822 157.	19-15-65
1748 066.	24-28-26	1751 692.	23-64-12	1776 504.	23-64-242	1819 014.	1-47-6	1822 158.	19-15-60
		1751 693.	23-64-12	1776 505.	23-64-242		1-87-22		
1750 188.	23-34-236	1751 698.	23-64-12	1777 458.	23-54-31	1819 228.	23-47-344	1822 203.	19-19-35
1750 189.	23-34-236	1751 699.	23-64-12	1777 881.	23-34-123	1819 230.	23-47-413	1822 204.	19-19-9
1750 400.	23-58-333			1777 926.	23-54-27			1822 320.	19-19-72
1750 406.	23-58-473	1751 708.	23-63-15	1778 955.	23-41-138	1819 239.	23-47-344	1822 321.	19-01-62
1750 407.	23-58-473	1751 709.	23-63-15		23-54-123	1819 240.	23-47-344	1822 324.	19-19-70
		1751 724.	23-63-15	1779 257.	1-48-572	1819 251.	1-82-15		
1750 445.	23-34-116	1751 725.	23-63-15		24-01-87	1819 316.	23-17-27	1822 380.	19-57-63
1750 484.	23-15-21	1751 733.	23-58-569	1779 406.	8-34-180	1819 317.	23-17-52	1822 390.	19-15-69
1750 490.	23-09-2			1779 645.	23-54-74			1822 406.	19-19-71
1750 537.	23-64-12	1751 793.	23-36-21	1779 654.	8-16-4	1819 409.	1-87-5	1822 442.	19-56-83
1750 565.	23-15-1	1751 806.	23-58-480		24-01-87	1819 441.	8-38-4	1822 667.	19-15-11
	23-15-3	1751 807.	23-58-480	1779 886.	8-28-88	1819 470.	1-47-17		
1750 578.	23-09-52	1751 810.	23-58-480	1789 754.	22-06-2	1819 689.	1-48-712	1822 668.	19-15-10
1750 579.	23-09-52	1752 488.	8-16-3	1789 755.	22-06-1	1819 697.	1-48-712	1822 671.	19-56-6
1750 602.	23-15-21			1790 241.	22-06-1			1822 672.	19-56-6
1750 603.	23-15-21	1752 489.	8-16-3	1790 244.	22-06-2	1819 836.	8-16-4	1822 736.	19-15-38
1750 609.	23-64-12	1752 490.	8-16-3			1819 889.	1-87-289	1822 953.	19-01-50
		1752 491.	8-16-3	1799 986.	8-28-88	1819 972.	21-84-1		
1750 619.	23-58-257	1752 518.	23-58-380			1820 152.	17-15-25	1823 091.	19-01-52
1750 628.	23-111-30		23-67-16	1790 523.	3-11-1	1820 153.	17-15-25	1823 148.	19-57-3
1750 647.	23-58-487	1752 624.	16-03-1	1796 450.	13-33-61			1823 150.	19-02-15
1750 648.	23-58-487	1753 435.	8-34-175	1799 554.	22-05-14	1820 211.	6-27-5	1823 151.	19-57-64
1750 658.	23-64-12	1753 436.	8-34-175	1799 555.	22-05-14	1820 318.	11-02-4	1823 155.	19-14-10
		1753 579.	24-28-84	1810 002.	23-58-572	1820 319.	11-02-4		
1750 659.	23-64-12					1820 385.	19-14-35	1823 157.	19-01-60
								1823 160.	19-14-10

PART NUMBER	CODE	PART NUMBER	CODE	PART NUMBER	CODE	PART NUMBER	CODE	PART NUMBER	CODE
1823 161	. . . 19-01-60	1828 719	. . . 3-22-45	1838 516	. . . 8-27-300	1843 007	. . . 9-34-5	1854 829	. . . 24-25-160
1823 543	. . . 21-136-229	1828 725	. . . 3-22-28	1838 934	. . . 23-67-79	1843 010	. . . 11-02-1	1854 895	. . . 7-03-1
1823 916	. . . 21-14-15	1828 824	. . . 16-10-3	1838 936	. . . 23-67-76	1843 222	. . . 8-16-1	1854 953	. . . 9-43-1
1823 940	. . . 21-137-44	1828 911	. . . 19-14-4	1839 345	. . . 1-48-389	1843 226	. . . 8-16-1 14-02-66	1854 990	. . . 9-48-6
1823 941	. . . 21-137-41	1829 128	. . . 19-19-24	1839 546	. . . 23-22-145	1843 251	. . . 5-53-3	1855 029	. . . 11-06-8
1824 879	. . . 17-29-6	1829 266	. . . 3-32-1	1839 547	. . . 23-22-145	1843 252	. . . 5-53-3	1855 042	. . . 9-39-15
1824 934	. . . 17-29-14	1829 267	. . . 3-32-1	1839 558	. . . 23-22-145	1843 253	. . . 5-53-3 9-46-27	1855 152	. . . 7-06-1
1824 935	. . . 17-29-12	1829 383	. . . 6-52-10	1839 559	. . . 23-22-145	1843 254	. . . 5-53-3	1855 238	. . . 9-43-3
1824 936	. . . 17-29-12	1829 440	. . . 3-22-28	1839 566	. . . 23-22-145	1843 257	. . . 5-53-4	1855 328	. . . 10-07-12
1824 941	. . . 19-27-2	1829 441	. . . 3-22-28	1839 567	. . . 23-22-145	1843 258	. . . 5-53-4	1855 393	. . . 9-05-5
1825 202	. . . 2-10-63	1829 442	. . . 3-22-28	1839 568	. . . 23-06-12	1843 259	. . . 5-53-4	1855 561	. . . 9-07-22
1825 289	. . . 2-08-49	1829 443	. . . 3-22-28	1839 569	. . . 23-06-10	1843 287	. . . 14-73-1	1855 605	. . . 9-05-5
1825 314	. . . 2-08-48	1829 444	. . . 3-22-28	1839 570	. . . 23-07-168	1843 316	. . . 9-34-5	1856 292	. . . 19-15-63
1825 317	. . . 2-08-7	1829 445	. . . 3-32-9	1839 845	. . . 1-76-2	1843 317	. . . 9-34-5	1856 346	. . . 17-11-7
1825 334	. . . 2-08-48	1829 446	. . . 3-08-1	1839 926	. . . 23-22-53	1843 318	. . . 9-34-5	1856 347	. . . 17-11-7
1825 350	. . . 2-10-62	1829 447	. . . 3-06-8	1839 927	. . . 23-22-53	1843 330	. . . 9-35-1	1856 490	. . . 21-30-365
1825 351	. . . 5-13-10 19-27-46	1829 448	. . . 3-06-5	1839 928	. . . 23-22-53	1843 331	. . . 9-35-1	1856 492	. . . 21-30-375
1825 449	. . . 2-08-71 2-10-63	1829 449	. . . 3-07-1	1839 929	. . . 23-22-53	1843 332	. . . 9-35-1	1856 580	. . . 14-06-1
1825 487	. . . 2-08-61	1829 451	. . . 3-09-1	1839 930	. . . 23-22-53	1843 333	. . . 9-35-1	1856 808	. . . 22-01-5
1825 488	. . . 2-10-66	1829 624	. . . 22-01-51	1839 931	. . . 23-22-53	1843 334	. . . 9-35-1	1856 942	. . . 16-17-1
1825 582	. . . 2-14-19	1829 625	. . . 22-01-49	1839 932	. . . 23-22-53	1846 350	. . . 23-67-129	1856 944	. . . 16-16-47
1825 604	. . . 2-14-3	1829 817	. . . 4-08-36	1839 933	. . . 23-22-53	1846 668	. . . 23-32-36	1856 992	. . . 19-04-13
1825 605	. . . 2-14-3	1829 825	. . . 1-48-722 24-28-91	1839 934	. . . 23-22-53	1850 370	. . . 3-04-6	1857 001	. . . 19-15-110
1825 606	. . . 2-14-3	1829 827	. . . 4-08-2	1839 935	. . . 23-22-53	1850 547	. . . 19-14-38	1857 003	. . . 19-15-110
1825 607	. . . 2-14-3	1829 929	. . . 17-15-24	1839 936	. . . 23-26-41	1851 248	. . . 7-06-14	1857 004	. . . 19-15-111
1825 610	. . . 2-14-3	1829 998	. . . 3-01-33	1839 937	. . . 23-26-41	1851 314	. . . 19-54-115	1857 549	. . . 2-14-12
1825 611	. . . 2-14-3	1829 999	. . . 3-01-33	1839 940	. . . 23-22-86	1851 493	. . . 14-29-6	1857 576	. . . 2-14-25
1825 708	. . . 2-14-3	1830 216	. . . 23-47-431	1839 941	. . . 23-22-86	1851 533	. . . 9-31-4	1857 580	. . . 2-14-19
1825 709	. . . 2-14-3	1830 217	. . . 23-47-431	1839 956	. . . 23-20-16	1851 579	. . . 9-03-5	1857 682	. . . 2-10-10
1825 761	. . . 2-08-61	1830 218	. . . 23-47-431	1839 965	. . . 23-21-26	1851 608	. . . 7-04-10	1857 748	. . . 19-27-33 19-27-40
1825 762	. . . 2-10-66	1830 236	. . . 23-47-12	1839 966	. . . 23-21-46	1851 658	. . . 10-26-6	1857 774	. . . 2-14-3
1825 903	. . . 7-03-1	1830 237	. . . 23-47-12	1839 967	. . . 23-21-47	1851 664	. . . 9-50-6	1857 775	. . . 2-14-3
1825 932	. . . 7-02-16	1830 289	. . . 23-47-353	1839 976	. . . 23-22-78	1851 665	. . . 9-48-27	1857 776	. . . 2-14-3
1825 956	. . . 7-02-16	1830 290	. . . 23-47-414	1839 977	. . . 23-22-77	1851 669	. . . 9-42-1	1857 777	. . . 2-14-3
1826 053	. . . 7-06-1	1830 345	. . . 23-47-432	1839 984	. . . 19-31-1	1851 732	. . . 19-54-86	1857 778	. . . 2-14-3
1826 056	. . . 19-54-86	1830 347	. . . 23-47-432	1839 995	. . . 8-55-161	1851 771	. . . 9-39-6	1857 779	. . . 2-14-3
1826 057	. . . 19-54-115	1830 349	. . . 23-47-432	1840 998	. . . 1-87-27 23-26-80	1851 772	. . . 9-39-6	1857 840	. . . 2-08-11
1826 058	. . . 19-54-115	1830 415	. . . 23-06-28	1840 999	. . . 1-87-27 23-26-80	1851 773	. . . 9-39-6	1857 856	. . . 2-08-5
1826 286	. . . 14-29-33	1830 452	. . . 23-31-124	1841 191	. . . 23-67-86	1851 774	. . . 9-39-6	1857 857	. . . 2-08-5
1826 369	. . . 14-41-3	1830 498	. . . 23-26-62	1841 499	. . . 8-36-14	1851 957	. . . 19-54-60	1857 901	. . . 2-10-58
1826 511	. . . 14-30-7	1830 499	. . . 23-26-62	1841 679	. . . 23-67-79	1852 020	. . . 14-39-45	1857 906	. . . 17-29-5
1826 607	. . . 14-41-3	1830 632	. . . 1-48-365	1841 682	. . . 23-67-86	1852 248	. . . 9-39-6	1857 911	. . . 17-29-18
1826 861	. . . 14-43-5	1830 633	. . . 1-48-365	1841 775	. . . 8-34-175	1852 259	. . . 10-22-53	1857 961	. . . 19-27-50
1826 863	. . . 14-30-28	1833 596	. . . 23-32-80 23-48-20	1842 003	. . . 8-16-8	1852 582	. . . 7-06-14	1857 987	. . . 19-27-31
1826 864	. . . 14-30-27	1833 597	. . . 23-32-82 23-48-21	1842 009	. . . 8-16-4 11-02-1	1852 910	. . . 9-10-5	1857 992	. . . 2-10-6
1827 773	. . . 14-11-48	1833 900	. . . 23-04-249	1842 338	. . . 8-13-5 8-55-301	1852 914	. . . 9-10-5	1857 993	. . . 2-10-7
1827 999	. . . 14-06-10	1835 109	. . . 23-48-93	1842 340	. . . 8-13-4 8-57-89	1852 915	. . . 9-10-5	1858 015	. . . 19-27-50
1828 352	. . . 13-34-3	1838 001	. . . 1-82-22	1842 407	. . . 23-67-79	1852 920	. . . 19-54-248	1858 017	. . . 19-27-2
1828 388	. . . 5-40-1	1838 242	. . . 23-67-85	1842 964	. . . 23-67-98	1852 932	. . . 24-25-15	1858 024	. . . 2-10-76
1828 389	. . . 5-44-8	1838 289	. . . 23-67-18	1842 965	. . . 1-47-19	1853 627	. . . 21-15-2	1858 067	. . . 19-27-31
1828 396	. . . 5-52-62	1838 292	. . . 23-67-76	1843 004	. . . 9-34-5	1853 672	. . . 21-14-5	1858 070	. . . 2-10-10
1828 420	. . . 22-01-43	1838 293	. . . 23-67-18	1843 005	. . . 9-34-5	1853 695	. . . 21-11-1	1858 084	. . . 2-03-3
1828 456	. . . 14-86-57	1838 380	. . . 24-28-78	1843 006	. . . 9-34-5	1853 855	. . . 21-10-4	1858 100	. . . 17-29-6
1828 461	. . . 5-52-3	1838 508	. . . 8-27-76	1844 964	. . . 23-67-98	1854 274	. . . 21-139-95	1858 101	. . . 17-29-6
1828 517	. . . 3-03-1	1838 514	. . . 8-27-1	1844 965	. . . 1-47-19	1854 275	. . . 21-139-95	1858 105	. . . 17-29-9
1828 566	. . . 19-14-5	1838 514	. . . 8-27-1	1844 966	. . . 1-47-19	1854 449	. . . 21-22-2	1858 107	. . . 19-27-2

1963 PASSENGER CAR PARTS CATALOG

PART NUMBER	CODE	PART NUMBER	CODE	PART NUMBER	CODE	PART NUMBER	CODE	PART NUMBER	CODE
1858 150.	2-10-6	1861 118.	23-34-301	1877 346.	23-32-48	1878 237.	23-32-93	1879 596.	8-27-133
1858 151.	2-10-7	1861 128.	23-40-86			1878 238.	23-51-41	1879 598.	23-67-10
		1861 129.	23-40-86	1877 350.	23-34-176	1878 239.	23-51-41	1879 606.	8-27-77
1858 153.	2-10-10	1861 142.	23-64-66	1877 351.	23-34-176			1879 607.	8-27-297
1858 155.	2-10-72	1861 143.	23-64-66	1877 353.	23-04-241	1878 254.	23-36-121	1879 609.	8-16-1
1858 160.	2-10-6			1877 354.	23-04-241	1878 255.	23-36-121	1879 613.	8-52-180
1858 161.	2-10-7	1861 222.	23-34-302	1877 355.	23-04-250	1878 263.	14-88-8	1879 617.	9-32-2
1858 209.	2-10-66	1861 223.	23-34-302			1878 264.	14-88-8	1879 618.	9-32-2
		1861 248.	23-34-126	1877 472.	23-59-37	1878 310.	23-54-98		
1858 247.	2-10-72	1861 249.	23-34-126	1877 473.	23-59-37			1879 619.	9-32-2
1858 262.	2-07-41	1861 264.	23-32-17	1877 486.	23-34-255	1878 338.	23-40-86	1879 620.	9-32-2
1858 263.	2-07-41			1877 488.	23-04-249	1878 339.	23-40-86	1879 621.	9-32-2
1858 622.	24-25-15	1861 270.	23-51-43	1877 494.	23-51-41	1878 340.	23-40-86	1879 622.	9-32-2
1858 623.	9-48-7	1861 271.	23-51-43			1878 341.	23-40-86	1879 627.	9-09-2
		1861 274.	23-51-6	1877 495.	23-51-41	1878 428.	23-51-41		
1858 802.	9-43-19	1861 275.	23-51-6	1877 516.	23-04-249			1879 628.	9-09-2
1858 936.	14-02-12	1861 286.	23-36-5	1877 520.	23-19-185	1878 429.	23-51-41	1879 629.	9-09-2
	14-13-1			1877 521.	23-19-185	1878 440.	23-26-44	1879 630.	9-09-2
	24-28-104	1861 287.	23-36-5	1877 540.	23-19-177	1878 441.	23-26-44	1879 638.	9-34-5
1858 955.	9-48-8	1861 334.	23-58-569			1878 444.	23-34-302	1879 639.	9-34-5
		1861 335.	23-58-569	1877 541.	23-19-177	1878 445.	23-34-302		
1859 144.	9-39-21	1861 386.	23-51-6	1877 585.	23-19-8			1879 640.	9-34-5
1859 252.	7-06-1	1861 392.	23-58-208	1877 746.	23-112-70	1878 450.	23-54-72	1879 648.	9-34-5
1859 297.	7-03-1			1877 747.	23-112-70	1878 475.	23-32-17	1879 649.	9-34-5
1859 299.	9-48-7	1861 416.	23-51-6	1877 749.	23-19-22	1878 556.	23-51-6	1879 650.	9-34-5
1859 300.	9-48-7	1861 418.	23-51-6			1878 557.	23-51-6	1879 703.	9-39-1
		1863 196.	8-55-87	1877 762.	23-32-49	1878 592.	23-48-188		
1859 332.	9-48-27	1863 328.	12-05-2	1877 763.	23-32-49			1879 704.	9-39-1
1859 396.	14-07-1	1863 329.	12-05-2	1877 830.	23-32-49	1878 600.	23-48-148	1879 747.	9-41-1
1859 429.	9-03-5			1877 831.	23-32-49	1878 601.	23-48-148	1879 827.	1-48-684
1859 580.	7-06-1	1863 331.	15-13-2	1877 833.	23-34-16	1878 636.	23-32-46		
1859 750.	14-29-2	1863 760.	12-04-12			1878 641.	23-48-28	1879 861.	24-28-17
1859 767.	14-01-31	1863 926.	12-02-5	1877 834.	23-34-17	1878 650.	23-63-181	1879 904.	24-01-24
	14-11-30	1866 682.	23-32-66	1877 840.	23-36-125	1878 652.	23-48-65	1879 939.	8-01-4
	14-14-57	1866 683.	23-32-75	1877 841.	23-36-125	1878 752.	23-19-21	1879 960.	1-48-106
	21-142-20			1877 855.	23-54-150	1878 755.	23-48-180	1880 211.	1-48-683
1859 768.	14-01-30	1866 685.	23-32-64	1877 926.	23-48-87	1878 769.	23-48-112		24-28-199
	14-11-33	1866 686.	23-17-18			1878 889.	23-32-56		
	14-14-56	1867 661.	23-19-70	1877 927.	23-48-87			1880 222.	1-82-38
	21-142-21	1867 873.	23-34-301	1877 931.	23-54-147	1878 893.	8-57-11	1880 442.	24-28-210
		1869 548.	23-40-85	1877 958.	23-64-314	1878 910.	23-48-98	1880 472.	1-48-126
1859 770.	7-04-1			1877 975.	23-51-41	1878 911.	23-48-98	1880 642.	24-28-220
1859 788.	10-03-7	1869 549.	23-40-85	1878 014.	23-32-67	1879 270.	5-01-1	1880 657.	24-28-322
1859 802.	8-36-4	1869 556.	23-40-86			1879 271.	5-01-1		
1859 803.	8-36-4	1869 557.	23-40-86	1878 031.	23-51-6			1880 658.	24-26-20
1859 804.	8-36-4	1869 564.	23-26-44	1878 112.	23-58-393	1879 272.	5-01-1	1881 150.	2-10-61
		1869 565.	23-26-44	1878 117.	8-55-10	1879 273.	5-01-1	1881 647.	2-10-61
1859 919.	9-43-1			1878 136.	23-32-90	1879 333.	9-34-5	1881 693.	9-35-1
1859 947.	10-23-7	1869 582.	23-32-15	1878 137.	23-32-90	1879 334.	9-34-5	1881 694.	9-35-1
1859 991.	14-11-1	1869 627.	23-66-135			1879 335.	9-34-5		
1859 994.	14-11-28	1869 630.	23-64-314	1878 145.	23-04-2			1881 695.	9-35-1
1859 996.	14-11-9	1869 636.	23-34-166	1878 161.	23-64-314	1879 336.	9-34-5	1881 699.	9-35-1
		1869 744.	23-34-27	1878 169.	14-88-36	1879 337.	9-34-5	1881 700.	9-35-1
1860 619.	23-41-126			1878 170.	23-32-65	1879 339.	9-34-5	1881 701.	9-35-1
1860 829.	23-10-1	1869 745.	23-34-27			1879 340.	9-34-5	1881 746.	8-27-278
1860 962.	23-41-4	1869 748.	23-34-27			1879 378.	9-09-2		
1860 963.	23-41-4	1869 749.	23-34-27	1878 171.	23-32-65			1881 750.	8-27-316
1860 995.	23-58-569	1869 752.	23-34-27		23-48-121	1879 379.	9-09-2	1881 751.	8-27-218
		1869 753.	23-34-27	1878 174.	23-111-10	1879 380.	9-09-2	1881 758.	8-27-316
1861 001.	23-32-24			1878 180.	23-64-311	1879 381.	9-09-2	1881 766.	8-27-316
1861 002.	23-32-48	1869 772.	23-36-53	1878 181.	23-64-311	1879 382.	9-09-2	1881 804.	7-14-4
1861 014.	23-51-5	1869 773.	23-36-53			1879 383.	9-09-2		
1861 015.	23-51-5	1876 331.	23-21-8	1878 184.	23-64-311			1881 750.	8-27-316
1861 041.	23-32-48	1877 284.	23-34-120	1878 185.	23-64-311	1879 391.	8-27-100	1881 805.	7-14-4
		1877 287.	23-34-120	1878 196.	8-57-10	1879 509.	19-57-2		7-14-5
1861 048.	23-32-49			1878 226.	23-51-6	1879 520.	10-24-1	1881 806.	7-14-4
1861 049.	23-32-49	1877 310.	23-36-53	1878 227.	23-51-6	1879 579.	24-28-195	1881 809.	7-14-5
1861 056.	23-34-27	1877 311.	23-36-53			1879 580.	24-28-300	1881 813.	7-14-4
1861 062.	23-34-27	1877 318.	23-36-14	1878 228.	23-51-6	1879 583.	23-67-98		
1861 063.	23-34-27	1877 319.	23-36-14	1878 236.	23-32-93	1879 595.	8-27-278	1881 938.	8-53-150

PART NUMBER	CODE	PART NUMBER	CODE	PART NUMBER	CODE	PART NUMBER	CODE	PART NUMBER	CODE
1881 945.	. . 8-27-278	1883 525.	. . 23-34-354	1886 263.	. . 24-28-210	1889 709.	. . 8-27-292	1902 399.	. . 23-33-132
1881 955.	. . 8-27-278	1883 654.	. . 23-32-77	1886 265.	. . 24-28-210	1889 917.	. . 8-36-83	1902 406.	. . 23-54-180
1881 956.	. . 8-27-279	1883 740.	. . 23-08-12					1902 409.	. . 23-54-186
1881 965.	. . 14-02-40	1883 802.	. . 23-15-6	1886 266.	. . 24-28-195	1889 921.	. . 8-36-117		
		1884 405.	. . 14-25-13	1886 313.	. . 14-02-25	1889 938.	. . 8-52-13	1902 410.	. . 23-54-190
1882 020.	. . 23-64-66		. . 23-15-11	1886 413.	. . 24-28-80	1889 996.	. . 8-27-259	1902 763.	. . 7-26-18
1882 021.	. . 23-64-66	1884 422.	. . 23-20-14	1886 949.	. . 23-41-25	1900 776.	. . 23-103-34	1903 036.	. . 7-31-45
1882 028.	. . 23-15-1	1884 423.	. . 23-20-14	1887 103.	. . 8-19-3	1900 856.	. . 23-14-27	1903 385.	. . 8-55-10
1882 029.	. . 23-15-1	1884 426.	. . 23-20-14					1903 386.	. . 15-19-4
1882 048.	. . 23-15-3	1884 427.	. . 23-20-14	1887 222.	. . 8-20-3	1900 857.	. . 23-14-27		
		1884 454.	. . 23-20-14	1887 257.	. . 24-28-31	1900 860.	. . 23-14-27	1903 440.	. . 15-19-2
1882 049.	. . 23-15-3			1887 299.	. . 24-28-175	1900 861.	. . 23-14-27	1903 441.	. . 15-19-2
1882 054.	. . 23-15-9	1884 455.	. . 23-20-14	1887 300.	. . 24-28-175	1900 878.	. . 23-02-40	1903 457.	. . 7-26-15
1882 055.	. . 23-15-14	1884 456.	. . 23-20-14	1887 319.	. . 1-82-6	1901 587.	. . 19-31-19	1903 478.	. . 12-01-16
1882 134.	. . 23-40-86	1884 457.	. . 23-20-14					1903 517.	. . 8-50-349
1882 135.	. . 23-40-86	1884 488.	. . 23-18-25	1887 321.	. . 1-82-6	1901 788.	. . 8-27-9		
		1884 489.	. . 23-18-25	1887 364.	. . 24-28-300	1901 789.	. . 23-33-12	1903 791.	. . 9-46-31
1882 146.	. . 23-66-235			1887 401.	. . 24-28-195	1901 790.	. . 23-06-13	1903 792.	. . 9-46-31
1882 393.	. . 23-34-179	1884 489.	. . 23-18-25	1887 501.	. . 24-28-70	1901 801.	. . 8-27-9	1904 054.	. . 15-03-3
1882 400.	. . 23-15-1	1884 506.	. . 23-58-476	1887 582.	. . 1-47-14	1901 808.	. . 23-06-4	1904 121.	. . 23-64-13
1882 401.	. . 23-15-1	1884 507.	. . 23-58-476					1904 131.	. . 7-16-22
1882 429.	. . 23-34-270	1884 508.	. . 23-58-476	1887 600.	. . 8-20-16	1901 811.	. . 23-33-12		
		1884 509.	. . 23-58-476	1887 602.	. . 23-67-195	1901 826.	. . 23-02-18	1904 139.	. . 7-16-63
1882 735.	. . 23-54-50	1884 524.	. . 23-36-120	1887 603.	. . 1-47-11	1901 844.	. . 23-02-43	1904 143.	. . 15-11-3
	. . 23-54-118				. . 1-87-17	1901 845.	. . 23-02-43	1904 160.	. . 15-19-2
1882 884.	. . 23-36-6	1884 525.	. . 23-36-120		. . 23-54-171	1901 931.	. . 23-06-10	1904 161.	. . 15-19-2
1882 885.	. . 23-36-6	1884 580.	. . 23-58-469		. . 23-58-533			1904 175.	. . 15-11-3
1882 888.	. . 23-20-14	1884 581.	. . 23-58-469		. . 23-67-161	1901 938.	. . 23-02-18		
		1884 584.	. . 23-58-486	1887 604.	. . 8-05-11	1901 944.	. . 23-02-19	1904 180.	. . 12-01-92
1882 889.	. . 23-20-14	1884 585.	. . 23-58-486		. . 8-53-312	1901 969.	. . 23-22-86	1904 194.	. . 12-01-105
1882 892.	. . 23-20-14			1887 657.	. . 14-02-75	1901 970.	. . 23-22-86	1904 195.	. . 12-01-105
1882 893.	. . 23-20-14	1884 586.	. . 23-58-486		. . 21-84-4	1901 973.	. . 23-22-152	1904 197.	. . 15-09-4
1882 896.	. . 23-20-14	1884 588.	. . 23-58-486	1887 757.	. . 1-48-126	1901 974.	. . 23-22-145	1904 198.	. . 15-09-4
1882 897.	. . 23-20-14	1884 589.	. . 23-58-486		. . 24-28-176	1901 975.	. . 23-22-145		
		1884 590.	. . 23-58-486			1901 978.	. . 23-26-41	1904 208.	. . 8-34-362
1882 900.	. . 23-20-14	1884 591.	. . 23-58-486	1887 787.	. . 8-20-16	1901 979.	. . 23-26-41	1904 209.	. . 8-34-362
1882 901.	. . 23-20-14			1887 789.	. . 8-42-29	1901 991.	. . 23-22-85	1904 212.	. . 8-34-362
1882 946.	. . 23-26-41	1884 592.	. . 23-58-486		. . 23-33-231			1904 213.	. . 8-34-362
1882 947.	. . 23-26-41	1884 593.	. . 23-58-486	1887 794.	. . 14-02-30	1901 996.	. . 23-22-145	1904 214.	. . 8-34-40
1882 955.	. . 23-22-86	1884 594.	. . 23-58-486			1901 997.	. . 23-22-145		
		1884 595.	. . 23-58-486	1887 798.	. . 14-02-4	1901 998.	. . 23-22-145	1904 216.	. . 8-34-371
1882 961.	. . 23-15-11	1884 608.	. . 23-58-473	1887 799.	. . 14-02-4	1901 999.	. . 23-22-145	1904 217.	. . 8-34-371
1882 965.	. . 23-15-9			1887 935.	. . 1-47-8	1902 176.	. . 23-06-13	1904 218.	. . 8-34-372
1882 967.	. . 23-15-6	1884 609.	. . 23-58-473		. . 1-88-116	1902 177.	. . 23-06-13	1904 220.	. . 8-34-372
1883 002.	. . 23-22-86	1884 636.	. . 23-19-82		. . 23-58-534	1902 201.	. . 23-06-21	1904 282.	. . 8-34-374
1883 003.	. . 23-22-86	1884 637.	. . 23-19-82	1887 798.	. . 14-02-4	1902 237.	. . 8-05-6		
		1884 680.	. . 23-34-120	1887 954.	. . 8-11-12	1902 274.	. . 23-22-145	1904 283.	. . 8-34-374
1883 148.	. . 23-22-7	1884 681.	. . 23-34-120		. . 8-42-5	1902 275.	. . 23-22-145	1904 286.	. . 8-34-300
1883 149.	. . 23-22-7				. . 8-42-5	1902 297.	. . 23-54-195	1904 287.	. . 8-34-300
1883 156.	. . 23-22-7	1884 737.	. . 23-48-6	1887 955.	. . 8-42-6	1902 298.	. . 8-05-23	1904 896.	. . 15-13-5
1883 157.	. . 23-22-7	1884 828.	. . 23-22-53	1887 989.	. . 23-67-194	1902 304.	. . 23-22-53	1904 950.	. . 7-14-31
1883 158.	. . 23-22-7	1884 829.	. . 23-22-53	1889 044.	. . 8-52-150	1902 305.	. . 23-22-53		
		1884 868.	. . 23-40-92			1902 306.	. . 23-22-53	1905 449.	. . 23-86-35
1883 169.	. . 23-22-7	1884 869.	. . 23-40-92	1889 079.	. . 8-52-120	1902 307.	. . 23-22-53	1905 450.	. . 23-86-36
1883 268.	. . 23-64-308			1889 080.	. . 8-52-241	1902 308.	. . 23-26-41	1905 451.	. . 23-86-36
1883 269.	. . 23-64-308	1885 692.	. . 24-28-318	1889 129.	. . 8-52-41	1902 309.	. . 23-26-41	1909 302.	. . 23-64-308
1883 271.	. . 23-64-308	1885 826.	. . 1-48-88	1889 146.	. . 8-52-345	1902 310.	. . 23-33-86	1909 303.	. . 23-64-308
1883 272.	. . 23-64-308	1885 835.	. . 24-23-59	1889 147.	. . 8-52-88	1902 311.	. . 23-33-86		
		1885 836.	. . 1-49-391					1909 304.	. . 23-64-308
1883 320.	. . 23-32-93	1885 901.	. . 24-23-70	1889 151.	. . 8-52-375	1902 313.	. . 23-06-49	1909 305.	. . 23-64-308
1883 321.	. . 23-32-93			1889 154.	. . 8-52-76	1902 348.	. . 23-26-41	1909 316.	. . 23-34-166
1883 342.	. . 23-32-17	1885 974.	. . 14-02-32	1889 200.	. . 8-52-4	1902 349.	. . 23-26-41	1909 322.	. . 23-64-66
1883 500.	. . 23-63-14	1886 011.	. . 24-23-236	1889 320.	. . 8-27-292	1902 350.	. . 23-47-26	1909 323.	. . 23-64-66
	. . 23-63-15	1886 025.	. . 24-28-76	1889 363.	. . 8-52-176	1902 374.	. . 23-02-12		
		1886 089.	. . 8-37-459					1909 326.	. . 23-34-122
1883 504.	. . 23-63-33	1886 109.	. . 24-28-318	1889 517.	. . 8-36-117	1902 375.	. . 23-02-11	1909 327.	. . 23-34-122
1883 512.	. . 23-63-15			1889 524.	. . 8-36-114	23-02-150		1909 410.	. . 23-19-82
1883 513.	. . 23-63-15	1886 202.	. . 23-67-80	1889 525.	. . 8-36-114			1909 411.	. . 23-19-82
1883 520.	. . 23-63-33	1886 241.	. . 24-28-24					1909 529.	. . 23-64-12
1883 524.	. . 23-34-354	1886 249.	. . 24-28-220						

1963 PASSENGER CAR PARTS CATALOG

PART NUMBER	CODE	PART NUMBER	CODE	PART NUMBER	CODE	PART NUMBER	CODE	PART NUMBER	CODE
1909 530.	23-64-12	1927 232.	4-25-17	1942 108.	21-138-10	1942 439.	21-133-46	1945 321.	9-39-5
1909 694.	23-64-308		5-13-10	1942 109.	21-138-38	1942 443.	21-134-38	1945 384.	7-04-13
1909 695.	23-64-308			1942 120.	21-136-15				19-54-115
1909 696.	23-64-308	1929 355.	17-23-57	1942 123.	21-137-8	1942 444.	21-134-40		24-25-13
1909 697.	23-64-308	1936 051.	14-11-34	1942 130.	21-137-19	1942 446.	21-134-36		24-25-131
		1937 770.	3-11-2		21-137-59	1942 447.	21-134-45		
1909 698.	23-64-308	1937 771.	3-11-1			1942 448.	21-134-40	1945 404.	19-54-123
1909 699.	23-64-308	1940 147.	19-54-131	1942 132.	21-136-23	1942 450.	21-134-36	1945 473.	9-11-7
1909 700.	23-64-308			1942 133.	21-136-30			1945 751.	3-04-10
1909 701.	23-64-308	1940 300.	9-69-6	1942 137.	21-136-47	1942 451.	21-136-65	1945 768.	3-20-1
1909 710.	23-64-308	1940 301.	9-69-6	1942 140.	21-136-47	1942 454.	21-05-35	1945 831.	16-17-1
		1940 447.	3-02-9	1942 141.	21-136-52	1942 455.	21-05-35		
			5-58-5			1942 456.	21-05-35	1945 836.	16-16-47
1909 711.	23-64-308	1940 596.	3-03-31	1942 147.	21-137-35	1942 458.	21-137-53	1945 945.	13-66-15
1909 712.	23-64-308		4-25-17	1942 148.	21-137-50			1946 141.	9-70-9
1909 713.	23-64-308			1942 149.	21-137-53	1942 463.	21-118-40	1946 297.	16-02-4
1909 856.	23-64-273	1940 604.	3-32-8	1942 150.	21-137-56	1942 466.	21-138-10	1946 343.	21-30-415
1909 914.	23-58-78	1940 621.	5-58-1	1942 152.	21-137-47	1942 467.	21-133-20		
		1940 622.	5-58-1			1942 477.	21-136-17	1946 357.	5-28-8
		1940 725.	17-16-8			1942 478.	21-137-5	1946 377.	6-38-3
1909 917.	23-64-278	1940 859.	12-04-23	1942 153.	21-137-200			1946 401.	4-25-6
1909 918.	23-39-12			1942 156.	21-137-205			1946 434.	4-25-6
1909 975.	23-15-17	1940 860.	1-88-51	1942 161.	4-10-11	1942 481.	21-137-22	1946 446.	4-19-1
1914 582.	23-86-13	1940 892.	12-04-5	1942 162.	4-10-12	1942 482.	21-137-11		
1918 299.	23-115-5	1940 961.	13-11-5	1942 163.	4-10-8	1942 485.	21-137-13		
		1941 600.	21-139-105			1942 486.	21-137-19	1946 468.	4-23-3
1918 568.	23-76-27	1941 601.	21-139-105	1942 174.	21-85-61	1942 487.	21-136-30	1946 637.	11-05-12
1919 024.	23-36-53			1942 187.	21-136-236			1946 639.	11-05-12
1919 025.	23-36-53			1942 199.	4-10-2	1942 491.	21-136-47	1946 648.	11-06-3
1919 066.	23-34-167	1941 602.	21-139-105	1942 211.	21-139-9	1942 493.	21-136-49	1946 923.	14-29-6
1919 129.	23-32-17	1941 603.	21-139-105	1942 213.	21-139-64	1942 494.	21-136-44		
		1941 623.	21-139-78			1942 496.	21-136-41	1946 992.	9-15-6
1919 590.	23-34-354	1941 624.	21-139-78	1942 218.	21-139-63	1942 497.	21-136-41	1947 132.	7-03-1
1920 101.	21-09-31	1941 636.	21-30-392	1942 223.	21-139-12			1947 165.	9-31-4
1921 471.	21-09-19			1942 225.	21-139-24	1942 498.	21-137-35	1947 221.	10-07-6
1921 472.	21-09-23	1941 648.	9-45-2	1942 227.	21-139-135	1942 499.	21-137-50	1947 225.	10-10-1
	21-14-20	1941 667.	9-46-43	1942 228.	21-139-135	1942 501.	21-137-56		
		1941 699.	19-48-49			1942 502.	21-137-59	1947 235.	9-13-5
			21-42-43	1942 230.	21-139-135	1942 543.	21-136-52	1947 236.	9-23-40
1921 473.	21-09-25	1941 831.	21-129-7	1942 231.	21-139-108			1947 311.	14-01-16
1921 475.	21-09-33		21-137-202	1942 233.	21-139-144	1942 544.	4-10-8	1947 403.	9-48-152
1921 480.	21-04-2			1942 237.	21-139-154	1943 547.	8-47-21	1947 404.	9-08-5
1921 486.	21-14-5	1941 887.	21-04-11	1942 245.	21-139-63	1943 733.	22-08-5		
1921 492.	21-15-33	1942 000.	4-10-10			1943 770.	19-15-23	1947 415.	14-01-22
		1942 005.	4-10-17	1942 248.	21-03-6	1943 997.	17-19-6	1947 428.	9-50-16
1921 493.	21-15-33	1942 006.	4-10-19	1942 256.	4-10-1			1947 429.	9-50-4
1921 494.	21-24-19	1942 011.	4-10-3	1942 259.	21-84-28	1944 011.	19-14-16		9-50-16
1921 495.	21-25-2	1942 012.	4-10-4	1942 389.	21-129-13	1944 092.	5-110-18	1947 521.	7-44-3
1921 496.	21-25-4	1942 015.	21-133-20	1942 390.	21-129-24	1944 154.	5-110-18		
1921 497.	21-25-6	1942 020.	9-46-130			1944 171.	14-88-27	1947 523.	7-44-4
		1942 021.	21-118-42	1942 395.	21-133-15	1944 177.	14-88-21	1947 542.	14-14-47
1921 498.	21-14-16	1942 021.	21-118-45	1942 396.	21-133-17			1947 544.	14-14-48
1921 499.	21-14-19			1942 397.	21-133-17	1944 194.	14-88-21	1947 554.	9-23-17
1921 501.	21-11-1	1942 041.	21-129-7	1942 399.	21-133-22	1944 200.	14-86-1	1947 557.	9-11-7
1921 503.	21-11-2	1942 054.	21-133-17	1942 400.	21-133-43	1944 203.	14-88-21	1947 560.	9-17-5
1921 504.	21-12-1	1942 057.	21-133-25			1944 361.	17-14-10	1947 561.	9-45-1
		1942 063.	21-133-43	1942 401.	21-05-12	1944 399.	13-64-4	1947 578.	9-03-5
1921 507.	21-29-25	1942 064.	21-133-43	1942 402.	21-133-39			1947 581.	9-23-18
1921 508.	21-42-11			1942 403.	21-133-38	1944 407.	13-18-4	1947 594.	9-43-1
1921 513.	21-42-31	1942 065.	21-133-43	1942 404.	21-133-36	1944 616.	9-58-12		
1921 516.	21-39-3	1942 069.	16-02-5	1942 414.	21-133-20	1944 652.	10-03-7	1947 612.	8-27-26
1921 517.	21-39-3	1942 076.	21-133-40			1944 773.	9-23-5	1947 613.	8-27-26
		1942 080.	21-133-47	1942 415.	21-133-25	1944 792.	19-54-246	1947 614.	9-43-9
1921 518.	21-34-45	1942 081.	21-133-48	1942 418.	21-133-36			1947 616.	9-43-11
1921 519.	21-34-45		21-134-30	1942 419.	21-129-10	1944 854.	9-39-15	1947 617.	9-43-11
1921 520.	21-34-45	1942 086.	21-134-38	1942 421.	21-133-43	1944 865.	9-31-5		
1921 521.	21-34-45	1942 095.	21-136-231	1942 422.	21-133-43	1944 866.	9-31-4	1947 623.	9-39-5
1921 522.	21-34-42	1942 096.	21-136-233			1945 197.	24-28-106	1947 624.	9-39-6
		1942 105.	21-118-40	1942 423.	21-133-43	1945 318.	9-39-5	1947 643.	7-48-22
1921 523.	21-34-47	1942 107.	21-118-53	1942 434.	21-133-40			1947 657.	24-25-10
1923 484.	5-100-212			1942 438.	21-133-42	1945 319.	9-39-5	1947 671.	9-05-6
1923 508.	21-42-11					1945 320.	9-39-5		
1923 765.	5-71-2								

PART NUMBER	CODE	PART NUMBER	CODE	PART NUMBER	CODE	PART NUMBER	CODE	PART NUMBER	CODE
1947 685.	24-25-13	1949 351.	21-39-3	1950 855.	23-58-572	1954 544.	23-63-94	1960 196.	23-54-145
1947 686.	9-03-10	1949 352.	21-42-11	1950 897.	23-58-607	1954 545.	23-63-94	1960 197.	23-54-137
1947 687.	9-03-10	1949 355.	21-34-45	1952 194.	23-111-31	1954 604.	23-58-67	1960 198.	23-32-27
1947 704.	9-42-1	1949 356.	21-34-42	1952 195.	23-58-75	1954 618.	23-63-33	1960 199.	23-32-27
1947 708.	8-36-137	1949 361.	21-04-2	1952 204.	23-36-5	1954 619.	23-63-33	1960 200.	23-32-27
1947 751.	9-48-86	1949 371.	21-09-2	1952 205.	23-36-5	1954 648.	23-20-65	1960 201.	23-32-27
1947 752.	9-48-45	1949 401.	21-85-5	1952 312.	23-58-3	1954 650.	23-20-65	1960 476.	23-32-58
1947 753.	9-48-44	1949 402.	21-85-5	1952 315.	23-58-607	1954 651.	23-20-65	1960 493.	23-54-73
1947 797.	14-29-5	1949 403.	21-85-5	1952 378.	23-42-26	1954 668.	23-64-66	1960 496.	23-32-106 23-48-84
1947 810.	14-30-2	1949 404.	21-85-5	1952 379.	23-42-26	1954 669.	23-64-66	1960 501.	23-04-241
1947 815.	14-01-15	1949 405.	21-85-5	1952 482.	23-58-607	1954 674.	23-64-275	1960 503.	23-48-19
1947 817.	14-01-12	1949 406.	21-85-5	1952 482.	23-58-607	1954 674.	23-64-299	1960 540.	23-40-85
1947 818.	14-01-8	1949 424.	9-46-21	1952 603.	23-18-37	1954 676.	23-36-53	1960 541.	23-40-85
1947 842.	14-39-45	1949 523.	21-139-76	1952 778.	23-18-40	1954 677.	23-36-53	1960 560.	23-19-75
1947 907.	7-02-1	1949 701.	21-03-28	1952 779.	23-58-607	1954 682.	23-86-10	1960 602.	14-86-20
1947 953.	6-10-3 6-10-31 10-24-23	1949 763.	9-46-8	1952 803.	23-40-82	1954 717.	23-08-54	1960 624.	23-19-63
1948 015.	13-66-24	1949 765.	9-46-21	1952 853.	23-63-33	1954 718.	23-63-33	1960 627.	23-32-73 23-48-11
1948 155.	22-01-5	1949 767.	21-03-6	1952 880.	23-26-41	1954 719.	23-63-33	1960 636.	23-40-85
1948 166.	11-05-1	1949 834.	21-17-2	1952 881.	23-26-41	1954 763.	23-19-63	1960 689.	23-32-79
1948 173.	11-05-4	1949 847.	21-139-33	1952 896.	23-26-41	1954 765.	23-58-603	1960 714.	23-19-63
1948 266.	11-09-3	1949 858.	21-138-15	1952 897.	23-26-41	1954 775.	23-63-15	1960 716.	1-48-391
1948 267.	11-09-3	1949 859.	21-138-15	1952 936.	23-58-607	1954 804.	23-86-19	1960 719.	23-48-93
1948 283.	11-09-3	1949 930.	21-133-39	1952 938.	23-58-200	1954 805.	23-86-19	1960 726.	23-36-14
1948 284.	11-09-3	1949 933.	21-09-30	1952 939.	23-58-208	1954 818.	23-18-26	1960 727.	23-36-14
1948 338.	17-19-3	1949 964.	21-117-1	1952 983.	23-58-605	1954 819.	23-18-26	1960 968.	23-54-111
1948 351.	17-19-20	1950 220.	23-36-66	1952 984.	23-58-607	1954 824.	23-58-475	1960 969.	23-54-90
1948 354.	13-54-15	1950 221.	23-36-66	1954 020.	23-58-240	1954 851.	23-18-29	1961 022.	23-34-286
1948 359.	13-54-4	1950 292.	23-64-242	1954 048.	23-22-145	1954 910.	23-18-20	1961 023.	23-34-286
1948 377.	13-54-15	1950 293.	23-64-242	1954 058.	23-18-5	1954 926.	23-103-10	1961 064.	23-40-85
1948 396.	17-12-12	1950 348.	23-34-27	1954 059.	23-18-5	1954 927.	23-103-10	1961 065.	23-40-85
1948 434.	12-04-22	1950 349.	23-34-27	1954 083.	23-64-4	1954 934.	23-58-573	1961 066.	23-51-5
1948 435.	12-04-22	1950 412.	23-58-265	1954 094.	23-34-249	1954 935.	23-58-573	1961 067.	23-51-5
1948 440.	12-04-4	1950 413.	23-58-227	1954 095.	23-34-249	1954 936.	23-58-573	1961 078.	23-19-82
1948 441.	12-04-4	1950 486.	23-58-497	1954 100.	23-64-306	1954 937.	23-58-573	1961 079.	23-19-82
1948 535.	11-09-3	1950 500.	23-58-76	1954 101.	23-64-306	1954 938.	23-58-573	1961 080.	23-19-82
1948 536.	11-09-3	1950 501.	23-58-76	1954 102.	23-64-306	1954 939.	23-58-573	1961 081.	23-19-82
1948 549.	11-02-4	1950 509.	23-111-37	1954 103.	23-64-306	1954 940.	23-58-573	1961 085.	23-48-50
1948 588.	11-09-3	1950 559.	23-15-17	1954 104.	23-64-306	1954 941.	23-58-573	1961 088.	23-58-476
1948 589.	11-09-3	1950 584.	23-51-41	1954 105.	23-64-306	1954 944.	23-58-573	1961 089.	23-58-476
1948 591.	11-09-3	1950 592.	23-63-126	1954 106.	23-64-306	1959 570.	23-40-85	1961 091.	23-48-49
1948 594.	11-09-3	1950 593.	23-63-126	1954 107.	23-64-306	1959 571.	23-40-85	1961 119.	23-54-194
1948 599.	11-09-3	1950 594.	23-63-126	1954 110.	23-14-53	1960 061.	23-32-88	1961 131.	23-34-13
1948 741.	14-86-55	1950 595.	23-63-126	1954 111.	23-14-53	1960 064.	23-40-86	1961 230.	23-48-28
1948 754.	1-39-2	1950 610.	23-15-1	1954 125.	23-39-12	1960 065.	23-40-86	1961 231.	23-48-28
1948 757.	14-72-9	1950 611.	23-15-1	1954 144.	23-42-26	1960 066.	23-64-280	1961 243.	23-86-10
1948 838.	5-110-18	1950 636.	23-34-120	1954 145.	23-42-26	1960 067.	23-64-280	1961 244.	23-86-10
1948 867.	13-54-4	1950 637.	23-34-120	1954 216.	23-66-135	1960 080.	23-32-49	1961 262.	23-15-22
1948 869.	17-17-3	1950 670.	23-15-7	1954 217.	23-64-314	1960 081.	23-32-49	1961 317.	23-54-77
1948 876.	17-17-4	1950 812.	23-09-51	1954 234.	23-08-60	1960 084.	23-32-40	1961 318.	23-54-128
1948 877.	17-17-5	1950 813.	23-09-51	1954 235.	23-08-60	1960 085.	23-32-40	1961 325.	23-32-70
1948 884.	17-23-56	1950 830.	23-64-46	1954 286.	23-20-19	1960 090.	23-34-26	1961 353.	14-87-2
1948 969.	13-64-6	1950 844.	23-58-572	1954 287.	23-20-19	1960 091.	23-34-26	1961 370.	23-11-1
1948 970.	13-64-5	1950 845.	23-58-572	1954 288.	23-20-19	1960 127.	8-47-76	1961 371.	23-11-1
1949 176.	9-46-33	1950 846.	23-58-572	1954 289.	23-20-19	1960 131.	8-47-67	1961 374.	23-11-1
1949 343.	21-09-30	1950 847.	23-58-572	1954 316.	23-20-19	1960 149.	23-19-74	1961 375.	23-11-1
1949 345.	21-29-3	1950 848.	23-58-572	1954 317.	23-20-19	1960 180.	23-32-17	1961 378.	23-09-56
1949 346.	21-29-25	1950 850.	23-58-572	1954 342.	23-39-18	1960 187.	23-54-142	1961 379.	23-09-56
1949 347.	21-42-11	1950 851.	23-58-572	1954 343.	23-39-18	1960 194.	23-54-140	1961 380.	23-09-56
1949 350.	21-42-31	1950 854.	23-58-572	1954 393.	23-08-12	1960 195.	23-54-144		
				1954 446.	23-09-47				

1963 PASSENGER CAR PARTS CATALOG

NUMERICAL INDEX

PART NUMBER	CODE	PART NUMBER	CODE	PART NUMBER	CODE	PART NUMBER	CODE	PART NUMBER	CODE
1961 381.	23-09-56	1963 346.	23-22-145	1964 356.	23-41-4	1972 077.	8-35-95	1991 619.	24-28-300
1961 382.	23-09-51	1963 347.	23-22-145	1964 357.	23-41-4	1972 084.	8-35-85	1992 947.	24-25-133
1961 383.	23-09-51	1963 352.	23-20-24	1964 360.	23-41-4			1993 725.	24-25-10
1961 384.	23-34-120	1963 353.	23-20-24	1964 361.	23-41-4	1972 137.	1-06-4	1994 406.	24-25-110
1961 385.	23-34-120	1963 378.	23-20-24	1964 362.	23-41-4	1972 201.	8-50-126		
1961 389.	23-34-120	1963 379.	23-20-24			1972 207.	8-50-104	1994 410.	24-25-135
1961 392.	23-09-75	1963 380.	23-20-20	1964 363.	23-41-4	1972 241.	8-53-327	1996 845.	24-25-114
1961 393.	23-09-75	1963 381.	23-20-20	1964 364.	23-41-4	1972 316.	23-54-167	1997 446.	24-25-110
1961 394.	23-09-75	1963 392.	23-64-12	1964 365.	23-41-4		23-58-532	1997 448.	24-25-107
1961 395.	23-09-75	1963 393.	23-64-12	1964 379.	1-135-1	1972 324.	24-28-55	1997 449.	24-25-107
				1964 402.	23-58-555	1972 329.	8-12-2		
1961 404.	23-11-3	1963 428.	23-64-12			1972 351.	21-84-1	1997 553.	24-24-20
1961 405.	23-11-3	1963 479.	8-11-8	1964 496.	23-36-53	1972 352.	14-02-75		24-28-248
1961 412.	23-34-120	1963 603.	8-05-6	1964 497.	23-36-53		21-84-4	1997 564.	24-28-241
1961 422.	23-40-92	1963 606.	23-86-10	1964 512.	23-19-177			1998 598.	24-24-5
1961 423.	23-40-92	1963 638.	23-18-20	1964 513.	23-19-177	1972 360.	24-28-73	1998 645.	24-26-26
				1964 528.	1-135-1	1972 372.	24-28-387		
1961 436.	23-48-51	1963 684.	23-63-112			1972 391.	8-33-90	1999 149.	24-28-300
1961 437.	23-48-51	1963 732.	23-09-47	1964 563.	23-19-63	1972 405.	1-87-292	1999 180.	7-06-14
1961 438.	23-48-19	1963 740.	23-34-234	1964 579.	23-81-8	1972 512.	1-82-43	1999 182.	24-25-45
1961 439.	23-48-19	1963 741.	23-34-234	1964 594.	23-41-4			1999 184.	8-28-15
1961 443.	23-34-166	1963 827.	23-41-33	1964 595.	23-41-4	1972 548.	1-47-9	1999 185.	24-25-15
				1964 596.	23-41-4		1-47-11		
1961 444.	23-34-166	1963 828.	23-14-33				23-54-171	1999 502.	24-25-84
1961 468.	23-40-85	1963 851.	23-41-9	1964 597.	23-41-4		23-58-533	2000 083.	24-25-84
1961 469.	23-40-85	1963 874.	23-41-53	1964 598.	23-41-4		24-28-357	2002 739.	24-25-107
1961 488.	23-48-19	1963 875.	23-41-53	1964 599.	23-41-4			2002 740.	24-25-107
1961 508.	23-64-314	1963 949.	23-41-9	1964 626.	23-51-41	1972 594.	24-28-364	2002 768.	24-25-5
				1964 627.	23-51-41	1972 779.	24-01-36		
1961 513.	23-34-304	1963 956.	23-22-151			1972 781.	24-01-36	2003 056.	24-25-15
	23-64-66	1963 996.	23-51-41	1964 690.	23-41-281	1972 789.	24-28-48	2003 058.	24-25-20
1961 600.	23-14-10	1963 997.	23-51-41	1964 691.	23-41-281	1972 817.	24-28-359	2003 059.	7-02-16
1961 601.	23-14-10	1964 072.	23-82-39	1964 696.	23-41-281			2003 060.	24-25-45
1961 606.	23-14-10	1964 073.	23-58-75	1964 697.	23-41-281	1972 836.	8-31-5	2003 062.	24-25-15
				1964 747.	23-48-76		23-33-231		
1961 607.	23-14-10	1964 074.	23-58-269			1972 898.	1-47-9	2003 063.	24-28-8
1961 618.	23-40-85	1964 075.	23-58-269	1964 818.	24-41-53		23-54-170	2003 074.	24-28-220
1961 619.	23-40-85	1964 076.	23-58-269	1964 819.	24-41-53	1972 902.	14-02-3	2003 095.	24-28-8
1961 646.	23-64-314	1964 077.	23-58-269	1964 821.	23-41-281			2003 099.	24-25-107
1961 681.	23-64-197	1964 078.	23-58-75	1964 823.	23-41-281	1972 906.	14-02-23	2003 102.	24-28-8
				1964 895.	23-58-265	1972 938.	23-18-115		
1961 692.	23-48-52	1964 118.	23-11-1			1972 939.	23-18-115	2003 103.	24-25-15
1961 693.	23-48-52	1964 119.	23-11-1	1964 896.	23-58-236	1972 940.	23-18-115	2003 104.	24-25-15
1961 704.	23-18-13	1964 124.	23-11-1	1969 366.	23-47-64	1972 942.	23-18-115	2004 756.	24-26-100
1961 705.	23-18-13	1964 125.	23-11-1	1969 367.	23-47-66			2004 766.	24-25-35
1961 717.	23-18-11	1964 130.	23-11-3	1971 061.	1-48-572	1972 943.	23-18-115	2004 767.	24-25-45
					24-01-87	1972 952.	23-18-107		
1961 736.	23-18-20	1964 131.	23-11-3			1972 954.	23-18-107	2004 773.	24-26-100
1961 737.	23-19-63	1964 136.	23-11-3	1971 091.	1-47-4	1972 972.	8-34-177	2006 374.	24-25-35
1961 748.	23-18-13	1964 137.	23-11-3	1971 314.	23-41-167	1973 174.	23-36-118	2006 394.	24-28-17
1961 749.	23-18-13	1964 182.	23-34-234	1971 326.	23-41-167			2006 397.	24-25-157
1961 750.	23-18-13	1964 183.	23-34-234	1971 463.	24-28-368	1973 175.	23-36-118	2007 102.	24-25-107
				1971 478.	23-18-102	1973 211.	23-32-48		
1961 751.	23-18-13	1964 186.	23-34-234		23-41-184	1973 290.	23-36-5	2007 168.	24-25-107
1961 752.	23-18-20	1964 187.	23-34-234			1973 291.	23-36-5	2009 249.	24-26-20
1961 753.	23-18-20	1964 228.	23-64-71	1971 742.	8-20-4	1973 304.	23-32-105	2010 204.	24-27-5
1961 862.	23-18-26	1964 229.	23-64-71	1971 833.	8-56-2			2010 211.	24-27-5
1961 863.	23-18-26	1964 260.	23-58-601	1971 841.	1-48-144	1973 305.	23-32-105	2011 418.	24-28-98
				1971 842.	1-48-144	1977 448.	23-58-365		
1961 965.	8-56-10	1964 262.	23-103-34		24-28-370	1977 449.	23-58-364	2011 419.	24-28-98
1961 977.	23-64-79	1964 289.	23-41-7			1983 786.	24-28-22	2011 420.	24-28-98
1961 802.	23-64-76	1964 332.	23-103-34	1971 873.	8-35-85	1985 513.	7-02-1	2011 421.	24-28-98
1961 803.	23-64-76	1964 340.	23-34-177	1971 879.	8-42-5			2011 426.	24-28-5
1963 222.	23-64-12	1964 341.	23-34-177	1971 931.	8-12-2			2011 431.	24-28-8
				1971 956.	24-28-8	1985 536.	24-28-195		
1963 236.	22-20-87	1964 348.	23-22-151	1972 049.	24-24-85	1985 537.	24-28-210	2011 432.	24-28-5
1963 237.	22-20-87	1964 352.	23-41-4			1985 539.	24-28-210	2011 445.	7-06-1
1963 287.	23-82-39	1964 353.	23-41-4	1972 052.	8-56-2	1989 202.	24-25-127	2011 449.	24-28-8
1963 308.	23-20-24	1964 354.	23-41-4	1972 065.	1-88-159	1990 584.	24-25-94	2013 000.	24-28-8
1963 309.	23-20-24	1964 355.	23-41-4	1972 068.	1-88-117			2013 015.	24-26-20

Jan. 3, 1964 Supersedes Jan. 25, 1963.

Page NU-10

Printed in U.S.A.

PART NUMBER	CODE	PART NUMBER	CODE	PART NUMBER	CODE	PART NUMBER	CODE	PART NUMBER	CODE
2013 016	24-25-156	2070 450	3-11-3	2070 853	3-03-1	2072 593	19-27-2	2073 634	5-27-2
2013 017	24-25-232	2070 454	3-22-26	2070 856	3-03-1	2072 609	5-13-1	2073 642	6-50-1
2013 018	24-25-20	2070 455	3-22-26	2070 866	3-33-4	2072 612	5-62-7	2073 684	6-13-4
2013 028	24-28-8	2070 456	3-22-26	2070 868	3-33-4	2072 615	5-64-2	2073 687	6-20-14
2013 033	24-27-15	2070 457	3-22-26	2070 870	3-33-4	2072 616	5-64-1	2073 792	11-06-8
2013 035	24-27-15	2070 458	3-22-26	2070 908	3-03-1	2072 617	5-64-1	2073 794	11-10-3
2067 339	23-67-194	2070 459	3-22-26	2070 915	3-19-1	2072 625	5-69-1	2073 797	11-10-42
2070 023	3-06-5	2070 460	3-22-26	2070 916	3-19-1	2072 632	5-64-1	2073 812	11-10-17
2070 024	3-06-6	2070 461	3-22-26	2070 933	5-13-7	2072 636	5-71-1	2073 931	14-86-42
2070 025	3-07-1	2070 462	3-22-26	2070 960	3-02-1	2072 637	5-71-2	2073 938	14-86-83
2070 026	3-07-2	2070 463	3-22-26	2070 961	3-02-1	2072 643	4-26-26	2073 990	1-39-2
2070 027	3-08-1	2070 464	3-22-26	2070 995	3-33-8	2072 644	4-26-27	2074 005	14-86-1
2070 082	3-11-3	2070 465	3-22-26	2070 997	5-13-7	2072 646	4-26-18	2074 015	14-88-21
2070 084	3-11-3	2070 466	3-22-26	2071 060	5-39-3	2072 655	5-70-1	2074 017	14-86-40
2070 086	3-11-3	2070 467	3-22-26	2071 075	14-02-33	2072 656	5-70-1	2074 032	14-88-27
2070 088	3-11-3	2070 468	3-22-26	2071 076	14-02-72	2072 658	5-67-1	2074 036	14-88-21
2070 090	3-11-3	2070 469	3-22-26	2071 082	5-100-47	2072 664	5-03-6	2074 054	14-86-35
2070 092	3-11-3	2070 537	3-04-6	2071 094	4-23-36	2072 670	5-03-6	2074 063	14-86-57
2070 094	3-22-26	2070 539	3-02-1	2071 132	4-23-3	2072 675	5-26-5	2074 069	5-58-1
2070 095	3-22-26	2070 563	3-19-1	2071 146	23-33-236	2072 676	22-04-14	2074 089	13-36-5
2070 096	3-22-26	2070 564	3-19-1	2071 150	4-25-9	2072 679	5-69-1	2074 090	13-36-5
2070 097	3-22-26	2070 565	3-19-1	2071 154	4-25-14	2072 681	5-13-9	2074 225	13-64-5
2070 098	3-22-26	2070 569	3-19-1	2071 159	23-33-231	2072 682	5-13-9		13-66-15
2070 099	3-22-26	2070 570	3-19-1	2071 173	2-14-13	2072 689	4-26-17	2074 386	23-32-20
2070 100	3-22-26	2070 573	3-32-1	2071 204	2-08-7	2072 707	22-06-18	2074 393	23-32-18
2070 101	3-22-26	2070 579	3-03-1	2071 211	2-10-60	2072 718	22-08-57	2074 394	23-32-18
2070 102	3-22-26	2070 583	3-03-1	2071 255	2-08-61	2072 719	8-03-23	2074 506	21-30-413
2070 103	3-22-26	2070 596	3-19-1	2071 417	2-10-58	2072 728	7-04-20	2074 508	21-30-435
2070 104	3-22-26	2070 654	3-03-1	2071 432	2-03-3		22-05-24	2074 521	19-48-16
2070 105	3-22-26	2070 663	3-32-8	2071 433	2-03-3	2072 729	22-05-24		21-30-428
2070 106	3-22-26	2070 689	3-19-1	2071 443	2-10-59	2072 731	22-06-5	2074 525	21-30-425
2070 107	3-22-26	2070 690	3-19-1	2071 452	2-08-5	2072 733	22-06-14	2074 526	21-30-425
2070 108	3-22-26	2070 693	3-03-1	2071 453	2-08-5	2072 750	22-05-14	2074 534	21-30-432
2070 109	3-22-26	2070 695	3-32-1	2071 468	2-10-6	2072 751	22-05-14	2074 535	21-30-428
2070 110	3-22-26	2070 696	3-11-3	2071 469	2-10-7	2072 794	22-03-1	2074 539	21-30-430
2070 113	3-22-45	2070 697	3-11-3	2071 470	2-10-74	2072 795	22-03-1	2074 543	21-30-429
2070 117	16-20-1	2070 698	3-11-3	2071 622	2-14-3	2072 816	5-27-6	2074 547	21-30-438
2070 118	16-20-1	2070 704	3-04-6	2071 623	2-14-3	2072 822	5-27-21	2074 553	21-30-431
2070 119	3-03-29	2070 706	3-04-6	2071 626	2-14-3	2072 831	6-38-14	2074 554	21-30-437
2070 120	3-03-20	2070 709	3-22-26	2071 627	2-14-3	2072 838	6-50-12	2074 934	5-105-1
2070 122	3-03-36	2070 771	3-03-1	2071 714	17-23-56	2072 849	6-24-1	2074 965	5-39-18
2070 148	3-06-5	2070 774	3-03-1	2071 761	17-17-4	2072 855	6-27-5	2074 977	5-100-5
2070 158	22-05-14	2070 782	3-03-3	2071 763	17-17-3	2072 857	6-52-10	2074 979	5-100-196
2070 159	22-05-14	2070 788	3-35-14	2071 764	13-54-15	2072 901	6-22-19	2074 980	5-100-193
2070 242	3-06-5	2070 797	3-03-1	2071 766	17-11-7	2072 902	6-22-1	2074 981	5-100-166
2070 300	3-19-1	2070 798	3-03-1	2071 767	17-11-7	2073 023	5-62-1	2074 985	5-100-189
2070 311	5-58-1	2070 808	3-19-1	2071 771	17-15-1	2073 134	4-23-15	2074 986	5-100-191
2070 316	3-22-24	2070 809	3-19-1	2071 772	17-17-5	2073 205	4-23-6	2074 989	5-100-190
2070 317	3-22-25	2070 811	3-03-1	2071 787	17-15-1		11-10-18	2074 990	5-100-7
2070 318	3-22-24	2070 813	3-03-1	2072 020	19-02-18		14-14-13	2074 992	5-100-185
2070 319	3-22-25	2070 816	3-19-1	2072 031	19-15-38	2073 342	22-01-5	2074 997	5-100-169
2070 441	3-11-3	2070 817	3-19-1	2072 060	19-15-60	2073 553	21-30-417	2074 998	5-100-20
2070 442	3-11-3	2070 820	3-06-6	2072 068	19-15-33	2073 554	21-30-414	2074 999	5-100-7
2070 443	3-11-3	2070 821	3-07-2	2072 069	19-15-22	2073 555	21-30-421	2075 000	5-100-152
2070 444	3-11-3	2070 824	3-03-2	2072 441	2-07-2	2073 556	21-30-423	2075 001	5-100-1
2070 445	3-11-3	2070 845	3-09-3	2072 490	19-27-45	2073 557	21-30-422	2075 005	5-100-192
2070 446	3-11-3	2070 848	3-11-3	2072 559	19-27-50	2073 558	21-30-423	2075 006	5-100-194
2070 447	3-11-3	2070 849	3-11-3	2072 571	19-27-50	2073 565	21-30-427	2075 009	6-22-4
2070 448	3-11-3	2070 850	3-11-3	2072 573	19-27-2	2073 574	21-30-426	2076 174	8-35-61
2070 449	3-11-3	2070 851	3-11-3	2072 577	19-27-31	2073 632	6-43-7	2076 216	1-82-4

1963 PASSENGER CAR PARTS CATALOG

NUMERICAL INDEX

PART NUMBER	CODE	PART NUMBER	CODE	PART NUMBER	CODE	PART NUMBER	CODE	PART NUMBER	CODE
2076 232.	5-31-13	2080 704.	23-33-129	2082 987.	23-34-262	2084 529.	23-34-27	2085 242.	23-103-10
	5-102-11			2082 989.	23-54-74			2085 243.	23-103-10
	6-35-17	2080 720.	19-31-24	2083 111.	23-32-15	2084 538.	23-34-80	2085 482.	23-63-14
	14-02-10	2080 732.	23-108-98	2083 190.	22-20-29	2084 539.	23-34-80		23-63-20
	19-31-15	2080 733.	23-108-98	2084 005.	9-09-2	2084 653.	8-27-352		
		2080 737.	23-108-98			2084 655.	8-27-85	2085 485.	23-02-82
2076 405.	1-48-254	2080 766.	23-31-124	2084 006.	9-09-2	2084 659.	8-52-241	2085 514.	23-02-89
	24-29-15			2084 007.	9-09-2			2085 515.	23-02-89
2076 423.	1-47-10	2080 767.	23-31-124	2084 008.	9-09-2	2084 660.	8-52-2	2085 660.	23-76-5
2076 543.	8-33-90	2080 768.	23-31-124	2084 029.	9-41-4	2084 661.	8-52-135	2085 661.	23-76-5
2076 656.	21-84-4	2080 774.	23-21-14	2084 030.	9-41-4	2084 662.	8-52-176		
2076 727.	1-82-4	2080 776.	23-21-26			2084 665.	8-52-137	2085 712.	23-63-14
2080 012.	23-54-63	2080 782.	23-22-145	2084 031.	9-41-4	2084 666.	8-52-140	2085 713.	23-63-14
2080 058.	23-33-12			2084 032.	9-41-4			2085 722.	23-63-14
2080 114.	23-76-5	2080 783.	23-22-145	2084 045.	2-10-57	2084 667.	8-52-275	2085 723.	23-63-14
2080 115.	23-76-5	2080 827.	23-47-6	2084 083.	8-37-316	2084 672.	8-42-2	2085 780.	23-63-14
		2080 828.	23-47-6	2084 088.	8-52-214	2084 673.	8-29-17		
2080 125.	23-22-148	2080 858.	23-22-53			2084 730.	14-41-3	2085 781.	23-63-14
2080 152.	23-33-216	2080 859.	23-22-53	2084 090.	8-52-344	2084 733.	14-41-3	2085 862.	23-14-51
2080 181.	23-02-1			2084 091.	8-52-341			2085 899.	23-14-51
2080 184.	23-02-1	2080 860.	23-22-86	2084 093.	8-52-49	2084 788.	5-63-1	2086 047.	8-35-115
2080 201.	23-06-14	2080 874.	23-21-45	2084 094.	8-52-354	2084 789.	5-63-1	2086 048.	23-17-24
	24-28-393	2080 881.	23-26-49	2084 179.	14-43-5	2084 790.	5-63-3		
		2080 897.	23-21-14			2084 791.	5-63-3	2086 050.	23-17-5
2080 234.	23-02-43	2080 898.	23-02-43	2084 215.	19-15-39	2084 794.	9-58-1	2086 051.	23-06-28
2080 238.	23-33-65			2084 236.	17-16-1			2086 056.	23-22-86
2080 284.	23-22-148	2080 899.	23-33-10	2084 243.	21-01-3	2084 797.	9-58-1	2086 057.	23-22-86
2080 285.	23-22-160	2080 910.	23-22-86	2084 250.	6-17-3	2084 810.	9-09-2	2086 114.	23-02-81
2080 306.	23-22-145	2080 936.	23-31-119	2084 258.	14-67-1	2084 811.	9-09-2		
		2080 940.	23-33-109			2084 812.	9-09-2	2086 142.	23-86-24
2080 307.	23-22-145	2080 942.	23-33-147	2084 269.	23-67-16	2084 813.	9-09-2	2086 143.	23-86-24
2080 314.	23-22-53			2084 295.	24-28-379			2086 145.	23-86-24
2080 315.	23-22-53	2080 944.	23-45-33	2084 303.	8-27-77	2084 814.	9-09-2	2086 146.	23-86-24
2080 321.	23-06-28	2080 945.	23-45-33	2084 347.	9-50-1	2084 815.	9-09-2	2086 148.	23-86-24
2080 329.	23-47-383	2080 951.	23-47-16	2084 354.	10-07-3	2084 816.	9-09-2		
		2080 958.	23-86-19			2084 817.	9-09-2	2086 168.	23-22-85
2080 330.	23-47-384	2080 959.	23-86-19	2084 355.	10-07-2	2084 818.	17-12-4	2086 210.	23-76-7
2080 331.	23-47-384			2084 381.	9-32-2			2086 275.	23-21-14
2080 382.	23-26-45	2080 982.	23-08-13	2084 382.	9-32-2	2084 819.	17-12-4	2086 461.	23-38-16
2080 383.	23-26-45	2080 988.	8-20-16	2084 384.	9-34-5	2084 820.	17-12-4	2086 611.	23-02-1
2080 384.	23-26-45	2081 004.	23-32-93	2084 385.	9-34-5	2084 821.	17-12-4		23-02-145
		2081 005.	23-32-93			2084 823.	17-12-4		
2080 385.	23-26-45	2081 016.	23-32-17	2084 386.	9-34-5	2084 824.	17-12-4	2086 612.	23-91-6
2080 386.	23-26-45			2084 387.	9-34-5			2086 613.	23-91-6
2080 387.	23-26-45	2081 018.	23-32-17	2084 388.	9-34-5	2084 825.	17-12-4	2086 634.	1-87-6
2080 413.	23-02-78	2081 058.	23-32-115	2084 389.	9-34-5	2084 829.	9-09-2		
2080 438.	23-26-47	2081 059.	23-32-115	2084 390.	9-34-5	2084 830.	9-09-2	2092 212.	23-115-10
		2081 074.	14-01-25			2084 831.	9-09-2	2092 242.	23-108-27
2080 439.	23-26-47	2081 163.	23-34-27	2084 403.	9-10-5	2084 832.	9-09-2	2093 030.	23-64-75
2080 456.	23-47-375			2084 404.	9-10-5			2093 031.	23-64-75
	23-47-385	2081 808.	23-32-27	2084 405.	9-10-5	2084 833.	9-09-2	2093 048.	23-64-78
2080 466.	23-47-386	2081 809.	23-32-27	2084 411.	9-11-1	2084 834.	9-09-2		
2080 478.	23-47-387	2081 810.	23-32-27	2084 415.	10-07-3	2084 835.	9-09-2		
		2081 811.	23-32-27			2084 836.	9-09-2	2093 049.	23-64-78
2080 480.	23-06-14	2081 840.	2-08-63	2084 416.	9-50-1	2084 847.	8-35-4	2093 136.	23-23-14
2080 488.	23-06-41		23-32-108	2084 421.	8-16-1			2093 137.	23-23-14
2080 516.	23-108-98			2084 425.	8-16-1	2084 857.	8-27-308	2093 236.	23-48-101
2080 517.	23-108-98	2081 841.	2-08-63	2084 444.	23-41-106	2084 859.	14-73-1	2093 237.	23-48-101
2080 541.	23-21-74		23-32-108	2084 445.	23-41-106	2084 862.	1-48-599		
		2082 205.	4-23-2			2084 865.	8-27-205	2093 380.	23-40-185
2080 568.	4-25-2	2082 226.	23-40-82	2084 446.	23-41-106	2084 866.	8-27-279	2093 381.	23-40-185
2080 596.	23-02-149	2082 278.	23-63-114	2084 448.	8-27-137			2093 382.	23-40-177
2080 644.	23-26-47		23-66-239	2084 456.	8-36-1	2084 867.	8-27-133	2093 383.	23-40-177
2080 645.	23-26-47			2084 458.	8-36-1	2084 868.	8-27-308	2093 386.	23-40-190
2080 652.	23-07-169	2082 545.	23-47-66	2084 460.	1-48-854	2084 869.	8-27-11		
		2082 677.	23-103-10			2084 870.	8-27-18	2093 387.	23-40-150
2080 653.	23-07-169	2082 686.	23-47-6	2084 461.	1-48-854	2084 909.	17-11-3	2093 388.	23-40-150
2080 673.	23-54-75	2082 962.	23-34-123	2084 526.	23-34-27			2093 390.	23-40-170
2080 679.	23-33-10	2082 974.	23-63-33	2084 527.	23-34-27	2084 918.	2-10-57	2093 391.	23-40-170
2080 703.	8-37-178			2084 528.	23-34-27	2084 920.	2-08-59	2093 394.	23-40-187

PART NUMBER	CODE	PART NUMBER	CODE	PART NUMBER	CODE	PART NUMBER	CODE	PART NUMBER	CODE
2093 412.	23-18-26	2094 658.	23-19-58	2095 741.	8-27-292	2096 988.	23-67-160	2098 519.	8-27-250
2093 413.	23-18-26	2094 697.	8-56-63	2095 752.	8-52-76	2096 989.	1-47-12	2098 525.	8-23-3
2093 530.	23-19-84		8-57-7				1-48-151	2098 530.	8-28-3
2093 546.	23-63-21	2094 745.	23-58-3	2095 753.	8-52-4	2097 003.	1-06-11	2098 535.	8-23-3
2093 547.	23-63-21	2094 869.	23-40-148	2095 766.	8-36-96		1-87-35	2098 572.	8-36-49
			23-108-57	2095 768.	8-36-96		8-37-88		
2093 580.	23-61-103			2095 772.	8-36-49		8-39-15	2098 646.	8-29-132
2093 581.	23-61-103	2094 874.	23-40-187	2095 773.	8-36-49		8-40-16	2098 660.	8-52-389
2093 619.	23-22-145	2094 882.	23-70-6				8-41-36	2098 663.	8-27-250
2093 638.	23-66-235	2094 883.	23-70-6	2095 775.	8-36-49		8-50-156	2098 664.	8-27-308
2093 646.	23-48-108	2094 921.	1-135-1	2095 777.	8-36-49			2098 667.	8-27-1
		2094 926.	1-135-1	2095 823.	8-36-83	2097 010.	24-28-76		
				2095 832.	8-27-1	2097 055.	1-82-44	2098 672.	8-27-1
2093 647.	23-48-108	2094 984.	23-32-15	2095 836.	8-27-1		15-14-21	2098 673.	8-27-250
2093 652.	23-63-112	2094 985.	23-32-15			2097 101.	24-25-234	2098 679.	8-27-1
2093 702.	23-32-48		23-32-98	2095 873.	8-27-205	2097 102.	24-25-157	2098 684.	8-27-1
2093 703.	23-32-48		23-51-45	2095 875.	8-52-5			2098 689.	8-27-1
2093 776.	23-34-242	2094 988.	8-56-1	2095 922.	8-27-138	2097 103.	24-25-234		
				2095 925.	8-29-135	2097 105.	24-25-232	2098 725.	8-27-1
2093 777.	23-34-242	2094 989.	8-56-1	2095 945.	8-29-153	2097 106.	24-25-20	2098 726.	8-27-1
2093 828.	23-14-47	2094 992.	8-56-7			2097 152.	24-28-384	2098 727.	8-27-250
2093 829.	23-14-47	2094 993.	8-56-7	2096 022.	23-47-457	2097 161.	1-48-780	2098 728.	8-27-250
2093 925.	23-34-179	2094 994.	8-56-40	2096 084.	24-24-150			2098 734.	8-27-308
2093 945.	23-32-15	2095 004.	8-29-208	2096 089.	23-41-170	2097 279.	1-13-10		
				2096 090.	23-41-170		1-30-3	2098 765.	8-27-1
2093 950.	23-08-12	2095 012.	8-29-155	2096 129.	23-18-116		8-13-2	8-27-71	
2093 980.	22-20-29	2095 038.	8-29-42			2097 316.	8-34-1	2098 770.	8-27-300
2093 981.	14-72-12	2095 052.	8-29-134	2096 141.	8-56-34	2097 317.	8-34-1	2098 830.	8-23-3
	23-51-45	2095 059.	8-23-3		8-57-79			2098 835.	8-28-3
2094 029.	23-19-74	2095 076.	8-52-176	2096 169.	23-41-174	2097 319.	8-34-1		
				2096 176.	23-41-170	2097 373.	24-01-18	2098 850.	8-23-3
2094 107.	23-58-357	2095 085.	8-52-214	2096 177.	23-41-170	2097 376.	24-28-25	8-28-3	
2094 112.	23-41-250	2095 094.	8-52-120	2096 179.	23-47-446	2097 419.	7-16-15	2098 986.	8-52-80
2094 119.	23-58-555	2095 105.	8-52-241			2097 471.	14-02-29	2098 987.	8-52-80
2094 130.	23-48-121	2095 112.	8-52-76	2096 180.	8-05-14			2099 334.	7-26-30
2094 131.	23-48-121	2095 114.	8-52-102	2096 181.	8-05-20	2097 570.	1-87-335		
				2096 182.	24-28-47	2097 625.	23-54-167	2099 335.	7-26-30
2094 134.	23-59-56	2095 116.	8-52-101	2096 253.	24-28-220	2097 626.	23-54-167	2099 339.	7-26-32
2094 244.	23-58-364	2095 117.	8-52-67	2096 259.	24-28-25	2097 628.	8-35-59	2099 555.	7-08-13
2094 276.	23-20-24	2095 118.	8-52-89			2097 746.	1-48-125	2099 598.	7-26-37
2094 277.	23-20-24	2095 122.	8-52-41	2096 374.	8-39-15			2099 599.	7-26-37
2094 322.	23-41-4	2095 130.	8-52-61		8-41-36	2097 820.	8-37-372		
					8-50-156	2097 827.	8-37-410	2099 639.	7-31-10
2094 323.	23-41-4	2095 133.	8-52-50	2096 398.	23-18-103	2097 970.	24-24-5	2099 696.	12-15-21
2094 354.	23-112-70	2095 134.	8-52-49	2096 399.	23-41-170	2098 058.	8-27-190	2099 784.	12-02-5
2094 380.	23-112-153	2095 150.	8-52-4			2098 175.	8-27-292	2099 801.	15-11-7
2094 394.	23-112-12	2095 155.	8-52-375	2096 499.	8-05-12			2099 944.	7-08-13
	23-115-6	2095 242.	8-52-80	2096 526.	8-31-2	2098 184.	8-27-308		
2094 448.	23-22-80			2096 597.	8-20-10	2098 189.	8-27-250	2099 945.	7-08-13
2094 449.	23-22-80	2095 274.	8-27-292	2096 599.	8-20-10	2098 190.	8-27-292	2099 962.	7-08-9
2094 462.	23-64-242	2095 277.	8-36-83	2096 623.	1-82-44	2098 192.	8-27-308	2099 963.	7-08-9
2094 463.	23-64-242	2095 329.	8-52-330			2098 209.	8-27-308	2120 012.	19-54-121
2094 464.	23-64-242	2095 347.	8-52-227					2120 016.	19-54-219
		2095 350.	8-52-67	2096 648.	8-56-34	2098 244.	8-27-158		
2094 465.	23-64-242			2096 681.	24-28-33	2098 287.	8-29-131	2120 017.	10-26-52
2094 466.	23-58-486	2095 374.	8-35-41	2096 735.	8-50-82	2098 288.	8-29-131	19-54-126	
2094 467.	23-58-486	2095 393.	8-52-4	2096 765.	23-41-170	2098 298.	8-27-308	2120 018.	19-54-181
2094 472.	23-58-486	2095 410.	8-52-80	2096 772.	1-47-13	2098 300.	8-28-74	2120 057.	9-48-158
2094 473.	23-58-486	2095 427.	8-29-98					2120 208.	7-02-1
		2095 430.	8-28-3	2096 857.	8-13-3	2098 337.	8-36-114		
2094 484.	23-63-33			2096 872.	1-04-18	2098 376.	8-36-114	2120 237.	9-64-5
2094 485.	23-63-33	2095 508.	8-27-205		1-87-406	2098 381.	8-36-114	2120 238.	9-64-5
2094 559.	23-58-237	2095 608.	8-52-328	2096 887.	24-25-53	2098 478.	8-29-154	2120 510.	7-02-16
2094 592.	23-48-93	2095 609.	8-52-328	2096 894.	1-04-4	2098 495.	8-27-1	2120 514.	9-42-1
2094 618.	8-47-126	2095 627.	8-52-23					2120 520.	7-04-16
		2095 630.	8-27-4	2096 899.	1-04-6	2098 496.	8-52-120		
2094 624.	22-20-29			2096 905.	23-41-176	2098 500.	8-52-4	2120 525.	14-11-33
2094 631.	23-32-15	2095 648.	8-27-250	2096 908.	23-41-176	2098 511.	8-29-97	2120 627.	9-23-5
2094 641.	8-47-69	2095 662.	8-23-3	2096 911.	23-41-176	2098 512.	8-29-133	2120 633.	14-29-2
2094 648.	23-63-21	2095 740.	8-27-4	2096 932.	1-48-555	2098 516.	8-29-97	2120 634.	14-29-6
2094 649.	23-63-21								

1963 PASSENGER CAR PARTS CATALOG

NUMERICAL INDEX

PART NUMBER	CODE	PART NUMBER	CODE	PART NUMBER	CODE	PART NUMBER	CODE	PART NUMBER	CODE
2120 673.	7-03-1	2122 198.	13-35-1	2123 898.	13-64-5	2124 666.	21-136-20	2125 201.	21-129-5
2120 694.	9-43-3	2122 254.	6-14-1		13-66-15	2124 683.	21-09-2	2125 860.	9-02-5
2120 757.	9-48-158	2122 255.	6-14-1	2123 920.	13-68-6			2126 760.	19-19-19
2120 764.	10-22-11			2123 921.	13-68-6	2124 697.	21-139-101		
2120 811.	14-14-8	2122 262.	6-14-4	2123 938.	13-64-26	2124 705.	9-46-130	2126 890.	19-19-19
2120 814.	14-11-9	2122 266.	5-47-8		13-66-24		21-118-42	2126 946.	19-02-55
			14-02-73			2124 715.	3-02-20	2126 956.	19-19-35
2120 817.	21-142-12	2122 275.	9-71-18	2123 939.	13-66-135	2124 733.	21-139-67	2126 965.	19-19-36
2120 866.	10-26-12	2122 278.	9-71-16	2123 940.	13-66-135			2126 966.	19-19-5
2120 870.	10-07-6			2124 255.	21-137-202	2124 734.	21-139-68		
2120 878.	14-11-3	2122 279.	9-17-19	2124 256.	21-139-117	2124 736.	21-139-74	2126 978.	19-19-5
2120 955.	7-46-1	2122 359.	17-12-12	2124 257.	21-139-118	2124 737.	21-139-76	2127 010.	19-01-8
		2122 468.	22-01-5			2124 810.	21-129-10	2127 012.	19-02-4
		2122 578.	9-69-4	2124 258.	21-133-47	2124 813.	21-129-13	2127 017.	19-15-4
2120 968.	14-11-9	2122 620.	13-11-5	2124 271.	21-03-1			2127 049.	19-19-5
2121 013.	7-02-1			2124 328.	21-85-56	2124 814.	21-133-5		
2121 014.	7-02-1	2122 621.	13-11-5	2124 342.	21-136-5	2124 815.	21-133-7	2127 097.	19-15-63
2121 016.	7-06-14	2122 796.	11-02-4	2124 359.	21-10-16	2124 819.	21-133-15	2127 099.	19-02-4
2121 159.	14-11-9	2123 169.	19-19-19			2124 820.	21-133-17	2127 104.	19-19-4
		2123 170.	19-19-19	2124 384.	21-15-2	2124 821.	21-133-17	2127 108.	19-19-28
2121 195.	9-45-2	2123 212.	5-57-2	2124 386.	21-15-2			2127 117.	19-19-4
2121 196.	9-45-2			2124 387.	21-14-6	2124 822.	21-133-20		
2121 198.	9-02-16	2123 214.	5-57-2	2124 393.	21-24-2	2124 823.	21-133-22	2127 146.	19-15-58
	9-48-9	2123 217.	5-58-1	2124 396.	21-09-29	2124 824.	21-133-43	2127 154.	19-19-35
2121 223.	9-48-14	2123 218.	5-58-1			2124 825.	21-133-39	2127 174.	19-54-180
		2123 248.	4-10-21	2124 410.	21-03-23	2124 826.	21-133-38	2127 184.	19-54-246
2121 244.	9-03-29	2123 249.	21-30-329	2124 411.	21-03-23			2127 185.	19-54-246
2121 245.	8-36-136			2124 462.	21-39-3	2124 827.	21-133-36		
2121 250.	7-03-1	2123 341.	5-56-2	2124 463.	21-39-3	2124 831.	21-129-5	2127 189.	19-54-121
2121 404.	10-07-11		14-90-1	2124 465.	21-29-3	2124 833.	21-133-7	2127 196.	19-54-180
2121 430.	9-58-12	2123 396.	11-10-42			2124 835.	21-133-17	2127 211.	19-58-7
		2123 438.	11-10-3	2124 466.	21-29-25	2124 836.	21-133-7	2127 255.	19-58-7
2121 455.	9-62-1	2123 440.	11-10-3	2124 472.	21-14-19			2127 269.	19-58-23
2121 524.	9-05-5			2124 473.	21-25-4	2124 837.	21-133-39		
2121 530.	10-09-1	2123 456.	11-10-3	2124 474.	21-24-19	2124 838.	21-133-36	2127 280.	19-58-22
2121 531.	10-14-18	2123 479.	11-05-1	2124 493.	21-136-47	2124 841.	21-134-38	2127 284.	19-54-182
2121 535.	10-09-5	2123 481.	11-05-1			2124 843.	21-136-65	2127 337.	19-58-9
		2123 491.	11-05-4	2124 494.	21-42-11	2124 844.	21-136-232	2127 375.	19-58-14
2121 554.	9-58-5	2123 492.	11-05-4	2124 499.	21-09-33			2127 376.	19-58-14
2121 569.	10-03-4			2124 502.	21-25-2	2124 846.	21-118-54		
2121 571.	14-13-3	2123 513.	14-02-18	2124 504.	21-15-33	2124 847.	21-133-42	2127 438.	19-58-14
2121 573.	9-23-10	2123 515.	14-02-18	2124 505.	21-15-33	2124 848.	21-136-15	2127 439.	19-58-14
	10-24-23	2123 623.	14-86-1			2124 850.	21-137-5	2127 440.	19-58-14
		2123 643.	1-39-2	2124 506.	21-25-6	2124 851.	21-137-8	2127 441.	19-58-28
2121 578.	9-39-5	2123 656.	23-34-259	2124 508.	21-19-15			2127 442.	19-58-28
2121 579.	9-39-5			2124 509.	21-19-15	2124 852.	21-137-22		
2121 580.	9-39-5	2123 722.	19-15-4	2124 510.	21-19-15	2124 853.	21-137-11	2127 443.	19-58-28
2121 581.	9-39-6	2123 730.	19-14-1	2124 511.	21-19-15	2124 856.	21-137-13	2128 275.	19-54-258
2121 582.	9-39-6	2123 781.	17-12-6			2124 857.	21-136-49	2128 279.	9-03-5
		2123 785.	17-12-12	2124 516.	21-09-5	2124 867.	21-119-5	2128 285.	8-52-39
2121 583.	9-39-6	2123 792.	13-66-3	2124 517.	21-09-5			2128 323.	19-54-115
2121 585.	9-48-12			2124 519.	21-04-2	2124 872.	21-133-25		
2121 600.	19-54-246	2123 796.	13-64-4	2124 523.	21-42-11	2124 937.	21-09-2	2128 324.	19-54-115
2121 686.	9-39-14	2123 797.	13-64-4	2124 560.	21-10-16	2124 945.	21-09-29	2128 337.	19-54-86
2121 694.	14-14-4	2123 798.	13-64-4			2125 000.	9-46-4	2128 338.	19-54-86
		2123 799.	13-64-4	2124 561.	21-10-4	2125 013.	21-03-2	2128 347.	14-11-30
2121 702.	10-23-7	2123 800.	13-64-3	2124 562.	21-11-1			2128 351.	6-09-1
2121 718.	9-02-12			2124 562.	21-11-1	2125 024.	21-138-21		
2121 725.	9-16-6	2123 802.	8-47-8	2124 579.	21-136-20	2125 057.	21-03-6	2128 407.	9-03-29
2121 726.	9-16-6	2123 813.	13-66-3	2124 588.	4-10-9	2125 059.	21-39-3	2128 412.	8-52-39
2121 727.	9-16-6	2123 814.	13-66-3	2124 589.	4-10-7	2125 067.	21-136-20	2128 425.	7-43-8
		2123 834.	13-66-16			2125 069.	21-137-22	2128 488.	9-45-1
2121 745.	14-14-3	2123 835.	13-66-16	2124 600.	21-118-55			2128 545.	7-06-1
2121 942.	1-82-48			2124 605.	21-42-23	2125 090.	9-46-4		
2121 952.	14-30-2			2124 606.	21-42-23	2125 104.	21-05-35	2128 548.	10-26-6
2121 967.	14-01-1	2123 849.	13-66-135	2124 607.	21-04-11	2125 109.	21-137-205	2128 571.	9-64-5
2121 971.	7-02-1	2123 856.	13-66-16	2124 637.	4-10-5	2125 187.	21-133-17	2128 572.	9-64-5
		2123 857.	13-66-16			2125 195.	21-09-2	2128 578.	19-54-86
2122 032.	19-01-8	2123 860.	13-66-3	2124 648.	4-10-24	2125 198.	21-133-15	2128 636.	14-13-1
2122 145.	21-30-365	2123 885.	13-66-147	2124 662.	21-138-15	2125 200.	21-129-5		
				2124 663.	21-138-23				

PART NUMBER	CODE	PART NUMBER	CODE	PART NUMBER	CODE	PART NUMBER	CODE	PART NUMBER	CODE
2128 661	14-29-3	2133 006	23-86-3	2133 138	23-108-4	2133 294	23-108-4	2133 422	23-108-4
2128 664	14-01-1	2133 007	23-86-3	2133 139	23-108-4	2133 295	23-108-4	2133 423	23-108-4
2128 757	14-11-9	2133 008	23-86-3	2133 140	23-108-4	2133 296	23-108-4	2133 424	23-108-4
2128 762	14-50-25	2133 009	23-86-3	2133 141	23-108-4	2133 297	23-108-4		
2128 773	9-64-13	2133 037	23-108-12	2133 147	23-108-4	2133 318	23-108-12	2133 425	23-108-4
						2133 319	23-108-12	2133 426	23-108-5
2128 774	9-64-18	2133 038	23-108-12	2133 148	23-108-4	2133 320	23-108-12	2133 427	23-108-5
2128 776	14-06-10	2133 039	23-108-12	2133 149	23-108-4			2133 428	23-108-5
2128 778	14-11-28	2133 040	23-108-12	2133 150	23-108-4	2133 321	23-108-12	2133 429	23-108-5
2128 805	14-29-2	2133 041	23-108-12	2133 151	23-108-4	2133 322	23-108-12		
2128 879	14-29-3	2133 042	23-108-16	2133 158	23-86-3	2133 323	23-108-12	2133 438	23-109-3
						2133 324	23-108-12	2133 439	23-109-3
2128 912	9-08-5	2133 043	23-108-16	2133 159	23-86-3	2133 325	23-108-12	2133 440	23-109-3
2128 933	9-58-5	2133 044	23-108-16	2133 160	23-86-3			2133 441	23-109-4
2128 935	9-64-22	2133 045	23-108-16	2133 161	23-86-3	2133 326	23-108-16	2133 442	23-109-4
2128 936	9-64-22	2133 046	23-108-16	2133 162	23-86-3	2133 327	23-108-16		
2128 938	6-10-2	2133 052	23-108-4	2133 189	23-108-12	2133 328	23-108-16	2133 443	23-109-4
						2133 329	23-108-16	2133 450	23-109-35
2128 939	6-10-10	2133 053	23-108-4	2133 190	23-108-12	2133 330	23-108-16	2133 451	23-109-35
2128 962	9-02-13	2133 054	23-108-4	2133 191	23-108-12			2133 452	23-109-35
		2133 055	23-108-4	2133 192	23-108-12	2133 331	23-108-16	2133 453	23-109-36
		2133 056	23-108-4	2133 193	23-108-16	2133 332	23-108-16		
2128 969	24-25-15	2133 057	23-108-5	2133 194	23-108-16	2133 333	23-108-16	2133 454	23-109-36
2128 970	24-25-15					2133 334	23-108-4	2133 455	23-109-36
						2133 335	23-108-4	2133 466	23-108-4
2128 992	9-45-1	2133 058	23-108-5	2133 195	23-108-16			2133 467	23-108-4
2129 000	14-29-10	2133 059	23-108-5	2133 196	23-108-16	2133 336	23-108-4	2133 468	23-108-4
2129 010	9-42-1	2133 060	23-108-5	2133 197	23-109-35	2133 337	23-108-4		
2129 012	9-23-17	2133 061	23-108-5	2133 206	23-108-4	2133 338	23-108-5	2133 469	23-108-4
2129 013	7-44-3	2133 063	23-108-12	2133 207	23-108-4	2133 339	23-108-5	2133 470	23-109-3
						2133 340	23-108-5	2133 472	23-109-3
2129 023	10-26-8	2133 064	23-108-16	2133 208	23-108-4			2133 473	23-109-4
2129 024	10-26-27	2133 065	23-108-4	2133 209	23-108-4	2133 341	23-108-5	2133 474	23-109-4
2129 060	8-28-15	2133 066	23-108-5	2133 210	23-108-5	2133 350	23-109-35		
2129 121	14-85-31	2133 070	23-109-3	2133 211	23-108-5	2133 351	23-109-35	2133 475	23-109-4
2129 145	10-07-6	2133 071	23-109-3	2133 212	23-108-5	2133 352	23-109-35	2133 482	23-109-35
						2133 353	23-109-35	2133 483	23-109-35
2129 150	10-26-49	2133 072	23-109-4	2133 213	23-108-5			2133 484	23-109-35
2129 151	10-26-12	2133 073	23-109-4	2133 222	23-109-3	2133 354	23-109-36	2133 485	23-109-36
2129 154	8-28-36	2133 074	23-109-4	2133 223	23-109-3	2133 355	23-109-36		
2129 156	8-28-36	2133 075	23-109-4	2133 224	23-109-3	2133 356	23-109-36	2133 486	23-109-36
2129 194	9-48-6	2133 076	23-109-4	2133 225	23-109-3	2133 357	23-109-36	2133 487	23-109-36
						2133 378	23-108-4	2133 494	23-109-3
2129 203	9-15-1	2133 077	23-109-3	2133 226	23-109-4			2133 496	23-109-3
2129 205	7-41-4	2133 078	23-109-4	2133 227	23-109-4	2133 379	23-108-4	2133 497	23-109-4
2129 206	7-41-4	2133 079	23-109-35	2133 228	23-109-4	2133 381	23-108-4		
2129 234	8-52-39	2133 080	23-109-36	2133 229	23-109-4	2133 382	23-109-35	2133 498	23-109-4
2129 264	14-01-3	2133 082	23-109-35	2133 238	23-109-35	2133 383	23-109-35	2133 499	23-109-4
						2133 384	23-109-35	2133 503	23-108-12
2129 265	7-05-1	2133 083	23-109-35	2133 239	23-109-35			2133 504	23-108-12
2129 277	7-03-1	2133 084	23-109-35	2133 240	23-109-35	2133 385	23-109-35	2133 505	23-108-12
2129 284	7-03-1	2133 085	23-109-35	2133 241	23-109-35	2133 390	23-108-4		
2129 562	14-29-12	2133 086	23-109-35	2133 242	23-109-36	2133 391	23-108-4	2133 506	23-109-35
2129 569	14-11-9	2133 087	23-109-36	2133 243	23-109-36	2133 392	23-108-4	2133 507	23-109-35
						2133 393	23-108-4	2133 508	23-109-35
2129 597	14-29-15	2133 088	23-109-36	2133 244	23-109-36			2133 509	23-109-36
2129 611	14-11-9	2133 089	23-109-36	2133 245	23-109-36	2133 398	23-108-4	2133 510	23-109-36
	14-11-18	2133 090	23-109-36	2133 274	23-108-4	2133 399	23-108-4		
2129 666	7-04-5	2133 091	23-109-36	2133 275	23-108-4	2133 400	23-108-4	2133 511	23-109-36
2129 667	7-04-5	2133 122	23-108-4	2133 277	23-108-4	2133 401	23-108-4	2133 515	23-108-16
						2133 406	23-108-12	2133 516	23-108-16
2129 668	14-06-10	2133 123	23-108-4	2133 278	23-109-35			2133 517	23-108-16
2129 684	9-69-21	2133 124	23-108-4	2133 279	23-109-35	2133 407	23-108-12	2133 528	23-108-12
	9-71-8	2133 125	23-108-4	2133 280	23-109-35	2133 408	23-108-12		
	19-54-132	2133 126	23-108-4	2133 281	23-109-35	2133 409	23-108-12	2133 529	23-108-12
2129 856	14-29-44	2133 127	23-109-35	2133 286	23-108-4	2133 410	23-108-16	2133 530	23-108-12
2129 885	6-10-2	2133 128	23-109-35			2133 411	23-108-16	2133 531	23-108-12
2129 886	6-10-10	2133 129	23-109-35	2133 287	23-108-4			2133 532	23-108-12
2129 887	6-09-11	2133 130	23-109-35	2133 288	23-108-4	2133 412	23-108-16	2133 533	23-108-12
2129 916	19-54-115	2133 131	23-109-35	2133 289	23-108-4	2133 413	23-108-16		
2133 005	23-86-3	2133 137	23-108-4						

PART NUMBER	CODE	PART NUMBER	CODE	PART NUMBER	CODE	PART NUMBER	CODE	PART NUMBER	CODE
2133 534.	. 23-108-16	2133 648.	. 23-108-5	2133 837.	. 23-109-4	2133 988.	. 23-76-45	2134 174.	. 23-109-36
2133 535.	. 23-108-16	2133 650.	. 23-108-5			2133 989.	. 23-76-45	2134 175.	. 23-109-36
2133 536.	. 23-108-16	2133 651.	. 23-108-5	2133 847.	. 23-108-4	2134 000.	. 23-109-35	2134 176.	. 23-109-36
2133 537.	. 23-108-16	2133 662.	. 23-108-4	2133 848.	. 23-108-4			2134 213.	. 23-86-3
2133 538.	. 23-108-16	2133 663.	. 23-108-4	2133 849.	. 23-108-4	2134 001.	. 23-109-35	2134 219.	. 23-108-12
				2133 850.	. 23-108-5	2134 002.	. 23-109-35		
2133 539.	. 23-108-16	2133 664.	. 23-108-4	2133 851.	. 23-108-5	2134 003.	. 23-109-35	2134 220.	. 23-108-12
2133 540.	. 23-108-4	2133 666.	. 23-108-4			2134 004.	. 23-109-35	2134 221.	. 23-108-12
2133 541.	. 23-108-4	2133 667.	. 23-108-5	2133 852.	. 23-108-5	2134 005.	. 23-109-36	2134 228.	. 23-108-4
2133 542.	. 23-108-4	2133 668.	. 23-108-5	2133 856.	. 23-109-4			2134 229.	. 23-108-4
2133 543.	. 23-108-5	2133 669.	. 23-108-5	2133 857.	. 23-109-4			2134 230.	. 23-108-4
				2133 858.	. 23-109-4	2134 006.	. 23-109-36		
2133 544.	. 23-108-5	2133 670.	. 23-108-5	2133 859.	. 23-109-35	2134 007.	. 23-109-36	2134 291.	. 23-76-18
2133 545.	. 23-108-5	2133 671.	. 23-108-5			2134 008.	. 23-109-36	2134 292.	. 23-76-34
2133 547.	. 23-108-12	2133 677.	. 23-109-4	2133 860.	. 23-109-35	2134 009.	. 23-109-36	2134 293.	. 23-108-4
2133 548.	. 23-108-16	2133 678.	. 23-109-4	2133 861.	. 23-109-35	2134 035.	. 23-108-4	2134 294.	. 23-108-5
2133 549.	. 23-108-4	2133 680.	. 23-109-4	2133 862.	. 23-109-36			2134 370.	. 23-108-12
				2133 863.	. 23-109-36	2134 036.	. 23-108-4		
2133 550.	. 23-108-5	2133 681.	. 23-109-4	2133 864.	. 23-109-36	2134 037.	. 23-108-4	2134 371.	. 23-108-12
2133 552.	. 23-109-35	2133 682.	. 23-109-35			2134 038.	. 23-108-4	2134 372.	. 23-108-12
2133 553.	. 23-109-35	2133 683.	. 23-109-35	2133 868.	. 23-108-4	2134 039.	. 23-108-4	2134 373.	. 23-108-4
2133 554.	. 23-109-35	2133 685.	. 23-109-35	2133 869.	. 23-108-4	2134 067.	. 23-109-3	2134 374.	. 23-108-4
2133 555.	. 23-109-36	2133 686.	. 23-109-35	2133 870.	. 23-108-4			2134 375.	. 23-108-4
				2133 888.	. 23-108-4	2134 068.	. 23-109-3		
2133 556.	. 23-109-36	2133 687.	. 23-109-36	2133 889.	. 23-108-4	2134 069.	. 23-109-3	2134 376.	. 23-108-4
2133 557.	. 23-109-36	2133 688.	. 23-109-36			2134 099.	. 23-108-15	2134 377.	. 23-108-4
2133 564.	. 23-109-4	2133 690.	. 23-109-36	2133 890.	. 23-108-4	2134 100.	. 23-108-15	2134 378.	. 23-109-3
2133 565.	. 23-109-4	2133 691.	. 23-109-36	2133 892.	. 23-108-5	2134 101.	. 23-108-15	2134 379.	. 23-109-3
2133 566.	. 23-109-4	2133 712.	. 23-108-4	2133 893.	. 23-108-5			2134 380.	. 23-109-3
				2133 894.	. 23-108-5	2134 103.	. 23-108-16		
2133 567.	. 23-109-35	2133 713.	. 23-108-4	2133 894.	. 23-108-5	2134 104.	. 23-108-16	2134 381.	. 23-109-3
2133 568.	. 23-109-35	2133 788.	. 23-112-153	2133 940.	. 23-108-15	2134 105.	. 23-108-16	2134 382.	. 23-109-3
2133 569.	. 23-109-35	2133 789.	. 23-112-153			2134 122.	. 23-109-3	2134 383.	. 23-109-35
2133 570.	. 23-109-36	2133 790.	. 23-112-153	2133 941.	. 23-108-15	2134 123.	. 23-109-3	2134 384.	. 23-109-35
2133 571.	. 23-109-36	2133 791.	. 23-112-153	2133 942.	. 23-108-15			2134 385.	. 23-109-35
				2133 943.	. 23-108-15	2134 125.	. 23-109-4		
2133 572.	. 23-109-36	2133 792.	. 23-112-153	2133 944.	. 23-108-15	2134 126.	. 23-109-4	2134 386.	. 23-109-35
2133 575.	. 23-108-4	2133 793.	. 23-112-153	2133 955.	. 23-108-4	2134 128.	. 23-76-40	2134 387.	. 23-109-35
2133 596.	. 23-109-3	2133 794.	. 23-112-153			2134 129.	. 23-76-40	2134 500.	. 23-103-3
2133 597.	. 23-109-4	2133 795.	. 23-112-153	2133 956.	. 23-108-4	2134 131.	. 23-76-45	2134 501.	. 23-103-3
2133 598.	. 23-109-35	2133 796.	. 23-112-153	2133 957.	. 23-108-4			2134 502.	. 23-103-3
				2133 958.	. 23-108-4	2134 132.	. 23-76-45		
2133 599.	. 23-109-36	2133 797.	. 23-112-153	2133 959.	. 23-108-4	2134 140.	. 23-109-35	2134 503.	. 23-103-3
2133 606.	. 23-108-15	2133 808.	. 23-112-153	2133 960.	. 23-108-5	2134 143.	. 23-109-36	2134 504.	. 23-103-3
2133 607.	. 23-108-15	2133 809.	. 23-112-153			2134 144.	. 23-109-36	2134 505.	. 23-103-3
2133 609.	. 23-108-15	2133 810.	. 23-112-153	2133 961.	. 23-108-5	2134 147.	. 23-86-3	2134 506.	. 23-101-3
2133 610.	. 23-108-15	2133 811.	. 23-112-153	2133 962.	. 23-108-5				
				2133 963.	. 23-108-5	2134 153.	. 23-109-3	2134 507.	. 23-101-3
2133 611.	. 23-108-16	2133 812.	. 23-112-153	2133 964.	. 23-108-5	2134 154.	. 23-109-3		
2133 612.	. 23-108-16	2133 813.	. 23-112-153	2133 970.	. 23-109-3	2134 155.	. 23-109-3	2134 508.	. 23-103-3
2133 614.	. 23-108-16	2133 814.	. 23-112-153			2134 156.	. 23-109-4	2134 509.	. 23-103-3
2133 615.	. 23-108-16	2133 815.	. 23-112-153	2133 971.	. 23-109-3	2134 157.	. 23-109-4	2134 530.	. 23-101-3
2133 620.	. 23-109-35	2133 816.	. 23-112-153	2133 972.	. 23-109-3				
				2133 973.	. 23-109-3	2134 158.	. 23-109-4	2134 531.	. 23-101-3
2133 631.	. 23-76-18	2133 817.	. 23-112-153	2133 974.	. 23-109-3	2134 159.	. 23-109-35	2134 532.	. 23-101-3
2133 632.	. 23-76-18	2133 818.	. 23-112-153	2133 975.	. 23-109-4	2134 160.	. 23-109-35	2134 533.	. 23-101-3
2133 633.	. 23-76-18	2133 819.	. 23-112-153			2134 162.	. 23-109-36	2134 534.	. 23-101-3
2133 634.	. 23-76-18	2133 820.	. 23-112-153	2133 976.	. 23-109-4	2134 163.	. 23-109-36	2134 535.	. 23-101-3
2133 635.	. 23-76-18	2133 821.	. 23-112-153	2133 977.	. 23-109-4				
				2133 978.	. 23-109-4	2134 164.	. 23-109-36	2134 536.	. 23-101-3
2133 636.	. 23-76-34	2133 822.	. 23-112-153	2133 979.	. 23-109-4	2134 165.	. 23-109-3	2134 537.	. 23-101-3
2133 637.	. 23-76-34	2133 823.	. 23-112-153	2133 980.	. 23-76-40	2134 166.	. 23-109-3	2134 538.	. 23-101-3
2133 638.	. 23-76-34	2133 824.	. 23-112-153			2134 167.	. 23-109-3	2134 539.	. 23-101-3
2133 639.	. 23-76-34	2133 825.	. 23-112-153	2133 981.	. 23-76-40	2134 168.	. 23-109-4	2134 550.	. 23-76-18
2133 640.	. 23-76-34	2133 826.	. 23-112-153	2133 982.	. 23-76-40				
				2133 983.	. 23-76-40	2134 169.	. 23-109-4	2134 551.	. 23-76-18
2133 642.	. 23-108-4			2133 984.	. 23-76-40	2134 170.	. 23-109-4	2134 552.	. 23-76-18
2133 643.	. 23-108-4	2133 827.	. 23-112-153	2133 985.	. 23-76-45	2134 171.	. 23-109-35	2134 553.	. 23-76-18
2133 645.	. 23-108-4	2133 833.	. 23-109-4			2134 172.	. 23-109-35	2134 554.	. 23-76-18
2133 646.	. 23-108-4	2133 834.	. 23-109-4	2133 986.	. 23-76-45	2134 173.	. 23-109-35		
2133 647.	. 23-108-5	2133 836.	. 23-109-4	2133 987.	. 23-76-45				

PART NUMBER	CODE	PART NUMBER	CODE	PART NUMBER	CODE	PART NUMBER	CODE	PART NUMBER	CODE
2134 555.	. . 23-76-34	2134 698.	. . 23-109-35	2134 873.	. . 23-108-4	2134 992.	. . 23-101-3	2136 989.	. . 23-109-4
2134 556.	. . 23-76-34	2134 699.	. . 23-109-36	2134 874.	. . 23-108-5	2134 993.	. . 23-101-3	2136 990.	. . 23-109-4
2134 557.	. . 23-76-34	2134 706.	. . 23-108-4	2134 875.	. . 23-108-4	2134 994.	. . 23-101-3	2136 991.	. . 23-109-4
2134 558.	. . 23-76-34	2134 710.	. . 23-109-3	2134 876.	. . 23-108-5	2134 995.	. . 23-101-3	2136 992.	. . 23-109-4
2134 559.	. . 23-76-34	2134 711.	. . 23-109-4	2134 878.	. . 23-109-3	2134 996.	. . 23-101-3	2136 993.	. . 23-109-4
2134 560.	. . 23-76-19	2134 715.	. . 23-109-36	2134 879.	. . 23-109-4	2134 997.	. . 23-101-3	2137 000.	. . 23-109-35
2134 561.	. . 23-76-19	2134 716.	. . 23-101-3	2134 880.	. . 23-76-40	2134 998.	. . 23-101-3	2137 001.	. . 23-109-35
2134 562.	. . 23-76-19	2134 717.	. . 23-101-3	2134 881.	. . 23-76-45	2134 999.	. . 23-101-3	2137 002.	. . 23-109-35
2134 563.	. . 23-78-19	2134 718.	. . 23-109-3	2134 884.	. . 23-109-35	2136 900.	. . 23-76-66	2137 003.	. . 23-109-35
2134 564.	. . 23-76-19	2134 719.	. . 23-109-4	2134 885.	. . 23-109-36	2136 901.	. . 23-76-66	2137 004.	. . 23-109-35
2134 576.	. . 23-112-153	2134 721.	. . 23-109-35	2134 888.	. . 23-109-3	2136 902.	. . 23-76-66	2137 005.	. . 23-109-36
2134 577.	. . 23-112-153	2134 722.	. . 23-109-36	2134 889.	. . 23-109-4	2136 903.	. . 23-76-66	2137 006.	. . 23-109-36
2134 578.	. . 23-112-153	2134 730.	. . 23-108-12	2134 890.	. . 23-109-35	2136 904.	. . 23-76-66	2137 007.	. . 23-109-36
2134 579.	. . 23-112-153	2134 731.	. . 23-108-12	2134 891.	. . 23-109-36	2136 905.	. . 23-76-66	2137 008.	. . 23-109-36
2134 580.	. . 23-109-35	2134 732.	. . 23-108-12	2134 892.	. . 23-109-3	2136 906.	. . 23-76-66	2137 009.	. . 23-109-36
2134 581.	. . 23-109-35	2134 733.	. . 23-108-12	2134 893.	. . 23-109-4	2136 907.	. . 23-76-66	2137 041.	. . 23-108-4
2134 583.	. . 23-109-35	2134 734.	. . 23-108-16	2134 894.	. . 23-109-35	2136 908.	. . 23-76-66	2137 042.	. . 23-108-4
2134 584.	. . 23-109-35	2134 735.	. . 23-108-16	2134 895.	. . 23-109-36	2136 909.	. . 23-76-66	2137 043.	. . 23-108-4
2134 585.	. . 23-109-36	2134 736.	. . 23-108-16	2134 900.	. . 23-96-8	2136 910.	. . 23-76-66	2137 044.	. . 23-108-4
2134 586.	. . 23-109-36	2134 737.	. . 23-108-16	2134 901.	. . 23-96-8	2136 911.	. . 23-76-66	2137 045.	. . 23-108-4
2134 588.	. . 23-109-36	2134 746.	. . 23-108-5	2134 902.	. . 23-96-8	2136 912.	. . 23-76-66	2137 046.	. . 23-109-35
2134 589.	. . 23-109-36	2134 747.	. . 23-108-5	2134 903.	. . 23-96-8	2136 913.	. . 23-76-66	2137 047.	. . 23-109-35
2134 590.	. . 23-109-35	2134 748.	. . 23-108-5	2134 904.	. . 23-96-8	2136 914.	. . 23-76-66	2137 048.	. . 23-109-35
2134 591.	. . 23-109-35	2134 752.	. . 23-109-35	2134 905.	. . 23-96-8	2136 915.	. . 23-76-66	2137 050.	. . 23-109-35
2134 593.	. . 23-109-35	2134 753.	. . 23-109-36	2134 906.	. . 23-96-8	2136 916.	. . 23-76-66	2137 107.	. . 23-109-3
2134 594.	. . 23-109-35	2134 761.	. . 23-108-12	2134 907.	. . 23-96-8	2136 917.	. . 23-76-66	2137 134.	. . 23-108-12
2134 595.	. . 23-109-36	2134 762.	. . 23-108-4	2134 908.	. . 23-108-5	2136 918.	. . 23-76-66	2137 135.	. . 23-108-12
2134 596.	. . 23-109-36	2134 767.	. . 23-109-4	2134 909.	. . 23-108-5	2136 919.	. . 23-76-66	2137 136.	. . 23-108-12
2134 598.	. . 23-109-36	2134 772.	. . 23-109-4	2134 923.	. . 23-108-15	2136 920.	. . 23-76-66	2137 137.	. . 23-108-12
2134 599.	. . 23-109-36	2134 773.	. . 23-109-4	2134 924.	. . 23-108-16	2136 921.	. . 23-76-66	2137 138.	. . 23-108-12
2134 618.	. . 23-101-3	2134 778.	. . 23-109-35	2134 927.	. . 23-108-4	2136 922.	. . 23-76-66	2137 139.	. . 23-108-12
2134 619.	. . 23-101-3	2134 779.	. . 23-109-35	2134 928.	. . 23-108-5	2136 923.	. . 23-76-66	2137 140.	. . 23-108-12
2134 620.	. . 23-101-3	2134 779.	. . 23-109-35	2134 930.	. . 23-109-4	2136 924.	. . 23-76-66	2137 141.	. . 23-108-12
2134 621.	. . 23-101-3	2134 780.	. . 23-109-36	2134 931.	. . 23-109-35	2136 925.	. . 23-76-66	2137 142.	. . 23-108-12
2134 622.	. . 23-101-3	2134 781.	. . 23-109-36	2134 932.	. . 23-109-36	2136 926.	. . 23-76-66	2137 143.	. . 23-108-12
2123 623.	. . 23-101-3	2134 785.	. . 23-79-33	2134 937.	. . 23-109-4	2136 927.	. . 23-76-66	2137 144.	. . 23-108-16
2134 624.	. . 23-103-3	2134 796.	. . 23-79-33	2134 938.	. . 23-109-35	2136 928.	. . 23-76-66	2137 145.	. . 23-108-16
2134 625.	. . 23-103-3	2134 797.	. . 23-79-33	2134 939.	. . 23-109-36	2136 929.	. . 23-76-66	2137 146.	. . 23-108-16
2134 645.	. . 23-76-18	2134 798.	. . 23-79-33	2134 940.	. . 23-109-35	2136 930.	. . 23-76-66	2137 147.	. . 23-108-16
2134 646.	. . 23-76-34	2134 807.	. . 23-108-15	2134 941.	. . 23-109-36	2136 931.	. . 23-76-66	2137 148.	. . 23-108-16
2134 647.	. . 23-108-4	2134 808.	. . 23-108-16	2134 942.	. . 23-101-3	2136 932.	. . 23-76-66	2137 149.	. . 23-108-16
2134 648.	. . 23-108-5	2134 812.	. . 23-76-18	2134 943.	. . 23-101-3	2136 933.	. . 23-76-66	2137 150.	. . 23-108-16
2134 651.	. . 23-108-12	2134 813.	. . 23-76-34	2134 945.	. . 23-108-16	2136 934.	. . 23-108-12	2137 151.	. . 23-108-16
2134 652.	. . 23-108-16	2134 814.	. . 23-108-4	2134 946.	. . 23-108-16	2136 935.	. . 23-108-12	2137 152.	. . 23-108-16
2134 654.	. . 23-108-4	2134 815.	. . 23-108-5	2134 947.	. . 23-108-16	2136 936.	. . 23-108-12	2137 153.	. . 23-108-16
2134 655.	. . 23-108-5	2134 816.	. . 23-108-4	2134 948.	. . 23-108-16	2136 937.	. . 23-108-12	2137 154.	. . 23-108-4
2134 659.	. . 23-109-4	2134 817.	. . 23-108-5	2134 949.	. . 23-108-16	2136 938.	. . 23-108-12	2137 155.	. . 23-108-4
2134 661.	. . 23-109-35	2134 819.	. . 23-109-4	2134 980.	. . 23-112-153	2136 939.	. . 23-108-4	2137 156.	. . 23-108-4
2134 662.	. . 23-109-36	2134 820.	. . 23-109-35	2134 981.	. . 23-112-153	2136 940.	. . 23-108-4	2137 166.	. . 23-108-4
2134 670.	. . 23-108-4	2134 821.	. . 23-109-36	2134 982.	. . 23-112-153	2136 941.	. . 23-108-4	2137 167.	. . 23-108-4
2134 677.	. . 23-108-4	2134 836.	. . 23-109-35	2134 983.	. . 23-112-153	2136 942.	. . 23-108-4	2137 168.	. . 23-108-4
2134 678.	. . 23-108-4	2134 837.	. . 23-109-36	2134 984.	. . 23-112-153	2136 943.	. . 23-108-4	2137 169.	. . 23-108-5
2134 685.	. . 23-108-12	2134 847.	. . 23-109-4	2134 985.	. . 23-112-153	2136 944.	. . 23-108-5	2137 170.	. . 23-108-5
2134 686.	. . 23-108-16	2134 848.	. . 23-109-35	2134 986.	. . 23-112-153	2136 945.	. . 23-108-5	2137 171.	. . 23-108-5
2134 689.	. . 23-108-4	2134 849.	. . 23-109-36	2134 987.	. . 23-112-153	2136 946.	. . 23-108-5	2137 172.	. . 23-108-5
2134 690.	. . 23-108-5	2134 853.	. . 23-79-64	2134 988.	. . 23-101-3	2136 947.	. . 23-108-5	2137 173.	. . 23-108-5
2134 693.	. . 23-109-3	2134 856.	. . 23-79-33	2134 989.	. . 23-101-3	2136 948.	. . 23-109-3	2137 174.	. . 23-109-3
2134 694.	. . 23-109-4	2134 867.	. . 23-108-15	2134 990.	. . 23-101-3	2136 949.	. . 23-109-3	2137 175.	. . 23-109-3
		2134 868.	. . 23-108-16	2134 991.	. . 23-101-3	2136 950.	. . 23-109-3	2137 176.	. . 23-109-3
		2134 871.	. . 23-76-18			2136 951.	. . 23-109-3		
		2134 872.	. . 23-76-34			2136 952.	. . 23-109-3		

1963 PASSENGER CAR PARTS CATALOG

NUMERICAL INDEX

PART NUMBER	CODE	PART NUMBER	CODE	PART NUMBER	CODE	PART NUMBER	CODE	PART NUMBER	CODE
2137 177.	23-109-3	2137 313.	23-108-5	2137 430.	23-108-5	2137 528.	23-109-35	2137 663.	23-109-3
2137 178.	23-109-3			2137 431.	23-108-5	2137 529.	23-109-35	2137 664.	23-109-4
2137 179.	23-109-4	2137 314.	23-108-5	2137 442.	23-109-4			2137 665.	23-109-35
2137 180.	23-109-4	2137 320.	23-109-3			2137 530.	23-109-35	2137 666.	23-109-36
2137 181.	23-109-4	2137 321.	23-109-3	2137 443.	23-109-4	2137 531.	23-109-35		
		2137 322.	23-109-3	2137 444.	23-109-4	2137 532.	23-109-36	2137 667.	23-109-35
2137 182.	23-109-4	2137 323.	23-109-3	2137 445.	23-109-4	2137 533.	23-109-36	2137 669.	23-109-3
2137 183.	23-109-4			2137 446.	23-109-4	2137 534.	23-109-36	2137 670.	23-109-4
2137 189.	23-109-35	2137 324.	23-109-3	2137 452.	23-109-35			2137 671.	23-109-35
2137 190.	23-109-35	2137 325.	23-109-4			2137 535.	23-109-36	2137 672.	23-109-36
2137 191.	23-109-35	2137 326.	23-109-4	2137 453.	23-109-35	2137 536.	23-109-36		
		2137 327.	23-109-4	2137 454.	23-109-35	2137 542.	23-108-4	2137 694.	23-101-3
2137 192.	23-109-35	2137 328.	23-109-4	2137 455.	23-109-35	2137 543.	23-108-4	2137 695.	23-101-3
2137 193.	23-109-35			2137 456.	23-109-35	2137 544.	23-108-4	2137 696.	23-109-35
2137 194.	23-109-36	2137 329.	23-109-4	2137 457.	23-109-36			2137 716.	23-101-3
2137 195.	23-109-36	2137 335.	23-109-35			2137 545.	23-108-4	2137 717.	23-101-3
2137 196.	23-109-36	2137 336.	23-109-35	2137 458.	23-109-36	2137 546.	23-108-4		
		2137 337.	23-109-35	2137 459.	23-109-36	2137 552.	23-108-4	2137 718.	23-101-3
2137 197.	23-109-36	2137 338.	23-109-35	2137 460.	23-109-36	2137 553.	23-108-4	2137 719.	23-101-3
2137 198.	23-109-36			2137 461.	23-109-36	2137 554.	23-108-4	2137 720.	23-101-3
2137 229.	23-108-4	2137 339.	23-109-35	2137 472.	23-108-4			2137 721.	23-101-3
2137 230.	23-108-4	2137 340.	23-109-36			2137 555.	23-108-4	2137 722.	23-101-3
2137 231.	23-108-4	2137 341.	23-109-36	2137 473.	23-108-4	2137 556.	23-108-4		
		2137 342.	23-109-36	2137 474.	23-108-4	2137 567.	23-108-4	2137 723.	23-101-3
2137 232.	23-108-4	2137 343.	23-109-36	2137 475.	23-108-4	2137 568.	23-108-4	2137 724.	23-101-3
2137 233.	23-108-4			2137 476.	23-108-4	2137 569.	23-108-4	2137 725.	23-101-3
2137 234.	23-109-35	2137 344.	23-109-36	2137 477.	23-108-4			2137 726.	23-112-153
2137 235.	23-109-35	2137 375.	23-109-3			2137 570.	23-108-4	2137 727.	23-112-153
2137 236.	23-109-35	2137 376.	23-109-3	2137 478.	23-108-4	2137 571.	23-108-4		
		2137 377.	23-109-3	2137 479.	23-108-4	2137 582.	23-108-4	2137 728.	23-112-153
2137 238.	23-109-35	2137 378.	23-109-3	2137 480.	23-108-4	2137 583.	23-108-4	2137 729.	23-112-153
2137 239.	23-108-4			2137 481.	23-108-4	2137 584.	23-108-4	2137 730.	23-112-153
2137 240.	23-108-4	2137 379.	23-109-3	2137 482.	23-109-3			2137 731.	23-112-153
2137 241.	23-108-4	2137 380.	23-109-3			2137 592.	23-109-35	2137 732.	23-112-153
2137 242.	23-108-4	2137 381.	23-109-3	2137 483.	23-109-3	2137 593.	23-109-35		
		2137 382.	23-109-3	2137 484.	23-109-3	2137 594.	23-109-35	2137 733.	23-112-153
2137 243.	23-108-4	2137 383.	23-109-3	2137 485.	23-109-3	2137 595.	23-109-35	2137 734.	23-112-153
2137 244.	23-108-4			2137 486.	23-109-3	2137 596.	23-109-35	2137 735.	23-112-153
2137 245.	23-108-4	2137 386.	23-108-4	2137 487.	23-109-4			2137 746.	23-112-153
2137 246.	23-108-4	2137 394.	23-108-12			2137 597.	23-109-35	2137 747.	23-112-153
2137 247.	23-108-4	2137 395.	23-108-12	2137 488.	23-109-4	2137 598.	23-109-35		
		2137 396.	23-108-12	2137 489.	23-109-4	2137 599.	23-109-35	2137 748.	23-112-153
2137 248.	23-108-4	2137 397.	23-108-12	2137 490.	23-109-4	2137 600.	23-109-35	2137 749.	23-112-153
2137 272.	23-109-3			2137 491.	23-109-4	2137 601.	23-109-35	2137 750.	23-112-153
2137 273.	23-109-3	2137 398.	23-108-12	2137 497.	23-109-35			2137 751.	23-112-153
2137 274.	23-109-3	2137 399.	23-108-12			2137 606.	23-86-3	2137 752.	23-112-153
2137 275.	23-109-3	2137 400.	23-108-12	2137 498.	23-109-35	2137 607.	23-86-3		
		2137 401.	23-108-12	2137 499.	23-109-35	2137 608.	23-86-3	2137 753.	23-112-153
2137 276.	23-109-3	2137 402.	23-108-16			2137 609.	23-86-3	2137 754.	23-112-153
2137 290.	23-108-12			2137 500.	23-109-35	2137 626.	23-101-3	2137 755.	23-112-153
2137 291.	23-108-12	2137 403.	23-108-16	2137 501.	23-109-35			2137 756.	23-112-153
2137 292.	23-108-12	2137 404.	23-108-16	2137 502.	23-109-36	2137 627.	23-101-3	2137 757.	23-112-153
2137 293.	23-108-12	2137 405.	23-108-16	2137 503.	23-109-36	2137 628.	23-101-3		
		2137 406.	23-108-16	2137 504.	23-109-36	2137 629.	23-101-3	2137 758.	23-112-153
2137 294.	23-108-12	2137 407.	23-108-16			2137 630.	23-101-3	2137 759.	23-112-153
2137 295.	23-108-16			2137 505.	23-109-36	2137 631.	23-101-3	2137 760.	23-112-153
2137 296.	23-108-16	2137 408.	23-108-16	2137 506.	23-109-36			2137 761.	23-112-153
2137 297.	23-108-16	2137 409.	23-108-16	2137 512.	23-109-3	2137 632.	23-101-3	2137 762.	23-112-153
2137 298.	23-108-16	2137 410.	23-108-16	2137 513.	23-109-3	2137 633.	23-101-3		
		2137 411.	23-108-16	2137 514.	23-109-3	2137 634.	23-101-3	2137 763.	23-112-153
2137 299.	23-108-16	2137 422.	23-108-4			2137 635.	23-101-3	2137 764.	23-112-153
2137 305.	23-108-4			2137 515.	23-109-3	2137 636.	23-76-66	2137 765.	23-112-153
2137 306.	23-108-4	2137 423.	23-108-4	2137 516.	23-109-3			2137 768.	23-101-3
2137 307.	23-108-4	2137 424.	23-108-4	2137 517.	23-109-4	2137 637.	23-76-66	2137 769.	23-101-3
2137 308.	23-108-4	2137 425.	23-104-4	2137 518.	23-109-4	2137 640.	23-76-66		
		2137 426.	23-108-4	2137 519.	23-109-4	2137 641.	23-76-66	2137 778.	23-109-3
2137 309.	23-108-4	2137 427.	23-108-5			2137 642.	23-76-66	2137 780.	23-109-3
2137 310.	23-108-5			2137 520.	23-109-4	2137 643.	23-76-66	2137 781.	23-109-3
2137 311.	23-108-5	2137 428.	23-108-5	2137 521.	23-109-4			2137 782.	23-109-3
2137 312.	23-108-5	2137 429.	23-108-5	2137 527.	23-109-35	2137 662.	23-86-3	2137 783.	23-109-3

PART NUMBER	CODE	PART NUMBER	CODE	PART NUMBER	CODE	PART NUMBER	CODE	PART NUMBER	CODE
2137 784.	23-109-3	2137 904.	23-109-4	2161 028.	23-02-105	2152 165.	23-21-32	2162 687.	23-103-10
2137 785.	23-109-3	2137 905.	23-109-4	2161 035.	23-02-107	2152 192.	8-35-111	2162 692.	23-06-15
2137 786.	23-109-3			2151 115.	23-02-105	2152 199.	23-33-86		
2137 787.	23-109-3	2137 906.	23-109-35	2161 134.	23-33-220	2162 204.	5-27-9	2162 693.	23-06-13
2137 820.	23-108-12	2137 907.	23-109-35			2162 205.	5-27-9	2162 721.	23-02-18
		2137 908.	23-109-35	2161 135.	23-33-26			2162 776.	23-33-101
2137 821.	23-108-12	2137 909.	23-109-35	2161 156.	23-33-217	2162 239.	1-48-383	2162 777.	23-33-102
2137 822.	23-108-12	2137 910.	23-109-36	2161 160.	19-14-35		24-28-113	2162 795.	8-27-9
2137 823.	23-108-12			2161 162.	23-33-42	2162 245.	1-48-362		
2137 824.	23-108-16	2137 911.	23-109-36	2161 174.	23-33-96		24-28-92	2162 802.	23-33-103
2137 825.	23-108-16	2137 912.	23-109-36			2162 290.	23-31-124	2162 831.	23-96-3
		2137 913.	23-109-36	2161 175.	23-33-96			2162 868.	1-48-356
2137 826.	23-108-16	2137 914.	23-109-3	2161 192.	23-17-2	2162 293.	23-31-119	2162 886.	23-06-21
2137 827.	23-108-16	2137 915.	23-109-3	2161 217.	23-06-15	2162 305.	23-47-6	2163 901.	1-32-2
2137 828.	23-108-4			2161 236.	23-108-98	2162 307.	23-47-6		
2137 829.	23-108-4	2137 916.	23-109-3	2161 268.	23-06-4	2162 351.	23-17-28	2164 648.	23-115-4
2137 830.	23-108-4	2137 918.	23-109-4			2162 360.	1-48-357	2165 039.	23-103-37
		2137 919.	23-109-4	2161 290.	15-14-20		24-28-101	2165 224.	23-18-13
2137 831.	23-108-4	2137 920.	23-109-4	2161 291.	23-47-55			2165 225.	23-18-13
2137 832.	23-108-5	2137 921.	23-109-4	2161 307.	8-05-8	2162 369.	23-33-12	2165 232.	23-18-13
2137 833.	23-108-5			2161 308.	8-05-6	2162 373.	1-48-383		
2137 834.	23-108-5	2137 922.	23-109-35	2161 316.	8-05-32	2162 374.	1-48-395	2165 233.	23-18-13
2137 835.	23-108-5	2137 923.	23-109-35			2162 390.	23-47-431	2165 272.	23-96-9
		2137 924.	23-109-35	2161 329.	23-21-45	2162 391.	23-47-432	2165 304.	23-63-33
2137 836.	23-109-3	2137 925.	23-109-35	2161 356.	23-17-24			2165 305.	23-63-33
2137 837.	23-109-3	2137 926.	23-109-36	2161 423.	23-17-49	2162 392.	23-47-432	2165 320.	23-34-120
2137 838.	23-109-3			2161 428.	23-21-32	2162 393.	23-47-432		
2137 839.	23-109-3	2137 927.	23-109-36	2161 432.	23-21-74	2162 418.	1-48-365	2165 321.	23-34-120
2137 840.	23-109-4	2137 928.	23-109-36				24-28-90	2165 326.	23-11-1
		2137 929.	23-109-36	2161 489.	23-33-135	2162 488.	23-33-213	2165 327.	23-11-1
2137 841.	23-109-4	2137 934.	23-108-12	2161 492.	23-33-220			2165 406.	23-34-20
2137 842.	23-109-4	2137 937.	23-108-12	2161 493.	23-33-135	2162 489.	23-33-213	2165 407.	23-34-20
2137 843.	23-109-4			2161 493.	23-33-135	2162 495.	23-33-209		
2137 844.	23-109-35	2137 938.	23-108-4	2161 503.	8-35-111	2162 499.	23-54-63	2165 418.	23-66-135
2137 845.	23-109-35		23-108-12		23-17-2	2162 503.	8-35-111	2165 419.	23-66-135
		2137 939.	23-108-4	2161 510.	1-67-5		23-17-2	2165 484.	23-63-33
			23-108-12	2161 513.	23-33-220			2165 485.	23-63-33
2137 846.	23-109-35	2137 940.	23-108-4	2161 519.	23-33-220	2162 508.	23-99-9	2165 488.	23-63-33
2137 847.	23-109-35			2161 522.	23-33-240	2162 509.	23-99-9		
2137 848.	23-109-36	2137 941.	23-108-4	2161 573.	8-37-178	2162 513.	23-06-10	2165 489.	23-63-33
2137 849.	23-109-36	2137 942.	23-109-3			2162 515.	23-06-4	2165 494.	23-22-145
2137 850.	23-109-36	2137 943.	23-109-3	2161 588.	23-103-10	2162 522.	19-14-35	2165 495.	23-22-145
		2137 944.	23-109-3	2161 589.	23-103-10			2165 498.	23-22-145
2137 851.	23-109-36	2137 945.	23-109-3	2161 606.	23-33-227	2162 525.	1-48-356	2165 499.	23-22-145
2137 873.	23-108-4			2161 610.	23-26-58		24-28-99		
2137 874.	23-108-4	2137 962.	23-101-3	2161 611.	23-26-58	2162 530.	19-31-14	2165 500.	23-22-145
2137 875.	23-108-4	2137 963.	23-101-3			2162 531.	8-35-111	2165 504.	23-22-145
2137 876.	23-108-4	2137 964.	23-101-3	2161 615.	23-17-72		23-17-2	2165 519.	23-64-74
		2137 965.	23-101-3	2161 616.	23-33-42			2165 551.	15-03-5
2137 877.	23-109-35	2137 966.	23-101-3	2161 621.	23-06-21	2162 533.	23-33-10	2165 572.	23-19-84
2137 878.	23-109-35			2161 687.	23-103-48	2162 536.	23-17-49		
2137 879.	23-109-35	2137 969.	23-101-3	2161 707.	23-33-227	2162 538.	23-33-10	2165 573.	23-19-84
2137 880.	23-109-35	2137 970.	23-109-35			2162 544.	23-31-124	2165 590.	23-19-92
2137 885.	23-108-4	2137 971.	23-109-35	2161 788.	23-21-48	2162 545.	23-31-119	2165 669.	23-58-85
		2137 972.	23-109-35	2161 810.	23-103-34			2165 703.	23-64-41
2137 886.	23-108-4	2137 973.	23-109-35	2161 879.	23-92-25	2162 547.	23-22-81	2165 712.	23-09-52
2137 887.	23-108-4			2161 898.	23-22-145	2162 566.	23-02-1		
2137 888.	23-108-4	2137 984.	23-109-35	2161 910.	23-33-86	2162 596.	23-02-1	2165 713.	23-09-52
2137 893.	23-108-4	2137 985.	23-109-35			2162 599.	8-37-178	2165 768.	23-41-7
2137 894.	23-108-4	2137 986.	23-109-35	2161 911.	23-33-86	2162 602.	8-37-178	2165 811.	23-32-24
		2137 987.	23-109-35	2161 912.	8-27-9			2165 828.	23-34-27
2137 895.	23-108-4	2137 988.	23-76-66	2151 931.	23-21-18	2162 605.	23-17-10	2165 829.	23-34-27
2137 896.	23-108-4			2161 973.	23-33-12	2162 610.	23-17-9		
2137 898.	23-109-3	2137 989.	23-76-66	2162 136.	23-20-14	2162 613.	23-17-5	2165 832.	23-34-27
2137 899.	23-109-3	2137 999.	23-109-3			2162 628.	23-103-48	2165 833.	23-34-27
2137 900.	23-109-3	2160 328.	23-112-19	2162 137.	23-20-14	2162 682.	23-06-4	2165 836.	23-34-301
		2160 500.	23-45-30	2162 138.	23-20-14			2165 837.	23-82-30
2137 901.	23-109-3	2160 502.	23-45-29	2162 139.	23-20-14	2162 683.	23-06-10	2165 992.	23-09-17
2137 902.	23-109-4			2162 140.	23-20-14	2162 685.	23-02-19		
2137 903.	23-109-4	2160 648.	23-45-46	2162 141.	23-10-14	2162 686.	23-103-10	2165 996.	23-64-47

PART NUMBER	CODE	PART NUMBER	CODE	PART NUMBER	CODE	PART NUMBER	CODE	PART NUMBER	CODE
2165 997.	23-64-47	2166 680.	23-64-242	2167 408.	23-14-10	2177 907.	23-96-8	2178 494.	23-92-5
2166 024.	23-20-24	2166 681.	23-64-242	2167 409.	23-14-10	2177 908.	23-96-8	2178 495.	23-92-5
2166 025.	23-20-24	2166 694.	23-18-5	2167 446.	23-18-5	2178 175.	23-103-3	2178 496.	23-92-5
2166 049.	23-58-227	2166 695.	23-18-5	2167 447.	23-18-5	2178 185.	23-79-3	2178 497.	23-92-5
		2166 714.	23-64-308			2178 193.	23-96-3	2178 498.	23-92-5
2166 051.	23-32-17			2167 472.	23-64-240	2178 405.	23-112-108	2178 499.	23-92-5
2166 065.	23-32-48	2166 715.	23-64-308	2167 473.	23-64-240	2178 428.	23-84-3	2178 502.	23-92-5
2166 070.	23-51-5	2166 716.	23-64-308	2167 544.	23-18-5	2178 429.	23-84-3		
2166 071.	23-51-5	2166 717.	23-64-308	2167 545.	23-18-5	2178 430.	23-84-3	2178 503.	23-92-5
2166 082.	23-32-27	2166 743.	8-05-8	2167 620.	23-42-16	2178 431.	23-84-3	2178 504.	23-92-5
		2166 851.	23-39-2					2178 505.	23-92-5
2166 083.	23-32-27		23-41-7	2167 622.	23-42-16	2178 432.	23-84-3	2178 506.	23-92-5
2166 084.	23-32-27			2167 628.	23-64-242	2178 433.	23-84-3	2178 507.	23-92-5
2166 085.	23-32-27	2166 888.	23-64-308	2167 629.	23-64-242	2178 434.	23-84-3		
2166 114.	23-66-135	2166 889.	23-64-308	2167 634.	23-14-41	2178 435.	23-84-3	2178 508.	23-92-5
2166 182.	23-34-234	2166 902.	23-64-306	2167 643.	23-18-21	2178 436.	23-84-3	2178 509.	23-92-5
		2166 903.	23-64-306					2178 510.	23-92-5
2166 183.	23-34-234	2166 909.	23-59-57	2167 674.	23-63-20	2178 437.	23-84-3	2178 511.	23-92-5
2166 184.	23-34-234			2167 680.	23-63-126	2178 438.	23-84-3	2178 518.	23-92-5
2166 135.	23-34-234	2166 916.	23-09-52	2167 681.	23-63-126	2178 439.	23-84-3		
2166 230.	23-36-66	2166 917.	23-09-52	2167 686.	23-63-15	2178 440.	23-84-3	2178 519.	23-92-5
2166 231.	23-36-66	2166 926.	23-41-270	2167 687.	23-63-15	2178 441.	23-84-3	2178 520.	23-101-3
		2166 927.	23-41-270					2178 521.	23-101-3
2166 258.	23-34-27	2166 935.	23-32-70	2167 733.	23-66-135	2178 442.	23-84-3	2178 522.	23-92-5
2166 259.	23-34-27			2167 766.	23-64-308	2178 443.	23-84-3	2178 523.	23-92-5
2166 267.	23-86-10	2166 936.	23-09-51	2167 767.	23-64-308	2178 444.	23-84-3		
2166 268.	23-86-10	2166 937.	23-09-51	2167 781.	23-09-52	2178 445.	23-84-3	2178 524.	23-101-3
2166 269.	23-86-10	2166 952.	23-40-100	2167 786.	23-59-56	2178 452.	23-92-5	2178 525.	23-101-3
		2166 953.	23-40-100					2178 526.	23-92-5
2166 298.	23-40-85	2166 958.	23-58-569	2167 787.	23-59-56	2178 453.	23-92-5	2178 527.	23-92-5
2166 299.	23-40-85			2167 817.	23-64-308	2178 454.	23-92-5	2178 528.	21-101-3
2166 302.	23-40-85	2166 960.	23-58-569	2167 818.	23-64-308	2178 455.	23-92-5		
2166 303.	23-40-85	2166 961.	23-58-569	2167 844.	23-64-308	2178 456.	23-92-5	2178 529.	21-101-3
2166 304.	23-40-85	2166 964.	23-63-94	2167 845.	23-64-308	2178 457.	23-92-5	2178 530.	23-92-5
			23-63-104					2178 531.	23-92-5
2166 305.	23-40-85	2166 965.	23-63-94	2167 846.	23-64-308	2178 458.	23-92-5	2178 532.	23-101-3
2166 306.	23-40-85		23-63-104	2167 847.	23-64-308	2178 459.	23-92-5	2178 533.	23-101-3
2166 308.	23-40-85			2167 853.	23-64-269	2178 462.	23-92-5		
2166 310.	23-40-85	2167 025.	23-22-145	2167 855.	23-64-289	2178 463.	23-92-5	2178 536.	23-92-5
2166 311.	23-40-85	2167 028.	23-22-145	2167 856.	23-64-272	2178 464.	23-92-5	2178 537.	23-92-5
		2167 029.	23-22-145					2178 538.	23-101-3
2166 338.	23-58-220	2167 048.	23-66-235	2167 857.	23-64-272	2178 465.	23-92-5	2178 539.	23-101-3
2166 452.	23-15-3	2167 180.	23-34-229	2167 880.	23-64-273	2178 466.	23-92-5	2178 540.	23-92-5
2166 453.	23-15-3		23-51-12	2167 881.	23-64-273	2178 467.	23-92-5		
2166 462.	23-15-14			2167 916.	23-14-53	2178 468.	23-92-5	2178 541.	23-92-5
2166 466.	23-15-3	2167 181.	23-34-229	2167 917.	23-14-53	2178 469.	23-92-5	2178 542.	23-101-3
			23-51-12					2178 543.	23-101-3
2166 467.	23-15-3	2167 196.	23-42-38	2167 918.	23-36-5	2178 472.	23-92-5	2178 557.	1-32-2
2166 516.	23-63-14	2167 198.	23-63-33	2167 919.	23-36-5	2178 473.	23-92-5		23-103-3
2166 517.	23-63-14	2167 199.	23-63-33	2167 936.	23-36-5	2178 474.	23-92-5		
2166 554.	23-63-15			2167 937.	23-36-5	2178 475.	23-92-5	2178 564.	23-103-3
2166 555.	23-63-15	2167 216.	23-63-55	2171 580.	23-86-14	2178 476.	23-92-5	2178 566.	23-103-3
		2167 217.	23-63-55					2178 568.	23-103-3
2166 558.	23-63-15	2167 226.	23-63-55	2171 884.	23-114-10			2178 570.	23-103-3
2166 559.	23-63-15	2167 227.	23-63-55	2172 107.	23-112-46	2178 477.	23-92-5	2178 572.	23-103-3
2166 572.	23-63-21	2167 228.	23-86-19	2175 373.	23-96-3	2178 478.	23-92-5		
2166 573.	23-63-21			2176 472.	23-108-99	2178 479.	23-92-5	2178 586.	23-103-3
2166 610.	23-58-333	2167 229.	23-86-19	2176 473.	23-108-99	2178 482.	23-92-5	2178 877.	23-84-3
		2167 260.	23-19-105			2178 483.	23-92-5	2178 878.	23-84-3
2166 611.	23-58-333	2167 310.	23-64-242	2176 826.	23-86-3	2178 484.	23-92-5	2178 879.	23-84-3
2166 612.	23-58-333	2167 311.	23-64-242	2176 828.	23-86-3	2178 485.	23-92-5	2178 880.	23-84-4
2166 613.	23-58-333	2167 318.	23-39-19	2176 829.	23-86-3	2178 487.	23-92-5		
2166 622.	23-18-29			2176 830.	23-86-3	2178 488.	23-92-5	2178 881.	23-84-3
2166 641.	12-02-5	2167 326.	23-64-71	2176 831.	23-86-3			2178 882.	23-84-3
		2167 327.	23-64-71			2178 489.	23-92-5	2178 883.	23-84-3
2166 657.	23-61-116	2167 340.	23-63-127	2177 529.	23-114-10	2178 492.	23-92-5	2178 999.	23-78-2
2166 659.	23-112-88	2167 341.	23-63-127	2177 530.	23-112-45	2178 493.	23-92-5	2179 006.	23-92-5
2166 660.	23-112-88	2167 364.	23-64-242	2177 534.	23-112-108				
2166 675.	23-66-235			2177 901.	23-96-8				
2166 676.	8-05-23	2167 365.	23-64-242	2177 902.	23-96-8				

PART NUMBER		CODE		PART NUMBER		CODE		PART NUMBER		CODE		PART NUMBER		CODE	
2179 008.	..	23-92-5		2179 115.	..	23-92-5		2179 202.	..	23-92-5		2179 287.	..	23-92-5	
2179 009.	..	23-92-5		2179 116.	..	23-92-5		2179 203.	..	23-92-5		2179 288.	..	23-92-5	
2179 012.	..	23-92-5		2179 117.	..	23-92-5		2179 204.	..	23-101-3					
2179 013.	..	23-92-5		2179 118.	..	23-92-5				23-103-3		2179 289.	..	23-92-5	
				2179 119.	..	23-92-5		2179 205.	..	23-101-3		2179 290.	..	23-92-5	
										23-103-3		2179 291.	..	23-92-5	
2179 014.	..	23-92-5		2179 120.	..	23-92-5		2179 206.	..	23-92-5		2179 292.	..	23-92-5	
2179 015.	..	23-92-5		2179 121.	..	23-92-5		2179 207.	..	23-92-5		2179 293.	..	23-92-5	
2179 016.	..	23-92-5		2179 122.	..	23-92-5		2179 208.	..	23-101-3					
2179 017.	..	23-92-5		2179 123.	..	23-92-5				23-103-3		2179 294.	..	23-92-5	
2179 018.	..	23-92-5		2179 124.	..	23-92-5		2179 209.	..	23-101-3		2179 295.	..	23-92-5	
										23-103-3		2179 296.	..	23-92-5	
2179 019.	..	23-92-5		2179 125.	..	23-92-5		2179 210.	..	23-92-5		2179 297.	..	23-92-5	
2179 026.	..	23-92-5		2179 126.	..	23-92-5		2179 211.	..	23-92-5		2179 298.	..	23-92-5	
2179 027.	..	23-92-5		2179 127.	..	23-92-5		2179 212.	..	23-101-3					
2179 028.	..	23-92-5		2179 128.	..	23-92-5				23-103-3		2179 299.	..	23-92-5	
2179 029.	..	23-92-5		2179 129.	..	23-92-5		2179 213.	..	23-101-3		2179 300.	..	23-92-5	
										23-103-3		2179 301.	..	23-92-5	
2179 034.	..	23-103-3		2179 130.	..	23-92-5		2179 222.	..	23-92-5		2179 308.	..	23-92-5	
2179 035.	..	23-103-3		2179 131.	..	23-92-5		2179 223.	..	23-92-5		2179 309.	..	23-92-5	
2179 036.	..	23-92-5		2179 132.	..	23-92-5		2179 224.	..	23-101-3					
2179 037.	..	23-92-5		2179 133.	..	23-92-5				23-103-3		2179 310.	..	23-92-5	
2179 038.	..	23-103-3		2179 134.	..	23-92-5		2179 225.	..	23-101-3		2179 311.	..	23-92-5	
										23-103-3		2179 312.	..	23-92-5	
2179 039.	..	23-103-3		2179 135.	..	23-92-5		2179 226.	..	23-92-5		2179 313.	..	23-92-5	
2179 046.	..	23-92-5		2179 154.	..	23-92-5		2179 227.	..	23-92-5		2179 314.	..	23-92-5	
2179 047.	..	23-92-5		2179 155.	..	23-92-5		2179 228.	..	23-101-3					
2179 048.	..	23-103-3		2179 156.	..	23-92-5				23-103-3		2179 315.	..	23-92-5	
2179 049.	..	23-103-3		2179 157.	..	23-92-5		2179 229.	..	23-101-3		2179 316.	..	23-92-5	
								2179 230.	..	23-92-5		2179 317.	..	23-92-5	
2179 052.	..	23-92-5		2179 162.	..	23-92-5		2179 231.	..	23-92-5		2179 318.	..	23-92-5	
2179 053.	..	23-92-5		2179 163.	..	23-92-5		2179 232.	..	23-101-3		2179 319.	..	23-92-5	
2179 054.	..	23-103-3		2179 164.	..	23-92-5		2179 233.	..	23-101-3					
2179 055.	..	23-103-3		2179 165.	..	23-92-5		2179 234.	..	23-92-5		2179 320.	..	23-92-5	
2179 060.	..	23-103-3		2179 166.	..	23-92-5		2179 235.	..	23-92-5		2179 321.	..	23-92-5	
								2179 236.	..	23-101-3		2179 322.	..	23-92-5	
2179 061.	..	23-103-3		2179 167.	..	23-92-5		2179 237.	..	23-101-3		2179 323.	..	23-92-5	
2179 062.	..	23-103-3		2179 168.	..	23-92-5		2179 240.	..	23-101-3		2179 324.	..	23-92-5	
2179 063.	..	23-103-3		2179 169.	..	23-92-5									
2179 066.	..	23-103-3		2179 170.	..	23-92-5		2179 241.	..	23-101-3		2179 325.	..	23-92-5	
2179 067.	..	23-103-3		2179 171.	..	23-92-5		2179 244.	..	23-101-3		2179 326.	..	23-92-5	
								2179 245.	..	23-101-3		2179 327.	..	23-92-5	
2179 068.	..	23-103-3		2179 172.	..	23-92-5		2179 246.	..	23-92-5		2179 328.	..	23-92-5	
2179 069.	..	23-103-3		2179 173.	..	23-92-5		2179 247.	..	23-92-5		2179 329.	..	23-92-5	
2179 076.	..	23-92-5		2179 174.	..	23-92-5						2179 330.	..	23-92-5	
2179 077.	..	23-92-5		2179 175.	..	23-92-5		2179 248.	..	23-101-3		2179 331.	..	23-92-5	
2179 078.	..	23-92-5		2179 176.	..	23-92-5		2179 249.	..	23-101-3		2179 332.	..	23-92-5	
								2179 250.	..	23-92-5		2179 333.	..	23-92-5	
2179 079.	..	23-92-5		2179 177.	..	23-92-5		2179 251.	..	23-92-5		2179 334.	..	23-92-5	
2179 080.	..	23-92-5		2179 180.	..	23-92-5		2179 252.	..	23-101-3					
2179 081.	..	23-92-5		2179 181.	..	23-92-5						2179 335.	..	23-92-5	
2179 082.	..	23-92-5		2179 182.	..	23-92-5		2179 253.	..	23-101-3		2179 340.	..	23-92-5	
2179 083.	..	23-92-5		2179 183.	..	23-92-5		2179 254.	..	23-92-5		2179 341.	..	23-92-5	
								2179 255.	..	23-101-3		2179 342.	..	23-92-5	
2179 084.	..	23-92-5		2179 184.	..	23-92-5		2179 256.	..	23-92-5		2179 343.	..	23-92-5	
2179 085.	..	23-92-5		2179 185.	..	23-92-5		2179 257.	..	23-101-3					
2179 086.	..	23-92-5		2179 186.	..	23-92-5		2179 258.	..	23-101-3		2179 344.	..	23-92-5	
2179 087.	..	23-92-5		2179 187.	..	23-92-5		2179 259.	..	23-101-3		2179 345.	..	23-92-5	
2179 088.	..	23-92-5		2179 194.	..	23-92-5		2179 260.	..	23-101-3		2179 386.	..	23-113-84	
								2179 261.	..	23-101-3		2179 389.	..	24-28-3	
2179 089.	..	23-92-5		2179 195.	..	23-92-5						2179 390.	..	24-28-3	
2179 090.	..	23-92-5		2179 196.	..	23-101-3		2179 262.	..	23-101-3					
2179 091.	..	23-92-5		2179 197.	..	23-101-3		2179 263.	..	23-101-3		2179 391.	..	24-28-3	
2179 092.	..	23-92-5		2179 198.	..	23-92-5		2179 264.	..	23-102-3		2179 392.	..	24-28-3	
2179 093.	..	23-92-5		2179 199.	..	23-92-5		2179 265.	..	23-92-5		2179 393.	..	24-28-3	
								2179 284.	..	23-92-5		2179 394.	..	24-28-3	
2179 094.	..	23-92-5		2179 200.	..	23-101-3		2179 285.	..	23-92-5		2179 395.	..	24-28-3	
2179 095.	..	23-92-5				23-103-3		2179 286.	..	23-92-5					
2179 112.	..	23-92-5		2179 201.	..	23-101-3						2179 396.	..	24-28-3	
2179 113.	..	23-92-5				23-103-3									
2179 114.	..	23-92-5				23-103-3									

1963 PASSENGER CAR PARTS CATALOG

NUMERICAL INDEX

PART NUMBER	CODE	PART NUMBER	CODE	PART NUMBER	CODE	PART NUMBER	CODE	PART NUMBER	CODE
2179 610.	23-113-30	2179 762.	23-84-3	2180 128.	23-96-8	2180 480.	23-76-4	2180 798.	23-108-98
2179 611.	23-113-30			2180 129.	23-96-8	2180 481.	23-76-4	2180 799.	23-108-98
2179 612.	23-113-30	2179 763.	23-84-3	2180 130.	23-96-8	2180 482.	23-76-4	2180 820.	23-101-3
2179 613.	23-113-30	2179 764.	23-84-3			2180 483.	23-76-4	2180 821.	23-101-3
2179 614.	23-113-30	2179 765.	23-84-3	2180 131.	23-96-8	2180 484.	23-76-4	2180 822.	23-101-3
		2179 766.	23-84-3	2180 132.	23-96-8			2180 823.	23-101-3
2179 615.	23-113-30	2179 767.	23-84-3	2180 133.	23-96-8	2180 485.	23-76-4		
2179 647.	23-79-3			2180 136.	23-108-32	2180 486.	23-76-11		
2179 648.	23-79-3	2179 775.	23-84-3	2180 137.	23-108-32	2180 487.	23-76-11	2180 831.	23-79-62
2179 649.	23-79-3	2179 776.	23-84-3			2180 488.	23-76-11	2180 832.	23-109-5
2179 650.	23-79-3	2179 777.	23-84-3			2180 489.	23-76-11	2180 833.	23-109-40
		2179 778.	23-84-3	2180 138.	23-108-32			2180 834.	23-109-5
		2179 779.	23-84-3	2180 139.	23-108-32	2180 490.	23-76-11	2180 835.	23-79-33
2179 651.	23-79-3			2180 140.	23-108-32	2180 491.	23-76-11		
2179 652.	23-79-3	2179 780.	23-84-3	2180 158.	23-71-5	2180 492.	23-76-11	2180 836.	23-79-33
2179 653.	23-79-33	2179 781.	23-84-3	2180 159.	23-71-5	2180 493.	23-76-11	2180 837.	23-79-79
2179 654.	23-79-33	2179 789.	23-84-3			2180 494.	23-76-11	2180 840.	23-86-3
2179 655.	23-79-33	2179 790.	23-84-3	2180 160.	23-71-5			2180 854.	23-92-5
		2179 791.	23-84-3	2180 161.	23-71-5	2180 495.	23-76-11	2180 855.	23-92-5
2179 656.	23-79-33			2180 164.	23-71-5	2180 496.	23-76-11		
2179 657.	23-79-33	2179 792.	23-84-3	2180 165.	23-71-5	2180 497.	23-76-11	2180 856.	23-76-3
2179 658.	23-79-33	2179 793.	23-84-3	2180 166.	23-71-5	2180 498.	23-76-11		23-76-59
2179 659.	23-79-33	2179 794.	23-84-3			2180 499.	23-76-11	2180 857.	23-76-3
2179 660.	23-79-33	2179 795.	23-84-3	2180 167.	23-71-5				23-76-59
		2179 803.	23-84-3	2180 188.	23-33-42	2180 500.	23-76-11	2180 858.	23-76-66
2179 661.	23-79-33			2180 196.	23-101-3	2180 501.	23-76-11		
2179 662.	23-79-33	2179 804.	23-84-3	2180 197.	23-101-3	2180 502.	23-76-6	2180 860.	23-103-3
2179 663.	23-79-33	2179 805.	23-84-3	2180 198.	23-101-3	2180 504.	23-108-98	2180 862.	21-103-3
2179 664.	23-79-33	2179 806.	23-84-3			2180 505.	23-108-98	2180 863.	23-103-3
2179 665.	23-79-33	2179 807.	23-84-3	2180 199.	23-101-3			2180 866.	23-71-5
		2179 808.	23-84-3	2180 200.	23-96-8	2180 506.	23-108-98	2180 867.	23-71-5
2179 666.	23-79-33			2180 201.	23-96-8	2180 507.	23-108-98		
2179 667.	23-79-33	2179 809.	23-84-3	2180 202.	23-70-5	2180 508.	23-108-98	2180 870.	23-79-62
2179 668.	23-79-33	2179 834.	23-103-3	2180 203.	23-70-5	2180 509.	23-108-98	2180 871.	23-109-5
2179 669.	23-79-33	2179 835.	23-103-3			2180 510.	23-108-98	2180 872.	23-109-40
2179 702.	23-113-25	2179 836.	23-103-3	2180 204.	24-28-3			2180 873.	23-109-5
		2179 837.	23-103-3	2180 205.	24-28-3	2180 511.	23-108-98	2180 874.	23-79-33
2179 703.	23-113-25			2180 206.	24-28-3	2180 512.	23-108-98		
2179 704.	23-113-25	2179 838.	23-103-3	2180 207.	24-28-3	2180 513.	23-108-98	2180 875.	23-79-33
2179 705.	23-113-25	2179 839.	23-103-3	2180 212.	23-96-8	2180 514.	21-108-98	2180 876.	23-79-79
2179 706.	23-113-25	2179 855.	23-103-3			2180 606.	23-108-32	2180 877.	23-79-33
2179 707.	23-113-25	2179 856.	23-103-3	2180 213.	23-96-8			2180 879.	23-79-33
		2179 857.	23-103-3	2180 214.	23-92-5	2180 607.	23-108-32	2180 880.	23-96-3
2179 708.	23-113-25			2180 215.	23-92-5	2180 608.	23-108-32		
2179 709.	23-113-25	2179 910.	23-99-4	2180 216.	23-92-5	2180 609.	23-108-32	2180 882.	23-96-8
2179 712.	23-84-3	2179 911.	23-99-4	2180 217.	23-92-5	2180 610.	23-108-32	2180 883.	23-96-8
2179 713.	23-84-3	2180 075.	23-103-3			2180 611.	23-108-32	2180 884.	23-79-33
2179 714.	23-84-3	2180 092.	23-79-33	2180 226.	23-92-5			2180 885.	23-79-33
		2180 093.	23-79-33	2180 227.	23-92-5	2180 612.	23-108-32	2180 892.	23-112-153
2179 715.	23-84-3			2180 354.	23-112-108	2180 613.	23-108-32		
2179 716.	23-84-3	2180 094.	23-79-33	2180 356.	23-112-153	2180 614.	23-108-32	2180 893.	23-112-153
2179 717.	23-84-3	2180 095.	23-79-33	2180 357.	23-112-153	2180 615.	23-108-32	2180 894.	23-112-153
2179 718.	23-84-3	2180 096.	23-79-33			2180 616.	23-108-32	2180 895.	23-112-153
2179 726.	23-84-3	2180 098.	23-70-5	2180 358.	23-112-153			2180 896.	23-112-153
		2180 099.	23-70-5	2180 359.	23-112-153	2180 617.	23-108-32	2180 897.	23-112-153
2179 727.	23-84-3			2180 365.	23-112-45	2180 666.	23-113-50		
2179 728.	23-84-3	2180 104.	23-79-33	2180 381.	23-79-79	2180 667.	23-113-50	2180 898.	23-112-153
2179 729.	23-84-3	2180 105.	23-79-33	2180 415.	21-108-98	2180 689.	23-102-3	2180 905.	23-112-12
2179 730.	23-84-3	2180 106.	23-79-33			2180 700.	23-96-8	2180 907.	23-112-12
2179 731.	23-84-3	2180 107.	23-79-33	2180 470.	23-76-4			2180 937.	23-112-108
		2180 108.	23-79-33	2180 471.	23-76-4	2180 701.	23-96-8	2180 938.	23-112-108
2179 732.	23-84-3			2180 472.	23-76-4	2180 728.	23-112-112		
2179 747.	23-84-3	2180 109.	23-79-33	2180 473.	23-76-4	2180 729.	23-112-112	2180 939.	23-112-108
2179 748.	23-84-3	2180 110.	23-96-8	2180 474.	23-76-4	2180 792.	21-92-5	2180 940.	23-112-112
2179 749.	23-84-3	2180 111.	23-96-8			2180 793.	21-92-5	2180 941.	23-112-112
2179 750.	23-84-3	2180 112.	23-96-8	2180 475.	23-76-4			2180 943.	23-112-45
		2180 113.	23-96-8	2180 476.	23-76-4	2180 794.	21-92-5	2180 944.	23-112-45
2179 751.	23-84-3			2180 477.	23-76-4	2180 795.	21-92-5		
2179 752.	23-84-3	2180 114.	23-96-8	2180 478.	23-76-4	2180 796.	23-108-32	2180 945.	23-112-45
2179 753.	23-84-3	2180 115.	23-96-8	2180 479.	23-76-4	2180 797.	23-108-32	2180 947.	23-112-46
2179 761.	23-84-3								

PART NUMBER CODE		PART NUMBER CODE		PART NUMBER CODE		PART NUMBER CODE		PART NUMBER CODE	
2180 948. . . 23-114-10		2181 104. . . 23-92-5		2181 177. . . 23-101-3		2181 394. . . 23-109-40		2181 483. . . 23-33-217	
2180 950. . . 23-86-3		2181 105. . . 23-92-5				2181 395. . . 23-109-40		2181 484. . . 23-33-217	
2180 972. . . 23-20-29		2181 106. . . 23-92-5		2181 178. . . 23-101-3		2181 396. . . 23-109-40		2181 485. . . 23-33-217	
		2181 107. . . 23-92-5		2181 179. . . 23-101-3				2181 486. . . 23-33-217	
2180 973. . . 23-96-3		2181 108. . . 23-92-5		2181 180. . . 23-101-3		2181 397. . . 23-109-5		2181 487. . . 23-33-217	
2180 976. . . 23-96-8				2181 181. . . 23-101-3		2181 398. . . 23-109-5			
2180 977. . . 23-96-8		2181 109. . . 23-92-5		2181 182. . . 23-101-3		2181 399. . . 23-109-5		2181 488. . . 23-33-217	
2180 985. . . 23-112-45		2181 110. . . 23-92-5				2181 400. . . 23-109-5		2181 489. . . 23-33-217	
2180 988. . . 23-84-3		2181 111. . . 23-92-5		2181 183. . . 23-101-3		2181 419. . . 23-103-3		2181 490. . . 23-103-3	
		2181 112. . . 23-92-5		2181 184. . . 23-101-3				2181 506. . . 23-92-5	
2180 989. . . 23-84-3		2181 113. . . 23-92-5		2181 185. . . 23-101-3		2181 420. . . 23-103-3		2181 507. . . 23-92-5	
2180 990. . . 23-84-3				2181 194. . . 23-92-5		2181 421. . . 23-103-3			
2180 991. . . 23-84-3		2181 114. . . 23-92-5		2181 195. . . 23-92-5		2181 422. . . 23-103-3		2181 508. . . 23-92-5	
2180 992. . . 23-84-3		2181 115. . . 23-92-5				2181 423. . . 23-103-3		2181 509. . . 23-92-5	
2181 007. . . 23-84-3		2181 116. . . 23-92-5		2181 196. . . 23-92-5		2181 424. . . 23-103-3		2181 510. . . 23-92-5	
		2181 117. . . 23-92-5		2181 197. . . 23-92-5				2181 511. . . 23-92-5	
		2181 118. . . 23-92-5		2181 248. . . 23-76-66		2181 425. . . 23-103-3		2181 512. . . 23-92-5	
2181 008. . . 23-71-1				2181 249. . . 23-76-66		2181 426. . . 23-103-3			
2181 009. . . 23-71-1		2181 119. . . 23-92-5		2181 250. . . 23-76-66		2181 427. . . 23-103-3		2181 513. . . 23-92-5	
2181 010. . . 23-71-1		2181 120. . . 23-92-5				2181 428. . . 23-103-3		2181 516. . . 23-92-5	
2181 011. . . 23-71-1		2181 121. . . 23-92-5		2181 252. . . 23-76-3		2181 429. . . 23-103-3		2181 517. . . 23-92-5	
2181 012. . . 23-71-1		2181 122. . . 23-92-5		2181 253. . . 23-76-3				2181 518. . . 23-92-5	
		2181 126. . . 23-92-5		2181 254. . . 23-76-3				2181 519. . . 23-92-5	
		2181 127. . . 23-92-5		2181 255. . . 23-76-3		2181 430. . . 23-103-3		2181 520. . . 23-92-5	
2181 013. . . 23-71-1				2181 256. . . 23-76-3		2181 431. . . 23-103-3		2181 521. . . 23-92-5	
2181 014. . . 23-71-1		2181 128. . . 23-92-5				2181 432. . . 23-103-3		2181 522. . . 23-92-5	
2181 015. . . 23-71-1		2181 129. . . 23-92-5		2181 257. . . 23-76-3		2181 433. . . 23-103-3		2181 523. . . 23-92-5	
2181 016. . . 23-71-1		2181 130. . . 23-92-5		2181 261. . . 23-79-3		2181 434. . . 23-103-3		2181 524. . . 23-86-3	
2181 017. . . 23-71-1		2181 131. . . 23-92-5		2181 356. . . 23-96-3					
		2181 132. . . 23-92-5		2181 357. . . 23-96-3		2181 435. . . 23-103-3		2181 525. . . 23-86-3	
2181 024. . . 23-76-3				2181 358. . . 23-96-3		2181 436. . . 23-33-42		2181 526. . . 23-86-3	
2181 025. . . 23-76-3		2181 133. . . 23-92-5				2181 437. . . 23-33-42		2181 621. . . 23-114-15	
2181 062. . . 23-86-3		2181 134. . . 23-92-5		2181 361. . . 23-79-33		2181 438. . . 23-33-42		2181 796. . . 23-99-41	
2181 063. . . 23-86-3		2181 135. . . 23-92-5		2181 362. . . 23-96-8		2181 439. . . 23-33-42		2181 797. . . 23-99-41	
2181 064. . . 23-86-3		2181 136. . . 23-92-5		2181 363. . . 23-96-8					
		2181 137. . . 23-92-5		2181 364. . . 23-96-8		2181 440. . . 23-33-42		2181 798. . . 23-99-41	
2181 065. . . 23-86-3				2181 365. . . 23-96-8		2181 441. . . 23-20-29		2181 799. . . 23-99-41	
2181 066. . . 23-86-3		2181 138. . . 23-92-5				2181 442. . . 23-20-29		2181 800. . . 23-99-41	
2181 067. . . 23-86-3		2181 139. . . 23-92-5		2181 366. . . 23-96-8		2181 444. . . 23-20-29		2181 801. . . 23-99-41	
2181 068. . . 23-86-3		2181 140. . . 23-92-5		2181 367. . . 23-96-8		2181 447. . . 23-102-3		2181 802. . . 23-99-41	
2181 069. . . 23-86-3		2181 141. . . 23-92-5		2181 368. . . 23-70-5					
		2181 142. . . 23-92-5		2181 369. . . 23-70-5		2181 448. . . 23-102-3		2181 803. . . 23-99-41	
2181 070. . . 23-86-3				2181 370. . . 23-70-5		2181 449. . . 23-102-3		2181 809. . . 23-112-12	
2181 071. . . 23-86-3		2181 143. . . 23-92-5				2181 450. . . 23-102-3		2181 810. . . 23-112-12	
2181 072. . . 23-86-3		2181 144. . . 23-92-5		2181 371. . . 23-70-5		2181 451. . . 23-102-3		2181 811. . . 23-112-12	
2181 073. . . 23-86-3		2181 145. . . 23-92-5		2181 372. . . 23-70-5		2181 452. . . 23-102-3		2181 812. . . 23-112-12	
2181 074. . . 23-86-3		2181 152. . . 23-92-5		2181 373. . . 23-70-5					
		2181 153. . . 23-92-5		2181 374. . . 23-79-33		2181 453. . . 23-102-3		2181 851. . . 23-114-10	
2181 075. . . 23-86-3				2181 375. . . 23-79-33		2181 454. . . 23-102-3		2182 030. . . 24-28-3	
2181 076. . . 23-86-37		2181 154. . . 23-101-3				2181 455. . . 23-102-3		2182 031. . . 24-28-3	
2181 077. . . 23-86-37		2181 155. . . 23-101-3		2181 376. . . 23-79-33		2181 456. . . 23-102-3		2182 032. . . 24-28-3	
2181 078. . . 23-86-3		2181 156. . . 23-92-5		2181 377. . . 23-79-33		2181 457. . . 23-102-3		2182 033. . . 24-28-3	
2181 079. . . 23-86-3		2181 157. . . 23-92-5		2181 378. . . 23-79-33					
		2181 158. . . 23-101-3		2181 379. . . 23-79-33		2181 458. . . 23-112-112		2182 034. . . 24-28-3	
2181 080. . . 23-86-3				2181 380. . . 23-79-33		2181 459. . . 23-112-112		2182 035. . . 24-28-3	
2181 081. . . 23-86-3		2181 159. . . 23-101-3				2181 460. . . 23-112-108		2182 036. . . 24-28-3	
2181 082. . . 23-86-3		2181 160. . . 23-92-5		2181 382. . . 23-79-79		2181 461. . . 23-112-108		2182 037. . . 24-28-3	
2181 083. . . 23-86-3		2181 161. . . 23-92-5		2181 383. . . 23-79-79		2181 462. . . 23-112-46		2182 038. . . 24-28-3	
2181 084. . . 23-86-3		2181 162. . . 23-101-3		2181 384. . . 23-79-79					
		2181 163. . . 23-101-3		2181 385. . . 23-79-62		2181 463. . . 23-112-45		2182 039. . . 24-28-3	
2181 085. . . 23-86-3				2181 386. . . 23-79-62		2181 464. . . 23-112-45		2182 040. . . 24-28-3	
2181 087. . . 23-86-3		2181 164. . . 23-92-5				2181 465. . . 23-112-45		2182 041. . . 24-28-3	
2181 088. . . 23-86-3		2181 165. . . 23-92-5		2181 387. . . 23-79-62		2181 466. . . 23-112-153		2182 042. . . 23-47-8	
2181 089. . . 23-86-3		2181 166. . . 23-101-3		2181 388. . . 23-79-62		2181 467. . . 23-112-153		2182 043. . . 23-47-8	
2181 090. . . 23-86-3		2181 167. . . 23-101-3		2181 389. . . 23-109-5					
		2181 168. . . 23-92-5		2181 390. . . 23-109-5		2181 468. . . 23-112-153		2182 044. . . 23-47-8	
2181 091. . . 23-86-3				2181 391. . . 23-109-5		2181 469. . . 23-112-153		2182 045. . . 23-47-8	
2181 092. . . 23-86-3		2181 169. . . 23-92-5				2181 470. . . 23-112-153		2182 046. . . 23-47-8	
2181 093. . . 23-86-3		2181 170. . . 23-101-3		2181 392. . . 23-109-5		2181 481. . . 23-33-217		2182 047. . . 23-47-8	
2181 102. . . 23-92-5		2181 171. . . 23-101-3		2181 393. . . 23-109-40		2181 482. . . 23-33-217		2182 048. . . 23-47-8	
2181 103. . . 23-92-5		2181 176. . . 23-101-3							

PART NUMBER	CODE	PART NUMBER	CODE	PART NUMBER	CODE	PART NUMBER	CODE	PART NUMBER	CODE
2182 049.	23-47-8	2182 177.	23-113-2	2182 313.	23-112-108	2185 680.	23-114-15	2185 834.	23-114-15
2182 050.	23-47-8	2182 178.	23-113-2	2182 314.	23-112-46	2185 681.	23-114-15	2185 835.	23-114-15
2182 051.	23-47-8	2182 179.	23-76-31	2182 316.	23-112-112	2185 682.	23-114-15	2185 843.	23-114-15
2182 052.	23-47-8	2182 180.	23-76-31	2182 317.	23-112-112	2185 683.	23-114-15	2185 844.	23-114-15
2182 053.	23-47-8	2182 196.	1-67-11	2182 318.	23-112-45	2185 694.	23-114-15	2185 845.	23-114-15
2182 054.	23-47-8	2182 213.	23-103-3	2182 319.	23-114-10	2185 695.	23-114-15	2185 847.	23-114-15
2182 055.	23-47-8	2182 214.	23-103-3	2182 320.	23-113-84	2185 696.	23-114-15	2185 848.	23-114-15
2182 056.	23-47-8	2182 215.	23-103-3	2182 364.	23-91-6	2185 697.	23-114-15	2185 849.	23-114-15
2182 057.	23-47-8	2182 216.	23-103-3	2182 365.	23-91-6	2185 698.	23-114-15	2185 850.	23-114-15
2182 058.	23-47-8	2182 218.	23-103-3	2182 366.	23-91-6	2185 699.	23-114-15	2185 853.	23-114-15
2182 059.	23-47-8	2182 256.	23-108-98	2182 367.	23-91-6	2185 700.	23-114-15	2185 854.	23-114-15
2182 060.	23-47-8	2182 257.	23-108-98	2182 369.	23-112-45	2185 701.	23-114-15	2185 855.	23-114-15
2182 061.	23-47-8	2182 258.	23-108-98	2182 666.	23-108-33	2185 702.	23-114-15	2185 856.	23-114-15
2182 062.	23-112-12	2182 259.	23-108-98	2182 667.	23-108-33	2185 708.	23-114-15	2185 857.	23-114-15
2182 063.	23-112-12	2182 260.	23-108-22	2185 000.	23-114-15	2185 709.	23-114-15	2185 858.	23-114-15
2182 064.	23-112-12	2182 263.	23-112-45	2185 001.	23-114-15	2185 710.	23-114-15	2185 859.	23-114-15
2182 065.	23-112-12	2182 264.	23-108-33	2185 119.	23-114-15	2185 715.	23-114-15	2185 861.	23-114-15
2182 067.	23-112-12	2182 265.	23-108-33	2185 195.	23-114-15	2185 717.	23-114-15	2185 862.	23-114-2
2182 069.	23-112-12	2182 266.	23-108-33	2185 326.	23-114-15	2185 718.	23-114-15	2185 863.	23-114-2
2182 070.	23-112-12	2182 267.	23-108-33	2185 329.	23-114-15	2185 721.	23-114-15	2185 864.	23-114-2
2182 071.	23-112-12	2182 268.	23-108-33	2185 336.	23-114-15	2185 722.	23-114-15	2185 865.	23-114-2
2182 072.	23-112-12	2182 269.	23-108-33	2185 599.	23-114-15	2185 723.	23-114-15	2185 866.	23-114-2
2182 073.	23-112-12	2182 270.	23-108-33	2185 615.	23-114-15	2185 724.	23-114-15	2185 867.	23-114-2
2182 096.	23-84-3	2182 271.	23-108-33	2185 616.	23-114-15	2185 736.	23-114-15	2185 868.	23-114-2
2182 097.	23-84-3	2182 272.	23-108-98	2185 617.	23-114-15	2185 737.	23-114-15	2185 869.	23-114-2
2182 098.	23-86-2	2182 273.	23-108-98	2185 618.	23-114-15	2185 738.	23-114-15	2185 870.	23-114-2
2182 100.	23-92-5	2182 274.	23-108-98	2185 619.	23-114-15	2185 739.	23-114-15	2185 871.	23-114-2
2182 101.	23-92-5	2182 275.	23-108-98	2185 620.	23-114-15	2185 740.	23-114-15	2185 872.	23-114-2
2182 102.	23-92-5	2182 276.	23-108-98	2185 621.	23-114-15	2185 742.	23-114-15	2185 873.	23-114-2
2182 103.	23-92-5	2182 278.	23-76-34	2185 622.	23-114-15	2185 744.	23-114-15	2185 874.	23-114-2
2182 106.	23-92-5	2182 289.	23-112-45	2185 623.	23-114-15	2185 745.	23-114-15	2185 875.	23-114-2
2182 107.	23-92-5	2182 297.	23-112-45	2185 624.	23-114-15	2185 746.	23-114-15	2185 876.	23-114-2
2182 108.	23-92-5	2182 298.	23-76-3	2185 625.	23-114-15	2185 747.	23-114-15	2185 877.	23-114-2
2182 109.	23-92-5	23-76-59		2185 626.	23-114-15	2185 749.	23-114-15	2185 878.	23-114-2
2182 140.	23-103-3	2182 299.	23-76-3	2185 627.	23-114-15	2185 761.	23-114-15	2185 879.	23-114-2
2182 141.	23-103-3	23-76-59		2185 628.	23-114-15	2185 762.	23-114-15	2185 880.	23-114-2
2182 143.	23-79-3	2182 300.	23-76-3	2185 629.	23-114-15	2185 763.	23-114-15	2185 881.	23-114-2
2182 144.	23-79-3	23-76-59		2185 630.	23-114-15	2185 765.	23-114-15	2185 882.	23-114-2
2182 145.	23-79-33	2182 301.	23-76-3	2185 631.	23-114-15	2185 778.	23-114-15	2185 883.	23-114-2
2182 146.	23-79-33	23-76-59		2185 632.	23-114-15	2185 779.	23-114-15	2185 884.	23-114-2
2182 154.	23-76-3	2182 302.	23-76-3	2185 633.	23-114-15	2185 780.	23-114-15	2185 885.	23-114-2
23-76-59		23-76-59		2185 647.	23-114-15	2185 781.	23-114-15	2185 886.	23-114-2
2182 155.	23-76-3	2182 303.	23-76-3	2185 648.	23-114-15	2185 782.	23-114-15	2185 890.	23-114-2
23-76-59		23-76-59		2185 649.	23-114-15	2185 783.	23-114-15	2185 891.	23-114-2
2182 156.	23-76-3	2182 304.	23-76-3	2185 650.	23-114-15	2185 794.	23-114-15	2185 892.	23-114-2
23-76-59		23-76-59		2185 651.	23-114-15	2185 795.	23-114-15	2185 893.	23-114-2
2182 157.	23-76-3	2182 305.	23-76-3	2185 659.	23-114-15	2185 796.	23-114-15	2185 906.	23-114-2
2182 162.	23-108-20	23-76-59		2185 660.	23-114-15	2185 798.	23-114-15	2185 907.	23-114-2
2182 164.	23-113-2	2182 306.	23-76-3	2185 663.	23-114-15	2185 799.	23-114-15	2185 908.	23-114-2
2182 165.	23-113-2	23-76-59		2185 664.	23-114-15	2185 800.	23-114-15	2185 909.	23-114-2
2182 166.	23-113-2	23-76-59		2185 665.	23-114-15	2185 801.	23-114-15	2185 910.	23-114-2
2182 167.	23-113-2	2182 307.	23-76-3	2185 666.	23-114-15	2185 802.	23-114-15	2185 917.	23-114-2
2182 168.	23-113-2	23-76-59		2185 667.	23-114-15	2185 807.	23-114-15	2185 918.	23-114-2
2182 169.	23-113-2	2182 308.	23-76-3	2185 668.	23-114-15	2185 808.	23-114-15	2185 919.	23-114-2
2182 170.	23-113-2	23-76-59		2185 672.	23-114-15	2185 809.	23-114-15	2185 921.	23-114-15
2182 171.	23-113-2	2182 309.	23-76-3	2185 673.	23-114-15	2185 815.	23-114-15	2185 923.	23-114-15
23-76-59		23-76-59		2185 674.	23-114-15	2185 820.	23-114-15	2185 924.	23-114-2
2182 172.	23-113-2	2182 310.	23-76-3	2185 675.	23-114-15	2185 822.	23-114-15	2185 925.	23-114-2
2182 173.	23-113-2	23-76-59		2185 679.	23-114-15	2185 823.	23-114-15	2185 926.	23-114-2
2182 174.	23-113-2	2182 311.	23-76-3	2185 672.	23-114-15	2185 833.	23-114-15	2185 927.	23-114-2
2182 175.	23-113-2	23-76-59		2185 673.	23-114-15				
2182 176.	23-113-2	23-76-59		2185 674.	23-114-15				
				2185 675.	23-114-15				
				2185 679.	23-114-15				

PART NUMBER	CODE	PART NUMBER	CODE	PART NUMBER	CODE	PART NUMBER	CODE	PART NUMBER	CODE
2185 928.	. . . 23-114-2	2186 266.	. . . 23-114-2	2189 355.	. . . 23-09-67	2196 062.	. . . 21-01-3	2197 327.	. . . 8-34-178
2185 930.	. . . 23-114-15			2189 370.	. . . 23-34-304	2196 082.	. . . 19-54-2		
2185 963.	. . . 23-114-14	2186 267.	. . . 23-114-2	2189 371.	. . . 23-34-304	2196 086.	. . . 9-39-1	2197 375.	. . . 8-50-129
2185 964.	. . . 23-114-14	2186 294.	. . . 23-114-2			2196 087.	. . . 9-01-5	2197 376.	. . . 8-50-82
2185 965.	. . . 23-114-14	2186 295.	. . . 23-114-2	2189 382.	. . . 23-59-35	2196 144.	. . . 1-08-1	2197 379.	. . . 1-47-8
		2186 296.	. . . 23-114-15	2189 408.	. . . 23-15-7				23-54-169
2185 966.	. . . 23-114-14	2186 299.	. . . 23-114-15	2189 492.	. . . 23-34-167	2196 207.	. . . 14-30-8		23-58-534
2185 967.	. . . 23-114-14			2189 493.	. . . 23-34-167	2196 212.	. . . 14-30-7		23-67-194
2185 968.	. . . 23-114-14	2186 300.	. . . 23-114-14	2189 521.	. . . 8-56-23	2196 214.	. . . 14-41-3		24-24-156
2185 976.	. . . 23-114-2	2186 301.	. . . 23-114-14			2196 250.	. . . 1-74-1		
2185 977.	. . . 23-114-2	2186 302.	. . . 23-114-15	2189 548.	. . . 8-55-214	2196 306.	. . . 24-25-246	2197 389.	. . . 1-47-9
		2186 323.	. . . 23-114-15	2189 550.	. . . 8-55-8				23-58-543
2185 978.	. . . 23-114-2	2188 048.	. . . 23-32-17	2189 646.	. . . 23-18-5	2196 313.	. . . 23-54-167		24-24-140
2185 979.	. . . 23-114-2			2189 647.	. . . 23-18-5	2196 315.	. . . 24-25-162	2197 405.	. . . 1-50-1
2186 013.	. . . 23-114-15	2188 050.	. . . 17-24-3	2189 678.	. . . 23-34-260	2196 322.	. . . 8-50-135		23-41-170
2186 014.	. . . 23-114-15	2188 051.	. . . 17-24-3			2196 323.	. . . 8-52-120		
2186 016.	. . . 23-114-15	2188 277.	. . . 8-50-315	2189 679.	. . . 23-34-260	2196 324.	. . . 8-52-76	2197 415.	. . . 23-58-532
		2188 280.	. . . 8-50-338	2189 690.	. . . 23-58-265			2197 423.	. . . 1-82-25
2186 040.	. . . 23-114-14	2188 416.	. . . 23-34-100	2189 694.	. . . 23-34-275	2196 325.	. . . 8-52-80	2197 446.	. . . 1-88-6
2186 041.	. . . 23-114-14			2189 695.	. . . 23-34-275	2196 335.	. . . 8-36-1	2197 447.	. . . 1-88-6
2186 058.	. . . 23-114-15	2188 417.	. . . 23-34-100	2189 711.	. . . 23-58-475	2196 336.	. . . 24-24-173	2197 448.	. . . 1-88-107
2186 059.	. . . 23-114-15	2188 466.	. . . 23-54-147			2196 341.	. . . 24-28-36		
2186 060.	. . . 23-114-15	2188 467.	. . . 23-54-147			2196 343.	. . . 23-41-106	2197 449.	. . . 8-37-21
		2188 470.	. . . 23-08-12	2189 735.	. . . 23-58-335			2197 450.	. . . 8-34-175
2186 061.	. . . 23-114-15	2188 504.	. . . 23-54-28	2189 736.	. . . 23-58-486	2196 467.	. . . 23-54-146	2197 461.	. . . 1-48-940
2186 062.	. . . 23-114-15			2189 737.	. . . 23-58-486	2196 479.	. . . 23-34-85	2197 463.	. . . 24-24-167
2186 083.	. . . 23-114-15	2188 554.	. . . 23-15-3	2189 742.	. . . 23-58-486	2196 480.	. . . 23-34-85	2197 466.	. . . 24-24-159
2186 085.	. . . 23-114-2	2188 555.	. . . 23-15-3	2189 743.	. . . 23-58-486	2196 483.	. . . 23-58-240		
2186 086.	. . . 23-114-15	2188 616.	. . . 23-48-105			2196 669.	. . . 23-63-55	2197 468.	. . . 1-48-12
		2188 619.	. . . 8-47-68	2189 744.	. . . 23-58-75				24-24-164
2186 087.	. . . 23-114-15	2188 628.	. . . 23-54-20	2189 745.	. . . 23-58-75	2196 670.	. . . 23-63-55	2197 469.	. . . 1-48-12
2186 091.	. . . 23-114-15			2189 748.	. . . 23-112-70	2196 671.	. . . 23-63-55	2197 470.	. . . 1-48-12
2186 092.	. . . 23-114-15	2188 680.	. . . 23-86-24	2189 758.	. . . 23-58-486	2196 672.	. . . 23-63-55	2197 471.	. . . 1-48-12
2186 094.	. . . 23-114-15	2188 681.	. . . 23-86-24	2189 759.	. . . 23-58-486	2196 750.	. . . 2-14-8		24-24-164
2186 095.	. . . 23-114-15	2188 687.	. . . 23-17-11			2196 751.	. . . 2-14-8		
		2188 712.	. . . 8-50-349	2189 798.	. . . 23-58-572			2197 472.	. . . 1-48-12
2186 097.	. . . 23-114-15	2188 713.	. . . 23-34-301	2189 799.	. . . 23-58-572	2196 752.	. . . 2-14-8	2197 473.	. . . 24-24-164
2186 098.	. . . 23-114-15			2189 800.	. . . 23-58-572	2196 753.	. . . 2-14-8	2197 474.	. . . 24-24-164
2186 132.	. . . 23-114-15	2188 735.	. . . 23-54-165	2189 801.	. . . 23-58-572	2196 754.	. . . 2-14-8	2197 475.	. . . 24-24-164
2186 133.	. . . 23-114-15	2188 745.	. . . 23-34-228	2189 832.	. . . 8-55-158	2196 755.	. . . 2-14-8	2197 498.	. . . 24-24-140
2186 136.	. . . 23-114-15	2188 767.	. . . 23-54-72			2196 773.	. . . 2-14-1		24-28-382
		2188 769.	. . . 23-34-27	2189 833.	. . . 8-55-158			2197 499.	. . . 1-47-9
2186 163.	. . . 23-114-15	2188 836.	. . . 23-54-20	2189 834.	. . . 8-55-57	2196 774.	. . . 2-14-1	2197 500.	. . . 23-54-170
2186 176.	. . . 23-114-15			2189 848.	. . . 23-34-242	2196 785.	. . . 17-12-4	2197 501.	. . . 23-58-543
2186 177.	. . . 23-114-15	2188 856.	. . . 8-50-315	2189 849.	. . . 23-34-242	2196 786.	. . . 17-12-4	2197 508.	. . . 23-58-552
2186 178.	. . . 23-114-15	2188 857.	. . . 8-50-315	2189 852.	. . . 23-112-70	2196 795.	. . . 21-118-6	2197 509.	. . . 1-47-15
2186 180.	. . . 23-114-15	2188 864.	. . . 8-50-308			2196 805.	. . . 23-19-11		24-28-358
		2188 902.	. . . 23-18-5	2189 853.	. . . 23-112-70			2197 510.	. . . 24-28-358
2186 184.	. . . 23-114-15	2188 903.	. . . 23-18-5	2189 860.	. . . 23-63-37	2196 839.	. . . 23-36-123	2197 511.	. . . 23-33-44
2186 187.	. . . 23-114-2			2189 873.	. . . 23-47-6	2196 905.	. . . 5-39-1	2197 519.	. . . 8-37-20
2186 190.	. . . 23-114-15	2188 934.	. . . 23-54-4	2189 875.	. . . 23-34-167	2196 910.	. . . 7-42-1	2197 600.	. . . 8-37-20
2186 191.	. . . 23-114-15	2188 935.	. . . 23-54-4	2189 900.	. . . 23-47-6	2196 932.	. . . 19-27-31	2197 622.	. . . 1-48-942
2186 193.	. . . 23-114-15	2189 067.	. . . 23-54-193			2196 934.	. . . 7-14-5		
		2189 074.	. . . 23-54-184	2189 901.	. . . 23-47-6	2196 995.	. . . 19-01-3	2197 623.	. . . 24-24-156
2186 194.	. . . 23-114-15	2189 116.	. . . 23-54-1	2189 918.	. . . 23-63-33	2196 998.	. . . 21-138-2	2197 650.	. . . 1-82-44
2186 195.	. . . 23-114-15			2189 919.	. . . 23-63-33	2197 011.	. . . 1-48-555	2197 663.	. . . 1-48-70
2186 224.	. . . 23-114-2	2189 117.	. . . 23-54-1	2189 934.	. . . 23-63-112	2197 038.	. . . 24-28-78		24-24-140
2186 225.	. . . 23-114-2	2189 128.	. . . 23-34-122	2189 936.	. . . 23-64-48	2197 075.	. . . 1-47-8	2197 664.	. . . 1-48-70
2186 226.	. . . 23-114-2	2189 290.	. . . 23-32-69						
			23-48-90	2189 937.	. . . 23-64-48				
2186 227.	. . . 23-114-2	2189 298.	. . . 23-34-166	2189 964.	. . . 23-58-497	23-58-534		2197 678.	. . . 1-48-254
2186 228.	. . . 23-114-2			2189 965.	. . . 23-58-497	23-67-194		2197 680.	. . . 8-34-175
2186 238.	. . . 23-114-2	2189 299.	. . . 23-34-179	2189 985.	. . . 23-61-104	24-24-20		2197 832.	. . . 24-24-167
2186 242.	. . . 23-114-15	2189 314.	. . . 23-51-3	2192 739.	. . . 23-113-84	24-24-156		2197 839.	. . . 24-24-159
2186 244.	. . . 23-114-15	2189 315.	. . . 23-51-3			24-28-363		2197 846.	. . . 1-48-12
		2189 350.	. . . 23-63-171	2193 096.	. . . 23-103-48				24-24-164
2186 253.	. . . 23-114-15	2189 351.	. . . 23-42-46	2195 178.	. . . 23-47-66	2197 079.	. . . 8-33-121	2197 847.	. . . 1-48-12
2186 254.	. . . 23-114-15			2196 010.	. . . 17-16-1	2197 147.	. . . 1-88-205	2197 848.	. . . 1-48-12
2186 264.	. . . 23-114-2	2189 353.	. . . 23-42-46	2196 045.	. . . 9-01-5	2197 156.	. . . 14-02-30		
2186 265.	. . . 23-114-2	2189 354.	. . . 23-09-67	2196 046.	. . . 9-39-1	2197 271.	. . . 8-37-458		

PART NUMBER	CODE	PART NUMBER	CODE	PART NUMBER	CODE	PART NUMBER	CODE	PART NUMBER	CODE
2197 849.	1-48-12	2200 928.	22-01-5	2203 031.	24-25-35	2204 167.	23-32-17	2204 929.	21-119-15
	24-24-164	2200 996.	5-62-1	2203 035.	24-25-45			2204 932.	21-42-23
2197 850.	1-48-12	2201 009.	13-72-2	2203 091.	9-48-6	2204 170.	23-32-115	2204 942.	21-84-7
		2201 010.	13-72-2	2203 097.	9-02-5	2204 171.	23-32-115	2204 944.	21-09-2
2197 851.	24-24-164	2201 039.	13-72-1	2203 098.	9-02-5	2204 184.	2-08-63	2204 952.	21-136-20
2197 852.	24-24-164						23-32-108		
2197 853.	24-24-164	2201 080.	14-02-18	2203 106.	9-23-5	2204 185.	2-08-63	2204 953.	21-118-47
2197 870.	1-88-170	2201 082.	14-02-18	2203 116.	10-02-66		23-32-108	2204 975.	21-139-71
2197 885.	24-28-387	2201 089.	5-101-1	2203 117.	10-02-67			2204 976.	21-133-7
		2201 098.	5-100-2	2203 118.	10-02-65	2204 199.	23-32-17	2204 978.	21-11-9
2197 907.	1-48-46	2201 099.	5-113-17	2203 144.	8-35-41	2204 244.	2-08-70	2204 979.	21-133-5
2197 916.	8-37-1					2204 256.	4-10-23		
2197 939.	21-30-28	2201 181.	5-47-4	2203 195.	7-04-10	2204 273.	4-10-1	2204 980.	21-133-7
2198 024.	24-28-366	2201 212.	6-14-1	2203 237.	14-11-1	2204 274.	6-24-14	2204 993.	21-118-57
2198 082.	24-24-27	2201 217.	6-13-4	2203 239.	14-14-1		19-48-12	2205 034.	21-139-135
		2201 218.	6-13-4	2203 240.	14-14-12		21-30-429	2205 041.	21-118-47
2198 090.	8-42-25	2201 234.	19-14-68	2203 250.	9-41-4			2205 053.	21-139-140
2198 099.	23-67-79					2204 355.	21-85-5		
2198 192.	8-20-10	2201 237.	19-04-1	2203 252.	9-41-4	2204 356.	21-85-5	2205 059.	21-14-19
2198 210.	1-82-9	2201 403.	11-10-42	2203 350.	22-06-1	2204 357.	21-85-5	2205 061.	21-14-15
2198 211.	1-82-6	2201 418.	11-01-1	2203 351.	22-06-2	2204 358.	21-85-5	2205 080.	21-05-12
		2201 467.	4-23-38	2203 352.	22-06-1	2204 359.	21-85-5		21-22-2
2198 213.	23-54-178	2201 525.	13-35-1	2203 353.	22-06-2			2205 131.	21-34-47
2198 223.	8-50-349					2204 360.	21-85-5		
2198 323.	1-82-14	2201 526.	12-04-4	2203 426.	14-86-40	2204 369.	21-133-65	2205 132.	21-15-2
2198 348.	23-67-79	2201 536.	13-33-61	2203 427.	14-86-40	2204 397.	21-42-23	2205 192.	21-14-20
2198 361.	14-02-8	2201 554.	17-23-52	2203 429.	14-86-40	2204 398.	21-42-23	2205 195.	21-10-16
		2201 612.	19-19-4	2203 430.	14-88-21	2204 403.	9-46-4	2205 203.	21-133-36
		2201 620.	19-01-12	2203 432.	14-86-1			2205 207.	4-10-16
2198 363.	23-67-79	2201 621.	19-01-12			2204 491.	21-09-29		
2198 407.	23-67-85	2201 622.	19-01-8	2203 435.	14-86-35	2204 547.	21-139-108	2205 233.	21-133-20
2198 448.	1-82-4	2201 624.	19-14-42	2203 439.	14-86-1	2204 554.	21-09-2	2205 237.	9-46-40
2198 450.	1-82-21	2201 764.	19-58-7	2203 452.	14-86-40	2204 555.	21-15-2	2205 240.	21-129-23
2198 454.	1-82-22	2201 905.	5-102-2	2203 473.	14-86-55	2204 576.	21-139-140	2205 241.	21-133-10
				2203 475.	21-30-420			2205 242.	21-129-6
2198 638.	8-37-15	2201 985.	9-71-18			2204 599.	21-139-143		
2198 639.	8-37-15	2201 989.	9-71-15	2203 480.	21-30-2	2204 606.	21-10-4	2205 299.	21-119-5
2198 640.	8-37-15	2201 990.	9-71-5	2203 483.	21-30-315	2204 619.	21-14-5	2205 300.	21-139-47
2198 641.	8-37-15	2201 991.	9-71-16	2203 488.	21-30-418	2204 621.	21-133-65	2205 302.	21-129-23
2198 652.	8-37-16	2202 376.	9-03-4	2203 493.	21-30-418	2204 622.	21-133-65	2205 303.	21-133-10
				2203 494.	21-30-418			2205 322.	21-04-2
2198 727.	1-108-2	2202 380.	7-04-10			2204 623.	21-133-65		
2198 805.	1-48-194	2202 426.	9-48-77	2203 495.	21-30-436	2204 641.	21-119-15	2205 325.	21-133-7
2198 860.	8-50-354	2202 428.	14-11-9	2203 498.	21-30-316	2204 643.	21-119-19	2205 326.	21-133-5
	8-55-63		14-11-18	2203 557.	11-05-1	2204 645.	21-133-15	2205 339.	21-119-15
2198 863.	8-50-170	2202 435.	10-26-65	2203 563.	11-05-4	2204 666.	21-14-5	2205 340.	21-119-19
				2203 579.	11-09-3			2205 518.	7-06-1
2198 869.	8-35-44	2202 472.	9-46-61			2204 702.	6-09-11		
2198 872.	8-35-85	2202 499.	9-20-1	2203 583.	11-09-3		21-03-28	2205 549.	7-45-31
2200 029.	6-24-1	2202 546.	9-39-16	2203 584.	11-09-3	2204 707.	21-03-28	2205 552.	9-31-4
2200 050.	6-14-10	2202 547.	9-39-15	2203 638.	11-08-5	2204 709.	21-118-45	2205 582.	14-30-2
2200 051.	6-13-1	2202 551.	9-43-10	2203 677.	11-10-3	2204 712.	21-118-40	2205 766.	14-30-1
				2203 680.	11-10-3			2205 797.	14-11-20
2200 069.	6-13-1	2202 556.	9-43-10			2204 716.	21-119-15		
2200 214.	16-20-1	2202 557.	9-43-14	2203 756.	8-47-93	2204 719.	9-46-8	2205 820.	14-11-20
2200 301.	6-19-2	2202 583.	14-01-23	2203 801.	13-68-18	2204 727.	21-133-48	2205 857.	14-68-8
2200 341.	5-44-9		14-14-42	2203 802.	13-68-6	2204 728.	21-03-7	2205 858.	14-68-3
2200 527.	16-02-2	2202 666.	7-06-14	2203 803.	13-68-6	2204 768.	9-46-8	2205 902.	9-48-7
				2203 815.	13-66-3			2205 905.	9-48-6
2200 554.	19-01-12	2202 767.	8-28-15			2204 788.	21-119-15		
2200 556.	19-01-12	2202 769.	7-03-1	2203 897.	9-71-17	2204 792.	21-136-5	2205 958.	9-39-14
2200 560.	19-58-14	2202 794.	7-06-1	2203 905.	11-10-20	2204 799.	21-119-19	2205 959.	9-39-14
2200 577.	19-30-18	2202 812.	9-03-28	2203 915.	11-10-3	2204 820.	21-136-44	2206 006.	8-36-124
2200 585.	8-33-4	2202 845.	10-22-16	2203 916.	11-10-3	2204 823.	21-136-41	2206 022.	24-25-35
				2203 924.	11-10-42			2206 030.	14-14-49
2200 719.	19-02-4	2202 846.	19-54-115			2204 885.	21-139-191		
2200 730.	19-15-47	2202 850.	19-54-123	2203 965.	11-10-3	2204 890.	21-139-193	2206 056.	9-03-4
2200 738.	19-14-35	2202 851.	19-54-86	2203 966.	11-10-3	2204 903.	21-42-23	2206 095.	10-07-7
	19-31-2	2202 940.	8-28-36	2203 968.	11-10-17	2204 904.	21-42-23	2206 103.	9-39-5
2200 801.	13-11-5	2202 942.	8-38-15	2204 104.	8-33-4	2204 907.	21-42-23	2206 104.	9-39-5

PART NUMBER	CODE	PART NUMBER	CODE	PART NUMBER	CODE	PART NUMBER	CODE	PART NUMBER	CODE
2206 105. . . .	9-39-5	2207 042. . . .	2-10-58	2208 210. . . .	19-51-4	2216 345. . . .	23-64-240	2216 816. . . .	23-31-33
2206 106. . . .	9-39-5	2207 086. . . .	2-08-5	2208 211. . . .	19-51-2	2216 371. . . .	23-64-297	2216 818. . . .	23-09-56
2206 132. . . .	9-01-24	2207 087. . . .	2-08-5	2208 215. . . .	19-48-1	2216 372. . . .	23-63-15	2216 819. . . .	23-09-56
2206 134. . . .	9-01-24	2207 184. . . .	2-08-5	2208 216. . . .	19-48-1	2216 374. . . .	23-63-15	2216 827. . . .	23-64-12
2206 136. . . .	9-01-24	2207 185. . . .	2-08-5	2208 217. . . .	19-48-1	2216 375. . . .	23-63-15	2216 829. . . .	8-55-170
2206 138. . . .	9-01-24	2207 200. . . .	2-08-11	2208 218. . . .	19-48-1	2216 404. . . .	23-42-23	2216 844. . . .	23-09-56
2206 140. . . .	9-01-24	2207 303. . . .	19-15-21	2208 219. . . .	19-51-13	2216 406. . . .	23-42-16	2216 862. . . .	23-33-109
2206 146. . . .	14-68-5	2207 374. . . .	2-05-4	2208 268. . . .	6-16-1	2216 415. . . .	23-42-59	2216 895. . . .	23-02-18
2206 151. . . .	10-02-40	2207 375. . . .	2-05-4	2208 272. . . .	6-13-4	2216 421. . . .	23-112-70	2216 896. . . .	23-02-18
2206 153. . . .	9-48-151	2207 519. . . .	22-01-46	2208 273. . . .	6-13-1	2216 443. . . .	23-15-6	2216 897. . . .	23-22-145
2206 228. . . .	14-30-1	2207 520. . . .	5-26-1	2208 274. . . .	6-14-1	2216 448. . . .	23-26-18	2216 898. . . .	23-22-145
2206 230. . . .	14-30-1	2207 604. . . .	5-13-9	2208 370. . . .	11-01-1	2216 449. . . .	23-26-18	2216 899. . . .	23-22-145
2206 261. . . .	10-23-7	2207 606. . . .	5-13-9	2208 393. . . .	11-10-3	2216 458. . . .	23-15-1	2216 902. . . .	23-34-116
2206 300. . . .	7-04-6	2207 701. . . .	5-27-6	2208 394. . . .	11-10-3	2216 459. . . .	23-15-1	2216 916. . . .	23-33-6
2206 315. . . .	9-10-5	2207 843. . . .	19-15-20	2208 396. . . .	11-10-3	2216 461. . . .	23-86-16	2216 927. . . .	23-33-10
2206 316. . . .	9-10-5	2207 888. . . .	8-33-5	2208 405. . . .	11-01-1	2216 485. . . .	23-09-47	2216 928. . . .	23-09-56
2206 317. . . .	10-23-7	2207 918. . . .	5-62-1	2208 406. . . .	11-01-1	2216 506. . . .	23-09-35	2216 929. . . .	23-09-56
2206 319. . . .	10-03-4	2207 933. . . .	5-56-2	2208 420. . . .	11-05-1		23-09-51	2216 933. . . .	23-33-10
2206 346. . . .	8-28-36	2207 937. . . .	5-58-1	2208 428. . . .	11-05-1	2216 523. . . .	23-33-109	2216 938. . . .	23-42-23
2206 347. . . .	8-28-36	2207 958. . . .	19-15-109	2208 432. . . .	11-05-1	2216 544. . . .	23-09-53	2216 939. . . .	23-06-10
2206 348. . . .	8-28-15	2207 959. . . .	19-15-118	2208 434. . . .	11-05-1	2216 546. . . .	23-09-61	2216 957. . . .	23-06-21
2206 372. . . .	10-26-5	2207 960. . . .	19-15-53	2208 440. . . .	11-05-1		23-64-272	2216 998. . . .	23-31-146
2206 373. . . .	10-24-4	2207 961. . . .	19-15-57	2208 495. . . .	5-62-1	2216 549. . . .	23-34-110	2216 999. . . .	23-33-135
2206 376. . . .	14-29-6	2208 008. . . .	5-27-12	2208 496. . . .	5-62-1	2216 552. . . .	4-23-46	2217 002. . . .	23-64-12
2206 381. . . .	10-23-7	2208 010. . . .	4-08-2	2208 521. . . .	14-86-40		8-19-3	2217 003. . . .	23-64-12
2206 397. . . .	21-142-12	2208 043. . . .	4-25-7	2208 580. . . .	12-04-4		14-02-24	2217 039. . . .	23-14-45
2206 416. . . .	9-48-14	2208 076. . . .	2-07-41	2208 581. . . .	12-04-4	2216 595. . . .	23-67-129	2217 044. . . .	23-14-49
2206 445. . . .	8-28-36	2208 077. . . .	2-07-41	2208 591. . . .	13-33-62		14-63-19	2217 052. . . .	23-33-132
2206 446. . . .	8-28-15	2208 080. . . .	19-27-31	2208 593. . . .	12-04-4	2216 618. . . .	23-14-39	2217 054. . . .	23-33-86
2206 447. . . .	8-28-15	2208 082. . . .	19-27-31	2208 598. . . .	12-04-4	2216 619. . . .	23-14-39	2217 060. . . .	23-33-104
2206 448. . . .	8-28-292	2208 086. . . .	19-27-50	2208 740. . . .	9-69-4	2216 620. . . .	23-64-242	2217 062. . . .	23-33-109
2206 449. . . .	8-28-292	2208 096. . . .	2-05-4	2208 853. . . .	5-58-1	2216 621. . . .	23-64-242	2217 063. . . .	8-37-178
2206 450. . . .	8-28-4	2208 097. . . .	2-05-4	2208 892. . . .	5-57-2	2216 626. . . .	23-64-240	2217 066. . . .	23-33-135
2206 455. . . .	10-24-4	2208 140. . . .	21-30-6	2208 893. . . .	5-62-20	2216 627. . . .	23-64-240	2217 067. . . .	23-64-12
2206 458. . . .	10-23-7	2208 153. . . .	19-48-1	2209 216. . . .	8-37-2	2216 628. . . .	23-64-240	2217 072. . . .	23-33-129
2206 463. . . .	10-24-4	2208 154. . . .	19-48-1	2209 229. . . .	21-84-4	2216 631. . . .	23-64-74	2217 078. . . .	23-33-129
2206 495. . . .	9-02-5	2208 155. . . .	19-48-16	2209 343. . . .	8-37-10	2216 638. . . .	23-63-126	2217 086. . . .	23-33-135
2206 498. . . .	9-02-5	2208 156. . . .	19-48-46	2212 272. . . .	1-32-2	2216 639. . . .	23-63-126	2217 092. . . .	23-22-145
2206 633. . . .	1-07-1	2208 158. . . .	19-48-49	2216 111. . . .	23-09-47	2216 640. . . .	23-64-48	2217 097. . . .	23-33-209
2206 637. . . .	17-19-3	2208 159. . . .	19-48-50	2216 152. . . .	23-39-18			2217 106. . . .	23-02-18
2206 883. . . .	17-19-10	2208 160. . . .	21-42-23	2216 153. . . .	23-39-18	2216 641. . . .	23-64-48	2217 107. . . .	23-02-42
2206 884. . . .	17-19-3	2208 163. . . .	19-48-45	2216 158. . . .	23-22-145	2216 645. . . .	23-42-13	2217 118. . . .	23-22-145
2206 923. . . .	17-23-52	2208 166. . . .	19-48-45	2216 160. . . .	23-22-145	2216 654. . . .	23-64-71	2217 119. . . .	23-22-145
2206 925. . . .	17-23-53	2208 169. . . .	4-10-20	2216 161. . . .	23-22-145	2216 655. . . .	23-64-71	2217 124. . . .	15-19-47
	22-20-82	2208 171. . . .	19-48-1	2216 172. . . .	23-39-44	2216 660. . . .	23-64-306	2217 128. . . .	23-63-33
2206 939. . . .	17-19-3	2208 172. . . .	19-48-51		23-41-7	2216 661. . . .	23-64-306	2217 129. . . .	23-63-33
2206 940. . . .	17-19-3	2208 173. . . .	23-39-2	2216 173. . . .	23-39-2	2216 662. . . .	23-64-306	2217 156. . . .	23-64-269
2206 941. . . .	17-19-3	2208 182. . . .	21-30-336	2216 208. . . .	23-64-246	2216 663. . . .	23-64-306	2217 175. . . .	23-06-22
2206 942. . . .	17-19-3	2208 184. . . .	21-30-336	2216 210. . . .	23-64-62	2216 673. . . .	23-09-47	2217 177. . . .	23-26-64
2206 965. . . .	9-71-15	2208 185. . . .	21-30-336	2216 211. . . .	23-64-62		23-64-273	2217 182. . . .	23-64-12
2206 974. . . .	16-02-1	2208 186. . . .	21-30-336	2216 220. . . .	23-64-243	2216 675. . . .	23-34-110	2217 183. . . .	23-64-12
2206 979. . . .	9-71-5	2208 187. . . .	23-33-227	2216 221. . . .	23-64-243	2216 696. . . .	23-22-7	2217 193. . . .	23-64-12
2207 027. . . .	2-10-58	2208 188. . . .	21-30-416	2216 240. . . .	23-63-127	2216 697. . . .	23-22-7	2217 195. . . .	15-14-1
2207 029. . . .	2-10-58	2208 189. . . .	21-30-316	2216 241. . . .	23-63-127	2216 742. . . .	23-31-146	2217 203. . . .	23-64-12
2207 031. . . .	2-03-3	2208 192. . . .	19-51-2	2216 273. . . .	23-63-15	2216 765. . . .	23-32-98	2217 212. . . .	23-64-308
2207 033. . . .	2-03-3	2208 194. . . .	19-51-2	2216 276. . . .	23-18-29	2216 766. . . .	23-34-121	2217 213. . . .	23-64-308
2207 035. . . .	2-10-58	2208 202. . . .	19-51-2	2216 289. . . .	23-14-147	2216 767. . . .	23-34-121	2217 214. . . .	23-64-308
2207 036. . . .	17-29-18	2208 204. . . .	19-48-1	2216 296. . . .	23-64-12	2216 780. . . .	23-42-23	2217 215. . . .	23-64-308
		2208 205. . . .	19-48-1	2216 344. . . .	23-64-240	2216 790. . . .	23-31-146	2217 218. . . .	23-36-21
				2216 344. . . .	23-64-240	2216 815. . . .	23-31-33	2217 250. . . .	23-63-97

1963 PASSENGER CAR PARTS CATALOG

NUMERICAL INDEX

PART NUMBER	CODE	PART NUMBER	CODE	PART NUMBER	CODE	PART NUMBER	CODE	PART NUMBER	CODE
2217 261.	23-66-77	2217 518.	23-63-181	2217 936.	23-33-96	2218 810.	23-06-53	2240 368.	9-09-2
2217 262.	23-64-308	2217 523.	23-38-22	2218 070.	23-64-280	2218 830.	23-63-94	2240 369.	9-09-2
2217 263.	23-64-308			2218 071.	23-64-280	2218 831.	23-63-94	2240 370.	9-09-2
2217 264.	23-64-308	2217 530.	23-09-51	2218 122.	23-63-33	2218 847.	23-02-29	2240 371.	9-09-2
2217 265.	23-64-308	2217 531.	23-09-51			2218 864.	23-02-18	2240 372.	9-09-2
		2217 534.	23-34-302	2218 123.	23-63-33			2240 373.	9-09-2
2217 275.	23-33-96	2217 535.	23-34-302	2218 134.	23-42-23	2218 933.	23-06-4		
2217 276.	23-33-96	2217 536.	23-59-37	2218 138.	23-33-135	2219 004.	24-28-75		
2217 277.	23-06-15			2218 140.	23-33-135	2219 010.	24-28-73	2240 374.	9-09-2
2217 282.	23-33-216	2217 537.	23-59-37	2218 174.	23-31-157	2219 019.	24-28-93	2240 375.	9-09-2
2217 287.	23-34-125	2217 544.	23-63-94			2219 066.	1-48-236	2240 376.	9-09-2
			23-63-104	2218 175.	23-31-157			2240 377.	9-09-2
2217 294.	23-39-19	2217 545.	23-63-94	2218 192.	23-26-80	2219 102.	1-48-602	2240 378.	9-09-2
2217 302.	23-33-10	2217 548.	23-64-242	2218 194.	23-26-80	2219 103.	1-48-603		
2217 315.	23-31-146			2218 196.	23-26-80		24-28-186	2240 379.	9-09-2
2217 318.	23-33-129	2217 549.	23-64-242	2218 202.	23-06-17	2219 155.	24-26-35	2240 397.	7-04-1
2217 329.	23-33-109	2217 555.	23-63-104			2219 292.	1-48-1	2240 401.	14-30-8
		2217 568.	23-33-227	2218 203.	23-33-135			2240 410.	14-30-8
2217 348.	15-03-5	2217 572.	23-64-71	2218 204.	23-33-135	2219 383.	24-28-326	2240 436.	14-30-8
2217 349.	23-15-13	2217 573.	23-64-71	2218 212.	19-31-14	2219 384.	24-28-326		
2217 351.	23-09-54			2218 218.	23-64-306	2219 385.	24-28-326	2240 464.	14-35-1
2217 352.	23-11-19	2217 574.	23-64-255	2218 219.	23-64-306	2219 396.	24-28-75	2240 470.	14-30-7
2217 353.	23-11-19	2217 575.	23-64-255				24-28-78	2240 471.	14-30-4
		2217 580.	23-06-17	2218 220.	23-64-306	2219 613.	24-25-20	2240 472.	14-30-7
2217 363.	1-87-30	2217 642.	23-34-235	2218 221.	23-64-306	2219 627.	1-47-4	2240 473.	14-43-5
2217 369.	23-09-9	2217 643.	23-34-235	2218 226.	23-64-306	2219 639.	24-28-232		
	23-09-52			2218 227.	23-64-306	2219 736.	24-28-387	2240 485.	14-35-1
	23-09-58	2217 651.	23-31-33	2218 228.	23-64-306	2219 826.	24-28-5	2240 526.	23-67-86
2217 374.	23-34-235	2217 656.	23-33-86					2240 527.	23-67-86
		2217 661.	23-06-4	2218 229.	23-64-306			2240 529.	8-52-180
2217 375.	23-34-235	2217 663.	23-64-54	2218 244.	23-63-126	2219 837.	24-28-220	2240 536.	8-16-1
2217 376.	23-34-242	2217 670.	23-64-71	2218 245.	23-63-126	2219 915.	24-29-1		
2217 377.	23-34-242			2218 252.	23-64-48	2219 916.	24-29-1	2240 544.	8-37-17
2217 380.	23-34-235	2217 672.	23-63-33	2218 253.	23-64-48	2219 924.	24-28-73	2240 547.	14-72-1
2217 381.	23-34-235	2217 673.	23-63-33			2219 981.	1-48-258	2240 548.	14-72-1
		2217 681.	23-34-122	2218 262.	23-64-48			2240 572.	1-72-5
2217 382.	23-34-27	2217 688.	23-63-33	2218 263.	23-64-48	2219 982.	1-48-258	2240 602.	19-02-4
2217 383.	23-34-27	2217 689.	23-63-33	2218 264.	19-14-35	2225 265.	8-27-138		
2217 384.	23-34-302			2218 265.	23-33-132	2225 512.	8-01-17	2240 608.	8-33-39
2217 385.	23-34-302	2217 828.	23-63-33	2218 283.	23-06-53	2225 805.	19-15-63	2240 612.	16-20-1
2217 399.	23-33-96	2217 832.	23-33-109			2226 674.	19-15-110	2240 614.	16-20-1
		2217 840.	23-33-96	2218 295.	23-33-86			2240 620.	19-54-2
2217 404.	23-63-126	2217 843.	5-100-105	2218 305.	23-63-33	2232 944.	23-113-45	2240 625.	5-100-157
2217 405.	23-63-126	2217 845.	19-31-7	2218 306.	23-63-15	2232 945.	23-113-45		
2217 408.	23-64-242			2218 307.	23-63-15	2240 222.	3-04-6	2240 628.	9-01-5
2217 409.	23-64-242	2217 848.	23-33-96	2218 308.	23-63-15	2240 235.	14-86-35	2240 629.	9-39-1
2217 416.	23-64-48	2217 849.	23-33-96			2240 240.	17-11-3	2240 634.	6-17-3
		2217 850.	23-64-308	2218 309.	23-63-15			2240 647.	10-24-1
2217 417.	23-64-48	2217 851.	23-64-308	2218 335.	23-33-86	2240 250.	8-50-103	2240 650.	9-11-1
2217 420.	23-42-13	2217 852.	23-64-308	2218 336.	23-33-86	2240 264.	8-16-1		
2217 429.	23-09-52			2218 342.	1-87-30	2240 302.	21-118-6	2240 651.	9-11-1
2217 434.	23-26-41	2217 853.	23-64-308		23-33-12	2240 308.	11-02-1	2240 684.	9-58-1
2217 435.	23-26-41	2217 854.	23-64-308	2218 347.	4-23-44	2240 311.	11-02-1	2240 744.	8-37-155
		2217 855.	23-64-308					2240 749.	8-52-135
2217 476.	23-64-306	2217 856.	23-64-308	2218 348.	23-33-220	2240 312.	11-02-1	2241 082.	23-26-23
2217 477.	23-64-306	2217 857.	23-64-308	2218 400.	23-42-13	2240 317.	17-23-3		
2217 478.	23-64-306			2218 639.	23-33-42	2240 318.	7-43-1	2241 083.	23-26-23
2217 479.	23-64-306	2217 874.	23-64-255	2218 663.	23-33-109	2240 320.	21-01-3	2241 084.	23-26-23
2217 480.	14-87-2	2217 875.	23-64-255			2240 333.	9-34-5	2241 085.	23-26-23
		2217 896.	23-63-104	2218 671.	23-63-126			2241 219.	23-54-53
2217 483.	23-26-80	2217 897.	23-63-104	2218 683.	23-02-38	2240 334.	9-34-5	2241 234.	23-76-64
2217 488.	23-63-55	2217 906.	23-63-33	2218 684.	23-39-30	2240 335.	9-34-5		
2217 489.	23-63-55			2218 685.	23-39-30	2240 336.	9-34-5	2241 235.	23-76-64
2217 508.	23-63-16	2217 907.	23-63-33	2218 732.	23-33-135	2240 337.	9-34-5	2241 382.	23-103-48
	23-63-22	2217 908.	23-63-126			2240 338.	9-34-5	2241 494.	23-26-62
	23-63-183	2217 910.	23-86-19	2218 733.	23-33-135			2241 495.	23-26-62
		2217 920.	8-37-178	2218 734.	23-33-12	2240 339.	9-34-5	2241 520.	23-91-6
2217 509.	23-64-10	2217 926.	23-33-213	2218 801.	23-64-233	2240 358.	17-23-3		
2217 510.	23-64-10			2218 806.	23-64-242	2240 360.	17-23-3	2241 521.	23-91-6
2217 511.	23-09-64	2217 927.	23-18-46	2218 807.	23-64-242	2240 362.	17-23-3	2241 592.	23-31-33

Jan. 3, 1964 Supersedes Jan. 25, 1963.

Page NU-28

Printed in U.S.A.

PART NUMBER	CODE	PART NUMBER	CODE	PART NUMBER	CODE	PART NUMBER	CODE	PART NUMBER	CODE
2241 784.	23-63-14	2242 548.	23-34-302	2242 776.	23-34-302	2243 150.	8-50-303	2243 494.	23-34-27
2241 790.	23-36-6	2242 549.	23-34-302	2242 777.	23-34-302	2243 151.	8-50-303	2243 495.	23-34-27
2241 791.	23-36-6	2242 550.	23-32-49			2243 158.	8-50-308	2243 508.	23-32-24
		2242 551.	23-32-49	2242 780.	23-34-301		8-56-40	2243 513.	23-63-110
2241 916.	23-18-54	2242 558.	23-36-53	2242 781.	23-40-85	2243 160.	8-56-1	2243 516.	23-32-17
2241 943.	23-31-33			2242 782.	23-40-85	2243 161.	8-56-1	2243 526.	23-32-70
2241 944.	23-31-33	2242 559.	23-36-53	2242 783.	23-40-85	2243 168.	8-55-7	2243 530.	23-34-249
2241 945.	23-31-33	2242 560.	23-34-235	2242 784.	23-40-85	2243 169.	8-55-7	2243 531.	23-34-249
2241 981.	23-31-33	2242 561.	23-34-235			2243 178.	8-50-303	2243 544.	1-74-1
		2242 564.	23-34-235	2242 785.	23-40-85			2243 546.	23-19-82
		2242 565.	23-34-235	2242 786.	23-40-85	2243 182.	8-50-308		
2241 998.	23-31-33			2242 787.	23-40-85	2243 196.	8-56-1	2243 547.	23-19-82
2241 999.	23-31-33	2242 572.	23-34-27	2242 788.	23-40-85	2243 220.	23-34-275	2243 550.	23-32-22
2242 359.	23-04-249	2242 573.	23-34-27	2242 789.	23-40-85	2243 221.	23-34-275	2243 552.	23-51-5
2242 360.	23-34-259	2242 594.	23-34-166			2243 222.	23-19-76	2243 553.	23-51-5
2242 368.	23-66-135	2242 596.	23-34-166	2242 790.	23-40-85			2243 556.	23-51-5
		2242 597.	23-34-179	2242 792.	23-34-22	2243 223.	23-19-76		
2242 369.	23-66-135			2242 793.	23-34-22	2243 224.	23-86-19	2243 557.	23-51-5
2242 370.	23-64-314	2242 603.	23-34-301	2242 796.	23-59-56	2243 225.	23-86-19	2243 564.	23-34-27
2242 371.	23-64-314	2242 606.	23-40-85	2242 797.	23-59-56	2243 226.	23-34-253	2243 565.	23-34-27
2242 390.	23-51-5	2242 607.	23-40-85			2243 227.	23-34-260	2243 566.	23-34-229
2242 391.	23-51-5	2242 608.	23-36-53	2242 800.	23-54-193			2243 567.	23-34-229
		2242 609.	23-36-53	2242 810.	23-54-144	2243 232.	23-47-6		
2242 394.	23-51-6			2242 812.	23-54-150	2243 233.	23-47-6	2243 568.	23-34-234
2242 395.	23-51-6	2242 612.	23-40-86	2242 813.	23-64-10	2243 236.	23-64-311	2243 569.	23-34-234
2242 396.	17-19-4	2242 613.	23-40-86	2242 814.	23-64-10	2243 237.	23-64-311	2243 572.	23-34-248
2242 414.	23-51-43	2242 616.	23-64-314			2243 238.	23-64-311	2243 573.	23-34-248
2242 415.	23-51-43	2242 617.	23-64-314	2242 818.	23-54-3			2243 576.	23-64-66
		2242 618.	23-40-92	2242 819.	23-54-3	2243 239.	23-64-311		
2242 425.	1-48-608			2242 825.	23-54-141	2243 240.	23-59-56	2243 577.	23-64-66
	23-34-119	2242 619.	23-40-92	2242 827.	23-54-109	2243 241.	23-59-56	2243 579.	23-34-166
2242 426.	23-34-116	2242 622.	23-34-236	2242 836.	23-63-171	2243 242.	23-59-59	2243 580.	23-34-234
2242 427.	23-34-117	2242 623.	23-34-236			2243 243.	23-59-59	2243 581.	23-34-234
2242 439.	23-34-116	2242 630.	23-19-82	2242 837.	23-63-181			2243 582.	23-34-22
		2242 631.	23-19-82	2242 848.	23-14-10	2243 251.	23-86-10		
2242 442.	23-34-121			2242 849.	23-14-10	2243 256.	23-40-92	2243 583.	23-34-22
2242 443.	23-34-121	2242 638.	23-36-120	2242 852.	23-18-5	2243 257.	23-40-92	2243 584.	23-64-314
2242 450.	23-66-235	2242 639.	23-36-120	2242 853.	23-18-5	2243 258.	23-36-130	2243 589.	23-34-167
2242 452.	23-51-5	2242 646.	23-59-37			2243 259.	23-36-130	2243 594.	23-19-76
2242 453.	23-51-5	2242 647.	23-59-37	2242 854.	23-39-5			2243 596.	23-34-179
		2242 648.	23-59-35	2242 855.	23-39-5	2243 274.	23-59-56		
2242 460.	23-32-115			2242 862.	23-18-5	2243 282.	15-19-2	2243 598.	23-19-84
2242 461.	23-32-115	2242 649.	23-59-35	2242 863.	23-18-5	2243 283.	15-19-2	2243 606.	23-58-76
2242 464.	23-34-234	2242 669.	23-64-66	2242 866.	23-39-5	2243 312.	23-48-98	2243 607.	23-58-76
2242 465.	23-34-234	2242 672.	23-64-68			2243 313.	23-48-98	2243 608.	23-34-27
2242 468.	23-34-27	2242 673.	23-64-68	2242 867.	23-39-5			2243 609.	23-34-27
		2242 680.	23-64-67	2242 868.	23-34-234	2243 320.	23-32-65		
2242 469.	23-34-27			2242 869.	23-34-234	2243 322.	23-48-28	2243 610.	23-36-66
2242 470.	23-34-229	2242 681.	23-64-67	2242 894.	23-34-235	2243 323.	23-32-46	2243 611.	23-36-66
2242 471.	23-34-229	2242 690.	23-19-82	2242 895.	23-34-235	2243 327.	23-19-99	2243 612.	23-58-480
2242 493.	23-34-166	2242 698.	23-19-177			2243 336.	23-54-136	2243 613.	23-58-480
2242 494.	23-34-167	2242 699.	23-19-177	2242 928.	23-34-29			2243 624.	23-34-275
		2242 734.	23-64-311	2242 929.	23-34-29	2243 337.	23-54-194		
2242 504.	23-86-10			2242 988.	23-14-10	2243 338.	23-54-72	2243 625.	23-34-275
2242 514.	23-64-66	2242 735.	23-64-311	2242 989.	23-14-10	2243 343.	23-54-19	2243 626.	23-34-179
2242 515.	23-64-66	2242 736.	23-34-234	2242 996.	23-86-19	2243 345.	23-32-22	2243 627.	23-34-179
2242 516.	23-64-66	2242 737.	23-34-234			2243 348.	23-18-26	2243 636.	23-34-242
2242 517.	23-64-66	2242 740.	23-34-234	2242 997.	23-86-19			2243 637.	23-34-242
		2242 741.	23-34-234	2243 000.	23-34-234	2243 349.	23-18-26		
2242 519.	23-34-301			2243 001.	23-34-234	2243 356.	8-56-40	2243 638.	23-34-246
2242 520.	23-40-85	2242 748.	23-34-235	2243 012.	23-64-280	2243 390.	23-39-53	2243 643.	23-34-256
2242 521.	23-40-85	2242 749.	23-34-235	2243 013.	23-64-280	2243 446.	23-39-34	2243 644.	23-40-85
2242 528.	23-34-304	2242 762.	23-39-34			2243 447.	23-39-34	2243 645.	23-40-85
2242 529.	23-34-304	2242 763.	23-39-34	2243 035.	23-09-37			2243 646.	23-34-233
		2242 764.	23-36-66	2243 084.	8-55-214	2243 470.	23-40-150		
2242 530.	23-59-56			2243 094.	8-55-214	2243 472.	23-40-150	2243 647.	23-34-233
2242 531.	23-59-56	2242 765.	23-36-66	2243 108.	8-55-7	2243 473.	23-40-187	2243 648.	23-34-233
2242 532.	23-63-112	2242 768.	23-36-125	2243 109.	8-55-7	2243 476.	23-40-155	2243 649.	23-34-233
2242 534.	23-19-177	2242 769.	23-36-125	2243 126.	8-50-303	2243 477.	23-40-155	2243 664.	23-34-218
2242 535.	23-19-177			2243 127.	8-50-303				

1963 PASSENGER CAR PARTS CATALOG NUMERICAL INDEX

PART NUMBER	CODE	PART NUMBER	CODE	PART NUMBER	CODE	PART NUMBER	CODE	PART NUMBER	CODE
2243 665.	23-34-218	2243 960.	23-34-27	2244 193.	23-09-75	2244 427.	23-112-70	2244 700.	23-40-96
2243 668.	23-86-19	2243 961.	23-34-27	2244 215.	23-04-241	2244 428.	23-86-19	2244 701.	23-40-96
2243 669.	23-86-19	2243 972.	11-10-43	2244 224.	23-34-234	2244 429.	23-86-19	2244 706.	23-34-280
2243 672.	23-34-246	2243 976.	23-64-91	2244 225.	23-34-234	2244 430.	23-86-19	2244 707.	23-34-280
2243 673.	23-34-246	2243 977.	23-64-91	2244 226.	23-58-480	2244 431.	23-86-19	2244 710.	23-22-86
2243 788.	23-64-311	2243 978.	8-57-10	2244 227.	23-58-480	2244 456.	23-34-233	2244 711.	23-22-86
2243 789.	23-64-311	2243 984.	23-51-5	2244 228.	23-58-473	2244 457.	23-34-233	2244 712.	23-22-53
2243 799.	23-63-112	2243 985.	23-51-5	2244 229.	23-58-473	2244 458.	23-34-233	2244 713.	23-22-53
2243 800.	23-34-275	2243 986.	23-51-5	2244 230.	23-58-476	2244 459.	23-34-233	2244 714.	23-22-74
2243 801.	23-34-275	2243 987.	23-51-5	2244 231.	23-58-476	2244 460.	23-34-233	2244 715.	23-22-74
2243 802.	23-34-29	2243 996.	23-34-27	2244 234.	23-58-572	2244 461.	23-34-233	2244 716.	23-22-74
2243 803.	23-34-29	2243 997.	23-34-27	2244 235.	23-58-572	2244 466.	23-51-41	2244 717.	23-22-74
2243 804.	23-19-177	2243 998.	23-34-229	2244 244.	23-63-33	2244 467.	23-51-41	2244 718.	23-22-74
2243 805.	23-19-177	2243 999.	23-34-229	2244 245.	23-63-33	2244 474.	23-34-301	2244 719.	23-22-74
2243 806.	23-64-66	2244 000.	23-34-234	2244 250.	23-34-233	2244 476.	23-34-301	2244 742.	23-42-38
2243 807.	23-64-66	2244 001.	23-34-234	2244 251.	23-34-233	2244 477.	23-64-66	2244 743.	23-42-38
2243 810.	23-64-311	2244 006.	23-34-301	2244 252.	23-34-242	2244 478.	23-64-67	2244 757.	23-22-86
2243 811.	23-64-311	2244 007.	23-64-66	2244 253.	23-34-242	2244 480.	23-64-66	2244 760.	23-22-86
2243 812.	23-64-311	2244 011.	23-64-314	2244 258.	23-26-41	2244 481.	23-64-66	2244 761.	23-22-86
2243 813.	23-64-311	2244 016.	23-34-166	2244 259.	23-26-41	2244 485.	23-64-66	2244 764.	23-22-86
2243 820.	23-59-56	2244 018.	13-66-106	2244 262.	23-26-41	2244 486.	23-64-66	2244 765.	23-22-86
2243 821.	23-59-56	2244 022.	23-19-82	2244 263.	23-26-41	2244 487.	23-64-66	2244 772.	23-22-74
2243 822.	23-59-56	2244 023.	23-19-82	2244 264.	23-26-41	2244 488.	23-64-314	2244 773.	23-22-74
2243 823.	23-59-56	2244 024.	23-34-179	2244 265.	23-26-41	2244 489.	23-64-314	2244 776.	23-22-53
2243 828.	23-36-53	2244 026.	23-64-66	2244 268.	23-26-41	2244 491.	23-64-314	2244 777.	23-22-53
2243 829.	23-36-53	2244 027.	23-34-164	2244 269.	23-26-41	2244 496.	23-34-236	2244 880.	23-34-234
2243 830.	23-63-20	2244 032.	23-64-314	2244 270.	23-63-33	2244 497.	23-34-236	2244 881.	23-34-234
2243 832.	23-63-21	2244 042.	8-56-1	2244 271.	23-63-33	2244 498.	23-64-66	2244 882.	23-19-178
2243 834.	23-34-221	2244 052.	23-40-85	2244 304.	23-22-145	2244 499.	23-64-66	2244 889.	23-09-67
2243 835.	23-36-31	2244 053.	23-40-85	2244 305.	23-22-145	2244 500.	23-34-301	2244 894.	8-47-69
2243 838.	23-34-248	2244 076.	23-64-68	2244 310.	23-59-56	2244 522.	23-19-84	2244 900.	23-34-236
2243 839.	23-34-248	2244 077.	23-64-68	2244 311.	23-59-56	2244 523.	23-19-84	2244 901.	23-34-236
2243 840.	23-40-92	2244 083.	23-63-112	2244 312.	23-59-56	2244 526.	23-34-242	2244 902.	23-09-9
2243 841.	23-40-92	2244 088.	23-59-35	2244 313.	23-59-56	2244 527.	23-34-242	2244 903.	23-09-9
2243 842.	23-40-92	2244 089.	23-59-42	2244 321.	23-63-37	2244 532.	23-39-30	2244 904.	23-34-285
2243 843.	23-40-92	2244 089.	23-59-35	2244 325.	23-64-314	2244 533.	23-39-30	2244 905.	23-34-285
2243 870.	23-26-41	2244 092.	23-34-234	2244 342.	23-59-41	2244 540.	23-32-49	2244 907.	23-32-22
2243 871.	23-26-41	2244 093.	23-34-234	2244 343.	23-59-41	2244 541.	23-32-49	2244 908.	23-32-17
2243 874.	23-63-33	2244 098.	23-34-229	2244 346.	23-86-19	2244 544.	8-55-23	2244 914.	8-56-1
2243 875.	23-63-33	2244 099.	23-34-229	2244 347.	23-86-19	2244 545.	8-55-23	2244 915.	8-56-1
2243 876.	23-63-55	2244 100.	23-63-172	2244 348.	23-86-19	2244 560.	23-36-120	2244 942.	23-34-27
2243 877.	23-63-55	2244 101.	23-64-311	2244 349.	23-86-19	2244 561.	23-36-120	2244 948.	23-19-84
2243 882.	23-63-100	2244 102.	23-64-311	2244 350.	23-34-280	2244 581.	23-54-103	2244 958.	23-59-56
2243 883.	23-63-100	2244 114.	23-40-92	2244 351.	23-34-280	2244 582.	23-19-177	2244 959.	23-59-56
2243 886.	23-32-46	2244 115.	23-40-92	2244 372.	23-34-242	2244 583.	23-19-177	2244 962.	23-59-56
2243 889.	23-04-241	2244 118.	23-19-177	2244 373.	23-34-242	2244 584.	23-19-82	2244 963.	23-59-56
2243 922.	23-112-70	2244 119.	23-19-177	2244 388.	23-64-198	2244 585.	23-19-82	2245 002.	23-09-9
2243 923.	23-112-70	2244 123.	23-04-241	2244 389.	23-64-198	2244 609.	23-58-466	2245 003.	23-09-9
2243 924.	23-112-70	2244 130.	23-34-275	2244 406.	23-34-242	2244 612.	23-22-86	2245 008.	23-64-311
2243 931.	23-32-33	2244 131.	23-34-275	2244 407.	23-34-242	2244 613.	23-22-86	2245 009.	23-64-311
2243 932.	23-51-5	2244 149.	23-19-70	2244 408.	23-63-172	2244 614.	23-22-86	2245 010.	23-64-311
2243 933.	23-51-5	2244 150.	23-48-99	2244 409.	22-01-43	2244 618.	23-32-25	2245 011.	23-64-311
2243 938.	23-51-41	2244 170.	23-32-25	2244 411.	23-32-40	2244 619.	23-32-25	2245 036.	23-19-82
2243 939.	23-34-166	2244 171.	23-32-25	2244 415.	23-34-302	2244 620.	23-59-42	2245 037.	23-19-82
2243 942.	23-51-41	2244 180.	23-26-41	2244 416.	23-26-46	2244 621.	23-59-42	2245 038.	23-22-74
2243 944.	23-34-257	2244 181.	23-26-41	2244 417.	23-26-46	2244 633.	23-19-178	2245 039.	23-22-74
2243 945.	23-34-257	2244 192.	23-09-75	2244 418.	23-36-66	2244 644.	23-19-76	2245 047.	21-30-416
				2244 419.	23-36-66	2244 652.	23-40-85	2245 048.	23-64-311
				2244 426.	23-112-70	2244 653.	23-40-85	2245 049.	23-64-311

PART NUMBER	CODE	PART NUMBER	CODE	PART NUMBER	CODE	PART NUMBER	CODE	PART NUMBER	CODE
2245 050.	23-64-311	2251 372.	23-54-141	2251 738.	23-54-17	2252 169.	23-54-28	2253 210.	23-36-118
2245 051.	23-64-311	2251 398.	4-23-7	2251 746.	23-54-194	2252 170.	23-54-29	2253 211.	23-36-118
2245 070.	23-64-311	2251 404.	23-20-14	2251 747.	23-54-207	2252 176.	22-20-87	2253 239.	23-48-188
2245 071.	23-64-311	2251 405.	23-20-14	2251 772.	23-09-67	2252 177.	22-20-87	2253 240.	23-48-188
2245 072.	23-64-311	2251 422.	23-22-145	2251 773.	23-09-67	2252 183.	23-32-82	2253 270.	23-19-8
2245 073.	23-64-311	2251 433.	23-32-79	2251 790.	23-54-111	2252 184.	8-47-126	2253 344.	23-34-120
2245 080.	23-63-20		23-48-24	2251 795.	23-54-140		23-48-93	2253 345.	23-34-120
2245 081.	23-63-20	2251 444.	23-86-19	2251 801.	23-09-67	2252 212.	23-34-227	2253 346.	23-34-120
2245 082.	23-63-21	2251 445.	23-86-19	2251 806.	23-86-19	2252 254.	23-36-134	2253 347.	23-34-120
2245 083.	23-63-21	2251 446.	23-86-19	2251 807.	23-86-19	2252 255.	23-36-134	2253 372.	23-32-105
2245 091.	23-42-38	2251 447.	23-86-19	2251 808.	23-86-36	2252 282.	23-19-17	2253 373.	23-32-105
2245 092.	23-09-9	2251 448.	23-86-19	2251 809.	23-86-36	2252 284.	23-32-27	2253 382.	23-32-115
2245 093.	23-09-9	2251 452.	23-63-181	2251 812.	23-18-29	2252 285.	23-32-27	2253 383.	23-32-115
2245 098.	23-19-82	2251 458.	23-63-171	2251 830.	23-34-24	2252 286.	23-32-27	2253 384.	23-32-17
2245 099.	23-19-82	2251 461.	23-54-205	2251 831.	23-34-24	2252 287.	23-32-27	2253 422.	15-03-3
2249 810.	23-22-78	2251 466.	23-54-1	2251 836.	23-18-26	2252 294.	23-32-27	2253 423.	15-03-3
2249 811.	23-22-78	2251 467.	23-54-1	2251 837.	23-18-26	2252 295.	23-32-27	2253 430.	15-03-3
2249 552.	23-20-29	2251 475.	23-42-46	2251 856.	23-58-269	2252 296.	23-32-27	2253 436.	23-19-8
2249 907.	23-31-116	2251 477.	23-34-16	2251 857.	23-58-269	2252 297.	8-55-12	2253 446.	15-03-3
2251 115.	23-58-258	2251 490.	23-20-14	2251 858.	23-58-333	2252 298.	23-40-86	2253 450.	23-36-5
2251 116.	23-58-243	2251 491.	23-20-14	2251 868.	23-04-205	2252 299.	23-40-86	2253 451.	23-36-5
2251 117.	23-58-262	2251 526.	23-32-49	2251 899.	23-58-570	2252 300.	23-36-125	2253 460.	15-03-3
2251 118.	23-58-257	2251 534.	23-48-189	2251 902.	23-32-46	2252 301.	23-36-125	2253 487.	23-19-8
2251 128.	23-58-76	2251 539.	23-48-19	2251 905.	23-36-31	2252 302.	23-32-112	2253 504.	12-01-5
2251 129.	23-58-76	2251 544.	23-48-148	2251 930.	23-39-2	2252 303.	23-32-112	2253 505.	12-01-5
2251 142.	23-58-469	2251 548.	23-48-28		23-41-7	2252 332.	23-32-53	2253 506.	12-01-5
2251 143.	23-58-469	2251 572.	23-40-92	2251 939.	23-41-7	2252 333.	23-32-53	2253 507.	12-01-5
2251 152.	23-58-573	2251 573.	23-40-92	2251 949.	23-18-29	2252 370.	23-36-53	2253 512.	23-36-5
2251 153.	23-58-573	2251 582.	23-40-92		23-18-42	2252 371.	23-36-53	2253 513.	23-36-5
2251 154.	23-58-573	2251 583.	23-40-92	2251 954.	24-41-53	2252 380.	23-54-46	2253 521.	12-01-5
2251 155.	23-58-573	2251 584.	23-40-85	2251 955.	24-41-53	2252 388.	23-54-46	2253 530.	23-33-109
2251 156.	23-58-573	2251 585.	23-40-85	2251 966.	23-47-6	2252 396.	23-63-172	2253 539.	23-66-65
2251 157.	23-58-573	2251 586.	23-34-26	2251 967.	23-47-6	2252 602.	23-64-48	2253 540.	23-11-1
2251 173.	23-58-3	2251 587.	23-34-26	2251 981.	23-41-14	2252 603.	23-64-48	2253 541.	23-11-1
2251 174.	23-58-569	2251 588.	23-36-125	2251 982.	23-41-53	2252 607.	23-15-13	2253 586.	23-32-17
2251 184.	23-34-356	2251 589.	23-36-125	2251 982.	23-41-53	2252 608.	23-63-58	2253 591.	23-19-8
2251 220.	23-64-311	2251 600.	23-58-607	2252 001.	23-41-106	2252 609.	23-63-58	2253 644.	23-32-105
2251 221.	23-64-311	2251 617.	23-58-605	2252 029.	23-41-286	2252 610.	23-112-70	2253 645.	23-32-105
2251 222.	23-64-311	2251 647.	23-58-228	2252 040.	23-14-147	2252 624.	23-34-242	2253 665.	23-32-17
2251 223.	23-64-311	2251 674.	23-109-38	2252 041.	23-14-147	2252 625.	23-34-242	2253 675.	23-34-354
2251 269.	23-54-136	2251 675.	23-109-38	2252 042.	23-22-145	2252 631.	23-08-75	2253 736.	23-19-8
2251 270.	23-54-72	2251 676.	23-32-87	2252 043.	23-22-145		23-36-22	2253 804.	23-34-354
2251 293.	23-54-142		23-48-22	2252 044.	23-18-11	2253 024.	23-58-208	2253 805.	23-34-80
2251 300.	23-54-4	2251 678.	23-48-19	2252 046.	23-18-11	2253 025.	23-58-208	2253 834.	23-11-1
2251 302.	23-54-4	2251 680.	23-32-80	2252 048.	23-41-33	2253 070.	23-34-80	2253 835.	23-11-1
2251 304.	23-54-4	2251 684.	23-32-93	2252 049.	23-41-33	2253 071.	23-34-80	2253 836.	23-11-1
2251 312.	23-54-150	2251 685.	23-32-93	2252 050.	23-41-33	2253 072.	23-34-80	2253 837.	23-11-1
2251 320.	23-63-100	2251 686.	23-32-92	2252 051.	23-41-33	2253 073.	23-34-80	2253 838.	23-11-1
2251 321.	23-63-100	2251 687.	23-32-92	2252 054.	23-18-26	2253 084.	23-32-105	2253 839.	23-11-1
2251 325.	23-48-20	2251 688.	23-32-92	2252 055.	23-18-26	2253 085.	23-32-105	2253 840.	23-34-120
2251 328.	23-20-14	2251 689.	23-32-92	2252 111.	23-34-279	2253 096.	23-32-105	2253 841.	23-34-120
2251 329.	23-20-14	2251 694.	23-54-141	2252 128.	23-64-299	2253 097.	23-32-105	2253 842.	23-34-120
2251 332.	23-20-14	2251 695.	23-54-142	2252 136.	23-64-198	2253 106.	23-32-93	2253 843.	23-34-120
2251 333.	23-20-14	2251 710.	23-54-107	2252 137.	23-64-198	2253 107.	23-32-93	2253 844.	23-34-120
2251 344.	23-54-180	2251 711.	23-54-107	2252 138.	23-64-299	2253 108.	23-32-93	2253 845.	23-34-120
2251 345.	23-54-184	2251 717.	11-10-42	2252 139.	23-64-299	2253 109.	23-32-93	2253 891.	15-11-46
2251 351.	17-19-20	2251 722.	14-88-8	2252 151.	1-67-3	2253 156.	23-66-65	2253 914.	23-64-254
2251 358.	23-54-74	2251 724.	23-34-346	2252 152.	23-09-67	2253 157.	23-66-65	2253 915.	23-64-254
2251 360.	23-54-193	2251 737.	23-54-17	2252 153.	23-09-67	2253 175.	23-34-17	2253 921.	23-64-254

1963 PASSENGER CAR PARTS CATALOG NUMERICAL INDEX

PART NUMBER	CODE	PART NUMBER	CODE	PART NUMBER	CODE	PART NUMBER	CODE	PART NUMBER	CODE
2253 926.	23-64-299	2254 384.	23-63-33	2254 810.	23-32-79	2255 333.	23-42-51	2255 720.	23-36-120
2253 927.	23-64-299	2254 385.	23-63-33	2254 822.	23-64-308	2255 339.	23-64-12	2255 721.	23-36-120
2253 937.	23-64-254	2254 428.	23-51-43	2254 823.	23-64-308	2255 344.	23-34-270	2255 722.	23-19-177
2253 942.	23-64-254	2254 429.	23-51-43	2254 824.	23-64-308	2255 345.	23-64-12	2255 723.	23-19-177
2253 943.	23-64-254	2254 474.	23-63-127	2254 825.	23-64-308	2255 354.	23-40-170	2255 726.	23-63-100
2253 946.	23-64-254	2254 475.	23-63-127	2254 842.	23-64-308	2255 355.	23-40-170	2255 727.	23-63-100
2253 947.	23-64-254	2254 484.	23-64-48	2254 843.	23-64-308	2255 358.	23-34-232	2255 750.	23-34-235
2253 950.	23-64-299	2254 485.	23-64-48	2254 858.	23-63-14	2255 366.	8-50-338	2255 751.	23-34-235
2253 951.	23-64-299	2254 514.	23-34-27	2254 859.	23-63-14	2255 384.	23-19-82	2255 770.	23-19-82
2253 954.	23-64-299	2254 515.	23-34-27	2254 860.	23-63-15	2255 385.	23-19-82	2255 771.	23-19-82
2253 955.	23-64-299	2254 525.	23-23-75	2254 861.	23-63-15	2255 400.	23-48-99	2255 776.	23-34-246
2253 956.	23-34-354	2254 575.	23-48-43	2254 866.	23-63-14	2255 401.	23-48-99	2255 777.	23-34-246
2253 959.	23-64-299	2254 586.	23-63-126		23-63-15	2255 414.	23-09-75	2255 782.	23-19-82
2253 964.	23-64-299	2254 587.	23-63-126	2254 934.	23-42-16	2255 415.	23-09-75	2255 783.	23-19-82
2253 965.	23-64-299	2254 608.	23-34-236	2254 952.	23-63-14	2255 430.	23-86-19	2255 788.	23-34-179
2253 970.	23-64-254	2254 609.	23-34-236		23-63-15	2255 431.	23-86-19	2255 790.	23-34-22
2253 974.	23-64-254	2254 612.	23-51-6	2254 954.	23-63-15	2255 450.	23-51-5	2255 791.	23-34-22
2253 975.	23-64-254	2254 613.	23-51-6	2254 955.	23-63-15	2255 451.	23-51-5	2255 792.	23-34-234
2253 988.	23-19-84	2254 618.	23-32-112	2254 956.	23-63-14	2255 500.	8-55-158	2255 793.	23-34-234
2254 014.	23-51-19	2254 619.	23-32-112		23-63-15	2255 501.	8-55-158	2255 810.	23-34-120
2254 015.	23-51-19	2254 620.	23-32-114	2254 960.	23-63-14	2255 527.	23-19-84	2255 811.	23-34-120
2254 016.	23-51-19	2254 621.	23-32-114	2254 961.	23-63-14	2255 532.	8-55-220	2255 814.	23-34-235
2254 017.	23-51-19	2254 626.	23-32-98	2255 027.	23-63-110	2255 542.	23-09-35	2255 815.	23-34-235
2254 018.	23-51-19	2254 627.	23-64-48	2255 067.	23-54-59	2255 543.	23-09-35	2255 822.	23-32-40
2254 019.	23-51-19	2254 644.	22-20-29	2255 073.	23-26-42	2255 562.	23-51-5	2255 823.	23-66-77
2254 020.	23-51-6	2254 646.	22-20-29	2255 152.	23-34-249	2255 563.	23-51-5	2255 832.	23-66-65
2254 021.	23-51-6	2254 661.	23-32-51	2255 153.	23-34-249	2255 566.	23-63-33	2255 836.	23-51-5
2254 028.	23-64-48	2254 664.	23-32-70	2255 156.	23-22-86	2255 567.	23-63-33	2255 837.	23-51-5
2254 029.	23-64-48	2254 665.	23-32-70	2255 157.	23-22-86	2255 583.	14-01-25	2255 838.	23-51-5
2254 097.	23-32-40	2254 666.	23-32-50	2255 158.	23-22-86	2255 594.	8-55-136	2255 839.	23-51-5
2254 120.	23-51-12	2254 667.	23-32-58	2255 159.	23-22-86	2255 595.	8-55-136	2255 860.	23-34-166
2254 121.	23-51-12	2254 668.	23-04-205	2255 160.	23-64-311	2255 604.	23-34-275	2255 861.	23-34-166
2254 124.	23-63-33	2254 675.	23-32-65	2255 161.	23-64-311	2255 605.	23-34-275	2255 862.	23-51-41
2254 125.	23-63-33	2254 676.	23-32-46	2255 162.	23-64-280	2255 606.	23-19-123	2255 863.	23-51-41
2254 126.	23-51-19	2254 677.	23-32-46	2255 163.	23-64-280	2255 607.	23-17-13	2255 864.	23-51-41
2254 127.	23-51-19	2254 680.	23-15-3	2255 181.	23-22-86	2255 617.	23-48-19	2255 865.	23-51-41
2254 132.	23-36-31	2254 681.	23-15-3	2255 182.	23-40-92	2255 627.	23-48-99	2255 866.	23-58-75
2254 133.	23-36-31	2254 686.	23-15-30	2255 183.	23-40-92	2255 633.	23-59-63	2255 868.	23-58-486
2254 226.	23-15-3	2254 687.	23-15-30	2255 186.	23-64-311	2255 634.	23-63-61	2255 869.	23-58-486
2254 227.	23-15-3	2254 688.	23-15-6	2255 187.	23-64-311	2255 635.	23-63-61	2255 876.	23-58-84
2254 229.	23-64-308	2254 706.	23-63-33	2255 196.	23-22-53	2255 653.	23-17-11	2255 888.	23-58-76
2254 230.	23-64-308	2254 707.	23-63-33	2255 197.	23-22-53	2255 656.	23-34-27	2255 889.	23-58-76
2254 232.	23-64-308	2254 712.	23-58-336	2255 198.	23-63-21	2255 657.	23-34-27	2255 894.	23-58-469
2254 233.	23-64-308	2254 714.	23-58-335	2255 199.	23-63-21	2255 670.	13-66-106	2255 895.	23-58-469
2254 242.	23-15-13	2254 715.	23-58-337	2255 202.	23-51-41	2255 674.	23-51-5	2255 900.	23-58-3
2254 258.	23-15-1	2254 716.	23-26-44	2255 203.	23-26-42	2255 675.	23-51-5	2255 946.	23-51-6
2254 259.	23-15-1	2254 717.	23-26-44	2255 204.	23-51-41	2255 676.	23-51-5	2255 947.	23-51-6
2254 260.	23-64-308	2254 718.	23-26-16	2255 205.	23-51-41	2255 677.	23-51-5	2255 954.	23-51-41
2254 261.	23-64-308	2254 719.	23-26-16	2255 206.	23-54-103	2255 680.	8-55-23	2255 955.	23-51-41
2254 264.	23-64-308	2254 763.	23-54-53	2255 207.	23-54-103	2255 681.	8-55-23	2255 956.	23-58-476
2254 265.	23-64-308	2254 766.	23-63-37	2255 210.	8-56-74	2255 682.	23-59-35	2255 957.	23-58-476
2254 270.	23-36-22	2254 767.	23-63-37	2255 213.	23-58-3	2255 683.	23-59-35	2255 958.	23-34-27
2254 271.	23-36-22	2254 785.	4-23-2	2255 214.	23-64-281	2255 688.	23-40-96	2255 959.	23-34-27
2254 290.	23-34-120	2254 795.	23-34-40	2255 215.	23-64-281	2255 689.	23-40-96	2255 960.	23-34-27
2254 291.	23-34-120	2254 799.	23-15-21	2255 228.	23-64-12	2255 696.	23-19-82	2255 961.	23-34-27
2254 357.	14-01-25	2254 801.	23-34-10	2255 231.	23-08-12	2255 697.	23-19-82	2255 962.	23-58-480
2254 382.	23-63-33	2254 804.	23-34-121		23-32-51	2255 709.	23-17-9	2255 963.	23-58-480
2254 383.	23-63-33	2254 805.	23-34-121	2255 255.	8-55-140	2255 718.	23-34-257	2255 966.	23-58-473
				2255 324.	8-56-40	2255 719.	23-34-257		

PART NUMBER	CODE	PART NUMBER	CODE	PART NUMBER	CODE	PART NUMBER	CODE	PART NUMBER	CODE
2255 967.	23-58-473	2257 273.	8-37-16	2258 349.	1-48-12	2258 912.	1-82-8	2260 709.	5-34-6
2255 968.	23-34-27	2257 275.	21-30-28		24-24-164	2258 939.	1-88-159	2260 710.	5-34-1
2255 969.	23-34-27	2257 276.	1-82-14	2258 350.	1-48-12	2258 987.	1-48-771	2260 718.	6-52-10
						2258 988.	1-48-940	2260 719.	6-22-01
2255 973.	23-64-269	2257 280.	1-82-49		24-24-164	2259 028.	4-23-2		6-22-15
2255 978.	23-19-82	2257 299.	8-15-4	2258 351.	1-48-12			2260 727.	6-35-1
2255 979.	23-19-82		23-41-95		24-24-164	2259 118.	4-23-4	2260 728.	6-35-1
2255 984.	23-34-234	2257 408.	1-82-26	2258 359.	1-48-942	2259 173.	23-32-106	2260 736.	5-27-1
2255 985.	23-34-234	2257 429.	8-42-25		24-24-156	2259 250.	23-47-6	2260 738.	5-27-1
				2258 361.	23-41-95	2259 380.	23-32-107	2260 739.	6-35-1
2255 986.	23-34-233	2257 440.	8-37-88	2258 385.	8-37-418	2259 417.	23-63-100		
2255 987.	23-34-233		8-39-15	2258 398.	8-37-389			2260 742.	6-35-1
2255 988.	23-34-257		8-41-36	2258 404.	8-56-2	2259 418.	23-63-100	2260 744.	6-52-10
2255 989.	23-34-257		8-50-156	2258 412.	14-72-5	2260 004.	5-27-1	2260 746.	6-52-10
2255 990.	23-34-257	2257 444.	14-72-33			2260 021.	6-22-4	2260 782.	5-20-1
				2258 413.	8-37-2	2260 023.	6-27-5	2260 783.	5-20-1
2255 991.	23-34-257	2257 452.	24-24-150	2258 436.	8-38-23	2260 026.	6-38-1		
2256 282.	23-67-194	2257 692.	1-82-2	2258 455.	23-67-85			2260 027.	6-38-1
2256 302.	8-37-155	2257 693.	8-37-372	2258 457.	23-67-79	2260 044.	6-35-16	2260 787.	5-12-1
2256 348.	8-37-275	2257 703.	23-18-106	2258 458.	23-67-79	2260 046.	5-39-11	2260 788.	5-25-9
2256 350.	8-37-1	2257 726.	1-14-4			2260 047.	6-22-1	2260 789.	5-03-23
				2258 459.	23-67-79	2260 048.	6-38-1	2260 791.	5-26-1
2256 351.	8-37-136	2257 744.	23-41-95	2258 479.	1-48-942			2260 792.	5-26-2
2256 432.	8-05-20	2257 840.	21-84-1	2258 481.	1-48-70	2260 065.	5-27-1	2260 793.	5-20-11
	8-53-294	2257 848.	24-24-32	2258 495.	4-10-23	2260 071.	5-28-8	2260 794.	5-20-9
2256 449.	8-35-85	2257 849.	23-67-79	2258 497.	8-19-87	2260 073.	6-50-1	2260 795.	5-20-9
2256 478.	24-24-5	2257 865.	8-41-35			2260 074.	5-27-1	2260 800.	4-26-1
				2258 517.	8-32-15	2260 099.	19-14-6	2260 801.	4-26-1
2256 483.	1-48-801	2257 876.	23-33-227	2258 552.	23-67-18				
	24-24-20	2257 878.	8-35-85	2258 554.	23-67-79	2260 160.	22-01-42	2260 807.	4-26-18
2256 507.	23-67-160	2257 930.	8-37-10	2258 555.	23-67-79	2260 162.	22-05-14	2260 812.	5-03-6
2256 514.	23-67-160	2257 945.	23-33-220	2258 556.	23-67-76	2260 163.	22-05-14	2260 824.	5-20-17
2256 544.	23-67-195	2257 952.	8-20-8			2260 287.	9-69-4	2260 826.	5-20-1
				2258 562.	23-67-18	2260 290.	13-01-1	2260 827.	5-20-1
2256 590.	1-48-770	2258 027.	8-53-296	2258 564.	23-67-79				
2256 614.	23-58-534	2258 076.	8-15-4	2258 565.	23-67-79	2260 299.	13-01-1	2260 830.	4-26-1
2256 616.	1-47-9	2258 093.	24-24-10	2258 566.	23-67-76	2260 423.	4-26-17	2260 831.	4-26-1
	1-48-70	2258 096.	24-24-150	2258 590.	8-16-4	2260 435.	13-33-68	2260 835.	8-03-23
	23-33-231	2258 099.	23-54-178			2260 437.	13-36-5	2260 837.	5-70-1
	23-54-170			2258 591.	8-16-4	2260 439.	12-04-4	2260 838.	5-71-1
	23-58-543	2258 102.	8-16-6	2258 598.	8-05-12				
	24-24-140	2258 118.	8-16-4	2258 625.	24-24-29	2260 456.	12-07-1	2260 839.	5-71-2
2256 626.	1-47-8	2258 119.	1-82-25	2258 626.	1-48-774	2260 457.	12-07-1	2260 840.	5-69-1
	23-54-169	2258 161.	1-48-940	2258 651.	8-16-6	2260 463.	13-33-61	2260 842.	5-64-1
			24-24-159			2260 466.	12-04-22	2260 843.	5-70-1
2256 681.	1-48-770			2258 653.	8-37-90	2260 469.	23-32-110	2260 844.	5-71-1
2256 702.	14-02-70	2258 166.	1-48-942	2258 663.	23-33-220				
2256 800.	8-53-327		24-24-156	2258 664.	23-33-213	2260 472.	23-32-110	2260 846.	5-69-1
		2258 168.	1-48-10	2258 700.	8-50-82	2260 473.	23-32-110	2260 855.	4-10-20
2256 966.	8-05-31		24-24-167	2258 704.	8-50-126	2260 484.	19-15-48	2260 856.	21-30-413
	8-11-18	2258 171.	1-48-12			2260 511.	8-33-5	2260 857.	21-30-336
	8-12-17		24-24-154	2258 710.	8-50-129	2260 534.	22-03-1	2260 859.	21-30-336
	8-13-6			2258 723.	8-33-121				
	8-19-2	2258 172.	1-48-12	2258 729.	1-48-770	2260 535.	22-03-1	2260 860.	21-30-336
	8-31-18		24-24-164	2258 745.	1-88-6	2260 538.	22-04-2	2260 861.	21-30-336
	8-37-93	2258 173.	1-48-12	2258 780.	1-82-39	2260 542.	22-05-14	2260 886.	5-03-6
	8-39-17		24-24-164			2260 543.	22-05-14	2260 904.	22-03-2
	8-41-39	2258 174.	1-48-12	2258 782.	1-82-25	2260 548.	5-26-4	2260 905.	22-03-2
	8-42-19		24-24-164	2258 815.	24-24-85			2260 940.	21-30-336
	8-50-159			2258 831.	1-88-120	2260 549.	5-26-4	2260 941.	21-30-336
	8-55-300	2258 196.	8-15-4	2258 858.	14-02-4	2260 557.	4-26-17	2260 942.	21-30-336
	8-57-109	2258 263.	24-24-29	2258 859.	14-02-3	2260 572.	5-20-15	2260 943.	21-30-336
	14-02-39	2258 277.	23-33-240			2260 573.	5-20-15	2260 944.	21-30-336
2257 100.	8-56-27	2258 284.	8-17-2	2258 864.	8-58-60	2260 609.	23-32-17	2260 945.	4-25-20
	8-57-89	2258 332.	8-19-15	2258 881.	1-88-159	2260 654.	5-03-6	2260 992.	19-31-1
2257 143.	21-84-4			2258 884.	4-10-23	2260 663.	22-05-14	2264 092.	10-03-4
2257 182.	1-04-12	2258 342.	1-48-940	2258 898.	23-18-107	2260 670.	5-20-15	2264 105.	9-15-1
2257 195.	1-48-7		24-24-159	2258 899.	1-88-7	2260 671.	5-20-15	2264 140.	9-67-4
2257 197.	1-48-7	2258 348.	1-48-12			2260 678.	6-52-1		
2257 272.	14-02-29		24-24-164						

PART NUMBER	CODE	PART NUMBER	CODE	PART NUMBER	CODE	PART NUMBER	CODE	PART NUMBER	CODE
2266 575. . .	13-66-16	2266 820. . .	6-38-23	2268 242. . . .	7-03-1	2269 078. . . .	9-23-40	2275 393. . . .	9-09-2
2266 576. . .	13-66-3	2266 831. . . .	22-01-43			2269 093. . . .	9-48-6	2275 394. . . .	9-09-2
2266 577. . .	13-66-3	2266 832. . . .	22-01-51	2268 264. . . .	9-50-3	2270 067. . . .	23-47-66	2275 395. . . .	9-09-2
2266 578. . .	13-66-16	2266 834. . . .	22-01-42	2268 282. . . .	9-48-44			2275 396. . . .	9-09-2
2266 579. . .	13-66-16	2266 839. . . .	22-06-18	2268 310. . . .	9-01-24	2270 068. . . .	23-47-66	2275 397. . . .	9-09-2
2266 580. . .	13-66-16			2268 312. . . .	9-01-24	2270 102. . . .	23-76-28		
2266 581. . .	13-66-16	2266 867. . . .	5-13-1	2268 314. . . .	9-01-24	2270 167. . . .	23-112-18	2275 398. . . .	9-09-2
2266 582. . .	13-68-6	2266 876. . . .	5-64-2			2270 274. . . .	23-76-17	2275 411. . . .	9-32-2
2266 585. . .	13-66-153	2266 877. . . .	22-04-11	2268 316. . . .	9-01-24	2270 275. . . .	23-76-17	2275 412. . . .	9-32-2
2266 586. . .	13-66-135	2266 890. . . .	5-13-22	2268 318. . . .	9-01-24			2275 440. . . .	9-35-1
		2266 892. . . .	5-13-1	2268 344. . . .	14-11-1			2275 441. . . .	9-35-1
2266 588. . .	13-66-3			2268 346. . . .	14-11-39	2270 579. . . .	23-45-30		
2266 589. . .	13-66-3	2266 893. . . .	5-13-1	2268 348. . . .	14-25-11	2270 834. . . .	23-109-38	2275 446. . . .	9-10-5
2266 590. . .	13-66-16	2266 894. . . .	3-35-14			2270 929. . . .	23-112-18	2275 450. . . .	13-72-4
2266 591. . .	13-66-16	2266 896. . . .	22-03-1	2268 349. . . .	14-25-11	2271 132. . . .	8-34-56	2275 453. . . .	9-35-1
2266 594. . .	13-64-149	2266 897. . . .	22-03-1	2268 356. . . .	14-11-9	2273 040. . . .	23-33-42	2275 460. . . .	2-10-61
		2266 922. . . .	16-03-19	2268 358. . . .	14-11-9			2275 461. . . .	2-10-61
2266 595. . .	13-64-149			2268 367. . . .	14-13-5	2273 286. . . .	23-103-3		
2266 599. . . .	8-47-8	2266 923. . . .	16-03-19	2268 405. . . .	9-15-1	2273 317. . . .	23-33-132	2275 462. . . .	2-10-55
	8-47-75	2266 942. . . .	5-100-161			2273 320. . . .	23-33-132	2275 463. . . .	2-10-55
2266 600. . .	13-64-3	2266 971. . . .	11-10-3	2268 420. . . .	14-13-1	2273 435. . . .	23-112-46	2275 464. . . .	2-10-55
2266 601. . .	13-64-3	2266 994. . . .	11-05-1	2268 441. . . .	9-03-5	2273 453. . . .	23-96-41	2275 465. . . .	2-10-55
		2266 996. . . .	11-05-1	2268 442. . . .	9-07-5			2275 466. . . .	2-10-55
2266 602. . .	13-66-3			2268 446. . . .	10-24-4	2273 455. . . .	1-32-2		
2266 603. . .	13-66-3	2267 003. . . .	11-05-4	2268 459. . . .	10-24-4	2273 461. . . .	23-86-3	2275 467. . . .	2-10-55
2266 606. . .	13-68-6	2267 007. . . .	11-05-1			2273 463. . . .	23-86-3	2275 468. . . .	2-14-1
2266 608. . .	13-66-135	2267 044. . . .	8-03-23	2268 513. . . .	10-24-38	2273 464. . . .	23-86-3	2275 469. . . .	2-14-1
2266 612. . .	13-66-3	2267 045. . . .	5-25-9	2268 556. . . .	14-02-6	2273 465. . . .	23-86-3	2275 470. . . .	2-14-1
		2267 072. . . .	22-05-14	2268 557. . . .	14-02-27			2275 496. . . .	21-118-6
2266 614. . .	13-66-16			2268 564. . . .	10-24-37	2273 466. . . .	23-86-3		
2266 616. . .	13-66-16	2267 073. . . .	22-05-14		21-119-11	2273 467. . . .	23-86-3	2275 497. . . .	21-118-6
2266 617. . .	13-66-16	2267 080. . . .	22-03-1			2274 324. . . .	23-108-5	2275 498. . . .	21-138-2
2266 620. . .	13-66-16	2267 081. . . .	22-03-1	2268 598. . . .	7-14-5	2274 841. . . .	23-77-3	2275 508. . . .	2-14-3
2266 623. . .	13-66-147	2267 083. . . .	22-04-2	2268 599. . . .	10-26-48	2275 015. . . .	1-76-1	2275 509. . . .	2-14-3
		2267 128. . . .	19-19-16	2268 647. . . .	8-36-124			2275 510. . . .	2-14-3
2266 624. . .	13-66-3			2268 651. . . .	7-14-5	2275 142. . . .	23-41-34		
2266 626. . .	13-72-3	2267 129. . . .	19-19-35	2268 665. . . .	19-54-86	2275 143. . . .	23-41-34	2275 511. . . .	2-14-3
2266 627. . .	13-72-3	2267 139. . . .	19-15-21			2275 202. . . .	24-25-132	2275 514. . . .	16-07-4
2266 681. . .	19-15-4	2267 152. . . .	19-19-24	2268 677. . . .	14-24-4	2275 203. . . .	24-25-3	2275 516. . . .	5-39-1
2266 682. . .	19-15-4	2267 156. . . .	19-19-70	2268 679. . . .	14-24-5	2275 204. . . .	24-25-93	2275 519. . . .	5-39-3
		2267 160. . . .	19-01-8	2268 690. . . .	19-54-115			2275 523. . . .	21-139-189
2266 683. . .	19-15-4			2268 696. . . .	10-26-48	2275 205. . . .	24-25-93		
2266 684. . .	19-15-4	2267 168. . . .	19-01-8	2268 698. . . .	10-27-24	2275 206. . . .	24-25-154	2275 535. . . .	5-63-1
2266 685. . .	19-15-23	2267 170. . . .	19-02-4			2275 207. . . .	24-25-2	2275 536. . . .	5-63-1
2266 686. . .	19-15-23	2267 173. . . .	19-19-7	2268 699. . . .	10-27-23	2275 215. . . .	8-37-135	2275 539. . . .	5-63-3
2266 687. . .	19-15-33	2267 175. . . .	19-19-24	2268 700. . . .	10-27-12	2275 220. . . .	8-16-3	2275 540. . . .	5-63-3
		2267 176. . . .	19-19-28	2268 701. . . .	10-27-1			2275 543. . . .	17-16-1
2266 707. . .	19-15-28			2268 766. . . .	19-54-91	2275 227. . . .	8-27-279		
2266 708. . .	19-15-17	2267 178. . . .	19-19-7	2268 869. . . .	10-07-18	2275 228. . . .	8-27-133	2275 550. . . .	8-52-137
2266 736. . .	19-15-44	2267 192. . . .	19-15-59			2275 229. . . .	8-27-133	2275 551. . . .	8-52-372
2266 737. . .	19-15-35	2267 232. . . .	19-15-21	2268 870. . . .	10-26-18	2275 237. . . .	8-52-137	2275 553. . . .	8-52-342
2266 738. . .	19-15-28	2267 235. . . .	19-58-14	2268 873. . . .	10-26-48	2275 242. . . .	8-15-7	2275 554. . . .	8-52-345
		2267 350. . . .	19-19-38	2268 903. . . .	7-07-1			2275 555. . . .	8-52-121
2266 751. . .	19-15-4			2268 908. . . .	21-117-2	2275 248. . . .	8-52-214		
2266 752. . .	19-14-1	2267 351. . . .	19-19-38	2268 911. . . .	7-14-4	2275 262. . . .	14-35-6	2275 556. . . .	8-52-87
2266 753. . .	19-14-1	2267 372. . . .	19-15-60			2275 365. . . .	9-11-1	2275 557. . . .	8-52-96
2266 764. . . .	8-33-4	2268 112. . . .	8-36-4	2268 912. . . .	7-14-4	2275 381. . . .	9-09-2	2275 558. . . .	8-52-98
2266 772. . . .	8-33-6	2268 114. . . .	9-07-5	2268 915. . . .	9-01-24	2275 382. . . .	9-09-2	2275 565. . . .	23-67-160
		2268 119. . . .	9-07-5	2268 921. . . .	10-07-8			2275 573. . . .	14-73-1
2266 777. . . .	6-35-9			2268 927. . . .	8-28-36	2275 383. . . .	9-09-2		
2266 779. . . .	5-31-15	2268 122. . . .	8-36-4	2268 928. . . .	8-28-15	2275 384. . . .	9-09-2	2275 584. . . .	24-28-300
2266 781. . . .	6-38-1	2268 127. . . .	9-48-6			2275 385. . . .	9-09-2	2275 585. . . .	8-05-16
2266 783. . . .	6-50-10	2268 188. . . .	14-06-10	2268 986. . . .	7-14-4	2275 386. . . .	9-09-2		8-53-296
2266 784. . . .	6-35-1	2268 206. . . .	14-01-1	2268 990. . . .	9-15-1	2275 387. . . .	9-09-2	2275 586. . . .	8-53-270
		2268 216. . . .	9-64-24	2269 013. . . .	9-48-6			2275 588. . . .	14-72-1
2266 787. . . .	6-43-10			2269 031. . . .	14-01-1	2275 388. . . .	9-09-2		
2266 796. . . .	6-43-5	2268 220. . . .	9-64-24	2269 034. . . .	14-01-25	2275 389. . . .	9-09-2	2275 589. . . .	14-72-1
2266 812. . . .	6-38-1	2268 222. . . .	7-03-1			2275 390. . . .	9-09-2	2275 590. . . .	8-35-22
2266 818. . . .	6-50-10	2268 240. . . .	9-10-19	2269 072. . . .	10-07-14	2275 391. . . .	9-09-2	2275 595. . . .	23-67-98
2266 819. . . .	6-22-15	2268 241. . . .	9-02-9	2269 076. . . .	9-13-5	2275 392. . . .	9-09-2	2275 596. . . .	23-67-86

1963 PASSENGER CAR PARTS CATALOG

PART NUMBER	CODE	PART NUMBER	CODE	PART NUMBER	CODE	PART NUMBER	CODE	PART NUMBER	CODE
2275 848.	17-23-3	2276 412.	7-16-47	2276 914.	7-26-2	2277 545.	1-48-707	2277 913.	24-27-5
2275 849.	17-23-3	2276 418.	7-16-11	2276 916.	15-09-4	2277 558.	1-48-258	2277 923.	1-48-258
2275 851.	17-11-3	2276 419.	7-16-11	2276 917.	15-09-4	2277 559.	1-48-391		24-29-1
2275 853.	17-11-3	2276 421.	7-16-25	2276 955.	15-03-60			2277 926.	1-48-1
2275 856.	17-11-3	2276 422.	7-16-63	2276 968.	12-04-4	2277 565.	1-48-707	2277 927.	1-48-1
2275 857.	17-11-3	2276 424.	7-33-1	2276 969.	12-04-4	2277 577.	1-48-88	2277 928.	1-48-1
		2276 427.	15-11-7	2276 972.	12-04-4	2277 585.	24-28-199	2277 929.	1-48-1
2275 858.	17-11-3	2276 427.	15-11-7	2276 973.	12-04-4	2277 596.	24-28-201	2277 947.	24-28-8
2275 859.	17-11-3	2276 431.	7-31-10	2276 974.	12-04-4	2277 597.	1-48-46		
2275 862.	17-11-3	2276 464.	8-34-40	2276 975.	12-04-4	2277 639.	1-48-599	2277 953.	24-28-8
2275 863.	17-11-3	2276 465.	8-34-40			2277 648.	1-48-90	2277 964.	24-27-5
2275 864.	17-11-3	2276 505.	15-11-7	2277 016.	1-48-832	2277 668.	24-28-305	2277 972.	24-28-5
		2276 506.	7-16-63	2277 023.	1-48-88	2277 670.	24-28-205	2277 977.	1-48-375
2275 865.	17-11-3	2276 507.	7-16-63	2277 025.	1-48-858	2277 675.	1-48-707	2277 992.	1-48-151
2275 866.	17-11-3			2277 026.	1-48-855				
2275 867.	17-11-3	2276 511.	7-16-55	2277 051.	24-29-1	2277 688.	24-26-20	2277 993.	1-48-151
2275 868.	17-11-3	2276 565.	7-16-65				24-28-322	2279 887.	9-58-1
2275 870.	17-11-3	2276 566.	7-16-66	2277 052.	24-29-1	2277 691.	1-48-1	2279 891.	14-29-2
		2276 567.	7-16-70	2277 053.	24-29-1	2277 692.	1-48-151	2279 893.	6-01-3
2275 871.	17-11-3	2276 623.	7-16-59	2277 054.	24-29-1	2277 693.	1-48-151	2279 894.	6-17-3
2275 883.	17-23-3			2277 061.	1-48-379				
2275 893.	21-01-3			2277 068.	1-48-393	2277 710.	1-48-832	2279 897.	11-02-1
2275 896.	21-01-3	2276 624.	12-02-8			2277 713.	24-28-26	2279 901.	14-73-1
2275 897.	9-13-5	2276 625.	12-02-8	2277 085.	1-48-280	2277 735.	1-47-3	2279 914.	14-73-1
		2276 631.	7-16-25	2277 091.	1-48-258	2277 739.	1-48-854	2279 915.	8-56-8
2275 898.	22-01-5	2276 650.	7-26-9	2277 123.	24-01-36	2277 741.	1-48-88	2279 917.	24-28-55
2275 907.	23-34-80	2276 718.	7-16-11	2277 124.	24-28-99				24-28-93
2275 908.	23-34-80			2277 187.	24-24-67	2277 754.	1-48-707		
2276 048.	7-16-11	2276 719.	7-16-11			2277 790.	24-25-20	2279 932.	8-55-335
2276 049.	7-16-63	2276 720.	7-16-11	2277 190.	24-28-326	2277 792.	24-26-100	2279 933.	8-55-335
		2276 721.	7-16-11	2277 193.	24-01-24	2277 797.	24-26-100	2279 934.	8-55-194
2276 063.	7-16-67	2276 722.	7-16-11	2277 207.	24-01-16	2277 823.	24-28-75	2279 935.	8-55-194
2276 066.	7-26-32	2276 723.	7-16-11	2277 209.	24-28-8		24-28-78	2279 954.	19-01-3
2276 077.	15-11-46			2277 216.	24-01-22	2277 824.	24-28-75	2279 955.	19-01-3
2276 114.	7-16-11	2276 736.	12-04-4				24-28-78	2279 960.	21-136-228
2276 116.	7-33-1	2276 737.	12-04-4	2277 247.	1-48-600	2277 826.	24-26-100	2279 961.	19-19-40
		2276 749.	15-09-4		24-28-205	2277 830.	1-48-367	2279 976.	9-01-5
2276 118.	7-26-15	2276 764.	12-15-21	2277 249.	24-28-205	2277 840.	1-47-19	2279 977.	9-01-5
2276 133.	15-11-46	2276 804.	15-09-4	2277 262.	24-28-108				
2276 146.	8-34-40			2277 342.	1-48-328	2277 844.	24-26-100	2279 985.	19-57-1
2276 172.	8-34-40	2276 822.	7-11-3		24-28-73	2277 845.	1-47-17	2279 986.	19-19-1
2276 173.	8-34-40	2276 825.	7-11-3	2277 345.	1-48-611	2277 849.	1-47-12	2279 989.	2-07-1
		2276 826.	7-11-3	2277 401.	1-48-394	2277 850.	1-47-1	2279 990.	2-07-1
2276 174.	7-33-1	2276 830.	7-11-3	2277 412.	24-28-387	2277 857.	24-28-78	2279 991.	2-07-1
2276 179.	7-31-10	2276 831.	7-11-3	2277 418.	24-28-195				
2276 180.	7-31-28			2277 419.	1-48-599	2277 858.	24-28-78	2279 992.	2-07-1
2276 184.	7-35-2	2276 832.	7-11-3			2277 860.	1-47-4	2279 997.	19-54-55
2276 192.	12-01-7	2276 833.	7-11-3	2277 424.	1-48-145	2277 861.	1-47-4	2279 998.	19-54-55
		2276 837.	7-11-3	2277 426.	24-28-396	2277 868.	24-26-100	2290 045.	1-82-2
2276 193.	12-01-7	2276 838.	7-11-3	2277 427.	24-28-397	2277 873.	1-48-688	2290 047.	23-41-167
2276 214.	8-34-40	2276 839.	7-11-3	2277 428.	24-28-397				
2276 304.	7-16-11			2277 430.	24-28-17	2277 874.	24-26-100	2290 048.	23-41-25
2276 305.	7-33-1	2276 842.	7-11-3			2277 875.	24-26-100	2290 061.	1-48-780
2276 306.	7-16-11	2276 844.	7-11-3	2277 454.	24-24-68	2277 884.	1-48-600		24-24-6
		2276 847.	7-11-3	2277 459.	1-47-3		24-28-205	2290 069.	8-16-4
2276 307.	7-16-11	2276 848.	7-11-3	2277 460.	1-47-3	2277 885.	1-48-600	2290 089.	1-48-770
2276 308.	8-34-40	2276 849.	7-11-3	2277 477.	1-48-158				
2276 309.	8-34-40			2277 505.	1-47-1	2277 886.	1-48-600	2290 097.	1-14-6
2276 313.	15-11-46	2276 851.	7-11-3				24-28-205	2290 102.	1-82-29
2276 316.	15-11-7	2276 852.	7-11-3	2277 477.	1-48-158	2277 887.	1-48-600	2290 109.	23-54-167
		2276 853.	7-11-3	2277 509.	1-48-125		24-28-205	2290 126.	8-19-86
2276 318.	7-35-2	2276 854.	7-11-3	2277 515.	1-48-358	2277 888.	1-48-600	2290 142.	8-37-90
2276 320.	7-31-10	2276 855.	7-11-3	2277 516.	1-48-355		24-28-205		
2276 336.	12-01-105			2277 517.	1-48-401			2290 151.	8-37-275
2276 337.	12-01-105	2276 875.	7-16-19	2277 535.	1-48-88	2277 897.	1-47-1	2290 152.	8-37-136
2276 394.	7-26-30	2276 885.	15-09-4			2277 898.	1-47-1	2290 161.	8-37-372
		2276 898.	7-26-28	2277 538.	1-48-179	2277 899.	1-47-1	2290 162.	8-37-372
2276 395.	7-26-30	2276 902.	12-04-4	2277 544.	1-48-599				
2276 409.	7-16-11	2276 903.	12-04-4						

PART NUMBER	CODE	PART NUMBER	CODE	PART NUMBER	CODE	PART NUMBER	CODE	PART NUMBER	CODE
2290 173.	23-33-220	2290 701.	8-05-16	2290 983.	8-15-4	2291 323.	8-37-90	2291 684.	1-48-942
2290 174.	23-33-220		8-53-296	2290 998.	8-15-2			2291 686.	24-24-156
2290 175.	23-33-220	2290 720.	8-05-11	2291 006.	1-48-12	2291 324.	8-37-90	2291 689.	21-30-28
2290 176.	23-33-220		8-53-312			2291 325.	8-37-190		
2290 188.	8-20-8	2290 721.	23-67-195	2291 007.	1-48-12	2291 336.	1-88-1	2291 690.	1-21-1
		2290 730.	1-48-774	2291 008.	1-48-12	2291 338.	8-19-3	2291 692.	8-37-372
2290 189.	8-56-34	2290 731.	8-15-52	2291 009.	1-48-12	2291 340.	8-15-53	2291 694.	8-37-1
2290 204.	8-55-57			2291 020.	8-37-275			2291 696.	1-82-27
2290 207.	8-16-4	2290 756.	8-15-52	2291 021.	8-37-136	2291 345.	8-15-4	2291 711.	1-88-6
2290 217.	8-37-90	2290 757.	1-21-1			2291 368.	23-41-55		
2290 224.	8-37-190	2290 760.	8-34-1	2291 022.	8-37-1	2291 370.	23-41-55	2291 727.	1-88-1
		2290 762.	8-15-4	2291 030.	8-37-372	2291 382.	8-58-60	2291 728.	23-41-11
2290 227.	8-37-372	2290 765.	8-57-79	2291 031.	8-37-372	2291 384.	14-02-69		23-47-423
2290 228.	8-37-372			2291 048.	8-19-3				23-54-176
2290 234.	8-37-275	2290 768.	8-37-190	2291 050.	8-15-52	2291 386.	24-24-124		23-58-379
2290 235.	8-37-136	2290 773.	1-48-374			2291 408.	23-33-247		
2290 236.	8-37-1	2290 775.	1-48-940	2291 061.	23-54-178	2291 411.	8-35-111	2291 730.	1-82-27
		2290 788.	1-48-12		23-58-189		23-17-2	2291 735.	23-41-55
2290 263.	8-55-57		24-24-164	2291 062.	8-20-16	2291 430.	23-54-167	2291 738.	8-15-2
2290 268.	1-48-7	2290 782.	24-24-159	2291 063.	8-35-85	2291 436.	8-33-164	2291 739.	23-58-189
2290 269.	1-48-7	2290 789.	1-48-12	2291 065.	23-33-237			2291 741.	1-06-3
2290 270.	1-48-772	2290 790.	1-48-12			2291 453.	8-37-178		
	23-54-125	2290 791.	1-48-12	2291 078.	8-15-4	2291 465.	8-37-136	2291 744.	1-06-10
	23-58-546		24-24-164	2291 091.	8-31-11	2291 466.	8-37-1	2291 749.	8-42-19
2290 316.	1-48-4	2290 792.	1-48-12	2291 093.	8-16-6	2291 467.	8-37-316	2291 751.	8-19-83
2290 360.	1-06-2	2290 793.	24-24-164	2291 095.	1-47-7	2291 468.	8-37-275	2291 753.	8-15-4
2290 378.	23-67-79	2290 794.	24-24-164		24-24-5			2291 759.	8-15-4
2290 381.	8-37-188	2290 795.	24-24-164	2291 099.	23-54-178	2291 478.	23-33-20		
2290 394.	8-37-372	2290 807.	1-48-942	2291 106.	8-11-6	2291 479.	1-87-2	2291 780.	1-21-1
				2291 107.	8-11-11	2291 522.	1-47-7	2291 781.	8-38-23
2290 396.	23-67-194			2291 133.	21-85-9		24-24-5	2291 795.	1-19-1
2290 398.	8-05-16	2290 809.	24-24-156	2291 139.	8-50-108	2291 529.	23-41-55	2291 800.	1-14-4
2290 399.	8-20-8	2290 818.	8-35-85					2291 816.	23-33-220
2290 414.	8-35-85	2290 822.	8-19-3	2291 140.	21-85-9	2291 530.	23-41-55		
2290 425.	8-37-1	2290 824.	8-05-16	2291 141.	21-85-5	2291 532.	24-28-366	2291 817.	23-33-213
			8-53-296	2291 142.	23-58-189	2291 540.	8-15-7	2291 819.	1-14-4
2290 433.	8-01-17	2290 840.	1-82-6	2291 143.	8-35-62	2291 546.	8-15-4	2291 827.	1-88-6
2290 443.	8-37-372	2290 844.	1-82-25	2291 148.	14-02-11	2291 552.	24-24-124	2291 829.	23-33-227
2290 448.	8-37-1	2290 845.	1-82-21					2291 832.	1-88-120
2290 461.	21-84-1	2290 851.	23-67-160	2291 185.	8-19-3	2291 563.	8-37-371		
2290 471.	21-84-4	2290 864.	24-24-29	2291 200.	8-15-2	2291 564.	8-37-371	2291 835.	1-88-6
				2291 236.	8-37-372	2291 569.	23-33-20	2291 838.	8-16-3
2290 488.	8-37-190			2291 237.	8-37-372	2291 571.	1-108-1	2291 841.	8-15-32
2290 498.	1-82-14	2290 865.	1-47-15	2291 238.	14-02-29	2291 575.	1-108-10	2291 842.	8-15-32
2290 570.	8-37-372		23-54-170					2291 852.	8-31-10
2290 571.	8-37-372	2290 866.	24-28-398	2291 241.	23-33-220	2291 576.	1-108-10		
2290 572.	8-37-372	2290 867.	23-58-543	2291 258.	8-16-6	2291 588.	1-06-8	2291 853.	23-67-132
		2290 873.	8-15-4	2291 259.	8-16-4		1-87-405	2291 858.	8-37-504
2290 577.	8-37-275			2291 261.	1-48-7	2291 604.	1-48-941	2291 865.	23-54-178
2290 579.	8-37-136	2290 891.	1-48-770	2291 265.	8-15-4		24-01-65	2291 874.	1-87-2
2290 585.	8-37-1	2290 900.	1-48-70					2291 876.	1-87-21
2290 586.	8-37-1	2290 903.	8-15-2	2291 278.	21-85-5	2291 615.	24-24-124		
2290 594.	23-33-20	2290 909.	1-48-801		21-85-9	2291 616.	24-24-124	2291 877.	1-48-7
2290 628.	1-82-14	2290 926.	1-48-941	2291 282.	1-47-8	2291 622.	8-56-34	2291 879.	1-48-7
2290 629.	1-82-14				1-48-801	2291 626.	8-15-2	2291 899.	8-15-2
2290 654.	8-37-454				23-54-169	2291 650.	1-87-1	2291 900.	23-67-79
2290 672.	8-37-372	2290 927.	1-48-941		23-58-534			2291 906.	1-26-1
2290 673.	8-37-372	2290 930.	1-48-941		23-67-194	2291 651.	1-87-1		14-02-1
2290 674.	8-37-372	2290 931.	1-48-941	2291 286.	1-48-801	2291 653.	1-87-1		
2290 682.	8-37-136	2290 932.	1-48-70		24-24-20	2291 655.	1-87-1	2291 907.	21-30-28
2290 685.	8-37-275	2290 945.	1-48-770			2291 656.	1-87-1	2291 909.	23-67-25
2290 688.	8-37-1			2291 288.	8-05-16	2291 657.	1-87-1	2291 911.	1-88-1
2290 700.	1-47-9	2290 949.	1-48-801		8-53-296			2291 923.	8-15-2
	23-33-231	2290 957.	8-15-52	2291 289.	8-20-8	2291 662.	8-15-32	2291 927.	23-47-425
	23-54-170	2290 962.	8-15-52			2291 664.	1-09-1		
	23-58-543	2290 964.	8-19-3	2291 290.	8-50-349	2291 671.	1-88-6	2291 936.	1-82-2
	24-24-140	2290 966.	14-02-34	2291 291.	8-19-3	2291 672.	8-15-4	2291 951.	14-02-69
	24-28-382	2290 970.	8-15-4	2291 301.	8-55-54		23-54-208	2291 952.	8-19-3
		2290 976.	23-54-178	2291 308.	1-48-941	2291 676.	23-33-220	2291 969.	8-37-89
						2291 677.	23-33-220	2291 974.	8-37-89

1963 PASSENGER CAR PARTS CATALOG

NUMERICAL INDEX

PART NUMBER	CODE	PART NUMBER	CODE	PART NUMBER	CODE	PART NUMBER	CODE	PART NUMBER	CODE
2291 976.	23-41-167	2292 376.	23-86-35	2292 774.	23-63-20	2295 378.	23-76-86	2295 437.	23-76-66
2291 984.	23-41-171	2292 377.	23-86-35	2292 786.	23-26-23	2295 379.	23-76-86	2295 438.	23-76-66
2291 987.	8-15-2			2292 788.	23-26-23	2295 380.	23-76-86	2295 439.	23-76-66
2291 997.	8-20-10	2292 380.	23-103-10	2292 789.	23-26-23	2295 381.	23-76-86	2295 440.	23-76-66
2292 010.	23-06-4	2292 452.	23-26-80			2295 382.	23-76-86	2295 441.	23-76-66
		2292 454.	23-38-3	2292 790.	23-63-20			2295 444.	23-112-153
2292 011.	23-06-13	2292 456.	23-38-14	2292 791.	23-63-20	2295 383.	23-76-86		
2292 018.	23-02-18	2292 458.	23-26-87	2292 798.	23-82-20	2295 384.	23-76-86	2295 445.	23-112-153
2292 023.	23-33-10			2292 800.	23-82-20	2295 385.	23-76-86	2295 446.	23-112-153
2292 027.	19-14-35	2292 459.	23-26-87	2292 820.	23-108-98	2295 386.	23-76-66	2295 447.	23-112-153
2292 051.	23-17-72	2292 470.	23-63-14			2295 387.	23-76-66	2295 448.	23-112-153
		2292 471.	23-63-14	2292 821.	23-108-98			2295 449.	23-112-153
2292 052.	23-20-14	2292 472.	23-63-14	2292 862.	23-108-98	2295 388.	23-76-66		
2292 053.	23-20-14	2292 473.	23-63-14	2292 863.	23-108-98	2295 389.	23-76-66	2295 450.	23-112-153
2292 054.	23-20-14			2292 864.	23-108-98	2295 390.	23-76-66	2295 451.	23-112-153
2292 055.	23-20-14	2292 474.	1-87-7	2292 865.	23-108-98	2295 391.	23-76-66	2295 452.	23-112-153
2292 056.	23-20-14		8-53-150			2295 392.	23-76-66	2295 453.	23-112-153
		2292 475.	23-108-142	2292 871.	8-05-6			2295 454.	23-112-153
2292 057.	23-20-14	2292 481.	23-38-17	2292 876.	23-96-3	2295 393.	23-76-66		
2292 064.	23-33-135	2292 484.	23-38-5	2292 877.	23-96-3	2295 394.	23-76-66	2295 455.	23-112-153
2292 065.	23-33-135			2292 894.	23-103-10	2295 395.	23-76-66	2295 456.	23-112-153
2292 066.	23-33-135	2292 485.	23-38-5	2292 895.	23-103-10	2295 396.	23-76-86	2295 457.	23-112-153
2292 067.	23-33-135	2292 488.	23-26-46			2295 397.	23-76-86	2295 458.	23-112-153
		2292 489.	23-26-46	2292 908.	23-26-23			2295 459.	23-112-153
2292 070.	23-33-135	2292 492.	23-108-98	2292 909.	23-26-23	2295 398.	23-76-86		
2292 072.	23-33-135	2292 493.	23-108-98	2292 910.	23-26-23	2295 399.	23-76-86	2295 581.	23-79-64
2292 108.	23-103-10			2292 911.	23-26-23	2295 400.	23-76-86	2295 582.	23-96-10
2292 109.	23-103-10	2292 499.	23-38-15	2292 912.	23-26-47	2295 401.	23-76-86	2295 583.	23-79-64
2292 149.	23-33-135	2292 503.	23-02-82			2295 402.	23-76-86	2295 589.	23-108-32
		2292 537.	23-38-1	2292 913.	23-26-47			2295 590.	23-108-32
2292 150.	23-33-135	2292 544.	23-38-17	2292 921.	23-26-23	2295 403.	23-76-86		
2292 151.	23-33-135	2292 563.	23-26-80	2292 922.	23-26-47	2295 404.	23-76-86	2295 591.	23-108-32
2292 152.	23-06-17			2292 924.	23-26-23	2295 405.	23-76-86	2295 593.	23-108-32
2292 162.	23-86-24	2292 580.	23-103-10	2292 925.	23-26-23	2295 406.	23-76-86	2295 599.	23-108-32
2292 163.	23-86-24	2292 581.	23-103-10			2295 407.	23-76-86	2295 600.	23-108-32
		2292 588.	23-63-14	2292 926.	23-26-23			2295 601.	23-108-32
2292 164.	23-86-24	2292 589.	23-63-14	2292 927.	23-26-23	2295 408.	23-76-86	2295 602.	23-108-32
2292 165.	23-86-24	2292 590.	23-63-14	2292 946.	23-103-10	2295 409.	23-76-86	2295 603.	23-108-32
2292 166.	23-86-24			2292 947.	23-103-10	2295 410.	23-76-86	2295 609.	23-108-32
2292 167.	23-86-24	2292 591.	23-63-14	2292 994.	8-05-6	2295 411.	23-76-86	2295 610.	23-108-32
2292 183.	23-02-19	2292 592.	23-113-87			2295 412.	23-76-66	2295 611.	23-108-32
		2292 598.	23-63-20	2292 995.	8-05-23				
2292 194.	23-21-3	2292 599.	23-63-20	2293 635.	23-108-5	2295 413.	23-76-66	2295 612.	23-108-32
2292 195.	23-21-3	2292 716.	23-76-17	2293 636.	23-108-4	2295 414.	23-76-66	2295 613.	23-108-32
2292 198.	23-33-101			2293 637.	23-108-4	2295 415.	23-76-66	2295 614.	23-109-36
2292 199.	23-33-102	2292 736.	23-26-23	2293 654.	23-108-16	2295 416.	23-76-86	2295 615.	23-109-36
2292 201.	23-77-17	2292 737.	23-26-23			2295 417.	23-76-66	2295 616.	23-109-36
		2292 738.	23-26-47	2293 655.	23-108-16				
2292 241.	23-21-14	2292 739.	23-26-47	2293 826.	23-108-4	2295 418.	23-76-66	2295 617.	23-109-36
2292 246.	23-06-21	2292 742.	23-26-23	2293 826.	23-108-4	2295 419.	23-76-66	2295 618.	23-109-36
2292 247.	23-06-21			2293 860.	23-101-3	2295 420.	23-76-66	2295 619.	23-109-35
2292 257.	23-06-14	2292 743.	23-26-23	2293 861.	23-101-3	2295 421.	23-76-66	2295 620.	23-109-35
2292 274.	23-20-65	2292 744.	23-26-23	2293 862.	23-101-3	2295 422.	23-76-66	2295 621.	23-109-35
		2292 745.	23-26-23	2293 863.	23-101-3				
2292 317.	23-33-86	2292 748.	23-26-23	2293 864.	23-101-3	2295 423.	23-76-66	2295 622.	23-109-35
2292 319.	23-33-135	2292 750.	23-26-23	2293 865.	23-101-3	2295 424.	23-76-66	2295 623.	23-109-36
2292 320.	23-33-135			2293 866.	23-101-3	2295 425.	23-76-66	2295 624.	23-109-36
2292 325.	23-33-109	2292 751.	23-26-23	2293 867.	23-101-3	2295 426.	23-76-66	2295 625.	23-109-36
2292 327.	23-33-10	2292 752.	23-26-23			2295 427.	23-76-66	2295 626.	23-109-36
		2292 753.	23-26-47	2293 868.	23-101-3				
2292 336.	23-33-213	2292 754.	23-26-80	2293 869.	23-101-3	2295 428.	23-76-86	2295 627.	23-109-36
2292 342.	23-33-135	2292 755.	23-26-80	2293 870.	23-101-3	2295 429.	23-76-86	2295 628.	23-109-36
2292 343.	23-33-135			2293 871.	23-101-3	2295 430.	23-76-86	2295 629.	23-109-36
2292 349.	23-33-109	2292 756.	23-26-23	2293 872.	23-101-3	2295 431.	23-76-86	2295 630.	23-109-35
2292 372.	23-86-35	2292 757.	23-26-23			2295 432.	23-76-86	2295 631.	23-109-35
		2292 758.	23-26-23	2293 873.	23-101-3				
2292 373.	23-86-35	2292 759.	23-26-23	2293 874.	23-101-3	2295 433.	23-76-86	2295 632.	23-109-35
2292 374.	23-86-35	2292 772.	23-63-20	2293 875.	23-101-3	2295 434.	23-76-86	2295 633.	23-109-35
2292 375.	23-86-35			2293 876.	23-76-86	2295 435.	23-76-86		
		2292 773.	23-63-20	2293 877.	23-76-86	2295 436.	23-76-66		

PART NUMBER	CODE	PART NUMBER	CODE	PART NUMBER	CODE	PART NUMBER	CODE	PART NUMBER	CODE
2295 634.	23-109-35	2295 692.	23-109-3	2295 774.	23-76-40	2295 845.	23-108-4	2295 903.	23-108-16
2295 635.	23-109-35	2295 693.	23-109-3	2295 775.	23-76-40			2295 904.	23-108-16
2295 636.	23-109-36	2295 694.	23-109-3	2295 776.	23-76-40	2295 846.	23-108-16	2295 905.	23-108-16
		2295 695.	23-109-3	2295 777.	23-109-4	2295 847.	23-108-16		
2295 637.	23-109-36	2295 696.	23-109-3	2295 778.	23-109-4	2295 848.	23-108-16	2295 906.	23-108-16
2295 638.	23-109-36					2295 849.	23-108-16	2295 907.	23-108-15
2295 639.	23-109-36	2295 697.	23-109-36	2295 779.	23-109-4	2295 850.	23-108-16	2295 908.	23-108-15
2295 640.	23-109-35	2295 698.	23-109-36	2295 780.	23-109-4			2295 909.	23-108-15
2295 641.	23-109-35	2295 699.	23-109-36	2295 781.	23-109-3	2295 851.	23-108-16	2295 910.	23-108-15
		2295 700.	23-109-36	2295 782.	23-109-3	2295 852.	23-108-16		
2295 642.	23-109-35	2295 701.	23-109-35	2295 785.	23-109-4	2295 853.	23-108-16	2295 911.	23-108-15
2295 643.	23-109-35	2295 702.	23-109-35			2295 854.	23-108-16	2295 912.	23-109-4
2295 644.	23-109-36	2295 703.	23-109-35	2295 786.	23-109-4	2295 855.	23-108-16	2295 913.	23-109-4
2295 645.	23-109-36	2295 704.	23-109-35	2295 787.	23-109-4			2295 914.	23-109-4
2295 646.	23-109-36	2295 705.	23-109-4	2295 788.	23-109-4	2295 856.	23-108-16	2295 915.	23-109-4
		2295 706.	23-109-4	2295 789.	23-109-4	2295 857.	23-108-16		
2295 647.	23-109-36			2295 790.	23-109-4	2295 858.	23-108-16		
2295 648.	23-109-35	2295 707.	23-109-4			2295 859.	23-108-16	2295 916.	23-109-4
2295 649.	23-109-35	2295 708.	23-109-4	2295 791.	23-109-4	2295 860.	23-108-16	2295 917.	23-109-4
2295 650.	23-109-35	2295 709.	23-109-4	2295 792.	23-109-4			2295 918.	23-109-4
2295 651.	23-109-35	2295 710.	23-109-4	2295 793.	23-109-3	2295 861.	23-108-16	2295 919.	23-109-4
		2295 711.	23-109-4	2295 794.	23-109-3	2295 862.	23-108-16	2295 920.	23-109-4
2295 652.	23-109-36			2295 795.	23-109-3	2295 863.	23-108-16		
2295 653.	23-109-36	2295 712.	23-109-4			2295 864.	23-108-16	2295 921.	23-109-4
2295 654.	23-109-36	2295 713.	23-109-4	2295 796.	23-109-3	2295 865.	23-108-16	2295 922.	23-109-3
2295 655.	23-109-36	2295 714.	23-109-4	2295 801.	23-76-45			2295 923.	23-109-3
2295 656.	23-109-36	2295 715.	23-109-4	2295 802.	23-76-45	2295 866.	23-108-16	2295 924.	23-109-3
		2295 716.	23-109-4	2295 803.	23-76-45	2295 867.	23-108-16	2295 926.	23-109-3
2295 657.	23-109-35			2295 804.	23-76-45	2295 868.	23-108-16		
2295 658.	23-109-35	2295 717.	23-109-3			2295 869.	23-108-16	2295 932.	23-109-4
2295 659.	23-109-35	2295 718.	23-109-3	2295 805.	23-76-45	2295 870.	23-108-16	2295 933.	23-109-4
2295 660.	23-109-35	2295 719.	23-109-3	2295 806.	23-76-40			2295 934.	23-109-4
2295 661.	23-109-35	2295 720.	23-109-3	2295 807.	23-76-40	2295 871.	23-108-16	2295 935.	23-109-4
		2295 721.	23-109-3	2295 808.	23-76-40	2295 872.	23-108-16	2295 936.	23-109-4
2295 662.	23-109-36			2295 809.	23-76-40	2295 873.	23-108-16		
2295 663.	23-109-36	2295 722.	23-109-5			2295 874.	23-108-15	2295 937.	23-109-4
2295 664.	23-109-36	2295 723.	23-109-4	2295 816.	23-108-5	2295 875.	23-108-15	2295 938.	23-109-4
2295 665.	23-109-36	2295 724.	23-109-4	2295 817.	23-108-5			2295 939.	23-109-4
2295 666.	23-109-36	2295 725.	23-109-4	2295 818.	23-108-5	2295 876.	23-108-15	2295 940.	23-109-4
		2295 726.	23-109-4	2295 819.	23-108-5	2295 877.	23-108-15	2295 941.	23-109-4
2295 667.	23-109-36			2295 820.	23-108-5	2295 878.	23-108-15		
2295 668.	23-109-35	2295 727.	23-109-4			2295 879.	23-108-15	2295 942.	23-109-4
2295 669.	23-109-35	2295 728.	23-109-4	2295 821.	23-108-4	2295 880.	23-108-15	2295 943.	23-109-4
2295 670.	23-109-35	2295 729.	23-109-4	2295 822.	23-108-4			2295 944.	23-109-5
2295 671.	23-109-35	2295 730.	23-109-4	2295 823.	23-108-4	2295 881.	23-108-15	2295 945.	23-109-5
		2295 731.	23-109-5	2295 824.	23-108-4	2295 882.	23-108-15	2295 946.	23-109-5
2295 672.	23-109-35			2295 825.	23-108-4	2295 883.	23-108-15		
2295 673.	23-109-35	2295 732.	23-109-5			2295 884.	23-108-15	2295 947.	23-109-5
2295 674.	23-109-36	2295 733.	23-109-5	2295 826.	23-108-4	2295 885.	23-108-15	2295 948.	23-109-5
2295 675.	23-109-36	2295 734.	23-109-5	2295 827.	23-108-4			2295 949.	23-109-5
2295 676.	23-109-36	2295 735.	23-76-45	2295 828.	23-108-4	2295 886.	23-108-15	2295 956.	23-109-4
		2295 744.	23-76-45	2295 829.	23-108-4	2295 887.	23-108-15	2295 957.	23-109-4
2295 677.	23-109-36			2295 830.	23-108-4	2295 888.	23-108-15		
2295 678.	23-109-35	2295 745.	23-76-45			2295 889.	23-108-15	2295 958.	23-109-4
2295 679.	23-109-35	2295 746.	23-76-45	2295 831.	23-108-5	2295 890.	23-108-15	2295 959.	23-109-4
2295 680.	23-109-35	2295 747.	23-76-45	2295 832.	23-108-5			2295 960.	23-109-4
2295 681.	23-109-35	2295 748.	23-76-45	2295 833.	23-108-5	2295 891.	23-108-15	2295 961.	23-109-4
		2295 749.	23-76-45	2295 834.	23-108-5	2295 892.	23-108-15	2295 962.	23-109-4
2295 682.	23-109-4			2295 835.	23-108-5	2295 893.	23-108-15		
2295 683.	23-109-4	2295 750.	23-76-45			2295 894.	23-108-15	2295 963.	23-109-4
2295 684.	23-109-4	2295 751.	23-76-40	2295 836.	23-108-4	2295 895.	23-108-15	2295 964.	23-109-5
2295 685.	23-109-4	2295 752.	23-76-40	2295 837.	23-108-4			2295 965.	23-109-5
2295 686.	23-109-4	2295 753.	23-76-40	2295 838.	23-108-4	2295 896.	23-109-15	2295 966.	23-109-5
		2295 754.	23-76-40	2295 839.	23-108-4	2295 897.	23-108-15	2295 967.	23-109-5
2295 687.	23-109-4			2295 840.	23-108-4	2295 898.	23-108-15		
2295 688.	23-109-4	2295 755.	23-76-40			2295 899.	23-108-15	2295 996.	23-109-5
2295 689.	23-109-4	2295 756.	23-76-40	2295 841.	23-108-4	2295 900.	23-108-15	2295 997.	23-109-5
2295 690.	23-109-4	2295 757.	23-76-40	2295 842.	23-108-4			2295 998.	23-109-5
2295 691.	23-109-4	2295 758.	23-76-40	2295 843.	23-108-4	2295 901.	23-108-15	2295 999.	23-109-5
		2295 773.	23-76-40	2295 844.	23-108-4	2295 902.	23-108-16	2296 669.	23-109-35

1963 PASSENGER CAR PARTS CATALOG

PART NUMBER	CODE	PART NUMBER	CODE	PART NUMBER	CODE	PART NUMBER	CODE	PART NUMBER	CODE
2296 671.	23-109-3	2296 737.	23-108-12	2296 821.	23-108-12	2296 957.	23-108-16	2297 556.	23-79-79
2296 673.	23-108-5	2296 738.	23-108-12	2296 823.	23-108-12			2297 558.	23-79-79
2296 674.	23-108-5	2296 739.	23-108-12	2296 840.	23-108-5	2296 958.	23-108-16	2297 559.	23-79-79
2296 676.	23-108-4	2296 740.	23-108-12	2296 841.	23-108-5	2296 968.	23-108-12		
2296 677.	23-108-4	2296 741.	23-108-12	2296 842.	23-108-5	2296 969.	23-108-12	2297 560.	23-79-79
						2296 970.	23-108-12	2297 561.	23-109-5
2296 678.	23-108-4	2296 742.	23-108-12	2296 843.	23-108-5	2296 971.	23-108-12	2297 562.	23-109-5
2296 679.	23-108-4	2296 743.	23-108-12	2296 844.	23-108-4			2297 564.	23-109-5
2296 680.	23-108-4	2296 760.	23-109-36	2296 845.	23-108-4	2297 070.	23-33-132	2297 565.	23-109-5
2296 681.	23-108-4	2296 761.	23-109-36	2296 846.	23-108-4	2297 072.	23-33-42		
2296 682.	23-108-4	2296 762.	23-109-36	2296 847.	23-108-4	2297 410.	23-91-6	2297 566.	23-109-5
						2297 411.	23-91-6	2297 567.	23-109-5
2296 683.	23-108-4	2296 763.	23-109-36	2296 848.	23-108-4	2297 427.	23-20-8	2297 568.	23-109-5
2296 686.	23-108-16	2296 764.	23-109-35	2296 849.	23-108-4			2297 570.	23-109-5
2296 687.	23-108-16	2296 765.	23-109-35	2296 850.	23-108-4	2297 428.	23-20-8	2297 571.	23-109-5
2298 688.	23-108-16	2296 766.	23-109-35	2296 851.	23-108-4	2297 429.	23-20-8		
2296 689.	23-108-16	2296 767.	23-109-35	2296 852.	23-108-4	2297 430.	23-20-8	2297 572.	23-109-5
						2297 431.	23-20-8	2297 573.	23-79-33
2296 692.	23-108-12	2296 772.	23-109-35	2296 853.	23-108-4	2297 433.	23-20-8	2297 574.	23-79-33
2296 693.	23-108-12	2296 773.	23-109-35	2296 854.	23-108-4			2297 576.	23-79-33
2296 694.	23-108-12	2296 774.	23-109-35	2296 855.	23-108-4	2297 442.	23-20-41	2297 577.	23-79-33
2296 695.	23-108-12	2296 775.	23-109-35	2296 856.	23-108-4	2297 443.	23-20-41	2297 578.	23-79-33
2296 696.	23-108-12	2296 780.	23-109-4	2296 857.	23-108-4	2297 444.	23-20-41	2297 579.	23-79-33
						2297 445.	23-20-41	2297 580.	23-79-33
2296 697.	23-108-12	2296 781.	23-109-4	2296 858.	23-108-4	2297 446.	23-20-41	2297 582.	23-79-33
2296 698.	23-108-12	2296 782.	23-109-4	2296 859.	23-108-4			2297 583.	23-79-33
2296 699.	23-108-12	2296 783.	23-109-4	2296 860.	23-108-16	2297 447.	23-20-41		
2296 700.	23-108-5	2296 784.	23-109-3	2296 861.	23-108-16	2297 460.	23-101-3	2297 584.	23-79-33
2296 701.	23-108-5	2296 785.	23-109-3	2296 862.	23-108-16	2297 461.	23-101-3	2297 585.	23-79-33
						2297 462.	23-101-3	2297 586.	23-79-33
2296 702.	23-108-5	2296 786.	23-109-3	2296 863.	23-108-16	2297 463.	23-101-3	2297 588.	23-79-33
2296 703.	23-108-5	2296 787.	23-109-3	2296 864.	23-108-12			2297 589.	23-79-33
2296 704.	23-108-4	2296 788.	23-109-3	2296 865.	23-108-12	2297 464.	23-101-3		
2296 705.	23-108-4	2296 789.	23-109-3	2296 866.	23-108-12	2297 465.	23-101-3	2297 590.	23-79-33
2296 706.	23-108-4	2296 790.	23-109-3	2296 867.	23-108-12	2297 466.	23-101-3	2297 591.	23-109-5
						2297 467.	23-101-3	2297 592.	23-109-5
2296 707.	23-108-4	2296 791.	23-109-3	2296 868.	23-108-12	2297 468.	23-92-5	2297 593.	23-109-5
2296 708.	23-108-4	2296 792.	23-108-5	2296 869.	23-108-12			2297 594.	23-109-5
2296 709.	23-108-4	2296 793.	23-108-5	2296 871.	23-108-12	2297 469.	23-92-5		
2296 710.	23-108-4	2296 794.	23-108-5	2296 872.	23-109-36	2297 470.	23-92-5	2297 595.	23-109-5
2296 711.	23-108-4	2296 795.	23-108-5	2296 873.	23-109-36	2297 471.	23-92-5	2297 596.	23-109-5
						2297 472.	23-92-5	2297 597.	23-103-3
2296 712.	23-108-4	2296 796.	23-108-4	2296 880.	23-109-36	2297 473.	23-92-5	2297 598.	23-103-3
2296 713.	23-108-4	2296 797.	23-108-4	2296 881.	23-109-36			2297 634.	23-92-5
2296 714.	23-108-4	2296 798.	23-108-4	2296 882.	23-109-35	2297 474.	23-92-5		
2296 715.	23-108-4	2296 799.	23-108-4	2296 883.	23-109-35	2297 475.	23-92-5	2297 635.	23-92-5
2296 716.	23-108-4	2296 800.	23-108-4	2296 884.	23-109-35	2297 476.	23-92-5	2297 636.	23-92-5
						2297 477.	23-92-5	2297 637.	23-92-5
2296 717.	23-108-4	2296 801.	23-108-4	2296 885.	23-109-35	2297 478.	23-92-5	2297 638.	23-92-5
2296 718.	23-108-4	2296 802.	23-108-4	2296 886.	23-109-4			2297 639.	23-92-5
2296 719.	23-108-4	2296 803.	23-108-4	2296 887.	23-109-4	2297 479.	23-92-5		
2296 720.	23-108-16	2296 804.	23-108-4	2296 888.	23-109-4	2297 480.	23-92-5	2297 640.	23-92-5
2296 721.	23-108-16	2296 805.	23-108-4	2296 889.	23-109-4	2297 481.	23-92-5	2297 641.	23-92-5
						2297 482.	23-92-5	2297 642.	23-101-3
2296 722.	23-108-16	2296 806.	23-108-4	2296 900.	23-109-3	2297 483.	23-92-5	2297 643.	23-101-3
2296 723.	23-108-16	2296 807.	23-108-4	2296 901.	23-109-3			2297 644.	23-101-3
2296 724.	23-108-16	2296 808.	23-108-4	2296 902.	23-109-3	2297 484.	23-92-5		
2296 725.	23-108-16	2296 809.	23-108-4	2296 903.	23-109-3	2297 485.	23-92-5	2297 645.	23-101-3
2296 726.	23-108-16	2296 810.	23-108-4	2296 937.	23-108-5	2297 486.	23-92-5	2297 646.	23-101-3
						2297 487.	23-92-5	2297 647.	23-101-3
2296 727.	23-108-16	2296 811.	23-108-4	2296 938.	23-108-5	2297 488.	23-92-5	2297 648.	23-101-3
2296 728.	23-108-12	2296 812.	23-108-16	2296 948.	23-108-4			2297 649.	23-101-3
2296 729.	23-108-12	2296 813.	23-108-16	2296 949.	23-108-4	2297 489.	23-92-5		
2296 730.	23-108-12	2296 814.	23-108-16	2296 950.	23-108-4	2297 490.	23-92-5	2297 654.	23-92-5
2296 731.	23-108-12	2296 815.	23-108-16	2296 951.	23-108-4	2297 491.	23-92-5	2297 655.	23-92-5
						2297 504.	23-101-14	2297 656.	23-92-5
2296 732.	23-108-12	2296 816.	23-108-12	2296 952.	23-108-4	2297 505.	23-101-14	2297 657.	23-92-5
2296 733.	23-108-12	2296 817.	23-108-12	2296 953.	23-108-4			2297 658.	23-92-5
2296 734.	23-108-12	2296 818.	23-108-12	2296 954.	23-108-4	2297 516.	23-96-8		
2296 735.	23-108-12	2296 819.	23-108-12	2296 955.	23-108-4	2297 555.	23-79-79	2297 659.	23-92-5
2296 736.	23-108-12	2296 820.	23-108-12						

PART NUMBER	CODE	PART NUMBER	CODE	PART NUMBER	CODE	PART NUMBER	CODE	PART NUMBER	CODE
2297 660.	23-92-5	2297 950.	23-101-3	2298 893.	8-55-1	2299 219.	14-30-4	2299 457.	23-79-33
2297 661.	23-92-5	2297 951.	23-101-3	2298 894.	8-55-1	2299 220.	14-30-4	2299 458.	23-79-33
2297 662.	23-92-5	2297 952.	23-101-3			2299 222.	14-43-5	2299 459.	23-79-33
2297 663.	23-92-5	2297 953.	23-101-3	2298 895.	8-55-136	2299 224.	14-43-5	2299 460.	23-79-33
		2297 970.	23-92-5	2298 896.	8-55-136			2299 461.	23-79-33
2297 664.	23-92-5			2298 897.	8-55-194	2299 226.	14-30-4		
2297 665.	23-92-5	2297 971.	23-92-5	2298 898.	8-55-194	2299 227.	14-30-7	2299 462.	23-79-33
2297 666.	23-92-5	2297 972.	23-92-5	2298 900.	17-23-3	2299 230.	14-43-5	2299 463.	23-79-33
2297 667.	23-92-5	2297 973.	23-92-5			2299 231.	14-35-1	2299 473.	23-79-3
2297 668.	23-92-5	2297 974.	23-92-5	2298 903.	6-14-1	2299 233.	14-30-4	2299 474.	23-79-3
		2297 975.	23-92-5	2298 904.	6-13-1			2299 475.	23-79-3
2297 669.	23-92-5			2298 907.	7-42-4	2299 235.	14-30-4		
2297 803.	23-103-3	2297 976.	23-92-5	2298 909.	6-17-3	2299 238.	14-35-39	2299 476.	23-79-3
2297 824.	23-92-5	2297 977.	23-92-5	2298 912.	17-23-3	2299 239.	14-35-1	2299 477.	23-79-3
2297 825.	23-92-5	2297 978.	23-92-5			2299 241.	14-35-39	2299 478.	23-79-3
2297 826.	23-92-5	2297 979.	23-92-5	2298 913.	11-01-1	2299 242.	14-35-1	2299 479.	23-79-33
		2297 980.	23-101-3	2298 915.	11-01-1			2299 480.	23-79-33
2297 827.	23-92-5			2298 917.	9-48-6	2299 244.	14-35-39		
2297 828.	23-92-5	2297 981.	23-101-3	2298 918.	17-12-4	2299 245.	14-35-1	2299 481.	23-79-33
2297 829.	23-92-5	2297 982.	23-101-3	2298 920.	17-12-4	2299 248.	14-35-1	2299 482.	23-79-33
2297 830.	23-92-5	2297 983.	23-101-3			2299 251.	14-35-1	2299 483.	23-79-33
2297 831.	23-92-5	2297 984.	23-101-3	2298 929.	17-11-3	2299 253.	14-35-6	2299 484.	23-79-33
		2297 985.	23-101-3	2298 935.	17-11-3			2299 485.	23-79-33
2297 832.	23-92-5			2298 938.	14-29-2	2299 254.	14-35-1		
2297 833.	23-92-5	2297 986.	23-101-3		14-29-7	2299 255.	14-30-4	2299 486.	23-79-33
2297 834.	23-92-5	2297 987.	23-101-3	2298 939.	5-39-1	2299 257.	14-35-1	2299 487.	23-79-33
2297 835.	23-92-5	2297 988.	23-101-3			2299 258.	14-30-4	2299 488.	23-79-33
2297 836.	23-92-5	2297 989.	23-101-3	2298 940.	16-03-1	2299 259.	14-30-7	2299 489.	23-79-33
		2298 511.	9-10-5	2298 941.	16-03-1			2299 491.	23-79-3
2297 837.	23-92-5			2298 943.	5-03-1	2299 260.	14-30-4		
2297 838.	23-92-5	2298 512.	17-11-3	2298 968.	1-42-1	2299 263.	14-35-1	2299 492.	23-79-3
2297 839.	23-92-5	2298 513.	17-11-3	2299 005.	14-35-1	2299 264.	14-30-4	2299 493.	23-79-3
2297 840.	23-92-5	2298 514.	21-138-2			2299 274.	14-41-3	2299 494.	23-79-3
2297 841.	23-92-5	2298 518.	6-14-1	2299 021.	14-30-4	2299 275.	14-35-8	2299 495.	23-79-3
		2298 522.	22-01-5	2299 036.	14-30-4			2299 496.	23-79-3
2297 842.	23-92-5			2299 037.	14-30-7	2299 276.	14-35-6		
2297 843.	23-92-5	2298 523.	22-01-5	2299 038.	14-41-3	2299 278.	14-30-4	2299 499.	23-79-3
2297 858.	23-92-5	2298 533.	2-08-57	2299 039.	14-35-39	2299 279.	14-30-7	2299 511.	15-13-2
2297 859.	23-92-5	2298 534.	2-08-57			2299 280.	14-30-4	2299 516.	23-18-13
2297 860.	23-92-5	2298 535.	2-10-55	2299 040.	14-35-33	2299 297.	14-35-1	2299 517.	23-18-13
		2298 536.	2-08-57	2299 041.	14-35-1			2299 534.	1-67-9
2297 861.	23-92-5			2299 042.	14-30-8	2299 305.	8-28-36		
2297 862.	23-92-5	2298 537.	2-10-55	2299 072.	14-30-4	2299 311.	8-55-194	2299 541.	15-13-2
2297 863.	23-92-5	2298 649.	23-15-1	2299 073.	14-30-4	2299 319.	8-27-315	2299 543.	15-13-2
2297 864.	23-92-5	2298 698.	23-06-15			2299 320.	8-27-208	2299 544.	15-13-2
2297 865.	23-92-5		23-38-15	2299 074.	14-30-4	2299 321.	8-27-138	2299 546.	15-11-4
		2298 765.	8-27-279	2299 080.	14-30-4			2299 547.	23-21-14
2297 866.	23-92-5			2299 083.	14-30-4	2299 322.	8-27-158		
2297 867.	23-92-5	2298 768.	8-16-3	2299 110.	23-54-204	2299 324.	8-27-308	2299 550.	23-14-10
2297 868.	23-92-5	2298 769.	8-16-3	2299 112.	14-43-5	2299 336.	8-56-8	2299 551.	23-14-10
2297 869.	23-92-5	2298 770.	8-16-3			2299 337.	8-56-8	2299 560.	23-39-5
2297 870.	23-92-5	2298 803.	17-23-3	2299 113.	14-43-5	2299 344.	8-55-194	2299 561.	23-39-5
		2298 804.	17-23-3	2299 114.	14-41-3			2299 562.	23-39-5
2297 871.	23-92-5			2299 163.	14-30-7	2299 345.	8-56-8		
2297 872.	23-92-5	2298 805.	17-23-3	2299 181.	14-30-4	2299 347.	8-55-1	2299 563.	23-39-5
2297 873.	23-92-5	2298 807.	17-23-3	2299 182.	14-30-7	2299 348.	8-55-1	2299 564.	23-39-5
2297 938.	23-92-5	2298 842.	5-03-1			2299 349.	8-55-158	2299 565.	23-39-5
2297 939.	23-92-5	2298 848.	5-03-1	2299 184.	14-30-4	2299 433.	23-14-53	2299 570.	23-39-34
		2298 852.	8-56-8	2299 186.	14-30-4			2299 571.	23-39-34
2297 940.	23-92-5			2299 187.	14-43-5	2299 434.	23-14-53		
2297 941.	23-92-5	2298 855.	8-05-14	2299 203.	14-30-1	2299 444.	23-54-73	2299 572.	23-39-34
2297 942.	23-92-5		8-53-270	2299 204.	14-30-1	2299 448.	23-54-6	2299 573.	23-39-34
2297 943.	23-92-5	2298 876.	23-67-164			2299 449.	23-54-6	2299 574.	1-76-1
2297 944.	23-92-5	2298 882.	1-82-17	2299 205.	14-30-1	2299 451.	23-79-3		23-21-3
			8-16-1	2299 207.	14-30-4			2299 575.	23-21-5
2297 945.	23-92-5			2299 208.	14-43-5	2299 452.	23-79-3		
2297 946.	23-101-3	2298 883.	8-05-16	2299 211.	14-30-4	2299 453.	23-79-3	2299 594.	23-14-147
2297 947.	23-101-3		8-53-296	2299 217.	14-41-3	2299 454.	23-79-3	2299 595.	23-14-147
2297 948.	23-101-3		23-67-194			2299 455.	23-79-3	2299 598.	15-19-8
2297 949.	23-101-3			2299 218.	14-43-5	2299 456.	23-79-33	2299 599.	15-11-16

1963 PASSENGER CAR PARTS CATALOG NUMERICAL INDEX

PART NUMBER	CODE	PART NUMBER	CODE	PART NUMBER	CODE	PART NUMBER	CODE	PART NUMBER	CODE
2299 600.	15-19-46	2299 971.	1-67-1	2400 758.	21-02-1	2401 205.	8-33-6	2401 420.	5-13-1
2299 601.	15-19-46	2299 973.	23-14-27	2400 759.	21-10-16	2401 206.	8-33-6	2401 426.	22-03-2
2299 608.	23-54-140	2299 974.	23-39-34	2400 760.	21-15-2	2401 209.	8-33-23	2401 427.	22-03-2
2299 610.	23-14-151	2299 975.	23-39-34	2400 761.	21-09-2	2401 210.	19-15-23	2401 462.	16-02-1
2299 622.	23-18-20	2299 980.	23-47-26	2400 797.	21-02-1	2401 226.	19-15-4	2401 478.	16-02-1
2299 628.	23-18-26	2299 984.	23-54-31	2400 801.	21-02-1	2401 231.	23-84-31	2401 485.	16-02-1
2299 629.	23-18-26	2299 985.	23-21-15	2400 805.	21-04-1	2401 232.	19-30-4	2401 487.	16-02-1
2299 631.	23-18-20	2400 062.	4-10-15	2400 829.	21-03-1	2401 233.	19-30-4	2401 489.	16-02-1
2299 634.	23-18-26	2400 064.	21-04-2	2400 846.	21-02-1	2401 235.	19-30-4	2401 493.	16-02-1
2299 635.	23-18-26	2400 065.	21-04-1	2400 863.	21-119-12	2401 236.	19-30-4	2401 501.	5-13-9
2299 636.	23-14-135	2400 078.	21-117-3	2400 864.	21-14-1	2401 237.	19-30-4	2401 502.	5-13-9
2299 637.	23-14-135	2400 099.	21-03-1	2400 865.	21-14-19	2401 238.	19-30-4	2401 512.	4-26-17
2299 661.	23-47-66	2400 124.	21-117-1	2400 872.	21-02-1	2401 239.	19-30-4	2401 513.	5-20-10
2299 666.	23-18-20	2400 126.	21-117-3	2400 874.	21-09-2	2401 240.	19-30-4	2401 514.	5-20-20
2299 667.	23-18-20	2400 130.	21-03-1	2400 912.	21-134-5	2401 241.	19-30-4	2401 542.	22-03-2
2299 668.	23-18-20	2400 131.	21-03-1	2400 913.	21-134-5	2401 242.	19-30-4	2401 543.	22-03-2
2299 672.	23-21-14	2400 134.	21-04-1	2400 974.	16-20-1	2401 243.	19-30-4	2401 546.	22-03-1
2299 674.	23-18-26	2400 136.	21-04-1	2400 975.	16-20-1	2401 244.	19-30-4	2401 547.	22-03-1
2299 675.	23-18-26	2400 284.	21-133-65	2400 976.	16-20-1	2401 245.	19-30-4	2401 548.	22-03-1
2299 678.	23-41-4	2400 339.	21-139-147	2400 977.	16-20-1	2401 246.	19-30-4	2401 549.	22-03-1
2299 679.	23-41-4	2400 340.	21-139-147	2400 978.	16-20-1	2401 247.	19-30-4	2401 550.	11-05-1
2299 680.	23-41-4	2400 365.	21-136-232	2400 979.	16-20-1	2401 248.	19-30-4	2401 556.	11-05-1
2299 681.	23-41-4	2400 389.	21-136-17	2400 990.	21-05-1	2401 249.	19-30-4	2401 562.	11-10-3
2299 693.	23-39-2	2400 396.	21-02-1	2401 007.	5-03-5	2401 250.	19-30-4	2401 568.	11-09-3
2299 694.	23-15-3	2400 414.	21-04-1	2401 008.	5-03-5	2401 251.	19-30-4	2401 569.	11-09-3
2299 695.	23-15-3	2400 430.	21-139-4	2401 011.	5-03-5	2401 254.	8-33-17	2401 577.	11-06-8
2299 698.	23-15-1	2400 431.	21-139-4	2401 012.	5-03-5	2401 255.	8-33-4	2401 600.	11-05-1
2299 699.	23-15-1	2400 436.	21-09-2	2401 036.	23-32-31	2401 262.	19-30-4	2401 602.	11-05-1
2299 715.	23-54-73	2400 437.	21-85-4	2401 041.	23-32-31	2401 263.	8-33-6	2401 604.	11-05-9
2299 715.	23-54-92	2400 438.	21-09-29	2401 049.	19-27-33	2401 275.	21-30-336	2401 607.	11-09-3
2299 746.	23-54-100	2400 440.	21-04-1	2401 051.	19-27-33	2401 276.	21-30-336	2401 608.	11-09-3
2299 755.	23-39-2	2400 442.	21-02-1	2401 053.	19-27-33	2401 277.	21-30-336	2401 611.	11-10-3
2299 761.	23-54-72	2400 479.	21-02-8	2401 057.	23-32-17	2401 278.	21-30-336	2401 653.	9-71-5
2299 764.	23-18-25	2400 492.	21-118-40	2401 063.	19-27-33	2401 279.	21-30-336	2401 668.	16-02-1
2299 802.	23-41-33	2400 528.	21-136-237	2401 067.	13-54-4	2401 280.	21-30-336	2401 670.	16-02-1
2299 803.	23-41-33	2400 533.	21-14-19	2401 074.	19-27-33	2401 281.	21-30-336	2401 675.	19-30-4
2299 805.	23-41-106	2400 562.	21-42-23	2401 077.	6-14-1	2401 282.	21-30-336	2401 676.	19-30-4
2299 809.	23-39-17	2400 568.	21-42-28	2401 095.	6-13-1	2401 283.	21-30-336	2401 677.	19-30-4
2299 811.	23-54-144	2400 569.	21-03-1	2401 097.	6-13-1	2401 284.	21-30-336	2401 678.	19-30-4
2299 817.	23-21-14	2400 570.	21-03-1	2401 098.	6-13-4	2401 290.	4-10-21	2401 679.	19-30-4
2299 819.	23-39-2	2400 627.	21-04-1	2401 126.	5-100-161	2401 291.	4-10-1	2401 680.	19-30-4
2299 820.	23-39-5	2400 637.	21-14-1	2401 129.	5-100-210	2401 292.	4-10-1	2401 681.	19-30-4
2299 821.	23-39-5	2400 652.	21-119-15	2401 132.	5-105-10	2401 295.	19-51-18	2401 682.	23-84-30
2299 838.	15-11-16	2400 655.	21-119-19	2401 152.	5-39-24	2401 296.	4-10-20	2401 683.	23-84-30
2299 839.	23-18-11	2400 683.	21-10-4	2401 154.	5-100-197	2401 299.	4-10-25	2401 684.	23-84-30
2299 844.	23-39-34	2400 690.	21-02-1	2401 155.	5-113-17	2401 300.	4-23-38	2401 685.	23-84-30
2299 845.	23-39-34	2400 692.	21-10-16	2401 159.	5-100-94	2401 301.	4-25-10	2401 686.	23-84-30
2299 846.	1-76-3	2400 694.	21-09-2	2401 161.	5-100-195	2401 302.	4-08-3	2401 687.	23-84-30
2299 848.	23-18-20	2400 700.	21-04-1	2401 163.	5-100-91	2401 303.	4-23-28	2401 688.	23-84-30
2299 848.	23-18-20	2400 705.	21-138-13	2401 164.	5-100-92	2401 314.	23-33-236	2401 698.	14-02-72
2299 848.	23-18-20	2400 715.	21-42-29	2401 165.	5-100-26	2401 317.	4-25-1	2401 704.	8-33-4
2299 849.	23-18-20	2400 716.	21-42-23	2401 166.	5-100-32	2401 323.	4-25-7	2401 709.	19-30-4
2299 892.	23-21-66	2400 724.	21-133-5	2401 168.	5-100-20	2401 325.	23-33-236	2401 710.	19-30-4
2299 901.	23-39-44	2400 725.	21-133-36	2401 170.	5-100-90	2401 329.	4-25-3	2401 711.	19-30-4
2299 928.	23-14-18	2400 726.	21-136-5	2401 171.	5-100-91	2401 350.	16-02-1	2401 713.	19-30-4
2299 928.	23-14-79	2400 729.	21-137-22	2401 172.	5-100-161	2401 351.	16-02-1	2401 714.	19-30-4
2299 967.	23-21-66	2400 737.	21-04-1	2401 173.	5-100-22	2401 355.	16-02-1	2401 715.	19-30-4
2299 970.	1-67-1	2400 738.	21-04-1	2401 177.	8-33-4	2401 359.	16-02-1	2401 716.	19-30-4
				2401 179.	8-33-6	2401 362.	16-02-1	2401 717.	19-30-4
				2401 195.	8-33-4	2401 413.	22-01-42	2401 719.	19-30-4

PART NUMBER	CODE	PART NUMBER	CODE	PART NUMBER	CODE	PART NUMBER	CODE	PART NUMBER	CODE
2401 720.	19-30-4	2401 892.	5-100-180	2402 289.	9-41-4	2402 629.	14-14-6	2403 544.	13-54-4
2401 725.	6-50-1			2402 290.	9-41-4	2402 630.	14-11-9		
2401 739.	6-24-1	2401 908.	6-22-15	2402 294.	7-06-1	2402 631.	14-11-1	2403 790.	17-12-3
2401 740.	6-24-10	2401 910.	6-52-12			2402 635.	14-11-20	2403 901.	17-19-20
2401 747.	6-52-1	2401 911.	5-101-5	2402 296.	7-06-14	2402 637.	14-11-9	2403 903.	17-19-20
		2401 913.	5-101-6	2402 297.	8-28-15			2403 905.	17-19-20
2401 756.	4-23-2	2401 914.	5-31-15	2402 307.	10-24-4	2402 639.	10-09-5	2404 003.	3-32-1
2401 759.	4-23-38			2402 311.	10-03-7	2402 641.	9-48-13		
2401 760.	4-08-1	2401 918.	5-27-1	2402 312.	9-39-17	2402 643.	9-48-13	2404 050.	3-32-1
2401 762.	4-23-1	2401 920.	6-38-1			2402 649.	9-02-16	2404 052.	3-35-14
2401 763.	4-23-1	2401 930.	5-64-1	2402 315.	14-06-10	2402 659.	14-11-1	2404 054.	3-32-1
		2401 938.	5-70-1	2402 318.	9-39-5			2404 055.	3-32-1
2401 764.	4-23-1	2401 940.	5-13-1	2402 319.	9-39-5	2402 672.	14-29-2	2404 073.	3-02-1
2401 768.	4-23-15			2402 320.	9-39-5	2402 677.	14-29-6		
2401 770.	4-25-1	2401 951.	22-01-42	2402 321.	9-39-5	2402 681.	6-09-1	2404 075.	3-03-1
2401 772.	4-23-46	2401 956.	22-08-5			2402 684.	9-48-13	2404 076.	3-03-1
2401 773.	4-23-1	2401 957.	5-26-2	2402 322.	9-39-6	2402 686.	9-48-13	2404 077.	3-03-1
		2401 959.	22-01-42	2402 323.	9-39-6			2404 078.	3-03-1
2401 786.	4-25-22	2401 960.	5-13-22	2402 324.	9-39-6	2402 690.	6-09-1	2404 119.	3-02-20
2401 789.	4-23-1			2402 325.	9-39-6	2402 693.	6-09-1		
2401 790.	4-25-1	2401 962.	22-03-2	2402 326.	9-42-1	2402 696.	6-09-1	2404 127.	3-19-1
2401 792.	4-25-3	2401 963.	22-03-2			2402 699.	6-09-1	2404 129.	3-03-1
2401 793.	4-23-1	2401 966.	22-01-42	2402 330.	9-07-5	2402 707.	14-29-15	2404 480.	3-03-26
		2401 976.	4-10-23	2402 335.	9-48-6			2404 777.	5-31-15
2401 794.	4-23-1	2401 978.	4-10-23	2402 337.	9-48-6	2402 719.	9-41-4	2404 779.	5-27-1
2401 797.	4-23-1			2402 339.	14-11-4	2402 724.	14-14-1		
2401 800.	5-03-5	2401 985.	21-30-320	2402 340.	14-11-20	2402 727.	14-30-1	2404 781.	5-30-12
2401 801.	5-03-5	2401 987.	21-30-336			2402 730.	7-06-1	2404 804.	4-25-4
2401 806.	5-03-5	2401 988.	21-30-336	2402 351.	9-03-12	2402 738.	14-11-9	2404 806.	4-23-32
		2401 997.	4-10-20	2402 352.	24-25-10			2404 809.	4-23-1
2401 807.	5-03-5	2401 998.	19-48-1	2402 355.	14-11-1	2402 742.	9-03-28	2404 811.	4-23-1
2401 820.	22-01-42			2402 359.	14-30-1	2402 746.	9-03-28		
2401 821.	22-01-42	2402 011.	9-39-15	2402 378.	7-03-1	2402 795.	7-45-31	2404 813.	4-23-31
2401 825.	22-01-42	2402 013.	10-01-21			2402 802.	14-06-1	2404 814.	4-23-3
2401 826.	22-01-42	2402 090.	9-13-5	2402 384.	14-11-9	2402 803.	14-25-11	2404 817.	4-23-1
		2402 103.	10-26-5	2402 464.	14-14-1			2404 818.	4-23-1
2401 827.	22-01-42	2402 116.	9-03-4	2402 466.	14-14-20	2402 804.	14-26-6	2404 819.	4-23-1
2401 831.	22-01-42			2402 468.	14-11-9	2402 806.	14-14-8		
2401 843.	22-08-5	2402 129.	14-29-4	2402 470.	14-06-1	2402 808.	14-11-9	2404 826.	4-08-1
2401 844.	22-08-5	2402 159.	19-54-115			2402 813.	9-03-29	2404 829.	4-23-19
2401 852.	5-100-62	2402 182.	9-67-4	2402 474.	10-07-6	2402 836.	10-03-4	2404 832.	4-23-3
		2402 183.	9-67-4	2402 501.	14-30-1			2404 833.	4-23-33
2401 853.	5-100-167	2402 185.	9-64-24	2402 502.	14-30-1	2402 837.	10-03-4	2404 834.	4-23-24
2401 855.	5-113-17			2402 503.	14-30-1	2402 838.	10-03-4		
2401 856.	5-100-22	2402 199.	10-01-21	2402 505.	14-30-1	2402 839.	10-03-4	2404 839.	4-25-14
2401 857.	5-100-95	2402 201.	14-39-45			2402 840.	10-03-4	2404 840.	4-25-14
2401 858.	5-100-195	2402 207.	14-26-6	2402 507.	14-30-1	2402 841.	10-03-4	2404 841.	4-25-14
		2402 210.	14-25-5	2402 508.	14-30-1			2404 843.	4-23-24
2401 861.	5-31-14	2402 211.	14-30-1	2402 511.	14-30-1	2402 848.	7-07-1	2404 845.	4-25-4
2401 862.	5-39-18			2402 512.	14-30-1	2402 883.	14-63-1		
2401 863.	5-39-3	2402 214.	14-14-20	2402 515.	14-30-1	2402 885.	14-63-24	2404 846.	4-25-6
2401 865.	5-100-2		14-26-3			2402 905.	9-16-17	2404 847.	4-25-23
2401 866.	5-100-87	2402 215.	9-45-1	2402 521.	9-43-1	2402 909.	7-45-31	2404 848.	4-25-9
		2402 218.	6-09-1	2402 522.	9-43-1			2404 849.	4-25-5
2401 870.	5-105-1	2402 226.	14-11-9	2402 525.	9-43-3	2402 915.	14-13-5	2404 859.	21-30-428
2401 871.	5-105-10			2402 526.	14-39-45	2402 923.	7-45-31		
2401 873.	5-100-155	2402 239.	24-25-10	2402 527.	14-39-45	2402 930.	9-01-24	2404 896.	21-30-418
2401 876.	5-100-85	2402 246.	14-14-12			2402 935.	6-10-2	2404 897.	21-30-418
2401 877.	5-100-15	2402 249.	14-06-10	2402 528.	14-39-45	2402 971.	9-01-24	2404 898.	21-30-418
		2402 250.	14-06-1	2402 529.	14-30-1			2404 899.	21-30-407
2401 879.	5-100-176	2402 252.	14-26-6	2402 545.	14-30-1	2402 973.	9-01-24	2404 921.	11-09-3
2401 880.	5-100-176			2402 589.	14-07-15	2403 008.	1-07-1		
2401 881.	5-100-4	2402 257.	14-26-6	2402 590.	14-06-1	2403 179.	13-54-4	2404 923.	11-09-3
2401 882.	5-113-17	2402 265.	9-39-15	2402 591.	14-30-1	2403 187.	13-54-4	2404 924.	11-09-3
2401 885.	5-100-32	2402 270.	9-03-18			2403 245.	17-17-3	2404 925.	11-09-3
		2402 282.	7-02-1	2402 607.	10-26-46			2404 926.	11-09-3
2401 886.	5-105-1	2402 283.	14-06-10	2402 619.	14-11-1	2403 247.	3-01-34	2404 929.	11-10-3
2401 887.	5-100-119			2402 623.	14-11-4		13-54-11		
2401 888.	5-100-32	2402 285.	19-54-123	2402 626.	14-11-9	2403 248.	3-01-33	2404 930.	11-10-3
2401 891.	5-100-153	2402 288.	9-41-4	2402 627.	14-14-1	2403 265.	17-19-20	2404 934.	11-05-1

1963 PASSENGER CAR PARTS CATALOG

NUMERICAL INDEX

PART NUMBER	CODE	PART NUMBER	CODE	PART NUMBER	CODE	PART NUMBER	CODE	PART NUMBER	CODE
2404 938.	11-05-1	2405 175.	5-03-5	2405 817.	5-03-5	2408 004.	21-02-1	2409 126.	11-01-1
2404 941.	11-06-10	2405 179.	5-03-5			2408 005.	21-02-1	2409 127.	11-01-1
2404 942.	11-05-9	2405 205.	19-48-21	2405 825.	22-01-56	2408 006.	21-02-1	2409 128.	11-01-1
		2405 211.	21-30-336	2405 828.	22-03-1			2409 129.	11-01-1
2404 945.	11-05-4	2405 212.	21-30-336	2405 838.	22-01-42	2408 009.	21-16-3	2409 130.	11-01-1
2404 946.	11-05-4			2405 872.	9-71-5	2408 023.	21-85-4		
2404 949.	11-05-4	2405 213.	21-30-336	2405 873.	16-02-1	2408 041.	21-16-3	2409 133.	11-01-1
2404 950.	11-05-4	2405 214.	21-30-336			2408 059.	21-119-15	2409 134.	11-01-1
2404 953.	11-05-1	2405 215.	21-30-336	2405 874.	16-02-1	2408 061.	21-119-19	2409 136.	11-01-1
		2405 222.	4-10-21	2405 877.	16-02-1			2409 140.	11-09-3
2404 958.	11-05-1	2405 223.	21-30-324	2405 878.	16-02-1	2408 078.	21-03-1	2409 142.	11-09-3
2404 963.	11-05-1			2405 881.	16-02-1	2408 079.	21-15-2		
2404 968.	11-05-4	2405 225.	19-15-4	2405 985.	11-01-1	2408 080.	21-11-9	2409 148.	11-05-1
2404 970.	11-05-4	2405 227.	19-15-4				21-24-19	2409 152.	11-05-1
2404 971.	11-05-4	2405 229.	19-14-1	2406 039.	7-06-14	2408 082.	21-15-2	2409 155.	11-08-5
		2405 230.	19-14-1	2406 043.	6-09-1			2409 176.	4-25-1
2404 975.	11-09-3	2405 233.	19-30-4	2406 052.	24-25-45	2408 083.	21-11-1	2409 179.	4-25-22
2404 977.	11-10-3			2406 143.	8-27-26	2408 084.	21-11-1	2409 188.	4-25-7
2404 998.	11-09-3	2405 234.	19-30-4	2406 213.	14-11-9	2408 087.	21-11-16		
2404 999.	11-09-3	2405 235.	19-30-4			2408 088.	21-12-1	2409 192.	4-23-1
2405 008.	21-30-2	2405 236.	19-30-4	2406 292.	6-09-1	2408 089.	21-11-9	2409 194.	21-30-370
		2405 329.	11-05-4	2406 334.	14-01-30			2409 195.	4-23-38
2405 009.	21-30-2	2405 330.	11-05-4	2406 343.	6-09-1	2408 091.	21-12-2	2409 203.	5-100-7
2405 010.	19-30-4			2406 345.	8-36-4	2408 092.	21-10-4	2409 207.	5-100-2
2405 011.	19-30-4	2405 331.	11-01-1	2406 356.	9-02-16	2408 093.	21-34-47		
2405 012.	19-30-4	2405 335.	11-01-1			2408 095.	21-10-5	2409 211.	5-105-1
2405 013.	19-30-4	2405 341.	11-10-3	2406 366.	10-03-7	2408 096.	21-14-1	2409 323.	14-86-1
		2405 342.	11-01-1	2406 369.	9-15-1			2409 362.	13-36-5
2405 015.	19-30-4	2405 348.	11-05-4	2406 371.	9-64-22	2408 098.	21-09-33	2409 372.	8-06-16
2405 017.	19-30-4			2406 387.	9-03-18	2408 099.	21-02-6	2409 373.	12-04-10
2405 022.	19-30-4	2405 349.	11-05-4	2406 394.	9-31-4	2408 100.	21-10-32		
2405 031.	12-04-23	2405 462.	4-25-26			2408 102.	21-10-31	2409 374.	13-34-3
2405 041.	23-32-110	2405 465.	4-25-27	2406 511.	9-46-78	2408 103.	21-10-16	2409 401.	21-30-425
		2405 466.	5-110-18	2406 526.	8-28-36			2409 402.	21-30-425
2405 049.	12-04-24 23-32-113	2405 471.	21-30-411	2406 569.	14-67-29	2408 104.	21-02-1	2409 403.	21-30-425
				2406 572.	14-67-29	2408 105.	21-14-1	2409 404.	21-30-425
2405 050.	12-07-1	2405 473.	21-30-425	2406 573.	14-67-29	2408 107.	21-10-3		
2405 051.	12-07-1	2405 476.	21-30-370			2408 108.	21-10-41	2409 408.	21-30-428
2405 052.	12-07-1	2405 477.	21-30-365	2406 580.	10-22-11	2408 109.	21-04-16	2409 413.	21-30-6
		2405 478.	4-10-1	2406 621.	9-03-28			2409 414.	21-30-2
2405 053.	12-07-1	2405 479.	21-30-365	2406 625.	9-03-29	2408 111.	21-04-2	2409 428.	4-08-3
2405 069.	13-33-68			2406 646.	7-04-9	2408 112.	21-04-2	2409 429.	4-23-1
2405 077.	6-19-2	2405 481.	21-30-370	2406 647.	7-04-8	2408 113.	21-04-6		
2405 079.	6-24-1	2405 482.	21-30-407			2408 114.	21-42-11	2409 450.	4-08-2
2405 082.	5-28-8	2405 486.	21-30-6	2406 662.	10-07-10	2408 117.	21-39-3	2409 452.	21-30-370
		2405 488.	21-30-418	2406 672.	9-67-4			2409 454.	4-23-1
		2405 489.	21-30-418	2406 674.	9-67-4	2408 118.	21-29-3	2409 514.	22-01-42
2405 085.	6-50-6 6-52-15	2405 490.	21-30-416	2406 677.	10-22-15	2408 119.	21-42-11	2409 523.	22-08-5
2405 086.	6-52-15	2405 491.	21-30-416	2406 678.	10-23-7	2408 122.	21-39-3		
2405 088.	5-28-8	2405 492.	21-30-418	2406 679.	10-18-4	2408 123.	21-42-11	2409 682.	6-14-1
2405 089.	6-39-2	2405 493.	21-30-418	2406 683.	14-11-9	2408 139.	21-02-1	2409 683.	6-13-1
		2405 494.	21-30-416	2406 684.	10-26-12			2409 685.	6-13-4
2405 136.	5-03-5			2406 688.	10-24-4	2408 141.	21-14-1	2409 688.	6-14-1
2405 144.	22-05-14	2405 496.	21-30-414	2406 705.	9-67-4	2408 147.	21-09-2	2409 798.	22-05-14
2405 145.	22-05-14	2405 497.	21-30-413			2408 150.	21-02-1	2409 799.	22-05-14
2405 146.	22-05-14	2405 498.	21-30-410	2406 708.	9-67-4	2408 151.	21-42-23	2409 808.	22-05-14
2405 147.	22-05-14	2405 594.	19-15-20	2406 713.	7-14-4	2408 152.	21-42-23	2409 809.	22-05-14
		2405 676.	12-04-4	2406 714.	7-14-5			2409 855.	22-01-5
2405 150.	22-01-42			2406 754.	9-03-4	2408 153.	21-42-23	2409 882.	5-03-5
2405 151.	22-01-42	2405 682.	12-04-23	2406 762.	14-68-8	2408 154.	21-42-23		
2405 152.	22-01-42	2405 683.	12-04-23			2408 155.	21-42-23	2409 981.	5-39-10
2405 153.	22-01-42	2405 684.	12-04-4	2406 763.	14-11-9	2408 156.	21-42-23	2409 990.	5-100-119
2405 154.	22-01-42	2405 685.	12-04-4	2406 766.	9-31-4	2408 157.	21-42-23	2410 006.	23-112-18
		2405 688.	12-04-23	2406 789.	14-25-11			2410 033.	23-76-28
2405 155.	22-01-42			2408 000.	21-16-3	2409 017.	19-30-4	2410 046.	23-112-18
2405 156.	22-01-42	2405 689.	12-04-23	2408 001.	21-02-1	2409 018.	19-30-4		
2405 157.	22-01-42	2405 804.	5-03-5			2409 076.	13-01-1	2410 047.	23-112-18
2405 158.	22-01-42	2405 807.	5-03-5	2406 767.	9-31-4	2409 077.	13-01-1	2410 054.	23-115-4
2405 159.	22-01-42	2405 814.	5-03-5	2406 789.	14-25-11	2409 125.	11-01-1		23-115-6

PART NUMBER	CODE	PART NUMBER	CODE	PART NUMBER	CODE	PART NUMBER	CODE	PART NUMBER	CODE
2410 066.	23-108-71	2411 305.	23-108-4	2411 409.	23-109-3	2411 509.	23-109-3	2411 602.	23-108-12
2410 070.	23-47-64	2411 306.	23-108-4	2411 410.	23-109-3			2411 611.	23-109-36
		2411 307.	23-108-4	2411 411.	23-109-3	2411 510.	23-109-3	2411 613.	23-109-36
2410 102.	23-115-4	2411 308.	23-108-4	2411 418.	23-109-36	2411 511.	23-109-3		
2410 817.	23-78-2			2411 419.	23-109-36	2411 512.	23-109-3	2411 614.	23-109-36
2410 849.	23-02-26	2411 309.	23-108-4			2411 513.	23-109-3	2411 619.	23-109-35
2411 209.	23-108-4	2411 310.	23-108-12	2411 420.	23-109-36	2411 514.	23-109-3	2411 621.	23-109-35
2411 229.	23-108-5	2411 311.	23-108-12	2411 421.	23-109-35			2411 622.	23-109-35
		2411 312.	23-108-12	2411 422.	23-109-35	2411 515.	23-108-5	2411 623.	23-109-4
2411 230.	23-108-5	2411 313.	23-108-12	2411 423.	23-109-35	2411 516.	23-108-5		
2411 231.	23-108-5			2411 424.	23-109-4	2411 517.	23-108-5	2411 624.	23-109-4
2411 232.	23-108-4	2411 314.	23-108-16			2411 518.	23-108-5	2411 625.	23-109-4
2411 233.	23-108-4	2411 315.	23-108-16	2411 425.	23-109-4	2411 523.	23-108-4	2411 626.	23-109-4
2411 234.	23-108-4	2411 322.	23-108-12	2411 426.	23-109-4			2411 631.	23-109-3
		2411 323.	23-108-12	2411 430.	23-109-3	2411 524.	23-108-4	2411 633.	23-109-3
2411 235.	23-108-4	2411 324.	23-108-12	2411 431.	23-109-3	2411 525.	23-108-4		
2411 236.	23-108-4			2411 432.	23-109-3	2411 526.	23-108-4	2411 634.	23-109-3
2411 237.	23-108-4	2411 325.	23-108-12			2411 527.	23-108-4	2411 639.	23-109-36
2411 238.	23-108-4	2411 326.	23-108-12	2411 439.	23-108-5	2411 528.	23-108-4	2411 641.	23-109-36
2411 239.	23-108-4	2411 327.	23-108-12	2411 440.	23-108-5			2411 647.	23-109-35
		2411 328.	23-108-12	2411 441.	23-108-5	2411 529.	23-108-4	2411 649.	23-109-35
2411 240.	23-108-4	2411 329.	23-108-12	2411 442.	23-108-5	2411 530.	23-108-4		
2411 241.	23-108-16			2411 447.	23-108-4	2411 531.	23-108-16	2411 650.	23-109-35
2411 242.	23-108-16	2411 330.	23-108-12			2411 532.	23-108-16	2411 651.	23-109-4
2411 243.	23-108-16	2411 331.	23-108-12	2411 448.	23-108-4	2411 533.	23-108-16	2411 653.	23-109-4
2411 247.	23-108-12	2411 332.	23-108-12	2411 449.	23-108-4			2411 654.	23-109-4
		2411 333.	23-108-12	2411 450.	23-108-4	2411 534.	23-108-16	2411 659.	23-109-3
2411 248.	23-108-12	2411 334.	23-108-12	2411 451.	23-108-4	2411 535.	23-108-16		
2411 249.	23-108-12			2411 452.	23-108-4	2411 536.	23-108-16	2411 661.	23-109-3
2411 250.	23-108-12	2411 335.	23-108-12			2411 537.	23-108-16	2411 662.	23-109-3
2411 251.	23-108-12	2411 336.	23-108-12	2411 453.	23-108-4	2411 538.	23-108-16	2411 670.	23-108-5
2411 252.	23-108-12	2411 355.	23-108-5	2411 454.	23-108-4			2411 671.	23-108-5
		2411 356.	23-108-5	2411 455.	23-108-16	2411 547.	23-108-12	2411 672.	23-108-5
2411 253.	23-108-12	2411 357.	23-108-5	2411 456.	23-108-16	2411 548.	23-108-12		
2411 254.	23-108-12			2411 457.	23-108-16	2411 549.	23-108-12	2411 673.	23-108-4
2411 255.	23-108-12	2411 358.	23-108-4			2411 550.	23-108-12	2411 674.	23-108-4
2411 274.	23-109-36	2411 359.	23-108-4	2411 458.	23-108-16	2411 551.	23-108-12	2411 675.	23-108-4
2411 275.	23-109-36	2411 360.	23-108-4	2411 463.	23-108-12			2411 676.	23-108-4
		2411 361.	23-108-4	2411 464.	23-108-12	2411 552.	23-108-12	2411 677.	23-108-4
2411 276.	23-109-36	2411 362.	23-108-4	2411 466.	23-108-12	2411 553.	23-108-12		
2411 277.	23-109-35			2411 467.	23-108-12	2411 554.	23-108-12	2411 678.	23-108-4
2411 278.	23-109-35	2411 363.	23-108-4			2411 555.	23-108-12	2411 679.	23-108-4
2411 279.	23-109-35	2411 364.	23-108-4	2411 469.	23-108-12	2411 556.	23-108-12	2411 680.	23-108-4
2411 280.	23-109-35	2411 365.	23-108-4	2411 470.	23-108-12			2411 681.	23-108-4
		2411 366.	23-108-4	2411 479.	23-109-36	2411 557.	23-108-12	2411 682.	23-108-4
2411 281.	23-109-35	2411 367.	23-108-16	2411 480.	23-109-36	2411 558.	23-108-12		
2411 282.	23-109-35			2411 481.	23-109-36	2411 559.	23-108-12	2411 683.	23-108-4
2411 283.	23-109-35	2411 368.	23-108-16			2411 560.	23-108-12	2411 684.	23-108-4
2411 284.	23-109-35	2411 369.	23-108-16	2411 482.	23-109-36	2411 561.	23-108-12	2411 685.	23-108-16
2411 285.	23-109-35	2411 370.	23-108-12	2411 487.	23-109-35			2411 686.	23-108-16
		2411 371.	23-108-12	2411 488.	23-109-35	2411 562.	23-108-12	2411 687.	23-108-16
2411 286.	23-109-4	2411 372.	23-108-12	2411 489.	23-109-35	2411 571.	23-108-5		
2411 287.	23-109-4			2411 490.	23-109-35	2411 573.	23-108-5	2411 691.	23-108-12
2411 288.	23-109-4	2411 373.	23-108-12			2411 574.	23-108-5	2411 692.	23-108-12
2411 292.	23-109-3	2411 374.	23-108-12	2411 491.	23-109-35	2411 579.	23-108-4	2411 693.	23-108-12
2411 293.	23-109-3	2411 375.	23-108-12	2411 492.	23-109-35			2411 694.	23-108-12
		2411 376.	23-108-12	2411 493.	23-109-35	2411 581.	23-108-4	2411 695.	23-108-12
2411 294.	23-109-3	2411 377.	23-108-12	2411 494.	23-109-35	2411 582.	23-108-4		
2411 295.	23-109-3			2411 495.	23-109-35	2411 583.	23-108-4	2411 696.	23-108-12
2411 296.	23-109-3	2411 378.	23-108-12			2411 585.	23-108-4	2411 721.	23-109-36
2411 297.	23-109-3	2411 397.	23-109-36	2411 496.	23-109-35	2411 586.	23-108-4	2411 722.	23-109-36
2411 298.	23-108-5	2411 398.	23-109-36	2411 497.	23-109-35			2411 723.	23-109-36
		2411 399.	23-109-36	2411 498.	23-109-35	2411 587.	23-108-16	2411 724.	23-109-35
2411 299.	23-108-5	2411 400.	23-109-35	2411 499.	23-109-4	2411 589.	23-108-16		
2411 300.	23-108-5			2411 500.	23-109-4	2411 590.	23-108-16		
2411 301.	23-108-4	2411 401.	23-109-35			2411 595.	23-108-12	2411 725.	23-109-35
2411 302.	23-108-4	2411 402.	23-109-35	2411 501.	23-109-4	2411 598.	23-108-12	2411 726.	23-109-35
2411 303.	23-108-4	2411 406.	23-109-4	2411 502.	23-109-4			2411 727.	23-109-35
		2411 407.	23-109-4	2411 507.	23-109-3	2411 599.	23-108-12	2411 730.	23-109-35
2411 304.	23-108-4	2411 408.	23-109-4	2411 508.	23-109-3	2411 601.	23-108-12	2411 731.	23-109-35

1963 PASSENGER CAR PARTS CATALOG

NUMERICAL INDEX

PART NUMBER	CODE	PART NUMBER	CODE	PART NUMBER	CODE	PART NUMBER	CODE	PART NUMBER	CODE
2411 732.	23-109-35	2411 821.	23-108-4	2411 931.	23-108-4	2413 114.	23-92-5	2413 208.	23-92-5
2411 733.	23-109-35	2411 822.	23-108-4	2411 932.	23-108-4	2413 115.	23-92-5	2413 209.	23-92-5
2411 734.	23-109-35			2411 933.	23-108-4	2413 116.	23-92-5	2413 210.	23-92-5
2411 735.	23-109-35	2411 823.	23-108-16	2411 934.	23-108-4	2413 117.	23-92-5	2413 211.	23-92-5
2411 736.	23-109-4	2411 824.	23-108-16	2411 938.	23-108-16	2413 118.	23-92-5	2413 212.	23-92-5
		2411 825.	23-108-16					2413 213.	23-92-5
2411 737.	23-109-4	2411 829.	23-108-12	2411 939.	23-108-16	2413 119.	23-92-5	2413 214.	23-92-5
2411 738.	23-109-4	2411 830.	23-108-12	2411 940.	23-108-16	2413 120.	23-92-5		
2411 739.	23-109-3			2411 941.	23-108-16	2413 121.	23-92-5	2413 215.	23-92-5
2411 740.	23-109-3	2411 831.	23-108-12	2411 942.	23-108-16	2413 126.	23-92-5	2413 216.	23-92-5
2411 741.	23-109-3	2411 832.	23-108-12	2411 943.	23-108-16	2413 127.	23-92-5	2413 217.	23-92-5
		2411 833.	23-108-12					2413 218.	23-101-3
2411 742.	23-109-3	2411 834.	23-108-12	2411 950.	23-108-12	2413 128.	23-92-5	2413 219.	23-101-3
2411 743.	23-109-3	2411 862.	23-109-35	2411 951.	23-108-12	2413 129.	23-92-5		
2411 744.	23-109-3			2411 952.	23-108-12	2413 130.	23-92-5	2413 220.	23-101-3
2411 745.	23-108-5	2411 863.	23-109-35	2411 953.	23-108-12	2413 131.	23-92-5	2413 221.	23-101-3
2411 746.	23-108-5	2411 864.	23-109-35	2411 954.	23-108-12	2413 132.	23-101-3	2413 222.	23-101-3
		2411 865.	23-108-16					2413 223.	23-101-3
2411 747.	23-108-5		23-109-4	2411 955.	23-108-12	2413 133.	23-101-3	2413 224.	23-101-3
2411 748.	23-108-4	2411 866.	23-108-16	2411 959.	23-109-36	2413 136.	23-101-3		
2411 749.	23-108-4		23-109-4	2411 960.	23-109-36	2413 137.	23-101-3	2413 225.	23-101-3
2411 750.	23-108-4			2411 965.	23-109-35	2413 142.	23-92-5	2413 226.	23-101-3
2411 751.	23-108-4	2411 867.	23-108-16	2411 966.	23-109-35	2413 143.	23-92-5	2413 227.	23-101-3
			23-109-4					2413 232.	23-101-3
2411 752.	23-108-4	2411 871.	23-109-3	2411 967.	23-109-35	2413 144.	23-92-5	2413 233.	23-101-3
2411 754.	23-108-4	2411 872.	23-109-3	2411 968.	23-109-4	2413 145.	23-92-5		
2411 755.	23-108-4	2411 873.	23-109-3	2411 969.	23-109-4	2413 146.	23-92-5	2413 234.	23-101-3
2411 756.	23-108-4			2411 970.	23-109-4	2413 147.	23-92-5	2413 235.	23-101-3
2411 757.	23-108-4	2411 878.	24-108-5	2413 000.	23-91-6	2413 148.	23-92-5	2413 236.	23-101-3
		2411 879.	23-108-5					2413 237.	23-101-3
2411 758.	23-108-4	2411 880.	24-108-5	2413 001.	23-91-6	2413 149.	23-92-5	2413 238.	23-101-3
2411 759.	23-108-4	2411 884.	23-108-4	2413 002.	23-91-6	2413 150.	23-92-5		
2411 760.	23-108-16	2411 885.	23-108-4	2413 003.	23-91-6	2413 151.	23-92-5	2413 239.	23-101-3
2411 761.	23-108-16			2413 004.	23-91-6	2413 152.	23-92-5	2413 256.	23-92-5
2411 762.	23-108-16	2411 886.	23-108-4	2413 005.	23-91-6	2413 153.	23-92-5	2413 257.	23-92-5
		2411 887.	23-108-4						23-101-3
2411 763.	23-108-16	2411 888.	23-108-4	2413 006.	23-91-6	2413 154.	23-92-5	2413 258.	23-92-5
2411 764.	23-108-16	2411 889.	23-108-4	2413 007.	23-91-6	2413 155.	23-92-5		
2411 765.	23-108-16	2411 890.	23-108-16	2413 008.	23-91-6	2413 156.	23-92-5	2413 259.	23-92-5
2411 772.	23-108-12			2413 009.	23-91-6	2413 157.	23-92-5	2413 260.	23-92-5
2411 773.	23-108-12	2411 891.	23-108-16	2413 010.	23-91-6	2413 162.	23-92-5	2413 261.	23-92-5
		2411 892.	23-108-16					2413 262.	23-92-5
2411 774.	23-108-12	2411 896.	23-108-12	2413 011.	23-91-6	2413 163.	23-92-5	2413 263.	23-92-5
2411 775.	23-108-12	2411 897.	23-108-12	2413 012.	23-91-6	2413 164.	23-92-5		
2411 776.	23-108-12	2411 898.	23-108-12	2413 013.	23-91-6	2413 165.	23-92-5	2413 264.	23-92-5
2411 777.	23-108-12			2413 014.	23-20-11	2413 166.	23-92-5	2413 265.	23-92-5
2411 778.	23-108-12	2411 905.	23-109-36	2413 016.	23-20-11	2413 167.	23-92-5	2413 266.	23-92-5
		2411 906.	23-109-36					2413 267.	23-92-5
2411 779.	23-108-12	2411 907.	23-109-36	2413 017.	23-20-11	2413 168.	23-101-3	2413 268.	23-92-5
2411 780.	23-108-12	2411 911.	23-109-35		23-20-41	2413 169.	23-101-3		
2411 781.	23-108-12	2411 912.	23-109-35	2413 028.	23-84-3	2413 170.	23-101-3	2413 269.	23-92-5
2411 782.	23-108-12			2413 088.	23-20-11	2413 171.	23-101-3	2413 270.	23-92-5
2411 783.	23-108-12	2411 913.	23-109-35	2413 094.	23-92-5	2413 172.	23-101-3	2413 271.	23-92-5
		2411 914.	23-109-4					2413 278.	23-92-5
2411 808.	23-108-5	2411 915.	23-109-4	2413 095.	23-92-5	2413 173.	23-101-3	2413 279.	23-92-5
2411 809.	23-108-5	2411 916.	23-109-4	2413 096.	23-92-5	2413 178.	23-92-5		
2411 810.	23-108-5	2411 920.	23-109-3	2413 097.	23-92-5	2413 179.	23-92-5	2413 280.	23-92-5
2411 811.	23-108-4			2413 098.	23-92-5	2413 180.	23-92-5	2413 281.	23-92-5
2411 812.	23-108-4	2411 921.	23-109-3	2413 099.	23-92-5	2413 181.	23-92-5	2413 282.	23-92-5
		2411 922.	23-109-3					2413 283.	23-92-5
2411 813.	23-108-4	2411 923.	23-108-5	2413 100.	23-101-3	2413 182.	23-92-5	2413 284.	23-92-5
2411 814.	23-108-4	2411 924.	23-108-5	2413 101.	23-101-3	2413 183.	23-92-5		
2411 815.	23-108-4	2411 925.	23-108-5	2413 102.	23-101-3	2413 184.	23-92-5	2413 285.	23-92-5
2411 816.	23-108-4			2413 103.	23-101-3	2413 185.	23-92-5	2413 286.	23-92-5
2411 817.	23-108-4			2413 104.	23-101-3	2413 186.	23-92-5	2413 287.	23-92-5
		2411 926.	23-109-3	2413 105.	23-101-3			2413 288.	23-92-5
2411 818.	23-108-4	2411 927.	23-109-3	2413 110.	23-92-5	2413 187.	23-92-5	2413 289.	23-92-5
2411 819.	23-108-4	2411 928.	23-109-3	2413 111.	23-92-5	2413 188.	23-92-5		
2411 820.	23-108-4	2411 929.	23-108-4	2413 112.	23-92-5	2413 189.	23-92-5	2413 290.	23-92-5
		2411 930.	23-108-4	2413 113.	23-92-5			2413 291.	23-92-5

PART NUMBER	CODE	PART NUMBER	CODE	PART NUMBER	CODE	PART NUMBER	CODE	PART NUMBER	CODE
2413 292.	23-92-5	2413 421.	23-103-3	2413 721.	23-63-33	2413 842.	23-92-5	2413 994.	23-102-3
2413 293.	23-92-5	2413 424.	23-103-3	2413 722.	23-63-33	2413 843.	23-92-5	2413 995.	23-102-3
2413 294.	23-92-5	2413 425.	23-103-3	2413 723.	23-63-33	2413 844.	23-92-5	2413 996.	23-102-3
2413 295.	23-92-5	2413 426.	23-103-3	2413 724.	23-63-33	2413 845.	23-92-5	2413 997.	23-102-3
2413 296.	23-92-5	2413 427.	23-103-3	2413 725.	23-63-33	2413 846.	23-92-5	2413 998.	23-102-3
2413 297.	23-92-5	2413 428.	23-103-3	2413 726.	23-20-8	2413 847.	23-92-5	2413 999.	23-20-29
2413 304.	23-92-5	2413 441.	23-103-3	2413 727.	23-20-8	2413 848.	23-101-3	2414 314.	23-108-5
2413 305.	23-92-5	2413 442.	23-103-3	2413 728.	23-20-8	2413 849.	23-101-3	2414 315.	23-108-5
2413 306.	23-92-5	2413 443.	23-103-3	2413 729.	23-20-8	2413 850.	23-101-3	2414 316.	23-108-5
2413 307.	23-92-5	2413 446.	1-32-2 23-103-3	2413 730.	23-20-8	2413 851.	23-101-3	2414 317.	23-108-5
2413 308.	23-92-5	2413 450.	23-103-3	2413 731.	23-20-8	2413 852.	23-101-3	2414 318.	23-108-5
2413 309.	23-92-5	2413 516.	23-92-5	2413 732.	23-20-8	2413 853.	23-101-3	2414 319.	23-108-4
2413 310.	23-92-5	2413 517.	23-92-5	2413 733.	23-20-11 23-20-41	2413 854.	23-101-3	2414 320.	23-108-4
2413 311.	23-92-5	2413 518.	23-92-5	2413 734.	23-20-11 23-20-41	2413 855.	23-101-3	2414 321.	23-108-4
2413 312.	23-92-5	2413 519.	23-92-5	2413 735.	23-20-11 23-20-41	2413 856.	23-101-3	2414 322.	23-108-4
2413 313.	23-92-5	2413 520.	23-92-5	2413 736.	23-20-11	2413 857.	23-33-129	2414 323.	23-108-4
2413 314.	23-92-5	2413 521.	23-92-5	2413 737.	23-20-11	2413 876.	23-33-129	2414 324.	23-108-4
2413 315.	23-92-5	2413 522.	23-101-3	2413 738.	23-20-11	2413 877.	23-33-129	2414 325.	23-108-4
2413 316.	23-92-5	2413 523.	23-101-3	2413 739.	23-20-41	2413 878.	23-33-129	2414 326.	23-108-4
2413 317.	23-92-5	2413 524.	23-101-3	2413 747.	23-101-3	2413 879.	23-33-129	2414 327.	23-108-4
2413 318.	23-92-5	2413 525.	23-101-3	2413 762.	23-92-5	2413 880.	23-33-129	2414 328.	23-108-4
2413 319.	23-92-5	2413 526.	23-101-3	2413 763.	23-92-5	2413 905.	23-86-3	2414 334.	23-108-16
2413 320.	23-92-5	2413 527.	23-101-3	2413 764.	23-92-5	2413 934.	23-76-3 23-76-59 23-76-66	2414 335.	23-108-16
2413 321.	23-92-5	2413 568.	23-108-84	2413 765.	23-92-5	2413 935.	23-76-3 23-76-59 23-76-66	2414 336.	23-108-16
2413 322.	23-92-5	2413 569.	23-108-84	2413 768.	23-92-5	2413 936.	23-76-3 23-76-59 23-76-66	2414 337.	23-108-16
2413 323.	23-92-5	2413 582.	23-79-33	2413 769.	23-92-5	2413 937.	23-76-3 23-76-59 23-76-66	2414 338.	23-108-16
2413 328.	23-92-5	2413 614.	23-63-33	2413 770.	23-101-3	2413 938.	23-76-3 23-76-59 23-76-66	2414 339.	23-108-16
2413 329.	23-92-5	2413 615.	23-63-33	2413 771.	23-101-3	2413 939.	23-76-3 23-76-59 23-76-66	2414 340.	23-108-16
2413 330.	23-92-5	2413 616.	23-63-33	2413 772.	23-18-27	2413 940.	23-76-3 23-76-59 23-76-66	2414 341.	23-108-16
2413 331.	23-92-5	2413 638.	23-63-33	2413 774.	23-92-5	2413 941.	23-76-66	2414 342.	23-108-16
2413 332.	23-92-5	2413 640.	23-20-29	2413 775.	23-92-5	2413 942.	23-76-66	2414 343.	23-108-16
2413 333.	23-92-5	2413 641.	23-20-29	2413 776.	23-101-3	2413 943.	23-76-59 23-76-66	2414 344.	23-108-12
2413 334.	23-92-5	2413 642.	23-20-41	2413 777.	23-101-3	2413 944.	23-76-3 23-76-59 23-76-66	2414 345.	23-108-12
2413 335.	23-92-5	2413 643.	23-20-41	2413 778.	23-92-5	2413 945.	23-76-3	2414 346.	23-108-12
2413 336.	23-101-3	2413 646.	23-63-33	2413 781.	23-92-5	2413 946.	23-76-3	2414 347.	23-108-12
2413 337.	23-101-3	2413 648.	23-63-33	2413 782.	23-101-3	2413 947.	23-76-59 23-76-66	2414 348.	23-108-12
2413 338.	23-101-3	2413 652.	23-63-33	2413 783.	23-101-3	2413 948.	23-76-59 23-76-66	2414 349.	23-108-12
2413 339.	23-101-3	2413 656.	23-63-33	2413 786.	23-92-5	2413 949.	23-76-66	2414 350.	23-108-12
2413 340.	23-101-3	2413 660.	23-63-33	2413 787.	23-92-5	2413 950.	23-92-5	2414 351.	23-108-12
2413 341.	23-101-3	2413 686.	23-63-33	2413 788.	23-92-5	2413 951.	23-92-5	2414 352.	23-108-12
2413 342.	23-101-3	2413 688.	23-63-33	2413 789.	23-92-5	2413 952.	23-92-5	2414 353.	23-108-12
2413 343.	23-101-3	2413 690.	23-63-33	2413 790.	23-20-41	2413 953.	23-92-5	2414 354.	23-76-34
2413 348.	23-92-5	2413 692.	23-63-33	2413 791.	23-20-41	2413 954.	23-92-5	2414 355.	23-76-34
2413 349.	23-92-5	2413 696.	23-63-33	2413 792.	23-20-41	2413 955.	23-92-5	2414 356.	23-76-34
2413 352.	23-92-5	2413 700.	23-63-33	2413 793.	23-20-41	2413 970.	23-102-3	2414 357.	23-76-34
2413 353.	23-92-5	2413 702.	23-63-33	2413 794.	23-20-41	2413 971.	23-102-3	2414 358.	23-76-34
2413 354.	23-92-5	2413 703.	23-63-33	2413 795.	23-20-41	2413 972.	23-102-3	2414 359.	23-76-18
2413 355.	23-92-5	2413 704.	23-63-33	2413 796.	23-103-3	2413 973.	23-102-3	2414 360.	23-76-18
2413 356.	23-101-3	2413 705.	23-63-33	2413 797.	23-103-3	2413 974.	23-102-3	2414 361.	23-76-18
2413 360.	23-101-3	2413 706.	23-63-33	2413 806.	23-103-3	2413 975.	23-102-3	2414 362.	23-76-18
2413 361.	23-101-3	2413 707.	23-63-33	2413 807.	23-103-3	2413 976.	23-102-3	2414 363.	23-76-18
2413 362.	23-101-3	2413 714.	23-63-33	2413 812.	23-103-3	2413 977.	23-102-3	2414 384.	23-109-36
2413 363.	23-101-3	2413 715.	23-63-33	2413 813.	23-103-3	2413 978.	23-102-3	2414 385.	23-109-36
2413 366.	23-113-45	2413 716.	23-63-33	2413 814.	23-103-3	2413 979.	23-102-3	2414 386.	23-109-36
2413 367.	23-113-45	2413 717.	23-63-33	2413 817.	23-109-5	2413 980.	23-102-3	2414 387.	23-109-36
2413 404.	23-113-45	2413 718.	23-63-33			2413 981.	23-102-3	2414 388.	23-109-36
2413 405.	23-113-45	2413 719.	23-63-33			2413 982.	23-102-3	2414 389.	23-109-35
2413 413.	23-79-33	2413 720.	23-63-33			2413 983.	23-102-3	2414 390.	23-109-35

PART NUMBER	CODE	PART NUMBER	CODE	PART NUMBER	CODE	PART NUMBER	CODE	PART NUMBER	CODE
2414 391.	23-109-35	2414 626.	23-109-35	2414 773.	23-108-5	2415 030.	23-109-3	2415 265.	23-108-4
2414 392.	23-109-35	2414 627.	23-109-35	2414 774.	23-108-5	2415 031.	23-109-3	2415 266.	23-108-4
2414 393.	23-109-35	2414 628.	23-109-35					2415 267.	23-108-4
		2414 629.	23-109-35	2414 775.	23-108-4	2415 088.	23-109-4	2415 268.	23-108-4
2414 394.	23-109-35	2414 630.	23-109-35	2414 776.	23-108-4	2415 089.	23-109-4		
2414 395.	23-109-35			2414 777.	23-108-4	2415 140.	23-108-16	2415 269.	23-108-4
2414 396.	23-109-35	2414 631.	23-109-35	2414 782.	23-108-16	2415 141.	23-108-12	2415 270.	23-108-4
2414 397.	23-109-35	2414 632.	23-109-35	2414 783.	23-108-16	2415 142.	23-108-12	2415 271.	23-108-4
2414 398.	23-109-35	2414 633.	23-109-35					2415 272.	23-108-4
		2414 650.	23-109-3	2414 784.	23-108-12	2415 143.	23-108-12	2415 273.	23-108-4
2414 399.	23-109-4	2414 651.	23-109-3	2414 785.	23-108-12	2415 152.	23-109-35		
2414 400.	23-109-4			2414 790.	23-109-36	2415 153.	23-109-35	2415 274.	23-108-16
2414 401.	23-109-4	2414 652.	23-109-3	2414 791.	23-109-36	2415 154.	23-109-35	2415 275.	23-108-16
2414 402.	23-109-4	2414 653.	23-109-3	2414 792.	23-109-35	2415 155.	23-109-35	2415 276.	23-108-16
2414 403.	23-109-4	2414 672.	23-109-36					2415 277.	23-108-16
		2414 673.	23-109-36	2414 793.	23-109-35	2415 156.	23-109-4	2415 278.	23-108-12
2414 409.	23-109-3	2414 674.	23-109-36	2414 796.	23-109-3	2415 157.	23-109-3		
2414 410.	23-109-3				23-109-4	2415 158.	23-109-3	2415 279.	23-108-12
2414 411.	23-109-3	2414 675.	23-109-35	2414 797.	23-109-3	2415 159.	23-108-5	2415 280.	23-108-12
2414 412.	23-109-3	2414 676.	23-109-35		23-109-4	2415 160.	23-108-5	2415 281.	23-108-12
2414 413.	23-109-3	2414 677.	23-109-35					2415 282.	23-108-12
		2414 678.	23-109-35	2414 799.	23-109-3	2415 161.	23-108-5	2415 283.	23-108-12
2414 510.	23-108-5	2414 679.	23-109-35	2414 800.	23-108-4	2415 162.	23-108-5		
2414 511.	23-108-5			2414 801.	23-108-4	2415 176.	23-108-16	2415 284.	23-108-12
2414 512.	23-108-5	2414 680.	23-109-35	2414 815.	23-108-4	2415 177.	23-108-16	2415 285.	23-108-12
2414 513.	23-108-5	2414 681.	23-109-4	2414 936.	23-108-12	2415 178.	23-108-16	2415 298.	23-108-5
2414 538.	23-108-4	2414 682.	23-109-4					2415 299.	23-108-5
		2414 683.	23-109-4	2414 937.	23-108-12	2415 179.	23-108-16	2415 300.	23-108-5
2414 539.	23-108-4	2414 699.	23-109-3	2414 938.	23-108-12	2415 180.	23-108-16	2415 301.	23-108-5
2414 540.	23-108-4			2414 946.	23-109-4	2415 181.	23-108-16		
2414 541.	23-108-4	2414 700.	23-109-3	2414 948.	23-109-3	2415 182.	23-108-16	2415 310.	23-108-4
2414 542.	23-108-4	2414 701.	23-109-3	2414 947.	23-109-3	2415 183.	23-108-16	2415 311.	23-108-4
2414 543.	23-108-4	2414 711.	23-108-5					2415 312.	23-108-4
		2414 712.	23-108-5	2414 966.	23-108-4	2415 224.	23-109-36	2415 313.	23-108-4
2414 544.	23-108-4	2414 713.	23-108-5	2414 967.	23-108-4	2415 225.	23-109-36	2415 314.	23-108-4
2414 545.	23-108-4			2414 968.	23-108-4	2415 226.	23-109-36		
2414 546.	23-108-16	2414 714.	23-108-4	2414 969.	23-108-4	2415 227.	23-109-36	2415 315.	23-108-4
2414 547.	23-108-16	2414 717.	23-108-4	2414 970.	23-108-4	2415 228.	23-109-35	2415 316.	23-108-4
2414 548.	23-108-16	2414 723.	23-108-16					2415 317.	23-108-4
		2414 724.	23-108-16	2414 971.	23-108-4	2415 229.	23-109-35	2415 318.	23-108-16
2414 549.	23-108-16	2414 725.	23-108-16	2414 972.	23-108-16	2415 230.	23-109-35	2415 319.	23-108-16
2414 550.	23-108-16			2414 973.	23-108-16	2415 231.	23-109-35		
2414 551.	23-108-16	2414 726.	23-108-12	2414 974.	23-108-16	2415 232.	23-109-35	2415 320.	23-108-16
2414 552.	23-108-16	2414 727.	23-108-12	2414 975.	23-108-15	2415 233.	23-109-35	2415 321.	23-108-16
2414 553.	23-108-16	2414 728.	23-108-12					2415 330.	23-108-12
		2414 738.	23-109-36	2414 976.	23-108-15	2415 234.	23-109-35	2415 331.	23-108-12
2414 574.	23-108-12	2414 740.	23-109-36	2414 977.	23-108-15	2415 235.	23-109-35	2415 332.	23-108-12
2414 575.	23-108-12			2414 987.	23-108-32	2415 236.	23-109-4		
2414 576.	23-108-12	2414 741.	23-109-35	2414 988.	23-108-32	2415 237.	23-109-4	2415 333.	23-108-12
2414 577.	23-108-12	2414 742.	23-109-35	2414 989.	23-108-32	2415 238.	23-109-4	2415 342.	23-109-36
2414 578.	23-108-12	2414 743.	23-109-35					2415 343.	23-109-36
		2414 747.	23-109-4	2414 996.	23-109-36	2415 239.	23-109-4	2415 344.	23-109-36
2414 579.	23-108-12	2414 749.	23-109-4	2414 997.	23-109-36	2415 244.	23-109-3	2415 345.	23-109-36
2414 580.	23-108-12			2414 998.	23-109-36	2415 245.	23-109-3		
2414 581.	23-108-12	2414 750.	23-109-3			2415 246.	23-109-3	2415 354.	23-109-35
2414 586.	23-109-4	2414 751.	23-109-3	2415 001.	23-109-36	2415 247.	23-109-3	2415 355.	23-109-35
2414 587.	23-109-4	2414 752.	23-109-3	2415 002.	23-109-36			2415 356.	23-109-35
		2414 753.	23-109-36	2415 003.	23-109-36	2415 248.	23-109-3	2415 357.	23-109-35
2414 588.	23-109-4	2414 755.	23-109-36	2415 012.	23-109-35	2415 249.	23-109-3	2415 358.	23-109-4
2414 589.	23-109-4			2415 013.	23-109-35	2415 250.	23-109-3		
2414 598.	23-109-36	2414 759.	23-109-35			2415 251.	23-109-3	2415 359.	23-109-4
2414 599.	23-109-3	2414 760.	23-109-35	2415 014.	23-109-35	2415 258.	23-108-5	2415 360.	23-109-4
2414 600.	23-109-36	2414 761.	23-109-35	2415 015.	23-109-35			2415 361.	23-109-4
		2414 762.	23-109-4	2415 016.	23-109-4	2415 259.	23-108-5	2415 366.	23-109-3
2414 601.	23-109-36	2414 764.	23-109-4	2415 017.	23-109-4	2415 260.	23-108-5	2415 367.	23-109-3
2414 614.	23-108-5			2415 018.	23-109-4	2415 261.	23-108-5		
2414 615.	23-108-5	2414 768.	23-109-3			2415 262.	23-108-4	2415 368.	23-109-3
2414 616.	23-108-5	2414 769.	23-109-3	2415 019.	23-109-4	2415 263.	23-108-4	2415 369.	23-109-3
2414 617.	23-108-5	2414 770.	23-109-3	2415 028.	23-109-3			2415 370.	23-108-5
				2415 029.	23-109-3	2415 264.	23-108-4	2415 371.	23-108-5

PART NUMBER	CODE	PART NUMBER	CODE	PART NUMBER	CODE	PART NUMBER	CODE	PART NUMBER	CODE
2415 372.	. . . 23-108-5	2415 479.	. . . 23-109-3	2415 788.	. . . 23-109-3	2419 037.	. . . 1-87-30	2419 531.	. . . 23-86-35
2415 373.	. . . 23-108-5	2415 480.	. . . 23-109-3	2415 789.	. . . 23-109-3	2419 038.	. . . 1-87-25	2419 532.	. . . 23-86-35
2415 378.	. . . 23-108-4	2415 481.	. . . 23-109-3	2415 922.	. . . 23-109-3	2419 047.	. . . 23-26-47	2419 533.	. . . 23-86-35
2415 379.	. . . 23-108-4	2415 522.	. . . 23-109-36	2415 923.	. . . 23-109-3	2419 048.	. . . 23-26-47	2419 538.	. . . 23-40-82
2415 380.	. . . 23-108-4	2415 523.	. . . 23-109-36	2415 955.	. . . 23-108-16	2419 050.	. . . 23-26-23	2419 545.	. . . 23-86-24
2415 381.	. . . 23-108-4	2415 528.	. . . 23-109-3	2415 956.	. . . 23-108-16	2419 102.	. . . 23-96-3	2419 556.	. . . 23-76-26
2415 382.	. . . 23-108-4	2415 529.	. . . 23-109-3	2415 957.	. . . 23-108-16	2419 166.	. . . 23-26-62	2419 561.	. . . 23-86-24
2415 383.	. . . 23-108-4	2415 596.	. . . 23-108-16	2415 958.	. . . 23-108-16	2419 167.	. . . 23-26-62	2419 563.	. . . 23-86-24
2415 384.	. . . 23-108-4	2415 690.	. . . 23-109-36	2415 959.	. . . 23-108-16	2419 168.	. . . 23-26-80	2419 564.	. . . 23-86-24
2415 385.	. . . 23-108-4	2415 691.	. . . 23-109-36	2415 975.	. . . 23-108-12	2419 183.	. . . 8-35-111 23-17-2	2419 592.	. . . 23-02-22
2415 386.	. . . 23-108-4	2415 692.	. . . 23-109-36	2415 976.	. . . 23-108-12	2419 194.	. . . 23-26-23	2419 604.	. . . 8-11-15
2415 387.	. . . 23-108-4	2415 693.	. . . 23-109-35	2415 977.	. . . 23-108-12	2419 195.	. . . 23-26-23	2419 618.	. . . 23-63-14
2415 388.	. . . 23-108-4	2415 694.	. . . 23-109-35	2415 978.	. . . 23-108-12	2419 196.	. . . 23-26-23	2419 619.	. . . 23-86-24
2415 389.	. . . 23-108-4	2415 695.	. . . 23-109-35	2415 979.	. . . 23-108-12	2419 197.	. . . 23-26-23	2419 620.	. . . 23-02-6
2415 390.	. . . 23-108-4	2415 696.	. . . 23-109-4	2415 980.	. . . 23-108-12	2419 198.	. . . 23-26-23	2419 621.	. . . 23-02-6
2415 391.	. . . 23-108-4	2415 697.	. . . 23-109-4	2415 981.	. . . 23-108-12	2419 199.	. . . 23-26-23	2419 626.	. . . 23-02-11
2415 392.	. . . 23-108-4	2415 698.	. . . 23-109-4	2415 982.	. . . 23-108-12	2419 200.	. . . 23-26-23	2419 639.	. . . 23-96-3
2415 393.	. . . 23-108-4	2415 706.	. . . 23-109-3	2415 983.	. . . 23-108-12	2419 201.	. . . 23-26-23	2419 663.	. . . 23-20-14
2415 394.	. . . 23-108-16	2415 707.	. . . 23-109-3	2415 984.	. . . 23-108-12	2419 206.	. . . 23-26-23	2419 664.	. . . 23-20-14
2415 395.	. . . 23-108-16	2415 708.	. . . 23-109-3	2416 003.	. . . 1-108-2	2419 207.	. . . 23-26-23	2419 665.	. . . 23-20-14
2415 397.	. . . 23-108-16	2415 714.	. . . 23-108-5	2416 004.	. . . 1-108-2	2419 208.	. . . 23-26-23	2419 666.	. . . 23-20-14
2415 402.	. . . 23-108-12	2415 715.	. . . 23-108-5	2417 138.	. . . 15-11-53	2419 209.	. . . 23-26-23	2419 667.	. . . 23-20-14
2415 403.	. . . 23-108-12	2415 716.	. . . 23-108-5	2417 139.	. . . 15-09-4	2419 214.	. . . 23-26-23	2419 668.	. . . 23-20-14
2415 404.	. . . 23-108-12	2415 717.	. . . 23-108-5	2417 166.	. . . 12-07-1	2419 215.	. . . 23-26-47	2419 706.	. . . 23-17-38
2415 405.	. . . 23-108-12	2415 718.	. . . 23-108-4	2417 167.	. . . 12-07-1	2419 232.	. . . 8-11-16	2419 717.	. . . 23-17-38
2415 406.	. . . 23-108-12	2415 719.	. . . 23-108-4	2417 215.	. . . 7-26-24	2419 236.	. . . 8-05-6	2419 725.	. . . 23-40-82
2415 407.	. . . 23-108-12	2415 720.	. . . 23-108-4	2417 220.	. . . 15-11-7	2419 269.	. . . 23-38-6	2419 728.	. . . 23-26-45
2415 408.	. . . 23-108-12	2415 721.	. . . 23-108-4	2417 250.	. . . 7-16-11	2419 271.	. . . 23-17-49	2419 729.	. . . 23-26-45
2415 409.	. . . 23-108-12	2415 722.	. . . 23-108-4	2417 282.	. . . 7-16-11	2419 287.	. . . 23-26-47	2419 740.	. . . 23-26-46
2415 426.	. . . 23-109-36	2415 723.	. . . 23-108-4	2417 283.	. . . 7-16-11	2419 292.	. . . 23-26-23	2419 741.	. . . 23-26-46
2415 427.	. . . 23-109-36	2415 724.	. . . 23-108-4	2417 284.	. . . 8-34-40	2419 293.	. . . 23-26-23	2419 770.	. . . 23-40-82
2415 428.	. . . 23-109-36	2415 725.	. . . 23-108-4	2417 285.	. . . 8-34-40	2419 296.	. . . 23-26-47	2419 781.	. . . 23-04-205
2415 429.	. . . 23-109-36	2415 730.	. . . 23-108-16	2417 289.	. . . 7-35-2	2419 297.	. . . 23-26-47	2419 836.	. . . 23-02-1
2415 434.	. . . 23-109-35	2415 731.	. . . 23-108-16	2417 291.	. . . 7-31-10	2419 299.	. . . 23-26-47	2419 842.	. . . 23-63-14
2415 435.	. . . 23-109-35	2415 732.	. . . 23-108-16	2417 292.	. . . 12-01-105	2419 310.	. . . 23-26-23	2419 843.	. . . 23-63-14
2415 436.	. . . 23-109-35	2415 733.	. . . 23-108-16	2417 293.	. . . 12-01-105	2419 311.	. . . 23-26-47	2419 844.	. . . 8-05-23
2415 437.	. . . 23-109-35	2415 734.	. . . 23-108-15	2417 299.	. . . 12-01-105	2419 334.	. . . 23-40-82	2419 856.	. . . 23-86-35
2415 438.	. . . 23-109-4	2415 735.	. . . 23-108-15	2417 301.	. . . 15-11-7	2419 341.	. . . 23-63-20	2419 857.	. . . 23-86-35
2415 439.	. . . 23-109-4	2415 736.	. . . 23-108-15	2417 313.	. . . 7-33-1	2419 361.	. . . 23-04-229	2419 866.	. . . 23-96-3
2415 440.	. . . 23-109-4	2415 737.	. . . 23-108-15	2417 423.	. . . 7-08-2	2419 388.	. . . 23-26-23	2419 867.	. . . 23-96-3
2415 441.	. . . 23-109-4	2415 742.	. . . 23-108-32	2417 427.	. . . 7-08-2	2419 391.	. . . 23-26-23	2419 925.	. . . 23-86-16
2415 446.	. . . 23-109-3	2415 743.	. . . 23-108-32	2417 435.	. . . 7-08-2	2419 393.	. . . 23-26-23	2419 931.	. . . 23-20-32
2415 447.	. . . 23-109-3	2415 744.	. . . 23-108-32	2417 442.	. . . 7-08-2	2419 397.	. . . 23-26-47	2419 932.	. . . 23-47-462
2415 448.	. . . 23-109-3	2415 745.	. . . 23-108-32	2417 444.	. . . 7-08-13	2419 398.	. . . 23-26-47	2419 957.	. . . 23-108-142
2415 449.	. . . 23-109-3	2415 766.	. . . 23-109-36	2417 483.	. . . 7-16-25	2419 412.	. . . 23-108-98	2419 969.	. . . 23-108-98
2415 458.	. . . 23-109-36	2415 767.	. . . 23-109-36	2417 505.	. . . 7-26-9	2419 413.	. . . 23-108-98	2419 974.	. . . 23-108-98 23-108-100
2415 459.	. . . 23-109-36	2415 768.	. . . 23-109-36	2417 506.	. . . 12-04-23	2419 419.	. . . 23-26-80	2419 983.	. . . 23-38-28
2415 460.	. . . 23-109-36	2415 769.	. . . 23-109-36	2417 507.	. . . 12-04-23	2419 434.	. . . 1-87-21	2419 984.	. . . 23-38-28
2415 461.	. . . 23-109-36	2415 770.	. . . 23-109-35	2417 523.	. . . 15-09-4	2419 448.	. . . 23-38-5	2419 986.	. . . 23-17-39
2415 466.	. . . 23-109-35	2415 771.	. . . 23-109-35	2417 600.	. . . 15-11-46	2419 449.	. . . 23-38-5	2419 987.	. . . 23-38-28
2415 467.	. . . 23-109-35	2415 772.	. . . 23-109-35	2417 616.	. . . 7-26-3	2419 450.	. . . 23-38-3	2419 997.	. . . 23-38-1
2415 468.	. . . 23-109-35	2415 773.	. . . 23-109-35	2417 617.	. . . 7-26-3	2419 479.	. . . 23-38-9	2421 075.	. . . 1-07-1
2415 469.	. . . 23-109-35	2415 774.	. . . 23-109-4	2417 784.	. . . 12-04-4	2419 482.	. . . 23-38-14	2421 083.	. . . 5-105-1
2415 470.	. . . 23-109-4	2415 782.	. . . 23-109-4	2417 785.	. . . 12-04-4	2419 486.	. . . 23-38-5	2421 100.	. . . 8-55-158
2415 471.	. . . 23-109-4	2415 783.	. . . 23-109-4	2417 834.	. . . 7-33-1	2419 487.	. . . 23-38-5	2421 101.	. . . 8-55-194
2415 472.	. . . 23-109-4	2415 784.	. . . 23-109-4	2417 836.	. . . 7-16-63	2419 488.	. . . 23-26-87	2421 102.	. . . 8-55-194
2415 473.	. . . 23-109-4	2415 785.	. . . 23-109-4	2417 841.	. . . 15-03-60	2419 489.	. . . 23-26-87	2421 130.	. . . 7-07-1
2415 478.	. . . 23-109-3	2415 786.	. . . 23-109-3	2417 968.	. . . 12-07-1	2419 500.	. . . 23-38-22	2421 133.	. . . 8-50-334
		2415 787.	. . . 23-109-3	2419 031.	. . . 23-26-47	2419 516.	. . . 23-26-47		
				2419 031.	. . . 23-26-47	2419 517.	. . . 23-26-47		

PART NUMBER	CODE	PART NUMBER	CODE	PART NUMBER	CODE	PART NUMBER	CODE	PART NUMBER	CODE
2421 137.	. . . 8-29-129	2421 460.	. . . 8-55-1	2421 696.	. . . 1-01-1	2421 944.	. . . 23-112-70	2422 423.	. . . 23-09-9
2421 138.	. . . 8-29-145	2421 461.	. . . 8-55-1	2421 697.	. . . 1-01-1	2421 945.	. . . 23-112-70	2422 428.	. . . 23-22-145
2421 140.	. . . 8-34-1	2421 462.	. . . 8-56-1	2421 698.	. . . 1-01-1	2421 989.	. . . 1-76-1	2422 443.	. . . 23-59-37
		2421 463.	. . . 8-56-1	2421 699.	. . . 1-01-1		23-21-3		
2421 141.	. . . 8-34-1	2421 464.	. . . 8-56-8	2421 703.	. . . 9-35-1	2421 990.	. . . 1-76-1	2422 444.	. . . 23-59-37
2421 142.	. . . 23-47-451						23-21-3	2422 445.	. . . 23-59-37
2421 144.	. . . 8-55-1	2421 465.	. . . 8-56-8	2421 704.	. . . 9-35-1	2422 040.	. . . 23-34-21	2422 449.	. . . 23-39-48
2421 145.	. . . 8-55-1	2421 466.	. . . 14-73-1	2421 705.	. . . 9-35-1			2422 450.	. . . 23-32-30
2421 146.	. . . 8-55-194	2421 467.	. . . 8-55-136	2421 735.	. . . 21-01-3	2422 041.	. . . 23-34-21	2422 458.	. . . 23-26-46
		2421 468.	. . . 8-55-136	2421 737.	. . . 21-01-3	2422 128.	. . . 23-34-246		
2421 147.	. . . 8-55-194	2421 469.	. . . 8-55-194	2421 739.	. . . 17-11-3	2422 129.	. . . 23-34-246	2422 459.	. . . 23-26-46
2421 148.	. . . 8-55-1					2422 130.	. . . 23-34-246	2422 462.	. . . 23-26-46
2421 149.	. . . 8-55-1	2421 470.	. . . 8-55-194	2421 741.	. . . 17-11-3	2422 131.	. . . 23-34-246	2422 463.	. . . 23-26-46
2421 173.	. . . 8-27-158	2421 471.	. . . 8-56-8	2421 742.	. . . 17-11-3			2422 471.	. . . 23-63-110
2421 174.	. . . 8-27-158	2421 472.	. . . 8-56-8	2421 756.	. . . 17-11-3	2422 142.	. . . 23-58-200	2422 516.	. . . 23-48-19
		2421 473.	. . . 8-27-279	2421 757.	. . . 17-11-3	2422 143.	. . . 23-58-555		
2421 177.	. . . 8-27-158	2421 474.	. . . 8-52-214	2421 758.	. . . 17-11-3	2422 173.	. . . 23-58-75	2422 517.	. . . 23-48-19
2421 180.	. . . 8-55-158					2422 174.	. . . 23-58-75	2422 519.	. . . 23-48-19
2421 181.	. . . 8-55-158	2421 477.	. . . 8-55-158	2421 760.	. . . 17-11-3	2422 178.	. . . 23-58-486	2422 528.	. . . 23-51-5
2421 182.	. . . 8-55-1	2421 478.	. . . 23-67-98	2421 761.	. . . 17-11-3			2422 529.	. . . 23-51-5
2421 183.	. . . 8-55-194	2421 479.	. . . 23-67-98	2421 762.	. . . 17-11-3	2422 179.	. . . 23-58-486	2422 531.	. . . 23-63-172
		2421 480.	. . . 23-67-86	2421 763.	. . . 1-42-1	2422 192.	. . . 23-58-573		
2421 184.	. . . 8-55-1	2421 481.	. . . 23-67-86	2421 764.	. . . 5-100-2	2422 193.	. . . 23-58-573	2422 540.	. . . 23-34-235
2421 185.	. . . 8-55-158					2422 194.	. . . 23-58-573	2422 541.	. . . 23-34-235
2421 195.	. . . 23-67-160	2421 482.	. . . 23-67-20	2421 770.	. . . 19-48-1	2422 195.	. . . 23-58-573	2422 542.	. . . 23-34-242
2421 197.	. . . 8-37-373	2421 485.	. . . 23-67-2		19-48-7			2422 543.	. . . 23-34-242
2421 208.	. . . 1-76-3	2421 486.	. . . 8-32-2	2421 771.	. . . 19-48-1	2422 196.	. . . 23-58-573	2422 564.	. . . 23-32-112
	23-21-8	2421 487.	. . . 8-32-2		19-48-7	2422 197.	. . . 23-58-573		
		2421 493.	. . . 14-72-1	2421 772.	. . . 19-48-1	2422 208.	. . . 23-34-236	2422 565.	. . . 23-32-112
					19-48-7	2422 209.	. . . 23-34-236	2422 568.	. . . 23-32-112
2421 247.	. . . 23-21-24	2421 495.	. . . 8-36-1			2422 212.	. . . 23-09-9	2422 569.	. . . 23-32-112
2421 268.	. . . 4-25-28	2421 496.	. . . 8-36-1	2421 774.	. . . 1-42-1			2422 570.	. . . 23-34-27
2421 269.	. . . 21-05-1	2421 497.	. . . 8-36-1	2421 800.	. . . 8-36-1	2422 213.	. . . 23-09-9	2422 571.	. . . 23-34-27
2421 270.	. . . 21-05-1	2421 499.	. . . 8-56-8	2421 801.	. . . 8-56-8	2422 216.	. . . 23-63-33		
2421 271.	. . . 21-134-5	2421 501.	. . . 23-79-3	2421 802.	. . . 8-56-8	2422 217.	. . . 23-63-33	2422 572.	. . . 23-58-476
				2421 803.	. . . 8-56-8	2422 224.	. . . 23-63-112	2422 578.	. . . 23-34-229
2421 272.	. . . 21-134-5	2421 502.	. . . 23-79-3			2422 226.	. . . 23-40-85	2422 579.	. . . 23-34-229
2421 314.	. . . 5-03-1	2421 503.	. . . 23-79-3	2421 804.	. . . 8-29-99			2422 580.	. . . 23-59-35
2421 315.	. . . 5-39-1	2421 504.	. . . 23-79-3	2421 805.	. . . 8-56-8	2422 227.	. . . 23-40-85	2422 581.	. . . 23-59-35
2421 346.	. . . 5-63-3	2421 505.	. . . 23-79-3	2421 806.	. . . 8-56-8	2422 228.	. . . 23-40-92		
2421 347.	. . . 5-63-1	2421 507.	. . . 23-79-33	2421 812.	. . . 24-25-107	2422 229.	. . . 23-40-92	2422 591.	. . . 23-17-13
				2421 813.	. . . 24-25-107	2422 230.	. . . 23-22-53	2422 608.	. . . 23-34-233
2421 349.	. . . 3-33-1	2421 508.	. . . 23-79-33			2422 231.	. . . 23-22-53	2422 609.	. . . 23-34-233
2421 352.	. . . 5-01-1	2421 509.	. . . 23-79-33	2421 814.	. . . 8-55-1			2422 610.	. . . 23-34-27
2421 353.	. . . 5-39-3	2421 510.	. . . 23-79-33	2421 815.	. . . 8-55-158	2422 238.	. . . 23-86-10	2422 611.	. . . 23-34-27
2421 354.	. . . 6-52-1	2421 511.	. . . 23-79-33	2421 816.	. . . 8-55-219	2422 273.	. . . 23-40-103		
2421 355.	. . . 5-100-2	2421 512.	. . . 23-79-33	2421 817.	. . . 8-55-194	2422 274.	. . . 23-40-103	2422 612.	. . . 23-34-29
				2421 831.	. . . 8-55-194	2422 282.	. . . 23-64-255	2422 613.	. . . 23-34-29
2421 356.	. . . 9-32-2	2421 513.	. . . 23-79-33			2422 283.	. . . 23-64-255	2422 626.	. . . 23-59-41
2421 360.	. . . 9-32-2	2421 514.	. . . 23-79-33	2421 832.	. . . 8-55-194			2422 627.	. . . 23-59-41
2421 363.	. . . 9-50-1	2421 515.	. . . 23-79-33	2421 833.	. . . 8-55-219	2422 284.	. . . 23-63-33	2422 628.	. . . 23-59-41
2421 364.	. . . 9-01-5	2421 516.	. . . 23-79-33	2421 834.	. . . 8-15-3	2422 285.	. . . 23-63-33		
2421 365.	. . . 9-39-1	2421 518.	. . . 23-79-33	2421 835.	. . . 8-36-1	2422 316.	. . . 23-63-55	2422 629.	. . . 23-59-41
				2421 836.	. . . 8-36-1	2422 317.	. . . 23-63-55	2422 640.	. . . 8-56-1
2421 367.	. . . 22-01-42	2421 519.	. . . 23-79-33			2422 318.	. . . 23-64-280	2422 656.	. . . 8-56-1
2421 368.	. . . 9-48-7	2421 520.	. . . 23-79-33	2421 837.	. . . 8-52-354			2422 657.	. . . 8-56-1
2421 369.	. . . 9-48-7	2421 522.	. . . 23-79-33	2421 838.	. . . 8-52-142	2422 319.	. . . 23-64-280	2422 664.	. . . 8-57-10
2421 370.	. . . 14-29-2	2421 523.	. . . 23-79-33	2421 839.	. . . 8-55-158	2422 401.	. . . 23-58-570	2422 668.	. . . 8-55-7
2421 376.	. . . 7-42-4	2421 524.	. . . 23-79-33	2421 840.	. . . 8-55-158	2422 406.	. . . 23-63-21		
				2421 841.	. . . 8-55-194	2422 407.	. . . 23-63-21	2422 669.	. . . 8-55-7
2421 377.	. . . 21-138-2	2421 525.	. . . 23-79-33			2422 408.	. . . 23-58-572	2422 679.	. . . 23-58-3
2421 396.	. . . 9-01-5	2421 526.	. . . 23-79-33	2421 842.	. . . 8-55-194			2422 698.	. . . 8-55-214
2421 397.	. . . 9-39-1	2421 527.	. . . 23-79-33	2421 843.	. . . 8-55-158	2422 409.	. . . 23-58-572	2422 702.	. . . 23-59-37
2421 399.	. . . 6-52-1	2421 528.	. . . 23-79-33	2421 844.	. . . 8-55-158	2422 410.	. . . 23-58-572	2422 703.	. . . 23-59-37
2421 446.	. . . 1-67-1	2421 534.	. . . 23-79-3	2421 845.	. . . 8-55-194	2422 411.	. . . 23-58-572		
		2421 535.	. . . 23-79-3	2421 846.	. . . 8-55-194	2422 412.	. . . 23-58-572	2422 708.	. . . 8-55-158
2421 447.	. . . 1-67-1	2421 536.	. . . 23-79-3			2422 413.	. . . 23-58-572	2422 709.	. . . 8-55-158
2421 451.	. . . 8-55-194	2421 537.	. . . 23-79-3	2421 848.	. . . 8-27-138			2422 720.	. . . 8-55-158
2421 452.	. . . 8-50-334	2421 617.	. . . 23-79-33	2421 849.	. . . 8-27-158	2422 416.	. . . 23-58-569	2422 721.	. . . 8-55-158
2421 453.	. . . 8-05-14	2421 693.	. . . 23-34-80	2421 939.	. . . 23-112-70	2422 422.	. . . 23-09-9	2422 727.	. . . 8-55-8
	8-53-270	2421 694.	. . . 23-112-70						

PART NUMBER	CODE	PART NUMBER	CODE	PART NUMBER	CODE	PART NUMBER	CODE	PART NUMBER	CODE
2422 728.	8-56-1	2423 020.	8-55-158	2423 646.	23-34-22	2423 975.	1-67-5	2424 307.	8-56-1
2422 729.	8-56-1	2423 021.	8-55-158	2423 647.	23-34-22	2423 997.	23-21-30	2424 340.	23-19-84
2422 738.	23-34-246			2423 648.	23-34-219	2424 000.	23-34-234	2424 341.	23-19-84
2422 739.	23-34-246	2423 028.	23-108-12			2424 001.	23-34-234	2424 348.	23-112-70
2422 748.	23-51-41	2423 029.	23-108-12	2423 649.	23-34-219	2424 030.	23-51-6	2424 350.	23-63-117
		2423 174.	23-48-90	2423 650.	23-19-76			2424 386.	23-34-231
2422 749.	23-51-41	2423 176.	23-48-98	2423 651.	23-19-76	2424 031.	23-51-6		
2422 759.	23-63-112	2423 177.	23-48-98	2423 652.	23-19-76	2424 032.	23-34-235		
2422 760.	23-22-86	2423 180.	23-48-65	2423 653.	23-19-76	2424 033.	23-34-235	2424 388.	23-34-230
2422 761.	23-22-86	2423 201.	23-19-180			2424 034.	23-34-235	2424 389.	23-34-230
2422 764.	23-22-85	2423 261.	1-87-23	2423 654.	23-51-43	2424 035.	23-34-235	2424 390.	23-34-230
		2423 266.	23-34-21	2423 655.	23-51-43			2424 391.	23-34-230
2422 765.	23-22-85	2423 267.	23-34-21	2423 660.	23-26-41	2424 036.	23-34-235	2424 392.	23-66-235
2422 789.	4-23-2			2423 661.	23-26-41	2424 037.	23-34-235		
2422 790.	23-34-235	2423 428.	23-64-10	2423 664.	23-26-41	2424 038.	23-34-235	2424 396.	23-19-82
2422 791.	23-34-235	2423 429.	23-64-10			2424 039.	23-34-235	2424 397.	23-19-82
2422 792.	23-34-235	2423 432.	23-59-63	2423 665.	23-26-41	2424 042.	23-58-80	2424 398.	23-19-82
		2423 448.	23-32-87	2423 670.	23-26-53			2424 399.	23-19-82
2422 793.	23-34-235	2423 449.	23-32-87	2423 686.	23-64-280	2424 043.	23-58-82	2424 402.	23-22-53
2422 816.	23-34-304			2423 687.	23-64-280	2424 046.	23-34-235		
2422 817.	23-34-304	2423 456.	23-42-46	2423 692.	23-63-55	2424 047.	23-34-235	2424 403.	23-22-53
2422 818.	23-34-304	2423 481.	23-59-37			2424 048.	23-34-235	2424 426.	23-63-114
2422 819.	23-34-304	2423 482.	23-34-233	2423 693.	23-63-55	2424 049.	23-34-235	2424 432.	23-64-311
		2423 483.	23-34-233	2423 694.	23-63-55			2424 433.	23-64-311
2422 820.	23-34-304	2423 492.	23-09-67	2423 695.	23-63-55	2424 050.	23-34-235	2424 434.	23-64-311
2422 821.	23-34-304			2423 718.	23-32-48	2424 051.	23-34-235		
2422 838.	23-34-36	2423 493.	23-09-67	2423 719.	23-32-17	2424 052.	23-34-235	2424 435.	23-64-311
2422 839.	23-34-36	2423 519.	23-54-103	2423 720.	23-42-46	2424 053.	23-34-235	2424 444.	23-34-235
2422 840.	23-34-36	2423 533.	23-63-181			2424 054.	23-36-22	2424 445.	23-34-235
		2423 534.	23-64-272	2423 726.	23-34-249			2424 448.	23-34-235
2422 841.	23-34-36	2423 535.	23-64-272	2423 727.	23-34-249	2424 055.	23-36-22	2424 449.	23-34-235
2422 843.	8-47-68			2423 728.	23-58-476	2424 056.	23-36-66		
2422 844.	23-19-82	2423 540.	23-32-39	2423 729.	23-58-476	2424 057.	23-36-66	2424 466.	23-34-22
2422 845.	23-19-82		23-32-69	2423 732.	23-64-12	2424 078.	23-58-35	2424 467.	23-34-22
2422 846.	23-63-33	2423 541.	23-48-90			2424 079.	23-58-31	2424 470.	23-58-250
		2423 544.	23-34-22	2423 733.	23-64-12				23-103-10
2422 847.	23-63-33	2423 545.	23-34-22	2423 737.	23-34-333	2424 092.	23-58-208	2424 471.	23-58-250
2422 848.	8-47-68			2423 762.	23-34-235	2424 094.	23-58-208		23-103-10
2422 849.	23-32-70	2423 555.	23-09-64	2423 763.	23-34-235	2424 100.	23-34-236		
2422 850.	23-32-25	2423 557.	23-54-59	2423 764.	23-34-235	2424 101.	23-34-236	2424 472.	23-32-27
2422 851.	23-32-25	2423 558.	23-63-181			2424 102.	23-34-236	2424 473.	23-32-27
		2423 560.	23-48-19	2423 765.	23-34-235			2424 476.	23-34-235
2422 856.	23-64-311	2423 561.	23-48-19	2423 766.	23-34-235	2424 103.	23-34-236	2424 477.	23-34-235
2422 857.	23-64-311			2423 767.	23-34-235	2424 108.	23-22-145	2424 484.	23-63-20
2422 858.	23-64-311	2423 562.	23-32-48	2423 768.	23-34-242	2424 109.	23-22-145		
2422 859.	23-64-311	2423 575.	23-09-64	2423 769.	23-34-242	2424 132.	23-42-56	2424 485.	23-63-20
2422 866.	23-51-41	2423 582.	23-63-21			2424 133.	23-42-56	2424 486.	8-50-303
		2423 583.	23-63-21	2423 770.	8-55-23			2424 487.	8-50-303
2422 867.	23-51-41	2423 584.	23-63-21	2423 771.	8-55-23	2424 138.	23-34-235	2424 492.	23-58-478
2422 960.	23-32-33			2423 776.	23-63-21	2424 139.	23-34-235	2424 493.	23-58-478
2422 981.	23-109-38	2423 585.	23-63-21	2423 777.	23-63-21	2424 140.	23-34-235		
2422 988.	23-34-242	2423 586.	23-63-21	2423 778.	23-51-41	2424 141.	23-34-235	2424 553.	23-64-300
2422 989.	23-34-242	2423 587.	23-63-21			2424 142.	23-34-235	2424 556.	23-64-319
		2423 594.	23-34-246	2423 779.	23-51-41			2424 563.	1-67-3
2422 996.	23-22-86	2423 595.	23-34-246	2423 780.	23-59-37	2424 143.	23-34-235	2424 570.	23-26-41
2422 997.	23-22-86			2423 784.	23-19-188	2424 158.	23-58-486	2424 571.	23-26-41
2422 998.	23-22-85	2423 624.	23-63-58	2423 785.	23-19-188	2424 159.	23-58-486		
2422 999.	23-22-85	2423 625.	23-63-58	2423 790.	23-34-167	2424 162.	4-32-2	2424 591.	23-111-37
2423 001.	23-36-30	2423 630.	23-34-179			2424 214.	23-19-177	2424 607.	23-111-37
	23-54-50	2423 634.	23-34-179	2423 791.	23-34-167			2424 624.	23-63-117
		2423 635.	23-34-179	2423 808.	23-36-66	2424 215.	23-19-177	2424 625.	23-63-117
2423 008.	23-63-20			2423 809.	23-36-66	2424 216.	23-19-177	2424 626.	23-63-117
	23-63-21	2423 636.	23-86-19	2423 810.	23-36-66	2424 217.	23-19-177		
2423 009.	23-63-20	2423 637.	23-86-19	2423 811.	23-36-66	2424 260.	23-58-239	2424 632.	23-19-84
	23-63-21	2423 638.	23-86-19			2424 262.	23-112-4	2424 633.	23-19-84
2423 010.	23-63-20	2423 639.	23-86-19	2423 812.	23-51-19			2424 650.	23-64-272
		2423 642.	23-34-36	2423 813.	23-51-19	2424 263.	23-112-4	2424 656.	23-64-311
2423 011.	23-63-20			2423 815.	23-34-232	2424 270.	8-56-74	2424 657.	23-64-311
2423 012.	23-63-21	2423 643.	23-34-36	2423 825.	23-48-65	2424 271.	8-56-74		
2423 013.	23-63-21	2423 644.	23-34-36	2423 829.	23-34-237	2424 300.	23-19-121	2424 659.	23-58-220

1963 PASSENGER CAR PARTS CATALOG

NUMERICAL INDEX

PART NUMBER	CODE	PART NUMBER	CODE	PART NUMBER	CODE	PART NUMBER	CODE	PART NUMBER	CODE
2424 670.	23-63-55	2425 169.	23-34-120	2425 429.	23-51-6	2426 399.	8-42-25	2426 806.	14-02-2
2424 671.	23-63-55	2425 174.	23-36-118	2425 436.	12-01-5			2426 814.	23-67-5
2424 674.	23-63-37			2425 437.	12-01-5	2426 406.	8-15-4	2426 826.	23-67-5
2424 675.	23-63-37	2425 175.	23-36-118			2426 435.	8-37-90		
		2425 176.	23-66-77	2425 441.	23-34-16	2426 440.	1-10-1	2426 827.	23-67-5
2424 795.	23-17-13	2425 177.	23-66-77	2425 490.	7-26-2	2426 441.	1-10-1	2426 828.	23-67-5
2424 802.	22-20-29	2425 190.	23-58-208	2425 508.	23-34-120	2426 442.	1-10-1	2426 829.	23-67-5
2424 803.	22-20-87	2425 191.	23-58-208	2425 509.	23-34-120			2426 830.	23-67-5
2424 864.	23-32-15			2425 592.	23-54-3	2426 443.	1-10-1	2426 831.	23-67-5
2424 882.	8-55-140	2425 196.	23-34-234			2426 444.	1-10-1		
	8-56-74	2425 197.	23-34-234	2425 616.	23-19-8	2426 445.	1-10-1	2426 833.	23-67-5
		2425 210.	23-36-118	2425 647.	12-01-5	2426 446.	1-10-1	2426 836.	23-19-94
2424 970.	23-09-35	2425 211.	23-36-118	2425 670.	23-34-120	2426 447.	1-10-1	2426 848.	8-37-90
2424 971.	23-09-35	2425 212.	23-36-66	2425 671.	23-34-120			2426 862.	1-10-1
2424 984.	23-36-123			2425 696.	23-11-1	2426 449.	1-10-1	2426 866.	1-48-516
	23-36-138	2425 213.	23-36-66			2426 450.	1-10-1		
2424 985.	23-36-123	2425 232.	23-34-234	2425 697.	23-11-1	2426 451.	1-10-1	2426 920.	8-15-33
	23-36-138	2425 233.	23-34-234	2425 700.	23-11-1	2426 452.	1-10-1	2426 935.	1-48-941
		2425 236.	23-19-8	2425 701.	23-11-1	2426 462.	1-87-1	2426 957.	8-56-47
2424 994.	13-66-116	2425 261.	23-34-167	2425 704.	23-11-3			2426 961.	23-47-420
2425 041.	23-19-74	2425 268.	12-01-5	2425 705.	23-11-3	2426 469.	1-21-24	2426 987.	1-87-22
2425 042.	23-19-74	2425 269.	12-01-5			2426 481.	24-28-366		
2425 088.	23-11-1	2425 272.	23-32-49	2425 758.	23-54-3	2426 484.	8-19-3	2426 995.	8-19-16
2425 089.	23-11-1	2425 273.	23-32-49	2425 850.	23-34-120	2426 500.	1-82-6	2427 080.	8-15-53
		2425 274.	23-32-49	2425 851.	23-34-120	2426 501.	1-82-6	2427 116.	8-35-111
2425 090.	23-11-1			2425 916.	23-64-299	2426 508.	1-47-7		23-17-2
2425 091.	23-11-1	2425 275.	23-32-49	2425 917.	23-64-299	2426 533.	1-48-70	2427 118.	8-05-11
2425 092.	23-11-1	2425 278.	23-32-17				24-24-112		8-53-312
2425 093.	23-11-1	2425 279.	23-66-74	2426 078.	8-15-2		24-24-140		
2425 094.	23-11-1	2425 281.	23-33-109	2426 079.	8-15-2	2426 534.	1-48-70	2427 119.	23-67-161
		2425 282.	23-33-109	2426 081.	8-19-3		24-24-140	2427 122.	24-24-140
2425 095.	23-11-1			2426 129.	23-67-160	2426 535.	1-48-70	2427 123.	24-24-140
2425 096.	23-34-120	2425 288.	23-32-49	2426 133.	23-67-160		24-24-140	2427 124.	8-58-60
2425 097.	23-34-120	2425 289.	23-32-49					2427 137.	8-56-2
2425 098.	23-34-120	2425 296.	23-54-3	2426 136.	23-67-160	2426 536.	1-48-70		
2425 099.	23-34-120	2425 297.	23-19-8	2426 137.	1-88-162	2426 537.	1-48-70	2427 139.	8-19-15
		2425 306.	23-51-5	2426 138.	23-47-446		24-24-140	2427 144.	23-41-170
2425 100.	23-34-120			2426 141.	8-42-10			2427 145.	8-37-410
2425 101.	23-34-120	2425 307.	23-51-5	2426 142.	1-48-941	2426 538.	1-48-70	2427 146.	8-37-410
2425 102.	23-34-120	2425 308.	23-51-5		24-01-65		24-24-140	2427 166.	8-56-65
2425 103.	23-34-120	2425 309.	23-51-5	2426 151.	23-41-167	2426 565.	8-37-90		
2425 104.	23-34-80	2425 310.	23-51-5			2426 566.	8-37-90	2427 179.	1-88-162
		2425 311.	23-51-5	2426 157.	1-48-941	2426 567.	8-37-90	2427 189.	1-108-1
2425 105.	23-34-80			2426 161.	23-41-167			2427 238.	8-15-4
2425 106.	23-19-74	2425 312.	23-51-5	2426 163.	21-84-1	2426 568.	8-37-90	2427 261.	8-01-17
2425 108.	23-11-3	2425 313.	23-51-5	2426 164.	21-84-4	2426 569.	8-37-90	2427 265.	8-55-57
2425 109.	23-11-3	2425 326.	23-36-118	2426 166.	8-50-186	2426 570.	8-37-90		
2425 110.	23-11-3	2425 327.	23-36-118			2426 593.	1-48-70	2427 317.	1-108-1
		2425 337.	23-54-3	2426 174.	21-30-28		24-24-140	2427 324.	23-41-184
2425 111.	23-11-3			2426 179.	1-06-9			2427 335.	8-05-14
2425 112.	23-34-120	2425 346.	23-34-120		8-12-15	2426 623.	1-87-2	2427 348.	1-87-58
2425 113.	23-34-120	2425 347.	23-34-120		8-31-5	2426 625.	1-48-941	2427 359.	24-24-124
2425 114.	23-34-120	2425 350.	23-32-105	2426 194.	8-50-191	2426 626.	1-48-941		
2425 115.	23-34-120	2425 351.	23-32-105			2426 677.	1-88-162	2427 360.	24-24-124
		2425 375.	23-34-167	2426 243.	8-56-34	2426 688.	8-15-2	2427 375.	8-19-15
2425 122.	23-34-80			2426 246.	8-55-57			2427 380.	1-87-22
2425 123.	23-34-80	2425 379.	23-34-167	2426 255.	23-67-25	2426 689.	8-37-372	2427 381.	1-87-22
2425 146.	23-19-74	2425 394.	23-04-241	2426 280.	14-02-15	2426 695.	8-37-178	2427 409.	24-24-150
2425 147.	23-34-167	2425 396.	23-36-53	2426 286.	8-37-508	2426 697.	8-37-162		
2425 150.	23-11-3	2425 397.	23-36-53			2426 700.	8-37-275	2427 427.	8-19-15
		2425 411.	23-54-3	2426 287.	8-37-517	2426 701.	8-37-136	2427 430.	8-19-15
2425 151.	23-11-3			2426 295.	1-48-770			2427 432.	8-19-15
2425 154.	23-11-3	2425 412.	23-54-3	2426 296.	1-12-1	2426 702.	8-37-316	2427 445.	1-87-404
2425 155.	23-11-3	2425 414.	23-32-105	2426 312.	8-34-180	2426 703.	8-37-1	2427 451.	1-87-22
2425 164.	23-34-80	2425 415.	23-32-105	2426 320.	8-15-4	2426 734.	23-33-213		
2425 165.	23-34-80	2425 416.	23-34-80			2426 764.	1-87-180	2427 458.	8-37-5
		2425 417.	23-34-80	2426 332.	21-85-22	2426 791.	8-37-90	2427 461.	8-15-4
2425 166.	23-11-3			2426 372.	8-37-194			2427 495.	8-37-90
2425 167.	23-11-3	2425 420.	23-54-3	2426 397.	8-20-8	2426 798.	14-02-69	2427 501.	23-54-178
2425 168.	23-34-120	2425 428.	23-51-6	2426 398.	8-53-296	2426 805.	14-02-2	2427 503.	23-54-178

PART NUMBER	CODE	PART NUMBER	CODE	PART NUMBER	CODE	PART NUMBER	CODE	PART NUMBER	CODE
2427 504.	23-54-178	2428 099.	23-47-6	2428 362.	23-47-15	2428 706.	23-92-5	2428 779.	23-92-5
2427 537.	1-30-1	2428 100.	23-47-6	2428 372.	23-47-430	2428 707.	23-92-5	2428 780.	23-92-5
2427 549.	23-67-86	2428 101.	23-47-6			2428 708.	23-92-5	2428 781.	23-92-5
2427 629.	1-108-2	2428 110.	23-18-13	2428 377.	23-47-432	2428 709.	23-92-5	2428 782.	23-92-5
2427 634.	8-57-89	2428 111.	23-18-13	2428 388.	23-47-75			2428 783.	23-92-5
				2428 399.	23-18-27	2428 710.	23-92-5		
2427 659.	1-04-7	2428 112.	23-18-13	2428 459.	23-47-433	2428 711.	23-92-5	2428 784.	23-92-5
	8-11-19	2428 113.	23-18-13	2428 600.	23-92-5	2428 712.	23-92-5	2428 785.	23-92-5
2427 735.	23-33-213	2428 118.	23-14-17			2428 713.	23-92-5	2428 786.	23-101-3
2427 743.	23-41-27	2428 120.	15-11-38	2428 601.	23-92-5	2428 714.	23-92-5	2428 787.	23-101-3
	23-54-159	2428 125.	15-11-38	2428 602.	23-92-5			2428 788.	23-101-3
				2428 603.	23-92-5	2428 715.	23-92-5		
2427 769.	1-108-2	2428 132.	23-54-72	2428 604.	23-92-5	2428 716.	23-92-5	2428 789.	23-101-3
2427 787.	8-37-188	2428 148.	15-19-46	2428 605.	23-92-5	2428 717.	23-92-5	2428 790.	23-101-3
2427 814.	23-41-170	2428 149.	15-19-46			2428 718.	23-92-5	2428 791.	23-101-3
2427 830.	1-108-2	2428 163.	23-18-35	2428 606.	23-92-5	2428 719.	23-92-5	2428 792.	23-101-3
2427 831.	1-108-2	2428 164.	23-18-5	2428 607.	23-92-5			2428 793.	23-101-3
				2428 608.	23-92-5	2428 720.	23-92-5		
2427 888.	1-108-2	2428 165.	23-18-5	2428 609.	23-92-5	2428 721.	23-92-5	2428 794.	23-101-3
2427 889.	1-108-2	2428 166.	23-08-76	2428 610.	23-101-3	2428 722.	23-92-5	2428 795.	23-101-3
2427 899.	8-15-7	2428 175.	23-17-10			2428 723.	23-92-5	2428 801.	23-101-3
2427 928.	1-108-2	2428 178.	23-18-49	2428 611.	23-101-3	2428 724.	23-92-5	2428 802.	23-101-3
2427 929.	1-108-2	2428 179.	23-15-32	2428 612.	23-101-3			2428 803.	23-101-3
				2428 613.	23-101-3	2428 725.	23-92-5		
2427 932.	8-15-7	2428 186.	23-08-60	2428 614.	23-101-3	2428 726.	23-92-5	2428 804.	23-101-3
2427 945.	8-37-127	2428 187.	23-08-60	2428 615.	23-101-3	2428 727.	23-92-5	2428 805.	23-101-3
2427 980.	1-87-180	2428 191.	23-08-12			2428 728.	23-92-5	2428 806.	23-101-3
2428 000.	23-41-33	2428 208.	23-39-34	2428 616.	23-101-3	2428 729.	23-92-5	2428 807.	23-101-3
2428 001.	23-41-33	2428 209.	23-39-34	2428 617.	23-101-3			2428 808.	23-101-3
2428 012.	23-14-24			2428 618.	23-101-3	2428 730.	23-92-5		
2428 014.	23-39-5	2428 210.	23-18-11	2428 619.	23-101-3	2428 731.	23-92-5	2428 809.	23-101-3
2428 015.	23-39-5	2428 211.	23-18-11	2428 630.	23-92-5	2428 732.	23-92-5	2428 810.	23-101-3
2428 016.	23-39-5	2428 212.	23-18-11			2428 733.	23-92-5	2428 842.	23-20-41
2428 017.	23-39-5	2428 221.	23-54-18	2428 631.	23-92-5	2428 734.	23-92-5	2428 843.	23-20-41
		2428 226.	23-41-4	2428 632.	23-92-5			2428 844.	23-20-41
2428 026.	23-19-105			2428 633.	23-92-5	2428 735.	23-92-5	2428 845.	23-20-41
2428 042.	23-47-6	2428 227.	23-41-4	2428 634.	23-92-5	2428 736.	23-92-5	2428 846.	23-20-41
2428 043.	23-47-6	2428 228.	23-41-4	2428 635.	23-92-5	2428 737.	23-92-5	2428 847.	23-20-41
2428 046.	1-67-6	2428 229.	23-41-4			2428 738.	23-92-5	2428 856.	23-101-3
2428 048.	23-47-6	2428 230.	23-41-4	2428 636.	23-92-5	2428 739.	23-92-5	2428 857.	23-101-3
		2428 231.	23-41-4	2428 637.	23-92-5				
2428 049.	23-47-6			2428 638.	23-101-3	2428 740.	23-92-5	2428 940.	23-33-42
2428 050.	15-11-3	2428 232.	23-41-4	2428 639.	23-101-3	2428 741.	23-92-5	2428 941.	23-33-42
2428 052.	23-18-13	2428 233.	23-41-4	2428 640.	23-101-3	2428 742.	23-92-5	2428 942.	23-33-42
2428 053.	23-18-13	2428 234.	23-54-73			2428 743.	23-92-5	2428 943.	23-33-42
2428 054.	23-39-5	2428 235.	23-21-14	2428 641.	23-101-3	2428 744.	23-92-5	2428 944.	23-33-132
		2428 240.	23-18-26	2428 642.	23-101-3				
2428 055.	23-39-5			2428 643.	23-101-3	2428 745.	23-92-5	2428 945.	23-33-132
2428 056.	23-39-5	2428 241.	23-18-26	2428 644.	23-101-3	2428 746.	23-92-5	2428 946.	23-33-132
2428 057.	23-39-5	2428 242.	23-18-26	2428 645.	23-101-3	2428 747.	23-92-5	2428 947.	23-33-132
2428 058.	23-39-5	2428 243.	23-18-26			2428 748.	23-92-5	2428 948.	23-86-3
2428 059.	23-39-5	2428 245.	23-17-5	2428 646.	23-99-4	2428 749.	23-92-5	2428 949.	23-86-3
		2428 246.	1-76-3	2428 647.	23-99-4				
			23-21-8	2428 648.	23-99-4	2428 750.	23-92-5	2428 950.	23-86-3
2428 060.	23-39-34			2428 649.	23-99-4	2428 751.	23-92-5	2428 951.	23-86-3
2428 061.	23-39-34	2428 251.	23-18-40	2428 650.	23-99-4	2428 752.	23-101-3	2428 952.	23-86-3
2428 062.	23-18-46	2428 252.	23-14-143			2428 753.	23-101-3	2428 953.	23-86-3
2428 070.	15-11-3	2428 253.	23-14-143	2428 651.	23-99-4	2428 754.	23-101-3	2428 954.	23-86-3
2428 071.	23-54-77	2428 254.	23-39-34	2428 652.	23-99-4				
		2428 255.	23-39-34	2428 653.	23-99-4	2428 755.	23-101-3	2428 970.	23-76-3
2428 075.	23-54-127			2428 654.	23-99-4	2428 756.	23-101-3		23-76-59
2428 086.	23-18-35	2428 256.	23-18-25	2428 655.	23-99-4	2428 757.	23-101-3	2428 971.	23-76-3
2428 087.	23-18-35	2428 257.	23-18-25			2428 758.	23-101-3		23-76-59
2428 092.	23-18-13	2428 262.	23-39-5	2428 656.	23-99-4	2428 759.	23-101-3	2428 972.	23-76-3
2428 093.	23-18-13	2428 263.	23-39-5	2428 657.	23-99-4				23-76-59
		2428 273.	15-13-2	2428 702.	23-92-5	2428 760.	23-101-3		
2428 094.	23-47-6			2428 703.	23-92-5	2428 761.	23-101-3	2428 973.	23-76-3
2428 095.	23-47-6	2428 276.	23-14-143	2428 704.	23-92-5	2428 776.	23-92-5		23-76-59
2428 096.	23-47-6	2428 277.	23-14-143			2428 777.	23-92-5	2428 974.	23-76-3
2428 097.	23-47-6	2428 292.	23-08-76	2428 705.	23-92-5	2428 778.	23-92-5		23-76-59
2428 098.	23-47-6								

1963 PASSENGER CAR PARTS CATALOG

NUMERICAL INDEX

PART NUMBER	CODE	PART NUMBER	CODE	PART NUMBER	CODE	PART NUMBER	CODE	PART NUMBER	CODE
2428 975.	23-76-3 23-76-59	2429 134.	23-108-4	2429 280.	23-108-5	2429 523.	23-108-16	2429 710.	23-112-153
		2429 135.	23-108-4	2429 281.	23-108-4	2429 528.	23-108-12	2429 711.	23-112-153
				2429 282.	23-108-4	2429 529.	23-108-12	2429 712.	23-112-153
2428 976.	23-76-3 23-76-59	2429 136.	23-108-16	2429 283.	23-108-16	2429 530.	23-108-12	2429 713.	23-108-5
		2429 137.	23-108-16	2429 284.	23-108-12			2429 714.	23-108-5
2428 977.	23-76-3 23-76-59	2429 138.	23-108-16	2429 285.	23-108-12	2429 531.	23-108-12		
		2429 148.	23-108-15	2429 290.	23-108-5	2429 532.	23-108-4	2429 715.	23-108-5
2428 978.	23-76-3 23-76-59	2429 149.	23-108-15	2429 291.	23-108-4	2429 533.	23-108-4	2429 716.	23-108-4
						2429 534.	23-108-4	2429 717.	23-108-4
		2429 150.	23-108-15			2429 535.	23-108-4	2429 718.	23-108-4
2428 979.	23-76-3 23-76-59	2429 154.	23-108-32	2429 292.	23-108-4			2429 719.	23-108-4
		2429 155.	23-108-32	2429 293.	23-108-16	2429 541.	23-108-5		
2428 980.	23-76-3 23-76-59	2429 156.	23-108-32	2429 294.	23-108-12	2429 572.	23-109-36	2429 720.	23-108-4
		2429 169.	23-86-3	2429 295.	23-108-12	2429 573.	23-109-36	2429 721.	23-108-4
2428 981.	23-76-3 23-76-59			2429 298.	23-109-36	2429 574.	23-109-36	2429 722.	23-108-16
		2429 170.	23-86-3			2429 575.	23-109-36	2429 723.	23-108-16
		2429 171.	23-86-3	2429 299.	23-109-35			2429 724.	23-108-16
2428 982.	23-76-3 23-76-59	2429 182.	23-108-16	2429 300.	23-109-4	2429 576.	23-109-36		
		2429 183.	23-108-16	2429 301.	23-109-3	2429 577.	23-109-35	2429 725.	23-108-16
2428 983.	23-76-3 23-76-59	2429 184.	23-108-12	2429 305.	23-109-36	2429 578.	23-109-35	2429 726.	23-108-16
				2429 306.	23-109-35	2429 579.	23-109-35	2429 727.	23-108-16
2428 984.	23-76-3 23-76-59	2429 185.	23-108-12			2429 580.	23-109-35	2429 734.	23-108-12
		2429 186.	23-108-12	2429 307.	23-109-4			2429 735.	23-108-12
		2429 187.	23-108-12	2429 308.	23-109-3	2429 581.	23-109-35		
2428 985.	23-76-3 23-76-59	2429 188.	23-109-36	2429 330.	23-109-35	2429 582.	23-109-35	2429 736.	23-108-12
		2429 189.	23-109-35	2429 331.	23-109-35	2429 583.	23-109-35	2429 737.	23-108-12
2428 986.	23-76-3 23-76-59			2429 332.	23-109-35	2429 584.	23-109-35	2429 738.	23-108-12
		2429 190.	23-109-35			2429 585.	23-109-35	2429 746.	23-112-45
2428 987.	23-76-3 23-76-59	2429 191.	23-109-35	2429 333.	23-86-3			2429 748.	23-112-108
		2429 193.	23-109-4	2429 343.	23-86-3	2429 586.	23-109-35		
		2429 194.	23-109-3	2429 344.	23-86-3	2429 587.	23-109-4	2429 749.	23-112-108
		2429 195.	23-109-3	2429 345.	23-86-3	2429 588.	23-109-4	2429 750.	23-112-112
2428 988.	23-96-8			2429 346.	23-86-3	2429 589.	23-109-4	2429 751.	23-112-112
2428 989.	23-96-8	2429 240.	23-108-12			2429 590.	23-109-4		
2428 998.	23-102-3	2429 241.	23-108-12	2429 347.	23-86-3			2429 758.	23-112-153
2428 999.	23-102-3	2429 242.	23-108-12	2429 378.	23-109-36	2429 591.	23-109-4		
2429 000.	23-102-3	2429 243.	23-108-12	2429 379.	23-109-36	2429 622.	23-109-3	2429 759.	23-112-153
		2429 244.	23-108-12	2429 380.	23-109-36	2429 623.	23-109-3	2429 760.	23-112-153
2429 001.	23-102-3	2429 245.	23-108-12	2429 381.	23-109-35	2429 624.	23-109-3	2429 761.	23-112-153
2429 060.	23-102-3	2429 246.	23-108-12	2429 382.	23-109-35	2429 625.	23-109-3	2429 762.	23-112-153
2429 061.	23-102-3	2429 247.	23-108-12	2429 383.	23-109-35			2429 763.	23-112-153
2429 062.	23-102-3	2429 248.	23-108-12	2429 393.	23-109-4	2429 626.	23-109-3	2429 764.	23-112-153
2429 063.	23-102-3	2429 249.	23-108-12	2429 394.	23-109-4	2429 632.	23-109-36	2429 765.	23-112-153
				2429 395.	23-109-4	2429 633.	23-109-36	2429 766.	23-112-153
2429 064.	23-102-3	2429 250.	23-108-4			2429 634.	23-109-36	2429 767.	23-112-153
2429 078.	23-86-3	2429 251.	23-108-4	2429 396.	23-109-3	2429 635.	23-109-36	2429 768.	23-101-3
2429 079.	23-86-3	2429 252.	23-108-4	2429 397.	23-109-3				
2429 080.	23-86-3	2429 253.	23-108-4	2429 398.	23-109-3	2429 636.	23-109-36	2429 769.	23-101-3
2429 081.	23-86-3	2429 254.	23-108-4	2429 411.	23-109-36	2429 652.	23-109-35	2429 770.	23-101-3
				2429 412.	23-109-36	2429 653.	23-109-35	2429 771.	23-101-3
2429 082.	23-86-3	2429 255.	23-108-4			2429 654.	23-109-35	2429 772.	23-101-3
2429 084.	23-86-3	2429 256.	23-108-4	2429 413.	23-109-36	2429 655.	23-109-35	2429 773.	23-101-3
2429 085.	23-86-3	2429 257.	23-108-4	2429 414.	23-109-35				
2429 086.	23-20-29	2429 258.	23-108-4	2429 415.	23-109-35	2429 656.	23-109-35	2429 774.	23-101-3
2429 087.	23-20-29	2429 259.	23-108-4	2429 416.	23-109-35	2429 657.	23-109-4	2429 775.	23-101-3
				2429 429.	23-109-4	2429 658.	23-109-4	2429 776.	23-101-3
2429 109.	23-109-4	2429 260.	23-108-4			2429 659.	23-109-4	2429 777.	23-101-3
2429 110.	23-109-4	2429 261.	23-108-4	2429 430.	23-109-4	2429 660.	23-109-4	2429 778.	23-101-3
2429 111.	23-109-4	2429 262.	23-108-4	2429 431.	23-109-4				
2429 118.	23-109-3	2429 263.	23-108-4	2429 432.	23-109-3	2429 661.	23-109-4	2429 779.	23-101-3
2429 119.	23-109-3	2429 264.	23-108-4	2429 433.	23-109-3	2429 677.	23-109-3	2429 780.	23-101-3
				2429 434.	23-109-3	2429 678.	23-109-3	2429 781.	23-101-3
2429 120.	23-109-3	2429 265.	23-108-4			2429 679.	23-109-3	2429 796.	23-101-3
2429 121.	23-108-5	2429 266.	23-108-12	2429 506.	23-86-3	2429 680.	23-109-3	2429 797.	23-101-3
2429 122.	23-108-5	2429 267.	23-108-12	2429 507.	23-86-3				
2429 123.	23-108-5	2429 268.	23-108-12	2429 508.	23-86-3	2429 681.	23-109-3	2429 798.	23-101-3
2429 130.	23-108-4	2429 269.	23-108-12	2429 509.	23-86-3	2429 687.	23-108-5	2429 799.	23-101-3
				2429 510.	23-86-3	2429 702.	23-108-16	2429 800.	23-101-3
2429 131.	23-108-4	2429 270.	23-108-12			2429 703.	23-108-16	2429 801.	23-101-3
2429 132.	23-108-4	2429 271.	23-108-12	2429 522.	23-108-16	2429 709.	23-112-153	2429 802.	23-101-3
2429 133.	23-108-4								

Jan. 3, 1964 Supersedes Jan. 25, 1963.

Page NU-54

Printed in U.S.A.

PART NUMBER	CODE	PART NUMBER	CODE	PART NUMBER	CODE	PART NUMBER	CODE	PART NUMBER	CODE
2429 803.	. . . 23-101-3	2429 902.	. . . 23-108-12	2430 086.	. . . 23-76-18	2430 174.	. . . 23-76-40	2430 403.	. . . 23-76-40
2429 804.	. . . 23-101-3	2429 909.	. . . 23-108-12	2430 087.	. . . 23-76-18	2430 175.	. . . 23-76-40	2430 404.	. . . 23-76-40
2429 805.	. . . 23-101-3	2429 955.	. . . 23-108-4	2430 104.	. . . 23-108-16	2430 176.	. . . 23-76-40	2430 405.	. . . 23-76-40
2429 806.	. . . 23-101-3	2429 956.	. . . 23-108-4	2430 105.	. . . 23-108-16	2430 177.	. . . 23-76-40	2430 406.	. . . 23-76-40
2429 807.	. . . 23-101-3	2429 957.	. . . 23-108-4	2430 106.	. . . 23-108-16	2430 178.	. . . 23-109-4	2430 407.	. . . 23-76-40
2429 808.	. . . 23-101-3	2429 958.	. . . 23-108-4	2430 107.	. . . 23-108-16	2430 179.	. . . 23-109-4	2430 412.	. . . 23-76-40
2429 809.	. . . 23-101-3	2429 959.	. . . 23-108-4	2430 108.	. . . 23-108-16	2430 180.	. . . 23-109-4	2430 413.	. . . 23-76-40
2429 824.	. . . 23-112-153	2429 960.	. . . 23-108-4	2430 109.	. . . 23-108-16	2430 181.	. . . 23-109-4	2430 414.	. . . 23-76-40
2429 825.	. . . 23-112-153	2429 961.	. . . 23-108-4	2430 110.	. . . 23-108-16	2430 182.	. . . 23-109-4	2430 416.	. . . 23-76-45
2429 826.	. . . 23-112-153	2429 962.	. . . 23-108-4	2430 111.	. . . 23-108-16	2430 183.	. . . 23-109-4	2430 417.	. . . 23-76-45
2429 827.	. . . 23-112-45	2429 963.	. . . 23-108-4	2430 112.	. . . 23-108-16	2430 184.	. . . 23-109-4	2430 418.	. . . 23-76-45
2429 829.	. . . 23-108-5	2429 964.	. . . 23-108-4	2430 113.	. . . 23-108-16	2430 185.	. . . 23-109-4	2430 419.	. . . 23-76-45
2429 830.	. . . 23-108-4	2430 000.	. . . 23-108-32	2430 114.	. . . 23-108-15	2430 186.	. . . 23-109-3	2430 420.	. . . 23-76-45
2429 832.	. . . 23-108-16	2430 001.	. . . 23-108-32	2430 115.	. . . 23-108-15	2430 187.	. . . 23-109-3	2430 421.	. . . 23-76-45
2429 833.	. . . 23-108-12	2430 002.	. . . 23-108-32	2430 116.	. . . 23-108-15	2430 188.	. . . 23-109-3	2430 422.	. . . 23-76-45
2429 837.	. . . 23-109-35	2430 003.	. . . 23-108-32	2430 117.	. . . 23-108-15	2430 189.	. . . 23-109-3	2430 423.	. . . 23-76-45
2429 838.	. . . 23-109-35	2430 004.	. . . 23-108-32	2430 118.	. . . 23-108-15	2430 246.	. . . 23-86-3	2430 424.	. . . 23-76-40
2429 840.	. . . 23-109-4	2430 005.	. . . 23-108-32	2430 119.	. . . 23-108-15	2430 247.	. . . 23-86-3	2430 425.	. . . 23-76-40
2429 841.	. . . 23-109-3	2430 006.	. . . 23-108-32	2430 120.	. . . 23-108-15	2430 248.	. . . 23-86-3	2430 426.	. . . 23-76-40
2429 842.	. . . 23-108-5	2430 007.	. . . 23-108-32	2430 121.	. . . 23-108-15	2430 249.	. . . 23-86-3	2430 427.	. . . 23-76-40
2429 843.	. . . 23-108-4	2430 008.	. . . 23-108-32	2430 122.	. . . 23-108-15	2430 250.	. . . 23-86-3	2430 428.	. . . 23-76-40
2429 846.	. . . 23-108-16	2430 009.	. . . 23-108-32	2430 123.	. . . 23-108-15	2430 251.	. . . 23-86-3	2430 429.	. . . 23-76-40
2429 847.	. . . 23-108-16	2430 010.	. . . 23-108-32	2430 134.	. . . 23-108-5	2430 306.	. . . 23-86-3	2430 430.	. . . 23-76-40
2429 848.	. . . 23-108-12	2430 011.	. . . 23-108-32	2430 135.	. . . 23-108-5	2430 307.	. . . 23-86-3	2430 431.	. . . 23-76-40
2429 849.	. . . 23-108-12	2430 040.	. . . 23-108-32	2430 136.	. . . 23-108-5	2430 308.	. . . 23-86-3	2430 436.	. . . 23-76-18
2429 850.	. . . 23-108-12	2430 041.	. . . 23-108-32	2430 137.	. . . 23-108-5	2430 309.	. . . 23-86-3	2430 437.	. . . 23-76-18
2429 856.	. . . 23-109-4	2430 042.	. . . 23-108-32	2430 138.	. . . 23-108-5	2430 310.	. . . 23-86-3	2430 438.	. . . 23-76-18
2429 858.	. . . 23-109-4	2430 043.	. . . 23-108-32	2430 139.	. . . 23-108-5	2430 316.	. . . 23-86-15	2430 439.	. . . 23-76-18
2429 859.	. . . 23-109-3	2430 044.	. . . 23-108-32	2430 140.	. . . 23-108-4	2430 317.	. . . 23-86-15	2430 456.	. . . 23-76-18
2429 860.	. . . 23-109-3	2430 045.	. . . 23-108-32	2430 141.	. . . 23-108-4	2430 318.	. . . 23-86-15	2430 457.	. . . 23-76-18
2429 861.	. . . 23-109-3	2430 046.	. . . 23-108-32	2430 142.	. . . 23-108-4	2430 319.	. . . 23-86-15	2430 458.	. . . 23-76-18
2429 865.	. . . 23-109-4	2430 047.	. . . 23-108-32	2430 143.	. . . 23-108-4	2430 320.	. . . 23-86-15	2430 459.	. . . 23-76-18
2429 866.	. . . 23-109-4	2430 056.	. . . 23-108-5	2430 144.	. . . 23-108-4	2430 321.	. . . 23-79-64	2430 460.	. . . 23-76-18
2429 867.	. . . 23-109-4	2430 057.	. . . 23-108-5	2430 145.	. . . 23-108-4	2430 356.	. . . 23-108-15	2430 461.	. . . 23-76-18
2429 868.	. . . 23-109-3	2430 058.	. . . 23-108-5	2430 146.	. . . 23-108-5	2430 357.	. . . 23-108-15	2430 462.	. . . 23-76-18
2429 869.	. . . 23-109-3	2430 059.	. . . 23-108-5	2430 147.	. . . 23-108-5	2430 358.	. . . 23-108-4	2430 463.	. . . 23-76-18
2429 870.	. . . 23-109-3	2430 060.	. . . 23-108-4	2430 148.	. . . 23-108-5	2430 359.	. . . 23-108-5	2430 464.	. . . 23-108-99
2429 874.	. . . 23-109-36	2430 061.	. . . 23-108-4	2430 149.	. . . 23-108-5	2430 360.	. . . 23-108-16	2430 465.	. . . 23-108-99
2429 875.	. . . 23-109-36	2430 062.	. . . 23-108-4	2430 150.	. . . 23-108-4	2430 361.	. . . 23-108-16	2431 015.	. . . 23-109-4
2429 876.	. . . 23-109-36	2430 063.	. . . 23-108-4	2430 151.	. . . 23-108-4	2430 366.	. . . 23-108-32	2431 016.	. . . 23-109-4
2429 877.	. . . 23-109-35	2430 064.	. . . 23-76-4	2430 152.	. . . 23-108-4	2430 367.	. . . 23-108-32	2431 017.	. . . 23-109-4
2429 878.	. . . 23-109-35	2430 065.	. . . 23-76-4	2430 153.	. . . 23-108-4	2430 372.	. . . 23-109-35	2431 018.	. . . 23-109-4
2429 879.	. . . 23-109-35	2430 066.	. . . 23-76-4	2430 154.	. . . 23-108-99	2430 373.	. . . 23-109-35	2431 019.	. . . 23-109-4
2429 880.	. . . 23-109-35	2430 067.	. . . 23-76-4	2430 155.	. . . 23-108-99	2430 374.	. . . 23-109-4	2431 025.	. . . 23-112-153
2429 881.	. . . 23-109-35	2430 068.	. . . 23-76-34	2430 156.	. . . 23-108-99	2430 375.	. . . 23-109-4	2431 036.	. . . 23-109-3
2429 882.	. . . 23-109-35	2430 069.	. . . 23-76-34	2430 157.	. . . 23-108-99	2430 376.	. . . 23-109-4	2431 037.	. . . 23-109-3
2429 886.	. . . 23-109-36	2430 070.	. . . 23-76-4	2430 158.	. . . 23-108-99	2430 377.	. . . 23-109-4	2431 038.	. . . 23-109-3
2429 887.	. . . 23-109-36	2430 071.	. . . 23-76-4	2430 159.	. . . 23-108-99	2430 378.	. . . 23-109-36	2431 039.	. . . 23-109-3
2429 888.	. . . 23-109-36	2430 072.	. . . 23-76-18	2430 160.	. . . 23-108-99	2430 379.	. . . 23-109-36	2431 040.	. . . 23-109-3
2429 889.	. . . 23-109-35	2430 073.	. . . 23-76-18	2430 161.	. . . 23-108-99	2430 391.	. . . 23-109-4	2431 061.	. . . 23-109-4
2429 890.	. . . 23-109-35	2430 074.	. . . 23-76-18	2430 162.	. . . 23-108-99	2430 392.	. . . 23-109-3	2431 062.	. . . 23-109-4
2429 891.	. . . 23-109-35	2430 075.	. . . 23-76-18	2430 163.	. . . 23-108-99	2430 393.	. . . 23-86-3	2431 063.	. . . 23-109-4
2429 893.	. . . 23-109-35	2430 076.	. . . 23-76-18	2430 164.	. . . 23-108-99	2430 395.	. . . 23-86-3	2431 064.	. . . 23-109-4
2429 895.	. . . 23-108-4 . . . 23-108-5	2430 077.	. . . 23-76-18	2430 165.	. . . 23-108-99	2430 397.	. . . 23-86-15	2431 065.	. . . 23-109-4
2429 898.	. . . 23-108-12	2430 078.	. . . 23-76-18	2430 170.	. . . 23-76-45	2430 398.	. . . 23-76-45	2431 071.	. . . 23-112-153
2429 899.	. . . 23-108-12	2430 079.	. . . 23-76-18	2430 171.	. . . 23-76-45	2430 399.	. . . 23-76-45	2431 082.	. . . 23-109-3
2429 900.	. . . 23-108-12	2430 084.	. . . 23-76-18	2430 172.	. . . 23-76-45	2430 400.	. . . 23-76-45	2431 083.	. . . 23-109-3
2429 901.	. . . 23-108-12	2430 085.	. . . 23-76-18	2430 173.	. . . 23-76-45	2430 401.	. . . 23-76-45	2431 084.	. . . 23-109-3

1963 PASSENGER CAR PARTS CATALOG

NUMERICAL INDEX

PART NUMBER	CODE	PART NUMBER	CODE	PART NUMBER	CODE	PART NUMBER	CODE	PART NUMBER	CODE
2431 085.	.23-109-3	2431 223.	.23-108-12	2431 393.	.23-109-35	2431 616.	.23-108-4	2431 766.	.23-108-5
2431 086.	.23-109-3			2431 394.	.23-109-35	2431 617.	.23-108-4		
2431 096.	.23-76-34	2431 224.	.23-108-12	2431 395.	.23-109-4	2431 618.	.23-108-4	2431 767.	.23-108-5
2431 097.	.23-76-18	2431 225.	.23-108-12			2431 619.	.23-108-4	2431 768.	.23-108-5
2431 098.	.23-112-153	2431 226.	.23-108-12	2431 396.	.23-109-4	2431 620.	.23-108-12	2431 769.	.23-108-5
		2431 227.	.23-108-12	2431 397.	.23-109-4			2431 770.	.23-108-4
2431 099.	.23-112-153	2431 228.	.23-108-12	2431 398.	.23-109-4	2431 621.	.23-108-12	2431 771.	.23-108-4
2431 115.	.23-108-16			2431 399.	.23-109-4	2431 622.	.23-108-12		
2431 116.	.23-108-16	2431 229.	.23-108-12	2431 420.	.23-109-3	2431 623.	.23-108-12	2431 772.	.23-108-4
2431 117.	.23-108-16	2431 289.	.23-86-3			2431 624.	.23-108-12	2431 773.	.23-108-4
2431 118.	.23-108-16	2431 290.	.23-86-3	2431 421.	.23-109-3	2431 625.	.23-108-12	2431 774.	.23-108-4
		2431 291.	.23-86-3	2431 422.	.23-109-3			2431 780.	.23-108-16
2431 119.	.23-108-16	2431 305.	.23-108-5	2431 423.	.23-109-3	2431 626.	.23-108-12	2431 781.	.23-108-16
2431 120.	.23-108-12			2431 424.	.23-109-3	2431 627.	.23-108-12		
2431 121.	.23-108-12	2431 306.	.23-108-5	2431 425.	.23-112-153	2431 628.	.23-108-12	2431 782.	.23-108-16
2431 122.	.23-108-12	2431 307.	.23-108-5			2431 629.	.23-108-12	2431 783.	.23-108-16
2431 123.	.23-108-12	2431 308.	.23-108-5	2431 426.	.23-112-153	2431 650.	.23-109-36	2431 784.	.23-108-16
		2431 309.	.23-108-5	2431 427.	.23-112-153			2431 785.	.23-108-15
2431 124.	.23-108-12	2431 320.	.23-108-4	2431 428.	.23-112-153	2431 651.	.23-109-36	2431 786.	.23-108-15
2431 125.	.23-108-12			2431 429.	.23-112-153	2431 652.	.23-109-36		
2431 126.	.23-108-12	2431 321.	.23-108-4	2431 560.	.23-108-5	2431 653.	.23-109-36	2431 787.	.23-108-15
2431 127.	.23-108-12	2431 322.	.23-108-4			2431 654.	.23-109-36	2431 788.	.23-108-15
2431 128.	.23-108-12	2431 323.	.23-108-4	2431 561.	.23-108-5	2431 655.	.23-109-35	2431 789.	.23-108-15
		2431 324.	.23-108-4	2431 562.	.23-108-5			2431 795.	.23-108-32
2431 129.	.23-108-12	2431 325.	.23-108-4	2431 563.	.23-108-5	2431 656.	.23-109-35	2431 796.	.23-108-32
2431 155.	.23-109-4			2431 564.	.23-108-5	2431 657.	.23-109-35		
2431 156.	.23-109-4	2431 326.	.23-108-4	2431 565.	.23-108-4	2431 658.	.23-109-35	2431 797.	.23-108-32
2431 157.	.23-109-4	2431 327.	.23-108-4			2431 659.	.23-109-35	2431 798.	.23-108-32
2431 158.	.23-109-4	2431 328.	.23-108-4	2431 566.	.23-108-4	2431 660.	.23-109-35	2431 799.	.23-108-32
		2431 329.	.23-108-4	2431 567.	.23-108-4			2431 805.	.23-109-35
2431 159.	.23-109-4	2431 330.	.23-108-16	2431 568.	.23-108-4	2431 661.	.23-109-35	2431 806.	.23-109-35
2431 160.	.23-109-3			2431 569.	.23-108-4	2431 662.	.23-109-35		
2431 161.	.23-109-3	2431 331.	.23-108-16	2431 570.	.23-108-4	2431 663.	.23-109-35	2431 807.	.23-109-35
2431 162.	.23-109-3	2431 332.	.23-108-16			2431 664.	.23-109-35	2431 808.	.23-109-35
2431 163.	.23-109-3	2431 333.	.23-108-16	2431 571.	.23-108-4	2431 665.	.23-109-4	2431 809.	.23-109-35
		2431 334.	.23-108-16	2431 572.	.23-108-4			2431 820.	.23-109-35
2431 164.	.23-109-3	2431 335.	.23-108-16	2431 573.	.23-108-4	2431 666.	.23-109-4	2431 821.	.23-109-35
2431 165.	.23-109-3			2431 574.	.23-108-4	2431 667.	.23-109-4		
2431 166.	.23-109-3	2431 336.	.23-108-16	2431 580.	.23-108-16	2431 668.	.23-109-4	2431 822.	.23-109-35
2431 167.	.23-109-3	2431 337.	.23-108-16			2431 669.	.23-109-4	2431 823.	.23-109-35
2431 168.	.23-109-3	2431 338.	.23-108-16	2431 581.	.23-108-16	2431 680.	.23-109-3	2431 824.	.23-109-35
		2431 339.	.23-108-16	2431 582.	.23-108-16			2431 825.	.23-109-4
2431 169.	.23-109-3	2431 350.	.23-108-12	2431 583.	.23-108-16	2431 681.	.23-109-3	2431 826.	.23-109-4
2431 180.	.23-108-16			2431 584.	.23-108-16	2431 682.	.23-109-3		
2431 181.	.23-108-16	2431 351.	.23-108-12	2431 585.	.23-108-16	2431 683.	.23-109-3	2431 827.	.23-109-4
2431 182.	.23-108-16	2431 352.	.23-108-12			2431 684.	.23-109-3	2431 828.	.23-109-4
2431 183.	.23-108-16	2431 353.	.23-108-12	2431 586.	.23-108-16	2431 686.	.23-101-3	2431 829.	.23-109-4
		2431 354.	.23-108-12	2431 587.	.23-108-16			2431 830.	.23-109-36
2431 184.	.23-108-16	2431 355.	.23-108-12	2431 588.	.23-108-16	2431 687.	.23-101-3	2431 831.	.23-109-36
2431 185.	.23-108-16			2431 589.	.23-108-16	2431 688.	.23-101-3	2431 832.	.23-109-36
2431 186.	.23-108-16	2431 356.	.23-108-12	2431 590.	.23-108-12	2431 689.	.23-101-3	2431 833.	.23-109-36
2431 187.	.23-108-16	2431 357.	.23-108-12			2431 690.	.23-101-3	2431 834.	.23-109-36
2431 188.	.23-108-16	2431 358.	.23-108-12	2431 591.	.23-108-12	2431 691.	.23-101-3	2431 835.	.23-109-35
		2431 359.	.23-108-12	2431 592.	.23-108-12			2431 836.	.23-109-35
2431 189.	.23-108-16	2431 380.	.23-109-36	2431 593.	.23-108-12	2431 692.	.23-101-3		
2431 210.	.23-108-12			2431 594.	.23-108-12	2431 693.	.23-101-3	2431 837.	.23-109-35
2431 211.	.23-108-12	2431 381.	.23-109-36	2431 595.	.23-108-12	2431 694.	.23-112-108	2431 838.	.23-109-35
2431 212.	.23-108-12	2431 382.	.23-109-36			2431 695.	.23-112-108	2431 839.	.23-109-35
2431 213.	.23-108-12	2431 383.	.23-109-36	2431 596.	.23-108-12	2431 696.	.23-112-45	2431 840.	.23-109-4
		2431 384.	.23-109-36	2431 597.	.23-108-12			2431 841.	.23-109-4
2431 214.	.23-108-12	2431 385.	.23-109-35	2431 598.	.23-108-12	2431 697.	.23-112-45		
2431 215.	.23-108-12			2431 599.	.23-108-12	2431 698.	.23-112-112	2431 842.	.23-109-4
2431 216.	.23-108-12	2431 386.	.23-109-35	2431 610.	.23-108-4	2431 699.	.23-112-112	2431 843.	.23-109-4
2431 217.	.23-108-12	2431 387.	.23-109-35			2431 760.	.23-109-36	2431 844.	.23-109-4
2431 218.	.23-108-12	2431 388.	.23-109-35	2431 611.	.23-108-4	2431 761.	.23-109-36	2431 845.	.23-109-3
		2431 389.	.23-109-35	2431 612.	.23-108-4			2431 846.	.23-109-3
2431 219.	.23-108-12	2431 390.	.23-109-35	2431 613.	.23-108-4	2431 762.	.23-109-36		
2431 220.	.23-108-12			2431 614.	.23-108-4	2431 763.	.23-109-36	2431 847.	.23-109-3
2431 221.	.23-108-12	2431 391.	.23-109-35	2431 615.	.23-108-4	2431 764.	.23-109-36	2431 848.	.23-109-3
2431 222.	.23-108-12	2431 392.	.23-109-35			2431 765.	.23-108-5	2431 849.	.23-109-3

PART NUMBER	CODE	PART NUMBER	CODE	PART NUMBER	CODE	PART NUMBER	CODE	PART NUMBER	CODE
2431 855.	. 23-109-36	2431 937.	.23-112-153	2432 231.	. 23-63-112	2432 487.	. . 23-33-42	2432 801.	.23-112-153
2431 856.	. 23-109-36	2431 970.	. . 23-71-1	2432 232.	. 23-63-112	2432 488.	. . 23-33-42	2432 802.	.23-112-153
		2431 971.	. . 23-71-1	2432 233.	. 23-63-112	2432 489.	. . 23-33-42	2432 803.	.23-112-153
2431 857.	. 23-109-36	2431 972.	. . 23-71-1	2432 238.	.23-112-153	2432 490.	. . 23-33-42	2432 804.	.23-112-160
2431 858.	. 23-109-36			2432 239.	.23-112-153	2432 491.	. . 23-33-42	2432 805.	.23-112-160
2431 859.	. 23-109-36	2431 973.	. . 23-71-1	2432 240.	.23-112-153	2432 492.	. . 23-33-42	2432 806.	.23-112-160
2431 860.	. 23-109-35	2431 974.	. . 23-71-1	2432 241.	.23-112-153	2432 493.	. . 23-33-42	2432 807.	.23-112-160
2431 861.	. 23-109-35	2431 975.	. . 23-71-1	2432 242.	.23-112-153	2432 494.	. . 23-33-42	2432 808.	.23-112-160
		2431 976.	. . 23-71-1	2432 243.	.23-112-153	2432 636.	. . 23-96-8	2432 809.	.23-112-160
2431 862.	. 23-109-35	2431 977.	. . 23-71-1	2432 244.	.23-112-153	2432 637.	. . 23-96-8	2432 810.	.23-112-160
2431 863.	. 23-109-35			2432 245.	.23-112-153	2432 682.	. . 23-84-3	2432 811.	.23-112-160
2431 864.	. 23-109-35	2431 978.	. . 23-71-1	2432 246.	.23-112-153	2432 683.	. . 23-84-3	2432 824.	. 23-112-45
2431 865.	. 23-109-3	2431 979.	. . 23-71-1	2432 247.	.23-112-153	2432 684.	. . 23-84-3	2432 825.	. 23-112-45
2431 866.	. 23-109-3	2432 102.	. . 23-96-8	2432 290.	. 23-112-45	2432 685.	. . 23-84-3	2432 826.	.23-112-112
		2432 103.	. . 23-96-8	2432 292.	. . 23-86-3	2432 686.	. . 23-84-3	2432 827.	.23-112-112
2431 867.	. 23-109-3	2432 112.	. . 23-101-3			2432 692.	. . 23-33-89	2432 828.	.23-112-108
2431 868.	. 23-109-3	2432 113.	. . 23-101-3	2432 293.	. . 23-86-3	2432 693.	. . 23-33-89	2432 829.	.23-112-108
2431 869.	. 23-109-3	2432 114.	. . 23-101-3	2432 313.	. . 23-96-8	2432 694.	. . 23-33-89	2432 833.	. 23-112-45
2431 870.	. 23-109-4	2432 115.	. . 23-101-3	2432 338.	. 23-101-3	2432 695.	. . 23-33-89	2432 836.	. . 23-99-38
2431 871.	. 23-109-4	2432 116.	. . 23-101-3	2432 339.	. 23-101-3	2432 696.	. . 23-33-89	2432 837.	. . 23-99-38
		2432 117.	. . 23-101-3	2432 340.	. . 23-101-3	2432 697.	. . 23-33-89	2432 838.	. . 23-99-38
2431 872.	. 23-109-4	2432 118.	. . 23-101-3	2432 341.	. . 23-101-3	2432 698.	. . 23-33-89	2432 839.	. . 23-99-38
2431 873.	. 23-109-4	2432 119.	. . 23-101-3	2432 342.	. . 23-101-3	2432 699.	. . 23-33-89	2432 840.	. . 23-99-38
2431 874.	. 23-109-4	2432 120.	. . 23-101-3	2432 343.	. . 23-101-3	2432 700.	. . 23-33-89	2432 841.	. . 23-99-38
2431 875.	. 23-109-3	2432 121.	. . 23-101-3	2432 344.	. . 23-101-3	2432 701.	. . 23-33-89	2432 842.	. . 23-99-38
2431 876.	. 23-109-3	2432 134.	. . 23-63-33	2432 345.	. . 23-101-3	2432 702.	. . 23-33-89	2432 843.	. . 23-99-38
		2432 135.	. . 23-63-33	2432 346.	. . 23-101-3	2432 703.	. . 23-33-89	2432 846.	. . 23-99-38
2431 877.	. 23-109-3	2432 136.	. . 23-63-33	2432 347.	. . 23-101-3	2432 710.	. . 23-101-3	2432 847.	. . 23-99-38
2431 878.	. 23-109-3	2432 137.	. . 23-63-33	2432 354.	. . 23-101-3	2432 711.	. . 23-101-3	2432 874.	.23-112-160
2431 879.	. 23-109-3	2432 141.	. . 23-84-3	2432 355.	. 23-101-3	2432 716.	. 23-113-52	2432 875.	.23-112-160
2431 890.	.23-112-153	2432 142.	. . 23-84-3	2432 356.	. 23-101-3	2432 717.	. 23-113-52	2432 876.	.23-112-160
2431 891.	.23-112-153	2432 143.	. . 23-84-3	2432 357.	. 23-101-3	2432 719.	. 23-113-52	2432 877.	.23-112-160
		2432 144.	. . 23-84-3	2432 358.	. 23-101-3	2432 720.	. . 23-96-8	2432 878.	.23-112-160
2431 892.	.23-112-153	2432 145.	. . 23-84-3	2432 359.	. 23-101-3	2432 721.	. . 23-96-8	2432 879.	.23-112-160
2431 893.	.23-112-153	2432 150.	. 23-113-84	2432 360.	. 23-101-3	2432 722.	. . 23-96-8	2432 880.	.23-112-160
2431 894.	.23-112-153	2432 151.	. 23-113-84	2432 361.	. 23-101-3	2432 723.	. . 23-96-8	2432 881.	.23-112-160
2431 895.	.23-112-153	2432 152.	. . 23-20-11	2432 362.	. . 23-101-3	2432 728.	. . 23-84-3	2432 882.	.23-112-160
2431 896.	.23-112-153	2432 160.	. . 23-101-3	2432 363.	. . 23-101-3	2432 729.	. . 23-84-3	2432 883.	.23-112-160
		2432 161.	. . 23-101-3	2432 364.	. 23-112-12	2432 730.	. . 23-84-3	2432 920.	. . 23-63-33
2431 897.	.23-112-153	2432 162.	. . 23-101-3	2432 365.	. 23-112-12	2432 731.	. . 23-84-3	2432 921.	. . 23-63-33
2431 900.	.23-112-153	2432 163.	. . 23-101-3	2432 366.	. 23-112-12	2432 732.	. . 23-84-3	2432 922.	. . 23-63-33
2431 901.	.23-112-153	2432 164.	. . 23-101-3	2432 367.	. 23-112-12	2432 750.	. . 23-101-3	2432 923.	. . 23-63-33
2431 902.	.23-112-153	2432 165.	. . 23-101-3	2432 378.	. 23-112-12	2432 751.	. . 23-101-3	2432 926.	. . 23-63-33
2431 903.	.23-112-153	2432 166.	. . 23-101-3	2432 379.	. 23-112-12	2432 752.	. . 23-101-3	2432 927.	. . 23-63-33
		2432 167.	. . 23-101-3	2432 380.	. 23-112-12	2432 753.	. . 23-101-3	2432 930.	. 23-113-45
2431 904.	.23-112-153	2432 172.	. . 23-101-3	2432 394.	. . 23-96-8	2432 754.	. . 23-101-3	2432 931.	. 23-113-45
2431 905.	.23-112-153	2432 173.	. . 23-101-3	2432 395.	. . 23-96-8	2432 755.	. . 23-101-3	2432 942.	. 23-113-45
2431 906.	.23-112-153	2432 174.	. . 23-101-3	2432 442.	. . 23-18-27	2432 760.	. . 23-101-3	2432 943.	. 23-113-45
2431 907.	.23-112-153	2432 175.	. . 23-101-3	2432 443.	. . 23-18-27	2432 761.	. . 23-101-3		
2431 908.	.23-112-153	2432 176.	. . 23-101-3	2432 444.	. . 23-18-27	2432 762.	. . 23-101-3	2432 944.	. 23-113-45
		2432 177.	. . 23-101-3	2432 445.	. . 23-18-27	2432 763.	. . 23-101-3	2432 945.	. 23-113-45
2431 914.	. 23-101-3	2432 178.	. . 23-101-3	2432 446.	. . 23-18-27	2432 764.	. . 23-101-3	2432 952.	. 23-112-12
2431 915.	. 23-101-3	2432 179.	. . 23-101-3	2432 447.	. . 23-18-27	2432 765.	. . 23-101-3	2432 953.	. 23-112-12
2431 916.	. 23-101-3	2432 222.	. . 23-103-3	2432 468.	.23-112-153	2432 766.	. 23-112-153	2432 954.	. 23-112-12
2431 917.	. 23-101-3	2432 223.	. . 23-103-3	2432 469.	.23-112-153	2432 796.	.23-112-153	2432 955.	. 23-112-12
2431 918.	. 23-101-3	2432 224.	. . 23-103-3	2432 470.	.23-112-153	2432 797.	.23-112-153	2432 956.	. 23-112-12
		2432 225.	. . 23-103-3			2432 798.	.23-112-153	2432 957.	. 23-112-12
2431 919.	. 23-101-3	2432 227.	. 23-112-45	2432 471.	.23-112-153	2432 799.	.23-112-153	2432 958.	. 23-113-56
2431 920.	. 23-101-3	2432 228.	. 23-112-45	2432 472.	. . 23-63-33	2432 800.	.23-112-153	2432 959.	. 23-113-56
2431 921.	. 23-101-3	2432 229.	.23-112-108	2432 485.	. . 23-33-42				
2431 934.	.23-112-153	2432 230.	.23-112-108	2432 486.	. . 23-33-42				
2431 935.	.23-112-153								
2431 936.	.23-112-153								

1963 PASSENGER CAR PARTS CATALOG

NUMERICAL INDEX

PART NUMBER	CODE	PART NUMBER	CODE	PART NUMBER	CODE	PART NUMBER	CODE	PART NUMBER	CODE
2432 986.	.23-96-10	2433 087.	.23-109-35	2433 210.	.23-109-36	2433 290.	.23-109-36	2433 690.	.23-108-4
2432 987.	.23-96-10			2433 211.	.23-109-36	2433 291.	.23-109-36	2433 691.	.23-108-4
2432 990.	.23-112-12	2433 088.	.23-109-35	2433 212.	.23-109-36	2433 292.	.23-109-36	2433 692.	.23-108-4
2432 991.	.23-112-12	2433 089.	.23-109-35			2433 293.	.23-109-36	2433 693.	.23-108-16
2432 992.	.23-112-12	2433 098.	.23-109-4	2433 213.	.23-109-36			2433 694.	.23-108-16
		2433 099.	.23-109-4	2433 214.	.23-109-36	2433 294.	.23-109-36		
2432 993.	.23-112-12	2433 100.	.23-109-4	2433 215.	.23-109-35	2433 295.	.23-109-35	2433 695.	.23-108-16
2432 994.	.23-112-12			2433 216.	.23-109-35	2433 296.	.23-109-35	2433 696.	.23-108-16
2432 995.	.23-112-12	2433 101.	.23-109-4	2433 217.	.23-109-35	2433 297.	.23-109-35	2433 697.	.23-108-16
2433 000.	.23-109-36	2433 102.	.23-109-3			2433 298.	.23-109-35	2433 708.	.23-108-12
2433 001.	.23-109-35	2433 103.	.23-109-3	2433 218.	.23-109-35			2433 709.	.23-108-12
		2433 104.	.23-109-3	2433 219.	.23-109-35	2433 299.	.23-109-35		
2433 002.	.23-109-35	2433 105.	.23-109-3	2433 220.	.23-109-35	2433 303.	.23-109-36	2433 710.	.23-108-12
2433 003.	.23-109-4			2433 221.	.23-109-35	2433 304.	.23-109-35	2433 711.	.23-108-12
2433 004.	.23-109-3	2433 106.	.23-108-4	2433 222.	.23-109-35	2433 305.	.23-109-35	2433 712.	.23-108-12
2433 005.	.23-108-5	2433 107.	.23-108-4			2433 306.	.23-109-35	2433 713.	.23-108-12
2433 006.	.23-108-5	2433 108.	.23-108-4	2433 223.	.23-109-35			2433 714.	.23-108-12
		2433 109.	.23-108-4	2433 224.	.23-109-35	2433 308.	.23-109-35		
2433 007.	.23-108-5	2433 110.	.23-108-4	2433 225.	.23-109-35	2433 309.	.23-109-35	2433 715.	.23-108-12
2433 008.	.23-108-5			2433 226.	.23-109-35	2433 360.	.23-108-5	2433 716.	.23-108-12
2433 009.	.23-108-4	2433 111.	.23-108-4	2433 227.	.23-109-35	2433 361.	.23-108-5	2433 717.	.23-108-12
2433 010.	.23-108-4	2433 112.	.23-108-4			2433 366.	.23-108-4	2433 738.	.23-109-36
2433 011.	.23-108-4	2433 113.	.23-108-4	2433 228.	.23-109-35			2433 739.	.23-109-36
		2433 114.	.23-108-4	2433 229.	.23-109-35	2433 367.	.23-108-4		
2433 012.	.23-108-4	2433 115.	.23-108-4	2433 230.	.23-108-5	2433 368.	.23-108-4	2433 740.	.23-109-36
2433 013.	.23-108-4			2433 231.	.23-108-5	2433 369.	.23-108-4	2433 741.	.23-109-36
2433 014.	.23-108-4	2433 116.	.23-108-4	2433 232.	.23-108-5	2433 370.	.23-108-16	2433 742.	.23-109-36
2433 015.	.23-108-4	2433 117.	.23-108-4			2433 371.	.23-108-16	2433 743.	.23-109-35
2433 016.	.23-108-4	2433 120.	.23-108-12	2433 233.	.23-108-5			2433 744.	.23-109-35
		2433 121.	.23-108-12	2433 234.	.23-108-5	2433 372.	.23-108-16		
2433 017.	.23-108-16	2433 122.	.23-108-12	2433 235.	.23-108-4	2433 373.	.23-108-16	2433 745.	.23-109-35
2433 018.	.23-108-16			2433 236.	.23-108-4	2433 386.	.23-109-36	2433 746.	.23-109-35
2433 019.	.23-108-16	2433 123.	.23-108-12	2433 237.	.23-108-4	2433 402.	.23-108-5	2433 747.	.23-109-35
2433 020.	.23-108-16	2433 124.	.23-108-12			2433 403.	.23-108-5	2433 748.	.23-109-35
2433 021.	.23-108-16	2433 125.	.23-108-12	2433 238.	.23-108-4			2433 749.	.23-109-35
		2433 126.	.23-108-12	2433 239.	.23-108-4	2433 404.	.23-108-4		
2433 022.	.23-108-16	2433 127.	.23-108-12	2433 240.	.23-108-4	2433 405.	.23-108-4	2433 750.	.23-109-35
2433 023.	.23-108-16			2433 241.	.23-108-4	2433 406.	.23-108-4	2433 751.	.23-109-35
2433 024.	.23-108-16	2433 128.	.23-108-12	2433 242.	.23-108-4	2433 407.	.23-108-4	2433 752.	.23-109-35
2433 026.	.23-108-12	2433 129.	.23-108-12			2433 408.	.23-108-16	2433 753.	.23-109-35
2433 027.	.23-108-12	2433 130.	.23-108-12	2433 243.	.23-108-4			2433 754.	.23-109-35
		2433 131.	.23-108-12	2433 244.	.23-108-4	2433 409.	.23-108-16		
2433 030.	.23-108-12	2433 132.	.23-108-12	2433 245.	.23-108-5	2433 624.	.23-108-4	2433 755.	.23-109-35
2433 031.	.23-108-12			2433 256.	.23-108-5	2433 625.	.23-108-4	2433 756.	.23-109-35
2433 032.	.23-108-12	2433 133.	.23-108-12	2433 257.	.23-108-5	2433 626.	.23-108-12	2433 757.	.23-109-35
2433 033.	.23-108-12	2433 180.	.23-108-5			2433 629.	.23-109-35	2433 768.	.23-109-4
2433 043.	.23-109-36	2433 181.	.23-108-5	2433 258.	.23-108-5			2433 769.	.23-109-4
		2433 182.	.23-108-5	2433 259.	.23-108-5	2433 630.	.23-109-35		
2433 044.	.23-109-36	2433 183.	.23-108-5	2433 260.	.23-108-4	2433 632.	.23-109-35	2433 770.	.23-109-4
2433 045.	.23-109-36			2433 261.	.23-108-4	2433 633.	.23-109-35	2433 771.	.23-109-4
2433 050.	.23-109-35	2433 184.	.23-108-5	2433 262.	.23-108-4	2433 634.	.23-109-3	2433 772.	.23-109-4
2433 051.	.23-109-35	2433 185.	.23-108-4			2433 635.	.23-109-35	2433 773.	.23-109-3
2433 052.	.23-109-35	2433 186.	.23-108-4	2433 263.	.23-108-4			2433 774.	.23-109-3
		2433 187.	.23-108-4	2433 264.	.23-108-4	2433 636.	.23-109-35		
2433 053.	.23-109-35	2433 188.	.23-108-4	2433 265.	.23-108-4	2433 637.	.23-109-35	2433 775.	.23-109-3
2433 058.	.23-109-4			2433 266.	.23-108-4	2433 638.	.23-112-45	2433 776.	.23-109-3
2433 059.	.23-109-4	2433 189.	.23-108-4	2433 267.	.23-108-4	2433 668.	.23-108-5	2433 777.	.23-109-3
2433 060.	.23-109-4					2433 669.	.23-108-5	2433 778.	.23-109-3
2433 061.	.23-109-4	2433 190.	.23-108-4	2433 268.	.23-108-4			2433 779.	.23-109-3
		2433 191.	.23-108-4	2433 269.	.23-108-4	2433 670.	.23-108-5		
2433 070.	.23-109-3	2433 192.	.23-108-4	2433 280.	.23-109-36	2433 671.	.23-108-5	2433 780.	.23-109-3
2433 071.	.23-109-3			2433 281.	.23-109-36	2433 672.	.23-108-5	2433 781.	.23-109-3
2433 072.	.23-109-3	2433 193.	.23-108-4	2433 282.	.23-109-36	2433 673.	.23-108-4	2433 782.	.23-109-3
2433 073.	.23-109-3	2433 194.	.23-108-4			2433 674.	.23-108-4	2433 783.	.23-108-5
2433 082.	.23-109-36	2433 205.	.23-109-36	2433 283.	.23-109-36			2433 784.	.23-108-5
		2433 206.	.23-109-36	2433 284.	.23-109-36	2433 675.	.23-108-4	2433 785.	.23-108-5
2433 083.	.23-109-36	2433 207.	.23-109-36	2433 285.	.23-109-35	2433 676.	.23-108-4	2433 786.	.23-108-5
2433 084.	.23-109-36			2433 286.	.23-109-35	2433 677.	.23-108-4	2433 787.	.23-108-5
2433 085.	.23-109-36	2433 208.	.23-109-36	2433 287.	.23-109-35	2433 688.	.23-108-4	2433 798.	.23-108-4
2433 086.	.23-109-35	2433 209.	.23-109-36			2433 689.	.23-108-4	2433 799.	.23-108-4
				2433 288.	.23-109-35				

PART NUMBER	CODE	PART NUMBER	CODE	PART NUMBER	CODE	PART NUMBER	CODE	PART NUMBER	CODE
2433 800.	.23-108-4	2433 896.	.23-108-12	2434 029.	.23-109-4	2434 207.	.23-96-8	2434 329.	.23-109-36
2433 801.	.23-108-4			2434 030.	.23-76-40	2434 208.	.23-96-8	2434 330.	.23-109-36
2433 802.	.23-108-4	2433 897.	.23-108-12			2434 209.	.23-96-8	2434 331.	.23-109-36
2433 803.	.23-108-4	2433 906.	.23-109-36	2434 031.	.23-76-40				
2433 804.	.23-108-4	2433 907.	.23-109-36	2434 032.	.23-76-45	2434 210.	.23-96-8	2440 001.	.23-47-460
		2433 908.	.23-109-36	2434 033.	.23-76-45	2434 211.	.23-96-8	2440 006.	.23-26-85
2433 805.	.23-108-4	2433 909.	.23-109-36	2434 034.	.23-109-35	2434 212.	.23-96-8	2440 007.	.23-26-85
2433 806.	.23-108-4			2434 035.	.23-109-35	2434 213.	.23-79-64	2440 008.	.23-26-85
2433 807.	.23-108-4	2433 918.	.23-109-35			2434 214.	.23-96-8	2440 009.	.23-26-85
2433 808.	.23-108-16	2433 919.	.23-109-35	2434 036.	.23-109-36				
2433 809.	.23-108-16	2433 920.	.23-109-35	2434 037.	.23-109-36	2434 215.	.23-96-8	2440 019.	.23-17-5
		2433 921.	.23-109-35	2434 048.	.23-108-15	2434 216.	.23-108-19	2440 020.	.23-17-5
2433 810.	.23-108-16	2433 922.	.23-109-4	2434 049.	.23-108-15	2434 217.	.23-108-19	2440 045.	.23-38-3
2433 811.	.23-108-16			2434 050.	.23-108-15	2434 222.	.23-76-34	2440 060.	.23-26-47
2433 812.	.23-108-16	2433 923.	.23-109-4			2434 223.	.23-76-34	2440 061.	.23-26-47
2433 813.	.23-108-16	2433 924.	.23-109-4	2434 051.	.23-108-15				
2433 814.	.23-108-16	2433 925.	.23-109-4	2434 052.	.23-108-16	2434 224.	.23-108-99	2440 062.	.23-26-47
		2433 934.	.23-109-3	2434 053.	.23-108-16	2434 225.	.23-108-99	2440 063.	.23-26-47
2433 815.	.23-108-16	2433 935.	.23-109-3	2434 054.	.23-108-16	2434 226.	.23-108-99	2440 064.	.23-26-47
2433 816.	.23-108-16			2434 055.	.23-108-16	2434 227.	.23-108-99	2440 065.	.23-26-47
2433 817.	.23-108-16	2433 936.	.23-109-3			2434 232.	.23-108-99	2440 093.	.23-86-24
2433 828.	.23-108-12	2433 937.	.23-109-3	2434 058.	.23-76-34				
2433 829.	.23-108-12	2433 942.	.23-109-36	2434 059.	.23-76-34	2434 233.	.23-108-99	2440 094.	.23-86-24
		2433 943.	.23-109-36	2434 062.	.23-108-4	2434 234.	.23-108-99	2440 110.	.23-26-23
2433 830.	.23-108-12	2433 944.	.23-109-36	2434 063.	.23-108-4	2434 235.	.23-108-99	2440 111.	.23-26-23
2433 831.	.23-108-12			2434 064.	.23-108-5	2434 244.	.23-108-32	2440 112.	.23-26-23
2433 832.	.23-108-12	2433 945.	.23-109-36			2434 245.	.23-108-32	2440 113.	.23-26-23
2433 833.	.23-108-12	2433 950.	.23-109-35	2434 065.	.23-108-5				
2433 834.	.23-108-12	2433 951.	.23-109-35	2434 068.	.23-109-3	2434 246.	.23-108-32	2440 114.	.23-26-23
		2433 952.	.23-109-35	2434 069.	.23-109-3	2434 247.	.23-79-64	2440 115.	.23-26-23
2433 835.	.23-108-12	2433 953.	.23-109-35	2434 070.	.23-109-4	2434 250.	.23-108-6	2440 116.	.23-26-47
2433 836.	.23-108-12			2434 071.	.23-109-4	2434 251.	.23-108-6	2440 117.	.23-26-47
2433 837.	.23-108-12	2433 954.	.23-109-4			2434 252.	.23-108-6	2440 118.	.23-26-47
2433 838.	.23-108-12	2433 955.	.23-109-4	2434 072.	.23-76-40				
2433 839.	.23-108-12	2433 956.	.23-109-4	2434 073.	.23-76-40	2434 253.	.23-108-6	2440 144.	.23-86-35
		2433 957.	.23-109-4	2434 074.	.23-76-45	2434 254.	.23-108-6	2440 150.	.23-86-36
2433 840.	.23-108-12	2433 962.	.23-109-3	2434 075.	.23-76-45	2434 258.	.23-108-32	2440 151.	.23-86-36
2433 841.	.23-108-12			2434 076.	.23-109-35	2434 259.	.23-108-32	2440 152.	.23-108-98
2433 842.	.23-108-12	2433 963.	.23-109-3			2434 261.	.23-108-32	2440 153.	.23-108-98
2433 844.	.23-108-12	2433 964.	.23-109-3	2434 077.	.23-109-35				
2433 845.	.23-108-12	2433 965.	.23-109-3	2434 078.	.23-109-36	2434 262.	.23-108-32	2440 171.	.23-38-27
		2433 974.	.23-108-16	2434 079.	.23-109-36	2434 263.	.23-108-32	2440 177.	.23-18-54
2433 846.	.23-108-12	2433 975.	.23-108-16	2434 086.	.23-86-3	2434 264.	.23-108-32	2440 212.	.23-47-456
2433 847.	.23-108-12			2434 087.	.23-86-3	2434 265.	.23-108-32	2440 219.	.23-108-98
2433 858.	.23-108-5	2433 976.	.23-108-12			2434 268.	.23-76-18	2440 247.	.23-26-23
2433 859.	.23-108-5	2433 977.	.23-108-12	2434 136.	.23-101-3	2434 270.	.23-76-34		
2433 860.	.23-108-5	2433 984.	.23-109-4	2434 137.	.23-101-3	2434 271.	.23-76-34	2440 248.	.23-26-23
		2433 985.	.23-109-4	2434 138.	.23-101-3	2434 274.	.23-76-18	2440 249.	.23-26-23
2433 861.	.23-108-5	2433 986.	.23-109-3	2434 139.	.23-101-3	2434 275.	.23-76-18	2440 250.	.23-26-23
2433 870.	.23-108-4			2434 152.	.23-101-3	2434 276.	.23-76-34	2440 251.	.23-26-23
2433 871.	.23-108-4	2433 987.	.23-109-3					2440 252.	.23-26-23
2433 872.	.23-108-4	2434 006.	.23-108-15	2434 153.	.23-101-3	2434 277.	.23-76-34		
2433 873.	.23-108-4	2434 007.	.23-108-15	2434 154.	.23-101-3	2434 290.	.23-108-16	2440 253.	.23-26-23
		2434 008.	.23-108-15	2434 155.	.23-101-3	2434 291.	.23-108-16	2440 254.	.23-26-23
2433 874.	.23-108-4	2434 009.	.23-108-15	2434 180.	.23-109-19	2434 292.	.23-108-16	2440 256.	.23-26-23
2433 875.	.23-108-4			2434 181.	.23-109-19	2434 296.	.23-76-34	2440 257.	.23-26-23
2433 876.	.23-108-4	2434 010.	.23-108-16					2440 258.	.23-26-23
2433 877.	.23-108-4	2434 011.	.23-108-16	2434 182.	.23-109-19	2434 297.	.23-76-34		
2433 878.	.23-108-16	2434 012.	.23-108-16	2434 183.	.23-109-19	2434 298.	.23-76-34	2440 259.	.23-26-23
		2434 013.	.23-108-16	2434 184.	.23-109-19	2434 299.	.23-76-18	2440 260.	.23-26-23
2433 879.	.23-108-16	2434 016.	.23-76-34	2434 185.	.23-109-19	2434 305.	.23-108-5	2440 261.	.23-26-23
2433 880.	.23-108-16			2434 187.	.23-109-16	2434 306.	.23-108-5	2440 262.	.23-26-23
2433 881.	.23-108-16	2434 017.	.23-76-34					2440 263.	.23-26-23
2433 890.	.23-108-12	2434 020.	.23-108-4	2434 188.	.23-109-16	2434 307.	.23-108-5		
2433 891.	.23-108-12	2434 021.	.23-108-4	2434 189.	.23-109-16	2434 314.	.23-109-4	2440 264.	.23-26-23
		2434 022.	.23-108-5	2434 190.	.23-109-16	2434 315.	.23-109-4	2440 265.	.23-26-23
2433 892.	.23-108-12	2434 023.	.23-108-5	2434 191.	.23-109-16	2434 316.	.23-109-4	2440 270.	.23-02-78
2433 893.	.23-108-12	2434 026.	.23-109-3	2434 192.	.23-109-16	2434 320.	.23-76-45	2440 271.	.23-02-80
2433 894.	.23-108-12	2434 027.	.23-109-3	2434 193.	.23-109-16	2434 321.	.23-76-45	2440 273.	.23-04-205
2433 895.	.23-108-12	2434 028.	.23-109-4	2434 206.	.23-96-8	2434 322.	.23-76-45		

1963 PASSENGER CAR PARTS CATALOG NUMERICAL INDEX

PART NUMBER	CODE	PART NUMBER	CODE	PART NUMBER	CODE	PART NUMBER	CODE	PART NUMBER	CODE
2440 340.	23-108-98	2448 122.	23-79-33	2448 337.	17-23-3	2448 703.	9-34-5	2463 010.	10-03-7
2440 355.	8-11-5	2448 132.	1-135-1	2448 338.	17-23-3	2448 704.	9-34-5	2463 038.	24-25-10
2440 368.	23-19-103	2448 133.	1-135-1			2448 706.	17-12-4	2463 159.	14-39-45
2440 373.	8-05-10	2448 134.	1-135-1	2448 340.	17-11-3	2448 707.	17-12-4	2463 163.	9-03-29
2440 376.	23-26-47	2448 135.	1-135-1	2448 341.	17-11-3			2463 168.	9-03-29
				2448 343.	5-100-1	2448 713.	9-01-5	2463 186.	10-03-4
2440 377.	23-26-47	2448 234.	23-79-33	2448 345.	5-100-1	2448 714.	9-39-1		
2440 378.	23-26-47	2448 235.	23-79-33	2448 346.	5-100-1	2448 715.	9-01-5		
2440 379.	23-26-47	2448 239.	23-79-3			2448 716.	9-39-1	2463 271.	14-39-45
2440 382.	23-02-89	2448 240.	23-79-3	2448 347.	5-100-1	2448 733.	9-39-11	2463 276.	8-36-4
2440 383.	23-02-89	2448 241.	23-79-3	2448 348.	5-100-1			2463 365.	9-03-29
				2448 350.	17-12-4	2448 735.	9-35-1	2463 366.	9-03-29
2440 386.	23-02-82	2448 242.	23-79-3	2448 351.	17-12-4	2448 742.	10-02-62	2463 382.	10-07-6
2440 398.	23-26-47	2448 243.	23-79-3	2448 352.	17-12-4	2448 743.	10-02-62		
2440 399.	23-17-45	2448 244.	23-79-3			2448 745.	5-100-166	2463 401.	9-02-5
2440 914.	23-02-23	2448 250.	8-27-279	2448 370.	21-01-3	2448 746.	14-26-6	2463 416.	14-06-1
2440 951.	23-45-52	2448 251.	8-27-250	2448 371.	10-26-14			2463 443.	10-03-4
				2448 372.	6-01-3	2448 752.	9-03-4	2463 444.	10-03-4
2440 956.	23-96-3	2448 252.	8-27-205	2448 374.	9-35-1	2448 759.	7-43-1	2463 445.	10-03-4
2440 969.	1-87-334	2448 257.	8-27-279	2448 377.	22-01-5	2448 761.	1-48-559		
2440 971.	1-87-32	2448 258.	8-27-279			2448 762.	7-14-13	2463 531.	9-48-56
2444 024.	8-36-83	2448 259.	8-27-279	2448 379.	9-09-2	2448 763.	7-14-13	2463 541.	10-22-11
2444 025.	8-36-83	2448 260.	8-27-279	2448 380.	9-09-2			2463 565.	6-09-1
				2448 381.	9-09-2	2448 764.	7-14-13	2463 568.	6-10-2
2444 031.	8-36-83	2448 263.	23-67-164	2448 383.	2-07-1	2448 768.	4-23-1	2463 599.	10-27-49
2444 245.	23-63-33	2448 264.	23-67-10	2448 384.	2-07-1	2448 769.	4-23-1		
2444 371.	8-27-1	2448 265.	23-67-16			2448 770.	5-112-1	2463 797.	14-01-1
2445 036.	7-16-29	2448 266.	23-67-164	2448 398.	2-07-1	2448 774.	9-15-1	2463 799.	14-01-1
2445 088.	7-16-11	2448 267.	23-67-10	2448 399.	17-11-3			2464 076.	21-137-205
				2448 506.	23-19-105	2448 777.	9-01-5	2464 094.	21-02-1
2445 176.	15-11-40	2448 270.	8-50-334	2448 548.	1-72-5	2448 778.	9-39-1	2464 096.	21-02-1
2445 182.	12-15-21	2448 271.	8-50-334	2448 600.	8-50-334	2448 779.	9-01-5		
2445 946.	8-34-40	2448 273.	8-27-61			2448 780.	9-39-1	2464 098.	21-02-1
2445 947.	8-34-63	2448 276.	24-01-5	2448 601.	8-50-334	2448 781.	9-01-5	2464 099.	21-02-1
2445 948.	15-03-60	2448 278.	24-01-5	2448 602.	8-50-304			2464 231.	9-46-8
		2448 279.	24-01-5	2448 606.	23-67-16	2448 782.	9-39-1	2464 238.	21-29-3
2445 949.	15-03-60			2448 607.	23-67-164	2448 783.	9-01-5	2464 240.	21-85-9
2446 028.	23-45-197	2448 280.	24-01-6	2448 608.	23-67-10	2448 784.	9-39-1		
2446 039.	23-45-190	2448 282.	23-67-10			2448 791.	9-50-1	2464 312.	21-119-3
2446 064.	23-45-192	2448 283.	23-67-164	2448 609.	23-67-119	2448 804.	8-52-82	2464 314.	9-46-4
2446 066.	23-45-195	2448 284.	23-67-164	2448 610.	8-50-334			2464 383.	21-118-40
		2448 289.	8-27-250	2448 613.	8-55-34	2448 805.	8-27-292	2464 390.	21-139-50
2446 068.	23-45-190			2448 614.	8-55-34	2448 807.	8-05-6	2464 413.	21-119-3
2446 074.	23-45-192	2448 299.	8-50-334	2448 615.	8-55-158	2448 808.	8-05-16		
2446 137.	23-45-199	2448 300.	17-11-3			2448 809.	8-05-23	2464 426.	21-02-1
2446 657.	23-108-18	2448 301.	17-11-3	2448 616.	8-55-158	2448 810.	1-87-2	2464 724.	21-14-21
2446 670.	23-17-34	2448 302.	17-11-3	2448 617.	8-55-158			2465 019.	10-26-48
		2448 303.	17-11-3	2448 618.	8-56-8	2448 811.	1-87-2	2465 063.	14-30-2
2446 742.	23-45-187			2448 619.	8-55-136	2448 812.	1-87-2	2465 092.	10-07-6
2448 097.	19-54-228	2448 304.	17-11-3	2448 620.	24-28-64	2448 813.	1-87-2		
2448 098.	19-54-228	2448 305.	17-11-3			2448 822.	8-16-1	2465 214.	9-48-7
2448 099.	2-08-59	2448 306.	17-11-3	2448 621.	24-28-64	2448 823.	8-05-14	2465 257.	10-03-4
2448 100.	23-112-70	2448 309.	19-01-4	2448 622.	23-19-102		8-53-270	2465 263.	9-48-29
		2448 310.	19-01-4	2448 623.	24-01-6			2465 299.	9-01-24
2448 101.	23-112-70			2448 625.	23-47-430	2448 837.	8-53-265	2465 301.	9-01-24
2448 102.	23-112-70	2448 311.	19-01-4	2448 634.	8-27-279	2448 838.	8-53-265		
2448 103.	23-112-70	2448 313.	2-14-8			2448 998.	14-43-5	2480 002.	23-86-8
2448 104.	23-112-70	2448 314.	2-14-8	2448 635.	8-55-1	2448 999.	14-35-1	2480 004.	23-59-63
2448 105.	23-112-70	2448 315.	7-42-1	2448 636.	8-55-1	2460 412.	21-30-413	2480 145.	8-56-61
		2448 316.	9-48-7	2448 637.	8-55-158			2480 149.	8-15-4
2448 106.	12-01-5			2448 638.	8-55-158	2460 414.	21-30-414	2480 150.	23-51-41
2448 107.	12-01-5	2448 320.	5-03-1	2448 639.	23-54-160	2460 416.	5-110-18		
2448 108.	12-01-5	2448 321.	5-03-1			2460 662.	22-05-14	2480 151.	23-51-41
2448 109.	12-01-5	2448 326.	7-42-1	2448 640.	23-54-165	2461 494.	6-19-2	2480 152.	23-51-41
2448 115.	23-79-33	2448 327.	7-42-4	2448 674.	1-48-854	2461 514.	6-27-10	2480 153.	23-51-41
2448 116.	23-79-33	2448 328.	7-42-1	2448 680.	8-36-1			2480 204.	23-86-8
2448 117.	23-79-33			2448 681.	8-36-1	2461 530.	11-09-3	2480 205.	23-86-8
2448 119.	23-79-33	2448 329.	7-42-4	2448 700.	9-34-5	2461 531.	11-09-3		
2448 120.	23-79-33	2448 330.	9-32-2			2461 822.	13-04-20	2480 230.	23-19-178
2448 121.	23-79-33	2448 336.	6-13-1	2448 701.	9-34-5	2461 823.	13-04-20	2480 231.	23-19-178

PART NUMBER	CODE	PART NUMBER	CODE	PART NUMBER	CODE	PART NUMBER	CODE	PART NUMBER	CODE
2480 260.	23-58-570	2482 926.	23-58-486	2486 190.	15-19-8	2493 685.	23-09-65	6000 286.	8-55-9
2480 274.	23-09-67	2482 927.	23-58-486	2486 196.	15-19-2	2494 015.	23-02-11	6000 305.	23-39-12
2480 275.	23-09-67	2482 934.	23-58-486	2486 197.	15-19-2	2494 509.	23-45-188		23-39-53
		2482 935.	23-58-486	2486 202.	23-18-26	2494 565.	23-108-14	6000 319.	23-58-607
2480 286.	23-63-55	2482 940.	23-58-486	2486 203.	23-18-26	2495 005.	5-03-1		
2480 287.	23-63-55							6000 320.	23-58-605
2480 346.	23-32-29	2482 941.	23-58-486	2486 216.	23-18-26	2495 006.	5-03-1	6000 321.	23-58-227
2480 387.	23-19-59	2482 960.	23-58-486	2486 296.	23-47-431	2495 055.	9-15-1	6000 348.	23-91-6
2480 416.	23-34-20	2482 961.	23-58-486	2486 300.	23-47-432	2495 118.	1-20-1	6000 365.	23-92-5
		2482 974.	23-58-333	2486 301.	23-47-432	2495 119.	1-20-1		23-101-3
2480 417.	23-34-20	2483 026.	23-58-67	2486 302.	23-47-432	2495 120.	1-20-1		23-108-32
2480 418.	23-34-253								23-109-5
2480 444.	23-58-388	2483 074.	23-58-486	2486 363.	23-21-18	2495 121.	1-76-1		
2480 445.	23-58-400	2483 075.	23-58-486	2486 366.	23-21-66		23-21-3	6000 373.	23-86-3
2480 447.	23-58-357	2483 076.	23-58-486	2486 371.	1-76-18	2495 500.	24-01-1	6000 374.	23-64-242
		2483 077.	23-58-486	2486 466.	23-18-25	2495 512.	8-36-1		23-64-247
2480 448.	23-58-381	2483 172.	23-34-235	2486 467.	23-18-25	2495 514.	8-36-1	6000 388.	23-58-335
2480 451.	23-58-399							6000 432.	23-58-600
2480 453.	23-58-430	2483 173.	23-34-235	2486 493.	23-17-51	2495 515.	8-36-1		
2480 570.	23-63-21	2483 176.	23-34-235	2486 556.	23-21-66	2495 878.	1-76-1	6000 434.	23-112-12
2480 571.	23-63-21	2483 177.	23-34-235	2486 581.	23-18-27	2495 950.	14-30-4		23-112-45
		2483 184.	23-51-5	2490 049.	23-45-60	2495 951.	14-30-7		23-112-153
2480 582.	23-64-311	2483 185.	23-51-5	2490 086.	23-47-456	2495 952.	14-30-4	6000 471.	23-108-98
2480 583.	23-64-311							6000 594.	23-19-178
2480 584.	23-64-311	2483 198.	23-51-5	2490 108.	23-17-33	2496 270.	1-87-1		
2480 585.	23-64-311	2483 199.	23-51-5	2490 119.	23-38-27	2496 271.	1-87-1	6000 680.	23-58-242
2480 633.	8-55-8	2483 571.	23-32-15	2490 121.	23-38-27	2496 279.	8-37-88	6000 681.	23-58-242
		2483 578.	23-58-269	2490 126.	23-02-105		8-39-15	6000 903.	23-96-3
2480 636.	23-58-607	2483 579.	23-58-269	2490 169.	23-17-4		8-41-36		23-102-3
2480 637.	23-58-607						8-50-156	6000 922.	23-86-16
2480 642.	23-63-112	2483 630.	13-66-106	2490 179.	23-112-88				23-86-19
2480 646.	23-19-178	2483 637.	23-48-99	2490 182.	23-112-88	2496 985.	8-58-60		
2480 647.	23-63-112	2483 639.	23-48-99	2490 183.	23-112-88	2497 124.	8-58-60	6000 932.	15-03-60
		2483 740.	23-112-23	2490 289.	23-112-96	2520 154.	23-47-6	6000 967.	23-22-145
2480 720.	23-58-490	2483 780.	23-86-8	2490 458.	23-71-4	2520 155.	23-47-6	6001 010.	23-58-603
2480 721.	23-58-490					2520 156.	23-47-344	6001 015.	7-26-17
2480 722.	23-58-490	2483 781.	23-86-8	2490 481.	23-02-79			6001 036.	23-22-145
2480 723.	23-58-490	2483 788.	23-86-8		23-02-105	2520 157.	23-47-344		
2480 788.	1-135-1	2483 789.	23-86-8	2490 484.	23-101-33	2520 274.	15-13-2	6001 070.	7-16-37
		2483 790.	23-86-8	2490 491.	23-02-84	2520 338.	23-15-1	6001 071.	7-26-18
2480 789.	1-135-1	2483 791.	23-86-8	2490 517.	23-70-7	2520 339.	23-15-1	6001 430.	8-50-317
2480 818.	23-112-88			2491 041.	8-37-178	2520 341.	23-10-1		8-55-162
2480 819.	23-112-88	2483 798.	23-42-48	2491 097.	23-84-5			6006 035.	23-36-123
2480 824.	23-58-220	2484 159.	23-58-571	2491 672.	23-06-17	2525 266.	8-27-279		
2480 894.	23-34-273	2484 164.	23-86-8	2491 673.	23-33-135	2525 348.	8-01-4	6006 036.	24-24-158
		2484 165.	23-86-8	2491 674.	23-33-135		8-01-17	6006 043.	23-15-9
		2484 456.	23-63-33			6000 070.	15-03-5	6006 047.	23-15-9
2480 924.	23-22-78	2484 457.	23-63-33	2491 875.	23-33-96	6000 106.	23-58-605	6006 052.	23-58-605
2480 925.	23-22-78	2484 470.	23-51-43		23-38-13		23-103-10	6006 065.	24-28-195
2481 175.	23-82-39	2484 471.	23-51-43	2491 878.	23-63-37		23-103-18		
2481 237.	23-58-75	2485 038.	24-28-209	2491 879.	23-63-37			6006 079.	7-16-80
2481 346.	23-36-123	2485 138.	1-48-151	2491 880.	23-63-37	6000 116.	23-14-52	6006 086.	23-15-13
						6000 124.	7-08-16	6006 093.	23-58-607
2481 347.	23-36-123	2485 167.	24-24-150	2491 881.	23-63-37	6000 130.	23-32-73	6006 104.	8-34-56
2481 607.	8-50-297	2485 181.	24-28-70	2491 898.	23-63-33	6000 141.	23-39-12		12-02-12
2481 718.	23-58-487	2485 235.	24-28-5	2491 899.	23-63-33		23-58-605		13-66-106
2481 732.	23-58-607	2485 241.	1-48-709	2491 900.	23-63-33				23-54-29
2481 746.	23-32-22	2485 930.	24-27-5	2491 901.	23-63-33	6000 177.	23-48-94		24-28-379
						6000 182.	23-58-601		
2481 769.	8-55-8	2486 034.	23-18-26	2492 114.	23-33-97	6000 209.	23-15-9	6006 106.	8-57-90
2482 859.	23-04-241	2486 036.	23-18-25		23-38-12	6000 211.	23-39-11	6006 120.	8-01-13
2482 869.	23-34-253	2486 037.	23-18-25	2492 117.	23-33-109		23-41-9		8-01-23
2482 872.	23-64-225	2486 040.	23-18-29	2492 122.	23-63-127				8-28-74
2482 873.	23-64-225	2486 041.	23-18-26	2492 123.	23-63-127	6000 234.	23-109-3		8-32-18
							23-109-4		8-33-164
2482 908.	23-32-51	2486 042.	23-18-26	2492 651.	23-34-117		23-109-35		8-35-52
2482 916.	23-36-123	2486 071.	23-54-165	2492 960.	23-63-33	6000 238.	23-112-108		8-52-328
	23-36-138	2486 072.	23-54-152	2493 129.	15-03-3				
2482 917.	23-36-123	2486 173.	23-47-413	2493 158.	12-01-5			6006 172.	23-09-2
	23-36-138	2486 181.	23-54-92	2493 684.	23-34-80	6000 282.	23-15-9		23-41-9

1963 PASSENGER CAR PARTS CATALOG

NUMERICAL INDEX

PART NUMBER	CODE	PART NUMBER	CODE	PART NUMBER	CODE	PART NUMBER	CODE	PART NUMBER	CODE
6006 204.	23-58-605	6010 019.	14-02-18	6022 190.	12-04-26	6022 989.	23-58-606	6023 185.	8-55-12
6006 205.	23-58-607	6010 020.	23-33-12	6022 191.	6-38-1	6022 997.	8-55-163	6023 187.	8-55-162
6006 216.	23-58-606	6010 025.	13-66-18		17-17-4	6023 006.	23-64-275		6-09-1
		6010 031.	12-02-5				23-64-299		21-03-23
			15-19-2	6022 193.	7-26-8	6023 011.	13-66-15	6023 192.	22-20-87
6006 221.	23-58-234			6022 201.	19-48-47				
6006 222.	23-58-245	6010 035.	12-02-5	6022 226.	6-22-01	6023 012.	17-29-14	6023 201.	1-87-336
6006 223.	23-58-607	6010 037.	12-02-5		6-22-15	6023 020.	17-15-6		7-16-38
6006 224.	23-58-603	6010 060.	7-26-17		9-23-5		19-15-30		8-37-199
6006 226.	23-58-607	6010 061.	8-34-96		9-23-10	6023 036.	19-14-21		23-108-98
		6010 094.	15-03-5		11-10-3	6023 039.	23-32-80	6023 202.	7-16-38
					24-25-45		23-48-50		
					24-27-5				
6006 227.	23-58-607	6010 226.	23-33-96	6022 230.	4-10-15	6023 044.	19-14-16	6023 204.	23-14-10
6006 228.	23-58-607	6012 008.	13-64-149	6022 245.	19-14-35	6023 045.	19-14-16		23-36-123
6006 229.	23-58-607	6012 031.	2-08-55	6022 254.	24-25-10	6023 050.	5-13-10	6023 215.	1-87-336
6006 230.	23-58-607		2-10-17		24-26-100		6-09-1	6023 225.	13-66-20
6006 231.	23-58-607	6012 042.	21-03-23	6022 266.	19-54-91		6-10-10		
							9-67-4	6023 227.	23-48-76
		6012 049.	8-47-15	6022 270.	15-19-2		21-30-407	6023 246.	19-15-23
		6012 068.	14-02-18	6022 274.	1-48-388		21-30-426	6023 247.	23-20-14
		6012 070.	13-66-15	6022 279.	21-30-317		24-25-5	6023 252.	8-50-307
		6014 023.	8-55-9	6022 381.	8-29-130		24-25-10	6023 253.	8-32-18
		6015 143.	1-48-941	6022 582.	4-10-22				
			23-18-12	6022 583.	21-138-7	6023 053.	9-64-5	6023 257.	12-02-5
			24-01-65	6022 594.	8-55-209	6023 085.	8-55-10	6023 264.	23-64-48
			24-28-361	6022 681.	8-56-2		19-48-45	6023 269.	8-47-15
		6015 271.	8-15-32	6022 691.	21-30-426	6023 086.	19-48-45	6023 271.	8-47-15
		6015 288.	8-15-32	6022 696.	23-58-605	6023 088.	19-14-23		8-47-131
			23-41-95						
		6015 366.	8-01-7	6022 777.	14-01-15	6023 092.	7-08-15	6023 272.	8-55-9
		6016 005.	23-108-12	6022 784.	7-26-8	6023 097.	8-56-4	6023 282.	8-55-209
					12-01-16		12-15-21	6023 283.	12-01-15
		6022 006.	8-52-100	6022 802.	7-31-14	6023 111.	8-55-9	6023 284.	7-16-38
		6022 007.	8-55-162		7-33-12		8-55-161	6023 285.	4-10-25
		6022 009.	12-01-12		12-01-12				14-25-12
		6022 016.	7-26-5	6022 805.	9-71-5	6023 112.	8-29-194		
			12-01-12	6022 816.	21-05-19	6023 118.	4-10-22	6023 286.	24-28-186
		6022 029.	12-01-12	6022 817.	21-138-7	6023 133.	5-58-2	6023 291.	12-01-16
		6022 031.	15-19-2	6022 823.	17-23-56	6023 143.	21-03-23	6023 293.	2-10-6
		6022 050.	8-56-10	6022 831.	17-23-57	6023 145.	9-45-1		2-10-7
		6022 052.	8-55-163			6023 146.	1-48-613	6023 343.	21-139-74
			12-01-16	6022 834.	12-04-12		24-28-186	6023 346.	8-33-70
		6022 056.	23-47-35	6022 838.	11-10-3	6023 148.	13-64-5	6023 349.	8-47-14
		6022 071.	8-57-11	6022 839.	23-48-11		13-66-15		8-47-130
		6022 072.	23-77-3	6022 858.	23-14-41	6023 152.	7-16-38	6023 350.	15-19-2
		6022 081.	8-57-11	6022 859.	21-05-19		7-35-13	6023 351.	8-47-69
		6022 117.	23-58-606		21-129-7	6023 155.	12-01-15		8-47-131
				6022 869.	13-33-68	6023 164.	7-16-38		8-55-9
		6022 148.	9-46-21	6022 870.	13-33-68		7-26-11	6023 353.	9-67-4
		6022 153.	23-48-101	6022 891.	23-15-9		7-26-29		9-71-5
			23-48-116	6022 895.	13-33-61		7-31-14	6023 363.	21-119-3
		6022 161.	21-42-16	6022 898.	13-64-6		7-35-13		23-54-19
		6022 162.	8-34-362				8-34-62	6023 365.	23-54-1
			12-01-15	6022 899.	13-64-6		12-04-26		
		6022 169.	23-58-66	6022 902.	13-64-5	6023 165.	13-35-1	6023 368.	7-16-12
			23-58-603	6022 905.	13-66-15	6023 167.	7-16-38	6023 375.	1-48-394
			23-112-88			6023 168.	12-01-15	6023 387.	8-37-199
		6022 181.	9-03-28				7-16-38		23-101-3
		6022 185.	8-27-27				7-26-29		23-112-153
			9-48-6				12-01-15		23-120-153
			9-48-7				12-07-2		
			9-48-13	6022 951.	7-16-12	6023 170.	12-01-15	6023 391.	24-24-150
			17-19-20		7-33-12		12-04-26	6023 397.	14-88-27
					12-04-12	6023 171.	12-01-15	6023 401.	8-33-19
		6022 187.	12-01-12	6022 968.	23-48-149		12-04-26	6023 414.	8-56-53
			12-01-16	6022 988.	23-14-41		13-33-68	6023 476.	23-92-5
			15-19-2		23-64-62		24-27-5		23-103-3

PART NUMBER	CODE	PART NUMBER	CODE	PART NUMBER	CODE	PART NUMBER	CODE	PART NUMBER	CODE
6023 481	. . . 8-55-9	6023 776	. . . 24-28-5	6024 179	. . . 8-47-14	9412 348	. . . 8-44-1	9419 882	. . . 9-48-7
6023 484	. . . 15-19-2	6023 850	. . . 13-64-5		8-47-130	9413 197	. . . 23-92-5	9420 442	. . . 23-18-25
	15-19-4		13-64-56	6024 190	. . . 23-26-58	9413 268	. . . 23-34-85	9420 778	. . . 8-55-159
6023 486	. . . 8-56-10		13-66-20	6024 194	. . . 8-34-62	9413 794	. . . 8-52-5	9420 830	. . . 8-44-1
6023 490	. . . 8-50-130			6024 196	. . . 8-34-96	9414 037	. . . 24-01-8	1512 TX8	. . . 23-113-45
		6023 854	. . . 8-55-162					1513 TX8	. . . 23-113-45
6023 497	. . . 23-86-19	6023 857	. . . 23-58-250	6024 210	. . . 8-52-5	9414 111	. . . 8-50-337	1515 TR6	. . . 23-113-45
6023 512	. . . 8-53-154	6023 858	. . . 23-58-250	6024 213	. . . 8-34-96	9414 327	. . . 23-21-14	1530 TR6	. . . 23-63-33
6023 513	. . . 8-53-154	6023 867	. . . 8-55-159	6024 218	. . . 23-58-603	9414 711	. . . 24-24-67	1531 TR6	. . . 23-63-33
6023 514	. . . 21-04-6		8-55-332	6024 230	. . . 8-34-62	9414 742	. . . 23-112-45	1613 TA7	. . . 23-20-29
6023 523	. . . 13-36-5			6024 246	. . . 9-23-10		23-112-96		
		6023 884	. . . 23-33-213			9414 765	. . . 23-21-14	1800 TR6	. . . 23-79-33
6023 535	. . . 7-16-12	6023 890	. . . 2-10-63	6024 248	. . . 17-23-57	9414 767	. . . 23-21-14	1801 TR6	. . . 23-79-33
	7-33-12		17-23-57	6024 278	. . . 8-34-96	9415 969	. . . 8-44-1	1802 TR6	. . . 23-79-33
6023 538	. . . 23-14-18	6023 899	. . . 8-52-5	6024 281	. . . 23-76-17	9416 043	. . . 23-02-11	1803 TR6	. . . 23-79-79
	23-14-27	6023 925	. . . 8-47-15	6024 289	. . . 23-76-17	9416 049	. . . 23-19-103	1804 TR6	. . . 23-109-5
	23-14-79		8-47-131		23-76-18			1805 TR6	. . . 23-109-5
6023 539	. . . 8-50-307	6023 945	. . . 21-04-6			9416 171	. . . 9-48-7	1815 TX8	. . . 23-109-5
	8-55-9	6023 950	. . . 4-25-2	6024 290	. . . 23-76-17	9416 339	. . . 1-48-613	1816 TX4	. . . 23-109-5
	8-55-161	6023 963	. . . 5-64-2		23-76-18	9416 684	. . . 23-21-14	1817 TX8	. . . 23-109-40
6023 540	. . . 22-20-89	6023 976	. . . 14-11-20	6024 291	. . . 22-01-43	9417 094	. . . 8-52-5	1818 TX8	. . . 23-79-33
6023 541	. . . 8-58-60	6023 977	. . . 13-64-149	6024 293	. . . 9-46-21	9417 361	. . . 8-37-188		
		6023 978	. . . 22-01-44	6024 296	. . . 23-58-605			1820 TX8	. . . 23-79-79
6023 543	. . . 23-76-18	6023 995	. . . 12-06-6			9417 374	. . . 23-14-135	1920 TX8	. . . 23-112-46
6023 545	. . . 23-109-35	6023 996	. . . 23-58-603	6024 318	. . . 9-46-21	9417 531	. . . 1-48-613	1923 TX8	. . . 23-112-46
6023 546	. . . 23-09-9	6023 997	. . . 4-23-6	6024 329	. . . 12-04-12	9417 534	. . . 23-21-8	1933 TX8	. . . 23-112-50
	23-09-52	6024 000	. . . 7-16-12	6024 333	. . . 19-19-16	9417 787	. . . 8-50-337	1933 TX8	. . . 23-108-21
	23-09-58		23-06-15		19-19-19		8-56-41		
6023 548	. . . 14-73-1	6024 003	. . . 1-48-613	6024 369	. . . 8-55-209	9417 793	. . . 8-01-10		
6023 553	. . . 23-09-9	6024 004	. . . 7-16-12			9418 080	. . . 14-30-1	1934 TX8	. . . 23-108-21
6023 560	. . . 21-04-12	6024 009	. . . 7-16-12			9418 208	. . . 6-09-1		23-112-50
	21-85-29	6024 015	. . . 6-10-10	6024 486	. . . 19-14-10	9418 246	. . . 23-76-31	2012 VT8	. . . 23-101-3
6023 561	. . . 21-04-11	6024 023	. . . 24-25-10	6024 494	. . . 8-56-41	9418 260	. . . 8-55-159	2016 TR6	. . . 23-99-38
				6024 628	. . . 7-26-5			2017 TR6	. . . 23-99-38
6023 568	. . . 24-27-15	6024 076	. . . 9-71-5	6025 002	. . . 7-16-38	9418 297	. . . 23-76-4		
6023 570	. . . 1-88-25	6024 084	. . . 8-55-159		13-66-153	9418 381	. . . 23-36-134	2028 TX8	. . . 23-70-5
6023 576	. . . 23-15-9	6024 085	. . . 9-48-7			9418 398	. . . 8-52-214	2029 TX8	. . . 23-70-5
6023 587	. . . 9-43-3	6024 089	. . . 24-28-5	6025 005	. . . 19-31-2	9418 419	. . . 8-34-96	2703 TL4	. . . 23-108-22
6023 596	. . . 21-42-23	6024 096	. . . 24-25-45	6025 056	. . . 2-10-63	9418 471	. . . 23-02-42	2708 VT6	. . . 23-47-8
				6025 057	. . . 8-50-337			2802 VT8	. . . 23-99-4
6023 597	. . . 12-01-12	6024 097	. . . 24-28-220	6025 063	. . . 19-19-25	9418 480	. . . 8-55-159		
6023 599	. . . 8-56-25	6024 098	. . . 24-28-220	6025 071	. . . 19-48-23	9418 524	. . . 8-55-159	2803 VT8	. . . 23-99-4
6023 630	. . . 19-27-45	6024 100	. . . 15-11-3		21-42-23	9418 537	. . . 8-37-188	4008 TX9	. . . 19-30-4
6023 633	. . . 8-55-209	6024 113	. . . 8-55-161			9418 772	. . . 8-44-1	4009 TX9	. . . 19-30-4
6023 636	. . . 8-50-130	6024 128	. . . 23-58-605			9418 831	. . . 8-56-10	4233 VX9	. . . 1-48-158
				6025 081	. . . 8-56-41			4318 TX8	. . . 23-04-229
6023 637	. . . 8-34-96	6024 145	. . . 23-45-187	6025 089	. . . 11-10-3	9418 883	. . . 8-55-10	4326 TZ1	. . . 23-108-84
6023 659	. . . 8-34-96	6024 148	. . . 23-76-18	6025 097	. . . 14-01-23	9418 903	. . . 8-44-1	4327 TZ1	. . . 23-108-84
6023 660	. . . 6-22-19	6024 156	. . . 12-04-10	6025 099	. . . 8-34-96	9419 247	. . . 4-25-2	4345 TL4	. . . 23-108-20
6023 665	. . . 8-34-96		19-14-35	9409 639	. . . 23-14-52	9419 570	. . . 23-45-187	4388 TX8	. . . 23-108-66
6023 670	. . . 7-16-38	6024 157	. . . 19-14-35		23-64-306	9419 613	. . . 23-82-14	4389 TX8	. . . 23-108-66
			19-31-19						

VENDOR NUMBER CROSS REFERENCE LIST

Auto-Lite Sales Part No.	Chrysler	Auto-Lite Sales Part No.	Chrysler	Auto-Lite Sales Part No.	Chrysler	Auto-Lite Sales Part No.	Chrysler
SWITCHES		STARTER CLUTCH		PINION HOUSING (Con't)		TRANSMISSION CONTROLS (Con't)	
15-5	1692658	18-2	1261401	21-42	1479104	27-6	1479737
15-6	1692659	18-3	1261402	21-44	1523305	27-7	1370204
15-7	648336	18-4	1343708	21-45	1658575	27-8	1297999
15-8	1121741	18-6	1300522	21-47	1505929	27-15	1473102
15-20	864888	18-9	1752374	21-48	1662224	DIST. SHAFT & GOV.	
15-21	871758	18-10	1273427	21-50	1752388	28-2	1818563
15-22	957467	C. E. HEADS (STARTER)		21-58	1517559	28-3	1818574
15-23	1115382	19-4	641453	21-59	1662167	28-5	1383947
15-24	1300507	19-5	1123011	21-61	1752392	28-6	1473064
15-25	1315970	19-6	648340	21-62	1752377	28-7	1473687
15-27	1075941	19-7	636839	21-63	1752380	28-8	1505931
15-28	1633166	19-8	652102	21-64	1818744	28-9	1508428
15-29	1523128	19-9	1138525	21-67	1843320	28-10	1509681
15-30	1383605	19-10	1383848	21-68	1843321	28-13	677156
15-32	1605435	19-12	1300516	21-71	1889376	28-14	1566347
15-36	1495598	19-15	1300516	21-74	1889262	28-15	953715
15-37	1343694	19-16	1605584	21-91	1889796	28-16	1269131
15-38	1529144	19-17	1671301	21-93	2084436	28-17	1436974
15-39	1517558	19-19	1658554	21-94	2084431	28-18	1390543
15-40	1343695	19-28	1123018	21-96	2084663	28-19	599633
15-42	1498878	19-32	1752366	21-97	2084669	28-20	1436975
15-43	641462	19-38	2084662	STARTER YOKE			
15-44	1390061	FIELD COILS (STARTER)		23-1	1300510	28-21	1390532
15-57	1818738	20-5	643827	23-2	1343709	28-22	1501756
15-58	1075543	20-6	930277	23-3	1523299	28-24	1843376
15-59	1075942	20-9	643830	23-4	1390062	28-29	1509678
15-60	1889797	20-10	643831	23-6	1752373	28-43	1394900
15-63	2084439	20-15	1752364	BEARINGS			
ARMATURES (STARTER)		20-16	1300504	24-1	1752381	28-48	869138
16-8	641443	20-17	1752390	24-3	636804	28-55	1818641
16-10	927079	20-18	1665062	24-4	1752378	28-56	1818665
16-15	1138524	20-20	1300514	24-4	1752378	28-57	1818820
16-16	1300505	20-21	1300515	24-5	1402563	28-58	1889395
16-17	1343705	20-22	1265711	24-6	1440349	28-59	1889397
16-19	1383849	20-23	1300513	24-8	648906	CAM & STOP PLATE	
16-21	1523306	20-25	1605583	24-9	2084265	29-6	1089081
16-25	1605585	20-26	1658580	24-12	1614929	29-10	1627242
16-44	687379	20-28	1658577	24-15	592564	29-11	1479529
16-47	1123019	20-29	1658562	24-17	927093	29-12	1505930
16-55	1752421	20-30	1662181	24-23	652115	29-13	1571398
16-56	1752386	20-31	1658553	24-28	636845	29-14	1508812
16-57	1752368	20-32	1879319	LEADS & CONNECTORS			
16-59	1889375	20-35	1123016	26-1	1818566	29-15	1509676
16-60	1843384	20-36	687372	26-2	1818660	29-16	1660504
16-64	1843383	20-37	927967	26-5	1343583	29-17	1627233
16-65	1843385	20-38	927968	26-6	1343583	29-18	1627228
16-74	2084429	20-39	1123017	26-7	1343582	29-19	1627239
16-75	2084658	20-43	1879574	26-8	1495568	29-20	1660501
BRUSH SETS (STARTER)		20-50	1889614	26-9	1401009	29-21	1627261
17-2	1195774	20-53	2084660	26-10	1383958	29-26	1658545
17-3	1614933	20-54	2084668	26-11	1527974	29-27	1658548
17-8	927909	PINION HOUSING		26-12	1383959	29-28	1658543
17-9	1069966	21-10	927095	26-14	1658602	29-29	1689771
17-11	927910	21-11	919950	26-15	1261010	29-30	1689776
17-13	595319	21-17	1123012	26-16	677206	29-31	1658621
17-20	1538343	21-28	1138528	26-17	677205	29-32	1689769
17-21	1843135	21-29	1473339	26-19	699307	29-33	1663125
17-24	1605587	21-30	1605551	26-24	683363	29-34	1663131
17-25	1658581	21-31	1633168	26-28	1879348	29-35	1663135
17-26	1658552	21-32	1658556	26-29	1818730	29-55	859904
17-33	1311457	21-33	1658558	26-31	1879564	29-56	1568075
17-34	1345005	21-35	1315966	TRANSMISSION CONTROLS			
17-39	2084661	21-38	1369646	27-1	689882	29-57	859907
		21-39	1390063	27-2	1112508	29-58	1136535
		21-40	1390064	27-3	1126633	29-59	1343588
						29-60	599126
						29-61	1138512
						29-62	1135596

VENDOR NUMBER CROSS REFERENCE LIST

Auto-Lite Sales Part No.	Chrysler	Auto-Lite Sales Part No.	Chrysler	Auto-Lite Sales Part No.	Chrysler	Auto-Lite Sales Part No.	Chrysler
CAM & STOP PLATE (Con't)		MISC. DIST. PARTS (Con't)		MISC. GEN. PARTS (Con't)		WIPER MOTORS (Con't)	
29-64	959316	31-43	691707	35-9	636800	38-13	1239453
29-65	921275	31-44	691709	35-10	648392	38-14	1261499
29-66	861444	31-45	691708	35-11	674939	38-15	1261498
29-67	1818570	31-46	691710	35-12	40654	38-16	1495163
29-68	1818575	31-47	1689788	35-13	1253362	38-17	1788676
29-69	1818649	31-48	1195772	35-14	671481	38-18	1788675
29-70	1818663			35-15	695627		
29-71	1818643	MISC. IGNITION PARTS		35-16	674936	MISC. WIPER PARTS	
29-72	1818646	32-1	1688207	35-17	673014	39-1	1704421
29-73	1752627	32-3	1818729	35-18	683358	39-3	1505326
29-74	1818732	32-6	1818839	35-19	683357	39-4	1568051
29-75	1818764	32-7	867119	35-20	1138481	39-5	1879600
29-76	1818769	32-9	920368	35-21	636815	39-6	1568050
29-77	1752235	32-14	1842000	35-22	1266520	39-12	1622012
29-78	1843378			35-23	1253348	39-13	1622011
29-79	1879281	MISC. REGULATOR PARTS		35-24	1253344	39-14	1658486
29-81	1879312	33-1	126049	35-25	1253346	39-16	1622436
		33-3	1394893	35-26	1266497	39-17	1879341
		33-4	928551	35-27	1627277	39-18	1704072
GEARS, COLLARS, COUPLINGS		PULLEY FANS		35-28	859901	39-19	1704744
30-1	1594973	34-1	1370320	35-29	636810	39-20	1704068
30-2	1300635	34-2	1383658	35-30	674943	39-21	1704067
30-3	1262345	34-5	1479176	MISC. PARTS (STARTER)			
30-4	1262346	34-6	1479182	36-3	1532985	39-22	1770698
30-5	1265717	34-8	1479852	36-4	927092	39-23	1605601
30-6	1540105	34-9	1479853	36-5	1121742	39-24	1605610
30-7	1540104	34-10	1495318	36-6	1266543	39-25	1605609
30-8	1818685	34-13	1540846	36-7	1121743	39-26	1622010
MISC. DISTRIBUTOR PARTS		34-14	1505368	36-8	1138526	39-27	1622009
31-1	1235421	34-15	1505907	36-10	641445	39-28	1648064
31-2	953717	34-16	1505916	36-13	636840	39-30	1605425
31-5	1089090	34-19	1565346	36-14	648387	39-31	1658757
31-6	1195769	34-20	1565347	36-18	636825	39-33	1704711
31-7	1195770	34-21	1565785	36-19	1501797	39-34	1770870
31-8	1343585	34-22	1565881	36-19	1501797	39-35	1658349
31-9	1343591	34-23	1565888	36-21	636817	39-36	1658348
31-10	1345705	34-24	1565886	36-22	1343710	39-38	1658420
31-11	1383641	34-25	1565890	36-22	1343710	39-42	1770707
31-12	1274087	34-24	1565886	36-23	1369645	39-43	1818890
31-13	1274088	34-25	1565890	36-25	1671288	39-45	1261446
31-14	1383953	34-27	1507931	36-26	1343706	39-46	1261447
31-15	1383954	34-28	1508413	36-27	1273430	39-47	1263468
31-16	1383946	34-39	1540847	36-28	1752360	39-48	1263469
31-17	643915	34-40	1889371	36-29	1752361	39-49	1886203
31-18	643892	34-41	1889373	36-30	641444	39-50	1370004
31-19	960546	34-42	1540845	36-32	687366	39-51	1370010
31-21	643896	34-43	1889372	36-33	120393	39-52	1370009
31-22	643989	34-48	1922614	36-34	1123014	39-53	1479946
31-23	643893	34-49	1922613	36-35	641446	39-55	1540465
31-24	643907	34-55	1263560	36-36	672641	39-56	1540520
31-25	648400	34-56	1194599	36-37	1383663	39-57	1838291
31-26	648401	34-59	1136932	36-37	1383663	39-58	1842407
31-27	648404	34-60	1126616	36-38	1818777	39-59	1838292
31-28	1089084	34-61	1263488	MISC. PARTS (SWITCHES)			
31-29	1343594	34-62	1264952	37-1	652122	39-60	1841680
31-30	1473688	34-63	1319434	37-6	636884	39-61	1841679
31-31	643899	34-65	1320117	37-7	861499	39-62	1886222
31-32	1407579	34-66	1264986	37-8	636863	39-63	1886224
31-33	960548	34-67	1889398	37-9	861500	39-64	1838935
31-34	1369774	MISC. GENERATOR PARTS		WIPER MOTORS			
31-35	643901	35-1	113702	38-1	1505322	39-65	1838934
31-36	648246	35-2	1274093	38-3	1568077	39-66	1838936
31-37	648029	35-4	674927	38-4	1622403	39-68	1233532
31-38	859903	35-5	1253349	38-5	1595003	39-69	837999
31-39	958177	35-6	674930	38-7	1627384	SMALL MOTORS	
31-42	636899	35-7	671477	38-9	1627380	40-1	1603324
		35-8	636796	38-12	974467	40-3	1605379
						40-4	1622498
						40-5	1626847

VENDOR NUMBER CROSS REFERENCE LIST

Auto-Lite Sales Part No.	Chrysler	Auto-Lite Sales Part No.	Chrysler	Auto-Lite Sales Part No.	Chrysler	Auto-Lite Sales Part No.	Chrysler
SMALL MOTORS (Con't)		MISC. HARDWARE ITEMS		GENERATORS		SPRINGS	
40-6	1642435	43-1	120614	45-4	853770	50-1	1752362
40-7	1642434	43-2	43761	45-8	E71258M	50-2	1605571
40-8	1436729	43-3	120391	45-9	1136934	50-3	1818571
40-9	1495282	43-4	131094	45-11	1495199	50-4	864912
40-10	1879579	43-5	131095	45-12	1604834	50-6	958161
		43-6	131096	45-15	1257392	50-7	1818684
		43-7	131098	45-16	1263971	50-9	1818647
MISC. ARMATURES		43-8	103905	45-17	1479175	50-10	1818644
41-1	1605570	43-9	106750	45-18	1504760	50-11	1818667
41-2	1605593	43-10	122159	45-19	1540596	50-12	1818736
41-3	1605597	43-11	132900	45-20	1505824	50-14	671490
41-4	1658583	43-12	121540	45-21	1604825	50-15	1818822
41-5	1658586	43-13	131015	45-22	1605400	50-16	960173
41-6	1605576	43-14	111873	45-23	1264054	50-17	674935
41-10	1658592	43-15	132930	45-27	1642005	50-18	1843155
41-11	1752653	43-16	134566	45-30	1770755	50-19	1345517
41-12	1300634	43-17	131949	45-31	1798760	50-20	1843379
41-13	1262365	43-18	131958	45-32	1920845	50-21	1879287
41-14	1479685	43-19	132105			50-22	1627279
41-15	1818813	43-20	132919	STARTING MOTORS		50-23	1308183
41-16	1818878	43-21	120214	46-5	1071819	50-24	1879321
41-17	1818879	43-22	120367	46-7	1070939	50-25	1879320
41-19	1627272	43-23	121801	46-8	1067335	50-27	1110964
		43-25	120368	46-10	1922641	50-28	1627263
MISC. BRUSHES		43-26	1264047	46-11	1268125	50-29	852026
42-1	868773	43-27	131870	46-13	1473558	50-30	1627231
42-2	1605594	43-29	120611	46-14	1889260	50-31	959310
42-4	1658585			46-16	1535557	50-32	1067297
42-5	1605573	DISTRIBUTORS		46-18	1311459	50-34	1689772
42-6	1627271	44-5	930366	46-19	1268126	50-35	1879232
42-7	1265745	44-10	1193314	46-20	1604480	50-37	1308243
42-8	860937	44-16	1479588	46-24	1658033	50-38	1689774
42-10	958163	44-20	1274066	46-25	1627289	50-40	674959
42-11	1308473	44-21	1274116	46-26	1627290	50-45	1879292
42-13	1752517	44-24	1479139	46-45	1941107	50-46	1627243
		44-25	1626661	46-46	1941117	50-48	1308182
		44-26	1626656			50-49	1627229
		44-27	1501786	SPEEDOMETER, FRAME, ROTOR, ODOMETER		50-52	1658622
		44-29	1648685	48-1	589890	50-56	1879310
		44-30	1642392	48-8	1604702	50-57	1879323
		44-31	1922670	48-25	1798619	50-58	671505
		44-42	1881943			50-62	1889496
		44-42	1889305	MISC. SPEEDOMETER PARTS		50-63	1889519
		44-44	1788688	49-4	1263532	50-64	1889538
						50-65	636841
						50-67	1889548
						50-68	1889608
						50-70	2084087
						50-75	592565
						50-81	2084681

VENDOR NUMBER CROSS REFERENCE LIST

VENDOR NUMBER	CHRYSLER NUMBER	VENDOR NUMBER	CHRYSLER NUMBER	VENDOR NUMBER	CHRYSLER NUMBER
AUTO-LITE					
4-GS-125	1594 767	CAF-4001	1843 324	EBB-69	2084 438
4-GS-150	1540 373	CAG-33	1842 000	EBB-70	2084 664
4-GS-200	1555 285	CAG-4001	1688 210	EBB-76	1889 938
4-S-165	1436 277	CAH-4001	1688 212	EBB-79	2095 397
4-S-250	1565 337	CAH-4001 SS	1843 324	EBB-98	2098 472
6-12-33-51	1391 399	CAJ-4001	1672 746	EBB-832	1473 219
6-12-34-51	1391 398	CAK-4001	1672 793	EC-41	1154 359
8-12-6-45	1122 921	CAL-4001 SS	1818 837	ED-15602	1842 522
A-5	1406 647	CAM-4001	1818 840	EGGJ-2001 S	1501 791
A-7	1075 955	CB-1805	1390 260	EMA-4002	1627 166
A-9	691 672	CB-5777	1390 619	EMB-4001	1627 146
A-11	964 402	CB-6134	854 798	EMD-47	1540 383
A-32A	1889 521	CB-13940	1122 887	EMD-4003 B	1540 366
A-42B	1889 520	CB-15238	1345 574	EMG-40	1527 831
A-52B	1889 522	CB-17363	1390 624	EMG-106	1505 326
A-3897 K 427	1929 343	CB-17379	1273 969	EMG-1087 R	1540 371
A-14908 A	1798 596	CB-17423	1390 625	EMG-1109 L	1571 233
ADM-5	1889 295	CB-17435	1390 616	EMG-1110 R	1571 232
AG-3 B	1889 712	CB-17437	1273 353	EMG-2006	1527 945
AG-4	2095 755	CB-17443	1390 621	EMG-4102 B	1540 122
AG-32	2095 675	CB-17449	1390 009	EMG-4105	1505 322
AG-52	2095 289	CB-17766	1390 626	EMJ-2024	1818 503
AGR-2	1841 500	CB-17768	1390 026	EMJ-2026	1818 505
AGR-4 S	1553 043	CE-17770	1390 623	EMJ-4104	1648 342
AGR-8 S	1614 216	CB-18994	1390 622	EMK-4101	1540 123
AGR-31	1648 989	CB-24778	1648 133	EMK-4105	1509 627
AGR-32	1689 297	CE-308 A	1271 779	EMM-4002	1603 324
AGR-41	1658 910	CE-1187 DQS	578 506	EMP-40	1604 243
AGR-42	1658 852	CE 1187 FNS	1191 544	EMP-43 R	1594 973
AGR-45	1553 043	CE-2260 AQS	868 587	EMP-62	1568 051
AGR-51	1568 040	CF-4013	924 053	EMP-1053	1568 052
AGR-52	1689 073	CT-4002	1394 885	EMP-1063	1568 050
AGR-82	1704 305	CT-4004	1612 741	EMP-1065	1568 049
AGR-85	1614 216	CW-11	1326 546	EMP-4101	1568 077
AL-7	691 673	CW-2015 A	1326 553	EMU-1057	1604 023
AR-5	1257 587	CW-4001 T	1401 015	EMU-1060	1626 946
AR-5 S	1268 988	CW-4002	1672 746	EMU-1071 L	1622 012
AR-6	1568 039	CY-4002	1394 885	EMU-1071 R	1622 011
AR-8 A	1658 844	DA-60 A	1404 671	EMU-1078 L	1658 486
AR-8 S	1450 160	DK-23 C	1253 343	EMU-1085	1622 435
AR-10	1479 185	DO-561 AX	1318 994	EMU-1089	1622 436
AR-31	1889 465	EBA-2 A	1109 698	EMU-2047	1879 341
AR-32	1753 672	EBA-39	1473 219	EMU-4101	1622 403
AR-41	1662 273	EBA-79	1110 992	EMZ-32	1642 029
AR-42	1658 851	EBA-87	1134 138	EMZ-40	1594 992
AR-51	1568 039	EBA-1213	927 083	EMZ-53	1594 995
AR-52	1658 850	EBA-1225	927 084	EMZ-54	1594 993
AR-80	1658 844	EBA-2006	927 086	EMZ-59	1752 662
AR-82	1658 843	EBA-2007	1495 571	EMZ-63	1605 068
ARL-8	1265 760	EBA-2008	927 088	EMZ-64	1605 605
AT-4	1262 988	EBA-2105	927 091	EMZ-65	1605 607
AT-8	1262 986	EBA-3307	1495 571	EMZ-66	1605 602
ATR-42	2095 255	EBB-20	1473 219	EMZ-72	1605 606
C-16-25	2084 108	EBB-20 A	2240 286	EMZ-74	1752 663
C181-101	1826 583	EBB-26 A	1532 984	EMZ-1085	1605 524
CAC-4001	1595 023	EBB-32 A	1550 078	EMZ-1089	1605 425
CAE-4002	1627 412	EBB-53	1752 387	EMZ-2003	1752 664

VENDOR NUMBER CROSS REFERENCE LIST

VENDOR NUMBER	CHRYSLER NUMBER	VENDOR NUMBER	CHRYSLER NUMBER	VENDOR NUMBER	CHRYSLER NUMBER
AUTO-LITE					
EMZ-4001	1595 003	EPW-1070 R	1770 707	EWR-43	1540 105
EOC-11930	1502 255	EPW-2002	1818 877	EWR-43 R	1540 104
EOC-11931	1502 256	EPW-2002 A	1879 342	EWR-1026 A	1439 662
EOP-14576	1770 732	EPW-2006	1818 878	EWR-1026 B	1473 111
EPA-4001 S	1622 498	EPW-4001	1770 882	EWR-1071	1436 242
EPC-4001	1626 847	EPW-4001 B	1838 937	EWR-1072	1370 004
EPF-64	1658 351	EPX-53	1753 174	EWR-1099 L	1370 023
EPF-67	1658 350	EPZ-4001	1753 234	EWR-1099 R	1370 022
EPF-1005	1752 665	EPZ-4004	2093 843	EWR-1100 L	1383 507
EPF-1070 R	1658 348	EPZ-4101	1753 870	EWR-1100 R	1383 506
EPF-1070 L	1658 349	ERA-4001	1779 055	EWR-2082	1495 353
EPF-2002	1752 666	ERC-2005	1879 416	EWR-2096 S	1479 946
EPF-4001	1627 384	ERQ-4001	2084 884	EWV-4001	1383 349
EPG-4001	1627 146	ERQ-4002	2225 575	EWV-4001	1436 729
EPH-2006	1658 592	EW-103	837 999	EWY-1085 F	1540 466
EPH-4101	1627 380	EWD-62	1273 472	EWY-1085 G	1540 522
EPH-4102	1662 302	EWD-115	837 999	EWY-1085 H	1540 524
EPH-4103	1788 675	EWF-12	1495 533	EWY-1097 LA	1540 150
EPJ-4003	1642 434	EWG-20 A	1843 157	EWY-1097 RA	1540 149
EPJ-4102	1753 856	EWJ-43 L	1262 345	EWY-1098 LA	1540 369
EPK-28	1818 889	EWJ-43 R	1262 346	EWY-1098 RA	1540 368
EPK-4201	1769 459	EWJ-64	1390 521	EWY-1116 F	1540 520
EPS-1005	1879 344	EWJ-91	1194 585	EWY-1116 G	1540 523
EPT-4005	1788 676	EWJ-132	1233 531	EWY-1117 C	1540 521
EPV-25	1818 806	EWJ-142	1272 410	EWY-4004	1495 163
EPV-26	1818 807	EWJ-1090	1194 581	EX-88454	1343 488
EPV-34	1818 808	EWJ-1097 R	1310 543	EXH-119705	1769 891
EPV-49	1752 513	EWJ-1117	1310 656	EXP-53	1753 174
EPV-50	1769 565	EWJ-1120 L	1310 654	F5-3276-P-16	1934 350
EPV-64	1753 712	EWJ-1120 R	1310 661	FA-31 S	1313 837
EPV-72	1753 711	EWJ-1141 L	1370 210	FB-4002 S	1637 367
EPV-75	1704 440	EWJ-1141 R	1370 209	GAA-35 A	1273 382
EPV-78	1818 809	EWJ-1158	1495 605	GAR-73	636 796
EPV-94	1770 290	EWJ-1162 RA	1540 371	GAR-95	648 359
EPV-95	1770 289	EWJ-1162 LA	1540 372	GAR-171	648 392
EPV-1005	1818 810	EWJ-1167	1540 145	GAR-221 A	1273 438
EPV-1060	1704 072	EWJ-2056	1262 366	GBG-24 M	1405 151
EPV-1062	1819 075	EWJ-2072	1540 475	GBG-49 C	1405 143
EPV-1070 L	1704 068	EWJ-2143	1390 519	GBG-56 D	1405 149
EPV-1070 R	1704 067	EWJ-2154	1495 606	GBG-57 B	1405 147
EPV-1071 L	1704 711	EWJ-4002	1261 036	GBG-66 B	1405 137
EPV-1071 R	1770 698	EWJ-4007 A	1436 660	GBG-560	1405 149
EPV-1076 L	1779 677	EWJ-4011	1272 340	GBG-1056 F	1405 148
EPV-1076 R	1779 584	EWK-43	1265 717	GBJ-25	674 931
EPV-1117	1704 744	EWK-74	1660 965	GBM-2012 AS	689 929
EPV-2002	1818 811	EWK-100	1261 446	GBM-2065 F	671 474
EPV-2003	1818 812	EWK-100 A	1261 447	GBW-34	671 481
EPV-2006	1818 813	EWK-1015	1261 454	GBW-45	671 490
EPV-4001	1770 336	EWK-1085	1263 468	GBW-45 A	1110 952
EPV-4001 A	1770 337	EWK-1090	1263 469	GBW-69	695 627
EPV-4001 C	1779 860	EWK-2006	1265 731	GBW-73	695 629
EPV-4001 D	1838 932	EWK-2071	1265 732	GBW-1024 N	1138 490
EPV-4001 E	1842 408	EWK-2072	1265 736	GBW-2012 CS	1550 087
EPV-4001 F	1886 123	EWK-4101	1261 499	GBW-2052 FM	1112 913
EPV-4001 G	1842 964	EWK-4102	1261 498	GBY-34 C	1405 142
EPW-1005	1818 876	EWM-2006	1308 472	GBY-38 A	674 919
EPW-1060	1770 870	EWM-4001	1300 526	GCD-24	1136 588
EPW-1070 L	1704 743	EWO-4001	1343 472	GCD-2012 S	960 544

VENDOR NUMBER CROSS REFERENCE LIST

VENDOR NUMBER	CHRYSLER NUMBER	VENDOR NUMBER	CHRYSLER NUMBER	VENDOR NUMBER	CHRYSLER NUMBER
AUTO-LITE					
GCE-24	674 944	GGA-20	1253 327	GGU-6004 S1	1440 394
GCE-40	916 572	GGA-70	1253 336	GGU-6005 S1	1479 730
GCE-40 B	1405 138	GGA-1005 A	1391 246	GGU-6006 S1	1495 199
GCE-53	674 935	GGA-1055	1769 460	GGU-6012-S1	1507 928
GCE-2002 S	1262 932	GGA-1068	1253 338	GGW-40	1271 164
GCP-2052 FM	1138 489	GGA-1084	1571 464	GGW-71	120 392
GCP-2105 FM	1531 572	GGA-1086	1818 749	GGW-83	1610 386
GCT-25	683 358	GGA-2102 S	1689 779	GGW-87	1552 859
GCY-25	683 357	GGA-6001 N-S1	1663 097	GGW-88	1552 885
GDJ-23 B	1405 139	GGA-6002 S1	1658 865	GGW-1003	1266 500
GDJ-63 D	1404 672	GGA-6003 S1	1658 861	GGW-1005 J	2098 079
GDJ-73 B	1405 150	GGA-6005 S1	1662 147	GGW-1008	1266 493
GDJ-1073	919 871	GGA-6008 S1	1661 773	GGW-1024	1266 502
GDJ-1073 B	1405 146	GGA-6010 S1	1658 865	GGW-1031	1266 519
GDJ-1973 B	1405 146	GGE-1003	1112 915	GGW-1078	1527 938
GDJ-2012 CS.	1502 235	GGE-1004 A	1112 920	GGW-1082	1527 968
GDJ-2062 FT.	1405 144	GGE-4804 M.	E-71 258-M	GGW-2002 AS	1402 559
GDJ-2065 F	916 581	GGE-4805 M.	E-71 259-M	GGW-2002 S	1384 081
GDJ-2074 BS	1405 141	GGE-4807 M.	1311 471	GGW-2006 F.	1266 499
GDJ-4808	918 720	GGF-9	1266 520	GGW-2006 FT.	1402 565
GDW-44	1138 481	GGF-13	1266 524	GGW-2012 S.	1605 565
GDZ-1002 A	860 491	GGJ-2012 S	1253 341	GGW-2032 F.	1266 526
GDZ-1003	860 492	GGJ-2021 S	1501 791	GGW-2045 F.	1479 690
GDZ-1007	858 270	GGJ-2101 AF	1627 214	GGW-2046 F.	1505 843
GDZ-1007 A	1135 607	GGJ-2103 F	1384 049	GGW-2047 S	1505 842
GDZ-1008	858 271	GGJ-2104 F	1473 063	GGW-2079 S	1507 941
GDZ-1008 B	1323 951	GGJ-2107 F	1627 248	GGW-2089 S	1605 566
GDZ-1064 A	1320 488	GGJ-6001 S1	1136 931	GGW-2090 F.	1605 568
GDZ-2002 S	1267 815	GGJ-6002 S1.	1263 554	GGW-2098 F.	1605 563
GDZ-2006 F	859 900	GGJ-6004 S1.	1440 393	GGW-6001 AT	1330 240
GDZ-2057 F	596 888	GGJ-6005 S1.	1540 429	GGW-6001 S	1257 392
GDZ-2094 AS	1320 486	GGJ-6007 S1.	1390 077	GGW-6001 S1	1504 760
GDZ-4801 S1	853 770	GGJ-6008 S1.	1604 843	GGW-6001 SN	1257 392
GDZ-4802 S1.	595 316	GGU-33	1253 355	GGW-6001 T-S1.	1330 241
GDZ-4820 M.	1123 539	GGU-38A	1402 563	GGW-6002 S1	1263 971
GDZ-4822 S1	1138 509	GGU-40 A	1818 775	GGW-6004 T-S1	1326 562
GE-48	661 647	GGU-1002 A	1253 358	GGW-6005	1479 730
GEA-34	859 899	GGU-1003	1253 361	GGW-6005-T-S1	1401 004
GEB-29	916 588	GGU-1003 D	1879 569	GGW-6008-S1	1479 175
GEB-2006 F	860 922	GGU-1007	1253 351	GGW-6011 S1	1504 760
GEB-6001 S-1	1194 650	GGU-1007 A	1483 977	GGW-6012 S1	1540 596
GEF-1008 C	1138 483	GGU-1008 A	1483 978	GGW-6013 S1	1505 824
GEF-2006 F	2084 290	GGU-1045	1269 227	GGW-6014-S1	1540 820
GEF-4901 M.	E-71 260-M	GGU-1064 A	1889 351	GGW-6016 S1	1604 825
GEF-4902 M	E-71 261-M	GGU-1065	1527 960	GGW-6019 S1	1550 577
GEF-4903 M	1323 917	GGU-2002 S	1495 542	GGY-45	1345 517
GEF-4904 M	1323 918	GGU-2006 F.	1253 360	GGY-45 A	1402 564
GEF-5003	1889 606	GGU-2012 AS	1402 588	GGY-2012 S	1402 500
GEW-31	120 396	GGU-2012 S	1253 367	GGY-2012 BS	1661 748
GFM-18 A	131 954	GGU-2042 F	1495 573	GGY-2017 BS	1610 378
GFR-56 A	1405 145	GGU-2046 F	1268 226	GGY-3080 S	1610 383
GFY-1007 A	1253 329	GGU-2048 S	1473 057	GGY-3080 BS	1692 763
GFY-1008 A	1253 331	GGU-2054 F	1473 060	GGZ-1064 A	1889 351
GFY-2093 F	1689 799	GGU-2070 S	1605 558	GGZ-2006 F	1268 126
GFY-2101 F	1391 249	GGU-2071 F	1605 559	GGZ-2046 F	1507 942
GFY-2107 F	1689 780	GGU-6001 S1.	1136 934	GGZ-6001 M-S1	1321 751
GFY-2108 F	1689 801	GGU-6002 S1	1262 334	GGZ-6001-S1	1264 054
GG-164	636 815				

VENDOR NUMBER CROSS REFERENCE LIST

VENDOR NUMBER	CHRYSLER NUMBER	VENDOR NUMBER	CHRYSLER NUMBER	VENDOR NUMBER	CHRYSLER NUMBER
AUTO-LITE					
GGZ-6002-S1	1506 324	GHP-2001 S	1555 264	GJC-2012 BS	2084 291
GHA-15	1273 439	GHP-2002 AS	1818 559	GJC-2030 F	1658 523
GHA-35	1273 446	GHP-6002 T-S1	1532 976	GJC-2030 FT	2240 291
GHA-36	1273 447	GHR-20	1818 824	GJC-2032 F	1568 079
GHA-37	1273 444	GHR-20 B	2084 289	GJC-2044	1658 526
GHA-38	1273 432	GHR-1003	1610 380	GJC-2047 F	1661 749
GHA-39	1273 448	GHR-1003 B	2084 293	GJC-2048 F	1662 175
GHA-40	1273 449	GHR-1003 C	2275 561	GJC-2055 F	1689 793
GHA-41	1273 450	GHR-1005	1610 377	GJC-2056 F	1689 803
GHA-42	1273 451	GHR-2006 FM	1630 647	GJC-2058 F	1879 571
GHA-47 S	1394 888	GHR-2081	1630 645	GJC-2059 F	1889 353
GHA-53	1273 454	GHR-4801 M	1535 579	GJC-2060	2084 263
GHA-1004 S	1273 437	GHR-4801 NM	1616 642	GJC-2090 F	1658 608
GHA-1044	1273 455	GHR-4802 M	1535 591	GJC-2098 F	1658 617
GHA-1052	1273 440	GHR-4802 NM	1616 643	GJC-6002-S1	1565 827
GHA-2006 FT	1273 445	GHU-2006 FM	1610 379	GJC-6003-S1	1568 355
GHA-2012 S	1273 441	GHU-4801 M	1553 022	GJC-7002-S1	1770 755
GHA-4802 UT	1268 963	GHU-4801 NM	1616 645	GJC-7003-S1	1942 005
GHB-1003	1879 495	GHU-4802 M	1553 023	GJC-7005-S1	1787 871
GHB-2006 F	1402 501	GHU-4802 NM	1616 644	GJC-7006-S1	1642 009
GHB-2046 F	1879 494	GHW-1005	1612 726	GJC-7009-S1	1569 860
GHB-4801 S1	1323 901	GHW-1005 B	2084 298	GJC-7010-S1	1662 153
GHB-4802 S1	1842 609	GHW-2002 S	2084 292	GJC-7012 S1	1770 755
GHC-1007	1402 493	GHW-2006 AF	2084 299	GJC-7013 S1	1779 945
GHC-1008	1402 494	GHW-2006 FM	1612 729	GJC-7014 S1	1787 871
GHC-6003 S1	1610 368	GHW-3017 S	2084 300	GJC-7017 S1	1941 108
GHC-6004 T-S1	1612 704	GHW-4802-M	1553 026	GJC-7401 T-61	2095 498
GHF-1007	1483 986	GHW-4809	1889 481	GJC-8001 S1	1842 771
GHF-1007 A	1499 171	GHW-4810	1889 483	GJM-1005	1889 352
GHF-1008	1483 987	GHX-4802 M	1550 610	GJM-1005 C	2084 860
GHF-1008 A	1499 172	GHX-4803	1889 827	GJM-7003 S1	1920 845
GHF-2006 F	1818 560	GHX-4804	1889 829	GJM-7401 S1	2095 290
GHF-2006 AFT	1555 268	GJ-20	1300 503	GJM-7402 S1	2095 280
GHF-3006 FM	1483 989	GJ-20 C	2084 659	GJM-8001 S1	1842 800
GHF-6001 M-S1	1321 752	GJC-19	1658 529	GJM-8201 A	2095 070
GHG-2048 FM	1612 734	GJC-38 A	2084 265	GJM-8202 S1	2095 072
GHM-1003 A	1889 349	GJC-39	1752 692	GJM-8203 S1	2095 417
GHM-2006 F	1752 520	GJC-41	1627 278	GJU-1049	2298 786
GHM-2034 F	1879 568	GJC-50	1658 597	GJS-2002 A	2275 560
GHM-2042 F	1499 173	GJC-1005	1568 078	GJO-2002	2275 569
GHM-2045 F	1889 350	GJC-1007 A	1752 645	GJO-1045	2298 785
GHM-2046 F	1752 408	GJC-1008 A	1752 646	GJU-2056 F	2298 784
GHM-2059 F	1752 289	GJC-1019	2196 328	GJU-2063 F	2275 562
GHM-2071 F	1605 561	GJC-1031 A	2196 329	GJU-3030 F	2275 568
GHM-2074 F	1843 209	GJC-1050	2084 855	GJU-3063 F	2275 559
GHM-6001	1770 747	GJC-1057 A	1889 385	GJU-7501	2095 365
GHM-6001 S1	1753 624	GJC-1061	2084 264	GJU-7502	2095 364
GHM-6003-SN1	1704 272	GJC-1061 A	2275 570	GJU-7503 S1	2095 633
GHM-6007-S1	1704 267	GJC-1111 A	1889 234	GK-20 A	673 009
GHM-6008-S1	1787 869	GJC-1111 B	2084 852	GK-20 C	1404 560
GHM-6010 S1	1770 747	GJC-1111 C	2240 293	GK-215	120 395
GHM-6011 S1	1779 960	GJC-1112	1843 161	GTC-1112	1843 161
GHM-6012 S1	1787 869	GJC-1112 A	2196 326	GY-20 C	1689 907
GHM-6013 S1	1787 870	GJC-2001 C	2240 290	H-11133	1232 664
GHM-6015 S1	1704 265	GJC-2002 A	2084 861	HA-4029	866 103
GHM-8002 S1	1842 773	GJC-2002 B	2240 292	HA-4032	1089 619
GHM-8004 S1	1842 776	GJC-2012 AS	1843 156	HA-4035	1188 465
GHM-8005 S1	1842 779			HA-4101	1565 848

VENDOR NUMBER CROSS REFERENCE LIST

VENDOR NUMBER	CHRYSLER NUMBER	VENDOR NUMBER	CHRYSLER NUMBER	VENDOR NUMBER	CHRYSLER NUMBER
AUTO-LITE					
HAB-4027	1622 475	IAO-1003	1235 421	IAY-2019	1818 672
HAB-4028	1622 476	IAO-2004	1195 774	IAY-2019 A	1818 816
HAB-4603	1540 264	IAO-2004 M	1323 925	IAY-2019 B	1818 780
HAB-4604	1540 263	IAO-4109-1 M	1321 787	IAY-4003-1	1274 066
HAB-4617	1523 540	IAO-4110-1 M	1323 899	IAY-4003 B-1	1507 456
HAD-1028	1838 278	IAO-4112-1 M	1326 533	IAY-4004-1	1274 116
HAD-1032 L	1779 474	IAO-4113-1 M	1326 532	IAY-4004 C-1	1788 688
HAD-1032 R	1779 473	IAO-4114-1 M	1321 788	IAY-4101-1	1788 688
HAD-1033 L	1753 101	IOA-4115-1 M	1321 789	IAY-4104-1	1788 688
HAD-1033 R	1753 100	IAO-4116-1	1193 314	IAZ-10	1383 958
HAD-2042	1753 059	IAO-4116 A-1	1265 811	IAZ-1002 R	1383 947
HAD-4027	1622 484	IAP-9	1269 181	IAZ-1002 RB	1752 328
HAD-4627	1627 303	IAP-3004 R	1261 008	IAZ-1002 RC	1818 563
HAD-4628	1627 302	IAR-8	1244 738	IAZ-1002 RD	1843 040
HAD-4729	1660 936	IAR-1003	1126 570	IAZ-1004 RA	1689 784
HAD-4733	1658 822	IAT-6	1343 585	IAZ-1021 R	1439 670
HAD-4734	1658 821	IAT-14	1343 583	IAZ-1021 RE	1571 398
HAD-4901	1664 986	IAT-24 R	1343 582	IAZ-1021 RG	1509 676
HAD-4906	1779 471	IAT-30	1383 641	IAZ-1021 RP	1627 261
HAE-4523 AA	1627 303	IAT-51	1495 568	IAZ-1025 RA	1818 641
HAE-4523 BB	1627 302	IAT-52	1495 565	IAZ-1025 RB	1843 038
HAF-4516 BB	1523 541	IAT-81 RD	1879 348	IAZ-1026 R	1473 687
HAF-4523 AA	1605 186	IAT-81 RE	2084 865	IAZ-1026 RA	1505 931
HAF-4523 BB	1605 185	IAT-81 RF	2240 254	IAZ-1026 RB	1818 574
HD-4102	1565 842	IAT-81 RG	2448 252	IAZ-1026 RC	1843 033
HR-43	652 398	IAT-81 RH	2240 539	IAZ-1028 R	1818 820
HRM-4002	1538 314	IAT-81 RK	2275 581	IAZ-1036 L	1843 376
HRM-4102	1113 084	IAT-1033	1343 576	IAZ-1036 LA	1879 313
HRM-4104	1594 487	IAT-1033 A	2084 677	IAZ-1037 L	1879 392
HRS-4001	1120 526	IAT-2004 RA	1343 578	IAZ-1038 R	1879 390
HRT-4001 A	1479 522	IAT-2004 RD	1752 397	IAZ-1039 LC	2448 251
HRU-4001	1343 488	IAT-2023 G	1343 590	IAZ-2004 R	1658 610
HRV-4001	1370 235	IAT-2050 R	1692 793	IAZ-2004 RA	1658 610
HRW-4001 A	1440 445	IAT-2050 RC	1692 793	IAZ-2023 RA	1439 671
HRZ-4001 L	1495 223	IAT-3076 DS	1881 723	IAZ-2023 RB	1627 234
HRZ-4001 R	1495 222	IAT-3076 JS	2279 949	IAZ-2023 RC	1627 262
HRZ-4002	1473 791	IAT-3076 SS-2	1881 723	IAZ-2023 RD	1658 620
HX-4003 UT	1268 969	IAT-4012	1479 588	IAZ-2023 RE	1689 773
IAD-8	1089 089	IAU-1016 A	1343 587	IAZ-2023 RF	1689 765
IAD-10	1089 090	IAU-1066	1390 137	IAZ-2040 LB	2421 849
IAD-12	1089 089	IAU-2058	1271 760	IAZ-2040 LS	2084 080
IAD-1014 M	1483 967	IAU-2058 S	1500 968	IAZ-2040 R	2084 077
IAD-1100 RH	1089 081	IAU-3076 AS	2196 327	IAZ-2040 RS	2084 076
IAD-2004	1089 082	IAU-3076 L	1271 766	IAZ-4001 A	1479 139
IAD-2004 B	1134 140	IAU-4005 UT	1268 976	IAZ-4001 B	1479 139
IAD-4039-1	930 366	IAU-4007 UT	1391 376	IAZ-4001 C	1540 552
IAD-4040-1	1109 760	IAU-4016 UT	1633 145	IAZ-4001 E	1626 661
IAE-4001 M	1075 920	IAU-4017 UT	1550 585	IAZ-4001 F	1641 707
IAK-8	696 043	IAU-4018 UT	1550 584	IAZ-4001 G	1658 989
IAK-4002-1 M	1119 565	IAW-24	1401 009	IAZ-4002	1383 290
IAL-4001 1M	1123 056	IAX-2046 M	1323 946	IAZ-4002 B	1595 305
IAL-4004 1M	1119 564	IAX-4004-1 M	1323 933	IAZ-4002 C	1626 658
IAO-10	1195 769	IAX-4005-1 M	1321 786	IAZ-4002 D	1626 659
IAO-11	1195 770	IAY-7	1274 087	IAZ-4003 A	1540 809
IAO-13	1345 583	IAY-8	1274 088	IAZ-4003 C	1626 656
IAO-17	1267 367	IAY-9	1274 089	IAZ-4003 D	1641 956
IAO-17 M	1323 924	IAY-1004	1274 090	IAZ-4003 F	1641 956

VENDOR NUMBER CROSS REFERENCE LIST

VENDOR NUMBER	CHRYSLER NUMBER	VENDOR NUMBER	CHRYSLER NUMBER	VENDOR NUMBER	CHRYSLER NUMBER
AUTO-LITE					
IAZ-4003 G	1641 740	IBK-4101 F	1643 392	IBP-4003 N	1889 560
IAZ-4003 H	1658 870	IBK-4103 G	1642 387	IBP-4003 PS	2084 843
IB-654 S	1879 282	IBK-4301 A	1642 392	IBP-4005 B	1842 803
IBB-2014 M	1558 133	IBK-4301 C	1704 309	IBP-4005 E	2095 679
IBB-2040 D	1663 133	IBK-4302	1704 310	IBP-4006	1842 804
IBB-2040 F	2441 848	IBK-4304	1689 325	IBP-4006 C	1889 564
IBB-2040 M	1532 968	IBM-1040	1663 128	IBP-4006 D	1889 485
IBB-4001 A-1M	1321 761	IBM-2004 RA	1843 476	IBR-2050 RA	1818 825
IBB-4101-1M	1486 190	IBM-2004 RC	2240 252	IBR 2050 RC	2240 538
IBB-4101-B-1	1616 631	IBM-2040	1663 126	IBR 2050 RD	2421 193
IBB-4102-1	1402 600	IBM-2041 A	1843 368	IBR 4002 BS	2098 324
IBB-4102 A-1M	1402 503	IBM-4001	1663 025	IBS-2004 L	1843 337
IBB-4103 A	1501 786	IBM-4001 B	1664 956	IBS-2004 R	1752 628
IBB-4105 A	1612 742	IBM-4101	1785 139	IBS-2004 RA	1843 488
IBB-4105 B	1634 193	IBM-4101 A	1792 703	IBS-4003	1779 937
IBB-4106 A-1	1507 047	IBM-4101 B	1793 772	IBS-4004	1779 941
IBB-4107-1	1555 284	IBM-4102	1787 878	IBS-4005 A	1841 518
IBB-4108	1507 048	IBM-4104	1787 055	IBS-4006 B	1779 983
IBB-4202 S	2098 725	IBM-4106 S	1889 891	IBS-4006 C	1842 810
IBC-1035	1486 159	IBM-4108 A	2098 085	IBS-4006 F	2095 680
IBC-4018 UT	1550 590	IBM-4109	2095 900	IBS 4006 G	2095 832
IBC-4019 UT	1551 878	IBO-4001 A-1	1664 970	IBS-4007	1838 822
IBC-4021 UT	1633 140	IBO-4002-1	1663 189	IBS-4007 A	1841 515
IBC-4024 UT	1633 140	IBO-4003	1665 020	IBS-4008	1841 498
IBD-4008 UT	1555 289	IBP-17	1818 566	IBS-4009	1841 417
IBD-4009 UT	1555 288	IBP-17 A	1818 660	IBS-4010	1842 811
IBD-4014 UT	1633 141	IBP-17 B	1818 730	IBS-4010 A	1842 805
IBE-1001	1401 001	IBP-361 BS	1889 496	IBS 4010 B	2095 841
IBF-27	1530 735	IBP-2004 RA	1843 482	IBS 4011 AS	2098 495
IBF-1003	1530 737	IBP-2004 RS	1818 567	IDM-2040 A	2275 563
IBF-1066	1530 739	IBP-2023 LB	2084 085	IG-88	1126 640
IBF-4001 AUT	1633 157	IBP-2023 RA	1818 652	IG-90	643 892
IBF-4001-UT	1409 647	IBP-2023 RC	1818 642	IG-514	643 896
IBF-4002 BUT	1634 224	IBP-2040 L	2084 079	IG-636 HS	852 026
IBF-4002 CUT	1612 723	IBP-2040 R	2084 078	IG-636 MS	1627 237
IBF-4002-UT	1614 217	IBP-2041 B	2275 580	IG-636 NS	959 310
IBG-4001 UT	1558 149	IBP-2209 LA	1889 396	IG-636 QS	1067 297
IBH-4001 UT	1610 349	IBP-2209 R	1818 575	IG-636 XS	1473 689
IBJ-8	1658 538	IBP-2209 RH	1818 772	IG-636 YS	1752 236
IBJ-24	1658 602	IBP-3028 AS	1818 568	IG-637 AS	2084 681
IBJ-1021 RN	1752 235	IBP-3028 BS	1843 370	IG-644 A	1530 741
IBJ-1021 RU	1818 769	IBP-4001	1689 320	IG-654 S	1879 282
IBJ-1048 R	1658 603	IBP-4001 A	1779 943	IG-694 A	1109 790
IBJ-2048 R	1658 601	IBP-4002	1689 319	IG-776 AS	1818 669
IBJ-4301	1642 387	IBP-4002 A	1770 750	IG-884 CS	1879 292
IBJ-4301 A	1688 647	IBP-4002 B	1779 940	IG-884 DS	1879 310
IBJ-4301 B	1688 649	IBP-4002 C	1788 638	IG-1456	643 917
IBJ-4302 C	1704 261	IBP-4002 D	1779 952	IGB-199	643 904
IBJ-4302 D	1704 262	IBP-4002 E	1841 511	IGB-208 CS	1308 243
IBJ-4303	1648 685	IBP-4002 F	1841 514	IGB-208 DS	1889 548
IBJ-4303 C	1704 260	IBP-4002 H	1798 640	IGB-234 S	2240 253
IBK-388 CS	2084 866	IBP-4002 J	1922 670	IGB-266 BS	1843 379
IBK-1003	1658 534	IBP-4003	1689 318	IGB-278 CS	2084 887
IBK-1003 B	2084 654	IBP-4003 A	1779 938	IGB-281 S	2275 201
IBK-1016	1658 535	IBP-4003 C	1779 951	IGB-292 SS	674 959
IBK-1027 R	1818 665	IBP-4003 E	1842 602	IGB-316 BS	2084 657
IBK-2001 B	1818 668	IBP-4003 J	1889 305	IGB-329 S	1527 980

VENDOR NUMBER CROSS REFERENCE LIST

VENDOR NUMBER	CHRYSLER NUMBER	VENDOR NUMBER	CHRYSLER NUMBER
AUTO-LITE			
IGB-336 DS	2084 679	IGS-1082 RS	1311 454
IGB-342 CS	1889 608	IGS-1092 RS	1253 292
IGB-349 BS	2084 087	IGS-1100 R	859 904
IGB-353 BS	1308 182	IGS-1100 RA	859 907
IGB-361 CS	2084 678	IGS-1100 RAJ	1343 588
IGB-369 AS	1889 519	IGS-1100 RA-5	1568 076
IGB-374 AS	1843 155	IGS-1100 RQ	1135 596
IGB-374 BS	1879 320	IGS-1100 RW	959 316
IGB-374 CS	1879 321	IGS-1100 RX	921 275
IGB-376 AS	1818 822	IGS-1112 R	953 715
IGB-379 BS	1879 308	IGS-1112 RE	1390 543
IGB-379 DS	2084 889	IGS-1112 RK	1818 778
IGB-381 BS	2275 227	IGS-1113 R	599 633
IGB-385 AS	1818 667	IGS-1113 RD	1436 975
IGB-386 S	1818 736	IGS-1113 RE	1390 532
IGB-388 CS	2084 866	IGS-1145 RA	1509 678
IGB-2023 RB	1627 234	IGS-2224 L	2084 074
IGC-42 S	2448 250	IGS-2224 R	2084 075
IGC-117	648 030	IGS-3004	699 295
IGC-154 AS	1658 622	IGS-3004 B	699 294
IGC-175 B	1473 688	IGT-11 A	677 206
IGC-198 AS	1879 287	IGT-69	1843 381
IGC-198 S	1614 913	IGT-70	863 095
IGC-200 AS	1692 795	IGT-117	958 177
IGC-200 BS	1818 654	IGT-1021 R	1308 242
IGC-214 S	2084 301	IGT-1021 RN	1308 242
IGC-1107 S	643 822	IGT-1072 RE	1407 588
IGC-1123 C	1136 522	IGW-3028 AS	1879 388
IGC-2148 A	592 475	IGW-3028 BS	1343 581
IGC-2148 G	1136 533	IGW-3028 DS	1274 092
IGC-2168 R	1271 768	IGW-3028 ES	1394 940
IGC-4510-1 M	1124 876	IGW-3028 JS	1843 339
IGC-4511-1 M	1124 874	IGW-3028 KS	1658 541
IGC-4515 A-1	1266 945	IGW-3028 MS	1658 604
IGC-4517-1	1261 411	IGW-3028 NS	1663 129
IGC-4518 A-1	1509 668	IGW-3028 PS	1663 134
IGE-29 AS	1818 571	IGW-3028 RS	1879 423
IGE-29 BS	1818 576	IGW-3028 VS	1879 504
IGH-28	643 899	IGZ-1003 A	960 552
IGH-1041	1136 550	IGZ-1016	960 134
IGL-9 A	1369 774	K-703	1826 568
IGP-30	643 912	K-11427	1826 574
IGP-1003	641 033	KIT-9	1056 039
IGP-1016 B	868 096	KIT-30	1056 041
IGP-2004 B	674 963	KIT-31	1056 040
IGP-3028 A	674 236	KIT-42	1064 633
IGP-3028 ES	699 291	L-6300 C-2	1122 921
IGP-4402 B	1071 821	L-6301 C	1140 836
IGP-4507-1 M	1125 894	L-8192-2	1594 936
IGS-17	643 901	LM-7795-2	1479 521
IGS-19 S	643 903	MAB-12 A	1614 940
IGS-99	859 903	MAB-31	1121 742
IGS-104	860 939	MAB-31 A	1135 578
IGS-148	1135 588	MAB-85	1121 743
IGS-181	1261 010	MAB-1024 N	1109 742
IGS-796 S	1527 968	MAB-1024 NS	1550 079
IGS-1016 B	868 095	MAB-2012 CS	1614 933
MAB-2012 DS	1614 940	MAB-2012 GS	1532 990
MAB-2012 GS	1532 990	MAB-2012 HS	1614 933
MAB-2012 HS	1614 933	MAB-2012 JS	1614 940
MAB-2012 JS	1614 940	MAD-96	641 445
MAD-96	641 445	MAD-110	636 840
MAD-110	636 840	MAJ-20	1300 503
MAJ-20	1300 503	MAK-61 A	1110 989
MAK-61 A	1110 989	MAW-12	636 838
MAW-12	636 838	MAW-13	636 820
MAW-13	636 820	MAW-24	641 457
MAW-24	641 457	MAW-35	636 822
MAW-35	636 822	MAW-37	636 825
MAW-37	636 825	MAW-130	927 093
MAW-130	927 093	MAW-161	1112 379
MAW-161	1112 379	MAW-1009 B	643 827
MAW-1009 B	643 827	MAW-1010 B	930 277
MAW-1010 B	930 277	MAW-2002 F	1123 011
MAW-2002 F	1123 011	MAW-2012 S	927 909
MAW-2012 S	927 909	MAW-2030	641 443
MAW-2030	641 443	MAW-2064	648 333
MAW-2064	648 333	MAW-2069 M	112 947
MAW-2069 M	112 947	MAW-2128	927 079
MAW-2128	927 079	MAW-2129	927 092
MAW-2129	927 092	MAW-2148	919 949
MAW-2148	919 949	MAW-2160	1112 380
MAW-2160	1112 380	MAW-2179 M	1134 127
MAW-2179 M	1134 127	MAW-2206	1195 776
MAW-2206	1195 776	MAW-3132	871 754
MAW-3132	871 754	MAW-3132 A	1261 402
MAW-3132 A	1261 402	MAW-4008	1071 819
MAW-4008	1071 819	MAW-4008 M	1113 864
MAW-4008 M	1113 864	MAW-4029	1070 939
MAW-4029	1070 939	MAW-4032	1070 939
MAW-4032	1070 939	MAW-4041	1113 121
MAW-4041	1113 121	MAX-35	636 817
MAX-35	636 817	MAX-47	927 078
MAX-47	927 078	MAX-1007 D	1300 513
MAX-1007 D	1300 513	MAX-1007 F	1300 513
MAX-1007 F	1300 513	MAX-1008	643 830
MAX-1008	643 830	MAX-1078 B	1558 156
MAX-1078 B	1558 156	MAX-2002	636 839
MAX-2002	636 839	MAX-3005 AS	1300 513
MAX-3005 AS	1300 513	MAX-3098	1261 401
MAX-3098	1261 401	MAX-3098 A	1261 402
MAX-3098 A	1261 402	MAX-4048	670 662
MAX-4048	670 662	MAX-4050	868 857
MAX-4050	868 857	MAX-4062	1075 951
MAX-4062	1075 951	MAY-11	1069 993
MAY-11	1069 993	MAY-31 C	1662 182
MAY-31 C	1662 182	MAY-36	853 754
MAY-36	853 754	MAY-1008 A	852 058
MAY-1008 A	852 058	MAY-1009 A	852 059
MAY-1009 A	852 059	MAY-1010	1069 993
MAY-1010	1069 993	MAY-2012 AS	927 910
MAY-2012 AS	927 910	MAY-2030	648 012
MAY-2030	648 012	MAY-4114 A	918 151
MAY-4114 A	918 151		

VENDOR NUMBER CROSS REFERENCE LIST

VENDOR NUMBER	CHRYSLER NUMBER	VENDOR NUMBER	CHRYSLER NUMBER
AUTO-LITE			
MAY-4114 B	918 151	MCL-2030 C	1402 584
MBD-1007 S	1269 242	MCL-2030 D	1532 982
MCH-25 A	1390 057	MCL-2095	1507 060
MCH-53	1138 527	MCL-2114 S	1616 625
MCH-62	1300 509	MCL-3005 CS	1300 513
MCH-63	1300 506	MCL-3075	1343 708
MCH-76	1343 711	MCL-3098 A	1300 522
MCH-90	1402 587	MCL-6107	1311 459
MCH-1009 B	1138 521	MCL-6109	1343 692
MCH-1009 C	1265 707	MCL-6110	1268 126
MCH-1009 E	1665 062	MCL-6111	1268 128
MCH-1010 B	1138 522	MCL-6112	1323 911
MCH-1010 C	1265 708	MCL-6115 T	1330 243
MCH-1010 E	1665 062	MCL-6117	1473 187
MCH-1024	641 457	MCL-6121 A	1527 689
MCH-1051	1138 526	MCL-6124	1503 784
MCH-1074 D	1658 579	MCL-6126	1392 684
MCH-2002 C	1138 525	MCL-6127 M	1405 190
MCH-2002 F	1383 848	MCL 6128 M	1405 191
MCH-2002 J	1550 084	MCL-6201 M	1488 216
MCH-2002 K	1692 752	MCL-6202	1630 683
MCH-2028	1138 524	MCL-6202 M	1535 559
MCH-2039	1300 505	MCL-6203 M	1535 560
MCH-2056	1300 510	MCL-6308	1558 155
MCH-2059	1265 709	MCL-6309	1616 627
MCH-2064	1265 032	MCS-12	1394 973
MCH-2070	1343 705	MCS-46	1343 706
MCH-2070 A	1402 586	MCS-46 A	1273 429
MCH-2074	1343 709	MCS-47 A	1273 430
MCH-2074 B	1479 692	MCS-48	1271 780
MCH-2074 C	1523 299	MCS-53	1273 423
MCH-2074 E	1633 159	MCS-57	1271 788
MCH-2088	1383 849	MCS-61	1271 781
MCH-2088 A	1692 753	MCS-62	1271 789
MCH-2088 M	1532 983	MCS-63	1271 790
MCH-2098	1390 065	MCS-64	1271 791
MCH-2099	1390 062	MCS-66	1271 782
MCH-2110	1523 306	MCS-67	1271 792
MCH-3005 ES	1665 062	MCS-69	1271 793
MCH-3005 KS	1665 062	MCS-71	1271 783
MCH-3030 C	1692 760	MCS-73	1271 794
MCH-6201	1473 558	MCS-76	1271 784
MCH-6205	1473 558	MCS-77	1273 424
MCH-6208 M	1535 558	MCS-78	1273 419
MCJ-39 A	1369 642	MCS-1002	1271 774
MCJ-39 B	1369 642	MCS-1012 S	1538 343
MCL-53	1523 304	MCS-1034 S	1394 974
MCL-63	1614 923	MCS-1040	1273 420
MCL-65	1616 653	MCS-1049	1271 785
MCL-102	1614 926	MCS-1060	1273 421
MCL-103	1614 927	MCS-1065	1271 786
MCL-127	1752 375	MCS-1072	1273 425
MCL-129 A	1889 379	MCS-1073	1271 787
MCL-132 A	1889 381	MCS-1278	1271 775
MCL-1010 D	1265 712	MCS-2006 F	1271 778
MCL-2030	1300 516	MCS-2012 S	1271 776
MCL-2030 A	1558 137	MCS-2050	1273 426
MCS-2079 S	1394 972	MCS-2079 S-1	1500 972
MCS-3075	1273 427	MCT-1010	1323 906
MCT-1010	1323 906	MCT-2046 S	1550 623
MCT-2070	1671 293	MCT-2079 M	1614 212
MCT-2079 M	1614 212	MCT-2088 M	1550 624
MCT-2088 M	1550 624	MCT-3005 BS	1672 727
MCT-3005 BS	1672 727	MCT-6101	1317 790
MCT-6101	1317 790	MCT-6103	1401 014
MCT-6103	1401 014	MCT-6104	1323 915
MCT-6104	1323 915	MCT-6105 M	1486 137
MCT-6105 M	1486 137	MCT-6106 M	1486 138
MCT-6106 M	1486 138	MCZ-49	1394 988
MCZ-49	1394 988	MCZ-61	1555 272
MCZ-61	1555 272	MCZ-62	1394 978
MCZ-62	1394 978	MCZ-64	1501 821
MCZ-64	1501 821	MCZ-66	1394 979
MCZ-66	1394 979	MCZ-70	1394 981
MCZ-70	1394 981	MCZ-71	1394 982
MCZ-71	1394 982	MCZ-73	1394 986
MCZ-73	1394 986	MCZ-77	1394 989
MCZ-77	1394 989	MCZ-1060	1394 987
MCZ-1060	1394 987	MCZ-1065	1394 983
MCZ-1065	1394 983	MCZ-1069	1394 980
MCZ-1069	1394 980	MCZ-1073	1394 985
MCZ-1073	1394 985	MCZ-1074	1394 990
MCZ-1074	1394 990	MCZ-2006 F	1394 975
MCZ-2006 F	1394 975	MCZ-2050	1394 991
MCZ-2050	1394 991	MCZ-2073	1501 822
MCZ-2073	1501 822	MCZ-2097 F	1889 382
MCZ-2097 F	1889 382	MCZ-4004 T	1630 660
MCZ-4004 T	1630 660	MCZ-4103 T	1484 001
MCZ-4103 T	1484 001	MCZ-4109 T	1677 294
MCZ-4109 T	1677 294	MDC-40	1671 310
MDC-40	1671 310	MDC-2012 BS	1671 317
MDC-2012 BS	1671 317	MDC-2012 CS	1671 306
MDC-2012 CS	1671 306	MDC-6302	1508 761
MDC-6302	1508 761	MDC-6303 T	1630 656
MDC-6303 T	1630 656	MDD-34	1752 378
MDD-34	1752 378	MDD-1005 AS	1658 580
MDD-1005 AS	1658 580	MDF-16	1752 698
MDF-16	1752 698	MDF-25	1752 695
MDF-25	1752 695	MDF-26	1658 561
MDF-26	1658 561	MDF-27	1658 574
MDF-27	1658 574	MDF-30	1818 502
MDF-30	1818 502	MDF-31	1752 699
MDF-31	1752 699	MDF-1002	1658 554
MDF-1002	1658 554	MDF-1005 AS	1658 577
MDF-1005 AS	1658 577	MDF-1005 BS	1662 178
MDF-1005 BS	1662 178	MDF-1005 S	1658 562
MDF-1005 S	1658 562	MDF-2006	1658 563
MDF-2006	1658 563	MDF-2012 S	1658 552
MDF-2012 S	1658 552	MDF-6001	1642 140
MDF-6001	1642 140	MDF-6003	1569 178
MDF-6003	1569 178	MDF-6007	1658 033
MDF-6007	1658 033		

VENDOR NUMBER CROSS REFERENCE LIST

VENDOR NUMBER	CHRYSLER NUMBER	VENDOR NUMBER	CHRYSLER NUMBER	VENDOR NUMBER	CHRYSLER NUMBER
AUTO-LITE					
MDF-6015	1665 053	MDU-6003	1889 260	PS-1302	1390 063
MDG-1005 AS	1662 181	MDU-7006	1889 955	PS-1302 A	1390 064
MDG-1005 S	1658 553	MDU-7013	2095 296	PS-1309 A	1479 104
MDG-6001	1627 289	MDV-2005 S	2084 437	PS-1309 B	2084 431
MDG-6002	1627 290	MEC-20	2084 872	PS-1312	1394 992
MDG-6003	1569 176	MEC-3061	2084 875	PS-1316	1523 305
MDL-23	1752 360	MG-77A	652 115	PS-1316 B	1658 575
MDL-24	1752 361	MP-41 A	636 845	PS-1316 C	1752 377
MDL-25	1752 362	MU-54 J	1134 130	PS-1319	1505 929
MDL-1002	1752 366	MU-54 L	1383 663	PS-1319 A	1662 224
MDL-1005 S	1752 364	MW-20 A	641 454	PS-1319 B	1818 744
MDL-1064	2084 665	MZ-12 D	1402 583	PS-1325 A	1633 160
MDL-2006	1752 368	MZ-19	636 841	PS-1325 B	1889 380
MDL-2012 AS	1843 135	MZ-19 A	1110 986	PS-1325 C	2084 436
MDL-2012 CS	2084 661	MZ-19 C	1402 585	PS-1332	1662 167
MDL-2012 DS	2240 268	MZ-175	959 467	PS-1338	1752 380
MDL-2046	1752 421	MZ-293	1752 385	PS-1342	1843 320
MDL-2048	1889 375	MZ-2012 AS	1311 457	PS-1343	1843 321
MDL-2048 B	2240 266	MZ-2012 BS	1345 005	PS-1350	1889 262
MDL-2049	2084 871	MZ-2012 DS	1402 602	PS-1354	2084 663
MDL-2070 S	1843 383	MZ-2105 B	1123 018	PS-1355	2084 669
MDL-2076 S	1843 384	MZ-2108	687 379	PS-1361	2084 874
MDL-2084	2084 429	MZ-2211	1123 019	PS-1364	2196 324
MDL-2085	2084 658	NG-10902 T	1188 955	PS-1405	2298 754
MDL-2088	1752 386	NG-11134 D	1232 666	PU-6	1370 320
MDL-2088 A	2084 890	NG-11453 T	1260 734	PU-25	1402 504
MDL-2089	2196 323	NG-11455 T	1260 739	PU-26	1402 507
MDL-2098 S	1843 385	NG-11456 T	1260 747	PU-34	1440 396
MDL-3123	1752 374	NG-11457 T	1260 738	PU-46	1479 178
MDL-3132 A	1889 378	NG-11468 T	1260 745	PU-52	1405 213
MDL-6013	1779 955	NG-11471 T	1244 508	PU-52 A	1405 214
MDM-1005 S	1752 390	NG-11484 D	1244 505	PU-52 B	1405 215
MDT-1002	2084 662	P-6	1189 473	PU-52 C	1405 216
MDT-1002A	2240 269	PS-651	1850 557	PU-52 D	1405 217
MDT-1005 AS	2084 660	PS-1100	648 334	PU-52 E	1405 218
MDT-1005 S	1879 319	PS-1194	919 950	PU-54	1479 182
MDT-2005 AS	2240 260	PS-1223	1075 947	PU-60	1479 852
MDT-2005 S	1889 614	PS-1234	1110 000	PU-61	1479 853
MDT-2085 C	2240 267	PS-1250	1135 587	PU-67	1495 318
MDT-6001	1779 955	PS-1250A	1134 136	PU-88	1504 806
MDT-6003	1842 562	PS-1252	1123 012	PU-90	1502 703
MDT-6005	1922 635	PS-1291	1138 528	PU-101	1500 336
MDT-6009	1922 641	PS-1291 A	1473 339	PU-102	1540 843
MDT-6010	1941 107	PS-1291 C	1550 080	PU-104	1505 907
MDT-6011	1941 117	PS-1291 D	1550 620	PU-142	1565 346
MDT-6012	1941 118	PS-1291 E	1605 551	PU-143	1565 347
MDT-6018	2095 829	PS-1291 G	1658 556	PU-145	1565 881
MDT-7002	2095 254	PS-1291 H	1658 558	PU-146	1565 888
MDT-7004 T	2095 496	PS-1291 L	1752 388	PU-147	1565 886
MDT-7009 S	2095 393	PS-1291 M	1752 392	PU-149	1565 890
MDT-7010	2095 509	PS-1291 V	1889 376	PU-163	1550 578
MDT-7011	2095 055	PS-1291 X	1889 796	PU-167	1508 413
MDT-7014	2098 345	PS-1294	1265 710	PU-194	1704 263
MDT-7101	2095 179	PS-1294 A	1265 713	PU-243	1889 848
MDU-34	2196 325	PS-1294 B	1315 966	PU-244	1889 372
MDU-1005 AS	2084 668	PS-1299	1273 431	PU-245	1889 371
MDU-1005 S	1879 574	PS-1301	1369 646	PU-248	1889 373

VENDOR NUMBER CROSS REFERENCE LIST

VENDOR NUMBER	CHRYSLER NUMBER	VENDOR NUMBER	CHRYSLER NUMBER	VENDOR NUMBER	CHRYSLER NUMBER
AUTO-LITE					
PU-249	1842 610	SGA-1055	1769 460	SPS-2235 H	1819 939
PU-251	1922 614	SGA-4003	1605 069	SPS-2235 N	1819 972
PU-252	1922 613	SGA-4013	1769 457	SPS-2235 O	1819 960
PU-274	1889 398	SP-270	583 180	SPS-2235 R	1819 975
PU-537	1889 946	SP-471 B	1194 651	SRP-87 S	2421 174
PU-544	2095 384	SP-700	1138 511	SS-54	652 122
PU-1004	1345 973	SP-782	1113 862	SS-176	861 494
PU-1007	1370 314	SP-783 A	1090 485	SS-239	1315 968
PU-1014	1383 502	SP-784	1113 233	SS-2124	675 955
PU-1017	1345 974	SP-843	1123 540	SS-2124 E	861 499
PU-1041	1473 213	SP-887	1263 560	SS-2124 M	1315 967
PU-1041 A	1550 595	SP-894	1194 599	SS-2124 N	1323 909
PU-1049	1405 220	SP-904	1126 616	SS-3035 RAE	1115 389
PU-1071	1523 274	SP-939	1263 488	SS-3035 RAH	1315 969
PU-1073	1523 268	SP-959	1311 469	SS-3070 R	636 863
PU-1115	1594 597	SP-959 A	1402 509	SS-3070 RD	861 500
PU-1183	1689 304	SP-964	1264 966	SS-4001	648 336
PU-1216	1841 519	SP-965	1262 993	SS-4003	1121 741
PU-1227	1770 746	SP-966	1268 983	SS-4020	927 081
PU-1253	1842 521	SP-974	1319 434	SS-4204 A	863 124
PU-1254	1842 781	SP-976	1320 117	SS-4214	1323 908
PU-1255	1842 777	SP-983	1264 986	SS-4704	871 758
PU-1255 A	1889 544	SP-983 A	1264 986	SS-4705	957 467
PU-1256	1842 795	SP-994 P2	1473 596	SS-4706	1115 382
PU-1564	2095 872	SP-1272 A	1450 760	SS-4707	1300 507
PU-1575	2095 677	SP-1294 A	1265 713	SS-4708	1315 970
PU-4004	1818 839	SP-1299	678 495	SSA-1043	1550 100
PW-1003	1553 007	SP-1311	585 854	SSP-4001 M	1075 941
RAA-4001 A	1494 798	SP-1889	1136 924	SSP-4003 M	1488 227
RAD-4002 L	1627 165	SP-1913	1136 935	SSR-4002 M	1553 029
RAH-4001	1566 350	SP-1936	1257 393	SSS-4003	1126 633
RAH-4002	1626 929	SP-1936 A	1402 510	SST-4007	1383 605
RAH-4003	1843 490	SP-1949	1297 974	SST-4013	1605 435
RAM-4001	1842 550	SP-1954	1264 943	SSX-13	1752 372
RAM-4002	1842 546	SP-1977	1319 443	SSX-22	1345 006
RD-19-300	1631 490	SP-4016	924 065	SSX-25	1345 021
SAA-1043	1550 100	SPS-224	1689 598	SSX-26	1345 018
SAA-4002 T	1555 270	SPS-1105 AG	926 080	SSX-57	1479 683
SAA-4004 T	1630 660	SPS-1105 BB	1089 709	SSX-1004	1495 598
SAD-39	1752 371	SPS-1105 BJ	1163 782	SSX-1024	1495 598
SAD-1022	1658 565	SPS-1105 BK	860 195	SSX-4002	1495 598
SAD-1022 A	2084 430	SPS-1105 BM	920 402	SSX-4003	1495 598
SAD-4001	1658 985	SPS-1105 BP	910 562	SSX-4004	1529 144
SAD-4501	1889 799	SPS-1105 BS	1260 731	SSX-4101	1343 695
SAD-4502	2084 439	SPS-1105 E	859 992	SSX-4103	1671 279
SAD-4503	2275 217	SPS-2099	595 372	SSX-4103 T	1402 588
SAE-4002	1692 659	SPS-2099 B	595 366	SSX-4104	1633 158
SAE-4005	1889 797	SPS-2105 H	926 079	SSY-1043	1404 639
SAE-4005 T	2240 272	SPS-2157 E	1257 335	SSY-4002	1498 878
SAF-4001	1752 340	SPS-2157 F	595 372	SSY-4101	1671 312
SAG-4001	1818 738	SPS-2209 A	1501 745	SSY-4101 T	1402 599
SAH-4001	1665 052	SPS-2223 B	1689 077	SSY-4102	1671 294
SAJ-33	2084 873	SPS-2235 A	1819 948	SSY-4102 T	1616 654
SAJ-4002	2084 876	SPS-2235 C	1819 957	SW-213	1689 763
SAK-4001	2240 537	SPS-2235 D	1819 960	SW-530 H	1569 118
SGA-31	1648 009	SPS-2235 E	1819 981	SW-634	120 387
SGA-32	1648 007	SPS-2235 G	1819 990	SW-634	120 392

VENDOR NUMBER CROSS REFERENCE LIST

VENDOR NUMBER	CHRYSLER NUMBER	VENDOR NUMBER	CHRYSLER NUMBER	VENDOR NUMBER	CHRYSLER NUMBER
AUTO-LITE					
SW-764 S	1501 797	VBO-4202 LC	2095 205	WLB-94	1440 596
SW-2813	641 462	VBO-4202 MC	2095 206	WLB-110	1540 188
SW-2827	1390 061	VBO-4202 RC	2095 204	WLB-111	6008 110
TG-22	958 336	VBO-4402 ATC	2095 207	WLB-168	1689 167
TG-88	1126 640	VBO-4602 AC	2095 208	WLB-179	8006 070
TG-2075 D	1297 999	VBO-4602 BC	2095 209	WLB-2124 L	1604 904
TGE-1003 L	1527 958	VBO-4602 BTC	2095 210	WLB-2124 R	1604 903
TGE-4010	1479 737	VBO-4602 EC	2095 211	WLB-2172 L	1753 837
TGG-4001	1370 204	VBO-4602 FC	2095 212	WLB-2172 R	1753 836
VAD-116 A	1273 383	VBO-4602 GC	2095 213	WLB-3022 LS	1658 769
VAD-117 A	1273 384	VBO-4602 KC	2095 214	WLB-3022 RS	1658 768
VAD-166 A	1273 461	VBO-4602 LC	2095 215	WLB-3079 L	1473 017
VAD-176	1273 462	VBO-4602 MC	2095 216	WLB-3090 LB	1604 451
VAD-1118	1273 385	VC-45	691 712	WLB-3090 LH	1704 715
VAV-1022	1406 639	VC-167	1527 977	WLB-3090 R	1440 507
VAV-7006 AT	1532 966	VC-175	1818 668	WLB-3090 RB	1604 450
VBA-4202 A	1343 122	VC-178	1818 650	WLB-3090 RH	1704 714
VBA-4203 A	1268 222	VC-179	1818 645	WLB-3090 LH	1704 715
VBC-2	1273 463	VC-1039 A	1135 574	WLB-3115 LS	1860 963
VBC-18	1273 473	VC-2082 R	1135 576	WLB-3115 RS	1860 962
VBC-19	1273 464	VC-2117 R	1135 577	WLB-3132 L	1819 166
VBC-21	1273 465	VC-3147	1261 011	WLB-3173 L	1753 707
VBC-22	1273 474	VLB-3173 L	1753 707	WLB-3173 R	1753 706
VBC-23	1273 363	VLB-3173 R	1753 706	WLB-3173 LA	1753 239
VBC-25	1273 364	VP-19	137 423	WLB-3173 RA	1753 238
VBC-30	1273 466	VRA-15	927 950	WLB-3174 L	1819 166
VBC-31	1273 467	VRA-16	927 951	WLB-3174 R	1819 167
VBC-40	1273 365	VRA-17	927 952	WLB-3178 L	1753 241
VBC-42	1273 366	VRA-46	928 566	WLB-3178 R	1753 240
VBC-46	1273 469	VRA-1060 A	1273 380	WLB-3180 L	1753 351
VBC-47	1273 367	VRB-4003 T	1798 550	WLB-3180 R	1753 350
VBC-57	1394 890	VRH-51	1402 513	WLB-3190 L	1770 025
VBC-64	1394 892	VRH-4103 A-1	913 344	WLB-3190 R	1770 024
VBC-1016	1273 470	VRH-4104 D1	913 344	WLB-3191 L	1770 033
VBC-1029	1273 386	VRH-7107 B-1T	1401 019	WLB-3191 R	1770 032
VBC-1036 A	1273 368	VRP-100 D	1273 388	WLB-3211 L	1810 787
VBC-1040 S	1273 471	VRP-100 E	1273 389	WLB-3211 R	1810 786
VBC-1044	1273 369	VRP-100 K	1394 891	XA-548 R	647 165
VBC-1052	1394 889	VRP-4303 DM	1571 164	XA-584	137 407
VBC-1055	1273 374	VRP-6004 B	1323 902	XA-595 A	120 367
VBC-1061	1273 376	VRS-6001 AM	1321 758	XA-646	110 309
VBC-1080	1273 377	VRS-6003 AM	1109 771	XA-699	1273 370
VBC-3008	1273 375	VRU-6001 AM	1553 027	XA-736	1122 042
VBC-3070	1273 381	VRU-6002 AM	1553 028	XA-744 C	1273 428
VBC-3071	1273 390	VRU-6002 BM	1550 579	XA-744 J	1273 458
VBC-4002 UT	1268 962	VRW-6003 AM	E-71249-M	XA-744 K	1273 459
VBF-6001 A	1343 122	VRW-6004 BM	1535 592	XA-744 L	1273 460
VBF-6002 A	1343 124	VRW-6006 AM	1553 024	XA-744 M	1271 777
VBF-6005 T	1534 162	VRW-6007 AM	1553 030	XA-744 N	1273 378
VBJ-6001 AT	1486 145	VRX-6003 A	1496 058	XA-744 S	1394 984
VBO-4202 AC	2095 200	VRX-6003 C	1660 457	XA-748	1271 772
VBO-4202 BC	1889 944	VRX-6001 A	1323 923	XA-751	1271 765
VBO-4202 CC	2095 341	VRY-4203 F	922 487	XA-765	1273 387
VBO-4202 CTC	2095 499	VRY-4203 G	922 487	XA-766	1273 379
VBO-4202 HC	2095 202	WLB-8	6006 065	XA-767	1273 434
VBO-4202 JC	2095 203	WLB-9	1383 351	XA-767 A	1501 831
VBO-4202 KC	2095 204	WLB-12	1256 337	XA-770	1273 391

VENDOR NUMBER CROSS REFERENCE LIST

VENDOR NUMBER	CHRYSLER NUMBER	VENDOR NUMBER	CHRYSLER NUMBER	VENDOR NUMBER	CHRYSLER NUMBER
AUTO-LITE					
XA-773	1527 254	8X-902	132 105	90-31	1879 613
XA-776	1273 435	19X-902	132 105	90-32	1881 721
XA-777	1273 436	X-931	1274 093	90-33	1881 722
XA-782	1273 372	8X-1002	120 628	90-34	1879 598
XA-783	1273 373	8X-1014	120 214	90-35	1879 599
XA-785	1383 347	8X-1063	120 367	90-36	1879 601
XA-794	1405 225	10X-1063	120 367	90-37	1879 602
XA-801	1091 629	X-1134	131 016	90-39	1881 747
XA-803	1440 489	X-1177	138 502	90-40	1881 750
XA-803 A	1688 919	X-1284	138 485	90-41	1881 752
XA-815	1594 834	8X-1376	120 368	90-44	1881 766
XA-823 A	1616 612	X-1379	1273 422	90-46	1881 768
XA-827	903 895	X-1491	147 686	90-47	1881 929
XA-836 A	1753 285	19X-1494	132 764	90-48	1879 603
XA-839	1689 763	X-1512	1879 391	90-49	1881 727
XA-863	1818 815	X-1520	147 685	90-50	1881 728
XA-903	2095 627	8X-1576	120 392	90-51	1879 611
8X-53	132 764	X-1590	953 717	90-52	1879 612
8X-55	121 832	X-1610	120 368	90-54	1881 726
19X-93	180 079	X-1649	114 545	90-55	1881 724
19X-141	120 622	X-1711	174 916	90-56	1881 751
8X-146	120 375	8X-1711	174 916	90-57	1881 737
8X-147	120 376	12X-1711	174 916	90-58	1881 756
8X-158	120 371	8X-2843	114 546	90-59	1881 748
8X-159	120 369	X-2845	134 570	90-60	1881 746
X-163 A	113 739	X-2955	1394 893	90-61	1881 754
8X-163	120 375	X-3003	1630 649	90-62	1881 755
X-176	113 103	X-3008	200 156	90-64	1881 753
12X-193	120 380	8X-3017	132 915	90-65	1881 719
X-194	131 044	X-3031	131 949	90-66	1881 720
12X-194	131 044	X-3032	151 510	90-67	1881 741
X-198	120 384	X-3037	1273 442	90-68	1881 740
12X-198	120 384	X-3038	1273 456	90-69	1881 745
8X-199	120 380	X-3051	151 507	90-70	1881 744
12X-199	120 380	X-3053	151 517	90-71	1881 743
X-204	131 206	X-3054	151 518	90-75	2084 083
X-258	106 749	X-3055	151 519	90-76	2084 081
19X-258	106 749	X-3060	178 469	90-78	2084 294
X-263	103 906	12X-3074	120 380	90-79	2084 302
X-295 A	1889 235	X-3075	120 375	90-80	2084 303
8X-323	121 839	X-3090	151 504	90-81	2084 432
8X-361	120 392	X-3135	1479 097	90-82	2084 433
19X-361	120 392	X-3155	1405 223	90-83	2084 434
X-378	620 528	X-3187	1483 522	90-85	2084 435
X-404	121 244	X-3217	113 103	90-92	2084 638
X-441	659 799	X-3226	1552 884	90-94	2084 666
X-489	113 702	X-3316	1770 296	90-95	2084 667
8X-645	132 696	YRS-6009 AM	1672 803	90-96	2084 655
19X-709	1321 110	81-RG	2448 252	90-98	2084 680
8X-712	661 825	90-23	1879 604	90-99	2084 858
8X-714	132 930	90-24	1879 594	90-100	2084 857
6X-832	120 368	90-25	1879 595	90-101	2084 853
8X-832	120 368	90-26	1879 596	90-102	2084 854
X-842	126 049	90-27	1879 597	90-103	2084 867
X-865 A	143 932	90-28	1879 605	90-104	2084 868
8X-878	131 974	90-29	1879 606	90-105	2084 869
19X-884	131 949	90-30	1879 607	90-106	2084 870

VENDOR NUMBER CROSS REFERENCE LIST

VENDOR NUMBER	CHRYSLER NUMBER	VENDOR NUMBER	CHRYSLER NUMBER	VENDOR NUMBER	CHRYSLER NUMBER
AUTO-LITE					
90-107	2084 877	12348 A1271 228	14323 A	1819 295
90-108	2084 878	12412 A1272 352	14324 A	1819 296
90-109	2084 879	12414 A1272 351	14331 A	1779 532
90-110	2084 880	12415 A1272 353	14332 A	1779 557
90-111	2084 881	12783 A1473 848	14336 A	1779 551
90-112	2084 850	12818 A1473 882	14374 A	1838 044
90-113	2084 888	13091 A1495 806	14375 A	1838 043
90-115	2196 330	13455 A1571 827	14376 A	1838 045
90-116	2240 256	13514 A1571 704	14377 A	1838 04C
90-117	2240 257	13535 A1571 705	14406 A	1770 093
90-127	2240 294	13541 A1571 524	14433 A	1663 236
90-128	2240 295	13615 A1550 103	14436 A	1779 551
90-129	2240 296	13630 A1509 659	14580 A	1788 621
90-130	2240 297	13678 A1660 852	14581 A	1788 622
90-131	2240 530	13683 A1594 753	1490J-A	1798 594
90-134	2275 225	13709 A1604 704	14907 A	1798 595
90-135	2275 226	13726 A1604 729	14908A	1798 596
90-143	2275 225	13739 A1604 228	14915 A	1798 610
90-146	2275 564	13740 A1604 229	14921 A	1923 544
90-155	2084 869	13752 A1622 135	15007 A	1798 750
90-167	2298 880	13754 A1622 622	20702	939 548
90-169	2299 319	13778 A1604 808	23178	1154 399
90-170	2299 320	13851 A1566 398	23935	1262 972
2004 LC	2299 321	13912 A1566 399	24037	1263 532
2012 BS	2084 291	13964 A1569 117	24448	1310 382
6010 S	1658 865	13965 A1569 118	24511	1300 980
9738 A	595 361	14018 A1648 566	25062	1753 800
10870	652 115	14019 A1648 567	25311	1272 373
13851 A	1566 398	14039 A1658 102	26082	1473 753
10886 A	1154 292	14044 A1627 484	26408	1394 272
11397 A	1195 746	14071 A1660 852	27045	1622 819
11399 A	1195 741	14072 A1660 853	27123	1622 832
11400 A	1195 745	14073 A1660 854	27174	1605 003
11401 A	1195 742	14195 A1658 825	27189	1605 004
11434 A	1195 709	14196 A1648 811	27235	1626 882
11450 A	1195 743	14200 A1648 819	27275	1626 968
11526 A	1261 467	14201 A1648 830	27887	1753 739
11538 A	1240 864	14202 A1648 820	27934	1769 113
11610 A	1257 270	14203 A1648 822	27935	1769 112
11652 A	1263 499	14204 A1648 821	28673	1819 429
11680 A	1302 621	14208 A1663 046	28703	1819 430
11728 A	1302 632	14235-A1689 411	28704	1819 431
11729 A	1302 630	142591753 797	28707	1819 438
11783 A	1297 695	14263 A1753 599	28849	1819 223
11821 A	1257 602	14265 A1753 590	28997	1788 624
11822 A	1257 604	14266 A1753 593	29005	1788 627
12103 A	1340 309	14272 A1818 830	72200	1658 838
12104 A	1340 310	14280 A1663 235	200477	1818 836
12109 A	1340 314	14296 A1753 769	200847	2084 847
12110 A	1340 315	14297 A1753 766	201006	2095 759
12127 A	1340 299	14298 A1753 759	303604	1688 207
12139 A	1339 824	14309-A1819 281	303718	1842 000
12306 A	1369 698	14310 A1819 282	435361 B	1273 355
12307 A	1369 699	14321 A1819 293	4056060	1273 355
12310 A	1369 697	14322 A1819 294		

VENDOR NUMBER CROSS REFERENCE LIST

VENDOR NUMBER	CHRYSLER NUMBER	VENDOR NUMBER	CHRYSLER NUMBER
AUTO-LITE			

VENDOR NUMBER CROSS REFERENCE LIST

VENDOR NUMBER	CHRYSLER NUMBER	VENDOR NUMBER	CHRYSLER NUMBER
CARTER			
A1-126	1827 965	AFB-3437-S	2402 211
A13-3800 V568	2084 587	AFB-3438-S	2402 212
AFB-2448 S	1731 514	AFB-3447-S	2402 359
AFB-2641 S	1822 052	AFB-3478-S	2402 515
AFB-2642 S	1822 053	AFB-3505-S	2402 727
AFB-2650 S	1826 079	AFB-3249 S	2203 142
AFB-2651 S	1826 080	AFB-3256 S	2205 766
AFB-2652 S	1826 081	AFB-3257 S	2205 768
AFB-2653 S	1826 082	AFB-3259 S	2206 469
AFB-2686 S	1821 997	BB1-289 SD	2125 818
AFB-2686 S	1827 997	B-9211 AX	1324 432
AFB-2744 S	1852 574	BBD-908-S	1533 595
AFB-2773 S	1855 634	BBD-2162 SA	1611 551
AFB-2786 S	1858 469	BBD-2178 S	1613 077
AFB-2787 S	1858 470	BBD-2229-S	1617 862
AFB-2790 S	1858 473	BBD-2250-S	1671 799
AFB-2791 S	1858 474	BBD-2262 S	1632 459
AFB-2794 S	1858 476	BBD-2274-SA	1634 335
AFB-2797 S	1858 479	BBD-2291-S	E-3 745-M
AFB-2798 S	1858 480	BBD-2310-S	1637 361
AFB-2799 S	1858 481	BBD-2313-S	1637 364
AFB-2801 S	1858 758	BBD-2407-S	1675 941
AFB-2807 S	1858 776	BBD-2409 S	1631 370
AFB-2808 S	1858 777	BBD-2420-S	1639 708
AFB-2812 S	1858 976	BBD-2489 SA	1732 572
AFB-2813 S	1858 975	BBD-2522 SB	1733 826
AFB-2854 S	1859 935	BBD-2527 SA	1733 831
AFB-2855 S	1945 167	BBD-2550 SA	1736 098
AFB-2856 S	1945 168	BBD-2620 SA	1738 416
AFB-2903 S	1947 809	BBD-2637 S	1821 960
AFB-2906 S	1947 733	BBD-2685 S	1827 998
AFB-2925 S	2120 052	BBD-2733 S	1852 129
AFB-2927 S	2120 054	BBD-2772 S	1855 633
AFB-2948 S	2120 738	BBD-2795 S	1858 477
AFB-2950 S	2120 740	BBD-2822 S	1944 571
AFB-2968 S	2121 208	BBD-2832 S	1944 683
AFB-2969 S	2121 209	BBD-2871 S	1859 985
AFB-2991 S	2121 728	BBD-2896 S	1826 888
AFB-3083 S	2129 881	BBD-2905 SA	1947 373
AFB-3101-S	2202 416	BBD-2921 S	2120 048
AFB-3108 S	2202 423	BBD-2923 S	2120 050
AFB-3131 S	2202 889	BBD-3132 S	2202 890
AFB-3133-S	2202 891	BBD-3212-S	E-6 953-M
AFB-3134-S	2202 892	BBD-3240-S	2203 130
AFB-3140-S	2203 126	BBD-3241-S	2203 132
AFB-3152 S	2205 730	BBD-3245-S	2205 765
AFB-3213-S	E-6 954-M	BBD-3283-S	2264 857
AFB-3214-S	E-6 955-M	BBD-3386-S	2125 957
AFB-3249-S	2203 142	BBD-3389-S	E-7 614-M
AFB-3256-S	2205 766	BBD-3390-S	E-7 942-M
AFB-3257-S	2205 768	BBD-3472-S	2402 508
AFB-3259-S	2206 469	BBD-3473-S	2402 509
AFB-3374-S	2268 767	BBD-3475-S	2402 511
AFB-3375-S	2268 768	BBD-3476-S	2402 512
AFB-3392-S	E-7 629-M	BB1-289-SD	2125 818
AFB-3393-S	E-7 630-M	BB1-638-S	2125 839
AFB-3394-S	E-7 631-M	BBD-3240 S	2203 130
		BBD-3241 S	2203 132
BBD-3245 S	2205 765	BBS-2248-S	1631 360
BBS-994 S	1631 362	BBS-2262 S	1632 459
BBS-2215-S	1617 194	BBS-2360-S	E-4 057-M
BBS-2221-S	E-3 571-M	BBS-2403-S	1674 766
BBS-2227-S	1617 816	BBS-2410-S	1675 971
BBS-2412 SA	1639 710	BBS-2416-S	1676 275
BBS-2421 S	1639 710	BBS-2421 S	1639 710
BBS-2478 S	1678 676	BBS-2478 S	1678 676
BBS-2604 S	1739 401	BBS-2604 S	1739 401
BBS-2624 S	1677 063	BBS-2624 S	1677 063
BBS-2900 SA	1947 843	BBS-2905 S	1947 373
BBS-2905 S	1947 373	BBS-2985 SB	2121 505
BBS-2985 SB	2121 505	BBS-3000 S	2121 783
BBS-3000 S	2121 783	BBS-3001 S	2121 784
BBS-3001 S	2121 784	BBS-3053 S	2129 177
BBS-3097 S	2202 412	BBS-3097 S	2202 412
BBS-3098 S	2202 865	BBS-3098 S	2202 865
BBS-3110 S	2202 568	BBS-3110 S	2202 568
BBS-3111-S	2202 569	BBS-3111-S	2202 569
BBS-3112-S	2202 570	BBS-3112-S	2202 570
BBS-3121 S	2202 724	BBS-3121 S	2202 724
BBS-3127 S	2202 884	BBS-3127 S	2202 884
BBS-3128 S	2202 885	BBS-3128 S	2202 885
BBS-3129-S	2202 886	BBS-3129-S	2202 886
BBS-3135-S	2202 893	BBS-3135-S	2202 893
BBS-3136-S	2202 894	BBS-3136-S	2202 894
BBS-3139-S	2202 969	BBS-3139-S	2202 969
BBS-3229-S	2206 220	BBS-3229-S	2206 220
BBS-3230-S	2206 221	BBS-3230-S	2206 221
BBS-3231-S	2206 222	BBS-3231-S	2206 222
BBS-3234-S	2206 226	BBS-3234-S	2206 226
BBS-3235-S	2206 227	BBS-3235-S	2206 227
BBS-3236-S	2206 228	BBS-3236-S	2206 228
BBS-3237-S	2264 570	BBS-3237-S	2264 570
BBS-3238-S	2264 571	BBS-3238-S	2264 571
BBS-3239-S	2264 572	BBS-3239-S	2264 572
BBS-3272-S	2264 846	BBS-3272-S	2264 846
BBS-3273-S	2264 847	BBS-3273-S	2264 847
BBS-3274-S	2264 848	BBS-3274-S	2264 848
BBS-3275-S	2264 849	BBS-3275-S	2264 849
BBS-3276-S	2264 850	BBS-3276-S	2264 850
BBS-3277-S	2264 851	BBS-3277-S	2264 851
BBS-3278-S	2264 852	BBS-3278-S	2264 852
BBS-3279-S	2264 853	BBS-3279-S	2264 853
BBS-3280-S	2264 854	BBS-3280-S	2264 854
BBS-3281-S	2264 855	BBS-3281-S	2264 855
BBS-3287-S	2206 230	BBS-3287-S	2206 230
BBS-3363-S	E-7 470-M	BBS-3363-S	E-7 470-M
BBS-3491-S	2402 710	BBS-3491-S	2402 710
BBS-3492-S	2402 711	BBS-3492-S	2402 711
BBS-3510-S	2299 200	BBS-3510-S	2299 200

VENDOR NUMBER CROSS REFERENCE LIST

VENDOR NUMBER	CHRYSLER NUMBER	VENDOR NUMBER	CHRYSLER NUMBER
CARTER			
BBS-3234 S	2206 226	IA-71	1404 605
BBS-3235 S	2206 227	IA-77	1553 170
BBS-3236 S	2206 228	IA-88	1553 097
BBS-3239 S	2264 572	IA-89	1553 098
BBS-3272 S	2264 846	IA-90	1610 799
BBS-3273 S	2264 847	IA-94	1618 129
BBS-3274 S	2264 848	IA-96	1631 364
BBS-3275 S	2264 849	IA-103	1676 726
BBS-3276 S	2264 850	M-121-133	1124 946
BBS-3277 S	2264 851	M-121-134	1400 185
BBS-3278 S	2264 852	M 203-87S	1676 728
BBS-3279 S	2264 853	M-639 SB	1450 705
BBS-3280 S	2264 854	M-834 S	1450 705
BBS-3281 S	2264 855	M-856 SA	1450 703
BBS-3287 S	2206 230	M-857 S	1450 706
D6G1	871 552	M-859 SA	1489 858
D6H2	1312 178	M-875 SA	1450 704
D6P2	1317 907	M-2000 S	1450 720
DTE 1	1317 256	M-2077 S	1450 719
DTG-2	1269 404	M-2342 S	1643 175
DTL-2	1400 468	M-2491 S	1677 406
ETB1	1138 880	M-20006	1321 285
E-7D3	1138 897	RA-2	1501 649
E-7E	1138 898	S-2714-1	1935 133
ETJ2	1140 005	WCD-931-SC	1408 602
E-7L	1140 042	WCD-992-SA	1489 993
ETR1	1318 987	WCD-2039-SA	1535 929
E-7S	1315 677	WCFB-2041-S	1535 888
E-7T	1317 258	WCFB-2210-S	1615 831
ETU2	1317 259	WCFB-2253-S	1631 216
E9A1	1325 841	WCFB-2302-SB	1636 645
E9G1	1532 831	WCFB-2303-SB	1636 649
E9T1	1551 025	WCFB-2311-SA	1637 362
E9U1	1551 026	WCFB-2314-S	1637 365
E9V1	1551 047	WCFB-2317-SA	1635 715
E9X1	1506 462	WCFB-2365-S	E-3 889-M
E9Y1	1507 195	WCFB-2367-SA	1671 906
ETW 1	929 845	WCFB-2442-S	1731 473
EQ-200310	1924 069	WCFB-2444-S	1731 475
F-7D	1138 897	WCFB-2445-S	1731 476
F23-39	1450 661	WCFB-2476-S	1731 639
F23-41	1402 616	WCFB-2530 SA	1733 846
F23-44 U	1450 885	WCFB-2531-S	1733 847
F23-46 U	1450 660	WCFB-2532 S	1733 848
F23-57 U	1879 294	WCFB-2534-S	1733 850
F23-A20	1320 527	WCFB-2535 S	1733 851
F30-60	1138 687	WCFB-2588 S	1739 337
F30-76	1879 458	WCFB-2589 S	1739 338
F63-129	1316 416	WCFB-2590 S	1739 339
F63-146	1402 617	WCFB-2628 S	E-4534-M
F 842-S	1402 141	WCFB-2631 S	1821 709
F 862-S	1402 143	WCFB-2632 SA	1821 710
IA-17	864 599	WCFB-2635 S	1821 885
IA-24	662 811	WCFB-2636 S	1821 886
IA-30	637 192	WCFB-2660 S	1827 687
IA-45	697 695	WCFB-2698 S	1851 490
IA-64	1140 006	WCFB-2741 S	1852 257
WCFB-2742 S	1852 258	WCFB-2761 S	1855 390
WCFB-2761 S	1855 390	WCFB-2762 S	1855 391
WCFB-2762 S	1855 391	WCFD-2622 SA	1821 318
WCFD-2622 SA	1821 318	YH-2911 S	E-5815-M
YH-2911 S	E-5815-M	YH-3195-S	E-6 864-M
YH-3195-S	E-6 864-M	1-432-S	1073 080
1-432-S	1073 080	1A-17	864 599
1A-17	864 599	1A-23	561 378
1A-23	561 378	1A-24	662 811
1A-24	662 811	1A-30	637 192
1A-30	637 192	1A-45	697 695
1A-45	697 695	1A-46	637 191
1A-46	637 191	1A-64	1140 006
1A-64	1140 006	1A-71	1404 605
1A-71	1404 605	1A-77	1553 170
1A-77	1553 170	1A-88	1553 097
1A-88	1553 097	1A-89	1553 098
1A-89	1553 098	1A-90	1610 799
1A-90	1610 799	1A-94	1618 129
1A-94	1618 129	1A-99	1615 551
1A-99	1615 551	1A-103	1676 726
1A-103	1676 726	2-118	1073 092
2-118	1073 092	3-182	1945 482
3-182	1945 482	3-449 S	957 797
3-449 S	957 797	3-971 S	1618 270
3-971 S	1618 270	4-475-S	1073 083
4-475-S	1073 083	4A-105-S	1190 551
4A-105-S	1190 551	4A-114 S	1190 551
4A-114 S	1190 551	6E-2	912 412
6E-2	912 412	6N 1	1317 959
6N 1	1317 959	6-773 S	1409 449
6-773 S	1409 449	7-138-S	1075 634
7-138-S	1075 634	10-58	1826 863
10-58	1826 863	11B-79	699 811
11B-79	699 811	11B-186-S	1070 743
11B-186-S	1070 743	11B-193	1073 093
11B-193	1073 093	11B-219-S	1125 788
11B-219-S	1125 788	15-58 S	1826 863
15-58 S	1826 863	15-62 S	1826 346
15-62 S	1826 346	16-25	2084 108
16-25	2084 108	16-26	1826 845
16-26	1826 845	16-27	2084 111
16-27	2084 111	16-29	1826 887
16-29	1826 887	16-35	1826 347
16-35	1826 347	16-39	1826 348
16-39	1826 348	16-40	1826 349
16-40	1826 349	16-42	1826 884
16-42	1826 884	16-43	1826 875
16-43	1826 875	16-45	1826 840
16-45	1826 840	16-51	1826 861
16-51	1826 861	16-70	1828 882
16-70	1828 882	16-109	2084 112
16-109	2084 112	16-111	2084 110
16-111	2084 110	16-113	2084 109
16-113	2084 109	16-117	2084 165
16-117	2084 165	16-118	2084 179
16-118	2084 179		

VENDOR NUMBER CROSS REFERENCE LIST

VENDOR NUMBER	CHRYSLER NUMBER	VENDOR NUMBER	CHRYSLER NUMBER	VENDOR NUMBER	CHRYSLER NUMBER
CARTER					
16-119	2084 184	G4-137-S	1404 604	75-1365	1826 185
16-120	2084 194	64-145 S	1610 746	75-1370	1826 189
16-122	2084 202	64-148 S	1533 778	75-1373	1826 192
16-157	2240 479	G4-160-S	1610 734	75-1376	1826 221
16-158	2240 488	G4-161-S	1610 774	75-1387	1826 230
16-160	2240 466	G4-163-S	1618 107	75-1391	1826 413
16-161	2240 463	G4-174-S	1618 150	75-1409	1826 881
16-162	2275 252	G4-176-S	1618 250	75-1414	1826 879
16-165	2240 473	G4-182-S	1631 396	75-1425	1826 848
16-192	2299 059	64-183-S	1631 409	75-1427	1826 883
16-206	2299 142	64-184 S	1631 453	75-1429	1826 843
16-216	2299 187	64-187-S	1631 515	75-1442	1826 886
16-217	2299 230	64-210 S	1826 607	75-1453	2084 131
20-32	645 619	64-212 S	1826 369	75-1476	2084 183
20-42	645 619	64-215 S	1826 846	75-1477	2084 182
20-268-S	2299 251	64-225 S	2084 163	75-1482	2084 182
25-44-S	645 615	64-237 S	2240 402	75-1494	2196 223
25-48-S	605 063	64-304-S	2299 217	75-1507	2196 215
25-82-S	690 676	65-34-S	1533 785	75-1518	2240 403
25-98-S	1400 821	71A-17	622 462	75-1519	2240 439
25-148-S	1072 972	75-118 S	1631 471	75-1525	2240 476
25-202-S	1404 577	75-126	2240 492	75-1526	2240 492
25-216-S	1531 362	75-933	1551 493	75-1575	2275 285
25-225-S	1539 152	75-934	1551 494	75-1579	2299 001
25-254-S	1610 738	75-943	1553 141	75-1581	2299 009
25-273 S	2084 132	75-990	1553 168	75-1582	2299 016
25-278-S	1618 234	75-991	1610 806	75-1583	2299 020
25-279-S	1618 235	75-998	1610 794	75-1590	2299 111
25-280-S	1618 288	75-999	1618 106	75-1591	2299 112
25-291-S	1631 436	75-1125	1610 869	75-1592	2299 110
25-392 S	2196 207	75-1143	1618 251	75-1593	2299 108
25-337 S	1826 833	75-1144	1618 297	75-1594	2299 113
25-343 S	1826 834	75-1145	1631 327	75-1598	2299 115
25-348 S	1826 844	75-1160	1631 394	75-1599	2299 116
25-362 S	2084 180	75-1168	1631 389	75-1600	2299 117
25-392 S	2196 207	75-1177	1631 438	75-1601	2299 118
25-394 S	2240 410	75-1178	1631 440	75-1616	2299 218
25-426 S	2240 401	75-1180	1631 442	75-1618	2299 224
25-428 S	2240 438	75-1186	1631 471	76-34	1066 646
25-437 S	2240 493	75-1207	1631 504	76-35	1066 647
25-440 S	2275 281	75-1208	1631 502	80-46-S	1075 655
25-673-S	2299 126	75-1217	1631 613	86-11	120 380
25-690-S	2299 180	75-1225	1631 680	86-15	120 382
30-37	1138 687	75-1247	1631 704	86-26	121 752
30-58	1826 353	75-1248	1631 705	101-12	131 974
30-73	1618 236	75-1251	1631 783	101-173	100 944
30-78	1826 864	75-1263	1676 675	101-178	963 799
30-78-S	1826 864	75-1264	1676 690	101-179	1075 631
61-288	1075 669	75-1273	1676 695	101-181	963 798
61-314-S	1323 827	75-1274	1676 696	101-195	1073 097
61-502	1631 372	75-1278	1676 693	101-200 S	1073 098
62-208-S	1631 437	75-1280	1676 701	101-203	1075 670
64-60-S	697 709	75-1281	1676 702	101-234 S	188 079
64-74 S	871 999	75-1327	1676 755	101-248	1193 218
64-118-S	1140 849	75-1328	1676 769	101-322	271 122
64-134-S	1404 612	75-1336	1676 813	105-A-13	120 369
		75-1344	1676 814	105A-51	271 506

VENDOR NUMBER CROSS REFERENCE LIST

VENDOR NUMBER	CHRYSLER NUMBER	VENDOR NUMBER	CHRYSLER NUMBER	VENDOR NUMBER	CHRYSLER NUMBER
CARTER					
114-137-S	1631 516	121-306	2299 125	203	1826 428
115-239	1618 258	121-309	2299 144	205-53 S	2084 130
118-53-S	1075 660	121-331	2299 127	205	1826 429
120-155	1826 235	136-27	1141 431	212 D	1826 505
120-159	1400 857	137 A	1063 442	213 A	1826 430
120-160	1631 540	149-82-S	1073 090	213-14-S	1400 883
120-163	1826 208	156-29	862 072	214 A	1826 506
120-164	1676 758	156-92	188 947	215	1826 431
120-166	1610 758	156-115 S	1826 876	218	1501 349
120-173 S	1531 177	159-43 S	1075 762	218-10	1075 671
120-174	1631 629	159-59-S	650 193	224-10-S	1313 707
120-175	1676 717	159-96-S	867 322	224-11-S	1316 029
120-177	2299 231	159-106-S	1073 075	224-13-S	1316 031
120-182 S	1531 178	163-22	1073 099	224-15-S	1316 033
120-183 S	1531 179	163-28	1117 474	225	1826 432
120-185	1676 692	164 A	1626 425	234 A	1826 433
120-186	1631 541	170-AA-312 SU	1610 845	236	1826 434
120-189	1826 865	170-AB-317 SU	1610 864	237	1826 435
120-195 S	1553 088	170-AB-323 SU	1610 863	242	1826 436
120-196	1610 759	170-AB-426 S	1676 679	243	1826 437
120-199-S	1610 880	170-AC-323 S	1631 330	244	1826 438
120-200-S	1610 811	170-AC-325 SU	1676 733	247 A	1826 439
120-201 S	1610 812	170-AC-358 S	1631 396	251	1826 440
120-205-S	1610 881	170-AC-385 S	1631 493	252	1826 441
120-206-S	1610 882	170-AE-320 SU	1610 865	255	1826 442
120-207 S	1610 881	170-AE-479 S	1826 880	264 A	1826 443
120-210 S	1618 217	170-AH-312 SU	1610 866	265	1826 444
120-211-S	1618 218	170-AN-320 S	1631 626	269 A	1826 445
120-212-S	1618 219	170-AN-479 S	1676 751	278	1826 446
120-213-S	1618 220	170-AR-358 S	1618 307	282 A	1826 504
120-214-S	1618 221	170-AR-538 S	1826 398	288	1826 507
120-215-S	1618 222	170-AS-484 S	1676 837	297	1826 508
120-217 S	1631 354	170-AU-465 S	1737 782	298	1826 509
120-221 S	1631 617	170-AU-653 S	2121 955	299	1826 510
120-224	1676 691	170-AU-654 S	2121 956	300	1826 511
120-226	1676 770	170-AV-464 S	1737 780	302	1826 512
120-228	2084 166	170-AW-484 S	1676 837	309	1826 513
120-231 S	1826 849	170-AX-514 S	1821 963	310	1826 514
120-232 S	1826 837	170-AX-596 S	1858 523	311	1826 515
120-245 S	2196 203	170-AZ-538 S	1826 847	313	1826 560
120-248 S	2240 448	170-BA-655 S	2121 957	316	1826 554
120-249	2240 437	170-BC-634 S	1947 765	317	1826 552
120-251 S	2240 485	170-EC-634 F	1947 765	318	1826 549
120-252	2240 464	170-N-312 S	1618 116	319	1826 561
120-253 S	2240 404	170-P-312 S	1618 111	320	1826 562
120-263S	2299 005	170-T-320 S	1676 720	323	1826 613
120-264 S	2299 000	170-X-312 S	1676 775	333	2084 129
120-265S	2299 109	172 A	1826 503	335	2084 192
121-13	645 652	192-23 S	1479 527	336	2084 193
121-78	1330 873	195-65-U	1631 640	337	2084 200
121-113	1073 085	195-66-U	1674 812	340	2196 221
121-115	929 850	202-24 S	1404 610	341	2196 222
121-175	1330 874	202-35-S	1538 426	343	2196 211
121-176	1330 875	202-75-S	1557 277	344	2196 212
121-202	1409 446	202-76-S	1557 281	900-1	2084 682
121-229	1618 262	202-80-U	1631 362	900-2	2084 683
121-292	2299 140	202-83-U	1631 370	900-4	2084 684

VENDOR NUMBER CROSS REFERENCE LIST

VENDOR NUMBER	CHRYSLER NUMBER	VENDOR NUMBER	CHRYSLER NUMBER
CARTER			
900-5	2084 685	1748 N	1826 453
900-10	2084 686	1752 N	1826 454
900-14	2084 687	1753 N	1826 455
900-15	2084 688	1757 N	1826 456
900-16	2084 689	1758 N	1826 457
900-22	2084 690	1766 N	1826 458
900-25	2084 691	1768 N	1826 459
900-26	2084 692	1775 N	1826 460
900-29	2084 693	1779 N	1826 461
900-35	2084 694	1786 N	1826 462
900-40	2084 695	1789 N	1826 464
900-47	2084 696	1791 N	1826 465
900-48	2084 687	1793 N	1826 466
900-49	2084 688	1794 N	1826 467
900-52	2084 699	1795 N	1826 468
900-53	2084 700	1801 N	1826 469
900-55	2084 701	1806 N	1826 470
900-67	2084 702	1817 N	1826 471
900-68	2084 703	1820 N	1826 472
900-69	2084 704	1825 N	1826 473
900-70	2084 705	1826 N	1826 474
900-71	2084 706	1834 N	1826 475
900-81	2084 707	1835 N	1826 476
900-89	2084 708	1838 N	1826 477
900-100	2196 226	1846 N	1826 478
900-102	2196 228	1857 N	1826 479
900-103	2196 229	1858 N	1826 480
900-104	2196 230	1859 N	1826 481
900-105	2196 231	1860 N	1826 482
900-106	2196 232	1862 N	1826 483
900-107	2196 233	1863 N	1826 484
901-1	2196 227	1864 N	1826 485
901-2	2196 230	1869 N	1826 486
905-1	2084 176	1876 N	1826 546
905-2	2084 177	1878 N	1826 489
905-3	2084 178	1879 N	1826 490
905-4	2084 187	1880 N	1826 491
905-5	2084 189	1881 N	1826 492
905-6	2084 190	1882 N	1826 493
905-7	2084 198	1883 N	1826 494
905-8	2084 199	1884 N	1826 495
905-9	2084 196	1885 N	1826 496
1341 B	1501 648	1886 N	1826 497
1503 N	1826 598	1887 N	1826 498
1513 N	1826 447	1888 N	1826 499
1526 N	1826 448	1889 N	1826 500
1533 N	1826 596	1890 N	1826 501
1534 P	1826 517	1891 N	1826 502
1578 N	1826 449	1892 N	1826 519
1579 N	1826 450	1893 N	1826 520
1728 N	1826 451	1894 N	1826 521
1740 N	1826 452	1895 N	1826 522
		1896 N	1826 518
		1897 N	1826 523
		1898 N	1826 535
		1899 N	1826 536
		1900 N	1826 525
		1901 N	1826 524
		1903 N	1826 547
		1905 N	1826 530
		1906 N	1826 526
		1907 N	1826 548
		1908 N	1826 531
		1909 N	1826 532
		1910 N	1826 533
		1912 N	1826 528
		1913 N	1826 555
		1914 N	1826 527
		1915 N	1826 553
		1916 N	1826 551
		1917 N	1826 542
		1918 N	1826 543
		1919 N	1826 544
		1925 N	1826 550
		1926 N	1826 563
		1927 N	1826 564
		1928 N	1826 565
		1942 N	1826 591
		1943 N	1826 592
		1948 N	1826 611
		1949 N	1826 612
		1951 N	1826 613
		1955 N	1826 620
		1959 N	1826 859
		1960	1826 858
		1961 N	1826 857
		1962 N	1826 856
		1973 N	1826 877
		1976 N	1826 760
		1978 N	1826 761
		1983 N	2084 128
		1988 N	2084 164
		1989 N	2084 176
		1993 N	2084 188
		1996 N	2084 191
		5010 N	2196 216
		5011 N	2196 217
		5012 N	2196 218
		5013 N	2196 219
		5015 N	2196 213
		5016 N	2196 220
		5027 N	2084 197
		5500	1075 648

VENDOR NUMBER CROSS REFERENCE LIST

VENDOR NUMBER	CHRYSLER NUMBER	VENDOR NUMBER	CHRYSLER NUMBER	VENDOR NUMBER	CHRYSLER NUMBER
HOLLEY					
85G-1088	2299 037	R2535A	2402 503	22R-40-59	2299 041
18R-87 A	2299 042	R2536R	2402 504	25R-166A	2299 040
22R-40-59	2299 041	R2537A	2402 505	34R-3109A	2299 039
25R-166 A	2299 040	R2538A	2402 506	35R-3347A	2299 038
34R-3109 A	2299 039	18R-87A	2299 042	34R3632	2299 241
35R-347 A	2299 038	22R-40-53	2299 239	34R3642A	2299 244
R2418A	2268 324	56	2299 248	34R3643A	2299 247
R2533R	2402 501	57	2299 245	85G-1088	2299 037
R2533A	2299 238	58	2299 242		

VENDOR NUMBER CROSS REFERENCE LIST

VENDOR NUMBER	CHRYSLER NUMBER	VENDOR NUMBER	CHRYSLER NUMBER	VENDOR NUMBER	CHRYSLER NUMBER
STROMBERG					
3-85	1241 507	380989	2121 780	388186	2299 257
3-99	1317 260	381502	2275 255	388211	1826 885
3-100	1317 261	381507	2299 092	388471	2084 733
3-191	2120 975	381650	2299 093	388481	2084 730
1191S-8	2229 666	381651	2299 101	388539	2299 254
1928 N	1826 565	381652	2299 183	388558	2196 204
125666	1508 491	381654	2299 095	388592	2240 436
125676	1786 521	381655	2299 099	388657	2240 454
126222	1194 871	381666	2299 260	388661	2240 456
126345	1569 505	382340	2084 728	388883	2299 085
126358	1661 481	382357	1631 366	388887	2299 089
126481	2228 748	382359	1631 368	388984	2299 274
126671	1786 519	382363-4	1610 817	388989	2299 275
126672	1786 524	382371	1610 818	388990	2299 277
127341	1921 369	382454	869 577	389025	2299 276
374146	1935 343	382548	869 688	389047	2299 253
377631	1792 370	382897	957 323	389062	2299 256
377632	1792 371	384368	1610 838	610648	2229 688
377637	1792 372	384657	1138 695	610649	2229 687
379868	1935 344	384956	1138 697	610655	2229 693
380249	1312 120	385100	1312 284	610654	2227 704
380261	1317 260	385120	1316 746	610678	2227 703
380262	1317 261	385449	1323 833	610688	2227 705
380319	1409 941	385499	1535 993	615229	1934 980
380320	1404 045	386108	1531 383	615256	1934 981
380322	1484 347	386117	1531 384	615375	2226 520
380326	1485 966	386186	1534 460	615418	2227 257
380327	1485 967	386205	1533 766	615419	2227 256
380330	1489 789	386207	1533 768	615431	2227 255
380331	1489 786	386208	1533 769	615434	2227 406
380360	1612 232	386208	1534 463	615459	2227 162
380363	1613 072	386208	1553 087	901002	131 044
380365	1613 074	386208	1618 205	901006	120 380
380365	1616 350	386208	1676 659	902024-K1	132 688
380376	1632 458	386227	1479 527	902963-K1	132 056
380388					
380391	1636 046	386290	1539 149	903899-K1	131 954
380393	1636 648	386498	1553 093	903922-K1	132 056
380396	1637 354	386724	1618 178	904230-K1	132 105
380404	1639 936	386776	1618 184	909064K6	2278 900
380408	1676 334	386797	1618 185	AAVP-2	1530 598
380423	1639 706	386904	1618 216	BVX-3-110	1489 789
380424	1674 823	386906	1618 201	J-5968	1610 819
380428	1730 456	386943	1631 339	P-112-S-22	112 726
380431	1673 744	386949	1631 353	P-2290	120 614
380440	1736 093	386951	1631 377	P-2866	131 958
380442	1736 095	386988	1631 486	P-3157	120 380
380443	1736 096	387144	1631 656	P-18811	1123 980
380444	1736 097	387184	1631 709	P-18839	137 406
380451	1738 618	387189	1631 673	P-21197	662 762
380452	1738 619	387410	1738 613	P-21198	1531 371
380458	1738 406	387411	1738 614	P-21918	959 232
380476	1828 000	387444	1676 821	P-22499	677 620
380943	1947 841	387745	1826 862	P-23361	1631 694
380948	1859 944	387749	1826 414	P-23567	1486 385
380953	1945 422	387806	1852 020	P-23606	1631 496
380970	2120 064	388111	2084 729	P-23676	691 200
380971	2120 065	388186	2299 121	P-23912	1610 836

VENDOR NUMBER CROSS REFERENCE LIST

VENDOR NUMBER	CHRYSLER NUMBER	VENDOR NUMBER	CHRYSLER NUMBER	VENDOR NUMBER	CHRYSLER NUMBER
STROMBERG					
P-24827	861 129	RK-253	1826 866	WW3-130	1617 861
RK-143	1610 815	RK-258	2084 113	WW3-142	1676 332
RK-148	1618 123	RK-259	2084 114	WW3-144	1676 334
RK-149	1610 816	RK-260	2084 115	WW3-145	1639 706
RK-172	1610 814	RK-267	2084 722	WW3-146A	1674 823
RK-185	1618 124	RK-268	2084 723	WW3-147	1730 456
RK-188	1631 365	RK-269	2084 724	WW3-152	1828 000
RK-194	1631 451	RK-270	2084 725	WW3-161	1738 406
RK-195	1631 495	RK-271	2084 726	WW3-171	1851 554
RK-197	1631 682	RK-272	2084 727	WW3-173	1851 556
RK-220	1676 721	RK-273	2196 202	WW3-184	1945 422
RK-222	1676 722	RK-276	2240 455	WW3-198	2203 131
RK-223	1676 720	RK-277	2240 457	WW3-199	2203 133
RK-229	1676 812	RK-280	2275 256	WW3-200	2203 134
RK-231	1826 152	RK-281	2275 258	WW3-201	2205 757
RK-232	1826 154	RK-297	2299 086	WW3-202	2264 859
RK-233	1826 155	RK-298	2299 091	WW3-203	2264 860
RK-235	1826 271	RK-299	2299 103	WW3-204	2264 861
RK-236	1826 272	RK-301	2299 082	WW3-205	2264 862
RK-240	1826 331	RK-321	2299 258	WW3-207	2264 864
RK-241	1826 423	RK-323	2299 255	WW3-211	2265 032
RK-242	1826 539	WW-15-28	1826 101	WW3-214	2402 094
RK-243	1826 540	WW3-105A	1409 941	386208	1553 087
RK-244	1826 511	WW3-106A	1404 045	388186	2299 090
RK-245	1826 557	WW3-108 A	1485 966	388883	2299 085
RK-251	1826 850	WW3-110	1489 789	388887	2299 089

VENDOR NUMBER CROSS REFERENCE LIST

VENDOR NUMBER	CHRYSLER NUMBER	VENDOR NUMBER	CHRYSLER NUMBER	VENDOR NUMBER	CHRYSLER NUMBER
TIMKEN					
5-BC	669 077	598-A	1192 543	3826-A-261	1667 422
6	618 311	15x899	2230 738	3876	567 226
6-AX	1316 791	1107Z78	1196 869	3878	856 859
6-CE	632 685	1199R2176	2232 800	3880	668 520
7-C	1536 251	1220	622 266	3891-F-1228	2231 418
11-BA	376 749	1229-U-1503	2230 739	3891-U-1087	2231 419
11-BC	640 086	1246-M-91	1785 512	3892-D-1746	2231 421
12-CB	1532 736	1280	622 267	3892-W-1921	2231 420
13-C	376 751	1729	698 401	3920	1662 783
14-C	637 539	1755	698 402	3975	1270 856
14-CE	1532 737	1780	1262 533	3979	1192 110
15-BA	386 645	1780	1662 675	3982	1662 785
16	386 642	2203-H-203	1923 858	3984	1662 722
18	924 262	2208-T-514	2233 259	3994	1789 829
35-BC	640 892	2240-W-1245	1272 071	A-4059	625 119
36-X	675 117	2240-X-1246	1272 072	A-4138	625 118
38-A	1273 099	2240-Y-1247	1272 073	5535	1793 637
T-83	959 141	2240-W-1248	1272 074	5566	1192 735
T-138	531 031	2523	698 390	5577	1508 901
T-163	1567 687	2578	1662 741	5720	1503 911
332	304 003	2585	698 391	5784-T	1503 910
339	568 675	2631	55 584	9121	1267 718
342-S	314 951	2691	1193 749	9181	1267 721
382	527 722	2720	310 213	9185	1267 719
387-A	527 521	2735-X	1188 715	02820	1793 512
394-A	527 745	2736	681 318	02872	1793 513
394-AS	1667 854	2780	1188 716	09062	1274 672
395	536 645	2788	22 678	09067	1139 292
395-A	1508 700	2790	41 591	09074	698 389
432	531 053	2793	927 375	09194	698 388
444	579 104	2820	854 617	09195	1139 291
453-X	1662 719	2877	854 618	11520	1793 515
462	1662 721	2924	927 016	11590	1793 514
472-A	510 764	2984	927 018	LM-11910	1619 702
472-A	1264 092	3102-Y-1923	1938 420	LM-11949	1619 703
482	1264 090	3133-C-7615	1927 083	12520	1662 607
485-T	1264 869	3144-L-194	1789 546	12580	1662 723
493	1264 086	3144-M-195	1789 547	12610	1790 244
495	107 363	3200-T-540	2153 260	12649	1790 241
495	1663 767	3200-H-606	2230 357	14116	1790 525
495-A	1264 084	3202-B-2966	2230 307	14119-A	1189 687
495-AX	1663 767	3278-P-146	2230 699	14124	912 161
496	1191 987	3278-T-150	2231 970	14125-A	698 395
498	1264 091	3420	51 094	14130	698 410
532-A	531 050	3476	376 505	14137-A	589 211
539	531 049	3479	1667 638	14138-A	698 396
552-A	1192 238	3525	305 654	14274	698 409
559	1192 237	3525	1662 740	14276	698 394
560	572 032	T3564	568 483	15101	1790 546
563	503 248	3585	668 122	15123	1139 294
566	519 107	3586	1662 742	15245	1139 293
572	530 133	3720	503 229	18620	1792 268
575	530 371	3736-D-394	2226 459	18685	1792 267
580	572 037	3736-E-395	2226 458	23100	927 014
581	553 219	3778	570 918	23256	927 013
582	1192 001	3780	913 778	24720	926 162
592-A	1192 542	3820	619 395	24780	912 160

VENDOR NUMBER CROSS REFERENCE LIST

VENDOR NUMBER	CHRYSLER NUMBER	VENDOR NUMBER	CHRYSLER NUMBER	VENDOR NUMBER	CHRYSLER NUMBER
TIMKEN					
25520	698 403	42688	1662 794	66225	1270 874
25523	1793 510	44143	1667 864	66462	1270 873
25576	929 194	NA-44143-44363-D	926 261	67010	1619 700
25577	1793 511	NA-44143-44363-D	587 545	LM-67048	1619 701
25580	698 404	44162	1667 037	72188	1191 914
25590	1790 523	44348	537 819	72200	1191 917
25821	698 399	45220	1789 610	72218	1503 924
25877	698 400	45284	1789 611	72225	1666 341
26822	671 604	46176	856 861	72487	1191 916
26823	1662 673	46368	688 474	78214	1192 439
26884	1662 674	47490	1793 403	78225	1192 436
28521	1795 352	47620	1192 423	78551	1192 437
28580	1795 353	47686	1192 424	M-88010	1820 551
28622	927 015	47687	1668 285	M-88048	1820 552
28682	927 017	47820	1267 696	HM-89410	1401 810
28920	587 531	47890	1267 697	HM-89443	1401 808
28985	587 530	LM-48510	1789 754	HM-89446	1401 809
31520	698 413	LM-48548	1789 755	HM-212011	1669 981
31590	698 414	49151	563 574	HM-212044	1669 980
31593	698 415	49520	587 551	H-414210	1268 075
31594	1793 516	49577	1192 235	H-414242	1508 912
31597	1795 927	49585	588 887	H-414245	1268 074
33275	1660 794	52400	127 841	HM-516410	1668 284
33281	1662 786	53162	543 659	HM-516449	1668 286
33462	1662 784	53177	1509 052	H-715311	1393 095
33472	1660 792	53375	1264 089	H-715345	1393 092
33821	926 245	53387	530 020	HM-801310	1404 470
33891	926 244	55176	1191 867	HM-801346	1404 469
34301	1666 152	55187	1191 748	HM-803110	1327 847
34500	1666 151	55200	117 186	HM-803112	1405 885
35175	698 398	55443	1191 868	HM-803145	1327 846
A3736D-394	2226 459	59175	563 571	HM-803145	1667 008
A3736E-395	2226 458	59187	92 624	HM-803149	1404 472
39520	1662 791	59200	566 600	HM-804810	1327 850
39580	1263 857	59412	563 572	HM-804843	1566 143
39581	1267 212	65200	1668 279	HM-804846	1327 849
39590	1662 793	65225	1268 057	HM-807010	1799 297
41125	568 463	65237	1789 002	HM-807040	1667 408
41286	568 462	65320	1192 127	HM-807046	1393 091
42381	1264 085	65384	1192 126	HM-813810	1566 147
42584	1264 088	65390	1192 129	HM-813842	1566 146
42620	1662 792	65500	1268 058	813844	1661 378
42687	1191 989	66200	1666 158		
42688	1196 228	66212	1666 338		

VENDOR NUMBER CROSS REFERENCE LIST

VENDOR NUMBER	CHRYSLER NUMBER	VENDOR NUMBER	CHRYSLER NUMBER
ZENITH			
62AJ10	1533 324	C66-33-1-75	2275 269
62AJ12-0-12572	2125 532	C81-1-40	1316 729
10945 A	1323 887	C81-20-50	1120 693
11000	1323 888	C97-10-13	1121 184
11426	E-2726-M	C97-10-14	1120 695
11427	E-2732-M	C97-10-17	1121 101
11481	E-2741-M	C97-10-19	1323 822
11583 B	E-3135-M	C97-16-0	1322 721
427047	E-71 816-M	C97-16-24	1826 872
B1807	E-24 374-M	C111-17	925 460
E1808	E-71 817-M	C136-3	925 484
C36-15	1826 874	C140-7	925 487
C36-23	1323 825	C141-4-13	1531 367
C38-14A30	1120 683	C177-5	E-67 564-M
C41-9	1117 454	C178-10	E-67 882-M
C51-3-19	1531 366	C-181-55	1826 581
C52-1-18	1316 052	C181-53	1826 582
C52-6-23	1676 658	C181-65	1631 777
C52-6-24	1539 169	C181-73	1826 585
C52-6-29	1120 689	C181-99	1826 584
C52-13-23	1826 871	C181-101	1826 583
C52-13-27	1826 869	EF-337	915 093
C52-13-30	1826 870	FIX 10	919 446
C52-13-37	1320 108	FIX 15	919 452
C52-14-17	1826 873	F5-7	919 451
C52-14-27	1323 821	F6-12	915 891
C66-25-1-60	1316 055		
F7-121	919 444		
F2X3	1122 541		
F290 X2D	870 449		
F353	965 039		
GR41-4	1826 868		
K-S637	1826 566		
K-860	1826 569		
K-10640	1826 570		
K-11000	1826 572		
K-11426	1826 573		
K-11427	1826 574		
K-11481	1826 575		
K-11534	1826 576		
K-11583	1826 577		
K-11885	1826 578		
K-11962	1826 579		
K-12145	1826 580		
K-12572	2275 272		
O-10640	E-98 695-M		
O-12145	E-477C-M		
P-3157	120 380		
P-18811	1123 980		
T43-6	131 044		
T43-103	120 214		
T56B6-4	100 944		

VENDOR NUMBER CROSS REFERENCE LIST

VENDOR NUMBER	CHRYSLER NUMBER	VENDOR NUMBER	CHRYSLER NUMBER	VENDOR NUMBER	CHRYSLER NUMBER
ZENITH					

